

1A1

TRACTORS (-429999) 2040S,2140

CODES USED IN "REMARKS" COLUMN
 CODES UTILISES DANS LA COLONNE "REMARQUES"
 KODE-ZEICHEN IN DER SPALTE "BEMERKUNGEN"
 CODICI USATI NELLA COLONNA "NOTE"
 CODIFICACION EN LA COLUMNA "NOTAS"
 KODATS SOM ANVANDS PA KOLUMN "ANMAERKNINGER"

ES107700 -UN-01JAN94

	English	Français	Deutsch	Italiano	Español	Svenska
APPL	This application only	uniquement pour cette utilisation	nur für diese Anwendung	solo per questo impiego	tan sólo para este propósito	Endast för detta användning
AR	As required	Suivant besoin	Nach Bedarf	Secondo necessità	Según necesidad	I ma av behöv
ASSY	Complete assembly	Ensemble complet	Kompletter Zusammenbau	Gruppo completo	Conjunto completo	Komplett enhet
FOR	For	Pour	für	Per	Para	För
FRONT	Front	Avant	Vorn	Anteriore	Fronte	Fram
GRID	See grid	Voir case	siehe Koordinate	Vedi coordinata	Véase coordenada	Se ruta
I.D.	Inside diameter	Diamètre intérieur	Innendurchmesser	Diametro interno	Diámetro interior	Inre diameter
INCL. KEYS	Including keys	Comprend les repères . . .	Einschließlich Teile	Chiavette incluse	incluye las posiciones	Inklusive nycklar
KIT	Kit	Nécessaire de réparation	Reparatursatz	Corredo	Juego de piezas para una reparación	Sats
L	Number of links	Nombre de maillons	Zahl der Glieder	Numero di maglie	Número de eslabones	Antal länkar eller led
LGTH	Length	Longueur	Länge	Lunghezza	Longitud	Längd
L.H.	Left-hand	Gauche	Links	Sinistra	Izquierda	Vänster sida
LOW	Lower	Inférieur	Unten	Inferiore	Más bajo	Nedre
MARKED	Marked	Marqué	Markiert	Marcato	Marcado	Märkt
MF	Make from	Réaliser avec	Herstellen von	Fabbricare di	Hacer de	Tillverka av
NSEP	Not supplied separately	Non livré séparément	Einzel nicht lieferbar	Non fornito separatamente	No se suministra por separado	Kan ej erhållas separat
O.D.	Outside diameter	Diamètre extérieur	Außen-durchmesser	Diametro esterno	Diámetro exterior	Yttre diameter
OR	Or	Ou	Oder	Oppure	O	Eller
ORD	Order	Commander	Bestelle	Ordinare	Pídase	Order, rekvisition
PACKG	By packet of	Par paquet de	Verpackt zu	In confezione da	Por paquete de	I sats eller paket
R.H.	Right-hand	Droit	Rechts	Destra	Derecha	Höger sida
REAR	Rear	Arrière	Hinten	Posteriore	Trasero	Bak, bakre
SUB.	Replaced by	Remplacé par	Ersetzt durch	Sostituito per	Sustituido por	Ersättad med
SUB. FOR	Substitutes for	Remplace	Ersatz für	Sostituisce	Sustitución para	Ersätter
TK	Thickness	Epaisseur	Stärke	Spessore	Espesor	Tjocklek
UP	Upper	Supérieur	Oben	Superiore	Superior	Upp
W/	With	Avec	Mit	Con	Con	Med, inklusive
W/O	Without	Sans	Ohne	Senza	Sin	Utän, exklusiv
Z	Gear and sprocket teeth number	Nombre de dents des pignons	Zahnzahl für Ketten- und Zahnrad	No. denti corona o pignone	Número de dientes de los engranajes	Antal tänder på driv och kugghjul

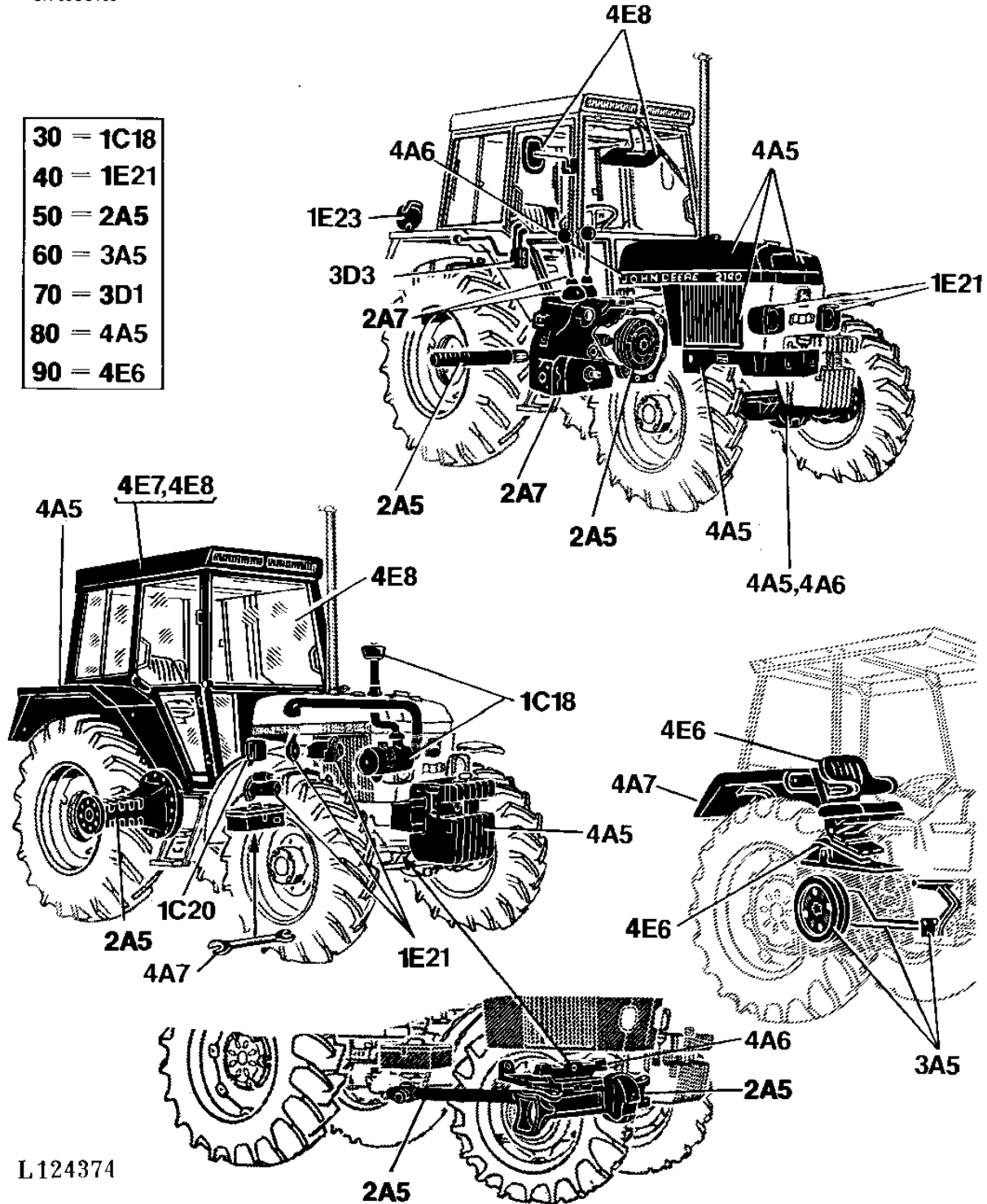
ES107700

1A2

TRACTORS (-429999) 2040S,2140

PRIMARY INDEX
 INDEX PRINCIPAL
 HAUPTINDEX
 INDICE PRINCIPALE
 INDICE DE MATERIAS
 HUVUDFORTECKNING
 L124374 -UN-09OCT95

30	=	1C18
40	=	1E21
50	=	2A5
60	=	3A5
70	=	3D1
80	=	4A5
90	=	4E6



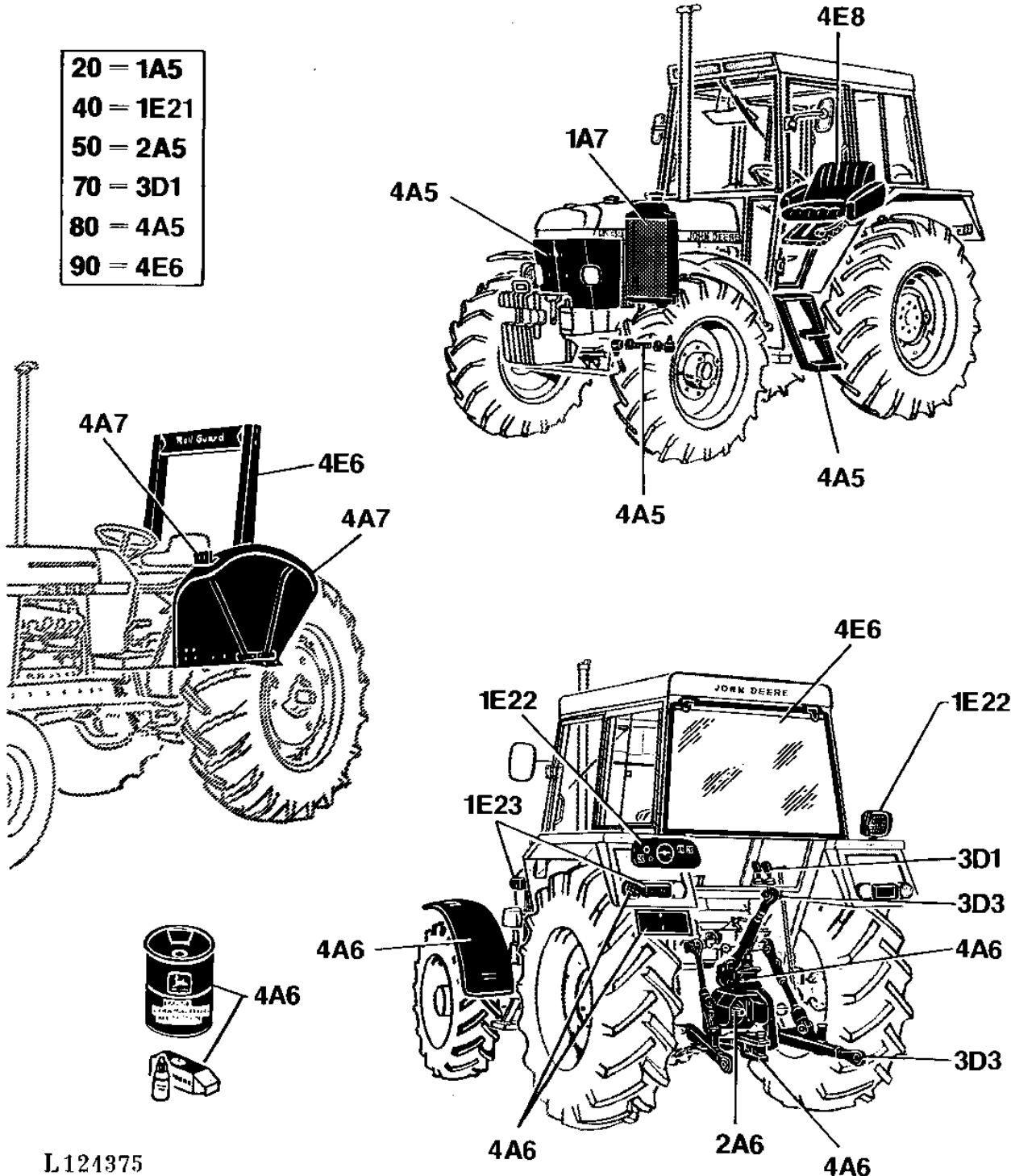
L124374

1A3

TRACTORS (-429999) 2040S,2140

PRIMARY INDEX
 INDEX PRINCIPAL
 HAUPTINDEX
 INDICE PRINCIPALE
 INDICE DE MATERIAS
 HUVUDFORTECKNING
 L124375 -UN-09OCT95

20	=	1A5
40	=	1E21
50	=	2A5
70	=	3D1
80	=	4A5
90	=	4E6



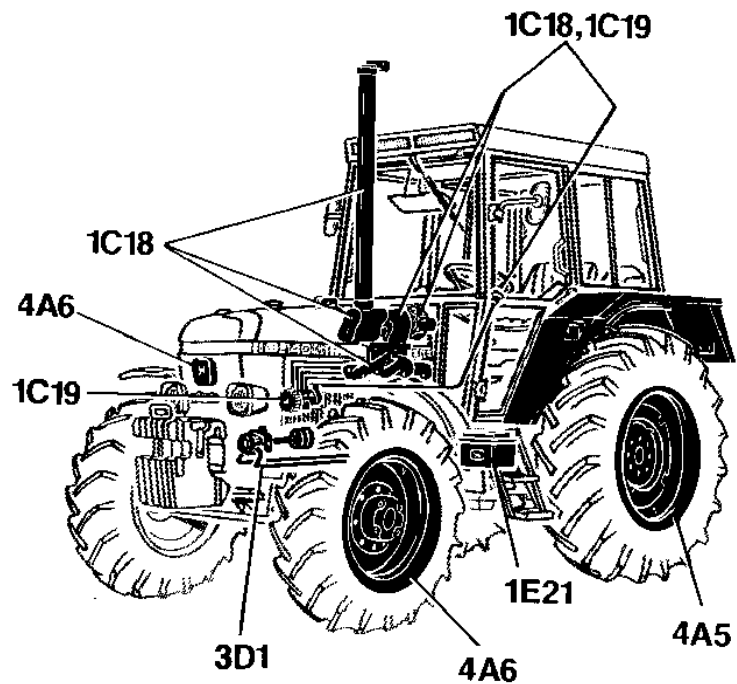
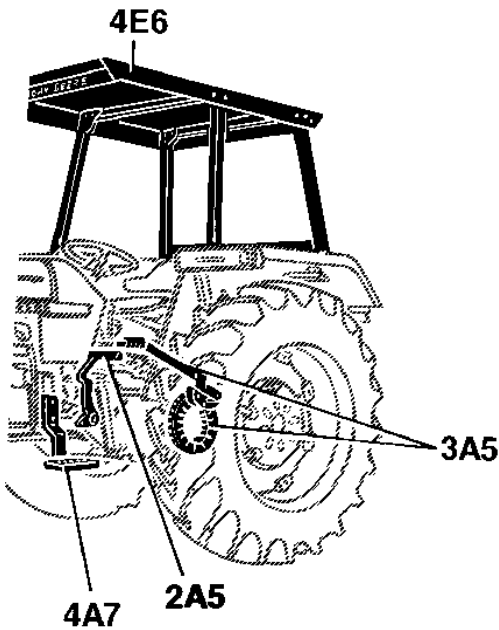
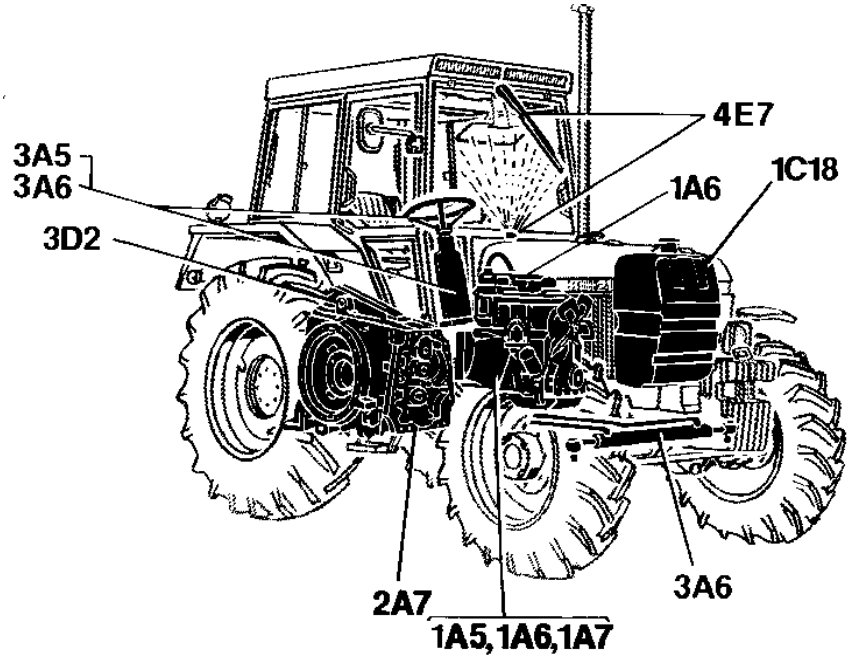
L124375

1A4

TRACTORS (-429999) 2040S,2140

PRIMARY INDEX
 INDEX PRINCIPAL
 HAUPTINDEX
 INDICE PRINCIPALE
 INDICE DE MATERIAS
 HUVUDFORTECKNING
 L124376 -UN-09OCT95

20	=	1A5
30	=	1C18
40	=	1E21
50	=	2A5
60	=	3A5
70	=	3D1
80	=	4A5
90	=	4E6

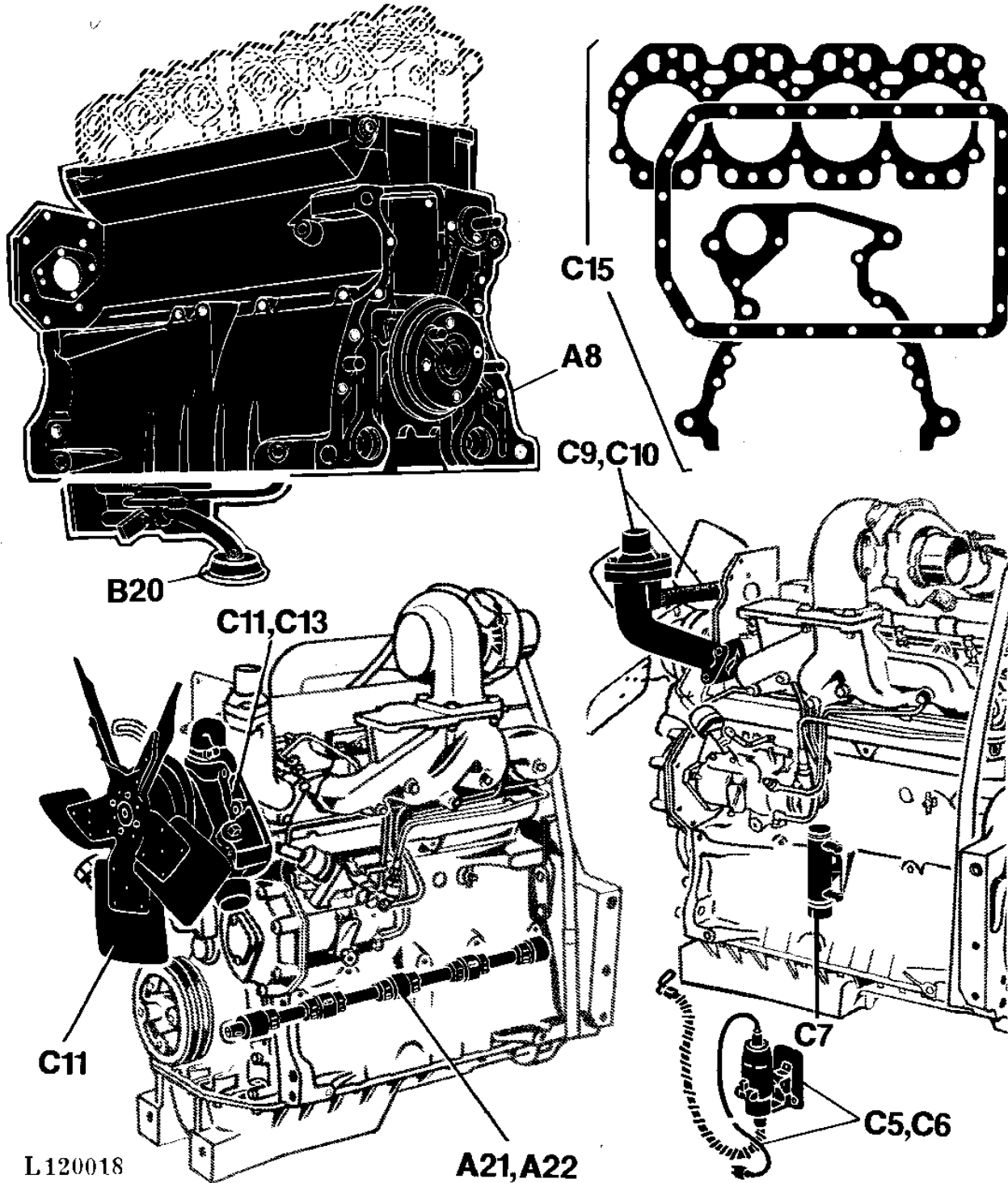


L124376

1A5

ENGINE

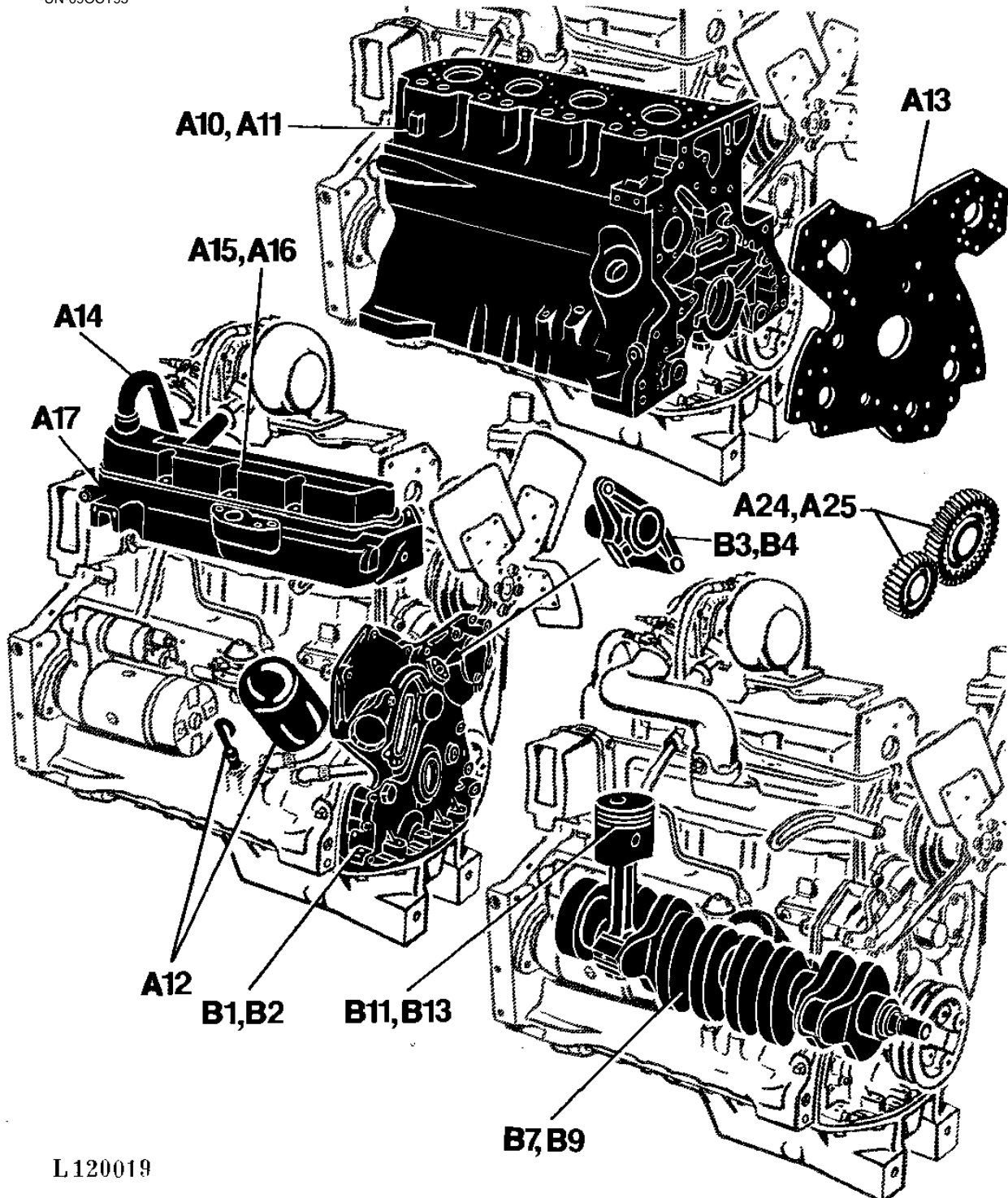
SECTIONAL INDEX
INDEX DE SECTION
GRUPPENINDEX
INDICE DELLA SEZIONE
INDICE DE SECCION
GRUPPSFORTECKNING
L120018 -UN-09OCT95



1A6

ENGINE

SECTIONAL INDEX
INDEX DE SECTION
GRUPPENINDEX
INDICE DELLA SEZIONE
INDICE DE SECCION
GRUPPSFORTECKNING
L120019 -UN-09OCT95

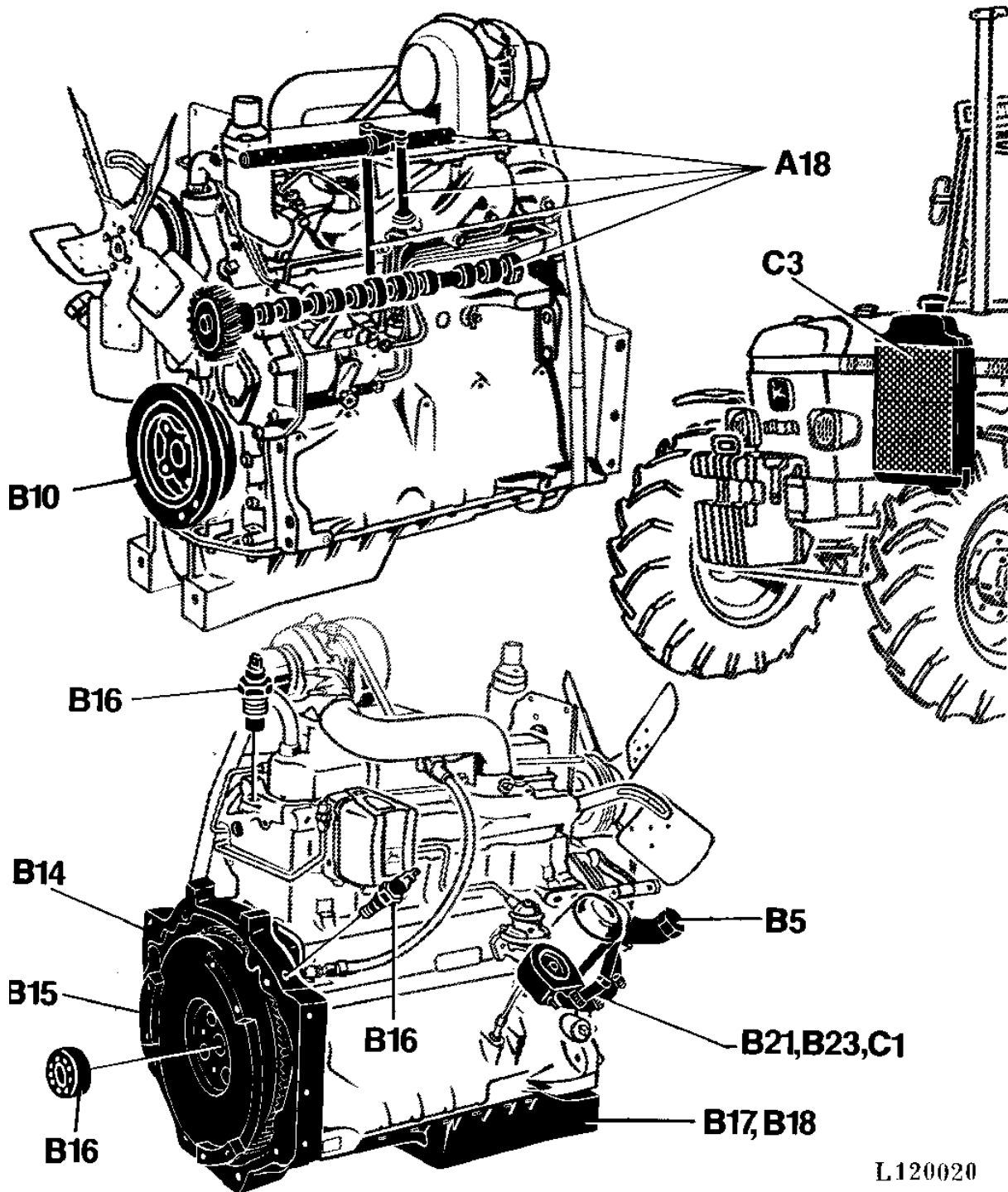


L120019

1A7

ENGINE

SECTIONAL INDEX
INDEX DE SECTION
GRUPPENINDEX
INDICE DELLA SEZIONE
INDICE DE SECCION
GRUPPSFORTECKNING
L120020 -UN-09OCT95

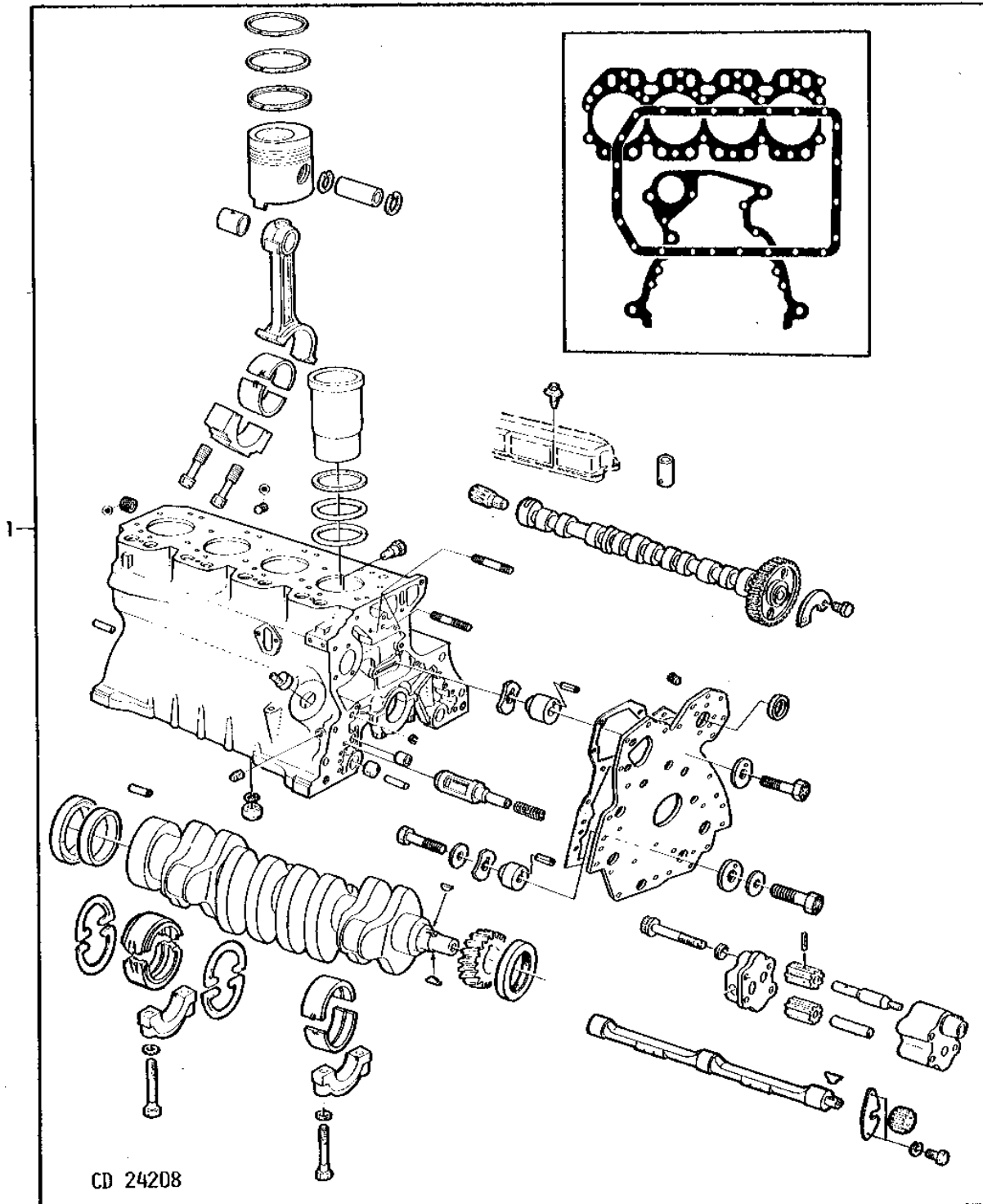


L120020

1A8

ENGINE

SHORT BLOCK ASSEMBLY
BLOC-CYL.AVEC EQUIP.MOBILE
RUMPFMOTOR
GRUPPO MOTORE CORTO
BLOQUE DE CIL.CON PIEZ.MOV.
KORTMOTORENHET
CD24208 -UN-01JAN94



1A9

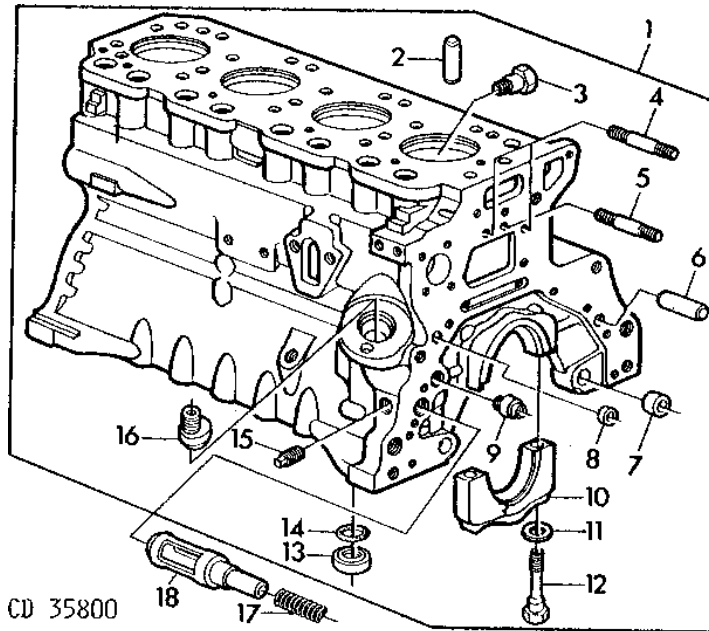
ENGINE

KEY	PART NO.	PART NAME	QTY	SERIAL NO.	2 0 2 4 1 0 4 S 0	REMARKS
1	RE16815	SHORT BLOCK ASSEMBLY	AR	X		(MARKED R72974) (ORD RE25575, (18) R85363) (SUB FOR DD11832, AR97228)
	RE25575	SHORT BLOCK ASSEMBLY	AR	X		(MARKED R80726)
	RE16814	SHORT BLOCK ASSEMBLY	AR	X		(MARKED R72974) (ORD RE25576, (18) R85363) (SUB FOR DD12366, AR102674)
	RE25576	SHORT BLOCK ASSEMBLY	AR	X		(MARKED R80726)

1A10

ENGINE

CYLINDER BLOCK-FRONT R.H.
 BLOC-CYLINDRES-AVANT DROIT
 ZYLINDERBLOCK-VORN RECHTS
 HONOBLOCCO-LATO ANTERIORE DESTRO
 BLOQUE DE CILINDROS-PARTE FRONTAL DER.
 CYLINDERBLOCK-FRAMRE HOGER SIDA
 CD35800 -UN-01JAN94

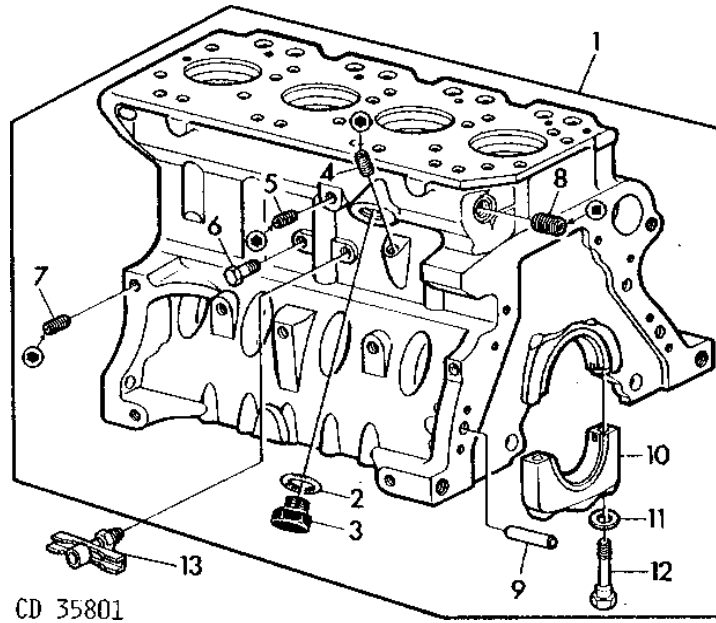


KEY	PART NO.	PART NAME	QTY	ENGINE SERIAL NO.	REMARKS
				2	
				0 2	
				4 1	
				0 4	
				S 0	
1	RE25595 AR71007	CYLINDER BLOCK CYLINDER BLOCK	AR 1	-460066	X X (MARKED R80726) X X (MARKED R55510) (ORD RE25595, R46625, R73139, R90648, (18) R85363)
	AR97218	CYLINDER BLOCK	1	460067-	X X (MARKED R79974) (ORD RE25595, (18) R85363) (SUB FOR AR97217)
2	A120R	DOWEL PIN	2		X X (SUB FOR R26241 APPL)
3	R54802	ORIFICE	4		X X
4	R84984	STUD	2		X X 3/8"-24UNFX2.677"
5	R82674	STUD	1		X X 3/8"-24UNFX1.969"
6	A4879R	DOWEL PIN	2		X X
7	R57160 R91708	BUSHING BUSHING	6 AR		X X O.D.=STANDARD X X O.D.=+2MM(0.078")
8	T18891 T18891	CAP CAP	2 1	-464487 464488-	X X X X
9	R26493	BUSHING	1		X X
10	R65215	BEARING CAP	4		X X
11	T20168	WASHER	8		X X
12	T23474	CAP SCREW	8		X X
13	R75893	FITTING	1	574190-	X X
14	R75892	O-RING	1	574190-	X X
15	15H255	PIPE PLUG	1		X X 3/8"
16	T23435	THREADED NIPPLE	1		X X
17	R46625	SPRING	1	460067-	X X
18	R73139	VALVE	1	460067-	X X

1A11

ENGINE

CYLINDER BLOCK-REAR L.H.
 BLOC-CYLINDRE-ARRIERE GAUCHE
 ZYLINDERBLOCK-HINTEN LINKS
 MONOBLOCCO-LATO POSTERIORE SINISTRO
 BLOQUE DE CYLINDROS-PARTE TRAS. IZQDA.
 CYLINDERBLOCK-BAKRE VANSTER SIDA
 CD35801 -UN-01JAN94

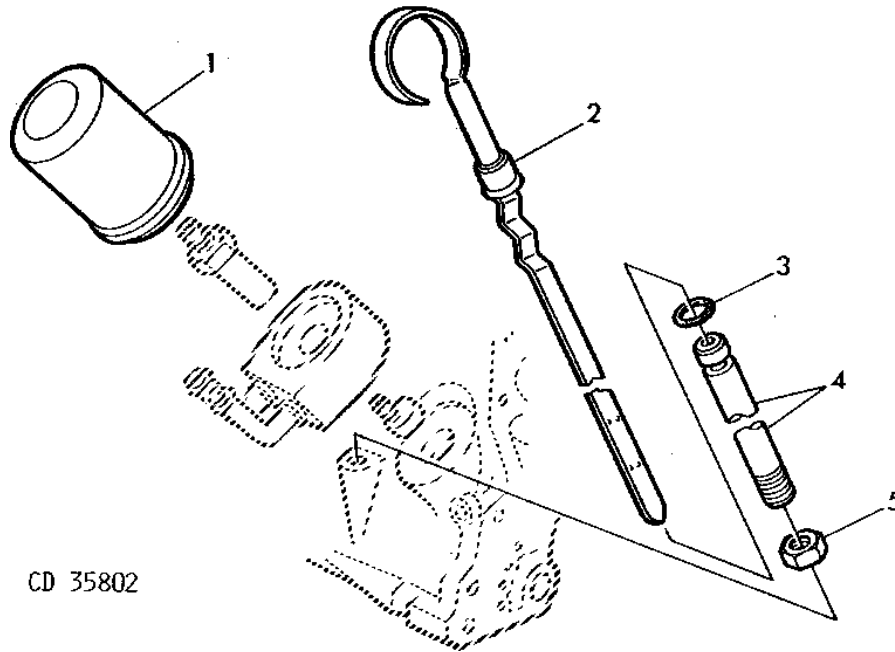


KEY	PART NO.	PART NAME	QTY	ENGINE SERIAL NO.		REMARKS
					S 0	
					2	
					0 2	
					4 1	
					0 4	
					S 0	
1	RE25595 AR71007	CYLINDER BLOCK CYLINDER BLOCK	AR 1	-460066	X X	(MARKED R80726) X X (MARKED R55510) (ORD RE25595, R46625, R73139, R90648, (18) R85363)
	AR97218	CYLINDER BLOCK	1	460067-	X X	(MARKED R79974) (ORD RE25595, (18) R85363) (SUB FOR AR97217)
2	U13639	O-RING	1		X X	(FOR RE25595)
3	R92159	DRAIN PLUG	1		X X	(FOR RE25595)
4	15H624	PIPE PLUG	1		X X	1/2"
5	15H275	PIPE PLUG	1		X X	1/4"
6	R55233	PIPE PLUG	2		X X	1/4"
7	15H558	PIPE PLUG	5		X X	1/8" (FOR RE25595)
8	15H665	PIPE PLUG	AR		X X	3/4"
	15H562	PIPE PLUG	AR		X X	1"
9	A120R	DOWEL PIN	2		X X	
10	R79089	CAP	1		X X	
11	T20168	WASHER	2		X X	
12	T23474	CAP SCREW	2		X X	
13	AT13740	DRAIN VALVE	AR		X X	

1A12

ENGINE

OIL FILTER AND DIPSTICK
 FILTRE A HUILE ET JAUGE
 OELFILTER UND MESSTAB
 FILTRO OLIO E ASTA LIVELLO OLIO
 FILTRO DE ACEITE Y VARILLA DE NIVEL
 OLJEFILTER OCH OLJESTICK
 CD35802 -UN-01JAN94



CD 35802

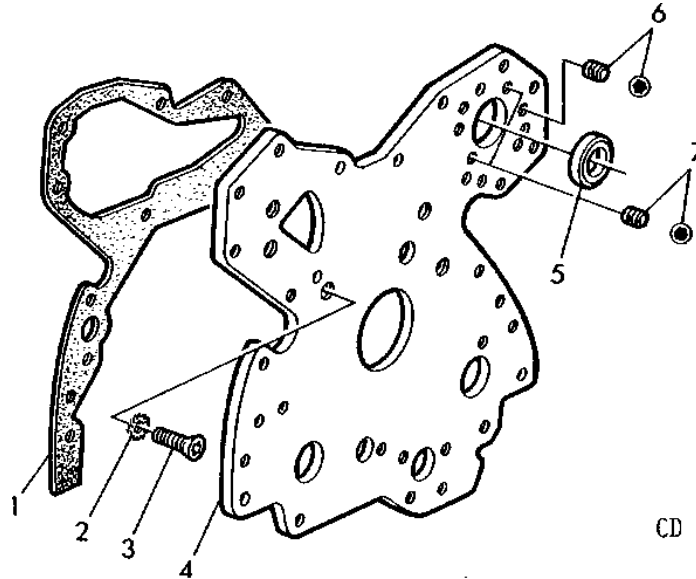
2
0 2
4 1
0 4
S 0

KEY	PART NO.	PART NAME	QTY	SERIAL NO.	REMARKS
1	T19044	OIL FILTER	1	X X	
2	AR78192	DIPSTICK	1	X X	LGTH=270MM(10.63")
3	R10093	O-RING	1	X X	
4	R55299	THREADED NIPPLE	1	X X	LGTH=59MM(2.32")
5	14H826	NUT	1	X X	1/2"

1A13

ENGINE

FRONT PLATE
 PLAQUE AVANT
 VORDERE PLATTE
 PLASTRA ANTERIORE
 PLACA DELANTERA
 FRONTPLATTA
 CD35803 -UN-01JAN94



CD 35803

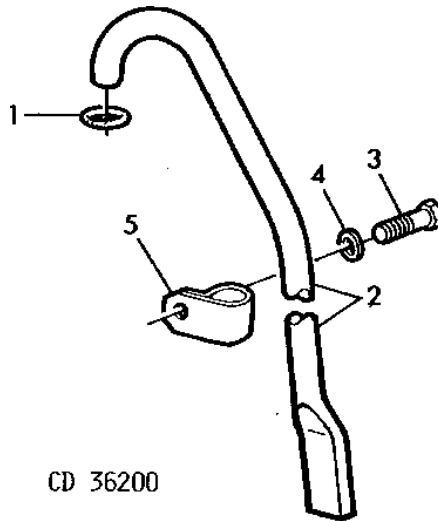
2
 0 2
 4 1
 0 4
 S 0

KEY	PART NO.	PART NAME	QTY	SERIAL NO.	REMARKS
1	R90648	GASKET	1	X X	(SUB FOR R73140)
2	12H324	WASHER	5	X X	3/8"
3	T20166	SCREW	5	X X	3/8"X5/8"
4	R79863	PLATE	1	X X	(ORD (8) AT21191, (2) AT22919)
5	R79854	WASHER	AR	X X	
6	AT21191	SET SCREW	8	X X	5/16"X0.380"
7	AT22919	SET SCREW	2	X X	3/8"X0.380"

1A14

ENGINE

VENT TUBE
 RENIFLARD
 ENTLUEFTUNGSROHR
 TUBO DI SFIATO
 RESPIRADERO
 VENTILATIONSROOR
 CD36200 -UN-01JAN94



CD 36200

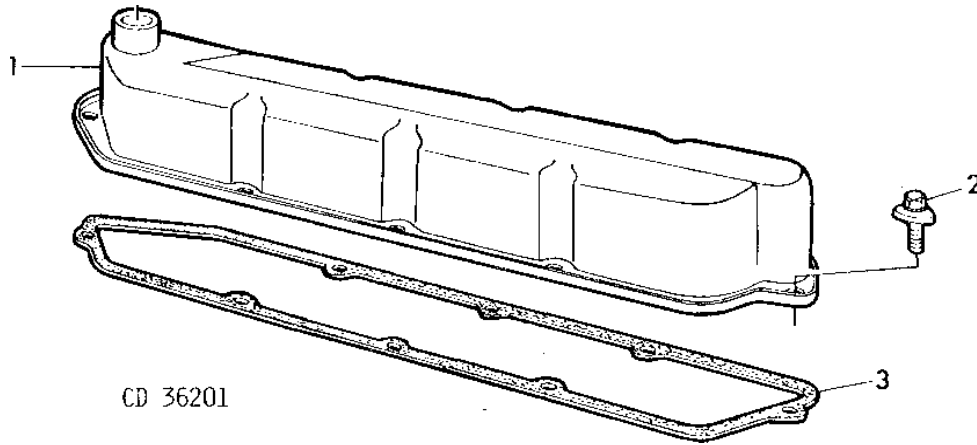
2
 0 2
 4 1
 0 4
 S 0

KEY	PART NO.	PART NAME	QTY	SERIAL NO.	REMARKS
1	R56463	O-RING	1	X X	(SUB FOR R495R APPL)
2	R60890	LINE	1	X X	
3	19H1813	CAP SCREW	1	X X	5/16"X5/8"
4	24H1685	WASHER	1	X X	11/32"X3/4"X0.075"
5	R40791	CLAMP	1	X X	

1A15

ENGINE

ROCKER ARM COVER (SHEET METAL)
 CACHE-CULBUTEURS (TOLE)
 ZYLINDERKOPFHAUBE (BLECH)
 COPERCHIO PUNTERIE (LATTA)
 TAPA DE BALANCINES (CHAPA)
 VENTILKAPA (BLECK)
 CD36201 -UN-01JAN94

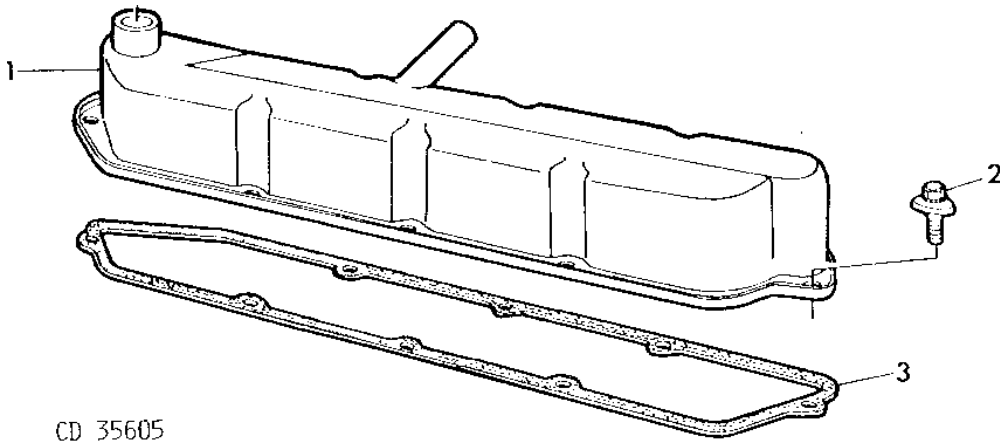


KEY	PART NO.	PART NAME	QTY	SERIAL NO.	REMARKS
1	AT18015	VALVE COVER	1	X	(SUB FOR AR45530)
2	AR100124	SCREW, WITH WASHER	8	X	
3	R68227	GASKET	1	X	(ORD R73521 W/(8) AR100124)
	R73521	GASKET	AR	X	

1A16

ENGINE

ROCKER ARM COVER (SHEET METAL)
 CACHE-CULBUTEURS (TOLE)
 ZYLINDERKOPFHAUBE (BLECH)
 COPERCHIO PUNTERIE (LATTA)
 TAPA DE BALANCINES (CHAPA)
 VENTILKAPA (BLECK)
 CD35605 -UN-01JAN94



CD 35605

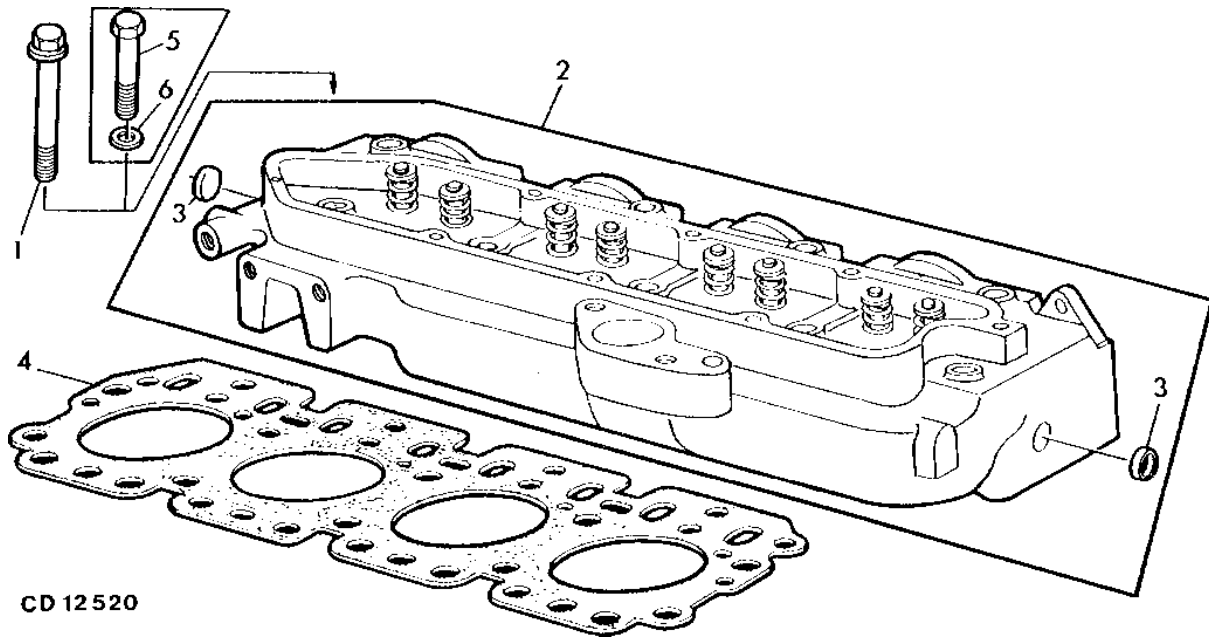
KEY	PART NO.	PART NAME	QTY	SERIAL NO.	2 0 2 4 1 0 4 S 0	REMARKS
1	AT28926	VALVE COVER	1		X	
2	AR100124	SCREW, WITH WASHER	8		X	(SUB FOR AR45530)
3	R68227	GASKET	1		X	(ORD R73521, (8) AR100124)
	R73521	GASKET	AR		X	

1A17

ENGINE

CYLINDER HEAD
 CULASSE
 ZYLINDERKOPF
 TESTATA
 CULATA
 CYLINDERTOPP

CD12520 -UN-01JAN94



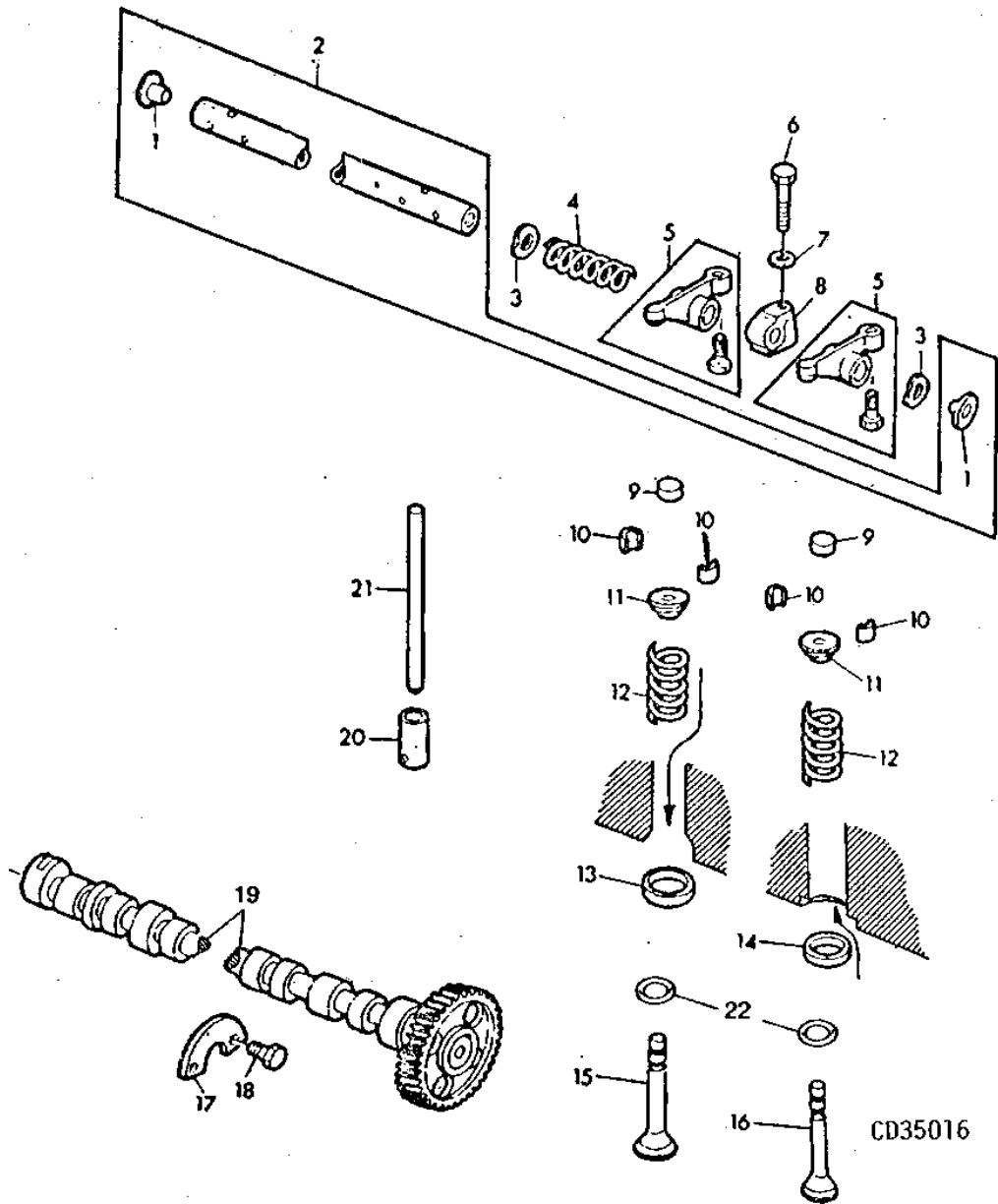
CD 12 520

KEY	PART NO.	PART NAME	QTY	SERIAL NO.	REMARKS
					2
					0 2
					4 1
					0 4
					S 0
1	R85363	CAP SCREW	AR	X X	12,7MMX112MM(0.5"X4.41") (FOR RE25575, RE25576, RE25595)
2	AR70589	CYLINDER HEAD	1	X	(MARKED R54560)
	RE22323	CYLINDER HEAD	1	X	(MARKED CD16202) (SUB FOR AR68340)
3	A3910R	CAP	2	X X	O.D.=25,4MM(1")
	CD16284	CAP	AR	X X	O.D.=32,4MM(1.274")
4	R92425	GASKET	1	X X	(SUB FOR R59448)
5	R53223	CAP SCREW	18	X X	12,7MMX108MM(0.5"X4.25") (FOR AR97228, RE16814, AR97218, RE16815, DD11832, DD12366, AR102674, AR71007, AR97217)
6	T20168	WASHER	18	X X	(FOR R53223)

1A18

ENGINE

CAMSHAFT/VALVES/ROCKER ARM SHAFT
ARBRE A CAMES/SOUPAPES/RAMPE DES CULBUTEURS
NOCKENWELLE/VENTILE/KIPPHEBELWELLE
ALBERO CAMME/VALVOLE/ALBERO BILANCIERI
ARBOL DE LEVAS/VALVULAS/EJE DE BALANCINES
KAMAXEL/VENTILER/VIPPARMSAXEL
CD35016 -UN-01JAN94



1A19

ENGINE

KEY	PART NO.	PART NAME	QTY	SERIAL NO.	REMARKS
					2
					0 2
					4 1
					0 4
					S 0
1	R54565	PLUG	2		X X
2	DD12120	ROCKER ARM SHAFT	1		X X
3	T20316	WASHER	2		X X
4	T20314	SPRING	3		X X
5	RE19031	ROCKER ARM	8		X X (SUB FOR AT31250)
6	19H1733	CAP SCREW	4		X X 3/8"X2-1/2"
7	R42729	WASHER	4		X X
8	T20315	SUPPORT	4		X X
9	T20129	CAP	8		X X
10	T20077	RETAINER	16		X X
11	T20176	RETAINER	8		X
	R41412	CAP	AR		X (FOR R27976)
	RE11410	ROTATOR	8		X (SUB FOR AR41006)
12	R26125	SPRING	8		X X
13	CD14725	VALVE SEAT INSERT	AR		X
	CD14725	VALVE SEAT INSERT	4		X
14	CD13979	VALVE SEAT INSERT	4		X X
15	R79623	INTAKE VALVE	4		X O.D.=STANDARD (SUB FOR R52251)
	R79628	INTAKE VALVE	AR		X O.D.=+0,076MM(0.003") (SUB FOR R57332)
	R79629	INTAKE VALVE	AR		X O.D.=+0,381MM(0.015")
	R79630	INTAKE VALVE	AR		X O.D.=+0,762MM(0.030") (SUB FOR R57336, R57334)
	R89219	INTAKE VALVE	4		X O.D.=STANDARD (SUB FOR R51735)
	R89220	INTAKE VALVE	AR		X O.D.=+0,076MM(0.003") (SUB FOR R57426)
	R89221	INTAKE VALVE	AR		X O.D.=+0,381MM(0.015")
	R89222	INTAKE VALVE	AR		X O.D.=+0,762MM(0.030") (SUB FOR R57428, R57427)
16	R79624	EXHAUST VALVE	4		X X O.D.=STANDARD (SUB FOR R52252)
	R79625	EXHAUST VALVE	AR		X X O.D.=+0,076MM(0.003") (SUB FOR R57333)
	R79626	EXHAUST VALVE	AR		X X O.D.=+0,381MM(0.015")
	R79627	EXHAUST VALVE	AR		X X O.D.=+0,762MM(0.030") (SUB FOR R57337, R57335)
17	T20072	PLATE	1		X X
18	19H1731	CAP SCREW	2		X X 3/8"X1"
19	RE14972	CAMSHAFT	1		X X (MARKED R79344) (SUB FOR AR79623) (MARKED T20014)
20	T20073	TAPPET	8		X X
21	T20310	PIN	8		X X
22	R87627	O-RING	AR		X (ORD W/ R41412)
	R87627	O-RING	AR		X

1A20

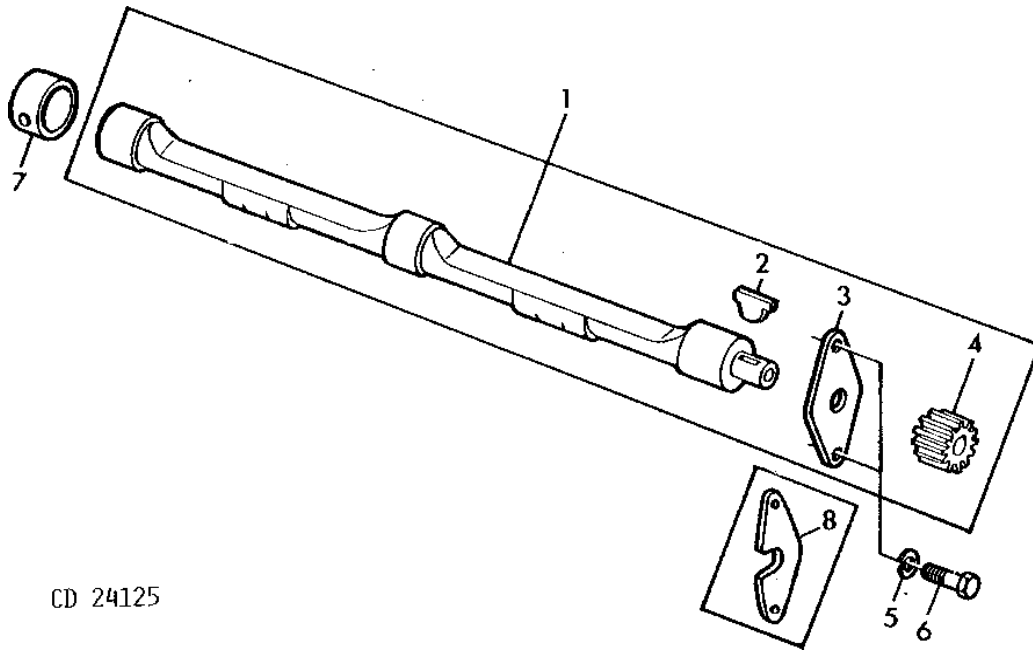
ENGINE

MEMORANDA
MEMORANDA
MEMORANDA
MEMORANDA
MEMORANDA

1A21

ENGINE

ENGINE BALANCER SHAFTS
 ARBRES D'EQUILIBRAGE
 MOTOR-MASSENAUSGLEICHSWELLEN
 EQUILIBRATORI DINAMICI MOTORE
 EJES COMPENSADORES DEL MOTOR
 MOTORBALANSAXLAR
 CD24125 -UN-01JAN94



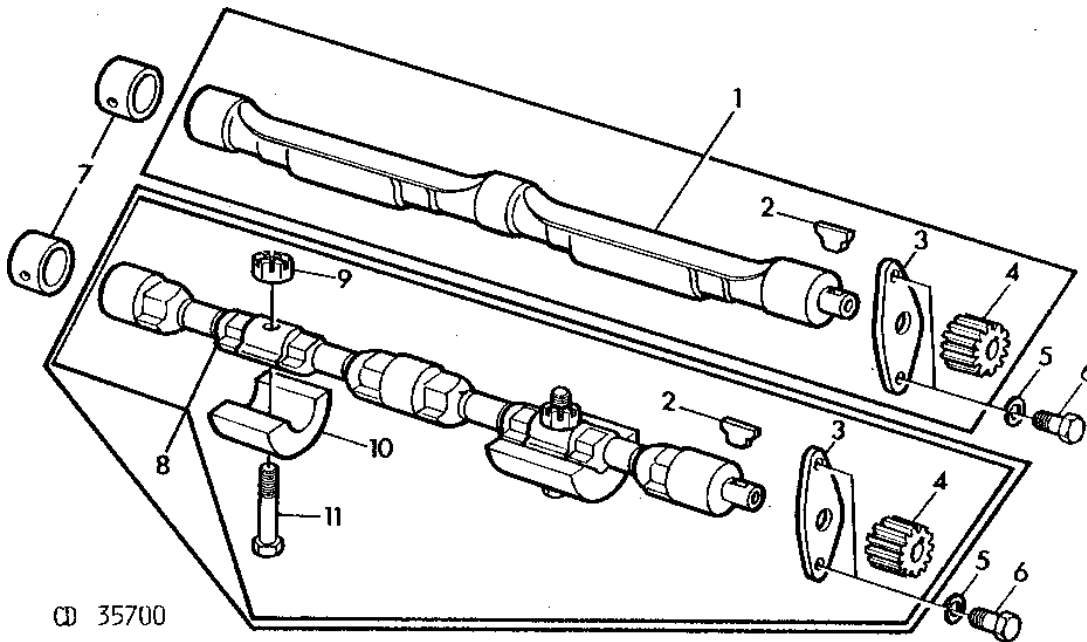
CD 24125

KEY	PART NO.	PART NAME	QTY	SERIAL NO.	REMARKS
				2	
				0 2	
				4 1	
				0 4	
				S 0	
1	RE26282	BALANCER SHAFT	AR	X	R.H.(MARKED R54054) (SUB FOR AR61351)
	RE26283	BALANCER SHAFT	AR	X	L.H.(MARKED R54054) (SUB FOR AR61352)
2	T28041	SHAFT KEY	1	X	
3	R88112	STOP	1	X	(SUB FOR T20193)
4	T20130	GEAR	1	X	R.H. Z=12
	T20133	GEAR	1	X	L.H. Z=12
5	12H304	LOCK WASHER	4	X	3/8"
6	19H2021	CAP SCREW	4	X	3/8"X5/8"
7	R57160	BUSHING	6	X	O.D.=STANDARD
	R91708	BUSHING	AR	X	O.D.=+2MM(0.078")
8	T20193	STOP	2	X	(ORD R88112)

1A22

ENGINE

ENGINE BALANCER SHAFTS
ARBRES D'EQUILIBRAGE
MOTOR MASSENAUSGLEICHSWELLEN
EQUILIBRATORI DINAMICI MOTORE
EJES COMPENSADORES
MOTORBALANSAXLAR
CD35700 -UN-01JAN94



CD 35700

1A23

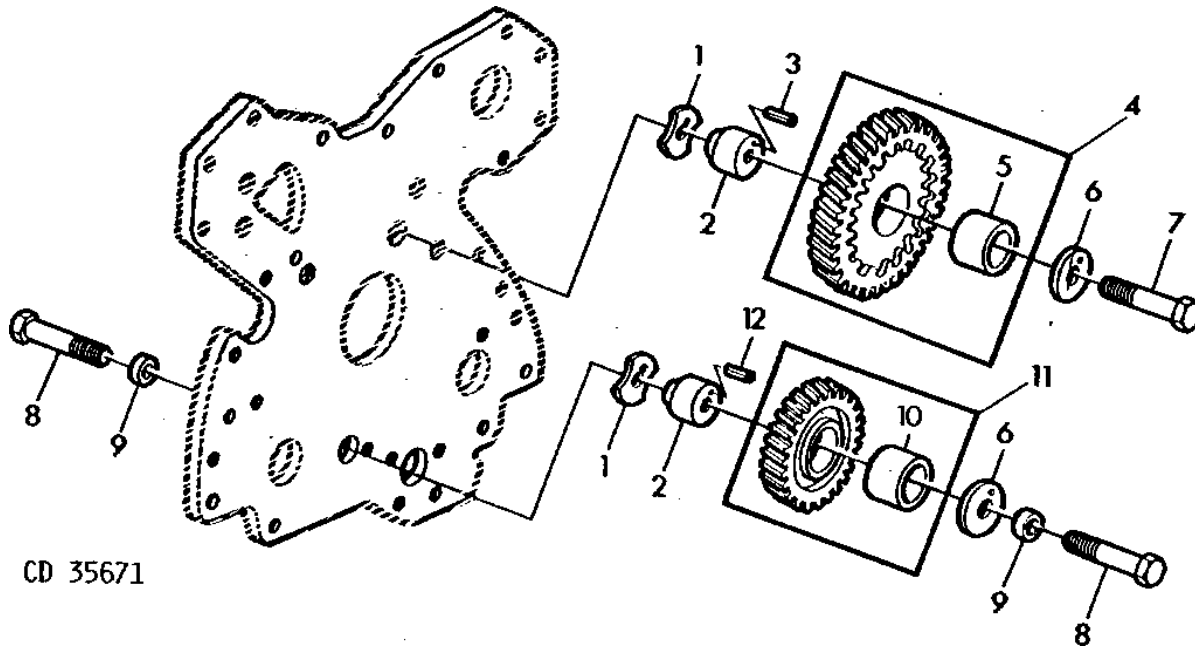
ENGINE

KEY	PART NO.	PART NAME	QTY	SERIAL NO.	REMARKS
					2
					0 2
					4 1
					0 4
					S 0
1	RE30471	BALANCER SHAFT	AR		X RH (MARKED R84099)
	RE30472	BALANCER SHAFT	AR		X LH (MARKED R84099)
2	T28041	SHAFT KEY	1		X
3	R88112	STOP	1		X (SUB FOR R58007 APPL)
4	T20130	GEAR	1		X RH Z=12
	T20133	GEAR	1		X LH Z=12
5	12H304	LOCK WASHER	4		X 3/8"
6	19H2021	CAP SCREW	4		X 3/8"X5/8"
7	R57160	BUSHING	6		X O.D.=STANDARD
	R91708	BUSHING	AR		X O.D.=+2MM(0.078")
8	AR69710	BALANCER SHAFT	1		X RH (MARKED R54634) (ORD RE30471, RE30472)
	AR69711	BALANCER SHAFT	1		X LH (MARKED R54634) (ORD RE30471, RE30472)
9	T15634	NUT	2		X 3/8"-24UNF
10	R54635	BALANCER	2		X LGTH=64MM(2.54") (ORD (4) R82951, (4) T15634 AND (4) 19H3631)
	R82951	BALANCER	AR		X LGTH=52MM(2.04")
11	T28745	BOLT	2		X 3/8"-24UNF
	19H3631	CAP SCREW	AR		X 3/8"-24UNFX2-3/8" (FOR R82951)

1A24

ENGINE

IDLE GEARS
 PIGNONS DE LA DISTRIBUTION
 STEUERRAEDER
 INGRANAGGI DISTRIBUZIONE
 ENGRANAJES DE DISTRIBUCION
 TIDHJUL
 CD35671 -UN-01JAN94



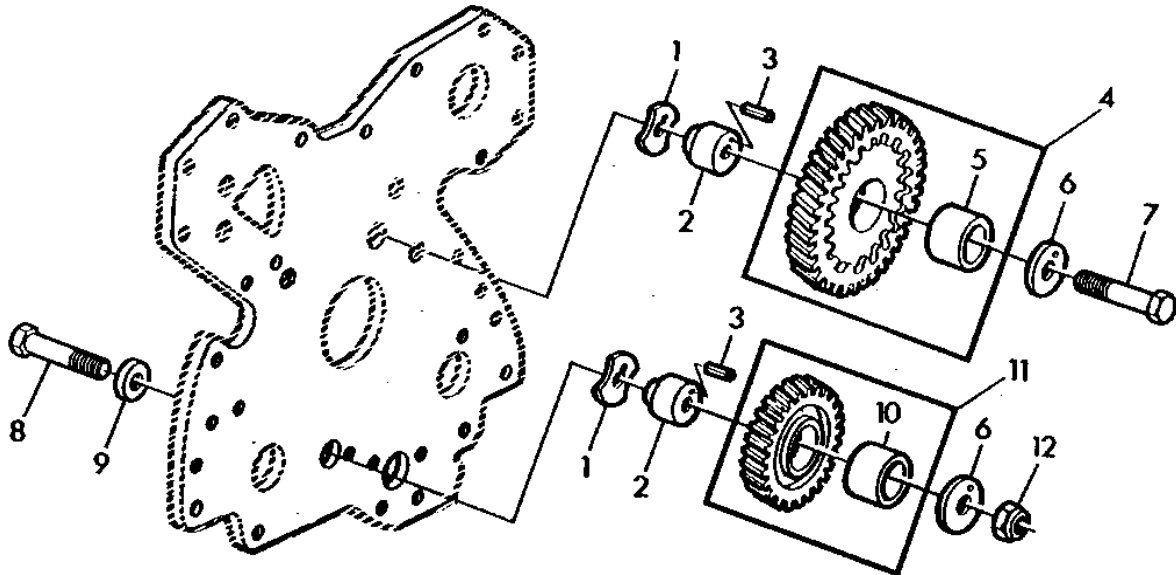
CD 35671

KEY	PART NO.	PART NAME	QTY	SERIAL NO.	REMARKS
				2	
				0 2	
				4 1	
				0 4	
				S 0	
1	T23624	LEVER	2	X X	
2	R89825	PIN	1	X X	UP (SUB FOR T26323) (ORD R69824 APPL)
	R89825	PIN	1	X X	LOW (SUB FOR T26323) (ORD R89824, 14H865, 19H3011, APPL)
3	34H283	SPRING PIN	1	X X	UP, 3/16"X1-1/8"
4	AR91660	GEAR	1	X X	Z=55,UP
5	T20034	BUSHING	1	X X	UP
6	T26326	THRUST WASHER	2	X X	
7	T26327	SCREW	1	X X	UP
8	T26325	SCREW	2	X X	LOW
9	R76126	WASHER	2	X X	LOW (ORD R100105)
10	T26321	BUSHING	1	X X	LOW
11	AT24252	GEAR	1	X X	Z=45,LOW
12	34H286	SPRING PIN	1	X X	LOW, 3/16"X1-1/2"

1A25

ENGINE

IDLE GEARS
 PIGNONS DE LA DISTRIBUTION
 STEUERRAEDER
 INGRANAGGI DISTRIBUZIONE
 ENGRANAJES DE DISTRIBUCION
 TIDHJUL
 CD35672 -UN-01JAN94



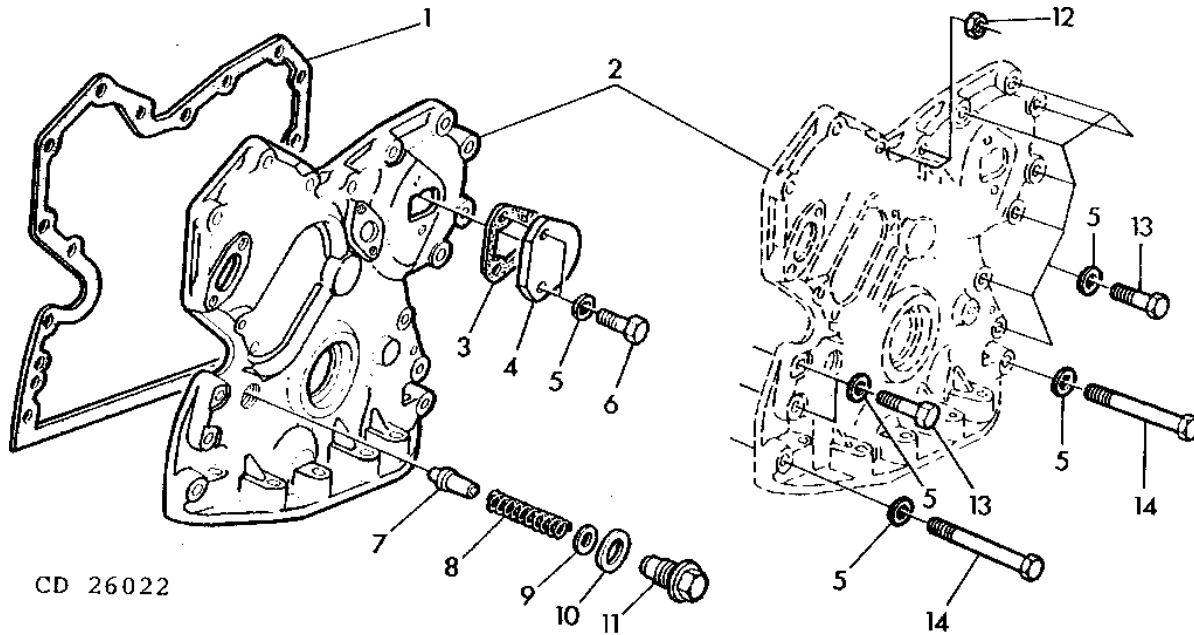
CD 35672

KEY	PART NO.	PART NAME	QTY	SERIAL NO.	REMARKS
				2	
				0 2	
				4 1	
				0 4	
				S 0	
1	T26324	THRUST WASHER	2	X X	
2	R89824	SHAFT	2	X X	
3	34H283	SPRING PIN	2	X X	3/16"X1-1/8"
4	AR91660	GEAR	1	X X	Z=55,UP
5	T20034	BUSHING	1	X X	UP
6	T26326	THRUST WASHER	2	X X	
7	T26327	SCREW	1	X X	UP
8	19H3011	CAP SCREW	1	X X	1/2"X2-1/8",LOW
9	R100105	WASHER	1	X X	LOW
10	T26321	BUSHING	1	X X	LOW
11	AT24252	GEAR	1	X X	Z=45,LOW
12	14H865	NUT	1	X X	1/2",LOW

1B1

ENGINE

TIMING GEAR COVER
 COUVERCLE DE DISTRIBUTION
 STEUERGEHAEUSE
 COPERCHIO DISTRIBUZIONE
 TAPA DE LA DISTRIBUCION
 TIDHJULSKAPA
 CD26022 -UN-01JAN94



CD 26022

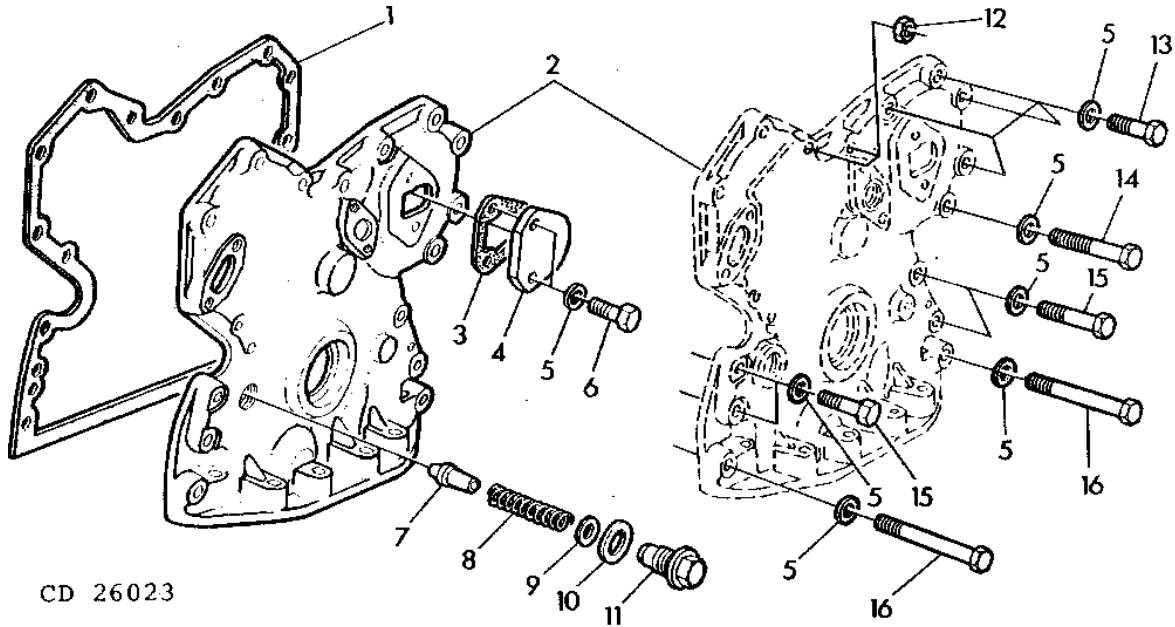
2
 0 2
 4 1
 0 4
 S 0

KEY	PART NO.	PART NAME	QTY	SERIAL NO.	REMARKS
1	R97454	GASKET	1	X X	(SUB FOR T20155)
2	AR91662	COVER	1	X X	(ORD RE30685, 19H3181, (4) 19H2549, (4) 19H2545)
3	R69260	GASKET	1	X X	(SUB FOR T20364)
4	T20362	COVER	1	X X	
5	24H1304	WASHER	13	X X	13/32"X23/64"X0.120"
6	19H2284	CAP SCREW	2	X X	3/8"X7/8"
7	R83169	VALVE	1	X X	(SUB FOR R51516)
8	T27658	SPRING	1	X X	
9	24H1290	WASHER	AR	X X	21/64"X3/4"X0.036"
10	A4827R	WASHER	1	X X	
11	R91692	FITTING PLUG	1	X X	(SUB FOR T27657)
12	14H812	NUT	2	X X	3/8"-16UNC (FOR T33279)
	14H774	NUT	AR	X X	3/8"-24UNF (FOR R84984)
13	19H1801	CAP SCREW	9	X X	3/8"X2"
14	19H1733	CAP SCREW	2	X X	3/8"X2-1/2"

1B2

ENGINE

TIMING GEAR COVER
 COUVERCLE DE DISTRIBUTION
 STEUERGEHAEUSE
 COPERCHIO DISTRIBUZIONE
 TAPA DE LA DISTRIBUCION
 TIDHJULSKAPA
 CD26023 -UN-01JAN94



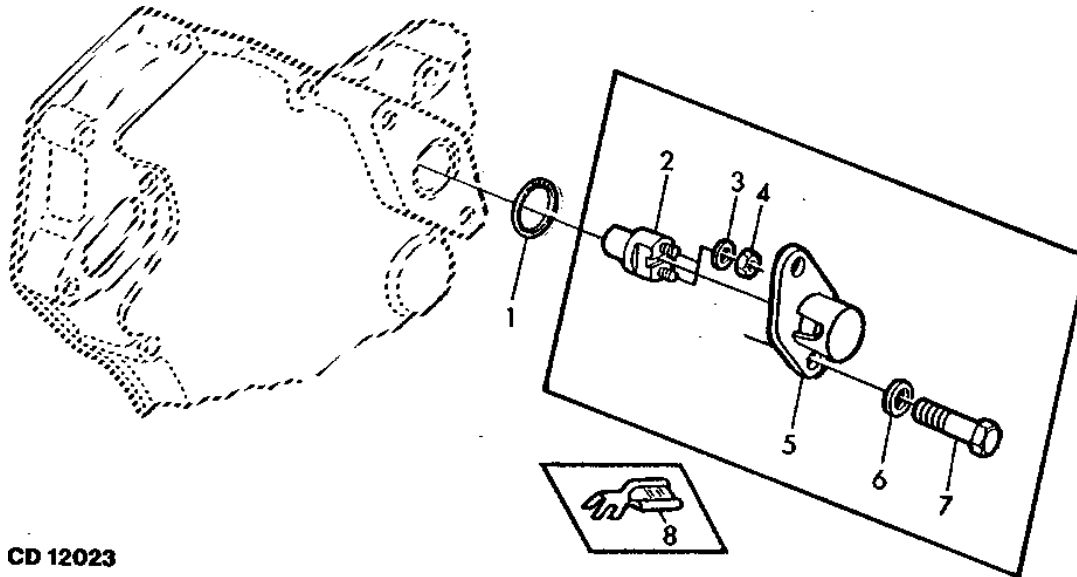
CD 26023

KEY	PART NO.	PART NAME	QTY	SERIAL NO.	REMARKS
				2	
				0 2	
				4 1	
				0 4	
				S 0	
1	R97454	GASKET	1	X X	(SUB FOR T20155)
2	RE30685	COVER	AR	X X	
3	R69260	GASKET	1	X X	
4	T20362	COVER	1	X X	
5	24H1304	WASHER	13	X X	13/32"X23/32"X0.120"
6	19H2284	CAP SCREW	2	X X	3/8"X7/8"
7	R83169	VALVE	1	X X	
8	T27658	SPRING	1	X X	
9	24H1290	WASHER	AR	X X	21/64"X3/4"X0.036"
10	A4827R	WASHER	1	X X	
11	R91692	FITTING PLUG	1	X X	
12	14H812	NUT	2	X X	3/8"-16UNC (FOR T33279)
	14H774	NUT	AR	X X	3/8"-24UNF (FOR R84984)
13	19H2545	CAP SCREW	4	X X	3/8"X1-3/8"
14	19H3181	CAP SCREW	1	X X	3/8"X2"
15	19H2549	CAP SCREW	4	X X	3/8"X1-7/8"
16	19H1733	CAP SCREW	2	X X	3/8"X2-1/2"

1B3

ENGINE

MAGNETIC PICK-UP
 CAPTEUR MAGNETIQUE
 MAGNETISCHER IMPULSGEBER
 SENSORE MAGNETICO CONTAGIRI
 CAPTADOR MAGNETICO
 MAGNETGIVARE
 CD12023 -UN-01JAN94



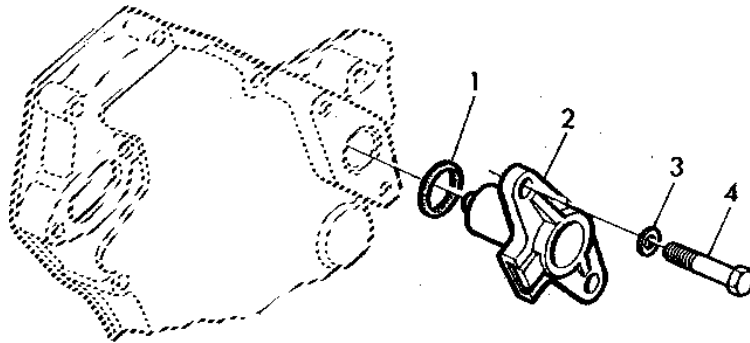
CD 12023

KEY	PART NO.	PART NAME	QTY	SERIAL NO.	REMARKS
				2	
				0 2	
				4 1	
				0 4	
				S 0	
1	R47154	O-RING	1	X X	(SUB FOR R31674)
2	AR87494	MAGNET	1	X X	(ORD RE23375, 57M7044, (2) 19H2036)
3	24M7087	WASHER	2	X X	5,5X10X1MM
4	14M7028	NUT	2	X X	M5
5	R67230	COVER	1	X X	
6	24H1286	WASHER	2	X X	9/32"X1/2"X0.060"
7	19H1948	CAP SCREW	2	X X	1/4"X3/4"
8	57M7044	RECEPTACLE	1	X X	(FOR RE22375)

1B4

ENGINE

MAGNETIC PICK-UP
 CAPTEUR MAGNETIQUE
 MAGNETISCHER IMPULSGEBER
 SENSORE MAGNETICO CONTAGIRI
 CAPTADOR MAGNETICO
 MAGNETGIVARE
 CD23134 -UN-01JAN94



CD 23134

2
 0 2
 4 1
 0 4
 S 0

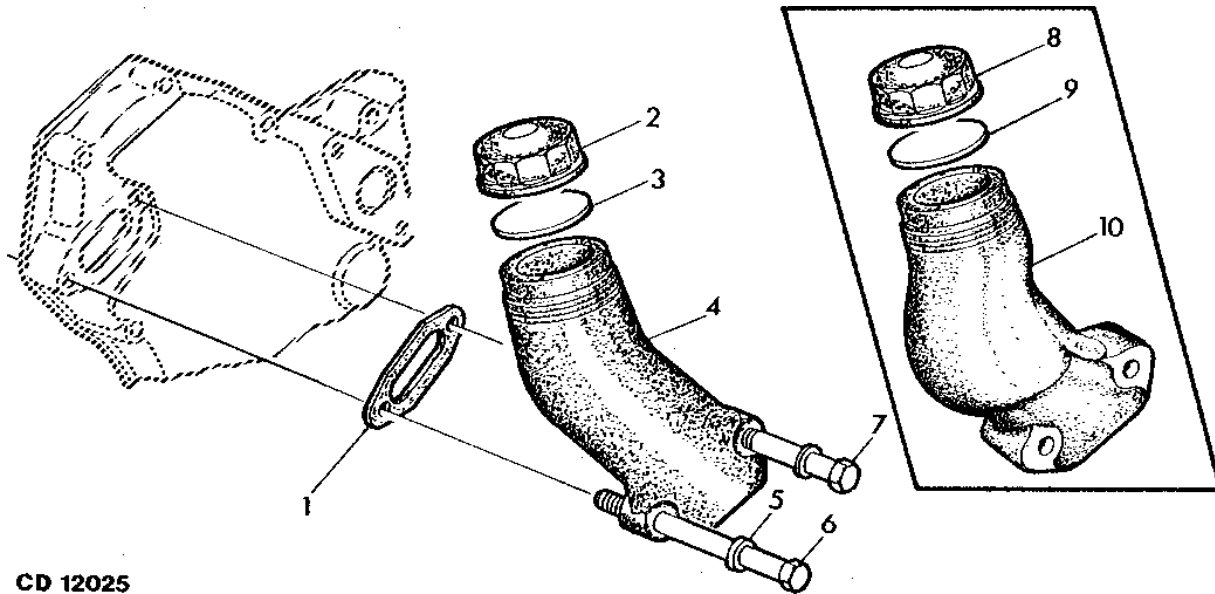
KEY	PART NO.	PART NAME	QTY	SERIAL NO.	REMARKS
1	R47154	O-RING	1		X X
2	RE23375	SENDER	AR		X X
3	24H1286	WASHER	2		X X 9/32"X1/2"X0.060"
4	19H2036	CAP SCREW	2		X X 1/4"X7/8"

1B5

ENGINE

OIL FILLER
 GOULOTTE DE REMPLISSAGE D'HUILE
 OELINFUELLSTUTZEN
 BOCCHETTONE RIEMPIMENTO OLIO
 BOCA DE LLENADO DE ACEITE
 OLJEPAFYLLING

CD12025 -UN-01JAN94



CD 12025

KEY	PART NO.	PART NAME	QTY	SERIAL NO.	REMARKS
				2	
				0 2	
				4 1	
				0 4	
				S 0	
1	R97352	GASKET	1	X X	(SUB FOR T20336)
2	R80136	FILLER CAP	1	X X	
3	R80135	GASKET	1	X X	
4	R80137	FILLER NECK	1	X X	
5	24H1304	WASHER	2	X X	13/32"X23/32"X0.120"
6	19H2128	CAP SCREW	1	X X	3/8"X3"
7	19H2665	CAP SCREW	1	X X	3/8"X1-5/8"
8	T20294	CAP	1	X X	
9	T20328	GASKET	1	X X	
10	T23614	FILLER NECK	1	X X	(ORD R80136, R80135, R80137)

1B6

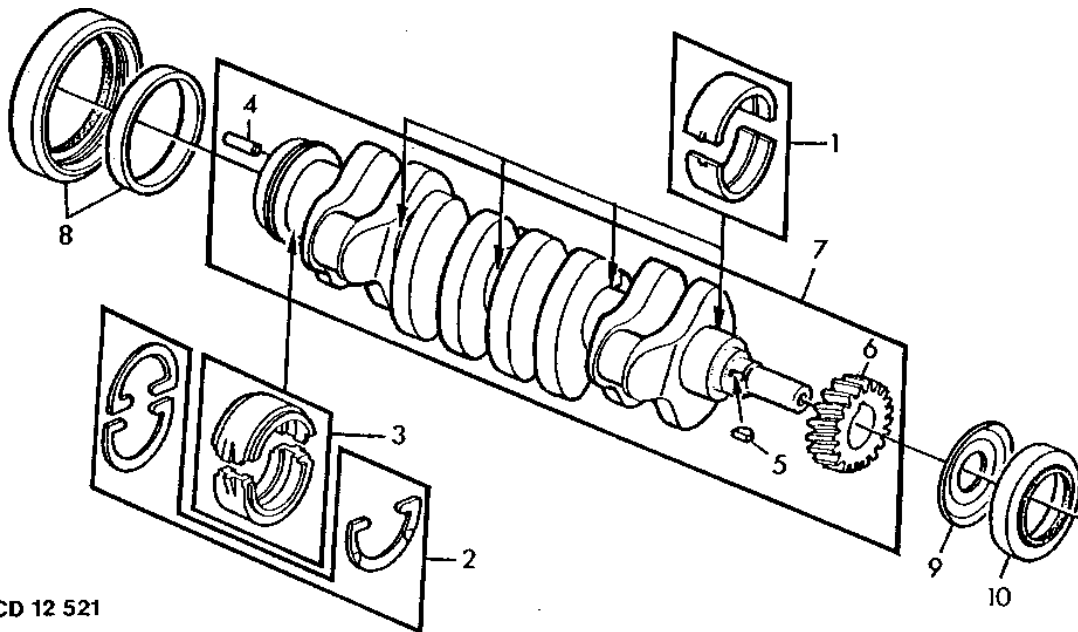
ENGINE

MEMORANDA
MEMORANDA
MEMORANDA
MEMORANDA
MEMORANDA

1B7

ENGINE

CRANKSHAFT/BEARINGS
VILEBREQUIN/DEMI-COUSSINETS
KURBELWELLE/LAGER
ALBERO COLLI/BRONZINE
CIGUENAL/COJINETES
VEVAXEL/RAMLAGER
CD12521 -UN-01JAN94



CD 12 521

1B8

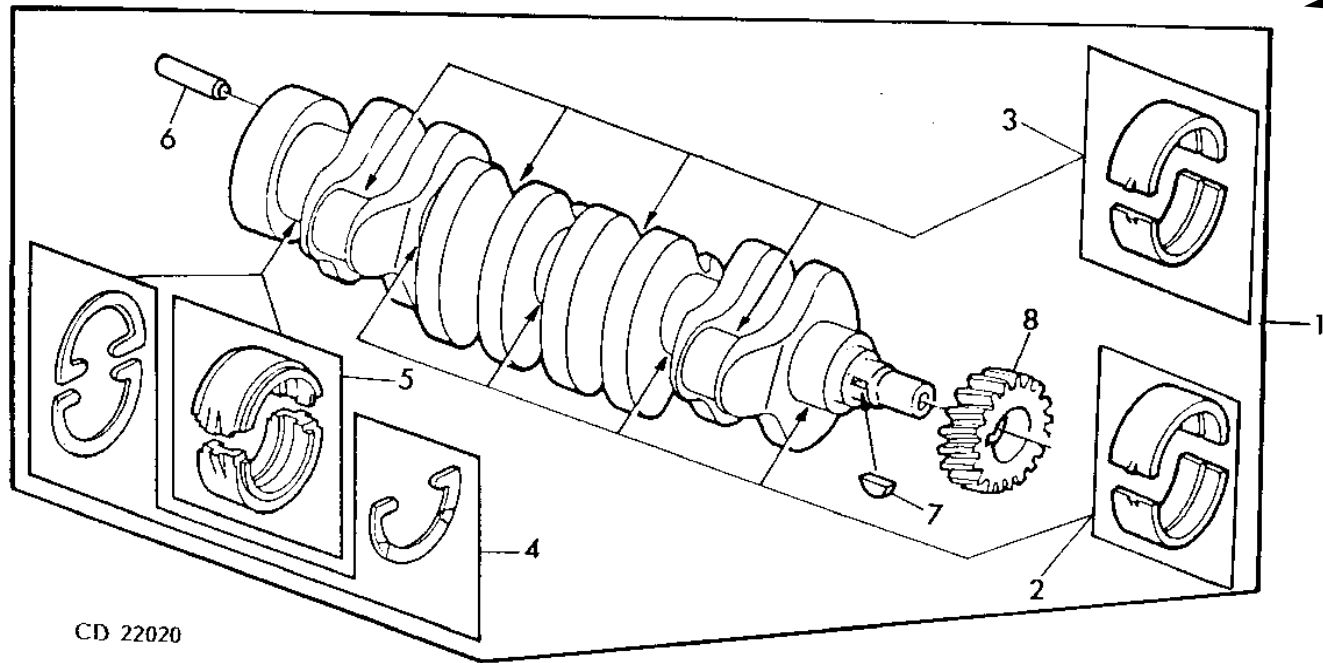
ENGINE

KEY	PART NO.	PART NAME	QTY	SERIAL NO.	REMARKS
					2 0 2 4 1 0 4 S 0
1	RE27352	KIT	4	X X	I.D.=STANDARD (KIT (2) R83380) (SUB FOR AT21140) (KIT (2) T23214)
	RE27353	KIT	AR	X X	I.D.=-0,254MM(0.010") (KIT (2) R87750) (SUB FOR AT21108) (KIT (2) T23552) (SUB FOR AT21110) (KIT (2) T23554)
	RE27360	KIT	AR	X X	I.D.=-0,508MM(0.020") (KIT (2) R87756) (SUB FOR AT21112) (KIT (2) T23556)
	RE27368	KIT	AR	X X	I.D.=-0,762MM(0.030") (KIT (2) R87759) (SUB FOR AT21114) (KIT (2) T23558)
2	RE13571	KIT	1	X X	TK=STANDARD (KIT (3) R78598) (SUB FOR AR95931, AR81791)
	AR95932	KIT	AR	X X	TK=+0,17MM(.007") (MARKED R64851) (SUB FOR AR81792)
3	RE27350	KIT	1	X X	REAR I.D.=STANDARD (KIT (2) R83381) (SUB FOR AR81786) (KIT (2) R64264) (SUB FOR AT21139)
	RE27351	KIT	AR	X X	REAR I.D.=-0,254MM(0.010") (KIT (2) R87749) (SUB FOR AR81787) (KIT (2) R64847) (SUB FOR AR81788) (KIT (2) R64848) (SUB FOR AT21130, AT21132)
	RE27359	KIT	AR	X X	REAR I.D.=-0,508MM(0.020") (KIT (2) R87755) (SUB FOR AR81789) (KIT (2) R64849) (SUB FOR AT21134)
	RE27366	KIT	AR	X X	REAR I.D.=-0,762MM(0.030") (KIT (2) R87758) (SUB FOR AR81790) (KIT (2) R64850) (SUB FOR AT21136)
4	A120R	DOWEL PIN	1	X X	(SUB FOR T26565 APPL)
5	26H72	SHAFT KEY	1	X X	1/8"X5/8"
6	T20094	GEAR	1	X X	Z=24
7	AT18030	CRANKSHAFT	1	X X	(MARKED T23517)
8	RE24959	SEAL	1	X X	(SUB FOR AR92893, AT22965)
9	T20046	OIL SLINGER	1	X X	
10	AR67942	SEAL	1	X X	FRONT

1B9

ENGINE

CRANKSHAFT FOR 0,254MM(0.010 IN.)UNDERSIZE BEARINGS
 VILEBREQUIN POUR PALIERS COTE REPAR.0.254MM(0.010IN)
 KURBELWELLE MIT 0,254MM(0,010IN.)KLEINEREM LAGERDURCHMESSER
 ALBERO A GOMITO CON BRONZINE MINORATI DI 0,254MM(0.01 IN.)
 CIGUENAL CON DIAMETRO DE COJINETES REDUCIDO 0,254MM/0,010IN
 VEVAXEL MED UNDERDIMENS.RAMLAGER(0,254MM-0,01 IN MINDRE)
 CD22020 -UN-01JAN94



CD 22020

2
0 2
4 1
0 4
S 0

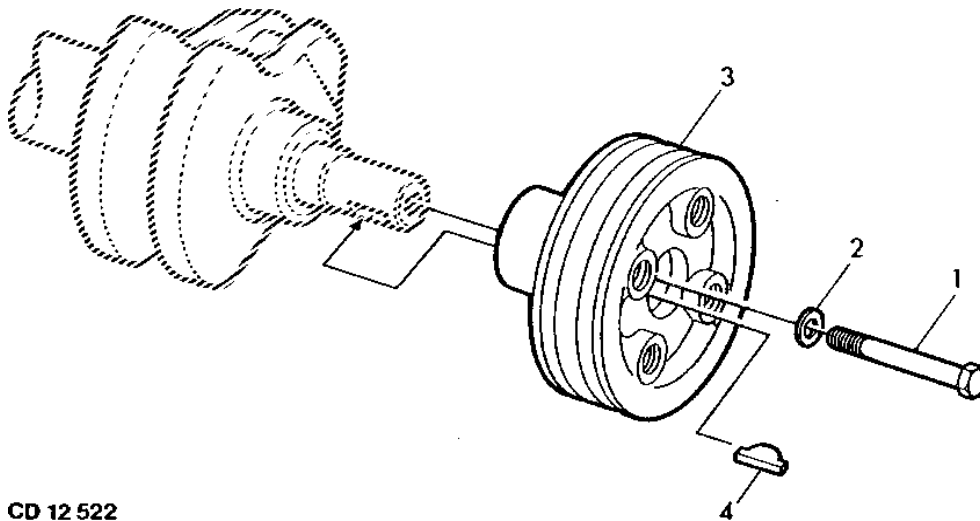
KEY	PART NO.	PART NAME	QTY	SERIAL NO.	REMARKS
1	RE26204	KIT	AR	X X	(A) (SUB FOR DD13895)
2	RE27353	KIT	4	X X	I.D.=0.254MM(0.010") (KIT (2) R87750)
3	RE27349	KIT	4	X X	I.D.=0.254MM(0.010") (KIT (2) R87748)
4	RE13571	KIT	1	X X	TK=STANDARD (KIT (3) R87598)
5	RE27351	KIT	1	X X	I.D.=0.254MM(0.010") (KIT (2) R87749)
6	A120R	DOWEL PIN	1	X X	
7	26H72	SHAFT KEY	1	X X	
8	T20094	GEAR	1	X X	Z=24

(A) IF AVAILABLE
 VERIFIER DISPONIBILITE LOCALE
 LOKALE VERFUEGBARKEIT UEBERPRUEFEN
 ESAMINARE SI OTTENIBILE
 VERIFICAR EL SUMINISTRO LOCAL
 KONTROLLERA ATKOMLIGHET

1B10

ENGINE

PULLEY WITHOUT FRONT PTO
 POULIE SANS PDF AVANT
 KEILRIEMENSCHIBE OHNE FRONT-ZAPFWELLE
 PULEGGIA SENZA PDF CENTRALE
 POLEA SIN TDF DELANTERA
 KILRENSSKIVA UTAN MITTRE KRAFTUTTAG
 CD12522 -UN-01JAN94



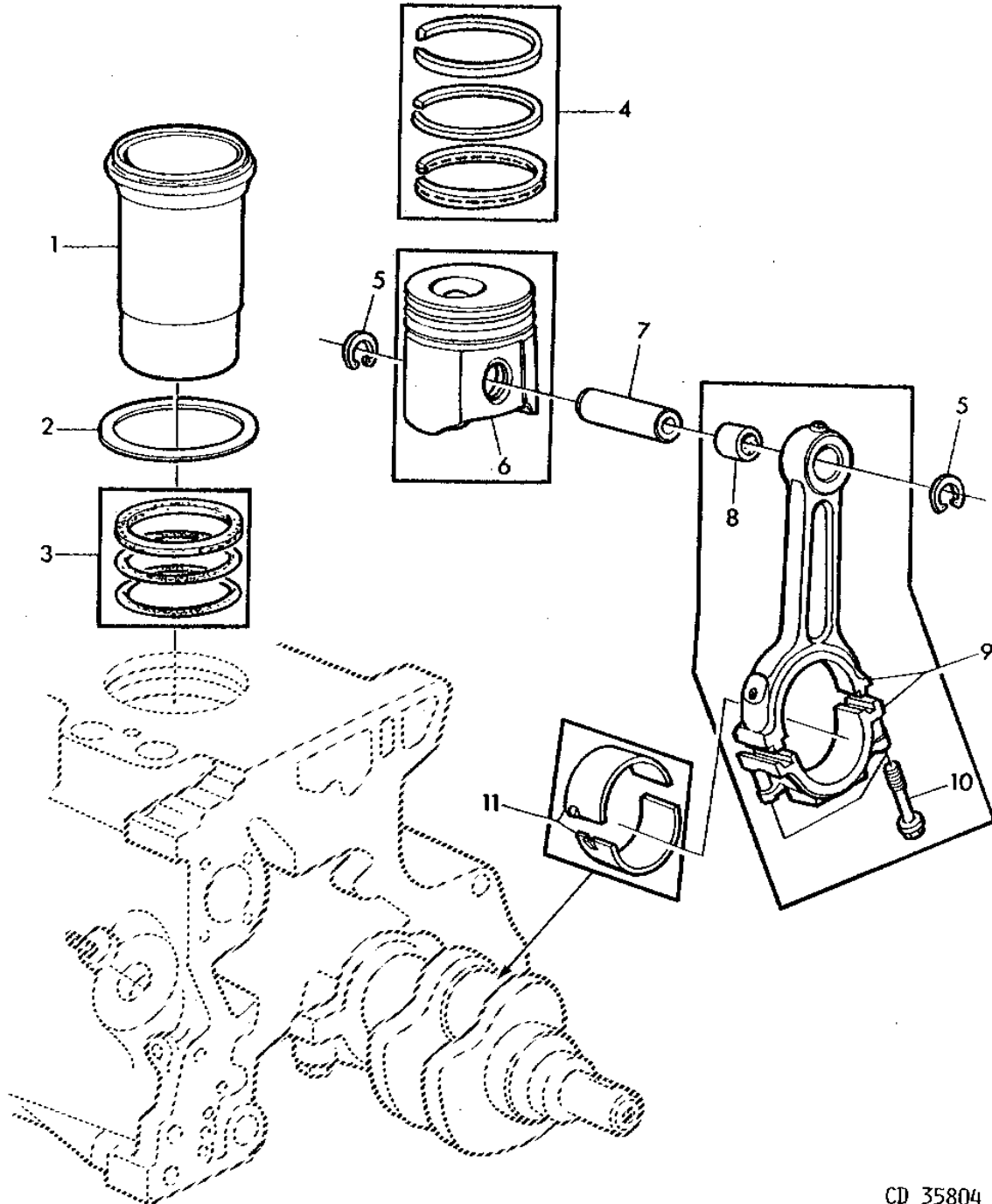
CD 12 522

KEY	PART NO.	PART NAME	QTY	SERIAL NO.	REMARKS
					2
					0 2
					4 1
					0 4
					S 0
1	19H1721	CAP SCREW	1	X X	1/2"X1-1/2" (ORD CD16045, 19H2473)
	19H2473	CAP SCREW	AR	X X	1/2"X1-3/4" (FOR CD16045)
2	T20217	WASHER	1	X X	TK=6MM(0.236") (ORD CD16045, 19H2473)
	CD16045	SPACER	AR	X X	TK=12MM(0.472") (FOR 19H2473)
3	R70443	PULLEY	1	X X	
4	T23604	SHAFT KEY	1	X X	

1B11

ENGINE

PISTON/CONNECTING ROD/LINER
PISTON/BIELLE/CHEMISE
KOLBEN/PLEUELSTANGE/BUECHSE
PISTONE/BIELLA/CAMICCIA
PISTON/BIELA/CAMISAS
KOLV/KOLVSTAKE/CYLINDERFODER
CD35804 -UN-01JAN94



CD 35804

1B12

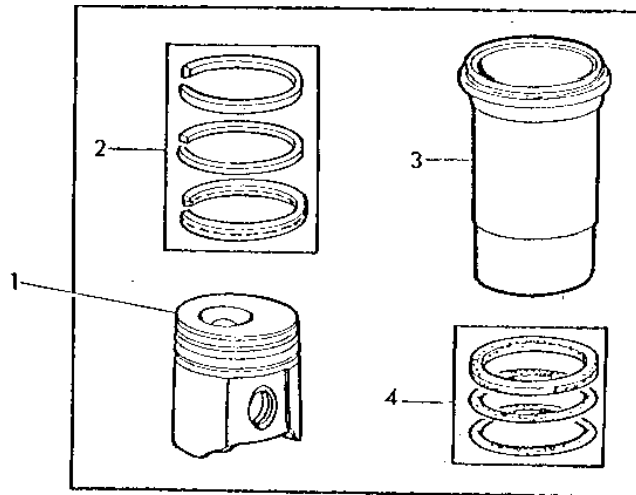
ENGINE

KEY	PART NO.	PART NAME	QTY	SERIAL NO.	REMARKS
					2
					0 2
					4 1
					0 4
					S 0
1	R80724	CYLINDER LINER	4	X	(SUB FOR R51726)
	R80724	CYLINDER LINER	4	X	(SUB FOR R75927 APPL)
2	CD15466	SHIM	AR	X X	TK=0,05MM(0.002")
	R65833	SHIM	AR	X X	TK=0,1MM(0.004")
3	AR65507	O-RING KIT	4	X X	
4	RE15674	PISTON RING KIT	4	X X	(SUB FOR DD11831)
5	M41029	SNAP RING	8	X	PACKG (6)
	R54114	SNAP RING	8	X	PACKG (2)
6	PISTON-LINER KIT	AR	X	NSEP (ORD RE24458 OR RE24539)
	PISTON-LINER KIT	AR	X	NSEP (ORD RE22678 OR RE22681)
7	R51731	PISTON PIN	4	X	O.D.=35MM(1.38")
	R56188	PISTON PIN	4	X	O.D.=41MM(1.61")
8	R55647	BUSHING	1	X	(SUB FOR R51728)
	R57451	BUSHING	1	X	(SUB FOR R56186)
9	RE16495	CONNECTING ROD	4	X	(SUB FOR AR55978)
	RE16494	CONNECTING ROD	4	X	(SUB FOR AR71068)
10	R74194	SCREW	2	X X	(FOR AR55978, AR71068) (SUB FOR T20009)
	R80033	SCREW	2	X X	(FOR RE16494, RE16495)
11	RE27348	KIT	4	X X	I.D.=STANDARD (KIT (2) R83379) (SUB FOR AT21138) (KIT (2) T20011) (SUB FOR AR71080) (KIT (2) R58980)
	RE27349	KIT	AR	X X	I.D.=0.254MM(0.010") (KIT (2) R87748) (SUB FOR AT21122) (KIT (2) T23566, AT21124) (KIT (2) T23568) (SUB FOR AR76128) (KIT (2) R62072, AR76129) (KIT (2) R62073)
	RE27358	KIT	AR	X X	I.D.=0.508MM(0.020") (KIT (2) R87754) (SUB FOR AT21126) (KIT (2) T23570) (SUB FOR AR76130) (KIT (2) R62074)
	RE27364	BEARING KIT	AR	X X	I.D.=0.762MM(0.030") (KIT (2) R87757) (SUB FOR AT21128) (KIT (2) T23572) (SUB FOR AR76131) (KIT (2) R62075)

1B13

ENGINE

CYLINDERLINER AND PISTON KIT
 CHEMISE ET PISTON- JEU DE REPARATION
 CYLINDERBUECHSE UND KOLBEN-REPARATURSATZ
 GRUPPO CAMICCIA E PISTONE
 CAMISAS Y PISTONES-JUEGO DE REPARACION
 CYLINDERFODER OCH KOLV/ENHET
 CD30143 -UN-01JAN94



CD30143

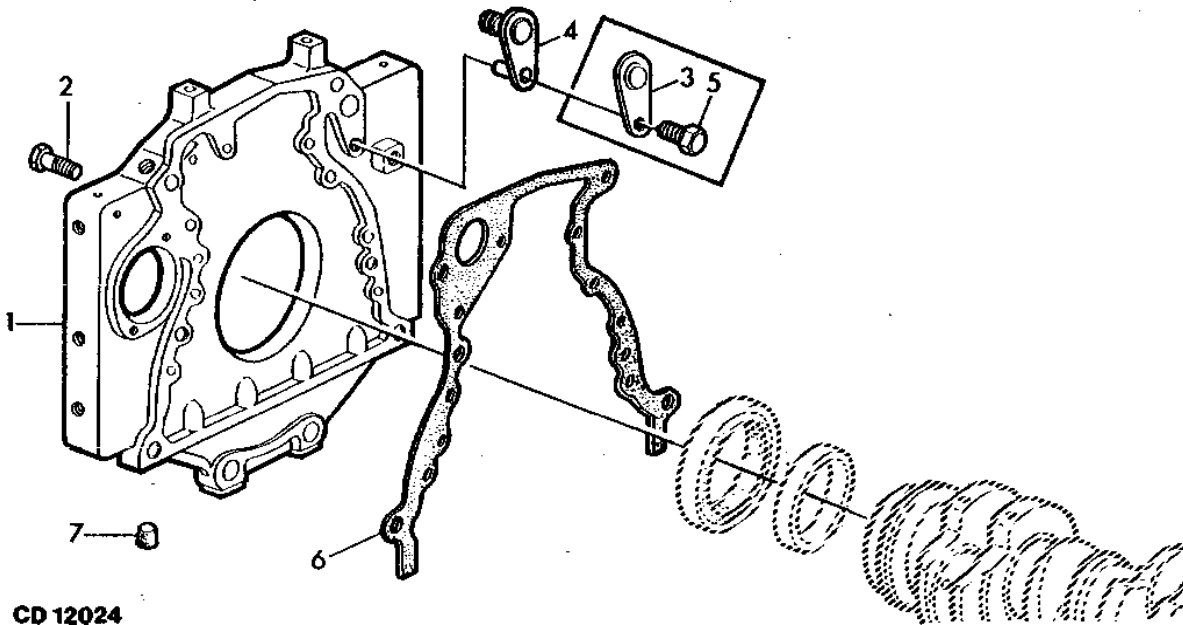
2
0 2
4 1
0 4
S 0

KEY	PART NO.	PART NAME	QTY	SERIAL NO.	REMARKS
1	RE24458	PISTON-LINER KIT	AR	X	MARKED"B" (SUB FOR RE11509, RE18694)
	RE24539	PISTON-LINER KIT	AR	X	MARKED"H" (SUB FOR RE11510, RE18697)
	RE22678	PISTON-LINER KIT	AR	X	MARKED"B" (SUB FOR DD14529)
	RE22681	PISTON-LINER KIT	AR	X	MARKED"H" (SUB FOR DD14530)
2	RE15674	PISTON RING KIT	1	X X	PACKG (3) (SUB FOR DD11831)
3	R80724	CYLINDER LINER	1	X	(SUB FOR R51726)
	R80724	CYLINDER LINER	1	X	(SUB FOR R75927 APPL)
4	AR65507	O-RING KIT	1	X X	

1B14

ENGINE

FLYWHEEL HOUSING
 CARTER DE VOLANT
 SCHWUNGRADGEHAEUSE
 CARTER VOLANO
 CARTER DEL VOLANTE
 SVANGHJULSKAPA
 CD12024 -UN-01JAN94



CD 12024

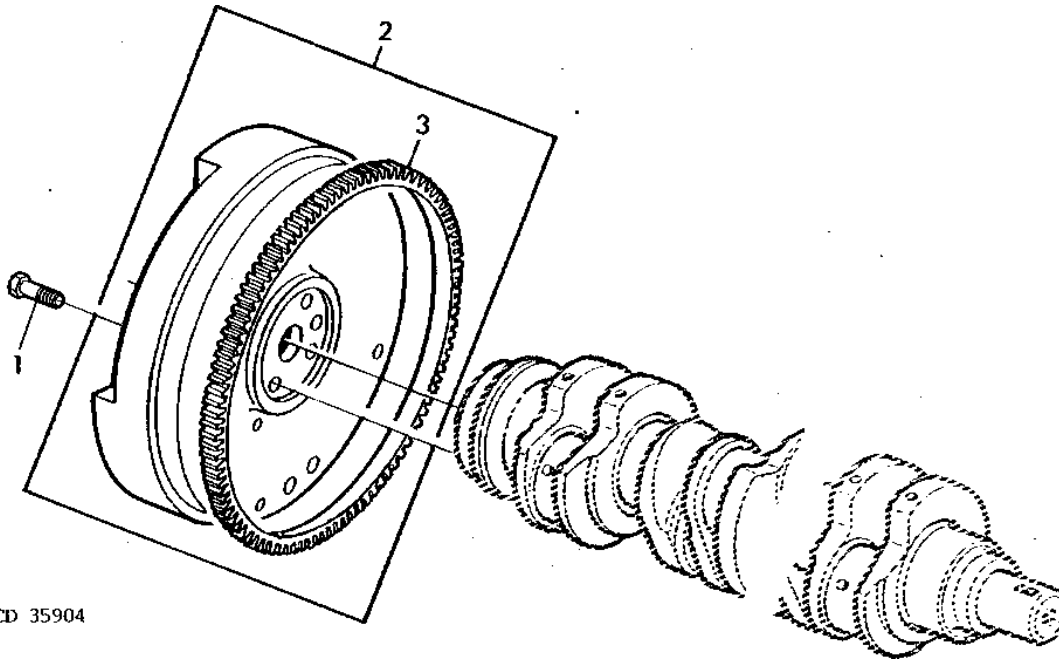
2
 0 2
 4 1
 0 4
 S 0

KEY	PART NO.	PART NAME	QTY	SERIAL NO.	REMARKS
1	R70492	HOUSING	1	X X	
2	19H2545	CAP SCREW	8	X X	3/8"X1-3/8" (SUB FOR 19H1800, 12H304 APPL)
3	T28435	COVER	1	X X	(ORD R83554)
4	R83554	PLUG	AR	X X	(SUB FOR T28435, 19H2351)
5	19H2351	CAP SCREW	1	X X	1/2"X1/2" (FOR T28435)
6	R97351	GASKET	1	X X	(SUB FOR R70483, R49516)
7	T23590	PLUG	1	X X	

1B15

ENGINE

FLYWHEEL
VOLANT
SCHWUNGRAD
VOLANO
VOLANTE
SVANGHJUL
CD35904 -UN-01JAN94



CD 35904

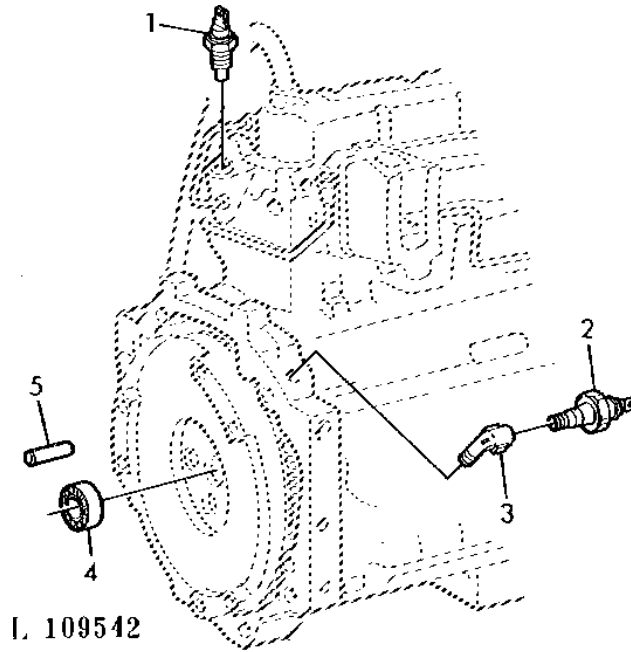
2
0 2
4 1
0 4
S 0

KEY	PART NO.	PART NAME	QTY	SERIAL NO.	REMARKS
1	19H3299	CAP SCREW	4	X X	1/2"X1-1/4"
2	RE18678	FLYWHEEL	1	X X	(MARKED R80986) (SUB FOR AR103749) (MARKED R76352 APPL)
3	T20088	GEAR	1	X X	Z=142

1B16

ENGINE

COOLANT TEMP.GAUGE/ENGINE OIL PRESSURE SENDING UNIT,PILOT BEARING
 CAPTEUR TEMP.LIQU.REFR.-PRESSION D'HUILE MOTEUR/BAGUE PILOTE
 GEBER-WASSERTEMPERATUR-MOTOROELDRUCK/FUEHRUNGSLAGER
 TRASM.TEMP.REFRIG./CONTATTO PRESS.OLIO/CUSCIN.PILOTA
 SONDA TEMP.REFRIG./PRESION ACEITE MOTOR/RODAM.GUIA
 TEMPERATURGIVARE MOTOROLJETRYCK-GIVARE/KULLAGER
 L109542 -UN-01JAN94



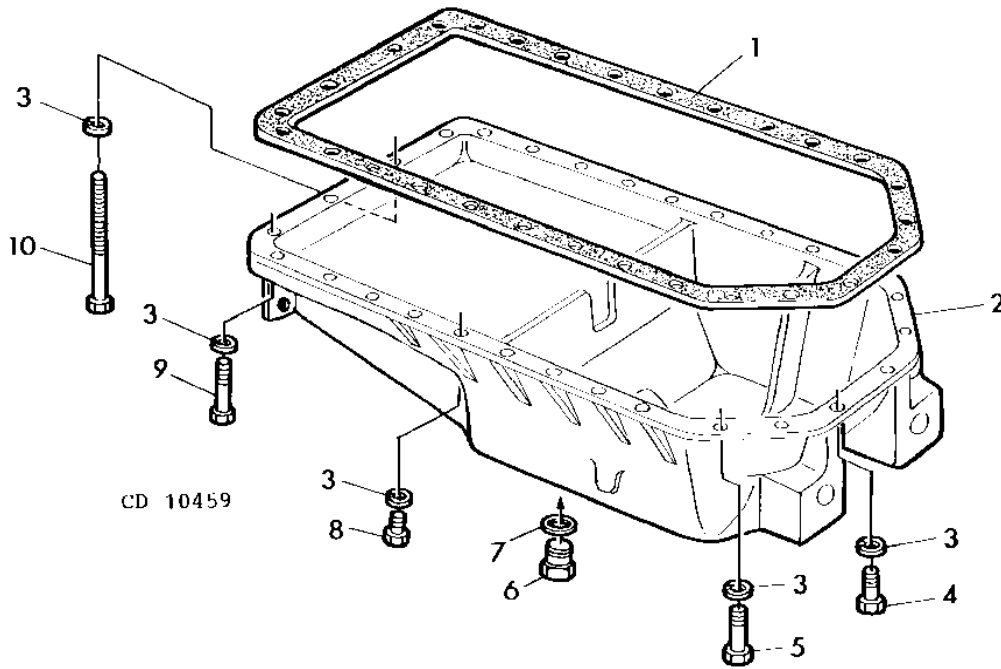
KEY	PART NO.	PART NAME	QTY	SERIAL NO.	REMARKS
				2	
				0 2	
				4 1	
				0 4	
				S 0	
1	AL24527	SENDER	1	X X	
2	AR27977	TOUCH SWITCH	1	X X	
3	F2136R	ELBOW FITTING	1	X	
4	JD10107	BALL BEARING	1	X X	
5	T26565	DOWEL PIN	2	X X	

1B17

ENGINE

OIL PAN
 CARTER D'HUILE
 OELWANNE
 COPPA OLIO
 CARTER DE ACEITE
 OLJESUMP

CD10459 -UN-17JUL95



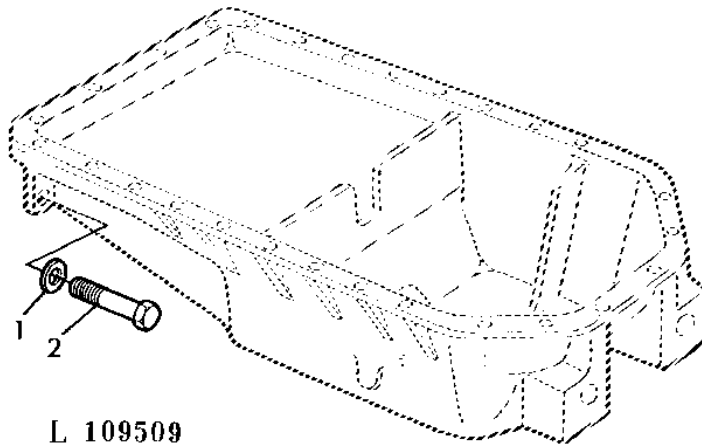
CD 10459

KEY	PART NO.	PART NAME	QTY	SERIAL NO.	REMARKS
				2	
				0 2	
				4 1	
				0 4	
				S 0	
1	R97342	GASKET	1	X X	(SUB FOR R49515)
2	R78032	PAN	1	X X	(SUB FOR R53471)
3	12H304	LOCK WASHER	28	X X	3/8"
4	19H988	CAP SCREW	2	X X	3/8"X1-1/4"
5	19H1800	CAP SCREW	4	X X	3/8"X1-1/2"
6	M1746T	DRAIN PLUG	1	X X	7/8"
7	T13213	WASHER	1	X X	
8	19H3221	CAP SCREW	18	X X	3/8"X1-1/4"
9	19H1733	CAP SCREW	2	X X	3/8"X2-1/2"
10	19H2228	CAP SCREW	2	X X	3/8"X4"

1B18

ENGINE

OIL PAN MOUNTING PARTS
 ELEMENTS DE FIXATION DU CARTER D'HUILE
 BEFESTIGUNGSTEILE FUER OELWANNE
 PARTI FISSAGGIO PER COPPA OLIO MOTORE
 PIEZAS DE SUJECION DEL CARTER DE ACEITE
 FASTDELAR FOR MOTOROLJETRAG
 L109509 -UN-06OCT95



KEY	PART NO.	PART NAME	QTY	SERIAL NO.	REMARKS
1	R42363	WASHER	2		
2	19H2726	CAP SCREW	2		

2
0 2
4 1
0 4
S 0

1B19

ENGINE

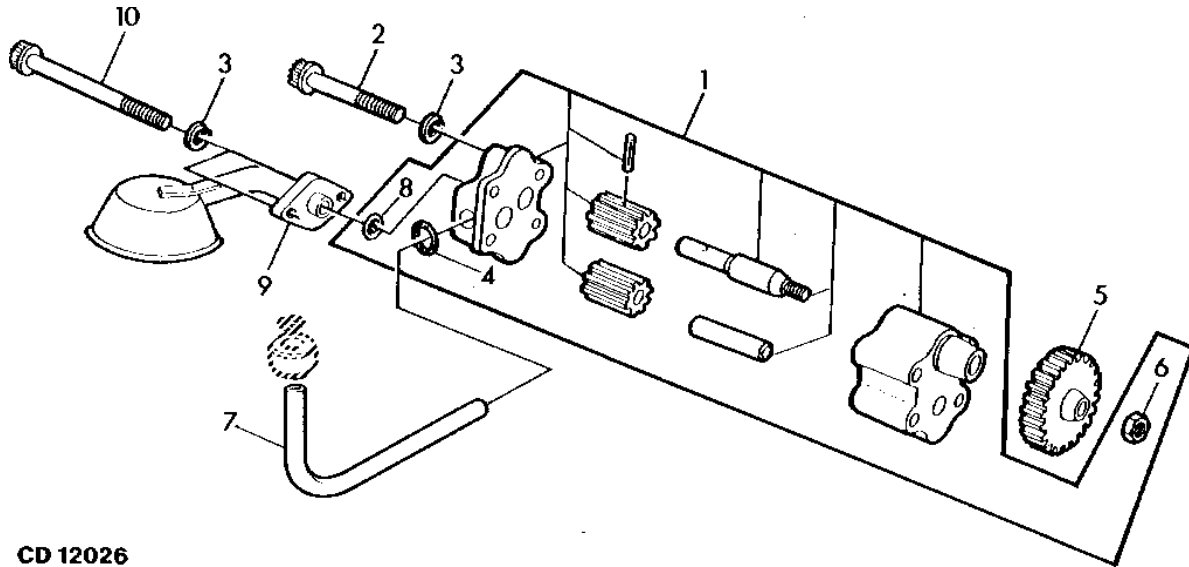
MEMORANDA
MEMORANDA
MEMORANDA
MEMORANDA

1B20

ENGINE

OIL PUMP
 POMPE A HUILE
 OELPUMPE
 POMPA OLIO
 BOMBA DE ACEITE
 OLJEPUMP

CD12026 -UN-01JAN94



CD 12026

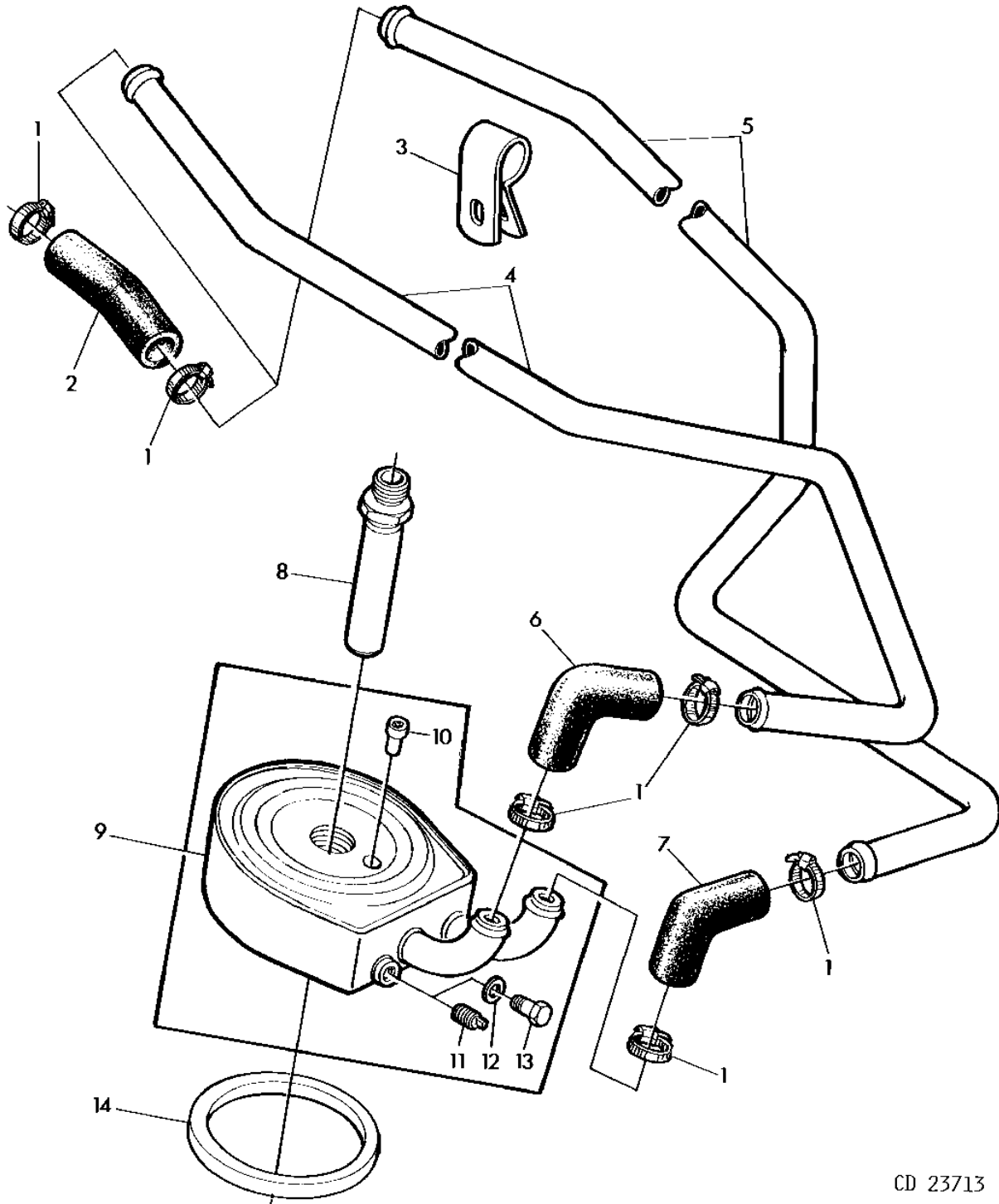
KEY	PART NO.	PART NAME	QTY	SERIAL NO.	REMARKS
				2	
				0 2	
				4 1	
				0 4	
				S 0	
1	RE35685	OIL PUMP	1	X X	(SUB FOR AR62979, R53382, R54614, AR62978, DD14760)
2	R57059	CAP SCREW	2	X X	3/8"X2-3/4"
3	12H304	LOCK WASHER	4	X X	3/8"
4	R74354	O-RING	1	X X	(SUB FOR R27166 APPL)
5	T20298	GEAR	1	X X	Z=33
6	14H826	NUT	1	X X	1/2"
7	T20050	OIL TUBE	1	X X	
8	R61871	O-RING	1	X X	(SUB FOR A4730R APPL)
9	RE36425	OIL PUMP INTAKE	1	X X	(SUB FOR AR60701)
10	R81072	CAP SCREW	2	X X	3/8"X3.898" (SUB FOR R59409)

1B21

ENGINE

ENGINE OIL COOLER/8 PLATES/BASIC COOLING CAPACITY
REFROIDISSEUR D'HUILE MOTEUR/8 PLAQUES/CAPACITE STANDARD
MOTOROELKUEHLER/8 PLATTEN/NORMALE KUEHLEISTUNG
SCAMBIATORE CALORE OLIO MOTORE(8 PIASTRE-PORTATA STANDARD)
REFRIGERADOR DE ACEITE DEL MOTOR/8 PLACAS/CAPACIDAD DE REFRIGERACION ESTANDAR
MOTOROLJEKYLARE(8 PLATTOR-STANDARD GENOMSTROMNINGSKAPACITET)

CD23713 -UN-11JUL95



CD 23713

1B22

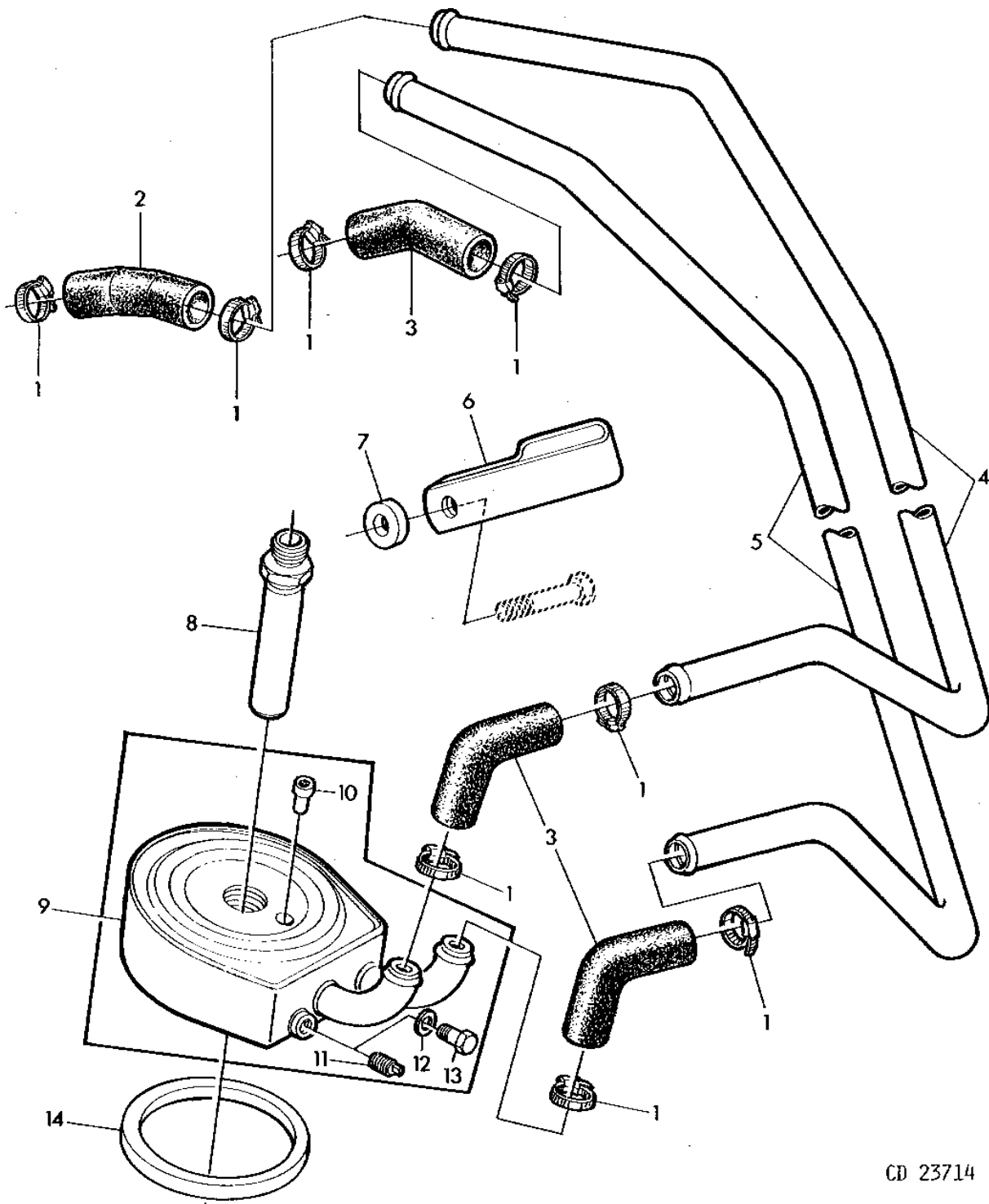
ENGINE

KEY	PART NO.	PART NAME	QTY	ENGINE		REMARKS
				SERIAL NO.	S 0	
					2	
					0 2	
					4 1	
					0 4	
					S 0	
1	AL64588	CLAMP	8	-460279	X X	(SUB FOR AR21837)
2	R70438	HOSE	2	-460279	X X	
3	R64212	HALF CLAMP	2	-460279	X X	
4	R70439	TUBE	1	-460279	X X	I.D.=16MM(0.62")
5	R70440	TUBE	1	-460279	X X	I.D.=16MM(0.62")
6	T22942	HOSE	1	-460279	X X	
7	R55127	HOSE	1	-460279	X X	(SUB FOR T22942 APPL)
8	T31306	THREADED NIPPLE	1	-460279	X X	
9	AR98852	OIL COOLER	1	-460279	X X	BEHR (ORD RE10869)
	RE10869	OIL COOLER	1	-460279	X X	MODINE
10	R77332	RELIEF VALVE	1	-460279	X X	(FOR RE10869)
	AR98853	VALVE	1	-460279	X X	(FOR AR98852)
11	R56947	DRAIN PLUG	1	-460279	X X	(FOR AR64415)
12	51M7012	RING	1	-460279	X X	10X5X1MM (FOR AR98852) (SUB FOR CD15227)
13	15M2714	DRAIN PLUG	1	-460279	X X	M10X1 (FOR AR98852)
14	R70956	WASHER	1	-460279	X X	(SUB FOR R55434)

1B23

ENGINE

ENGINE OIL COOLER/8 PLATES/BASIC COOLING CAPACITY
REFROIDISSEUR D'HUILE MOTEUR/8 PLAQUES/CAPACITE STANDARD
MOTOROELKUEHLER/8 PLATTEN/NORMALE KUEHLEISTUNG
SCAMBIATORE CALORE OLIO MOTORE(8 PIASTRE-PORTATA STANDARD)
REFRIGERADOR DE ACEITE DEL MOTOR/8 PLACAS/CAPACIDAD DE REFRIGERACION ESTANDAR
MOTORLJEKYLARE(8 PLATTOR-STANDARD GENOMSTROMNINGSKAPACITET)
CD23714 -UN-01JAN94



CD 23714

1B24

ENGINE

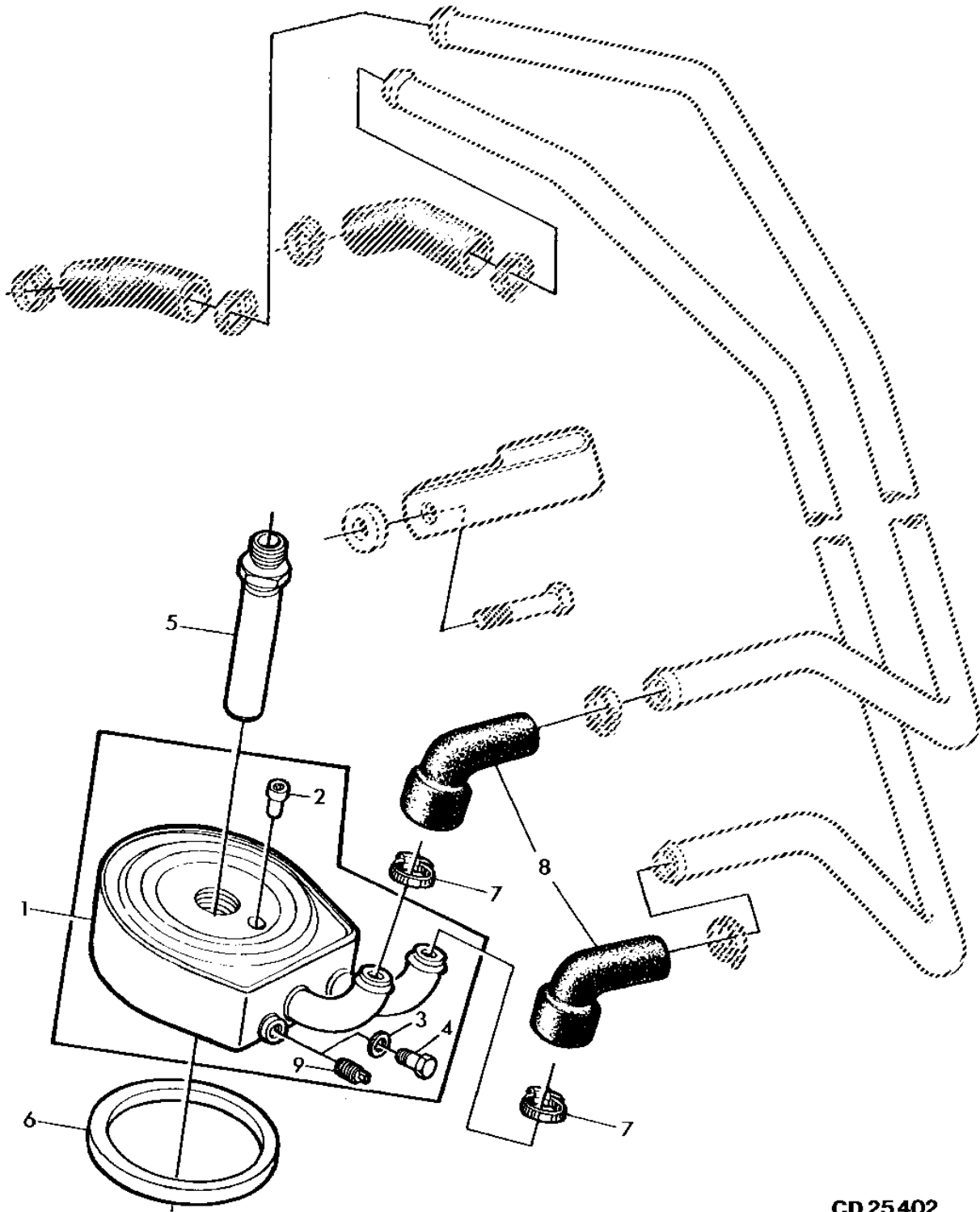
KEY	PART NO.	PART NAME	QTY	ENGINE SERIAL NO.	2 0 2 4 1 0 4 S 0	REMARKS
1	AL64588	CLAMP	8	460280-	X X	(SUB FOR AL25852, AR21837)
2	R70438	HOSE	1	460280-	X X	
3	R55127	HOSE	3	460280-	X X	
4	R73609	TUBE	1	460280-	X X	I.D.=16MM(0.62")
5	R73610	TUBE	1	460280-	X X	I.D.=16MM(0.62")
6	R53524	CLAMP	1	460280-	X X	
7	T20280	WASHER	1	460280-	X X	
8	T31306	THREADED NIPPLE	1	460280-	X X	
9	AR98852	OIL COOLER	1	460280-	X X	BEHR (ORD RE10869 OR RE31929, T31306, (2) R79691, (2) AT18904)
	RE10869	OIL COOLER	1	460280-	X X	MODINE
10	AR98853	VALVE	1	460280-	X X	(FOR AR98852)
	R77332	RELIEF VALVE	1	460280-	X X	(FOR RE10869)
11	R56947	DRAIN PLUG	1	460280-	X X	(FOR RE10869)
12	51M7012	RING	1	460280-	X X	10X5X1MM (FOR AR98852) (SUB FOR CD15227)
13	15M2714	DRAIN PLUG	1	460280-	X X	M10X1 (FOR AR98852)
14	R70956	WASHER	1	460280-	X X	(SUB FOR R55434)

1C1

ENGINE

ENGINE OIL COOLER 10 PLATES/BASIC COOLING CAPACITY
REFROIDISSEUR D'HUILE MOTEUR/10 PLAQUES/CAPACITE STANDARD
MOTOROELKUEHLER/10 PLATTEN/NORMALE KUEHLLLEISTUNG
SCAMBIATORE CALORE OLIO MOTORE (10 PIASTRE-PORTATA STANDARD)
REFRIGERADOR DE ACEITE DEL MOTOR/10 PLACAS/CAPACIDAD DE REFRIGERACION ESTANDAR
MOTORLJEKYLARE (10 PLATTOR-STANDARD GENOMSTROMNINGSKAPACITET)

CD25402 -UN-06OCT95



CD 25402

1C2

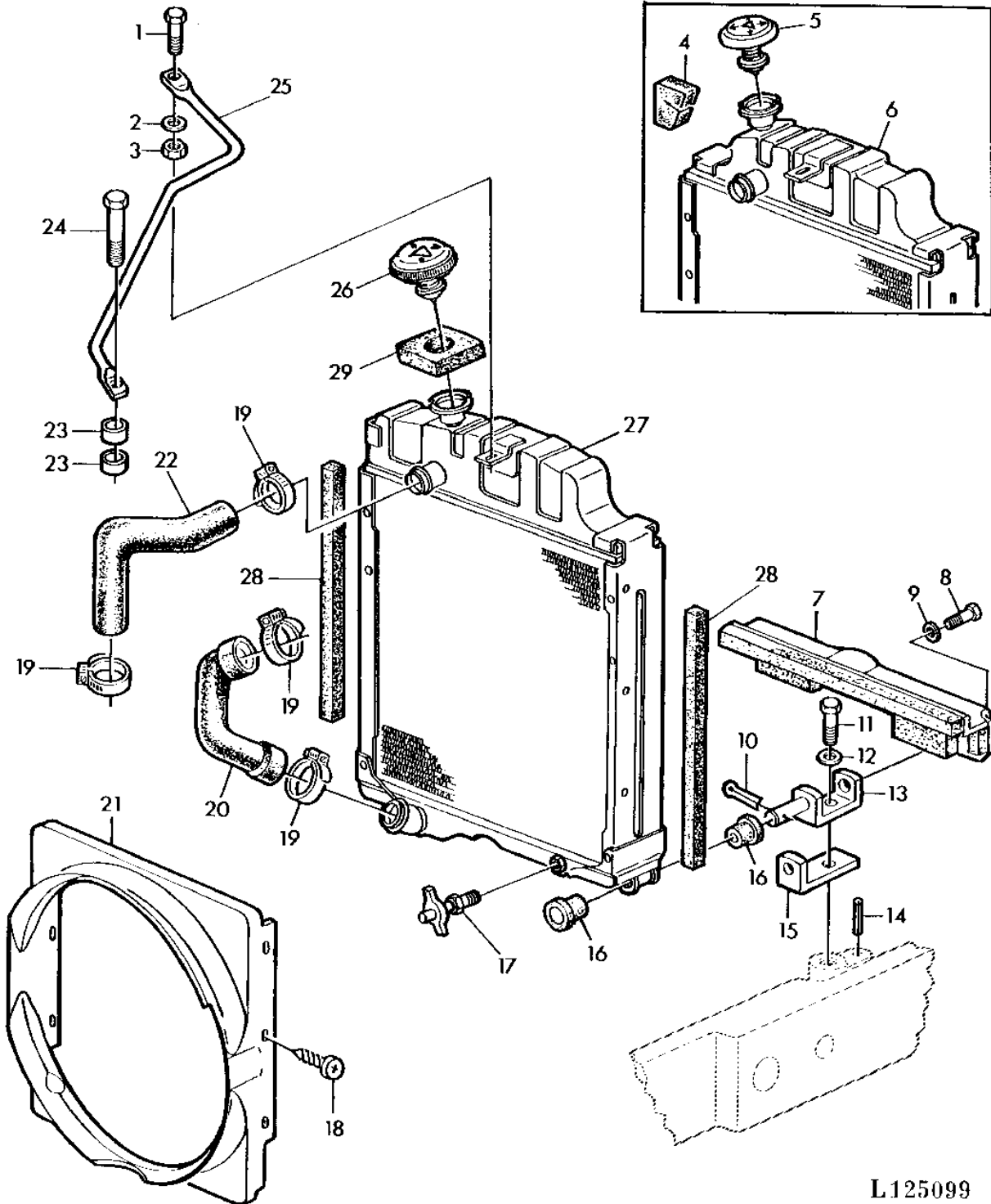
ENGINE

KEY	PART NO.	PART NAME	QTY	SERIAL NO.	2 0 2 4 1 0 4 S 0	REMARKS
1	RE14448	OIL COOLER	1		X X	BEHR (ORD RE31929, T31306 APPL)
	RE31929	OIL COOLER	AR		X X	MODINE
2	AR98853	VALVE	1		X X	(FOR RE14448)
3	51M7012	RING	1		X X	10X5X1MM (FOR RE14448)
4	15M2714	DRAIN PLUG	1		X X	M10X1 (FOR RE14448)
5	R78290	THREADED NIPPLE	1		X X	(FOR RE14448)
	T31306	THREADED NIPPLE	AR		X X	(FOR RE31929)
6	R70956	WASHER	1		X X	
7	AT18904	CLAMP	2		X X	
8	R79691	HOSE	2		X X	I.D.=16MMX19MM(0.62"X0.74")
9	R56947	DRAIN PLUG	1		X X	(FOR RE31929)

1C3

ENGINE

RADIATOR AND HOSES
RADIATEUR ET FLEXIBLES
KUEHLER / WASSERSCHLAEUCE
RADIATORE E MANICOTTI
RADIADOR / MANGUERAS DE AGUA
KYLARE OCH VATTENSLANGAR
L125099 -UN-09OCT95



L125099

1C4

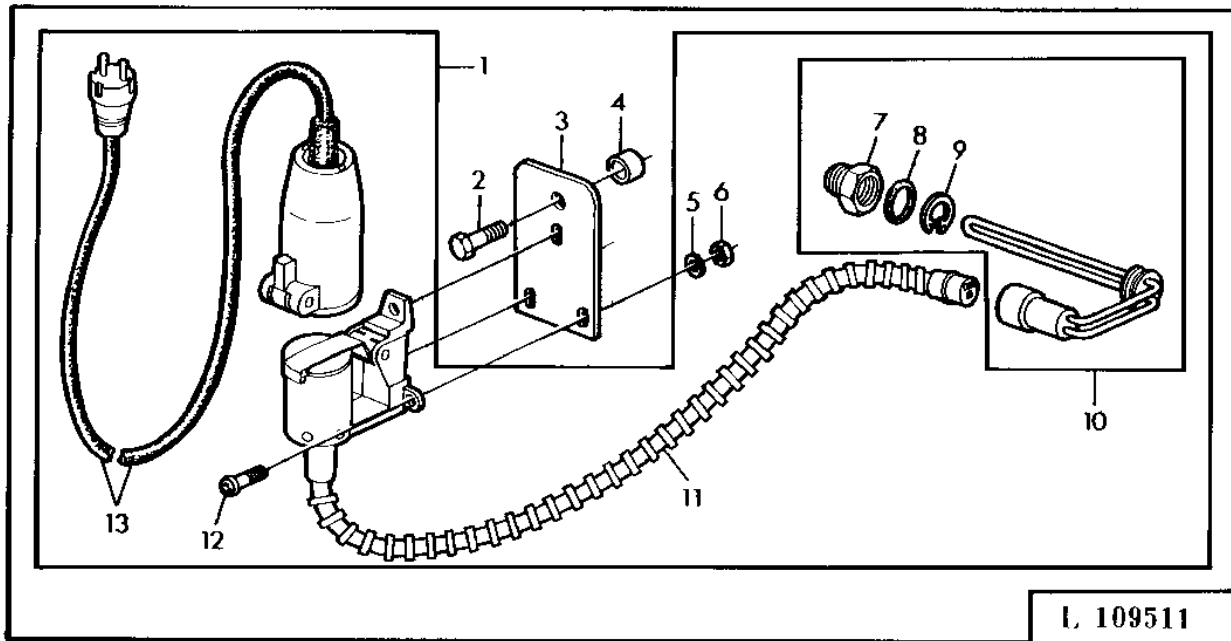
ENGINE

KEY	PART NO.	PART NAME	QTY	SERIAL NO.	REMARKS
				2	
				0 2	
				4 1	
				0 4	
				S 0	
1	19H1900	CAP SCREW	1	X X	5/16"X3/4"
2	24H1122	WASHER	1	X X	3/8"X7/8"X.075"
3	14H785	NUT	1	X X	5/16"
4	L57559	FOAM PAD	1	X X	(SUB FOR T22376, L36976)
5	AT29054	FILLER CAP	1	X X	
6	AL31237	RADIATOR	1	X X	(ORD AL37568, AL38374)
7	AL56407	SHIELD	1	X X	(SUB FOR AL31895, AL37450, AL41463)
8	19M7162	CAP SCREW	2	X X	M8X16
9	24M7036	WASHER	2	X X	9X17X1,6MM
10	11M7021	COTTER PIN	2	X X	4X25MM
11	19H1732	CAP SCREW	2	X X	3/8"X1-1/4"
12	24H1682	WASHER	2	X X	13/32"X7/8"X.120"
13	AL31893	CLEVIS	2	X X	
14	34M7061	SPRING PIN	2	X X	
15	L34975	ANGLE	2	X X	
16	L34974	BUSHING	4	X X	
17	AT13740	DRAIN VALVE	1	X X	
18	37M7079	SCREW	6	X X	6.3X13MM
19	AR21840	CLAMP	4	X X	
20	L34921	HOSE	1	X X	LOW
21	L40538	SHROUD	1	X X	(SUB FOR L34562)
22	L34898	HOSE	1	X X	UP
23	28H856	WASHER	2	X	
24	19H2633	CAP SCREW	1	X	3/8" X 1-1/2"
25	L34648	LEVER	1	X X	
26	AL38374	FILLER CAP	1	X X	
27	AL37568	RADIATOR	1	X X	(SUB FOR AL31237)
28	L59886	FOAM PAD	2	X X	(SUB FOR L56398)
29	L60523	FOAM PAD	1	X X	

1C5

ENGINE

ENGINE COOLANT HEATER 220V,750W
 RECHAUFFEUR DU LIQUIDE DE REFROIDISSEMENT 220V,750W
 KUEHLWASSER-VORWAERMER 220V,750W
 RISCALDATORE REFRIGERANTE 220V,750W
 DISPOSITIVO PARA EL CALENTAMIENTO DEL LIQUIDO REFRIGERANTE 220V,750W
 KYLVATSKEVARMARE 220V,750W
 L109511 -UN-07JUL95



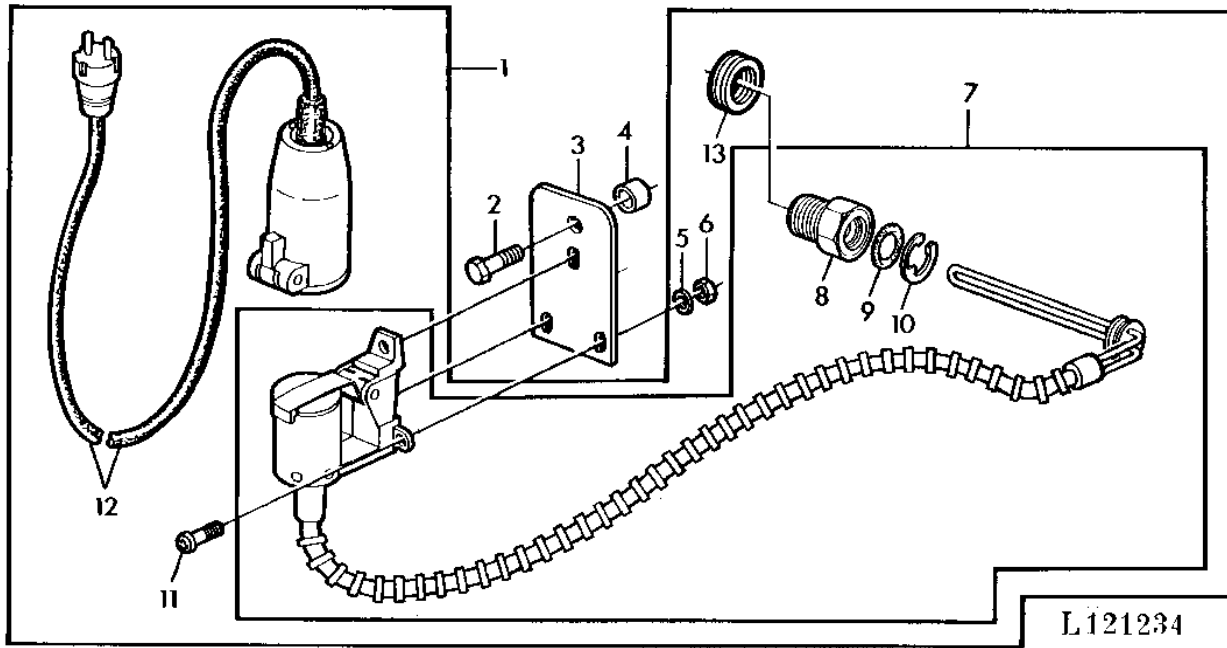
L 109511

KEY	PART NO.	PART NAME	QTY	SERIAL NO.	REMARKS
				2	
				0 2	
				4 1	
				0 4	
				S 0	
1	AL33526	COOLANT HEATER	1	X X	(ORD AL40847)
2	19H2353	CAP SCREW	1	X X	9/16"X1" (SUB FOR 19H1792 APPL)
3	L36372	STRAP	1	X X	(SUB FOR L34483)
4	28H1863	WASHER	1	X X	
5	24M7146	WASHER	3	X X	4,3X12X1MM
6	14M7139	NUT	3	X X	M4
7	L37507	ADAPTER	1	X X	
8	L53836	O-RING	1	X X	
9	40M1851	SNAP RING	1	X X	22X1MM
10	AL33530	COOLANT HEATER	1	X X	(ORD AL40848)
11	AL33531	CABLE	1	X X	(ORD AL40848)
12	21M7250	SCREW	3	X X	M4X12
13	AL33532	CABLE	1	X X	

1C6

ENGINE

ENGINE COOLANT HEATER 220V,500W
 RECHAUFFEUR DU LIQUIDE DE REFROIDISSEMENT 220V,500W
 KUEHLWASSER-VORWAERMER 220V,500W
 RISCALDATORE REFRIGERANTE 220V,500W
 DISPOSITIVO PARA EL CALENTAMIENTO DEL LIQUIDO REFRIGERANTE 220V,500W
 KYLVATSKEVARMARE 220V,500W
 L121234 -UN-09OCT95

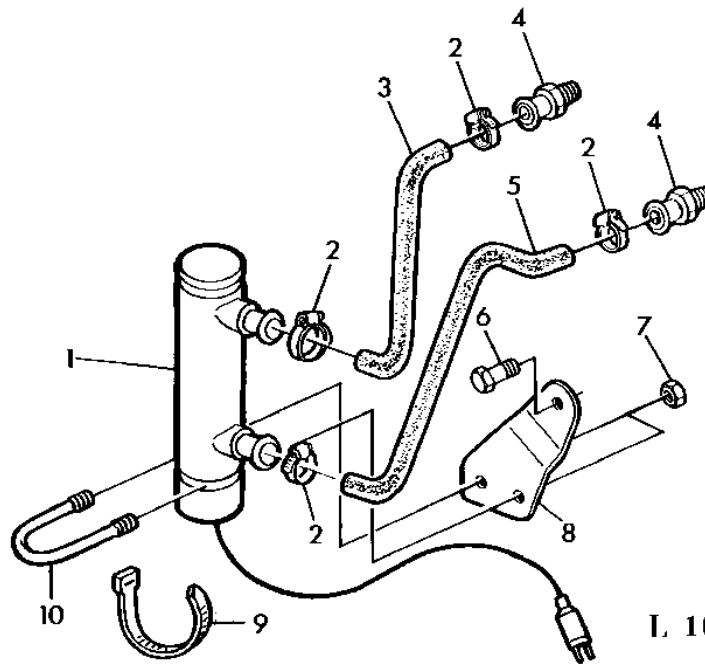


KEY	PART NO.	PART NAME	QTY	SERIAL NO.	REMARKS
				2	
				0 2	
				4 1	
				0 4	
				S 0	
1	AL40847	COOLANT HEATER	1	X X	
2	19H2353	CAP SCREW	1	X X	9/16"X1"
3	L36372	STRAP	1	X X	
4	28H1863	WASHER	1	X X	
5	24M7146	WASHER	3	X X	4,3X12X1MM
6	14M7139	NUT	3	X X	M4
7	AL40848	COOLANT HEATER	1	X X	
8	L37507	ADAPTER	1	X X	
9	L53836	O-RING	1	X X	
10	40M1851	SNAP RING	1	X X	
11	21M7250	SCREW	3	X X	M4X12
12	AL33532	CABLE	1	X X	
13	L62675	ADAPTER	AR	X X	

1C7

ENGINE

ENGINE COOLANT HEATER 110V,1000W
 RECHAUFFEUR DU LIQUIDE DE REFROIDISSEMENT 110V,1000W
 KUEHLWASSER-VORWAERMER 110V,1000W
 RISCALDATORE REFRIGERANTE 110V,1000W
 DISPOSITIVO PARA EL CALENTAMIENTO DEL LIQUIDO REFRIGERANTE 110V,1000W
 KYLVATSKEVARMARE 110V,1000W
 L109513 -UN-17JUL95



L 109513

KEY	PART NO.	PART NAME	QTY	SERIAL NO.	REMARKS
				2	
				0 2	
				4 1	
				0 4	
				S 0	
1	AR72957	COOLANT HEATER	1	X X	
2	AL37451	CLAMP	4	X X	(SUB FOR AR21839, AL31992)
3	L32822	HOSE	1	X X	UP
4	T29388	UNION FITTING	2	X X	
5	L32823	HOSE	1	X X	LOW
6	19H2353	CAP SCREW	1	X X	9/16"X1" (SUB FOR 19H1792 APPL)
7	E45229	LOCK NUT	2	X X	1/4"
8	L32821	RETAINER	1	X X	
9	R44302	TIE BAND	1	X X	
10	R60124	U-BOLT	1	X X	

1C8

ENGINE

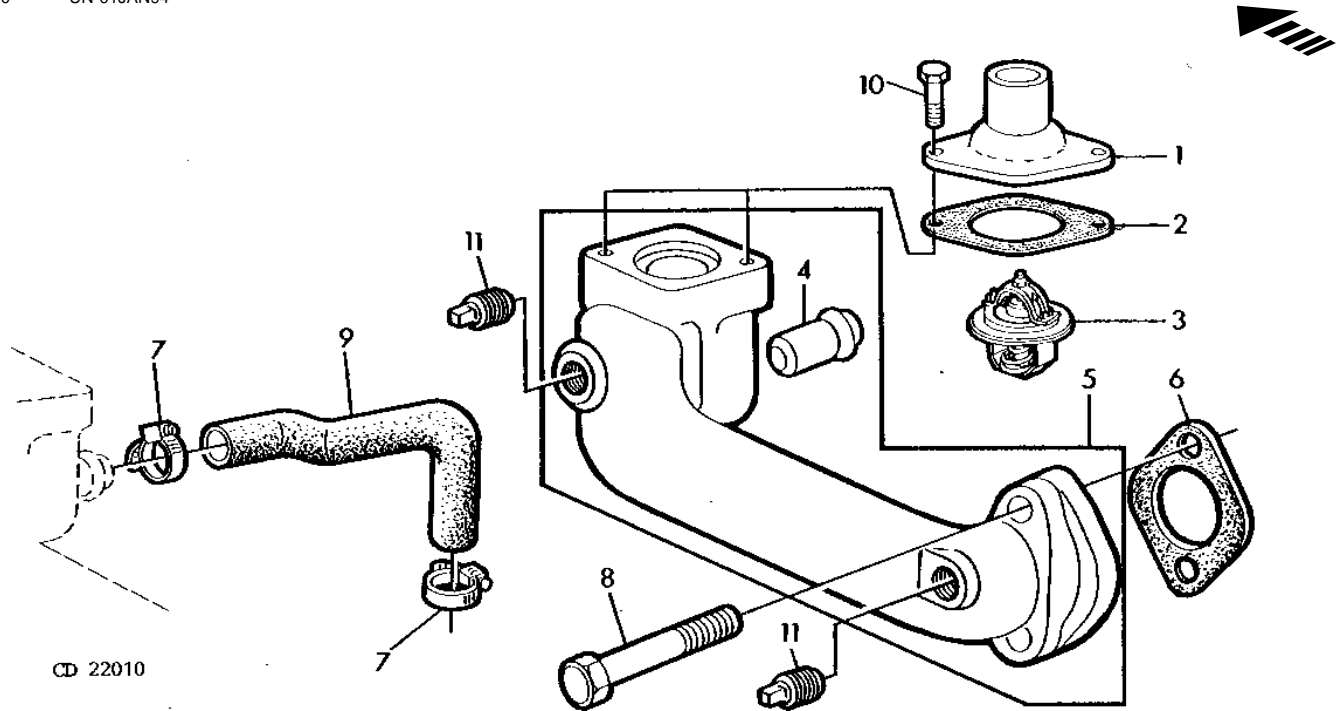
MEMORANDA
MEMORANDA
MEMORANDA
MEMORANDA
MEMORANDA

1C9

ENGINE

THERMOSTAT / THERMOSTAT HOUSING
 THERMOSTAT / BOITIER DE THERMOSTAT
 THERMOSTAT / THERMOSTATGEHAEUSE
 TERMOSTATO / SEDE TERMOSTATO
 TERMOSTATO / Y CAJA DEL TERMOSTATO
 TERMOSTAT / TERMOSTATHUS

CD22010 -UN-01JAN94



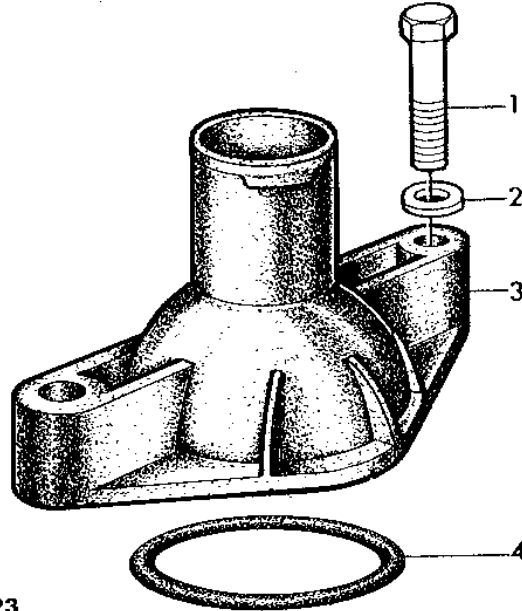
CD 22010

KEY	PART NO.	PART NAME	QTY	SERIAL NO.	REMARKS
				2	
				0 2	
				4 1	
				0 4	
				S 0	
1	R70736	COVER	1	X X	(ORD R97876, R97877, (2) 19H1116, (2) 24H1020)
2	T20215	GASKET	1	X X	
3	AR61538	THERMOSTAT	1	X X	82C (180F)
4	R34985	LINE	1	X X	
5	AR92905	HOUSING	1	X X	(MARKED R70741) NSEP (ORD AR100178, (2) 15H561)
	AR100178	HOUSING	AR	X X	(MARKED R74549)
6	T20219	GASKET	1	X X	
7	AT18904	CLAMP	2	X X	
8	19H1726	CAP SCREW	2	X X	3/8"X2-1/4"
9	R70737	HOSE	1	X X	
10	19H1732	CAP SCREW	2	X X	3/8"X1-1/4"
11	15H561	PIPE PLUG	AR	X X	1/2" (FOR AR100178)

1C10

ENGINE

THERMOSTAT COVER (REPLACEMENT PART)
 COUVERCLE DE THERMOSTAT (PIECE DE REMPLACEMENT)
 THERMOSTATDECKEL (ERSATZTEIL)
 COPERCHIO DEL THERMOSTATO (PARTE DI RICAMBIO)
 TAPA DEL THERMOSTATO (REPUESTO)
 THERMOSTATLOCK (RESERVDEL)
 CD12523 -UN-01JAN94



CD 12 523

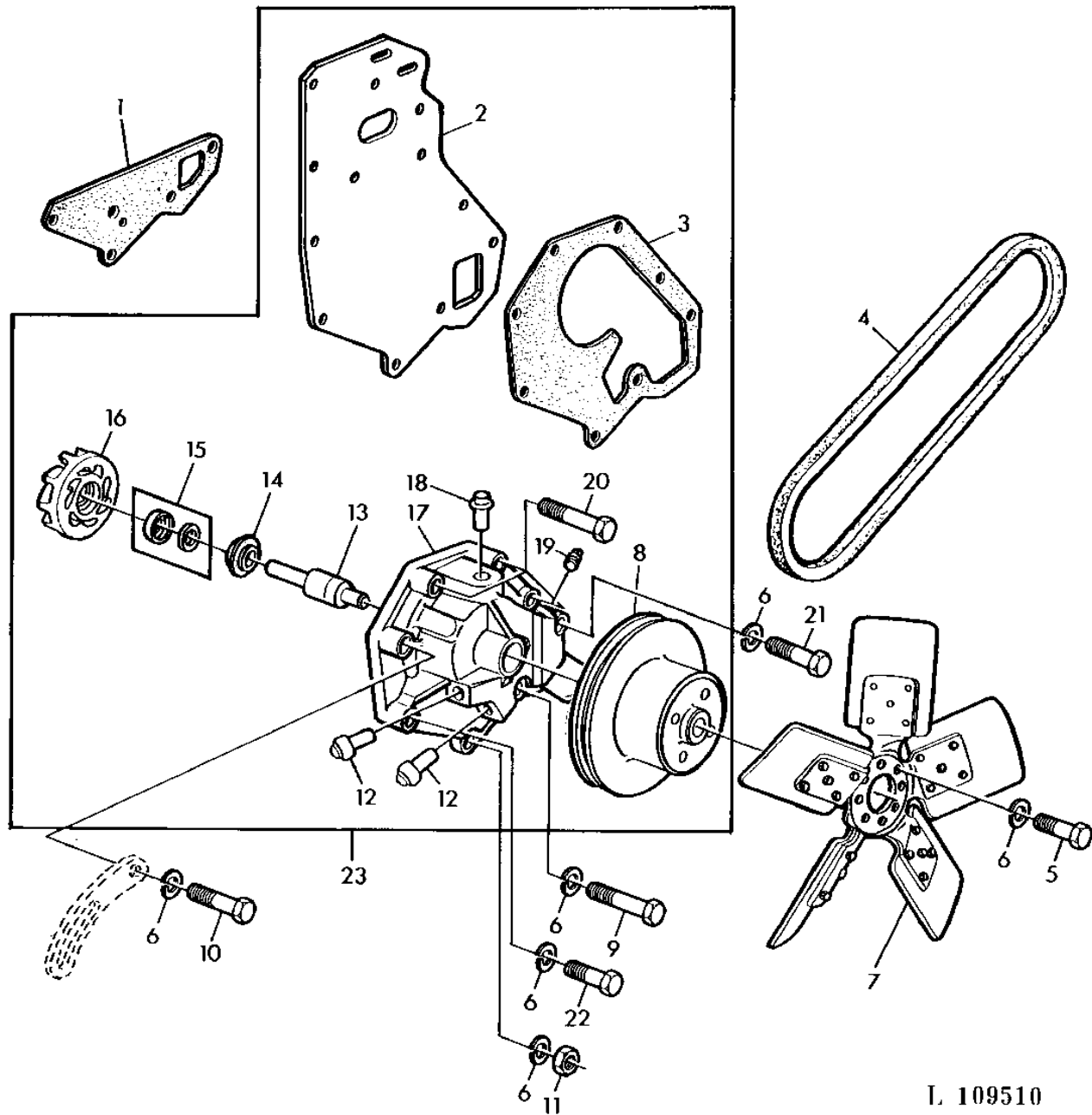
2
0 2
4 1
0 4
S 0

KEY	PART NO.	PART NAME	QTY	SERIAL NO.	REMARKS
1	19H1116	CAP SCREW	2	X X	3/8"X1-1/2"
2	24H1020	WASHER	2	X X	13/32"X23/32"X0.120"
3	R97876	COVER	1	X X	
4	R97877	O-RING	1	X X	

1C11

ENGINE

WATER PUMP AND FAN
POMPE A EAU/VENTILATEUR
WASSERPUMPE/LUEFTER
POMPA ACQUA E VENTILATORE
BOMBA DE AGUA/VENTILADOR
VATTENPUMP OCH FLAKT
L109510 -UN-06OCT95



L 109510

1C12

ENGINE

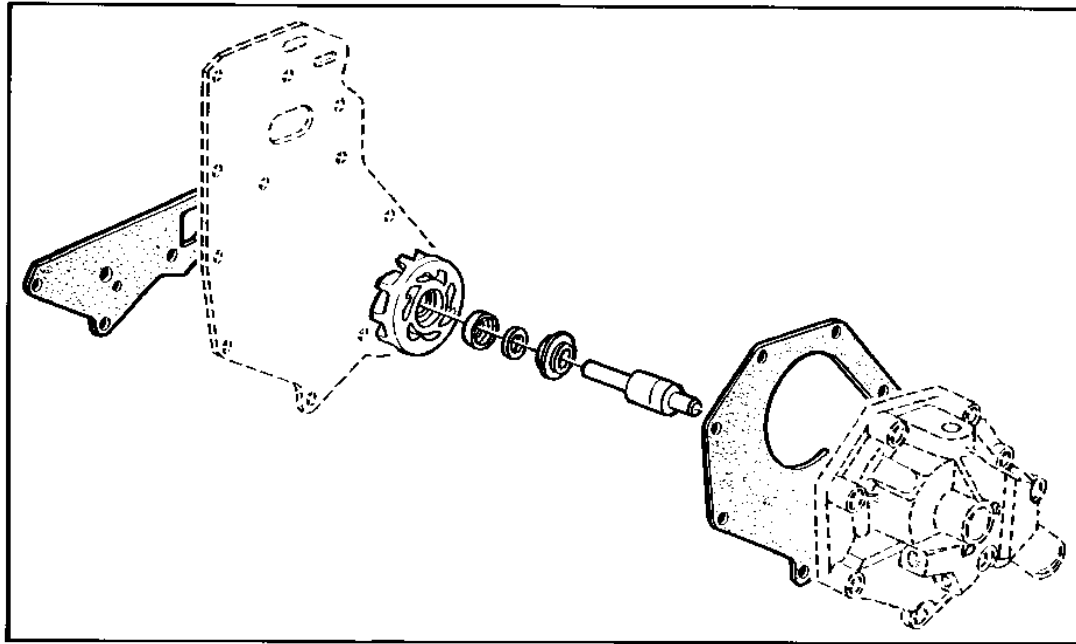
KEY	PART NO.	PART NAME	QTY	SERIAL NO.	REMARKS
					2
					0 2
					4 1
					0 4
					S 0
1	T20243	GASKET	1		X X
2	R70441	COVER	1		X X
3	R55405	GASKET	1		X X
4	R73784	BELT	1		X X LGTH=1340MM(52.76")
5	19H2284	CAP SCREW	4		X X 3/8"X7/8"
6	12H304	LOCK WASHER	8		X X 3/8"
7	AR26382	FAN	1		X X
8	R70442	PULLEY	1		X X (FOR AR92418)
	R70740	PULLEY	1		X (A) (FOR AR92903)
9	19H2128	CAP SCREW	1		X X 3/8"X3" (SUB FOR 19H1944)
10	19H1800	CAP SCREW	1		X X 3/8"X1-1/2"
11	14H812	NUT	1		X X 3/8"
12	R48993	TUBE	2		X X I.D.=16MM(0.62")
13		1		X X NSEP (ORD RE11347) (SUB FOR JD9448)
14		1		X X NSEP (ORD RE11347) (SUB FOR T27261)
15		1		X X NSEP (ORD RE11347) (SUB FOR AR41691)
16		1		X X NSEP (ORD RE11347) (SUB FOR T30897)
17		1		X NSEP (MARKED R70437) (ORD AR92418) (SUB FOR AR92415)
		1		X (A) NSEP (MARKED R70437) (ORD AR92903) (SUB FOR AR92415)
18	R34985	LINE	1		X X I.D.=19MM(0.74")
19	15H584	PIPE PLUG	1		X X 1/2"
20	19H988	CAP SCREW	3		X X 3/8"X1-1/4"
21	19H2639	CAP SCREW	1		X X 3/8"X3-3/8" (SUB FOR 19H2128)
22	19H2549	CAP SCREW	1		X X 3/8"X1-7/8"
23	AR92418	WATER PUMP	1		X X
	AR92903	WATER PUMP	1		X (A)

(A) WITH AIR CONDITIONING
 AVEC CLIMATISATION
 BEI KLIMAANLAGE
 CON IMPIANTO D'ARIA CONDIZIONATA
 CON SISTEMA DE AIRE ACONDICIONADA
 MED LUFTKONDITIONERING

1C13

ENGINE

WATER PUMP REPAIR KIT
 POMPE A EAU/NECESSAIRE DE REPARATION
 WASSERPUMPE REPARATUR SATZ
 POMPA DELL'ACQUA/CORREDO DA RIPARAZIONI
 BOMBA DE AGUA/JUEGO DE REPARACION
 VATTENPUMP/REPARATIONSSATS
 L104067 -UN-06OCT95



I. 104067

2
0 2
4 1
0 4
S 0

KEY	PART NO.	PART NAME	QTY	SERIAL NO.	REMARKS
1	RE11347	KIT	1	X X	

1C14

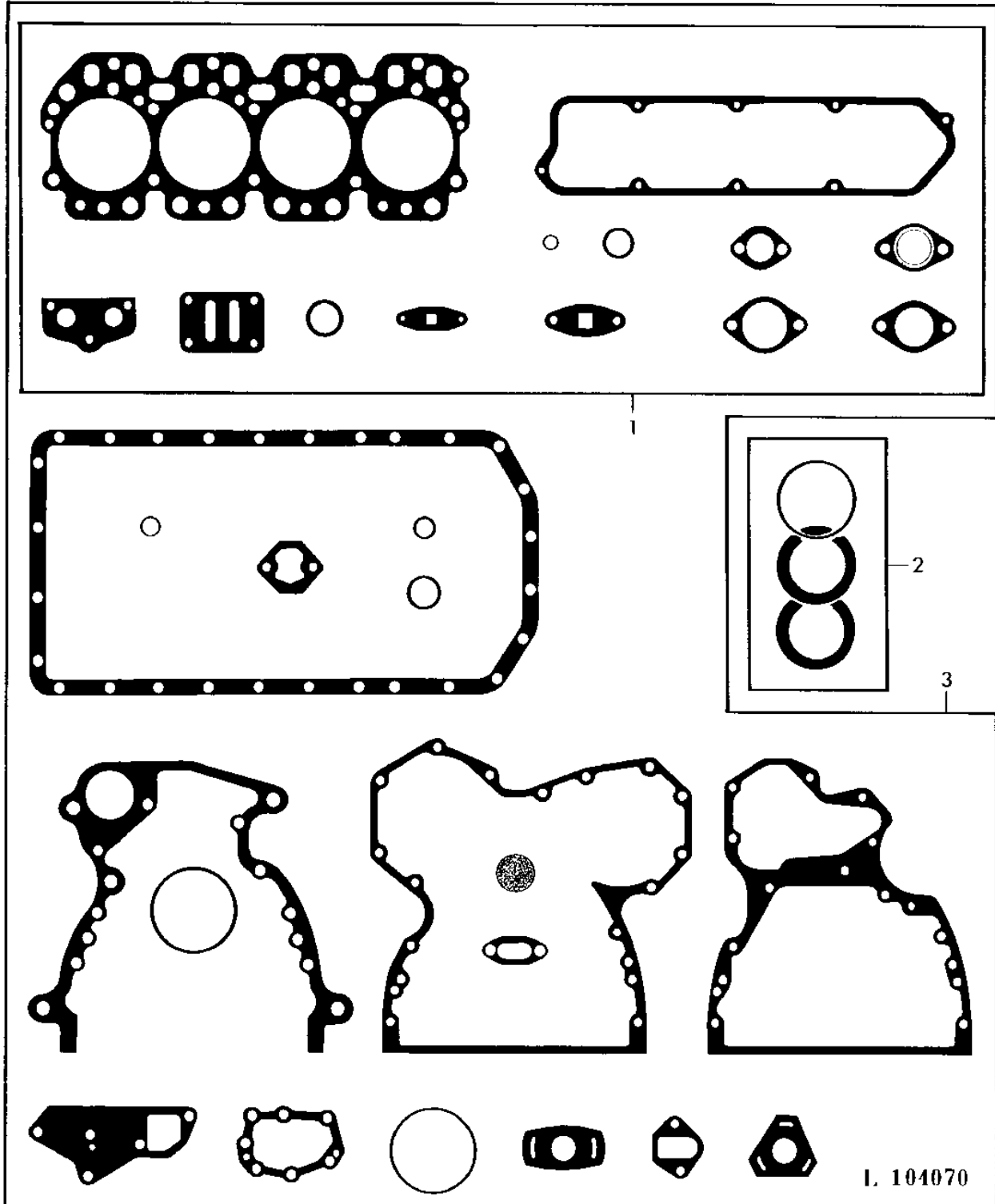
ENGINE

MEMORANDA
MEMORANDA
MEMORANDA
MEMORANDA
MEMORANDA

1C15

ENGINE

ENGINE GASKET SET
JEU DE JOINTS MOTEUR
MOTORDICHTUNGSSATZ
SERIE GUARNIZIONI MOTORE
JUEGO DE JUNTAS PARA EL MOTOR
MOTORNS PACKNINGSSATS
L104070 -UN-06OCT95



1C16

ENGINE

KEY	PART NO.	PART NAME	QTY	SERIAL NO.	REMARKS
					2 0 2 4 1 0 4 S 0
1	RE38851	GASKET KIT	AR AR	X X	(ORD W/ (4) RE13887 APPL) (A) (ORD RE38851, (8) AR100124, (8) RE13887 APPL) (SUB FOR AR71992, AR100426)
	RE38851	GASKET KIT	AR AR	X X	(ORD W/ (4) RE32011 APPL) (A) (ORD RE38851, (8) AR100124, (4) RE32011 APPL) (SUB FOR AR71992, AR100426)
2	AR65507	O-RING KIT	AR	X X	
3	RE38857	GASKET KIT	AR AR	X X	(ORD W/ (4) RE13887 APPL) (A) (ORD RE38857, AR67942, RE24959, (4) AR65507, (8) AR100124, (4) RE13887) (SUB FOR AR71998, AR97178, AR100424, RE12459)
	RE38857	GASKET KIT	AR AR	X X	(ORD W/ (4) RE32011 APPL) (A) ORD RE38857, AR67942, RE24959, (4) AR65507, (8) AR100124, (4) RE32011) (SUB FOR AR71998, AR97178, AR100424, RE12459)

(A) FOR R68227 ROCKER ARM COVER GASKET
 POUR JOINT DE CACHE CULBUTEURS R68227
 FUER DICHTUNG R68227 DES KIPHEBELWELLEDECKELS
 PER GUARNIZIONE R68227 DEL COPERCHIO BILANCIERI
 PARA JUNTA R68227 / TAPA DEL EJE DE BALANCINES
 FOR TATNING R68227 AV VENTILKAPA

1C17

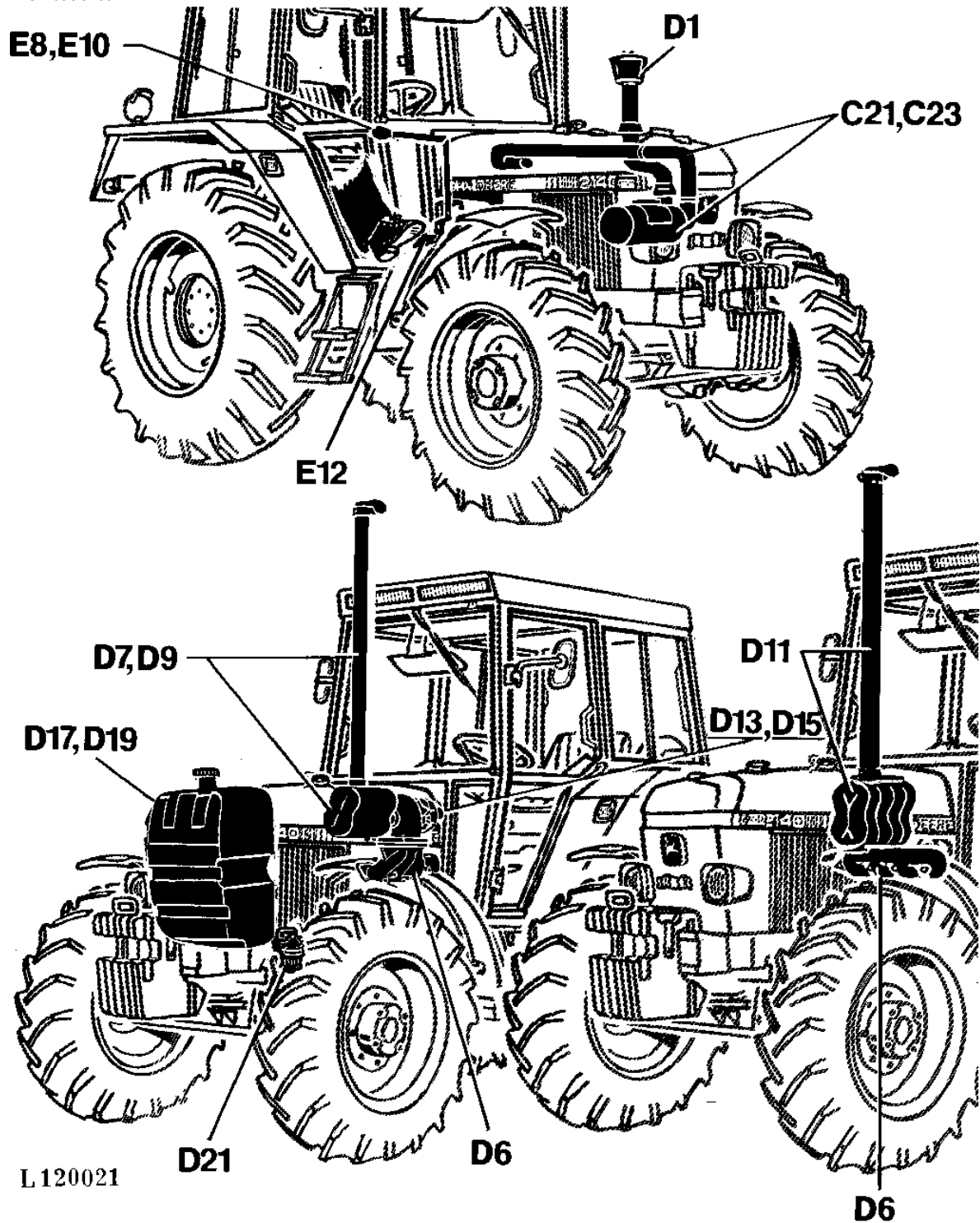
ENGINE

MEMORANDA
MEMORANDA
MEMORANDA
MEMORANDA
MEMORANDA

1C18

FUEL SYSTEM AND AIR INTAKE SYSTEM

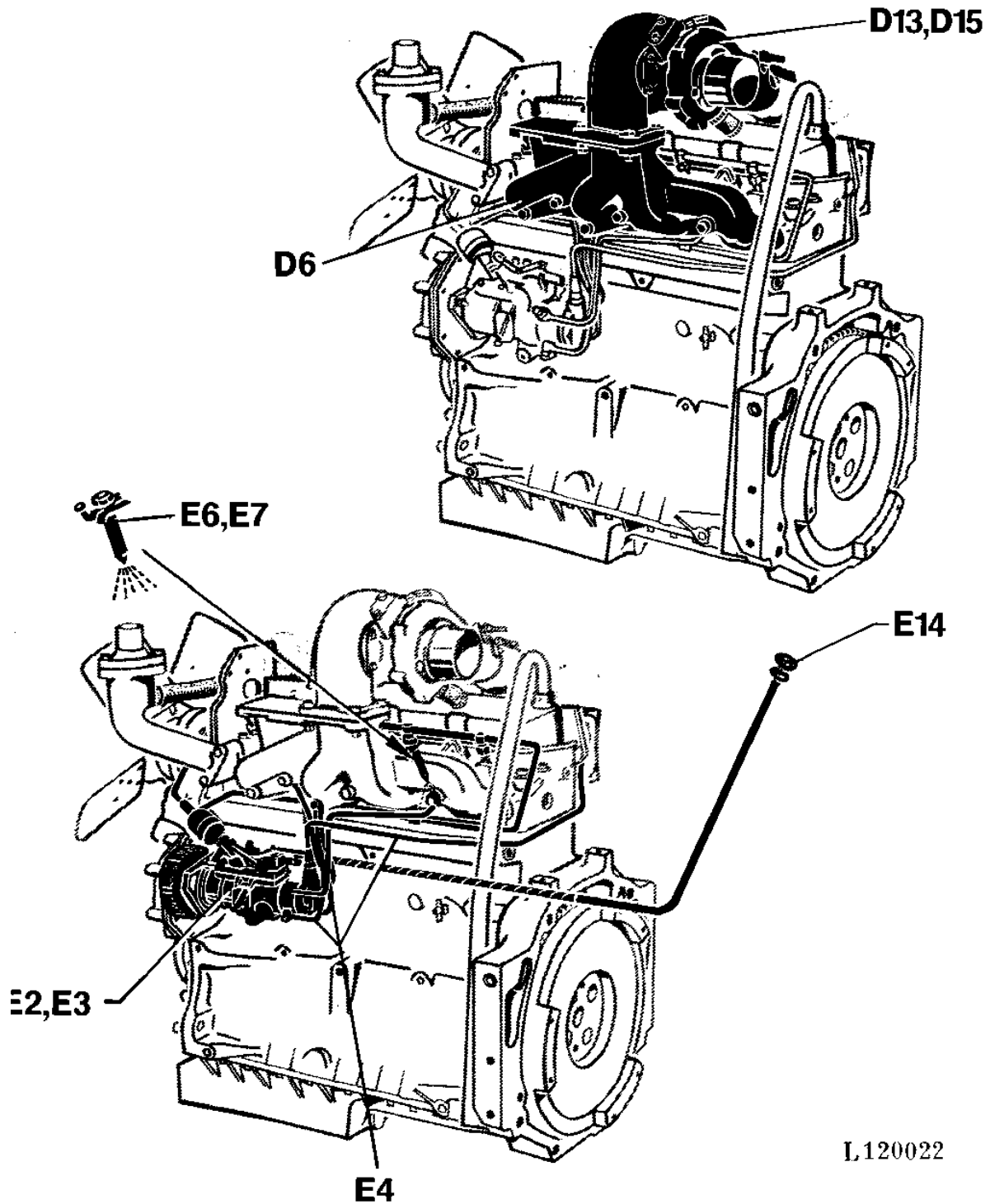
SECTIONAL INDEX
INDEX DE SECTION
GRUPPENINDEX
INDICE DELLA SEZIONE
INDICE DE SECCION
GRUPPSFORTECKNING
L120021 -UN-09OCT95



1C19

FUEL SYSTEM AND AIR INTAKE SYSTEM

SECTIONAL INDEX
INDEX DE SECTION
GRUPPENINDEX
INDICE DELLA SEZIONE
INDICE DE SECCION
GRUPPSFORTECKNING
L120022 -UN-09OCT95

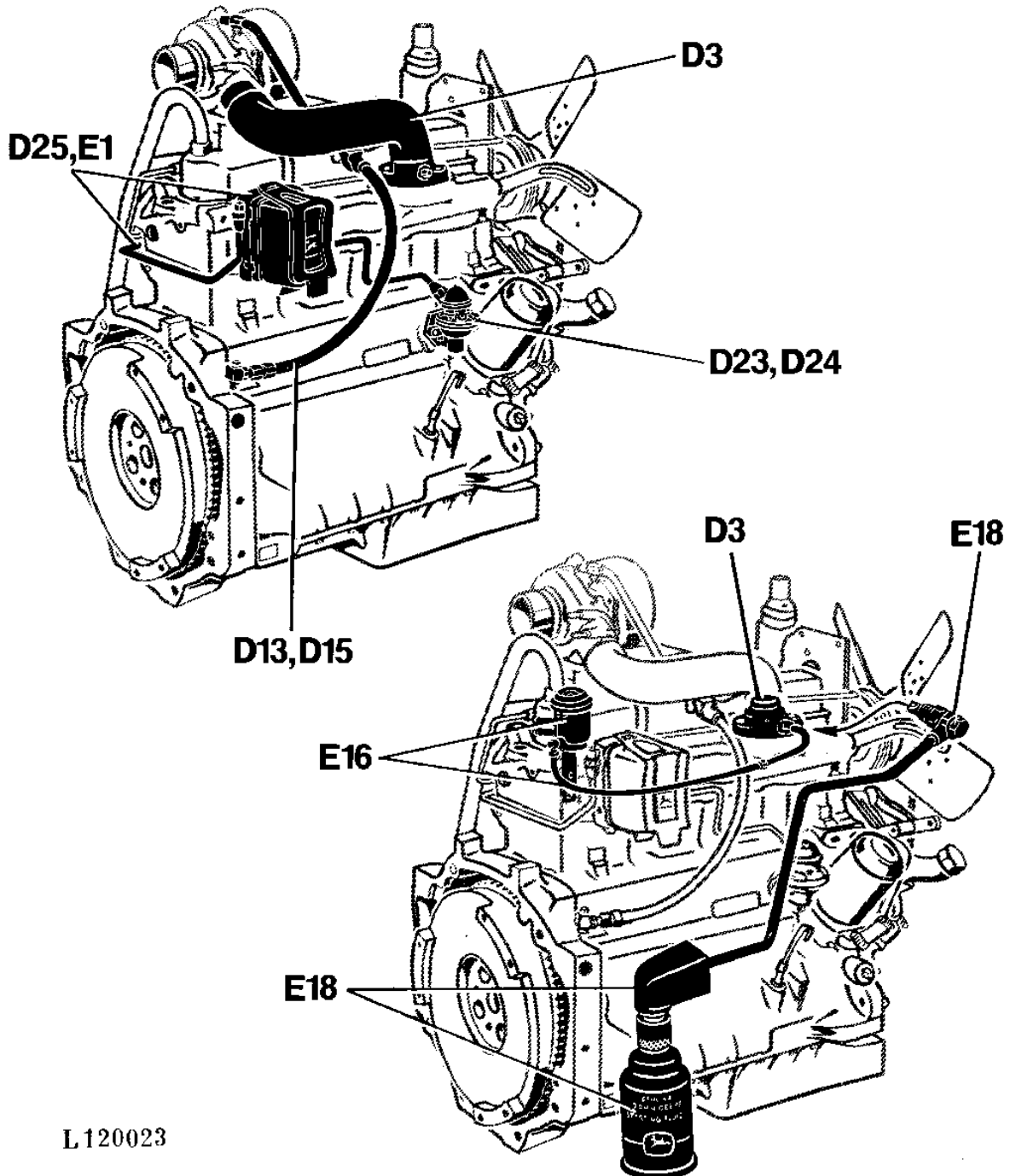


L120022

1C20

FUEL SYSTEM AND AIR INTAKE SYSTEM

SECTIONAL INDEX
INDEX DE SECTION
GRUPPENINDEX
INDICE DELLA SEZIONE
INDICE DE SECCION
GRUPPSFORTECKNING
L120023 -UN-09OCT95

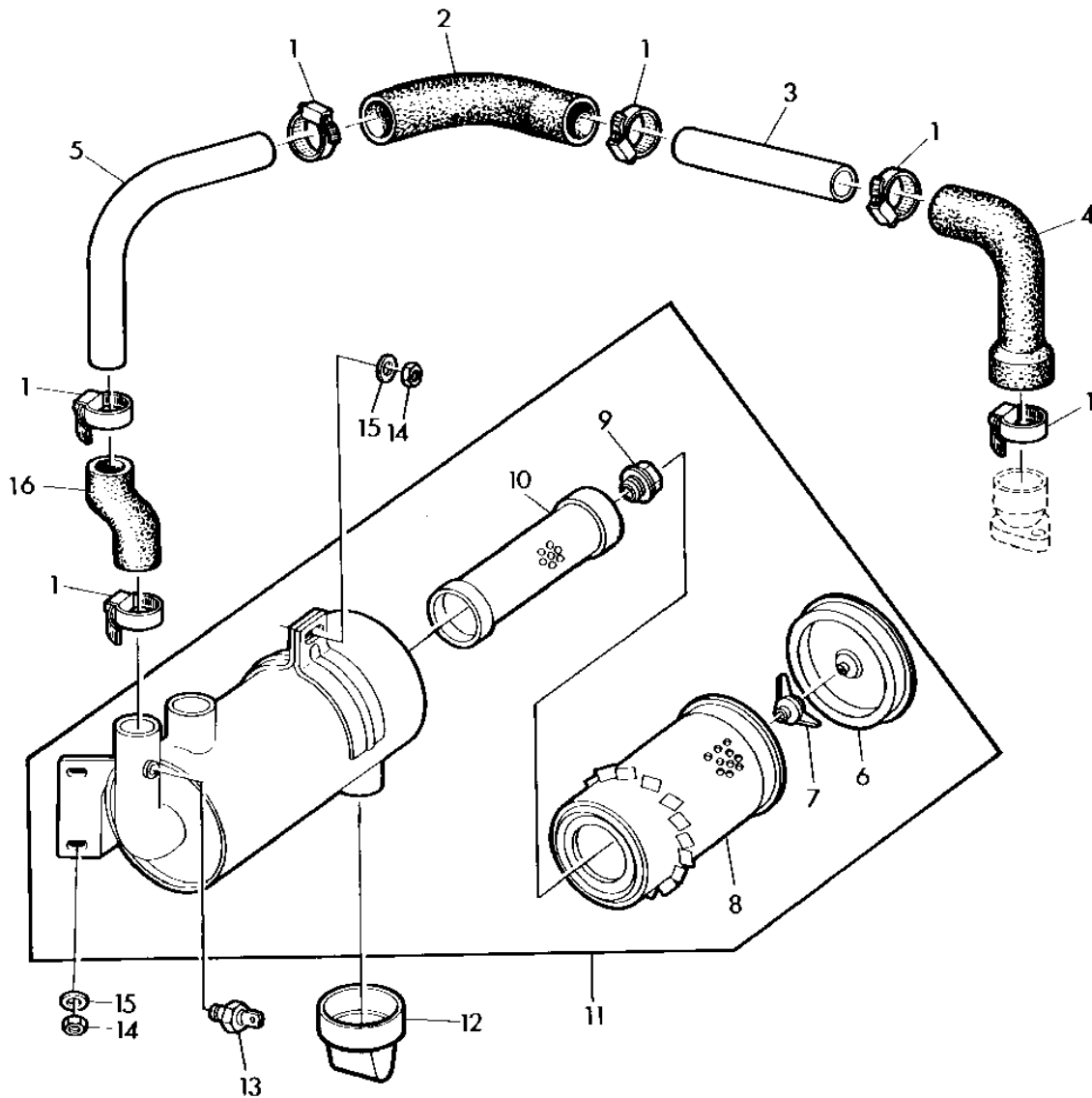


L120023

1C21

FUEL SYSTEM AND AIR INTAKE SYSTEM

DRY AIR CLEANER
FILTRE A AIR SEC
TROCKENLUFTFILTER
FILTRO ARIA SECCO
FILTRU DE AIRE EN SECO
TORRLUFTRENARE
L105645 -UN-12MAY95



L 105645

1C22

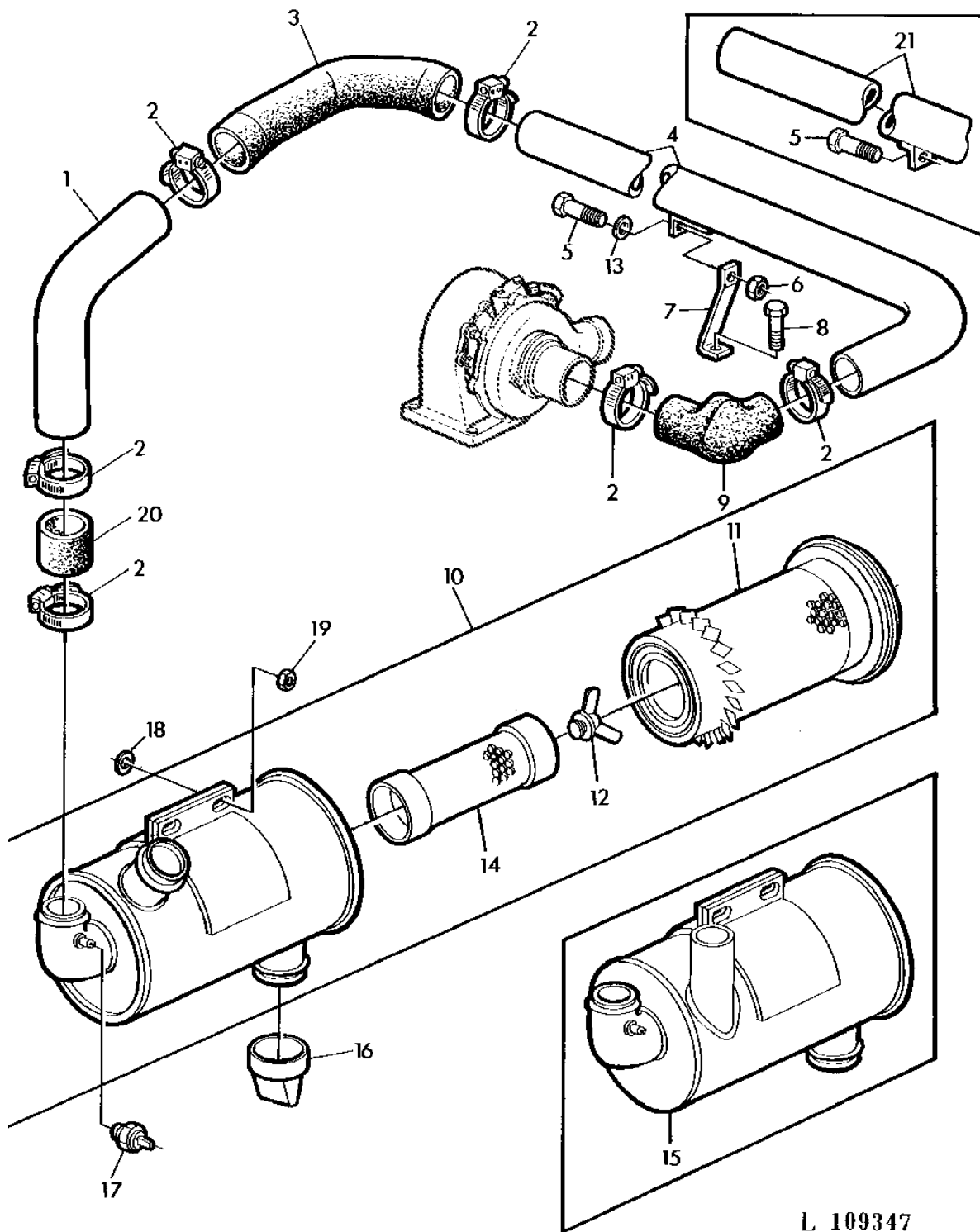
FUEL SYSTEM AND AIR INTAKE SYSTEM

KEY	PART NO.	PART NAME	QTY	SERIAL NO.	2 0 2 4 1 0 4 S 0	REMARKS
1	AR21999	CLAMP	6		X	
2	L34652	HOSE	1		X	
3	L34650	TUBE	1		X	
4	L34918	HOSE	1		X	
5	L34651	TUBE	1		X	
6	AT24438	COVER	1		X	
7	AH20849	WING NUT	1		X	
8	AR84228	FILTER ELEMENT	1		X	
9	AL37975	NUT	1		X	(SUB FOR R48567)
10	AL27159	FILTER ELEMENT	1		X	
11	AL28179	AIR CLEANER	1		X	(SUB FOR AL27156)
12	T23262	VALVE	1		X	
13	AL32975	TOUCH SWITCH	1		X	
14	14M7273	NUT	3		X	M8
15	24M7207	WASHER	2		X	8,4X25X2MM
16	L34646	HOSE	1		X	

1C23

FUEL SYSTEM AND AIR INTAKE SYSTEM

DRY AIR CLEANER
FILTRE A AIR SEC
TROCKENLUFTFILTER
FILTRO ARIA SECCO
FILTRO DE AIRE EN SECO
TORRLUFTRENARE
L109347 -UN-06OCT95



L 109347

1C24

FUEL SYSTEM AND AIR INTAKE SYSTEM

KEY	PART NO.	PART NAME	QTY	SERIAL NO.	REMARKS
					2
					0 2
					4 1
					0 4
					S 0
1	L34639	TUBE	1		X
	L36213	TUBE	1		X (A)
2	AR21841	CLAMP	6		X
3	L34640	HOSE	1		X
4	AL39203	LINE	1		X
5	19M7662	CAP SCREW	1		X M10X1,5X30
6	14M7274	NUT	1		X M10X1,5
7	R68012	AIR CLEANER	1		X
8	19H1815	CAP SCREW	1		X 1/2"X1-1/4"
9	R63544	HOSE	1		X
10	AL38838	AIR CLEANER	1		X (SUB FOR AL31569)
11	AL30394	FILTER ELEMENT	1		X
12	AH20849	WING NUT	1		X
13	24M7178	WASHER	1		X 10,5X30X2,5MM
14	L34832	FILTER ELEMENT	1		X
15	AL31569	AIR CLEANER	1		X (ORD AL38838)
	AL31569	AIR CLEANER	1		X (B) (ORD AL38838, L40727, AR21842)
16	R45096	VALVE	1		X (SUB FOR T23263 APPL)
17	AL32975	TOUCH SWITCH	1		X (SUB FOR AL24194)
18	24M7036	WASHER	2		X (A) 9X17X1,6MM
19	14M7273	NUT	2		X M8
20	L34638	HOSE	1		X
	L28371	HOSE	1		X (A)
21	AL31098	LINE	1		X (ORD AL39203, 24M7178)

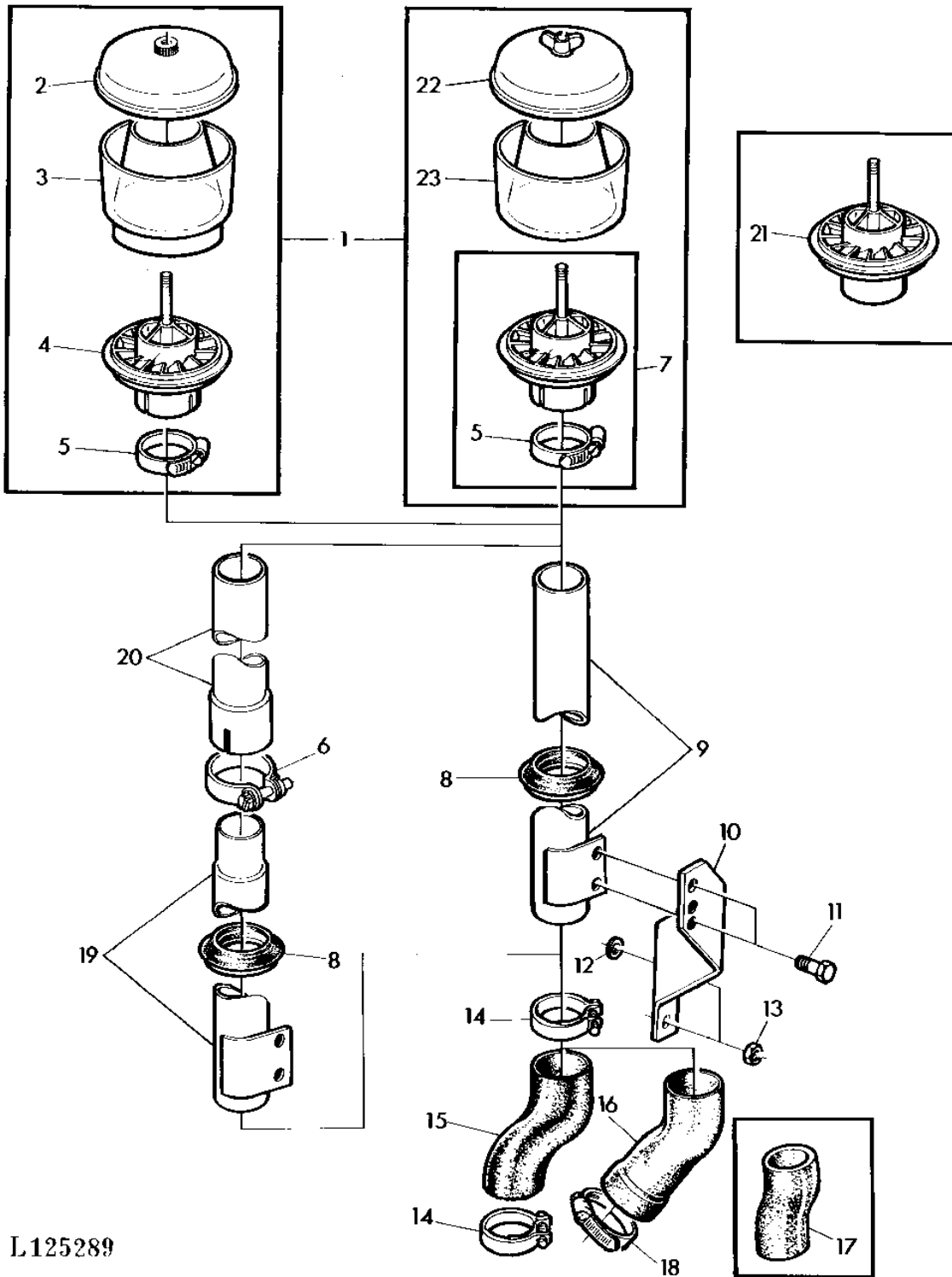
(A) WITH METAL TANK
 AVEC RESERVOIR A COMBUSTIBLE METALLIQUE
 BEI BLECHKRAFTSTOFFTANK
 CON SERBATOIO GASOLIO METALLICO
 CON DEPOSITO COMBUSTIBLE METALICO
 VID BLECKBRANSLETANK

(B) WITH AIR PRE-CLEANER
 AVEC PREFILTRE A AIR
 BEI LUFTVORFILTER-ANBAU
 CON PREFILTRO ARIA
 CON PREPURIFICADOR DE AIRE
 VID FORRENARE

1D1

FUEL SYSTEM AND AIR INTAKE SYSTEM

AIR PRE-CLEANER (FOR DRY AIR CLEANER)
PREFILTRE A AIR (POUR FILTRE AIR SEC)
LUFTVORFILTER (FUER TROCKENLUFTFILTER)
PREFILTRO (PER FILTRO ARIA SECCO)
PRE-PURIFICADOR DE AIRE (PARA FILTRO DE AIRE EN SECO)
FORRENARE (FOR TORRLUFTRENARE)
L125289 -UN-09OCT95



L125289

1D2

FUEL SYSTEM AND AIR INTAKE SYSTEM

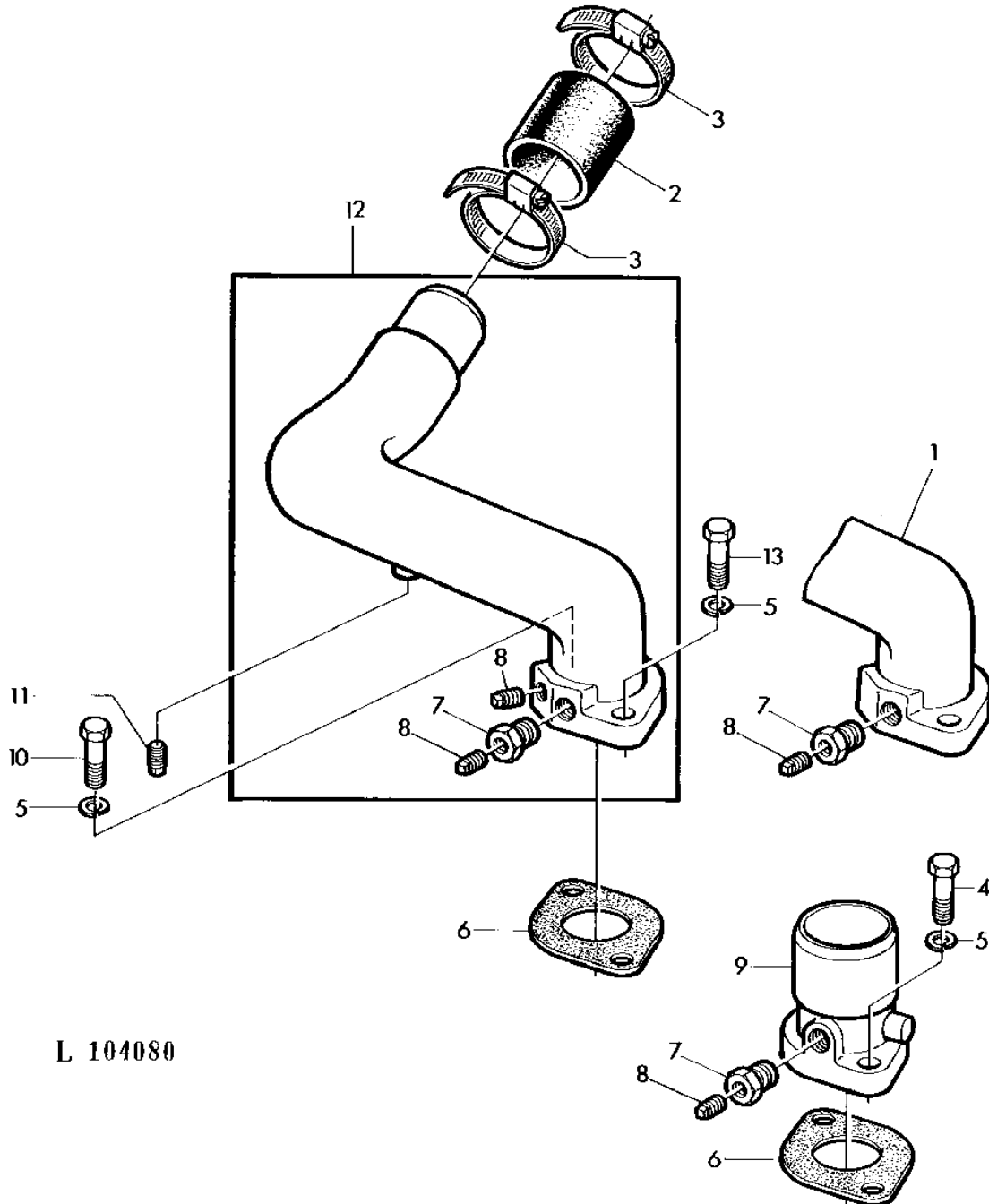
KEY	PART NO.	PART NAME	QTY	SERIAL NO.	REMARKS
					2
					0 2
					4 1
					0 4
					S 0
1	AL39934	PRESCREENER	1	X	DONALDSON (SUB FOR AF3580R, AL37357)
	AL39934	PRESCREENER	1	X	PUROLATOR
	AZ24175	PRESCREENER	1	X	(SUB FOR AL19917)
2	AL37364	COVER	1	X	DONALDSON (SUB FOR AF3583R)
	AR1729R	COVER	1	X	(SUB FOR AL19921)
3	L62500	BOWL	1	X	DONALDSON (SUB FOR R28794)
	L28519	BOWL	1	X	
4	AL37365	BASE	1	X	DONALDSON
	AZ24178	FILTER	1	X	
5	AL38379	CLAMP	1	X X	
6	AL36330	CLAMP	1	X X	(A)
7	AL63298	BASE	1	X	PUROLATOR (SUB FOR L41855)
8	L35826	THIMBLE	1	X X	(SUB FOR L35828)
9	AL37358	PIPE	1	X X	(SUB FOR AL31643, AL19744)
10	AL35931	SUPPORT	1	X	(SUB FOR L34919 APPL)
	AL35930	SUPPORT	1	X	(SUB FOR L34637 APPL)
11	19H2021	CAP SCREW	2	X X	3/8"X5/8"
12	24H1304	WASHER	1	X	13/32"X23/32"X.120"
	28H86	WASHER	1	X	1/4"X.312"
13	14M7273	NUT	2	X X	M8
14	AR21841	CLAMP	AR	X X	
15	L34631	HOSE	1	X	
16	L40727	HOSE	1	X	(FOR AL38838)
17	L34636	HOSE	1	X	(FOR AL31569)
18	AR21842	CLAMP	1	X	(SUB FOR C16054) (FOR AL38838)
19	AL34735	TUBE	1	X X	(A)
20	L60038	TUBE	1	X X	(SUB FOR L37223, L39580)
21	AF3584R	BASE	1	X	(ORD AL63298)
	AR28040	BASE	1	X	(ORD AZ24178, AL38379)
22	AL63309	COVER	1	X	PUROLATOR
23	L60631	BOWL	1	X	PUROLATOR

(A) WITH EXTENSION PIPE
 AVEC TUBE-ALLONGE
 BEI VERLAENGERUNGSROHR
 CON TUBO DI ALLUNGAMENTO
 CON TUBO DE ALARGAMIENTO
 VID FORLANGNINGSROR

1D3

FUEL SYSTEM AND AIR INTAKE SYSTEM

AIR INTAKE MANIFOLD
GOULOTTE D'ADMISSION/PIPE D'ADMISSION
LUFTANSAUGSTUTZEN/LUFTANSAUGKRUEMMER
TUBO E COLLETTORE D'ASPIRAZIONE
TUBO Y COLECTOR DE ADMISION DE AIRE
INSUGNINGSROR/INSUENINGSGRENOR
L104080 -UN-06OCT95



L 104080

1D4

FUEL SYSTEM AND AIR INTAKE SYSTEM

KEY	PART NO.	PART NAME	QTY	SERIAL NO.	REMARKS
					2
					0 2
					4 1
					0 4
					S 0
1	R70739	ELBOW FITTING	AR		X FOR "AIRESEARCH" TURBO
2	R56551	HOSE	1		X
3	AR65294	CLAMP	2		X (SUB FOR R56552)
4	19H1732	CAP SCREW	2		X 3/8"X1-1/4"
5	12H304	LOCK WASHER	2		X X 3/8"
6	R81275	GASKET	1		X X (SUB FOR T20159)
7	T27986	FITTING	1		X X
8	15H255	PIPE PLUG	AR		X X
9	R56455	FILLER NECK	1		X
10	19H2545	CAP SCREW	1		X 3/8"X1-3/8"
11	15H638	PIPE PLUG	1		X 1/8"
12	AR97870	ELBOW FITTING	AR		X FOR "KKK" TURBO
13	19H988	CAP SCREW	1		X 3/8"X1-1/4"

1D5

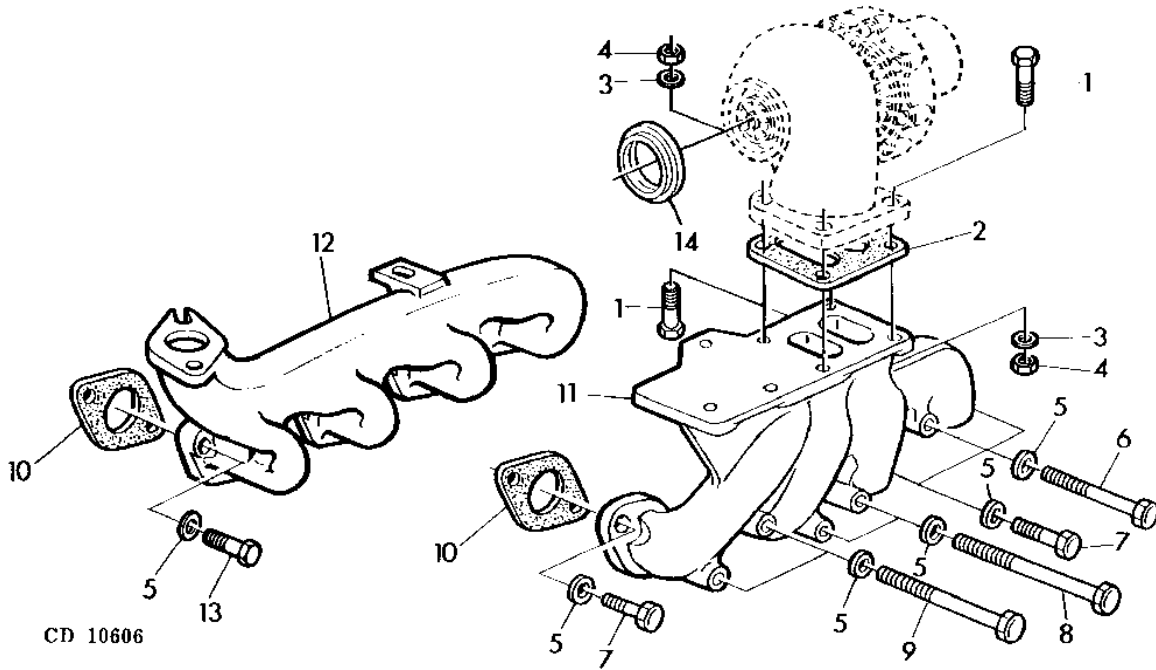
FUEL SYSTEM AND AIR INTAKE SYSTEM

MEMORANDA
MEMORANDA
MEMORANDA
MEMORANDA
MEMORANDA

1D6

FUEL SYSTEM AND AIR INTAKE SYSTEM

EXHAUST MANIFOLD
 COLLECTEUR D'ÉCHAPPEMENT
 AUSLASSKRUEMMER
 COLLETTORE SCARICO
 COLECTOR DE ESCAPE
 AVGASROR
 CD10606 -UN-06OCT95



CD 10606

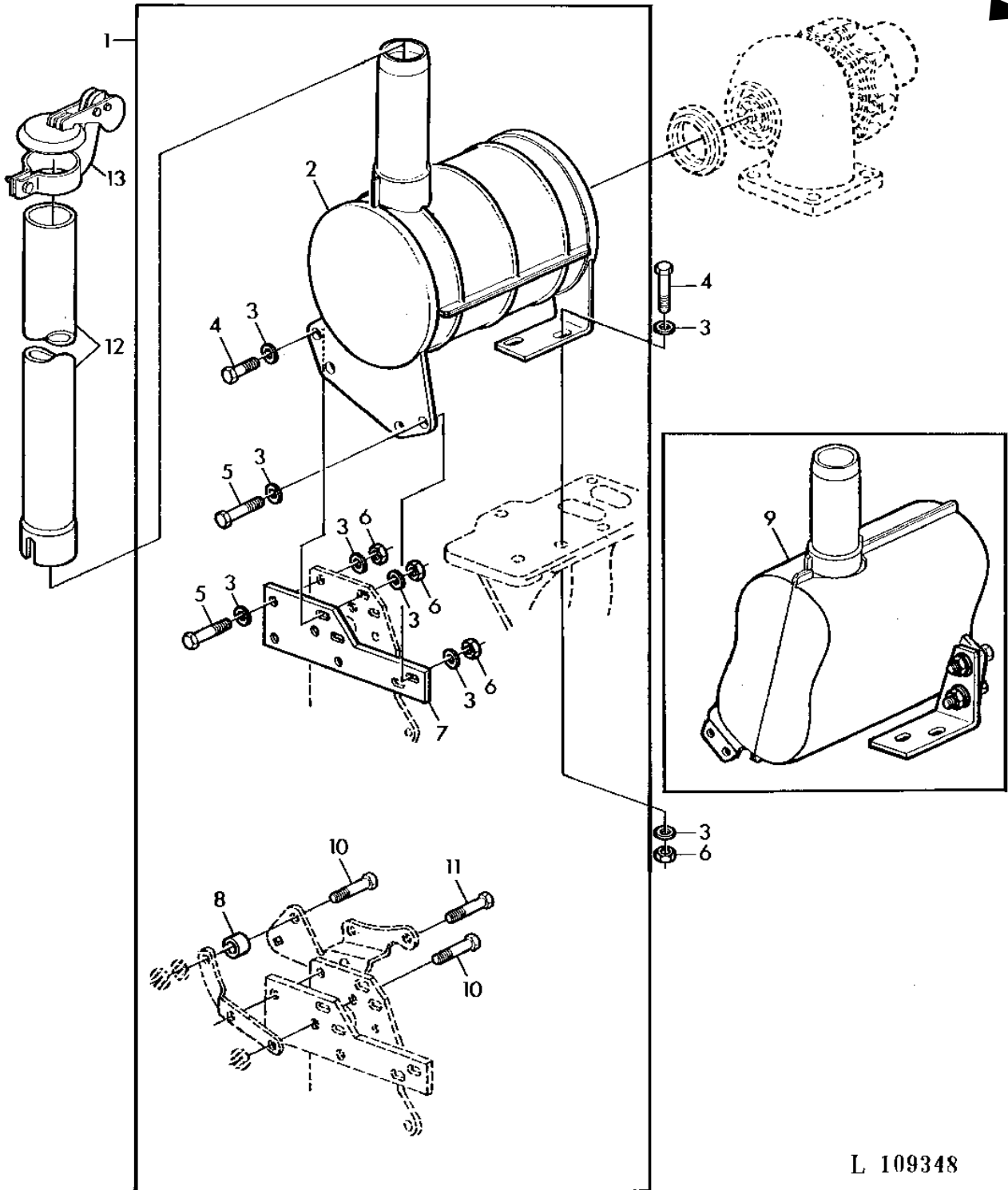
2
 0 2
 4 1
 0 4
 S 0

KEY	PART NO.	PART NAME	QTY	SERIAL NO.	REMARKS
1	19H246	CAP SCREW	4		X 3/8"X1-3/4"
2	R55509	GASKET	1		X
3	24H1305	WASHER	4		X 13/32"X13/16"X.060"
4	14H812	NUT	4		X 3/8"
5	24H1304	WASHER	8		X 13/32"X23/32"X.120"
6	19H2228	CAP SCREW	1		X 3/8"X4"
7	19H988	CAP SCREW	3		X 3/8"X1-1/4"
8	19H2104	CAP SCREW	2		X 3/8"X5"
9	19H1925	CAP SCREW	2		X 3/8"X4-1/4"
10	R90658	GASKET	4		X X (SUB FOR T20006)
11	R52819	EXHAUST MANIFOLD	1		X
12	R70411	EXHAUST MANIFOLD	1		X
13	19H1732	CAP SCREW	8		X 3/8"X1-1/4"
14	R70341	ADAPTER	1		X FOR "AIRESEARCH" TURBO
	R73531	ADAPTER	1		X FOR "KKK" TURBO

1D7

FUEL SYSTEM AND AIR INTAKE SYSTEM

EXHAUST SYSTEM WITH MUFFLER
ECHAPPEMENT AVEC SILENCIEUX
ABGASANLAGE MIT SCHALLDAEMPfung
SCARICO CON SILENZIATORE
SISTEMA DE ESCAPE CON SILENCIADOR
AVGASSYSTEM MED LJUDDAMPARE
L109348 -UN-06OCT95



L 109348

1D8

FUEL SYSTEM AND AIR INTAKE SYSTEM

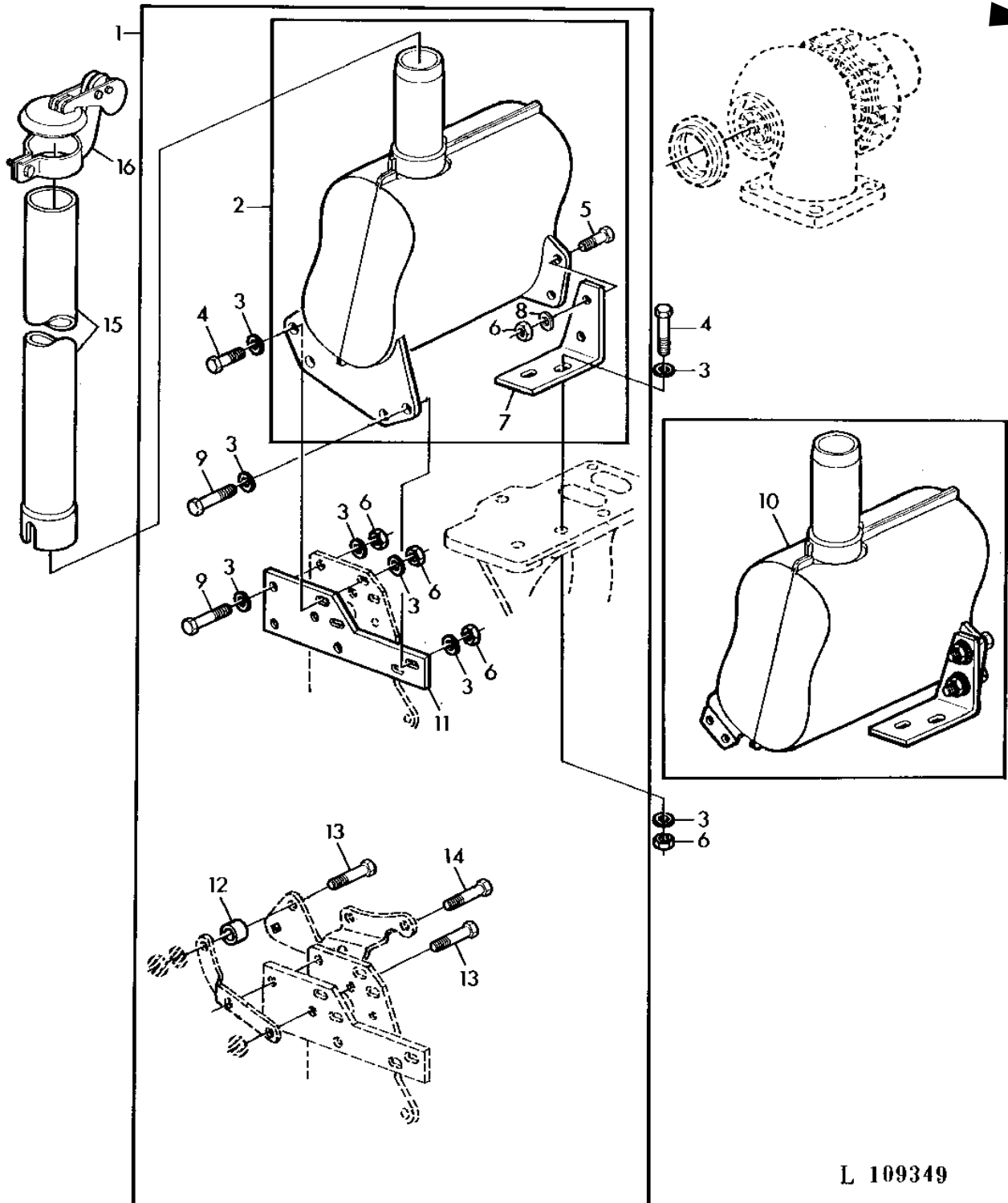
KEY	PART NO.	PART NAME	QTY	SERIAL NO.	2 0 2 4 1 0 4 S 0	REMARKS
1	AL39509	MUFFLER	1		X	
2	AL35753	MUFFLER	1	412723-	X	
3	24M7238	WASHER	16		X	8.7X17X2MM
4	19M8008	CAP SCREW	4		X	M8X35
5	19M7513	CAP SCREW	4		X	M8X30
6	14M7273	NUT	8		X	M8
7	L38388	PLATE	1	412723-	X	
8	28H1878	SPACER	1		X	(A) 3/8"X.438"
9	AL31815	MUFFLER	1	-412722	X	(ORD AL39509)
10	19M7724	CAP SCREW	2		X	(A) M10X45
11	19M1732	CAP SCREW	1		X	(A) 3/8"X1-1/4"
12	AL34695	EXHAUST PIPE	1		X	LGTH=1050MM
	AL31816	EXHAUST PIPE	1		X	LGTH=1200MM
	AL31818	EXHAUST PIPE	1		X	LGTH=1330MM
13	AL28307	EXHAUST CAP	1		X	

(A) WITH AIR CONDITIONING
 AVEC CONDITIONNEMENT D'AIR
 BEI KLIMAAANLAGE
 CON SISTEMA DI CONDIZ. ARIA
 CON ACONDICIONAMIENTO DE AIRE
 VID LUFTKONDITIONERING

1D9

FUEL SYSTEM AND AIR INTAKE SYSTEM

EXHAUST SYSTEM WITH MUFFLER AND SPARK ARRESTER
ECHAPPEMENT AVEC SILENCIEUX ET PARE-ETINCELLES
ABGASANLAGE MIT SCHALLDAEMPfung UND FUNKENSCHUTZ
SCARICO CON SILEMZIATORE E PARASCINTILLE
SISTEMA DE ESCAPE CON SILENCIADOR Y PARACHISPAS
AVGASSYSTEM MED LJUDDAMPARE OCH GNISTFANGARE
L109349 -UN-06OCT95



1D10

FUEL SYSTEM AND AIR INTAKE SYSTEM

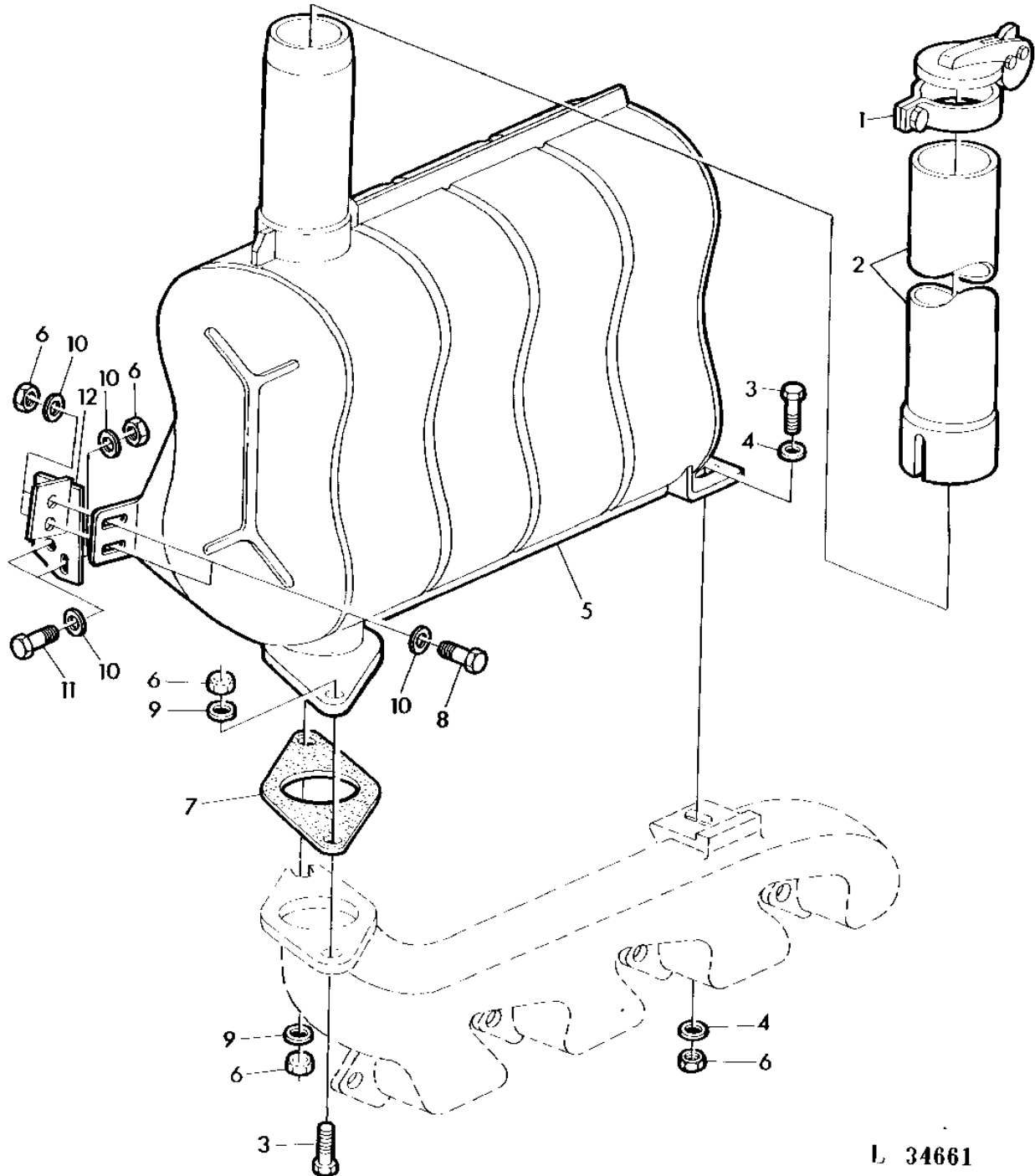
KEY	PART NO.	PART NAME	QTY	SERIAL NO.	2 0 2 4 1 0 4 S 0	REMARKS
1	AL39510	MUFFLER	1		X	(ORD AL39509)
2	AL35754	MUFFLER	1	412723-	X	(ORD AL35753)
3	24M7238	WASHER	16		X	8.7X17X2MM
4	19M8008	CAP SCREW	4		X	M8X35
5	19M7139	CAP SCREW	2		X	M8X20
6	14M7273	NUT	10		X	M8
7	L34430	ANGLE	1		X	
8	24M7055	WASHER	2		X	8,4X17X1,6MM
9	19M7513	CAP SCREW	4		X	M8X30
10	AL31817	MUFFLER	1	-412722	X	(ORD AL39510)
11	L38388	PLATE	1	412723-	X	
12	28H1878	SPACER	1		X	(A) 3/8"X.438"
13	19M7724	CAP SCREW	2		X	(A) M10X45
14	19H1732	CAP SCREW	1		X	(A) 3/8"X1-1/4"
15	AL34695	EXHAUST PIPE	1		X	LGTH=1050MM
	AL31816	EXHAUST PIPE	1		X	LGTH=1200MM
	AL31818	EXHAUST PIPE	1		X	LGTH=1330MM
16	AL28307	EXHAUST CAP	1		X	

(A) WITH AIR CONDITIONING
 AVEC CONDITIONNEMENT D'AIR
 BEI KLIMAAANLAGE
 CON SISTEMA DI CONIZ.ARIA
 CON ACONDICIONAMIENTO DE AIRE
 VID LUFTKONDITIONERING

1D11

FUEL SYSTEM AND AIR INTAKE SYSTEM

EXHAUST SYSTEM WITH MUFFLER
ECHAPPEMENT AVEC SILENCIEUX
ABGASANLAGE MIT SCHALLDAEMPfung
SCARICO CON SILENZIATORE
SISTEMA DE ESCAPE CON SILENCIADOR
AVGASSYSTEM MED LJUDDAMPARE
L34661 -UN-06OCT95



L 34661

1D12

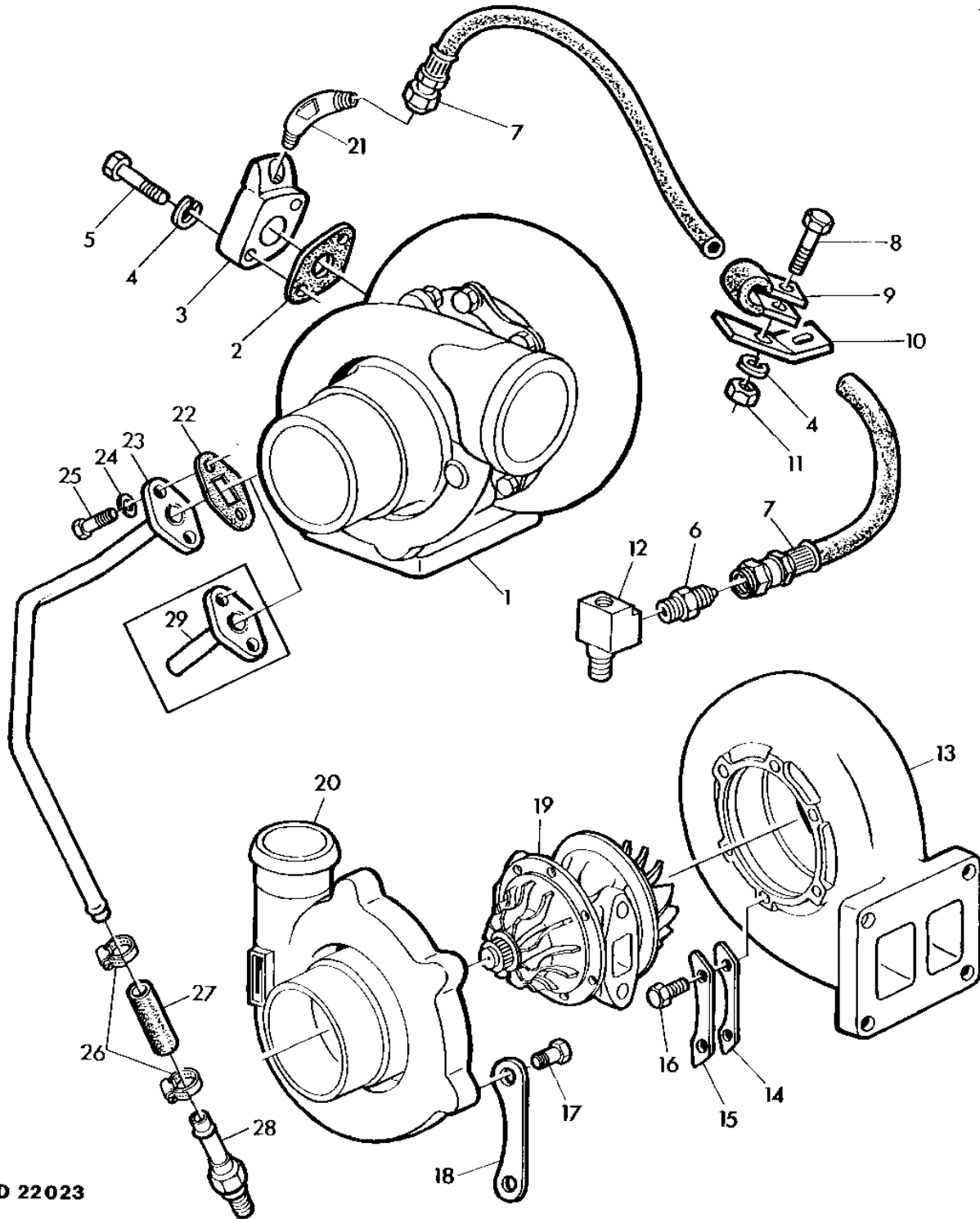
FUEL SYSTEM AND AIR INTAKE SYSTEM

KEY	PART NO.	PART NAME	QTY	SERIAL NO.	REMARKS
				2	
				0 2	
				4 1	
				0 4	
				S 0	
1	AL28307	EXHAUST CAP	1	X	
2	AL34694	EXHAUST PIPE	1	X	LGTH=1050MM
	AL31863	EXHAUST PIPE	1	X	LGTH=1200MM
	AL31862	EXHAUST PIPE	1	X	LGTH=1330MM
3	19M8008	CAP SCREW	2	X	M8X35
4	24M7238	WASHER	2	X	8,7X17X2MM
5	AL31492	MUFFLER	1	X	
6	14M7273	NUT	7	X	M8
7	L62441	GASKET	1	X	(SUB FOR L34455)
8	19M7139	CAP SCREW	2	X	M8X20
9	24H1622	WASHER	2	X	3/8"X7/8"X.120"
10	24M7055	WASHER	8	X	8,4MM
11	19M7407	CAP SCREW	2	X	M8X25
12	AL36691	BRACKET	1	X	

1D13

FUEL SYSTEM AND AIR INTAKE SYSTEM

TURBOCHARGER "AIRESEARCH"
TURBOCOMPRESSEUR "AIRESEARCH"
TURBOLADER "AIRESEARCH"
TURBOCOMPRESSORE "AIRESEARCH"
TURBOCARGADOR "AIRESEARCH"
TURBOLADDARE "AIRESEARCH"
CD22023 -UN-31JUL95



CD 22023

1D14

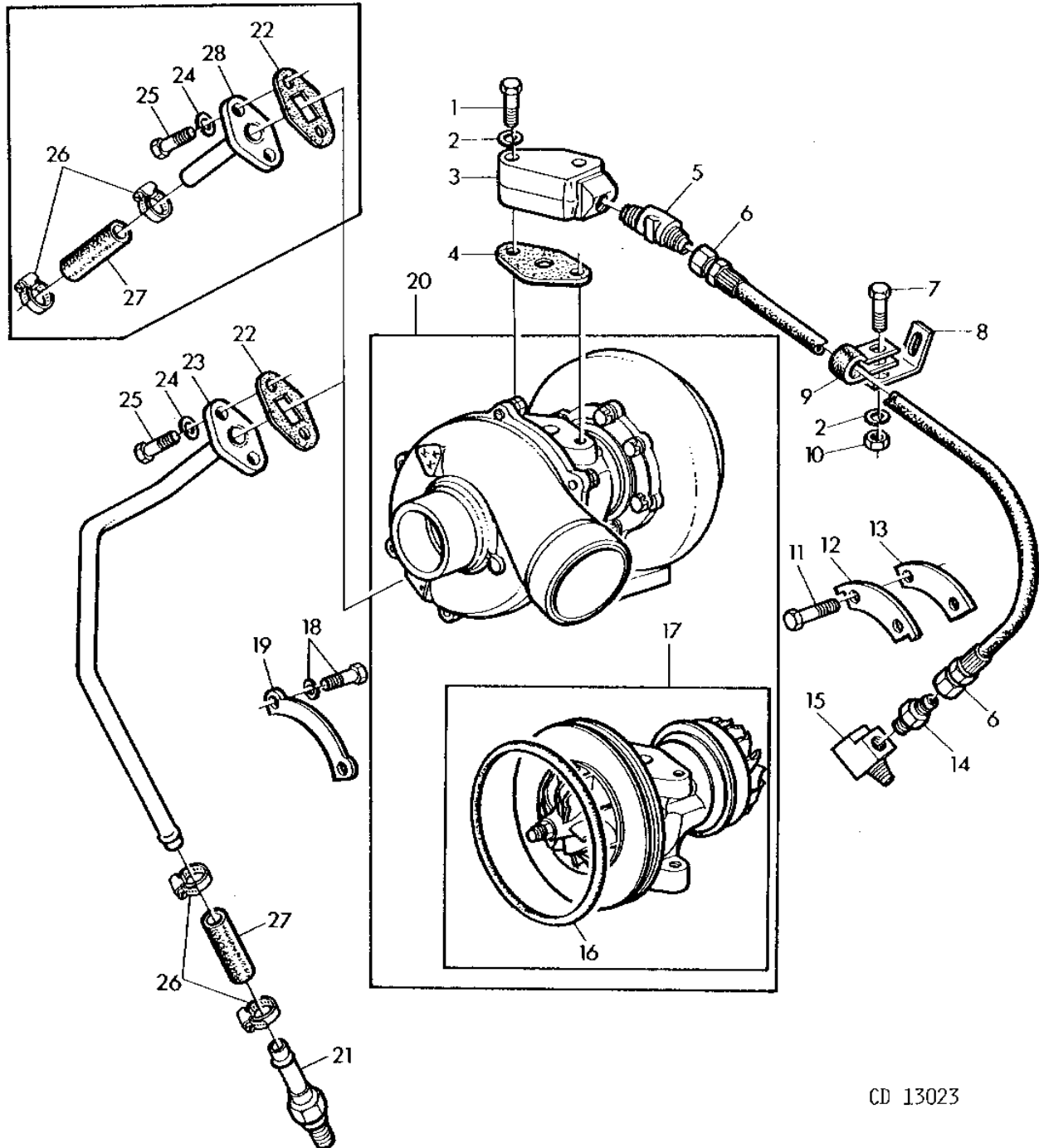
FUEL SYSTEM AND AIR INTAKE SYSTEM

KEY	PART NO.	PART NAME	QTY	SERIAL NO.	REMARKS
					2
					0 2
					4 1
					0 4
					S 0
1	AR91570	TURBOCHARGER	1		X MODEL TA3102
2	R97348	GASKET	1		X (SUB FOR R43413)
3	T30199	ADAPTER	1		X
4	12M7065	LOCK WASHER	3		X
5	19H1875	CAP SCREW	2		X 5/16"X1-3/4"
6	R27346	FITTING	1		X
7	RE23181	HYDRAULIC HOSE	1		X (SUB FOR AR78832)
8	19H1900	CAP SCREW	1		X 5/16"X3/4"
9	R46414	CLAMP	1		X
10	T24393	STRAP	1		X
11	14H785	NUT	1		X 5/16"
12	T19158	TEE FITTING	1		X
13		AR		X
14	R43821	CLAMP	3		X
15	R43815	LOCK PLATE	3		X
16	CD15623	CAP SCREW	6		X 8X16MM
17	CD15624	CAP SCREW	6		X
18	CD15625	WEAR PLATE	3		X
19	DD14084	TURBOCHARGER	AR		X KIT (ORDER W/ (3) R43815)
20		1		X NSEP (ORD AR91570)
21	M43551	ELBOW FITTING	1		X (SUB FOR T24945)
22	R97349	GASKET	1		X (SUB FOR R43416)
23	RE25335	OIL LINE	AR		X
24	12H304	LOCK WASHER	2		X 3/8"
25	19H2284	CAP SCREW	2		X 3/8"X7/8"
26	AT18904	CLAMP	2		X
27		1		X LGTH=50MM (1.96") NSEP (ORD R83064) (SUB FOR T25469)
28	R82859	FITTING	AR		X (FOR RE25595)
29	AR87812	ADAPTER	1		X
..	R83064	HOSE	AR		X I.D.=19MM (0.74") LGTH=2000MM (78,74")

1D15

FUEL SYSTEM AND AIR INTAKE SYSTEM

TURBOCHARGER "KKK"
TURBOCOMPRESSEUR "KKK"
TURBOLADER "KKK"
TURBOCOMPRESSORE "KKK"
TURBOCARGADOR "KKK"
TURBOLADDARE "KKK"
CD13023 -UN-01JAN94



CD 13023

1D16

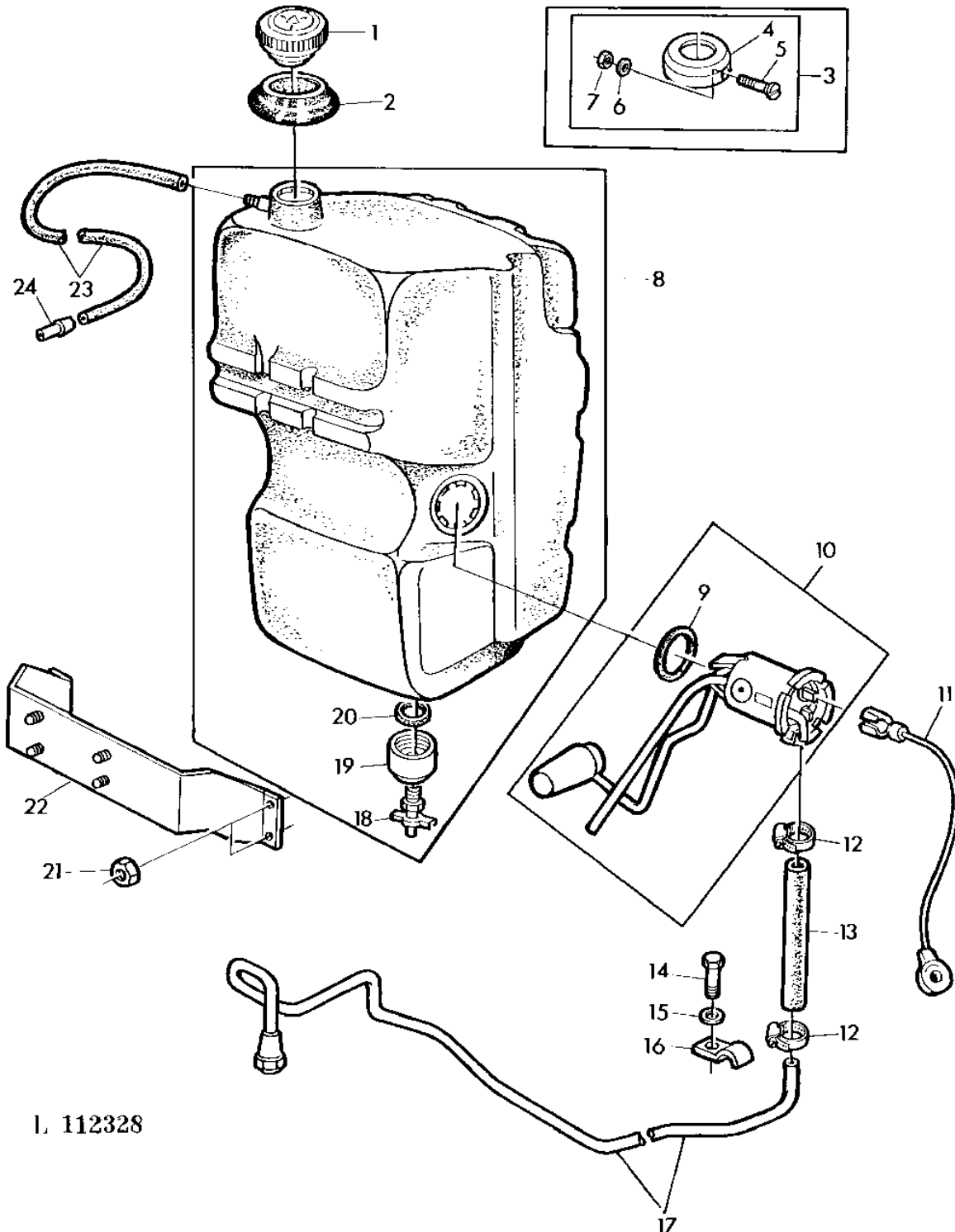
FUEL SYSTEM AND AIR INTAKE SYSTEM

KEY	PART NO.	PART NAME	QTY	SERIAL NO.	REMARKS
					2
					0 2
					4 1
					0 4
					S 0
1	19H1875	CAP SCREW	2		X 5/16"X1-3/4"
2	12M7065	LOCK WASHER	3		X 5/16"
3	T30199	ADAPTER	1		X
4	R97348	GASKET	1		X (SUB FOR R43413)
5	M43551	ELBOW FITTING	1		X (SUB FOR T24945)
6	RE23181	HYDRAULIC HOSE	1		X (SUB FOR AR78832)
7	19H1900	CAP SCREW	1		X 5/16"X3/4"
8	T24393	STRAP	1		X
9	R46146	DRUM	1		X
10	14H785	NUT	1		X 5/16"
11	R74234	CAP SCREW	6		X
12	R74237	LOCK PLATE	3		X
13	R74236	PLATE	3		X
14	R27346	FITTING	1		X
15	T19158	TEE FITTING	1		X
16	R74232	O-RING	1		X
17	DD14255	KIT	AR		X KIT
18	RE11349	CAP SCREW	3		X
19	R74235	PLATE	3		X
20	AR97611	TURBOCHARGER	1		X ASSY, MODEL K26-2660
21	R82859	FITTING	AR		X (FOR RE25595)
22	R97349	GASKET	1		X (SUB FOR R43416)
23	RE25335	OIL LINE	AR		X
24	12H304	LOCK WASHER	2		X
25	19H2284	CAP SCREW	2		X 3/8" X 7/8"
26	AT18904	CLAMP	2		X
27		1		X LGTH=50MM (1.96") NSEP (ORD R83064) (SUB FOR T25469)
28	AR87812	ADAPTER	1		X
..	R83064	HOSE	AR		X I.D.=19MM (0.74") LGTH=2000MM (78,74")

1D17

FUEL SYSTEM AND AIR INTAKE SYSTEM

FUEL TANK
RESERVOIR A COMBUSTIBLE
KRAFTSTOFFTANK
SERBATOIO COMBUSTIBILE
DEPOSITO DE COMBUSTIBLE
BRANSETANK
L112328 -UN-06OCT95



L 112328

1D18

FUEL SYSTEM AND AIR INTAKE SYSTEM

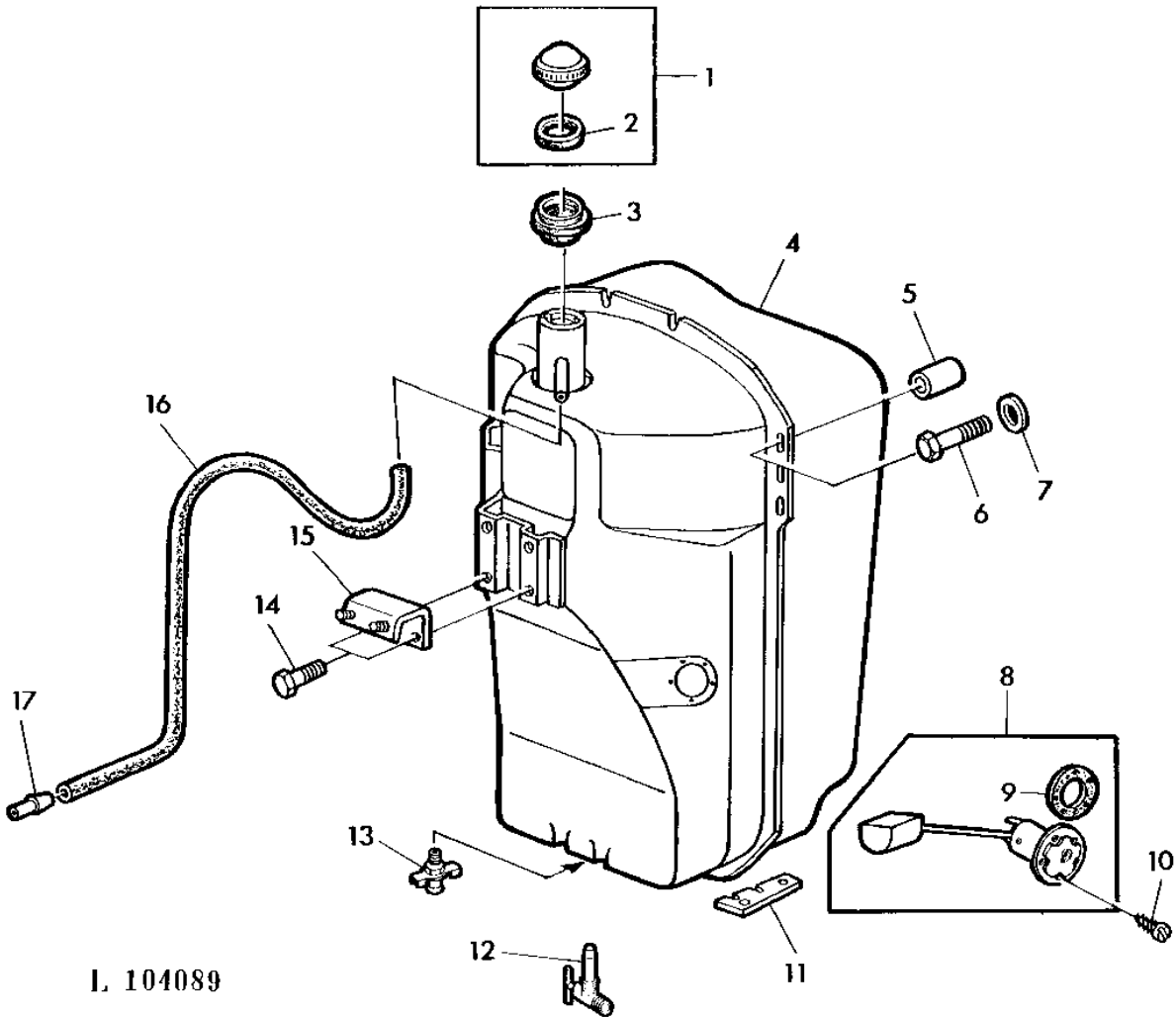
KEY	PART NO.	PART NAME	QTY	SERIAL NO.	REMARKS
					2
					0 2
					4 1
					0 4
					S 0
1	AL34678	FILLER CAP	1	X X	(SUB FOR AL31274)
2	L56921	GROMMET	1	X X	(SUB FOR L34794)
3	AL36635	KIT	1	X X	(FOR AL35463, AL35464)
4	L38840	RING	1	X X	
5	21M7255	SCREW	2	X X	M3X12
6	24M7029	SHIM	2	X X	3,2X7X0,5MM
7	14M7030	NUT	2	X X	M3
8	AL38853	FUEL TANK	1	X	(SUB FOR AL31037, AL35464, AL37380)
	AL38857	FUEL TANK	1	X	(SUB FOR AL31034, AL35463, AL37379, AL38854)
9	L33601	O-RING	1	X X	
10	AL38314	SENDER	1	X X	(SUB FOR AL33498)
11	AT24549	WIRING LEAD	1	X X	
12	R56101	CLIP	2	X X	(SUB FOR T19324, AR48236)
13	L60913	HOSE	1	X X	(SUB FOR R66067, L36953)
14	19H2038	CAP SCREW	1	X X	3/8"X1/2"
15	24H1305	WASHER	1	X X	13/32"X13/16"X.060"
16	L36022	CLAMP	1	X X	
17	AL33885	FUEL LINE	1	X X	(SUB FOR AL31271)
18	AT13740	DRAIN VALVE	1	X X	
19	L35187	ADAPTER	1	X X	
20	R42879	WASHER	1	X X	
21	14M7273	NUT	4	X X	M8
22	AL31292	HOLDER	1	X	
	AL31433	HOLDER	1	X	
23	L34848	HOSE	1	X X	
24		1	X X	(A) NSEP (ORD DD13407)

(A) WITH ETHER STARTING AID
 AVEC AIDE AU DEMARRAGE ETHER
 BEI AETHER STARTRHILFE
 CON AIUTO D'AVVIA.PER ETERE
 CON AYUDA ARRANQUE POR ETER
 VID ETER KALLSTART

1D19

FUEL SYSTEM AND AIR INTAKE SYSTEM

METAL FUEL TANK
RESERVOIR METALLIQUE
BLECH-KRAFTSTOFFTANK
SERBATOIO DI COMBUSTIBILE METALLICO
DEPOSITO DE COMBUSTIBLE METALICO
BRANSETANK AV PLAT
L104089 -UN-06OCT95



L 104089

1D20

FUEL SYSTEM AND AIR INTAKE SYSTEM

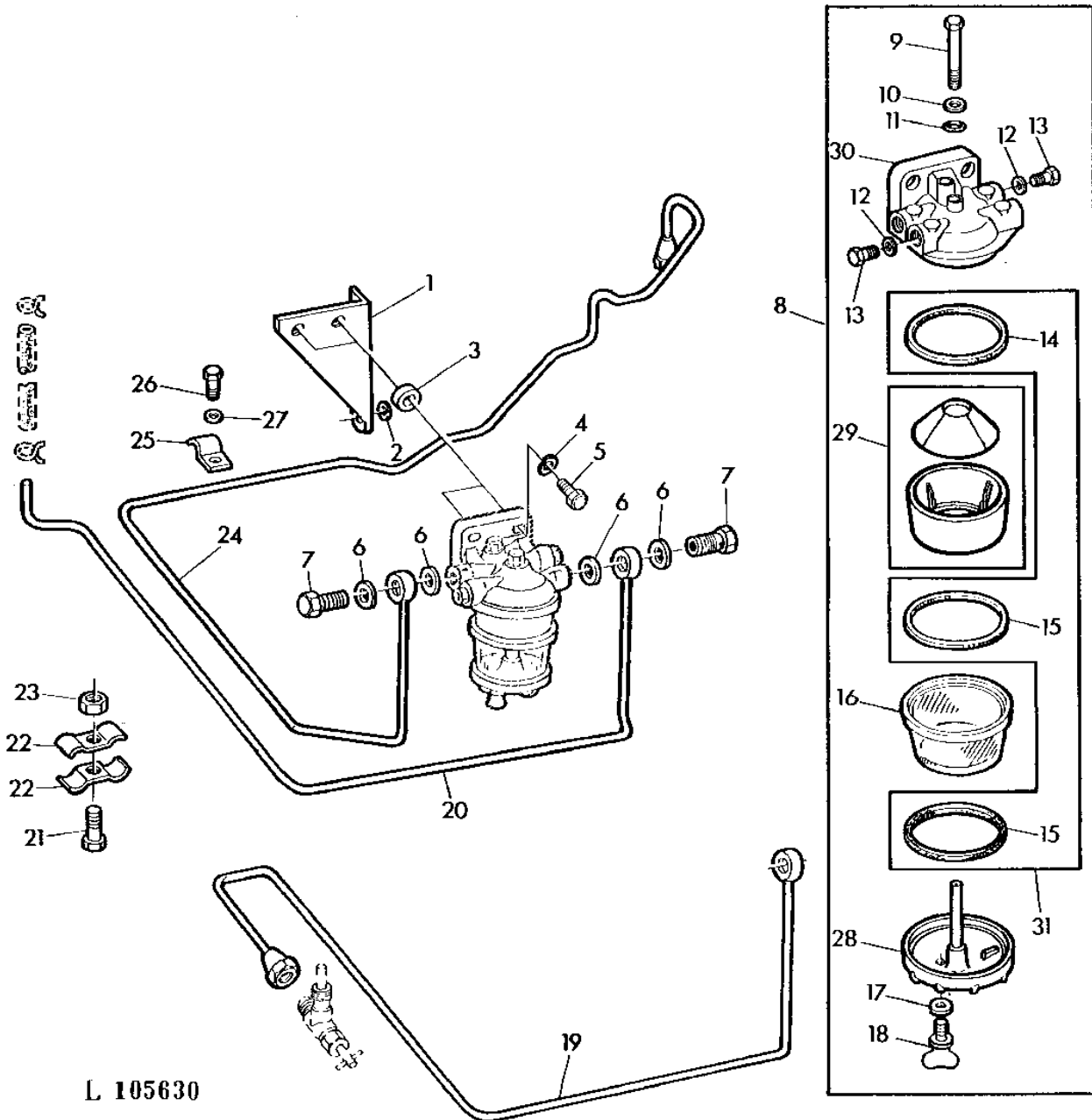
KEY	PART NO.	PART NAME	QTY	SERIAL NO.	REMARKS
					2
					0 2
					4 1
					0 4
					S 0
1	AT20911	FILLER CAP	1		X
2	R39615	WASHER	1		X
3	R82837	TUBE	1		X (SUB FOR R39613)
4	AL33041	FUEL TANK	1		X
5	28H1527	SPACER	4		X 3/8"X1.375"
6	19M7170	CAP SCREW	4		X M10X50
7	24M7040	WASHER	4		X 11X21X2MM
8	AT31619	FLOAT	1		X
9	L29265	GASKET	1		X
10	37H47	SCREW	5		X 4,2X13MM
11	L35803	STRAP	2		X
12	R34656	SHUT-OFF VALVE	1		X
13	AT13740	DRAIN VALVE	1		X
14	19H2284	CAP SCREW	2		X 3/8"X7/8"
15	AL33043	HOLDER	1		X
16	L34848	HOSE	1		X
17		1		X (A) NSEP (ORD DD13407)

(A) WITH ETHER STARTING AID
 AVEC AIDE AU DEMARRAGE ETHER
 BEI AETHER STARHILFE
 CON AIUTO D'AVVIA.PER ETERE
 CON AYUDA ARRANQUE POR ETER
 VID ETER KALLSTART

1D21

FUEL SYSTEM AND AIR INTAKE SYSTEM

WATER TRAP
DECANTEUR
WASSERABSCHEIDER
POZZETTO CONDENSA
SEPARADOR DE AGUA
VATTENAVSKILJARE
L105630 -UN-06OCT95



1D22

FUEL SYSTEM AND AIR INTAKE SYSTEM

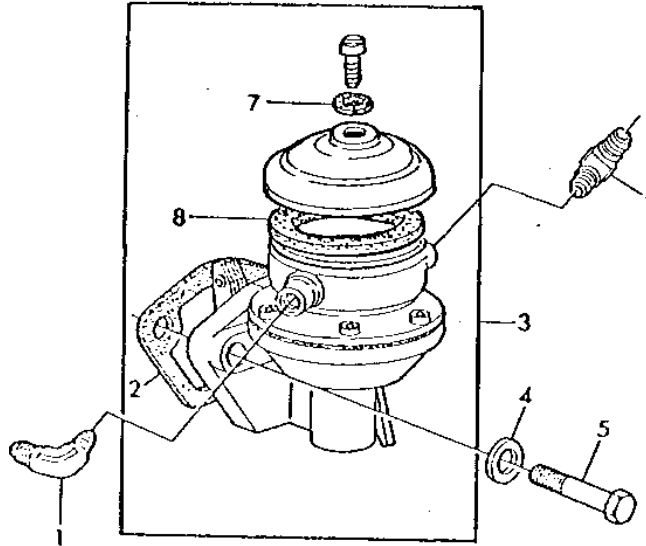
KEY	PART NO.	PART NAME	QTY	SERIAL NO.	REMARKS
					2
					0 2
					4 1
					0 4
					S 0
1	AL25036	BRACKET	1	X	
	AL33877	BRACKET	1	X	(SUB FOR AL26456 APPL)
2	24H1785	WASHER	1	X	1"X1/2"X.075"
3	L28612	SPACER	2	X	
4	12H304	LOCK WASHER	2	X X	3/8"
5	19H1731	CAP SCREW	2	X X	3/8"X1"
6	T24608	WASHER	4	X X	
7	CD13182	HOLLOW SCREW	2	X X	(SUB FOR L30607)
8	DD11218	WATER TRAP	1	X X	
9	CD13188	CAP SCREW	1	X X	
10	CD14203	WASHER	1	X X	
11	T24647	O-RING	1	X X	
12	CD13181	WASHER	2	X X	
13	CD13180	FITTING PLUG	2	X X	
14	R75867	GASKET	1	X X	(ORD AL39581)
15	T19114	GASKET	2	X X	(ORD AL39581) (SUB FOR L32110)
16	CD13185	SEDIMENT BOWL	1	X X	(SUB FOR L32108)
17	CD13191	WASHER	1	X X	(SUB FOR L32111)
18	CD13190	DRAIN PLUG	1	X X	(SUB FOR L32109)
19	AL34683	FUEL LINE	1	X	(A) (SUB FOR AL33110 APPL)
20	AL33886	FUEL LINE	1	X X	(SUB FOR AL31272 APPL)
21	19H2021	CAP SCREW	1	X X	3/8"X5/8"
22	R42009	CLAMP	2	X X	(SUB FOR T35126 APPL)
23	14H812	NUT	1	X X	3/8"
24	AL31943	FUEL LINE	1	X	
	AL33887	FUEL LINE	1	X	(SUB FOR AL31991 APPL)
25	L36022	CLAMP	1	X X	
26	19H2038	CAP SCREW	1	X X	3/8"X1/2"
27	24H1305	WASHER	1	X X	13/32"X13/16"X.060"
28	DD11371	BOTTOM	1	X X	
29	DD11751	KIT	1	X X	
30	CD14202	COVER	1	X X	
31	AL39581	SEAL	1	X X	

(A) WITH METAL TANK
 AVEC RESERVOIR A COMBUSTIBLE METALLIQUE
 BEI BLECHKRAFTSTOFFTANK
 CON SERBATOIO GASOLIO METALLICO
 CON DEPOSITO COMBUSTIBLE METALICO
 VID BLECKBRANSLETANK

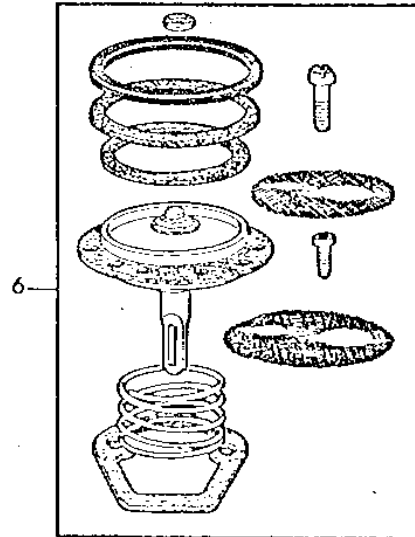
1D23

FUEL SYSTEM AND AIR INTAKE SYSTEM

FUEL TRANSFER PUMP "SOFABEX"
 POMPE D'ALIMENTATION "SOFABEX"
 KRAFTSTOFFOERDERPUMPE "SOFABEX"
 POMPA ALIMENTAZIONE "SOFABEX"
 BOMBA DE ALIMENTACION DE COMBUSTIBLE "SOFABEX"
 MATAREPUMP "SOFABEX"
 CD35015 -UN-01JAN94



CD35015

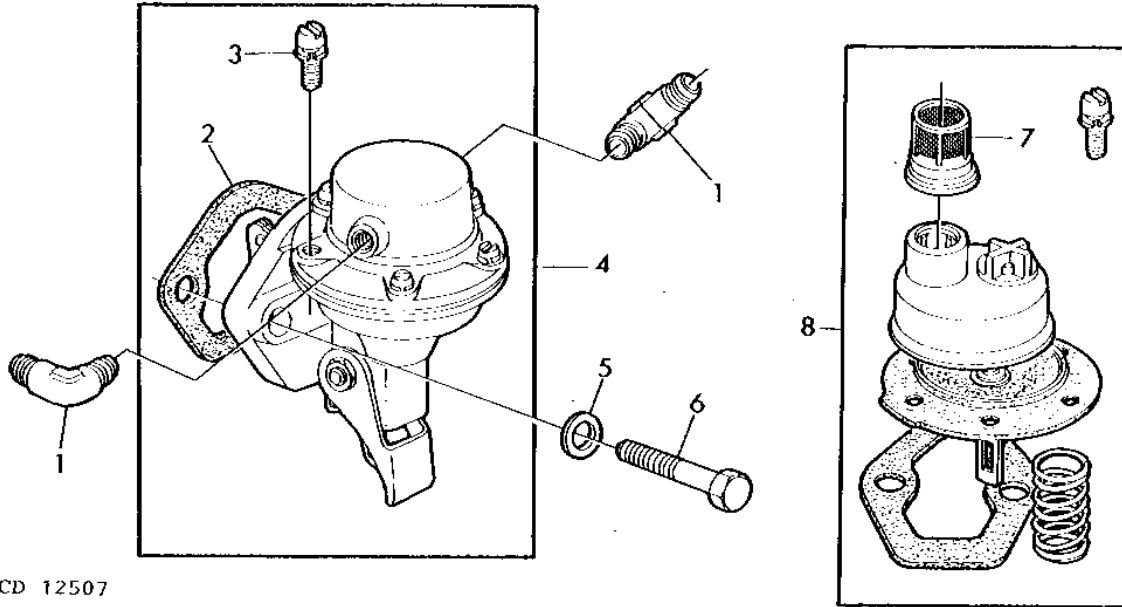


KEY	PART NO.	PART NAME	QTY	SERIAL NO.	REMARKS
				2	
				0 2	
				4 1	
				0 4	
				S 0	
1	R82131	ELBOW FITTING	2	X X	(SUB FOR T30738 APPL)
2	R97350	GASKET	1	X X	(SUB FOR R27285)
3	RE37482	FUEL PUMP	1	X X	(SUB FOR DD13483, DD14292)
4	T27860	WASHER	2	X X	(SUB FOR 24H1136, APPL)
5	19H1849	CAP SCREW	2	X X	5/16"X1-1/4"
6	RE37463	KIT	AR	X X	(SUB FOR AR60559, AR102452, RE13517)
7	R75832	GASKET	1	X X	
8	R64506	WASHER	1	X X	

1D24

FUEL SYSTEM AND AIR INTAKE SYSTEM

FUEL TRANSFER PUMP "CORONA"
 POMPE D'ALIMENTATION "CORONA"
 KRAFTSTOFFOERDERPUMPE "CORONA"
 POMPA ALIMENTAZIONE "CORONA"
 BOMBA DE ALIMENTACION DE COMBUSTIBLE "CORONA"
 MATAREPUMP "CORONA"
 CD12507 -UN-01JAN94



CD 12507

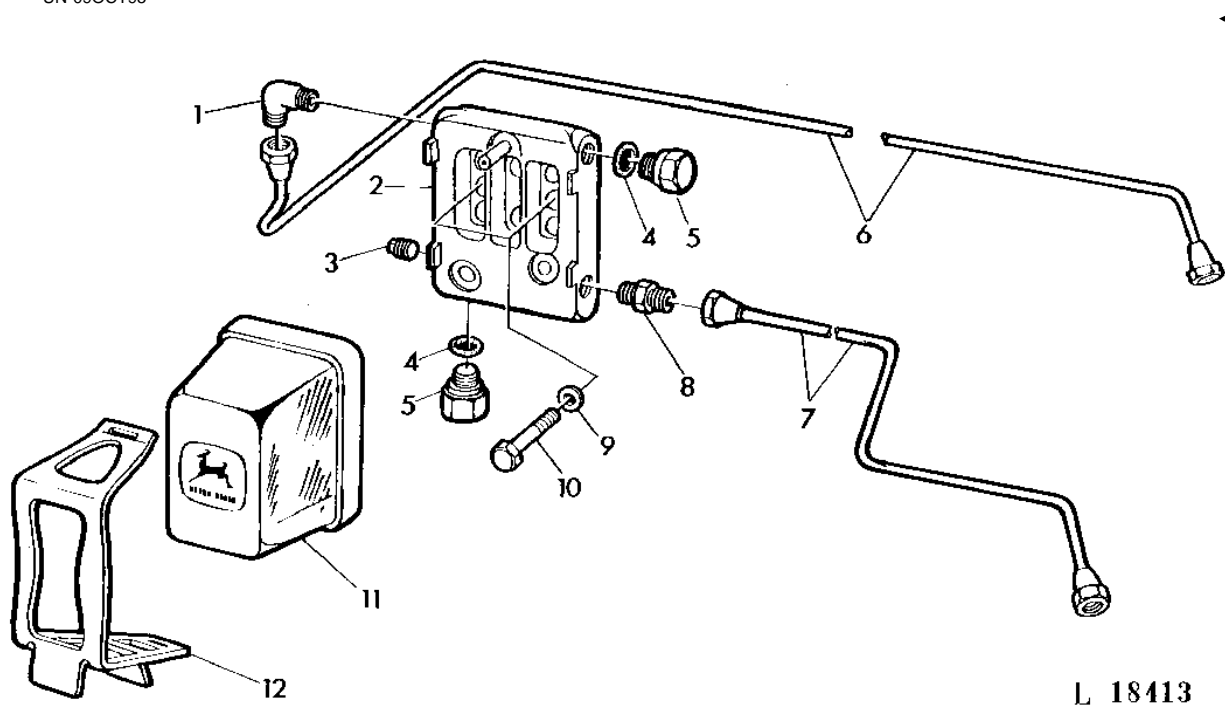
2
0 2
4 1
0 4
S 0

KEY	PART NO.	PART NAME	QTY	SERIAL NO.	REMARKS
1	R82131	ELBOW FITTING	2	X X	(SUB FOR T30738 APPL)
2	R97350	GASKET	1	X X	(SUB FOR R27285)
3	AR102676	SCREW, WITH WASHER	6	X X	
4	DD14195	FUEL PUMP	1	X X	(SUB FOR AR102678) (ORD RE37482)
5	T27860	WASHER	2	X X	11/32"X11/16"X.060" (SUB FOR 24H1136 APPL)
6	19H1849	CAP SCREW	2	X X	5/16"X1-1/4"
7	R75931	STRAINER	1	X X	
8	RE37466	KIT	AR	X X	(SUB FOR AR102675, DD14194)

1D25

FUEL SYSTEM AND AIR INTAKE SYSTEM

FUEL FILTER
 FILTRE A COMBUSTIBLE
 KRAFTSTOFF-FILTER
 FILTRO COMBUSTIBILE
 FILTRO DE COMBUSTIBLE
 BRANSLEFILTER
 L18413 -UN-09OCT95



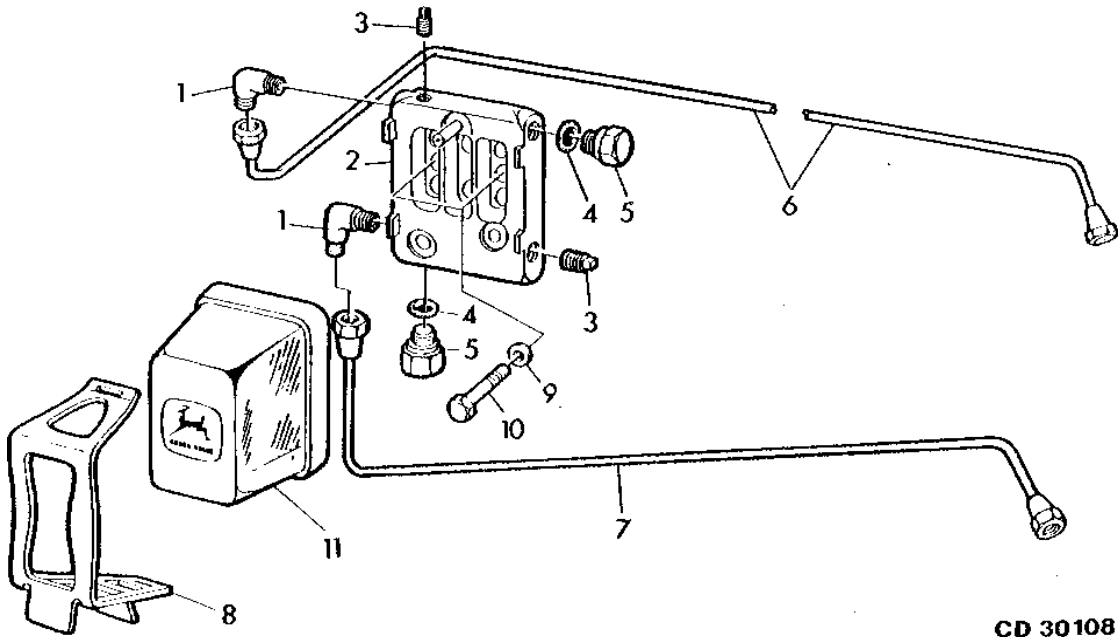
L 18413

KEY	PART NO.	PART NAME	QTY	SERIAL NO.	REMARKS
				2	
				0 2	
				4 1	
				0 4	
				S 0	
1	R82131	ELBOW FITTING	1	X X	(SUB FOR T30738 APPL)
2	AR50040	HOUSING	1	X X	(ORD RE28535, 15H558)
3	15H558	PIPE PLUG	1	X X	1/8"
4	R26287	O-RING	2	X X	
5	R48071	DRAIN PLUG	2	X X	
6	AR69743	FUEL LINE	1	X X	(ORD RE26981)
7	AR84733	FUEL LINE	1	X X	(ORD RE26214, R82131)
8	R27346	FITTING	1	X X	
9	24H1303	WASHER	2	X X	13/32"X11/16"X.060"
10	19H1731	CAP SCREW	2	X X	3/8"X1"
11	AR50041	FUEL FILTER	1	X X	
12	R66821	CLAMP	1	X X	(SUB FOR R57258)

1E1

FUEL SYSTEM AND AIR INTAKE SYSTEM

FUEL FILTER
 FILTRE A COMBUSTIBLE
 KRAFTSTOFF-FILTER
 FILTRO COMBUSTIBILE
 FILTRO DE COMBUSTIBLE
 BRANSLEFILTER
 CD30108 -UN-01JAN94



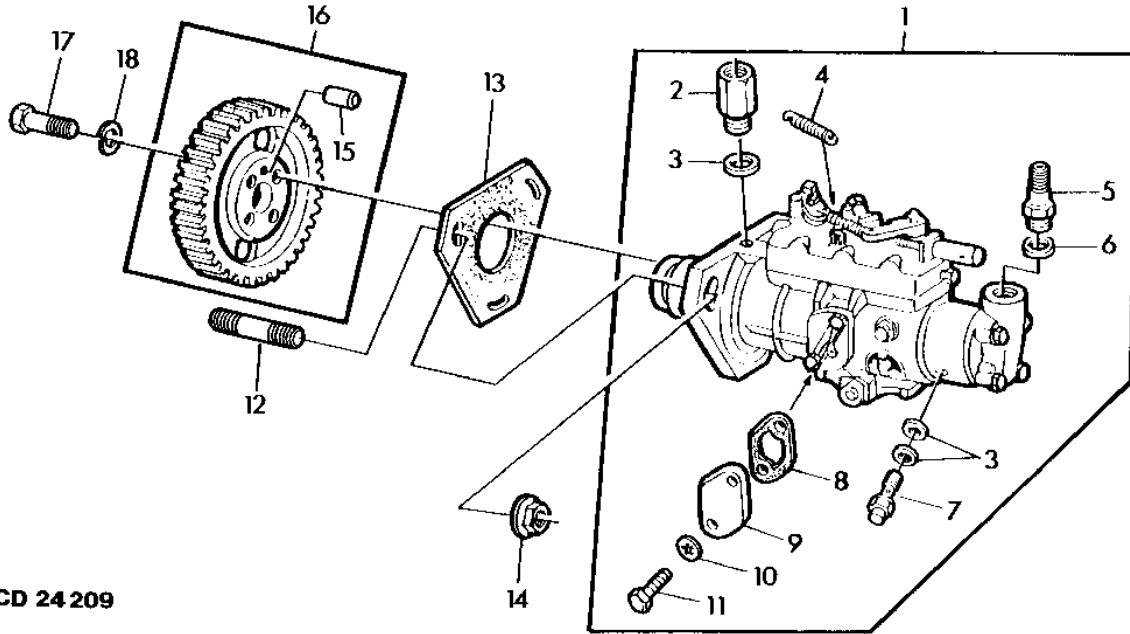
CD 30108

KEY	PART NO.	PART NAME	QTY	SERIAL NO.	REMARKS
				2	
				0 2	
				4 1	
				0 4	
				S 0	
1	R82131	ELBOW FITTING	2		X X
2	RE28535	HOUSING	AR		X X
3	15H558	PIPE PLUG	2		X X 1/8"
4	R26287	O-RING	2		X X
5	R48071	DRAIN PLUG	2		X X
6	RE26981	FUEL LINE	1		X X
7	RE26214	FUEL LINE	1		X X
8	R66821	CLAMP	1		X X
9	24H1303	WASHER	2		X X
10	19H1731	CAP SCREW	2		X X 13/32"X11/16"X.060"
11	AR50041	FUEL FILTER	1		X X 3/8"X1"

1E2

FUEL SYSTEM AND AIR INTAKE SYSTEM

FUEL INJECTION PUMP/RADIAL OUTLETS
 POMPE D'INJECTION/SORTIES RADIALES
 KRAFTSTOFF-EINSPRITZPUMPE/RADIALANSCHLUESSE
 POMPA INIEZIONE/USCITE RADIALI
 BOMBA DE INYECCION/SALIDAS RADIALES
 INSPRUTNINGSPUMP/RADIELLA ANSLUTNINGAR
 CD24209 -UN-17JUL95



CD 24 209

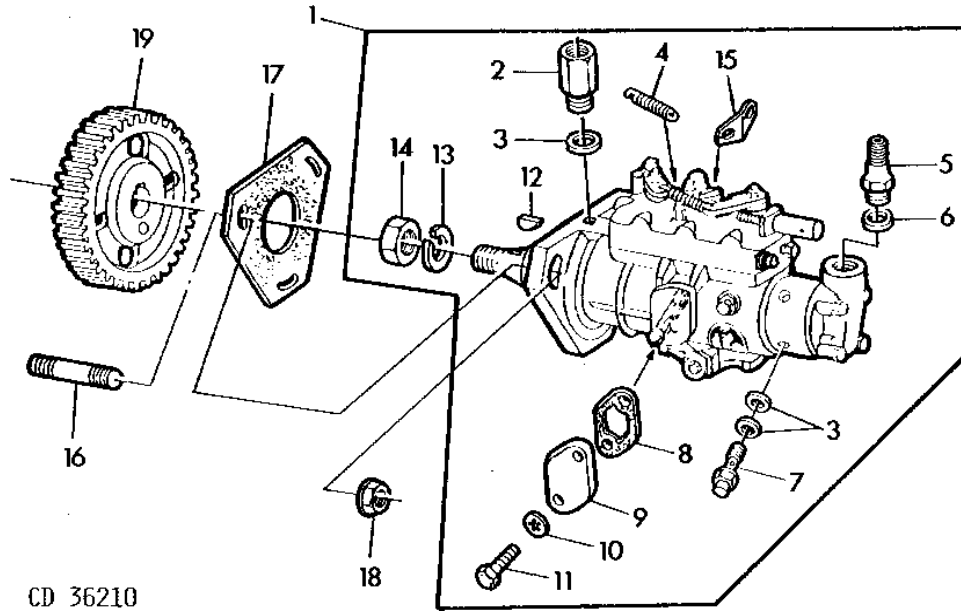
KEY	PART NO.	PART NAME	QTY	SERIAL NO.	REMARKS
				2	
				0 2	
				4 1	
				0 4	
				S 0	
1	AR72870	FUEL INJECTION PUMP	1	X	LUCAS/CAV R3443F140
2	RE11602	BALL CHECK	1	X	(SUB FOR AR76102)
3	T20055	WASHER	9	X	
4	T26058	SPRING	1	X	
5	R79015	FITTING	1	X	(SUB FOR T24607, T24608 APPL)
6	T24608	WASHER	1	X	(FOR T24607)
	T24619	WASHER	1	X	(FOR R79015)
7	AT29464	VALVE	4	X	
8		1	X	NSEP
9		1	X	NSEP
10		2	X	NSEP
11		2	X	NSEP
12	T23442	STUD	3	X	
13	R97354	GASKET	1	X	(SUB FOR T24460, R77126)
14	A22698	NUT	3	X	(SUB FOR 12H303, 14H785, 24H1243)
15	T28030	DOWEL PIN	1	X	
16	AR85710	GEAR	1	X	Z=48
17	19H2551	CAP SCREW	3	X	5/16"X3/4"
18	12M7065	LOCK WASHER	3	X	5/16"

1E3

FUEL SYSTEM AND AIR INTAKE SYSTEM

FUEL INJECTION PUMP/RADIAL OUTLETS
 POMPE D'INJECTION/SORTIES RADIALES
 KRAFTSTOFF-EINSPRITZPUMPE/RADIALANSCHLUESSE
 POMPA INIEZIONE/USCITE RADIALI
 BOMBA DE INYECCION/SALIDAS RADIALES
 INSPRUTNINGSPUMP/RADIELLA ANSLUTNINGAR

CD36210 -UN-01JAN94

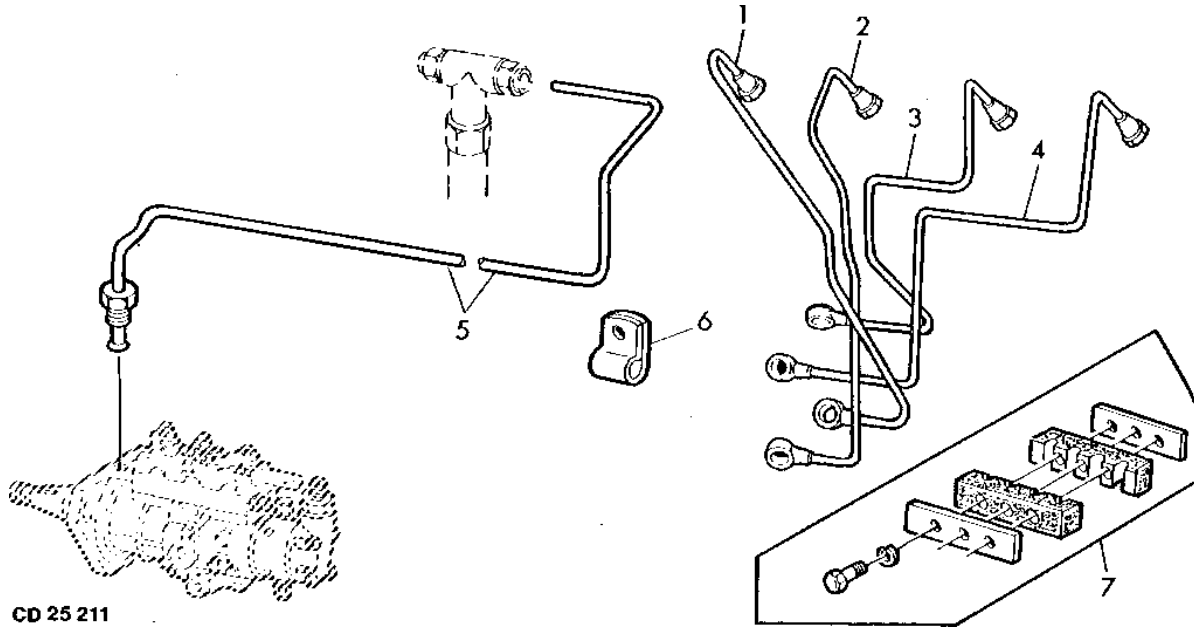


KEY	PART NO.	PART NAME	QTY	SERIAL NO.	REMARKS
				2	
				0 2	
				4 1	
				0 4	
				S 0	
1	AR94180	FUEL INJECTION PUMP	1	X	LUCAS/CAV R3443F680
2	RE11602	BALL CHECK	1	X	(SUB FOR AR76102)
3	T20055	WASHER	9	X	
4	T26058	SPRING	1	X	
5	R79015	FITTING	1	X	(SUB FOR T24607, T24608 APPL)
6	T24608	WASHER	1	X	(FOR T24607)
	T24619	WASHER	1	X	(FOR R79015)
7	AT29464	VALVE	4	X	
8		1	X	NSEP
9		1	X	NSEP
10		2	X	NSEP
11		2	X	NSEP
12	R56131	SHAFT KEY	1	X	
13	12H317	LOCK WASHER	1	X	9/16"
14	14H888	NUT	1	X	9/16"
15	CD16286	BRACKET	1	X	(SUB FOR R79404)
16	T23442	STUD	3	X	
17	R97354	GASKET	1	X	(SUB FOR T24460)
18	A22698	NUT	3	X	(SUB FOR 24H1243, 12H303, 14H785)
19	R66125	GEAR	1	X	Z=48

1E4

FUEL SYSTEM AND AIR INTAKE SYSTEM

FUEL INJECTION PUMP LINES
 POMPE D'INJECTION TUYAUX
 KRAFTSTOFF-EINSPRITZPUMPENLEITUNGEN
 TUBAZIONI DELLA POMPA D'INIEZIONE
 TUBERIAS DE BOMBA DE INYECCION DE COMBUSTIBLE
 LEDNINGAR AV INSPRUTNINGSPUMPEN
 CD25211 -UN-01JAN94



CD 25 211

KEY	PART NO.	PART NAME	QTY	ENGINE SERIAL NO.	2		REMARKS
					0 2	4 1	
1	RE20785	FUEL LINE	AR		X	X	NO.1
	AR67733	FUEL LINE	1	-461475	X	X	NO.1
	AR95750	FUEL LINE	1	461476-	X	X	NO.1 (ORD RE20785, RE20786)
2	RE20786	FUEL LINE	AR		X	X	NO.2
	AR67734	FUEL LINE	1	-461475	X	X	NO.2
	AR95751	FUEL LINE	1	461476-	X	X	NO.2 (ORD RE20785, RE20786)
3	AR67735	FUEL LINE	1	-461475	X	X	NO.3
	AR95752	FUEL LINE	1	461476-	X	X	NO.3
4	AR67736	FUEL LINE	1	-461475	X	X	NO.4
	AR95753	FUEL LINE	1	461476-	X	X	NO.4
5	AR89845	LINE	1		X	X	
6	T29969	CLAMP	1		X	X	
7	DD13913	FLANGE	1		X	X	

1E5

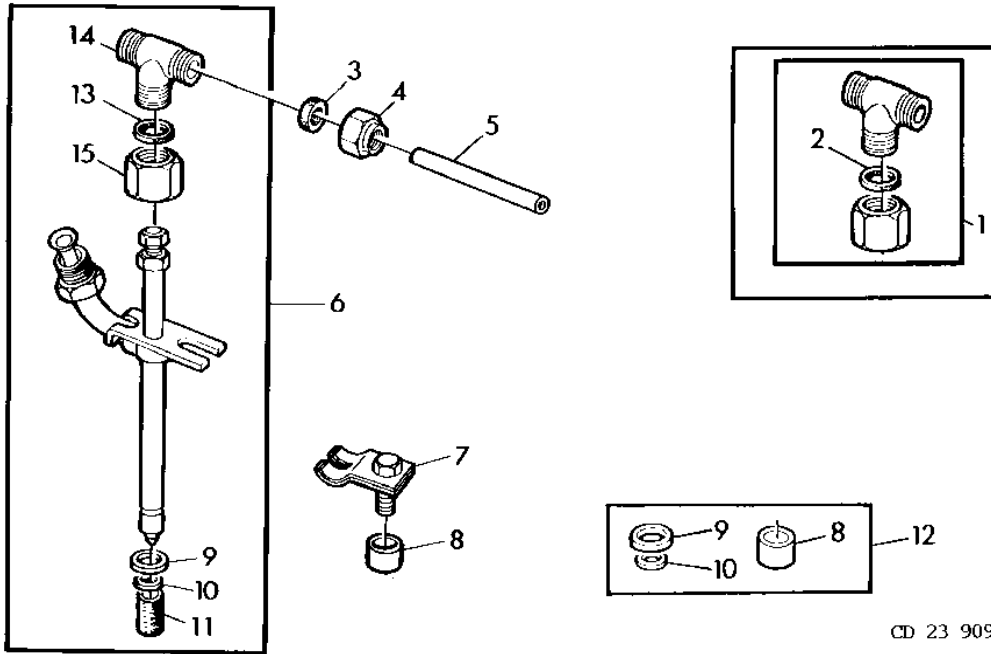
FUEL SYSTEM AND AIR INTAKE SYSTEM

MEMORANDA
MEMORANDA
MEMORANDA
MEMORANDA
MEMORANDA

1E6

FUEL SYSTEM AND AIR INTAKE SYSTEM

FUEL INJECTION NOZZEL "ROOSA-MASTER"
 INJECTEUR ROOSA-MASTER
 KRAFTSTOFF-EINSPRITZDUESE "ROOSA-MASTER"
 INIETTORE "ROOSA-MASTER"
 INJECTOR "ROOSA-MASTER"
 BRANSLLEINSPRUTARE "ROOSA-MASTER"
 CD23909 -UN-02AUG95



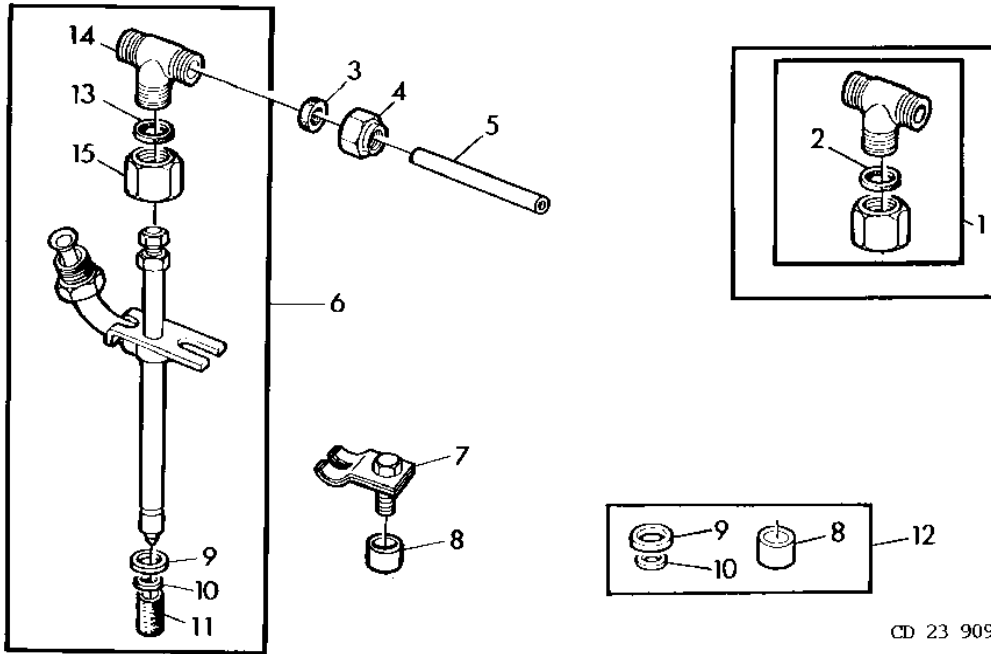
CD 23 909

KEY	PART NO.	PART NAME	QTY	SERIAL NO.	REMARKS
				2	
				0 2	
				4 1	
				0 4	
				S 0	
1	AR85618	CAP	AR	X	(ORD R79604, R79605, R79606)
2	T29539	WASHER	4	X	(ORD R79605)
3	R51936	PACKING	8	X	
4	R51937	TUBE NUT	8	X	
5	R66090	TUBE	3	X	
6	AR89563	INJECTION NOZZLE	4	X	(MARKED 27333)
7	R34760	CLAMP	4	X	
8		4	X	TK=12,5MM(0.492"), NSEP (ORD RE13887) (SUB FOR R60745)
9		1	X	UP,TK=3MM(0.118"), NSEP (ORD RE13887) (SUB FOR R34764, R60746)
10		1	X	LOW, NSEP (ORD RE13887) (SUB FOR R48000)
11	T24472	PLUG	1	X	
12	RE13887	O-RING KIT	AR	X	KIT
13	R79605	WASHER	1	X	
14	R79606	TEE FITTING	1	X	
15	R79604	TUBE NUT	1	X	

1E7

FUEL SYSTEM AND AIR INTAKE SYSTEM

FUEL INJECTION NOZZLE ROOSA-MASTER
 INJECTEUR ROOSA-MASTER
 KRAFTSTOFF-EINSPRITZDUESE ROOSA-MASTER
 INIETTORI ROOSA-MASTER
 INYECTOR DE COMBUSTIBLE ROOSA-MASTER
 BRANSLAINSPRUTARE ROOSA-MASTER
 CD23909 -UN-02AUG95



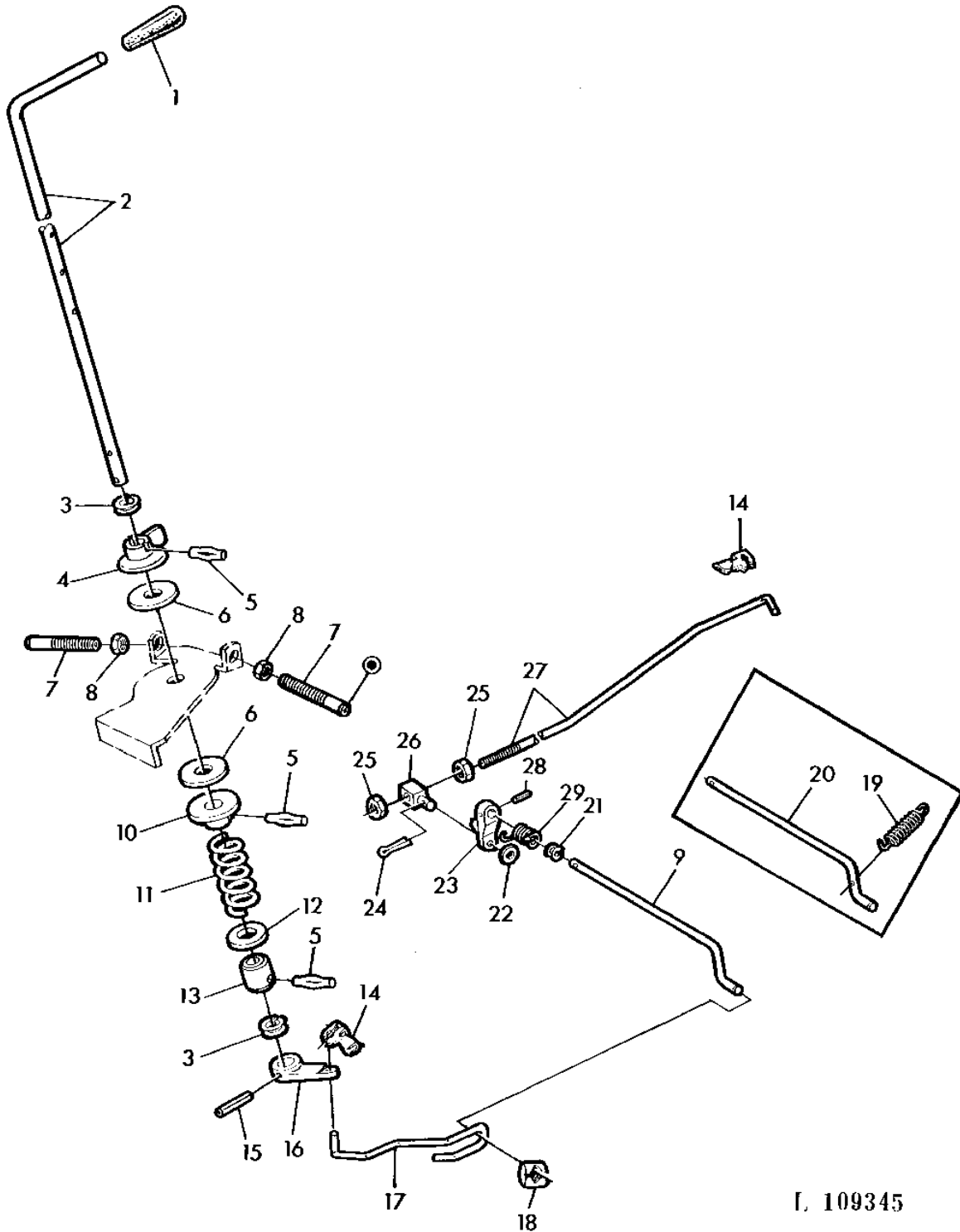
CD 23 909

KEY	PART NO.	PART NAME	QTY	SERIAL NO.	REMARKS
					2
					0 2
					4 1
					0 4
					S 0
1	AR85618	CAP	AR		X KIT (ORD R79605, R79604, R79606)
2	T29539	WASHER	4		X (ORD R79605)
3	R51936	PACKING	8		X
4	R51937	TUBE NUT	8		X
5	R66090	TUBE	3		X
6	AR90023	INJECTION NOZZLE	4		X STANADYNE 27337 (ORD RE31757, RE32011)
	RE31757	INJECTION NOZZLE	AR		X STANADYNE 26992
7	R34760	CLAMP	4		X
8	4		X TK=12,5MM(0.492") (ORD RE13887) (SUB FOR R60745)
	4		X TK=11,5MM(0.452") (ORD RE32011)
9	1		X TK=3MM(0.118") (ORD RE13887) (SUB FOR R60746)
	1		X TK=1,9MM(0.074") (ORD RE32011)
10	1		X (ORD RE13887, RE32011) (SUB FOR R48000) LOW
11	T24472	PLUG	AR		X
12	RE13887	O-RING KIT	AR		X
	RE32011	O-RING KIT	AR		X
13	R79605	WASHER	1		X
14	R79606	TEE FITTING	1		X
15	R79604	TUBE NUT	1		X

1E8

FUEL SYSTEM AND AIR INTAKE SYSTEM

SPEED CONTROL LEVER AND LINKAGE
MANETTE D'ACCELERATION ET TRINGLERIE
DREHZAHHANDHEBEL UND GESTAENGE
TIRANTERIA REGOLAZIONE VELOCITA
PALANCA Y VARILLAJE DE ACELERACION
VARVTALSREGULATOR
L109345 -UN-06OCT95



L 109345

1E9

FUEL SYSTEM AND AIR INTAKE SYSTEM

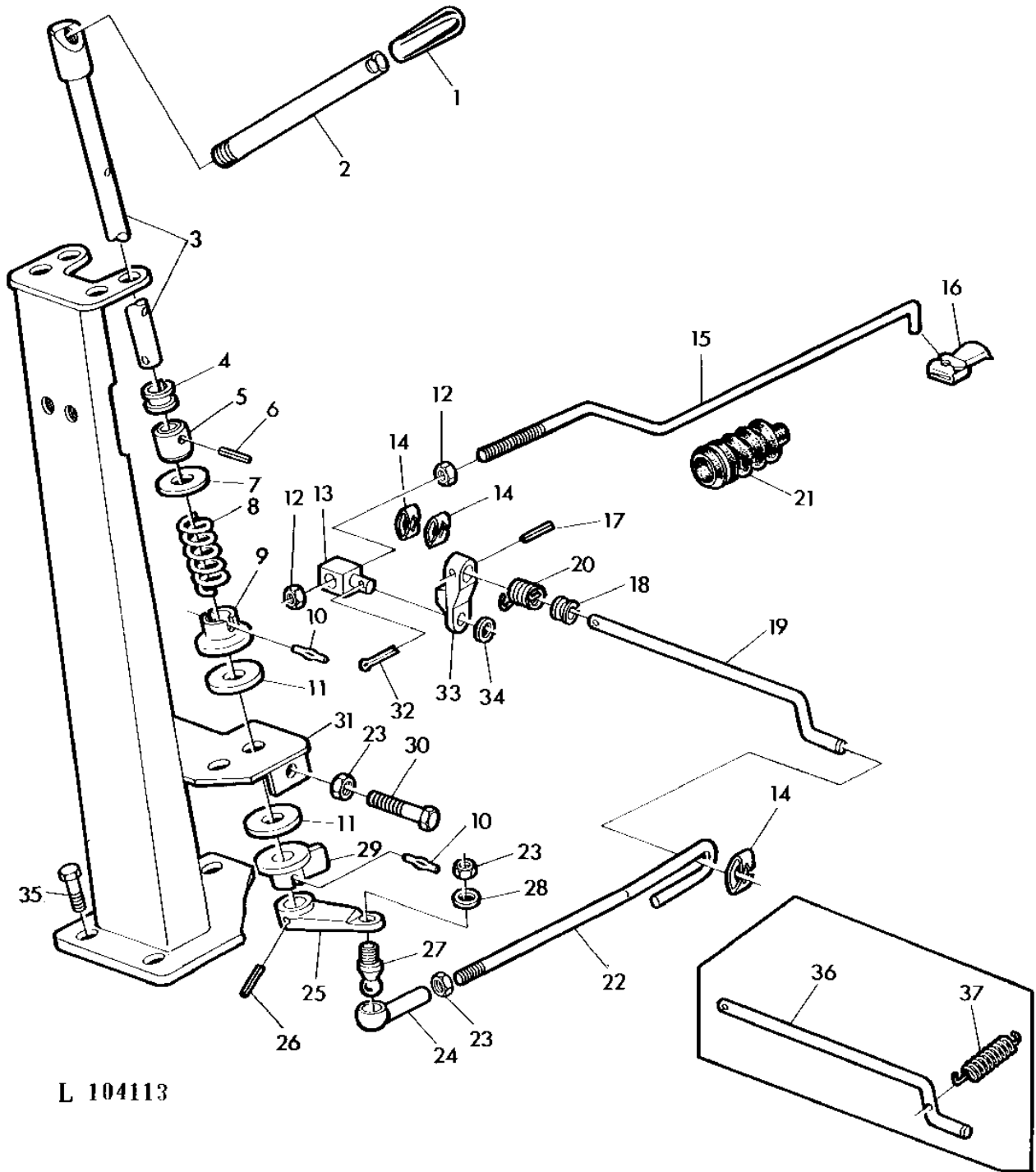
KEY	PART NO.	PART NAME	QTY	SERIAL NO.	REMARKS
					2
					0 2
					4 1
					0 4
					S 0
1	L56922	GRIP	1	X X	(SUB FOR R54271)
2	L34421	LEVER	1	X	
	L34420	LEVER	1	X	
3	R34811	GROMMET	2	X X	
4	L34423	DISK	1	X X	
5	25H747	GROOVE PIN	3	X X	3/16"X3/4"
6	L41465	WASHER	2	X X	(SUB FOR T22696)
7	22M7101	SET SCREW	2	X X	M6X30 (SUB FOR 19M6755)
8	14M7272	NUT	2	X X	M6
9	L28415	ROD	1	X X	(ORD L38143 W/ L38144)
10	T22698	DISK	1	X X	
11	R26637	SPRING	1	X X	
12	24H1211	WASHER	1	X X	9/16"X1-3/8"X.105"
13	L34424	BUSHING	1	X X	
14	T29742	CLIP	2	X X	(SUB FOR T29741)
15	34H284	SPRING PIN	1	X X	3/16"X1-1/4"
16	T22239	LEVER	1	X X	
17	L36653	ROD	1	X X	(SUB FOR L34697)
	L36654	ROD	1	X X	(A)
18	L28416	NUT	1	X X	
19	L38144	EXTENSION SPRING	1	X X	
20	L38143	ROD	1	X X	
21	T22241	GROMMET	2	X X	
22	24H1286	WASHER	1	X X	9/32"X1/2"X.060"
23	T22240	ARM	1	X X	
24	11M7077	COTTER PIN	1	X X	1,6X25MM
25	14H850	NUT	2	X X	1/4"
26	T22242	SWIVEL	1	X X	
27	T27350	ROD	1	X X	
28	34H264	SPRING PIN	1	X X	5/32"X7/8"
29	L28414	EXTENSION SPRING	1	X X	(ORD L38144 W/ L38143)

(A) WITH HYDROSTATIC STEERING
 AVEC DIRECTION HYDROSTAT.
 BEI HYDROSTATISCHER LENKUNG
 CON STERZO IDROSTATICO
 CON DIRECCION HIDROSTATICA
 VID HYDROSTATISK STYRNING

1E10

FUEL SYSTEM AND AIR INTAKE SYSTEM

SPEED CONTROL LEVER/LINKAGE(WITH OPU CAB)
MANETTE D'ACCELERATION/TRINGLERIE(AVEC CABINE PPI)
DREHZAHHANDHEBEL/GESTAENGE(BEI FSC KABINE)
TIRANTERIA REGOLAZIONE VELOCITA (CON CABINA OPU)
PALANCA Y VARILLAJE DE ACELERACION (CON CABINA DE SEGURIDAD)
VARVTALSREGULATOR (VID OPU FORARHYTT)
L104113 -UN-06OCT95



L 104113

1E11

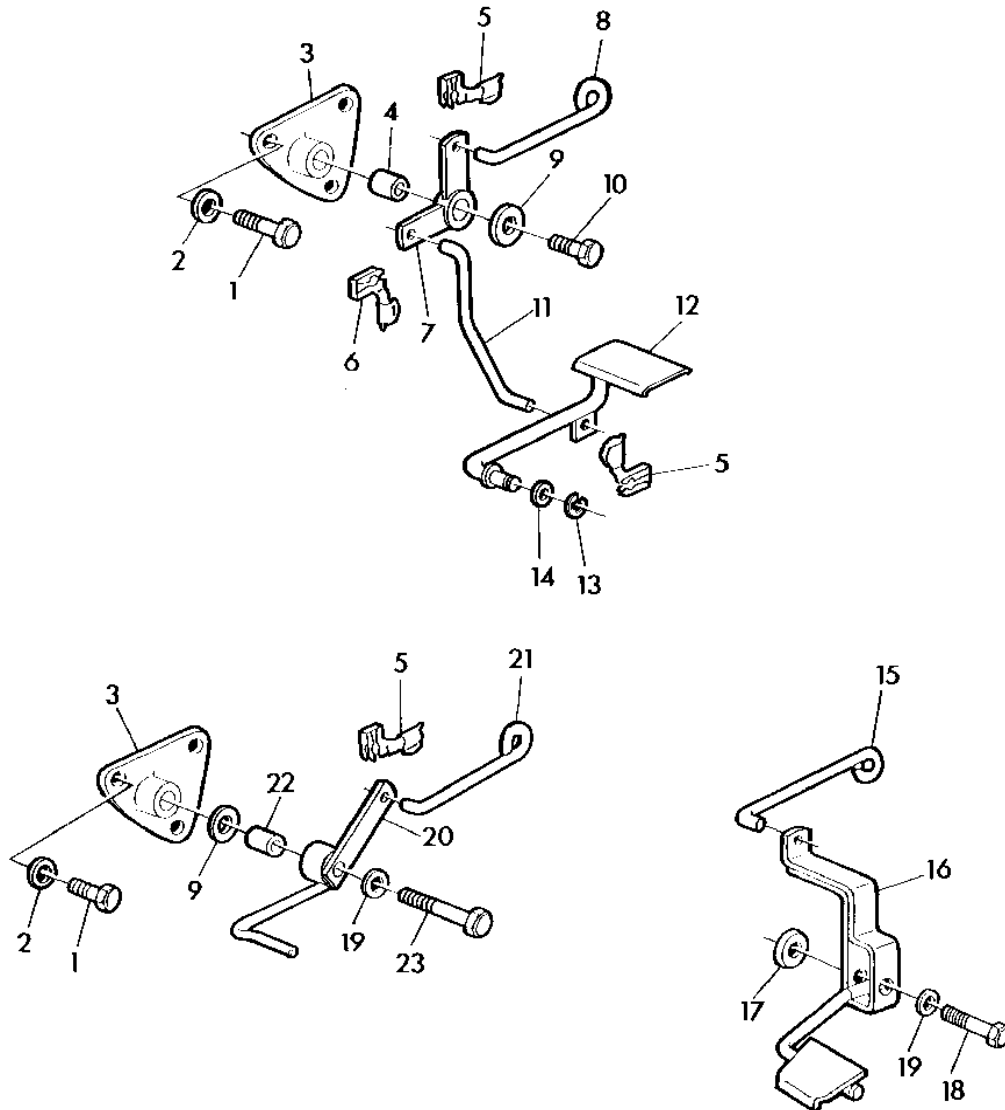
FUEL SYSTEM AND AIR INTAKE SYSTEM

KEY	PART NO.	PART NAME	QTY	SERIAL NO.	REMARKS
				2	
				0 2	
				4 1	
				0 4	
				S 0	
1	L56922	GRIP	1	X X	(SUB FOR R54271)
2	L35224	LEVER	1	X X	
3	AL31876	LEVER	1	X X	
4	R34811	GROMMET	1	X X	
5	L34424	BUSHING	1	X X	
6	34H387	SPRING PIN	1	X X	3/16"X3/4"
7	24H1211	WASHER	1	X X	9/16"X1-3/8"X.105"
8	R26637	SPRING	1	X X	
9	T22698	DISK	1	X X	
10	25H747	GROOVE PIN	2	X X	3/16"X3/4"
11	L41465	WASHER	2	X X	(SUB FOR T22696)
12	14H850	NUT	2	X X	1/4"
13	T22242	SWIVEL	1	X X	
14	L28416	NUT	3	X X	
15	L30411	HOOK BOLT	1	X X	
16	T29742	CLIP	1	X X	
17	34H264	SPRING PIN	1	X X	5/32"X7/8"
18	T22241	GROMMET	2	X X	
19	L38147	ROD	1	X X	
20	L38144	EXTENSION SPRING	1	X X	
21	L35847	BOOT	1	X X	
22	L30796	HOOK BOLT	1	X X	
23	14M7272	NUT	4	X X	M6
24	56M4435	BALL JOINT SOCKET	1	X X	
25	T22239	LEVER	1	X X	
26	34H284	SPRING PIN	1	X X	3/16"X1-1/4"
27	55M7007	BALL STUD	1	X X	
28	24M7054	WASHER	1	X X	6,4X12,5X1,6MM
29	L34423	DISK	1	X X	
30	19M7160	CAP SCREW	2	X X	M6X30
31	AL34589	SUPPORT	1	X X	(SUB FOR AL31879)
32	11M7077	COTTER PIN	1	X X	1,6X25MM
33	T22240	ARM	1	X X	
34	24M7088	WASHER	1	X X	6,6X12,5X1,6MM
35	19H2284	CAP SCREW	4	X X	3/8"X7/8"
36	L30418	ROD	1	X X	(ORD L38147 W/ L38144)
37	L28414	EXTENSION SPRING	1	X X	(ORD L38144 W/ L38147)

1E12

FUEL SYSTEM AND AIR INTAKE SYSTEM

FOOT SPEED CONTROL
PEDALE D'ACCELERATION
DREHZAHLFUSSHEBEL
PEDALE ACCELERATORE
ACELERADOR DE PIE
VARVTALSPEDAL
L34688 -UN-06OCT95



L 34688

1E13

FUEL SYSTEM AND AIR INTAKE SYSTEM

KEY	PART NO.	PART NAME	QTY	SERIAL NO.	REMARKS
					2
					0 2
					4 1
					0 4
					S 0
1	19H3219	CAP SCREW	3		X X 3/8"X1-3/8"
2	24M7040	WASHER	3		X X 11X21X2MM
3	AL19801	QUILL	1		X X
4	L31065	SPACER	1		X
5	T29741	CLIP	AR		X X
6	T29742	CLIP	1		X
7	AL30288	ACCELERATOR	1		X
8	L34696	PIN	1		X
9	24M7149	WASHER	1		X X 10,5X30X2,5MM
10	19H1731	CAP SCREW	1		X 3/8"X1"
11	L34695	LEVER	1		X
12	AL30287	PEDAL	1		X
13	40M7202	SNAP RING	1		X
14	24M7044	WASHER	1		X 13X20X2MM
15	L28622	COTTER PIN	1		X X (A)
16	AL31671	ACCELERATOR	1		X X (A)
17	24M7049	WASHER	1		X X (A) 18X38X3MM
18	19H1936	CAP SCREW	1		X X (A) 3/8"X3/4"
19	24H1305	WASHER	1		X X 13/32"X13/16"X.060"
20	AL31846	ACCELERATOR	1		X
21	L34931	PIN	1		X
22	M1339T	SPACER	1		X
23	19H1765	CAP SCREW	1		X 3/8"X1-3/4"
	19H2549	CAP SCREW	1		X (B) 3/8"X1-7/8"

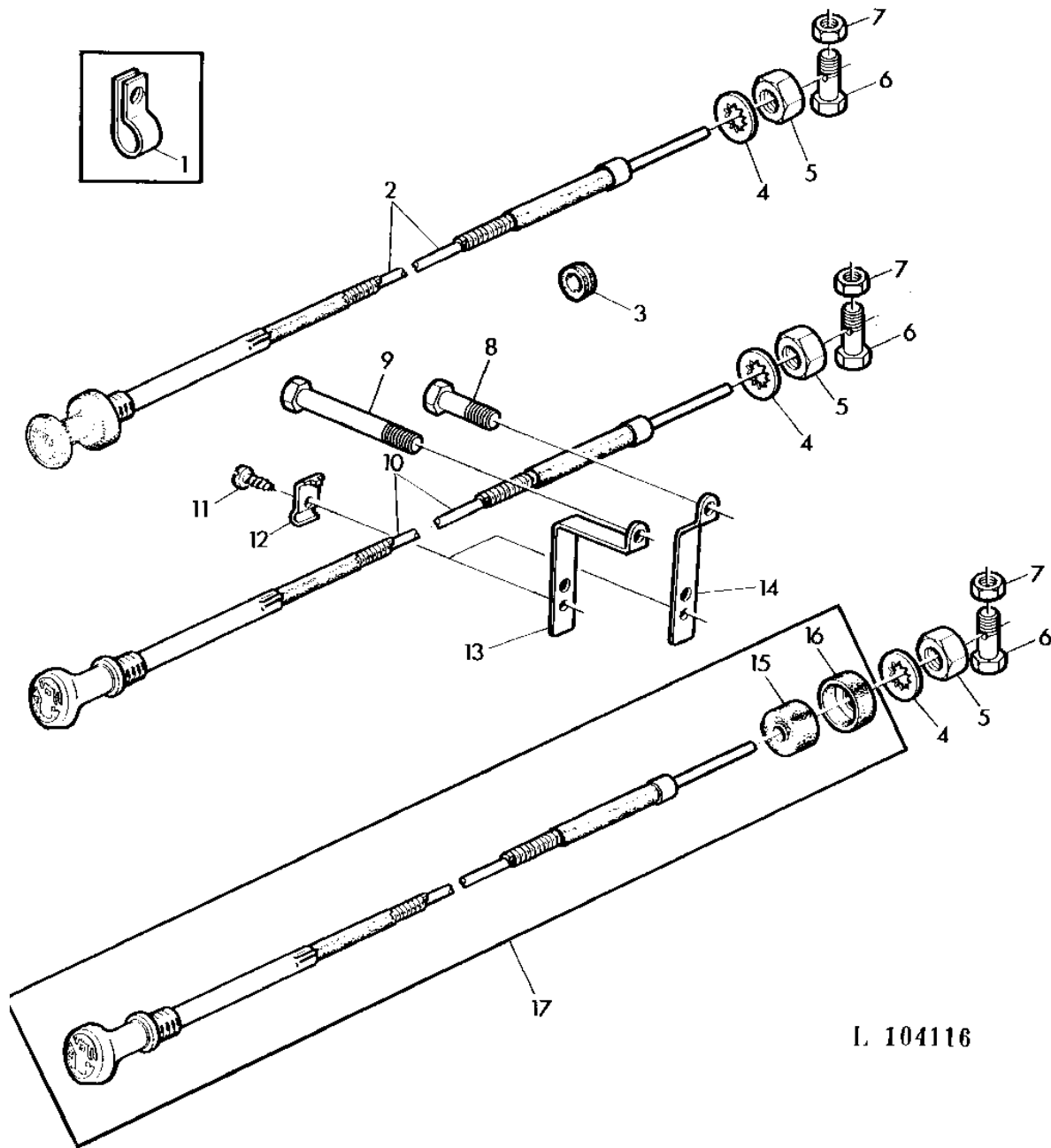
(A) WITH OPU CAB
 AVEC CABINE PPI
 BEI FSC-KABINE
 CON CABINA OPU
 CON CABINA SEGURIDAD
 VID OPU FORARHYTT

(B) WITH HYDROSTATIC STEERING
 AVEC DIRECTION HYDROSTATIQUE
 BEI HYDROSTATISCHER LENKUNG
 CON STERZO IDROSTATICO
 CON DIRECCION HIDROSTATICA
 VID HYDROSSTATISKT STYRNING

1E14

FUEL SYSTEM AND AIR INTAKE SYSTEM

ENGINE SHUT-OFF CABLE
TIRETTE D'ARRET
ABSTELLZUG
TIRANTE ARRESTO MOTORE
DISPOSITIVO DE PARADA
STOPPREGLAGE
L104116 -UN-06OCT95



L 104116

1E15

FUEL SYSTEM AND AIR INTAKE SYSTEM

KEY	PART NO.	PART NAME	QTY	SERIAL NO.	REMARKS
					2
					0 2
					4 1
					0 4
					S 0
1	L24648	CLAMP	1		X X
2	AL36907	PUSH PULL CABLE	1		X (A) (SUB FOR AL31686)
	AL36903	PUSH PULL CABLE	1		X (A) (B) (SUB FOR AL25223)
3	L13325	GROMMET	1		X X (B)
4	12H325	LOCK WASHER	1		X X 7/16"
5	14H934	NUT	1		X X 7/16"
6	T29185	BOLT	1		X X 1/4"
7	14H850	NUT	1		X X 1/4"
8	19H1800	CAP SCREW	1		X 3/8"X1-1/2"
9	19H2007	CAP SCREW	1		X 3/8"X4-1/2"
10	AL36901	PUSH PULL CABLE	1		X X (B) (SUB FOR AL25221)
11	37H133	SCREW	1		X X NO.8X5/8"
12	R53300	CLIP	1		X X
13	L39316	ANGLE	1		X
14	L39315	STRAP	1		X
15	L39090	SEAL	1		X X
16	L39089	WASHER	1		X X
17	AL36923	PUSH PULL CABLE	1		X X (SUB FOR AL31685)

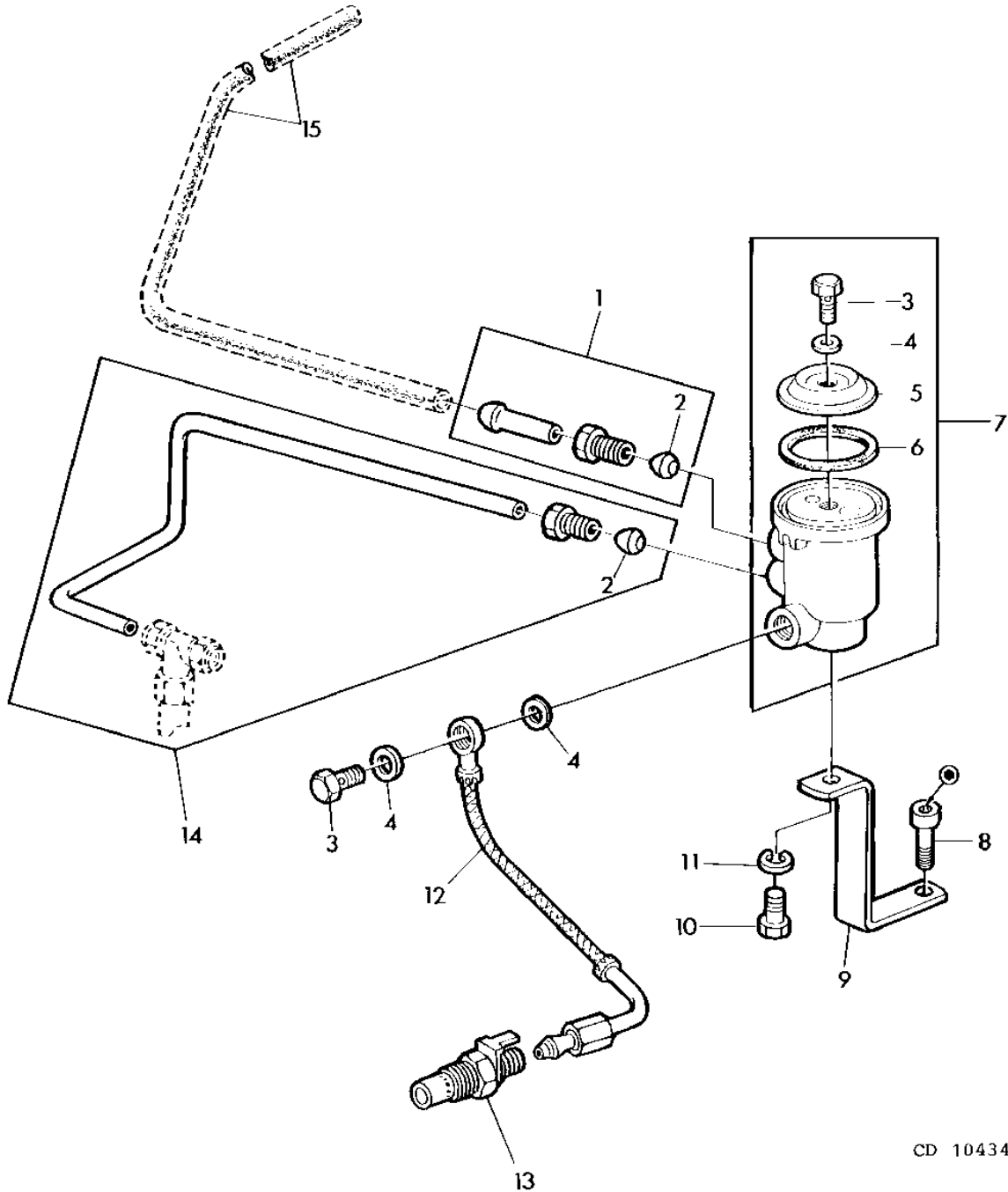
(A) FOR NORWAY AND ENGLAND ONLY
 UNIQUEMENT NORVEGE ET GRANDE-BRET
 NUR FUER NORWEGEN UND ENGLAND
 SOLTANTO PER NORVEGIA E GRAN BRETAGNA
 SOLO PARA NORUEGA Y GRAN BRETAGNA
 ENDAST FOR NORGE OCH STORBRIANNIEN

(B) WITH OPU CAB
 AVEC CABINE PPI
 BEI FSC-KABINE
 CON CABINA OPU
 CON CABINA DE SEGURIDAD
 VID OPU FORARHYTT

1E16

FUEL SYSTEM AND AIR INTAKE SYSTEM

"THERMOSTART" STARTING AID
 AIDE AU DEMARRAGE THERMOSTART
 THERMO-STARHILFE
 DISPOSITIVO DI AVVIAMENTO A FREDDO THERMOSTART
 DISPOSITIVO THERMOSTART PARA FACILITAR EL ARRANQUE EN FRIO
 THERMOSTART
 CD10434 -UN-31JUL95



CD 10434

1E17

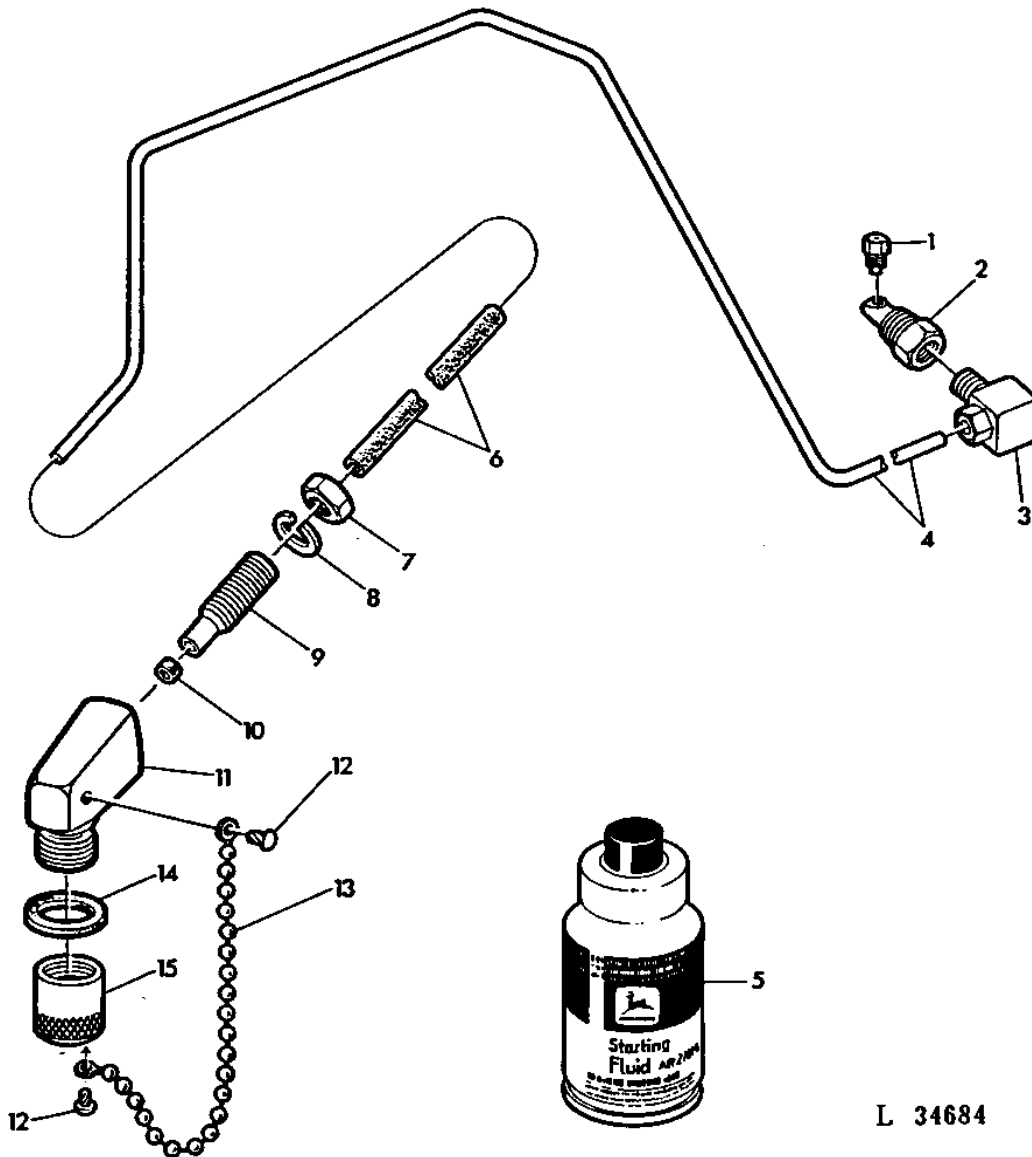
FUEL SYSTEM AND AIR INTAKE SYSTEM

KEY	PART NO.	PART NAME	QTY	SERIAL NO.	2	REMARKS
					0 2	
					4 1	
					0 4	
					S 0	
1	DD13407	HOSE FITTING	1		X X	
2	R62034	SLEEVE FITTING	AR		X X	
3	CD12887	FITTING	2		X X	
4	51M4230	RING	3		X X	8/12X1MM (SUB FOR CD12888)
5	T27974	COVER	1		X X	
6	T27973	WASHER	1		X X	
7	AT26140	RESERVOIR	1		X X	
8	19H3111	SCREW	1		X X	3/8"X1-3/8"
9	R49507	BRACKET	1		X X	
10	19H1894	CAP SCREW	1		X X	3/8"X3/4"
11	12H304	LOCK WASHER	1		X X	3/8"
12	AR94126	HOSE	1		X X	
13	AR63103	BURNER	1		X X	(SUB FOR AR63105 APPL)
14	AR94127	TUBE	1		X X	
15		1		X X	

1E18

FUEL SYSTEM AND AIR INTAKE SYSTEM

ETHER COLD WEATHER STARTING AID
AIDE AU DEMARRAGE A L'ETHER
AETHER-STARHILFE
DISP.PER L'AVVIAMENTO A FREDDO CON ETERE
DISP.PARA FACILITAR EL ARRANQUE EN FRIJO CON ETER
KALLSTART (ETER)
L34684 -UN-06OCT95



L 34684

1E19

FUEL SYSTEM AND AIR INTAKE SYSTEM

KEY	PART NO.	PART NAME	QTY	SERIAL NO.	2	REMARKS
					0 2	
					4 1	
					0 4	
					S 0	
1	R28583	NOZZLE	1		X X	
2	R47160	NOZZLE HOLDER	1		X X	
3	AT25266	ELBOW FITTING	1		X X	
4	L35005	LINE	1		X X	
5	RE33636	STARTING FLUID	1		X X	(SUB FOR AR27814, RE30174)
6	T64421	HOSE	1		X X	
7	14H1040	NUT	1		X X	1/2"
8	12H301	LOCK WASHER	1		X X	1/2"
9	R34395	ADAPTER	1		X X	
10	R34394	WASHER	1		X X	
11	T22534	ADAPTER	1		X X	
12	37H44	SCREW	2		X X	NO.7X3/8"
13	AR27940	LINK CHAIN	1		X X	
14	R26149	PACKING	1		X X	
15	R32306	CAP	1		X X	

1E20

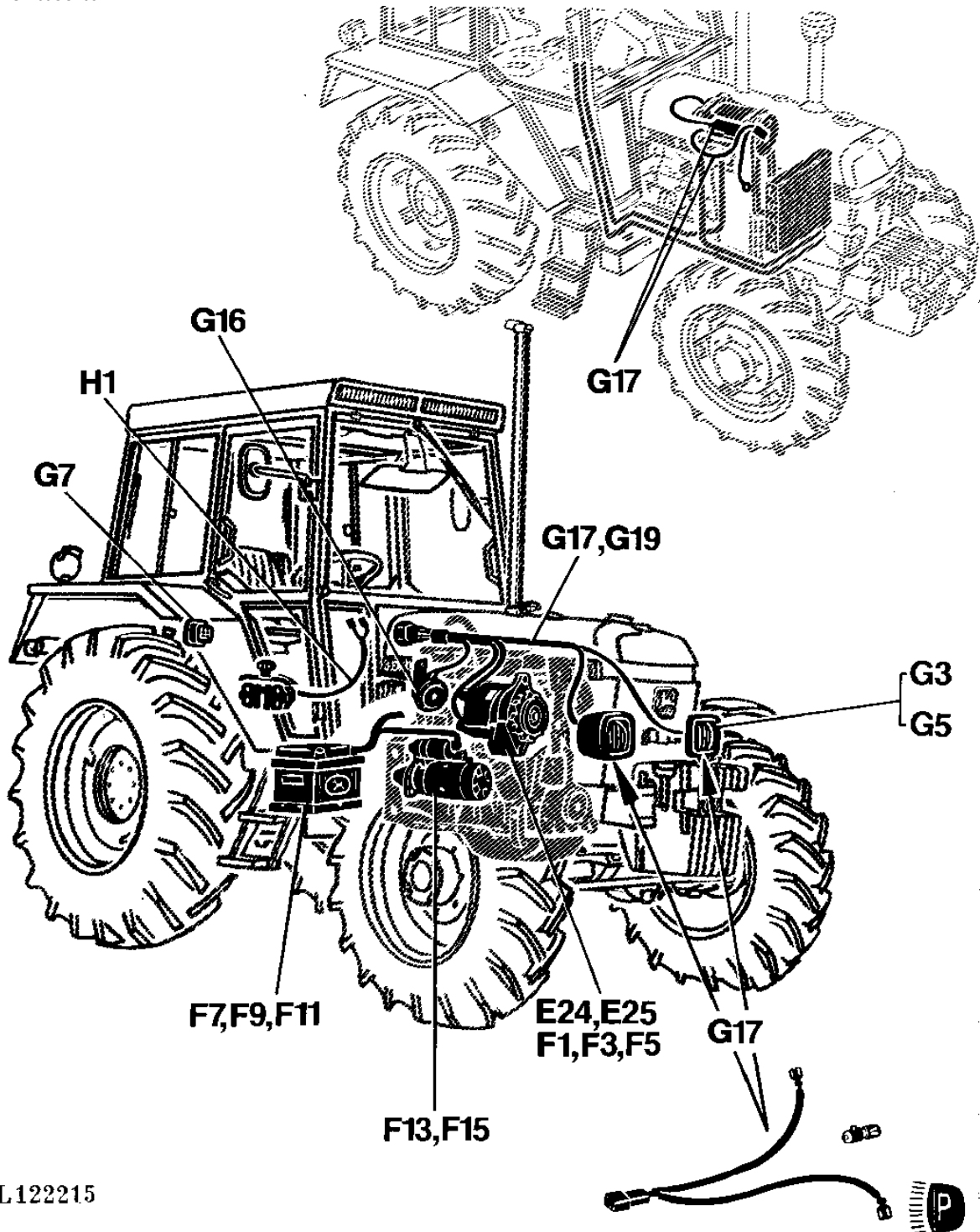
FUEL SYSTEM AND AIR INTAKE SYSTEM

MEMORANDA
MEMORANDA
MEMORANDA
MEMORANDA
MEMORANDA

1E21

ELECTRICAL SYSTEM

SECTIONAL INDEX
INDEX DE SECTION
GRUPPENINDEX
INDICE DELLA SEZIONE
INDICE DE SECCION
GRUPPSFORTECKNING
L122215 -UN-09OCT95

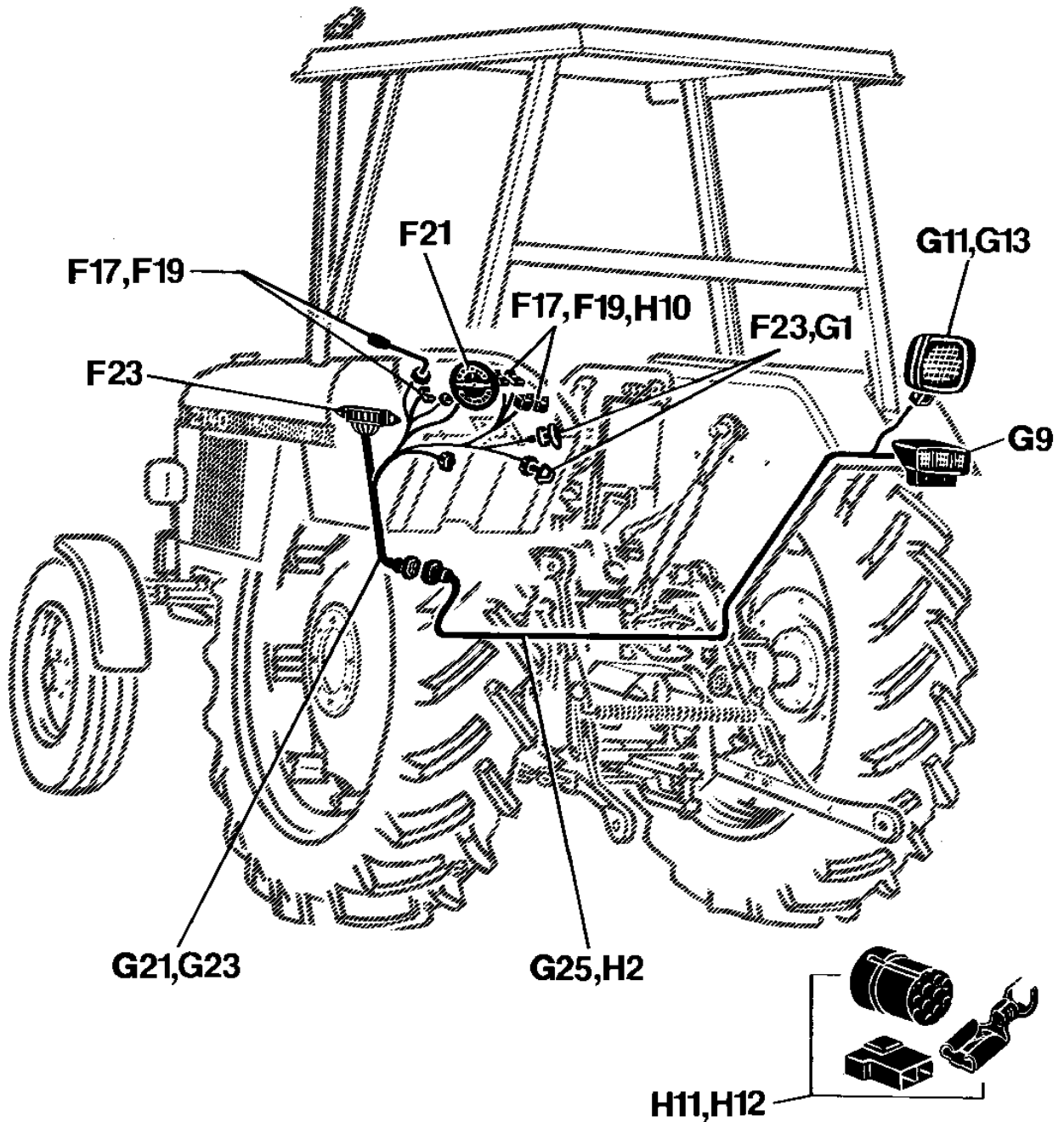


L122215

1E22

ELECTRICAL SYSTEM

SECTIONAL INDEX
INDEX DE SECTION
GRUPPENINDEX
INDICE DELLA SEZIONE
INDICE DE SECCION
GRUPPSFORTECKNING
L122216 -UN-09OCT95

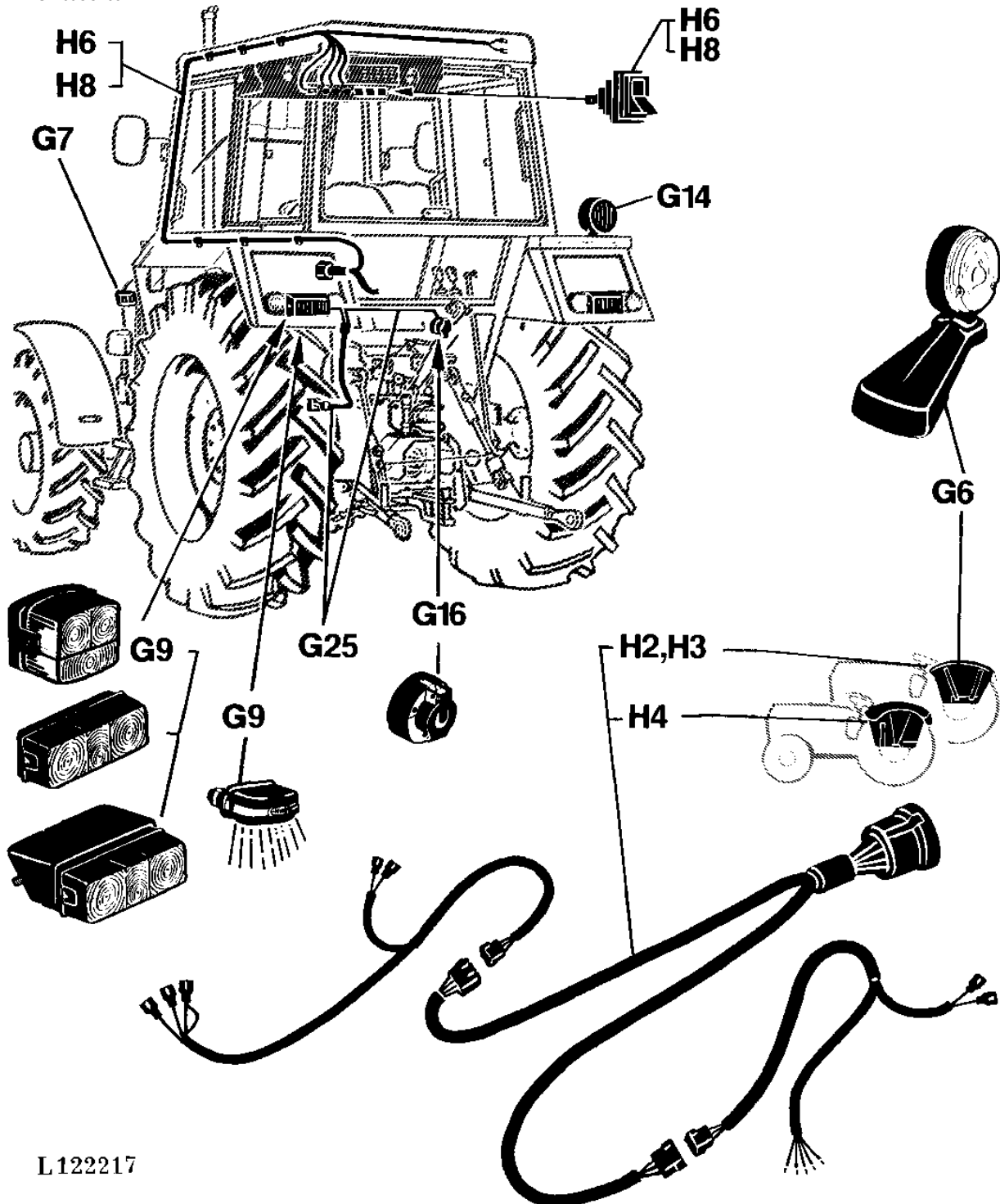


L 122216

1E23

ELECTRICAL SYSTEM

SECTIONAL INDEX
INDEX DE SECTION
GRUPPENINDEX
INDICE DELLA SEZIONE
INDICE DE SECCION
GRUPPSFORTECKNING
L122217 -UN-09OCT95



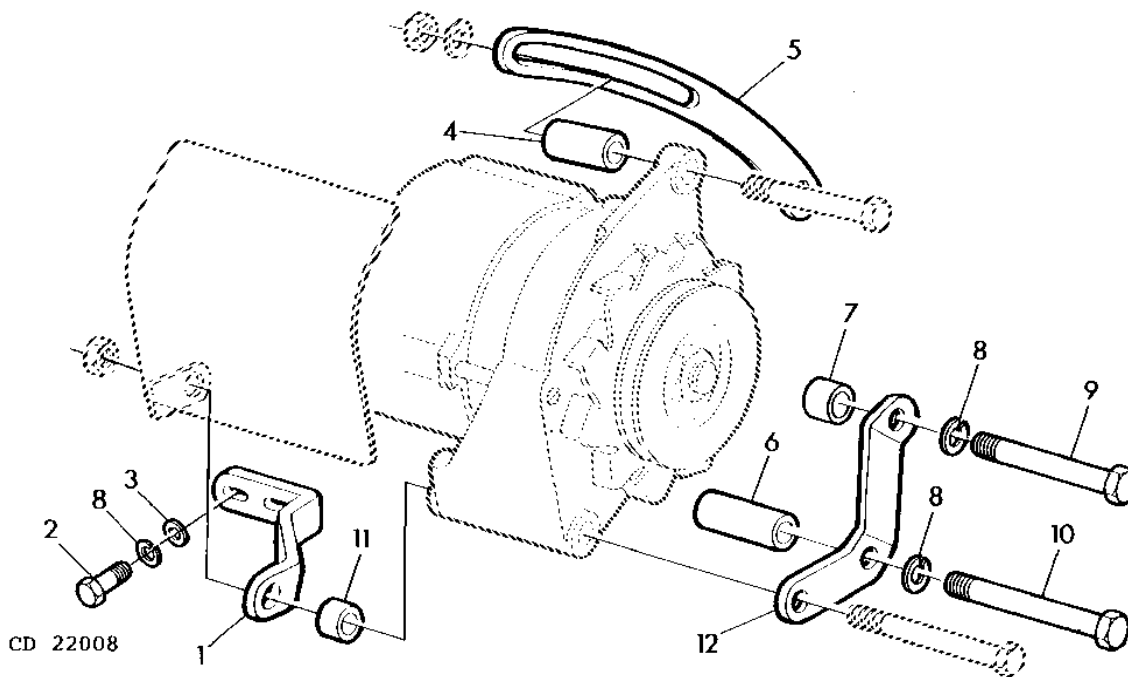
L 122217

1E24

ELECTRICAL SYSTEM

ALTERNATOR ATTACHING PARTS
 ELEMENTS DE FIXATION DE L'ALTERNATEUR
 BEFESTIGUNGSTEILE DREHSTROM-GENERATOR
 PARTI DA FISSAGIO DELL'ALTERNATORE
 PIEZAS DE FIJACION DEL ALTERNADOR
 MONTERINGSDELAR FOR VAXELSTROMSGENERATOR

CD22008 -UN-06OCT95

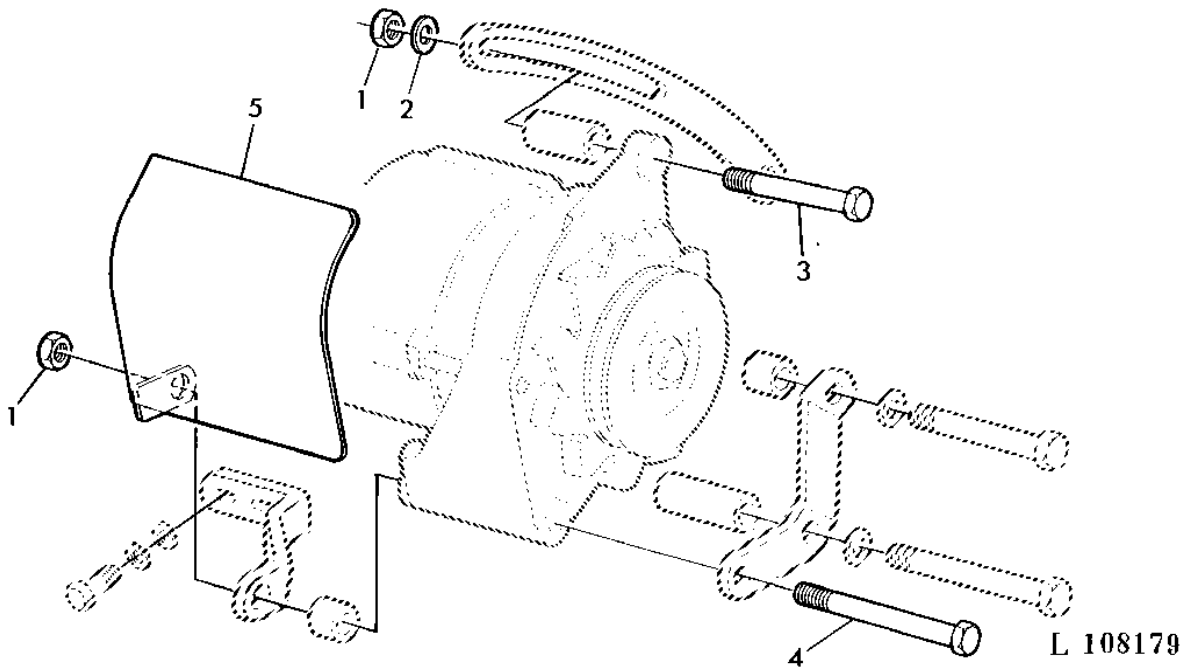


KEY	PART NO.	PART NAME	QTY	SERIAL NO.	REMARKS
				2	
				0 2	
				4 1	
				0 4	
				S 0	
1	R60828	BRACKET	1	X X	REAR
2	19H2284	CAP SCREW	2	X X	3/8"X7/8"
3	24H1305	WASHER	2	X X	13/32"X13/16"X.060
4	R73787	SPACER	1	X X	(SUB FOR R64449)
5	R73786	STRAP	1	X X	(SUB FOR T20204)
6	P41011	SPACER	1	X X	
7	R73788	SPACER	1	X X	
8	24H1304	WASHER	4	X X	13/32"X23/32"X.120"
9	19H1944	CAP SCREW	1	X X	3/8"X2-3/4"
10	19H1854	CAP SCREW	1	X X	3/8"X3-3/4"
11	CD14689	SPACER	1	X X	
12	R66794	BRACKET	1	X X	FRONT

1E25

ELECTRICAL SYSTEM

ALTERNATOR ATTACHING PARTS
 ELEMENTS DE FIXATION DE L'ALTERNATEUR
 BEFESTIGUNGSTEILE DREHSTROM-GENERATOR
 PARTI DA FISSAGIO DELL'ALTERNATORE
 PIEZAS DE FIJACION DEL ALTERNADOR
 MONTERINGSDELAR FOR VAXELSTROMSGENERATOR
 L108179 -UN-06OCT95



L 108179

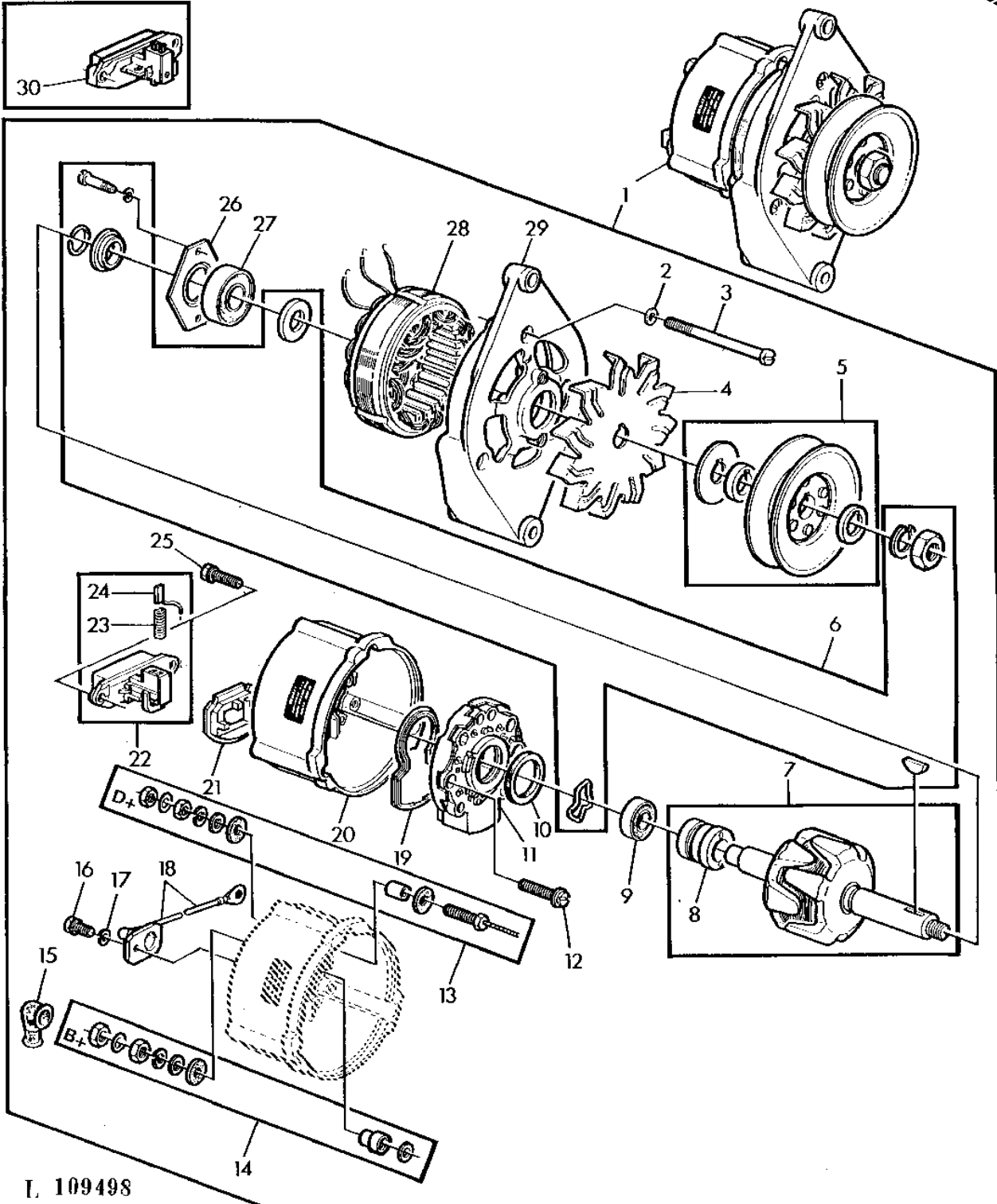
2
0 2
4 1
0 4
S 0

KEY	PART NO.	PART NAME	QTY	SERIAL NO.	REMARKS
1	14H785	NUT	2	X X	5/16"
2	24H1292	WASHER	1	X X	11/32"X3/4"X.120"
3	19H1949	CAP SCREW	1	X X	5/16"X2-1/2"
4	19H1897	CAP SCREW	1	X X	5/16"X3-3/4"
5	AL33275	GUARD	1	X X	

1F1

ELECTRICAL SYSTEM

ALTERNATOR (33A)
ALTERNATEUR (33A)
DREHSTROM-GENERATOR (33A)
ALTERNATORE (33A)
ALTERNADOR (33A)
VAXELSTROMSGENERATOR (33A)
L109498 -UN-07JUL95



L 109498

1F2

ELECTRICAL SYSTEM

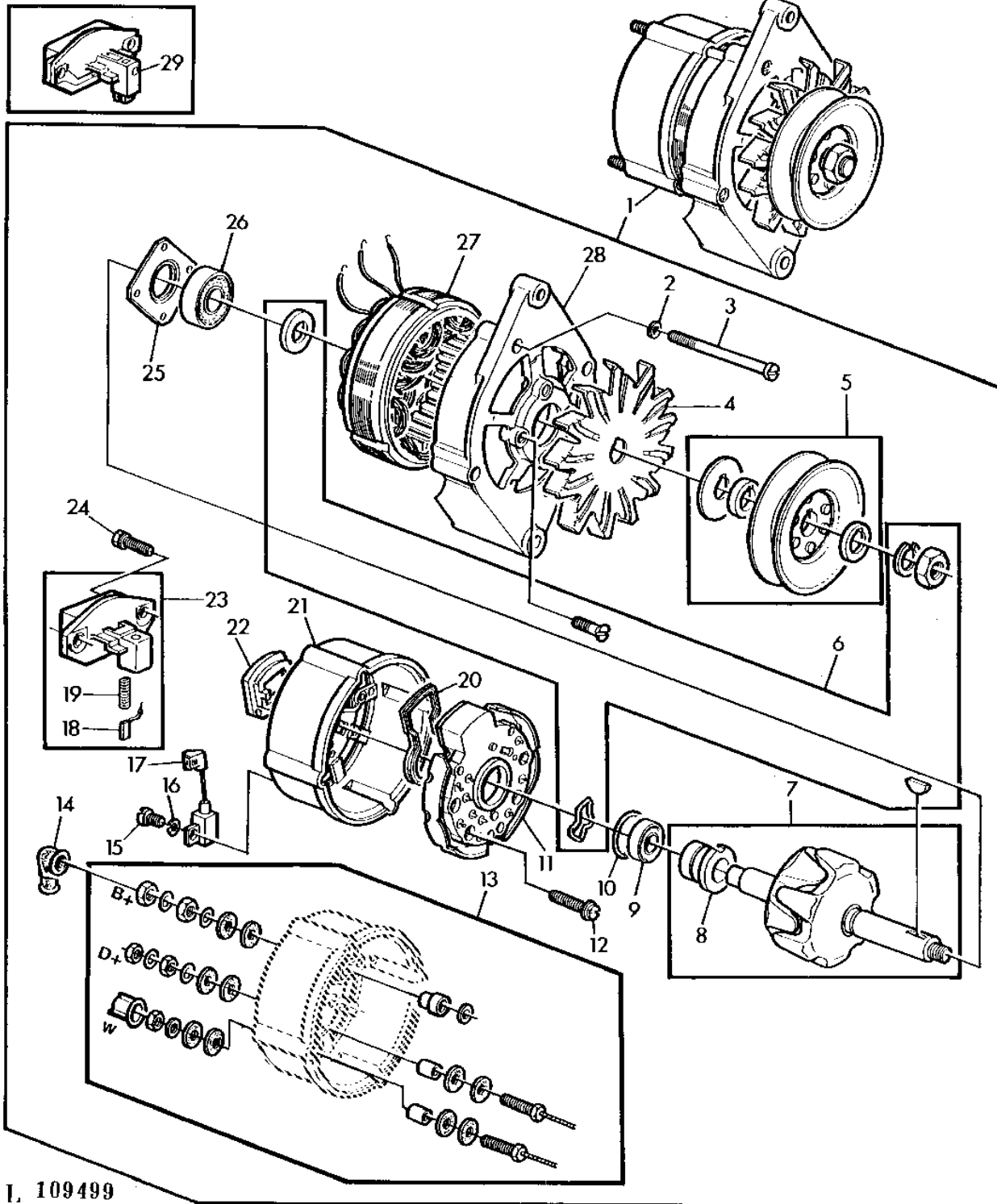
KEY	PART NO.	PART NAME	QTY	SERIAL NO.	REMARKS
				2	
				0 2	
				4 1	
				0 4	
				S 0	
1	AL36100	ALTERNATOR	1	X X	R.BOSCH-14V,33A,0 120 339 545 (SUB FOR AL32141, AZ23575) (ORD AL35998)
2	24M7027	WASHER	3	X X	5,3X10X1MM
3	L32147	SCREW	3	X X	
4	L29167	FAN	1	X X	
5	AL32863	PULLEY	1	X X	
6	AL23857	KIT	1	X X	KIT
7	AZ24489	ROTOR	1	X X	
8	L29160	RING	1	X X	
9	AL23852	BEARING	1	X X	
10	L41297	O-RING	1	X X	
11	AL27374	RECTIFIER	1	X X	
12	Z42049	SCREW	3	X X	
13	AL33271	KIT	1	X X	KIT
14	AL33270	KIT	1	X X	KIT
15	L33994	TERMINAL NIPPLE	2	X X	
16	21M7198	SCREW	1	X X	M5X8
17	12M7075	WASHER	1	X X	5MM
18	AZ24485	CAPACITOR	1	X X	
19	L41298	GASKET	1	X X	
20	AZ24488	CASE	1	X X	
21	Z35542	INSULATOR	1	X X	
22	AL36101	REGULATOR	1	X X	
23	L27339	SPRING	2	X X	
24	AL27373	CARBON BRUSH CONDUCTOR	1	X X	KIT
25	Z42047	SCREW	2	X X	
26	L29161	PLATE	1	X X	
27	AL23851	BEARING	1	X X	
28	AZ24487	STATOR	1	X X	
29	L29159	CASE	1	X X	
30	AZ24490	CARBON BRUSH HOLDER	1	X X	(A)

(A) FOR ALTERNATOR AL32141,AZ23575
 POUR ALTERNATEUR AL32141,AZ23575
 FUER DREHSTROM-GENERATOR AL32141,AZ23575
 PER ALTERNATORE AL32141,AZ23575
 PARA ALTERNADOR AL32141,AZ23575
 FOR VAXELSTROMSGENERATOR AL32141,AZ23575

1F3

ELECTRICAL SYSTEM

ALTERNATOR (55A)
ALTERNATEUR (55A)
DREHSTROM-GENERATOR (55A)
ALTERNATORE (55A)
ALTERNADOR (55A)
VAXELSTROMSGENERATOR (55A)
L109499 -UN-06OCT95



1F4

ELECTRICAL SYSTEM

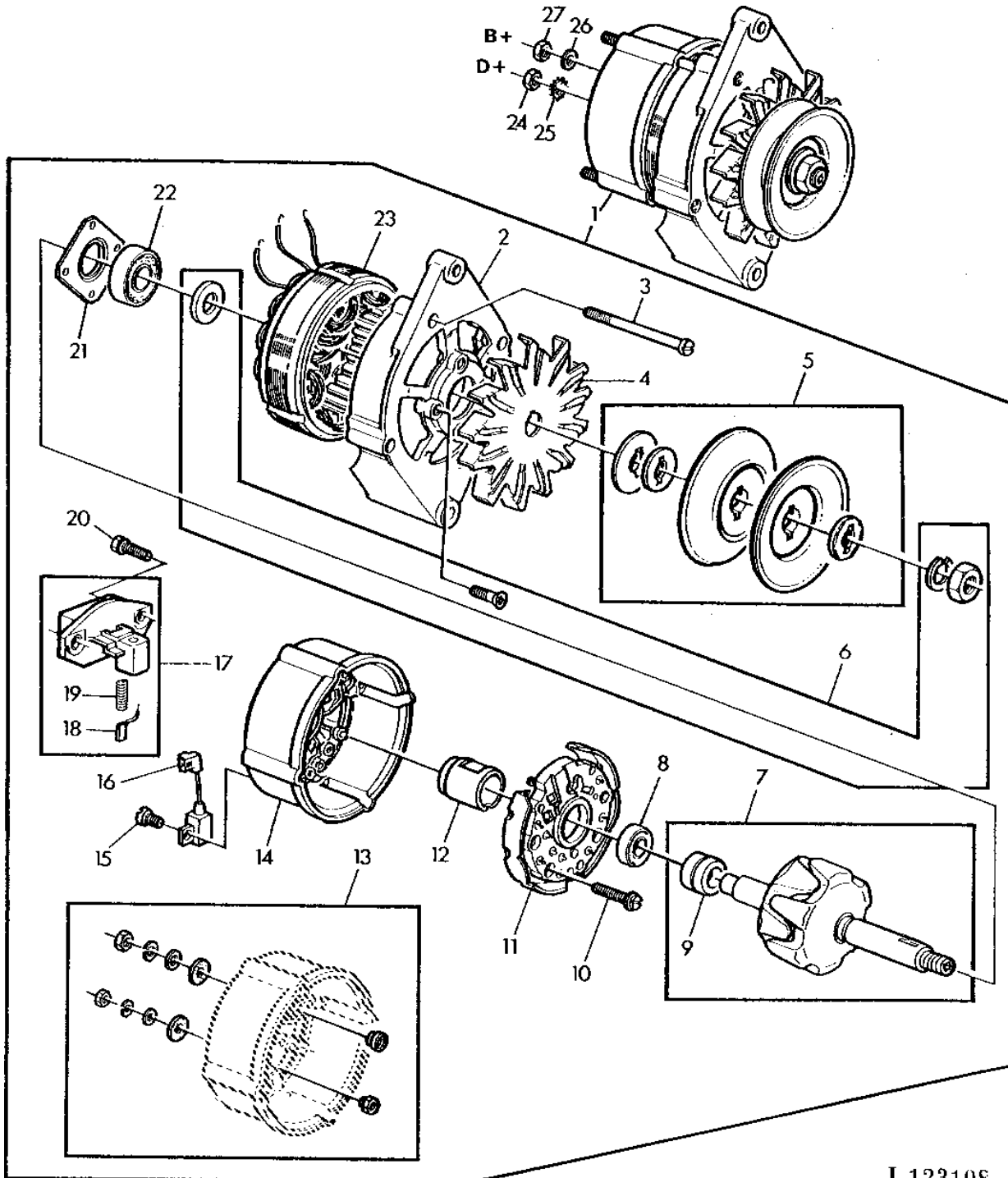
KEY	PART NO.	PART NAME	QTY	SERIAL NO.	REMARKS
				2	
				0 2	
				4 1	
				0 4	
				S 0	
1	AL35998	ALTERNATOR	1	X X	R.BOSCH-14V,55A,0 120 489 704, (SUB FOR AL28516) (ORD AL67175)
2	24M7027	WASHER	4	X X	5,3X10X1MM
3	L41575	SCREW	4	X X	
4	L33993	FAN	1	X X	
5	AL32863	PULLEY	1	X X	
6	AL30424	KIT	1	X X	KIT
7	AL30416	ROTOR	1	X X	
8	L33986	RING	1	X X	
9	AL30417	BEARING	1	X X	
10	L33987	O-RING	1	X X	
11	AL30419	DIODE HOLDER	1	X X	
12	Z42049	SCREW	3	X X	
13	AL30425	KIT	1	X X	KIT
14	L33994	TERMINAL NIPPLE	2	X X	
15	21M7198	SCREW	1	X X	M5X8
16	12M7075	WASHER	1	X X	5MM
17	AL30423	CAPACITOR	1	X X	
18	AL30421	CARBON BRUSH CONDUCTOR	1	X X	KIT
19	Z42048	SPRING	2	X X	(SUB FOR L33988 APPL)
20	L41296	GASKET	1	X X	
21	AL30418	HOUSING	1	X X	
22	L33992	INSULATOR	1	X X	
23	AL35999	REGULATOR	1	X X	
24	Z42047	SCREW	2	X X	
25	L33985	FLANGE	1	X X	
26	JD10036	BALL BEARING	1	X X	
27	AL30422	STATOR	1	X X	
28	AL30414	CASE	1	X X	
29	AL30420	REGULATOR	1	X X	(A)

(A) FOR ALTERNATOR AL28516
 POUR ALTERNATEUR AL28516
 FUER DREHSTROM-GENERATOR AL28516
 PER ALTERNATORE AL28516
 PARA ALTERNADOR AL28516
 FOR VAXELSTROMSGENERATOR AL28516

1F5

ELECTRICAL SYSTEM

ALTERNATOR (55A)
ALTERNATEUR (55A)
DREHSTROM-GENERATOR (55A)
ALTERNATORE (55A)
ALTERNADOR (55A)
VAXELSTROMSGENERATOR (55A)
L123108 -UN-01JAN94



L123108

1F6

ELECTRICAL SYSTEM

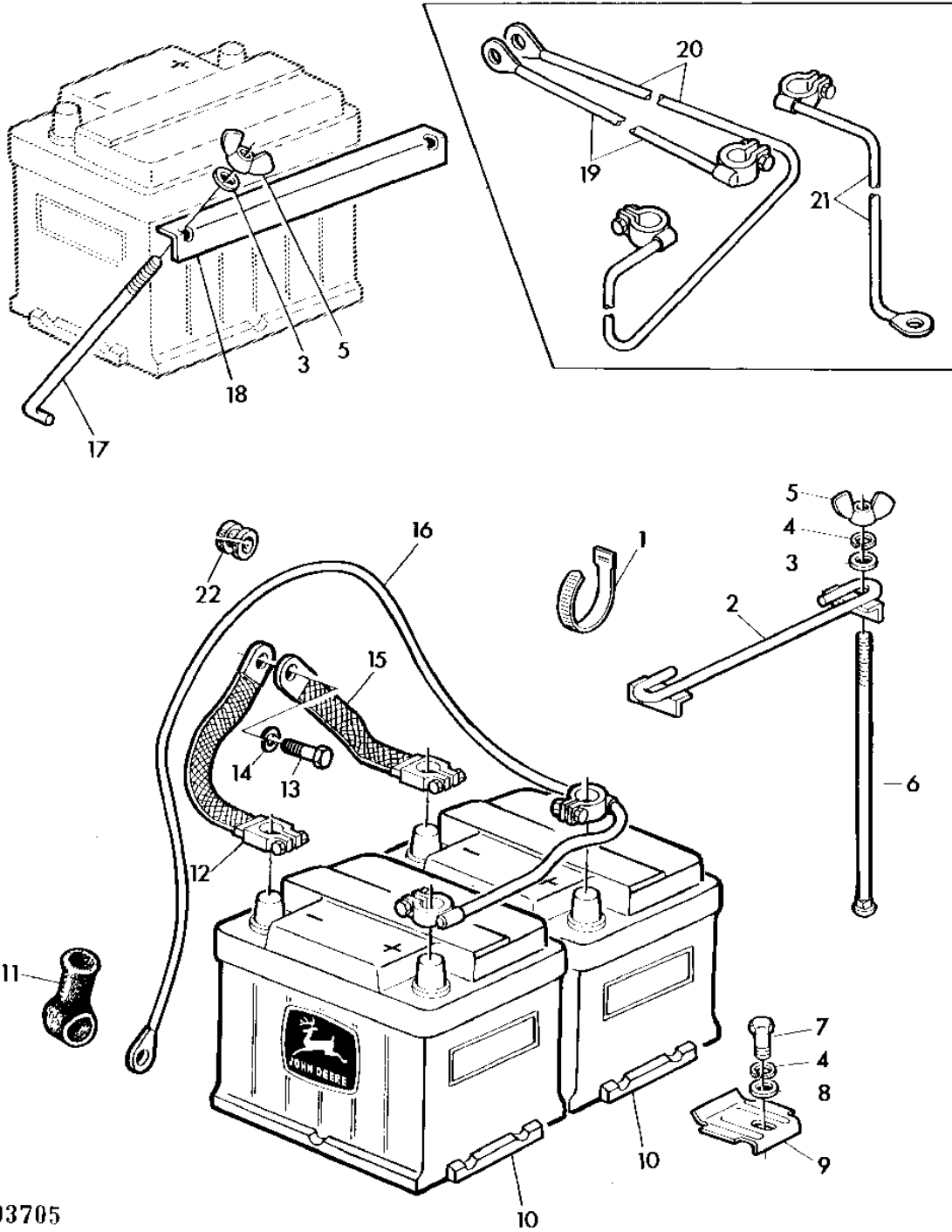
KEY	PART NO.	PART NAME	QTY	SERIAL NO.	REMARKS
				2	
				0 2	
				4 1	
				0 4	
				S 0	
1	AL67175	ALTERNATOR	1	X X	R.BOSCH-14V,55A,0 120 488 218
2	AL68883	BEARING	1	X X	
3	L41575	SCREW	4	X X	
4	L33993	FAN	1	X X	
5	AL68891	PULLEY	1	X X	
6	AL23857	KIT	1	X X	KIT
7	AL68885	ROTOR	1	X X	
8	JD30001	BALL BEARING	1	X X	
9	L64324	RING	1	X X	
10	Z42047	SCREW	2	X X	
11	AL68887	RECTIFIER	1	X X	
12	L61844	GUARD	1	X X	
13	AL68893	KIT	1	X X	KIT
14	L64325	BEARING	1	X X	
15	L63731	SCREW	1	X X	
16	AL30423	CAPACITOR	1	X X	
17	AL65077	REGULATOR	1	X X	
18	AL30421	CARBON BRUSH CONDUCTOR	1	X X	KIT
19	Z42048	SPRING	2	X X	
20	L64371	SCREW	2	X X	
21	L64323	PLATE	1	X X	
22	JD10036	BALL BEARING	1	X X	
23	AL68889	STAND-OFF	1	X X	
24	14M7028	NUT	1	X X	M5
25	12M7060	WASHER	1	X X	
26	24M7036	WASHER	1	X X	9X16X1,6MM
27	14M7273	NUT	1	X X	M8

1F7

ELECTRICAL SYSTEM

BATTERY
BATTERIE
BATTERIE
BATTERIA
BATERIA
BATTERIER
L103705

-UN-06OCT95



L. 103705

1F8

ELECTRICAL SYSTEM

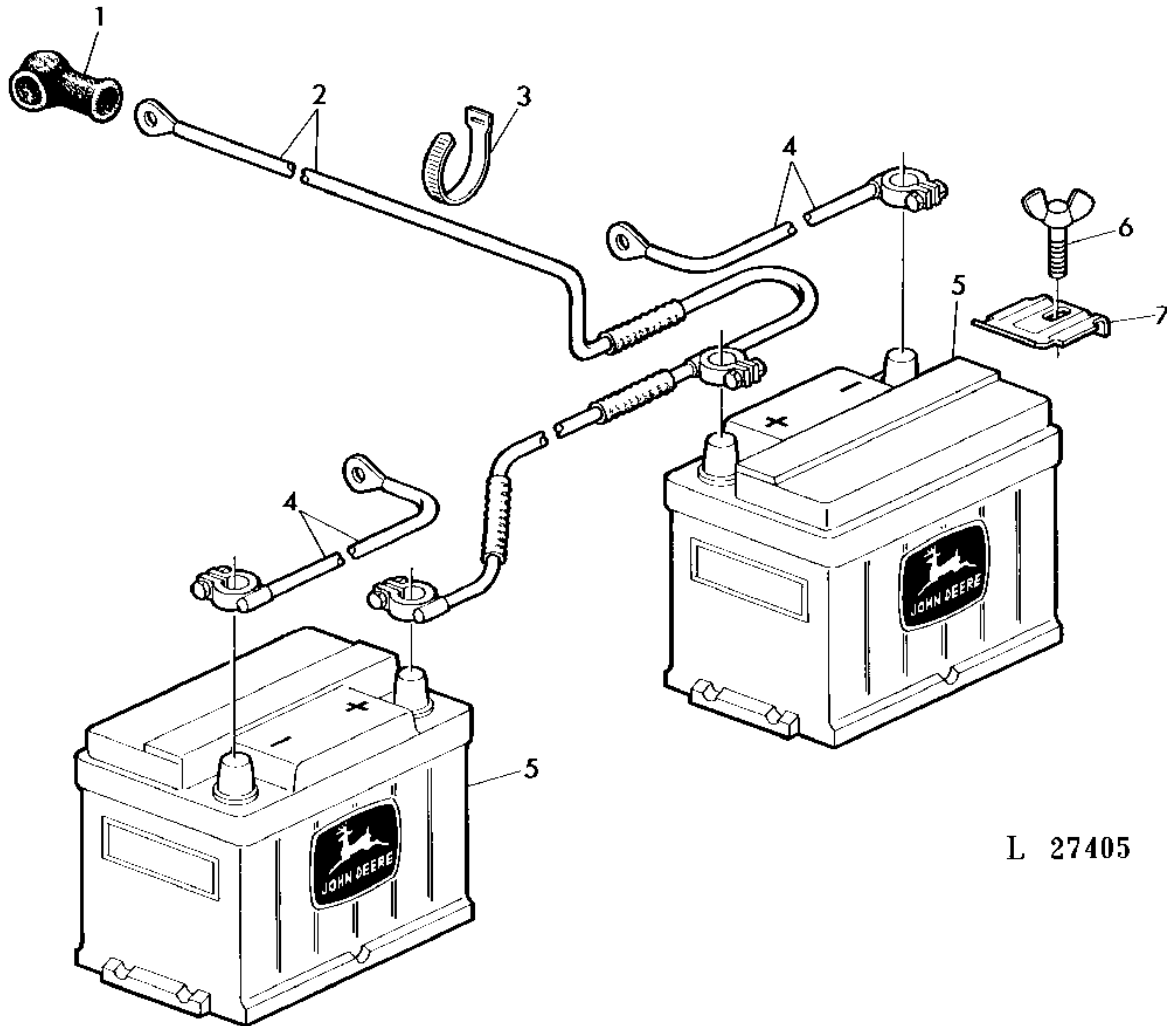
KEY	PART NO.	PART NAME	QTY	SERIAL NO.	REMARKS
					2
					0 2
					4 1
					0 4
					S 0
1	R44302	TIE BAND	1		X X
2	AT20452	CLAMP	1		X X
3	24H1646	WASHER	2		X X 17/64"X3/4"X.060"
4	12H302	LOCK WASHER	2		X X 1/4"
5	14H952	WING NUT	2		X X 1/4"
6	R56526	BOLT	2		X X
7	19H2036	CAP SCREW	2		X X 1/4"X7/8"
8	24M7139	WASHER	2		X X 64X18X1,5MM
9	L31742	CLAMP	2		X X
10	AL38481	BATTERY	2		X X 12V,55AH (ORD AL66620, L62877) (SUB FOR AR54266, AL26939, AL36838)
11	L12809	TERMINAL NIPPLE	1		X X
12	AL11176	GROUND CABLE	1		X X LGTH=270MM(10,63") (SUB FOR AT20749)
13	19H2021	CAP SCREW	1		X X 3/8"X5/8"
14	12H304	LOCK WASHER	1		X X 3/8"
15	AL11176	GROUND CABLE	1		X X LGTH=270MM(10,63")
16	AR53999	CABLE	1		X X (+)
	T21887	CABLE	1		X (A) (+)
17	L36972	HOOK BOLT	2		X (A) (SUB FOR R56525)
18	T22570	CLAMP	1		X (A)
19	AL33442	CABLE	1		X X (+) (ORD AR53999)
20	AL33443	CABLE	1		X X (+) (ORD AR53999)
21	AL33444	CABLE	1		X X LGTH=300MM(11,81")
22	T23247	GROMMET	1		X X

(A) FOR ONE BATTERY
 POUR UNE BATTERIE
 FUER EINE BATTERIE
 PER UNA BATTERIA
 PARA UNA BATERIA
 FOR EN BATTERI

1F9

ELECTRICAL SYSTEM

BATTERY WITH OPU CAB
BATTERIE AVEC CABINE PPI
BATTERIE BEI FSC KABINE
BATERIA CON CABINA OPU
BATERIA CON CABINA DE SEGURIDAD
BATTERIER VID OPU FORARHYTT
L27405 -UN-05OCT95



L 27405

1F10

ELECTRICAL SYSTEM

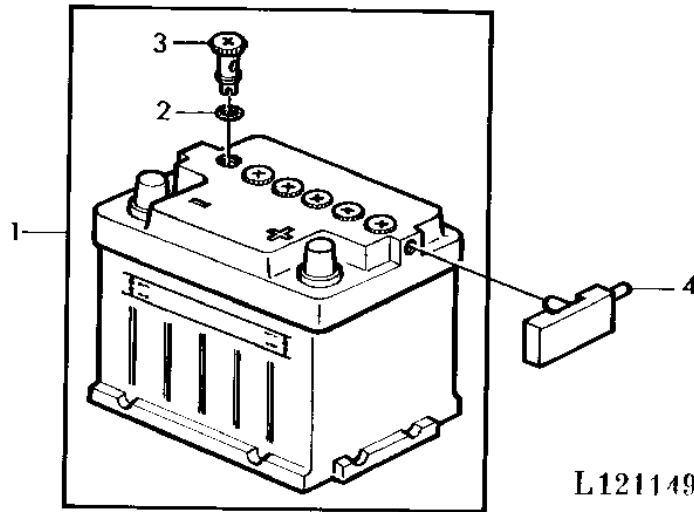
KEY	PART NO.	PART NAME	QTY	SERIAL NO.	2 0 2 4 1 0 4 S 0	REMARKS
1	L12809	TERMINAL NIPPLE	1		X X	
2	AL35521	CABLE	1		X X	(+)
3	R44302	TIE BAND	1		X X	
4	AL34637	CABLE	2		X X	(-)
5	AL38480	BATTERY	2		X X	12V,66AH (ORD AL66621, L62877) (SUB FOR AL34461)
6	21M7269	WING SCREW	2		X X	M8X20
7	L31742	CLAMP	2		X X	

1F11

ELECTRICAL SYSTEM

BATTERY
 BATTERIE
 BATTERIE
 BATTERIA
 BATTERI
 L121149

-UN-09OCT95



L121149

KEY	PART NO.	PART NAME	QTY	SERIAL NO.	REMARKS
1	AL66620	BATTERY	AR	X X	12V,55AH
	AL66621	BATTERY	AR	X X	12V,66AH
2	L62875	O-RING	6	X X	
3	L62874	PIPE PLUG	6	X X	
4	L62877	CONTAINER	AR	X X	

2
 0 2
 4 1
 0 4
 S 0

1F12

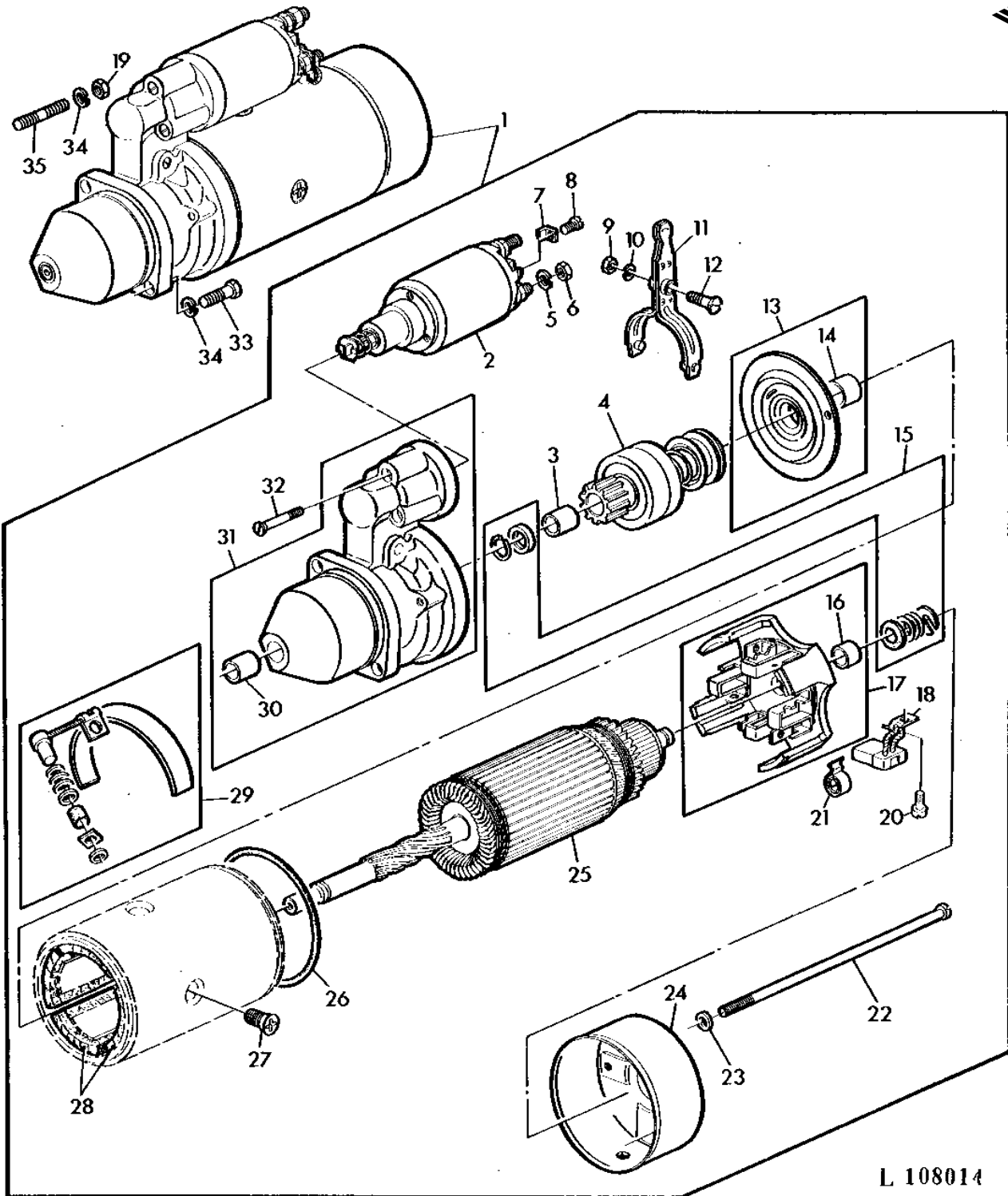
ELECTRICAL SYSTEM

MEMORANDA
MEMORANDA
MEMORANDA
MEMORANDA
MEMORANDA

1F13

ELECTRICAL SYSTEM

STARTING MOTOR
DEMARREUR
STARTER
AVVIATORE ELETTRICO
MOTOR DE ARRANQUE
STARTMOTOR
L108014 -UN-01JAN94



L 108014

1F14

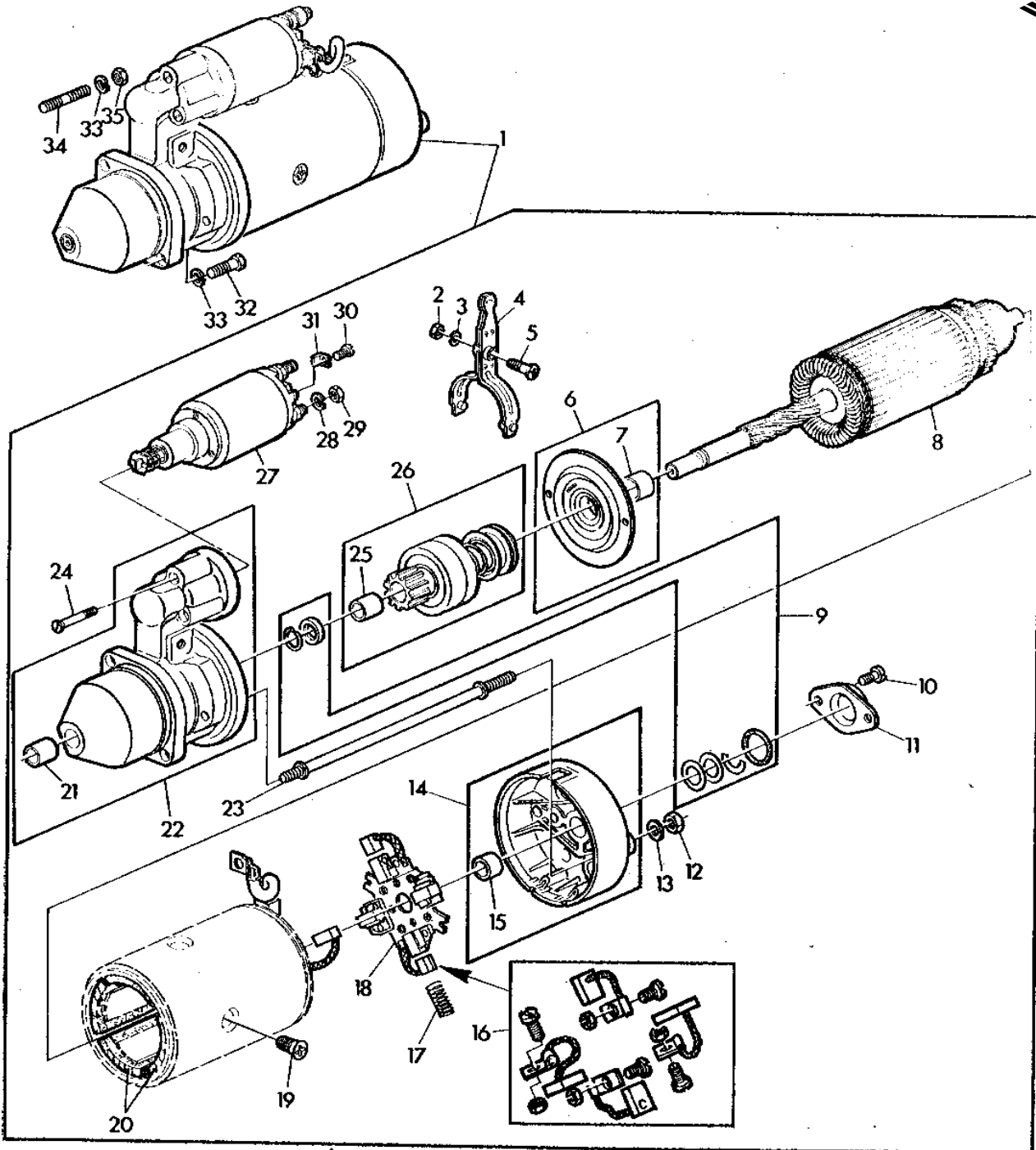
ELECTRICAL SYSTEM

KEY	PART NO.	PART NAME	QTY	SERIAL NO.	REMARKS
					2
					0 2
					4 1
					0 4
					S 0
1	AR70436	STARTER	1		X X R.BOSCH-0001 359 090 (ORD AL41247)
2	AL55046	SOLENOID	1		X X (SUB FOR AL25268)
3	Z24800	BUSHING	1		X X
4	AL25275	DRIVE	1		X X
5	12M7013	LOCK WASHER	2		X X 10MM
6	14M7152	NUT	4		X X M10
7	L29156	CLAMP	1		X X
8	21M1211	SCREW	1		X X M4X6
9	14M7151	NUT	1		X X M8
10	12M5442	WASHER	1		X X 8,4MM (SUB FOR 12M7008 APPL)
11	AL25273	LEVER	1		X X
12	T27671	SCREW	1	-413965	X X
	L41582	SCREW	1	413966-	X X
13	AL25267	QUILL	1		X X
14	L30862	BUSHING	1		X X
15	AL23848	ARMATURE	1		X X
16	Z24799	BUSHING	1		X X
17	AL25270	COMMUTATOR HOUSING	1		X X
18	AL25271	CARBON BRUSH CONDUCTOR	1		X X
19	14H812	NUT	1		X X 3/8"
20	21M7198	SCREW	4		X X M5X8
21	L41579	COMPRESSION SPRING	4		X X (SUB FOR Z24810)
22	L29152	SCREW	1		X X
23	L30863	WASHER	2		X X
24	L29158	COVER	1		X X
25	AL25274	ARMATURE	1		X X
26	Z24801	O-RING	1		X X
27	L29157	SCREW	4		X X
28	AL25272	FIELD WINDING COIL	1		X X
29	AL25269	KIT	1		X X (SUB FOR AL23847)
30	L19651	BUSHING	1		X X
31	AL25266	HOUSING	1		X X
32	L30860	SCREW	3		X X
33	19H1731	CAP SCREW	1		X X 3/8"X1"
34	12H304	LOCK WASHER	2		X X 3/8"
35	M3636T	STUD	1		X X 3/8"X1/2"

1F15

ELECTRICAL SYSTEM

STARTING MOTOR
DEMARREUR
STARTER
AVVIATORE ELETTRICO
MOTOR DE ARRANQUE
STARTMOTOR
L119112 -UN-01JAN94



L 119112

1F16

ELECTRICAL SYSTEM

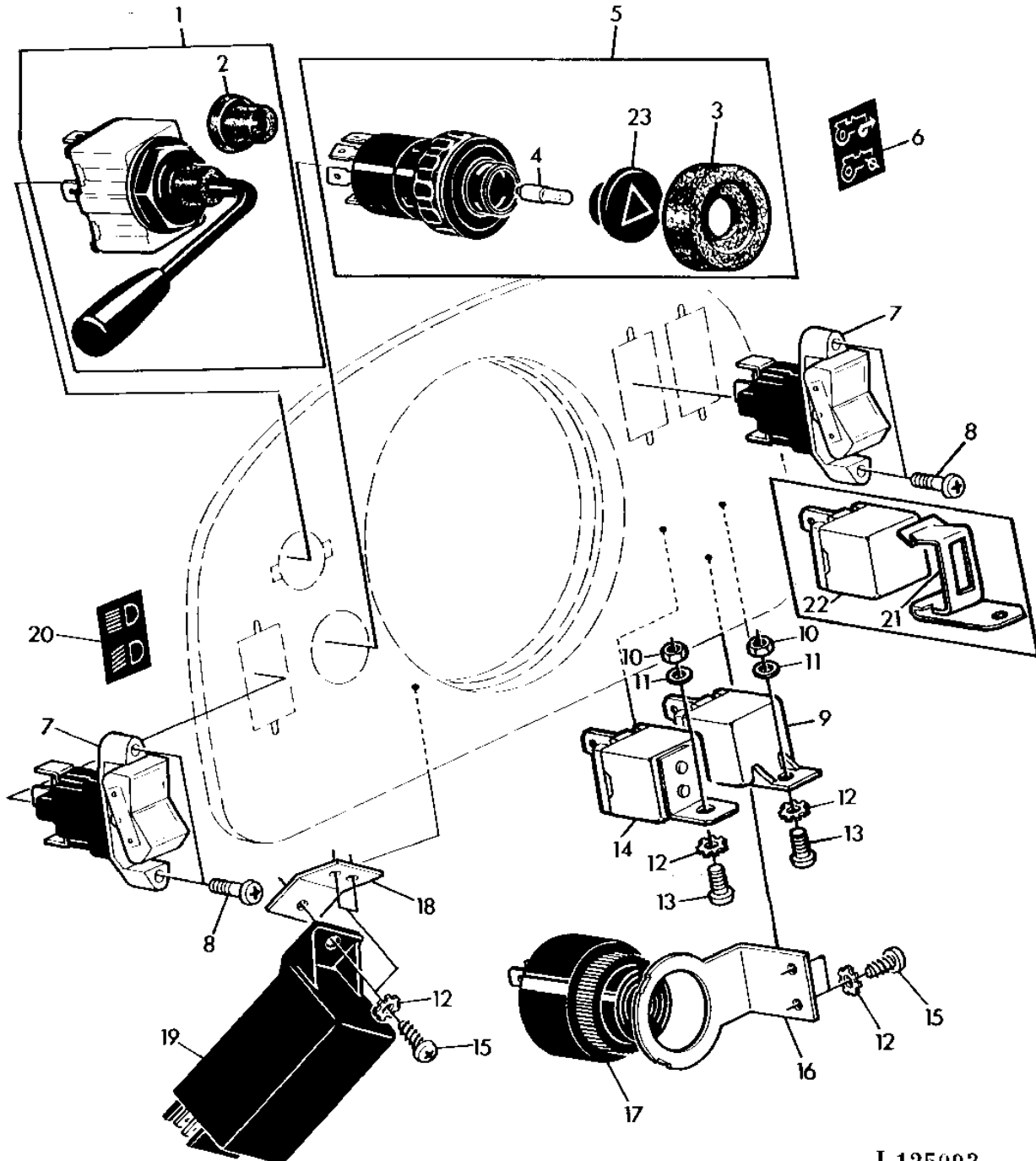
KEY	PART NO.	PART NAME	QTY	SERIAL NO.	REMARKS
				2	
				0 2	
				4 1	
				0 4	
				S 0	
1	AL41247	STARTER	1	X X	R.BOSCH-0 001 362 312 (SUB FOR AR70436 APPL) (ORD AL62690)
	AL62690	STARTER	1	X X	R.BOSCH-0 001 362 316 (SUB FOR AL41247)
2	14M7151	NUT	1	X X	M8
3	12M7008	LOCK WASHER	1	X X	M8
4	AL25273	LEVER	1	X X	
5	L41582	SCREW	1	X X	
6	AL25267	QUILL	1	X X	
7	L30862	BUSHING	1	X X	
8	AL55042	ARMATURE	1	X X	
9	AL41522	KIT	1	X X	
10	21M7271	SCREW	2	X X	M5X16
11	L42043	CAP	1	X X	
12	14M7272	NUT	2	X X	M6
13	24M7054	WASHER	2	X X	
14	AL41520	COMMUTATOR HOUSING	1	X X	
15	L41081	BUSHING	1	X X	
16	AL55047	CARBON BRUSH CONDUCTOR	1	X X	
17	L55066	COMPRESSION SPRING	4	X X	
18	AL55044	CARBON BRUSH HOLDER	1	X X	
19	L29157	SCREW	4	X X	
20	AL55043	FIELD WINDING COIL	1	X X	
21	L19651	BUSHING	1	X X	
22	AL41525	HOUSING	1	X X	
23	L55064	STUD	2	X X	
24	L30860	SCREW	3	X X	
25	Z24800	BUSHING	2	X X	(A) (ORD AL63095)
26	AL63095	BENDIX DRIVE	1	X X	
	AL41626	BENDIX DRIVE	1	X X	(A) (ORD AL63095)
27	AL55046	SOLENOID	1	X X	
28	12M7013	LOCK WASHER	2	X X	10MM
29	14M7152	NUT	2	X X	M10
30	21M1211	SCREW	1	X X	M4X6
31	L29156	CLAMP	1	X X	
32	19H1731	CAP SCREW	1	X X	3/8"X1"
33	12H304	LOCK WASHER	2	X X	3/8"
34	M3636T	STUD	1	X X	3/8"X1-1/2"
35	14H812	NUT	1	X X	3/8"

(A) ONLY WITH STARTING MOTOR AL41247
 UNIQUEMENT AVEC DEMARREUR AL41247
 NUR BEI STARTER AL41247
 SOLO CON MOT.AVVIAMENTO AL41247
 SOLO CON MOTOR DE ARRANQUE AL41247
 ENDAST VID STARTMOTOR AL41247

1F17

ELECTRICAL SYSTEM

ELECTRICAL INSTRUMENTS (BILUX)
INSTRUMENTS ELECTRIQUES (BILUX)
ELEKTRISCHE ARMATUREN (BILUX)
STRUMENTAZIONE ELETTRICA (BILUX)
MANDOS E INSTRUMENTOS ELÉCTRICOS (BILUX)
ELEKTRISKA INSTRUMENT (BILUX)
L125093 -UN-09OCT95



L125093

1F18

ELECTRICAL SYSTEM

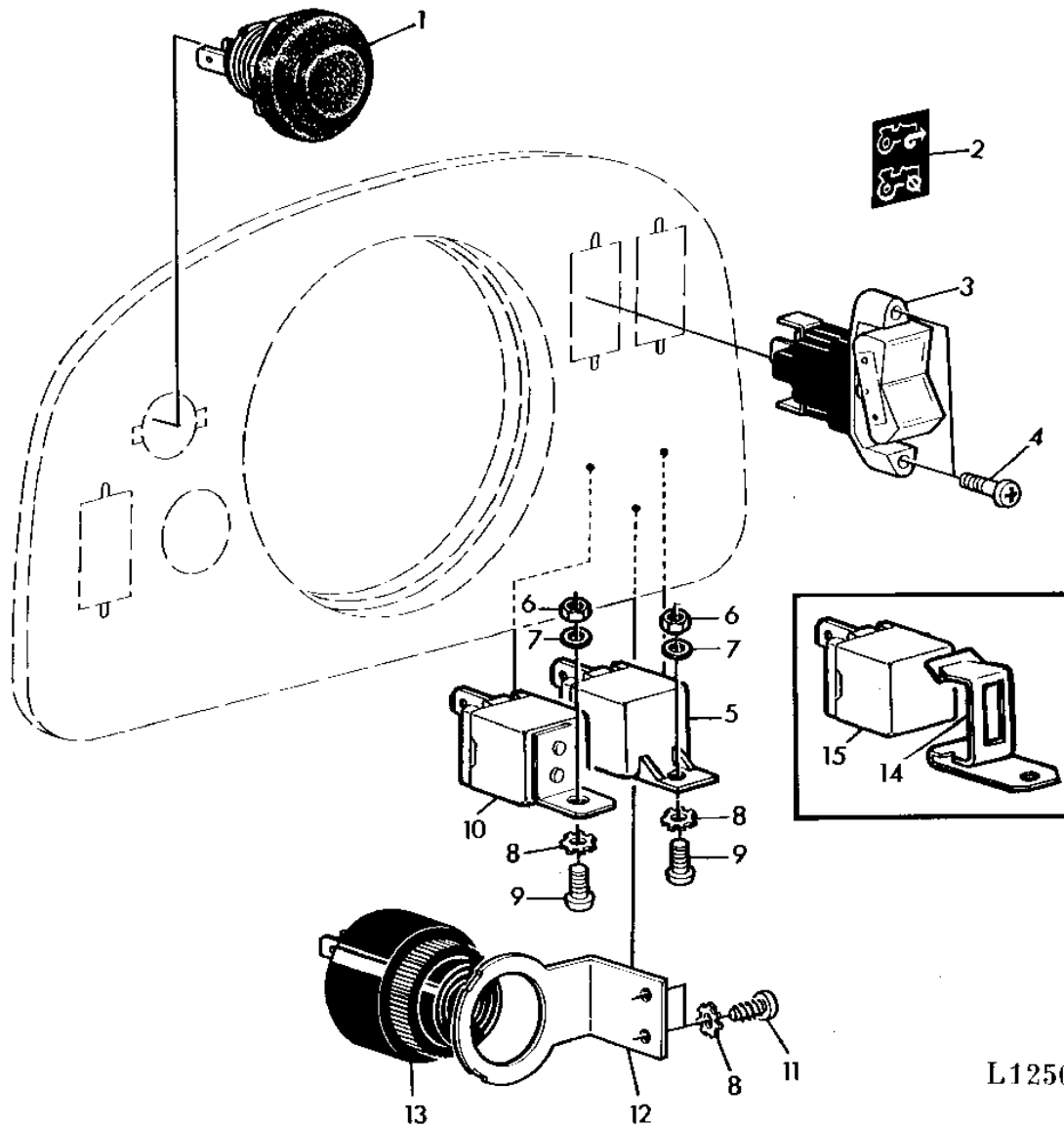
KEY	PART NO.	PART NAME	QTY	SERIAL NO.	REMARKS
				2	
				0 2	
				4 1	
				0 4	
				S 0	
1	AL31892	SWITCH	1		X X
	AL31891	SWITCH	1		X X (A)
2	L35164	CAP	1		X X
3	L35162	CAP	1		X X
4	57M7102	BULB	1		X X 12V,2W
5	AL32062	SWITCH	1		X X
6	L31962	SIGN	1		X X
7	AL32113	TOGGLE SWITCH	AR		X X
8	R54388	SCREW	AR		X X
9	AL58367	RELAY	AR		X X (SUB FOR AL32072)
10	14M7028	NUT	2		X X 5MM
11	24M7087	WASHER	2		X X 5,5X10X1MM
12	12M7060	WASHER	7		X X 5,3MM
13	21M7278	SCREW	2		X X M5X10
14	AL32066	TIMER	1		X X
15	37M7067	SCREW	5		X X 4,2X9,5MM
16	L35878	ANGLE	1		X X
17	AL38594	WARNING BUZZER	1		X X (SUB FOR AL32268)
18	L35879	STRAP	1		X X
19	AL32891	FLASHER	1		X X
20	L35170	SIGN	1		X X
21	L38387	CLIP	1		X X (ORD AL58367)
22	AL36335	RELAY	1		X X (ORD AL58367)
23	L40523	INSERT	1		X X

(A) WITH OPU CAB
 AVEC CABINE PPI
 BEI FSC-KABINE
 CON CABINA OPU
 CON CABINA DE SEGURIDAD
 VID OPU FORARHYTT

1F19

ELECTRICAL SYSTEM

ELECTRICAL INSTRUMENTS (SEALED BEAM)
INSTRUMENTS ELECTRIQUES (OPTIQUES SCHELLES)
ELEKTRISCHE ARMATUREN (SEALED BEAM)
STRUMENTAZIONE ELETTRICA (SEALED BEAM)
MANDOS E INSTRUMENTOS ELECTRICOS (SEALED BEAM)
ELEKTRISKA INSTRUMENT (SEALED BEAM)
L125094 -UN-09OCT95



L125094

1F20

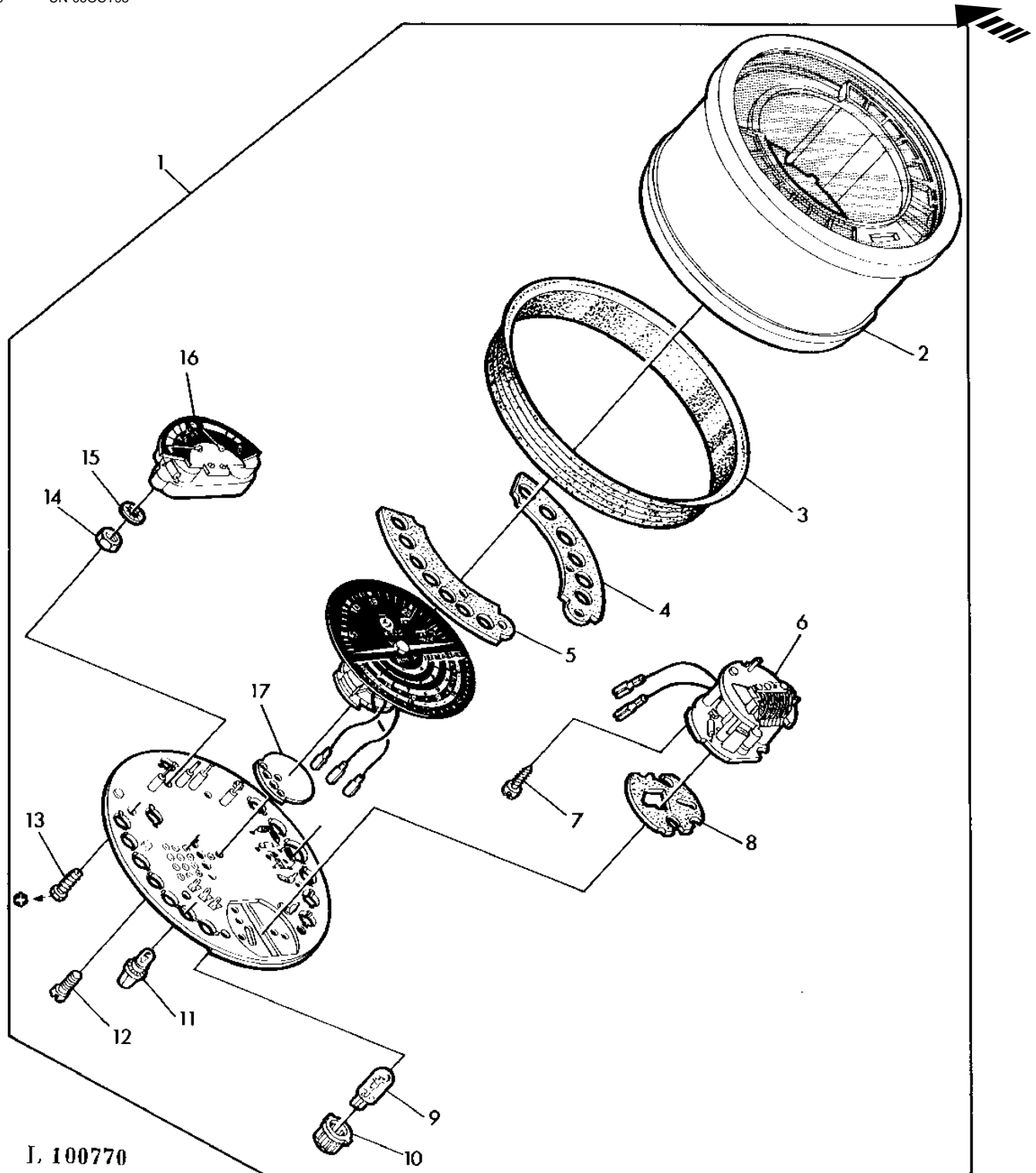
ELECTRICAL SYSTEM

KEY	PART NO.	PART NAME	QTY	SERIAL NO.	2 0 2 4 1 0 4 S 0	REMARKS
1	AL17684	PUSH BUTTON	1		X	
2	L31962	SIGN	1		X	
3	AL32113	TOGGLE SWITCH	1		X	
4	R54388	SCREW	2		X	
5	AL58367	RELAY	AR		X	(SUB FOR AL32072)
6	14M7028	NUT	2		X	5MM
7	24M7087	WASHER	2		X	5,5X10X1MM
8	12M7060	WASHER	4		X	5,3MM
9	21M7278	SCREW	2		X	M5X10
10	AL32066	TIMER	1		X	
11	37M7067	SCREW	5		X	4,2X9X5MM
12	L35878	ANGLE	1		X	
13	AL38594	WARNING BUZZER	1		X	(SUB FOR AL32268)
14	L38387	CLIP	1		X	(ORD AL58367)
15	AL36335	RELAY	1		X	(ORD AL58367)

1F21

ELECTRICAL SYSTEM

INSTRUMENT CLUSTER
TABLEAU DE CONTROLE
ZENTRAL KONTROLLINSTRUMENT
STRUMENTO SPIA GENERALE
AVISADOR GENERAL
CENTRALINSTRUMENT
L100770 -UN-06OCT95



1F22

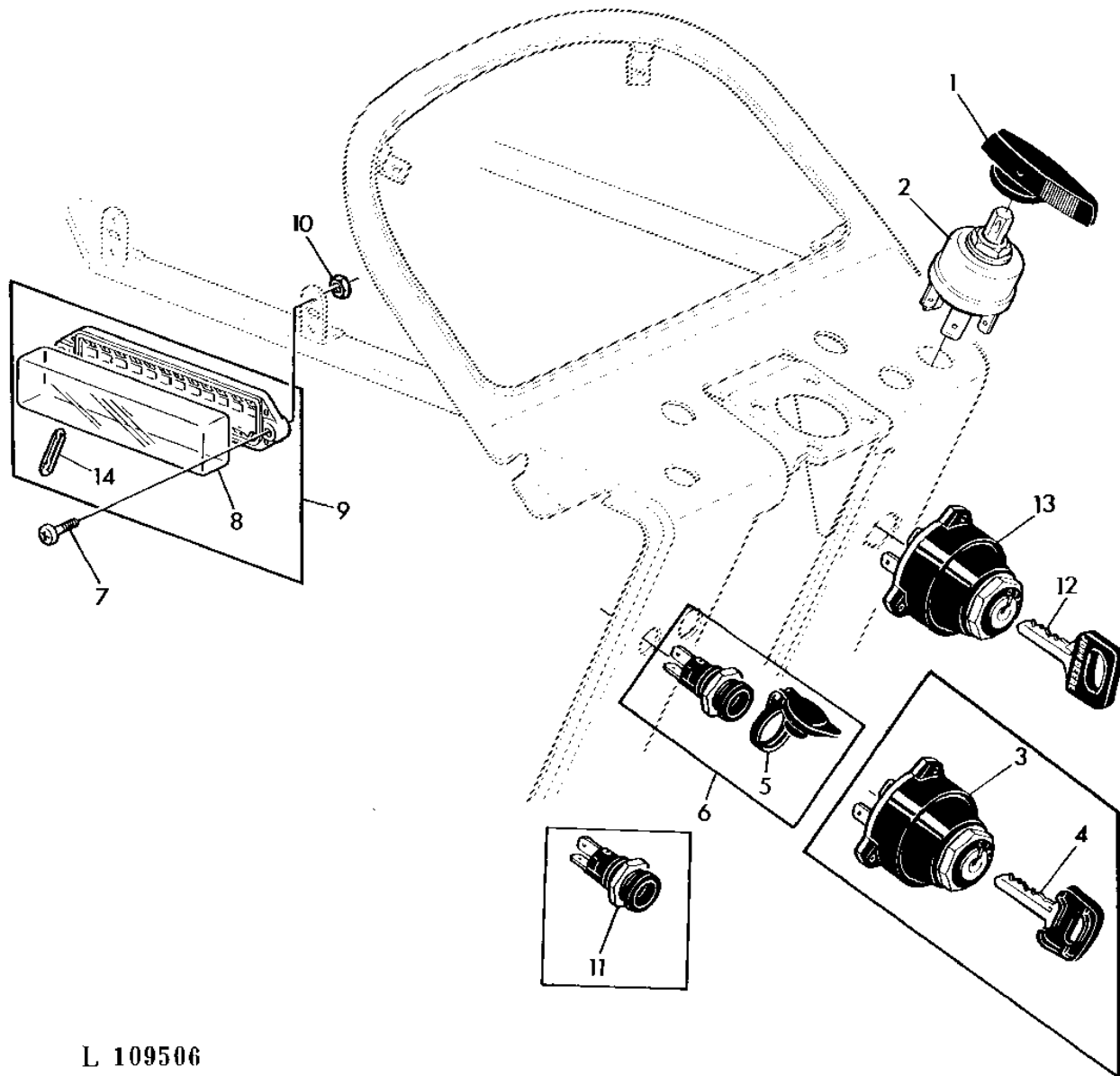
ELECTRICAL SYSTEM

KEY	PART NO.	PART NAME	QTY	SERIAL NO.	REMARKS
				2	
				0 2	
				4 1	
				0 4	
				S 0	
1	AL31825	INSTRUMENT CLUSTER	1	X X	-25KM/H
	AL31824	INSTRUMENT CLUSTER	1	X X	-30KM/H
	AL31828	INSTRUMENT CLUSTER	1	X	-15.5MPH
	AL31829	INSTRUMENT CLUSTER	1	X	-19MPH
2	AL33166	HOUSING	1	X X	
3	L34912	RING	1	X X	
4	L35897	WEATHERSTRIP	1	X X	R.H.
5	L35898	WEATHERSTRIP	1	X X	L.H.
6	AL33164	HOUR METER	1	X X	
7	37M7095	SCREW	3	X X	3X6MM
8	L35896	GASKET	1	X X	
9	AL33163	LAMP	1	X X	5W
10	AL33336	PEDESTAL	1	X X	
11	AL33162	BULB	15	X X	2W
12	21M7268	SCREW	3	X X	M3 X 6
13	37M7066	SCREW	6	X X	3.5X16MM
14	14M7139	NUT	2	X X	M4
15	12M7091	LOCK WASHER	2	X X	
16	AL33165	GAUGE	1	X X	
17	L36179	PLATE	1	X X	

1F23

ELECTRICAL SYSTEM

ELECTRICAL INSTRUMENTS (BILUX)
INSTRUMENTS ELECTRIQUES (BILUX)
ELEKTRISCHE ARMATUREN (BILUX)
STRUMENTAZIONE ELETTRICA (BILUX)
MANDOS E INSTRUMENTOS ELECTRICOS (BILUX)
ELEKTRISKA INSTRUMENT (BILUX)
L109506 -UN-06OCT95



L 109506

1F24

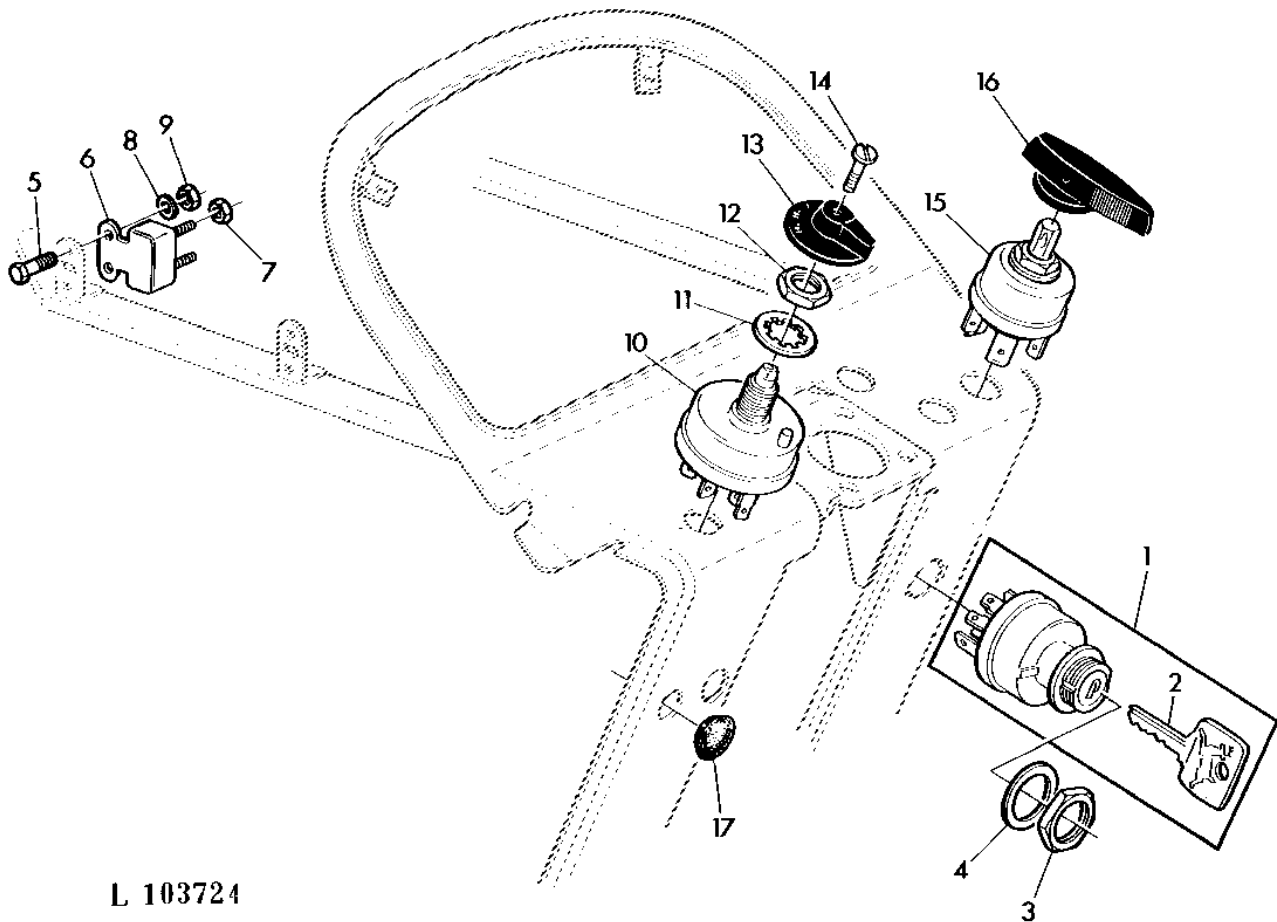
ELECTRICAL SYSTEM

KEY	PART NO.	PART NAME	QTY	SERIAL NO.	REMARKS
				2	
				0 2	
				4 1	
				0 4	
				S 0	
1	L34972	KNOB	1	X X	
2	AL62707	SWITCH	1	X X	(SUB FOR AL31890, AL36365)
3	AL32905	SWITCH	1	X X	(ORD AL35864, AL35863)
4	Z44576	KEY	1	X X	(SUB FOR L28520)
5	L30661	CAP	1	X X	
6	AL25073	SOCKET OUTLET	1	X X	
7	21M7251	SCREW	2	X X	M5X25
8	L35167	COVER	1	X X	
9	AL32118	FUSE BOX	1	X X	
10	14M7028	NUT	2	X X	M5
11	AL24543	SOCKET OUTLET	1	X X	(ORD AL25073)
12	AL35863	KEY	2	X X	
13	AL35864	SWITCH	1	X X	
14	99M7048	FUSE	9	X X	8A
	99M7030	FUSE	1	X X	16A

1G1

ELECTRICAL SYSTEM

ELECTRICAL INSTRUMENTS (SEALED BEAM)
INSTRUMENTS ELECTRIQUES (OPTIQUES SCHELLES)
ELEKTRISCHE ARMATUREN (SEALED BEAM)
STRUMENTAZIONE ELETTRICA (SEALED BEAM)
MANDOS E INSTRUMENTOS ELECTRICOS (SEALED BEAM)
ELEKTRISKA INSTRUMENT (SEALED BEAM)
L103724 -UN-06OCT95



L 103724

1G2

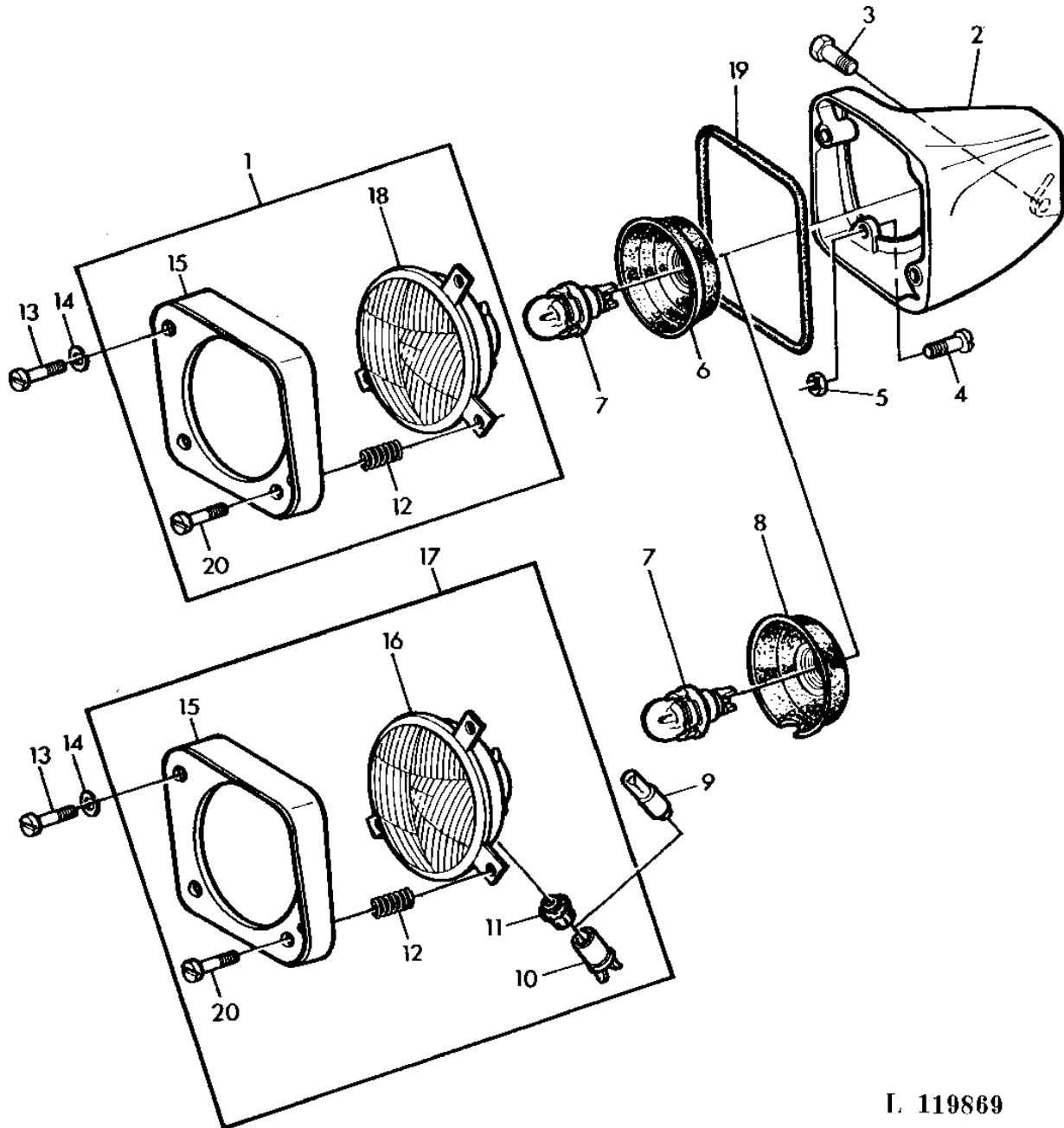
ELECTRICAL SYSTEM

KEY	PART NO.	PART NAME	QTY	SERIAL NO.	2 0 2 4 1 0 4 S 0	REMARKS
1	AR58126	KEY SWITCH	1		X	
2	AL35863	KEY	1		X	(SUB FOR AR51481 APPL)
3	R44342	NUT	1		X	
4	24H1462	WASHER	1		X	1-1/16"X1-1/2".060"
5	19M7372	CAP SCREW	2		X	M5X16
6	AR28403	CIRCUIT BREAKER	1		X	
7	14H631	NUT	2		X	0.190"
8	24M7087	WASHER	2		X	5.5X10X1MM
9	14M7028	NUT	2		X	M5
10	AR66478	SWITCH	1		X	
11	12H292	LOCK WASHER	1		X	1/2"
12	A4655R	NUT	1		X	
13	AR66799	KNOB	1		X	
14	21H973	SCREW	1		X	NO.8X3/8"
15	AL62707	SWITCH	1		X	(SUB FOR AL31890, AL36365)
16	L34972	KNOB	1		X	
17	99M7010	PLUG	1		X	

1G3

ELECTRICAL SYSTEM

HEADLIGHTS (BILUX)
PROJECTEURS (BILUX)
SCHEINWERFER (BILUX)
FARI (BILUX)
FAROS (BILUX)
STRALKASTARE (BILUX)
L119869 -UN-09OCT95



L 119869

1G4

ELECTRICAL SYSTEM

KEY	PART NO.	PART NAME	QTY	SERIAL NO.	REMARKS
				2	
				0 2	
				4 1	
				0 4	
				S 0	
1	DE13652	HEADLIGHT	2	X X	
	DE13653	HEADLIGHT	2	X	(B)
2	L34897	HOUSING	1	X X	R.H.
	L34849	HOUSING	1	X X	L.H.
3	19M7162	CAP SCREW	2	X X	M8X18
4	21M7206	SCREW	4	X X	M6X20
5	14M7272	NUT	4	X X	M6
6	CE15294	DUST SHIELD	2	X X	(SUB FOR CE12986)
7	57M6844	BULB	2	X X	12V,40/45W
	57M7016	BULB	2	X X	12V,40/45W,GELB,YELLOW,JAUNE AMARILLO,GIALLA,GUL
8	CE14071	DUST SHIELD	2	X X	(A)
9	57M6394	BULB	2	X X	(A) 12V,4W
10	CE14020	SOCKET	1	X X	(A)
11	CE14070	GROMMET	1	X X	(A)
12	T28631	SPRING	3	X X	(SUB FOR CE12985 APPL)
13	21M7173	SCREW	4	X X	M5X25
14	12M7011	LOCK WASHER	4	X X	
15	R60135	BEZEL	1	X X	(ORD L55980, L60167)
	L55980	BEZEL	1	X X	
16	DE13582	HEADLIGHT	1	X X	(A)
17	DE13654	HEADLIGHT	2	X X	(A)
18	DE17426	HEADLIGHT	1	X X	(SUB FOR DE12298)
	DE13583	HEADLIGHT	1	X	(B)
19	L60167	O-RING	1	X X	(FOR L55980)
20	21M7173	SCREW	3	X X	M5X25

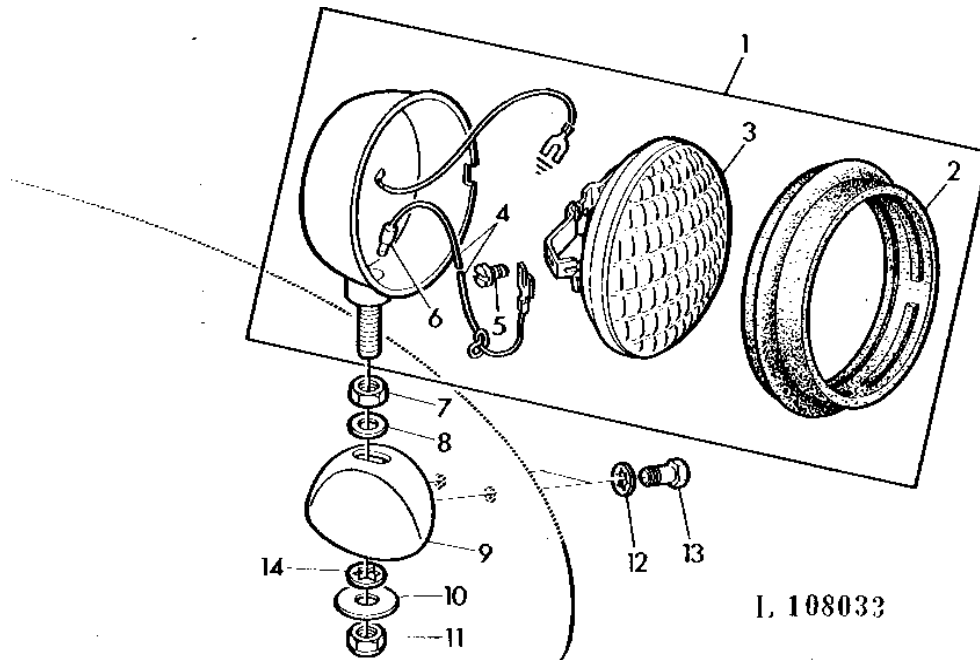
(A) WITH PARKING LIGHT
AVEC FEU DE STATIONNEMENT
MIT STANDLICHT
CON LUCI POSIZIONE
CON LUZ DE ESTACIONAMIENTO
VID PARKERINGS LJUS

(B) FOR L.H.-TRAFFIC
POUR CIRCULATION A GAUCHE
BEI LINKSVERKEHR
CON TRAFFICO A SINISTRA
EN PAISES DE CIRCULACION POR LA IZQUIERDA
VID VANSTERTRAFIK

1G5

ELECTRICAL SYSTEM

HEADLIGHTS "SEALED BEAM"
 PROJECTEURS OPTIQUES SCHELLES
 SCHEINWERFER "SEALED BEAM"
 FARI "SEALED BEAM"
 FAROS "SEALED BEAM"
 STRALKASTARE "SEALED BEAM"
 L108033 -UN-01JAN94



L 108033

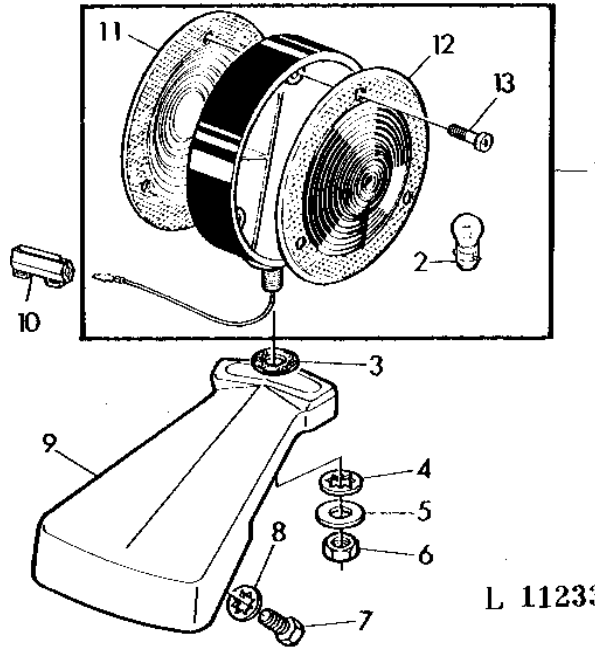
2
0 2
4 1
0 4
S 0

KEY	PART NO.	PART NAME	QTY	SERIAL NO.	REMARKS
1	AT18815	HEADLIGHT	2	X	
2	R30182	BEZEL	1	X	HOBBS
	R31250	BEZEL	1	X	GUIDE LAMP
3	AF3892R	HEADLIGHT	1	X	(SUB FOR AR21059)
	R31250	BEZEL	1	X	GUIDE LAMP
4	AT14771	WIRING LEAD	1	X	HOBBS
	AT18995	WIRING LEAD	1	X	GUIDE LAMP
5	21H1293	SCREW	2	X	0.164" X 5/16"
6	T16623	TERMINAL	1	X	
7	14H1040	NUT	2	X	1/2"
8	24H1340	WASHER	2	X	
9	T21761	SUPPORT	2	X	
10	24H1355	WASHER	2	X	37/64"X1-1/8"X0.12" (SUB FOR R31892 APPL)
11	BP12214	LOCK NUT	2	X	
12	12H310	LOCK WASHER	4	X	3/8"
13	19H2021	CAP SCREW	4	X	3/8"X5/8"
14	12H292	LOCK WASHER	2	X	1/2"

1G6

ELECTRICAL SYSTEM

WARNING LIGHT (SEALED BEAM)
 FEU D'AVERTISSEMENT (OPTIQUE SCELLEE)
 WARNLAMPE ("SEALED BEAM")
 LUCE AVVERTENZA "SEALED BEAM"
 LUZ DE ADVERTENCIA "SEALED BEAM"
 VARNINGSLJUS "SEALED BEAM"
 L112336 -UN-01JAN94



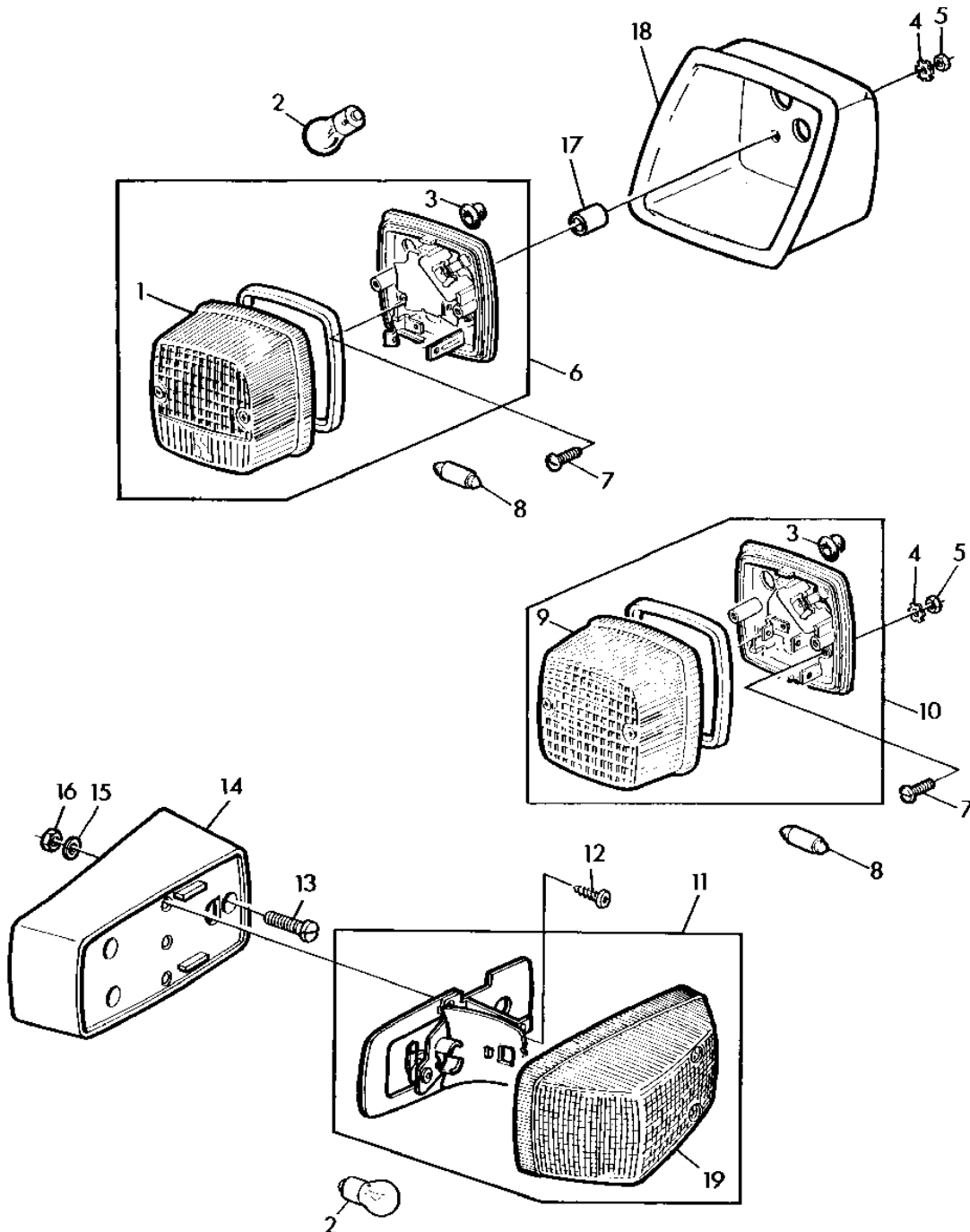
2
0 2
4 1
0 4
S 0

KEY	PART NO.	PART NAME	QTY	SERIAL NO.	REMARKS
1	AR50580	LAMP	2	X	
2	AD2062R	BULB	2	X	12V
3	R47831	WASHER	2	X	
4	12H292	LOCK WASHER	2	X	1/2"
5	24H1341	WASHER	2	X	17/32"X15/16"X.060"
6	14H865	NUT	2	X	1/2"
7	19H2021	CAP SCREW	4	X	3/8"X5/8"
8	12H310	LOCK WASHER	4	X	3/8"
9	L29390	SUPPORT	2	X	
10	L31124	INSULATING CAPSULE	2	X	
11	R48665	LENS	1	X	FRONT
12	R48664	LENS	1	X	REAR
13	R49296	SCREW	6	X	

1G7

ELECTRICAL SYSTEM

TURN SIGNAL AND CLEARANCE LIGHTS
CLIGNOTANTS ET FEUX DE POSITION
BLINK-UND POSITIONSLEUCHTEN
LUCI DI DIREZIONE E DI INGOMBRO
LUCES INTERMITENTES Y DE POSICION
BLINKERS OCH POSITIONS LJUS
L109501 -UN-06OCT95



L 109501

1G8

ELECTRICAL SYSTEM

KEY	PART NO.	PART NAME	QTY	SERIAL NO.	REMARKS
				2	
				0 2	
				4 1	
				0 4	
				S 0	
1	AL27013	LENS	2	X X	NSEP (ORD AL58739)
2	57M7014	BULB	AR	X X	12V,21W
3	L31774	GROMMET	2	X X	
4	12M7015	LOCK WASHER	4	X X	5,1MM
5	14M7139	NUT	4	X X	M4
6	AL58739	SIDE LIGHT	2	X X	(SUB FOR AL25644)
7	21M7252	SCREW	4	X X	M4X16
	21M7135	SCREW	4	X	(B) M4X25
8	57M6274	BULB	2	X X	12V,5W
9	AL27012	LENS	2	X X	
10	AL25877	SIDE LIGHT	2	X X	
11	AL26463	DIRECTION INDICATOR	1	X X	R.H.
	AL26464	DIRECTION INDICATOR	1	X X	L.H.
12	37M7071	SCREW	4	X X	4,8X13MM
13	21M7206	SCREW	4	X X	M6X20
14	L34428	SPACER	2	X X	
15	24M7088	WASHER	4	X X	6,6X12,5X1,6MM
16	14M7272	NUT	4	X X	M6
17	L34217	BUSHING	4	X	(B)
18	L36373	CASE	2	X X	(A)
19	AL27016	LENS	1	X X	R.H.
	AL27017	LENS	1	X X	L.H.

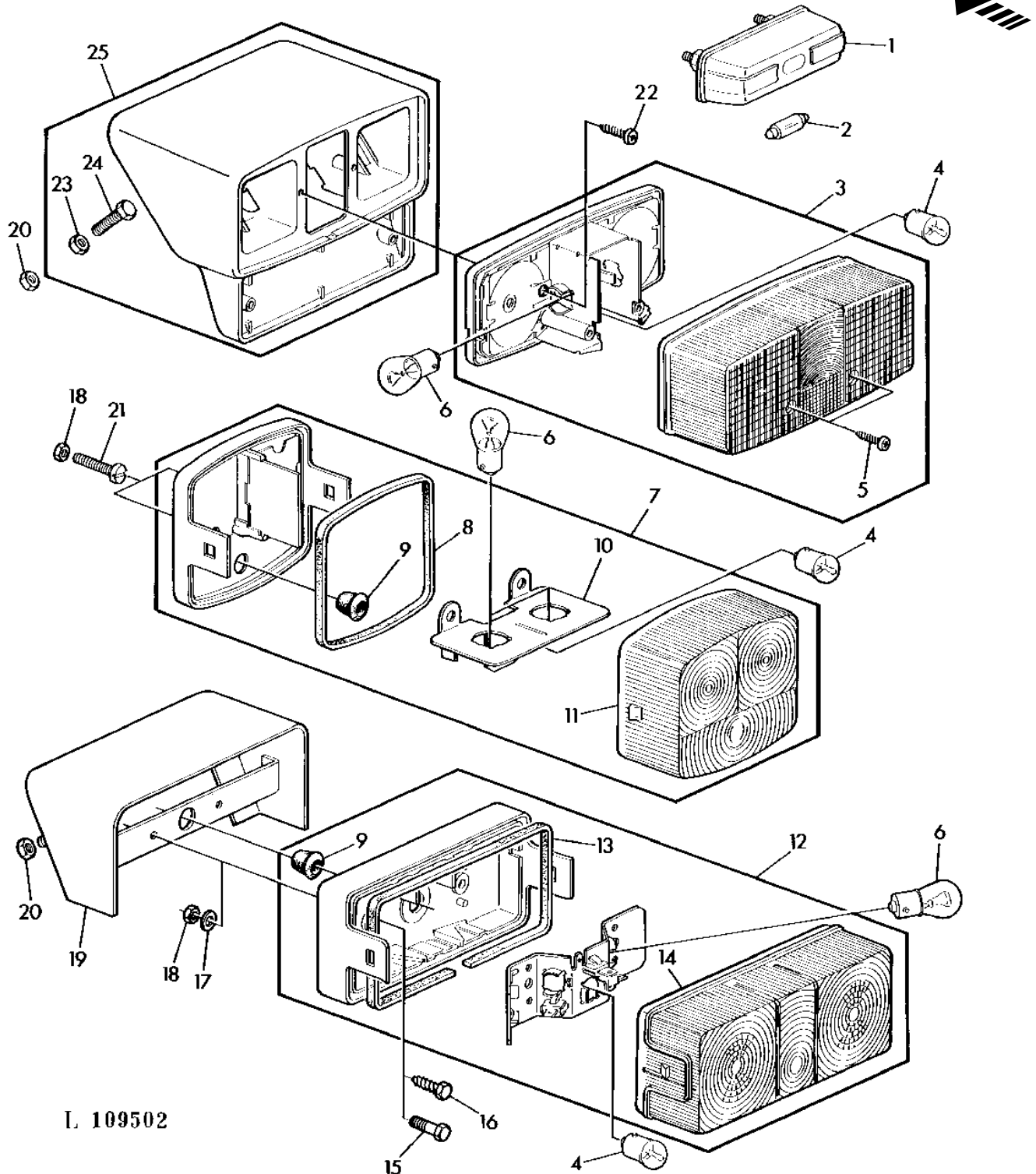
(A) WITH OPU CAB
 AVEC KABINE PPI
 BEI FSC KABINE
 CON CABINA OPU
 CON CABINA DE SEGURIDAD
 VID OPU FORARHYTT

(B) FOR SWEDEN ONLY
 SUEDE UNIQUEMENT
 NUR FUER SCHWEDEN
 SOLO PER SVEZIA
 SOLO PARA SUECIA
 ENDAST FOR SVERIGE

1G9

ELECTRICAL SYSTEM

TAIL LIGHTS
FEUX ARRIERE
SCHLUSSLEUCHTEN
LUCI CODA
LUCES PILOTO TRASERAS
BAKLJUS
L109502 -UN-06OCT95



1G10

ELECTRICAL SYSTEM

KEY	PART NO.	PART NAME	QTY	SERIAL NO.	REMARKS
				2	
				0 2	
				4 1	
				0 4	
				S 0	
1	AT27535	LAMP	1	X X	
2	57M6274	BULB	1	X X	12V,5W
3	AL32070	TAIL LAMP	1	X X	R.H.
	AL32071	TAIL LAMP	1	X X	L.H.
4	57M7013	BULB	2	X X	12V,10W
5	37M7081	SCREW	4	X X	3,9X16MM
6	57M7014	BULB	4	X X	12V,21W
7	AT43601	LAMP	1	X	R.H.
	AT43600	LAMP	1	X	L.H.
8	L31778	GASKET	1	X	
9	L31774	GROMMET	1	X X	
10	L31777	HOLDER	1	X	
11	L31781	LENS	1	X	R.H.
	L31780	LENS	1	X	L.H.
12	AL24545	TAIL LAMP	1	X X	(A) R.H.
	AL24544	TAIL LAMP	1	X X	(A) L.H.
	AL25645	TAIL LAMP	1	X X	(A) (B) L.H.
13	L31775	GASKET	1	X X	(A)
14	AL27008	LAMP	1	X X	(A) R.H.
	AL27007	LENS	1	X X	(A) L.H.
	AL27014	LAMP	1	X X	(A) (B) , L.H.
15	19M7372	CAP SCREW	4	X X	(A) M5X16
16	37M7073	SCREW	4	X X	(A) (C) , 4,8X19MM
17	24M7138	WASHER	4	X X	(A) 5,3X15X1,5MM
18	14M7028	NUT	4	X X	M5
19	AL25643	RETAINER	2	X X	(A) (C) ,
20	14M7272	NUT	4	X X	M6
21	21M7251	SCREW	4	X X	M5X25
22	37M7142	SCREW	4	X X	3,9X19MM
23	14M7194	NUT	2	X X	M6
24	19M7375	CAP SCREW	2	X X	M6X18
25	AL32253	RETAINER	2	X X	

(A) WITH OPU CAB
 AVEC CABINE PPI
 BEI FSC-KABINE
 CON CABINA OPU
 CON CABINA SEGURIDAD
 VID OPU FORARHYTT

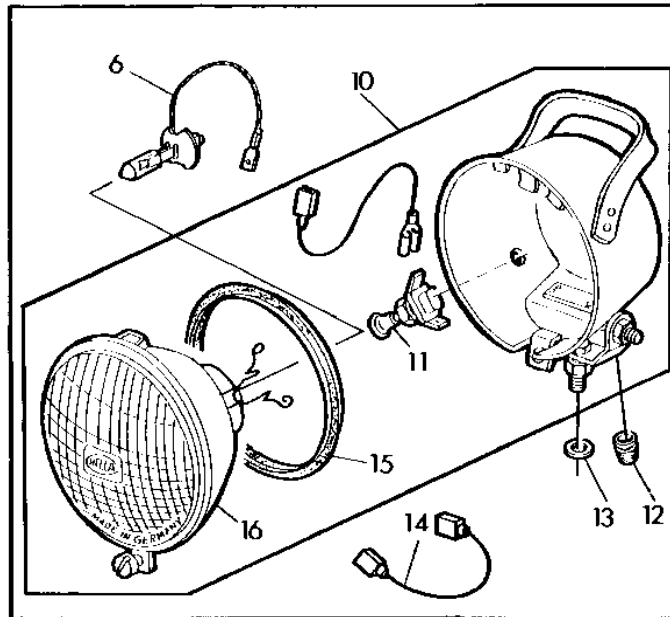
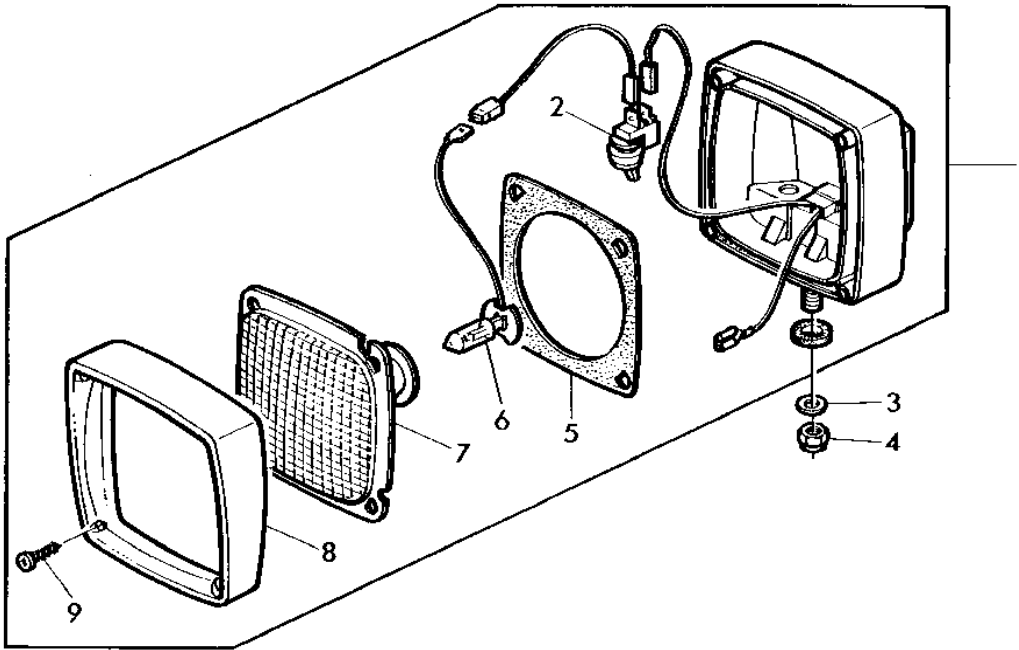
(B) WITH REG.PLATE LIGHTING
 AVEC ECLAIRAGE PLAQUE POLICE
 MIT KENNZEICHENBELEUCHTUNG
 CON LUCE TARGA
 CON LUZ DE PLACA MATRICULA
 VID SKYLTBELYSNING

(C) FENDER FOR SWEDEN
 AILES POUR SUEDE
 KOTFLUEGEL FUER SCHWEDEN
 PARAFANGHI PER SVEZIA
 GUARDABARROS PARA SUECIA
 STANKSKARMAR FOR SVERIGE

1G11

ELECTRICAL SYSTEM

WORKLIGHT (BILUX)
PROJECTEUR DE TRAVAIL (BILUX)
GERAETESCHINWERFER (BILUX)
CON LUCE DI LAVORO (BILUX)
CON FARO AUXILIAR (BILUX)
ARBETSBELYSNING (BILUX)
L112330 -UN-07JUL95



L 112330

1G12

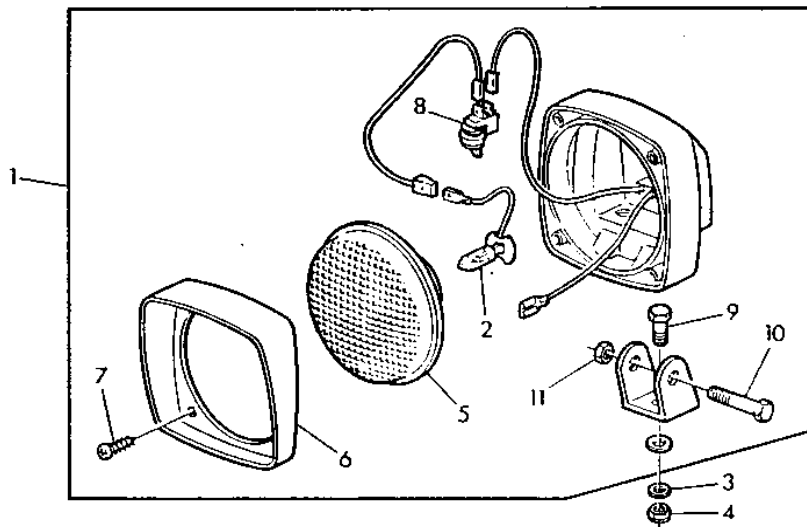
ELECTRICAL SYSTEM

KEY	PART NO.	PART NAME	QTY	SERIAL NO.	REMARKS
				2	
				0 2	
				4 1	
				0 4	
				S 0	
1	AL39200	FLOODLAMP	1	X X	(ORD AL65268)
2	AL36562	SWITCH	1	X X	
3	24M7028	WASHER	1	X X	10,5X21X2MM
4	14M7167	LOCK NUT	1	X X	M10
5	T80393	GASKET	1	X X	
6	Z26998	BULB	1	X X	H3-12V,55W
7	T80392	LENS	1	X X	
8	T80391	BEZEL	1	X X	
9	T80394	SCREW	4	X X	
10	AL29611	FLOODLAMP	1	X X	(ORD AL39200)
11	AL29615	SWITCH	1	X X	
12	L12807	GROMMET	1	X X	
13	24H1322	WASHER	1	X X	29/64"X13/16"X.060"
14	AT24696	CABLE	1	X X	
15	L33463	BEZEL	1	X X	
16	AL29614	LAMP	1	X X	(ORD AL39200)

1G13

ELECTRICAL SYSTEM

WORKLIGHT (BILUX)
 PROJECTEUR DE TRAVAIL (BILUX)
 GERAETESCHEINWERFER (BILUX)
 CON LUCE DI LAVORO (BILUX)
 CON FARO AUXILIAR (BILUX)
 ARBETSBELYSNING (BILUX)
 L119460 -UN-12MAY95



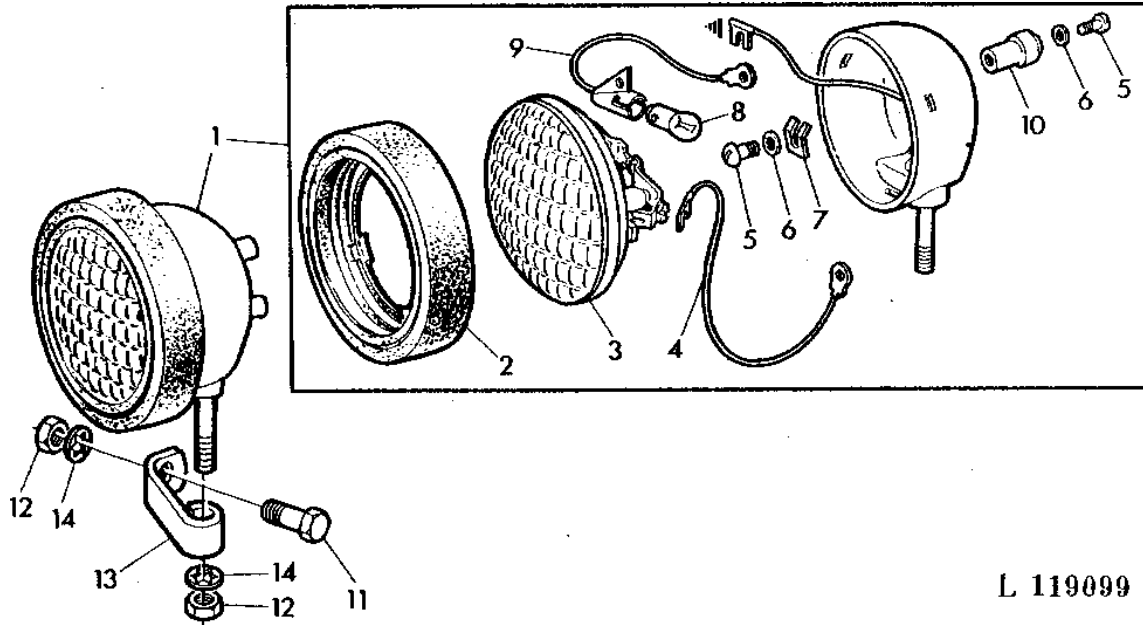
L 119460

KEY	PART NO.	PART NAME	QTY	SERIAL NO.	REMARKS
				2	
				0 2	
				4 1	
				0 4	
				S 0	
1	AL65268	FLOODLAMP	1		X X
2	Z26998	BULB	1		X X H3-12V,55W
3	24M7028	WASHER	1		X X 10,5X21X2MM
4	14M7167	LOCK NUT	1		X X M10
5		1		X X NSEP (ORD AL65268)
6		1		X X NSEP (ORD AL65268)
7	T80394	SCREW	4		X X
8	AL36562	SWITCH	1		X X
9	19M7402	CAP SCREW	1		X X M10X25
10	19M7724	CAP SCREW	1		X X M10X45
11	14M7167	LOCK NUT	1		X X M10

1G14

ELECTRICAL SYSTEM

REAR WORK LIGHT (SEALED BEAM)
 PHARE DE LABOUR (OPTIQUE SCHELLEE)
 GERAETESCHINWERFER (SEALED BEAM)
 LUCE LAVORO (SEALED BEAM)
 FARO AUXILIAR (SEALED BEAM)
 BAKRE ARBETSLAMPA (SEALED BEAM)
 L119099 -UN-01JAN94



L 119099

2
0 2
4 1
0 4
S 0

KEY	PART NO.	PART NAME	QTY	SERIAL NO.	REMARKS
1	AR77326	FLOODLAMP	1		X
2	R30182	BEZEL	1		X HOBBS
3	AR77324	LAMP	1		X
4		1		X NSEP (ORD R66319, (2) R32016)
5	21H1293	SCREW	4		X NO.8X5/16"
6	12H290	WASHER	4		X NO.8
7	A2899R	ASSEMBLY LINE PARTS	2		X
8	AD2062R	BULB	1		X 12-16V,32C.P.
9	AR77325	SOCKET	1		X
10	R30181	PLATE	2		X HOBBS
11	19H1792	CAP SCREW	1		X 1/2"X1"
12	14H1040	NUT	2		X 1/2"
13	L62245	BRACKET	1		X (SUB FOR R59160)
14	12H292	LOCK WASHER	2		X 1/2"
..	R66319	WIRING LEAD	1		X LGTH=30,5M (100FT)

1G15

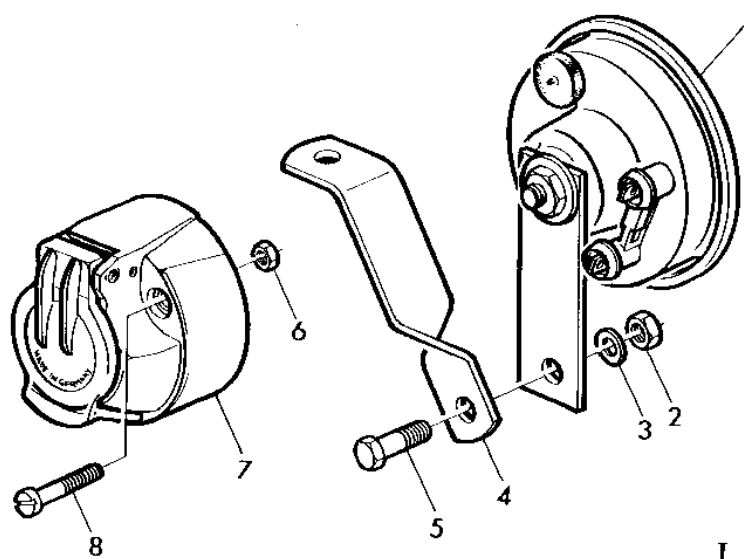
ELECTRICAL SYSTEM

MEMORANDA
MEMORANDA
MEMORANDA
MEMORANDA
MEMORANDA

1G16

ELECTRICAL SYSTEM

HORN/SOCKET
 AVERTISSEUR/PRISE DE COURANT
 SIGNALHORN/STECKDOSE
 AVVISATORE ACCUSTICO/PRESA
 BOCINA/BASE DE ENCHUFE
 SIGNALHORN/UTTAG FOR SLADDLAMPA
 L34852 -UN-06OCT95



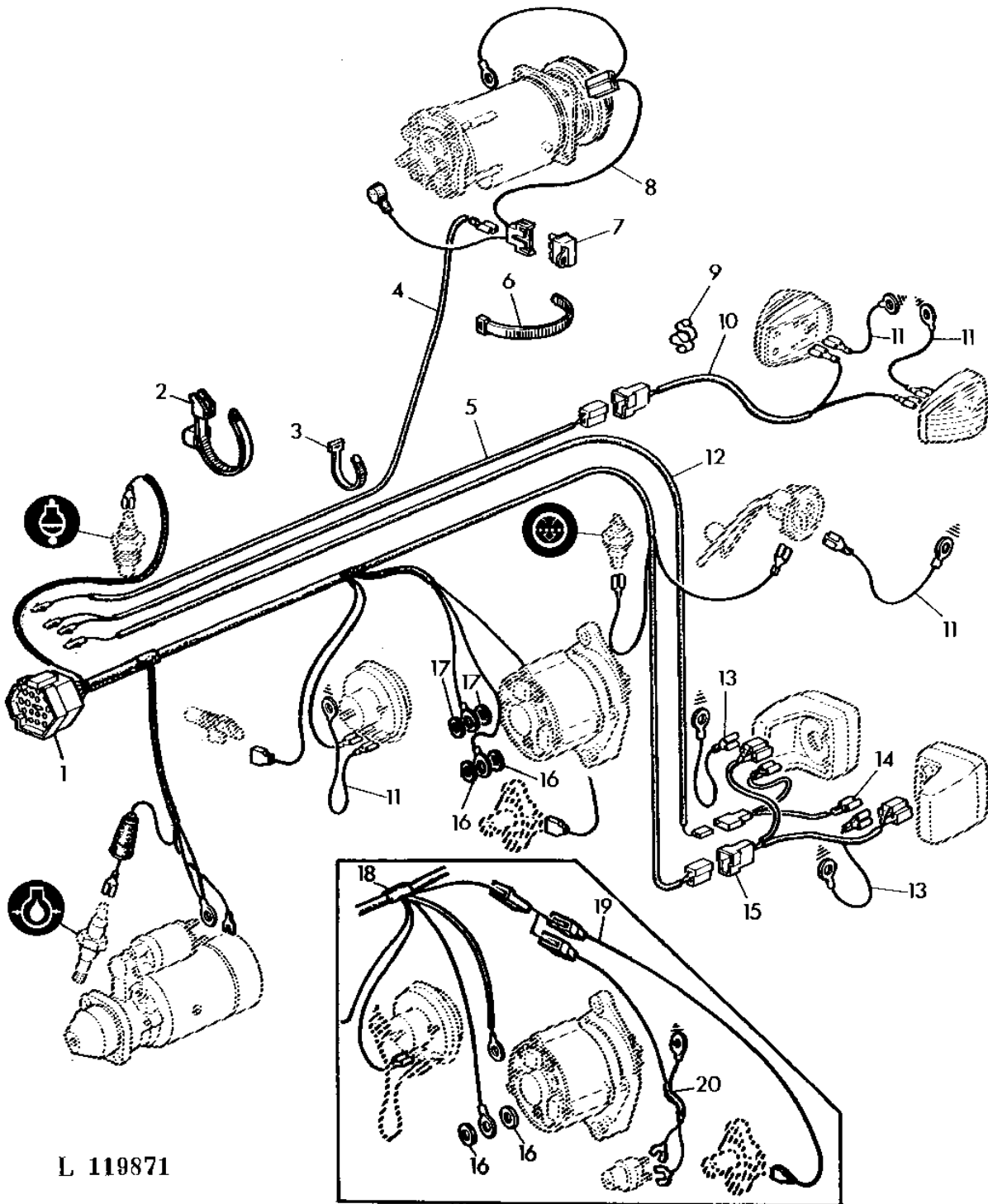
L 34852

KEY	PART NO.	PART NAME	QTY	SERIAL NO.	REMARKS
				2	
				0 2	
				4 1	
				0 4	
				S 0	
1	AL14896	HORN	1		X X
2	14M7273	NUT	1		X X 8MM
3	24M7036	WASHER	1		X X 9X17X1,6MM
4	L31106	BRACKET	1		X X
5	19M7139	CAP SCREW	1		X X 8X20MM
6	14H778	NUT	3		X X NO.10
7	L83677	SOCKET OUTLET	1		X X
8	21H1356	SCREW	3		X X NO.10X1-1/4"

1G17

ELECTRICAL SYSTEM

WIRING HARNESS-ENGINE (BILUX)
FAISCEAUX-MOTEUR (BILUX)
KABELBAUM-MOTOR (BILUX)
GRUPPO CAVI-MOTOR (BILUX)
HAZ DE CABLES-MOTOR (BILUX)
KABELHARVA-MOTOR (BILUX)
L119871 -UN-09OCT95



L 119871

1G18

ELECTRICAL SYSTEM

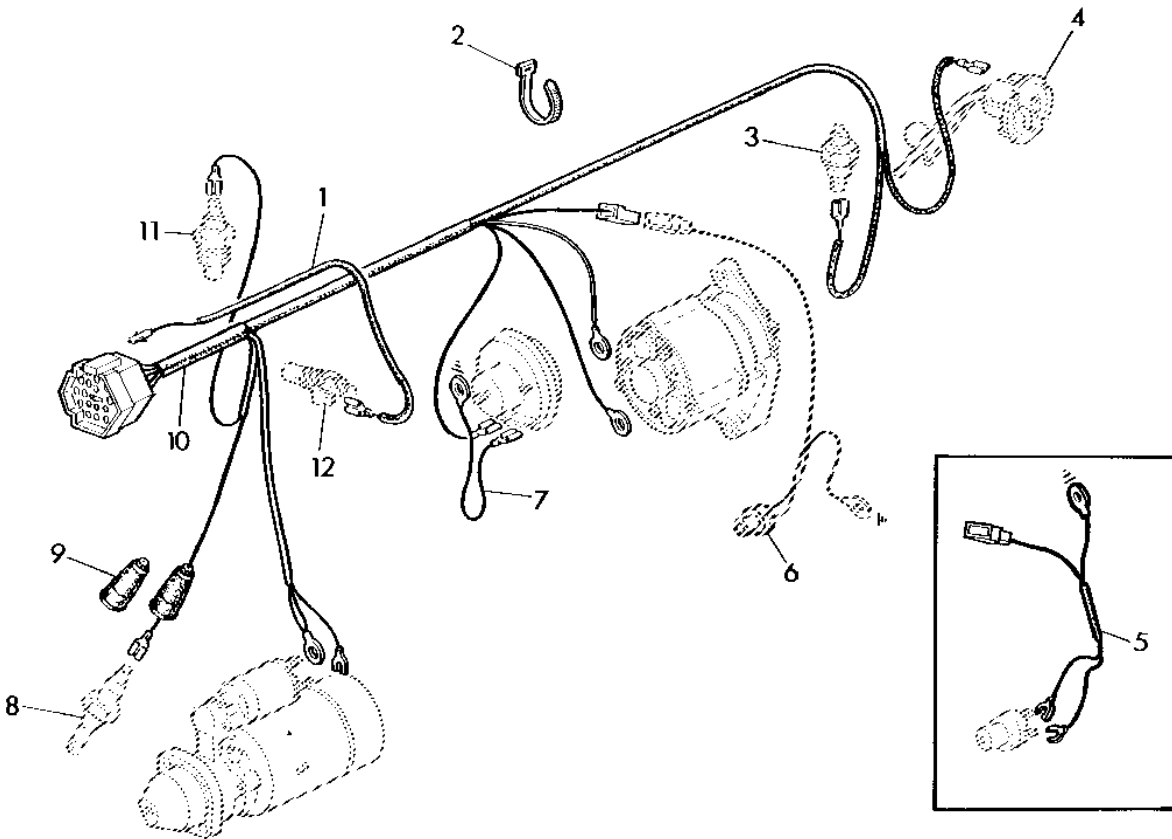
KEY	PART NO.	PART NAME	QTY	SERIAL NO.	REMARKS
					2
					0 2
					4 1
					0 4
					S 0
1	AL55858	WIRING HARNESS	1		X X
2	L40484	BAND	1		X X
3	R44302	TIE BAND	AR		X X
4	AL55857	WIRING LEAD	1		X X (SUB FOR AL31990)
5	AL32112	WIRING HARNESS	1		X X
6	T44946	TIE BAND	1		X X
7	AR77344	FUSE	1		X X
8	AR77345	WIRING HARNESS	1		X X
9	T41072	CLIP	AR		X X
10	AR74812	WIRING HARNESS	1		X X
11	AT24549	WIRING LEAD	4		X X
12	AL26948	WIRING LEAD	1		X X (A)
13	AL27901	WIRING LEAD	2		X X
14	AL26905	WIRING HARNESS	1		X X (A)
15	AL27220	WIRING HARNESS	1		X X
16	24M7087	WASHER	2		X X 5,5X10X1MM
17	24M7088	WASHER	2		X X 6,6X12X1,6MM
18	AL35559	WIRING HARNESS	1		X X (SUB FOR AL32115) (ORD AL55858, (2) 24M7087, (2) 24M7088)
19	AL58036	WIRING LEAD	1		X X
20	AL32267	WIRING LEAD	1		X X

(A) WITH PARKING LIGHT
 AVEC FEU DE STATIONNEMENT
 MIT STANDLICHT
 CON LUCI POSIZIONE
 CON LUZ DE ESTACIONAMIENTO
 VID PARKERINGS LJUS

1G19

ELECTRICAL SYSTEM

WIRING HARNESS-ENGINE (SEALED BEAM)
FAISCEAUX-MOTEUR (OPTIQUES SCHELLES)
KABELBAUM/MOTOR (SEALED BEAM)
GRUPPO CAVI/MOTORE (SEALED BEAM)
HAZ DE CABLES/MOTOR (SEALED BEAM)
KABELHARVA/MOTOR (SEALED BEAM)
L111252 -UN-06OCT95



L 111252

1G20

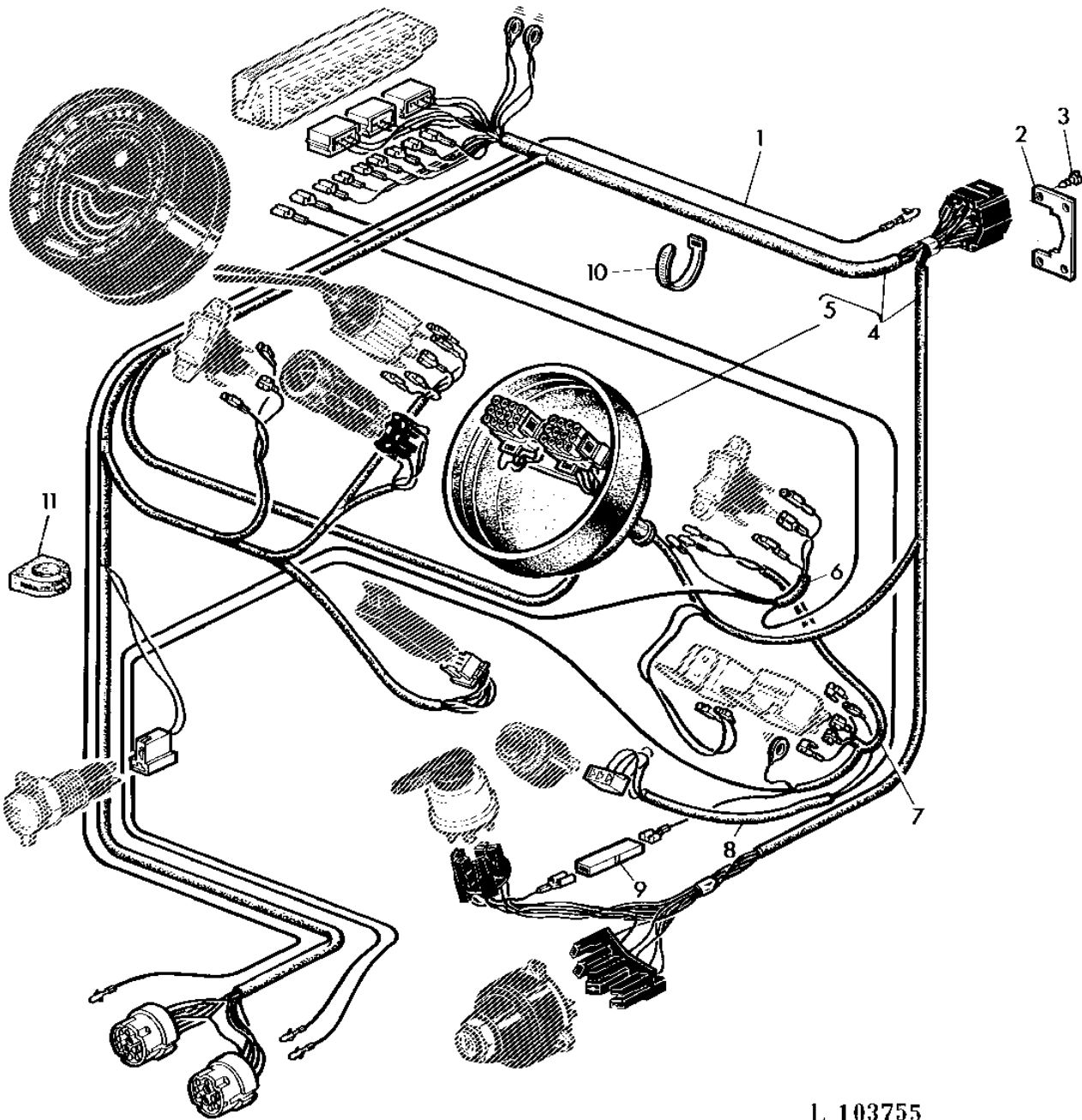
ELECTRICAL SYSTEM

KEY	PART NO.	PART NAME	QTY	SERIAL NO.	2 0 2 4 1 0 4 S 0	REMARKS
1	AL32269	WIRING LEAD	1		X	
2	R44302	TIE BAND	AR		X	
3		1		X	
4		1		X	
5	AL32267	WIRING LEAD	1		X	
6		1		X	(ORD AL39340)
7	AT24549	WIRING LEAD	1		X	
8		1		X	
9	L35171	PIN CONTACT CONNECTOR BODY	1		X	
10	AL32598	WIRING HARNESS	1		X	
11		1		X	
12		1		X	

1G21

ELECTRICAL SYSTEM

WIRING HARNESSES-DASH (BILUX)
FAISCEAUX-TABLEAU DE BORD (BILUX)
KABELBAUM-ARMATURENWAND (BILUX)
GRUPPO CAVI-CRUSCOTTO (BILUX)
HAZ DE CABLES-TABLERO (BILUX)
KABELHARVA-INSTRUMENTPANEL (BILUX)
L103755 -UN-06OCT95



L 103755

1G22

ELECTRICAL SYSTEM

KEY	PART NO.	PART NAME	QTY	SERIAL NO.	REMARKS
				2	
				0 2	
				4 1	
				0 4	
				S 0	
1	AL33213	WIRING LEAD	1	X X	(A)
2	L31033	RETAINER	1	X X	
3	37M7067	SCREW	4	X X	4,2X9,5MM
4	AL35561	WIRING HARNESS	1	X X	(SUB FOR AL32117)
5	L35172	CAP	1	X X	
6	AL32722	WIRING HARNESS	1	X X	(B)
7	AL32799	WIRING HARNESS	1	X X	
8	AL32793	WIRING HARNESS	1	X X	
9	57M7073	CONNECTOR	1	X X	
10	R44302	TIE BAND	AR	X X	
11	L35553	GROMMET	1	X X	

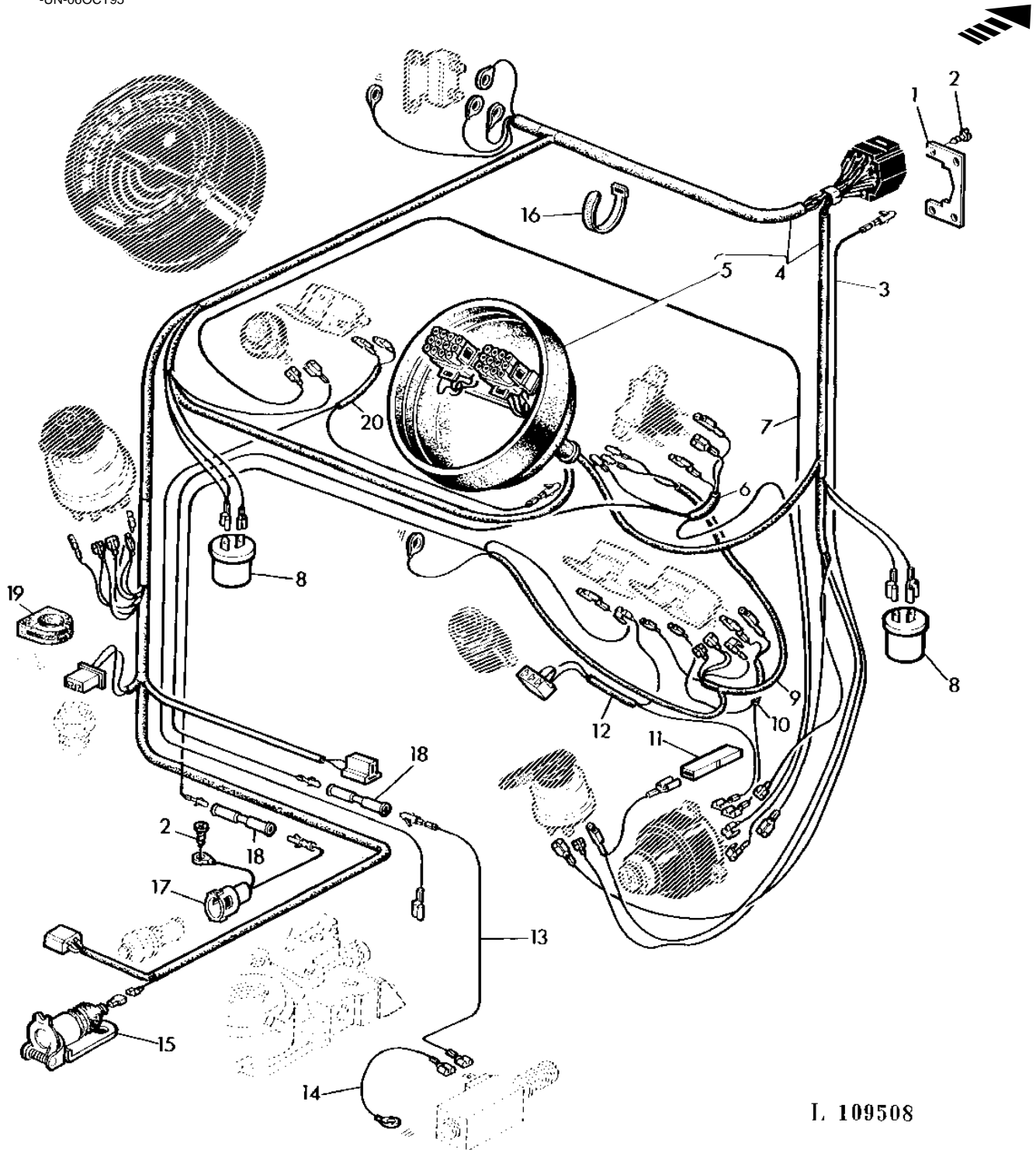
(A) WITH AIR CONDITIONING
AVEC CLIMATISATION
BEI KLIMAANLAGE
CON IMPIANTO D'ARIA CONDIZIONATA
CON SISTEMA DE AIRE ACONDICIONADO
VID LUFTKONDITIONERING

(B) WITH MFWD
AVEC PONT AVANT
BEI MECH.FRONTANTRIEB
CON TRAZIONE ANTER.MECCAN.
CON TRACCION DELANT.MECAN.
VID MEKAN.FRAMHJULSDRIFT

1G23

ELECTRICAL SYSTEM

WIRING HARNESS-DASH(SEALED BEAM)
FAISCEAU-TABLEAU DE BORD(TABLEAU DE BORD)
KABELBAEUME-ARMATURENWAND(SEALED BEAM)
GRUPPO CAVI-CRUSCOTTO(SEALED BEAM)
HAZ DE CABLES-TABLERO DE INSTRUMENTOS(SEALED BEAM)
KABELHARVA-INSTRUMENTPANEL (SEALED BEAM)
L109508 -UN-06OCT95



L 109508

1G24

ELECTRICAL SYSTEM

KEY	PART NO.	PART NAME	QTY	SERIAL NO.	REMARKS
				2	
				0 2	
				4 1	
				0 4	
				S 0	
1	L31033	RETAINER	1		X
2	37M7067	SCREW	5		X 4,2X9,5MM
3	AL32677	WIRING HARNESS	1		X
4	AL32623	WIRING HARNESS	1		X
5	L35172	CAP	1		X
6	AL32722	WIRING HARNESS	1		X (B)
7	AL19914	WIRING LEAD	1		X
8	AU41465	FLASHER	2		X
9	AL32799	WIRING HARNESS	1		X
10	AL32833	WIRING HARNESS	1		X (A)
11	57M7073	CONNECTOR	1		X
12	AL32793	WIRING HARNESS	1		X
13	AL32720	WIRING LEAD	1		X (B)
14	AT24549	WIRING LEAD	1		X (B)
15	AT20709	SOCKET OUTLET	1		X
16	R44302	TIE BAND	AR		X
17	AL32831	WIRING HARNESS	1		X
18	L36710	ROUND CONNECTOR	2		X
19	L35553	GROMMET	1		X
20	AL32923	WIRING HARNESS	1		X

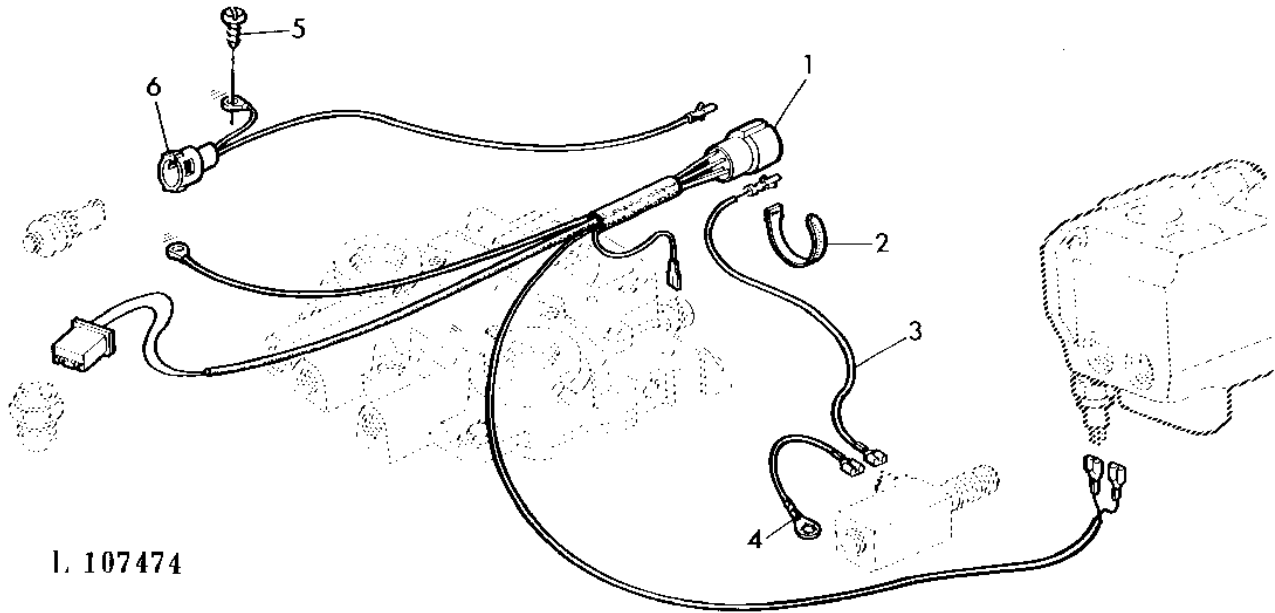
(A) ON TRACTORS WITHOUT THERMOSTART
 SUR TRACTEURS SANS THERMOSTART
 BEI TRAKTOREN OHNE THERMOSTART
 CON TRATTORI SENZA THERMOSTART
 CON TRACTORES SIN THERMOSTART
 VID TRAKTORER UTAN TERMOSTART

(B) WITH MFWD
 AVEC PONT AVANT
 BEI MECH.FRONTANTRIEB
 CON TRAZIONE ANTER.MECCAN.
 CON TRACCION DELANT.MECAN.
 VID MEKAN.FRAMHJULSDRIFT

1G25

ELECTRICAL SYSTEM

WIRING HARNESS-TRANSMISSION/PARKING BRAKE INDICATOR LIGHT(BILUX)
 FAISCEAU-BOITE/VOYANT DE FREIN A MAIN(BILUX)
 KABELBAUM-GETRIEBE/HANDBREMSKONTROLLE(BILUX)
 FASCIO DI CAVI-CAMBIO/SPIA DEL FRENO A MANO(BILUX)
 HAZ DE CABLES-TRANSMISION/LUZ TESTIGO DEL FRENO DE MANO(BILUX)
 KABELHARVA-TRANSMISSION/INDIKATORLAMPA FOR BROMSLJUS(BILUX)
 L107474 -UN-17JUL95



I. 107474

2
0 2
4 1
0 4
S 0

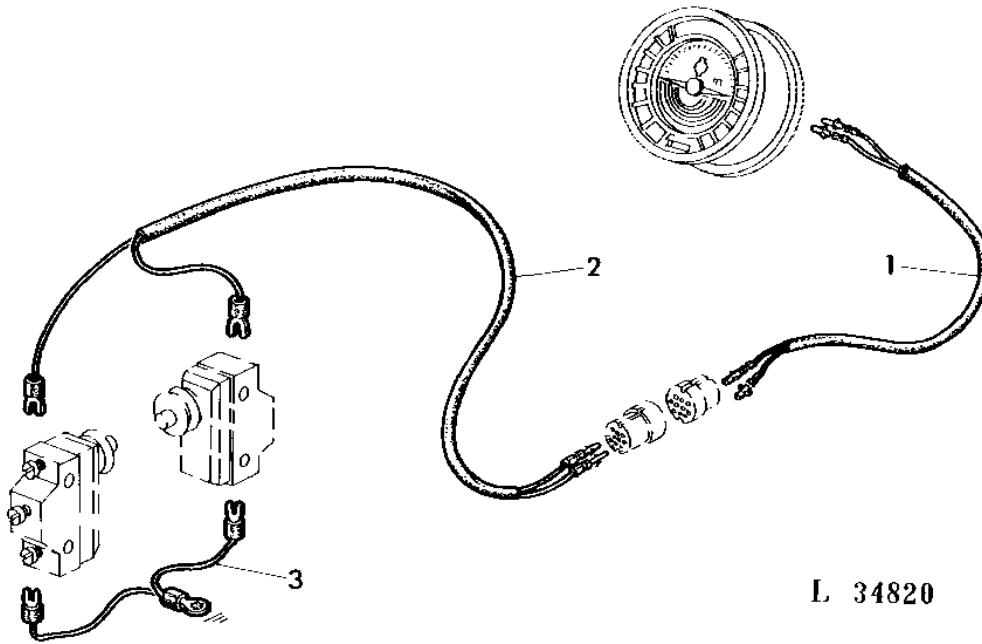
KEY	PART NO.	PART NAME	QTY	SERIAL NO.	REMARKS
1	AL32120	WIRING HARNESS	1	X X	
2	R44302	TIE BAND	1	X X	
3	AL32720	WIRING LEAD	1	X X (A)	
4	AT24549	WIRING LEAD	1	X X (A)	
5	37M7067	SCREW	1	X X	4,2X9,5MM
6	AL32831	WIRING HARNESS	1	X X	

(A) WITH MFWD
 AVEC ESSIEU AV.MOTEUR MECAN.
 BEI MECH.FRONTANTRIEB
 CON TRAZ.ANT.MECCANICA
 CON TRACCION MECAN.DELANT.
 VID MEKAN.FRAMHJULSDRIFT

1H1

ELECTRICAL SYSTEM

WIRING HARNESS FOR HANDSHIFT PTO
 FAISCEAU-PDF A SELECTION PAR MANETTE
 KABELBAUM FUER SCHALTBARE ZAPFWELLE
 FASCIO DI CAVI-PRESA DI FORZA DI CAMBIA MANETTA
 HAZ DE CABLES-TDF CAMBIABLE POR PALANCA
 KABELHARVA FOR VAXELBART KRAFTUTTAG
 L34820 -UN-06OCT95



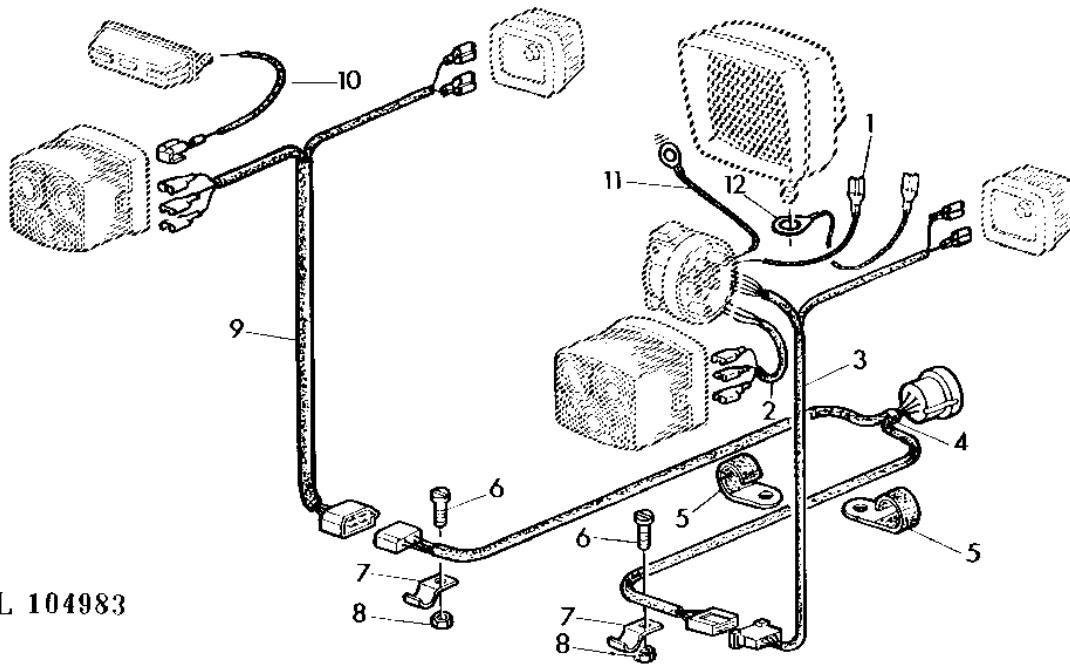
L 34820

KEY	PART NO.	PART NAME	QTY	SERIAL NO.	REMARKS
				2	
				0 2	
				4 1	
				0 4	
				S 0	
1	AL32978	WIRING HARNESS	1		X X
2	AL32979	WIRING HARNESS	1		X X
3	AL32832	GROUND CABLE	1		X X

1H2

ELECTRICAL SYSTEM

WIRING HARNESS (WITH SHELL-TYPE FENDERS) "BILUX"
 FAISCEAU (AVEC AILES COQUILLE) "BILUX"
 KABELBAUM (BEI MUSCHELKOTFLUEGEL) "BILUX"
 GRUPPO CAVI (CON PARAFANGHI CONCHIGLIA) "BILUX"
 HAZ DE CABLES (CON GUARDABARROS DE CONCHA) "BILUX"
 KABELHARVA (VID DELTACKANDE STANKSKARMAR) "BILUX"
 L104983 -UN-17JUL95



L 104983

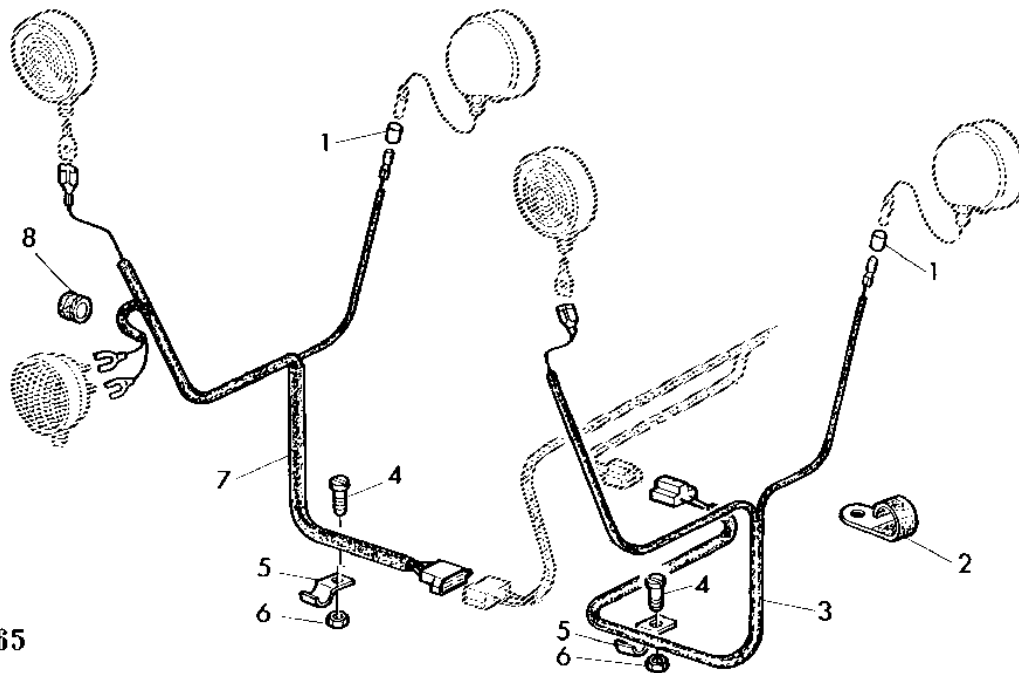
2
0 2
4 1
0 4
S 0

KEY	PART NO.	PART NAME	QTY	SERIAL NO.	REMARKS
1	AL23087	WIRING LEAD	1		X
2	AT31780	WIRING HARNESS	1		X
3	AL32279	WIRING HARNESS	1		X
4	AL32119	WIRING HARNESS	1		X
5	T13744	CLAMP	2		X
6	21H1317	SCREW	2		X NO.10X5/8"
7	99M7055	CLAMP	2		X
8	14H778	NUT	2		X NO.10
9	AL32278	WIRING HARNESS	1		X
10	AT27534	WIRING LEAD	1		X
11	AL17099	WIRING LEAD	1		X
12	AT24549	WIRING LEAD	1		X

1H3

ELECTRICAL SYSTEM

WIRING HARNESS (WITH SHELL-TYPE FENDERS) "SEALED BEAM"
 FAISCEAU (AVEC AILES COOUILLE)"OPTIQUES SCHELLES"
 KABELBAUM (BEI MUSCHELKOTFLUEGEL) "SEALED BEAM"
 GRUPPO CAVI (CON PARAFANGHI CONCHIGLIA) "SEALED BEAM"
 HAZ DE CABLES (CON GUARDABARROS DE CONCHA) "SEALED BEAM"
 KABELHARVA (VID DELTACKANDE STANKSKARMAR) "SEALED BEAM"
 L34865 -UN-06OCT95



L 34865

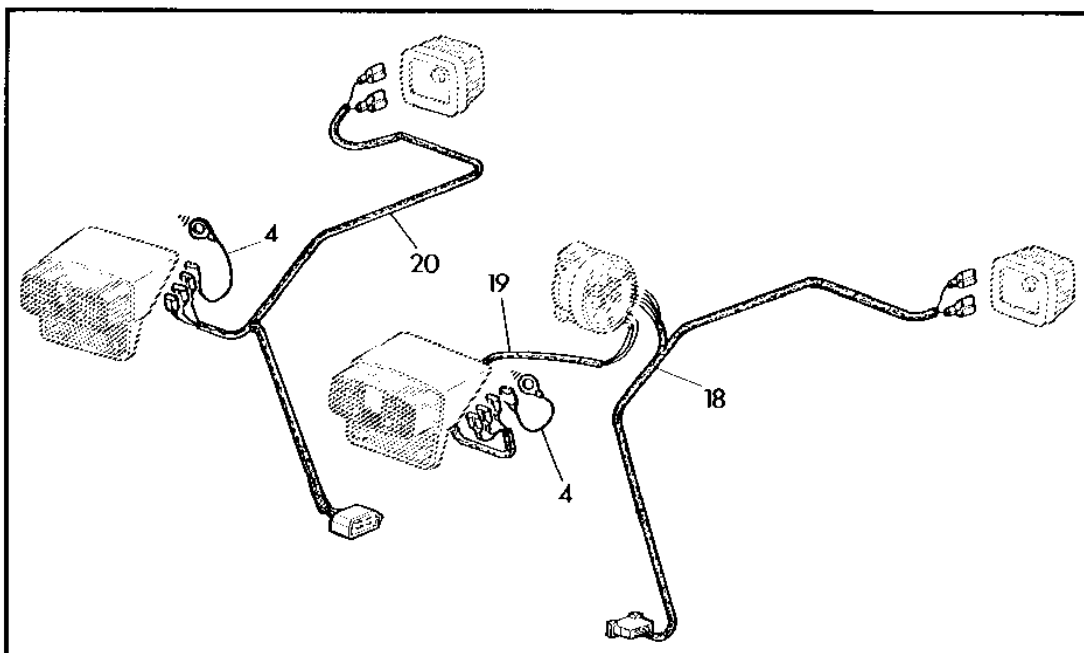
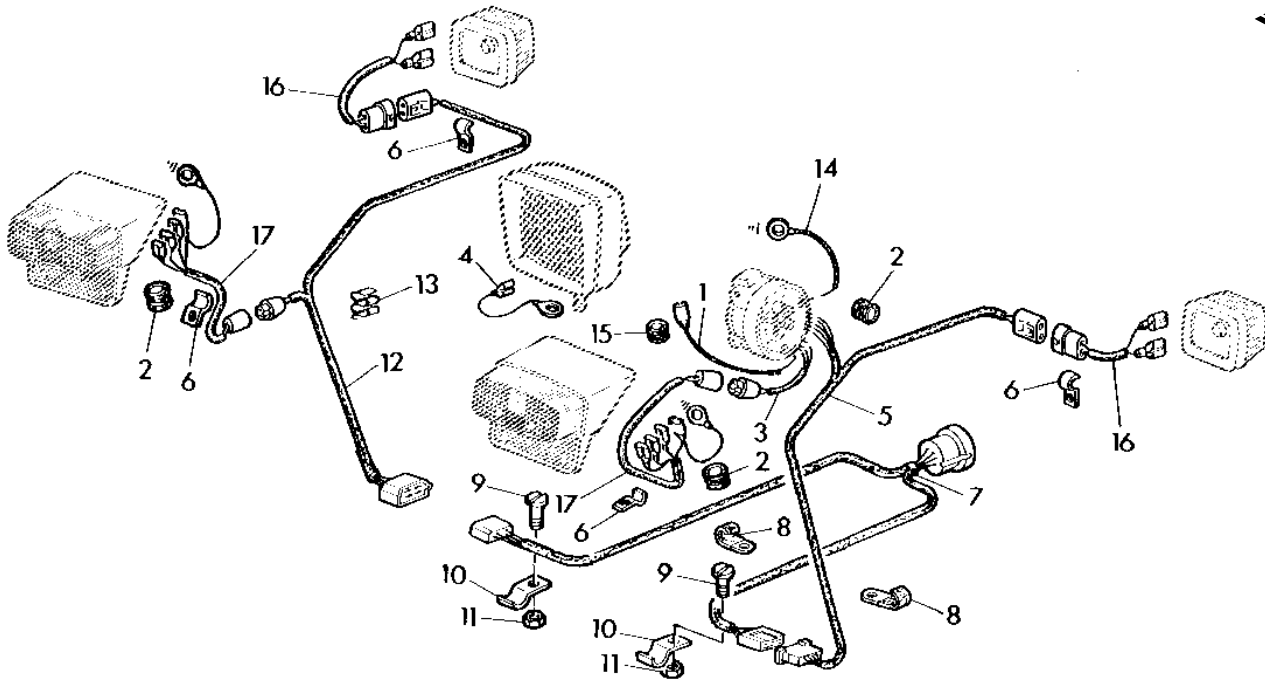
2
0 2
4 1
0 4
S 0

KEY	PART NO.	PART NAME	QTY	SERIAL NO.	REMARKS
1	AL2976T	CONNECTOR	2		X
2	T13744	CLAMP	2		X
3	AL25349	WIRING HARNESS	1		X
4	21H1317	SCREW	2		X NO.10X5/8"
5	99M7055	CLAMP	2		X
6	14H778	NUT	2		X NO.10
7	AL25348	WIRING HARNESS	1		X
8	L13325	GROMMET	1		X

1H4

ELECTRICAL SYSTEM

WIRING HARNESS-WITH WIDE REAR FENDERS
FAISCEAU(AVEC AILES ARRIERE ENVELOPPANTES)
KABELBAUM(BEI DACHKOTFLUEGEL)"BILUX"
GRUPPO CAVI(CON PARAFANGHI LARGHI)
HAZ DE CABLES(CON GUARDABARROS DE TEJADILLO)
KABELHARVA(VID BAKRE BREDA STANKSKARMAR)
L108195 -UN-17JUL95



I. 108195

1H5

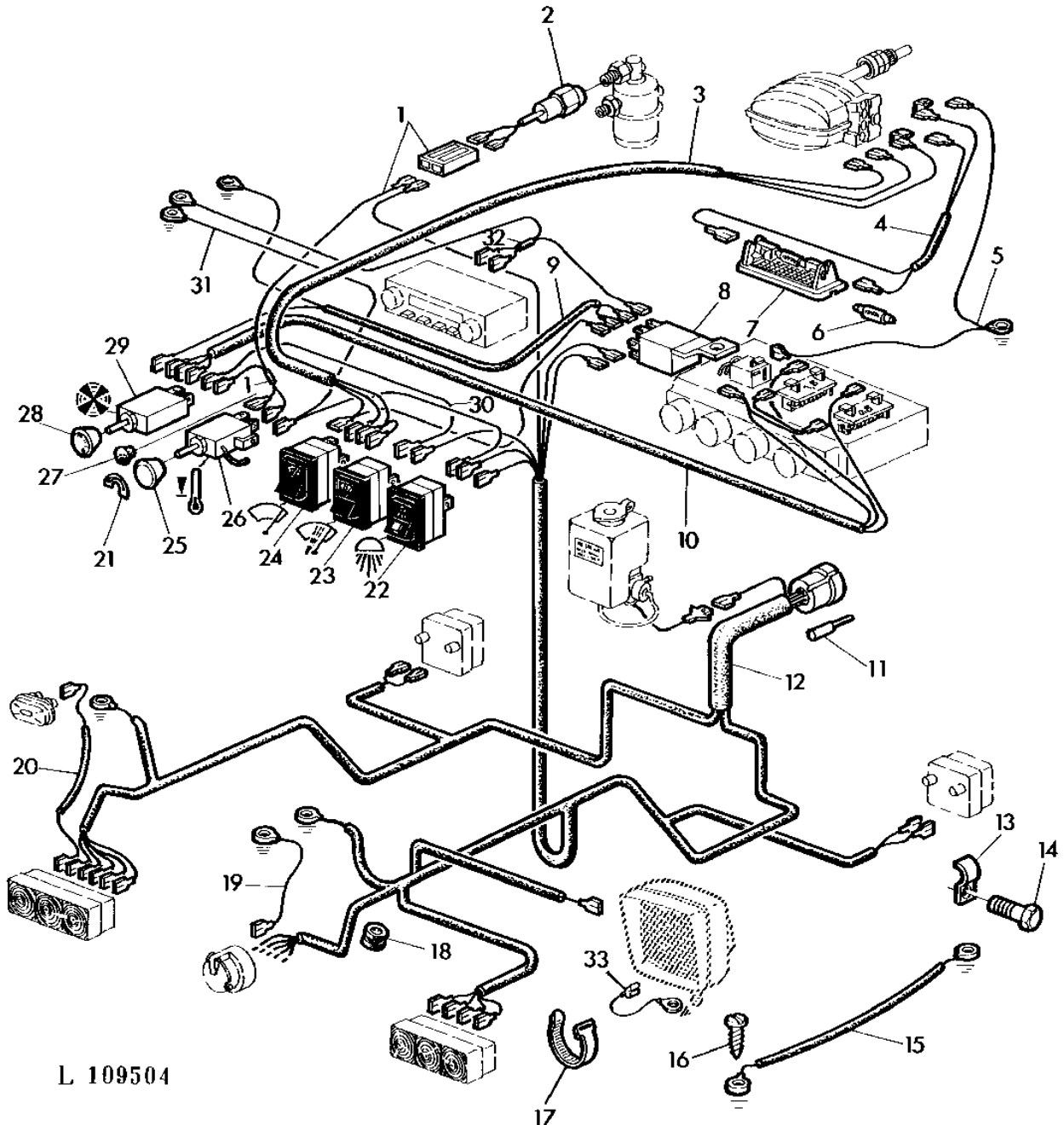
ELECTRICAL SYSTEM

KEY	PART NO.	PART NAME	QTY	SERIAL NO.	2 0 2 4 1 0 4 S 0	REMARKS
1	AL23088	WIRING LEAD	1		X X	
2	L12807	GROMMET	3		X X	
3	AL39919	WIRING HARNESS	1		X X	
4	AT24549	WIRING LEAD	3		X X	
5	AL39917	WIRING HARNESS	1		X X	
6	Z22588	CLAMP	6		X X	
7	AL32119	WIRING HARNESS	1		X X	
8	T13744	CLAMP	2		X X	
9	21H1317	SCREW	2		X X	NO.10X5/8"
10	99M7055	CLAMP	2		X X	
11	14H778	NUT	2		X X	NO.10
12	AL39918	WIRING HARNESS	1		X X	
13	T41072	CLIP	10		X X	
14	AL17099	WIRING LEAD	1		X X	
15	L13325	GROMMET	1		X X	
16	AL38893	WIRING HARNESS	2		X X	
17	AL38894	WIRING HARNESS	2		X X	
18	AL32129	WIRING HARNESS	1		X X	(ORD AL39917, AL38893)
19	AL32131	POWER CORD	1		X X	(ORD AL39919, AL38894)
20	AL32130	WIRING HARNESS	1		X X	(ORD AL39918, AL38893, AL38894)

1H6

ELECTRICAL SYSTEM

WIRING HARNESS-OPU CAB
FAISCEAU DE LA CABINE PPI
KABELBAUM FSC KABINE
GRUPPO-CAVI-CABINA OPU
MAZA DE CABLES DE LA CABINA DE SEGURIDAD
KABELHARVA OPU FORARHYTT
L109504 -UN-06OCT95



L 109504

1H7

ELECTRICAL SYSTEM

KEY	PART NO.	PART NAME	QTY	SERIAL NO.	REMARKS
				2	
				0 2	
				4 1	
				0 4	
				S 0	
1	AL34696	WIRING HARNESS	1		X (A)
2	AL32933	SENDER	1		X (A)
3	AL34677	WIRING HARNESS	1		X X
4	AL34680	WIRING HARNESS	1		X X
5		1		X X NSEP (ORD AL28606)
6	57M6511	BULB	1		X X 12V,10W
7	AL25927	LAMP	1		X X
8	AL58367	RELAY	1		X X (SUB FOR AL29657)
9	AL28611	WIRING HARNESS	1		X X
10	AL28606	WIRING HARNESS	1		X X KEY 5
11	L83900	ELECTRICAL PLUG	AR		X X
12	AL34577	WIRING HARNESS	1		X X
13	H75541	CLAMP	1		X X
14	19H2021	CAP SCREW	1		X X 3/8"X5/8"
15	AL25986	WIRING LEAD	1		X X
16	37M7024	SCREW	1		X X 4,8X16MM
17	R44302	TIE BAND	2		X X
18	L12807	GROMMET	4		X X
19	AL17099	WIRING LEAD	1		X X
20	AL34721	WIRING LEAD	1		X X
21	L36400	LABEL	1		X (A)
22	AL29660	SWITCH	1		X X
23	AL29659	SWITCH	1		X X
24	AL29658	SWITCH	1		X X
25	AL28621	KNOB	1		X (A)
26	AL28603	SWITCH	1		X (A)
27	L33597	PLUG	1		X X (B)
28	AL28619	KNOB	1		X X
29	AL28604	SWITCH	1		X X
30	AL34679	POWER CORD	1		X X
31	AL34681	POWER CORD	1		X (A)
32	AL27999	WIRING HARNESS	1		X X
33	AT24549	WIRING LEAD	1		X X

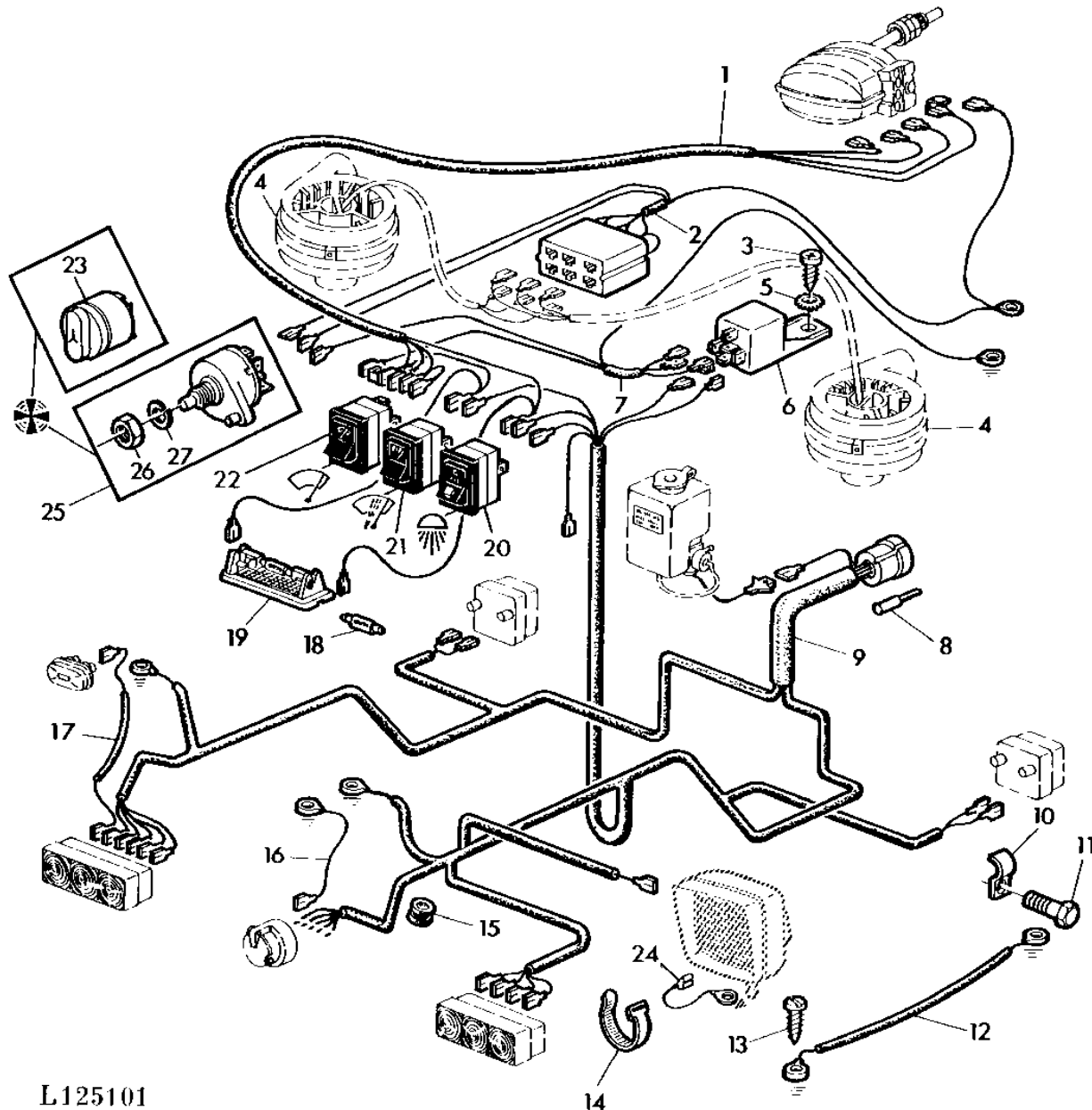
(A) WITH AIR CONDITIONING
 AVEC CLIMATISATION
 BEI KLIMAANLAGE
 CON IMPIANTO D'ARIA CONDIZIONATA
 CON SISTEMA DE AIRE ACONDICIONADO
 VID LUFTKONDITIONERING

(B) WITHOUT AIR CONDITIONING
 SANS CLIMATISATION
 OHNE KLIMAANLAGE
 SENZA IMPIANTO D'ARIA CONDIZIONATA
 SIN SISTEMA DE AIRE ACONDICIONADO
 UTAN LUFTKONDITIONERING

1H8

ELECTRICAL SYSTEM

WIRING HARNESS-OPU CAB(LOW-TYPE)
FAISCEAU DE LA CABINE PPI AVEC HAUTEUR DE TOIT REDUITE
KABELBAUM-FSC-KABINE BEI REDUZIERTER DACHHOEHE
GRUPPO CAVI-CABINA OPU A TETTO RIBASSATO
MAZA DE CABLES DE LA CABINA DE SEGURIDAD OPU TECHO DE MENOR NOR ALTURA
KABELHARVA-LAGT OPU FORARHYTT
L125101 -UN-09OCT95



L125101

1H9

ELECTRICAL SYSTEM

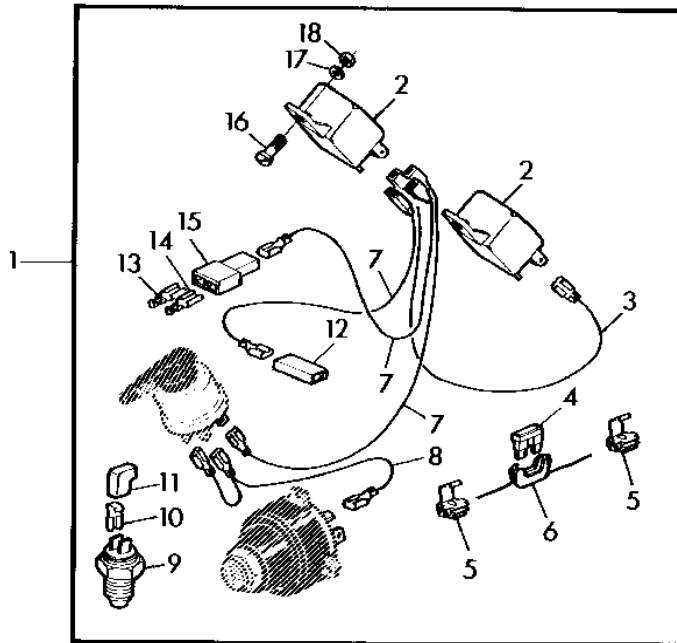
KEY	PART NO.	PART NAME	QTY	SERIAL NO.	REMARKS
					2
					0 2
					4 1
					0 4
					S 0
1	AL34517	WIRING HARNESS	1		X
2	AL34523	WIRING HARNESS	1		X
3	37H47	SCREW	1		X NO.8X1/2"
4		2		X
5	12M7060	WASHER	1		X 5,3MM
6	AL58367	RELAY	1		X (SUB FOR AL29657)
7	AL34524	WIRING HARNESS	1		X
8	L83900	ELECTRICAL PLUG	AR		X
9	AL34577	WIRING HARNESS	1		X
10	H75541	CLAMP	1		X
11	19H2021	CAP SCREW	1		X 3/8"X5/8"
12	AL25986	WIRING LEAD	1		X
13	37M7024	SCREW	1		X 4,8X16MM
14	R44302	TIE BAND	2		X
15	L12807	GROMMET	4		X
16	AL17099	WIRING LEAD	1		X
17	AL34721	WIRING LEAD	1		X
18	57M6511	BULB	1		X 12V,10W
19	AL25927	LAMP	1		X
20	AL29660	SWITCH	1		X
21	AL29659	SWITCH	1		X
22	AL29658	SWITCH	1		X
23	AL34530	SWITCH	1		X (ORD AL67052)
24	AT24549	WIRING LEAD	1		X
25	AL67052	KIT	1		X
26	R44165	LOCK NUT	1		X
27	H20551	LOCK WASHER	1		X

1H10

ELECTRICAL SYSTEM

CONVERSION KIT-NEUTRAL START SWITCH WITH REED CONTACTS
 JEU ADAPTATION-INTERRUPTEUR SECURITE DEMARRAGE/BILAMES REED
 UMRUESTSATZ-ANLASSICHERHEITSSCHALTER MIT REED-KONTAKT
 KIT CONVERSIONE-INTERR.SICUREZZA AVVIAM.CON CONTATTI REED
 CONJ.DE MODIF.-INTERRUPTOR SEGURIDAD DE ARRANQUE/RILAMINA REED
 MODIFIERINGSATS-STARTSPARRKONTAKT MED REED-KONTAKTER

L121162 -UN-07JUL95



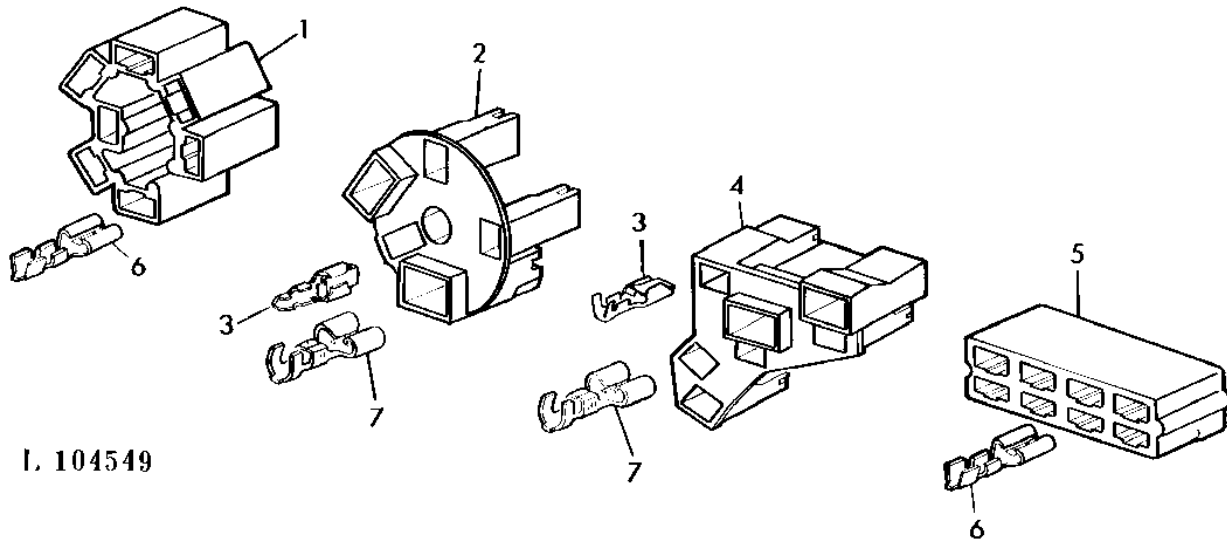
L121162

KEY	PART NO.	PART NAME	QTY	SERIAL NO.	REMARKS
				2	
				0 2	
				4 1	
				0 4	
				S 0	
1	AL60892	KIT	1	X X	
2	AL61470	RELAY	2	X X	
3	AL56117	GROUND CABLE	1	X X	
4	57M7171	FUSE	1	X X	0,5A
5	57M7095	CONNECTOR	2	X X	
6	AL58768	FUSE HOLDER	1	X X	
7	AL56010	WIRING LEAD	3	X X	
8	AL56011	WIRING LEAD	1	X X	
9	AL58356	SWITCH	1	X X	
10	57M7109	TERMINAL	2	X X	
11	57M7115	INSULATING SLEEVE	2	X X	
12	57M7073	CONNECTOR	1	X X	
13	57M7044	RECEPTACLE	1	X X	
14	57M7045	RECEPTACLE	1	X X	
15	57M7107	CONNECTOR	1	X X	
16	21M7278	SCREW	1	X X	M5X10
17	24M7087	WASHER	1	X X	5,5X10X1MM
18	14M7028	NUT	1	X X	M5

1H11

ELECTRICAL SYSTEM

CABLE CLIPS CONNECTORS AND PLUGS
 PRISES ELECTRIQUES
 STECKVERBINDER FUER ELEKTRIK
 CONNETTORI E DISTRIBUTORI ELETTRICI
 REGLETAS DE CONEXIONES Y DISTRIBUIDORES ELECTRICOS
 KOPPLINGSPLINTEN OCH STICKANSLUTNINGAR
 L104549 -UN-11JUL95



I. 104549

2
0 2
4 1
0 4
S 0

KEY	PART NO.	PART NAME	QTY	SERIAL NO.	REMARKS
1	L36996	RECEPTACLE CONNECTOR BODY	AR	X X (A)	
2	L37848	HOUSING	AR	X X (A)	
3	57M7089	RECEPTACLE	AR	X X (A) (B) (C)	-2,0MM2/6,3MM
4	L37847	RECEPTACLE CONNECTOR BODY	AR	X X (A)	
5	L35169	RECEPTACLE CONNECTOR BODY	AR	X X (A)	
6	57M7041	RECEPTACLE	AR	X X (A) (B) (C)	-2,5MM2/6,3MM
7	57M7071	RECEPTACLE	AR	X X (B) (C)	-10,0MM2/9,5MM

(A) BILUX LIGHTING SYSTEM
 SYSTEME BILUX
 BILUX-SYSTEM
 SISTEMA BILUX
 SISTEMA BILUX
 BILUX EL SYSTEM

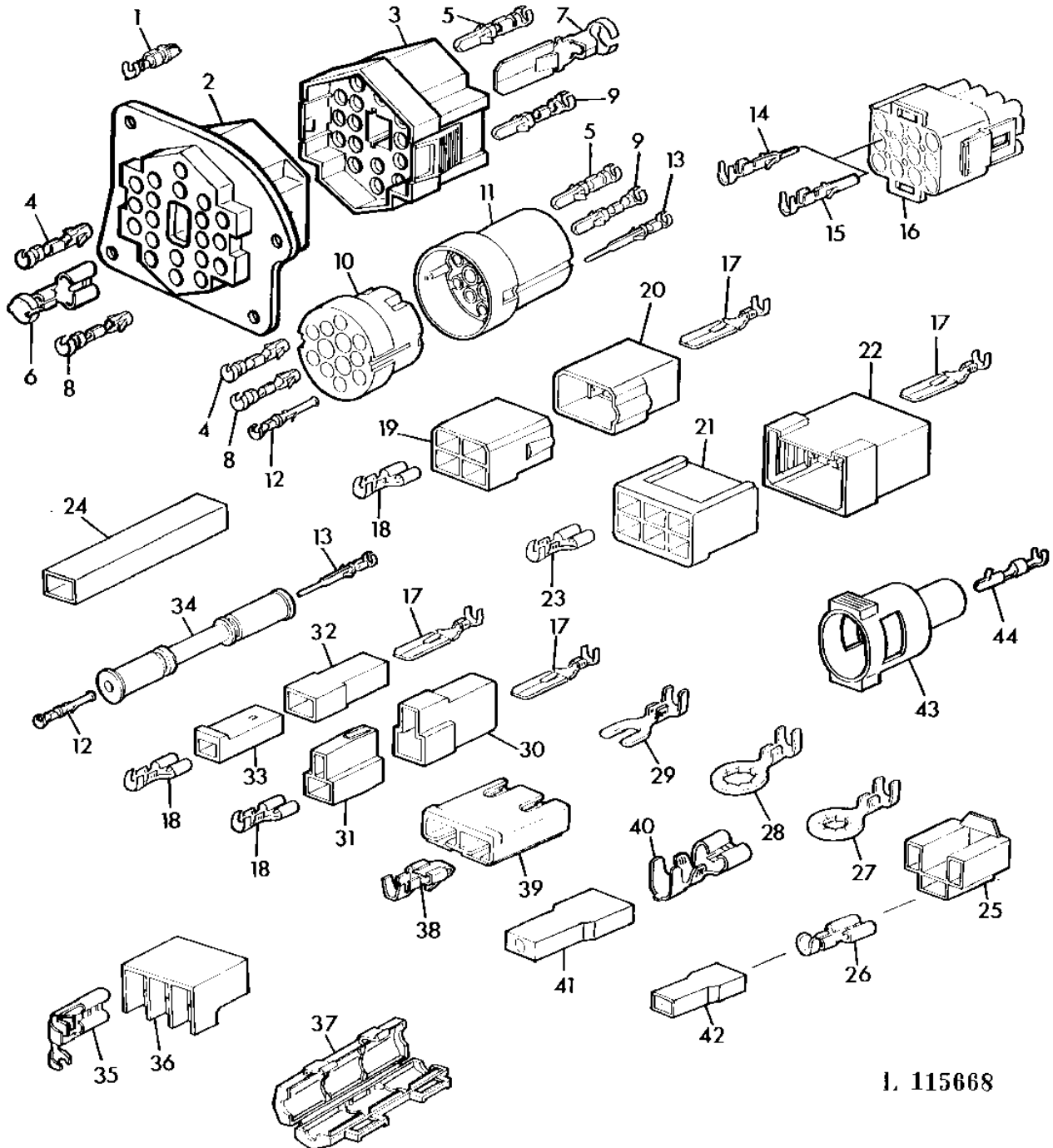
(B) SEALED-BEAM LIGHTING SYSTEM
 SYSTEME SEALED BEAM
 SEALED-BEAM-SYSTEM
 SISTEMA SEALED BEAM
 SISTEMA SEALED BEAM
 SEALED BEAM EL-SYSTEM

(C) CABLE GAUGEPLUG WIDTH
 JAUGE DE CABLELARGEUR DE PRISE
 KABELQUERSCHNITT STECKERBREITE
 DIAM. CAVOLARH. CONNETTORE
 SECCION DE CABLEANCHURA ENCHUFE
 KABELDIAM. BREDD AV KONTAKT

1H12

ELECTRICAL SYSTEM

CABLE CLIPS;CONNECTORS AND PLUGS
PRISES ELECTRIQUES
STECKVERBINDER FUER ELEKTRIK
CONNETTORI E DISTRIBUTORI ELETTRICI
REGLETAS DE CONEXIONES Y DISTRIBUIDORES ELECTRICOS
KOPPLINGSPLINTEN OCH STICKKONTAKTER
L115668 -UN-12JUL95



I. 115668

1H13

ELECTRICAL SYSTEM

KEY	PART NO.	PART NAME	QTY	SERIAL NO.	REMARKS
				2	
				0 2	
				4 1	
				0 4	
				S 0	
1	L36683	PIN CONTACT	AR	X X	(B) (C) -2,3MM2/4,0MM
2	L56765	SOCKET CONT.CONNECTOR BODY	AR	X X	(A) (B) (SUB FOR L35418, L37799)
3	L37798	RECEPTACLE CONNECTOR BODY	AR	X X	(A) (B) (SUB FOR L35419)
4	L36681	SOCKET CONTACT	AR	X X	(A) (B) (C) -4,0MM2/3,5MM
5	L35423	PIN CONTACT	AR	X X	(A) (B) (C) -4,0MM2/3,5MM
6	57M7071	RECEPTACLE	AR	X X	(A) (B) (C) -10,0MM2/9,5MM
7	57M7040	TAB	AR	X X	(A) (B) (C) -10,0MM2/9,5MM
8	L36685	SOCKET CONTACT	AR	X X	(A) (B) (C) -2,0MM2/3,5MM
9	L36670	PIN CONTACT	AR	X X	(A) (B) (C) -2,0MM2/3,5MM
10	L35420	PIN CONTACT CONNECTOR BODY	AR	X X	(A) (B)
11	L35421	PIN CONTACT CONNECTOR BODY	AR	X X	(A) (B)
12	L35424	SOCKET CONTACT	AR	X X	(A) (B) (C) -2,5MM2/1,6MM
13	L35425	PIN CONTACT	AR	X X	(A) (B) (C) -2,5MM2/1,6MM
14	L36682	PIN CONTACT	AR	X X	(A) (B) (C) -2,5MM2/2,1MM
15	L36668	SOCKET CONTACT	AR	X X	(A) (B) (C) -2,5MM2/2,1MM
16	L36667	CONNECTOR BODY,(PIN&SOCKET	AR	X X	(A) (B)
17	57M7039	TAB	AR	X X	(A) (B) (C) -2,5MM2/6,3MM
18	57M7041	RECEPTACLE	AR	X X	(A) (B) (C) -2,5MM2/6,3MM
19	57M7060	RECEPTACLE CONNECTOR BODY	AR	X X	(A) (B)
20	57M7061	TAB CONNECTOR BODY	AR	X X	(A) (B)
21	L39317	RECEPTACLE CONNECTOR BODY	AR	X X	(A) (B)
22	57M7059	TAB CONNECTOR BODY	AR	X X	(A) (B)
23	57M7089	RECEPTACLE	AR	X X	(A) (B) (C) -2,0MM2/6,3MM
24	57M7073	CONNECTOR	AR	X X	(A) (B) (C) -/6,3MM
25	57M7064	RECEPTACLE CONNECTOR BODY	AR	X X	(A)
26	57M7038	RECEPTACLE	AR	X X	(A) (B) (C) -1,5MM2/8,0MM
27	57M7083	TERMINAL	AR	X X	(A) (B) (C) -2,5MM2/10,5MM
28	57M7087	TERMINAL	AR	X X	(A) (B) (C) -1,0MM2/8,4MM
29	57M7093	TERMINAL	AR	X X	(A) (B) (C) -1,0MM2/4,0MM
30	57M7066	TAB CONNECTOR BODY	AR	X X	(A) (B)
31	57M7065	RECEPTACLE CONNECTOR BODY	AR	X X	(A) (B)
32	57M7068	TAB CONNECTOR BODY	AR	X X	(A) (B) (C) -/6,3MM
33	57M7067	RECEPTACLE CONNECTOR BODY	AR	X X	(A) (B) (C) -/6,3MM
34	L36710	ROUND CONNECTOR	AR	X X	(B)
35	57M7069	RECEPTACLE	AR	X X	(A) (B) (C) -2,5MM2/6,3MM
36	57M7062	RECEPTACLE CONNECTOR BODY	AR	X X	(A) (B)
37	L31124	INSULATING CAPSULE	AR	X X	(B)
38	U46662	TERMINAL	AR	X X	(A) (B) (C) -2,1MM2/6,3MM (SUB FOR L36676)
39	R77480	CONNECTOR	AR	X X	(A) (B) (SUB FOR L36675)
40	57M7046	RECEPTACLE	AR	X X	(A) (B) (C) -6,0MM2/9,5MM
41	57M7072	INSULATING SLEEVE	AR	X X	(A) (B) (C) -/9,5MM
42	57M7033	INSULATING SLEEVE	AR	X X	(A) (B) (C) -/6,3MM
43	AL34425	CASE	AR	X X	(A) (B)
44	L36669	PIN CONTACT	AR	X X	(A) (B) (C) -1,0MM2/2,1MM

(A) BILUX LIGHTING SYSTEM
 SYSTEME BILUX
 BILUX-SYSTEM
 SISTEMA BILUX
 SISTEMA BILUX
 BILUX EL SYSTEM

(B) SEALED-BEAM LIGHTING SYSTEM
 SYSTEME SEALED BEAM
 SEALED-BEAM-SYSTEM
 SISTEMA SEALED BEAM
 SISTEMA SEALED BEAM
 SEALED BEAM EL-SYSTEM

(C) CABLE GAUGEPLUG WIDTH
 JAUGE DE CABLELARGEUR DE PRISE
 KABELQUERSCHNITT STECKERBREITE
 DIAM. CAVOLARH. CONNETTORE
 SECCION DE CABLEANCHURA ENCHUFE
 KABELDIAM. BREDD AV KONTAKT

1H14

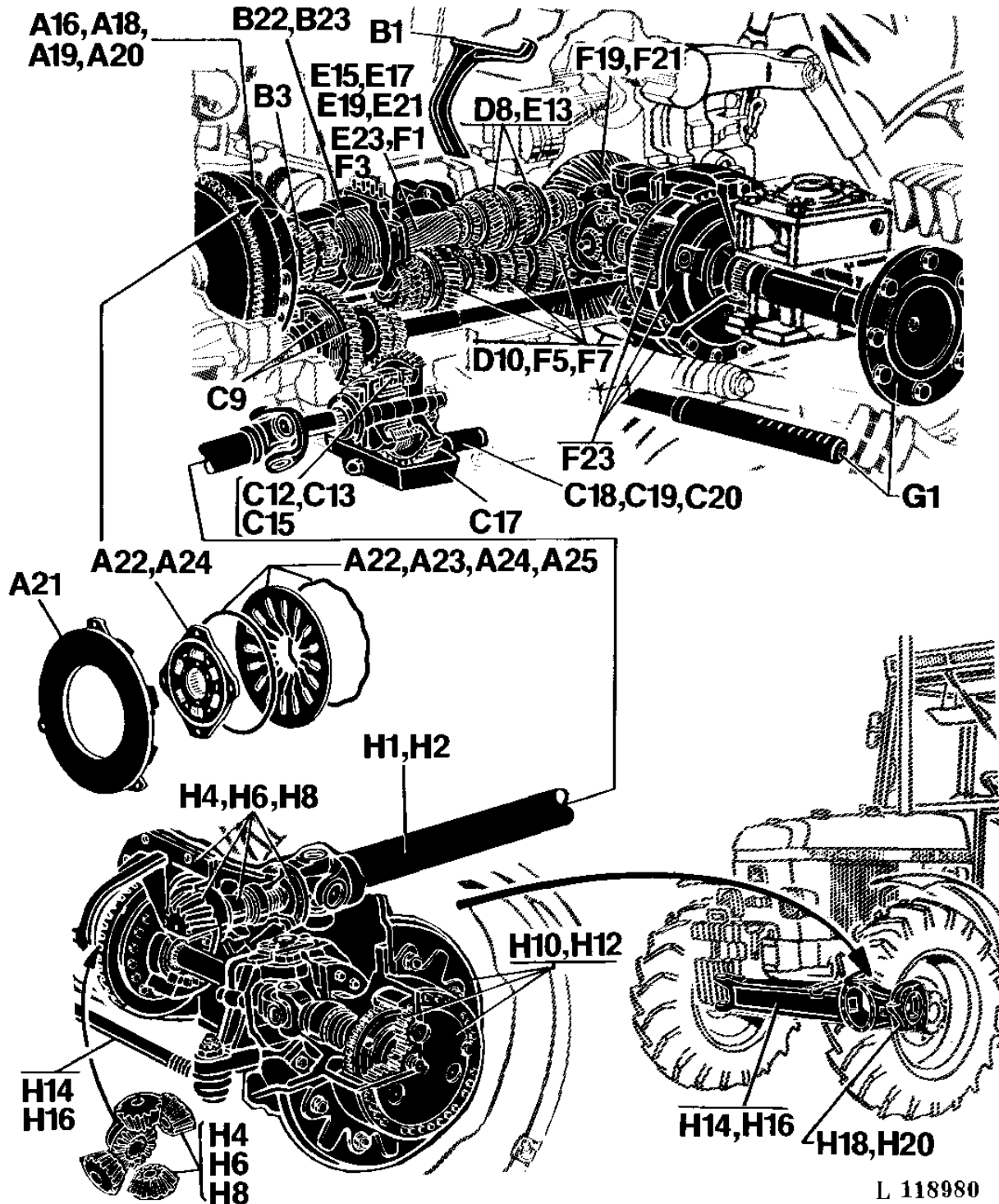
ELECTRICAL SYSTEM

MEMORANDA
MEMORANDA
MEMORANDA
MEMORANDA
MEMORANDA

2A5

POWER TRAIN

SECTIONAL INDEX
INDEX DE SECTION
GRUPPENINDEX
INDICE DELLA SEZIONE
INDICE DE SECCION
GRUPPSFORTECKNING
L118980 -UN-09OCT95

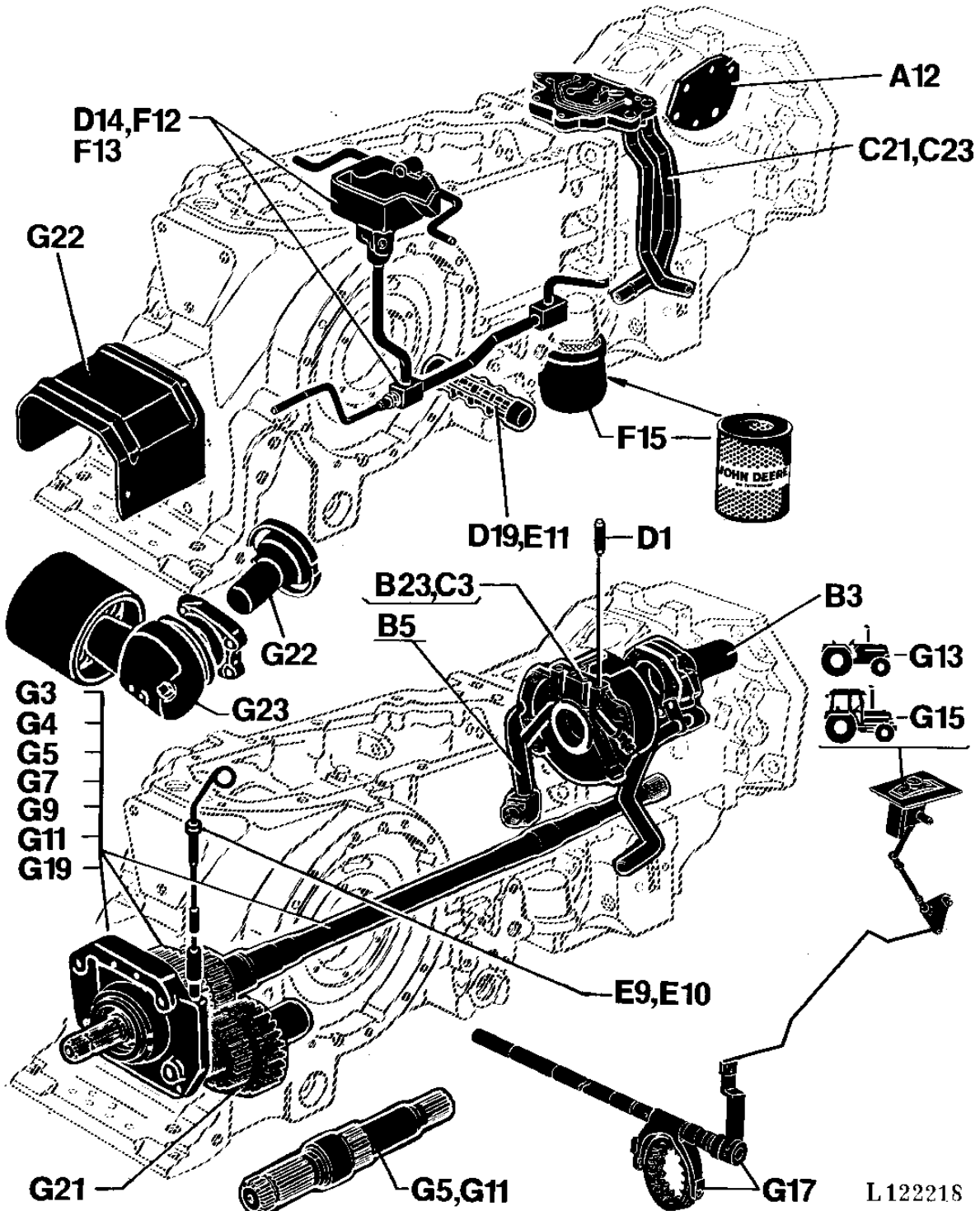


L 118980

2A6

POWER TRAIN

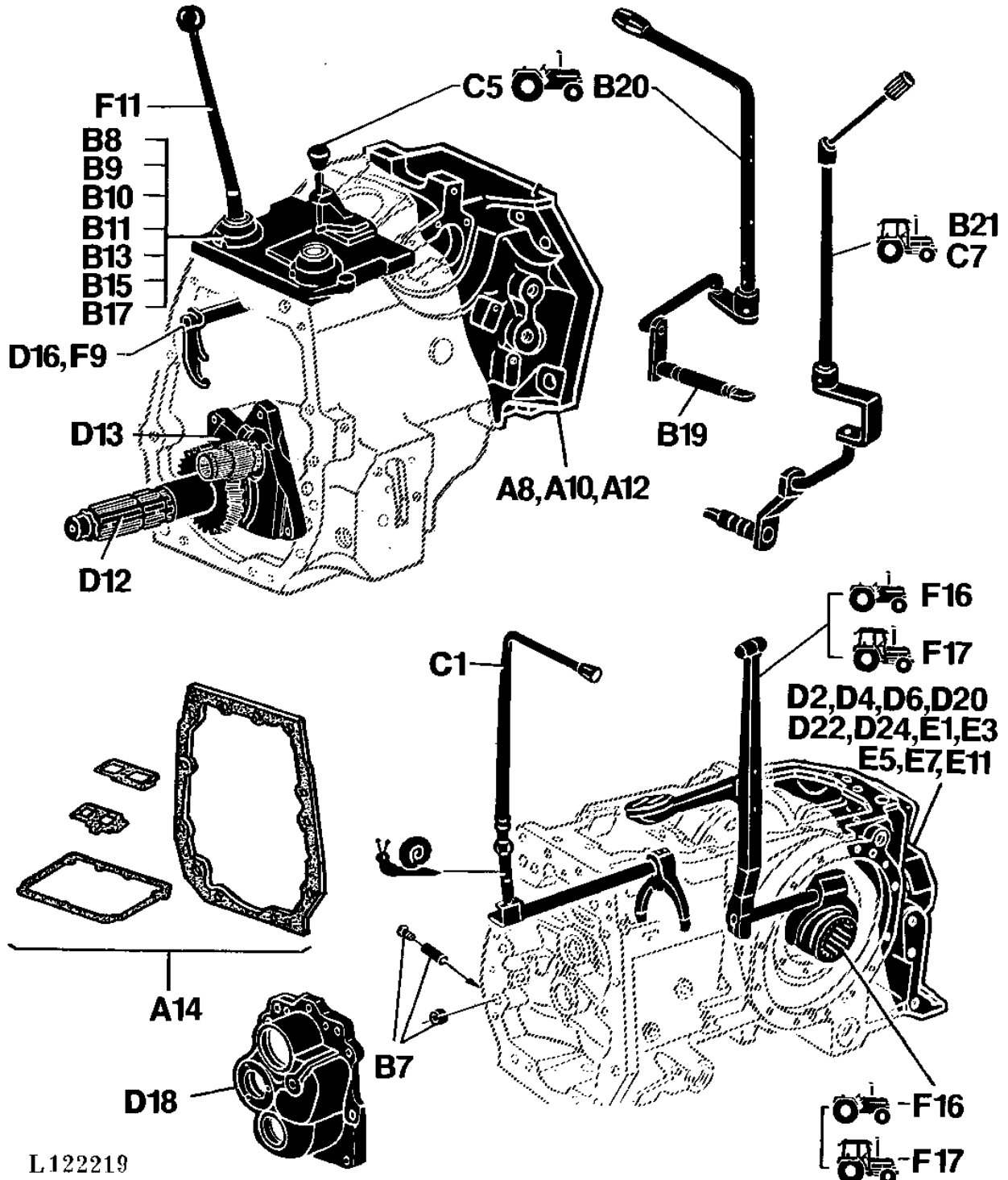
SECTIONAL INDEX
INDEX DE SECTION
GRUPPENINDEX
INDICE DELLA SEZIONE
INDICE DE SECCION
GRUPPSFORTECKNING
L122218 -UN-09OCT95



2A7

POWER TRAIN

SECTIONAL INDEX
INDEX DE SECTION
GRUPPENINDEX
INDICE DELLA SEZIONE
INDICE DE SECCION
GRUPPSFORTECKNING
L122219 -UN-09OCT95

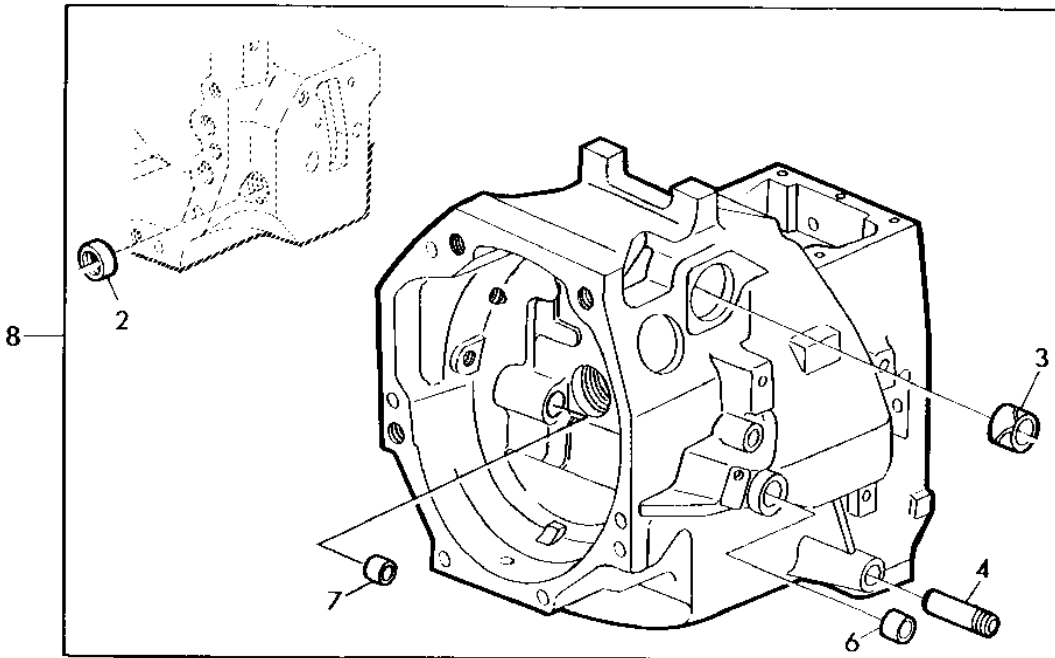
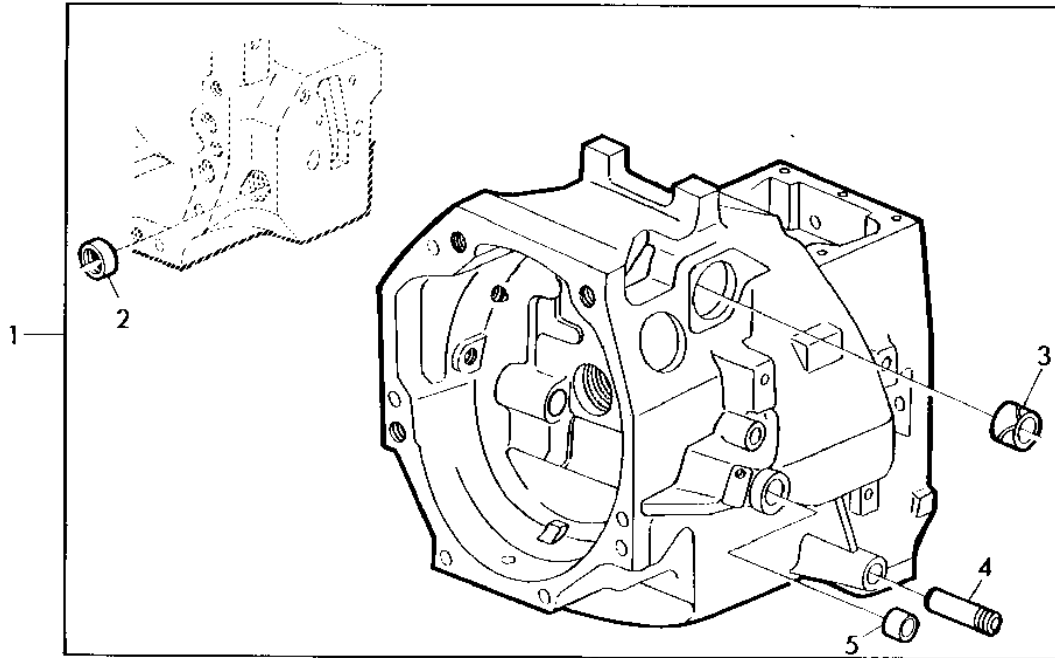


L122219

2A8

POWER TRAIN

CLUTCH HOUSING
CARTER D'EMBRAYAGE
KUPPLUNGSGEHAUSE
SCATOLA FRIZIONE
CARTER DEL EMBRAGUE
KOPPLINGSHUS
L109056 -UN-06OCT95



109056

2A9

POWER TRAIN

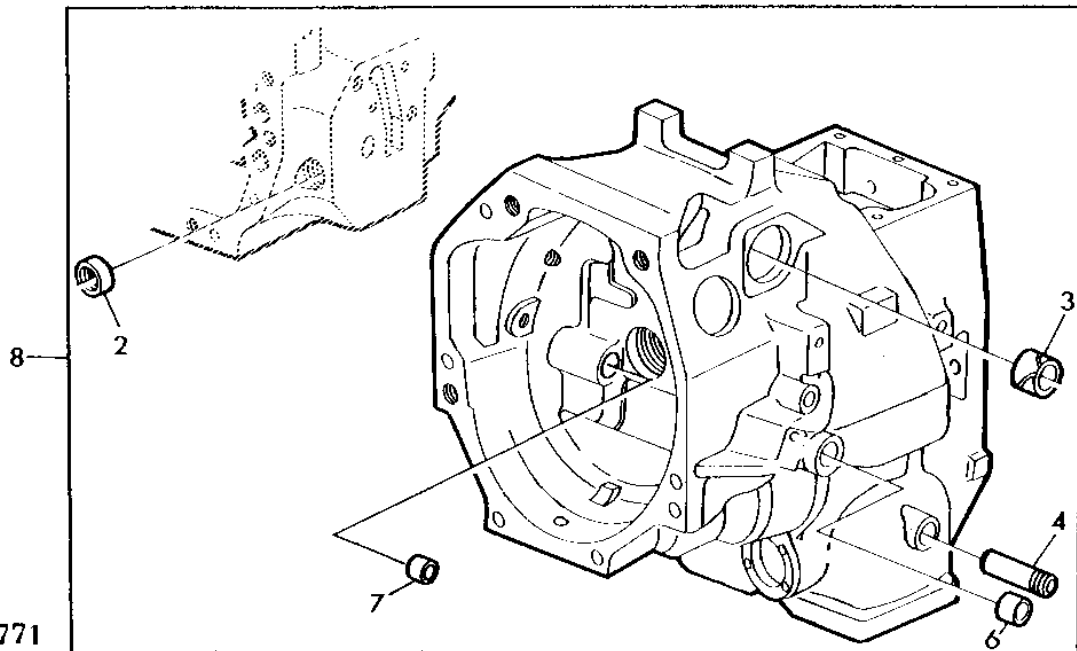
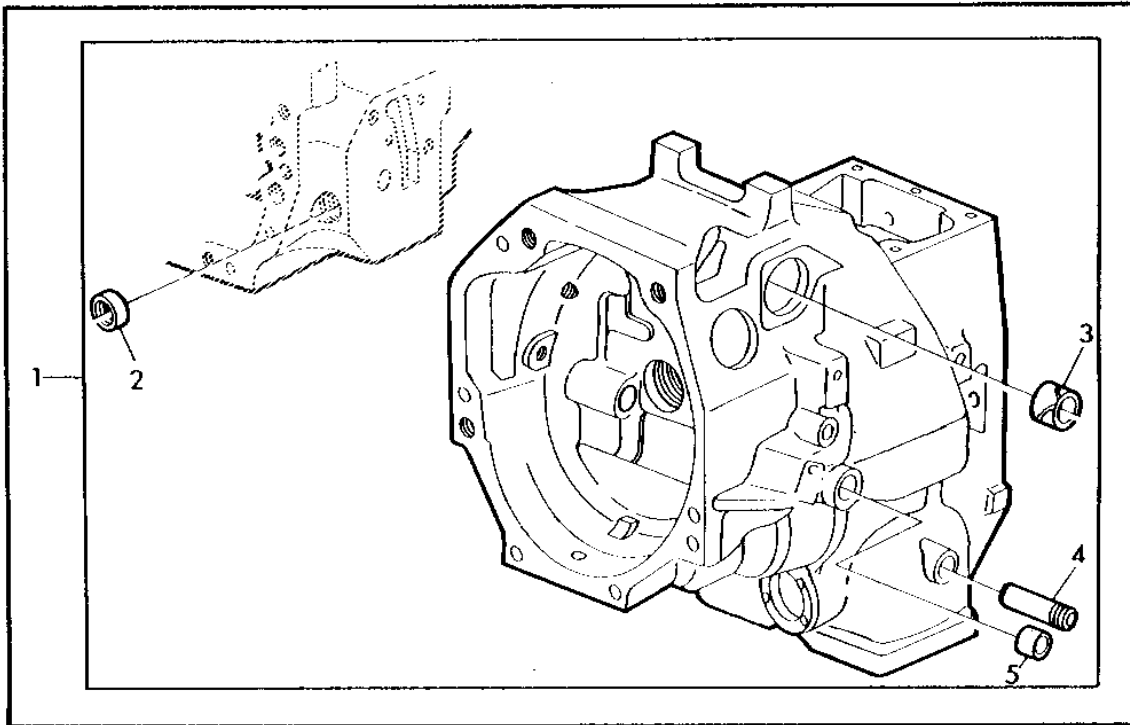
KEY	PART NO.	PART NAME	QTY	SERIAL NO.	REMARKS
					2 0 2 4 1 0 4 S 0
1	AL28917	HOUSING	1	X X	(MARKED L33388) (ORD AL37858, AL37861, L40897)
	AL28917	HOUSING	1	X X	(A) (MARKED L33388) (ORD W/ AL39931, L40897)
2	T28797	VALVE SEAT INSERT	1	X X	
3	L64255	BUSHING	1	X X	(SUB FOR T21445)
4	T21448	PIN	1	X X	
5	T21446	BUSHING	1	X X	
6	L39935	BUSHING	1	X X	28X32X20MM
7	L40445	BUSHING	1	X X	28X31X20MM
8	AL37858	HOUSING	1	X X	(MARKED L39934)

(A) WITH OPU CAB
 AVEC CABINE PPI
 BEI FSC-KABINE
 CON CABINA OPU
 CON CABINA DE SEGURIDAD
 VID OPU FORARHYTT

2A10

POWER TRAIN

CLUTCH HOUSING(WITH FRONT WHEEL DRIVE)
CARTER D'EMBRAYAGE(AVEC PONT AVANT)
KUPPLUNGSGEHAEUSE(BEI FRONTANTRIEB)
SCATOLA FRIZIONE(CON TRAZIONE ANTERIORE)
CARTER DEL EMBRAGUE(CON TRACCION-DELANTERA)
KOPPLINGSHUS(VID FRAMHJULSDRIFT)
L104771 -UN-01JAN94



L 104771

2A11

POWER TRAIN

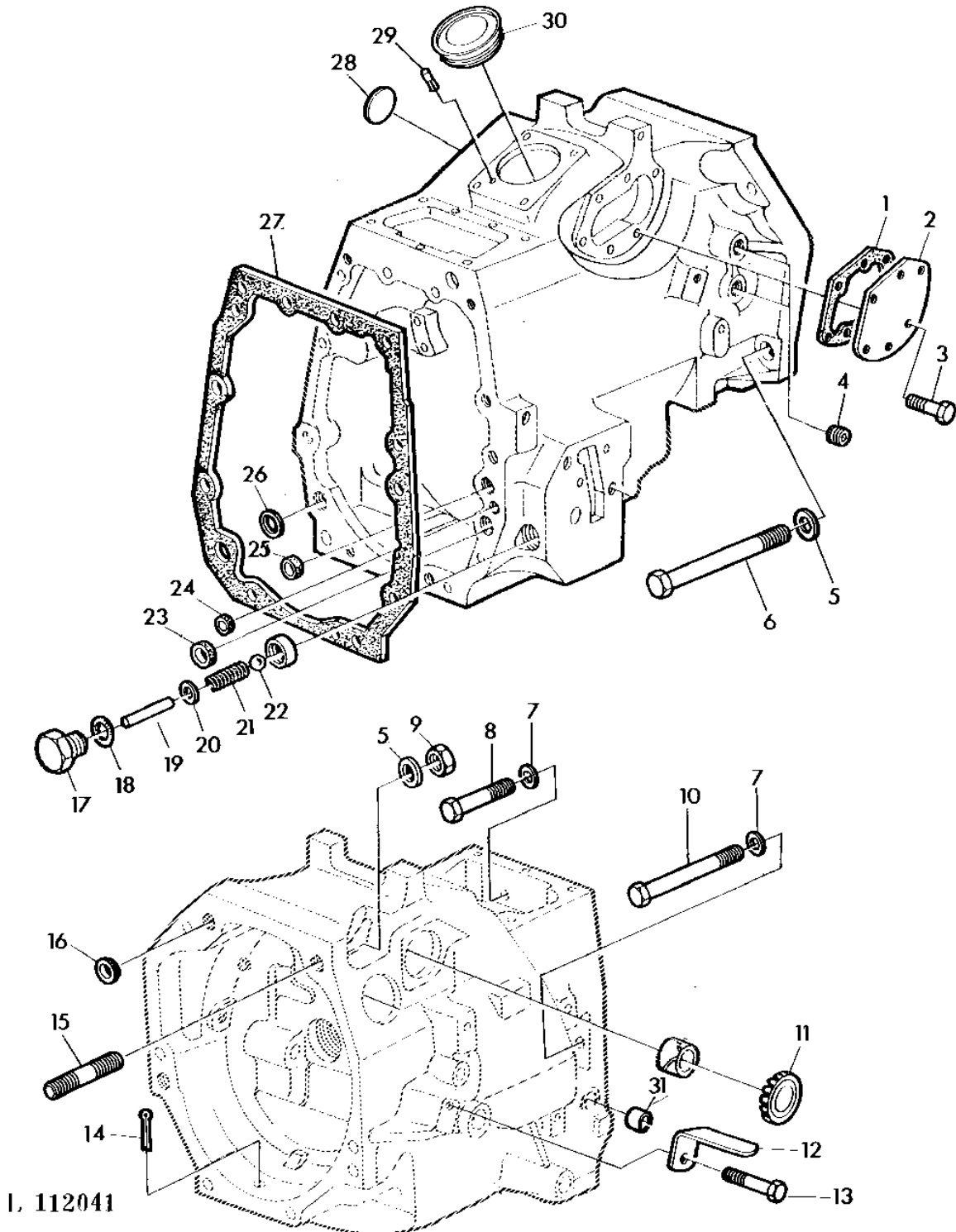
KEY	PART NO.	PART NAME	QTY	SERIAL NO.	REMARKS
					2 0 2 4 1 0 4 S 0
1	AL28740	HOUSING	1	X X	(MARKED L33179) (ORD AL38671, AL37861, L41324, L40897, L62773, R34140, L39490, L39491, L39495, JD10234, 48M7038)
	AL28740	HOUSING	1	X X	(A) (ORD AL38671, AL66710, L41324, L40897, L62773, R34140, JD10234, L39490, L39491, L39495, 48M7038)
	AL37279	HOUSING	1	X X	(MARKED L39493) (ORD AL38671, AL37861, L41324, L40897)
	AL37279	HOUSING	1	X X	(A) (ORD AL38671, AL66710, L41324, L40897)
2	T28797	VALVE SEAT INSERT	1	X X	
3	L64255	BUSHING	1	X X	(SUB FOR T21445)
4	T21448	PIN	1	X X	
5	T21446	BUSHING	1	X X	
6	L39935	BUSHING	1	X X	28X32X20MM
7	L40445	BUSHING	1	X X	28X31X20MM
8	AL38671	HOUSING	1	X X	(MARKED L39731)

(A) WITH OPU CAB
 AVEC CABINE PPI
 BEI FSC-KABINE
 CON CABINA OPU
 CON CABINA DE SEGURIDAD
 VID OPU FORARHYTT

2A12

POWER TRAIN

CLUTCH HOUSING
CARTER D'EMBRAYAGE
KUPPLUNGSGEHAUSE
SCATOLA FRIZIONE
CARTER DEL EMBRAGUE
KOPPLINGSHUS
L112041 -UN-06OCT95



2A13

POWER TRAIN

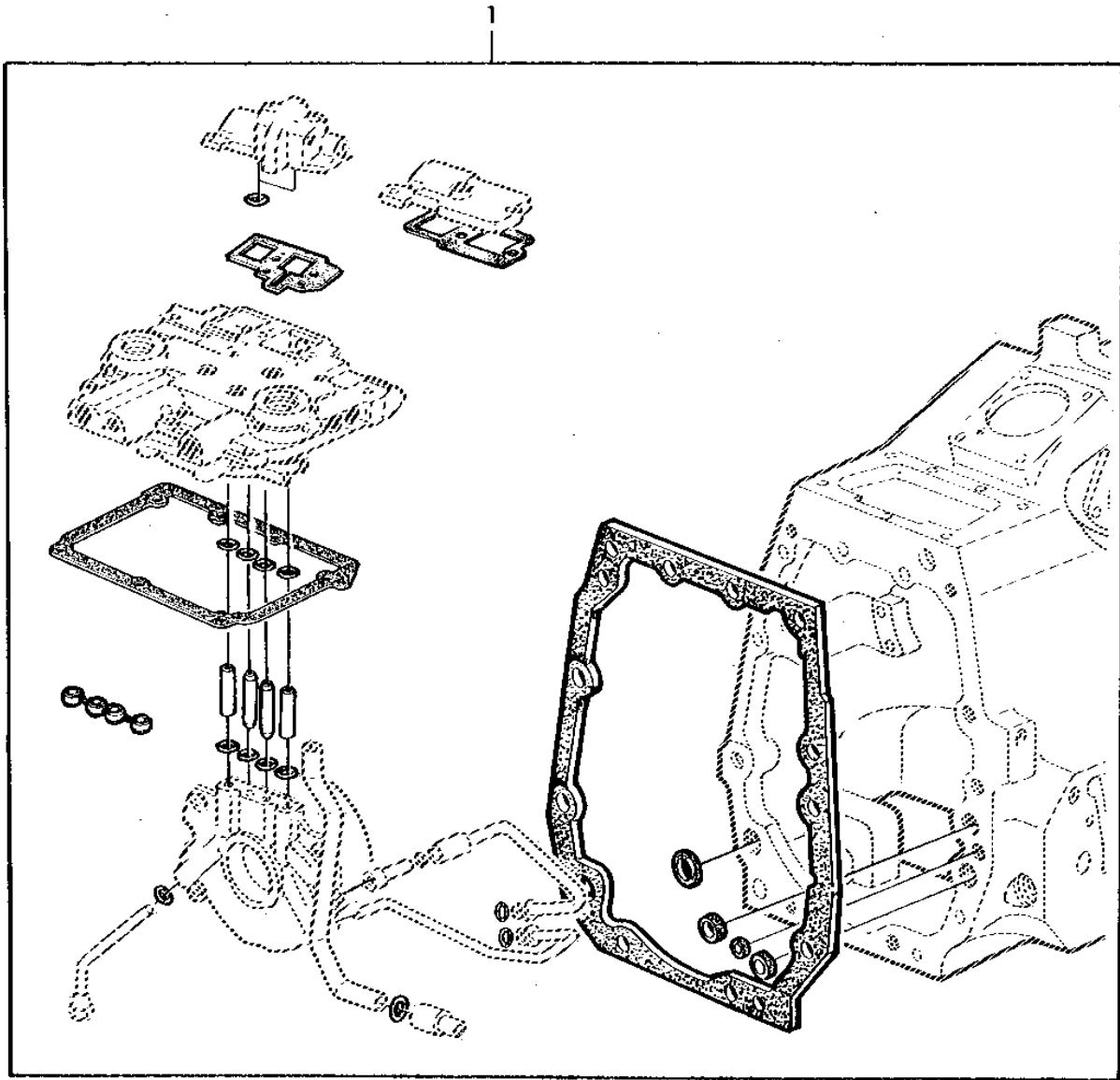
KEY	PART NO.	PART NAME	QTY	SERIAL NO.	REMARKS
					2
					0 2
					4 1
					0 4
					S 0
1	L61963	GASKET	1	X X	(SUB FOR L33750, L36701)
2	L36937	COVER	1	X X	(A) (SUB FOR R68721)
3	19H1936	CAP SCREW	6	X X	(A) 3/8"X3/4"
4	L34121	DRAIN PLUG	2	X X	
5	R42363	WASHER	4	X X	
6	19H1926	CAP SCREW	2	X X	5/8"X4-3/4"
7	L30695	WASHER	3	X X	
8	19H2735	CAP SCREW	2	X X	1/2"X2"
9	14H1039	NUT	2	X X	5/8"
10	19H3057	CAP SCREW	1	X X	1/2"X2-3/4"
11	AL24554	PLUG	2	X X	
12	T22531	BRACKET	1	X X	
13	19H3239	CAP SCREW	1	X X	3/8"X1-1/4"
14	11M7028	COTTER PIN	1	X X	5X32MM
15	L29854	STUD	2	X X	5/8"
16	L35628	SEAL	1	X X	I.D.=16,8MM(.66")
17	L40568	PIPE PLUG	1	X X	1-1/16" (SUB FOR R27175 APPL)
18	F3171R	O-RING	1	X X	
19	T22850	PIN	1	X X	
20	24H1685	WASHER	AR	X X	3/4"X11/32"X.075"
21	T14059	SPRING	1	X X	
22	F2772R	BALL	1	X X	
23	L40966	WASHER	1	X X	I.D.=19MM(.75") (SUB FOR R26149 APPL)
24	L35226	GASKET	1	X X	I.D.=13MM(.51")
25	T68412	WASHER	1	X X	(ORD L40965, L40964)
	L40965	WASHER	1	X X	
26	A4723R	WASHER	1	X X	I.D.=25,4MM(1")
27	L61918	GASKET	1	X X	(SUB FOR L33139)
28	T22653	CAP	1	X X	(A)
29	25M3784	GROOVE PIN	1	X X	(A) 10X40MM
	L40897	PLUG	1	X X	(A) 13,3X15MM
30	AL34736	COVER	1	X X	(A)
31	30M7007	CAP	1	X X	

(A) WITH HYDROSTATIC STEERING
 AVEC DIRECTION HYDROSTAT.
 BEI HYDROSTATISCHER LENKUNG
 CON STERZO IDROSTATICO
 CON DIRECCION HIDROSTATICA
 VID HYDROSTATISK STYRNING

2A14

POWER TRAIN

GASKET KIT
JEU DE JOINTS PLATS
DICHTUNGSSATZ
SERIE GUARNIZIONI
JUEGO DE JUNTAS
PACKNINGSSATS
L112043 -UN-01JAN94



L 112043

2A15

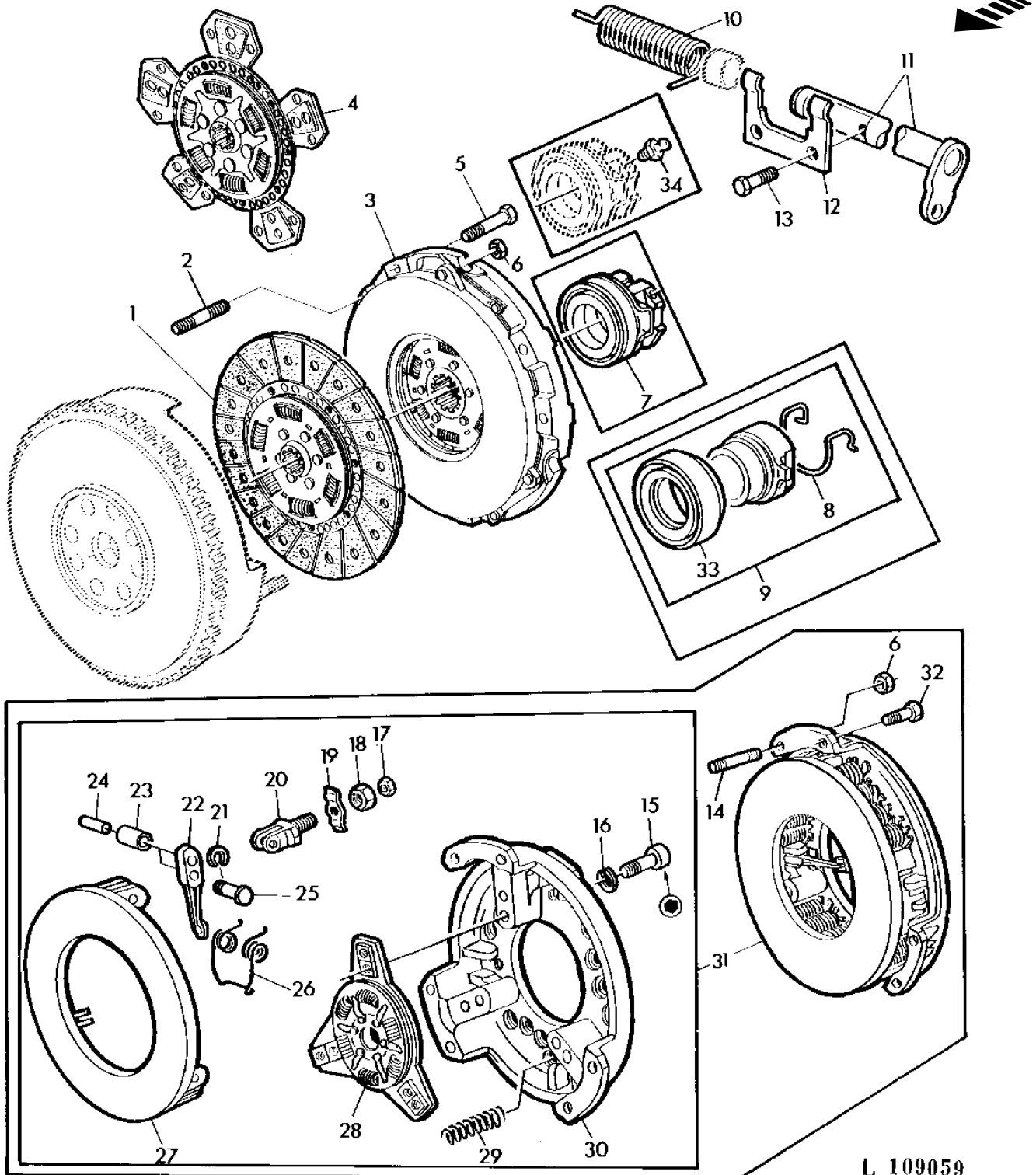
POWER TRAIN

KEY	PART NO.	PART NAME	QTY	SERIAL NO.	2 0 2 4 1 0 4 S 0	REMARKS
1	AL57975	GASKET KIT	1		X X	

2A16

POWER TRAIN

ENGINE CLUTCH
EMBAYAGE MOTEUR
MOTORKUPPLUNG
FRIZIONE MOTORE
EMBRAGUE DEL MOTOR
MOTORKOPPLING
L109059 -UN-06OCT95



L 109059

2A17

POWER TRAIN

KEY	PART NO.	PART NAME	QTY	SERIAL NO.	2 0 2 4 1 0 4 S 0	REMARKS
1	AL33126	CLUTCH DISK	1		X X	
	AL37705	CLUTCH DISK	1	-416039	X	(A) (SUB FOR AL33187)
	AL64340	CLUTCH DISK	1	416040-	X	(A) (SUB FOR AL36525, AL56308 APPL)
2	L38319	STUD	2	416040-	X X	
3	AL38670	CLUTCH	1		X X	LUK A1032.004.03 (ORD AL64948)
	AL39591	CLUTCH	1		X X	LUK A1032.004.05 (ORD AL64948)
	AL55240	CLUTCH	1		X X	LUK A1032.004.09 (ORD AL64948)
	AL38670	CLUTCH	1		X X	(A) LUK A1032.004.03 (ORD AL64949)
	AL36134	CLUTCH	1	416040-	X X	LUK A1032.004.02 (ORD AL64948)
	AL36134	CLUTCH	1	416040-	X X	(A) LUK A1032.004.02 (ORD AL64949)
4	AL39169	CLUTCH DISK	1		X X	(A) (B)
	AL39168	CLUTCH DISK	1	416040-	X X	(B) (SUB FOR AL39099, AL36133 APPL) (ORD AL64948)
5	19H2722	CAP SCREW	4	416040-	X X	3/8"X2-3/8"
6	14H812	NUT	2		X X	3/8"
7	AL37539	THROW-OUT BEARING	1		X X	(ORD AL39931)
8	L35777	SPRING	1		X X	
9	AL28860	BEARING	1		X X	(ORD AL39931)
10	L41853	TORSION SPRING	1		X X	(SUB FOR L36273)
11	AL31912	SHAFT	1		X X	(FOR AL28917, AL28740, AL37279) (ORD AL39931)
12	L32029	FORK	1		X X	
13	T22874	BOLT	2	-416039	X X	
14	T32508	STUD	2	-416039	X X	3/8"
15	L26753	SCREW	6	-416039	X X	3/8"
16	12M7013	LOCK WASHER	6	-416039	X X	10MM (FOR L37188)
17	L32855	NUT	3	-416039	X X	
18	L32854	NUT	3	-416039	X X	
19	L26757	CLAMP	3	-416039	X X	
20	L32856	YOKE	3	-416039	X X	
21	40M7042	SNAP RING	3	-416039	X X	(SUB FOR L26767)
22	L26765	LEVER	3	-396844	X X	(ORD L38063)
	L38063	LEVER	3	396845-416039	X X	(SUB FOR L26765)
23	L26766	BUSHING	6	-416039	X X	
24	L41391	DOWEL PIN	3	-416039	X X	(SUB FOR L26762)
25	L26764	AXLE	3	-416039	X X	
26	L26759	TORSION SPRING	3	-416039	X X	
27	L37187	CLUTCH PLATE	1	-416039	X X	
28	AL33314	TORSIONAL DAMPENER	1	-416039	X X	(SUB FOR AL27115)
29	L29231	COMPRESSION SPRING	12	-416039	X X	
30	L41500	HOUSING	1	-416039	X X	(SUB FOR L37188)
31	AL33127	CLUTCH	1	-416039	X X	F+S 50.1882.999.001 OR...003, OR 50.1882.339.103 OR...203
32	19H2545	CAP SCREW	4	-416039	X X	3/8"X1-3/8"
33	JD10248	THROW-OUT BEARING	1		X X	
34	JD7844	LUBRICATION FITTING	1		X X	

(A) COLL.SHIFT TRANSM.WO HI-LO
BOITE MANCH.BAL.SANS HI-LO
MUFFENSCH.GETR.OHNE LS-STUFE
TRASM.COL.SCOR.SENZA HI-LO
TRANSM.COLLAR.SIN RED.HI-LO
COLL.SHIFT TRANSM.UT.HOG-LAG

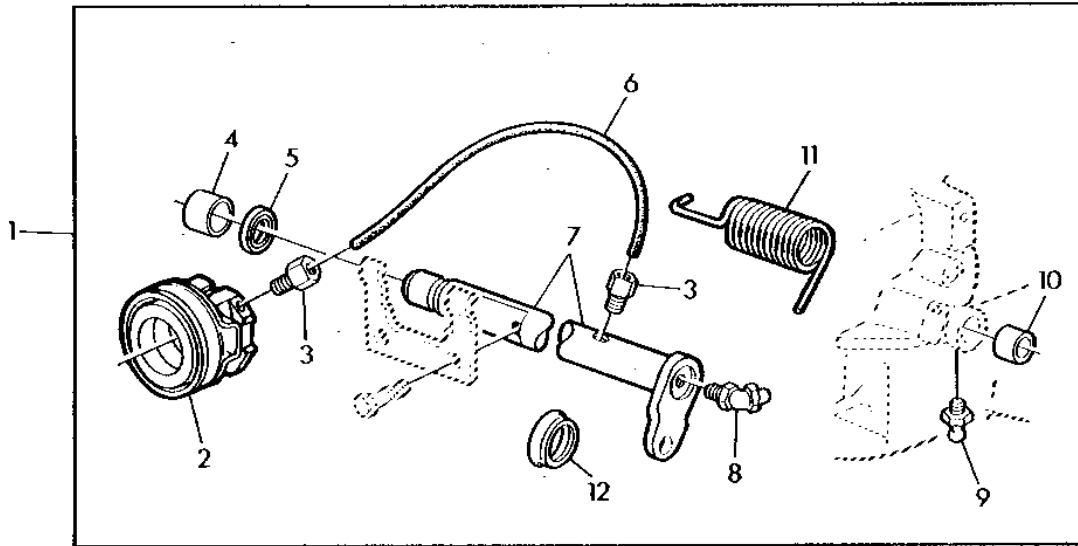
(B) WITH GERAMIC PADS
AVEC PASTILLES FRITTEES
MIT KERAMIKBELAG
A FERODO DI CERAMICA
CON FORRO DE CERAMICA
MED KERAMIKLAMELLER

2A18

POWER TRAIN

REPAIR KIT FOR CLUTCH OPERATING PARTS(WITH CLUTCH HOUSING AL28917,AL28740,AL37279)
 JEU DE REPARATION POUR ELEMENTS DE COMMANDE D'EMBRAY,(AVEC CARTER D'EMBRAGE AL
 REPARATURSATZ KUPPLUNGSBETAETIGUNGSTEILE(BEI KUPPLUNGSGEH.AL28917,AL28740,AL37279)
 PARTI PER COMANDO DELLA FRIZIONE(CON SCATOLA FRIZIONE AL28917,AL28740,AL37279)
 JUEGO DE REPAR.PARA ELEMENTOS DE MANDO DEL EMBRAGUE(CON CARTER DEL EMBR.AL2891
 DELAR FOR KOPPLINGSLANKAGE(VID KOPPLINGSHUS AL28917,AL28740,AL37279)

L108426 -UN-01JAN94



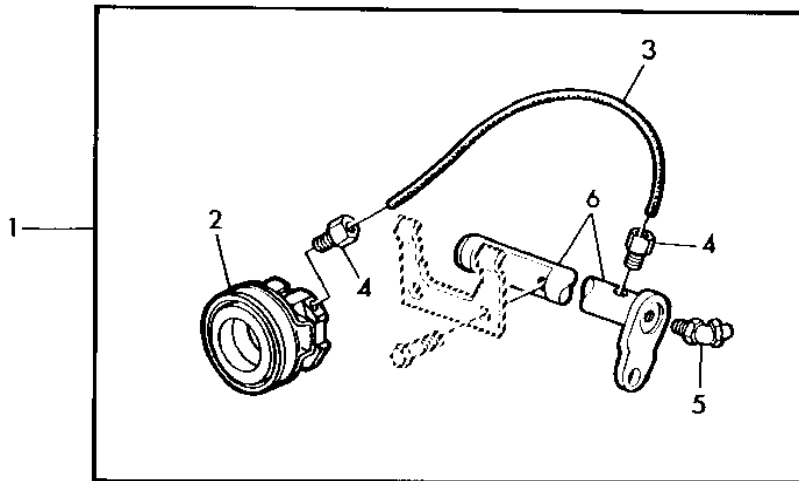
L 108426

KEY	PART NO.	PART NAME	QTY	SERIAL NO.	REMARKS
				2	
				0 2	
				4 1	
				0 4	
				S 0	
1	AL39931	KIT	1		X X
2	AL39541	THROW-OUT BEARING	1		X X
3	AN10065	LUBRICATION FITTING	2		X X
4	L41322	BUSHING	1		X X
5	L41323	WASHER	1		X X
6	L41344	HOSE	1		X X
7	AL39932	SHAFT	1		X X
8	JD7847	LUBRICATION FITTING	1		X X
9	JD7798	LUBRICATION FITTING	1		X X
10	T21446	BUSHING	1		X X
11	L41853	TORSION SPRING	1		X X
12	L41859	SEAL	1		X X

2A19

POWER TRAIN

CLUTCH OPERATING PARTS (WITH OPU CAB AND CLUTCH HOUSING AL38671)
 ELEMENTS DE COMMANDE D'EMBAYAGE (AVEC CABINE PPI ET CARTER D'EMBAYAGE AL3867
 KUPPLUNGSBETAETIGUNGSTEILE (BEI FSC-KABINE MIT KUPPLUNGSGEH.AL38671)
 GRUPPO COMANDO FRIZIONE (CON CABINA OPU E SCATOLA FRIZIONE AL38671)
 ELEMENTOS DE MANDO DEL EMBRAGUE (CON CAB.DE SEGURIDAD Y CON CARCASA AL38671)
 KOPPLINGSLANKAGE (VID OPU-FORARHYTT OCH KOPPLINGSHUS AL38671)
 L119977 -UN-12JUL95



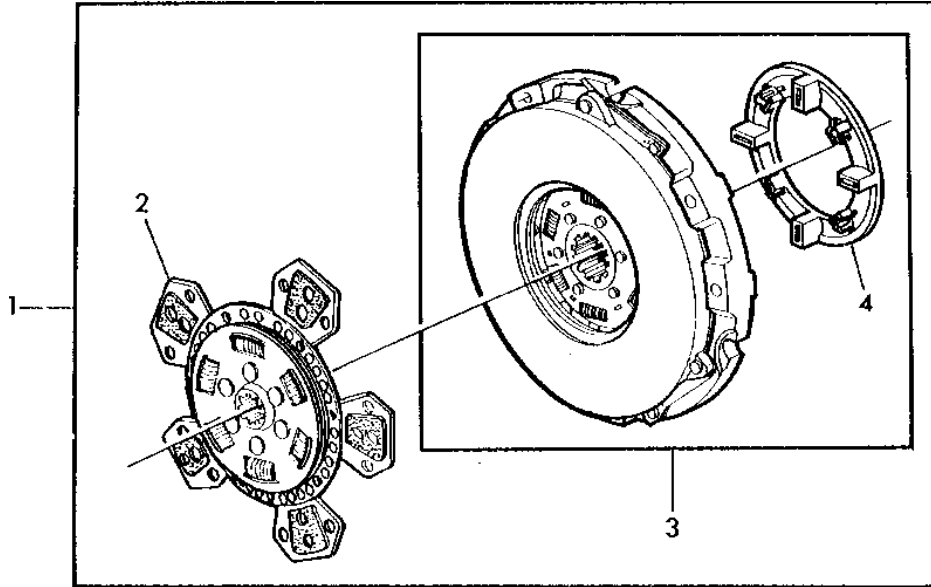
L 119977

KEY	PART NO.	PART NAME	QTY	SERIAL NO.	REMARKS
				2	
				0 2	
				4 1	
				0 4	
				S 0	
1	AL66710	ASSEMBLY LINE PARTS	1		X
2	AL39541	THROW-OUT BEARING	1		X
3	L41344	HOSE	1		X
4	AN10065	LUBRICATION FITTING	2		X
5	JD7847	LUBRICATION FITTING	1		X
6	AL39877	SHAFT	1		X

2A20

POWER TRAIN

CONVERSION KIT FOR ENGINE CLUTCH
 JEU DE MODIFICATION POUR EMBRAYAGE MOTEUR
 UMRUESTSATZ FUER MOTORKUPPLUNG
 KIT CONVERSIONE PER FRIZIONE MOTORE
 JUEGO DE MODIFICACION PARA EMBRAGUE DEL MOTOR
 OMBYGGNADSSATS FOR MOTORKOPPLING
 L117610 -UN-01JAN94



L 117610

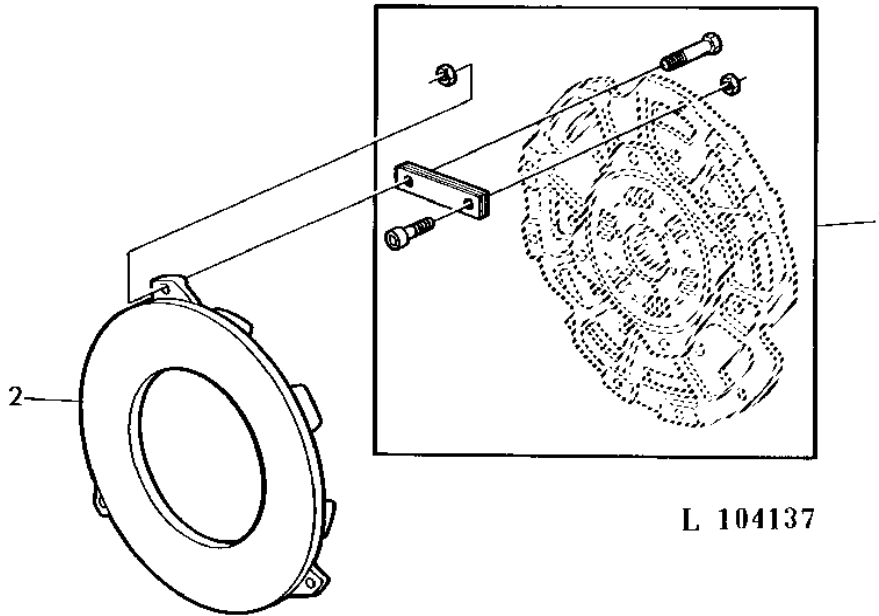
KEY	PART NO.	PART NAME	QTY	SERIAL NO.	REMARKS
				2	
				0 2	
				4 1	
				0 4	
				S 0	
1	AL64948	KIT	1	X X	(SUB FOR AL62774)
	AL64949	SHIPPING BUNDLE	1	X X	(A)
2	AL68022	CLUTCH DISK	1	X X	(SUB FOR AL57415, AL61754)
	AL68024	CLUTCH DISK	1	X X	(A) (SUB FOR AL63934)
3	AL59324	CLUTCH	1	X X	LUK A1033.045.01 (ORD AL65891)
	AL65891	CLUTCH	1	X X	LUK A1033.045.03 (SUB FOR AL59324)
4	L42285	RING	1	X X	

(A) WITH COLL.SHIFT TR.WO HI-LO
 BOITE MANCH.BALADEURS SANS HI-LO
 MUFFENSCHALTGETR.OHNE HI-LO
 TRASM.COLL.SCORREV.SENZA HI-LO
 TRANSM.COLLARINES SIN RED.HI-LO
 COLL.SHIFT TRANSM.UTAN HOG-LAG

2A21

POWER TRAIN

REPAIR KIT FOR ENGINE CLUTCH
 JEU DE REPARATION POUR EMBRAYAGE MOTEUR
 REPARATURSATZ FUER MOTORKUPPLUNG
 PARTI PER FRIZIONE MOTORE
 JUEGO DE REPARACION PARA EMBRAGUE DE MOTOR
 DELAR FOR MOTORKOPPLING
 L104137 -UN-07NOV95



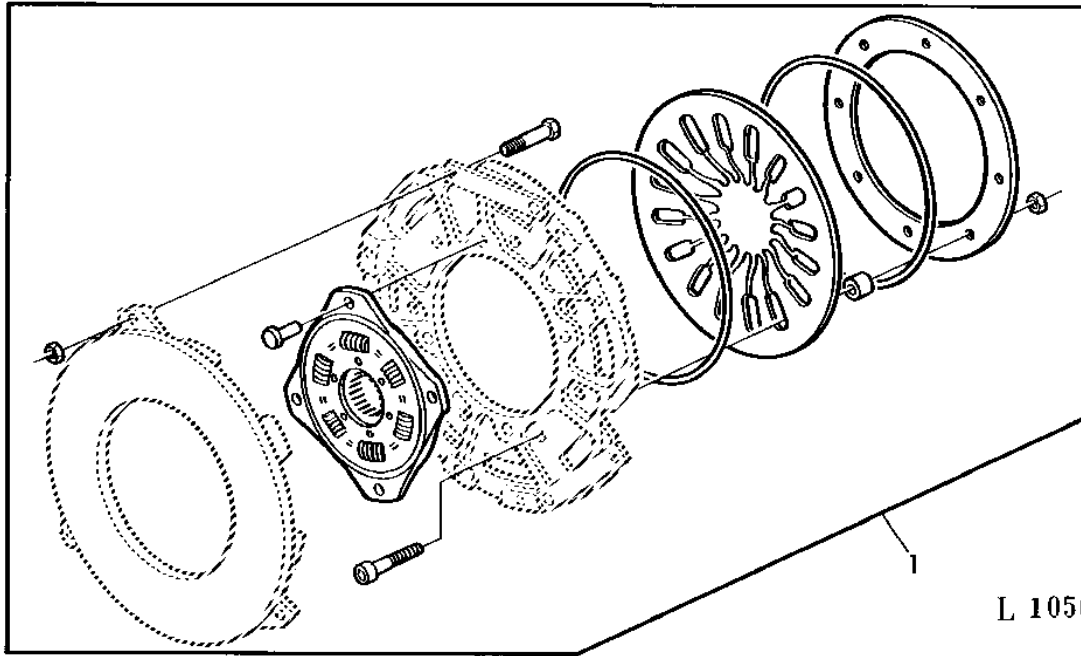
L 104137

KEY	PART NO.	PART NAME	QTY	SERIAL NO.	REMARKS
				2	
				0 2	
				4 1	
				0 4	
				S 0	
1	AL39297	KIT	1	X X	(FOR AL38670, AL39591, AL55240)
	AL60582	SHIPPING BUNDLE	1	X X	(FOR AL59324 OR AL65891)
2	L41516	CLUTCH PLATE	1	X X	(ORD W/ AL39297) (FOR AL38670, AL39591, AL55240)
	L59028	CLUTCH PLATE	1	X X	(ORD W/ L60582) (FOR AL59324 OR AL65891)

2A22

POWER TRAIN

REPAIR KIT FOR ENGINE CLUTCH
 JEU DE REPARATION POUR EMBRAYAGE MOTEUR
 REPARATURSATZ FUER MOTORKUPPLUNG
 PARTI PER FRIZIONE MOTORE
 JUEGO DE REPARACION PARA EMBRAGUE DE MOTOR
 DELAR FOR MOTORKOPPLING
 L105047 -UN-06OCT95



L 105047

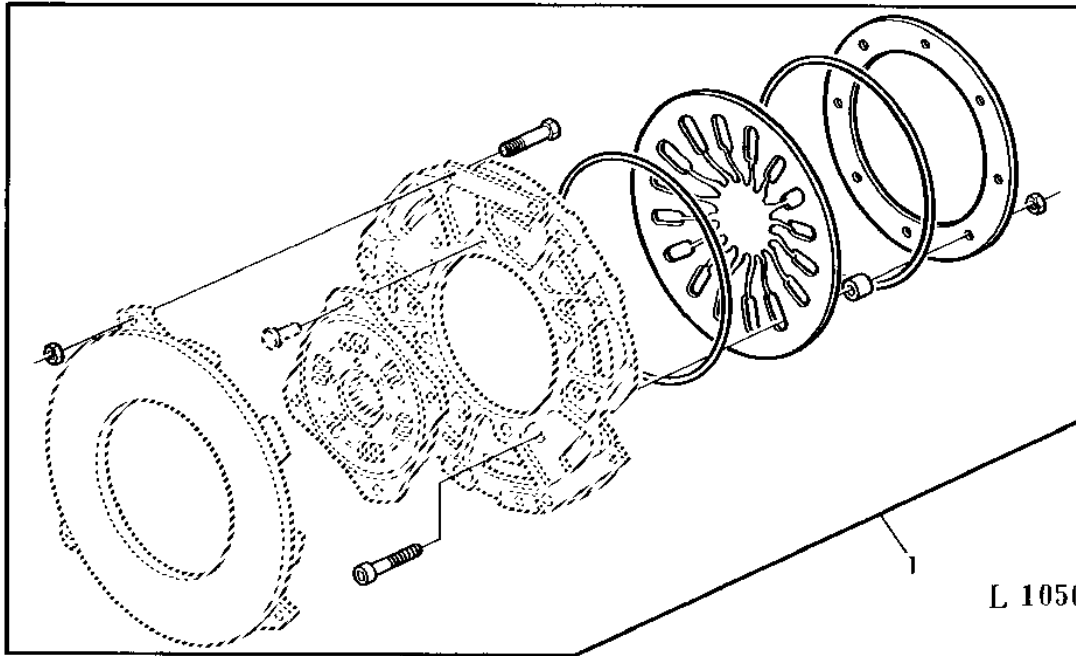
2
0 2
4 1
0 4
S 0

KEY	PART NO.	PART NAME	QTY	SERIAL NO.	REMARKS
1	AL39298	KIT	1	X X	(FOR AL38670)

2A23

POWER TRAIN

REPAIR KIT FOR ENGINE CLUTCH
 JEU DE REPARATION POUR EMBRAYAGE MOTEUR
 REPARATURSATZ FUER MOTORKUPPLUNG
 PARTI PER FRIZIONE MOTORE
 JUEGO DE REPARACION PARA EMBRAGUE DE MOTOR
 DELAR FOR MOTORKOPPLING
 L105048 -UN-06OCT95



L 105048

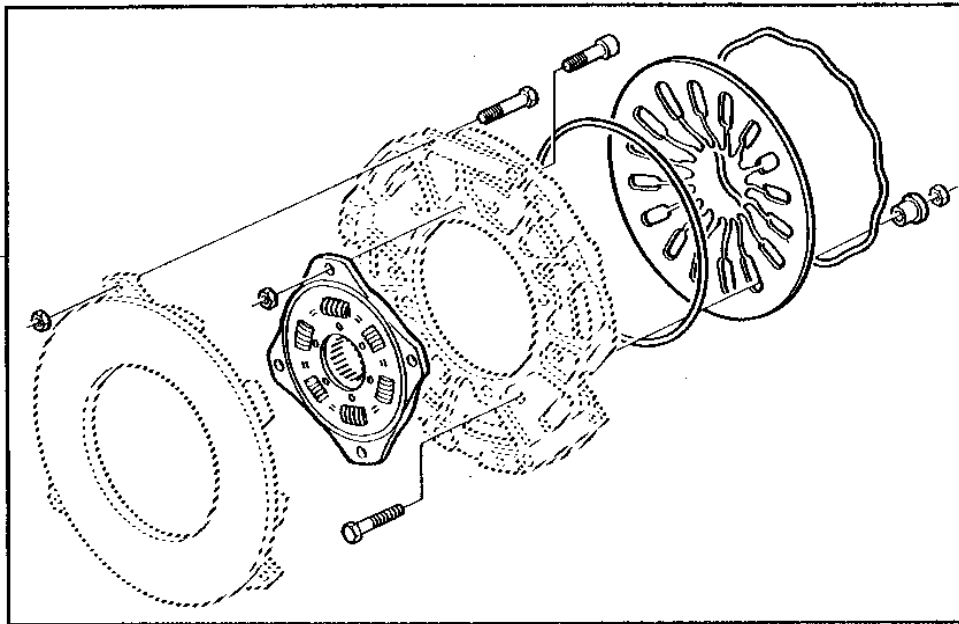
2
0 2
4 1
0 4
S 0

KEY	PART NO.	PART NAME	QTY	SERIAL NO.	REMARKS
1	AL39295	KIT	1	X X	(FOR AL38670)

2A24

POWER TRAIN

REPAIR KIT FOR ENGINE CLUTCH
 JEU DE REPARATION POUR EMBRAYAGE MOTEUR
 REPARATURSATZ FUER MOTORKUPPLUNG
 PARTI PER FRIZIONE MOTORE
 JUEGO DE REPARACION PARA EMBRAGUE DE MOTOR
 DELAR FOR MOTORKOPPLING
 L104728 -UN-01JAN94



L 104728

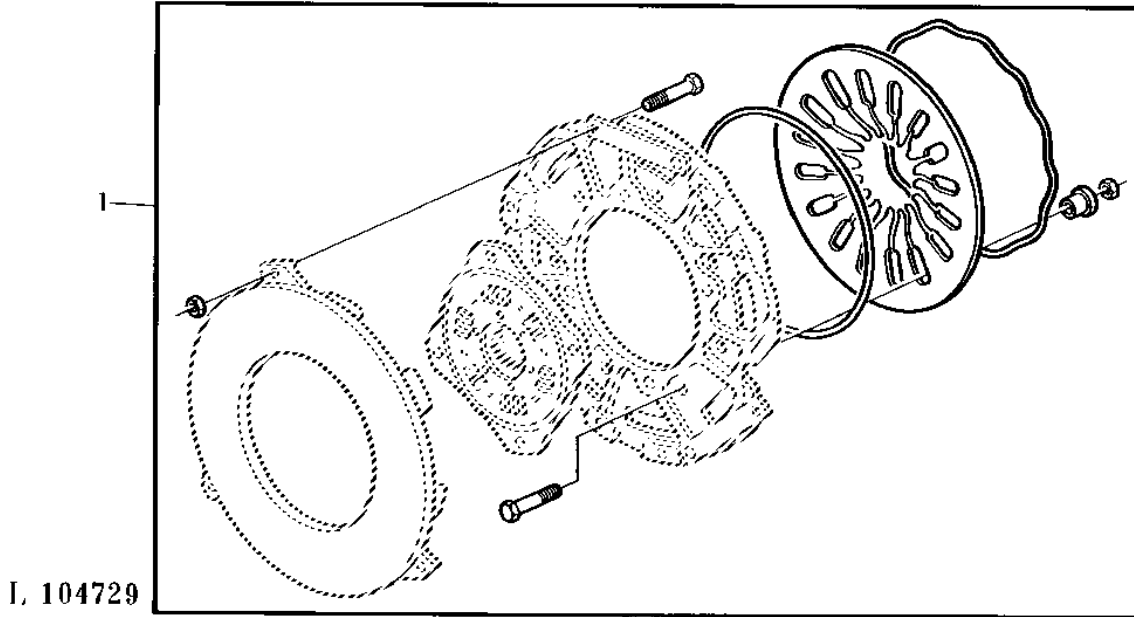
2
0 2
4 1
0 4
S 0

KEY	PART NO.	PART NAME	QTY	SERIAL NO.	REMARKS
1	AL66098	SHIPPING BUNDLE	1	X X	(FOR AL59324, OR AL65891) (SUB FOR AL60580)

2A25

POWER TRAIN

REPAIR KIT FOR ENGINE CLUTCH
 JEU DE REPARATION POUR EMBRAYAGE MOTEUR
 REPARATURSATZ FUER MOTORKUPPLUNG
 PARTI PER FRIZIONE MOTORE
 JUEGO DE REPARACION PARA EMBRAGUE DE MOTOR
 DELAR FOR MOTORKOPPLING
 L104729 -UN-05JUL95

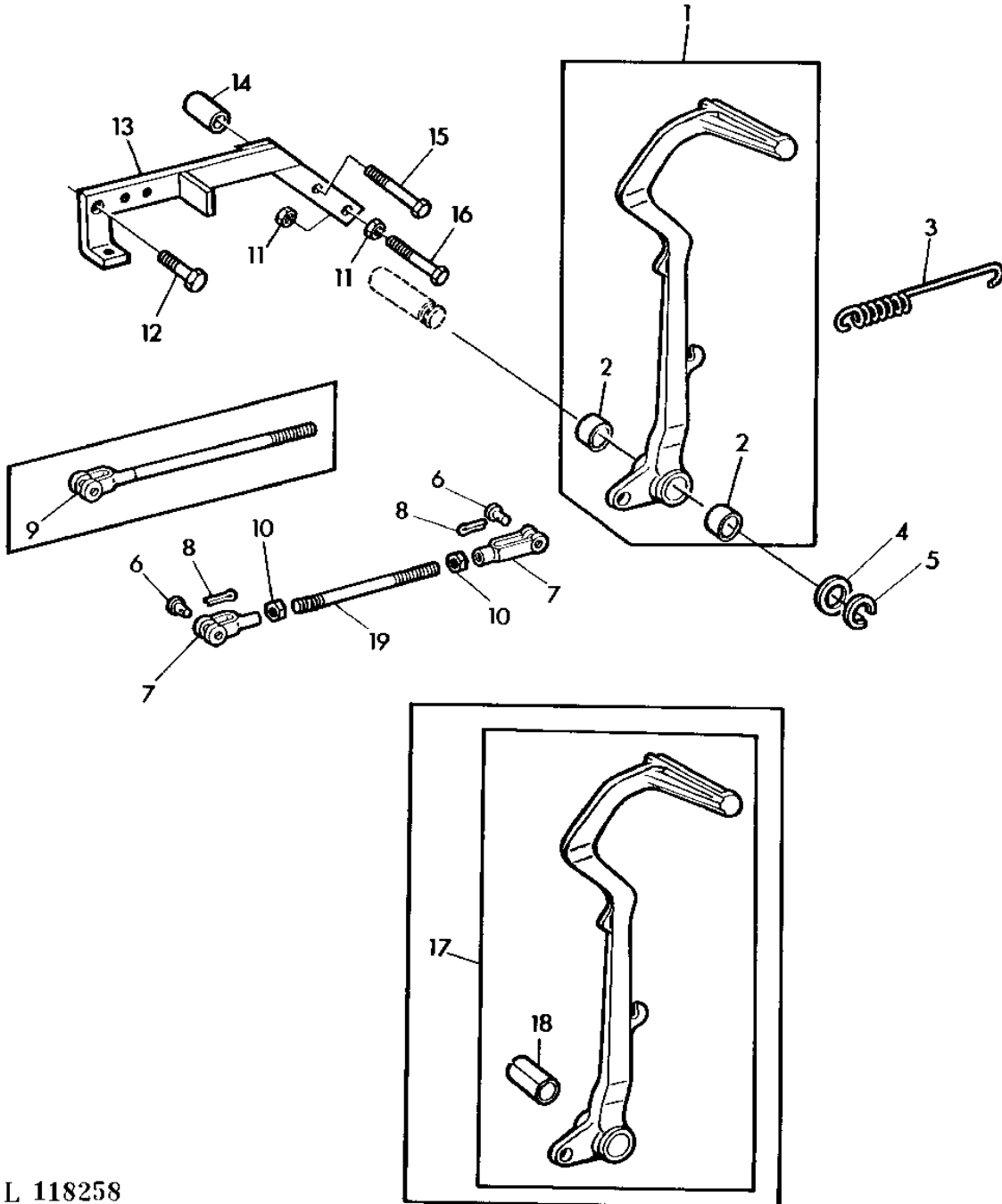


KEY	PART NO.	PART NAME	QTY	SERIAL NO.	REMARKS
				2	
				0 2	
				4 1	
				0 4	
				S 0	
1	AL39828	SHIPPING BUNDLE	1		X X (FOR AL39591)
	AL60577	SHIPPING BUNDLE	1		X X (FOR AL59324 OR AL65891)

2B1

POWER TRAIN

CLUTCH PEDAL
PEDALE D'EMBRAYAGE
KUPPLUNGSFUSSHEBEL
PEDALE FRIZIONE
PEDAL DEL EMBRAGUE
KOPPLINGSPEDAL
L118258 -UN-09OCT95



L 118258

2B2

POWER TRAIN

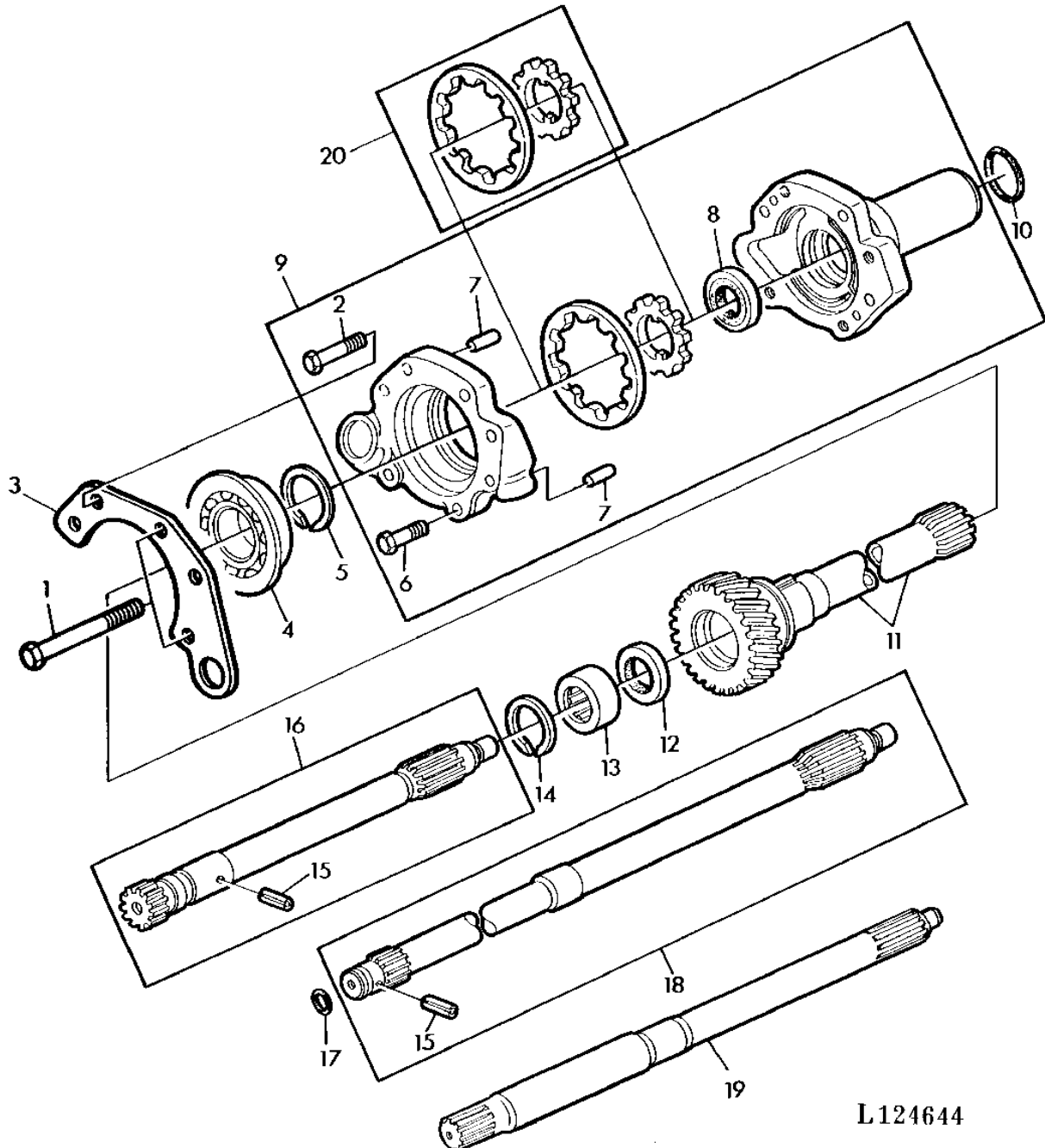
KEY	PART NO.	PART NAME	QTY	SERIAL NO.	REMARKS
					2
					0 2
					4 1
					0 4
					S 0
1	AL38246	PEDAL	1	X	(MARKED L40441) (SUB FOR AL30157)
	AL38243	PEDAL	1	X X	(A) (MARKED L40444) (SUB FOR AL28736)
	AL38245	PEDAL	1	X	(MARKED L40442) (SUB FOR AL28811)
2	L40446	BUSHING	2	X	
3	T21452	EXTENSION SPRING	1	X	(FOR AL30157, AL38246)
	T28801	SPRING	1	X X	
4	24H1451	WASHER	1	X X	1-1/32"X1-3/4"X.060"
5	A602R	SNAP RING	1	X X	
6	C1067R	PIN	2	X X	
7	L324T	YOKE	2	X X	
8	11H211	COTTER PIN	2	X X	1/8"X3/4"
9	AT22926	ROD	1	X X	(ORD L62679, L324T, 14H774)
10	14H774	NUT	2	X X	3/8"
11	14M7274	NUT	2	X X	(A) M10
12	19H1756	CAP SCREW	1	X X	(A) 5/8"X1-1/2"
13	AL31437	STOP	1	X X	(A)
14	28H1534	BUSHING	1	X X	(A) 3/8"X2.250"
15	19H1912	CAP SCREW	1	X X	(A) 3/8"X3-1/2"
16	19M7156	CAP SCREW	1	X X	(A) M10X60
17	AL30157	PEDAL	1	X	(MARKED L33732) (ORD AL38246)
	AL28736	PEDAL	1	X X	(A) (MARKED L33190) (ORD AL38243)
	AL28811	PEDAL	1	X	(MARKED L33224) (ORD AL38245)
18	T21998	BUSHING	1	X	(FOR AL30157)
	L34200	BUSHING	1	X X	(FOR AL28736 OR AL28811)
19	L62679	STUD	1	X X	

(A) WITH OPU CAB
 AVEC CABINE PPI
 BEI FSC-KABINE
 CON CABINA OPU
 CON CABINA DE SEGURIDAD
 VID OPU FORARHYTT

2B3

POWER TRAIN

OIL PUMP/PTO DRIVE SHAFT/CLUTCH SHAFT
POMPE A HUILE/ARBRE DE PDF/ARBRE D'EMBRAYAGE
OELPUMPE/ZAPFWELLENANTRIEBSWELLE/KUPPLUNGSWELLE
POMPA OLIO/ALBERO COMANDO PDF/ALBERO FRIZIONE
BOMBA DE ACEITE/EJE DE LA TDF/EJE DEL EMBRAGUE
OLJEPUMP/KRAFTUTTAGETS DRIVAXEL/KOPPLINGSAXEL
L124644 -UN-09OCT95



L124644

2B4

POWER TRAIN

KEY	PART NO.	PART NAME	QTY	SERIAL NO.	REMARKS
					2
					0 2
					4 1
					0 4
					S 0
1	19M7479	CAP SCREW	2	X X	M10X80
2	19M7181	CAP SCREW	2	X X	M10X55
3	L62815	RETAINER	1	X X	(SUB FOR L33146, L37886)
4	JD10104	BALL BEARING	1	X X	
5	L33304	SNAP RING	1	X X	
6	19M7382	CAP SCREW	2	X X	M10X40
7	44M7037	DOWEL PIN	2	X X	8X16MM
8	AL28870	SEAL	1	X X	
9	AL39355	OIL PUMP	1	X X	(SUB FOR AL28923)
10	L33701	O-RING	1	X X	
11	L33306	DRIVE SHAFT	1	X X	Z=17 540U/MIN(R.P.M.)
	L33123	DRIVE SHAFT	1	X X	Z=27 540-1000U/MIN (R.P.M.)
12	AL28922	SEAL	1	X X	
13	JD10105	NEEDLE BEARING	1	X X	
14	L34114	SNAP RING	1	X X	
15	34M7104	SPRING PIN	1	X X	2,5X10MM
16	AL39243	SHAFT	1	X X	(SUB FOR AL30921)
	L33786	SHAFT	1	X	(B)
17	T13119	O-RING	1	X	(A)
18	AL30689	SHAFT	1	X	(A)
19	L35244	SHAFT	1	X	(A) (C)
20	AL68435	GEAR	1	X X	

(A) WITHOUT HI-LO SHIFT UNIT
 SANS HIGH-LOW
 OHNE LASTSCHALTSTUFE
 SENZA RIDUTTORE HI-LO
 SIN MECAN.DE CAMBIO HI-LO
 UTAN HOG-LAG VAEXLING

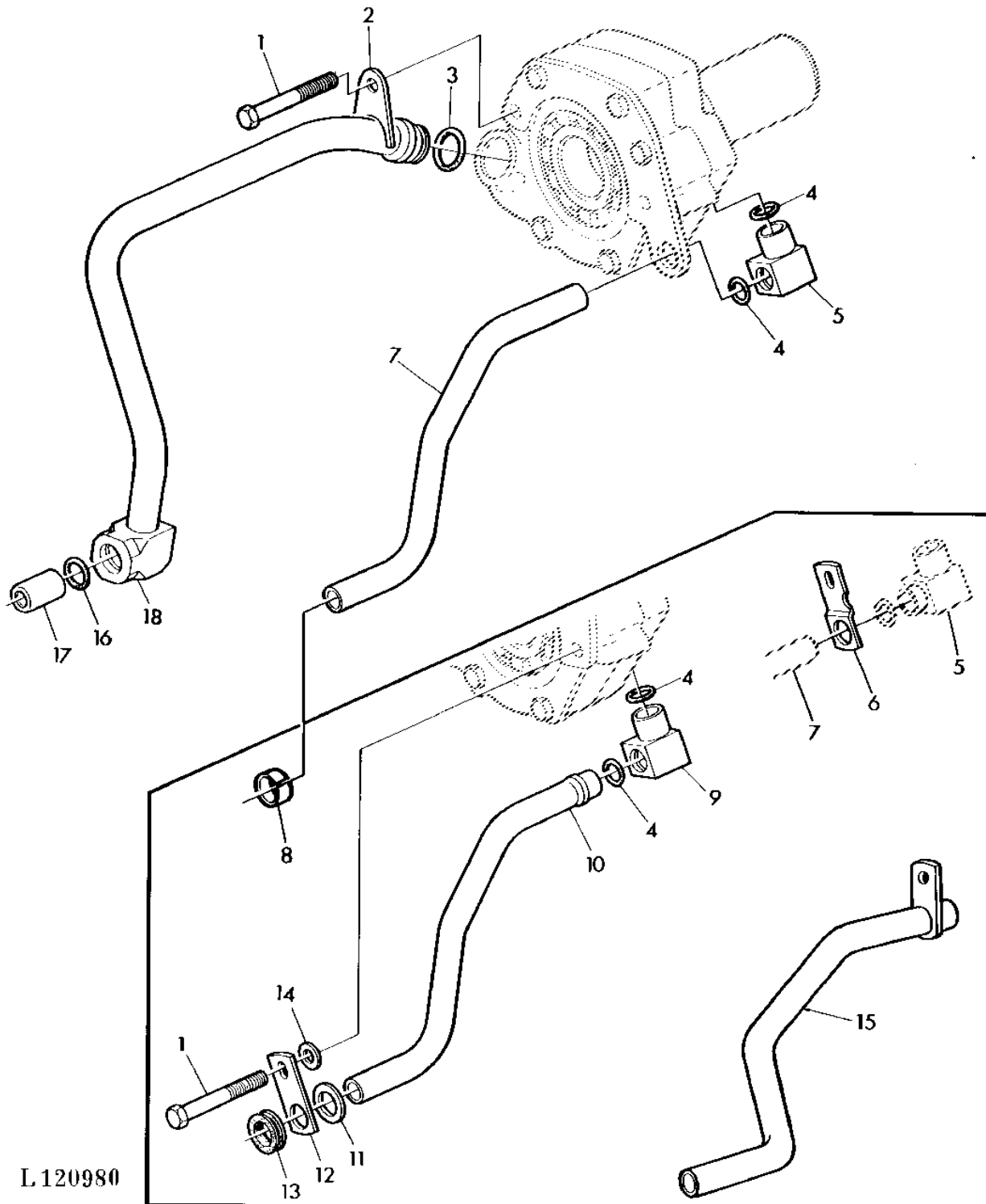
(B) WITH CREEPER TRANSMISSION
 AVEC GAMME RAMPANTE
 BEI KRIECHGANGGETRIEBE
 CON GRUPPO RAMPANTE
 CON TRANSMISION CREEPER
 VID KRYPKORNING

(C) WITH COLLAR-SHIFT TRANS.
 AV. BOITE MANCHONS BALADEURS
 BEI MUFFENSCHALTGETRIEBE
 CON CAMBIO COLLARE SCORREVO.
 CON CAMBIO COLLAR.DESPLAZ.
 VID VAXELLADA "COLLAR-SHIFT"

2B5

POWER TRAIN

TRANSMISSION OIL PUMP-OIL LINES
POMPE A HUILE DE BOITE-CONDUITES D'HUILE
GETRIEBEOELPUMPE-OELLEITUNGEN
POMPA OLIO CAMBIO-LINEE OLIO
BOMBA DE ACEITE DE LA TRANSMISSION-TUBERIAS DE ACEITE
VAXELLADS OLJEPUMP-OLJELEDNINGAR
L120980 -UN-09OCT95



L120980

2B6

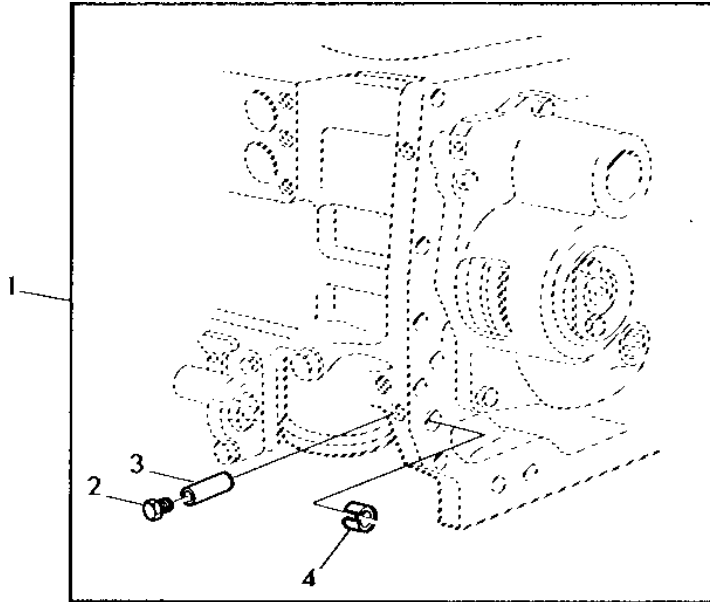
POWER TRAIN

KEY	PART NO.	PART NAME	QTY	SERIAL NO.	REMARKS
					2
					0 2
					4 1
					0 4
					S 0
1	19M7479	CAP SCREW	1		X X M10X80
2	L33180	RETAINER	1		X X
3	L34352	O-RING	1		X X
4	T13119	O-RING	2		X X
5	AL38226	ELBOW FITTING	1		X X
6	L40424	STRAP	1		X X (ORD L62815)
7	L40425	TUBE	1		X X
8	L41897	BUSHING	1		X X (SUB FOR L40434)
9	AL28759	ELBOW FITTING	1		X X (ORD AL38226, L62815, L40425, L41897)
10	L33201	TUBE	1	427646-	X X (ORD AL38226, L62815, L40425, L41897)
11	24M4810	WASHER	1		X X 20X28X1,4MM
12	L39088	STRAP	1		X X (ORD AL38226, L62815, L40425, L41897)
13	R40445	GROMMET	1		X X
14	24M7043	WASHER	1		X X 12X25X3MM
15	AL28746	OIL LINE	1	-427645	X X (ORD AL38226, L62815, L40425, L41897)
16	L33374	O-RING	1		X X
17	L33151	TUBE	1		X X
18	AL28745	OIL LINE	1		X X

2B7

POWER TRAIN

REPAIR KIT(STOP BUSHING IN TRANSMISSION CASE)
 JEU DE REPARATION(BAGUE DE BUTEE DANS CARTER DE BOITE VIT.)
 REPARATURSATZ(ANSCHLAGBUCHSENBEFESTIGUNG IM GETRIEBEGEH.)
 GRUPPO PER RIPARAZIONE(BULLONERIA PER CUSCINETTO)
 JUEGO DE REPARACION(CASQUILLO DE TOPE EN EL CARTER TRANSM.)
 REPARATIONSSATS(FASDELAR FOR BUSSNING)
 L108401 -UN-01JAN94



L 108401

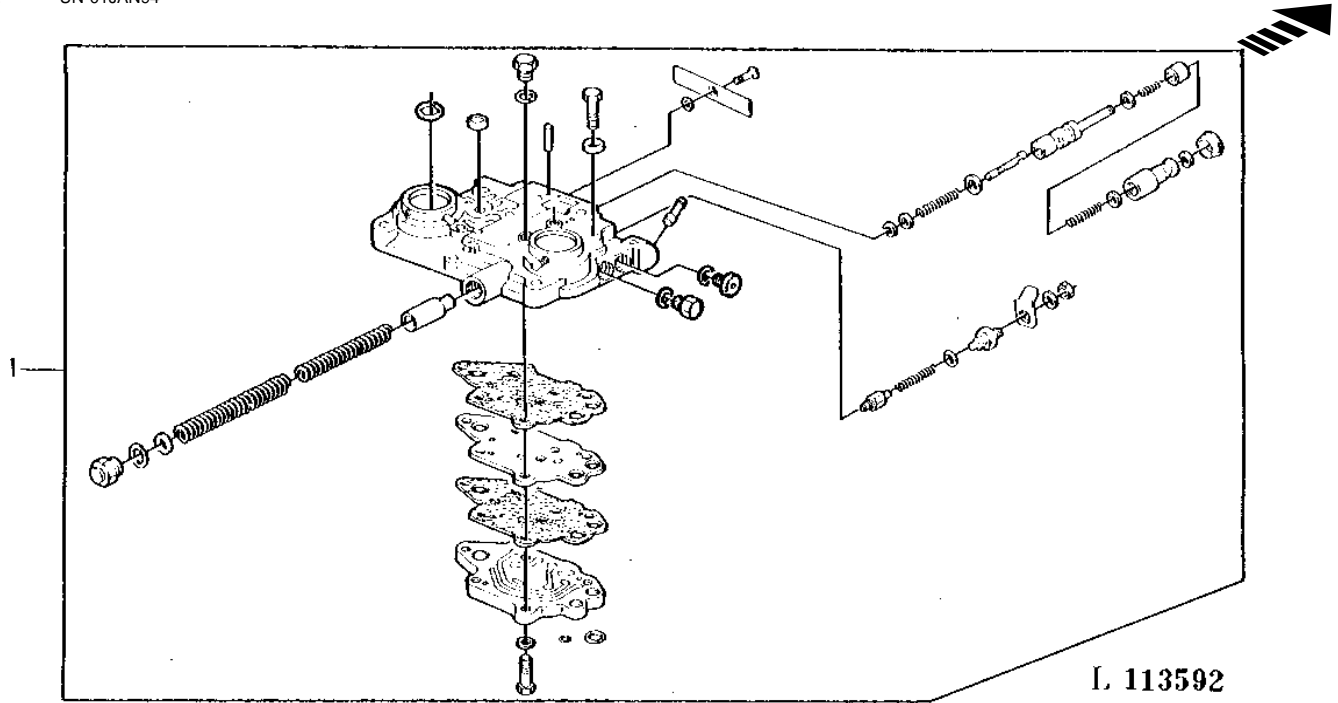
KEY	PART NO.	PART NAME	QTY	SERIAL NO.	REMARKS
				2	
				0 2	
				4 1	
				0 4	
				S 0	
1	AL41352	KIT	1	X X	
2	15H558	PIPE PLUG	1	X X	1/8"
3	34H255	SPRING PIN	1	X X	
4	L41897	BUSHING	1	X X	

2B8

POWER TRAIN

SHIFT COVER (WITH IND.PTO)
 COUVERCLE DE CARTER D'EMBRAYAGE (AVEC PDF INDEPENDANTE)
 SCHALTDECKEL (BEI UNABH.ZAPFWELLE)
 COPERCHIO INNESTO (CON PDF INDIPENDENTE)
 TAPA DEL CAMBIO (CON TDF INDEPENDENTE)
 VAXELSPAKSLOCK (VID OBEROENDE KRAFTUTTAG)

L113592 -UN-01JAN94



L 113592

2
0 2
4 1
0 4
S 0

KEY	PART NO.	PART NAME	QTY	SERIAL NO.	REMARKS
1	AL55258	HOUSING	1	X X	(ORD W/ (3) A3917R) (SUB FOR AL34748)
	AL55257	HOUSING	1	X X	(A) (ORD W/ (3) A3917R) (SUB FOR AL34747)

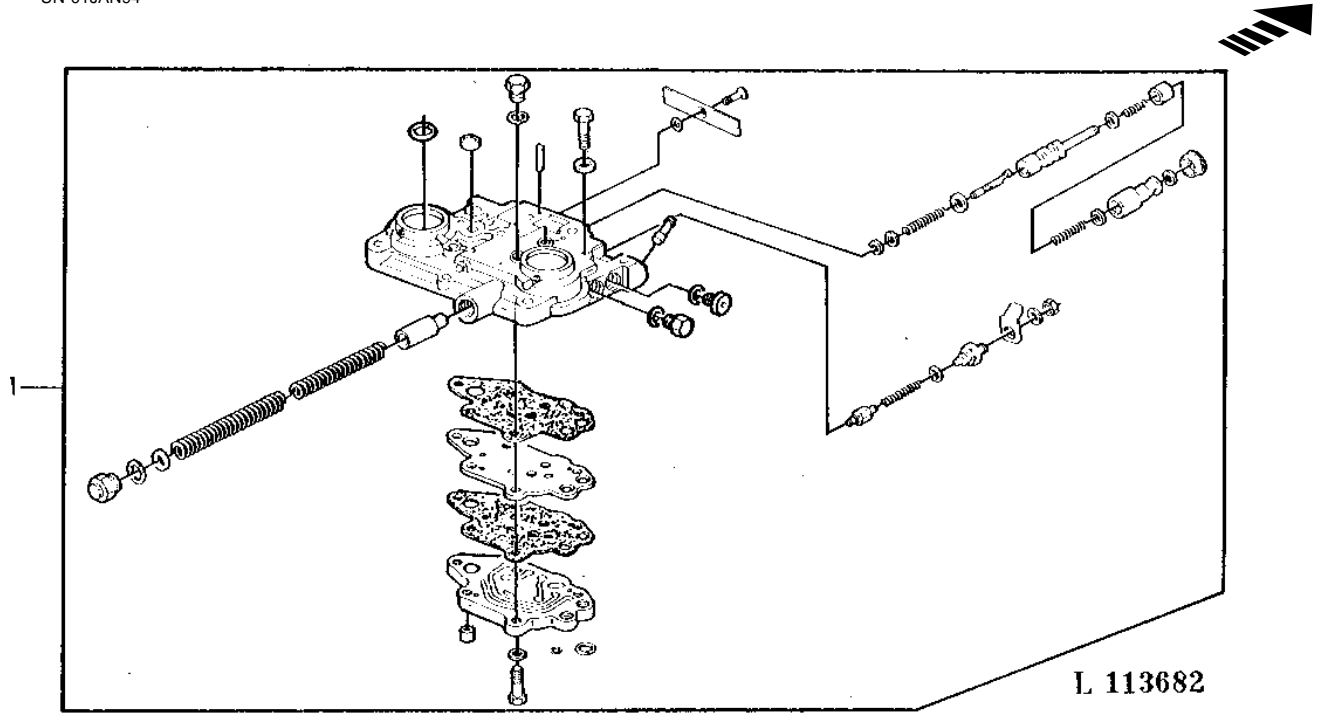
(A) WITH FRONT WHEEL DRIVE
 AVEC PONT AVANT
 BEI FRONTANTRIEB
 CON TRAZIONE ANTERIORE
 CON TRACCION DELANTERA
 VID FRAMHJULSDRIFT

2B9

POWER TRAIN

SHIFT COVER (WITH IND.PTO AND CREEPER TRANSMISSION)
 COUVERCLE DE CARTER D'EMBR.(AVEC PDF INDEP.ET GAMME RAMP.)
 SCHALTDECKEL (BEI UNABH.ZAPFWELLE UND KRIECHGANG-GETRIEBE)
 COPERCHIO INNESTO (CON PDF INDIP.E GRUPPO MARCE RAMPANTI)
 TAPA DEL CAMBIO (CON TDF INDEPEND.Y TRANSMISION CREEPER)
 VAXELSPAKSLOCK (VID OBER.KRAFTUTTAG OCH KRYPVAXEL)

L113682 -UN-01JAN94



2
0 2
4 1
0 4
S 0

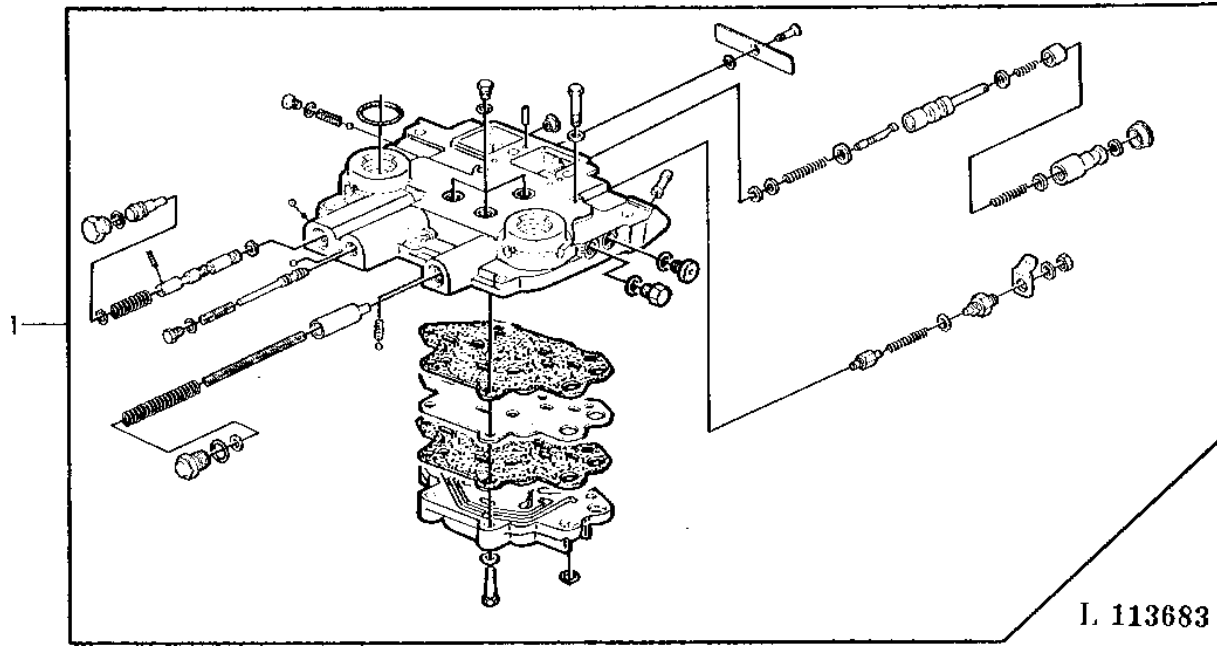
KEY	PART NO.	PART NAME	QTY	SERIAL NO.	REMARKS
1	AL55260	HOUSING	1	X X	(ORD W/ (6) A3917R) (SUB FOR AL34750)

2B10

POWER TRAIN

SHIFT COVER (WITH IND.PTO AND HI-LO SHIFT UNIT)
 COUVERCLE DE CARTER D'EMBRAYAGE (AVEC PDF INDEP.ET HI-LO)
 SCHALTDECKEL (BEI UNABH.ZAPFWELLE UND LASTSCHALTSTUFE)
 COPERCHIO INNESTO (CON PDF INDIP.E GRUPPO HI-LO)
 TAPA DEL CAMBIO (CON TDF INDEP.Y REDUCCION HI-LO)
 VAXELSPAKSLOCK (VID OBER.KRAFTUTTAG OCH HOG-LAG SNABBVAXEL)

L113683 -UN-01JAN94



L 113683

2
0 2
4 1
0 4
S 0

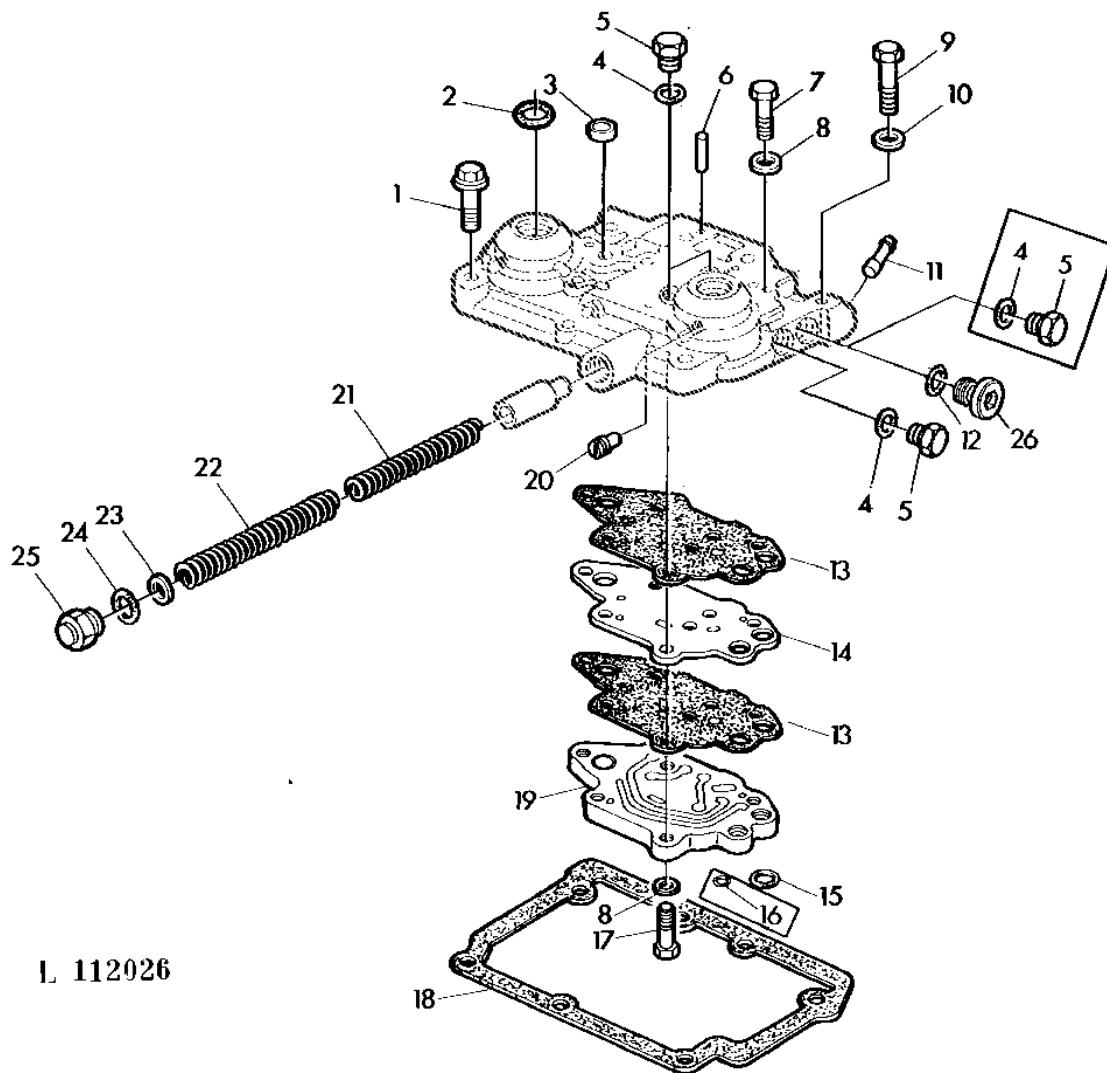
KEY	PART NO.	PART NAME	QTY	SERIAL NO.	REMARKS
1	AL64214	HOUSING	1	X X	(ORD W/ (8) A3917R) (SUB FOR AL34745, AL39553, AL55665)

2B11

POWER TRAIN

SHIFT COVER (WITH IND.PTO)
COUVERCLE DU CARTER D'EMBRAYAGE (PDF INDEP.)
SCHALTDECKEL (BEI UNABH.ZAPFWELLE)
COPERCHIO DISPOSITIVO INNESTO (CON PDF INDIPENDENTE)
TAPA DE LA CAJA DE CAMBIOS (CON TDF INDEPENDIENTE)
VAXELSPAKSLOCK (VID OBEROENDE KRAFTUTTAG)

L112026 -UN-06OCT95



L 112026

2B12

POWER TRAIN

KEY	PART NO.	PART NAME	QTY	SERIAL NO.	REMARKS
					2
					0 2
					4 1
					0 4
					S 0
1	T22728	SCREW	3		X X
2	R29936	O-RING	2		X X
3	30M7005	CAP	1		X X
4	R26287	O-RING	AR		X X
5	R31631	DRAIN PLUG	AR		X X 3/8"
6	R28634	PIN	2		X X
7	19M7378	CAP SCREW	2		X X M8X45
8	24M7036	WASHER	5		X X 9X17X1,6MM
9	19H1819	CAP SCREW	1		X X 3/8"X2-1/8"
10	24H1303	WASHER	1		X X 13/32"X11/16"X060"
11	T24395	TUBE	1		X X
12	L41443	O-RING	1		X X
13	L61964	GASKET	2		X X (SUB FOR L33775, L33766, L42048)
	L62421	GASKET	2		X X (A) (SUB FOR L33775, L33766, L42049)
14	L33749	PLATE	1		X X
	L33776	PLATE	1		X X (A)
15	R375R	O-RING	2		X X
16	A3917R	O-RING	3		X X
17	19M7301	CAP SCREW	3		X X M8X40
18	L34345	GASKET	1		X X
19	L33777	MANIFOLD	1		X X
20	CE14055	SET SCREW	2		X X
21	L33378	SPRING	1		X X
22	L33337	SPRING	1		X X
23	24H1285	WASHER	AR		X X 17/64"X7/16"X060"
24	R26375	O-RING	1		X X
25	L33336	DRAIN PLUG	1		X X
26	L41079	PIPE PLUG	1		X X M12X1,5

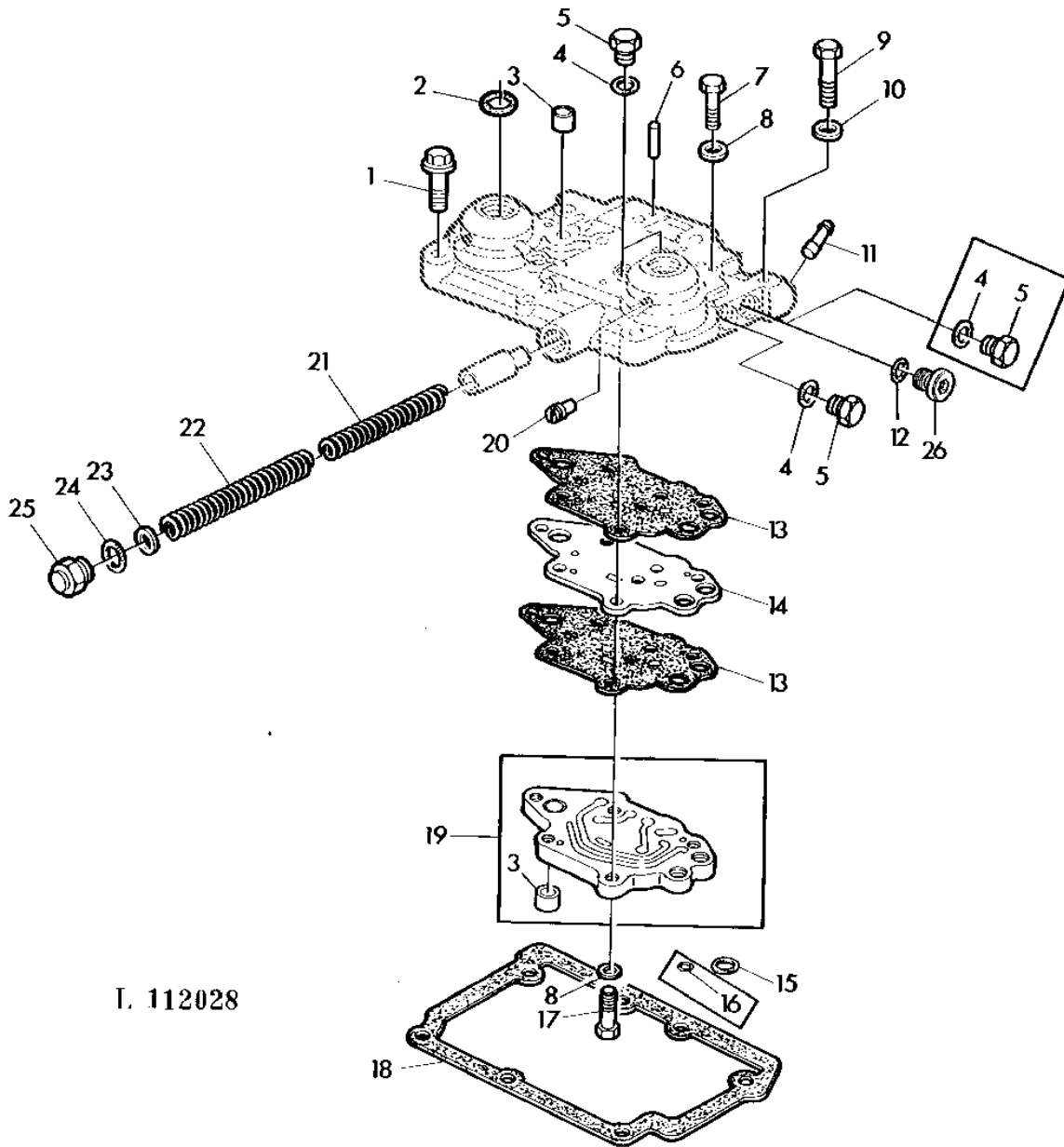
(A) WITH FRONT WHEEL DRIVE
 AVEC PONT AVANT
 BEI FRONTANTRIEB
 CON TRAZIONE ANTERIORE
 CON TRACCION DELANTERA
 VID FRAMHJULSDRIFT

2B13

POWER TRAIN

SHIFT COVER(WITH IND.PTO AND CREEPER TRANSMISSION)
COUVERCLE DE CARTER D'EMBR.(AVEC PDF INDEP.ET GAMME RAMP.)
SCHALTDECKEL(BEI UNABH.ZAPFWELLE UND KRIECHGANG-GETRIEBE)
COPERCHIO INNESTO(CON PDF INDIP.E GRUPPO MARCE RAMPANTI)
TAPA DEL CAMBIO(CON TDF INDEP.Y TRANSMISION CREEPER)
VAXELSPAKSLOCK(VID OBER.KRAFTUTTAG OCH KRYPVAXEL)

L112028 -UN-06OCT95



I. 112028

2B14

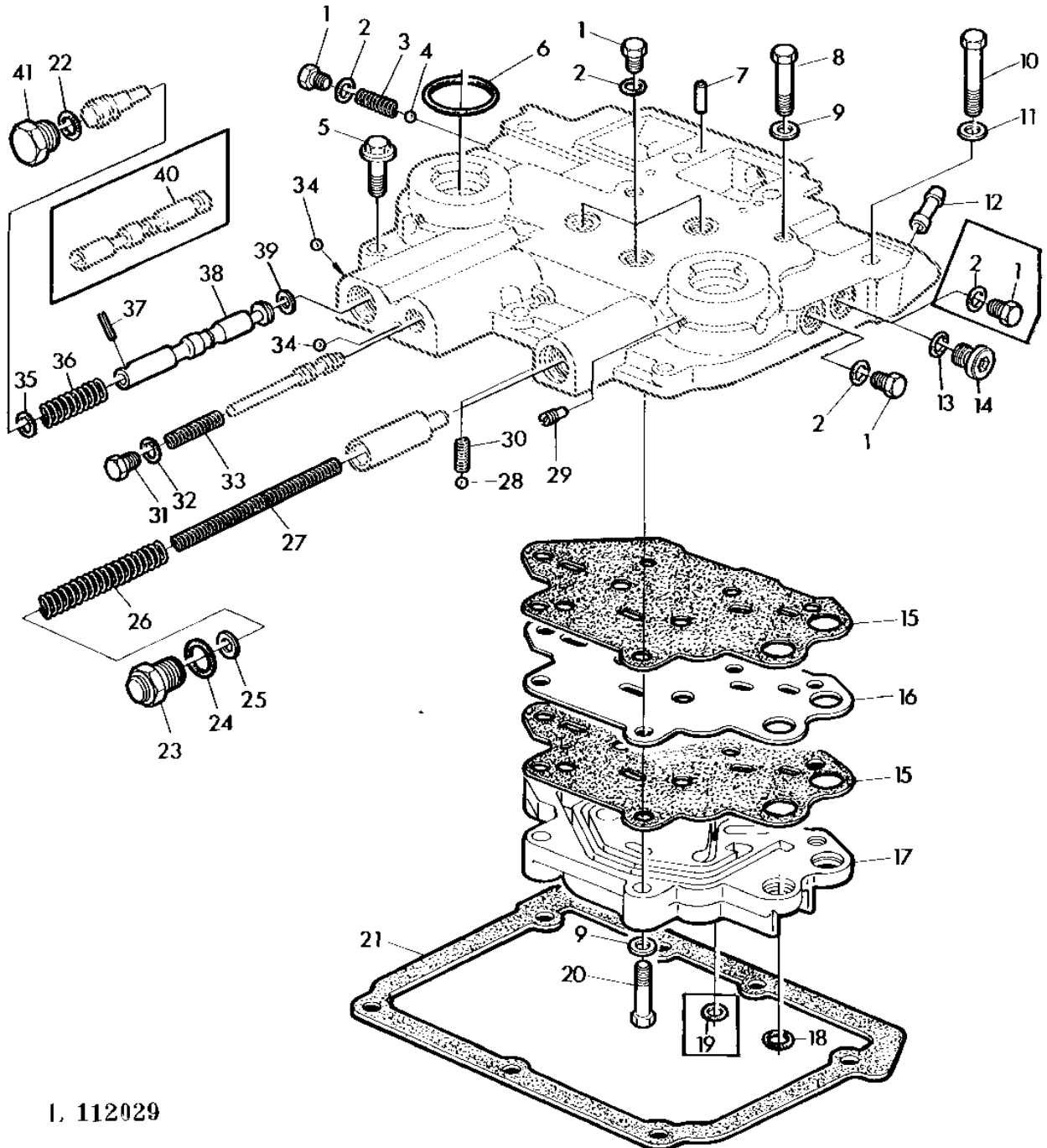
POWER TRAIN

KEY	PART NO.	PART NAME	QTY	SERIAL NO.	REMARKS
					2
					0 2
					4 1
					0 4
					S 0
1	T22728	SCREW	3		X X
2	R29936	O-RING	2		X X
3	L63354	BUSHING	2		X X (SUB FOR L35231)
4	R26287	O-RING	AR		X X
5	R31631	DRAIN PLUG	AR		X X 3/8"
6	R28634	PIN	4		X X
7	19M7378	CAP SCREW	2		X X M8X45
8	24M7036	WASHER	5		X X 9X17X1,6MM
9	19H1019	SCREW	1		X X 3/8"X2-1/8"
10	24H1303	WASHER	1		X X 13/32"X11/16"X.060"
11	T24395	TUBE	1		X X
12	L41443	O-RING	1		X X
13	L62421	GASKET	2		X X (SUB FOR L33775, L33766, L42049)
14	L33776	PLATE	1		X X
15	R375R	O-RING	2		X X
16	A3917R	O-RING	3		X X
17	19M7301	CAP SCREW	3		X X M8X40
18	L34345	GASKET	1		X X
19	AL32228	MANIFOLD	1		X X
20	CE14055	SET SCREW	2		X X
21	L33378	SPRING	1		X X
22	L33337	SPRING	1		X X
23	24H1285	WASHER	AR		X X 17/64"X7/16"X.060"
24	R26375	O-RING	1		X X
25	L33336	DRAIN PLUG	1		X X
26	L41079	PIPE PLUG	1		X X M12X1,5

2B15

POWER TRAIN

SHIFT COVER(WITH IND.PTO AND HI-LO SHIFT UNIT)
COUVERCLE DE CARTER D'EMBRAYAGE(AVEC PDF INDEP.ET HI-LO)
SCHALTDECKEL(BEI UNABH.ZAPFWELLE UND LASTSCHALTSTUFE)
COPERCHIO INNESTO(CON PDF INDIP.E GRUPPO HI-LO)
TAPA DEL CAMBIO(CON TDF INDEP.Y REDUCCION HI-LO)
VAXELSPAKSLOCK(VID OBER.KRAFTUTTAG & HOG-LAG SNABBVAXEL)
L112029 -UN-06OCT95



1. 112029

2B16

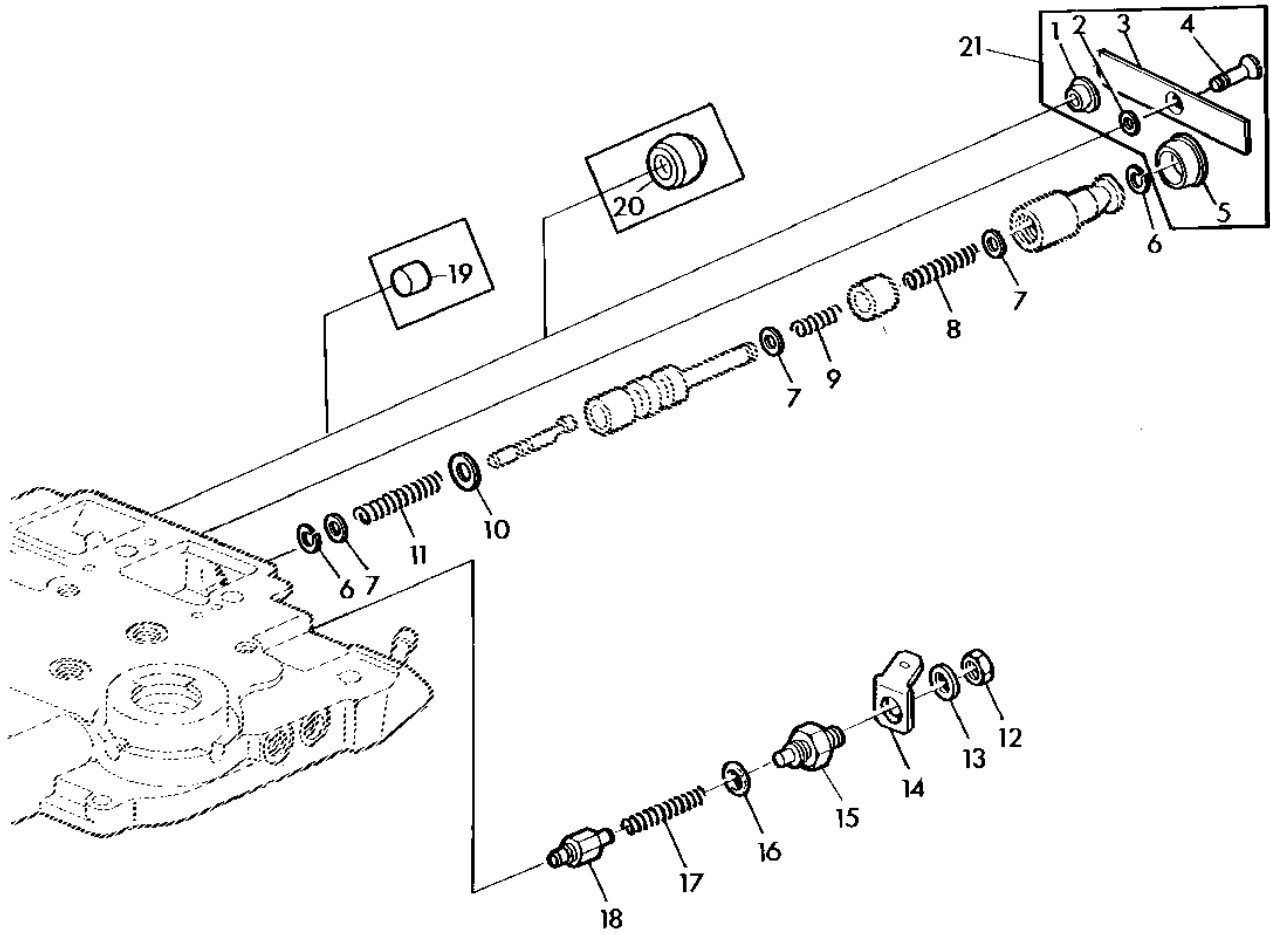
POWER TRAIN

KEY	PART NO.	PART NAME	QTY	SERIAL NO.	REMARKS
				2	
				0 2	
				4 1	
				0 4	
				S 0	
1	R31631	DRAIN PLUG	AR	X X	3/8"
2	R26287	O-RING	AR	X X	
3	L33340	SPRING	1	X X	
4	R26552	BALL	1	X X	
5	T22728	SCREW	3	X X	
6	R29936	O-RING	2	X X	
7	R28634	PIN	2	X X	
8	19M7378	CAP SCREW	2	X X	M8X45
9	24M7036	WASHER	5	X X	9X17X1,6MM
10	19H1819	CAP SCREW	1	X X	3/8"X2-1/8"
11	24H1303	WASHER	1	X X	13/32"X11/16"X.060"
12	T24395	TUBE	1	X X	
13	L41443	O-RING	1	X X	
14	L41079	PIPE PLUG	1	X X	M12X1,5
15	L61964	GASKET	2	X X	(SUB FOR L33339, L33747, L42048)
16	L33746	PLATE	1	X X	
17	L33344	MANIFOLD	1	X X	
18	R375R	O-RING	2	X X	
19	A3917R	O-RING	4	X X	
20	19M7301	CAP SCREW	3	X X	M8X40
21	L34345	GASKET	1	X X	
22	R26906	O-RING	1	X X	
23	L33336	DRAIN PLUG	1	X X	
24	R26375	O-RING	1	X X	
25	24H1285	WASHER	AR	X X	17/64"X7/16"X.060"
26	L33337	SPRING	1	X X	
27	L33378	SPRING	1	X X	
28	400R	BALL	1	X X	
29	CE14055	SET SCREW	2	X X	
30	R26373	SPRING	1	X X	
31	L34970	FITTING	1	X X	
32	R28782	O-RING	1	X X	
33	L34340	SPRING	1	X X	
34	H871R	BALL	3	X X	
35	P50883	RING	1	X X	
36	L34342	SPRING	1	X X	
37	34M7107	SPRING PIN	1	X X	2,5X12MM
38	AL59768	VALVE SPOOL	1	X X	(ORD W/ L41346, P50883, 34M7107) (SUB FOR L41345)
39	L41346	WASHER	1	X X	
40		1	X X	NSEP (ORD L41346, AL59768, P50883, 34M7107)
41	R27474	DRAIN PLUG	1	X X	

2B17

POWER TRAIN

CONTROL VALVE(CONTACT PLUG)
DISTRIBUTEUR/BOUCHON
STEUERVENTIL/KONTAKTSTOPFEN
DISTRIB.ALBERO/TAPO DI CONTATTO
VALVULA DE MANDO/TAPON DE CONTACTO
KONTROLLVENTIL/PLUGG
L103531 -UN-06OCT95



L 103531

2B18

POWER TRAIN

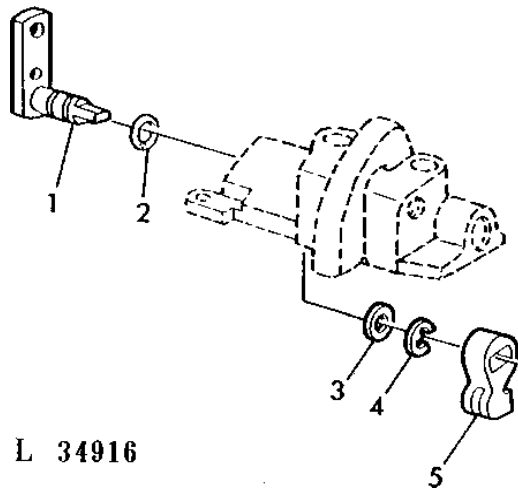
KEY	PART NO.	PART NAME	QTY	SERIAL NO.	REMARKS
				2	
				0 2	
				4 1	
				0 4	
				S 0	
1	L39036	PLUG	1	X X	(A)
2	24M7027	WASHER	1	X X	5,3X10X1MM
3	L39034	STRAP	1	X X	
4	21M7307	SCREW	1	X X	M5 X 12
5	L39035	PLUG	1	X X	
6	R67794	SNAP RING	2	X X	
7	R31632	SHIM	9	X X	
8	R34863	SPRING	1	X X	
9	T17589	SPRING	1	X X	
10	B1664R	SHIM	AR	X X	
11	R45582	SPRING	1	X X	
12	14H631	NUT	1	X X	NO.10
13	24M7087	WASHER	1	X X	5,5X10X1MM
14	57M7116	TAB	1	X X	(SUB FOR L36291)
15	AL30150	PLUG	1	X X	
16	R26448	O-RING	1	X X	
17	L34104	SPRING	1	X X	
18	AL30590	CONTACT	1	X X	
19	M4224T	PLUG	1	X X	(A) (ORD AL37565)
20	T30789	PLUG	1	X X	(ORD AL37565)
21	AL37565	KIT	1	X X	

(A) WITH HI-LO SHIFT UNIT
 AVEC HI-LO
 BEI LASTSCHALTSTUFE
 CON RIDUTT.HI-LO
 CON REDUCCION HI-LO
 VID HOG-LAG VAXLING

2B19

POWER TRAIN

HI-LO SHIFT
 REDUCTEUR HI-LO
 LASTSCHALTSTUFE-SCHALTUNG
 CAMBIO DELLA RIDUZIONE HI-LO
 MANDOS DE LA REDUCCION HI-LO
 MANOVERLANKAGE FOR HOG-LAG VAXLING
 L34916 -UN-01JAN94



L 34916

2
 0 2
 4 1
 0 4
 S 0

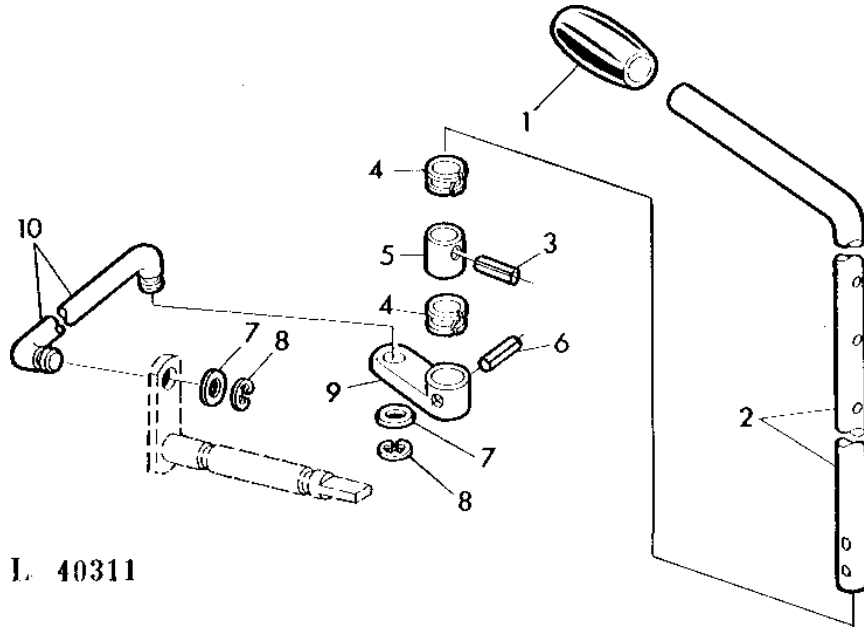
KEY	PART NO.	PART NAME	QTY	SERIAL NO.	REMARKS
1	AT29712	LEVER	1	X X	
	AL24947	LEVER	1	X X	(A)
2	R28782	O-RING	1	X X	
3	24H1227	WASHER	1	X X	17/32"X13/16"X.060"
4	P44982	PISTON RING	1	X X	
5	T25395	LEVER	1	X X	

(A) WITH OPU CAB
 AVEC CABINE PPI
 BEI FSC-KABINE
 CON CABINA OPU
 CON CABINA DE SEGURIDAD
 VID OPU FORARHYTT

2B20

POWER TRAIN

HI-LO SHIFT CONTROL LEVER
 LEVIER DE COMMANDE DE HIGH-LOW
 LASTSCHALTSTUFE-SCHALTHEBEL
 LEVA COMANDO HI-LO
 PALANCA PARA MECANISMO DE CAMBIO HI-LO
 MANOVERSPAK FOR HOG-LAG VAXLING
 L40311 -UN-01JAN94



L 40311

2
0 2
4 1
0 4
S 0

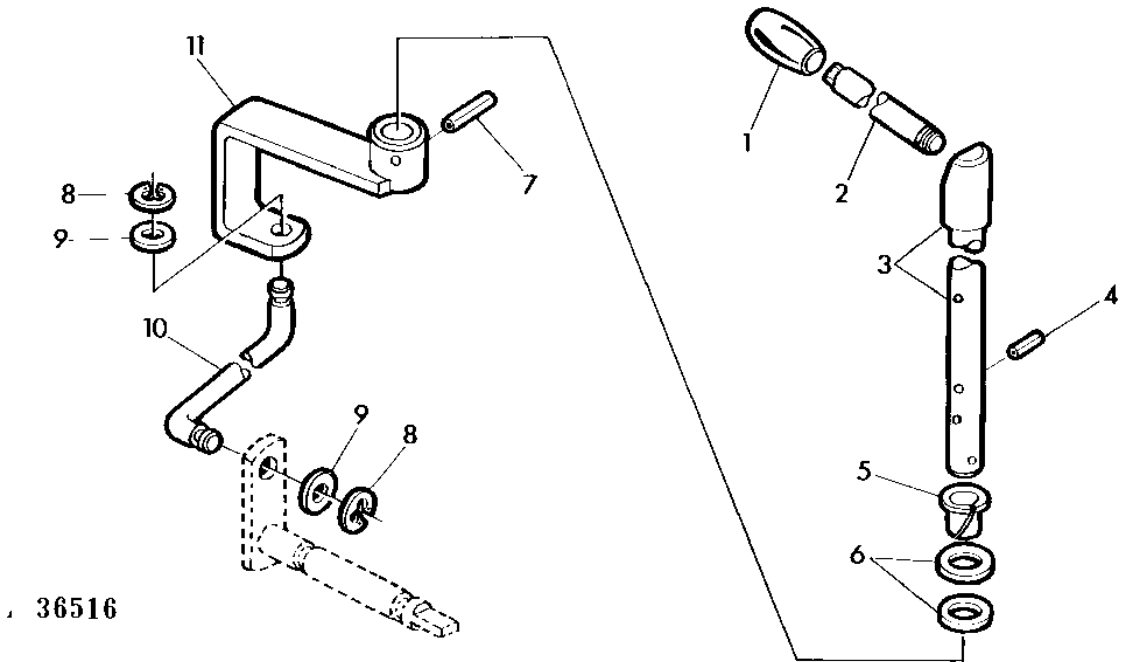
KEY	PART NO.	PART NAME	QTY	SERIAL NO.	REMARKS
1	L56923	CAP	1	X X	(SUB FOR R54272 APPL)
2	L34420	LEVER	1	X X	
3	34H280	SPRING PIN	1	X X	3/16"X7/8"
4	R34811	GROMMET	2	X X	(SUB FOR R52646)
5	L34424	BUSHING	1	X X	
6	34H282	SPRING PIN	1	X X	3/16"X1"
7	24H1243	WASHER	2	X X	11/32"X5/8"X.060"
8	R27507	SNAP RING	2	X X	
9	L63868	ARM	1	X X	(SUB FOR L34830)
10	L34831	ROD	1	X X	

2B21

POWER TRAIN

HI-LO SHIFT CONTROL LEVER (WITH OPU CAB)
 LEVIER DE COMMANDE DE HIGH-LOW (AVEC CABINE PPI)
 LASTSCHALTSTUFE-SCHALTHEBEL (BEI FSC-KABINE)
 LEVA COMANDO HI-LO (CON CABINA OPU)
 PALANCA PARA MECANISMO DE CAMBIO HI-LO (CON CABINA DE SEGURIDAD)
 MANOVERSPAK FOR HOG-LAG VAXLING (VID OPU FORARHYTT)

L36516 -UN-06OCT95



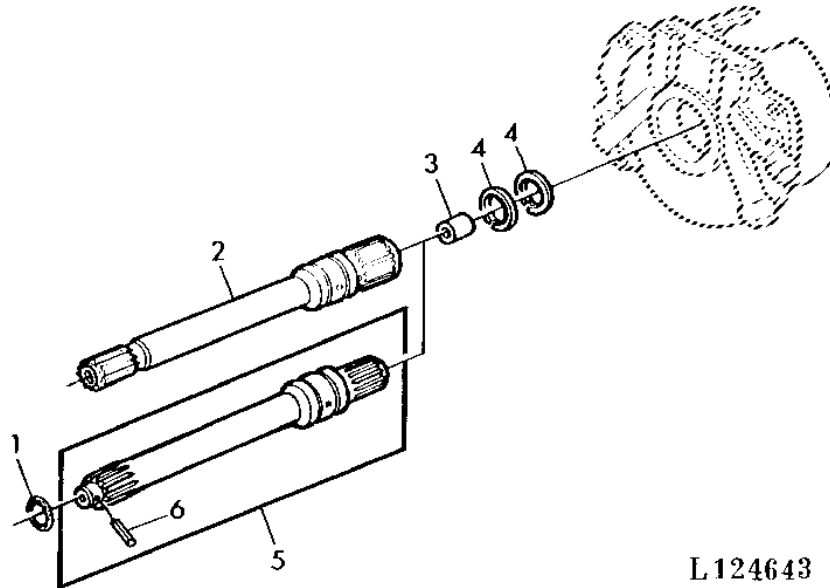
2
0 2
4 1
0 4
S 0

KEY	PART NO.	PART NAME	QTY	SERIAL NO.	REMARKS
1	L56923	CAP	1	X X	(SUB FOR R54272 APPL)
2	L35224	LEVER	1	X X	
3	AL31871	LEVER	1	X X	
4	34H387	SPRING PIN	2	X X	3/16"X3/4"
5	L30470	BUSHING	1	X X	
6	24H1341	WASHER	2	X X	17/32"X15/16"X.060"
7	34H280	SPRING PIN	1	X X	3/16"X7/8"
8	R27507	SNAP RING	2	X X	
9	24H1243	WASHER	2	X X	11/32"X5/8"X.060"
10	L34831	ROD	1	X X	
11	AL31875	LEVER	1	X X	

2B22

POWER TRAIN

TRANSMISSION INPUT SHAFT (WITH HI-LO SHIFT UNIT)
 ARBRE D'ENTREE DE BOITE (AVEC REDUCTEUR HI-LO)
 GETRIEBEEINGANGSWELLE (BEI LASTSCHALTSTUFE)
 ALBERO INGRESSO TRASMISSIONE (CON UNITA CAMBIO HI-LO)
 EJE DE ENTRADA DE LA TRANSMISION (CON REDUCCION HI-LO)
 TRANSMISSIONS INGAENDE AXEL (VID HOG-LAG SNABBVAXEL)
 L124643 -UN-09OCT95



L124643

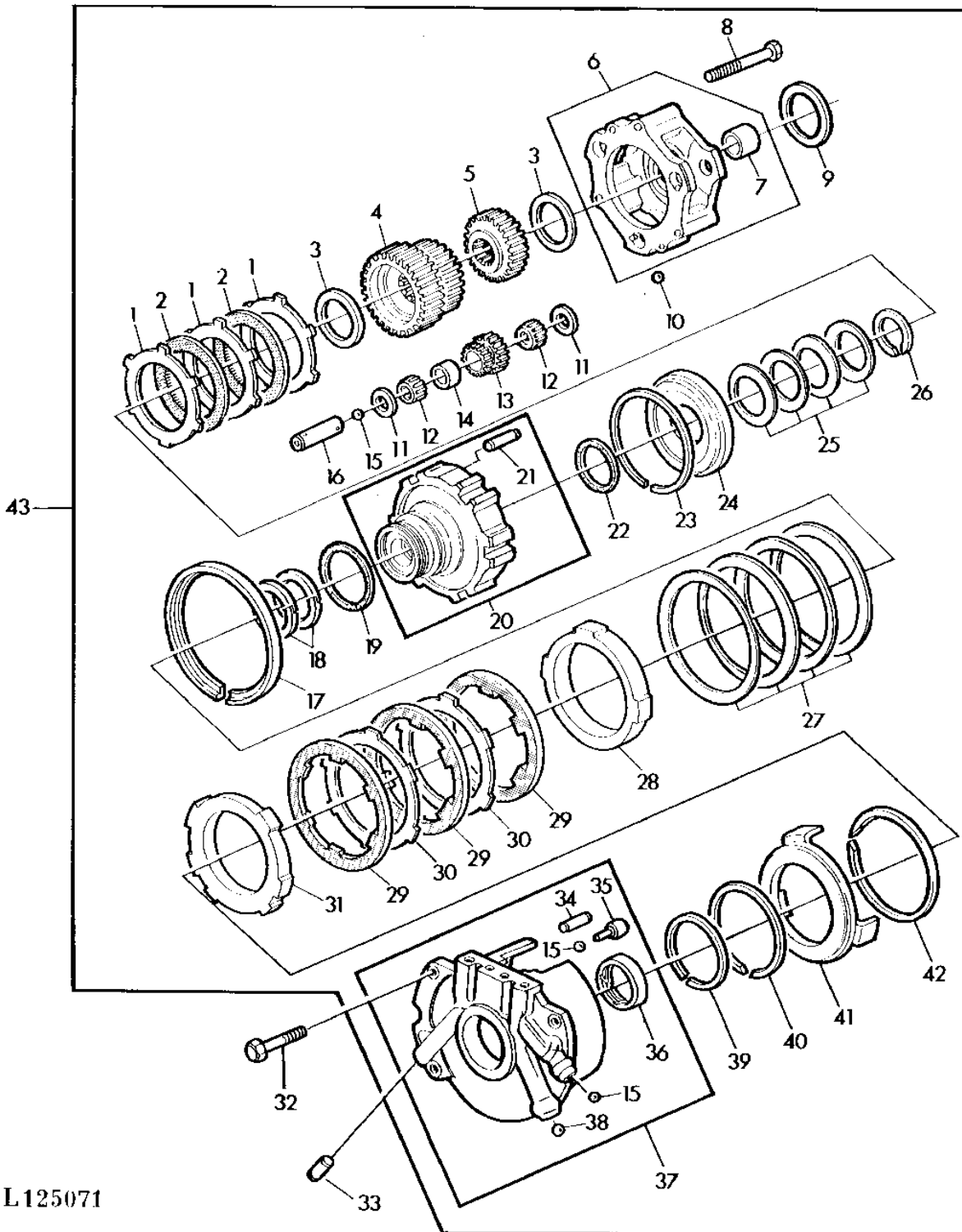
KEY	PART NO.	PART NAME	QTY	SERIAL NO.	REMARKS
				2	
				0 2	
				4 1	
				0 4	
				S 0	
1	T13119	O-RING	1	X X	
2	L35243	SHAFT	1	X X	(A)
3	L33134	BUSHING	1	X X	
4	T28807	PISTON RING	2	X X	
5	AL30899	SHAFT	1	X X	
6	34M7104	SPRING PIN	1	X X	2,5X10MM

(A) WITH COLLAR-SHIFT TRANSMISSION
 AVEC BOITE A MANCHONS BALADEURS
 BEI MUFFENSCHALTGETRIEBE
 CON CAMBIO COLLARE SCORREVOLE
 CON CAMBIO DE COLLARINES DESPLAZABLES
 VID VAXELLADA "COLLAR-SHIFT"

2B23

POWER TRAIN

HI-LO CLUTCH
EMBRAYAGE DE HIGH-LOW
LASTSCHALTSTUFE-KUPPLUNG
FRIZIONE HI-LO
EMBRAGUE DE MECANISMO DE CAMBIO HI-LO
HOG-LAG KOPPLING
L125071 -UN-09JUN95



L125071

2B24

POWER TRAIN

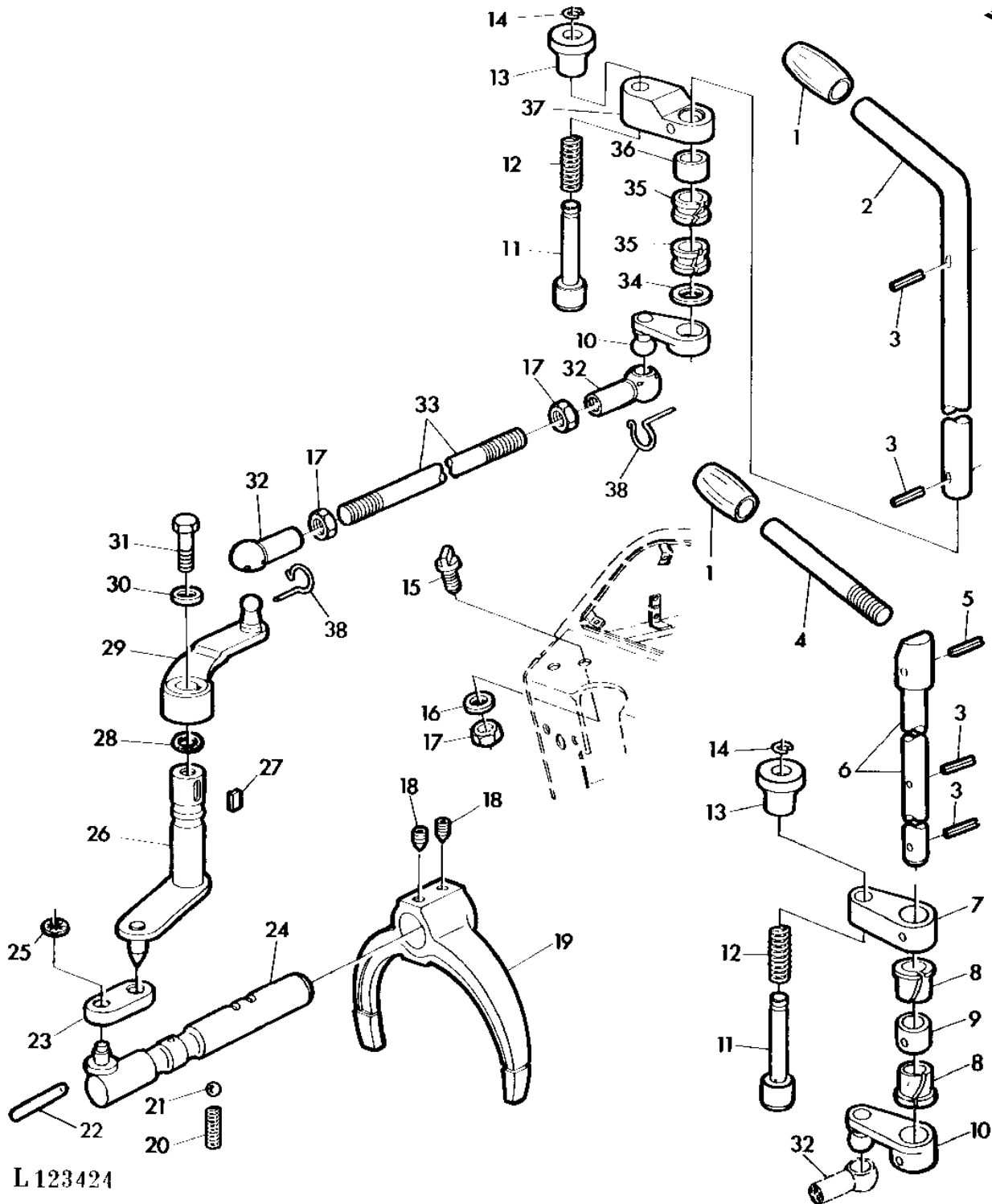
KEY	PART NO.	PART NAME	QTY	SERIAL NO.	REMARKS
					2
					0 2
					4 1
					0 4
					S 0
1	R64197	CLUTCH PLATE	3		X X
2	AL38239	DISK, INNER SPLINE	2		X X (SUB FOR AR78361)
3	R33083	WASHER	2		X X
4	AL28751	PINION	1		X X
5	L33156	PINION	1		X X
6	AL30686	PLANET PINION CARRIER	1		X X
7	L34116	BUSHING	1		X X
8	19H1904	CAP SCREW	3		X X 5/16"X3"
9	L33159	THRUST WASHER	1		X X
10	H871R	BALL	8		X X 5MM (3/16")
11	R54961	THRUST WASHER	6		X X
12	JD9932	NEEDLE BEARING	6		X X (ORD (2) AL39254, (1) L41032)
	AL39254	NEEDLE BEARING	6		X X
13	L33157	PINION	3		X X
14	L41032	WASHER	3		X X TK=3,15MM
	R58209	WASHER	3		X X TK=8,15MM (ORD (1) L41032, (2) AL39254)
15	L38718	BALL	5		X X 6MM (1/4") (SUB FOR L33368)
16	L33158	PINION SHAFT	3		X X
17	L33303	SNAP RING	1		X X
18	L33155	RING	2		X X
19	R50349	WASHER	1		X X
20	AL28748	DRUM	1		X X
21	R38295	NEEDLE ROLLER	3		X X
22	R39304	WASHER	1		X X
23	R39280	PISTON RING	1		X X
24	R39285	PISTON	1		X X
25	R50348	DISK SPRING	4		X X
26	R39299	SNAP RING	1		X X
27	L62954	DISK SPRING	4		X X (SUB FOR L33161)
28	L33162	PLATE	1		X X
29	AL38238	DISK, INNER SPLINE	3		X X (SUB FOR AL30687)
30	L33163	CLUTCH PLATE	2		X X
31	L33164	PLATE	1		X X
32	19H2552	CAP SCREW	4		X X 3/8"X1-1/8"
33	L33334	DOWEL PIN	1		X X
34	R30587	DOWEL PIN	2		X X
35	L33369	PIN	1		X X
36	L34115	BUSHING	1		X X
37	AL40807	HOUSING	1		X X (A) (MARKED L41677) (ORD W/ L40773) (SUB FOR AL30685, AL38863)
38	R26552	BALL	1		X X 8MM (5/16")
39	L62161	SEAL	1		X X (SUB FOR L34185)
40	L62272	SEAL	1		X X (SUB FOR L33167)
41	AL64922	PISTON	1		X X (SUB FOR AL28756)
42	L33165	SNAP RING	1		X X
43	AL40808	HIGH-LOW CLUTCH	1		X X (A) (SUB FOR AL28739)

(A) WITHOUT FWD ORDER L33334 ALSO
 SANS PONT AVANT COMMANDER AUSSI L33334
 OHNE FRONTANTRIEB BESTELLE AUCH L33334
 SENZA TRAZ.ANT.ORDINARE PURE L33334
 SIN TRACCION DELANT.PEDIR TAMBIEN L33334
 UTAN FRAMHJULSDRIFT BESTALLAS OCKSA L33334

2C1

POWER TRAIN

CREEPER TRANSMISSION CONTROL LEVER AND LINKAGE
LEVIER ET TRINGLERIE DE GAMME RAMPANTE
KRIECHGANG,SCHALTUNG
LEVA E TIRANERIA GRUPPO RAMPANTE
PALANEN Y VARILLAJE,TRANSMISSION" CREEPER"
VAXELSPAK OCH LANKAGE,KRYPVAXEL
L123424 -UN-09OCT95



L 123424

2C2

POWER TRAIN

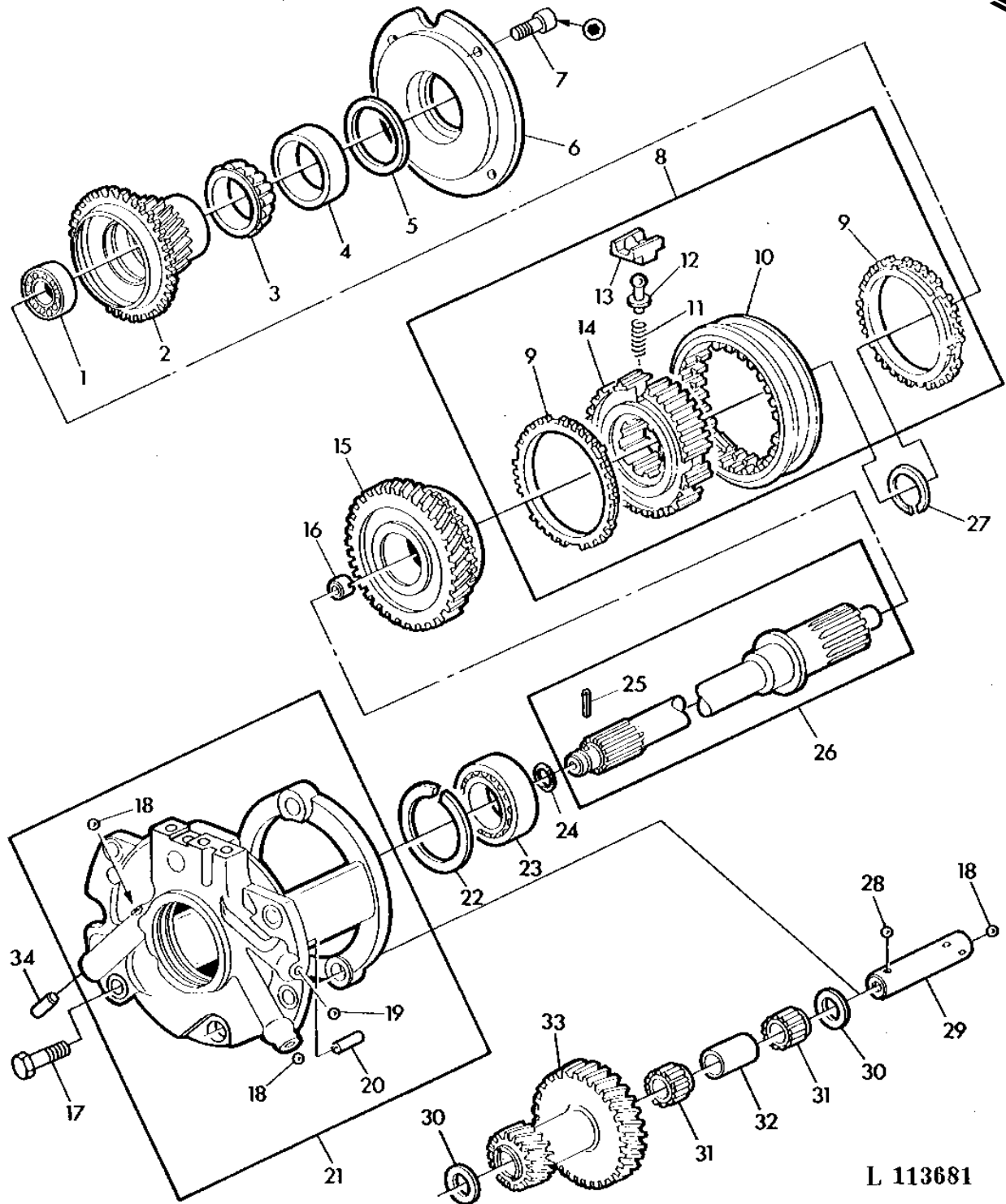
KEY	PART NO.	PART NAME	QTY	SERIAL NO.	REMARKS
				2	
				0 2	
				4 1	
				0 4	
				S 0	
1	L56923	CAP	1	X	(SUB FOR R54272 APPL)
2	L37048	PIN	1	X	
3	34H282	SPRING PIN	2	X	3/16"X1"
4	L35224	LEVER	1	X	(A) UP
5	34H284	SPRING PIN	1	X	(A) 3/16"X11/4"
6	AL31987	LEVER	1	X	(A)
7	L37055	STRAP	1	X	(A)
8	L30470	BUSHING	2	X	(A)
9	L34424	BUSHING	1	X	(A)
10	AL34657	LEVER	1	X	
11	L37039	PIN	1	X	
12	R65028	SPRING	1	X	
13	L37040	KNOB	1	X	
14	40M7096	SNAP RING	1	X	26X0,8MM
15	L37043	SCREW	1	X	
	L37056	SCREW	1	X	(A)
16	24M7036	WASHER	1	X	
17	14M7273	NUT	3	X	8MM
18	L33332	SET SCREW	2	X	M12X16
19	L33769	SHIFTER	1	X	
20	T27716	SPRING	1	X	
21	R26552	BALL	1	X	8MM (5/16")
22	L33772	PIN	1	X	
23	L35700	STRAP	1	X	
24	AL32973	SHIFTER ROD	1	X	
25	L35701	SNAP RING	1	X	
26	AL32974	LEVER	1	X	
27	49M7030	SHAFT KEY	1	X	5X3X14MM
28	R28776	O-RING	1	X	
29	AL30184	LEVER	1	X	
30	24M7139	WASHER	1	X	6,4X18X1,6MM
31	19M6614	CAP SCREW	1	X	M6X12
32	56M7003	BALL JOINT SOCKET	2	X	
33	L33785	STUD	1	X	
34	L37042	WASHER	1	X	
35	R34811	GROMMET	2	X	(SUB FOR R52646)
36	L37041	BUSHING	1	X	
37	L61690	STRAP	1	X	(SUB FOR L37047)
38	56M7004	BALL JOINT SOCKET	2	X	

(A) WITH OPU CAB
 AVEC CABINE PPI
 BEI FSC-KABINE
 CON CABINA OPU
 CON CABINA DE SEGURIDAD
 VID OPU FORARHYTT

2C3

POWER TRAIN

CREEPER TRANSMISSION
REDUCTEUR GAMME RAMPANTE
KRIECHGANG GETRIEBE
GRUPPO RAMPANTE
TRANSMISSION "CREEPER"
KRYPVAXEL
L113681 -UN-01JAN94



L 113681

2C4

POWER TRAIN

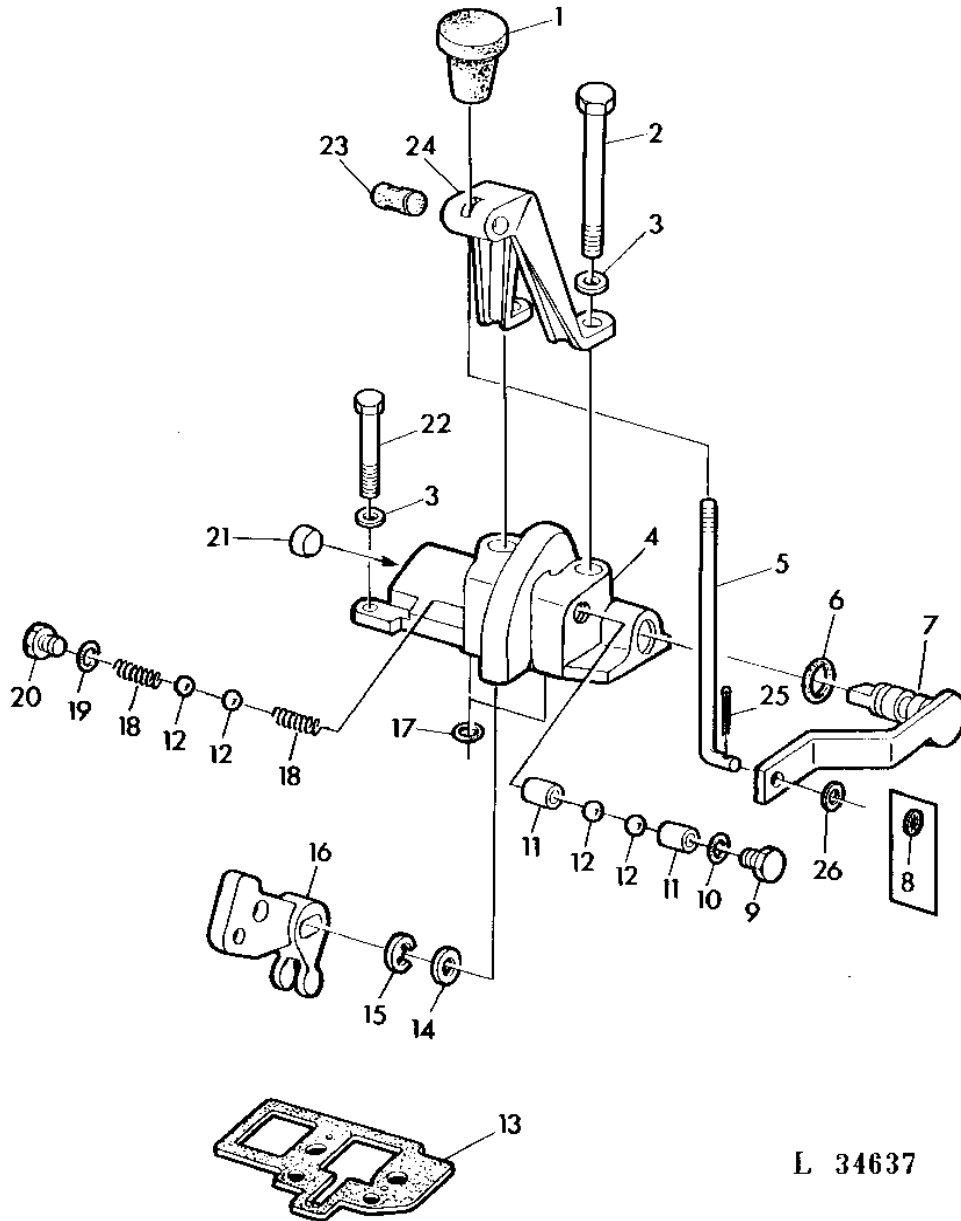
KEY	PART NO.	PART NAME	QTY	SERIAL NO.	REMARKS
					2
					0 2
					4 1
					0 4
					S 0
1	JD10037	ROLLER BEARING	1		X
2	AL66408	GEAR	1		X Z=21 (SUB FOR AL30196)
3	JD10040	BEARING CONE	1		X
4	JD10039	BEARING CUP	1		X
5	L33756	SHIM	AR		X TK=0,15MM (.005")
	L33757	SHIM	AR		X TK=0,2MM (.007")
	L33758	SHIM	AR		X TK=0,5MM (.019")
6	L33755	QUILL	1		X
7	19M7931	SCREW	4		X M8X16
8	AL41727	SYNCHRONIZER	1		X (SUB FOR AL28708, AL39237)
9	L33102	SYNCHRONIZER	2		X
10	L33098	SHIFT COLLAR	1		X
11	L33103	SPRING	3		X
12	L33100	STUD	3		X
13	L33101	SHOE	3		X
14	L33099	GEAR	1		X
15	AL66407	GEAR	1		X Z=44 (SUB FOR AL30195)
16	L33763	BUSHING	1		X
17	19H2552	CAP SCREW	4		X 3/8"X1-1/8"
18	L38718	BALL	2		X 6MM (1/4") (SUB FOR L33368)
19	R26552	BALL	1		X 8MM (5/16")
20	R30587	DOWEL PIN	2		X
21	AL40805	HOUSING	1		X (MARKED L41676) (ORD W/ L40773) (SUB FOR AL30174, AL38867)
	AL40805	HOUSING	1		X (A) (ORD W/ L33334, L40773)
22	E60918	SNAP RING	1		X
23	JD10038	ROLLER BEARING	1		X
24	T13119	O-RING	1		X
25	34M7104	SPRING PIN	1		X 2,5X10MM
26	AL30924	DRIVE SHAFT	1		X
27	L36932	SNAP RING	1		X (SUB FOR L33280)
28	H871R	BALL	1		X 5MM (3/16")
29	L41675	SHAFT	1		X (SUB FOR L33767)
30	R54961	THRUST WASHER	2		X
31	JD10041	ROLLER BEARING	2		X
32	L33765	BUSHING	1		X
33	L34054	GEAR	1		X Z=18/41
34	L33334	DOWEL PIN	1		X (A)

(A) WITHOUT FWD
 SANS PONT AVANT
 OHNE FRONTANTRIEB
 SENZA TRAZ.ANT.
 SIN TRACCION DELANTERA
 UTAN FRAMHJULSDRIFT

2C5

POWER TRAIN

COVER/CONTROL LEVER (WITH INDEPENDEN PTO)
COUVERCLE/LEVIER (AVEC PDF INDEPENDANTE)
DECKEL/HEBEL (BEI UNABH.ZAPFWELLE)
COMANDO PDF INDIPENDENTE
TAPA/PALANCA DE MANDO (CON TDF INDEPENDIENTE)
MANOVERLANKAGE FOR OBEROENDE KRAFTUTTAG
L34637 -UN-07JUL95



L 34637

2C6

POWER TRAIN

KEY	PART NO.	PART NAME	QTY	SERIAL NO.	REMARKS
				2	
				0 2	
				4 1	
				0 4	
				S 0	
1	L56920	KNOB	1	X X	(SUB FOR L31945)
2	19H2228	CAP SCREW	2	X X	3/8"X4"
3	24H1303	WASHER	3	X X	13/32"X11/16"X.060"
4	L59830	COVER	1	X X	(SUB FOR L33341, L41351)
5	L31946	BOLT	1	X X	
6	R28782	O-RING	1	X X	
7	AL60773	LEVER	1	X X	(SUB FOR AL26975, AL35969 APPL)
8	L31947	SNAP RING	1	X X	
9	R27218	FITTING PLUG	1	X X	
10	R26448	O-RING	1	X X	
11	L59305	PISTON	2	X X	(SUB FOR L34105)
12	R26552	BALL	4	X X	5/16"
13	L33342	GASKET	1	X X	
14	24M7229	SHIM	1	X X	14X20X0,3MM
15	R26871	SNAP RING	1	X X	
16	L33318	LEVER	1	X X	
17	L36237	O-RING	2	X X	
18	L34106	SPRING	2	X X	
19	R26287	O-RING	1	X X	
20	R31631	DRAIN PLUG	1	X X	3/8"
21	M4224T	PLUG	1	X X	(A)
22	19H1819	CAP SCREW	1	X X	3/8"X2-1/8"
23	L31944	PIN	1	X X	
24	L31943	SUPPORT	1	X X	
25	11M7009	COTTER PIN	1	X X	2X16MM
26	24M7055	WASHER	1	X X	8,4X17X1,4MM

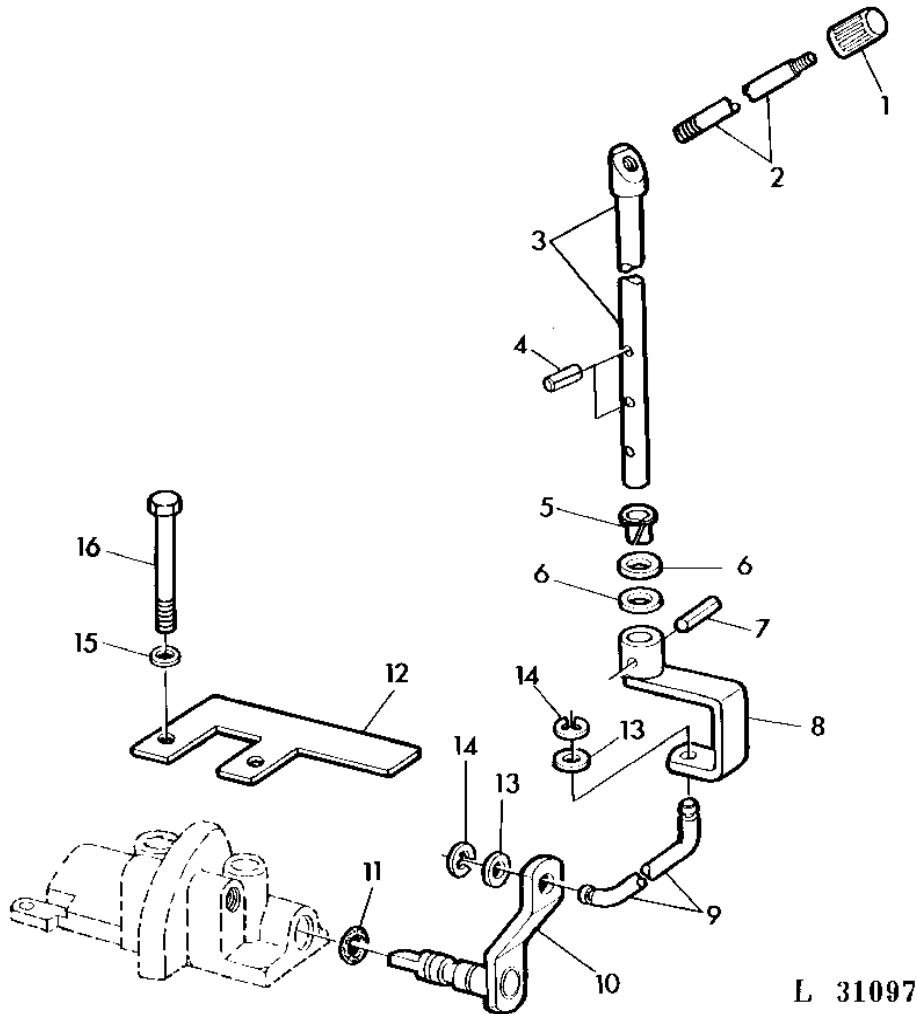
(A) WITHOUT HI-LO SHIFT UNIT
 SANS HI-LO
 OHNE LASTSCHALTSTUFE
 SENZA RIDUTTORE HI-LO
 SIN MECANISMO DE CAMBIO HI-LO
 UTAN HOG-LAG VAXLING

2C7

POWER TRAIN

PTO CLUTCH LEVER (WITH OPU CAB)
LEVIER D'EMBAYAGE DE PDF (AVEC CABINE PPI)
ZAPFWELLENKUPPLUNGHEBEL (BEI FSC-KABINE)
LEVA COMANDO PDF (CON CABINA OPU)
PALANCA PARA EMBRAGAR LA TDF (CON CABINA DE SEGURIDAD)
KRAFTUTTAGES MANOVERSPAK (VID OPU FORARHYTT)

L31097 -UN-06OCT95



L 31097

2C8

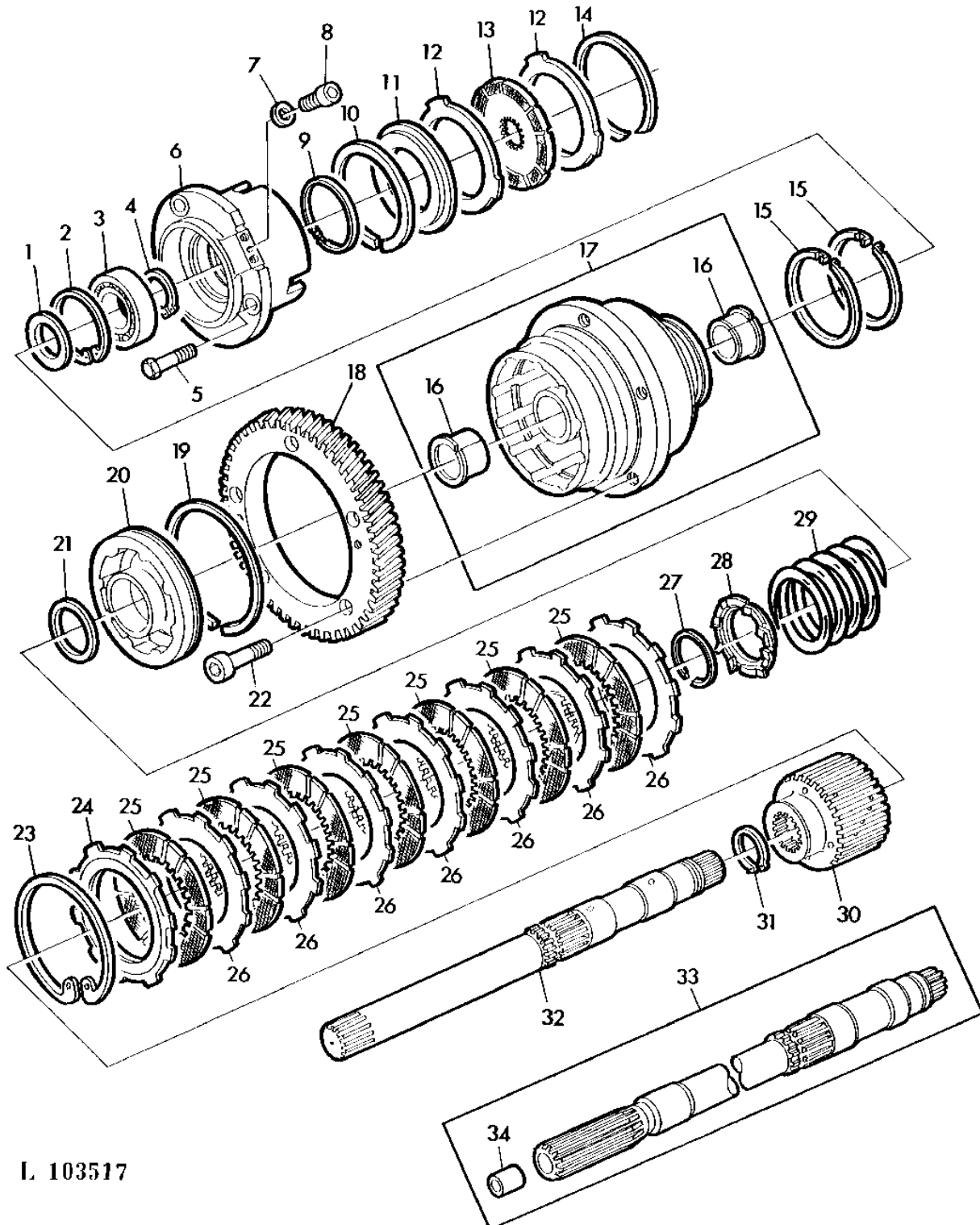
POWER TRAIN

KEY	PART NO.	PART NAME	QTY	SERIAL NO.	REMARKS
				2	
				0 2	
				4 1	
				0 4	
				S 0	
1	L57987	GRIP	1	X X	(SUB FOR AR62028 APPL)
2	L35223	STUD	1	X X	
3	AL31872	ROD	1	X X	
4	34H387	SPRING PIN	2	X X	3/16"X3/4"
5	L30470	BUSHING	1	X X	
6	24H1341	WASHER	2	X X	17/32"X15/16"X.060"
7	34H280	SPRING PIN	1	X X	3/16"X7/8"
8	AL31875	LEVER	1	X X	
9	L30801	PIN	1	X X	
10	AL24938	LEVER	1	X X	
11	R28782	O-RING	1	X X	
12	L35158	STOP	1	X X	
13	24H1243	WASHER	2	X X	11/32"X5/8"X.060"
14	R27507	SNAP RING	2	X X	
15	24H1303	WASHER	2	X X	13/32"X11/16"X.060"
16	19H2636	CAP SCREW	2	X X	3/8"X3-5/8"

2C9

POWER TRAIN

PTO CLUTCH
EMBAYAGE DE PDF
ZAPFWELLENKUPPLUNG
FRIZIONE PDF
EMBRAGUE DE LA TDF
KRAFTUTTAGSKOPPLING
L103517 -UN-06OCT95



L 103517

2C10

POWER TRAIN

KEY	PART NO.	PART NAME	QTY	SERIAL NO.	REMARKS
					2
					0 2
					4 1
					0 4
					S 0
1	L33313	WASHER	1		X X
2	40M7044	SNAP RING	1		X X 72X2,5MM
3	JD10095	BALL BEARING	1		X X
4	40M7046	SNAP RING	1		X X 35X1,5MM
5	19H3239	CAP SCREW	3		X X 3/8"X1-1/4"
6	L33312	DRUM	1		X X
7	24M7088	WASHER	1		X X 6,6MM
8	19M7768	SCREW	1		X X M6X16
9	L33117	PISTON RING	1		X X
10	51M7017	PISTON RING	1		X X 110X100,8X3MM
11	L33316	PISTON	1		X X
12	L33125	PLATE	2		X X
13	AL55075	DISK, INNER SPLINE	1		X X (SUB FOR AL28723)
14	L33119	SNAP RING	1		X X
15	R33167	RING	2		X X
16	L33320	BUSHING	2		X X
17	AL28850	DRUM	1	-372201	X X (ORD AL39262, L38023, (1) AL38239, (1) T28664)
	AL28852	DRUM	1	-390525	X X (A) (ORD L38023, AL39262)
	AL28852	DRUM	1	372202-390525	X X (ORD L38023, AL39262)
	AL39262	DRUM	1	390526-	X X (SUB FOR AL35664)
18	L61828	GEAR	1		X X Z=65 (SUB FOR L34053)
	L34052	GEAR	1		X X (A) Z=75
19	L28656	PISTON RING	1		X X
20	L32738	PISTON	1		X X
21	R39304	WASHER	1		X X
22	19M7576	SCREW	5		X X M10X1,5X30
23	L38023	SNAP RING	1		X X (SUB FOR L33562)
24	L33563	PLATE	1		X X
25	AL38240	DISK, INNER SPLINE	10		X X (A) (SUB FOR AT26632)
	AL38239	DISK, INNER SPLINE	7	-372201	X X (SUB FOR AR78361)
	AL38239	DISK, INNER SPLINE	8	372202-	X X (SUB FOR AR78361)
26	T28664	DISK, OUTER SPLINE	10		X X (A)
	T28664	DISK, OUTER SPLINE	7	-372201	X X
	T28664	DISK, OUTER SPLINE	8	372202-	X X
27	R39299	SNAP RING	1		X X
28	T32849	RETAINER	1		X X
29	T32848	SPRING	1		X X
30	L33314	HUB	1		X X
31	40M7058	SNAP RING	1		X X 40X1,75MM
32	L33317	SHAFT	1		X X
33	AL33344	SHAFT	1		X (B)
34	T22127	BUSHING	1		X X

(A) WITH INDEPENDENT PTO-540RPM
 AVEC PDF INDEPENDANTE 540TR/MN
 BEI UNABHAENGIGER ZAPFWELLE 540 U/MIN
 CON PDF INDIPENDENTE 540 GIRI/MIN
 CON TDF INDEPENDIENTE 540 R/M
 VID OBERONDE KRAFTUTTAG 540 V/MIN

(B) WITH COLLAR-SHIFT TRANSMISSION
 AVEC BOITE A MANCHONS BALADEURS
 BEI MUFFENSCHALTGETRIEBE
 CON CAMBIO COLLARE SCORREVOLE
 CON CAMBIO DE COLLARINES DESPLAZABLES
 VID VAXELLADA "COLLAR-SHIFT"

2C11

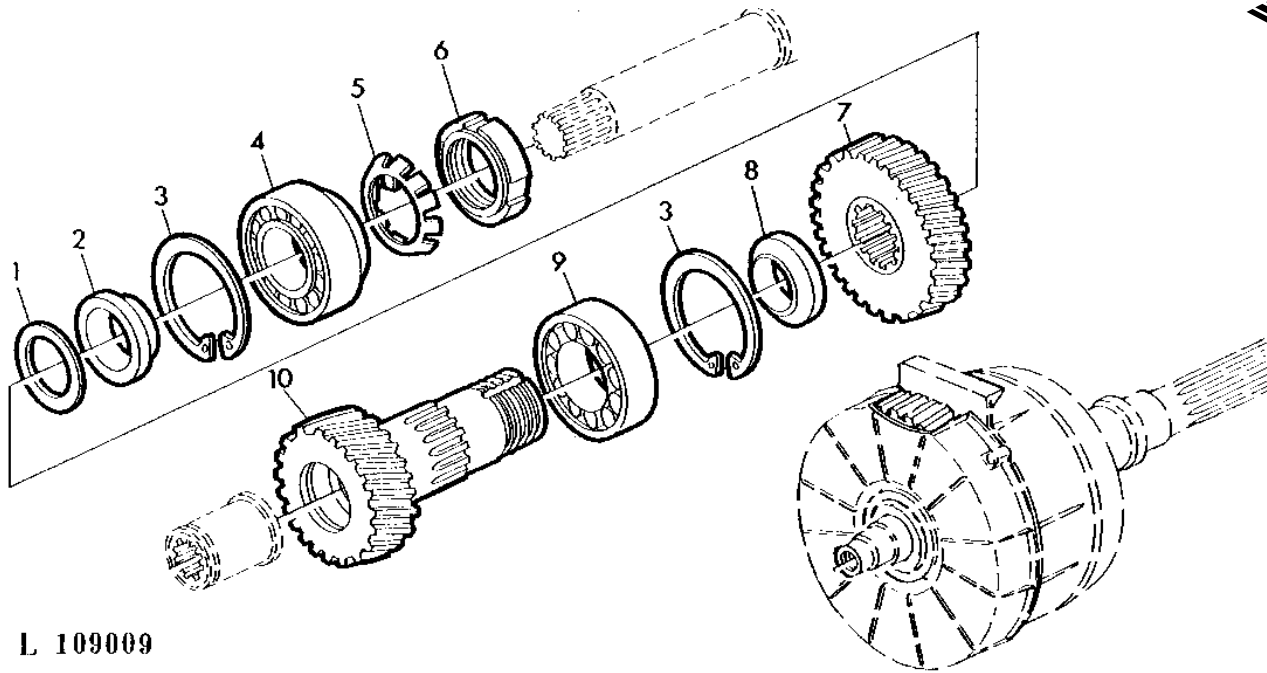
POWER TRAIN

MEMORANDA
MEMORANDA
MEMORANDA
MEMORANDA
MEMORANDA

2C12

POWER TRAIN

FWD-DRIVE
 SORTIE DE PONT AVANT/EMBAYAGE MULTIDISQUE
 FRONTANTRIEB-ABTRIEB
 TRAZ.ANT./USCITA DI FORZA
 EJE DE SALIDA/TRACCION DELANTERA
 FRAMHJULSDRIFT-ANSLUTNINGSAIXEL
 L109009 -UN-01JAN94



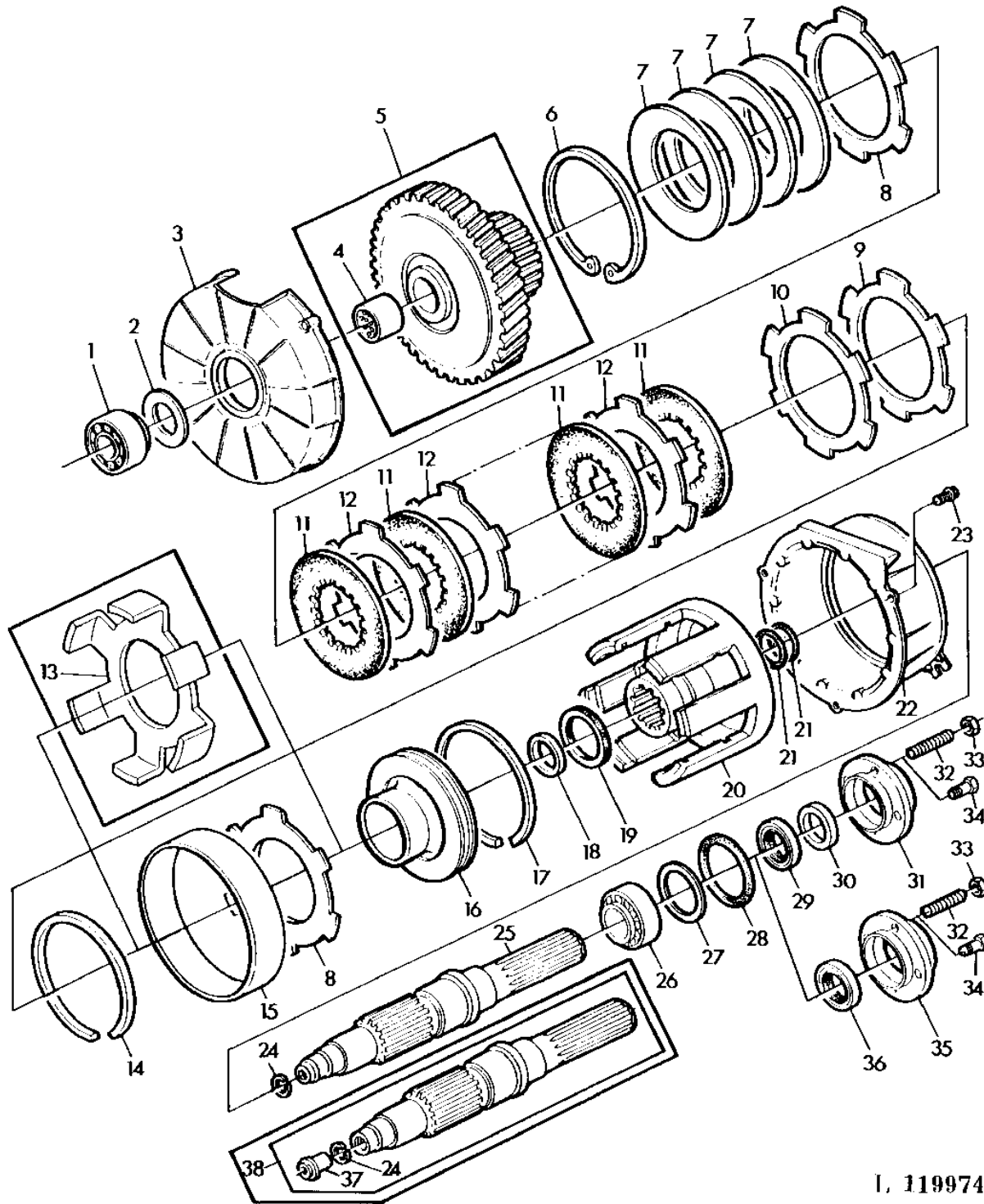
L 109009

KEY	PART NO.	PART NAME	QTY	SERIAL NO.	REMARKS
					2
					0 2
					4 1
					0 4
					S 0
1	L40582	SHIM	AR	X X	TK=0,05MM(.002")
	L40583	SHIM	AR	X X	TK=0,10MM(.004")
	L33242	SHIM	AR	X X	TK=0,15MM(.006")
	L33243	SHIM	AR	X X	TK=0,2MM(.008")
	L33244	SHIM	AR	X X	TK=0,5MM(.019")
2	L33245	SPACER	1	X X	
3	40M1873	SNAP RING	2	X X	90X3MM
4	JD10114	ROLLER BEARING	1	X X	
5	12M7083	LOCK PLATE	1	X X	
6	52M7011	NUT	1	X X	M50X1,5
7	L41165	GEAR	1	X X	Z=30 (SUB FOR L33241)
8	L33240	BUSHING	1	X X	
9	JD37219	ROLLER BEARING	1	X X	
10	L36725	GEAR	1	X	Z=21 (FOR L33238) (SUB FOR L33239)
	L36724	GEAR	1	X	Z=23 (FOR L35003) (SUB FOR L33265)
	L63725	GEAR	1	X X	Z=21 (FOR L33266 OR L57658) (SUB FOR L33239)
	L60520	GEAR	1	X X	Z=21 (FOR AL63828 OR AL63829 OR AL63830) (SUB FOR L41688)
	L36724	GEAR	1	X X	Z=23 (FOR L33264) (SUB FOR L33265)
	L41691	GEAR	1	X X	Z=23 (FOR AL63828 OR AL63829 OR AL63830)

2C13

POWER TRAIN

FWD MULTI-DISK CLUTCH
SORTIE DE PONT AVANT/EMBAYAGE MULTIDISQUE
FRONTANTRIEB-LAMELLENKUPPLUNG
TRAZ.ANT./FRIZIONE MULTIDISCO
EMBRAGUE MULTIDISCO/TRACC.DELANT.
FRAMHJULSDRIFT-KOPPLING
L119974 -UN-09OCT95



I. 119974

2C14

POWER TRAIN

KEY	PART NO.	PART NAME	QTY	SERIAL NO.	REMARKS
					2
					0 2
					4 1
					0 4
					S 0
1	JD10234	ROLLER BEARING	1		X
	JD37218	ROLLER BEARING	1		X (B)
2	L39495	WASHER	1		X
	L33253	WASHER	1		X (B)
3	L39837	HOUSING	1		X
4	L63432	BUSHING	1		X (SUB FOR L33263)
5	AL67651	GEAR	1		X Z=49 (SUB FOR AL28918, AL37596)
6	40M7122	SNAP RING	1		X 145X4MM
7	L34068	DISK SPRING	4		X
8	L38258	CLUTCH PLATE	2		X (SUB FOR L34066, L37024)
9	L37025	PLATE	1		X (SUB FOR L34065)
10	L34063	DISK, OUTER SPLINE	2	-385870	X KM/H-25
	L34063	DISK, OUTER SPLINE	1	-385870	X KM/H25-
	L34063	DISK, OUTER SPLINE	1	385871-	X KM/H-25
11	L34064	DISK, INNER SPLINE	7	-385870	X KM/H-25
	L34064	DISK, INNER SPLINE	8	-385870	X KM/H25-
	L34064	DISK, INNER SPLINE	8	385871-	X KM/H-25
	L34064	DISK, INNER SPLINE	9	385871-	X KM/H25-
12	L34062	DISK, OUTER SPLINE	6	-385870	X KM/H-25
	L34062	DISK, OUTER SPLINE	7	-385870	X KM/H25-
	L34062	DISK, OUTER SPLINE	7	385871-	X KM/H-25
	L34062	DISK, OUTER SPLINE	8	385871-	X KM/H25-
13	L34061	DRUM	1		X (ORD L38692, (1) L38258)
14	L34067	SNAP RING	1		X
15	L38692	SPACER	1		X
16	L34059	PISTON	1		X
17	L34060	PISTON RING	1		X
18	L33251	WASHER	1		X
19	R39304	WASHER	1		X
20	L39840	DRUM	1		X (SUB FOR L34058)
21	H35244	RING	2		X
22	L39838	HOUSING	1		X (ORD L41308, L41295, 44M1082)
	L41308	SHIELD	1		X
23	37M7060	SCREW	3		X M4X10
24	R34140	RING	1		X
25	L62773	DRIVE SHAFT	1		X (SUB FOR L62400, L62960)
26	JD37047	ROLLER BEARING	1		X
27	L33247	SHIM	AR		X TK=0,15MM(.059")
	L33252	SHIM	AR		X TK=0,2MM(.008")
	L33260	SHIM	AR		X TK=0,5MM(.019")
28	L33257	O-RING	1		X
29	48M7038	SEAL	1		X 38X52X7MM
30	L39491	WASHER	1		X
31	L39490	QUILL	1		X
32	22M7105	SET SCREW	3		X (A) M8X45
33	14M7273	NUT	3		X (A) M8
34	19M7139	CAP SCREW	3		X M8X1,25X20
35	L33256	QUILL	1		X (B)
36	48M7039	SEAL	1		X (B) 35X52X7MM
37	R39279	RETAINER	1		X
38	AL37280	DRIVE SHAFT	1		X (ORD L62773, R34140)
	AL28925	DRIVE SHAFT	1		X (B)

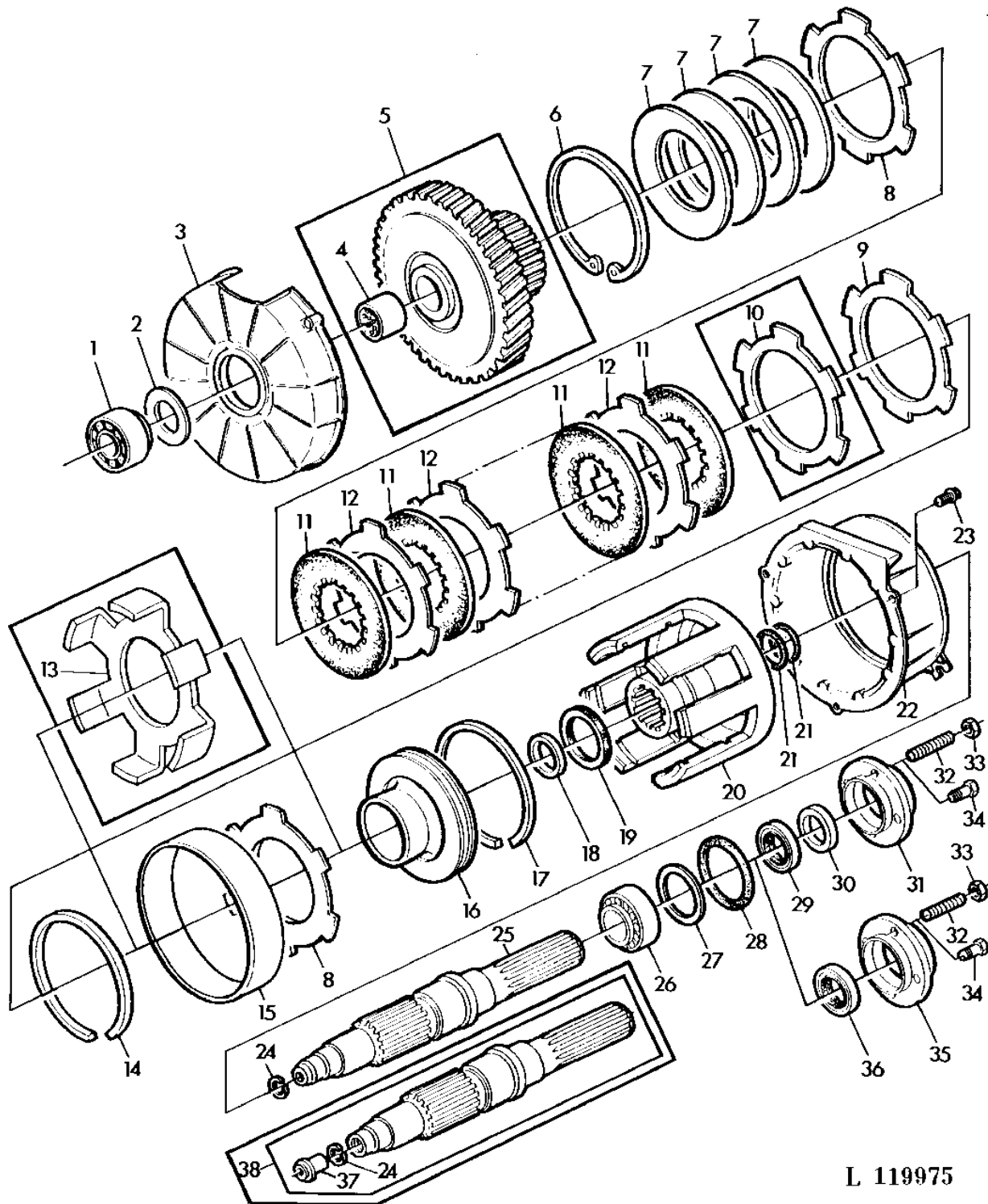
(A) WITH UJOINT DRIVE SHAFT AWRAPPING GUARD
 AVEC PROTEC.ANTIENROULEMENT D'ARBRE A CARDANS
 BEI GELENKWELLEN-WICKELSCHUTZ
 CON DIFESA CONTRA AVVOLG.SULL'ALBERO CARDAN.
 CON DEFENSA CONTRA ARROLL.SOBRE EJE DE CARDAN
 VID LINDNINGSSKYDD FOR KARDANAXEL

(B) WITH CLUTCH HOUSING AL28740
 AVEC CARTER D'EMBRAGE AL28740
 BEI KUPPLUNGSGEHAEUSE AL28740
 CON SCATOLA FRIZIONE AL28740
 CON CARTER DEL EMBRAGUE AL28740
 VID KOPPLINGSHUS AL28740

2C15

POWER TRAIN

FWD MULTI-DISK CLUTCH
SORTIE DE PONT AVANT/EMBAYAGE MULTIDISQUE
FRONTANTRIEB-LAMELLENKUPPLUNG
TRAZ.ANT./FRIZIONE MULTIDISCO
EMBRAGUE MULTIDISCO/TRACC.DELANT.
FRAMHJULSDRIFT-KOPPLING
L119975 -UN-09OCT95



L 119975

2C16

POWER TRAIN

KEY	PART NO.	PART NAME	QTY	SERIAL NO.	REMARKS
					2
					0 2
					4 1
					0 4
					S 0
1	JD10234	ROLLER BEARING	1		X
	JD37218	ROLLER BEARING	1		X (B)
2	L39495	WASHER	1		X
	L33253	WASHER	1		X (B)
3	L39837	HOUSING	1		X
4	L63432	BUSHING	1		X (SUB FOR L33263)
5	AL67651	GEAR	1		X Z=49 (SUB FOR AL28918, AL37596)
6	40M7122	SNAP RING	1		X 145X4MM
7	L34068	DISK SPRING	4		X
8	L38258	CLUTCH PLATE	2		X (SUB FOR L34066, L37024)
9	L37025	PLATE	1		X (SUB FOR L34065)
10	L34063	DISK, OUTER SPLINE	1	-385870	X KM/H-25
11	L34064	DISK, INNER SPLINE	9		X KM/H25-
	L34064	DISK, INNER SPLINE	8	-385870	X KM/H-25
	L34064	DISK, INNER SPLINE	9	385871-	X KM/H-25
12	L34062	DISK, OUTER SPLINE	8		X KM/H25-
	L34062	DISK, OUTER SPLINE	7	-385870	X KM/H-25
	L34062	DISK, OUTER SPLINE	8	385871-	X KM/H-25
13	L34061	DRUM	1		X (ORD L38692, (1) L38258)
14	L34067	SNAP RING	1		X
15	L38692	SPACER	1		X
16	L34059	PISTON	1		X
17	L34060	PISTON RING	1		X
18	L33251	WASHER	1		X
19	R39304	WASHER	1		X
20	L39840	DRUM	1		X (SUB FOR L34058)
21	H35244	RING	2		X
22	L39838	HOUSING	1		X (ORD L41308, L41295, 44M1082)
	L41308	SHIELD	1		X
23	37M7060	SCREW	3		X M4X10
24	R34140	RING	1		X
25	L62773	DRIVE SHAFT	1		X (SUB FOR L62960)
26	JD37047	ROLLER BEARING	1		X
27	L33247	SHIM	AR		X TK=0,15MM(.059")
	L33252	SHIM	AR		X TK=0,2MM(.008")
	L33260	SHIM	AR		X TK=0,5MM(.019")
28	L33257	O-RING	1		X
29	48M7038	SEAL	1		X 38X52X7MM
30	L39491	WASHER	1		X
31	L39490	QUILL	1		X
32	22M7105	SET SCREW	3		X (A) M8X45
33	14M7273	NUT	3		X (A) M8
34	19M7139	CAP SCREW	3		X M8X1,25X20
35	L33256	QUILL	1		X (B)
36	48M7039	SEAL	1		X (B) 35X52X7MM
37	R39279	RETAINER	1		X
38	AL37280	DRIVE SHAFT	1		X (ORD L62773, R34140)
	AL28925	DRIVE SHAFT	1		X (B)

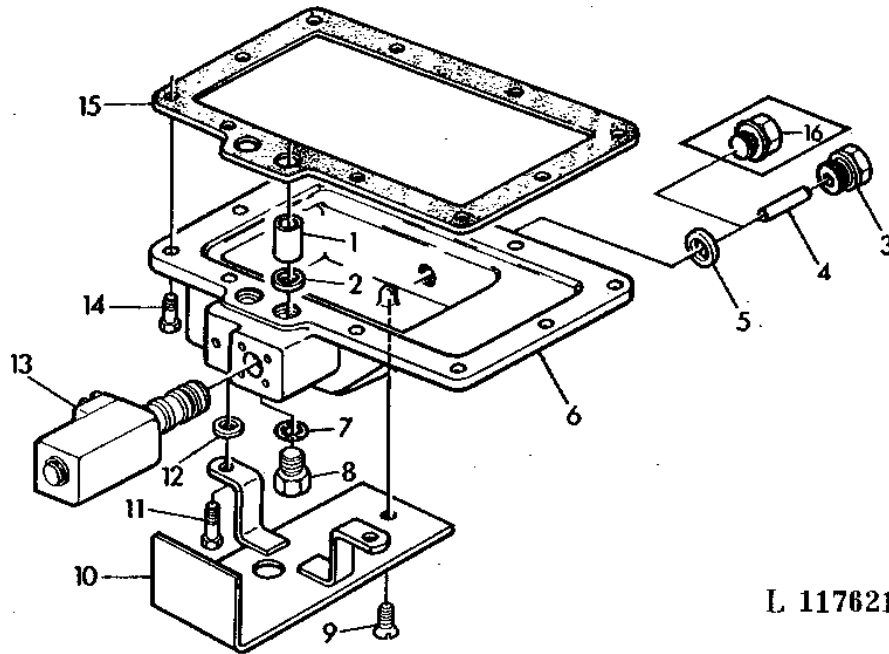
(A) WITH WJOINT DRIVE SHAFT AWRAPPING GUARD
 AVEC PROTEC.ANTIENROULEMENT D'ARBRE A CARDANS
 BEI GELENKWELLEN-WICKELSCHUTZ
 CON DIFESA CONTRA AVVOLG.SULL'ALBERO CARDAN.
 CON DEFENSA CONTRA ARROLL.SOBRE EJE DE CARDAN
 VID LINDNINGSSKYDD FOR KARDANAXEL

(B) WITH CLUTCH HOUSING AL28740
 AVEC CARTER D'EMBRAGE AL28740
 BEI KUPPLUNGSGEHAUESE AL28740
 CON SCATOLA FRIZIONE AL28740
 CON CARTER DEL EMBRAGUE AL28740
 VID KOPPLINGSHUS AL28740

2C17

POWER TRAIN

FWD COVER/SOLENOID VALVE
 COUVERCLE DE PONT AVANT/ELECTROVANNE
 FRONTANTRIEB-DECKEL/MAGNETVENTIL
 TRAZ.ANT.COPERCHIO E ELETTROVALVOLA
 VALVULA ELECTROMAGNETICA PARA TRACCION DELAN./TAPA
 OLJETRAG OCH SOLENOIDVENTIL FOR FRAMHJULSDRIFT
 L117621 -UN-01JAN94



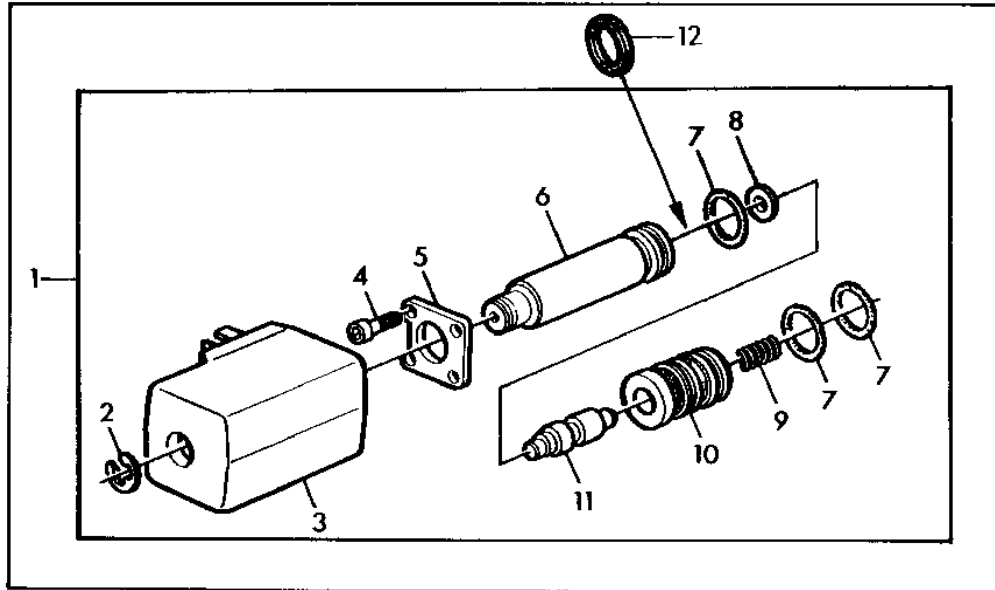
L 117621

KEY	PART NO.	PART NAME	QTY	SERIAL NO.	REMARKS
				2	
				0 2	
				4 1	
				0 4	
				S 0	
1	L33261	FUEL LINE	1	X X	
2	A4847R	WASHER	2	X X	
3	L41295	DRAIN PLUG	1	X X	(ORD W/ 44M1082)
4	44M1082	DOWEL PIN	1	X X	8X36MM
5	A4827R	WASHER	1	X X	
6	AL37937	COVER	1	X X	(SUB FOR AL30197)
7	R26287	O-RING	1	X X	
8	R31631	DRAIN PLUG	1	X X	3/8"
9	21M7156	SCREW	1	X X	M8X20
10	AL39483	GUARD	1	X X	(SUB FOR AL33304, AL37219)
11	19M8008	CAP SCREW	2	X X	M8X35
12	24M7055	WASHER	2	X X	8,4X17X1,6MM
13	AL58788	SOLENOID VALVE	1	X X	(SUB FOR AL30198, AL37367, AL55066)
14	19M7407	CAP SCREW	8	X X	M8X25
15	L61966	GASKET	1	X X	(SUB FOR L33346)
16	R51895	FITTING	1	X X	1"

2C18

POWER TRAIN

HWD-SOLENOID
 PONT AVANT-ELECTROVANNE
 FRONTANTRIEB-MAGNETVENTIL
 TRAZ.ANT.,ELETTROVALVOLA
 TRACC.DELANT.,ELECTROVALVULA
 FRAMHJULSDRIFT,SOLENOIDVENTIL
 L117622 -UN-12JUL95



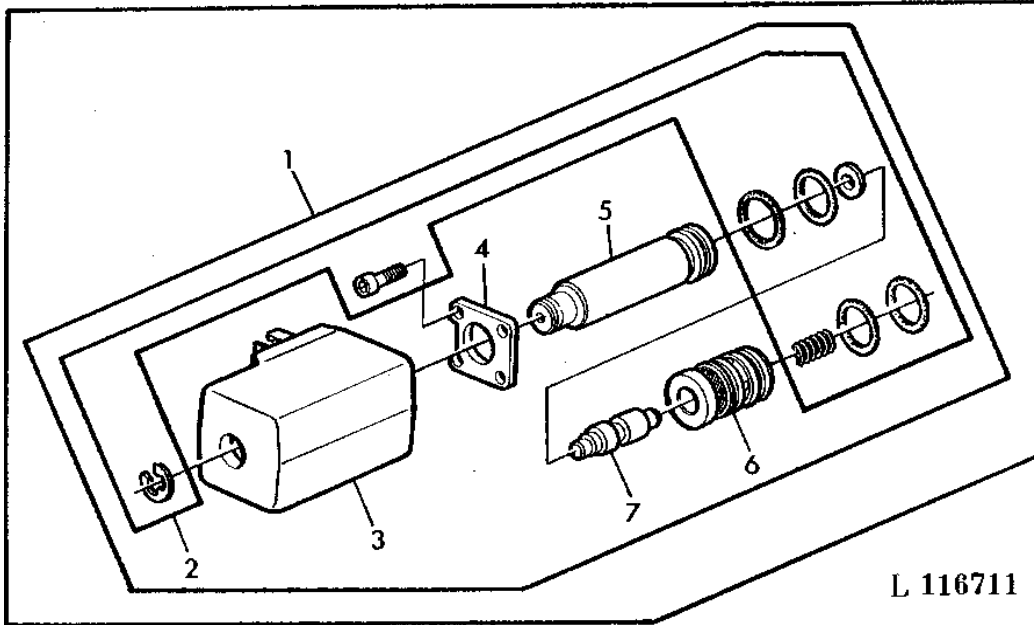
L 117622

KEY	PART NO.	PART NAME	QTY	SERIAL NO.	REMARKS
				2	
				0 2	
				4 1	
				0 4	
				S 0	
1	AL37367	VALVE	1	X X	(SUB FOR AL30198) (ORD AL58788)
2	L35868	SNAP RING	1	X X	(ORD AL62659)
3	AL33147	ELECTRICAL COIL	1	X X	(ORD AL58788)
4	19M7887	SCREW	4	X X	M5X10 (ORD AL62659)
5	L35871	FLANGE	1	X X	(ORD AL58788)
6	AL37595	INSERT	1	X X	(SUB FOR AL33146) (ORD AL58788)
7	L35870	O-RING	3	X X	(ORD AL62659)
8	L35875	WASHER	1	X X	(ORD AL62659)
9	L35874	SPRING	1	X X	(ORD AL62659)
10	AL37368	SLEEVE	1	X X	(SUB FOR L35873) (ORD AL58788)
11	L39591	PISTON	1	X X	(SUB FOR L35872) (ORD AL58788)
12	L35869	BACK-UP RING	1	-407220 X X	(FOR AL30198)

2C19

POWER TRAIN

FWD-SOLENOID
 PONT AVANT-ELECTROVANNE
 FRONTANTRIEB-MAGNETVENTIL
 TRAZ.ANT.,ELETTROVALVOLA
 TRACC.DELANT.,ELECTROVALVULA
 FRAMHJULSDRIFT,SOLENOIDVENTIL
 L116711 -UN-01JAN94



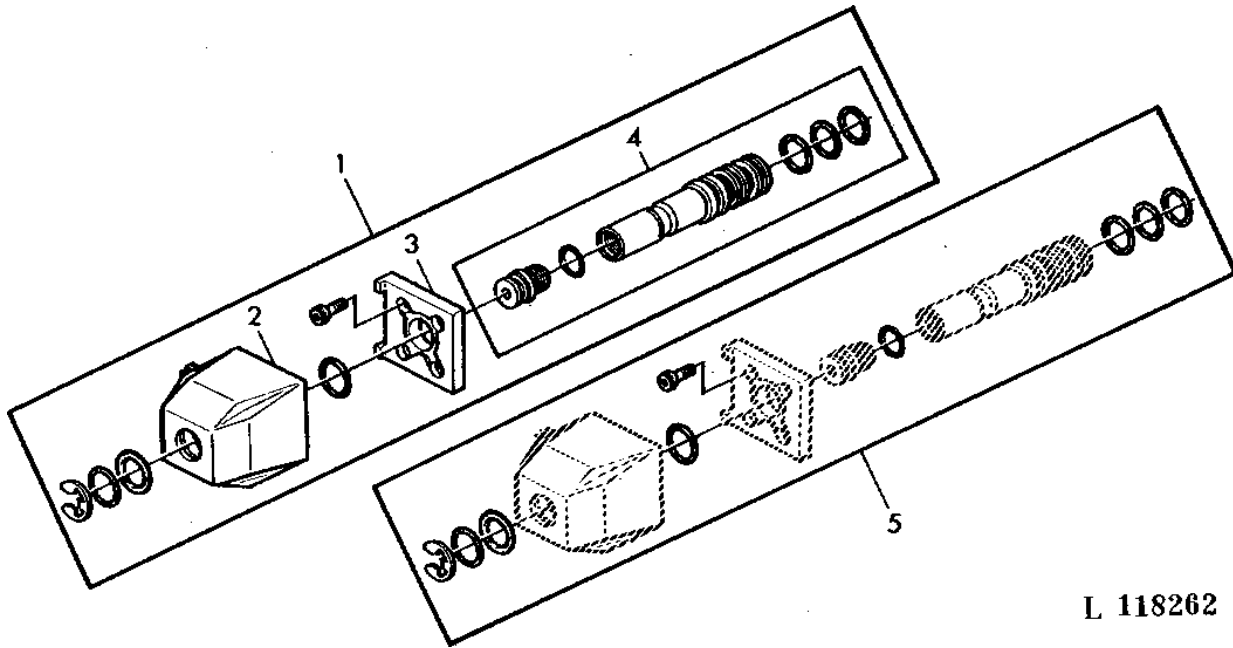
L 116711

KEY	PART NO.	PART NAME	QTY	SERIAL NO.	REMARKS
				2	
				0 2	
				4 1	
				0 4	
				S 0	
1	AL55066	SOLENOID VALVE	1	X X	(ORD AL58788)
2	AL57916	KIT	1	X X	(ORD AL62659)
3	AL33147	ELECTRICAL COIL	1	X X	(ORD AL58788)
4	L35871	FLANGE	1	X X	(ORD AL58788)
5	AL57788	INSERT	1	X X	(ORD AL58788)
6	AL57789	SLEEVE	1	X X	(ORD AL58788)
7	L57045	PISTON	1	X X	(ORD AL58788)

2C20

POWER TRAIN

FWD-SOLENOID/SPARE PARTS KIT
 PONT AVANT-ELECTROVANNE/LOT DE REPARATION
 FRONTANTRIEB-MAGNETVENTIL/ERSATZTEILSATZ
 TRAZ.ANT.,ELETTRVALVOLA/GRUPPO RIPARAZIONE
 TRACC.DELANT.,ELECTROVALVULA/CONJUNTO DE REPARACION
 FRAMHJULSDRIFT,SOLENOIDVENTIL/REPARATIONSSATS
 L118262 -UN-01JAN94



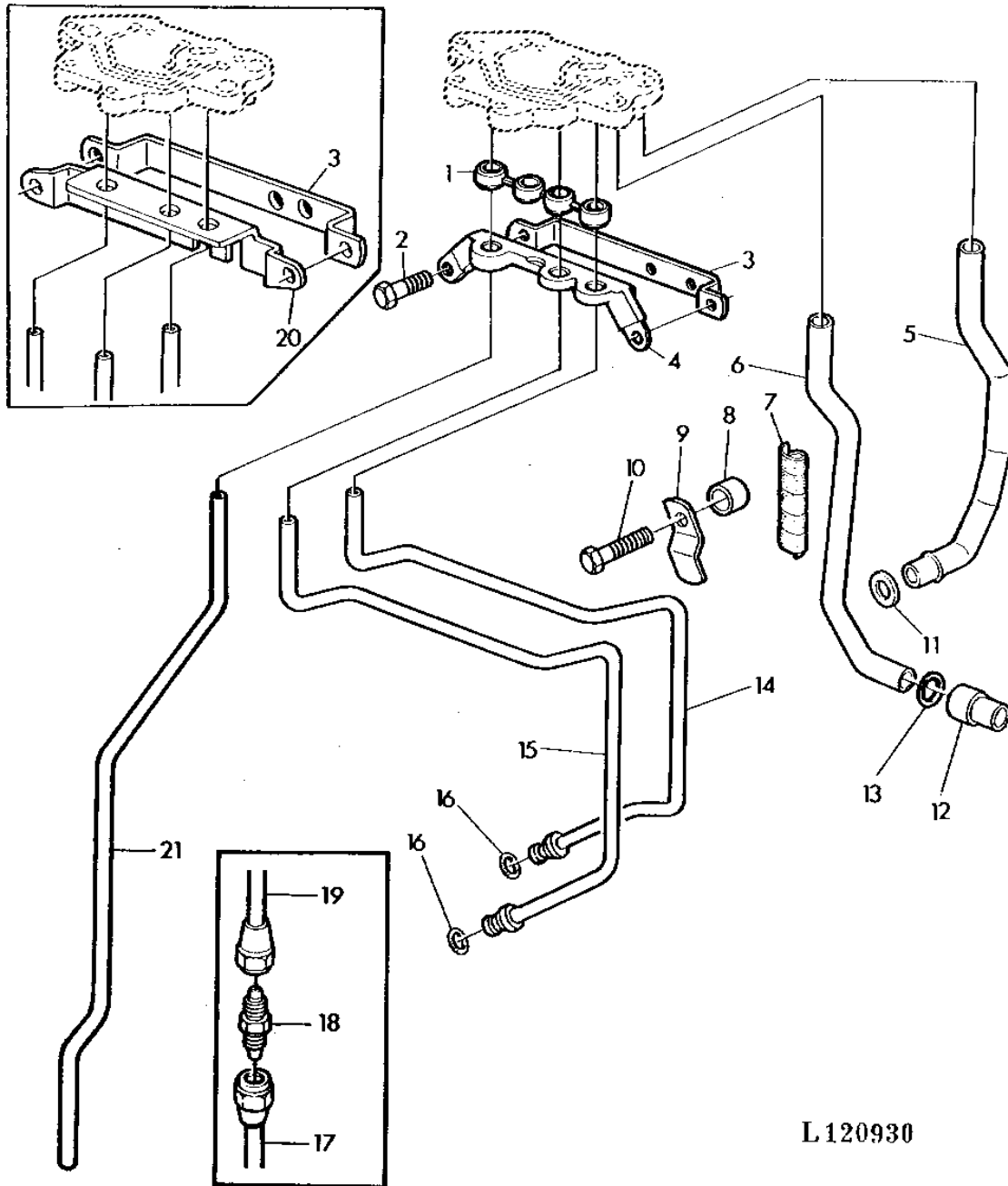
L 118262

KEY	PART NO.	PART NAME	QTY	SERIAL NO.	REMARKS
				2	
				0 2	
				4 1	
				0 4	
				S 0	
1	AL58788	SOLENOID VALVE	1	X X	(SUB FOR AL30198, AL37367, AL55066)
2	AL62657	ELECTRICAL COIL	1	X X	
3	L60354	FLANGE	1	X X	
4	AL62655	INSERT	1	X X	
5	AL62659	KIT	1	X X	(SUB FOR AL57916)

2C21

POWER TRAIN

OIL MANIFOLD/OIL LINES
REDARTITEUR/CONDUITES D'HUILE
OELVERTEILER/OELLEITUNGEN
RIPARTITORE E LINEE OLIO
REPARTIDOR DE ACEITE/TUBERIAS
OLJEFORDERLARE OCH LEDNINGAR
L120930 -UN-01JAN94



L120930

2C22

POWER TRAIN

KEY	PART NO.	PART NAME	QTY	SERIAL NO.	REMARKS
					2
					0 2
					4 1
					0 4
					S 0
1	L40773	GASKET	1		X X
2	19H2284	CAP SCREW	2		X X
3	L33727	RETAINER	1		X X
4	L40776	BAIL	1		X X
5	L40964	OIL LINE	1		X X
	L33145	OIL LINE	1	-390658	X X
	L37505	OIL LINE	1	396059-	X X (ORD L40964, L40965)
6	L34111	LINE	1		X X
7	L57983	GUARD	1		X X (SUB FOR L35477)
8	L34109	SPACER	1		X X
9	L33152	HOLDER	1		X X
10	19H2552	CAP SCREW	1		X X 3/8"X1-1/8"
11	L40965	WASHER	1		X X
12	L57732	ADAPTER	1		X X (SUB FOR T25408)
13	R375R	O-RING	1		X X
14	AL28874	OIL LINE	1		X X
15	AL28873	OIL LINE	1		X X
16	A3917R	O-RING	2		X X
17	AL28880	OIL LINE	1		X X (A) (ORD L63154)
18	R27095	FITTING	1		X X (A)
19	AL28921	OIL LINE	1		X X (A) (ORD L63154)
20	L33387	RETAINER	1		X X (ORD L40776, L40773)
21	L63154	OIL LINE	1		X X (A)

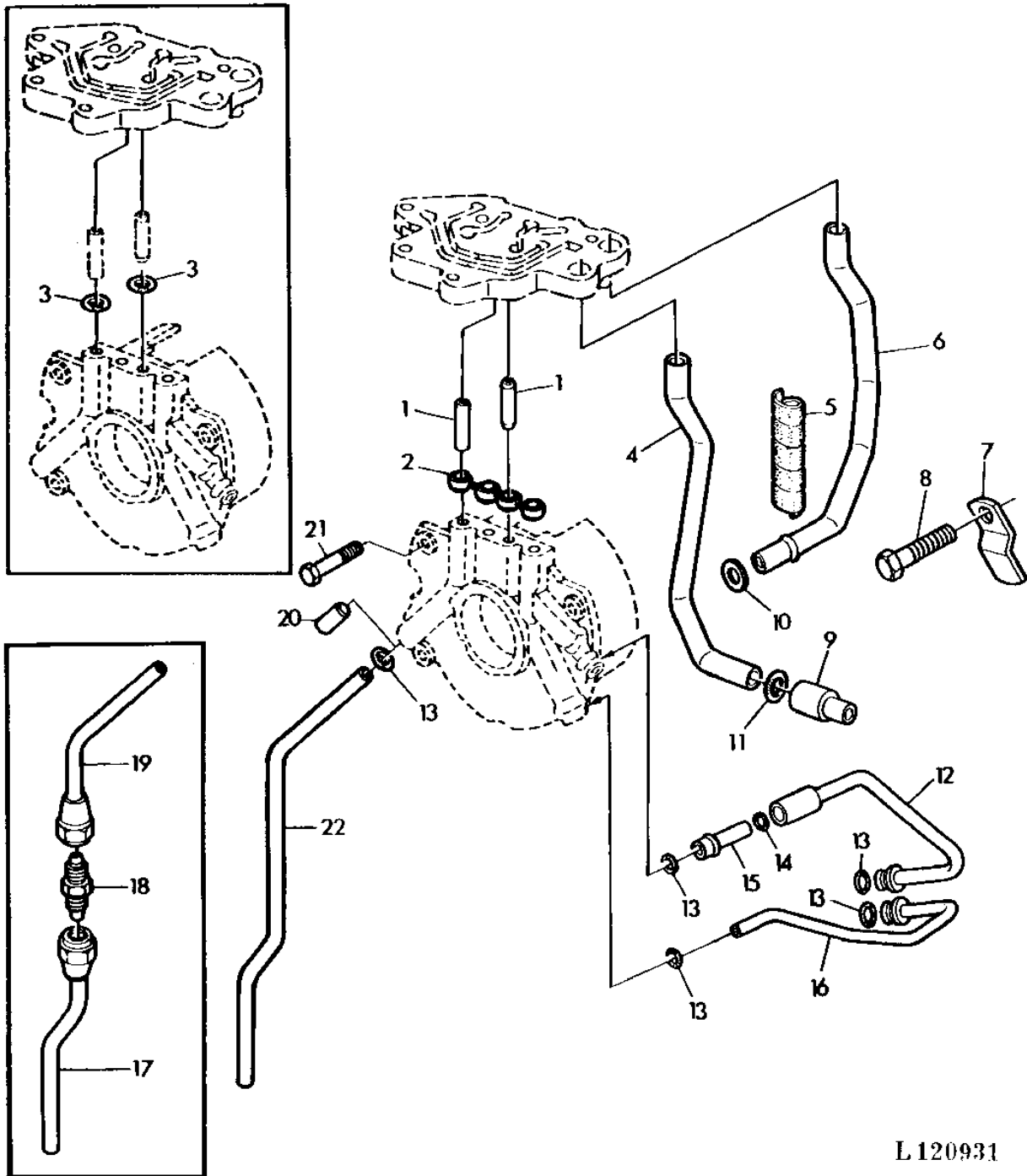
(A) WITH FRONT WHEEL DRIVE
 AVEC PONT AVANT
 BEI FRONTANTRIEB
 CON TRAZIONE ANTERIORE
 CON TRACCION DELANTERA
 VID FRAMHJULSDRIFT

2C23

POWER TRAIN

OIL MANIFOLD/OIL LINES (WITH HI-LO SHIFT UNIT OR CREEPER TRANSMISSION)
REDARTITEUR/CONDUITES D'HUILE (AVEC HI-LO OU GAMME RAMPANTE)
OELVERTEILER/OELLEITUNGEN (BEI LASTSCHALTSTUFE ODER KRIECHGANGGETR.)
RIPARTITORE E LINEE OLIO (CON GRUPPO HI-LO O GRUPPO RAMPANTE)
REPARTIDOR DE ACEITE/TUBERIAS (CON MECAN.CAMBIO HI-LO O TRANSMISION CREEPER)
OLJEFORDERLARE OCH LEDNINGAR (VID HOG-LAG SNABBVAXEL ELLER KRYPVAXEL)

L120931 -UN-12JUL95



L120931

2C24

POWER TRAIN

KEY	PART NO.	PART NAME	QTY	SERIAL NO.	REMARKS
					2
					0 2
					4 1
					0 4
					S 0
1	L33333	TUBE	AR		X X
2	L40773	GASKET	1		X X
3	A3917R	O-RING	AR		X X
4	L34111	LINE	1		X X
5	L57983	GUARD	1		X X (SUB FOR L35477)
6	L40964	OIL LINE	1		X X
	L33145	OIL LINE	1	-396058	X X
	L37505	OIL LINE	1	396059-	X X (ORD L40964, L40965)
7	L33152	HOLDER	1		X X
8	19H2552	CAP SCREW	1		X X 3/8"X1-1/4"
9	L57732	ADAPTER	1		X X (SUB FOR T25408)
10	L40965	WASHER	1		X X
11	R375R	O-RING	1		X X
12	AL28868	OIL LINE	1		X X
13	A3917R	O-RING	AR		X X
14	T44604	O-RING	1		X X
15	L39853	OIL TUBE	1		X X (SUB FOR AL30188)
16	AL28867	OIL LINE	1		X X
17	AL28880	OIL LINE	1		X X (A) (ORD L63140)
18	R27095	FITTING	1		X X (A)
19	AL28881	OIL LINE	1		X X (A) (ORD L63140)
20	L33334	DOWEL PIN	1		X X
21	19H2552	CAP SCREW	4		X X 3/8"X1-1/8"
22	L63140	OIL LINE	1		X X (A)

(A) WITH FRONT WHEEL DRIVE
 AVEC PONT AVANT
 BEI FRONTANTRIEB
 CON TRAZIONE ANTERIORE
 CON TRACCION DELANTERA
 VID FRAMHJULSDRIFT

2C25

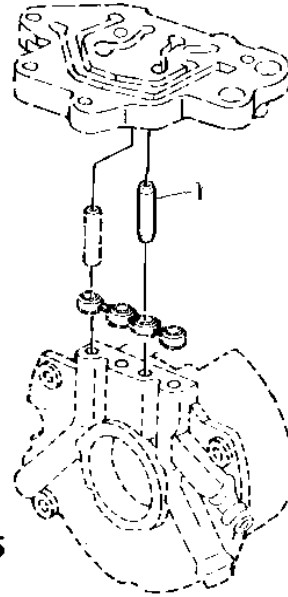
POWER TRAIN

MEMORANDA
MEMORANDA
MEMORANDA
MEMORANDA
MEMORANDA

2D1

POWER TRAIN

TUBULAR SHIELD FOR SMOOTH PTO ENGAGEMENT
 ORIFICE CALIBRE POUR ENCLENCH.AMORTI DE PDF
 ROHRBLENDE FUER GEDAEMPFT ZAPFWELLENZUSCHALTUNG
 MANICOTTO CON ORIFICIO PER INSERIMENTO ATTENUATO DELLA PDF
 OBTURADOR TUBULAR PARA EMBRAGUE AMORTIGUADO DE LA TDF
 STRYPNING FOR DAMPAD INKOPPLING AV KRAFTUTTAG
 L112475 -UN-12MAY95



L 112475

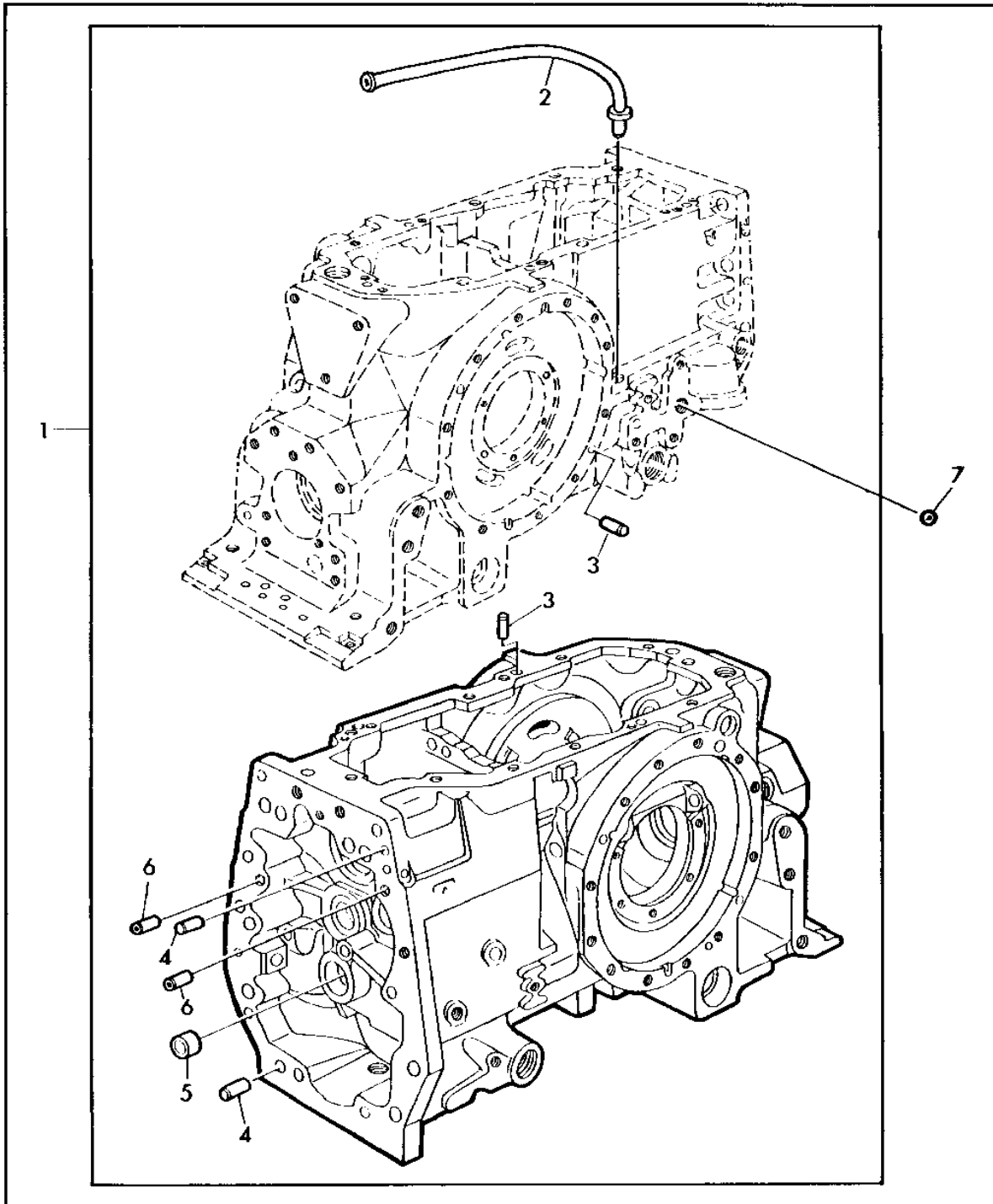
2
0 2
4 1
0 4
S 0

KEY	PART NO.	PART NAME	QTY	SERIAL NO.	REMARKS
1	L41626	ORIFICE	1	X X	

2D2

POWER TRAIN

TRANSMISSION CASE (COLLAR-SHIFT TRANSMISSION)
CARTER DE BOITE(A MANCHONS BALADEURS)
GETRIEBEGEHAEUSE (MUFFENSCHALTGETRIEBE)
SCATOLA CAMBIO A COLLARE SCORREVOLE
CAJA DE LA TRANSMISION
TRANSMISSION(COLLAR SHIFT)
L125005 -UN-09OCT95



L 125005

2D3

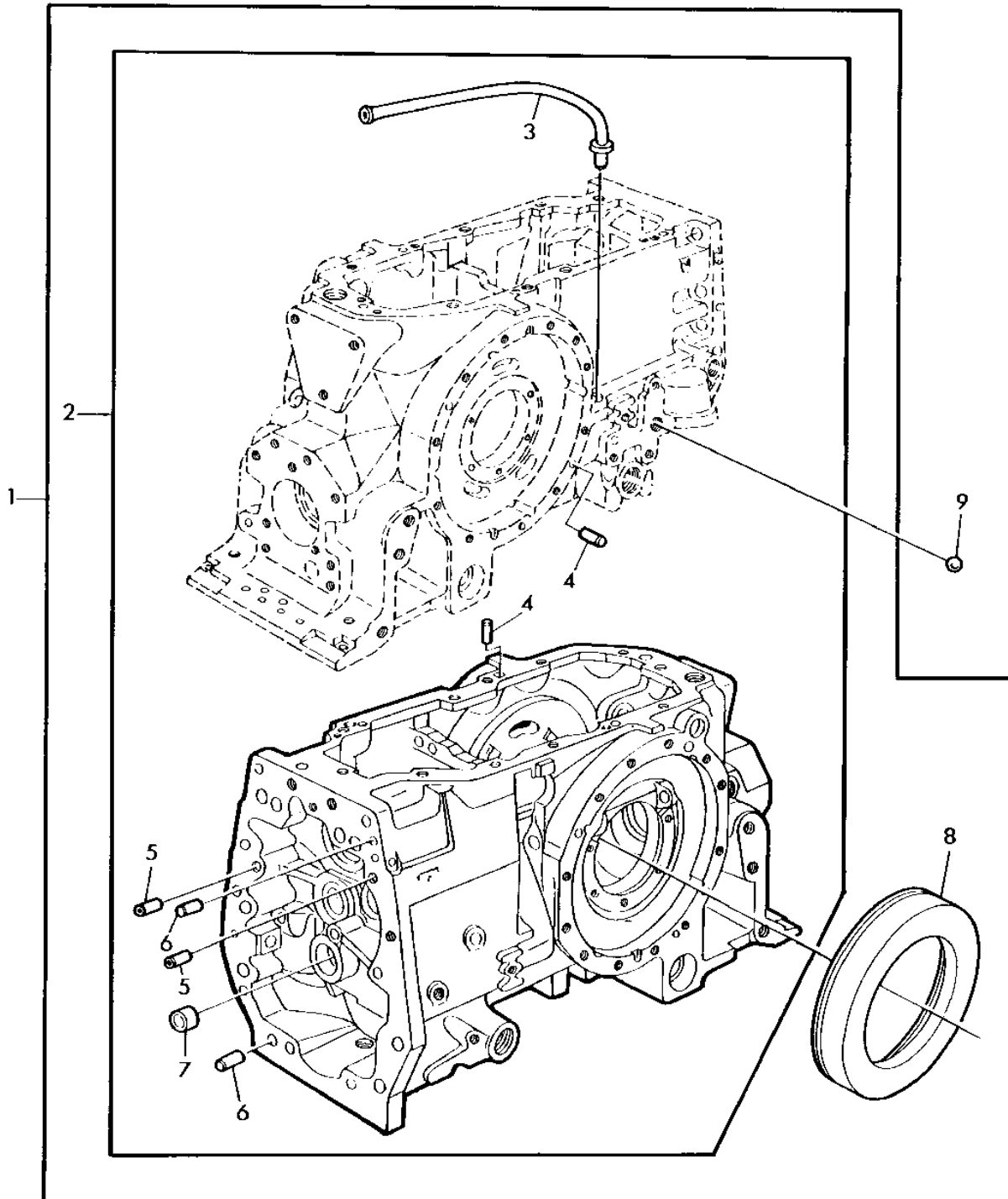
POWER TRAIN

KEY	PART NO.	PART NAME	QTY	SERIAL NO.	REMARKS
					2 0 2 4 1 0 4 S 0
1	AL32849	TRANSMISSION CASE	1		X (A) (MARKED L35550) (ORD AL66804, L40425, L62815)
	AL32848	TRANSMISSION CASE	1		X (B) (MARKED L35766) (ORD AL66798, L40425, L62815)
2	AL24999	EXTENSION	1		X
3	R48685	DOWEL PIN	6		X
4	T26565	DOWEL PIN	2		X
5	T22128	BUSHING	1		X
6	T24729	BUSHING	2		X
7	R26552	BALL	1		X (C)
(A) WITH INDEPEND.PTO 540 RPM AVEC PDF INDEP.540 TR/MIN BEI UNABH.ZAPFW.540 U/MIN CON PDF INDIP.540 G/MIN CON TDF INDEPEND. 540 R/MIN VID OBER.KRAFTUTT.540 V.		(B) WITH INTERCHANG. PTO SHAFTS AVEC PDF INTERCHANGEABLE BEI AUSWECHSELBARER ZAPFW. CON PDF INTERCAMBIABILE CON TDF CAMBIABILE VID UTBYTBAR KRAFTUTTAG		(C) WITH MANUAL STEERING AVEC DIRECTION MECANIQUE BEI MECHANISCHER LENKUNG CON STERZO MECCANICO CON DIRECCION MANUAL VID MEKANISK STYRNING	

2D4

POWER TRAIN

TRANSMISSION CASE (COLLAR-SHIFT TRANSMISSION)
CARTER DE BOITE (A MANCHONS BALADEURS)
GETRIEBEGEHAEUSE (MUFFENSCHALTGETRIEBE)
SCATOLA CAMBIO A COLLARE SCORREVOLE
CAJA DE LA TRANSMISION
TRANSMISSION (COLLAR-SHIFT)
L125007 -UN-09OCT95



L 125007

2D5

POWER TRAIN

KEY	PART NO.	PART NAME	QTY	SERIAL NO.	REMARKS
					2
					0 2
					4 1
					0 4
					S 0
1	AL66804	TRANSMISSION CASE	1		X (A)
	AL66798	TRANSMISSION CASE	1		X (B)
2	AL66797	TRANSMISSION CASE	1		X (A) (MARKED L62443) (ORD AL68508)
	AL68508	TRANSMISSION CASE	1		X (A) (MARKED L63938) (SUB FOR AL66797)
	AL66796	TRANSMISSION CASE	1		X (B) (MARKED L62444) (ORD AL68507)
	AL68507	TRANSMISSION CASE	1		X (B) (MARKED L63939) (SUB FOR AL66796)
3	AL24999	EXTENSION	1		X
4	R48685	DOWEL PIN	6		X
5	T24729	BUSHING	2		X
6	T26565	DOWEL PIN	2		X
7	T22128	BUSHING	1		X
8	L62830	BRAKE ACTUATING DISK	2		X
9	R26552	BALL	1		X (C)

(A) WITH INDEPEND.PTO 540 RPM
 AVEC PDF INDEP.540 TR/MIN
 BEI UNABH.ZAPFW.540 U/MIN
 CON PDF INDIP.540 G/MIN
 CON TDF INDEPEND. 540 R/MIN
 VID OBER.KRAFTUTT.540 V.

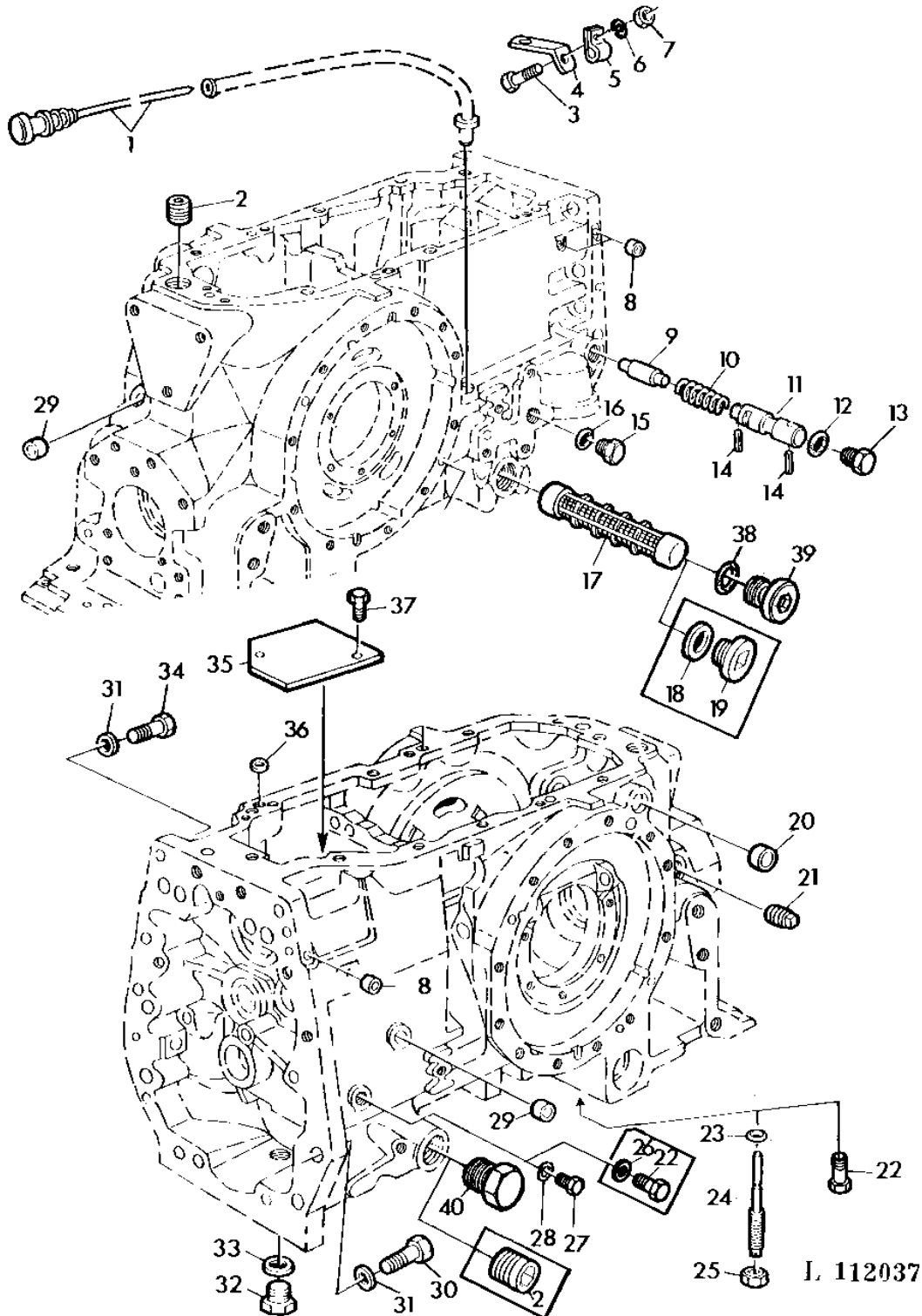
(B) WITH INTERCHANG. PTO SHAFTS
 AVEC PDF INTERCHANGEABLE
 BEI AUSWECHSELBARER ZAPFW.
 CON PDF INTERCAMBIABILE
 CON TDF CAMBIABILE
 VID UTBYTBAR KRAFTUTTAG

(C) WITH MANUAL STEERING
 AVEC DIRECTION MECANIQUE
 BEI MECHANISCHER LENKUNG
 CON STERZO MECCANICO
 CON DIRECCION MANUAL
 VID MEKANISK STYRNING

2D6

POWER TRAIN

TRANSMISSION CASE (COLLAR-SHIFT TRANSMISSION)
CARTER DE BOITE (A MANCHONS BALADEURS)
GETRIEBEGEHAEUSE (MUFFENSCHALTGETRIEBE)
SCATOLA CAMBIO A COLLARE SCORREVOLE
CAJA DE LA TRANSMISION
TRANSMISSION (COLLAR-SHIFT)
L112037 -UN-06OCT95



L 112037

2D7

POWER TRAIN

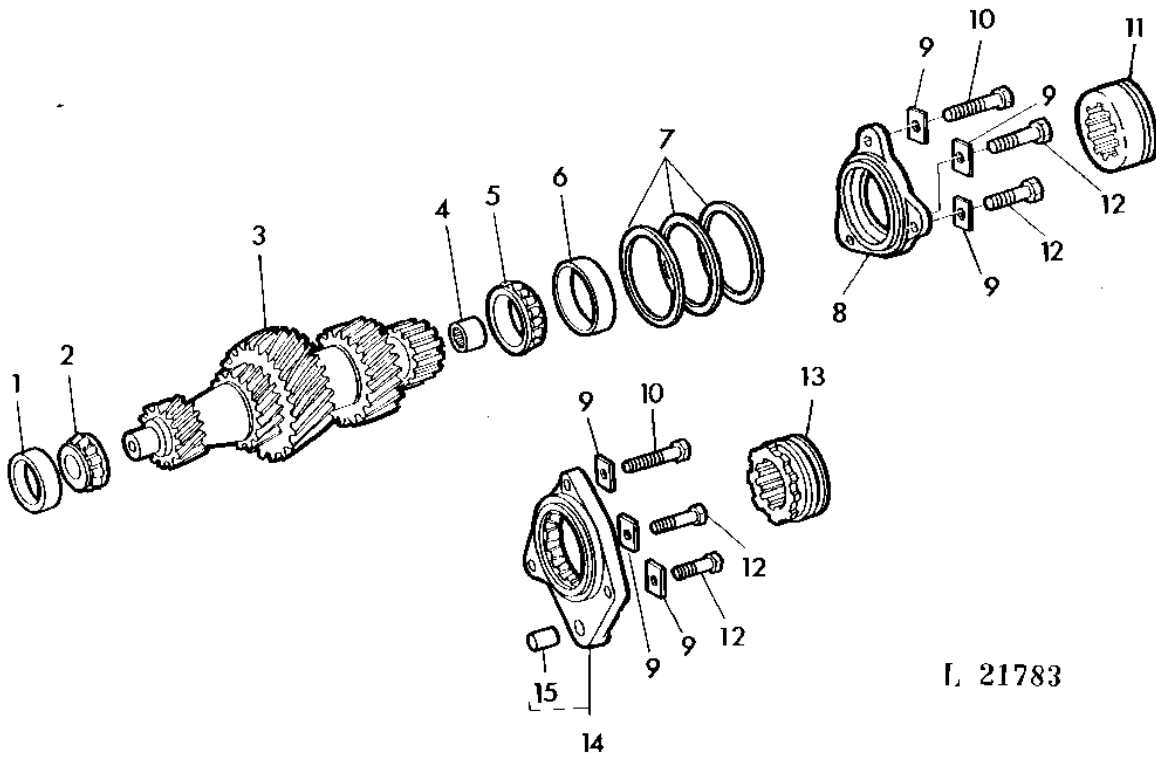
KEY	PART NO.	PART NAME	QTY	SERIAL NO.	REMARKS
					2
					0 2
					4 1
					0 4
					S 0
1	AL38634	DIPSTICK	1		X (SUB FOR AL27108)
2	15H562	PIPE PLUG	AR		X 1"
3	19H1813	CAP SCREW	1		X 5/16"X5/8"
4	L31806	STRAP	1		X
5	T21101	CLAMP	1		X
6	12M7065	LOCK WASHER	1		X
7	14H785	NUT	1		X 5/16"
8	M1102T	CAP	3		X
9	R39294	PIN	1		X
10	T24999	SPRING	1		X
11	T22853	SLEEVE	1		X
12	F3171R	O-RING	1		X
13	R27175	DRAIN PLUG	1		X 1-1/16"
14	34H247	SPRING PIN	2		X 1/8"X3/4"
15	R39112	FITTING	1		X 3/4"
16	R26375	O-RING	1		X
17	R53169	SCREEN	1		X
18	51M4282	RING	1		X 38X44X2,5MM
19	R40147	FITTING	1		X 1-1/2"
20	T21937	CAP	1		X
21	15H584	PIPE PLUG	1		X 1/2"
22	R53802	CAP SCREW	2		X 1/2"X1/2"
23	R27490	O-RING	1		X (A)
24	T21776	SCREW	1		X (A)
25	14H971	NUT	1		X (A) 1/2"
26	R27003	WASHER	1		X
27	R27218	FITTING PLUG	1		X
28	R26448	O-RING	1		X
29	T18891	CAP	2		X
30	19H2510	CAP SCREW	6		X 1/2"X1-5/8"
31	T20168	WASHER	8		X
32	R51895	FITTING	2		X 1"
33	A4827R	WASHER	2		X
34	19H2735	CAP SCREW	2		X 1/2"X2"
35	T22854	COVER	1		X
36	T17882	WASHER	1		X
37	19H2021	CAP SCREW	2		X 3/8"X5/8"
38	L41547	O-RING	1		X
39	L41534	PIPE PLUG	1		X 1-1/2"
40	AL39878	PIPE PLUG	1		X 1-5/16"

(A) WITH HANDBRAKE
 AVEC FREIN MAIN
 BEI HANDBREMSE
 CON FRENO MANO
 CON FRENO DE MANO
 VID HANDBROMS

2D8

POWER TRAIN

TRANSMISSION DRIVE SHAFT(COLLAR SHIFT TRANSMISSION)
ARBRE DE COMMANDE DE BOITE(A MANCHONS BALADEURS)
GETRIEBEANTRIEBSWELLE(MUFFENSCHALTGETRIEBE)
ALBERO COMANDO CAMBIO(A COLLARE SCORREVOLE)
EJE PRIMARIO(CAMBIO DE COLLARINES DESPLAZABLES)
VAXELLADS DRIVAXEL(COLLAR-SHIFT)
L21783 -UN-09OCT95



L 21783

2D9

POWER TRAIN

KEY	PART NO.	PART NAME	QTY	SERIAL NO.	REMARKS
					2
					0 2
					4 1
					0 4
					S 0
1	JD7449	BEARING CUP	1		X
2	JD7375	BEARING CONE	1		X REAR
3	L28662	DRIVE SHAFT	1	-363674	X
	L35620	DRIVE SHAFT	1	363675-	X
4	JD9839	NEEDLE BEARING	1		X
5	L28675	BEARING CONE	1		X FRONT
6	L29040	BEARING CUP	1		X FRONT
7	L29041	SHIM	AR		X TK=0,08MM (.003")
	L29042	SHIM	AR		X TK=0,13MM (.005")
	L29043	SHIM	AR		X TK=0,25MM (.010")
	L29044	SHIM	AR		X TK=0,50MM (.020")
8	L28672	QUILL	1		X (B)
9	H246R	STRAP	3		X
10	19H1800	CAP SCREW	1		X 3/8"X1-1/2"
11	T23244	SHIFT COLLAR	1		X (B)
12	19H3239	CAP SCREW	2		X 3/8"X1-1/4"
13	L28666	SHIFT COLLAR	1		X (A)
14	AL23119	QUILL	1		X (A) INCL.KEY 15
15	R54380	DOWEL PIN	1		X

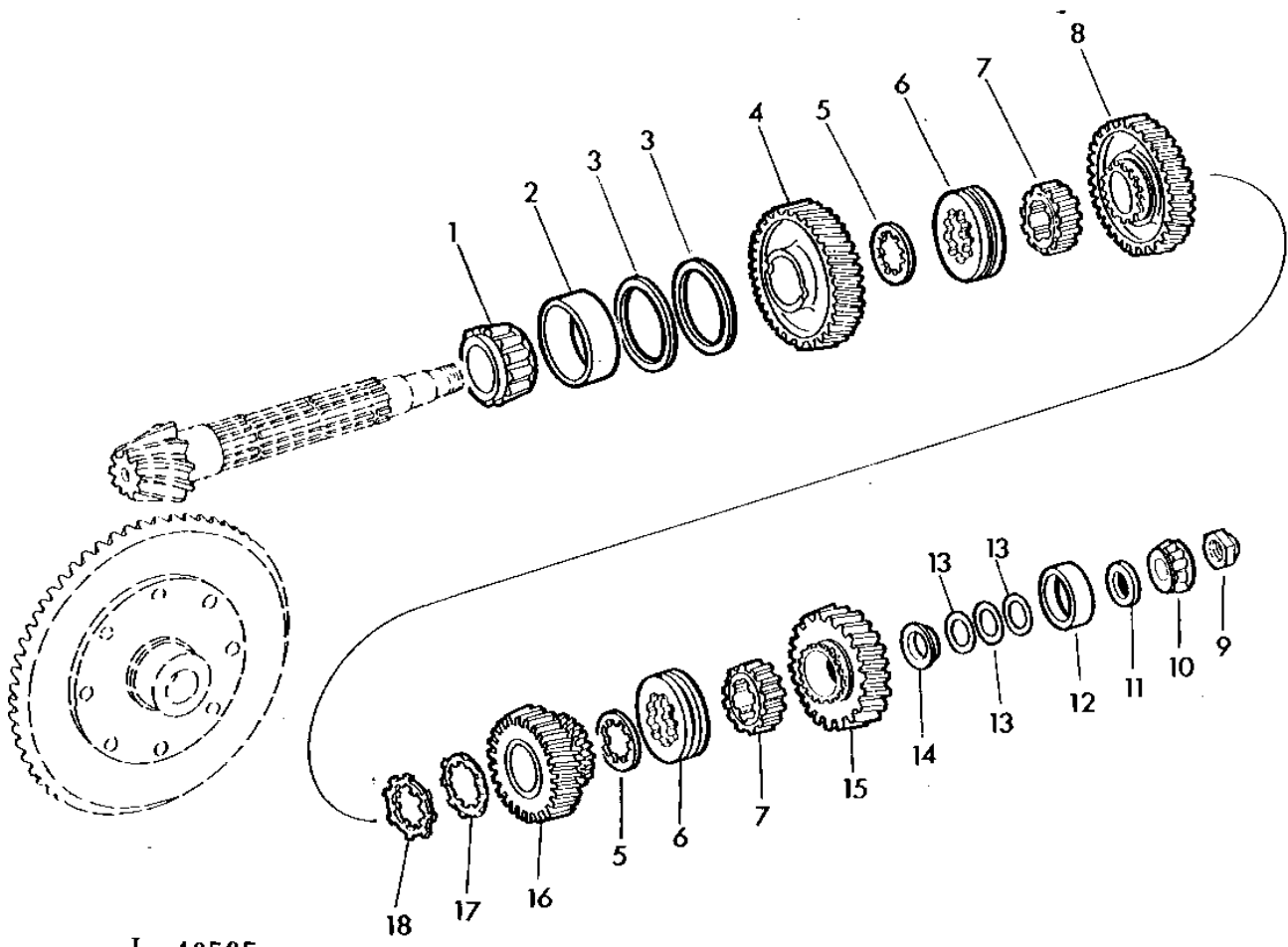
(A) WITH PARKING LOCK
 AVEC VERROUILLAGE DE STATIONNEMENT
 BEI PARKSPERRE
 CON BLOCCO STAZIONAMENTO
 CON BLOQUEO DE APARCAMIENTO
 VID PARKERINGSSPARR

(B) WITH HANDBRAKE
 AVEC FREIN A MAIN
 BEI HANDBREMSE
 CON FRENO MANO
 CON FRENO DE MANO
 VID HANDBROMS

2D10

POWER TRAIN

PINION SHAFT(COLLAR SHIFT TRANSMISSION)
ARBRE DU PIGNON D'ATTAQUE(BOITE A MANCHONS BALADEURS)
HAUPTWELLE(MUFFENSCHALTGETRIEBE)
ALBERO PRINCIPALE(CAMBIO A COLLARE SCORREVOLE)
EJE DE SALIDA DEL CAMBIO(CON COLLARINES DESPLAZABLES)
HUVUDAXEL(TRANSMISSION"COLLAR-SHIFT)
L40595 -UN-01JAN94



L 40595

2D11

POWER TRAIN

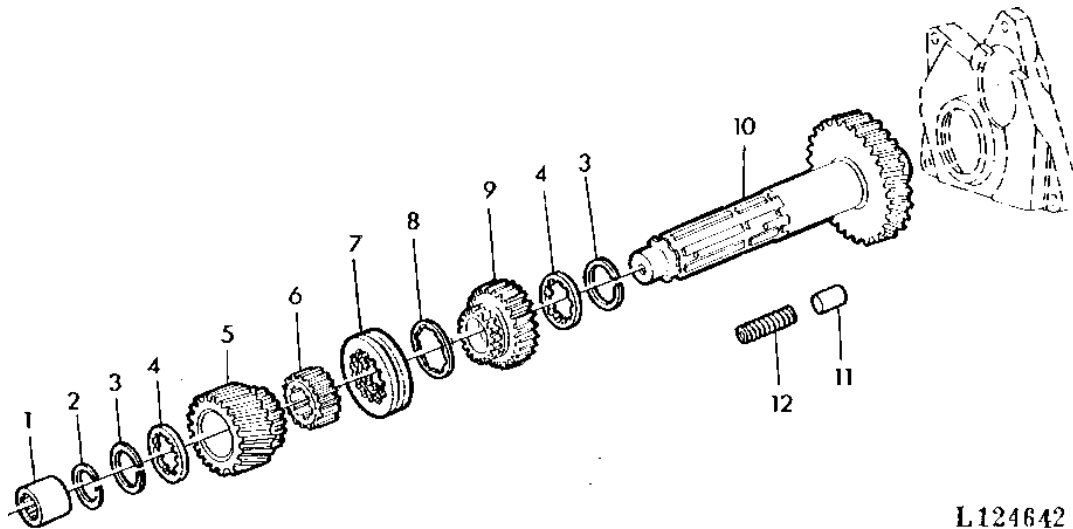
KEY	PART NO.	PART NAME	QTY	SERIAL NO.	REMARKS
					2
					0 2
					4 1
					0 4
					S 0
1	JD8997	BEARING CONE	1		X REAR
2	JD8255	BEARING CUP	1		X REAR
3	T17201	SHIM	2		X TK=0,25MM (.010")
4	L28663	GEAR	1		X Z=40
5	T24730	THRUST WASHER	2		X
6	L29283	SHIFT COLLAR	2		X
7	L29284	SHIFT COLLAR CARRIER	2		X
8	L28664	GEAR	1		X Z=36
9	L32843	NUT	1		X 1-1/8"
10	JD8979	BEARING	1		X FRONT
11	T24918	WASHER	1		X
12	JD8267	BEARING CUP	1		X FRONT
13	L29269	SHIM	AR		X TK=0,05MM (.002")
	L29270	SHIM	AR		X TK=0,13MM (.005")
	L29271	SHIM	AR		X TK=0,25MM (.010")
14	T21965	WASHER	1		X
15	AL68118	GEAR	1	-363674	X Z=31 (SUB FOR AT30053)
	AL67546	GEAR	1	363675-	X Z=31 (SUB FOR AL32830)
16	L28665	GEAR	1	-363674	X Z=27
	L35532	GEAR	1	363675-	X Z=27
17	R56473	THRUST WASHER	1		X
18	T24731	THRUST WASHER	1		X

2D12

POWER TRAIN

COUNTERSHAFT(COLLAR SHIFT TRANSMISSION)
 ARBRE INTERMEDIAIRE(BOITE A MANCHONS BALADEURS)
 NEBENWELLE(BEI MUFFENSCHALTGETRIEBE)
 ALBERO SECONDARIO CAMBIO(A COLLARE SCORREVOLE)
 EJE INTERMEDIO(CAMBIO DE COLLARINES DESPLAZABLES)
 MELLANAXEL (TRANSMISSION COLLAR-SHIFT)

L124642 -UN-01JAN94



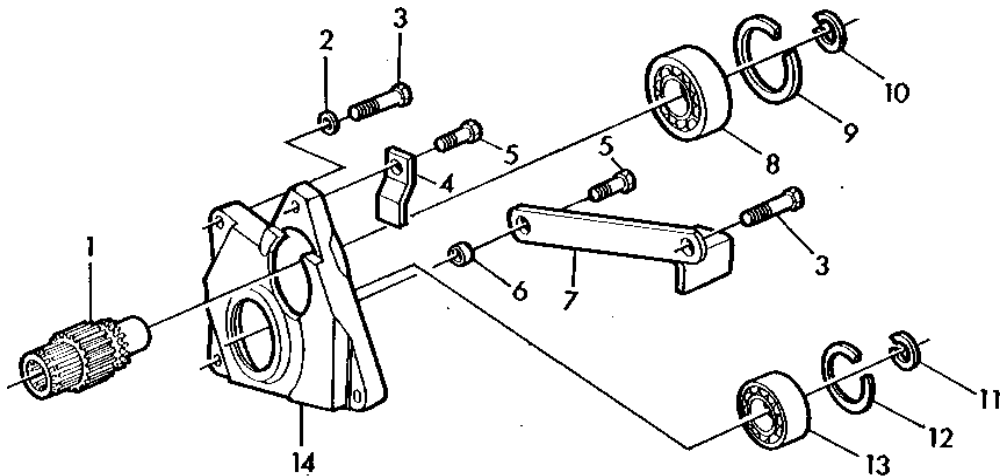
L124642

KEY	PART NO.	PART NAME	QTY	SERIAL NO.	2 0 2 4 1 0 4 S 0	REMARKS
1	JD10085	NEEDLE BEARING	1		X	
2	40M7086	SNAP RING	1		X	
3	T19242	SNAP RING	2		X	
4	T19245	THRUST WASHER	2		X	
5	L28661	PINION	1	-363674	X	Z=22
	L35530	GEAR	1	363675-	X	Z=22
6	L29284	SHIFT COLLAR CARRIER	1		X	
7	R50655	SHIFT COLLAR	1		X	
8	T24730	THRUST WASHER	1		X	
9	T21981	GEAR	1	-363674	X	Z=21
	L35529	GEAR	1	363675-	X	Z=21
10	L28671	COUNTERSHAFT	1		X	Z=36
11	T21969	FRICTION PLUG	2		X	
12	T24732	SPRING	2		X	

2D13

POWER TRAIN

FRONT BEARING SUPPORT(COLLAR SHIFT TRANSMISSION)
 COUVERCLE DE ROULEMENT AVANT(BOITE A MANCHONS BALADEURS)
 LAGERDECKEL VORN(MUFFENSCHALTGETRIEBE)
 SUPPORTO ANTERIORE(CAMBIO A COLLARE SCOREVOLE)
 TAPA DEL RODAMIENTO DELANTERO(CAMBIO DE COLLAR.DESPLAZ.)
 FRAMRE LAGERLAGE(TRANSMISSION"COLLAR-SHIFT)
 L21810 -UN-01JAN94



L 21810

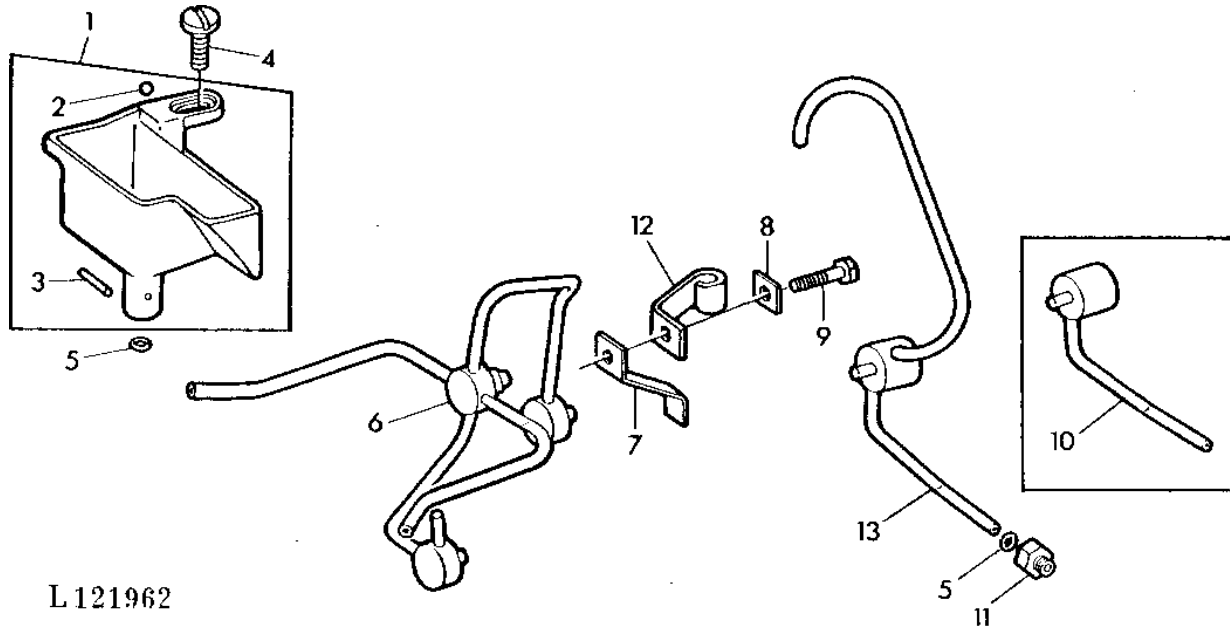
KEY	PART NO.	PART NAME	QTY	SERIAL NO.	REMARKS
				2	
				0 2	
				4 1	
				0 4	
				S 0	
1	L28660	GEAR	1		X Z=13
2	R1870R	WASHER	1		X
3	19H1801	CAP SCREW	2		X 3/8"X2"
4	T24736	CLAMP	1		X
5	19H3239	CAP SCREW	2		X 3/8"X1-1/4"
6	28H1518	WASHER	1		X 3/8"X.312"
7	AL32976	RETAINER	1		X
8	JD10172	BALL BEARING	1		X (SUB FOR AR52706)
9	T24737	SNAP RING	1		X
10	A364R	SNAP RING	1		X
11	F215R	RING	1		X
12	B190R	SNAP RING	1		X
13	L28405	BALL BEARING	1		X
14	L36557	QUILL	1		X (SUB FOR T24691)

2D14

POWER TRAIN

LUBRICATING LINES/OIL CUP(COLLAR SHIFT TRANSMISSION)
 CONDUITES GRAISSAGE/RESERVE(BOITE A MANCHONS BALADEURS)
 SCHMIEROELLEITUNGEN/OELTOPF(MUFFENSCHALTGETRIEBE)
 LINEE OLIO CAMBIO(A COLLARE SCORREVOLE)
 TUBERIAS DE ENGRASE/TAZA DE ACEITE(CAMBIO DE COLLAR.DESPL.)
 LEDNINGAR/SKAL(TRANSMISSION"COLLAR-SHIFT)

L121962 -UN-01JAN94



L 121962

KEY	PART NO.	PART NAME	QTY	SERIAL NO.	REMARKS
				2	
				0 2	
				4 1	
				0 4	
				S 0	
1	AL28231	OIL CUP	1		X
2	R26552	BALL	1		X 5/16"
3	R39090	NEEDLE ROLLER	1		X
4	21H1322	SCREW	1		X 3/8"X7/8"
5	A3917R	O-RING	2		X
6	AL28232	MANIFOLD	1		X REAR
7	T22974	CLAMP	1		X
8	H246R	STRAP	1		X
9	19H1800	CAP SCREW	1		X 3/8"X1-1/2"
10	AT22002	OIL TUBE	1		X FRONT (ORD AL67261, L63188)
11	T22852	ADAPTER	1		X 9/16"
12	L63188	BRACKET	1		X
13	AL67261	OIL LINE	1		X FRONT

2D15

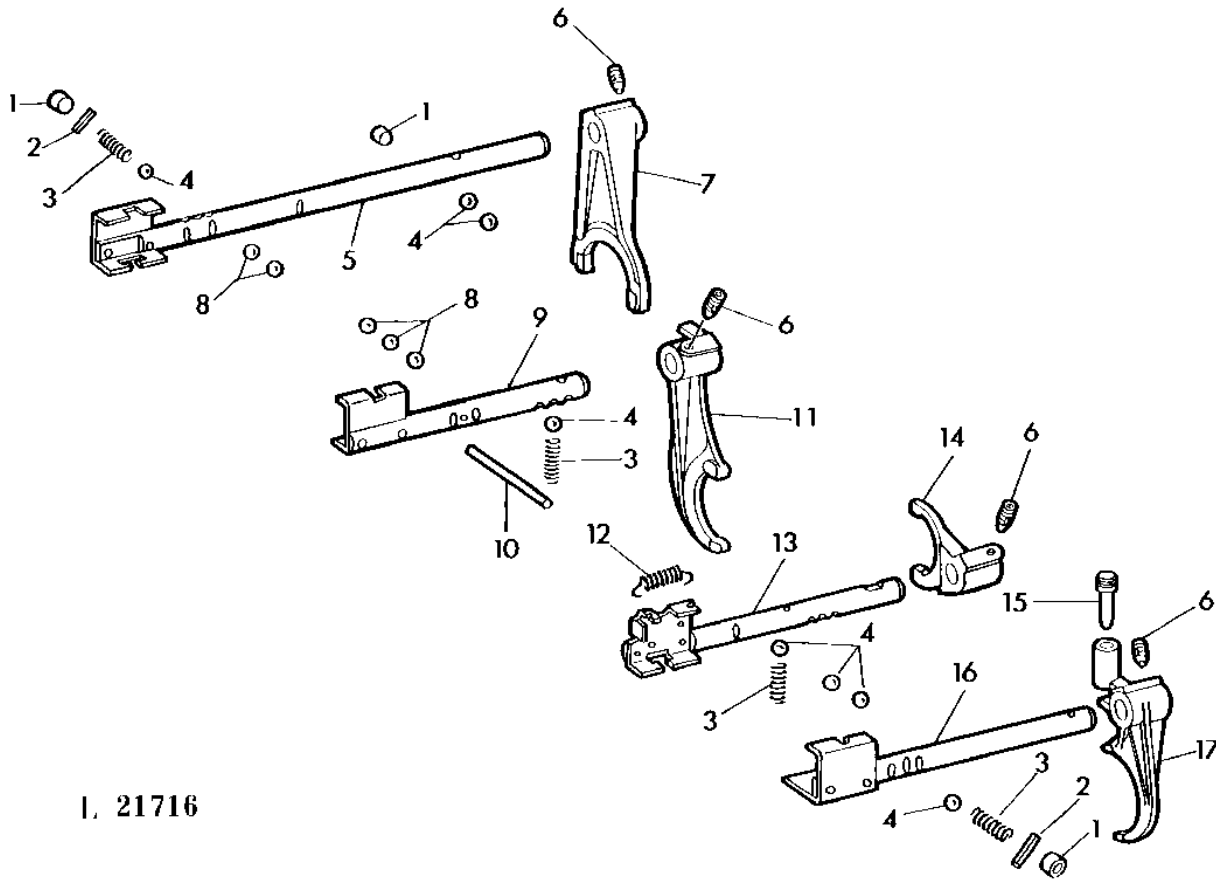
POWER TRAIN

MEMORANDA
MEMORANDA
MEMORANDA
MEMORANDA
MEMORANDA

2D16

POWER TRAIN

GEAR SHIFTING PARTS(COLLAR SHIFT TRANSMISSION)
ELEMENTE CHANGEMENT DE VITESSE(BOITE A MANCHONS BALADEURS)
GANGSCHALTUNGSTEILE(BEI MUFFENSCHALTGETRIEBE)
PARTI INNESTO MARCE(CAMBIO A COLLARE SCORREVOLE)
PIEZAS CAMBIO VELOCIDADES(CON COLLARINES DESPLAZABLES)
VAXLINGSANORDNING (TRANSMISSION COLLAR-SHIFT)
L21716 -UN-09OCT95



L 21716

2D17

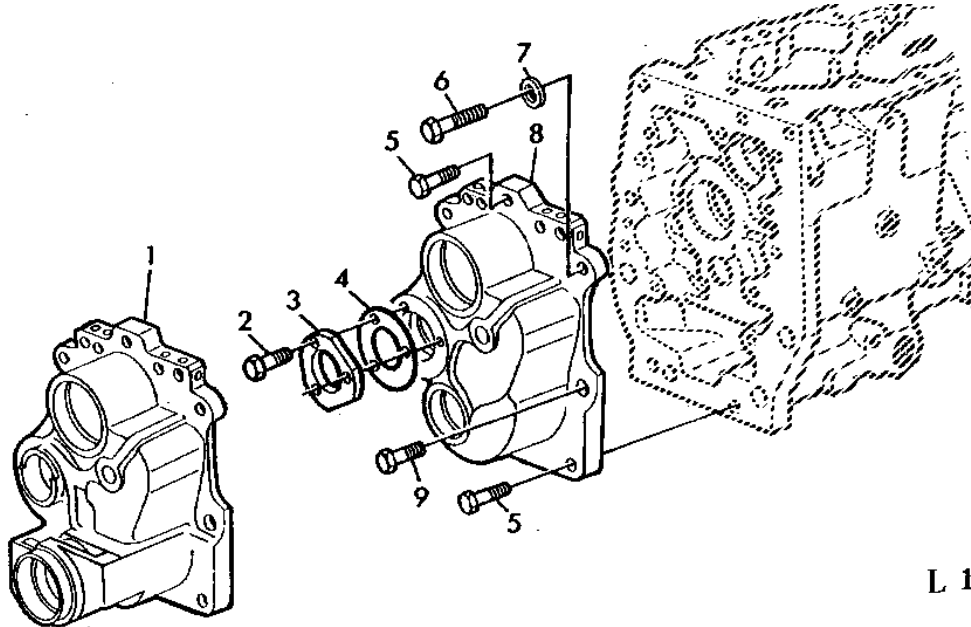
POWER TRAIN

KEY	PART NO.	PART NAME	QTY	SERIAL NO.	REMARKS
					2
					0 2
					4 1
					0 4
					S 0
1	M1102T	CAP	3		X
2	34H251	SPRING PIN	2		X 1/8"X1"
3	T27716	SPRING	4		X
4	R26552	BALL	8		X 5/16"
5	AL33278	SHIFTER ROD	1		X (SUB FOR AL32955)
6	T25614	SET SCREW	4		X
7	L28401	SHIFTER	1		X
8	400R	BALL	5		X
9	AL33279	SHIFTER ROD	1		X (SUB FOR AL32956)
10	T22736	PIN	1		X
11	T32142	SHIFTER	1		X
12	L36575	SPRING	1		X (SUB FOR T28680)
13	AL33247	SHIFTER ROD	1		X (SUB FOR AT29386)
14	T26197	SHIFTER	1		X
15	R98941	PIN	1		X (SUB FOR T22435)
16	AL33250	SHIFTER ROD	1		X (SUB FOR AT29387)
17	R60557	SHIFTER	1		X (SUB FOR R51233)

2D18

POWER TRAIN

TRANSMISSION CASE/END COVER (SYNCHRONISED TRANSMISSION)
 CARTER DE BOITE/COUVERCLE (SYNCHRONISEE)
 GETRIEBEGEHAEUSE/DECKEL (SYNCHRONGETRIEBE)
 SCATOLA CAMBIO/PORTACUSCINETTO(TIPO SINCRONIZZATO)
 CAJA DE TRANSMISION/TAPA (TIPO SINCRONIZADO)
 TRANSMISSIONSHUS/LAGERHUS (SYNKRONISERAD TRANSMISSION)
 L118205 -UN-01JAN94



L 118205

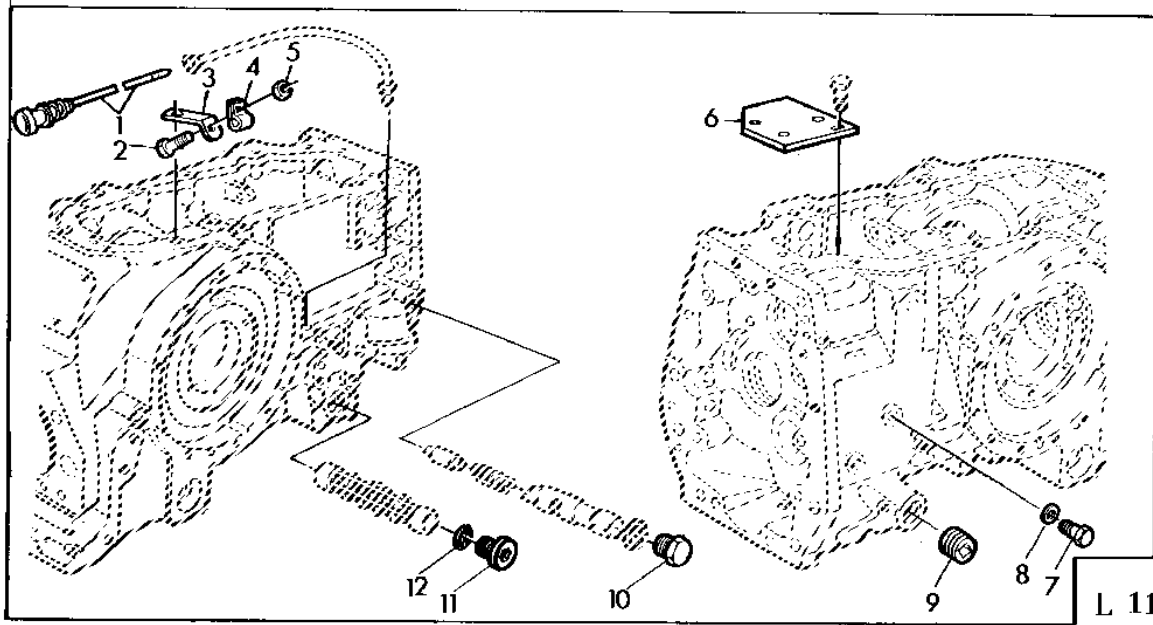
KEY	PART NO.	PART NAME	QTY	SERIAL NO.	REMARKS
					2
					0 2
					4 1
					0 4
					S 0
1	L39841	QUILL	1		X X (A) (SUB FOR L33286)
2	19M7166	CAP SCREW	3		X X M10X20
3	L33056	RETAINER	1		X X
4	L33014	SHIM	AR		X X TK=0,10MM(.004")
	L37270	SHIM	AR		X X TK=0,15MM(.006")
	L33015	SHIM	AR		X X TK=0,20MM(.008")
	L33016	SHIM	AR		X X TK=0,30MM(.012")
	L37271	WASHER	AR		X X TK=1,00MM(.040")
5	19H3239	CAP SCREW	3		X X 3/8"X1-1/4"
6	19H1801	CAP SCREW	2		X X 3/8"X2"
7	R1870R	WASHER	2		X X
8	L33055	QUILL	1		X X
9	19H2552	CAP SCREW	1		X X 3/8"X1-1/8"

(A) WITH FRONT WHEEL DRIVE
 AVEC PONT AVANT
 BEI FRONTANTRIEB
 CON TRAZIONE ANTERIORE
 CON TRACCION DELANTERA
 VID FRAMHJULSDRIFT

2D19

POWER TRAIN

TRANSMISSION CASE (SYNCHRONISED TRANSMISSION)
 CARTER DE BOITE (SYNCHRONISEE)
 GETRIEBEGEHAEUSE (SYNCHRONGETRIEBE)
 SCATOLA CAMBIO (TIPO SINCRONIZZATO)
 CAJA DE TRANSMISION (TIPO SINCRONIZADO)
 VAXELLADSHUS (SYNKRONISERAD TRANSMISSION)
 L118208 -UN-07JUL95



L 118208

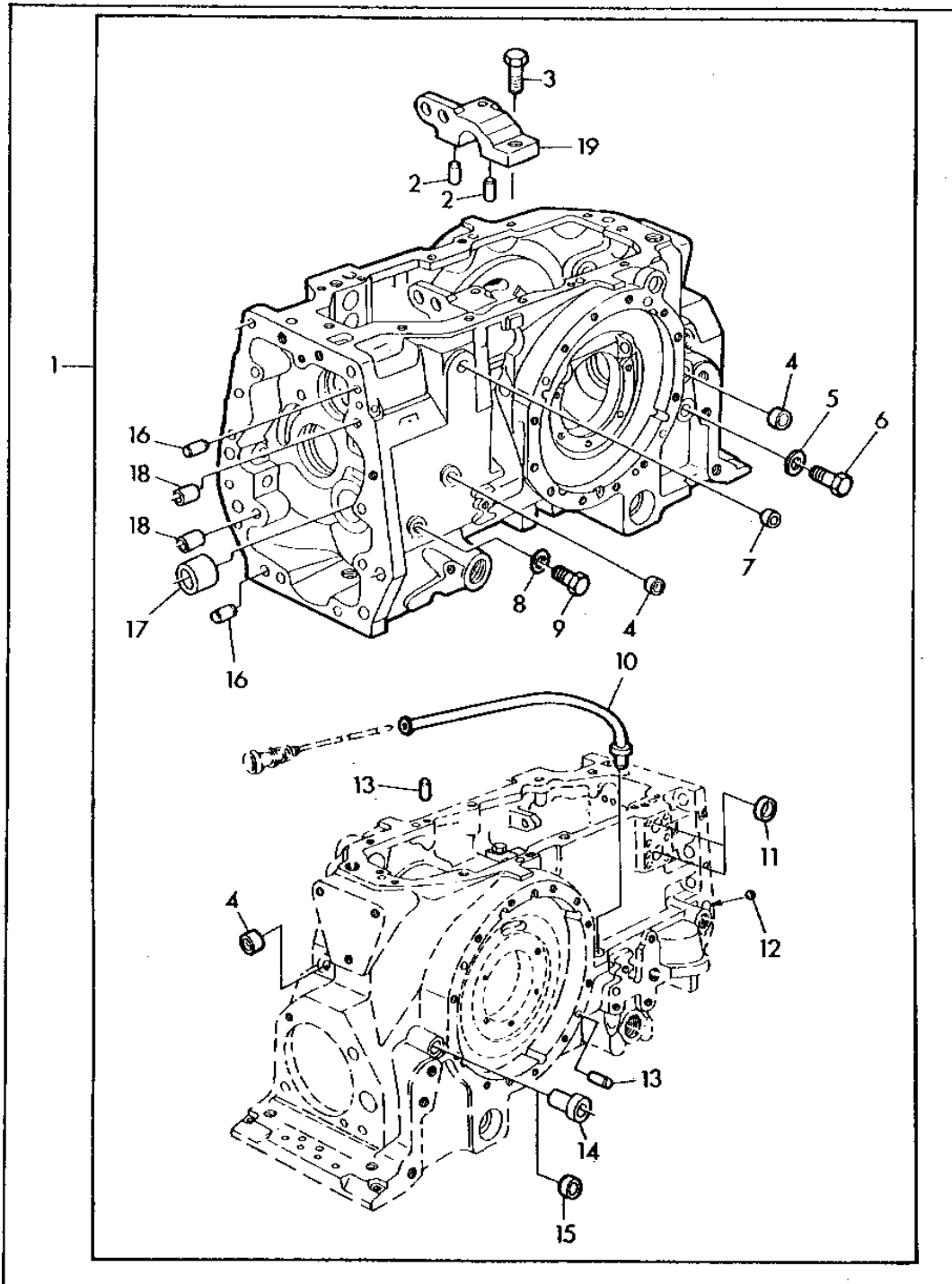
KEY	PART NO.	PART NAME	QTY	SERIAL NO.	REMARKS
				2	
				0 2	
				4 1	
				0 4	
				S 0	
1	AL38632	DIPSTICK	1	X X	(SUB FOR AL36614, AL33326 APPL)
2	19H1813	CAP SCREW	1	X X	5/16"X5/8"
3	L31806	STRAP	1	X X	
	L31808	RETAINER	1	X X	(A)
4	T21101	CLAMP	1	X X	
5	14H785	NUT	1	X X	5/16"
6	AL28744	COVER	1	X X	(ORD AL39257, (2) 14M7327)
7	R53802	CAP SCREW	1	X X	1/2"X1/2"
8	R27003	WASHER	1	X X	
9	15H562	PIPE PLUG	1	X X	1"
10	R27175	DRAIN PLUG	1	X X	1-1/16"
11	R40147	FITTING	1	X X	1-1/2"
12	51M4282	RING	1	X X	38X44X2,5MM

(A) WITH OPU CAB
 AVEC CABINE PPI
 BEI FSC-KABINE
 CON CABINA OPU
 CON CABINA DE SEGURIDAD
 VID OPU FORARHYTT

2D20

POWER TRAIN

TRANSMISSION CASE-SYNCHRONIZED TRANSMISSION (WITH IND. 540 RPM PTO)
CARTER DE BOITE SYNCHRONISEE (AVEC PDF INDEP.540 TR/MIN)
GETRIEBEGEHAUSE-SYNCHRONGETR.(BEI UNABH.ZAPFW.540 U/MIN)
SCATOLA TRASM.SINCRONIZZATA (CON PDF INDIP.540 G/MIN)
CAJA DE TRANSMISION (TIPO SINCRONIZADO CON TDF INDEP.540 R/MIN)
TRANSMISSIONSHUS (SYNKRONISERAD-VID OBER.KRAFTUT.540 RPM)
L122801 -UN-01JAN94



L122801

2D21

POWER TRAIN

KEY	PART NO.	PART NAME	QTY	SERIAL NO.	REMARKS
					2 0 2 4 1 0 4 S 0
1	AL38551	KIT	1	X X	(MARKED L36623 OR L41131) (ORD AL67503, AL67450, L62815, L40425, L38803, L28405, L33007, M2353T, 24M7255, 40M7115, (2) L61922, 48M7038) (SUB FOR AL34164, AL28875, AL31119)
	AL38551	KIT	1	X X	(A) (ORD AL67503, AL67449, L40425, L62815, (2) L61922)
	AL38550	TRANSMISSION CASE	1	X X	(B) (MARKED L36623 OR L41131) (ORD AL67503, AL67450, L38803, 24M7255, 40M7115, 48M7038) (SUB FOR AL34160)
	AL38550	TRANSMISSION CASE	1	X X	(A) (B) (ORD AL67503, AL67449)
2	R726R	DOWEL PIN	2	X X	
3	19H1721	CAP SCREW	2	X X	1/2"X1-1/2"
4	T18891	CAP	3	X X	
5	R27003	WASHER	1	X X	
6	R53802	CAP SCREW	1	X X	1/2"X1/2"
7	30M7004	CAP	1	X X	O.D.14MM
8	R26448	O-RING	1	X X	
9	R27218	FITTING PLUG	1	X X	
10	AL24999	EXTENSION	1	X X	(SUB FOR AL35020)
	AL27110	PIPE	1	X X	(B)
11	30M7008	CAP	2	X X	O.D.28MM
12	A174R	BALL	1	X X	
13	R48685	DOWEL PIN	6	X X	
14	L34253	BUSHING	1	X X	
15	30M7007	CAP	1	X X	O.D.20MM
16	T26565	DOWEL PIN	2	X X	
17	T22128	BUSHING	1	X X	
18	T24729	BUSHING	2	X X	
19	AL68306	KIT	1	X X	

(A) WITH HEAVY-DUTY 540 RPM PTO
 SUR PDF 540 TR/MIN RENFORCEE
 BEI ZAPFW.VERST.AUSF.540 U/MIN
 CON PDF RINFORZ.540 G/MIN
 CON TDF REFORZ.DE 540 R/MIN
 VID FORSTARKT 540 V.KRAFTUTT.

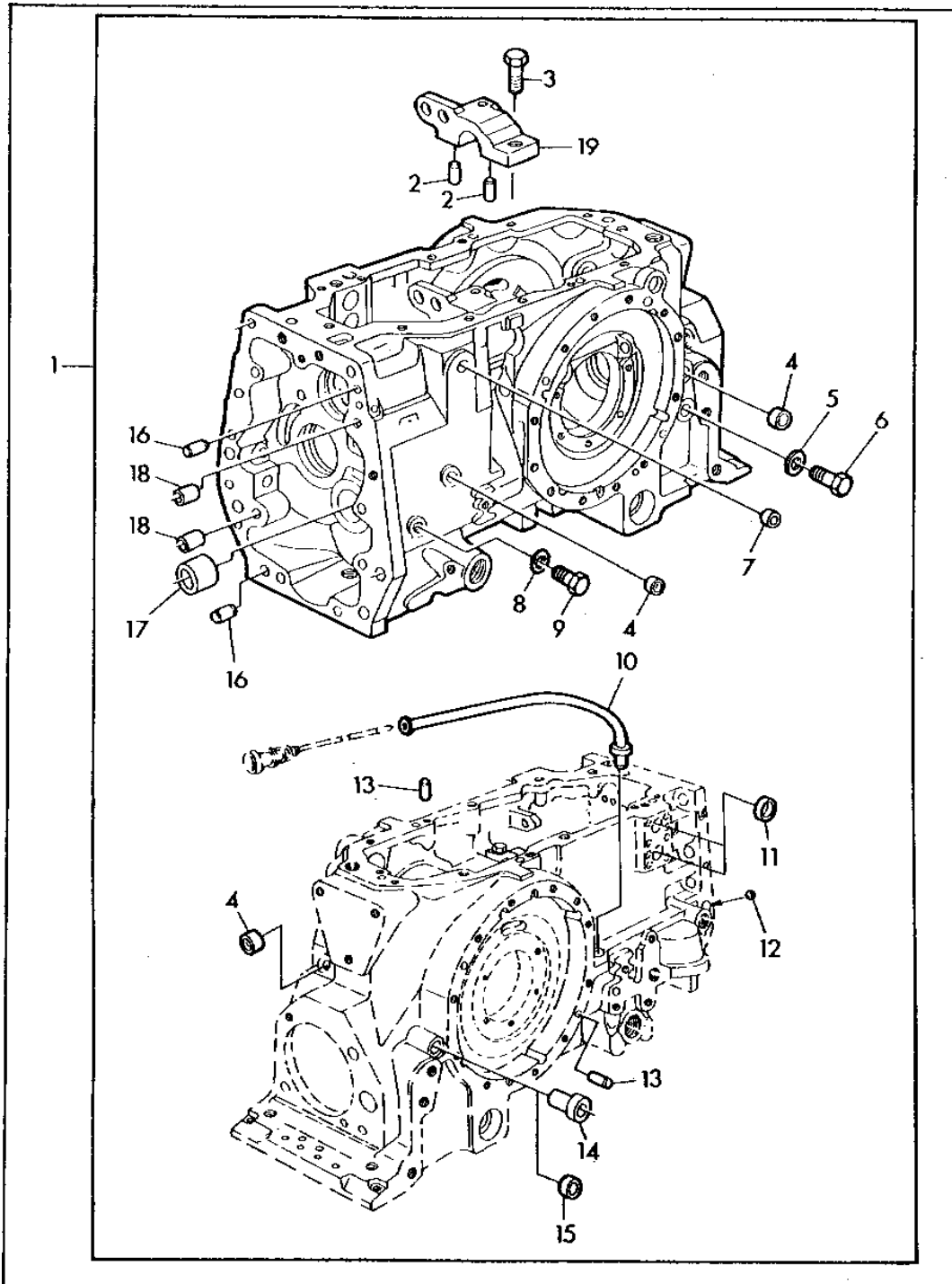
(B) WITH OPU CAB
 AVEC CABINE PPI
 BEI FSC-KABINE
 CON CABINA OPU
 CON CABINA DE SEGURIDAD
 VID OPU FORARHYTT

2D22

POWER TRAIN

TRANSM.CASE/SYNCHR.TRASM.(WITH HANDSHIFT AND INTERCHANGEABLE PTO SHAFTS)
CARTER BOITE SYNCHRO (PDF SELECTION MANETTE OU EMBOUTS PERMUTABLES)
GETRIEBEGEHAUSE-SYNCHRONGETR.(BEI UMSCHALTBARER UND AUSWECHSELBARER ZAPFWELLE)
CASSA TRASMISS.SINCROZZ.(CON PTO A CAMBIO MANUALE OD INTERCAMBIABILE)
CARCASA TRANSMIS.SINCROIZ.(CON TDF CAMBIABILE O DE REGIMEN VARIABLE)
TRANSMISSIONSHUS (SYNKRON.-VID VAXLINGSBAR ELL.UTBYTBAR KRAFTUTTAG)

L122801 -UN-01JAN94



L122801

2D23

POWER TRAIN

KEY	PART NO.	PART NAME	QTY	SERIAL NO.	REMARKS
					2 0 2 4 1 0 4 S 0
1	AL39342	TRANSMISSION CASE	1	X X	(A) (C) (MARKED L41131) (ORD AL67503, AL67447, (2) L61922) (SUB FOR AL34203)
	AL38551	KIT	1	X X	(A) (MARKED L36623 OR L41131) (ORD AL67503, AL67447, L62815, L40425, (2) L61922)
	AL38551	KIT	1	X X	(B) (ORD AL67503, AL67448, L40425, L62815, (2) L61922)
	AL38550	TRANSMISSION CASE	1	X X	(B) (C) (MARKED L36623 OR L41131) (ORD AL67503, AL67448, (2) L61922)
2	R726R	DOWEL PIN	2	X X	
3	19H1721	CAP SCREW	2	X X	1/2"X1-1/2"
4	T18891	CAP	3	X X	
5	R27003	WASHER	1	X X	
6	R53802	CAP SCREW	1	X X	1/2"X1/2"
7	30M7004	CAP	1	X X	O.D.14MM
8	R26448	O-RING	1	X X	
9	R27218	FITTING PLUG	1	X X	
10	AL24999	EXTENSION	1	X X	(SUB FOR AL35020)
	AL27110	PIPE	1	X X	(C)
11	30M7008	CAP	2	X X	O.D.28MM
12	A174R	BALL	1	X X	
13	R48685	DOWEL PIN	6	X X	
14	L34253	BUSHING	1	X X	(A)
15	30M7007	CAP	1	X X	O.D.20MM
16	T26565	DOWEL PIN	2	X X	
17	T22128	BUSHING	1	X X	
18	T24729	BUSHING	2	X X	
19	AL68306	KIT	1	X X	

(A) WITH HANDSHIFT PTO
 AVEC PDF A SELEC.PAR MANETTE
 BEI UMSCHALTBARER ZAPFWELLE
 CON PTO A CAMBIO MANUALE
 CON TDF DE REGIMEN VARIABLE
 VID VAXLINGSBAR KRAFTUTTAG

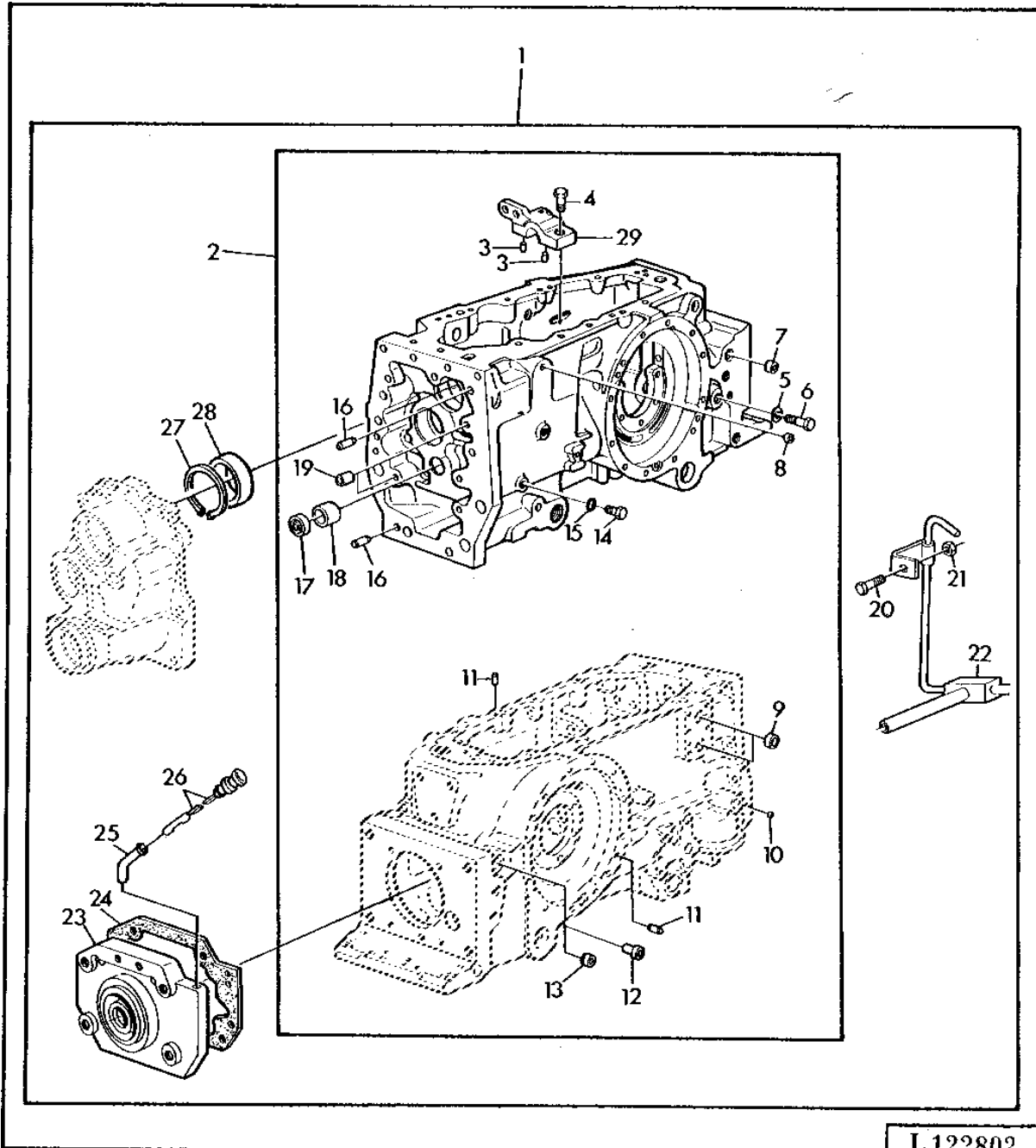
(B) WITH INTERCHANG. PTO SHAFTS
 AVEC PDF INTERCHANGEABLE
 BEI AUSWECHSELBARER ZAPFW.
 CON PDF INTERCAMBIABILE
 CON TDF CAMBIABILE
 VID UTBYTBAR KRAFTUTTAG

(C) WITH OPU CAB
 AVEC CABINE PPI
 BEI FSC-KABINE
 CON CABINA OPU
 CON CABINA DE SEGURIDAD
 VID OPU FORARHYTT

2D24

POWER TRAIN

TRANSM.CASE CONVERSION KIT/SYNCHR. TRANSM. (WITH INDEP. 540 RPM PTO)
JEU ADAPTION,CARTER BOITE SYNCHRO.(AVEC PDF INDEP.540 TR/MIN)
GETRIEBEGEAHAEUSE-UMRUESTSATZ/SYNCHRONGETR.(BEI UNABH.ZAPFWELLE 540)
KIT CONVERSIONE PER TRASMISS.SINCRO.(CON PTO INDIPENDENTE 540 GIRI)
CONJ.DE MODIFIC.PARA TRANSM.SINCRO.(CON TDF INDEPEND.DE 540 R/MIN)
MODIFIERINGSATS FOR SYNKRON. TRANSMISSION (MED OBEROENDE 540 RPM KRAFTUTTAG)
L122802 -UN-01JAN94



2D25

POWER TRAIN

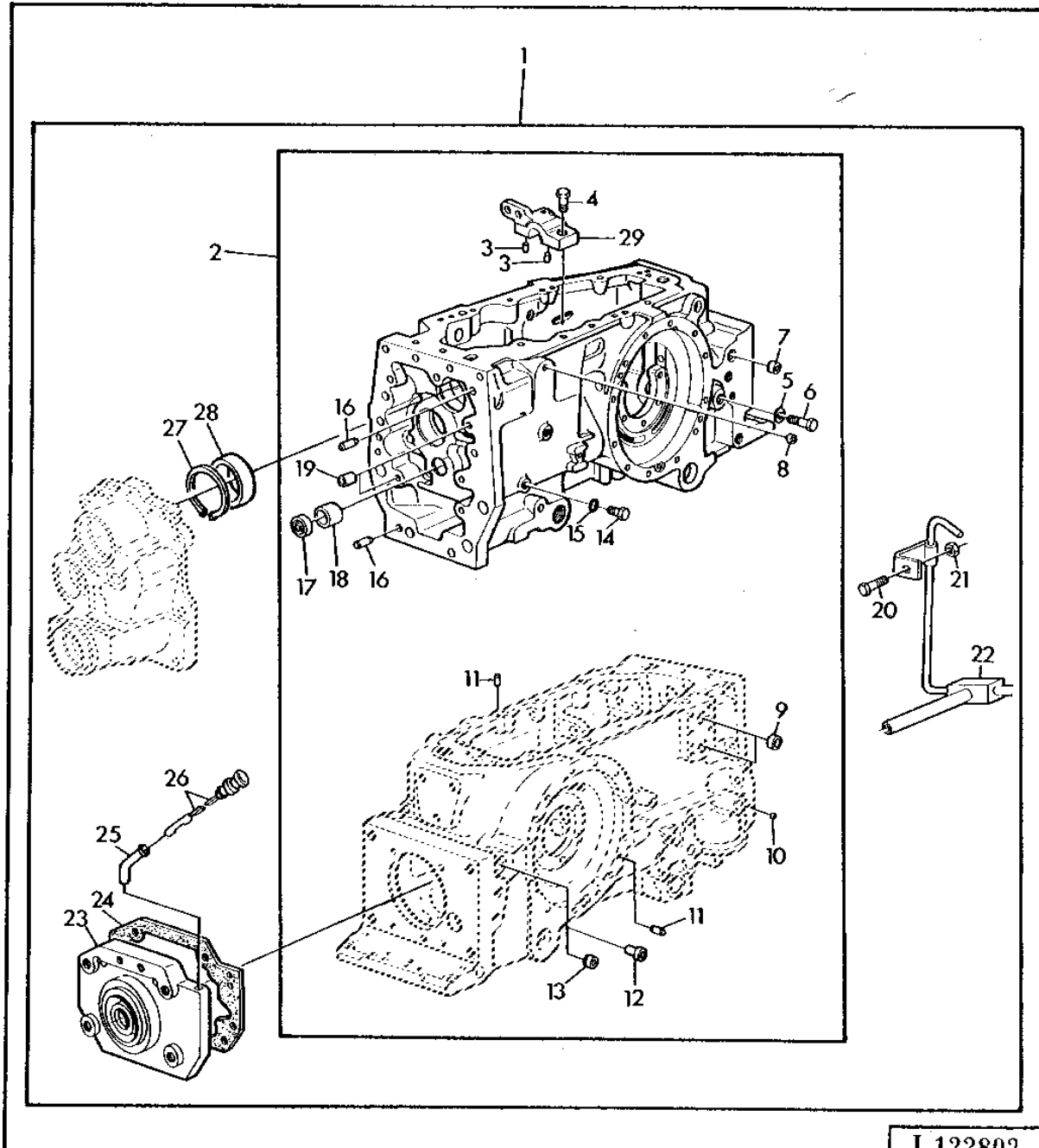
KEY	PART NO.	PART NAME	QTY	SERIAL NO.	REMARKS
					2
					0 2
					4 1
					0 4
					S 0
1	AL65437	KIT	1	X X	(ORD AL67503, AL67450, (2) L61922)
	AL65439	KIT	1	X X	(A) (ORD AL67503, AL67449, (2) L61922)
2	AL64570	TRANSMISSION CASE	1	X X	(MARKED L60593 OR L61975) (ORD AL68510,
	AL66781	TRANSMISSION CASE	1	X X	(2) L62830, (2) L61922) (MARKED L62445) INCL. L57619, (3) L61496, (2) R26906, (2) R27474 (ORD AL68510, (2) L61922)
3	R726R	DOWEL PIN	2	X X	
4	19H1721	CAP SCREW	2	X X	1/2"X1-1/2"
5	R27003	WASHER	1	X X	
6	R53802	CAP SCREW	1	X X	1/2"X1/2"
7	T18891	CAP	1	X X	
8	30M7004	CAP	1	X X	O.D.=14MM
9	30M7008	CAP	2	X X	O.D.=28MM
10	A174R	BALL	1	X X	
11	R48685	DOWEL PIN	6	X X	
12	L34253	BUSHING	1	X X	
13	30M7007	CAP	1	X X	O.D.=20MM
14	R27218	FITTING PLUG	1	X X	
15	R26448	O-RING	1	X X	
16	T26565	DOWEL PIN	2	X X	
17	L41022	SEAL	1	X X	
18	T22128	BUSHING	1	X X	
19	T24729	BUSHING	2	X X	
20	19M7298	CAP SCREW	1	X X	M8X35
21	14M7273	NUT	1	X X	M8
22	AL59585	OIL LINE	1	X X	
23	L60545	BEARING CAP	1	X X	(ORD AL67450)
	L60544	BEARING CAP	1	X X	(A) (ORD AL67449)
24	L60548	GASKET	1	X X	
25	L62158	EXTENSION	1	X X	
26	AL67054	DIPSTICK	1	X X	(SUB FOR AL64512 APPL)
27	L41669	SNAP RING	1	X X	
28	JD10341	BEARING CUP	1	X X	
29	AL68306	KIT	1	X X	

(A) WITH HEAVY-DUTY 540 RPM PTO
 SUR PDF 540 TR/MIN RENFORCEE
 BEI ZAPFW.VERST.AUSF.540 U/MIN
 CON PDF RINFORZ.540 G/MIN
 CON TDF REFORZ.DE 540 R/MIN
 VID FORSTARKT 540 V.KRAFTUTT.

2E1

POWER TRAIN

TRANSM.CASE CONVERSION KIT/SYNCHR.TRANSM.(W/HANDSHIFT AND INTERCHANGEABLE PTO SHAFT)
CARTER BOITE SYNCHRO-JEU ADAPTATION (PDF SELECTION MANETTE OU EMBOUTS PERMUTABTTAG)
GETRIEBEGEHAEUSE-UMRUESTSATZ/SYNCHRONGETR.(BEI UMSCHALT.B.U.AUSWECHSELB.ZAPFWELLE)
KIT CONVERSIONE PER TRASM.SINCRON.(CON PTO A CAMBIO MANUALE OD INTERCAMBIABILE
CONJ.DE MODIFIC.PARA CARCASA/TRANSMIS.SINCRONIZ.(CON TDF CAMBIABLE O DE REGIME
MODIFIERINGSATS FOR SYNKRON.TRANSMISSION (VID VAXLINGSBAR ELL.UTBYTBAR KRAFTU
L122802 -UN-01JAN94



L122802

2E2

POWER TRAIN

KEY	PART NO.	PART NAME	QTY	SERIAL NO.	REMARKS
					2
					0 2
					4 1
					0 4
					S 0
1	AL66091	KIT	1	X X	(A) (ORD AL67503, AL67447, (2) L61922)
	AL65438	KIT	1	X X	(B) (ORD AL67503, AL67448, (2) L61922)
2	AL64570	TRANSMISSION CASE	1	X X	(MARKED L60593 OR L61975) (ORD AL68510,
	AL66781	TRANSMISSION CASE	1	X X	(2) L62830, (2) L61922 (MARKED L62445) INCL L57619, (3) L61496, (2) R26906, (2) R27474 (ORD AL68510, (2) L61922)
3	R726R	DOWEL PIN	2	X X	
4	19H1721	CAP SCREW	2	X X	1/2"X1-1/2"
5	R27003	WASHER	1	X X	
6	R53802	CAP SCREW	1	X X	1/2"X1/2"
7	T18891	CAP	1	X X	
8	30M7004	CAP	1	X X	O.D.=14MM
9	30M7008	CAP	2	X X	O.D.=28MM
10	A174R	BALL	1	X X	
11	R48685	DOWEL PIN	6	X X	
12	L34253	BUSHING	1	X X	
13	30M7007	CAP	1	X X	O.D.=20MM
14	R27218	FITTING PLUG	1	X X	
15	R26448	O-RING	1	X X	
16	T26565	DOWEL PIN	2	X X	
17	L41022	SEAL	1	X X	
18	T22128	BUSHING	1	X X	
19	T24729	BUSHING	2	X X	
20	19M7298	CAP SCREW	1	X X	M8X35
21	14M7273	NUT	1	X X	M8
22	AL59585	OIL LINE	1	X X	
23	L60542	BEARING CAP	1	X X	(A) (ORD AL67447)
	L60543	BEARING CAP	1	X X	(B) (ORD AL67448)
24	L60548	GASKET	1	X X	
25	L62158	EXTENSION	1	X X	
26	AL67054	DIPSTICK	1	X X	(SUB FOR AL64512 APPL)
27	L41669	SNAP RING	1	X X	
28	JD10341	BEARING CUP	1	X X	
29	AL68306	KIT	1	X X	

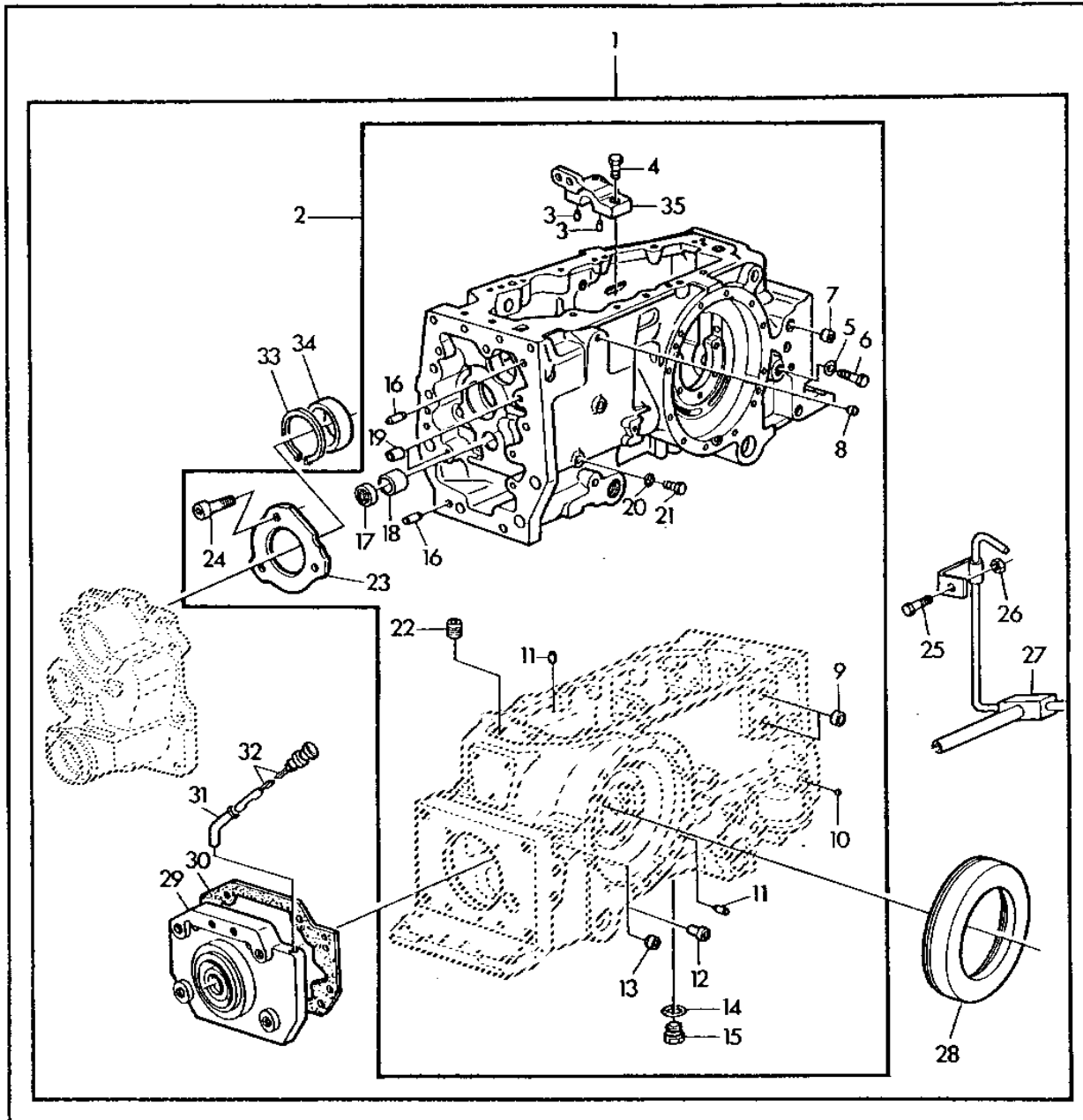
(A) WITH HANDSHIFT PTO
 AVEC PDF A SELECTION PAR MANETTE
 BEI UMSCHALTBARER ZAPFWELLE
 CON PTO A CAMBIO MANUALE
 CON TDF DE REGIMEN VARIABLE
 VID VAXLINGSBAR KRAFTUTTAG

(B) WITH INTERCHANGEABLE PTO SHAFTS
 AVEC PDF INTERCHANGEABLE
 BEI AUSWECHSELBARER ZAPFWELLE
 CON PDF INTERCAMBIABILE
 CON TDF CAMBIABILE
 VID UTBYTBAR KRAFTUTTAG

2E3

POWER TRAIN

TRANS.CASE CONVERSION KIT/SYNCHR. TRANSM. (WITH INDEP. 540 RPM PTO)
JEU ADAPTION,CARTER BOITE SYNCHRO.(AVEC PDF INDEP.540 TR/MIN)
GETRIEBEGEAHAEUSE-UMRUESTSATZ/SYNCHRONGETR.(BEI UNABH.ZAPFWELLE 540)
KIT CONVERSIONE PER TRASMISS.SINCRO.(CON PTO INDIPENDENTE 540 GIRI)
CONJ.DE MODIFIC.PARA TRANSM.SINCRO.(CON TDF INDEPEND.DE 540 R/MIN)
MODIFIERINGSATS FOR SYNKRON. TRANSMISSION (MED OBEROENDE 540 RPM KRAFTUTTAG)
L122804 -UN-01JAN94



L122804

2E4

POWER TRAIN

KEY	PART NO.	PART NAME	QTY	SERIAL NO.	REMARKS
				2	
				0 2	
				4 1	
				0 4	
				S 0	
1	AL66799	TRANSMISSION CASE	1	X X	(ORD AL67503, AL67450, (2) L61922)
	AL66788	TRANSMISSION CASE	1	X X	(A) (ORD AL67503, AL67449, (2) L61922)
2	AL66781	TRANSMISSION CASE	1	X X	(MARKED L62445) (ORD AL68510, (2) L61922)
3	R726R	DOWEL PIN	2	X X	
4	19H1777	CAP SCREW	2	X X	1/2"X1-3/4"
5	R27003	WASHER	1	X X	
6	R53802	CAP SCREW	1	X X	1/2"X1/2"
7	T18891	CAP	1	X X	
8	30M7004	CAP	1	X X	O.D.=14MM
9	30M7008	CAP	2	X X	O.D.=28MM
10	A174R	BALL	1	X X	
11	R48685	DOWEL PIN	6	X X	
12	L34253	BUSHING	1	X X	
13	30M7007	CAP	1	X X	O.D.=20MM
14	R26906	O-RING	2	X X	
15	R27474	DRAIN PLUG	2	X X	7/8"
16	T26565	DOWEL PIN	2	X X	
17	L41022	SEAL	1	X X	
18	T22128	BUSHING	1	X X	
19	T24729	BUSHING	2	X X	
20	R26448	O-RING	1	X X	
21	R27218	FITTING PLUG	1	X X	
22	15H665	PIPE PLUG	1	X X	3/4"
23	L57619	FLANGE	1	X X	
24	L61496	SCREW	3	X X	
25	19M7298	CAP SCREW	1	X X	M8X35
26	14M7273	NUT	1	X X	M8
27	AL59585	OIL LINE	1	X X	
28	L62830	BRAKE ACTUATING DISK	2	X X	
29	L60545	BEARING CAP	1	X X	(ORD AL67450)
	L60544	BEARING CAP	1	X X	(A) (ORD AL67449)
30	L60548	GASKET	1	X X	
31	L62158	EXTENSION	1	X X	
32	AL67054	DIPSTICK	1	X X	(SUB FOR AL64512 APPL)
33	L41669	SNAP RING	1	X X	
34	JD10341	BEARING CUP	1	X X	
35	AL68306	KIT	1	X X	

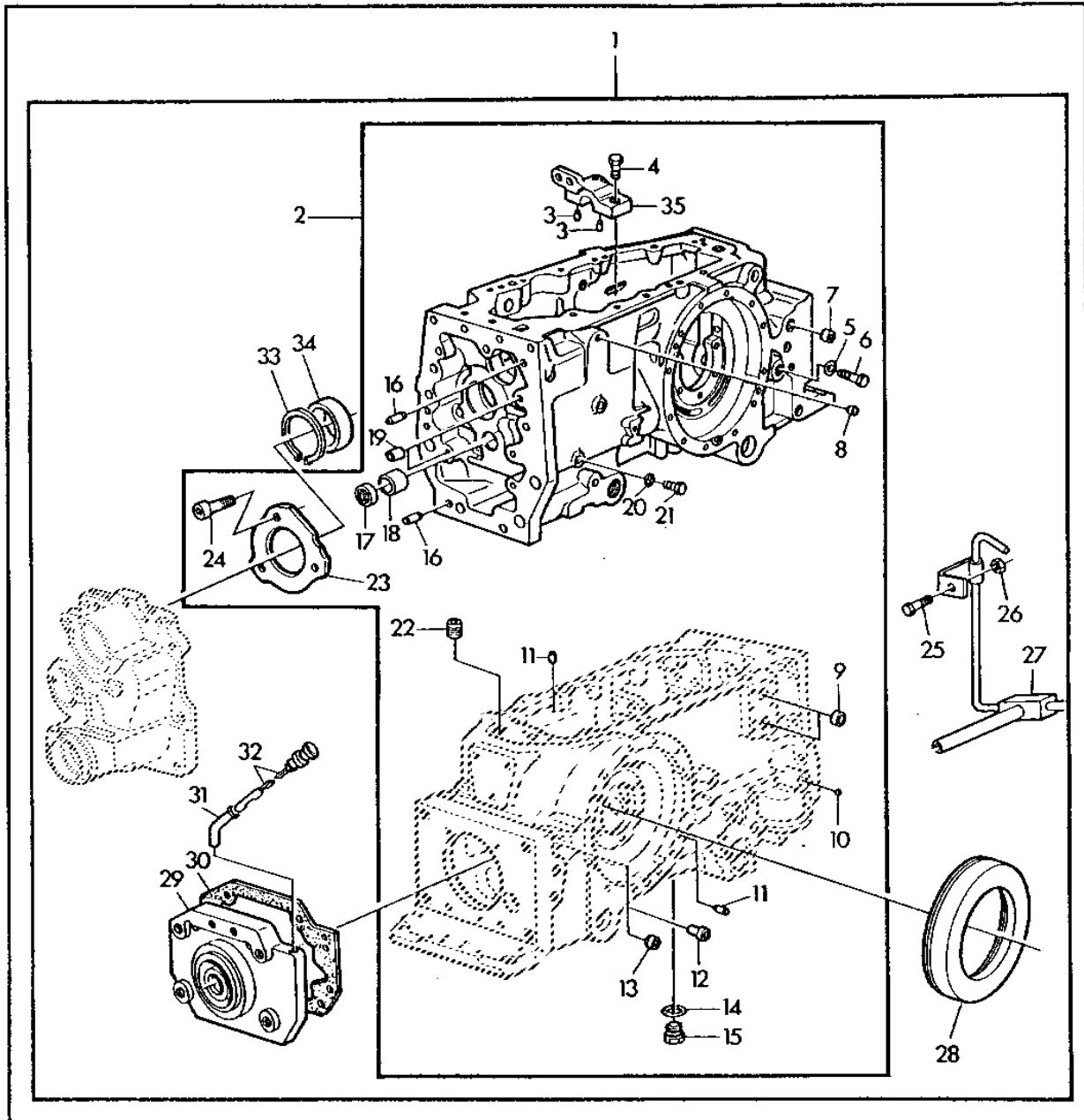
(A) WITH HEAVY-DUTY 540 RPM PTO
 SUR PDF 540 TR/MIN RENFORCEE
 BEI ZAPFW.VERST.AUSF.540 U/MIN
 CON PDF RINFORZ.540 G/MIN
 CON TDF REFORZ.DE 540 R/MIN
 VID FORSTARKT 540 V.KRAFTUTT.

2E5

POWER TRAIN

TRANSM.CASE CONVERSION KIT/SYNCHR.TRASM.(W/HANDSHIFT AND INTERCHANGEABLE PTO SHAFT)
CARTER BOITE SYNCHRO-JEU ADAPTATION (PDF SELECTION MANETTE OU EMBOUTS PERMUTABLES)
GETRIEBEGEHAEUSE-UMRUESTSATZ/SYNCHRONGETR.(BEI UMSCHALT.B.U.AUSWECHSELB.ZAPFWELLE)
KIT CONVERSIONE PER TRASM.SINCRON.(CON PTO A CAMBIO MANUALE OD INTERCAMBIABILE)
CONJ.DE MODIFIC.PARA CARCASA/TRANSMIS.SINCRONIZ.(CON TDF CAMBIABLE O DE REGIMEN VARIABLE)
MODIFIERINGSATS FOR SYNKRON.TRANSMISSION (VID VAXLINGSBAR ELL.UTBYTBAR KRAFTUTTAG)

L122804 -UN-01JAN94



L122804

2E6

POWER TRAIN

KEY	PART NO.	PART NAME	QTY	SERIAL NO.	REMARKS
				2	
				0 2	
				4 1	
				0 4	
				S 0	
1	AL66789	TRANSMISSION CASE	1	X X	(A) (ORD AL67503, AL67447, (2) L61922)
	AL66787	TRANSMISSION CASE	1	X X	(B) (ORD AL67503, AL67448, (2) L61922)
2	AL66781	TRANSMISSION CASE	1	X X	(MARKED L62445) (ORD AL68510, (2) L61922)
3	R726R	DOWEL PIN	2	X X	
4	19H1777	CAP SCREW	2	X X	1/2"X1-3/4"
5	R27003	WASHER	1	X X	
6	R53802	CAP SCREW	1	X X	1/2"X1/2"
7	T18891	CAP	1	X X	
8	30M7004	CAP	1	X X	O.D.=14MM
9	30M7008	CAP	2	X X	O.D.=28MM
10	A174R	BALL	1	X X	
11	R48685	DOWEL PIN	6	X X	
12	L34253	BUSHING	1	X X	
13	30M7007	CAP	1	X X	O.D.=20MM
14	R26906	O-RING	2	X X	
15	R27474	DRAIN PLUG	2	X X	7/8"
16	T26565	DOWEL PIN	2	X X	
17	L41022	SEAL	1	X X	
18	T22128	BUSHING	1	X X	
19	T24729	BUSHING	2	X X	
20	R26448	O-RING	1	X X	
21	R27218	FITTING PLUG	1	X X	
22	15H665	PIPE PLUG	1	X X	3/4"
23	L57619	FLANGE	1	X X	
24	L61496	SCREW	3	X X	
25	19M7298	CAP SCREW	1	X X	M8X35
26	14M7273	NUT	1	X X	M8
27	AL59585	OIL LINE	1	X X	
28	L62830	BRAKE ACTUATING DISK	2	X X	
29	L60542	BEARING CAP	1	X X	(A) (ORD AL67447)
	L60543	BEARING CAP	1	X X	(B) (ORD AL67448)
30	L60548	GASKET	1	X X	
31	L62158	EXTENSION	1	X X	
32	AL67054	DIPSTICK	1	X X	(SUB FOR AL64512 APPL)
33	L41669	SNAP RING	1	X X	
34	JD10341	BEARING CUP	1	X X	
35	AL68306	KIT	1	X X	

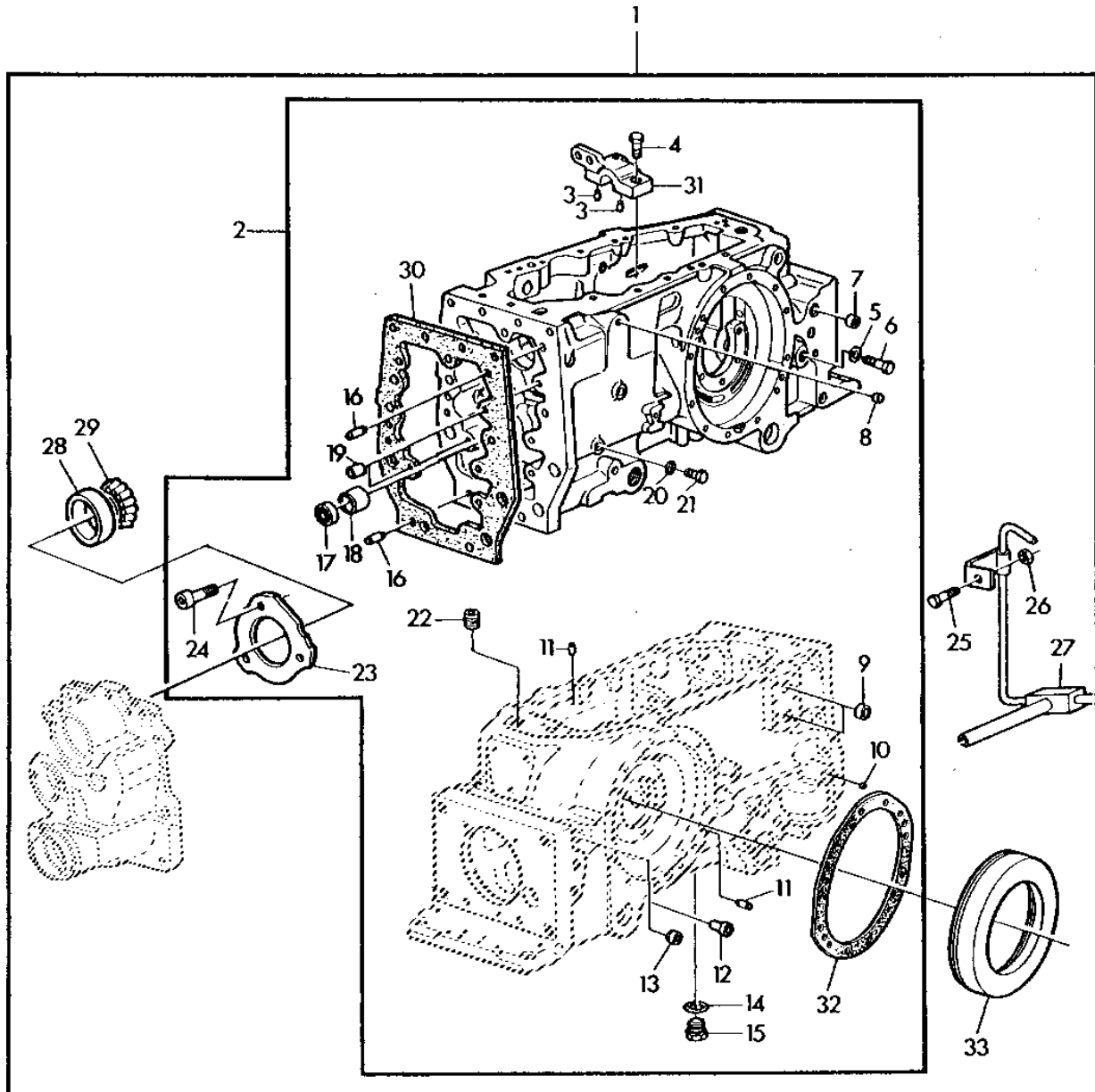
(A) WITH HANDSHIFT PTO
 AVEC PDF A SELECTION PAR MANETTE
 BEI UMSCHALTBARER ZAPFWELLE
 CON PTO A CAMBIO MANUALE
 CON TDF DE REGIMEN VARIABLE
 VID VAXLINGSBAR KRAFTUTTAG

(B) WITH INTERCHANGEABLE PTO SHAFTS
 AVEC PDF INTERCHANGEABLE
 BEI AUSWECHSELBARER ZAPFWELLE
 CON PDF INTERCAMBIABILE
 CON TDF CAMBIABILE
 VID UTBYTBAR KRAFTUTTAG

2E7

POWER TRAIN

TRANSMISSION CASE CONVERSION KIT (SYNCHRONISED TRANSMISSION)
CARTER DE BOITE JEU DE MODIFICATION (SYNCHRONISEE)
GETRIEBEGEHAEUSE-UMRUESTSATZ (SYNCHRONGETRIEBE)
SCATOLA CAMBIO KIT CONVERSIONE (TIPO SINCRONIZZATO)
CAJA DE TRANSMISION JUEGO DE MODIFICACION (TIPO SINCRONIZADO)
VAXELLADSHUS OMBYGGNADSSATS (SYNKRONISERAD TRANSMISSION)
L122805 -UN-01JAN94



L122805

2E8

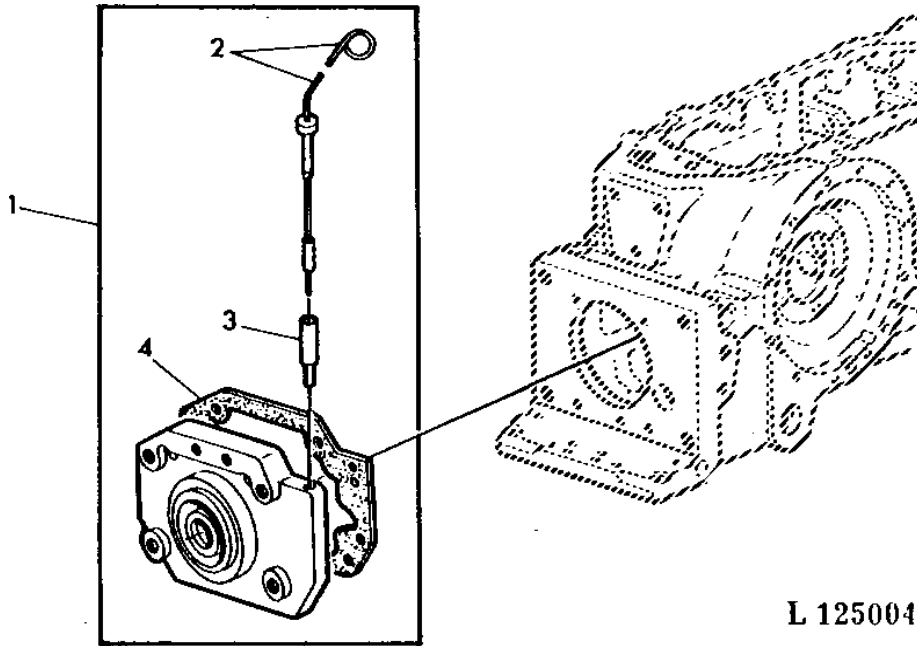
POWER TRAIN

KEY	PART NO.	PART NAME	QTY	SERIAL NO.	REMARKS
					2
					0 2
					4 1
					0 4
					S 0
1	AL67503	KIT	1	X X	(ORD W/ (2) L61922)
2	AL66781	TRANSMISSION CASE	1	X X	(MARKED L62445) (KIT W/O L61918, L61922)
	AL68510	TRANSMISSION CASE	1	X X	(ORD AL68510, (2) L61922)
					(MARKED L63940) (ORD W/ (2) L61922) (SUB FOR AL66781)
3	R726R	DOWEL PIN	2	X X	
4	19H1721	CAP SCREW	2	X X	1/2"X1-1/2"
5	R26448	O-RING	1	X X	(FOR R27218)
	R27003	WASHER	1	X X	(FOR R53802)
6	R53802	CAP SCREW	1	X X	1/2"X1/2"
	R27218	FITTING PLUG	1	X X	9/16"-18UNF-2AX0.39"
7	T18891	CAP	1	X X	
8	30M7004	CAP	1	X X	O.D.=14MM
9	30M7008	CAP	2	X X	O.D.=28MM
10	A174R	BALL	1	X X	
11	R48685	DOWEL PIN	6	X X	
12	L34253	BUSHING	1	X X	
13	30M7007	CAP	1	X X	O.D.=20MM
14	R26906	O-RING	2	X X	
15	R27474	DRAIN PLUG	2	X X	7/8"
16	T26565	DOWEL PIN	2	X X	
17	L41022	SEAL	1	X X	
18	T22128	BUSHING	1	X X	
19	T24729	BUSHING	2	X X	
20	R26448	O-RING	1	X X	
21	R27218	FITTING PLUG	1	X X	9/16"-18UNF-2AX0.39"
22	15H665	PIPE PLUG	1	X X	3/4"
23	L57619	FLANGE	1	X X	
24	L61496	SCREW	3	X X	
25	19M7298	CAP SCREW	1	X X	M8X35
26	14M7273	NUT	1	X X	M8
27	AL59585	OIL LINE	1	X X	
28	JD10341	BEARING CUP	1	X X	
29	JD10102	BEARING CONE	1	X X	
30	L61918	GASKET	1	X X	
31	AL68306	KIT	1	X X	
32	L61922	GASKET	2	X X	
33	L62830	BRAKE ACTUATING DISK	2	X X	

2E9

POWER TRAIN

PTO BEARING QUILL CONVERSION KIT(W/SYNCHR.TRANSM./IND.PTO)
 PALIER PDF/JEU AVEC BOITE SYNCHR./PDF INDEPENDANTE)
 ZAPFW.LAGERDECKEL/TEILESATZ(BEI SYNCHRONGRTR.U.UNABH.ZAPFW.)
 SUPP.CUSCIN.PDF/GRUPPO(CON TRASM.SINCRON.E PDF INDIPEND.)
 CAJA DE RODAMIENTO DE TDF/CONJ.(TRANSM.SINCR.Y TDF INDEP.)
 LAGERHUS-ENHET AV KRAFTUTTAG(VID SYNKR.TRANSM./OBER KRAFTUTT.)
 L125004 -UN-01JAN94



L 125004

2
0 2
4 1
0 4
S 0

KEY	PART NO.	PART NAME	QTY	SERIAL NO.	REMARKS
1	AL67450	KIT	1	X X	(A)
	AL67449	KIT	1	X X	(B)
	AL67448	KIT	1	X X	(C)
2	AL66767	DIPSTICK	1	X X	
3	L62535	BUSHING	1	X X	
4	L60548	GASKET	1	X X	

(A) WITH 540 RPM PTO
 SUR PDF 540 TR/MIN
 BEI ZAPFWELLE 540 U/MIN
 CON PDF 540 G/MIN
 CON TDF DE 540 R/MIN
 VID 540 VARVS KRAFTUTTAG

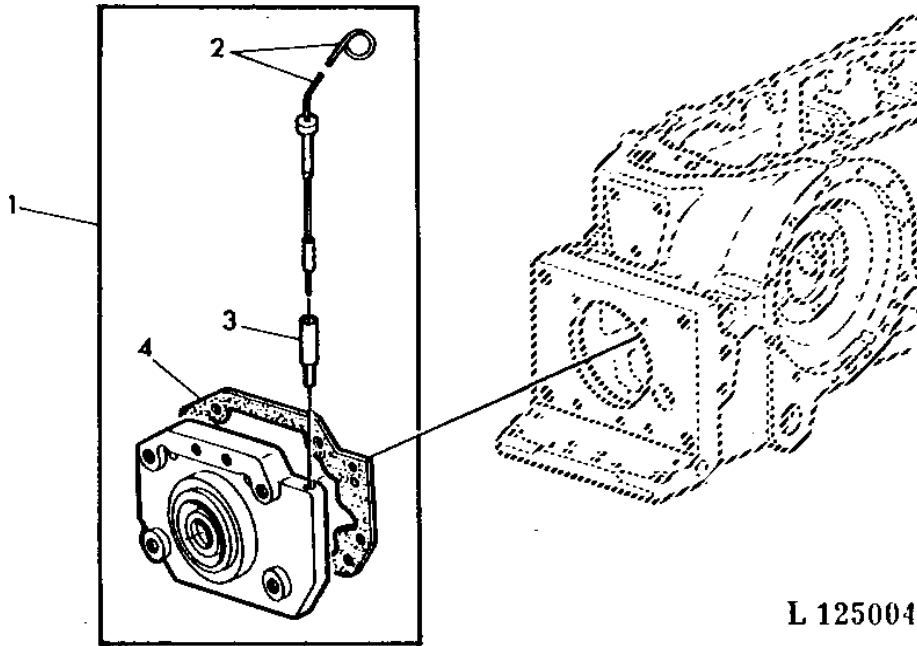
(B) WITH HEAVY-DUTY 540 RPM PTO
 SUR PDF 540 TR/MIN RENFORCEE
 BEI ZAPFW.VERST.AUSF.540 U/M
 CON PDF RINFORZ.540 G/MIN
 CON TDF REFORZ.DE 540 R/MIN
 VID FORSTARKT 540 V.KRAFT.

(C) WITH INTERCHANG. PTO SHAFTS
 AVEC PDF INTERCHANGEABLE
 BEI AUSWECHSELBARER ZAPFWELL
 CON PDF INTERCAMBIABILE
 CON TDF CAMBIABLE
 VID UTBYTBAR KRAFTUTTAG

2E10

POWER TRAIN

PTO BEARING QUILL CONVERSION KIT (W/SYNCHR.TRASM.AND HANDSHIFT PTO)
 PALIER PDF/JEU (AVEC BOITE SYNCHR.PDF SELECT.PAR MANETTE)
 ZAPFW.LAGERDECKEL/TEILESATZ (BEI SYNCHRONGETR.U.UMSCHALTBARER ZAPFWELLE)
 GRUPPO SUPP.CUSC.PDF (CON TRASM.SINCR.E PDF A CAMBIO MAN.)
 CAJA DE RODAMIENTO DE TDF/CONJ.(TRASM.SINCR.Y TDF DE REGIMEN VARIABLE)
 KRAFTUTTAGS-LAGERHUS/ENHET(VID SYNKR.TRASM./VAXLINGSB.KRAFTUTT.)
 L125004 -UN-01JAN94



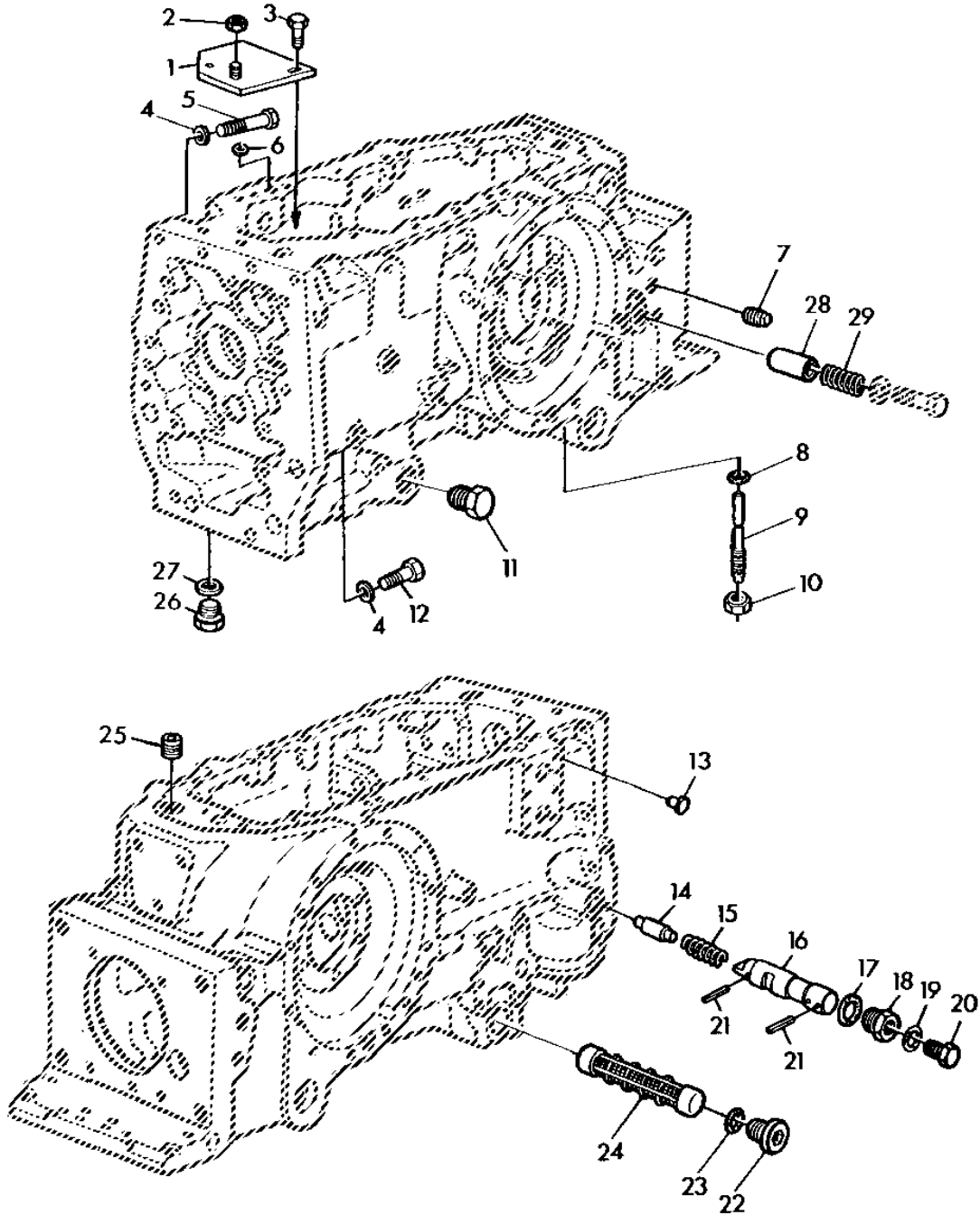
L 125004

KEY	PART NO.	PART NAME	QTY	SERIAL NO.	REMARKS
				2	
				0 2	
				4 1	
				0 4	
				S 0	
1	AL67447	KIT	1		X X
2	AL66767	DIPSTICK	1		X X
3	L62535	BUSHING	1		X X
4	L60548	GASKET	1		X X

2E11

POWER TRAIN

TRANSMISSION CASE (SYNCHRONISED TRANSMISSION)
CARTER DE BOITE(SYNCHRONISEE)
GETRIEBEGEHAEUSE (SYNCHRONGETRIEBE)
SCATOLA CAMBIO (TIPO SINCRONIZZATO)
CAJA DE TRANSMISION (TIPO SINCRONIZADO)
VAXELLADSHUS (SYNKRONISFRAD)
L118209 -UN-07JUL95



I. 118209

2E12

POWER TRAIN

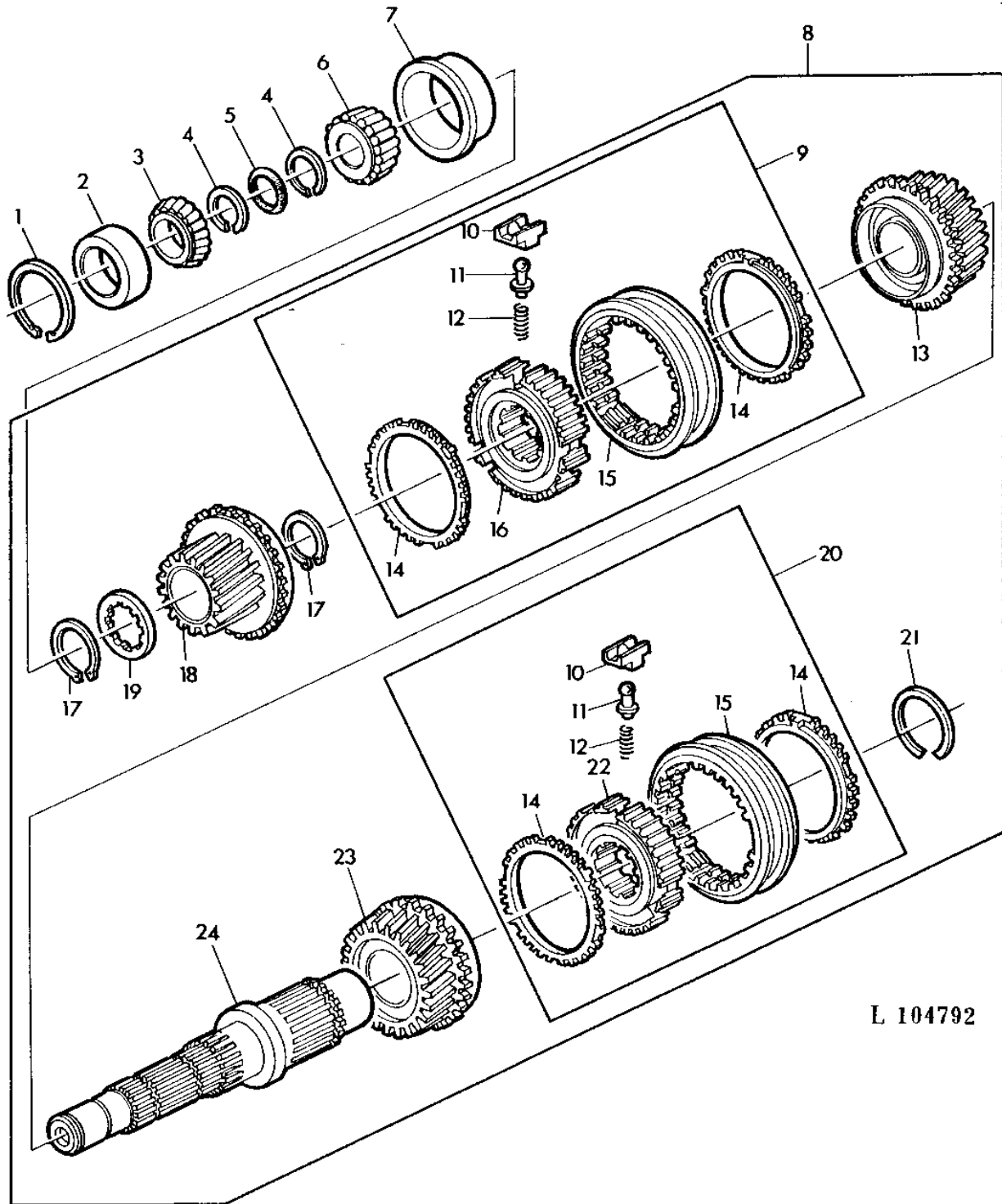
KEY	PART NO.	PART NAME	QTY	SERIAL NO.	REMARKS
					2
					0 2
					4 1
					0 4
					S 0
1	AL39257	COVER	1		X X
2	14M7327	LOCK NUT	2		X X M8
3	19H2021	CAP SCREW	2		X X 3/8"X5/8"
4	L30695	WASHER	8		X X
5	19H2735	CAP SCREW	2		X X 1/2"X2"
6	T17882	WASHER	1		X X
7	15H584	PIPE PLUG	1		X X
8	R27490	O-RING	1		X X
9	T21776	SCREW	1		X X 1/2"
10	14H971	NUT	1		X X 1/2"
11	AL39878	PIPE PLUG	1		X X 1-5/16"
12	19H2510	CAP SCREW	6		X X 1/2"X1-5/8"
13	99M7043	PLUG	6		X X
14	R39294	PIN	1		X X
15	L33358	SPRING	1		X X
16	L33357	SLEEVE	1		X X
17	F3171R	O-RING	1		X X
18	L32704	THREADED NIPPLE	1		X X 1-1/16"
19	R26448	O-RING	1		X X
20	R27218	FITTING PLUG	1		X X
21	34H247	SPRING PIN	2		X X
22	L41534	PIPE PLUG	1		X X 1-1/2"
23	L41547	O-RING	1		X X
24	R53169	SCREEN	1		X X
25	15H665	PIPE PLUG	1		X X 3/4" (FOR AL64570, AL66781 OR AL68510)
	15H562	PIPE PLUG	AR		X X 1"
26	R27474	DRAIN PLUG	2		X X 7/8" (FOR AL64570, AL66781)
	R51895	FITTING	2		X X 1"
27	R26906	O-RING	2		X X (FOR AL64570)
	A4827R	WASHER	2		X X
28	L34246	DOWEL PIN	1		X X (A) LGTH=20MM (ORD L42135, L42136)
	L42135	PIN	1		X X (A) LGTH=25MM
29	L42136	COMPRESSION SPRING	1		X X (A) LGTH=20MM
	T22739	SPRING	1		X X (A) LGTH=25MM (ORD L42135, L42135)

(A) WITH HANDSHIFT PTO
 AVEC PDF A SELECTION PAR MANETTE
 BEI UMSCHALTBARER ZAPFWELLE
 CON PTO A CAMBIO MANUALE
 CON TDF DE REGIMEN VARIABLE
 VID VAXLINGSBAR KRAFTUTTAG

2E13

POWER TRAIN

TRANSMISSION DRIVE SHAFT AND SYNCHRONIZING PARTS
ARBRE PRIMAIRE ET SYNCHROS
GETRIEBE-ANTRIEBSWELLE UND SYNCHRONTEILE
ALBERO COMANDO CAMBIO E SINCRONIZZATORI
EJE PRIMARIO Y SINCRONIZADORES
VAXELLADSDRIVAXEL OCH SYNKRONISERINGSDELAR
L104792 -UN-01JAN94



L 104792

2E14

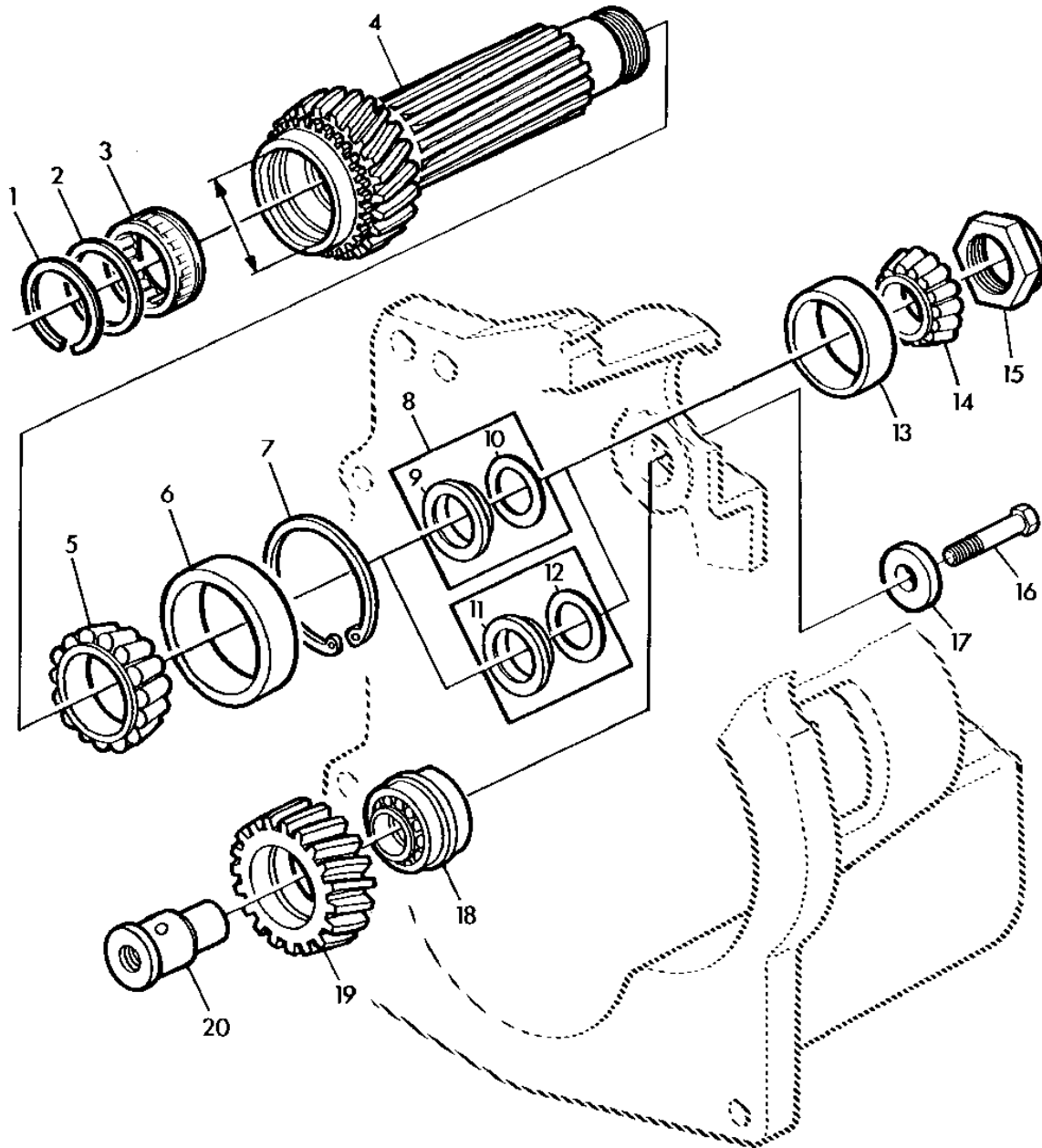
POWER TRAIN

KEY	PART NO.	PART NAME	QTY	SERIAL NO.	REMARKS
				2	
				0 2	
				4 1	
				0 4	
				S 0	
1	L33277	SNAP RING	AR	X X	TK=1,8MM(.071")
	L33278	SNAP RING	AR	X X	TK=1,9MM(.075")
	L33274	SNAP RING	AR	X X	TK=2,0MM(.080")
	L33275	SNAP RING	AR	X X	TK=2,1MM(.082")
	L33276	SNAP RING	AR	X X	TK=2,2MM(.086")
2	JD10081	BEARING CUP	1	X X	
3	JD10099	BEARING CONE	1	X X	
4	L33269	SNAP RING	2	X X	TK=2,0MM(.080")
	L33271	SNAP RING	AR	X X	TK=2,1MM(.082")
	L33272	SNAP RING	AR	X X	TK=2,2MM(.086")
5	L33070	O-RING	1	X X	
6	JD10213	BEARING CONE	1	X X	(SUB FOR JD10100)
7	JD10101	BEARING CUP	1	X X	
8	AL39233	DRIVE SHAFT	1	X X	(SUB FOR AL28707)
9	AL41727	SYNCHRONIZER	1	X X	(SUB FOR AL28708, AL39237)
10	L33101	SHOE	3	X X	
11	L33100	STUD	3	X X	
12	L33103	SPRING	3	X X	
13	AL64426	GEAR	1	X X	Z=19 (SUB FOR AL28711)
14	L33102	SYNCHRONIZER	2	X X	(ORD (2) L41023, L41210)
	L41023	SYNCHRONIZER	2	X X	(SUB FOR L41176)
15	L33098	SHIFT COLLAR	1	X X	(ORD L41210, (2) L41023)
	L41210	SHIFT COLLAR	1	X X	
16	L57621	GEAR	1	X X	(SUB FOR L33099)
17	L36931	SNAP RING	AR	X X	TK=1,45MM(.057")
	L36933	SNAP RING	AR	X X	TK=1,55MM(.061")
	L36934	SNAP RING	AR	X X	TK=1,65MM(.065")
	L36932	SNAP RING	AR	X X	TK=1,75MM(.069")
18	AL64425	GEAR	1	X X	Z=15 (SUB FOR AL28712)
19	L33083	THRUST WASHER	1	X X	
20	AL41728	SYNCHRONIZER	1	X X	(SUB FOR AL28710, AL39238)
21	L39654	SNAP RING	AR	X X	TK=1,45MM(.057") (SUB FOR L36511)
	L36511	SNAP RING	AR	X X	TK=1,55MM(.061")
	L36510	SNAP RING	AR	X X	TK=1,65MM(.065")
	L36509	SNAP RING	AR	X X	TK=1,75MM(.069")
22	L57622	GEAR	1	X X	(SUB FOR L33104)
23	AL28709	GEAR	1	X X	Z=24
24	L41630	DRIVE SHAFT	1	X X	(SUB FOR L33078)

2E15

POWER TRAIN

HOLLOW DRIVE SHAFT(SYNCHRONISED TRANSMISSION)
ARBRE CREUX(BOITE SYNCHRONISEE)
ANTRIEBSHOHLWELLE(SYNCHRONGETRIEBE)
ALBERO COMANDO CAVO(CAMBIO SINCRONIZZATO)
EJE HUECO(TRANSMISION SINCRONIZADA)
IHALIG DRIVAXEL(SYNKRONISERAD TRANSMISSION)
L119691 -UN-20OCT95



L 119691

2E16

POWER TRAIN

KEY	PART NO.	PART NAME	QTY	SERIAL NO.	REMARKS
					2
					0 2
					4 1
					0 4
					S 0
1	L33270	SNAP RING	1	X X	(FOR AL28713)
	L60559	SNAP RING	1	X X	(FOR AL64050)
2	L60560	THRUST WASHER	1	X X	(FOR AL64050)
3	AL63097	NEEDLE BEARING	1	X X	O.D.=50MM (FOR AL64050)
	JD10072	NEEDLE BEARING	1	X X	O.D.=55MM (FOR AL28713)
4	AL64050	DRIVE SHAFT	1	X X	Z=29/14,I.D.=50MM
	AL28713	DRIVE SHAFT	1	X X	Z=29/14,I.D.=55MM (ORD AL64050, L60560, L60559, AL63097)
5	JD10102	BEARING CONE	1	X X	
6	JD10103	BEARING CUP	1	X X	
	JD10341	BEARING CUP	1	X X	(FOR AL64570 OR AL66781)
7	L41669	SNAP RING	1	X X	(FOR AL64570 OR AL66781)
	40M1873	SNAP RING	1	X X	90X3MM
8	AL60717	SHIPPING BUNDLE	1	X X	
9	L58121	WASHER	1	X X	TK=4,55MM
	L58120	WASHER	1	X X	TK=4,60MM
	L58119	WASHER	1	X X	TK=4,65MM
	L58118	WASHER	1	X X	TK=4,70MM
	L58115	WASHER	1	X X	TK=4,75MM
	L58107	WASHER	1	X X	TK=4,80MM
	L58108	WASHER	1	X X	TK=4,85MM
	L58109	WASHER	1	X X	TK=4,90MM
	L58110	WASHER	1	X X	TK=4,95MM
	L58111	WASHER	1	X X	TK=5,00MM
	L58112	WASHER	1	X X	TK=5,05MM
	L58113	WASHER	1	X X	TK=5,10MM
	L58114	WASHER	1	X X	TK=5,15MM
	L56005	LOCK WASHER	1	X X	TK=5,20MM
	L56377	LOCK WASHER	1	X X	TK=5,25MM
10	L58721	SHIM	1	X X	TK=0,70MM
11	L33030	WASHER	1	X X	(A)
12	L33028	SHIM	AR	X X	(A) TK=0,10MM (.004")
	L33027	SHIM	AR	X X	(A) TK=0,15MM (.006")
	L33029	SHIM	AR	X X	(A) TK=0,25MM (.098")
13	JD10067	BEARING CUP	1	X X	
14	JD10068	BEARING CONE	1	X X	
15	L55841	NUT	1	X X	(SUB FOR L33059, L41792)
16	19M7329	CAP SCREW	1	X X	M10X75
17	L33065	WASHER	1	X X	
18	JD10069	ROLLER BEARING	1	X X	
19	L41604	GEAR	1	X X	Z=25 (SUB FOR L33062 APPL)
20	L33066	SHAFT	1	X X	

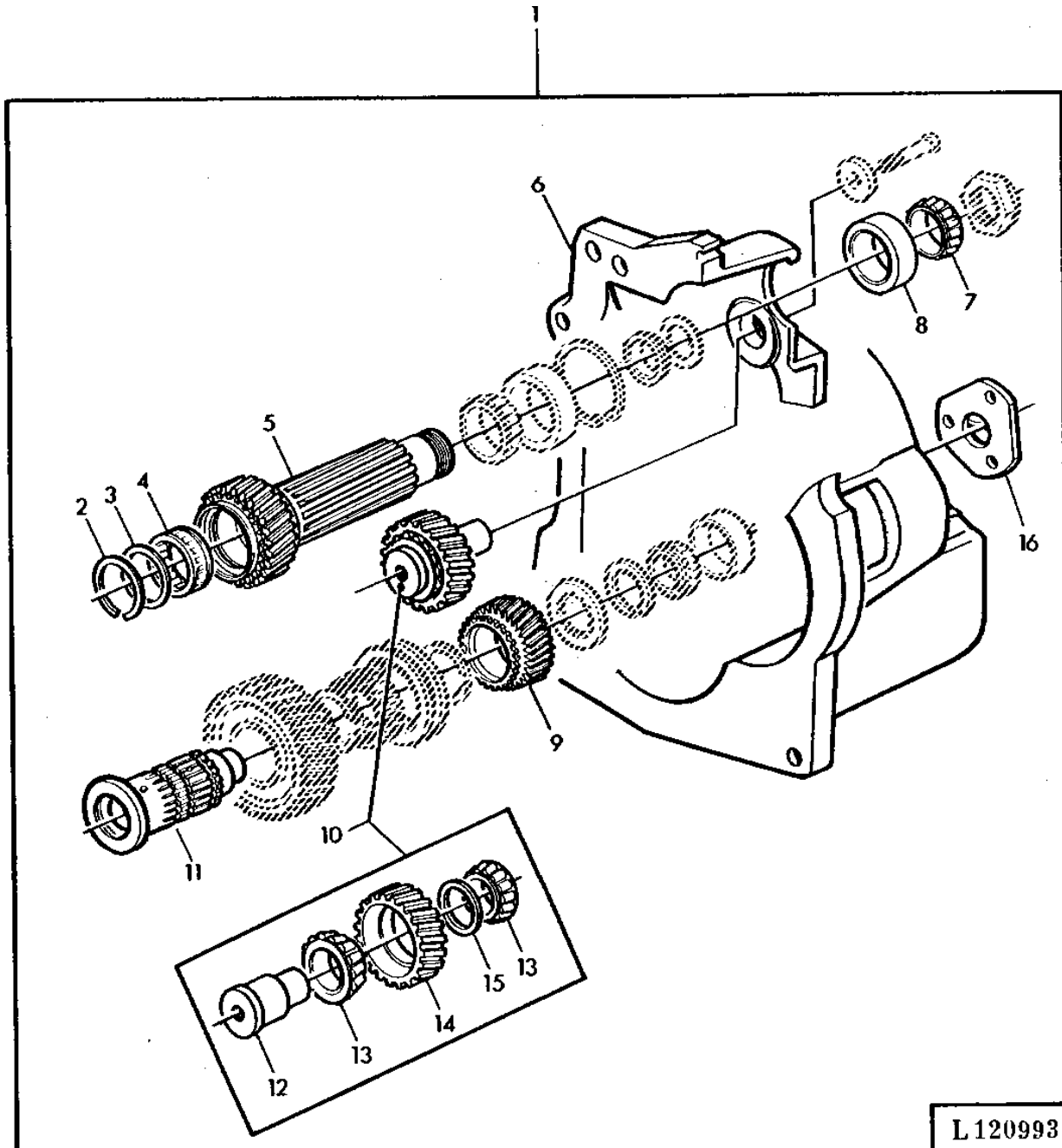
(A) ORDER PART 8,9 OR 10 AS REQUIRED
 COMMANDER PIECE 8,9 OU 10 SELON BESOIN
 BESTELLE TEIL 8,9 ODER 10 NACH BEDARF
 ORDINARE PEZZO 8,9 O 10 SECONDO NECESSITA
 PEDIR PIEZA 8,9 O 10 SI ES NECESARIO
 BESTALLAS DEL 8,9 ELLER 10 EFTER BEHOV

2E17

POWER TRAIN

REVERSE RANGE CONVERSION KIT (WITH SYNCHR.TRANSMISSION)
ADAPTATION GAMME ARRIERE (BOITE SYNCHRONISEE)
RUECKWAERTSGRUPPE-UMRUESTSATZ (BEI SYNCHRONGETRIEBE)
KIT CONVERSIONE GAMMA RETROMARCIA (CON TRASMISS.SINCRON.)
CONJ.DE MODIF.-GRUPO MARCHA ATRAS (CON TRANSM.SINCRON.)
BACKVAXELENHET-MODIFIERINGSSATS (VID SYNKRON.TRANSMISSION)

L120993 -UN-01JAN94



L 120993

2E18

POWER TRAIN

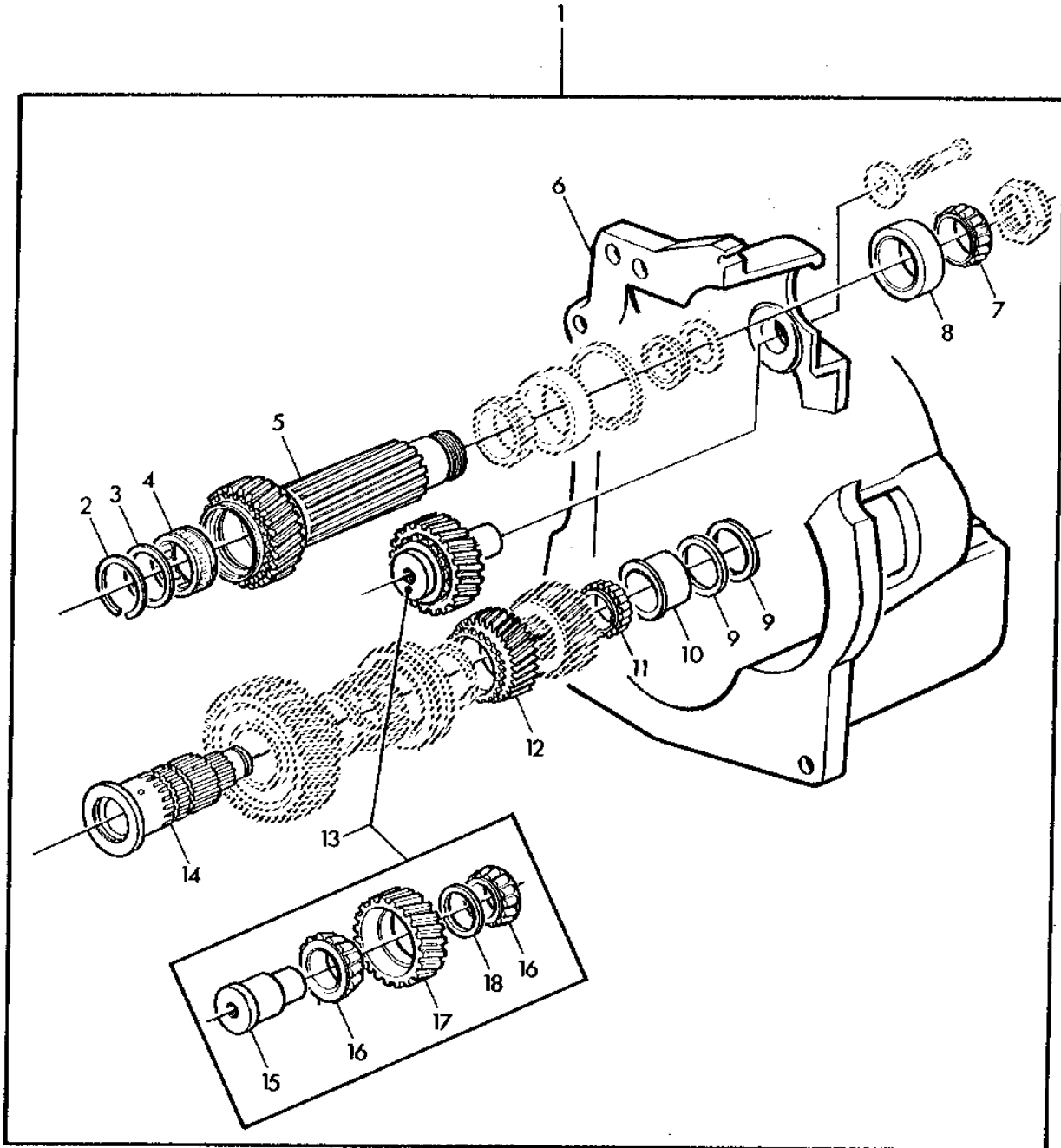
KEY	PART NO.	PART NAME	QTY	SERIAL NO.	REMARKS
				2	
				0 2	
				4 1	
				0 4	
				S 0	
1	AL63831	KIT	1		X X
2	L60559	SNAP RING	1		X X
3	L60560	THRUST WASHER	1		X X
4	AL63097	NEEDLE BEARING	1		X X
5	AL66410	DRIVE SHAFT	1		X X (SUB FOR AL60231)
6	L41667	QUILL	1		X X
7	JD10337	BEARING CONE	1		X X
8	JD10336	BEARING CUP	1		X X
9	L57555	GEAR	1		X X Z=28
10	AL66358	GEAR	1		X X
11	L41665	SHAFT	1		X X
12	L41641	SHAFT	1		X X (ORD AL66358)
13	JD10330	BEARING CONE	2		X X
14	L60387	GEAR	1		X X Z=25 (ORD AL66358)
15	L41649	BUSHING	AR		X X TK=8,00MM
	L41650	BUSHING	AR		X X TK=8,05MM
	L41651	BUSHING	AR		X X TK=8,10MM
	L41652	BUSHING	AR		X X TK=8,15MM
	L41653	BUSHING	AR		X X TK=8,20MM
	L41654	BUSHING	AR		X X TK=8,25MM
	L41655	BUSHING	AR		X X TK=8,30MM
	L41656	BUSHING	AR		X X TK=8,35MM
	L41657	BUSHING	AR		X X TK=8,40MM
16	L63431	COVER	1		X X

2E19

POWER TRAIN

REVERSE RANGE CONVERSION KIT (WITH SYNCHR.TRANSM.AND FRONT WH.DRIVE)
ADAPTATION GAMME ARRIERE (BOITE SYNCHRONISEE ET PONT AVT)
RUECKWAERTSGRUPPE-UMRUESTSATZ (BEI SYNCHRONGETR.MIT FRONTANTR.)
KIT CONVERSIONE GAMMA RETROMARCIA (CON TRASM.SINCRON.E TRAZ.ANT.)
CONJ.DE MODIF.-GRUPO MARCHA ATRAS (CON TRANSM.SINCR.Y TRACC.DEL.)
BACKVAXELENHET-MODIFIERINGSSATS (SYNKRON.TRANSMISSION MED FRAMHJULSDRIFT)

L118200 -UN-01JAN94



L 118200

2E20

POWER TRAIN

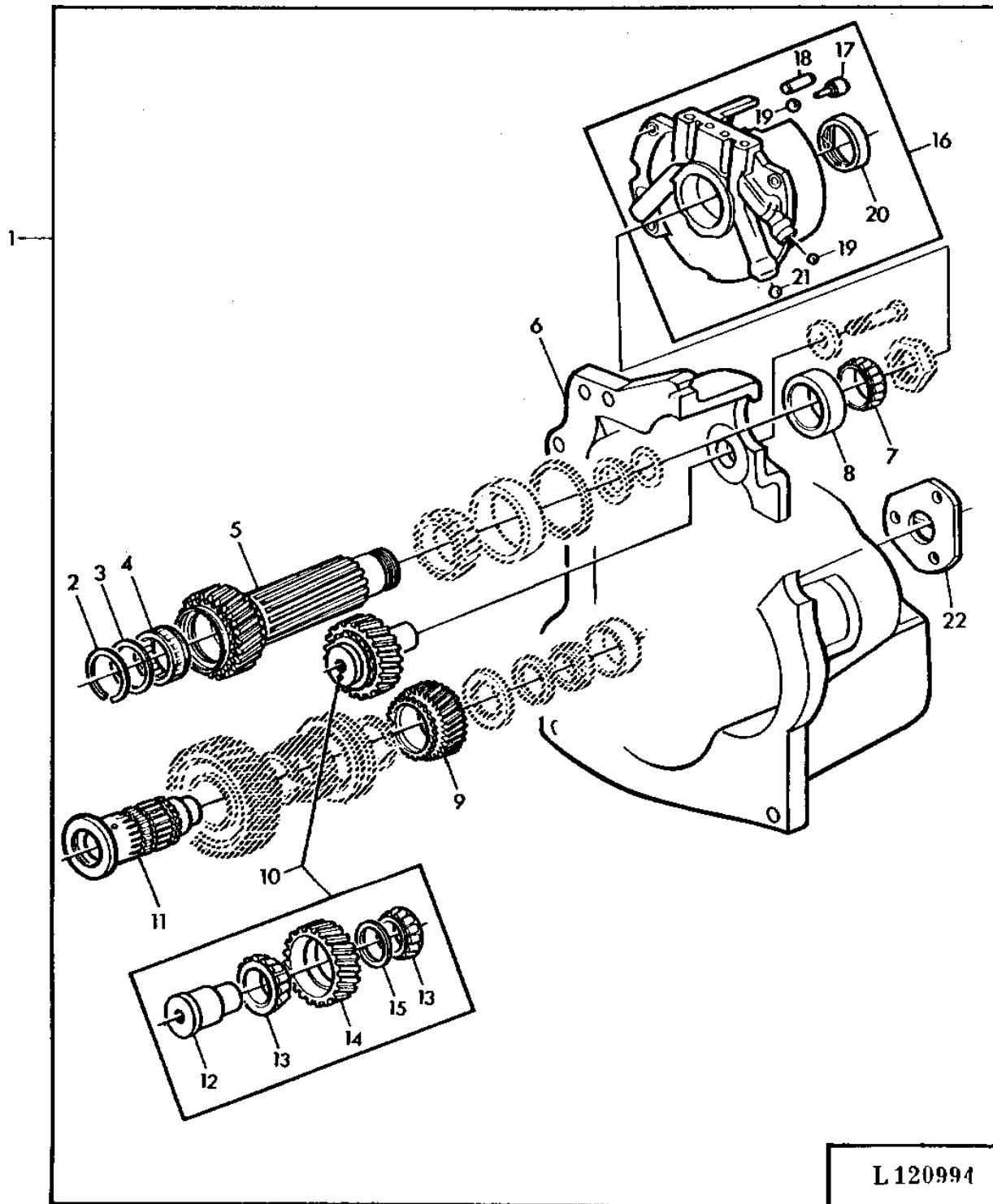
KEY	PART NO.	PART NAME	QTY	SERIAL NO.	REMARKS
					2 0 2 4 1 0 4 S 0
1	AL63828	KIT	1	X X	(A) L57658/L36725 (Z=23/21) OR L33238/L36725 (Z=22/21) (ORD W/ L60520)
	AL63828	KIT	1	X X	(A) L35003/L36724 (Z=20/23) OR L33264/L36724 (Z=21/23) (ORD W/ L41691)
2	L60559	SNAP RING	1	X X	
3	L60560	THRUST WASHER	1	X X	
4	AL63097	NEEDLE BEARING	1	X X	
5	AL66410	DRIVE SHAFT	1	X X	(SUB FOR AL60231)
6	L41668	QUILL	1	X X	
7	JD10337	BEARING CONE	1	X X	
8	JD10336	BEARING CUP	1	X X	
9	L41660	SHIM	AR	X X	TK=0,10MM
	L41659	SHIM	AR	X X	TK=0,15MM
	L41663	SHIM	AR	X X	TK=0,20MM
	L41661	SHIM	AR	X X	TK=0,30MM
	L41662	WASHER	AR	X X	TK=1,00MM
	L41664	WASHER	AR	X X	TK=1,05MM
10	JD10339	BEARING CUP	1	X X	
11	JD10338	BEARING CONE	1	X X	
12	L57555	GEAR	1	X X	Z=28
13	AL66358	GEAR	1	X X	
14	L41666	SHAFT	1	X X	
15	L41641	SHAFT	1	X X	(ORD AL66358)
16	JD10330	BEARING CONE	2	X X	
17	L60387	GEAR	1	X X	Z=25 (ORD AL66358)
18	L41649	BUSHING	AR	X X	TK=8,00MM
	L41650	BUSHING	AR	X X	TK=8,05MM
	L41651	BUSHING	AR	X X	TK=8,10MM
	L41652	BUSHING	AR	X X	TK=8,15MM
	L41653	BUSHING	AR	X X	TK=8,20MM
	L41654	BUSHING	AR	X X	TK=8,25MM
	L41655	BUSHING	AR	X X	TK=8,30MM
	L41656	BUSHING	AR	X X	TK=8,35MM
	L41657	BUSHING	AR	X X	TK=8,40MM

(A) WITH FRONT WHEEL DRIVE-GEAR PAIRS
 SUR PONT AVANT-PAIRE DE PIGNONS
 BEI FRONTANTRIEB-ZAHNRADPAARUNG
 CON TRAZIONE ANTERIORE-INGRANAGGIO DOPPIO
 CON TRACCION DELANTERA-PAR DE PINONES
 VID FRAMHJULSDRIVNING-DUBBELDREV

2E21

POWER TRAIN

REVERSE RANGE CONVERSION KIT (WITH SYNCHR.TRANSMISSION AND HI-LO SHIFT UNIT)
ADAPTATION GAMME ARRIERE (BOITE SYNCHRONISEE ET REDUCTEUR HI-LO)
RUECKWAERTSGRUPPE-UMRUESTSATZ (BEI SYNCHRONGETR.MIT LASTSCHALTST.)
KIT CONVERSIONE GAMMA RETROMARCIA (CON TRASMISS.SINCRON.E CAMBIO HI-LO)
CONJ.DE MODIF.-GRUPO MARCHA ATRAS (CON TRANSM.SINCR.Y REDUCCION HI-LO)
BACKVAXELENHET-MODIFIERINGSSATS (VID SYNKRON.TRANSM.OCH HOG-LAG SNABBVAXEL)
L120994 -UN-01JAN94



L 120994

2E22

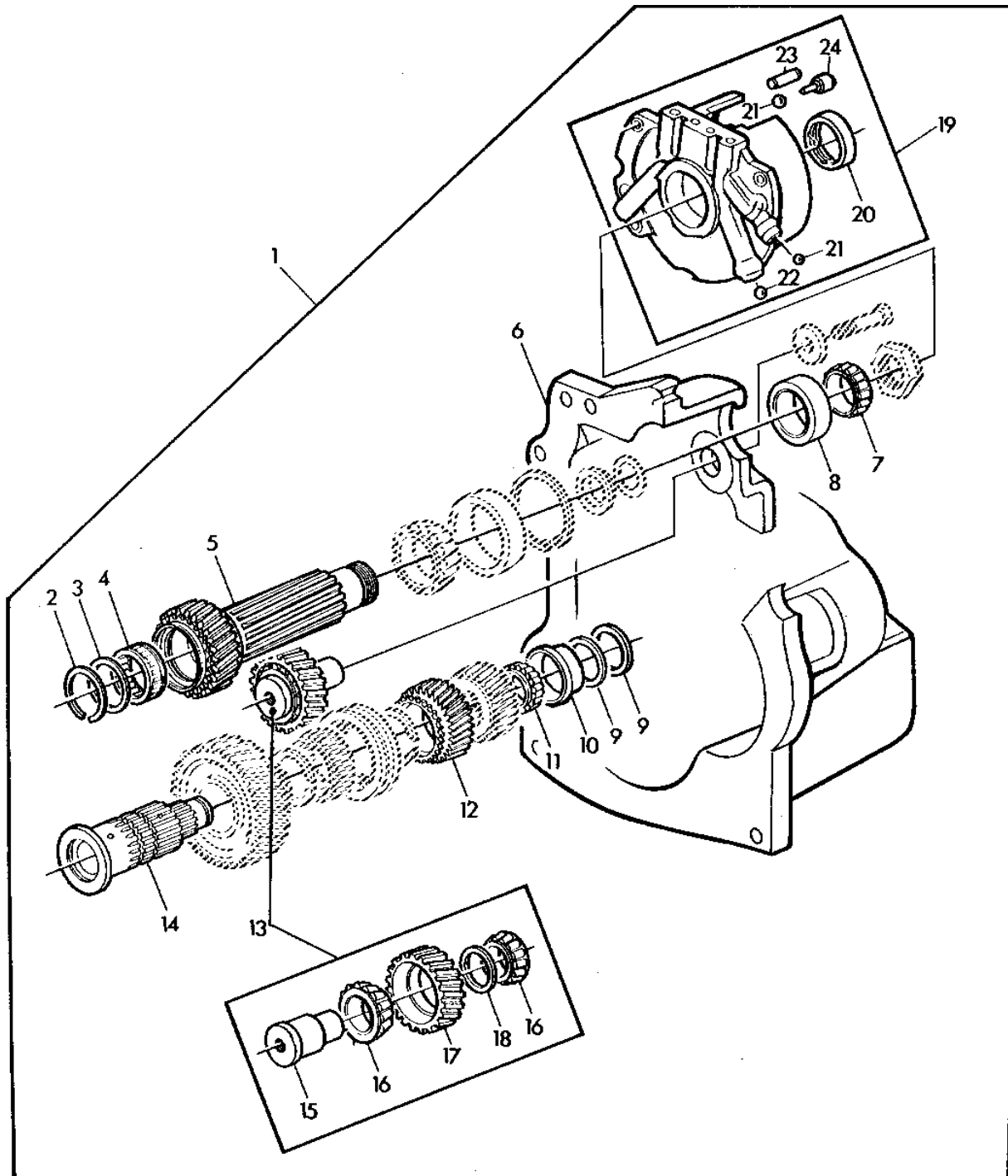
POWER TRAIN

KEY	PART NO.	PART NAME	QTY	SERIAL NO.	REMARKS
					2
					0 2
					4 1
					0 4
					S 0
1	AL63832	KIT	1		X X
2	L60559	SNAP RING	1		X X
3	L60560	THRUST WASHER	1		X X
4	AL63097	NEEDLE BEARING	1		X X
5	AL66410	DRIVE SHAFT	1		X X (SUB FOR AL60231)
6	L41667	QUILL	1		X X
7	JD10337	BEARING CONE	1		X X
8	JD10336	BEARING CUP	1		X X
9	L57555	GEAR	1		X X Z=28
10	AL66358	GEAR	1		X X
11	L41665	SHAFT	1		X X
12	L41641	SHAFT	1		X X (ORD AL66358)
13	JD10330	BEARING CONE	2		X X
14	L60387	GEAR	1		X X Z=25 (ORD AL66358)
15	L41649	BUSHING	AR		X X TK=8,00MM
	L41650	BUSHING	AR		X X TK=8,05MM
	L41651	BUSHING	AR		X X TK=8,10MM
	L41652	BUSHING	AR		X X TK=8,15MM
	L41653	BUSHING	AR		X X TK=8,20MM
	L41654	BUSHING	AR		X X TK=8,25MM
	L41655	BUSHING	AR		X X TK=8,30MM
	L41656	BUSHING	AR		X X TK=8,35MM
	L41657	BUSHING	AR		X X TK=8,40MM
16	AL40807	HOUSING	1		X X (MARKED L41677) (ORD W/ L40773)
17	L33369	PIN	1		X X
18	R30587	DOWEL PIN	2		X X
19	L38718	BALL	2		X X
20	L34115	BUSHING	1		X X
21	R26552	BALL	1		X X
22	L63431	COVER	1		X X

2E23

POWER TRAIN

REVERSE RANGE CONVERSION KIT (WITH SYNCHR.TRANS.M. AND HI-LO SHIFT UNIT/FRONT WH.DRIVE)
ADAPTATION GAMME ARRIERE (BOITE SYNCHRONISEE AVEC REDUCTEUR HI-LO/PONT AVANT)
RUECKWAERTSGRUPPE-UMRUESTSATZ (BEI SYNCHRONGETR.MIT LASTSCHALTST.UND FRONTANTR.)
KIT CONVERSIONE GAMMA RETROMARCIA (CON TRASMISS.SINCRO.N.HI-LO E TRAZ.ANTER.)
CONJ.DE MODIF.-GRUPO MARCHA ATRAS (CON TRANSM.SINCRO.N.HI-LO Y TRACC.DELANT.)
BACKVAXELENHET-MODIFIERINGSSATS (VID SYNKRON.TRANS.M.ON,HOG-LAG SNABB.OCH FRAMHJULSDRIFT)
L118245 -UN-01JAN94



I. 118245

2E24

POWER TRAIN

KEY	PART NO.	PART NAME	QTY	SERIAL NO.	REMARKS
					2 0 2 4 1 0 4 S 0
1	AL63829	KIT	1	X X	(A) L57658/L36725 (Z=23/21) OR L33238/L36725 (Z=22/21) (ORD W/ L60520)
	AL63829	KIT	1	X X	(A) L35003/L36724 (Z=20/23) OR L33264/L36724 (Z=21/23) (ORD W/ L41691)
2	L60559	SNAP RING	1	X X	
3	L60560	THRUST WASHER	1	X X	
4	AL63097	NEEDLE BEARING	1	X X	
5	AL66410	DRIVE SHAFT	1	X X	(SUB FOR AL60231)
6	L41668	QUILL	1	X X	
7	JD10337	BEARING CONE	1	X X	
8	JD10336	BEARING CUP	1	X X	
9	L41660	SHIM	AR	X X	TK=0,10MM
	L41659	SHIM	AR	X X	TK=0,15MM
	L41663	SHIM	AR	X X	TK=0,20MM
	L41661	SHIM	AR	X X	TK=0,30MM
	L41662	WASHER	AR	X X	TK=1,00MM
	L41664	WASHER	AR	X X	TK=1,05MM
10	JD10339	BEARING CUP	1	X X	
11	JD10338	BEARING CONE	1	X X	
12	L57555	GEAR	1	X X	Z=28
13	AL66358	GEAR	1	X X	
14	L41666	SHAFT	1	X X	
15	L41641	SHAFT	1	X X	(ORD AL66358)
16	JD10330	BEARING CONE	2	X X	
17	L60387	GEAR	1	X X	Z=25 (ORD AL66358)
18	L41649	BUSHING	AR	X X	TK=8,00MM
	L41650	BUSHING	AR	X X	TK=8,05MM
	L41651	BUSHING	AR	X X	TK=8,10MM
	L41652	BUSHING	AR	X X	TK=8,15MM
	L41653	BUSHING	AR	X X	TK=8,20MM
	L41654	BUSHING	AR	X X	TK=8,25MM
	L41655	BUSHING	AR	X X	TK=8,30MM
	L41656	BUSHING	AR	X X	TK=8,35MM
	L41657	BUSHING	AR	X X	TK=8,40MM
19	AL40807	HOUSING	1	X X	(MARKED L41677) (ORD W/ L40773)
20	L34115	BUSHING	1	X X	
21	L38718	BALL	2	X X	
22	R26552	BALL	1	X X	
23	R30587	DOWEL PIN	2	X X	
24	L33369	PIN	1	X X	

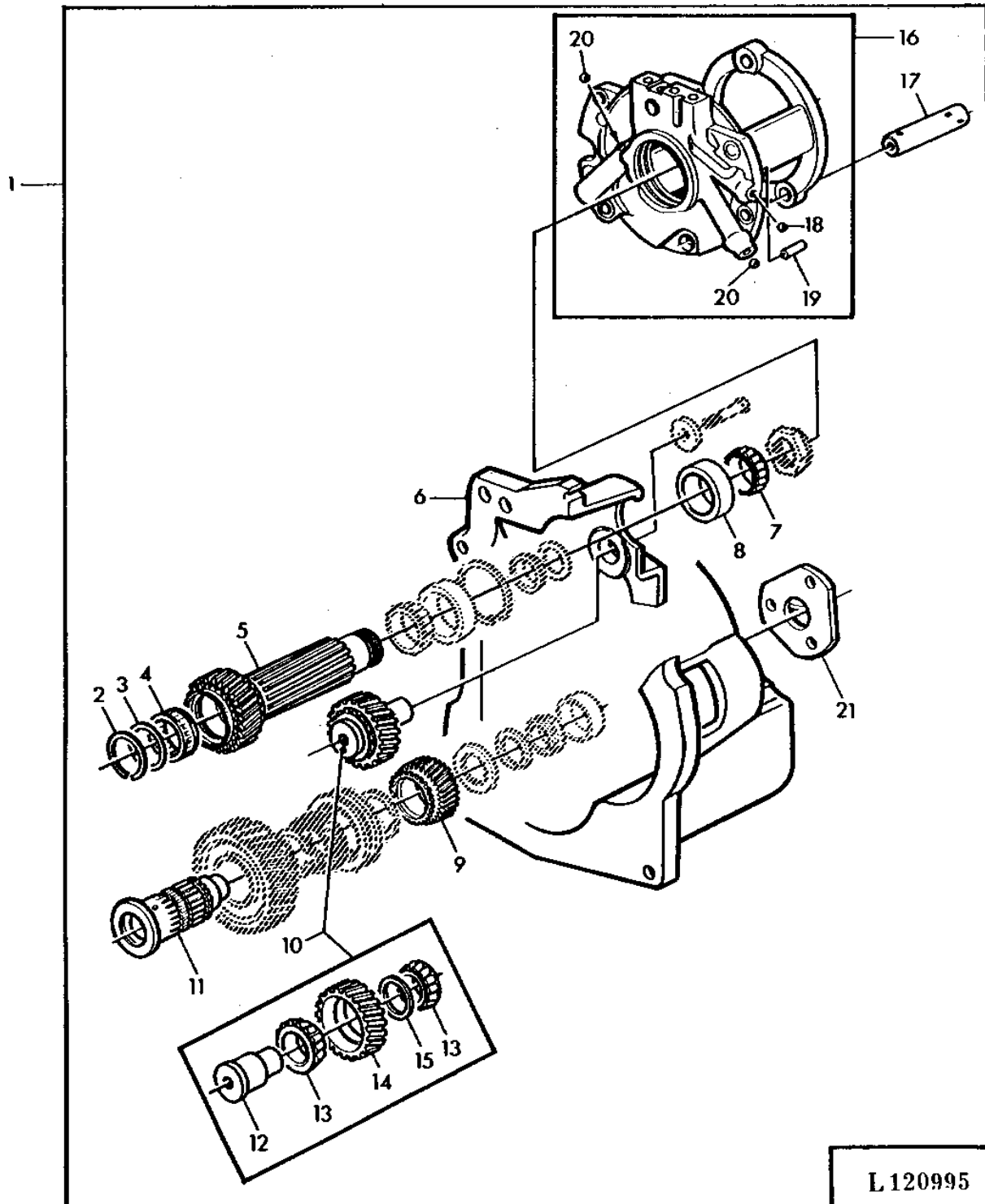
(A) WITH FRONT WHEEL DRIVE-GEAR PAIRS
 SUR PONT AVANT-PAIRE DE PIGNONS
 BEI FRONTANTRIEB-ZAHNRADPAARUNG
 CON TRAZIONE ANTERIORE-INGRANAGGIO DOPPIO
 CON TRACCION DELANTERA-PAR DE PINONES
 VID FRAMHJULSDRIVNING-DUBBELDREV

2F1

POWER TRAIN

REVERSE RANGE CONVERSION KIT (WITH SYNCHR.TRANS.MAND CREEPER TRANSMISSION)
ADAPTATION GAMME ARRIERE (BOITE SYNCHRONISEE ET REDUCTEUR GAMME RAMPANTE)
RUECKWAERTSGRUPPE-UMRUESTSATZ (BEI SYNCHRONGETR.MIT KRIECHGANGGETR.)
KIT CONVERSIONE GAMMA RETROMARCIA (CON TRASMISS.SINCRO.NE MARCE RAMPANTI)
CONJ.DE MODIF.-GRUPO MARCHA ATRAS (CON TRANSM.SINCRO.N Y TRANSM.CREEPER)
BACKVAXELENHET-MODIFIERINGSSATS (VID SYNKRON.TRANSMISSION OCH KRYPVAXEL)

L120995 -UN-01JAN94



2F2

POWER TRAIN

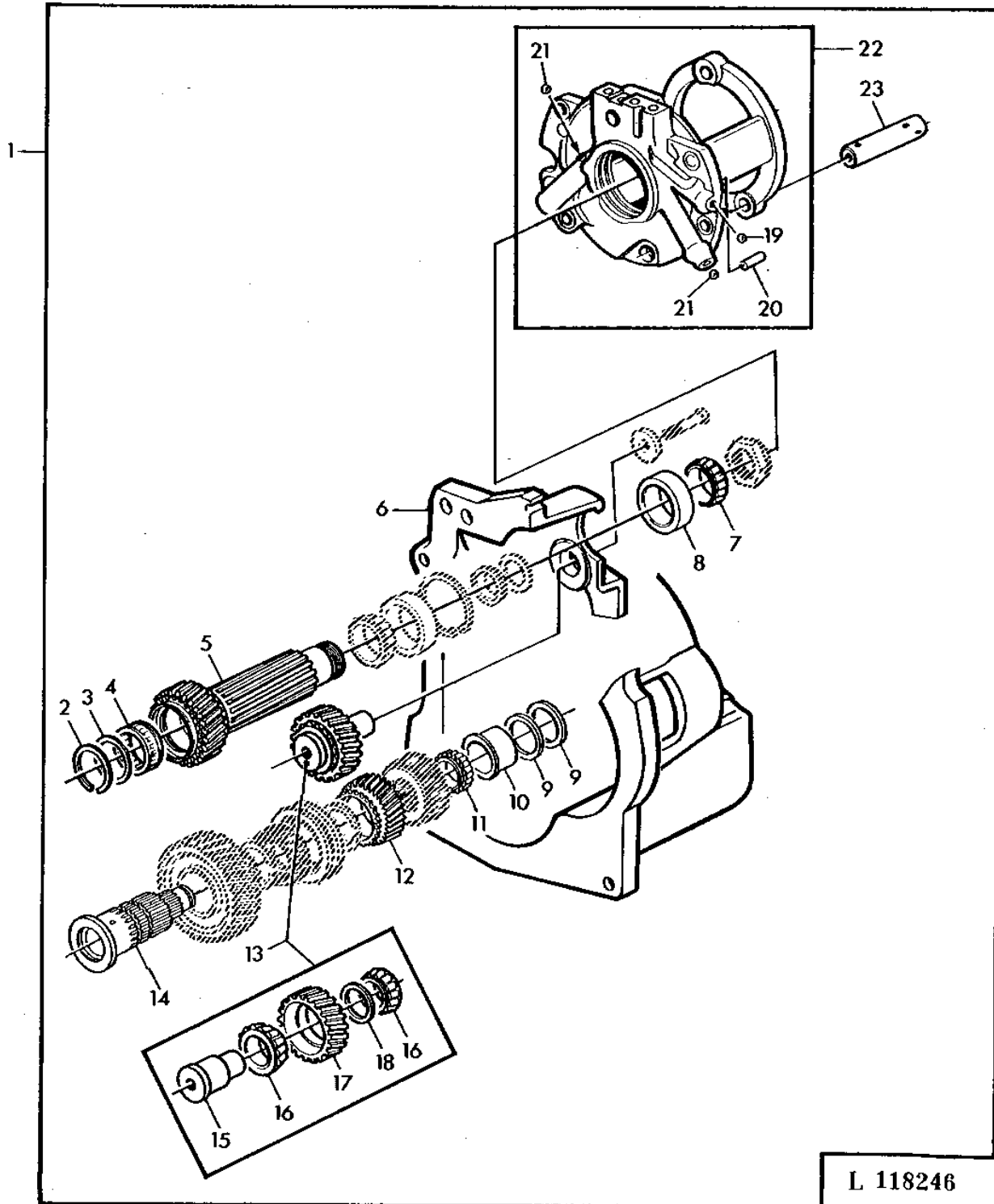
KEY	PART NO.	PART NAME	QTY	SERIAL NO.	REMARKS
					2
					0 2
					4 1
					0 4
					S 0
1	AL63833	KIT	1		X
2	L60559	SNAP RING	1		X
3	L60560	THRUST WASHER	1		X
4	AL63097	NEEDLE BEARING	1		X
5	AL66410	DRIVE SHAFT	1		X (SUB FOR AL60231)
6	L41667	QUILL	1		X
7	JD10337	BEARING CONE	1		X
8	JD10336	BEARING CUP	1		X
9	L57555	GEAR	1		X Z=28
10	AL66358	GEAR	1		X
11	L41665	SHAFT	1		X
12	L41641	SHAFT	1		X (ORD AL66358)
13	JD10330	BEARING CONE	2		X
14	L60387	GEAR	1		X Z=25 (ORD AL66358)
15	L41649	BUSHING	AR		X TK=8,00MM
	L41650	BUSHING	AR		X TK=8,05MM
	L41651	BUSHING	AR		X TK=8,10MM
	L41652	BUSHING	AR		X TK=8,15MM
	L41653	BUSHING	AR		X TK=8,20MM
	L41654	BUSHING	AR		X TK=8,25MM
	L41655	BUSHING	AR		X TK=8,30MM
	L41656	BUSHING	AR		X TK=8,35MM
	L41657	BUSHING	AR		X TK=8,40MM
16	AL40805	HOUSING	1		X (MARKED L41676) (ORD W/ L40773)
17	L41675	SHAFT	1		X
18	R26552	BALL	1		X 8MM
19	R30587	DOWEL PIN	2		X
20	L38718	BALL	2		X 6MM
21	L63431	COVER	1		X

2F3

POWER TRAIN

REVERSE RANGE CONVERSION KIT (WITH SYNCHR.TRASM.AND CREEPER TRANSM./FRONT WH.DRIVE)
ADAPTATION GAMME ARRIERE (BOITE SYNCHRON.REDUCT.GAMME RAMPANTE/PONT AVANT)
RUECKWAERTSGRUPPE-UMRUESTSATZ (BEI SYNCHRONGETR.MIT KRIECHGANGGETR.U.FRONTANTRIEB)
KIT CONVERSIONE GAMMA RETROMARCIA (CON TRASM.SINCRON.,MARCE RAMPANTI E TRAZ.ANTER.)
CONJ.DE MODIF.-GRUPO MARCHA ATRAS (CON TRANSM.SINCR.Y CREEPER Y TRACCION DELANTERA)
BACKVAXELENHET-MODIFIERINGSSATS (VID SYNKRON.TRANSMISSION KRYPVAXEL OCH FRAMHJULSDRIFT)

L118246 -UN-01JAN94



2F4

POWER TRAIN

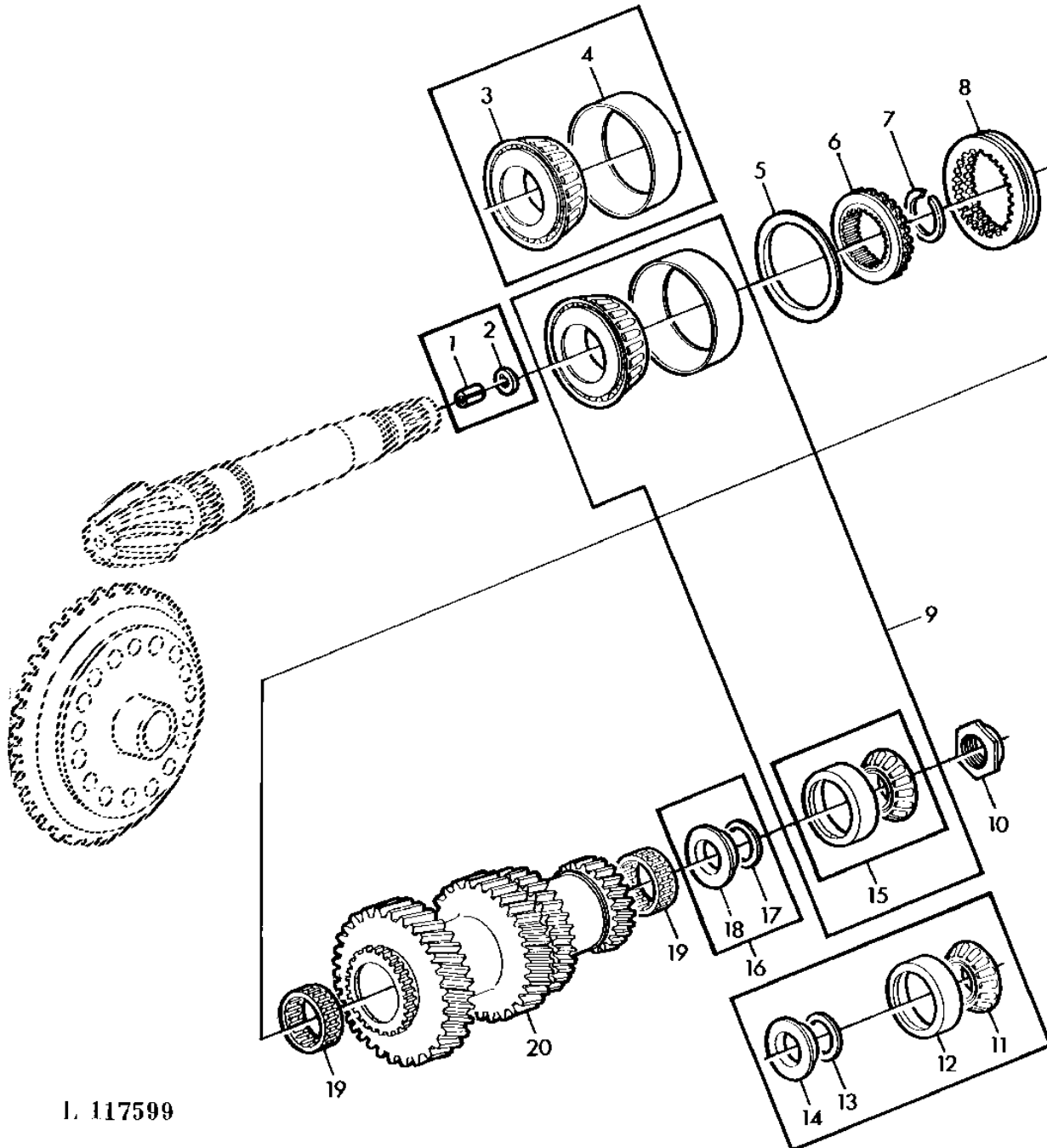
KEY	PART NO.	PART NAME	QTY	SERIAL NO.	REMARKS
					2 0 2 4 1 0 4 S 0
1	AL63830	KIT	1	X	(A) L57658/L36725 (Z=23/21) OR L33238/L36725 (Z=22/21) (ORD W/ L60520)
	AL63830	KIT	1	X	(A) L35003/L36724 (Z=20/23) OR L33264/L36724 (Z=21/23) (ORD W/ L41691)
2	L60559	SNAP RING	1	X	
3	L60560	THRUST WASHER	1	X	
4	AL63097	NEEDLE BEARING	1	X	
5	AL66410	DRIVE SHAFT	1	X	(SUB FOR AL60231)
6	L41668	QUILL	1	X	
7	JD10337	BEARING CONE	1	X	
8	JD10336	BEARING CUP	1	X	
9	L41660	SHIM	AR	X	TK=0,10MM
	L41659	SHIM	AR	X	TK=0,15MM
	L41663	SHIM	AR	X	TK=0,20MM
	L41661	SHIM	AR	X	TK=0,30MM
	L41662	WASHER	AR	X	TK=1,00MM
	L41664	WASHER	AR	X	TK=1,05MM
10	JD10339	BEARING CUP	1	X	
11	JD10338	BEARING CONE	1	X	
12	L57555	GEAR	1	X	Z=28
13	AL66358	GEAR	1	X	
14	L41666	SHAFT	1	X	
15	L41641	SHAFT	1	X	(ORD AL66358)
16	JD10330	BEARING CONE	2	X	
17	L60387	GEAR	1	X	Z=25 (ORD AL66358)
18	L41649	BUSHING	AR	X	TK=8,00MM
	L41650	BUSHING	AR	X	TK=8,05MM
	L41651	BUSHING	AR	X	TK=8,10MM
	L41652	BUSHING	AR	X	TK=8,15MM
	L41653	BUSHING	AR	X	TK=8,20MM
	L41654	BUSHING	AR	X	TK=8,25MM
	L41655	BUSHING	AR	X	TK=8,30MM
	L41656	BUSHING	AR	X	TK=8,35MM
	L41657	BUSHING	AR	X	TK=8,40MM
19	R26552	BALL	1	X	8MM
20	R30587	DOWEL PIN	2	X	
21	L38718	BALL	2	X	6MM
22	AL40805	HOUSING	1	X	(MARKED L41676) (ORD W/ L40773)
23	L41675	SHAFT	1	X	

(A) WITH FRONT WHEEL DRIVE-GEAR PAIRS
 SUR PONT AVANT-PAIRE DE PIGNONS
 BEI FRONTANTRIEB-ZAHNRADPAARUNG
 CON TRAZIONE ANTERIORE-INGRANAGGIO DOPPIO
 CON TRACCION DELANTERA-PAR DE PINONES
 VID FRAMHJULSDRIVNING-DUBBELDREV

2F5

POWER TRAIN

PINION SHAFT/ROUP SHAFT(SYNCHRONISED TRANSMISSION)
ARBRE DU PIGNON D'ATTAQUE/ARBRE DES GROUPES(BOITE SYNCHRO.)
HAUPTWELLE/GRUPPENWELLE(SYNCHRONGETRIEBE)
ALBERO PRINCIPALE/ALBERO GAMME(CAMBIO SINCRONIZZATO)
EJE DE SALIDA DEL CAMBIO(EJE PARA GRUPOS(TRANSM.SINCRON.)
HUVUDAXEL/GRUPPAXEL(SYNKRONISERAD TRANSMISSION)
L117599 -UN-06OCT95



L 117599

2F6

POWER TRAIN

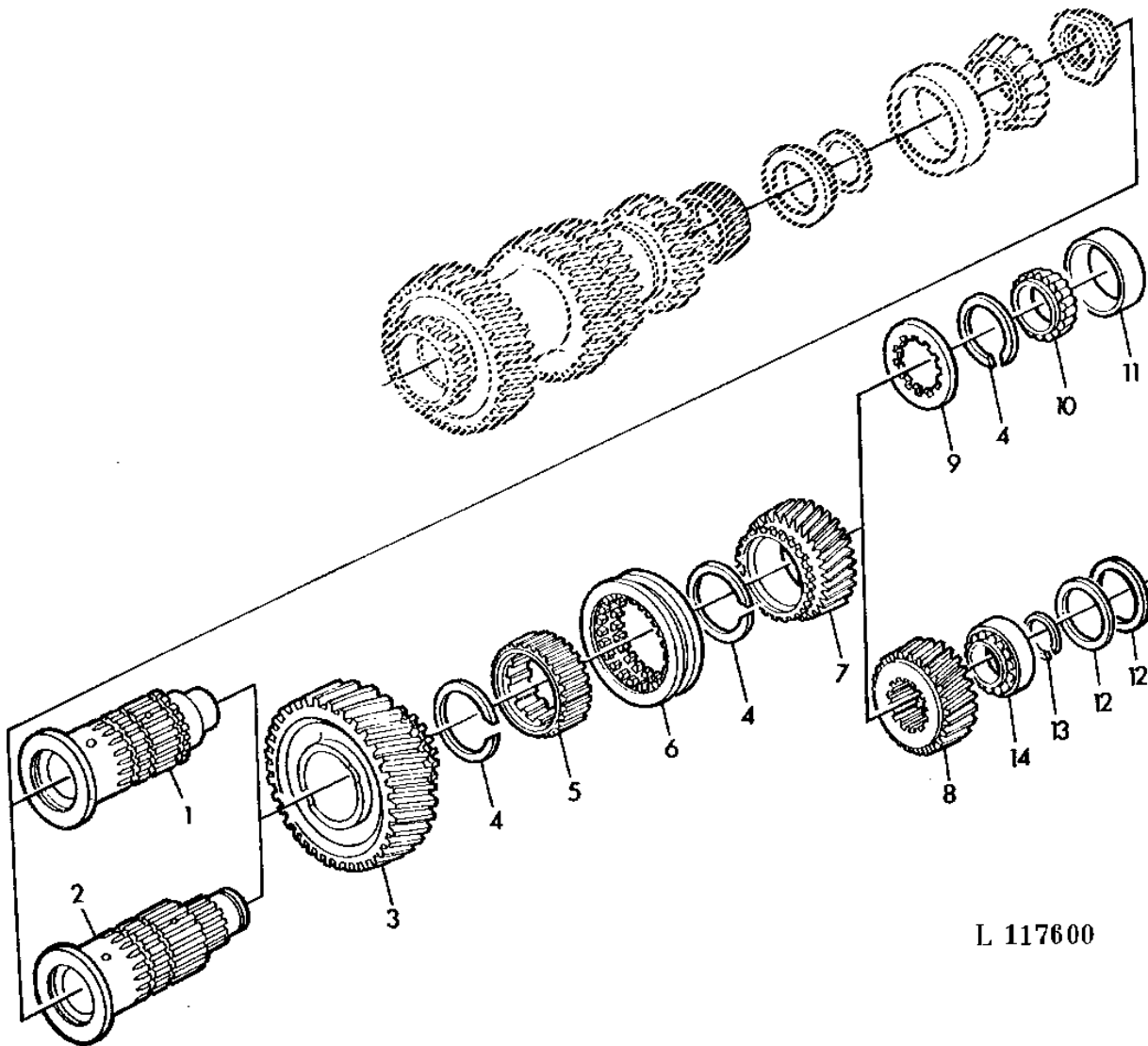
KEY	PART NO.	PART NAME	QTY	SERIAL NO.		REMARKS
					2	
					0 2	
					4 1	
					0 4	
					S 0	
1	34M7105	SPRING PIN	1	-379720	X X	12X24MM
2	L33047	THRUST WASHER	1	-379720	X X	
3	JD10076	ROLLER BEARING	1		X X	(ORD AL65172)
4	L28648	BEARING CUP	1		X X	(ORD AL65172)
5	T28284	SHIM	AR		X X	TK=0,1MM (.003")
	T28285	SHIM	AR		X X	TK=0,15MM (.005")
	T28286	SHIM	AR		X X	TK=0,25MM (.010")
6	L33032	GEAR	1		X X	
7	L33733	THRUST WASHER	1		X X	
8	L33033	SHIFT COLLAR	1		X X	
9	AL65172	BEARING	1		X X	
10	L55840	NUT	1		X X	(SUB FOR L34182, L41793)
11	JD10080	BEARING CONE	1		X X	(ORD AL65171)
12	JD10098	BEARING CUP	1		X X	(ORD AL65171)
13	M809T	SHIM	1		X X	(A) 45,237X55,675X0,127MM
	24M7223	SHIM	AR		X X	(A) 45X56X0,1MM
	L36301	SHIM	1		X X	(A) 45X56X0,15MM
	24M7225	SHIM	AR		X X	(A) 45X56X0,2MM
	24M7224	SHIM	AR		X X	(A) 45X56X0,3MM
	24M7231	SHIM	1		X X	(A) 45X56X0,5MM
14	L36087	SPACER	1		X X	(A)
15	AL65171	BEARING	1		X X	
16	AL60718	SHIPPING BUNDLE	1		X X	
17	L58722	SHIM	1		X X	TK=0,50MM
18	L55896	SPACER	1		X X	TK=14,00MM
	L55897	SPACER	1		X X	TK=14,05MM
	L55898	SPACER	1		X X	TK=14,10MM
	L55899	SPACER	1		X X	TK=14,15MM
	L55900	SPACER	1		X X	TK=14,20MM
	L55901	SPACER	1		X X	TK=14,25MM
	L55902	SPACER	1		X X	TK=14,30MM
	L55903	SPACER	1		X X	TK=14,35MM
	L55904	SPACER	1		X X	TK=14,40MM
	L55905	SPACER	1		X X	TK=14,45MM
19	JD10543	NEEDLE BEARING	2		X X	(SUB FOR JD10070)
20	L41021	COUNTERSHAFT	1		X X	Z=36/33/29/26 (SUB FOR L33019)

(A) ORDER PART 16,17 OR 18 AS REQUIRED
 COMMANDER PIECE 16,17 OU 18 SELON BESOIN
 BESTELLE TEIL 16,17 ODER 18 NACH BEDARF
 ORDINARE PEZZO 16,17 O 18 SECONDO NECESSITA
 PEDIR PIEZA 16,17 O 18 SI ES NECESARIO
 BESTALLAS DEL 16,17 ELLER 18 EFTER BEHOV

2F7

POWER TRAIN

GROUP SHAFT (SYNCHRONISED TRANSMISSION)
ARBRE DES GROUPES(BOITE SYNCHRO.)
GRUPPENWELLE (SYNCHRONGETRIEBE)
ALBERO GAMME (CAMBIO SINCRONIZZATO)
EJE PARA GRUPOS (TRANSM.SINCRO.DE VELOCIDADES)
GRUPPAXEL (SYNKRONISERAD TRANSMISSION)
L117600 -UN-01JAN94



L 117600

2F8

POWER TRAIN

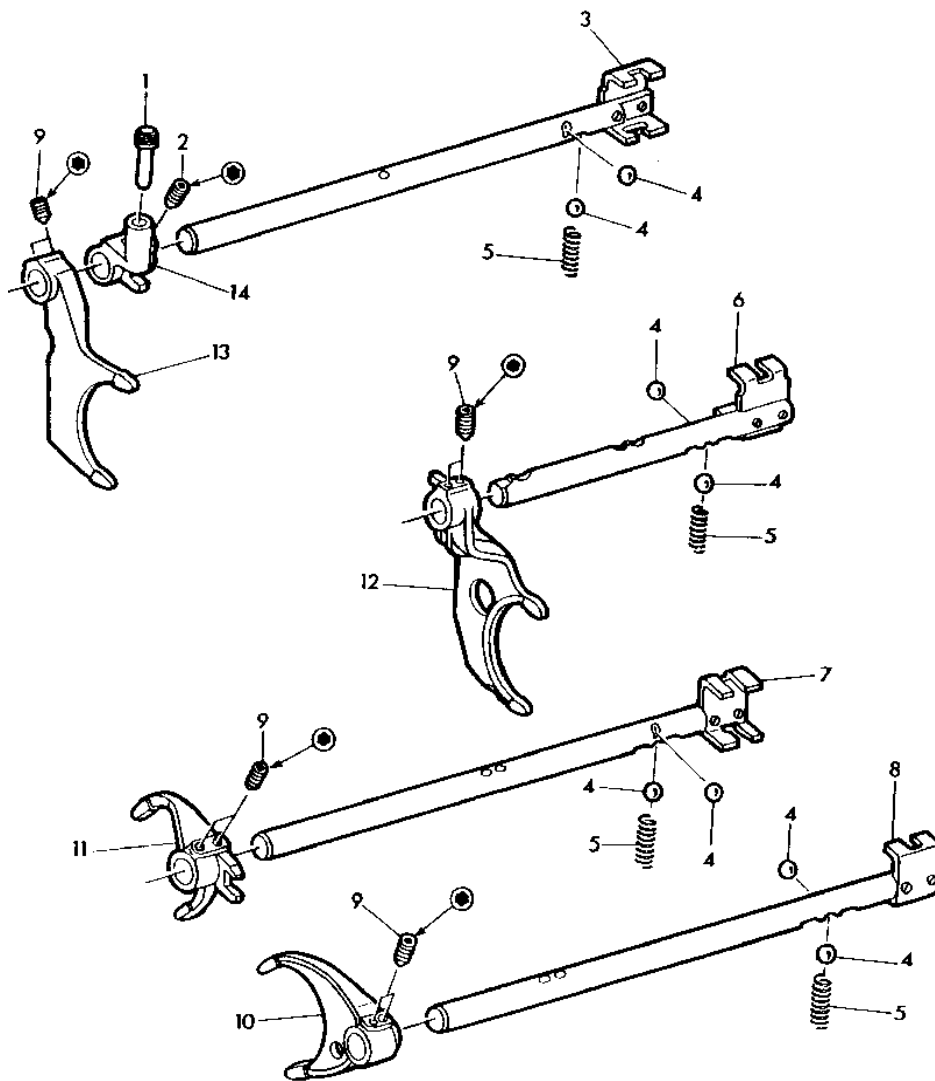
KEY	PART NO.	PART NAME	QTY	SERIAL NO.	2 0 2 4 1 0 4 S 0	REMARKS
1	L33037	SHAFT	1	-379720	X	
	L37589	SHAFT	1	379721-	X	
2	L33290	SHAFT	1	-379720	X X (A)	
	L37590	SHAFT	1	379721-	X X (A)	
3	L33023	GEAR	1		X X Z=43	
4	L33035	SNAP RING	2		X X (A)	
	L33035	SNAP RING	3		X	
5	L33060	SHIFT COLLAR CARRIER	1		X X	
6	L33024	SHIFT COLLAR	1		X X	
7	L33025	GEAR	1		X X Z=28	
8	L35003	GEAR	1		X (A) Z=20 (FOR L36724)	
	L33238	GEAR	1		X (A) Z=22 (FOR L36725)	
	L33264	GEAR	1		X X (A) Z=21 (FOR L36724)	
	L57658	GEAR	1		X X (A) Z=23 (FOR L36725) (SUB FOR L33266)	
9	L33044	THRUST WASHER	1		X	
10	JD10065	BEARING CONE	1		X	
11	JD10066	BEARING CUP	1		X	
12	24M7219	SHIM	AR		X X (A) 50X62X0,1MM	
	L36302	SHIM	1		X X (A) 50X62X0,15MM	
	24M7220	SHIM	AR		X X (A) 50X62X0,2MM	
	24M7221	SHIM	AR		X X (A) 50X62X0,3MM	
	24M4813	WASHER	1		X X (A) 50X62X1MM	
13	B1402R	SNAP RING	1		X X (A)	
14	JD10079	BEARING CONE	1		X X (A)	

(A) WITH FRONT WHEEL DRIVE
 AVEC PONT AVANT
 BEI FRONTANTRIEB
 CON TRAZIONE ANTERIORE
 CON TRACCION DELANTERA
 VID FRAMHJULSDRIFT

2F9

POWER TRAIN

GEAR SHIFTING PARTS(SYNCHRONISED TRANSMISSION)
ELEMENTS DU CHANGEMENT DE VITESSE(BOITE SYNCHRONISEE)
GANGSCHALTUNGSTEILE(SYNCHRONGETRIEBE)
PARTI INNESTO MARCE(CAMBIO SINCRONIZZATO)
PIEZAS CAMBIO VELOCIDADES(TRANSMISION SINCRONIZADA)
VAXELINGSANORDNING(SYNKRONISERAD TRANSMISSION)
L21749 -UN-09OCT95



L 21749

2F10

POWER TRAIN

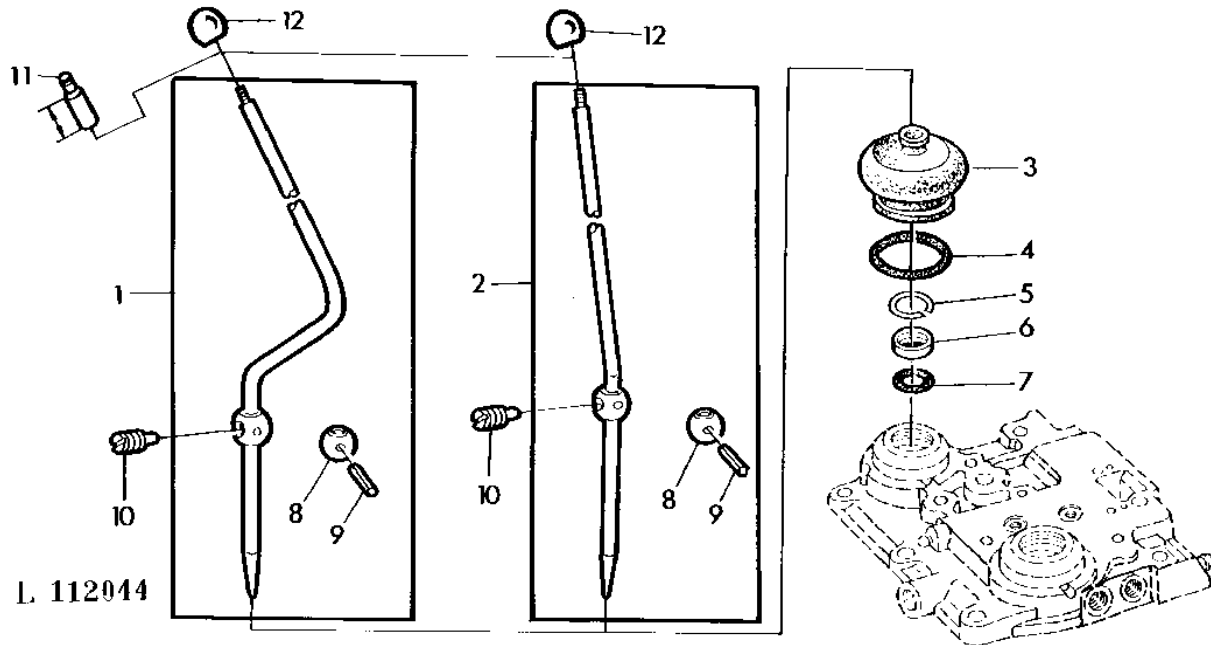
KEY	PART NO.	PART NAME	QTY	SERIAL NO.	REMARKS
				2	
				0 2	
				4 1	
				0 4	
				S 0	
1	R98941	PIN	1	X X	(SUB FOR T22435)
2	T25614	SET SCREW	1	X X	3/8"
3	AL37584	SHIFTER ROD	1	X X	(SUB FOR AL33245)
	AL37585	SHIFTER ROD	1	X	(A) (SUB FOR AL33277)
4	R26552	BALL	8	X X	5/16"
5	T27716	SPRING	4	X X	
6	AL33259	SHIFTER ROD	1	X X	
7	AL33539	SHIFTER ROD	1	X X	
8	AL33540	SHIFTER ROD	1	X X	
9	L33332	SET SCREW	8	X X	M12X1X16
10	L33050	SHIFTER	1	X X	
11	L33045	SHIFTER	1	X X	
12	L33051	SHIFTER	1	X X	
13	L62253	SHIFTER	1	X X	(SUB FOR L33052)
14	L33054	GUIDE	1	X X	

(A) WITH CREEPER TRANSMISSION
 AVEC REDUCTEUR GAMME RAMPANTE
 BEI KRIECHGANG GETRIEBE
 CON GRUPPO RAMPANTE
 CON TRANSMISION "CREEPER"
 VID KRYPVAEXEL

2F11

POWER TRAIN

GEAR SHIFT LEVER
 LEVIER DE CHANGEMENT DE VITESSE
 GANGSCHALTHEBEL
 LEVE CAMBIO
 PALANCA DE CAMBIO DE VELOCIDADES
 VAXELSPAKAR
 L112044 -UN-06OCT95



KEY	PART NO.	PART NAME	QTY	SERIAL NO.	REMARKS
				2	
				0 2	
				4 1	
				0 4	
				S 0	
1	AL31870	GEARSHIFT LEVER	2	X X	(A)
2	DE13627	GEARSHIFT LEVER	2	X X	
3	L31055	BOOT	2	X X	
4	L31311	O-RING	2	X X	
	L53869	O-RING	2	X X	(A) (SUB FOR L28561)
5	L4035T	SNAP RING	2	X X	
6	L4027T	BUSHING	2	X X	
7	R29936	O-RING	2	X X	
8	CE14048	BALL	2	X X	
9	34H251	SPRING PIN	2	X X	5/16"
10	CE14055	SET SCREW	2	X X	
11	L38087	EXTENSION	2	X X	50MM
	L38088	EXTENSION	2	X X	80MM
	L38089	EXTENSION	2	X X	100MM
12	AL58296	KNOB	2	X X	(SUB FOR R50864 APPL)

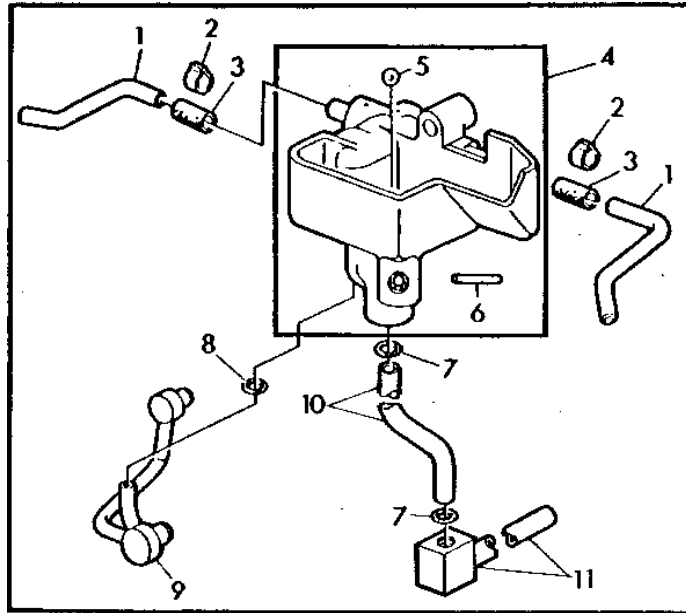
(A) WITH OPU CAB
 AVEC CABINE PPI
 BEI FSC-KABINE
 CON CABINA OPU
 CON CABINA DE SEGURIDAD
 VID OPU FORARHYTT

2F12

POWER TRAIN

LUBRICATING LINES/OIL CUP (SYNCHRONIZED TRANSMISSION)
 CONDUITES DE GRAISSAGE/RESERVE D'HUILE (BOITE SYNCHRONISEE)
 SCHMIERLEITUNGEN/OELTOPF (SYNCHRONGETRIEBE)
 LINEE OLIO CAMBIO/VASO (CAMBIO SINCRONIZZATA)
 TUBERIAS DE ENGRASE/TAZA DE ACEITE (TRANSM.SINCRONIZADA)
 OLJELEDNINGAR/SKAL (SYNKRONISERAD TRANSMISSION)

L120999 -UN-01JAN94



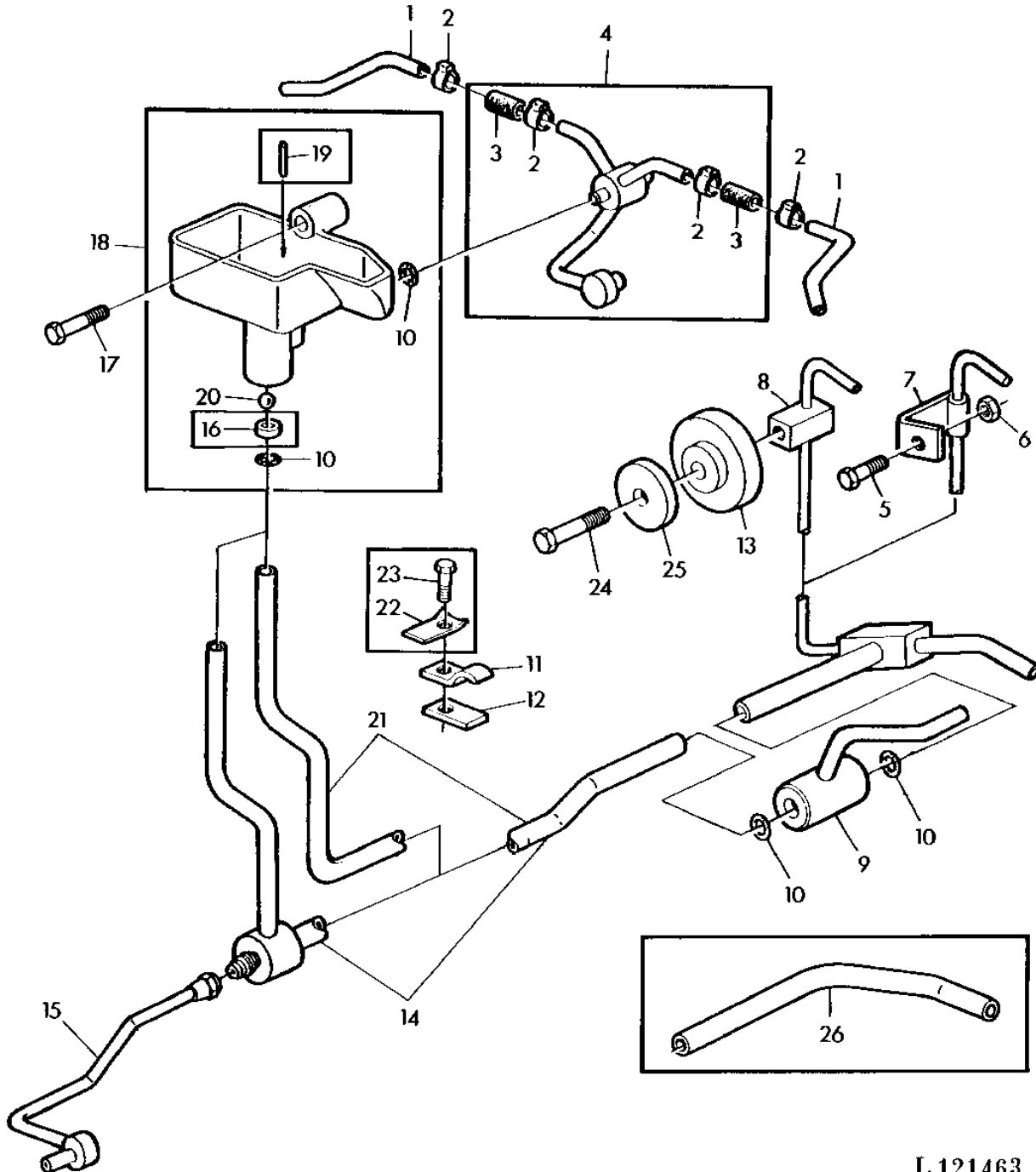
L 120999

KEY	PART NO.	PART NAME	QTY	SERIAL NO.	REMARKS
				2	
				0 2	
				4 1	
				0 4	
				S 0	
1	L38321	OIL LINE	2	X X	(SUB FOR L33728)
2	L33351	CLAMP	4	X X	
3	L38322	HOSE	2	X X	(SUB FOR T32100)
4	AL36124	OIL CUP	1	X X	(SUB FOR AL28865) (ORD AL66971, AL41541, L62406)
5	R26552	BALL	1	X X	5/16"
6	R39090	NEEDLE ROLLER	2	X X	
7	R28776	O-RING	1	X X	
8	A3917R	O-RING	1	X X	
9	AL28863	OIL LINE	1	X X	
10	L33363	OIL LINE	1	X X	
11	AL62014	OIL LINE	1	X X	(ORD AL66971, AL41541, L62406) (SUB FOR AL28862)

2F13

POWER TRAIN

LUBRICATING LINES/OIL CUP(SYNCHRONISED TRANSMISSION)
CONDUITES DE GRAISSAGE/RESERVE D'HUILE(BOITE SYNCHRONISEE)
SCHMIEROELLEITUNGEN/OELTOPF(SYNCHRONGETRIEBE)
LINEE OLIO CAMBIO/VASO(CAMBIO SINCRONIZZATA)
TUBERIAS DE ENGRASE/TAZA DE ACEITE(TRANSM.SINCRONIZADA)
LEDNINGAR/SKAL(SYNKRONISERAD TRANSMISSION)
L121463 -UN-09OCT95



L121463

2F14

POWER TRAIN

KEY	PART NO.	PART NAME	QTY	SERIAL NO.	REMARKS
					2
					0 2
					4 1
					0 4
					S 0
1	L38321	OIL LINE	2		X X (SUB FOR L33728)
2	L33351	CLAMP	4		X X
3	L38322	HOSE	2		X X (SUB FOR T32100)
4	AL41541	MANIFOLD	1		X X
5	19M7298	CAP SCREW	1		X X M8X35
6	14M7273	NUT	1		X X M8
7	AL59585	OIL LINE	1		X X (FOR AL64570 OR AL66781)
8	AL33237	OIL LINE	1	374338-	X X
9	AL66201	OIL LINE	1		X X (SUB FOR AL30194, AL59584)
10	R28776	O-RING	AR		X X
11	R28346	CLAMP	2		X X
12	L33364	STRAP	1		X X
13	L36107	BUSHING	1	374338-	X X
14	AL66200	OIL LINE	1		X X (A) OR (B)
15	AL67182	OIL LINE	1		X X (A) OR (B)
16	L42300	WASHER	1		X X (FOR AL41540)
17	19H2665	CAP SCREW	1		X X 3/8"X1-5/8"
18	AL66971	OIL CUP	1		X X (SUB FOR AL41540)
19	R39090	NEEDLE ROLLER	2		X X (FOR AL41540)
20	T23426	BALL	1		X X
21	L62406	OIL LINE	1		X X
22	R1888R	STRAP	2		X X
23	19H2021	CAP SCREW	2		X X 3/8"X5/8"
24	19M7170	CAP SCREW	1	374338-	X X M10X50
25	L36108	WASHER	1	374338-	X X
26	L33361	OIL LINE	1		X X (ORD AL33237, L36107, L36108, 19M7170)

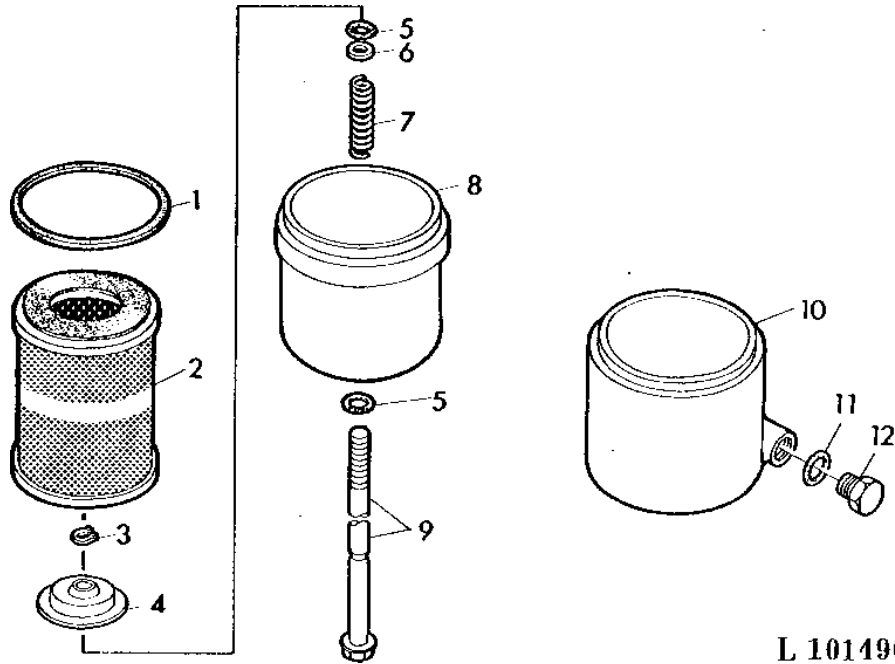
(A) WITH INTERCHANGEABLE PTO SHAFTS
 AVEC PDF INTERCHANGEABLE
 BEI AUSWECHSELBARER ZAPFWELLE
 CON PDF INTERCAMBIABILE
 CON TDF CAMBIABILE
 VID UTBYTBAR KRAFTUTTAG

(B) WITH HANDSHIFT PTO
 AVEC PDF A SELECTION PAR MANETTE
 BEI UMSCHALTBARER ZAPFWELLE
 CON PTO A CAMBIO MANUALE
 CON TDF DE REGIMEN VARIABLE
 VID VAXLINGSBAR KRAFTUTTAG

2F15

POWER TRAIN

TRANSMISSION OIL FILTER
 FILTRE A HUILE DE BOITE
 GETRIEBEOELFILTER
 FILTRO OLIO CAMBIO
 FILTRO DE ACEITE DE LA TRANSMISION
 TRANSMISSIONSOLJEFILTER
 L101496 -UN-01JAN94



L 101496

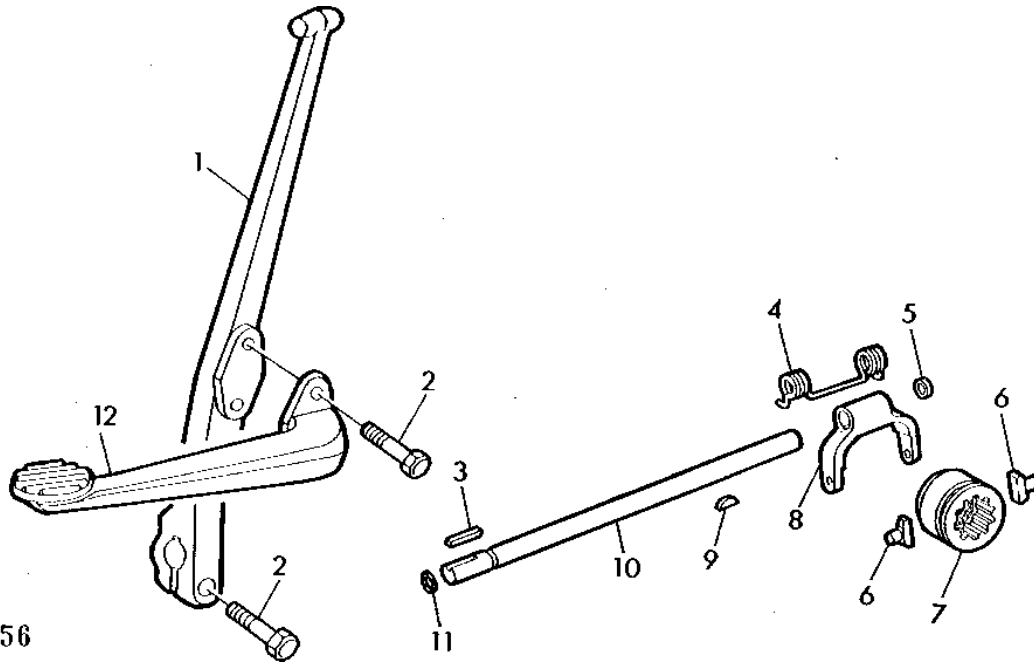
KEY	PART NO.	PART NAME	QTY	SERIAL NO.	REMARKS
					2
					0 2
					4 1
					0 4
					S 0
1	R34733	WASHER	1		X X
2	AR75603	FILTER ELEMENT	1		X X
3	R32507	SNAP RING	1		X X
4	L29251	RETAINER	1		X X
5	R394R	O-RING	2		X X
6	24H1227	WASHER	1		X X 17/32"X13/16"X.060"
7	L29252	COMPRESSION SPRING	1		X X
8	L29250	COVER	1		X X
9	L29253	CAP SCREW	1		X X
10	L55982	COVER	1		X X (A) (SUB FOR T31170)
11	U12547	O-RING	1		X X (A) (SUB FOR F3171R APPL)
12	R27175	DRAIN PLUG	1		X X (A) 1-1/16"

(A) FOR CONNECTING HYDRAULIC MOTOR
 POUR BRANCHER LE MOTEUR HYDRAULIQUE
 FUER HYDRO-MOTOR ANSCHLUSS
 PER ATTACCARE UN MOTORE IDRAULICO
 PARA ACOPLAR EL MOTOR HIDRAULICO
 FOR ANSLUTNING AV HYDRAULMOTOR

2F16

POWER TRAIN

DIFFERENTIAL LOCK MECHANISM
 BLOCAGE DE DIFFERENTIEL
 DIFFERENTIALSPERRE
 BLOCCO DIFFERENZIALE
 BLOQUEO DEL DIFERENCIAL
 DIFFERENTIALSPAERR
 L40356 -UN-01JAN94



L 40356

2
0 2
4 1
0 4
S 0

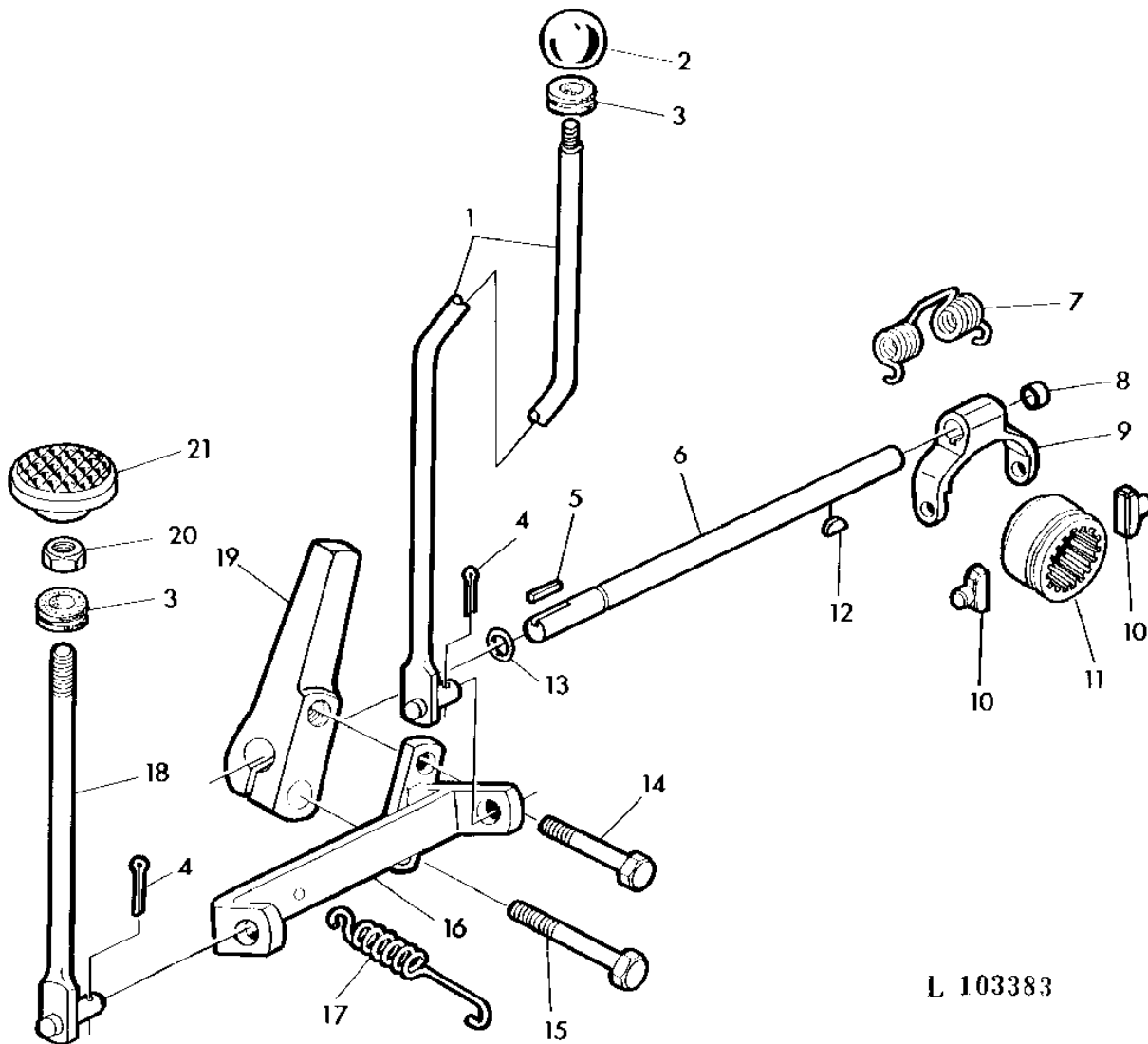
KEY	PART NO.	PART NAME	QTY	SERIAL NO.	REMARKS
1	T31498	LEVER	1		X X
2	19H3239	CAP SCREW	3		X X 3/8"X1-1/4"
3	L29834	SHAFT KEY	1		X X
4	L42282	TORSION SPRING	1		X X (SUB FOR R63850 APPL)
5	T18891	CAP	1		X X
6	T21841	SHOE	2	-370492	X X
	L30768	SHOE	2	370493-	X X
7	L32569	SHIFT COLLAR	1	-370492	X X
	L39645	SHIFT COLLAR	1	370493-	X X (SUB FOR L36200)
8	T21840	YOKE	1	-370492	X X
	L36198	SHIFTER	1	370493-	X X
9	26H77	SHAFT KEY	1		X X
10	L32839	SHAFT	1		X X
11	R28776	O-RING	1		X X
12	L34850	PEDAL	1		X X

2F17

POWER TRAIN

DIFFERENTIAL LOCK MECHANISM (WITH OPU CAP)
BLOCAGE DE DIFFERENTIEL (AVEC CABINE PPI)
DIFFERENTIALSPERRE (BEI FSC-KABINE)
BLOCCO DEL DIFFERENZIALE (CON CABINA OPU)
BLOQUEO DEL DIFERENCIAL (CON CABINA DE SEGURIDAD)
DIFFERENTIALSPARR (VID OPU FORARHYTT)

L103383 -UN-06OCT95



L 103383

2F18

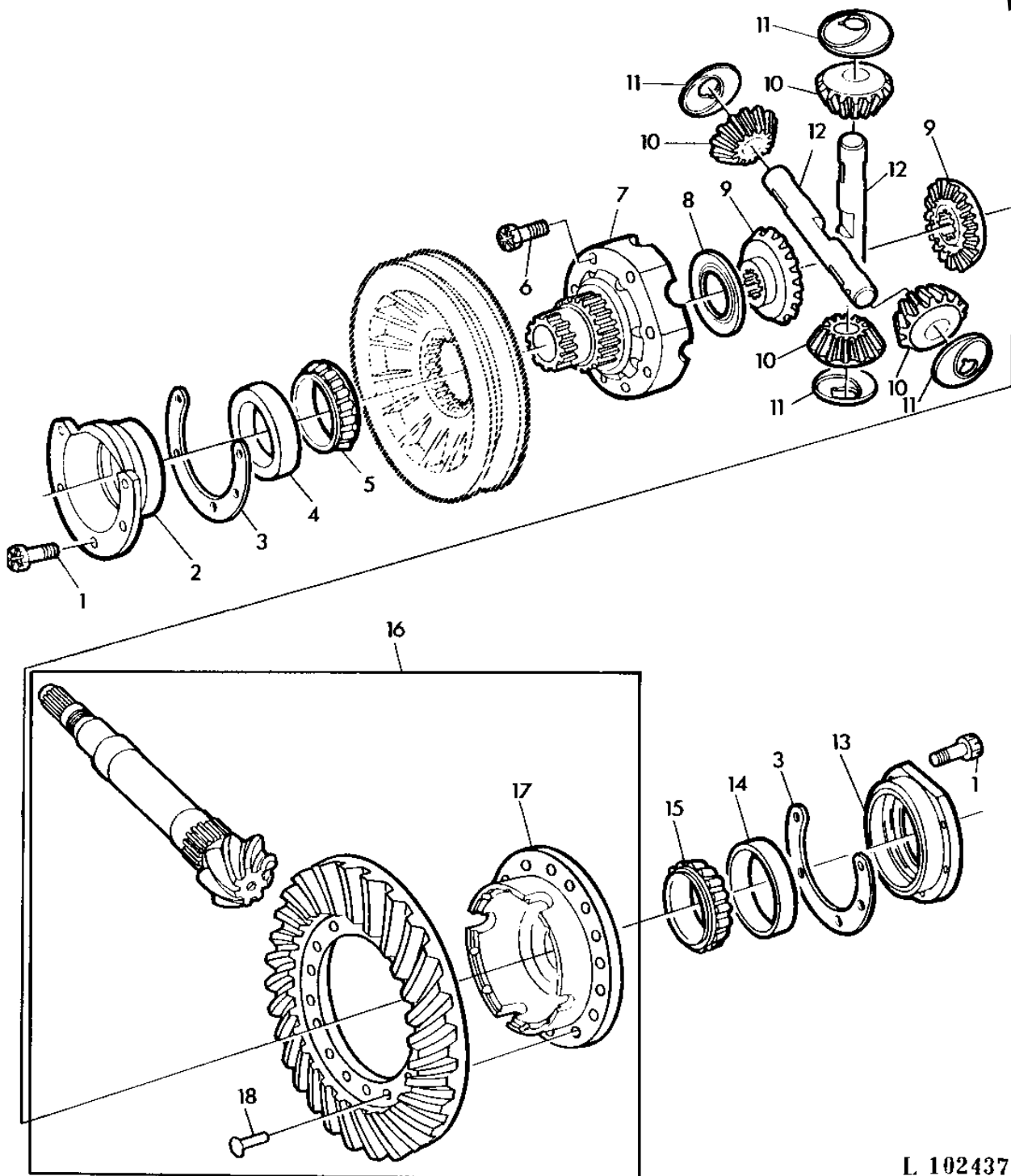
POWER TRAIN

KEY	PART NO.	PART NAME	QTY	SERIAL NO.	REMARKS
					2
					0 2
					4 1
					0 4
					S 0
1	AL25236	ROD	1		X X
2	R50864	KNOB	1		X X
3	L30826	GROMMET	2		X X
4	11H211	COTTER PIN	2		X X 1/8"X3/4"
5	L29834	SHAFT KEY	1		X X
6	L32839	SHAFT	1		X X
7	L42282	TORSION SPRING	1		X X (SUB FOR R63850 APPL)
8	T18891	CAP	1		X X
9	T21840	YOKE	1	-370492	X X
	L36198	SHIFTER	1	370493-	X X
10	T21841	SHOE	2	-370492	X X
	L30768	SHOE	2	370493-	X X
11	L32569	SHIFT COLLAR	1	-370492	X X
	L39645	SHIFT COLLAR	1	370493-	X X (SUB FOR L36200)
12	26H77	SHAFT KEY	1		X X 3/16"X3/4"
13	R28776	O-RING	1		X X
14	19H1731	CAP SCREW	1		X X 3/8"X1"
15	19H3239	CAP SCREW	1		X X 3/8"X1-1/4"
16	AL24917	LEVER	1		X X
17	T28801	SPRING	1		X X
18	AL24926	ROD	1		X X
19	L30825	LEVER	1		X X
20	14H826	NUT	1		X X 1/2"
21	T33388	PEDAL	1		X X

2F19

POWER TRAIN

DIFFERENTIAL (COLLAR SHIFT TRANSMISSION)
DIFFERENTIEL(BOITE A MANCHONS BALADEURS)
DIFFERENTIAL(BEI MUFFENSCHALTGETRIEBE)
DIFFERENZIALE(A COLLARE SCORREVOLE)
DIFFERENCIAL(CAMBIO DE COLLARINES DESPLAZABLES)
DIFFERENTIAL(TRANSMISSION COLLAR-SHIFT)
L102437 -UN-01JAN94



L 102437

2F20

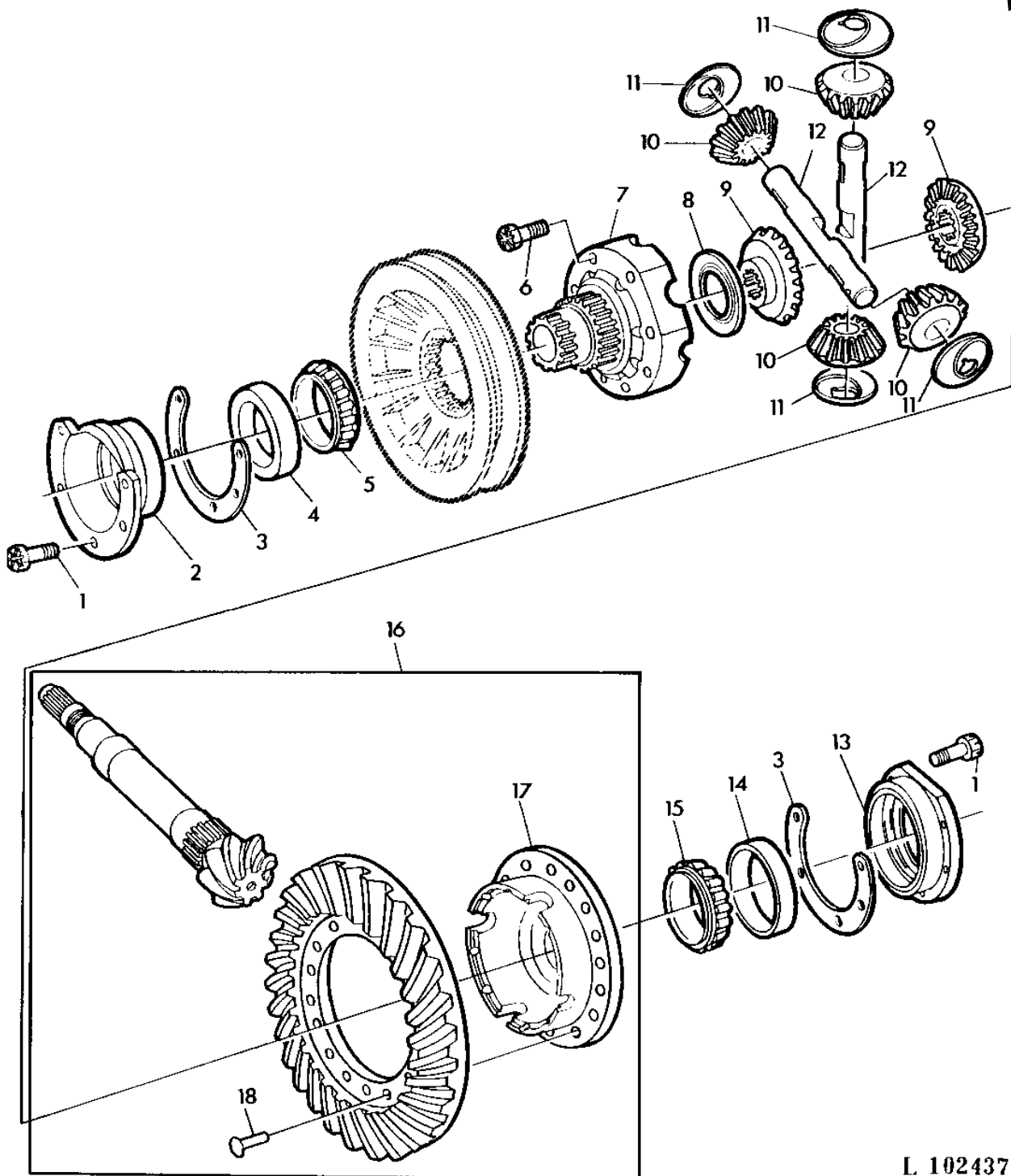
POWER TRAIN

KEY	PART NO.	PART NAME	QTY	SERIAL NO.	REMARKS
					2
					0 2
					4 1
					0 4
					S 0
1	T22874	BOLT	10		X 3/8"
2	R62849	QUILL	1		X L.H.
3	L40721	SHIM	AR		X TK=0,05MM(.002")
	L29005	SHIM	AR		X TK=0,08MM(.003") (SUB FOR T21434 APPL)
	L29006	SHIM	AR		X TK=0,13MM(.005") (SUB FOR T21435 APPL)
	L29007	SHIM	AR		X TK=0,25MM(.010") (SUB FOR T21436 APPL)
	T29862	SHIM	AR		X TK=0,51MM(.020")
4	JD8206	BEARING CUP	1	-370700	X L.H.
	JD10084	BEARING CUP	1	370701-	X L.H.
5	JD8151	BEARING CONE	1	-370700	X L.H.
	JD10318	BEARING CONE	1	370701-	X L.H. (SUB FOR JD9096)
6	T21430	CAP SCREW	8		X 3/8"
7	L32568	HOUSING	1	-370700	X
	L36199	HOUSING	1	370701-	X
8	L32570	WASHER	1	-370700	X L.H.
	L31792	WASHER	1	370701-	X L.H.
9	T29394	BEVEL GEAR	2	-370700	X Z=18
	L28376	BEVEL GEAR	2	370701-	X Z=18
10	L29227	GEAR	4		X Z=11
11	L31793	THRUST WASHER	4		X
12	L29226	SHAFT	2		X
13	T21432	QUILL	1	-370700	X R.H.
	L36203	QUILL	1	370701-	X R.H.
14	JD8206	BEARING CUP	1	-370700	X R.H.
	JD8210	BEARING CUP	1	370701-	X R.H.
15	JD8946	BEARING CONE	1	-370700	X R.H.
	JD10322	BEARING CONE	1	370701-	X R.H. (SUB FOR JD8159)
16	AT57405	KIT	1	-370700	X Z=8/35
	AT57404	KIT	1	-370700	X Z=9/46
	AL33354	KIT	1	370701-	X Z=8/35
	AL33355	DIFFERENTIAL	1	370701-	X Z=9/46 (SUB FOR AL39091)
17	T59690	HOUSING	1	-370700	X R.H.
	L36205	HOUSING	1	370701-	X R.H.
18	L40557	RIVET	16		X 7/16"X1-11/16" (SUB FOR L29871)

2F21

POWER TRAIN

DIFFERENTIAL(SYNCHRONISED TRANSMISSION)
DIFFERENTIEL(SYNCHRONISEE)
DIFFERENTIAL (SYNCHRONGETRIEBE)
DIFFERENZIALE(TIPO SINCRONIZZATO)
DIFFERENCIAL(TIPO SINCRONIZADO)
DIFFERENTIAL(SYNKRONISERAD TRANSMISSION)
L102437 -UN-01JAN94



L 102437

2F22

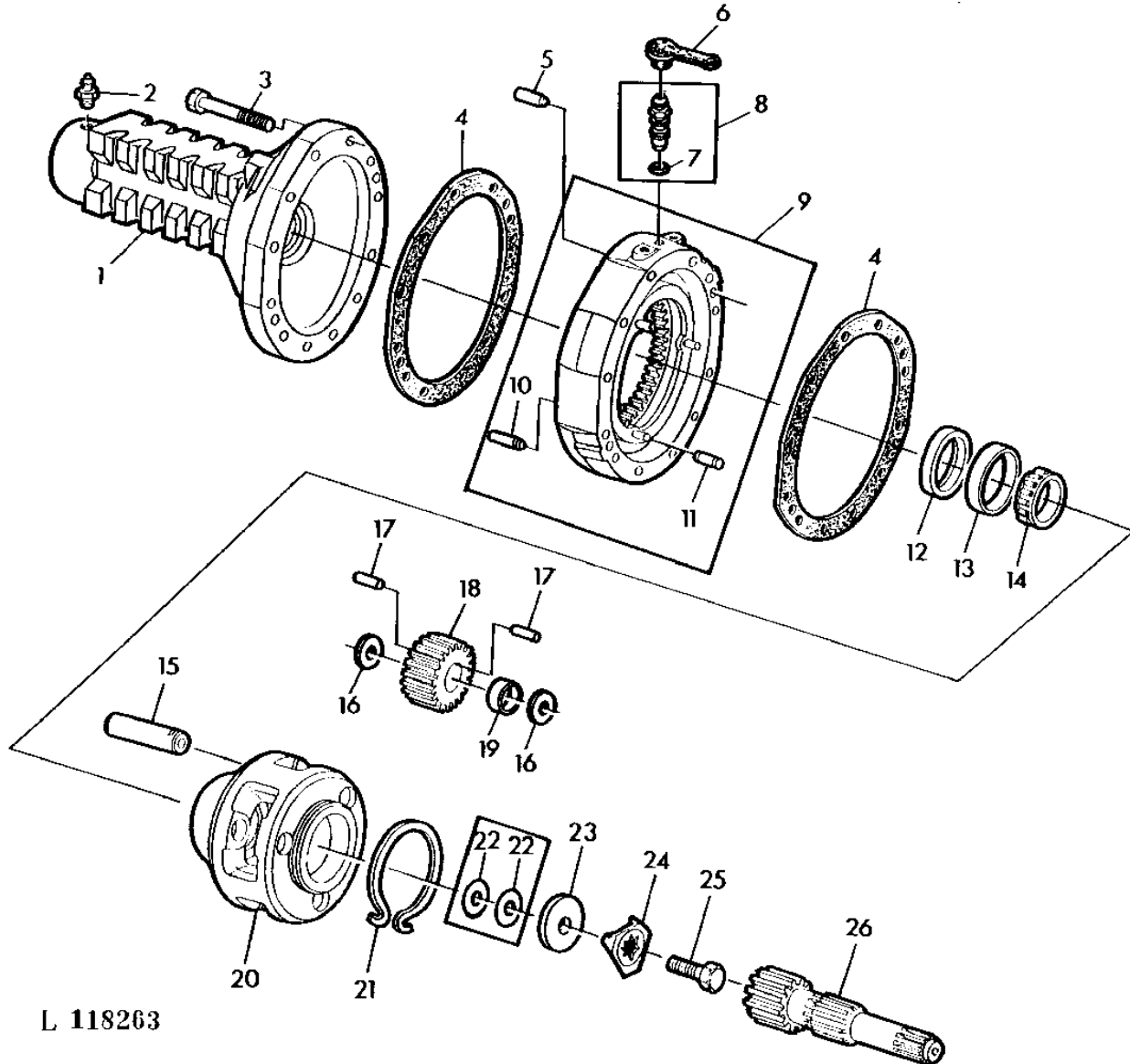
POWER TRAIN

KEY	PART NO.	PART NAME	QTY	SERIAL NO.	REMARKS
					2
					0 2
					4 1
					0 4
					S 0
1	T22874	BOLT	10		X X 3/8"
2	R62849	QUILL	1		X X L.H.
3	L40721	SHIM	AR		X X TK=0,05MM(.002")
	L29005	SHIM	AR		X X TK=0,08MM(.003") (SUB FOR T21434 APPL)
	L29006	SHIM	AR		X X TK=0,13MM(.005") (SUB FOR T21435 APPL)
	L29007	SHIM	AR		X X TK=0,25MM(.010") (SUB FOR T21436 APPL)
	T29862	SHIM	AR		X X TK=0,51MM(.020")
4	JD8206	BEARING CUP	2	-370492	X L.H.,R.H.
	JD10084	BEARING CUP	1	370493-	X X L.H.
5	JD8151	BEARING CONE	1	-370492	X L.H.
	JD10318	BEARING CONE	1	370493-	X X L.H. (SUB FOR JD9096)
6	T21430	CAP SCREW	8		X X 3/8"
7	L32568	HOUSING	1	-370492	X L.H.
	L36199	HOUSING	1	370493-	X X L.H.
8	L32570	WASHER	1	-370492	X L.H.
	L31792	WASHER	1	370493-	X X L.H.
9	T29394	BEVEL GEAR	2	-370492	X Z=18
	L28376	BEVEL GEAR	2	370493-	X X Z=18
10	L29227	GEAR	4		X X Z=11
11	L31793	THRUST WASHER	4		X X
12	L29226	SHAFT	2		X X
13	T21432	QUILL	1	-370492	X R.H.
	L36203	QUILL	1	370493-	X X R.H.
14	JD8210	BEARING CUP	1	370493-	X X R.H.
15	JD8946	BEARING CONE	1	-370492	X R.H.
	JD10322	BEARING CONE	1	370493-	X X R.H. (SUB FOR JD8159)
16	AL28809	HOUSING	1	-370492	X Z=9/43
	AL31235	SHAFT	1	-370492	X Z=9/52
	AL35568	SHAFT	1	370493-	X X Z=9/43
	AL35570	KIT	1	370493-	X X Z=9/52
17	T59690	HOUSING	1	-370492	X R.H.
	L36205	HOUSING	1	370493-	X X R.H.
18	L40557	RIVET	16		X X 7/16"X1-11/16" (SUB FOR L29871)

2F23

POWER TRAIN

FINAL DRIVE
COMMANDE FINALE
ENDANTRIEB
RIDUZIONE FINALE
REDUCCION FINAL
SLUTDREV
L118263 -UN-18JUL95



L 118263

2F24

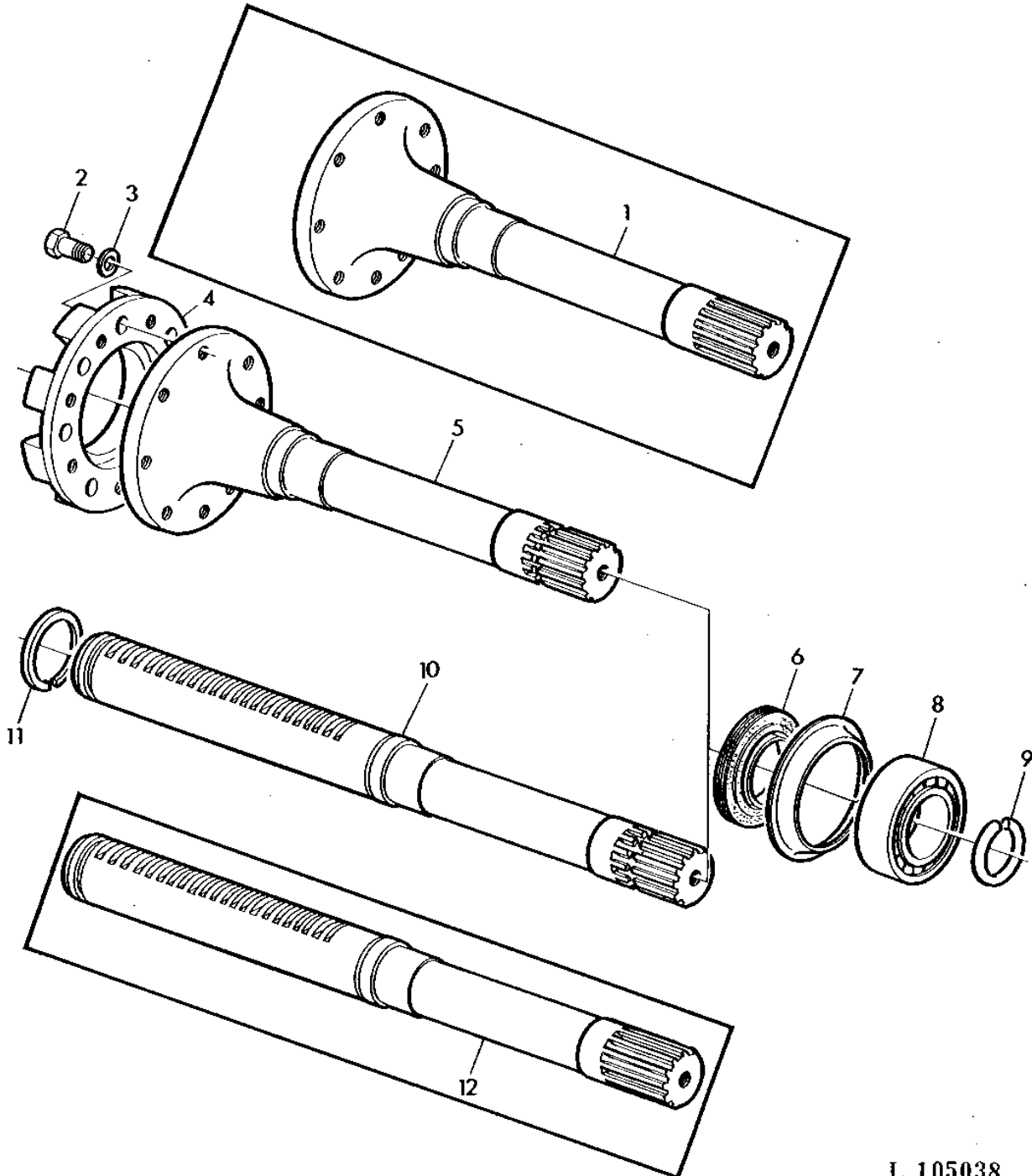
POWER TRAIN

KEY	PART NO.	PART NAME	QTY	SERIAL NO.	REMARKS
					2
					0 2
					4 1
					0 4
					S 0
1	L36707	HOUSING	2		X X (SUB FOR L33509)
2	JD7759	LUBRICATION FITTING	2		X X 1/8"
3	19H3202	CAP SCREW	22		X X 1/2"X6-1/2"
4	L61922	GASKET	4		X X (SUB FOR T21419)
5	R48685	DOWEL PIN	4		X X
6	R47862	CAP	2		X X
7	L36237	O-RING	2		X X
8	AL38310	BLEED SCREW	2		X X 3/8" (ORD R21612)
	R21612	BLEED SCREW	2		X X W/O L36237
9	AL35925	HOUSING	1		X X R.H. (SUB FOR AL29652 APPL)
	AL35926	HOUSING	1		X X L.H. (SUB FOR AL29653 APPL)
10	T29449	DOWEL PIN	6		X X
11	R26650	DOWEL PIN	6		X X (SUB FOR T29447)
12	AL38357	SEAL	2		X X (SUB FOR AL23547)
13	JD8206	BEARING CUP	2		X X
14	JD10247	BEARING CONE	2		X X (SUB FOR JD8151 APPL)
15	T29445	PINION SHAFT	6		X X
16	T28827	WASHER	12		X X
17	AL24045	NEEDLE	6		X X KIT,PACKG 40
18	T29444	PINION	6		X X Z=26
19	T29446	BUSHING	6		X X
20	L39930	PLANET PINION CARRIER	2		X X (SUB FOR L29055)
21	T28832	SNAP RING	2		X X
22	L35795	SHIM	AR		X X TK=0,15MM(.005")
	L35796	SHIM	AR		X X TK=0,4MM(.015")
	L35797	SHIM	AR		X X TK=0,5MM(.020")
	L35798	WASHER	1		X X TK=2,0MM(.080")
23	L38058	WASHER	2		X X (SUB FOR T29450)
24	T29451	LOCK PLATE	2		X X
25	L36227	CAP SCREW	2		X X
26	L32866	DRIVE SHAFT	1	-370492	X X R.H.
	L32867	DRIVE SHAFT	1	-370492	X X L.H.
	L36201	SHAFT	1	370493-	X X R.H.
	L36202	DRIVE SHAFT	1	370493-	X X L.H.

2G1

POWER TRAIN

REAR AXLE
ARBRE DE ROUE ARRIERE
HINTERACHSE
ASSALE POSTERIORE
PALIER
BAKAXEL
L105038 -UN-01JAN94



L 105038

2G2

POWER TRAIN

KEY	PART NO.	PART NAME	QTY	SERIAL NO.	REMARKS
					2
					0 2
					4 1
					0 4
					S 0
1	L35794	SPINDLE	2		X X (ORD L40174, L40177)
2	L31683	SCREW	16		X X (A)
3	24M7108	WASHER	16		X X (A) 20X32X4MM
4	L36186	HUB	2		X X (A)
5	L40177	HALF AXLE	2		X X
6	AT20703	SEAL	2		X X
7	L35542	GUIDE	2		X X
8	JD10053	ROLLER BEARING	2		X X
9	L40174	SNAP RING	2		X X
10	L40178	HALF AXLE	2		X X
11	R53656	SNAP RING	2		X X
12	L35799	REAR AXLE	2		X X (ORD L40174, L40178)

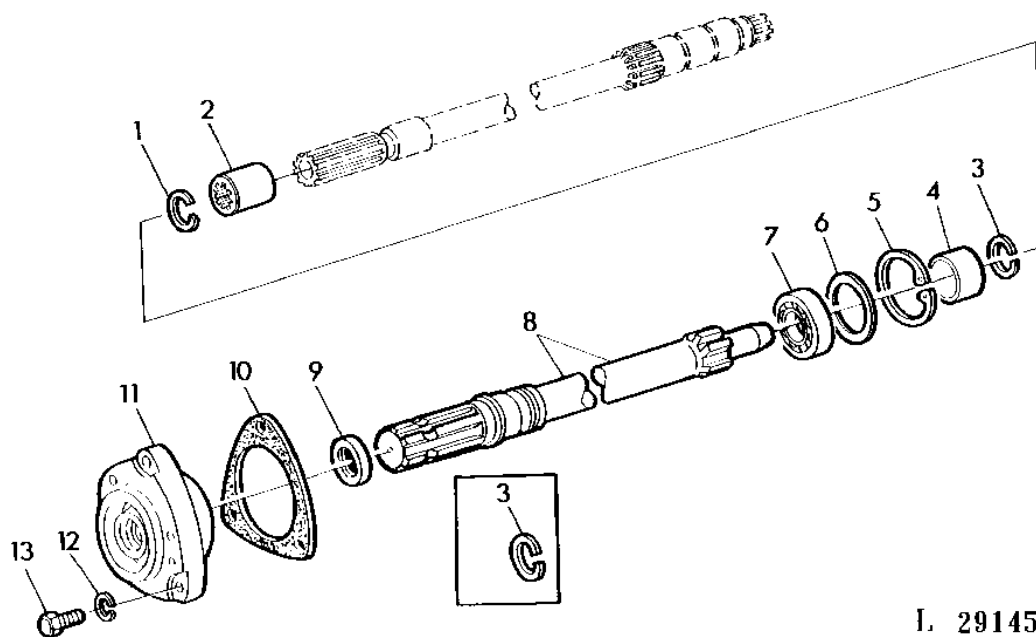
(A) FOR INCREASING TREAD WIDTH
 POUR AUGMENTER LA VOIE
 FUER SPURVERBREITERUNG
 PER ALLARGARE LA CARREGGIATA
 PARA AUMENTAR EL ANCHO DE VIA
 FOR OKAD SPARVIDD

2G3

POWER TRAIN

INDEPENDENT PTO 540 RPM (COLLAR SHIFT TRANSMISSION)
 PDF INDEPENDANTE 540 TR/MIN (BOITE A MANCHONS BALADEURS)
 UNABH.ZAPFWELLE 540 U/MIN (MUFFENSCHALTGETRIEBE)
 PDF INDEPENDENTE 540 G/MIN (CAMBIO COLLARE SCORREVOLE)
 TDF INDEPENDIENTE 540 R/MIN (TRANSM.DE.COLLARINES DESPLAZABLES)
 OBEROENDE KRAFTUTTAG 540 RPM (COLLAR-SHIFT TRANSMISSION)

L29145 -UN-12JUL95



I. 29145

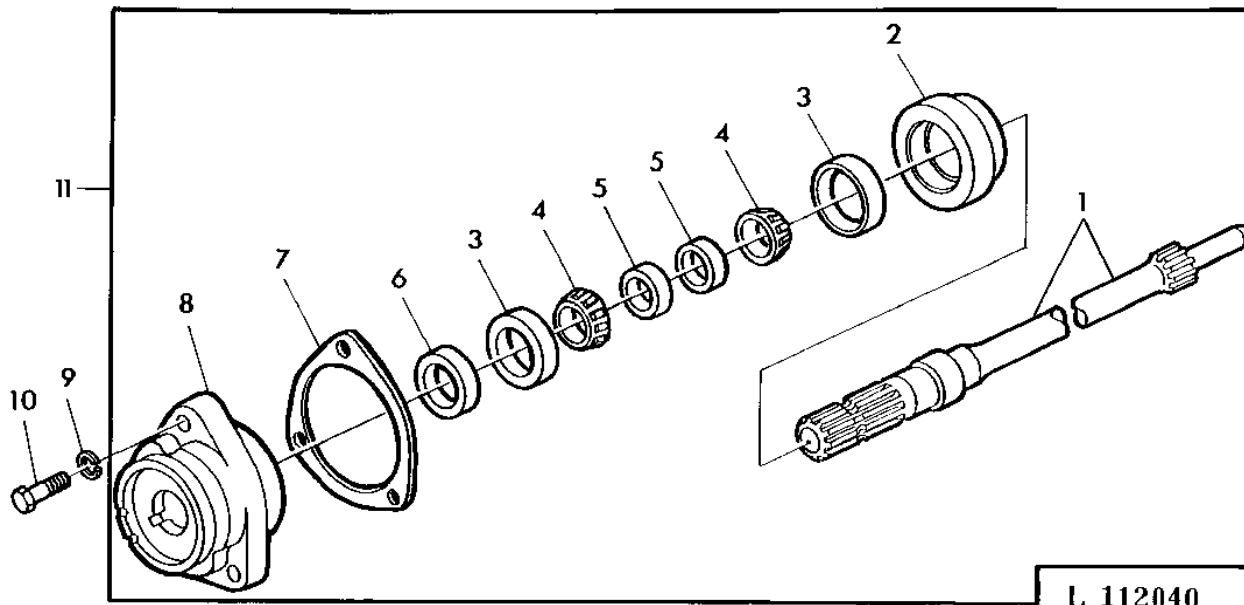
KEY	PART NO.	PART NAME	QTY	SERIAL NO.	REMARKS
				2	
				0 2	
				4 1	
				0 4	
				S 0	
1	T30766	SNAP RING	1		X
2	T30767	SPLINED COUPLING	1		X
3	M2353T	SNAP RING	2		X (FOR L28712)
4	M2353T	SNAP RING	1		X (FOR L38806)
4	L33007	BUSHING	1		X (FOR L38806)
5	40M7044	SNAP RING	1		X (FOR L28712) (SUB FOR R47513)
	40M7115	SNAP RING	1		X 80X2,5MM (FOR L38806)
6	24M7255	WASHER	1		X 63X80X3MM (FOR L38806)
7	JD9344	BALL BEARING	1		X (FOR L28712)
	L28405	BALL BEARING	1		X (FOR L38806)
8	L28712	POWER-TAKEOFF	1		X (ORD L38806, L38807, L28405, L33007, (1) M2353T, 24M7255, 40M7115, 48M7038)
	L38806	POWER-TAKEOFF	1		X 540 U/MIN(R.P.M.)
9	T22069	SEAL	1		X (FOR L28712)
	48M7038	SEAL	1		X 38X52X7MM (FOR L38806)
10	T22080	GASKET	1		X
11	R47514	QUILL	1		X (FOR L28712)
	L38807	QUILL	1		X (FOR L38806)
12	12H301	LOCK WASHER	3		X 1/2"
13	19H1721	CAP SCREW	3		X 1/2"X1-1/2"

2G4

POWER TRAIN

IND. 540 RPM PTO (HEAVY-DUTY COLLAR SHIFT TRANSMISSION)
 PDF INDEP.540 TR/MIN (BOITE MANCHONS BALAD.,VERSION RENFORCEE)
 UNABH.ZAPFWELLE 540 U/MIN (MUFFENSCHALTGETRIEBE,VERSTAERKTE AUSF.)
 PDF INDIP.540 G/MIN (CAMBIO A COLLARE SCORREVOLE RINFORZATO)
 TDF INDEP.540 R/MIN (CAMBIO DE COLLARINES DESPLAZABLES REFORZADO)
 OBEROENDE KRAFTUTTAG 540 RPM (COLLAR-SHIFT TRANSMISSION, FORSTARKT)

L112040 -UN-12MAY95

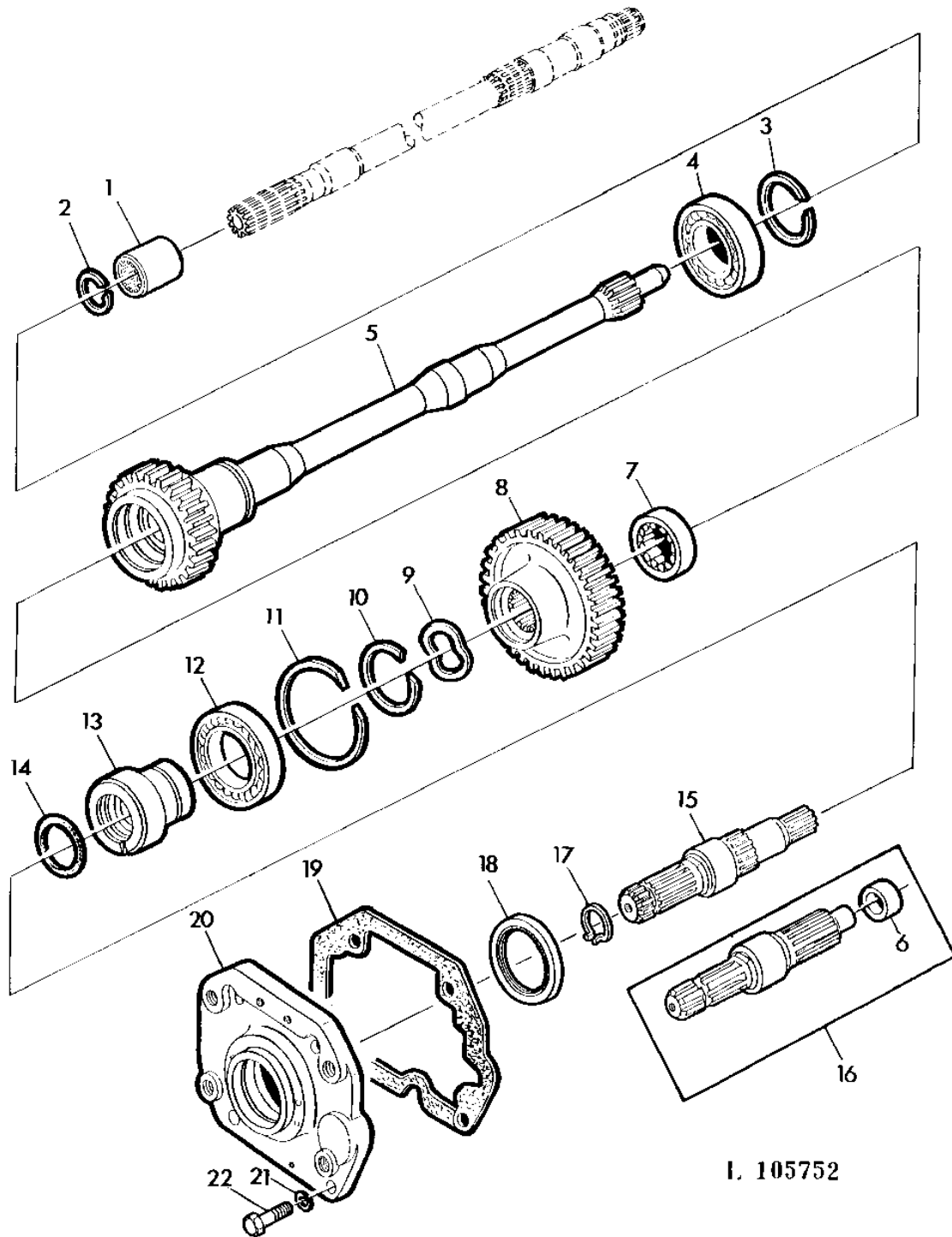


KEY	PART NO.	PART NAME	QTY	SERIAL NO.	REMARKS
				2	
				0 2	
				4 1	
				0 4	
				S 0	
1	R69509	SHAFT	1		X
2	R69511	BUSHING	1		X
3	JD9125	BEARING CUP	2		X
4	JD9065	BEARING CONE	2		X
5	R69510	SPACER	2		X
6	AL56820	SEAL	1		X (SUB FOR T22069 APPL)
7	R69513	SHIM	AR		X 0,13MM(.005"),STEEL
	R69514	SHIM	AR		X 0,13MM(.005"),PAPER
	R69515	SHIM	AR		X 0,25MM (.010"),STEEL
	R69516	SHIM	AR		X 0,5MM (.020"),STEEL
8	R69512	QUILL	1		X
9	12H301	LOCK WASHER	3		X 1/2"
10	19H1721	CAP SCREW	3		X 1/2"X1-1/2"
11	AL57323	KIT	1		X (SUB FOR AR93928 APPL)

2G5

POWER TRAIN

INDEPENDENT PTO 540-1000 RPM (INTERCHANGEABLE) WITH COLLAR SHIFT TRANSMISSION
PDF INDEPENDANTE 540-1000 (INTERCHANGEABLE) AVEC BOITE MANCH.BALAD.
UNABH.ZAPFWELLE 540-1000 (AUSWECHSELBAR) BEI MUFFENSCHALTGETR.
PDF INDEPENDENTE 540-1000 (INTERCAMB.) CON TRASM.A COLL.SCORR.
TDF INDEPENDIENTE 540-1000 (TRASM.DE COLLARIN.DESPLAZABLOS) (CAMBIABLE) CON TRASM.DE COLLARIN
OBEROENDE KRAFTUTTAG 540-1000 RPM (UTBYTBAR) COLLAR-SHIFT TRANSMISSION
L105752 -UN-13JUN95



L. 105752

2G6

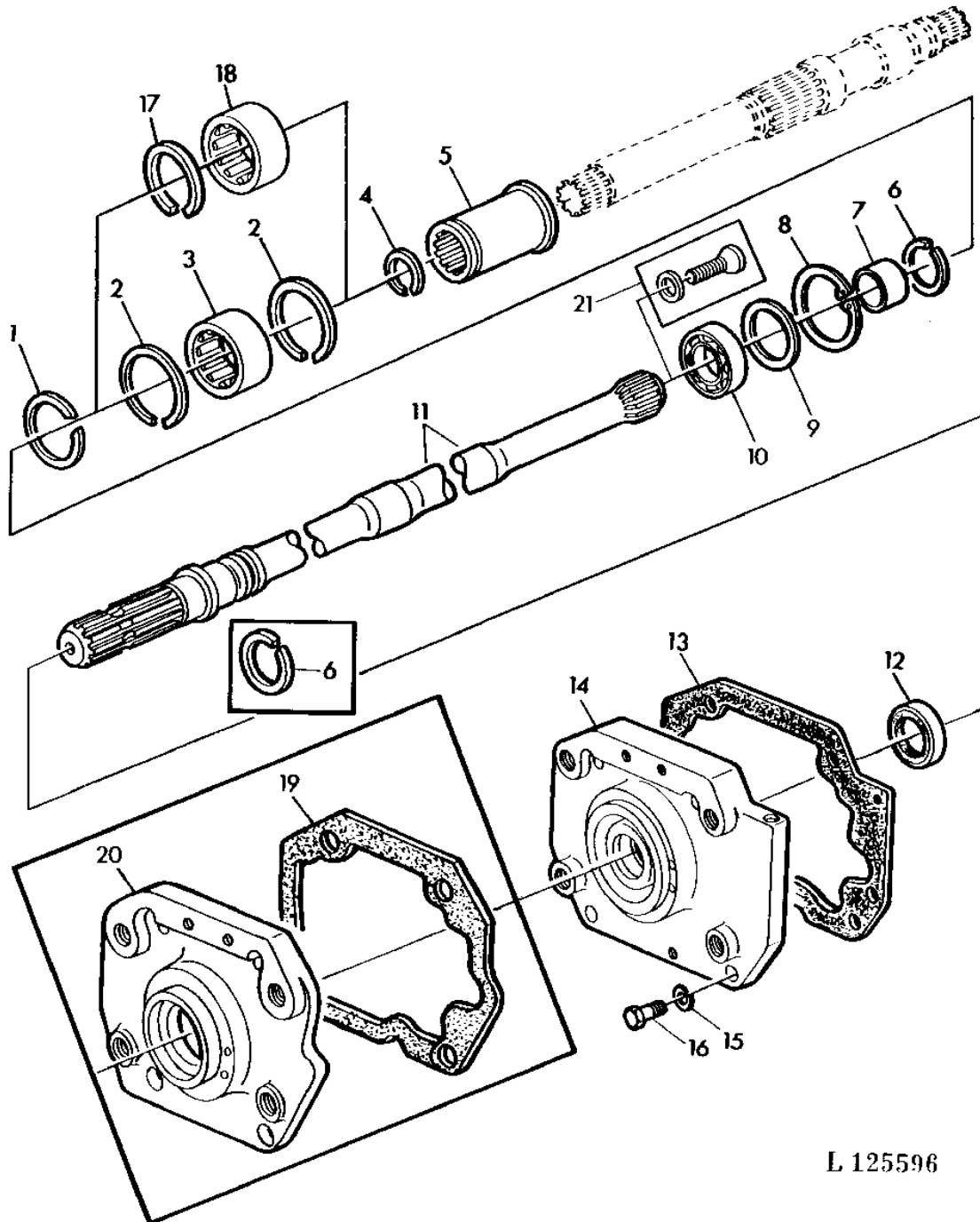
POWER TRAIN

KEY	PART NO.	PART NAME	QTY	SERIAL NO.	REMARKS
					2
					0 2
					4 1
					0 4
					S 0
1	T30767	SPLINED COUPLING	1		X
2	T30766	SNAP RING	1		X
3	R29001	RING	1		X
4	L28711	BALL BEARING	1		X
5	AL23806	POWER-TAKEOFF	1		X
6	JD10283	BEARING RACE	1		X (SUB FOR JD7557)
7	JD10282	ROLLER BEARING	1		X (SUB FOR JD7537)
8	T30798	GEAR	1		X Z=31
9	R38219	THRUST WASHER	1		X
10	F1334R	SNAP RING	1		X
11	C1919R	SNAP RING	1		X
12	JD9320R	BALL BEARING	1		X
13	R45126R	GUIDE	1		X
14	P50631R	O-RING	1		X
15	T30803R	POWER-TAKEOFF	1		X 540-1000 U/MIN (R.P.M.)
16	AT29707R	POWER-TAKEOFF	1		X 540 U/MIN(R.P.M.)
17	R38221	SNAP RING	1		X
18	AL68619	SEAL	1		X (SUB FOR AT16431)
19	L29268	GASKET	1		X
20	R69658	QUILL	1		X REAR (SUB FOR T30799)
21	12H301	LOCK WASHER	4		X
22	19H1721	CAP SCREW	4		X 1/2"X1-1/2"

2G7

POWER TRAIN

INDEPENDENT PTO 540 RPM (SYNCHRONISED TRANSMISSION)
PDF INDEPENDANTE 540 TR/MIN (BOITE SYNCHRONISEE)
UNABH.ZAPFWELLE 540 U/MIN (SYNCHRONGETRIEBE)
PDF INDIPENDENTE 540 G/MIN (CAMBIO SINCRONIZZATO)
TDF INDEPENDIENTE 540 R/MIN (TRANSMISION SINCRONIZADA)
OBEROENDE KRAFTUTTAG 540 RPM (SYNKRONISERAD TRANSMISSION)
L125596 -UN-12JUL95



L 125596

2G8

POWER TRAIN

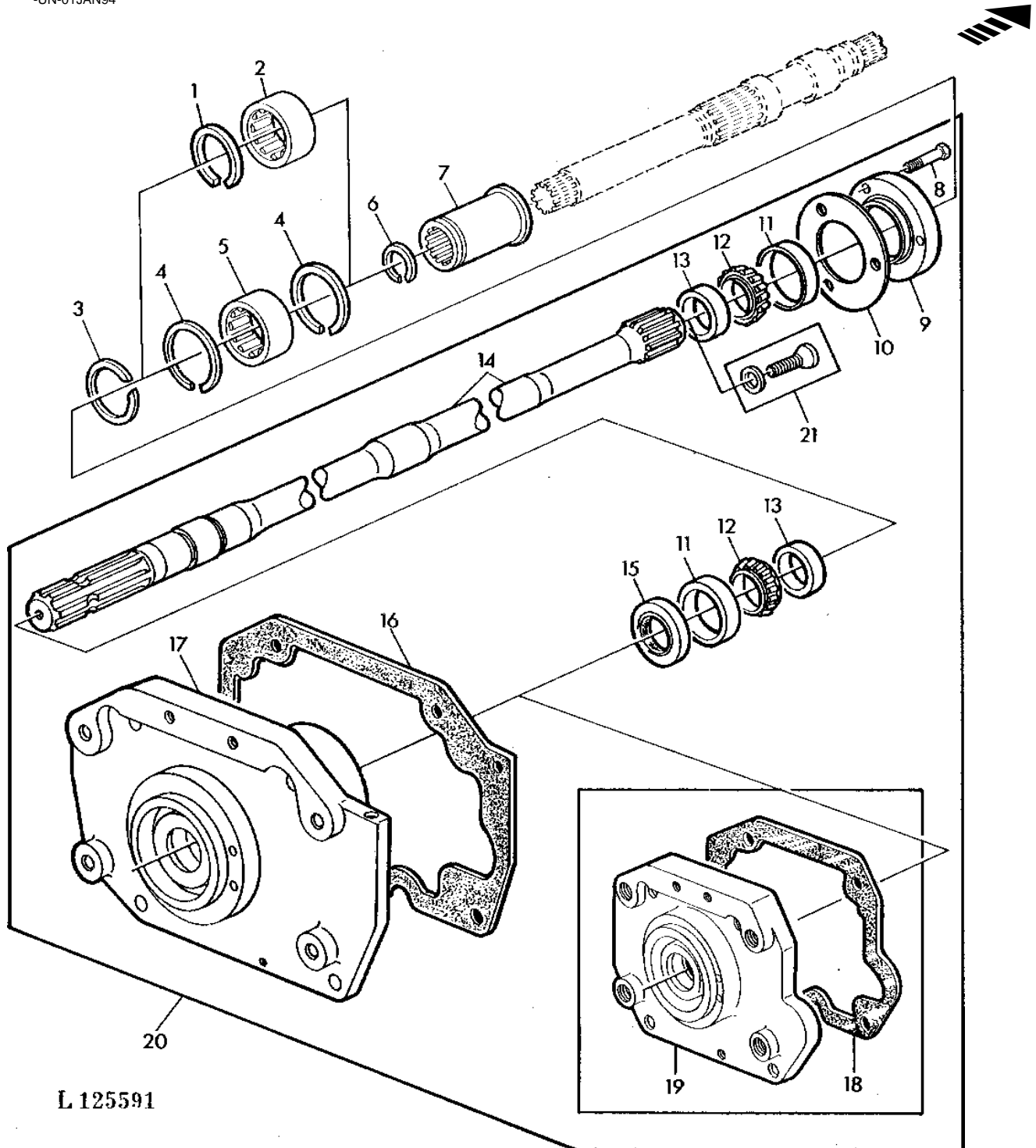
KEY	PART NO.	PART NAME	QTY	SERIAL NO.	REMARKS
					2
					0 2
					4 1
					0 4
					S 0
1	40M7071	SNAP RING	1		X X
2	Z22760	SNAP RING	2		X X
3	JD10108	NEEDLE BEARING	1		X X
4	T30766	SNAP RING	1		X X
5	L33126	SLEEVE	1		X X
6	M2353T	SNAP RING	2		X X (FOR L33234)
	M2353T	SNAP RING	1		X X (FOR L38803)
7	L33007	BUSHING	1		X X (FOR L38803)
8	40M7044	SNAP RING	1		X X (FOR L33234) (SUB FOR R47513)
	40M7115	SNAP RING	1		X X 80X2,5MM (FOR L38803)
9	24M7255	WASHER	1		X X 63X80X3MM (FOR L38803)
10	JD9344	BALL BEARING	1		X X (FOR L33234)
	L28405	BALL BEARING	1		X X (FOR L38803)
11	L33234	SHAFT	1		X X (ORD L38803, L28405, L60545, L60548, L33007, M2353T, 24M7255, 99M6934, 40M7115, 48M7038)
	L38803	POWER-TAKEOFF	1		X X 540 U/MIN(R.P.M.)
12	T22069	SEAL	1		X X (FOR L33234)
	48M7038	SEAL	1		X X 38X52X7MM (FOR L38803)
13	L60548	GASKET	1		X X
14	L60545	BEARING CAP	1		X X (ORD AL67450)
15	12H301	LOCK WASHER	4		X X 1/2"
16	19H1721	CAP SCREW	4		X X 1/2"X1-1/2"
17	L33745	SNAP RING	1		X X (A)
18	JD10071	NEEDLE BEARING	1		X X (A)
19	L29268	GASKET	1		X X
20	L34126	BEARING CAP	1		X X (FOR L33234)
	L38804	BEARING CAP	1		X X (FOR L38803) (ORD AL67450, 99M6934)
21	AL68461	KIT	1		X X (A)

(A) WITH FRONT WHEEL DRIVE
 AVEC PONT AVANT
 BEI FRONTANTRIEB
 CON TRAZIONE ANTERIORE
 CON TRACCION DELANTERA
 VID FRAMHJULSDRIFT

2G9

POWER TRAIN

IND. 540 RPM (HEAVY-DUTY, SYNCHRONIZED TRANSMISSION)
PDF INDEPENDANTE 540 TR/MIN (BOITE SYNCHRONISEE, VERSION RENF.)
UNABH.ZAPFWELLE 540 U/MIN (SYNCHRONGETRIEBE, VERSTAERKTE AUSF.)
PDF INDIP.540 G/MIN (CAMBIO SINCRONIZZATO RINFORZATO)
TDF INDEP.540 R/MIN (TRANSMISION SINCRONIZADA REFORZADO)
OBEROENDE KRAFTUTTAG 540 RPM (SYNKRON. TRANSMISSION, FORSTARKT)
L125591 -UN-01JAN94



L 125591

2G10

POWER TRAIN

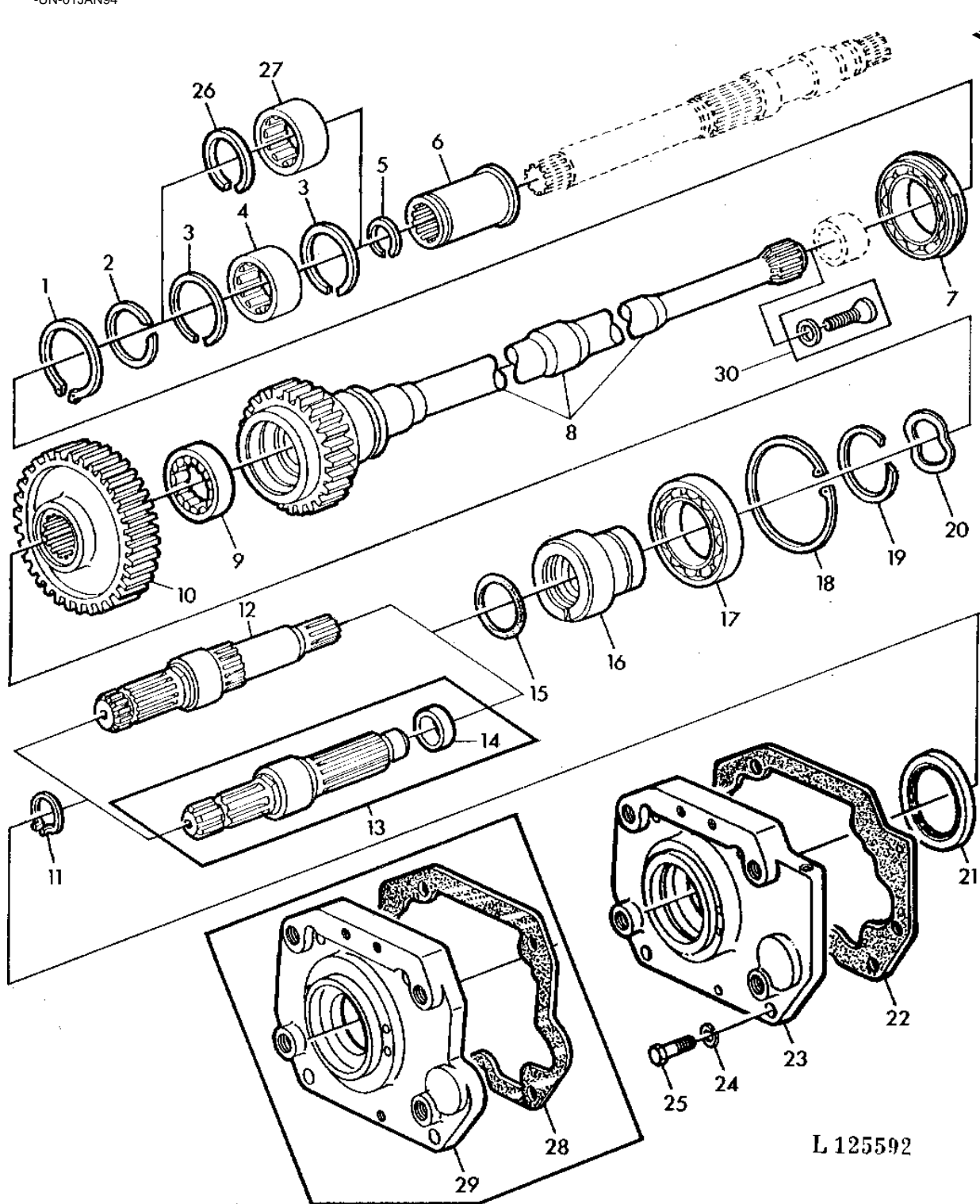
KEY	PART NO.	PART NAME	QTY	SERIAL NO.	REMARKS
					2
					0 2
					4 1
					0 4
					S 0
1	L33745	SNAP RING	1		X X (A)
2	JD10071	NEEDLE BEARING	1		X X (A)
3	40M7071	SNAP RING	1		X X
4	Z22760	SNAP RING	2		X X
5	JD10108	NEEDLE BEARING	1		X X
6	T30766	SNAP RING	1		X X
7	L33126	SLEEVE	1		X X
8	19M7513	CAP SCREW	3		X X M8X30
9	L39945	QUILL	1		X X
10	L39946	SHIM	AR		X X 0,1MM
	L39947	SHIM	AR		X X 0,15MM
	L39948	SHIM	AR		X X 0,25MM
11	JD9125	BEARING CUP	2		X X
12	JD9065	BEARING CONE	2		X X
13	R69510	SPACER	2		X X
14	L39949	POWER-TAKEOFF	1		X X
15	AL56820	SEAL	1		X X (SUB FOR T22069 APPL)
16	L60548	GASKET	1		X X
17	L60544	BEARING CAP	1		X X (ORD AL67449)
18	L29268	GASKET	1		X X
19	L39944	BEARING CAP	1		X X (ORD AL67449, 99M6934)
20	AL37866	KIT	1		X X
21	AL68461	KIT	1		X X (A)

(A) WITH FRONT WHEEL DRIVE
 AVEC PONT AVANT
 BEI FRONTANTRIEB
 CON TRAZIONE ANTERIORE
 CON TRACCION DELANTERA
 VID FRAMHJULSDRIFT

2G11

POWER TRAIN

INDEPENDENT PTO 540-1000 RPM (INTERCHANGEABLE) WITH SYNCHRONISED TRANSMISSION
PDF INDEPENDANTE 540-1000TR/MN (INTERCHANGEABLE) AVEC BOITE SYNCHRONISEE
UNABH.ZAPFWELLE 540-1000U/MIN (AUSWECHSELBAR) BEI SYNCHRONGETR.
PDF INDIPENDENTE 540-1000G/MIN (INTERCAMBIABILE) CON CAMBIO SINCRONIZZATO
TDF INDEPENDIENTE 540-1000R/MIN (CAMBIABLE) CON TRANSM.SINCRONIZADA
OBEROENDE KRAFTUTTAG 540-1000 RPM (UTBYTBAR) SYNKRONISERAD TRANSMISSION
L125592 -UN-01JAN94



L 125592

2G12

POWER TRAIN

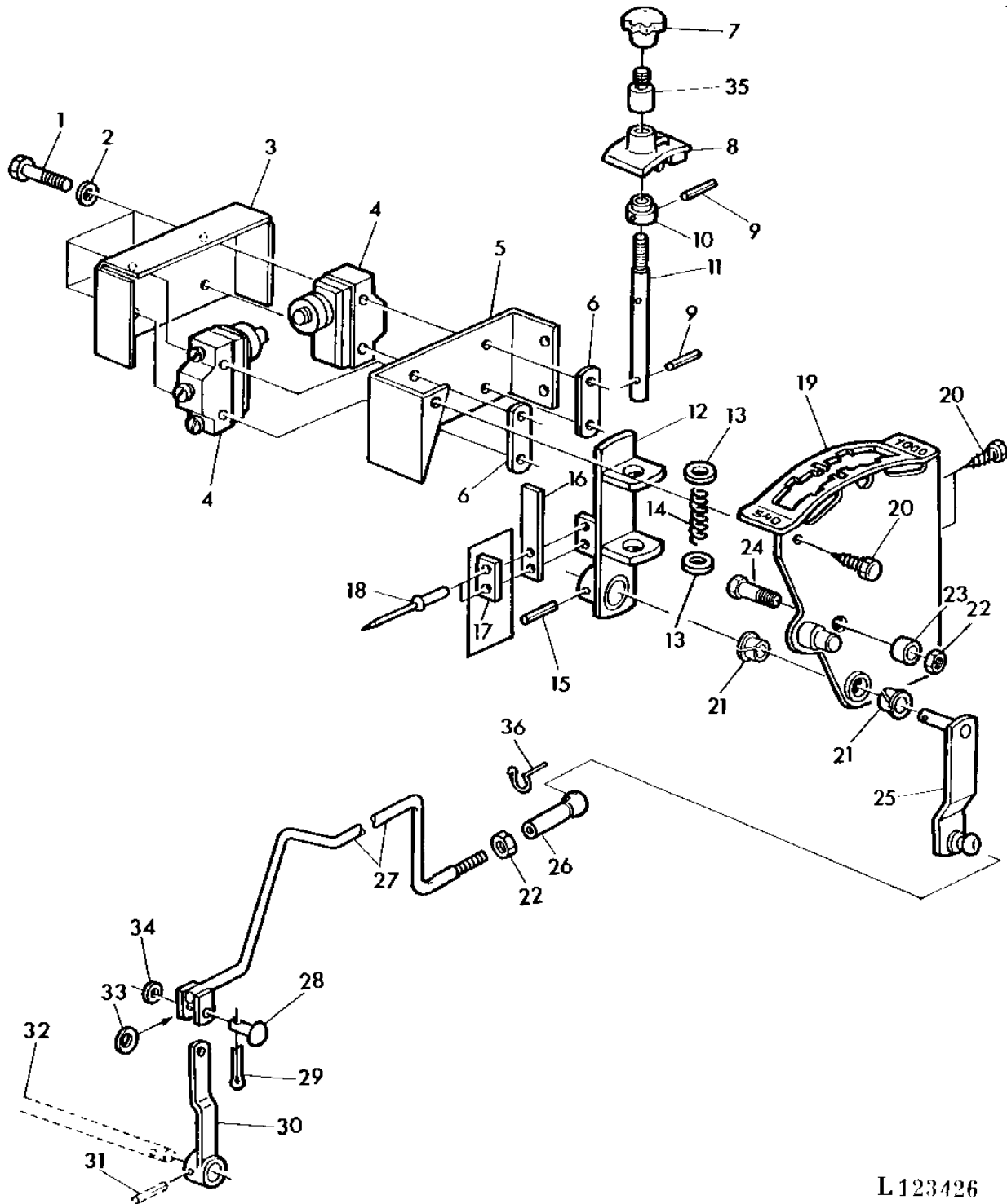
KEY	PART NO.	PART NAME	QTY	SERIAL NO.	REMARKS
				2	
				0 2	
				4 1	
				0 4	
				S 0	
1	40M7065	SNAP RING	1	X X	70X2,5MM
2	40M7071	SNAP RING	1	X X	
3	Z22760	SNAP RING	2	X X	
4	JD10108	NEEDLE BEARING	1	X X	
5	T30766	SNAP RING	1	X X	
6	L33126	SLEEVE	1	X X	
7	JD10117	BEARING CUP	1	X X	
8	AL30688	DRIVE SHAFT	1	X X	Z=24
9	JD10282	ROLLER BEARING	1	X X	(SUB FOR JD7537)
10	L34122	GEAR	1	X X	Z=31
11	R38221	SNAP RING	1	X X	
12	T30803	SHAFT	1	X X	1000 U/MIN(R.P.M.)
13	AT29707	POWER-TAKEOFF	1	X X	540 U/MIN(R.P.M.)
14	JD10283	BEARING RACE	1	X X	(SUB FOR JD7557)
15	P50631	O-RING	1	X X	
16	R45126	GUIDE	1	X X	
17	JD9320	BALL BEARING	1	X X	(SUB FOR JD10056)
18	40M7178	SNAP RING	1	X X	(SUB FOR L25837)
19	F1334R	SNAP RING	1	X X	
20	R38219	THRUST WASHER	1	X X	
21	AL68619	SEAL	1	X X	(SUB FOR AT16431)
22	L60548	GASKET	1	X X	
23	L60543	BEARING CAP	1	X X	(ORD AL67448)
24	12H301	LOCK WASHER	4	X X	
25	19H1721	CAP SCREW	4	X X	1/2"X1-1/2"
26	L33745	SNAP RING	1	X X	(A)
27	JD10071	NEEDLE BEARING	1	X X	(A)
28	L29268	GASKET	1	X X	
29	L37838	BEARING CAP	1	X X	(ORD AL67448, 99M6934) (SUB FOR L34120)
30	AL68461	KIT	1	X X	(A)

(A) WITH FRONT WHEEL DRIVE
 AVEC PONT AVANT
 BEI FRONTANTRIEB
 CON TRAZIONE ANTERIORE
 CON TRACCION DELANTERA
 VID FRAMHJULSDRIFT

2G13

POWER TRAIN

PTO SHIFT LINKAGE
TRINGLERIE DE PDF
ZAPFWELLEN-SCHALTGESTÄENGE
TIRANTERIA COMANDO PDF
VARILLAJE DE MANDO DE TDF
KRAFTUTTAGETS MANOVERLANKAGE
L123426 -UN-09OCT95



L 123426

2G14

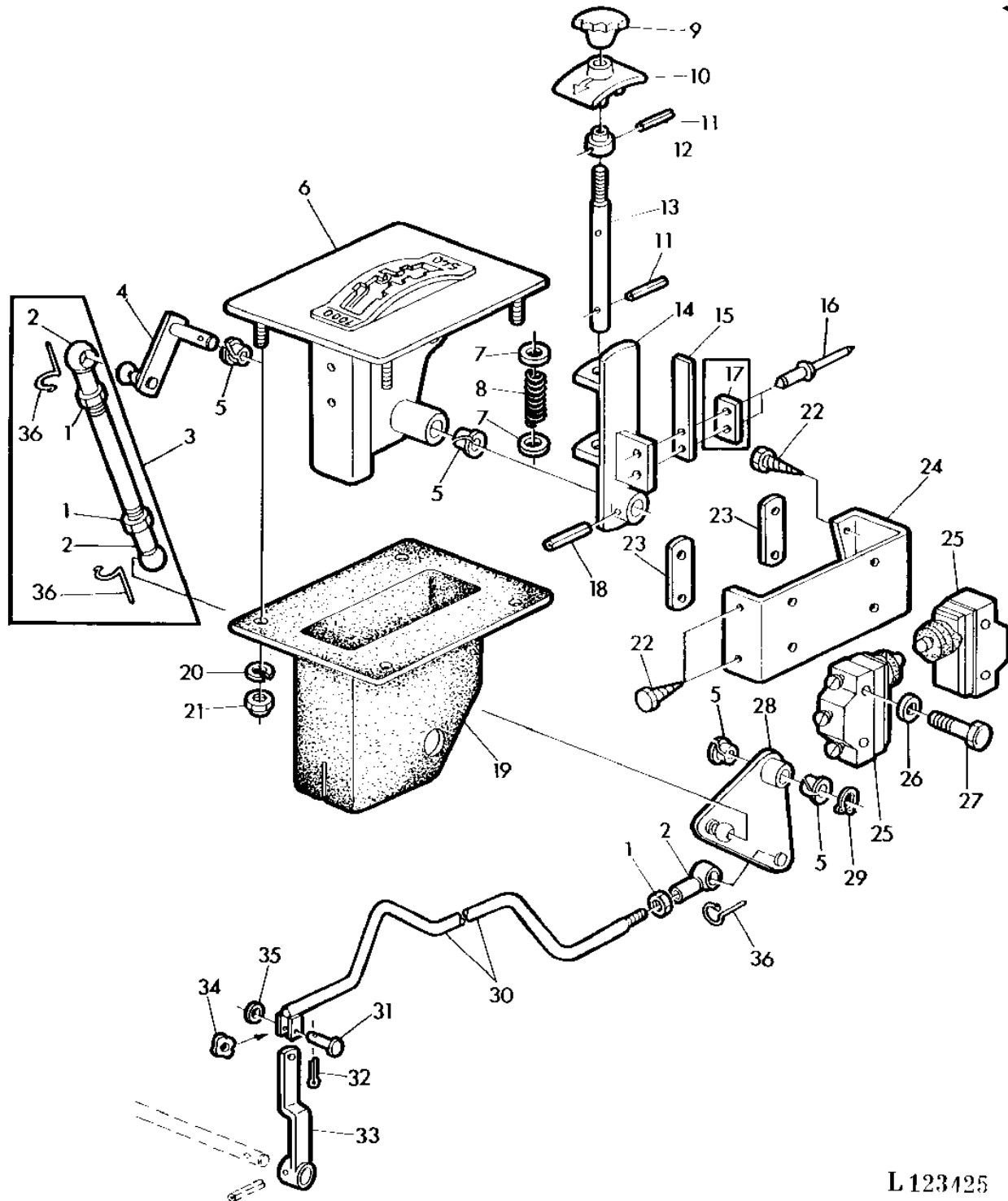
POWER TRAIN

KEY	PART NO.	PART NAME	QTY	SERIAL NO.	REMARKS
				2	
				0 2	
				4 1	
				0 4	
				S 0	
1	19M7715	CAP SCREW	4	X X	M4X30
2	24M7117	WASHER	4	X X	4,3MM
3	L35450	SHIELD	1	X X	
4	AR62072	SWITCH	2	X X	
5	L35451	BRACKET	1	X X	
6	L32801	STRAP	2	X X	
7	L35637	KNOB	1	X X	
8	L35289	NUT	1	X X	
9	34M7137	SPRING PIN	2	X X	3X18MM
10	L35286	BUSHING	1	X X	
11	L35279	STUD	1	X X	
12	AL32567	GUIDE	1	X X	
13	24M7047	WASHER	2	X X	13X24X2,5MM
14	L35535	SPRING	1	X X	
15	34M7130	SPRING PIN	1	X X	4X20MM
16	L35452	STRAP	1	X X	
17	L35455	STRAP	1	X X	(ORD (2) AT44188)
18	AT44188	RIVET	2	X X	
19	AL32612	SECTOR	1	X X	
20	37M7042	SCREW	3	X X	4,2X9,5MM
21	L30470	BUSHING	2	X X	
22	14M7203	NUT	2	X X	M8
23	L28584	SPACER	1	X X	
24	19M7288	CAP SCREW	1	X X	M8X30
25	AL57566	LEVER	1	X X	(SUB FOR AL32706, AL36192)
26	56M7003	BALL JOINT SOCKET	1	X X	
27	AL36191	ROD	1	X X	(SUB FOR AL32705)
28	45M7037	PIN	1	X X	10X25X20,5MM
29	11M7012	COTTER PIN	1	X X	3,2X16MM
30	AL64752	STRAP	1	X X	(SUB FOR AL32704)
31		1	X X	
32		1	X X	
33	12M7089	WASHER	1	X X	10MM
34	24M7040	WASHER	1	X X	11X21X2MM
35	L36225	STUD	1	X X	
36	56M7004	BALL JOINT SOCKET	1	X X	

2G15

POWER TRAIN

PTO SHIFT LINKAGE (WITH OPU CAB)
TRINGLERIE DE PDF (AVEC CABINE PPI)
ZAPFWELLEN-SCHALTGESTÄENGE (BEI FSC-KABINE)
TIRANTERÍA COMANDO PDF (CON CABINA OPU)
VARILLAJE DE MANDO DE TDF (CON CABINA DE SEGURIDAD)
KRAFTUTTAGETS MANOVERLANKAGE (VID OPU FORARHYTT)
L123425 -UN-09OCT95



L 123425

2G16

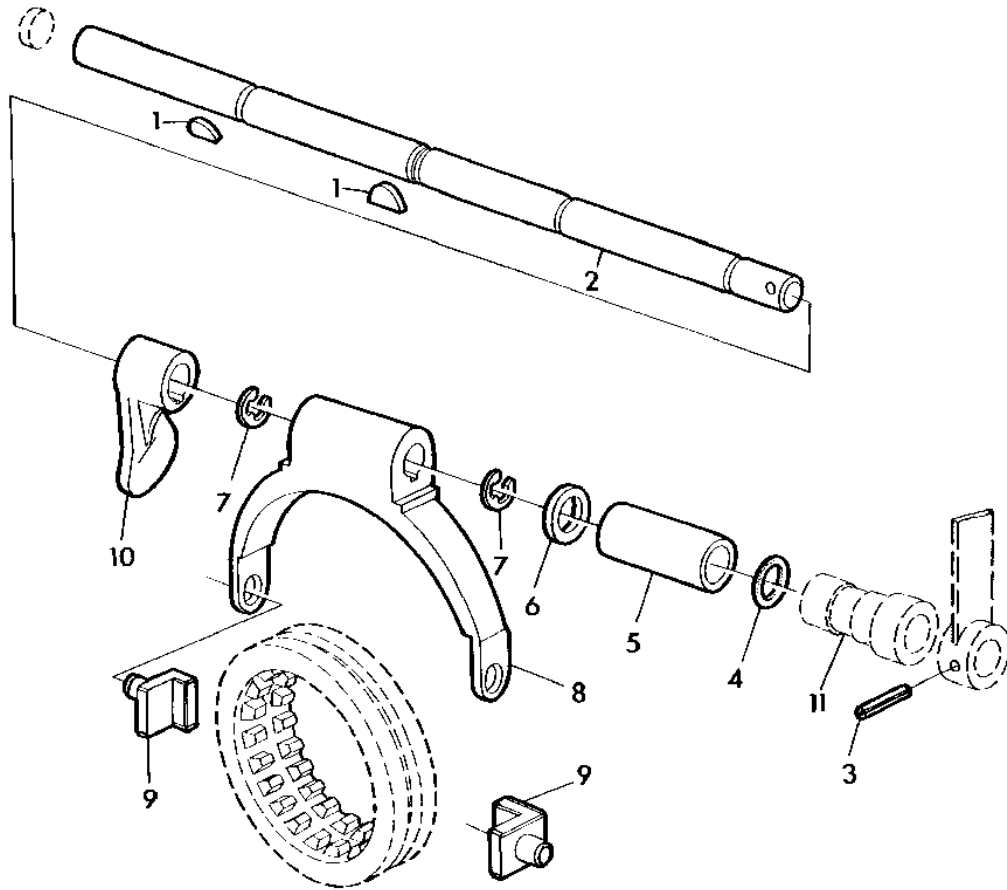
POWER TRAIN

KEY	PART NO.	PART NAME	QTY	SERIAL NO.	REMARKS
				2	
				0 2	
				4 1	
				0 4	
				S 0	
1	14M7203	NUT	3	X X	M8
2	56M7003	BALL JOINT SOCKET	3	X X	
3	AL34404	ROD	1	X X	(SUB FOR AL32909)
4	AL32748	LEVER	1	X X	
5	L30470	BUSHING	4	X X	
6	AL32749	SECTOR	1	X X	
7	24M7047	WASHER	2	X X	13X24X2,5MM
8	L35535	SPRING	1	X X	
9	L35637	KNOB	1	X X	
10	L35289	NUT	1	X X	
11	34M7137	SPRING PIN	2	X X	3X18MM
12	L35286	BUSHING	1	X X	
13	L35279	STUD	1	X X	
14	AL32567	GUIDE	1	X X	
15	L35452	STRAP	1	X X	
16	AT44188	RIVET	2	X X	
17	L35455	STRAP	1	X X	(ORD (2) AT44188)
18	34M7130	SPRING PIN	1	X X	4X20MM
19	L35457	COVER	1	X X	
20	24M7088	WASHER	4	X X	6,6X12,5X1,6MM
21	14M7165	LOCK NUT	4	X X	M6
22	37M7042	SCREW	3	X X	4,2X9,5MM
23	L32801	STRAP	2	X X	
24	L35451	BRACKET	1	X X	
25	AR62072	SWITCH	2	X X	
26	24M7117	WASHER	4	X X	4,3MM
27	19M7715	CAP SCREW	4	X X	M4X30
28	AL32569	LEVER	1	X X	
29	40M7054	RING	1	X X	
30	AL32707	LEVER	1	X X	
31	45M7037	PIN	1	X X	10X25X20,5MM
32	11M7012	COTTER PIN	1	X X	3,2X16MM
33	AL64752	STRAP	1	X X	(SUB FOR AL32704)
34	12M7089	WASHER	1	X X	10MM
35	24M7040	WASHER	1	X X	11X21X2MM
36	56M7004	BALL JOINT SOCKET	3	X X	

2G17

POWER TRAIN

SHIFTER FORK AND SHAFT ASSY. FOR PTO
ARBRE ET FOURCHETTE DE COMMANDE DE PDF
SCHALTGABEL/SCHALTSTANGE FUER ZAPFWELLE
FORCELLA E ALBERO COMANDO PDF
HORQUILLA Y BARRA CORREDIZA DE LA TDF
KRAFTUTTAGETS VAXELFORARE OCH STANG
L113605 -UN-12MAY95



L 113605

2G18

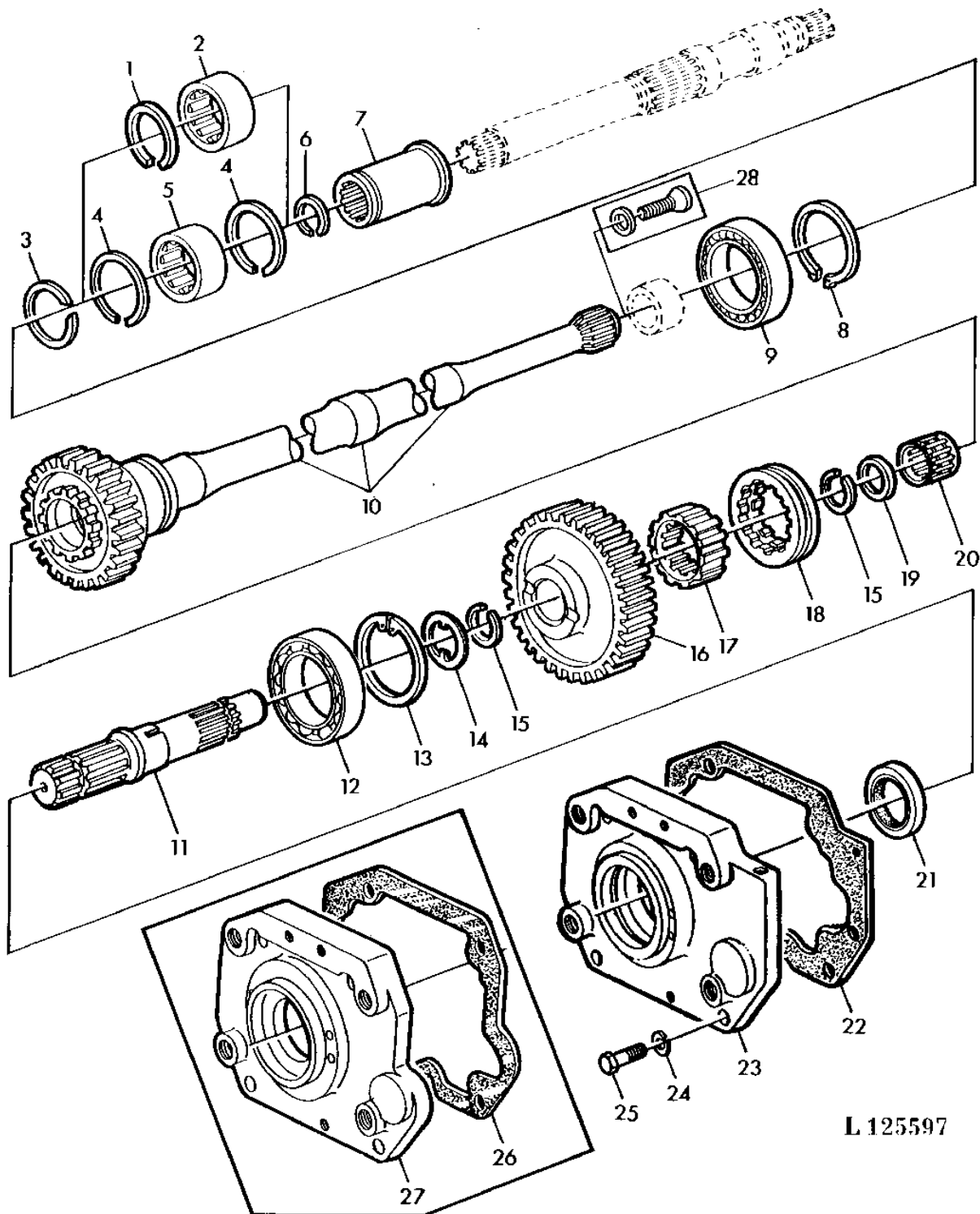
POWER TRAIN

KEY	PART NO.	PART NAME	QTY	SERIAL NO.	2	REMARKS
					0 2	
					4 1	
					0 4	
					S 0	
1	26H77	SHAFT KEY	2		X X	
2	L34255	SHIFTER ROD	1		X X	
3	34M7029	SPRING PIN	1		X X	4X30MM
4	L53813	O-RING	1		X X	
5	L35405	SPACER	1		X X	
6	24M7222	WASHER	1		X X	16X22X1,5MM
7	F2863R	SNAP RING	2		X X	
8	L34244	SHIFTER	1		X X	
9	L34247	SHOE	2		X X	
10	L34245	ARM	1		X X	
11		1		X X	

2G19

POWER TRAIN

SHIFTABLE PTO 540-1000 RPM (HANDSHIFT) WITH SYNCHRONISED TRANSMISSION
PDF COMMANDE MANUELLE 540-1000 TR/MIN (SELECTION PAR MANETTE) AVEC BOITE SYNCHRONISEE
UNABH.ZAPFWELLE 540-1000 U/MIN (UMSCHALTBAR) BEI SYNCHRONGETRIEBE
PDF CAMBIABILE A LEVA 540-1000 G/MIN (CAMBIO MANUALE) CON TIPO SINCRONIZZATO
TDF DE MANDO MANUAL 540-1000 R/MIN (REGIMEN VARIABLE) CON TIPO SINCRONIZADO
KRAFTUTT.FOR MAN.MANOVERING 540-1000 RPM (VAXLINGSBAR) VID SYNKR.TRANSMISSION
L125597 -UN-29MAY95



L 125597

2G20

POWER TRAIN

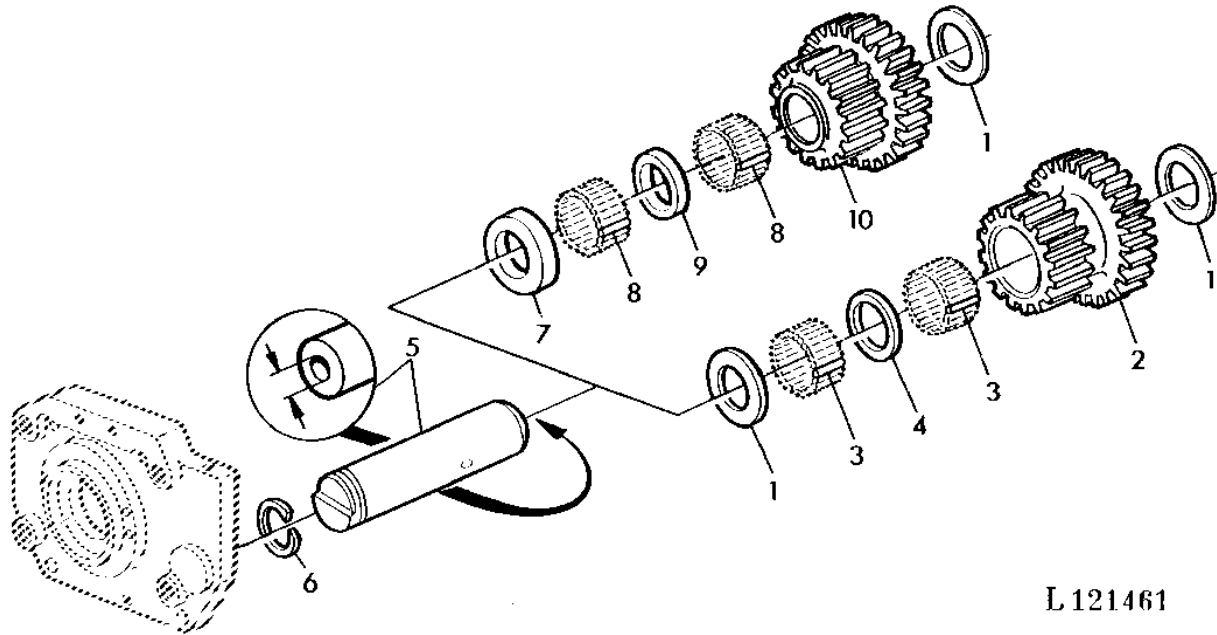
KEY	PART NO.	PART NAME	QTY	SERIAL NO.	2 0 2 4 1 0 4 S 0	REMARKS
1	L33745	SNAP RING	1		X X	(A)
2	JD10071	NEEDLE BEARING	1		X X	(A)
3	40M7071	SNAP RING	1		X X	
4	Z22760	SNAP RING	2		X X	
5	JD10108	NEEDLE BEARING	1		X X	
6	T30766	SNAP RING	1		X X	
7	L33126	SLEEVE	1		X X	
8	40M7065	SNAP RING	1		X X	70X2,5MM
9	JD10117	BEARING CUP	1		X X	
10	AL30926	SHAFT	1	-422987	X X	Z=24
	AL35627	DRIVE SHAFT	1	422988-	X X	Z=24
11	L34193	POWER-TAKEOFF	1		X X	
12	JD30132	BALL BEARING	1		X X	
13	40M7045	SNAP RING	1		X X	110X4MM
14	L34192	THRUST WASHER	1		X X	
15	40M7083	SNAP RING	2		X X	36X2,5MM
16	AL30927	GEAR	1	-422987	X X	Z=31
	AL35628	GEAR	1	422988-	X X	Z=31
17	L34191	SHIFT COLLAR CARRIER	1		X X	
18	L35274	SHIFT COLLAR	1	-422987	X X	
	L29283	SHIFT COLLAR	1	422988-	X X	
19	L34243	WASHER	1		X X	
20	JD10064	NEEDLE BEARING	1		X X	
21	L34257	SEAL	1		X X	
22	L60548	GASKET	1		X X	
23	L60542	BEARING CAP	1		X X	(ORD AL67447)
24	12H301	LOCK WASHER	4		X X	1/2"
25	19H1721	CAP SCREW	4		X X	1/2"X1-1/2"
26	L29268	GASKET	1		X X	
27	L37839	BEARING CAP	1		X X	(ORD AL67447, 99M6934) (SUB FOR L34188)
28	AL68461	KIT	1		X X	(A)

(A) WITH FRONT WHEEL DRIVE
 AVEC PONT AVANT
 BEI FRONTANTRIEB
 CON TRAZIONE ANTERIORE
 CON TRACCION DELANTERA
 VID FRAMHJULSDRIFT

2G21

POWER TRAIN

PTO COUNTERSHAFT, GEAR
 ARBRE INTERMEDIAIRE
 ZAPFWELLEN-VORGELEGE
 RINVIO PRESA DI FORZA
 ENGRANAJE DE LA T.D.F.
 KRAFTUTTAGETS MELLANAXEL
 L121461 -UN-15MAY95



L121461

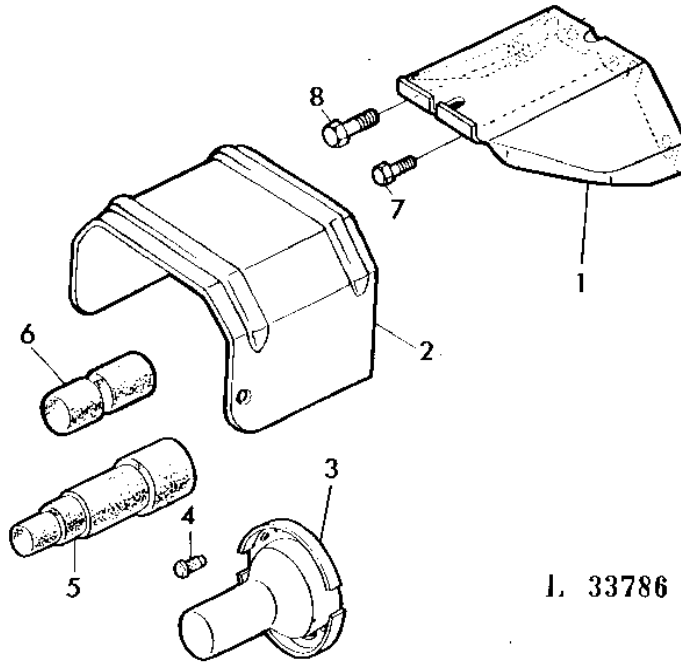
KEY	PART NO.	PART NAME	QTY	SERIAL NO.	REMARKS
				2	
				0 2	
				4 1	
				0 4	
				S 0	
1	T30793	THRUST WASHER	2	X X	
	T30793	THRUST WASHER	1	X	(A)
2	L34125	GEAR	1	X X	Z=16/23
3	AL36578	NEEDLE BEARING	1	X X	KIT, PACKG 48
4	L34124	WASHER	1	X X	
5	R33852	COUNTERSHAFT	1	X X	12,7MM (ORD L63222, AL66200, AL67182)
	L63222	COUNTERSHAFT	1	X X	10,3MM
	R33852	COUNTERSHAFT	1	X	(A) 12,7MM (ORD L63222)
6	R33320	SNAP RING	1	X X	
7	R38216	SPACER	1	X	(A)
8	R26006	NEEDLE ROLLER	48	X	(A)
9	R38215	WASHER	1	X	(A)
10	R38214	GEAR	1	X	(A) Z=16/23

(A) WITH COLLAR-SHIFT TRANSMISSION
 AVEC BOITE A MANCHONS BALADEURS
 BEI MUFFENSCHALTGETRIEBE
 CON TRASM.A COLLARE SCORREVOLE
 CON TRANSM.DE COLLAR.DESPLAZABLES
 VID VAXELLADA "COLLAR-SHIFT"

2G22

POWER TRAIN

POWER TAKE-OFF GUARD
 GARANT DE PDF
 ZAPFWELLENSCHUTZ
 PROTEZIONE PDF
 PROTECCIONES DE LA TDF
 KRAFTUTTAGSSKYDD
 L33786 -UN-31MAY95



I. 33786

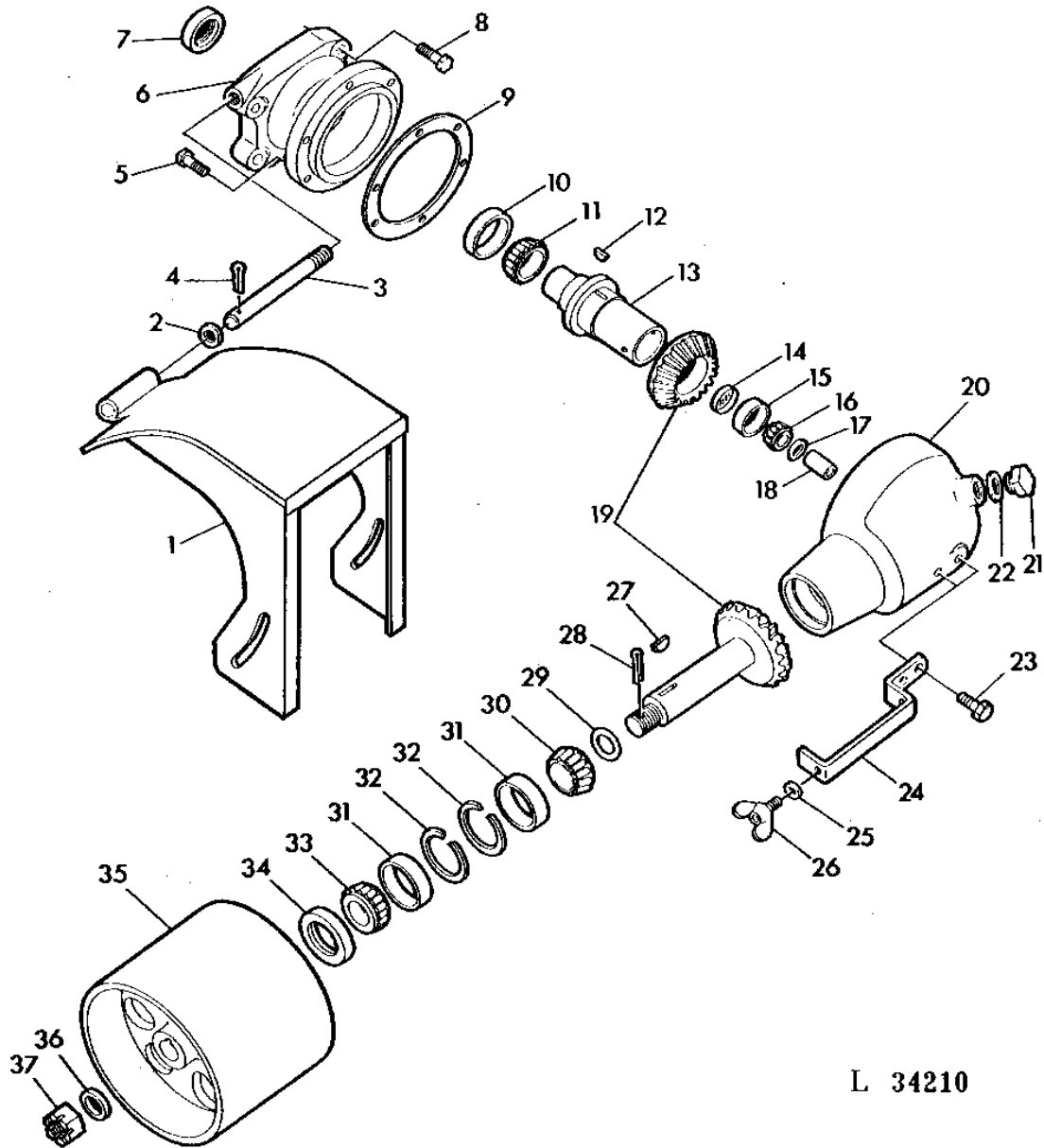
2
 0 2
 4 1
 0 4
 S 0

KEY	PART NO.	PART NAME	QTY	SERIAL NO.	REMARKS
1	T30037	GUARD	1	X X	540 U/MIN (R.P.M.)
	T30802	SHIELD	1	X X	540-1000 U/MIN (R.P.M.)
2	AR53799	GUARD	1	X X	
3	L64456	GUARD	1	X X	(SUB FOR AR26782)
4	R27329	SCREW	2	X X	
5	T30804	GUARD	1	X X	540-1000 U/MIN (R.P.M.)
6	L12974	CAP	1	X X	540 U/MIN (R.P.M.)
7	19H2284	CAP SCREW	2	X X	3/8"X7/8"
8	19H1792	CAP SCREW	2	X X	1/2"X1"

2G23

POWER TRAIN

BELT PULLEY 540 R.P.M.
POULIE 540 TR/MIN
RIEMENSCHIEBE 540 U/MIN
PULEGGIA 540 GIRI/MIN
POLEA DE LA TRILLA 540 R/M
REMSKIVA 540 VARV/MIN
L34210 -UN-01JAN94



L 34210

2G24

POWER TRAIN

KEY	PART NO.	PART NAME	QTY	SERIAL NO.	REMARKS
					2
					0 2
					4 1
					0 4
					S 0
1	AT27264	GUARD	1		X
2	24H1378	WASHER	1		X 11/16"X1-1/2"X.134"
3	T29240	STUD	1		X 5/8"
4	11H239	COTTER PIN	1		X 5/32"X1"
5	19H2508	CAP SCREW	6		X 1/2"X1-3/8"
6	T29243	QUILL	1		X
	T29550	QUILL	1		X (B)
7	AT12431	SEAL	1		X
8	19H1930	CAP SCREW	4		X 1/2"X2-1/2"
9	R44361	SHIM	AR		X 0,13MM(.005")
	T13341	SHIM	AR		X 0,25MM(.010")
	R44372	SHIM	AR		X (A) 0,13MM(.005"- .006")
10	JD8247	BEARING CUP	1		X FRONT
11	JD8922	BEARING CONE	1		X FRONT
12	26H85	SHAFT KEY	1		X 1/4"X1"
13	T22999	HUB	1		X
14	M2206T	CAP	1		X
15	JD7438	BEARING CUP	1		X REAR
16	JD8135	BEARING CONE	1		X REAR
17	T13331	SHIM	AR		X 0,08MM(.003")
	T13332	SHIM	AR		X 0,13MM(.005")
	T13333	SHIM	AR		X 0,25MM(.010")
18	T13471	PIN	1		X
19	AT28050	DRIVE SHAFT	1		X Z=13/23,KIT
20	T29242	CASE	1		X
21	R26727	DRAIN PLUG	1		X
22	A4827R	WASHER	1		X
23	19H2284	CAP SCREW	2		X 3/8"X7/8"
24	T29239	BAIL	1		X
25	24H1136	WASHER	2		X 11/32"X11/16"X.060"
26	T29241	WING SCREW	2		X 5/16"
27	26H93	SHAFT KEY	1		X 1/4"X1-1/4"
28	11H222	COTTER PIN	1		X 3/16"X2"
29	L11027	SHIM	AR		X 0,10MM(.004")
	R48566	SHIM	AR		X 0,15MM(.006")
	L11028	SHIM	AR		X 0,20MM(.008")
30	JD8969	BEARING CONE	1		X
31	JD7418	BEARING CUP	2		X
32	T13325	SNAP RING	2		X
33	JD8982	BEARING CONE	1		X
34	AT16887	SEAL	1		X
35	T18718	PULLEY	1		X
36	R30399	WASHER	1		X (SUB FOR T18996)
37	14H920	NUT	1		X 1"

(A) PAPER
 PAPIER
 PAPIER
 CARTA
 PAPEL
 PAPPER

(B) WITH INDEPENDENT PTO
 AVEC PDF INDEPENDANTE
 BEI UNABHAENGIGER ZAPFWELLE
 CON PDF INDIP.
 CON TDF INDEP.
 VID OBER.KRAFTUTTAG

2G25

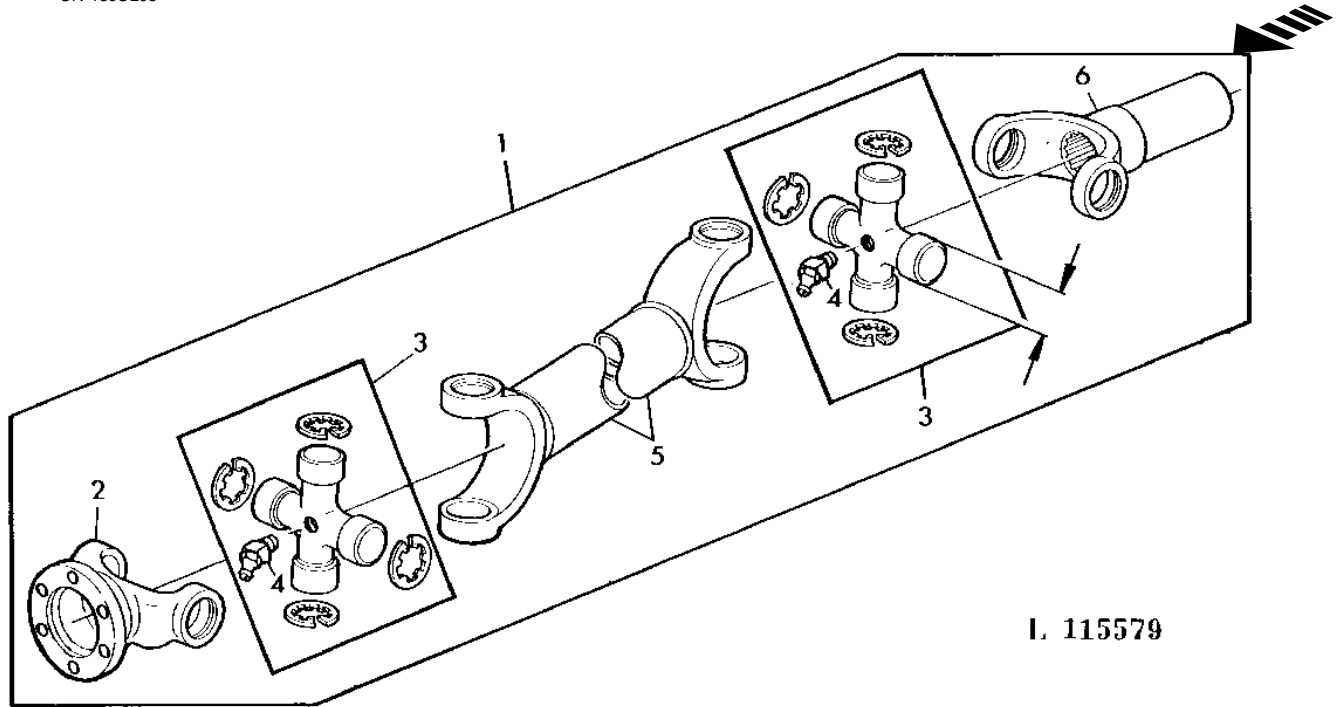
POWER TRAIN

MEMORANDA
MEMORANDA
MEMORANDA
MEMORANDA
MEMORANDA

2H1

POWER TRAIN

FWD DRIVE SHAFT
 PONT AVANT-ARBRE A CARDANS
 FRONTANTRIEB-GELENKWELLE
 TRAZ.ANT.ALBERO COMANDO
 EJE CON JUNTAS CARDAN.TRAC.DELANT.
 FRAMHJULSDRIFT-DRIVAXEL
 L115579 -UN-18JUL95



I. 115579

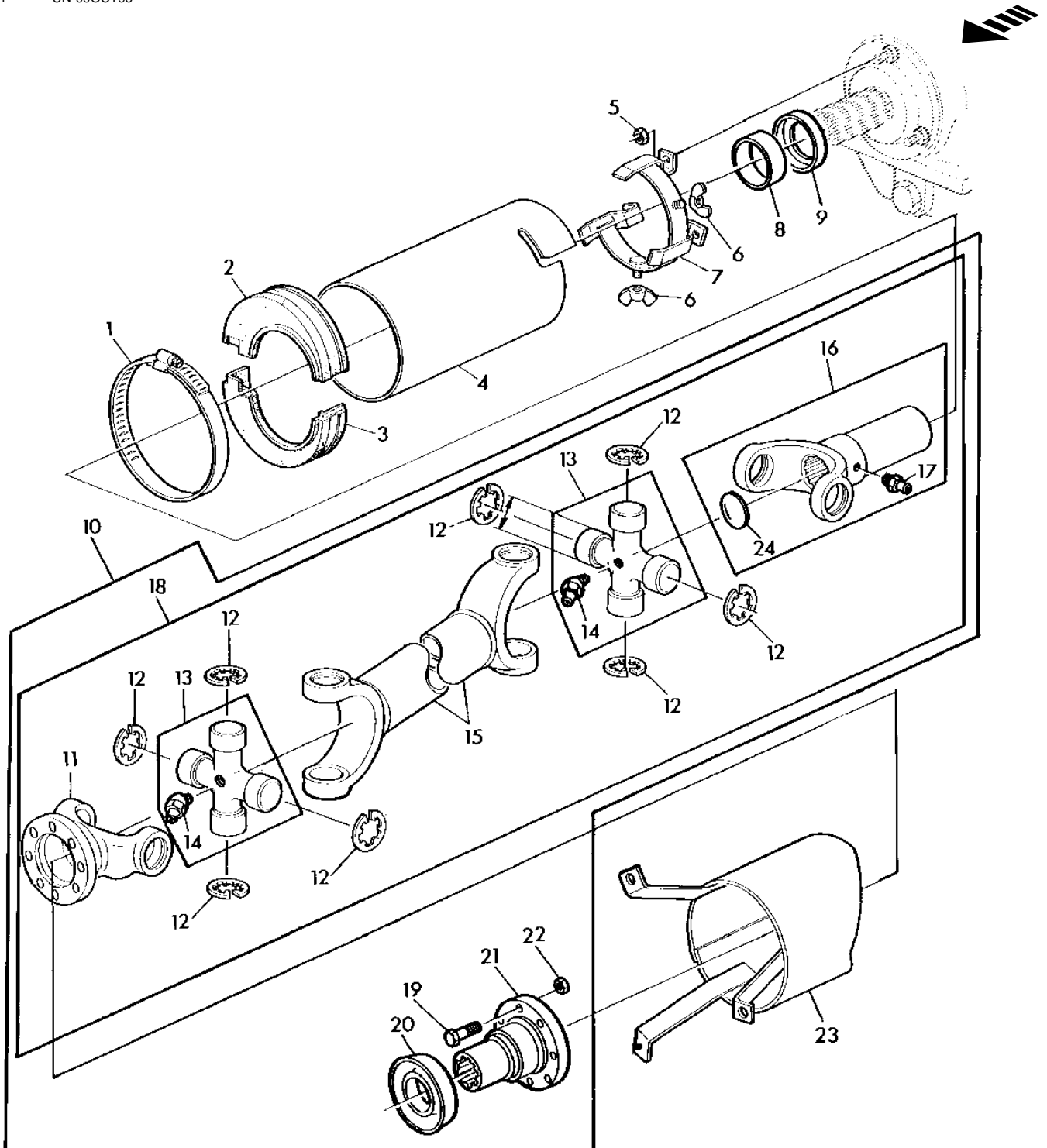
KEY	PART NO.	PART NAME	QTY	SERIAL NO.	REMARKS
				2	
				0 2	
				4 1	
				0 4	
				S 0	
1	AL28950	UNIVERSAL DRIVESHAFT	1	X	(ORD AL38765)
	AL28837	UNIVERSAL DRIVESHAFT	1	X	(ORD AL37072)
2	L37213	FLANGE	1	X	
	L37212	FLANGE	1	X	
3	AL34709	UNIVERSAL JOINT CROSS	2	X X	O.D.=30MM
4	58M5579	LUBRICATION FITTING	2	X X	
5	AL34714	UNIVERSAL JOINT, WITH SHAF	1	X	
	AL34712	UNIVERSAL JOINT, WITH SHAF	1	X	
6	AL34711	UNIVERSAL JOINT YOKE	1	X X	

2H2

POWER TRAIN

FWD DRIVE SHAFT/GUARD
PONT AVANT ARBRE DE TRANSMISSION/GARANT
FRONTANTRIEB-GELENKWELLE/SCHUTZ
TRAZION ANTERIORE-ALBERO CARDAN./PROTEZIONI
TRACCION DELANTERA-EJE DE JUNTAS CARDAN./CORAZAS
FRAMHJULSDRIFT-KARDANAXEL/SKYDD

L119981 -UN-09OCT95



L 119981

2H3

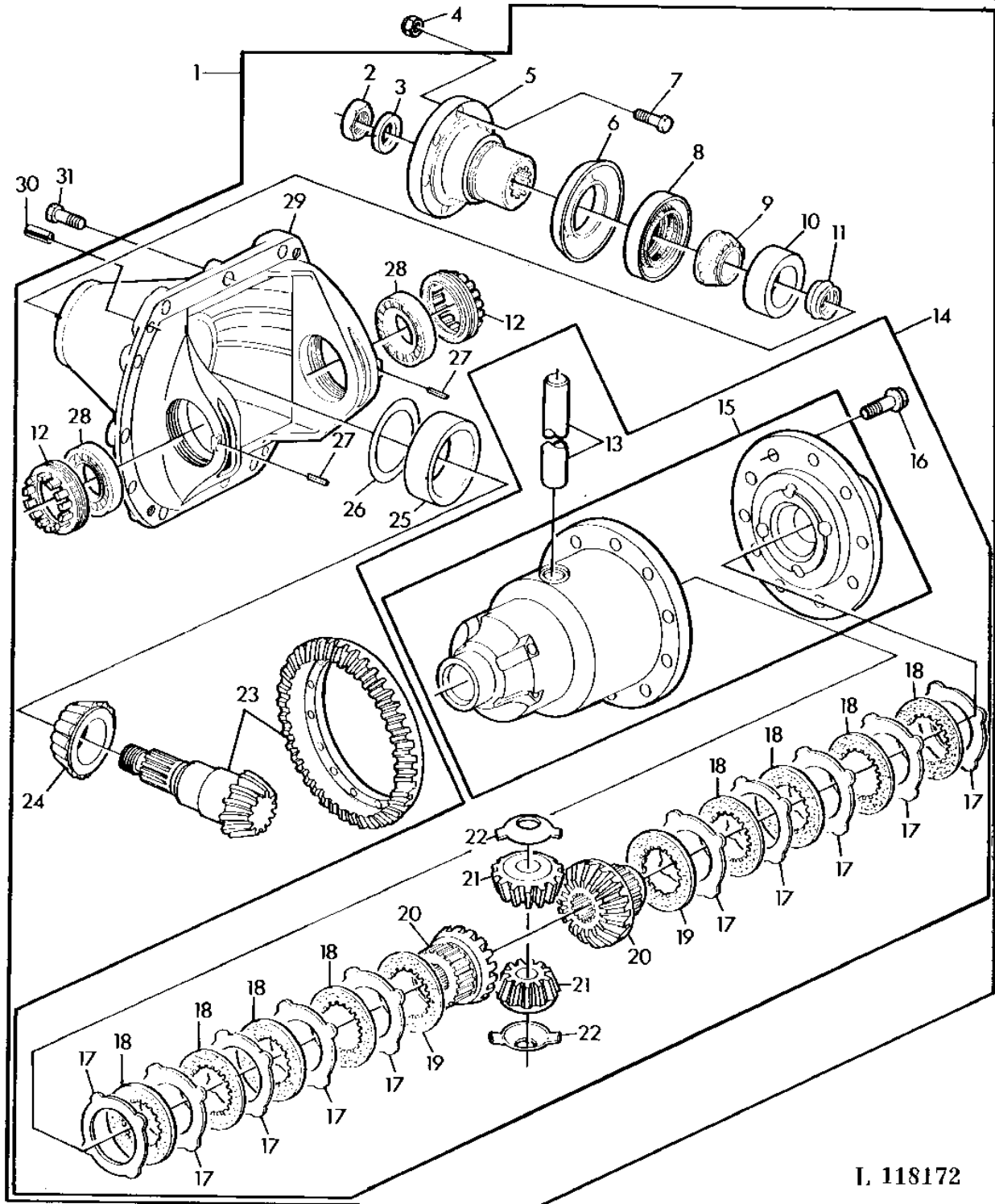
POWER TRAIN

KEY	PART NO.	PART NAME	QTY	SERIAL NO.	REMARKS
					2
					0 2
					4 1
					0 4
					S 0
1	AR85327	CLAMP	1		X X
2	L39031	GUARD	1		X X
3	L39032	GUARD	1		X X
4	L39018	GUARD	1		X X REAR
5	14M7273	NUT	3		X X M8
6	14M7020	WING NUT	2		X X M8
7	AL36722	BRACKET	1		X X
8	L40622	BUSHING	1		X X
9	L40621	WASHER	1		X X
10	AL38765	UNIVERSAL JOINT	1		X (SUB FOR AL28950)
11	L39214	FLANGE	1		X X
12	40M7112	SNAP RING	8		X X
13	AL37069	CROSS AND BEARING ASSEMBLY	2		X X O.D.=35MM
14	58M5579	LUBRICATION FITTING	2		X X
15	AL38767	UNIVERSAL JOINT	1		X
	AL37073	YOKE, WITH TUBE	1		X
16	AL37071	YOKE, WITH TUBE	1		X X
17	58M5574	LUBRICATION FITTING	1		X X
18	AL38766	UNIVERSAL JOINT	1		X
	AL37072	UNIVERSAL DRIVESHAFT	1		X (SUB FOR AL28837)
19	L35718	CAP SCREW	8		X M10X1X28
20	L35568	DUST SHIELD	1		X (SUB FOR L40706)
21	L40705	FLANGE	1		X
22	14M7308	LOCK NUT	8		X M10X1
23	AL36721	GUARD	1		X FRONT
	AL36724	GUARD	1		X FRONT
24	30M7017	PLUG	1		X X

2H4

POWER TRAIN

FWD DIFFERENTIAL AND CARRIER/Self-LOCKING DIFFERENTIAL (APL 1351)
PONT AVANT ET COUPLE CONIQUE/DIFFERENTIEL AUTOBLOQUANT (APL 1351)
FRONTANTRIEB-ACHSEINSATZ/SELBSTSPERRDIFFERENTIAL (APL 1351)
TRAZ.ANT.-PIASTRA PORT.ASSALE/DIFFERENZIALE AUTOBLOCCANTE (APL 1351)
CONJUNTO DE BRIDA DE EJE PARA TRAC.DELANT./DIFERENC.AUTOBL.(APL 1351)
FRAMHJULSDRIFT-AXELHUS DIFFERENTIALBROMS (APL 1351)
L118172 -UN-26MAY95



L 118172

2H5

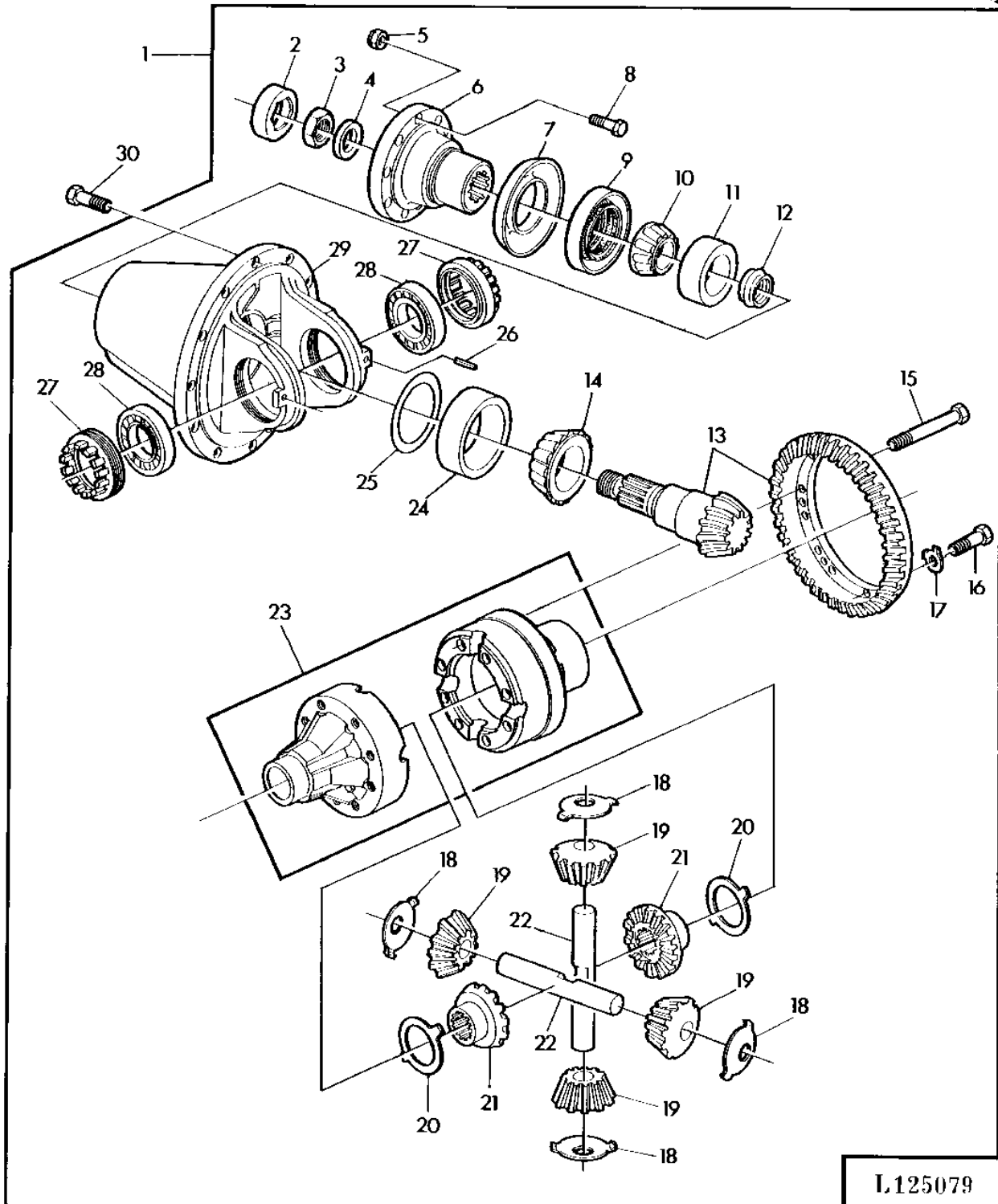
POWER TRAIN

KEY	PART NO.	PART NAME	QTY	SERIAL NO.	REMARKS
					2
					0 2
					4 1
					0 4
					S 0
1	AL33085	CRADLE	1		X
2	14M7306	NUT	1		X M20X1,5
3	L35562	WASHER	1		X
4	14M7298	FLANGE NUT	6		X M8X1,25
5	L35567	FLANGE	1		X
6	L35568	DUST SHIELD	1		X
7	L35569	CAP SCREW	6		X M8X25
8	AL32869	SEAL	1		X
9	JD8295	BEARING CONE	1		X
10	JD8267	BEARING CUP	1		X
11	L35556	SLEEVE	1		X
12	L35561	NUT	2		X M88X1,5
13	L35585	PIN	1		X
14	AL33081	DIFFERENTIAL LOCK	1		X
15	AL33080	CASE	1		X
16	19M7871	SCREW	10		X M10X1X22
17	L62419	DISK, OUTER SPLINE	AR		X TK=1,2MM(0.047")
	L35577	PLATE	AR		X TK=1,3MM(0.051")
	L62420	DISK, OUTER SPLINE	AR		X TK=1,4MM(0.055")
18	L35578	DISK	8		X
19	L63828	DISK, INNER SPLINE	2		X TK=3,2MM(0.126") (SUB FOR L35581, L35580, L35579)
20	L35582	GEAR	2		X
21	L35583	BEVEL GEAR	2		X
22	L35584	THRUST WASHER	2		X
23	AL32871	GEAR	1		X Z=12/31
24	JD8967	BEARING CONE	1		X
25	JD8252	BEARING CUP	1		X
26	L35560	SHIM	AR		X TK=0,1MM(.003")
	L35559	SHIM	AR		X TK=0,2MM(.007")
	L35558	SHIM	AR		X TK=0,3MM(.011")
	L35557	SHIM	1		X TK=0,6MM(.023")
27	34M7033	SPRING PIN	2		X 5X30MM
28	JD37071	ROLLER BEARING	2		X
29	L35555	CRADLE	1		X
30	34M7111	SPRING PIN	2		X 10X30MM
31	19M7550	CAP SCREW	12		X M10X35

2H6

POWER TRAIN

FWD DIFFERENTIAL AND CARRIER/DIFFERENTIAL (APL 1552)
PONT AVANT ET COUPLE CONIQUE/DIFFERENTIEL (APL 1552)
FRONTANTRIEB-ACHSEINSATZ/DIFFERENTIAL (APL 1552)
TRAZ.ANT.-PIASTRA PORT.ASSALE/DIFFERENZIALE (APL 1552)
CONJUNTO DE BRIDA DE EJE PARA TRAC.DELANT./DIFERENC.(APL 1552)
FRAMHJULSDRIFT-AXELHUS/DIFFERENTIAL (APL 1552)
L125079 -UN-09OCT95



L125079

2H7

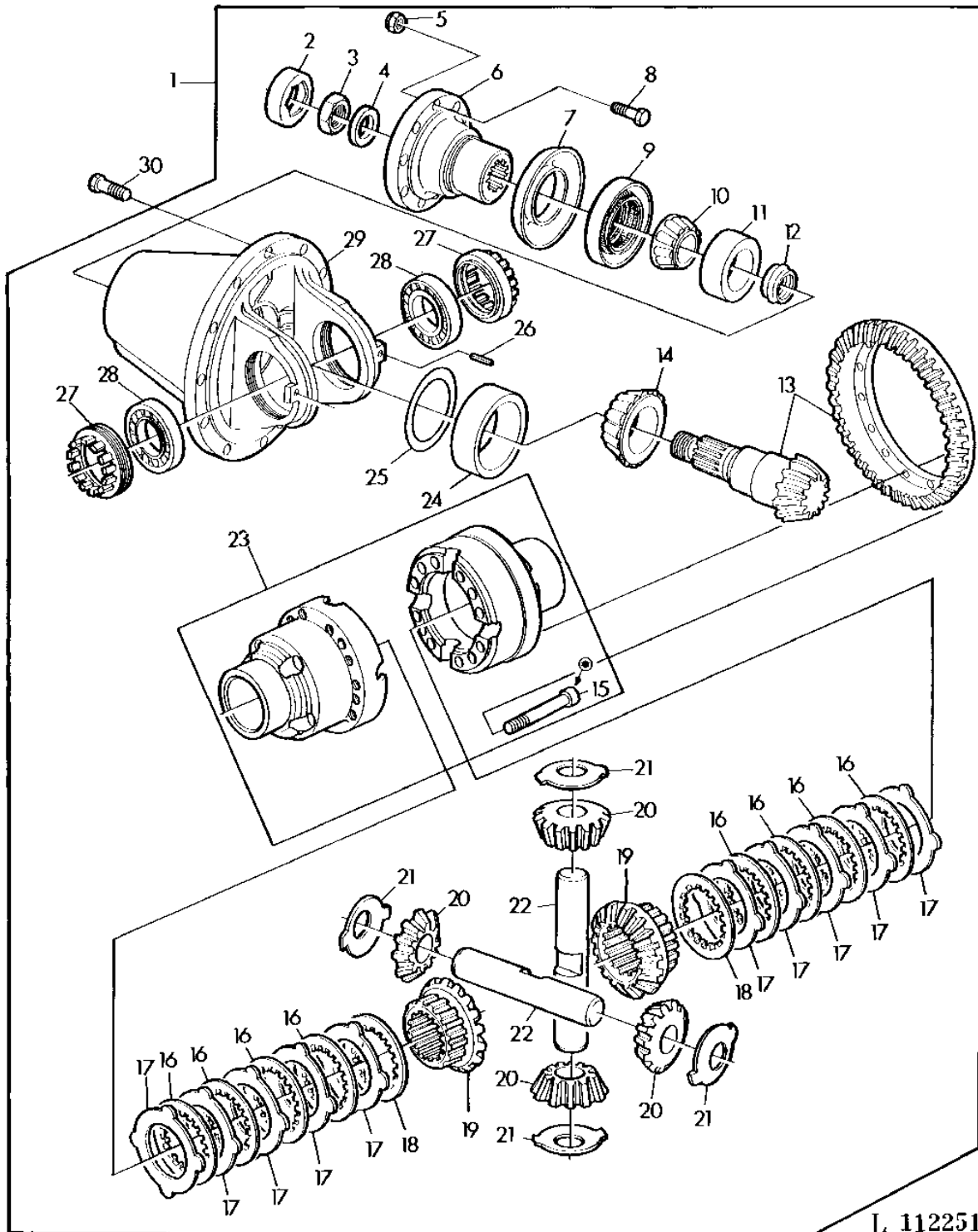
POWER TRAIN

KEY	PART NO.	PART NAME	QTY	SERIAL NO.	REMARKS
					2
					0 2
					4 1
					0 4
					S 0
1	AL33086	CRADLE	1		X
2	L35715	PLATE	1		X
3	14M7309	NUT	1		X M24X1,5
4	L35714	WASHER	1		X
5	14M7308	LOCK NUT	8		X M10X1
6	L35716	FLANGE	1		X
7	L35717	DUST SHIELD	1		X
8	L35718	CAP SCREW	8		X
9	AL32981	SEAL	1		X
10	JD8947	BEARING CONE	1		X
11	JD8257	BEARING CUP	1		X
12	L35712	BUSHING	1		X
13	AL32983	GEAR	1		X Z=12/36
14	JD10094	ROLLER BEARING	1		X
15	19M7875	CAP SCREW	8		X M10X70
16	19M7662	CAP SCREW	4		X M10X30
17	L35723	LOCK PLATE	4		X
18	L35584	THRUST WASHER	4		X
19	L35583	BEVEL GEAR	4		X
20	L35726	THRUST WASHER	2		X
21	L35724	BEVEL GEAR	2		X
22	L35725	SHAFT	2		X
23	AL33088	CASE	1		X
24	JD8240	BEARING CUP	1		X
25	L35710	SHIM	AR		X TK=0,1MM(.003")
	L35709	SHIM	AR		X TK=0,2MM(.007")
	L35708	SHIM	AR		X TK=0,3MM(.011")
	L35707	SHIM	1		X TK=0,5MM(.019")
26	34M7041	SPRING PIN	2		X 6X36MM
27	L35713	NUT	2		X M92X1,5
28	JD37087	ROLLER BEARING	2		X
29	L35711	CRADLE	1		X
30	19M7879	CAP SCREW	12		X M10X28

2H8

POWER TRAIN

FWD DIFFERENTIAL AND CARRIER/Self-LOCKING DIFFERENTIAL (APL 1552)
PONT AVANT ET COUPLE CONIQUE/DIFFERENTIEL AUTOBLOQUANT (APL 1552)
FRONTANTRIEB-ACHSEINSATZ/SELBSTSPERRDIFFERENTIAL (APL 1552)
TRAZ.ANT.-PIASTRA PORT.ASSALE/DIFFERENZIALE AUTOBLOCCANTE (APL 1552)
CONJUNTO DE BRIDA DE EJE PARA TRAC.DELANT./DIFERENC. AUTOBL.(APL 1552)
FRAMHJULSDRIFT-AXELHUS DIFFERENTIALBROMS (APL 1552)
L112251 -UN-28JUL95



2H9

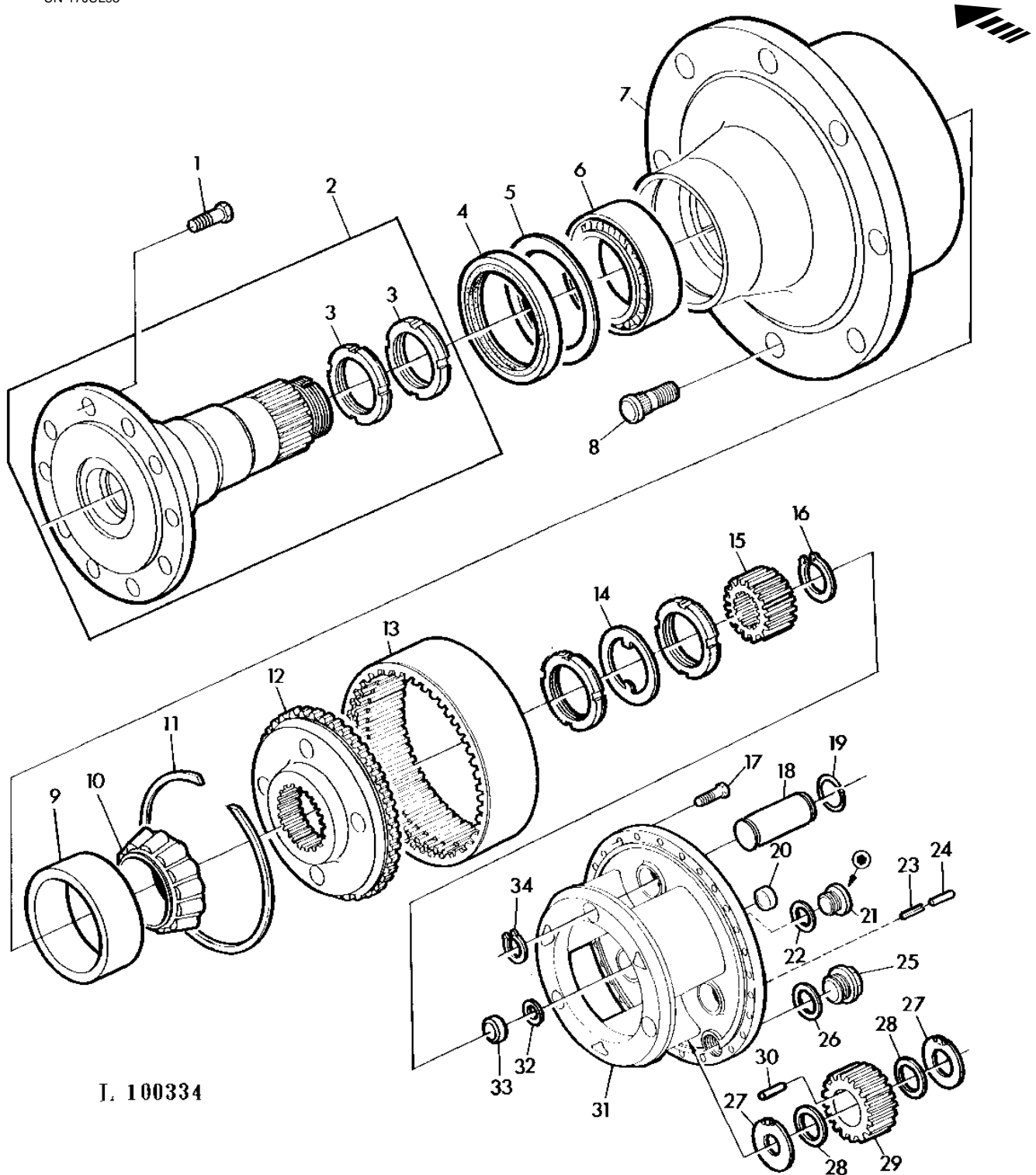
POWER TRAIN

KEY	PART NO.	PART NAME	QTY	SERIAL NO.	REMARKS
					2
					0 2
					4 1
					0 4
					S 0
1	AL33087	CRADLE	1		X
2	L35715	PLATE	1		X
3	14M7309	NUT	1		X M24X1,5
4	L35714	WASHER	1		X
5	14M7308	LOCK NUT	8		X M10X1
6	L35716	FLANGE	1		X
7	L35717	DUST SHIELD	1		X
8	L35718	CAP SCREW	8		X M10X1X28
9	AL32981	SEAL	1		X
10	JD8947	BEARING CONE	1		X
11	JD8257	BEARING CUP	1		X
12	L35712	BUSHING	1		X
13	AL32983	GEAR	1		X Z=12/36
14	JD10094	ROLLER BEARING	1		X
15	19M7876	SCREW	12		X M10X70
16	L35578	DISK	8		X
17	L62419	DISK, OUTER SPLINE	AR		X TK=1,2MM(0.047")
	L35577	PLATE	AR		X TK=1,3MM(0.051")
	L62420	DISK, OUTER SPLINE	AR		X TK=1,4MM(0.055")
18	L63828	DISK, INNER SPLINE	2		X TK=3,2MM(0.126") (SUB FOR L35581, L35580, L35579)
19	L35728	GEAR	2		X
20	L35583	BEVEL GEAR	4		X
21	L35584	THRUST WASHER	4		X
22	L35725	SHAFT	2		X
23	AL32990	CASE	1		X
24	JD8240	BEARING CUP	1		X
25	L35710	SHIM	AR		X TK=0,1MM(.003")
	L35709	SHIM	AR		X TK=0,2MM(.007")
	L35708	SHIM	AR		X TK=0,3MM(.011")
	L35707	SHIM	1		X TK=0,5MM(.019")
26	34M7041	SPRING PIN	2		X 6X36MM
27	L35713	NUT	2		X M92X1,5
28	JD37087	ROLLER BEARING	2		X
29	L35711	CRADLE	1		X
30	19M7879	CAP SCREW	12		X M10X28

2H10

POWER TRAIN

FWD HUB CARRIER AND PLANETARY DRIVE (APL 1351)
MOYEU ET REDUCTEUR PLANETAIRE DE PONT AVANT (APL 1351)
FRONTANTRIEB-NABENTRAEGER/PLANETENTRIEB (APL 1351)
TRAZ.ANT.SUPPORTO MOZZO/RIDUTT.PLANETARIO (APL 1351)
SOPORTE DE BRIDA Y REDUCC.POR PLANETARIOS DE FWD (APL 1351)
FRAMHJULSDRIFT-NAVHALLARE/PLANETDREV (APL 1351)
L100334 -UN-17JUL95



I. 100334

2H11

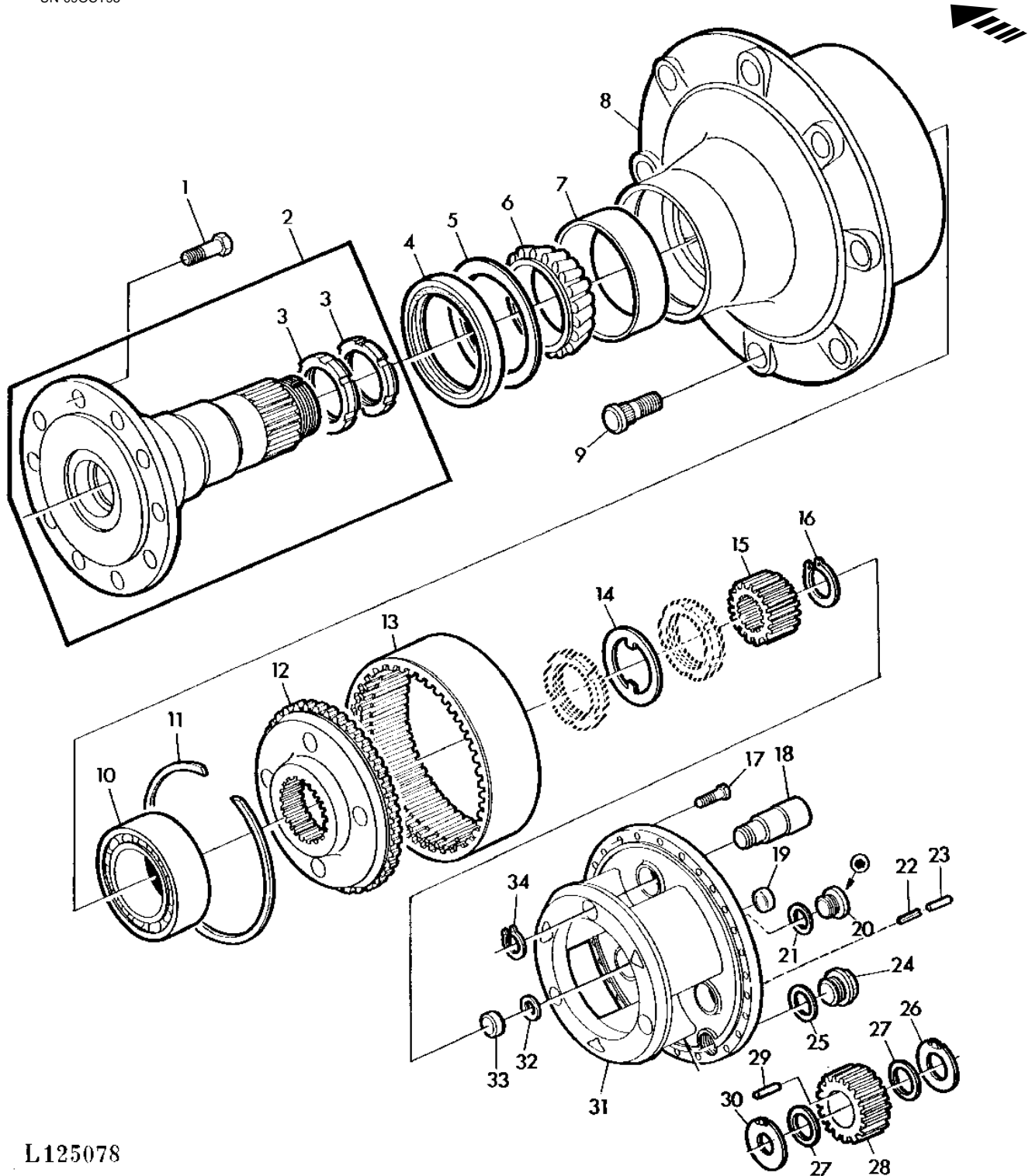
POWER TRAIN

KEY	PART NO.	PART NAME	QTY	SERIAL NO.	REMARKS
					2
					0 2
					4 1
					0 4
					S 0
1	19M7872	CAP SCREW	24	X	M12X25
2	AL33349	AXLE	2	X	
3	L35612	NUT	4	X	
4	AL32888	SEAL	2	X	
5	L35616	WASHER	2	X	
6	JD10148	ROLLER BEARING	2	X	
7	L35617	HUB	2	X	
8	L35619	WHEEL BOLT	16	X	
9	JD9121	BEARING CUP	2	X	
10	JD9058	BEARING CONE	2	X	
11	40M7079	SNAP RING	2	X	170X2,5MM
12	L35598	GEAR	2	X	Z=72
13	L35599	GEAR	2	X	Z=72
14	L35613	PLATE	2	X	
15	L35597	GEAR	2	X	Z=18
16	40M7078	SNAP RING	2	X	28X1,5MM
17	19M7513	CAP SCREW	54	X	M8X30
18	L35587	GROOVE PIN	6	X	
19	40M7075	SNAP RING	6	X	22MM
20	30M7004	CAP	2	X	
21	15M7025	DRAIN PLUG	2	X	M24X1,5
22	51M4240	RING	2	X	18X22MM
23	34M7110	SPRING PIN	8	X	8X26MM
24	34M7102	SPRING PIN	8	X	5X26MM
25	L35596	DRAIN PLUG	2	X	M24X1,5
26	51M7018	RING	2	X	24X29MM
27	L35591	THRUST WASHER	12	X	
28	L35590	WASHER	12	X	
29	L35588	PINION	6	X	Z=26
30	L35589	NEEDLE ROLLER	32	X	
31	L35586	PLANET PINION CARRIER	2	X	
32	L35595	SHIM	AR	X	TK=0,3MM (.012")
	L35594	SHIM	AR	X	TK=0,5MM (.019")
	L35593	WASHER	2	X	TK=1,0MM (.039")
33	L35592	DOWEL PIN	2	X	
34	40M7076	SNAP RING	6	X	24X1,2MM

2H12

POWER TRAIN

FWD HUB CARRIER AND PLANETARY DRIVE (APL 1552)
MOYEU ET REDUCTEUR PLANETAIRE D'ESSIEU PONT AVANT (APL 1552)
FRONTANTRIEB-NABENTRAEGER/PLANETENTRIEB (APL 1552)
TRAZ.ANT.SUPPORTO MOZZO/RIDUTT.PLANETARIO (APL 1552)
SUPORTE DE BRIDA Y REDUCC.POR PLANETARIOS DE FWD (APL 1552)
FRAMHJULSDRIFT-NAVHALLARE/PLANETDREV (APL 1552)
L125078 -UN-09OCT95



L125078

2H13

POWER TRAIN

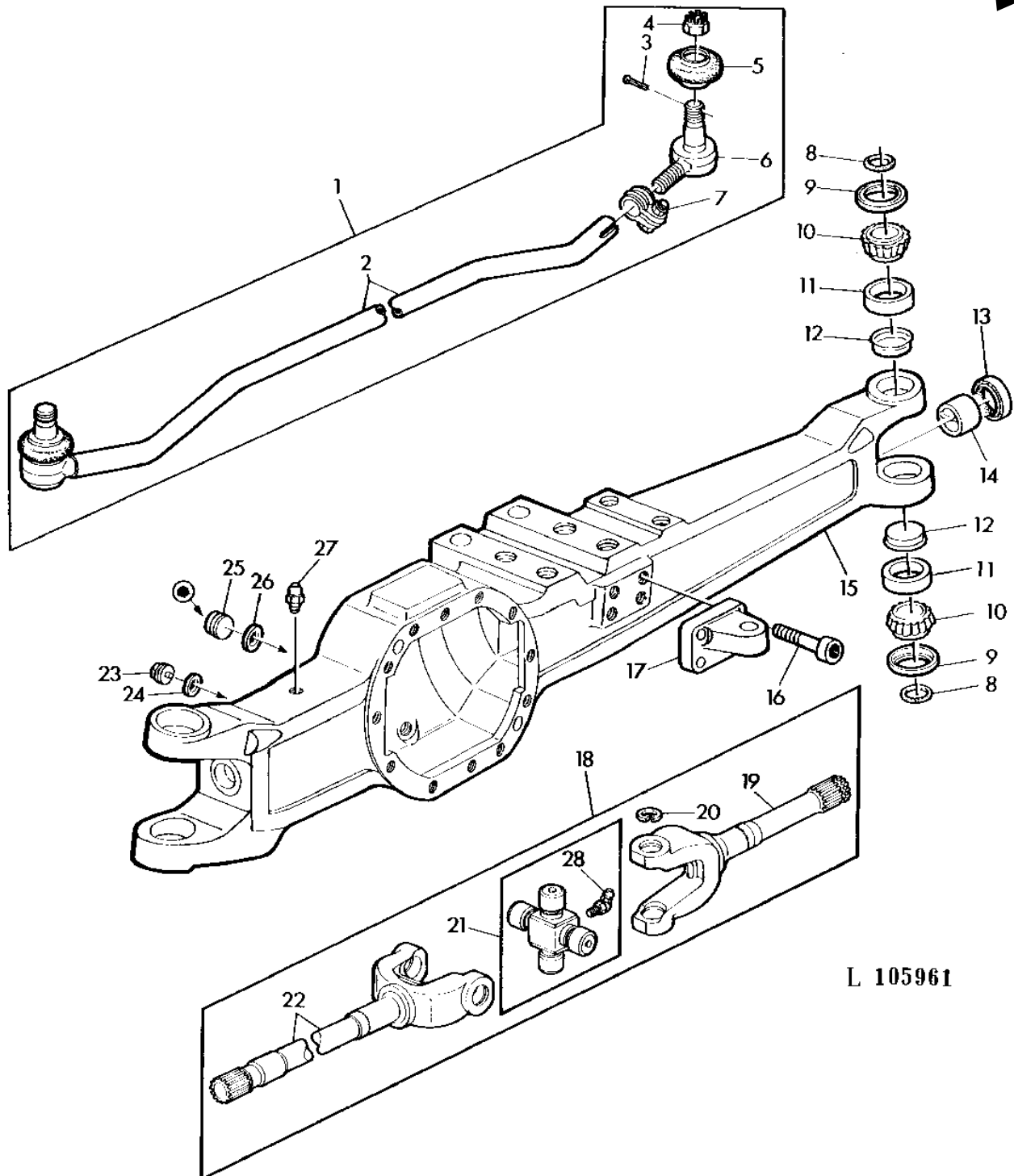
KEY	PART NO.	PART NAME	QTY	SERIAL NO.	REMARKS
					2
					0 2
					4 1
					0 4
					S 0
1	19M7877	CAP SCREW	24		X M14X30
2	AL33351	AXLE	2		X
3	52M7013	NUT	4		X M50X1,5
4	AL32997	SEAL	2		X
5	L35763	WASHER	2		X
6	JD8946	BEARING CONE	2		X
7	JD7272	BEARING CUP	2		X
8	L35764	HUB	2		X
9	L35619	WHEEL BOLT	16		X
10	JD10096	ROLLER BEARING	2		X
11	40M7079	SNAP RING	2		X 170X2,5MM
12	L35735	GEAR	2		X Z=65
13	L35736	GEAR	2		X Z=68
14	L35760	PLATE	2		X
15	L35734	GEAR	2		X Z=19
16	40M7081	SNAP RING	2		X 32X2MM
17	19M7513	CAP SCREW	54		X M8X30
18	L35731	PIN	6		X
19	30M7004	CAP	2		X
20	15M7025	DRAIN PLUG	2		X M24X1,5
21	51M4240	RING	2		X 18X22MM
22	34M7110	SPRING PIN	8		X 8X26MM
23	34M7102	SPRING PIN	8		X 5X26MM
24	L35596	DRAIN PLUG	2		X M24X1,5
25	51M7018	RING	1		X 24X29MM
26	L35591	THRUST WASHER	6		X
27	L35590	WASHER	12		X
28	L35732	PINION	6		X Z=22
29	L35739	NEEDLE	132		X
30	L35733	WASHER	6		X
31	L35730	PLANET PINION CARRIER	2		X
32	L35595	SHIM	AR		X TK=0,3MM (.012")
	L35594	SHIM	AR		X TK=0,5MM (.019")
	L35593	WASHER	2		X TK=1,0MM (.039")
33	L35592	DOWEL PIN	2		X
34	40M7080	SNAP RING	6		X

2H14

POWER TRAIN

FRONT WHEEL DRIVE-AXLE HOUSING/TIE ROD (APL 1351)
ESS.PONT AVANT/CARTER DE PONT/BARRE D'ACCOUPLMENT (APL 1351)
FRONTANTRIEB-ACHSBRUECKE/SPURSTANGE (APL 1351)
TRAZ.ANTER.-PONTE ANTERIORE/BARRA D'ACCOPIAMENTO (APL 1351)
TRACC.DELANT.-PUENTE DELANTERO/VARILLA TENSORA (APL 1351)
FRAMHJULSDRIFT-FRAMAXEL/TIRANTE (APL 1351)

L105961 -UN-17JUL95



L 105961

2H15

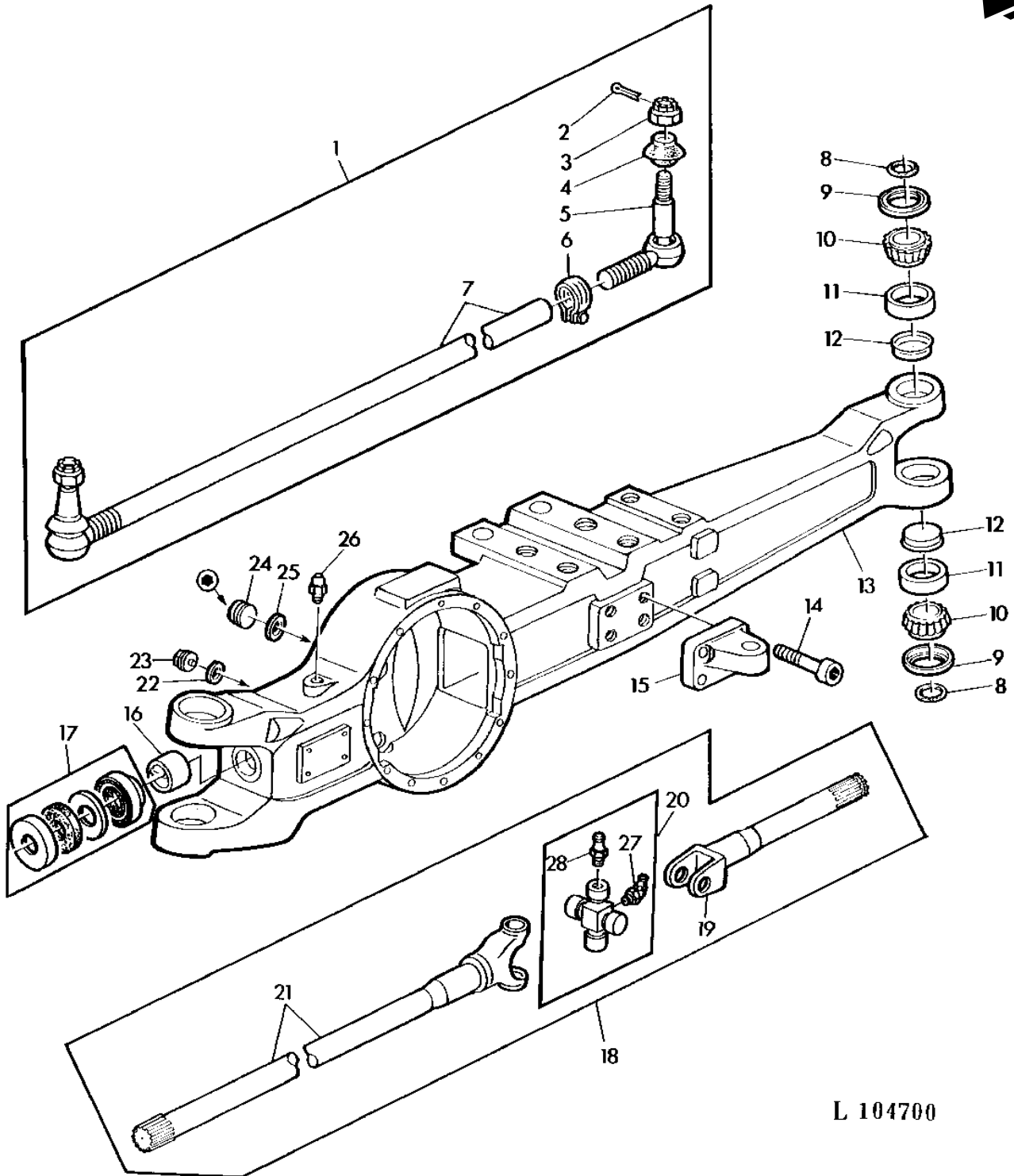
POWER TRAIN

KEY	PART NO.	PART NAME	QTY	SERIAL NO.	REMARKS
				2	
				0 2	
				4 1	
				0 4	
				S 0	
1	AL37754	TIE ROD	1	X	(SUB FOR AL34264)
2	AL34265	TIE ROD END	1	X	(ORD AL37754)
3	11M7087	COTTER PIN	2	X	4X40MM
4	14M7305	NUT	2	X	M18X1,5
5	AL32881	BOOT	2	X	
6	AL38887	TIE ROD END	1	X	(SUB FOR AL32889)
7	AL34261	CLAMP	1	X	
8	L35608	SEAL	4	X	
9	L35607	BEARING CAP	4	X	
10	JD9053	BEARING CONE	4	X	
11	JD9117	BEARING CUP	4	X	
12	L35609	COVER	4	X	
13	AL32893	SEAL	2	X	
14	L35600	SLEEVE	2	X	
15	L35602	HOUSING	1	X	
16	19M7878	SCREW	4	X	M14X35
17	L35618	BRACKET	1	X	
18	AL32882	UNIVERSAL JOINT	1	X	R.H.
	AL32886	UNIVERSAL JOINT	1	X	L.H.
19	AL32883	YOKE, WITH SHAFT	2	X	
20	40M7097	SNAP RING	8	X	27X1,3MM
21	AL32885	CROSS AND BEARING ASSEMBLY	2	X	
22	AL32884	YOKE, WITH SHAFT	1	X	R.H.
	AL32887	YOKE, WITH SHAFT	1	X	L.H.
23	AL32876	DRAIN PLUG	1	X	M18X1,5
24	51M4240	RING	1	X	18X22MM
25	15M7026	DRAIN PLUG	1	X	M24X1,5
26	51M7018	RING	1	X	24X29MM
27	AL32877	VENT	1	X	
28	58M5577	LUBRICATION FITTING	2	X	

2H16

POWER TRAIN

FRONT WHEEL DRIVE-AXLE HOUSING/TIE ROD (APL 1552)
ESS.PONT.AVANT./CARTER DE PONT/BARRE D'ACCOUPEMENT (APL 1552)
FRONTANTRIEB-ACHSBRUECKE/SPURSTANGE (APL 1552)
TRAZ.ANTER.-PONTE ANTERIORE/BARRA D'ACCOPIAMENTO (APL 1552)
TRACC.DELANT.-PUENTE DELANTERO/VARILLA TENSORA (APL 1552)
FRAMHJULSDRIFT-FRAMAXEL/TIRANTE (APL 1552)
L104700 -UN-28JUL95



L 104700

2H17

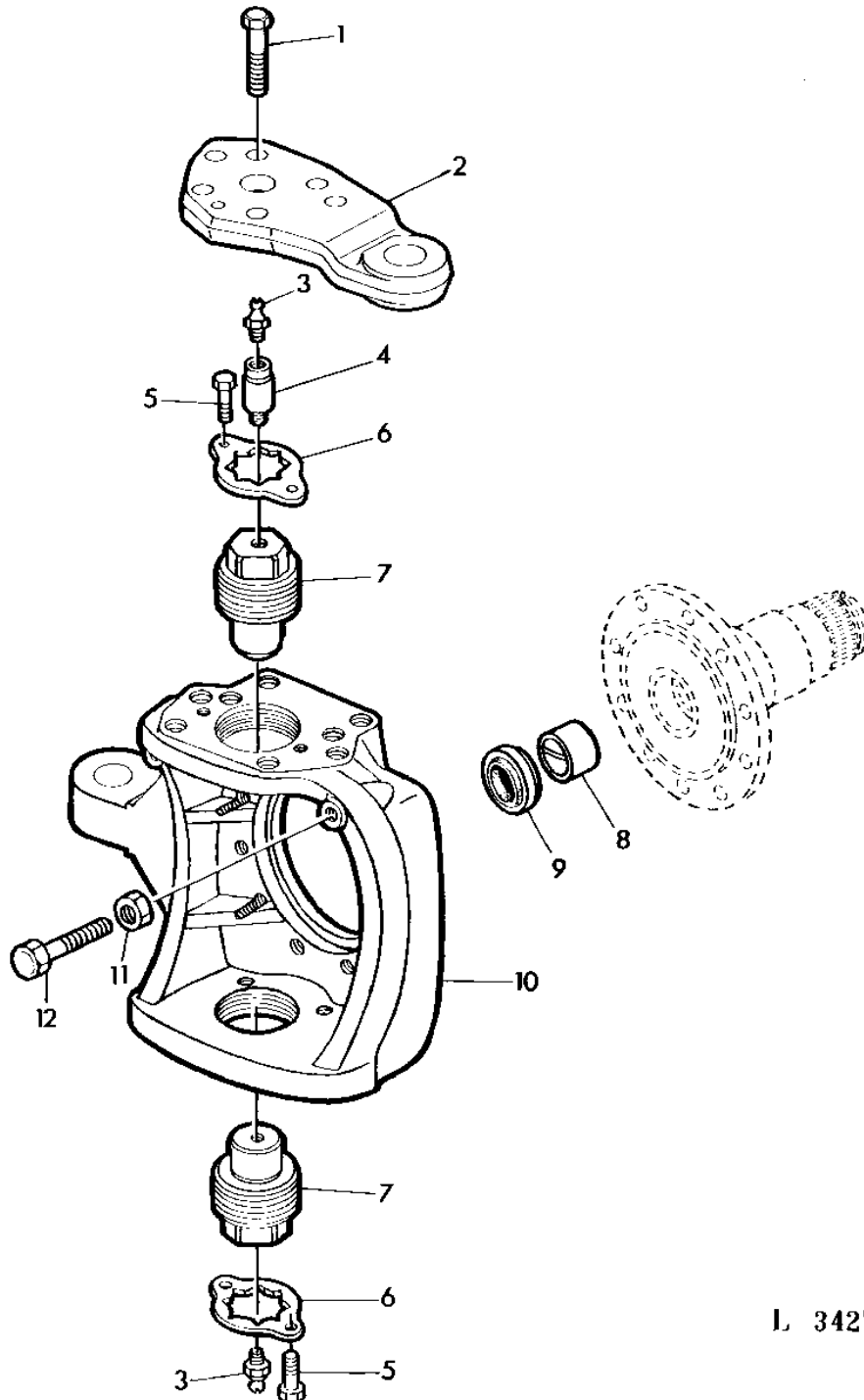
POWER TRAIN

KEY	PART NO.	PART NAME	QTY	SERIAL NO.	REMARKS
					2
					0 2
					4 1
					0 4
					S 0
1	AL37259	TIE ROD	1		X (SUB FOR AL32999)
2	11M7087	COTTER PIN	2		X 4X40MM
3	14M7331	NUT	2		X M20X1,5
4	L40806	BOOT	2		X (SUB FOR AL34263)
5	AL37523	TIE ROD END	2		X (SUB FOR AL34262)
6	AL34261	CLAMP	2		X
7	AL34260	TIE ROD END	1		X (ORD AL37259)
8	L35608	SEAL	4		X
9	L35607	BEARING CAP	4		X
10	JD9053	BEARING CONE	4		X
11	JD9117	BEARING CUP	4		X
12	L35609	COVER	4		X
13	L35737	FRONT AXLE	1		X
14	19M7878	SCREW	4		X M14X35
15	L35618	BRACKET	1		X
16	L35738	BUSHING	2		X
17	AL38756	SEAL	2		X (SUB FOR AL32996)
18	AL32995	SHAFT	1		X R.H.
	AL32991	UNIVERSAL JOINT	1		X L.H.
19	AL32992	SHAFT	2		X
20	AL32994	CROSS AND BEARING ASSEMBLY	2		X
21	AL32998	SHAFT	1		X R.H.
	AL32993	SHAFT	1		X L.H.
22	51M7018	RING	1		X 24X29MM
23	AL32988	PLUG	1		X M24X1,5
24	15M7027	DRAIN PLUG	1		X M30X1,5
25	51M4247	RING	1		X 30X36MM
26	AL32877	VENT	1		X
27	58M5579	LUBRICATION FITTING	2		X
28	58M5574	LUBRICATION FITTING	2		X

2H18

POWER TRAIN

FRONT WHEEL DRIVE-KNUCKLE HOUSING (APL 1351)
ESSIEU PONT.AVANT-PIVOT DE FUSEE (APL 1351)
FRONTANTRIEB-GELENKGEHAEUSE (APL 1351)
TRAZ.ANTER.-CERCHIONE PORTAFUSELLO (APL 1351)
TRACC.DELANT.-PORTAMANGUETA ARTICULADA (APL 1351)
FRAMHJULSDRIFT-KNYTENS HUS (APL 1351)
L34270 -UN-18JUL95



L 34270

2H19

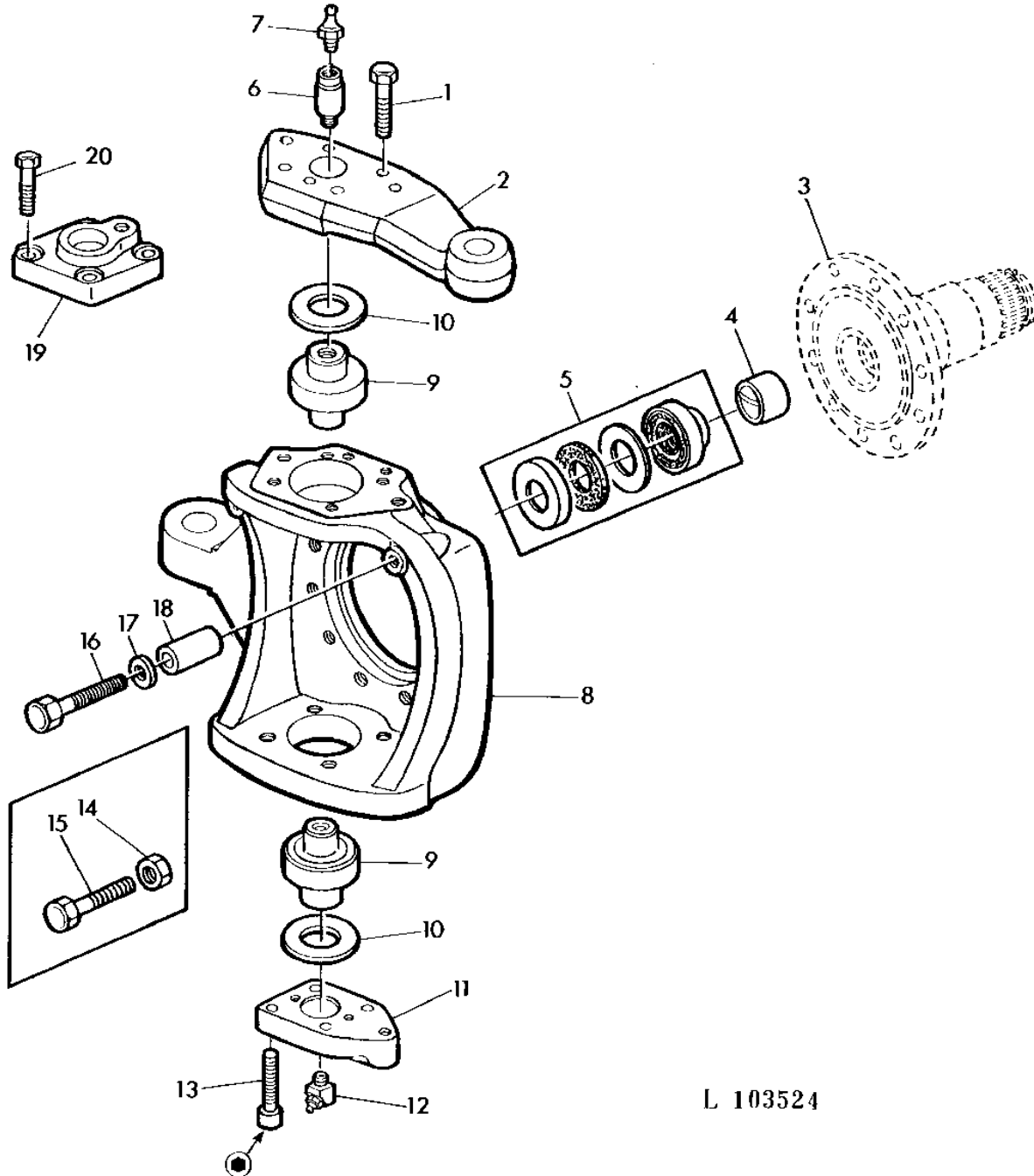
POWER TRAIN

KEY	PART NO.	PART NAME	QTY	SERIAL NO.	REMARKS
				2	
				0 2	
				4 1	
				0 4	
				S 0	
1	19M7770	CAP SCREW	6	X	M14X50
2	L35554	ARM	1	X	
3	58M5574	LUBRICATION FITTING	4	X	M8X1
4	L36580	EXTENSION	1	X	R.H.
	L36578	EXTENSION	1	X	L.H.
5	19M7300	CAP SCREW	8	X	M6X10
6	L35610	COVER	4	X	
7	L35606	TRUNNION	4	X	50X1,5MM
8	L35600	SLEEVE	2	X	
9	AL32893	SEAL	2	X	
10	L35604	HOUSING	1	X	R.H.
	L35603	HOUSING	1	X	L.H.
11	14M7304	NUT	4	X	M12X1,5
12	L35605	BOLT	4	X	

2H20

POWER TRAIN

FRONT WHEEL DRIVE-KNUCKLE HOUSING (APL 1552)
ESSIEU PONT AVANT-PIVOT DE FUSEE (APL 1552)
FRONTANTRIEB-GELENKGEHAEUSE (APL 1552)
TRAZ.ANTER.-CERCHIONE PORTAFUSELLO (APL 1552)
TRACC.DELANT.-PORTAMANGUETA ARTICULADA (APL 1552)
FRAMHJULSDRIFT-KNYTENS HUS (APL 1552)
L103524 -UN-06OCT95



L 103524

2H21

POWER TRAIN

KEY	PART NO.	PART NAME	QTY	SERIAL NO.	REMARKS
					2
					0 2
					4 1
					0 4
					S 0
1	19M7770	CAP SCREW	6		X M14X50
2	L35765	ARM	1		X R.H.
3		2		X (ORD AL33351)
4	L35738	BUSHING	2		X
5	AL38756	SEAL	2		X (SUB FOR AL32996)
6	L36579	EXTENSION	1		X R.H.
	L36578	EXTENSION	1		X L.H.
7	58M5574	LUBRICATION FITTING	2		X 8X1MM
8	L35741	KNUCKLE	1		X R.H.
	L35740	KNUCKLE	1		X L.H.
9	L35745	KINGPIN	4		X
10	L35752	WASHER	AR		X TK=2,6MM
	L35751	WASHER	AR		X TK=2,7MM
	L35758	WASHER	AR		X TK=2,75MM
	L35750	WASHER	AR		X TK=2,8MM
	L35757	WASHER	AR		X TK=2,85MM
	L35749	WASHER	AR		X TK=2,9MM
	L35756	WASHER	AR		X TK=2,95MM
	L35748	WASHER	AR		X TK=3,0MM
	L35755	WASHER	AR		X TK=3,05MM
	L35747	WASHER	AR		X TK=3,1MM
	L35754	WASHER	AR		X TK=3,15MM
	L35746	WASHER	4		X TK=3,2MM
	L35753	WASHER	AR		X TK=3,3MM
11	L35744	COVER	2		X
12	58M5577	LUBRICATION FITTING	2		X M8X1
13	19M7878	SCREW	8		X M14X35
14	14M7149	NUT	4		X M12X1,5
15	L35742	BOLT	4		X
16	L36648	BOLT	2		X FRONT
	L36647	BOLT	2		X REAR
17	L32912	WASHER	AR		X
18	L36650	SPACER	2		X FRONT
	L36649	SPACER	2		X REAR
19	L35743	COVER	1		X L.H.
20	19M7392	CAP SCREW	4		X M14X35
21	L36578	EXTENSION	1		X L.H.
22	58M5574	LUBRICATION FITTING	2		X M8X1

2H22

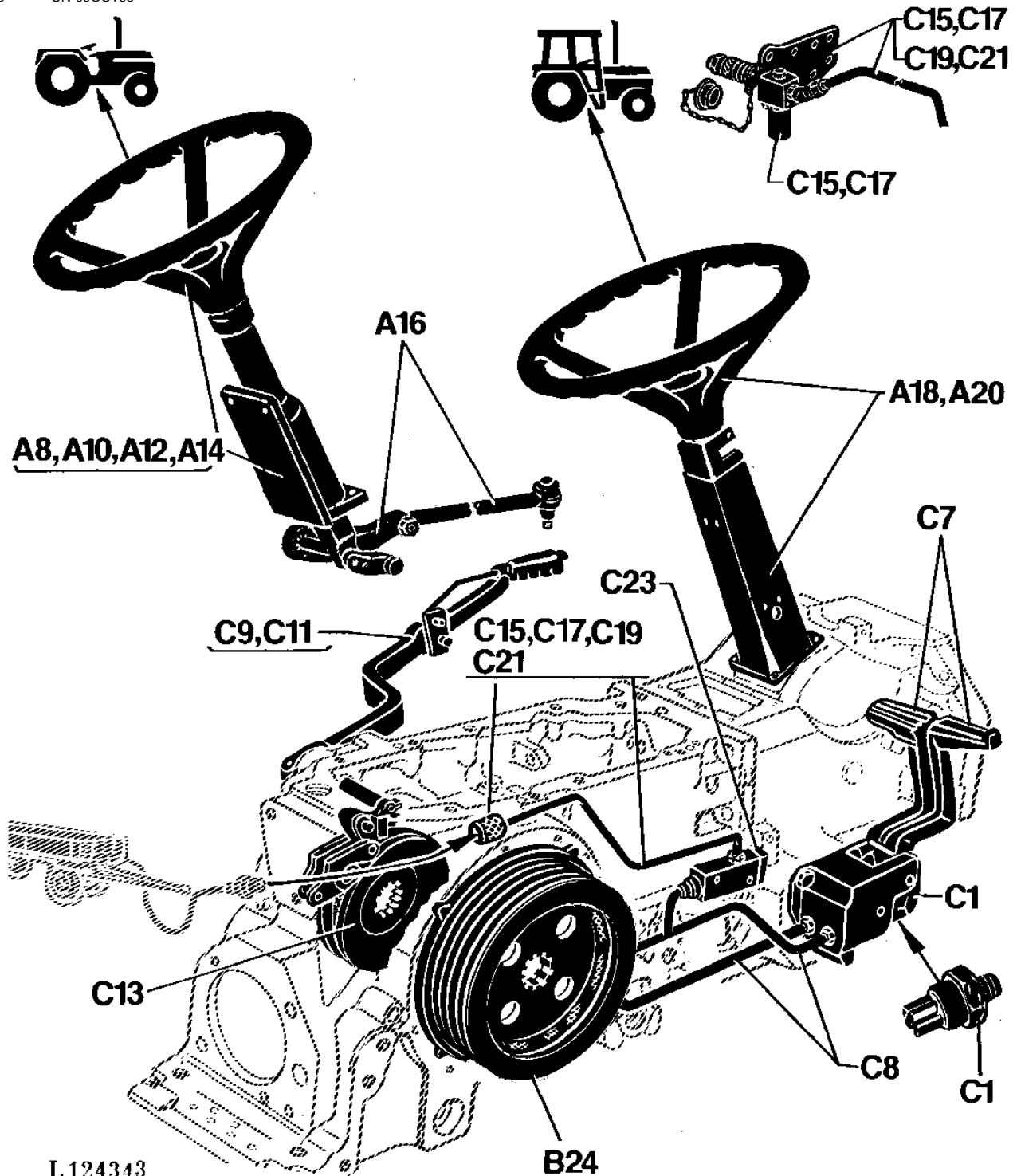
POWER TRAIN

MEMORANDA
MEMORANDA
MEMORANDA
MEMORANDA
MEMORANDA

3A5

STEERING SYSTEM AND BRAKES

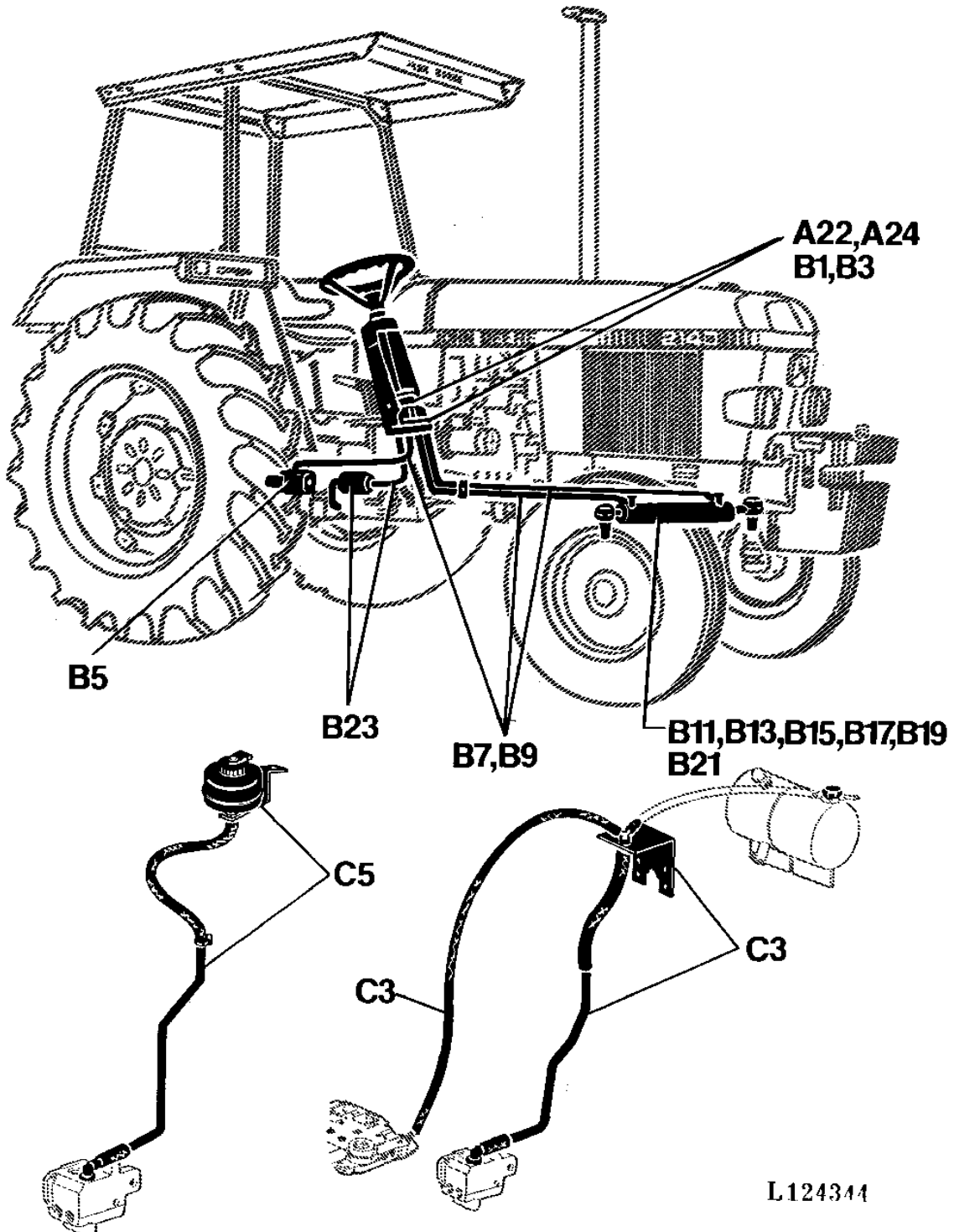
SECTIONAL INDEX
INDEX DE SECTION
GRUPPENINDEX
INDICE DELLA SEZIONE
INDICE DE SECCION
GRUPPSFORTECKNING
L124343 -UN-09OCT95



3A6

STEERING SYSTEM AND BRAKES

SECTIONAL INDEX
INDEX DE SECTION
GRUPPENINDEX
INDICE DELLA SEZIONE
INDICE DE SECCION
GRUPPSFORTECKNING
L124344 -UN-09OCT95



L124344

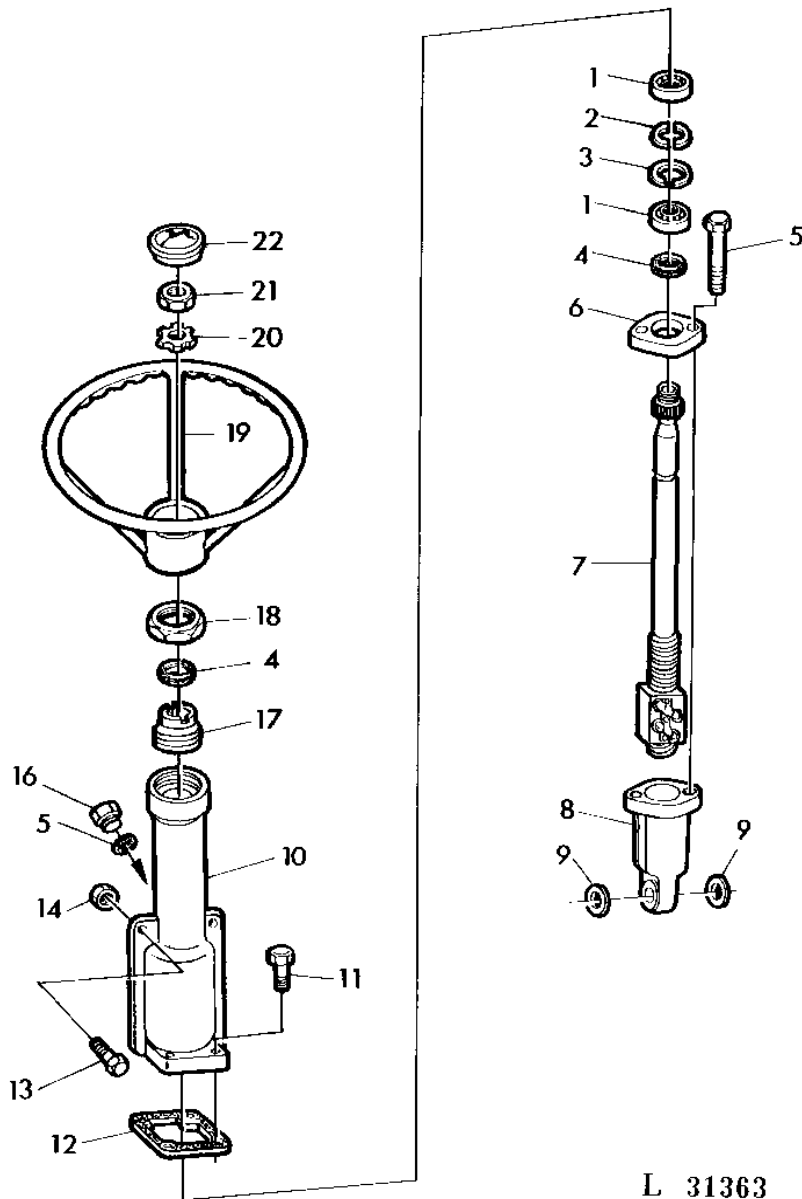
3A7

STEERING SYSTEM AND BRAKES

MEMORANDA
MEMORANDA
MEMORANDA
MEMORANDA
MEMORANDA

3A8

MANUAL STEERING
DIRECTION MECANIQUE
MECHANISCHE LENKUNG
STERZO MECCANICO
DIRECCION MANUAL
MEKANISK STYRNING
L31363 -UN-06OCT95



3A9

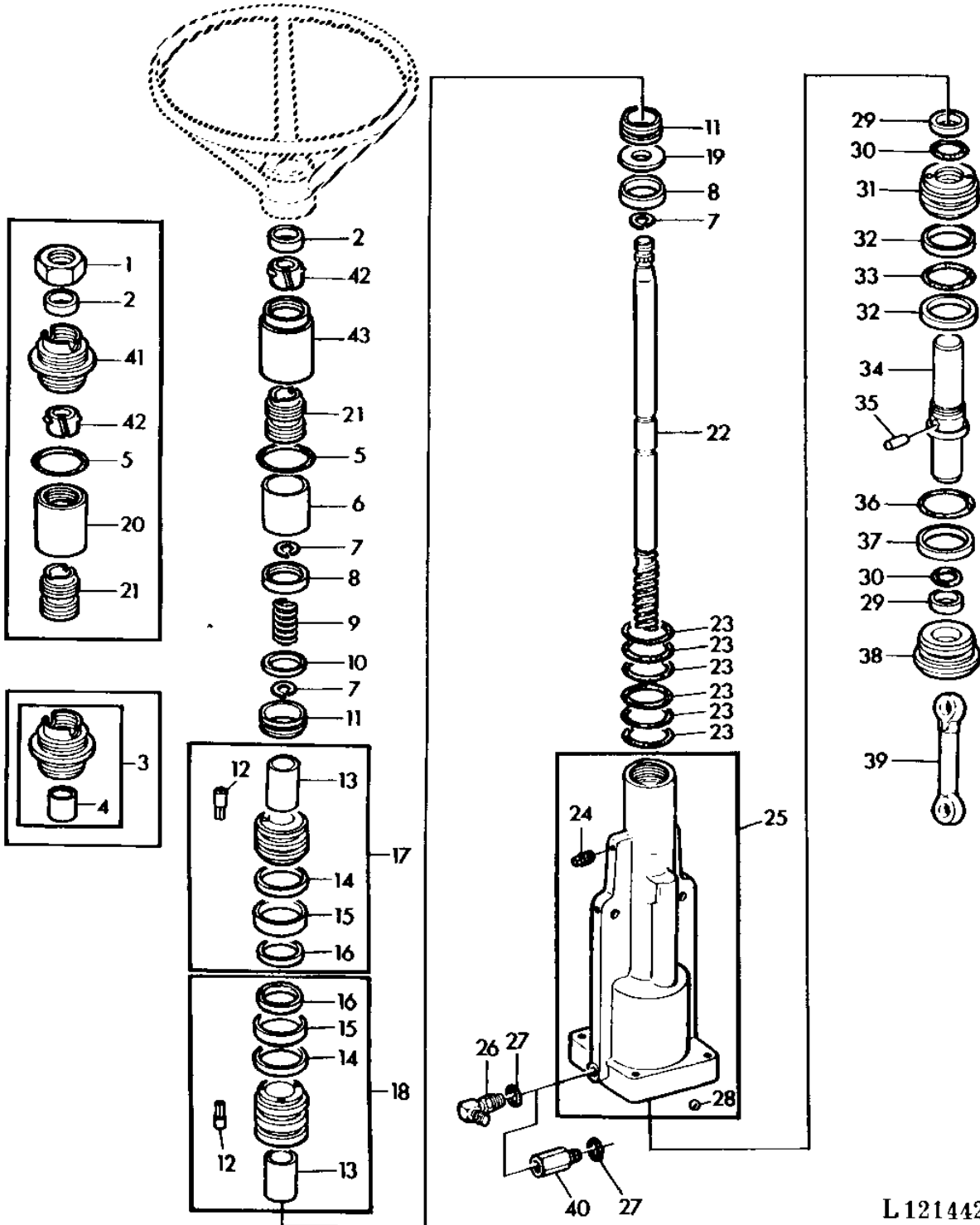
STEERING SYSTEM AND BRAKES

KEY	PART NO.	PART NAME	QTY	SERIAL NO.	REMARKS
					2
					0 2
					4 1
					0 4
					S 0
1	JD8728	BEARING	2		X
2	T22482	WASHER	2		X
3	F215R	RING	1		X
4	T22260	SEAL	2		X
5	19H2123	CAP SCREW	2		X 1/2"X4-1/4"
6	T22527	RETAINER	1		X
7	AT20372	SHAFT	1		X
8	T22526	YOKE	1		X
9	L31697	SHIM	AR		X 0,3MM (.012")
	L31696	SHIM	AR		X 0,5MM (.020")
	L31698	WASHER	AR		X 1,0MM (.040")
10	R52989	HOUSING	1		X
11	19H1765	CAP SCREW	4		X 3/8"X1-3/4"
12	L62422	GASKET	1		X (SUB FOR T21528)
13	19H2117	CAP SCREW	2		X 5/16"X1-1/8"
14	14H785	NUT	2		X 5/16"
15	R26375	O-RING	1		X
16	R39112	FITTING	1		X 3/4"
17	T22480	BUSHING	1		X
18	R51952	NUT	1		X 2-3/8"
19	AL28458	STEERING WHEEL	1		X
20	T17148	LOCK WASHER	1		X
21	14H904	NUT	1		X 3/4"
22	AL24052	COVER	1		X

3A10

STEERING SYSTEM AND BRAKES

POWER STEERING-STEERING COLUMN
 DIRECTION HYDRAULIQUE-COLONNE DE DIRECTION
 HYDRAULISCHE LENKUNG-LENKSAEULE
 STERZO IDRAULICO-SCATOLA VALVOLA
 DIRECCION HIDRAULICA-COLUMNACCON
 HYDRAULSTYRNING-VENTILHUS
 L121442 -UN-28JUL95



L 121442

3A11

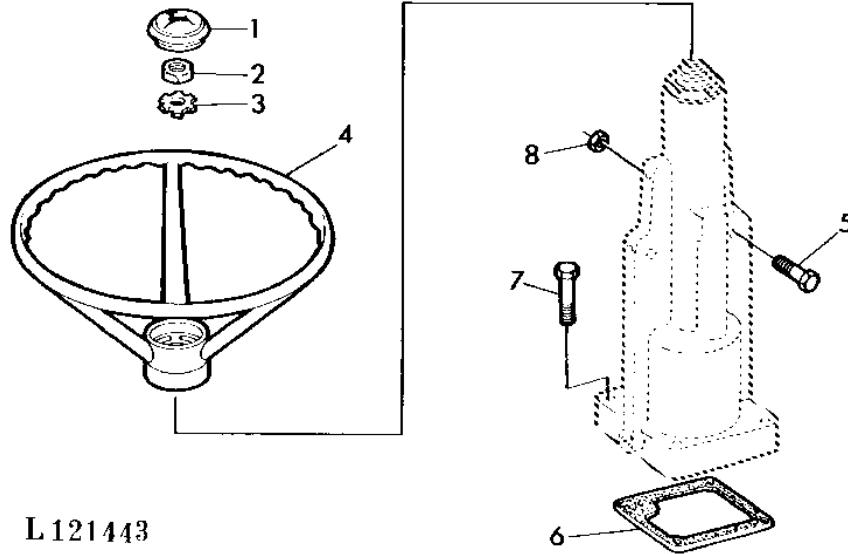
STEERING SYSTEM AND BRAKES

KEY	PART NO.	PART NAME	QTY	SERIAL NO.	REMARKS
					2
					0 2
					4 1
					0 4
					S 0
1	T21718	NUT	1		X 2"
2	T22260	SEAL	1		X
3	AT19858	ADJUSTER	1		X (ORD AL66303, L62641)
4	R27320	BUSHING	1		X
5	B3690R	O-RING	AR		X
6	T22823	SLEEVE	1		X
7	R35226	SNAP RING	3		X
8	T22824	BUSHING	2		X
9	T13555	SPRING	1		X
10	L29197	THRUST WASHER	1		X
11	AL25855	THRUST BEARING	2		X
12	R49982	SLEEVE	2		X
13	R49980	SLEEVE	2		X
14	T25333	SHIM	4		X 0,05MM (.002")
	T25334	SHIM	8		X 0,25MM (.010")
15	T25332	WASHER	2		X
16	L31434	WASHER	2		X
17	AL26312	VALVE	1		X UP
18	AL26311	VALVE	1		X LOW
19	T25741	SHIM	AR		X 0,05MM (.002")
	T22825	SHIM	AR		X 0,13MM (.005")
	T31290	SHIM	AR		X 0,76MM (.030")
20	L34814	BUSHING	1		X (ORD L63420, L62641)
21	L62643	ADJUSTER	1		X (SUB FOR T21717)
22	L34900	STEERING WHEEL SHAFT	1		X
23	L34451	O-RING	6		X
24	15H560	PIPE PLUG	5		X 1/16"
25	AL31515	HOUSING	1		X
26	AT35121	ELBOW FITTING	1		X (SUB FOR AR26725)
27	R26448	O-RING	1		X
28	R26552	BALL	3		X
29	T25327	BACK-UP RING	2		X
30	N131838	O-RING	2		X
31	T25325	PISTON	1		X
32	T25326	BACK-UP RING	2		X
33	F3450R	O-RING	1		X
34	T25323	ROD	1		X
35	T21655	PIN	1		X
36	L34452	O-RING	1		X
37	R35684	BACK-UP RING	1		X
38	L34454	GUIDE	1		X
39	L35639	DRAG LINK	1		X
40	AT54132	CHECK VALVE	1		X
41	AL66303	ADJUSTER	1		X
42	L62641	BUSHING	1		X
43	L63420	SPACER	1		X

3A12

STEERING SYSTEM AND BRAKES

POWER STEERING-STEERING WHEEL AND ATTACHING PARTS
 DIRECTION HYDRAULIQUE-VOLANT/PIECES DE MONTAGE
 HYDR.LENKUNG-LENKRAD/ANBAUTEILE
 STERZO IDRAULICO-VOLANTE/PARTI
 DIRECCION HYDR.-VOLANTE/PIEZAS DE MONTAJE
 HYDRAULSTYRNING-RATT/DELAR
 L121443 -UN-28JUL95



L 121443

2
0 2
4 1
0 4
S 0

KEY	PART NO.	PART NAME	QTY	SERIAL NO.	REMARKS
1	AL24052	COVER	1		X
2	14H904	NUT	1		X 3/4"
3	T17148	LOCK WASHER	1		X
4	AL28458	STEERING WHEEL	1		X
5	19H2117	CAP SCREW	2		X 5/16"X1-1/8"
6	L62422	GASKET	1		X (SUB FOR T21528)
7	19H1801	CAP SCREW	4		X 3/8"X2"
8	14H785	NUT	2		X 5/16"

3A13

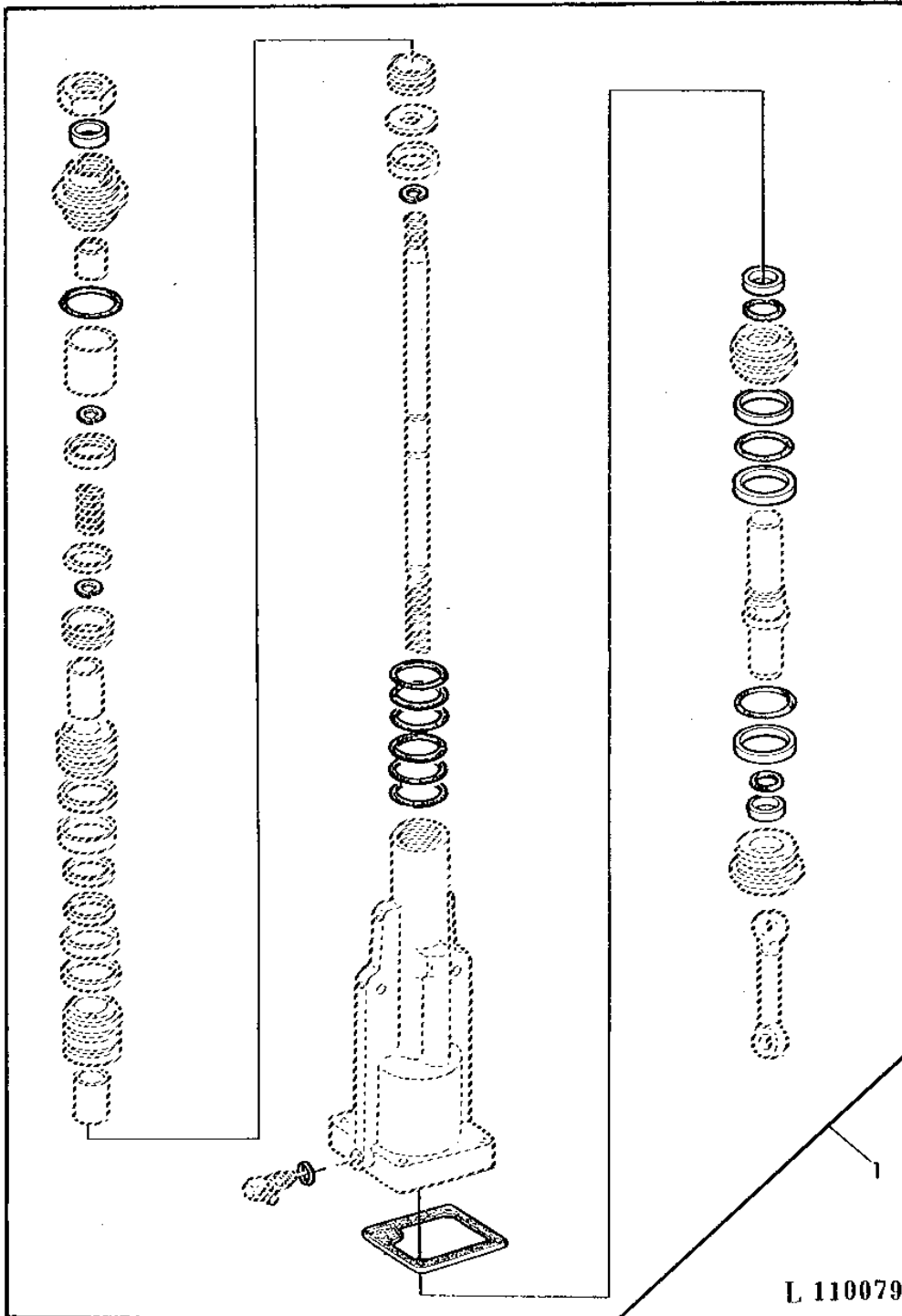
STEERING SYSTEM AND BRAKES

MEMORANDA
MEMORANDA
MEMORANDA
MEMORANDA
MEMORANDA

3A14

STEERING SYSTEM AND BRAKES

REPAIR KIT - POWER STEERING
DIRECTION HYDRAULIQUE - JEU DE REPARATION
REPARATURSATZ FUER HYDRAULISCHE LENKUNG
KIT RIPARAZIONE PER STERZO IDRAULICO
JUEGO DE REPARACION PARA DIRECCION HIDRAULICA
REPARATIONSSATS FOR HYDRAULISK STYRNING
L110079 -UN-01JAN94



3A15

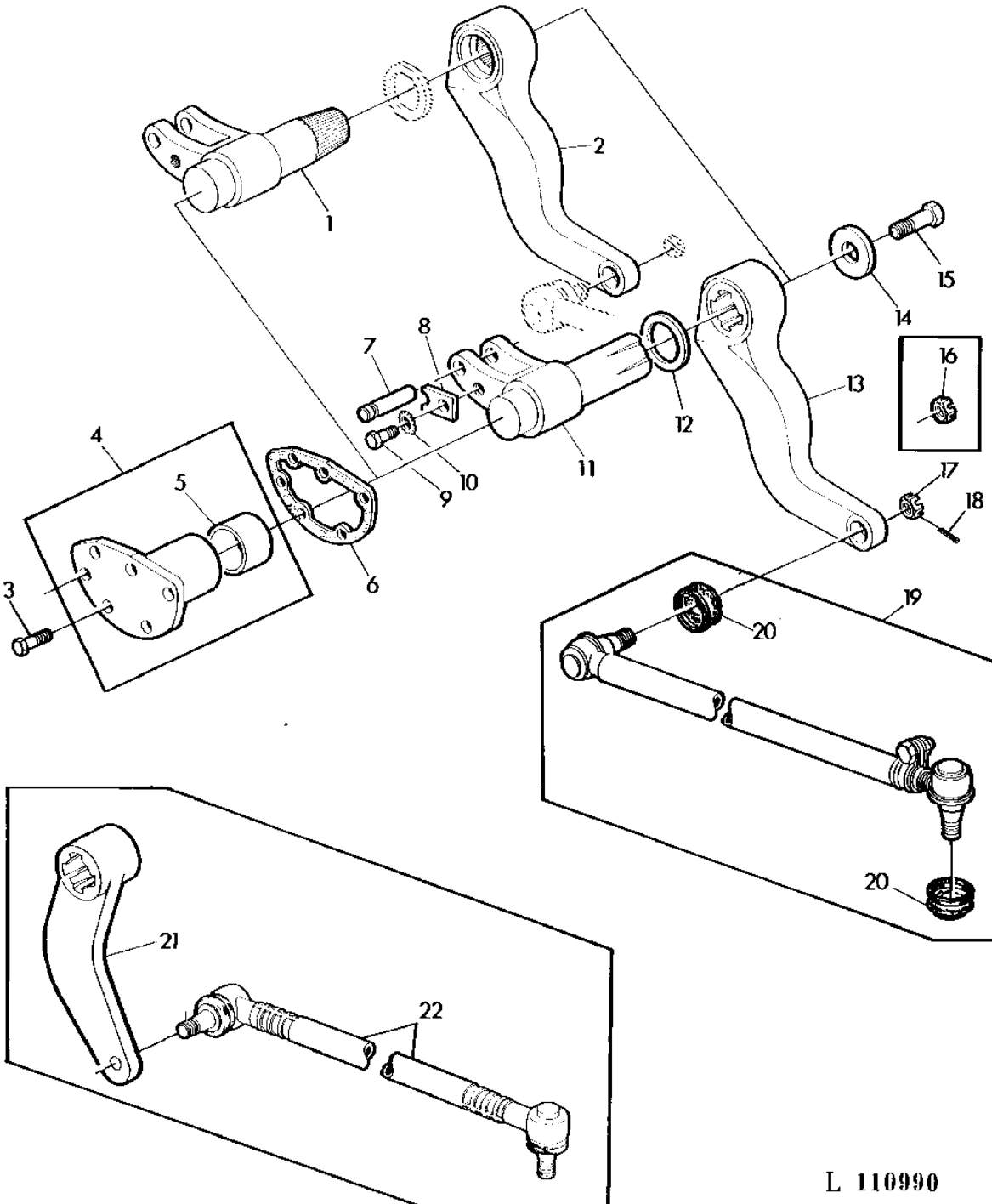
STEERING SYSTEM AND BRAKES

KEY	PART NO.	PART NAME	QTY	SERIAL NO.	2 0 2 4 1 0 4 S 0	REMARKS
1	AT26188	KIT	1		X	

3A16

STEERING SYSTEM AND BRAKES

STEERING ARM AND DRAG LINK
BRAS ET BARRE DE DIRECTION
LENKHEBEL/LENKSCHUBSTANGE
BRACCIO E TIRANTE STERZO
PALANCA Y BARRA DE DIRECCION
STYRARM OCH STYRSTANG
L110990 -UN-06OCT95



L 110990

3A17

STEERING SYSTEM AND BRAKES

KEY	PART NO.	PART NAME	QTY	SERIAL NO.	REMARKS
					2
					0 2
					4 1
					0 4
					S 0
1	L38591	STEERING WHEEL SHAFT	1	X X	(B)
	L38594	STEERING WHEEL SHAFT	1	X	(A) (B)
2	L42082	LEVER	1	X X	(B)
3	19H3239	CAP SCREW	6	X X	(A) 3/8"X1-1/4"
4	AL40871	COVER	1	X X	(SUB FOR AL30173)
5	L64255	BUSHING	1	X X	(SUB FOR T21445)
6	L61962	GASKET	1	X X	(SUB FOR L33750)
7	T21722	PIN	1	X X	
8	T21659	PLATE	1	X X	
9	19H1227	CAP SCREW	1	X X	1/4"X1/2"
10	12H297	LOCK WASHER	1	X X	1/4"
11	L42079	SHAFT	1	X X	(SUB FOR T21546)
	T21866	SHAFT	1	X	(A)
12	AL28553	SEAL	1	X X	
13	L42080	LEVER	1	X X	(SUB FOR L33213, L37327)
14	T42971	BUSHING	1	X X	
15	19H2710	CAP SCREW	1	X X	5/8"X1-3/4"
16	14H902	NUT	2	X X	3/4"
17	14M7305	NUT	2	X X	M18X1,5 (FOR AL38638)
18	11H240	COTTER PIN	2	X X	5/32"X1-1/2"
19	AL34935	DRAG LINK	1	X X	(ORD AL38638, (2) 14M7305)
	AL38638	DRAG LINK	1	X X	
20	AL38891	BOOT	2	X X	
21	L33213	LEVER	1	X X	(ORD AL38638, L42080, (2) 14M7305)
22	AL31090	DRAG LINK	1	X X	(ORD AL38638, L37327, (2) 14M7305)

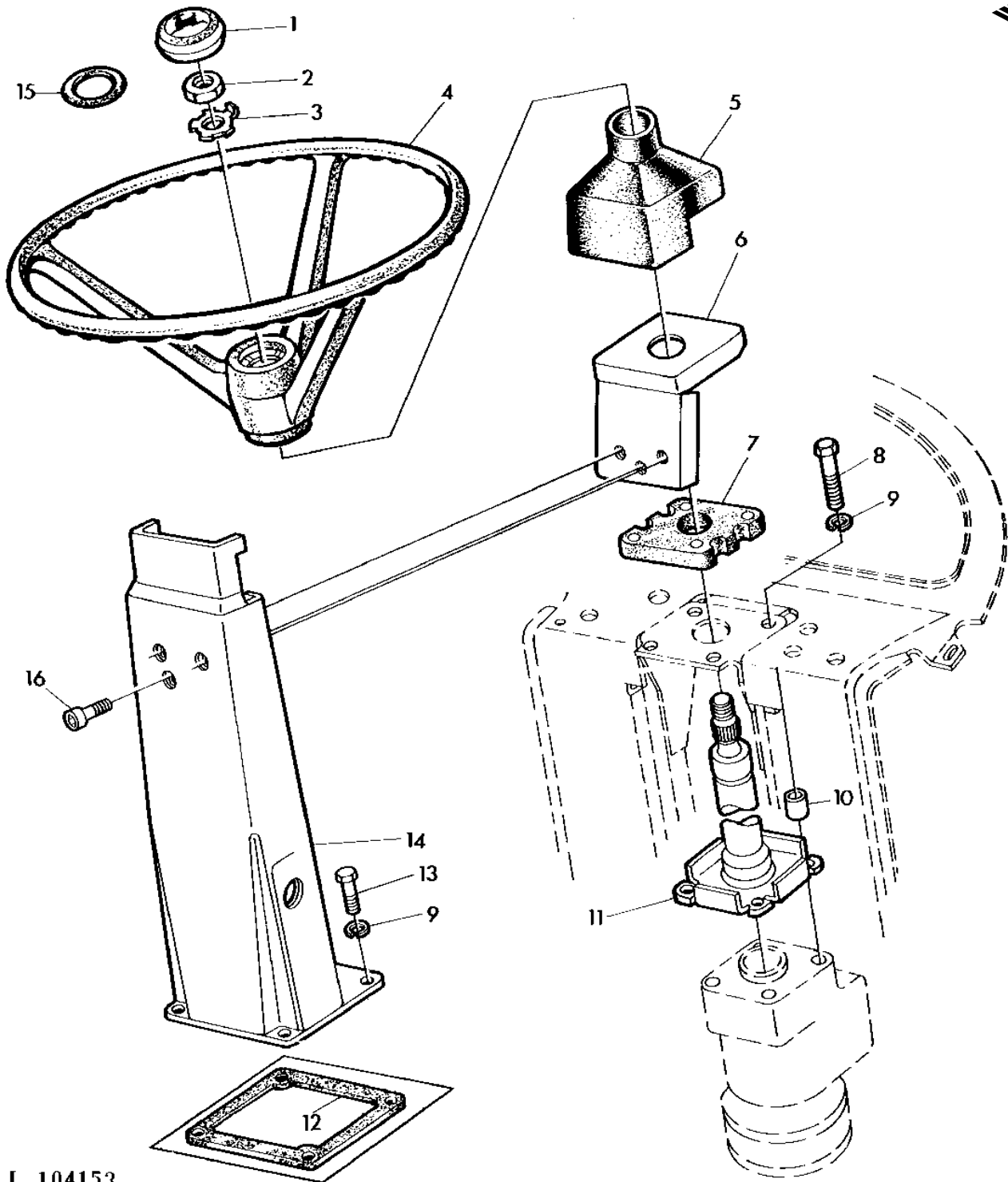
(A) WITH MANUAL STEERING
 AVEC DIRECTION MECANIQUE
 BEI MECHANISCHER LENKUNG
 CON STERZO MECCANICO
 CON DIRECCION MANUAL
 VID MEKANISK STYRNING

(B) FOR SEVERE OPERATING CONDITIONS
 POUR CONDITIONS DE SERVICE SEVERES
 BEI ERSCHWERTEN EINSATZBEDINGUNGEN
 PER LAVORI PESANTI
 PARA CONDICIONES DE TRABAJO DURAS
 FOR SVARA FORHALLANDE

3A18

STEERING SYSTEM AND BRAKES

HYDROSTATIC STEERING-STEERING COLUMN
DIRECTION HYDROSTATIQUE-COLONNE DE DIRECTION
HYDROSTATISCHE LENKUNG-LENKSAEULE
STERZO IDROSTATICO-SCATOLA
DIRECCION HIDROSTATICA-COLUMNACCON
HYDROSTATISK STYRNING-HUS
L104153 -UN-06OCT95



L 104153

3A19

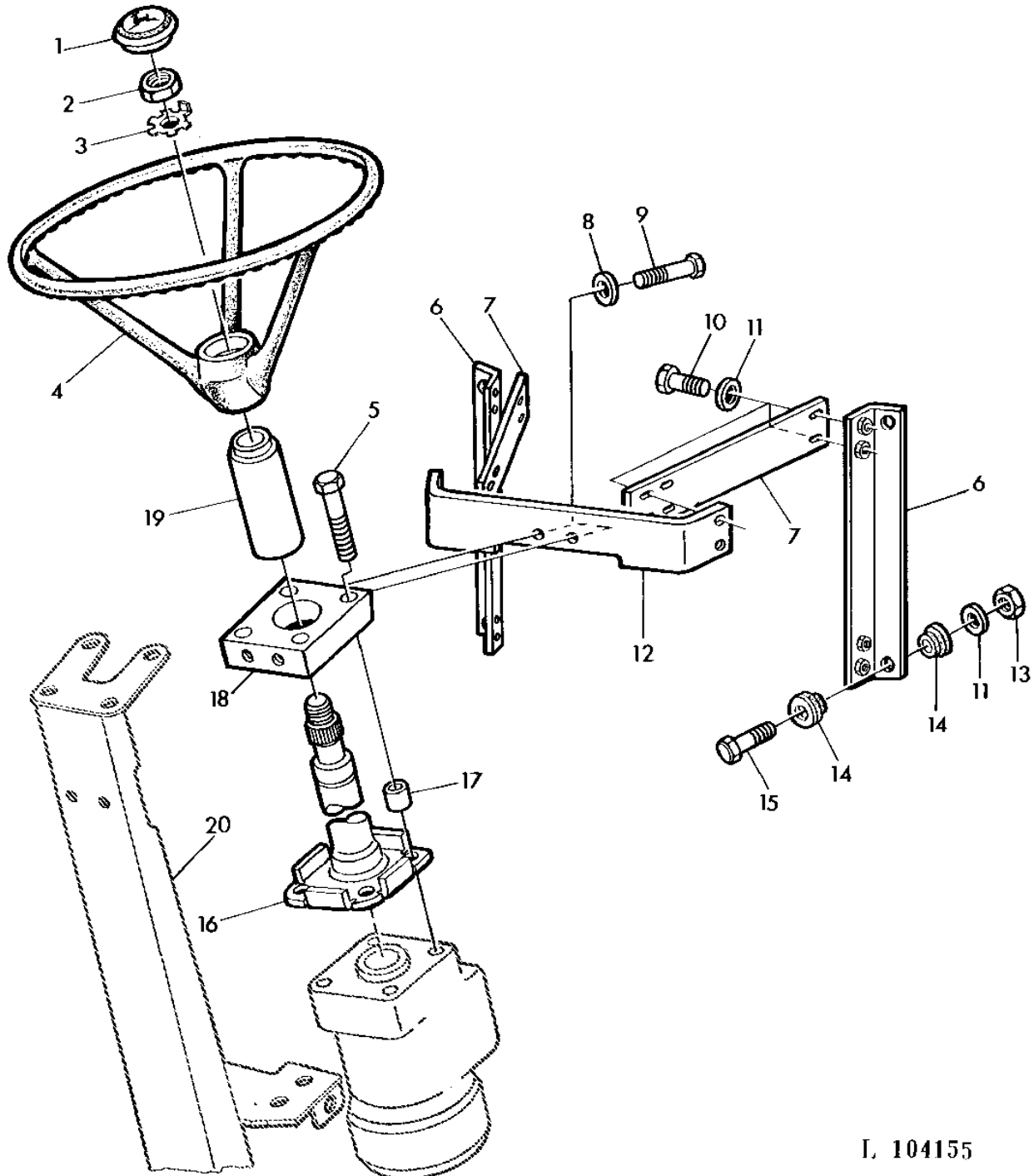
STEERING SYSTEM AND BRAKES

KEY	PART NO.	PART NAME	QTY	SERIAL NO.	REMARKS
				2	
				0 2	
				4 1	
				0 4	
				S 0	
1	AL36533	COVER	1	X	(SUB FOR R47998)
	AL24052	COVER	1	X	
2	14M7209	NUT	1	X X	M18
3	T17148	LOCK WASHER	1	X X	
4	AL28457	STEERING WHEEL	1	X	
	AL28458	STEERING WHEEL	1	X	
5	L34438	SHIELD	1	X X	
6	AL31494	COVER	1	X X	
7	L34434	BARRIER	1	X X	
8	19H2545	CAP SCREW	4	X X	3/8"X1-3/8"
9	12H304	LOCK WASHER	8	X X	3/8"
10	28H862	SPACER	4	X X	3/8"X.438"
11	AL31247	STEERING COLUMN	1	X X	INCL 14M7209
12	T21528	GASKET	1	X X	
13	19H1936	CAP SCREW	4	X X	3/8"X3/4" (SUB FOR 19H2284)
14	AL31022	SUPPORT	1	X X	
15	B3690R	O-RING	1	X	
16	19M7929	SCREW	3	X X	M6X10

3A20

STEERING SYSTEM AND BRAKES

HYDROSTATIC STEERING-STEERING COLUMN(WITH OPU CAB)
DIRECTION HYDROSTATIQUE-COLONNE DE DIRECTION(AVEC CABINE PPI)
HYDROSTATISCHE LENKUNG-LENKSAEULE(BEI FSC-KABINE)
STERZO IDROSTATICO-SCATOLA(CON CABINA OPU)
DIRECCION HIDROSTATICA-COLUMNA(CON CABINA DE SEGURIDAD)
HYDROSTATISK STYRNING-HUS(VID OPU FORARHYTT)
L104155 -UN-06OCT95



I, 104155

3A21

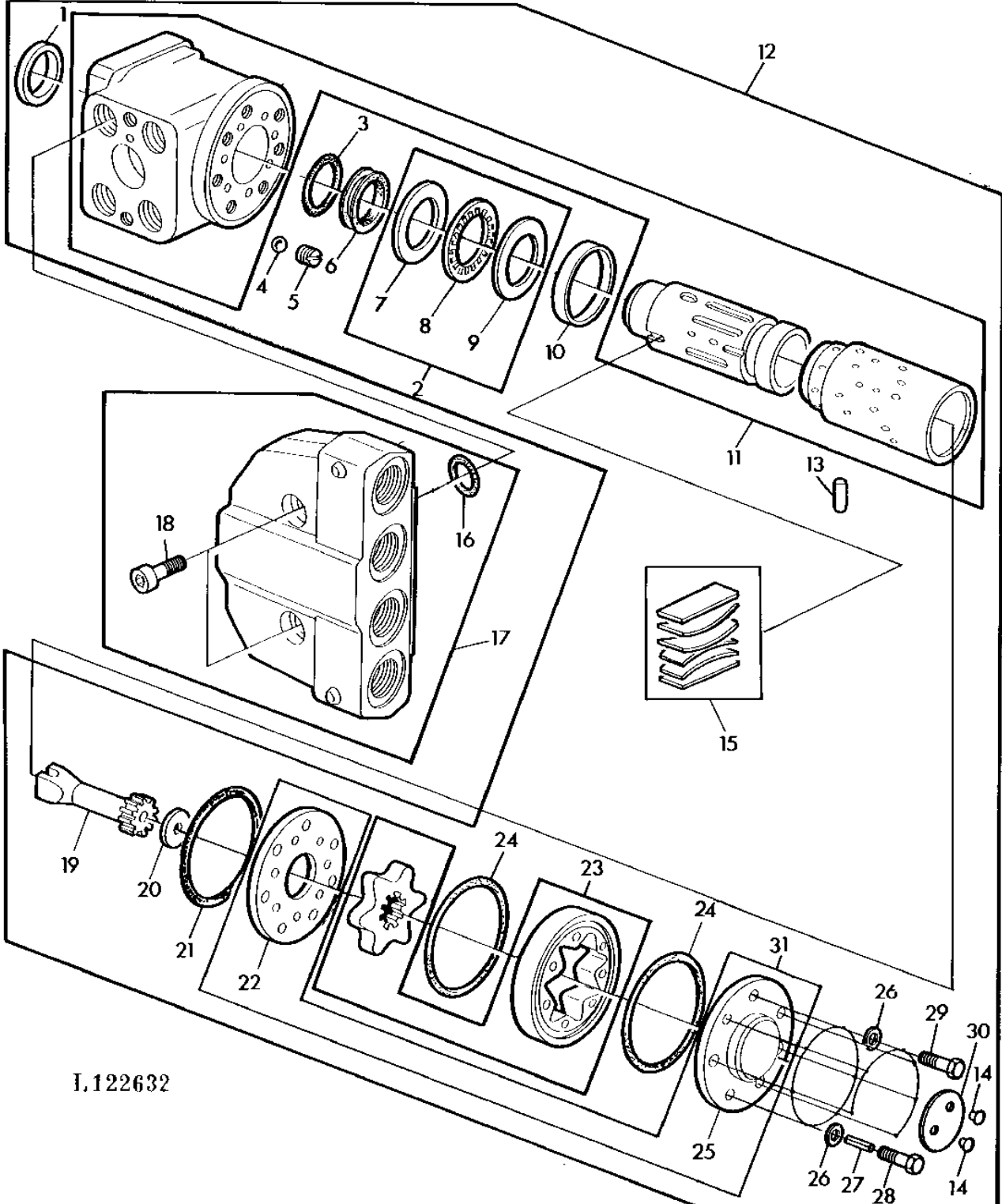
STEERING SYSTEM AND BRAKES

KEY	PART NO.	PART NAME	QTY	SERIAL NO.	REMARKS
				2	
				0 2	
				4 1	
				0 4	
				S 0	
1	AL24052	COVER	1		
2	14M7209	NUT	1		X X M18
3	T17148	LOCK WASHER	1		X X
4	AL27982	STEERING WHEEL	1		X X
5	19H1801	CAP SCREW	4		X X 3/8"X2"
6	AL29887	SUPPORT	2		X X
7	L34939	BRACE	2		X X
8	24M7036	WASHER	2		X X 9X17X1,6MM
9	19M7298	CAP SCREW	2		X X M8X35
10	19M7167	CAP SCREW	8		X X M10X25
11	24M7040	WASHER	12		X X 11X21X2MM
12	L34938	RETAINER	1		X X
13	14M7167	LOCK NUT	4		X X M10
14	AL29889	BUMPER	8		X X
15	19M7662	CAP SCREW	4		X X M10X30
16	AL32053	STEERING SYSTEM	1		X X INCL 14M7209
17	28H862	SPACER	4		X X 3/8"X.438"
18	L34937	PLATE	1		X X
19	L34949	SHIELD	1		X X
20		1		X X (ORD AL34589)

3A22

STEERING SYSTEM AND BRAKES

HYDROST. STEERING UNIT
 DIRECTION HYDROSTATIOVE-UNITE DE DIRECTION
 HYDROST. LENKUNG-LENKEINHEIT
 UNITA DELLO STERZO IDROSTATICO
 UNIDAD DE LA DIRECCION HIDROSTATICA
 HYDROSTATISK STYRNING-STYRVENTIL
 L122632 -UN-09OCT95



L122632

3A23

STEERING SYSTEM AND BRAKES

KEY	PART NO.	PART NAME	QTY	SERIAL NO.	REMARKS
					2
					0 2
					4 1
					0 4
					S 0
1	Z31348	SEAL	1		X X
2	AL36989	THRUST BEARING	1		X X
3	Z31452	O-RING	1		X X
4	Z31349	BALL	1		X X 8MM
5	Z31350	PIPE PLUG	1		X X
6	Z31455	BACK-UP RING	1		X X
7	Z31351	THRUST WASHER	1		X X NSEP (ORD AL36989)
8	AZ20006	THRUST BEARING	1		X X NSEP (ORD AL36989)
9	Z31352	THRUST WASHER	1		X X NSEP (ORD AL36989)
10	Z31353	RING	1		X X
11	AL28271	HOUSING	1		X X (ORD AL55954 OR AL35833 OR AL55956)
12	AL35833	STEERING CONTROL UNIT	1		X (A) (B) DANFOSS OSPB 125CN159 (ORD AL58132) (SUB FOR AL32757)
	AL55954	STEERING CONTROL UNIT	1		X X (B) DANFOSS OSPB 100CN 150-0173 (SUB FOR AL28268, AL35832) (ORD W/ (2) 19M8615)
	AL55956	STEERING CONTROL UNIT	1		X (A) (B) DANFOSS OSPB160CN150-017 (SUB FOR AL32758, AL35834) (ORD W/ (2) 19M8615)
13	Z31354	PIN	1		X X
14	Z31364	SCREW	2		X X
15	AZ25154	LEAF SPRING	1		X X (SUB FOR Z31355, L32707)
16	P47908	O-RING	4		X X
17	AL31245	VALVE STACK	1		X X
18	19M7661	SCREW	AR		X X M10X1X40
	19M8615	SCREW	AR		X X M10X1X45
19	Z31356	DRIVE SHAFT	1		X X
20	L32708	SHIM	1		X X
	L36306	SHIM	1		X (A)
	L36307	SHIM	1		X (A)
21	Z31453	O-RING	1		X X
22	Z31358	DISTRIBUTOR PLATE	1		X X NSEP (ORD AL68083)
23	AL32777	GEAR	1		X (A)
	AL28272	STEERING METERING PUMP	1		X X
	AL32778	GEAR	1		X (A)
24	Z31454	O-RING	2		X X
25	L39146	PISTON	1		X X NSEP (ORD AL68083)
26	Z31456	WASHER	7		X X
27	Z31360	SPRING PIN	1		X X
28	L32709	CAP SCREW	1		X X M8X40
	L36308	CAP SCREW	1		X (A) M8X45
29	19M7698	CAP SCREW	6		X X M8X40
	19M7925	CAP SCREW	6		X (A) M8X45
30	L32710	MEDALLION	1		X X
31	AL68083	KIT	1		X X

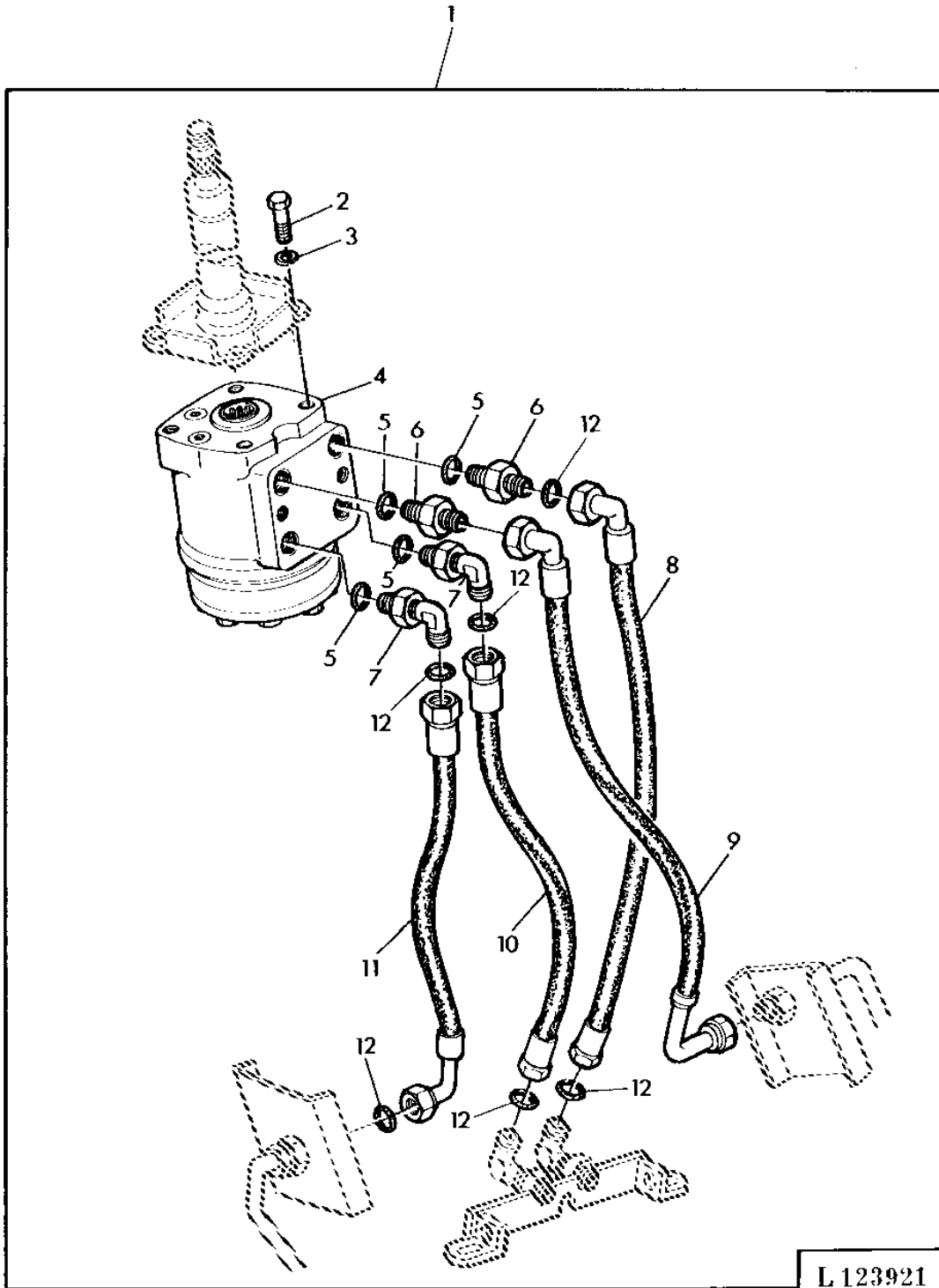
(A) WITH FWD
 AVEC PONT AVANT
 BEI FRONTANTRIEB
 CON TRAZ.ANT.
 CON TRACCION DELANTERA
 VID FRAMHJULSDRIFT

(B) WITH OPU CAB
 AVEC CABINE PPI
 BEI FSC-KABINE
 CON CABINA OPU
 CON CABINA DE SEGURIDAD
 VID OPU FORARHYTT

3A24

STEERING SYSTEM AND BRAKES

CONVERSION KIT FOR STEERING UNIT AL35833 F.N.D.
JEU DE MODIF.POUR UNITE DE DIRECT.AL35833 PONT AVANT
UMRUESTSATZ FUER LENKINHEIT AL35833 FRONTANTRIEB
KIT CONVERSIONE PER VALVOLA STERZO AL35833 TAM
JUEGO DE MODIF.PARA VALV.DE DIRECCION AL35833
OMBYGGNADSSATS FOR STYRENHET AL35833 FHD
L123921 -UN-18JUL95



3A25

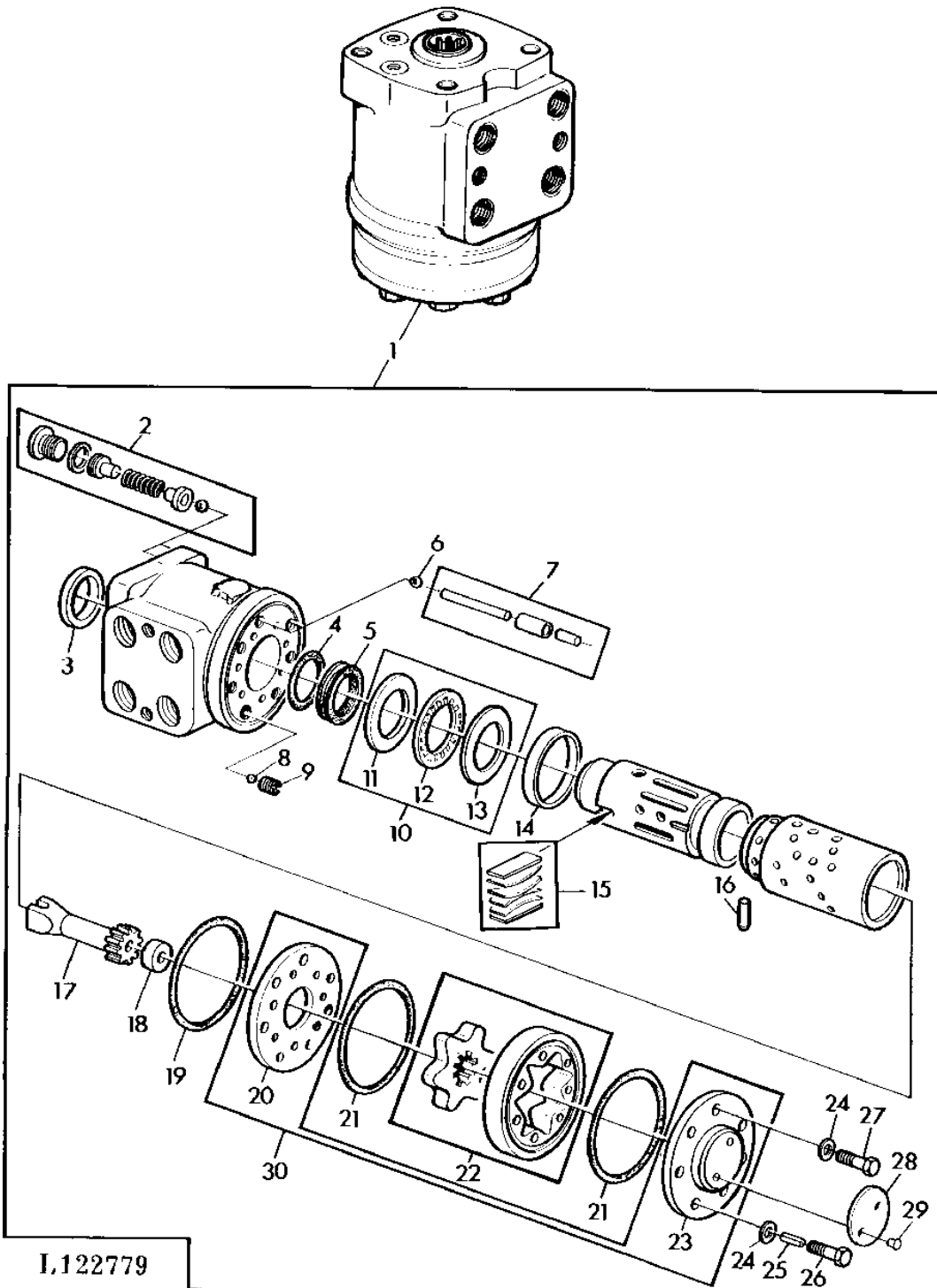
STEERING SYSTEM AND BRAKES

KEY	PART NO.	PART NAME	QTY	SERIAL NO.	2 0 2 4 1 0 4 S 0	REMARKS
1	AL58132	KIT	1		X	
2	19M7550	CAP SCREW	4		X	M10X35
3	12M7066	LOCK WASHER	4		X	
4	AL58121	STEERING CONTROL UNIT	1		X	DANFOSS OSPC 125CN 150-0184
5	L41383	RING	4		X	
6	L41898	ADAPTER	2		X	
7	AL41290	ELBOW FITTING	2		X	
8	AL31647	HYDRAULIC HOSE	1		X	
9	AL41641	HYDRAULIC HOSE	1		X	
10	AL41642	HYDRAULIC HOSE	1		X	
11	AL41722	HYDRAULIC HOSE	1		X	
12	Z27993	O-RING	AR		X	

3B1

STEERING SYSTEM AND BRAKES

HYDROSTATIC STEERING UNIT FOR CONVERSION KIT AL58132
UNITE DIRECTION HYDROSTAT.POUR JEU MODIFIC.AL58132
HYDROSTAT.LENKEINHEIT FUER UMRUESTSATZ AL58132
STERZO IDROSTATICO PER GRUPPO CONVERSIONE AL58132
UNIDAD DE DIRECCION HIDROST.PARA JUEGO DE MODIF.AL58132
SATS AL58132 FOR KONVERTERING HYDROSTATISK STYRNING
L122779 -UN-09OCT95



3B2

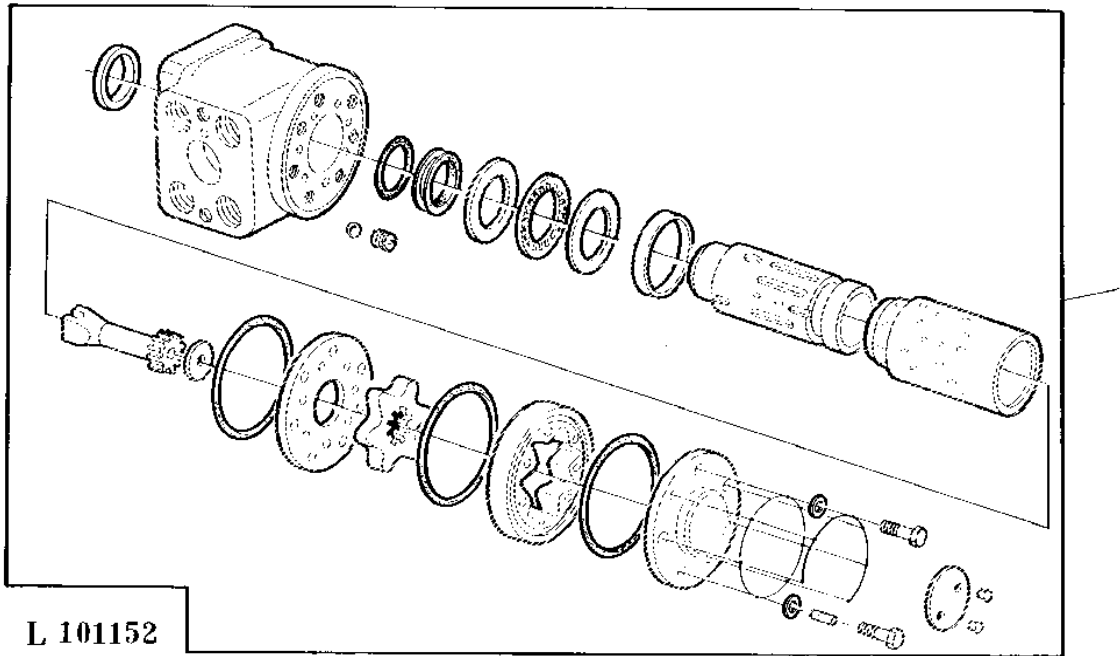
STEERING SYSTEM AND BRAKES

KEY	PART NO.	PART NAME	QTY	SERIAL NO.	REMARKS
				2	
				0 2	
				4 1	
				0 4	
				S 0	
1	AL58121	STEERING CONTROL UNIT	1	X	DANFOSS-OSPC 125CN 150-0184
2	AZ31301	VALVE	2	X	
3	Z31348	SEAL	1	X	
4	Z31452	O-RING	1	X	
5	Z31455	BACK-UP RING	1	X	
6	H871R	BALL	2	X	
7	AL37593	PIN	2	X	
8	Z31349	BALL	1	X	8,5MM
9	Z31350	PIPE PLUG	1	X	
10	AL36989	THRUST BEARING	1	X	
11	Z31351	THRUST WASHER	1	X	NSEP (ORD AL36989)
12	AZ20006	THRUST BEARING	1	X	NSEP (ORD AL36989)
13	Z31352	THRUST WASHER	1	X	NSEP (ORD AL36989)
14	Z31353	RING	1	X	
15	AZ25154	LEAF SPRING	1	X	KIT
16	Z31354	PIN	1	X	
17	Z31356	DRIVE SHAFT	1	X	
18	L32708	SHIM	1	X	
19	Z31453	O-RING	1	X	
20	Z31358	DISTRIBUTOR PLATE	1	X	NSEP (ORD AL68083)
21	Z31454	O-RING	2	X	
22	AL32777	GEAR	1	X	
23	L39146	PISTON	1	X	NSEP (ORD AL68083)
24	Z31456	WASHER	7	X	
25	Z31360	SPRING PIN	1	X	
26	L32709	CAP SCREW	1	X	M8X1X40
27	19M7698	CAP SCREW	6	X	M8X1X40
28	L32710	MEDALLION	1	X	
29	Z31364	SCREW	2	X	
30	AL68083	KIT	1	X	

3B3

STEERING SYSTEM AND BRAKES

STEERING UNIT-SEAL KIT
 UNITE DE DIRECTION-LOT DE JOINTS
 LENKEINHEIT-DICHTRINGSATZ
 GRUPPO VALVOLA STERZO-CORREDO DI GUARNIZIONI
 CONJUNTO BOMBA DIRECCION-JUEGO DE JUNTAS
 STYRVENTILENHET-TATNINGSSATS
 L101152 -UN-07JUN95



KEY	PART NO.	PART NAME	QTY	SERIAL NO.	REMARKS
1	AZ20003	SEAL KIT	1	X X	

2
0 2
4 1
0 4
S 0

3B4

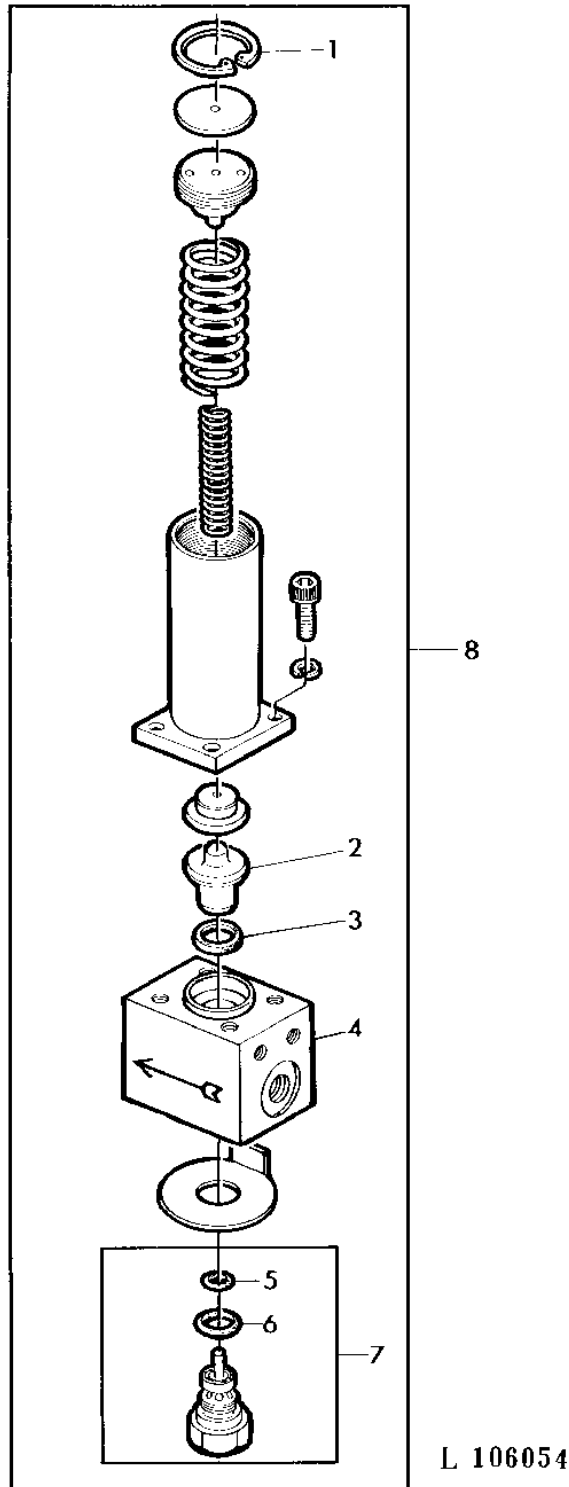
STEERING SYSTEM AND BRAKES

MEMORANDA
MEMORANDA
MEMORANDA
MEMORANDA
MEMORANDA

3B5

STEERING SYSTEM AND BRAKES

PRESSURE RELIEF VALVE
SOUPAPE REDUCTRICE DE PRESSION
DRUCKREDUZIERVERTIL
VALVOLA LIMITATRICE DI PRESSIONE
VALVULA DE DESCARGA LIMITADORA DE PRESSION
TRYCKREDUCERINGSVENTIL
L106054 -UN-07JUL95



3B6

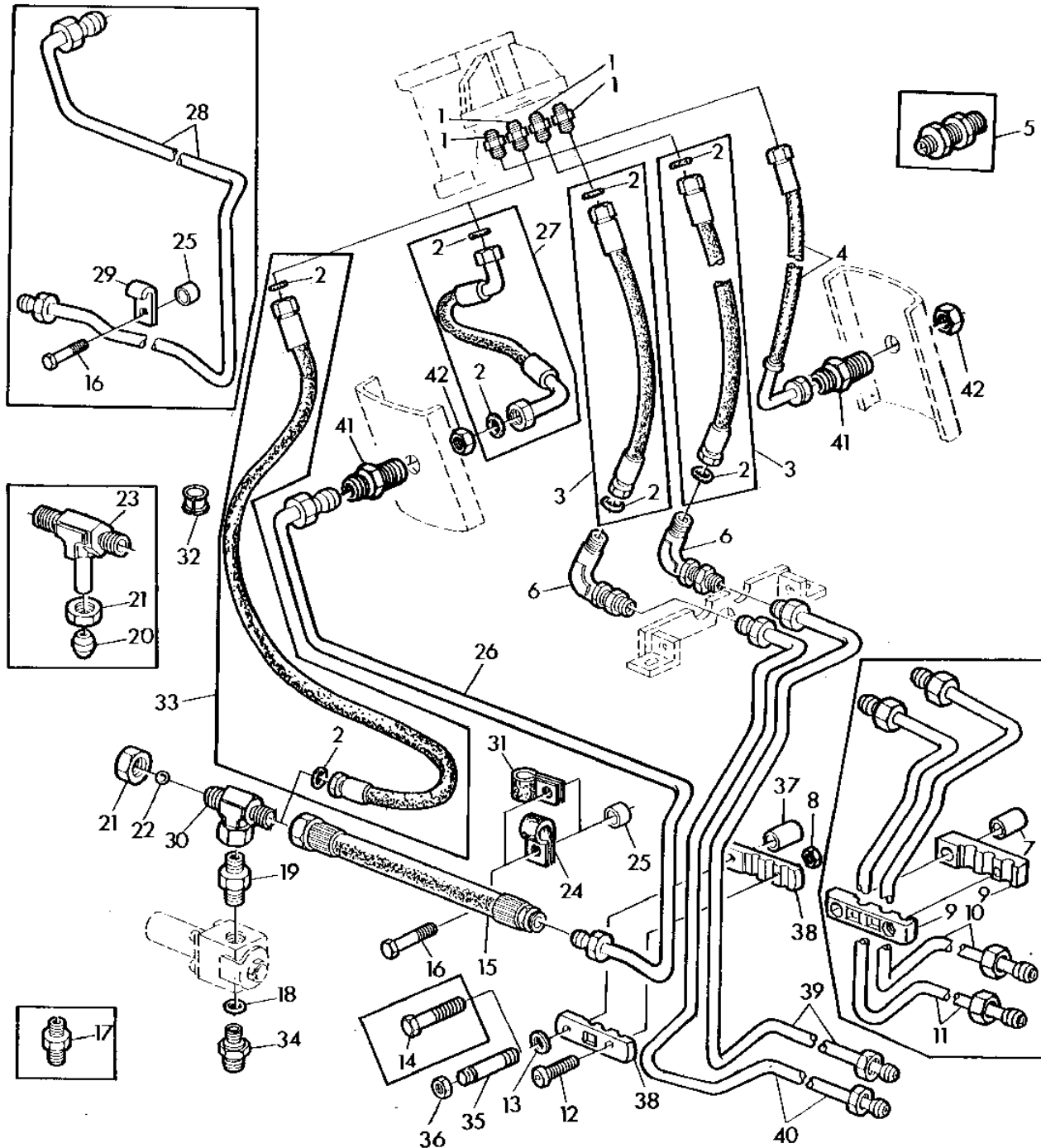
STEERING SYSTEM AND BRAKES

KEY	PART NO.	PART NAME	QTY	SERIAL NO.	2 0 2 4 1 0 4 S 0	REMARKS
1	40M1855	SNAP RING	1		X X	30X1,2MM
2	L37173	PISTON	1		X X	
3	L35916	PACKING	1		X X	
4	L35917	HOUSING	1		X X	
5	A3917R	O-RING	1		X X	
6	R459R	O-RING	1		X X	
7	AL33182	VALVE	1		X X	
8	AL34676	VALVE	1		X X	(SUB FOR AL31403)

3B7

STEERING SYSTEM AND BRAKES

HYDROST.STEERING-OIL LINES (1 CYLINDER)
 CONDUITES D'HUILE SUR DIRECTION HYDROST.A 1 VERIN
 HYDROST.LENKUNG-OELLEITUNGEN BEI 1 ZYLINDER
 STERZO IDROSTATICO -LINEE OLIO (1 CILINDRO)
 DIRECCION HIDROSTATICA -TUBERIAS (1 CILINDRO)
 HYDROSTATISK STYRNING-HYDRAULLEDNINGAR (1 STYRCYLINDER)
 L122641 -UN-09OCT95



L122641

3B8

STEERING SYSTEM AND BRAKES

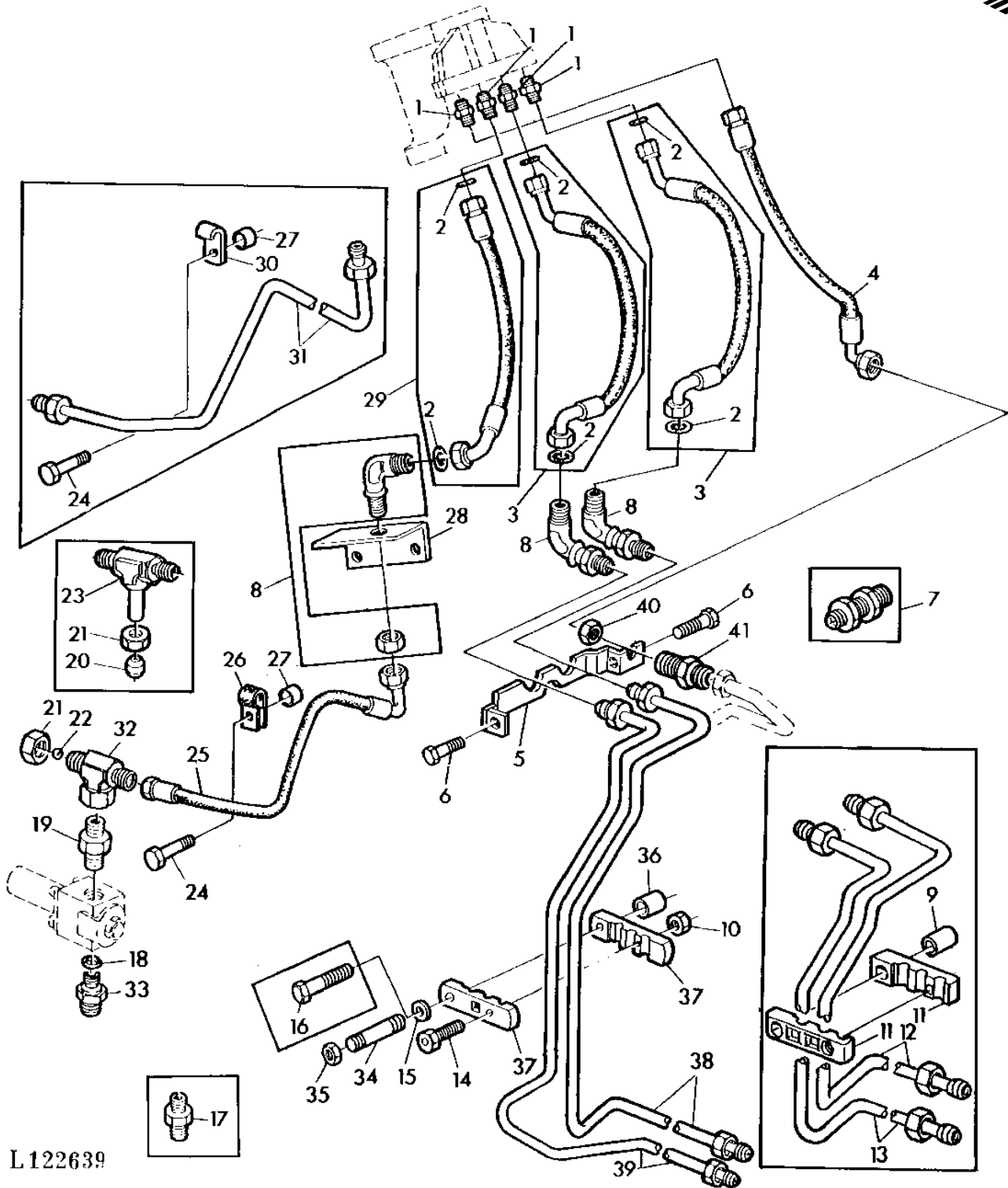
KEY	PART NO.	PART NAME	QTY	SERIAL NO.	REMARKS
					2
					0 2
					4 1
					0 4
					S 0
1	L34371	FITTING	4		X X
2	Z27993	O-RING	AR		X X
3	AL31249	HYDRAULIC HOSE	2		X X
4	AL31644	HYDRAULIC HOSE	1		X X
5	AL32895	UNION FITTING	AR		X X (ORD L63538, 14M7477)
6	AL31402	ELBOW FITTING	2		X X
7	28H1524	SPACER	1		X X 3/8"X.875"
8	14M7272	NUT	1		X X M6
9	L36389	CLAMP	2		X X
10	AL31411	OIL LINE	1		X X
11	AL31410	OIL LINE	1		X X
12	19M7966	SCREW	1		X X M6X25
13	24H1305	WASHER	1		X X
14	19H1944	CAP SCREW	1		X X 3/8"X2-3/4"
15	AL36118	HYDRAULIC HOSE	1		X
	AL36118	HYDRAULIC HOSE	1		X (ORD AL36521, R36235, 99M7038, R46414)
16	19H1800	CAP SCREW	1		X X 3/8"X1-1/2"
17	R27212	FITTING	1		X X
18	R26448	O-RING	1		X X
19	L34653	UNION FITTING	1		X X
20	Z32994	TAPERED SLEEVE	1		X X
21	15M6139	FITTING	1		X X
22	L38741	BALL	1		X X
23	L34868	TEE FITTING	1		X X (ORD AL37132)
24	R46414	CLAMP	1		X
25	28H1689	SPACER	1		X X
26	AL36337	OIL LINE	1		X
	AL36337	OIL LINE	1		X (ORD AL36521, R36235, 99M7038, R46414)
27	AL34418	HYDRAULIC HOSE	1		X
	AL34418	HYDRAULIC HOSE	1		X (ORD AL36521, R36235, 99M7038, R46414)
28	AL34241	OIL LINE	1		X X (ORD AL36118, AL36337, R46414)
29	T35126	CLAMP	1		X X
30	AL37132	TEE FITTING	1		X X
31	R46414	CLAMP	1		X
32	R36235	GROMMET	1		X
33	AL36521	HYDRAULIC HOSE	1		X
34	L37858	FITTING	1		X X
35	L38319	STUD	1		X X 3/8"
36	14H812	NUT	1		X X 3/8"
37	28H1518	WASHER	1		X X 3/8"X.312"
38	L37549	CLAMP	2		X X
39	AL34766	OIL LINE	1		X X
40	AL34765	OIL LINE	1		X X
41	L63538	UNION FITTING	AR		X X
42	14M7477	NUT	AR		X X M18X1,5

3B9

STEERING SYSTEM AND BRAKES

HYDROSTATIC STEERING-OIL LINES(WITH OPU CAB)
DIRECTION HYDROSTATIQUE-CONDUITES D'HUILE(AVEC CABINE PPI)
HYDROSTATISCHE LENKUNG-OELLEITUNGEN(BEI FSC-KABINE)
STERZO IDROSTATICO-LINEE OLIO(CON CABINA OPU)
DIRECCION HIDROSTATICA-TUBERIAS(CON CABINA DE SEGURIDAD)
HYDROSTATISK STYRNING-LEDNINGAR(VID OPU FORARHYTT)

L122639 -UN-09OCT95



L 122639

3B10

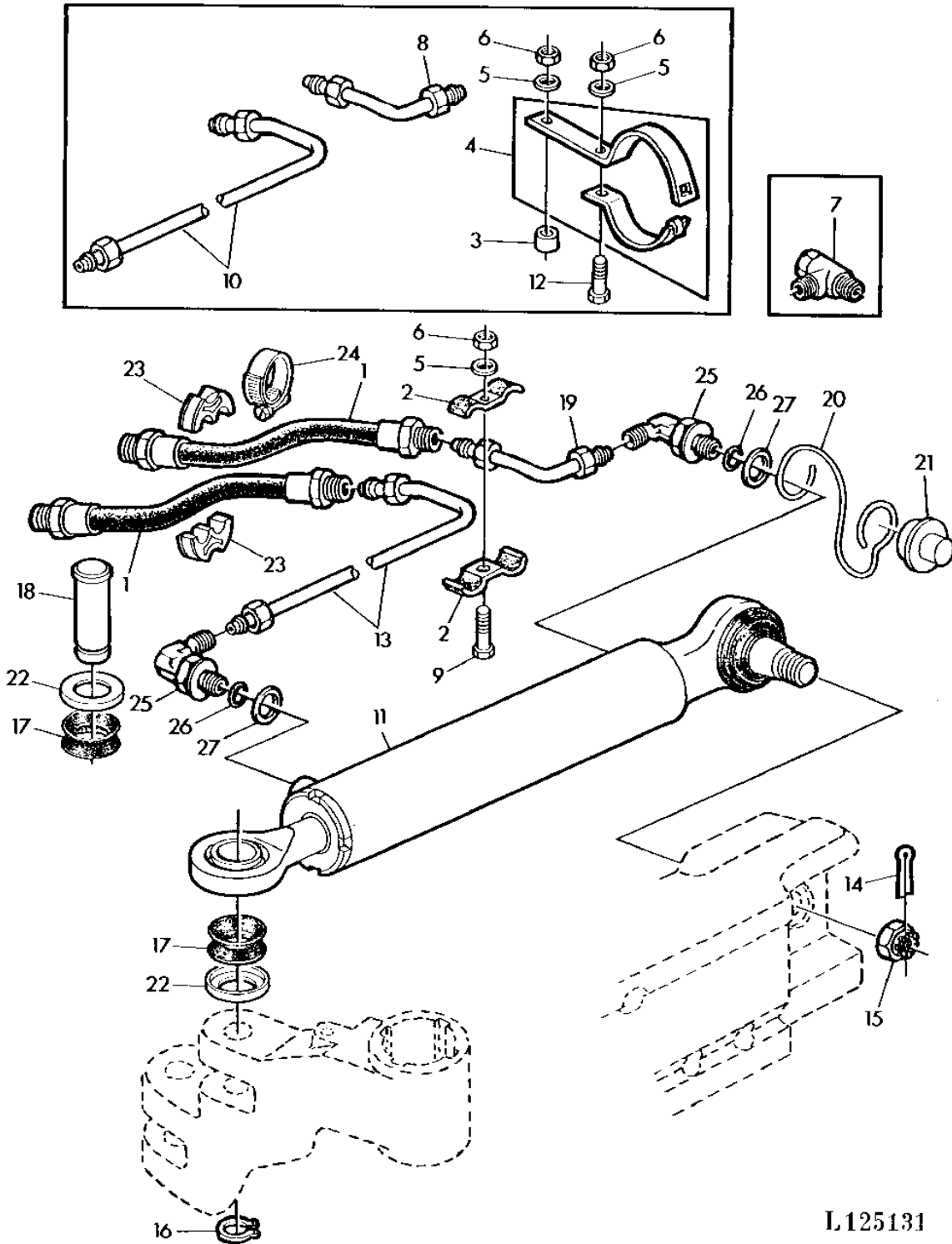
STEERING SYSTEM AND BRAKES

KEY	PART NO.	PART NAME	QTY	SERIAL NO.	REMARKS
					2
					0 2
					4 1
					0 4
					S 0
1	L34371	FITTING	4		X X
2	Z27993	O-RING	AR		X X
3	AL32751	HYDRAULIC HOSE	2		X X
4	AL32754	HYDRAULIC HOSE	1		X X
5	AL32755	RETAINER	1		X X
6	19H2021	CAP SCREW	2		X X 3/8" X 5/8"
7	AL32895	UNION FITTING	1		X X (ORD L63538, 14M7477)
8	AL31402	ELBOW FITTING	3		X X
9	28H1938	BUSHING	1		X X 3/8"X1.188"
10	14M7272	NUT	1		X X M6
11	L36389	CLAMP	2		X X
12	AL31411	OIL LINE	1		X X
13	AL31410	OIL LINE	1		X X
14	19M7966	SCREW	1		X X M6X25
15	24H1305	WASHER	1		X X 13/32"X13/16"X.060"
16	19H1944	CAP SCREW	1		X X 3/8"X2-3/4"
17	R27212	FITTING	1		X X
18	R26448	O-RING	1		X X
19	L34653	UNION FITTING	1		X X
20	Z32994	TAPERED SLEEVE	1		X X
21	15M6139	FITTING	1		X X
22	L38741	BALL	1		X X
23	L34868	TEE FITTING	1		X X (ORD AL37132)
24	19H1800	CAP SCREW	1		X 3/8"X1-1/2"
25	AL35590	HYDRAULIC HOSE	1		X X (SUB FOR AL34242)
26	R46414	CLAMP	1		X X
27	28H1689	SPACER	1		X
28	L36658	ANGLE	1		X X
29	AL32753	HYDRAULIC HOSE	1		X X
30	T35126	CLAMP	1		X
31		1		X (ORD AL35590, R46414)
32	AL37132	TEE FITTING	1		X X
33	L37858	FITTING	1		X X
34	L38319	STUD	1		X X 3/8"
35	14H812	NUT	1		X X 3/8"
36	28H1697	SPACER	1		X X 3/8"X.75"
37	L37549	CLAMP	2		X X
38	AL34766	OIL LINE	1		X X
39	AL34765	OIL LINE	1		X X
40	14M7477	NUT	1		X X M18X1,5
41	L63538	UNION FITTING	1		X X

3B11

STEERING SYSTEM AND BRAKES

HYDROSTATIC STEERING-CYLINDER
DIRECTION HYDROSTATIQUE-CYLINDRE
HYDROSTATISCHE LENKUNG-ZYLINDER
STERZO IDROSTATICO-CILINDRO
DIRECCION HIDROSTATICA-CILINDRO
HYDROSTATISK STYRNING-CYLINDER
L125131 -UN-09OCT95



L125131

3B12

STEERING SYSTEM AND BRAKES

KEY	PART NO.	PART NAME	QTY	SERIAL NO.	REMARKS
					2
					0 2
					4 1
					0 4
					S 0
1	AL31414	HYDRAULIC HOSE	2		X X
2	R27491	CLAMP	2		X X
3	L33555	WASHER	1	-428539	X X
4	AL34688	CLAMP	1	-428539	X X
5	24M7036	WASHER	2		X X 9X17X1,6MM
6	14M7273	NUT	1		X X M8
7	AL39862	ELBOW FITTING	2		X X (SUB FOR AL31412) (ORD AL41290, L62122, 51M7033)
8	AL31422	OIL LINE	1	-428539	X X (A) LH (ORD AL35268, AL35269, L39292, L39293)
	AL31422	OIL LINE	1	-428539	X X (B) LH (ORD AL35268, AL35269, L39291, L39292)
9	19M7163	CAP SCREW	1		X X M8X25
10	AL31421	OIL LINE	1	-428539	X X (A) RH (ORD AL35268, AL35269, L39292, L39293)
	AL31421	OIL LINE	1	-428539	X X (B) RH (ORD AL35268, AL35269, L39291, L39292)
11	AL31240	HYDRAULIC CYLINDER	1		X X (ORD AL60895, (2) L40300, (2) L39306)
	AL60895	HYDRAULIC CYLINDER	1		X X (SUB FOR AR102516, AL36563)
12	19M7139	CAP SCREW	1		X X M8X20
13	AL35268	OIL LINE	1	428540-	X X
14	11M7023	COTTER PIN	1		X X 4X32MM
15	14M5409	NUT	1		X X M20
16	40M7195	SNAP RING	1		X X 25X1,2MM
17	L39306	SEAL	2		X X
18	L36085	PIN	1		X X
19	AL35269	OIL LINE	1	428540-	X X
20	L39293	SUPPORT	1	428540-	X X (A)
	L39291	SUPPORT	1	428540-	X X (B)
21	L39292	PIN	1	428540-	X X
22	L40300	CAP	2		X X
23	L32580	RETAINER	2		X X
24	AR21999	CLAMP	1		X X
25	AL41290	ELBOW FITTING	2		X X
26	51M7033	O-RING	2		X X
27	L62122	WASHER	2		X X

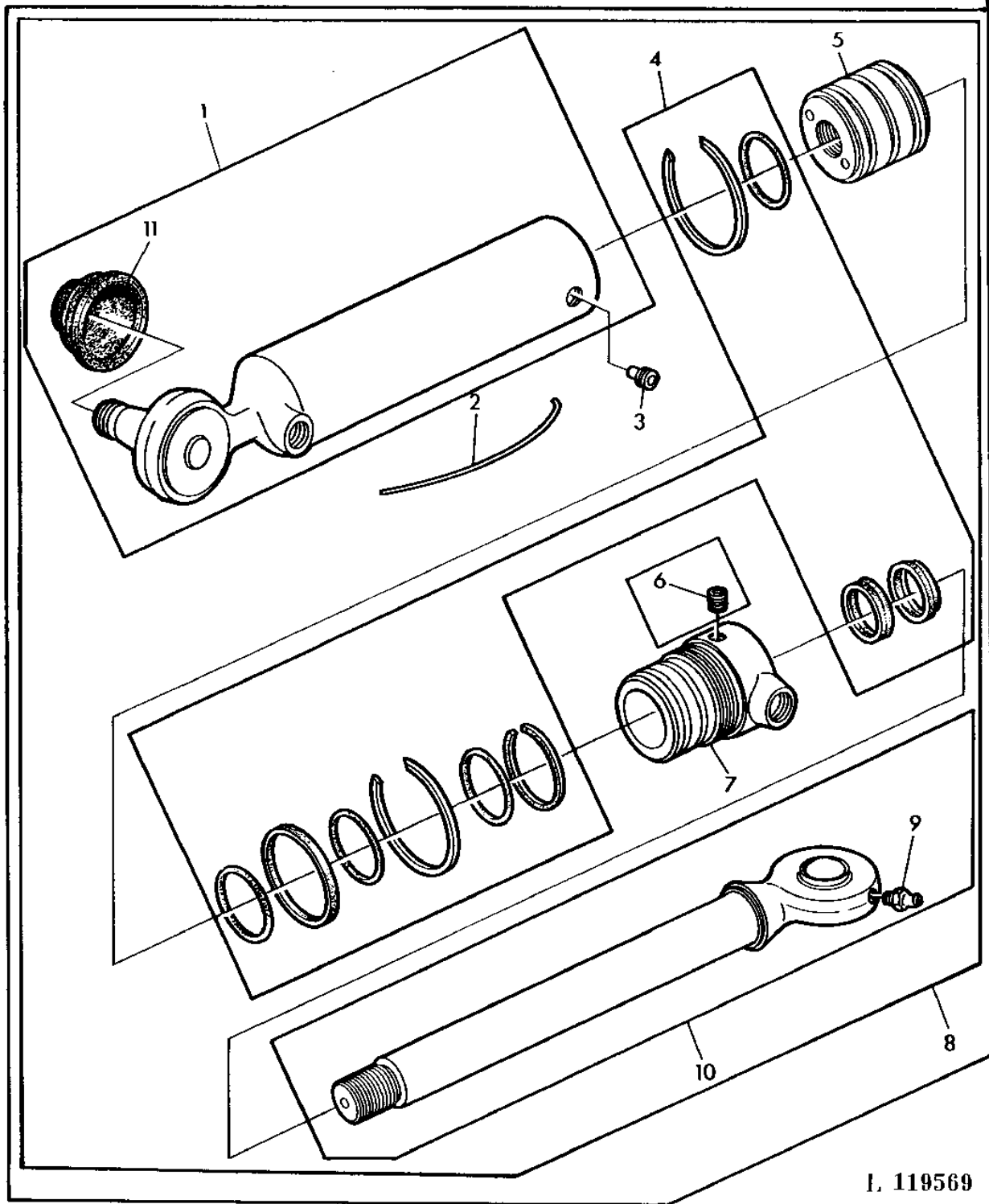
(A) AXLES WITH ONE SET OF HOLES
 SUR ESSIEUX A UNE RANGEE D'ALESAGES
 BEI ACHSEN MIT EINER LOCHREIHE
 CON ASSALE CON UNA FILA DI FORI
 EN EJES CON UNA FILA DE ORIFICIOS
 VID FRAMAXEL MED 1 SERIE HAL

(B) AXLES WITH TWO SETS OF HOLES
 SUR ESSIEUX A DEUX RANGEES D'ALESAGES
 BEI ACHSEN MIT ZWEI LOCHREIHEN
 CON ASSALE CON DUE FILI DI FORI
 EN EJES CON DOS FILAS DE ORIFICIOS
 VID FRAMAXEL MED 2 SERIER HAL

3B13

STEERING SYSTEM AND BRAKES

STEERING CYLINDER ASSY.
ELEMENTS DU VERIN DE DIRECTION
LENKZYLINDER-EINZELTEILE
PARTI SINGOLE DEL CILINDRO DELLO STERZO
COMPONENTES DEL CILINDRO DE DIRECCION
STYRCYLINDER
L119569 -UN-18JUL95



I. 119569

3B14

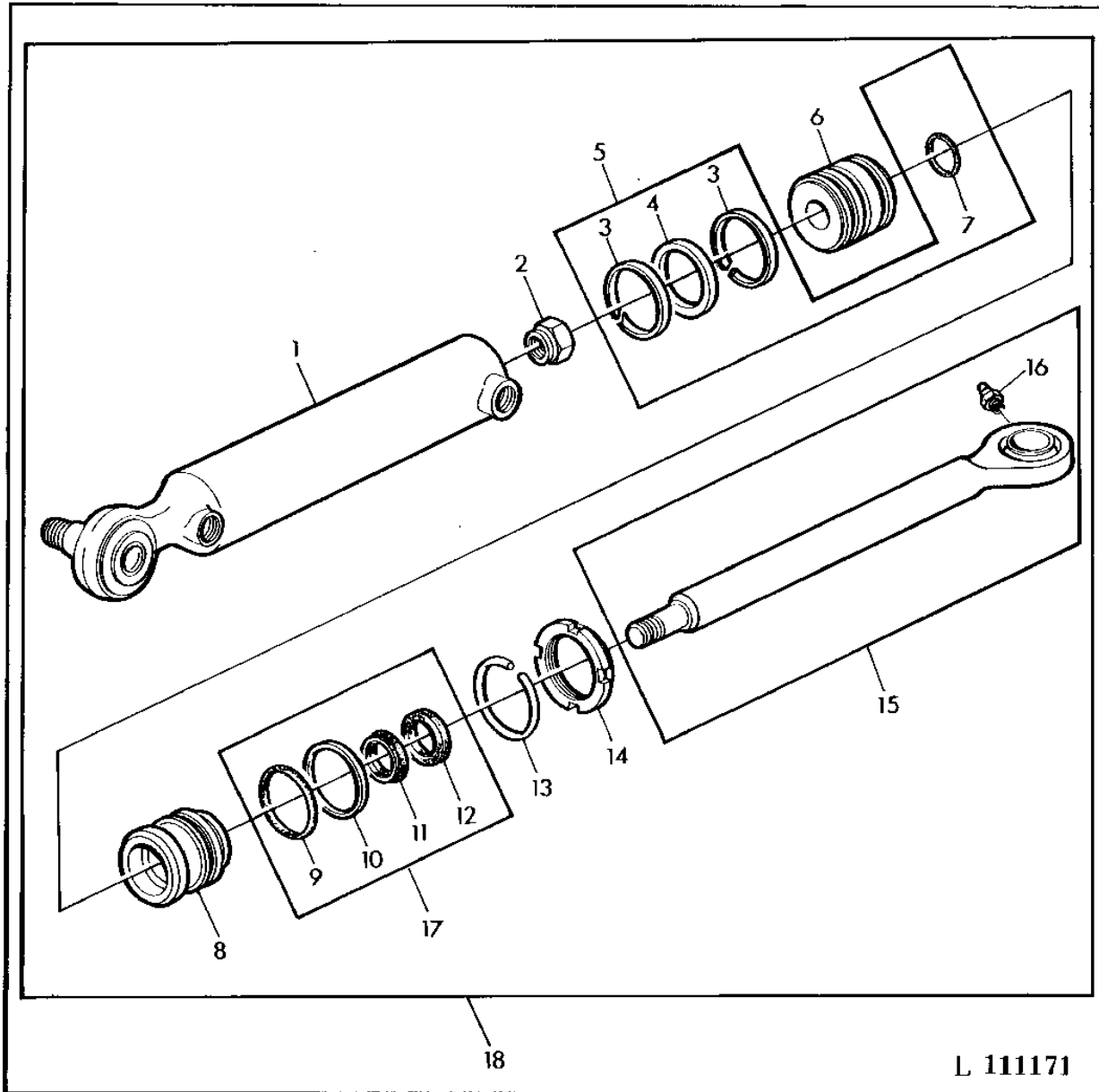
STEERING SYSTEM AND BRAKES

KEY	PART NO.	PART NAME	QTY	SERIAL NO.	REMARKS
				2	
				0 2	
				4 1	
				0 4	
				S 0	
1	AL33040	CYLINDER	1		X X
2	L35778	WIRE	1		X X
3	22M7099	SET SCREW	1		X X M5X6
4	AL33039	SEAL KIT	1		X X
5	L35779	PISTON	1		X X
6	15H558	PIPE PLUG	1		X X 1/8"
7	L35780	GUIDE	1		X X
8	AL31240	HYDRAULIC CYLINDER	1		X X (ORD AL60895)
	AL36563	HYDRAULIC CYLINDER	1		X X (ORD AL60895)
9	58M5573	LUBRICATION FITTING	1		X X
10	AL33038	ROD	1		X X (ORD AL37202, (2) L39306, (2) L40300)
	AL37202	ROD	1		X X
11	L40806	BOOT	1		X X

3B15

STEERING SYSTEM AND BRAKES

STEERING CYLINDER ASSY.
ELEMENTS DU VERIN DE DIRECTION
LENKZYLINDER-EINZELTEILE
PARTI SINGOLE DEL CILINDRO DELLO STERZO
COMPONENTES DEL CILINDRO DE DIRECCION
STYRCYLINDER
L111171 -UN-07JUN95



3B16

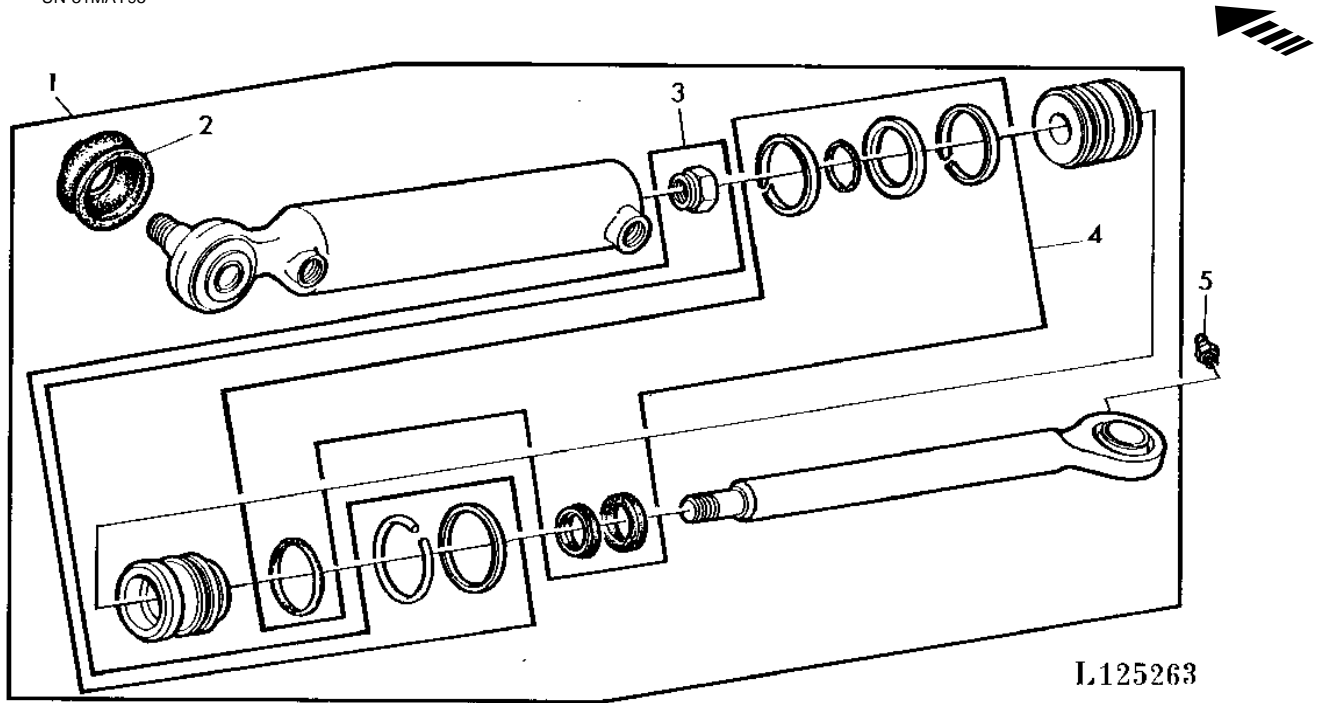
STEERING SYSTEM AND BRAKES

KEY	PART NO.	PART NAME	QTY	SERIAL NO.	REMARKS
				2	
				0 2	
				4 1	
				0 4	
				S 0	
1	RE17307	HYDRAULIC CYLINDER BARREL	1	X X	(ORD AL60895)
2	R69706	LOCK NUT	1	X X	
3	R80510	WEAR RING	2	X X	
4	RE17308	PISTON RING	1	X X	
5	DD14568	GASKET KIT	1	X X	
6	R80508	PISTON	1	X X	(ORD AL60895)
7	U15192	O-RING	1	X X	
8	R80509	GUIDE	1	X X	(ORD AL60895)
9	U46335	O-RING	1	X X	
10	T50240	BACK-UP RING	1	X X	
11	AR91010	SEAL	1	X X	
12	AR102310	SEAL	1	X X	
13	C12473	SNAP RING	1	X X	
14	L35612	NUT	1	X X	
15	RE17306	ROD	1	X X	(ORD AL60895)
16	58M7004	LUBRICATION FITTING	1	X X	
17	DD14569	GASKET KIT	1	X X	
18	AR102516	HYDRAULIC CYLINDER	1	X X	(ORD AL60895)

3B17

STEERING SYSTEM AND BRAKES

STEERING CYLINDER ASSY.
 ELEMENTS DU VERIN DE DIRECTION
 LENKZYLINDER-EINZELTEILE
 PARTI SINGOLE DEL CILINDRO DELLO STERZO
 COMPONENTES DEL CILINDRO DE DIRECCION
 STYRCYLINDER
 L125263 -UN-31MAY95



L125263

KEY	PART NO.	PART NAME	QTY	SERIAL NO.	REMARKS
				2	
				0 2	
				4 1	
				0 4	
				S 0	
1	AL60895	HYDRAULIC CYLINDER	1		X X
2	L40806	BOOT	1		X X
3	AL67181	KIT	1		X X
4	AL65851	GASKET KIT	1		X X
5	58M5573	LUBRICATION FITTING	1		X X

3B18

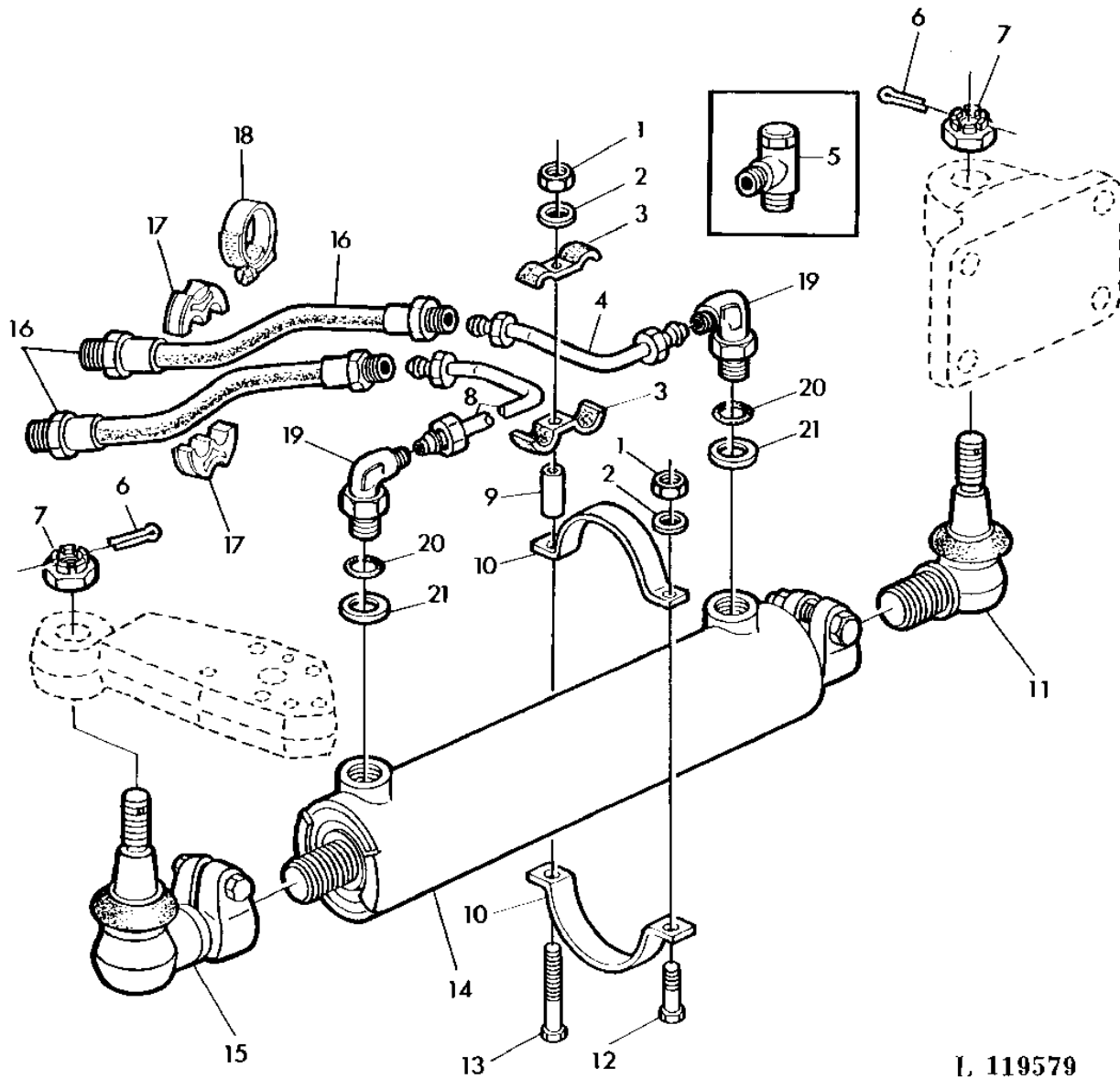
STEERING SYSTEM AND BRAKES

MEMORANDA
MEMORANDA
MEMORANDA
MEMORANDA
MEMORANDA

3B19

STEERING SYSTEM AND BRAKES

HYDROSTATIC STEERING-CYLINDER(FWD)
DIRECTION HYDROSTATIQUE-CYLINDRE(ESS.AV.MOT.)
HYDROSTATISCHE LENKUNG-ZYLINDER(FRONTANTRIEB)
STERZO IDROSTATICO-CILINDRO(TRAZ.ANT.)
DIRECCION HIDROSTATICA-CILINDRO(TRAC.DELANTERA)
HYDROSTATISK STYRNING-CYLINDER(FRAMHJULSDRIFT)
L119579 -UN-18JUL95



L. 119579

3B20

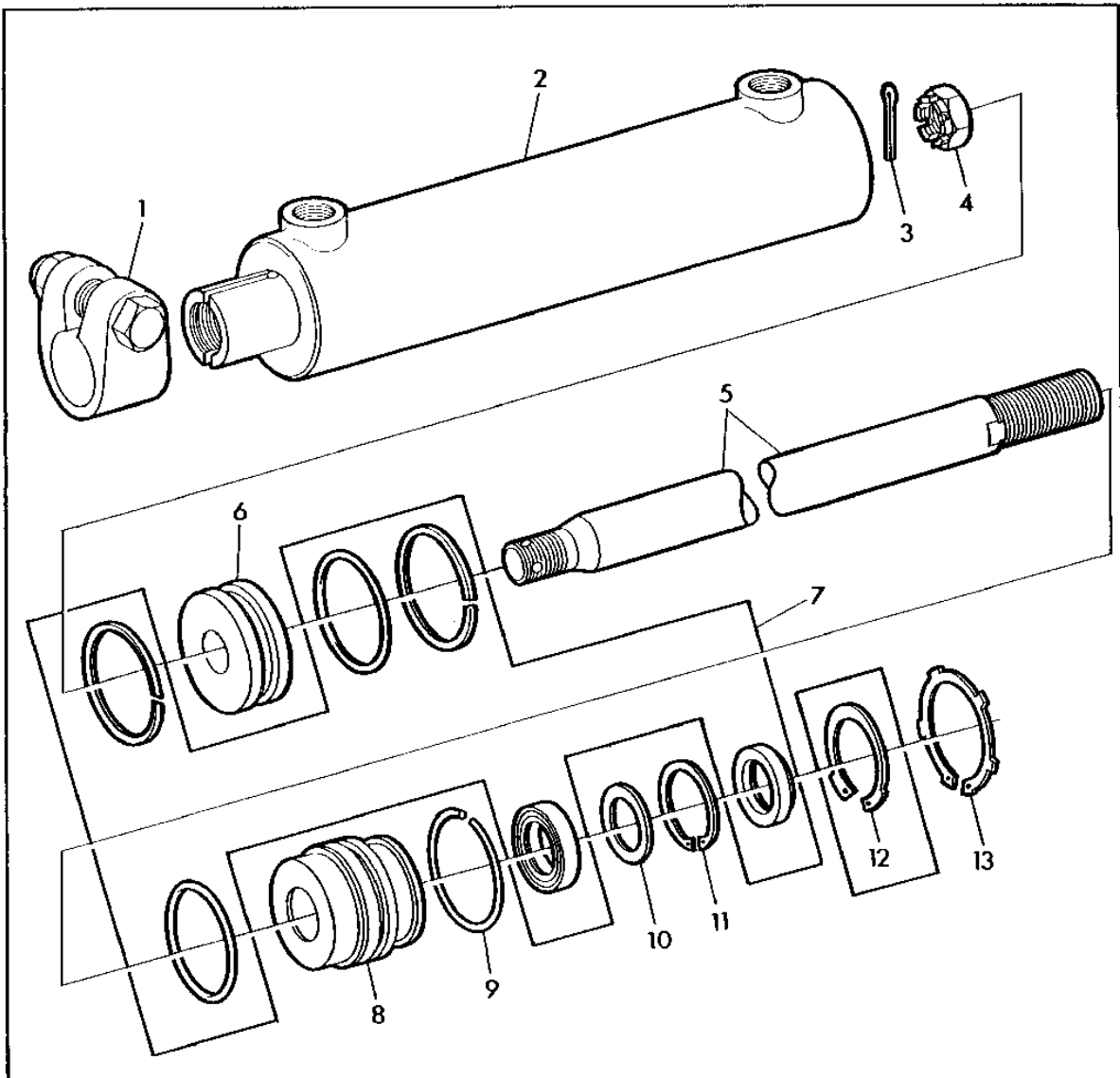
STEERING SYSTEM AND BRAKES

KEY	PART NO.	PART NAME	QTY	SERIAL NO.	REMARKS
				2	
				0 2	
				4 1	
				0 4	
				S 0	
1	14M7273	NUT	2	X X	M8
2	24M7036	WASHER	2	X X	9X17X1,6MM
3	R27491	CLAMP	2	X X	
4	AL35269	OIL LINE	1	X X	LH (SUB FOR AL31422)
5	AL39862	ELBOW FITTING	2	X X	(SUB FOR AL31412) (ORD AL41290, L62122, 51M7033)
6	11M7032	COTTER PIN	2	X X	5X50MM
7	14M7314	NUT	2	X X	M27X1,5
8	AL31420	OIL LINE	1	X	RH
	AL31419	OIL LINE	1	X	RH
9	28H1992	SPACER	1	X X	1/4"X2"
10	L37192	CLAMP	2	X X	
11	AL32867	BALL JOINT	1	X X	
12	19M7139	CAP SCREW	1	X X	M8X20
13	19M7325	CAP SCREW	1	X X	M8X80
14	AL32868	CYLINDER	1	X	
	AL32985	HYDRAULIC CYLINDER	1	X	
15	AL32866	BALL JOINT	1	X X	
16	AL31414	HYDRAULIC HOSE	2	X X	
17	L32580	RETAINER	2	X X	
18	AR21999	CLAMP	1	X X	
19	AL41290	ELBOW FITTING	2	X X	
20	51M7033	O-RING	2	X X	
21	L62122	WASHER	2	X X	

3B21

STEERING SYSTEM AND BRAKES

STEERING CYLINDER ASSY.(FWD)
ELEMENTS DU VERIN DE DIRECTION (PONT AVANT)
LENKZYLINDER-EINZELTEILE(FRONTANTRIEB)
PARTI SINGOLE CILINDRO STERZO(TRAZIONE ANTER.)
COMPONENTES DEL CILINDRO DE DIRECCION(TRACC.DELANT.)
STYRCYLINDER(FRAMHJULSDRIFT)
L125262 -UN-09OCT95



14

L125262

3B22

STEERING SYSTEM AND BRAKES

KEY	PART NO.	PART NAME	QTY	SERIAL NO.	REMARKS
					2
					0 2
					4 1
					0 4
					S 0
1	AL33318	CLAMP	1		X X
2	L36172	CYLINDER	1		X
	L36173	CYLINDER	1		X
3	11M7087	COTTER PIN	1		X X 4X40MM
4	14M7331	NUT	1		X X M20X1,5
5	L36174	ROD	1		X
	L36175	ROD	1		X
6	L36165	PISTON	1		X X (ORD W/ AL63928)
7	AL39287	SEAL KIT	1		X X (A) (SUB FOR AL33321)
	AL63928	GASKET KIT	1		X X (B)
8	L36169	GUIDE	1		X X
9	L36168	SNAP RING	1		X X
10	L36166	WASHER	1		X X
11	40M7093	SNAP RING	1		X X 38X1,5MM
12	40M7094	SNAP RING	1		X X (A) 40X1,75MM
13	40M7095	SNAP RING	1		X X 50X2MM
14	AL32868	CYLINDER	1		X
	AL32985	HYDRAULIC CYLINDER	1		X

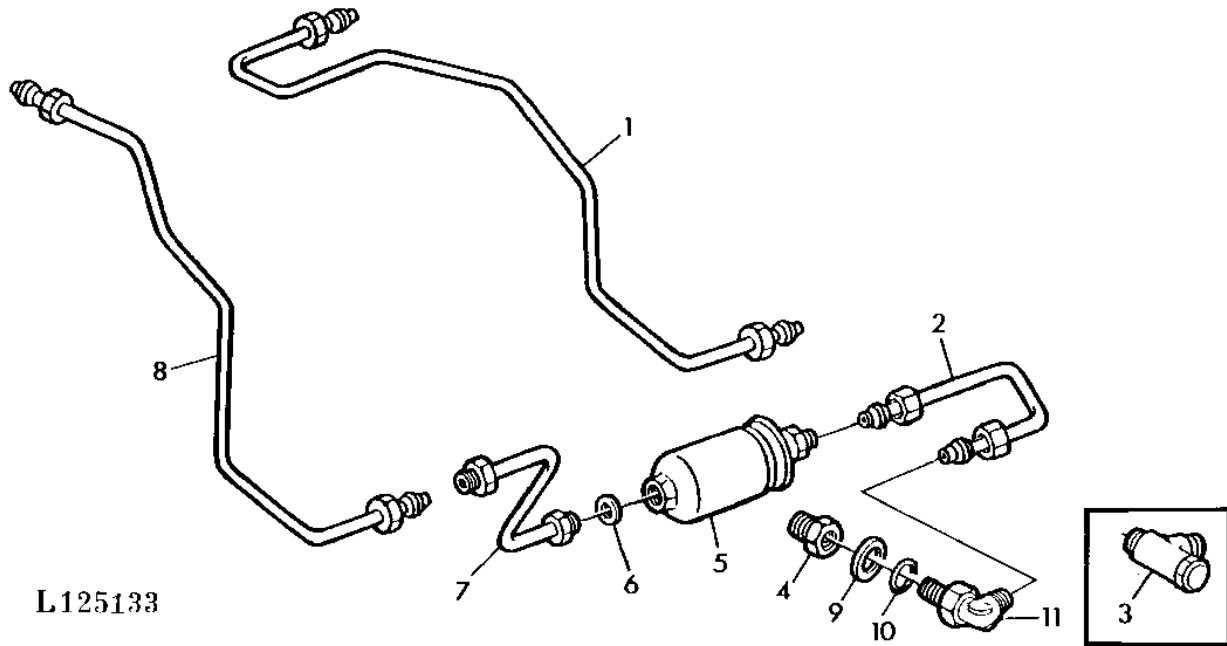
(A) (-23567) MAUFACTURER SERIAL NO.
 (-23567) NO. SERIE FABRICANT
 (-23567) HERSTELLER-NR.
 (-23567) NO. FABRICANTE
 (-23567) NO. SERIE FABRICANTE
 (-23567) TILLVERKARENS NUMMER

(B) (23568-) MAUFACTURER SERIAL NO.
 (23568-) NO. SERIE FABRICANT
 (23568-) HERSTELLER-NR.
 (23568-) NO. FABRICANTE
 (23568-) NO. SERIE FABRICANTE
 (23568-) TILLVERKARENS NUMMER

3B23

STEERING SYSTEM AND BRAKES

HYDROSTATIC STEERING-OIL LINES/FILTER
 DIRECTION HYDROSTATIQUE-CONDUITES D'HUILE/FILTRE
 HYDROSTATISCHE LENKUNG OELLEITUNG/FILTER
 STERZO IDROSTATICO-LINEE OLIO/FILTRO
 DIRECCION HIDROSTATICA-TUBERIAS/FILTRO
 HYDROSTATISK STYRNING-LEDNINGAR/FILTER
 L125133 -UN-09OCT95



L125133

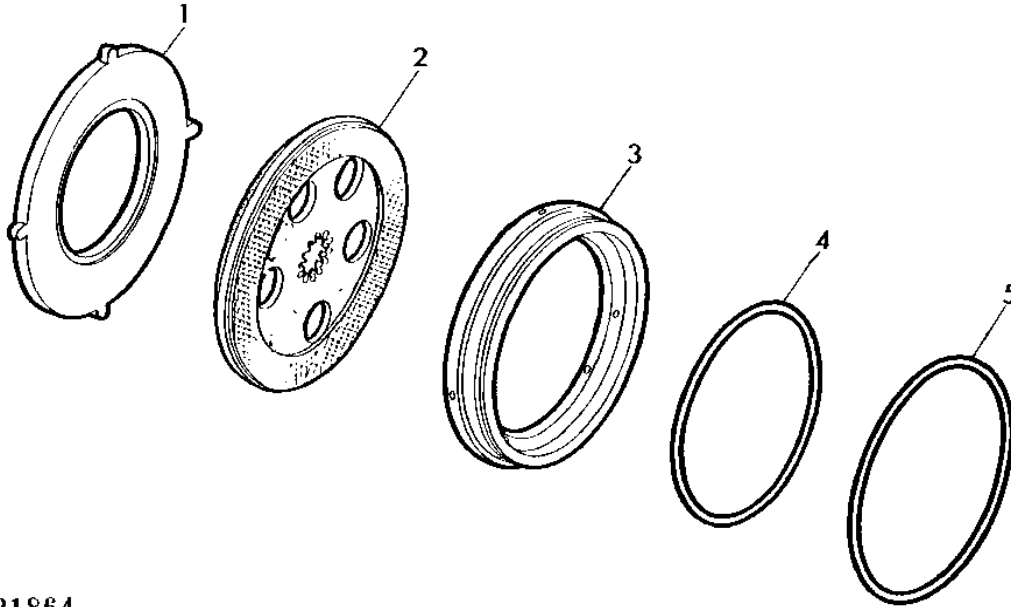
KEY	PART NO.	PART NAME	QTY	SERIAL NO.	REMARKS
				2	
				0 2	
				4 1	
				0 4	
				S 0	
1	AL31409	OIL LINE	1	X X	(A)
2	AL31805	OIL LINE	1	X X	
3	AL39862	ELBOW FITTING	1	X X	(SUB FOR AL31412) (ORD AL41290, L62122, 51M7033)
4	L34372	ADAPTER	1	X X	
5	AL31413	FILTER	1	X X	
6	51M4236	RING	1	X X	
7	AL32963	LINE	1	X X	
8	AL31405	OIL LINE	1	X X	
9	L62122	WASHER	1	X X	
10	51M7033	O-RING	1	X X	
11	AL41290	ELBOW FITTING	1	X X	

(A) WITH OPU CAB
 AVEC CABINE PPI
 BEI FSC-KABINE
 CON CABINA OPU
 CON CABINA DE SEGURIDAD
 VID OPU FORARHYTT

3B24

STEERING SYSTEM AND BRAKES

BRAKE DISK
DISQUE DE FREIN
BREMSSCHEIBE
DISCO FRENO
DISCO DEL FRENO
BROMSLAMELL
 L21864 -UN-09OCT95



L 21864

2
0 2
4 1
0 4
S 0

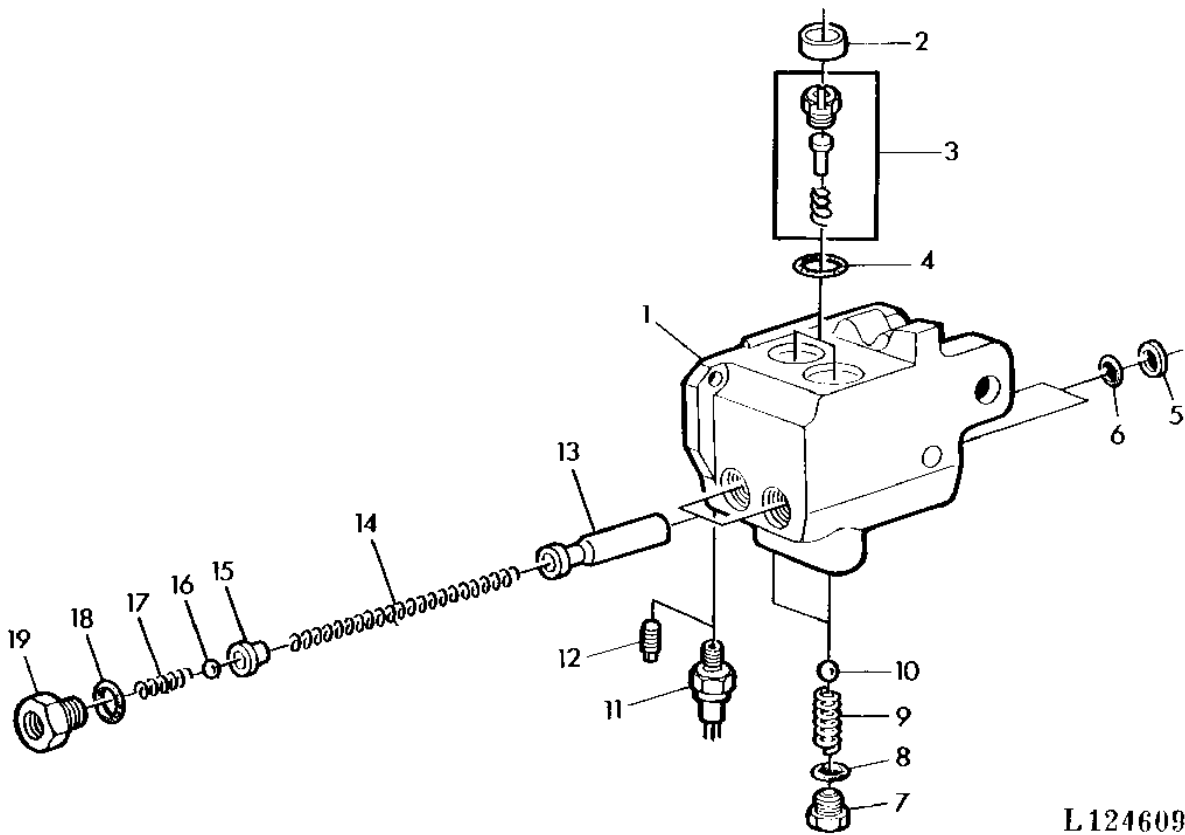
KEY	PART NO.	PART NAME	QTY	SERIAL NO.	REMARKS
1	L55004	BRAKE ACTUATING DISK	2		X X (SUB FOR L33481)
2	AL38235 AZ40478	DISK, INNER SPLINE BRAKE DISK	2	370493- -370492	X X (SUB FOR AL30095) X (SUB FOR AL30096, AL38236)
3	L33910 L62830	BRAKE ACTUATING DISK BRAKE ACTUATING DISK	2		X X X X (A)
4	R50703	WASHER	2		X X
5	R50704	SEALING WASHER	2		X X

(A) FOR TRANSMISSION CASE AL66781, AL66796, AL66797, AL68507, AL68508, AL68510
 POUR CARTER DE BOITE AL66781, AL66796, AL66797, AL68507, AL68508, AL68510
 FUER GETRIEBEGEHAEUSE AL66781, AL66796, AL66797, AL68507, AL68508, AL68510
 PER SCATOLA TRASMISS. AL66781, AL66796, AL66797, AL68507, AL68508, AL68510
 PARA CAJA DEL CAMBIO AL66781, AL66796, AL66797, AL68507, AL68508, AL68510
 FOR TRANSMISSIONSHUS AL66781, AL66796, AL66797, AL68507, AL68508, AL68510

3C1

STEERING SYSTEM AND BRAKES

BRAKE VALVE
MAITRE-CYLINDRE
BREMSVENTIL
VALVOLA FRENO
HUVUDBROMSCYLINDER
L124609 -UN-07JUL95



L124609

3C2

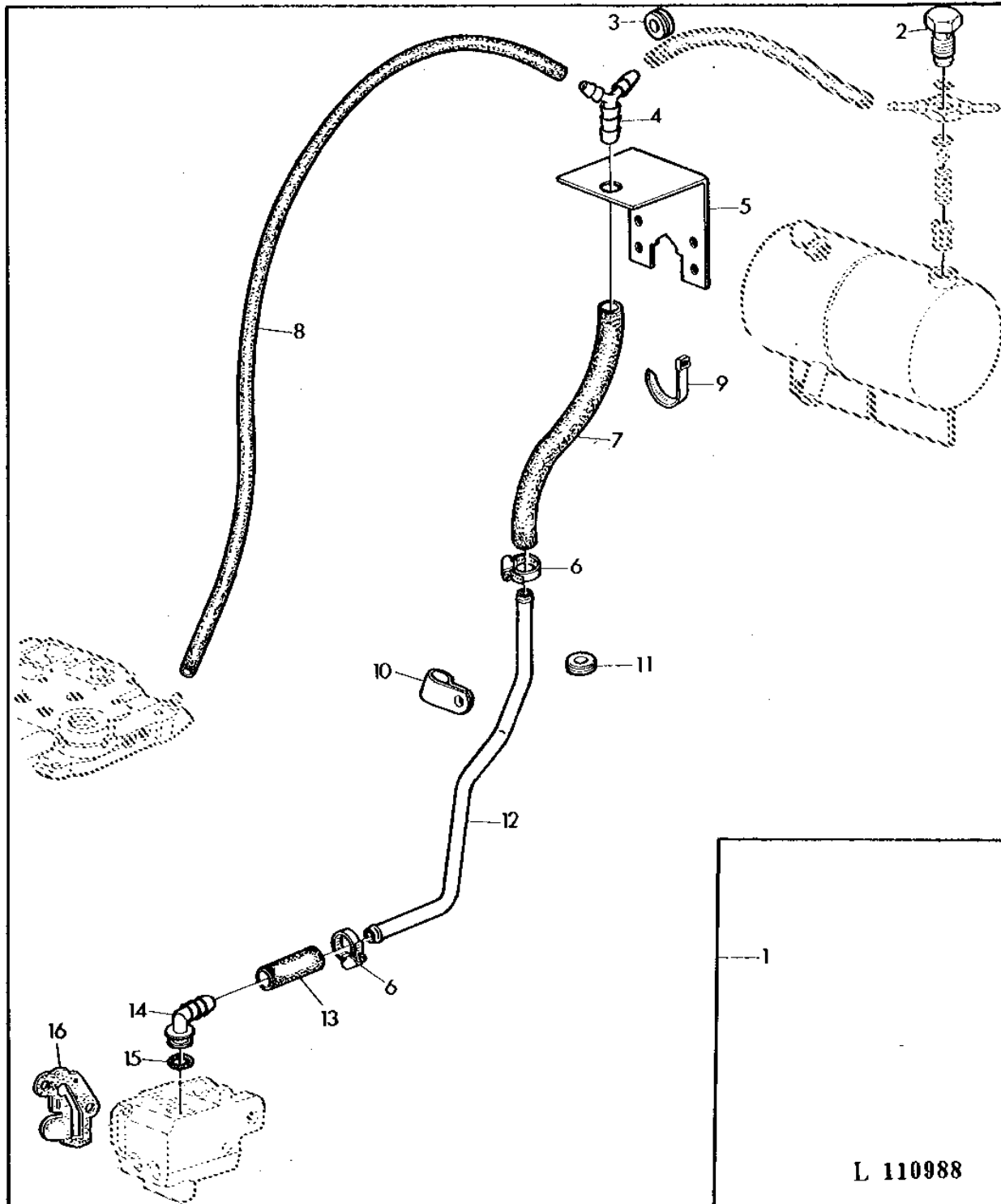
STEERING SYSTEM AND BRAKES

KEY	PART NO.	PART NAME	QTY	SERIAL NO.	REMARKS
					2
					0 2
					4 1
					0 4
					S 0
1	AR63616	HOUSING	1	X X	(MARKED R54978) (ORD AL69166, (2) L41064, (2) U17409)
	AL69166	HOUSING	1	X X	(MARKED L64460)
2	R35286	CAP	2	X X	
3	AL69179	VALVE	2	X X	(SUB FOR AL23836, AL67574)
4	R26906	O-RING	2	X X	
5	T22101	SEAL	2	X X	
6	R495R	O-RING	2	X X	
7	R39112	FITTING	2	X X	3/4"
8	R26375	O-RING	2	X X	
9	T21816	SPRING	2	X X	
10	D2361R	BALL	2	X X	1/2"
11	AL67715	BRAKE LIGHT SWITCH	1	X X	(SUB FOR AL27809)
12	15H638	PIPE PLUG	1	X X	1/8"
13	L64359	PISTON	2	X X	(FOR AR63616) (SUB FOR L34040)
	L64467	PISTON	2	X X	(FOR AL69166)
14	L62883	COMPRESSION SPRING	2	X X	(SUB FOR R50112)
15	T21815	RETAINER	2	X X	
16	400R	BALL	2	X X	
17	L63429	COMPRESSION SPRING	2	X X	(SUB FOR T21814)
18	U12547	O-RING	2	X X	(FOR AR63616) (SUB FOR F3171R APPL)
	U17409	O-RING	2	X X	(FOR AL69166)
19	R50110	FITTING	2	X X	(FOR AR63616)
	L41064	FITTING	2	X X	(FOR AL69166)

3C3

STEERING SYSTEM AND BRAKES

FOOT BRAKE CONVERSION KIT ON TRACTORS W/HYD.OIL RESERVOIR
JEU DE REPARATION POUR FREIN A PIED SUR TRACTEURS A RESERVOIR D'HUILE HYDR.
FUSSBREMSE-UMRUESTSATZ BEI TRAKTOREN MIT HYDR.OELBEHAELTER
FREIN A PEDALE-KIT CONVERS.PER TRATT.CON SERB.OLIO IDR.
JUEGO DE MONTAJE PARA FRENO DE PIE CON DEPOSITO ACEITE HIDR.
FOTBROMSAR-OMBYGGNADSSATS FOR TRAKT.MED HYDRAULOLJERESERV.
L110988 -UN-01JAN94



L 110988

3C4

STEERING SYSTEM AND BRAKES

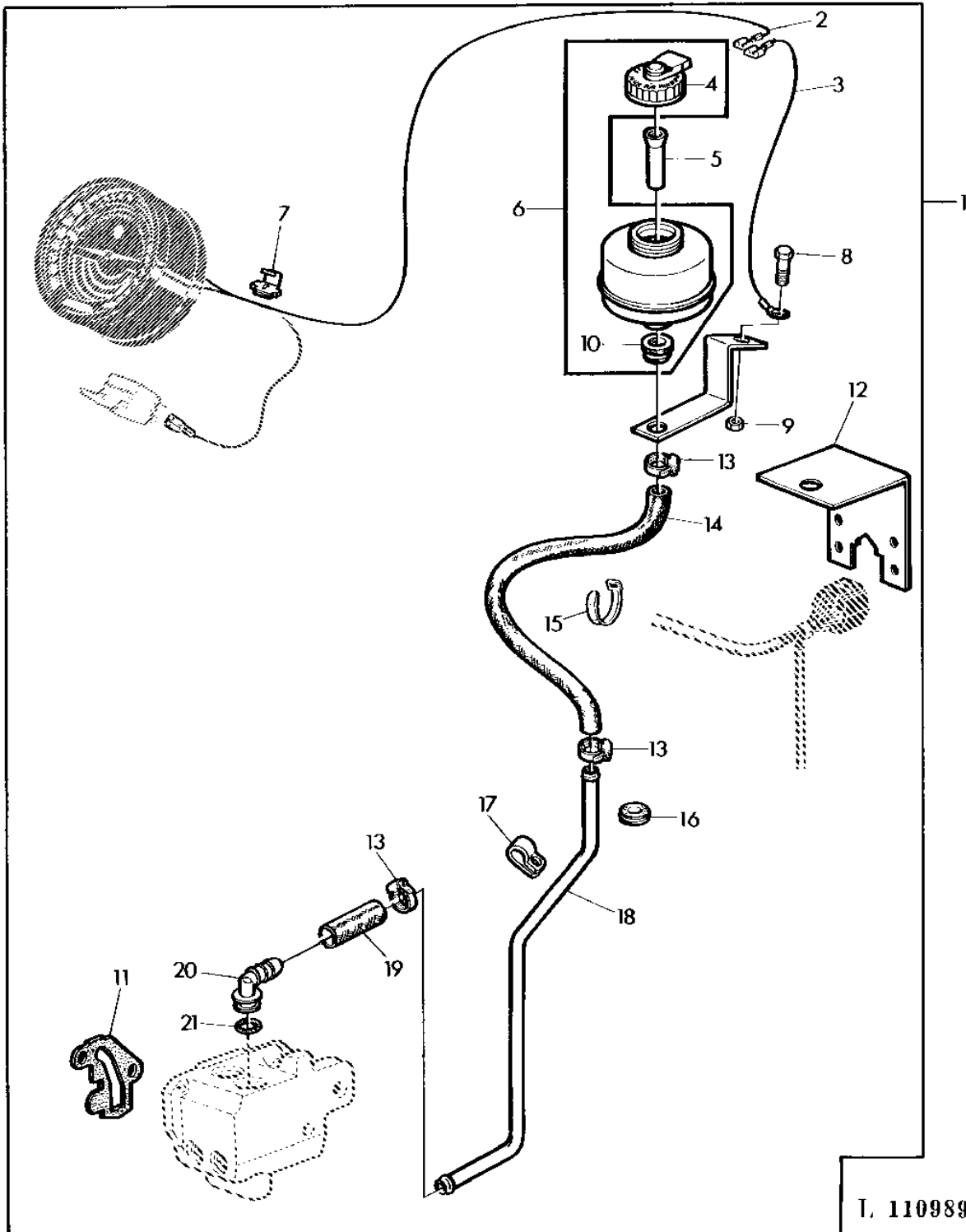
KEY	PART NO.	PART NAME	QTY	SERIAL NO.	REMARKS
					2
					0 2
					4 1
					0 4
					S 0
1	AL57412	KIT	1		X X
2	AL57615	PIPE PLUG	1		X X
3	L12807	GROMMET	1		X X
4	L56835	HOSE FITTING	1		X X
5	L57302	ANGLE	1		X X (A)
6	AL37489	CLAMP	2		X X
7	L56832	HOSE	1		X X
8	L57557	HOSE	1		X X
9	R44302	TIE BAND	5		X X
10	H75541	CLAMP	1		X X (SUB FOR R46415)
11	L38642	GROMMET	1		X X
12	L56829	OIL LINE	1		X X
13		1		X X LGTH=50MM (ORD L56832)
14	L56974	HOSE FITTING	1		X X
15	A4730R	O-RING	1		X X
16	L61965	GASKET	1		X X (SUB FOR L56836)

(A) WITH OPU CAB
 AVEC CABINE PPI
 BEI FSC KABINE
 CON CABINA OPU
 CON CABINA SEGURIDAD
 VID OPU-FORARHYTT

3C5

STEERING SYSTEM AND BRAKES

FOOT BRAKE CONVERSION KIT ON TRACTORS W/OUT HYD.OIL RES.
JEU DE REPARATION POUR FREIN A PIED SUR TRACTEURS SANS RESERVOIR D'HUILE HYDR.
FUSSBREMSE-UMRUESTSATZ BEI TRAKTOREN OHNE HYDR.OELBEHAELTER
FRENI A PEDALE-KIT CONVERS.PER TRATT.SENZA SERB.OLIO IDR.
JUEGO DE MONTAJE PARA FRENO DE PIE SIN DEPOSITO ACEITE HIDR.
FOTBROMSAR-OMBYGGNADSATS FOR TRAKT.UTAN HYDRAULOLJERESERV.
L110989 -UN-06OCT95



3C6

STEERING SYSTEM AND BRAKES

KEY	PART NO.	PART NAME	QTY	SERIAL NO.	REMARKS
					2
					0 2
					4 1
					0 4
					S 0
1	AL57598	KIT	1		X X
2	AL57392	WIRING LEAD	1		X X
3	AL27901	WIRING LEAD	1		X X
4	AL57599	COVER	1		X X
5	L56935	PIPE	1		X X
6	AL57390	RESERVOIR	1		X X
7	57M7095	CONNECTOR	1		X X
8	19M7560	CAP SCREW	1		X X M6X16
9	14M7272	NUT	1		X X M6
10	L56936	GROMMET	1		X X
11	L61965	GASKET	1		X X (SUB FOR L56836)
12	L57302	ANGLE	1		X X (A)
13	AL37489	CLAMP	3		X X
14	L56832	HOSE	1		X X
15	R44302	TIE BAND	5		X X
16	L38642	GROMMET	1		X X
17	H75541	CLAMP	1		X X (SUB FOR R46415)
18	L56829	OIL LINE	1		X X
19		1		X X LGTH=50MM (ORD L56832)
20	L56974	HOSE FITTING	1		X X
21	A4730R	O-RING	1		X X

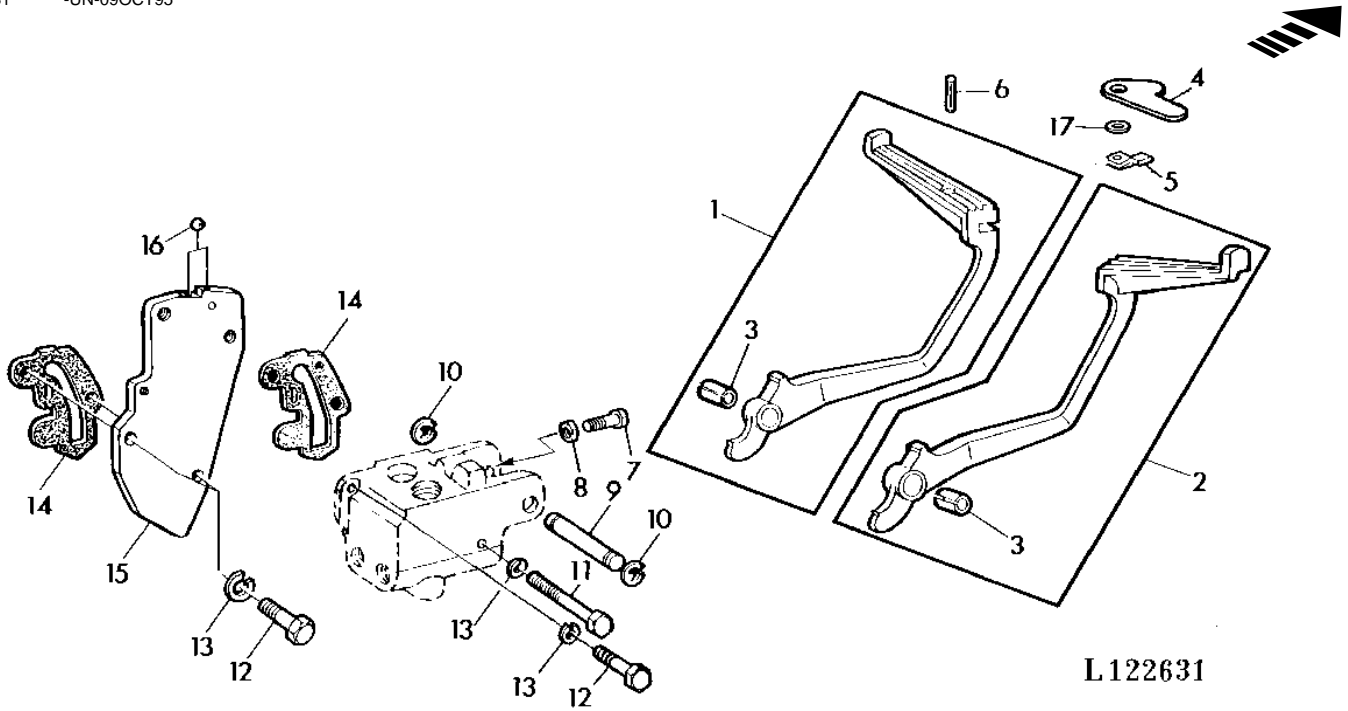
(A) WITH OPU CAB
 AVEC CABINE PPI
 BEI FSC KABINE
 CON CABINA OPU
 CON CABINA SEGURIDAD
 VID OPU-FORARHYTT

3C7

STEERING SYSTEM AND BRAKES

BRAKE PEDAL
PEDALE DE FREIN
BREMSFUSSHEBEL
PEDALE FRENI
PEDAL DE FRENO
BROMSPEDAL

L122631 -UN-09OCT95



L122631

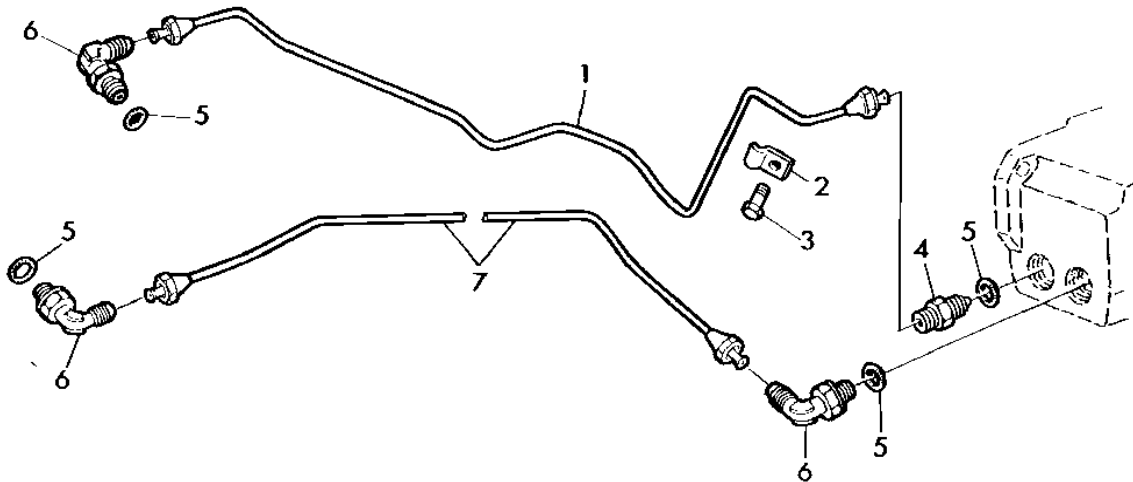
KEY	PART NO.	PART NAME	QTY	SERIAL NO.	REMARKS
					2
					0 2
					4 1
					0 4
					S 0
1	AL24066	PEDAL	1	X	(A) LH (ORD W/ B177R)
	AT26525	PEDAL	1	X X	LH (ORD W/ B177R)
2	AL24067	PEDAL	1	X	(A) RH (ORD W/ B177R)
	AT26524	PEDAL	1	X X	RH (ORD W/ B177R)
3	B177R	BUSHING	2	X X	
4	R50879	ARM	1	X X	(SUB FOR L29418)
5	T31134	LEAF SPRING	1	X X	
6	34H312	SPRING PIN	1	X X	1/4"X1"
7	L32504	CAP SCREW	2	X X	3/8"X1-1/4"
8	14H732	NUT	2	X X	3/8"
9	T49189	PIN	1	X X	
10	F2863R	SNAP RING	2	X X	
11	19H2224	CAP SCREW	1	X X	1/2"X4-3/4"
12	19H2550	CAP SCREW	AR	X X	1/2"X1-5/8"
13	12H301	LOCK WASHER	AR	X X	1/2"
14	L63387	GASKET	AR	X X	(SUB FOR T30687, L62368)
15	L28306	PLATE	1	X X	
16	H836R	BALL	2	X X	
17	24H1286	WASHER	1	X X	9/32"X1/2"X.060"

(A) WITHOUT OPU CAB
 SANS CABINE PPI
 OHNE FSC-KABINE
 SENZA CABINA OPU
 SIN CABINA DE SEGURIDAD
 UTAN OPU FORARHYTT

3C8

STEERING SYSTEM AND BRAKES

BRAKE OIL LINES
CONDUITES D'HUILE DE FREIN
BREMSELEITUNGEN
LINEE FRENO
TUBERIAS DE ACEITE DEL FRENO
BROMSOLJELEDNINGAR
 L27122 -UN-05OCT95



I, 27122

KEY	PART NO.	PART NAME	QTY	SERIAL NO.	REMARKS
				2	
				0 2	
				4 1	
				0 4	
				S 0	
1	AL33486	OIL LINE	1	X	L.H.
	AL33375	OIL LINE	1	X	(A) L.H.
	AL33375	OIL LINE	1	X	(A) L.H.
2	R27528	CLAMP	2	X X	
3	19H1936	CAP SCREW	2	X X	3/8"X3/4"
4	R27139	FITTING	1	X X	3/8"
5	R26287	O-RING	4	X X	
6	AR26746	ELBOW FITTING	3	X X	
7	AT27472	OIL LINE	1	X	R.H.
	AL29856	OIL LINE	1	X	(A) R.H.
	AL29856	OIL LINE	1	X	(A) R.H.

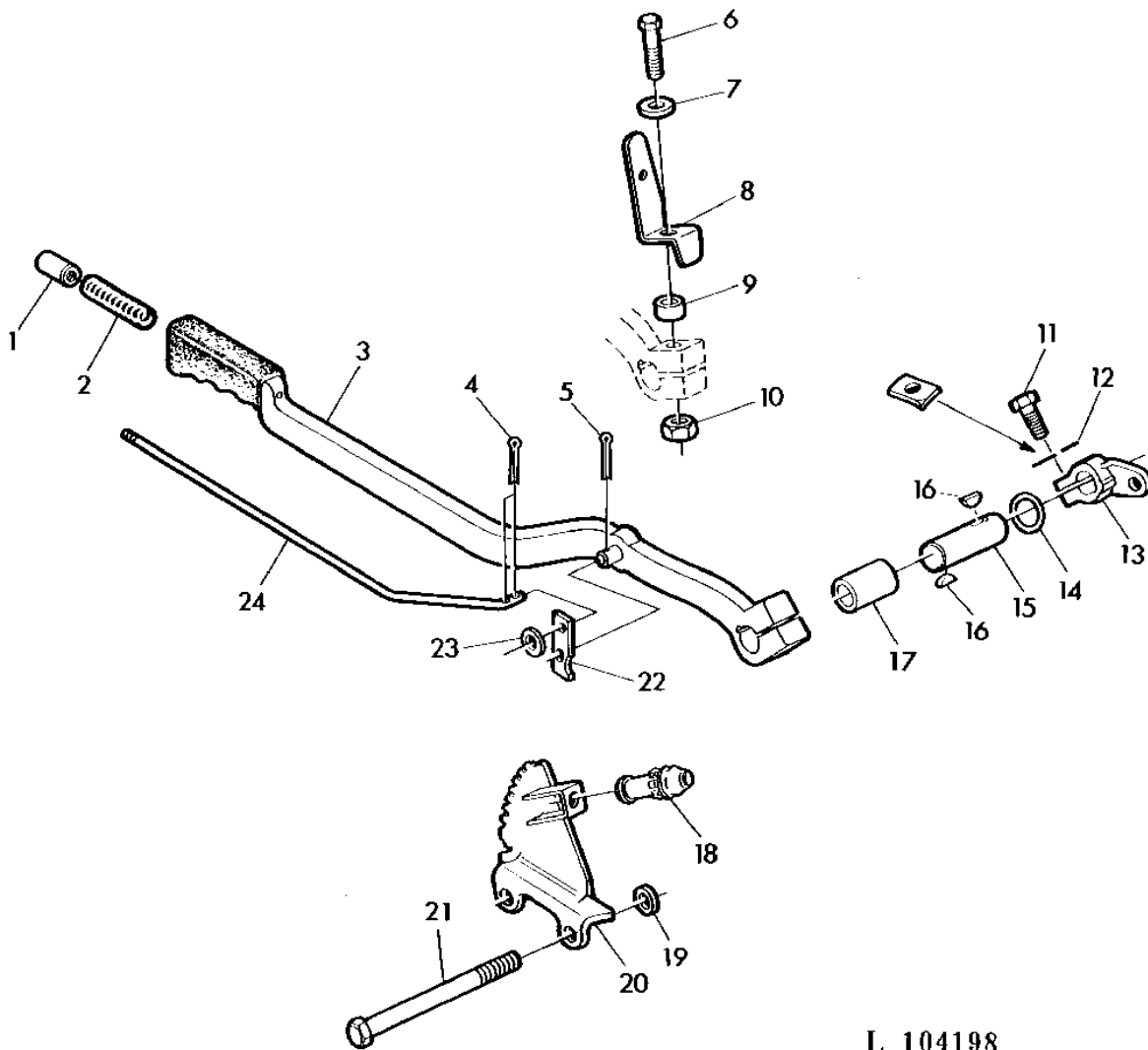
(A) WITH OPU CAB
 AVEC CABINE PPI
 BEI FSC-KABINE
 CON CABINA OPU
 CON CABINA DE SEGURIDAD
 VID OPU FORARHYTT

3C9

STEERING SYSTEM AND BRAKES

HANDBRAKE
FREIN A MAIN
HANDBREMSE
FRENO MANO
HANDBROMS

L104198 -UN-06OCT95



L 104198

3C10

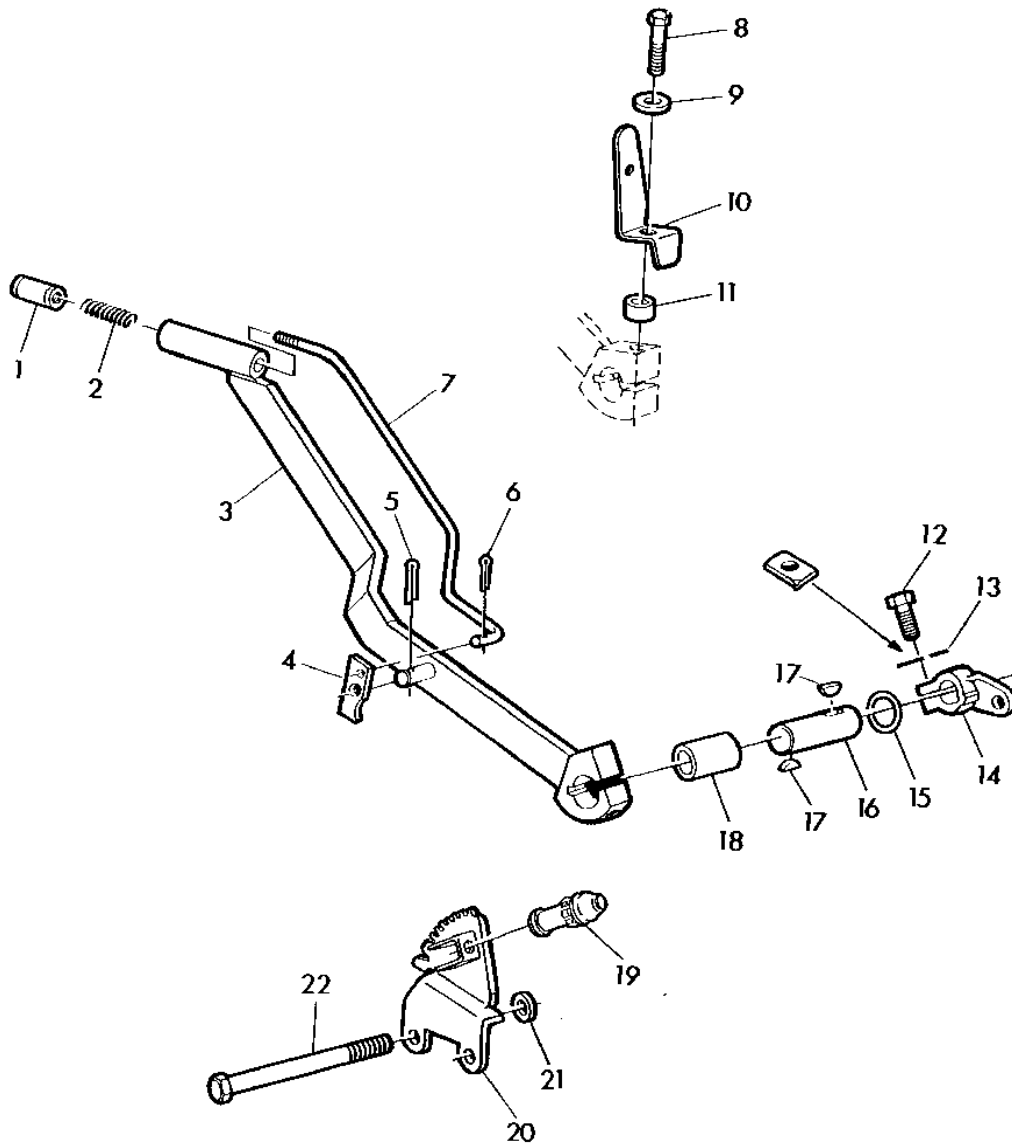
STEERING SYSTEM AND BRAKES

KEY	PART NO.	PART NAME	QTY	SERIAL NO.	REMARKS
				2	
				0 2	
				4 1	
				0 4	
				S 0	
1	L62606	KNOB	1	X X	(SUB FOR T21595)
2	T21576	SPRING	1	X X	
3	AL37369	HANDBRAKE LEVER	1	X X	(SUB FOR AL31915)
4	11H231	COTTER PIN	2	X X	1/16"X1"
5	11H211	COTTER PIN	1	X X	1/8"X3/4"
6	19H2722	CAP SCREW	1	X X	3/8"X2-3/8"
7	24M7040	WASHER	1	X X	11X21X2MM
8	L35191	ANGLE	1	X X	
9	L32957	SPACER	1	X X	
10	14H812	NUT	1	X X	3/8"
11	19H2552	CAP SCREW	1	X X	3/8"X1-1/8"
12	R1888R	STRAP	1	X X	
13	L32144	LEVER	1	X X	
14	R495R	O-RING	1	X X	
15	L58947	SHAFT	1	X X	(SUB FOR L28298)
16	26H77	SHAFT KEY	2	X X	3/16"X3/4"
17	L29058	BUSHING	1	X X	
18	AL32202	SWITCH	1	X X	
19	28H1863	WASHER	2	X X	1/2"X.219"
20	AL32282	SECTOR	1	X X	
21	08H4268	CAP SCREW	2	X X	1/2"X7"
22	T21587	PAWL	1	X X	
23	24M7088	WASHER	1	X X	6,6X12,5X1,6MM
24	L34997	HANDBRAKE LEVER	1	X X	

3C11

STEERING SYSTEM AND BRAKES

HANDBRAKE(WITH OPU CAB)
FREIN A MAIN(AVEC CABINE PPI)
HANDBREMSE(BEI FSC-KABINE)
FRENO MANO(CON CABINA OPU)
FRENO DE MANO(CON CABINA DE SEGURIDAD)
HANDBROMS(VID OPU FORARHYTT)
L104199 -UN-06OCT95



L 104199

3C12

STEERING SYSTEM AND BRAKES

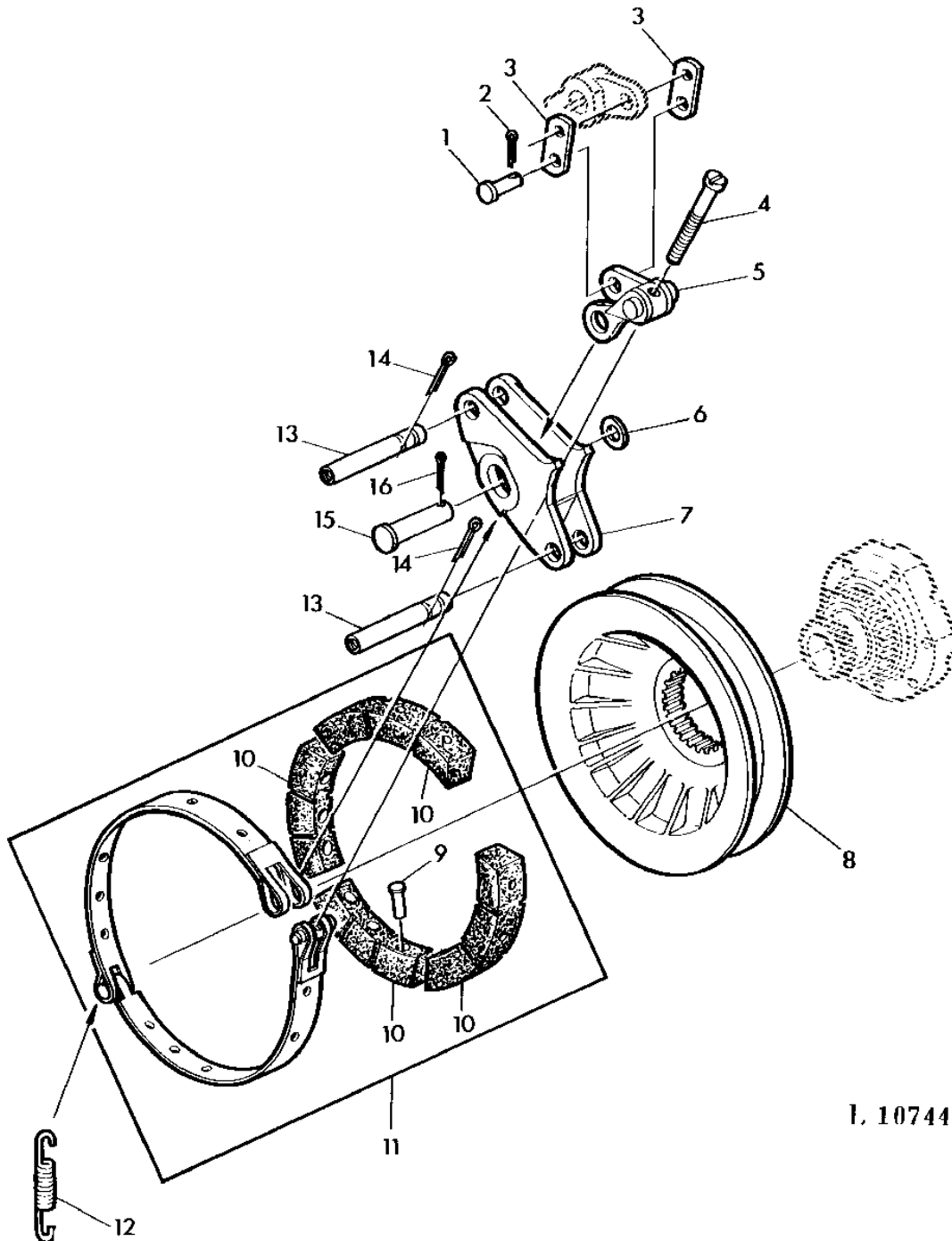
KEY	PART NO.	PART NAME	QTY	SERIAL NO.	REMARKS
				2	
				0 2	
				4 1	
				0 4	
				S 0	
1	L62606	KNOB	1	X X	1/4" (SUB FOR T21595)
2	T21576	SPRING	1	X X	
3	AL24908	HANDBRAKE LEVER	1	X X	
4	T21587	PAWL	1	X X	
5	11H211	COTTER PIN	1	X X	1/8"X3/4"
6	11H231	COTTER PIN	1	X X	1/16"X1"
7	L30407	ROD	1	X X	
8	19H1801	CAP SCREW	1	X X	3/8"X2"
9	24M7040	WASHER	1	X X	11X21X2MM
10	L35191	ANGLE	1	X X	
11	L32957	SPACER	1	X X	
12	19H2552	CAP SCREW	1	X X	3/8"X1-1/8"
13	R1888R	STRAP	1	X X	
14	L32144	LEVER	1	X X	
15	R495R	O-RING	1	X X	
16	L58947	SHAFT	1	X X	(SUB FOR L28298)
17	26H77	SHAFT KEY	2	X X	3/16"X3/4"
18	L29058	BUSHING	1	X X	
19	AL32202	SWITCH	1	X X	
20	AL32283	SECTOR	1	X X	
21	28H1863	WASHER	2	X X	1/2"X.219"
22	08H4268	CAP SCREW	2	X X	1/2"X7"

3C13

STEERING SYSTEM AND BRAKES

HANDBRAKE
FREIN A MAIN
HANDBREMSE
FRENO MANO
HANDBROMS

L107449 -UN-07JUL95



L. 107449

3C14

STEERING SYSTEM AND BRAKES

KEY	PART NO.	PART NAME	QTY	SERIAL NO.	REMARKS
					2
					0 2
					4 1
					0 4
					S 0
1	F2653R	PIN	2		X X
2	11H211	COTTER PIN	2		X X 1/8"X3/4"
3	L56128	STRAP	2		X X (SUB FOR L29883)
4	T21579	SET SCREW	2		X X
5	L29884	LEVER	1		X X
6	24H1658	WASHER	1		X X 21/32"X1"X.060"
7	T21772	ANCHOR	1		X X
8	L36204	DRUM	1	370493-	X X (B)
	T21596	BRAKE DRUM	1	-370492	X (B)
	T21596	BRAKE DRUM	1	-370700	X (A)
	L36204	DRUM	1	370701-	X (A)
9	16M7014	RIVET	12		X X 5X25MM
10	L40420	LINING	4		X X (SUB FOR T21583)
11	AL38213	BRAKE BAND	1		X X (SUB FOR AT19833)
12	T21577	SPRING	1		X X
13	T21775	PIN	2		X X
14	11H240	COTTER PIN	2		X X 5/32"X1-1/2"
15	T25285	PIN	1		X X 16X75X68MM
16	11H236	COTTER PIN	1		X X 1/8"X1"

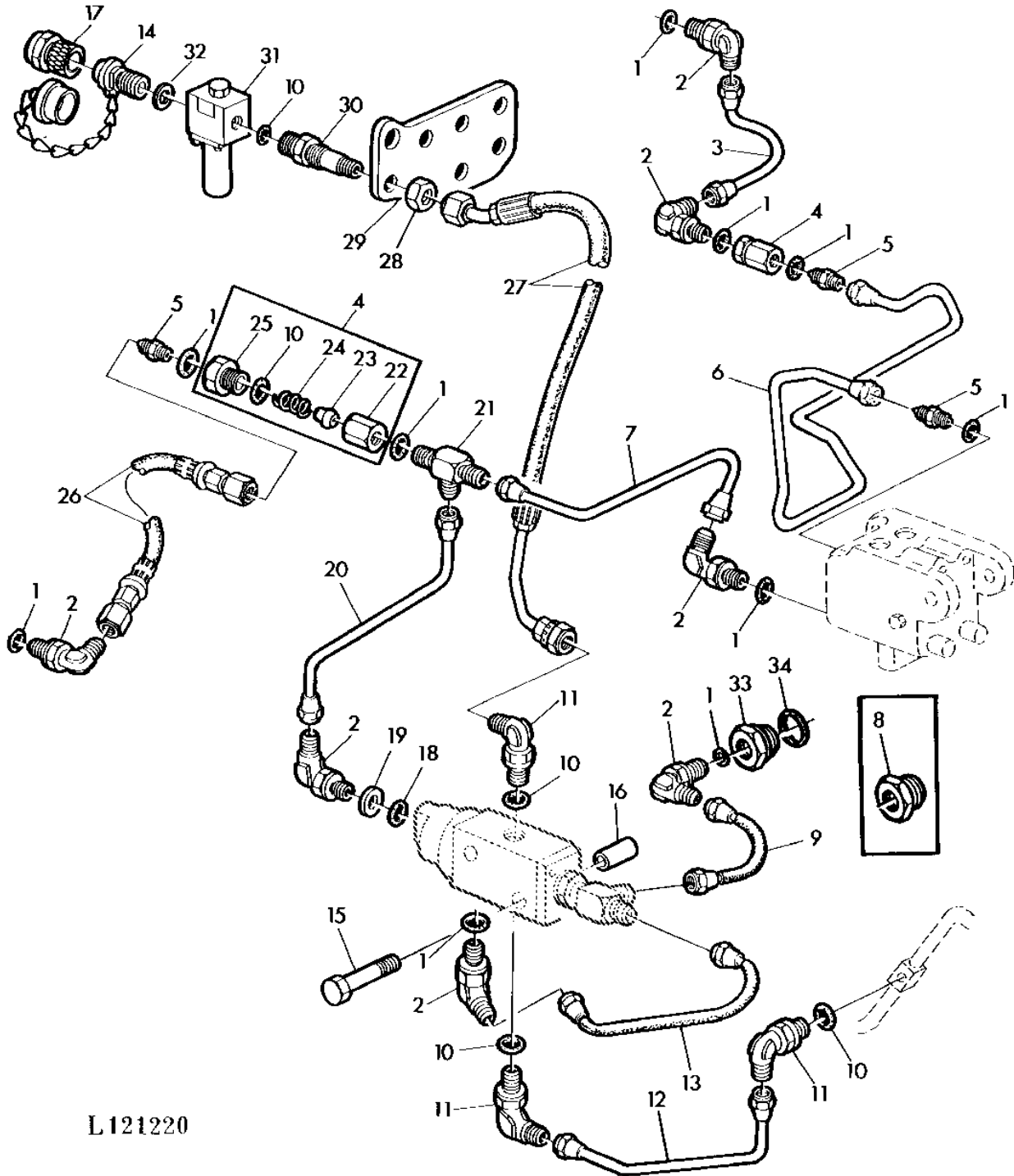
(A) WITH COLLAR-SHIFT TRANS.
 AV. BOITE MANCHONS BALADEURS
 BEI MUFFENSCHALTGETRIEBE
 CON CAMBIO COLLARE SCORREVO.
 CON CAMBIO COLLAR. DESPLAZ.
 VID VAEXELLADA"COLLAR-SHIFT"

(B) WITH SYNCHRONIZED TRANSM.
 AVEC BOITE SYNCHRONISEE
 BEI SYNCHRON GETRIEBE
 CON CAMBIO SINCRONIZZATA
 CON TRANSM. SINCRONIZZADA
 VID SYNKRONISER. VAXELLADA

3C15

STEERING SYSTEM AND BRAKES

HYDR.TRAILER BRAKE WITH MANUAL OR POWER STEERING (OLD TYPE)
 FREIN DE REMORQUE HYDR.DIRECTION ASS./MEC.(ANCIENNE VERSION)
 HYDR.ANHAENGERBREMSE-HYDR.ODER MECH.LENKUNG(ALTE AUSFUEHR.)
 FRENO IDRAUL.RIMORCHIO-STERZO IDR.O MECCAN. (TIPO VECCHIO)
 SLAPVAGNSBROMS (VID MEKAN.EL.HYDRAULSTYRNING-ALDRE UTFOR.)
 L121220 -UN-28JUL95



L121220

3C16

STEERING SYSTEM AND BRAKES

KEY	PART NO.	PART NAME	QTY	SERIAL NO.	REMARKS
					2
					0 2
					4 1
					0 4
					S 0
1	R26287	O-RING	10		X
2	AR26746	ELBOW FITTING	7		X
3	AL33371	OIL LINE	1		X
4	AL25103	VALVE	2		X
5	R27139	FITTING	3		X
6	AL33373	OIL LINE	1		X
7	AL25110	OIL LINE	1		X
8	L28639	PIPE PLUG	1		X (ORD L41524, L41547)
9	AL36122	HOSE	1		X (SUB FOR AL23076)
10	R26448	O-RING	6		X
11	AT35121	ELBOW FITTING	3		X (SUB FOR AR26725)
12	AL23899	OIL LINE	1		X (A)
	AL23897	OIL LINE	1		X (B)
13	AL36123	HOSE	1		X (SUB FOR AL25104)
14	AR52372	PLUG	1		X (SUB FOR AL31944)
15	19H2054	CAP SCREW	1		X 3/8"X4-3/4"
16	28H1521	SPACER	1		X (A) 3/8"X.562
	L28809	SPACER	1		X (B) 14X66MM
17	AR52361	HYD. QUICK-CONNECT COUPLER	1		X
18	L53811	O-RING	1		X
19	51M4234	RING	1		X 12X16MM
20	AL25109	OIL LINE	1		X
21	AR45251	TEE FITTING	1		X
22	L30719	VALVE	2		X
23	L30722	POPPET	2		X
24	L30720	COMPRESSION SPRING	2		X
25	L30721	VALVE COVER	2		X
26	AL36198	HYDRAULIC HOSE	1		X (SUB FOR AL29859)
27	AL35090	HOSE	1		X (SUB FOR AL24715)
28	14M7257	NUT	1		X M20
29	L30207	PLATE	1		X
30	L35882	UNION FITTING	1		X
31	AL34676	VALVE	1		X
32	L37599	RING	1		X (SUB FOR 51M4236)
33	L41524	ADAPTER	1		X
34	L41547	O-RING	1		X

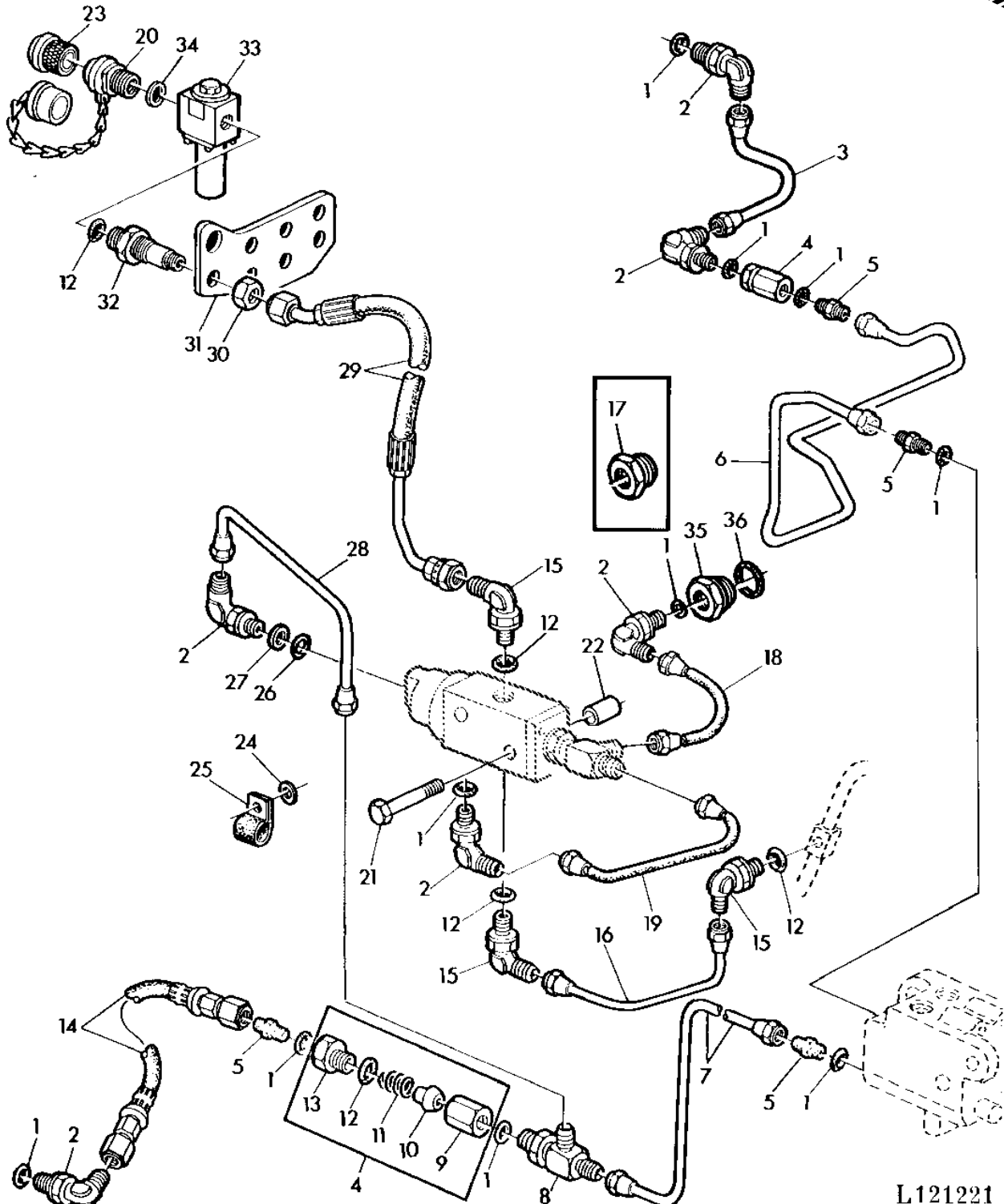
(A) WITH POWER STEERING
 AVEC DIRECTION HYDRAULIQUE
 BEI HYDRAULISCHER LENKUNG
 CON STERZO IDRAULICO
 CON DIRECCION HIDRAULICA
 VID HYDRAULSTYRNING

(B) WITH MANUAL STEERING
 AVEC DIRECTION MECANIQUE
 BEI MECHANISCHER LENKUNG
 CON STERZO MECCANICO
 CON DIRECCION MANUAL
 VID MEKANISK STYRNING

3C17

STEERING SYSTEM AND BRAKES

HYDR.TRAILER BRAKE WITH MANUAL OR POWER STEERING (NEW TYPE)
FREIN DE REMORQUE HYDR.DIRECTION ASS./MEC.(NOUVELLE VERSION)
HYDR.ANHAENGERBREMSE-HYDR.ODER MECH.LENKUNG(NEUE AUSFUEHR.)
FRENO IDRAUL.RIMORCHIO-STERZO IDR.O MECCAN. (TIPO NUOVO)
FRENO HIDRAUL.REMOLQUE-DIRECC.HIDR.O MECAN. (TIPO NUEVO)
SLAPVAGNSBROMS (VID MEKAN.EL.HYDRAULSTYRNING-NYARE UTFOR.)
L121221 -UN-28JUL95



L121221

3C18

STEERING SYSTEM AND BRAKES

KEY	PART NO.	PART NAME	QTY	SERIAL NO.	REMARKS
					2
					0 2
					4 1
					0 4
					S 0
1	R26287	O-RING	10		X
2	AR26746	ELBOW FITTING	7		X
3	AL33371	OIL LINE	1		X
4	AL25103	VALVE	2		X
5	R27139	FITTING	4		X
6	AL33373	OIL LINE	1		X
7	AL36188	OIL LINE	1		X
8	AR45251	TEE FITTING	1		X
9	L30719	VALVE	2		X
10	L30722	POPPET	2		X
11	L30720	COMPRESSION SPRING	2		X
12	R26448	O-RING	6		X
13	L30721	VALVE COVER	2		X
14	AL36198	HYDRAULIC HOSE	1		X
15	AT35121	ELBOW FITTING	3		X (SUB FOR AR26725)
16	AL35072	OIL LINE	1		X (A)
	AL35439	OIL LINE	1		X (B)
17	L28639	PIPE PLUG	1		X (ORD L41524, L41547)
18	AL36122	HOSE	1		X
19	AL36123	HOSE	1		X
20	AR52372	PLUG	1		X
21	19H2054	CAP SCREW	1		X 3/8"X4-3/4"
22	28H1521	SPACER	1		X (A) 3/8"X.562"
	L28809	SPACER	1		X (B) 14X66MM
23	AR52361	HYD. QUICK-CONNECT COUPLER	1		X
24	24M7028	WASHER	1		X 10,5X21X2MM
25	L37536	CLAMP	1		X
26	L53811	O-RING	1		X
27	51M4234	RING	1		X 12X16MM
28	AL36187	OIL LINE	1		X
29	AL35090	HOSE	1		X
30	14M7257	NUT	1		X M20
31	L30207	PLATE	1		X
32	L35882	UNION FITTING	1		X
33	AL34676	VALVE	1		X
34	L37599	RING	1		X
35	L41524	ADAPTER	1		X
36	L41547	O-RING	1		X

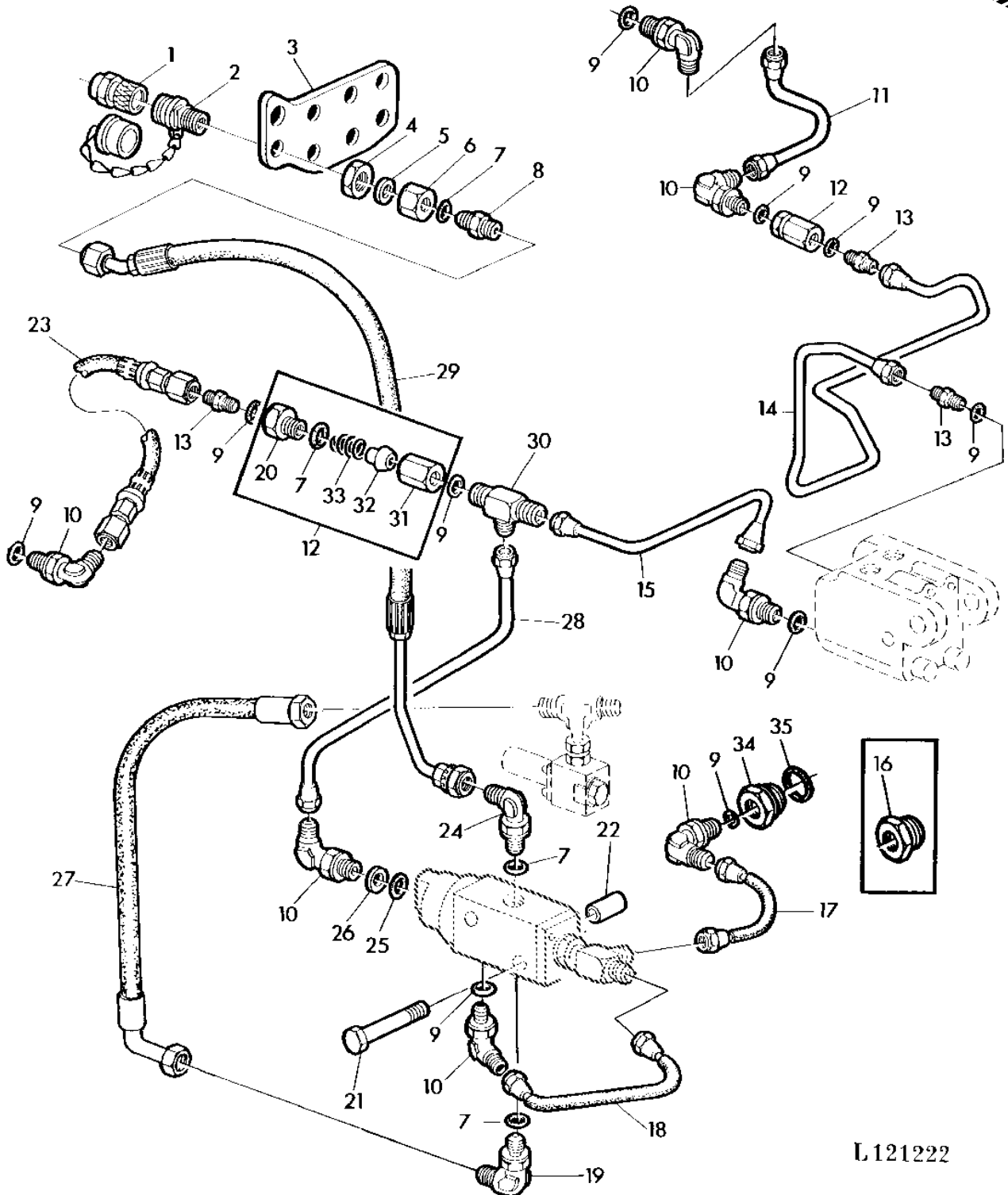
(A) WITH POWER STEERING
 AVEC DIRECTION HYDRAULIQUE
 BEI HYDRAULISCHER LENKUNG
 CON STERZO IDRAULICO
 CON DIRECCION HIDRAULICA
 VID HYDRAULSTYRNING

(B) WITH MANUAL STEERING
 AVEC DIRECTION MECANIQUE
 BEI MECHANISCHER LENKUNG
 CON STERZO MECCANICO
 CON DIRECCION MANUAL
 VID MEKANISK STYRNING

3C19

STEERING SYSTEM AND BRAKES

HYDR.TRAILER BRAKE WITH HYDROST.STEERING (OLD TYPE)
 FREIN DE REMORQUE HYDR.-DIRECTION HYDROST.(ANCIENNE VERSION)
 HYDR.ANHAENGERBREMSE-HYDROST.LENKUNG (ALTE AUSFUEHRUNG)
 FRENO IDRAUL.RIMORCHIO-STERZO IDROSTATICO (TIPO VECCHIO)
 FRENO HIDRAUL.REMOLQUE-DIRECC.HIDROSTATICA (TIPO ANTIGUO)
 SLAPVAGNSBROMS (VID HYDROSTATISK STYRNING-ALDRE UTFORANDE)
 L121222 -UN-28JUL95



L121222

3C20

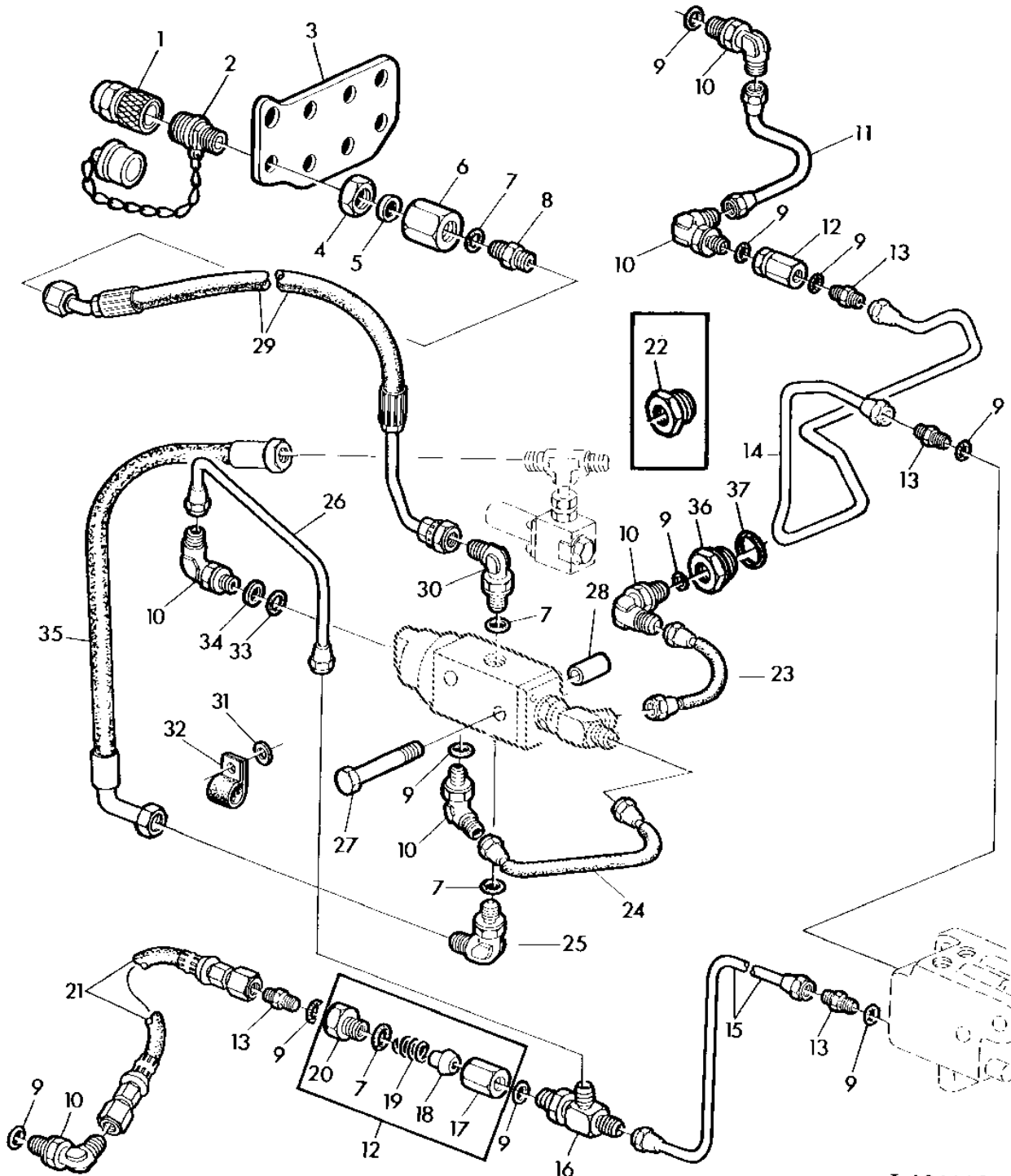
STEERING SYSTEM AND BRAKES

KEY	PART NO.	PART NAME	QTY	SERIAL NO.	REMARKS
				2	
				0 2	
				4 1	
				0 4	
				S 0	
1	AR52361	HYD. QUICK-CONNECT COUPLER	1		
2	AR52372	PLUG	1	X X	
3	L30207	PLATE	1	X X	(SUB FOR AL31944)
4	14M7257	NUT	1	X X	M20
5	L37599	RING	1	X X	(SUB FOR 51M4236)
6	L40525	NUT	1	X X	(SUB FOR L30206)
7	R26448	O-RING	5	X X	
8	R27212	FITTING	1	X X	
9	R26287	O-RING	11	X X	
10	AR26746	ELBOW FITTING	6	X X	
11	AL33371	OIL LINE	1	X X	
12	AL25103	VALVE	2	X X	
13	R27139	FITTING	3	X X	
14	AL33373	OIL LINE	1	X X	
15	AL25110	OIL LINE	1	X X	
16	L28639	PIPE PLUG	1	X X	(ORD L41524, L41547)
17	AL36122	HOSE	1	X X	(SUB FOR AL23076)
18	AL36123	HOSE	1	X X	(SUB FOR AL25104)
19	AL55385	ELBOW FITTING	1	X X	(SUB FOR AR37017, AT35120)
20	L30721	VALVE COVER	2	X X	
21	19H2054	CAP SCREW	1	X X	3/8"X4-3/4"
22	28H1521	SPACER	1	X X	3/8"X.562"
23	AL36198	HYDRAULIC HOSE	1	X X	(SUB FOR AL29859)
24	AT35121	ELBOW FITTING	1	X X	(SUB FOR AR26725)
25	L53811	O-RING	1	X X	
26	51M4234	RING	1	X X	12X16MM
27	AL35837	HOSE	1	X X	(SUB FOR AL34243, AL34910)
28	AL25098	OIL LINE	1	X	
	AL25109	OIL LINE	1	X	
29	AL35090	HOSE	1	X X	(SUB FOR AL24715)
30	AR45251	TEE FITTING	1	X X	
31	L30719	VALVE	2	X X	
32	L30722	POPPET	2	X X	
33	L30720	COMPRESSION SPRING	2	X X	
34	L41524	ADAPTER	1	X X	
35	L41547	O-RING	1	X X	

3C21

STEERING SYSTEM AND BRAKES

HYDR.TRAILER BRAKE WITH HYDROST.STEERING (NEW TYPE)
FREIN DE REMORQUE HYDR.-DIRECTION HYDROST.(NOUVELLE VERSION)
HYDR.ANHAENGERBREMSE-HYDROST.LENKUNG (NEUE AUSFUEHRUNG)
FRENO IDRAUL.RIMORCHIO-STERZO IDROSTATICO (TIPO NUOVO)
FRENO HIDRAUL.REMOLQUE-DIRECC.HIDROSTATICA (TIPO NUEVO)
SLAPVAGNSBROMS (VID HYDROSTATISK STYRNING-NYARE UTFORANDE)
L121223 -UN-28JUL95



L121223

3C22

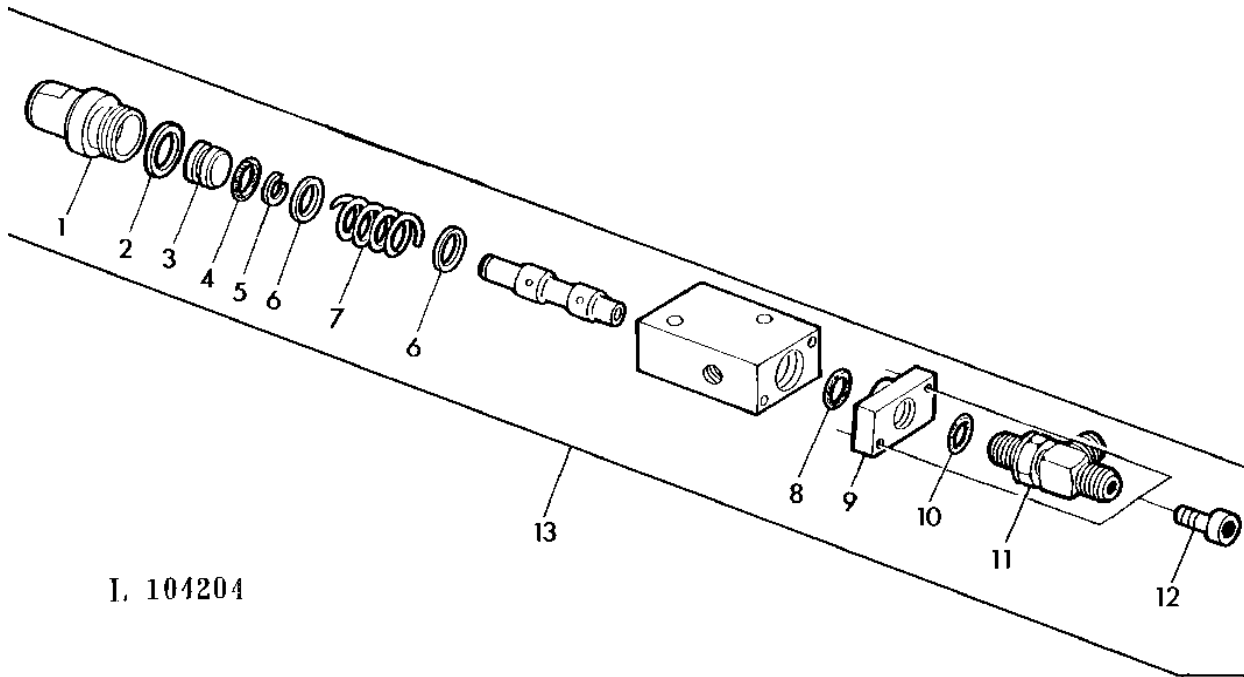
STEERING SYSTEM AND BRAKES

KEY	PART NO.	PART NAME	QTY	SERIAL NO.	REMARKS
				2	
				0 2	
				4 1	
				0 4	
				S 0	
1	AR52361	HYD. QUICK-CONNECT COUPLER	1		
2	AR52372	PLUG	1	X X	
3	L30207	PLATE	1	X X	
4	14M7257	NUT	1	X X	M20
5	L37599	RING	1	X X	
6	L40525	NUT	1	X X	(SUB FOR L30206)
7	R26448	O-RING	5	X X	
8	R27212	FITTING	1	X X	
9	R26287	O-RING	10	X X	
10	AR26746	ELBOW FITTING	6	X X	
11	AL33371	OIL LINE	1	X X	
12	AL25103	VALVE	2	X X	
13	R27139	FITTING	4	X X	
14	AL33373	OIL LINE	1	X X	
15	AL36188	OIL LINE	1	X X	
16	AR45251	TEE FITTING	1	X X	
17	L30719	VALVE	2	X X	
18	L30722	POPPET	2	X X	
19	L30720	COMPRESSION SPRING	2	X X	
20	L30721	VALVE COVER	2	X X	
21	AL36198	HYDRAULIC HOSE	1	X X	
22	L28639	PIPE PLUG	1	X X	(ORD L41524, L41547)
23	AL36122	HOSE	1	X X	
24	AL36123	HOSE	1	X X	
25	AL55385	ELBOW FITTING	1	X X	(SUB FOR AT35120)
26	AL36187	OIL LINE	1	X X	
27	19H2054	CAP SCREW	1	X X	3/8"X4-3/4"
28	28H1521	SPACER	1	X X	3/8"X.562"
29	AL35090	HOSE	1	X X	
30	AT35121	ELBOW FITTING	1	X X	
31	24M7028	WASHER	1	X X	
32	L37536	CLAMP	1	X X	
33	L53811	O-RING	1	X X	
34	51M4234	RING	1	X X	12X16MM
35	AL35837	HOSE	1	X X	
36	L41524	ADAPTER	1	X X	
37	L41547	O-RING	1	X X	

3C23

STEERING SYSTEM AND BRAKES

HYDRAULIC TRAILER BRAKE-BRAKE VALVE
 FREIN HYDRAULIQUE DE REMORQUE-MAITRE-CYLINDRE
 HYDR.ANHAENGERBREMSE-BREMSVENTIL
 FRENO IDRAULICO RIMORCHIO-VALVOLA FRENO
 FRENOS HIDRAULICOS DEL ROMOLQUE-VALVULA DE MANDO DEL FRENO
 HYDRAULISK SLAPVAGNSBROMS-BROMSVENTIL
 L104204 -UN-06OCT95



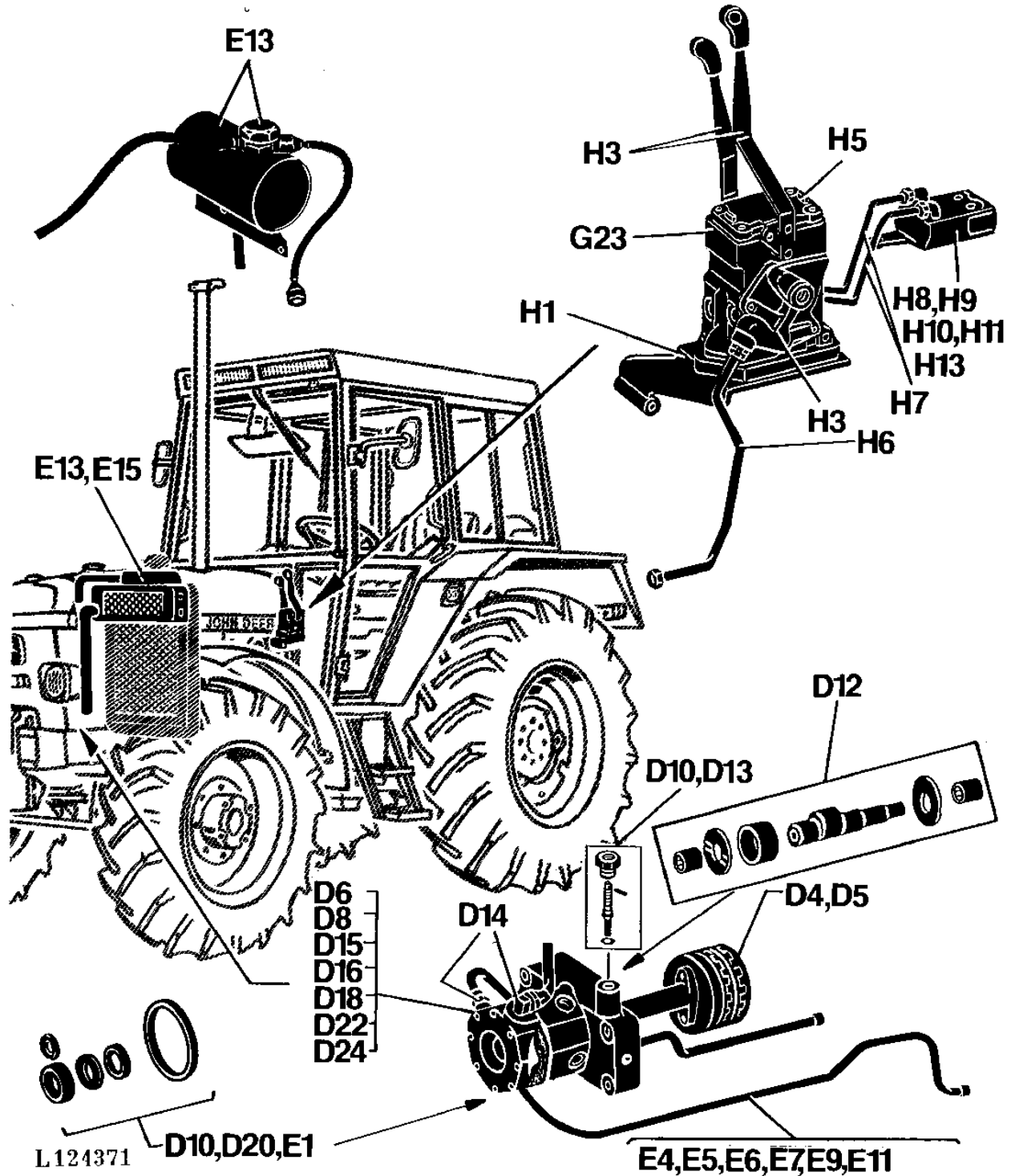
I. 104204

KEY	PART NO.	PART NAME	QTY	SERIAL NO.	REMARKS
				2	
				0 2	
				4 1	
				0 4	
				S 0	
1	L31763	CAP	1	X X	
2	51M4245	RING	1	X X	26X30MM
3	L30706	CYLINDER	1	X X	
4	L53826	O-RING	1	X X	
5	L18893	SNAP RING	1	X X	
6	L20095	WASHER	2	X X	
7	L30708	SPRING	1	X X	
8	32240	O-RING	1	X X	(SUB FOR R48917, U11343)
9	L34348	COVER	1	X X	
10	R26287	O-RING	1	X X	
11	AL25099	TEE FITTING	1	X X	1,2MM
	AL25791	TEE FITTING	1	X X	1,4MM
12	19M7603	SCREW	2	X X	M6X20
13	AL25867	VALVE	1	X X	

3D1

HYDRAULIC SYSTEM

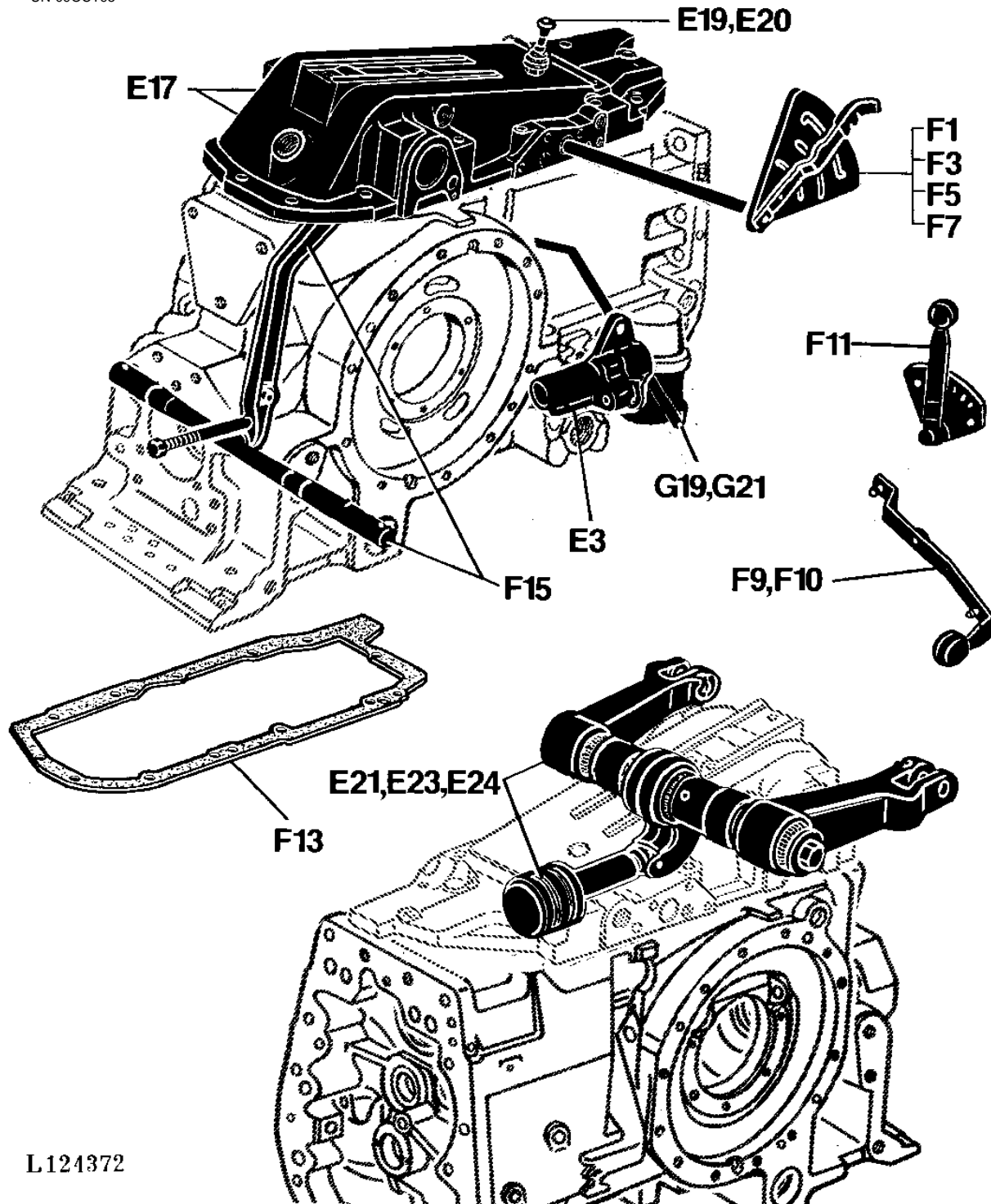
SECTIONAL INDEX
INDEX DE SECTION
GRUPPENINDEX
INDICE DELLA SEZIONE
INDICE DE SECCION
GRUPPSFORTECKNING
L124371 -UN-09OCT95



3D2

HYDRAULIC SYSTEM

SECTIONAL INDEX
INDEX DE SECTION
GRUPPENINDEX
INDICE DELLA SEZIONE
INDICE DE SECCION
GRUPPSFORTECKNING
L124372 -UN-09OCT95

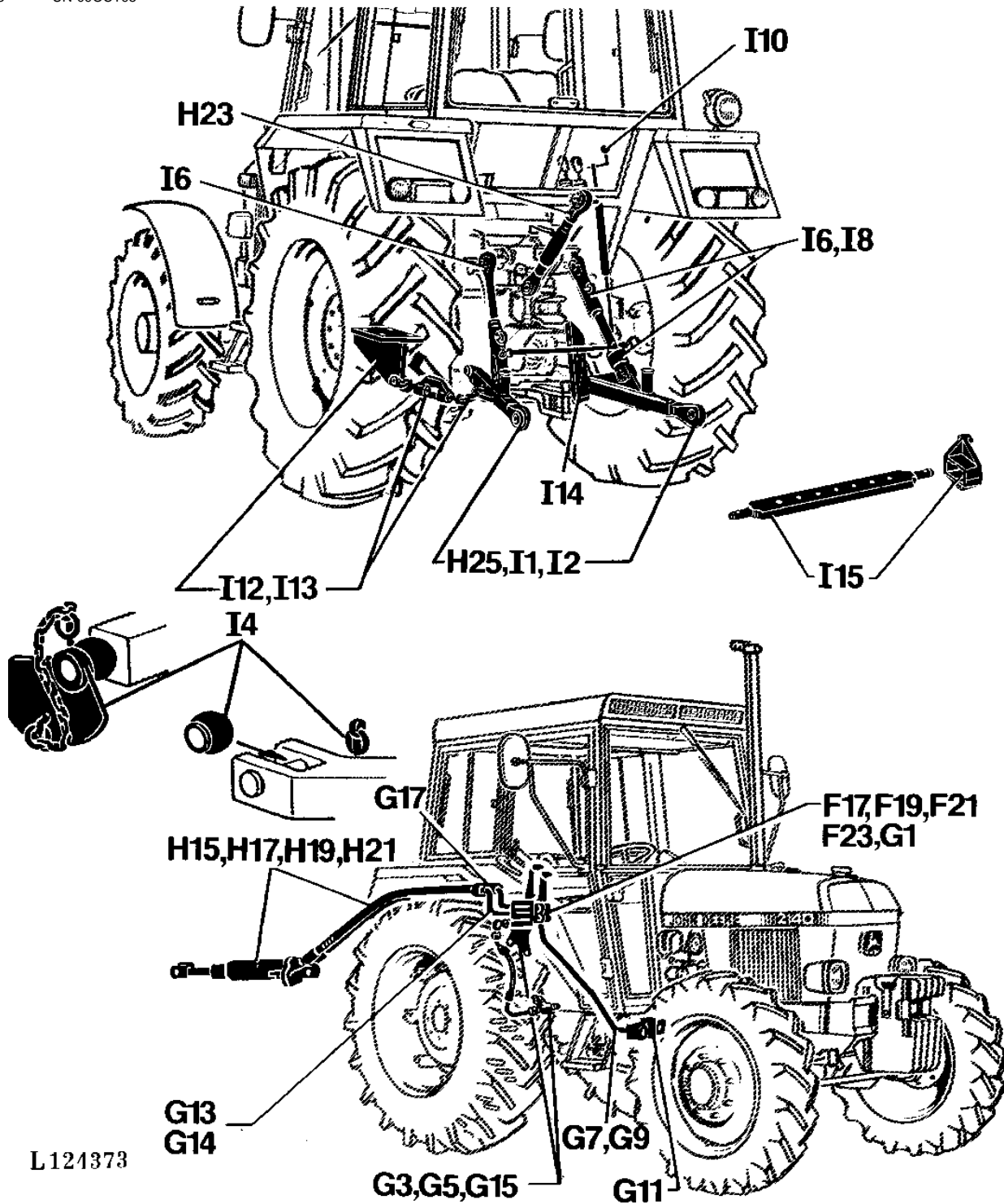


L124372

3D3

HYDRAULIC SYSTEM

SECTIONAL INDEX
INDEX DE SECTION
GRUPPENINDEX
INDICE DELLA SEZIONE
INDICE DE SECCION
GRUPPSFORTECKNING
L124373 -UN-09OCT95

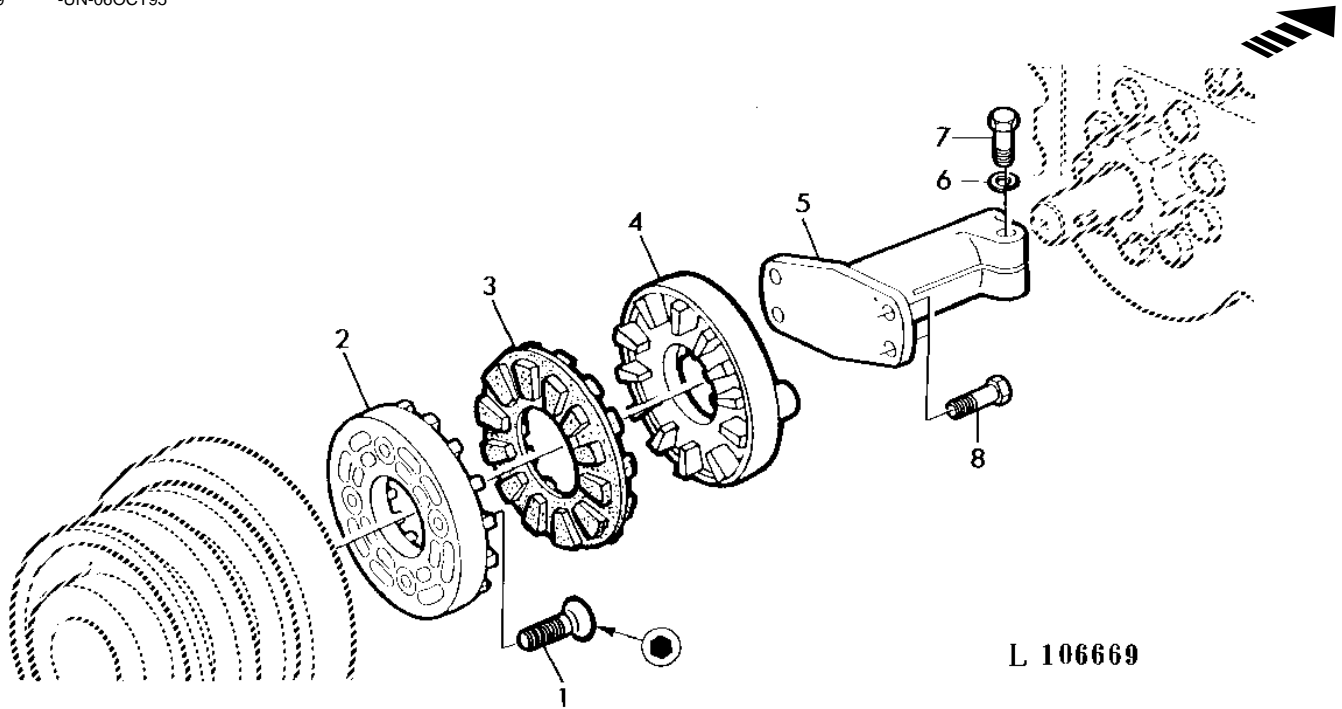


L124373

3D4

HYDRAULIC SYSTEM

HYDRAULIC PUMP DRIVE(12CM3=0.7 CU.IN./23CM3=1.4 CU.IN.)
 ELEMENTS D'ENTRAINEMENT DE LA POMPE HYDR.(12CM3/23CM3)
 ANTRIEBSTEILE FUER HYDRAULIKPUMPE(12CM3/23CM3)
 COMANDO POMPA IDRAULICA(12CM3/23CM3)
 ACCIONAMIENTO BOMBA HIDRAULICA(12CM3/23CM3)
 DRIVNING FOR HYDRAULPUMP(12CM3/23CM3)
 L106669 -UN-06OCT95



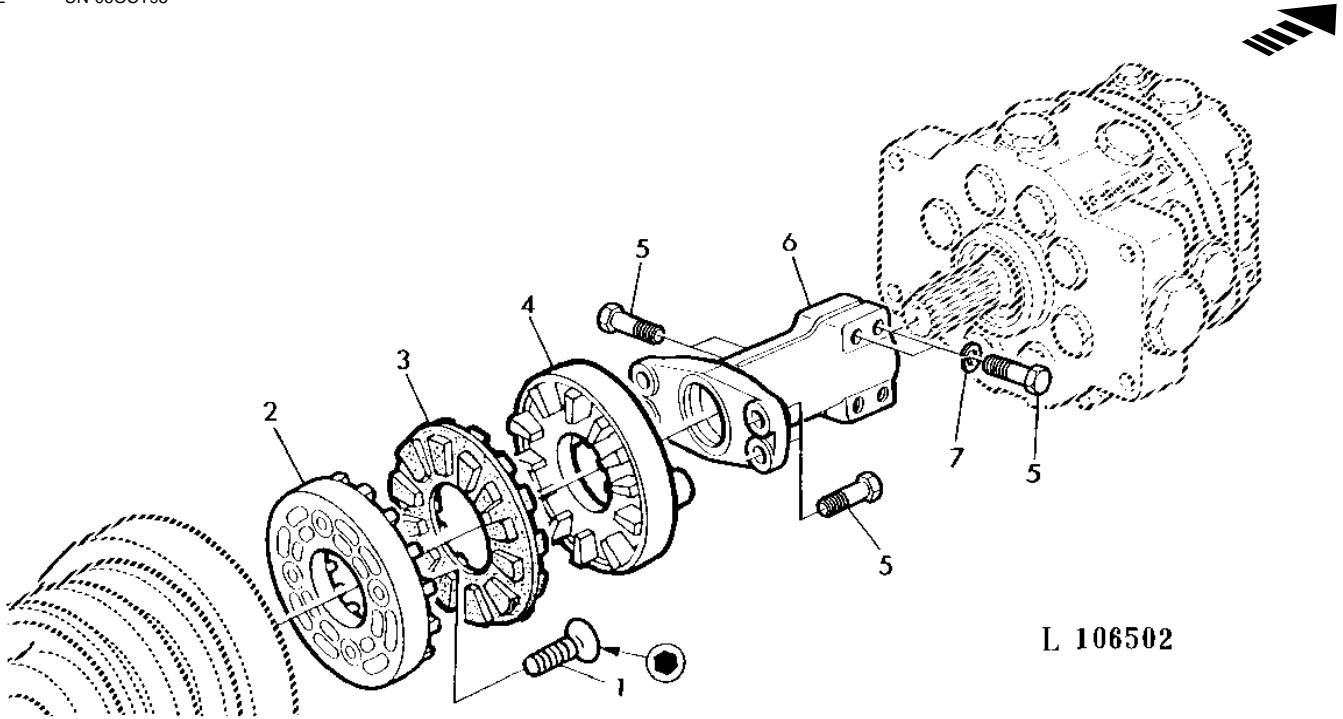
L 106669

KEY	PART NO.	PART NAME	QTY	SERIAL NO.	REMARKS
				2	
				0 2	
				4 1	
				0 4	
				S 0	
1	L34575	SCREW	4	X X	
2	L34569	COUPLING	1	X X	
3	R78202	CUSHION	1	X X	(SUB FOR T58196)
4	L34432	COUPLING	1	X X	
5	L34572	DRIVE SHAFT	1	X X	
6	12H304	LOCK WASHER	1	X X	3/8"
7	19H1800	CAP SCREW	1	X X	3/8"X1-1/2"
8	19H1732	CAP SCREW	4	X X	3/8"X1-1/4"

3D5

HYDRAULIC SYSTEM

HYDRAULIC PUMP DRIVE(40CM3=2,4 CU.IN.)
 ELEMENTS D'ENTRAINEMENT DE LA POMPE HYDRAULIQUE(40CM3)
 ANTRIEBSTEILE FUER HYDRAULIKPUMPE(40CM3)
 COMANDO POMPA IDRAULICA(40CM3)
 ACCIONAMIENTO BOMBA HIDRAULICA(40CM3)
 DRIVNING FOR HYDRAULPUMP(40CM3)
 L106502 -UN-06OCT95



L 106502

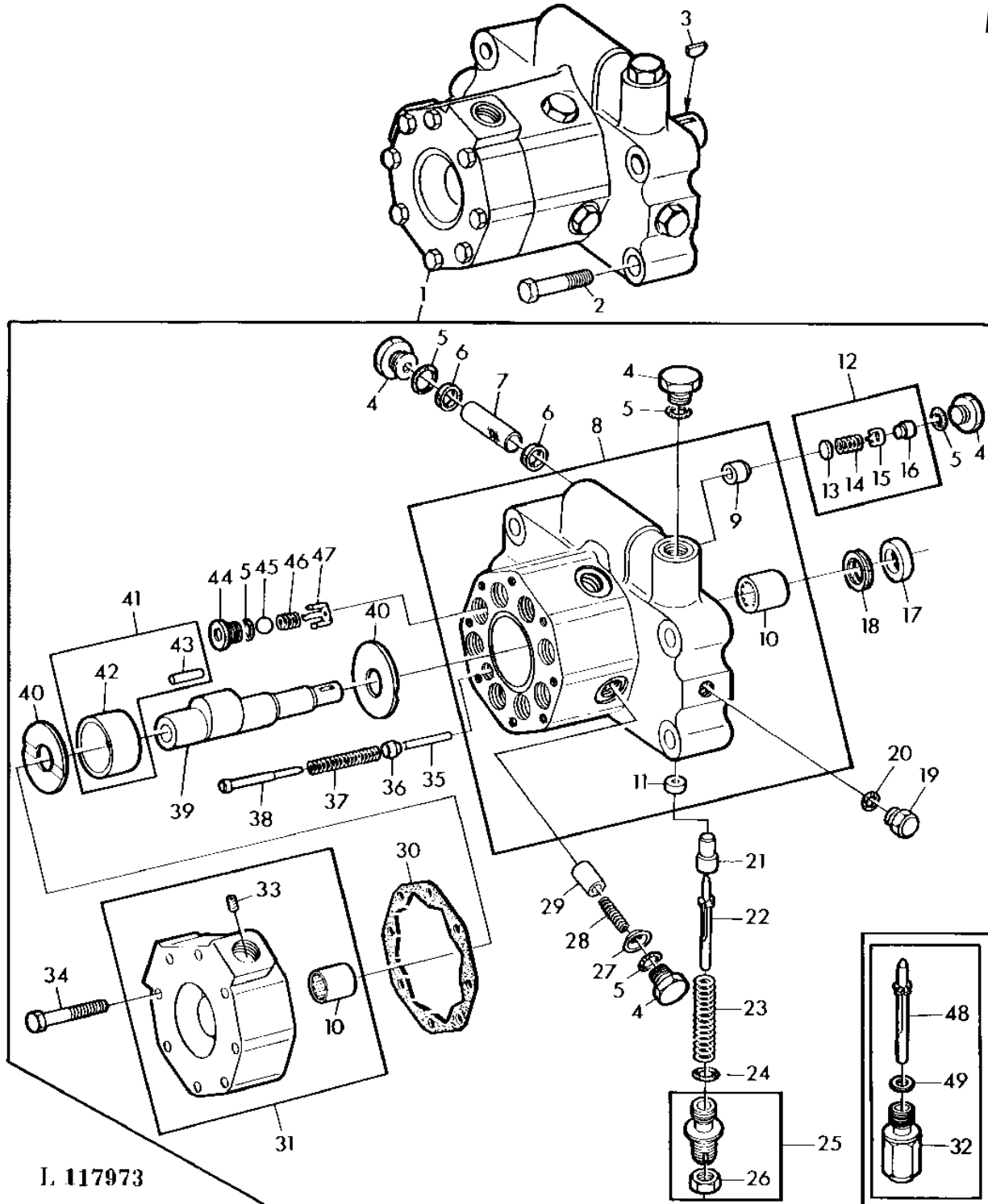
2
0 2
4 1
0 4
S 0

KEY	PART NO.	PART NAME	QTY	SERIAL NO.	REMARKS
1	L34575	SCREW	4		X
2	L34569	COUPLING	1		X REAR
3	R78202	CUSHION	1		X (SUB FOR T58196)
4	L34432	COUPLING	1		X FRONT
5	19H1732	CAP SCREW	8		X 3/8"X1-1/4"
6	L34573	DRIVE SHAFT	1		X
7	12H304	LOCK WASHER	4		X

3D6

HYDRAULIC SYSTEM

HYDRAULIC PUMP(12CM3=0,7CU.IN.)
POMPE HYDRAULIQUE(12CM3)
HYDRAULIKPUMPE(12CM3)
POMPA IDRAULICA(12CM3)
BOMBA HIDRAULICA(12CM3)
HYDRAULPUMP(12CM3)
L117973 -UN-07JUL95



3D7

HYDRAULIC SYSTEM

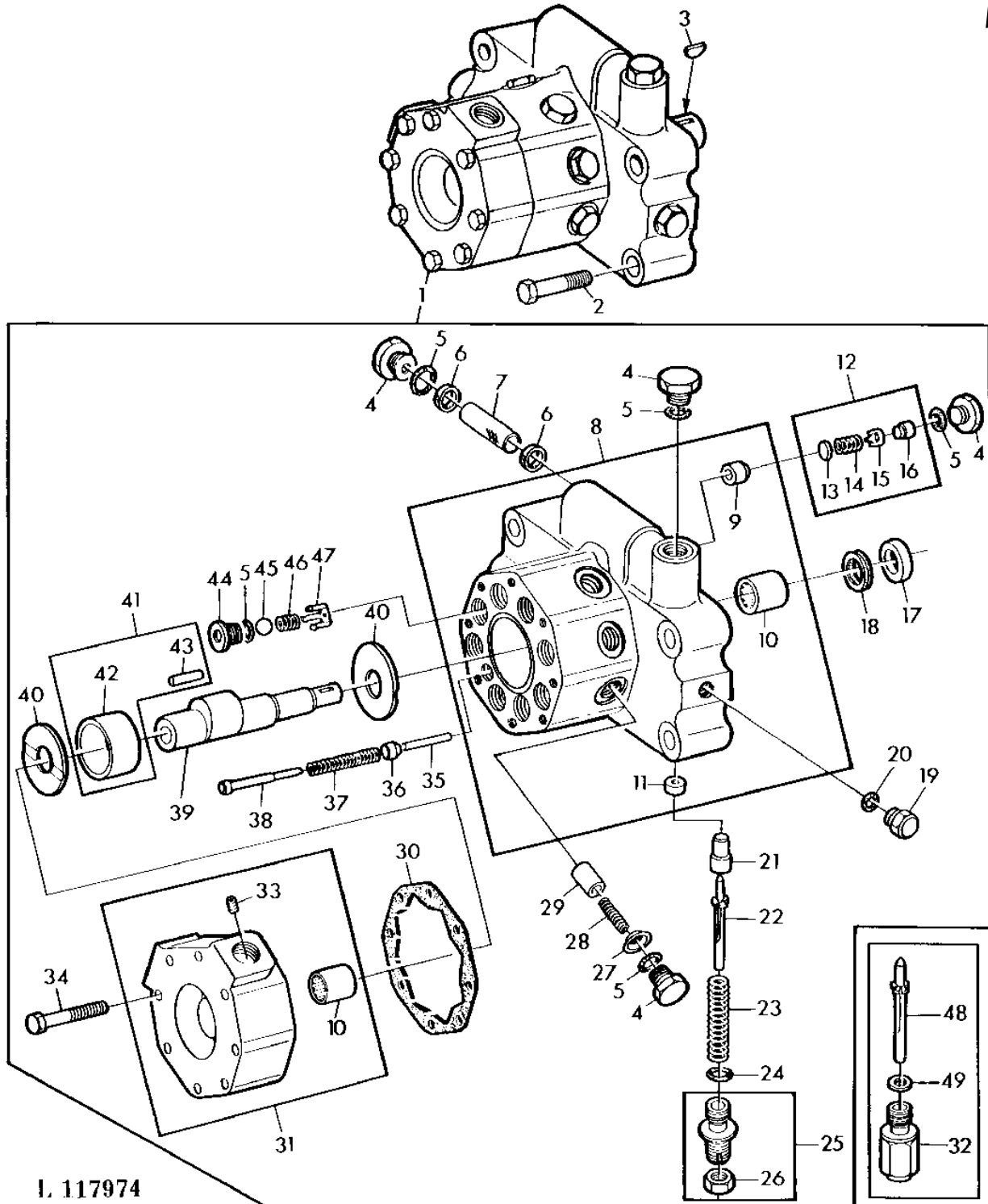
KEY	PART NO.	PART NAME	QTY	SERIAL NO.	REMARKS
					2
					0 2
					4 1
					0 4
					S 0
1	AR103035	HYDRAULIC PUMP	1		X (SUB FOR AR89062)
2	19H1820	CAP SCREW	4		X 1/2"X3"
3	26H77	SHAFT KEY	1		X 3/16"X3/4"
4	R39112	FITTING	10		X 3/4"
5	R26375	O-RING	AR		X
6	R68382	PACKING	2		X
7	R68381	FILTER	1		X
8	AR89076	HOUSING	1		X
9	R105583	SEAT	4		X (SUB FOR R39067)
10	JD9858	NEEDLE BEARING	2		X
11	R72936	VALVE SEAT INSERT	1		X
12	RE23382	VALVE	1		X (SUB FOR AR52785, AR96613)
13	R49297	DISK	4		X
14	R39228	SPRING	4		X
15	R48738	GUIDE	4		X
16	R83508	STOP	4		X (SUB FOR R49298, R72886 APPL)
17	AR39052	SEAL	1		X
18	R63605	O-RING	1		X
19	R27094	DRAIN PLUG	1		X 1/2"
20	R26286	O-RING	1		X
21	R68384	CONTROL VALVE	1		X
22	R76167	GUIDE	1		X
23	R39240	SPRING	1		X
24	R26906	O-RING	1		X
25	AR103040	SCREW	1		X
26	R76169	LOCK NUT	1		X
27	AR101238	SHIELD	1		X KIT, (SUB FOR (9) R61633)
28	AR39041	SPRING	1		X KIT (8)
29	R63022	PISTON	4		X
30	L62442	GASKET	1		X (SUB FOR R59234)
31	AR90453	COVER	1		X
32	AR89073	ADJUSTER	1		X (ORD AR103040, R76167)
33	R39321	ORIFICE	1		X
34	19H1944	CAP SCREW	8		X 3/8"X2-3/4"
35	R39179	NEEDLE ROLLER	1		X
36	R39180	VALVE	1		X
37	R68390	SPRING	1		X
38	R39181	GUIDE	1		X
39	R39319	SHAFT	1		X
40	R66164	THRUST WASHER	2		X
41	AR89072	ROLLER BEARING	1		X
42	R63629	BEARING RACE	1		X
43	R39073	NEEDLE ROLLER	33		X
44	R68553	VALVE SEAT INSERT	4		X (SUB FOR R39075)
45	D2361R	BALL	4		X
46	R39078	SPRING	4		X
47	R39076	GUIDE	4		X
48	R68383	GUIDE	1		X (ORD R76167, AR103040)
49	24H1303	WASHER	1		X 13/32"X11/16"X.060"

(A) FOR USA AND CANADA ONLY
 USA ET CANADA UNIQUEMENT
 NUR FUER USA UND KANADA
 SOLO PER S.U.E CANADA
 SOLO PARA EE.UU.Y CANADA
 ENDAST FOR FORENTA STATERNA OCH KANADA

3D8

HYDRAULIC SYSTEM

HYDRAULIC PUMP(23CM3=1,4CU.IN.)
POMPE HYDRAULIQUE(23CM3)
HYDRAULIKPUMPE(23CM3)
POMPE IDRAULICA(23CM3)
BOMBA HIDRAULICA(23CM3)
HYDRAULPUMP(23CM3)
L117974 -UN-07JUL95



L 117974

3D9

HYDRAULIC SYSTEM

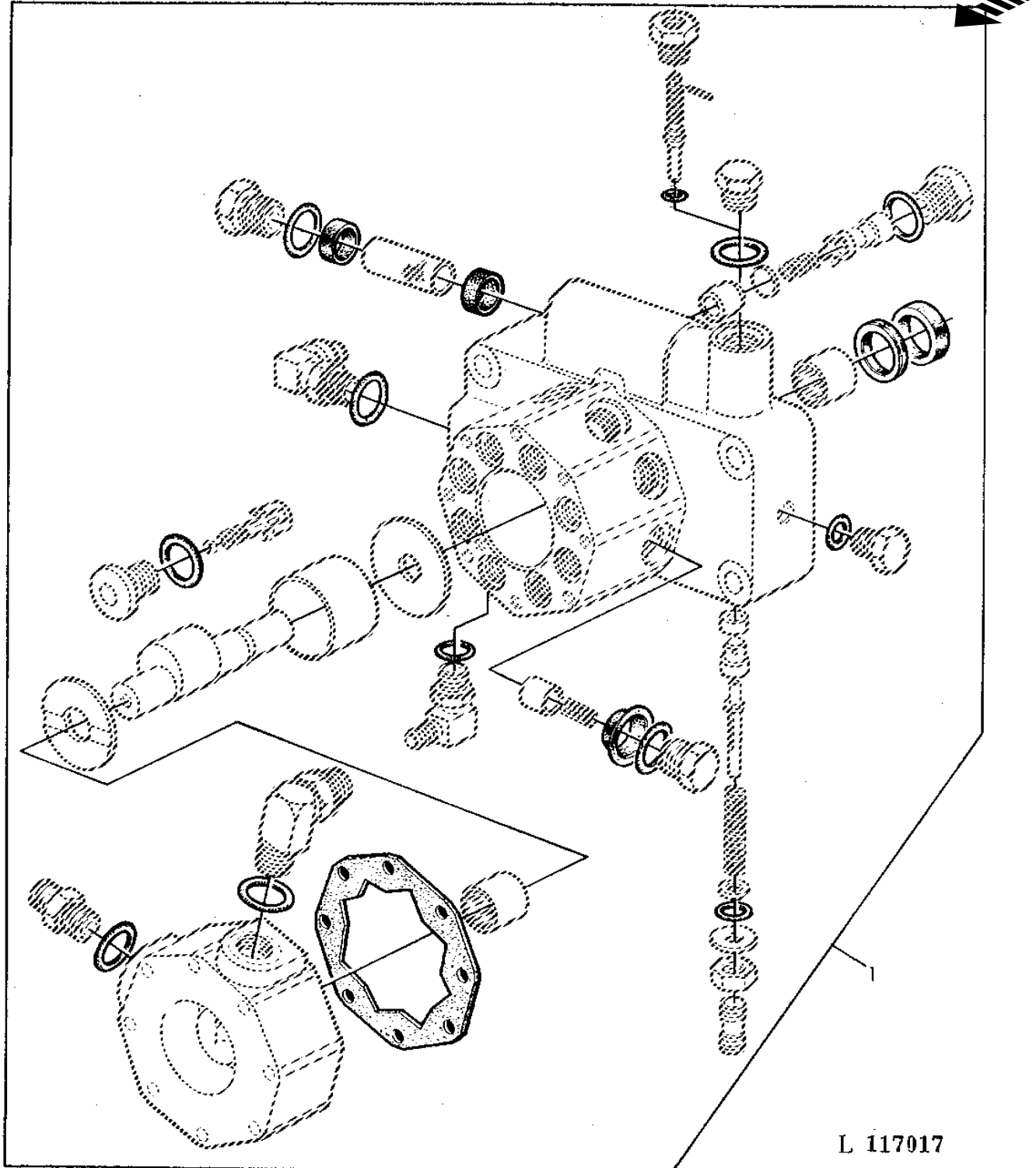
KEY	PART NO.	PART NAME	QTY	SERIAL NO.	REMARKS
					2
					0 2
					4 1
					0 4
					S 0
1	AR103036	HYDRAULIC PUMP	1	X X	(SUB FOR AR89061)
	AR103033	HYDRAULIC PUMP	1	X X	(A) (SUB FOR AR89064)
2	19H1820	CAP SCREW	4	X X	1/2"X3"
3	26H77	SHAFT KEY	1	X X	3/16"X3/4"
4	R39112	FITTING	18	X X	3/4"
5	R26375	O-RING	AR	X X	
6	R68382	PACKING	2	X X	
7	R68381	FILTER	1	X X	
8	AR89075	HOUSING	1	X X	
9	R105583	SEAT	8	X X	(SUB FOR R39067)
10	JD9858	NEEDLE BEARING	2	X X	
11	R72936	VALVE SEAT INSERT	1	X X	
12	RE23382	VALVE	1	X X	(SUB FOR AR52785, OR AR96613)
13	R49297	DISK	8	X X	
14	R39228	SPRING	8	X X	
15	R48738	GUIDE	8	X X	
16	R83508	STOP	8	X X	(SUB FOR R49298, R72886 APPL)
17	AR39052	SEAL	1	X X	
18	R63605	O-RING	1	X X	
19	R27094	DRAIN PLUG	1	X X	1/2"
20	R26286	O-RING	1	X X	
21	R68384	CONTROL VALVE	1	X X	
22	R76167	GUIDE	1	X X	
23	R39240	SPRING	1	X X	
24	R26906	O-RING	1	X X	
25	AR103040	SCREW	1	X X	
26	R76169	LOCK NUT	1	X X	
27	AR101238	SHIELD	1	X X	KIT, (SUB FOR (9) R616339)
28	AR39041	SPRING	1	X X	KIT (8)
29	R63022	PISTON	8	X X	
30	L62442	GASKET	1	X X	(SUB FOR R59234)
31	AR90453	COVER	1	X X	
32	AR89073	ADJUSTER	1	X X	(ORD AR103040, R76167)
33	R39321	ORIFICE	1	X X	
34	19H1944	CAP SCREW	8	X X	3/8"X2-3/4"
35	R39179	NEEDLE ROLLER	1	X X	
36	R39180	VALVE	1	X X	
37	R68390	SPRING	1	X X	
38	R39181	GUIDE	1	X X	
39	R39319	SHAFT	1	X X	
40	R66164	THRUST WASHER	2	X X	
41	AR89072	ROLLER BEARING	1	X X	
42	R63629	BEARING RACE	1	X X	
43	R39073	NEEDLE ROLLER	33	X X	
44	R68553	VALVE SEAT INSERT	8	X X	(SUB FOR R39075)
45	D2361R	BALL	8	X X	
46	R39078	SPRING	8	X X	
47	R39076	GUIDE	8	X X	
48	R68383	GUIDE	1	X X	(ORD R76167, AR103040)
49	24H1303	WASHER	1	X X	13/32"X11/16"X.060"

(A) FOR USA AND CANADA ONLY
 USA ET CANADA UNIQUEMENT
 NUR FUER USA UND KANADA
 SOLO PER S.U.E CANADA
 SOLO PARA EE.UU.Y CANADA
 ENDAST FOR FORENTA STATERNA OCH KANADA

3D10

HYDRAULIC SYSTEM

HYDRAULIC PUMP SEALING SET(12CM3=0.7 CU.IN./23CM3=1.4 CU.IN.)
POMPE HYDRAULIQUE, JEU DE JOINTS (12CM3/23CM3)
HYDRAULIKPUMPEN-DICHTUNGSSATZ (12CM3/23CM3)
POMPA IDRAULICA, SERIE GUARNIZIONI (12CM3/23CM3)
BOMBA HIDRAULICA, JUEGO DE JUNTAS (12CM3/23CM3)
HYDRAULPUMP, PACKNINGSSATS (12CM3/23CM3)
L117017 -UN-01JAN94



3D11

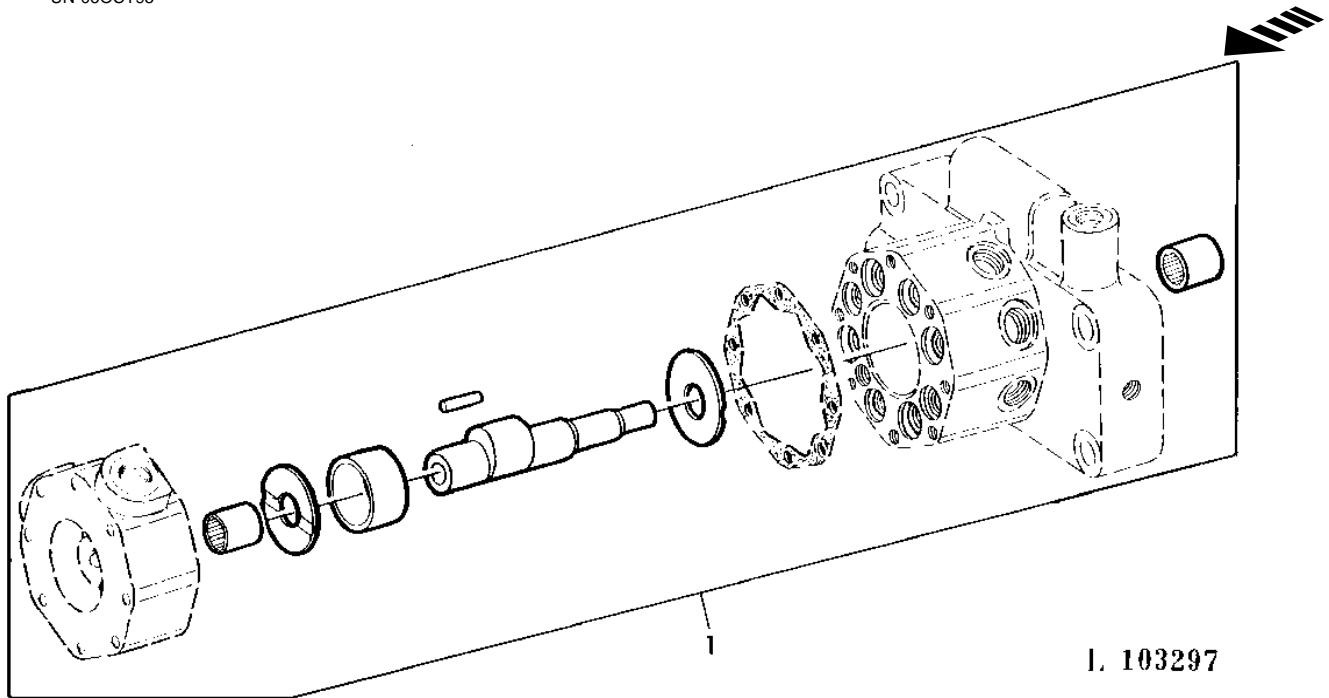
HYDRAULIC SYSTEM

KEY	PART NO.	PART NAME	QTY	SERIAL NO.	2 0 2 4 1 0 4 S 0	REMARKS
1	AR98993	KIT	1		X X	

3D12

HYDRAULIC SYSTEM

HYDRAULIC PUMP REPAIR SET(12CM3=0,7 CU.IN./23CM3=1,4 CU.IN.)
 JEU DE REPARATION POMPES HYDRAULIQUES (12CM3/23CM3)
 HYDRAULIKPUMPEN-REPARATURSATZ (12CM3/23CM3)
 CORREDO RIPARAZ.PER POMPE IDRAUL.(12CM3/23CM3)
 JUEGO DE REPARAC.PARA BOMBAS HIDR. (12CM3/23CM3)
 REPARATURSATZ FOR HYDRAULPUMP (12CM3/23CM3)
 L103297 -UN-06OCT95



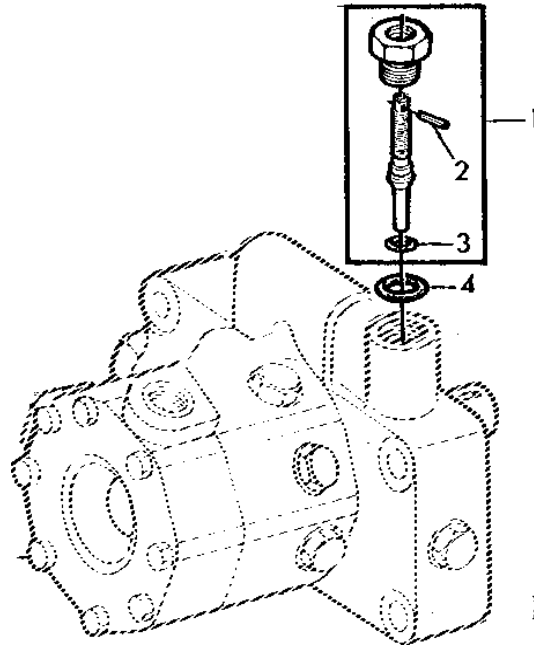
2
0 2
4 1
0 4
S 0

KEY	PART NO.	PART NAME	QTY	SERIAL NO.	REMARKS
1	AL35755	KIT	1	X X	

3D13

HYDRAULIC SYSTEM

SHUT-OFF SCREW FOR HYDRAULIC PUMP (12CM3/23CM3)
 VIS D'ARRET POUR POMPE HYDRAULIQUE (12CM3/23CM3)
 ABSTELLSCHRAUBE FUER HYDRAULIKPUMPE (12CM3/23CM3)
 VITE ARRESTO PER POMPA IDRAULICA (12CM3/23CM3)
 TORNILLO DE PARADE PARA BOMBA HIDRAULICA (12CM3/23CM3)
 AVSTANGNINGSSKRUV FOR HYDRAULPUMP (12CM3/23CM3)
 L112234 -UN-01JAN94



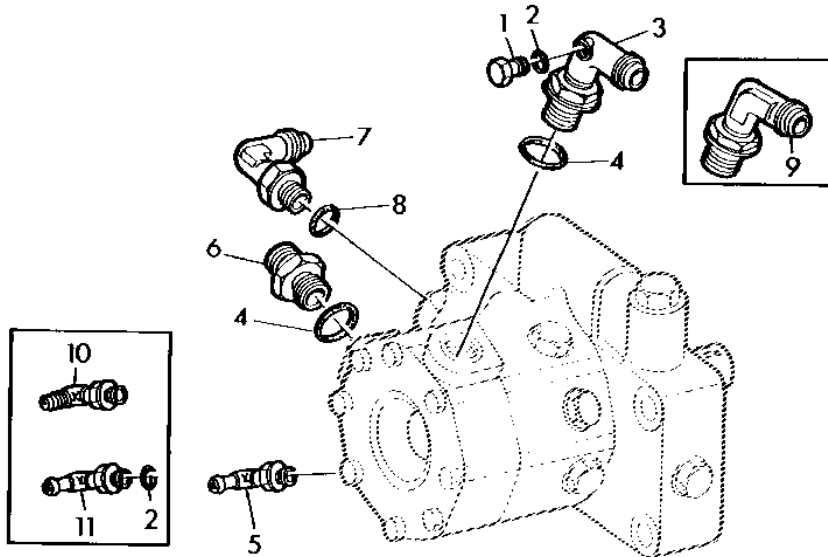
L 112234

KEY	PART NO.	PART NAME	QTY	SERIAL NO.	REMARKS
1	AR38225	SCREW	1	X X	
2	34H254	SPRING PIN	1	X X	1/8"X1-1/2"
3	R30903	O-RING	1	X X	
4	R26375	O-RING	1	X X	

3D14

HYDRAULIC SYSTEM

CONNECTING PARTS FOR HYDRAULIC PUMPS(12CM3=0.7 CU.IN./23CM3=1.4 CU.1N.)
 RACCORDS POUR POMPES HYDRAULIQUES(12CM3/23CM3)
 ANSCHLUSSTEILE FUER HYDRAULIKPUMPEN(12CM3/23CM3)
 RACCORDI PER POMPE IDRAULICHE(12CM3/23CM3)
 RACORES PARA BOMBAS HIDRAULICAS(12CM3/23CM3)
 ANSLUTNINGAR FOR HYDRAULPUMPER(12CM3/23CM3)
 L122542 -UN-09OCT95



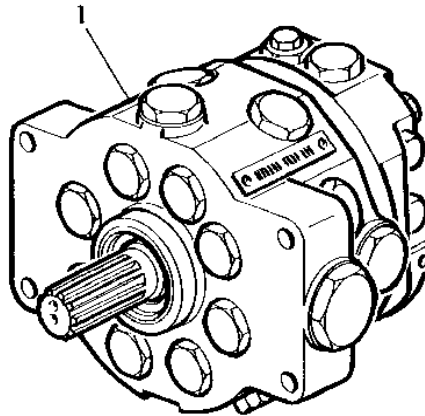
L122542

KEY	PART NO.	PART NAME	QTY	SERIAL NO.	2 0 2 4 1 0 4 S 0	REMARKS
1	R31631	DRAIN PLUG	1		X X	
2	R26287	O-RING	2		X X	
3	AR73684	TEE FITTING	1		X X	
4	U12547	O-RING	2		X X	(SUB FOR F3171R APPL)
5	L63540	FITTING	1		X X	(SUB FOR AL28468)
6	R27267	FITTING	1		X X	
7	AL28658	ELBOW FITTING	1		X X	
8	R26375	O-RING	1		X X	
9	AR26723	ELBOW FITTING	1		X X	(ORD AR73684, R31631, R26287)
10	AR26746	ELBOW FITTING	1	-389383	X X	
11	AL28468	ELBOW FITTING	1	389384-	X X	(ORD L63540)

3D15

HYDRAULIC SYSTEM

HYDRAULIC PUMP(40CM3=2,4CU.IN.)
 POMPE HYDRAULIQUE(40CM3)
 HYDRAULIKPUMPE(40CM3)
 POMPA IDRAULICA(40CM3)
 BOMBA HIDRAULICA(40CM3)
 HYDRAULPUMP(40CM3)
 L103677 -UN-06OCT95



L 103677

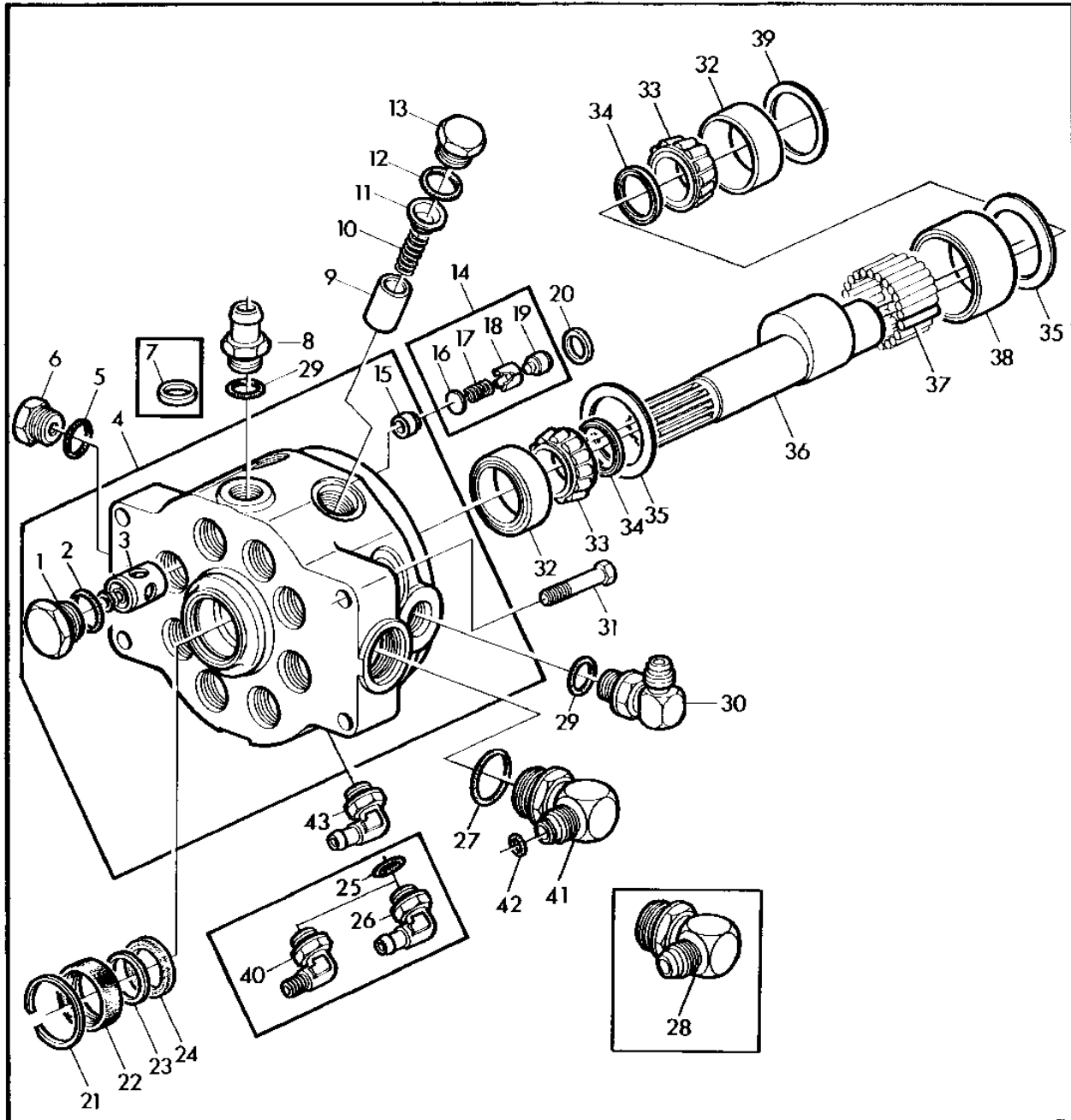
KEY	PART NO.	PART NAME	QTY	SERIAL NO.	REMARKS
				2	
				0 2	
				4 1	
				0 4	
				S 0	
1	AR39695	HYDRAULIC PUMP	1	X	(A) 4PP4 (ORD AR97872, AL37265, U12547)
	AR90459	HYDRAULIC PUMP	1	X	(A) 34PP1 (ORD AR97872, AL37265, U12547) (SUB FOR AR39695)
	AR97872	HYDRAULIC PUMP	1	X	(A) EA1

(A) MODEL-NO
 NUMERO DE MODELE
 MODELLNUMMER
 NUMERO DEL TIPO
 NUMERO DEL TIPO
 MODEL NR

3D16

HYDRAULIC SYSTEM

HYDRAULIC PUMP(40CM3=2,4 CU.IN.)(MODEL NO.34PP1)
POMPE HYDRAULIQUE(40CM3)(MODELE NO.34PP1)
HYDRAULIKPUMPE(40CM3)(MODELL NO.34PP1)
POMPA IDRAULICA(40CM3)(MODELLO NO.34PP1)
BOMBA HIDRAULICA(40CM3)(MODELO NO.34PP1)
HYDRAULPUMP(40CM3)(MODELL 34PP1)
L122543 -UN-09OCT95



I.122543

3D17

HYDRAULIC SYSTEM

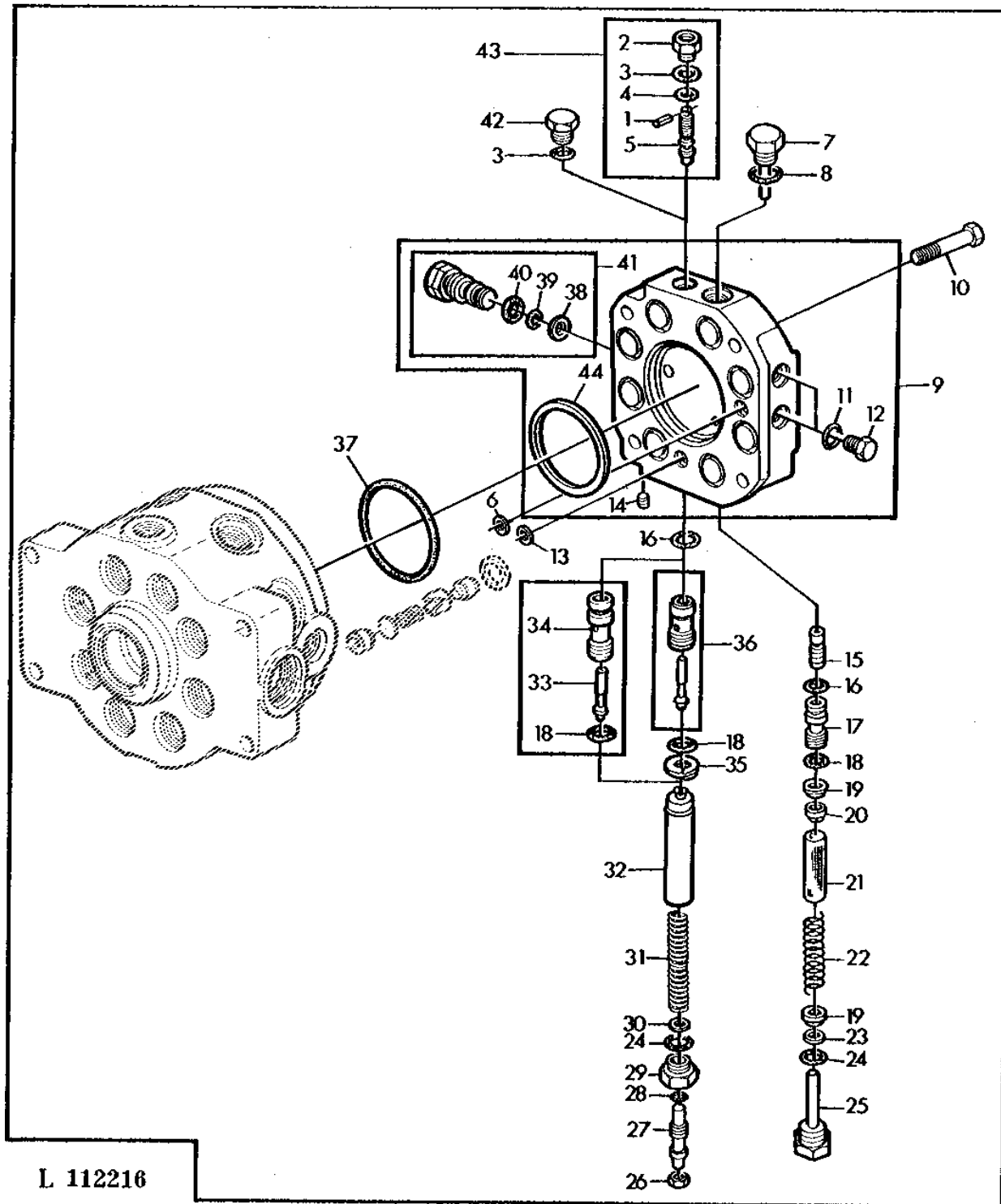
KEY	PART NO.	PART NAME	QTY	SERIAL NO.	REMARKS
					2
					0 2
					4 1
					0 4
					S 0
1	R78293	FITTING	8		X (SUB FOR R44823, R51912)
2	R27149	O-RING	8		X
3	AR53301	VALVE	8		X
4	AR47580	HOUSING	1		X (MARKED R45228) (ORD AR97872, AL37265, U12547)
5	R56751	O-RING	1		X
6	R27175	DRAIN PLUG	1		X 1-1/16"
7	R35827	WASHER	1		X (ORD R26906)
8	R39215	FITTING	1		X
9	R27150	PISTON	8		X
10	R62372	SPRING	1		X KIT(8) (SUB FOR AR55186, AR76762)
11	AR101236	SHIELD	1		X KIT(8) (SUB FOR R56749)
12	R56463	O-RING	8		X
13	R45438	FITTING	8		X
14	RE23382	VALVE	8		X (SUB FOR AR52785, AR96613)
15	R105583	SEAT	8		X (SUB FOR R39067)
16	R49297	DISK	1		X
17	R39228	SPRING	1		X
18	R48738	GUIDE	1		X
19	R83508	STOP	1		X (SUB FOR R49298, R72886)
20	R69279	WASHER	8		X (SUB FOR R56754)
21	R26137	SNAP RING	1		X
22	RE28790	SEAL	1		X (SUB FOR AR52224)
23	R56753	SHIM	1		X
24	R39729	O-RING	1		X
25	R26287	O-RING	1		X
26	AL28468	ELBOW FITTING	1		X (ORD L63540)
27	U13639	O-RING	1		X
28	AL39129	ELBOW FITTING	1		X (SUB FOR AR39071) (ORD AL59809, L58310)
29	R26906	O-RING	2		X
30	AL31989	ELBOW FITTING	1		X
31	19H1974	CAP SCREW	4		X 1/2"X2-3/4"
32	JD8223	BEARING CUP	2		X
33	JD8192	BEARING CONE	2		X
34	R34349	WASHER	2		X
35	R42467	THRUST WASHER	2		X
36	R39843	SHAFT	1		X
37	R27145	NEEDLE ROLLER	36		X
38	R45874	BEARING RACE	1		X
39	R27478	SHIM	AR		X TK=0,15MM (.006")
	R27479	SHIM	AR		X TK=0,25MM (.010")
40	AR26746	ELBOW FITTING	1		X
41	AL59809	ELBOW FITTING	1		X
42	L58310	O-RING	1		X
43	L63540	FITTING	1		X (SUB FOR AL28468)

3D18

HYDRAULIC SYSTEM

PUMP COVER AND VALVES(40CM3=2,4 CU.IN.)(MODEL NO.34PP1)
COUVERCLE DE POMPE ET SOUPAPES(40CM3)(MODELE NO.34PP1)
PUMPENDECKEL UND VENTILE(40CM3 PUMPE)(MODELL NO.34PP1)
COPERCHIO POMPA IDRAULICA E VALVOLE(40CM3)(MODELLO NO.34P)
TAPA DE BOMBA Y VALVULAS(40CM3)(MODELO NO.34PP1)
PUMPKAPA OCH VENTILER(40CM3)(MODELL 34PP1)

L112216 -UN-01JAN94



3D19

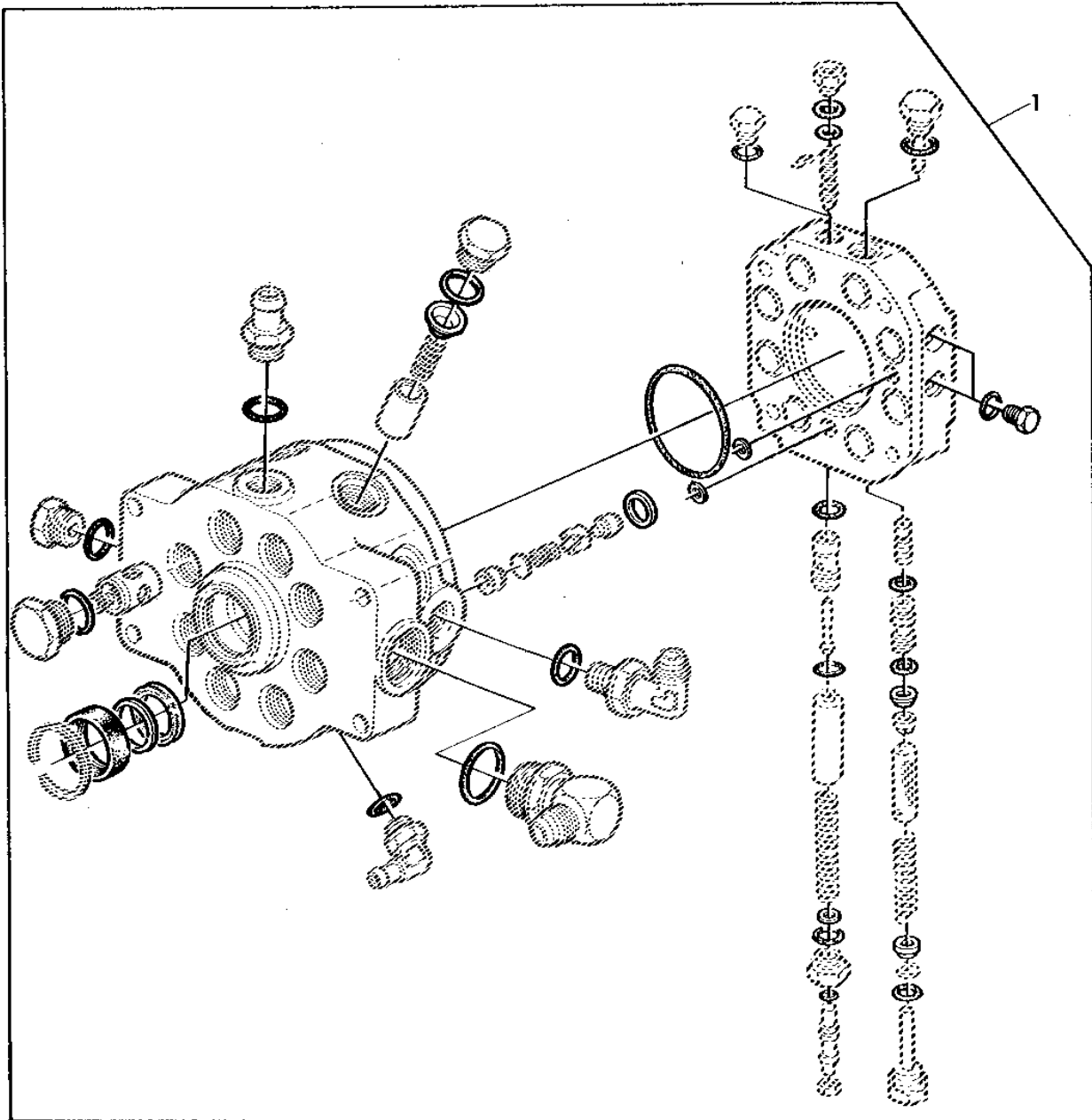
HYDRAULIC SYSTEM

KEY	PART NO.	PART NAME	QTY	SERIAL NO.	REMARKS
					2
					0 2
					4 1
					0 4
					S 0
1	34H254	SPRING PIN	1		X 1/8"X1-1/2"
2	R27475	FITTING	1		X
3	R26448	O-RING	1		X
4	A4365R	O-RING	1		X
5	R27171	SCREW	1		X
6	R56756	O-RING	1		X
7	AR51745	DRAIN PLUG	1		X
8	R26906	O-RING	1		X
9	AR38714	HOUSING	1		X (MARKED R42665, R44802, R49071)
10	19H3520	CAP SCREW	4		X 1/2"X3-1/4"
11	R26287	O-RING	2		X
12	R27216	DRAIN PLUG	2		X 3/8"
13	R56755	WASHER	1		X
14	15H560	PIPE PLUG	1		X 1/16"
15	R27172	VALVE	1		X
16	R27564	O-RING	2		X
17	R70351	SLEEVE	1		X (SUB FOR R27476)
18	R27166	O-RING	2		X
19	R27174	PACKING	2		X
20	R27167	GUIDE	1		X
21	R27173	FILTER ELEMENT	1		X
22	R27159	SPRING	1		X
23	R27170	SHIM	AR		X
	24H1298	WASHER	AR		X 3/8"X5/8"X.030"
24	F3171R	O-RING	2		X
25	AR26646	DRAIN PLUG	1		X
26	14H1021	NUT	1		X 7/16"
27	AR52254	SET SCREW	1		X
28	R28782	O-RING	1		X
29	R28781	FITTING	1		X
30	R42260	WASHER	1		X
31	R31781	SPRING	1		X
32	R71321	GUIDE	1		X
33	R70559	CONTROL VALVE	1		X (ORD RE10712, R41057, R27166)
34	R69262	SLEEVE	1		X (ORD RE10712, R41057, R27166)
35	R41057	BACK-UP RING	1		X
36	RE10712	CONTROL VALVE	1		X
37	R56757	O-RING	1		X
38	T57374	BACK-UP RING	1		X (FOR R49071)
39	T40308	O-RING	1		X (FOR R49071)
40	R26375	O-RING	1		X (FOR R49071)
41	AR90378	PLUG	1		X (FOR R49071)
42	R27218	FITTING PLUG	1		X
43	AR33249	SCREW	1		X
44	R49072	WASHER	1		X

3D20

HYDRAULIC SYSTEM

HYDRAULIC PUMP KIT(40CM3=2,4 CU.IN.)(MODEL NO.34PP1)
JEU DE JOINTS POMPE(40CM3)(MODELE NO.34PP1)
HYDRAULIKPUMPENDICHTUNGSSATZ(40CM3)(MODELL NO.34PP1)
SERIE GUARNIZIONI POMPA IDRAULICA(40CM3)(MODELLO NO.34PP1)
JUEGO DE JUNTAS PARA BOMBA HIDR.(40CM3)(MODELO NO.34PP1)
PACKNINGSSATS FOR HYDRAULPUMP(40CM3)(MODELL 34PP1)
L110622 -UN-01JAN94



L 110622

3D21

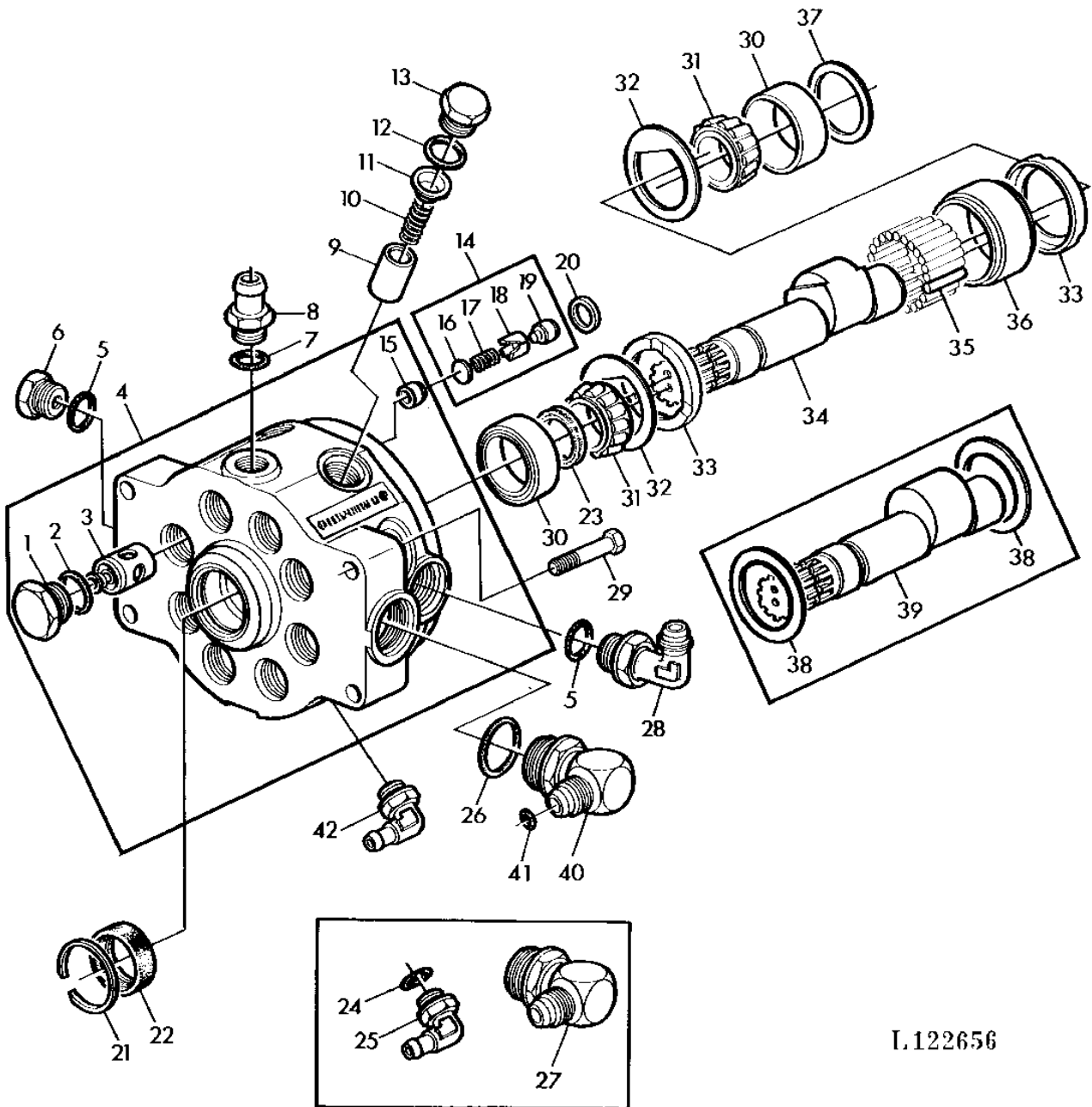
HYDRAULIC SYSTEM

KEY	PART NO.	PART NAME	QTY	SERIAL NO.	REMARKS
1	RE29103	KIT	1	204104S0	X (SUB FOR AR67718)

3D22

HYDRAULIC SYSTEM

HYDRAULIC PUMP(40CM3=2.4 CU.IN.)MODEL NO.EA1
POMPE HYDRAULIQUE(40CM3)MODELE NO.EA1
HYDRAULIKPUMPE(40CM3)MODELL NO.EA1
POMPE IDRAULICA(40CM3)MODELLO NO.EA1
BOMBA HIDRAULICA(40CM3)MODELO NO.EA1
HYDRAULPUMP(40CM3)MODELL NO.EA1
L122656 -UN-09OCT95



L122656

3D23

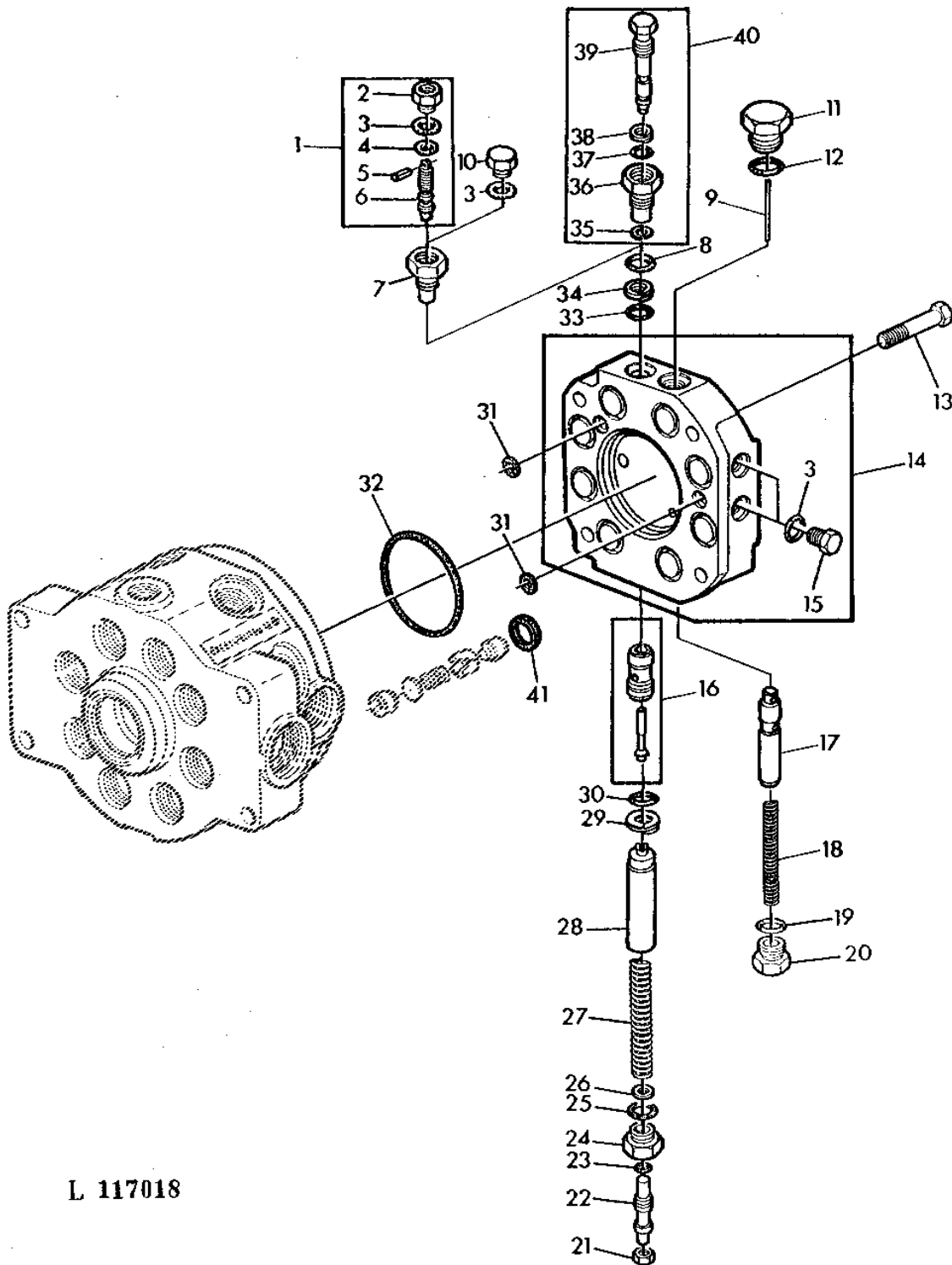
HYDRAULIC SYSTEM

KEY	PART NO.	PART NAME	QTY	SERIAL NO.	REMARKS
					2
					0 2
					4 1
					0 4
					S 0
1	R78293	FITTING	8		X
2	R27149	O-RING	8		X
3	AR53301	VALVE	8		X
4	RE11804	HOUSING	1		X (MARKED R73741) (SUB FOR AR101665)
5	U12547	O-RING	1		X (SUB FOR F3171R APPL)
6	R27175	DRAIN PLUG	1		X
7	R26906	O-RING	1		X
8	R39215	FITTING	1		X
9	R27150	PISTON	8		X
10	R62372	SPRING	1		X KIT(8) (SUB FOR AR76762)
11	AR101236	SHIELD	1		X KIT(8) (SUB FOR R56749)
12	R56463	O-RING	8		X
13	R45438	FITTING	8		X
14	RE23382	VALVE	8		X (SUB FOR AR96613)
15	R105583	SEAT	8		X (SUB FOR R39067)
16	R49297	DISK	1		X
17	R39228	SPRING	1		X
18	R48738	GUIDE	1		X
19	R83508	STOP	1		X (SUB FOR R72886)
20	R69279	WASHER	8		X
21	R26137	SNAP RING	1		X
22	RE28790	SEAL	1		X (SUB FOR AR52224)
23	R77611	RING	1		X (SUB FOR RE11777)
24	R26287	O-RING	1		X
25	AL28468	ELBOW FITTING	1		X (ORD L63540)
26	U13639	O-RING	1		X
27	AL39129	ELBOW FITTING	1		X (SUB FOR AR39071) (ORD AL59809, L58310)
28	AL37265	ELBOW FITTING	1		X
29	19H1974	CAP SCREW	1		X 1/2"X2-3/4"
30	JD8223	BEARING CUP	2		X
31	JD8192	BEARING CONE	2		X
32	R79151	LOCK WASHER	2		X
33	R72507	THRUST WASHER	2		X
34	R79150	SHAFT	1		X
35	R45422	NEEDLE ROLLER	25		X (SUB FOR R77904)
36	R80558	BEARING RACE	1		X (SUB FOR R72506)
37	R27478	SHIM	AR		X 1.5MM(.006")
	R27479	SHIM	AR		X 2.5MM(.010")
38	R77903	WASHER	2		X
39	R73228	SHAFT	1		X (ORD R79150, (2) R79151)
40	AL59809	ELBOW FITTING	1		X
41	L58310	O-RING	1		X
42	L63540	FITTING	1		X (SUB FOR AL28468)

3D24

HYDRAULIC SYSTEM

HYD.PUMP COVER AND VALVES(40CM3=2.4 CU.IN.)MODEL NO.EA1
COUVERCLE DE POMPE ET SOUPAPES(40CM3)MODELE NO.EA1
PUMPENDECKEL UND VENTILE(40CM3)(MODELL NO.EA1)
COPERCHIO POMPA IDRAULICA E VALVOLE(40CM3)(MODELLO NO.EA1)
TAPA DE BOMBA Y VALVULAS(40CM3)(MODELO NO.EA1)
GAVEL OCH VENTILER FOR HYDRAULPUMP(40CM3)(MODELL EA1)
L117018 -UN-01JAN94



L 117018

3D25

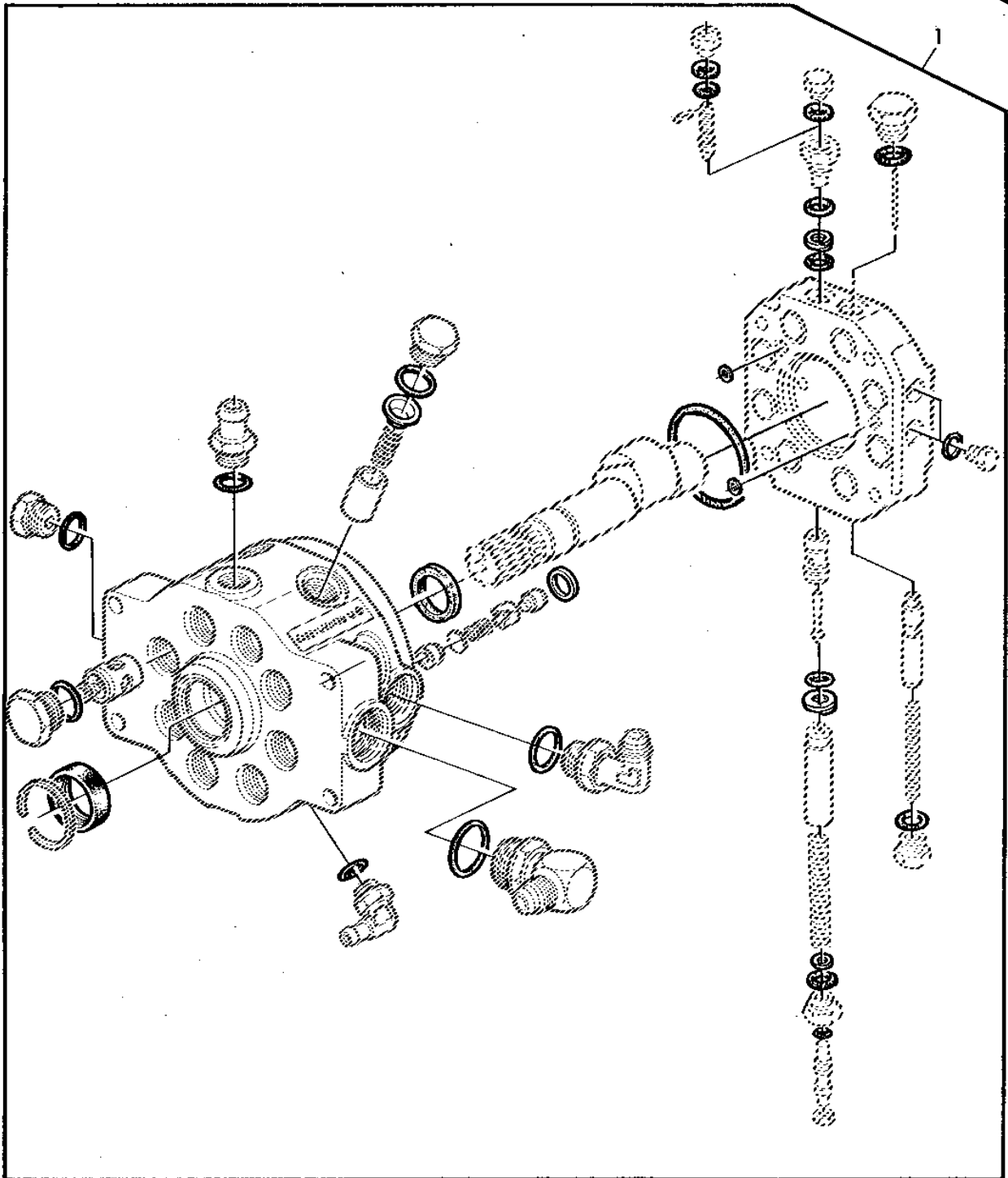
HYDRAULIC SYSTEM

KEY	PART NO.	PART NAME	QTY	SERIAL NO.	REMARKS
					2
					0 2
					4 1
					0 4
					S 0
1	AR96625	SCREW	1		X
2	R27475	FITTING	1		X
3	R26448	O-RING	AR		X
4	A4365R	O-RING	1		X
5	34H254	SPRING PIN	1		X 1/8"X1-1/2"
6	R75879	SCREW	1		X
7	R70617	PIPE PLUG	1		X
8	R26906	O-RING	1		X
9	R75564	PIN	1		X
10	R27218	FITTING PLUG	1		X
11	R75642	DRAIN PLUG	1		X
12	R56751	O-RING	1		X
13	19H3520	CAP SCREW	4		X 1/2"X3-1/4"
14	RE12470	HOUSING	1		X (MARKED R77714)
15	R75376	DRAIN PLUG	2		X
16	RE10712	CONTROL VALVE	1		X
17	R70867	VALVE	1		X
18	R70868	SPRING	1		X
19	R26375	O-RING	1		X
20	R73736	PLUG	1		X
21	14H1021	NUT	1		X 7/16"
22	AR52254	SET SCREW	1		X
23	R28782	O-RING	1		X
24	R28781	FITTING	1		X
25	F3171R	O-RING	1		X
26	R42260	WASHER	1		X
27	R31781	SPRING	1		X
28	R71321	GUIDE	1		X
29	R41057	BACK-UP RING	1		X
30	R27166	O-RING	1		X
31	R56755	WASHER	2		X
32	R56757	O-RING	1		X
33	R27564	O-RING	1		X
34	R75938	WASHER	1		X
35	R79268	SNAP RING	1		X
36	R79267	PLUG	1		X
37	R34802	O-RING	1		X
38	R36358	BACK-UP RING	1		X
39	R79266	SCREW	1		X
40	RE13271	SCREW	1		X
41	R69279	WASHER	8		X

3E1

HYDRAULIC SYSTEM

HYDRAULIC PUMP KIT(40CM3=2.4 CU.IN.)MODEL NO.EA1
JEU DE JOINTS POMPE(40CM3)MODELE NO.EA1
HYDRAULIKPUMPENDICHTUNGSSATZ(40CM3)(MODELL NO.EA1)
SERIE GUARNIZIONI POMPA IDRAULICA(40CM3)(MODELLO NO.EA1)
JUEGO DE JUNTAS PARA BOMBA HIDR.(40CM3)MODELO NO.EA1
PACKNINGSSATS FOR HYDRAULPUMP(40CM3)MODELL NO.EA1
L110632 -UN-01JAN94



L 110632

3E2

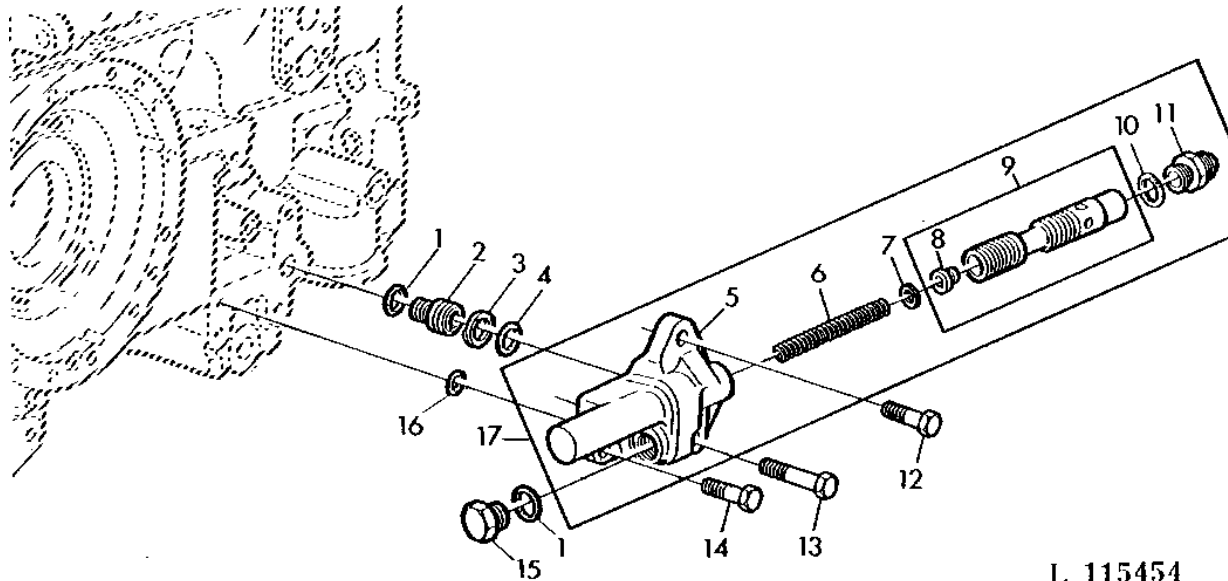
HYDRAULIC SYSTEM

KEY	PART NO.	PART NAME	QTY	SERIAL NO.	2 0 2 4 1 0 4 S 0	REMARKS
1	RE29107	KIT	1		X	(SUB FOR AR96321)

3E3

HYDRAULIC SYSTEM

FLOW CONTROL VALVE
 SOUPE REGULATORICE DE DEBIT
 MENGEN REGULIERVENTIL
 VALVOLA PRIORITA
 VALVULA DOSIFICADORA
 FLODESKONTROLLVENTIL
 L115454 -UN-01JAN94



L 115454

KEY	PART NO.	PART NAME	QTY	SERIAL NO.	REMARKS
				2	
				0 2	
				4 1	
				0 4	
				S 0	
1	R26375	O-RING	AR	X X	
2	R66084	FITTING	1	X X	
3	L55202	BACK-UP RING	1	X X	(SUB FOR R66085)
4	T13119	O-RING	1	X X	
5	R66083	HOUSING	1	X X	
6	R40072	SPRING	1	X X	
7	R33521	SHIM	4	X X	TK=0,75MM(.030")
8	R40562	APERTURE	1	X X	
9	AR65881	VALVE	1	X X	
10	R26906	O-RING	1	X X	
11	R27270	FITTING	1	X X	
12	19H1800	CAP SCREW	1	X X	3/8"X1-1/2"
13	19H2128	CAP SCREW	1	X X	3/8"X3"
14	19H2552	CAP SCREW	1	X X	3/8"X1-1/8"
15	R39112	FITTING	1	X X	(A)
16	R28776	O-RING	1	X X	
17	AL31925	RELIEF VALVE	1	X X	

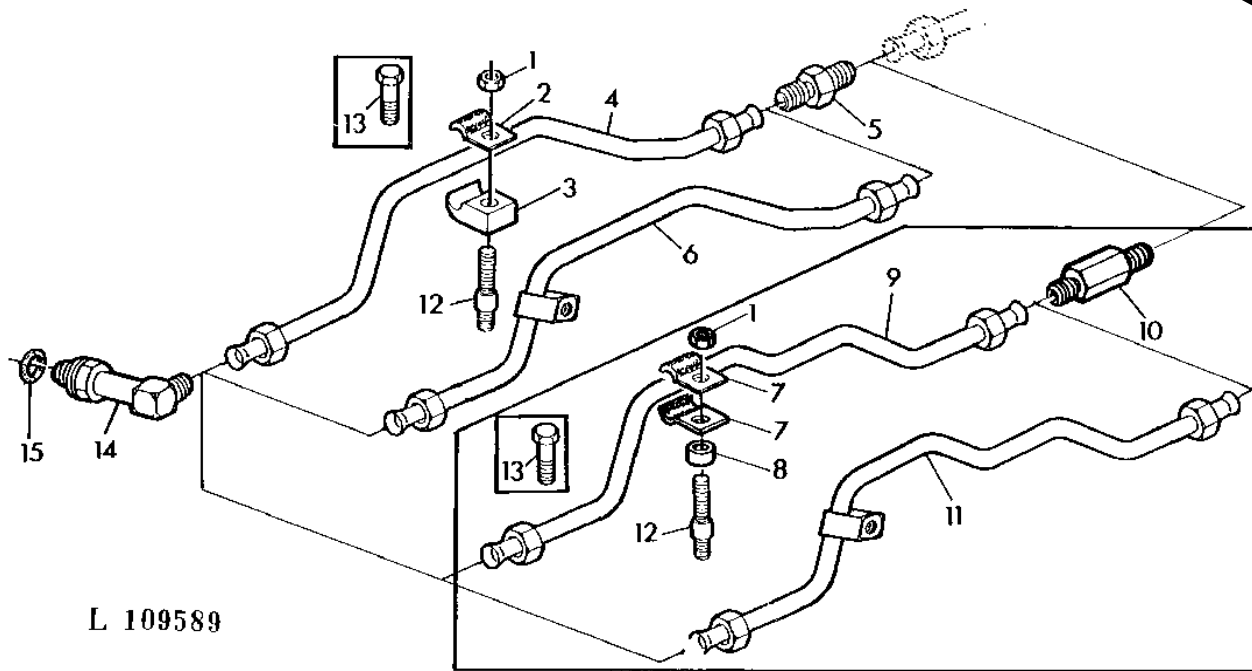
(A) WITHOUT SELECTIVE CONTROL VALVE
 SANS DISTRIBUTEUR AUXILIAIRE
 OHNE ZUSATZSTEUERGERAET
 SENZA DISTRIBUTORE AUSILIARIO
 SIN VALVULA DE MANDO AUXILIAR
 UTAN MANOVERVENTIL FOR FJARRCYLINDER

3E4

HYDRAULIC SYSTEM

HYDRAULIC LINES WITH MANUAL STEERING
 CONDUITES HYDRAULIQUES AVEC DIRECTIONS MECAN.
 HYDRAULIKOELLEITUNGEN BEI MECH.LENKUNG
 LINEE OLIO PER STERZO MECCANICO
 TUBERIAS PARA DIRECCION MECANICA
 OLJELEDNINGAR FOR MANUELL STYRNING

L109589 -UN-06OCT95



L 109589

2
0 2
4 1
0 4
S 0

KEY	PART NO.	PART NAME	QTY	SERIAL NO.	REMARKS
1	14H812	NUT	1		X 3/8"
2	L37521	CLAMP	1	416840-	X
3	L37547	CLAMP	1	416840-	X
4	AL35088	OIL LINE	1	416840-	X
5	R35717	FITTING	1		X
6	AL35087	OIL LINE	1	416840-	X (A)
7	R35726	CLAMP	2	-416839	X
8	28H1878	SPACER	1	-416839	X
9	AL30014	OIL LINE	1	-416839	X
10	L33839	FITTING	1	-416839	X
11	AL30045	OIL LINE	1	-416839	X (A)
12	T32508	STUD	1		X (SUB FOR L39334 APPL)
13	19H1732	CAP SCREW	1		X 3/8"X1-1/4"
14	AL30019	ELBOW FITTING	1		X
15	R26375	O-RING	1		X

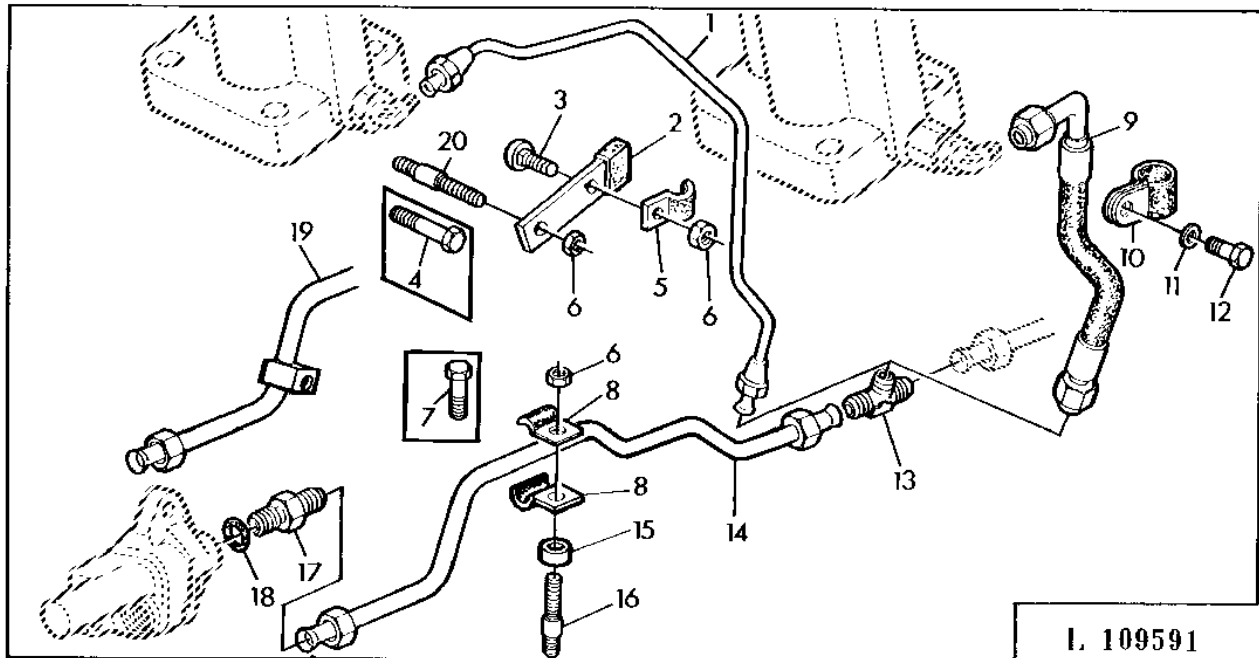
(A) WITH HYDR.TRAILER BRAKES
 AVEC FREIN DE REMORO.HYDR.
 BEI HYDRAUL.ANHAENGERBR.
 CON FRENO IDR.RIMORCHIO
 CON FRENO HIDR.PARA REMOLQ.
 VID HYDR.VAGNSBROMS

3E5

HYDRAULIC SYSTEM

HYDRAULIC LINES WITH POWER STEERING
 CONDUITES HYDRAULIQUES AVEC DIRECTION HYDRAULIQUE
 HYDRAULIKLEITUNGEN BEI HYDRAULISCHER LENKUNG
 LINEE OLIO PER LO STERZO IDRAULICO
 TUBERIAS PARA LA DIRECCION HIDRAULICA
 OLJELEDNINGAR VID HYDRAULSTYRNING

L109591 -UN-06OCT95



KEY	PART NO.	PART NAME	QTY	SERIAL NO.	S	REMARKS
					2	
					0 2	
					4 1	
					0 4	
					S 0	
1	AL28956	OIL LINE	1		X	(SUB FOR AL35071)
2	R65246	BRACKET	1		X	
3	03H2275	BOLT	1		X	3/8"X5/8"
4	19H2552	CAP SCREW	1		X	3/8"X1-1/8"
5	R27590	CLAMP	1		X	
6	14H812	NUT	3		X	3/8"
7	19H1732	CAP SCREW	1	-416839	X	3/8"X1-1/4"
8	R35726	CLAMP	2	-416839	X	
9	AL31435	HOSE	1		X	(B)
10	T28949	CLAMP	1		X	(B)
11	24H1305	WASHER	1		X	(B) 13/32"X13/16"X.060"
12	19H1936	CAP SCREW	1		X	(B) 3/8"X3/4"
13	T28991	TEE FITTING	1	-416839	X	
14	AL28954	OIL LINE	1	-416839	X	
15	28H1878	SPACER	1	-416839	X	
16	T32508	STUD	1		X	(SUB FOR L39334 APPL)
17	R27270	FITTING	1		X	
18	R26906	O-RING	1		X	
19	AL30044	OIL LINE	1	-416839	X	(A)
20	L39334	STUD	1		X	

(A) WITH HYDR. TRAILER BRAKES
 AVEC FREIN DE REMORO. HYDR.
 BEI HYDRAUL. ANHAENGERBR.
 CON FRENO IDR. RIMORCHIO
 CON FRENO HIDR. PARA REMOLO.
 VID HYDR. VAGNSBROMS

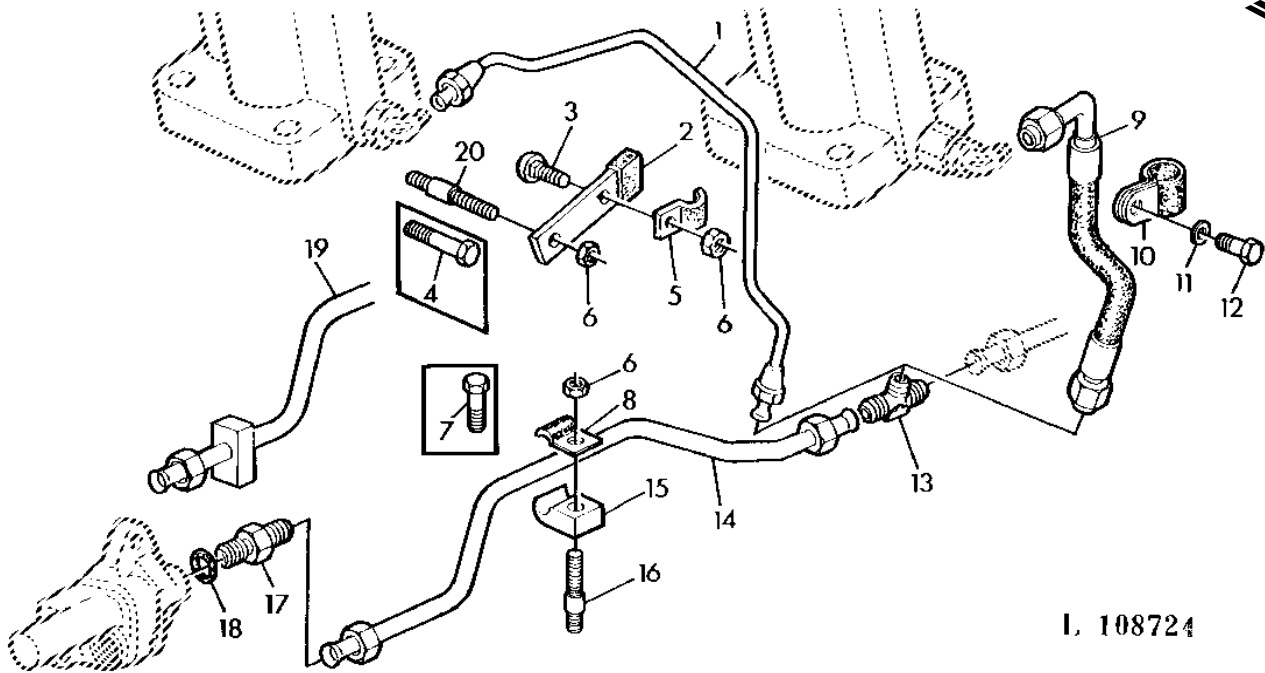
(B) WITH CHECK VALVE
 AVEC CLAPET ANTIRETOUR
 BEI RUECKSCHLAGVENTIL
 CON VALVOLA DI RITEGNO
 CON VALVOLA DE RETENCION
 MED SAKERHETSVENTIL

3E6

HYDRAULIC SYSTEM

HYDRAULIC LINES WITH POWER STEERING
 CONDUITES HYDRAULIQUES AVEC DIRECTION HYDRAULIQUE
 HYDRAULIKLEITUNGEN BEI HYDRAULISCHER LENKUNG
 LINEE OLIO PER LO STERZO IDRAULICO
 TUBERIAS PARA LA DIRECCION HIDRAULICA
 OLJELEDNINGAR VID HYDRAULSTYRNING

L108724 -UN-28JUL95



L 108724

KEY	PART NO.	PART NAME	QTY	SERIAL NO.	S	REMARKS
					2	
					0 2	
					4 1	
					0 4	
					S 0	
1	AL28956	OIL LINE	1		X	(SUB FOR AL35071)
2	R65246	BRACKET	1		X	
3	03H2275	BOLT	1		X	3/8"X5/8"
4	19H2552	CAP SCREW	1		X	3/8"X1-1/8"
5	R27590	CLAMP	1		X	
6	14H812	NUT	3		X	3/8"
7	19H1732	CAP SCREW	1	416840-	X	3/8"X1-1/4"
8	L37521	CLAMP	1	416840-	X	
9	AL31435	HOSE	1		X	(B)
10	T28949	CLAMP	1		X	(B)
11	24H1305	WASHER	1		X	(B) 13/32"X13/16"X.060"
12	19H1936	CAP SCREW	1		X	(B) 3/8"X3/4"
13	L38239	TEE FITTING	1	416840-	X	
14	AL35251	OIL LINE	1	416840-	X	
15	L37547	CLAMP	1	416840-	X	
16	T32508	STUD	1		X	(SUB FOR L39334 APPL)
17	R27270	FITTING	1		X	
18	R26906	O-RING	1		X	
19	AL35075	OIL LINE	1	416840-	X	(A)
20	L39334	STUD	1		X	

(A) WITH HYDR. TRAILER BRAKES
 AVEC FREIN DE REMORO. HYDR.
 BEI HYDRAUL. ANHAENGERBR.
 CON FRENO IDR. RIMORCHIO
 CON FRENO HIDR. PARA REMOLO.
 VID HYDR. VAGNSBROMS

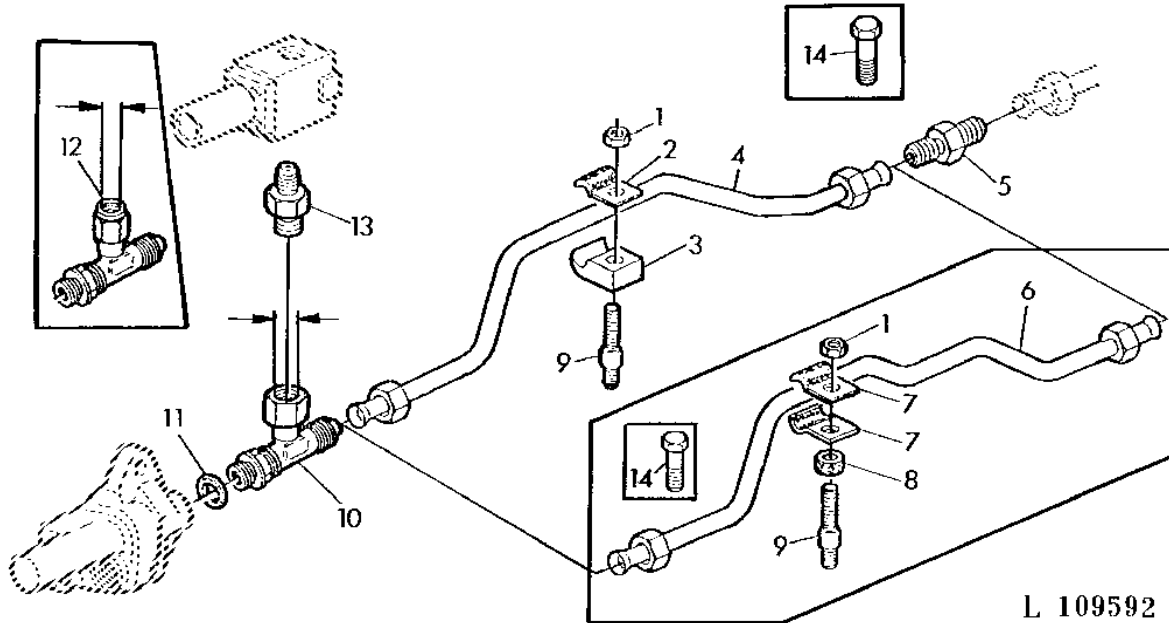
(B) WITH CHECK VALVE
 AVEC CLAPET ANTIRETOUR
 BEI RUECKSCHLAGVENTIL
 CON VALVOLA DI RITEGNO
 CON VALVOLA DE RETENCION
 MED SAKERHETSVENTIL

3E7

HYDRAULIC SYSTEM

HYDRAULIC LINES WITH HYDROSTATIC STEERING
 CONDUITES HYDRAULIQUES AVEC DIRECTIONS HYDROSTAT.
 HYDRAULIKOELLEITUNGEN BEI HYDROSTATISCHER LENKUNG
 LINEE OLIO PER STERZO IDROSTATICO
 TUBERIAS PARA DIRECCION HIDROSTATICA
 OLJELEDNINGAR FOR HYDROSTATISK STYRNING

L109592 -UN-06OCT95



KEY	PART NO.	PART NAME	QTY	SERIAL NO.	2 0 2 4 1 0 4 S 0	REMARKS
1	14H812	NUT	1		X X	3/8"
2	L37521	CLAMP	1	416840-	X X	
3	L37547	CLAMP	1	416840-	X X	
4	AL34788	OIL LINE	1	416840-	X X	
5	R35717	FITTING	1		X X	
6	AL34205	OIL LINE	1	-416839	X X	
7	R35726	CLAMP	2	-416839	X X	
8	28H1878	SPACER	1	-416839	X X	
9	T32508	STUD	1		X X	(SUB FOR L39334 APPL)
10	AL37360	TEE FITTING	1		X X	M18
11	R26906	O-RING	1		X X	
12	AL33569	FITTING	1		X X	(ORD AL37360 W/ L37858)
13	L37858	FITTING	1		X X	
14	19H1732	CAP SCREW	1		X X	3/8"X1-1/4"

3E8

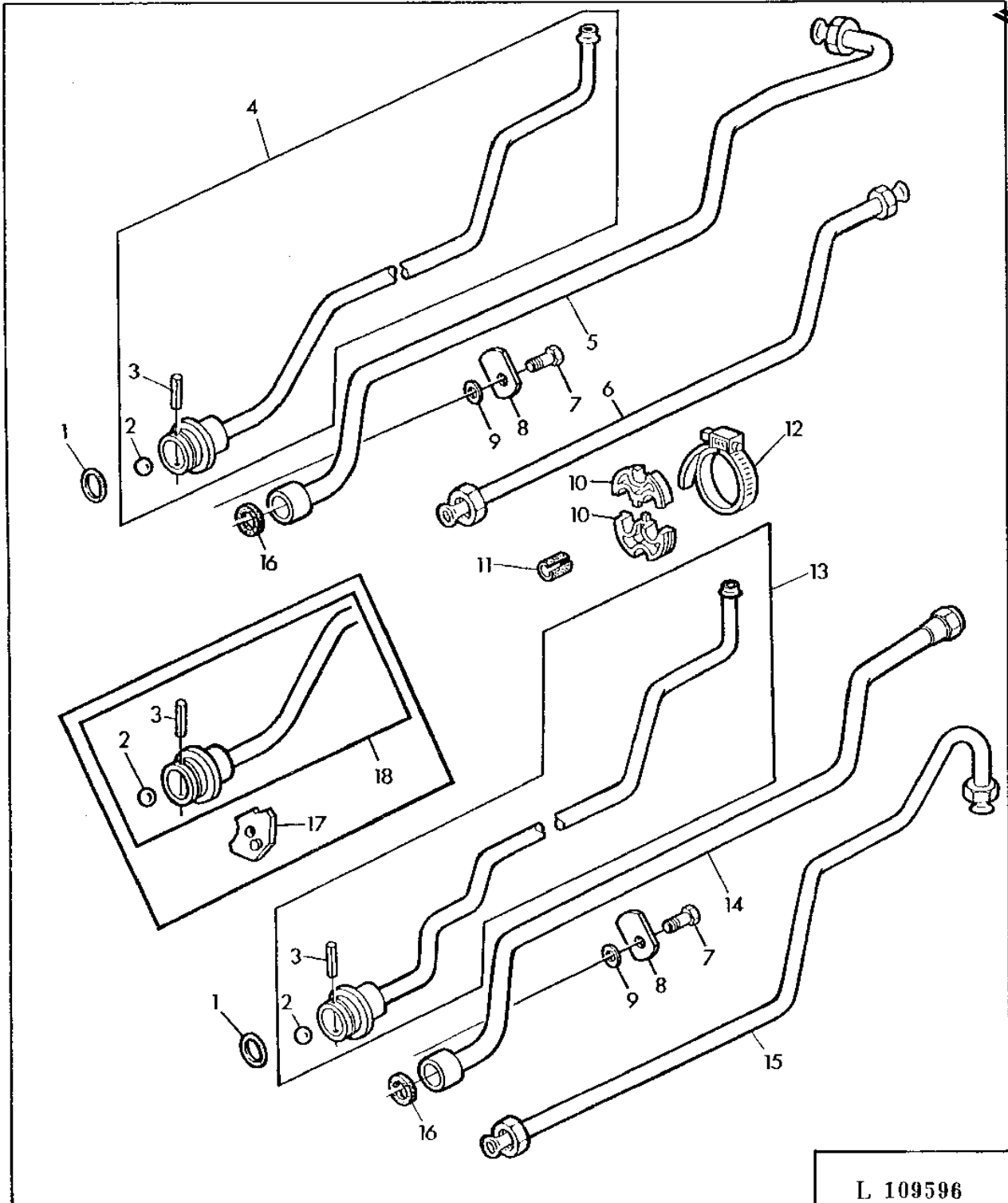
HYDRAULIC SYSTEM

MEMORANDA
MEMORANDA
MEMORANDA
MEMORANDA
MEMORANDA

3E9

HYDRAULIC SYSTEM

HYDRAULIC OIL LINES
TUYAUTERIES HYDRAULIQUES
HYDRAULIKOELLEITUNGEN
TUBAZIONI IDRAULICHE
TUBERIAS DE ACEITE HYDRAULICO
HYDRAULLEDNINGAR
L109596 -UN-06OCT95



L 109596

3E10

HYDRAULIC SYSTEM

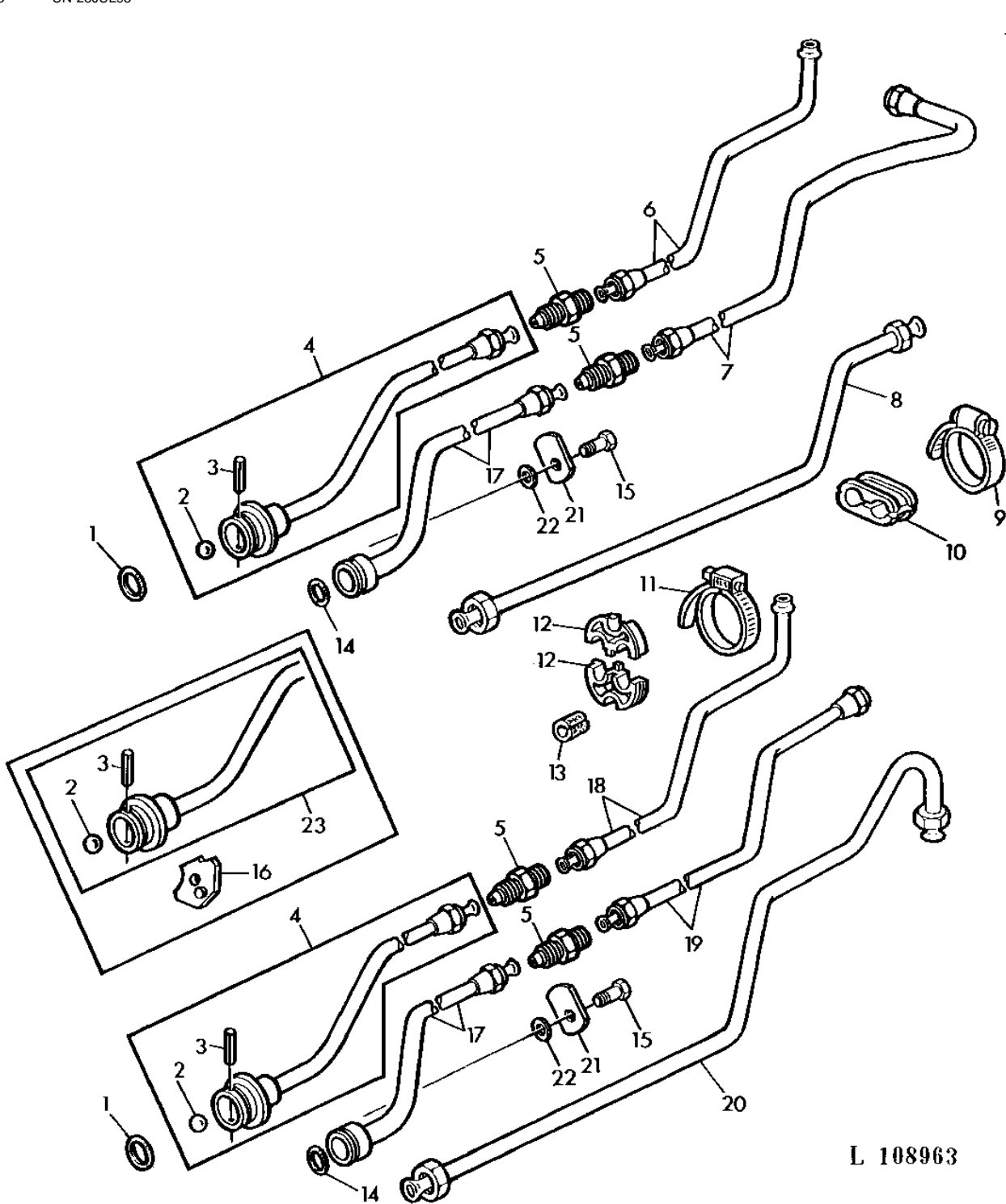
KEY	PART NO.	PART NAME	QTY	SERIAL NO.	REMARKS
					2
					0 2
					4 1
					0 4
					S 0
1	L34995	O-RING	1		X X
2	L38752	BALL	1		X X 20MM
3	34M7062	SPRING PIN	1		X X 5X32MM
4	AL39844	OIL LINE	1		X X
5	AL31801	OIL LINE	1	-416839	X X FRONT
6	AL31804	OIL LINE	1	-416839	X X FRONT
7	19H2552	CAP SCREW	1		X X 3/8"X1-1/8"
8	L40696	STRAP	1		X X
9	24H1682	WASHER	1		X X 13/32"X7/8"X.120"
10	L32580	RETAINER	4		X X
11	L32581	HOSE	2		X X
12	AR21999	CLAMP	2		X X
13	AL39845	OIL LINE	1		X (A)
14	AL32716	OIL LINE	1	-416839	X (A) FRONT
15	AL32719	OIL LINE	1	-416839	X (A) FRONT
16	R1662R	WASHER	1	-416839	X X
17	AL28864	RETAINER	1		X X
18	AL32593	OIL LINE	1	-416839	X X (ORD AL39844, L40696, 24H1682)
	AL32738	OIL LINE	1	-416839	X (A) (ORD AL39845, L40696, 24H1682)

(A) WITH 40CM3 PUMP
 AVEC POMPE HYDRAULIQUE 40CM3
 BEI HYDRAULIKPUMPE 40CM3
 CON POMPA IDRAULICA 40CM3
 CON BOMBA HIDR.DE 40CM3
 VID HYDRAULPUMP 40CM3

3E11

HYDRAULIC SYSTEM

HYDRAULIC OIL LINES
CONDUITES HYDRAULIQUES
HYDRAULIKOELLEITUNGEN
TUBAZIONI IDRAULICHE
TUBERIAS DE ACEITE
HYDRAULLEDNINGAR
L108963 -UN-28JUL95



L 108963

3E12

HYDRAULIC SYSTEM

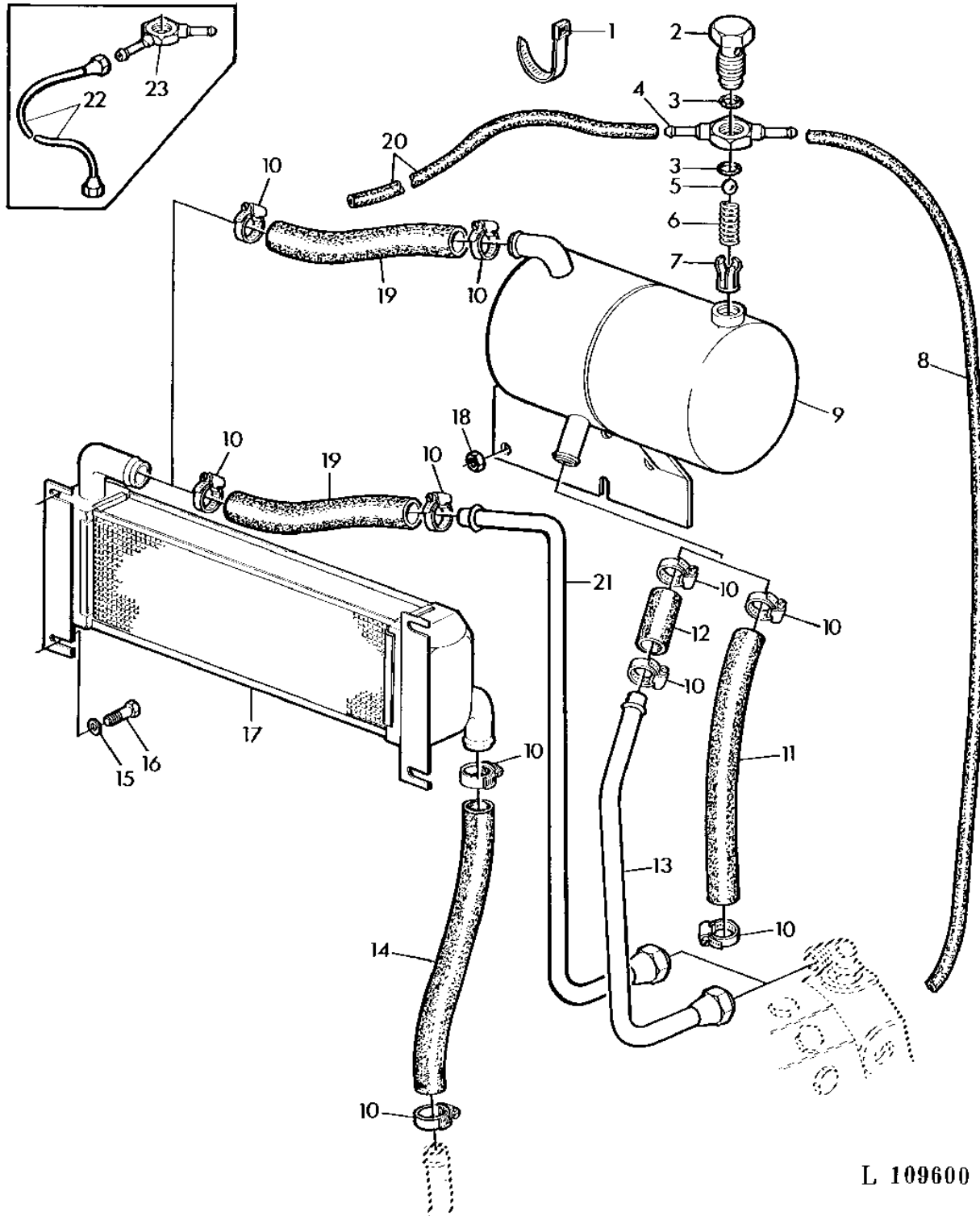
KEY	PART NO.	PART NAME	QTY	SERIAL NO.	2 0 2 4 1 0 4 S 0	REMARKS
1	L34995	O-RING	1		X X	
2	L38752	BALL	1		X X	20MM
3	34M7062	SPRING PIN	1		X X	5X32MM
4	AL39842	OIL LINE	1		X X	REAR
5	R27266	FITTING	2	416840-	X X	
6	AL34888	OIL LINE	1	416840-	X X	FRONT
7	AL34887	OIL LINE	1	416840-	X X	FRONT
8	AL34785	OIL LINE	1	416840-	X X	FRONT
9	AL35049	CLAMP	1		X X	(SUB FOR AR44217, AL55854)
10	L37569	CLAMP	1	416840-	X X	
11	AR21999	CLAMP	2		X X	
12	L32580	RETAINER	4		X X	
13	L32581	HOSE	2		X X	
14	R495R	O-RING	1	416840-	X X	
15	19H2552	CAP SCREW	1		X X	3/8"X1-1/8"
16	AL28864	RETAINER	1		X X	
17	AL34786	OIL LINE	1	416840-	X X	REAR
18	AL34888	OIL LINE	1	416840-	X	(A) FRONT (SUB FOR AL35086)
19	AL35073	OIL LINE	1	416840-	X	(A) FRONT
20	AL35074	OIL LINE	1	416840-	X	(A) FRONT
21	L40696	STRAP	1		X X	
22	24H1682	WASHER	1		X X	
23	AL35944	OIL LINE	1	416840-	X X	(ORD AL39842, L40696, 24H1682)

(A) WITH 40CM3 PUMP
 AVEC POMPE HYDRAULIQUE 40CM3
 BEI HYDRAULIKPUMPE 40CM3
 CON POMPA IDRAULICA 40CM3
 CON BOMBA HIDR.DE 40CM3
 VID HYDRAULPUMP 40CM3

3E13

HYDRAULIC SYSTEM

HYDRAULIC OIL RESERVOIR/OIL COOLER
RESERVOIR A HUILE HYDRAULIQUE/REFROIDISSEUR D'HUILE
HYDRAULIKOELBEHAELTER/OELKUEHLER
SERBATOIO OLIO IDRAULICO/RADIATORE D'OLIO
DEPOSITO DE ACEITE HIDRAULICO/RADIADOR DE ACEITE
HYDRAULOLJETANK/OLJEKYLARE
L109600 -UN-06OCT95



L 109600

3E14

HYDRAULIC SYSTEM

KEY	PART NO.	PART NAME	QTY	SERIAL NO.	REMARKS
				2	
				0 2	
				4 1	
				0 4	
				S 0	
1	R44302	TIE BAND	1	X X	
2	T22970	PLUG	1	X X	3/4"
3	32240	O-RING	2	X X	(SUB FOR U11343 APPL)
4	L60163	HOSE FITTING	1	X X	(SUB FOR AL33288)
5	L58594	BALL	1	X X	(SUB FOR D2316R APPL)
6	R39078	SPRING	1	X X	
7	R39076	GUIDE	1	X X	
8	L36121	HOSE	1	X X	
	L36158	HOSE	1	X X	(C)
9	AL30291	HYDRAULIC RESERVOIR	1	X X	
10	AL64588	CLAMP	6	X X	(SUB FOR AL31992, AL55853, AL37451)
11		1	X	(B) (ORD L37286) (SUB FOR L35552)
12		1	X X	(ORD L37286) (SUB FOR L34954)
13	AL31800	OIL TUBE	1	X X	
	AL35044	OIL LINE	1	X	(A)
14		1	X X	(ORD L37286) (SUB FOR L34955)
15	24M7036	WASHER	4	X X	9X17X1,6MM
16	19M7297	CAP SCREW	4	X X	M8X12
17	AL38448	OIL COOLER	1	X X	(SUB FOR AL31239)
18	14M7273	NUT	2	X X	8MM
19		1	X X	(ORD L37286) (SUB FOR L35135)
20	L36136	HOSE	1	X X	(SUB FOR T23083)
21	AL34092	OIL LINE	1	X X	(C)
22	AT20960	OIL LINE	1	X	
23	AL24229	HOSE FITTING	1	X	
..	L37286	HOSE	1	X X	KIT,LGTH=2000MM

(A) WITH METAL TANK
 AVEC RESERVOIR A COMB. METALLIQUE
 BEI BLECHKRAFTSTOFFTANK
 CON SERBATOIO GASOLIO METALLICO
 CON DEPOSITO COMBUSTIBLE METALICO
 VID BLECKBRANSLETANK

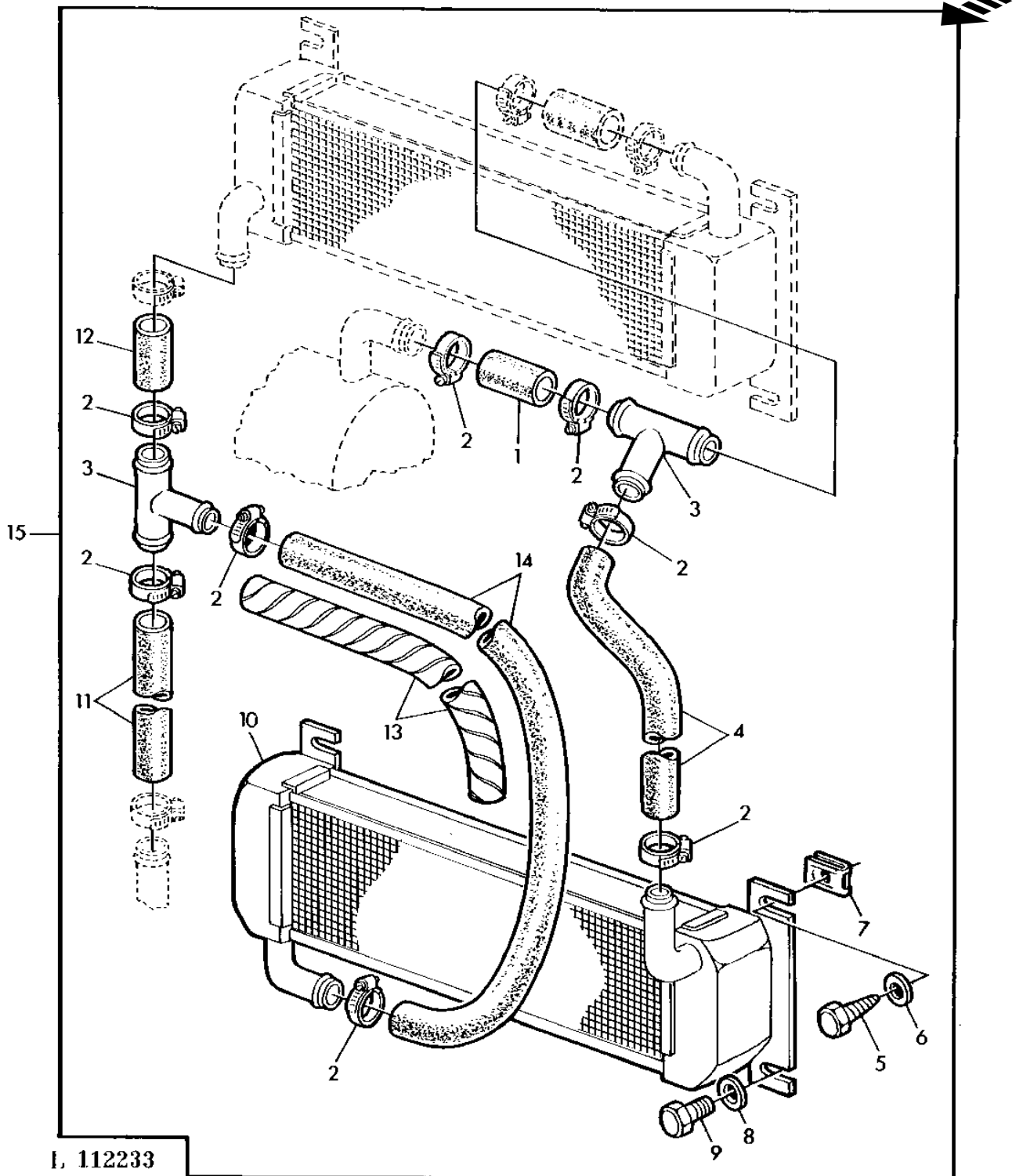
(B) WITH HYDR.PUMP 40CM3
 AVEC POMPE HYDRAUL.40CM3
 BEI HYDRAULIKPUMPE 40CM3
 CON POMPA IDR.40CM3
 CON BOMBA HIDR.40CM3
 VID HYDRAULPUMP 40CM3

(C) WITHOUT HYDR. OIL AUX. RESERVOIR
 SANS RESERVOIR HYDRAULIQUE
 OHNE HYDRAULIKOELBEHAELTER
 SENZA SERBATOIO IDRAULICO
 SIN DEPOSITO HIDRAULICO
 UTAN HYDRAULOLJETANK

3E15

HYDRAULIC SYSTEM

SECOND OIL COOLER
SECOND REFRIGERISSEUR D'HUILE
ZWEITER OELKUEHLER-ANBAU
SECONDO RADIATORE D'OLIO
SEGUNDO REFRIGERADOR DE ACEITE
ANDRA OLJEKYLARE
L112233 -UN-28JUL95



3E16

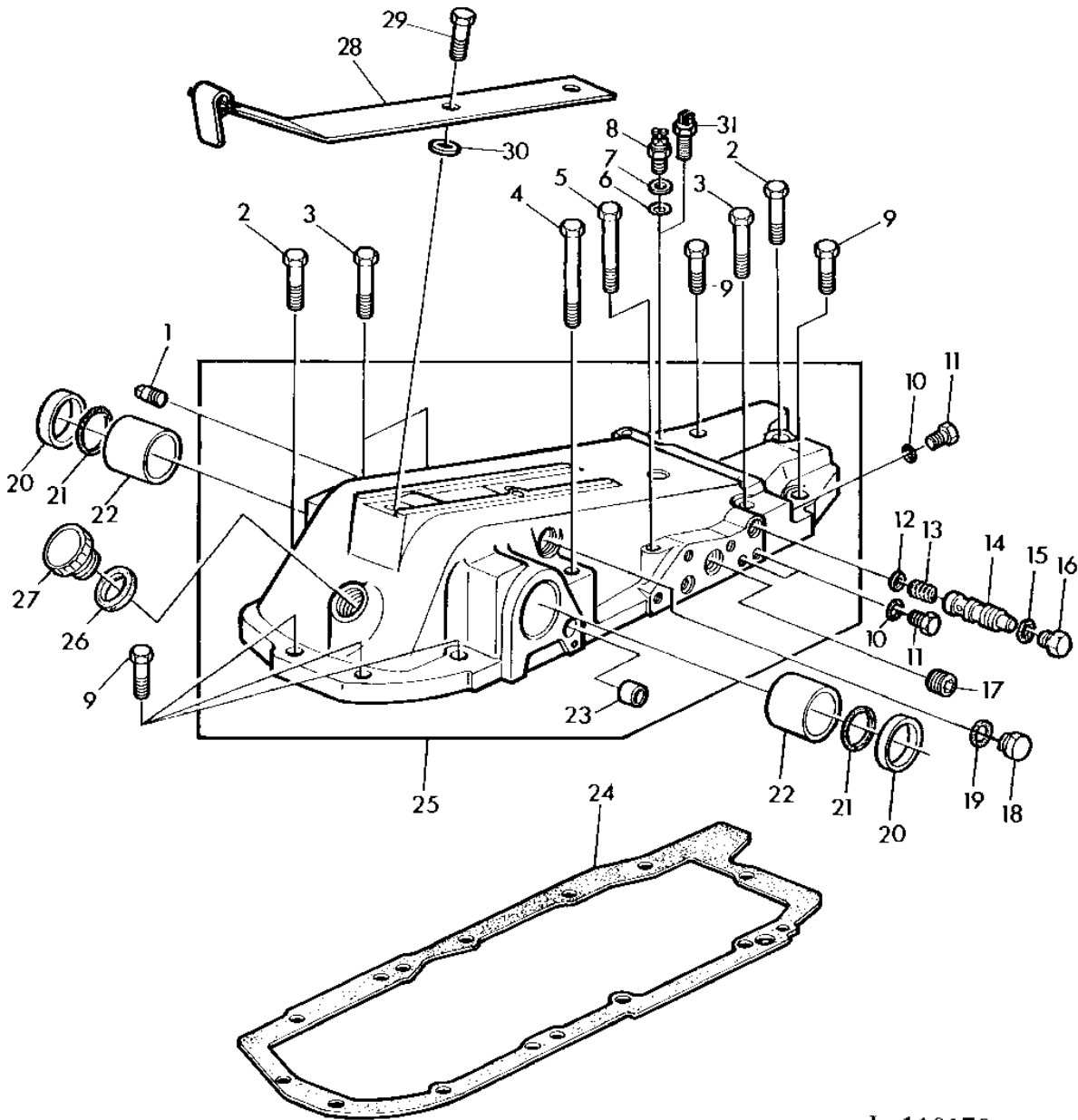
HYDRAULIC SYSTEM

KEY	PART NO.	PART NAME	QTY	SERIAL NO.	REMARKS
				2	
				0 2	
				4 1	
				0 4	
				S 0	
1		2	X X	(ORD L37286)
2	AL64588	CLAMP	8	X X	(SUB FOR AL31992, AL55853, AL37451)
3	T29320	TEE FITTING	2	X X	
4		1	X X	(ORD L37286)
5	37H129	SCREW	2	X X	4,8X16MM
6	24M7138	WASHER	2	X X	5,3MM
7	R52130	LOCK NUT	2	X X	
8	24M7055	WASHER	2	X X	8,4MM
9	19M7297	CAP SCREW	2	X X	M8X12
10	AL38448	OIL COOLER	1	X X	(SUB FOR AL31239)
11		1	X X	(ORD L37286)
12		1	X X	(ORD L37286)
13	R55144	HOSE GUARD	1	X X	
14		1	X X	(ORD L37286)
15	AL35629	KIT	1	X X	
..	L37286	HOSE	1	X X	KIT,LGTH=2000MM

3E17

HYDRAULIC SYSTEM

ROCKSHAFT HOUSING
CARTER DU RELEVAGE
HYDRAULIKGEHAEUSE
SCATOLA SOLLEVATORE
CARCASA DEL ELEVADOR HIDRAULICO
LYFTHUS
L116170 -UN-06OCT95



I. 116170

3E18

HYDRAULIC SYSTEM

KEY	PART NO.	PART NAME	QTY	SERIAL NO.	REMARKS
					2
					0 2
					4 1
					0 4
					S 0
1	15H638	PIPE PLUG	1	X X	1/8"
2	19H1831	CAP SCREW	2	X X	1/2"X2"
3	19H1974	CAP SCREW	3	X X	1/2"X2-3/4"
4	19H1992	CAP SCREW	1	X X	1/2"X4"
5	19H1945	CAP SCREW	1	X X	1/2"X3-1/4"
6	R51494	WASHER	AR	X X	TK=0,4MM (SUB FOR T16911)
7	24M7228	WASHER	1	X X	15X21X1,3MM
8	AT85153	SWITCH	1	X X	9/16" (SUB FOR AR85323, AR89691)
9	19H1721	CAP SCREW	6	X X	1/2"X1-1/2"
10	R26287	O-RING	3	X X	
11	R31631	DRAIN PLUG	3	X X	
12	24H1283	WASHER	1	X X	7/32"X1/2"X.048"
13	T28245	SPRING	1	X X	
14	T27989	VALVE	1	X X	
15	R26375	O-RING	1	X X	
16	T22867	DRAIN PLUG	1	X X	
17	15H562	PIPE PLUG	1	X X	1"
18	R27474	DRAIN PLUG	1	X X	(A)
19	R26906	O-RING	1	X X	(A)
20	T21615	CAP	2	X X	
21	T26904	O-RING	2	X X	
22	L62405	BUSHING	2	X X	(SUB FOR T22474 APPL)
23	T21631	BUSHING	1	X X	
24	L41551	GASKET	1	X X	(SUB FOR L34401)
25	AL31424	HOUSING	1	X X	(ORD W/ 15H638)
26	T21564	WASHER	1	X X	
27	AL38083	FILLER CAP	1	X X	(SUB FOR AL32620)
28	AL25666	BRACKET	1	X X	(B)
29	19H1792	CAP SCREW	2	X X	(B) 1/2"X1"
30	24H1254	WASHER	2	X X	(B)
31	AL58356	SWITCH	1	X X	(C)

(A) WITHOUT SELECT.CONTROL VALVE
SANS DISTRIB.DE COMMANDE AUX
OHNE ZUSATZSTEUERGERAET
SENZA DISTRIB.AUSILIARIO
SIN VALVULA DE MANDO AUX.
UTAN FJARRCYLINDER

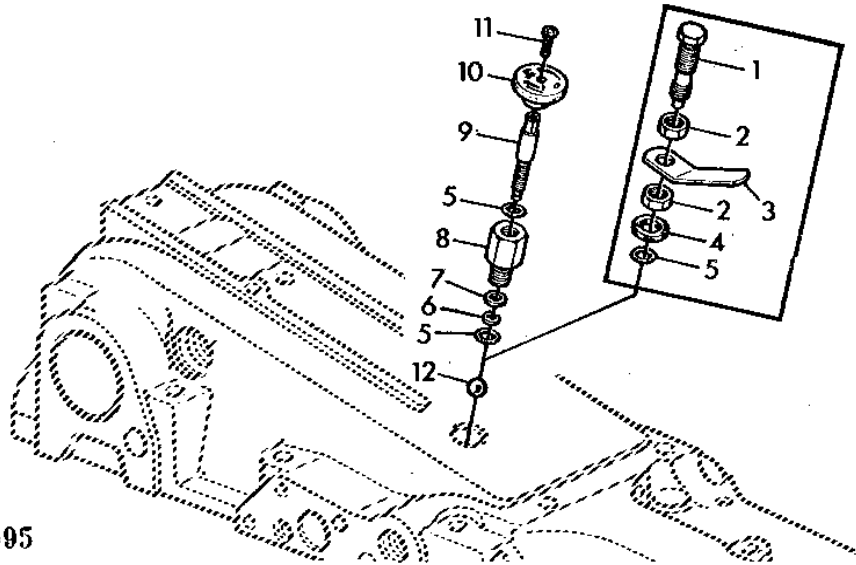
(B) WITH OPU CAB
AVEC CABINE PPI
BEI FSC-KABINE
CON CABINA OPU
CON CABINA DE SEGURIDAD
VID OPU FORARHYTT

(C) PART OF COVERS.KIT AL60892
FAIT PARTIE DU JEU AL60892
TEIL VON UMRUESTSATZ AL60892
PARTE DEL KIT CONVERS.AL6089
PARTE DEL JUEGO AL60892
DEL AV OMBYGGNADS.AL60892

3E19

HYDRAULIC SYSTEM

PARTS FOR RATE-OF-PROP ADJUSTMENT
 RALENTISSEUR DE DESCENTE
 SENKDROSSEL
 REGOLAZIONE DELLA VELOCITA DI DISCESA(PARTI)
 RETARDADOR DE DESCENSO
 INSTALLNING AV SANKHASTIGHET(DELAR)
 L117995 -UN-01JAN94



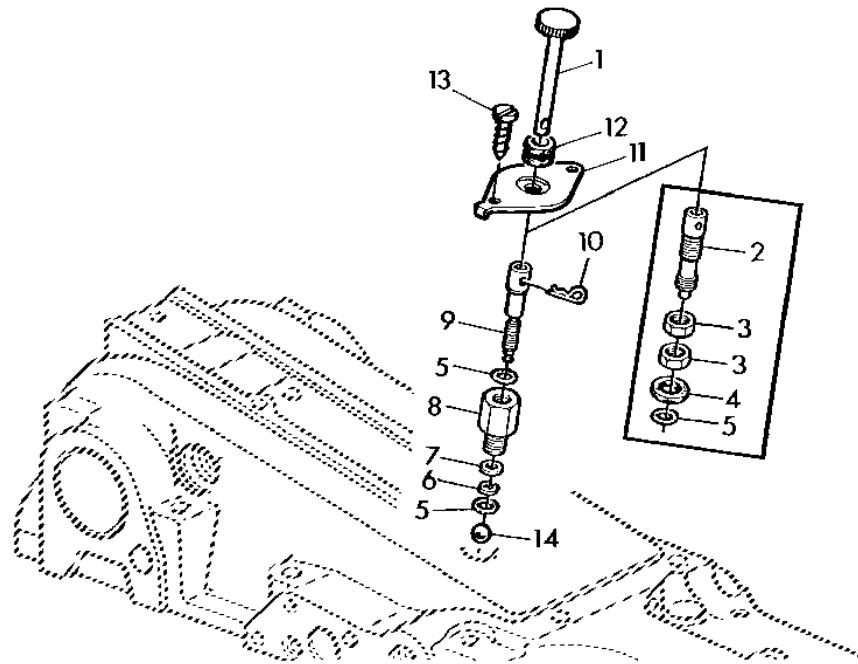
L 117995

KEY	PART NO.	PART NAME	QTY	SERIAL NO.	REMARKS
				2	
				0 2	
				4 1	
				0 4	
				S 0	
1	T27259	CAP SCREW	1	X X	(ORD L41303, L41302, (2) R26448, L41301, 40M7088, 21M7336, 24M7267
2	14H832	NUT	2	X X	9/16"
3	T27258	STRAP	1	X X	
4	T27260	WASHER	1	X X	
5	R26448	O-RING	AR	X X	
6	40M7088	SNAP RING	1	X X	
7	24M7267	WASHER	1	X X	6,4X11X1,6MM
8	L41302	HOLLOW SCREW	1	X X	
9	L41303	SET SCREW	1	X X	
10	L41301	KNOB	1	X X	
11	21M7336	SCREW	1	X X	M4X16
12	D2361R	BALL	1	X X	

3E20

HYDRAULIC SYSTEM

PARTS FOR RATE-OF-DROP ADJUSTMENT WITH OPU CAB
 RALENTISSEUR DE DESCENTE AVEC CABINE PPI
 SENKDROSSEL BEI FSC KABINE
 REGOLAZIONE DELLA VELOCITA DI DISCESA(PARTI)CON CABINA OPU
 RETARDADOR DE DESCENSO CON CABINA DE SEGURIDAD
 INSTALLNING AV SANKHASTIGHET(DELAR)VID OPU FORARHYTT
 L117996 -UN-09OCT95



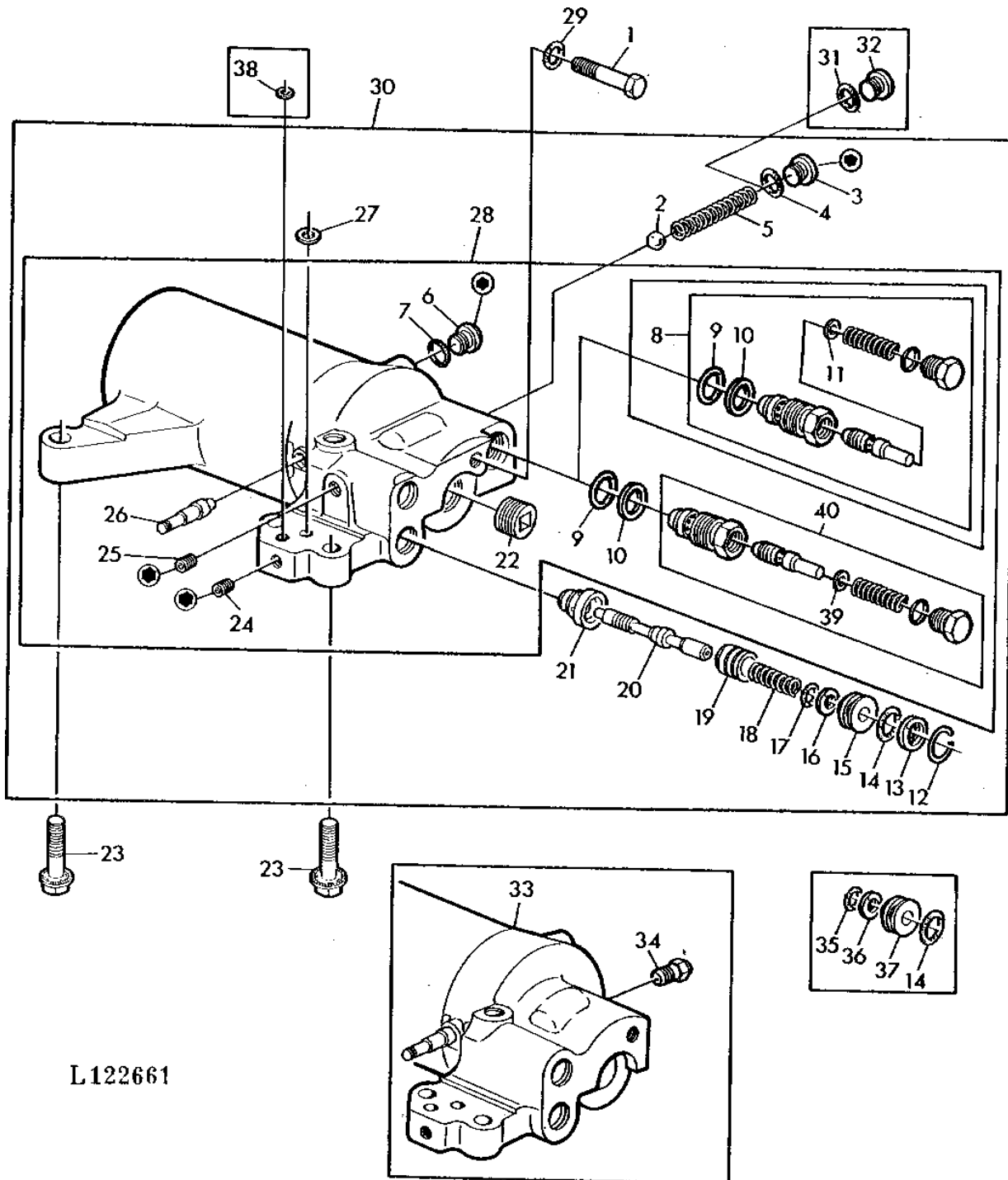
I. 117996

KEY	PART NO.	PART NAME	QTY	SERIAL NO.	REMARKS
				2	
				0 2	
				4 1	
				0 4	
				S 0	
1	AL25620	ROD	1	X X	
2	L34347	SET SCREW	1	X X	(ORD L41304, L41302, (2) R26448, 40M7088, 24M7267)
3	14H832	NUT	2	X X	9/16"
4	T27260	WASHER	1	X X	
5	R26448	O-RING	AR	X X	
6	40M7088	SNAP RING	1	X X	
7	24M7267	WASHER	1	X X	6,4X11X1,6MM
8	L41302	HOLLOW SCREW	1	X X	
9	L41304	SET SCREW	1	X X	
10	L12622	SPRING LOCKING PIN	1	X X	
11	L32682	COVER	1	X X	
12	L13325	GROMMET	1	X X	
13	37M7009	SCREW	2	X X	5,5X19MM
14	D2361R	BALL	1	X X	

3E21

HYDRAULIC SYSTEM

ROCKSHAFT CYLINDER AND VALVE HOUSING
VERIN DE RELEVAGE ET BOITIER DE SOUPAPES
HUBZYLINDER UND VENTILGEHAEUSE
CILINDRO SOLLEVATORE E SCATOLA VALVOLE
CILINDRO DEL ELEVADOR Y CAJA DE LA VALVULA DE MANDO
LYFTCYLINDER OCH VENTILHUS
L122661 -UN-01JAN94



L122661

3E22

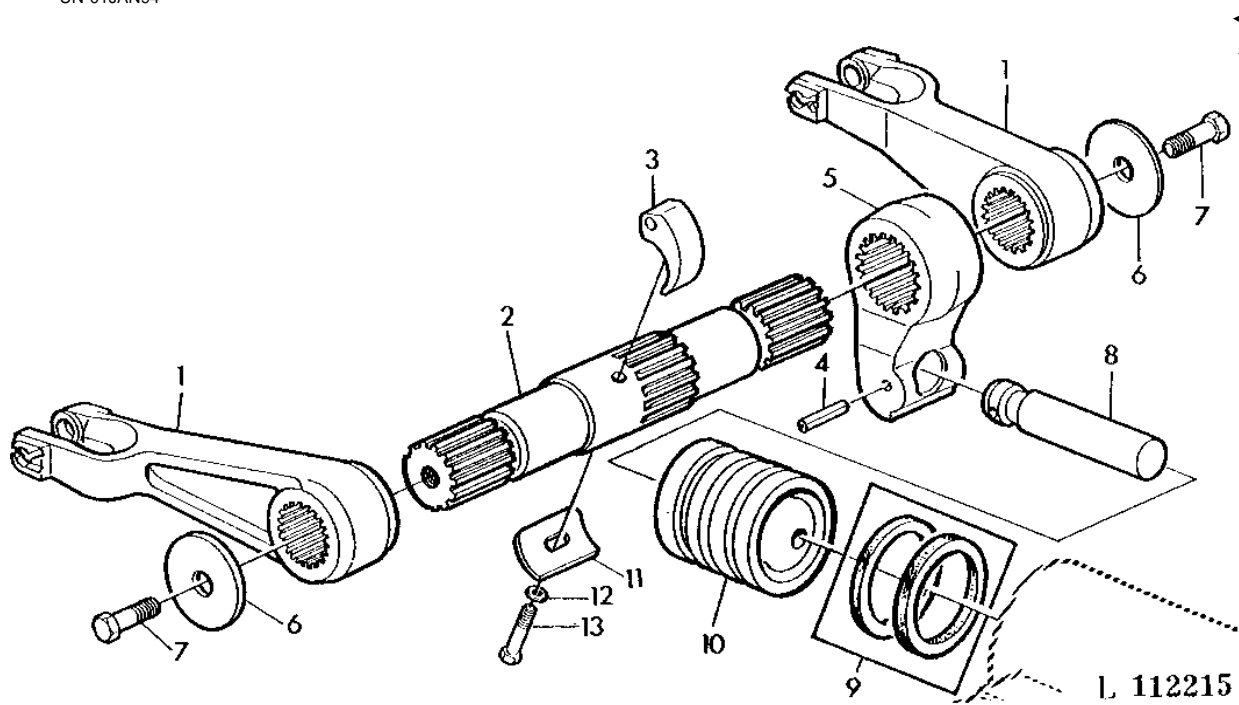
HYDRAULIC SYSTEM

KEY	PART NO.	PART NAME	QTY	SERIAL NO.	REMARKS
					2
					0 2
					4 1
					0 4
					S 0
1	19H3217	CAP SCREW	1	X X	3/8"X1-3/4"
2	D2361R	BALL	2	X X	1/2"
3	L41384	PIPE PLUG	1	X X	M18 (FOR AL40884)
4	L41383	RING	1	X X	(FOR AL40884)
5	F3322R	SPRING	1	X X	
6	L41726	PIPE PLUG	1	X X	M16 (FOR AL40884)
7	L41536	O-RING	1	X X	(FOR AL40884)
8	AR102477	RELIEF VALVE	1	X X	(ORD AL61753, T75972, T77072)
9	T77072	O-RING	1	X X	(SUB FOR T44948 APPL)
10	T75972	BACK-UP RING	1	X X	(SUB FOR T47769 APPL)
11	W19897	SHIM	AR	X X	
	W19898	SHIM	AR	X X	
	W20088	WASHER	AR	X X	
12	M3265T	SNAP RING	2	X X	
13	L55202	BACK-UP RING	2	X X	
14	L55204	O-RING	2	X X	(SUB FOR R65548 APPL)
15	L42314	PLUG	2	X X	
16	L56957	BACK-UP RING	2	X X	
17	L55203	O-RING	2	X X	
18	R49648	SPRING	2	X X	
19	T24540	SLEEVE	2	X X	
20	R54969	VALVE SPOOL	2	X X	
21	T28538	VALVE SEAT INSERT	2	X X	
22	15H562	PIPE PLUG	1	X X	1"
23	R48593	CAP SCREW	4	X X	
24	15H559	PIPE PLUG	1	X X	1/4"
25	15H558	PIPE PLUG	1	X X	1/8"
26	T22469	PIN	1	X X	
27	L34382	WASHER	1	X X	(SUB FOR F2741R)
28	AL38082	HOUSING	1	X X	(MARKED L40298) (SUB FOR AL28230) (ORD AL64833)
	AL40884	HOUSING	1	X X	(MARKED L41721) (ORD AL64833)
29	R26286	O-RING	1	X X	
30	AL64833	SHIPPING BUNDLE	1	X X	
31	R26375	O-RING	1	X X	(FOR AL28230 OR AL38082)
32	T22867	DRAIN PLUG	1	X X	3/4" (FOR AL28230 OR AL38082)
33	AL28230	CASE	1	X X	(MARKED L28301) (ORD AL64833)
34	AT21781	VALVE	1	X X	
35	R10093	O-RING	2	X X	
36	R31136	BACK-UP RING	2	X X	
37	L34381	PLUG	2	X X	(SUB FOR T24485) (ORD L42314, L55202, L55204, L56957, L55203)
38	L34383	WASHER	1	X X	(SUB FOR A4847R) (FOR AL28230 OR AL38082)
39	24M7334	SHIM	AR	X X	12X18X0,1MM
40	AL61753	RELIEF VALVE	1	X X	(ORD W/ T75972, T77072)

3E23

HYDRAULIC SYSTEM

ROCKSHAFT/PISTON/LIFT ARMS
 ARBRE,PISTON ET BRAS DE RELEVAGE
 HUBWELLE/HUBKOLBEN/HUBARME
 ALBERO SOLLEVAMENTO/PISTONE/BRACCI
 ELEVADOR HIDRAULICO/PISTON/BRAZOS DE ELEVACION
 LYFTAXEL/KOLV/LYFTARMAR
 L112215 -UN-01JAN94

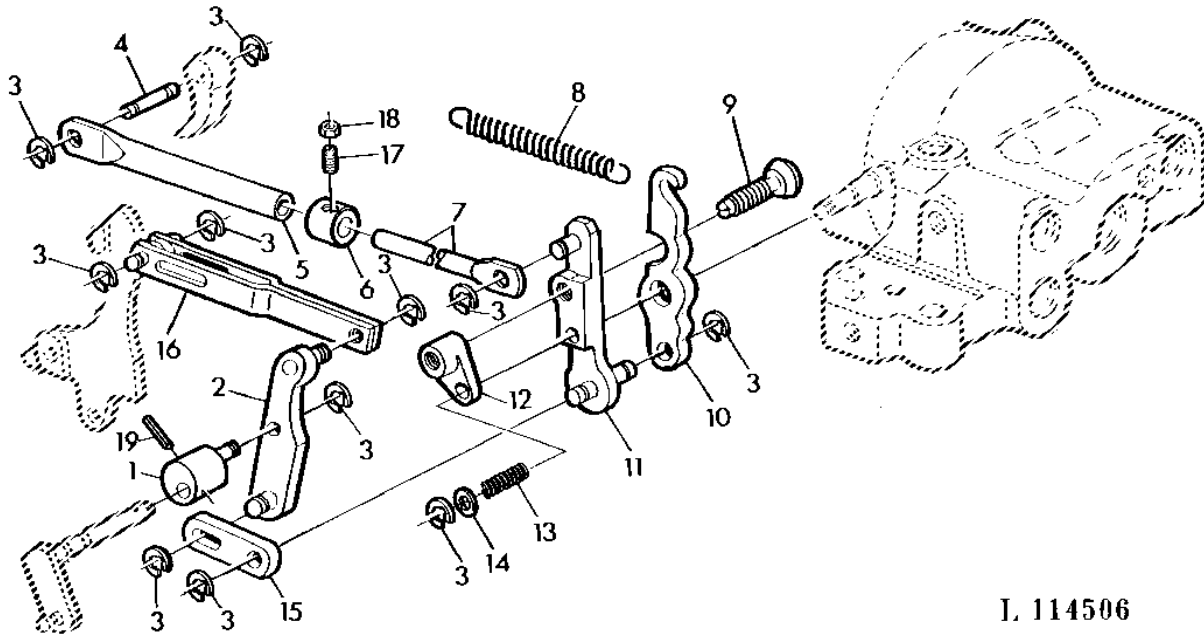


KEY	PART NO.	PART NAME	QTY	SERIAL NO.	REMARKS
				2	
				0 2	
				4 1	
				0 4	
				S 0	
1	L32649	LIFT ARM	2	X X	
2	L41932	ROCKSHAFT	1	X X	(SUB FOR T26905)
3	T22319	CAM	1	X X	
4	34H322	SPRING PIN	1	X X	1/4"X2-3/4"
5	L32648	ARM	1	X X	
6	T21956	WASHER	2	X X	
7	19H1815	CAP SCREW	2	X X	1/2"X1-1/4"
8	F2570R	ROD	1	X X	
9	AL33017	SEAL KIT	1	X X	(SUB FOR L34374, L34375)
10	L32782	PISTON	1	X X	
11	T28362	SPACER	1	X X	
12	24H1287	WASHER	1	X X	9/32"X5/8"X.060"
13	19H2151	CAP SCREW	1	X X	1/4"X3"

3E24

HYDRAULIC SYSTEM

ROCKSHAFT CYLINDER AND VALVE HOUSING-LINKAGE
 VERIN DE RELEVAGE ET BOITIER DE SOUPAPES-TRINGLERIE
 HUBZYLINDER UND VENTILGEHAEUSE-GESTAENGE
 CILINDRO SOLLEVATORE-TIRANTERIA
 PALANCA DE MANDO DEL ELEVADOR,VARILLAJE
 LYFTCYLINDER OCH VENTILHUS-LANKAGE
 L114506 -UN-06OCT95



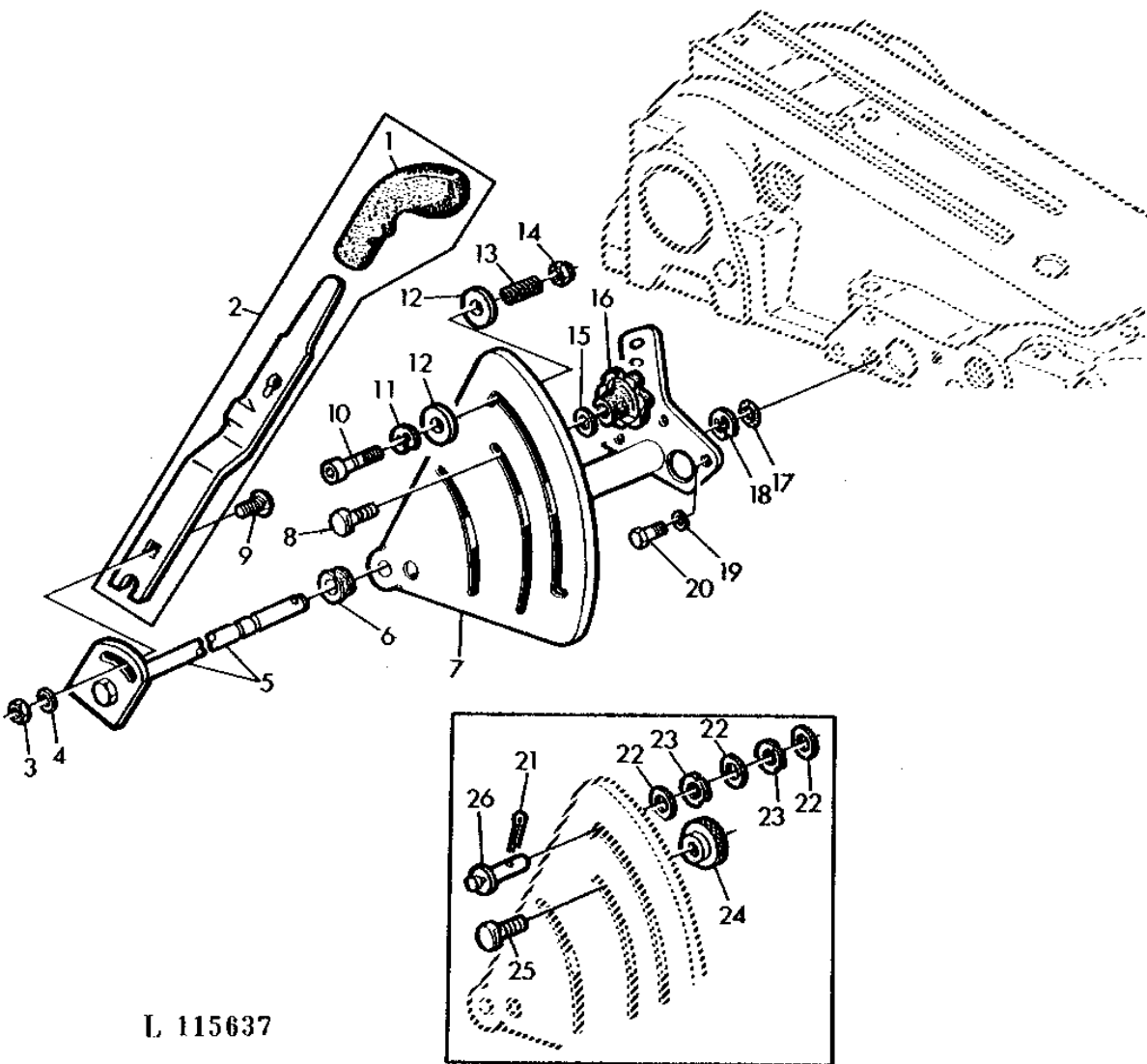
L 114506

KEY	PART NO.	PART NAME	QTY	SERIAL NO.	REMARKS
				2	
				0 2	
				4 1	
				0 4	
				S 0	
1	AT19840	FULCRUM	1	X X	
2	AT20085	LINK	1	X X	
3	R72653	SNAP RING	11	X X	(SUB FOR M2396T)
4	T24181	PIN	1	X X	
5	R73443	TUBE	1	X X	(SUB FOR T24169 APPL)
6	L41753	BUSHING	1	X X	(SUB FOR L29873)
7	T24171	PIN	1	X X	
8	T22473	SPRING	1	X X	
9	T22228	SCREW	1	X X	3/8"
10	T22224	CAM	1	X X	
11	AR52278	LEVER	1	X X	
12	T22229	NUT	1	X X	
13	F1942R	SPRING	1	X X	
14	24H1290	WASHER	1	X X	21/64"X3/4"X.036"
15	T22232	STRAP	1	X X	
16	AL28228	LINK	1	X X	(SUB FOR AT20141)
17	22H812	SET SCREW	1	X X	5/16"X3/4"
18	14H785	NUT	1	X X	5/16"

3F1

HYDRAULIC SYSTEM

ROCKSHAFT CONTROL LEVER
LEVIER DE COMMANDE DU RELEVAGE
KRAFTHEBER-BEDIENUNGSHEBEL
LEVA COMANDO SOLLEVATORE
PALANCA DE MANDO DEL ELEVADOR
LYFTSPAK
L115637 -UN-01JAN94



L 115637

3F2

HYDRAULIC SYSTEM

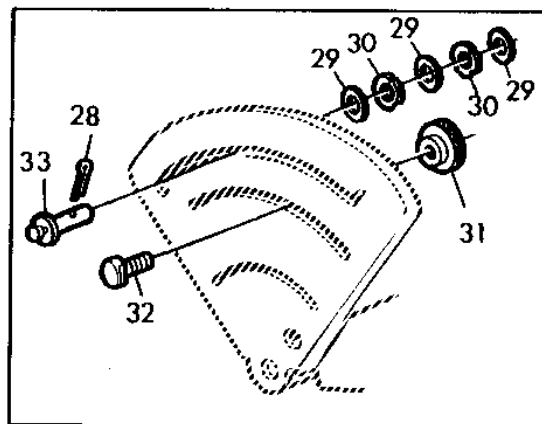
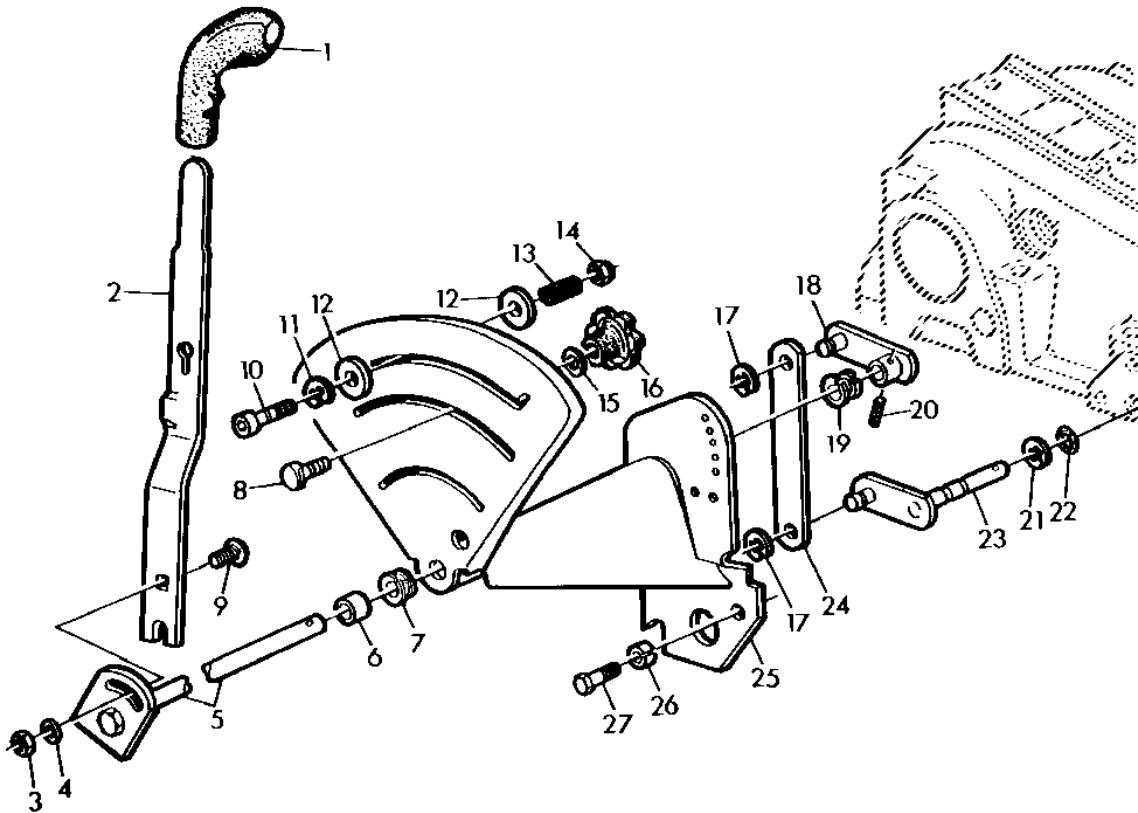
KEY	PART NO.	PART NAME	QTY	SERIAL NO.	REMARKS
				2	
				0 2	
				4 1	
				0 4	
				S 0	
1	L56924	GRIP	1	X	(SUB FOR R54273 APPL)
2	AL24015	LEVER	1	X	
3	14H1076	NUT	1	X	3/8"
4	24H1305	WASHER	1	X	13/32"X13/16"X.060"
5	AL60565	LEVER	1	X	(SUB FOR AL27221)
6	L30201	WASHER	1	X	(SUB FOR T26626)
7	AL33044	QUADRANT	1	X	
	AL32834	QUADRANT	1	X	(A)
8	L55499	BOLT	1	X	
9	03H1765	BOLT	1	X	3/8"X3/4"
10	L59822	SCREW	1	X	
11	R72653	SNAP RING	1	X	
12	24H1224	WASHER	2	X	11/32"X1"X.060"
13	L60170	COMPRESSION SPRING	1	X	
14	14M7327	LOCK NUT	1	X	M8
15	24M7055	WASHER	1	X	8,4X17X1,6MM
16	L38166	KNOB	1	X	
17	R10093	O-RING	1	X	
18	R30437	SNAP RING	1	X	
19	12H304	LOCK WASHER	3	X	3/8"
20	19H2284	CAP SCREW	3	X	3/8"X7/8"
21	11H206	COTTER PIN	1	X	3/32"X3/4"
22	24H1224	WASHER	3	X	11/32"X1"X.060"
23	T22877	LOCK WASHER	2	X	
24	T22470	KNOB	1	X	(ORD L38166, L55499, 24M7055)
25	T22865	SCREW	1	X	(ORD L38166, L55499, 24M7055)
26	T26625	PIN	1	X	(ORD L59822, L60170, R72653, 14M7327, (2) 24H1224)

(A) WITH HAND-SHIFT PTO
 AVEC PDF A SEL PAR MANETTE
 BEI SCHALTBARER ZAPFWELLE
 CON PDF DI CAMBIO MANUALE
 CON TDF CAMBIALE POR PALANCA
 VID KRAFTUTTAG FOR MANUELLT MANOVERING

3F3

HYDRAULIC SYSTEM

ROCKSHAFT CONTROL LEVER
LEVIER DE COMMANDE DU RELEVAGE
KRAFTHEBER-BEDIENUNGSHEBEL
LEVA COMANDO SOLLEVATORE
PALANCA DE MANDO DEL ELEVADOR
LYFTSPAK
L115639 -UN-28JUL95



L 115639

3F4

HYDRAULIC SYSTEM

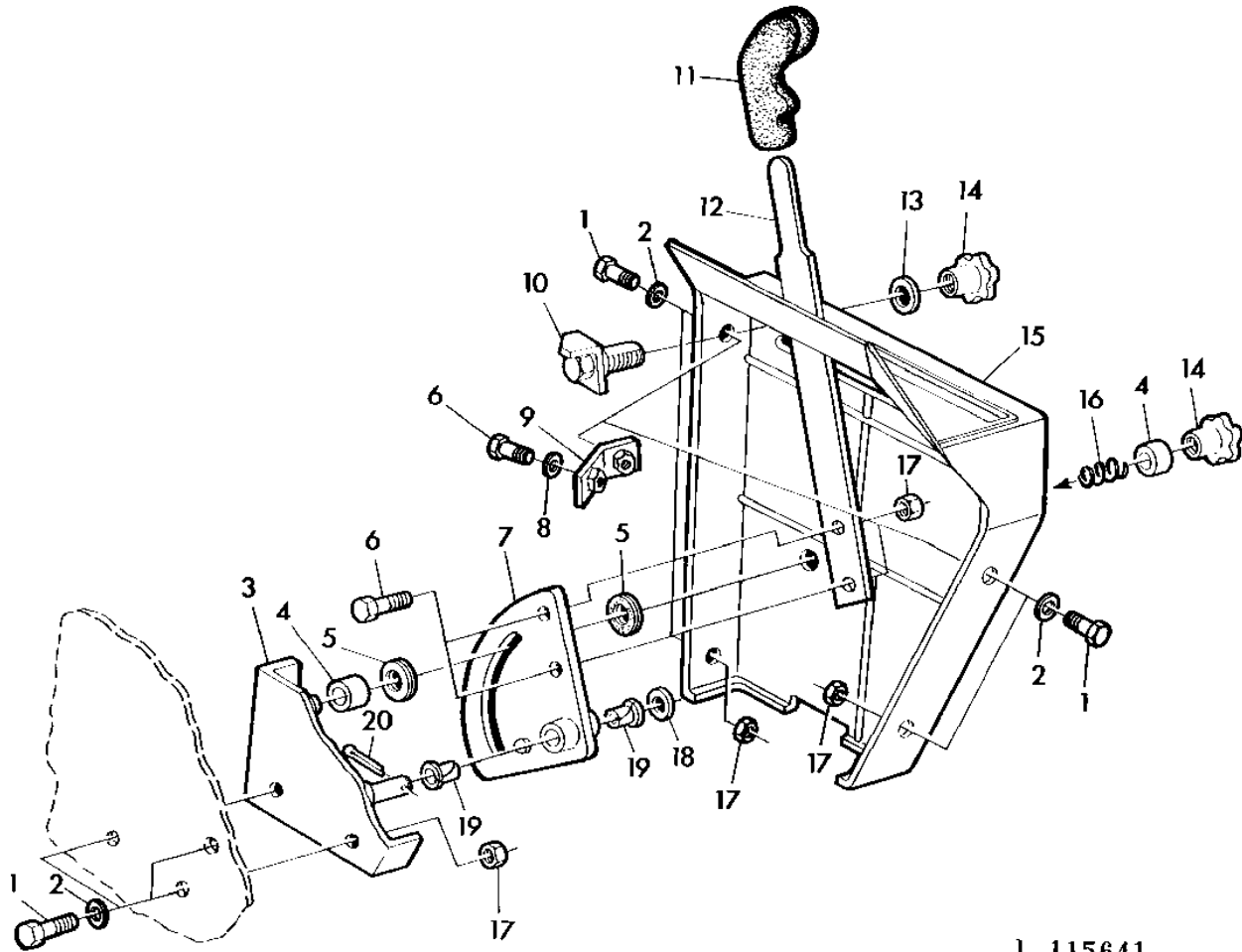
KEY	PART NO.	PART NAME	QTY	SERIAL NO.	REMARKS
				2	
				0 2	
				4 1	
				0 4	
				S 0	
1	L56924	GRIP	1	X	(SUB FOR R54273 APPL)
2	L31554	LEVER	1	X	
3	14H1076	NUT	1	X	3/8"
4	24H1305	WASHER	1	X	13/32"X13/16"X.060"
5	AL61970	LEVER	1	X	(SUB FOR AL24708)
6	L30784	WASHER	1	X	
7	L30201	WASHER	1	X	(SUB FOR T26626)
8	L55499	BOLT	1	X	
9	03H1765	BOLT	1	X	3/8"X3/4"
10	L59822	SCREW	1	X	
11	R72653	SNAP RING	1	X	
12	24H1224	WASHER	2	X	11/32"X1"X.060"
13	L60170	COMPRESSION SPRING	1	X	
14	14M7327	LOCK NUT	1	X	M8
15	24M7055	WASHER	1	X	8,4X17X1,6MM
16	L38166	KNOB	1	X	
17	R72653	SNAP RING	2	X	(SUB FOR M2396T)
18	AL24705	LEVER	1	X	
19	L30201	WASHER	1	X	
20	34M7130	SPRING PIN	1	X	4X20MM
21	R30437	SNAP RING	1	X	
22	R10093	O-RING	1	X	
23	AL24710	SHAFT	1	X	
24	L30203	STRAP	1	X	
25	AL32724	QUADRANT	1	X	
26	34M7090	SPRING PIN	2	X	12X10MM
27	19H2284	CAP SCREW	2	X	3/8"X7/8"
28	11H206	COTTER PIN	1	X	3/32"X3/4"
29	24H1224	WASHER	3	X	11/32"X1"X.060"
30	T22877	LOCK WASHER	2	X	
31	T22470	KNOB	1	X	(ORD L38166, L55499, 24M7055)
32	T22865	SCREW	1	X	(ORD L38166, L55499, 24M7055)
33	T26625	PIN	1	X	(ORD L59822, L60170, R72693, 14M7327, (2) 24H1224)

3F5

HYDRAULIC SYSTEM

ROCKSHAFT CONTROL LEVER(WITH OPU CAB)
LEVIER DE COMMANDE DU RELEVAGE(AVEC CABINE PPI)
KRAFTHEBER-BEDIENUNGSHEBEL(BEI FSC-KABINE)
LEVA COMANDO SOLLEVATORE(CON CABINA OPU)
PALANCA DE MANDO DEL ELEVADOR(CON CABINA DE SEGURIDAD)
LYFTSPAK(VID OPU FORARHYTT)

L115641 -UN-12JUL95



1. 115641

3F6

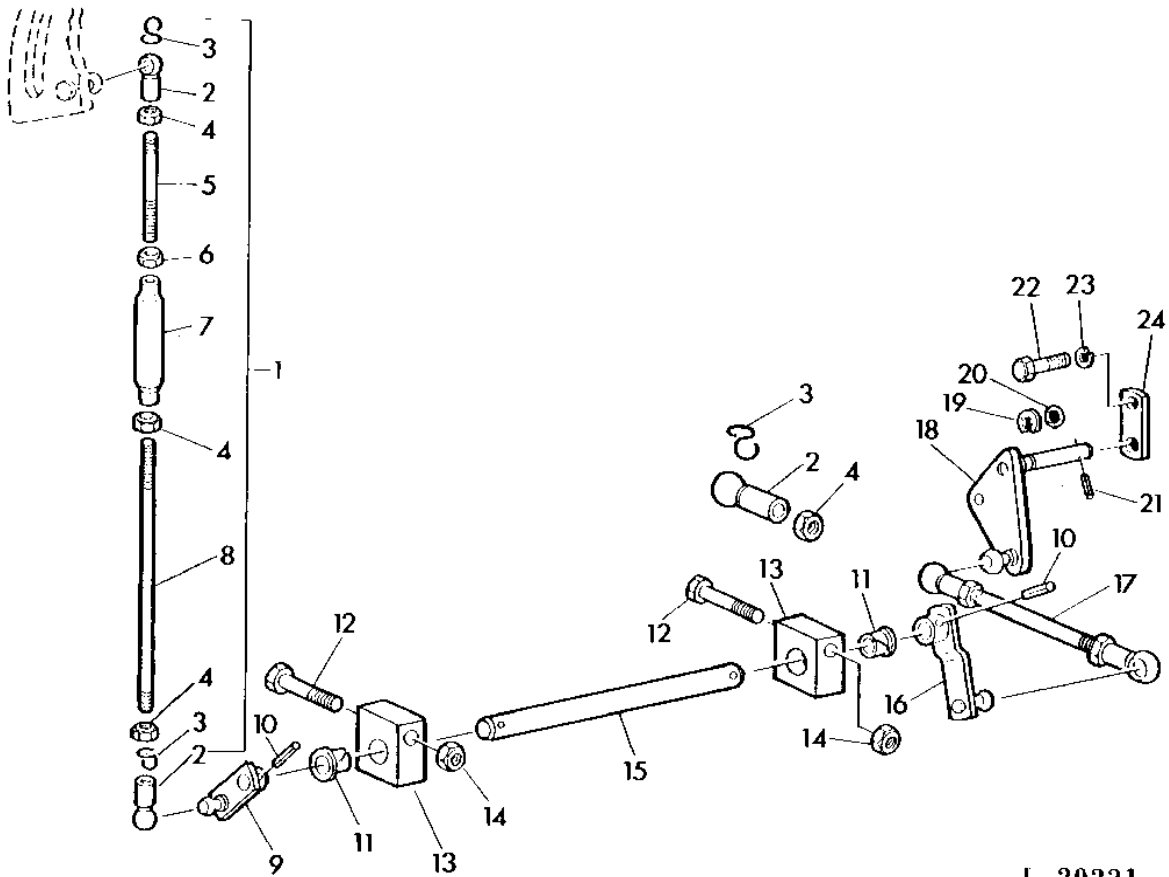
HYDRAULIC SYSTEM

KEY	PART NO.	PART NAME	QTY	SERIAL NO.	REMARKS
				2	
				0 2	
				4 1	
				0 4	
				S 0	
1	19M7139	CAP SCREW	7	X X	M8X20
2	24M7036	WASHER	7	X X	9X17X1,6MM
3	AL25593	BRACKET	1	X X	
4	L31065	SPACER	2	X X	
5	AR42287	WASHER	2	X X	
6	19M7162	CAP SCREW	4	X X	M8X15
7	AL25592	SECTOR	1	X X	
8	24M7055	WASHER	2	X X	8,4MM
9	AL34547	RETAINER	2	X X	(SUB FOR AL26911)
10	AL26912	STOP	1	X X	
11	L56924	GRIP	1	X X	(SUB FOR R54273 APPL)
12	L31061	LEVER	1	X X	
13	24M7149	WASHER	1	X X	10,5MM
14	99M7027	KNOB	2	X X	
15	L32057	CIRCUIT BOX	1	X X	
16	R41147	SPRING	1	X X	
17	14M7273	NUT	7	X X	M8
18	24M7047	WASHER	1	X X	13X24X2,5MM
19	L30470	BUSHING	2	X X	
20	11M7019	COTTER PIN	1	X X	4X20MM

3F7

HYDRAULIC SYSTEM

ROCKSHAFT CONTROL LEVER-LINKAGE(WITH OPU CAB)
LEVIER DE COMMANDE DU RELEVAGE-TRINGLERIE(AVEC CABINE PPI)
KRAFTHEBERBEDIENUNGSHABEL-GESTAENGE(BEI FSC-KABINE)
LEVA COMANDO SOLLEVATORE-TIRANTERIA(CON CABINA OPU)
PALANCA DE MANDO DEL ELEVADOR-VARILLAJE(CON CABINA DE SEGURIDAD)
LYFTSPAK-LANKAGE(VID OPU FORARHYTT)
L20231 -UN-09OCT95



L 20231

3F8

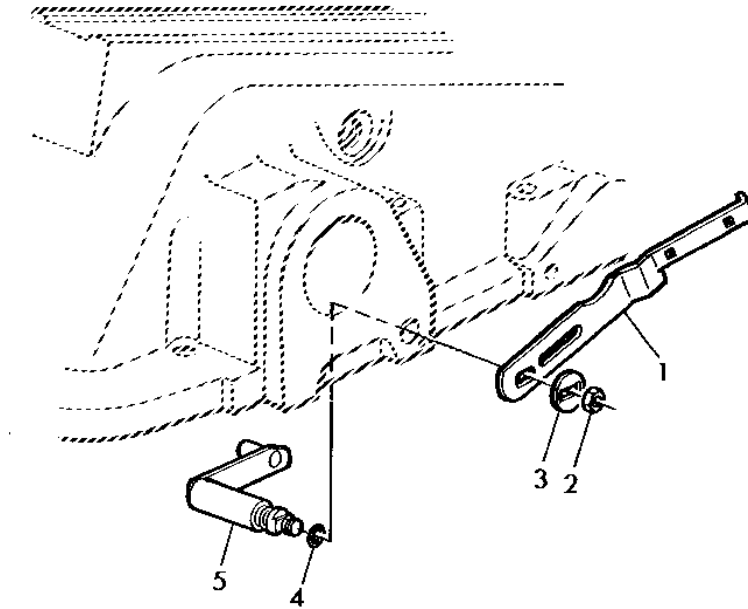
HYDRAULIC SYSTEM

KEY	PART NO.	PART NAME	QTY	SERIAL NO.	REMARKS
				2	
				0 2	
				4 1	
				0 4	
				S 0	
1	AL25595	ROD	1	X X	ASSY,INCL KEYS 2-8
2	56M4437	BALL JOINT SOCKET	4	X X	
3	56M4537	BALL JOINT RETAINER	4	X X	
4	14M7273	NUT	5	X X	M8
5		1	X X	(ORD AL25595)
6	14M7145	NUT	1	X X	M8 (LH)
7	99M7026	TURNBUCKLE	1	X X	
8		1	X X	(ORD AL25595)
9	AL25304	LEVER	1	X X	
10	34M7027	SPRING PIN	2	X X	4X20MM
11	L30470	BUSHING	2	X X	
12	19M7181	CAP SCREW	2	X X	M10X55
13	L30933	SUPPORT	2	X X	
14	14M7140	NUT	2	X X	M10
15	L30932	SHAFT	1	X X	
16	AL25303	LEVER	1	X X	
17	AL25340	ROD	1	X X	ASSY,INCL KEYS 2-4
18	AL28598	LEVER	1	X X	
19	R30437	SNAP RING	1	X X	
20	R10093	O-RING	1	X X	
21	34H268	SPRING PIN	1	X X	5/32"X1-1/4"
22	19H2284	CAP SCREW	1	X X	3/8"X7/8"
23	12H304	LOCK WASHER	1	X X	3/8"
24	T32119	PLATE	1	X X	

3F9

HYDRAULIC SYSTEM

SELCATOR LEVER
LEVIER DE SYSTEME
SYSTEMHEBEL
LEVA SELETRICE SOLLEVATORE
PALANCA SELECTORA DEL MODO DE TRABAJO
VALJARSPAK
 L108749 -UN-07JUL95



I. 108749

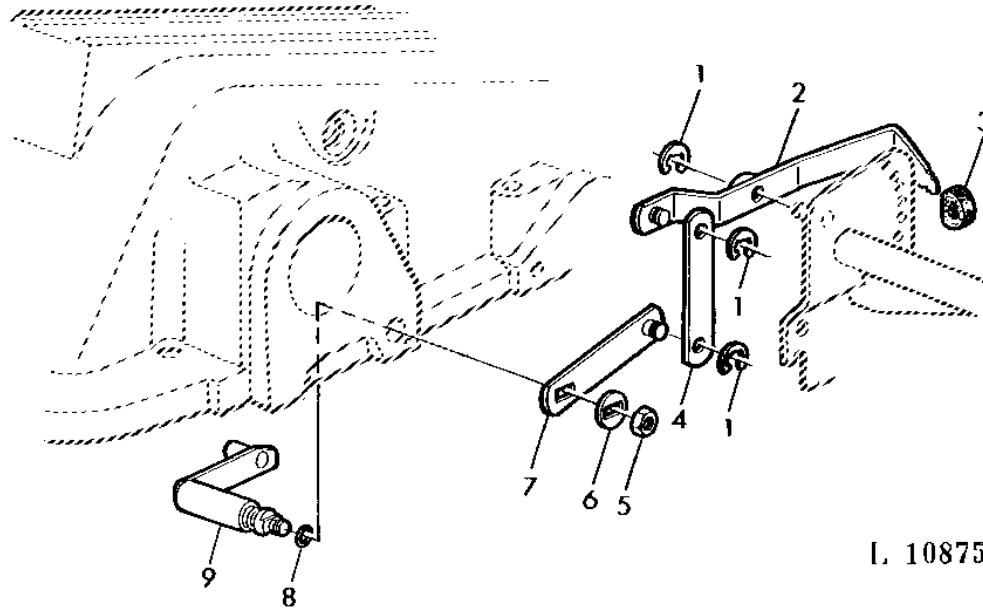
KEY	PART NO.	PART NAME	QTY	SERIAL NO.	REMARKS
1	L29848	LEVER	1	X	
2	14H732	NUT	1	X	3/8"
3	T22876	WASHER	1	X	
4	F3353R	O-RING	1	X	
5	AL28674	LEVER	1	X	(SUB FOR AL28227)

2
 0 2
 4 1
 0 4
 S 0

3F10

HYDRAULIC SYSTEM

SELECTOR LEVER
 LEVIER DE SYSTEME
 SYSTEMHEBEL
 LEVA SELETRICE SOLLEVATORE
 PALANCA SELECTORA DEL MODO DE TRABAJO
 VALJARSPAK
 L108757 -UN-28JUL95



L. 108757

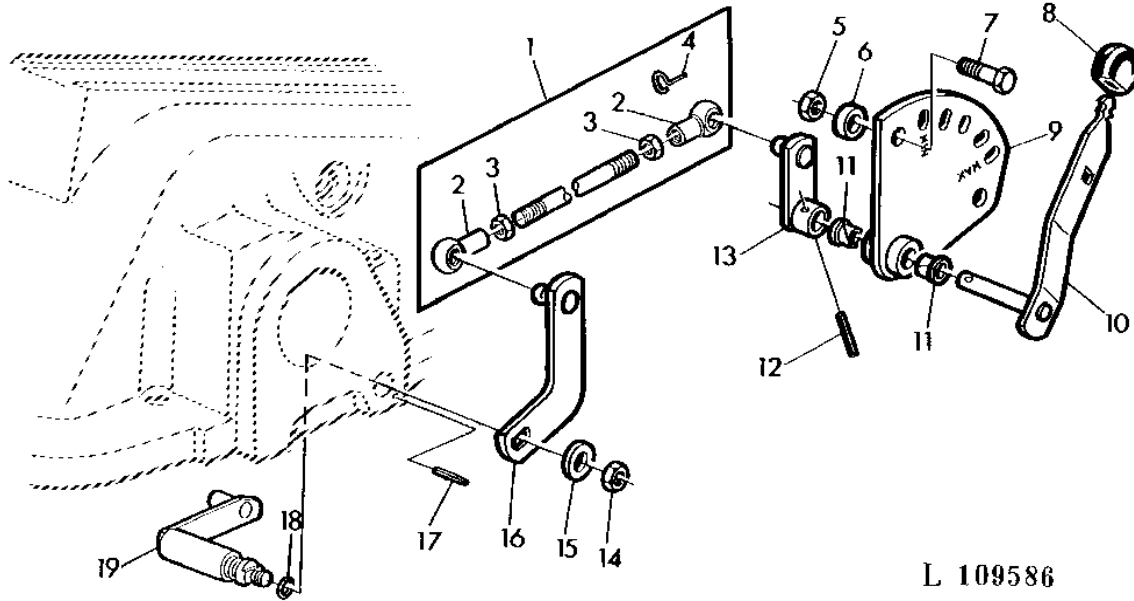
2
 0 2
 4 1
 0 4
 S 0

KEY	PART NO.	PART NAME	QTY	SERIAL NO.	REMARKS
1	R72653	SNAP RING	2		X (SUB FOR M2396T)
2	AL24707	LEVER	1		X
3	L56931	KNOB	1		X (SUB FOR T22883 APPL)
4	L30202	STRAP	1		X
5	14H732	NUT	1		X 3/8"
6	T22876	WASHER	1		X
7	AL24706	STRAP	1		X
8	F3353R	O-RING	1		X
9	AL28674	LEVER	1		X

3F11

HYDRAULIC SYSTEM

SELECTOR LEVER(WITH OPU CAB)
 LEVIER DE SYSTEME(AVEC CABINE PPI)
 SYSTEMHEBEL(BEI FSC-KABINE)
 LEVA SELETRICE SOLLEVATORE(CON CABINA OPU)
 PALANCA SELECTORA DEL TIPO DE REGULACION(CON CABINA DE SEGURIDAD)
 VALJARSPAK(VID OPU FORARHYTT)
 L109586 -UN-06OCT95



L 109586

KEY	PART NO.	PART NAME	QTY	SERIAL NO.	REMARKS
				2	
				0 2	
				4 1	
				0 4	
				S 0	
1	AL25013	ROD	1	X X	
2	56M4437	BALL JOINT SOCKET	2	X X	
3	14M7273	NUT	2	X X	M8
4	56M4537	BALL JOINT RETAINER	2	X X	
5	14M7140	NUT	2	X X	10MM
6	L31330	WASHER	2	X X	
7	19M7167	CAP SCREW	2	X X	M10X25
8	L57636	KNOB	1	X X	(SUB FOR R27829 APPL)
9	AL24990	SECTOR	1	X X	
10	AL25838	LEVER	1	X X	
11	L30470	BUSHING	2	X X	
12	34M7027	SPRING PIN	1	X X	4X20MM
13	AL25835	LEVER	1	X X	
14	14H732	NUT	1	X X	3/8"
15	24M7028	WASHER	1	X X	10,5X21X2MM
16	AL25834	LEVER	1	X X	
17	34M7087	SPRING PIN	1	X X	4X18MM
18	F3353R	O-RING	1	X X	
19	AL28674	LEVER	1	X X	

3F12

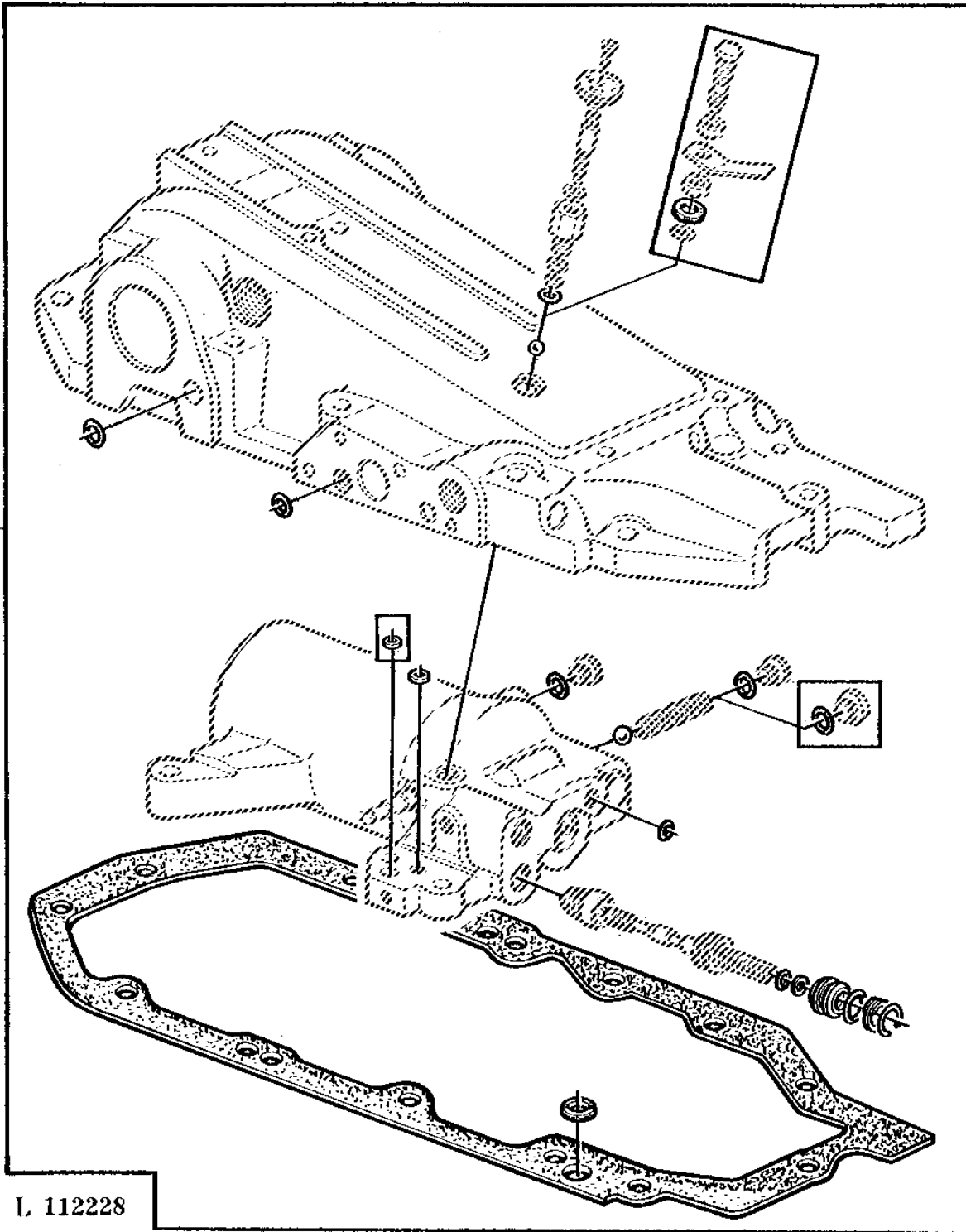
HYDRAULIC SYSTEM

MEMORANDA
MEMORANDA
MEMORANDA
MEMORANDA
MEMORANDA

3F13

HYDRAULIC SYSTEM

ROCKSHAFT-SEALING KIT
RELEVAGE-LOT DE JOINTS
KRAFTHEBER-DICHTUNGSSATZ
SOLLEVATORE-KIT GUARNIZIONI
ELEVADOR-JUEGO DE JUNTAS
TREPUNKTSLYFT-TATNINGSSATS
L112228 -UN-01JAN94



L. 112228

3F14

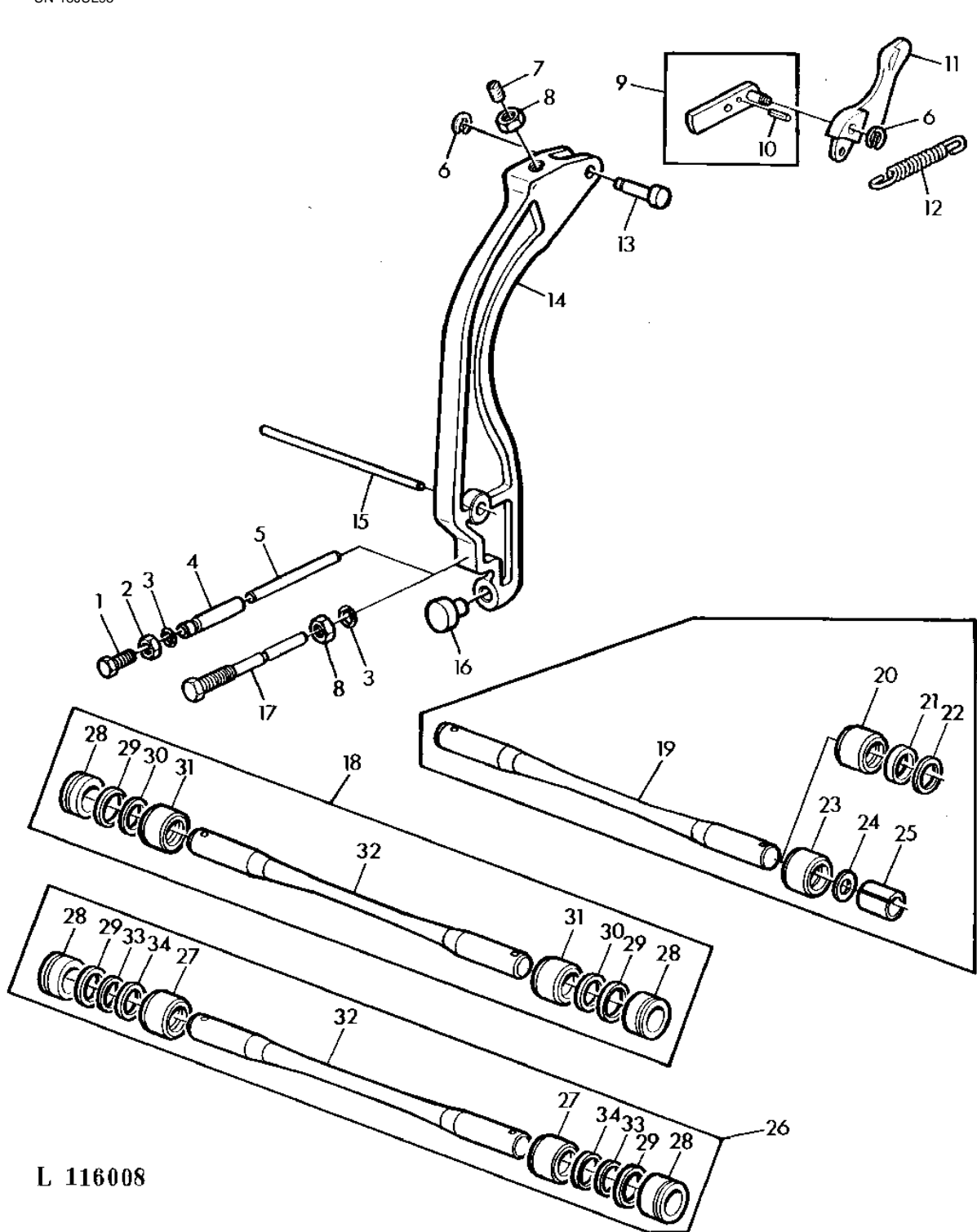
HYDRAULIC SYSTEM

KEY	PART NO.	PART NAME	QTY	SERIAL NO.	2 0 2 4 1 0 4 S 0	REMARKS
1	AL57974	GASKET KIT	1		X X	

3F15

HYDRAULIC SYSTEM

PARTS FOR LOAD CONTROL
ELEMENTS DU CONTROLE D'EFFORT
TEILE FUER ZUGWIDERSTANDSREGELUNG
PARTI PER REGOLAZIONE SFORZO CONTROLLATO
PIEZAS PARA LA REGULACION AUTOMATICA POR CARGA
DELAR FOR LASTKONTROLL
L116008 -UN-18JUL95



L 116008

3F16

HYDRAULIC SYSTEM

KEY	PART NO.	PART NAME	QTY	SERIAL NO.	REMARKS
				2	
				0 2	
				4 1	
				0 4	
				S 0	
1	19H3120	CAP SCREW	1	X X	(B) 5/16"X1-1/2"
2	14H882	NUT	2	X X	(B) 5/16"
3	A4365R	O-RING	1	X X	
4	T30918	PIN	1	X X	(B) REAR
5	T30917	PIN	1	X X	(B) FRONT
6	R72653	SNAP RING	2	X X	(SUB FOR M2396T)
7	L56824	SET SCREW	1	X X	(SUB FOR T29311 APPL)
8	14H856	NUT	2	X X	1/2"
9	AL61479	EXTENSION	1	X X	(SUB FOR AT30631 APPL)
10	34H394	SPRING PIN	1	X X	3/16"X15/16"
11	L55223	CAM FOLLOWER	1	X X	(SUB FOR L32638)
12	T21955	EXTENSION SPRING	1	X X	
	R49962	EXTENSION SPRING	1	X X	(C)
13	T24690	PIN	1	X X	
14	L58389	LEVER	1	X X	(ORD W/ L56824) (SUB FOR T21487, L39120, L39881)
15	T21681	DOWEL PIN	1	X X	
16	T21680	PIN	1	X X	
17	T23216	CAP SCREW	1	X X	1/2"
18	AL40976	KIT	1	X X	
19	L31199	SHAFT	1	X X	O.D.=25,4MM (ORD AL40976 OR AL40977)
20	L33865	BUSHING	2	X X	(A)
21	L33864	WASHER	2	X X	(A)
22	L33863	WASHER	2	X X	(A)
23	L35841	BUSHING	2	X X	
24	L60162	SEALING WASHER	2	X X	(A) (SUB FOR L35840)
25	T28548	BUSHING	2	X X	(A)
26	AL40977	KIT	1	X X	(A)
27	L41802	BUSHING	2	X X	(A)
28	L41788	BUSHING	2	X X	
29	L41154	WASHER	4	X X	
30	L55844	SEALING WASHER	2	X X	(SUB FOR L41198)
31	L41196	BUSHING	2	X X	
32	L41787	SHAFT	1	X X	O.D.=28MM
33	L41804	SEALING WASHER	2	X X	(A)
34	L41803	SEALING WASHER	2	X X	(A)

(A) SOUTH AFRICA VERSION
 VERSION SUD-AFRICAINE
 SUEDAFRIKA VERSION
 VERSIONE SUDAFRICANA
 VERSION SUDAFRICANA
 SYDAFRIKANSK VERSION

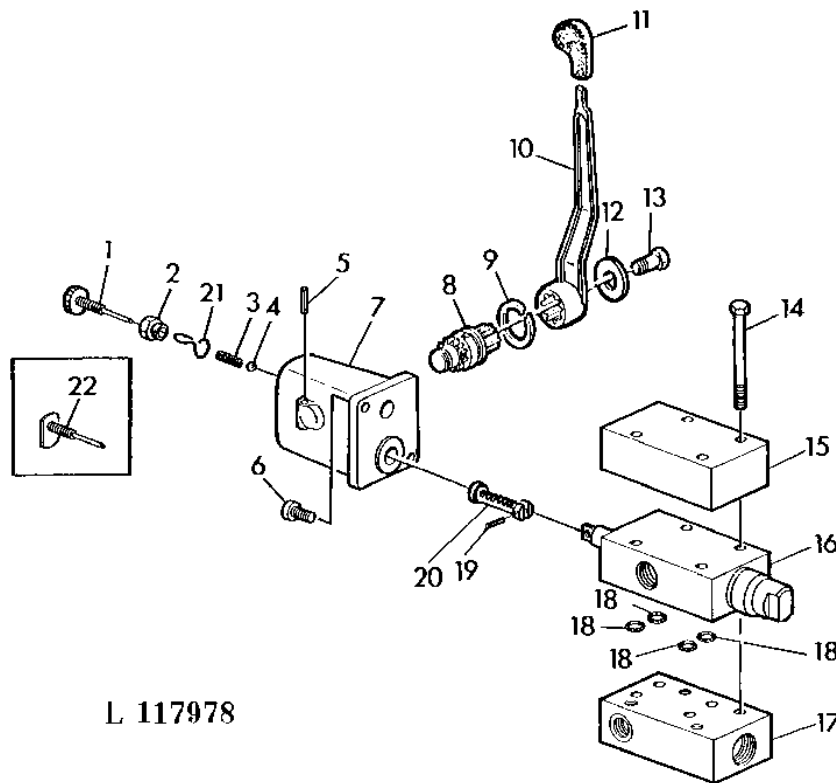
(B) WITH IND.PTO (540-1000)
 AVED PDF INDEP.(540-1000)
 BEI UNABH.ZAPFW.(540-1000)
 CON PDF INDIP.(540-1000)
 CON T.D.F.INDEP.(540-1000)
 VID OBERR.KRAFT.(540-1000)

(C) WITH SYNCHRONIZED TRANSM.
 AVEC BOITE SYNCHRONISEE
 BEI SYNCHRON GETRIEBE
 CON CAMBIO SINCRONIZZATA
 CON TRANSM.SINCRONIZADA
 VID SYNKRONISER.VAXELLADA

3F17

HYDRAULIC SYSTEM

SINGLE-ACTING SELECTIVE CONTROL VALVE(SPOOL TYPE)
DISTRIBUTEUR AUXILIAIRE SIMPLE EFFET(TIROIR)
ZUSATZSTEUERGERAET EINFACHWIRKEND(SCHIEBERAUSF.)
VALVOLA DI COMANDO SELETTIVO A STELO, EFFETTO SINGOLO
DISP.DE MANDO AUXILIAR CON CORRED.DISTR.DE ACCION SIMPLE
ENKELVERKANDE MANOVERVENTIL(SPOLTYP)
L117978 -UN-06OCT95



L 117978

3F18

HYDRAULIC SYSTEM

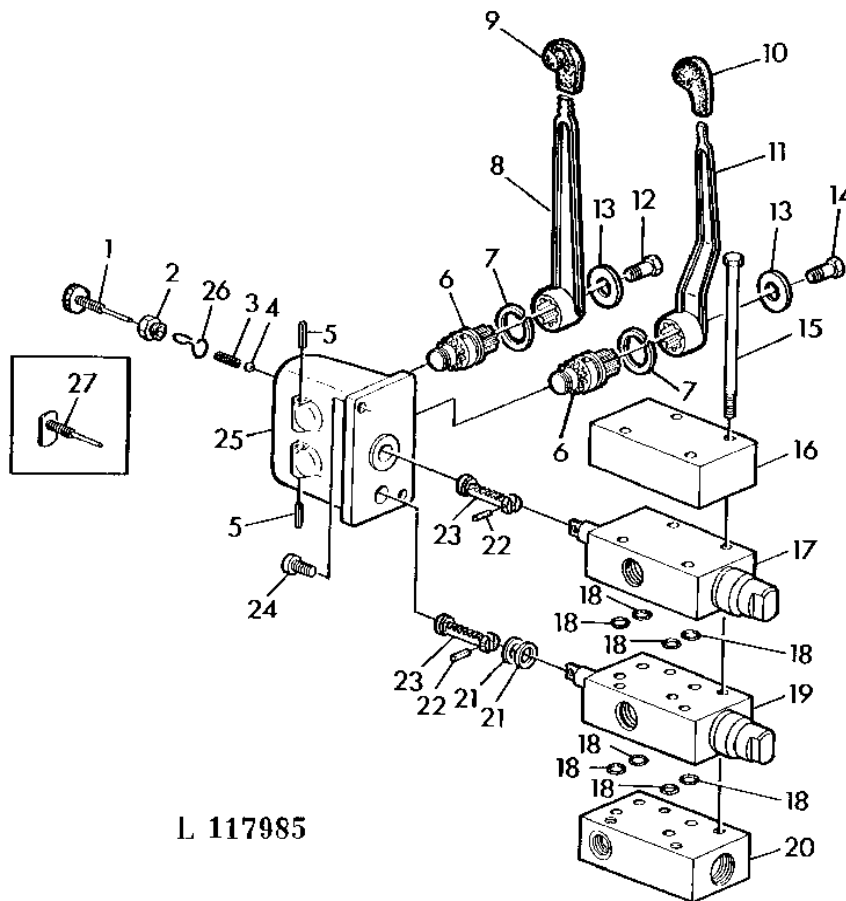
KEY	PART NO.	PART NAME	QTY	SERIAL NO.	REMARKS
				2	
				0 2	
				4 1	
				0 4	
				S 0	
1	L62225	SET SCREW	1	X X	(SUB FOR AR61165)
2	R53800	SCREW	1	X X	3/8"
3	R53801	SPRING	1	X X	
4	R26552	BALL	1	X X	
5	34M7023	SPRING PIN	1	X X	3X24MM
6	19M7603	SCREW	2	X X	M6X20
7	L39172	COVER	1	X X	(SUB FOR L32133)
8	T32547	DRIVE SHAFT	1	X X	
9	T32143	SNAP RING	1	X X	
10	AL24081	LEVER	1	X X	
11	L56926	GRIP	1	X X	(SUB FOR R54275 APPL)
12	24H1288	WASHER	1	X X	9/32"X1"X.060"
13	19H2036	CAP SCREW	1	X X	1/4"X7/8"
14	19H1904	CAP SCREW	4	X X	5/16"X3"
15	L34390	COVER	1	X X	
16	AL34593	CONTROL VALVE	1	X X	
17	L34376	VALVE STACK	1	X X	
18	L34378	O-RING	4	X X	
19	R53218	NEEDLE ROLLER	1	X X	
20	T32132	RACK	1	X X	
21	L61890	BALL JOINT RETAINER	1	X X	
22	AR61165	LEVER	1	X X	(ORD L62225, L61890)

3F19

HYDRAULIC SYSTEM

TWO SINGLE ACTING SELECTIVE CONTROL VALVES(SPOOL TYPE)
DEUX DISTRIBUTEURS AUXILIAIRES DOUBLE EFFET(TIROIR)
ZUSATZSTEUERGERAET/ZWEI EINFACHWIRKENDE(SCHIEBERAUSF.)
DUE VALVOLE DI COMANDO SELETTIVO A STELO
DOS DISP.DE MANDO AUXILIARES CON CORREDERA DE DISTRIBUCION
TVA ENKELVERKANDE MANOVERVENTILER(SPOLTYP)

L117985 -UN-06OCT95



L 117985

3F20

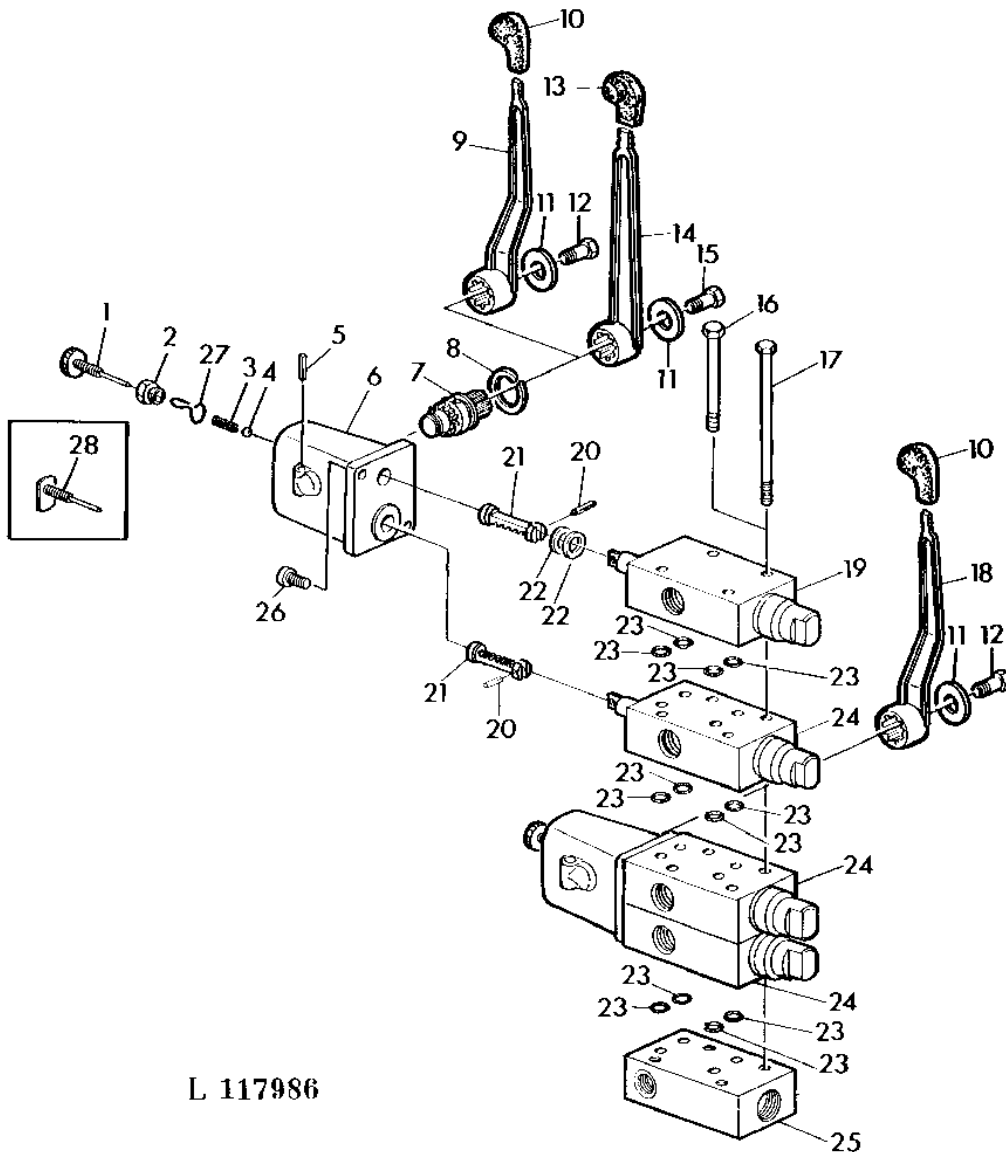
HYDRAULIC SYSTEM

KEY	PART NO.	PART NAME	QTY	SERIAL NO.	REMARKS
				2	
				0 2	
				4 1	
				0 4	
				S 0	
1	L62225	SET SCREW	2	X X	(SUB FOR AR61165)
2	R53800	SCREW	2	X X	3/8"
3	R53801	SPRING	2	X X	
4	R26552	BALL	2	X X	
5	34M7023	SPRING PIN	2	X X	3X24MM
6	T32547	DRIVE SHAFT	2	X X	
7	T32143	SNAP RING	2	X X	
8	AL24082	LEVER	1	X X	
9	L56925	GRIP	1	X X	(SUB FOR R54274 APPL)
10	L56926	GRIP	1	X X	(SUB FOR R54275 APPL)
11	AL24081	LEVER	1	X X	
12	19H1919	CAP SCREW	1	X X	1/4"X5/8"
13	24H1288	WASHER	2	X X	9/32"X1"X.060"
14	19H2036	CAP SCREW	1	X X	1/4"X7/8"
15	19H3354	CAP SCREW	4	X X	5/16"X4-1/4"
16	L34390	COVER	1	X X	
17	AL34593	CONTROL VALVE	1	X X	
18	L34378	O-RING	8	X X	
19	AL34595	CONTROL VALVE	1	X X	
20	L34376	VALVE STACK	1	X X	
21	L17658	WASHER	2	X X	
22	R53218	NEEDLE ROLLER	2	X X	
23	T32132	RACK	2	X X	
24	19M7603	SCREW	2	X X	M6X20
25	T32140	COVER	1	X X	
26	L61890	BALL JOINT RETAINER	2	X X	
27	AR61165	LEVER	2	X X	(ORD L62225, L61890)

3F21

HYDRAULIC SYSTEM

DOUBLE ACTING SELECTIVE CONTROL VALVE(SPOOL TYPE)
DISTRIBUTEUR AUXILIAIRE DOUBLE EFFET(TIROIR)
ZUSATZSTEUERGERAETE DOPPELWIRKEND(SCHIEBERAUSF.)
VALVOLE DI COMANDO SELETTIVO A STELO DOPPIO EFFETTO
DISP.DE MANDO AUXIL.CON CORRED.DE DISTRIBUCION,ACCION DOBLE
DUBBELVERKANDE MANOVERVENTILER(SPOLTYP)
L117986 -UN-09OCT95



L 117986

3F22

HYDRAULIC SYSTEM

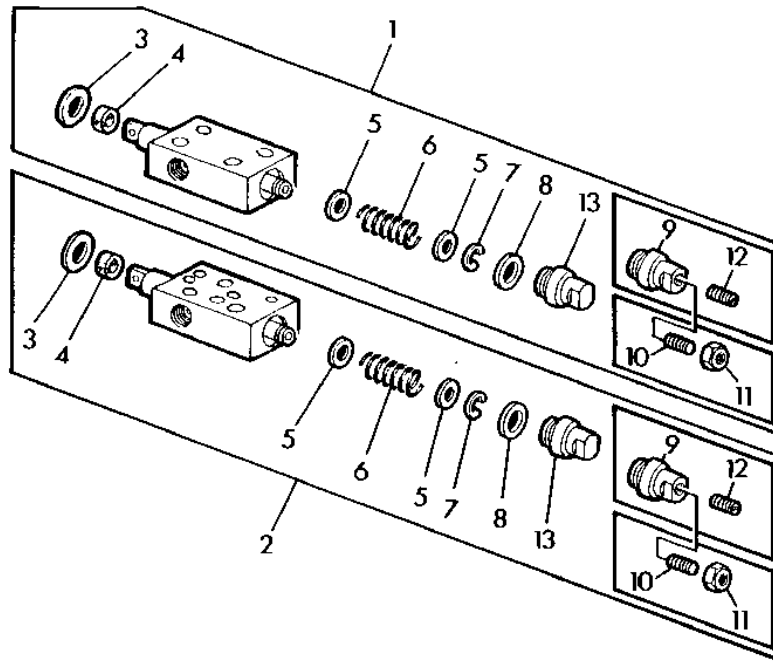
KEY	PART NO.	PART NAME	QTY	SERIAL NO.	REMARKS
				2	
				0 2	
				4 1	
				0 4	
				S 0	
1	L62225	SET SCREW	AR	X X	(SUB FOR AR61165)
2	R53800	SCREW	AR	X X	
3	R53801	SPRING	AR	X X	
4	R26552	BALL	AR	X X	
5	34M7023	SPRING PIN	AR	X X	3X24MM
6	L39172	COVER	AR	X X	(SUB FOR T32133)
7	T32547	DRIVE SHAFT	AR	X X	
8	T32143	SNAP RING	AR	X X	
9	AL24081	LEVER	1	X X	
10	L56926	GRIP	1	X X	(SUB FOR R54275 APPL)
11	24H1288	WASHER	AR	X X	9/32"X1"X.060"
12	19H2036	CAP SCREW	AR	X X	1/4" X 7/8"
13	L56925	GRIP	1	X X	(A) (SUB FOR R54274 APPL)
14	AL24082	LEVER	1	X X	(A)
15	19H1919	CAP SCREW	1	X X	(A) 1/4"X5/8"
16	19H1904	CAP SCREW	4	X X	5/16"X3"
17	19H2343	CAP SCREW	4	X X	5/16"X5-1/2"
18	AL24081	LEVER	1	X X	(A)
19	AL34593	CONTROL VALVE	1	X X	
20	R53218	NEEDLE ROLLER	AR	X X	
21	T32132	RACK	AR	X X	
22	L17658	WASHER	AR	X X	
23	L34378	O-RING	AR	X X	
24	AL34595	CONTROL VALVE	AR	X X	
25	L34376	VALVE STACK	1	X X	
26	19M7603	SCREW	AR	X X	M6X20
27	L61890	BALL JOINT RETAINER	AR	X X	
28	AR61165	LEVER	AR	X X	(ORD L62225, L61890)

(A) FOR 2 SELECT.CONTROL VALVES
 POUR 2 DISTRIB.AUXILIAIRES
 FUER 2 ZUSATZSTEUERGERAETE
 PER 2 DISTRIBUTORI AUSILIARI
 PARA 2 VALV.DE MANDO AUXIL.
 FOR 2 FJARRMANOVERVENTILER

3F23

HYDRAULIC SYSTEM

SELECTIVE CONTROL VALVE (INDIVIDUAL PARTS)
 DISTRIBUTEUR AUXILIAIRE (ELEMENTS)
 ZUSATZSTEUERGERAET (EINZELTEILE)
 DISTRIBUTORE AUSILIARIO (PARTI SINGOLE)
 VALVULA DE MANDO AUXILIAR (DESPIECE)
 FJARREGLAGE (SPRANGSKISS)
 L109623 -UN-06OCT95



[. 109623

KEY	PART NO.	PART NAME	QTY	SERIAL NO.	REMARKS
				2	
				0 2	
				4 1	
				0 4	
				S 0	
1	AL34593	CONTROL VALVE	1	X X	(SUB FOR AL30397)
2	AL34595	CONTROL VALVE	1	X X	(SUB FOR AL30399)
3	L17658	WASHER	1	X X	
4	L20102	SEAL	1	X X	
5	L20095	WASHER	1	X X	
6	L17056	SPRING	1	X X	
7	L18893	SNAP RING	1	X X	
8	51M4245	RING	1	X X	24X30MM
9	L31754	DRAWER SLIDE	1	X X	
10	22M1912	SET SCREW	1	X X	M6X16 (ORD L39810)
11	L31755	NUT	1	X X	(ORD L39810)
12	L39810	SET SCREW	1	X X	
13	L38016	CAP	1	X X	

3F24

HYDRAULIC SYSTEM

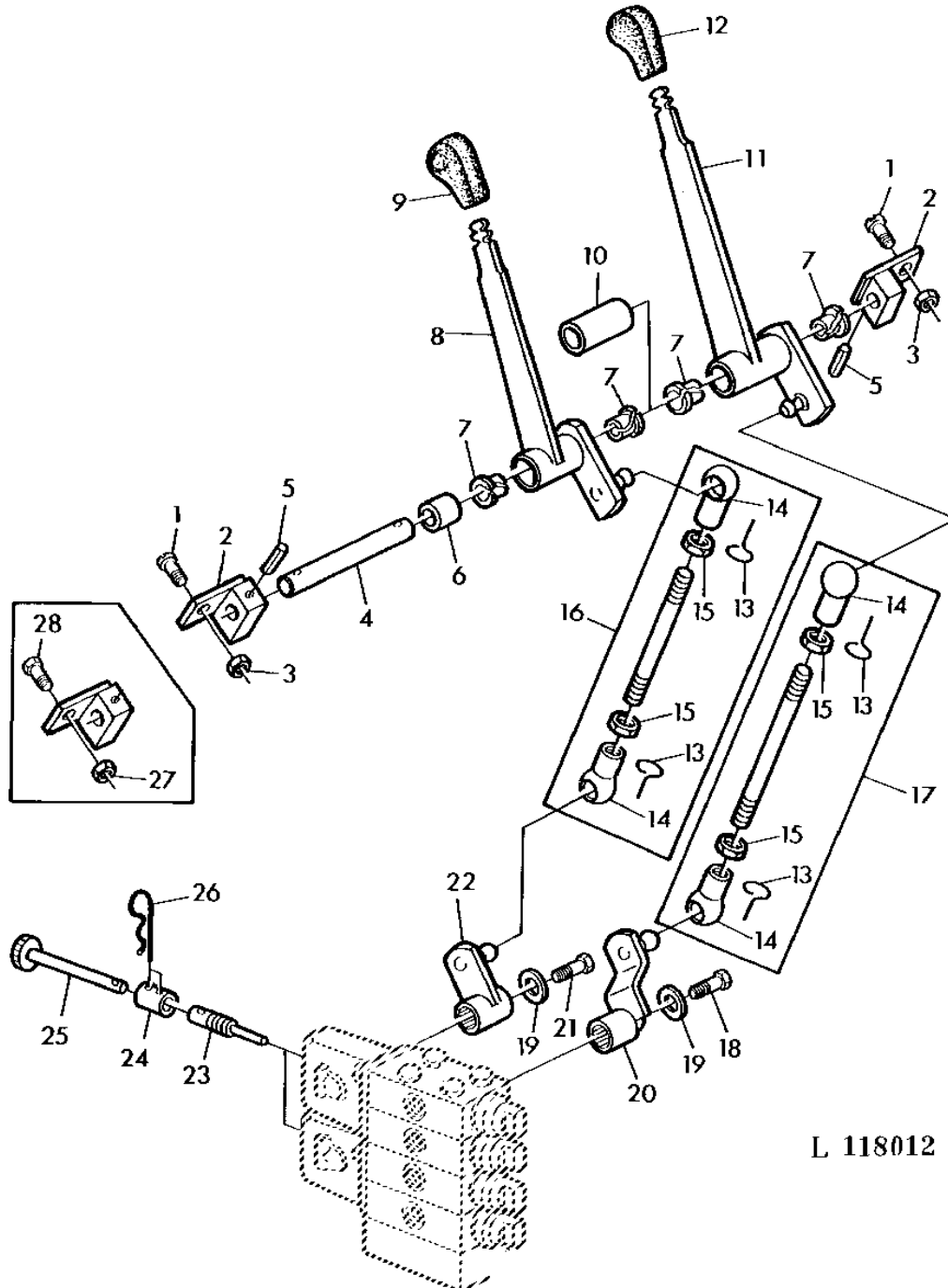
MEMORANDA
MEMORANDA
MEMORANDA
MEMORANDA
MEMORANDA

3G1

HYDRAULIC SYSTEM

SHIFT RODS FOR SPOOL-TYPE S.C.V.'S(WITH OPU CAB)
TRINGLERIE COMMANDE DISTRIB.AUXIL.(TIROIRS)AVEC CABINE PPI
SCHALTGESTÄNGE ZUSATZSTEUERGEGERÄTE(SCHIEBERAUSF.BEI FSC KABINE)
LEVERAGGIO PER GRUPPI DISTRIBUTORI(TIPO A STELO)CON CABINA OPU
VARILLAJE DE MANDO DISPOSITIVOS AUX.(CORREDERA)CON CABINA DE SEGURIDAD
MANOVERLANKAGE FOR FJARREGLAGE(SPOLTYP VID OPU FORARHYTT)

L118012 -UN-09OCT95



L 118012

3G2

HYDRAULIC SYSTEM

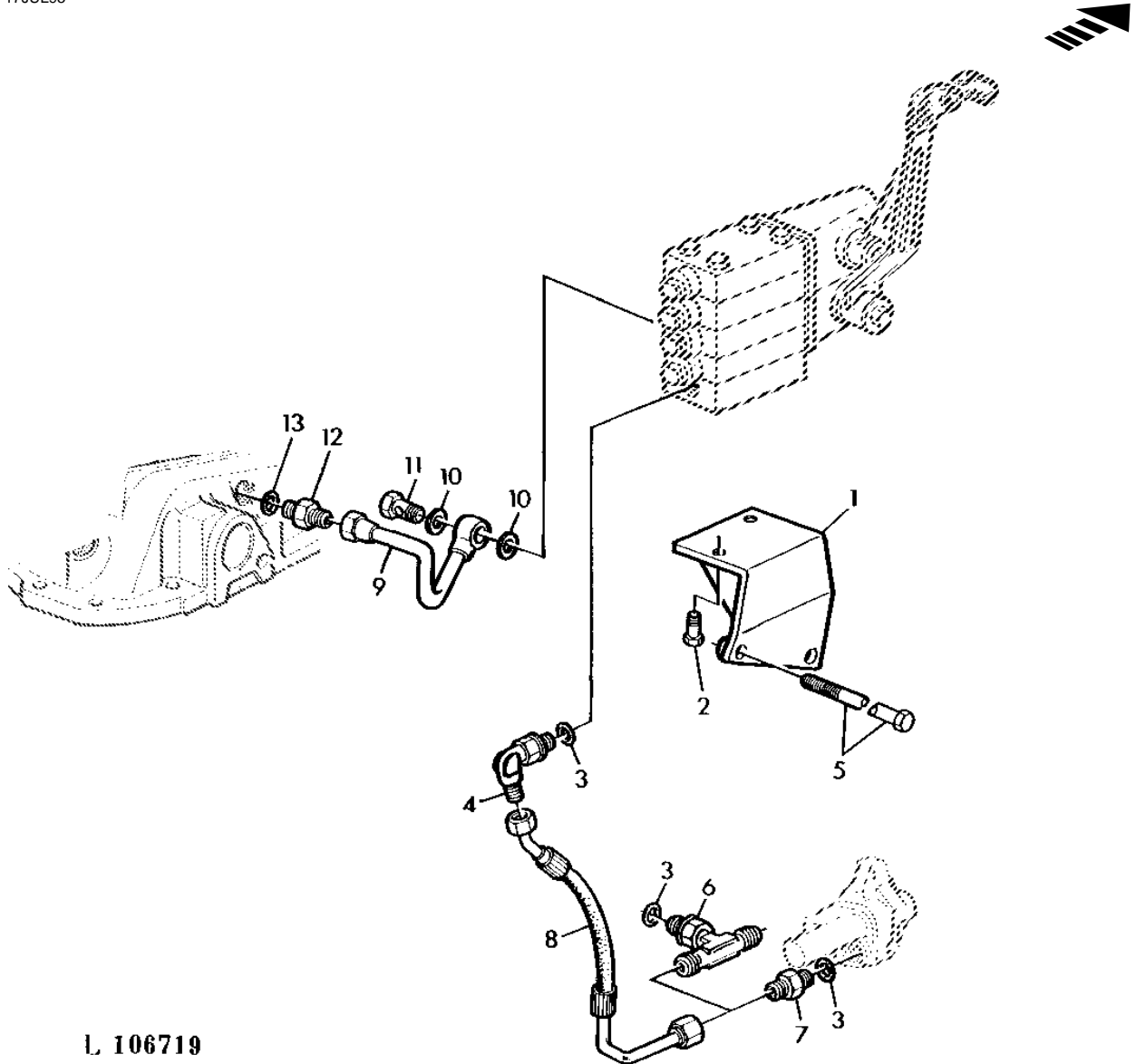
KEY	PART NO.	PART NAME	QTY	SERIAL NO.	REMARKS
				2	
				0 2	
				4 1	
				0 4	
				S 0	
1	21M7162	SCREW	2	X X	M10X20
2	AL24965	GUIDE	2	X X	
3	14M7274	NUT	2	X X	M10
4	L30840	SHAFT	1	X X	
5	34M7027	SPRING PIN	2	X X	4X20MM
6	L30841	BUSHING	1	X X	
7	L30470	BUSHING	4	X X	
8	AL24969	LEVER	1	X X	
9	L56925	GRIP	1	X X	(SUB FOR R54274 APPL)
10	L31332	BUSHING	1	X X	(A)
11	AL24968	LEVER	1	X X	
12	L56926	GRIP	1	X X	(SUB FOR R54275 APPL)
13	56M4537	BALL JOINT RETAINER	4	X X	
14	56M4437	BALL JOINT SOCKET	4	X X	
15	14M7273	NUT	4	X X	M8
16	AL32949	ROD	1	X X	(SUB FOR AL24971)
17	AL32948	ROD	1	X X	(SUB FOR AL24970)
18	19H2036	CAP SCREW	1	X X	1/4"X7/8"
19	24H1288	WASHER	2	X X	9/32"X1"X.060"
20	AL24963	LEVER	1	X X	
21	19H1919	CAP SCREW	1	X X	1/4"X5/8"
22	AL24964	LEVER	1	X X	
23	L33541	STUD	2	X X	
24	L33540	SLEEVE	2	X X	
25	AL25622	ROD	2	X X	
26	L12622	SPRING LOCKING PIN	4	X X	
27	14H812	NUT	2	X X	3/8"
28	19H2021	CAP SCREW	2	X X	3/8"X5/8"

(A) WITH ONE SELECTIVE CONTROL VALVE
 AVEC UN DISTRIBUTEUR AUXILIAIRE
 BEI EINEM ZUSATZSTEUERGERAET
 CON DISTRIBUTORE AUSILIARIO
 CON VALVULA DE MANDO AUXILIAR
 VID ETT FJARREGLAGE

3G3

HYDRAULIC SYSTEM

OIL LINES-SELECTIVE CONTROL VALVES(SPOOL TYPE)
CONDUITES D'HUILE-DISTRIBUTEURS AUXILIAIRES(TIROIR)
OELLEITUNGEN ZUSATZSTEUERGERAETE SCHIEBERAUSFUEHRUNG
LINEE OLIO-VALVOLE COMANDO SELETTIVO A STELO
TUBERIAS-DISPOS.DE MANDO AUXILIARES CON CORRED.DISTR.
OLJELEDNINGAR TILL MANOVERVENTILER(SPOLTYP)
L106719 -UN-17JUL95



L 106719

3G4

HYDRAULIC SYSTEM

KEY	PART NO.	PART NAME	QTY	SERIAL NO.	REMARKS
					2
					0 2
					4 1
					0 4
					S 0
1	AL33403	BRACKET	1	X	
2	19H1900	CAP SCREW	2	X	5/16"X3/4"
3	R26375	O-RING	2	X	
4	AR26763	ELBOW FITTING	1	X	3/4"
5	08H4505	CAP SCREW	2	X	1/2"X7-1/4"
6	AL30020	TEE FITTING	1	X	(A)
7	R27237	FITTING	1	X	(B)
8	AL38456	HYDRAULIC HOSE	1	X	(A) (SUB FOR AL33514, AL33515, AL36121 APPL)
	AL36121	HYDRAULIC HOSE	1	X	(B) (SUB FOR AL33514, AL33515)
9	AL33513	OIL LINE	1	X	
10	51M4238	RING	2	X	16X20MM
11	L63537	FITTING	1	X	(SUB FOR T32204)
12	R27270	FITTING	1	X	
13	R26906	O-RING	1	X	

(A) WITH MANUAL STEERING
 AVEC DIRECTION MECANIQUE
 BEI MECHANISCHER LENKUNG
 CON STERZO MECCANICO
 CON DIRECCION MANUAL
 VID MEKANISK STYRNING

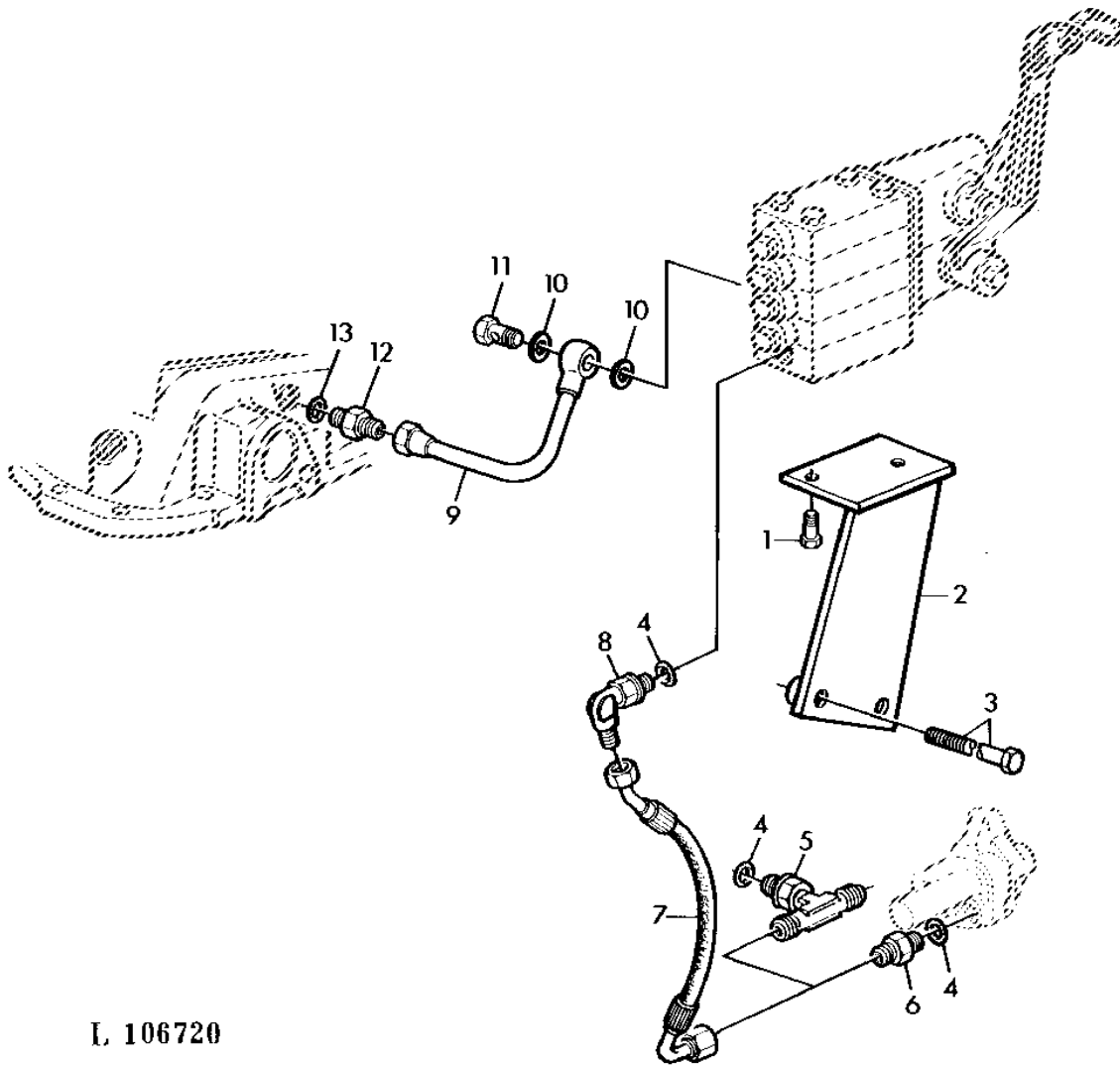
(B) WITH POWER STEERING
 AVEC DIRECTION ASSISTEE
 BEI HYDRAULISCHER LENKUNG
 CON STERZO IDRAULICO
 CON DIRECCION HIDRAULICA
 VID HYDRAULSTYRNING

3G5

HYDRAULIC SYSTEM

OIL LINES-SELECTIVE CONTROL VALVES(SPOOL TYPE)
CONDUITES D'HUILE-DISTRIBUTEURS AUXILIAIRES(TIROIR)
OELLEITUNGEN ZUSATZSTEUERGERAETE SCHIEBERAUSFUEHRUNG
LINEE OLIO-VALVOLE COMANDO SELETTIVO A STELO
TUBERIAS-DISPOS.DE MANDO AUXILIARES CON CORRED.DISTR.
OLJELEDNINGAR TILL MANOVERVENTILER(SPOLTYP)

L106720 -UN-28JUL95



L 106720

3G6

HYDRAULIC SYSTEM

KEY	PART NO.	PART NAME	QTY	SERIAL NO.	REMARKS
					2
					0 2
					4 1
					0 4
					S 0
1	19H1900	CAP SCREW	2		X 5/16"X3/4"
2	AL29855	BRACKET	1		X
3	08H4505	CAP SCREW	2		X 1/2"X7-1/4"
4	R26375	O-RING	2		X
5	AL30020	TEE FITTING	1		X (A)
6	R27237	FITTING	1		X (B)
7	AL36120	HYDRAULIC HOSE	1		X (SUB FOR AL30027, AL30026)
8	AR26763	ELBOW FITTING	1		X 3/4"
9	AL25192	OIL LINE	1		X
10	51M4238	RING	2		X 16X20MM
11	L63537	FITTING	1		X (SUB FOR T32204)
12	R27270	FITTING	1		X
13	R26906	O-RING	1		X

(A) WITH MANUAL STEERING
 AVEC DIRECTION MECANIQUE
 BEI MECHANISCHER LENKUNG
 CON STERZO MECCANICO
 CON DIRECCION MANUAL
 VID MEKANISK STYRNING

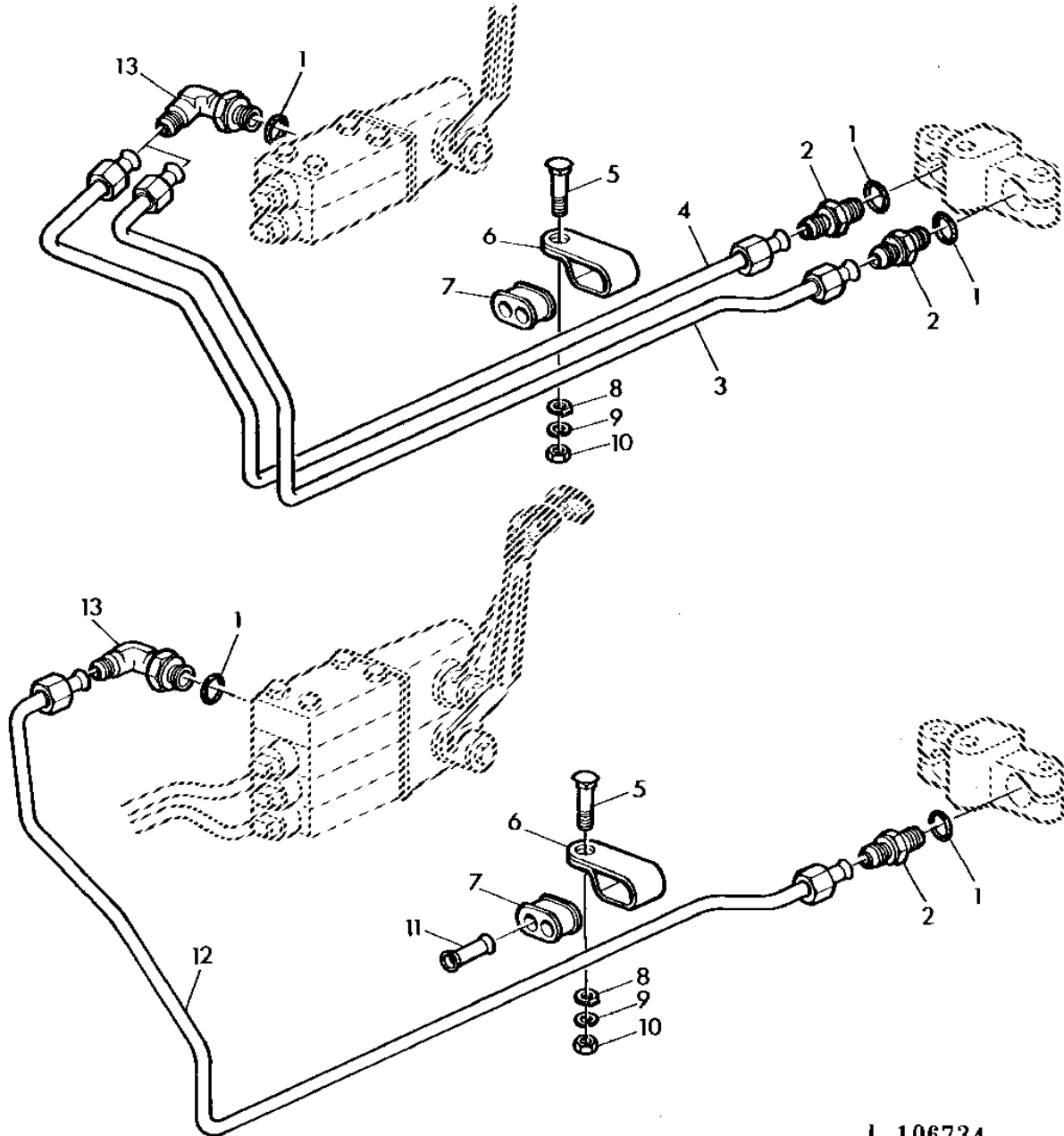
(B) WITH POWER STEERING
 AVEC DIRECTION ASSISTEE
 BEI HYDRAULISCHER LENKUNG
 CON STERZO IDRAULICO
 CON DIRECCION HIDRAULICA
 VID HYDRAULSTYRNING

3G7

HYDRAULIC SYSTEM

OIL LINES FOR FRONT QUICK-DISCONNECT COUPLERS
CONDUITES D'HUILE POUR RACCORDS RAPIDES AVANT
OELLEITUNGEN FUER SCHNELLKUPPLUNGEN VORN
TUBAZIONI OLIO PER GIUNTI AD ATTACCO RAPIDO ANTERIORI
TUBERIAS DE ACEITE PARA ACOPLAMIENTOS RAPIDOS DELANTEROS
OLJELEDNINGAR FOR FRAMRE FASTA SNABBKOPPLINGAR

L106734 -UN-17JUL95



I. 106734

3G8

HYDRAULIC SYSTEM

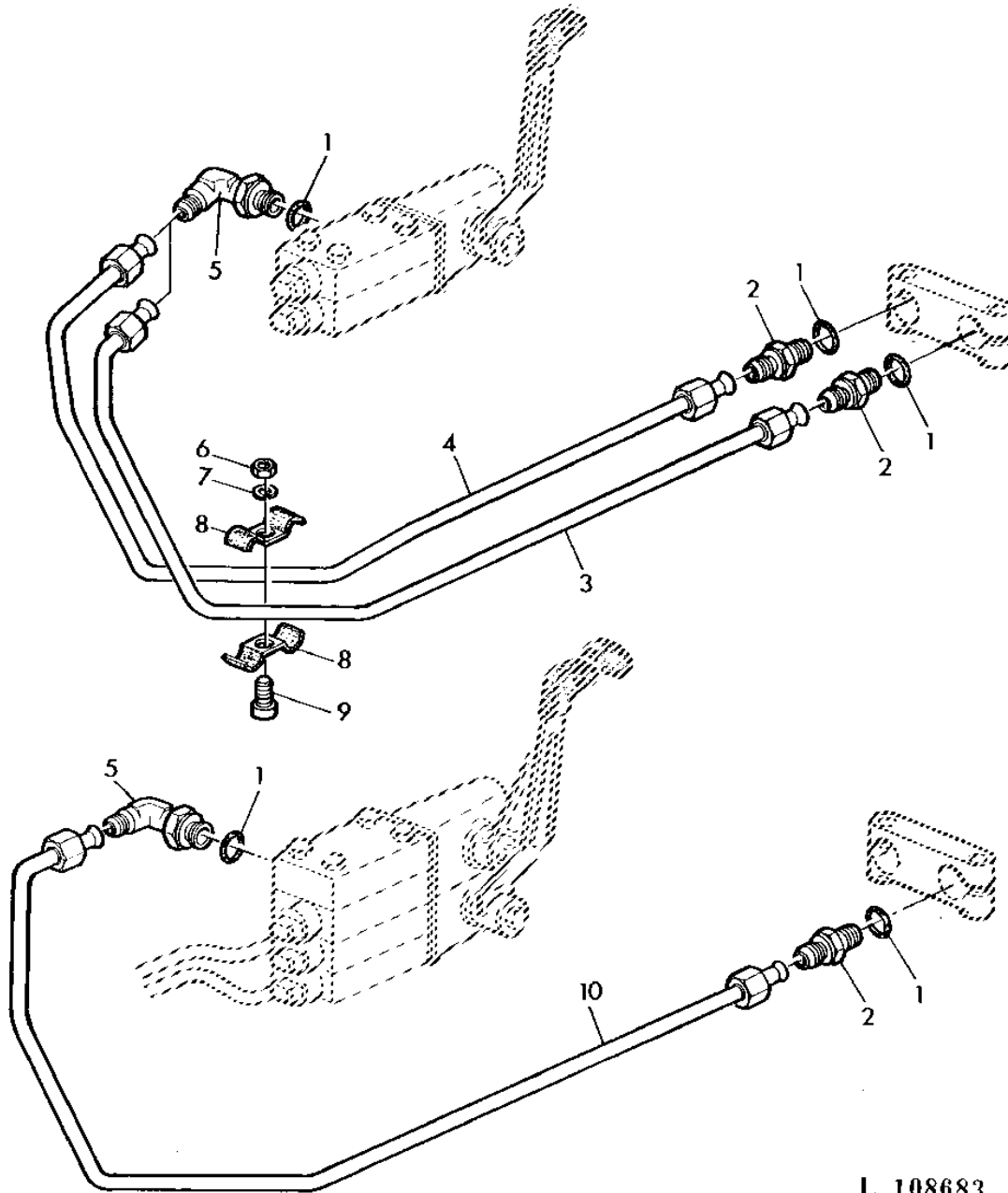
KEY	PART NO.	PART NAME	QTY	SERIAL NO.	2 0 2 4 1 0 4 S 0	REMARKS
1	R26375	O-RING	AR		X	
2	R27237	FITTING	AR		X	
3	AL31659	OIL LINE	1		X	
4	AL31660	OIL LINE	1		X	
5	03H1519	BOLT	1		X	3/8"X1"
6	R28733	CLAMP	1		X	
7	R35163	GROMMET	1		X	
8	A4624R	WASHER	1		X	
9	12H304	LOCK WASHER	1		X	3/8"
10	14H812	NUT	1		X	3/8"
11	T23162	SPACER	1		X	
12	AL31661	OIL LINE	1		X	
13	AR26763	ELBOW FITTING	AR		X	

3G9

HYDRAULIC SYSTEM

OIL LINES FOR FRONT QUICK-DISCONNECT COUPLERS
CONDUITES D'HUILE POUR RACCORDS RAPIDES AVANT
OELLEITUNGEN FUER SCHNELLKUPPLUNGEN VORN
TUBAZIONI OLIO PER GIUNTI AD ATTACCO RAPIDO ANTERIORI
TUBERIAS DE ACEITE PARA ACOPLAMIENTOS RAPIDOS DELANTEROS
OLJELEDNINGAR FOR FRAMRE FASTA SNABBKOPPLINGAR

L108683 -UN-28JUL95



3G10

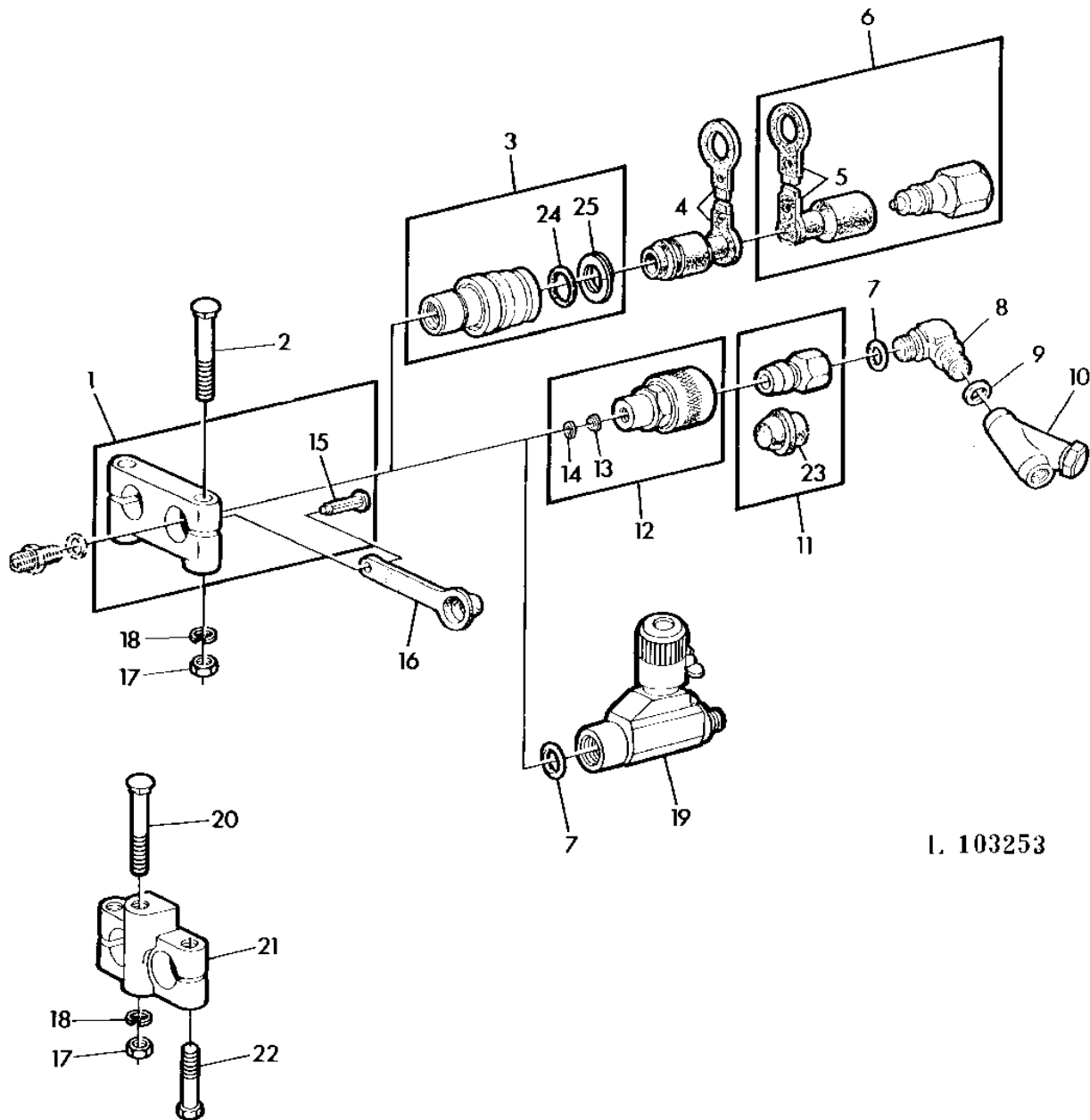
HYDRAULIC SYSTEM

KEY	PART NO.	PART NAME	QTY	SERIAL NO.	2 0 2 4 1 0 4 S 0	REMARKS
1	R26375	O-RING	AR		X	
2	R27237	FITTING	AR		X	
3	AL25189	OIL LINE	AR		X	
4	AL25190	OIL LINE	1		X	
5	AR26763	ELBOW FITTING	AR		X	
6	14H785	NUT	1		X	5/16"
7	12H303	LOCK WASHER	1		X	5/16"
8	R34064	CLAMP	2		X	
9	19H1849	CAP SCREW	1		X	5/16"X1-1/4"
10	AL25191	OIL LINE	1		X	

3G11

HYDRAULIC SYSTEM

QUICK DISCONNECT COUPLERS,FRONT
ACCOUPLMENT RAPIDE AVANT
SCHNELLKUPPLUNG VORN
GIUNTI RAPIDI ANTERIORI
ACOPAMIENTO HIDRAULICO RAPIDO DELANTERO
FRAMRE SNABBKOPPLINGAR
L103253 -UN-06OCT95



L. 103253

3G12

HYDRAULIC SYSTEM

KEY	PART NO.	PART NAME	QTY	SERIAL NO.	REMARKS
				2	
				0 2	
				4 1	
				0 4	
				S 0	
1	AT27004	BRACKET	AR		X
2	03H2131	BOLT	AR		X 3/8"X3"
3	AL26972	EXTERNAL HALF COUPLER	1		X X "ISO"
4	L31744	DUST SHIELD	1		X X "ISO"
5	L31745	DUST SHIELD	1		X X "ISO"
6	AL26971	INTERNAL HALF COUPLER	1		X X "ISO"
7	R26375	O-RING	1		X X (A)
8	L28921	ELBOW FITTING	1		X X (A)
9	51M4240	RING	1		X X (A)
10	AL23416	VALVE	1		X X (A)
11	AL27019	INTERNAL HALF COUPLER	1		X X "JOHN DEERE"
12	AL27026	HYD. QUICK-CONNECT COUPLER	1		X X "JOHN DEERE"
13	L32513	SEALING WASHER	1		X X
14	R33282	SNAP RING	1		X X
15	T22244	STUD	AR		X X
16	R80324	COVER	AR		X X (SUB FOR R32419)
17	14H812	NUT	AR		X X 3/8"
18	12H304	LOCK WASHER	AR		X X 3/8"
19	AL34259	VALVE	1		X X (A)
20	03H2120	BOLT	1		X 3/8"X3-3/4"
21	L30687	CLAMP	1		X
22	19H1765	CAP SCREW	2		X 3/8"X1-3/4"
23	R28006	CAP	1		X X
24	L40690	O-RING	1		X X
25	L40691	BACK-UP RING	1		X X

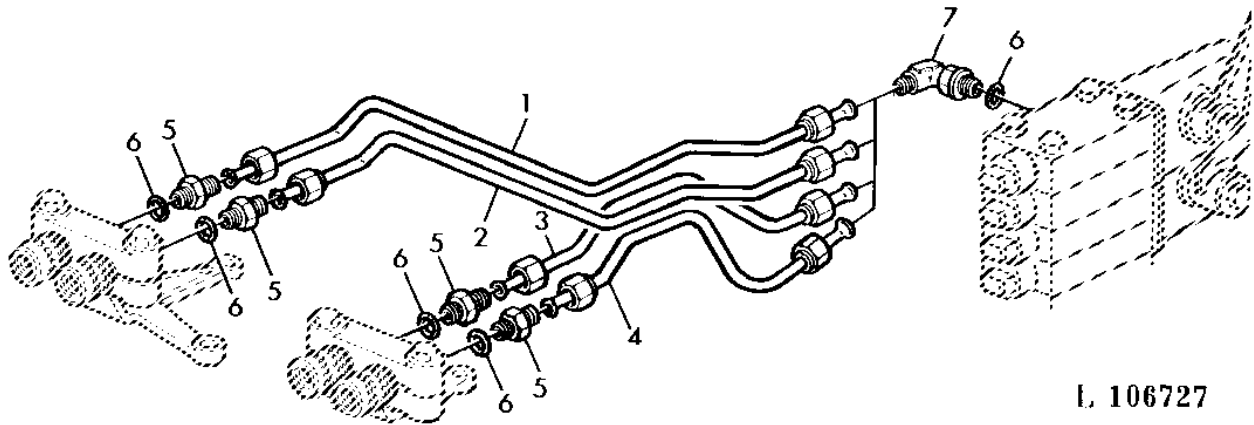
(A) FOR CONNECTING HYDRAULIC MOTOR
 POUR BRANCHER LE MOTEUR HYDRAULIQUE
 FUER HYDRO-MOTOR ANSCHLUSS
 PER COLLEGARE UN MOTORE IDRAULICO
 PARA ACOPLAR EL MOTOR HIDRAULICO
 FOR ANSLUTNING AV HYDRAULMOTOR

3G13

HYDRAULIC SYSTEM

OIL LINES FOR REAR QUICK COUPLERS
 CONDUITES D'HUILE POUR RACCORDS RAPIDES ARRIERE
 OELLEITUNGEN FUER SCHNELLKUPPLUNGEN HINTEN
 TUBAZIONI IDRAULICI PER GIUNTI RAPIDI POSTERIORI
 CONDUCTOS DE ACEITE PARA ACOPLAMIENTOS RAPIDOS TRASEROS
 OLJELEDNINGAR FOR BAKRE SNABBKOPPLINGAR

L106727 -UN-17JUL95



L 106727

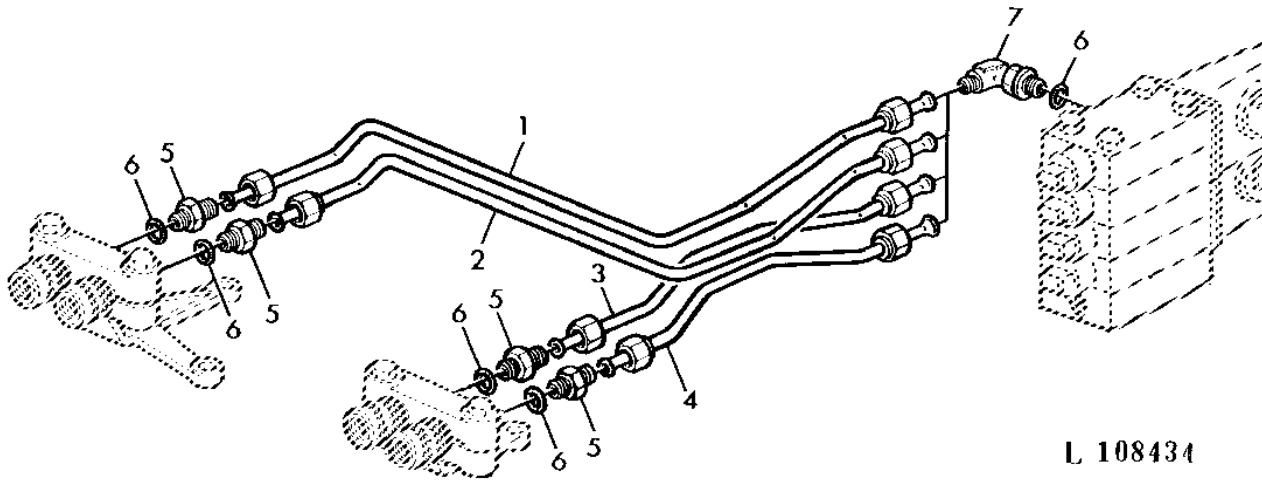
KEY	PART NO.	PART NAME	QTY	SERIAL NO.	2 0 2 4 1 0 4 S 0	REMARKS
1	AL32910	OIL LINE	1	-394999	X	
	AL35795	OIL LINE	1	395000-	X	
2	AL30032	OIL LINE	1	-394999	X	
	AL35794	OIL LINE	1	395000-	X	
3	AL30031	OIL LINE	1	-394999	X	
	AL35793	OIL LINE	1	395000-	X	
4	AL30030	OIL LINE	1	-394999	X	
	AL35792	OIL LINE	1	395000-	X	
5	R27237	FITTING	AR		X	
6	R26375	O-RING	AR		X	
7	AR26763	ELBOW FITTING	AR		X	

3G14

HYDRAULIC SYSTEM

OIL LINES FOR REAR QUICK COUPLERS
 CONDUITES D'HUILE POUR RACCORDS RAPIDES ARRIERE
 OELLEITUNGEN FUER SCHNELLKUPPLUNGEN HINTEN
 TUBAZIONI IDRAULICI PER GIUNTI RAPIDI POSTERIORI
 CONDUCTOS DE ACEITE PARA ACOPLAMIENTOS RAPIDOS TRAEROS
 OLJELEDNINGAR FOR BAKRE SNABBKOPPLINGAR

L108434 -UN-28JUL95



L 108434

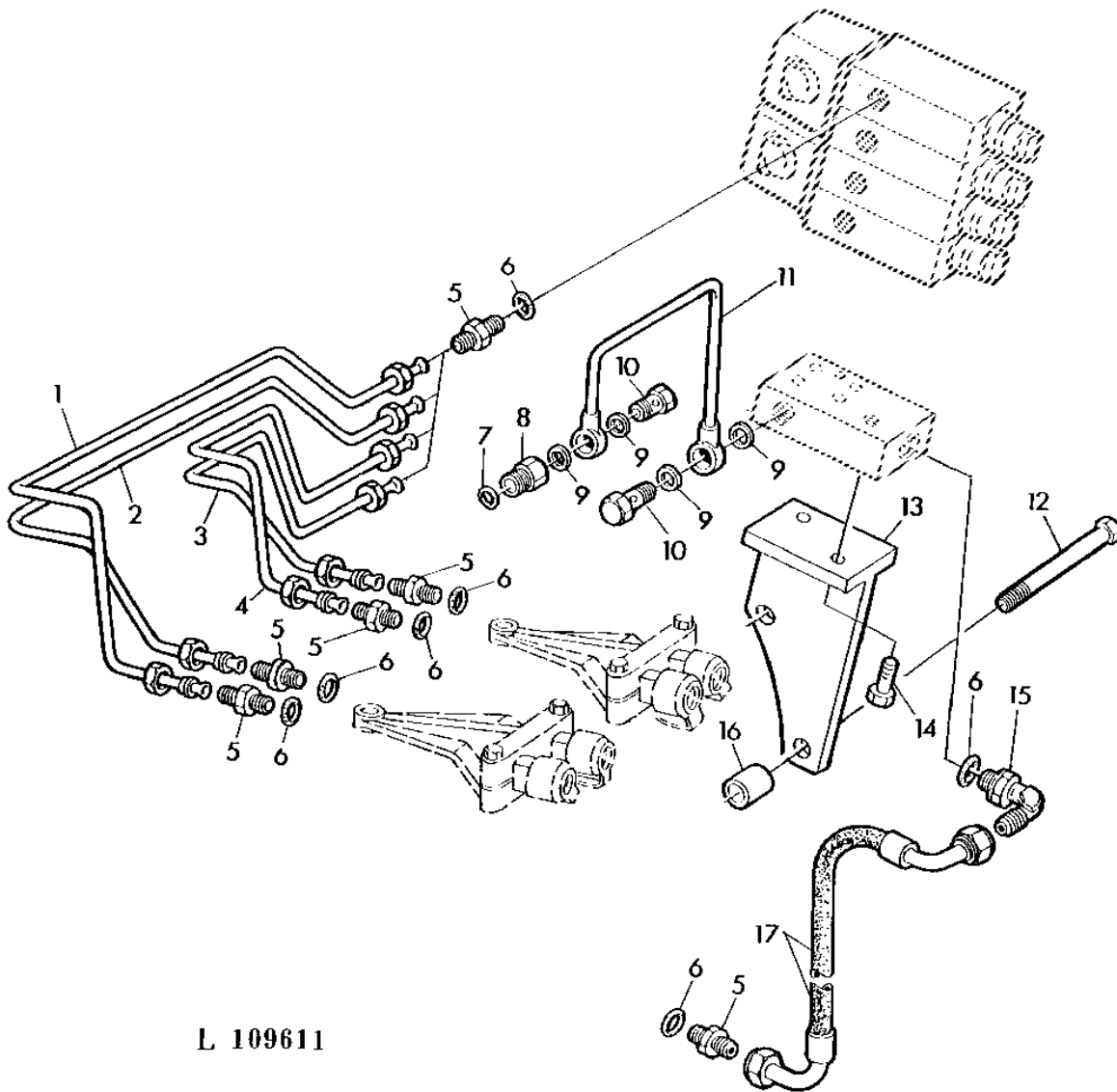
KEY	PART NO.	PART NAME	QTY	SERIAL NO.	REMARKS
				2	
				0 2	
				4 1	
				0 4	
				S 0	
1	AL36334	OIL LINE	1		X (SUB FOR AL30037)
2	AL36333	OIL LINE	1		X (SUB FOR AL30036)
3	AL36332	OIL LINE	1		X (SUB FOR AL30035)
4	AL36331	OIL LINE	1		X (SUB FOR AL30034)
5	R27237	FITTING	AR		X
6	R26375	O-RING	AR		X
7	AR26763	ELBOW FITTING	AR		X

3G15

HYDRAULIC SYSTEM

OIL LINES FOR REAR QUICK COUPLERS (WITH OPU CAB)
CONDUITES D'HUILE POUR RACCORDS RAPIDES ARRIERE(AVEC CABINE PPI)
OELLEITUNGEN FUER SCHNELLKUPPLUNGEN HINTEN (BEI FSC KABINE)
TUBAZIONI IDRAULICI PER GIUNTI RAPIDI POSTERIORI(CON CABINA OPU)
CONDUCTOS DE ACEITE PARA ACOPLAMIENTOS RAPIDOS TRASEROS(CON CABINA DE SEGURIDA
OLJELEDNINGAR FOR BAKRE SNABBKOPPLINGAR (VID OPU FORARHYTT)

L109611 -UN-06OCT95



L 109611

3G16

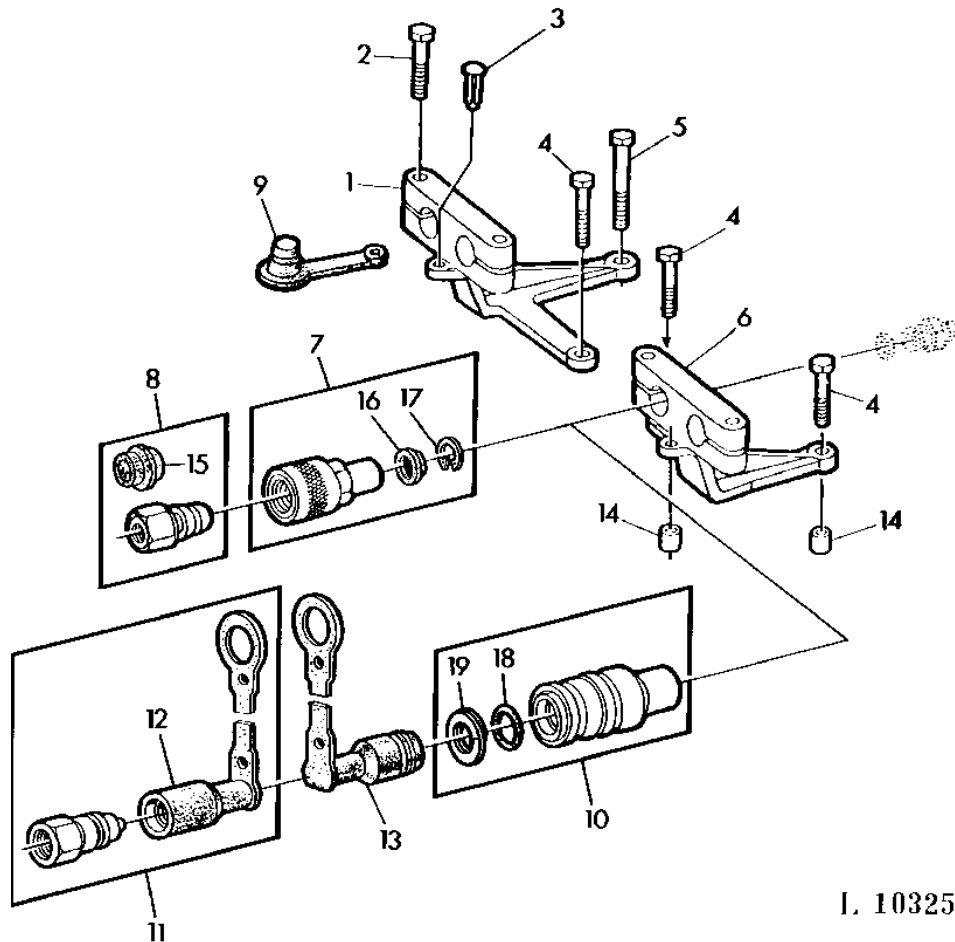
HYDRAULIC SYSTEM

KEY	PART NO.	PART NAME	QTY	SERIAL NO.	REMARKS
					2
					0 2
					4 1
					0 4
					S 0
1	AL28667	OIL LINE	1		X X REAR, LH
2	AL28666	OIL LINE	1		X X REAR, LH
3	AL28664	OIL LINE	1		X X REAR, RH
4	AL28665	OIL LINE	1		X X REAR, RH
5	R27237	FITTING	AR		X X
6	R26375	O-RING	AR		X X
7	R26906	O-RING	1		X X
8	T32201	FITTING	1		X X 7/8"X5/8"
9	51M4238	RING	4		X X 16X20MM
10	L63537	FITTING	2		X X (SUB FOR T32204)
11	AL32796	OIL LINE	1		X X
12	19H3231	CAP SCREW	2		X X 1/2"X8-1/4"
13	AL29858	BRACKET	1		X X
14	19H1900	CAP SCREW	2		X X 5/16"X3/4"
15	AR26763	ELBOW FITTING	1		X X 3/4"
16	L33975	SPACER	2		X X
17	AL35678	HYDRAULIC HOSE	1		X X (SUB FOR AL31095)

3G17

HYDRAULIC SYSTEM

QUICK DISCONNECT COUPLERS, REAR
ACCOUPEMENT RAPIDE ARRIERE
SCHNELLKUPPLUNG HINTEN
GIUNTI RAPIDI POSTERIORI
ACOPAMIENTO HIDRAULICO RAPIDO TRASERO
BAKRE SNABBKOPPLINGAR
L103256 -UN-06OCT95



L. 103256

3G18

HYDRAULIC SYSTEM

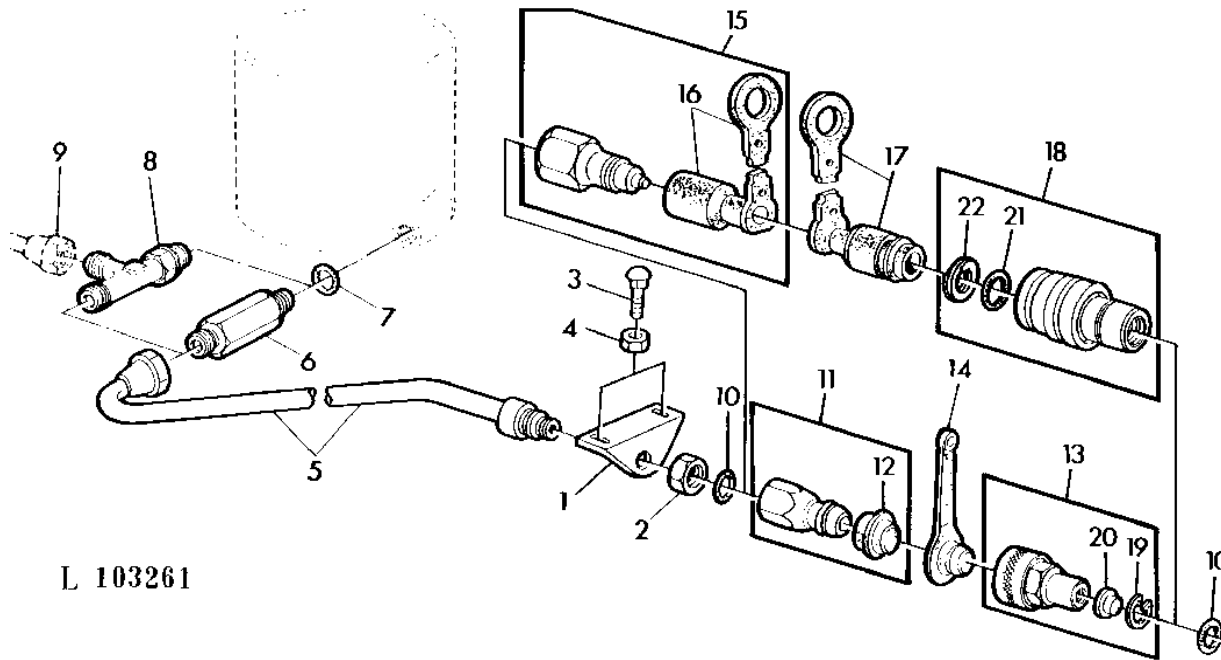
KEY	PART NO.	PART NAME	QTY	SERIAL NO.	REMARKS
					2
					0 2
					4 1
					0 4
					S 0
1	T22245	CLAMP	1		X X REAR, LH
2	19H1765	CAP SCREW	AR		X X 3/8"X1-3/4"
3	T22244	STUD	2		X X
4	19H1831	CAP SCREW	AR		X X 1/2"X2"
	19H1739	CAP SCREW	2		X X (A) 1/2"X4-1/2"
5	19H1974	CAP SCREW	1		X X 1/2"X2-3/4"
	19H1721	CAP SCREW	1		X X (A) 1/2"X2-1/2"
6	T22243	CLAMP	1		X X REAR,R.H.
7	AL27026	HYD. QUICK-CONNECT COUPLER	AR		X X "JOHN DEERE"
8	AL27019	INTERNAL HALF COUPLER	AR		X X "JOHN DEERE"
9	R80324	COVER	AR		X X (SUB FOR R32419)
10	AL26972	EXTERNAL HALF COUPLER	AR		X X "ISO"
11	AL26971	INTERNAL HALF COUPLER	AR		X X "ISO"
12	L31745	DUST SHIELD	AR		X X "ISO"
13	L31744	DUST SHIELD	AR		X X "ISO"
14	L32587	SPACER	2		X X (A)
15	R28006	CAP	AR		X X
16	L32513	SEALING WASHER	AR		X X
17	R33282	SNAP RING	AR		X X
18	L40690	O-RING	1		X X
19	L40691	BACK-UP RING	1		X X

(A) WITH OPU CAB
 AVEC CABINE PPI
 BEI FSC-KABINE
 CON CABINA OPU
 CON CABINA DE SEGURIDAD
 VID OPU FORARHYTT

3G19

HYDRAULIC SYSTEM

CONNECTING PARTS FOR HYDRAULIC MOTOR(FRONT)
 RACCORDS POUR MOTEUR HYDRAULIQUE(AVANT)
 TEILE FUER HYDRO-MOTOR-ANSCHLUSS(VORN)
 RACCORDI PER MOTORE IDRAULICO ANTERIORE
 RACORES PARA EL MOTOR HIDRAULICO(DELANTE)
 ANSLUTNINGAR FOR FRAMRE HYDRAULMOTOR
 L103261 -UN-06OCT95



L 103261

KEY	PART NO.	PART NAME	QTY	SERIAL NO.	REMARKS
				2	
				0 2	
				4 1	
				0 4	
				S 0	
1	L30191	RETAINER	1	X X	
2	R26627	NUT	1	X X	
3	03H2275	BOLT	2	X X	3/8"X5/8"
4	14H812	NUT	2	X X	3/8"
5	AL31664	OIL LINE	1	X	
	AL24697	OIL LINE	1	X	
6	T33164	FITTING	1	X X	
7	U12547	O-RING	1	X X	(SUB FOR F3171R APPL)
8	AT32429	TEE FITTING	1	X X	
9		1	X X	
10	R26375	O-RING	2	X X	
11	AL27019	INTERNAL HALF COUPLER	1	X X	"JOHN DEERE"
12	R28006	CAP	1	X X	
13	AL27026	HYD. QUICK-CONNECT COUPLER	1	X X	"JOHN DEERE"
14	R80324	COVER	1	X X	(SUB FOR R32419)
15	AL26971	INTERNAL HALF COUPLER	1	X X	"ISO"
16	L31745	DUST SHIELD	1	X X	"ISO"
17	L31744	DUST SHIELD	1	X X	"ISO"
18	AL26972	EXTERNAL HALF COUPLER	1	X X	"ISO"
19	R33282	SNAP RING	1	X X	
20	L32513	SEALING WASHER	1	X X	
21	L40690	O-RING	1	X X	
22	L40691	BACK-UP RING	1	X X	

3G20

HYDRAULIC SYSTEM

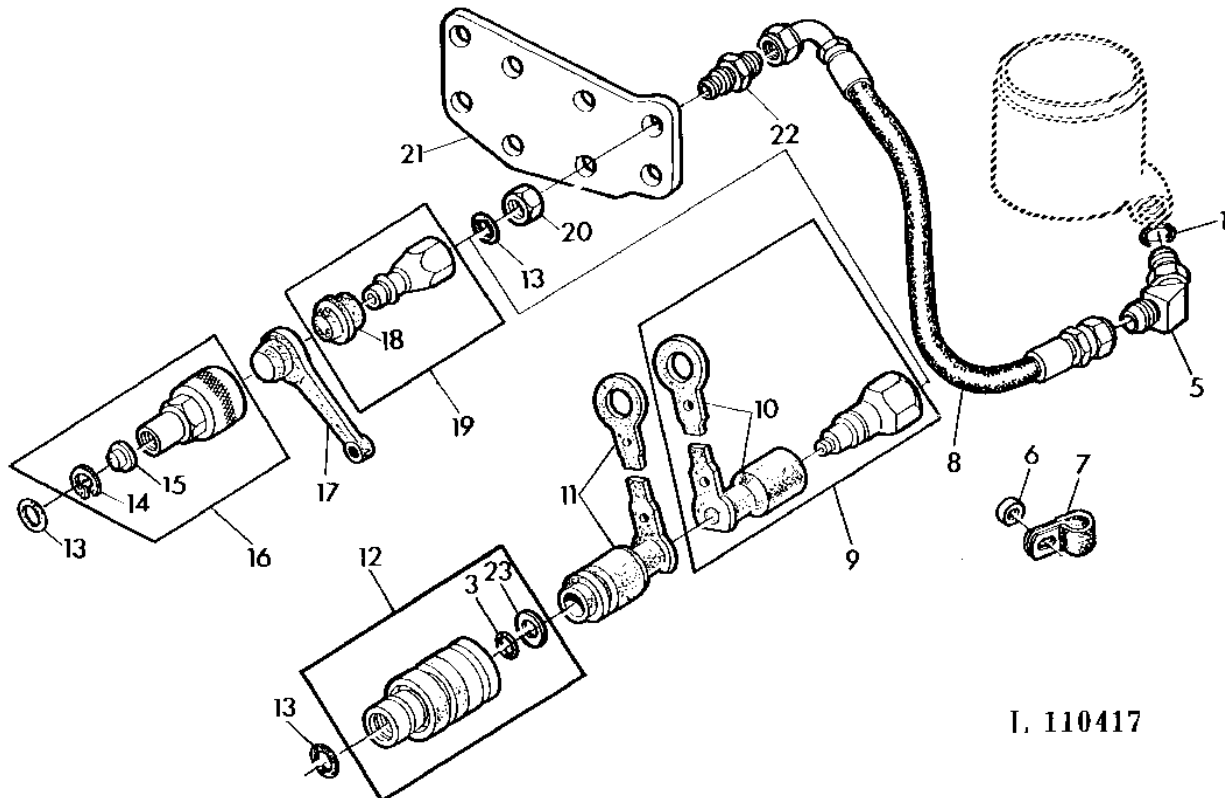
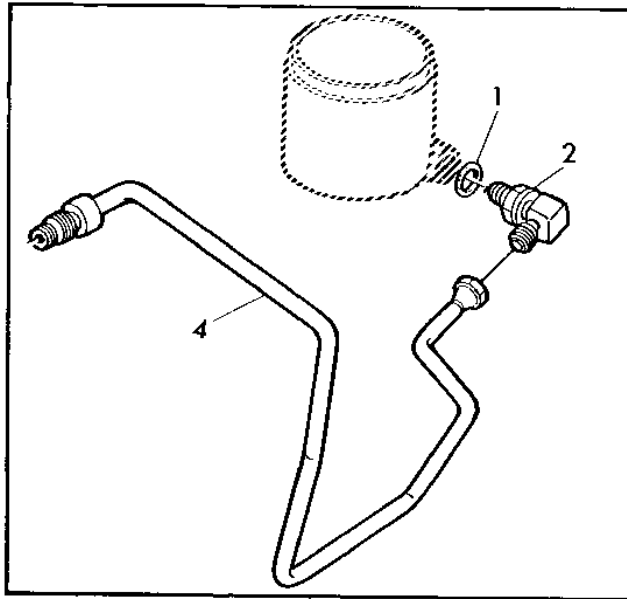
MEMORANDA
MEMORANDA
MEMORANDA
MEMORANDA
MEMORANDA

3G21

HYDRAULIC SYSTEM

CONNECTING PARTS FOR HYDRAULIC MOTOR (REAR)
RACCORDS POUR MOTEUR HYDRAULIQUE (ARRIERE)
TEILE FUER HYDRO-MOTOR-ANSCHLUSS (HINTEN)
RACCORDI PER MOTORE IDRAULICO POSTERIORE
RACORES PARA EL MOTOR HIDRAULICO (DETRAS)
ANSLUTNINGAR FOR BAKRE HYDRAULMOTOR

L110417 -UN-06OCT95



I. 110417

3G22

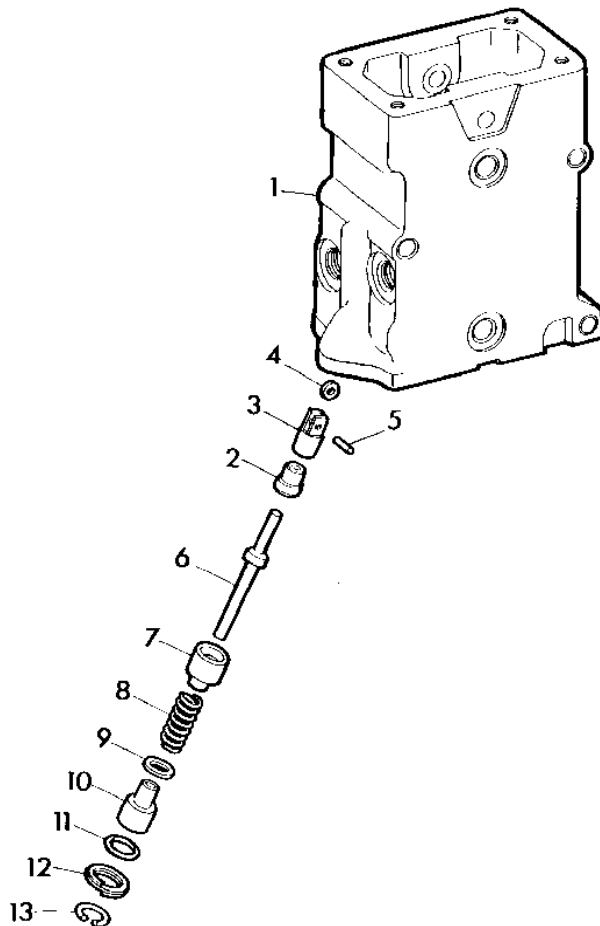
HYDRAULIC SYSTEM

KEY	PART NO.	PART NAME	QTY	SERIAL NO.	REMARKS
				2	
				0 2	
				4 1	
				0 4	
				S 0	
1	U12547	O-RING	1	X X	(SUB FOR F3171R APPL)
2	AT32331	ELBOW FITTING	1	X X	(SUB FOR AR26723)
3	L40690	O-RING	1	X X	
4	AL25714	OIL LINE	1	X X	
5	AT48506	ELBOW FITTING	1	X X	(SUB FOR AR28251)
6	L33629	SPACER	1	X X	
7	L37536	CLAMP	1	X X	
8	AL35123	HYDRAULIC HOSE	1	X X	
9	AL26971	INTERNAL HALF COUPLER	1	X X	"ISO"
10	L31745	DUST SHIELD	1	X X	"ISO"
11	L31744	DUST SHIELD	1	X X	"ISO"
12	AL26972	EXTERNAL HALF COUPLER	1	X X	"ISO"
13	R26375	O-RING	1	X X	
14	R33282	SNAP RING	1	X X	
15	L32513	SEALING WASHER	1	X X	
16	AL27026	HYD. QUICK-CONNECT COUPLER	1	X X	"JOHN DEERE"
17	R80324	COVER	1	X X	(SUB FOR R32419)
18	R28006	CAP	1	X X	
19	AL27019	INTERNAL HALF COUPLER	1	X X	"JOHN DEERE"
20	R26627	NUT	1	X X	
21	L30207	PLATE	1	X X	
22	L38047	ADAPTER	1	X X	
23	L40691	BACK-UP RING	1	X X	

3G23

HYDRAULIC SYSTEM

SELECTIVE CONTROL VALVE (POPPET TYPE)
DISTRIBUTEUR AUXILIAIRE (A SOUPAPE)
ZUSATZSTEUERGERAET (VENTILAUFSUEHRUNG)
DISTRIBUTORE AUSILIARIO (TIPO A FUNGO)
DISPOSITIVO DE MANDO AUXILIAR (CON VALVULA)
FJARREGLAGE (TALLRIKSTYP)
L22624 -UN-09OCT95



I. 22624

3G24

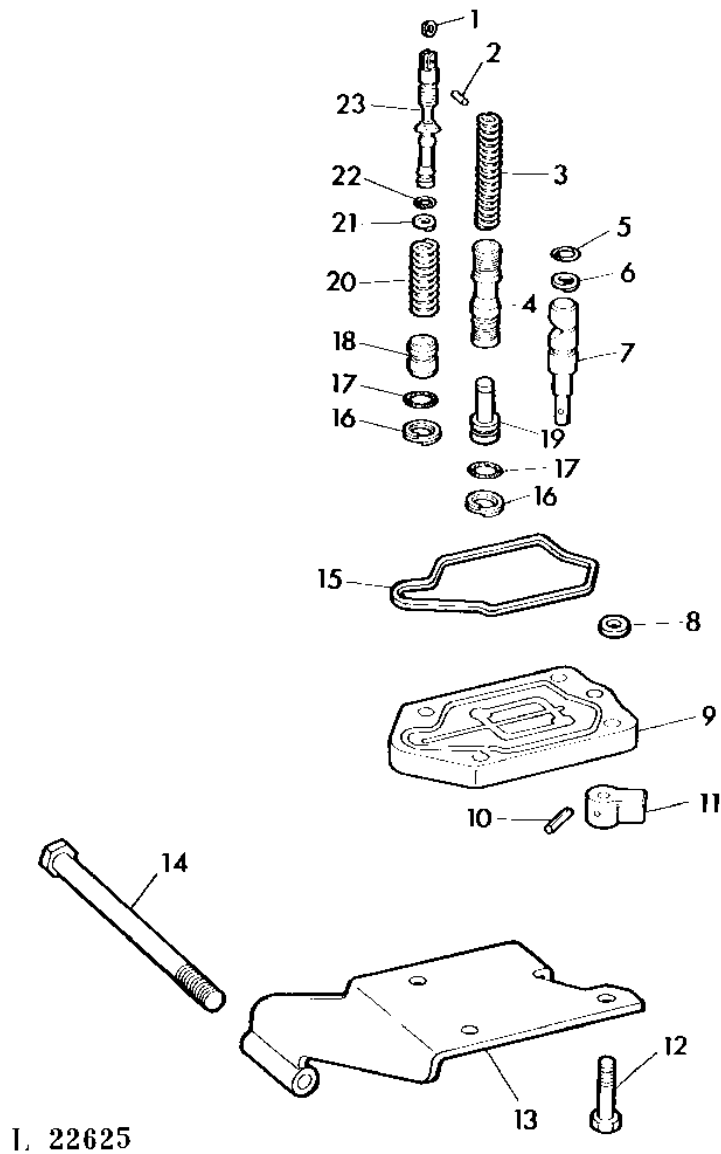
HYDRAULIC SYSTEM

KEY	PART NO.	PART NAME	QTY	SERIAL NO.	2 0 2 4 1 0 4 S 0	REMARKS
1	AR83549	HOUSING	1		X X	
2	R48978	GUIDE	1		X X	
3	R51410	CAM FOLLOWER	1		X X	
4	R51409	SPACER	1		X X	
5	R51411	PIN	1		X X	
6	R55398	PIN	1		X X	
7	R48980	PISTON	1		X X	
8	R41055	SPRING	1		X X	
9	T20229	WASHER	1		X X	
10	R55397	GUIDE	1		X X	
11	B2762R	O-RING	1		X X	
12	R26546	BACK-UP RING	1		X X	
13	R46722	SNAP RING	1		X X	

3H1

HYDRAULIC SYSTEM

SELECTIVE CONTROL VALVE (POPPET TYPE)
DISTRIBUTEUR AUXILIAIRE (A SOUPE)
ZUSATZSTEUERGERAET (VENTILAUSFUEHRUNG)
DISTRIBUTORE AUSILIARIO (TIPO A FUNGO)
DISPOSITIVO DE MANDO AUXILIAR (CON VALVULA)
FJARREGLAGE (TALLRIKSTYP)
L22625 -UN-09OCT95



I. 22625

3H2

HYDRAULIC SYSTEM

KEY	PART NO.	PART NAME	QTY	SERIAL NO.	REMARKS
				2	
				0 2	
				4 1	
				0 4	
				S 0	
1	R51409	SPACER	4	X X	
2	34H241	SPRING PIN	4	X X	1/8"X3/8"
3	R41549	SPRING	1	X X	
4	R52549	SHUT-OFF VALVE	1	X X	
5	P46051	O-RING	1	X X	
6	R40937	BACK-UP RING	1	X X	
7	R65289	VALVE	1	X X	
8	R41339	SHIM	1	X X	
9	R59629	CAP	1	X X	
10	34H231	SPRING PIN	1	X X	3/32"X3/4"
11	R62652	ARM	1	X X	(SUB FOR R41338)
12	19H1732	CAP SCREW	4	X X	3/8"X1-1/4"
	19H1800	CAP SCREW	4	X X	3/8"X1-1/2"
13	AL30548	BRACKET	1	X X	
14	08H4505	CAP SCREW	2	X X	1/2"X7-1/4"
15	R74695	WASHER	1	X X	(SUB FOR R49187)
16	R41057	BACK-UP RING	5	X X	
17	R27166	O-RING	5	X X	
18	R66416	BUSHING	4	X X	
19	R66916	STOP	1	X X	
20	R65501	SPRING	2	X X	(A)
	R65502	SPRING	2	X X	(B)
21	R26484	BACK-UP RING	2	X X	(A)
	R26484	BACK-UP RING	4	X X	(B)
22	R65286	O-RING	2	X X	(A)
	R65286	O-RING	4	X X	(B)
23	AR86535	VALVE	4	X X	INCL KEYS 1,2

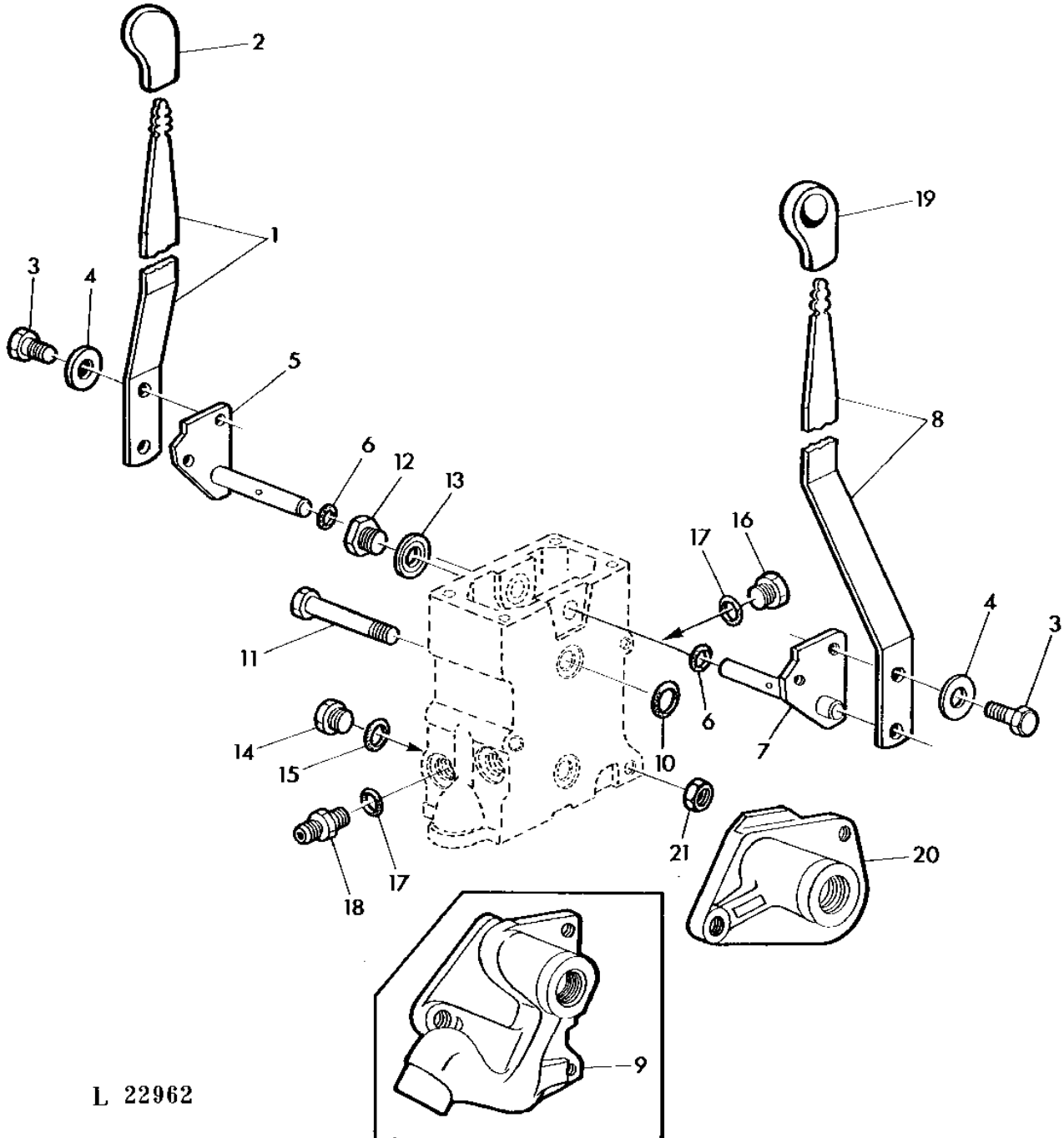
(A) OUTLET
 ECHAPPEMENT
 AUSLASS
 SCARICO
 ESCAPE
 UTLOPP

(B) INLET
 ADMISSION
 EINLASS
 INGRESSO
 ADMISION
 INLOPP

3H3

HYDRAULIC SYSTEM

SELECTIVE CONTROL VALVE (POPPET TYPE)
DISTRIBUTEUR AUXILIAIRE (A SOUPE)
ZUSATZSTEUERGERAET (VENTILAUSFUEHRUNG)
DISTRIBUTORE AUSILIARIO (TIPO A FUNGO)
DISPOSITIVO DE MANDO AUXILIAR (CON VALVULA)
FJARREGLAGE (TALLRIKSTYP)
L22962 -UN-05OCT95



L 22962

3H4

HYDRAULIC SYSTEM

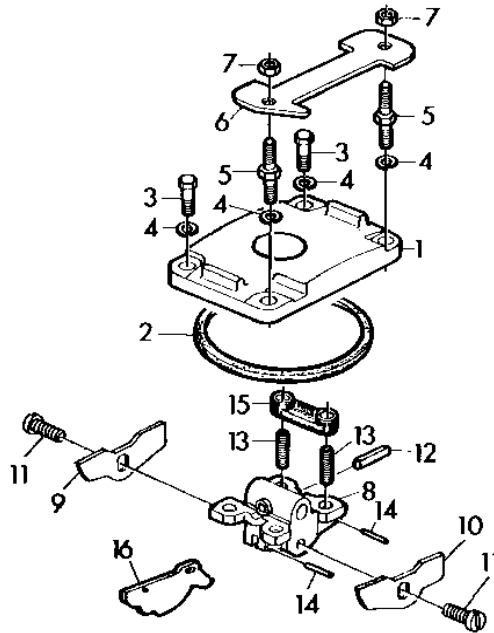
KEY	PART NO.	PART NAME	QTY	SERIAL NO.	2 0 2 4 1 0 4 S 0	REMARKS
1	T23071	LEVER	1		X X	(A)
2	L56926	GRIP	1		X X	(A) (SUB FOR R54275 APPL)
3	19H1895	CAP SCREW	AR		X X	1/2"X3/4"
4	24H1625	WASHER	AR		X X	17/32"X1"X.120"
5	AR39158	ARM	1		X X	(A)
6	R394R	O-RING	2		X X	
7	AR39157	ARM	1		X X	
8	T23069	LEVER	1		X X	
9	R39289	COVER	1	-362378	X	
10	R26149	PACKING	AR		X X	
11	19H1912	CAP SCREW	3		X	3/8"X3-1/2"
	08H4451	CAP SCREW	3		X	(A) 3/8"X6-1/2"
12	R41155	PLUG	1		X X	3/4"
13	AR26697	SEALING WASHER	1		X X	
14	R27218	FITTING PLUG	1		X X	
15	R26448	O-RING	1		X X	
16	R39112	FITTING	2		X X	3/4"
17	R26375	O-RING	4		X X	
18	R27237	FITTING	2		X X	3/4"
19	L56925	GRIP	1		X X	(SUB FOR R54274 APPL)
20	R69880	COVER	1	362379-	X X	
21	14H812	NUT	1	362379-	X X	(A) 3/8"

(A) TWO SELECTIVE CONTROL VALVES
 POUR DEUX DISTRIBUTEURS AUXILIAIRES DE COMMANDE
 FUER 2 ZUSATZSTEUERGERAETE
 PER 2 DISTRIBUTORI AUSILIARI
 PARA DOS DISP DE MANDO AUXILIARES
 FOR TVA FJARREGLAGE

3H5

HYDRAULIC SYSTEM

SELECTIVE CONTROL VALVE (POPPET TYPE)
 DISTRIBUTEUR AUXILIAIRE (A SOUPE)
 ZUSATZSTEUERGERAET (VENTILAUSFUEHRUNG)
 DISTRIBUTORE AUSILIARIO (TIPO A FUNGO)
 DISPOSITIVO DE MANDO AUXILIAR (CON VALVULA)
 FJARREGLAGE (TALLRIKSTYP)
 L121330 -UN-09OCT95



L121330

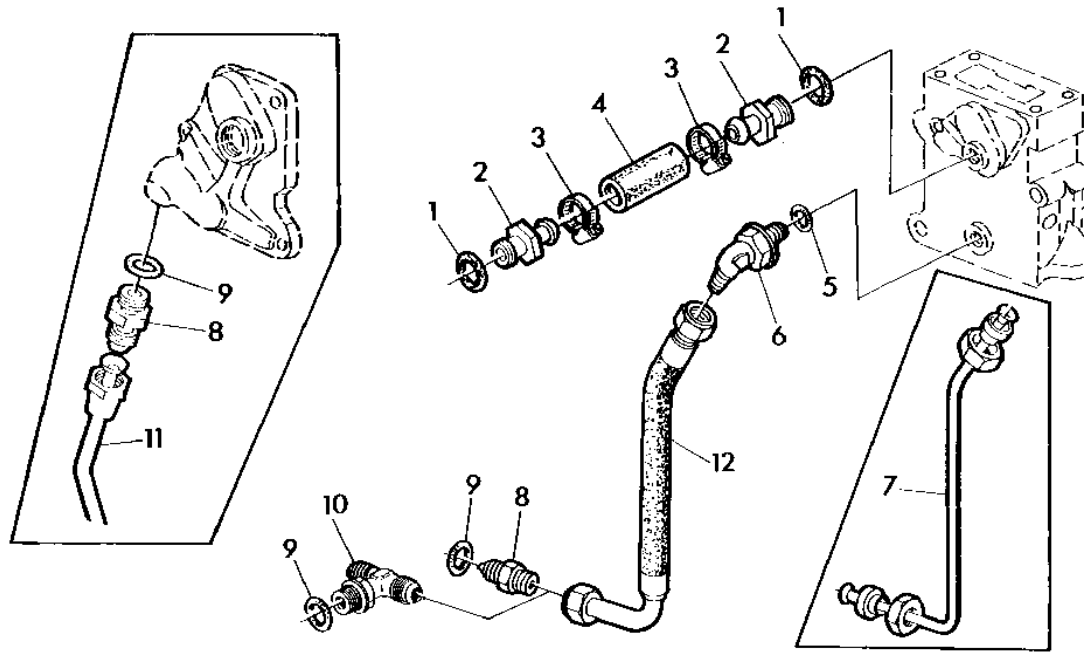
KEY	PART NO.	PART NAME	QTY	SERIAL NO.	REMARKS
				2	
				0 2	
				4 1	
				0 4	
				S 0	
1	R49186	COVER	1	X X	
2	R74695	WASHER	1	X X	(SUB FOR R49187)
3	19H1731	CAP SCREW	2	X X	3/8"X1"
4	12H304	LOCK WASHER	4	X X	3/8"
5	R39225	STUD	2	X X	
6	L40225	STOP	1	X X	(SUB FOR T22995)
7	14H732	NUT	2	X X	3/8"
8	R51412	ROCKER	1	X X	
9	R51414	CAM	1	X X	
10	R51415	CAM	1	X X	
11	R27233	SCREW	2	X X	
12	34H297	SPRING PIN	1	X X	7/32"X1"
13	22H1025	SET SCREW	4	X X	1/4"X7/8"
14	R28744	PIN	2	X X	
15	R49221	RETAINER	2	X X	
16	R51413	CAM	1	X X	

3H6

HYDRAULIC SYSTEM

OIL LINES FOR SELECTIVE CONTROL VALVE/POPPET TYPE
 CONDUITES D'HUILE DE DISTRIBUTEURS AUXILIAIRES A SOUPAPE
 OELLEITUNGEN FUER ZUSATZSTEUERGERAETE/VENTILAUSFUEHRUNG
 TUBAZIONI OLIO PER DISTRIBUTORI AUSILIARI(TIPO A FUNGO)
 TUBERIAS PARA DISPOSITIVOS DE MANDO AUXILIARES CON VALVULA
 HYDRAULLEDNINGAR FOR FJARREGLAGE(TALLRIKSTYP)

L117983 -UN-06OCT95



L 117983

2
0 2
4 1
0 4
S 0

KEY	PART NO.	PART NAME	QTY	SERIAL NO.	REMARKS
1	R26906	O-RING	2		X X
2	R39171	HOSE FITTING	2		X X
3	AL64588	CLAMP	2		X X (SUB FOR T439T, AR21837 APPL)
4	L61849	HOSE	1		X X (SUB FOR L36134)
5	R26448	O-RING	1		X X
6	AL55385	ELBOW FITTING	1	362379-	X X (SUB FOR AT35120)
7	AL33293	OIL LINE	1	362379-	X (A) (ORD AL35677)
	AL33294	OIL LINE	1	362379-	X (B) (ORD AL35677)
8	R27237	FITTING	AR		X X
9	R26375	O-RING	AR		X X
10	AL30020	TEE FITTING	1		X (A)
11	AL30029	OIL LINE	1	-362378	X (A) (ORD AL35677)
	AL30974	OIL LINE	1	-362378	X (B) (ORD AL35677)
12	AL35677	HYDRAULIC HOSE	1		X X (B) (SUB FOR AL30029, AL30974, AL33293, AL33294)
	AL37247	HYDRAULIC HOSE	1		X (A) (SUB FOR AL30029, AL30974, AL33293, AL33294, AL35677 APPL)

(A) WITH MANUAL STEERING
 AVEC DIRECTION MECANIQUE
 BEI MECHANISCHER LENKUNG
 CON STERZO MECCANICO
 CON DIRECCION MANUAL
 VID MEKANISK STYRNING

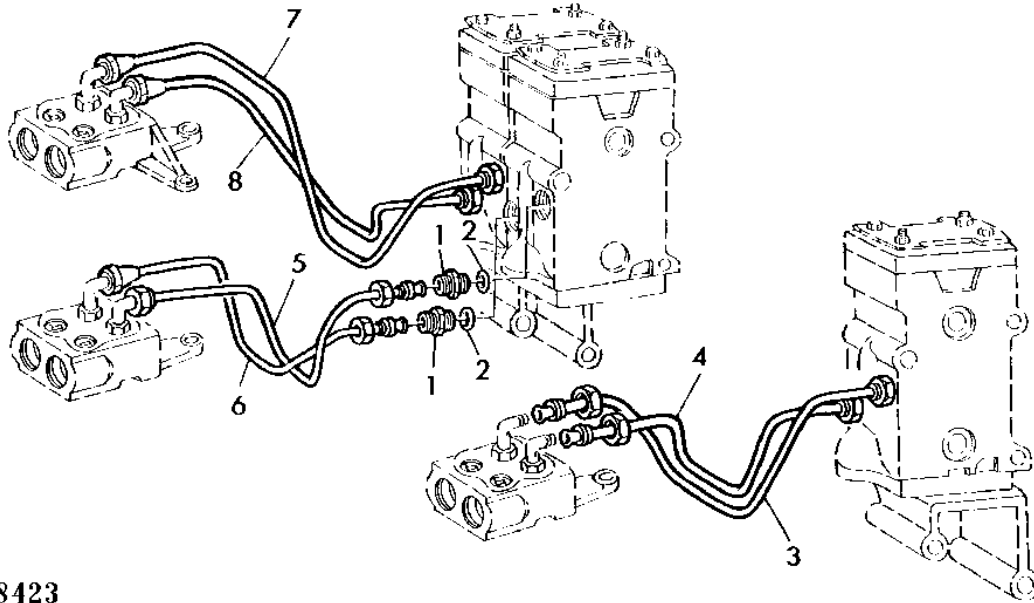
(B) WITH POWER STEERING
 AVEC DIRECTION ASSISTEE
 BEI HYDRAULISCHER LENKUNG
 CON STERZO IDRAULICO
 CON DIRECCION HIDRAULICA
 VID HYDRAULSTYRNING

3H7

HYDRAULIC SYSTEM

OIL LINES FOR BREAKAWAY COUPLERS
 CONDUITES D'HUILE POUR COUPLEURS DE SECURITE
 OELLEITUNGEN FUER ABREISSKUPPLUNGEN
 TUBAZIONI PER GIUNTI RAPIDI
 TUBERIAS PARA ACOPLAMIENTOS GIRATORIOS DE DOBLE BOLA
 OLJEROR FOR SNABBKOPPLINGAR MED RYCKUTLOSNING

L28423 -UN-05OCT95



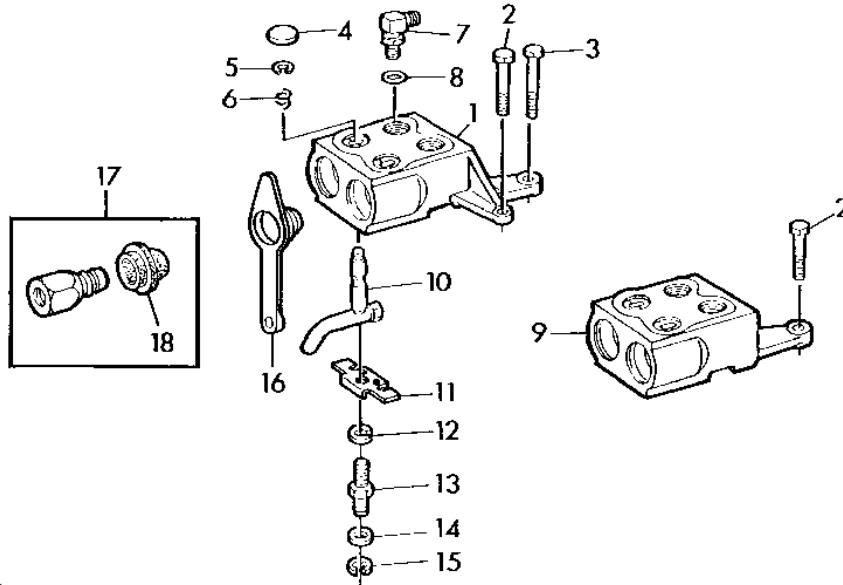
L 28423

KEY	PART NO.	PART NAME	QTY	SERIAL NO.	REMARKS
				2	
				0 2	
				4 1	
				0 4	
				S 0	
1	R27237	FITTING	AR	X X	
2	R26375	O-RING	AR	X X	
3	AL30042	OIL LINE	1	X X	UP
4	AL30043	OIL LINE	1	X X	LOW
5	AL30038	OIL LINE	1	X X	UP
6	AL30039	OIL LINE	1	X X	LOW
7	AL30040	OIL LINE	1	X X	UP
8	AL30041	OIL LINE	1	X X	LOW

3H8

HYDRAULIC SYSTEM

JOHN DEERE-BREAKAWAY COUPLER
 JOHN DEERE-COUPLEUR DE SECURITE
 JOHN DEERE-ABREISSKUPPLUNG
 JOHN DEERE-GIUNTO RAPIDO
 JOHN DEERE-ACOPLAMIENTO GIRATORIO DE DOBLE BOLA
 JOHN DEERE-SNABBKOPPLINGAR
 L109624 -UN-06OCT95



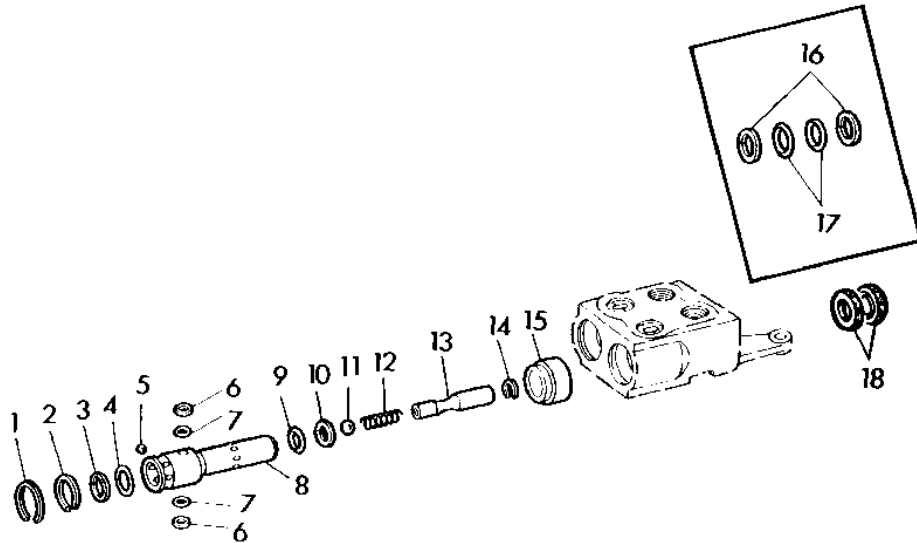
I. 109624

KEY	PART NO.	PART NAME	QTY	SERIAL NO.	REMARKS
				2	
				0 2	
				4 1	
				0 4	
				S 0	
1	AR52622	COUPLING	1	X X	LH (SUB FOR AR48297)
2	19H1831	CAP SCREW	AR	X X	1/2"X2"
3	19H1974	CAP SCREW	1	X X	1/2"X2-3/4"
4	30H15	PLUG	AR	X X	1-1/8"
5	R72653	SNAP RING	AR	X X	(SUB FOR M2396T)
6	R31890	SPRING	AR	X X	
7	AR26763	ELBOW FITTING	AR	X X	
8	R26375	O-RING	AR	X X	
9	AR52621	COUPLING	1	X X	RH (SUB FOR AR48296)
10	AR99100	LEVER	AR	X X	(SUB FOR AR33877)
11	AR75958	CAM	AR	X X	
12	12M7065	LOCK WASHER	AR	X X	8,1MM
13	R49191	SCREW	AR	X X	
14	24H1286	WASHER	AR	X X	9/32"X1/2"X.060"
15	R27507	SNAP RING	AR	X X	
16	R80324	COVER	AR	X X	(SUB FOR R32419)
17	AL27019	INTERNAL HALF COUPLER	AR	X X	
18	R28006	CAP	AR	X X	

3H9

HYDRAULIC SYSTEM

JOHN DEERE-BREAKAWAY COUPLER
 JOHN DEERE-COUPLEUR DE SECURITE
 JOHN DEERE-ABREISSKUPPLUNG
 JOHN DEERE-GIUNTO RAPIDO
 JOHN DEERE-ACOPLAMIENTO GIRATORIO DE DOBLE BOLA
 JOHN DEERE-SNABBKOPPLINGAR
 L34744 -UN-06OCT95



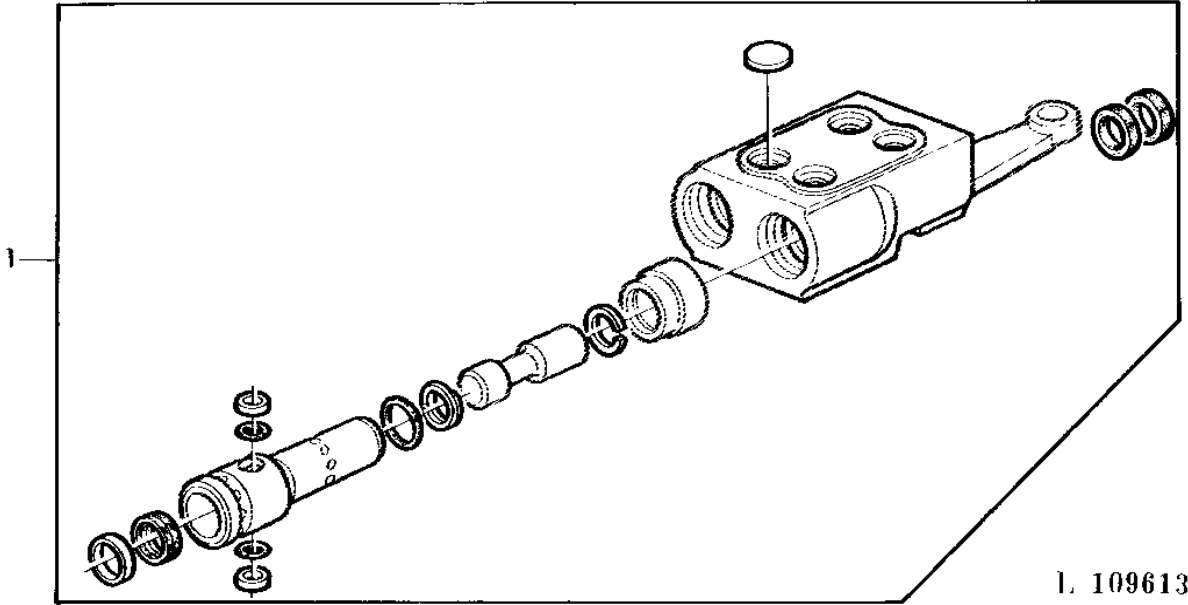
I. 34744

KEY	PART NO.	PART NAME	QTY	SERIAL NO.	REMARKS
				2	
				0 2	
				4 1	
				0 4	
				S 0	
1	R34399	SNAP RING	AR	X X	
2	R32356	SNAP RING	AR	X X	
3	R26485	BACK-UP RING	AR	X X	
4	R59343	RING	AR	X X	(SUB FOR R495R APPL)
5	R69281	BALL	AR	X X	(SUB FOR 400R APPL)
6	R26484	BACK-UP RING	AR	X X	
7	R65286	O-RING	AR	X X	(SUB FOR A3917R APPL)
8	R34397	SOCKET OUTLET	AR	X X	
9	R375R	O-RING	AR	X X	
10	R26482	RING	AR	X X	
11	D2361R	BALL	AR	X X	
12	R28084	SPRING	AR	X X	
13	R34400	PLUG	AR	X X	
14	R26483	SNAP RING	AR	X X	
15	R34398	SLEEVE	AR	X X	
16	R26480	BACK-UP RING	AR	X X	(ORD R79311)
17	A4730R	O-RING	AR	X X	(ORD R79311)
18	R79311	SEAL	AR	X X	(SUB FOR R65285, R74530)

3H10

HYDRAULIC SYSTEM

JOHN DEERE-BREAKAWAY COUPLER-SEAL RING SET
 JOHN DEERE-RACCORD DE SECURITE-JEU DE SOINTS
 JOHN DEERE-ABREISSKUPPLUNG-DICHTRINGSATZ
 JOHN DEERE-GIUNTO DI SCOLLEGAMENTO-CORR.DI ANELLI DI TENUTA
 JOHN DEERE-ACOPLAMIENTO RAPIDO DE SEGURIDAD-JUEGO DE JUNTAS
 JOHN DEERE-SNABBKOPPLINGAR-TATNINGSSATS
 L109613 -UN-06OCT95



1. 109613

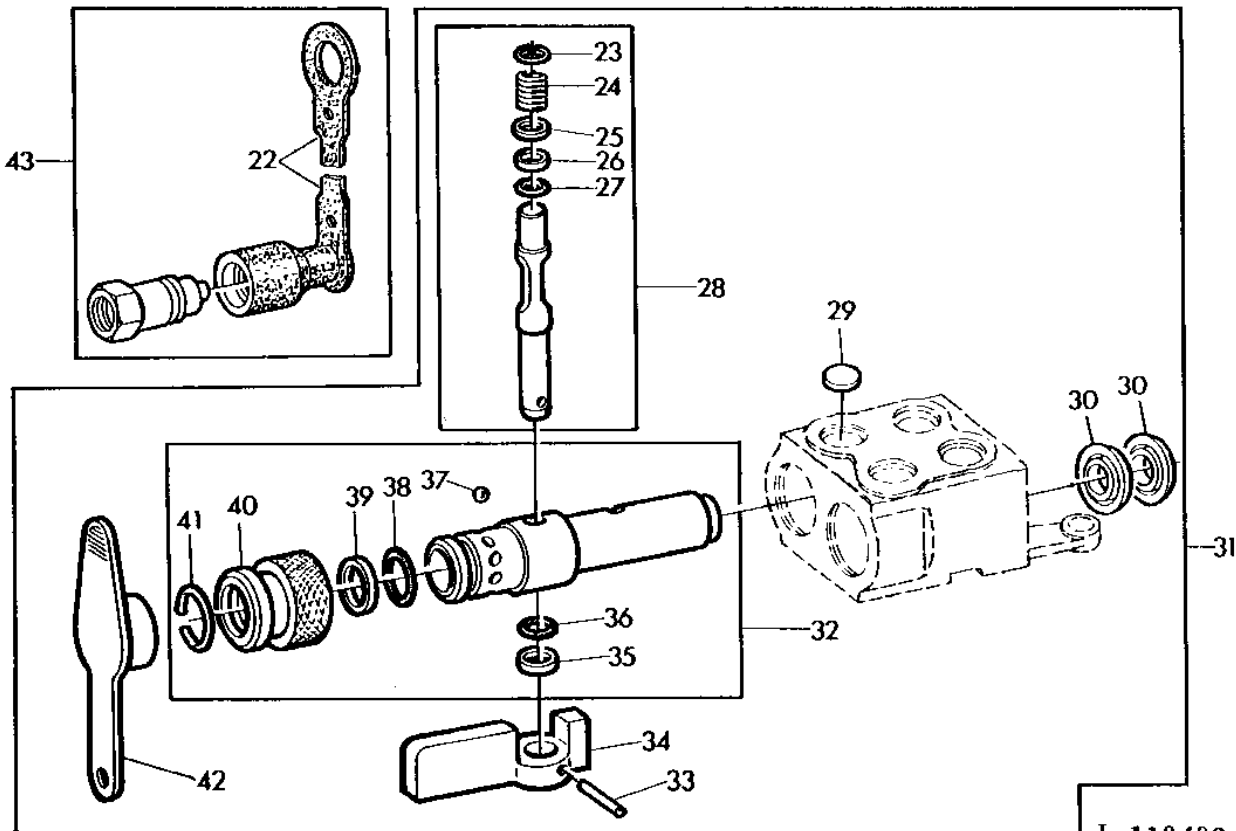
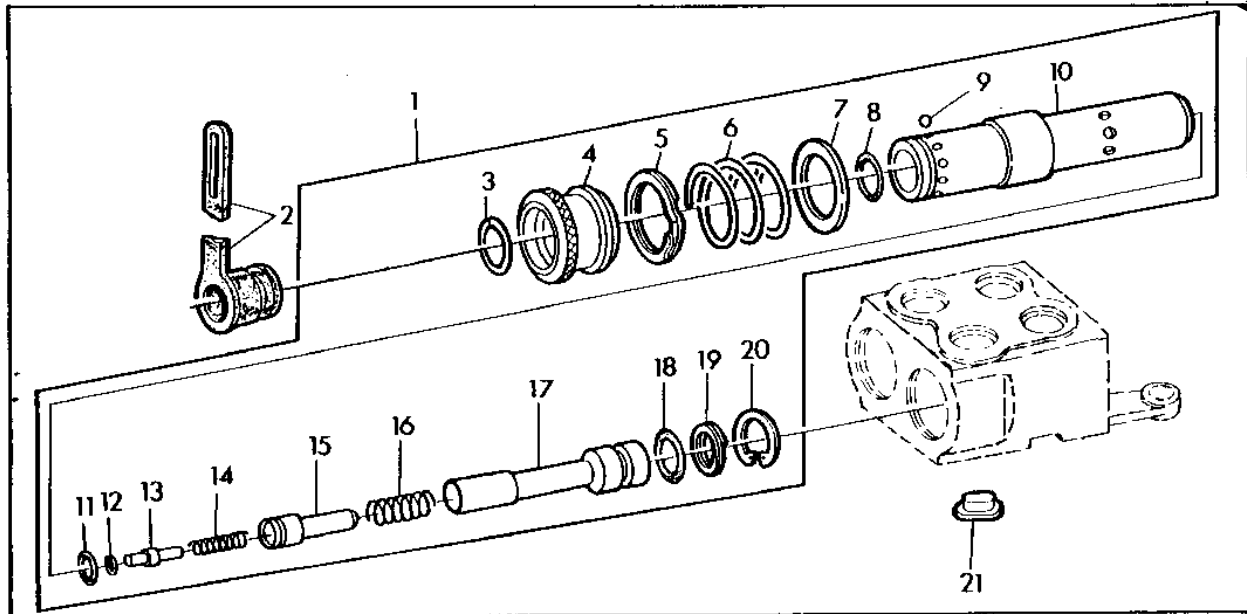
2
0 2
4 1
0 4
S 0

KEY	PART NO.	PART NAME	QTY	SERIAL NO.	REMARKS
1	AR82570	KIT	1	X X	

3H11

HYDRAULIC SYSTEM

CONVERSION PARTS FROM 3D TO ISO BREAKAWAY COUPLER
 PIECES DE CONVERSION COUPLEUR DE SECURITE JD EN ISO
 TEILE FUER UMBAU VON JD-AUF ISO-ABREISSKUPPLUNG
 PARTI PER CONVERTIRE GIUNTI RAPIDI JD IN GIUNTI ISO
 PIEZAS DEL ACOPL.RAPIDO DE SEGUR.PARA CAMBIAR DE JD A ISO
 DELAR FOR OMBYGGNAD AV JD SNABBKOPPLINGAR TILL ISO
 L110402 -UN-11JUL95



L 110402

3H12

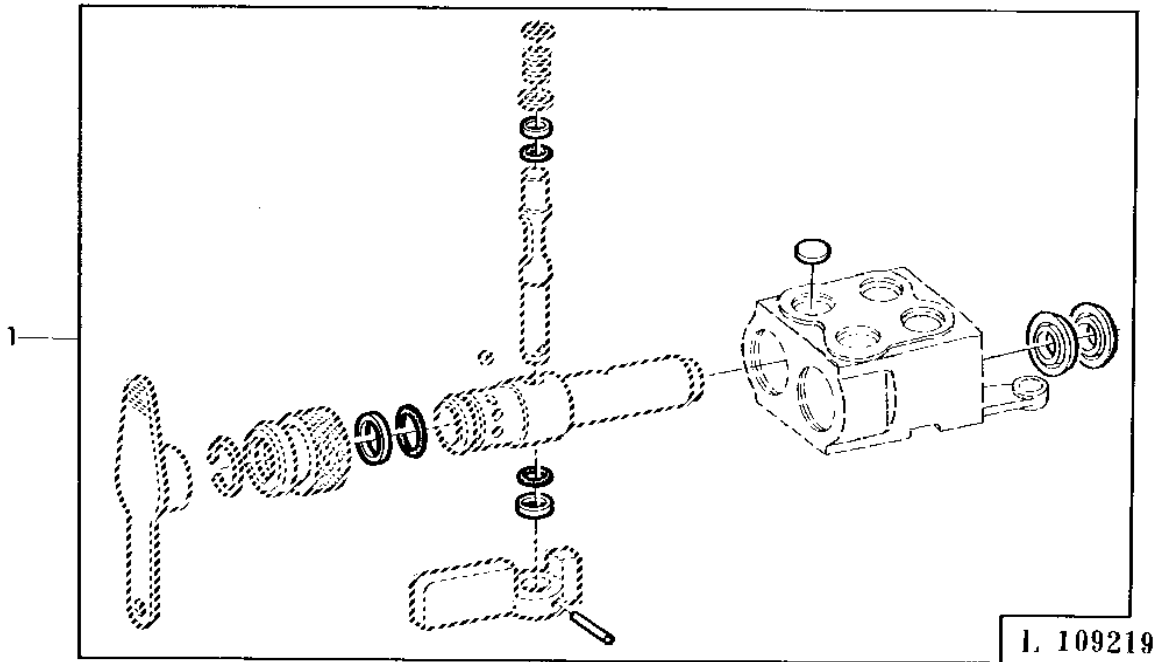
HYDRAULIC SYSTEM

KEY	PART NO.	PART NAME	QTY	SERIAL NO.	REMARKS
				2	
				0 2	
				4 1	
				0 4	
				S 0	
1	AR80892	BREAKAWAY COUPLER	2	X X	(A)
2	L62751	DUST SHIELD	AR	X X	(SUB FOR A15899)
3	R64617	SNAP RING	1	X X	(A)
4	R64618	SLEEVE	1	X X	(A)
5	R64615	SNAP RING	1	X X	(A)
6	R64609	SPRING	1	X X	(A)
7	R64608	WASHER	1	X X	(A)
8	R21722	O-RING	1	X X	
9	H871R	BALL	8	X X	(A) 4,8MM(3/16")
10	R64605	EXTERNAL HALF COUPLER	1	X X	(A)
11	R64613	O-RING	1	X X	(A)
12	R64614	SNAP RING	1	X X	(A)
13	R64612	PIN	1	X X	(A)
14	R64611	SPRING	1	X X	(A)
15	R64610	POPPET	1	X X	(A)
16	R64607	SPRING	1	X X	(A)
17	R64606	GUIDE	1	X X	(A)
18	R375R	O-RING	1	X X	(A)
19	R26482	RING	1	X X	(A)
20	U15969	SNAP RING	1	X X	(A)
21	R64561	PLUG	AR	X X	
22	L31745	DUST SHIELD	AR	X X	
23	R54242	SNAP RING	1	X X	
24	R78767	SPRING	1	X X	
25	R48698	WASHER	1	X X	
26	R31136	BACK-UP RING	1	X X	
27	R10093	O-RING	1	X X	
28	RE13814	SHAFT	2	X X	
29	30H15	PLUG	2	X X	
30	R79311	SEAL	4	X X	(SUB FOR R74530)
31	RE12121	RECEIVER	1	X X	
32	RE13813	RECEPTACLE	2	X X	
33	34H247	SPRING PIN	2	X X	
34	R78769	HANDLE	2	X X	
35	R78766	BACK-UP RING	1	X X	
36	P51212	O-RING	1	X X	
37	H871R	BALL	8	X X	4,8MM(3/16")
38	R74210	O-RING	1	X X	
39	R71387	WASHER	1	X X	
40	R78765	SLEEVE	1	X X	
41	40M4378	SNAP RING	1	X X	30X2MM
42	R78768	COVER	2	X X	
43	AL26971	INTERNAL HALF COUPLER	AR	X X	

3H13

HYDRAULIC SYSTEM

SEAL KIT FOR ISO BREAKAWAY COUPLERS
 JEU DE JOINTS POUR RACCORDS DE SECURITE ISO
 DICHTUNGSSATZ FUER ISO-ABREISSKUPPLUNG
 CORREDO GUARNIZIONI PER GIUNTI DI SCOLLEGAMENTO ISO
 JUEGO DE JUNTAS PARA ACOPL.RAPIDOS DE SEGURIDAD ISO
 TATNINGSSATS FOR ISO-SNABBKOPPLINGAR
 L109219 -UN-11JUL95



KEY	PART NO.	PART NAME	QTY	SERIAL NO.	REMARKS
1	RE13815	KIT	1	X X	

2
0 2
4 1
0 4
S 0

3H14

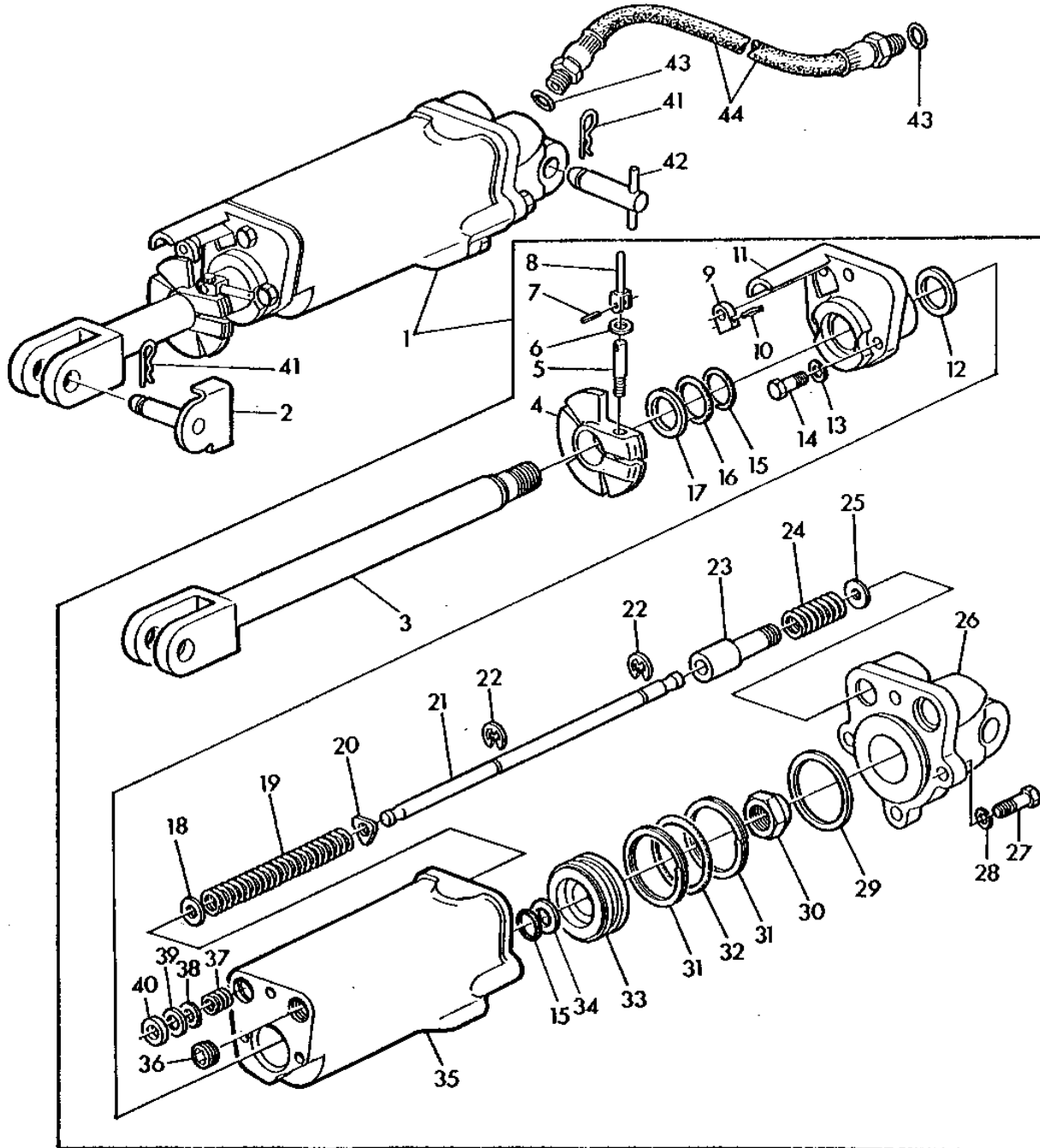
HYDRAULIC SYSTEM

MEMORANDA
MEMORANDA
MEMORANDA
MEMORANDA
MEMORANDA

3H15

HYDRAULIC SYSTEM

REMOTE CYLINDER WITH HYDRAULIC STOP (MODEL 5RC3)
VERIN DE COMMANDE A DISTANCE AVEC BUTEE HYDRAUL.(MODELE 5RC3)
FERNSTEUERZYLINDER MIT HYDRAUL.ANSCHLAG (MODELL 5RC3)
CILINDRO PER COMANDO A DIST.CON FERMO IDRAUL.(MOD.5RC3)
CILINDRO REMOTO CON TOPE HIDRAULICO (MODELO 5RC3)
FJARRHYDRAULCYLINDER MED HYDRAULISK STOPP (MODELL 5RC3)
L112237 -UN-01JAN94



L 112237

3H16

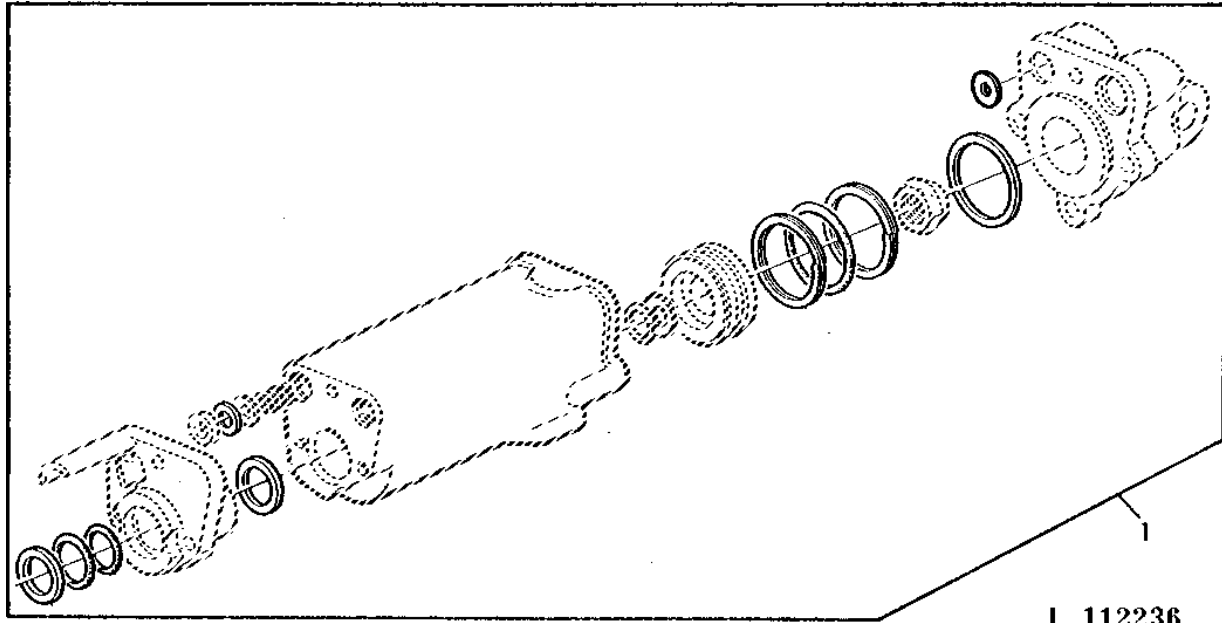
HYDRAULIC SYSTEM

KEY	PART NO.	PART NAME	QTY	SERIAL NO.	REMARKS
				2	
				0 2	
				4 1	
				0 4	
				S 0	
1	AR38239	HYDRAULIC CYLINDER	1	X X	
2	AR71902	PIN	1	X X	
3	AR38849	ROD	1	X X	
4	R39064	STOP	1	X X	
5	A5301R	SCREW	1	X X	
6	R1870R	WASHER	1	X X	
7	34H264	SPRING PIN	1	X X	5/32"X7/8"
8	A5302R	YOKE	1	X X	
9	R27426	ARM	1	X X	
10	25H760	GROOVE PIN	1	X X	7/32"X1-1/4"
11	A4732R	GUIDE	1	X X	
12	A4733R	WASHER	1	X X	
13	12H304	LOCK WASHER	3	X X	3/8"
14	19H2552	CAP SCREW	3	X X	3/8"X1-1/8"
15	A4730R	O-RING	2	X X	
16	A4731R	WASHER	1	X X	
17	AA5607R	SEAL	1	X X	
18	24H1301	WASHER	1	X X	13/32"X9/16"X0.060"
19	A4737R	SPRING	1	X X	
20	R57696	WASHER	1	X X	
21	A4736R	ROD	1	X X	
22	A4739R	RING	2	X X	
23	R39012	VALVE	1	X X	
24	R49352	SPRING	1	X X	
25	A4723R	WASHER	2	X X	
26	R39013	COVER	1	X X	
27	19H2473	CAP SCREW	4	X X	1/2"X1-3/4"
28	12H301	LOCK WASHER	4	X X	1/2"
29	R39029	WASHER	1	X X	
30	R38508	NUT	1	X X	
31	R39009	BACK-UP RING	2	X X	
32	L2104N	O-RING	1	X X	
33	R38537	PISTON	1	X X	
34	R26480	BACK-UP RING	1	X X	
35	R39006	CYLINDER	1	X X	
36	15H625	PIPE BUSHING	1	X X	1/2"
37	A4748R	SPRING ASSEMBLY	1	X X	
38	A4747R	WASHER	1	X X	
39	A4745R	PACKING	3	X X	
40	A4746R	ADAPTER	1	X X	
41	A3581R	SPRING LOCKING PIN	2	X X	
42	AR47825	PIN	1	X X	
43	R26375	O-RING	4	X X	
44	AR26407	HYDRAULIC HOSE	2	X X	I.D.=3/8",LGTH=2337MM(92")

3H17

HYDRAULIC SYSTEM

REMOTE CYLINDER SEAL RING SET (MODEL 5RC3)
 VERIN A DISTANCE, JEU DE JOINTS (MODELE 5RC3)
 FERNSTEUERZYLINDER-DICHTRINGSATZ (MODELL 5RC3)
 CILINDRO COMANDO A DISTANZA, SERIE GUARNIZIONI (MODELLO 5RC3)
 CILINDRO REMOTO-JUEGO DE JUNTAS (MODELO 5RC3)
 FJARRCYLINDER, PACKNINGSSATS (MODELL 5RC3)
 L112236 -UN-01JAN94



KEY	PART NO.	PART NAME	QTY	SERIAL NO.	REMARKS
1	AR38713	KIT	1	X X	

2
0 2
4 1
0 4
S 0

3H18

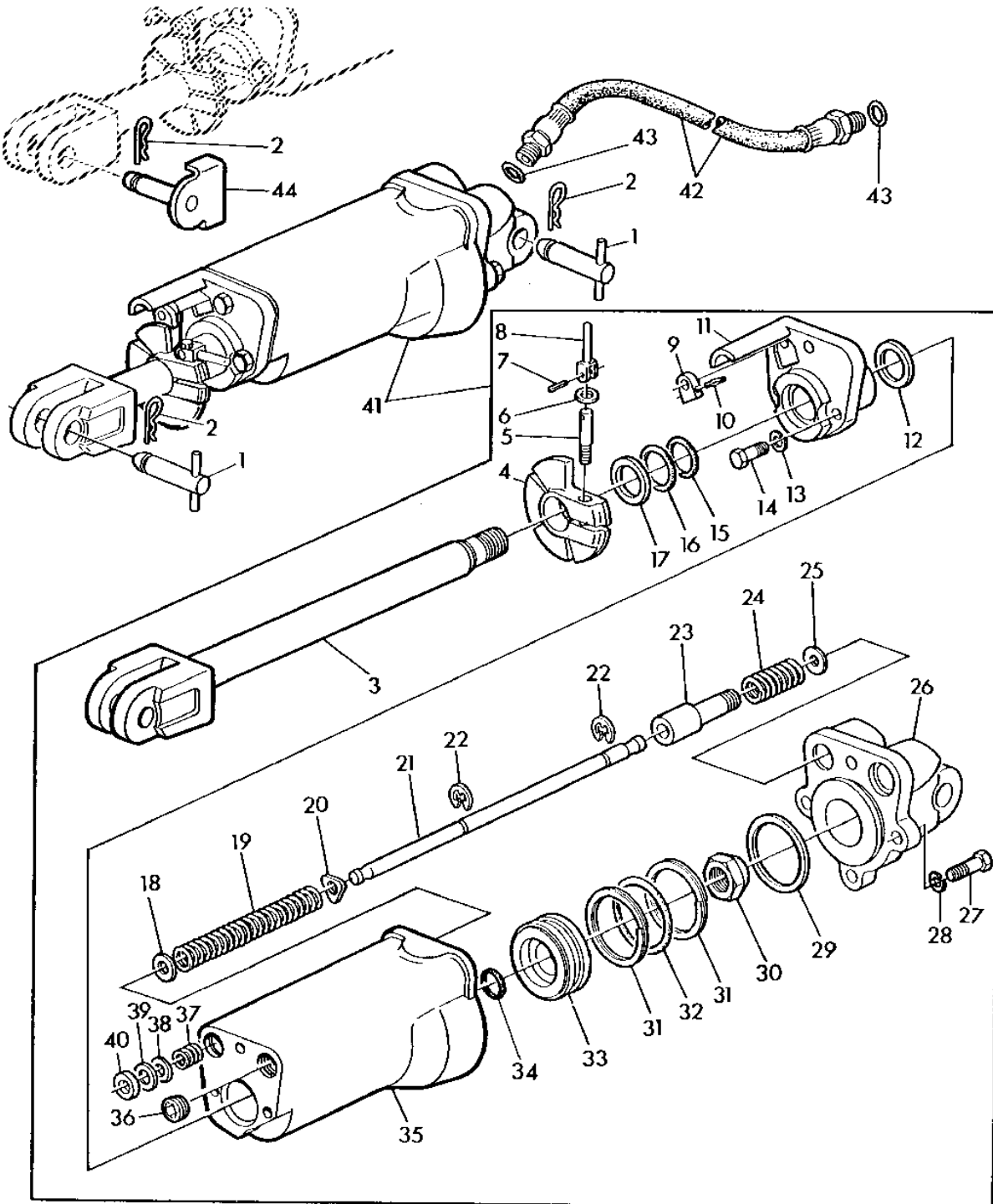
HYDRAULIC SYSTEM

MEMORANDA
MEMORANDA
MEMORANDA
MEMORANDA
MEMORANDA

3H19

HYDRAULIC SYSTEM

REMOTE CYLINDER WITH HYDRAULIC STOP (MODEL 6RC1)
VERIN DE COMMANDE A DISTANCE AVEC BUTEE HYDRAU.(MODELE 6RC1)
FERNSTEUERZYLINDER MIT HYDRAUL.ANSCHLAG (MODELL 6RC1)
CILINDRO PER COMANDO A DIST.CON FERMO IDRAUL.(MOD.6RC1)
CILINDRO REMOTO CON TOPE HIDRAULICO (MODELO 6RC1)
FJARRHYDRAULCYLINDER MED HYDRAUL.STOPP (MOD.6RC1)
L116706 -UN-12MAY95



L 116706

3H20

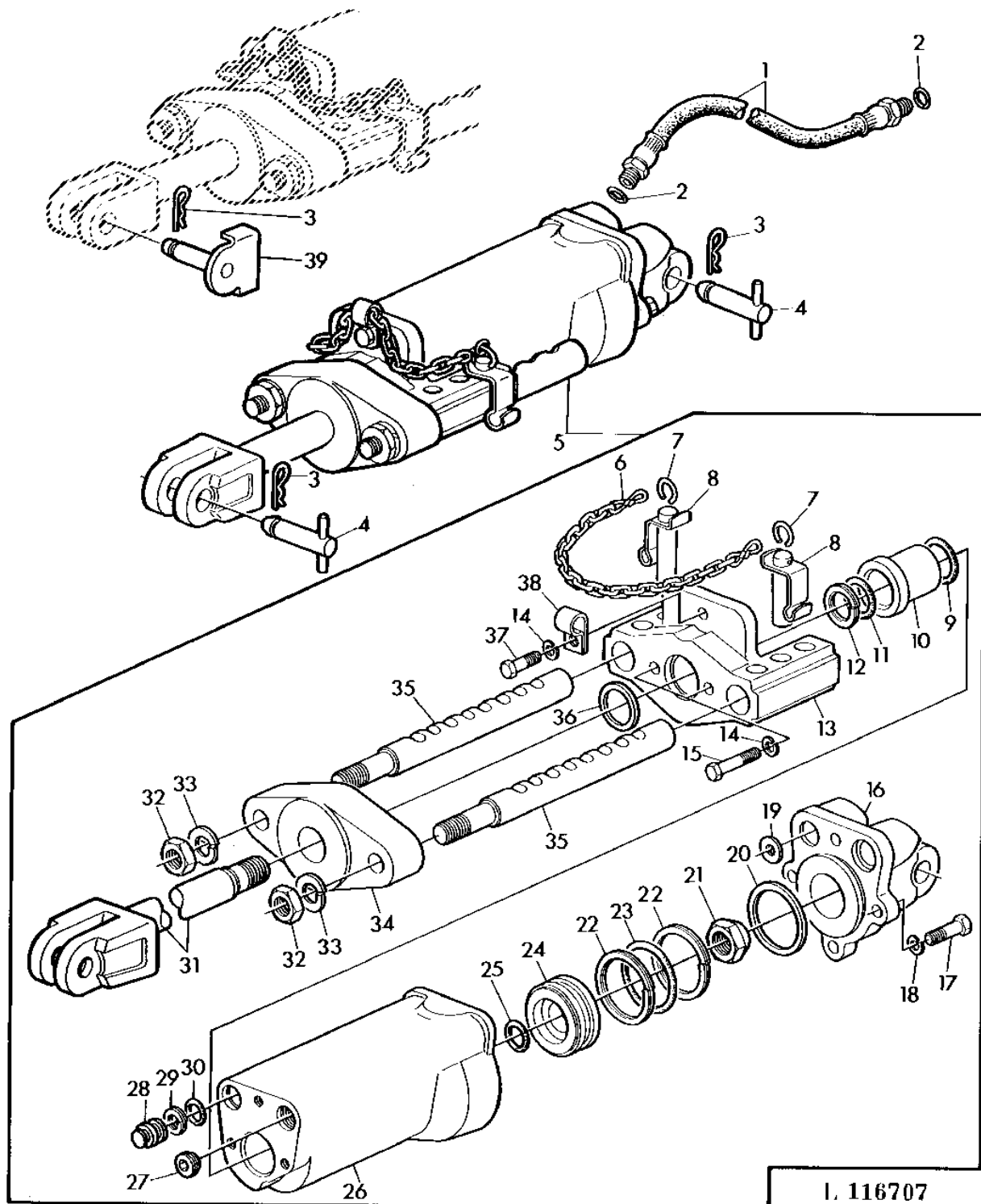
HYDRAULIC SYSTEM

KEY	PART NO.	PART NAME	QTY	SERIAL NO.	REMARKS
				2	
				0 2	
				4 1	
				0 4	
				S 0	
1	AR47825	PIN	AR		
2	A3581R	SPRING LOCKING PIN	2		X X
3	AR97248	ROD	1		X X
4	R35448	STOP	1		X X
5	A5301R	SCREW	1		X X
6	R1870R	WASHER	1		X X
7	34H264	SPRING PIN	1		X X 5/32"X7/8"
8	A5302R	YOKE	1		X X
9	R27426	ARM	1		X X
10	25H760	GROOVE PIN	1		X X 7/32"X1-1/4"
11	R72117	GUIDE	1		X X
12	F1441R	WASHER	1		X X
13	12H304	LOCK WASHER	3		X X 3/8"
14	19H1731	CAP SCREW	3		X X 3/8"X1"
15	R29463	O-RING	1		X X
16	R35473	BACK-UP RING	1		X X
17	R35738	SEAL	1		X X
18	24H1301	WASHER	1		X X 13/32"X9/16"X.060"
19	A4737R	SPRING	1		X X
20	R57696	WASHER	1		X X
21	A4736R	ROD	1		X X
22	A4739R	RING	2		X X
23	R39012	VALVE	1		X X
24	R49352	SPRING	1		X X
25	A4723R	WASHER	2		X X
26	R72134	HYDRAULIC CYLINDER CAP	1		X X
27	19H2473	CAP SCREW	4		X X 1/2"X1-3/4"
28	12H301	LOCK WASHER	4		X X 1/2"
29	A4722R	WASHER	1		X X
30	R72120	NUT	1		X X
31	R27649	BACK-UP RING	2		X X
32	A4728R	O-RING	1		X X
33	R72697	PISTON	1		X X
34	U15192	O-RING	1		X X
35	R72116	HYDRAULIC CYLINDER BARREL	1		X X
36	15H624	PIPE PLUG	1		X X 1/2"
37	A4748R	SPRING ASSEMBLY	1		X X
38	A4747R	WASHER	1		X X
39	A4745R	PACKING	3		X X
40	A4746R	ADAPTER	1		X X
41	AR94790	CYLINDER	1		X X
42	AL65417	HYDRAULIC HOSE	2		X X (SUB FOR AR26407)
43	R26375	O-RING	4		X X
44	AR71902	PIN	1		X X

3H21

HYDRAULIC SYSTEM

REMOTE CYLINDER WITH MECHANICAL STOP (MODEL 7RC1)
VERIN DE COMMANDE A DISTANCE AVEC BUTEE MEC.(MODELE 7RC1)
FERNSTEUERZYLINDER MIT MECHANISCHEM ANSCHLAG(MODELL 7RC1)
CILINDRO PER COMANDO A DIST.CON FERMO MECC.(MOD.7RC1)
CILINDRO REMOTO CON TOPE MECANICO (MODELO 7RC1)
FJARRHYDRAULCYLINDER MED MEKANISK STOPP (MOD. 7RC1)
L116707 -UN-12MAY95



3H22

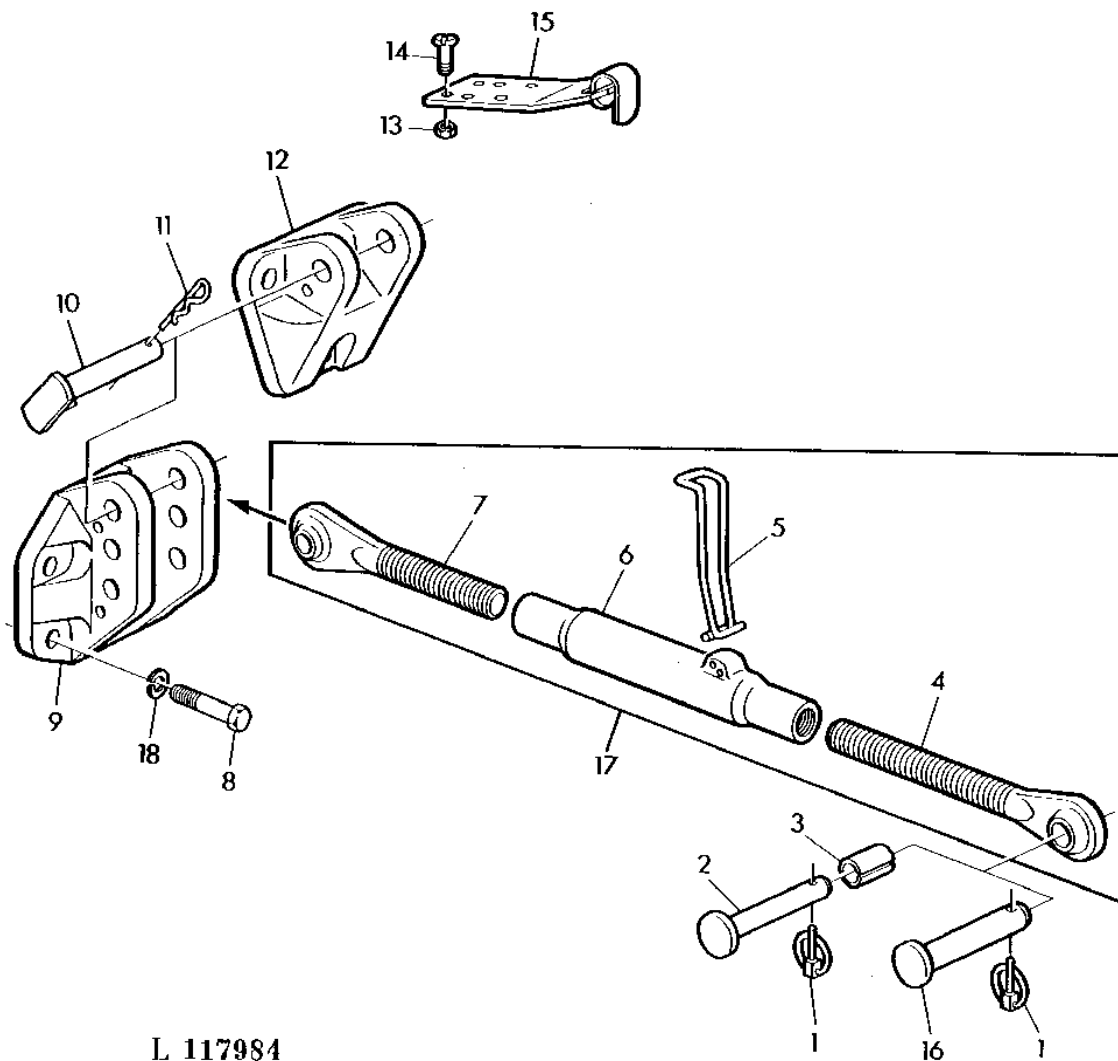
HYDRAULIC SYSTEM

KEY	PART NO.	PART NAME	QTY	SERIAL NO.	REMARKS
				2	
				0 2	
				4 1	
				0 4	
				S 0	
1	AL65417	HYDRAULIC HOSE	2		(SUB FOR AR26407)
2	R26375	O-RING	4		
3	A3581R	SPRING LOCKING PIN	2		
4	AR47825	PIN	AR		
5	AR94791	CYLINDER	1		
6	R49193	LINK CHAIN	1		
7	D2913R	LINK	2		
8	AR68145	QUICK LOCK PIN	2		
9	F1441R	WASHER	1		
10	R36951	GUIDE	1		
11	R29463	O-RING	1		
12	R35473	BACK-UP RING	1		
13	R93053	GUIDE	1		(SUB FOR R44285)
14	12H304	LOCK WASHER	3		3/8"
15	19H1726	CAP SCREW	2		3/8"X2-1/4"
16	R72134	HYDRAULIC CYLINDER CAP	1		
17	19H2473	CAP SCREW	4		1/2"X1-3/4"
18	12H301	LOCK WASHER	4		1/2"
19	A4723R	WASHER	2		
20	A4722R	WASHER	1		
21	R72120	NUT	1		
22	R27649	BACK-UP RING	2		
23	A4728R	O-RING	1		
24	R72697	PISTON	1		
25	U15192	O-RING	1		
26	R72116	HYDRAULIC CYLINDER BARREL	1		
27	15H624	PIPE PLUG	1		1/2"
28	R34131	PLUG	1		
29	R32588	BACK-UP RING	1		
30	R459R	O-RING	1		
31	AR97248	ROD	1		
32	14H905	NUT	2		3/4"
33	12H236	LOCK WASHER	2		3/4"
34	R36952	STOP	1		
35	R44287	ROD	2		
36	R35738	SEAL	1		
37	19H2552	CAP SCREW	1		3/8"X1-1/8"
38	T13073	CLIP	1		
39	AR71902	PIN	1		

3H23

HYDRAULIC SYSTEM

THREE POINT HITCH CENTER LINK
ATTELAGE 3 POINTS BARRE DE POUSEE
DREIPUNKTAUFHAENGUNG-OBERER LENKER
ATTACCO 3 PUNTI, TERZO PUNTO
ENGANCHE EN TRES PUNTOS, TENSOR CENTRAL
TREPUNKTSLYFT, TOPPSTANG
L117984 -UN-12MAY95



L 117984

3H24

HYDRAULIC SYSTEM

KEY	PART NO.	PART NAME	QTY	SERIAL NO.	REMARKS
				2	
				0 2	
				4 1	
				0 4	
				S 0	
1	B11182	QUICK LOCK PIN	1		X X
2	R44917	PIN	1		X X (A) REAR
3	L11292	BUSHING	1		X X (A)
4	AL39171	CENTER LINK END	1		X X REAR,1-1/8" (SUB FOR AL18136)
5	T27136	HANDLE	1		X X
6	AL18135	LINK BODY	1		X X
7	AL39172	CENTER LINK END	1		X X FRONT,1-1/8" LH (SUB FOR AT23759)
8	19H1734	CAP SCREW	3		X X 5/8"X2" (SUB FOR 19H1708)
9	L32978	BRACKET	1		X X
10	AL40957	PIN	1		X X (SUB FOR AT21912)
11	A3581R	SPRING LOCKING PIN	1		X X
12	T21685	BRACKET	1		X X
13	14H785	NUT	2		X X 5/16"
14	21H1331	SCREW	2		X X 5/16"X1"
15	AL63296	SUPPORT	1		X X
16	R53296	PIN	1		X X (B) REAR
17	AL39170	CENTER LINK	1		X X
18	12H294	LOCK WASHER	3		X X 5/8"

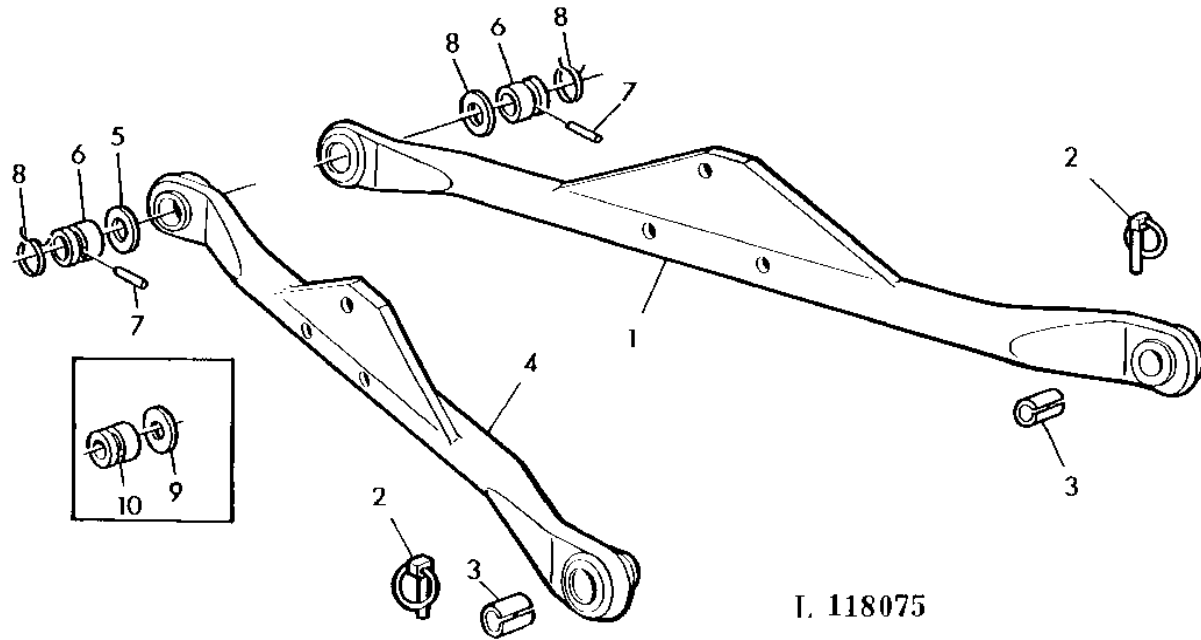
(A) CATEGORY I
 CATEGORIE I
 KATEGORIE I
 CATEGORIA I
 CATEGORIA I
 KATEGORI I

(B) CATEGORY II
 CATEGORIE II
 KATEGORIE II
 CATEGORIA II
 CATEGORIA II
 KATEGORI II

3H25

HYDRAULIC SYSTEM

THREE-POINT HITCH-REVERSIBLE DRAFT LINKS
 ATTELAGE TROIS-POINTS-BARRES DE TRACTION REVERSIBLES
 DREIPUNKTAUFHAENGUNG UMKEHR-UNTERLENKER
 ATTACCO A TRE PUNTI-PARALLELE RIVERSIBILI
 ENGANCHE DE TRES PUNTOS-BARRAS DE TIRO REVERSIBLES
 TREPUNKTSUPPHANGNING-VANDBARA DRAGARMAR
 L118075 -UN-09OCT95



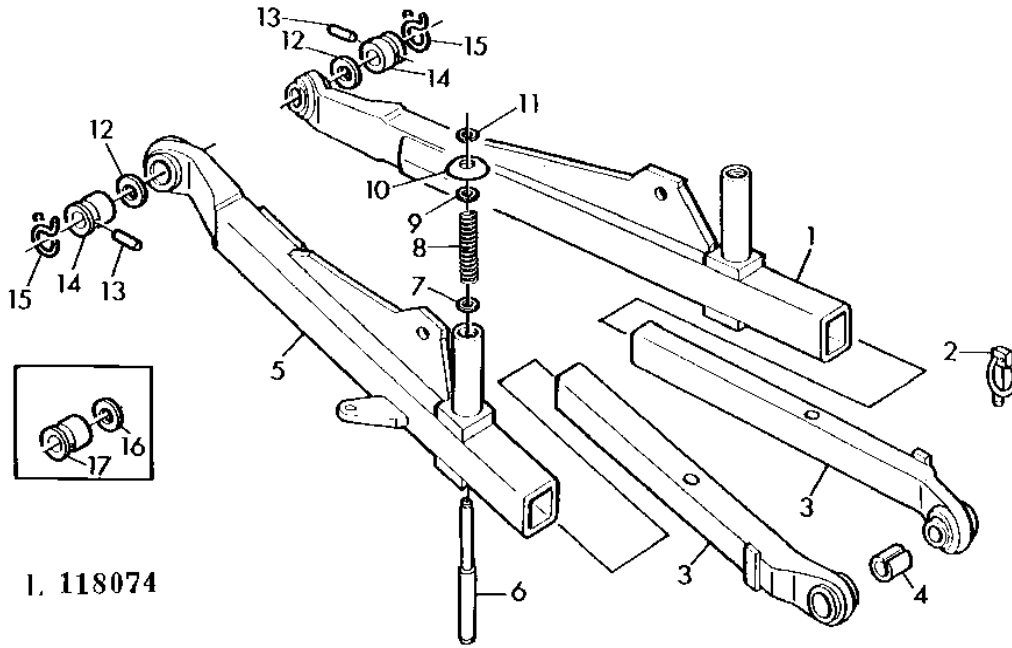
I. 118075

2
0 2
4 1
0 4
S 0

KEY	PART NO.	PART NAME	QTY	SERIAL NO.	REMARKS
1	AL26682	DRAFT LINK	1	X X	R.H.
2	AR62149	QUICK LOCK PIN	2	X X	
3	T25767	BUSHING	2	X X	(A) ,REAR
4	AL26683	DRAFT LINK	1	X X	L.H.
5	L41154	WASHER	AR	X X	I.D.=29,1MM
6	L41788	BUSHING	2	X X	I.D.=28,1MM
7	L26943	PIN	2	X X	
8	L26936	CLAMP	2	X X	
9	R63937	WASHER	AR	X X	I.D.=26,5MM
10	L26941	BUSHING	2	X X	I.D.=25,5MM

(A) CATEGORY I
 CATEGORIE I
 KATEGORIE I
 CATEGORIA I
 CATEGORIA I
 KATEGORI I

THREE-POINT HITCH-TELESCOPIC DRAFT LINKS
 ATTELAGE TROIS-POINTS-BARRES DE TRACTION TELESCOPIQUES
 DREIPUNKTAUFHAENGUNG TELESKOP-UNTERLENKER
 ATTACCO A TRE PUNTI-PARALLELE TELESCOPICHE
 ENGANCHE DE TRES PUNTOS-BARRAS DE TIRO TELESCOPICAS
 TREPUNKTSUPPHANGNING-TELESKOPISKA DRAGARMAR
 L118074 -UN-09OCT95

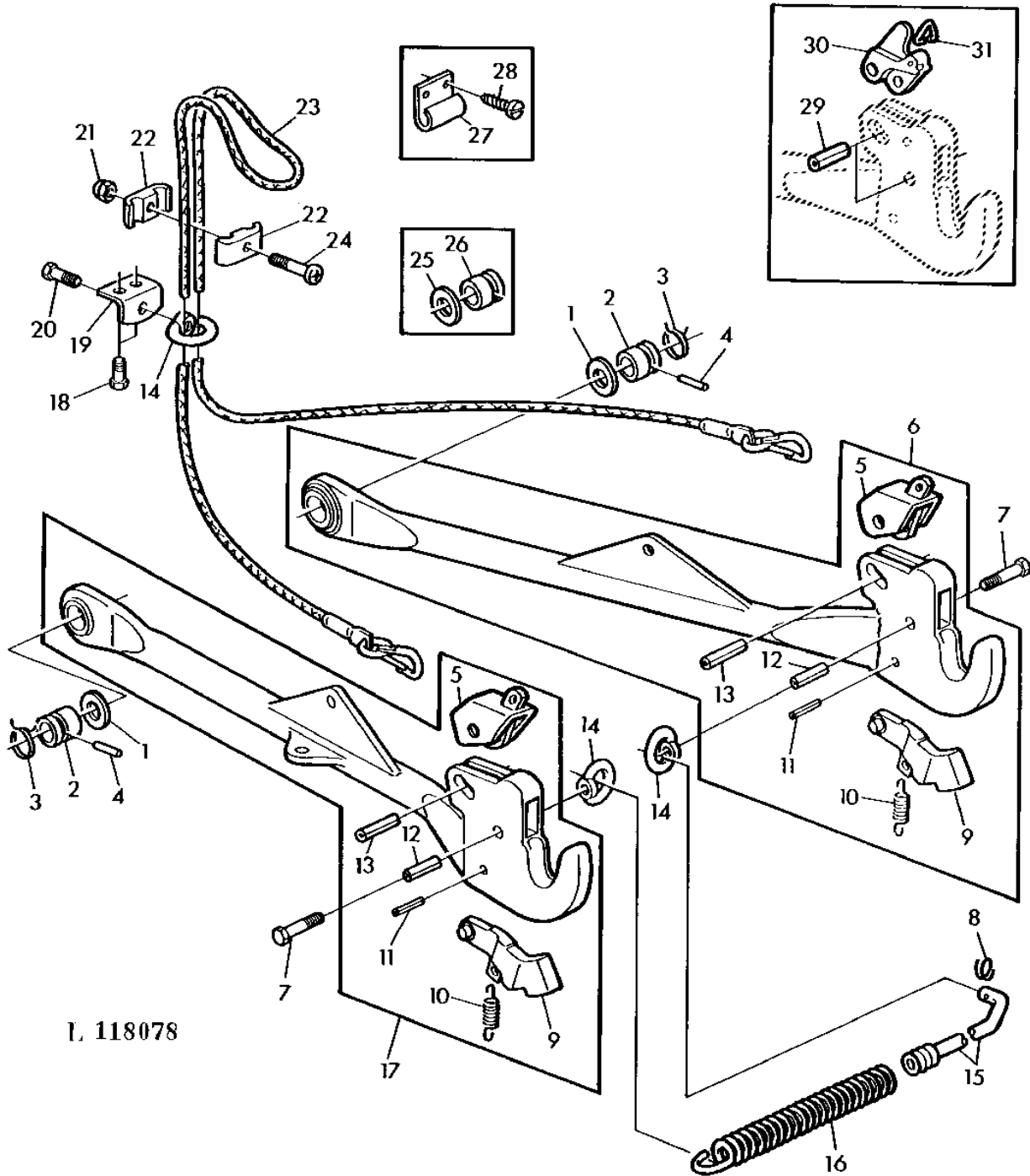


1. 118074

KEY	PART NO.	PART NAME	QTY	SERIAL NO.	REMARKS
				2	
				0 2	
				4 1	
				0 4	
				S 0	
1	AL26679	DRAFT LINK	1	X X	FRONT,R.H.
2	AR62149	QUICK LOCK PIN	2	X X	
3	AL24137	DRAFT LINK END	2	X X	REAR
4	T25767	BUSHING	2	X X	(A) REAR
5	AL26678	DRAFT LINK	1	X X	FRONT,L.H.
6	F2693R	PIN	2	X X	
7	D2865R	WASHER	2	X X	
8	F2695R	SPRING	2	X X	
9	T18716	WASHER	2	X X	
10	B2477R	WASHER	2	X X	
11	F2208R	SNAP RING	2	X X	
12	L41154	WASHER	AR	X X	I.D.=29,1MM
13	L26943	PIN	2	X X	
14	L41788	BUSHING	2	X X	I.D.=28,1MM
15	L26936	CLAMP	2	X X	
16	R63937	WASHER	AR	X X	I.D.=26,5MM
17	L26941	BUSHING	2	X X	I.D.=25,5MM

(A) CATEGORY I
 CATEGORIE I
 KATEGORIE I
 CATEGORIA I
 CATEGORIA I
 KATEGORI I

THREE POINT HITCH - HOOK DRAFT LINKS
 ATTELAGE 3 POINTS-BARRES DE TRACTION A CROCHET
 DREIPUNKTAUFHAENGUNG-FANGHAKEN-UNTERLENKER
 ATTACO 3 PUNTI, BRACCI INFERIORI CON GANCI
 ENGANCHE DE 3 PUNTOS, BARRAS DE TIRO CON GANCHOS
 TREPUNKTSLYFT, DRAGARMAR MED KOPPLINGSKROKAR
 L118078 -UN-09OCT95



L 118078

313

HYDRAULIC SYSTEM

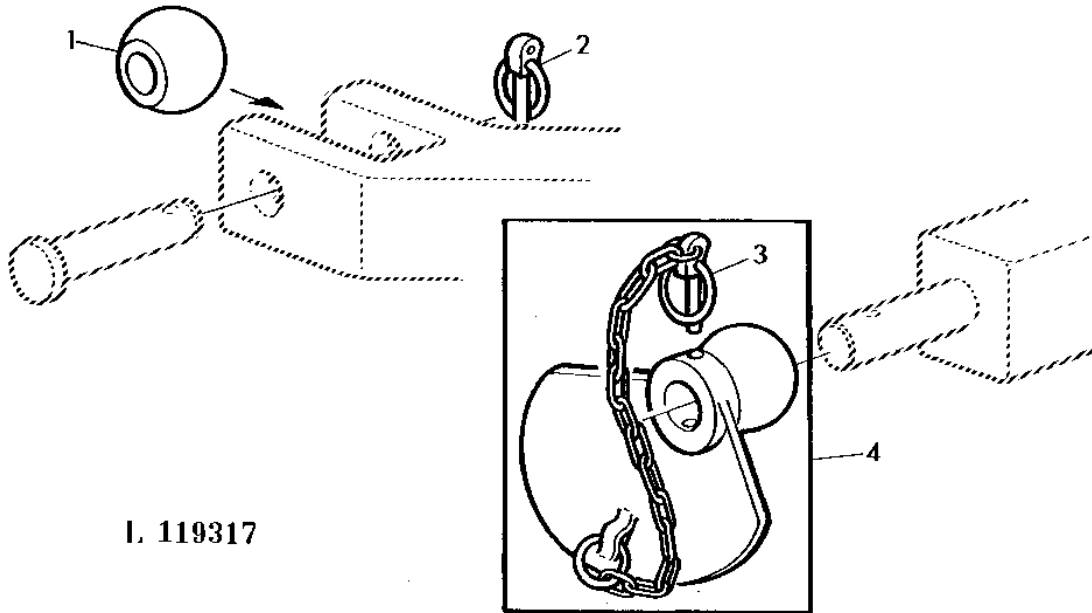
KEY	PART NO.	PART NAME	QTY	SERIAL NO.	REMARKS
				2	
				0 2	
				4 1	
				0 4	
				S 0	
1	L41154	WASHER	AR	X X	I.D.=29,1MM
2	L41788	BUSHING	2	X X	I.D.=28,1MM
3	L26936	CLAMP	2	X X	
4	L26943	PIN	2	X X	
5	AL41215	LEVER	1	X X	
6	AL31952	DRAFT LINK	1	X X	R.H.
7	19M7378	CAP SCREW	2	X X	M8X45
8	L55222	LOCK WASHER	1	X X	(SUB FOR L29306)
9	L35034	PAWL	1	X X	
10	L35036	SPRING	1	X X	
11	34M7039	SPRING PIN	1	X X	6X28MM
12	34M7109	SPRING PIN	1	X X	13X32MM
13	34M7145	SPRING PIN	1	X X	13X45MM
14	14M7284	NUT	3	X X	M8
15	AL28691	ROD	1	X X	
16	L32997	SPRING	1	X X	
17	AL31953	DRAFT LINK	1	X X	L.H.
18	37M7059	SCREW	2	X X	(A) M5X12
19	L39938	ANGLE	1	X X	(A)
20	19M7297	CAP SCREW	1	X X	M8X12
21	14M7376	LOCK NUT	1	X X	M6
22	L39978	CLAMP	2	X X	
23	AL31983	CABLE	1	X X	
24	21M7296	SCREW	1	X X	M6X20
25	R63937	WASHER	AR	X X	I.D.=26,5MM
26	L26941	BUSHING	2	X X	I.D.=25,5MM
27	L33405	CLAMP	1	X X	(A) (ORD L39938, 19M7297, 14M7284, 37M7059)
28	37M7038	SCREW	2	X X	(A) 5X20MM
29	34M7109	SPRING PIN	2	X X	13X32MM
30	L35035	LEVER	1	X X	
31	L35037	BAIL	1	X X	

(A) WITH OPU CAB
 AVEC CABINE PPI
 BEI FSC-KABINE
 CON CABINA OPU
 CON CABINA DE SEGURIDAD
 VID OPU FORARHYTT

314

HYDRAULIC SYSTEM

BALL JOINTS FOR HOOK-TYPE DRAFT LINKS
 JOINTS A ROTULE POUR BARRES DE TRACTION A CROCHETS
 KUGEL/FANGPROFILE FUER FANGHAKEN-UNTERLENKER
 SNODI PER PARALLELE AD ATTACCO RAPIDO (TIPO A GANCIO)
 ROTULA/ELEM.DE ENGANCHE PARA BARRAS DE TIRO CON GANCHOS
 KULPROFILER FOR SNABBKOPPLADE DRAGARMAR (KROKTYP)
 L119317 -UN-12MAY95

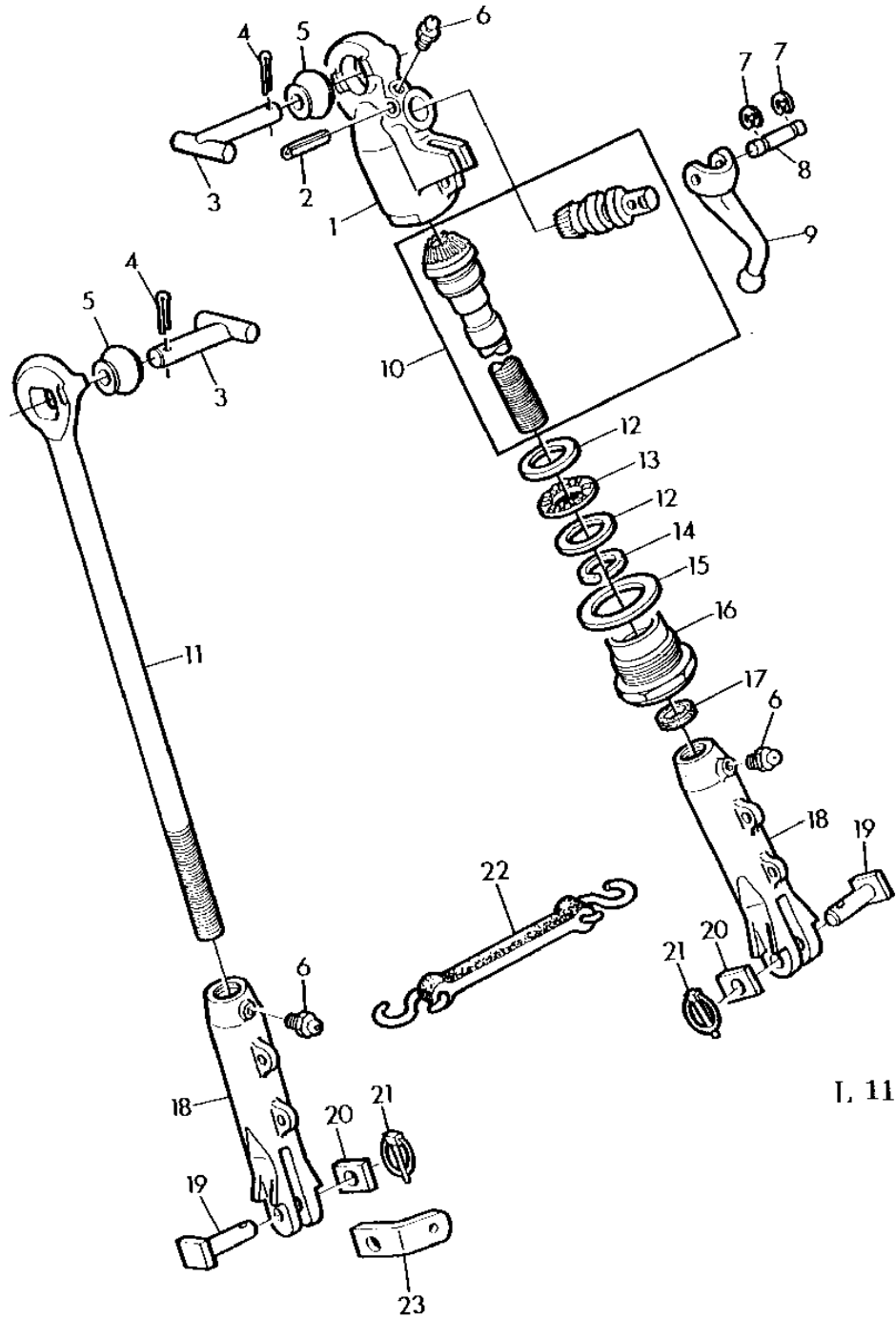


L. 119317

KEY	PART NO.	PART NAME	QTY	SERIAL NO.	REMARKS
				2	
				0 2	
				4 1	
				0 4	
				S 0	
1	L35138	BALL	2		X X
2	AR62149	QUICK LOCK PIN	2		X X
3	AL39416	QUICK LOCK PIN	1		X X (SUB FOR AL32029)
4	AL32027	GUIDE	2		X X

MEMORANDA
MEMORANDA
MEMORANDA
MEMORANDA
MEMORANDA

THREE POINT HITCH LIFT LINKS
 ATTELAGE 3 POINTS BIELLES DE RELEVAGE
 DREIPUNKTAUFHAENGUNG HUBSPINDELN
 ATTACCO A 3 PUNTI, TIRANTI
 ENGANCHE EN TRES PUNTOS, TENSORES LATERALES
 TREPUNKTSLYFT, LYFTLANKAR
 L118071 -UN-18JUL95



I. 118071

317

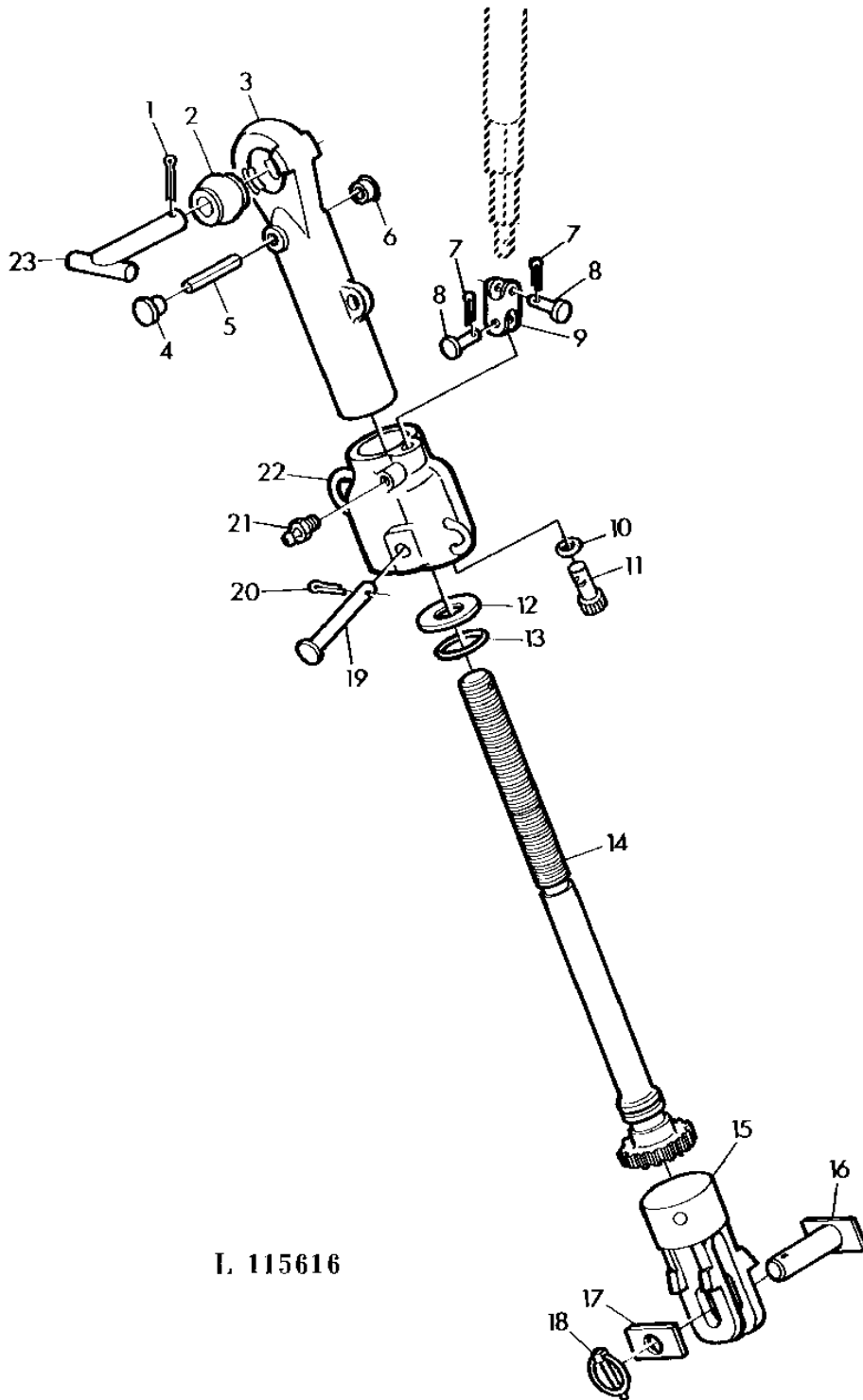
HYDRAULIC SYSTEM

KEY	PART NO.	PART NAME	QTY	SERIAL NO.	REMARKS
				2	
				0 2	
				4 1	
				0 4	
				S 0	
1	L33537	HOUSING	1		X X
2	34H316	SPRING PIN	1		X X 1/4"X1-1/2"
3	AT21754	PIN	2		X X
4	11H218	COTTER PIN	2		X X 3/16"X1-1/2"
5	T21901	BALL	2		X X
6	JD7798	LUBRICATION FITTING	3		X X 1/8"
7	R26386	SNAP RING	2		X X
8	T26454	PIN	1		X X
9	T28346	HANDLE	1		X X
10	AL33493	KIT	1		X X (SUB FOR T30034, AL26690)
11	L28372	END	1		X X LH
12	JD9854	BEARING RACE	2		X X
13	JD9848	THRUST BEARING	1		X X
14	T14647	SNAP RING	1		X X
15	T28345	WASHER	1		X X
16	L31639	BUSHING	1		X X 2-1/4"
17	L31640	WASHER	1		X X
18	R48595	LINK BODY	2		X X
19	AR55695	PIN	2		X X
20	T21759	STRAP	2		X X
21	AL14540	QUICK LOCK PIN	2		X X
22	AR68071	STRAP	1		X X
23	L39249	STRAP	1		X X (A)

(A) WITH AXLA TRAILER HITCH
 AVEC DISPOSITIF D'ATTELAGE AXLA
 BEI AXLA WAGENANHAENGEVORRICHTUNG
 CON ATTACCO PER RIMORCHIO AXLA
 CON ENGANCHE DE REMOLQUES AXLA
 VID AXLA VAGNSDRAG

THREE POINT HITCH LIFT LINKS R.H.(WITH OPU CAB)
 ATTELAGE 3 POINTS BIELLE DE RELEVAGE DROITE(AVEC CABINE PPI)
 DREIPUNKTAUFHAENGUNG-HUBSPINDEL RECHTS(BEI FSC-KABINE)
 ATTACCO A 3 PUNTI,TIRANTE DESTRO (CABINA OPU)
 ENGANCHE EN 3 PUNTOS,TENSOR LATERAL DERECHO (CABINA DE SEGURIDAD)
 TREPUNKTSLYFT,HOGER LYFTLANK (OPU FORARHYTT)

L115616 -UN-12JUL95



I. 115616

319

HYDRAULIC SYSTEM

KEY	PART NO.	PART NAME	QTY	SERIAL NO.	REMARKS
				2	
				0 2	
				4 1	
				0 4	
				S 0	
1	11H218	COTTER PIN	1	X X	3/16"X1-1/2"
2	T21901	BALL	1	X X	
3	L33539	LINK BODY	1	X X	
4	99M6986	PLUG	1	X X	
5	34H282	SPRING PIN	1	X X	3/16"X1"
6	58M6987	LUBRICATION FITTING	1	X X	
7	11M7005	COTTER PIN	2	X X	1,6X10MM
8	45M7029	PIN	2	X X	11X22MM
9	L31652	ROTATOR	1	X X	
10	L53976	O-RING	1	X X	10X1,5MM
11	L31648	SHAFT	1	X X	Z=8
12	L31653	WASHER	1	X X	
13	L53975	O-RING	1	X X	29X3MM
14	L31655	LIFT LINK	1	X X	R.H. Z=27
15	L31656	YOKE	1	X X	
16	AR55695	PIN	1	X X	
17	T21759	STRAP	1	X X	
	L39249	STRAP	1	X X	(A)
18	AL14540	QUICK LOCK PIN	1	X X	
19	45M7030	PIN	1	X X	11X95MM
20	11M7020	COTTER PIN	1	X X	4X22MM
21	JD7798	LUBRICATION FITTING	1	X X	1/8"
22	L39213	HOUSING	1	X X	(SUB FOR L31642)
23	AT21754	PIN	1	X X	

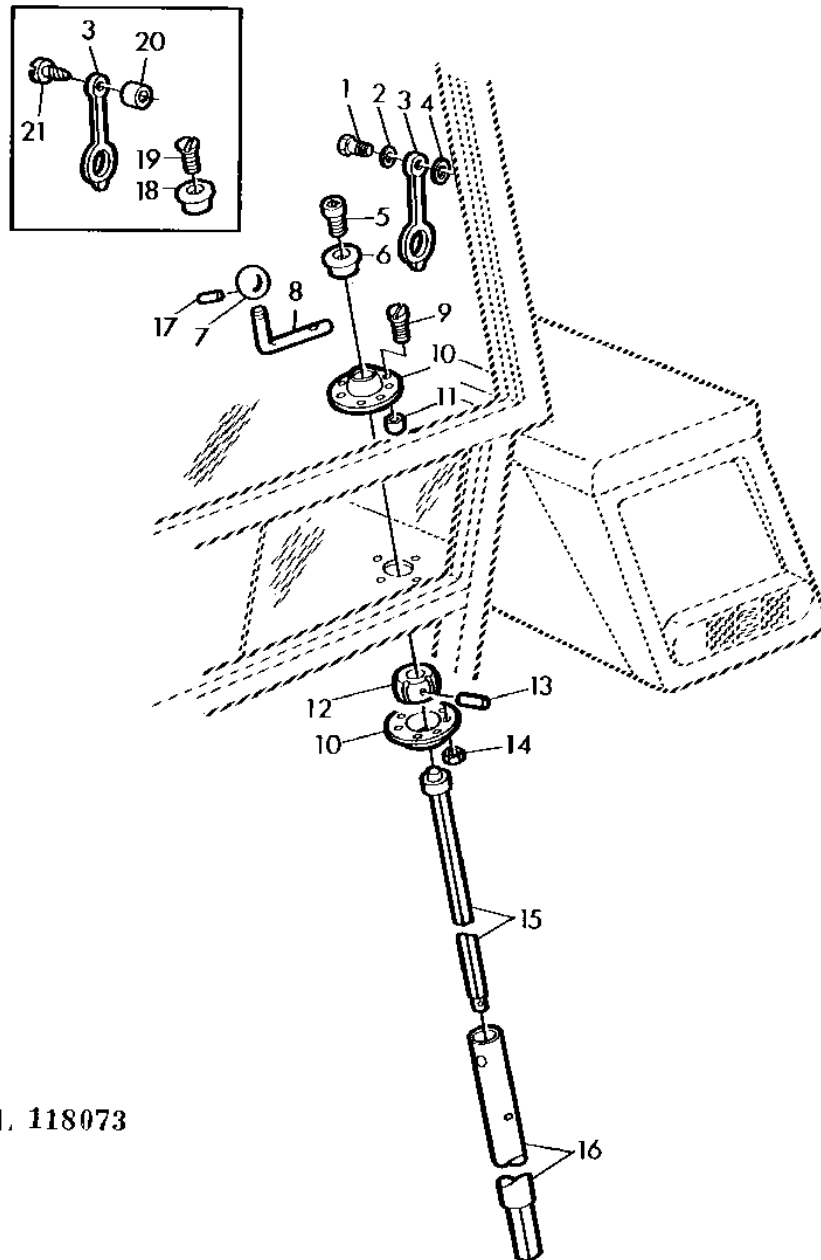
(A) WITH AXLA TRAILER HITCH
 AVEC DISPOSITIF D'ATTELAGE AXLA
 BEI AXLA WAGENANHAENGEVORRICHTUNG
 CON GANCIO TIRO RIMORCHIO AXLA
 CON ENGANCHE DE REMOLQUES AXLA
 VID AXLA VAGNSDRAG

3110

HYDRAULIC SYSTEM

THREE-POINT HITCH-LIFT LINK ADJUSTMENT (WITH OPU CAB)
ATTELAGE TROIS POINTS-REGLAGE DES BIELLES (CABINE PPI)
DREIPUNKTAUFHAENGUNG-HUBSPINDELVERSTELLUNG (FSC KABINE)
ATTACCO TRE PUNTI-REGOLAZIONE TIRANTE SOLLEVAMENTO (CAB.OPU)
ENGANCHE TRIPUNTAL-AJUSTE VERTICAL DEL TENSOR (CABINA DE SEGURIDAD)
TREPUNKTSLYFT-JUSTERING AV LYFTLANK (VID OPU FORARHYTT)

L118073 -UN-09OCT95



1. 118073

3111

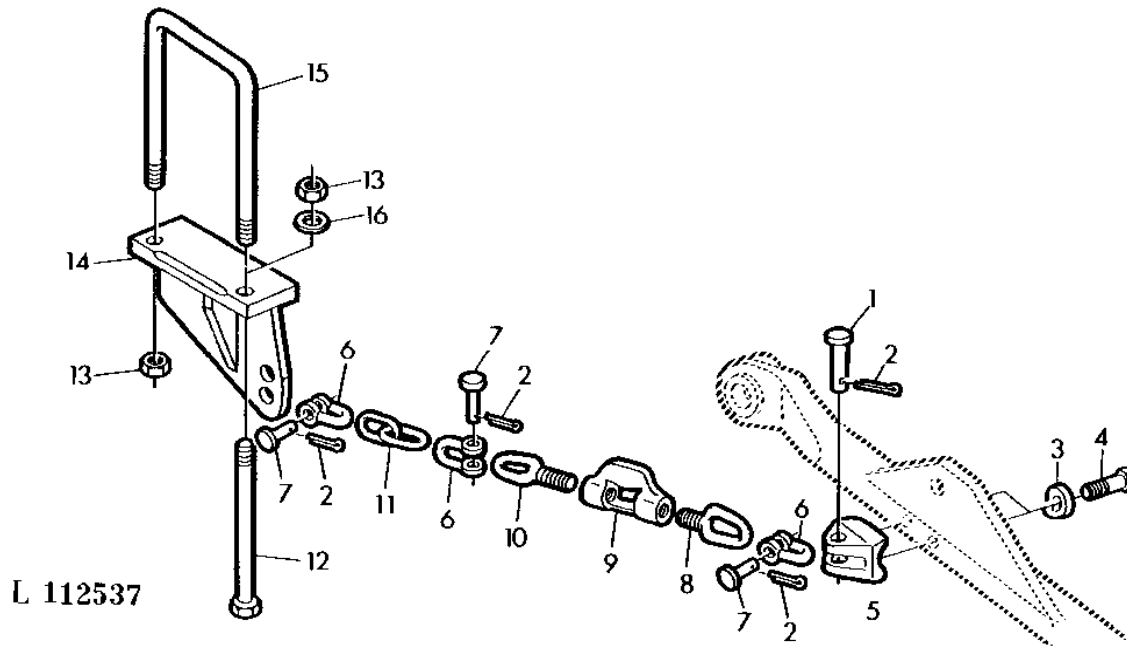
HYDRAULIC SYSTEM

KEY	PART NO.	PART NAME	QTY	SERIAL NO.	REMARKS
				2	
				0 2	
				4 1	
				0 4	
				S 0	
1	37M7074	SCREW	1	X X	6,3X16MM
2	24M7054	WASHER	1	X X	6,4X12,5X1,6MM
3	L32028	RETAINER	1	X X	
4	24M7139	WASHER	1	X X	6,4X18X1,5MM
5	19M8146	SCREW	1	X X	M5X16
6	L40527	WASHER	1	X X	
7	L31649	KNOB	1	X X	
8	L31644	LEVER	1	X X	
9	21M7200	SCREW	4	X X	M5X20
10	L35669	FLANGE	2	X X	
11	28H3359	WASHER	4	X X	
12	L35670	BALL	1	X X	
13	34M7118	SPRING PIN	1	X X	3,5X26MM (SUB FOR 34M7115)
14	14M7028	NUT	4	X X	5MM
15	AL32946	SHAFT	1	X X	
16	L35668	PIPE	1	X X	
17	34M7091	SPRING PIN	1	X X	3,5X16MM
18	L35671	WASHER	1	X X	(ORD L40527, 19M8146)
19	21M7188	SCREW	1	X X	M5X16 (ORD 19M8146, L40527)
20	28H1882	SPACER	1	X X	1/8"X.500"
21	37M7052	SCREW	1	X X	6,3X32MM

3112

HYDRAULIC SYSTEM

STABILISER CHAIN(WITH REVERSIBLE LINKS)
 CHAINE STABILISATRICE(AVEC BARRES DE TRACTION REVERSIBLES)
 STABILISIERUNGSKETTE(BEI UMKEHRLENKER)
 CATENA STABILIZZATRICE(CON PARALLELE RIVERSIBILI)
 CADENA ESTABILIZADORA(CON BARRAS DE TIRO REVERSIBLES)
 STABILISERINGSKEDJA(VID VANDBARA DRAGARMAR)
 L112537 -UN-07JUL95



KEY	PART NO.	PART NAME	QTY	SERIAL NO.	S 0	REMARKS
					2	
					0 2	
					4 1	
					0 4	
					S 0	
1	45M7032	PIN	2		X X	
2	11M7019	COTTER PIN	6		X X	4X18MM
3	T31782	WASHER	4		X X	
4	19H1974	CAP SCREW	4		X X	1/2"X2-3/4"
5	L31569	BRACKET	2		X X	
6	L31091	SHACKLE	6		X X	
7	L31090	PIN	6		X X	
8	L31088	EYEBOLT	2		X X	(A)
9	L31089	TURNBUCKLE	2		X X	
10	L31086	EYEBOLT	2		X X	(B)
11	AL26689	LINK CHAIN	2		X X	
12	08H4136	CAP SCREW	4		X X	5/8"X8"
13	14H1039	NUT	4		X X	5/8"
14	AL55073	BRACKET	1		X X	RH (SUB FOR AL25616)
	AL55074	BRACKET	1		X X	LH (SUB FOR AL25617)
15	T22705	U-BOLT	2		X X	
16	T40728	WASHER	4		X X	

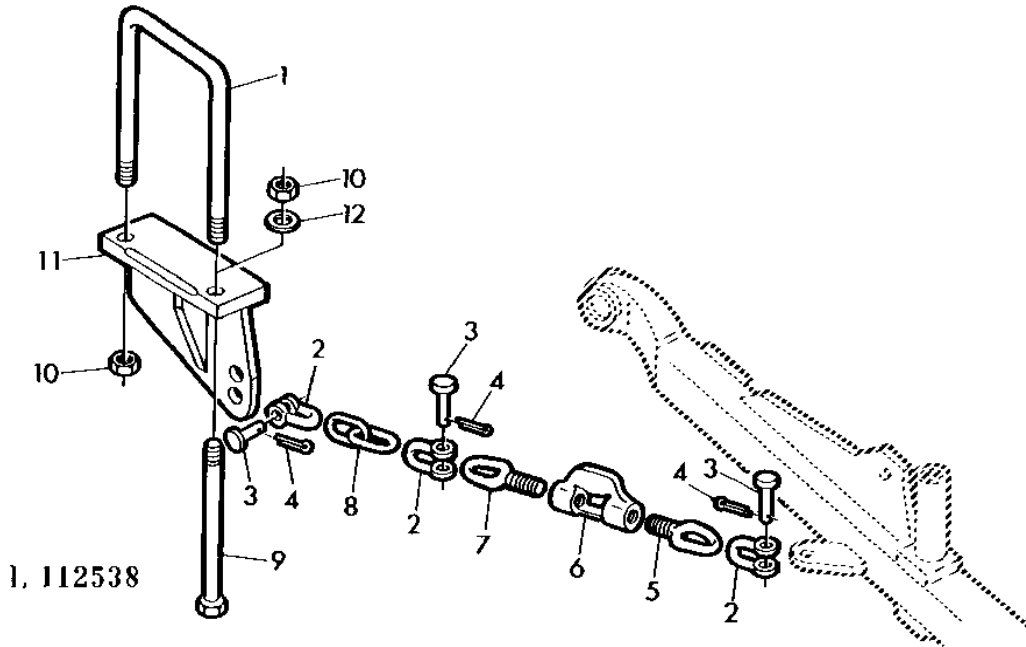
(A) WITH RIGHT-HAND THREAD
 AVEC FILETAGE A DROITE
 MIT RECHTSGEWINDE
 CON FILETT.DESTRORSA
 CON ROSCA A LA DERECHA
 HOGERGANGAD

(B) WITH LEFT-HAND THREAD
 AVEC FILETAGE A GAUCHE
 MIT LINKSGEWINDE
 CON FILETT.SINISTRORSA
 CON ROSCA A LA IZQUIERDA
 VANSTERGANGAD

3113

HYDRAULIC SYSTEM

STABILISER CHAIN(WITH TELESCOPIC AND HOOK-TYPE DRAFT LINKS
 CHAÎNE STABILISATRICE(AVEC BARRES DE TRAC.TElesc.A CROCHET)
 STABILISIERUNGSKETTE(BEI TELESKOP-U.FANGHAKEN-UNTERLENKER)
 CATENA STABILIZZATRICE(CON PARALL.TElesc.E AD ATT.RAP.)
 CADENA ESTABILIZAPORA(CON BARRAS DE TIRO TElesc./DE GANCHOS)
 STABILISERINGSKEDJA(VID TELESK.OCH SNABBKOPPL.DRAGARMAR)
 L112538 -UN-11JUL95



1. 112538

2
0 2
4 1
0 4
S 0

KEY	PART NO.	PART NAME	QTY	SERIAL NO.	REMARKS
1	T22705	U-BOLT	2	X X	
2	L31091	SHACKLE	6	X X	
3	L31090	PIN	6	X X	
4	11M7019	COTTER PIN	6	X X	4X18MM
5	L31088	EYEBOLT	2	X X	(A)
6	L31089	TURNBUCKLE	2	X X	
7	L31086	EYEBOLT	2	X X	(B)
8	AL26689	LINK CHAIN	2	X X	
9	08H4136	CAP SCREW	4	X X	5/8"X8"
10	14H1039	NUT	4	X X	5/8"
11	AL55073	BRACKET	1	X X	RH (SUB FOR AL25616)
	AL55074	BRACKET	1	X X	LH (SUB FOR AL25617)
12	T40728	WASHER	4	X X	

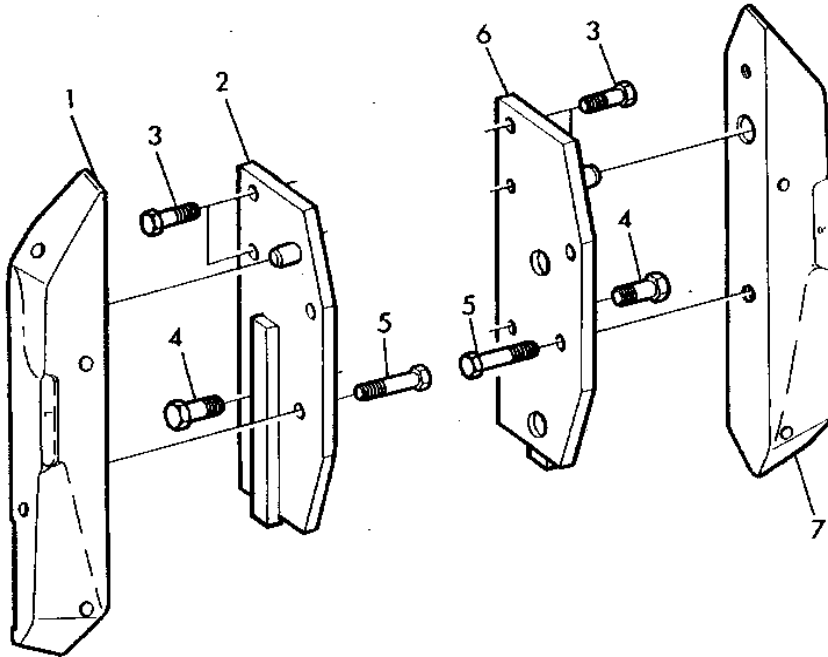
(A) WITH RIGHT-HAND THREAD
 AVEC FILETAGE A DROITE
 MIT RECHTSGEWINDE
 CON FILETT.DESTRORSA
 CON ROSCA A LA DERECHA
 HOGERGANGAD

(B) WITH LEFT-HAND THREAD
 AVEC FILETAGE A GAUCHE
 MIT LINKSGEWINDE
 CON FILETT.SINISTRORSA
 CON ROSCA A LA IZQUIERDA
 VANSTERGANGAD

3114

HYDRAULIC SYSTEM

SWAY BLOCKS AND SUPPORTS
 BUTEES STABILISATRICES
 STABILISIERUNGSANSCHLAEGE
 PIASTRE STABILIZZATRICI
 BLOQUES ESTABILIZADORES
 STODBLOCK OCH HALLARE
 L118052 -UN-01JAN94



L 118052

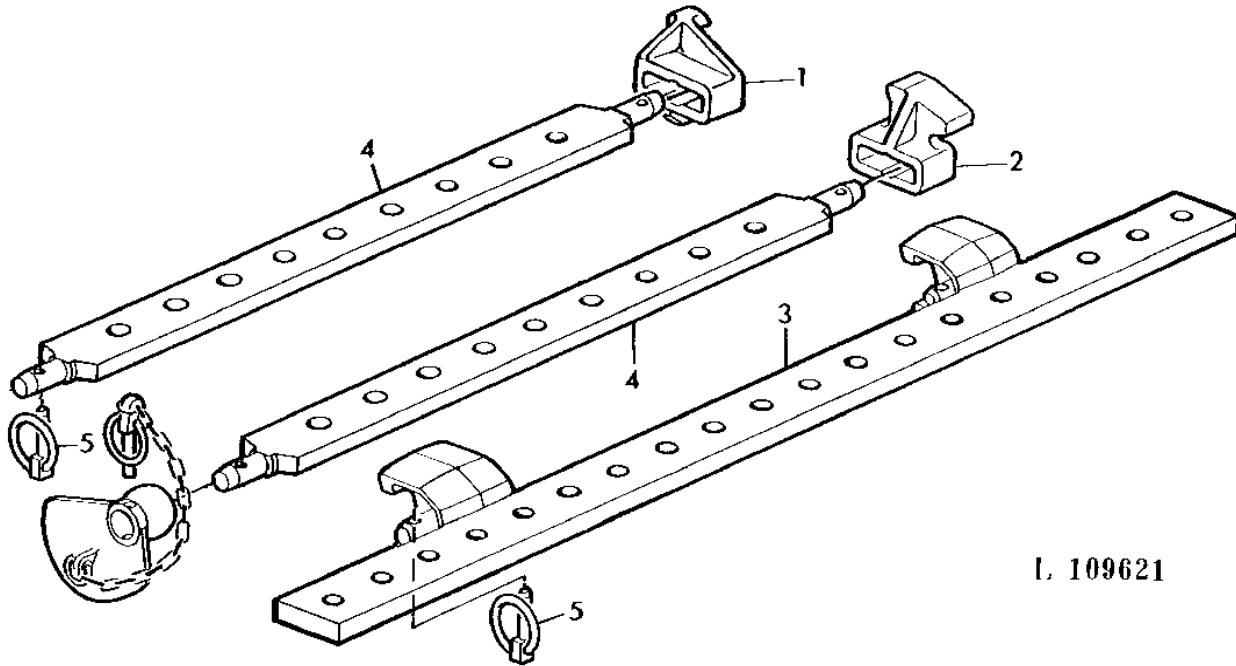
2
 0 2
 4 1
 0 4
 S 0

KEY	PART NO.	PART NAME	QTY	SERIAL NO.	REMARKS
1	T30277	SWAY BLOCK	1	X X	L.H.
2	AL23106	SUPPORT	1	X X	L.H.
3	19H1815	CAP SCREW	4	X X	1/2"X1-1/4"
4	19H1732	CAP SCREW	2	X X	3/8"X1-1/4"
5	19H1721	CAP SCREW	2	X X	1/2"X1-1/2"
6	AL23105	SUPPORT	1	X X	R.H.
7	T30276	SWAY BLOCK	1	X X	R.H.

3115

HYDRAULIC SYSTEM

IMPLEMENT BAR
 BARRE D'ATTELAGE
 GERAETESCHIENE
 BARRA DI TRAINO
 BARRA DE ENGANCHE
 HALBOM
 L109621 -UN-06OCT95



L 109621

KEY	PART NO.	PART NAME	QTY	SERIAL NO.	REMARKS
				2	
				0 2	
				4 1	
				0 4	
				S 0	
1	L35142	STABILIZER	1	X X	
2	L35141	STABILIZER	1	X X (A)	
3	AT25952	TOOLBAR	1	X X (B) (C)	
4	L11581	TOOLBAR	1	X X (C)	
5	AR62149	QUICK LOCK PIN	2	X X	

(A) FOR HOOK TYPE LINKS
 POUR CROCHET
 FUER FANGHAKEN
 ADATTA A BRACCI CON GANCI
 USADA CON GANCHOS DE ACOPL.
 FOR DRAGARMAR MED KROKAR

(B) CATEGORY I
 CATEGORIE I
 KATEGORIE I
 CATEGORIA I
 CATEGORIA I
 KATEGORI I

(C) CATEGORY II
 CATEGORIE II
 KATEGORIE II
 CATEGORIA II
 CATEGORIA II
 KATEGORI II

3116

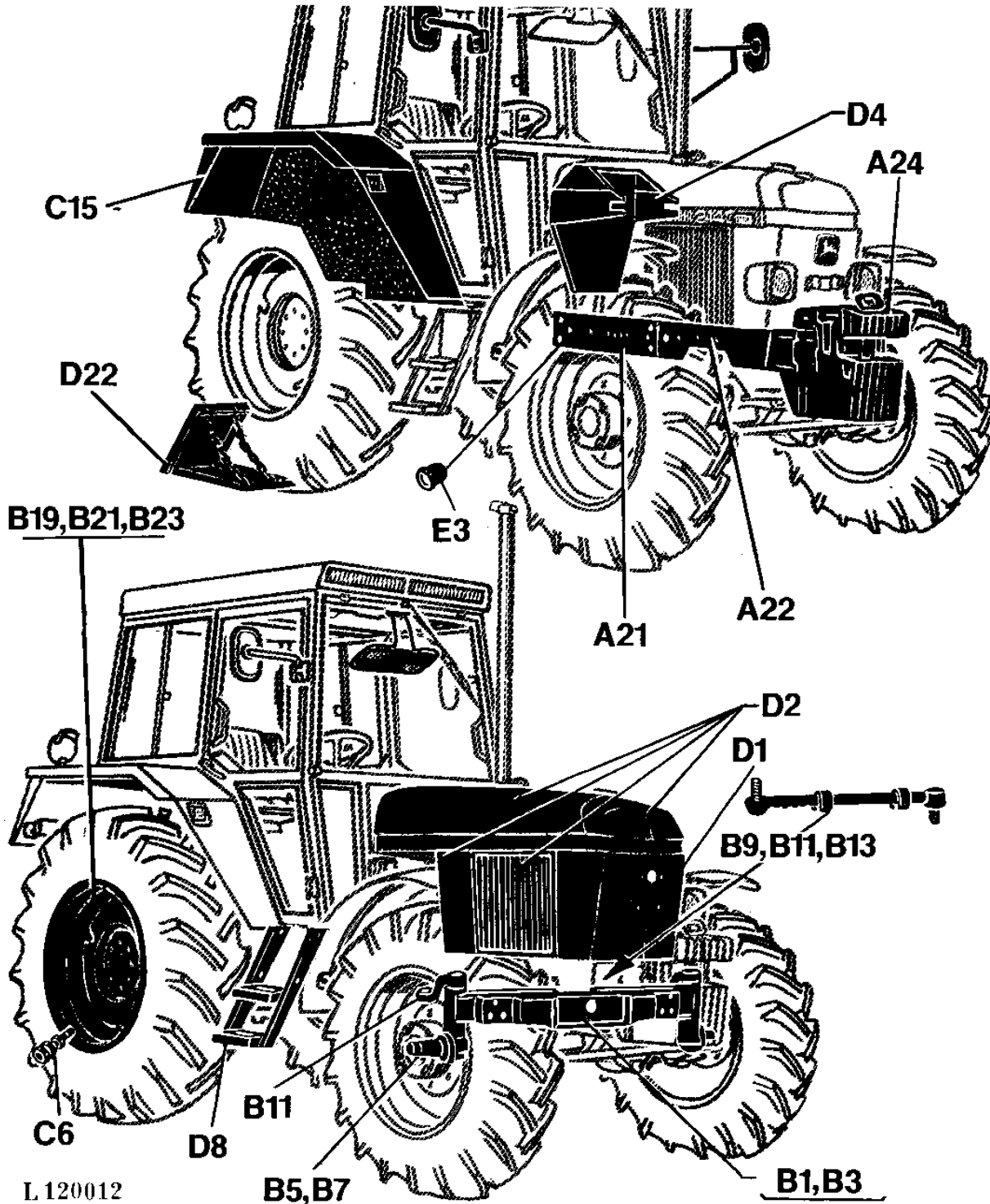
HYDRAULIC SYSTEM

MEMORANDA
MEMORANDA
MEMORANDA
MEMORANDA
MEMORANDA

4A5

MISCELLANEOUS

SECTIONAL INDEX
INDEX DE SECTION
GRUPPENINDEX
INDICE DELLA SEZIONE
INDICE DE SECCION
GRUPPSFORTECKNING
L120012 -UN-09OCT95

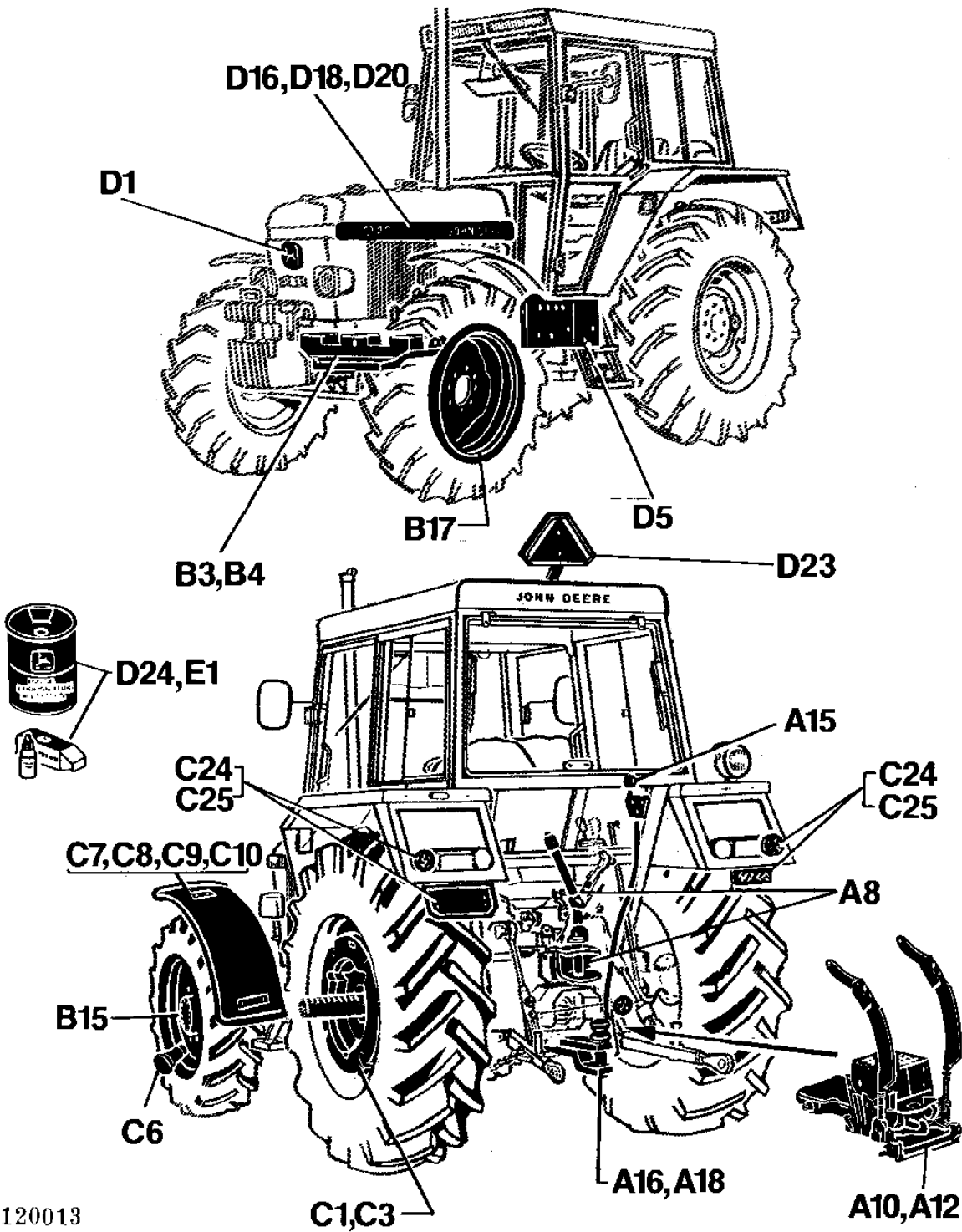


L 120012

4A6

MISCELLANEOUS

SECTIONAL INDEX
INDEX DE SECTION
GRUPPENINDEX
INDICE DELLA SEZIONE
INDICE DE SECCION
GRUPPSFORTECKNING
L120013 -UN-09OCT95

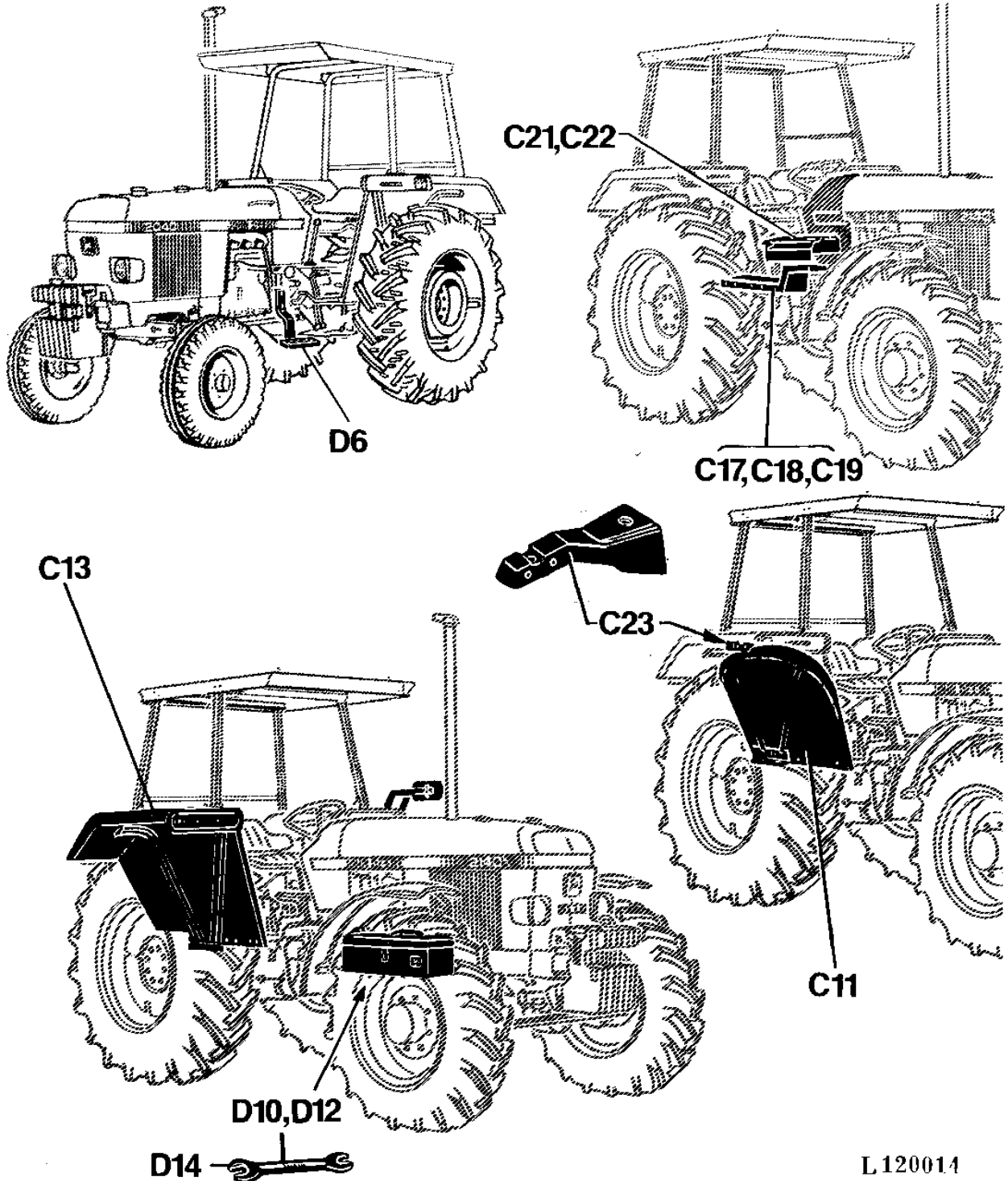


L 120013

4A7

MISCELLANEOUS

SECTIONAL INDEX
INDEX DE SECTION
GRUPPENINDEX
INDICE DELLA SEZIONE
INDICE DE SECCION
GRUPPSFORTECKNING
L120014 -UN-09OCT95

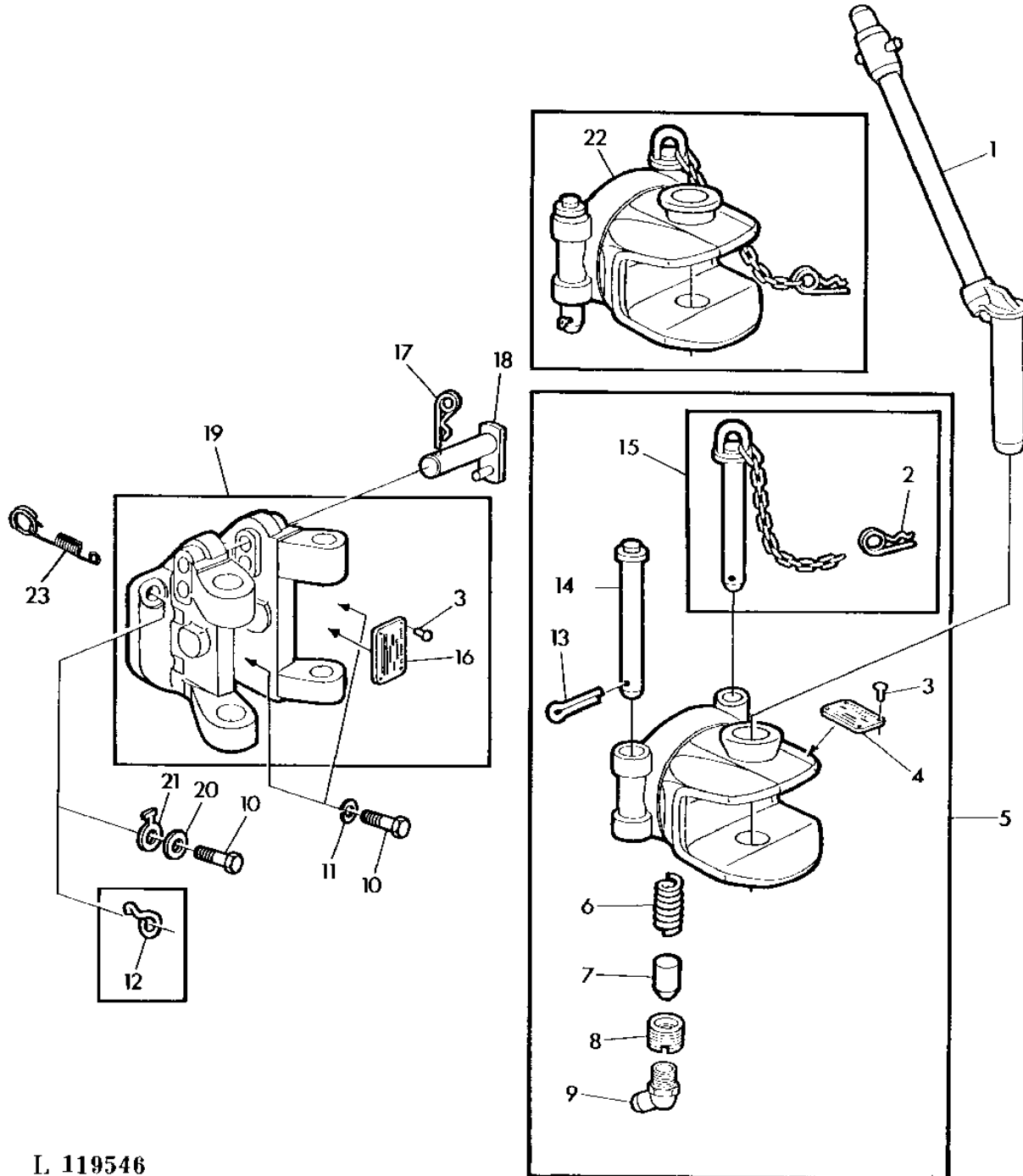


L120014

4A8

MISCELLANEOUS

HINGED TRAILER HITCH
CHAPE D'ATELAGE ESCAMOTABLE
ANHAENGEKUPPLUNG SCHWENKBAR
ATTACCO ORIENTABILE PER RIMORCHIO
ENGANCHE DE REMOLQUE, ABATIBLE
SVANGBART VAGNSDRAG
L119546 -UN-09OCT95



L 119546

4A9

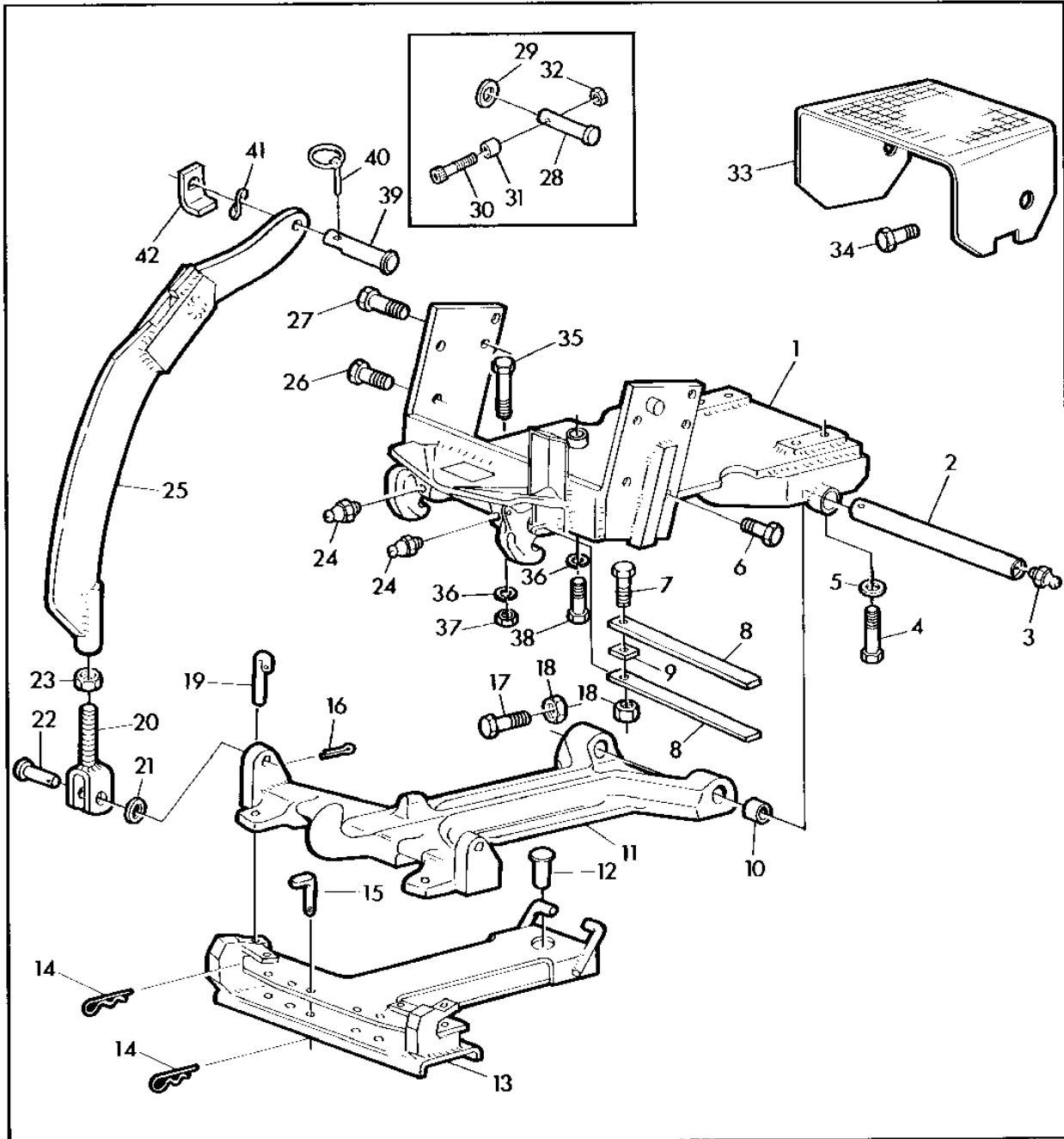
MISCELLANEOUS

KEY	PART NO.	PART NAME	QTY	SERIAL NO.	REMARKS
				2	
				0 2	
				4 1	
				0 4	
				S 0	
1	AL63985	PIN	1	X X	(SUB FOR AL26631, AL35830, AL35831, AL38085, AL38086, AL38522)
2	99M7080	SPRING LOCKING PIN	1	X X	(SUB FOR L25407 APPL)
3	25M3827	GROOVE PIN	6	X X	3X8MM
4	T30712	SERIAL NUMBER PLATE	1	X X	
5	AL38874	HITCH	1	X X	(SUB FOR AL35839)
6	L24761	SPRING	1	X X	
7	L30750	PIN	1	X X	
8	L30751	ADAPTER	1	X X	
9	JD7763	LUBRICATION FITTING	1	X X	
10	19H1734	CAP SCREW	3	X X	5/8"X2" (SUB FOR 19H1708)
11	12H294	LOCK WASHER	AR	X X	5/8"
12	L28056	HOOK	1	X X	(ORD L41621, T497T)
13	11M7023	COTTER PIN	1	X X	4X32MM (SUB FOR 11M1387)
14	AT29282	PIN	1	X X	(ORD AL38819, 11M7023)
	AL38819	PIN	1	X X	
15	AL38820	PIN	1	X X	(SUB FOR AT29280)
16	T30500	SERIAL NUMBER PLATE	1	X X	
17	A3581R	SPRING LOCKING PIN	1	X X	
18	AL40964	PIN	1	X X	(SUB FOR AL24521)
19	AL40932	HITCH	1	X X	
20	T497T	WASHER	1	X X	
21	L41621	RETAINER	1	X X	
22	AT29586	HITCH	1	X X	(ORD AL38874, AL38522)
23	AL41725	EXTENSION SPRING	1	X X	

4A10

MISCELLANEOUS

HITCH "AXLA"
DISPOSITIF D'ATTELAGE AXLA
ANHAENGEVORRICHTUNG "AXLA"
ATTACCO RIMORCHIO TIPO "AXLA"
ENGANCHE DE TIRO TIPO "AXLA"
VAGNSDRAG "AXLA"
L112361 -UN-06OCT95



L 112361

4A11

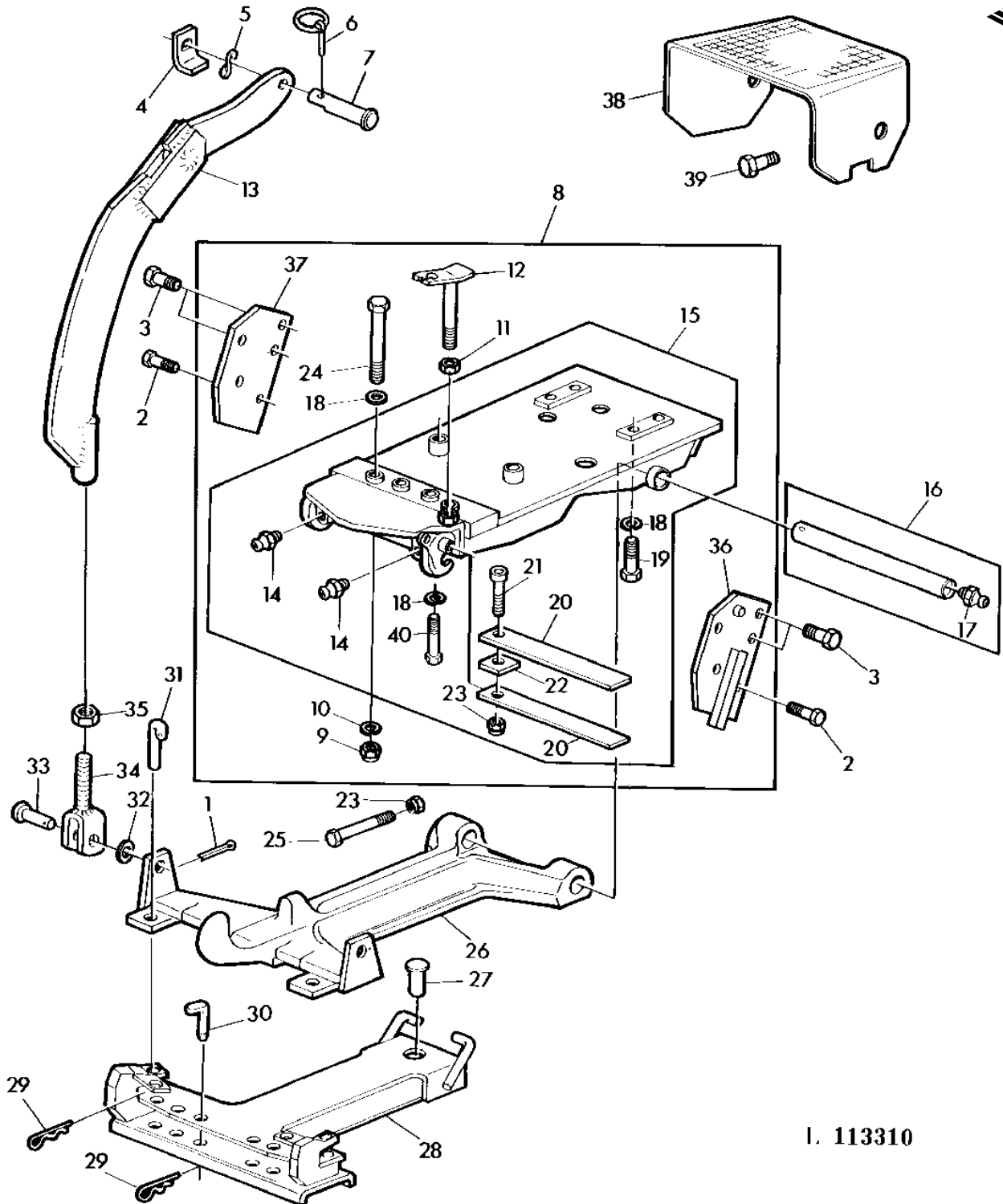
MISCELLANEOUS

KEY	PART NO.	PART NAME	QTY	SERIAL NO.	REMARKS
				2	
				0 2	
				4 1	
				0 4	
				S 0	
1	AL33858	BRACKET	1	X X	(ORD AL55322)
	AL38995	HITCH	1	X X	(ORD AL55322)
2	AL34093	PIN	1	X X	(SUB FOR L36542)
3	L37153	LUBRICATION FITTING	1	X X	
4	19H1777	CAP SCREW	4	X X	1/2"X2-3/4" (SUB FOR 19H1831)
5	24M7240	WASHER	4	X X	
6	19H1732	CAP SCREW	2	X X	3/8"X1-1/4"
7	19M7301	CAP SCREW	1	X X	M8X40
8	L36587	STRAP	2	X X	
9	L37154	SPACER	1	X X	
10	L36543	SPACER	2	X X	
11	AL55316	HITCH	1	X X	(SUB FOR AL33859)
12	L39133	PIN	1	X X	(SUB FOR L36547)
13	AL33860	CASE	1	X X	
14	T22848	SPRING LOCKING PIN	4	X X	(SUB FOR L36476 APPL)
15	L36546	PIN	2	X X	
16	11M7030	COTTER PIN	2	X X	5X40MM (SUB FOR L36469)
17	19M7185	CAP SCREW	1	X X	M8X60
18	14M7327	LOCK NUT	2	X X	M8
19	L36545	PIN	2	X X	
20	AL33688	SET SCREW	2	X X	
21	24M7147	WASHER	2	X X	(SUB FOR 24M7090 APPL)
22	L36457	PIN	2	X X	
23	L36460	NUT	2	X X	1"
24	58M5573	LUBRICATION FITTING	2	X X	(SUB FOR L37155)
25	AL34614	BRACE	1	X X	RH (SUB FOR AL33856)
	AL34615	BRACE	1	X X	LH (SUB FOR AL33855)
26	19H2898	CAP SCREW	4	X X	1/2"X1-1/4"
27	19H1721	CAP SCREW	2	X X	1/2"X1-1/2"
28	L36540	PIN	2	X X	(ORD L41286, L41287, B11182, L36470)
29	L36470	WASHER	2	X X	11X21X2MM (SUB FOR 24M7040)
30	19M8532	SCREW	2	X X	M6X35 (SUB FOR 19M6770) (ORD L41286, L41287, B11182, L36470)
31	L36455	SPACER	2	X X	
32	14M7165	LOCK NUT	2	X X	M6
33	AL33689	GUARD	1	X X	
34	19M2284	CAP SCREW	2	X X	3/8"X7/8"
35	19H1945	CAP SCREW	2	X X	1/2"X3 1/4"
36	12H301	LOCK WASHER	4	X X	1/2"
37	U12622	LOCK NUT	2	X X	1/2"
38	19H2644	CAP SCREW	2	X X	1/2"X2 1/2"
39	L41286	PIN	2	X X	
40	B11182	QUICK LOCK PIN	2	X X	
41	L36470	WASHER	2	X X	
42	L41287	ANGLE	2	X X	

4A12

MISCELLANEOUS

HITCH "AXLA"
DISPOSITIF D'ATTELAGE AXLA
ANHAENGEVORRICHTUNG "AXLA"
ATTACCO RIMORCHIO TIPO "AXLA"
ENGANCHE DE TIRO TIPO "AXLA"
VAGNSDRAG "AXLA"
L113310 -UN-11JUL95



I. 113310

4A13

MISCELLANEOUS

KEY	PART NO.	PART NAME	QTY	SERIAL NO.	REMARKS
				2	
				0 2	
				4 1	
				0 4	
				S 0	
1	11M7030	COTTER PIN	4	X X	
2	19H1732	CAP SCREW	2	X X	3/8"X1-1/4"
3	19H2898	CAP SCREW	4	X X	1/2"X1-1/4"
4	L41287	ANGLE	2	X X	
5	L36470	WASHER	2	X X	
6	B11182	QUICK LOCK PIN	2	X X	
7	L41286	PIN	2	X X	
8	AL55322	HITCH	1	X X	
9	14M7319	LOCK NUT	4	X X	M12
10	12H301	LOCK WASHER	4	X X	1/2"
11	14H1040	NUT	1	X X	1/2"
12	AL40972	LOOM	1	X X	
13	AL34614	BRACE	1	X X	R.H.
	AL34615	BRACE	1	X X	L.H.
14	58M5573	LUBRICATION FITTING	2	X X	(SUB FOR L37155)
15	AL40973	HITCH	1	X X	
16	AL34093	PIN	1	X X	
17	L37153	LUBRICATION FITTING	1	X X	
18	24M7240	WASHER	10	X X	13X25X3,6MM
19	19H1777	CAP SCREW	4	X X	1/2"X1-3/4"
20	L36587	STRAP	2	X X	
21	19M8300	SCREW	1	X X	M8X40
22	L55854	SPACER	1	X X	
23	14M7327	LOCK NUT	2	X X	M8
24	19M7364	CAP SCREW	4	X X	M12X80
25	19M7185	CAP SCREW	1	X X	M8X60
26	AL55316	HITCH	1	X X	
27	L39133	PIN	1	X X	
28	AL33860	CASE	1	X X	
29	T22848	SPRING LOCKING PIN	4	X X	
30	L36546	PIN	2	X X	
31	L36545	PIN	2	X X	
32	24M7147	WASHER	2	X X	20X34X3MM
33	L36457	PIN	2	X X	
34	AL33688	SET SCREW	2	X X	
35	L36460	NUT	2	X X	1"
36	AL41602	SUPPORT	1	X X	R.H.
37	AL41601	SUPPORT	1	X X	L.H.
38	AL33689	GUARD	1	X X	
39	19M2284	CAP SCREW	2	X X	3/8"X7/8"
40	19H2644	CAP SCREW	2	X X	1/2"X2-1/2"

4A14

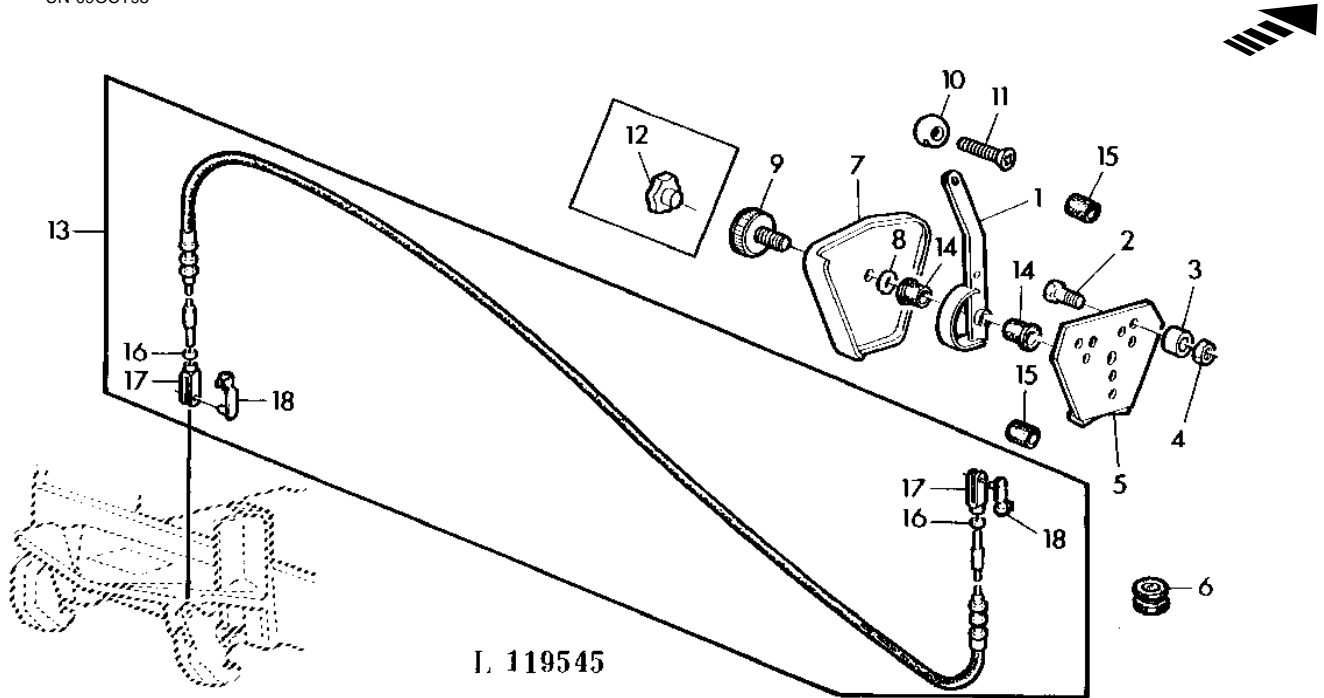
MISCELLANEOUS

MEMORANDA
MEMORANDA
MEMORANDA
MEMORANDA
MEMORANDA

4A15

MISCELLANEOUS

"AXLA" HITCH-CONTROL LEVER
 DISPOSITIF D'ATTELAGE AXLA-COMMANDE
 ANHAENGEVORRICHTUNG "AXLA"-BEDIENUNGSHEBEL
 ATTACCO "AXLA"-LEVA DI SBLOCCO
 ENGANCHE DE TIRO "AXLA"-PALANCA DE MANDO
 VAGNSDRAG "AXLA"-MANOVERSPAK
 L119545 -UN-09OCT95

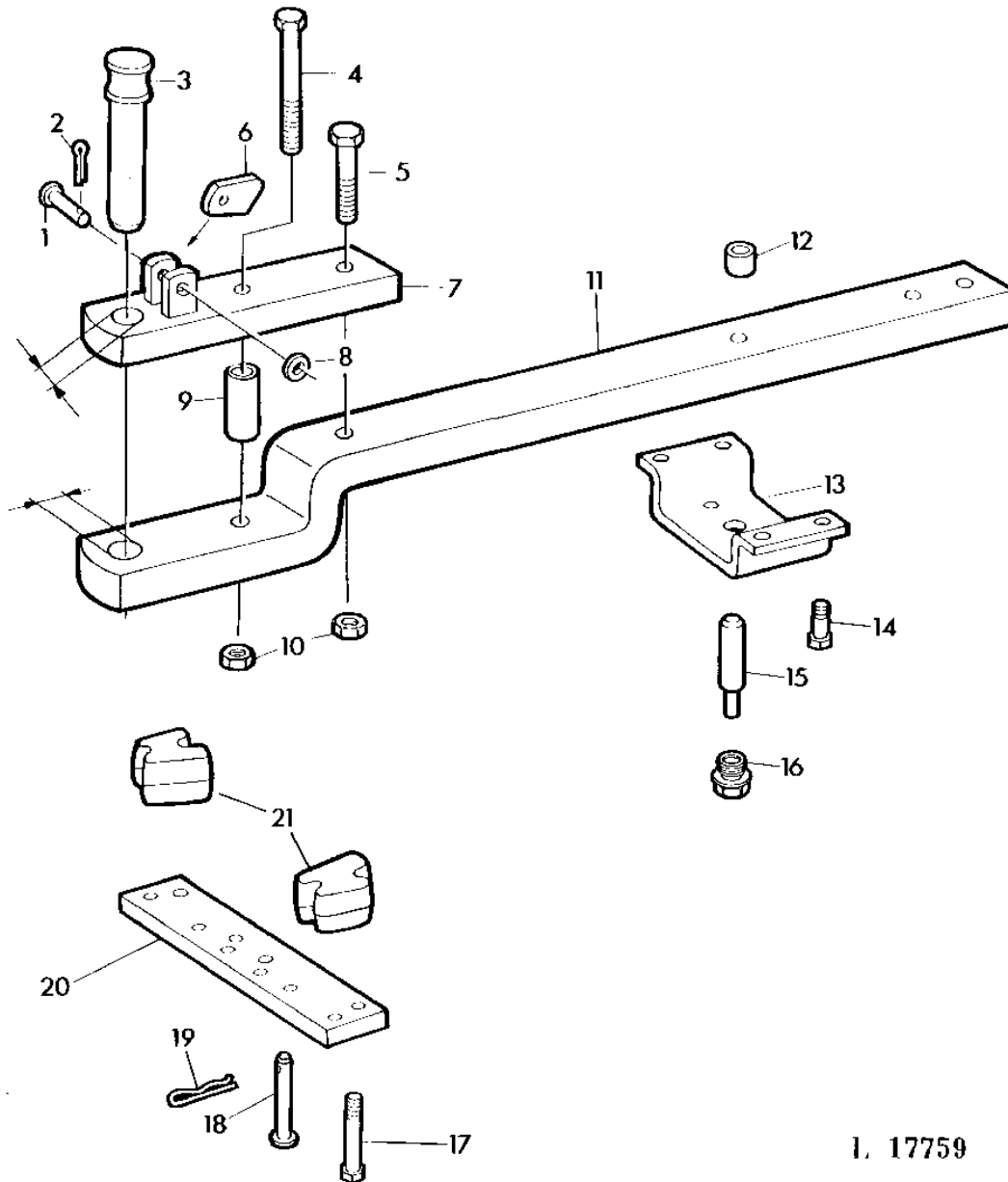


KEY	PART NO.	PART NAME	QTY	SERIAL NO.	REMARKS
				2	
				0 2	
				4 1	
				0 4	
				S 0	
1	AL62606	LEVER	1	X X	(SUB FOR AL33686, AL34842)
2	19M7513	CAP SCREW	3	X X	8X30MM
3	28H1686	SPACER	3	X X	(SUB FOR L36461)
4	14M7327	LOCK NUT	3	X X	8MM
5	AL36728	PLATE	1	X X	
	AL33685	PLATE	1	X X	(ORD AL36728, L38532)
6	L38021	GROMMET	1	X X	(SUB FOR L36697)
7	L36456	CASE	1	X X	
8	24M7055	WASHER	1	X X	(SUB FOR L36462)
9	L38532	KNURLED THUMB SCREW	1	X X	(FOR AL36728)
10	L36466	KNOB	1	X X	
11	L36467	SCREW	1	X X	
12	L36463	KNOB	1	X X	(FOR AL33685)
13	AL34007	PUSH PULL CABLE	1	X X	
14	L36464	SPACER	2	X X	
15	L36465	SPACER	2	X X	
16	14M7272	NUT	2	X X	M6
17	54M4418	YOKE	2	X X	
18	45M7080	SPRING LOCKING PIN	2	X X	

4A16

MISCELLANEOUS

DRAWBAR
BARRE D'ATELAGE OSCILLANTE
ZUGPENDEL
BARRA TRAINO ORIENTABILE
BARRA DE TIRO OSCILANTE
DRAGBOM
L17759 -UN-09OCT95



1. 17759

4A17

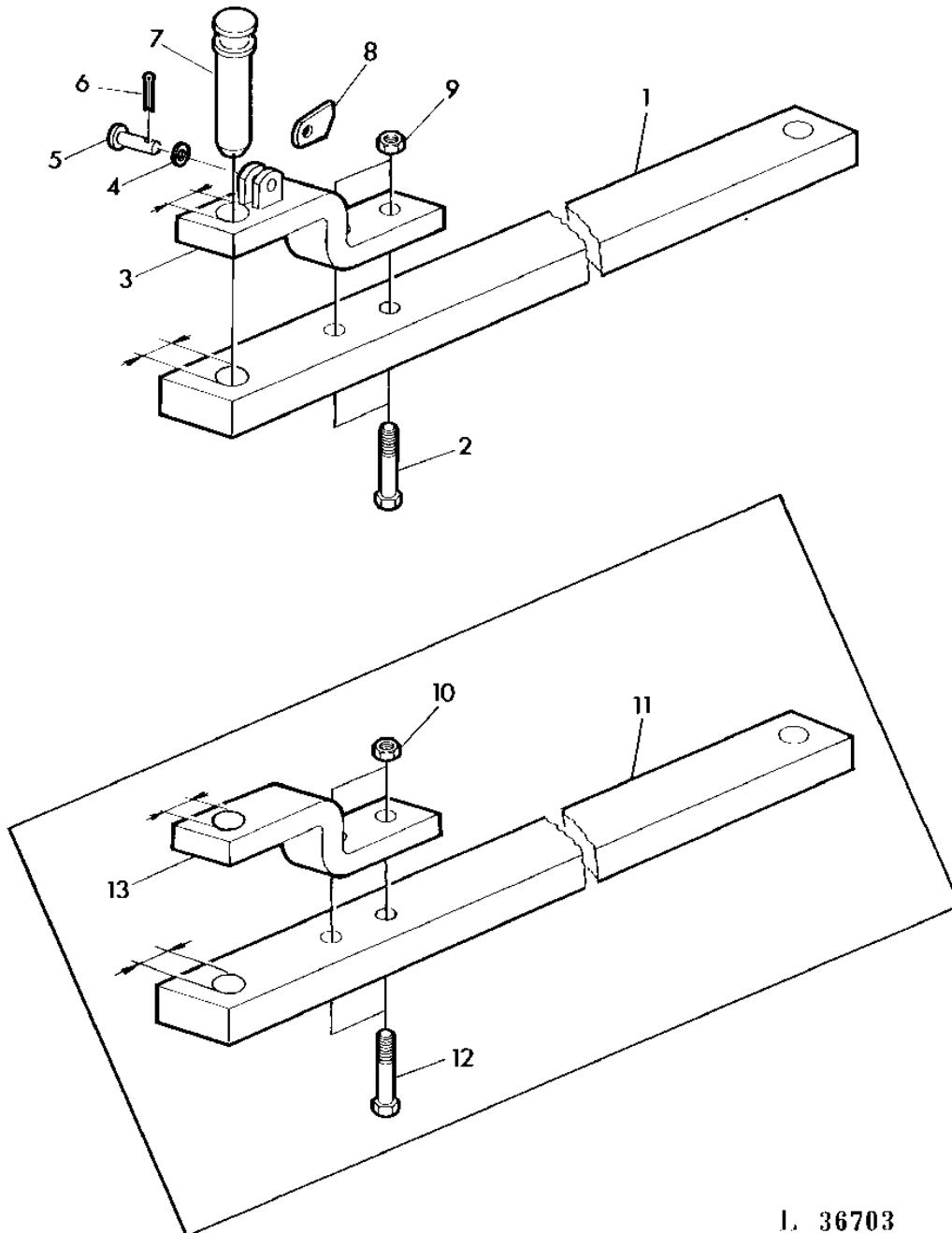
MISCELLANEOUS

KEY	PART NO.	PART NAME	QTY	SERIAL NO.	REMARKS
					2
					0 2
					4 1
					0 4
					S 0
1	45M6305	PIN	1		X X 8X35MM
2	11M7008	COTTER PIN	1		X X 2X14MM
3	T29893	PIN	1		X X O.D.=25MM (.98")
	T29645	PIN	1	-701426	X X O.D.=31MM(1.22") (ORD L63825, L63826)
	L63825	PIN	1	701427-	X X O.D.=32MM(1.26")
4	19H2212	CAP SCREW	1		X X 5/8"X5-1/4"
5	19H1863	CAP SCREW	1		X X 5/8"X3"
6	L63826	LATCH	1		X X (SUB FOR T29644)
7	AT29327	STRAP	1		X X I.D.=26,5MM (1.043")
	AT29326	STRAP	1		X X 33MM (1.299")
8	24M7055	WASHER	1		X X 8,4X17X1,6MM
9	L57595	SPACER	1		X X (SUB FOR T29892)
10	14H1039	NUT	2		X X 5/8"
11	L29021	DRAWBAR	1		X X I.D.=26,5MM (1.043")
	L29020	DRAWBAR	1		X X 33MM (1.299")
12	T21671	BUSHING	1		X X
13	AL27203	SUPPORT	1		X X FRONT
14	19H2898	CAP SCREW	4		X X 1/2"X1-1/4"
15	L32016	PIN	1		X X
16	L31849	ADAPTER	1		X X
17	19H1945	CAP SCREW	4		X X 1/2"X3-1/4"
18	L29022	PIN	2		X X
19	A3581R	SPRING LOCKING PIN	2		X X
20	T31725	SUPPORT	1		X X REAR
21	T21913	SPACER	2		X X (SUB FOR L29023)

4A18

MISCELLANEOUS

DRAWBAR FOR "AXLA" TRAILER HITCH
CHAPE D'ATTELAGE POUR DISPOSITIF AXLA
ZUGPENDEL FUER ANHAENGEVORRICHTUNG "AXLA"
BARRA TRAINO ORIENTABILE PER ATTACCO RIMORCHIO "AXLA"
SVANGBAR DRAGBOM FOR "AXLA"HYDRAULISK VAGNSDRAG
L36703 -UN-06OCT95



L. 36703

4A19

MISCELLANEOUS

KEY	PART NO.	PART NAME	QTY	SERIAL NO.	REMARKS
					2
					0 2
					4 1
					0 4
					S 0
1	AL35648	DRAWBAR	1		X X I.D.=26,5MM(1.043")
	AL35651	DRAWBAR	1		X X I.D.=33MM(1.299")
2	19M7719	CAP SCREW	2		X X 16X70MM
3	AL35649	STRAP	1		X X I.D.=26,5MM(1.043")
	AL35652	STRAP	1		X X I.D.=33MM(1.299")
4	24M7055	WASHER	1		X X 8,4MM
5	45M6305	PIN	1		X X 8X35MM
6	11M7008	COTTER PIN	1		X X 2X14MM
7	T29893	PIN	1		X X O.D.=25MM(.98")
	T29645	PIN	1	-701426	X X O.D.=31MM(1.22") (ORD L63825, L63826)
	L63825	PIN	1	701427-	X X O.D.=32MM(1.26")
8	L63826	LATCH	1		X X (SUB FOR T29644)
9	14M7276	NUT	2		X X 16MM
10	14H1058	NUT	2		X X 3/4" (SUB FOR L36551)
11	AL33864	DRAWBAR	1		X X I.D.=26,5MM(1.043") (ORD AL35647)
	AL33863	DRAWBAR	1		X X I.D.=33MM(1.299") (ORD AL35650)
12	19H1715	CAP SCREW	2		X X 3/4"X3" (SUB FOR L36550)
13	L36549	STRAP	1		X X I.D.=26,5MM(1.043") (ORD AL35647)
	L36548	STRAP	1		X X I.D.=33MM(1.299") (ORD AL35650)
..	AL35647	DRAWBAR	1		X X ASSY,INCL.KEYS 2,9 (ORD AL35648, AL35649)
..	AL35650	DRAWBAR	1		X X ASSY,INCL.KEYS 2,9 (ORD AL35651, AL35652)

4A20

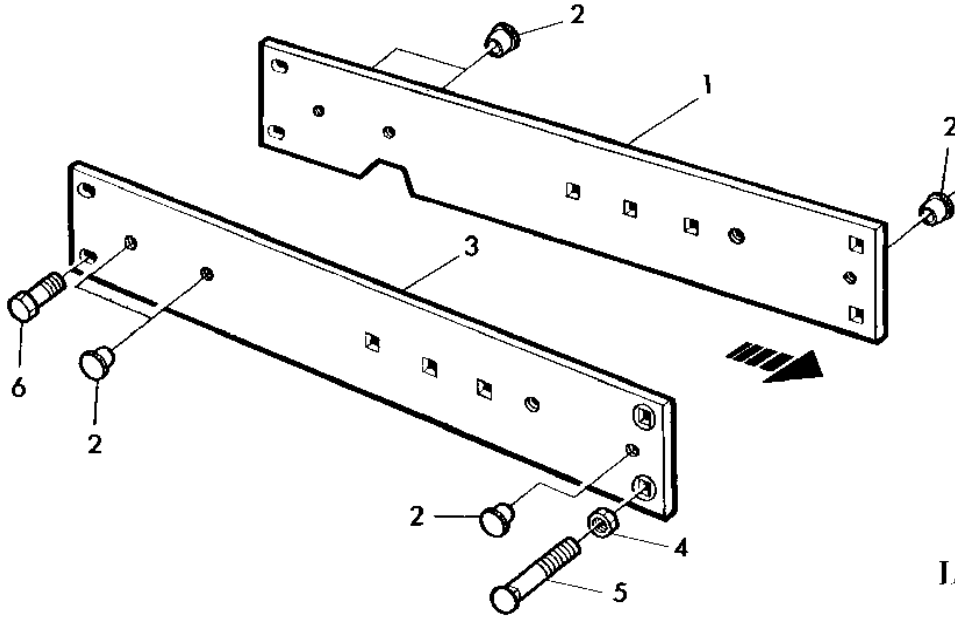
MISCELLANEOUS

MEMORANDA
MEMORANDA
MEMORANDA
MEMORANDA
MEMORANDA

4A21

MISCELLANEOUS

SIDE FRAMES
 CHASSIS LATERAUX
 SEITENRAHMEN
 TRAVERSE LATERALI
 BASTIDORES LATERALES
 SIDORAMAR
 L36707 -UN-06OCT95



I. 36707

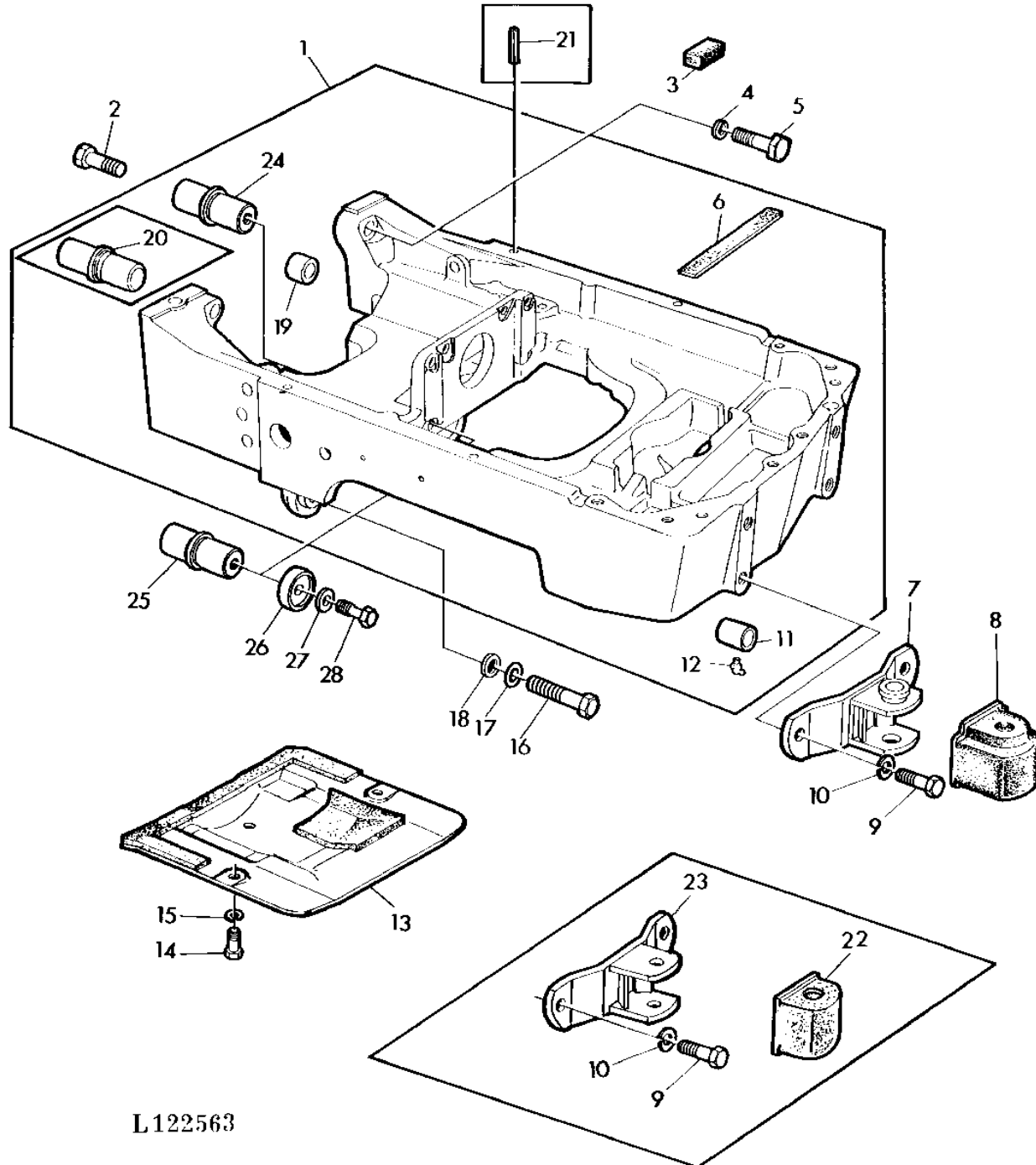
KEY	PART NO.	PART NAME	QTY	SERIAL NO.	REMARKS
				2	
				0 2	
				4 1	
				0 4	
				S 0	
1	L38097	FRAME	1	X X	LH (SUB FOR L34458)
2	99M7045	PLUG	AR	X X	
3	L37002	FRAME	1	X X	RH (SUB FOR L34457)
	L34459	FRAME	1	X X	(A) R.H.
4	14H1039	NUT	4	X X	5/8"
5	10H1157	BOLT	4	X X	5/8"X3-1/4"
6	19H1756	CAP SCREW	4	X X	5/8"X1-1/2"

(A) WITH OPU CAB
 AVEC CABINE PPI
 BEI FSC-KABINE
 CON CABINA OPU
 CON CABINA DE SEGURIDAD
 VID OPU FORARHYTT

4A22

MISCELLANEOUS

FRONT SUPPORT/FRONT HITCH
SUPPORT AVANT/CHAPE DE POUSSEE
TRAGBOCK VORN/DRUECKEVORRICHTUNG
SUPPORTO ANTERIORE/ATTACCO FRONTALE
SOPORTE DEL PUENTE DELANTERO/ENGANCHE DELANTERO
FRAMVAGNSBRYGGA/FRONTDRAG
L122563 -UN-09OCT95



L122563

4A23

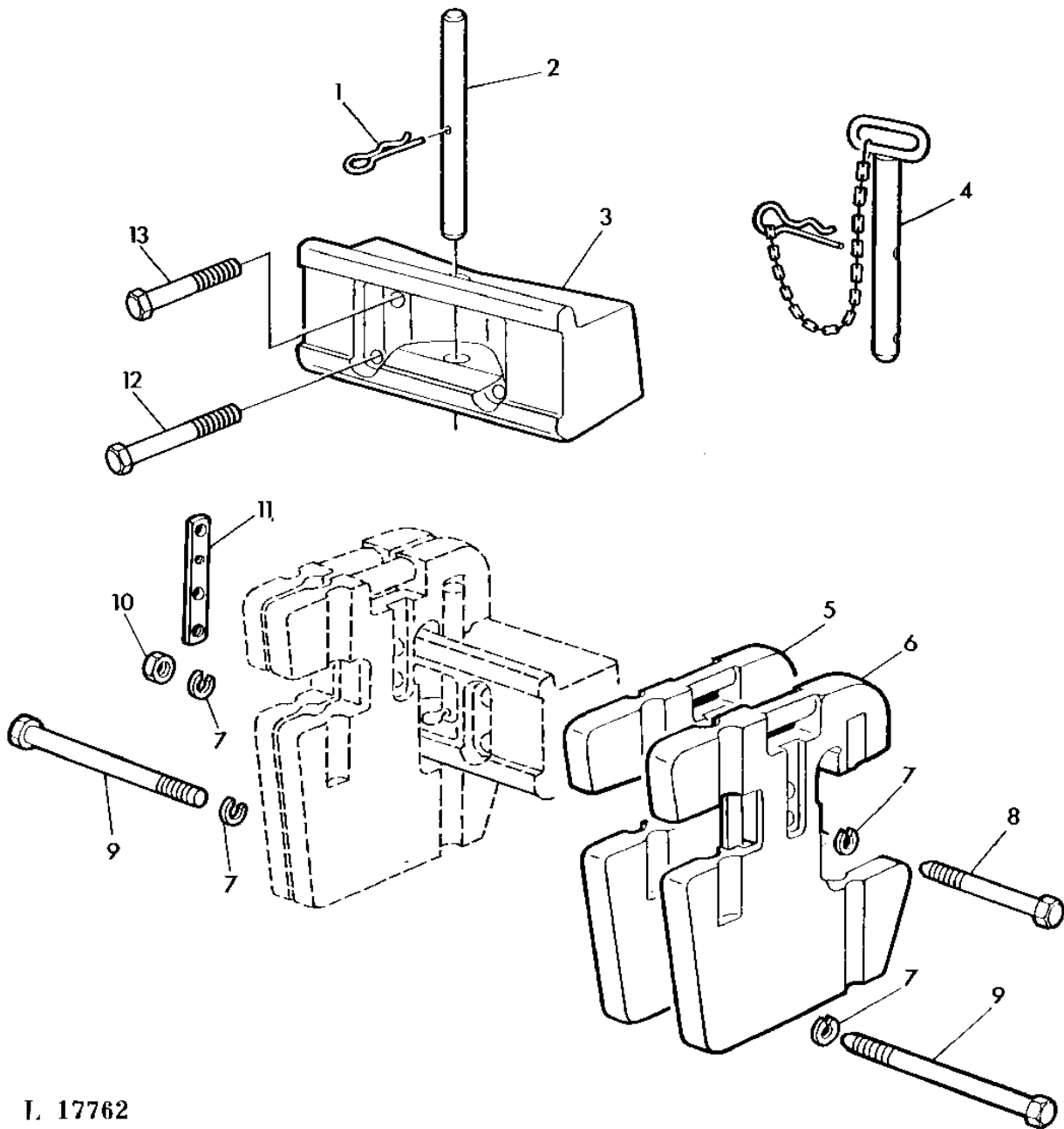
MISCELLANEOUS

KEY	PART NO.	PART NAME	QTY	SERIAL NO.	REMARKS
					2
					0 2
					4 1
					0 4
					S 0
1	AL58318	FRONT AXLE SUPPORT	1	X	(ORD W/ L57963, L57686, 47M7003) (SUB FOR AL31293, AL37418, AL37735)
	AL58315	FRONT AXLE SUPPORT	1	X	(ORD W/ L57963, L57686, 47M7003) (SUB FOR AL31294, AL37416, AL37737)
2	19H2358	CAP SCREW	2	X X	9/16"X2-1/4"
3	L57055	FOAM PAD	1	X X	(SUB FOR T22375)
4	12H294	LOCK WASHER	4	X X	5/8"
5	L41574	CAP SCREW	4	X X	5/8"X3" (SUB FOR 19H1863 APPL)
6	T21540	PAD	2	X X	
7	AL35947	HITCH	1	X X	
8	L38255	CAP	1	X X	
9	19H1768	CAP SCREW	2	X X	3/4"X2"
10	12H236	LOCK WASHER	2	X X	3/4"
11	L62839	BUSHING	1	X X	(SUB FOR T23118, L58547)
12	JD7799	LUBRICATION FITTING	1	X X	1/8"
13	AL56381	COVER	1	X X	(SUB FOR T22864, L36946)
14	19H2021	CAP SCREW	2	X X	3/8"X5/8"
15	12H304	LOCK WASHER	2	X X	3/8"
16	19H1715	CAP SCREW	2	X X	3/4"X3"
17	T29219	SHIM	2	X X	TK=0,1MM(.004")
18	T29218	SHIM	AR	X X	TK=0,5MM(.1968)
	T40983	WASHER	AR	X X	TK=5,96MM(.235")
	T25922	WASHER	AR	X X	TK=6,35MM(.250") (SUB FOR T36034 APPL)
19	T26929	BUSHING	2	X X	
20	L34070	PIN	1	X X	REAR (ORD L55437, L57686, L57963, 47M7003, L41860)
21	34H340	SPRING PIN	4	X X	5/16"X13/16"
22	L24233	CAP	1	X X	
23	AL19359	HITCH	1	X X	
24	L57725	PIN	1	X	REAR (FOR AL58318)
	L57523	PIN	1	X	REAR (FOR AL58315)
25	L55437	PIN	1	X X	(FOR AL31293, AL37418, AL37735, AL31294, AL37416, AL37737)
26	L57686	BUSHING	1	X X	
27	47M7003	WASHER	1	X X	
28	L57963	CAP SCREW	1	X X	M12X40

4A24

MISCELLANEOUS

FRAME WEIGHTS
MASSES D'ALOURDISSEMENT
RAHMENGEWICHTE
ZAVORRE ANTERIORI
CONTRAPESOS DELANTEROS
FRONTVIKTER
L17762 -UN-09OCT95



L 17762

4A25

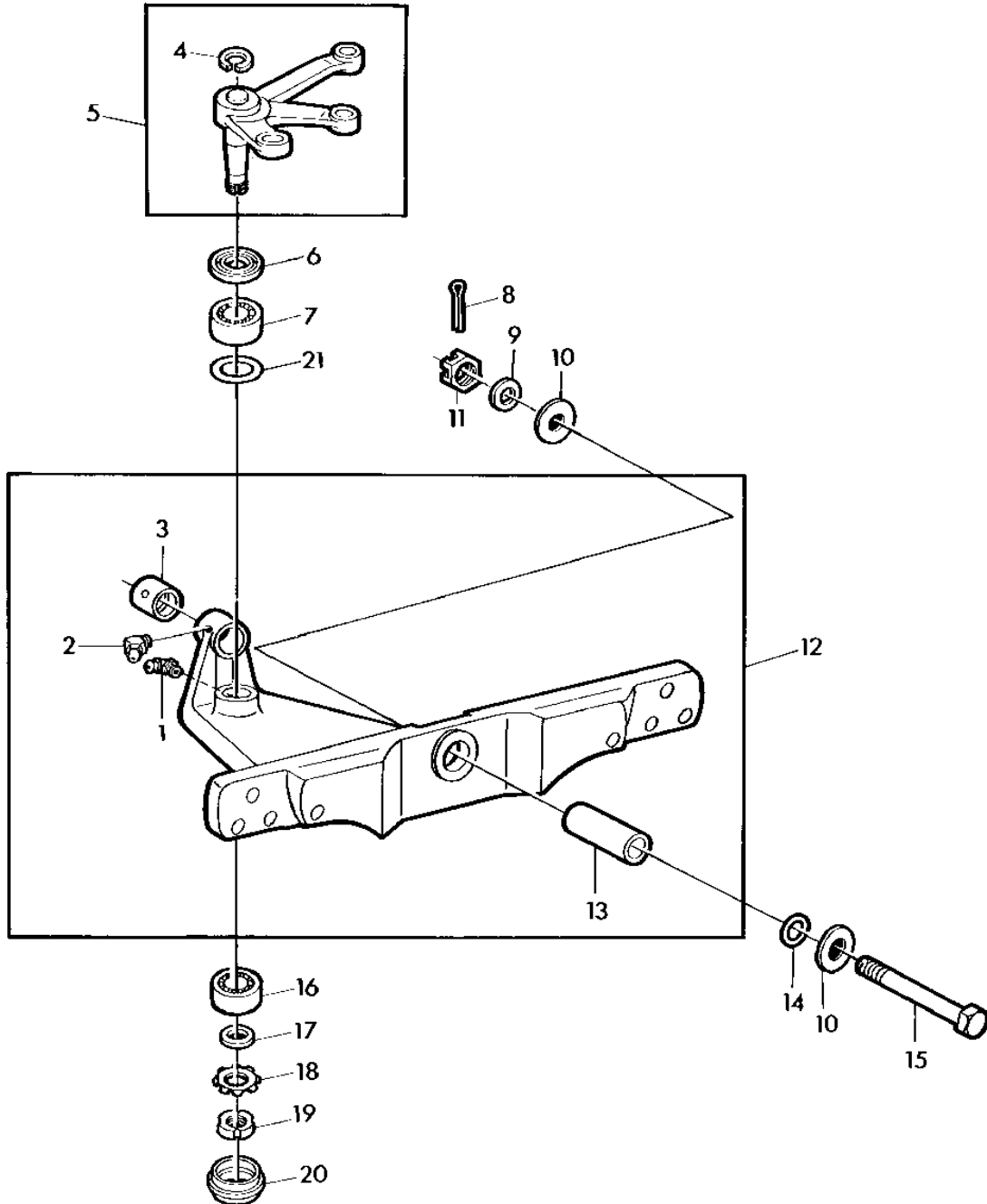
MISCELLANEOUS

KEY	PART NO.	PART NAME	QTY	SERIAL NO.	REMARKS
				2	
				0 2	
				4 1	
				0 4	
				S 0	
1	L12491	SPRING LOCKING PIN	1		
2	T32146	PIN	1		
3	L35460	WEIGHT	1		
4	AL31229	PIN	1		INCL.KEY 1
5	R51910	WEIGHT	AR		
6	L31560	WEIGHT	2		
7	12M7044	LOCK WASHER	AR		18,5MM
8	08H4248	CAP SCREW	1		5/8"X8-1/2"
9	R51681	CAP SCREW	AR		5/8"X13"
10	14H821	NUT	AR		5/8"
11	AR68801	RETAINER	AR		(SUB FOR T32148)
12	08H4220	CAP SCREW	2		3/4"X7"
13	19H1892	CAP SCREW	2		3/4"X5-1/4"

4B1

MISCELLANEOUS

FRONT AXLE CENTER
PARTIE INTERMEDIAIRE D'ESSIEU AVANT
VORDERACHS-MITTELSTUECK
ASSALE CENTRALE ANTERIORE
PUENTE CENTRAL DEL EJE DELANTERO
FRAMAXELVAGGA
L103316 -UN-06OCT95



I. 103316

4B2

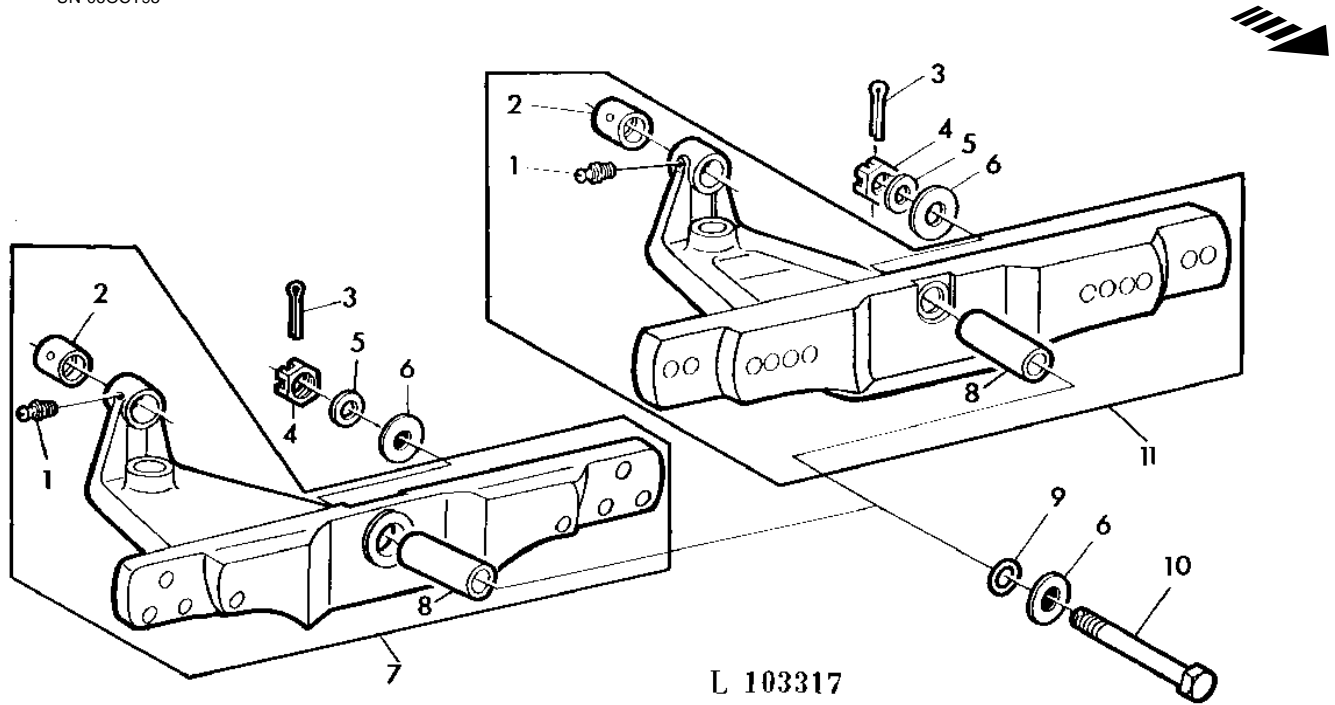
MISCELLANEOUS

KEY	PART NO.	PART NAME	QTY	SERIAL NO.	REMARKS
					2
					0 2
					4 1
					0 4
					S 0
1	JD7799	LUBRICATION FITTING	1		X
2	JD7847	LUBRICATION FITTING	1		X 1/8" (SUB FOR JD7798)
3	L62836	BUSHING	1		X (SUB FOR T23170, L57310)
4	F534R	SNAP RING	1		X
5	AL31088	LEVER	1		X
6	AL31052	DISK	1		X
7	JD10137	ROLLER BEARING	1		X
8	11H218	COTTER PIN	1		X 3/16"X1-1/2"
9	T10510	WASHER	1		X
10	T25922	WASHER	2		X
11	14H1086	NUT	1		X 3/4"
12	AL31861	AXLE	1		X
13	T21669	BUSHING	1		X
14	T25921	SHIM	AR		X TK=0,4MM (.016")
	T30991	WASHER	AR		X TK=1MM (.04")
15	T25840	CAP SCREW	1		X 3/4"
16	JD10115	ROLLER BEARING	1		X
17	24M7227	WASHER	1		X 30X42X25MM
18	12M7086	LOCK PLATE	1		X
19	52M7012	NUT	1		X M30
20	L34855	CAP	1		X
21	L36266	SHIM	AR		X TK=0,2MM (.008")
	L36267	SHIM	AR		X TK=0,3MM (.012")

4B3

MISCELLANEOUS

FRONT AXLE CENTER(WITH OPU CAB)
 PARTIE INTERMEDIARE D'ESSIEU AVANT(AVEC CABINE PPI)
 VORDERACHS-MITTELSTUECK(BEI FSC KABINE)
 ASSALE CENTRALE(CON CABINA OPU)
 PUENTE CENTRAL(CON CABINA DE SEGURIDAD)
 FRAMAXELVAGGA(VID OPU FORARHYTT)
 L103317 -UN-06OCT95



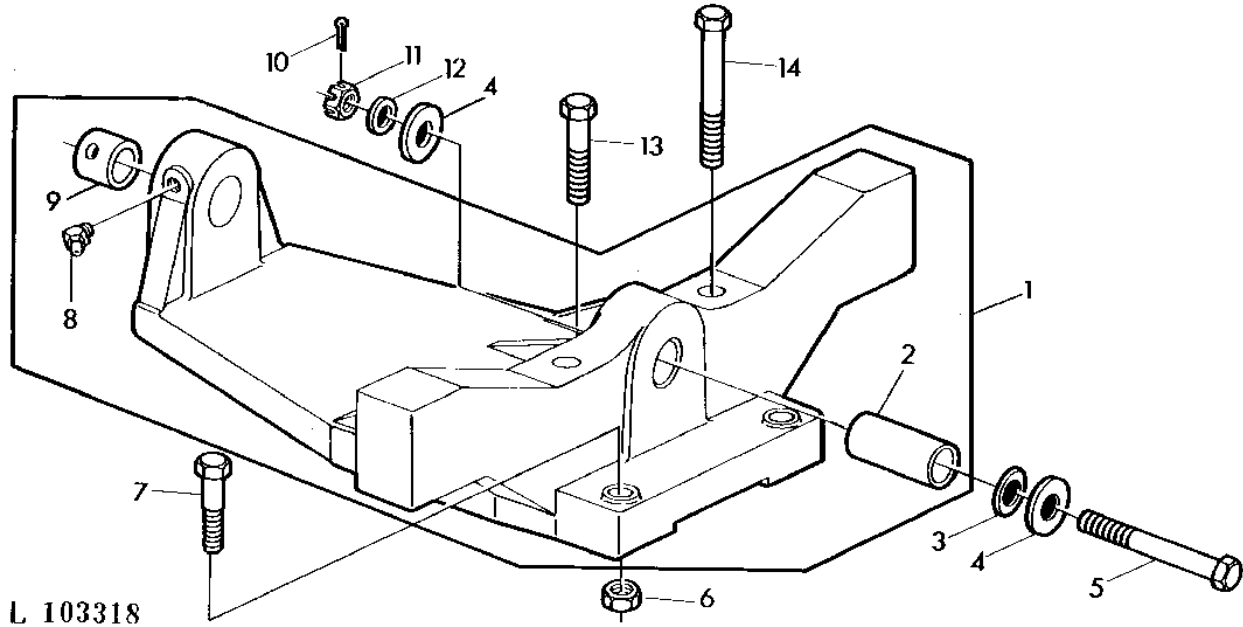
L 103317

KEY	PART NO.	PART NAME	QTY	SERIAL NO.	REMARKS
				2	
				0 2	
				4 1	
				0 4	
				S 0	
1	JD7847	LUBRICATION FITTING	1	X X	1/8" (SUB FOR JD7798)
2	L62836	BUSHING	1	X X	(SUB FOR T23170, L57310)
3	11H218	COTTER PIN	1	X X	3/16"X1-1/2"
4	14H1086	NUT	1	X X	3/4"
5	T10510	WASHER	1	X X	
6	T25922	WASHER	2	X X	
7	AL31885	AXLE	1	X X	
8	T21669	BUSHING	1	X X	
9	T25921	SHIM	AR	X X	TK=0,4MM (.016")
	T30991	WASHER	AR	X X	TK=1MM (.04")
10	T25840	CAP SCREW	1	X X	3/4"
11	AL34564	AXLE	1	X	

4B4

MISCELLANEOUS

FRONT AXLE CENTER 7MFWD)
 PARTIE INTERMEDIAIRE D'ESSIEU AVANT (PONT AVANT)
 VORDERACHS-MITTELSTUECK (MECHAN.FRONTANTRIEB)
 ASSALE CENTRALE (TRAZIONE ANTERIORE MECCANICA)
 PUENTE CENTRAL (TRACCION DELANTERA MECANICA)
 FRAMAXELVAGGA (VID MEKANISK FRAMHJULSDRIFT)
 L103318 -UN-06OCT95

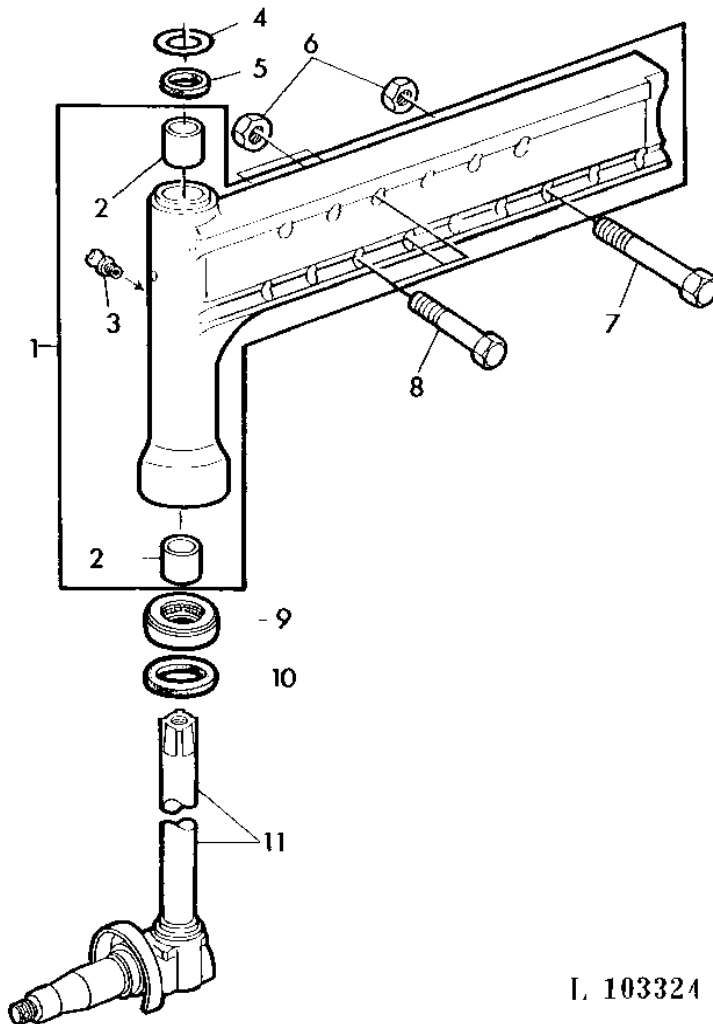


KEY	PART NO.	PART NAME	QTY	SERIAL NO.	REMARKS
				2	
				0 2	
				4 1	
				0 4	
				S 0	
1	AL30897	FORK	1	X X	
2	T21669	BUSHING	1	X X	
3	T25921	SHIM	AR	X X	TK=0,4MM (.016")
4	T29211	WASHER	2	X X	
5	L59919	CAP SCREW	1	X X	3/4" (SUB FOR T29210 APPL)
6	14M7277	NUT	2	X X	M20
7	53M7002	SCREW	2	X X	M20X90
8	JD7847	LUBRICATION FITTING	1	X X	1/8" (SUB FOR JD7798)
9	L62836	BUSHING	1	X X	(SUB FOR T23170, L57310)
10	11H218	COTTER PIN	1	X X	3/16"X1-1/2"
11	14H1086	NUT	1	X X	3/4"
12	T10510	WASHER	1	X X	
13	19M7616	CAP SCREW	2	X X	M20X75
14	19M7722	CAP SCREW	2	X X	M20X160

4B5

MISCELLANEOUS

FRONT AXLE KNEE/SPINDLE KNUCKLE
PORTE-FUSEE/FUSEE
VORDERACHSARM/ACHSSCHENKEL
ARTICOLAZ. ASSALE ANTERIORE/FUSO
EXTENSION DEL EJE DELANTERO/MANGUETA
FRAMAXELKNA/HJULSPINDEL
L103324 -UN-06OCT95



I. 103324

4B6

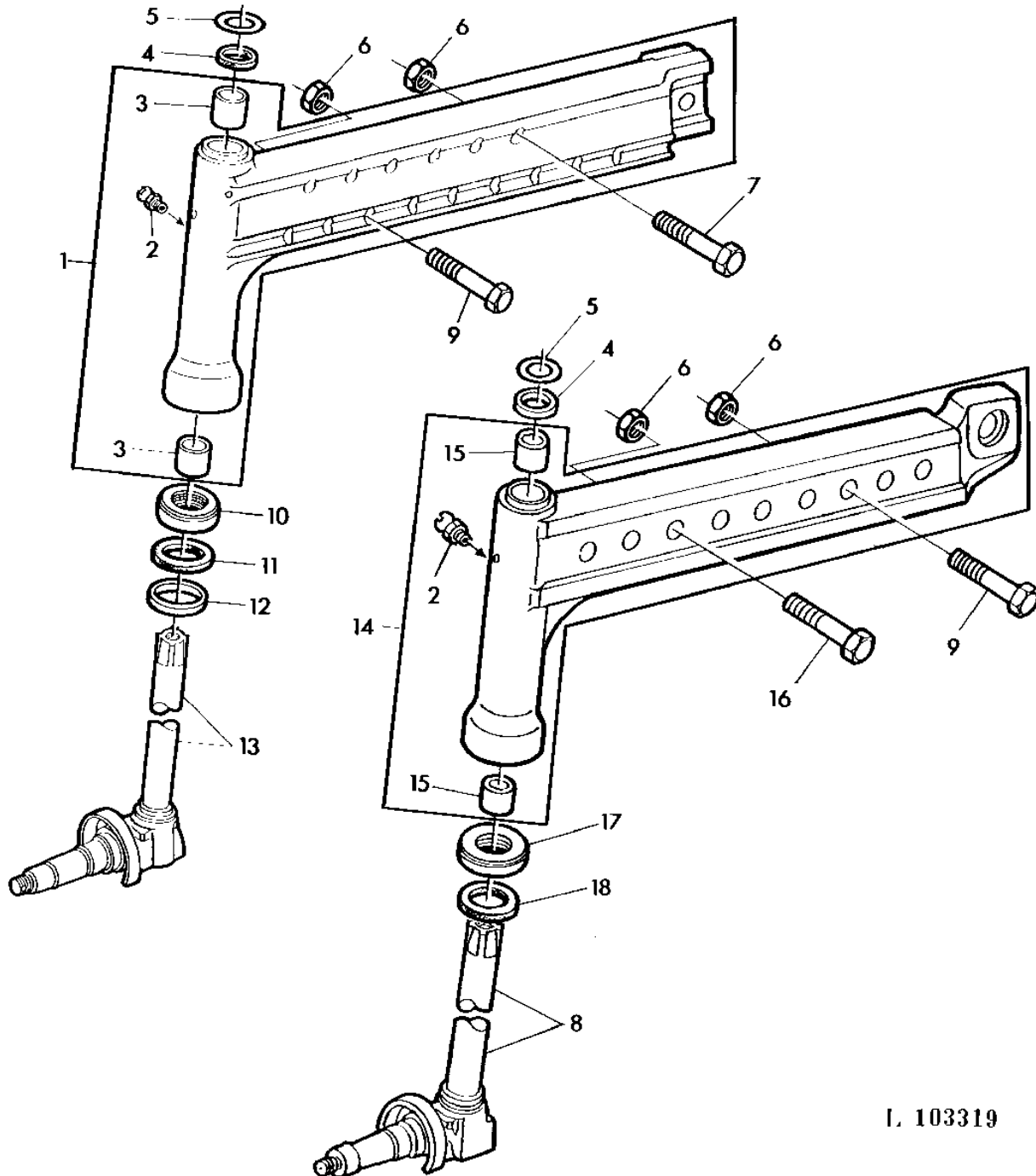
MISCELLANEOUS

KEY	PART NO.	PART NAME	QTY	SERIAL NO.	2 0 2 4 1 0 4 S 0	REMARKS
1	AL23280	ARM	1		X	R.H.
	AL23281	ARM	1		X	L.H.
2	T21553	BUSHING	4		X	
3	JD7798	LUBRICATION FITTING	2		X	1/8"
4	T15285	SHIM	2		X	0.68MM (.027")
5	T15288	WASHER	2		X	
6	14H1058	NUT	8		X	3/4"
7	19H3307	CAP SCREW	2		X	3/4"X6"
8	19H2001	CAP SCREW	6		X	3/4"X5-1/2" (SUB FOR 19H3210)
9	JD8410	THRUST BEARING	2		X	
10	T15284	WASHER	2		X	
11	AL28222	KNUCKLE	2		X	

4B7

MISCELLANEOUS

FRONT AXLE KNEE/SPINDLE KNUCKLE(WITH OPU CAB)
PORTE-FUSEE/FUSEE KNUCKLE(AVEC CABINE PPI)
VORDERACHSARM/ACHSSCHENKEL(BEI FSC KABINE)
ARTICOLAZ.ASSALE ANTERIORE/FUSO(CON CABINA OPU)
EXTENSION DEL EJE DELANTERO/MANGUETA(CON CABINA DE SEGURIDAD)
FRAMAXELKNA/HJULSPINDEL(VID OPU FORARHYTT)
L103319 -UN-06OCT95



L. 103319

4B8

MISCELLANEOUS

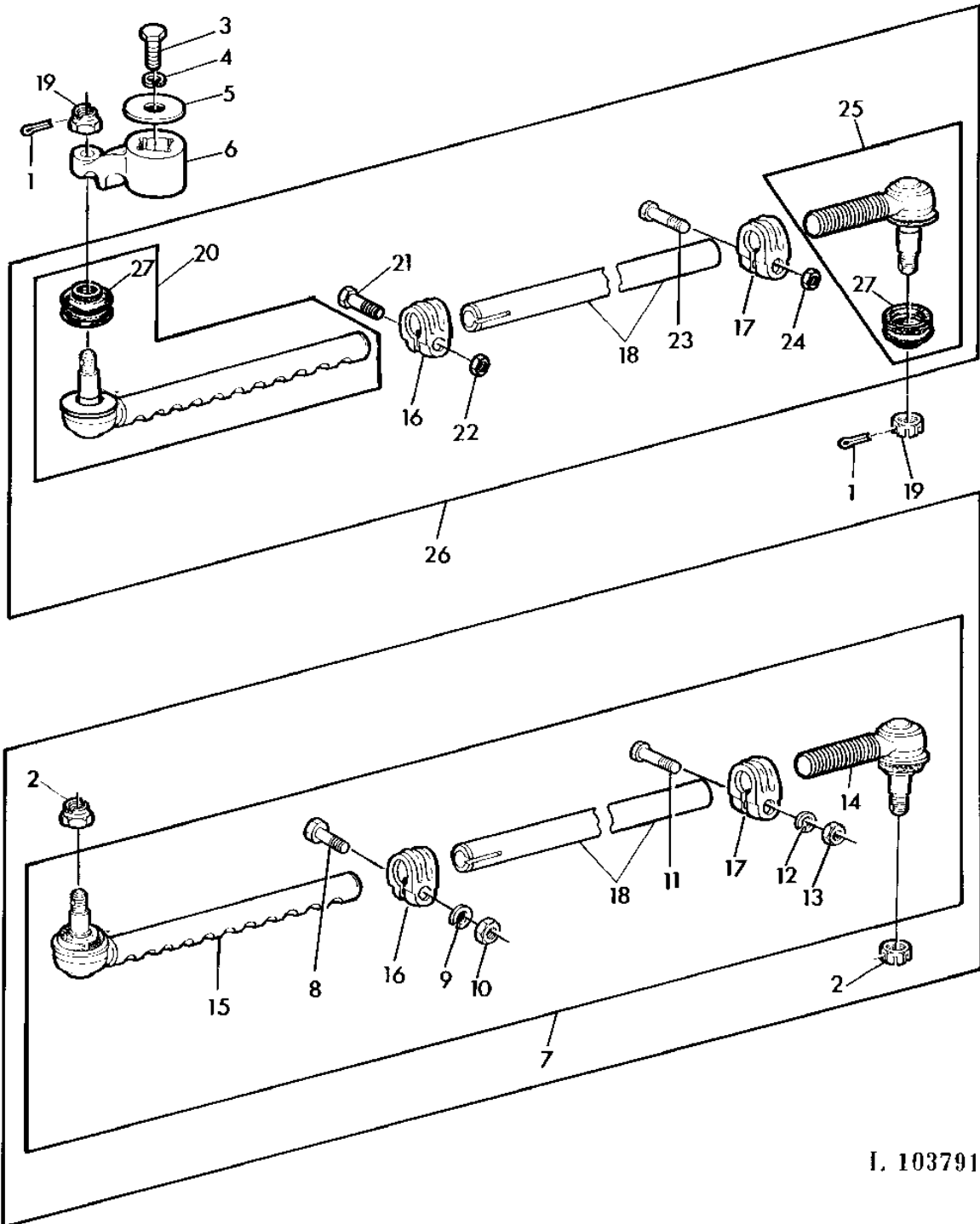
KEY	PART NO.	PART NAME	QTY	SERIAL NO.	REMARKS
				2	
				0 2	
				4 1	
				0 4	
				S 0	
1	AL31297	AXLE	1	X X	(A) R.H.
	AR74608	AXLE	1	X X	(A) L.H.
2	JD7798	LUBRICATION FITTING	2	X X	1/8"
3	T34546	BUSHING	4	X X	
4	T15288	WASHER	2	X X	
5	T15285	SHIM	2	X X	
6	14H1058	NUT	AR	X X	3/4"
7	19H3307	CAP SCREW	2	X X	3/4"X6"
8	AL28222	KNUCKLE	2	X	
9	19H2001	CAP SCREW	AR	X X	3/4"X5-1/2"
10	JD8412	THRUST BEARING	2	X X	
11	T31749	WASHER	2	X X	
12	T34548	WASHER	2	X X	
13	AR74606	KNUCKLE	2	X X	
14	AL34563	ARM	1	X	R.H.
	AL34565	ARM	1	X	L.H.
15	T21553	BUSHING	4	X	
16	19H2827	CAP SCREW	2	X	3/4"X4-3/4"
17	JD8410	THRUST BEARING	2	X	
18	T15284	WASHER	2	X	

(A) HEAVY DUTY
 RENFORCE
 VERSTAERKTE AUSFUEHRUNG
 RINFORZATO
 REFORZADO
 FORSTARKT

4B9

MISCELLANEOUS

TIE ROD
 BARRE D'ACCOUPLMENT
 SPURSTANGE
 BARRA D'ACCOPIAMENTO
 VARILLA TENSORA
 PARALLELSTAG
 L103791 -UN-06OCT95



I. 103791

4B10

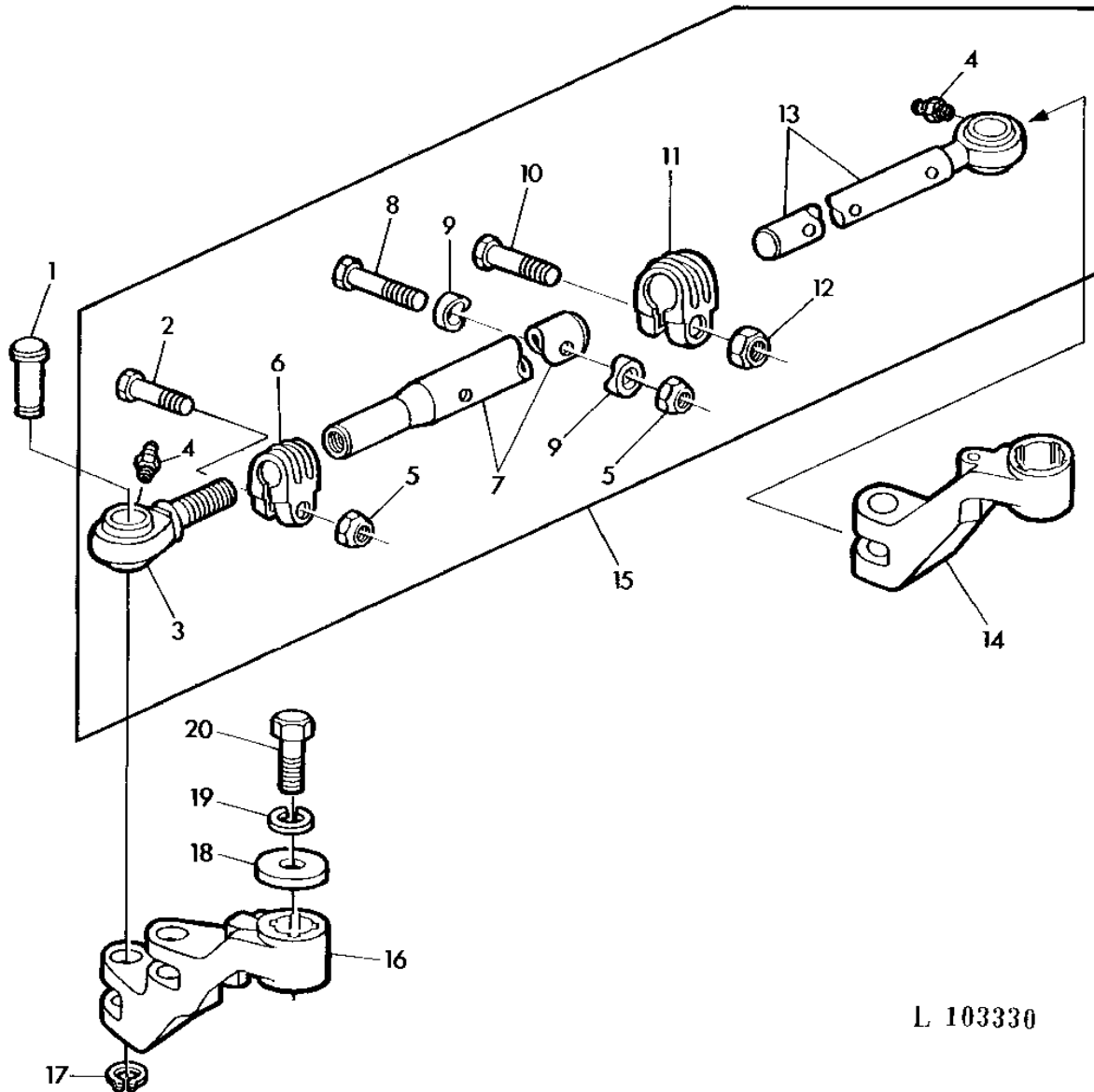
MISCELLANEOUS

KEY	PART NO.	PART NAME	QTY	SERIAL NO.	REMARKS
				2	
				0 2	
				4 1	
				0 4	
				S 0	
1	11H240	COTTER PIN	4	X X	5/32"X1-1/2"
2	14H1086	NUT	4	X X	3/4"
3	19H1768	CAP SCREW	2	X X	3/4"X2"
4	12H236	LOCK WASHER	2	X X	3/4"
5	F3607R	WASHER	2	X X	
6	L28314	ARM	1	X X	R.H.
	L28315	ARM	1	X X	L.H.
7	AL19726	TIE ROD	2	X X	(ORD AL38637, (2) 14M7305)
8	19H2528	CAP SCREW	2	X X	1/2"X2"
9	12H301	LOCK WASHER	2	X X	1/2"
10	14H865	NUT	2	X X	1/2"
11	19H2541	CAP SCREW	2	X X	3/8"X1-3/4"
12	12H304	LOCK WASHER	2	X X	3/8"
13	14H846	NUT	2	X X	3/8"
14	AL27532	TIE ROD END	2	X X	(ORD AL37504, (1) 14M7305)
15	AL27533	TIE ROD END	2	X X	(ORD AL37505, (1) 14M7305)
16	L32307	CLAMP	2	X X	
17	L31706	CLAMP	2	X X	
18	L32308	TUBE	2	X X	
19	14M7305	NUT	4	X X	M18X1,5
20	AL37505	BALL JOINT	2	X X	
21	19M8154	CAP SCREW	2	X X	M12X55
22	14M7325	LOCK NUT	2	X X	M12
23	19M7917	CAP SCREW	2	X X	M10X45
24	14M7324	LOCK NUT	2	X X	M10
25	AL37504	BALL JOINT	2	X X	
26	AL38637	TIE ROD	2	X X	
27	AL38891	BOOT	4	X X	

4B11

MISCELLANEOUS

TIE ROD WITH HYDROST. STEERING
BARRE D'ACCOUPLMENT AVEC DIRECTION HYDROSTAT.
SPURSTANGE BEI HYDROST. LENKUNG
BARRA D'ACCOPIAMENTO CON STERZO IDROSTATICO
VARILLA TENSORA CON DIRECCION HIDROSTATICA
PARALLELSTAG VID HYDROSTATISK STYRNING
L103330 -UN-06OCT95



L 103330

4B12

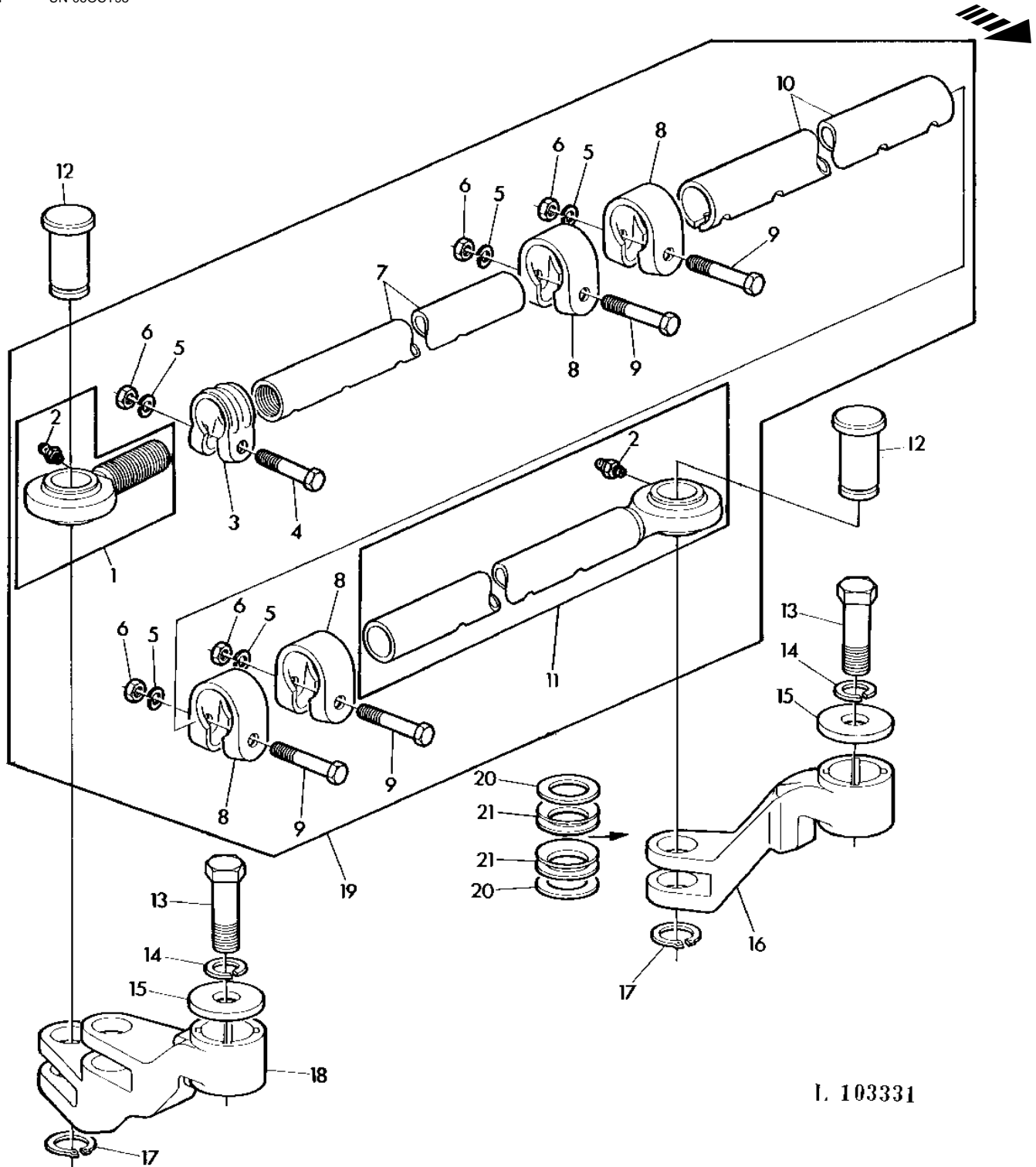
MISCELLANEOUS

KEY	PART NO.	PART NAME	QTY	SERIAL NO.	REMARKS
				2	
				0 2	
				4 1	
				0 4	
				S 0	
1	L36086	PIN	2	X X	
2	19M7917	CAP SCREW	1	X X	M10X45
3	AL31497	TIE ROD END	1	X X	(ORD (1) AL37193, (2) L39305, (2) L40301)
4	58M5574	LUBRICATION FITTING	2	X X	M8
5	14M7324	LOCK NUT	2	X X	M10
6	L36182	CLAMP	1	X X	
7	L34443	TUBE	1	X X	(ORD (1) AL37146, (4) L39305, (4) L40301)
8	19M7918	CAP SCREW	1	X X	M10X60
9	L34444	WASHER	2	X X	
10	19M7919	CAP SCREW	1	X X	M12X60
11	L36184	CLAMP	1	X X	
12	14M7325	LOCK NUT	1	X X	M12
13	AL31498	TIE ROD	1	X X	(ORD (1) AL37194, (2) L39305, (2) L40301)
14	L35960	ARM	1	X X	L.H.
15	AL31241	TIE ROD	1	X X	(ORD (1) AL37146, (4) L39305, (4) L40301)
16	L34366	ARM	1	X X	R.H.
17	40M7195	SNAP RING	2	X X	25X1,2MM
18	F3607R	WASHER	2	X X	
19	12H236	LOCK WASHER	2	X X	3/4"
20	19H1768	CAP SCREW	2	X X	3/4"X2"

4B13

MISCELLANEOUS

TIE ROD WITH HYDROST. STEERING
BARRE D'ACCOUPLMENT AVEC DIRECTION HYDROSTAT.
SPURSTANGE BEI HYDROST. LENKUNG
BARRA D'ACCOPIAMENTO CON STERZO IDROSTATICO
VARILLA TENSORA CON DIRECCION HIDROSTATICA
PARALLELSTAG VID HYDROSTISK STYRNING
L103331 -UN-06OCT95



L. 103331

4B14

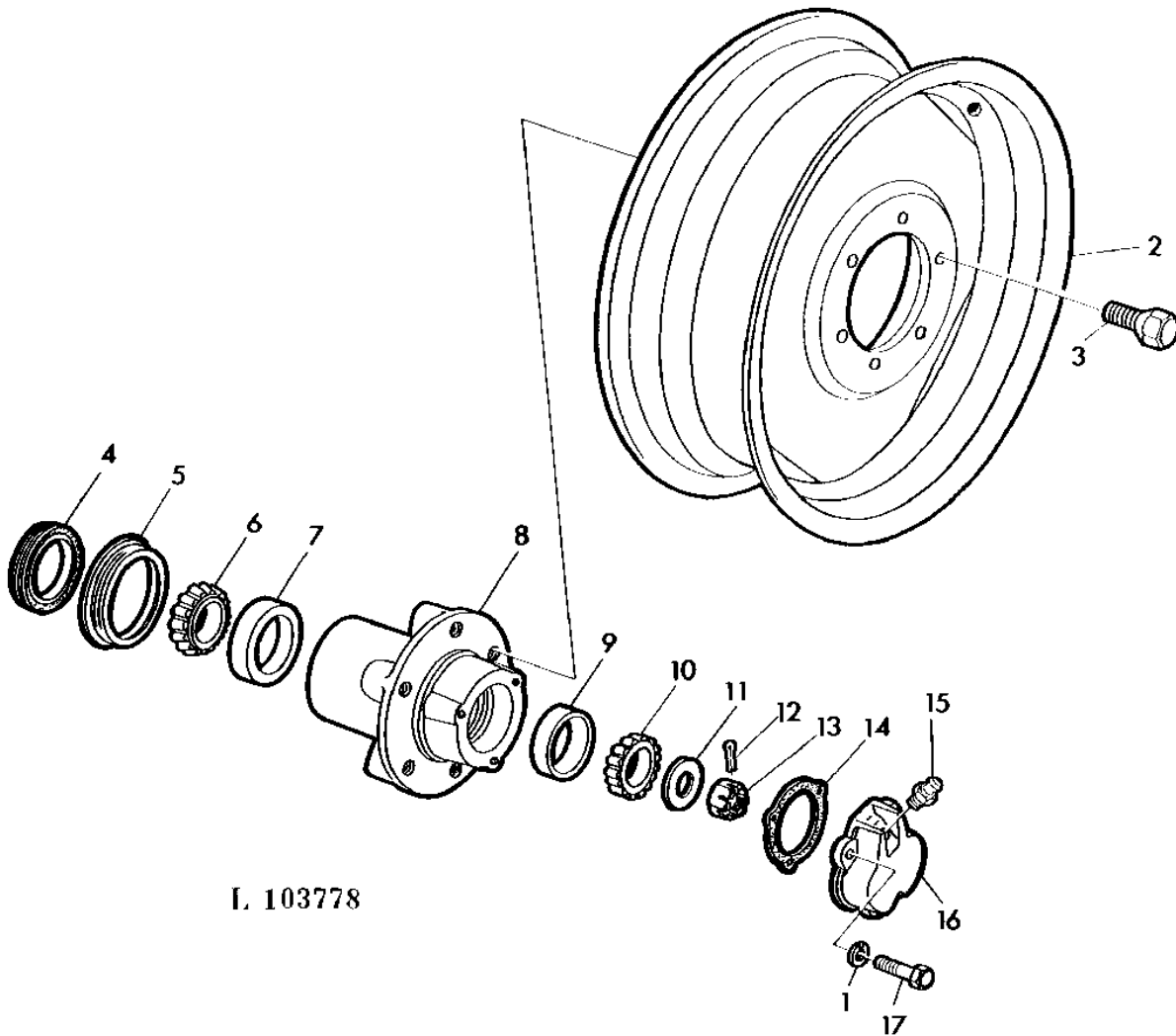
MISCELLANEOUS

KEY	PART NO.	PART NAME	QTY	SERIAL NO.	REMARKS
				2	
				0 2	
				4 1	
				0 4	
				S 0	
1	AL37205	TIE ROD END	1		
2	58M5573	LUBRICATION FITTING	2		M6
3	L39328	CLAMP	1		
4	19M7658	CAP SCREW	1		M10X50
5	12M7066	LOCK WASHER	5		
6	14M7274	NUT	5		M10
7	L39325	TIE ROD	1		
8	L39329	CLAMP	4		
9	19M7156	CAP SCREW	4		M10X60
10	L39324	TIE ROD	1		
11	AL37204	TIE ROD END	1		
12	L36086	PIN	2		
13	19H1768	CAP SCREW	2		3/4"X2"
14	12H236	LOCK WASHER	2		3/4"
15	F3607R	WASHER	2		
16	L35960	ARM	1		L.H.
17	40M7195	SNAP RING	2		25X1,2MM
18	L34366	ARM	1		R.H.
19	AL37146	TIE ROD	1		
20	L40301	RING	4		
21	L39305	SEAL	4		

4B15

MISCELLANEOUS

FRONT WHEEL/ASSEMBLY
ROUES AVANT/ROULEMENTS
VORDERRAEDER/LAGER
RUOTE ANTERIORI/MOZZO
RUEDAS DELANTERAS/RODAMIENTOS
FRAMHJULSENHET
L103778 -UN-06OCT95



L. 103778

4B16

MISCELLANEOUS

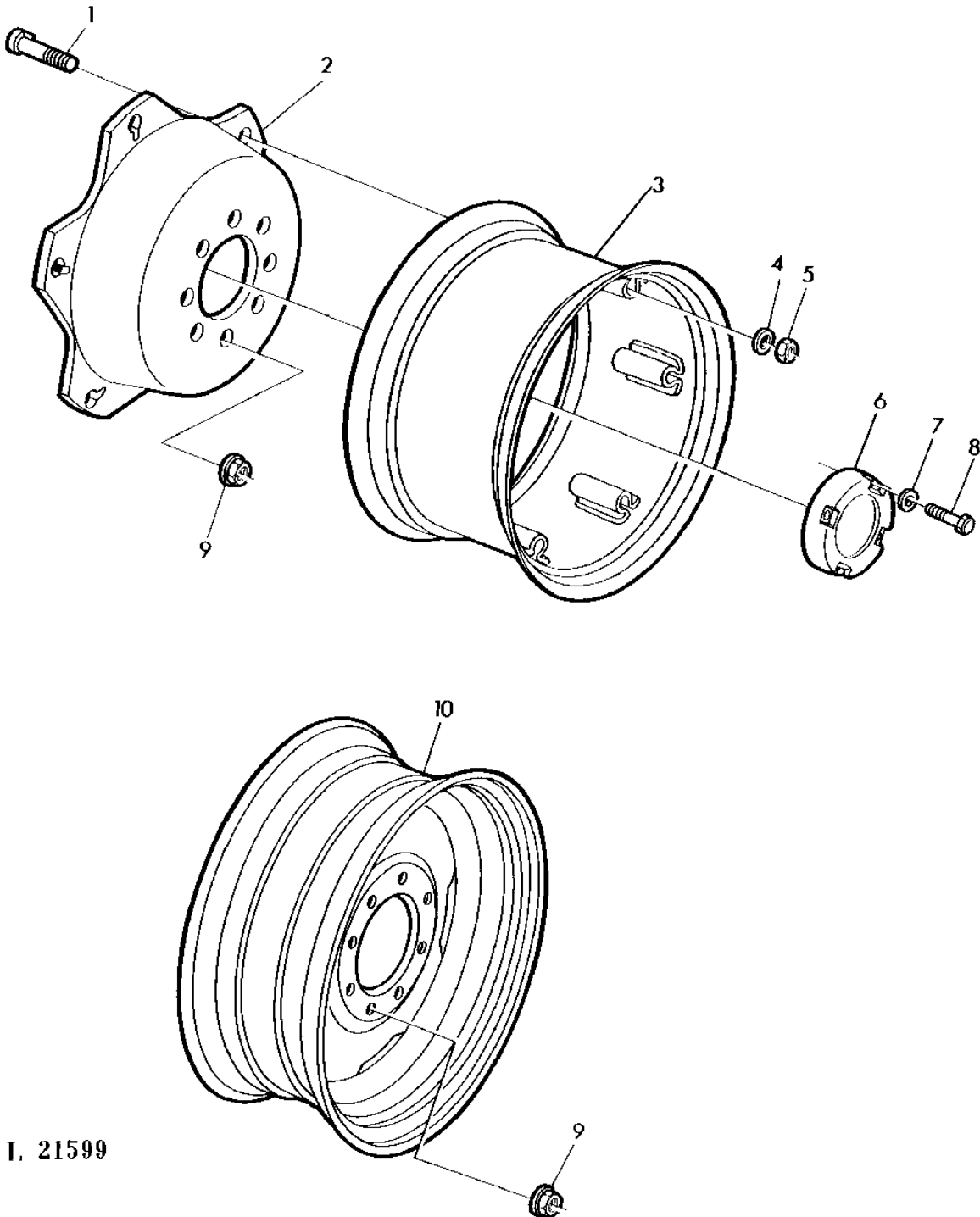
KEY	PART NO.	PART NAME	QTY	SERIAL NO.	REMARKS
				2	
				0 2	
				4 1	
				0 4	
				S 0	
1	12M7065	LOCK WASHER	6	X X	(SUB FOR 12H303)
2	JD3211	WHEEL	2	X X	(A) 7.50-18
	AL68277	WHEEL	2	X	(A) 7.50-18 (SUB FOR JD3039)
	JD3210	WHEEL	2	X	(A) 10.00-16
3	JD21	WHEEL BOLT	12	X X	9/16"
4	AR26480	SEAL	2	X X	
5	R26632	BUSHING	2	X X	
6	JD8969	BEARING CONE	2	X X	
7	JD7445	BEARING CUP	2	X X	
8	T21545	HUB	2	X X	
9	JD8251	BEARING CUP	2	X X	
10	JD8929	BEARING CONE	2	X X	
11	A5146R	WASHER	2	X X	
12	11M7030	COTTER PIN	2	X X	5X40MM
13	14H1086	NUT	2	X X	1"
14	A1556R	GASKET	2	X X	
15	JD7798	LUBRICATION FITTING	2	X X	1/8"
16	A1555R	CAP	2	X X	
17	19H1849	CAP SCREW	6	X X	5/16"X1-1/4"

(A) FOR TIRE SIZE
 POUR PNEUMATIQUES
 FUER BEREIFUNG
 PER PNEUMATICI
 PARA NEUMATICOS
 FOR DACKSDIMENSION

4B17

MISCELLANEOUS

FRONT WHEELS (MFWD)
ROUES AVANT (ESSIEU AVANT MOTEUR MECANIQUE)
VORDERRAEDER (MECH.FRONTANTRIEB)
RUOTE ANTERIORI (TRAZ.ANTERIORE MECCANICA)
RUEDAS DELANTERAS (TRACC.HIDROSTATICA DELANTERA)
FRAMHJUL (MEK.FRAMHJULSDRIFT)
L21599 -UN-09OCT95



I. 21599

4B18

MISCELLANEOUS

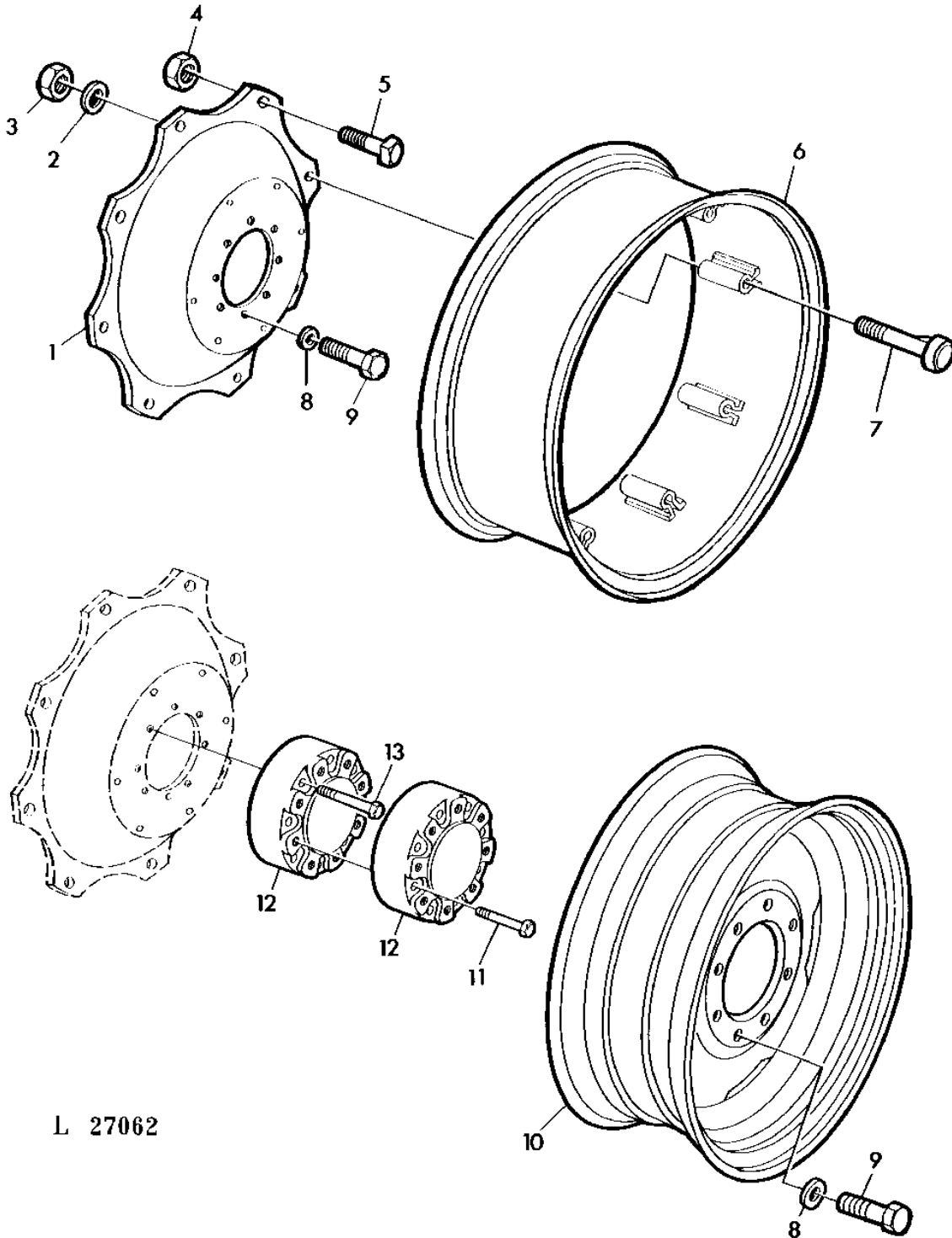
KEY	PART NO.	PART NAME	QTY	SERIAL NO.	REMARKS
				2	
				0 2	
				4 1	
				0 4	
				S 0	
1	L33894	SCREW	12	X X	(A) 13,6-24
	T27511	CAP SCREW	12	X	9/16"
2	L34231	WHEEL CENTER	2	X X	(A) 13,6-24
	L34232	WHEEL CENTER	2	X	(A) 11,2-28
3	AL35849	RIM	2	X X	(A) 13,6-24
	AL16602	RIM	2	X	(A) 11,2-28
4	24M7320	WASHER	12	X X	17X30X3MM
	24M7145	WASHER	12	X	15X24X2MM
5	14M7289	NUT	12	X X	(A) 13,6-24,16MM
	14H888	NUT	12	X	9/16"
6	L34107	CAP	2	X	
7	L34108	BUSHING	4	X	
8	19M7301	CAP SCREW	4	X	8X40MM
9	14M7332	FLANGE NUT	16	X X	18MM
10	AL31506	RIM	2	X X	(A) 13,6-24

(A) FOR TIRE SIZE
 POUR PNEUMATIQUES
 FUER BEREIFUNG
 PER PNEUMATICI
 PARA NEUMATICOS
 FOR DACKSDIMENSION

4B19

MISCELLANEOUS

STEEL DISK REAR WHEELS
ROUES ARRIERE ACIER
STAHL-HINTERRAEDER
RUOTE POSTERIORI CON DISCHI DI ACCIAIO
RUEDAS TRASERAS CON DISCO DE ACERO
BAKHJUL MED STALDISK
L27062 -UN-05OCT95



L 27062

4B20

MISCELLANEOUS

KEY	PART NO.	PART NAME	QTY	SERIAL NO.	REMARKS
					2 0 2 4 1 0 4 S 0
1	L41821	WHEEL CENTER	2	X X	(A) 18.4-30,O.D.=680MM DELACHAUX (SUB FOR L31666)
	L58879	WHEEL CENTER	2	X X	(A) 18.4-30,O.D.=695MM LEMMERZ (SUB FOR L39732)
	L41820	WHEEL CENTER	2	X X	(A) 16.9-34,18.4-34,O.D.=781MM, DELACHAUX (SUB FOR L31665)
	L58880	WHEEL CENTER	2	X X	(A) 16.9-34,18.4-34,O.D.=796MM, LEMMERZ (SUB FOR L39733)
	L41822	WHEEL CENTER	2	X X	(A) 13.6-38,14.9-38,O.D.=832,5MM, DELACHAUX (SUB FOR L31671)
	L58882	WHEEL CENTER	2	X X	(A) 13.6-38,14.9-38,O.D.=846MM, LEMMERZ (SUB FOR L39737)
	L31668	WHEEL CENTER	2	X X	(B) 15.5-38
	L31672	WHEEL CENTER	2	X	(B)
2	24M7320	WASHER	16	X X	17X30X3MM
3	14M7289	NUT	16	X X	16MM
4	14H808	NUT	16	X	(B) 5/8"
5	08H4762	BOLT	16	X	(B) 5/8"
6	AL31531	RIM	2	X	(A) 16.9-34
	AL27397	RIM	2	X X	(A) 15.5-38,14-38
	AL27394	RIM	2	X	(A) 13.6-38,14.9-38
	AL31531	RIM	2	X	(A) 16.9-34,18.4-34
	AL31533	RIM	2	X	(A) 18.4-30
7	L33894	SCREW	16	X X	
8	24M7108	WASHER	16	X X	20X32X4
9	L31683	SCREW	16	X X	3/4"
10	AL26774	WHEEL	2	X	(A) 23.1-26
11	19H3281	CAP SCREW	16	X	(C) 3/4"X4-1/2"
12	L32169	SPACER	4	X	(C)
13	19H3367	CAP SCREW	16	X	(C) 3/4"X4-7/8"

(A) FOR TIRE SIZE
 POUR PNEUMATIQUES
 FUER BEREIFUNG
 PER PNEUMATICI
 PARA NEUMATICOS
 FOR DACKSDIMENSION

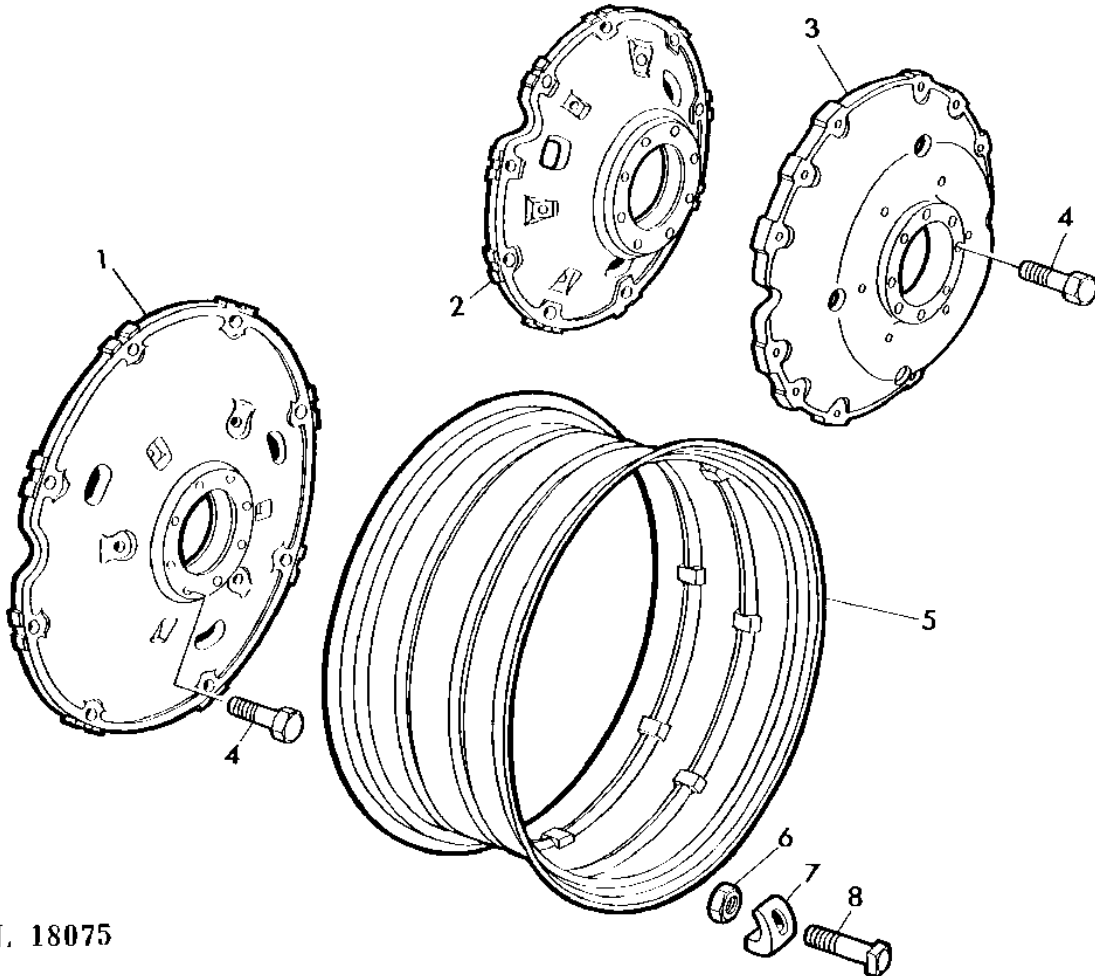
(B) FOR JAPAN ONLY
 POUR JAPON
 FUER JAPAN
 PER GIAPPONE
 PARA JAPON
 FOR JAPAN

(C) W/DUAL REAR WHEELS
 AVEC ROUES ARRIERE JUMELEES
 BEI ZWILLINGSBEREIFUNG
 CON RUOTE POSTERIORI GEMELLI
 CON RUEDAS TRASERAS GEMELAS
 MED TVILLINGSBAKHJUL

4B21

MISCELLANEOUS

CAST REAR WHEELS
ROUES ARRIERE FONTE
GUSS-HINTERRAEDER
RUOTE POSTERIORI CON DISCHI FUSI
RUEDAS TRASERAS DE FUNDICION
GJUTNA BAKHJUL
L18075 -UN-09OCT95



I. 18075

4B22

MISCELLANEOUS

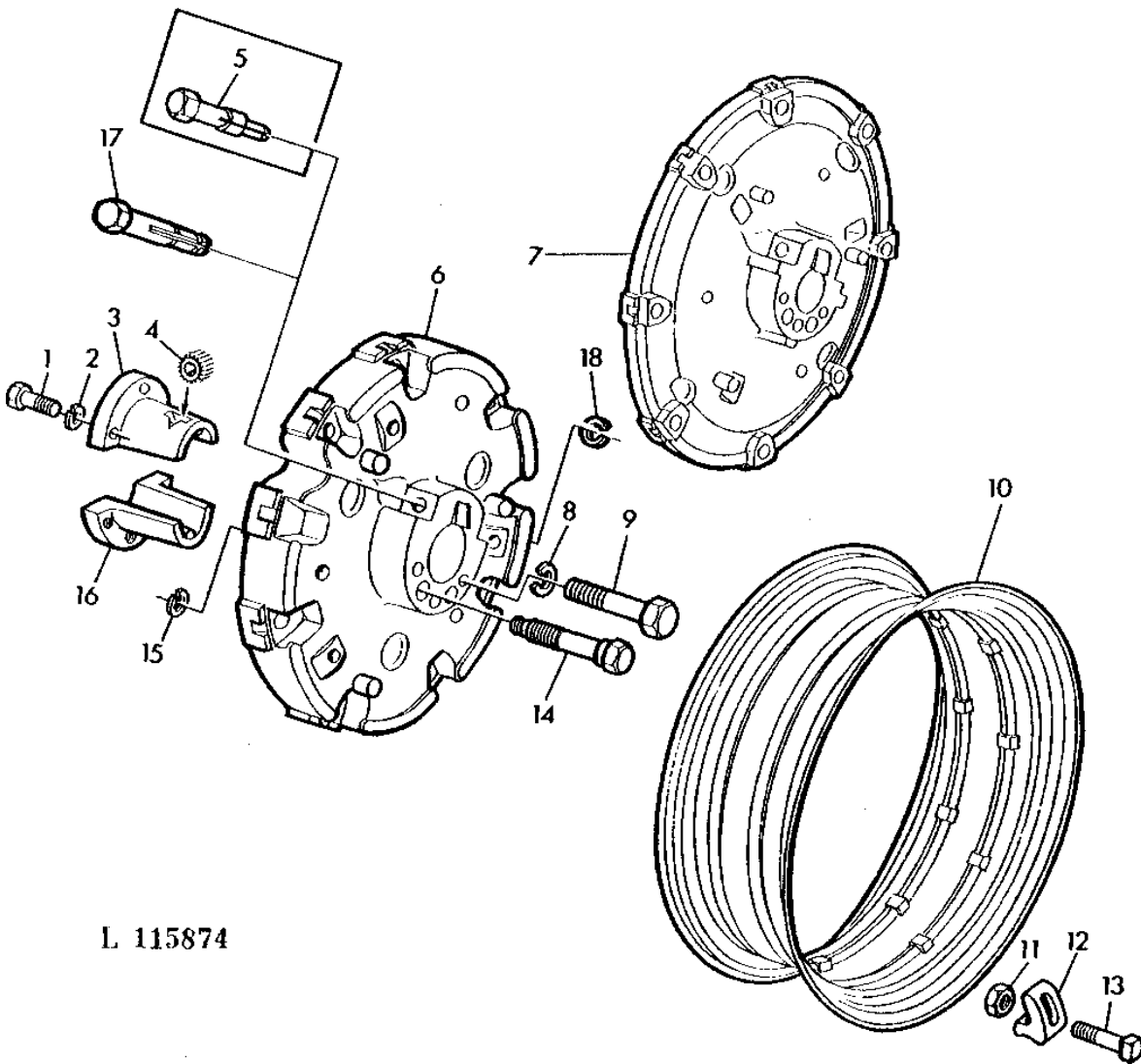
KEY	PART NO.	PART NAME	QTY	SERIAL NO.	REMARKS
					2
					0 2
					4 1
					0 4
					S 0
1	L40419	WHEEL CENTER	2	X X	(A) 15.5-38 (SUB FOR L31685)
2	L40367	WHEEL CENTER	2	X X	(A) 18.4-30 OR 16.9-30 (SUB FOR L31684)
3	L31677	WHEEL CENTER	2	X	(A) 16.9-34,18.4-34
4	19H2691	CAP SCREW	16	X X	3/4"X2-3/4"
5	T27720	RIM	2	X X	(A) 15.5-38
	L31680	RIM	2	X X	(A) 16.9-34,18.4-34
	T24157	RIM	2	X	(A) 18.4-30 OR 16.9-30
6	14H800	NUT	AR	X X	5/8"
7	L38141	CLAMP	AR	X X	(ORD L38141, 08H4370)
	A4388R	CLAMP	AR	X X	(ORD L38141, 08H4370)
8	08H4757	BOLT	AR	X X	5/8"X2-5/8" (FOR A4388R)
	08H4370	BOLT	AR	X X	5/8"X3" (FOR L38141)

(A) FOR TIRE SIZE
 POUR PNEUMATIQUES
 FUER BEREIFUNG
 PER PNEUMATICI
 PARA NEUMATICOS
 FOR DACKSDIMENSION

4B23

MISCELLANEOUS

CAST REAR WHEELS FOR RACK AND PINION AXLE
ROUES ARRIERE FONTE POUR ESSIEU REGLABLE
GUSS-HINTERRAEDER FUER VERSTELLACHSE
RUOTE FUSI PER ASSALE REGOLABILE
RUEDAS DE FUNDICION PARA PALIER DE CREMALLERA Y PINON
GJUTNA BAKHJUL FOR STALLBAR AXEL
L115874 -UN-01JAN94



4B24

MISCELLANEOUS

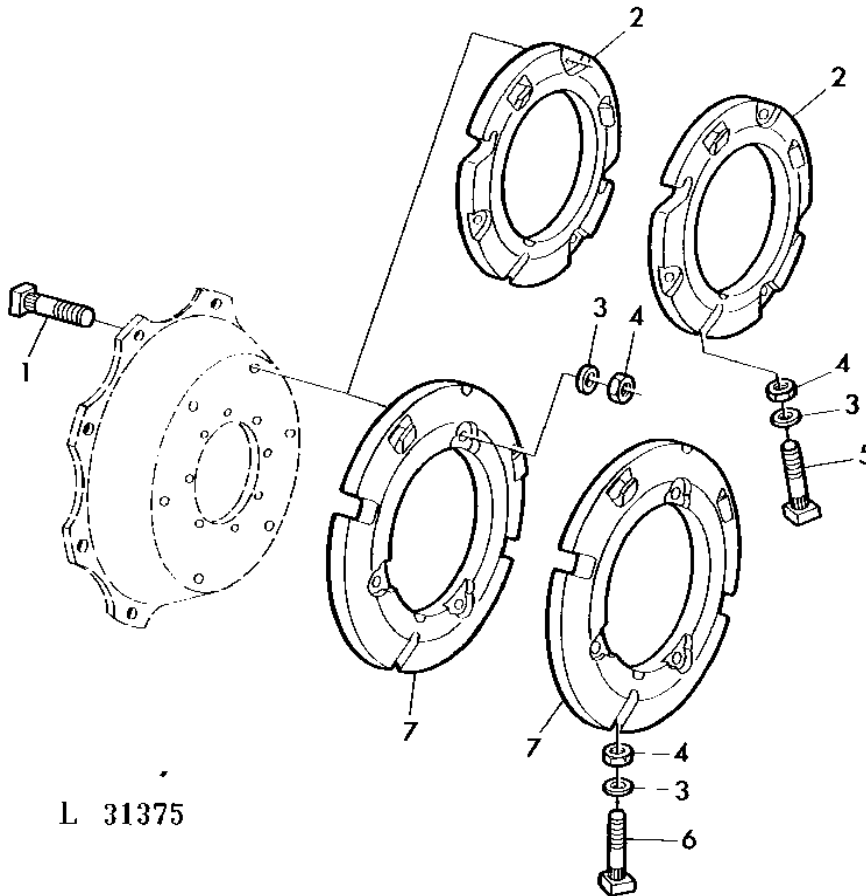
KEY	PART NO.	PART NAME	QTY	SERIAL NO.	REMARKS
					2
					0 2
					4 1
					0 4
					S 0
1	19H2600	CAP SCREW	6		X 3/4"X2-5/8"
2	12H236	LOCK WASHER	6		X 3/4"
3	B3016R	HALF SLEEVE	2		X
4	B3014R	PINION	2		X Z=14
5	A4380R	PINION SHAFT	2		X (ORD R83588, R73380)
6	T22817	WHEEL	2		X (A) 18.4-30 OR 16.9-30
7	T22818	WHEEL	2		X (A) 15.5-38
8	12H245	LOCK WASHER	6		X 7/8"
9	19H2310	CAP SCREW	6		X 7/8"X6" (SUB FOR R34828)
10	T27720	RIM	2		X (A) 15.5-38
	T24157	RIM	2		X (A) 18.4-30 OR 16.9-30
11	14H800	NUT	16		X 5/8"
12	L38141	CLAMP	16		X
	A4388R	CLAMP	16		X (ORD L38141, 08H4766)
13	08H4694	BOLT	16		X 5/8"X4" (FOR A4388R)
	08H4766	BOLT	16		X 5/8"X4-1/4" (FOR L38141)
14	R39758	SCREW	4		X 7/8"
15	A4883R	RING	4		X
16	B3018R	SLEEVE	2		X
17	R83588	DRIVE SHAFT	2		X
18	R73380	SNAP RING	2		X

(A) FOR TIRE SIZE
 POUR PNEUMATIQUES
 FUER BEREIFUNG
 PER PNEUMATICI
 PARA NEUMATICOS
 FOR DACKSDIMENSION

4C1

MISCELLANEOUS

WEIGHTS FOR STEEL DISK REAR WHEELS
MASSES D'ALOURDISSEMENT POUR ROUES ARRIERE ACIER
ZUSATZGEWICHTE FUER STAHL-HINTERRAEDER
ZAVORRE PER RUOTE CON DISCO DI ACCIAIO
CONTRAPESOS PARA RUEDAS CON DISCO DE ACERO
VIKTER FOR BAKHJUL MED STALDISK
L31375 -UN-06OCT95



L 31375

4C2

MISCELLANEOUS

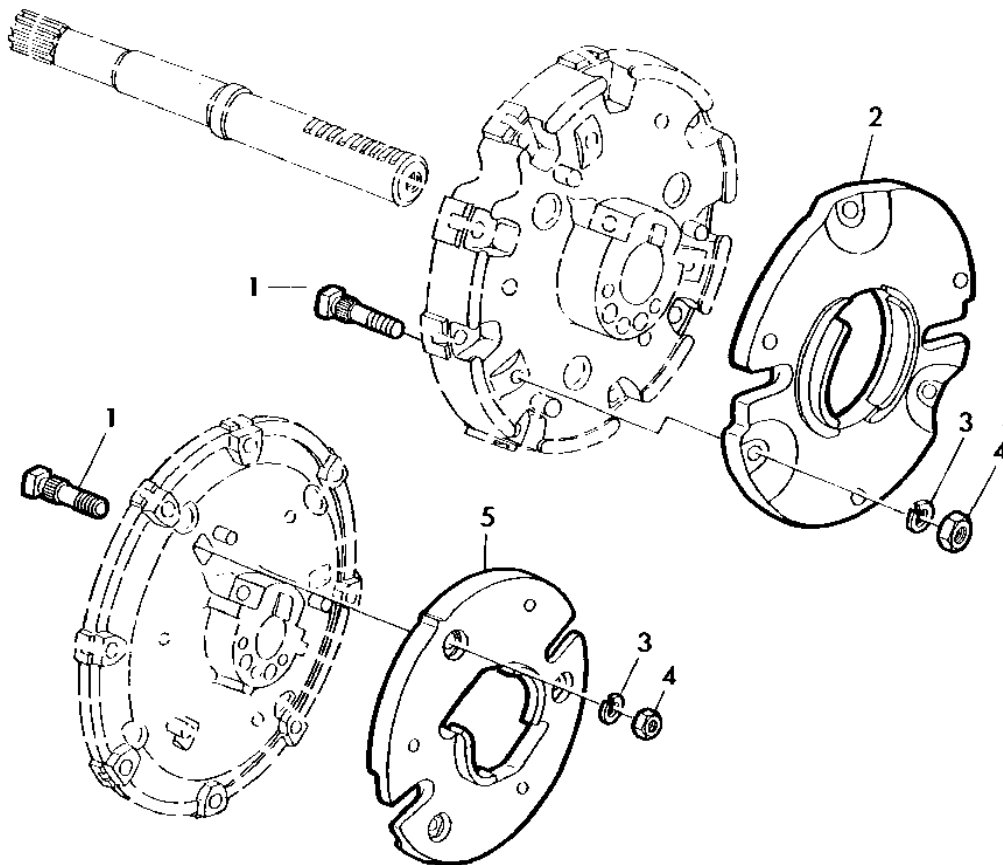
KEY	PART NO.	PART NAME	QTY	SERIAL NO.	REMARKS
1	L28226	BOLT	6		X 5/8"
2	L28230	WEIGHT	AR		X 38,5KG (85LBS)
3	24H1716	WASHER	AR		X 21/32"X1-1/4"X.120"
4	14H1039	NUT	AR		X 5/8"
5	08H4766	BOLT	AR		X 5/8"X4-1/4"
6	08H4761	BOLT	AR		X 5/8"X6"
7	L28228	WEIGHT	AR		X 55KG (121LBS)

2
0 2
4 1
0 4
S 0

4C3

MISCELLANEOUS

WEIGHTS/FOR CAST REAR WHEELS
MASSES D'ALOURDISSEMENT/POUR ROUES ARRIERE FONTE
ZUSATZGEWICHT/FUER GUSS-HINTERRAEDER
ZAVORRE PER RUOTE POSTERIORI CON DISCO FUSO
CONTRAPESOS/PARA RUEDAS TRASERAS DE FUNDICION
VIKTER FOR GJUTNA BAKHJUL
L27466 -UN-05OCT95



I. 27466

4C4

MISCELLANEOUS

KEY	PART NO.	PART NAME	QTY	SERIAL NO.	2 0 2 4 1 0 4 S 0	REMARKS
1	R34801	BOLT	AR		X	5/8"
2	R34810	WEIGHT	AR		X	55KG (121LBS)
3	12H294	LOCK WASHER	AR		X	5/8"
4	14H1039	NUT	AR		X	5/8"
5	A3404R	WEIGHT	AR		X	65KG (143LBS)

4C5

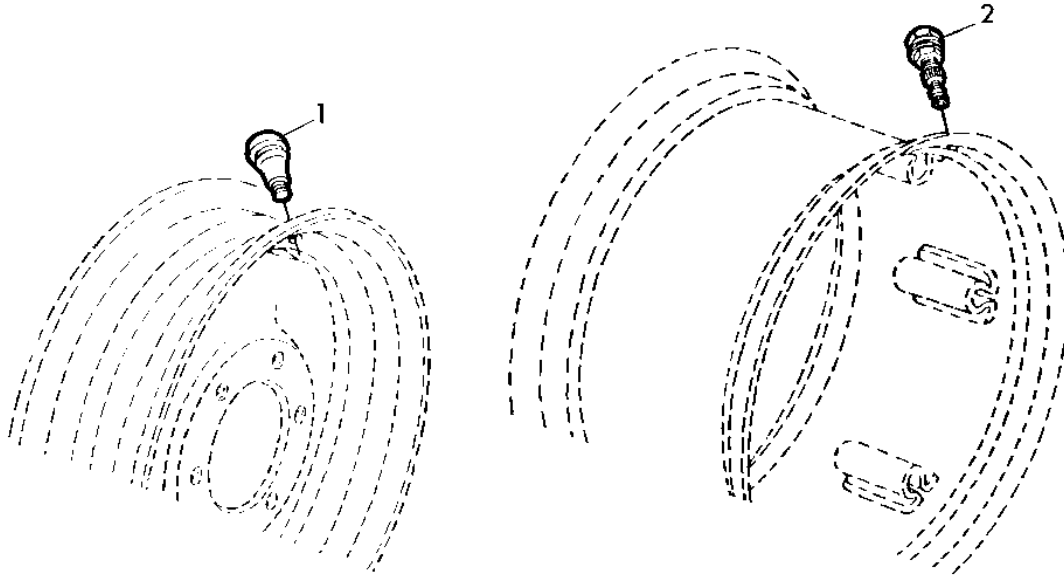
MISCELLANEOUS

MEMORANDA
MEMORANDA
MEMORANDA
MEMORANDA
MEMORANDA

4C6

MISCELLANEOUS

VALVE FOR TUBELESS TIRES
 VALVES DE PNEUS SANS CHAMBRE A AIR
 VENTILE FUER SCHLAUCHLOSE BEREIFUNGEN
 VALVOLE PER PNEUMATICI SENZA CAMERA D'ARIA
 VALVULAS PARA NEUMATICOS SIN CAMARA DE AIRE
 VENTIL FOR SLANGLOSA DACK
 L103781 -UN-06OCT95



L. 103781

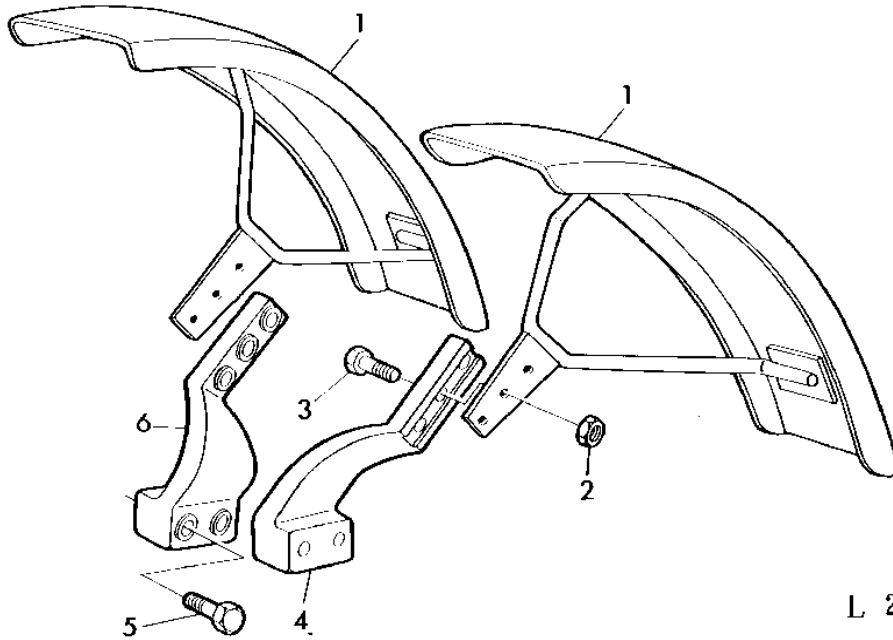
KEY	PART NO.	PART NAME	QTY	SERIAL NO.	REMARKS
1	AM30347	TIRE VALVE STEM	2		
2	AT25226	STEM	2		

(A) FOR REAR WHEELS
 POUR ROUES ARRIERE
 FUER HINTERRAEDER
 PER RUOTE POSTERIORI
 PARA RUEDAS TRASERAS
 FOR BAKHJUL

4C7

MISCELLANEOUS

FRONT FENDERS
 AILES AVANT
 KOTFLUEGEL VORN
 PARAFANGHI ANTERIORI
 GUARDABARROS DELANTEROS
 FRAMSTANKSKARMAR
 L21966 -UN-09OCT95



L 21966

2
 0 2
 4 1
 0 4
 S 0

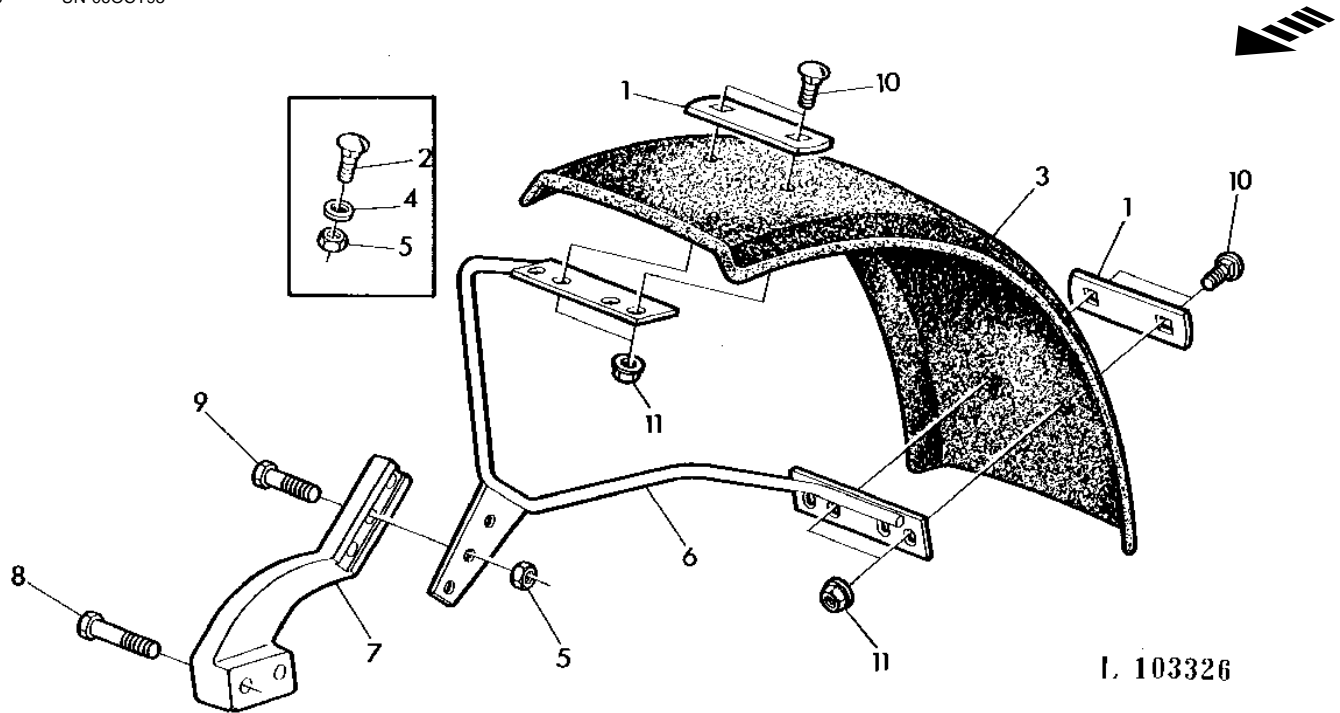
KEY	PART NO.	PART NAME	QTY	SERIAL NO.	REMARKS
1	AL24019	FENDER	2	X X	(A) 7,50-18
2	14H812	NUT	4	X X	3/8"
3	19H2665	CAP SCREW	4	X X	3/8"X1-5/8"
4	L32158	BRACE	1	X X	(A) 7,50-18
5	19H1801	CAP SCREW	4	X X	3/8"X2"
6	L32157	BRACE	1	X X	(A) 7,50-18

(A) FOR TIRE SIZE
 POUR PNEUMATIQUES
 FUER BEREIFUNG
 PER PNEUMATICI
 PARA NEUMATICOS
 FOR DACKSDIMENSION

4C8

MISCELLANEOUS

FRONT FENDERS
 AILES AVANT
 KOTFLUEGEL VORN
 PARAFANGHI ANTERIORI
 GUARDABARROS DELANTEROS
 FRAMSTANKSKARMAR
 L103326 -UN-06OCT95

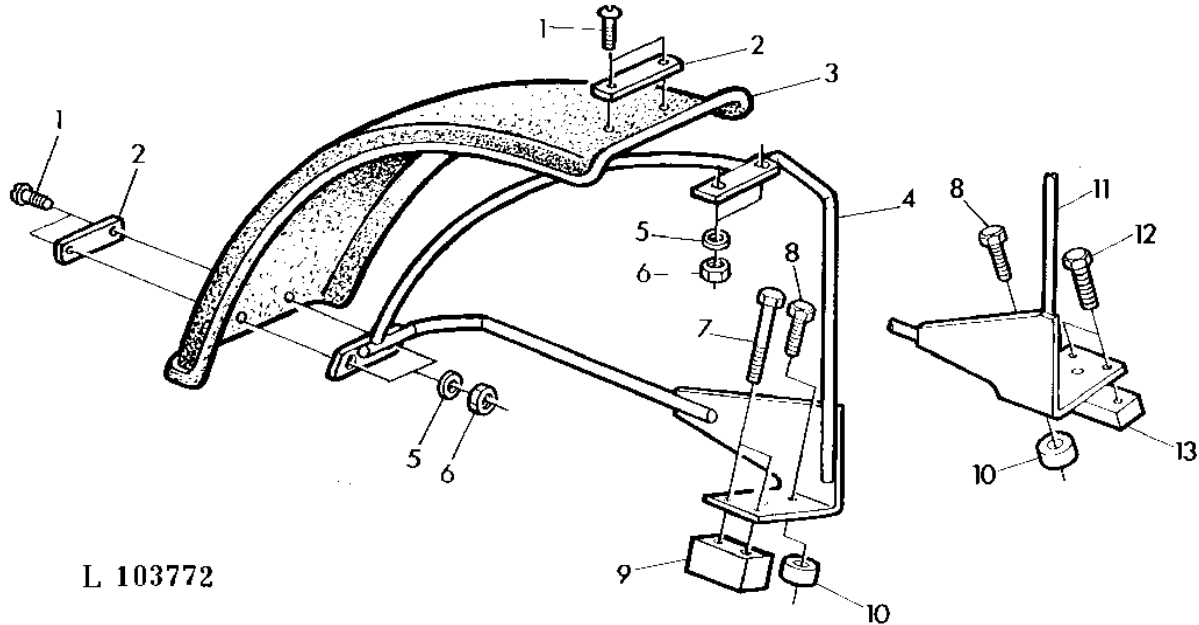


KEY	PART NO.	PART NAME	QTY	SERIAL NO.	REMARKS
				2	
				0 2	
				4 1	
				0 4	
				S 0	
1	L27099	STRAP	4		X
2	03H1519	BOLT	8		X 3/8"X1" (ORD 03M7264, 14M7296)
3	L64493	FENDER	2		X (SUB FOR L28626)
4	24H1305	WASHER	8		X 13/32"X13/16"X.060"
5	14H812	NUT	4		X 3/8"
6	AL19709	SUPPORT	2		X
7	L32157	BRACE	1		X R.H.
	L32158	BRACE	1		X L.H.
8	19H1801	CAP SCREW	4		X 3/8"X2"
9	19H2665	CAP SCREW	4		X 3/8"X1-5/8"
10	03M7264	BOLT	8		X M10X25 (SUB FOR 03H1519)
11	14M7296	FLANGE NUT	8		X M10

4C9

MISCELLANEOUS

FRONT FENDERS (MFWD)
 AILES AVANT (ESSIEU AVANT MOTEUR MECANIQUE)
 KOTFLUEGEL VORN/MECH.FRONTANTRIEB
 PARAFANGHI ANTERIORI (TRAZ.ANT.MECCANICA)
 GUARDABARROS DELANTEROS (TRACCION MECANICA DELANTERA)
 FRAMSTANKSKARMAR (VID MEK.FRAMHJULSDRIFT)
 L103772 -UN-06OCT95



L 103772

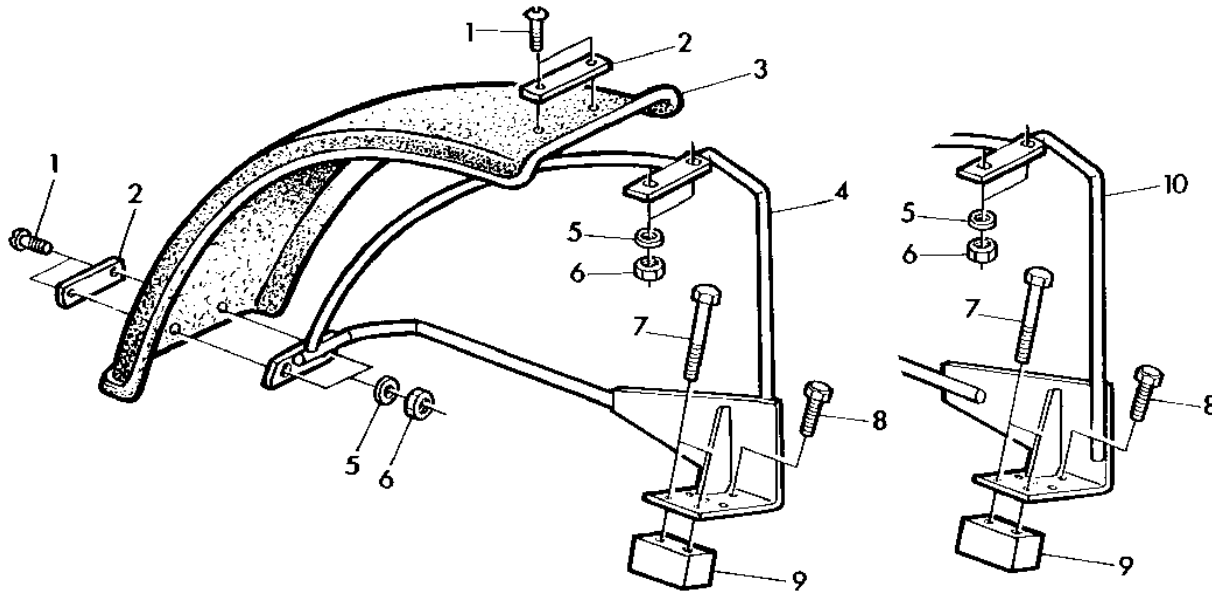
KEY	PART NO.	PART NAME	QTY	SERIAL NO.	REMARKS
				2	
				0 2	
				4 1	
				0 4	
				S 0	
1	03H1557	BOLT	8	X	3/8"X1-1/4"
2	L27099	STRAP	4	X	
3	L34477	FENDER	2	X	
4	AL34208	BRACE	1	X	(A) 11.2-28
	AL31560	BRACE	1	X	(A) 13.6-24,12.4-24
5	24H1305	WASHER	8	X	13/32"X13/16"
6	14H812	NUT	8	X	3/8"
7	19M7214	CAP SCREW	2	X	M12X70
8	19M7493	CAP SCREW	2	X	M12X40
9	L34475	STRAP	1	X	
10	L34474	SPACER	2	X	
11	AL34207	BRACE	1	X	(A) 11.2-28
	AL31559	BRACE	1	X	(A) 13.6-24,12.4-24
12	19M7490	CAP SCREW	2	X	M14X40
13	L34467	STRAP	1	X	

(A) FOR TIRE SIZE
 POUR PNEUMATIQUES
 FUER BEREIFUNG
 PER PNEUMATICI
 PARA NEUMATICOS
 FOR DACKSDIMENSION

4C10

MISCELLANEOUS

FRONT FENDERS (MFWD)
 AILES AVANT (ESSIEU AVANT MOTEUR MECANIQUE)
 KOTFLUEGEL VORN/MECH.FRONTANTRIEB
 PARAFANGHI ANTERIORI (TRAZ.ANT.MECCANICA)
 GUARDABARROS DELANTEROS (TRACCION MECANICA DELANTERA)
 FRAMSTANKSKARMAR (VID MEK.FRAMHJULSDRIFT)
 L103773 -UN-06OCT95



L 103773

2
0 2
4 1
0 4
S 0

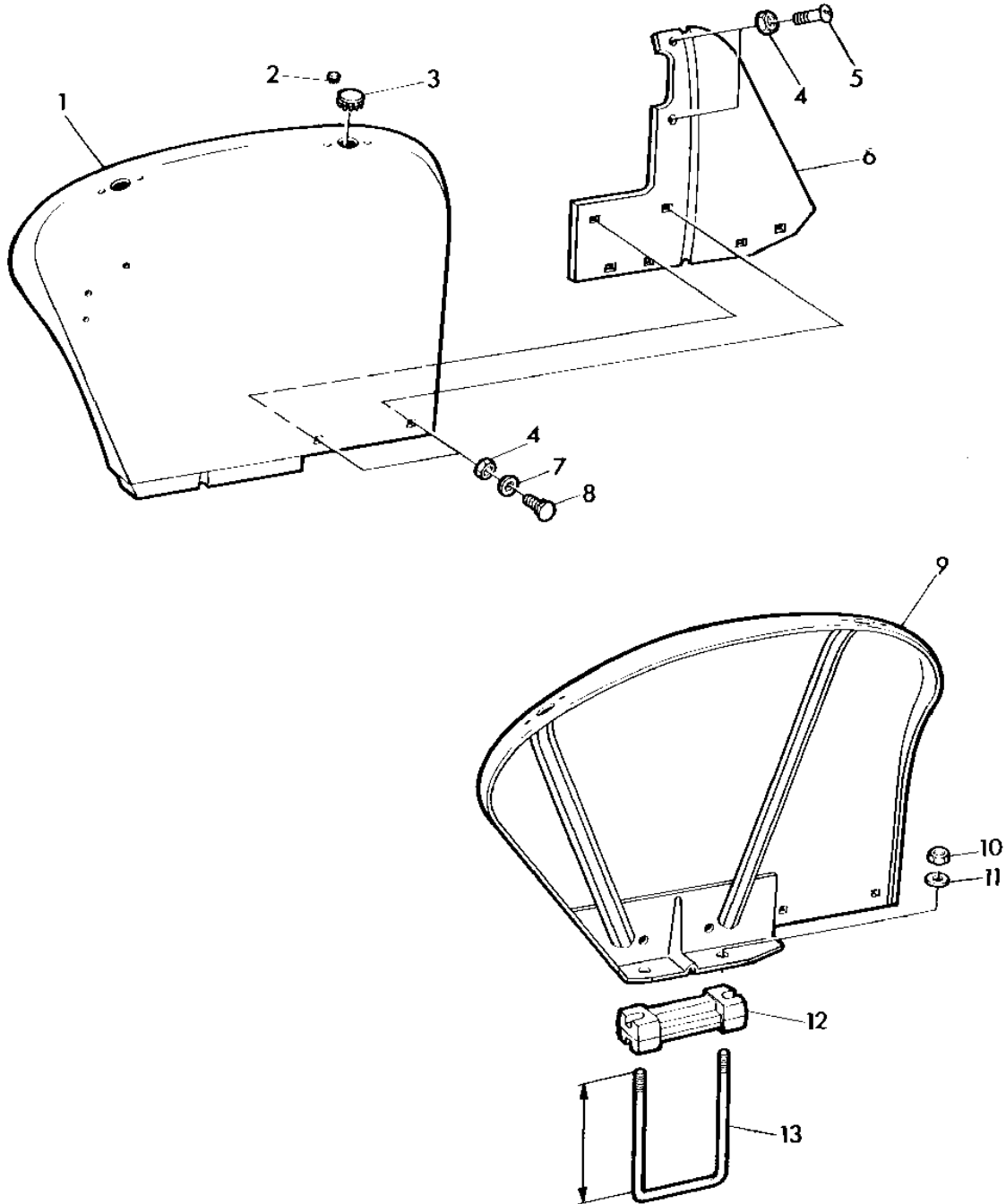
KEY	PART NO.	PART NAME	QTY	SERIAL NO.	REMARKS
1	03H1557	BOLT	8	X	3/8"X1-1/4"
2	L33308	STRAP	4	X	
3	L34472	FENDER	2	X	(A) 12.4-28,11,2-28
	L34477	FENDER	2	X	(A) 12.4-24,13.6-24
4	AL31561	BRACE	1	X	(A) L.H. 12.4-28,11,2-28
	AL31562	BRACE	1	X	(A) R.H. 12.4-28,11,2-28
5	24H1305	WASHER	8	X	13/32"X13/16"
6	14H812	NUT	8	X	3/8"
7	19M7330	CAP SCREW	2	X	L.H. M12X55
	19M7214	CAP SCREW	2	X	R.H. M12X70
8	19M7285	CAP SCREW	1	X	L.H. M12X30
	19M7493	CAP SCREW	1	X	R.H. M12X40
9	L34478	STRAP	1	X	L.H.
	L34475	STRAP	1	X	R.H.
10	AL31557	BRACE	1	X	(A) L.H. 12.4-24,13.6-24
	AL31558	BRACE	1	X	(A) R.H. 12.4-24,13.6-24

(A) FOR TIRE SIZE
 POUR PNEUMATIQUES
 FUER BEREIFUNG
 PER PNEUMATICI
 PARA NEUMATICOS
 FOR DACKSDIMENSION

4C11

MISCELLANEOUS

REAR FENDERS (SHELL TYPE)
AILES ARRIERE (TYPE COQUILLE)
MUSCHELKOTFLUEGEL
PARAFANGHI A GUSCIO
GUARDABARROS DE CONCHA
STANKSKARMAR (DELTAACKANDE)
L22513 -UN-09OCT95



1, 22513

4C12

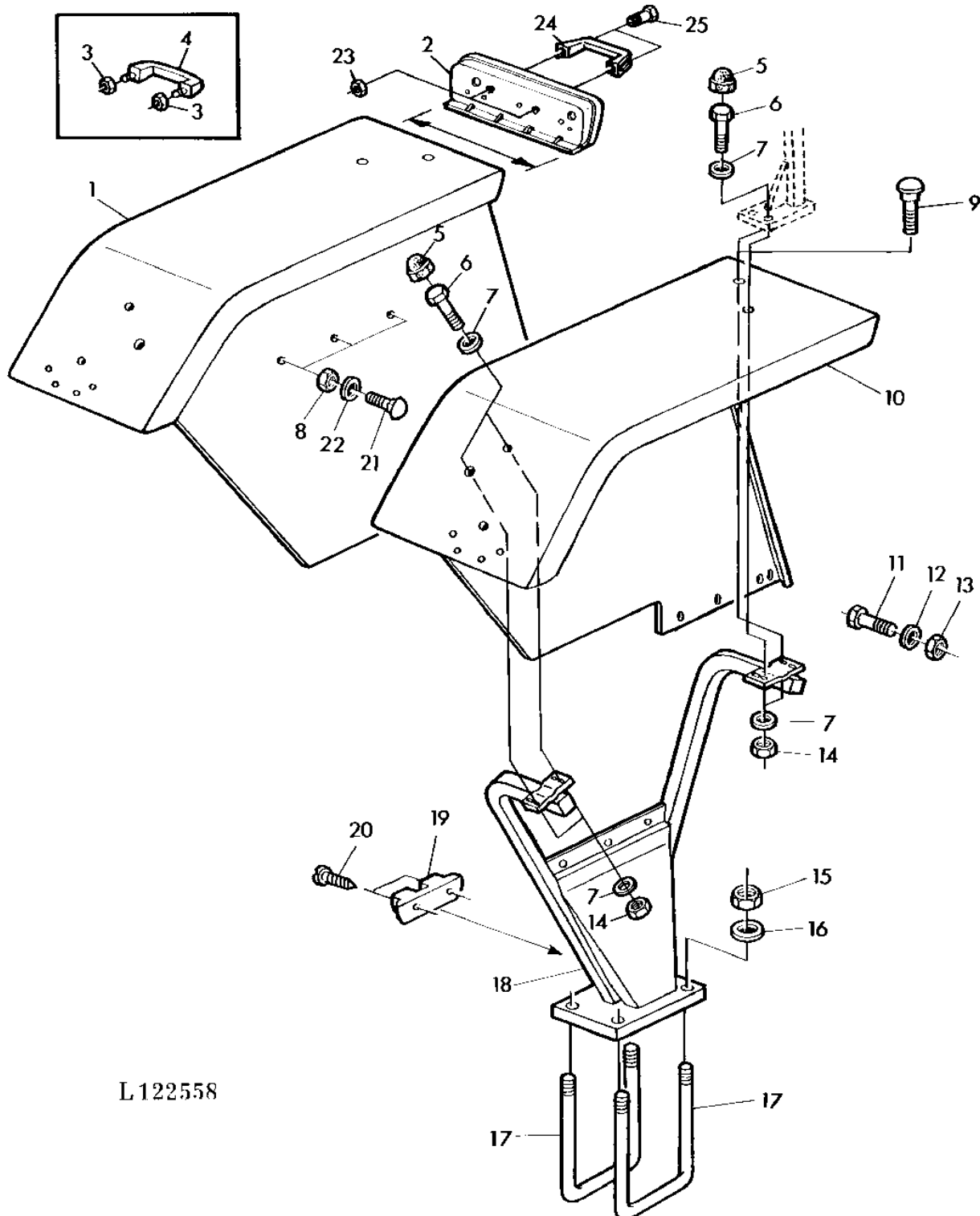
MISCELLANEOUS

KEY	PART NO.	PART NAME	QTY	SERIAL NO.	REMARKS
				2	
				0 2	
				4 1	
				0 4	
				S 0	
1	AL28585	FENDER	1	X X	L.H.
2	R31420	PLUG	8	X	
3	T22520	PLUG	4	X	
4	14H812	NUT	8	X	3/8"
5	21H1116	SCREW	4	X	3/8"X5/8"
6	AL19810	SHEET	1	X	R.H.
	AL19809	SHEET	1	X	L.H.
7	24H1307	WASHER	4	X X	13/32"X1"X.060"
8	03H2275	BOLT	4	X	3/8"X5/8"
9	AL28584	FENDER	1	X X	R.H.
10	14H1039	NUT	4	X X	5/8"
11	24H1698	WASHER	4	X X	21/32"X1-5/8"X.250"
12	L25283	SPACER	AR	X X	
13	L29329	U-BOLT	2	X X	332MM (13.07")

4C13

MISCELLANEOUS

REAR FENDERS (WIDE)
AILES ARRIERE ENVELOPPANTES
DACHKOTFLUEGEL
PARAFANGHI POSTERIORI LARGHI
GUARDABARROS TRASEROS DE TEJADILLO
BAKRE STANKSKARMAR (BREDA)
L122558 -UN-09OCT95



L122558

4C14

MISCELLANEOUS

KEY	PART NO.	PART NAME	QTY	SERIAL NO.	REMARKS
					2
					0 2
					4 1
					0 4
					S 0
1	AL31141	FENDER	1	X	(A) 18.4-30,16.9-34,15.5-38 LH
	AL31139	FENDER	1	X	(A) 13.6-38,14.9-38, LH
	AL31141	FENDER	1	X	(A) 18.4-30,18.4-34,16.9-34 15.5-38, LH
2	L34307	BRACKET	2	X X	488MM
	L34308	BRACKET	2	X X	578MM
3	14M7272	NUT	4	X X	M6
4	AL38567	HANDLE	1	X X	(ORD L57250, (2) 14M7376, (2) 19M7077) (SUB FOR AL31152)
5	L30960	NUT	8	X X	(B)
6	19M7393	CAP SCREW	8	X X	(B) M14X50
7	24M7112	WASHER	16	X X	(B) 15X28X3MM
	24M7113	WASHER	8	X X	17X28X3MM
8	14M7274	NUT	6	X X	M8
9	03M7113	BOLT	8	X	M16X35
10	AL31140	FENDER	1	X	(A) 18.4-30,16.9-34,15.5-38, RH
	AL31138	FENDER	1	X	(A) 13.6-38,14.9-38, RH
	AL31140	FENDER	1	X	(A) 18.4-30,18.4-34,16.9-34 15.5-38, RH
11	19H2021	CAP SCREW	6	X X	3/8"X5/8"
12	24H1305	WASHER	6	X X	13/32"X13/16"X.060"
13	14H812	NUT	6	X X	3/8"
14	14M7141	NUT	8	X X	(B) M14
	14M7276	NUT	8	X	M16
15	14H1039	NUT	8	X X	5/8"
16	24M7241	WASHER	8	X X	(SUB FOR T40728)
17	T22705	U-BOLT	4	X X	
18	AL31148	SUPPORT	1	X	(A) 18.4-30,16.9-34,15.5-38 13.6-38,14.9-38, RH
	AL31149	SUPPORT	1	X	(A) 18.4-30,16.9-34,15.5-38 13.6-38,14.9-38, LH
	AL31148	SUPPORT	1	X	(A) 18.4-30,18.4-34,16.9-34 15.5-38,13.6-38,14.9-38, RH
	AL31149	SUPPORT	1	X	(A) 18.4-30,18.4-34,16.9-34 15.5-38,13.6-38,14.9-38, LH
19	L34306	CLAMP	4	X X	
20	37H164	SCREW	4	X X	6,3X22MM (SUB FOR 37M7076)
21	03M7191	BOLT	6	X X	M10X25
22	24M7028	WASHER	6	X X	10,5X21X2MM
23	14M7376	LOCK NUT	2	X X	M6
24	L57250	HANDLE	2	X X	
25	19M7077	CAP SCREW	2	X X	M6X20

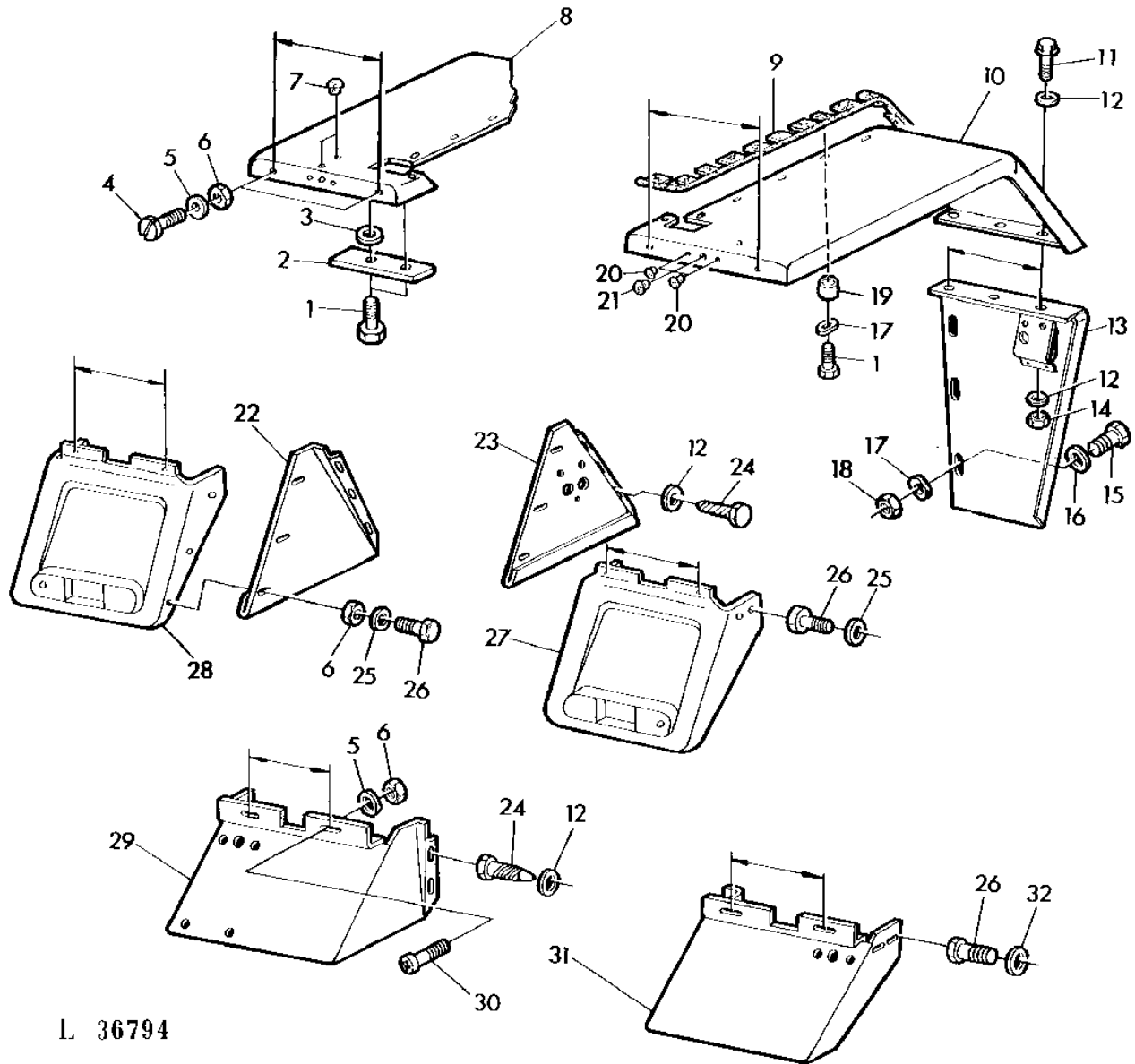
(A) FOR TIRE SIZE
 POUR PNEUMATIQUES
 FUER BEREIFUNG
 PER PNEUMATICI
 PARA NEUMATICAS
 FOR DACKSIMENSION

(B) W/4-POST ROLL GUARD
 AVEC CADRE DE SECURITE
 BEI 4-PFOSTEN UEBERSCHLAGSCHUTZ
 CON PROTEZ.ANTIRIBALT.A 4 SUPPORTI
 CON ARCO DE SEGURIDAD DE 4 ARBOTANTES
 VID STORTSKYDD MED 4 STOLPAR

4C15

MISCELLANEOUS

FENDERS(WITH OPU CAB)
AILES(AVEC CABINE PPI)
KOTFLUEGEL(BEI FSC KABINE)
PARAFANGHI(CON CABINA OPU)
GUARDABARROS(CON CABINA DE SEGURIDAD)
STANKSKARMAR(VID OPU FORARHYTT)
L36794 -UN-06OCT95



L 36794

4C16

MISCELLANEOUS

KEY	PART NO.	PART NAME	QTY	SERIAL NO.	REMARKS
				2	
				0 2	
				4 1	
				0 4	
				S 0	
1	19M7139	CAP SCREW	14	X X	8X20MM
2	L32722	STRAP	2	X X	
3	24M7111	WASHER	2	X X	13X25X3MM
4	21M7206	SCREW	4	X X	6X20MM
5	24M7139	WASHER	4	X X	6,4X18X1,5MM
6	14M7272	NUT	AR	X X	6MM
7	L31353	PLUG	2	X X	L.H.
8	AL33537	FENDER	1	X X	L.H.,250MM
	AL31968	FENDER	1	X X	L.H.,310MM
9	L31298	WEATHERSTRIP	2	X X	
10	AL33536	FENDER	1	X X	R.H.,250MM
	AL31967	FENDER	1	X X	R.H.,310MM
11	37M7059	SCREW	6	X X	5X12MM
12	24M7087	WASHER	AR	X X	5,5X10X1MM
13	AL33535	EXTENSION	1	X X	R.H.,200MM
	AL33534	EXTENSION	1	X X	L.H.,200MM
	AL31084	EXTENSION	1	X X	R.H.,300MM
	AL31085	EXTENSION	1	X X	L.H.,300MM
14	14M7028	NUT	6	X X	5MM
15	19M7407	CAP SCREW	8	X X	8X25MM (SUB FOR 19M7513)
16	24M7055	WASHER	8	X X	8,4X17X1,6MM (SUB FOR 24M7036)
17	L31308	WASHER	18	X X	8MM
18	14M7273	NUT	8	X X	8MM
19	L35949	BUSHING	AR	X X	
20	L31349	PLUG	2	X X	R.H.
21	L31350	PLUG	1	X X	R.H.
22	L32719	SIDE WALL	1	X X	L.H.
23	L35640	SHIELD	1	X X	R.H.
24	37M7038	SCREW	AR	X X	5X20MM
25	24M7054	WASHER	10	X X	6,4MM
26	19M7560	CAP SCREW	AR	X X	6X16MM
27	L36381	SHIELD	1	X X	R.H.,250MM
	L32720	SHIELD	1	X X	R.H.,310MM
28	L36382	SHIELD	1	X X	L.H.,250MM
	L32721	SHIELD	1	X X	L.H.,310MM
29	L36384	SHIELD	1	X	(A) L.H.,250MM
	L35239	SHIELD	1	X X	(A) L.H.,310MM
30	21M7206	SCREW	4	X	(A) 6X20MM
31	L36383	SHIELD	1	X	(A) ,R.H.250MM
	L35240	SHIELD	1	X	(A) R.H.,310MM
32	24M7088	WASHER	4	X	(A) 6,6X12,5X1,6

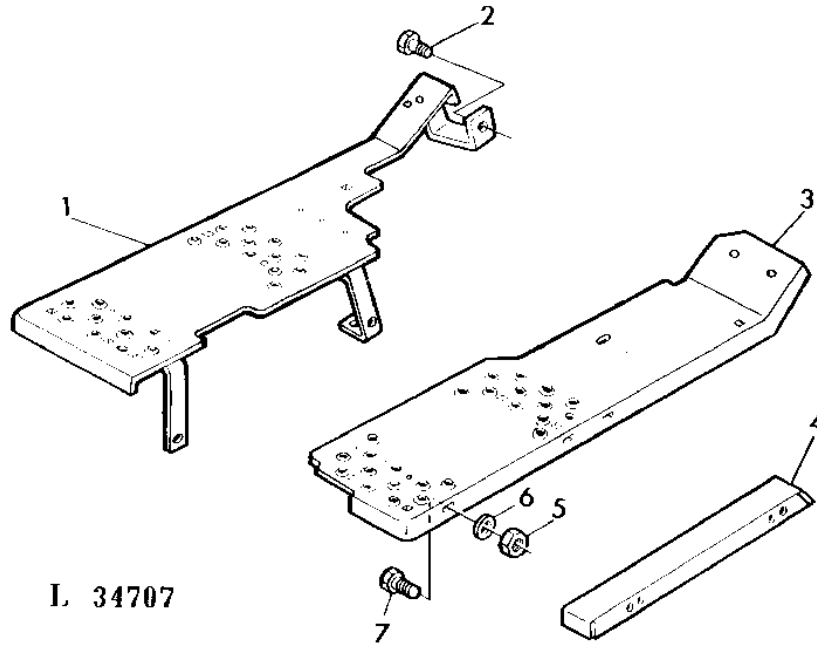
(A) WITH SNOW CHAINS
 AVEC CHAINES NEIGE
 BEI SCHNEEKETTEN
 CON CATENE PER NEVE
 CON CADENAS ANTIDESLIZANTES
 VID SNOOKEDJOR

4C17

MISCELLANEOUS

STEP PLATES
 MARCHE-PIED
 TRITTBLECHE
 PEDANE
 REPOSAPIES
 FOTSTEG

L34707 -UN-06OCT95



L 34707

2
 0 2
 4 1
 0 4
 S 0

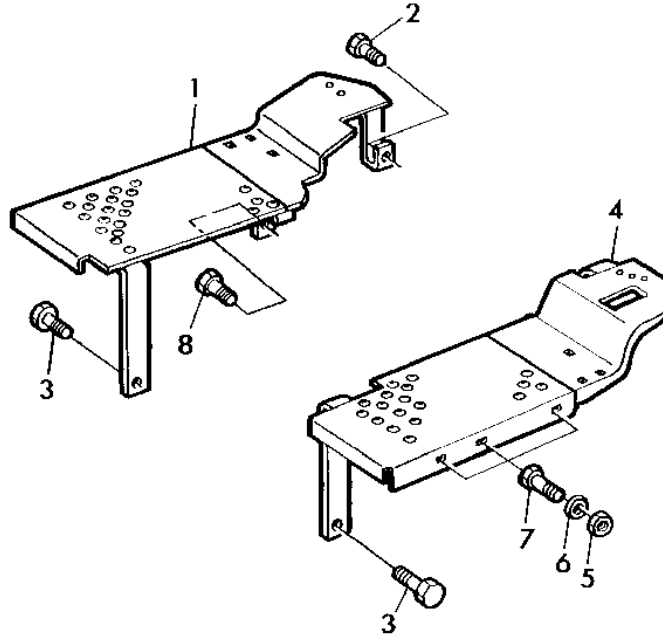
KEY	PART NO.	PART NAME	QTY	SERIAL NO.	REMARKS
1	AL31008	FOOTREST	1	X	LH
2	19H1731	CAP SCREW	5	X	3/8"X1"
3	AL37971	FOOTREST	1	X	RH (SUB FOR AL31009)
4	T28244	EXTENSION	2	X	
5	14H812	NUT	8	X	3/8"
6	24H1305	WASHER	8	X	13/32"X13/16"X.060"
7	19H2021	CAP SCREW	8	X	3/8"X5/8"

4C18

MISCELLANEOUS

STEP PLATES
 MARCHE-PIED
 TRITTBLECHE
 PEDANE
 REPOSAPIES
 FOTSTEG

L29698 -UN-05OCT95



L 29698

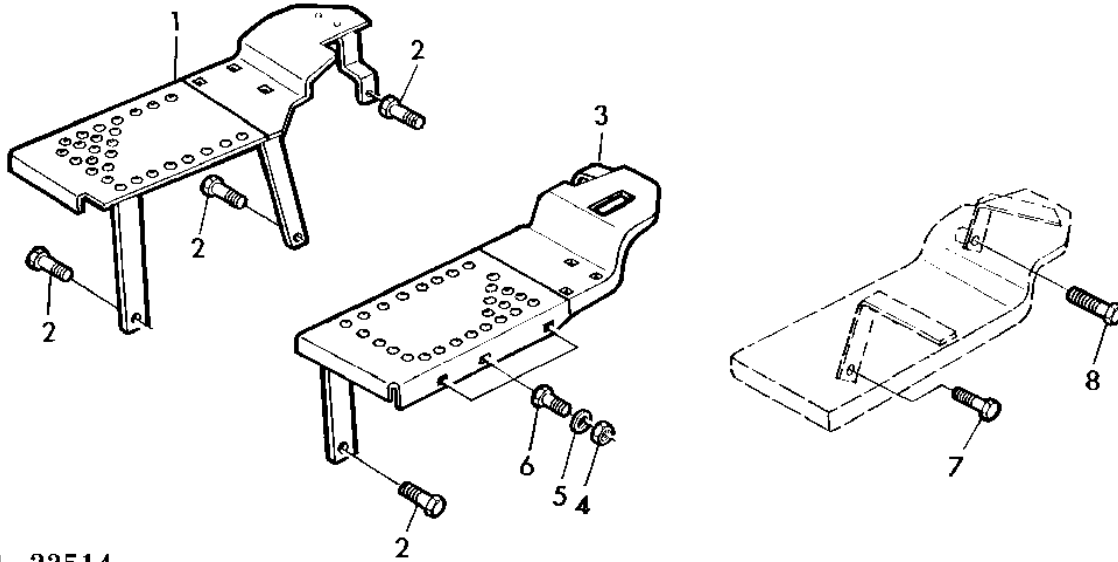
2
 0 2
 4 1
 0 4
 S 0

KEY	PART NO.	PART NAME	QTY	SERIAL NO.	REMARKS
1	AL36190	STEP	1		X L.H. (SUB FOR AL31155)
2	19H1833	CAP SCREW	1		X 5/8"X1-1/4"
3	19H1731	CAP SCREW	4		X 3/8"X1"
4	AL36193	STEP	1		X R.H. (SUB FOR AL32725)
5	14H812	NUT	8		X 3/8"
6	24H1307	WASHER	8		X 13/32"X1"X.060"
7	19H2021	CAP SCREW	8		X 3/8"X5/8"
8	19H1732	CAP SCREW	1		X 3/8X1-1/4"

4C19

MISCELLANEOUS

STEP PLATES (TURKEY)
 MARCHEPIED (TURQUIE)
 TRITTBLECHE (TUERKEI)
 PEDANE (TURCHIA)
 REPOSAPIES (TURQUIA)
 FOTSTEG (TURKIET)
 L22514 -UN-09OCT95



1. 22514

2
0 2
4 1
0 4
S 0

KEY	PART NO.	PART NAME	QTY	SERIAL NO.	REMARKS
1	AL30435	PLATFORM	1		X L.H.
2	19H1732	CAP SCREW	4		X 3/8"X1-1/4"
3	AL27510	PLATFORM	1		X R.H.
4	14H812	NUT	8		X 3/8"
5	24H1307	WASHER	8		X 13/32"X1"X.060"
6	19H2021	CAP SCREW	8		X 3/8"X5/8"
7	19H2545	CAP SCREW	1		X 3/8"X1-3/8"
8	19H2553	CAP SCREW	1		X 3/8"X2-5/8"

4C20

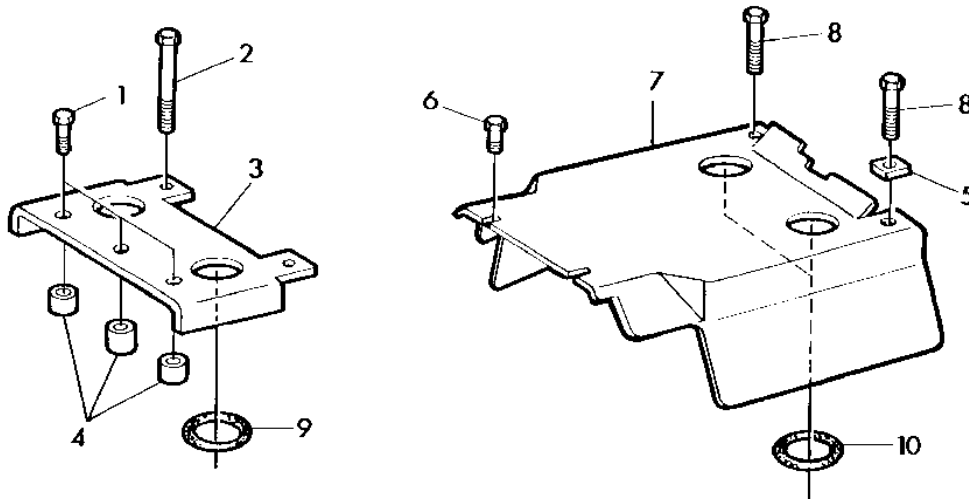
MISCELLANEOUS

MEMORANDA
MEMORANDA
MEMORANDA
MEMORANDA
MEMORANDA

4C21

MISCELLANEOUS

TRANSMISSION CASE SHIELD (SYNCHRONIZED TRANSMISSION)
 PROTECTEUR DE BOITE (BOITE SYNCHRONISEE)
 ABDECKBLECH FUER TSS-GETRIEBEGEHAUESE
 COPERCHIO DELLA SCATOLA TRASMISSIONE (SINCRONIZZATA)
 CUBIERTA DE LA CAJA DE LA TRANSMISION (SINCRONIZADA)
 TACKPLAT AV TRANSMISSIONSHUS (SYKKRONISERAD TRANSM.)
 L125291 -UN-09OCT95



L125291

KEY	PART NO.	PART NAME	QTY	SERIAL NO.	S	REMARKS
					2	
					0 2	
					4 1	
					0 4	
					S 0	
1	19H1765	CAP SCREW	3		X X	(B) 3/8"X1-3/4"
2	19H2636	CAP SCREW	2		X X	(B) 3/8"X3-5/8"
3	L34228	SHIELD	1		X X	(A) (B)
	L37324	SHIELD	1		X X	(B) (SUB FOR L30515)
4	L30818	SPACER	3		X X	(B)
5	L30819	STRAP	1		X X	
6	19H2021	CAP SCREW	2		X X	3/8"X5/8"
7	L34117	COVER	1	-407336	X X	
	L38366	SHIELD	1	407337-	X X	
	L34110	SHIELD	1	-407336	X	(A)
	L38368	SHIELD	1	407337-	X	(A)
8	19H1819	CAP SCREW	2		X X	3/8"X2-1/8"
9	L53869	O-RING	2		X X	
10	L31311	O-RING	2		X X	

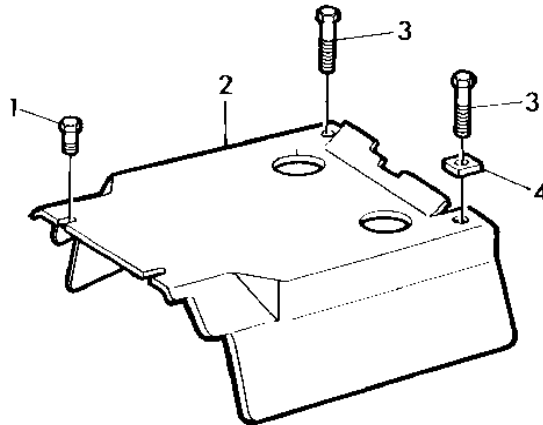
(A) WITH CREEPER TRANSMISSION
 AVEC REDUCT GAMME RAMPANTE
 BEI KRIECHGANG GETR.
 CON TRASMISSIONE RAMPANTE
 CON TRANSMISION "CREEPER"
 VID KRYPVAXEL

(B) WITH OPU CAB
 AVEC CABINE PPI
 BEI FSC KABINE
 CON CABINA OPU
 CON CABINA DE SEGURIDAD
 VID OPU FORARHYTT

4C22

MISCELLANEOUS

TRANSMISSION CASE SHIELD (COLLAR SHIFT TRANSMISSION)
 PROTECTEUR DE BOITE (BOITE A MANCHONS BALADEURS)
 ABDECKBLECH FUER CS-GETRIEBEGEHAUSE
 COPERCHIO DELLA SCATOLA TRASMISSIONE (A COLLARE SCORREVOLE)
 CUBIERTA DE LA CAJA DE LA TRANSMISION(DE COLLARINES DESPLAZA)
 TACKPLAT AV TRANSMISSIONSHUS (COLLAR-SHIFT)
 L112365 -UN-06OCT95



L 112365

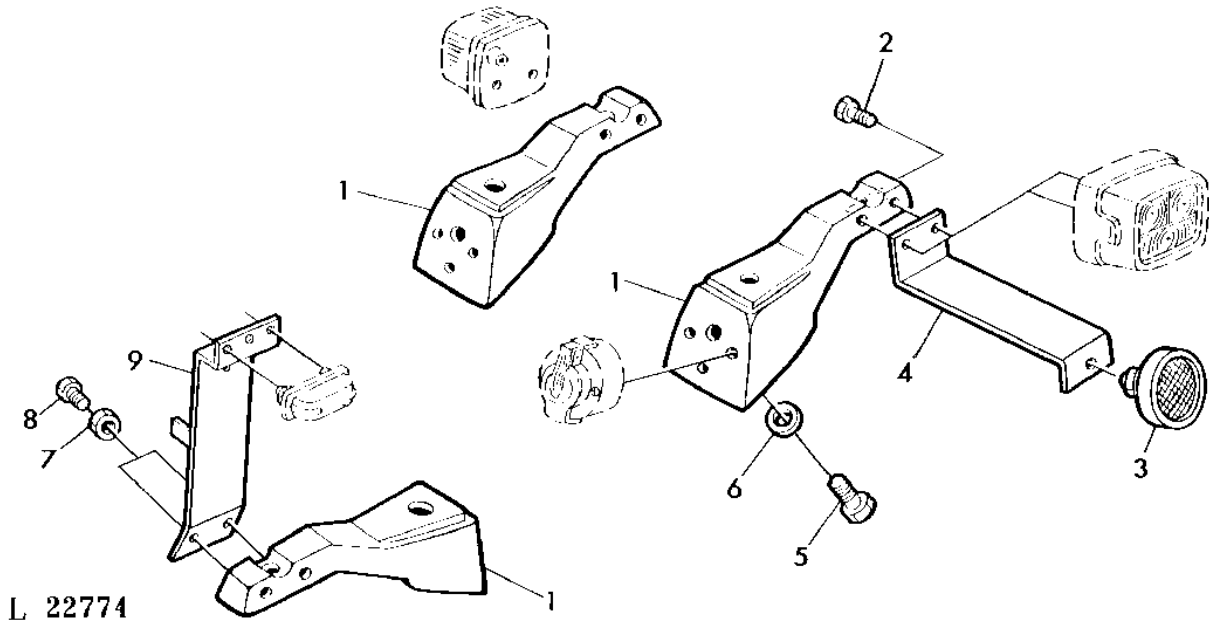
KEY	PART NO.	PART NAME	QTY	SERIAL NO.	REMARKS
				2	
				0 2	
				4 1	
				0 4	
				S 0	
1	19H2021	CAP SCREW	2	X X	3/8"X5/8"
2	L34117	COVER	1	X X	
3	19H1819	CAP SCREW	2	X X	3/8"X2-1/8"
4	L30819	STRAP	1	X X	

4C23

MISCELLANEOUS

REFLECTORS/BRACKETS (WITH SHELL-TYPE FENDERS)
 CATADIOPTRES/SUPPORTS (AVEC AILES COQUILLE)
 RUECKSTRAHLER/HALTER (BEI MUSCHELKOTFLUEGEL)
 CATARIFRANGENTI/SUPPORTI (CON PARAFANGHI A GUSCIO)
 REFLECTORES/SOPORTES (CON GUARDABARROS DE CONCHA)
 REFLEKTORER/HALLARE (VID DELTACKANDE STANKSKARMAR)

L22774 -UN-09OCT95



L 22774

2
0 2
4 1
0 4
S 0

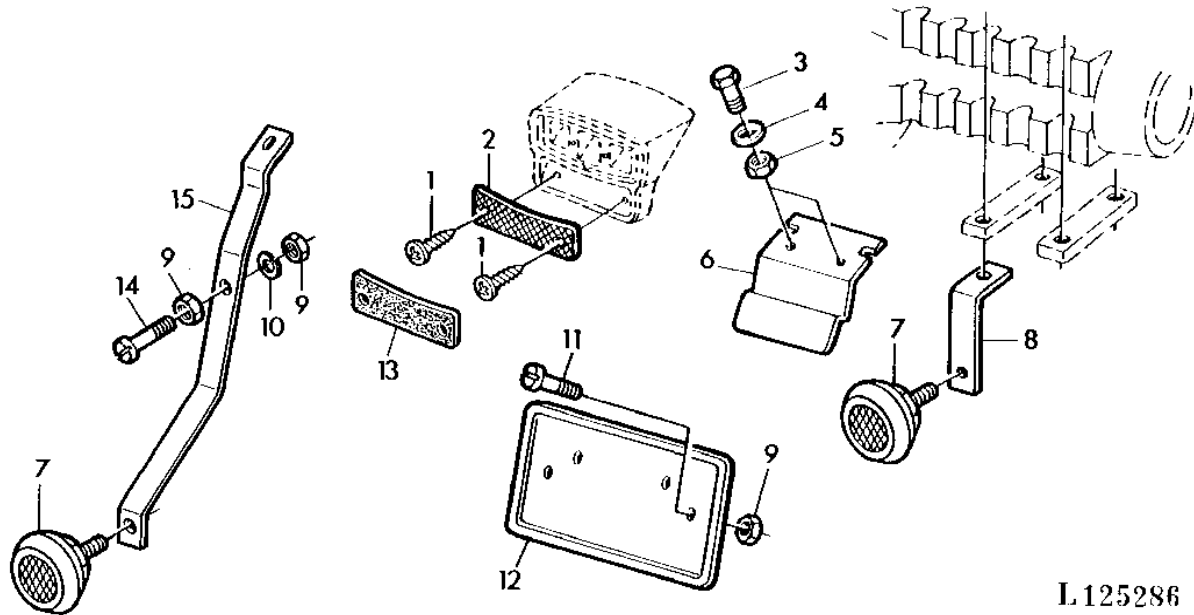
KEY	PART NO.	PART NAME	QTY	SERIAL NO.	REMARKS
1	T28915	BRACKET	4		X
2	19M7077	CAP SCREW	4		X 6X20MM
3	99M6488	REFLECTOR	2		X
4	T29177	RETAINER	2		X
5	19H2021	CAP SCREW	8		X 3/8"X5/8"
6	24M7040	WASHER	8		X 11MM
7	14H786	NUT	2		X 1/4"
8	19H1948	CAP SCREW	2		X 1/4"X3/4"
9	AT27533	RETAINER	1		X

4C24

MISCELLANEOUS

REFLECTOR BRACKETS (WITH WIDE FENDERS)
 SUPPORT DE CATADIOPTRE/AVEC AILES ENVELOPPANTES
 RUECKSTRAHLERHALTER (BEI DACHKOTFLUEGEL)
 SUPPORTI PER CATARIFRANGENTI(CON PARAFANGHI LARGHI)
 SOPORTES DE REFLECTOR (CON GUARDABARROS EN TEJADILLO)
 HALLARE FOR REFLEKTORER (VID BREDTA STANKSKARMAR)

L125286 -UN-09OCT95



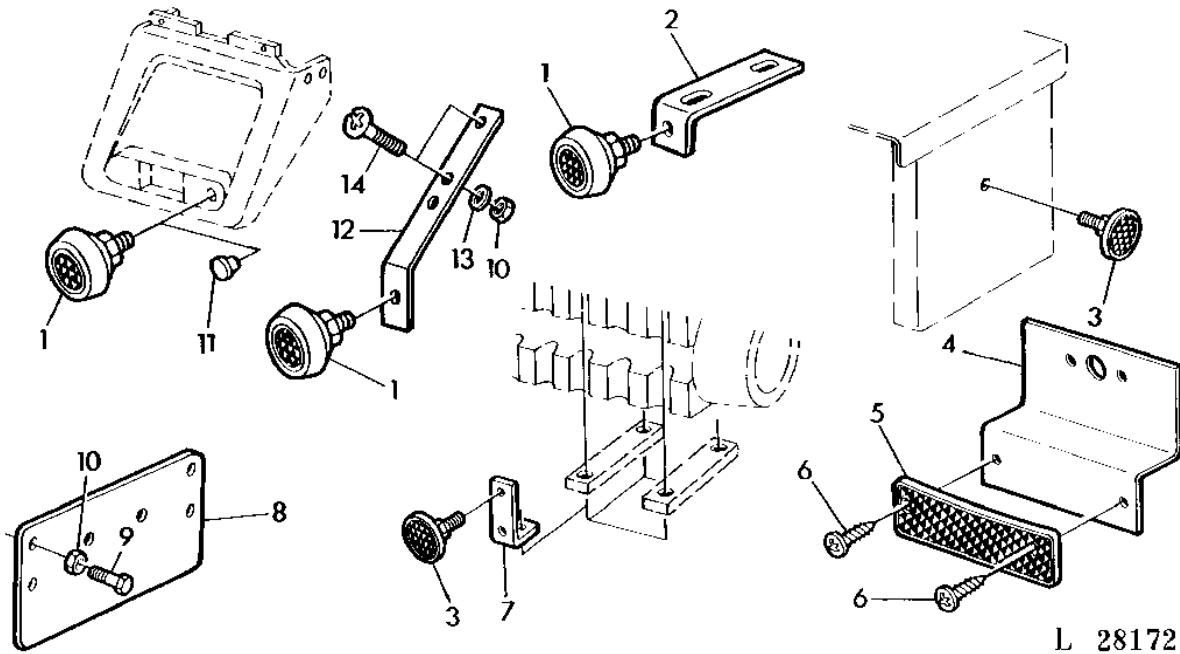
L125286

KEY	PART NO.	PART NAME	QTY	SERIAL NO.	REMARKS
				2	
				0 2	
				4 1	
				0 4	
				S 0	
1	37M7081	SCREW	4	X X	3,9X16MM
2	AL32067	REFLECTOR	2	X X	
3	19M6614	CAP SCREW	2	X X	M6X12
4	24M7054	WASHER	2	X X	6,4X12,5X1,6MM
5	14M7272	NUT	2	X X	M6
6	L34336	PLATE	1	X X	
7	99M6488	REFLECTOR	AR	X X	
8	L35528	ANGLE	2	X X	
9	14M7360	LOCK NUT	AR	X X	M5
10	12M7064	LOCK WASHER	2	X X	5MM
11	21M7185	SCREW	2	X X	M5X16
12	L58621	PLATE	1	X X	(SUB FOR L24456) WHITE,BLANC,WEISS, BIANCO,BLANCO,VIT
	L58614	PLATE	1	X X	(SUB FOR AL33593, L36151, L40166) BLACK,NOIR,SCHWARZ,NERO,NEGRO,SVART
13	L36342	COVER	2	X	
14	21M7173	SCREW	2	X	M5X25
15	L36341	RETAINER	2	X	

4C25

MISCELLANEOUS

REFLECTORS/BRACKETS(WITH OPU CAB)
 SUPPORTS DE CATADIOPTRE(AVEC CABINE PPI)
 RUECKSTRAHLER/HALTER(BEI FSC KABINE)
 CATARIFRANGENTI E SUPPORTI(CON CABINA OPU)
 SOPORTES DE REFLECTOR (CON CABINA DE SEGURIDAD)
 REFLEKTORER/HALLARE(VID OPU FORARHYTT)
 L28172 -UN-05OCT95



KEY	PART NO.	PART NAME	QTY	SERIAL NO.	REMARKS
				2	
				0 2	
				4 1	
				0 4	
				S 0	
1	99M6488	REFLECTOR	AR		X X
2	R47403	RETAINER	2		X X
3	AL26674	REFLECTOR	AR		X (A)
4	L35273	PLATE	2		X (B)
5	AL32067	REFLECTOR	2		X (B)
6	37M7081	SCREW	4		X (B)
7	L32330	ANGLE	2		X (A)
8	L24722	PLATE	1		X X
9	19M6614	CAP SCREW	2		X (B) 6X12MM
10	14M7272	NUT	AR		X 6MM
11	99M7043	PLUG	2		X X
12	L36447	RETAINER	2		X
13	24M7088	WASHER	4		X 6,6X12,5X1,6MM
14	21M7246	SCREW	4		X 6X16MM

(A) ONLY FOR SWEDEN
 SEULEMENT POUR LA SUEDE
 NUR FUER SCHWEDEN
 SOLO PER LA SVEZIA
 SOLAMENTE PARA SUECIA
 ENDAST FOR SVERIGE

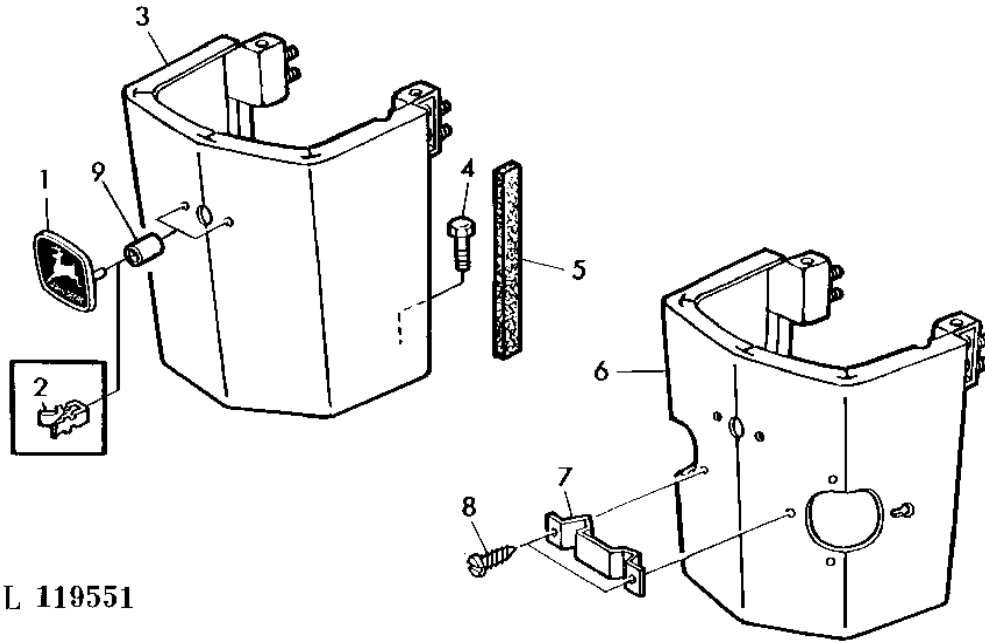
(B) WITH SNOW CHAINS
 AVEC CHAINES NEIGE
 BEI SCHNEEKETTEN
 CON CATENE PER NEVE
 CON CADENAS ANTIDESLIZANTES
 VID SNOKEDJOR

4D1

MISCELLANEOUS

FRONT PLATE
 PLAQUE AVANT
 FRONTPLATTE
 MASCHERINA
 PLACA FRONTAL
 FRONTPLATA

L119551 -UN-09OCT95



L 119551

2
 0 2
 4 1
 0 4
 S 0

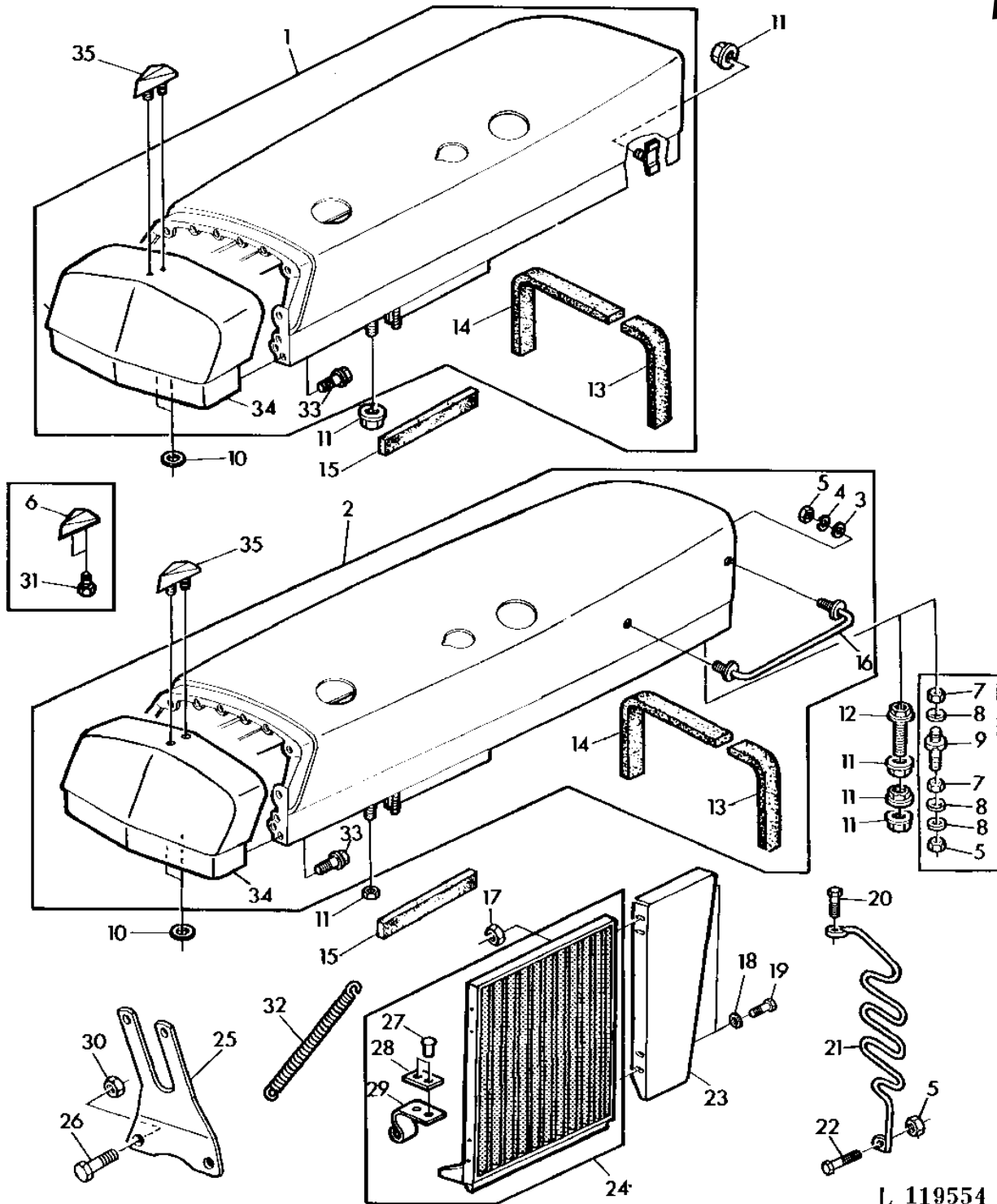
KEY	PART NO.	PART NAME	QTY	SERIAL NO.	REMARKS
1	L36573	MEDALLION	1	X X	(ORD L61282, (2) L61281)
	L61282	MEDALLION	1	X X	(SUB FOR L34456)
2	L31750	CLIP	2	X X	(FOR L36573)
3	AL31004	SHIELD	1	X X	
4	19H2548	CAP SCREW	8	X X	1/2"X7/8"
	L57565	FOAM PAD	2	X X	(SUB FOR L35009)
6	AL31005	SHIELD	1	X X	
	AL33042	SHIELD	1	X	(A)
7	L30332	RETAINER	1	X X	
8	37H42	SCREW	2	X X	NO.10X3/8"
9	L61281	BUSHING	2	X X	

(A) WITH METAL TANK
 AVEC RESERVOIR A COMBUSTIBLE METALLIQUE
 BEI BLECHKRAFTSTOFFTANK
 CON SERBATOIO GASOLIO METALLICO
 CON DEPOSITO COMBUSTIBLE METALICO
 VID BLECKBRANSLETANK

4D2

MISCELLANEOUS

HOOD/RADIATOR GUARD
CAPOT/GRILLE
HAUBE/KUEHLERSCHUTZ
COFANO/GRIGLIE
CAPO/REJILLAS DEL RADIADOR
HUV/SIDOGALLER
L119554 -UN-09OCT95



L 119554

4D3

MISCELLANEOUS

KEY	PART NO.	PART NAME	QTY	SERIAL NO.	REMARKS
				2	
				0 2	
				4 1	
				0 4	
				S 0	
1	AL30294	HOOD	1	X	(A)
	AL33152	HOOD	1	X	(A)
2	AL30297	HOOD	1	X	
	AL33151	HOOD	1	X	
	AL33150	HOOD	1	X	(B)
3	24H1306	WASHER	2	X X	13/32"X1"X.036"
4	12H304	LOCK WASHER	2	X X	3/8"
5	14H812	NUT	AR	X X	3/8"
6	R73259	MEDALLION	1	X X	(ORD L40919, (2) 12M7060, (2) 14M7360)
7	14H732	NUT	4	X	3/8"
8	24H1305	WASHER	6	X	13/32"X13/16"X.060"
9	R50199	SCREW	2	X	
10	L41919	SPRING WASHER	2	X X	
11	14M7298	FLANGE NUT	AR	X X	M8
12	19M7800	SCREW	2	X X	M8X50
13	L60521	FOAM PAD	3	X X	(SUB FOR T21490, L56393)
14	L60522	FOAM PAD	1	X X	(SUB FOR T22383, L56398)
15	L35011	FOAM PAD	2	X X	
16	R66897	HANDLE	1	X X	
17	14M7272	NUT	4	X X	M6
18	24M7088	WASHER	4	X X	6,6X12,5X1,6MM
19	19M6614	CAP SCREW	4	X X	M6X12
20	19H2545	CAP SCREW	1	X X	3/8"X1-3/8"
21	AL33366	GRILLE	1	X X	
22	19H1733	CAP SCREW	1	X X	3/8"X2-1/2"
23	L34881	GUARD	1	X X	RH
	AL34599	GUARD	1	X X	LH (SUB FOR L34882 APPL)
24	AL56766	GRILLE	2	X	(SUB FOR AL31252, AL37083)
	AL56765	GRILLE	2	X	(SUB FOR AL31251, AL37082)
25	L37205	RETAINER	1	X	
26	19M7268	CAP SCREW	2	X	M12X25
27	16M7091	RIVET	8	X X	
28	L38898	STRAP	4	X X	
29	L38897	SPRING	4	X X	
30	14M7275	NUT	2	X	M12
31	37H49	SCREW	2	X X	NO.10X1/2"
32	L40645	SPRING	2	X X	(SUB FOR R26858)
33	R52760	SCREW	6	X X	
34	R52362	EXTENSION	2	X	(A)
	L34555	EXTENSION	1	X	
35	L40919	MOLDING	1	X X	

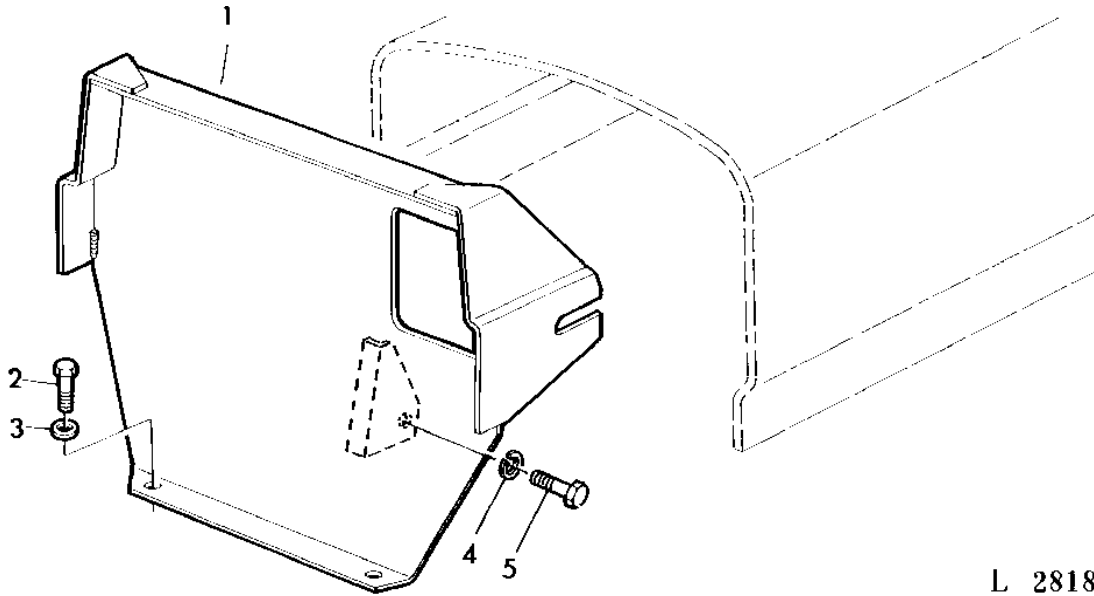
(A) WITH OPU CAB
 AVEC CABINE PPI
 BEI FSC KABINE
 CON CABINA OPU
 CON CABINA DE SEGURIDAD
 VID OPU FORARHYTT

(B) WITH METAL TANK
 AVEC RESERVOIR A COMBUSTIBLE METALLIQUE
 BEI BLECHKRAFTSTOFFTANK
 CON SERBATOIO GASOLIO METALLICO
 CON DEPOSITO COMBUSTIBLE METALICO
 VID BLECKBRANSLETANK

4D4

MISCELLANEOUS

HOOD SUPPORT(WITH OPU CAB)
 SUPPORT DE CAPOT(AVEC CABINE PPI)
 HAUBENSTUETZE(BEI FSC KABINE)
 SUPPORTO DEL COFANO(CON CABINA OPU)
 SOPORTE DEL CAPO(CON CABINA DE SEGURIDAD)
 HUVHALLARE(VID OPU FORARHYTT)
 L28182 -UN-05OCT95



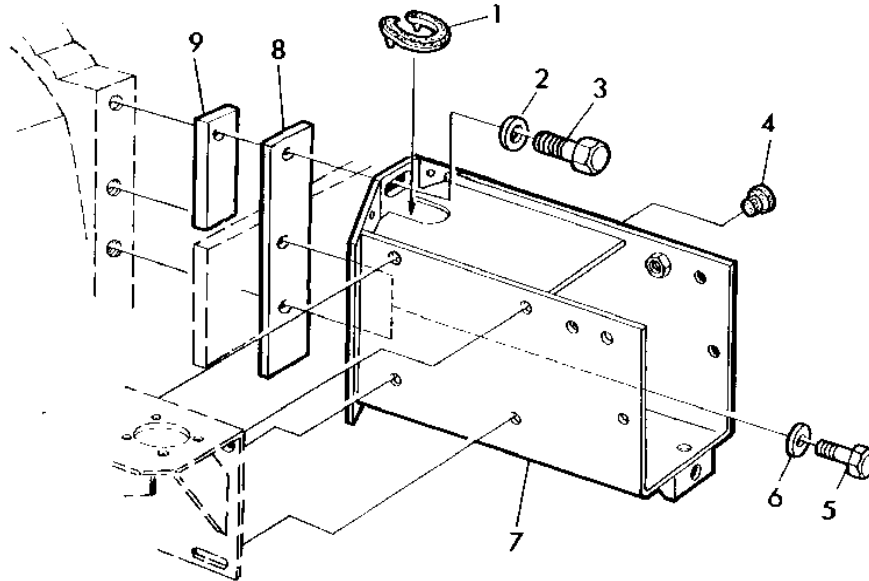
L 28182

KEY	PART NO.	PART NAME	QTY	SERIAL NO.	REMARKS
					2
					0 2
					4 1
					0 4
					S 0
1	AL31652	SUPPORT	1		X X
2	19H2021	CAP SCREW	2		X X 3/8"X5/8"
3	24M7040	WASHER	2		X X 11X21X2MM
4	12H301	LOCK WASHER	1		X X 1/2"
5	19H1895	CAP SCREW	1		X X 1/2"X3/4"

4D5

MISCELLANEOUS

BATTERY BOX(WITH OPU CAB)
 COPERE A BATTERIE(AVEC CABINE PPI)
 BATTERIEKASTEN(BEI FSC KABINE)
 SCOMPARTIMENTO DELLA BATTERIA(CON CABINA OPU)
 CAJA DE BATERIA(CON CABINA DE SEGURIDAD)
 BATTERILADA(VID OPU FORARHYTT)
 L22838 -UN-09OCT95



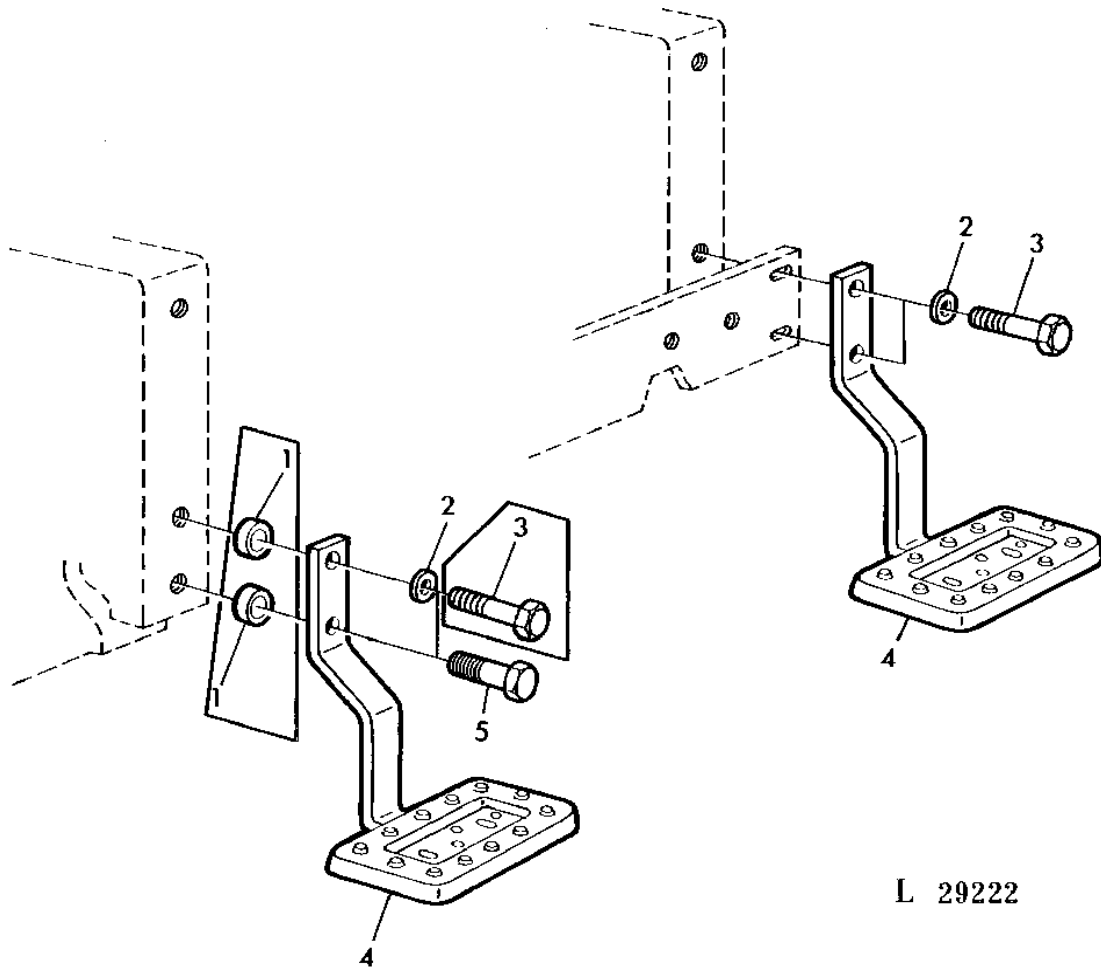
L 22838

KEY	PART NO.	PART NAME	QTY	SERIAL NO.	REMARKS
				2	
				0 2	
				4 1	
				0 4	
				S 0	
1	L32657	GUARD	2	X X	LGTH=150MM
2	24M7051	WASHER	2	X X	21MM
3	19H2663	CAP SCREW	2	X X	3/4"X2-1/8"
4	99M7042	PLUG	8	X X	13,5MM
5	19H2592	CAP SCREW	4	X X	5/8"X2-1/8"
6	24M7053	WASHER	4	X X	17MM
7	AL31918	BOX	2	X X	
8	L31164	STRAP	2	X X	
9	L31296	STRAP	2	X X	

4D6

MISCELLANEOUS

STEP PLATE/BRACKET
MARCHEPIED/SUPPORT
TRITTPLATTE-HALTER
PREDELLINO/SUPPORTO
PELDANO/SOPORTE
FOTSTEG/HALLARE
L29222 -UN-05OCT95



4D7

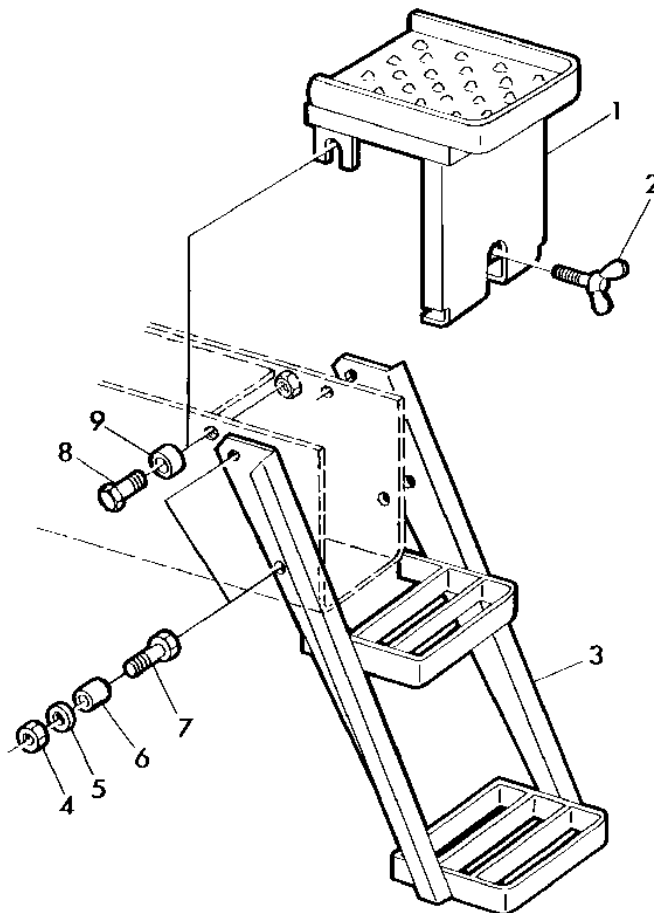
MISCELLANEOUS

KEY	PART NO.	PART NAME	QTY	SERIAL NO.	2 0 2 4 1 0 4 S 0	REMARKS
1	L33629	SPACER	2		X X	
2	24H1375	WASHER	2		X X	11/16"X11/8"
3	19H1734	CAP SCREW	2		X X	5/8"X2"
4	AL31579	STEP	1		X X	
5	19H2008	CAP SCREW	2		X X	5/8"X1-5/8"

4D8

MISCELLANEOUS

STEPS(WITH OPU CAB)
MARCHEPIED(AVEC CABINE PPI)
TRITTSTUFE(BEI FSC KABINE)
GRADINI(CON CABINA OPU)
PELDANOS(CON CABINA DE SEGURIDAD)
FOTSTEG(VID OPU FORARHYTT)
L22843 -UN-09OCT95



L, 22843

4D9

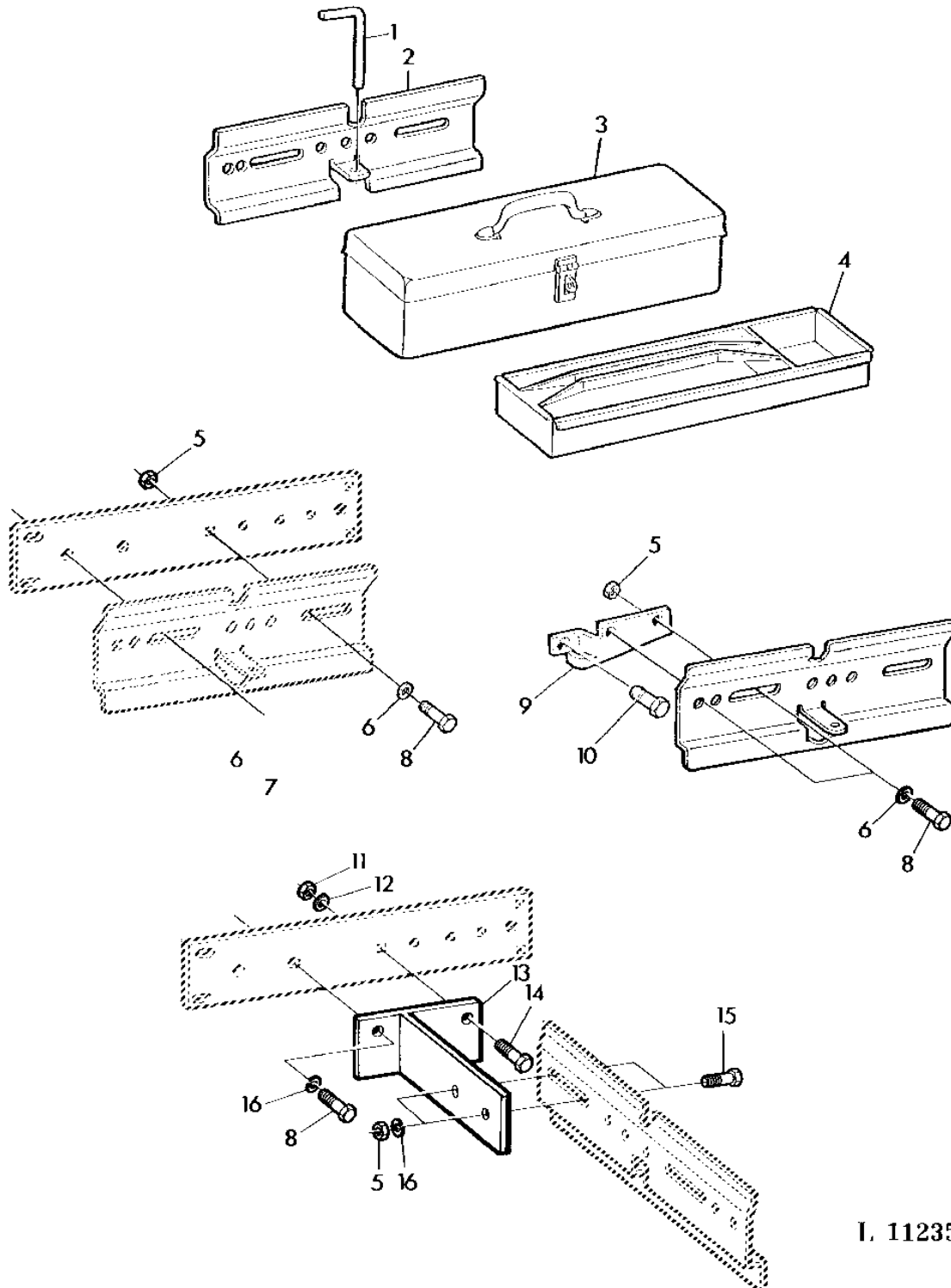
MISCELLANEOUS

KEY	PART NO.	PART NAME	QTY	SERIAL NO.	2 0 2 4 1 0 4 S 0	REMARKS
1	AL31898	FOOTREST	2		X X	
2	21M7238	WING SCREW	2		X X	10X25MM
3	AL32272	LADDER	2		X X	
4	14M7273	NUT	8		X X	8MM
5	24M7055	WASHER	8		X X	8,4X17X1,6MM
6	L31137	SPACER	8		X X	10,5X15X27MM
7	19M7378	CAP SCREW	8		X X	8X45MM
8	19M7139	CAP SCREW	4		X X	8X20MM
9	28H1513	WASHER	4		X X	1/4"X.375"

4D10

MISCELLANEOUS

SHEET METAL TOOL BOX ATTACHMENT
COFFRET TOLE A OUTILS/FIXATION
BLECHWERKZEUGKASTEN/ANBAU
CASSETTA ATTREZZI (LATTO)/SOPORTE
CAJA DE CHAPA PARA HERRAMIENTAS / SUJECION
VERKTYGSLADA (BLECK)/HALLARE
L112356 -UN-06OCT95



I. 112356

4D11

MISCELLANEOUS

KEY	PART NO.	PART NAME	QTY	SERIAL NO.	REMARKS
				2	
				0 2	
				4 1	
				0 4	
				S 0	
1	T23027	PIN	1		X X
2	L39119	BRACKET	1		X X
3	AT22071	TOOLBOX	1		X X
4	AL24044	BOX	1		X X
5	14H1039	NUT	AR		X X 5/8"
6	24H1363	WASHER	2		X X 41/62"X1-1/16"X.105"
7	19H1916	CAP SCREW	1		X X (B) 5/8"X1"
8	19H1833	CAP SCREW	AR		X X 5/8"X1-1/4"
9	L34351	BRACKET	1		X X
10	19H1871	CAP SCREW	1		X X 3/4"X1-1/4"
11	14H821	NUT	1		X X (A) 5/8"
12	24H1375	WASHER	1		X X (A) 11/16"X1-1/8"X.060"
13	AL26981	RETAINER	1		X X (A)
14	19H2008	CAP SCREW	1		X X (A) 5/8"X1-5/8"
15	19H2637	CAP SCREW	1		X X (A) 5/8"X1-3/8"
16	12H294	LOCK WASHER	3		X X (A) 5/8"

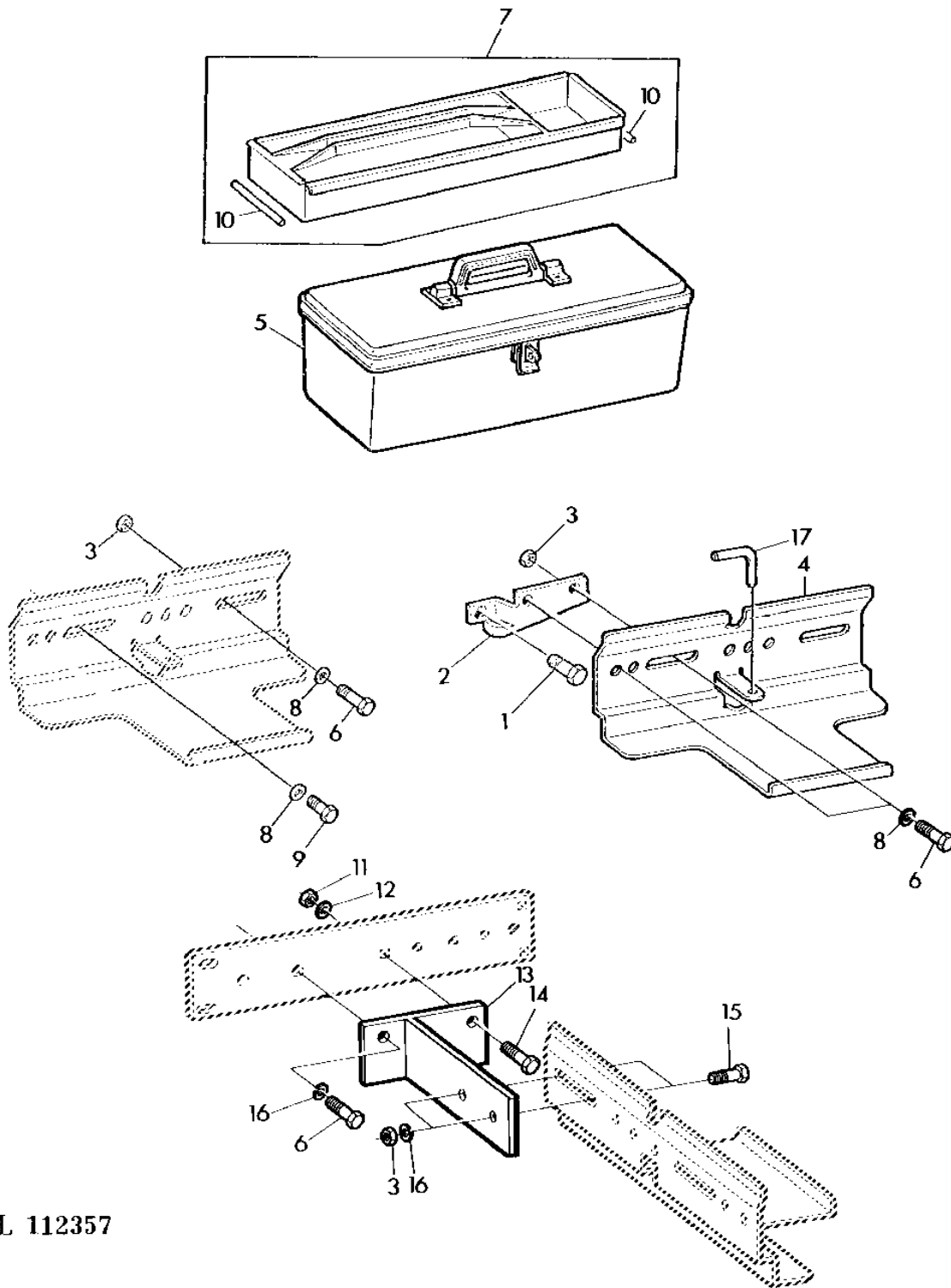
(A) WITH OPU CAB
 AVEC CABINE PPI
 BEI FSC-KABINE
 CON CABINA OPU
 CON CABINA DE SEGURIDAD
 VID OPU FORARHYTT

(B) W/SIDE-FRAME
 AVEC CHASSIS LATERAUX
 BEI SEITENRAHMEN
 CON TELAIO LATERALE
 CON BASTIDORES LATERALES
 VID FOERARHYTT

4D12

MISCELLANEOUS

PLASTIC TOOL BOX ATTACHMENT
COFFRET PLASTIQUE A OUTILS/FIXATION
PLASTIKWERKZEUGKASTEN/ANBAU
CASSETTA ATTREZZI (PLASTICO)/SOPORTE
CAJA DE PLASTICO PARA HERRAMIENTAS / SUJECION
VERKTYGSLADA (PLAST)/HALLARE
L112357 -UN-06OCT95



L 112357

4D13

MISCELLANEOUS

KEY	PART NO.	PART NAME	QTY	SERIAL NO.	REMARKS
					2
					0 2
					4 1
					0 4
					S 0
1	19H1871	CAP SCREW	1	X X	3/4"X1-1/4"
2	L34351	BRACKET	1	X X	
3	14H1039	NUT	AR	X X	5/8"
4	L40660	BRACKET	1	X X	
5	AL38518	TOOLBOX	1	X X	
6	19H1833	CAP SCREW	AR	X X	5/8"X1-1/4"
7	AL38761	BOX	1	X X	
8	24H1363	WASHER	2	X X	(B) 41/62"X1-1/16"X.105"
9	19H1916	CAP SCREW	1	X X	(B) 5/8"X1"
10	L40644	PIN	2	X X	
11	14H821	NUT	1	X X	(A) 5/8"
12	24H1375	WASHER	1	X X	(A) 11/16"X1-1/8"X.060"
13	AL26981	RETAINER	1	X X	(A)
14	19H2008	CAP SCREW	1	X X	(A) 5/8"X1-5/8"
15	19H2637	CAP SCREW	1	X X	(A) 5/8"X1-3/8"
16	12H294	LOCK WASHER	3	X X	(A) 5/8"
17	L40681	PIN	1	X X	

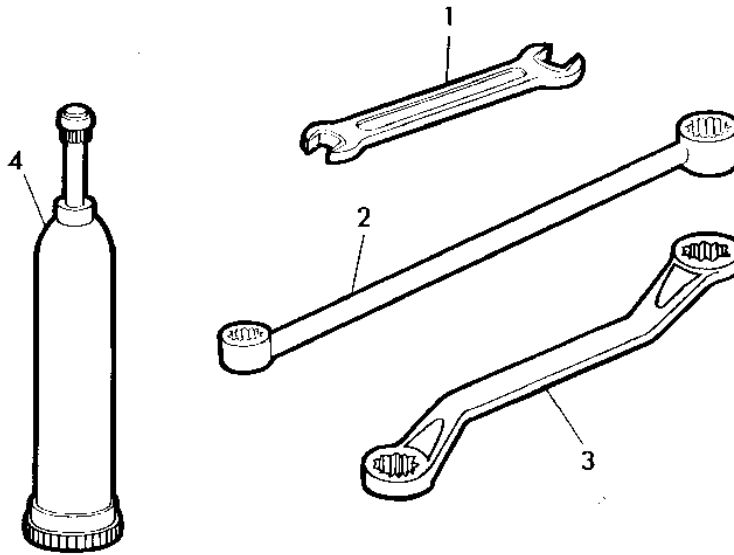
(A) WITH OPU CAB
 AVEC CABINE PPI
 BEI FSC-KABINE
 CON CABINA OPU
 CON CABINA DE SEGURIDAD
 VID OPU FORARHYTT

(B) W/SIDE-FRAME
 AVEC CHASSIS LATERAUX
 BEI SEITENRAHMEN
 CON TELAIO LATERALE
 CON BASTIDORES LATERALES
 VID SIDORAM

4D14

MISCELLANEOUS

TOOLS
 OUTILS
 WERKZEUG
 ATTREZZI
 HERRAMIENTAS
 VERKTYG
 L17758 -UN-09OCT95



L 17758

2
 0 2
 4 1
 0 4
 S 0

KEY	PART NO.	PART NAME	QTY	SERIAL NO.	REMARKS
1	31M6768	WRENCH	1	X X	10X13MM
	31M5965	WRENCH	1	X X	1/2"X9/16"
2	L56614	WRENCH	1	X X	(SUB FOR AR30507)
3	99M7002	WRENCH	1	X X	19X22MM
	31M7010	WRENCH	1	X X	13/16"X1-1/8"
	31M7009	WRENCH	1	X X	24X27MM
4	99M6430	GREASE GUN	1	X X	

4D15

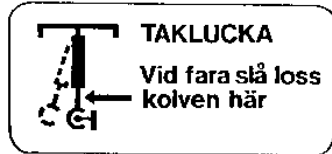
MISCELLANEOUS

MEMORANDA
MEMORANDA
MEMORANDA
MEMORANDA
MEMORANDA

4D16

MISCELLANEOUS

NAME PLATES/DECALS
 PLAQUES DU CONSTRUCTEUR/DECALCOMANIES
 SCHILDER/ABSCHIEBEBILDER
 TARGHETTE/DECALCOMANIE
 ROTULOS/CALCOMANIAS
 SKYLTAR/DEKALER
 L112363 -UN-06OCT95



1



2



3



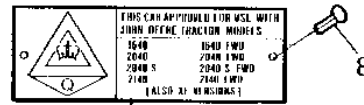
4



5



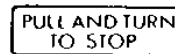
6



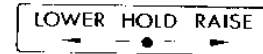
7



9



10



11



12



13



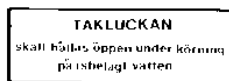
14



15



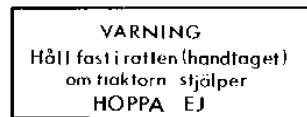
16



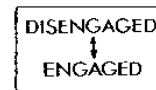
17



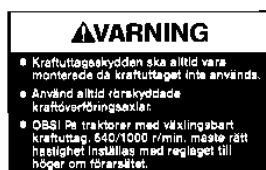
18



19



20



21



22

L 112363

4D17

MISCELLANEOUS

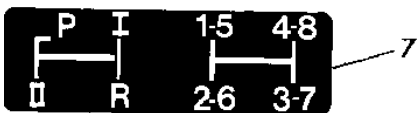
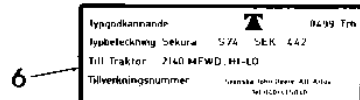
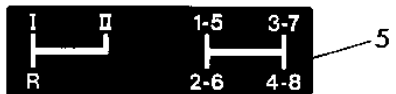
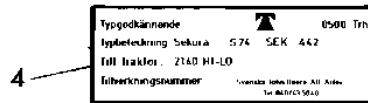
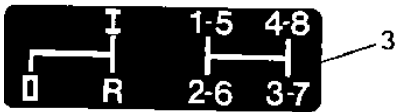
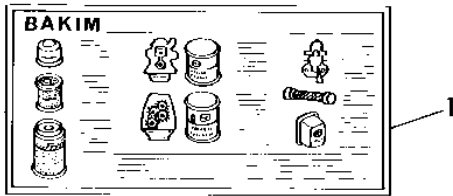
KEY	PART NO.	PART NAME	QTY	SERIAL NO.	REMARKS
				2	
				0 2	
				4 1	
				0 4	
				S 0	
1	L36318	LABEL	1		X
2	L35941	LABEL	1		X
3	R47292	LABEL	1		X
4	L29301	LABEL	1		X X
5	T30712	SERIAL NUMBER PLATE	1		X X
6	T30121	LABEL	1		X X
7	L55316	APPROVAL PLATE	1		X X (SUB FOR L36350, L39696)
8	25M3827	GROOVE PIN	AR		X X
9	L36319	DECAL	1		X X
10	T29577	LABEL	1		X
11	T29578	LABEL	1		X
12	L29440	LABEL	1		X X
13	L29439	LABEL	1		X X
14	L29302	LABEL	1		X
15	L34819	LABEL	1		X
16	T65882	LABEL	1		X X
17	L33561	LABEL	1		X
18	JD10477	LABEL	1		X X (SUB FOR JD5602)
19	L31559	LABEL	1		X
20	T29574	LABEL	1		X
21	L40050	LABEL	1		X X (A)
22	L35265	LABEL	1		X X

(A) WITH HAND-SHIFT PTO
 AVEC PDF A SEL PAR MANETTE
 BEI SCHALTBARER ZAPFWELLE
 CON PDF DI CAMBIO MANUALE
 CON TDF CAMBIABLE POR PALANCA
 VID KRAFTUTTAG FOR MANUELLT MANOVRERING

4D18

MISCELLANEOUS

NAME PLATES/DECALS
 PLAQUES DU CONSTRUCTEUR/DECALCOMANIES
 SCHILDER/ABSCHIEBEBILDER
 TARGHETTE/DECALCOMANIE
 ROTULOS/CALCOMANIAS
 SKYLTAR/DEKALER
 L103789 -UN-06OCT95



I. 103789

4D19

MISCELLANEOUS

KEY	PART NO.	PART NAME	QTY	SERIAL NO.	2 0 2 4 1 0 4 S 0	REMARKS
1	L33861	INSTRUCTION PLATE	1		X	
2	L35850	LABEL	1		X	
3	L35521	LABEL	1		X	
4	L37473	LABEL	1		X	
5	L35520	LABEL	1		X X	
6	L37474	LABEL	1		X	
7	R68277	LABEL	1		X	
8	L37219	LABEL	1		X X	
9	L37203	LABEL	1		X X	

4D20

MISCELLANEOUS

DECALS
DECALCOMANIES
AUFKLEBER
DECALCOMANIE
CALCOMANIAS
DEKALER
L123019 -UN-09OCT95



1



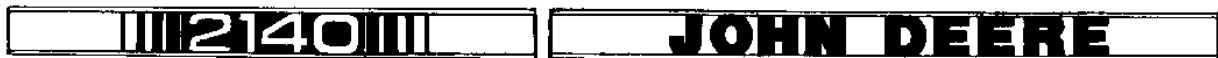
2



3

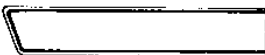


4



12

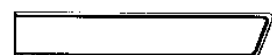
13



8



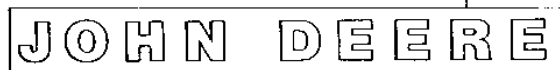
6



5

7

9



10



11

L123019

4D21

MISCELLANEOUS

KEY	PART NO.	PART NAME	QTY	SERIAL NO.	REMARKS
				2	
				0 2	
				4 1	
				0 4	
				S 0	
1	L38065	LABEL	1	X	RH (ORD L63977, L63985)
	L35091	LABEL	1	X	LH (ORD L63977, L63986)
	L35152	LABEL	1	X	(A) LH (ORD L63977, L63986)
2	L38064	LABEL	1	X	LH (ORD L63977, L63985)
	L35092	LABEL	1	X	RH (ORD L63977, L63986)
	L35153	LABEL	1	X	(A) RH (ORD L63977, L63986)
3	L38067	LABEL	1	X	(A) (B) RH (ORD L63977, L63985)
	L38140	LABEL	1	X	(A) LH (ORD L63977, L63985)
	L35095	DECAL	1	X	(A) (B) LH (ORD L63977, L63986)
	L36506	LABEL	1	X	(B) LH (ORD L63977, L63986)
4	L38139	LABEL	1	X	(A) RH (ORD L63977, L63985)
	L38066	LABEL	1	X	(A) (B) LH (ORD L63977, L63985)
	L35096	DECAL	1	X	(A) (B) RH (ORD L63977, L63986)
	L36507	LABEL	1	X	(B) RH (ORD L63977, L63986)
5	L35121	DECAL	1	X X	LH
6	L35120	DECAL	1	X X	FRONT
7	JD5635	LABEL	1	X	(A) (SUB FOR JD5505)
8	L35124	DECAL	1	X X	RH
9	L37067	LABEL	1	X X	(A)
10	L36322	DECAL	1	X	
11	L36323	DECAL	1	X X	
12	L63985	LABEL	AR	X	RH+LH
	L63986	LABEL	AR	X	RH+LH
13	L63977	LABEL	AR	X X	RH+LH

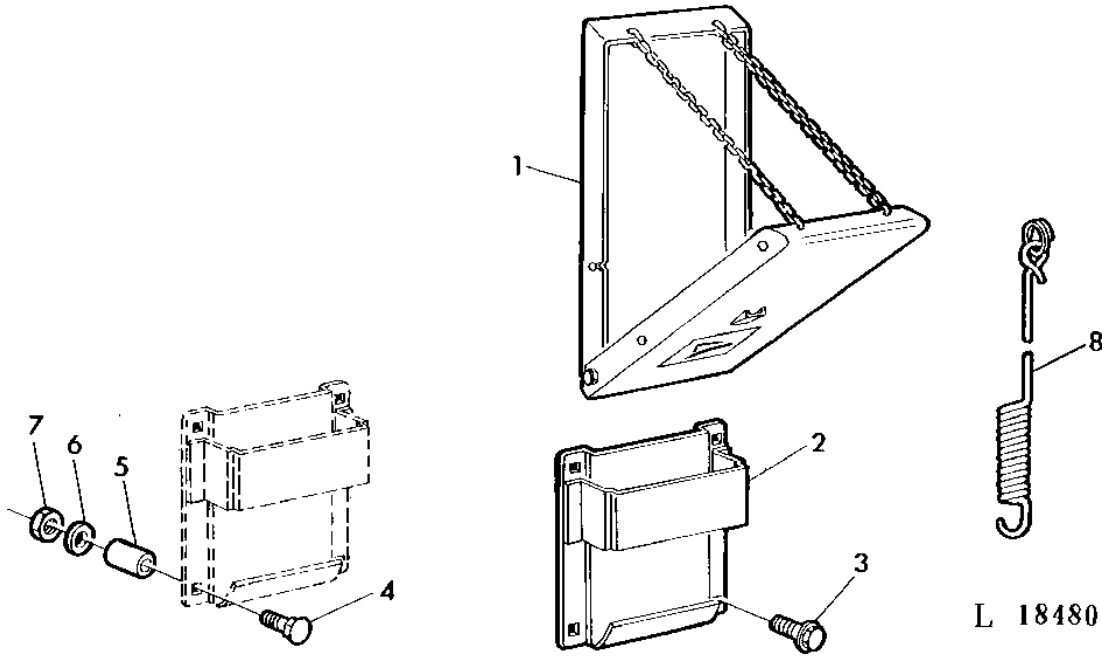
(A) WITH OPU CAB
 AVEC CABINE PPI
 BEI FSC-KABINE
 CON CABINA OPU
 CON CABINA DE SEGURIDAD
 VID OPU FORARHYTT

(B) WITH HOOD TURN-SIGNAL LIGHTS
 AVEC CLIGNOTANTS SUR CAPOT
 BEI BLINKLICHT AN DER HAUBE
 CON INDICATORI DI DIREZIONE NEL COFANO
 CON LUCES INTERMITENTES EN EL CAPO
 VID HUVMONTERADE BLINKERS

4D22

MISCELLANEOUS

CHOCK BLOCK
 CALE
 UNTERLEGKEIL
 CUNEO
 CALZO DE RUEDA
 STOPPKLOTS
 L18480 -UN-09OCT95



L 18480

2
 0 2
 4 1
 0 4
 S 0

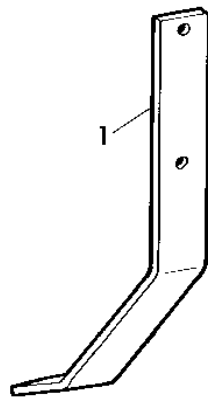
KEY	PART NO.	PART NAME	QTY	SERIAL NO.	REMARKS
1	AL26777	CHOCK BLOCK	1	X X	
2	AL26778	SUPPORT	1	X X	
3	37M7078	SCREW	4	X	10X16MM
4	03H2131	BOLT	4	X X	(A) 3/8"X3"
5	L31726	SPACER	4	X X	(A) 3/8"X2-1/4"
6	24H1305	WASHER	4	X X	(A) 13/32"X13/16"X.060"
7	14H812	NUT	4	X X	(A) 3/8"
8	AL33592	SPRING	1	X X	

(A) WITH OPU CAB
 AVEC CABINE PPI
 BEI FSC-KABINE
 CON CABINA OPU
 CON CABINA DE SEGURIDAD
 VID OPU FORARHYTT

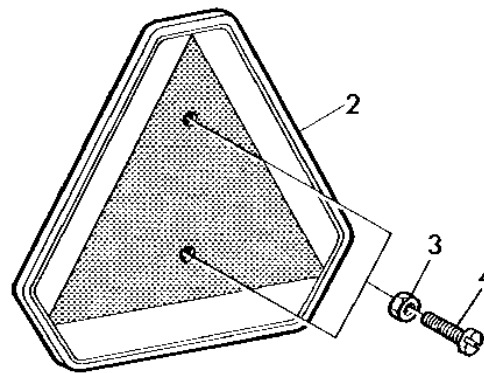
4D23

MISCELLANEOUS

SLOW MOVING VEHICLE (SMV) WARNING SHIELD
 PLAQUE DE SIGNALISATION POUR VEHICULES LENTS
 WARNSCHILDER FUER LANGSAMFAHRENDE FAHRZEUGE
 PLACCA D'AVVERTENZA PER VEICOLI LENTI
 PLACA DE ADVERTENCIA PARA VEHICULOS LENTOS
 VARNINGSSKYLT FOR LANGSAMA MASKINER
 L27473 -UN-05OCT95



1. 27473



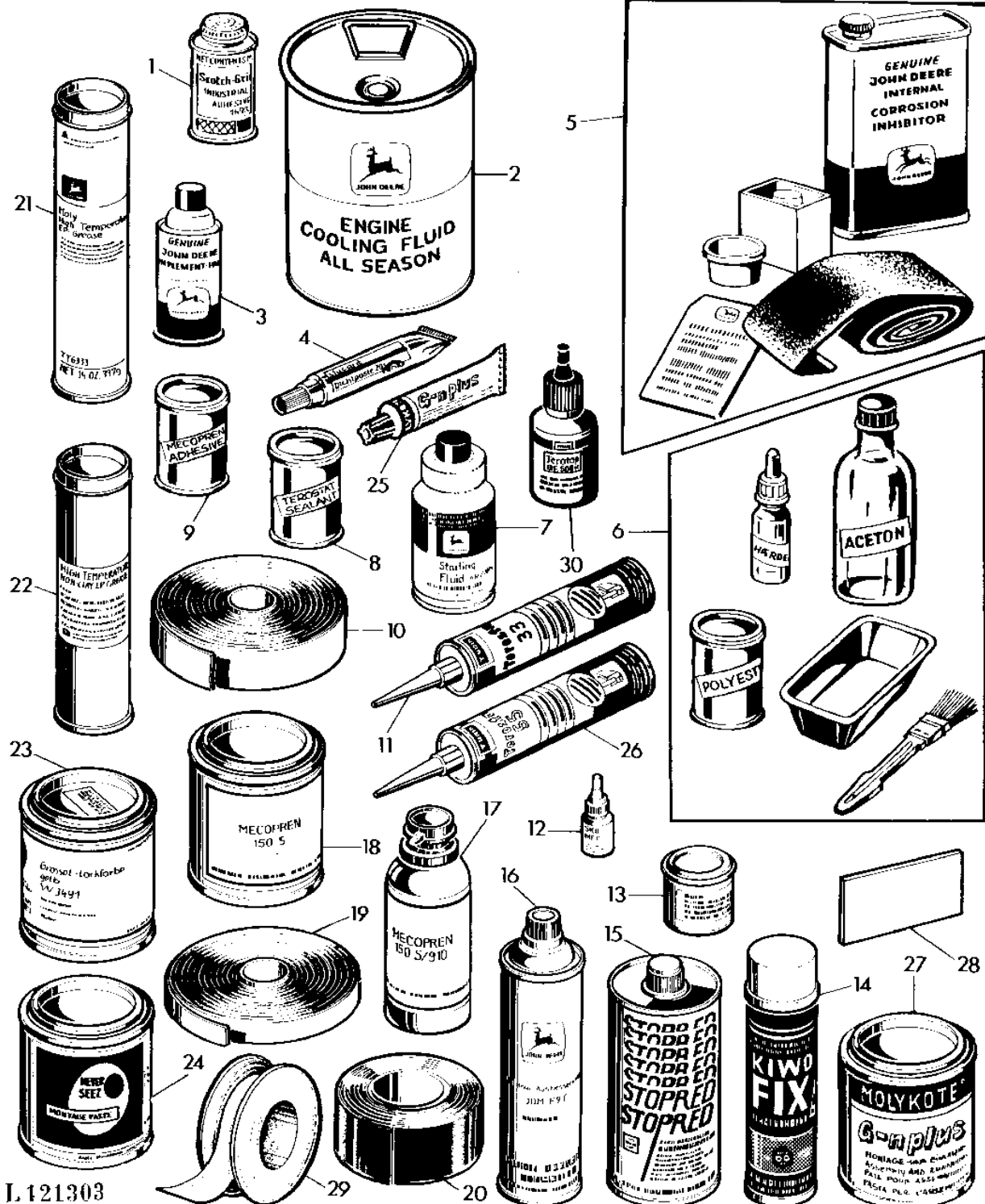
KEY	PART NO.	PART NAME	QTY	SERIAL NO.	REMARKS
1	R54972	BRACKET	1		X
2	AR61194	SIGN	1		X
3	14H786	NUT	2		X 1/4"
4	21H1303	SCREW	2		X 1/4"X3/4"

2
0 2
4 1
0 4
S 0

4D24

MISCELLANEOUS

ACCESSORY PARTS
 ACCESSOIRES
 ZUBEHOERTEILE
 ACCESSORI
 ACCESORIOS
 TILLBEHOR
 L121303 -UN-15MAY95



L121303

4D25

MISCELLANEOUS

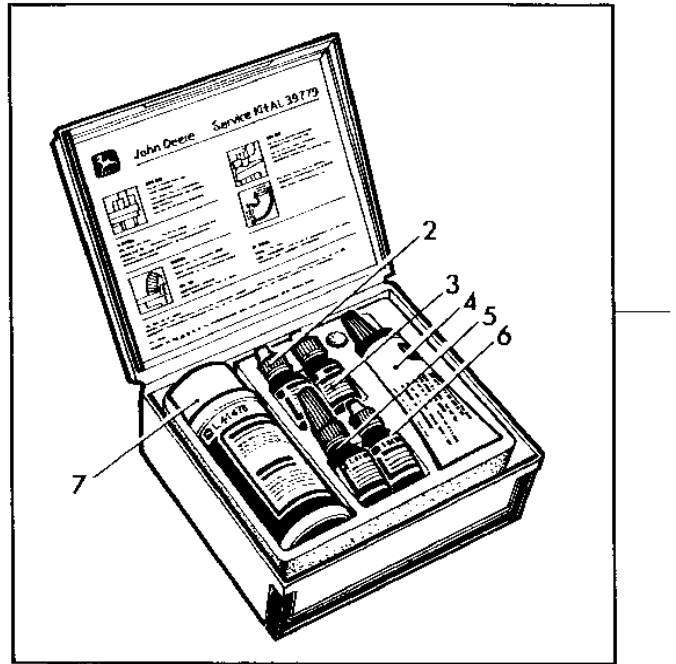
KEY	PART NO.	PART NAME	QTY	SERIAL NO.	REMARKS
					2
					0 2
					4 1
					0 4
					S 0
1	AL27132	ADHESIVE	1		X X SOUND CONTROL MAT REPAIR SET
2	AL66606	COOLANT	AR		X X 5L (1,3.U.S.GAL.) (SUB FOR DD14134)
	AL66607	COOLANT	AR		X X 20L (5,3.U.S.GAL.) (SUB FOR DD14345)
	AL67171	COOLANT	AR		X X 60L (15,9.U.S.GAL.) (SUB FOR DD14136)
	AL66608	COOLANT	AR		X X 200L (53,0.U.S.GAL.) (SUB FOR DD14346)
3	L94772	PAINT	1		X X GREEN/VERT/GRUEN/VERDE/GROEN
4	AL36727	ADHESIVE	1		X X STUCARIT SEALANT 140CCM
5	AR41785	KIT	1		X X KIT
6	AL27131	KIT	1		X X FIBER GLASS REPAIR SET
7	RE30174	STARTING FLUID	1		X X (SUB FOR AR27814)
8	UN7121	SEALANT	1		X X TEROSTAT SEALANT 1000CCM
9	UN7132	ADHESIVE	1		X X MECOPREN ADHESIVE 1000CCM
10	R57003	TAPE	1		X X 10M
11	AL67798	SEALANT	1		X X TEROSTAT 33,310CCM,BLACK, NOIR,SCHWARZ,NERO,NEGRO,SVART, (SUB FOR L41074)
12	AL38291	ADHESIVE	1		X X SICOMET 85,20CCM
13	AL38624	PAINT	1		X X BROWN,BRUN,BRAUN,MARRONE MARRON,BRUN,50CCM
14	AL38623	ADHESIVE	1		X X KIWOFIX,500CCM
15	L40979	BRAKE FLUID	1		X X 1000CCM
16	AL39593	PAINT	1		X X DULL BLACK,500CCM
17	AL39465	ADHESIVE	1		X X MECOPREN 150S/910
18	AL39139	ADHESIVE	1		X X MECOPREN 150S
19	AL57748	WEATHERSTRIP	1		X X LOW PROFILE ROOF
	AL67778	TAPE	1		X X RADIATOR SIDE SHEET
	R46727	SEALING TRIM	1		X X (SUB FOR AL39594)
20	AL39464	TAPE	1		X X BLACK,NOIR,SCHWARZ,NERO NEGRO,SVART
21	TY6333	GREASE	1		X X (A)
22	TY6341	GREASE	1		X X
23	L94743	PAINT	1		X X YELLOW,JAUNE,GELB, GIALLO,AMARILLO,GUL,1000CCM
24	L58532	RUST INHIBITOR	1		X X NEVER SEEZ,120CCM
25	L59040	GREASE	1		X X MOLYKOTE,50CCM
26	L57914	SEAL	1		X X TEROSTAT 55,310CCM,CLEAN
27	L81050	GREASE	1		X X MOLYKOTE,1000CCM
28	L58886	TAPE	1		X X FOR TURBO-HOOD
29	L53316	TAPE	1		X X SEALING TAPE
30	AL64360	SEALANT	1		X X TEROTOP BE 500H,50CCM

(A) USE WHEN OPERATING IN VERY WET AND MUDDY CONDITIONS
 POUR UTILISATION EN TERRAIN DETREMPE ET BOURBEUX
 BEI EINSATZ IN BESONDERS NASSEM,SCHLAMMIGEM GELAENDE
 PER LAVORO IN TERRENO UMIDO E FANGOSO
 PARA OPERAR EN TERRENOS HUMEDOS Y FANGOSOS
 FOR ARBETE I FUKTIG OCH SUMPIG TERRANG

4E1

MISCELLANEOUS

WORKSHOP KIT (LOCTITE)
 COLIS D'ATELIER (LOCTITE)
 WERKSTATTSATZ (LOCTITE)
 CORREDO OFFICINA (LOCTITE)
 JUEGO DE TALLER (LOCTITE)
 VERKSTADSSATS (LOCTITE)
 L106290 -UN-06OCT95



L 106290

KEY	PART NO.	PART NAME	QTY	SERIAL NO.	REMARKS
				2	
				0 2	
				4 1	
				0 4	
				S 0	
1	AL39779	SEALANT	1	X X	
2	L41475	SEALANT	1	X X	LOCTITE 242 10CCM
3	L41476	SEALANT	1	X X	LOCTITE 270 10CCM
4	L41217	SEALANT	1	X X	LOCTITE 573 50CCM
5	L41860	SEALANT	1	X X	LOCTITE 648,10CCM
6	L41477	SEALANT	1	X X	LOCTITE 601 10CCM
7	L41478	DEGREASING SOLVENT	1	X X	LOCTITE 706,150CCM

4E2

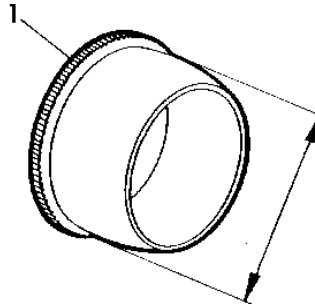
MISCELLANEOUS

MEMORANDA
MEMORANDA
MEMORANDA
MEMORANDA
MEMORANDA

4E3

MISCELLANEOUS

PLASTIC PLUG
BOUCHON EN PLASTIQUE
PLASTIK-STOPFEN
TAPPO DI PLASTICO
TAPON DE PLASTICO
PLASTPLUGG
L110468 -UN-01JAN94



L 110468

4E4

MISCELLANEOUS

KEY	PART NO.	PART NAME	QTY	SERIAL NO.	REMARKS
				2	
				0 2	
				4 1	
				0 4	
				S 0	
1	99M6933	COUNTRY CODE	AR	X X	O.D.=5,5MM, GREEN
	99M7043	PLUG	AR	X X	O.D.=7MM, BLACK
	99M5764	PLUG	AR	X X	O.D.=7,5MM, CLEAR
	99M7006	PLUG	AR	X X	O.D.=8,5MM, CLEAR
	99M7059	PLUG	AR	X X	O.D.=8,5MM, BLACK (SUB FOR 99M7006)
	99M7035	PLUG	AR	X X	O.D.=8,5MM, GREEN
	99M5913	PLUG	AR	X X	O.D.=9MM CLEAR
	99M7016	PLUG	AR	X X	O.D.=9MM BLACK
	99M5565	PLUG	AR	X X	O.D.=10MM, CLEAR
	99M6203	PLUG	AR	X X	O.D.=10,5MM, CLEAR
	99M7070	PLUG	AR	X X	O.D.=10,5MM, BLACK
	99M5562	PLUG	AR	X X	O.D.=11MM, CLEAR
	99M7015	PLUG	AR	X X	O.D.=11MM, BLACK
	99M6986	PLUG	AR	X X	O.D.=11,5MM, CLEAR
	99M7077	PLUG	AR	X X	O.D.=11,5MM, BLACK
	99M7033	PLUG	AR	X X	O.D.=12MM, GREEN
	99M6185	PLUG	AR	X X	O.D.=12,5MM, CLEAR
	99M7073	PLUG	AR	X X	O.D.=12,5MM, BLACK
	99M7004	PLUG	AR	X X	O.D.=13,5MM, CLEAR
	99M7045	PLUG	AR	X X	O.D.=13,5MM, BLACK
	99M6934	PLUG	AR	X X	O.D.=13,5MM, GREEN
	99M6985	PLUG	AR	X X	O.D.=14MM, CLEAR
	99M7082	PLUG	AR	X X	O.D.=14MM, DULLBLACK (SUB FOR 99M7009)
	99M5567	PLUG	AR	X X	O.D.=14,5MM, CLEAR
	99M7009	PLUG	AR	X X	O.D.=14,5MM, BLACK
	99M6551	PLUG	AR	X X	O.D.=17MM, CLEAR
	99M7037	PLUG	AR	X X	O.D.=17MM, GREEN
	99M7058	PLUG	AR	X X	O.D.=18MM, GREEN
	99M7010	PLUG	AR	X X	O.D.=19MM, BLACK
	99M7038	PLUG	AR	X X	O.D.=19,5MM, BLACK
	99M7011	PLUG	AR	X X	O.D.=23,6MM, BLACK
	99M7087	PLUG	AR	X X	O.D.=25,5MM BLACK
	99M7049	PLUG	AR	X X	O.D.=29,5MM, BLACK
	99M7056	PLUG	AR	X X	O.D.=31,8MM, BLACK

4E5

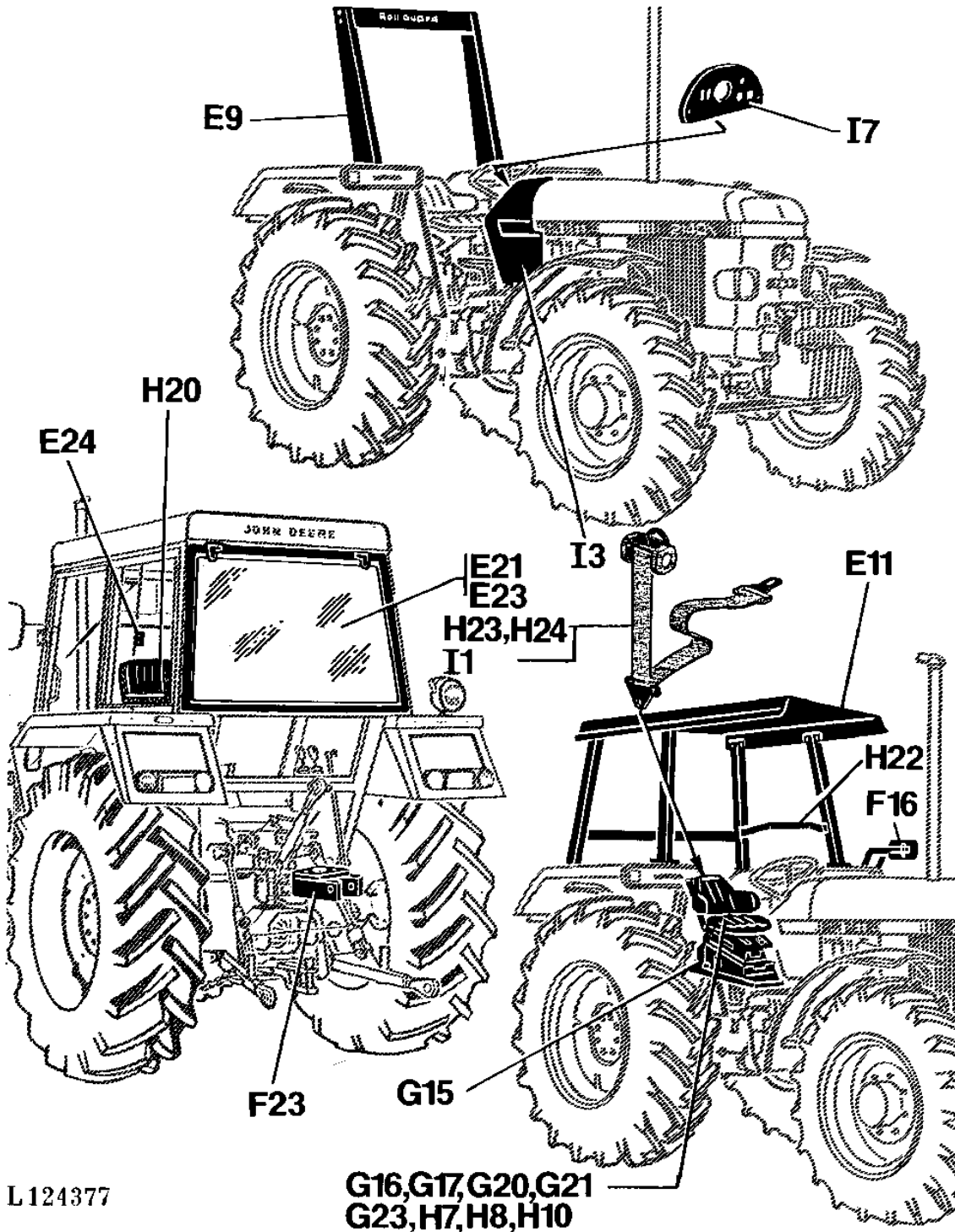
MISCELLANEOUS

MEMORANDA
MEMORANDA
MEMORANDA
MEMORANDA
MEMORANDA

4E6

OPERATOR'S CAB

SECTIONAL INDEX
INDEX DE SECTION
GRUPPENINDEX
INDICE DELLA SEZIONE
INDICE DE SECCION
GRUPPSFORTECKNING
L124377 -UN-09OCT95



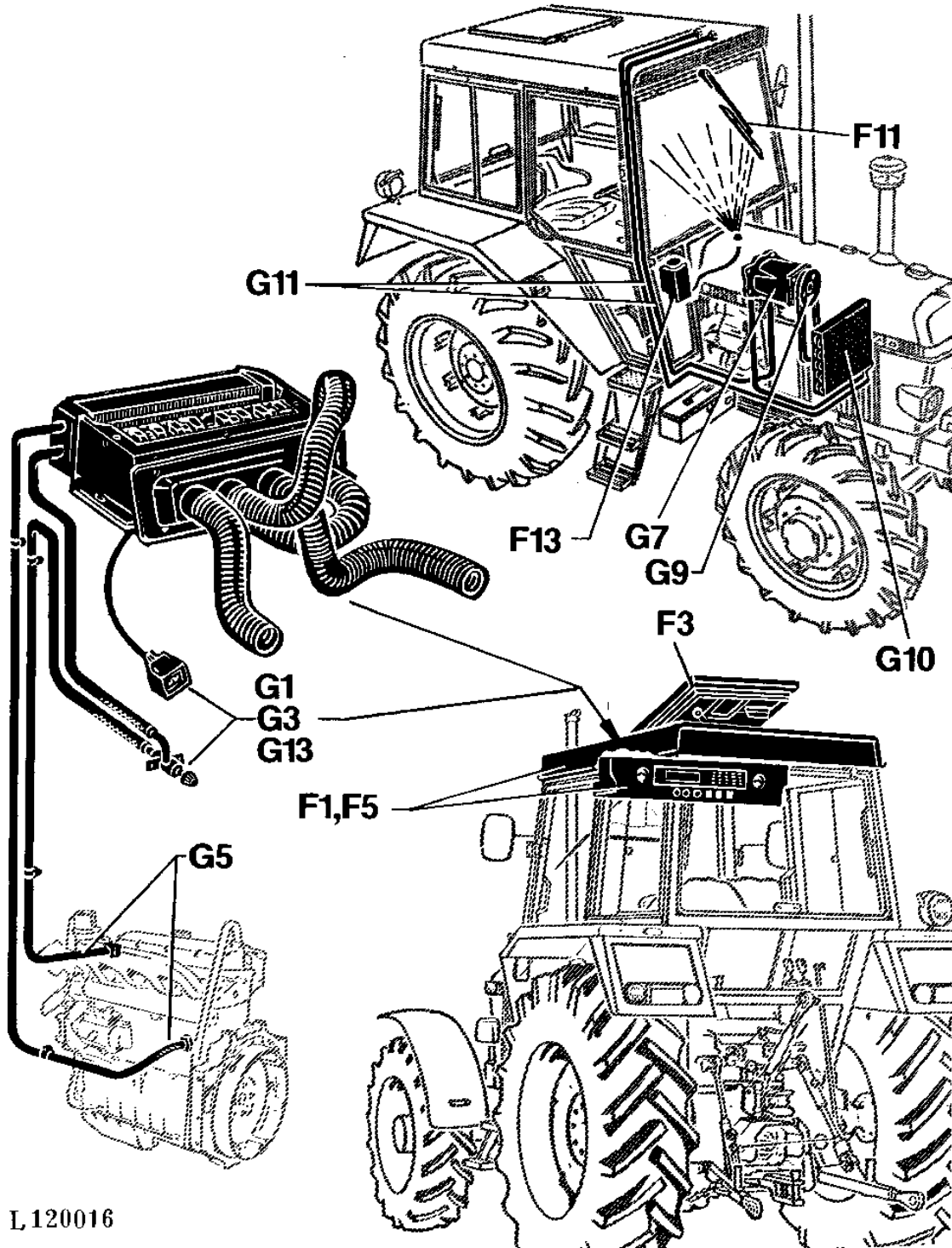
L124377

G16,G17,G20,G21
G23,H7,H8,H10

4E7

OPERATOR'S CAB

SECTIONAL INDEX
INDEX DE SECTION
GRUPPENINDEX
INDICE DELLA SEZIONE
INDICE DE SECCION
GRUPPSFORTECKNING
L120016 -UN-09OCT95

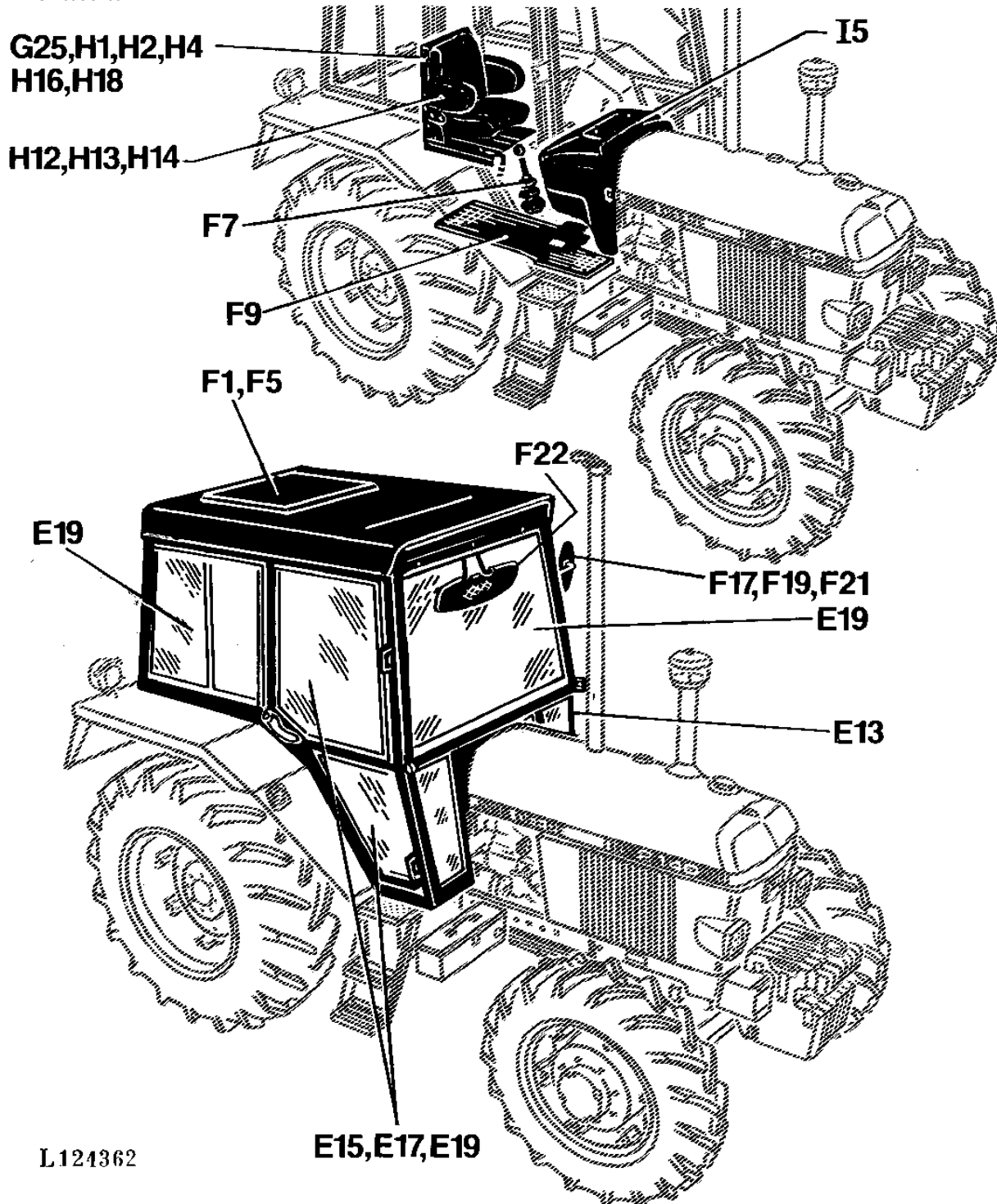


L120016

4E8

OPERATOR'S CAB

SECTIONAL INDEX
INDEX DE SECTION
GRUPPENINDEX
INDICE DELLA SEZIONE
INDICE DE SECCION
GRUPPSFORTECKNING
L124362 -UN-09OCT95



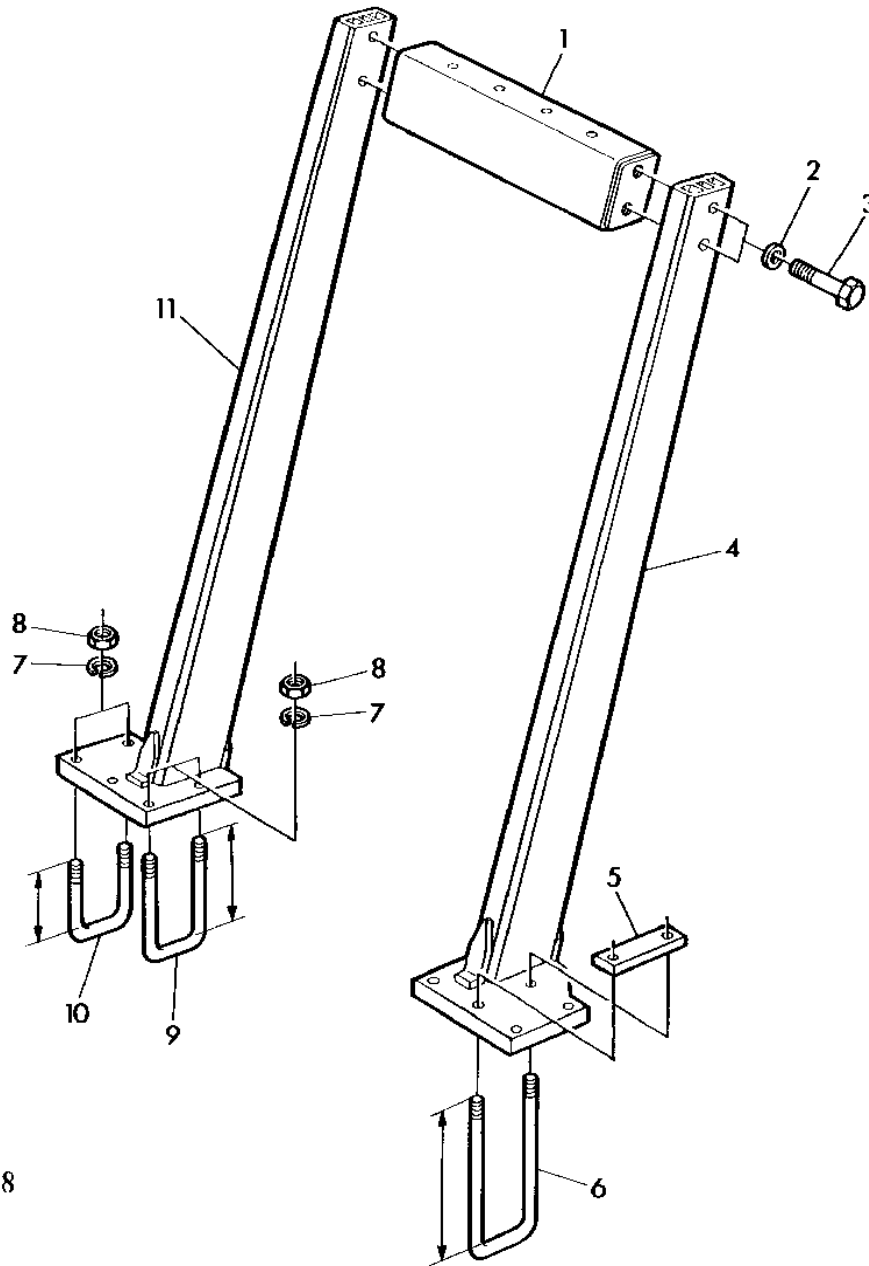
L124362

E15, E17, E19

4E9

OPERATOR'S CAB

2-POST ROLL GUARD
CADRE DE SECURITE 2 MONTANTS
2-PFOSTEN UEBERSCHLAGSCHUTZ
BARRA ANTIRIBALTAMENTO A 2 MONTANTI
DEFENSA CONTRA VUELCOS DE 2 MASTILES
STORTSKYDD (2 STOLPAR)
L18668 -UN-09OCT95



L 18668

4E10

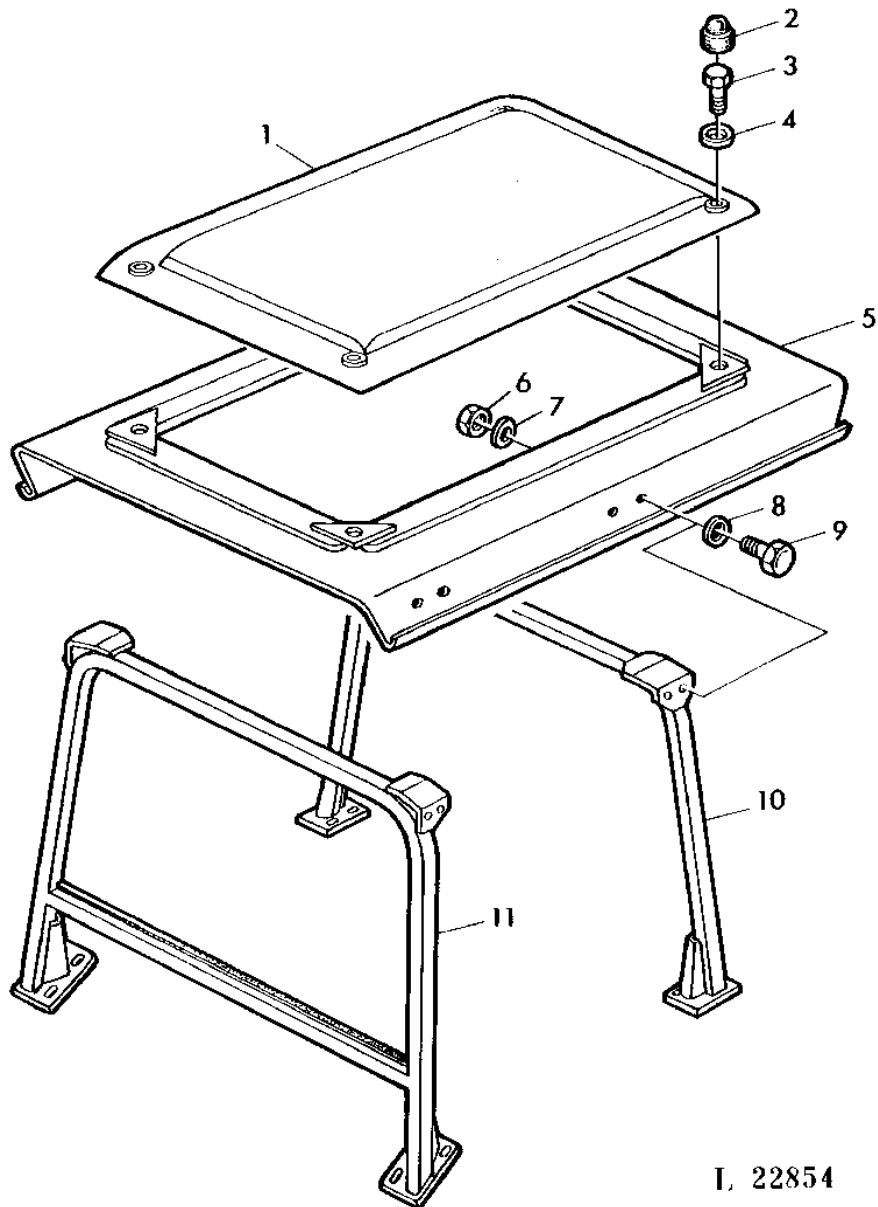
OPERATOR'S CAB

KEY	PART NO.	PART NAME	QTY	SERIAL NO.	REMARKS
				2	
				0 2	
				4 1	
				0 4	
				S 0	
1	AL28161	CROSSBAR	1		X
2	24H1698	WASHER	4		X 21/32"X1-5/8"X.250"
3	R64802	BOLT	4		X
4	AL56168	POST	1		X LH (SUB FOR AL23389, AL37840)
5	T25671	STRAP	2		X
6	L37604	U-BOLT	2		X LGTH=332MM
7	12H294	LOCK WASHER	8		X 5/8"
8	14H1039	NUT	8		X 5/8"
9	L37605	U-BOLT	2		X LGTH=210MM
10	L37606	U-BOLT	2		X LGTH=190MM
11	AL56169	POST	1		X RH (SUB FOR AL23388, AL37841)

4E11

OPERATOR'S CAB

4-POST ROLL GUARD
CADRE DE SECURITE 4 MONTANTS
4-POSTEN UEBERSCHLAGSCHUTZ
PROT.ANTIRIBALTAMENTO A 4 MONTANTI
DEFENSA CONTRA VUELCOS DE 4 MASTILES
STORTSKYDD(4 STOLPAR)
L22854 -UN-09OCT95



I, 22854

4E12

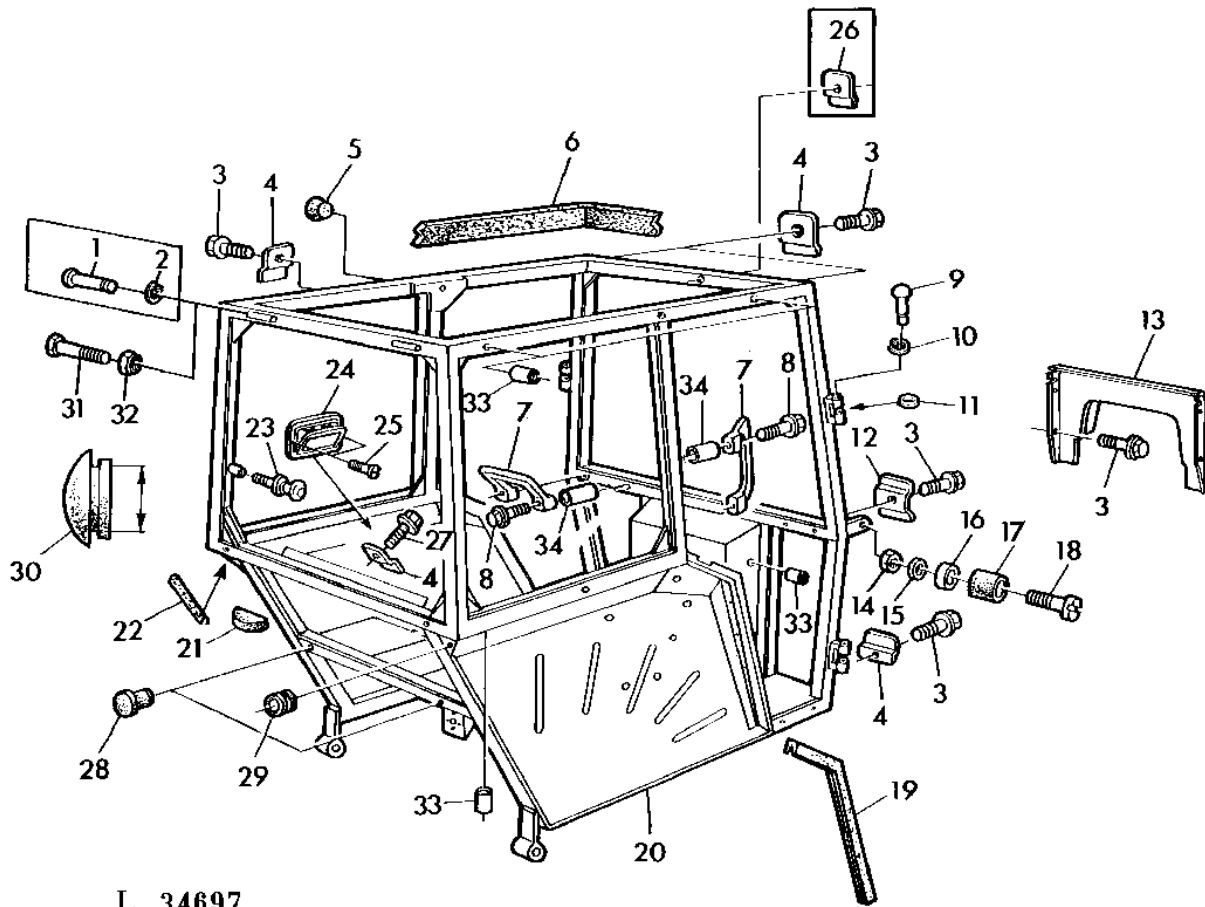
OPERATOR'S CAB

KEY	PART NO.	PART NAME	QTY	SERIAL NO.	REMARKS
				2	
				0 2	
				4 1	
				0 4	
				S 0	
1	AL25369	HOOD	1	X X	
2	L32394	CAP	4	X X	
3	19M7163	CAP SCREW	4	X X	M8X25
4	24M7207	WASHER	4	X X	8,4X25X2MM
5	AL25506	CAB ROOF FRAME	1	X X	
6	14M7015	NUT	6	X X	M12
7	24M7047	WASHER	6	X X	13X24X2,5MM
8	24M7111	WASHER	8	X X	13X25X3MM
9	19M7268	CAP SCREW	8	X X	M12X25
10	AL31204	BRACE	1	X X	FRONT
11	AL31203	BRACE	1	X X	REAR

4E13

OPERATOR'S CAB

CAB FRAME
CADRE DE CABINE
KABINENRAHMEN
INTELAJATURA DELLA CABINA
ESTRUCTURA DE CABINA
HYTTRAM
L34697 -UN-06OCT95



L 34697

4E14

OPERATOR'S CAB

KEY	PART NO.	PART NAME	QTY	SERIAL NO.	REMARKS
				2	
				0 2	
				4 1	
				0 4	
				S 0	
1	L34212	PIN	2	X X	KEYS 31,32
2	40M7144	SNAP RING	2	X X	8X0,8MM
3	37M7059	SCREW	AR	X X	M5X12
4	L33593	CLIP	12	X X	
5	L90538	PLUG	2	X X	
6	L36074	FOAM PAD	1	X X	LGTH=5500MM
7	L33520	GRIP	2	X X	
	L33520	GRIP	4	X	(A)
8	37M7061	SCREW	4	X X	M5X20
	37M7061	SCREW	8	X X	(A) M5X20
9	L33590	PIN	4	X X	
10	40M7059	SNAP RING	4	X X	8X1MM
11	L31380	WASHER	8	X X	
12	L33588	CLIP	2	X X	
13	AL35955	SHIELD	1	X X	
14	14M7272	NUT	2	X X	M6
15	12M7006	LOCK WASHER	2	X X	6MM
16	L35140	SPACER	2	X	(A)
17	AL39620	HOLDER	2	X X	(SUB FOR L31395)
18	19M7560	CAP SCREW	2	X X	M6X16 (SUB FOR 21M7086)
	21M7248	SCREW	2	X	(A) M6X30
19	L32342	WEATHERSTRIP	2	X X	
20	AL33177	CAB	1	X X	
	AL33546	FRAME	1	X X	(B)
	AL34572	FRAME	1	X	(C)
21	L32345	FOAM PAD	AR	X X	
22	L31710	STRIP	4	X X	
23	55M7007	BALL STUD	2	X X	
24	AL25946	ASHTRAY	1	X X	
25	37M7024	SCREW	2	X X	4,8X16MM
26	L33934	CLIP	1	X X	(SUB FOR L31136)
27	37M7060	SCREW	4	X X	M4X10
28	99M7059	PLUG	2	X X	
29	L36029	GROMMET	2	X X	
30	L31350	PLUG	7	X X	9,5MM
	L31353	PLUG	2	X X	12MM
31	19M7604	SCREW	2	X X	M8X80
32	14M7327	LOCK NUT	2	X X	M8
33	L35949	BUSHING	AR	X X	
34	L35851	BUSHING	AR	X X	5MM

(A) ONLY FOR SWEDEN
 SEULEMENT POUR LA SUEDE
 NUR FUER SCHWEDEN
 SOLO PER LA SVEZIA
 SOLAMENTE PARA SUECIA
 ENDAST FOR SVERIGE

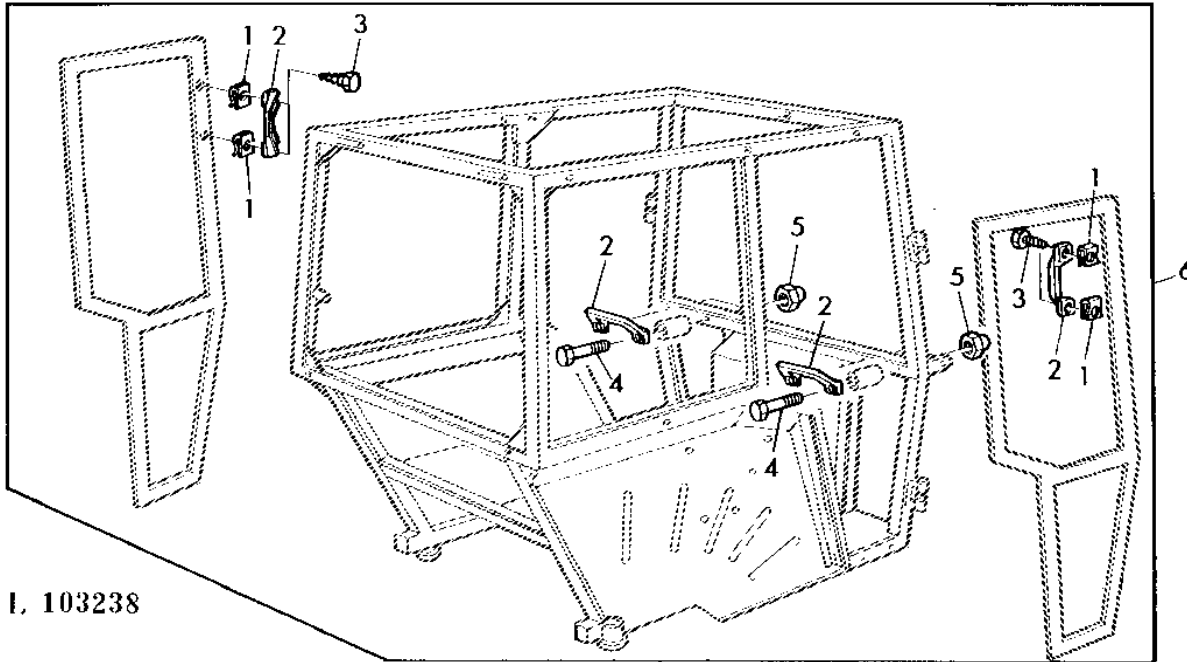
(B) WITH AIR CONDITIONING
 AVEC CONDITIONNEMENT D'AIR
 BEI KLIMAANLAGE
 CON SISTEMA DI CONDIZ.ARIA
 CON ACONDICIONAM.DE AIRE
 VID LUFTKONDITIONERING

(C) WITH LOW-TYPE CAB ROOF
 AVEC TOIT A HAUTEUR REDUITE
 BEI REDUZIERTER DACHHOEHE
 CON TETTO RIBASSATO
 CON TECHO DE MENOR ALTURA
 VID KORT FORARHYTT

4E15

OPERATOR'S CAB

REPAIR KIT-HAND GRIP
 JEU DE REPARATION-POIGNEE
 REPARATURSATZ HALTEGRIF
 CORREDO DI RIPARAZIONE-MANIGLIA
 JUEGO DE REPARACION-ASA
 HANDTAG-REPARATIONSSATS
 L103238 -UN-06OCT95



I. 103238

2
0 2
4 1
0 4
S 0

KEY	PART NO.	PART NAME	QTY	SERIAL NO.	REMARKS
1	L39603	NUT	4		X X
2	L33520	GRIP	4		X X
3	37M7073	SCREW	4		X X 4,8X19MM
4	19M8107	CAP SCREW	4		X X M5X75
5	14M7253	NUT	4		X X M5
6	AL37588	KIT	1		X X

4E16

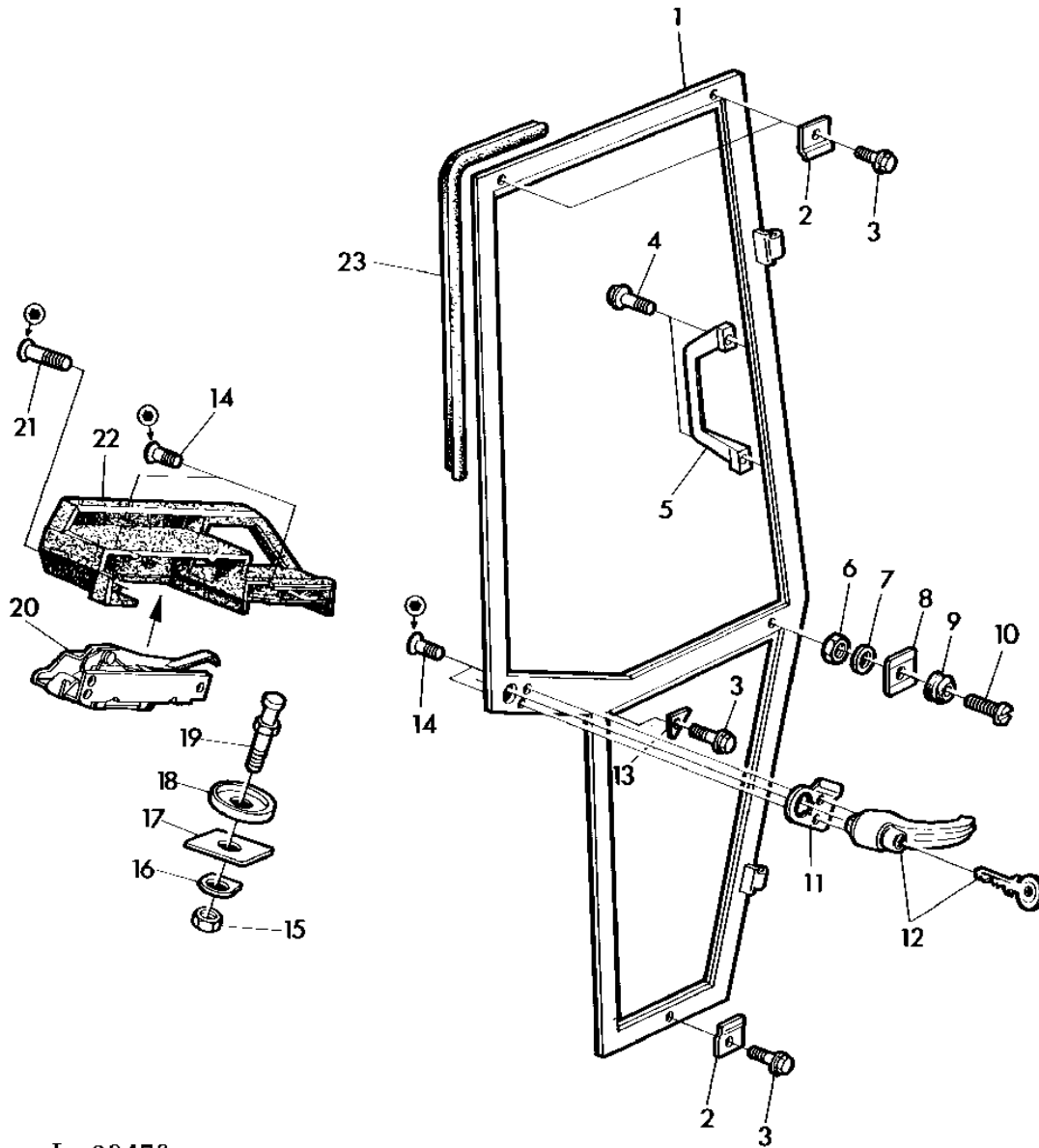
OPERATOR'S CAB

MEMORANDA
MEMORANDA
MEMORANDA
MEMORANDA
MEMORANDA

4E17

OPERATOR'S CAB

CAB DOOR
PORTE CABINE
TUER (KABINE)
SPORTELLO DELLA CABINA
PUERTA DE CABINA
DORR (FORARHYTT)
L28476 -UN-05OCT95



L 28476

4E18

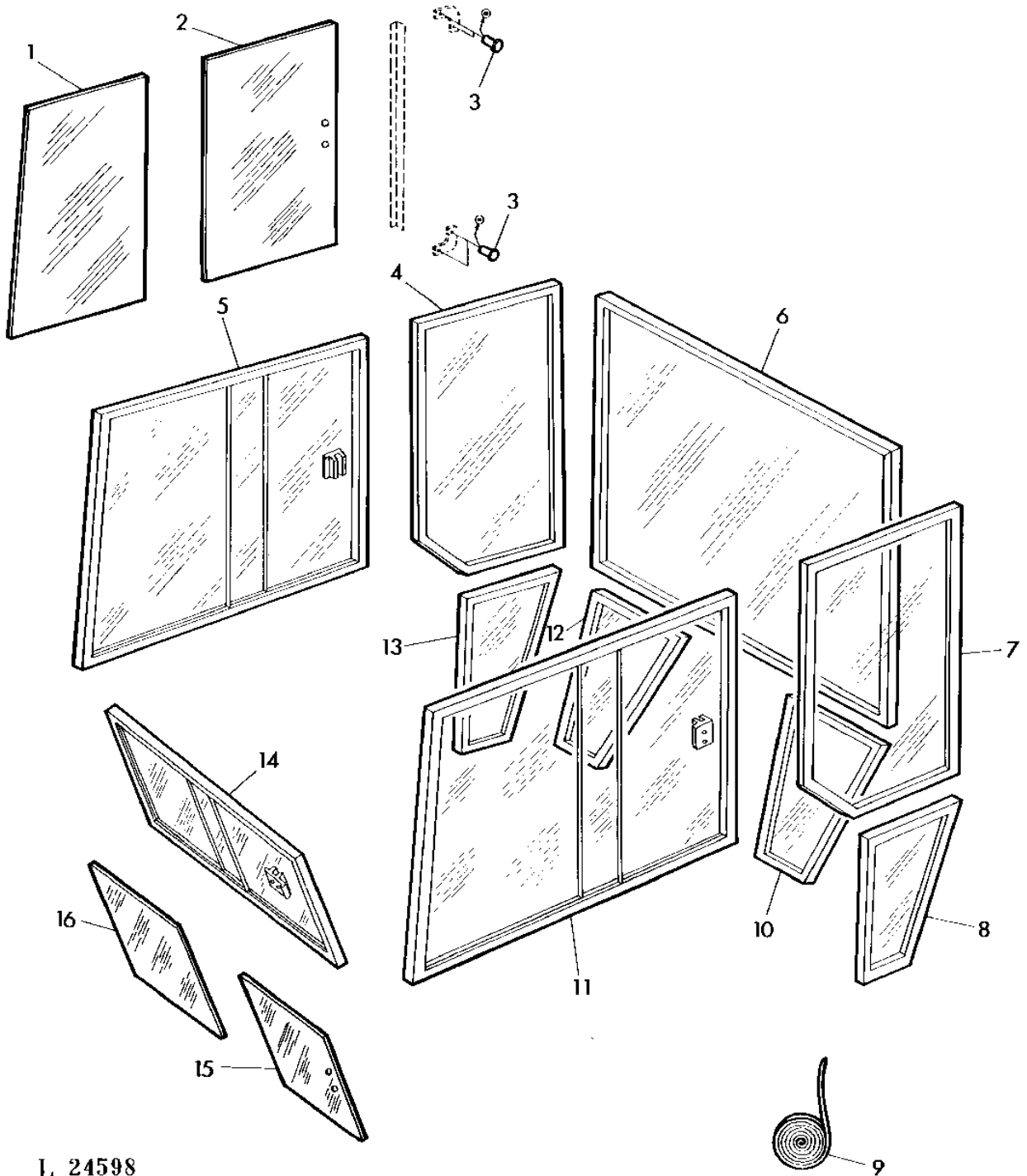
OPERATOR'S CAB

KEY	PART NO.	PART NAME	QTY	SERIAL NO.	REMARKS
				2	
				0 2	
				4 1	
				0 4	
				S 0	
1	AL25734	DOOR	1		X X R.H.
	AL25735	DOOR	1		X X L.H.
2	L33593	CLIP	6		X X
3	37M7060	SCREW	AR		X X M4X10
4	37M7061	SCREW	4		X X M5X20
5	L33520	GRIP	2		X X
6	14M7272	NUT	2		X X M6
7	24M7054	WASHER	2		X X 6,4X12,5X1,6MM
8	L33588	CLIP	2		X X (SUB FOR L31390)
9	L31396	KNOB	2		X X
10	21M7182	SCREW	2		X X M6X30 (SUB FOR 21M7086)
11	L31177	RETAINER	1		X X R.H.
	L31192	RETAINER	1		X X L.H.
12	AL25947	GRIP	2		X X
13	L36980	CLAMP	2		X X
14	L36981	SCREW	10		X X M6X16
15	L32659	NUT	2		X X M12X1
16	L32658	WASHER	2		X X
17	L32341	STRAP	2		X X
18	L37000	WASHER	2		X X
19	L31394	U-BOLT	2		X X
20	AL32790	LOCK	1		X X R.H.
	AL32789	LOCK	1		X X L.H.
21	21M7212	SCREW	2		X X M6X80
22	L31134	DOOR	1		X X R.H.
	L31193	PANEL	1		X X L.H.
23	L33526	WEATHERSTRIP	2		X X

4E19

OPERATOR'S CAB

CAB WINDOWS
VITRES CABINE
FENSTERSCHEIBEN (KABINE)
FINESTRINI DELLA CABINA
VENTANAS DE CABINA
FONSTER (FORARHYTT)
L24598 -UN-05OCT95



L 24598

4E20

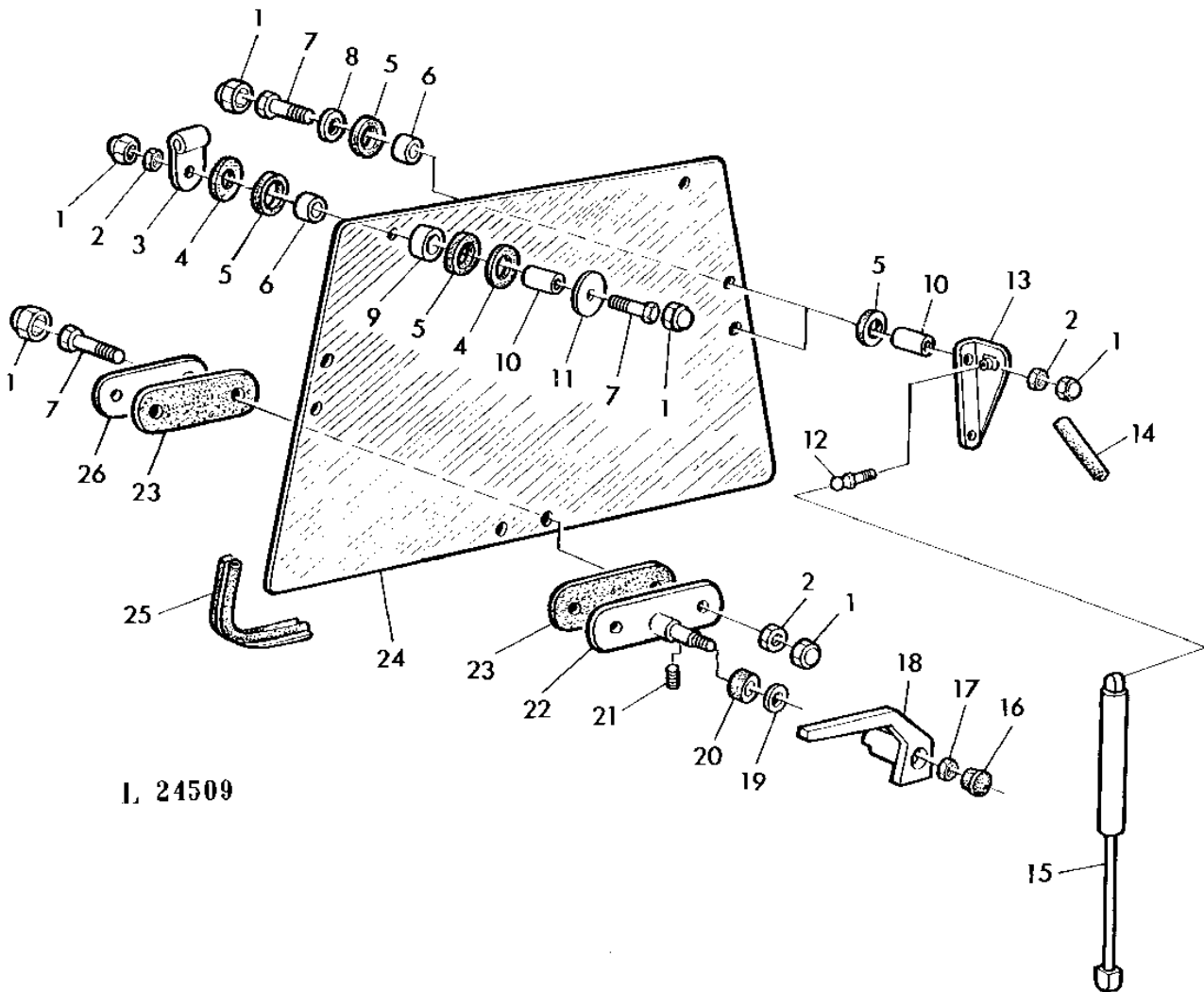
OPERATOR'S CAB

KEY	PART NO.	PART NAME	QTY	SERIAL NO.	REMARKS
				2	
				0 2	
				4 1	
				0 4	
				S 0	
1	L32954	WINDOWPANE	2	X X	L.H.,R.H. (ORDER W/ (8) 16M5456)
2	L32953	WINDOWPANE	2	X X	L.H.,R.H. (ORDER W/ (8) 16M5456)
3	16M5456	RIVET	24	X X	3X7MM
4	AL27354	WINDOW	1	X X	UP,L.H.
5	AL28607	WINDOW	1	X X	L.H.INCL.KEYS 1,2,3
6	AL27351	WINDOWPANE	1	X X	FRONT,UP
7	AL27355	WINDOW	1	X X	UP,R.H.
8	AL27357	WINDOW	1	X X	LOW,R.H.
9	L31545	ISOLATOR	1	X X	LGTH=13,5M
10	AL27353	WINDOW	1	X X	FRONT,LOW,R.H.
11	AL28608	WINDOW	1	X X	R.H.INCL.KEYS 1,2,3
12	AL27352	WINDOW	1	X X	FRONT,LOW,L.H.
13	AL27356	WINDOW	1	X X	LOW,L.H.
14	AL28609	WINDOW	1	X X	REAR,LOW,INCL.KEYS 3,15,16
15	L32955	WINDOWPANE	1	X X	REAR,LOW (ORDER W/ (4) 16M5456)
16	L32956	WINDOWPANE	1	X X	REAR,LOW (ORDER W/ (4) 16M5456)

4E21

OPERATOR'S CAB

CAB REAR FOLDING WINDOW
FENETRE ARRIERE OUVRANTE (CABINE)
HECKKLAPPENFENSTER (KABINE)
FINESTRINO POSTERIORE DELLA CABINA
VENTANA TRASERA DE CABINA
BAKRE FONSTER (FORARHYTT)
L24509 -UN-05OCT95



L 24509

4E22

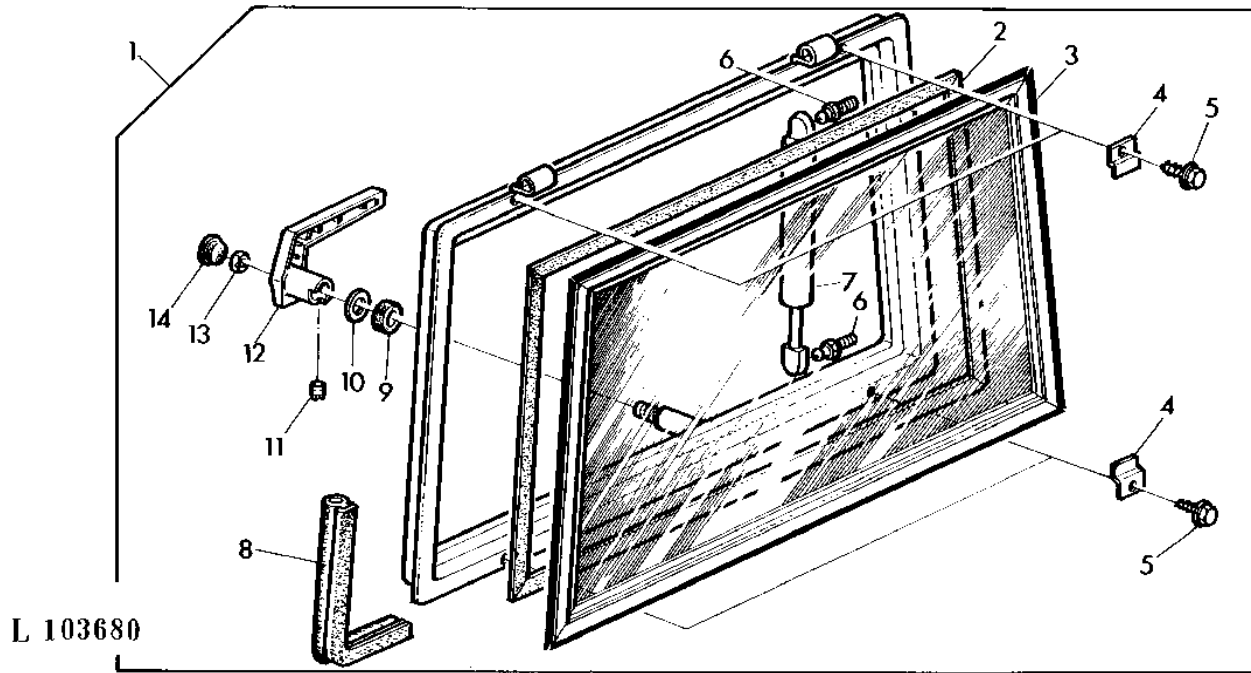
OPERATOR'S CAB

KEY	PART NO.	PART NAME	QTY	SERIAL NO.	REMARKS
				2	
				0 2	
				4 1	
				0 4	
				S 0	
1	L33945	CAP	16		
2	14M7165	LOCK NUT	8		M6
3	L33939	HINGE	2		
4	L33941	WASHER	4		35X20X4MM
5	L34216	SEALING WASHER	12		
6	L34215	HOSE	6		
7	19M7286	CAP SCREW	8		M6X25
8	24M7055	WASHER	4		8,4X17X1,6MM
9	L33940	BUSHING	2		
10	L33946	BUSHING	6		
11	L33949	WASHER	2		35X8,5X1,25MM
12	55M7007	BALL STUD	2		
13	AL30139	RETAINER	1		R.H.
	AL30138	RETAINER	1		L.H.
14	L33816	PAD	2		
15	AL33170	CYLINDER	2		
16	L33944	CAP	1		
17	14M7272	NUT	1		M6
18	L33596	HANDLE	1		
19	L33943	WASHER	1		
20	L33942	RUBBER MOUNT	1		
21	22M7094	SET SCREW	1		M4X10
22	AL30137	RETAINER	1		
23	L34213	PAD	2		
24	L36075	WINDOWPANE	1		(ORD AL38425)
25	L36077	WEATHERSTRIP	1		LGTH=3665MM
26	L34214	STRAP	1		

4E23

OPERATOR'S CAB

REAR WINDOW
LUNETTE
HECKFENSTER
FINESTRINO POSTERIORE
VENTANA TRASERA
BAKFONSTER
L103680 -UN-06OCT95



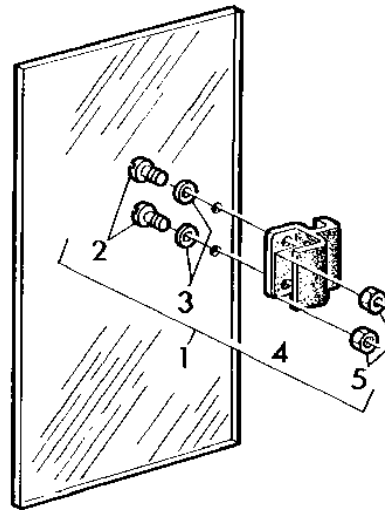
L 103680

KEY	PART NO.	PART NAME	QTY	SERIAL NO.	REMARKS
				2	
				0 2	
				4 1	
				0 4	
				S 0	
1	AL38425	WINDOW	1		X X
2		1		X X (ORD L31545)
3	AL28056	WINDOW	1		X X
4	L33593	CLIP	4		X X
5	37M7060	SCREW	4		X X M4X10
6	55M7007	BALL STUD	4		X X
7	AL33170	CYLINDER	2		X X
8	L40846	WEATHERSTRIP	1		X X
9	L33942	RUBBER MOUNT	1		X X
10	L33943	WASHER	1		X X
11	22M7094	SET SCREW	1		X X M4X10
12	L33596	HANDLE	1		X X
13	14M7272	NUT	1		X X M6
14	L33944	CAP	1		X X
..	L31545	ISOLATOR	1		X X KIT, LGTH=13500MM

4E24

OPERATOR'S CAB

GRIP FOR SLIDNING WINDOWS
 POIGNEE POUR VITRES COULISSANTES
 HANDGRIFF FUER SCHIEBESCHEIBEN
 ARRESTO PER SPORTELLI SCORREVOLI
 PUNO DE LAS VENTANAS CORREDIZAS
 HANDTAG FOR SKJUTFONSTER
 L22987 -UN-05OCT95



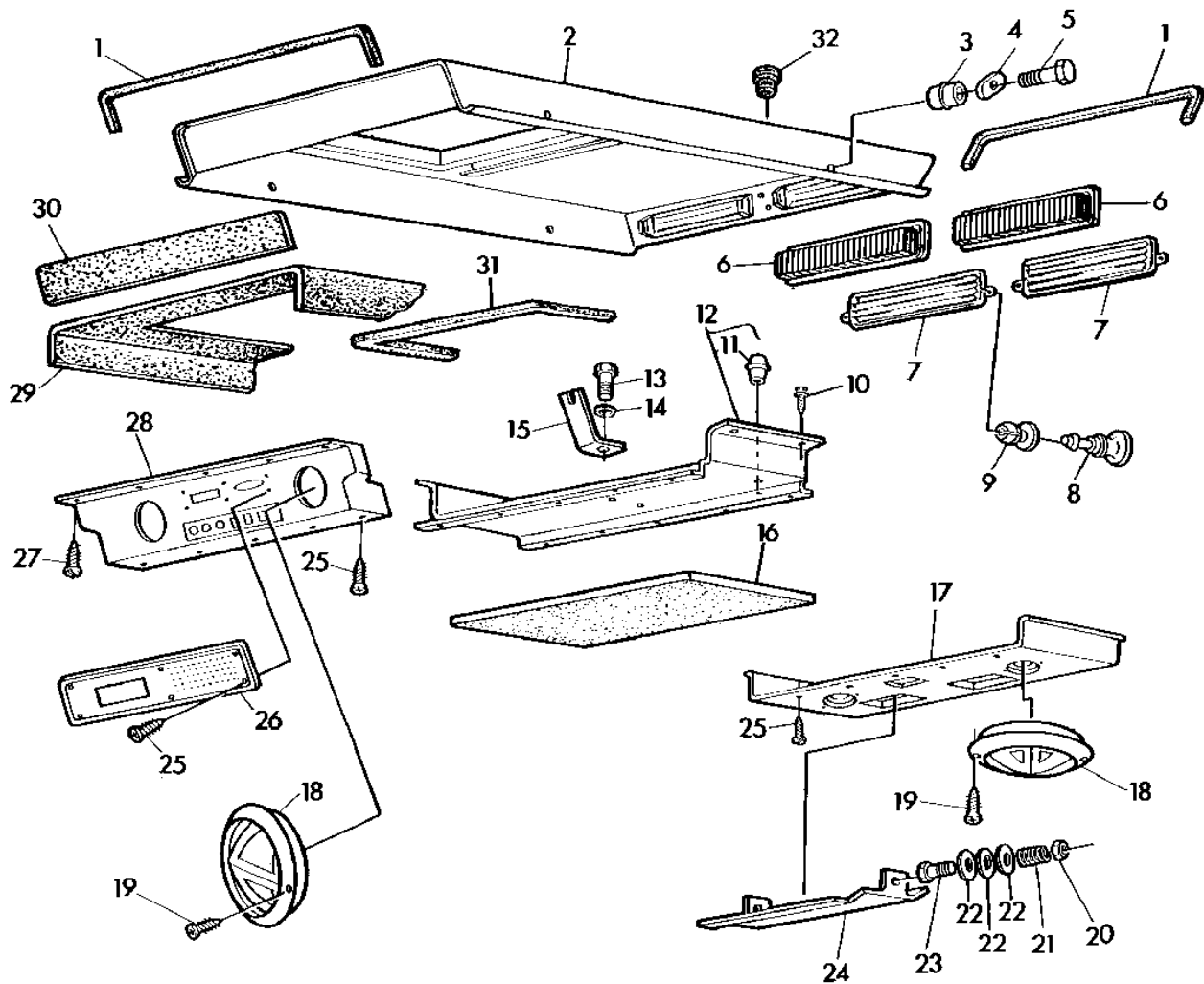
I. 22987

KEY	PART NO.	PART NAME	QTY	SERIAL NO.	REMARKS
				2	
				0 2	
				4 1	
				0 4	
				S 0	
1	AL26646	KIT	1	X X	KIT,INCL.KEYS 2-5
2	21M7036	SCREW	2	X X	M5X16
3	L31547	WASHER	2	X X	
4		1	X X	(ORD AL26646)
5	14M7360	LOCK NUT	2	X X	M5

4F1

OPERATOR'S CAB

CAB ROOF
TOIT CABINE
KABINENDACH
TETTO DELLA CABINA
TECHO DE CABINA
HYTTAK
L34987 -UN-06OCT95



I. 34987

4F2

OPERATOR'S CAB

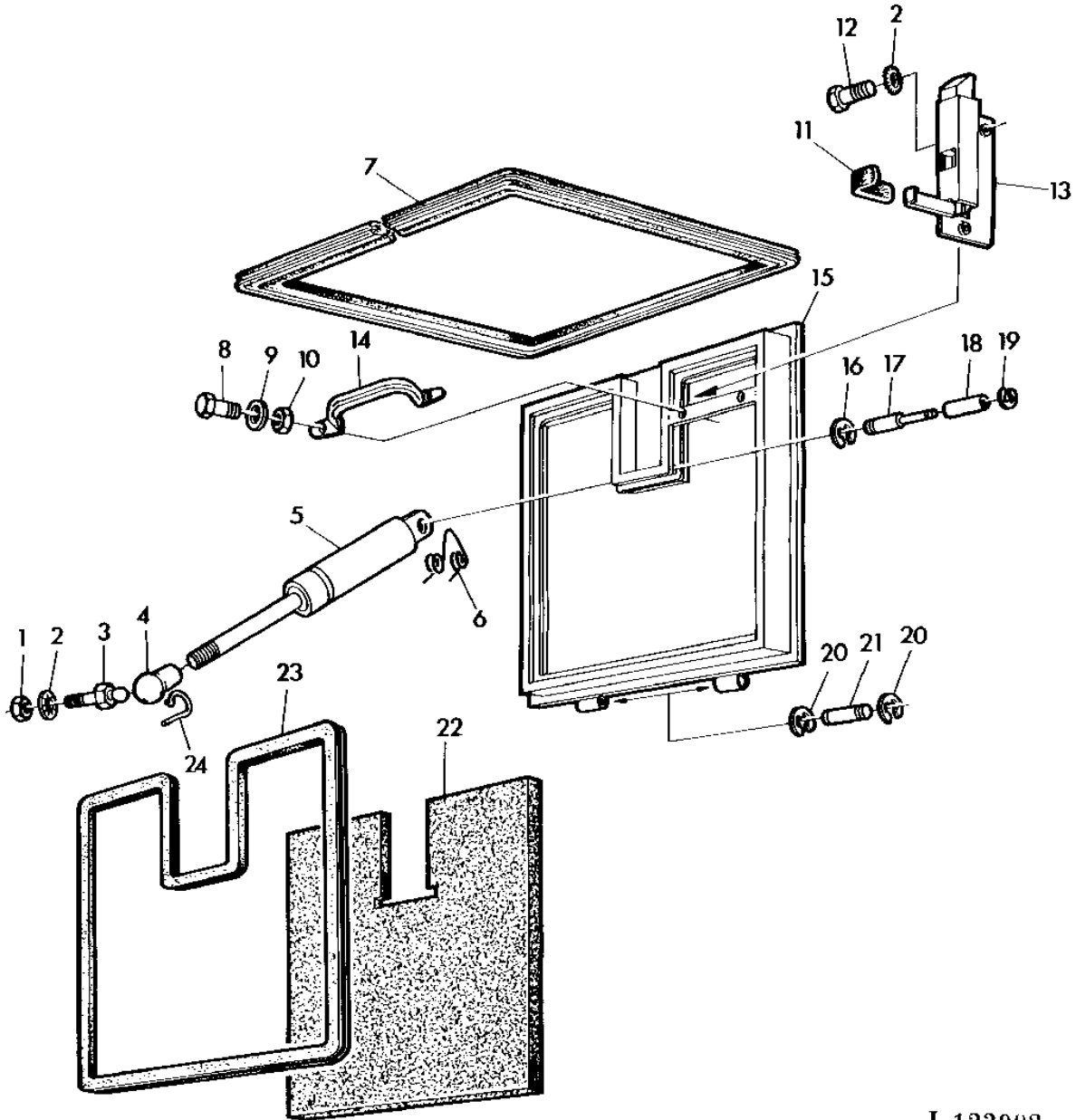
KEY	PART NO.	PART NAME	QTY	SERIAL NO.	REMARKS
				2	
				0 2	
				4 1	
				0 4	
				S 0	
1		2	X X	NSEP (ORD L32934)
2	AL34741	ROOF	1	X X	(SUB FOR AL28650, AL34682)
3	L35949	BUSHING	4	X X	
4	L31308	WASHER	4	X X	
5	19M7162	CAP SCREW	4	X X	M8X16
6	L35904	FILTER ELEMENT	2	X X	
7	AL33171	GRATE	2	X X	
8	L35947	KNOB	4	X X	
9	L35948	SLEEVE	4	X X	
10	37M7076	SCREW	4	X X	6,3X16MM (SUB FOR 37M7031)
11	L35851	BUSHING	4	X X	
12	AL37384	ROOF	1	X X	(SUB FOR AL28614 APPL)
13	19M7700	CAP SCREW	1	X X	M5X10
14	12M7060	WASHER	1	X X	5,3MM
15	L32943	HOLDER	1	X X	
16	L32940	FOAM PAD	1	X X	
17	AL37376	HEADLINER	1	X X	FRONT (SUB FOR AL28618 APPL)
18	AL28617	AIR DUCT	4	X X	
19	37M7018	SCREW	8	X X	2,9X6,5MM
20	14M7165	LOCK NUT	4	X X	M6
21	L32937	SPRING	4	X X	
22	24M7054	WASHER	12	X X	6,4X12,5X1,6MM
23	19M7286	CAP SCREW	4	X X	M6X25
24	L32936	FLAP	2	X X	
25	37M7048	SCREW	16	X X	3,5X13MM
26	L32517	COWL	1	X X	
27	37M7072	SCREW	5	X X	4,8X16MM
28	L35946	HEADLINER	1	X X	REAR
29	L32929	FOAM PAD	1	X X	
30	L31387	FOAM PAD	1	X X	
31		1	X X	NSEP (ORD L32934)
32	L35678	PLUG	1	X X	(A)
..	L32934	WEATHERSTRIP	AR	X X	KIT,LGTH=2800MM

(A) WITH AIR CONDITIONING
 AVEC CLIMATISATION
 BEI KLIMAANLAGE
 CON IMPIANTO D'ARIA CONDIZIONATA
 CON SISTEMA DE AIRE ACONDICIONADO
 MED LUFTKONDITIONERING

4F3

OPERATOR'S CAB

EMERGENCY HATCH
TOIT OUVRANT
DACHLUKE FUER KABINE
SPORTELLO SUL TETTO DE LA CABINA
LUCERA EN EL TECHO DE LA CABINA
NODLUCKA
L123902 -UN-12JUL95



L 123902

4F4

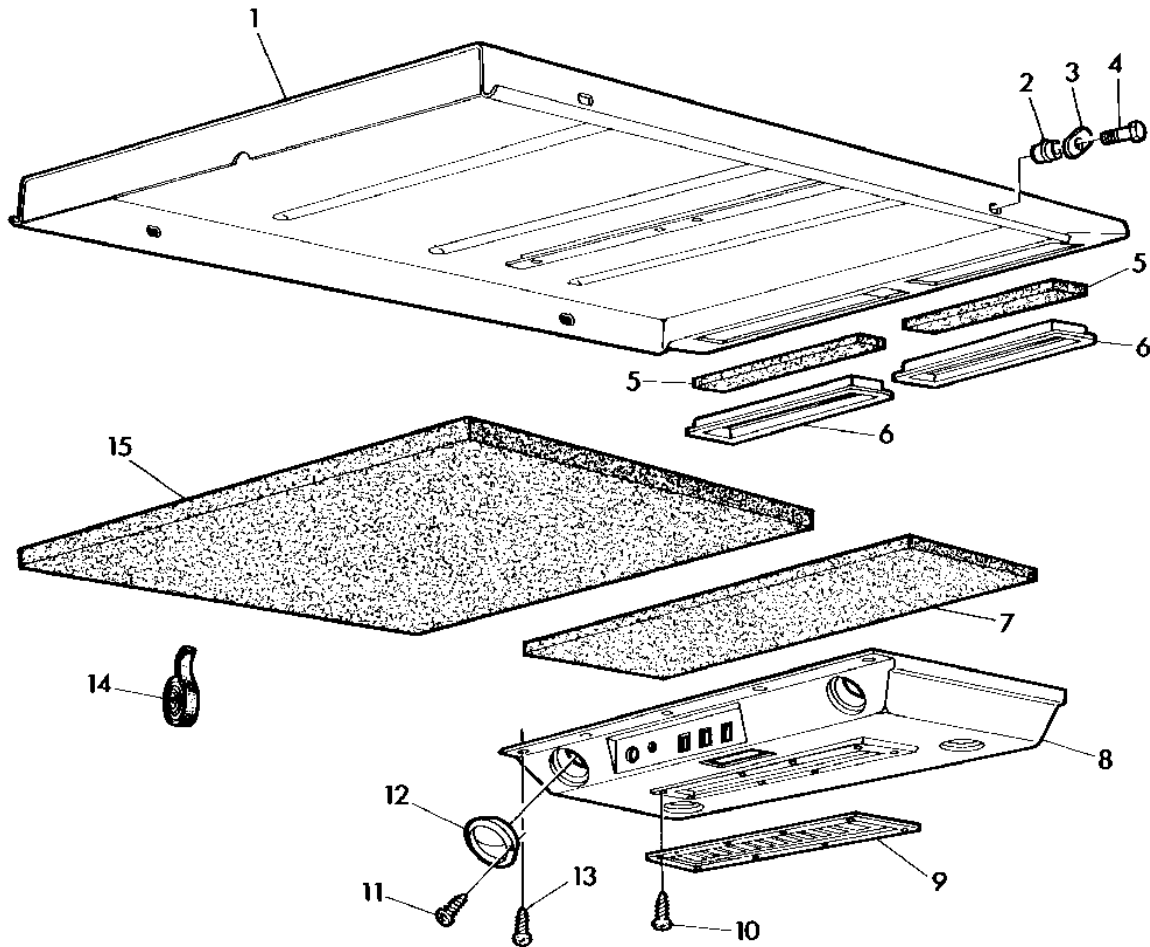
OPERATOR'S CAB

KEY	PART NO.	PART NAME	QTY	SERIAL NO.	REMARKS
				2	
				0 2	
				4 1	
				0 4	
				S 0	
1	14M7272	NUT	1	X X	M6
2	12M7081	LOCK WASHER	3	X X	6,4MM
3	55M7007	BALL STUD	1	X X	
4	56M7006	BALL JOINT SOCKET	1	X X	(ORD W/ 56M7007)
5	AL28599	ABSORBER	1	X X	
6	L32112	SPRING	1	X X	
7	L32930	WEATHERSTRIP	1	X X	LGTH=2500MM
8	21M7271	SCREW	2	X X	M5X16
9	24M7027	WASHER	2	X X	5,3X10X1MM
10	14M7028	NUT	2	X X	M5
11	L37976	GRIP	1	X X	
12	19M6614	CAP SCREW	2	X X	M6X12
13	AL35596	LATCH	1	X X	(ORD W/ L37976)
14	AL25710	HANDLE	1	X X	
15	AL34740	FLAP	1	X X	(SUB FOR AL28601)
16	40M7144	SNAP RING	1	X X	8X0,8MM
17	L32928	PIN	1	X X	
18	L32927	SPACER	1	X X	
19	40M7032	SNAP RING	1	X X	6X0,7MM
20	40M1816	SNAP RING	4	X X	7X0,8MM
21	L31544	PIN	2	X X	
22	L32935	FOAM PAD	1	X X	
23		1	X X	NSEP (ORD L32934)
24	56M7007	BALL JOINT RETAINER	1	X X	
..	L32934	WEATHERSTRIP	1	X X	KIT, LGTH=2800MM

4F5

OPERATOR'S CAB

CAB ROOF (LOW-TYPE)
TOIT CABINE(AVEC HAUTEUR DE TOIT REDUITE)
KABINENDACH(REDUZ.DACHHOEHE)
TETTO DELLA CABINA (CON TETTO RIBASSATO)
TECHO DE CABINA (CON TECHO DE MENOR ALTURA)
HYTTAK (KORT FORARMYTT)
L28367 -UN-05OCT95



L 28367

4F6

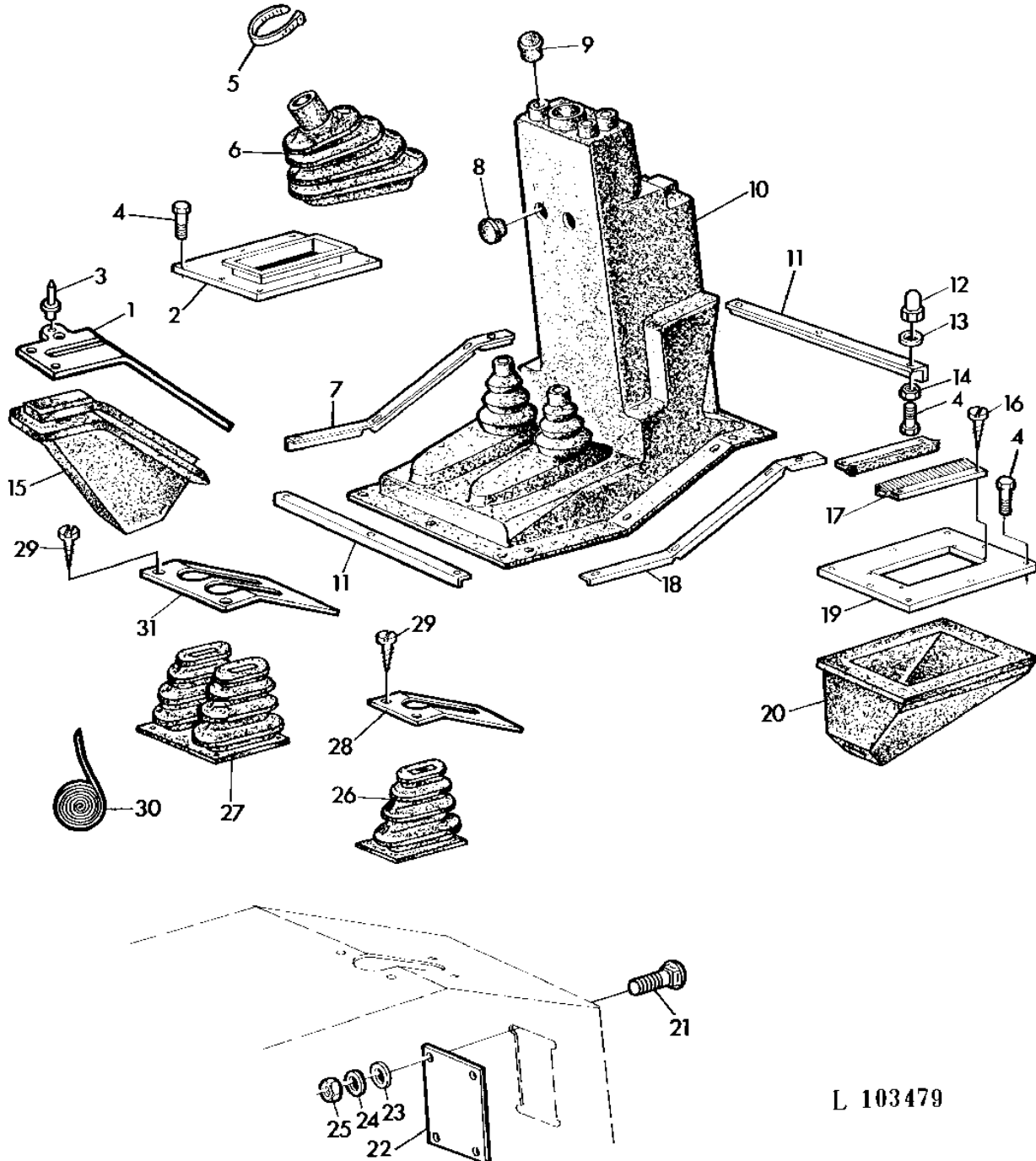
OPERATOR'S CAB

KEY	PART NO.	PART NAME	QTY	SERIAL NO.	2 0 2 4 1 0 4 S 0	REMARKS
1	AL34576	ROOF	1		X	
2	L35949	BUSHING	4		X	
3	L31308	WASHER	4		X	
4	19M7162	CAP SCREW	4		X	M8X16
5	L31410	FILTER ELEMENT	2		X	
6	AL28600	GRATE	2		X	
7	L37370	FOAM PAD	1		X	
8	AL34528	HEADLINER	1		X	
9	AL34529	SHROUD	1		X	
10	37M7066	SCREW	8		X	3,5X16MM
11	37M7062	SCREW	8		X	2,9X13MM
12	AL28617	AIR DUCT	4		X	
13	37M7048	SCREW	5		X	3,5X13MM
14	L36992	TAPE	1		X	100X5175MM
15	L36995	FOAM PAD	1		X	

4F7

OPERATOR'S CAB

CAB LINING
HABILLAGE CABINE
INNENVERKLEIDUNG (KABINE)
ELEMENTI DI RIVESTIMENTO DENTRO DELLA CABINA
ELEMENTOS DE REVESTIMIENTO DENTRO DE LA CABINA
HYTTENS BEKLADNAD
L103479 -UN-06OCT95



L 103479

4F8

OPERATOR'S CAB

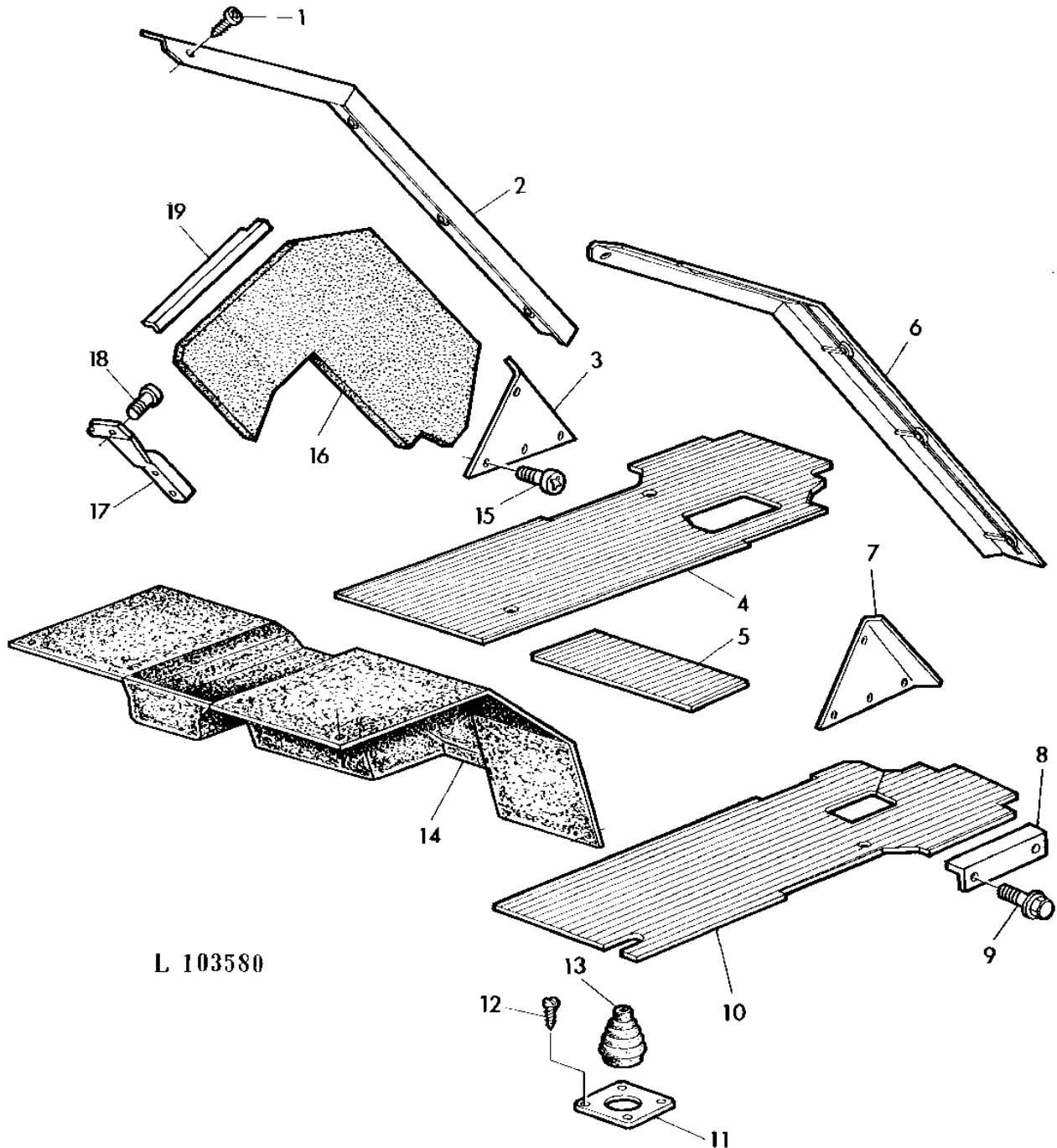
KEY	PART NO.	PART NAME	QTY	SERIAL NO.	REMARKS
				2	
				0 2	
				4 1	
				0 4	
				S 0	
1	L36750	COVER	1	X X	
2	AL33335	COVER	1	X X	(SUB FOR AL26914)
3	L33884	RIVET	7	X X	
4	19M7372	CAP SCREW	30	X X	M5X16
5	R44302	TIE BAND	1	X X	
6	L31302	BOOT	1	X X	
7	L35236	RETAINER	1	X X	L.H.
8	L35687	PLUG	2	X X	
9	99M7014	PLUG	1	X X	
10	L37082	BOOT	1	X X	
11	L31550	RETAINER	2	X X	
12	14M7253	NUT	14	X X	M5
13	24M7138	WASHER	14	X X	5,3X15X1,5MM
14	14M7028	NUT	14	X X	M5
15	L31303	BOOT	1	X X	5X20MM
16	37M6630	SCREW	4	X X	4,2X16MM
17	L31307	BRUSH	2	X X	
18	L35235	RETAINER	1	X X	
19	AL26915	COVER	1	X X	
20	L31301	BOOT	1	X X	
21	21M7092	SCREW	4	X X	(A) M6X16
22	L35474	COVER	1	X X	(A)
23	24M7036	WASHER	4	X X	(A) 9X17X1,6MM
24	24M7088	WASHER	4	X X	(A) 6,6X12,5X1,6MM
25	14M7165	LOCK NUT	4	X X	(A) M6
26	L31334	BOOT	1	X X	
27	L31300	BOOT	1	X X	
28	L32105	RETAINER	1	X X	
29	37M7016	SCREW	4	X X	4,8X22MM
30	L37058	TAPE	1	X X	50X4000MM
	L36992	TAPE	1	X X	100X4000MM
31	L32104	RETAINER	1	X X	

(A) WITHOUT HANDSHIFT PTO
 SANS PDF A SELECTION MANUELLE
 OHNE SCHALTBARE ZAPFWELLE
 SENZA PRESA DI FORZA CAMBIABILE A MANETTA
 SIN TDF DE REGIMEN CAMBIABLE POR PALANCA
 UTAN VAXELBART KRAFTUTTAG

4F9

OPERATOR'S CAB

CAB LINING
HABILLAGE CABINE
INNENVERKLEIDUNG (KABINE)
RIVESTIMENTI INTERIORI DELLA CABINA
REVESTIMIENTOS INTERIORES DE LA CABINA
HYTTENS BEKLADNAD
L103580 -UN-06OCT95



L 103580

4F10

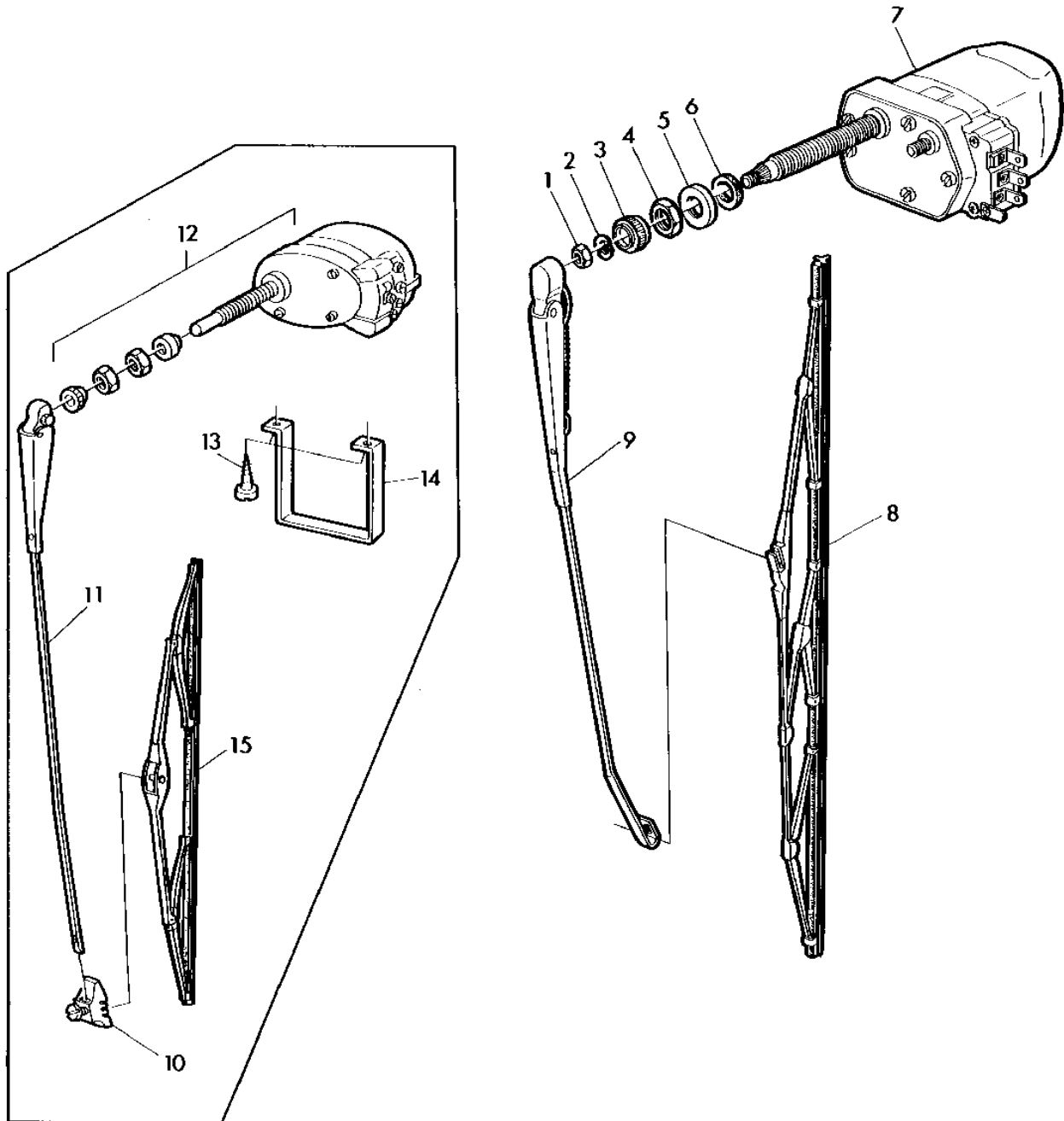
OPERATOR'S CAB

KEY	PART NO.	PART NAME	QTY	SERIAL NO.	REMARKS
				2	
				0 2	
				4 1	
				0 4	
				S 0	
1	21M7022	SCREW	2	X X	5X20MM (SUB FOR 37M7005)
2	AL25944	COWL	1	X X	L.H.
3	L36091	SHIELD	1	X X	L.H.
4	L36092	MAT	1	X X	L.H.
5	L36094	MAT	1	X X	REAR
6	AL25943	STRIP	1	X X	R.H.
7	L36090	SHIELD	1	X X	R.H.
8	L33475	SUPPORT	2	X X	
9	37M7059	SCREW	4	X X	M5X12
10	L36093	MAT	1	X X	R.H.
11	L31297	PLATE	1	X X	
12	37M7016	SCREW	4	X X	4,8X22MM
13	L31306	BOOT	1	X X	
14	L36084	SHIELD	1	X X	
15	37M7066	SCREW	8	X X	3,5X16MM
16	L31183	BARRIER	1	X X	R.H.
	L31182	BARRIER	1	X X	L.H.
17	L36095	SHIELD	1	X X	R.H.
	L36096	SHIELD	1	X X	L.H.
18	21M7278	SCREW	2	X X	M5X10
19	L36097	SHIELD	1	X X	R.H.
	L36098	SHIELD	1	X X	L.H.

4F11

OPERATOR'S CAB

WINDSHIELD WIPER
ESSUIE-GLACES
SCHEIBENWISCHER
TERGICRISTALLO
LIMPIAPARABRISAS
VINDRUTETORKARE
L28092 -UN-05OCT95



L. 28092

4F12

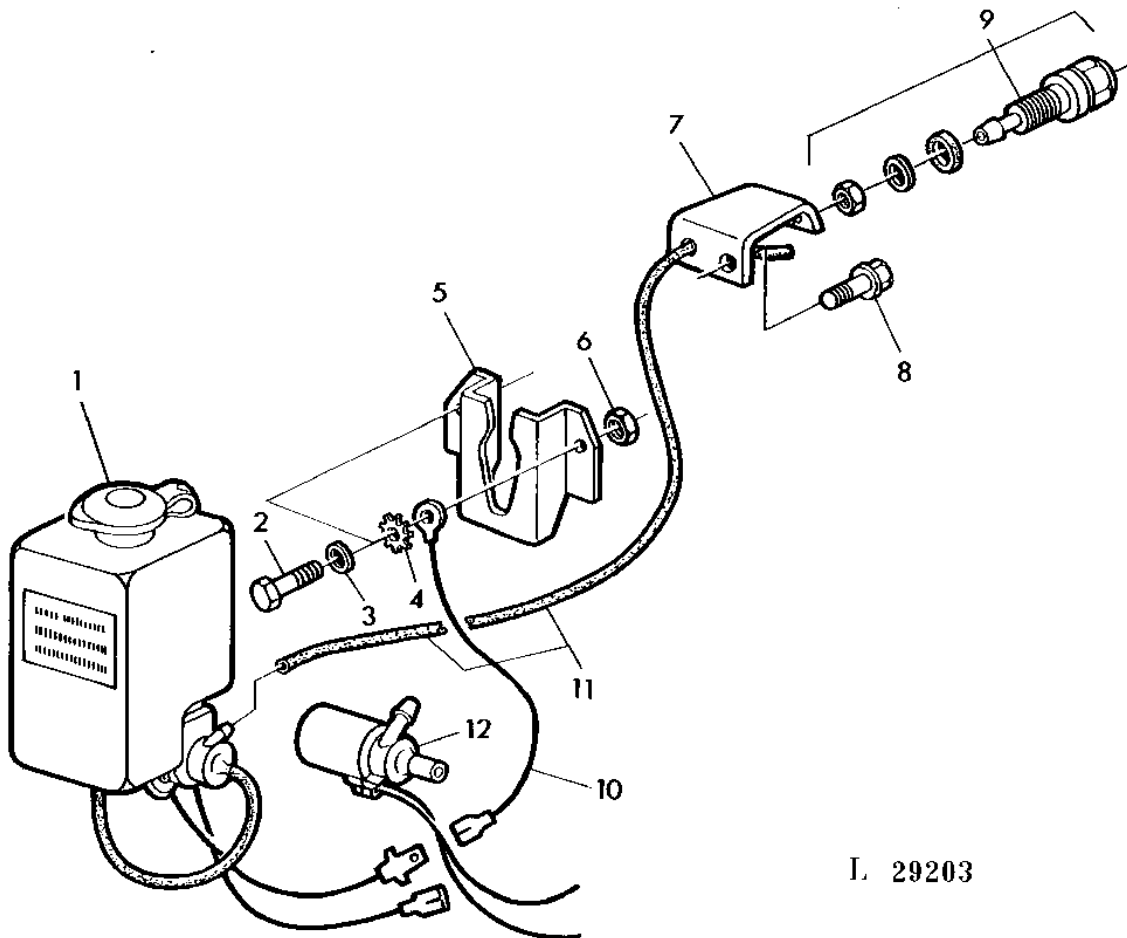
OPERATOR'S CAB

KEY	PART NO.	PART NAME	QTY	SERIAL NO.	2 0 2 4 1 0 4 S 0	REMARKS
1	14M7273	NUT	1	372025-	X X	M8
2	L38002	WASHER	1	372025-	X X	
3	L38001	CAP	1	372025-	X X	
4	L38000	NUT	1	372025-	X X	M14
5	L37999	WASHER	1	372025-	X X	
6	L37998	GASKET	1	372025-	X X	
7	AL35597	MOTOR	1	372025-	X X	
8	AL34635	WIPER BLADE	1	372025-	X X	
9	AL34634	WIPER ARM	1	372025-	X X	
10	AL30437	CLAMP	1	-372024	X	
11	AL30436	ARM	1	-372024	X	
12	AL25931	MOTOR	1	-372024	X	
13	37M6630	SCREW	2	-372024	X	4,2X16MM
14	L31146	RETAINER	1	-372024	X	
15	AL58524	WIPER BLADE	1	-372024	X	(SUB FOR AL30438)

4F13

OPERATOR'S CAB

WINDSHIELD-WASHER
LAVE-GLACE
SCHEIBEN-WASCHANLAGE
LAVAVETRO
LAVAPARABRISAS
VINDRUTESPOLARE
L29203 -UN-05OCT95



I. 29203

4F14

OPERATOR'S CAB

KEY	PART NO.	PART NAME	QTY	SERIAL NO.	REMARKS
				2	
				0 2	
				4 1	
				0 4	
				S 0	
1	AL37901	RESERVOIR	1	X X	INCL.KEYS 5,12 (SUB FOR AL27569)
2	19M7560	CAP SCREW	2	X X	M6X16
3	24M7054	WASHER	2	X X	6.4X12,5X1,6MM
4	12M7081	LOCK WASHER	1	X X	6,4MM
5	L58889	BRACKET	1	X X	
6	14M7272	NUT	2	X X	M6
7	L32346	BRACKET	1	X X	
8	37M7059	SCREW	1	X X	5X12MM
9	AL27570	NOZZLE	1	X X	
10	AL34533	WIRING LEAD	1	X X	
11	L31401	HOSE	1	X X	
12	AL25990	PUMP	1	X X	(FOR AL27569)
	AL37902	PUMP	1	X X	(FOR AL37901)

4F15

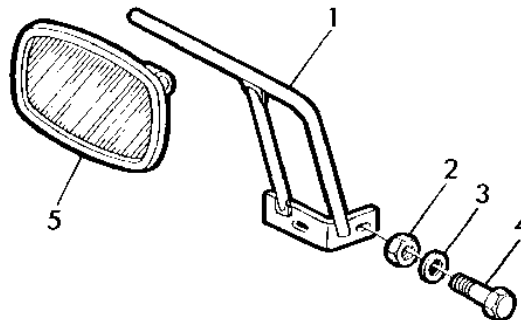
OPERATOR'S CAB

MEMORANDA
MEMORANDA
MEMORANDA
MEMORANDA
MEMORANDA

4F16

OPERATOR'S CAB

REAR-VIEW MIRROR
 RETROVISEUR
 RUECKSPIEGEL
 RETROVISORE
 RETROVISOR
 BACKSPEGEL
 L22909 -UN-05OCT95



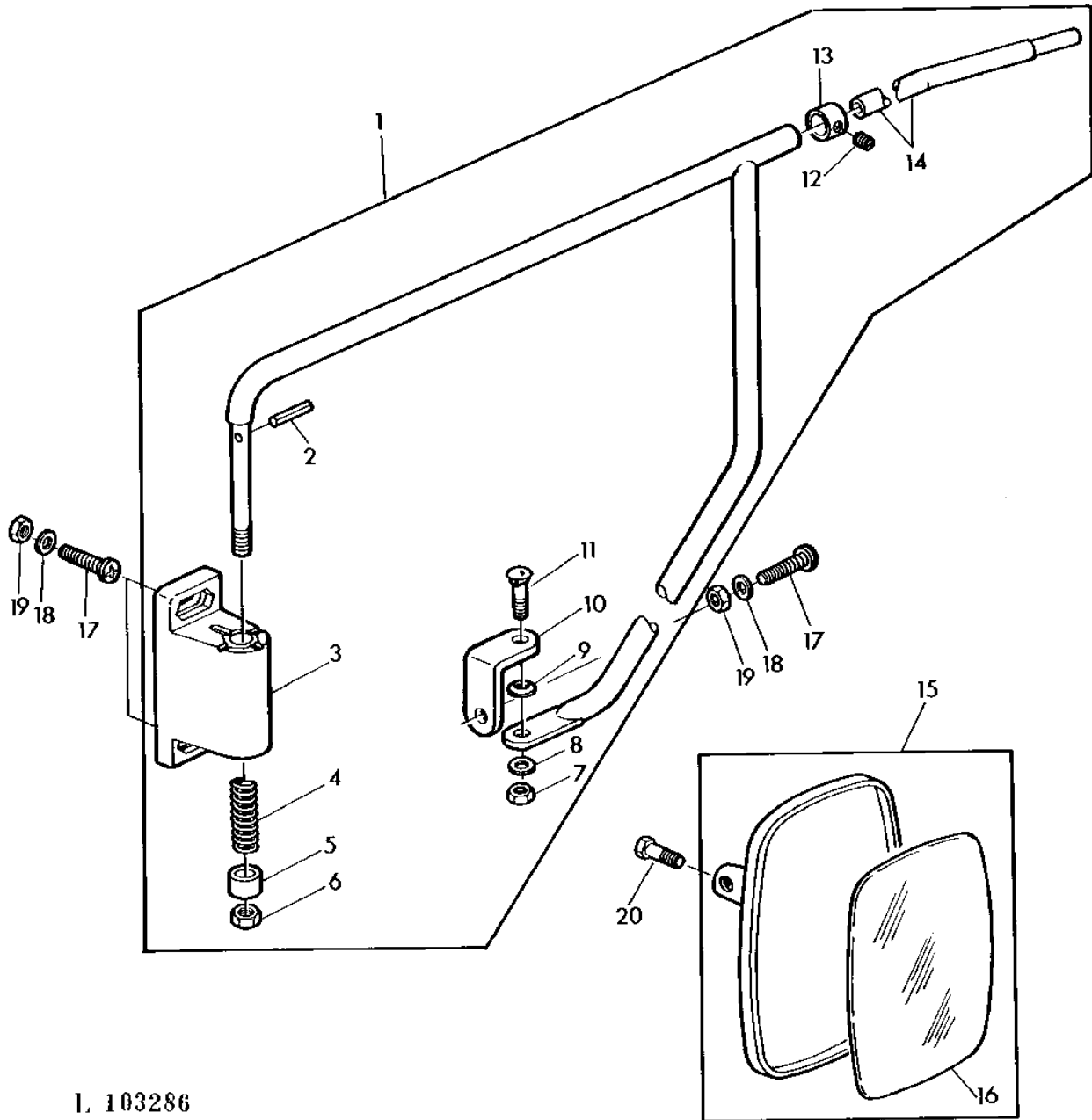
I. 22909

KEY	PART NO.	PART NAME	QTY	SERIAL NO.	REMARKS
				2	
				0 2	
				4 1	
				0 4	
				S 0	
1	AL25376	SUPPORT	1	X X	
2	14M7273	NUT	2	X X	M8
3	24M7055	WASHER	2	X X	8,4X17X1,6MM
4	19M7162	CAP SCREW	2	X X	M8X15
5	AL25377	REAR VIEW MIRROR	1	X X	

4F17

OPERATOR'S CAB

REAR-VIEW MIRROR (SWEDEN)
RETROVISEUR (SWEDE)
RUECKSPIEGEL (SCHWEDEN)
RETROVISORE (SVEZIA)
RETROVISOR (SUECIA)
BACKSPEGEL (SVENSKA)
L103286 -UN-06OCT95



L 103286

4F18

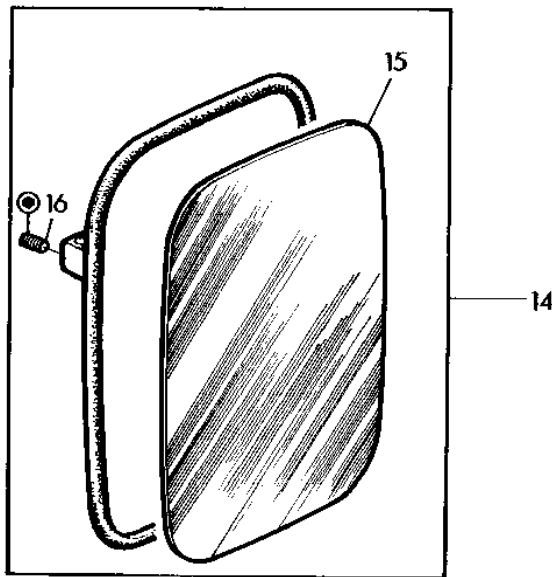
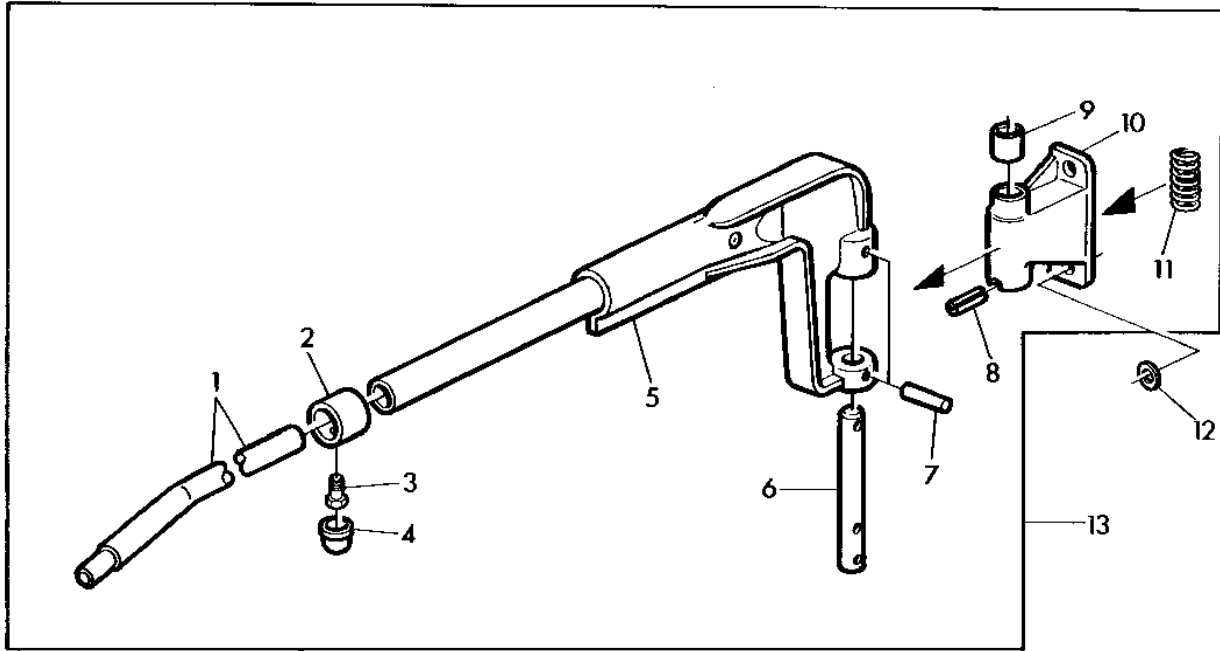
OPERATOR'S CAB

KEY	PART NO.	PART NAME	QTY	SERIAL NO.	REMARKS
				2	
				0 2	
				4 1	
				0 4	
				S 0	
1	AL31079	HOLDER	1	X	(ORD AL60399, (2) 24M7139 LH OR AL60409, (2) 24M7139 RH)
2	44M1124	DOWEL PIN	2	X	
3	L38793	RETAINER	2	X	
4	L38794	SPRING	2	X	
5	L40437	BUSHING	2	X	
6	14M7168	LOCK NUT	2	X	M12
7	14M7165	LOCK NUT	2	X	M6
8	24M7054	WASHER	2	X	6,4MM
9	R27358	WASHER	2	X	
10	L40436	ANGLE	2	X	
11	03M7068	BOLT	2	X	M6X20
12	22M1910	SET SCREW	2	X	M6X8
13	L38795	SLEEVE	2	X	
14	L35891	TUBE	2	X	
15	AL41262	REAR VIEW MIRROR	2	X	(SUB FOR AL25043, AL30781)
16	L32040	REAR VIEW MIRROR	2	X	(FOR AL25043, AL30781)
	L41892	REAR VIEW MIRROR GLASS	1	X	(FOR AL41262)
17	21M7206	SCREW	6	X	M6X20
18	24M7054	WASHER	6	X	6,4X12,5X1,6
19	14M7272	NUT	6	X	M6
20	19M6614	CAP SCREW	2	X	M6X12

4F19

OPERATOR'S CAB

REAR VIEW MIRROR (TELESCOPIC) CAB
RETROVISEUR (TELESCOPIQUE) KABINE
RUECKSPIEGEL (AUSZIEHBAR) KABINE
RETROVISORE (TELESCOPICO) CABINA
RETROVISOR (TELESCOPICO) CABINA
BACKSPEGEL (TELESKOPISK) FORARHYTT
L112905 -UN-11JUL95



L 112905

4F20

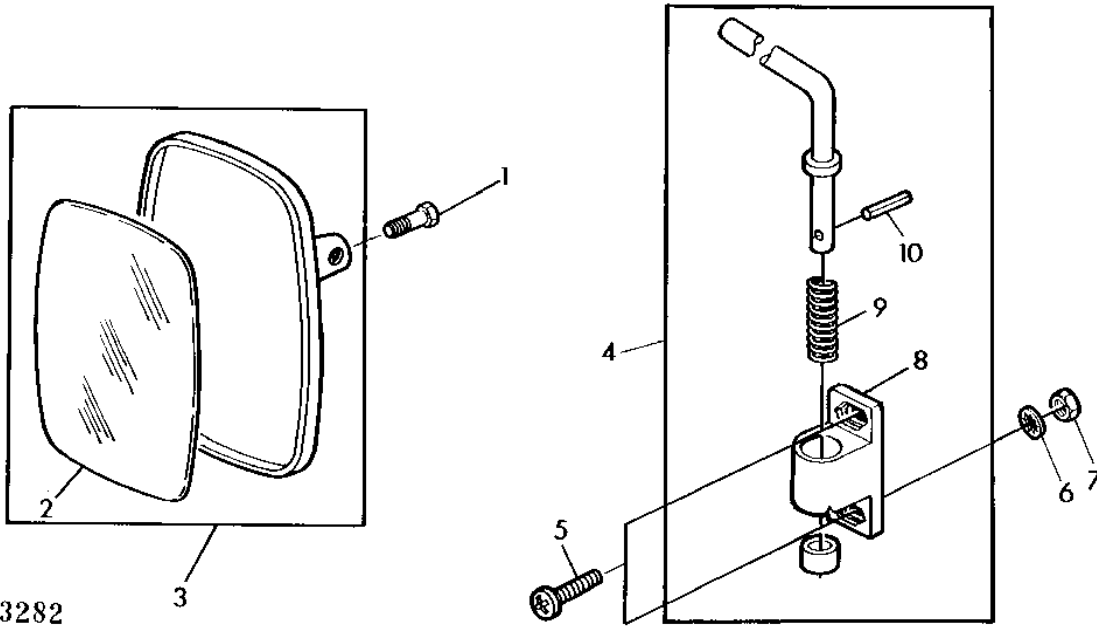
OPERATOR'S CAB

KEY	PART NO.	PART NAME	QTY	SERIAL NO.	REMARKS
				2	
				0 2	
				4 1	
				0 4	
				S 0	
1	L35891	TUBE	1		X
2	L42118	BUSHING	1		X
3	19M7300	CAP SCREW	1		X M6 X 10
4	L38797	CAP	1		X
5	AL41614	RETAINER	1		X
6	L42119	PIN	1		X
7	34M7032	SPRING PIN	2		X 5X28MM
8	44M7065	DOWEL PIN	1		X 5X24MM
9	L42121	BUSHING	1		X
10	L42115	BRACKET	1		X L.H.
	L42116	BRACKET	1		X R.H.
11	L42117	COMPRESSION SPRING	1		X
12	24M7139	WASHER	4		X 6,4X18X1,6MM
13	AL60399	HOLDER	1		X L.H.
	AL60400	HOLDER	1		X R.H.
14	AL41262	REAR VIEW MIRROR	2		X
15	L41892	REAR VIEW MIRROR GLASS	1		X
16	22M7083	SET SCREW	1		X M6X12

4F21

OPERATOR'S CAB

REAR VIEW MIRROR (OPERATOR'S CAB)
 RETROVISEUR (CABINE)
 RUECKSPIEGEL (KABINE)
 RETROVISIVO (CABINA)
 RETROVISOR (CABINA)
 BAKSPEGEL (FORARHYTT)
 L103282 -UN-06OCT95



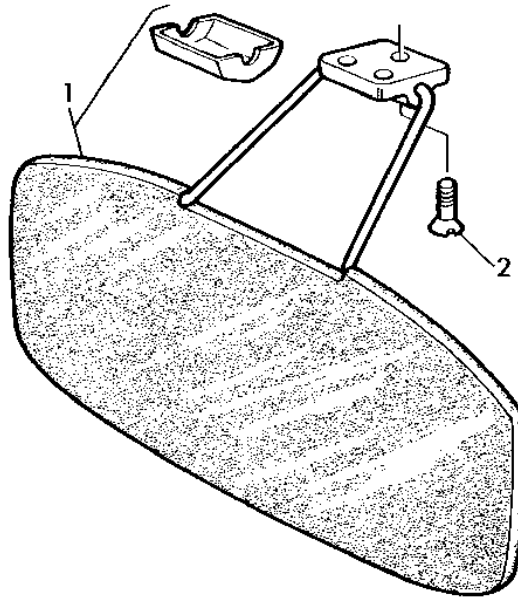
L 103282

KEY	PART NO.	PART NAME	QTY	SERIAL NO.	REMARKS
				2	
				0 2	
				4 1	
				0 4	
				S 0	
1	19M6614	CAP SCREW	1	X X	M6X12
2	L32040	REAR VIEW MIRROR	1	X X	(FOR AL30781)
	L41892	REAR VIEW MIRROR GLASS	1	X X	(FOR AL41262)
3	AL41262	REAR VIEW MIRROR	1	X X	(SUB FOR AL30781)
4	AL31078	RETAINER	1	X X	
5	21M7206	SCREW	2	X X	M6X20
6	12M7081	LOCK WASHER	2	X X	6,4MM
7	14M7272	NUT	2	X X	M6
8	L38793	RETAINER	1	X X	
9	L38794	SPRING	1	X X	
10	44M1124	DOWEL PIN	1	X X	4X24MM

4F22

OPERATOR'S CAB

SUN VISOR (OPERATOR'S CAB)
 PARE-SOLEIL (CABINE)
 SONNENBLLENDE (KABINE)
 PARASOLE E SPECHIETTO (CABINA)
 PARASOL Y ESPEJO (CABINA)
 SKOLSKYDD (FORARHYTT)
 L28202 -UN-05OCT95



I. 28202

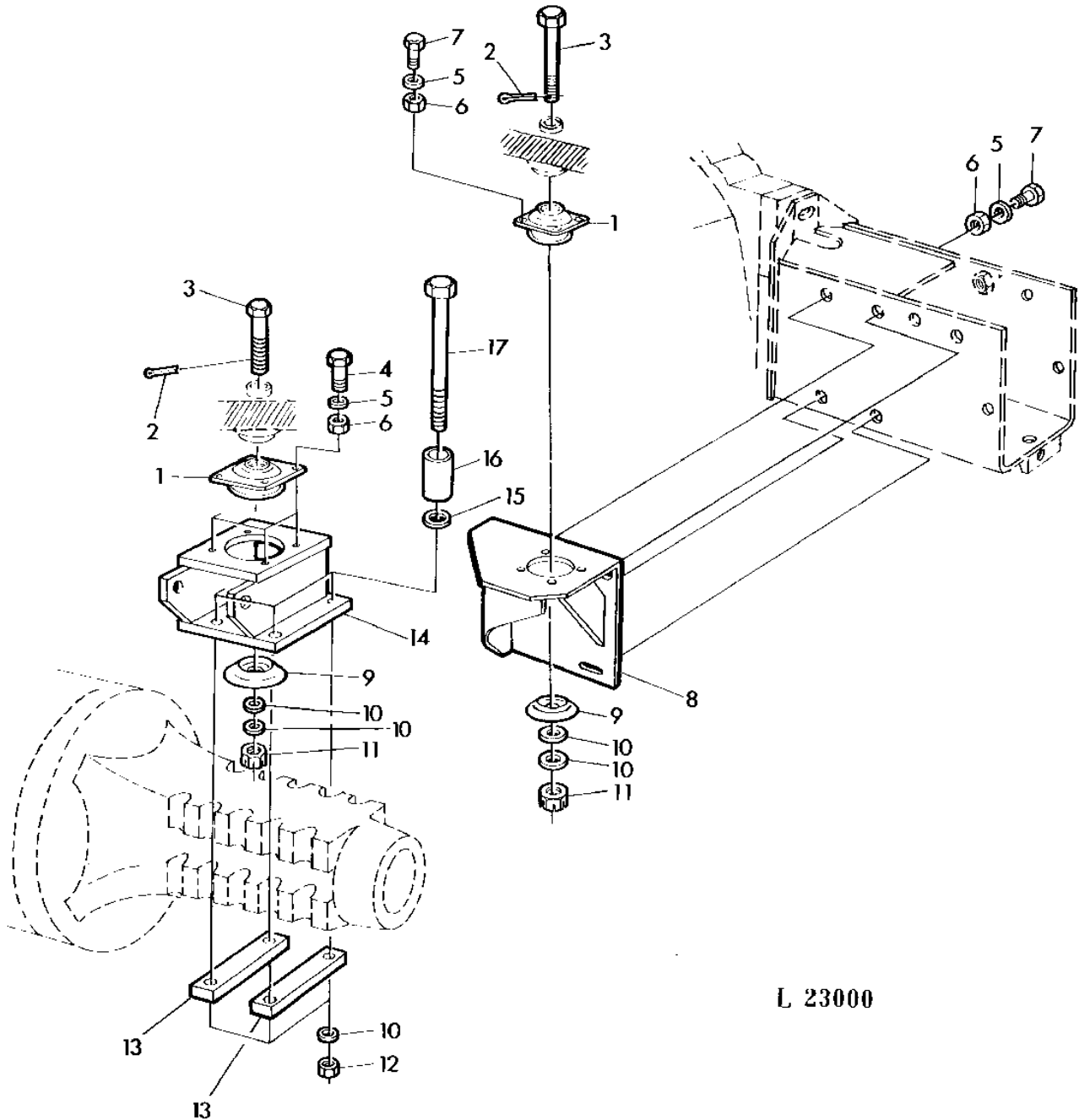
KEY	PART NO.	PART NAME	QTY	SERIAL NO.	REMARKS
				2	
				0 2	
				4 1	
				0 4	
				S 0	
1	AL24801	SUN VISOR	1		X X
	AL34636	SUN VISOR	1		X (A)
2	37M7072	SCREW	3		X X 4,8X16MM

(A) WITH LOW-TYPE CAB ROOF
 AVEC HAUTEUR DE TOIT REDUITE
 BEI REDUZIERTER DACHHOEHE
 CON TETTO RIBASSATO
 CON TECHO DE MENOR ALTURA
 KORT FORARHYTT

4F23

OPERATOR'S CAB

CAB MOUNTING BRACKETS
SUPPORTS CABINE
ANBAULAGER (KABINE)
SUPPORTI DI MONTAGGIO DELLA CABINA
SOPORTES DE MONTAJE DE LA CABINA
HYTTFASTE
L23000 -UN-05OCT95



L 23000

4F24

OPERATOR'S CAB

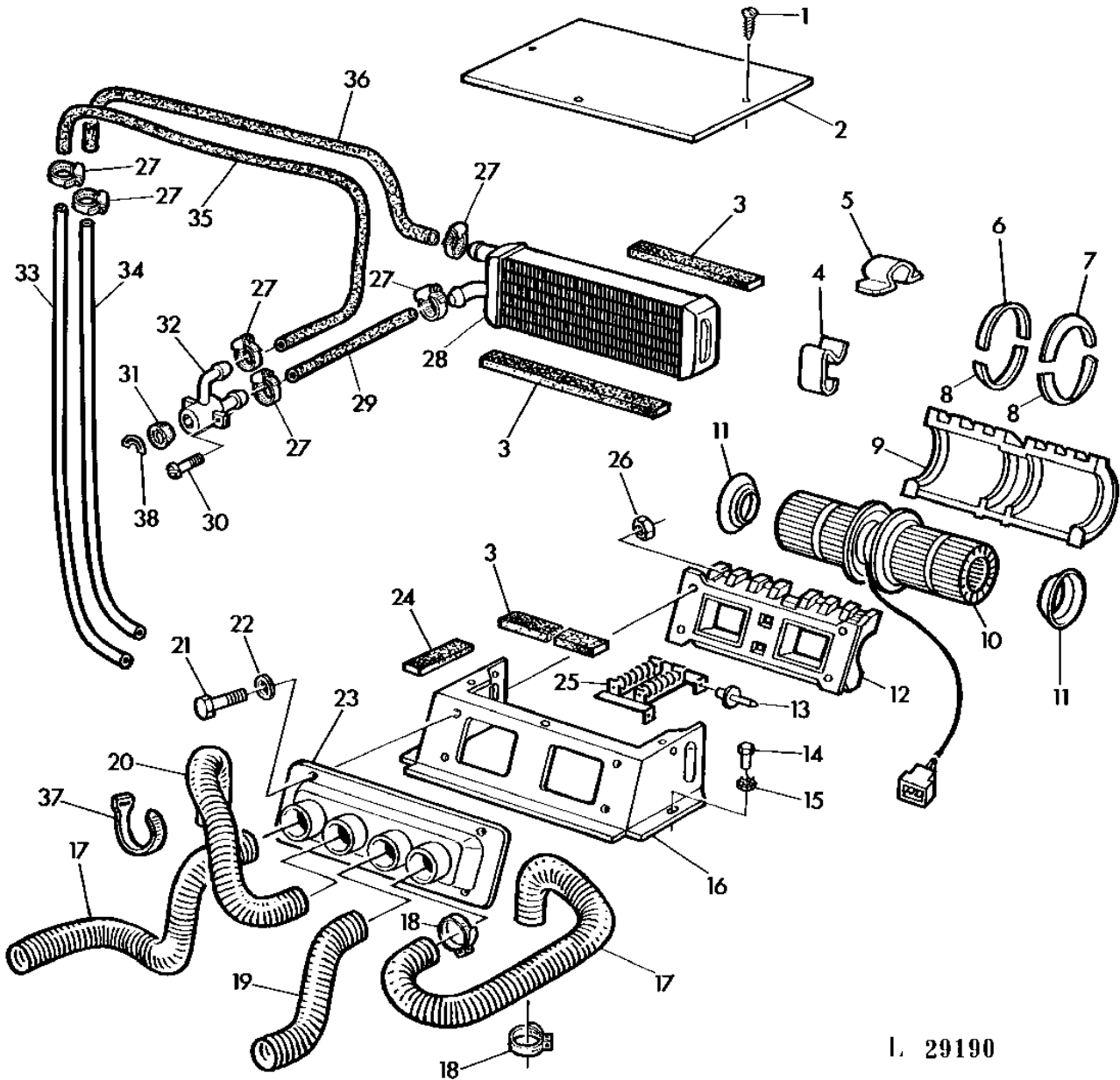
KEY	PART NO.	PART NAME	QTY	SERIAL NO.	REMARKS
				2	
				0 2	
				4 1	
				0 4	
				S 0	
1	L31299	BEARING	4		X X
2	11M7020	COTTER PIN	4		X X 4X25MM
3	19M7900	CAP SCREW	4		X X 16X150MM (SUB FOR 19M7546 APPL)
4	19M7168	CAP SCREW	8		X X 10X30MM
5	24M7028	WASHER	24		X X 10,5X21X2MM
6	14M7274	NUT	24		X X M10
7	19M7402	CAP SCREW	16		X X M10X25
8	AL31845	BRACKET	1		X X FRONT,RH
	AL31844	BRACKET	1		X X FRONT,LH
9	L30968	WASHER	4		X X
10	24M7053	WASHER	16		X X 17X30X3MM
11	14M7185	NUT	4		X X M16
12	14M7276	NUT	8		X X M16
13	L31162	STRAP	4		X X
14	AL25332	PANEL	4		X X REAR
15	24M7211	SHIM	AR		X X (A) TK=0,50MM
	24M7118	WASHER	AR		X X (A) TK=1,00MM
16	L32587	SPACER	4		X X (A)
17	19M7642	CAP SCREW	8		X X M16X260

(A) WITH STABILIZER CHAIN AND CAB
 AVEC CHAINE STABILISATRICE ET CABINE
 BEI STABILISIERUNGSKETTE MIT KABINE
 CON CATENA STABILISATRICE E CABINA
 CON CADENA ESTABILIZADORA Y CABINA
 VID STABILISERINGSKEDJA OCH FORARHYTT

4G1

OPERATOR'S CAB

CAB HEATER PARTS
ELEMENTS CHAUFFAGE CABINE
HEIZUNGSTEILE (KABINE)
ELEMENTI VENTILAZIONE E RISCALDAMENTO
ELEMENTOS DE VENTILACION Y CALEFACCION
HYTTENS VARMESYSTEM
L29190 -UN-05OCT95



L 29190

4G2

OPERATOR'S CAB

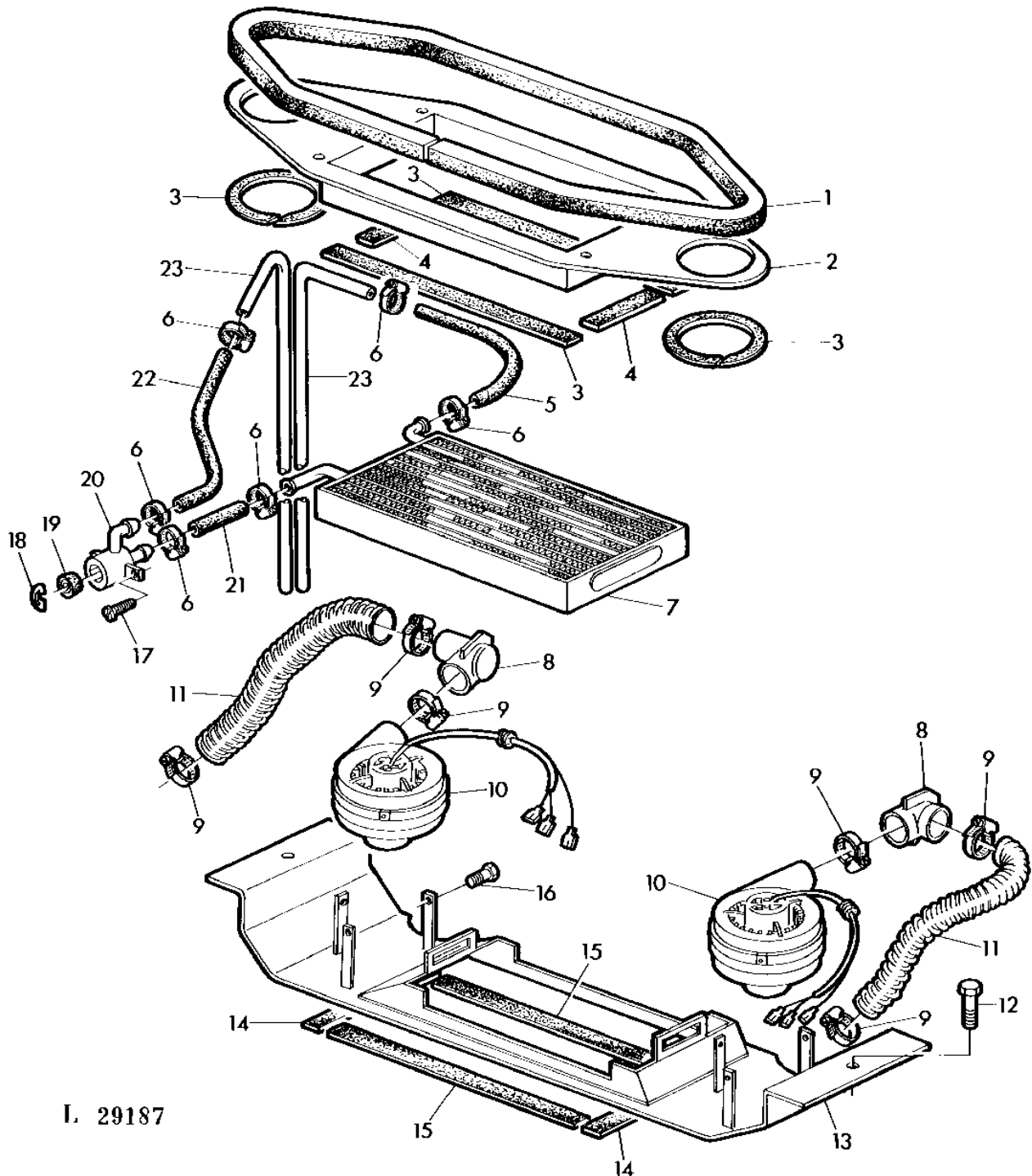
KEY	PART NO.	PART NAME	QTY	SERIAL NO.	REMARKS
				2	
				0 2	
				4 1	
				0 4	
				S 0	
1	37M7012	CAP SCREW	3	X X	3,5X9,5MM
2	L33881	COVER	1	X X	
3	L33882	FOAM PAD	1	X X	LGTH=6X15X1280MM
4	L33887	CLAMP	8	X X	
5	L31422	CLAMP	2	X X	(SUB FOR L33892)
6	L33888	WASHER	1	X X	L.H.
7	L33889	WASHER	1	X X	R.H.
8	L33891	WASHER	2	X X	LOW
9	L33886	CASE	1	X X	FRONT
10	AL30061	MOTOR	1	X X	
11	L33890	WASHER	2	X X	
12	L33885	CASE	1	X X	REAR
13	L33884	RIVET	2	X X	3X10MM
14	19M7700	CAP SCREW	2	X X	M5X10
15	12M7060	WASHER	2	X X	5,3MM
16	L39601	HOUSING	1	X X	(SUB FOR AL30066 APPL)
17	L32950	HOSE	2	X X	
18	AL25950	CLAMP	8	X X	
19	L32949	HOSE	1	X X	LGTH=230MM
20	L32948	HOSE	1	X X	
21	19M7139	CAP SCREW	4	X X	M8X20 (SUB FOR 19M7162)
22	24M7055	WASHER	4	X X	8,4X17X1,6MM
23	L33880	COVER	1	X X	
24	L33883	FOAM PAD	1	X X	LGTH=6X15X680MM
25	AL30068	RESISTOR	1	X X	
26	14M7327	LOCK NUT	4	X X	M8
27	AL64588	CLAMP	6	X X	(SUB FOR AL55852, AR21837)
28	AL37475	HEATER	1	X X	(SUB FOR AL30067)
29	L32946	HOSE	1	X X	LGTH=400MM
30	21M7033	SCREW	2	X X	4X16MM
31	AL28621	KNOB	1	X X	
32	AL37388	REGULATOR	1	X X	(SUB FOR AL28620)
33	L33528	FUEL LINE	1	X X	
34	L33592	TUBE	1	X X	
35	L32947	HOSE	1	X X	LGTH=1100MM
36	L32945	HOSE	1	X X	LGTH=720MM
37	L37191	BAND	1	X X	
38	L36399	LABEL	1	X X	

4G3

OPERATOR'S CAB

HEATER ELEMENTS (CAB WITH REDUCED ROOF HEIGHT)
ELEMENTS DU CHAUFFAGE (CABINE HAUTEUR REDUITE)
HEIZUNGSTEILE (KABINE MIT REDUZ.DACHHOEHE)
ELEMENTI DI RISCALDAMENTO(CABINA A TETTO RIBASSATO)
ELEMENTOS DE CALEFACCION(CABINA CON TECTO DE MENOR ALTURA)
VARMARENS ELEMENT(KORT FORARHYTT)

L29187 -UN-05OCT95



L 29187

4G4

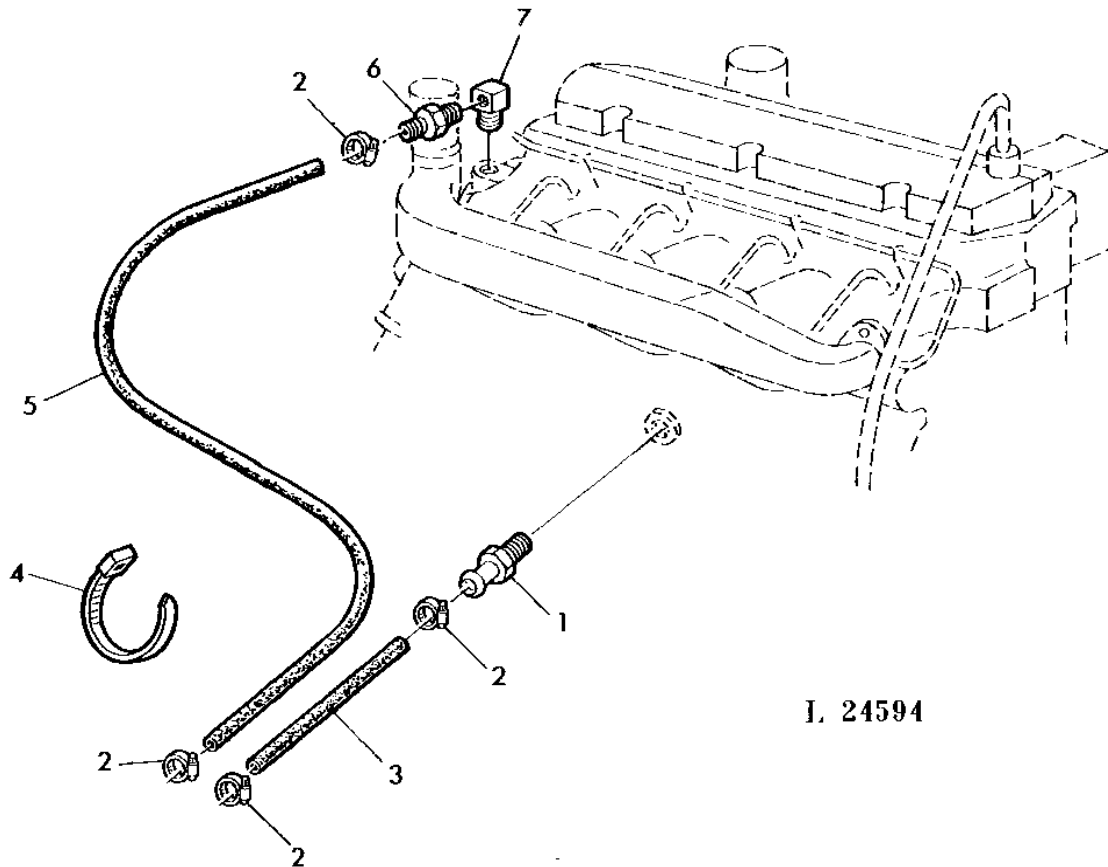
OPERATOR'S CAB

KEY	PART NO.	PART NAME	QTY	SERIAL NO.	REMARKS
					2
					0 2
					4 1
					0 4
					S 0
1		1		X NSEP (ORD AL35077)
2	AL35077	COVER	1		X INCL.KEYS 1,3,4
3		4		X NSEP (ORD AL35077)
4		2		X NSEP (ORD AL35077)
5	L36984	HOSE	1		X LGTH=160MM
6	AL64588	CLAMP	6		X (SUB FOR AL55852, AR21837)
7	AL34522	HEATER	1		X
8	AL34521	MANIFOLD	2		X
9	AL25950	CLAMP	6		X
10	AL34520	BLOWER	2		X
11	L36982	HOSE	2		X LGTH=500MM
12	37M7076	SCREW	2		X 6,3X16MM
13	AL34519	BRACKET	1		X
14	L36989	TAPE	2		X LGTH=210MM
15	L36990	TAPE	2		X LGTH=505MM
16	19M6614	CAP SCREW	6		X M6X12
17	21M7033	SCREW	2		X M4X16
18	L36399	LABEL	1		X
19	AL28621	KNOB	1		X
20	AL37388	REGULATOR	1		X (SUB FOR AL28620)
21	L36983	HOSE	1		X LGTH=60MM
22	L36985	HOSE	1		X LGTH=470MM
23	L37023	TUBE	2		X

4G5

OPERATOR'S CAB

CAB HEATER PARTS
ELEMENTS CHAUFFAGE CABINE
HEIZUNGSTEILE (KABINE)
ELEMENTI DEL RISCALDAMENTO DELLA CABINA
COMPONENTES DEL SISTEMA DE CALEFACCION
HYTTENS VARMESYSTEM-DETALJER
L24594 -UN-05OCT95



L 24594

4G6

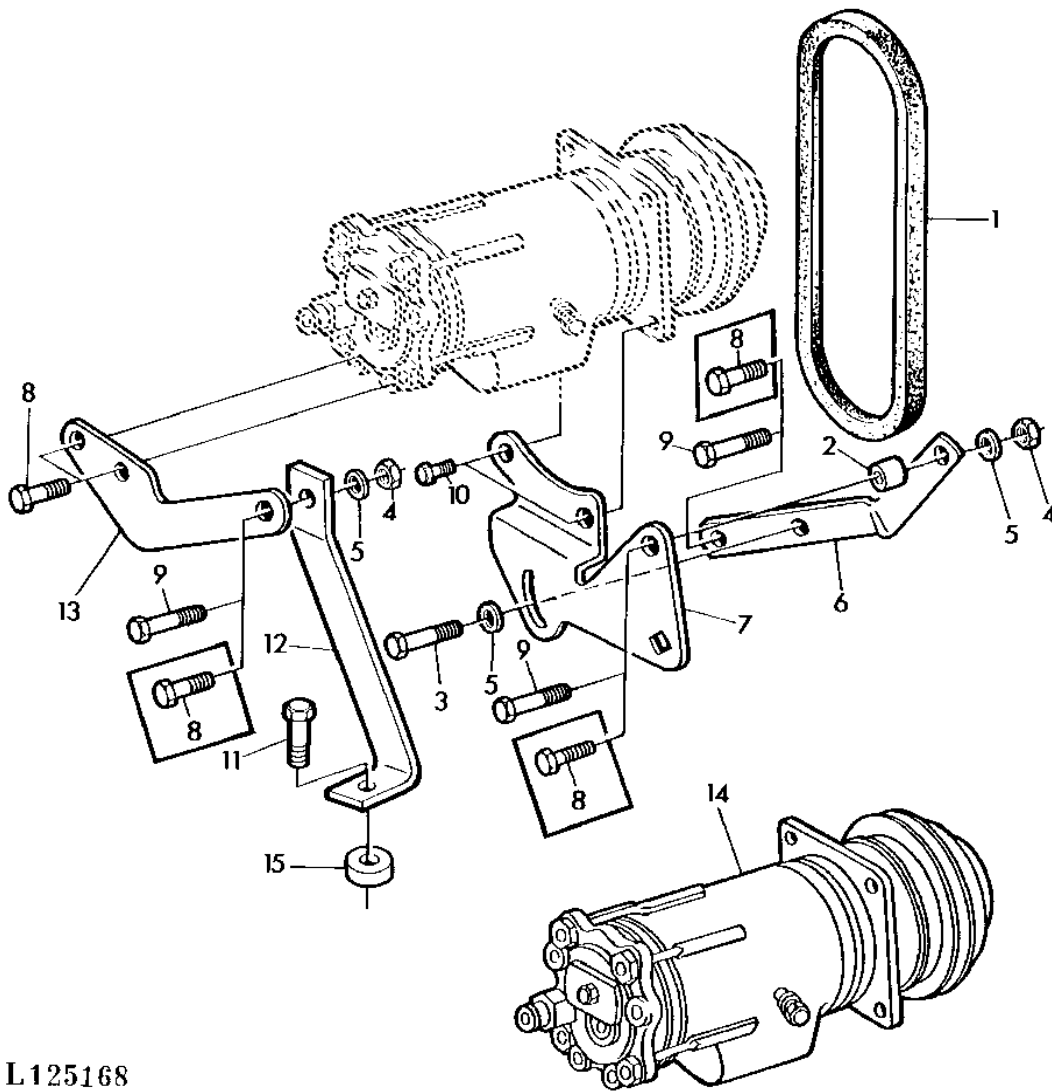
OPERATOR'S CAB

KEY	PART NO.	PART NAME	QTY	SERIAL NO.	2 0 2 4 1 0 4 S 0	REMARKS
1	T29388	UNION FITTING	1		X X	
2	AL64588	CLAMP	4		X X	(SUB FOR AL55852, AR21837)
3		1		X X	NSEP (ORD L34030)
4	R44302	TIE BAND	5		X X	
5		1		X X	NSEP (ORD L34030)
6	R41985	FITTING	1		X X	
7	T37041	ELBOW FITTING	1		X X	
..	L34030	HOSE	1		X X	LGTH=1620MM

4G7

OPERATOR'S CAB

COMPRESSOR MOUNTING (WITH CAB)
ELEMENTS D'ADAPTATION DU COMPRESSEUR (CABINE)
KOMPRESSOR-ANBAUTEILE (KABINE)
COMPRESSORE CON ELEMENTI DI MONTAGGIO
COMPRESOR CON PIEZAS DE MONTAJE
KOMPRESOR MED MONTERINGSDETALJER (HYTT)
L125168 -UN-09OCT95



L125168

4G8

OPERATOR'S CAB

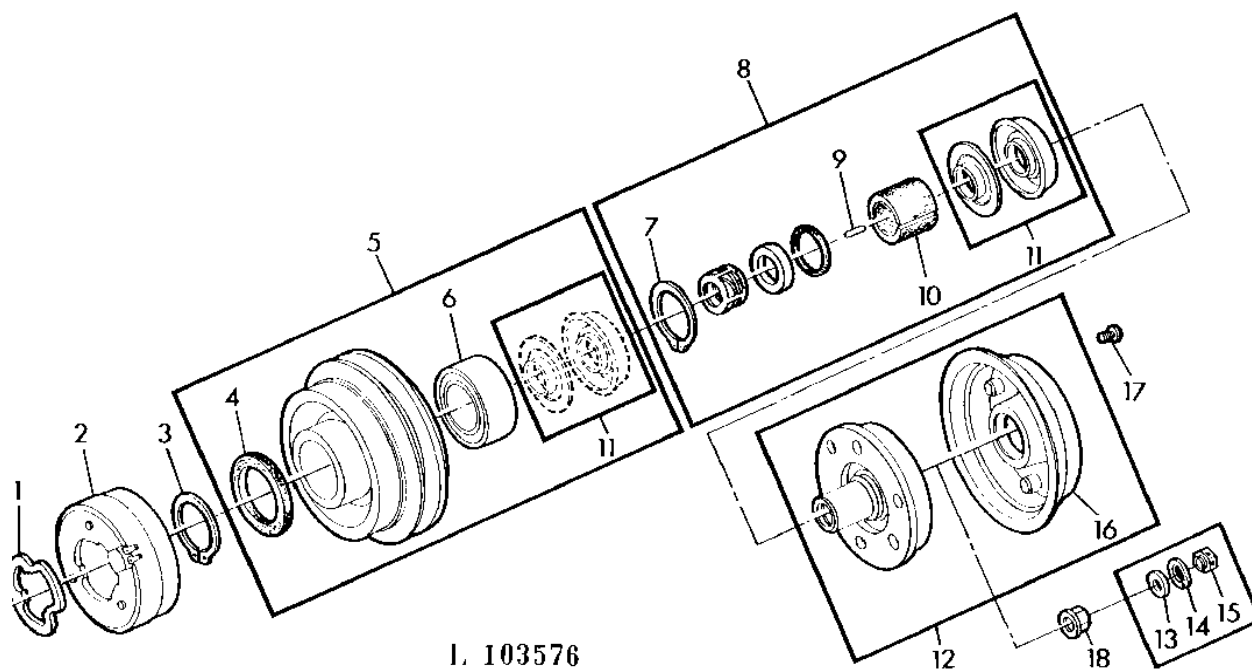
KEY	PART NO.	PART NAME	QTY	SERIAL NO.	REMARKS
					2
					0 2
					4 1
					0 4
					S 0
1	L41331	BELT	1		X (SUB FOR R65712)
2	28H1878	SPACER	1		X 3/8"X0.438"
3	19H1732	CAP SCREW	1		X 3/8"X1-1/4"
4	14M7274	NUT	3		X M10
5	24M7040	WASHER	3		X 11X21X2MM
6	R67021	SUPPORT	1		X
7	R56855	SUPPORT	1		X FRONT
8	19M7662	CAP SCREW	AR		X M10X30
9	19M7724	CAP SCREW	3		X M10X45
10	19M7162	CAP SCREW	2		X M8X16
11	19H2898	CAP SCREW	1		X 1/2"X1-1/4"
12	R68012	AIR CLEANER	1		X (ORD L58256, 28H1596)
13	R62716	SUPPORT	1		X REAR
14	AR92109	COMPRESSOR	1		X (ORD TY6665)
15	28H1596	WASHER	1		X 1/2"X.312"

4G9

OPERATOR'S CAB

COMPRESSOR-COIL/CLUTCH/PULLEY
 COMPRESSEUR-BOBINAGE/EMBAYAGE/POULIE
 KOMPRESSOR-MAGNETSPULE/KUPPLUNG/RIEMENSCHLEIBE
 COMPRESSORE-BOBINAGGIO/FRIZIONE/PULEGGIA
 COMPRESOR-BOBINA Y EMBRAGUE/POLEA
 KOMPRESSOR-SPOLE/KOPPLING/REMSKIVA

L103576 -UN-06OCT95



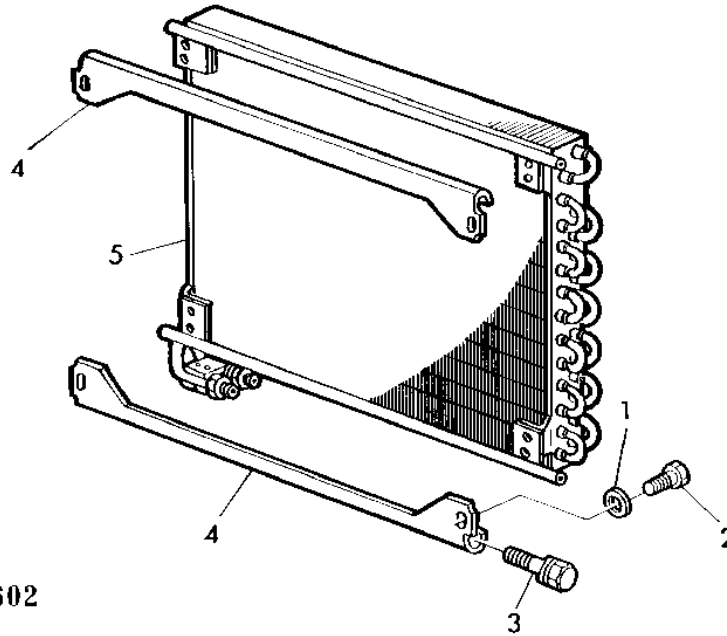
1. 103576

KEY	PART NO.	PART NAME	QTY	SERIAL NO.	REMARKS
				2	
				0 2	
				4 1	
				0 4	
				S 0	
1	R56246	GASKET	1	X	(ORD W/ AR71289)
2	AR49803	ELECTRICAL COIL	1	X	(ORD W/ AR71289)
3	R47224	SNAP RING	1	X	(ORD W/ AR71289)
4	R54766	WASHER	1	X	REAR (ORD W/ AR71289)
5	AR71287	PULLEY	1	X	
6	AR71288	BALL BEARING	1	X	
7	R47226	SNAP RING	1	X	(ORD W/ AR71289)
8	AR71285	KIT	1	X	
9	R47229	SHAFT KEY	1	X	
10	R47227	SEAL	1	X	(ORD W/ AR71289)
11	AR71289	SHIELD	1	X	FRONT
12	AR71286	CLUTCH	1	X	
13	R47230	WASHER	1	X	(ORD R69297)
14	R47231	SNAP RING	1	X	(ORD R69297)
15	R47232	NUT	1	X	(ORD R69297)
16	AR71290	COVER	1	X	
17	37H32	SCREW	3	X	NO.10X3/8"
18	R69297	FLANGE NUT	1	X	

4G10

OPERATOR'S CAB

CONDENSER (WITH CAB)
 CONDENSEUR (CABINE)
 KONDENSATOR (KABINE)
 CONDENSATORE (CABINA)
 CONDENSADOR (CABINA)
 KONDENSOR (HYTT)
 L24602 -UN-05OCT95



I, 24602

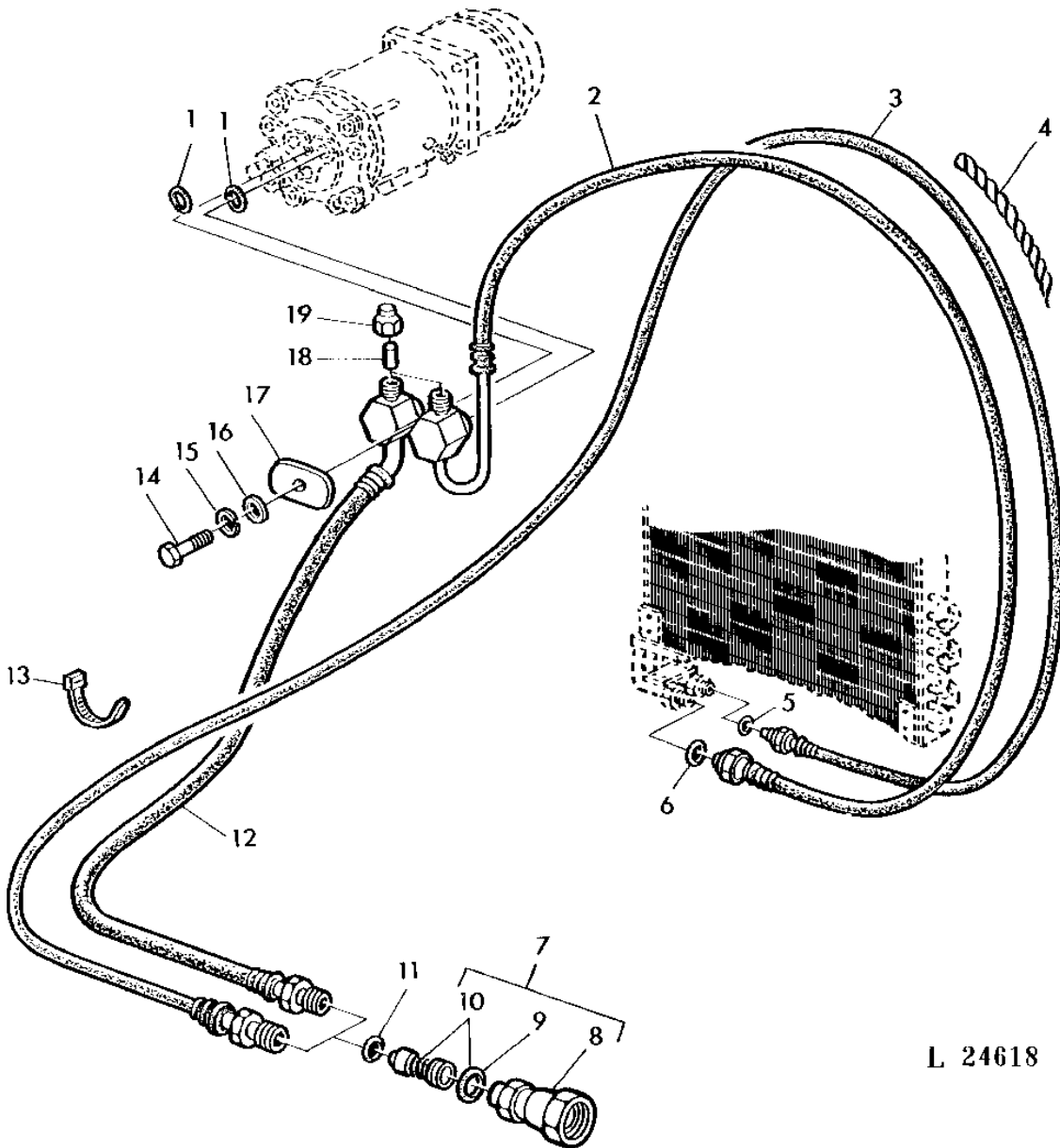
2
0 2
4 1
0 4
S 0

KEY	PART NO.	PART NAME	QTY	SERIAL NO.	REMARKS
1	24M7036	WASHER	4		X 9X17X1,6MM
2	19M7297	CAP SCREW	4		X M8X12
3	AR58652	BOLT	4		X
4	L34988	SUPPORT	2		X
5	AL30364	VAPOR CONDENSER	1		X

4G11

OPERATOR'S CAB

AIR CONDITIONING LINES
CONDUITES CONDITIONNEMENT D'AIR
LEITUNGEN FUER KLIMAAANLAGE
TUBAZIONI PER SISTEMA CONDIZIONAMENTO ARIA
TUBERIAS PARA SISTEMA DE ACONDICIONAMIENTO DE AIRE
LUFTKONDITIONERINGENS LEDNINGAR
L24618 -UN-05OCT95



L 24618

4G12

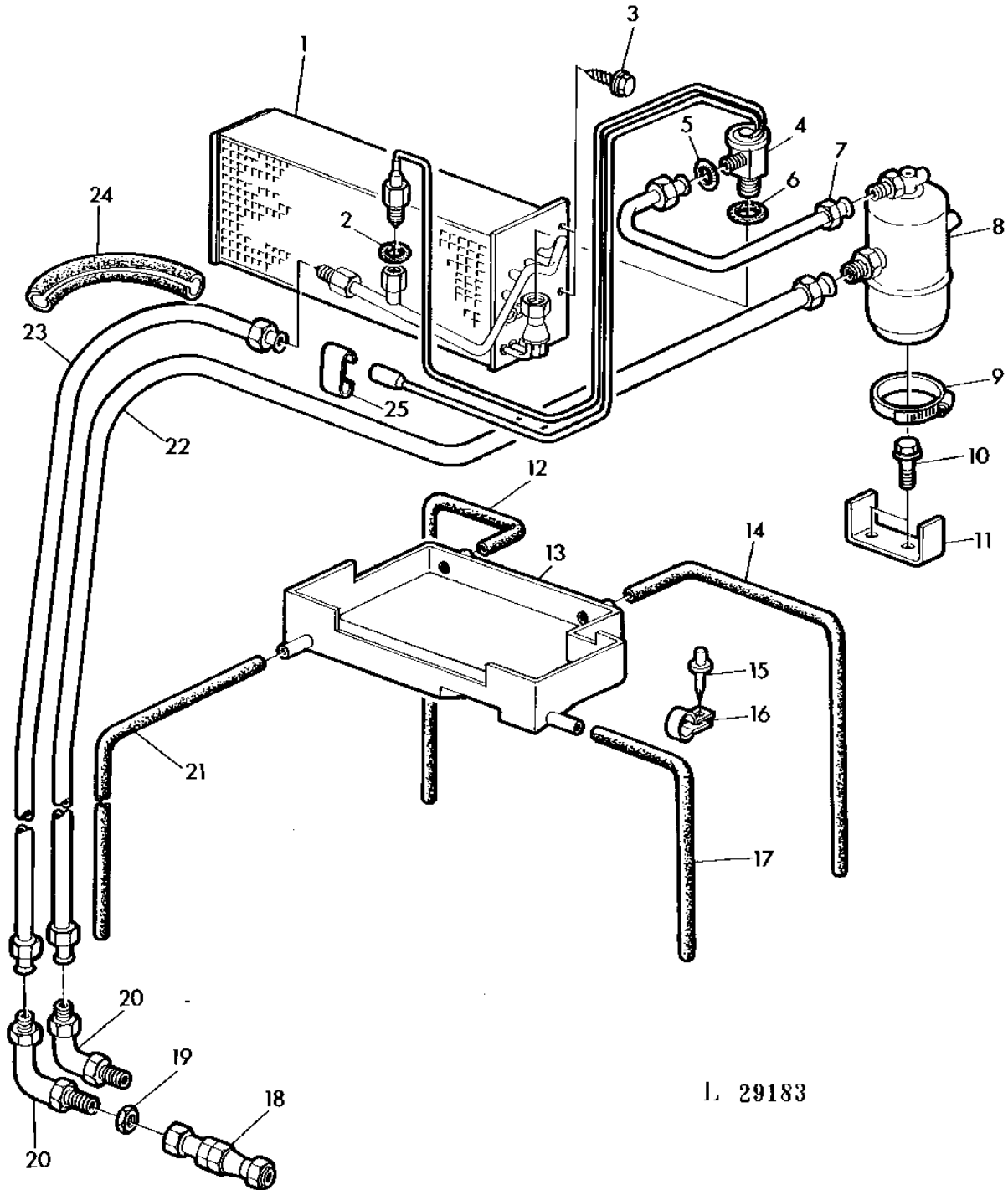
OPERATOR'S CAB

KEY	PART NO.	PART NAME	QTY	SERIAL NO.	REMARKS
				2	
				0 2	
				4 1	
				0 4	
				S 0	
1	R74210	O-RING	2	X	(SUB FOR R47235)
2	AL30331	HOSE	1	X	INCL.KEYS 4,18,19
3	AL30334	HOSE	1	X	INCL.KEY 4
4	R65436	SHIELD	2	X	
5	R10093	O-RING	1	X	
6	P51212	O-RING	1	X	
7	AL30328	CHECK VALVE	2	X	ASSY,INCL.KEYS 8-10
8	AL30329	UNION FITTING	2	X	
9	L34811	O-RING	2	X	
10	AL30330	VALVE SEAT INSERT	2	X	INCL.KEY 9
11	P50883	RING	2	X	
12	AL30327	HOSE	1	X	INCL.KEYS 18,19
13	T44946	TIE BAND	3	X	
14	19M7170	CAP SCREW	1	X	M10X50
15	12M7066	LOCK WASHER	1	X	10MM
16	24M7040	WASHER	1	X	11X21X2MM
17	R60171	STRAP	1	X	
18	R60170	VALVE	2	X	
19	R60172	NUT	2	X	

4G13

OPERATOR'S CAB

AIR CONDITIONING
CLIMATISATION
KLIMAANLAGE
IMPIANTO D'ARIA CONDIZIONATA
SISTEMA DE AIRE ACONDICIONADA
LUFTKONDITIONERING
L29183 -UN-05OCT95



L. 29183

4G14

OPERATOR'S CAB

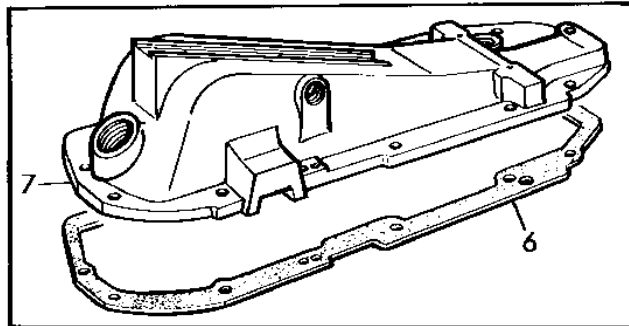
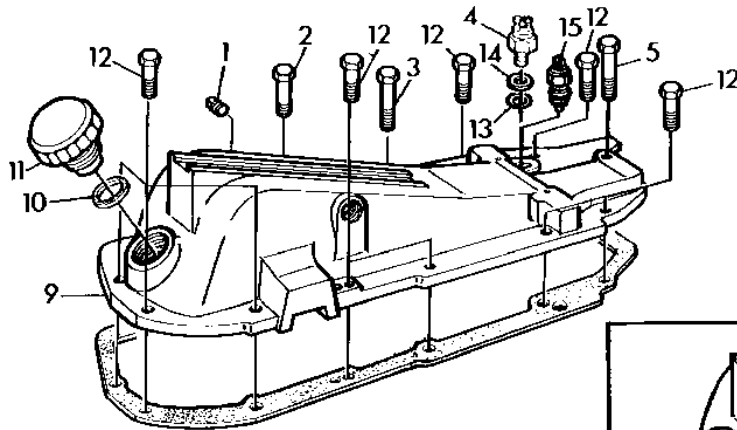
KEY	PART NO.	PART NAME	QTY	SERIAL NO.	REMARKS
				2	
				0 2	
				4 1	
				0 4	
				S 0	
1	AL32939	EVAPORATOR	1		X
2	R34812	O-RING	1		X
3	37H43	SCREW	4		X NO.8X3/8"
4	AL28638	VALVE	1		X
5	R10093	O-RING	1		X
6	P51212	O-RING	1		X
7	AL33552	TUBE	1		X
8	AL28629	RECEIVER-DRYER	1		X
9	AR21841	CLAMP	1		X
10	37H147	SCREW	2		X 4,8X9,5MM
11	L36445	RETAINER	1		X
12	L39597	HOSE	1		X
13	AL37386	BOWL	1		X
14	L39598	HOSE	1		X
15	L33884	RIVET	1		X
16	L36490	CLAMP	1		X
17	L39600	HOSE	1		X
18	AL30064	CLUTCH	2		X
19	B27373	NUT	2		X 1"
20	AL32938	ELBOW FITTING	2		X
21	L39599	BULK HOSE	1		X
22	AL33553	TUBE	1		X
23	AL33555	TUBE	1		X
24	L35664	HOSE	1		X
25	L35665	CLAMP	1		X

4G15

OPERATOR'S CAB

SEAT SUPPORT BASE (WITHOUT ROCKSHAFT)
 SUPPORT DU SIEGE (SANS REVELAGE)
 SITZLAGERBLOCK (OHNE KRAFTHEBER)
 SUPPORTO SEDILE (SENZA SOLLEVATORE)
 PEDESTAL DEL ASIENTO (SIN ELEVADOR HIDRAULICO)
 SITSFUNDAMENT (UTAN 3-PUNKTSLYFT)

L116599 -UN-06OCT95



L 116599

2
0 2
4 1
0 4
S 0

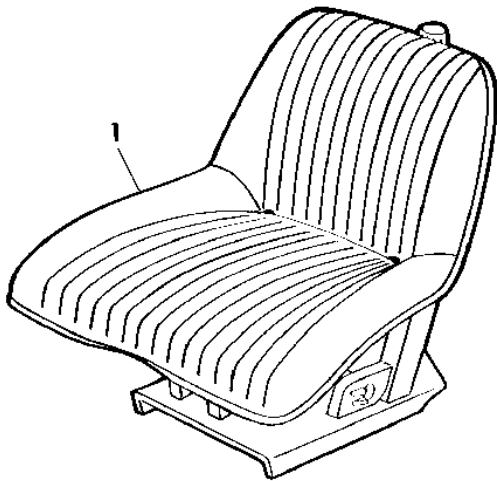
KEY	PART NO.	PART NAME	QTY	SERIAL NO.	REMARKS
1	15H638	PIPE PLUG	1	X	1/8"
2	19H1831	CAP SCREW	1	X	1/2"X2"
3	19H1930	CAP SCREW	1	X	1/2"X2-1/2"
4	AR89691	SWITCH	1	X	9/16" (SUB FOR AR85323)
5	19H1805	CAP SCREW	1	X	1/2"X2-1/4"
6	T21641	GASKET	1	X	(FOR T21471)
7	T21471	HOUSING	1	X	(ORD L39589, L34401, 15H638)
8	L34401	GASKET	1	X	(FOR L39589)
9	L39589	HOUSING	1	X	(ORD W/ 15H638)
10	T21564	WASHER	1	X	
11	AL38083	FILLER CAP	1	X	(SUB FOR AL32620)
12	19H1721	CAP SCREW	10	X	1/2"X1-1/2"
13	T16911	SHIM	AR	X	TK=0,4MM
14	24M7228	WASHER	1	X	15X21X1,3MM
15	AL58356	SWITCH	1	X	(A)

(A) PART OF CONV.KIT AL60892
 PARTIE DU JEU D'ADAPT.AL60892
 TEIL VON UMRUESTSATZ AL60892
 PARTE DEL KIT CONVERS.AL60892
 DEL JUEGO DE MODIF.AL60892
 DEL AV OMBYGGNADSSATS AL60892

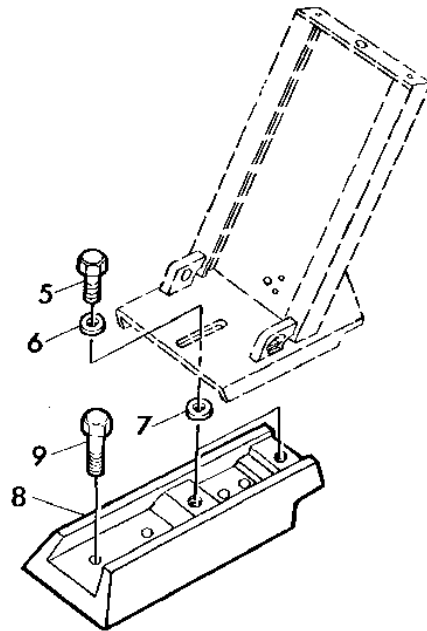
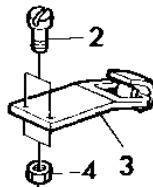
4G16

OPERATOR'S CAB

STANDARD SEAT ASSY.
 SIEGE STANDARD
 STANDARD-SITZ
 SEDILE STANDARD
 ASIENTO NORMAL
 STANDARD-FORARSATE
 L22725 -UN-09OCT95



1. 22725



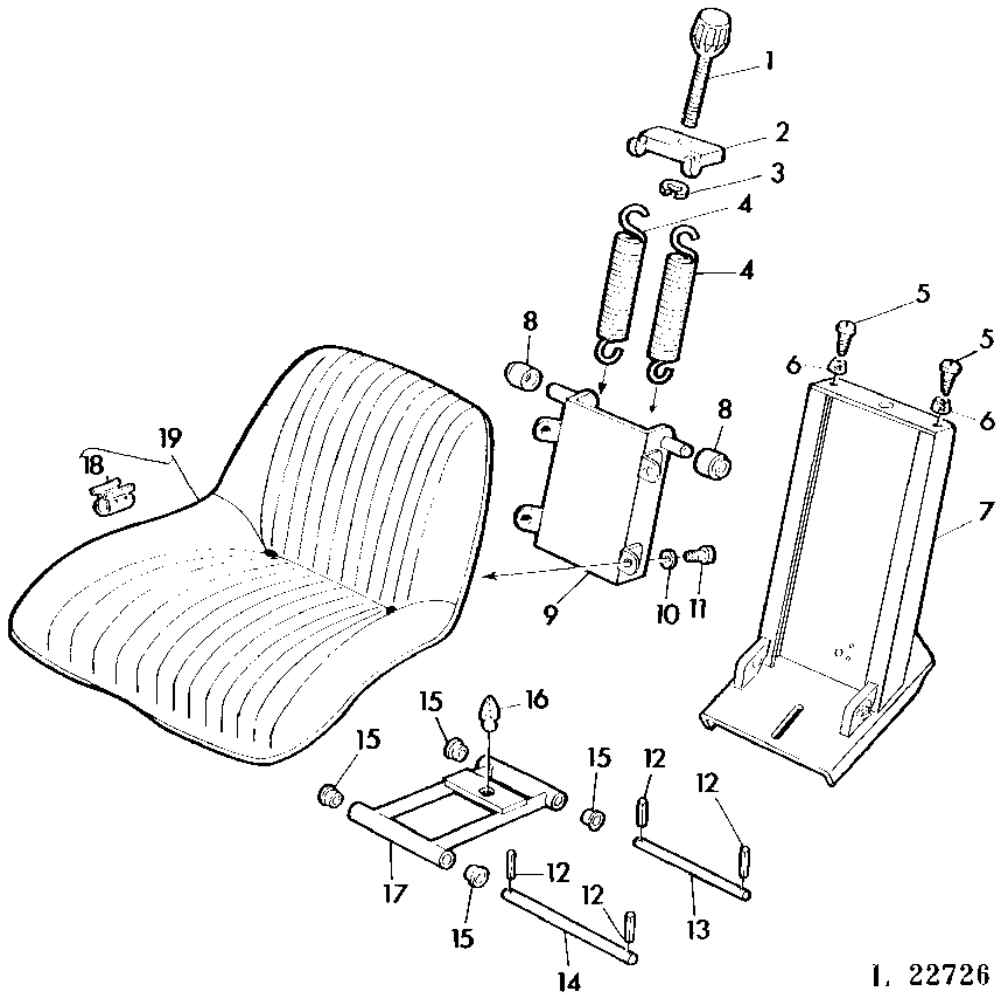
2
 0 2
 4 1
 0 4
 S 0

KEY	PART NO.	PART NAME	QTY	SERIAL NO.	REMARKS
1	AL24162	SEAT	1		X ASSY,GRAMMAR DS44/L1
2	21H1331	SCREW	2		X 5/16"X1"
3	AL23433	RETAINER	1		X
4	14H785	NUT	2		X 5/16"
5	19H2898	CAP SCREW	2		X 1/2"X1-1/4"
6	24H1349	WASHER	2		X 9/16"X1-1/4"X.134"
7	24H1254	WASHER	2		X 17/32"X1-1/8"X.105"
8	L30200	SUPPORT	1		X
9	19H1831	CAP SCREW	2		X 1/2"X2"

4G17

OPERATOR'S CAB

STANDARD SEAT
SIEGE STANDARD
STANDARD-SITZ
PARTI DEL SEDILE STANDARD
ASIENTO NORMAL, DESPIECE
STANDARD-FORARSATE
L22726 -UN-09OCT95



4G18

OPERATOR'S CAB

KEY	PART NO.	PART NAME	QTY	SERIAL NO.	REMARKS
				2	
				0 2	
				4 1	
				0 4	
				S 0	
1	AL19494	SPINDLE	1		X
2	L28077	RETAINER	1		X
3	40M7042	SNAP RING	1		X 7MM
4	L28076	EXTENSION SPRING	2		X
5	37M7016	SCREW	2		X 4,8X22MM
6	L28078	BUMPER	2		X
7	AL24172	FEEDER HOUSE	1		X
8	L25686	ROLLER	2		X
9	AL30978	FRAME	1		X
10	24M7055	WASHER	4		X 8,4X17X2MM
11	19H1813	CAP SCREW	4		X 5/16"X5/8"
12	34M3851	SPRING PIN	4		X 4X24MM
13	L28079	PIN	1		X
14	L28080	PIN	1		X
15	L27167	BUSHING	4		X
16	L25678	BUMPER	1		X
17	AL24171	ARM	1		X
18	L31728	CLIP	8		X
19	AL24174	SEAT	1		X INCL L31728)

4G19

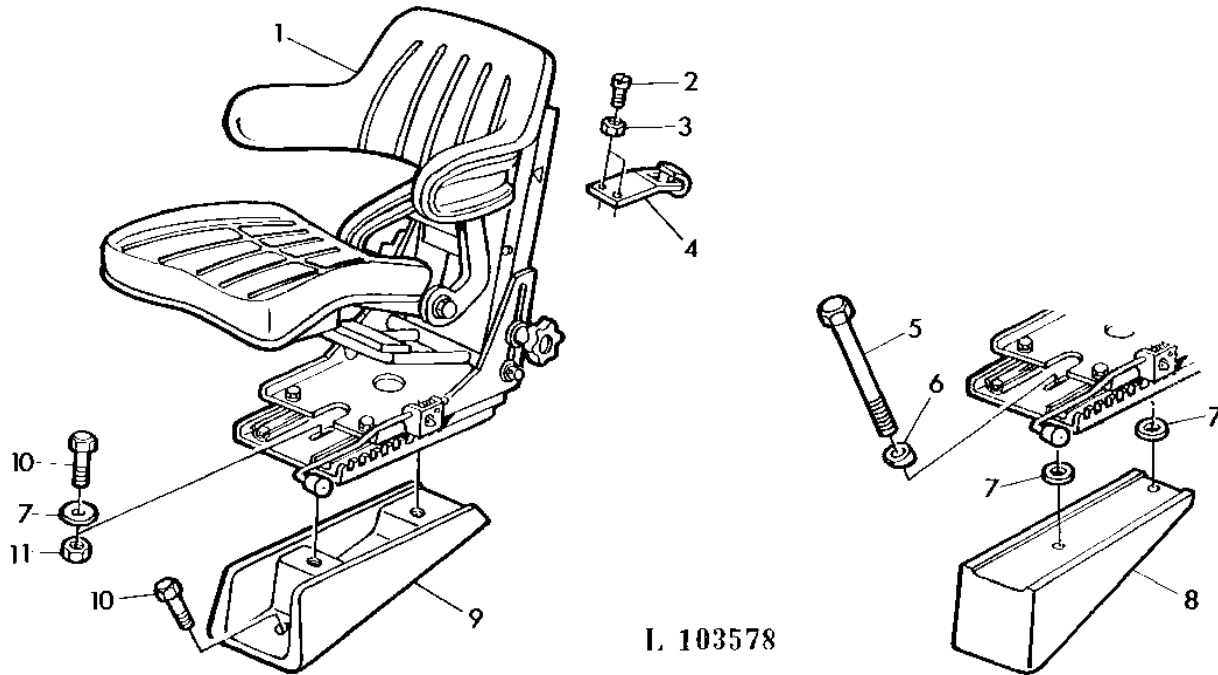
OPERATOR'S CAB

MEMORANDA
MEMORANDA
MEMORANDA
MEMORANDA
MEMORANDA

4G20

OPERATOR'S CAB

DE-LUXE SEAT
 SIEGE DE LUXE
 DE-LUXE SITZ
 SEDILE DI LUSO
 ASIENTO DE LUJO
 DELUXE FORARSATE
 L103578 -UN-06OCT95



I. 103578

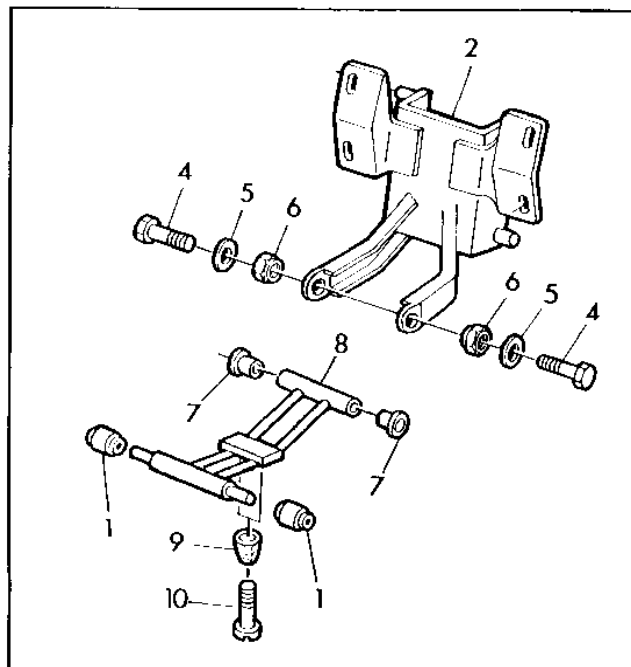
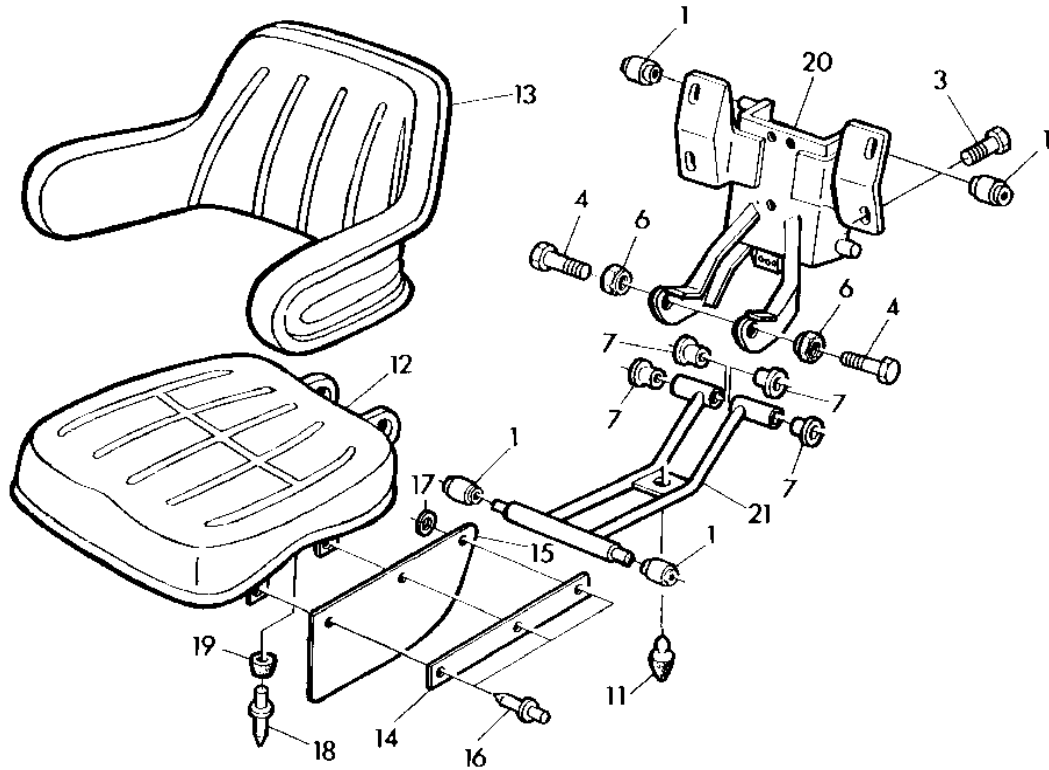
KEY	PART NO.	PART NAME	QTY	SERIAL NO.	REMARKS
				2	
				0 2	
				4 1	
				0 4	
				S 0	
1	AL35329	SEAT	1	X X	(SUB FOR AL31811,AL35633) GRAMMER DS44/2H (ORD AL39913, (2) 19H2898)
	AL39914	SEAT	1	X X	(A) GRAMMER DS44/2H-G (SUB FOR AL31947, AL35634, AL36459) GRAMMER DS44/2H (ORD AL68098)
2	21H1331	SCREW	2	X X	5/16"X1"
3	14H785	NUT	2	X X	5/16"
4	AL23433	RETAINER	1	X X	
5	19H2510	CAP SCREW	1	X	1/2"X1-5/8",REAR
	19H1945	CAP SCREW	1	X	1/2"X3-1/4",FRONT
6	L34818	WASHER	2	X	
7	24H1349	WASHER	2	X X	9/16"X1-1/4"X.134"
8	L34804	SPACER	1	X	
9	L34803	SPACER	1	X	
10	19H2898	CAP SCREW	2	X X	(A) 1/2"X1-1/4"
	19H2898	CAP SCREW	4	X	1/2"X1-1/4"
11	14H1040	NUT	2	X X	(A) 1/2"

(A) WITH OPERATOR'S CAB
 AVEC CABINE
 BEI KABINE
 CON CABINA
 CON CABINA PARA EL CONDUCTOR
 VID FORARHYTT

4G21

OPERATOR'S CAB

DE-LUXE SEAT
SIEGE DE LUXE
DE-LUXE SITZ
SEDILE DI LUSO
ASIENTO DE LUJO
DELUXE FORARSATE
L108361 -UN-06OCT95



L 108361

4G22

OPERATOR'S CAB

KEY	PART NO.	PART NAME	QTY	SERIAL NO.	REMARKS
					2
					0 2
					4 1
					0 4
					S 0
1	L25686	ROLLER	4		X X
2	AL33008	SUPPORT	1		X X
3	19H1813	CAP SCREW	4		X X 5/16"X5/8"
4	19H1792	CAP SCREW	2		X X 1/2"X1"
5	24M7047	WASHER	2		X X 13X24X2,5MM
6	T27645	NUT	2		X X 1/2"
7	L27167	BUSHING	AR		X X
8	AL33015	ARM	1		X X
9	L35768	BUMPER	2		X X
10	37M7094	SCREW	2		X X 6,3X19MM
11	L25678	BUMPER	1		X X
12	AL39823	SEAT	1		X X (SUB FOR AL33004, AL35636, AL36324)
	AL36893	SEAT	1		X X (A) (B) (SUB FOR AL33005, AL35640)
	AL39915	SEAT	1		X X (A) (C) (SUB FOR AL36460)
13	AL39816	SEAT BACK	1		X X (SUB FOR AL33006, AL35637, AL36555)
	AL36894	CUSHION	1		X X (A) (B) (SUB FOR AL33007, AL35639)
	AL39916	SEAT BACK	1		X X (A) (C) (SUB FOR AL36461)
14	L39087	STRAP	2		X X
15	L39086	RETAINER	2		X X
16	AT56660	RIVET	6		X X
17	24M7146	WASHER	2		X X 4,3X12X1MM
18	L39010	RIVET	2		X X
19	L35768	BUMPER	2		X X
20	AL39939	SUPPORT	1		X X
21	AL39941	ARM	1		X X

(A) WITH OPERATOR'S CAB
 AVEC CABINE
 BEI KABINE
 CON CABINA
 CON CABINA
 VID FORARHYTT

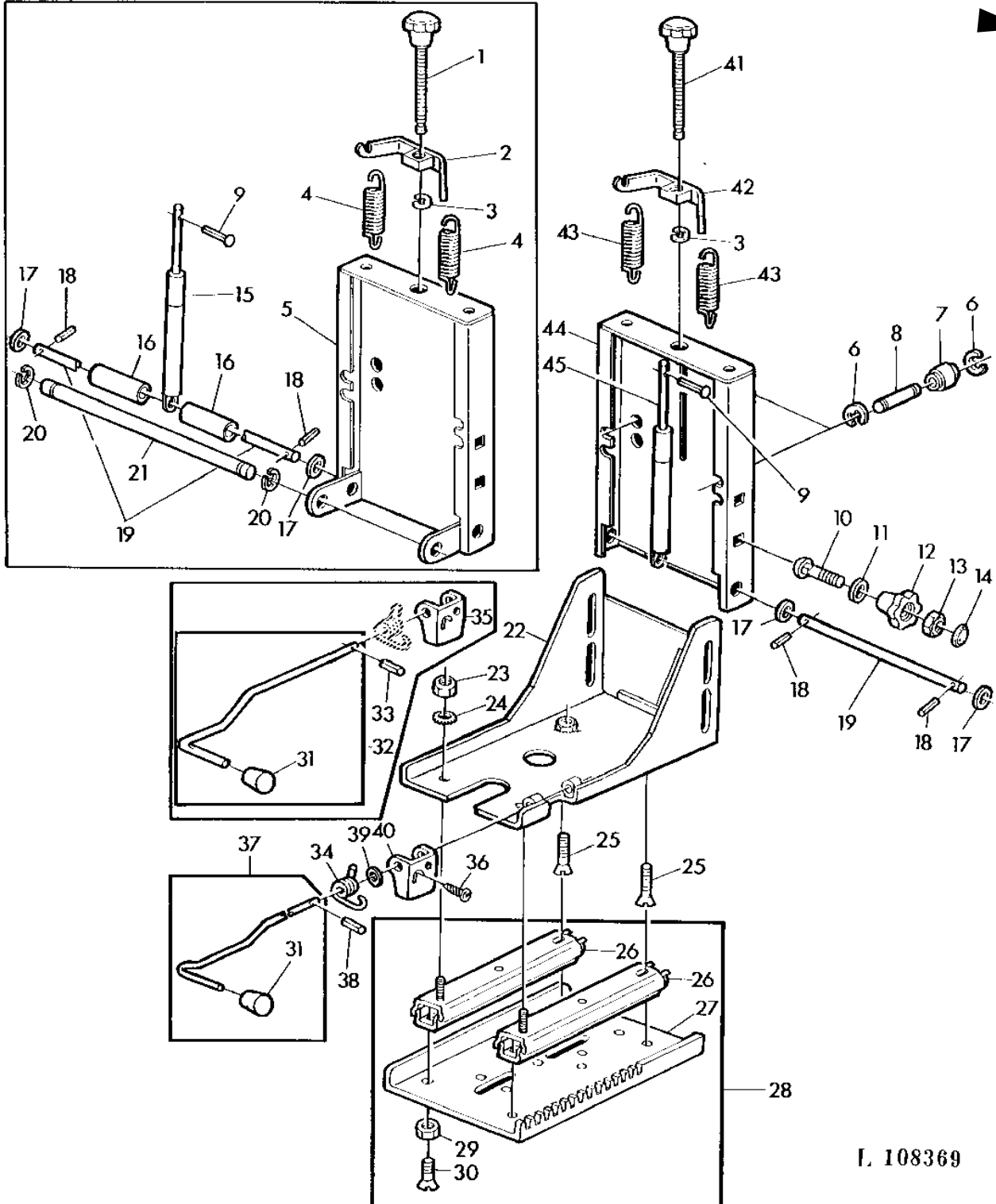
(B) BLACK
 NOIR
 SCHWARZ
 NERO
 NEGRO
 SVART

(C) BROWN
 MARRON
 BRAUN
 MARRONE
 MARRON
 BRUN

4G23

OPERATOR'S CAB

DE-LUXE SEAT
SIEGE DE LUXE
DE-LUXE SITZ
SEDILE DI LUSO
ASIENTO DE LUJO
DELUXE FORARSATE
L108369 -UN-06OCT95



L 108369

4G24

OPERATOR'S CAB

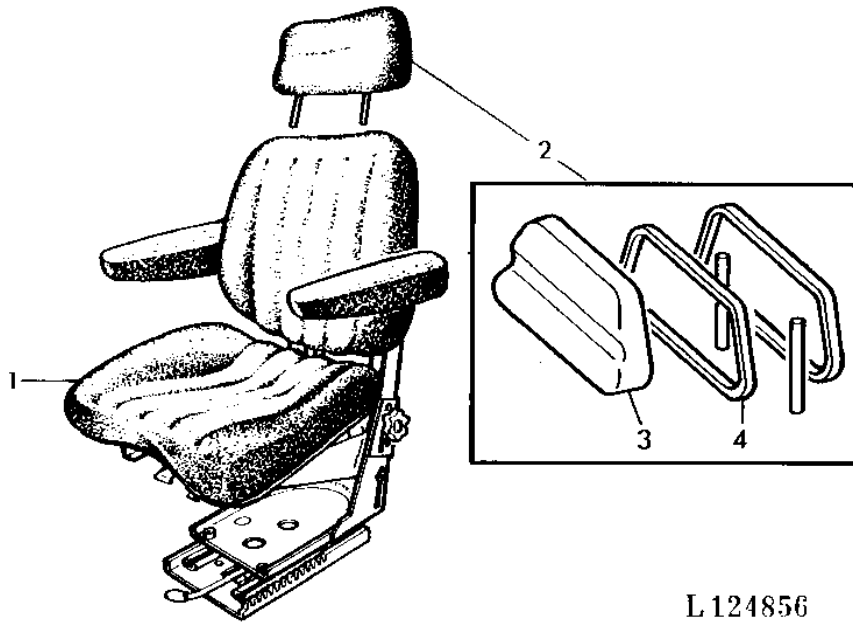
KEY	PART NO.	PART NAME	QTY	SERIAL NO.	REMARKS
					2
					0 2
					4 1
					0 4
					S 0
1	AL33069	SPINDLE	1		X X
2	L28077	RETAINER	1		X X
3	40M7042	SNAP RING	1		X X 7MM
4	L35825	LEAF SPRING	2		X X
5	AL33009	SPRING ASSEMBLY	1		X X
6	40M7041	SNAP RING	4		X X 5MM
7	AL26918	ROLLER	2		X X
8	L31731	PIN	2		X X
9	16M7061	RIVET	1		X X 4X0,5X25
10	03M7099	BOLT	2		X X M10X45
11	24M7149	WASHER	2		X X 10,5X30X2,5MM
12	L29211	HANDLE	2		X X
13	L31730	NUT	2		X X M10
14	L31727	COVER	2		X X
15	AL39942	ABSORBER	1		X X (SUB FOR AL33012)
16	L35770	BUSHING	2		X X
17	24M7044	WASHER	2		X X 13X20X2MM
18	34M3851	SPRING PIN	2		X X 4X24MM
19	L29208	PIN	1		X X
20	40M7030	SNAP RING	2		X X 9MM
21	L35767	PIN	1		X X
22	AL33011	ADJUSTER	1		X X
	AL36326	FRAME	1		X X (A)
23	14M7273	NUT	2		X X M8
24	12M7032	LOCK WASHER	2		X X 8,4MM
25	19M7902	SCREW	2	-XXXX	X X M8X16
	19M7297	CAP SCREW	2	XXXX-	X X M8X12
26	AL33439	RAIL	2		X X
27	L36269	PLATE	1		X X
28	AL33016	ADJUSTER	1		X X
29	L36292	LOCK NUT	4		X X M8
30	19M7924	SCREW	4		X X M8X16 (SUB FOR 21M7172)
31	L34156	KNOB	1		X X
32	AL33013	PIVOT	1		X X (ORD AL36327, L38377, 24M7207, 34M7127)
	AL35638	PIVOT	1		X X (ORD AL36327, 24M7207, 34M7127)
33	34M7116	SPRING PIN	1		X X 3X24MM (SUB FOR 34M7023)
	34M7121	SPRING PIN	1		X X 4X28MM (FOR AL35638)
34	L35769	SPRING	1		X X
35	L35771	PAWL	1		X X (ORD L38377, AL36327,34M7127, 24M7207)
	L38009	PAWL	1		X X (ORD L38377, 24M7207, 34M7127)
36	37M7079	SCREW	1		X X 6,3X13MM
37	AL36327	LEVER	1		X X
38	34M7127	SPRING PIN	1		X X 4X24MM
39	24M7207	WASHER	1		X X 8,4X25X2MM
40	L38377	PAWL	1		X X
41	AL39944	KNOB	1		X X
42	AL39943	RETAINER	1		X X
43	L41593	EXTENSION SPRING	1		X X
44	L41592	SPRING ASSEMBLY	1		X X
45	AL39942	ABSORBER	1		X X

(A) WITH OPERATOR'S CAB
 AVEC CABINE
 BEI KABINE
 CON CABINA
 CON CABINA PARA EL CONDUCTOR
 VID FORARHYTT

4G25

OPERATOR'S CAB

OPERATORS SEAT (WITH CAB)
 SIEGE DE CONDUCTEUR (AVEC CABINE)
 FAHRERSITZ (BEI KABINE)
 SEDILE OPERATORE (CON CABINA)
 ASIENTO DEL OPERADOR (CON CABINA)
 FORARSATE (VID HYTT)
 L124856 -UN-31MAY95



L 124856

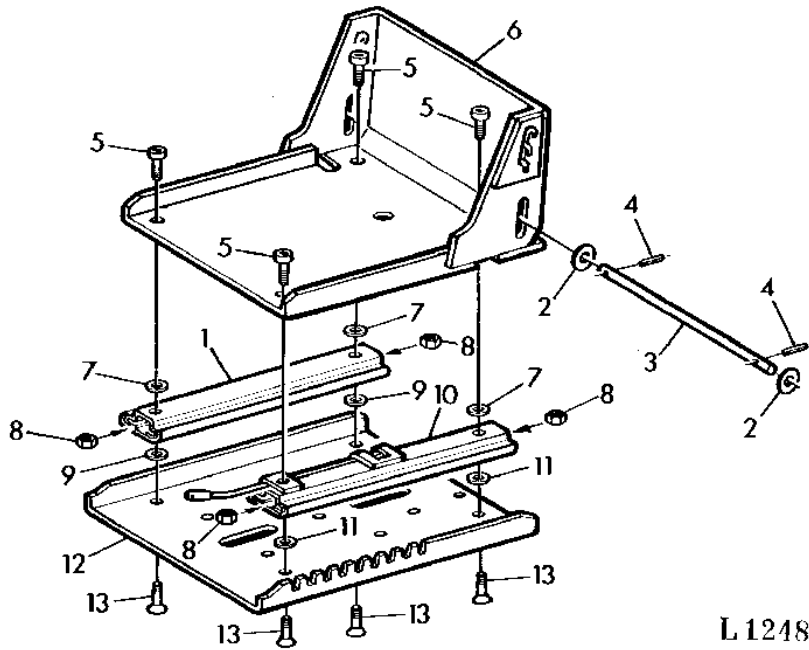
2
 0 2
 4 1
 0 4
 S 0

KEY	PART NO.	PART NAME	QTY	SERIAL NO.	REMARKS
1	AL68098	SEAT	1	X X	GRAMMER DS44/1H-4G,127901
2	AT117130	SEAT BACK	1	X X	
3	AL69471	PAD	1	X X	
4		1	X X	LGTH=900MM (MF L38893)
..	L38893	MOLDING	1	X X	LGTH=1500MM

4H1

OPERATOR'S CAB

OPERATORS SEAT (WITH CAB)
 SIEGE DE CONDUCTEUR (AVEC CABINE)
 FAHRERSITZ (BEI KABINE)
 SEDILE OPERATORE (CON CABINA)
 ASIENTO DEL OPERADOR (CON CABINA)
 FORARSATE (VID HYTT)
 L124857 -UN-30MAY95



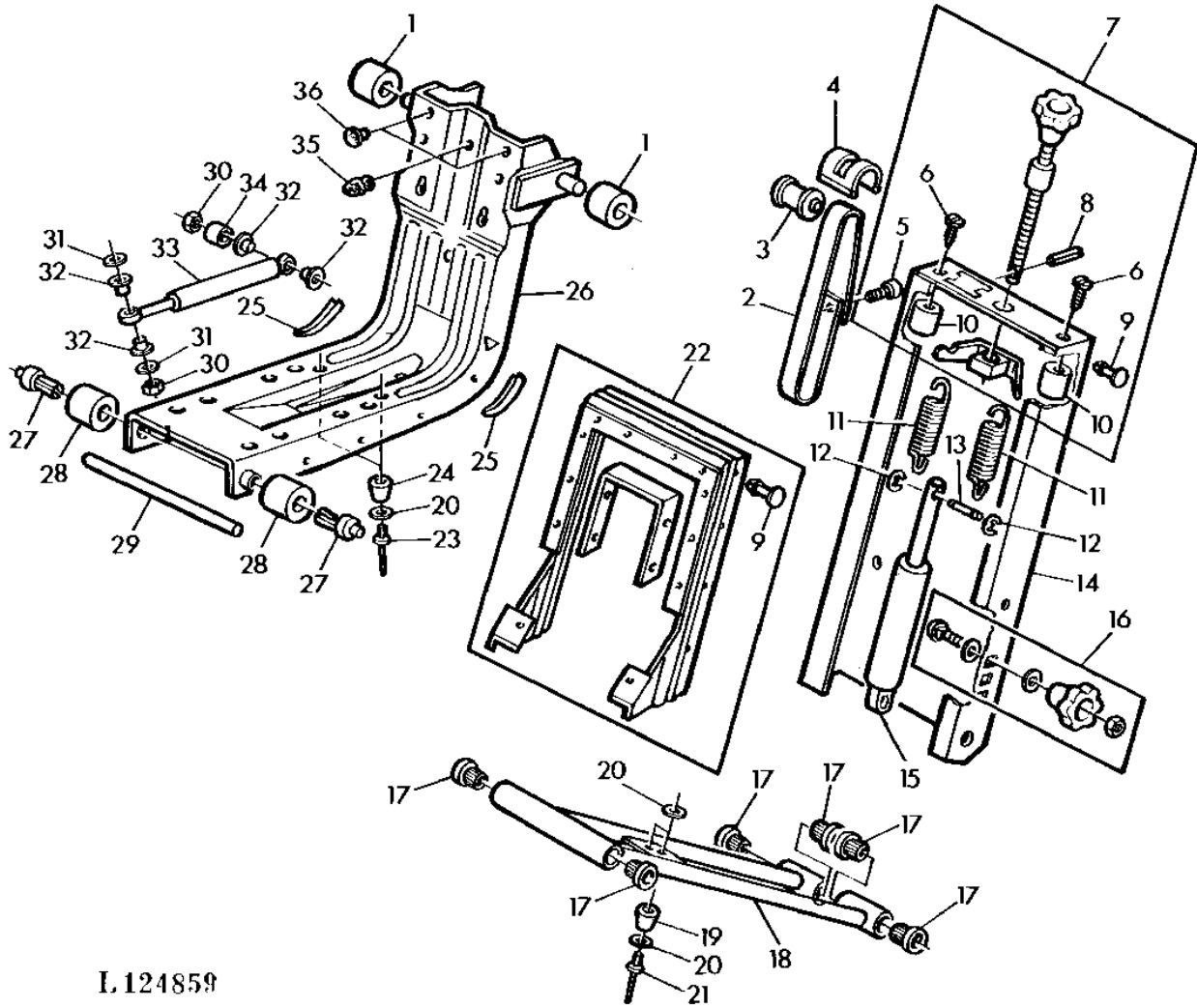
L 124857

KEY	PART NO.	PART NAME	QTY	SERIAL NO.	REMARKS
				2	
				0 2	
				4 1	
				0 4	
				S 0	
1	AL69497	RAIL	1	X X	
2	24M7047	WASHER	2	X X	13X24X2,5MM
3	L29208	PIN	1	X X	
4	34M3851	SPRING PIN	2	X X	4X24MM
5	L62485	SCREW	4	X X	
6	AL69496	ADJUSTER	1	X X	
7	24M7213	WASHER	3	X X	10,5X25X4MM
8	14M7273	NUT	4	X X	M8
9	24M7055	WASHER	2	X X	
10	AL69498	RAIL	1	X X	
11	24M7213	WASHER	2	X X	10,5X25X4MM
12	L36269	PLATE	1	X X	
13	L64703	SCREW	4	X X	

4H2

OPERATOR'S CAB

OPERATORS SEAT (WITH CAB)
SIEGE DE CONDUCTEUR (AVEC CABINE)
FAHRERSITZ (BEI KABINE)
SEDILE OPERATORE (CON CABINA)
ASIENTO DEL OPERADOR (CON CABINA)
FORARSATE (VID HYTT)
L124859 -UN-31MAY95



L124859

4H3

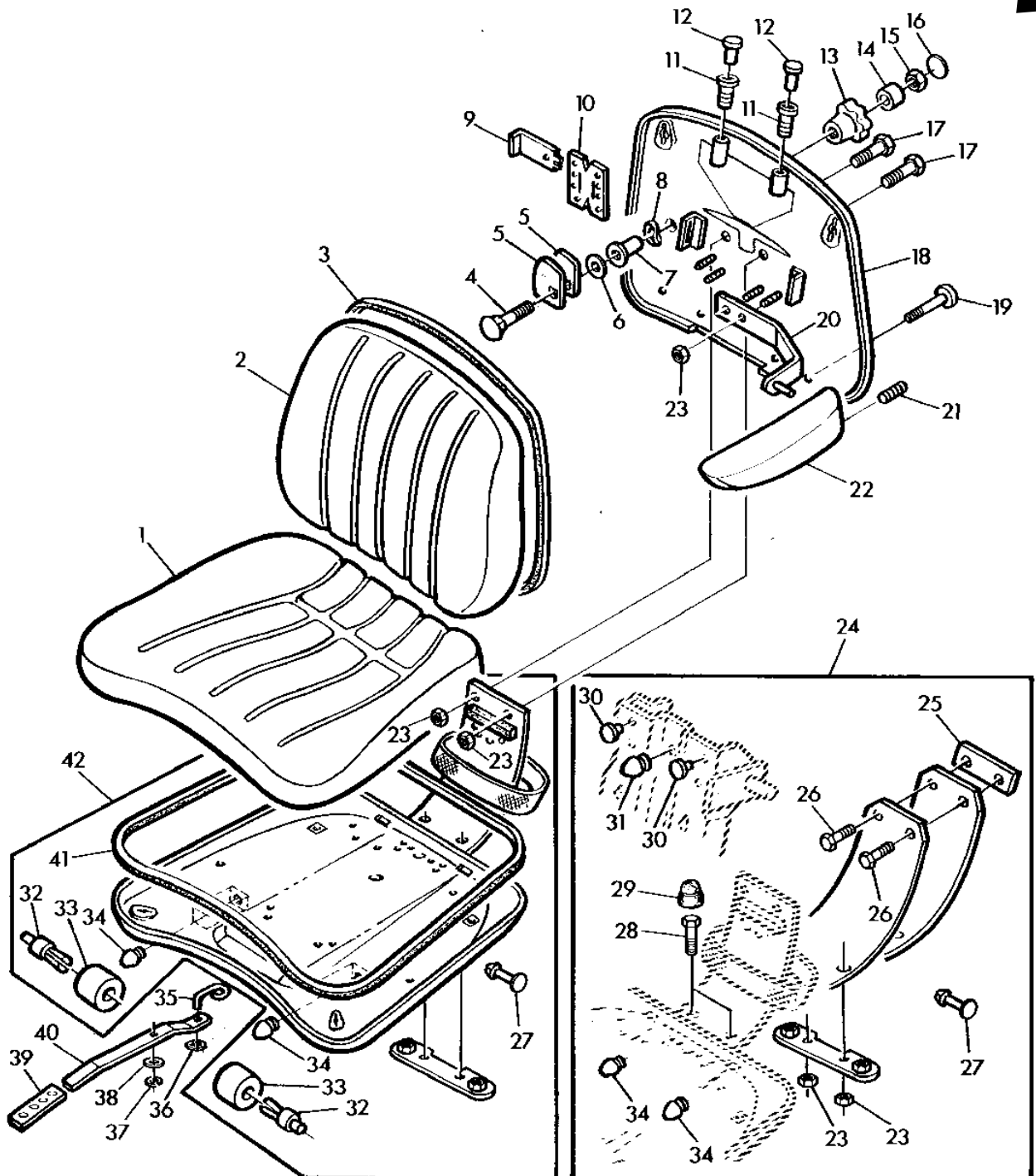
OPERATOR'S CAB

KEY	PART NO.	PART NAME	QTY	SERIAL NO.	REMARKS
				2	
				0 2	
				4 1	
				0 4	
				S 0	
1	L58197	ROLLER	2		
2	L64696	LABEL	1		
3	L38851	ROLLER	1		
4	L38847	GUIDE	1		
5	L64695	PLUG	1		
6	37M7070	SCREW	2		4,8X22MM
7	AL69480	SPINDLE	1		
8	34M7159	SPRING PIN	1		3X12MM
9	L38892	PLUG	20		
10	L64697	BUMPER	2		
11	L58194	SPRING	2		
12	40M7000	SNAP RING	2		4X0,6MM
13	L64698	PIN	1		
14	AL69494	SPRING ASSEMBLY	1		
15	AL69495	DASHPOT	1		
16	AL69481	HANDLE	2		
17	L27167	BUSHING	6		
18	AL65860	ARM	1		
19	L42040	BUMPER	2		
20	24M7146	WASHER	6		4,3X12X1MM
21	16M7107	RIVET	2		4X20MM
22	AL69475	BOOT	1		
23	AT56660	RIVET	2		
24	L58198	BUSHING	2		
25		2		LGTH=140MM (MF L38893)
26	AL69476	DRIVER	1		
27	L64687	RIVET	2		
28	L64688	ROLLER	2		
29	L64689	PIN	1		
30	14M7165	LOCK NUT	2		M6
31	24M7055	WASHER	2		8,4X17X1,6MM
32	L63578	BUSHING	4		
33	AL67921	DASHPOT	1		
34	28H5	WASHER	1		
35	L25678	BUMPER	1		
36	L62135	BUMPER	2		
..	L38893	MOLDING	1		LGTH=1500MM

4H4

OPERATOR'S CAB

OPERATORS SEAT (WITH CAB)
SIEGE DE CONDUCTEUR (AVEC CABINE)
FAHRERSITZ (BEI KABINE)
SEDILE OPERATORE (CON CABINA)
ASIENTO DEL OPERADOR (CON CABINA)
FORARSATE (VID HYTT)
L124860 -UN-31MAY95



L124860

4H5

OPERATOR'S CAB

KEY	PART NO.	PART NAME	QTY	SERIAL NO.	REMARKS
				2	
				0 2	
				4 1	
				0 4	
				S 0	
1	AL69466	CUSHION	1		
2	AL69465	CUSHION	1		
3		1		
4	03M7099	BOLT	1		
5	L64677	ECCENTRIC	2		M10X45
6	24M7213	WASHER	1		10,5X25X4MM
7	L36255	WASHER	1		
8	L36253	LOCK WASHER	1		
9	L64678	PLATE	1		
10	L38882	PLATE	1		
11	L64675	BUSHING	2		
12	L34887	PLUG	2		
13	L29211	HANDLE	1		
14	L64679	SPACER	1		
15	14M7393	LOCK NUT	1		M10
16	L31727	COVER	1		
17	19M8058	CAP SCREW	2		M8X16
18	AL69472	PLATE	1		
19	L64674	SCREW	2		
20	AL69468	HOLDER	1		L.H.
	AL69467	HOLDER	1		R.H.
21	22M7098	SET SCREW	2		M10X25
22	AL66514	ARMREST	1		L.H.
	AL66513	ARMREST	1		R.H.
23	14M7426	LOCK NUT	AR		M8
24	AL69474	SPRING	1		
25	L64682	PLATE	1		
26	19M7162	CAP SCREW	2		M8X18
27	L38892	PLUG	20		
28	19M7881	SCREW	2		M8X20
29	L64680	NUT	2		
30	L62135	BUMPER	2		
31	L25678	BUMPER	1		
32	L64687	RIVET	2		
33	L64688	ROLLER	2		
34	L64685	BUMPER	2		
35	L64692	HOOK	1		
36	L57420	REINFORCEMENT	1		
37	40M7040	SNAP RING	1		
38	L61477	WASHER	1		6MM
39	L64691	GRIP	1		
40	L64693	LEVER	1		
41	L38893	MOLDING	1		LGTH=1500MM
42	AL69477	PLATE	1		

4H6

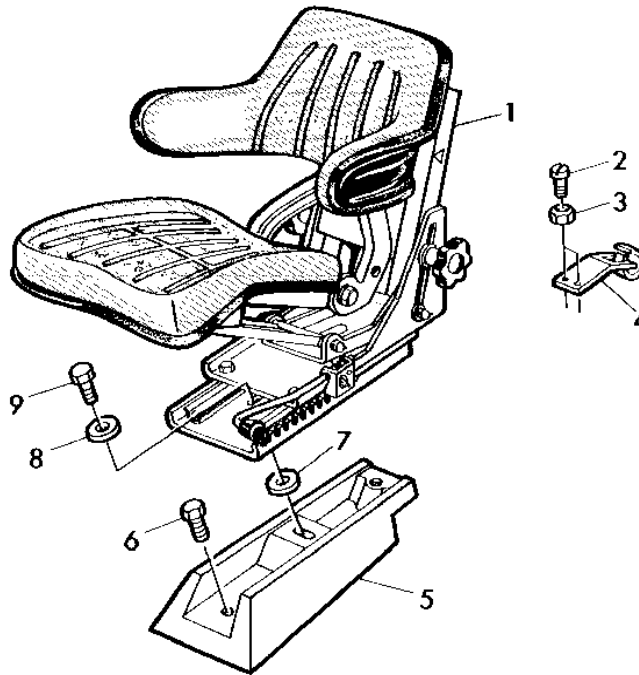
OPERATOR'S CAB

MEMORANDA
MEMORANDA
MEMORANDA
MEMORANDA
MEMORANDA

4H7

OPERATOR'S CAB

DE-LUXE SEAT WITH ANGLED SUPPORT
 SIEGE DE LUXE/SUPPORT INCLINE
 DE-LUXE SITZ/SCHRAEGAUFBAU
 SEDILE DI LUSSO/INCLINATO
 ASIENTO DE LUJO/INCLINADO
 DELUXE FORARSATE/SNED SITSFUNDAMENT
 L34877 -UN-06OCT95



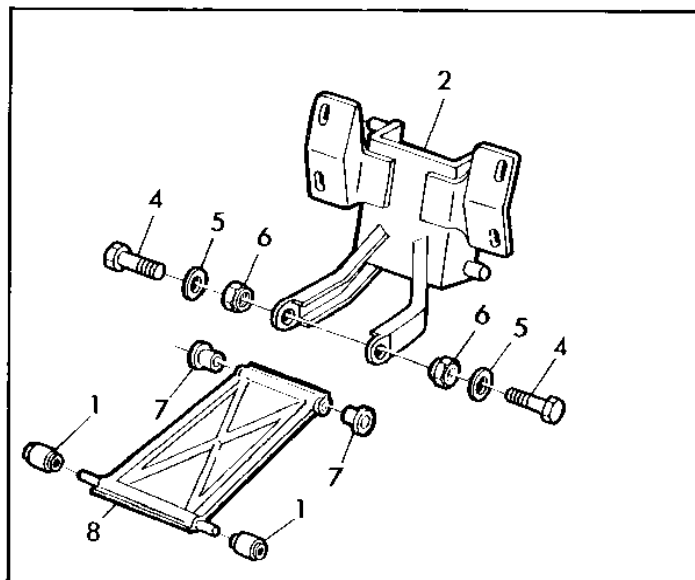
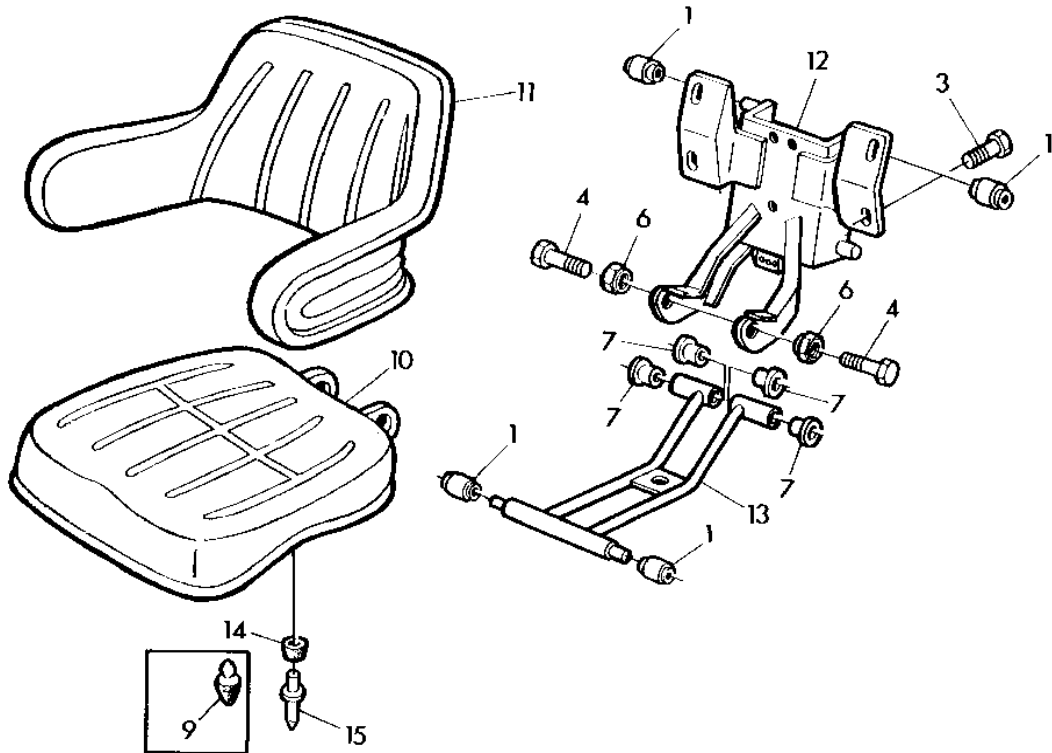
L 34877

KEY	PART NO.	PART NAME	QTY	SERIAL NO.	REMARKS
1	AL39913	SEAT	1	X X	GRAMMER DS44/2H-4 (SUB FOR AL31842, AL35635, AL36556) GRAMMER DS20L2H
2	21H1331	SCREW	2	X X	5/16"X1"
3	14H785	NUT	2	X X	5/16"
4	AL23433	RETAINER	1	X X	
5	L30200	SUPPORT	1	X	
6	19H1831	CAP SCREW	2	X	1/2"X2"
7	24H1254	WASHER	2	X	17/32"X1-1/8"X.105"
8	24H1349	WASHER	2	X X	9/16"X1-1/4"X.134"
9	19H2898	CAP SCREW	2	X X	1/2"X1-1/4"

4H8

OPERATOR'S CAB

DE-LUXE SEAT WITH ANGLED SUPPORT
SIEGE DE LUXE SUPPORT INCLINE
DE-LUXE SITZ/SCHRAEGAUFBAU
SEDILE DI LUSO/SUPPORTO INCLINATO
ASIENTO DE LUJO/SOPORTE INCLINADO
DELUXE FORARSATE/SNED SITSFUNDAMENT
L108338 -UN-06OCT95



L 108338

4H9

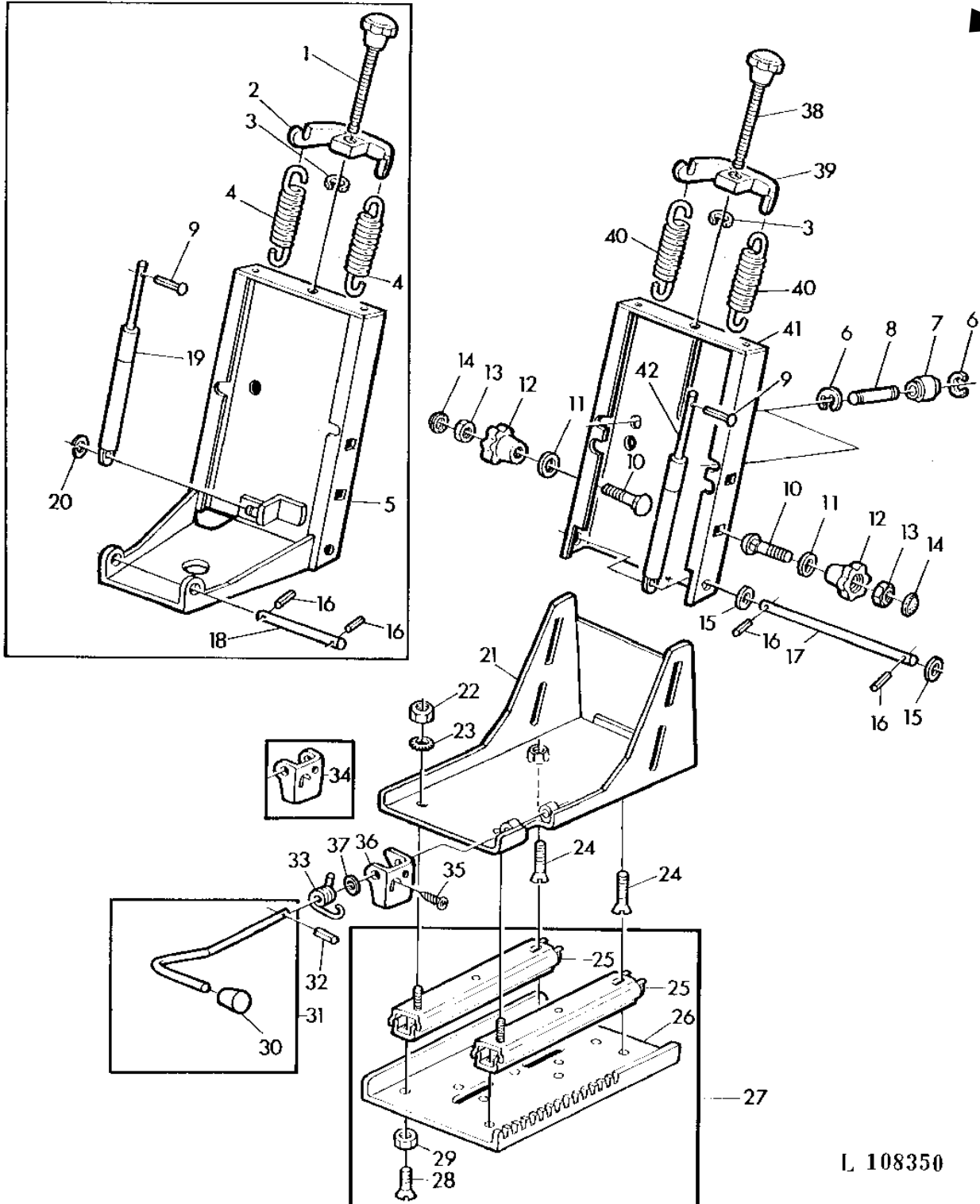
OPERATOR'S CAB

KEY	PART NO.	PART NAME	QTY	SERIAL NO.	REMARKS
				2	
				0 2	
				4 1	
				0 4	
				S 0	
1	L25686	ROLLER	4		X X
2	AL24169	SUPPORT	1		X X
3	19H1813	CAP SCREW	4		X X 5/16"X5/8"
4	19H1792	CAP SCREW	2		X X 1/2"X1"
5	24M7047	WASHER	2		X X 13X24X2,5MM
6	T27645	NUT	2		X X 1/2"
7	L27167	BUSHING	2		X X
8	AL24164	SEAT	1		X X
9	L25678	BUMPER	1		X X
10	AL39823	SEAT	1		X X (SUB FOR AL33004, AL35636, AL36324)
11	AL39816	SEAT BACK	1		X X (SUB FOR AL33006, AL35637, AL36555)
12	AL39940	SUPPORT	1		X X
13	AL39941	ARM	1		X X
14	L35768	BUMPER	1		X X
15	L39010	RIVET	1		X X

4H10

OPERATOR'S CAB

DE-LUXE SEAT WITH ANGLED SUPPORT
SIEGE DE LUXE/SUPPORT INCLINE
DE-LUXE SITZ/SCHRAEGAUFBAU
SEDILE DI LUSO/INCLINATO
ASIENTO DE LUJO/INCLINADO
DELUXE FORARSATE/SNED SITSFUNDAMENT
L108350 -UN-06OCT95



L 108350

4H11

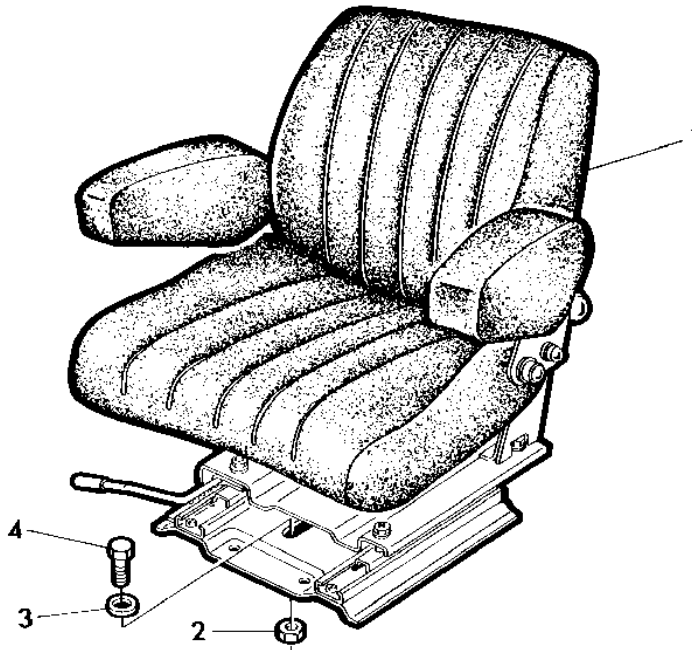
OPERATOR'S CAB

KEY	PART NO.	PART NAME	QTY	SERIAL NO.	REMARKS
				2	
				0 2	
				4 1	
				0 4	
				S 0	
1	AL33069	SPINDLE	1	X X	
2	L28077	RETAINER	1	X X	
3	40M7042	SNAP RING	1	X X	7MM
4	L35825	LEAF SPRING	2	X X	
5	AL30692	HOUSING	1	X X	
6	40M7041	SNAP RING	4	X X	5MM
7	AL26918	ROLLER	2	X X	
8	L31731	PIN	2	X X	
9	16M7061	RIVET	1	X X	4X0,5X25
10	03M7099	BOLT	2	X X	M10X45
11	24M7149	WASHER	2	X X	10,5X30X2,5MM
12	L29211	HANDLE	2	X X	
13	L31730	NUT	2	X X	M10
14	L31727	COVER	2	X X	
15	24M7044	WASHER	2	X X	13X20X2MM
16	34M3851	SPRING PIN	4	X X	4X24MM
17	L29208	PIN	1	X X	
18	L29209	PIN	1	X X	
19	AL24165	ABSORBER	1	X X	
20	L27166	SNAP RING	1	X X	10MM
21	AL33010	ADJUSTER	1	X X	
22	14M7273	NUT	2	X X	M10
23	12M7032	LOCK WASHER	2	X X	8,4MM
24	19M8366	CAP SCREW	2	X X	8X12MM
25	AL33439	RAIL	2	X X	
26	L36269	PLATE	1	X X	
27	AL33016	ADJUSTER	1	X X	
28	19M7924	SCREW	4	X X	M8X16 (SUB FOR 21M7172)
29	L36292	LOCK NUT	4	X X	M8 (SUB FOR 14M7273)
30	L34156	KNOB	1	X X	
31	AL33014	PIVOT	1	X X	(ORD AL35641, L38377, 24M7207, 34M7127)
	AL35641	LEVER	1	X X	
32	34M7116	SPRING PIN	1	X X	3X24MM (SUB FOR 34M7023)(FOR AL33014)
	34M7127	SPRING PIN	1	X X	4X24MM
33	L35769	SPRING	1	X X	
34	L35771	PAWL	1	X X	(ORD L38377, AL35641, 34M7127, 24M7207)
	L38009	PAWL	1	X X	(ORD L38377, 34M7127, 24M7207)
35	37M7079	SCREW	1	X X	6,3X13MM
36	L38377	PAWL	1	X X	
37	24M7207	WASHER	1	X X	8,4X25X2MM
38	AL39944	KNOB	1	X X	
39	AL39943	RETAINER	1	X X	
40	L38825	EXTENSION SPRING	2	X X	(SUB FOR L41593, L61554)
41	L41591	SPRING ASSEMBLY	1	X X	
42	AL39942	ABSORBER	1	X X	

4H12

OPERATOR'S CAB

DE-LUXE SEAT WITH ADJUSTABLE ARM RESTS (W/CAB)
 SIEGE DE LUXE AVEC ACCOUDOIRS REGLABLES (CABINE)
 DE-LUXE SITZ MIT VERSTELLB.ARMLEHNEN (KABINE)
 SEDILE DI LUSSO CON BRACCIOLI REGOLABILI (CABINA)
 ASIENTO DE LUJO CON REPOSABRAZOS REGULABLES (CABINA)
 DELUXE FORARSATE MED JUSTERBARA ARMSTODERNA (VID FORARHYTT)
 L22722 -UN-09OCT95



1, 22722

2
0 2
4 1
0 4
S 0

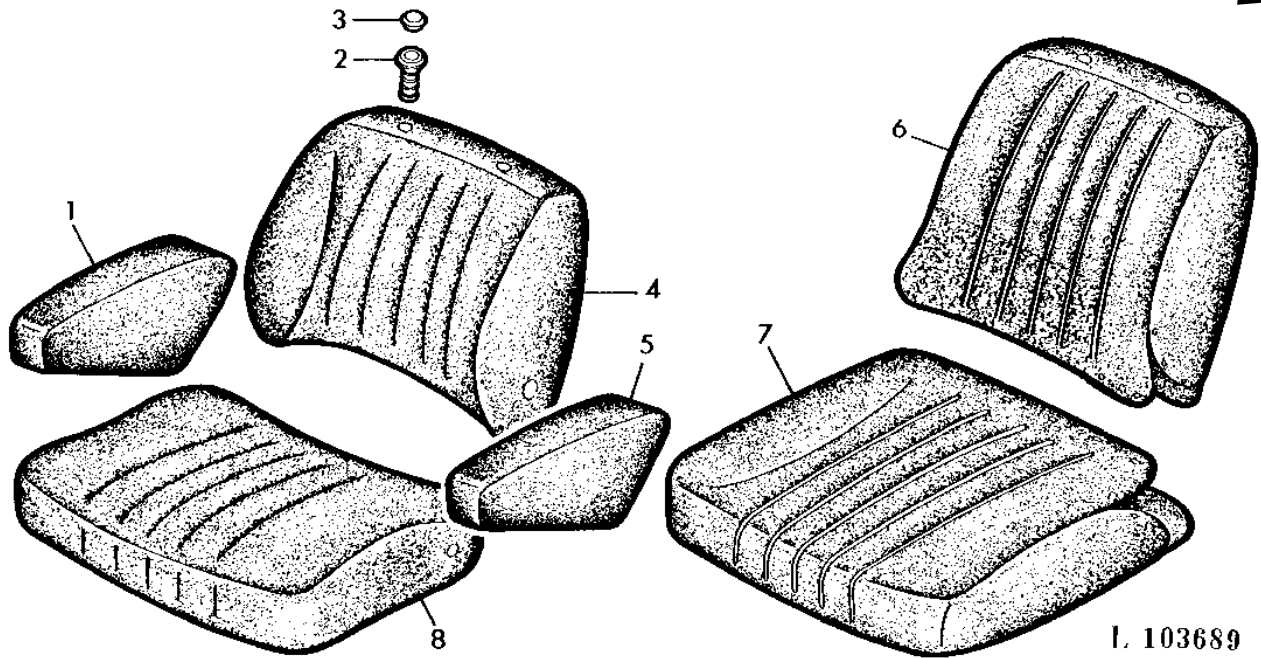
KEY	PART NO.	PART NAME	QTY	SERIAL NO.	REMARKS
1	AL31948	SEAT	1	X X	GRAMMAR DS90H/A (ORD L68098)
2	14H1040	NUT	2	X X	1/2"
3	24H1349	WASHER	2	X X	9/16"X1-1/4"X.134"
4	19H2898	CAP SCREW	2	X X	1/2"X1-1/4"

4H13

OPERATOR'S CAB

DE-LUXE SEAT WITH ADJUSTABLE ARM RESTS(W/CAB)
 SIEGE DE LUXE AVEC ACCOUDOIRS REGLABLES(CABINE)
 DE-LUXE SITZ MIT VERSTELLB.ARMLEHNEN(KABINE)
 SEDILE DI LUSO CON BRACCIO.I REGUL.(CABINA)
 ASIEN TO DE LUJO CON REPOSABRAZOS REGUL.(CABINA)
 DELUXE FORARSATE MED JUSTERBARA ARMSTODER(VID FORARHYTT)

L103689 -UN-06OCT95



L. 103689

2
0 2
4 1
0 4
S 0

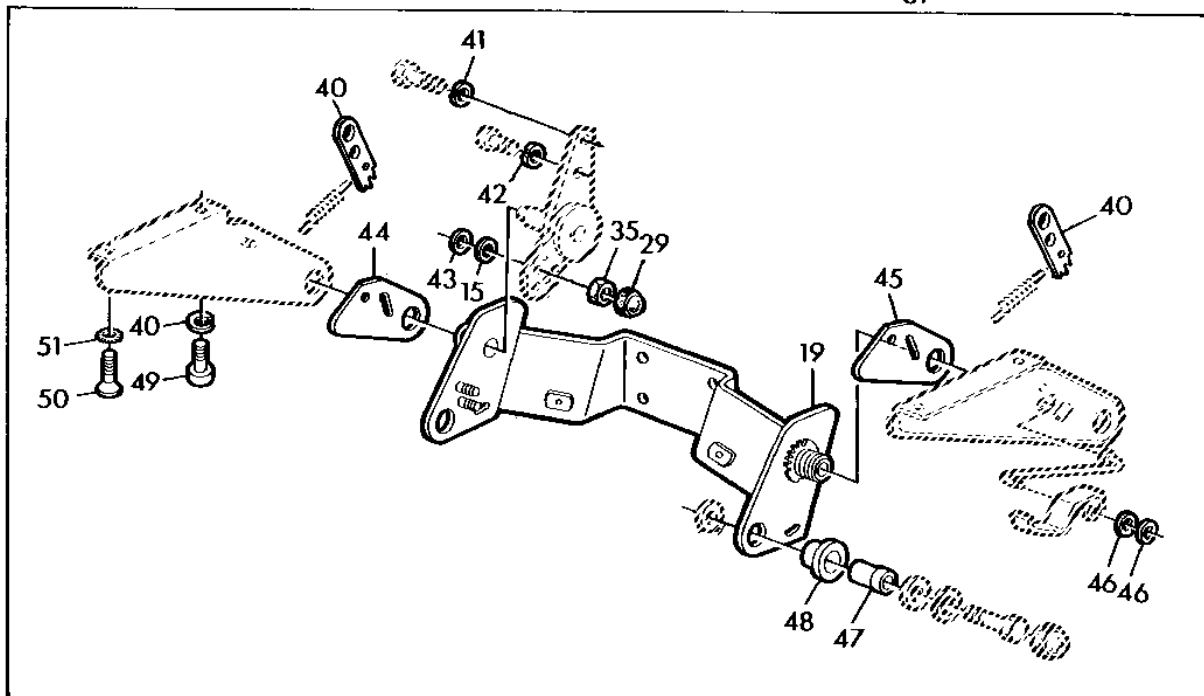
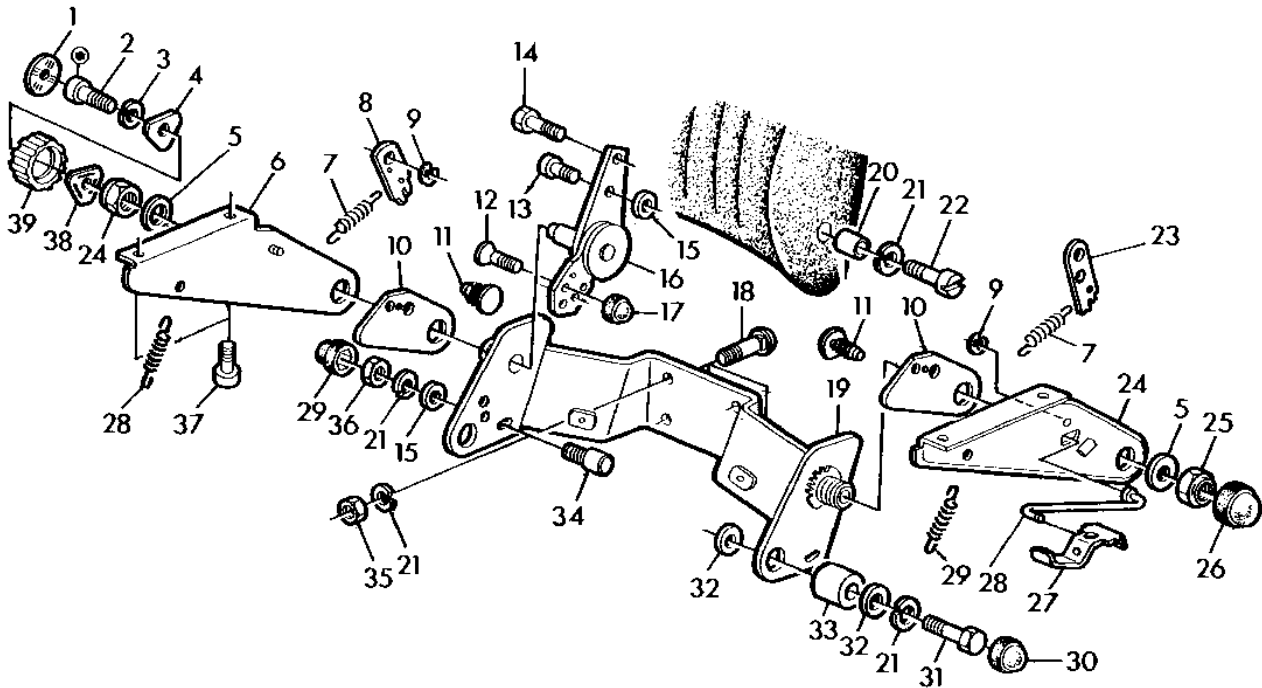
KEY	PART NO.	PART NAME	QTY	SERIAL NO.	REMARKS
1	AL33438	ARMREST	1	X X	(ORD AL33437)
2	L39750	BUSHING	2	X X	(SUB FOR L32914)
3	L39751	PLUG	2	X X	
4	AL31945	SEAT BACK	1	X X	
5	AL33437	ARMREST	2	X X	
6	AL32074	CUSHION COVER	1	X X	
7	AL32075	CUSHION COVER	1	X X	
8	AL31946	PAD	1	X X	

4H14

OPERATOR'S CAB

DE-LUXE SEAT WITH ADJUSTABLE ARM RESTS (W/CAB)
SIEGE DE LUXE AVEC ACCOUDOIRS REGLABLES(CABINE)
DE-LUXE SITZ MIT VERSTELLB.ARMLEHNEN(KABINE)
SEDILE DI LUSO CON BRACCIOLI REGUL.(CABINA)
ASIENTO DE LUJO CON REPOSABRAZOS REGUL.(CABINA)
DELUXE FORARSATE MED JUSTERBARA ARMSTODER (VID FORARHYTT)

L103690 -UN-06OCT95



L 103690

4H15

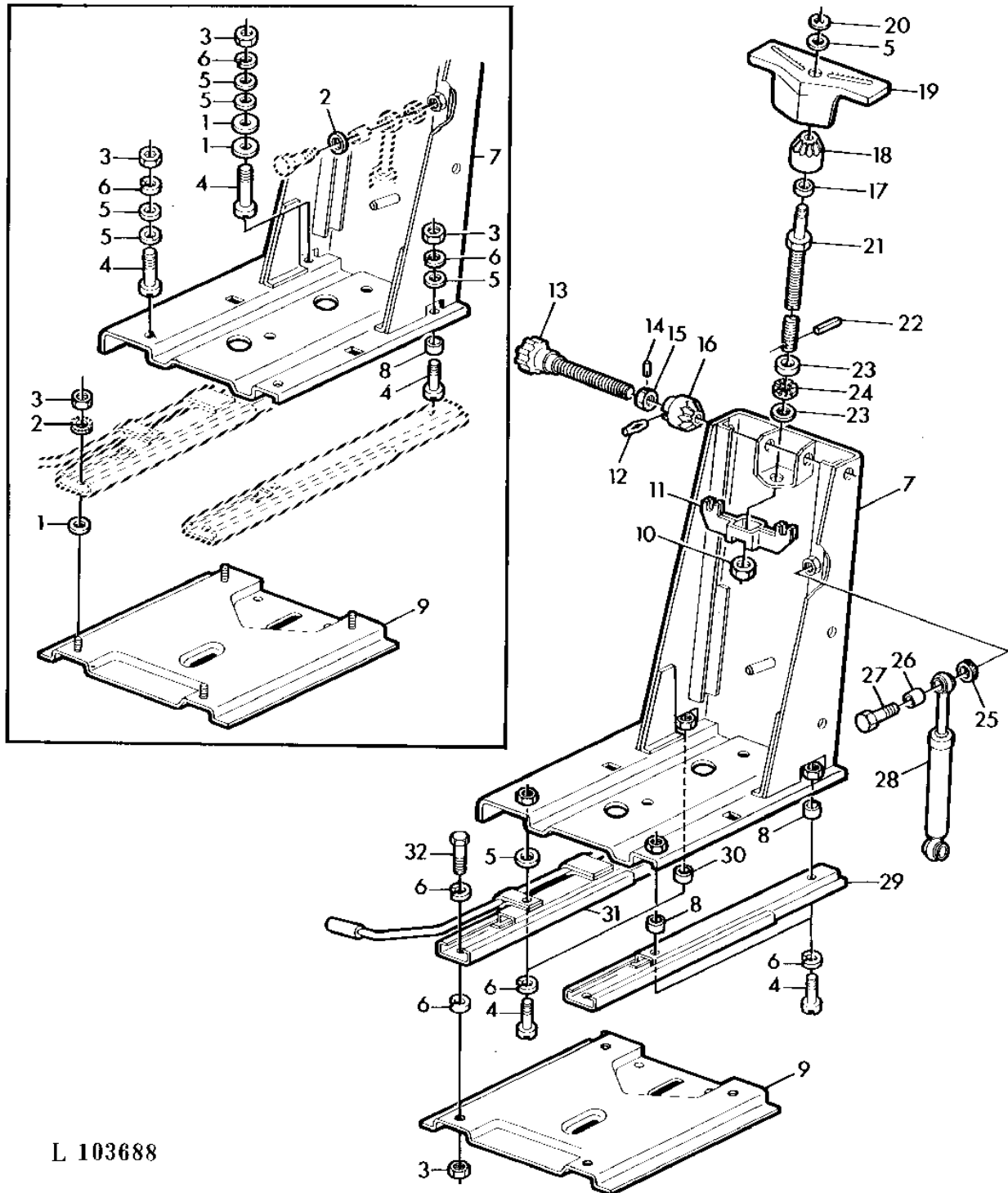
OPERATOR'S CAB

KEY	PART NO.	PART NAME	QTY	SERIAL NO.	REMARKS
				2	
				0 2	
				4 1	
				0 4	
				S 0	
1	L32906	COVER	1	X X	
2	19M7723	SCREW	1	X X	M6X10
3	12M7012	LOCK WASHER	1	X X	6MM
4	L32882	PLATE	1	X X	
5	24M7052	WASHER	2	X X	25MM
6	AL28574	BRACKET	1	X X	R.H.
7	L32908	EXTENSION SPRING	2	X X	
8	L39762	PAWL	1	X X	R.H.
9	40M7042	SNAP RING	2	X X	7MM
10	L39759	PLATE	2	X X	
11	L38892	PLUG	2	X X	
12	21M7156	SCREW	2	X X	M8X20
13	L39755	CAP SCREW	1	X X	M8X20
14	19M7288	CAP SCREW	1	X X	M8X30
15	24M7028	WASHER	AR	X X	10,5X21X2MM
16	AL28570	ARRESTOR	1	X X	
17	14M7226	NUT	2	X X	M8
18	L32897	SCREW	4	X X	M10X22
19	AL28564	SUPPORT	1	X X	
20	L32900	SLEEVE	1	X X	
21	12M7013	LOCK WASHER	8	X X	10MM
22	21M7234	SCREW	1	X X	M10X40
23	L39757	PAWL	1	X X	L.H.
24	AL28577	BRACKET	1	X X	L.H.
25	14M7174	LOCK NUT	2	X X	M24
26	L32904	CAP	1	X X	
27	L39752	LEVER	2	X X	(SUB FOR AL28575)
28	L39753	HOOK	2	X X	(SUB FOR L32910)
29	L38854	SPRING	2	X X	
30	L32903	CAP	AR	X X	
31	19M7724	CAP SCREW	2	X X	M10X45
32	24M7178	WASHER	4	X X	10,5MM (SUB FOR 24M7149 APPL)
33	L39760	BUSHING	2	X X	
34	L36268	SCREW	2	X X	M10X22,5
35	14M7140	NUT	AR	X X	M10
36	14M7167	LOCK NUT	AR	X X	M10
37	19M7924	SCREW	4	X X	M8X16
38	L32881	WASHER	1	X X	
39	L32883	HANDLE	1	X X	
40	L32909	PAWL	2	X X	
41	12M7078	LOCK WASHER	1	X X	8,4MM
42	12M7008	LOCK WASHER	3	X X	8MM
43	24M7213	WASHER	2	X X	10,5MM
44	L32907	PLATE	1	X X	RH (ORD AL39759)
45	L32911	PLATE	1	X X	LH (ORD AL39759)
46	40M7000	SNAP RING	2	X X	2,3X0,6MM
47	L32899	SLEEVE	2	X X	
48	L32884	WASHER	2	X X	
49	21M7030	SCREW	2	X X	M8X20
50	21M7235	SCREW	2	X X	M8X10
51	12M7082	LOCK WASHER	2	X X	8,4MM

4H16

OPERATOR'S CAB

DE-LUXE SEAT WITH ADJUSTABLE ARM RESTS (W/CAB)
SIEGE DE LUXE AVEC ACCOUDOIRS REGLABLES(CABINE)
DE-LUXE SITZ MIT VERSTELLB.ARMLEHNEN(KABINE)
SEDILE DI LUSO CON BRACCIOLI REGUL.(CABINA)
ASIENTO DE LUJO CON REPOSABRAZOS REGUL.(CABINA)
DELUXE FORARSATE MED JUSTERBARA ARMSTODER (VID FORARHYTT)
L103688 -UN-06OCT95



L 103688

4H17

OPERATOR'S CAB

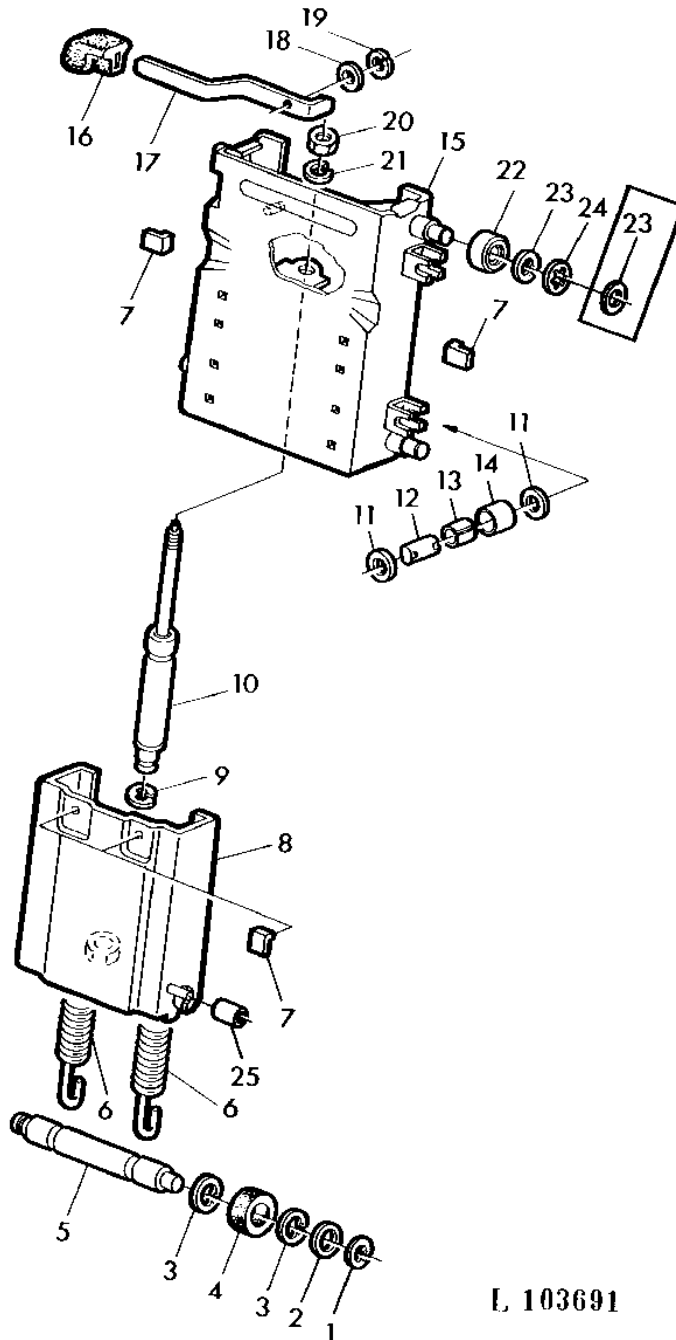
KEY	PART NO.	PART NAME	QTY	SERIAL NO.	REMARKS
				2	
				0 2	
				4 1	
				0 4	
				S 0	
1	24M7207	WASHER	AR	X X	8,4X25X2
2	12M7078	LOCK WASHER	5	X X	8,4MM
3	14M7273	NUT	AR	X X	M8
4	21M7096	BOLT	4	X X	8X25MM
5	24M7055	WASHER	AR	X X	8,4X17X1,6MM
6	12M7008	LOCK WASHER	AR	X X	8MM
7	AL28573	SPRING ASSEMBLY	1	X X	
8	L32913	WASHER	2	X X	
9	AL28582	BRACKET	1	X X	
10	14M7140	NUT	1	X X	M10
11	AL28569	RETAINER	1	X X	
12	25M7019	GROOVE PIN	1	X X	4X24MM
13	AL28561	ADJUSTER	1	X X	
14	25M7018	GROOVE PIN	1	X X	4X16MM
15	L32905	NUT	1	X X	
16	L32886	GEAR	1	X X	
17	L32895	WASHER	1	X X	
18	L32887	GEAR	1	X X	
19	L32889	COVER	1	X X	
20	40M7042	SNAP RING	1	X X	7MM
21	AL28565	SET SCREW	1	X X	
22	34M7094	SPRING PIN	1	X X	4X16MM
23	JD39072	THRUST WASHER	2	X X	
24	JD39071	THRUST BEARING	1	X X	
25	L32893	WASHER	1	X X	
26	L32896	BUSHING	1	X X	
27	19M7288	CAP SCREW	1	X X	M8X30
28	AL28568	ABSORBER	1	X X	
29	AL28559	RAIL	1	X X	
30	L39754	WASHER	1	X X	R.H.,REAR
31	AL28560	ADJUSTER	1	X X	
32	19M7162	CAP SCREW	2	X X	M8X16,L.H.
	19M7139	CAP SCREW	2	X X	M8X20,R.H.

4H18

OPERATOR'S CAB

DE-LUXE SEAT WITH ADJUSTABLE ARM RESTS (W/CAB)
SIEGE DE LUXE AVEC ACCOUDOIRS REGLABLES(CABINE)
DE-LUXE SITZ MIT VERSTELLB.ARMLEHNEN(KABINE)
SEDILE DI LUSSO CON BRACCIOLI REGUL.(CABINA)
ASIENTO DE LUJO CON REPOSABRAZOS REGUL.(CABINA)
DELUXE FORARSATE MED JUSTERBARA ARMSTODER (VID FORARHYTT)

L103691 -UN-06OCT95



L 103691

4H19

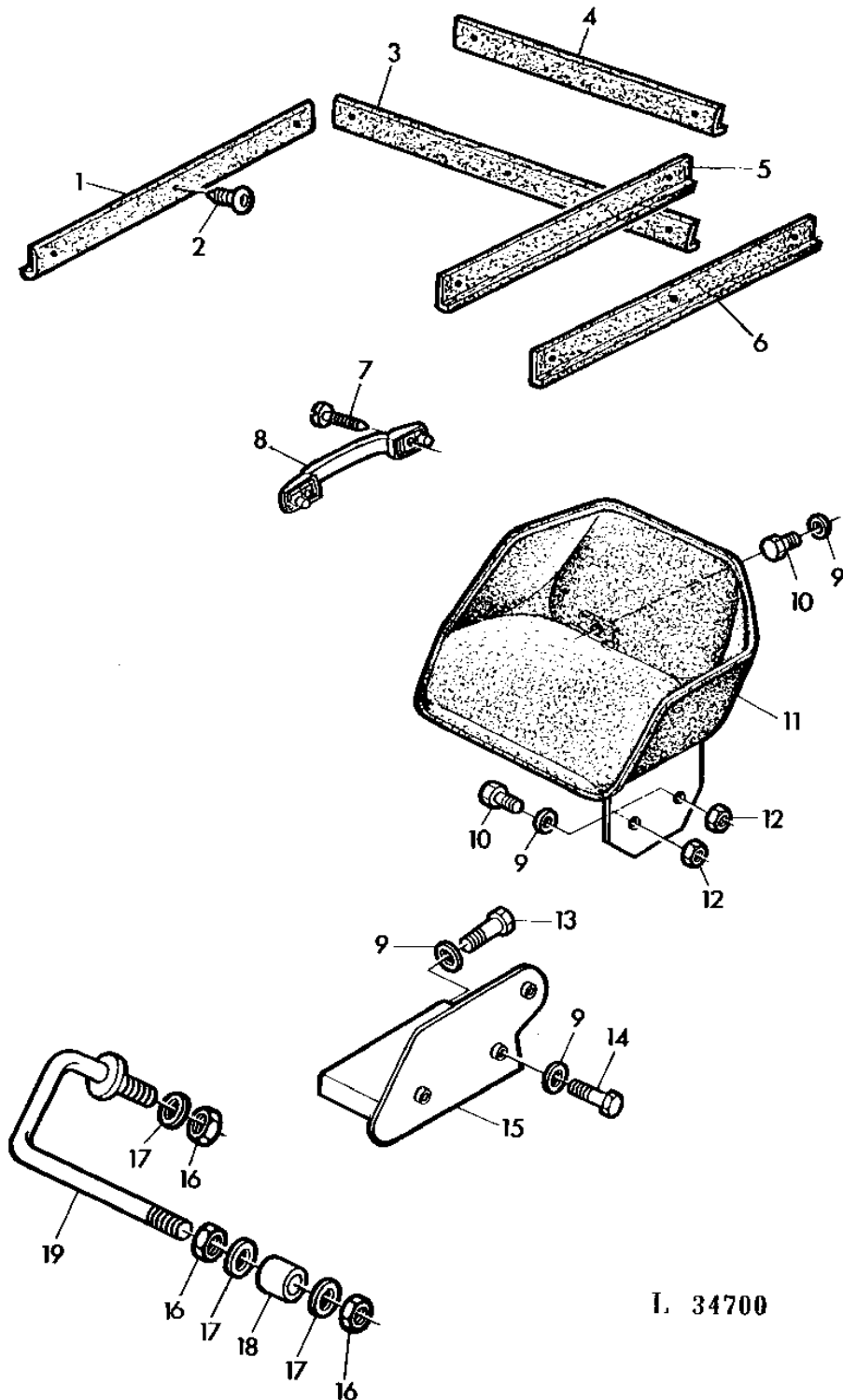
OPERATOR'S CAB

KEY	PART NO.	PART NAME	QTY	SERIAL NO.	REMARKS
				2	
				0 2	
				4 1	
				0 4	
				S 0	
1	40M7030	SNAP RING	1	X X	9MM
2	24M7047	WASHER	1	X X	13MM
3	40M7055	RING	2	X X	16X1,5MM
4	L32894	ISOLATOR	1	X X	
5	L32901	SHAFT	1	X X	
6	L32892	SPRING	2	X X	
7	L32888	RAIL	4	X X	
8	AL28563	DRIVER	1	X X	
9	40M1821	SNAP RING	1	X X	15X1MM
10	AL28566	ABSORBER	1	X X	
11	L32912	WASHER	8	X X	12,4X18X1,5MM
12	L32902	PIN	4	X X	
13	L32915	BEARING RACE	4	X X	
14	L32891	BUSHING	4	X X	
15	AL28562	DRIVER	1	X X	
16	L32885	GRIP	1	X X	
17	L32890	LEVER	1	X X	
18	24M7055	WASHER	1	X X	8,4X17X1,6MM
19	40M7042	SNAP RING	1	X X	7MM
20	14M7361	NUT	1	X X	M10
21	12M7013	LOCK WASHER	1	X X	10MM
22	AL28567	BALL BEARING	4	X X	
23	40M7054	RING	4	X X	12X1,2MM
24	L39761	SNAP RING	4	X X	
25	L39756	WASHER	1	X X	

4H20

OPERATOR'S CAB

PASSENGER SEAT (WITH CAB)
SIEGE PASSAGER (CABINE)
BEIFAHRERSITZ (KABINE)
SEDILE DI COMPAGNO (CABINA)
ASIENTO PARA ACOMPAÑANTE (CABINA)
PASSAGERARSATE (HYTT)
L34700 -UN-06OCT95



L 34700

4H21

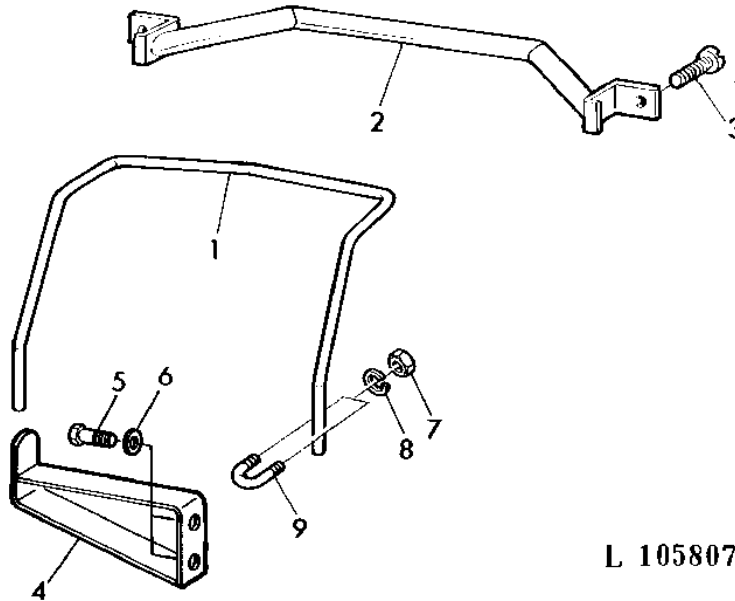
OPERATOR'S CAB

KEY	PART NO.	PART NAME	QTY	SERIAL NO.	REMARKS
				2	
				0 2	
				4 1	
				0 4	
				S 0	
1	L31127	FOAM PAD	1		
2	L31208	PLUG	13		
3	L31126	GUARD	1		
4	L36482	FOAM PAD	1		
5	L36483	FOAM PAD	1		
6	L31209	FOAM PAD	1		
7	37M7068	SCREW	4		4,2X16MM
8	AL25710	HANDLE	2		
9	24M7036	WASHER	7		9X17X1,6MM
10	19M7139	CAP SCREW	3		M8X20
11	AL33124	SEAT	1		
12	14M7273	NUT	2		M8
13	19M7162	CAP SCREW	1		M8X16
14	19M7297	CAP SCREW	3		M8X12
15	AL34297	FOOTREST	1		
16	14M7275	NUT	3		M12
17	24M7128	WASHER	3		12,5X24X2,5MM
18	L30841	BUSHING	1		
19	L36696	FOOTREST	1		

4H22

OPERATOR'S CAB

PASSENGER SEAT SUPPORT-FOOTREST
 SIEGE PASSAGER-REPOSE-PIED
 BEIFAHRRERSITZBUEGEL-FUSSSTUETZE
 APPOGGIO-PIEDI PER IL COMPAGNO
 REPOSADIES PARA EL ACOMPANANTE
 BYGEL OCH FOTSTOD FOR PASSAGERARSATE
 L105807 -UN-17JUL95



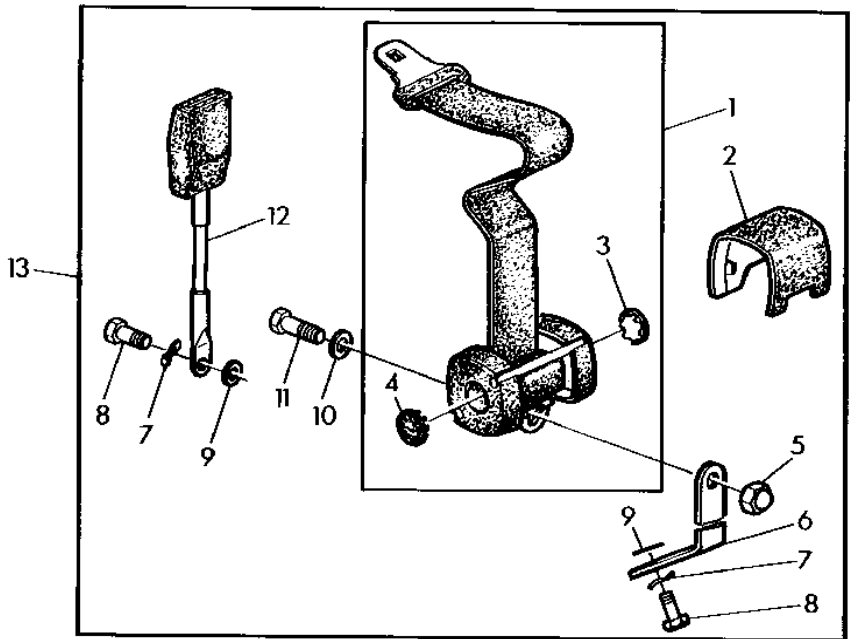
L 105807

KEY	PART NO.	PART NAME	QTY	SERIAL NO.	REMARKS
				2	
				0 2	
				4 1	
				0 4	
				S 0	
1	L12991	SUPPORT	1	X X	
2	AL25372	SUPPORT	1	X X	
3	37M7031	SCREW	2	X X	M6X16
4	AL25373	FOOTREST	1	X X	
5	19M7162	CAP SCREW	2	X X	M8X16
6	24M7055	WASHER	2	X X	8,4X17X1,6MM
7	14H785	NUT	8	X X	5/16"
8	12M7065	LOCK WASHER	8	X X	
9	L25306	U-BOLT	4	X X	

4H23

OPERATOR'S CAB

SAFETY BELT FOR DE-LUXE SEAT DS44/2H-4G
 CEINTURE DE SECURITE POUR SIEGE DE LUXE DS44/2H-4G
 SICHERHEITSGURT FUER DE-LUXE-SITZ DS44/2H-4G
 CINTURONE DI SICUREZZA PER IL SEDILE DE LUXE DS44/2H-4G
 CINTURON DE SEGURIDAD PARA EL ASIENTO DE LUXE DS44/2H-4G
 SAKERHETSBALTE FOR DELUXE SATE DS44/2H-4G
 L116606 -UN-12JUL95



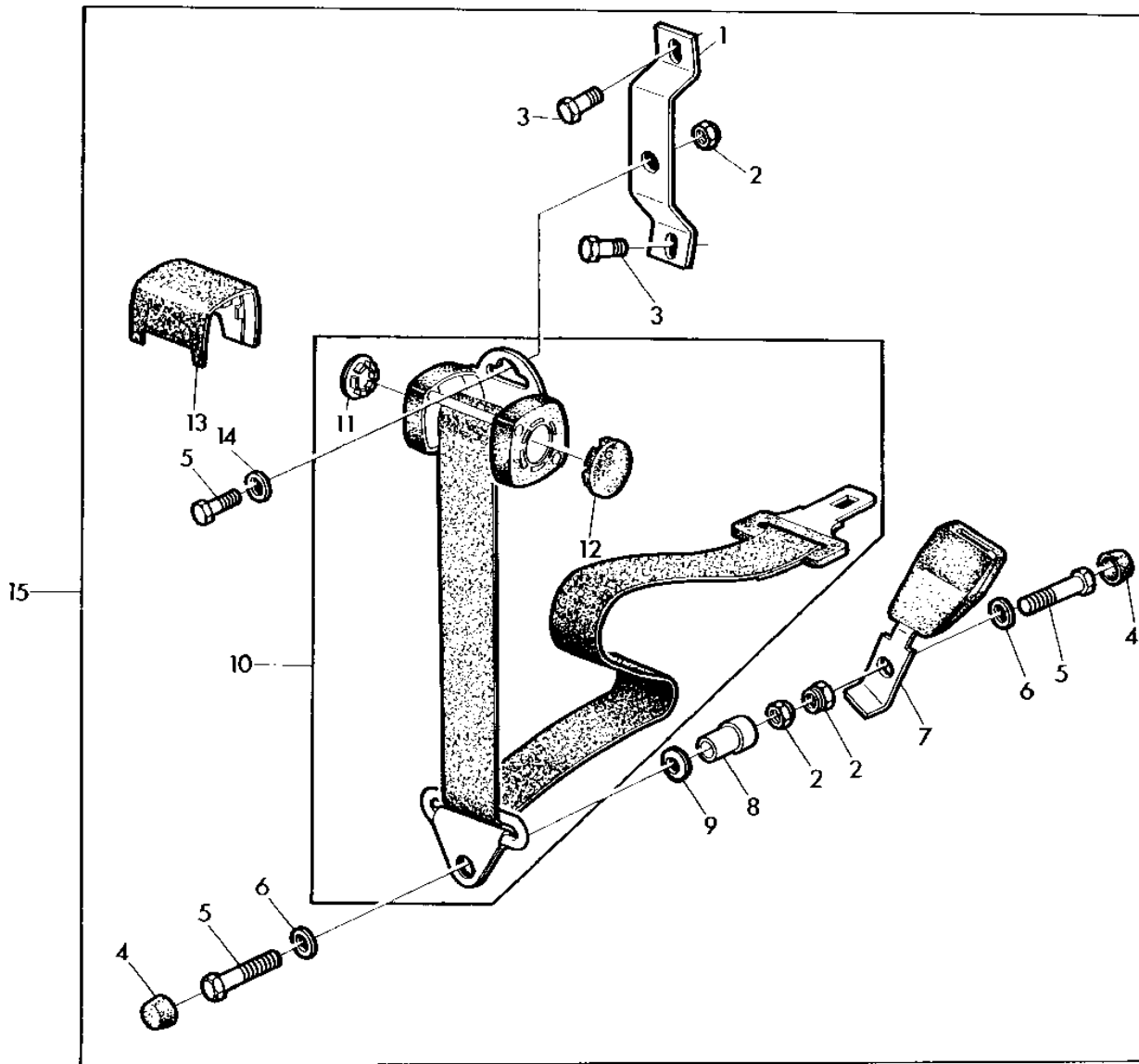
L 116606

KEY	PART NO.	PART NAME	QTY	SERIAL NO.	REMARKS
				2	
				0 2	
				4 1	
				0 4	
				S 0	
1	AL33406	SEAT BELT	1		X (ORD AL69392)
2	L36250	CAP	1		X
3	L36298	PLUG	1		X
4	L36297	PLUG	1		X
5	L58217	LOCK NUT	1		X
6	L58149	ANGLE	1		X
7	12H325	LOCK WASHER	2		X 7/16"
8	19H3150	CAP SCREW	2		X 7/16"X3/4"
9	24H1323	WASHER	2		X 15/32"X13/16"X.090"
10	L36255	WASHER	1		X
11	19H3547	CAP SCREW	1		X 7/16"X1"
12	AL58783	LOCK	1		X (ORD AL69392)
13	AL58781	SEAT BELT	1		X (ORD AL69392)

4H24

OPERATOR'S CAB

SAFETY BELT
CEINTURE DE SECURITE
SICHERHEITSGURT
CINTURA DI SICUREZZA
CINTURON DE SEGURIDAD
FORARBALTE
L101126 -UN-12MAY95



L 101126

4H25

OPERATOR'S CAB

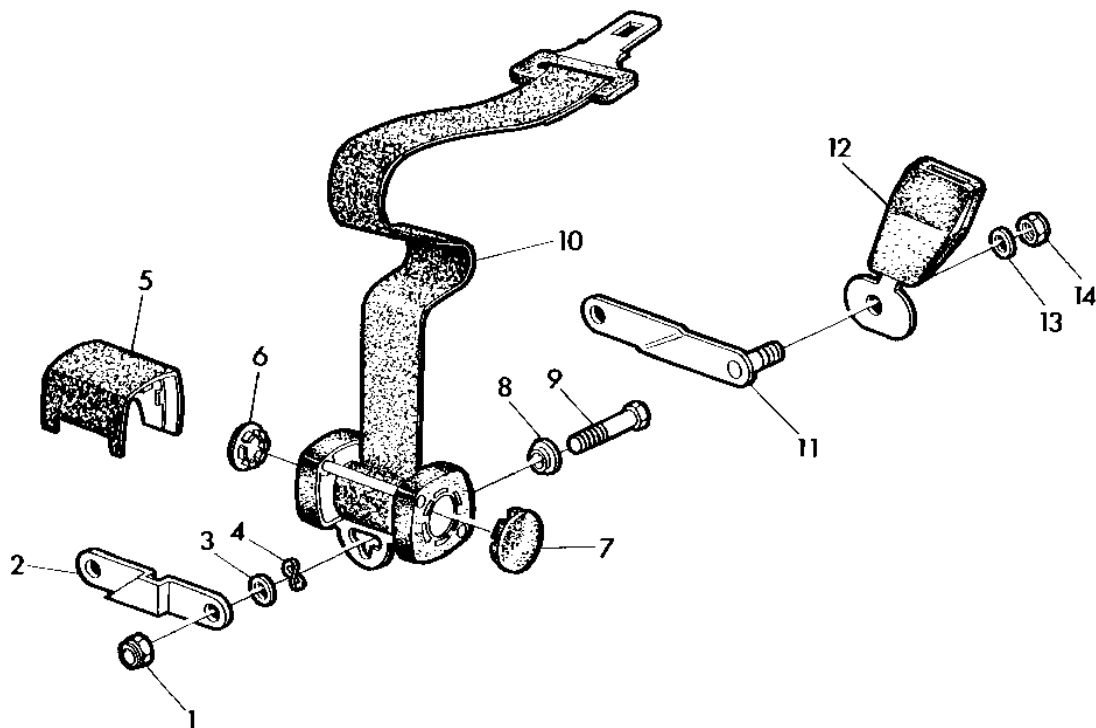
KEY	PART NO.	PART NAME	QTY	SERIAL NO.	REMARKS
				2	
				0 2	
				4 1	
				0 4	
				S 0	
1	L36256	STRAP	1		X X
2	H80440	LOCK NUT	3		X X
3	19H2127	CAP SCREW	2		X X 5/16"X7/8"
4	L36259	CAP	2		X X
5	L39118	CAP SCREW	3		X X 7/16"X25MM
6	24H1752	WASHER	2		X X
7	AL33408	LOCK	1		X X (ORD AL69396)
8	L36257	SPACER	1		X X
9	L36253	LOCK WASHER	1		X X
10	AL33409	SEAT BELT	1		X X (ORD AL69394)
11	L36298	PLUG	1		X X
12	L36297	PLUG	1		X X
13	L36250	CAP	1		X X
14	L36255	WASHER	1		X X
15	AL33424	SEAT BELT	1		X X (ORD AL69394)

411

OPERATOR'S CAB

SEAT BELT (FOR DE-LUXE SEAT WITH ADJUSTABLE ARMREST)
CEINTURE DE SECURITE POUR SIEGE DE-LUXE A ACCOUDOIR REGL.
SICHERHEITSGURT FUER DE-LUXE SITZ MIT VERSTELLB.ARMLEHNE
CINTURA DI SICUR.PER SEDILE DI LUSO CON BRACCIOLO REGOLAB.
CINTURON DE SEGUR.PARA ASIENTO DE LUVO CON REPOSABRAZO REGUL.
FORARBALTE (FOR DELUXE FORARSATE MED REGELBART ARMSTOD)

L28296 -UN-05OCT95



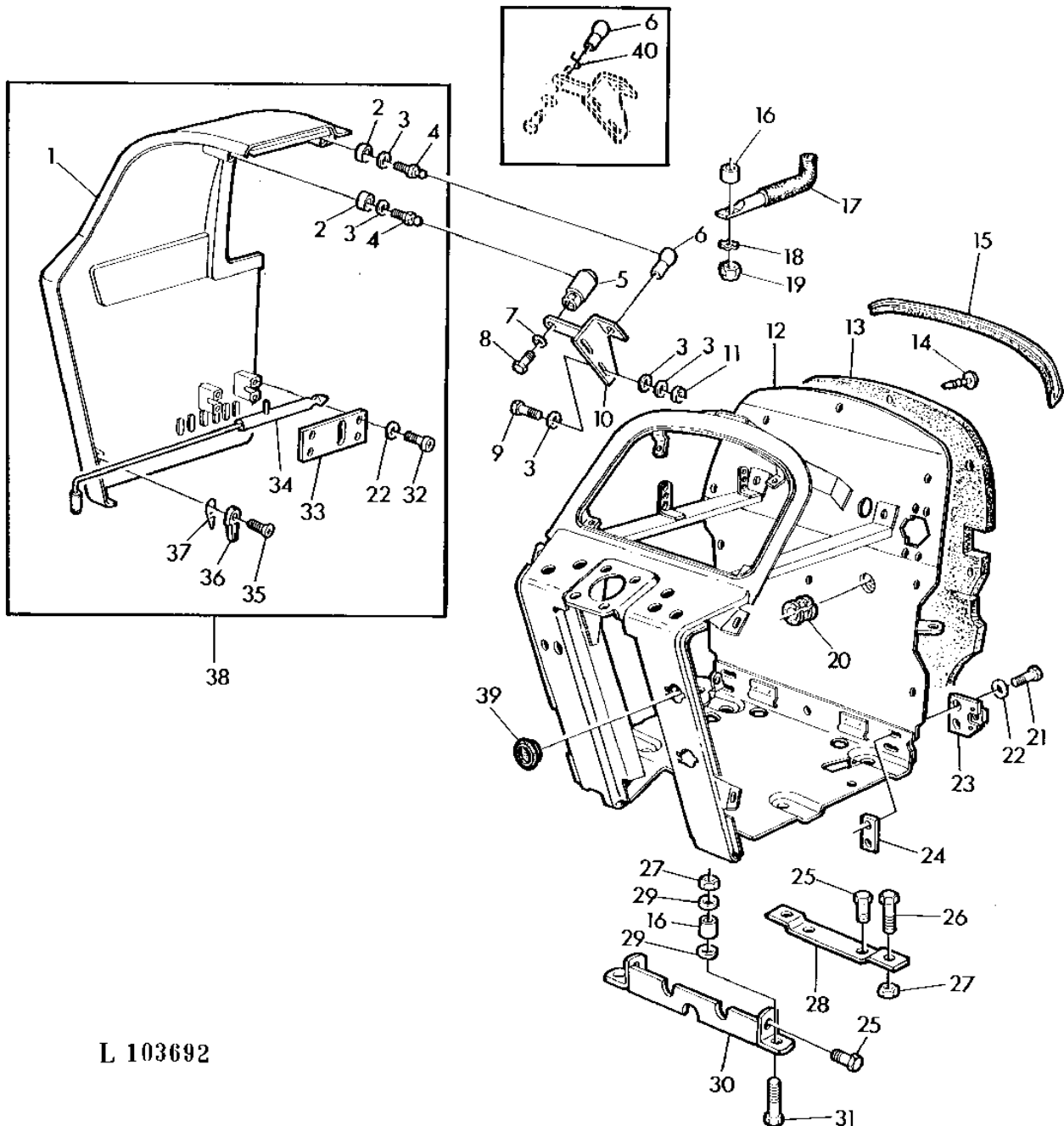
L 28296

412

OPERATOR'S CAB

KEY	PART NO.	PART NAME	QTY	SERIAL NO.	REMARKS
				2	
				0 2	
				4 1	
				0 4	
				S 0	
1	H80440	LOCK NUT	1	X X	7/16"
2	L36254	STRAP	1	X X	
3	L36252	WASHER	1	X X	
4	L36253	LOCK WASHER	1	X X	
5	L36250	CAP	1	X X	
6	L36298	PLUG	1	X X	
7	L36297	PLUG	1	X X	
8	L36251	WASHER	1	X X	
9	L36290	CAP SCREW	1	X X	7/16"X1"
10	AL33406	SEAT BELT	1	X X	INCL.KEYS 6,7
11	AL33407	STRAP	1	X X	
12	AL33405	LOCK	1	X X	
13	24M7028	WASHER	1	X X	10,5X21X2MM
14	14M7167	LOCK NUT	1	X X	M10

DASH/COWL
 TABLEAU DE BORD HABILLAGE
 ARMATURENWAND/VERKLEIDUNG
 CRUSCOTTO E RIVESTIMENTO
 TABLERO DE INSTRUMENTOS REVESTIMIENTO
 INSTRUMENTPANEL/PANELPLAT
 L103692 -UN-06OCT95



L 103692

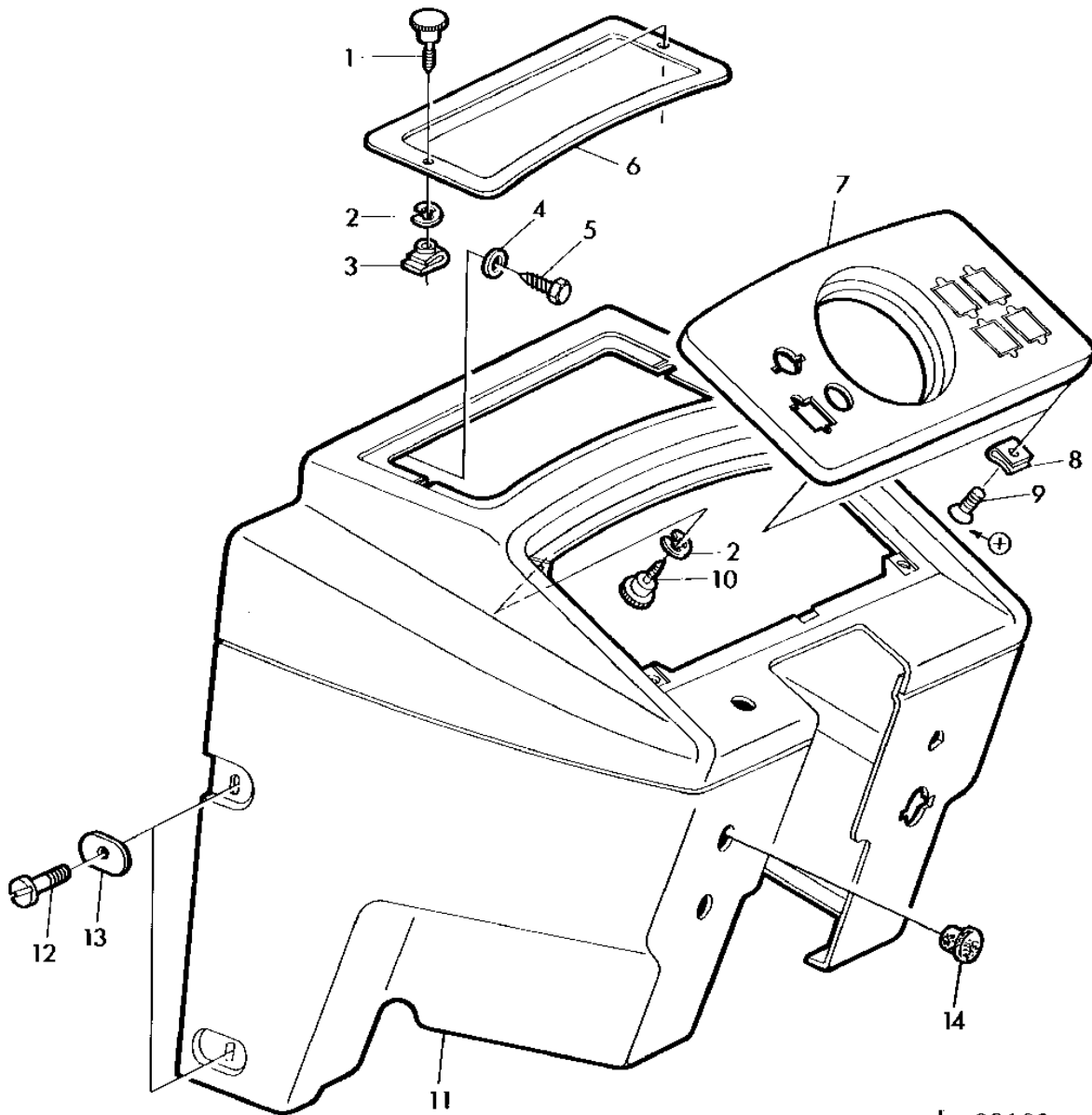
KEY	PART NO.	PART NAME	QTY	SERIAL NO.	REMARKS
				2	
				0 2	
				4 1	
				0 4	
				S 0	
1	AL31039	COWL	1	X X	RH
	AL31040	COWL	1	X X	LH
2	24M7250	WASHER	4	X X	6.4MM (SUB FOR T58428)
3	24M7088	WASHER	16	X X	6,6X12,5X1,6MM
4	L36272	BALL STUD	4	X X	
5	56M7010	BALL JOINT SOCKET	2	X X	(SUB FOR 56M7006)
6	56M7009	BALL JOINT SOCKET	2	X X	(SUB FOR 56M7006)
7	12M7081	LOCK WASHER	4	X X	6,4MM
8	19M7560	CAP SCREW	4	X X	M6X16
9	19M7077	CAP SCREW	4	X X	M6X20
10	AL35946	BRACKET	1	X X	RH (SUB FOR AL33350)
	AL35945	BRACKET	1	X X	LH (SUB FOR AL33297)
11	14M7272	NUT	4	X X	M6
12	AL31024	INSTRUMENT PANEL, W/SUPPOR	1	X X	(ORD AL38981, L41904)
	AL38981	INSTRUMENT PANEL, W/SUPPOR	1	X X	
	AL38301	INSTRUMENT PANEL, W/SUPPOR	1	X X	(A) (SUB FOR AL31019) (ORD AL38982, L41904)
	AL38982	INSTRUMENT PANEL, W/SUPPOR	1	X X	(A)
13	L34684	BARRIER	1	X X	
14	L31208	PLUG	14	X X	
15	L35039	SEALING TRIM	1	X X	
16	28H1686	SPACER	2	X X	1/4"X.625"
17	L36295	ROD	2	X X	
18	24M7036	WASHER	2	X X	17X9X1,9MM
19	14M7327	LOCK NUT	2	X X	M8
20	T23247	GROMMET	1	X X	
21	19M7640	CAP SCREW	4	X X	M5X12
22	24M7087	WASHER	12	X X	5,5X10X1MM
23	AL33231	PLATE	1	X X	RH
	AL33232	PLATE	1	X X	LH
24	L34414	STRAP	2	X X	
25	19H2021	CAP SCREW	4	X X	3/8"X5/8"
26	19M7162	CAP SCREW	2	X X	M8X16
27	14M7273	NUT	4	X X	M8
28	L34866	STRAP	1	X X	(A)
29	24M7207	WASHER	4	X X	8,4X25X2MM
30	AL32896	ANGLE	1	X X	(A)
31	19M7298	CAP SCREW	2	X X	M8X35
32	21M7283	SCREW	8	X X	M5X8
33	L35269	PLATE	2	X X	
34	AL33233	ROD	1	X X	RH
	AL33234	ROD	1	X X	LH (ORD AL33233)
35	21M7282	SCREW	4	X X	M5X8
36	L34411	STOP	4	X X	
37	L35938	SPRING	4	X X	
38	AL35317	SIDE WALL	1	X X	RH
	AL35318	SIDE WALL	1	X X	LH
39	L41904	PLUG	1	X X	(SUB FOR L40850)
40	56M7007	BALL JOINT RETAINER	2	X X	

(A) WITH HYDROSTATIC STEERING
 AVEC DIRECTION HYDROSTATIQUE
 BEI HYDROSTATISCHER LENKUNG
 CON STERZO IDROSTATICO
 CON DIRECCION HIDROSTATICA
 VID HYDROSTATISK STYRNING

415

OPERATOR'S CAB

DASH/INSTRUMENT PANEL (WITH CAB)
AUVENT/TABLEAU DE BORD (CABINE)
ARMATURENWAND/INSTRUMENTENTAFEL (KABINE)
CRUSCOTTO E INCASTELLATURA (CABINA)
TABLERO DE INSTRUMENTOS Y SOPORTE (CABINA)
INSTRUMENTPANEL OCH PANELPLAT (HYTT)
L29180 -UN-05OCT95



L 29180

416

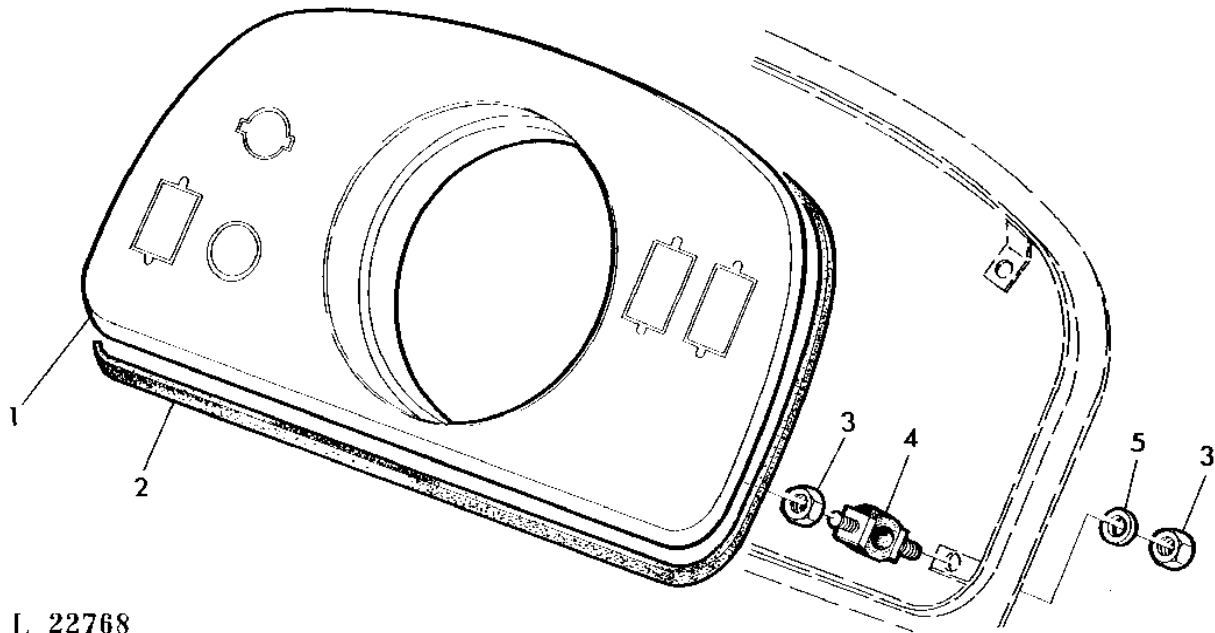
OPERATOR'S CAB

KEY	PART NO.	PART NAME	QTY	SERIAL NO.	REMARKS
				2	
				0 2	
				4 1	
				0 4	
				S 0	
1	L35705	SCREW	2	X X	
2	40M7082	SNAP RING	4	X X	3,2X0,6MM
3	L35805	NUT	2	X X	
4	24M7087	WASHER	3	X X	5,5X10X1MM
5	37M7075	SCREW	3	X X	4,8X45MM
6	L32691	COVER	1	X X	
7	AL57556	INSTRUMENT PANEL	1	X X	(SUB FOR AL30290)
8	L35706	CLAMP	2	X X	
9	21M7266	SCREW	2	X X	M4X6
10	L35526	SCREW	2	X X	
11	AL30366	INSTRUMENT PANEL, W/SUPPOR	1	X X	
12	21M7095	SCREW	4	X X	M8X16
13	L31308	WASHER	4	X X	
14	99M7010	PLUG	1	X X	

417

OPERATOR'S CAB

INSTRUMENT PANEL
 TABLEAU DE BORD
 INSTRUMENTENTAFEL
 CRUSCOTTO
 TABLERO DE INSTRUMENTOS
 INSTRUMENTPANEL
 L22768 -UN-09OCT95



L 22768

2
 0 2
 4 1
 0 4
 S 0

KEY	PART NO.	PART NAME	QTY	SERIAL NO.	REMARKS
1	AL57555	INSTRUMENT PANEL	1	X X	(SUB FOR AL30289)
2	L34827	WEATHERSTRIP	1	X X	
3	14M7139	NUT	8	X X	M4
4	L34828	RUBBER MOUNT	4	X X	
5	24M7117	WASHER	4	X X	4,3X9X0,8MM

1J24

TRACTORS (-42999) 2040S,2140

NUMERICAL INDEX

PART NO.	GRID	KEY	PAGE	PART NO.	GRID	KEY	PAGE	PART NO.	GRID	KEY	PAGE
AA5607R	3H16	17	70 - 111	AL24066	3C7	1	60 - 50	AL25110	3C20	15	60 - 63
AD2062R	1G6	2	40 - 33	AL24067	3C7	2	60 - 50	AL25189	3G10	3	70 - 81
AD2062R	1G14	8	40 - 41	AL24081	3F18	10	70 - 65	AL25190	3G10	4	70 - 81
AF3580R	1D2	1	30 - 7	AL24081	3F20	11	70 - 67	AL25191	3G10	10	70 - 81
AF3583R	1D2	2	30 - 7	AL24081	3F22	9	70 - 69	AL25192	3G6	9	70 - 77
AF3584R	1D2	21	30 - 7	AL24081	3F22	18	70 - 69	AL25221	1E15	10	30 - 45
AF3892R	1G5	3	40 - 32	AL24082	3F20	8	70 - 67	AL25223	1E15	2	30 - 45
AH20849	1C22	7	30 - 3	AL24082	3F22	14	70 - 69	AL25236	2F18	1	50 - 135
AH20849	1C24	12	30 - 5	AL24137	3I1	3	70 - 121	AL25266	1F14	31	40 - 17
AL11176	1F8	12	40 - 11	AL24162	4G16	1	90 - 57	AL25267	1F14	13	40 - 17
AL11176	1F8	15	40 - 11	AL24164	4H9	8	90 - 75	AL25267	1F16	6	40 - 19
AL14540	3I7	21	70 - 127	AL24165	4H11	19	90 - 77	AL25268	1F14	2	40 - 17
AL14540	3I9	18	70 - 129	AL24169	4H9	2	90 - 75	AL25269	1F14	29	40 - 17
AL14896	1G16	1	40 - 43	AL24171	4G18	17	90 - 59	AL25270	1F14	17	40 - 17
AL16602	4B18	3	80 - 37	AL24172	4G18	7	90 - 59	AL25271	1F14	18	40 - 17
AL17099	1H2	11	40 - 54	AL24174	4G18	19	90 - 59	AL25272	1F14	28	40 - 17
AL17099	1H5	14	40 - 57	AL24194	1C24	17	30 - 5	AL25273	1F14	11	40 - 17
AL17099	1H7	19	40 - 59	AL24229	3E14	23	70 - 37	AL25273	1F16	4	40 - 19
AL17099	1H9	16	40 - 61	AL24521	4A9	18	80 - 3	AL25274	1F14	25	40 - 17
AL17684	1F20	1	40 - 23	AL24527	1B16	1	20 - 35	AL25275	1F14	4	40 - 17
AL18135	3H24	6	70 - 119	AL24543	1F24	11	40 - 27	AL25303	3F8	16	70 - 55
AL18136	3H24	4	70 - 119	AL24544	1G10	12	40 - 37	AL25304	3F8	9	70 - 55
AL19359	4A23	23	80 - 17	AL24545	1G10	12	40 - 37	AL25332	4F24	14	90 - 41
AL19494	4G18	1	90 - 59	AL24554	2A13	11	50 - 7	AL25340	3F8	17	70 - 55
AL19709	4C8	6	80 - 51	AL24697	3G19	5	70 - 90	AL25348	1H3	7	40 - 55
AL19726	4B10	7	80 - 29	AL24705	3F4	18	70 - 51	AL25349	1H3	3	40 - 55
AL19744	1D2	9	30 - 7	AL24706	3F10	7	70 - 57	AL25369	4E12	1	90 - 5
AL19801	1E13	3	30 - 43	AL24707	3F10	2	70 - 57	AL25372	4H22	2	90 - 88
AL19809	4C12	6	80 - 55	AL24708	3F4	5	70 - 51	AL25373	4H22	4	90 - 88
AL19810	4C12	6	80 - 55	AL24710	3F4	23	70 - 51	AL25376	4F16	1	90 - 33
AL19914	1G24	7	40 - 51	AL24715	3C16	27	60 - 59	AL25377	4F16	5	90 - 33
AL19917	1D2	1	30 - 7	AL24715	3C20	29	60 - 63	AL25506	4E12	5	90 - 5
AL19921	1D2	2	30 - 7	AL24801	4F22	1	90 - 39	AL25592	3F6	7	70 - 53
AL23076	3C16	9	60 - 59	AL24908	3C12	3	60 - 55	AL25593	3F6	3	70 - 53
AL23076	3C20	17	60 - 63	AL24917	2F18	16	50 - 135	AL25595	3F8	1	70 - 55
AL23087	1H2	1	40 - 54	AL24926	2F18	18	50 - 135	AL25595	3F8	5	70 - 55
AL23088	1H5	1	40 - 57	AL24938	2C8	10	50 - 51	AL25595	3F8	8	70 - 55
AL23105	3I14	6	70 - 134	AL24947	2B19	1	50 - 38	AL25616	3I12	14	70 - 132
AL23106	3I14	2	70 - 134	AL24963	3G2	20	70 - 73	AL25616	3I13	11	70 - 133
AL23119	2D9	14	50 - 77	AL24964	3G2	22	70 - 73	AL25617	3I12	14	70 - 132
AL23280	4B6	1	80 - 25	AL24965	3G2	2	70 - 73	AL25617	3I13	11	70 - 133
AL23281	4B6	1	80 - 25	AL24968	3G2	11	70 - 73	AL25620	3E20	1	70 - 43
AL23388	4E10	11	90 - 3	AL24969	3G2	8	70 - 73	AL25622	3G2	25	70 - 73
AL23389	4E10	4	90 - 3	AL24970	3G2	17	70 - 73	AL25643	1G10	19	40 - 37
AL23416	3G12	10	70 - 83	AL24971	3G2	16	70 - 73	AL25644	1G8	6	40 - 35
AL23433	4G16	3	90 - 57	AL24990	3F11	9	70 - 58	AL25645	1G10	12	40 - 37
AL23433	4G20	4	90 - 61	AL24999	2D3	2	50 - 71	AL25666	3E18	28	70 - 41
AL23433	4H7	4	90 - 73	AL24999	2D5	3	50 - 73	AL25710	4F4	14	90 - 21
AL23547	2F24	12	50 - 141	AL24999	2D21	10	50 - 89	AL25710	4H21	8	90 - 87
AL23806	2G6	5	50 - 147	AL24999	2D23	10	50 - 91	AL25714	3G22	4	70 - 93
AL23836	3C2	3	60 - 45	AL25013	3F11	1	70 - 58	AL25734	4E18	1	90 - 11
AL23847	1F14	29	40 - 17	AL25036	1D22	1	30 - 27	AL25735	4E18	1	90 - 11
AL23848	1F14	15	40 - 17	AL25043	4F18	15	90 - 35	AL25791	3C23	11	60 - 66
AL23851	1F2	27	40 - 5	AL25043	4F18	16	90 - 35	AL25834	3F11	16	70 - 58
AL23852	1F2	9	40 - 5	AL25073	1F24	6	40 - 27	AL25835	3F11	13	70 - 58
AL23857	1F2	6	40 - 5	AL25073	1F24	11	40 - 27	AL25838	3F11	10	70 - 58
AL23857	1F6	6	40 - 9	AL25098	3C20	28	60 - 63	AL25852	1B24	1	20 - 43
AL23897	3C16	12	60 - 59	AL25099	3C23	11	60 - 66	AL25855	3A11	11	60 - 5
AL23899	3C16	12	60 - 59	AL25103	3C16	4	60 - 59	AL25867	3C23	13	60 - 66
AL24015	3F2	2	70 - 49	AL25103	3C18	4	60 - 61	AL25877	1G8	10	40 - 35
AL24019	4C7	1	80 - 50	AL25103	3C20	12	60 - 63	AL25927	1H7	7	40 - 59
AL24044	4D11	4	80 - 79	AL25103	3C22	12	60 - 65	AL25927	1H9	19	40 - 61
AL24045	2F24	17	50 - 141	AL25104	3C16	13	60 - 59	AL25931	4F12	12	90 - 29
AL24052	3A9	22	60 - 3	AL25104	3C20	18	60 - 63	AL25943	4F10	6	90 - 27
AL24052	3A12	1	60 - 6	AL25109	3C16	20	60 - 59	AL25944	4F10	2	90 - 27
AL24052	3A19	1	60 - 13	AL25109	3C20	28	60 - 63	AL25946	4E14	24	90 - 7
AL24052	3A21	1	60 - 15	AL25110	3C16	7	60 - 59	AL25947	4E18	12	90 - 11

1J25

TRACTORS (-429999) 2040S,2140

NUMERICAL INDEX - CONTINUED

PART NO.	GRID	KEY	PAGE	PART NO.	GRID	KEY	PAGE	PART NO.	GRID	KEY	PAGE
AL25950	4G2	18	90 - 43	AL27156	1C22	11	30 - 3	AL28567	4H19	22	90 - 85
AL25950	4G4	9	90 - 45	AL27159	1C22	10	30 - 3	AL28568	4H17	28	90 - 83
AL25986	1H7	15	40 - 59	AL27203	4A17	13	80 - 11	AL28569	4H17	11	90 - 83
AL25986	1H9	12	40 - 61	AL27220	1G18	15	40 - 45	AL28570	4H15	16	90 - 81
AL25990	4F14	12	90 - 31	AL27221	3F2	5	70 - 49	AL28573	4H17	7	90 - 83
AL26311	3A11	18	60 - 5	AL27351	4E20	6	90 - 13	AL28574	4H15	6	90 - 81
AL26312	3A11	17	60 - 5	AL27352	4E20	12	90 - 13	AL28575	4H15	27	90 - 81
AL26456	1D22	1	30 - 27	AL27353	4E20	10	90 - 13	AL28577	4H15	24	90 - 81
AL26463	1G8	11	40 - 35	AL27354	4E20	4	90 - 13	AL28582	4H17	9	90 - 83
AL26464	1G8	11	40 - 35	AL27355	4E20	7	90 - 13	AL28584	4C12	9	80 - 55
AL26631	4A9	1	80 - 3	AL27356	4E20	13	90 - 13	AL28585	4C12	1	80 - 55
AL26646	4E24	1	90 - 17	AL27357	4E20	8	90 - 13	AL28598	3F8	18	70 - 55
AL26646	4E24	4	90 - 17	AL27373	1F2	24	40 - 5	AL28599	4F4	5	90 - 21
AL26674	4C25	3	80 - 68	AL27374	1F2	11	40 - 5	AL28600	4F6	6	90 - 23
AL26678	3I1	5	70 - 121	AL27394	4B20	6	80 - 39	AL28601	4F4	15	90 - 21
AL26679	3I1	1	70 - 121	AL27397	4B20	6	80 - 39	AL28603	1H7	26	40 - 59
AL26682	3H25	1	70 - 120	AL27510	4C19	3	80 - 62	AL28604	1H7	29	40 - 59
AL26683	3H25	4	70 - 120	AL27532	4B10	14	80 - 29	AL28606	1H7	5	40 - 59
AL26689	3I12	11	70 - 132	AL27533	4B10	15	80 - 29	AL28606	1H7	10	40 - 59
AL26689	3I13	8	70 - 133	AL27569	4F14	1	90 - 31	AL28607	4E20	5	90 - 13
AL26690	3I7	10	70 - 127	AL27569	4F14	12	90 - 31	AL28608	4E20	11	90 - 13
AL26774	4B20	10	80 - 39	AL27570	4F14	9	90 - 31	AL28609	4E20	14	90 - 13
AL26777	4D22	1	80 - 90	AL27809	3C2	11	60 - 45	AL28611	1H7	9	40 - 59
AL26778	4D22	2	80 - 90	AL27901	1G18	13	40 - 45	AL28614	4F2	12	90 - 19
AL26905	1G18	14	40 - 45	AL27901	3C6	3	60 - 49	AL28617	4F2	18	90 - 19
AL26911	3F6	9	70 - 53	AL27982	3A21	4	60 - 15	AL28617	4F6	12	90 - 23
AL26912	3F6	10	70 - 53	AL27999	1H7	32	40 - 59	AL28618	4F2	17	90 - 19
AL26914	4F8	2	90 - 25	AL28056	4E23	3	90 - 16	AL28619	1H7	28	40 - 59
AL26915	4F8	19	90 - 25	AL28161	4E10	1	90 - 3	AL28620	4G2	32	90 - 43
AL26918	4G24	7	90 - 65	AL28179	1C22	11	30 - 3	AL28620	4G4	20	90 - 45
AL26918	4H11	7	90 - 77	AL28222	4B6	11	80 - 25	AL28621	1H7	25	40 - 59
AL26939	1F8	10	40 - 11	AL28222	4B8	8	80 - 27	AL28621	4G2	31	90 - 43
AL26948	1G18	12	40 - 45	AL28227	3F9	5	70 - 56	AL28621	4G4	19	90 - 45
AL26971	3G12	6	70 - 83	AL28228	3E24	16	70 - 47	AL28629	4G14	8	90 - 55
AL26971	3G18	11	70 - 89	AL28230	3E22	28	70 - 45	AL28638	4G14	4	90 - 55
AL26971	3G19	15	70 - 90	AL28230	3E22	31	70 - 45	AL28650	4F2	2	90 - 19
AL26971	3G22	9	70 - 93	AL28230	3E22	32	70 - 45	AL28658	3D14	7	70 - 12
AL26971	3H12	43	70 - 107	AL28230	3E22	33	70 - 45	AL28664	3G16	3	70 - 87
AL26972	3G12	3	70 - 83	AL28230	3E22	38	70 - 45	AL28665	3G16	4	70 - 87
AL26972	3G18	10	70 - 89	AL28231	2D14	1	50 - 82	AL28666	3G16	2	70 - 87
AL26972	3G19	18	70 - 90	AL28232	2D14	6	50 - 82	AL28667	3G16	1	70 - 87
AL26972	3G22	12	70 - 93	AL28268	3A23	12	60 - 17	AL28674	3F9	5	70 - 56
AL26975	2C6	7	50 - 49	AL28271	3A23	11	60 - 17	AL28674	3F10	9	70 - 57
AL26981	4D11	13	80 - 79	AL28272	3A23	23	60 - 17	AL28674	3F11	19	70 - 58
AL26981	4D13	13	80 - 81	AL28307	1D8	13	30 - 13	AL28691	3I3	15	70 - 123
AL27007	1G10	14	40 - 37	AL28307	1D10	16	30 - 15	AL28707	2E14	8	50 - 107
AL27008	1G10	14	40 - 37	AL28307	1D12	1	30 - 17	AL28708	2C4	8	50 - 47
AL27012	1G8	9	40 - 35	AL28457	3A19	4	60 - 13	AL28708	2E14	9	50 - 107
AL27013	1G8	1	40 - 35	AL28458	3A9	19	60 - 3	AL28709	2E14	23	50 - 107
AL27014	1G10	14	40 - 37	AL28458	3A12	4	60 - 6	AL28710	2E14	20	50 - 107
AL27016	1G8	19	40 - 35	AL28458	3A19	4	60 - 13	AL28711	2E14	13	50 - 107
AL27017	1G8	19	40 - 35	AL28468	3D14	5	70 - 12	AL28712	2E14	18	50 - 107
AL27019	3G12	11	70 - 83	AL28468	3D14	11	70 - 12	AL28713	2E16	1	50 - 109
AL27019	3G18	8	70 - 89	AL28468	3D17	26	70 - 15	AL28713	2E16	3	50 - 109
AL27019	3G19	11	70 - 90	AL28468	3D17	43	70 - 15	AL28713	2E16	4	50 - 109
AL27019	3G22	19	70 - 93	AL28468	3D23	25	70 - 21	AL28723	2C10	13	50 - 53
AL27019	3H8	17	70 - 103	AL28468	3D23	42	70 - 21	AL28736	2B2	1	50 - 21
AL27026	3G12	12	70 - 83	AL28516	1F4	1	40 - 7	AL28736	2B2	17	50 - 21
AL27026	3G18	7	70 - 89	AL28553	3A17	12	60 - 11	AL28736	2B2	18	50 - 21
AL27026	3G19	13	70 - 90	AL28559	4H17	29	90 - 83	AL28739	2B24	43	50 - 43
AL27026	3G22	16	70 - 93	AL28560	4H17	31	90 - 83	AL28740	2A11	1	50 - 5
AL27108	2D7	1	50 - 75	AL28561	4H17	13	90 - 83	AL28740	2A17	11	50 - 11
AL27110	2D21	10	50 - 89	AL28562	4H19	15	90 - 85	AL28744	2D19	6	50 - 87
AL27110	2D23	10	50 - 91	AL28563	4H19	8	90 - 85	AL28745	2B6	18	50 - 25
AL27115	2A17	28	50 - 11	AL28564	4H15	19	90 - 81	AL28746	2B6	15	50 - 25
AL27131	4D25	6	80 - 93	AL28565	4H17	21	90 - 83	AL28748	2B24	20	50 - 43
AL27132	4D25	1	80 - 93	AL28566	4H19	10	90 - 85	AL28751	2B24	4	50 - 43

1K1

TRACTORS (-429999) 2040S,2140

NUMERICAL INDEX - CONTINUED

PART NO.	GRID	KEY	PAGE	PART NO.	GRID	KEY	PAGE	PART NO.	GRID	KEY	PAGE
AL28756	2B24	41	50 - 43	AL30029	3H6	12	70 - 101	AL30421	1F4	18	40 - 7
AL28759	2B6	9	50 - 25	AL30030	3G13	4	70 - 84	AL30421	1F6	18	40 - 9
AL28809	2F22	16	50 - 139	AL30031	3G13	3	70 - 84	AL30422	1F4	27	40 - 7
AL28811	2B2	1	50 - 21	AL30032	3G13	2	70 - 84	AL30423	1F4	17	40 - 7
AL28811	2B2	17	50 - 21	AL30034	3G14	4	70 - 85	AL30423	1F6	16	40 - 9
AL28811	2B2	18	50 - 21	AL30035	3G14	3	70 - 85	AL30424	1F4	6	40 - 7
AL28837	2H1	1	50 - 167	AL30036	3G14	2	70 - 85	AL30425	1F4	13	40 - 7
AL28837	2H3	18	50 - 169	AL30037	3G14	1	70 - 85	AL30435	4C19	1	80 - 62
AL28850	2C10	17	50 - 53	AL30038	3H7	5	70 - 102	AL30436	4F12	11	90 - 29
AL28852	2C10	17	50 - 53	AL30039	3H7	6	70 - 102	AL30437	4F12	10	90 - 29
AL28860	2A17	9	50 - 11	AL30040	3H7	7	70 - 102	AL30438	4F12	15	90 - 29
AL28862	2F12	11	50 - 129	AL30041	3H7	8	70 - 102	AL30548	3H2	13	70 - 97
AL28863	2F12	9	50 - 129	AL30042	3H7	3	70 - 102	AL30590	2B18	18	50 - 37
AL28864	3E10	17	70 - 33	AL30043	3H7	4	70 - 102	AL30685	2B24	37	50 - 43
AL28864	3E12	16	70 - 35	AL30044	3E5	19	70 - 28	AL30686	2B24	6	50 - 43
AL28865	2F12	4	50 - 129	AL30045	3E4	11	70 - 27	AL30687	2B24	29	50 - 43
AL28867	2C24	16	50 - 67	AL30061	4G2	10	90 - 43	AL30688	2G12	8	50 - 153
AL28868	2C24	12	50 - 67	AL30064	4G14	18	90 - 55	AL30689	2B4	18	50 - 23
AL28870	2B4	8	50 - 23	AL30066	4G2	16	90 - 43	AL30692	4H11	5	90 - 77
AL28873	2C22	15	50 - 65	AL30067	4G2	28	90 - 43	AL30781	4F18	15	90 - 35
AL28874	2C22	14	50 - 65	AL30068	4G2	25	90 - 43	AL30781	4F18	16	90 - 35
AL28880	2C22	17	50 - 65	AL30095	3B24	2	60 - 43	AL30781	4F21	2	90 - 38
AL28880	2C24	17	50 - 67	AL30096	3B24	2	60 - 43	AL30781	4F21	3	90 - 38
AL28881	2C24	19	50 - 67	AL30137	4E22	22	90 - 15	AL30897	4B4	1	80 - 23
AL28917	2A9	1	50 - 3	AL30138	4E22	13	90 - 15	AL30899	2B22	5	50 - 41
AL28917	2A17	11	50 - 11	AL30139	4E22	13	90 - 15	AL30921	2B4	16	50 - 23
AL28918	2C14	5	50 - 57	AL30150	2B18	15	50 - 37	AL30924	2C4	26	50 - 47
AL28918	2C16	5	50 - 59	AL30157	2B2	1	50 - 21	AL30926	2G20	10	50 - 161
AL28921	2C22	19	50 - 65	AL30157	2B2	3	50 - 21	AL30927	2G20	16	50 - 161
AL28922	2B4	12	50 - 23	AL30157	2B2	17	50 - 21	AL30974	3H6	11	70 - 101
AL28923	2B4	9	50 - 23	AL30157	2B2	18	50 - 21	AL30974	3H6	12	70 - 101
AL28925	2C14	38	50 - 57	AL30173	3A17	4	60 - 11	AL30978	4G18	9	90 - 59
AL28925	2C16	38	50 - 59	AL30174	2C4	21	50 - 47	AL31004	4D1	3	80 - 69
AL28950	2H1	1	50 - 167	AL30184	2C2	29	50 - 45	AL31005	4D1	6	80 - 69
AL28950	2H3	10	50 - 169	AL30188	2C24	15	50 - 67	AL31008	4C17	1	80 - 60
AL28954	3E5	14	70 - 28	AL30194	2F14	9	50 - 131	AL31009	4C17	3	80 - 60
AL28956	3E5	1	70 - 28	AL30195	2C4	15	50 - 47	AL31019	4I4	12	90 - 95
AL28956	3E6	1	70 - 29	AL30196	2C4	2	50 - 47	AL31022	3A19	14	60 - 13
AL29611	1G12	10	40 - 39	AL30197	2C17	6	50 - 60	AL31024	4I4	12	90 - 95
AL29614	1G12	16	40 - 39	AL30198	2C17	13	50 - 60	AL31034	1D18	8	30 - 23
AL29615	1G12	11	40 - 39	AL30198	2C18	1	50 - 61	AL31037	1D18	8	30 - 23
AL29652	2F24	9	50 - 141	AL30198	2C18	12	50 - 61	AL31039	4I4	1	90 - 95
AL29653	2F24	9	50 - 141	AL30198	2C20	1	50 - 63	AL31040	4I4	1	90 - 95
AL29657	1H7	8	40 - 59	AL30287	1E13	12	30 - 43	AL31052	4B2	6	80 - 21
AL29657	1H9	6	40 - 61	AL30288	1E13	7	30 - 43	AL31078	4F21	4	90 - 38
AL29658	1H7	24	40 - 59	AL30289	4I7	1	90 - 98	AL31079	4F18	1	90 - 35
AL29658	1H9	22	40 - 61	AL30290	4I6	7	90 - 97	AL31084	4C16	13	80 - 59
AL29659	1H7	23	40 - 59	AL30291	3E14	9	70 - 37	AL31085	4C16	13	80 - 59
AL29659	1H9	21	40 - 61	AL30294	4D3	1	80 - 71	AL31088	4B2	5	80 - 21
AL29660	1H7	22	40 - 59	AL30297	4D3	2	80 - 71	AL31090	3A17	22	60 - 11
AL29660	1H9	20	40 - 61	AL30327	4G12	12	90 - 53	AL31095	3G16	17	70 - 87
AL2976T	1H3	1	40 - 55	AL30328	4G12	7	90 - 53	AL31098	1C24	21	30 - 5
AL29855	3G6	2	70 - 77	AL30329	4G12	8	90 - 53	AL31138	4C14	10	80 - 57
AL29856	3C8	7	60 - 51	AL30330	4G12	10	90 - 53	AL31139	4C14	1	80 - 57
AL29858	3G16	13	70 - 87	AL30331	4G12	2	90 - 53	AL31140	4C14	10	80 - 57
AL29859	3C16	26	60 - 59	AL30334	4G12	3	90 - 53	AL31141	4C14	1	80 - 57
AL29859	3C20	23	60 - 63	AL30364	4G10	5	90 - 51	AL31148	4C14	18	80 - 57
AL29887	3A21	6	60 - 15	AL30366	4I6	11	90 - 97	AL31149	4C14	18	80 - 57
AL29889	3A21	14	60 - 15	AL30394	1C24	11	30 - 5	AL31152	4C14	4	80 - 57
AL30014	3E4	9	70 - 27	AL30397	3F23	1	70 - 70	AL31155	4C18	1	80 - 61
AL30019	3E4	14	70 - 27	AL30399	3F23	2	70 - 70	AL31203	4E12	11	90 - 5
AL30020	3G4	6	70 - 75	AL30414	1F4	28	40 - 7	AL31204	4E12	10	90 - 5
AL30020	3G6	5	70 - 77	AL30416	1F4	7	40 - 7	AL31229	4A25	4	80 - 19
AL30020	3H6	10	70 - 101	AL30417	1F4	9	40 - 7	AL31235	2F22	16	50 - 139
AL30026	3G6	7	70 - 77	AL30418	1F4	21	40 - 7	AL31237	1C4	6	20 - 47
AL30027	3G6	7	70 - 77	AL30419	1F4	11	40 - 7	AL31237	1C4	27	20 - 47
AL30029	3H6	11	70 - 101	AL30420	1F4	29	40 - 7	AL31239	3E14	17	70 - 37

1K2

TRACTORS (-429999) 2040S,2140

NUMERICAL INDEX - CONTINUED

PART NO.	GRID	KEY	PAGE	PART NO.	GRID	KEY	PAGE	PART NO.	GRID	KEY	PAGE
AL31239	3E16	10	70 - 39	AL31661	3G8	12	70 - 79	AL32053	3A21	16	60 - 15
AL31240	3B12	11	60 - 31	AL31664	3G19	5	70 - 90	AL32062	1F18	5	40 - 21
AL31240	3B14	8	60 - 33	AL31671	1E13	16	30 - 43	AL32066	1F18	14	40 - 21
AL31241	4B12	15	80 - 31	AL31685	1E15	17	30 - 45	AL32066	1F20	10	40 - 23
AL31245	3A23	17	60 - 17	AL31686	1E15	2	30 - 45	AL32067	4C24	2	80 - 67
AL31247	3A19	11	60 - 13	AL31800	3E14	13	70 - 37	AL32067	4C25	5	80 - 68
AL31249	3B8	3	60 - 27	AL31801	3E10	5	70 - 33	AL32070	1G10	3	40 - 37
AL31251	4D3	24	80 - 71	AL31804	3E10	6	70 - 33	AL32071	1G10	3	40 - 37
AL31252	4D3	24	80 - 71	AL31805	3B23	2	60 - 42	AL32072	1F18	9	40 - 21
AL31271	1D18	17	30 - 23	AL31811	4G20	1	90 - 61	AL32072	1F20	5	40 - 23
AL31272	1D22	20	30 - 27	AL31815	1D8	9	30 - 13	AL32074	4H13	6	90 - 79
AL31274	1D18	1	30 - 23	AL31816	1D8	12	30 - 13	AL32075	4H13	7	90 - 79
AL31292	1D18	22	30 - 23	AL31816	1D10	15	30 - 15	AL32112	1G18	5	40 - 45
AL31293	4A23	1	80 - 17	AL31817	1D10	10	30 - 15	AL32113	1F18	7	40 - 21
AL31293	4A23	25	80 - 17	AL31818	1D8	12	30 - 13	AL32113	1F20	3	40 - 23
AL31294	4A23	1	80 - 17	AL31818	1D10	15	30 - 15	AL32115	1G18	18	40 - 45
AL31294	4A23	25	80 - 17	AL31824	1F22	1	40 - 25	AL32117	1G22	4	40 - 49
AL31297	4B8	1	80 - 27	AL31825	1F22	1	40 - 25	AL32118	1F24	9	40 - 27
AL31402	3B8	6	60 - 27	AL31828	1F22	1	40 - 25	AL32119	1H2	4	40 - 54
AL31402	3B10	8	60 - 29	AL31829	1F22	1	40 - 25	AL32119	1H5	7	40 - 57
AL31403	3B6	8	60 - 25	AL31842	4H7	1	90 - 73	AL32120	1G25	1	40 - 52
AL31405	3B23	8	60 - 42	AL31844	4F24	8	90 - 41	AL32129	1H5	18	40 - 57
AL31409	3B23	1	60 - 42	AL31845	4F24	8	90 - 41	AL32130	1H5	20	40 - 57
AL31410	3B8	11	60 - 27	AL31846	1E13	20	30 - 43	AL32131	1H5	19	40 - 57
AL31410	3B10	13	60 - 29	AL31861	4B2	12	80 - 21	AL32141	1F2	1	40 - 5
AL31411	3B8	10	60 - 27	AL31862	1D12	2	30 - 17	AL32202	3C10	18	60 - 53
AL31411	3B10	12	60 - 29	AL31863	1D12	2	30 - 17	AL32202	3C12	19	60 - 55
AL31412	3B12	7	60 - 31	AL31870	2F11	1	50 - 128	AL32228	2B14	19	50 - 33
AL31412	3B20	5	60 - 39	AL31871	2B21	3	50 - 40	AL32253	1G10	25	40 - 37
AL31412	3B23	3	60 - 42	AL31872	2C8	3	50 - 51	AL32267	1G18	20	40 - 45
AL31413	3B23	5	60 - 42	AL31875	2B21	11	50 - 40	AL32267	1G20	5	40 - 47
AL31414	3B12	1	60 - 31	AL31875	2C8	8	50 - 51	AL32268	1F18	17	40 - 21
AL31414	3B20	16	60 - 39	AL31876	1E11	3	30 - 41	AL32268	1F20	13	40 - 23
AL31419	3B20	8	60 - 39	AL31879	1E11	31	30 - 41	AL32269	1G20	1	40 - 47
AL31420	3B20	8	60 - 39	AL31885	4B3	7	80 - 22	AL32272	4D9	3	80 - 77
AL31421	3B12	10	60 - 31	AL31890	1F24	2	40 - 27	AL32278	1H2	9	40 - 54
AL31422	3B12	8	60 - 31	AL31890	1G2	15	40 - 29	AL32279	1H2	3	40 - 54
AL31422	3B20	4	60 - 39	AL31891	1F18	1	40 - 21	AL32282	3C10	20	60 - 53
AL31424	3E18	25	70 - 41	AL31892	1F18	1	40 - 21	AL32283	3C12	20	60 - 55
AL31433	1D18	22	30 - 23	AL31893	1C4	13	20 - 47	AL32567	2G14	12	50 - 155
AL31435	3E5	9	70 - 28	AL31895	1C4	7	20 - 47	AL32567	2G16	14	50 - 157
AL31435	3E6	9	70 - 29	AL31898	4D9	1	80 - 77	AL32569	2G16	28	50 - 157
AL31437	2B2	13	50 - 21	AL31912	2A17	11	50 - 11	AL32593	3E10	18	70 - 33
AL31492	1D12	5	30 - 17	AL31915	3C10	3	60 - 53	AL32598	1G20	10	40 - 47
AL31494	3A19	6	60 - 13	AL31918	4D5	7	80 - 73	AL32612	2G14	19	50 - 155
AL31497	4B12	3	80 - 31	AL31925	3E3	17	70 - 26	AL32620	3E18	27	70 - 41
AL31498	4B12	13	80 - 31	AL31943	1D22	24	30 - 27	AL32620	4G15	11	90 - 56
AL31506	4B18	10	80 - 37	AL31944	3C16	14	60 - 59	AL32623	1G24	4	40 - 51
AL31515	3A11	25	60 - 5	AL31944	3C20	2	60 - 63	AL32677	1G24	3	40 - 51
AL31531	4B20	6	80 - 39	AL31945	4H13	4	90 - 79	AL32704	2G14	30	50 - 155
AL31533	4B20	6	80 - 39	AL31946	4H13	8	90 - 79	AL32704	2G16	33	50 - 157
AL31557	4C10	10	80 - 53	AL31947	4G20	1	90 - 61	AL32705	2G14	27	50 - 155
AL31558	4C10	10	80 - 53	AL31948	4H12	1	90 - 78	AL32706	2G14	25	50 - 155
AL31559	4C9	11	80 - 52	AL31952	3I3	6	70 - 123	AL32707	2G16	30	50 - 157
AL31560	4C9	4	80 - 52	AL31953	3I3	17	70 - 123	AL32716	3E10	14	70 - 33
AL31561	4C10	4	80 - 53	AL31967	4C16	10	80 - 59	AL32719	3E10	15	70 - 33
AL31562	4C10	4	80 - 53	AL31968	4C16	8	80 - 59	AL32720	1G24	13	40 - 51
AL31569	1C24	10	30 - 5	AL31983	3I3	23	70 - 123	AL32720	1G25	3	40 - 52
AL31569	1C24	15	30 - 5	AL31987	2C2	6	50 - 45	AL32722	1G22	6	40 - 49
AL31569	1D2	17	30 - 7	AL31989	3D17	30	70 - 15	AL32722	1G24	6	40 - 51
AL31579	4D7	4	80 - 75	AL31990	1G18	4	40 - 45	AL32724	3F4	25	70 - 51
AL31643	1D2	9	30 - 7	AL31991	1D22	24	30 - 27	AL32725	4C18	4	80 - 61
AL31644	3B8	4	60 - 27	AL31992	1C7	2	20 - 50	AL32738	3E10	18	70 - 33
AL31647	3A25	8	60 - 19	AL31992	3E14	10	70 - 37	AL32748	2G16	4	50 - 157
AL31652	4D4	1	80 - 72	AL31992	3E16	2	70 - 39	AL32749	2G16	6	50 - 157
AL31659	3G8	3	70 - 79	AL32027	3I4	4	70 - 124	AL32751	3B10	3	60 - 29
AL31660	3G8	4	70 - 79	AL32029	3I4	3	70 - 124	AL32753	3B10	29	60 - 29

1K3

TRACTORS (-429999) 2040S,2140

NUMERICAL INDEX - CONTINUED

PART NO.	GRID	KEY	PAGE	PART NO.	GRID	KEY	PAGE	PART NO.	GRID	KEY	PAGE
AL32754	3B10	4	60 - 29	AL32979	1H1	2	40 - 53	AL33170	4E23	7	90 - 16
AL32755	3B10	5	60 - 29	AL32981	2H7	9	50 - 173	AL33171	4F2	7	90 - 19
AL32757	3A23	12	60 - 17	AL32981	2H9	9	50 - 175	AL33177	4E14	20	90 - 7
AL32758	3A23	12	60 - 17	AL32983	2H7	13	50 - 173	AL33182	3B6	7	60 - 25
AL32777	3A23	23	60 - 17	AL32983	2H9	13	50 - 175	AL33187	2A17	1	50 - 11
AL32777	3B2	22	60 - 21	AL32985	3B20	14	60 - 39	AL33213	1G22	1	40 - 49
AL32778	3A23	23	60 - 17	AL32985	3B22	14	60 - 41	AL33231	4I4	23	90 - 95
AL32789	4E18	20	90 - 11	AL32988	2H17	23	50 - 183	AL33232	4I4	23	90 - 95
AL32790	4E18	20	90 - 11	AL32990	2H9	23	50 - 175	AL33233	4I4	34	90 - 95
AL32793	1G22	8	40 - 49	AL32991	2H17	18	50 - 183	AL33234	4I4	34	90 - 95
AL32793	1G24	12	40 - 51	AL32992	2H17	19	50 - 183	AL33237	2F14	8	50 - 131
AL32796	3G16	11	70 - 87	AL32993	2H17	21	50 - 183	AL33237	2F14	26	50 - 131
AL32799	1G22	7	40 - 49	AL32994	2H17	20	50 - 183	AL33245	2F10	3	50 - 127
AL32799	1G24	9	40 - 51	AL32995	2H17	18	50 - 183	AL33247	2D17	13	50 - 85
AL32830	2D11	15	50 - 79	AL32996	2H17	17	50 - 183	AL33250	2D17	16	50 - 85
AL32831	1G24	17	40 - 51	AL32996	2H21	5	50 - 187	AL33259	2F10	6	50 - 127
AL32831	1G25	6	40 - 52	AL32997	2H13	4	50 - 179	AL33270	1F2	14	40 - 5
AL32832	1H1	3	40 - 53	AL32998	2H17	21	50 - 183	AL33271	1F2	13	40 - 5
AL32833	1G24	10	40 - 51	AL32999	2H17	1	50 - 183	AL33275	1E25	5	40 - 3
AL32834	3F2	7	70 - 49	AL33004	4G22	12	90 - 63	AL33277	2F10	3	50 - 127
AL32848	2D3	1	50 - 71	AL33004	4H9	10	90 - 75	AL33278	2D17	5	50 - 85
AL32849	2D3	1	50 - 71	AL33005	4G22	12	90 - 63	AL33279	2D17	9	50 - 85
AL32863	1F2	5	40 - 5	AL33006	4G22	13	90 - 63	AL33288	3E14	4	70 - 37
AL32863	1F4	5	40 - 7	AL33006	4H9	11	90 - 75	AL33293	3H6	7	70 - 101
AL32866	3B20	15	60 - 39	AL33007	4G22	13	90 - 63	AL33293	3H6	12	70 - 101
AL32867	3B20	11	60 - 39	AL33008	4G22	2	90 - 63	AL33294	3H6	7	70 - 101
AL32868	3B20	14	60 - 39	AL33009	4G24	5	90 - 65	AL33294	3H6	12	70 - 101
AL32868	3B22	14	60 - 41	AL33010	4H11	21	90 - 77	AL33297	4I4	10	90 - 95
AL32869	2H5	8	50 - 171	AL33011	4G24	22	90 - 65	AL33304	2C17	10	50 - 60
AL32871	2H5	23	50 - 171	AL33012	4G24	15	90 - 65	AL33314	2A17	28	50 - 11
AL32876	2H15	23	50 - 181	AL33013	4G24	32	90 - 65	AL33318	3B22	1	60 - 41
AL32877	2H15	27	50 - 181	AL33014	4H11	31	90 - 77	AL33321	3B22	7	60 - 41
AL32877	2H17	26	50 - 183	AL33015	4G22	8	90 - 63	AL33326	2D19	1	50 - 87
AL32881	2H15	5	50 - 181	AL33016	4G24	28	90 - 65	AL33335	4F8	2	90 - 25
AL32882	2H15	18	50 - 181	AL33016	4H11	27	90 - 77	AL33336	1F22	10	40 - 25
AL32883	2H15	19	50 - 181	AL33017	3E23	9	70 - 46	AL33344	2C10	33	50 - 53
AL32884	2H15	22	50 - 181	AL33038	3B14	10	60 - 33	AL33349	2H11	2	50 - 177
AL32885	2H15	21	50 - 181	AL33039	3B14	4	60 - 33	AL33350	4I4	10	90 - 95
AL32886	2H15	18	50 - 181	AL33040	3B14	1	60 - 33	AL33351	2H13	2	50 - 179
AL32887	2H15	22	50 - 181	AL33041	1D20	4	30 - 25	AL33351	2H21	3	50 - 187
AL32888	2H11	4	50 - 177	AL33042	4D1	6	80 - 69	AL33354	2F20	16	50 - 137
AL32889	2H15	6	50 - 181	AL33043	1D20	15	30 - 25	AL33355	2F20	16	50 - 137
AL32891	1F18	19	40 - 21	AL33044	3F2	7	70 - 49	AL33366	4D3	21	80 - 71
AL32893	2H15	13	50 - 181	AL33069	4G24	1	90 - 65	AL33371	3C16	3	60 - 59
AL32893	2H19	9	50 - 185	AL33069	4H11	1	90 - 77	AL33371	3C18	3	60 - 61
AL32895	3B8	5	60 - 27	AL33080	2H5	15	50 - 171	AL33371	3C20	11	60 - 63
AL32895	3B10	7	60 - 29	AL33081	2H5	14	50 - 171	AL33371	3C22	11	60 - 65
AL32896	4I4	30	90 - 95	AL33085	2H5	1	50 - 171	AL33373	3C16	6	60 - 59
AL32905	1F24	3	40 - 27	AL33086	2H7	1	50 - 173	AL33373	3C18	6	60 - 61
AL32909	2G16	3	50 - 157	AL33087	2H9	1	50 - 175	AL33373	3C20	14	60 - 63
AL32910	3G13	1	70 - 84	AL33088	2H7	23	50 - 173	AL33373	3C22	14	60 - 65
AL32923	1G24	20	40 - 51	AL33110	1D22	19	30 - 27	AL33375	3C8	1	60 - 51
AL32933	1H7	2	40 - 59	AL33124	4H21	11	90 - 87	AL33403	3G4	1	70 - 75
AL32938	4G14	20	90 - 55	AL33126	2A17	1	50 - 11	AL33405	4I2	12	90 - 93
AL32939	4G14	1	90 - 55	AL33127	2A17	31	50 - 11	AL33406	4H23	1	90 - 89
AL32946	3I11	15	70 - 131	AL33146	2C18	6	50 - 61	AL33406	4I2	10	90 - 93
AL32948	3G2	17	70 - 73	AL33147	2C18	3	50 - 61	AL33407	4I2	11	90 - 93
AL32949	3G2	16	70 - 73	AL33147	2C19	3	50 - 62	AL33408	4H25	7	90 - 91
AL32955	2D17	5	50 - 85	AL33150	4D3	2	80 - 71	AL33409	4H25	10	90 - 91
AL32956	2D17	9	50 - 85	AL33151	4D3	2	80 - 71	AL33424	4H25	15	90 - 91
AL32963	3B23	7	60 - 42	AL33152	4D3	1	80 - 71	AL33437	4H13	1	90 - 79
AL32973	2C2	24	50 - 45	AL33162	1F22	11	40 - 25	AL33437	4H13	5	90 - 79
AL32974	2C2	26	50 - 45	AL33163	1F22	9	40 - 25	AL33438	4H13	1	90 - 79
AL32975	1C22	13	30 - 3	AL33164	1F22	6	40 - 25	AL33439	4G24	26	90 - 65
AL32975	1C24	17	30 - 5	AL33165	1F22	16	40 - 25	AL33439	4H11	25	90 - 77
AL32976	2D13	7	50 - 81	AL33166	1F22	2	40 - 25	AL33442	1F8	19	40 - 11
AL32978	1H1	1	40 - 53	AL33170	4E22	15	90 - 15	AL33443	1F8	20	40 - 11

1K4

TRACTORS (-429999) 2040S,2140

NUMERICAL INDEX - CONTINUED

PART NO.	GRID	KEY	PAGE	PART NO.	GRID	KEY	PAGE	PART NO.	GRID	KEY	PAGE
AL33444	1F8	21	40 - 11	AL34418	3B8	27	60 - 27	AL34765	3B10	39	60 - 29
AL33486	3C8	1	60 - 51	AL34425	1H13	43	40 - 65	AL34766	3B8	39	60 - 27
AL33493	3I7	10	70 - 127	AL34461	1F10	5	40 - 13	AL34766	3B10	38	60 - 29
AL33498	1D18	10	30 - 23	AL34517	1H9	1	40 - 61	AL34785	3E12	8	70 - 35
AL33513	3G4	9	70 - 75	AL34519	4G4	13	90 - 45	AL34786	3E12	17	70 - 35
AL33514	3G4	8	70 - 75	AL34520	4G4	10	90 - 45	AL34788	3E7	4	70 - 30
AL33515	3G4	8	70 - 75	AL34521	4G4	8	90 - 45	AL34842	4A15	1	80 - 9
AL33526	1C5	1	20 - 48	AL34522	4G4	7	90 - 45	AL34887	3E12	7	70 - 35
AL33530	1C5	10	20 - 48	AL34523	1H9	2	40 - 61	AL34888	3E12	6	70 - 35
AL33531	1C5	11	20 - 48	AL34524	1H9	7	40 - 61	AL34888	3E12	18	70 - 35
AL33532	1C5	13	20 - 48	AL34528	4F6	8	90 - 23	AL34910	3C20	27	60 - 63
AL33532	1C6	12	20 - 49	AL34529	4F6	9	90 - 23	AL34935	3A17	19	60 - 11
AL33534	4C16	13	80 - 59	AL34530	1H9	23	40 - 61	AL35020	2D21	10	50 - 89
AL33535	4C16	13	80 - 59	AL34533	4F14	10	90 - 31	AL35020	2D23	10	50 - 91
AL33536	4C16	10	80 - 59	AL34547	3F6	9	70 - 53	AL35044	3E14	13	70 - 37
AL33537	4C16	8	80 - 59	AL34563	4B8	14	80 - 27	AL35049	3E12	9	70 - 35
AL33539	2F10	7	50 - 127	AL34564	4B3	11	80 - 22	AL35071	3E5	1	70 - 28
AL33540	2F10	8	50 - 127	AL34565	4B8	14	80 - 27	AL35071	3E6	1	70 - 29
AL33546	4E14	20	90 - 7	AL34572	4E14	20	90 - 7	AL35072	3C18	16	60 - 61
AL33552	4G14	7	90 - 55	AL34576	4F6	1	90 - 23	AL35073	3E12	19	70 - 35
AL33553	4G14	22	90 - 55	AL34577	1H7	12	40 - 59	AL35074	3E12	20	70 - 35
AL33555	4G14	23	90 - 55	AL34577	1H9	9	40 - 61	AL35075	3E6	19	70 - 29
AL33569	3E7	12	70 - 30	AL34589	1E11	31	30 - 41	AL35077	4G4	1	90 - 45
AL33592	4D22	8	80 - 90	AL34589	3A21	20	60 - 15	AL35077	4G4	2	90 - 45
AL33593	4C24	12	80 - 67	AL34593	3F18	16	70 - 65	AL35077	4G4	3	90 - 45
AL33685	4A15	5	80 - 9	AL34593	3F20	17	70 - 67	AL35077	4G4	4	90 - 45
AL33685	4A15	12	80 - 9	AL34593	3F22	19	70 - 69	AL35086	3E12	18	70 - 35
AL33686	4A15	1	80 - 9	AL34593	3F23	1	70 - 70	AL35087	3E4	6	70 - 27
AL33688	4A11	20	80 - 5	AL34595	3F20	19	70 - 67	AL35088	3E4	4	70 - 27
AL33688	4A13	34	80 - 7	AL34595	3F22	24	70 - 69	AL35090	3C16	27	60 - 59
AL33689	4A11	33	80 - 5	AL34595	3F23	2	70 - 70	AL35090	3C18	29	60 - 61
AL33689	4A13	38	80 - 7	AL34599	4D3	23	80 - 71	AL35090	3C20	29	60 - 63
AL33855	4A11	25	80 - 5	AL34614	4A11	25	80 - 5	AL35090	3C22	29	60 - 65
AL33856	4A11	25	80 - 5	AL34614	4A13	13	80 - 7	AL35123	3G22	8	70 - 93
AL33858	4A11	1	80 - 5	AL34615	4A11	25	80 - 5	AL35251	3E6	14	70 - 29
AL33859	4A11	11	80 - 5	AL34615	4A13	13	80 - 7	AL35268	3B12	8	60 - 31
AL33860	4A11	13	80 - 5	AL34634	4F12	9	90 - 29	AL35268	3B12	10	60 - 31
AL33860	4A13	28	80 - 7	AL34635	4F12	8	90 - 29	AL35268	3B12	13	60 - 31
AL33863	4A19	11	80 - 13	AL34636	4F22	1	90 - 39	AL35269	3B12	8	60 - 31
AL33864	4A19	11	80 - 13	AL34637	1F10	4	40 - 13	AL35269	3B12	10	60 - 31
AL33877	1D22	1	30 - 27	AL34657	2C2	10	50 - 45	AL35269	3B12	19	60 - 31
AL33885	1D18	17	30 - 23	AL34676	3B6	8	60 - 25	AL35269	3B20	4	60 - 39
AL33886	1D22	20	30 - 27	AL34676	3C16	31	60 - 59	AL35317	4I4	38	90 - 95
AL33887	1D22	24	30 - 27	AL34676	3C18	33	60 - 61	AL35318	4I4	38	90 - 95
AL34007	4A15	13	80 - 9	AL34677	1H7	3	40 - 59	AL35329	4G20	1	90 - 61
AL34092	3E14	21	70 - 37	AL34678	1D18	1	30 - 23	AL35439	3C18	16	60 - 61
AL34093	4A11	2	80 - 5	AL34679	1H7	30	40 - 59	AL35463	1D18	3	30 - 23
AL34093	4A13	16	80 - 7	AL34680	1H7	4	40 - 59	AL35463	1D18	8	30 - 23
AL34160	2D21	1	50 - 89	AL34681	1H7	31	40 - 59	AL35464	1D18	3	30 - 23
AL34164 #AL2	2D21	1	50 - 89	AL34682	4F2	2	90 - 19	AL35464	1D18	8	30 - 23
AL34203	2D23	1	50 - 91	AL34683	1D22	19	30 - 27	AL35521	1F10	2	40 - 13
AL34205	3E7	6	70 - 30	AL34688	3B12	4	60 - 31	AL35559	1G18	18	40 - 45
AL34207	4C9	11	80 - 52	AL34694	1D12	2	30 - 17	AL35561	1G22	4	40 - 49
AL34208	4C9	4	80 - 52	AL34695	1D8	12	30 - 13	AL35568	2F22	16	50 - 139
AL34241	3B8	28	60 - 27	AL34695	1D10	15	30 - 15	AL35570	2F22	16	50 - 139
AL34242	3B10	25	60 - 29	AL34696	1H7	1	40 - 59	AL35590	3B10	25	60 - 29
AL34243	3C20	27	60 - 63	AL34709	2H1	3	50 - 167	AL35590	3B10	31	60 - 29
AL34259	3G12	19	70 - 83	AL34711	2H1	6	50 - 167	AL35596	4F4	13	90 - 21
AL34260	2H17	7	50 - 183	AL34712	2H1	5	50 - 167	AL35597	4F12	7	90 - 29
AL34261	2H15	7	50 - 181	AL34714	2H1	5	50 - 167	AL35627	2G20	10	50 - 161
AL34261	2H17	6	50 - 183	AL34721	1H7	20	40 - 59	AL35628	2G20	16	50 - 161
AL34262	2H17	5	50 - 183	AL34721	1H9	17	40 - 61	AL35629	3E16	15	70 - 39
AL34263	2H17	4	50 - 183	AL34735	1D2	19	30 - 7	AL35634	4G20	1	90 - 61
AL34264	2H15	1	50 - 181	AL34736	2A13	30	50 - 7	AL35635	4H7	1	90 - 73
AL34265	2H15	2	50 - 181	AL34740	4F4	15	90 - 21	AL35636	4G22	12	90 - 63
AL34297	4H21	15	90 - 87	AL34741	4F2	2	90 - 19	AL35636	4H9	10	90 - 75
AL34404	2G16	3	50 - 157	AL34765	3B8	40	60 - 27	AL35637	4G22	13	90 - 63

1K5

TRACTORS (-429999) 2040S,2140

NUMERICAL INDEX - CONTINUED

PART NO.	GRID	KEY	PAGE	PART NO.	GRID	KEY	PAGE	PART NO.	GRID	KEY	PAGE
AL35637	4H9	11	90 - 75	AL36121	3G4	8	70 - 75	AL36838	1F8	10	40 - 11
AL35638	4G24	32	90 - 65	AL36122	3C16	9	60 - 59	AL36893	4G22	12	90 - 63
AL35638	4G24	33	90 - 65	AL36122	3C18	18	60 - 61	AL36894	4G22	13	90 - 63
AL35639	4G22	13	90 - 63	AL36122	3C20	17	60 - 63	AL36901	1E15	10	30 - 45
AL35640	4G22	12	90 - 63	AL36122	3C22	23	60 - 65	AL36903	1E15	2	30 - 45
AL35641	4H11	31	90 - 77	AL36123	3C16	13	60 - 59	AL36907	1E15	2	30 - 45
AL35641	4H11	34	90 - 77	AL36123	3C18	19	60 - 61	AL36923	1E15	17	30 - 45
AL35647	4A19	11	80 - 13	AL36123	3C20	18	60 - 63	AL36989	3A23	2	60 - 17
AL35647	4A19	13	80 - 13	AL36123	3C22	24	60 - 65	AL36989	3A23	7	60 - 17
AL35647	4A19	..	80 - 13	AL36124	2F12	4	50 - 129	AL36989	3A23	8	60 - 17
AL35648	4A19	1	80 - 13	AL36133	2A17	4	50 - 11	AL36989	3A23	9	60 - 17
AL35648	4A19	..	80 - 13	AL36134	2A17	3	50 - 11	AL36989	3B2	10	60 - 21
AL35649	4A19	3	80 - 13	AL36187	3C18	28	60 - 61	AL36989	3B2	11	60 - 21
AL35649	4A19	..	80 - 13	AL36187	3C22	26	60 - 65	AL36989	3B2	12	60 - 21
AL35650	4A19	11	80 - 13	AL36188	3C18	7	60 - 61	AL36989	3B2	13	60 - 21
AL35650	4A19	13	80 - 13	AL36188	3C22	15	60 - 65	AL37069	2H3	13	50 - 169
AL35650	4A19	..	80 - 13	AL36190	4C18	1	80 - 61	AL37071	2H3	16	50 - 169
AL35651	4A19	1	80 - 13	AL36191	2G14	27	50 - 155	AL37072	2H1	1	50 - 167
AL35651	4A19	..	80 - 13	AL36192	2G14	25	50 - 155	AL37072	2H3	18	50 - 169
AL35652	4A19	3	80 - 13	AL36193	4C18	4	80 - 61	AL37072	2H3	15	50 - 169
AL35652	4A19	..	80 - 13	AL36198	3C16	26	60 - 59	AL37073	2H3	15	50 - 169
AL35664	2C10	17	50 - 53	AL36198	3C18	14	60 - 61	AL37082	4D3	24	80 - 71
AL35677	3H6	7	70 - 101	AL36198	3C20	23	60 - 63	AL37083	4D3	24	80 - 71
AL35677	3H6	11	70 - 101	AL36198	3C22	21	60 - 65	AL37132	3B8	23	60 - 27
AL35677	3H6	12	70 - 101	AL36324	4G22	12	90 - 63	AL37132	3B8	30	60 - 27
AL35678	3G16	17	70 - 87	AL36324	4H9	10	90 - 75	AL37132	3B10	23	60 - 29
AL35753	1D8	2	30 - 13	AL36326	4G24	22	90 - 65	AL37132	3B10	32	60 - 29
AL35753	1D10	2	30 - 15	AL36327	4G24	32	90 - 65	AL37146	4B12	7	80 - 31
AL35754	1D10	2	30 - 15	AL36327	4G24	35	90 - 65	AL37146	4B12	15	80 - 31
AL35755	3D12	1	70 - 10	AL36327	4G24	37	90 - 65	AL37146	4B14	19	80 - 33
AL35792	3G13	4	70 - 84	AL36330	1D2	6	30 - 7	AL37193	4B12	3	80 - 31
AL35793	3G13	3	70 - 84	AL36331	3G14	4	70 - 85	AL37194	4B12	13	80 - 31
AL35794	3G13	2	70 - 84	AL36332	3G14	3	70 - 85	AL37202	3B14	10	60 - 33
AL35795	3G13	1	70 - 84	AL36333	3G14	2	70 - 85	AL37204	4B14	11	80 - 33
AL35830	4A9	1	80 - 3	AL36334	3G14	1	70 - 85	AL37205	4B14	1	80 - 33
AL35831	4A9	1	80 - 3	AL36335	1F18	22	40 - 21	AL37219	2C17	10	50 - 60
AL35832	3A23	12	60 - 17	AL36335	1F20	15	40 - 23	AL37247	3H6	12	70 - 101
AL35833	3A23	11	60 - 17	AL36337	3B8	26	60 - 27	AL37259	2H17	1	50 - 183
AL35833	3A23	12	60 - 17	AL36337	3B8	28	60 - 27	AL37259	2H17	7	50 - 183
AL35834	3A23	12	60 - 17	AL36365	1F24	2	40 - 27	AL37265	3D15	1	70 - 13
AL35837	3C20	27	60 - 63	AL36365	1G2	15	40 - 29	AL37265	3D17	4	70 - 15
AL35837	3C22	35	60 - 65	AL36459	4G20	1	90 - 61	AL37265	3D23	28	70 - 21
AL35839	4A9	5	80 - 3	AL36460	4G22	12	90 - 63	AL37279	2A11	1	50 - 5
AL35849	4B18	3	80 - 37	AL36461	4G22	13	90 - 63	AL37279	2A17	11	50 - 11
AL35863	1F24	3	40 - 27	AL36521	3B8	15	60 - 27	AL37280	2C14	38	50 - 57
AL35863	1F24	12	40 - 27	AL36521	3B8	26	60 - 27	AL37280	2C16	38	50 - 59
AL35863	1G2	2	40 - 29	AL36521	3B8	27	60 - 27	AL37357	1D2	1	30 - 7
AL35864	1F24	3	40 - 27	AL36521	3B8	33	60 - 27	AL37358	1D2	9	30 - 7
AL35864	1F24	13	40 - 27	AL36525	2A17	1	50 - 11	AL37358	1D2	9	30 - 7
AL35925	2F24	9	50 - 141	AL36533	3A19	1	60 - 13	AL37360	3E7	10	70 - 30
AL35926	2F24	9	50 - 141	AL36555	4G22	13	90 - 63	AL37360	3E7	12	70 - 30
AL35930	1D2	10	30 - 7	AL36555	4H9	11	90 - 75	AL37360	3E7	12	70 - 30
AL35931	1D2	10	30 - 7	AL36556	4H7	1	90 - 73	AL37364	1D2	2	30 - 7
AL35944	3E12	23	70 - 35	AL36562	1G12	2	40 - 39	AL37365	1D2	4	30 - 7
AL35945	4I4	10	90 - 95	AL36562	1G13	8	40 - 40	AL37365	1D2	4	30 - 7
AL35946	4I4	10	90 - 95	AL36563	3B12	11	60 - 31	AL37367	2C17	13	50 - 60
AL35947	4A23	7	80 - 17	AL36563	3B14	8	60 - 33	AL37367	2C18	1	50 - 61
AL35955	4E14	13	90 - 7	AL36578	2G21	3	50 - 162	AL37367	2C20	1	50 - 63
AL35969	2C6	7	50 - 49	AL36614	2D19	1	50 - 87	AL37367	2C18	10	50 - 61
AL35998	1F2	1	40 - 5	AL36635	1D18	3	30 - 23	AL37368	2C18	10	50 - 61
AL35998	1F4	1	40 - 7	AL36691	1D12	12	30 - 17	AL37369	3C10	3	60 - 53
AL35999	1F4	23	40 - 7	AL36721	2H3	23	50 - 169	AL37376	4F2	17	90 - 19
AL36100	1F2	1	40 - 5	AL36722	2H3	7	50 - 169	AL37379	1D18	8	30 - 23
AL36101	1F2	22	40 - 5	AL36724	2H3	23	50 - 169	AL37380	1D18	8	30 - 23
AL36118	3B8	15	60 - 27	AL36727	4D25	4	80 - 93	AL37384	4F2	12	90 - 19
AL36118	3B8	28	60 - 27	AL36728	4A15	5	80 - 9	AL37386	4G14	13	90 - 55
AL36120	3G6	7	70 - 77	AL36728	4A15	9	80 - 9	AL37388	4G2	32	90 - 43
								AL37388	4G4	20	90 - 45
								AL37416	4A23	1	80 - 17
								AL37416	4A23	25	80 - 17
								AL37418	4A23	1	80 - 17
								AL37418	4A23	25	80 - 17

1K6

TRACTORS (-429999) 2040S,2140

NUMERICAL INDEX - CONTINUED

PART NO.	GRID	KEY	PAGE	PART NO.	GRID	KEY	PAGE	PART NO.	GRID	KEY	PAGE
AL37450	1C4	7	20 - 47	AL38243	2B2	17	50 - 21	AL38874	4A9	5	80 - 3
AL37451	1C7	2	20 - 50	AL38245	2B2	1	50 - 21	AL38874	4A9	22	80 - 3
AL37451	3E14	10	70 - 37	AL38245	2B2	17	50 - 21	AL38887	2H15	6	50 - 181
AL37451	3E16	2	70 - 39	AL38246	2B2	1	50 - 21	AL38891	3A17	20	60 - 11
AL37475	4G2	28	90 - 43	AL38246	2B2	3	50 - 21	AL38891	4B10	27	80 - 29
AL37489	3C4	6	60 - 47	AL38246	2B2	17	50 - 21	AL38893	1H5	16	40 - 57
AL37489	3C6	13	60 - 49	AL38291	4D25	12	80 - 93	AL38893	1H5	18	40 - 57
AL37504	4B10	14	80 - 29	AL38301	4I4	12	90 - 95	AL38893	1H5	20	40 - 57
AL37504	4B10	25	80 - 29	AL38310	2F24	8	50 - 141	AL38894	1H5	17	40 - 57
AL37505	4B10	15	80 - 29	AL38314	1D18	10	30 - 23	AL38894	1H5	19	40 - 57
AL37505	4B10	20	80 - 29	AL38357	2F24	12	50 - 141	AL38894	1H5	20	40 - 57
AL37523	2H17	5	50 - 183	AL38374	1C4	6	20 - 47	AL38981	4I4	12	90 - 95
AL37539	2A17	7	50 - 11	AL38374	1C4	26	20 - 47	AL38982	4I4	12	90 - 95
AL37565	2B18	19	50 - 37	AL38379	1D2	5	30 - 7	AL38995	4A11	1	80 - 5
AL37565	2B18	20	50 - 37	AL38379	1D2	21	30 - 7	AL39091	2F20	16	50 - 137
AL37565	2B18	21	50 - 37	AL38425	4E22	24	90 - 15	AL39099	2A17	4	50 - 11
AL37568	1C4	6	20 - 47	AL38425	4E23	1	90 - 16	AL39129	3D17	28	70 - 15
AL37568	1C4	27	20 - 47	AL38448	3E14	17	70 - 37	AL39129	3D23	27	70 - 21
AL37584	2F10	3	50 - 127	AL38448	3E16	10	70 - 39	AL39139	4D25	18	80 - 93
AL37585	2F10	3	50 - 127	AL38456	3G4	8	70 - 75	AL39168	2A17	4	50 - 11
AL37588	4E15	6	90 - 8	AL38480	1F10	5	40 - 13	AL39169	2A17	4	50 - 11
AL37593	3B2	7	60 - 21	AL38481	1F8	10	40 - 11	AL39170	3H24	17	70 - 119
AL37595	2C18	6	50 - 61	AL38518	4D13	5	80 - 81	AL39171	3H24	4	70 - 119
AL37596	2C14	5	50 - 57	AL38522	4A9	1	80 - 3	AL39172	3H24	7	70 - 119
AL37596	2C16	5	50 - 59	AL38522	4A9	22	80 - 3	AL39200	1G12	1	40 - 39
AL37705	2A17	1	50 - 11	AL38550	2D21	1	50 - 89	AL39200	1G12	10	40 - 39
AL37735	4A23	1	80 - 17	AL38550	2D23	1	50 - 91	AL39200	1G12	16	40 - 39
AL37735	4A23	25	80 - 17	AL38551	2D21	1	50 - 89	AL39203	1C24	4	30 - 5
AL37737	4A23	1	80 - 17	AL38551	2D23	1	50 - 91	AL39203	1C24	21	30 - 5
AL37737	4A23	25	80 - 17	AL38567	4C14	4	80 - 57	AL39233	2E14	8	50 - 107
AL37754	2H15	1	50 - 181	AL38594	1F18	17	40 - 21	AL39237	2C4	8	50 - 47
AL37754	2H15	2	50 - 181	AL38594	1F20	13	40 - 23	AL39237	2E14	9	50 - 107
AL37840	4E10	4	90 - 3	AL38623	4D25	14	80 - 93	AL39238	2E14	20	50 - 107
AL37841	4E10	11	90 - 3	AL38624	4D25	13	80 - 93	AL39243	2B4	16	50 - 23
AL37858	2A9	1	50 - 3	AL38632	2D19	1	50 - 87	AL39254	2B24	12	50 - 43
AL37858	2A9	8	50 - 3	AL38634	2D7	1	50 - 75	AL39254	2B24	14	50 - 43
AL37861	2A9	1	50 - 3	AL38637	4B10	7	80 - 29	AL39257	2D19	6	50 - 87
AL37861	2A11	1	50 - 5	AL38637	4B10	26	80 - 29	AL39257	2E12	1	50 - 105
AL37866	2G10	20	50 - 151	AL38638	3A17	17	60 - 11	AL39262	2C10	17	50 - 53
AL37901	4F14	1	90 - 31	AL38638	3A17	19	60 - 11	AL39287	3B22	7	60 - 41
AL37901	4F14	12	90 - 31	AL38638	3A17	21	60 - 11	AL39295	2A23	1	50 - 17
AL37902	4F14	12	90 - 31	AL38638	3A17	22	60 - 11	AL39297	2A21	1	50 - 15
AL37937	2C17	6	50 - 60	AL38670	2A17	3	50 - 11	AL39297	2A21	2	50 - 15
AL37971	4C17	3	80 - 60	AL38670	2A21	1	50 - 15	AL39298	2A22	1	50 - 16
AL37975	1C22	9	30 - 3	AL38670	2A21	2	50 - 15	AL39340	1G20	6	40 - 47
AL38082	3E22	28	70 - 45	AL38670	2A22	1	50 - 16	AL39342	2D23	1	50 - 91
AL38082	3E22	31	70 - 45	AL38670	2A23	1	50 - 17	AL39355	2B4	9	50 - 23
AL38082	3E22	32	70 - 45	AL38671	2A11	1	50 - 5	AL39416	3I4	3	70 - 124
AL38082	3E22	38	70 - 45	AL38671	2A11	8	50 - 5	AL39464	4D25	20	80 - 93
AL38083	3E18	27	70 - 41	AL38756	2H17	17	50 - 183	AL39465	4D25	17	80 - 93
AL38083	4G15	11	90 - 56	AL38756	2H21	5	50 - 187	AL39483	2C17	10	50 - 60
AL38085	4A9	1	80 - 3	AL38761	4D13	7	80 - 81	AL39509	1D8	1	30 - 13
AL38086	4A9	1	80 - 3	AL38765	2H1	1	50 - 167	AL39509	1D8	9	30 - 13
AL38213	3C14	11	60 - 57	AL38765	2H3	10	50 - 169	AL39509	1D10	1	30 - 15
AL38226	2B6	5	50 - 25	AL38766	2H3	18	50 - 169	AL39510	1D10	1	30 - 15
AL38226	2B6	9	50 - 25	AL38767	2H3	15	50 - 169	AL39510	1D10	10	30 - 15
AL38226	2B6	10	50 - 25	AL38819	4A9	14	80 - 3	AL39541	2A18	2	50 - 12
AL38226	2B6	12	50 - 25	AL38820	4A9	15	80 - 3	AL39541	2A19	2	50 - 13
AL38226	2B6	15	50 - 25	AL38838	1C24	10	30 - 5	AL39581	1D22	14	30 - 27
AL38235	3B24	2	60 - 43	AL38838	1C24	15	30 - 5	AL39581	1D22	15	30 - 27
AL38236	3B24	2	60 - 43	AL38838	1D2	16	30 - 7	AL39581	1D22	31	30 - 27
AL38238	2B24	29	50 - 43	AL38838	1D2	18	30 - 7	AL39591	2A17	3	50 - 11
AL38239	2B24	2	50 - 43	AL38853	1D18	8	30 - 23	AL39591	2A21	1	50 - 15
AL38239	2C10	17	50 - 53	AL38854	1D18	8	30 - 23	AL39591	2A25	1	50 - 19
AL38239	2C10	25	50 - 53	AL38857	1D18	8	30 - 23	AL39593	4D25	16	80 - 93
AL38240	2C10	25	50 - 53	AL38863	2B24	37	50 - 43	AL39594	4D25	19	80 - 93
AL38243	2B2	1	50 - 21	AL38867	2C4	21	50 - 47	AL39620	4E14	17	90 - 7

1K7

TRACTORS (-429999) 2040S,2140

NUMERICAL INDEX - CONTINUED

PART NO.	GRID	KEY	PAGE	PART NO.	GRID	KEY	PAGE	PART NO.	GRID	KEY	PAGE
AL39759	4H15	44	90 - 81	AL40932	4A9	19	80 - 3	AL55322	4A11	1	80 - 5
AL39759	4H15	45	90 - 81	AL40957	3H24	10	70 - 119	AL55322	4A13	8	80 - 7
AL39779	4E1	1	80 - 94	AL40964	4A9	18	80 - 3	AL55385	3C20	19	60 - 63
AL39816	4G22	13	90 - 63	AL40972	4A13	12	80 - 7	AL55385	3C22	25	60 - 65
AL39816	4H9	11	90 - 75	AL40973	4A13	15	80 - 7	AL55385	3H6	6	70 - 101
AL39823	4G22	12	90 - 63	AL40976	3F16	18	70 - 63	AL55852	4G2	27	90 - 43
AL39823	4H9	10	90 - 75	AL40976	3F16	19	70 - 63	AL55852	4G4	6	90 - 45
AL39828	2A25	1	50 - 19	AL40977	3F16	19	70 - 63	AL55852	4G6	2	90 - 47
AL39842	3E12	4	70 - 35	AL40977	3F16	26	70 - 63	AL55853	3E14	10	70 - 37
AL39842	3E12	23	70 - 35	AL41215	3I3	5	70 - 123	AL55853	3E16	2	70 - 39
AL39844	3E10	4	70 - 33	AL41247	1F14	1	40 - 17	AL55854	3E12	9	70 - 35
AL39844	3E10	18	70 - 33	AL41247	1F16	1	40 - 19	AL55857	1G18	4	40 - 45
AL39845	3E10	13	70 - 33	AL41262	4F18	15	90 - 35	AL55858	1G18	1	40 - 45
AL39845	3E10	18	70 - 33	AL41262	4F18	16	90 - 35	AL55858	1G18	18	40 - 45
AL39862	3B12	7	60 - 31	AL41262	4F20	14	90 - 37	AL55954	3A23	11	60 - 17
AL39862	3B20	5	60 - 39	AL41262	4F21	2	90 - 38	AL55954	3A23	12	60 - 17
AL39862	3B23	3	60 - 42	AL41262	4F21	3	90 - 38	AL55956	3A23	11	60 - 17
AL39877	2A19	6	50 - 13	AL41290	3A25	7	60 - 19	AL55956	3A23	12	60 - 17
AL39878	2D7	40	50 - 75	AL41290	3B12	7	60 - 31	AL56010	1H10	7	40 - 62
AL39878	2E12	11	50 - 105	AL41290	3B12	25	60 - 31	AL56011	1H10	8	40 - 62
AL39913	4G20	1	90 - 61	AL41290	3B20	5	60 - 39	AL56117	1H10	3	40 - 62
AL39913	4H7	1	90 - 73	AL41290	3B20	19	60 - 39	AL56168	4E10	4	90 - 3
AL39914	4G20	1	90 - 61	AL41290	3B23	3	60 - 42	AL56169	4E10	11	90 - 3
AL39915	4G22	12	90 - 63	AL41290	3B23	11	60 - 42	AL56308	2A17	1	50 - 11
AL39916	4G22	13	90 - 63	AL41352	2B7	1	50 - 26	AL56381	4A23	13	80 - 17
AL39917	1H5	5	40 - 57	AL41463	1C4	7	20 - 47	AL56407	1C4	7	20 - 47
AL39917	1H5	18	40 - 57	AL41520	1F16	14	40 - 19	AL56765	4D3	24	80 - 71
AL39918	1H5	12	40 - 57	AL41522	1F16	9	40 - 19	AL56766	4D3	24	80 - 71
AL39918	1H5	20	40 - 57	AL41525	1F16	22	40 - 19	AL56820	2G4	6	50 - 145
AL39919	1H5	3	40 - 57	AL41540	2F14	16	50 - 131	AL56820	2G10	15	50 - 151
AL39919	1H5	19	40 - 57	AL41540	2F14	18	50 - 131	AL57323	2G4	11	50 - 145
AL39931	2A9	1	50 - 3	AL41540	2F14	19	50 - 131	AL57390	3C6	6	60 - 49
AL39931	2A17	7	50 - 11	AL41541	2F12	4	50 - 129	AL57392	3C6	2	60 - 49
AL39931	2A17	9	50 - 11	AL41541	2F12	11	50 - 129	AL57412	3C4	1	60 - 47
AL39931	2A17	11	50 - 11	AL41541	2F14	4	50 - 131	AL57415	2A20	2	50 - 14
AL39931	2A18	1	50 - 12	AL41601	4A13	37	80 - 7	AL57555	4I7	1	90 - 98
AL39932	2A18	7	50 - 12	AL41602	4A13	36	80 - 7	AL57556	4I6	7	90 - 97
AL39934	1D2	1	30 - 7	AL41614	4F20	5	90 - 37	AL57566	2G14	25	50 - 155
AL39939	4G22	20	90 - 63	AL41626	1F16	26	40 - 19	AL57598	3C6	1	60 - 49
AL39940	4H9	12	90 - 75	AL41641	3A25	9	60 - 19	AL57599	3C6	4	60 - 49
AL39941	4G22	21	90 - 63	AL41642	3A25	10	60 - 19	AL57615	3C4	2	60 - 47
AL39941	4H9	13	90 - 75	AL41722	3A25	11	60 - 19	AL57748	4D25	19	80 - 93
AL39942	4G24	15	90 - 65	AL41725	4A9	23	80 - 3	AL57788	2C19	5	50 - 62
AL39942	4G24	45	90 - 65	AL41727	2C4	8	50 - 47	AL57789	2C19	6	50 - 62
AL39942	4H11	42	90 - 77	AL41727	2E14	9	50 - 107	AL57916	2C19	2	50 - 62
AL39943	4G24	42	90 - 65	AL41728	2E14	20	50 - 107	AL57916	2C20	5	50 - 63
AL39943	4H11	39	90 - 77	AL55042	1F16	8	40 - 19	AL57974	3F14	1	70 - 61
AL39944	4G24	41	90 - 65	AL55043	1F16	20	40 - 19	AL57975	2A15	1	50 - 9
AL39944	4H11	38	90 - 77	AL55044	1F16	18	40 - 19	AL58036	1G18	19	40 - 45
AL40805	2C4	21	50 - 47	AL55046	1F14	2	40 - 17	AL58121	3A25	4	60 - 19
AL40805	2F2	16	50 - 119	AL55046	1F16	27	40 - 19	AL58121	3B2	1	60 - 21
AL40805	2F4	22	50 - 121	AL55047	1F16	16	40 - 19	AL58132	3A23	12	60 - 17
AL40807	2B24	37	50 - 43	AL55066	2C17	13	50 - 60	AL58132	3A25	1	60 - 19
AL40807	2E22	16	50 - 115	AL55066	2C19	1	50 - 62	AL58296	2F11	12	50 - 128
AL40807	2E24	19	50 - 117	AL55066	2C20	1	50 - 63	AL58315	4A23	1	80 - 17
AL40808	2B24	43	50 - 43	AL55073	3I12	14	70 - 132	AL58315	4A23	24	80 - 17
AL40847	1C5	1	20 - 48	AL55073	3I13	11	70 - 133	AL58318	4A23	1	80 - 17
AL40847	1C6	1	20 - 49	AL55074	3I12	14	70 - 132	AL58318	4A23	24	80 - 17
AL40848	1C5	10	20 - 48	AL55074	3I13	11	70 - 133	AL58356	1H10	9	40 - 62
AL40848	1C5	11	20 - 48	AL55075	2C10	13	50 - 53	AL58356	3E18	31	70 - 41
AL40848	1C6	7	20 - 49	AL55240	2A17	3	50 - 11	AL58356	4G15	15	90 - 56
AL40871	3A17	4	60 - 11	AL55240	2A21	1	50 - 15	AL58367	1F18	9	40 - 21
AL40884	3E22	3	70 - 45	AL55257	2B8	1	50 - 27	AL58367	1F18	21	40 - 21
AL40884	3E22	4	70 - 45	AL55258	2B8	1	50 - 27	AL58367	1F18	22	40 - 21
AL40884	3E22	6	70 - 45	AL55260	2B9	1	50 - 28	AL58367	1F20	5	40 - 23
AL40884	3E22	7	70 - 45	AL55316	4A11	11	80 - 5	AL58367	1F20	14	40 - 23
AL40884	3E22	28	70 - 45	AL55316	4A13	26	80 - 7	AL58367	1F20	15	40 - 23

1K8

TRACTORS (-429999) 2040S,2140

NUMERICAL INDEX - CONTINUED

PART NO.	GRID	KEY	PAGE	PART NO.	GRID	KEY	PAGE	PART NO.	GRID	KEY	PAGE
AL58367	1H7	8	40 - 59	AL61753	3E22	8	70 - 45	AL64588	1B22	1	20 - 41
AL58367	1H9	6	40 - 61	AL61753	3E22	40	70 - 45	AL64588	1B24	1	20 - 43
AL58524	4F12	15	90 - 29	AL61754	2A20	2	50 - 14	AL64588	3E14	10	70 - 37
AL58739	1G8	1	40 - 35	AL61970	3F4	5	70 - 51	AL64588	3E16	2	70 - 39
AL58739	1G8	6	40 - 35	AL62014	2F12	11	50 - 129	AL64588	3H6	3	70 - 101
AL58768	1H10	6	40 - 62	AL62606	4A15	1	80 - 9	AL64588	4G2	27	90 - 43
AL58781	4H23	13	90 - 89	AL62655	2C20	4	50 - 63	AL64588	4G4	6	90 - 45
AL58783	4H23	12	90 - 89	AL62657	2C20	2	50 - 63	AL64588	4G6	2	90 - 47
AL58788	2C17	13	50 - 60	AL62659	2C18	2	50 - 61	AL64752	2G14	30	50 - 155
AL58788	2C18	1	50 - 61	AL62659	2C18	4	50 - 61	AL64752	2G16	33	50 - 157
AL58788	2C18	3	50 - 61	AL62659	2C18	7	50 - 61	AL64833	3E22	28	70 - 45
AL58788	2C18	5	50 - 61	AL62659	2C18	8	50 - 61	AL64833	3E22	30	70 - 45
AL58788	2C18	6	50 - 61	AL62659	2C18	9	50 - 61	AL64833	3E22	33	70 - 45
AL58788	2C18	10	50 - 61	AL62659	2C19	2	50 - 62	AL64922	2B24	41	50 - 43
AL58788	2C18	11	50 - 61	AL62659	2C20	5	50 - 63	AL64948	2A17	3	50 - 11
AL58788	2C19	1	50 - 62	AL62690	1F16	1	40 - 19	AL64948	2A17	4	50 - 11
AL58788	2C19	3	50 - 62	AL62707	1F24	2	40 - 27	AL64948	2A20	1	50 - 14
AL58788	2C19	4	50 - 62	AL62707	1G2	15	40 - 29	AL64949	2A17	3	50 - 11
AL58788	2C19	5	50 - 62	AL62774	2A20	1	50 - 14	AL64949	2A20	1	50 - 14
AL58788	2C19	6	50 - 62	AL63095	1F16	25	40 - 19	AL65077	1F6	17	40 - 9
AL58788	2C19	7	50 - 62	AL63095	1F16	26	40 - 19	AL65171	2F6	11	50 - 123
AL58788	2C20	1	50 - 63	AL63097	2E16	3	50 - 109	AL65171	2F6	12	50 - 123
AL59324	2A20	3	50 - 14	AL63097	2E16	4	50 - 109	AL65171	2F6	15	50 - 123
AL59324	2A21	1	50 - 15	AL63097	2E18	4	50 - 111	AL65172	2F6	3	50 - 123
AL59324	2A21	2	50 - 15	AL63097	2E20	4	50 - 113	AL65172	2F6	4	50 - 123
AL59324	2A24	1	50 - 18	AL63097	2E22	4	50 - 115	AL65172	2F6	9	50 - 123
AL59324	2A25	1	50 - 19	AL63097	2E24	4	50 - 117	AL65268	1G12	1	40 - 39
AL59584	2F14	9	50 - 131	AL63097	2F2	4	50 - 119	AL65268	1G13	1	40 - 40
AL59585	2D25	22	50 - 93	AL63097	2F4	4	50 - 121	AL65268	1G13	5	40 - 40
AL59585	2E2	22	50 - 95	AL63296	3H24	15	70 - 119	AL65268	1G13	6	40 - 40
AL59585	2E4	27	50 - 97	AL63298	1D2	7	30 - 7	AL65417	3H20	42	70 - 115
AL59585	2E6	27	50 - 99	AL63298	1D2	21	30 - 7	AL65417	3H22	1	70 - 117
AL59585	2E8	27	50 - 101	AL63309	1D2	22	30 - 7	AL65437	2D25	1	50 - 93
AL59585	2F14	7	50 - 131	AL633828	2C12	10	50 - 55	AL65438	2E2	1	50 - 95
AL59768	2B16	38	50 - 35	AL633828	2E20	1	50 - 113	AL65439	2D25	1	50 - 93
AL59768	2B16	40	50 - 35	AL633829	2C12	10	50 - 55	AL65851	3B17	4	60 - 36
AL59809	3D17	28	70 - 15	AL633829	2E24	1	50 - 117	AL65860	4H3	18	90 - 69
AL59809	3D17	41	70 - 15	AL633830	2C12	10	50 - 55	AL65891	2A20	3	50 - 14
AL59809	3D23	27	70 - 21	AL633830	2F4	1	50 - 121	AL65891	2A21	1	50 - 15
AL59809	3D23	40	70 - 21	AL633831	2E18	1	50 - 111	AL65891	2A24	1	50 - 18
AL60231	2E18	5	50 - 111	AL633832	2E22	1	50 - 115	AL65891	2A25	1	50 - 19
AL60231	2E20	5	50 - 113	AL633833	2F2	1	50 - 119	AL66091	2E2	1	50 - 95
AL60231	2E22	5	50 - 115	AL63928	3B22	6	60 - 41	AL66098	2A24	1	50 - 18
AL60231	2E24	5	50 - 117	AL63928	3B22	7	60 - 41	AL66200	2F14	14	50 - 131
AL60231	2F2	5	50 - 119	AL63934	2A20	2	50 - 14	AL66200	2G21	5	50 - 162
AL60231	2F4	5	50 - 121	AL63985	4A9	1	80 - 3	AL66201	2F14	9	50 - 131
AL60399	4F18	1	90 - 35	AL64050	2E16	1	50 - 109	AL66303	3A11	3	60 - 5
AL60399	4F20	13	90 - 37	AL64050	2E16	2	50 - 109	AL66303	3A11	41	60 - 5
AL60400	4F20	13	90 - 37	AL64050	2E16	3	50 - 109	AL66358	2E18	10	50 - 111
AL60409	4F18	1	90 - 35	AL64050	2E16	4	50 - 109	AL66358	2E18	12	50 - 111
AL60565	3F2	5	70 - 49	AL64214	2B10	1	50 - 29	AL66358	2E18	14	50 - 111
AL60577	2A25	1	50 - 19	AL64340	2A17	1	50 - 11	AL66358	2E20	13	50 - 113
AL60582	2A21	1	50 - 15	AL64360	4D25	30	80 - 93	AL66358	2E20	15	50 - 113
AL60717	2E16	8	50 - 109	AL64425	2E14	18	50 - 107	AL66358	2E20	17	50 - 113
AL60718	2F6	16	50 - 123	AL64426	2E14	13	50 - 107	AL66358	2E22	10	50 - 115
AL60773	2C6	7	50 - 49	AL64512	2D25	26	50 - 93	AL66358	2E22	12	50 - 115
AL60892	1H10	1	40 - 62	AL64512	2E2	26	50 - 95	AL66358	2E22	14	50 - 115
AL60895	3B12	11	60 - 31	AL64512	2E4	32	50 - 97	AL66358	2E24	13	50 - 117
AL60895	3B14	8	60 - 33	AL64512	2E6	32	50 - 99	AL66358	2E24	15	50 - 117
AL60895	3B16	1	60 - 35	AL64570	2D25	2	50 - 93	AL66358	2E24	17	50 - 117
AL60895	3B16	6	60 - 35	AL64570	2E2	2	50 - 95	AL66358	2F2	10	50 - 119
AL60895	3B16	8	60 - 35	AL64570	2E12	25	50 - 105	AL66358	2F2	12	50 - 119
AL60895	3B16	15	60 - 35	AL64570	2E12	26	50 - 105	AL66358	2F2	14	50 - 119
AL60895	3B16	18	60 - 35	AL64570	2E12	27	50 - 105	AL66358	2F4	13	50 - 121
AL60895	3B17	1	60 - 36	AL64570	2E16	6	50 - 109	AL66358	2F4	15	50 - 121
AL61470	1H10	2	40 - 62	AL64570	2E16	7	50 - 109	AL66358	2F4	17	50 - 121
AL61479	3F16	9	70 - 63	AL64570	2F14	7	50 - 131	AL66407	2C4	15	50 - 47

1K9

TRACTORS (-429999) 2040S,2140

NUMERICAL INDEX - CONTINUED

PART NO.	GRID	KEY	PAGE	PART NO.	GRID	KEY	PAGE	PART NO.	GRID	KEY	PAGE
AL66408	2C4	2	50 - 47	AL67448	2E2	23	50 - 95	AL68510	2E8	2	50 - 101
AL66410	2E18	5	50 - 111	AL67448	2E6	1	50 - 99	AL68510	2E12	25	50 - 105
AL66410	2E20	5	50 - 113	AL67448	2E6	29	50 - 99	AL68619	2G6	18	50 - 147
AL66410	2E22	5	50 - 115	AL67448	2E9	1	50 - 102	AL68619	2G12	21	50 - 153
AL66410	2E24	5	50 - 117	AL67448	2G12	23	50 - 153	AL68883	1F6	2	40 - 9
AL66410	2F2	5	50 - 119	AL67448	2G12	29	50 - 153	AL68885	1F6	7	40 - 9
AL66410	2F4	5	50 - 121	AL67449	2D21	1	50 - 89	AL68887	1F6	11	40 - 9
AL66513	4H5	22	90 - 71	AL67449	2D25	1	50 - 93	AL68889	1F6	23	40 - 9
AL66514	4H5	22	90 - 71	AL67449	2D25	23	50 - 93	AL68891	1F6	5	40 - 9
AL66606	4D25	2	80 - 93	AL67449	2E4	1	50 - 97	AL68893	1F6	13	40 - 9
AL66607	4D25	2	80 - 93	AL67449	2E4	29	50 - 97	AL69166	3C2	1	60 - 45
AL66608	4D25	2	80 - 93	AL67449	2E9	1	50 - 102	AL69166	3C2	13	60 - 45
AL66620	1F8	10	40 - 11	AL67449	2G10	17	50 - 151	AL69166	3C2	18	60 - 45
AL66620	1F11	1	40 - 14	AL67449	2G10	19	50 - 151	AL69166	3C2	19	60 - 45
AL66621	1F10	5	40 - 13	AL67450	2D21	1	50 - 89	AL69179	3C2	3	60 - 45
AL66621	1F11	1	40 - 14	AL67450	2D25	1	50 - 93	AL69392	4H23	1	90 - 89
AL66710	2A11	1	50 - 5	AL67450	2D25	23	50 - 93	AL69392	4H23	12	90 - 89
AL66710	2A19	1	50 - 13	AL67450	2E4	1	50 - 97	AL69392	4H23	13	90 - 89
AL66767	2E9	2	50 - 102	AL67450	2E4	29	50 - 97	AL69394	4H25	10	90 - 91
AL66767	2E10	2	50 - 103	AL67450	2E9	1	50 - 102	AL69394	4H25	15	90 - 91
AL66781	2D25	2	50 - 93	AL67450	2G8	14	50 - 149	AL69396	4H25	7	90 - 91
AL66781	2E2	2	50 - 95	AL67450	2G8	20	50 - 149	AL69465	4H5	2	90 - 71
AL66781	2E4	2	50 - 97	AL67503	2D21	1	50 - 89	AL69466	4H5	1	90 - 71
AL66781	2E6	2	50 - 99	AL67503	2D23	1	50 - 91	AL69467	4H5	20	90 - 71
AL66781	2E8	2	50 - 101	AL67503	2D25	1	50 - 93	AL69468	4H5	20	90 - 71
AL66781	2E12	25	50 - 105	AL67503	2E2	1	50 - 95	AL69471	4G25	3	90 - 66
AL66781	2E12	26	50 - 105	AL67503	2E4	1	50 - 97	AL69472	4H5	18	90 - 71
AL66781	2E16	6	50 - 109	AL67503	2E6	1	50 - 99	AL69474	4H5	24	90 - 71
AL66781	2E16	7	50 - 109	AL67503	2E8	1	50 - 101	AL69475	4H3	22	90 - 69
AL66781	2F14	7	50 - 131	AL67546	2D11	15	50 - 79	AL69476	4H3	26	90 - 69
AL66787	2E6	1	50 - 99	AL67574	3C2	3	60 - 45	AL69477	4H5	42	90 - 71
AL66788	2E4	1	50 - 97	AL67651	2C14	5	50 - 57	AL69480	4H3	7	90 - 69
AL66789	2E6	1	50 - 99	AL67651	2C16	5	50 - 59	AL69481	4H3	16	90 - 69
AL66796	2D5	2	50 - 73	AL67715	3C2	11	60 - 45	AL69494	4H3	14	90 - 69
AL66797	2D5	2	50 - 73	AL67778	4D25	19	80 - 93	AL69495	4H3	15	90 - 69
AL66798	2D3	1	50 - 71	AL67798	4D25	11	80 - 93	AL69496	4H1	6	90 - 67
AL66798	2D5	1	50 - 73	AL67921	4H3	33	90 - 69	AL69497	4H1	1	90 - 67
AL66799	2E4	1	50 - 97	AL68022	2A20	2	50 - 14	AL69498	4H1	10	90 - 67
AL66804	2D3	1	50 - 71	AL68024	2A20	2	50 - 14	AM30347	4C6	1	80 - 49
AL66804	2D5	1	50 - 73	AL68083	3A23	22	60 - 17	AN10065	2A18	3	50 - 12
AL66971	2F12	4	50 - 129	AL68083	3A23	25	60 - 17	AN10065	2A19	4	50 - 13
AL66971	2F12	11	50 - 129	AL68083	3A23	31	60 - 17	AR100124	1A15	2	20 - 9
AL66971	2F14	18	50 - 131	AL68083	3B2	20	60 - 21	AR100124	1A15	3	20 - 9
AL67052	1H9	23	40 - 61	AL68083	3B2	23	60 - 21	AR100124	1A16	2	20 - 10
AL67052	1H9	25	40 - 61	AL68083	3B2	30	60 - 21	AR100124	1A16	3	20 - 10
AL67054	2D25	26	50 - 93	AL68098	4G20	1	90 - 61	AR100124	1C16	1	20 - 59
AL67054	2E2	26	50 - 95	AL68098	4G25	1	90 - 66	AR100124	1C16	3	20 - 59
AL67054	2E4	32	50 - 97	AL68118	2D11	15	50 - 79	AR100178	1C9	5	20 - 52
AL67054	2E6	32	50 - 99	AL68277	4B16	2	80 - 35	AR100178	1C9	11	20 - 52
AL67171	4D25	2	80 - 93	AL68306	2D21	19	50 - 89	AR100424	1C16	3	20 - 59
AL67175	1F4	1	40 - 7	AL68306	2D23	19	50 - 91	AR100426	1C16	1	20 - 59
AL67175	1F6	1	40 - 9	AL68306	2D25	29	50 - 93	AR101236	3D17	11	70 - 15
AL67181	3B17	3	60 - 36	AL68306	2E2	29	50 - 95	AR101236	3D23	11	70 - 21
AL67182	2F14	15	50 - 131	AL68306	2E4	35	50 - 97	AR101238	3D7	27	70 - 5
AL67182	2G21	5	50 - 162	AL68306	2E6	35	50 - 99	AR101238	3D9	27	70 - 7
AL67261	2D14	10	50 - 82	AL68306	2E8	31	50 - 101	AR101665	3D23	4	70 - 21
AL67261	2D14	13	50 - 82	AL68435	2B4	20	50 - 23	AR102310	3B16	12	60 - 35
AL67447	2D23	1	50 - 91	AL68461	2G8	21	50 - 149	AR102452	1D23	6	30 - 28
AL67447	2E2	1	50 - 95	AL68461	2G10	21	50 - 151	AR102477	3E22	8	70 - 45
AL67447	2E2	23	50 - 95	AL68461	2G12	30	50 - 153	AR102516	3B12	11	60 - 31
AL67447	2E6	1	50 - 99	AL68461	2G20	28	50 - 161	AR102516	3B16	18	60 - 35
AL67447	2E6	29	50 - 99	AL68507	2D5	2	50 - 73	AR102674	1A9	1	20 - 3
AL67447	2E10	1	50 - 103	AL68508	2D5	2	50 - 73	AR102674	1A17	5	20 - 11
AL67447	2G20	23	50 - 161	AL68510	2D25	2	50 - 93	AR102675	1D24	8	30 - 29
AL67447	2G20	27	50 - 161	AL68510	2E2	2	50 - 95	AR102676	1D24	3	30 - 29
AL67448	2D23	1	50 - 91	AL68510	2E4	2	50 - 97	AR102678	1D24	4	30 - 29
AL67448	2E2	1	50 - 95	AL68510	2E6	2	50 - 99	AR103033	3D9	1	70 - 7

1K10

TRACTORS (-429999) 2040S,2140

NUMERICAL INDEX - CONTINUED

PART NO.	GRID	KEY	PAGE	PART NO.	GRID	KEY	PAGE	PART NO.	GRID	KEY	PAGE
AR103035	3D7	1	70 - 5	AR33877	3H8	10	70 - 103	AR55186	3D17	10	70 - 15
AR103036	3D9	1	70 - 7	AR37017	3C20	19	60 - 63	AR55695	3I7	19	70 - 127
AR103040	3D7	25	70 - 5	AR38225	3D13	1	70 - 11	AR55695	3I9	16	70 - 129
AR103040	3D7	32	70 - 5	AR38239	3H16	1	70 - 111	AR55978	1B12	9	20 - 31
AR103040	3D7	48	70 - 5	AR38713	3H17	1	70 - 112	AR55978	1B12	10	20 - 31
AR103040	3D9	25	70 - 7	AR38714	3D19	9	70 - 17	AR58126	1G2	1	40 - 29
AR103040	3D9	32	70 - 7	AR38849	3H16	3	70 - 111	AR58652	4G10	3	90 - 51
AR103040	3D9	48	70 - 7	AR39041	3D7	28	70 - 5	AR60559	1D23	6	30 - 28
AR103749	1B15	2	20 - 34	AR39041	3D9	28	70 - 7	AR60701	1B20	9	20 - 39
AR1729R	1D2	2	30 - 7	AR39052	3D7	17	70 - 5	AR61165	3F18	1	70 - 65
AR21059	1G5	3	40 - 32	AR39052	3D9	17	70 - 7	AR61165	3F18	22	70 - 65
AR21837	1B22	1	20 - 41	AR39071	3D17	28	70 - 15	AR61165	3F20	1	70 - 67
AR21837	1B24	1	20 - 43	AR39071	3D23	27	70 - 21	AR61165	3F20	27	70 - 67
AR21837	3H6	3	70 - 101	AR39157	3H4	7	70 - 99	AR61165	3F22	1	70 - 69
AR21837	4G2	27	90 - 43	AR39158	3H4	5	70 - 99	AR61165	3F22	28	70 - 69
AR21837	4G4	6	90 - 45	AR39695	3D15	1	70 - 13	AR61194	4D23	2	80 - 91
AR21837	4G6	2	90 - 47	AR41006	1A19	11	20 - 13	AR61351	1A21	1	20 - 15
AR21839	1C7	2	20 - 50	AR41691	1C12	15	20 - 55	AR61352	1A21	1	20 - 15
AR21840	1C4	19	20 - 47	AR41785	4D25	5	80 - 93	AR61538	1C9	3	20 - 52
AR21841	1C24	2	30 - 5	AR42287	3F6	5	70 - 53	AR62028	2C8	1	50 - 51
AR21841	1D2	14	30 - 7	AR44217	3E12	9	70 - 35	AR62072	2G14	4	50 - 155
AR21841	4G14	9	90 - 55	AR45251	3C16	21	60 - 59	AR62072	2G16	25	50 - 157
AR21842	1C24	15	30 - 5	AR45251	3C18	8	60 - 61	AR62149	3H25	2	70 - 120
AR21842	1D2	18	30 - 7	AR45251	3C20	30	60 - 63	AR62149	3I1	2	70 - 121
AR21999	1C22	1	30 - 3	AR45251	3C22	16	60 - 65	AR62149	3I4	2	70 - 124
AR21999	3B12	24	60 - 31	AR45530	1A15	1	20 - 9	AR62149	3I15	5	70 - 135
AR21999	3B20	18	60 - 39	AR45530	1A16	2	20 - 10	AR62978	1B20	1	20 - 39
AR21999	3E10	12	70 - 33	AR47580	3D17	4	70 - 15	AR62979	1B20	1	20 - 39
AR21999	3E12	11	70 - 35	AR47825	3H16	42	70 - 111	AR63103	1E17	13	30 - 47
AR26382	1C12	7	20 - 55	AR47825	3H20	1	70 - 115	AR63105	1E17	13	30 - 47
AR26407	3H16	44	70 - 111	AR47825	3H22	4	70 - 117	AR63616	3C2	1	60 - 45
AR26407	3H20	42	70 - 115	AR48236	1D18	12	30 - 23	AR63616	3C2	13	60 - 45
AR26407	3H22	1	70 - 117	AR48296	3H8	9	70 - 103	AR63616	3C2	18	60 - 45
AR26480	4B16	4	80 - 35	AR48297	3H8	1	70 - 103	AR63616	3C2	19	60 - 45
AR26646	3D19	25	70 - 17	AR49803	4G9	2	90 - 50	AR64415	1B22	11	20 - 41
AR26697	3H4	13	70 - 99	AR50040	1D25	2	30 - 30	AR65294	1D4	3	30 - 9
AR26723	3D14	9	70 - 12	AR50041	1D25	11	30 - 30	AR65507	1B12	3	20 - 31
AR26723	3G22	2	70 - 93	AR50041	1E1	11	30 - 31	AR65507	1B13	4	20 - 32
AR26725	3A11	26	60 - 5	AR50580	1G6	1	40 - 33	AR65507	1C16	2	20 - 59
AR26725	3C16	11	60 - 59	AR51481	1G2	2	40 - 29	AR65507	1C16	3	20 - 59
AR26725	3C18	15	60 - 61	AR51745	3D19	7	70 - 17	AR65881	3E3	9	70 - 26
AR26725	3C20	24	60 - 63	AR52224	3D17	22	70 - 15	AR66478	1G2	10	40 - 29
AR26746	3C8	6	60 - 51	AR52224	3D23	22	70 - 21	AR66799	1G2	13	40 - 29
AR26746	3C16	2	60 - 59	AR52254	3D19	27	70 - 17	AR67718	3D21	1	70 - 19
AR26746	3C18	2	60 - 61	AR52254	3D25	22	70 - 23	AR67733	1E4	1	30 - 34
AR26746	3C20	10	60 - 63	AR52278	3E24	11	70 - 47	AR67734	1E4	2	30 - 34
AR26746	3C22	10	60 - 65	AR52361	3C16	17	60 - 59	AR67735	1E4	3	30 - 34
AR26746	3D14	10	70 - 12	AR52361	3C18	23	60 - 61	AR67736	1E4	4	30 - 34
AR26746	3D17	40	70 - 15	AR52361	3C20	1	60 - 63	AR67942	1B8	10	20 - 27
AR26763	3G4	4	70 - 75	AR52361	3C22	1	60 - 65	AR67942	1C16	3	20 - 59
AR26763	3G6	8	70 - 77	AR52372	3C16	14	60 - 59	AR68071	3I7	22	70 - 127
AR26763	3G8	13	70 - 79	AR52372	3C18	20	60 - 61	AR68145	3H22	8	70 - 117
AR26763	3G10	5	70 - 81	AR52372	3C20	2	60 - 63	AR68340	1A17	2	20 - 11
AR26763	3G13	7	70 - 84	AR52372	3C22	2	60 - 65	AR68801	4A25	11	80 - 19
AR26763	3G14	7	70 - 85	AR52621	3H8	9	70 - 103	AR69710	1A23	8	20 - 17
AR26763	3G16	15	70 - 87	AR52622	3H8	1	70 - 103	AR69711	1A23	8	20 - 17
AR26763	3H8	7	70 - 103	AR52706	2D13	8	50 - 81	AR69743	1D25	6	30 - 30
AR26782	2G22	3	50 - 163	AR52785	3D7	12	70 - 5	AR70436	1F14	1	40 - 17
AR27814	1E19	5	30 - 49	AR52785	3D9	12	70 - 7	AR70436	1F16	1	40 - 19
AR27814	4D25	7	80 - 93	AR52785	3D17	14	70 - 15	AR70589	1A17	2	20 - 11
AR27940	1E19	13	30 - 49	AR53301	3D17	3	70 - 15	AR71007	1A10	1	20 - 4
AR27977	1B16	2	20 - 35	AR53301	3D23	3	70 - 21	AR71007	1A11	1	20 - 5
AR28040	1D2	21	30 - 7	AR53799	2G22	2	50 - 163	AR71007	1A17	5	20 - 11
AR28251	3G22	5	70 - 93	AR53999	1F8	16	40 - 11	AR71068	1B12	9	20 - 31
AR28403	1G2	6	40 - 29	AR53999	1F8	19	40 - 11	AR71068	1B12	10	20 - 31
AR30507	4D14	2	80 - 82	AR53999	1F8	20	40 - 11	AR71080	1B12	11	20 - 31
AR33249	3D19	43	70 - 17	AR54266	1F8	10	40 - 11	AR71285	4G9	8	90 - 50

1K11

TRACTORS (-42999) 2040S,2140

NUMERICAL INDEX - CONTINUED

PART NO.	GRID	KEY	PAGE	PART NO.	GRID	KEY	PAGE	PART NO.	GRID	KEY	PAGE
AR71286	4G9	12	90 - 50	AR89064	3D9	1	70 - 7	AR98852	1B22	12	20 - 41
AR71287	4G9	5	90 - 50	AR89072	3D7	41	70 - 5	AR98852	1B22	13	20 - 41
AR71288	4G9	6	90 - 50	AR89072	3D9	41	70 - 7	AR98852	1B24	9	20 - 43
AR71289	4G9	1	90 - 50	AR89073	3D7	32	70 - 5	AR98852	1B24	10	20 - 43
AR71289	4G9	2	90 - 50	AR89073	3D9	32	70 - 7	AR98852	1B24	12	20 - 43
AR71289	4G9	3	90 - 50	AR89075	3D9	8	70 - 7	AR98852	1B24	13	20 - 43
AR71289	4G9	4	90 - 50	AR89076	3D7	8	70 - 5	AR98853	1B22	10	20 - 41
AR71289	4G9	7	90 - 50	AR89563	1E6	6	30 - 36	AR98853	1B24	10	20 - 43
AR71289	4G9	10	90 - 50	AR89691	3E18	8	70 - 41	AR98853	1C2	2	20 - 45
AR71289	4G9	11	90 - 50	AR89691	4G15	4	90 - 56	AR98993	3D11	1	70 - 9
AR71290	4G9	16	90 - 50	AR89845	1E4	5	30 - 34	AR99100	3H8	10	70 - 103
AR71902	3H16	2	70 - 111	AR90023	1E7	6	30 - 37	AT117130	4G25	2	90 - 66
AR71902	3H20	44	70 - 115	AR90378	3D19	41	70 - 17	AT12431	2G24	7	50 - 165
AR71902	3H22	39	70 - 117	AR90453	3D7	31	70 - 5	AT13740	1A11	13	20 - 5
AR71992	1C16	1	20 - 59	AR90453	3D9	31	70 - 7	AT13740	1C4	17	20 - 47
AR71998	1C16	3	20 - 59	AR90459	3D15	1	70 - 13	AT13740	1D18	18	30 - 23
AR72870	1E2	1	30 - 32	AR91010	3B16	11	60 - 35	AT13740	1D20	13	30 - 25
AR72957	1C7	1	20 - 50	AR91570	1D14	1	30 - 19	AT14771	1G5	4	40 - 32
AR73684	3D14	3	70 - 12	AR91570	1D14	20	30 - 19	AT16431	2G6	18	50 - 147
AR73684	3D14	9	70 - 12	AR91660	1A24	4	20 - 18	AT16431	2G12	21	50 - 153
AR74606	4B8	13	80 - 27	AR91660	1A25	4	20 - 19	AT16887	2G24	34	50 - 165
AR74608	4B8	1	80 - 27	AR91662	1B1	2	20 - 20	AT18015	1A15	1	20 - 9
AR74812	1G18	10	40 - 45	AR92109	4G8	14	90 - 49	AT18030	1B8	7	20 - 27
AR75603	2F15	2	50 - 132	AR92415	1C12	17	20 - 55	AT18815	1G5	1	40 - 32
AR75958	3H8	11	70 - 103	AR92418	1C12	8	20 - 55	AT18904	1B24	9	20 - 43
AR76102	1E2	2	30 - 32	AR92418	1C12	17	20 - 55	AT18904	1C2	7	20 - 45
AR76102	1E3	2	30 - 33	AR92418	1C12	23	20 - 55	AT18904	1C9	7	20 - 52
AR76128	1B12	11	20 - 31	AR92893	1B8	8	20 - 27	AT18904	1D14	26	30 - 19
AR76130	1B12	11	20 - 31	AR92903	1C12	8	20 - 55	AT18904	1D16	26	30 - 21
AR76131	1B12	11	20 - 31	AR92903	1C12	17	20 - 55	AT18995	1G5	4	40 - 32
AR76762	3D17	10	70 - 15	AR92903	1C12	23	20 - 55	AT19833	3C14	11	60 - 57
AR76762	3D23	10	70 - 21	AR92905	1C9	5	20 - 52	AT19840	3E24	1	70 - 47
AR77324	1G14	3	40 - 41	AR93928	2G4	11	50 - 145	AT19858	3A11	3	60 - 5
AR77325	1G14	9	40 - 41	AR94126	1E17	12	30 - 47	AT20085	3E24	2	70 - 47
AR77326	1G14	1	40 - 41	AR94127	1E17	14	30 - 47	AT20141	3E24	16	70 - 47
AR77344	1G18	7	40 - 45	AR94180	1E3	1	30 - 33	AT20372	3A9	7	60 - 3
AR77345	1G18	8	40 - 45	AR94790	3H20	41	70 - 115	AT20452	1F8	2	40 - 11
AR78192	1A12	2	20 - 6	AR94791	3H22	5	70 - 117	AT20703	2G2	6	50 - 143
AR78361	2B24	2	50 - 43	AR95750	1E4	1	30 - 34	AT20709	1G24	15	40 - 51
AR78361	2C10	25	50 - 53	AR95751	1E4	2	30 - 34	AT20749	1F8	12	40 - 11
AR78832	1D14	7	30 - 19	AR95752	1E4	3	30 - 34	AT20911	1D20	1	30 - 25
AR78832	1D16	6	30 - 21	AR95753	1E4	4	30 - 34	AT20960	3E14	22	70 - 37
AR79623	1A19	19	20 - 13	AR95931	1B8	2	20 - 27	AT21108	1B8	1	20 - 27
AR80892	3H12	1	70 - 107	AR95932	1B8	2	20 - 27	AT21110	1B8	1	20 - 27
AR81786	1B8	3	20 - 27	AR96321	3E2	1	70 - 25	AT21112	1B8	1	20 - 27
AR81787	1B8	3	20 - 27	AR96613	3D7	12	70 - 5	AT21114	1B8	1	20 - 27
AR81788	1B8	3	20 - 27	AR96613	3D9	12	70 - 7	AT21122	1B12	11	20 - 31
AR81789	1B8	3	20 - 27	AR96613	3D17	14	70 - 15	AT21126	1B12	11	20 - 31
AR81790	1B8	3	20 - 27	AR96613	3D23	14	70 - 21	AT21128	1B12	11	20 - 31
AR81791	1B8	2	20 - 27	AR96625	3D25	1	70 - 23	AT21130	1B8	3	20 - 27
AR81792	1B8	2	20 - 27	AR97178	1C16	3	20 - 59	AT21132	1B8	3	20 - 27
AR82570	3H10	1	70 - 105	AR97217	1A10	1	20 - 4	AT21134	1B8	3	20 - 27
AR83549	3G24	1	70 - 95	AR97217	1A11	1	20 - 5	AT21136	1B8	3	20 - 27
AR84228	1C22	8	30 - 3	AR97217	1A17	5	20 - 11	AT21138	1B12	11	20 - 31
AR84733	1D25	7	30 - 30	AR97218	1A10	1	20 - 4	AT21139	1B8	3	20 - 27
AR85323	3E18	8	70 - 41	AR97218	1A11	1	20 - 5	AT21140	1B8	1	20 - 27
AR85323	4G15	4	90 - 56	AR97218	1A17	5	20 - 11	AT21191	1A13	4	20 - 7
AR85327	2H3	1	50 - 169	AR97228	1A9	1	20 - 3	AT21191	1A13	6	20 - 7
AR85618	1E6	1	30 - 36	AR97228	1A17	5	20 - 11	AT21754	3I7	3	70 - 127
AR85618	1E7	1	30 - 37	AR97248	3H20	3	70 - 115	AT21754	3I9	23	70 - 129
AR85710	1E2	16	30 - 32	AR97248	3H22	31	70 - 117	AT21781	3E22	34	70 - 45
AR86535	3H2	23	70 - 97	AR97611	1D16	20	30 - 21	AT21912	3H24	10	70 - 119
AR87494	1B3	2	20 - 22	AR97870	1D4	12	30 - 9	AT22002	2D14	10	50 - 82
AR87812	1D14	29	30 - 19	AR97872	3D15	1	70 - 13	AT22071	4D11	3	80 - 79
AR87812	1D16	28	30 - 21	AR97872	3D17	4	70 - 15	AT22919	1A13	4	20 - 7
AR89061	3D9	1	70 - 7	AR98852	1B22	9	20 - 41	AT22919	1A13	7	20 - 7
AR89062	3D7	1	70 - 5	AR98852	1B22	10	20 - 41	AT22926	2B2	9	50 - 21

1K12

TRACTORS (-429999) 2040S,2140

NUMERICAL INDEX - CONTINUED

PART NO.	GRID	KEY	PAGE	PART NO.	GRID	KEY	PAGE	PART NO.	GRID	KEY	PAGE
AT22965	1B8	8	20 - 27	AT56660	4G22	16	90 - 63	A4388R	4B24	12	80 - 43
AT23759	3H24	7	70 - 119	AT56660	4H3	23	90 - 69	A4388R	4B24	13	80 - 43
AT24252	1A24	11	20 - 18	AT57404	2F20	16	50 - 137	A4624R	3G8	8	70 - 79
AT24252	1A25	11	20 - 19	AT57405	2F20	16	50 - 137	A4655R	1G2	12	40 - 29
AT24438	1C22	6	30 - 3	AT85153	3E18	8	70 - 41	A4722R	3H20	29	70 - 115
AT24549	1D18	11	30 - 23	AU41465	1G24	8	40 - 51	A4722R	3H22	20	70 - 117
AT24549	1G18	11	40 - 45	AZ20003	3B3	1	60 - 22	A4723R	2A13	26	50 - 7
AT24549	1G20	7	40 - 47	AZ20006	3A23	8	60 - 17	A4723R	3H16	25	70 - 111
AT24549	1G24	14	40 - 51	AZ20006	3B2	12	60 - 21	A4723R	3H20	25	70 - 115
AT24549	1G25	4	40 - 52	AZ23575	1F2	1	40 - 5	A4723R	3H22	19	70 - 117
AT24549	1H2	12	40 - 54	AZ24175	1D2	1	30 - 7	A4728R	3H20	32	70 - 115
AT24549	1H5	4	40 - 57	AZ24178	1D2	4	30 - 7	A4728R	3H22	23	70 - 117
AT24549	1H7	33	40 - 59	AZ24178	1D2	21	30 - 7	A4730R	1B20	8	20 - 39
AT24549	1H9	24	40 - 61	AZ24485	1F2	18	40 - 5	A4730R	3C4	15	60 - 47
AT24696	1G12	14	40 - 39	AZ24487	1F2	28	40 - 5	A4730R	3C6	21	60 - 49
AT25226	4C6	2	80 - 49	AZ24488	1F2	20	40 - 5	A4730R	3H9	17	70 - 104
AT25266	1E19	3	30 - 49	AZ24489	1F2	7	40 - 5	A4730R	3H16	15	70 - 111
AT25952	3I15	3	70 - 135	AZ24490	1F2	30	40 - 5	A4731R	3H16	16	70 - 111
AT26140	1E17	7	30 - 47	AZ25154	3A23	15	60 - 17	A4732R	3H16	11	70 - 111
AT26188	3A15	1	60 - 9	AZ25154	3B2	15	60 - 21	A4733R	3H16	12	70 - 111
AT26524	3C7	2	60 - 50	AZ31301	3B2	2	60 - 21	A4736R	3H16	21	70 - 111
AT26525	3C7	1	60 - 50	AZ40478	3B24	2	60 - 43	A4736R	3H20	21	70 - 115
AT26632	2C10	25	50 - 53	A120R	1A10	2	20 - 4	A4737R	3H16	19	70 - 111
AT27004	3G12	1	70 - 83	A120R	1A11	9	20 - 5	A4737R	3H20	19	70 - 115
AT27264	2G24	1	50 - 165	A120R	1B8	4	20 - 27	A4739R	3H16	22	70 - 111
AT27472	3C8	7	60 - 51	A120R	1B9	6	20 - 28	A4739R	3H20	22	70 - 115
AT27533	4C23	9	80 - 66	A1555R	4B16	16	80 - 35	A4745R	3H16	39	70 - 111
AT27534	1H2	10	40 - 54	A1556R	4B16	14	80 - 35	A4745R	3H20	39	70 - 115
AT27535	1G10	1	40 - 37	A15899	3H12	2	70 - 107	A4746R	3H16	40	70 - 111
AT28050	2G24	19	50 - 165	A174R	2D21	12	50 - 89	A4746R	3H20	40	70 - 115
AT28926	1A16	1	20 - 10	A174R	2D23	12	50 - 91	A4747R	3H16	38	70 - 111
AT29054	1C4	5	20 - 47	A174R	2D25	10	50 - 93	A4747R	3H20	38	70 - 115
AT29280	4A9	15	80 - 3	A174R	2E2	10	50 - 95	A4748R	3H16	37	70 - 111
AT29282	4A9	14	80 - 3	A174R	2E4	10	50 - 97	A4748R	3H20	37	70 - 115
AT29326	4A17	7	80 - 11	A174R	2E6	10	50 - 99	A4827R	1B1	10	20 - 20
AT29327	4A17	7	80 - 11	A174R	2E8	10	50 - 101	A4827R	1B2	10	20 - 21
AT29386	2D17	13	50 - 85	A22698	1E2	14	30 - 32	A4827R	2C17	5	50 - 60
AT29387	2D17	16	50 - 85	A22698	1E3	18	30 - 33	A4827R	2D7	33	50 - 75
AT29464	1E2	7	30 - 32	A2899R	1G14	7	40 - 41	A4827R	2E12	27	50 - 105
AT29464	1E3	7	30 - 33	A3404R	4C4	5	80 - 47	A4827R	2G24	22	50 - 165
AT29586	4A9	22	80 - 3	A3581R	3H16	41	70 - 111	A4847R	2C17	2	50 - 60
AT29707	2G12	13	50 - 153	A3581R	3H20	2	70 - 115	A4847R	3E22	38	70 - 45
AT29707R	2G6	16	50 - 147	A3581R	3H22	3	70 - 117	A4879R	1A10	6	20 - 4
AT29712	2B19	1	50 - 38	A3581R	3H24	11	70 - 119	A4883R	4B24	15	80 - 43
AT30053	2D11	15	50 - 79	A3581R	4A9	17	80 - 3	A5146R	4B16	11	80 - 35
AT30631	3F16	9	70 - 63	A3581R	4A17	19	80 - 11	A5301R	3H16	5	70 - 111
AT31250	1A19	5	20 - 13	A364R	2D13	10	50 - 81	A5301R	3H20	5	70 - 115
AT31619	1D20	8	30 - 25	A3910R	1A17	3	20 - 11	A5302R	3H16	8	70 - 111
AT31780	1H2	2	40 - 54	A3917R	2B8	1	50 - 27	A5302R	3H20	8	70 - 115
AT32331	3G22	2	70 - 93	A3917R	2B9	1	50 - 28	A602R	2B2	5	50 - 21
AT32429	3G19	8	70 - 90	A3917R	2B10	1	50 - 29	BP12214	1G5	11	40 - 32
AT35120	3C20	19	60 - 63	A3917R	2B12	16	50 - 31	B11182	3H24	1	70 - 119
AT35120	3C22	25	60 - 65	A3917R	2B14	16	50 - 33	B11182	4A11	28	80 - 5
AT35120	3H6	6	70 - 101	A3917R	2B16	19	50 - 35	B11182	4A11	30	80 - 5
AT35121	3A11	26	60 - 5	A3917R	2C22	16	50 - 65	B11182	4A11	40	80 - 5
AT35121	3C16	11	60 - 59	A3917R	2C24	3	50 - 67	B11182	4A13	6	80 - 7
AT35121	3C18	15	60 - 61	A3917R	2C24	13	50 - 67	B1402R	2F8	13	50 - 125
AT35121	3C20	24	60 - 63	A3917R	2D14	5	50 - 82	B1664R	2B18	10	50 - 37
AT35121	3C22	30	60 - 65	A3917R	2F12	8	50 - 129	B177R	3C7	1	60 - 50
AT43600	1G10	7	40 - 37	A3917R	3B6	5	60 - 25	B177R	3C7	2	60 - 50
AT43601	1G10	7	40 - 37	A3917R	3H9	7	70 - 104	B177R	3C7	3	60 - 50
AT44188	2G14	17	50 - 155	A4365R	3D19	4	70 - 17	B190R	2D13	12	50 - 81
AT44188	2G14	18	50 - 155	A4365R	3D25	4	70 - 23	B2477R	3I1	10	70 - 121
AT44188	2G16	16	50 - 157	A4365R	3F16	3	70 - 63	B27373	4G14	19	90 - 55
AT44188	2G16	17	50 - 157	A4380R	4B24	5	80 - 43	B2762R	3G24	11	70 - 95
AT48506	3G22	5	70 - 93	A4388R	4B22	7	80 - 41	B3014R	4B24	4	80 - 43
AT54132	3A11	40	60 - 5	A4388R	4B22	8	80 - 41	B3016R	4B24	3	80 - 43

1K13

TRACTORS (-429999) 2040S,2140

NUMERICAL INDEX - CONTINUED

PART NO.	GRID	KEY	PAGE	PART NO.	GRID	KEY	PAGE	PART NO.	GRID	KEY	PAGE
B3018R	4B24	16	80 - 43	DD14530	1B13	1	20 - 32	H75541	1H9	10	40 - 61
B3690R	3A11	5	60 - 5	DD14568	3B16	5	60 - 35	H75541	3C4	10	60 - 47
B3690R	3A19	15	60 - 13	DD14569	3B16	17	60 - 35	H75541	3C6	17	60 - 49
CD12887	1E17	3	30 - 47	DD14760	1B20	1	20 - 39	H80440	4H25	2	90 - 91
CD12888	1E17	4	30 - 47	DE12298	1G4	18	40 - 31	H80440	4I2	1	90 - 93
CD13180	1D22	13	30 - 27	DE13582	1G4	16	40 - 31	H836R	3C7	16	60 - 50
CD13181	1D22	12	30 - 27	DE13583	1G4	18	40 - 31	H871R	2B16	34	50 - 35
CD13182	1D22	7	30 - 27	DE13627	2F11	2	50 - 128	H871R	2B24	10	50 - 43
CD13185	1D22	16	30 - 27	DE13652	1G4	1	40 - 31	H871R	2C4	28	50 - 47
CD13188	1D22	9	30 - 27	DE13653	1G4	1	40 - 31	H871R	3B2	6	60 - 21
CD13190	1D22	18	30 - 27	DE13654	1G4	17	40 - 31	H871R	3H12	9	70 - 107
CD13191	1D22	17	30 - 27	DE17426	1G4	18	40 - 31	H871R	3H12	37	70 - 107
CD13979	1A19	14	20 - 13	D2316R	3E14	5	70 - 37	JD10036	1F4	26	40 - 7
CD14202	1D22	30	30 - 27	D2361R	3C2	10	60 - 45	JD10036	1F6	22	40 - 9
CD14203	1D22	10	30 - 27	D2361R	3D7	45	70 - 5	JD10037	2C4	1	50 - 47
CD14689	1E24	11	40 - 2	D2361R	3D9	45	70 - 7	JD10038	2C4	23	50 - 47
CD14725	1A19	13	20 - 13	D2361R	3E19	12	70 - 42	JD10039	2C4	4	50 - 47
CD15466	1B12	2	20 - 31	D2361R	3E20	14	70 - 43	JD10040	2C4	3	50 - 47
CD15623	1D14	16	30 - 19	D2361R	3E22	2	70 - 45	JD10041	2C4	31	50 - 47
CD15624	1D14	17	30 - 19	D2361R	3H9	11	70 - 104	JD10053	2G2	8	50 - 143
CD15625	1D14	18	30 - 19	D2865R	3I1	7	70 - 121	JD10056	2G12	17	50 - 153
CD16045	1B10	1	20 - 29	D2913R	3H22	7	70 - 117	JD10064	2G20	20	50 - 161
CD16045	1B10	2	20 - 29	E45229	1C7	7	20 - 50	JD10065	2F8	10	50 - 125
CD16202	1A17	2	20 - 11	E60918	2C4	22	50 - 47	JD10066	2F8	11	50 - 125
CD16284	1A17	3	20 - 11	F1334R	2G6	10	50 - 147	JD10067	2E16	13	50 - 109
CD16286	1E3	15	30 - 33	F1334R	2G12	19	50 - 153	JD10068	2E16	14	50 - 109
CE12985	1G4	12	40 - 31	F1441R	3H20	12	70 - 115	JD10069	2E16	18	50 - 109
CE12986	1G4	6	40 - 31	F1441R	3H22	9	70 - 117	JD10070	2F6	19	50 - 123
CE14020	1G4	10	40 - 31	F1942R	3E24	13	70 - 47	JD10071	2G8	18	50 - 149
CE14048	2F11	8	50 - 128	F2136R	1B16	3	20 - 35	JD10071	2G10	2	50 - 151
CE14055	2B12	20	50 - 31	F215R	2D13	11	50 - 81	JD10071	2G12	27	50 - 153
CE14055	2B14	20	50 - 33	F215R	3A9	3	60 - 3	JD10071	2G20	2	50 - 161
CE14055	2B16	29	50 - 35	F2208R	3I1	11	70 - 121	JD10072	2E16	3	50 - 109
CE14055	2F11	10	50 - 128	F2570R	3E23	8	70 - 46	JD10076	2F6	3	50 - 123
CE14070	1G4	11	40 - 31	F2653R	3C14	1	60 - 57	JD10079	2F8	14	50 - 125
CE14071	1G4	8	40 - 31	F2693R	3I1	6	70 - 121	JD10080	2F6	11	50 - 123
CE15294	1G4	6	40 - 31	F2695R	3I1	8	70 - 121	JD10081	2E14	2	50 - 107
C1067R	2B2	6	50 - 21	F2741R	3E22	27	70 - 45	JD10084	2F20	4	50 - 137
C12473	3B16	13	60 - 35	F2772R	2A13	22	50 - 7	JD10084	2F22	4	50 - 139
C16054	1D2	18	30 - 7	F2863R	2G18	7	50 - 159	JD10085	2D12	1	50 - 80
C1919R	2G6	11	50 - 147	F2863R	3C7	10	60 - 50	JD10094	2H7	14	50 - 173
DD11218	1D22	8	30 - 27	F3171R	2A13	18	50 - 7	JD10094	2H9	14	50 - 175
DD11371	1D22	28	30 - 27	F3171R	2D7	12	50 - 75	JD10095	2C10	3	50 - 53
DD11751	1D22	29	30 - 27	F3171R	2E12	17	50 - 105	JD10096	2H13	10	50 - 179
DD11831	1B12	4	20 - 31	F3171R	2F15	11	50 - 132	JD10098	2F6	12	50 - 123
DD11831	1B13	2	20 - 32	F3171R	3C2	18	60 - 45	JD10099	2E14	3	50 - 107
DD11832	1A9	1	20 - 3	F3171R	3D14	4	70 - 12	JD10100	2E14	6	50 - 107
DD11832	1A17	5	20 - 11	F3171R	3D19	24	70 - 17	JD10101	2E14	7	50 - 107
DD12120	1A19	2	20 - 13	F3171R	3D23	5	70 - 21	JD10102	2E8	29	50 - 101
DD12366	1A9	1	20 - 3	F3171R	3D25	25	70 - 23	JD10102	2E16	5	50 - 109
DD12366	1A17	5	20 - 11	F3171R	3G19	7	70 - 90	JD10103	2E16	6	50 - 109
DD13407	1D18	24	30 - 23	F3171R	3G22	1	70 - 93	JD10104	2B4	4	50 - 23
DD13407	1D20	17	30 - 25	F3322R	3E22	5	70 - 45	JD10105	2B4	13	50 - 23
DD13407	1E17	1	30 - 47	F3353R	3F9	4	70 - 56	JD10107	1B16	4	20 - 35
DD13483	1D23	3	30 - 28	F3353R	3F10	8	70 - 57	JD10108	2G8	3	50 - 149
DD13895	1B9	1	20 - 28	F3353R	3F11	18	70 - 58	JD10108	2G10	5	50 - 151
DD13913	1E4	7	30 - 34	F3450R	3A11	33	60 - 5	JD10108	2G12	4	50 - 153
DD14084	1D14	19	30 - 19	F3607R	4B10	5	80 - 29	JD10108	2G20	5	50 - 161
DD14134	4D25	2	80 - 93	F3607R	4B12	18	80 - 31	JD10114	2C12	4	50 - 55
DD14136	4D25	2	80 - 93	F3607R	4B14	15	80 - 33	JD10115	4B2	16	80 - 21
DD14194	1D24	8	30 - 29	F534R	4B2	4	80 - 21	JD10117	2G12	7	50 - 153
DD14195	1D24	4	30 - 29	H20551	1H9	27	40 - 61	JD10117	2G20	9	50 - 161
DD14255	1D16	17	30 - 21	H246R	2D9	9	50 - 77	JD10137	4B2	7	80 - 21
DD14292	1D23	3	30 - 28	H246R	2D14	8	50 - 82	JD10148	2H11	6	50 - 177
DD14345	4D25	2	80 - 93	H35244	2C14	21	50 - 57	JD10172	2D13	8	50 - 81
DD14346	4D25	2	80 - 93	H35244	2C16	21	50 - 59	JD10213	2E14	6	50 - 107
DD14529	1B13	1	20 - 32	H75541	1H7	13	40 - 59	JD10234	2A11	1	50 - 5

1K14

TRACTORS (-429999) 2040S,2140

NUMERICAL INDEX - CONTINUED

PART NO.	GRID	KEY	PAGE	PART NO.	GRID	KEY	PAGE	PART NO.	GRID	KEY	PAGE
JD10234	2C14	1	50 - 57	JD7445	4B16	7	80 - 35	JD8982	2G24	33	50 - 165
JD10234	2C16	1	50 - 59	JD7449	2D9	1	50 - 77	JD8997	2D11	1	50 - 79
JD10247	2F24	14	50 - 141	JD7537	2G6	7	50 - 147	JD9053	2H15	10	50 - 181
JD10248	2A17	33	50 - 11	JD7537	2G12	9	50 - 153	JD9053	2H17	10	50 - 183
JD10282	2G6	7	50 - 147	JD7557	2G6	6	50 - 147	JD9058	2H11	10	50 - 177
JD10282	2G12	9	50 - 153	JD7557	2G12	14	50 - 153	JD9065	2G4	4	50 - 145
JD10283	2G6	6	50 - 147	JD7759	2F24	2	50 - 141	JD9065	2G10	12	50 - 151
JD10283	2G12	14	50 - 153	JD7763	4A9	9	80 - 3	JD9096	2F20	5	50 - 137
JD10318	2F20	5	50 - 137	JD7798	2A18	9	50 - 12	JD9096	2F22	5	50 - 139
JD10318	2F22	5	50 - 139	JD7798	3I7	6	70 - 127	JD9117	2H15	11	50 - 181
JD10322	2F20	15	50 - 137	JD7798	3I9	21	70 - 129	JD9117	2H17	11	50 - 183
JD10322	2F22	15	50 - 139	JD7798	4B2	2	80 - 21	JD9121	2H11	9	50 - 177
JD10330	2E18	13	50 - 111	JD7798	4B3	1	80 - 22	JD9125	2G4	3	50 - 145
JD10330	2E20	16	50 - 113	JD7798	4B4	8	80 - 23	JD9125	2G10	11	50 - 151
JD10330	2E22	13	50 - 115	JD7798	4B6	3	80 - 25	JD9320	2G12	17	50 - 153
JD10330	2E24	16	50 - 117	JD7798	4B8	2	80 - 27	JD9320R	2G6	12	50 - 147
JD10330	2F2	13	50 - 119	JD7798	4B16	15	80 - 35	JD9344	2G3	7	50 - 144
JD10330	2F4	16	50 - 121	JD7799	4A23	12	80 - 17	JD9344	2G8	10	50 - 149
JD10336	2E18	8	50 - 111	JD7799	4B2	1	80 - 21	JD9448	1C12	13	20 - 55
JD10336	2E20	8	50 - 113	JD7844	2A17	34	50 - 11	JD9839	2D9	4	50 - 77
JD10336	2E22	8	50 - 115	JD7847	2A18	8	50 - 12	JD9848	3I7	13	70 - 127
JD10336	2E24	8	50 - 117	JD7847	2A19	5	50 - 13	JD9854	3I7	12	70 - 127
JD10336	2F2	8	50 - 119	JD7847	4B2	2	80 - 21	JD9858	3D7	10	70 - 5
JD10336	2F4	8	50 - 121	JD7847	4B3	1	80 - 22	JD9858	3D9	10	70 - 7
JD10337	2E18	7	50 - 111	JD7847	4B4	8	80 - 23	JD9932	2B24	12	50 - 43
JD10337	2E20	7	50 - 113	JD8135	2G24	16	50 - 165	L11027	2G24	29	50 - 165
JD10337	2E22	7	50 - 115	JD8151	2F20	5	50 - 137	L11028	2G24	29	50 - 165
JD10337	2E24	7	50 - 117	JD8151	2F22	5	50 - 139	L11292	3H24	3	70 - 119
JD10337	2F2	7	50 - 119	JD8151	2F24	14	50 - 141	L11581	3I15	4	70 - 135
JD10337	2F4	7	50 - 121	JD8159	2F20	15	50 - 137	L12491	4A25	1	80 - 19
JD10338	2E20	11	50 - 113	JD8159	2F22	15	50 - 139	L12622	3E20	10	70 - 43
JD10338	2E24	11	50 - 117	JD8192	3D17	33	70 - 15	L12622	3G2	26	70 - 73
JD10338	2F4	11	50 - 121	JD8192	3D23	31	70 - 21	L12807	1G12	12	40 - 39
JD10339	2E20	10	50 - 113	JD8206	2F20	4	50 - 137	L12807	1H5	2	40 - 57
JD10339	2E24	10	50 - 117	JD8206	2F20	14	50 - 137	L12807	1H7	18	40 - 59
JD10339	2F4	10	50 - 121	JD8206	2F22	4	50 - 139	L12807	1H9	15	40 - 61
JD10341	2D25	28	50 - 93	JD8206	2F24	13	50 - 141	L12807	3C4	3	60 - 47
JD10341	2E2	28	50 - 95	JD8210	2F20	14	50 - 137	L12809	1F8	11	40 - 11
JD10341	2E4	34	50 - 97	JD8210	2F22	14	50 - 139	L12809	1F10	1	40 - 13
JD10341	2E6	34	50 - 99	JD8223	3D17	32	70 - 15	L12974	2G22	6	50 - 163
JD10341	2E8	28	50 - 101	JD8223	3D23	30	70 - 21	L12991	4H22	1	90 - 88
JD10341	2E16	6	50 - 109	JD8240	2H7	24	50 - 173	L13325	1E15	3	30 - 45
JD10477	4D17	18	80 - 85	JD8240	2H9	24	50 - 175	L13325	1H3	8	40 - 55
JD10543	2F6	19	50 - 123	JD8247	2G24	10	50 - 165	L13325	1H5	15	40 - 57
JD21	4B16	3	80 - 35	JD8251	4B16	9	80 - 35	L13325	3E20	12	70 - 43
JD30001	1F6	8	40 - 9	JD8252	2H5	25	50 - 171	L17056	3F23	6	70 - 70
JD30132	2G20	12	50 - 161	JD8255	2D11	2	50 - 79	L17658	3F20	21	70 - 67
JD3039	4B16	2	80 - 35	JD8257	2H7	11	50 - 173	L17658	3F22	22	70 - 69
JD3210	4B16	2	80 - 35	JD8257	2H9	11	50 - 175	L17658	3F23	3	70 - 70
JD3211	4B16	2	80 - 35	JD8267	2D11	12	50 - 79	L18893	3C23	5	60 - 66
JD37047	2C14	26	50 - 57	JD8267	2H5	10	50 - 171	L18893	3F23	7	70 - 70
JD37047	2C16	26	50 - 59	JD8295	2H5	9	50 - 171	L19651	1F14	30	40 - 17
JD37071	2H5	28	50 - 171	JD8410	4B6	9	80 - 25	L19651	1F16	21	40 - 19
JD37087	2H7	28	50 - 173	JD8410	4B8	17	80 - 27	L20095	3C23	6	60 - 66
JD37087	2H9	28	50 - 175	JD8412	4B8	10	80 - 27	L20095	3F23	5	70 - 70
JD37218	2C14	1	50 - 57	JD8728	3A9	1	60 - 3	L20102	3F23	4	70 - 70
JD37218	2C16	1	50 - 59	JD8922	2G24	11	50 - 165	L2104N	3H16	32	70 - 111
JD37219	2C12	9	50 - 55	JD8929	4B16	10	80 - 35	L24233	4A23	22	80 - 17
JD39071	4H17	24	90 - 83	JD8946	2F20	15	50 - 137	L24456	4C24	12	80 - 67
JD39072	4H17	23	90 - 83	JD8946	2F22	15	50 - 139	L24648	1E15	1	30 - 45
JD5505	4D21	7	80 - 89	JD8946	2H13	6	50 - 179	L24722	4C25	8	80 - 68
JD5602	4D17	18	80 - 85	JD8947	2H7	10	50 - 173	L24761	4A9	6	80 - 3
JD5635	4D21	7	80 - 89	JD8947	2H9	10	50 - 175	L25283	4C12	12	80 - 55
JD7272	2H13	7	50 - 179	JD8967	2H5	24	50 - 171	L25306	4H22	9	90 - 88
JD7375	2D9	2	50 - 77	JD8969	2G24	30	50 - 165	L25407	4A9	2	80 - 3
JD7418	2G24	31	50 - 165	JD8969	4B16	6	80 - 35	L25678	4G18	16	90 - 59
JD7438	2G24	15	50 - 165	JD8979	2D11	10	50 - 79	L25678	4G22	11	90 - 63

1K15

TRACTORS (-42999) 2040S,2140

NUMERICAL INDEX - CONTINUED

PART NO.	GRID	KEY	PAGE	PART NO.	GRID	KEY	PAGE	PART NO.	GRID	KEY	PAGE
L25678	4H3	35	90 - 69	L28561	2F11	4	50 - 128	L29226	2F20	12	50 - 137
L25678	4H5	31	90 - 71	L28584	2G14	23	50 - 155	L29226	2F22	12	50 - 139
L25678	4H9	9	90 - 75	L28612	1D22	3	30 - 27	L29227	2F20	10	50 - 137
L25686	4G18	8	90 - 59	L28622	1E13	15	30 - 43	L29227	2F22	10	50 - 139
L25686	4G22	1	90 - 63	L28626	4C8	3	80 - 51	L29231	2A17	29	50 - 11
L25686	4H9	1	90 - 75	L28639	3C16	8	60 - 59	L29250	2F15	8	50 - 132
L25837	2G12	18	50 - 153	L28639	3C18	17	60 - 61	L29251	2F15	4	50 - 132
L26753	2A17	15	50 - 11	L28639	3C20	16	60 - 63	L29252	2F15	7	50 - 132
L26757	2A17	19	50 - 11	L28639	3C22	22	60 - 65	L29253	2F15	9	50 - 132
L26759	2A17	26	50 - 11	L28648	2F6	4	50 - 123	L29265	1D20	9	30 - 25
L26762	2A17	24	50 - 11	L28656	2C10	19	50 - 53	L29268	2G6	19	50 - 147
L26764	2A17	25	50 - 11	L28660	2D13	1	50 - 81	L29268	2G8	19	50 - 149
L26765	2A17	22	50 - 11	L28661	2D12	5	50 - 80	L29268	2G10	18	50 - 151
L26766	2A17	23	50 - 11	L28662	2D9	3	50 - 77	L29268	2G12	28	50 - 153
L26767	2A17	21	50 - 11	L28663	2D11	4	50 - 79	L29268	2G20	26	50 - 161
L26936	3H25	8	70 - 120	L28664	2D11	8	50 - 79	L29269	2D11	13	50 - 79
L26936	3I1	15	70 - 121	L28665	2D11	16	50 - 79	L29270	2D11	13	50 - 79
L26936	3I3	3	70 - 123	L28666	2D9	13	50 - 77	L29271	2D11	13	50 - 79
L26941	3H25	10	70 - 120	L28671	2D12	10	50 - 80	L29283	2D11	6	50 - 79
L26941	3I1	17	70 - 121	L28672	2D9	8	50 - 77	L29283	2G20	18	50 - 161
L26941	3I3	26	70 - 123	L28675	2D9	5	50 - 77	L29284	2D11	7	50 - 79
L26943	3H25	7	70 - 120	L28711	2G6	4	50 - 147	L29284	2D12	6	50 - 80
L26943	3I1	13	70 - 121	L28712	2G3	3	50 - 144	L29301	4D17	4	80 - 85
L26943	3I3	4	70 - 123	L28712	2G3	5	50 - 144	L29302	4D17	14	80 - 85
L27099	4C8	1	80 - 51	L28712	2G3	7	50 - 144	L29306	3I3	8	70 - 123
L27099	4C9	2	80 - 52	L28712	2G3	8	50 - 144	L29329	4C12	13	80 - 55
L27166	4H11	20	90 - 77	L28712	2G3	9	50 - 144	L29390	1G6	9	40 - 33
L27167	4G18	15	90 - 59	L28712	2G3	11	50 - 144	L29418	3C7	4	60 - 50
L27167	4G22	7	90 - 63	L28809	3C16	16	60 - 59	L29439	4D17	13	80 - 85
L27167	4H3	17	90 - 69	L28809	3C18	22	60 - 61	L29440	4D17	12	80 - 85
L27167	4H9	7	90 - 75	L28921	3G12	8	70 - 83	L29834	2F16	3	50 - 133
L27339	1F2	23	40 - 5	L29005	2F20	3	50 - 137	L29834	2F18	5	50 - 135
L28056	4A9	12	80 - 3	L29005	2F22	3	50 - 139	L29848	3F9	1	70 - 56
L28076	4G18	4	90 - 59	L29006	2F20	3	50 - 137	L29854	2A13	15	50 - 7
L28077	4G18	2	90 - 59	L29006	2F22	3	50 - 139	L29871	2F20	18	50 - 137
L28077	4G24	2	90 - 65	L29007	2F20	3	50 - 137	L29871	2F22	18	50 - 139
L28077	4H11	2	90 - 77	L29007	2F22	3	50 - 139	L29873	3E24	6	70 - 47
L28078	4G18	6	90 - 59	L29020	4A17	11	80 - 11	L29883	3C14	3	60 - 57
L28079	4G18	13	90 - 59	L29021	4A17	11	80 - 11	L29884	3C14	5	60 - 57
L28080	4G18	14	90 - 59	L29022	4A17	18	80 - 11	L30191	3G19	1	70 - 90
L28226	4C2	1	80 - 45	L29023	4A17	21	80 - 11	L30200	4G16	8	90 - 57
L28228	4C2	7	80 - 45	L29040	2D9	6	50 - 77	L30200	4H7	5	90 - 73
L28230	4C2	2	80 - 45	L29041	2D9	7	50 - 77	L30201	3F2	6	70 - 49
L28298	3C10	15	60 - 53	L29042	2D9	7	50 - 77	L30201	3F4	7	70 - 51
L28298	3C12	16	60 - 55	L29043	2D9	7	50 - 77	L30201	3F4	19	70 - 51
L28301	3E22	33	70 - 45	L29044	2D9	7	50 - 77	L30202	3F10	4	70 - 57
L28306	3C7	15	60 - 50	L29055	2F24	20	50 - 141	L30203	3F4	24	70 - 51
L28314	4B10	6	80 - 29	L29058	3C10	17	60 - 53	L30206	3C20	6	60 - 63
L28315	4B10	6	80 - 29	L29058	3C12	18	60 - 55	L30206	3C22	6	60 - 65
L28371	1C24	20	30 - 5	L29152	1F14	22	40 - 17	L30207	3C16	29	60 - 59
L28372	3I7	11	70 - 127	L29156	1F14	7	40 - 17	L30207	3C18	31	60 - 61
L28376	2F20	9	50 - 137	L29156	1F16	31	40 - 19	L30207	3C20	3	60 - 63
L28376	2F22	9	50 - 139	L29157	1F14	27	40 - 17	L30207	3C22	3	60 - 65
L28401	2D17	7	50 - 85	L29157	1F16	19	40 - 19	L30207	3G22	21	70 - 93
L28405	2D13	13	50 - 81	L29158	1F14	24	40 - 17	L30332	4D1	7	80 - 69
L28405	2D21	1	50 - 89	L29159	1F2	29	40 - 5	L30407	3C12	7	60 - 55
L28405	2G3	7	50 - 144	L29160	1F2	8	40 - 5	L30411	1E11	15	30 - 41
L28405	2G3	8	50 - 144	L29161	1F2	26	40 - 5	L30418	1E11	36	30 - 41
L28405	2G8	10	50 - 149	L29167	1F2	4	40 - 5	L30470	2B21	5	50 - 40
L28405	2G8	11	50 - 149	L29197	3A11	10	60 - 5	L30470	2C2	8	50 - 45
L28414	1E9	29	30 - 39	L29208	4G24	19	90 - 65	L30470	2C8	5	50 - 51
L28414	1E11	37	30 - 41	L29208	4H1	3	90 - 67	L30470	2G14	21	50 - 155
L28415	1E9	9	30 - 39	L29208	4H11	17	90 - 77	L30470	2G16	5	50 - 157
L28416	1E9	18	30 - 39	L29209	4H11	18	90 - 77	L30470	3F6	19	70 - 53
L28416	1E11	14	30 - 41	L29211	4G24	12	90 - 65	L30470	3F8	11	70 - 55
L28519	1D2	3	30 - 7	L29211	4H5	13	90 - 71	L30470	3F11	11	70 - 58
L28520	1F24	4	40 - 27	L29211	4H11	12	90 - 77	L30470	3G2	7	70 - 73

1K16

TRACTORS (-429999) 2040S,2140

NUMERICAL INDEX - CONTINUED

PART NO.	GRID	KEY	PAGE	PART NO.	GRID	KEY	PAGE	PART NO.	GRID	KEY	PAGE
L30515	4C21	3	80 - 64	L31126	4H21	3	90 - 87	L31652	3I9	9	70 - 129
L30607	1D22	7	30 - 27	L31127	4H21	1	90 - 87	L31653	3I9	12	70 - 129
L30661	1F24	5	40 - 27	L31134	4E18	22	90 - 11	L31655	3I9	14	70 - 129
L30687	3G12	21	70 - 83	L31136	4E14	26	90 - 7	L31656	3I9	15	70 - 129
L30695	2A13	7	50 - 7	L31137	4D9	6	80 - 77	L31665	4B20	1	80 - 39
L30695	2E12	4	50 - 105	L31146	4F12	14	90 - 29	L31666	4B20	1	80 - 39
L30706	3C23	3	60 - 66	L31162	4F24	13	90 - 41	L31668	4B20	1	80 - 39
L30708	3C23	7	60 - 66	L31164	4D5	8	80 - 73	L31671	4B20	1	80 - 39
L30719	3C16	22	60 - 59	L31177	4E18	11	90 - 11	L31672	4B20	1	80 - 39
L30719	3C18	9	60 - 61	L31182	4F10	16	90 - 27	L31677	4B22	3	80 - 41
L30719	3C20	31	60 - 63	L31183	4F10	16	90 - 27	L31680	4B22	5	80 - 41
L30719	3C22	17	60 - 65	L31192	4E18	11	90 - 11	L31683	2G2	2	50 - 143
L30720	3C16	24	60 - 59	L31193	4E18	22	90 - 11	L31683	4B20	9	80 - 39
L30720	3C18	11	60 - 61	L31199	3F16	19	70 - 63	L31684	4B22	2	80 - 41
L30720	3C20	33	60 - 63	L31208	4H21	2	90 - 87	L31685	4B22	1	80 - 41
L30720	3C22	19	60 - 65	L31208	4I4	14	90 - 95	L31696	3A9	9	60 - 3
L30721	3C16	25	60 - 59	L31209	4H21	6	90 - 87	L31697	3A9	9	60 - 3
L30721	3C18	13	60 - 61	L31296	4D5	9	80 - 73	L31698	3A9	9	60 - 3
L30721	3C20	20	60 - 63	L31297	4F10	11	90 - 27	L31706	4B10	17	80 - 29
L30721	3C22	20	60 - 65	L31298	4C16	9	80 - 59	L31710	4E14	22	90 - 7
L30722	3C16	23	60 - 59	L31299	4F24	1	90 - 41	L31726	4D22	5	80 - 90
L30722	3C18	10	60 - 61	L31300	4F8	27	90 - 25	L31727	4G24	14	90 - 65
L30722	3C20	32	60 - 63	L31301	4F8	20	90 - 25	L31727	4H5	16	90 - 71
L30722	3C22	18	60 - 65	L31302	4F8	6	90 - 25	L31727	4H11	14	90 - 77
L30750	4A9	7	80 - 3	L31303	4F8	15	90 - 25	L31728	4G18	18	90 - 59
L30751	4A9	8	80 - 3	L31306	4F10	13	90 - 27	L31730	4G24	13	90 - 65
L30768	2F16	6	50 - 133	L31307	4F8	17	90 - 25	L31730	4H11	13	90 - 77
L30768	2F18	10	50 - 135	L31308	4C16	17	80 - 59	L31731	4G24	8	90 - 65
L30784	3F4	6	70 - 51	L31308	4F2	4	90 - 19	L31731	4H11	8	90 - 77
L30796	1E11	22	30 - 41	L31308	4F6	3	90 - 23	L31742	1F8	9	40 - 11
L30801	2C8	9	50 - 51	L31308	4I6	13	90 - 97	L31742	1F10	7	40 - 13
L30818	4C21	4	80 - 64	L31311	2F11	4	50 - 128	L31744	3G12	4	70 - 83
L30819	4C21	5	80 - 64	L31311	4C21	10	80 - 64	L31744	3G18	13	70 - 89
L30819	4C22	4	80 - 65	L31330	3F11	6	70 - 58	L31744	3G19	17	70 - 90
L30825	2F18	19	50 - 135	L31332	3G2	10	70 - 73	L31744	3G22	11	70 - 93
L30826	2F18	3	50 - 135	L31334	4F8	26	90 - 25	L31745	3G12	5	70 - 83
L30840	3G2	4	70 - 73	L31349	4C16	20	80 - 59	L31745	3G18	12	70 - 89
L30841	3G2	6	70 - 73	L31350	4C16	21	80 - 59	L31745	3G19	16	70 - 90
L30841	4H21	18	90 - 87	L31350	4E14	30	90 - 7	L31745	3G22	10	70 - 93
L30860	1F14	32	40 - 17	L31353	4C16	7	80 - 59	L31745	3H12	22	70 - 107
L30860	1F16	24	40 - 19	L31353	4E14	30	90 - 7	L31750	4D1	2	80 - 69
L30862	1F14	14	40 - 17	L31380	4E14	11	90 - 7	L31754	3F23	9	70 - 70
L30862	1F16	7	40 - 19	L31387	4F2	30	90 - 19	L31755	3F23	11	70 - 70
L30863	1F14	23	40 - 17	L31390	4E18	8	90 - 11	L31763	3C23	1	60 - 66
L30932	3F8	15	70 - 55	L31394	4E18	19	90 - 11	L31774	1G8	3	40 - 35
L30933	3F8	13	70 - 55	L31395	4E14	17	90 - 7	L31774	1G10	9	40 - 37
L30960	4C14	5	80 - 57	L31396	4E18	9	90 - 11	L31775	1G10	13	40 - 37
L30968	4F24	9	90 - 41	L31401	4F14	11	90 - 31	L31777	1G10	10	40 - 37
L31033	1G22	2	40 - 49	L31410	4F6	5	90 - 23	L31778	1G10	8	40 - 37
L31033	1G24	1	40 - 51	L31422	4G2	5	90 - 43	L31780	1G10	11	40 - 37
L31055	2F11	3	50 - 128	L31434	3A11	16	60 - 5	L31781	1G10	11	40 - 37
L31061	3F6	12	70 - 53	L31544	4F4	21	90 - 21	L31792	2F20	8	50 - 137
L31065	1E13	4	30 - 43	L31545	4E20	9	90 - 13	L31792	2F22	8	50 - 139
L31065	3F6	4	70 - 53	L31545	4E23	2	90 - 16	L31793	2F20	11	50 - 137
L31086	3I12	10	70 - 132	L31545	4E23	..	90 - 16	L31793	2F22	11	50 - 139
L31086	3I13	7	70 - 133	L31547	4E24	3	90 - 17	L31806	2D7	4	50 - 75
L31088	3I12	8	70 - 132	L31550	4F8	11	90 - 25	L31806	2D19	3	50 - 87
L31088	3I13	5	70 - 133	L31554	3F4	2	70 - 51	L31808	2D19	3	50 - 87
L31089	3I12	9	70 - 132	L31559	4D17	19	80 - 85	L31849	4A17	16	80 - 11
L31089	3I13	6	70 - 133	L31560	4A25	6	80 - 19	L31943	2C6	24	50 - 49
L31090	3I12	7	70 - 132	L31569	3I12	5	70 - 132	L31944	2C6	23	50 - 49
L31090	3I13	3	70 - 133	L31639	3I7	16	70 - 127	L31945	2C6	1	50 - 49
L31091	3I12	6	70 - 132	L31640	3I7	17	70 - 127	L31946	2C6	5	50 - 49
L31091	3I13	2	70 - 133	L31642	3I9	22	70 - 129	L31947	2C6	8	50 - 49
L31106	1G16	4	40 - 43	L31644	3I11	8	70 - 131	L31962	1F18	6	40 - 21
L31124	1G6	10	40 - 33	L31648	3I9	11	70 - 129	L31962	1F20	2	40 - 23
L31124	1H13	37	40 - 65	L31649	3I11	7	70 - 131	L32016	4A17	15	80 - 11

1K17

TRACTORS (-429999) 2040S,2140

NUMERICAL INDEX - CONTINUED

PART NO.	GRID	KEY	PAGE	PART NO.	GRID	KEY	PAGE	PART NO.	GRID	KEY	PAGE
L32028	3I11	3	70 - 131	L32719	4C16	22	80 - 59	L32943	4F2	15	90 - 19
L32029	2A17	12	50 - 11	L32720	4C16	27	80 - 59	L32945	4G2	36	90 - 43
L32040	4F18	16	90 - 35	L32721	4C16	28	80 - 59	L32946	4G2	29	90 - 43
L32040	4F21	2	90 - 38	L32722	4C16	2	80 - 59	L32947	4G2	35	90 - 43
L32057	3F6	15	70 - 53	L32738	2C10	20	50 - 53	L32948	4G2	20	90 - 43
L32104	4F8	31	90 - 25	L32782	3E23	10	70 - 46	L32949	4G2	19	90 - 43
L32105	4F8	28	90 - 25	L32801	2G14	6	50 - 155	L32950	4G2	17	90 - 43
L32108	1D22	16	30 - 27	L32801	2G16	23	50 - 157	L32953	4E20	2	90 - 13
L32109	1D22	18	30 - 27	L32821	1C7	8	20 - 50	L32954	4E20	1	90 - 13
L32110	1D22	15	30 - 27	L32822	1C7	3	20 - 50	L32955	4E20	15	90 - 13
L32111	1D22	17	30 - 27	L32823	1C7	5	20 - 50	L32956	4E20	16	90 - 13
L32112	4F4	6	90 - 21	L32839	2F16	10	50 - 133	L32957	3C10	9	60 - 53
L32133	3F18	7	70 - 65	L32839	2F18	6	50 - 135	L32957	3C12	11	60 - 55
L32144	3C10	13	60 - 53	L32843	2D11	9	50 - 79	L32978	3H24	9	70 - 119
L32144	3C12	14	60 - 55	L32854	2A17	18	50 - 11	L32997	3I3	16	70 - 123
L32147	1F2	3	40 - 5	L32855	2A17	17	50 - 11	L33007	2D21	1	50 - 89
L32157	4C7	6	80 - 50	L32856	2A17	20	50 - 11	L33007	2G3	4	50 - 144
L32157	4C8	7	80 - 51	L32866	2F24	26	50 - 141	L33007	2G3	8	50 - 144
L32158	4C7	4	80 - 50	L32867	2F24	26	50 - 141	L33007	2G8	7	50 - 149
L32158	4C8	7	80 - 51	L32881	4H15	38	90 - 81	L33007	2G8	11	50 - 149
L32169	4B20	12	80 - 39	L32882	4H15	4	90 - 81	L33014	2D18	4	50 - 86
L32307	4B10	16	80 - 29	L32883	4H15	39	90 - 81	L33015	2D18	4	50 - 86
L32308	4B10	18	80 - 29	L32884	4H15	48	90 - 81	L33016	2D18	4	50 - 86
L32330	4C25	7	80 - 68	L32885	4H19	16	90 - 85	L33019	2F6	20	50 - 123
L32341	4E18	17	90 - 11	L32886	4H17	16	90 - 83	L33023	2F8	3	50 - 125
L32342	4E14	19	90 - 7	L32887	4H17	18	90 - 83	L33024	2F8	6	50 - 125
L32345	4E14	21	90 - 7	L32888	4H19	7	90 - 85	L33025	2F8	7	50 - 125
L32346	4F14	7	90 - 31	L32889	4H17	19	90 - 83	L33027	2E16	12	50 - 109
L32394	4E12	2	90 - 5	L32890	4H19	17	90 - 85	L33028	2E16	12	50 - 109
L324T	2B2	7	50 - 21	L32891	4H19	14	90 - 85	L33029	2E16	12	50 - 109
L324T	2B2	9	50 - 21	L32892	4H19	6	90 - 85	L33030	2E16	11	50 - 109
L32504	3C7	7	60 - 50	L32893	4H17	25	90 - 83	L33032	2F6	6	50 - 123
L32513	3G12	13	70 - 83	L32894	4H19	4	90 - 85	L33033	2F6	8	50 - 123
L32513	3G18	16	70 - 89	L32895	4H17	17	90 - 83	L33035	2F8	4	50 - 125
L32513	3G19	20	70 - 90	L32896	4H17	26	90 - 83	L33037	2F8	1	50 - 125
L32513	3G22	15	70 - 93	L32897	4H15	18	90 - 81	L33044	2F8	9	50 - 125
L32517	4F2	26	90 - 19	L32899	4H15	47	90 - 81	L33045	2F10	11	50 - 127
L32568	2F20	7	50 - 137	L32900	4H15	20	90 - 81	L33047	2F6	2	50 - 123
L32568	2F22	7	50 - 139	L32901	4H19	5	90 - 85	L33050	2F10	10	50 - 127
L32569	2F16	7	50 - 133	L32902	4H19	12	90 - 85	L33051	2F10	12	50 - 127
L32569	2F18	11	50 - 135	L32903	4H15	30	90 - 81	L33052	2F10	13	50 - 127
L32570	2F20	8	50 - 137	L32904	4H15	26	90 - 81	L33054	2F10	14	50 - 127
L32570	2F22	8	50 - 139	L32905	4H17	15	90 - 83	L33055	2D18	8	50 - 86
L32580	3B12	23	60 - 31	L32906	4H15	1	90 - 81	L33056	2D18	3	50 - 86
L32580	3B20	17	60 - 39	L32907	4H15	44	90 - 81	L33059	2E16	15	50 - 109
L32580	3E10	10	70 - 33	L32908	4H15	7	90 - 81	L33060	2F8	5	50 - 125
L32580	3E12	12	70 - 35	L32909	4H15	40	90 - 81	L33062	2E16	19	50 - 109
L32581	3E10	11	70 - 33	L32910	4H15	28	90 - 81	L33065	2E16	17	50 - 109
L32581	3E12	13	70 - 35	L32911	4H15	45	90 - 81	L33066	2E16	20	50 - 109
L32587	3G18	14	70 - 89	L32912	2H21	17	50 - 187	L33070	2E14	5	50 - 107
L32587	4F24	16	90 - 41	L32912	4H19	11	90 - 85	L33078	2E14	24	50 - 107
L32638	3F16	11	70 - 63	L32913	4H17	8	90 - 83	L33083	2E14	19	50 - 107
L32648	3E23	5	70 - 46	L32914	4H13	2	90 - 79	L33098	2C4	10	50 - 47
L32649	3E23	1	70 - 46	L32915	4H19	13	90 - 85	L33098	2E14	15	50 - 107
L32657	4D5	1	80 - 73	L32927	4F4	18	90 - 21	L33099	2C4	14	50 - 47
L32658	4E18	16	90 - 11	L32928	4F4	17	90 - 21	L33099	2E14	16	50 - 107
L32659	4E18	15	90 - 11	L32929	4F2	29	90 - 19	L33100	2C4	12	50 - 47
L32682	3E20	11	70 - 43	L32930	4F4	7	90 - 21	L33100	2E14	11	50 - 107
L32691	4I6	6	90 - 97	L32934	4F2	1	90 - 19	L33101	2C4	13	50 - 47
L32704	2E12	18	50 - 105	L32934	4F2	31	90 - 19	L33101	2E14	10	50 - 107
L32707	3A23	15	60 - 17	L32934	4F2	..	90 - 19	L33102	2C4	9	50 - 47
L32708	3A23	20	60 - 17	L32934	4F4	23	90 - 21	L33102	2E14	14	50 - 107
L32708	3B2	18	60 - 21	L32934	4F4	..	90 - 21	L33103	2C4	11	50 - 47
L32709	3A23	28	60 - 17	L32935	4F4	22	90 - 21	L33103	2E14	12	50 - 107
L32709	3B2	26	60 - 21	L32936	4F2	24	90 - 19	L33104	2E14	22	50 - 107
L32710	3A23	30	60 - 17	L32937	4F2	21	90 - 19	L33117	2C10	9	50 - 53
L32710	3B2	28	60 - 21	L32940	4F2	16	90 - 19	L33119	2C10	14	50 - 53

1K18

TRACTORS (-429999) 2040S,2140

NUMERICAL INDEX - CONTINUED

PART NO.	GRID	KEY	PAGE	PART NO.	GRID	KEY	PAGE	PART NO.	GRID	KEY	PAGE
L33123	2B4	11	50 - 23	L33266	2C12	10	50 - 55	L33520	4E15	2	90 - 8
L33125	2C10	12	50 - 53	L33269	2E14	4	50 - 107	L33520	4E18	5	90 - 11
L33126	2G8	5	50 - 149	L33270	2E16	1	50 - 109	L33526	4E18	23	90 - 11
L33126	2G10	7	50 - 151	L33271	2E14	4	50 - 107	L33528	4G2	33	90 - 43
L33126	2G12	6	50 - 153	L33272	2E14	4	50 - 107	L33537	3I7	1	70 - 127
L33126	2G20	7	50 - 161	L33274	2E14	1	50 - 107	L33539	3I9	3	70 - 129
L33134	2B22	3	50 - 41	L33275	2E14	1	50 - 107	L33540	3G2	24	70 - 73
L33139	2A13	27	50 - 7	L33276	2E14	1	50 - 107	L33541	3G2	23	70 - 73
L33145	2C22	5	50 - 65	L33277	2E14	1	50 - 107	L33555	3B12	3	60 - 31
L33145	2C24	6	50 - 67	L33278	2E14	1	50 - 107	L33561	4D17	17	80 - 85
L33146	2B4	3	50 - 23	L33280	2C4	27	50 - 47	L33562	2C10	23	50 - 53
L33151	2B6	17	50 - 25	L33286	2D18	1	50 - 86	L33563	2C10	24	50 - 53
L33152	2C22	9	50 - 65	L33290	2F8	2	50 - 125	L33588	4E14	12	90 - 7
L33152	2C24	7	50 - 67	L33303	2B24	17	50 - 43	L33588	4E18	8	90 - 11
L33155	2B24	18	50 - 43	L33304	2B4	5	50 - 23	L33590	4E14	9	90 - 7
L33156	2B24	5	50 - 43	L33306	2B4	11	50 - 23	L33592	4G2	34	90 - 43
L33157	2B24	13	50 - 43	L33308	4C10	2	80 - 53	L33593	4E14	4	90 - 7
L33158	2B24	16	50 - 43	L33312	2C10	6	50 - 53	L33593	4E18	2	90 - 11
L33159	2B24	9	50 - 43	L33313	2C10	1	50 - 53	L33593	4E23	4	90 - 16
L33161	2B24	27	50 - 43	L33314	2C10	30	50 - 53	L33596	4E22	18	90 - 15
L33162	2B24	28	50 - 43	L33316	2C10	11	50 - 53	L33596	4E23	12	90 - 16
L33163	2B24	30	50 - 43	L33317	2C10	32	50 - 53	L33597	1H7	27	40 - 59
L33164	2B24	31	50 - 43	L33318	2C6	16	50 - 49	L33601	1D18	9	30 - 23
L33165	2B24	42	50 - 43	L33320	2C10	16	50 - 53	L33629	3G22	6	70 - 93
L33167	2B24	40	50 - 43	L33322	2C2	18	50 - 45	L33629	4D7	1	80 - 75
L33179	2A11	1	50 - 5	L33322	2F10	9	50 - 127	L33701	2B4	10	50 - 23
L33180	2B6	2	50 - 25	L33333	2C24	1	50 - 67	L33727	2C22	3	50 - 65
L33190	2B2	17	50 - 21	L33334	2B24	33	50 - 43	L33728	2F12	1	50 - 129
L33201	2B6	10	50 - 25	L33334	2C4	21	50 - 47	L33728	2F14	1	50 - 131
L33213	3A17	13	60 - 11	L33334	2C4	34	50 - 47	L33732	2B2	17	50 - 21
L33213	3A17	21	60 - 11	L33334	2C24	20	50 - 67	L33733	2F6	7	50 - 123
L33224	2B2	17	50 - 21	L33336	2B12	25	50 - 31	L33745	2G8	17	50 - 149
L33234	2G8	6	50 - 149	L33336	2B14	25	50 - 33	L33745	2G10	1	50 - 151
L33234	2G8	8	50 - 149	L33336	2B16	23	50 - 35	L33745	2G12	26	50 - 153
L33234	2G8	10	50 - 149	L33337	2B12	22	50 - 31	L33745	2G20	1	50 - 161
L33234	2G8	11	50 - 149	L33337	2B14	22	50 - 33	L33746	2B16	16	50 - 35
L33234	2G8	12	50 - 149	L33337	2B16	26	50 - 35	L33747	2B16	15	50 - 35
L33234	2G8	20	50 - 149	L33339	2B16	15	50 - 35	L33749	2B12	14	50 - 31
L33238	2C12	10	50 - 55	L33340	2B16	3	50 - 35	L33750	2A13	1	50 - 7
L33238	2F8	8	50 - 125	L33341	2C6	4	50 - 49	L33750	3A17	6	60 - 11
L33239	2C12	10	50 - 55	L33342	2C6	13	50 - 49	L33755	2C4	6	50 - 47
L33240	2C12	8	50 - 55	L33344	2B16	17	50 - 35	L33756	2C4	5	50 - 47
L33241	2C12	7	50 - 55	L33346	2C17	15	50 - 60	L33757	2C4	5	50 - 47
L33242	2C12	1	50 - 55	L33351	2F12	2	50 - 129	L33758	2C4	5	50 - 47
L33243	2C12	1	50 - 55	L33351	2F14	2	50 - 131	L33763	2C4	16	50 - 47
L33244	2C12	1	50 - 55	L33357	2E12	16	50 - 105	L33765	2C4	32	50 - 47
L33245	2C12	2	50 - 55	L33358	2E12	15	50 - 105	L33766	2B12	13	50 - 31
L33247	2C14	27	50 - 57	L33361	2F14	26	50 - 131	L33766	2B14	13	50 - 33
L33247	2C16	27	50 - 59	L33363	2F12	10	50 - 129	L33767	2C4	29	50 - 47
L33251	2C14	18	50 - 57	L33364	2F14	12	50 - 131	L33769	2C2	19	50 - 45
L33251	2C16	18	50 - 59	L33368	2B24	15	50 - 43	L33772	2C2	22	50 - 45
L33252	2C14	27	50 - 57	L33368	2C4	18	50 - 47	L33775	2B12	13	50 - 31
L33252	2C16	27	50 - 59	L33369	2B24	35	50 - 43	L33775	2B14	13	50 - 33
L33253	2C14	2	50 - 57	L33369	2E22	17	50 - 115	L33776	2B12	14	50 - 31
L33253	2C16	2	50 - 59	L33369	2E24	24	50 - 117	L33776	2B14	14	50 - 33
L33256	2C14	35	50 - 57	L33374	2B6	16	50 - 25	L33777	2B12	19	50 - 31
L33256	2C16	35	50 - 59	L33378	2B12	21	50 - 31	L33785	2C2	33	50 - 45
L33257	2C14	28	50 - 57	L33378	2B14	21	50 - 33	L33786	2B4	16	50 - 23
L33257	2C16	28	50 - 59	L33378	2B16	27	50 - 35	L33816	4E22	14	90 - 15
L33260	2C14	27	50 - 57	L33387	2C22	20	50 - 65	L33839	3E4	10	70 - 27
L33260	2C16	27	50 - 59	L33388	2A9	1	50 - 3	L33861	4D19	1	80 - 87
L33261	2C17	1	50 - 60	L33405	3I3	27	70 - 123	L33863	3F16	22	70 - 63
L33263	2C14	4	50 - 57	L33463	1G12	15	40 - 39	L33864	3F16	21	70 - 63
L33263	2C16	4	50 - 59	L33475	4F10	8	90 - 27	L33865	3F16	20	70 - 63
L33264	2C12	10	50 - 55	L33481	3B24	1	60 - 43	L33880	4G2	23	90 - 43
L33264	2F8	8	50 - 125	L33509	2F24	1	50 - 141	L33881	4G2	2	90 - 43
L33265	2C12	10	50 - 55	L33520	4E14	7	90 - 7	L33882	4G2	3	90 - 43

1K19

TRACTORS (-429999) 2040S,2140

NUMERICAL INDEX - CONTINUED

PART NO.	GRID	KEY	PAGE	PART NO.	GRID	KEY	PAGE	PART NO.	GRID	KEY	PAGE
L33883	4G2	24	90 - 43	L34070	4A23	20	80 - 17	L34366	4B12	16	80 - 31
L33884	4F8	3	90 - 25	L34104	2B18	17	50 - 37	L34366	4B14	18	80 - 33
L33884	4G2	13	90 - 43	L34105	2C6	11	50 - 49	L34371	3B8	1	60 - 27
L33884	4G14	15	90 - 55	L34106	2C6	18	50 - 49	L34371	3B10	1	60 - 29
L33885	4G2	12	90 - 43	L34107	4B18	6	80 - 37	L34372	3B23	4	60 - 42
L33886	4G2	9	90 - 43	L34108	4B18	7	80 - 37	L34374	3E23	9	70 - 46
L33887	4G2	4	90 - 43	L34109	2C22	8	50 - 65	L34375	3E23	9	70 - 46
L33888	4G2	6	90 - 43	L34110	4C21	7	80 - 64	L34376	3F18	17	70 - 65
L33889	4G2	7	90 - 43	L34111	2C22	6	50 - 65	L34376	3F20	20	70 - 67
L33890	4G2	11	90 - 43	L34111	2C24	4	50 - 67	L34376	3F22	25	70 - 69
L33891	4G2	8	90 - 43	L34114	2B4	14	50 - 23	L34378	3F18	18	70 - 65
L33892	4G2	5	90 - 43	L34115	2B24	36	50 - 43	L34378	3F20	18	70 - 67
L33894	4B18	1	80 - 37	L34115	2E22	20	50 - 115	L34378	3F22	23	70 - 69
L33894	4B20	7	80 - 39	L34115	2E24	20	50 - 117	L34381	3E22	37	70 - 45
L33910	3B24	3	60 - 43	L34116	2B24	7	50 - 43	L34382	3E22	27	70 - 45
L33934	4E14	26	90 - 7	L34117	4C21	7	80 - 64	L34383	3E22	38	70 - 45
L33939	4E22	3	90 - 15	L34117	4C22	2	80 - 65	L34390	3F18	15	70 - 65
L33940	4E22	9	90 - 15	L34121	2A13	4	50 - 7	L34390	3F20	16	70 - 67
L33941	4E22	4	90 - 15	L34122	2G12	10	50 - 153	L34401	3E18	24	70 - 41
L33942	4E22	20	90 - 15	L34124	2G21	4	50 - 162	L34401	4G15	7	90 - 56
L33942	4E23	9	90 - 16	L34125	2G21	2	50 - 162	L34401	4G15	8	90 - 56
L33943	4E22	19	90 - 15	L34126	2G8	20	50 - 149	L34411	4I4	36	90 - 95
L33943	4E23	10	90 - 16	L34156	4G24	31	90 - 65	L34414	4I4	24	90 - 95
L33944	4E22	16	90 - 15	L34156	4H11	30	90 - 77	L34420	1E9	2	30 - 39
L33944	4E23	14	90 - 16	L34182	2F6	10	50 - 123	L34420	2B20	2	50 - 39
L33945	4E22	1	90 - 15	L34185	2B24	39	50 - 43	L34421	1E9	2	30 - 39
L33946	4E22	10	90 - 15	L34191	2G20	17	50 - 161	L34423	1E9	4	30 - 39
L33949	4E22	11	90 - 15	L34192	2G20	14	50 - 161	L34423	1E11	29	30 - 41
L33975	3G16	16	70 - 87	L34193	2G20	11	50 - 161	L34424	1E9	13	30 - 39
L33985	1F4	25	40 - 7	L34200	2B2	18	50 - 21	L34424	1E11	5	30 - 41
L33986	1F4	8	40 - 7	L34212	4E14	1	90 - 7	L34424	2B20	5	50 - 39
L33987	1F4	10	40 - 7	L34213	4E22	23	90 - 15	L34424	2C2	9	50 - 45
L33988	1F4	19	40 - 7	L34214	4E22	26	90 - 15	L34428	1G8	14	40 - 35
L33992	1F4	22	40 - 7	L34215	4E22	6	90 - 15	L34430	1D10	7	30 - 15
L33993	1F4	4	40 - 7	L34216	4E22	5	90 - 15	L34432	3D4	4	70 - 2
L33993	1F6	4	40 - 9	L34217	1G8	17	40 - 35	L34432	3D5	4	70 - 3
L33994	1F2	15	40 - 5	L34228	4C21	3	80 - 64	L34434	3A19	7	60 - 13
L33994	1F4	14	40 - 7	L34231	4B18	2	80 - 37	L34438	3A19	5	60 - 13
L34030	4G6	3	90 - 47	L34232	4B18	2	80 - 37	L34443	4B12	7	80 - 31
L34030	4G6	5	90 - 47	L34243	2G20	19	50 - 161	L34444	4B12	9	80 - 31
L34030	4G6	..	90 - 47	L34244	2G18	8	50 - 159	L34451	3A11	23	60 - 5
L34040	3C2	13	60 - 45	L34245	2G18	10	50 - 159	L34452	3A11	36	60 - 5
L34052	2C10	18	50 - 53	L34246	2E12	28	50 - 105	L34454	3A11	38	60 - 5
L34053	2C10	18	50 - 53	L34247	2G18	9	50 - 159	L34455	1D12	7	30 - 17
L34054	2C4	33	50 - 47	L34253	2D21	14	50 - 89	L34456	4D1	1	80 - 69
L34058	2C14	20	50 - 57	L34253	2D23	14	50 - 91	L34457	4A21	3	80 - 15
L34058	2C16	20	50 - 59	L34253	2D25	12	50 - 93	L34458	4A21	1	80 - 15
L34059	2C14	16	50 - 57	L34253	2E2	12	50 - 95	L34459	4A21	3	80 - 15
L34059	2C16	16	50 - 59	L34253	2E4	12	50 - 97	L34467	4C9	13	80 - 52
L34060	2C14	17	50 - 57	L34253	2E6	12	50 - 99	L34472	4C10	3	80 - 53
L34060	2C16	17	50 - 59	L34253	2E8	12	50 - 101	L34474	4C9	10	80 - 52
L34061	2C14	13	50 - 57	L34255	2G18	2	50 - 159	L34475	4C9	9	80 - 52
L34061	2C16	13	50 - 59	L34257	2G20	21	50 - 161	L34475	4C10	9	80 - 53
L34062	2C14	12	50 - 57	L34306	4C14	19	80 - 57	L34477	4C9	3	80 - 52
L34062	2C16	12	50 - 59	L34307	4C14	2	80 - 57	L34477	4C10	3	80 - 53
L34063	2C14	10	50 - 57	L34308	4C14	2	80 - 57	L34478	4C10	9	80 - 53
L34063	2C16	10	50 - 59	L34336	4C24	6	80 - 67	L34483	1C5	3	20 - 48
L34064	2C14	11	50 - 57	L34340	2B16	33	50 - 35	L34555	4D3	34	80 - 71
L34064	2C16	11	50 - 59	L34342	2B16	36	50 - 35	L34562	1C4	21	20 - 47
L34065	2C14	9	50 - 57	L34345	2B12	18	50 - 31	L34569	3D4	2	70 - 2
L34065	2C16	9	50 - 59	L34345	2B14	18	50 - 33	L34569	3D5	2	70 - 3
L34066	2C14	8	50 - 57	L34345	2B16	21	50 - 35	L34572	3D4	5	70 - 2
L34066	2C16	8	50 - 59	L34347	3E20	2	70 - 43	L34573	3D5	6	70 - 3
L34067	2C14	14	50 - 57	L34348	3C23	9	60 - 66	L34575	3D4	1	70 - 2
L34067	2C16	14	50 - 59	L34351	4D11	9	80 - 79	L34575	3D5	1	70 - 3
L34068	2C14	7	50 - 57	L34351	4D13	2	80 - 81	L34631	1D2	15	30 - 7
L34068	2C16	7	50 - 59	L34352	2B6	3	50 - 25	L34636	1D2	17	30 - 7

1K20

TRACTORS (-429999) 2040S,2140

NUMERICAL INDEX - CONTINUED

PART NO.	GRID	KEY	PAGE	PART NO.	GRID	KEY	PAGE	PART NO.	GRID	KEY	PAGE
L34637	1D2	10	30 - 7	L35034	3I3	9	70 - 123	L35455	2G16	17	50 - 157
L34638	1C24	20	30 - 5	L35035	3I3	30	70 - 123	L35457	2G16	19	50 - 157
L34639	1C24	1	30 - 5	L35036	3I3	10	70 - 123	L35460	4A25	3	80 - 19
L34640	1C24	3	30 - 5	L35037	3I3	31	70 - 123	L35474	4F8	22	90 - 25
L34646	1C22	16	30 - 3	L35039	4I4	15	90 - 95	L35477	2C22	7	50 - 65
L34648	1C4	25	20 - 47	L35091	4D21	1	80 - 89	L35477	2C24	5	50 - 67
L34650	1C22	3	30 - 3	L35092	4D21	2	80 - 89	L35520	4D19	5	80 - 87
L34651	1C22	5	30 - 3	L35095	4D21	3	80 - 89	L35521	4D19	3	80 - 87
L34652	1C22	2	30 - 3	L35096	4D21	4	80 - 89	L35526	4I6	10	90 - 97
L34653	3B8	19	60 - 27	L35120	4D21	6	80 - 89	L35528	4C24	8	80 - 67
L34653	3B10	19	60 - 29	L35121	4D21	5	80 - 89	L35529	2D12	9	50 - 80
L34684	4I4	13	90 - 95	L35124	4D21	8	80 - 89	L35530	2D12	5	50 - 80
L34695	1E13	11	30 - 43	L35135	3E14	19	70 - 37	L35532	2D11	16	50 - 79
L34696	1E13	8	30 - 43	L35138	3I4	1	70 - 124	L35535	2G14	14	50 - 155
L34697	1E9	17	30 - 39	L35140	4E14	16	90 - 7	L35535	2G16	8	50 - 157
L34794	1D18	2	30 - 23	L35141	3I15	2	70 - 135	L35542	2G2	7	50 - 143
L34803	4G20	9	90 - 61	L35142	3I15	1	70 - 135	L35550	2D3	1	50 - 71
L34804	4G20	8	90 - 61	L35152	4D21	1	80 - 89	L35552	3E14	11	70 - 37
L34811	4G12	9	90 - 53	L35153	4D21	2	80 - 89	L35553	1G22	11	40 - 49
L34814	3A11	20	60 - 5	L35158	2C8	12	50 - 51	L35553	1G24	19	40 - 51
L34818	4G20	6	90 - 61	L35162	1F18	3	40 - 21	L35554	2H19	2	50 - 185
L34819	4D17	15	80 - 85	L35164	1F18	2	40 - 21	L35555	2H5	29	50 - 171
L34827	4I7	2	90 - 98	L35167	1F24	8	40 - 27	L35556	2H5	11	50 - 171
L34828	4I7	4	90 - 98	L35169	1H11	5	40 - 63	L35557	2H5	26	50 - 171
L34830	2B20	9	50 - 39	L35170	1F18	20	40 - 21	L35558	2H5	26	50 - 171
L34831	2B20	10	50 - 39	L35171	1G20	9	40 - 47	L35559	2H5	26	50 - 171
L34831	2B21	10	50 - 40	L35172	1G22	5	40 - 49	L35560	2H5	26	50 - 171
L34832	1C24	14	30 - 5	L35172	1G24	5	40 - 51	L35561	2H5	12	50 - 171
L34848	1D18	23	30 - 23	L35187	1D18	19	30 - 23	L35562	2H5	3	50 - 171
L34848	1D20	16	30 - 25	L35191	3C10	8	60 - 53	L35567	2H5	5	50 - 171
L34849	1G4	2	40 - 31	L35191	3C12	10	60 - 55	L35568	2H3	20	50 - 169
L34850	2F16	12	50 - 133	L35223	2C8	2	50 - 51	L35568	2H5	6	50 - 171
L34855	4B2	20	80 - 21	L35224	1E11	2	30 - 41	L35569	2H5	7	50 - 171
L34866	4I4	28	90 - 95	L35224	2B21	2	50 - 40	L35577	2H5	17	50 - 171
L34868	3B8	23	60 - 27	L35224	2C2	4	50 - 45	L35577	2H9	17	50 - 175
L34868	3B10	23	60 - 29	L35226	2A13	24	50 - 7	L35578	2H5	18	50 - 171
L34881	4D3	23	80 - 71	L35231	2B14	3	50 - 33	L35578	2H9	16	50 - 175
L34882	4D3	23	80 - 71	L35235	4F8	18	90 - 25	L35579	2H5	19	50 - 171
L34887	4H5	12	90 - 71	L35236	4F8	7	90 - 25	L35579	2H9	18	50 - 175
L34897	1G4	2	40 - 31	L35239	4C16	29	80 - 59	L35580	2H5	19	50 - 171
L34898	1C4	22	20 - 47	L35240	4C16	31	80 - 59	L35580	2H9	18	50 - 175
L34900	3A11	22	60 - 5	L35243	2B22	2	50 - 41	L35581	2H5	19	50 - 171
L34912	1F22	3	40 - 25	L35244	2B4	19	50 - 23	L35581	2H9	18	50 - 175
L34918	1C22	4	30 - 3	L35265	4D17	22	80 - 85	L35582	2H5	20	50 - 171
L34919	1D2	10	30 - 7	L35269	4I4	33	90 - 95	L35583	2H5	21	50 - 171
L34921	1C4	20	20 - 47	L35273	4C25	4	80 - 68	L35583	2H7	19	50 - 173
L34931	1E13	21	30 - 43	L35274	2G20	18	50 - 161	L35583	2H9	20	50 - 175
L34937	3A21	18	60 - 15	L35279	2G14	11	50 - 155	L35584	2H5	22	50 - 171
L34938	3A21	12	60 - 15	L35279	2G16	13	50 - 157	L35584	2H7	18	50 - 173
L34939	3A21	7	60 - 15	L35286	2G14	10	50 - 155	L35584	2H9	21	50 - 175
L34949	3A21	19	60 - 15	L35286	2G16	12	50 - 157	L35585	2H5	13	50 - 171
L34954	3E14	12	70 - 37	L35289	2G14	8	50 - 155	L35586	2H11	31	50 - 177
L34955	3E14	14	70 - 37	L35289	2G16	10	50 - 157	L35587	2H11	18	50 - 177
L34970	2B16	31	50 - 35	L35405	2G18	5	50 - 159	L35588	2H11	29	50 - 177
L34972	1F24	1	40 - 27	L35418	1H13	2	40 - 65	L35589	2H11	30	50 - 177
L34972	1G2	16	40 - 29	L35419	1H13	3	40 - 65	L35590	2H11	28	50 - 177
L34974	1C4	16	20 - 47	L35420	1H13	10	40 - 65	L35590	2H13	27	50 - 179
L34975	1C4	15	20 - 47	L35421	1H13	11	40 - 65	L35591	2H11	27	50 - 177
L34988	4G10	4	90 - 51	L35423	1H13	5	40 - 65	L35591	2H13	26	50 - 179
L34995	3E10	1	70 - 33	L35424	1H13	12	40 - 65	L35592	2H11	33	50 - 177
L34995	3E12	1	70 - 35	L35425	1H13	13	40 - 65	L35592	2H13	33	50 - 179
L34997	3C10	24	60 - 53	L35450	2G14	3	50 - 155	L35593	2H11	32	50 - 177
L35003	2C12	10	50 - 55	L35451	2G14	5	50 - 155	L35593	2H13	32	50 - 179
L35003	2F8	8	50 - 125	L35451	2G16	24	50 - 157	L35594	2H11	32	50 - 177
L35005	1E19	4	30 - 49	L35452	2G14	16	50 - 155	L35594	2H13	32	50 - 179
L35009	4D1	5	80 - 69	L35452	2G16	15	50 - 157	L35595	2H11	32	50 - 177
L35011	4D3	15	80 - 71	L35455	2G14	17	50 - 155	L35595	2H13	32	50 - 179

1K21

TRACTORS (-42999) 2040S,2140

NUMERICAL INDEX - CONTINUED

PART NO.	GRID	KEY	PAGE	PART NO.	GRID	KEY	PAGE	PART NO.	GRID	KEY	PAGE
L35596	2H11	25	50 - 177	L35717	2H9	7	50 - 175	L35825	4H11	4	90 - 77
L35596	2H13	24	50 - 179	L35718	2H3	19	50 - 169	L35826	1D2	8	30 - 7
L35597	2H11	15	50 - 177	L35718	2H7	8	50 - 173	L35828	1D2	8	30 - 7
L35598	2H11	12	50 - 177	L35718	2H9	8	50 - 175	L35840	3F16	24	70 - 63
L35599	2H11	13	50 - 177	L35723	2H7	17	50 - 173	L35841	3F16	23	70 - 63
L35600	2H15	14	50 - 181	L35724	2H7	21	50 - 173	L35847	1E11	21	30 - 41
L35600	2H19	8	50 - 185	L35725	2H7	22	50 - 173	L35850	4D19	2	80 - 87
L35602	2H15	15	50 - 181	L35725	2H9	22	50 - 175	L35851	4E14	34	90 - 7
L35603	2H19	10	50 - 185	L35726	2H7	20	50 - 173	L35851	4F2	11	90 - 19
L35604	2H19	10	50 - 185	L35728	2H9	19	50 - 175	L35868	2C18	2	50 - 61
L35605	2H19	12	50 - 185	L35730	2H13	31	50 - 179	L35869	2C18	12	50 - 61
L35606	2H19	7	50 - 185	L35731	2H13	18	50 - 179	L35870	2C18	7	50 - 61
L35607	2H15	9	50 - 181	L35732	2H13	28	50 - 179	L35871	2C18	5	50 - 61
L35607	2H17	9	50 - 183	L35733	2H13	30	50 - 179	L35871	2C19	4	50 - 62
L35608	2H15	8	50 - 181	L35734	2H13	15	50 - 179	L35872	2C18	11	50 - 61
L35608	2H17	8	50 - 183	L35735	2H13	12	50 - 179	L35873	2C18	10	50 - 61
L35609	2H15	12	50 - 181	L35736	2H13	13	50 - 179	L35874	2C18	9	50 - 61
L35609	2H17	12	50 - 183	L35737	2H17	13	50 - 183	L35875	2C18	8	50 - 61
L35610	2H19	6	50 - 185	L35738	2H17	16	50 - 183	L35878	1F18	16	40 - 21
L35612	2H11	3	50 - 177	L35738	2H21	4	50 - 187	L35878	1F20	12	40 - 23
L35612	3B16	14	60 - 35	L35739	2H13	29	50 - 179	L35879	1F18	18	40 - 21
L35613	2H11	14	50 - 177	L35740	2H21	8	50 - 187	L35882	3C16	30	60 - 59
L35616	2H11	5	50 - 177	L35741	2H21	8	50 - 187	L35882	3C18	32	60 - 61
L35617	2H11	7	50 - 177	L35742	2H21	15	50 - 187	L35891	4F18	14	90 - 35
L35618	2H15	17	50 - 181	L35743	2H21	19	50 - 187	L35891	4F20	1	90 - 37
L35618	2H17	15	50 - 183	L35744	2H21	11	50 - 187	L35896	1F22	8	40 - 25
L35619	2H11	8	50 - 177	L35745	2H21	9	50 - 187	L35897	1F22	4	40 - 25
L35619	2H13	9	50 - 179	L35746	2H21	10	50 - 187	L35898	1F22	5	40 - 25
L35620	2D9	3	50 - 77	L35747	2H21	10	50 - 187	L35904	4F2	6	90 - 19
L35628	2A13	16	50 - 7	L35748	2H21	10	50 - 187	L35916	3B6	3	60 - 25
L35637	2G14	7	50 - 155	L35749	2H21	10	50 - 187	L35917	3B6	4	60 - 25
L35637	2G16	9	50 - 157	L35750	2H21	10	50 - 187	L35938	4I4	37	90 - 95
L35639	3A11	39	60 - 5	L35751	2H21	10	50 - 187	L35941	4D17	2	80 - 85
L35640	4C16	23	80 - 59	L35752	2H21	10	50 - 187	L35946	4F2	28	90 - 19
L35664	4G14	24	90 - 55	L35753	2H21	10	50 - 187	L35947	4F2	8	90 - 19
L35665	4G14	25	90 - 55	L35754	2H21	10	50 - 187	L35948	4F2	9	90 - 19
L35668	3I11	16	70 - 131	L35755	2H21	10	50 - 187	L35949	4C16	19	80 - 59
L35669	3I11	10	70 - 131	L35756	2H21	10	50 - 187	L35949	4E14	33	90 - 7
L35670	3I11	12	70 - 131	L35757	2H21	10	50 - 187	L35949	4F2	3	90 - 19
L35671	3I11	18	70 - 131	L35758	2H21	10	50 - 187	L35949	4F6	2	90 - 23
L35678	4F2	32	90 - 19	L35760	2H13	14	50 - 179	L35960	4B12	14	80 - 31
L35687	4F8	8	90 - 25	L35763	2H13	5	50 - 179	L35960	4B14	16	80 - 33
L35700	2C2	23	50 - 45	L35764	2H13	8	50 - 179	L36022	1D18	16	30 - 23
L35701	2C2	25	50 - 45	L35765	2H21	2	50 - 187	L36022	1D22	25	30 - 27
L35705	4I6	1	90 - 97	L35766	2D3	1	50 - 71	L36029	4E14	29	90 - 7
L35706	4I6	8	90 - 97	L35767	4G24	21	90 - 65	L36074	4E14	6	90 - 7
L35707	2H7	25	50 - 173	L35768	4G22	9	90 - 63	L36075	4E22	24	90 - 15
L35707	2H9	25	50 - 175	L35768	4G22	19	90 - 63	L36077	4E22	25	90 - 15
L35708	2H7	25	50 - 173	L35768	4H9	14	90 - 75	L36084	4F10	14	90 - 27
L35708	2H9	25	50 - 175	L35769	4G24	34	90 - 65	L36085	3B12	18	60 - 31
L35709	2H7	25	50 - 173	L35769	4H11	33	90 - 77	L36086	4B12	1	80 - 31
L35709	2H9	25	50 - 175	L35770	4G24	16	90 - 65	L36086	4B14	12	80 - 33
L35710	2H7	25	50 - 173	L35771	4G24	35	90 - 65	L36087	2F6	14	50 - 123
L35710	2H9	25	50 - 175	L35771	4H11	34	90 - 77	L36090	4F10	7	90 - 27
L35711	2H7	29	50 - 173	L35777	2A17	8	50 - 11	L36091	4F10	3	90 - 27
L35711	2H9	29	50 - 175	L35778	3B14	2	60 - 33	L36092	4F10	4	90 - 27
L35712	2H7	12	50 - 173	L35779	3B14	5	60 - 33	L36093	4F10	10	90 - 27
L35712	2H9	12	50 - 175	L35780	3B14	7	60 - 33	L36094	4F10	5	90 - 27
L35713	2H7	27	50 - 173	L35794	2G2	1	50 - 143	L36095	4F10	17	90 - 27
L35713	2H9	27	50 - 175	L35795	2F24	22	50 - 141	L36096	4F10	17	90 - 27
L35714	2H7	4	50 - 173	L35796	2F24	22	50 - 141	L36097	4F10	19	90 - 27
L35714	2H9	4	50 - 175	L35797	2F24	22	50 - 141	L36098	4F10	19	90 - 27
L35715	2H7	2	50 - 173	L35798	2F24	22	50 - 141	L36107	2F14	13	50 - 131
L35715	2H9	2	50 - 175	L35799	2G2	12	50 - 143	L36107	2F14	26	50 - 131
L35716	2H7	6	50 - 173	L35803	1D20	11	30 - 25	L36108	2F14	25	50 - 131
L35716	2H9	6	50 - 175	L35805	4I6	3	90 - 97	L36108	2F14	26	50 - 131
L35717	2H7	7	50 - 173	L35825	4G24	4	90 - 65	L36121	3E14	8	70 - 37

1K22

TRACTORS (-429999) 2040S,2140

NUMERICAL INDEX - CONTINUED

PART NO.	GRID	KEY	PAGE	PART NO.	GRID	KEY	PAGE	PART NO.	GRID	KEY	PAGE
L36134	3H6	4	70 - 101	L36298	4I2	6	90 - 93	L36557	2D13	14	50 - 81
L36136	3E14	20	70 - 37	L36301	2F6	13	50 - 123	L36573	4D1	1	80 - 69
L36151	4C24	12	80 - 67	L36302	2F8	12	50 - 125	L36573	4D1	2	80 - 69
L36158	3E14	8	70 - 37	L36306	3A23	20	60 - 17	L36575	2D17	12	50 - 85
L36165	3B22	6	60 - 41	L36307	3A23	20	60 - 17	L36578	2H19	4	50 - 185
L36166	3B22	10	60 - 41	L36308	3A23	28	60 - 17	L36578	2H21	6	50 - 187
L36168	3B22	9	60 - 41	L36318	4D17	1	80 - 85	L36578	2H21	21	50 - 187
L36169	3B22	8	60 - 41	L36319	4D17	9	80 - 85	L36579	2H21	6	50 - 187
L36172	3B22	2	60 - 41	L36322	4D21	10	80 - 89	L36580	2H19	4	50 - 185
L36173	3B22	2	60 - 41	L36323	4D21	11	80 - 89	L36587	4A11	8	80 - 5
L36174	3B22	5	60 - 41	L36341	4C24	15	80 - 67	L36587	4A13	20	80 - 7
L36175	3B22	5	60 - 41	L36342	4C24	13	80 - 67	L36623	2D21	1	50 - 89
L36179	1F22	17	40 - 25	L36350	4D17	7	80 - 85	L36623	2D23	1	50 - 91
L36182	4B12	6	80 - 31	L36372	1C5	3	20 - 48	L36647	2H21	16	50 - 187
L36184	4B12	11	80 - 31	L36372	1C6	3	20 - 49	L36648	2H21	16	50 - 187
L36186	2G2	4	50 - 143	L36373	1G8	18	40 - 35	L36649	2H21	18	50 - 187
L36198	2F16	8	50 - 133	L36381	4C16	27	80 - 59	L36650	2H21	18	50 - 187
L36198	2F18	9	50 - 135	L36382	4C16	28	80 - 59	L36653	1E9	17	30 - 39
L36199	2F20	7	50 - 137	L36383	4C16	31	80 - 59	L36654	1E9	17	30 - 39
L36199	2F22	7	50 - 139	L36384	4C16	29	80 - 59	L36658	3B10	28	60 - 29
L36200	2F16	7	50 - 133	L36389	3B8	9	60 - 27	L36667	1H13	16	40 - 65
L36200	2F18	11	50 - 135	L36389	3B10	11	60 - 29	L36668	1H13	15	40 - 65
L36201	2F24	26	50 - 141	L36399	4G2	38	90 - 43	L36669	1H13	44	40 - 65
L36202	2F24	26	50 - 141	L36399	4G4	18	90 - 45	L36670	1H13	9	40 - 65
L36203	2F20	13	50 - 137	L36400	1H7	21	40 - 59	L36675	1H13	39	40 - 65
L36203	2F22	13	50 - 139	L36445	4G14	11	90 - 55	L36676	1H13	38	40 - 65
L36204	3C14	8	60 - 57	L36447	4C25	12	80 - 68	L36681	1H13	4	40 - 65
L36205	2F20	17	50 - 137	L36455	4A11	31	80 - 5	L36682	1H13	14	40 - 65
L36205	2F22	17	50 - 139	L36456	4A15	7	80 - 9	L36683	1H13	1	40 - 65
L36213	1C24	1	30 - 5	L36457	4A11	22	80 - 5	L36685	1H13	8	40 - 65
L36225	2G14	35	50 - 155	L36457	4A13	33	80 - 7	L36696	4H21	19	90 - 87
L36227	2F24	25	50 - 141	L36460	4A11	23	80 - 5	L36697	4A15	6	80 - 9
L36237	2C6	17	50 - 49	L36460	4A13	35	80 - 7	L36701	2A13	1	50 - 7
L36237	2F24	7	50 - 141	L36461	4A15	3	80 - 9	L36707	2F24	1	50 - 141
L36250	4H23	2	90 - 89	L36462	4A15	8	80 - 9	L36710	1G24	18	40 - 51
L36250	4H25	13	90 - 91	L36463	4A15	12	80 - 9	L36710	1H13	34	40 - 65
L36250	4I2	5	90 - 93	L36464	4A15	14	80 - 9	L36724	2C12	10	50 - 55
L36251	4I2	8	90 - 93	L36465	4A15	15	80 - 9	L36724	2F8	8	50 - 125
L36252	4I2	3	90 - 93	L36466	4A15	10	80 - 9	L36725	2C12	10	50 - 55
L36253	4H5	8	90 - 71	L36467	4A15	11	80 - 9	L36725	2F8	8	50 - 125
L36253	4H25	9	90 - 91	L36469	4A11	16	80 - 5	L36750	4F8	1	90 - 25
L36253	4I2	4	90 - 93	L36470	4A11	28	80 - 5	L36931	2E14	17	50 - 107
L36254	4I2	2	90 - 93	L36470	4A11	29	80 - 5	L36932	2C4	27	50 - 47
L36255	4H5	7	90 - 71	L36470	4A11	30	80 - 5	L36932	2E14	17	50 - 107
L36255	4H23	10	90 - 89	L36470	4A11	41	80 - 5	L36933	2E14	17	50 - 107
L36255	4H25	14	90 - 91	L36470	4A13	5	80 - 7	L36934	2E14	17	50 - 107
L36256	4H25	1	90 - 91	L36476	4A11	14	80 - 5	L36937	2A13	2	50 - 7
L36257	4H25	8	90 - 91	L36482	4H21	4	90 - 87	L36946	4A23	13	80 - 17
L36259	4H25	4	90 - 91	L36483	4H21	5	90 - 87	L36953	1D18	13	30 - 23
L36266	4B2	21	80 - 21	L36490	4G14	16	90 - 55	L36972	1F8	17	40 - 11
L36267	4B2	21	80 - 21	L36506	4D21	3	80 - 89	L36976	1C4	4	20 - 47
L36268	4H15	34	90 - 81	L36507	4D21	4	80 - 89	L36980	4E18	13	90 - 11
L36269	4G24	27	90 - 65	L36509	2E14	21	50 - 107	L36981	4E18	14	90 - 11
L36269	4H1	12	90 - 67	L36510	2E14	21	50 - 107	L36982	4G4	11	90 - 45
L36269	4H11	26	90 - 77	L36511	2E14	21	50 - 107	L36983	4G4	21	90 - 45
L36272	4I4	4	90 - 95	L36540	4A11	28	80 - 5	L36984	4G4	5	90 - 45
L36273	2A17	10	50 - 11	L36542	4A11	2	80 - 5	L36985	4G4	22	90 - 45
L36290	4I2	9	90 - 93	L36543	4A11	10	80 - 5	L36989	4G4	14	90 - 45
L36291	2B18	14	50 - 37	L36545	4A11	19	80 - 5	L36990	4G4	15	90 - 45
L36292	4G24	29	90 - 65	L36545	4A13	31	80 - 7	L36992	4F6	14	90 - 23
L36292	4H11	29	90 - 77	L36546	4A11	15	80 - 5	L36992	4F8	30	90 - 25
L36295	4I4	17	90 - 95	L36546	4A13	30	80 - 7	L36995	4F6	15	90 - 23
L36297	4H23	4	90 - 89	L36547	4A11	12	80 - 5	L36996	1H11	1	40 - 63
L36297	4H25	12	90 - 91	L36548	4A19	13	80 - 13	L37000	4E18	18	90 - 11
L36297	4I2	7	90 - 93	L36549	4A19	13	80 - 13	L37002	4A21	3	80 - 15
L36298	4H23	3	90 - 89	L36550	4A19	12	80 - 13	L37023	4G4	23	90 - 45
L36298	4H25	11	90 - 91	L36551	4A19	10	80 - 13	L37024	2C14	8	50 - 57

1K23

TRACTORS (-42999) 2040S,2140

NUMERICAL INDEX - CONTINUED

PART NO.	GRID	KEY	PAGE	PART NO.	GRID	KEY	PAGE	PART NO.	GRID	KEY	PAGE
L37024	2C16	8	50-59	L37589	2F8	1	50-125	L38166	3F4	32	70-51
L37025	2C14	9	50-57	L37590	2F8	2	50-125	L38239	3E6	13	70-29
L37025	2C16	9	50-59	L37599	3C16	32	60-59	L38255	4A23	8	80-17
L37039	2C2	11	50-45	L37599	3C18	34	60-61	L38258	2C14	8	50-57
L37040	2C2	13	50-45	L37599	3C20	5	60-63	L38258	2C14	13	50-57
L37041	2C2	36	50-45	L37599	3C22	5	60-65	L38258	2C16	8	50-59
L37042	2C2	34	50-45	L37604	4E10	6	90-3	L38258	2C16	13	50-59
L37043	2C2	15	50-45	L37605	4E10	9	90-3	L38319	2A17	2	50-11
L37047	2C2	37	50-45	L37606	4E10	10	90-3	L38319	3B8	35	60-27
L37048	2C2	2	50-45	L37798	1H13	3	40-65	L38319	3B10	34	60-29
L37055	2C2	7	50-45	L37799	1H13	2	40-65	L38321	2F12	1	50-129
L37056	2C2	15	50-45	L37838	2G12	29	50-153	L38321	2F14	1	50-131
L37058	4F8	30	90-25	L37839	2G20	27	50-161	L38322	2F12	3	50-129
L37067	4D21	9	80-89	L37847	1H11	4	40-63	L38322	2F14	3	50-131
L37082	4F8	10	90-25	L37848	1H11	2	40-63	L38366	4C21	7	80-64
L37153	4A11	3	80-5	L37858	3B8	34	60-27	L38368	4C21	7	80-64
L37153	4A13	17	80-7	L37858	3B10	33	60-29	L38377	4G24	32	90-65
L37154	4A11	9	80-5	L37858	3E7	12	70-30	L38377	4G24	35	90-65
L37155	4A11	24	80-5	L37858	3E7	13	70-30	L38377	4G24	40	90-65
L37155	4A13	14	80-7	L37886	2B4	3	50-23	L38377	4H11	31	90-77
L37173	3B6	2	60-25	L37976	4F4	11	90-21	L38377	4H11	34	90-77
L37187	2A17	27	50-11	L37976	4F4	13	90-21	L38377	4H11	36	90-77
L37188	2A17	16	50-11	L37998	4F12	6	90-29	L38387	1F18	21	40-21
L37188	2A17	30	50-11	L37999	4F12	5	90-29	L38387	1F20	14	40-23
L37191	4G2	37	90-43	L38000	4F12	4	90-29	L38388	1D8	7	30-13
L37192	3B20	10	60-39	L38001	4F12	3	90-29	L38388	1D10	11	30-15
L37203	4D19	9	80-87	L38002	4F12	2	90-29	L38532	4A15	5	80-9
L37205	4D3	25	80-71	L38009	4G24	35	90-65	L38532	4A15	9	80-9
L37212	2H1	2	50-167	L38009	4H11	34	90-77	L38591	3A17	1	60-11
L37213	2H1	2	50-167	L38016	3F23	13	70-70	L38594	3A17	1	60-11
L37219	4D19	8	80-87	L38021	4A15	6	80-9	L38642	3C4	11	60-47
L37223	1D2	20	30-7	L38023	2C10	17	50-53	L38642	3C6	16	60-49
L37270	2D18	4	50-86	L38023	2C10	23	50-53	L38692	2C14	13	50-57
L37271	2D18	4	50-86	L38047	3G22	22	70-93	L38692	2C14	15	50-57
L37286	3E14	11	70-37	L38058	2F24	23	50-141	L38692	2C16	13	50-59
L37286	3E14	12	70-37	L38063	2A17	22	50-11	L38692	2C16	15	50-59
L37286	3E14	14	70-37	L38064	4D21	2	80-89	L38718	2B24	15	50-43
L37286	3E14	19	70-37	L38065	4D21	1	80-89	L38718	2C4	18	50-47
L37286	3E14	..	70-37	L38066	4D21	4	80-89	L38718	2E22	19	50-115
L37286	3E16	1	70-39	L38067	4D21	3	80-89	L38718	2E24	21	50-117
L37286	3E16	4	70-39	L38087	2F11	11	50-128	L38718	2F2	20	50-119
L37286	3E16	11	70-39	L38088	2F11	11	50-128	L38718	2F4	21	50-121
L37286	3E16	12	70-39	L38089	2F11	11	50-128	L38741	3B8	22	60-27
L37286	3E16	14	70-39	L38097	4A21	1	80-15	L38741	3B10	22	60-29
L37286	3E16	..	70-39	L38139	4D21	4	80-89	L38752	3E10	2	70-33
L37324	4C21	3	80-64	L38140	4D21	3	80-89	L38752	3E12	2	70-35
L37327	3A17	13	60-11	L38141	4B22	7	80-41	L38793	4F18	3	90-35
L37327	3A17	22	60-11	L38141	4B22	8	80-41	L38793	4F21	8	90-38
L37370	4F6	7	90-23	L38141	4B24	12	80-43	L38794	4F18	4	90-35
L37473	4D19	4	80-87	L38141	4B24	13	80-43	L38794	4F21	9	90-38
L37474	4D19	6	80-87	L38143	1E9	9	30-39	L38795	4F18	13	90-35
L37505	2C22	5	50-65	L38143	1E9	20	30-39	L38797	4F20	4	90-37
L37505	2C24	6	50-67	L38143	1E9	29	30-39	L38803	2D21	1	50-89
L37507	1C5	7	20-48	L38144	1E9	9	30-39	L38803	2G8	6	50-149
L37507	1C6	8	20-49	L38144	1E9	19	30-39	L38803	2G8	7	50-149
L37521	3E4	2	70-27	L38144	1E9	29	30-39	L38803	2G8	8	50-149
L37521	3E6	8	70-29	L38144	1E11	20	30-41	L38803	2G8	9	50-149
L37521	3E7	2	70-30	L38144	1E11	36	30-41	L38803	2G8	10	50-149
L37536	3C18	25	60-61	L38144	1E11	37	30-41	L38803	2G8	11	50-149
L37536	3C22	32	60-65	L38147	1E11	19	30-41	L38803	2G8	12	50-149
L37536	3G22	7	70-93	L38147	1E11	36	30-41	L38803	2G8	20	50-149
L37547	3E4	3	70-27	L38147	1E11	37	30-41	L38804	2G8	20	50-149
L37547	3E6	15	70-29	L38166	3F2	16	70-49	L38806	2G3	3	50-144
L37547	3E7	3	70-30	L38166	3F2	24	70-49	L38806	2G3	4	50-144
L37549	3B8	38	60-27	L38166	3F2	25	70-49	L38806	2G3	5	50-144
L37549	3B10	37	60-29	L38166	3F4	16	70-51	L38806	2G3	6	50-144
L37569	3E12	10	70-35	L38166	3F4	31	70-51	L38806	2G3	7	50-144

1K24

TRACTORS (-429999) 2040S,2140

NUMERICAL INDEX - CONTINUED

PART NO.	GRID	KEY	PAGE	PART NO.	GRID	KEY	PAGE	PART NO.	GRID	KEY	PAGE
L38806	2G3	8	50 - 144	L39324	4B14	10	80 - 33	L39938	3I3	27	70 - 123
L38806	2G3	9	50 - 144	L39325	4B14	7	80 - 33	L39944	2G10	19	50 - 151
L38806	2G3	11	50 - 144	L39328	4B14	3	80 - 33	L39945	2G10	9	50 - 151
L38807	2G3	8	50 - 144	L39329	4B14	8	80 - 33	L39946	2G10	10	50 - 151
L38807	2G3	11	50 - 144	L39334	3E4	12	70 - 27	L39947	2G10	10	50 - 151
L38825	4H11	40	90 - 77	L39334	3E5	16	70 - 28	L39948	2G10	10	50 - 151
L38840	1D18	4	30 - 23	L39334	3E5	20	70 - 28	L39949	2G10	14	50 - 151
L38847	4H3	4	90 - 69	L39334	3E6	16	70 - 29	L39978	3I3	22	70 - 123
L38851	4H3	3	90 - 69	L39334	3E6	20	70 - 29	L40050	4D17	21	80 - 85
L38854	4H15	29	90 - 81	L39334	3E7	9	70 - 30	L40166	4C24	12	80 - 67
L38882	4H5	10	90 - 71	L39490	2A11	1	50 - 5	L40174	2G2	1	50 - 143
L38892	4H3	9	90 - 69	L39490	2C14	31	50 - 57	L40174	2G2	9	50 - 143
L38892	4H5	27	90 - 71	L39490	2C16	31	50 - 59	L40174	2G2	12	50 - 143
L38892	4H15	11	90 - 81	L39491	2A11	1	50 - 5	L40177	2G2	1	50 - 143
L38893	4G25	4	90 - 66	L39491	2C14	30	50 - 57	L40177	2G2	5	50 - 143
L38893	4G25	..	90 - 66	L39491	2C16	30	50 - 59	L40178	2G2	10	50 - 143
L38893	4H3	25	90 - 69	L39493	2A11	1	50 - 5	L40178	2G2	12	50 - 143
L38893	4H3	..	90 - 69	L39495	2A11	1	50 - 5	L40225	3H5	6	70 - 100
L38893	4H5	3	90 - 71	L39495	2C14	2	50 - 57	L4027T	2F11	6	50 - 128
L38893	4H5	41	90 - 71	L39495	2C16	2	50 - 59	L40298	3E22	28	70 - 45
L38897	4D3	29	80 - 71	L39580	1D2	20	30 - 7	L40300	3B12	11	60 - 31
L38898	4D3	28	80 - 71	L39589	4G15	7	90 - 56	L40300	3B12	22	60 - 31
L39010	4G22	18	90 - 63	L39589	4G15	8	90 - 56	L40300	3B14	10	60 - 33
L39010	4H9	15	90 - 75	L39589	4G15	9	90 - 56	L40301	4B12	3	80 - 31
L39018	2H3	4	50 - 169	L39591	2C18	11	50 - 61	L40301	4B12	7	80 - 31
L39031	2H3	2	50 - 169	L39597	4G14	12	90 - 55	L40301	4B12	13	80 - 31
L39032	2H3	3	50 - 169	L39598	4G14	14	90 - 55	L40301	4B12	15	80 - 31
L39034	2B18	3	50 - 37	L39599	4G14	21	90 - 55	L40301	4B14	20	80 - 33
L39035	2B18	5	50 - 37	L39600	4G14	17	90 - 55	L4035T	2F11	5	50 - 128
L39036	2B18	1	50 - 37	L39601	4G2	16	90 - 43	L40367	4B22	2	80 - 41
L39086	4G22	15	90 - 63	L39603	4E15	1	90 - 8	L40419	4B22	1	80 - 41
L39087	4G22	14	90 - 63	L39645	2F16	7	50 - 133	L40420	3C14	10	60 - 57
L39088	2B6	12	50 - 25	L39645	2F18	11	50 - 135	L40424	2B6	6	50 - 25
L39089	1E15	16	30 - 45	L39654	2E14	21	50 - 107	L40425	2B6	7	50 - 25
L39090	1E15	15	30 - 45	L39696	4D17	7	80 - 85	L40425	2B6	9	50 - 25
L39118	4H25	5	90 - 91	L39731	2A11	8	50 - 5	L40425	2B6	10	50 - 25
L39119	4D11	2	80 - 79	L39732	4B20	1	80 - 39	L40425	2B6	12	50 - 25
L39133	4A11	12	80 - 5	L39733	4B20	1	80 - 39	L40425	2B6	15	50 - 25
L39133	4A13	27	80 - 7	L39737	4B20	1	80 - 39	L40425	2D3	1	50 - 71
L39146	3A23	25	60 - 17	L39750	4H13	2	90 - 79	L40425	2D21	1	50 - 89
L39146	3B2	23	60 - 21	L39751	4H13	3	90 - 79	L40425	2D23	1	50 - 91
L39172	3F18	7	70 - 65	L39752	4H15	27	90 - 81	L40434	2B6	8	50 - 25
L39172	3F22	6	70 - 69	L39753	4H15	28	90 - 81	L40436	4F18	10	90 - 35
L39213	3I9	22	70 - 129	L39754	4H17	30	90 - 83	L40437	4F18	5	90 - 35
L39214	2H3	11	50 - 169	L39755	4H15	13	90 - 81	L40441	2B2	1	50 - 21
L39249	3I7	23	70 - 127	L39756	4H19	25	90 - 85	L40442	2B2	1	50 - 21
L39249	3I9	17	70 - 129	L39757	4H15	23	90 - 81	L40444	2B2	1	50 - 21
L39291	3B12	8	60 - 31	L39759	4H15	10	90 - 81	L40445	2A9	7	50 - 3
L39291	3B12	10	60 - 31	L39760	4H15	33	90 - 81	L40445	2A11	7	50 - 5
L39291	3B12	20	60 - 31	L39761	4H19	24	90 - 85	L40446	2B2	2	50 - 21
L39292	3B12	8	60 - 31	L39762	4H15	8	90 - 81	L40484	1G18	2	40 - 45
L39292	3B12	10	60 - 31	L39810	3F23	10	70 - 70	L40523	1F18	23	40 - 21
L39292	3B12	21	60 - 31	L39810	3F23	11	70 - 70	L40525	3C20	6	60 - 63
L39293	3B12	8	60 - 31	L39810	3F23	12	70 - 70	L40525	3C22	6	60 - 65
L39293	3B12	10	60 - 31	L39837	2C14	3	50 - 57	L40527	3I11	6	70 - 131
L39293	3B12	20	60 - 31	L39837	2C16	3	50 - 59	L40527	3I11	18	70 - 131
L39305	4B12	3	80 - 31	L39838	2C14	22	50 - 57	L40527	3I11	19	70 - 131
L39305	4B12	7	80 - 31	L39838	2C16	22	50 - 59	L40538	1C4	21	20 - 47
L39305	4B12	13	80 - 31	L39840	2C14	20	50 - 57	L40557	2F20	18	50 - 137
L39305	4B12	15	80 - 31	L39840	2C16	20	50 - 59	L40557	2F22	18	50 - 139
L39305	4B14	21	80 - 33	L39841	2D18	1	50 - 86	L40568	2A13	17	50 - 7
L39306	3B12	11	60 - 31	L39853	2C24	15	50 - 67	L40582	2C12	1	50 - 55
L39306	3B12	17	60 - 31	L39930	2F24	20	50 - 141	L40583	2C12	1	50 - 55
L39306	3B14	10	60 - 33	L39934	2A9	8	50 - 3	L40621	2H3	9	50 - 169
L39315	1E15	14	30 - 45	L39935	2A9	6	50 - 3	L40622	2H3	8	50 - 169
L39316	1E15	13	30 - 45	L39935	2A11	6	50 - 5	L40644	4D13	10	80 - 81
L39317	1H13	21	40 - 65	L39938	3I3	19	70 - 123	L40645	4D3	32	80 - 71

1K25

TRACTORS (-429999) 2040S,2140

NUMERICAL INDEX - CONTINUED

PART NO.	GRID	KEY	PAGE	PART NO.	GRID	KEY	PAGE	PART NO.	GRID	KEY	PAGE
L40660	4D13	4	80 - 81	L41081	1F16	15	40 - 19	L41524	3C18	17	60 - 61
L40681	4D13	17	80 - 81	L41131	2D23	1	50 - 91	L41524	3C18	35	60 - 61
L40690	3G12	24	70 - 83	L41154	3F16	29	70 - 63	L41524	3C20	16	60 - 63
L40690	3G18	18	70 - 89	L41154	3H25	5	70 - 120	L41524	3C20	34	60 - 63
L40690	3G19	21	70 - 90	L41154	3I1	12	70 - 121	L41524	3C22	22	60 - 65
L40690	3G22	3	70 - 93	L41154	3I3	1	70 - 123	L41524	3C22	36	60 - 65
L40691	3G12	25	70 - 83	L41165	2C12	7	50 - 55	L41534	2D7	39	50 - 75
L40691	3G18	19	70 - 89	L41176	2E14	14	50 - 107	L41534	2E12	22	50 - 105
L40691	3G19	22	70 - 90	L41196	3F16	31	70 - 63	L41536	3E22	7	70 - 45
L40691	3G22	23	70 - 93	L41198	3F16	30	70 - 63	L41547	2D7	38	50 - 75
L40696	3E10	8	70 - 33	L41210	2E14	14	50 - 107	L41547	2E12	23	50 - 105
L40696	3E10	18	70 - 33	L41210	2E14	15	50 - 107	L41547	3C16	8	60 - 59
L40696	3E12	21	70 - 35	L41217	4E1	4	80 - 94	L41547	3C16	34	60 - 59
L40696	3E12	23	70 - 35	L41286	4A11	28	80 - 5	L41547	3C18	17	60 - 61
L40705	2H3	21	50 - 169	L41286	4A11	30	80 - 5	L41547	3C18	36	60 - 61
L40706	2H3	20	50 - 169	L41286	4A11	39	80 - 5	L41547	3C20	16	60 - 63
L40721	2F20	3	50 - 137	L41286	4A13	7	80 - 7	L41547	3C20	35	60 - 63
L40721	2F22	3	50 - 139	L41287	4A11	28	80 - 5	L41547	3C22	22	60 - 65
L40727	1C24	15	30 - 5	L41287	4A11	30	80 - 5	L41547	3C22	37	60 - 65
L40727	1D2	16	30 - 7	L41287	4A11	42	80 - 5	L41551	3E18	24	70 - 41
L40773	2B24	37	50 - 43	L41287	4A13	4	80 - 7	L41574	4A23	5	80 - 17
L40773	2C4	21	50 - 47	L41295	2C14	22	50 - 57	L41575	1F4	3	40 - 7
L40773	2C22	1	50 - 65	L41295	2C16	22	50 - 59	L41575	1F6	3	40 - 9
L40773	2C22	20	50 - 65	L41295	2C17	3	50 - 60	L41579	1F14	21	40 - 17
L40773	2C24	2	50 - 67	L41296	1F4	20	40 - 7	L41582	1F14	12	40 - 17
L40773	2E22	16	50 - 115	L41297	1F2	10	40 - 5	L41582	1F16	5	40 - 19
L40773	2E24	19	50 - 117	L41298	1F2	19	40 - 5	L41591	4H11	41	90 - 77
L40773	2F2	16	50 - 119	L41301	3E19	1	70 - 42	L41592	4G24	44	90 - 65
L40773	2F4	22	50 - 121	L41301	3E19	10	70 - 42	L41593	4G24	43	90 - 65
L40776	2C22	4	50 - 65	L41302	3E19	1	70 - 42	L41593	4H11	40	90 - 77
L40776	2C22	20	50 - 65	L41302	3E19	8	70 - 42	L41604	2E16	19	50 - 109
L40806	2H17	4	50 - 183	L41302	3E20	2	70 - 43	L41621	4A9	12	80 - 3
L40806	3B14	11	60 - 33	L41302	3E20	8	70 - 43	L41621	4A9	21	80 - 3
L40806	3B17	2	60 - 36	L41303	3E19	1	70 - 42	L41626	2D1	1	50 - 69
L40846	4E23	8	90 - 16	L41303	3E19	9	70 - 42	L41630	2E14	24	50 - 107
L40850	4I4	39	90 - 95	L41304	3E20	2	70 - 43	L41641	2E18	12	50 - 111
L40897	2A9	1	50 - 3	L41304	3E20	9	70 - 43	L41641	2E20	15	50 - 113
L40897	2A11	1	50 - 5	L41308	2C14	22	50 - 57	L41641	2E22	12	50 - 115
L40897	2A13	29	50 - 7	L41308	2C16	22	50 - 59	L41641	2E24	15	50 - 117
L40919	4D3	6	80 - 71	L41322	2A18	4	50 - 12	L41641	2F2	12	50 - 119
L40919	4D3	35	80 - 71	L41323	2A18	5	50 - 12	L41641	2F4	15	50 - 121
L40964	2A13	25	50 - 7	L41324	2A11	1	50 - 5	L41649	2E18	15	50 - 111
L40964	2C22	5	50 - 65	L41331	4G8	1	90 - 49	L41649	2E20	18	50 - 113
L40964	2C24	6	50 - 67	L41344	2A18	6	50 - 12	L41649	2E22	15	50 - 115
L40965	2A13	25	50 - 7	L41344	2A19	3	50 - 13	L41649	2E24	18	50 - 117
L40965	2C22	5	50 - 65	L41345	2B16	38	50 - 35	L41649	2F2	15	50 - 119
L40965	2C22	11	50 - 65	L41346	2B16	38	50 - 35	L41649	2F4	18	50 - 121
L40965	2C24	6	50 - 67	L41346	2B16	39	50 - 35	L41650	2E18	15	50 - 111
L40965	2C24	10	50 - 67	L41346	2B16	40	50 - 35	L41650	2E20	18	50 - 113
L40966	2A13	23	50 - 7	L41351	2C6	4	50 - 49	L41650	2E22	15	50 - 115
L40979	4D25	15	80 - 93	L41383	3A25	5	60 - 19	L41650	2E24	18	50 - 117
L41021	2F6	20	50 - 123	L41383	3E22	4	70 - 45	L41650	2F2	15	50 - 119
L41022	2D25	17	50 - 93	L41384	3E22	3	70 - 45	L41650	2F4	18	50 - 121
L41022	2E2	17	50 - 95	L41391	2A17	24	50 - 11	L41651	2E18	15	50 - 111
L41022	2E4	17	50 - 97	L41443	2B12	12	50 - 31	L41651	2E20	18	50 - 113
L41022	2E6	17	50 - 99	L41443	2B14	12	50 - 33	L41651	2E22	15	50 - 115
L41022	2E8	17	50 - 101	L41443	2B16	13	50 - 35	L41651	2E24	18	50 - 117
L41023	2E14	14	50 - 107	L41465	1E9	6	30 - 39	L41651	2F2	15	50 - 119
L41023	2E14	15	50 - 107	L41465	1E11	11	30 - 41	L41651	2F4	18	50 - 121
L41032	2B24	12	50 - 43	L41475	4E1	2	80 - 94	L41652	2E18	15	50 - 111
L41032	2B24	14	50 - 43	L41476	4E1	3	80 - 94	L41652	2E20	18	50 - 113
L41064	3C2	1	60 - 45	L41477	4E1	6	80 - 94	L41652	2E22	15	50 - 115
L41064	3C2	19	60 - 45	L41478	4E1	7	80 - 94	L41652	2E24	18	50 - 117
L41074	4D25	11	80 - 93	L41500	2A17	30	50 - 11	L41652	2F2	15	50 - 119
L41079	2B12	26	50 - 31	L41516	2A21	2	50 - 15	L41652	2F4	18	50 - 121
L41079	2B14	26	50 - 33	L41524	3C16	8	60 - 59	L41653	2E18	15	50 - 111
L41079	2B16	14	50 - 35	L41524	3C16	33	60 - 59	L41653	2E20	18	50 - 113

1L1

TRACTORS (-429999) 2040S,2140

NUMERICAL INDEX - CONTINUED

PART NO.	GRID	KEY	PAGE	PART NO.	GRID	KEY	PAGE	PART NO.	GRID	KEY	PAGE
L41653	2E22	15	50 - 115	L41676	2F2	16	50 - 119	L42282	2F18	7	50 - 135
L41653	2E24	18	50 - 117	L41676	2F4	22	50 - 121	L42285	2A20	4	50 - 14
L41653	2F2	15	50 - 119	L41677	2B24	37	50 - 43	L42300	2F14	16	50 - 131
L41653	2F4	18	50 - 121	L41677	2E22	16	50 - 115	L42314	3E22	15	70 - 45
L41654	2E18	15	50 - 111	L41677	2E24	19	50 - 117	L42314	3E22	37	70 - 45
L41654	2E20	18	50 - 113	L41688	2C12	10	50 - 55	L53316	4D25	29	80 - 93
L41654	2E22	15	50 - 115	L41691	2C12	10	50 - 55	L53811	3C16	18	60 - 59
L41654	2E24	18	50 - 117	L41691	2E20	1	50 - 113	L53811	3C18	26	60 - 61
L41654	2F2	15	50 - 119	L41691	2E24	1	50 - 117	L53811	3C20	25	60 - 63
L41654	2F4	18	50 - 121	L41691	2F4	1	50 - 121	L53811	3C22	33	60 - 65
L41655	2E18	15	50 - 111	L41721	3E22	28	70 - 45	L53813	2G18	4	50 - 159
L41655	2E20	18	50 - 113	L41726	3E22	6	70 - 45	L53826	3C23	4	60 - 66
L41655	2E22	15	50 - 115	L41753	3E24	6	70 - 47	L53836	1C5	8	20 - 48
L41655	2E24	18	50 - 117	L41787	3F16	32	70 - 63	L53836	1C6	9	20 - 49
L41655	2F2	15	50 - 119	L41788	3F16	28	70 - 63	L53869	2F11	4	50 - 128
L41655	2F4	18	50 - 121	L41788	3H25	6	70 - 120	L53869	4C21	9	80 - 64
L41656	2E18	15	50 - 111	L41788	3I1	14	70 - 121	L53975	3I9	13	70 - 129
L41656	2E20	18	50 - 113	L41788	3I3	2	70 - 123	L53976	3I9	10	70 - 129
L41656	2E22	15	50 - 115	L41792	2E16	15	50 - 109	L55004	3B24	1	60 - 43
L41656	2E24	18	50 - 117	L41793	2F6	10	50 - 123	L55064	1F16	23	40 - 19
L41656	2F2	15	50 - 119	L41802	3F16	27	70 - 63	L55066	1F16	17	40 - 19
L41656	2F4	18	50 - 121	L41803	3F16	34	70 - 63	L55202	3E3	3	70 - 26
L41657	2E18	15	50 - 111	L41804	3F16	33	70 - 63	L55202	3E22	13	70 - 45
L41657	2E20	18	50 - 113	L41820	4B20	1	80 - 39	L55202	3E22	37	70 - 45
L41657	2E22	15	50 - 115	L41821	4B20	1	80 - 39	L55203	3E22	17	70 - 45
L41657	2E24	18	50 - 117	L41822	4B20	1	80 - 39	L55203	3E22	37	70 - 45
L41657	2F2	15	50 - 119	L41853	2A17	10	50 - 11	L55204	3E22	14	70 - 45
L41657	2F4	18	50 - 121	L41853	2A18	11	50 - 12	L55204	3E22	37	70 - 45
L41659	2E20	9	50 - 113	L41855	1D2	7	30 - 7	L55222	3I3	8	70 - 123
L41659	2E24	9	50 - 117	L41859	2A18	12	50 - 12	L55223	3F16	11	70 - 63
L41659	2F4	9	50 - 121	L41860	4A23	20	80 - 17	L55316	4D17	7	80 - 85
L41660	2E20	9	50 - 113	L41860	4E1	5	80 - 94	L55437	4A23	20	80 - 17
L41660	2E24	9	50 - 117	L41892	4F18	16	90 - 35	L55437	4A23	25	80 - 17
L41660	2F4	9	50 - 121	L41892	4F20	15	90 - 37	L55499	3F2	8	70 - 49
L41661	2E20	9	50 - 113	L41892	4F21	2	90 - 38	L55499	3F2	24	70 - 49
L41661	2E24	9	50 - 117	L41897	2B6	8	50 - 25	L55499	3F2	25	70 - 49
L41661	2F4	9	50 - 121	L41897	2B6	9	50 - 25	L55499	3F4	8	70 - 51
L41662	2E20	9	50 - 113	L41897	2B6	10	50 - 25	L55499	3F4	31	70 - 51
L41662	2E24	9	50 - 117	L41897	2B6	12	50 - 25	L55499	3F4	32	70 - 51
L41662	2F4	9	50 - 121	L41897	2B6	15	50 - 25	L55840	2F6	10	50 - 123
L41663	2E20	9	50 - 113	L41897	2B7	4	50 - 26	L55841	2E16	15	50 - 109
L41663	2E24	9	50 - 117	L41898	3A25	6	60 - 19	L55844	3F16	30	70 - 63
L41663	2F4	9	50 - 121	L41904	4I4	12	90 - 95	L55854	4A13	22	80 - 7
L41664	2E20	9	50 - 113	L41904	4I4	39	90 - 95	L55896	2F6	18	50 - 123
L41664	2E24	9	50 - 117	L41919	4D3	10	80 - 71	L55897	2F6	18	50 - 123
L41664	2F4	9	50 - 121	L41932	3E23	2	70 - 46	L55898	2F6	18	50 - 123
L41665	2E18	11	50 - 111	L42040	4H3	19	90 - 69	L55899	2F6	18	50 - 123
L41665	2E22	11	50 - 115	L42043	1F16	11	40 - 19	L55900	2F6	18	50 - 123
L41665	2F2	11	50 - 119	L42048	2B12	13	50 - 31	L55901	2F6	18	50 - 123
L41666	2E20	14	50 - 113	L42048	2B16	15	50 - 35	L55902	2F6	18	50 - 123
L41666	2E24	14	50 - 117	L42049	2B12	13	50 - 31	L55903	2F6	18	50 - 123
L41666	2F4	14	50 - 121	L42049	2B14	13	50 - 33	L55904	2F6	18	50 - 123
L41667	2E18	6	50 - 111	L42079	3A17	11	60 - 11	L55905	2F6	18	50 - 123
L41667	2E22	6	50 - 115	L42080	3A17	13	60 - 11	L55980	1G4	15	40 - 31
L41667	2F2	6	50 - 119	L42080	3A17	21	60 - 11	L55980	1G4	19	40 - 31
L41668	2E20	6	50 - 113	L42082	3A17	2	60 - 11	L55982	2F15	10	50 - 132
L41668	2E24	6	50 - 117	L42115	4F20	10	90 - 37	L56005	2E16	9	50 - 109
L41668	2F4	6	50 - 121	L42116	4F20	10	90 - 37	L56128	3C14	3	60 - 57
L41669	2D25	27	50 - 93	L42117	4F20	11	90 - 37	L56377	2E16	9	50 - 109
L41669	2E2	27	50 - 95	L42118	4F20	2	90 - 37	L56393	4D3	13	80 - 71
L41669	2E4	33	50 - 97	L42119	4F20	6	90 - 37	L56398	1C4	28	20 - 47
L41669	2E6	33	50 - 99	L42121	4F20	9	90 - 37	L56398	4D3	14	80 - 71
L41669	2E16	7	50 - 109	L42135	2E12	28	50 - 105	L56614	4D14	2	80 - 82
L41675	2C4	29	50 - 47	L42135	2E12	29	50 - 105	L56765	1H13	2	40 - 65
L41675	2F2	17	50 - 119	L42136	2E12	28	50 - 105	L56824	3F16	7	70 - 63
L41675	2F4	23	50 - 121	L42136	2E12	29	50 - 105	L56824	3F16	14	70 - 63
L41676	2C4	21	50 - 47	L42282	2F16	4	50 - 133	L56829	3C4	12	60 - 47

1L2

TRACTORS (-429999) 2040S,2140

NUMERICAL INDEX - CONTINUED

PART NO.	GRID	KEY	PAGE	PART NO.	GRID	KEY	PAGE	PART NO.	GRID	KEY	PAGE
L56829	3C6	18	60 - 49	L57732	2C22	12	50 - 65	L60387	2E18	14	50 - 111
L56832	3C4	7	60 - 47	L57732	2C24	9	50 - 67	L60387	2E20	17	50 - 113
L56832	3C4	13	60 - 47	L57914	4D25	26	80 - 93	L60387	2E22	14	50 - 115
L56832	3C6	14	60 - 49	L57963	4A23	1	80 - 17	L60387	2E24	17	50 - 117
L56832	3C6	19	60 - 49	L57963	4A23	20	80 - 17	L60387	2F2	14	50 - 119
L56835	3C4	4	60 - 47	L57963	4A23	28	80 - 17	L60387	2F4	17	50 - 121
L56836	3C4	16	60 - 47	L57983	2C22	7	50 - 65	L60520	2C12	10	50 - 55
L56836	3C6	11	60 - 49	L57983	2C24	5	50 - 67	L60520	2E20	1	50 - 113
L56920	2C6	1	50 - 49	L57987	2C8	1	50 - 51	L60520	2E24	1	50 - 117
L56921	1D18	2	30 - 23	L58107	2E16	9	50 - 109	L60520	2F4	1	50 - 121
L56922	1E9	1	30 - 39	L58108	2E16	9	50 - 109	L60521	4D3	13	80 - 71
L56922	1E11	1	30 - 41	L58109	2E16	9	50 - 109	L60522	4D3	14	80 - 71
L56923	2B20	1	50 - 39	L58110	2E16	9	50 - 109	L60523	1C4	29	20 - 47
L56923	2B21	1	50 - 40	L58111	2E16	9	50 - 109	L60542	2E2	23	50 - 95
L56923	2C2	1	50 - 45	L58112	2E16	9	50 - 109	L60542	2E6	29	50 - 99
L56924	3F2	1	70 - 49	L58113	2E16	9	50 - 109	L60542	2G20	23	50 - 161
L56924	3F4	1	70 - 51	L58114	2E16	9	50 - 109	L60543	2E2	23	50 - 95
L56924	3F6	11	70 - 53	L58115	2E16	9	50 - 109	L60543	2E6	29	50 - 99
L56925	3F20	9	70 - 67	L58118	2E16	9	50 - 109	L60543	2G12	23	50 - 153
L56925	3F22	13	70 - 69	L58119	2E16	9	50 - 109	L60544	2D25	23	50 - 93
L56925	3G2	9	70 - 73	L58120	2E16	9	50 - 109	L60544	2E4	29	50 - 97
L56925	3H4	19	70 - 99	L58121	2E16	9	50 - 109	L60544	2G10	17	50 - 151
L56926	3F18	11	70 - 65	L58149	4H23	6	90 - 89	L60545	2D25	23	50 - 93
L56926	3F20	10	70 - 67	L58194	4H3	11	90 - 69	L60545	2E4	29	50 - 97
L56926	3F22	10	70 - 69	L58197	4H3	1	90 - 69	L60545	2G8	11	50 - 149
L56926	3G2	12	70 - 73	L58198	4H3	24	90 - 69	L60545	2G8	14	50 - 149
L56926	3H4	2	70 - 99	L58217	4H23	5	90 - 89	L60548	2D25	24	50 - 93
L56931	3F10	3	70 - 57	L58256	4G8	12	90 - 49	L60548	2E2	24	50 - 95
L56935	3C6	5	60 - 49	L58310	3D17	28	70 - 15	L60548	2E4	30	50 - 97
L56936	3C6	10	60 - 49	L58310	3D17	42	70 - 15	L60548	2E6	30	50 - 99
L56957	3E22	16	70 - 45	L58310	3D23	27	70 - 21	L60548	2E9	4	50 - 102
L56957	3E22	37	70 - 45	L58310	3D23	41	70 - 21	L60548	2E10	4	50 - 103
L56974	3C4	14	60 - 47	L58389	3F16	14	70 - 63	L60548	2G8	11	50 - 149
L56974	3C6	20	60 - 49	L58532	4D25	24	80 - 93	L60548	2G8	13	50 - 149
L57045	2C19	7	50 - 62	L58547	4A23	11	80 - 17	L60548	2G10	16	50 - 151
L57055	4A23	3	80 - 17	L58594	3E14	5	70 - 37	L60548	2G12	22	50 - 153
L57250	4C14	4	80 - 57	L58614	4C24	12	80 - 67	L60548	2G20	22	50 - 161
L57250	4C14	24	80 - 57	L58621	4C24	12	80 - 67	L60559	2E16	1	50 - 109
L57302	3C4	5	60 - 47	L58721	2E16	10	50 - 109	L60559	2E16	4	50 - 109
L57302	3C6	12	60 - 49	L58722	2F6	17	50 - 123	L60559	2E18	2	50 - 111
L57310	4B2	3	80 - 21	L58879	4B20	1	80 - 39	L60559	2E20	2	50 - 113
L57310	4B3	2	80 - 22	L58880	4B20	1	80 - 39	L60559	2E22	2	50 - 115
L57310	4B4	9	80 - 23	L58882	4B20	1	80 - 39	L60559	2E24	2	50 - 117
L57420	4H5	36	90 - 71	L58886	4D25	28	80 - 93	L60559	2F2	2	50 - 119
L57523	4A23	24	80 - 17	L58889	4F14	5	90 - 31	L60559	2F4	2	50 - 121
L57555	2E18	9	50 - 111	L58947	3C10	15	60 - 53	L60560	2E16	2	50 - 109
L57555	2E20	12	50 - 113	L58947	3C12	16	60 - 55	L60560	2E16	4	50 - 109
L57555	2E22	9	50 - 115	L59028	2A21	2	50 - 15	L60560	2E18	3	50 - 111
L57555	2E24	12	50 - 117	L59040	4D25	25	80 - 93	L60560	2E20	3	50 - 113
L57555	2F2	9	50 - 119	L59305	2C6	11	50 - 49	L60560	2E22	3	50 - 115
L57555	2F4	12	50 - 121	L59822	3F2	10	70 - 49	L60560	2E24	3	50 - 117
L57557	3C4	8	60 - 47	L59822	3F2	26	70 - 49	L60560	2F2	3	50 - 119
L57559	1C4	4	20 - 47	L59822	3F4	10	70 - 51	L60560	2F4	3	50 - 121
L57565	4D1	5	80 - 69	L59822	3F4	33	70 - 51	L60582	2A21	2	50 - 15
L57595	4A17	9	80 - 11	L59830	2C6	4	50 - 49	L60593	2D25	2	50 - 93
L57619	2E4	23	50 - 97	L59886	1C4	28	20 - 47	L60593	2E2	2	50 - 95
L57619	2E6	23	50 - 99	L59919	4B4	5	80 - 23	L60631	1D2	23	30 - 7
L57619	2E8	23	50 - 101	L60038	1D2	20	30 - 7	L60913	1D18	13	30 - 23
L57621	2E14	16	50 - 107	L60162	3F16	24	70 - 63	L61281	4D1	1	80 - 69
L57622	2E14	22	50 - 107	L60163	3E14	4	70 - 37	L61281	4D1	9	80 - 69
L57636	3F11	8	70 - 58	L60167	1G4	15	40 - 31	L61282	4D1	1	80 - 69
L57658	2C12	10	50 - 55	L60167	1G4	19	40 - 31	L61477	4H5	38	90 - 71
L57658	2F8	8	50 - 125	L60170	3F2	13	70 - 49	L61496	2E4	24	50 - 97
L57686	4A23	1	80 - 17	L60170	3F2	26	70 - 49	L61496	2E6	24	50 - 99
L57686	4A23	20	80 - 17	L60170	3F4	13	70 - 51	L61496	2E8	24	50 - 101
L57686	4A23	26	80 - 17	L60170	3F4	33	70 - 51	L61554	4H11	40	90 - 77
L57725	4A23	24	80 - 17	L60354	2C20	3	50 - 63	L61690	2C2	37	50 - 45

1L3

TRACTORS (-429999) 2040S,2140

NUMERICAL INDEX - CONTINUED

PART NO.	GRID	KEY	PAGE	PART NO.	GRID	KEY	PAGE	PART NO.	GRID	KEY	PAGE
L61828	2C10	18	50 - 53	L62422	3A12	6	60 - 6	L63222	2G21	5	50 - 162
L61844	1F6	12	40 - 9	L62441	1D12	7	30 - 17	L63354	2B14	3	50 - 33
L61849	3H6	4	70 - 101	L62442	3D7	30	70 - 5	L63387	3C7	14	60 - 50
L61890	3F18	21	70 - 65	L62442	3D9	30	70 - 7	L63420	3A11	20	60 - 5
L61890	3F18	22	70 - 65	L62443	2D5	2	50 - 73	L63420	3A11	43	60 - 5
L61890	3F20	26	70 - 67	L62444	2D5	2	50 - 73	L63429	3C2	17	60 - 45
L61890	3F20	27	70 - 67	L62445	2D25	2	50 - 93	L63431	2E18	16	50 - 111
L61890	3F22	27	70 - 69	L62445	2E2	2	50 - 95	L63431	2E22	22	50 - 115
L61890	3F22	28	70 - 69	L62445	2E4	2	50 - 97	L63431	2F2	21	50 - 119
L61918	2A13	27	50 - 7	L62445	2E6	2	50 - 99	L63432	2C14	4	50 - 57
L61918	2E8	30	50 - 101	L62445	2E8	2	50 - 101	L63432	2C16	4	50 - 59
L61922	2D21	1	50 - 89	L62485	4H1	5	90 - 67	L63537	3G4	11	70 - 75
L61922	2D23	1	50 - 91	L62500	1D2	3	30 - 7	L63537	3G6	11	70 - 77
L61922	2D25	1	50 - 93	L62535	2E9	3	50 - 102	L63537	3G16	10	70 - 87
L61922	2D25	2	50 - 93	L62535	2E10	3	50 - 103	L63538	3B8	5	60 - 27
L61922	2E2	1	50 - 95	L62606	3C10	1	60 - 53	L63538	3B8	41	60 - 27
L61922	2E2	2	50 - 95	L62606	3C12	1	60 - 55	L63538	3B10	7	60 - 29
L61922	2E4	1	50 - 97	L62641	3A11	3	60 - 5	L63538	3B10	41	60 - 29
L61922	2E4	2	50 - 97	L62641	3A11	20	60 - 5	L63540	3D14	5	70 - 12
L61922	2E6	1	50 - 99	L62641	3A11	42	60 - 5	L63540	3D14	11	70 - 12
L61922	2E6	2	50 - 99	L62643	3A11	21	60 - 5	L63540	3D17	26	70 - 15
L61922	2E8	1	50 - 101	L62675	1C6	13	20 - 49	L63540	3D17	43	70 - 15
L61922	2E8	2	50 - 101	L62679	2B2	9	50 - 21	L63540	3D23	25	70 - 21
L61922	2E8	32	50 - 101	L62679	2B2	19	50 - 21	L63540	3D23	42	70 - 21
L61922	2F24	4	50 - 141	L62751	3H12	2	70 - 107	L63578	4H3	32	90 - 69
L61962	3A17	6	60 - 11	L62773	2A11	1	50 - 5	L63725	2C12	10	50 - 55
L61963	2A13	1	50 - 7	L62773	2C14	25	50 - 57	L63731	1F6	15	40 - 9
L61964	2B12	13	50 - 31	L62773	2C14	38	50 - 57	L63825	4A17	3	80 - 11
L61964	2B16	15	50 - 35	L62773	2C16	25	50 - 59	L63825	4A19	7	80 - 13
L61965	3C4	16	60 - 47	L62773	2C16	38	50 - 59	L63826	4A17	3	80 - 11
L61965	3C6	11	60 - 49	L62815	2B4	3	50 - 23	L63826	4A17	6	80 - 11
L61966	2C17	15	50 - 60	L62815	2B6	6	50 - 25	L63826	4A19	7	80 - 13
L62122	3B12	7	60 - 31	L62815	2B6	9	50 - 25	L63826	4A19	8	80 - 13
L62122	3B12	27	60 - 31	L62815	2B6	10	50 - 25	L63828	2H5	19	50 - 171
L62122	3B20	5	60 - 39	L62815	2B6	12	50 - 25	L63828	2H9	18	50 - 175
L62122	3B20	21	60 - 39	L62815	2B6	15	50 - 25	L63868	2B20	9	50 - 39
L62122	3B23	3	60 - 42	L62815	2D3	1	50 - 71	L63938	2D5	2	50 - 73
L62122	3B23	9	60 - 42	L62815	2D21	1	50 - 89	L63939	2D5	2	50 - 73
L62135	4H3	36	90 - 69	L62815	2D23	1	50 - 91	L63940	2E8	2	50 - 101
L62135	4H5	30	90 - 71	L62830	2D5	8	50 - 73	L63977	4D21	1	80 - 89
L62158	2D25	25	50 - 93	L62830	2D25	2	50 - 93	L63977	4D21	2	80 - 89
L62158	2E2	25	50 - 95	L62830	2E2	2	50 - 95	L63977	4D21	3	80 - 89
L62158	2E4	31	50 - 97	L62830	2E4	28	50 - 97	L63977	4D21	4	80 - 89
L62158	2E6	31	50 - 99	L62830	2E6	28	50 - 99	L63977	4D21	13	80 - 89
L62161	2B24	39	50 - 43	L62830	2E8	33	50 - 101	L63977	4D21	13	80 - 89
L62225	3F18	1	70 - 65	L62830	3B24	3	60 - 43	L63985	4D21	1	80 - 89
L62225	3F18	22	70 - 65	L62836	4B2	3	80 - 21	L63985	4D21	2	80 - 89
L62225	3F20	1	70 - 67	L62836	4B3	2	80 - 22	L63985	4D21	3	80 - 89
L62225	3F20	27	70 - 67	L62836	4B4	9	80 - 23	L63985	4D21	4	80 - 89
L62225	3F22	1	70 - 69	L62839	4A23	11	80 - 17	L63985	4D21	12	80 - 89
L62225	3F22	28	70 - 69	L62874	1F11	3	40 - 14	L63986	4D21	1	80 - 89
L62245	1G14	13	40 - 41	L62875	1F11	2	40 - 14	L63986	4D21	2	80 - 89
L62253	2F10	13	50 - 127	L62877	1F8	10	40 - 11	L63986	4D21	3	80 - 89
L62272	2B24	40	50 - 43	L62877	1F10	5	40 - 13	L63986	4D21	4	80 - 89
L62368	3C7	14	60 - 50	L62877	1F11	4	40 - 14	L63986	4D21	12	80 - 89
L62400	2C14	25	50 - 57	L62877	1F11	4	40 - 14	L64255	2A9	3	50 - 3
L62405	3E18	22	70 - 41	L62883	3C2	14	60 - 45	L64255	2A11	3	50 - 5
L62406	2F12	4	50 - 129	L62954	2B24	27	50 - 43	L64255	3A17	5	60 - 11
L62406	2F12	11	50 - 129	L62960	2C14	25	50 - 57	L64323	1F6	21	40 - 9
L62406	2F14	21	50 - 131	L62960	2C16	25	50 - 59	L64324	1F6	9	40 - 9
L62419	2H5	17	50 - 171	L63140	2C24	17	50 - 67	L64325	1F6	14	40 - 9
L62419	2H9	17	50 - 175	L63140	2C24	19	50 - 67	L64359	3C2	13	60 - 45
L62420	2H5	17	50 - 171	L63140	2C24	22	50 - 67	L64371	1F6	20	40 - 9
L62420	2H9	17	50 - 175	L63154	2C22	17	50 - 65	L64456	2G22	3	50 - 163
L62421	2B12	13	50 - 31	L63154	2C22	19	50 - 65	L64460	3C2	1	60 - 45
L62421	2B14	13	50 - 33	L63154	2C22	21	50 - 65	L64467	3C2	13	60 - 45
L62422	3A9	12	60 - 3	L63188	2D14	10	50 - 82	L64493	4C8	3	80 - 51
				L63188	2D14	12	50 - 82	L64674	4H5	19	90 - 71

1L4

TRACTORS (-42999) 2040S,2140

NUMERICAL INDEX - CONTINUED

PART NO.	GRID	KEY	PAGE	PART NO.	GRID	KEY	PAGE	PART NO.	GRID	KEY	PAGE
L64675	4H5	11	90 - 71	RE10712	3D19	34	70 - 17	RE20786	1E4	2	30 - 34
L64677	4H5	5	90 - 71	RE10712	3D19	36	70 - 17	RE22323	1A17	2	20 - 11
L64678	4H5	9	90 - 71	RE10712	3D25	16	70 - 23	RE22375	1B3	8	20 - 22
L64679	4H5	14	90 - 71	RE10869	1B22	9	20 - 41	RE22678	1B12	6	20 - 31
L64680	4H5	29	90 - 71	RE10869	1B22	10	20 - 41	RE22678	1B13	1	20 - 32
L64682	4H5	25	90 - 71	RE10869	1B24	9	20 - 43	RE22681	1B12	6	20 - 31
L64685	4H5	34	90 - 71	RE10869	1B24	10	20 - 43	RE22681	1B13	1	20 - 32
L64687	4H3	27	90 - 69	RE10869	1B24	11	20 - 43	RE23181	1D14	7	30 - 19
L64687	4H5	32	90 - 71	RE11347	1C12	13	20 - 55	RE23181	1D16	6	30 - 21
L64688	4H3	28	90 - 69	RE11347	1C12	14	20 - 55	RE23375	1B3	2	20 - 22
L64688	4H5	33	90 - 71	RE11347	1C12	15	20 - 55	RE23375	1B4	2	20 - 23
L64689	4H3	29	90 - 69	RE11347	1C12	16	20 - 55	RE23382	3D7	12	70 - 5
L64691	4H5	39	90 - 71	RE11347	1C13	1	20 - 56	RE23382	3D9	12	70 - 7
L64692	4H5	35	90 - 71	RE11349	1D16	18	30 - 21	RE23382	3D17	14	70 - 15
L64693	4H5	40	90 - 71	RE11410	1A19	11	20 - 13	RE23382	3D23	14	70 - 21
L64695	4H3	5	90 - 69	RE11509	1B13	1	20 - 32	RE24458	1B12	6	20 - 31
L64696	4H3	2	90 - 69	RE11510	1B13	1	20 - 32	RE24458	1B13	1	20 - 32
L64697	4H3	10	90 - 69	RE11602	1E2	2	30 - 32	RE24539	1B12	6	20 - 31
L64698	4H3	13	90 - 69	RE11602	1E3	2	30 - 33	RE24539	1B13	1	20 - 32
L64703	4H1	13	90 - 67	RE11777	3D23	23	70 - 21	RE24959	1B8	8	20 - 27
L68098	4H12	1	90 - 78	RE11804	3D23	4	70 - 21	RE24959	1C16	3	20 - 59
L81050	4D25	27	80 - 93	RE12121	3H12	31	70 - 107	RE25335	1D14	23	30 - 19
L83677	1G16	7	40 - 43	RE12459	1C16	3	20 - 59	RE25335	1D16	23	30 - 21
L83900	1H7	11	40 - 59	RE12470	3D25	14	70 - 23	RE25575	1A9	1	20 - 3
L83900	1H9	8	40 - 61	RE13271	3D25	40	70 - 23	RE25575	1A17	1	20 - 11
L90538	4E14	5	90 - 7	RE13517	1D23	6	30 - 28	RE25576	1A9	1	20 - 3
L94743	4D25	23	80 - 93	RE13571	1B8	2	20 - 27	RE25576	1A17	1	20 - 11
L94772	4D25	3	80 - 93	RE13571	1B9	4	20 - 28	RE25595	1A10	1	20 - 4
M1102T	2D7	8	50 - 75	RE13813	3H12	32	70 - 107	RE25595	1A11	1	20 - 5
M1102T	2D17	1	50 - 85	RE13814	3H12	28	70 - 107	RE25595	1A11	2	20 - 5
M1339T	1E13	22	30 - 43	RE13815	3H13	1	70 - 108	RE25595	1A11	3	20 - 5
M1746T	1B17	6	20 - 36	RE13887	1C16	1	20 - 59	RE25595	1A11	7	20 - 5
M2206T	2G24	14	50 - 165	RE13887	1C16	3	20 - 59	RE25595	1A17	1	20 - 11
M2353T	2D21	1	50 - 89	RE13887	1E6	8	30 - 36	RE25595	1D14	28	30 - 19
M2353T	2G3	3	50 - 144	RE13887	1E6	9	30 - 36	RE25595	1D16	21	30 - 21
M2353T	2G3	8	50 - 144	RE13887	1E6	10	30 - 36	RE26204	1B9	1	20 - 28
M2353T	2G8	6	50 - 149	RE13887	1E6	12	30 - 36	RE26214	1D25	7	30 - 30
M2353T	2G8	11	50 - 149	RE13887	1E7	8	30 - 37	RE26214	1E1	7	30 - 31
M2396T	3E24	3	70 - 47	RE13887	1E7	9	30 - 37	RE26282	1A21	1	20 - 15
M2396T	3F4	17	70 - 51	RE13887	1E7	10	30 - 37	RE26283	1A21	1	20 - 15
M2396T	3F10	1	70 - 57	RE13887	1E7	12	30 - 37	RE26981	1D25	6	30 - 30
M2396T	3F16	6	70 - 63	RE14448	1C2	1	20 - 45	RE26981	1E1	6	30 - 31
M2396T	3H8	5	70 - 103	RE14448	1C2	2	20 - 45	RE27348	1B12	11	20 - 31
M3265T	3E22	12	70 - 45	RE14448	1C2	3	20 - 45	RE27349	1B9	3	20 - 28
M3636T	1F14	35	40 - 17	RE14448	1C2	4	20 - 45	RE27349	1B12	11	20 - 31
M3636T	1F16	34	40 - 19	RE14448	1C2	5	20 - 45	RE27350	1B8	3	20 - 27
M41029	1B12	5	20 - 31	RE14972	1A19	19	20 - 13	RE27351	1B8	3	20 - 27
M4224T	2B18	19	50 - 37	RE15674	1B12	4	20 - 31	RE27351	1B9	5	20 - 28
M4224T	2C6	21	50 - 49	RE15674	1B13	2	20 - 32	RE27352	1B8	1	20 - 27
M43551	1D14	21	30 - 19	RE16494	1B12	9	20 - 31	RE27353	1B8	1	20 - 27
M43551	1D16	5	30 - 21	RE16494	1B12	10	20 - 31	RE27353	1B9	2	20 - 28
M809T	2F6	13	50 - 123	RE16495	1B12	9	20 - 31	RE27358	1B12	11	20 - 31
N131838	3A11	30	60 - 5	RE16495	1B12	10	20 - 31	RE27359	1B8	3	20 - 27
P41011	1E24	6	40 - 2	RE16814	1A9	1	20 - 3	RE27360	1B8	1	20 - 27
P44982	2B19	4	50 - 38	RE16814	1A17	5	20 - 11	RE27364	1B12	11	20 - 31
P46051	3H2	5	70 - 97	RE16815	1A9	1	20 - 3	RE27366	1B8	3	20 - 27
P47908	3A23	16	60 - 17	RE16815	1A17	5	20 - 11	RE27368	1B8	1	20 - 27
P50631	2G12	15	50 - 153	RE17306	3B16	15	60 - 35	RE28535	1D25	2	30 - 30
P50631R	2G6	14	50 - 147	RE17307	3B16	1	60 - 35	RE28535	1E1	2	30 - 31
P50883	2B16	35	50 - 35	RE17308	3B16	4	60 - 35	RE28790	3D17	22	70 - 15
P50883	2B16	38	50 - 35	RE18678	1B15	2	20 - 34	RE28790	3D23	22	70 - 21
P50883	2B16	40	50 - 35	RE18694	1B13	1	20 - 32	RE29103	3D21	1	70 - 19
P50883	4G12	11	90 - 53	RE18697	1B13	1	20 - 32	RE29107	3E2	1	70 - 25
P51212	3H12	36	70 - 107	RE19031	1A19	5	20 - 13	RE30174	1E19	5	30 - 49
P51212	4G12	6	90 - 53	RE20785	1E4	1	30 - 34	RE30174	4D25	7	80 - 93
P51212	4G14	6	90 - 55	RE20785	1E4	2	30 - 34	RE30471	1A23	1	20 - 17
RE10712	3D19	33	70 - 17	RE20786	1E4	1	30 - 34	RE30471	1A23	8	20 - 17

1L5

TRACTORS (-429999) 2040S,2140

NUMERICAL INDEX - CONTINUED

PART NO.	GRID	KEY	PAGE	PART NO.	GRID	KEY	PAGE	PART NO.	GRID	KEY	PAGE
RE30472	1A23	1	20 - 17	R26287	3C8	5	60 - 51	R26448	3D25	3	70 - 23
RE30472	1A23	8	20 - 17	R26287	3C16	1	60 - 59	R26448	3E19	1	70 - 42
RE30685	1B1	2	20 - 20	R26287	3C18	1	60 - 61	R26448	3E19	5	70 - 42
RE30685	1B2	2	20 - 21	R26287	3C20	9	60 - 63	R26448	3E20	2	70 - 43
RE31757	1E7	6	30 - 37	R26287	3C22	9	60 - 65	R26448	3E20	5	70 - 43
RE31929	1B24	9	20 - 43	R26287	3C23	10	60 - 66	R26448	3H4	15	70 - 99
RE31929	1C2	1	20 - 45	R26287	3D14	2	70 - 12	R26448	3H6	5	70 - 101
RE31929	1C2	5	20 - 45	R26287	3D14	9	70 - 12	R26480	3H9	16	70 - 104
RE31929	1C2	9	20 - 45	R26287	3D17	25	70 - 15	R26480	3H16	34	70 - 111
RE32011	1C16	1	20 - 59	R26287	3D19	11	70 - 17	R26482	3H9	10	70 - 104
RE32011	1C16	3	20 - 59	R26287	3D23	24	70 - 21	R26482	3H12	19	70 - 107
RE32011	1E7	6	30 - 37	R26287	3E18	10	70 - 41	R26483	3H9	14	70 - 104
RE32011	1E7	8	30 - 37	R26373	2B16	30	50 - 35	R26484	3H2	21	70 - 97
RE32011	1E7	9	30 - 37	R26375	2B12	24	50 - 31	R26484	3H9	6	70 - 104
RE32011	1E7	10	30 - 37	R26375	2B14	24	50 - 33	R26485	3H9	3	70 - 104
RE32011	1E7	12	30 - 37	R26375	2B16	24	50 - 35	R26493	1A10	9	20 - 4
RE33636	1E19	5	30 - 49	R26375	2D7	16	50 - 75	R26546	3G24	12	70 - 95
RE35685	1B20	1	20 - 39	R26375	3A9	15	60 - 3	R26552	2B16	4	50 - 35
RE36425	1B20	9	20 - 39	R26375	3C2	8	60 - 45	R26552	2B24	38	50 - 43
RE37463	1D23	6	30 - 28	R26375	3D7	5	70 - 5	R26552	2C2	21	50 - 45
RE37466	1D24	8	30 - 29	R26375	3D9	5	70 - 7	R26552	2C4	19	50 - 47
RE37482	1D23	3	30 - 28	R26375	3D13	4	70 - 11	R26552	2C6	12	50 - 49
RE37482	1D24	4	30 - 29	R26375	3D14	8	70 - 12	R26552	2D3	7	50 - 71
RE38851	1C16	1	20 - 59	R26375	3D19	40	70 - 17	R26552	2D5	9	50 - 73
RE38857	1C16	3	20 - 59	R26375	3D25	19	70 - 23	R26552	2D14	2	50 - 82
R100105	1A24	9	20 - 18	R26375	3E3	1	70 - 26	R26552	2D17	4	50 - 85
R100105	1A25	9	20 - 19	R26375	3E4	15	70 - 27	R26552	2E22	21	50 - 115
R10093	1A12	3	20 - 6	R26375	3E18	15	70 - 41	R26552	2E24	22	50 - 117
R10093	3E22	35	70 - 45	R26375	3E22	31	70 - 45	R26552	2F2	18	50 - 119
R10093	3F2	17	70 - 49	R26375	3G4	3	70 - 75	R26552	2F4	19	50 - 121
R10093	3F4	22	70 - 51	R26375	3G6	4	70 - 77	R26552	2F10	4	50 - 127
R10093	3F8	20	70 - 55	R26375	3G8	1	70 - 79	R26552	2F12	5	50 - 129
R10093	3H12	27	70 - 107	R26375	3G10	1	70 - 81	R26552	3A11	28	60 - 5
R10093	4G12	5	90 - 53	R26375	3G12	7	70 - 83	R26552	3F18	4	70 - 65
R10093	4G14	5	90 - 55	R26375	3G13	6	70 - 84	R26552	3F20	4	70 - 67
R105583	3D7	9	70 - 5	R26375	3G14	6	70 - 85	R26552	3F22	4	70 - 69
R105583	3D9	9	70 - 7	R26375	3G16	6	70 - 87	R26627	3G19	2	70 - 90
R105583	3D17	15	70 - 15	R26375	3G19	10	70 - 90	R26627	3G22	20	70 - 93
R105583	3D23	15	70 - 21	R26375	3G22	13	70 - 93	R26632	4B16	5	80 - 35
R1662R	3E10	16	70 - 33	R26375	3H4	17	70 - 99	R26637	1E9	11	30 - 39
R1870R	2D13	2	50 - 81	R26375	3H6	9	70 - 101	R26637	1E11	8	30 - 41
R1870R	2D18	7	50 - 86	R26375	3H7	2	70 - 102	R26650	2F24	11	50 - 141
R1870R	3H16	6	70 - 111	R26375	3H8	8	70 - 103	R26727	2G24	21	50 - 165
R1870R	3H20	6	70 - 115	R26375	3H16	43	70 - 111	R26858	4D3	32	80 - 71
R1888R	2F14	22	50 - 131	R26375	3H20	43	70 - 115	R26871	2C6	15	50 - 49
R1888R	3C10	12	60 - 53	R26375	3H22	2	70 - 117	R26906	2B16	22	50 - 35
R1888R	3C12	13	60 - 55	R26386	3I7	7	70 - 127	R26906	2E4	14	50 - 97
R21612	2F24	8	50 - 141	R26448	2B18	16	50 - 37	R26906	2E6	14	50 - 99
R21722	3H12	8	70 - 107	R26448	2C6	10	50 - 49	R26906	2E8	14	50 - 101
R26006	2G21	8	50 - 162	R26448	2D7	28	50 - 75	R26906	2E12	27	50 - 105
R26125	1A19	12	20 - 13	R26448	2D21	8	50 - 89	R26906	3C2	4	60 - 45
R26137	3D17	21	70 - 15	R26448	2D23	8	50 - 91	R26906	3D7	24	70 - 5
R26137	3D23	21	70 - 21	R26448	2D25	15	50 - 93	R26906	3D9	24	70 - 7
R26149	1E19	14	30 - 49	R26448	2E2	15	50 - 95	R26906	3D17	7	70 - 15
R26149	2A13	23	50 - 7	R26448	2E4	20	50 - 97	R26906	3D17	29	70 - 15
R26149	3H4	10	70 - 99	R26448	2E6	20	50 - 99	R26906	3D19	8	70 - 17
R26241	1A10	2	20 - 4	R26448	2E8	5	50 - 101	R26906	3D23	7	70 - 21
R26286	3D7	20	70 - 5	R26448	2E8	20	50 - 101	R26906	3D25	8	70 - 23
R26286	3D9	20	70 - 7	R26448	2E12	19	50 - 105	R26906	3E3	10	70 - 26
R26286	3E22	29	70 - 45	R26448	3A11	27	60 - 5	R26906	3E5	18	70 - 28
R26287	1D25	4	30 - 30	R26448	3B8	18	60 - 27	R26906	3E6	18	70 - 29
R26287	1E1	4	30 - 31	R26448	3B10	18	60 - 29	R26906	3E7	11	70 - 30
R26287	2B12	4	50 - 31	R26448	3C16	10	60 - 59	R26906	3E18	19	70 - 41
R26287	2B14	4	50 - 33	R26448	3C18	12	60 - 61	R26906	3G4	13	70 - 75
R26287	2B16	2	50 - 35	R26448	3C20	7	60 - 63	R26906	3G6	13	70 - 77
R26287	2C6	19	50 - 49	R26448	3C22	7	60 - 65	R26906	3G16	7	70 - 87
R26287	2C17	7	50 - 60	R26448	3D19	3	70 - 17	R26906	3H6	1	70 - 101

1L6

TRACTORS (-429999) 2040S,2140

NUMERICAL INDEX - CONTINUED

PART NO.	GRID	KEY	PAGE	PART NO.	GRID	KEY	PAGE	PART NO.	GRID	KEY	PAGE
R27003	2D7	26	50 - 75	R27237	3G13	5	70 - 84	R28776	2F12	7	50 - 129
R27003	2D19	8	50 - 87	R27237	3G14	5	70 - 85	R28776	2F14	10	50 - 131
R27003	2D21	5	50 - 89	R27237	3G16	5	70 - 87	R28776	2F16	11	50 - 133
R27003	2D23	5	50 - 91	R27237	3H4	18	70 - 99	R28776	2F18	13	50 - 135
R27003	2D25	5	50 - 93	R27237	3H6	8	70 - 101	R28776	3E3	16	70 - 26
R27003	2E2	5	50 - 95	R27237	3H7	1	70 - 102	R28781	3D19	29	70 - 17
R27003	2E4	5	50 - 97	R27266	3E12	5	70 - 35	R28781	3D25	24	70 - 23
R27003	2E6	5	50 - 99	R27267	3D14	6	70 - 12	R28782	2B16	32	50 - 35
R27003	2E8	5	50 - 101	R27270	3E3	11	70 - 26	R28782	2B19	2	50 - 38
R27094	3D7	19	70 - 5	R27270	3E5	17	70 - 28	R28782	2C6	6	50 - 49
R27094	3D9	19	70 - 7	R27270	3E6	17	70 - 29	R28782	2C8	11	50 - 51
R27095	2C22	18	50 - 65	R27270	3G4	12	70 - 75	R28782	3D19	28	70 - 17
R27095	2C24	18	50 - 67	R27270	3G6	12	70 - 77	R28782	3D25	23	70 - 23
R27139	3C8	4	60 - 51	R27285	1D23	2	30 - 28	R28794	1D2	3	30 - 7
R27139	3C16	5	60 - 59	R27285	1D24	2	30 - 29	R29001	2G6	3	50 - 147
R27139	3C18	5	60 - 61	R27320	3A11	4	60 - 5	R29463	3H20	15	70 - 115
R27139	3C20	13	60 - 63	R27329	2G22	4	50 - 163	R29463	3H22	11	70 - 117
R27139	3C22	13	60 - 65	R27346	1D14	6	30 - 19	R29936	2B12	2	50 - 31
R27145	3D17	37	70 - 15	R27346	1D16	14	30 - 21	R29936	2B14	2	50 - 33
R27149	3D17	2	70 - 15	R27346	1D25	8	30 - 30	R29936	2B16	6	50 - 35
R27149	3D23	2	70 - 21	R27358	4F18	9	90 - 35	R29936	2F11	7	50 - 128
R27150	3D17	9	70 - 15	R27426	3H16	9	70 - 111	R30181	1G14	10	40 - 41
R27150	3D23	9	70 - 21	R27426	3H20	9	70 - 115	R30182	1G5	2	40 - 32
R27159	3D19	22	70 - 17	R27474	2B16	41	50 - 35	R30182	1G14	2	40 - 41
R27166	1B20	4	20 - 39	R27474	2E4	15	50 - 97	R30399	2G24	36	50 - 165
R27166	3D19	18	70 - 17	R27474	2E6	15	50 - 99	R30437	3F2	18	70 - 49
R27166	3D19	33	70 - 17	R27474	2E8	15	50 - 101	R30437	3F4	21	70 - 51
R27166	3D19	34	70 - 17	R27474	2E12	26	50 - 105	R30437	3F8	19	70 - 55
R27166	3D25	30	70 - 23	R27474	3E18	18	70 - 41	R30587	2B24	34	50 - 43
R27166	3H2	17	70 - 97	R27475	3D19	2	70 - 17	R30587	2C4	20	50 - 47
R27167	3D19	20	70 - 17	R27475	3D25	2	70 - 23	R30587	2E22	18	50 - 115
R27170	3D19	23	70 - 17	R27476	3D19	17	70 - 17	R30587	2E24	23	50 - 117
R27171	3D19	5	70 - 17	R27478	3D17	39	70 - 15	R30587	2F2	19	50 - 119
R27172	3D19	15	70 - 17	R27478	3D23	37	70 - 21	R30587	2F4	20	50 - 121
R27173	3D19	21	70 - 17	R27479	3D17	39	70 - 15	R30903	3D13	3	70 - 11
R27174	3D19	19	70 - 17	R27479	3D23	37	70 - 21	R31136	3E22	36	70 - 45
R27175	2A13	17	50 - 7	R27490	2D7	23	50 - 75	R31136	3H12	26	70 - 107
R27175	2D7	13	50 - 75	R27490	2E12	8	50 - 105	R31250	1G5	2	40 - 32
R27175	2D19	10	50 - 87	R27491	3B12	2	60 - 31	R31250	1G5	3	40 - 32
R27175	2F15	12	50 - 132	R27491	3B20	3	60 - 39	R31420	4C12	2	80 - 55
R27175	3D17	6	70 - 15	R27507	2B20	8	50 - 39	R31631	2B12	5	50 - 31
R27175	3D23	6	70 - 21	R27507	2B21	8	50 - 40	R31631	2B14	5	50 - 33
R27212	3B8	17	60 - 27	R27507	2C8	14	50 - 51	R31631	2B16	1	50 - 35
R27212	3B10	17	60 - 29	R27507	3H8	15	70 - 103	R31631	2C6	20	50 - 49
R27212	3C20	8	60 - 63	R27528	3C8	2	60 - 51	R31631	2C17	8	50 - 60
R27212	3C22	8	60 - 65	R27564	3D19	16	70 - 17	R31631	3D14	1	70 - 12
R27216	3D19	12	70 - 17	R27564	3D25	33	70 - 23	R31631	3D14	9	70 - 12
R27218	2C6	9	50 - 49	R27590	3E5	5	70 - 28	R31631	3E18	11	70 - 41
R27218	2D7	27	50 - 75	R27590	3E6	5	70 - 29	R31632	2B18	7	50 - 37
R27218	2D21	9	50 - 89	R27649	3H20	31	70 - 115	R31674	1B3	1	20 - 22
R27218	2D23	9	50 - 91	R27649	3H22	22	70 - 117	R31781	3D19	31	70 - 17
R27218	2D25	14	50 - 93	R27829	3F11	8	70 - 58	R31781	3D25	27	70 - 23
R27218	2E2	14	50 - 95	R27976	1A19	11	20 - 13	R31890	3H8	6	70 - 103
R27218	2E4	21	50 - 97	R28006	3G12	23	70 - 83	R31892	1G5	10	40 - 32
R27218	2E6	21	50 - 99	R28006	3G18	15	70 - 89	R32016	1G14	4	40 - 41
R27218	2E8	5	50 - 101	R28006	3G19	12	70 - 90	R32306	1E19	15	30 - 49
R27218	2E8	6	50 - 101	R28006	3G22	18	70 - 93	R32356	3H9	2	70 - 104
R27218	2E8	21	50 - 101	R28006	3H8	18	70 - 103	R32419	3G12	16	70 - 83
R27218	2E12	20	50 - 105	R28084	3H9	12	70 - 104	R32419	3G18	9	70 - 89
R27218	3D19	42	70 - 17	R28346	2F14	11	50 - 131	R32419	3G19	14	70 - 90
R27218	3D25	10	70 - 23	R28583	1E19	1	30 - 49	R32419	3G22	17	70 - 93
R27218	3H4	14	70 - 99	R28634	2B12	6	50 - 31	R32419	3H8	16	70 - 103
R27233	3H5	11	70 - 100	R28634	2B14	6	50 - 33	R32507	2F15	3	50 - 132
R27237	3G4	7	70 - 75	R28634	2B16	7	50 - 35	R32588	3H22	29	70 - 117
R27237	3G6	6	70 - 77	R28733	3G8	6	70 - 79	R33083	2B24	3	50 - 43
R27237	3G8	2	70 - 79	R28744	3H5	14	70 - 100	R33167	2C10	15	50 - 53
R27237	3G10	2	70 - 81	R28776	2C2	28	50 - 45	R33282	3G12	14	70 - 83

1L7

TRACTORS (-429999) 2040S,2140

NUMERICAL INDEX - CONTINUED

PART NO.	GRID	KEY	PAGE	PART NO.	GRID	KEY	PAGE	PART NO.	GRID	KEY	PAGE
R33282	3G18	17	70 - 89	R38215	2G21	9	50 - 162	R39304	2C14	19	50 - 57
R33282	3G19	19	70 - 90	R38216	2G21	7	50 - 162	R39304	2C16	19	50 - 59
R33282	3G22	14	70 - 93	R38219	2G6	9	50 - 147	R39319	3D7	39	70 - 5
R33320	2G21	6	50 - 162	R38219	2G12	20	50 - 153	R39319	3D9	39	70 - 7
R33521	3E3	7	70 - 26	R38221	2G6	17	50 - 147	R39321	3D7	33	70 - 5
R33852	2G21	5	50 - 162	R38221	2G12	11	50 - 153	R39321	3D9	33	70 - 7
R34064	3G10	8	70 - 81	R38295	2B24	21	50 - 43	R394R	2F15	5	50 - 132
R34131	3H22	28	70 - 117	R38508	3H16	30	70 - 111	R394R	3H4	6	70 - 99
R34140	2A11	1	50 - 5	R38537	3H16	33	70 - 111	R39613	1D20	3	30 - 25
R34140	2C14	24	50 - 57	R39006	3H16	35	70 - 111	R39615	1D20	2	30 - 25
R34140	2C14	38	50 - 57	R39009	3H16	31	70 - 111	R39729	3D17	24	70 - 15
R34140	2C16	24	50 - 59	R39012	3H16	23	70 - 111	R39758	4B24	14	80 - 43
R34140	2C16	38	50 - 59	R39012	3H20	23	70 - 115	R39843	3D17	36	70 - 15
R34349	3D17	34	70 - 15	R39013	3H16	26	70 - 111	R40072	3E3	6	70 - 26
R34394	1E19	10	30 - 49	R39029	3H16	29	70 - 111	R40147	2D7	19	50 - 75
R34395	1E19	9	30 - 49	R39064	3H16	4	70 - 111	R40147	2D19	11	50 - 87
R34397	3H9	8	70 - 104	R39067	3D7	9	70 - 5	R40445	2B6	13	50 - 25
R34398	3H9	15	70 - 104	R39067	3D9	9	70 - 7	R40562	3E3	8	70 - 26
R34399	3H9	1	70 - 104	R39067	3D17	15	70 - 15	R40791	1A14	5	20 - 8
R34400	3H9	13	70 - 104	R39067	3D23	15	70 - 21	R40937	3H2	6	70 - 97
R34656	1D20	12	30 - 25	R39073	3D7	43	70 - 5	R41055	3G24	8	70 - 95
R34733	2F15	1	50 - 132	R39073	3D9	43	70 - 7	R41057	3D19	33	70 - 17
R34760	1E6	7	30 - 36	R39075	3D7	44	70 - 5	R41057	3D19	34	70 - 17
R34760	1E7	7	30 - 37	R39075	3D9	44	70 - 7	R41057	3D19	35	70 - 17
R34764	1E6	9	30 - 36	R39076	3D7	47	70 - 5	R41057	3D25	29	70 - 23
R34801	4C4	1	80 - 47	R39076	3D9	47	70 - 7	R41057	3H2	16	70 - 97
R34802	3D25	37	70 - 23	R39076	3E14	7	70 - 37	R41147	3F6	16	70 - 53
R34810	4C4	2	80 - 47	R39078	3D7	46	70 - 5	R41155	3H4	12	70 - 99
R34811	1E9	3	30 - 39	R39078	3D9	46	70 - 7	R41338	3H2	11	70 - 97
R34811	1E11	4	30 - 41	R39078	3E14	6	70 - 37	R41339	3H2	8	70 - 97
R34811	2B20	4	50 - 39	R39090	2D14	3	50 - 82	R41412	1A19	11	20 - 13
R34811	2C2	35	50 - 45	R39090	2F12	6	50 - 129	R41412	1A19	22	20 - 13
R34812	4G14	2	90 - 55	R39090	2F14	19	50 - 131	R41549	3H2	3	70 - 97
R34828	4B24	9	80 - 43	R39112	2D7	15	50 - 75	R41985	4G6	6	90 - 47
R34863	2B18	8	50 - 37	R39112	3A9	16	60 - 3	R42009	1D22	22	30 - 27
R34985	1C9	4	20 - 52	R39112	3C2	7	60 - 45	R42260	3D19	30	70 - 17
R34985	1C12	18	20 - 55	R39112	3D7	4	70 - 5	R42260	3D25	26	70 - 23
R35163	3G8	7	70 - 79	R39112	3D9	4	70 - 7	R42363	1B18	1	20 - 37
R35226	3A11	7	60 - 5	R39112	3E3	15	70 - 26	R42363	2A13	5	50 - 7
R35286	3C2	2	60 - 45	R39112	3H4	16	70 - 99	R42467	3D17	35	70 - 15
R35448	3H20	4	70 - 115	R39171	3H6	2	70 - 101	R42665	3D19	9	70 - 17
R35473	3H20	16	70 - 115	R39179	3D7	35	70 - 5	R42729	1A19	7	20 - 13
R35473	3H22	12	70 - 117	R39179	3D9	35	70 - 7	R42879	1D18	20	30 - 23
R35684	3A11	37	60 - 5	R39180	3D7	36	70 - 5	R43413	1D14	2	30 - 19
R35717	3E4	5	70 - 27	R39180	3D9	36	70 - 7	R43413	1D16	4	30 - 21
R35717	3E7	5	70 - 30	R39181	3D7	38	70 - 5	R43416	1D14	22	30 - 19
R35726	3E4	7	70 - 27	R39181	3D9	38	70 - 7	R43416	1D16	22	30 - 21
R35726	3E5	8	70 - 28	R39215	3D17	8	70 - 15	R43815	1D14	15	30 - 19
R35726	3E7	7	70 - 30	R39215	3D23	8	70 - 21	R43821	1D14	14	30 - 19
R35738	3H20	17	70 - 115	R39225	3H5	5	70 - 100	R44165	1H9	26	40 - 61
R35738	3H22	36	70 - 117	R39228	3D7	14	70 - 5	R44285	3H22	13	70 - 117
R35827	3D17	7	70 - 15	R39228	3D9	14	70 - 7	R44287	3H22	35	70 - 117
R36235	3B8	15	60 - 27	R39228	3D17	17	70 - 15	R44302	1C7	9	20 - 50
R36235	3B8	26	60 - 27	R39228	3D23	17	70 - 21	R44302	1F8	1	40 - 11
R36235	3B8	27	60 - 27	R39240	3D7	23	70 - 5	R44302	1F10	3	40 - 13
R36235	3B8	32	60 - 27	R39240	3D9	23	70 - 7	R44302	1G18	3	40 - 45
R36358	3D25	38	70 - 23	R39279	2C14	37	50 - 57	R44302	1G20	2	40 - 47
R36951	3H22	10	70 - 117	R39279	2C16	37	50 - 59	R44302	1G22	10	40 - 49
R36952	3H22	34	70 - 117	R39280	2B24	23	50 - 43	R44302	1G24	16	40 - 51
R375R	2B12	15	50 - 31	R39285	2B24	24	50 - 43	R44302	1G25	2	40 - 52
R375R	2B14	15	50 - 33	R39289	3H4	9	70 - 99	R44302	1H7	17	40 - 59
R375R	2B16	18	50 - 35	R39294	2D7	9	50 - 75	R44302	1H9	14	40 - 61
R375R	2C22	13	50 - 65	R39294	2E12	14	50 - 105	R44302	3C4	9	60 - 47
R375R	2C24	11	50 - 67	R39299	2B24	26	50 - 43	R44302	3C6	15	60 - 49
R375R	3H9	9	70 - 104	R39299	2C10	27	50 - 53	R44302	3E14	1	70 - 37
R375R	3H12	18	70 - 107	R39304	2B24	22	50 - 43	R44302	4F8	5	90 - 25
R38214	2G21	10	50 - 162	R39304	2C10	21	50 - 53	R44302	4G6	4	90 - 47

1L8

TRACTORS (-42999) 2040S,2140

NUMERICAL INDEX - CONTINUED

PART NO.	GRID	KEY	PAGE	PART NO.	GRID	KEY	PAGE	PART NO.	GRID	KEY	PAGE
R44342	1G2	3	40 - 29	R48685	2E6	11	50 - 99	R51516	1B1	7	20 - 20
R44361	2G24	9	50 - 165	R48685	2E8	11	50 - 101	R51681	4A25	9	80 - 19
R44372	2G24	9	50 - 165	R48685	2F24	5	50 - 141	R51726	1B12	1	20 - 31
R44823	3D17	1	70 - 15	R48698	3H12	25	70 - 107	R51726	1B13	3	20 - 32
R44917	3H24	2	70 - 119	R48738	3D7	15	70 - 5	R51728	1B12	8	20 - 31
R45096	1C24	16	30 - 5	R48738	3D9	15	70 - 7	R51731	1B12	7	20 - 31
R45126	2G12	16	50 - 153	R48738	3D17	18	70 - 15	R51735	1A19	15	20 - 13
R45126R	2G6	13	50 - 147	R48738	3D23	18	70 - 21	R51895	2C17	16	50 - 60
R45228	3D17	4	70 - 15	R48917	3C23	8	60 - 66	R51895	2D7	32	50 - 75
R45422	3D23	35	70 - 21	R48978	3G24	2	70 - 95	R51895	2E12	26	50 - 105
R45438	3D17	13	70 - 15	R48980	3G24	7	70 - 95	R51910	4A25	5	80 - 19
R45438	3D23	13	70 - 21	R48993	1C12	12	20 - 55	R51912	3D17	1	70 - 15
R45582	2B18	11	50 - 37	R49071	3D19	38	70 - 17	R51936	1E6	3	30 - 36
R45874	3D17	38	70 - 15	R49071	3D19	39	70 - 17	R51936	1E7	3	30 - 37
R459R	3B6	6	60 - 25	R49071	3D19	40	70 - 17	R51937	1E6	4	30 - 36
R459R	3H22	30	70 - 117	R49071	3D19	41	70 - 17	R51937	1E7	4	30 - 37
R46146	1D16	9	30 - 21	R49072	3D19	44	70 - 17	R51952	3A9	18	60 - 3
R46414	1D14	9	30 - 19	R49186	3H5	1	70 - 100	R52130	3E16	7	70 - 39
R46414	3B8	15	60 - 27	R49187	3H2	15	70 - 97	R52251	1A19	15	20 - 13
R46414	3B8	24	60 - 27	R49187	3H5	2	70 - 100	R52252	1A19	16	20 - 13
R46414	3B8	26	60 - 27	R49191	3H8	13	70 - 103	R52362	4D3	34	80 - 71
R46414	3B8	27	60 - 27	R49193	3H22	6	70 - 117	R52549	3H2	4	70 - 97
R46414	3B8	28	60 - 27	R49221	3H5	15	70 - 100	R52646	2B20	4	50 - 39
R46414	3B8	31	60 - 27	R49296	1G6	13	40 - 33	R52646	2C2	35	50 - 45
R46414	3B10	26	60 - 29	R49297	3D7	13	70 - 5	R52760	4D3	33	80 - 71
R46414	3B10	31	60 - 29	R49297	3D9	13	70 - 7	R52819	1D6	11	30 - 11
R46415	3C4	10	60 - 47	R49297	3D17	16	70 - 15	R52989	3A9	10	60 - 3
R46415	3C6	17	60 - 49	R49297	3D23	16	70 - 21	R53169	2D7	17	50 - 75
R46625	1A10	1	20 - 4	R49298	3D7	16	70 - 5	R53169	2E12	24	50 - 105
R46625	1A10	17	20 - 4	R49298	3D9	16	70 - 7	R53218	3F18	19	70 - 65
R46625	1A11	1	20 - 5	R49298	3D17	19	70 - 15	R53218	3F20	22	70 - 67
R46722	3G24	13	70 - 95	R49352	3H16	24	70 - 111	R53218	3F22	20	70 - 69
R46727	4D25	19	80 - 93	R49352	3H20	24	70 - 115	R53223	1A17	5	20 - 11
R47154	1B3	1	20 - 22	R495R	1A14	1	20 - 8	R53223	1A17	6	20 - 11
R47154	1B4	1	20 - 23	R495R	3C2	6	60 - 45	R53296	3H24	16	70 - 119
R47160	1E19	2	30 - 49	R495R	3C10	14	60 - 53	R53300	1E15	12	30 - 45
R47224	4G9	3	90 - 50	R495R	3C12	15	60 - 55	R53382	1B20	1	20 - 39
R47226	4G9	7	90 - 50	R495R	3E12	14	70 - 35	R53471	1B17	2	20 - 36
R47227	4G9	10	90 - 50	R495R	3H9	4	70 - 104	R53524	1B24	6	20 - 43
R47229	4G9	9	90 - 50	R49507	1E17	9	30 - 47	R53656	2G2	11	50 - 143
R47230	4G9	13	90 - 50	R49515	1B17	1	20 - 36	R53800	3F18	2	70 - 65
R47231	4G9	14	90 - 50	R49516	1B14	6	20 - 33	R53800	3F20	2	70 - 67
R47232	4G9	15	90 - 50	R49648	3E22	18	70 - 45	R53800	3F22	2	70 - 69
R47235	4G12	1	90 - 53	R49962	3F16	12	70 - 63	R53801	3F18	3	70 - 65
R47292	4D17	3	80 - 85	R49980	3A11	13	60 - 5	R53801	3F20	3	70 - 67
R47403	4C25	2	80 - 68	R49982	3A11	12	60 - 5	R53801	3F22	3	70 - 69
R47513	2G3	5	50 - 144	R50110	3C2	19	60 - 45	R53802	2D7	22	50 - 75
R47513	2G8	8	50 - 149	R50112	3C2	14	60 - 45	R53802	2D19	7	50 - 87
R47514	2G3	11	50 - 144	R50199	4D3	9	80 - 71	R53802	2D21	6	50 - 89
R47831	1G6	3	40 - 33	R50348	2B24	25	50 - 43	R53802	2D23	6	50 - 91
R47862	2F24	6	50 - 141	R50349	2B24	19	50 - 43	R53802	2D25	6	50 - 93
R47998	3A19	1	60 - 13	R50655	2D12	7	50 - 80	R53802	2E2	6	50 - 95
R48071	1D25	5	30 - 30	R50703	3B24	4	60 - 43	R53802	2E4	6	50 - 97
R48071	1E1	5	30 - 31	R50704	3B24	5	60 - 43	R53802	2E6	6	50 - 99
R48566	2G24	29	50 - 165	R50864	2F11	12	50 - 128	R53802	2E8	5	50 - 101
R48567	1C22	9	30 - 3	R50864	2F18	2	50 - 135	R53802	2E8	6	50 - 101
R48593	3E22	23	70 - 45	R50879	3C7	4	60 - 50	R54054	1A21	1	20 - 15
R48595	3I7	18	70 - 127	R51233	2D17	17	50 - 85	R54114	1B12	5	20 - 31
R48664	1G6	12	40 - 33	R51409	3G24	4	70 - 95	R54242	3H12	23	70 - 107
R48665	1G6	11	40 - 33	R51409	3H2	1	70 - 97	R54271	1E9	1	30 - 39
R48685	2D3	3	50 - 71	R51410	3G24	3	70 - 95	R54271	1E11	1	30 - 41
R48685	2D5	4	50 - 73	R51411	3G24	5	70 - 95	R54272	2B20	1	50 - 39
R48685	2D21	13	50 - 89	R51412	3H5	8	70 - 100	R54272	2B21	1	50 - 40
R48685	2D23	13	50 - 91	R51413	3H5	16	70 - 100	R54272	2C2	1	50 - 45
R48685	2D25	11	50 - 93	R51414	3H5	9	70 - 100	R54273	3F2	1	70 - 49
R48685	2E2	11	50 - 95	R51415	3H5	10	70 - 100	R54273	3F4	1	70 - 51
R48685	2E4	11	50 - 97	R51494	3E18	6	70 - 41	R54273	3F6	11	70 - 53

1L9

TRACTORS (-429999) 2040S,2140

NUMERICAL INDEX - CONTINUED

PART NO.	GRID	KEY	PAGE	PART NO.	GRID	KEY	PAGE	PART NO.	GRID	KEY	PAGE
R54274	3F20	9	70 - 67	R57003	4D25	10	80 - 93	R64608	3H12	7	70 - 107
R54274	3F22	13	70 - 69	R57059	1B20	2	20 - 39	R64609	3H12	6	70 - 107
R54274	3G2	9	70 - 73	R57160	1A10	7	20 - 4	R64610	3H12	15	70 - 107
R54274	3H4	19	70 - 99	R57160	1A21	7	20 - 15	R64611	3H12	14	70 - 107
R54275	3F18	11	70 - 65	R57160	1A23	7	20 - 17	R64612	3H12	13	70 - 107
R54275	3F20	10	70 - 67	R57258	1D25	12	30 - 30	R64613	3H12	11	70 - 107
R54275	3F22	10	70 - 69	R57332	1A19	15	20 - 13	R64614	3H12	12	70 - 107
R54275	3G2	12	70 - 73	R57333	1A19	16	20 - 13	R64615	3H12	5	70 - 107
R54275	3H4	2	70 - 99	R57334	1A19	15	20 - 13	R64617	3H12	3	70 - 107
R54380	2D9	15	50 - 77	R57335	1A19	16	20 - 13	R64618	3H12	4	70 - 107
R54388	1F18	8	40 - 21	R57336	1A19	15	20 - 13	R64802	4E10	3	90 - 3
R54388	1F20	4	40 - 23	R57337	1A19	16	20 - 13	R64851	1B8	2	20 - 27
R54560	1A17	2	20 - 11	R57426	1A19	15	20 - 13	R65028	2C2	12	50 - 45
R54565	1A19	1	20 - 13	R57427	1A19	15	20 - 13	R65215	1A10	10	20 - 4
R54614	1B20	1	20 - 39	R57428	1A19	15	20 - 13	R65246	3E5	2	70 - 28
R54634	1A23	8	20 - 17	R57451	1B12	8	20 - 31	R65246	3E6	2	70 - 29
R54635	1A23	10	20 - 17	R57696	3H16	20	70 - 111	R65285	3H9	18	70 - 104
R54766	4G9	4	90 - 50	R57696	3H20	20	70 - 115	R65286	3H2	22	70 - 97
R54802	1A10	3	20 - 4	R58007	1A23	3	20 - 17	R65286	3H9	7	70 - 104
R54961	2B24	11	50 - 43	R58209	2B24	14	50 - 43	R65289	3H2	7	70 - 97
R54961	2C4	30	50 - 47	R59160	1G14	13	40 - 41	R65436	4G12	4	90 - 53
R54969	3E22	20	70 - 45	R59234	3D7	30	70 - 5	R65501	3H2	20	70 - 97
R54972	4D23	1	80 - 91	R59234	3D9	30	70 - 7	R65502	3H2	20	70 - 97
R54978	3C2	1	60 - 45	R59343	3H9	4	70 - 104	R65548	3E22	14	70 - 45
R55127	1B22	7	20 - 41	R59409	1B20	10	20 - 39	R65712	4G8	1	90 - 49
R55127	1B24	3	20 - 43	R59448	1A17	4	20 - 11	R65833	1B12	2	20 - 31
R55144	3E16	13	70 - 39	R59629	3H2	9	70 - 97	R66067	1D18	13	30 - 23
R55233	1A11	6	20 - 5	R60124	1C7	10	20 - 50	R66083	3E3	5	70 - 26
R55299	1A12	4	20 - 6	R60135	1G4	15	40 - 31	R66084	3E3	2	70 - 26
R55397	3G24	10	70 - 95	R60170	4G12	18	90 - 53	R66085	3E3	3	70 - 26
R55398	3G24	6	70 - 95	R60171	4G12	17	90 - 53	R66090	1E6	5	30 - 36
R55405	1C12	3	20 - 55	R60172	4G12	19	90 - 53	R66090	1E7	5	30 - 37
R55434	1B22	14	20 - 41	R60557	2D17	17	50 - 85	R66125	1E3	19	30 - 33
R55434	1B24	14	20 - 43	R60745	1E6	8	30 - 36	R66164	3D7	40	70 - 5
R55509	1D6	2	30 - 11	R60746	1E6	9	30 - 36	R66164	3D9	40	70 - 7
R55510	1A10	1	20 - 4	R60828	1E24	1	40 - 2	R66319	1G14	4	40 - 41
R55510	1A11	1	20 - 5	R60890	1A14	2	20 - 8	R66319	1G14	..	40 - 41
R55647	1B12	8	20 - 31	R61633	3D7	27	70 - 5	R66416	3H2	18	70 - 97
R56101	1D18	12	30 - 23	R616339	3D9	27	70 - 7	R66794	1E24	12	40 - 2
R56131	1E3	12	30 - 33	R61871	1B20	8	20 - 39	R66821	1D25	12	30 - 30
R56186	1B12	8	20 - 31	R62034	1E17	2	30 - 47	R66821	1E1	8	30 - 31
R56188	1B12	7	20 - 31	R62372	3D17	10	70 - 15	R66897	4D3	16	80 - 71
R56246	4G9	1	90 - 50	R62372	3D23	10	70 - 21	R66916	3H2	19	70 - 97
R56455	1D4	9	30 - 9	R62652	3H2	11	70 - 97	R67021	4G8	6	90 - 49
R56463	1A14	1	20 - 8	R62716	4G8	13	90 - 49	R67230	1B3	5	20 - 22
R56463	3D17	12	70 - 15	R62849	2F20	2	50 - 137	R67794	2B18	6	50 - 37
R56463	3D23	12	70 - 21	R62849	2F22	2	50 - 139	R68012	1C24	7	30 - 5
R56473	2D11	17	50 - 79	R63022	3D7	29	70 - 5	R68012	4G8	12	90 - 49
R56525	1F8	17	40 - 11	R63022	3D9	29	70 - 7	R68227	1A15	3	20 - 9
R56526	1F8	6	40 - 11	R63544	1C24	9	30 - 5	R68227	1A16	3	20 - 10
R56551	1D4	2	30 - 9	R63605	3D7	18	70 - 5	R68277	4D19	7	80 - 87
R56552	1D4	3	30 - 9	R63605	3D9	18	70 - 7	R68381	3D7	7	70 - 5
R56749	3D17	11	70 - 15	R63629	3D7	42	70 - 5	R68381	3D9	7	70 - 7
R56749	3D23	11	70 - 21	R63629	3D9	42	70 - 7	R68382	3D7	6	70 - 5
R56751	3D17	5	70 - 15	R63850	2F16	4	50 - 133	R68382	3D9	6	70 - 7
R56751	3D25	12	70 - 23	R63850	2F18	7	50 - 135	R68383	3D7	48	70 - 5
R56753	3D17	23	70 - 15	R63937	3H25	9	70 - 120	R68383	3D9	48	70 - 7
R56754	3D17	20	70 - 15	R63937	311	16	70 - 121	R68384	3D7	21	70 - 5
R56755	3D19	13	70 - 17	R63937	313	25	70 - 123	R68384	3D9	21	70 - 7
R56755	3D25	31	70 - 23	R64197	2B24	1	50 - 43	R68390	3D7	37	70 - 5
R56756	3D19	6	70 - 17	R64212	1B22	3	20 - 41	R68390	3D9	37	70 - 7
R56757	3D19	37	70 - 17	R64449	1E24	4	40 - 2	R68553	3D7	44	70 - 5
R56757	3D25	32	70 - 23	R64506	1D23	8	30 - 28	R68553	3D9	44	70 - 7
R56855	4G8	7	90 - 49	R64561	3H12	21	70 - 107	R68721	2A13	2	50 - 7
R56947	1B22	11	20 - 41	R64605	3H12	10	70 - 107	R69260	1B1	3	20 - 20
R56947	1B24	11	20 - 43	R64606	3H12	17	70 - 107	R69260	1B2	3	20 - 21
R56947	1C2	9	20 - 45	R64607	3H12	16	70 - 107	R69262	3D19	34	70 - 17

1L10

TRACTORS (-42999) 2040S,2140

NUMERICAL INDEX - CONTINUED

PART NO.	GRID	KEY	PAGE	PART NO.	GRID	KEY	PAGE	PART NO.	GRID	KEY	PAGE
R69279	3D17	20	70 - 15	R72653	3F2	26	70 - 49	R76167	3D9	32	70 - 7
R69279	3D23	20	70 - 21	R72653	3F4	11	70 - 51	R76167	3D9	48	70 - 7
R69279	3D25	41	70 - 23	R72653	3F4	17	70 - 51	R76169	3D7	26	70 - 5
R69281	3H9	5	70 - 104	R72653	3F10	1	70 - 57	R76169	3D9	26	70 - 7
R69297	4G9	13	90 - 50	R72653	3F16	6	70 - 63	R76352	1B15	2	20 - 34
R69297	4G9	14	90 - 50	R72653	3H8	5	70 - 103	R77126	1E2	13	30 - 32
R69297	4G9	15	90 - 50	R72693	3F4	33	70 - 51	R77332	1B22	10	20 - 41
R69297	4G9	18	90 - 50	R72697	3H20	33	70 - 115	R77332	1B24	10	20 - 43
R69509	2G4	1	50 - 145	R72697	3H22	24	70 - 117	R77480	1H13	39	40 - 65
R69510	2G4	5	50 - 145	R72886	3D7	16	70 - 5	R77611	3D23	23	70 - 21
R69510	2G10	13	50 - 151	R72886	3D9	16	70 - 7	R77714	3D25	14	70 - 23
R69511	2G4	2	50 - 145	R72886	3D17	19	70 - 15	R77903	3D23	38	70 - 21
R69512	2G4	8	50 - 145	R72886	3D23	19	70 - 21	R77904	3D23	35	70 - 21
R69513	2G4	7	50 - 145	R72936	3D7	11	70 - 5	R78032	1B17	2	20 - 36
R69514	2G4	7	50 - 145	R72936	3D9	11	70 - 7	R78202	3D4	3	70 - 2
R69515	2G4	7	50 - 145	R72974	1A9	1	20 - 3	R78202	3D5	3	70 - 3
R69516	2G4	7	50 - 145	R73139	1A10	1	20 - 4	R78290	1C2	5	20 - 45
R69658	2G6	20	50 - 147	R73139	1A10	18	20 - 4	R78293	3D17	1	70 - 15
R69706	3B16	2	60 - 35	R73139	1A11	1	20 - 5	R78293	3D23	1	70 - 21
R69824	1A24	2	20 - 18	R73140	1A13	1	20 - 7	R78765	3H12	40	70 - 107
R69880	3H4	20	70 - 99	R73228	3D23	39	70 - 21	R78766	3H12	35	70 - 107
R70341	1D6	14	30 - 11	R73259	4D3	6	80 - 71	R78767	3H12	24	70 - 107
R70351	3D19	17	70 - 17	R73380	4B24	5	80 - 43	R78768	3H12	42	70 - 107
R70411	1D6	12	30 - 11	R73380	4B24	18	80 - 43	R78769	3H12	34	70 - 107
R70437	1C12	17	20 - 55	R73443	3E24	5	70 - 47	R79015	1E2	5	30 - 32
R70438	1B22	2	20 - 41	R73521	1A15	3	20 - 9	R79015	1E2	6	30 - 32
R70438	1B24	2	20 - 43	R73521	1A16	3	20 - 10	R79015	1E3	5	30 - 33
R70439	1B22	4	20 - 41	R73531	1D6	14	30 - 11	R79015	1E3	6	30 - 33
R70440	1B22	5	20 - 41	R73609	1B24	4	20 - 43	R79089	1A11	10	20 - 5
R70441	1C12	2	20 - 55	R73610	1B24	5	20 - 43	R79150	3D23	34	70 - 21
R70442	1C12	8	20 - 55	R73736	3D25	20	70 - 23	R79150	3D23	39	70 - 21
R70443	1B10	3	20 - 29	R73741	3D23	4	70 - 21	R79151	3D23	32	70 - 21
R70483	1B14	6	20 - 33	R73784	1C12	4	20 - 55	R79151	3D23	39	70 - 21
R70492	1B14	1	20 - 33	R73786	1E24	5	40 - 2	R79266	3D25	39	70 - 23
R70559	3D19	33	70 - 17	R73787	1E24	4	40 - 2	R79267	3D25	36	70 - 23
R70617	3D25	7	70 - 23	R73788	1E24	7	40 - 2	R79268	3D25	35	70 - 23
R70736	1C9	1	20 - 52	R74194	1B12	10	20 - 31	R79311	3H9	16	70 - 104
R70737	1C9	9	20 - 52	R74210	3H12	38	70 - 107	R79311	3H9	17	70 - 104
R70739	1D4	1	30 - 9	R74210	4G12	1	90 - 53	R79311	3H9	18	70 - 104
R70740	1C12	8	20 - 55	R74232	1D16	16	30 - 21	R79311	3H12	30	70 - 107
R70741	1C9	5	20 - 52	R74234	1D16	11	30 - 21	R79344	1A19	19	20 - 13
R70867	3D25	17	70 - 23	R74235	1D16	19	30 - 21	R79404	1E3	15	30 - 33
R70868	3D25	18	70 - 23	R74236	1D16	13	30 - 21	R79604	1E6	1	30 - 36
R70956	1B22	14	20 - 41	R74237	1D16	12	30 - 21	R79604	1E6	15	30 - 36
R70956	1B24	14	20 - 43	R74354	1B20	4	20 - 39	R79604	1E7	1	30 - 37
R70956	1C2	6	20 - 45	R74530	3H9	18	70 - 104	R79604	1E7	15	30 - 37
R71321	3D19	32	70 - 17	R74530	3H12	30	70 - 107	R79605	1E6	1	30 - 36
R71321	3D25	28	70 - 23	R74549	1C9	5	20 - 52	R79605	1E6	2	30 - 36
R71387	3H12	39	70 - 107	R74695	3H2	15	70 - 97	R79605	1E6	13	30 - 36
R72116	3H20	35	70 - 115	R74695	3H5	2	70 - 100	R79605	1E7	1	30 - 37
R72116	3H22	26	70 - 117	R75376	3D25	15	70 - 23	R79605	1E7	2	30 - 37
R72117	3H20	11	70 - 115	R75564	3D25	9	70 - 23	R79605	1E7	13	30 - 37
R72120	3H20	30	70 - 115	R75642	3D25	11	70 - 23	R79606	1E6	1	30 - 36
R72120	3H22	21	70 - 117	R75832	1D23	7	30 - 28	R79606	1E6	14	30 - 36
R72134	3H20	26	70 - 115	R75867	1D22	14	30 - 27	R79606	1E7	1	30 - 37
R72134	3H22	16	70 - 117	R75879	3D25	6	70 - 23	R79606	1E7	14	30 - 37
R72506	3D23	36	70 - 21	R75892	1A10	14	20 - 4	R79623	1A19	15	20 - 13
R72507	3D23	33	70 - 21	R75893	1A10	13	20 - 4	R79624	1A19	16	20 - 13
R726R	2D21	2	50 - 89	R75927	1B12	1	20 - 31	R79625	1A19	16	20 - 13
R726R	2D23	2	50 - 91	R75927	1B13	3	20 - 32	R79626	1A19	16	20 - 13
R726R	2D25	3	50 - 93	R75931	1D24	7	30 - 29	R79627	1A19	16	20 - 13
R726R	2E2	3	50 - 95	R75938	3D25	34	70 - 23	R79628	1A19	15	20 - 13
R726R	2E4	3	50 - 97	R76126	1A24	9	20 - 18	R79629	1A19	15	20 - 13
R726R	2E6	3	50 - 99	R76167	3D7	22	70 - 5	R79630	1A19	15	20 - 13
R726R	2E8	3	50 - 101	R76167	3D7	32	70 - 5	R79691	1B24	9	20 - 43
R72653	3E24	3	70 - 47	R76167	3D7	48	70 - 5	R79691	1C2	8	20 - 45
R72653	3F2	11	70 - 49	R76167	3D9	22	70 - 7	R79854	1A13	5	20 - 7

1L11

TRACTORS (-429999) 2040S,2140

NUMERICAL INDEX - CONTINUED

PART NO.	GRID	KEY	PAGE	PART NO.	GRID	KEY	PAGE	PART NO.	GRID	KEY	PAGE
R79863	1A13	4	20 - 7	R89222	1A19	15	20 - 13	T15634	1A23	10	20 - 17
R79974	1A10	1	20 - 4	R89824	1A24	2	20 - 18	T16623	1G5	6	40 - 32
R79974	1A11	1	20 - 5	R89824	1A25	2	20 - 19	T16911	3E18	6	70 - 41
R80033	1B12	10	20 - 31	R90648	1A24	2	20 - 18	T16911	4G15	13	90 - 56
R80135	1B5	3	20 - 24	R90648	1A10	1	20 - 4	T17148	3A9	20	60 - 3
R80135	1B5	10	20 - 24	R90648	1A11	1	20 - 5	T17148	3A12	3	60 - 6
R80136	1B5	2	20 - 24	R90648	1A13	1	20 - 7	T17148	3A19	3	60 - 13
R80136	1B5	10	20 - 24	R90658	1D6	10	30 - 11	T17148	3A21	3	60 - 15
R80137	1B5	4	20 - 24	R91692	1B1	11	20 - 20	T17201	2D11	3	50 - 79
R80137	1B5	10	20 - 24	R91692	1B2	11	20 - 21	T17589	2B18	9	50 - 37
R80324	3G12	16	70 - 83	R91708	1A10	7	20 - 4	T17882	2D7	36	50 - 75
R80324	3G18	9	70 - 89	R91708	1A21	7	20 - 15	T17882	2E12	6	50 - 105
R80324	3G19	14	70 - 90	R91708	1A23	7	20 - 17	T18716	3I1	9	70 - 121
R80324	3G22	17	70 - 93	R92159	1A11	3	20 - 5	T18718	2G24	35	50 - 165
R80324	3H8	16	70 - 103	R92425	1A17	4	20 - 11	T18891	1A10	8	20 - 4
R80508	3B16	6	60 - 35	R93053	3H22	13	70 - 117	T18891	2D7	29	50 - 75
R80509	3B16	8	60 - 35	R97342	1B17	1	20 - 36	T18891	2D21	4	50 - 89
R80510	3B16	3	60 - 35	R97348	1D14	2	30 - 19	T18891	2D23	4	50 - 91
R80558	3D23	36	70 - 21	R97348	1D16	4	30 - 21	T18891	2D25	7	50 - 93
R80724	1B12	1	20 - 31	R97349	1D14	22	30 - 19	T18891	2E2	7	50 - 95
R80724	1B13	3	20 - 32	R97349	1D16	22	30 - 21	T18891	2E4	7	50 - 97
R80726	1A9	1	20 - 3	R97350	1D23	2	30 - 28	T18891	2E6	7	50 - 99
R80726	1A10	1	20 - 4	R97350	1D24	2	30 - 29	T18891	2E8	7	50 - 101
R80726	1A11	1	20 - 5	R97351	1B14	6	20 - 33	T18891	2F16	5	50 - 133
R80986	1B15	2	20 - 34	R97352	1B5	1	20 - 24	T18891	2F18	8	50 - 135
R81072	1B20	10	20 - 39	R97354	1E2	13	30 - 32	T18996	2G24	36	50 - 165
R81275	1D4	6	30 - 9	R97354	1E3	17	30 - 33	T19044	1A12	1	20 - 6
R82131	1D23	1	30 - 28	R97454	1B1	1	20 - 20	T19114	1D22	15	30 - 27
R82131	1D24	1	30 - 29	R97454	1B2	1	20 - 21	T19158	1D14	12	30 - 19
R82131	1D25	1	30 - 30	R97876	1C9	1	20 - 52	T19158	1D16	15	30 - 21
R82131	1D25	7	30 - 30	R97876	1C10	3	20 - 53	T19242	2D12	3	50 - 80
R82131	1E1	1	30 - 31	R97877	1C9	1	20 - 52	T19245	2D12	4	50 - 80
R82674	1A10	5	20 - 4	R97877	1C10	4	20 - 53	T19324	1D18	12	30 - 23
R82837	1D20	3	30 - 25	R98941	2D17	15	50 - 85	T20006	1D6	10	30 - 11
R82859	1D14	28	30 - 19	R98941	2F10	1	50 - 127	T20014	1A19	19	20 - 13
R82859	1D16	21	30 - 21	TY6333	4D25	21	80 - 93	T20034	1A24	5	20 - 18
R82951	1A23	10	20 - 17	TY6341	4D25	22	80 - 93	T20034	1A25	5	20 - 19
R82951	1A23	11	20 - 17	TY6665	4G8	14	90 - 49	T20046	1B8	9	20 - 27
R83064	1D14	27	30 - 19	T10510	4B2	9	80 - 21	T20050	1B20	7	20 - 39
R83064	1D14	...	30 - 19	T10510	4B3	5	80 - 22	T20055	1E2	3	30 - 32
R83064	1D16	27	30 - 21	T10510	4B4	12	80 - 23	T20055	1E3	3	30 - 33
R83064	1D16	...	30 - 21	T13073	3H22	38	70 - 117	T20072	1A19	17	20 - 13
R83169	1B1	7	20 - 20	T13119	2B4	17	50 - 23	T20073	1A19	20	20 - 13
R83169	1B2	7	20 - 21	T13119	2B6	4	50 - 25	T20077	1A19	10	20 - 13
R83508	3D7	16	70 - 5	T13119	2B22	1	50 - 41	T20088	1B15	3	20 - 34
R83508	3D9	16	70 - 7	T13119	2C4	24	50 - 47	T20094	1B8	6	20 - 27
R83508	3D17	19	70 - 15	T13119	3E3	4	70 - 26	T20094	1B9	8	20 - 28
R83508	3D23	19	70 - 21	T13213	1B17	7	20 - 36	T20129	1A19	9	20 - 13
R83554	1B14	3	20 - 33	T13325	2G24	32	50 - 165	T20130	1A21	4	20 - 15
R83554	1B14	4	20 - 33	T13331	2G24	17	50 - 165	T20130	1A23	4	20 - 17
R83588	4B24	5	80 - 43	T13332	2G24	17	50 - 165	T20133	1A21	4	20 - 15
R83588	4B24	17	80 - 43	T13333	2G24	17	50 - 165	T20133	1A23	4	20 - 17
R84099	1A23	1	20 - 17	T13341	2G24	9	50 - 165	T20155	1B1	1	20 - 20
R84984	1A10	4	20 - 4	T13471	2G24	18	50 - 165	T20155	1B2	1	20 - 21
R84984	1B1	12	20 - 20	T13555	3A11	9	60 - 5	T20159	1D4	6	30 - 9
R84984	1B2	12	20 - 21	T13744	1H2	5	40 - 54	T20166	1A13	3	20 - 7
R85363	1A9	1	20 - 3	T13744	1H3	2	40 - 55	T20168	1A10	11	20 - 4
R85363	1A10	1	20 - 4	T13744	1H5	8	40 - 57	T20168	1A11	11	20 - 5
R85363	1A11	1	20 - 5	T14059	2A13	21	50 - 7	T20168	1A17	6	20 - 11
R85363	1A17	1	20 - 11	T14647	3I7	14	70 - 127	T20168	2D7	31	50 - 75
R87627	1A19	22	20 - 13	T15284	4B6	10	80 - 25	T20176	1A19	11	20 - 13
R88112	1A21	3	20 - 15	T15284	4B8	18	80 - 27	T20193	1A21	3	20 - 15
R88112	1A21	8	20 - 15	T15285	4B6	4	80 - 25	T20193	1A21	8	20 - 15
R88112	1A23	3	20 - 17	T15285	4B8	5	80 - 27	T20204	1E24	5	40 - 2
R89219	1A19	15	20 - 13	T15288	4B6	5	80 - 25	T20215	1C9	2	20 - 52
R89220	1A19	15	20 - 13	T15288	4B8	4	80 - 27	T20217	1B10	2	20 - 29
R89221	1A19	15	20 - 13	T15634	1A23	9	20 - 17	T20219	1C9	6	20 - 52

1L12

TRACTORS (-429999) 2040S,2140

NUMERICAL INDEX - CONTINUED

PART NO.	GRID	KEY	PAGE	PART NO.	GRID	KEY	PAGE	PART NO.	GRID	KEY	PAGE
T20229	3G24	9	70 - 95	T21669	4B4	2	80 - 23	T22260	3A11	2	60 - 5
T20243	1C12	1	20 - 55	T21671	4A17	12	80 - 11	T22319	3E23	3	70 - 46
T20280	1B24	7	20 - 43	T21680	3F16	16	70 - 63	T22375	4A23	3	80 - 17
T20294	1B5	8	20 - 24	T21681	3F16	15	70 - 63	T22376	1C4	4	20 - 47
T20298	1B20	5	20 - 39	T21685	3H24	12	70 - 119	T22383	4D3	14	80 - 71
T20310	1A19	21	20 - 13	T21717	3A11	21	60 - 5	T22435	2D17	15	50 - 85
T20314	1A19	4	20 - 13	T21718	3A11	1	60 - 5	T22435	2F10	1	50 - 127
T20315	1A19	8	20 - 13	T21722	3A17	7	60 - 11	T22469	3E22	26	70 - 45
T20316	1A19	3	20 - 13	T21759	3I7	20	70 - 127	T22470	3F2	24	70 - 49
T20328	1B5	9	20 - 24	T21759	3I9	17	70 - 129	T22470	3F4	31	70 - 51
T20336	1B5	1	20 - 24	T21761	1G5	9	40 - 32	T22473	3E24	8	70 - 47
T20362	1B1	4	20 - 20	T21772	3C14	7	60 - 57	T22474	3E18	22	70 - 41
T20362	1B2	4	20 - 21	T21775	3C14	13	60 - 57	T22480	3A9	17	60 - 3
T20364	1B1	3	20 - 20	T21776	2D7	24	50 - 75	T22482	3A9	2	60 - 3
T21101	2D7	5	50 - 75	T21776	2E12	9	50 - 105	T22520	4C12	3	80 - 55
T21101	2D19	4	50 - 87	T21814	3C2	17	60 - 45	T22526	3A9	8	60 - 3
T21419	2F24	4	50 - 141	T21815	3C2	15	60 - 45	T22527	3A9	6	60 - 3
T21430	2F20	6	50 - 137	T21816	3C2	9	60 - 45	T22531	2A13	12	50 - 7
T21430	2F22	6	50 - 139	T21840	2F16	8	50 - 133	T22534	1E19	11	30 - 49
T21432	2F20	13	50 - 137	T21840	2F18	9	50 - 135	T22570	1F8	18	40 - 11
T21432	2F22	13	50 - 139	T21841	2F16	6	50 - 133	T22653	2A13	28	50 - 7
T21434	2F20	3	50 - 137	T21841	2F18	10	50 - 135	T22696	1E9	6	30 - 39
T21434	2F22	3	50 - 139	T21866	3A17	11	60 - 11	T22696	1E11	11	30 - 41
T21435	2F20	3	50 - 137	T21887	1F8	16	40 - 11	T22698	1E9	10	30 - 39
T21435	2F22	3	50 - 139	T21901	3I7	5	70 - 127	T22698	1E11	9	30 - 41
T21436	2F20	3	50 - 137	T21901	3I9	2	70 - 129	T22705	3I12	15	70 - 132
T21436	2F22	3	50 - 139	T21913	4A17	21	80 - 11	T22705	3I13	1	70 - 133
T21445	2A9	3	50 - 3	T21937	2D7	20	50 - 75	T22705	4C14	17	80 - 57
T21445	2A11	3	50 - 5	T21955	3F16	12	70 - 63	T22728	2B12	1	50 - 31
T21445	3A17	5	60 - 11	T21956	3E23	6	70 - 46	T22728	2B14	1	50 - 33
T21446	2A9	5	50 - 3	T21965	2D11	14	50 - 79	T22728	2B16	5	50 - 35
T21446	2A11	5	50 - 5	T21969	2D12	11	50 - 80	T22736	2D17	10	50 - 85
T21446	2A18	10	50 - 12	T21981	2D12	9	50 - 80	T22739	2E12	29	50 - 105
T21448	2A9	4	50 - 3	T21998	2B2	18	50 - 21	T22817	4B24	6	80 - 43
T21448	2A11	4	50 - 5	T22069	2G3	9	50 - 144	T22818	4B24	7	80 - 43
T21452	2B2	3	50 - 21	T22069	2G4	6	50 - 145	T22823	3A11	6	60 - 5
T21471	4G15	6	90 - 56	T22069	2G8	12	50 - 149	T22824	3A11	8	60 - 5
T21471	4G15	7	90 - 56	T22069	2G10	15	50 - 151	T22825	3A11	19	60 - 5
T21487	3F16	14	70 - 63	T22080	2G3	10	50 - 144	T22848	4A11	14	80 - 5
T21490	4D3	13	80 - 71	T22101	3C2	5	60 - 45	T22848	4A13	29	80 - 7
T21528	3A9	12	60 - 3	T22127	2C10	34	50 - 53	T22850	2A13	19	50 - 7
T21528	3A12	6	60 - 6	T22128	2D3	5	50 - 71	T22852	2D14	11	50 - 82
T21528	3A19	12	60 - 13	T22128	2D5	7	50 - 73	T22853	2D7	11	50 - 75
T21540	4A23	6	80 - 17	T22128	2D21	17	50 - 89	T22854	2D7	35	50 - 75
T21545	4B16	8	80 - 35	T22128	2D23	17	50 - 91	T22864	4A23	13	80 - 17
T21546	3A17	11	60 - 11	T22128	2D25	18	50 - 93	T22865	3F2	25	70 - 49
T21553	4B6	2	80 - 25	T22128	2E2	18	50 - 95	T22865	3F4	32	70 - 51
T21553	4B8	15	80 - 27	T22128	2E4	18	50 - 97	T22867	3E18	16	70 - 41
T21564	3E18	26	70 - 41	T22128	2E6	18	50 - 99	T22867	3E22	32	70 - 45
T21564	4G15	10	90 - 56	T22128	2E8	18	50 - 101	T22874	2A17	13	50 - 11
T21576	3C10	2	60 - 53	T22224	3E24	10	70 - 47	T22874	2F20	1	50 - 137
T21576	3C12	2	60 - 55	T22228	3E24	9	70 - 47	T22874	2F22	1	50 - 139
T21577	3C14	12	60 - 57	T22229	3E24	12	70 - 47	T22876	3F9	3	70 - 56
T21579	3C14	4	60 - 57	T22232	3E24	15	70 - 47	T22876	3F10	6	70 - 57
T21583	3C14	10	60 - 57	T22239	1E9	16	30 - 39	T22877	3F2	23	70 - 49
T21587	3C10	22	60 - 53	T22239	1E11	25	30 - 41	T22877	3F4	30	70 - 51
T21587	3C12	4	60 - 55	T22240	1E9	23	30 - 39	T22883	3F10	3	70 - 57
T21595	3C10	1	60 - 53	T22240	1E11	33	30 - 41	T22942	1B22	6	20 - 41
T21595	3C12	1	60 - 55	T22241	1E9	21	30 - 39	T22942	1B22	7	20 - 41
T21596	3C14	8	60 - 57	T22241	1E11	18	30 - 41	T22970	3E14	2	70 - 37
T21615	3E18	20	70 - 41	T22242	1E9	26	30 - 39	T22974	2D14	7	50 - 82
T21631	3E18	23	70 - 41	T22242	1E11	13	30 - 41	T22995	3H5	6	70 - 100
T21641	4G15	6	90 - 56	T22243	3G18	6	70 - 89	T22999	2G24	13	50 - 165
T21655	3A11	35	60 - 5	T22244	3G12	15	70 - 83	T23027	4D11	1	80 - 79
T21659	3A17	8	60 - 11	T22244	3G18	3	70 - 89	T23069	3H4	8	70 - 99
T21669	4B2	13	80 - 21	T22245	3G18	1	70 - 89	T23071	3H4	1	70 - 99
T21669	4B3	8	80 - 22	T22260	3A9	4	60 - 3	T23083	3E14	20	70 - 37

1L13

TRACTORS (-429999) 2040S,2140

NUMERICAL INDEX - CONTINUED

PART NO.	GRID	KEY	PAGE	PART NO.	GRID	KEY	PAGE	PART NO.	GRID	KEY	PAGE
T23118	4A23	11	80 - 17	T24918	2D11	11	50 - 79	T27261	1C12	14	20 - 55
T23162	3G8	11	70 - 79	T24945	1D14	21	30 - 19	T27350	1E9	27	30 - 39
T23170	4B2	3	80 - 21	T24945	1D16	5	30 - 21	T27511	4B18	1	80 - 37
T23170	4B3	2	80 - 22	T24999	2D7	10	50 - 75	T27645	4G22	6	90 - 63
T23170	4B4	9	80 - 23	T25285	3C14	15	60 - 57	T27645	4H9	6	90 - 75
T23216	3F16	17	70 - 63	T25323	3A11	34	60 - 5	T27657	1B1	11	20 - 20
T23244	2D9	11	50 - 77	T25325	3A11	31	60 - 5	T27658	1B1	8	20 - 20
T23247	1F8	22	40 - 11	T25326	3A11	32	60 - 5	T27658	1B2	8	20 - 21
T23247	4I4	20	90 - 95	T25327	3A11	29	60 - 5	T27671	1F14	12	40 - 17
T23262	1C22	12	30 - 3	T25332	3A11	15	60 - 5	T27716	2C2	20	50 - 45
T23263	1C24	16	30 - 5	T25333	3A11	14	60 - 5	T27716	2D17	3	50 - 85
T23426	2F14	20	50 - 131	T25334	3A11	14	60 - 5	T27716	2F10	5	50 - 127
T23435	1A10	16	20 - 4	T25395	2B19	5	50 - 38	T27720	4B22	5	80 - 41
T23442	1E2	12	30 - 32	T25408	2C22	12	50 - 65	T27720	4B24	10	80 - 43
T23442	1E3	16	30 - 33	T25408	2C24	9	50 - 67	T27860	1D23	4	30 - 28
T23474	1A10	12	20 - 4	T25469	1D14	27	30 - 19	T27860	1D24	5	30 - 29
T23474	1A11	12	20 - 5	T25469	1D16	27	30 - 21	T27973	1E17	6	30 - 47
T23517	1B8	7	20 - 27	T25614	2D17	6	50 - 85	T27974	1E17	5	30 - 47
T23590	1B14	7	20 - 33	T25614	2F10	2	50 - 127	T27986	1D4	7	30 - 9
T23604	1B10	4	20 - 29	T25671	4E10	5	90 - 3	T27989	3E18	14	70 - 41
T23614	1B5	10	20 - 24	T25741	3A11	19	60 - 5	T28030	1E2	15	30 - 32
T23624	1A24	1	20 - 18	T25767	3H25	3	70 - 120	T28041	1A21	2	20 - 15
T24157	4B22	5	80 - 41	T25767	3I1	4	70 - 121	T28041	1A23	2	20 - 17
T24157	4B24	10	80 - 43	T25840	4B2	15	80 - 21	T28244	4C17	4	80 - 60
T24169	3E24	5	70 - 47	T25840	4B3	10	80 - 22	T28245	3E18	13	70 - 41
T24171	3E24	7	70 - 47	T25921	4B2	14	80 - 21	T28284	2F6	5	50 - 123
T24181	3E24	4	70 - 47	T25921	4B3	9	80 - 22	T28285	2F6	5	50 - 123
T24393	1D14	10	30 - 19	T25921	4B4	3	80 - 23	T28286	2F6	5	50 - 123
T24393	1D16	8	30 - 21	T25922	4A23	18	80 - 17	T28345	3I7	15	70 - 127
T24395	2B12	11	50 - 31	T25922	4B2	10	80 - 21	T28346	3I7	9	70 - 127
T24395	2B14	11	50 - 33	T25922	4B3	6	80 - 22	T28362	3E23	11	70 - 46
T24395	2B16	12	50 - 35	T26058	1E2	4	30 - 32	T28435	1B14	3	20 - 33
T24460	1E2	13	30 - 32	T26058	1E3	4	30 - 33	T28435	1B14	4	20 - 33
T24460	1E3	17	30 - 33	T26197	2D17	14	50 - 85	T28435	1B14	5	20 - 33
T24472	1E6	11	30 - 36	T26321	1A24	10	20 - 18	T28538	3E22	21	70 - 45
T24472	1E7	11	30 - 37	T26321	1A25	10	20 - 19	T28548	3F16	25	70 - 63
T24485	3E22	37	70 - 45	T26323	1A24	2	20 - 18	T28631	1G4	12	40 - 31
T24540	3E22	19	70 - 45	T26324	1A25	1	20 - 19	T28664	2C10	17	50 - 53
T24607	1E2	5	30 - 32	T26325	1A24	8	20 - 18	T28664	2C10	26	50 - 53
T24607	1E2	6	30 - 32	T26326	1A24	6	20 - 18	T28680	2D17	12	50 - 85
T24607	1E3	5	30 - 33	T26326	1A25	6	20 - 19	T28745	1A23	11	20 - 17
T24607	1E3	6	30 - 33	T26327	1A24	7	20 - 18	T28797	2A9	2	50 - 3
T24608	1D22	6	30 - 27	T26327	1A25	7	20 - 19	T28797	2A11	2	50 - 5
T24608	1E2	5	30 - 32	T26454	3I7	8	70 - 127	T28801	2B2	3	50 - 21
T24608	1E2	6	30 - 32	T26565	1B8	4	20 - 27	T28801	2F18	17	50 - 135
T24608	1E3	5	30 - 33	T26565	1B16	5	20 - 35	T28807	2B22	4	50 - 41
T24608	1E3	6	30 - 33	T26565	2D3	4	50 - 71	T28827	2F24	16	50 - 141
T24619	1E2	6	30 - 32	T26565	2D5	6	50 - 73	T28832	2F24	21	50 - 141
T24619	1E3	6	30 - 33	T26565	2D21	16	50 - 89	T28915	4C23	1	80 - 66
T24647	1D22	11	30 - 27	T26565	2D23	16	50 - 91	T28949	3E5	10	70 - 28
T24690	3F16	13	70 - 63	T26565	2D25	16	50 - 93	T28949	3E6	10	70 - 29
T24691	2D13	14	50 - 81	T26565	2E2	16	50 - 95	T28991	3E5	13	70 - 28
T24729	2D3	6	50 - 71	T26565	2E4	16	50 - 97	T29177	4C23	4	80 - 66
T24729	2D5	5	50 - 73	T26565	2E6	16	50 - 99	T29185	1E15	6	30 - 45
T24729	2D21	18	50 - 89	T26565	2E8	16	50 - 101	T29210	4B4	5	80 - 23
T24729	2D23	18	50 - 91	T26625	3F2	26	70 - 49	T29211	4B4	4	80 - 23
T24729	2D25	19	50 - 93	T26625	3F4	33	70 - 51	T29218	4A23	18	80 - 17
T24729	2E2	19	50 - 95	T26626	3F2	6	70 - 49	T29219	4A23	17	80 - 17
T24729	2E4	19	50 - 97	T26626	3F4	7	70 - 51	T29239	2G24	24	50 - 165
T24729	2E6	19	50 - 99	T26904	3E18	21	70 - 41	T29240	2G24	3	50 - 165
T24729	2E8	19	50 - 101	T26905	3E23	2	70 - 46	T29241	2G24	26	50 - 165
T24730	2D11	5	50 - 79	T26929	4A23	19	80 - 17	T29242	2G24	20	50 - 165
T24730	2D12	8	50 - 80	T27136	3H24	5	70 - 119	T29243	2G24	6	50 - 165
T24731	2D11	18	50 - 79	T27258	3E19	3	70 - 42	T29311	3F16	7	70 - 63
T24732	2D12	12	50 - 80	T27259	3E19	1	70 - 42	T29320	3E16	3	70 - 39
T24736	2D13	4	50 - 81	T27260	3E19	4	70 - 42	T29388	1C7	4	20 - 50
T24737	2D13	9	50 - 81	T27260	3E20	4	70 - 43	T29388	4G6	1	90 - 47

1L14

TRACTORS (-429999) 2040S,2140

NUMERICAL INDEX - CONTINUED

PART NO.	GRID	KEY	PAGE	PART NO.	GRID	KEY	PAGE	PART NO.	GRID	KEY	PAGE
T29394	2F20	9	50 - 137	T31290	3A11	19	60 - 5	T57374	3D19	38	70 - 17
T29394	2F22	9	50 - 139	T31306	1B22	8	20 - 41	T58196	3D4	3	70 - 2
T29444	2F24	18	50 - 141	T31306	1B24	8	20 - 43	T58196	3D5	3	70 - 3
T29445	2F24	15	50 - 141	T31306	1B24	9	20 - 43	T58428	4I4	2	90 - 95
T29446	2F24	19	50 - 141	T31306	1C2	1	20 - 45	T59690	2F20	17	50 - 137
T29447	2F24	11	50 - 141	T31306	1C2	5	20 - 45	T59690	2F22	17	50 - 139
T29449	2F24	10	50 - 141	T31498	2F16	1	50 - 133	T64421	1E19	6	30 - 49
T29450	2F24	23	50 - 141	T31725	4A17	20	80 - 11	T65882	4D17	16	80 - 85
T29451	2F24	24	50 - 141	T31749	4B8	11	80 - 27	T68412	2A13	25	50 - 7
T29539	1E6	2	30 - 36	T31782	3I12	3	70 - 132	T75972	3E22	8	70 - 45
T29539	1E7	2	30 - 37	T32100	2F12	3	50 - 129	T75972	3E22	10	70 - 45
T29550	2G24	6	50 - 165	T32100	2F14	3	50 - 131	T75972	3E22	40	70 - 45
T29574	4D17	20	80 - 85	T32119	3F8	24	70 - 55	T77072	3E22	8	70 - 45
T29577	4D17	10	80 - 85	T32132	3F18	20	70 - 65	T77072	3E22	9	70 - 45
T29578	4D17	11	80 - 85	T32132	3F20	23	70 - 67	T77072	3E22	40	70 - 45
T29644	4A17	6	80 - 11	T32132	3F22	21	70 - 69	T80391	1G12	8	40 - 39
T29644	4A19	8	80 - 13	T32133	3F22	6	70 - 69	T80392	1G12	7	40 - 39
T29645	4A17	3	80 - 11	T32140	3F20	25	70 - 67	T80393	1G12	5	40 - 39
T29645	4A19	7	80 - 13	T32142	2D17	11	50 - 85	T80394	1G12	9	40 - 39
T29741	1E9	14	30 - 39	T32143	3F18	9	70 - 65	T80394	1G13	7	40 - 40
T29741	1E13	5	30 - 43	T32143	3F20	7	70 - 67	UN7121	4D25	8	80 - 93
T29742	1E9	14	30 - 39	T32143	3F22	8	70 - 69	UN7132	4D25	9	80 - 93
T29742	1E11	16	30 - 41	T32146	4A25	2	80 - 19	U11343	3C23	8	60 - 66
T29742	1E13	6	30 - 43	T32148	4A25	11	80 - 19	U11343	3E14	3	70 - 37
T29862	2F20	3	50 - 137	T32201	3G16	8	70 - 87	U12547	2F15	11	50 - 132
T29862	2F22	3	50 - 139	T32204	3G4	11	70 - 75	U12547	3C2	18	60 - 45
T29892	4A17	9	80 - 11	T32204	3G6	11	70 - 77	U12547	3D14	4	70 - 12
T29893	4A17	3	80 - 11	T32204	3G16	10	70 - 87	U12547	3D15	1	70 - 13
T29893	4A19	7	80 - 13	T32508	2A17	14	50 - 11	U12547	3D17	4	70 - 15
T29969	1E4	6	30 - 34	T32508	3E4	12	70 - 27	U12547	3D23	5	70 - 21
T30034	3I7	10	70 - 127	T32508	3E5	16	70 - 28	U12547	3G19	7	70 - 90
T30037	2G22	1	50 - 163	T32508	3E6	16	70 - 29	U12547	3G22	1	70 - 93
T30121	4D17	6	80 - 85	T32508	3E7	9	70 - 30	U12622	4A11	37	80 - 5
T30199	1D14	3	30 - 19	T32547	3F18	8	70 - 65	U13639	1A11	2	20 - 5
T30199	1D16	3	30 - 21	T32547	3F20	6	70 - 67	U13639	3D17	27	70 - 15
T30276	3I14	7	70 - 134	T32547	3F22	7	70 - 69	U13639	3D23	26	70 - 21
T30277	3I14	1	70 - 134	T32848	2C10	29	50 - 53	U15192	3B16	7	60 - 35
T30500	4A9	16	80 - 3	T32849	2C10	28	50 - 53	U15192	3H20	34	70 - 115
T30687	3C7	14	60 - 50	T33164	3G19	6	70 - 90	U15192	3H22	25	70 - 117
T30712	4A9	4	80 - 3	T33279	1B1	12	20 - 20	U15969	3H12	20	70 - 107
T30712	4D17	5	80 - 85	T33279	1B2	12	20 - 21	U17409	3C2	1	60 - 45
T30738	1D23	1	30 - 28	T33388	2F18	21	50 - 135	U17409	3C2	18	60 - 45
T30738	1D24	1	30 - 29	T34546	4B8	3	80 - 27	U46335	3B16	9	60 - 35
T30738	1D25	1	30 - 30	T34548	4B8	12	80 - 27	U46662	1H13	38	40 - 65
T30766	2G3	1	50 - 144	T35126	1D22	22	30 - 27	W19897	3E22	11	70 - 45
T30766	2G6	2	50 - 147	T35126	3B8	29	60 - 27	W19898	3E22	11	70 - 45
T30766	2G8	4	50 - 149	T35126	3B10	30	60 - 29	W20088	3E22	11	70 - 45
T30766	2G10	6	50 - 151	T36034	4A23	18	80 - 17	Z22588	1H5	6	40 - 57
T30766	2G12	5	50 - 153	T37041	4G6	7	90 - 47	Z22760	2G8	2	50 - 149
T30766	2G20	6	50 - 161	T40308	3D19	39	70 - 17	Z22760	2G10	4	50 - 151
T30767	2G3	2	50 - 144	T40728	3I12	16	70 - 132	Z22760	2G12	3	50 - 153
T30767	2G6	1	50 - 147	T40728	3I13	12	70 - 133	Z22760	2G20	4	50 - 161
T30789	2B18	20	50 - 37	T40728	4C14	16	80 - 57	Z24799	1F14	16	40 - 17
T30793	2G21	1	50 - 162	T40983	4A23	18	80 - 17	Z24800	1F14	3	40 - 17
T30798	2G6	8	50 - 147	T41072	1G18	9	40 - 45	Z24800	1F16	25	40 - 19
T30799	2G6	20	50 - 147	T41072	1H5	13	40 - 57	Z24801	1F14	26	40 - 17
T30802	2G22	1	50 - 163	T42971	3A17	14	60 - 11	Z24810	1F14	21	40 - 17
T30803	2G12	12	50 - 153	T439T	3H6	3	70 - 101	Z26998	1G12	6	40 - 39
T30803R	2G6	15	50 - 147	T44604	2C24	14	50 - 67	Z26998	1G13	2	40 - 40
T30804	2G22	5	50 - 163	T44946	1G18	6	40 - 45	Z27993	3A25	12	60 - 19
T30897	1C12	16	20 - 55	T44946	4G12	13	90 - 53	Z27993	3B8	2	60 - 27
T30917	3F16	5	70 - 63	T44948	3E22	9	70 - 45	Z27993	3B10	2	60 - 29
T30918	3F16	4	70 - 63	T47769	3E22	10	70 - 45	Z31348	3A23	1	60 - 17
T30991	4B2	14	80 - 21	T49189	3C7	9	60 - 50	Z31348	3B2	3	60 - 21
T30991	4B3	9	80 - 22	T497T	4A9	12	80 - 3	Z31349	3A23	4	60 - 17
T31134	3C7	5	60 - 50	T497T	4A9	20	80 - 3	Z31349	3B2	8	60 - 21
T31170	2F15	10	50 - 132	T50240	3B16	10	60 - 35	Z31350	3A23	5	60 - 17

1L15

TRACTORS (-429999) 2040S,2140

NUMERICAL INDEX - CONTINUED

PART NO.	GRID	KEY	PAGE	PART NO.	GRID	KEY	PAGE	PART NO.	GRID	KEY	PAGE
Z31350	3B2	9	60-21	08H4370	4B22	7	80-41	12H290	1G14	6	40-41
Z31351	3A23	7	60-17	08H4370	4B22	8	80-41	12H292	1G2	11	40-29
Z31351	3B2	11	60-21	08H4451	3H4	11	70-99	12H292	1G5	14	40-32
Z31352	3A23	9	60-17	08H4505	3G4	5	70-75	12H292	1G6	4	40-33
Z31352	3B2	13	60-21	08H4505	3G6	3	70-77	12H292	1G14	14	40-41
Z31353	3A23	10	60-17	08H4505	3H2	14	70-97	12H294	3H24	18	70-119
Z31353	3B2	14	60-21	08H4694	4B24	13	80-43	12H294	4A9	11	80-3
Z31354	3A23	13	60-17	08H4757	4B22	8	80-41	12H294	4A23	4	80-17
Z31354	3B2	16	60-21	08H4761	4C2	6	80-45	12H294	4C4	3	80-47
Z31355	3A23	15	60-17	08H4762	4B20	5	80-39	12H294	4D11	16	80-79
Z31356	3A23	19	60-17	08H4766	4B24	12	80-43	12H294	4D13	16	80-81
Z31356	3B2	17	60-21	08H4766	4B24	13	80-43	12H294	4E10	7	90-3
Z31358	3A23	22	60-17	08H4766	4C2	5	80-45	12H297	3A17	10	60-11
Z31358	3B2	20	60-21	10H1157	4A21	5	80-15	12H301	1E19	8	30-49
Z31360	3A23	27	60-17	11H206	3F2	21	70-49	12H301	2G3	12	50-144
Z31360	3B2	25	60-21	11H206	3F4	28	70-51	12H301	2G4	9	50-145
Z31364	3A23	14	60-17	11H211	2B2	8	50-21	12H301	2G6	21	50-147
Z31364	3B2	29	60-21	11H211	2F18	4	50-135	12H301	2G8	15	50-149
Z31452	3A23	3	60-17	11H211	3C10	5	60-53	12H301	2G12	24	50-153
Z31452	3B2	4	60-21	11H211	3C12	5	60-55	12H301	2G20	24	50-161
Z31453	3A23	21	60-17	11H211	3C14	2	60-57	12H301	3C7	13	60-50
Z31453	3B2	19	60-21	11H218	3I7	4	70-127	12H301	3H16	28	70-111
Z31454	3A23	24	60-17	11H218	3I9	1	70-129	12H301	3H20	28	70-115
Z31454	3B2	21	60-21	11H218	4B2	8	80-21	12H301	3H22	18	70-117
Z31455	3A23	6	60-17	11H218	4B3	3	80-22	12H301	4A11	36	80-5
Z31455	3B2	5	60-21	11H218	4B4	10	80-23	12H301	4A13	10	80-7
Z31456	3A23	26	60-17	11H222	2G24	28	50-165	12H301	4B10	9	80-29
Z31456	3B2	24	60-21	11H231	3C10	4	60-53	12H301	4D4	4	80-72
Z32994	3B8	20	60-27	11H231	3C12	6	60-55	12H302	1F8	4	40-11
Z32994	3B10	20	60-29	11H236	3C14	16	60-57	12H303	1E2	14	30-32
Z35542	1F2	21	40-5	11H239	2G24	4	50-165	12H303	1E3	18	30-33
Z42047	1F2	25	40-5	11H240	3A17	18	60-11	12H303	3G10	7	70-81
Z42047	1F4	24	40-7	11H240	3C14	14	60-57	12H303	4B16	1	80-35
Z42047	1F6	10	40-9	11H240	4B10	1	80-29	12H304	1A21	5	20-15
Z42048	1F4	19	40-7	11M1387	4A9	13	80-3	12H304	1A23	5	20-17
Z42048	1F6	19	40-9	11M7005	3I9	7	70-129	12H304	1B14	2	20-33
Z42049	1F2	12	40-5	11M7008	4A17	2	80-11	12H304	1B17	3	20-36
Z42049	1F4	12	40-7	11M7008	4A19	6	80-13	12H304	1B20	3	20-39
Z44576	1F24	4	40-27	11M7009	2C6	25	50-49	12H304	1C12	6	20-55
03H1519	3G8	5	70-79	11M7012	2G14	29	50-155	12H304	1D4	5	30-9
03H1519	4C8	2	80-51	11M7012	2G16	32	50-157	12H304	1D14	24	30-19
03H1519	4C8	10	80-51	11M7019	3F6	20	70-53	12H304	1D16	24	30-21
03H1557	4C9	1	80-52	11M7019	3I12	2	70-132	12H304	1D22	4	30-27
03H1557	4C10	1	80-53	11M7019	3I13	4	70-133	12H304	1E17	11	30-47
03H1765	3F2	9	70-49	11M7020	3I9	20	70-129	12H304	1F8	14	40-11
03H1765	3F4	9	70-51	11M7020	4F24	2	90-41	12H304	1F14	34	40-17
03H2120	3G12	20	70-83	11M7021	1C4	10	20-47	12H304	1F16	33	40-19
03H2131	3G12	2	70-83	11M7023	3B12	14	60-31	12H304	3A19	9	60-13
03H2131	4D22	4	80-90	11M7023	4A9	13	80-3	12H304	3D4	6	70-2
03H2275	3E5	3	70-28	11M7023	4A9	14	80-3	12H304	3D5	7	70-3
03H2275	3E6	3	70-29	11M7028	2A13	14	50-7	12H304	3F2	19	70-49
03H2275	3G19	3	70-90	11M7030	4A11	16	80-5	12H304	3F8	23	70-55
03H2275	4C12	8	80-55	11M7030	4A13	1	80-7	12H304	3G8	9	70-79
03M7068	4F18	11	90-35	11M7030	4B16	12	80-35	12H304	3G12	18	70-83
03M7099	4G24	10	90-65	11M7032	3B20	6	60-39	12H304	3H5	4	70-100
03M7099	4H5	4	90-71	11M7077	1E9	24	30-39	12H304	3H16	13	70-111
03M7099	4H11	10	90-77	11M7077	1E11	32	30-41	12H304	3H20	13	70-115
03M7113	4C14	9	80-57	11M7087	2H15	3	50-181	12H304	3H22	14	70-117
03M7191	4C14	21	80-57	11M7087	2H17	2	50-183	12H304	4A23	15	80-17
03M7264	4C8	2	80-51	11M7087	3B22	3	60-41	12H304	4B10	12	80-29
03M7264	4C8	10	80-51	12H236	3H22	33	70-117	12H304	4D3	4	80-71
08H4136	3I12	12	70-132	12H236	4A23	10	80-17	12H310	1G5	12	40-32
08H4136	3I13	9	70-133	12H236	4B10	4	80-29	12H310	1G6	8	40-33
08H4220	4A25	12	80-19	12H236	4B12	19	80-31	12H317	1E3	13	30-33
08H4248	4A25	8	80-19	12H236	4B14	14	80-33	12H324	1A13	2	20-7
08H4268	3C10	21	60-53	12H236	4B24	2	80-43	12H325	1E15	4	30-45
08H4268	3C12	22	60-55	12H245	4B24	8	80-43	12H325	4H23	7	90-89

1L16

TRACTORS (-429999) 2040S,2140

NUMERICAL INDEX - CONTINUED

PART NO.	GRID	KEY	PAGE	PART NO.	GRID	KEY	PAGE	PART NO.	GRID	KEY	PAGE
12M5442	1F14	10	40 - 17	14H1040	4G20	11	90 - 61	14H812	3G12	17	70 - 83
12M7006	4E14	15	90 - 7	14H1040	4H12	2	90 - 78	14H812	3G19	4	70 - 90
12M7008	1F14	10	40 - 17	14H1058	4A19	10	80 - 13	14H812	3H4	21	70 - 99
12M7008	1F16	3	40 - 19	14H1058	4B6	6	80 - 25	14H812	4C7	2	80 - 50
12M7008	4H15	42	90 - 81	14H1058	4B8	6	80 - 27	14H812	4C8	5	80 - 51
12M7008	4H17	6	90 - 83	14H1076	3F2	3	70 - 49	14H812	4C9	6	80 - 52
12M7011	1G4	14	40 - 31	14H1076	3F4	3	70 - 51	14H812	4C10	6	80 - 53
12M7012	4H15	3	90 - 81	14H1086	4B2	11	80 - 21	14H812	4C12	4	80 - 55
12M7013	1F14	5	40 - 17	14H1086	4B3	4	80 - 22	14H812	4C14	13	80 - 57
12M7013	1F16	28	40 - 19	14H1086	4B4	11	80 - 23	14H812	4C17	5	80 - 60
12M7013	2A17	16	50 - 11	14H1086	4B10	2	80 - 29	14H812	4C18	5	80 - 61
12M7013	4H15	21	90 - 81	14H1086	4B16	13	80 - 35	14H812	4C19	4	80 - 62
12M7013	4H19	21	90 - 85	14H631	1G2	7	40 - 29	14H812	4D3	5	80 - 71
12M7015	1G8	4	40 - 35	14H631	2B18	12	50 - 37	14H812	4D22	7	80 - 90
12M7032	4G24	24	90 - 65	14H732	3C7	8	60 - 50	14H821	4A25	10	80 - 19
12M7032	4H11	23	90 - 77	14H732	3F9	2	70 - 56	14H821	4D11	11	80 - 79
12M7044	4A25	7	80 - 19	14H732	3F10	5	70 - 57	14H821	4D13	11	80 - 81
12M7060	1F6	25	40 - 9	14H732	3F11	14	70 - 58	14H826	1A12	5	20 - 6
12M7060	1F18	12	40 - 21	14H732	3H5	7	70 - 100	14H826	1B20	6	20 - 39
12M7060	1F20	8	40 - 23	14H732	4D3	7	80 - 71	14H826	2F18	20	50 - 135
12M7060	1H9	5	40 - 61	14H774	1B1	12	20 - 20	14H832	3E19	2	70 - 42
12M7060	4D3	6	80 - 71	14H774	1B2	12	20 - 21	14H832	3E20	3	70 - 43
12M7060	4F2	14	90 - 19	14H774	2B2	9	50 - 21	14H846	4B10	13	80 - 29
12M7060	4G2	15	90 - 43	14H774	2B2	10	50 - 21	14H850	1E9	25	30 - 39
12M7064	4C24	10	80 - 67	14H778	1G16	6	40 - 43	14H850	1E11	12	30 - 41
12M7065	1D14	4	30 - 19	14H778	1H2	8	40 - 54	14H850	1E15	7	30 - 45
12M7065	1D16	2	30 - 21	14H778	1H3	6	40 - 55	14H856	3F16	8	70 - 63
12M7065	1E2	18	30 - 32	14H778	1H5	11	40 - 57	14H865	1A24	2	20 - 18
12M7065	2D7	6	50 - 75	14H785	1C4	3	20 - 47	14H865	1A25	12	20 - 19
12M7065	3H8	12	70 - 103	14H785	1D14	11	30 - 19	14H865	1G6	6	40 - 33
12M7065	4B16	1	80 - 35	14H785	1D16	10	30 - 21	14H865	4B10	10	80 - 29
12M7065	4H22	8	90 - 88	14H785	1E2	14	30 - 32	14H882	3F16	2	70 - 63
12M7066	3A25	3	60 - 19	14H785	1E3	18	30 - 33	14H888	1E3	14	30 - 33
12M7066	4B14	5	80 - 33	14H785	1E25	1	40 - 3	14H888	4B18	5	80 - 37
12M7066	4G12	15	90 - 53	14H785	2D7	7	50 - 75	14H902	3A17	16	60 - 11
12M7075	1F2	17	40 - 5	14H785	2D19	5	50 - 87	14H904	3A9	21	60 - 3
12M7075	1F4	16	40 - 7	14H785	3A9	14	60 - 3	14H904	3A12	2	60 - 6
12M7078	4H15	41	90 - 81	14H785	3A12	8	60 - 6	14H905	3H22	32	70 - 117
12M7078	4H17	2	90 - 83	14H785	3E24	18	70 - 47	14H920	2G24	37	50 - 165
12M7081	4F4	2	90 - 21	14H785	3G10	6	70 - 81	14H934	1E15	5	30 - 45
12M7081	4F14	4	90 - 31	14H785	3H24	13	70 - 119	14H952	1F8	5	40 - 11
12M7081	4F21	6	90 - 38	14H785	4G16	4	90 - 57	14H971	2D7	25	50 - 75
12M7081	4I4	7	90 - 95	14H785	4G20	3	90 - 61	14H971	2E12	10	50 - 105
12M7082	4H15	51	90 - 81	14H785	4H7	3	90 - 73	14M5409	3B12	15	60 - 31
12M7083	2C12	5	50 - 55	14H785	4H22	7	90 - 88	14M7015	4E12	6	90 - 5
12M7086	4B2	18	80 - 21	14H786	4C23	7	80 - 66	14M7020	2H3	6	50 - 169
12M7089	2G14	33	50 - 155	14H786	4D23	3	80 - 91	14M7028	1B3	4	20 - 22
12M7089	2G16	34	50 - 157	14H800	4B22	6	80 - 41	14M7028	1F6	24	40 - 9
12M7091	1F22	15	40 - 25	14H800	4B24	11	80 - 43	14M7028	1F18	10	40 - 21
14H1021	3D19	26	70 - 17	14H808	4B20	4	80 - 39	14M7028	1F20	6	40 - 23
14H1021	3D25	21	70 - 23	14H812	1B1	12	20 - 20	14M7028	1F24	10	40 - 27
14H1039	2A13	9	50 - 7	14H812	1B2	12	20 - 21	14M7028	1G2	9	40 - 29
14H1039	3I12	13	70 - 132	14H812	1C12	11	20 - 55	14M7028	1G10	18	40 - 37
14H1039	3I13	10	70 - 133	14H812	1D6	4	30 - 11	14M7028	1H10	18	40 - 62
14H1039	4A17	10	80 - 11	14H812	1D22	23	30 - 27	14M7028	3I11	14	70 - 131
14H1039	4A21	4	80 - 15	14H812	1F14	19	40 - 17	14M7028	4C16	14	80 - 59
14H1039	4C2	4	80 - 45	14H812	1F16	35	40 - 19	14M7028	4F4	10	90 - 21
14H1039	4C4	4	80 - 47	14H812	2A17	6	50 - 11	14M7028	4F8	14	90 - 25
14H1039	4C12	10	80 - 55	14H812	3B8	36	60 - 27	14M7030	1D18	7	30 - 23
14H1039	4C14	15	80 - 57	14H812	3B10	35	60 - 29	14M7139	1C5	6	20 - 48
14H1039	4D11	5	80 - 79	14H812	3C10	10	60 - 53	14M7139	1C6	6	20 - 49
14H1039	4D13	3	80 - 81	14H812	3E4	1	70 - 27	14M7139	1F22	14	40 - 25
14H1039	4E10	8	90 - 3	14H812	3E5	6	70 - 28	14M7139	1G8	5	40 - 35
14H1040	1E19	7	30 - 49	14H812	3E6	6	70 - 29	14M7139	4I7	3	90 - 98
14H1040	1G5	7	40 - 32	14H812	3E7	1	70 - 30	14M7140	3F8	14	70 - 55
14H1040	1G14	12	40 - 41	14H812	3G2	27	70 - 73	14M7140	3F11	5	70 - 58
14H1040	4A13	11	80 - 7	14H812	3G8	10	70 - 79	14M7140	4H15	35	90 - 81

1L17

TRACTORS (-429999) 2040S,2140

NUMERICAL INDEX - CONTINUED

PART NO.	GRID	KEY	PAGE	PART NO.	GRID	KEY	PAGE	PART NO.	GRID	KEY	PAGE
14M7140	4H17	10	90 - 83	14M7273	1F6	27	40 - 9	14M7314	3B20	7	60 - 39
14M7141	4C14	14	80 - 57	14M7273	1G16	2	40 - 43	14M7319	4A13	9	80 - 7
14M7145	3F8	6	70 - 55	14M7273	2C2	17	50 - 45	14M7324	4B10	24	80 - 29
14M7149	2H21	14	50 - 187	14M7273	2C14	33	50 - 57	14M7324	4B12	5	80 - 31
14M7151	1F14	9	40 - 17	14M7273	2C16	33	50 - 59	14M7325	4B10	22	80 - 29
14M7151	1F16	2	40 - 19	14M7273	2D25	21	50 - 93	14M7325	4B12	12	80 - 31
14M7152	1F14	6	40 - 17	14M7273	2E2	21	50 - 95	14M7327	2D19	6	50 - 87
14M7152	1F16	29	40 - 19	14M7273	2E4	26	50 - 97	14M7327	2E12	2	50 - 105
14M7165	2G16	21	50 - 157	14M7273	2E6	26	50 - 99	14M7327	3F2	14	70 - 49
14M7165	4A11	32	80 - 5	14M7273	2E8	26	50 - 101	14M7327	3F2	26	70 - 49
14M7165	4E22	2	90 - 15	14M7273	2F14	6	50 - 131	14M7327	3F4	14	70 - 51
14M7165	4F2	20	90 - 19	14M7273	2H3	5	50 - 169	14M7327	3F4	33	70 - 51
14M7165	4F8	25	90 - 25	14M7273	3B12	6	60 - 31	14M7327	4A11	18	80 - 5
14M7165	4F18	7	90 - 35	14M7273	3B20	1	60 - 39	14M7327	4A13	23	80 - 7
14M7165	4H3	30	90 - 69	14M7273	3E14	18	70 - 37	14M7327	4A15	4	80 - 9
14M7167	1G12	4	40 - 39	14M7273	3F6	17	70 - 53	14M7327	4E14	32	90 - 7
14M7167	1G13	4	40 - 40	14M7273	3F8	4	70 - 55	14M7327	4G2	26	90 - 43
14M7167	1G13	11	40 - 40	14M7273	3F11	3	70 - 58	14M7327	4I4	19	90 - 95
14M7167	3A21	13	60 - 15	14M7273	3G2	15	70 - 73	14M7331	2H17	3	50 - 183
14M7167	4H15	36	90 - 81	14M7273	4C16	18	80 - 59	14M7331	3B22	4	60 - 41
14M7167	4I2	14	90 - 93	14M7273	4D9	4	80 - 77	14M7332	4B18	9	80 - 37
14M7168	4F18	6	90 - 35	14M7273	4F12	1	90 - 29	14M7360	4C24	9	80 - 67
14M7174	4H15	25	90 - 81	14M7273	4F16	2	90 - 33	14M7360	4D3	6	80 - 71
14M7185	4F24	11	90 - 41	14M7273	4G24	23	90 - 65	14M7360	4E24	5	90 - 17
14M7194	1G10	23	40 - 37	14M7273	4H1	8	90 - 67	14M7361	4H19	20	90 - 85
14M7203	2G14	22	50 - 155	14M7273	4H11	22	90 - 77	14M7376	3I3	21	70 - 123
14M7203	2G16	1	50 - 157	14M7273	4H11	29	90 - 77	14M7376	4C14	4	80 - 57
14M7209	3A19	2	60 - 13	14M7273	4H17	3	90 - 83	14M7376	4C14	23	80 - 57
14M7209	3A21	2	60 - 15	14M7273	4H21	12	90 - 87	14M7393	4H5	15	90 - 71
14M7226	4H15	17	90 - 81	14M7273	4I4	27	90 - 95	14M7426	4H5	23	90 - 71
14M7253	4E15	5	90 - 8	14M7274	1C24	6	30 - 5	14M7477	3B8	5	60 - 27
14M7253	4F8	12	90 - 25	14M7274	2B2	11	50 - 21	14M7477	3B8	42	60 - 27
14M7257	3C16	28	60 - 59	14M7274	3G2	3	70 - 73	14M7477	3B10	7	60 - 29
14M7257	3C18	30	60 - 61	14M7274	4B14	6	80 - 33	14M7477	3B10	40	60 - 29
14M7257	3C20	4	60 - 63	14M7274	4C14	8	80 - 57	15H255	1A10	15	20 - 4
14M7257	3C22	4	60 - 65	14M7274	4F24	6	90 - 41	15H255	1D4	8	30 - 9
14M7272	1E9	8	30 - 39	14M7274	4G8	4	90 - 49	15H275	1A11	5	20 - 5
14M7272	1E11	23	30 - 41	14M7275	4D3	30	80 - 71	15H558	1A11	7	20 - 5
14M7272	1F16	12	40 - 19	14M7275	4H21	16	90 - 87	15H558	1D25	2	30 - 30
14M7272	1G4	5	40 - 31	14M7276	4A19	9	80 - 13	15H558	1D25	3	30 - 30
14M7272	1G8	16	40 - 35	14M7276	4C14	14	80 - 57	15H558	1E1	3	30 - 31
14M7272	1G10	20	40 - 37	14M7276	4F24	12	90 - 41	15H558	2B7	2	50 - 26
14M7272	3B8	8	60 - 27	14M7277	4B4	6	80 - 23	15H558	3B14	6	60 - 33
14M7272	3B10	10	60 - 29	14M7284	3I3	14	70 - 123	15H558	3E22	25	70 - 45
14M7272	3C6	9	60 - 49	14M7284	3I3	27	70 - 123	15H559	3E22	24	70 - 45
14M7272	4A15	16	80 - 9	14M7289	4B18	5	80 - 37	15H560	3A11	24	60 - 5
14M7272	4C14	3	80 - 57	14M7289	4B20	3	80 - 39	15H560	3D19	14	70 - 17
14M7272	4C16	6	80 - 59	14M7296	4C8	2	80 - 51	15H561	1C9	5	20 - 52
14M7272	4C24	5	80 - 67	14M7296	4C8	11	80 - 51	15H561	1C9	11	20 - 52
14M7272	4C25	10	80 - 68	14M7298	2H5	4	50 - 171	15H562	1A11	8	20 - 5
14M7272	4D3	17	80 - 71	14M7298	4D3	11	80 - 71	15H562	2D7	2	50 - 75
14M7272	4E14	14	90 - 7	14M7304	2H19	11	50 - 185	15H562	2D19	9	50 - 87
14M7272	4E18	6	90 - 11	14M7305	2H15	4	50 - 181	15H562	2E12	25	50 - 105
14M7272	4E22	17	90 - 15	14M7305	3A17	17	60 - 11	15H562	3E18	17	70 - 41
14M7272	4E23	13	90 - 16	14M7305	3A17	19	60 - 11	15H562	3E22	22	70 - 45
14M7272	4F4	1	90 - 21	14M7305	3A17	21	60 - 11	15H584	1C12	19	20 - 55
14M7272	4F14	6	90 - 31	14M7305	3A17	22	60 - 11	15H584	2D7	21	50 - 75
14M7272	4F18	19	90 - 35	14M7305	4B10	7	80 - 29	15H584	2E12	7	50 - 105
14M7272	4F21	7	90 - 38	14M7305	4B10	14	80 - 29	15H624	1A11	4	20 - 5
14M7272	4I4	11	90 - 95	14M7305	4B10	15	80 - 29	15H624	3H20	36	70 - 115
14M7273	1C22	14	30 - 3	14M7305	4B10	19	80 - 29	15H624	3H22	27	70 - 117
14M7273	1C24	19	30 - 5	14M7306	2H5	2	50 - 171	15H625	3H16	36	70 - 111
14M7273	1D2	13	30 - 7	14M7308	2H3	22	50 - 169	15H638	1D4	11	30 - 9
14M7273	1D8	6	30 - 13	14M7308	2H7	5	50 - 173	15H638	3C2	12	60 - 45
14M7273	1D10	6	30 - 15	14M7308	2H9	5	50 - 175	15H638	3E18	1	70 - 41
14M7273	1D12	6	30 - 17	14M7309	2H7	3	50 - 173	15H638	3E18	25	70 - 41
14M7273	1D18	21	30 - 23	14M7309	2H9	3	50 - 175	15H638	4G15	1	90 - 56

1L18

TRACTORS (-429999) 2040S,2140

NUMERICAL INDEX - CONTINUED

PART NO.	GRID	KEY	PAGE	PART NO.	GRID	KEY	PAGE	PART NO.	GRID	KEY	PAGE
15H638	4G15	7	90 - 56	19H1732	3D5	5	70 - 3	19H1813	4G22	3	90 - 63
15H638	4G15	9	90 - 56	19H1732	3E4	13	70 - 27	19H1813	4H9	3	90 - 75
15H665	1A11	8	20 - 5	19H1732	3E5	7	70 - 28	19H1815	1C24	8	30 - 5
15H665	2E4	22	50 - 97	19H1732	3E6	7	70 - 29	19H1815	3E23	7	70 - 46
15H665	2E6	22	50 - 99	19H1732	3E7	14	70 - 30	19H1815	3I14	3	70 - 134
15H665	2E8	22	50 - 101	19H1732	3H2	12	70 - 97	19H1819	2B12	9	50 - 31
15H665	2E12	25	50 - 105	19H1732	3I14	4	70 - 134	19H1819	2B16	10	50 - 35
15M2714	1B22	13	20 - 41	19H1732	4A11	6	80 - 5	19H1819	2C6	22	50 - 49
15M2714	1B24	13	20 - 43	19H1732	4A13	2	80 - 7	19H1819	4C21	8	80 - 64
15M2714	1C2	4	20 - 45	19H1732	4C18	8	80 - 61	19H1819	4C22	3	80 - 65
15M6139	3B8	21	60 - 27	19H1732	4C19	2	80 - 62	19H1820	3D7	2	70 - 5
15M6139	3B10	21	60 - 29	19H1732	4G8	3	90 - 49	19H1820	3D9	2	70 - 7
15M7025	2H11	21	50 - 177	19H1733	1A19	6	20 - 13	19H1831	3E18	2	70 - 41
15M7025	2H13	20	50 - 179	19H1733	1B1	14	20 - 20	19H1831	3G18	4	70 - 89
15M7026	2H15	25	50 - 181	19H1733	1B2	16	20 - 21	19H1831	3H8	2	70 - 103
15M7027	2H17	24	50 - 183	19H1733	1B17	9	20 - 36	19H1831	4A11	4	80 - 5
16M5456	4E20	3	90 - 13	19H1733	4D3	22	80 - 71	19H1831	4G15	2	90 - 56
16M7014	3C14	9	60 - 57	19H1734	3H24	8	70 - 119	19H1831	4G16	9	90 - 57
16M7061	4G24	9	90 - 65	19H1734	4A9	10	80 - 3	19H1831	4H7	6	90 - 73
16M7061	4H11	9	90 - 77	19H1734	4D7	3	80 - 75	19H1833	4C18	2	80 - 61
16M7091	4D3	27	80 - 71	19H1739	3G18	4	70 - 89	19H1833	4D11	8	80 - 79
16M7107	4H3	21	90 - 69	19H1756	2B2	12	50 - 21	19H1833	4D13	6	80 - 81
19H1019	2B14	9	50 - 33	19H1756	4A21	6	80 - 15	19H1849	1D23	5	30 - 28
19H1116	1C9	1	20 - 52	19H1765	1E13	23	30 - 43	19H1849	1D24	6	30 - 29
19H1116	1C10	1	20 - 53	19H1765	3A9	11	60 - 3	19H1849	3G10	9	70 - 81
19H1227	3A17	9	60 - 11	19H1765	3G12	22	70 - 83	19H1849	4B16	17	80 - 35
19H1708	3H24	8	70 - 119	19H1765	3G18	2	70 - 89	19H1854	1E24	10	40 - 2
19H1708	4A9	10	80 - 3	19H1765	4C21	1	80 - 64	19H1863	4A17	5	80 - 11
19H1715	4A19	12	80 - 13	19H1768	4A23	9	80 - 17	19H1863	4A23	5	80 - 17
19H1715	4A23	16	80 - 17	19H1768	4B10	3	80 - 29	19H1871	4D11	10	80 - 79
19H1721	1B10	1	20 - 29	19H1768	4B12	20	80 - 31	19H1871	4D13	1	80 - 81
19H1721	2D21	3	50 - 89	19H1768	4B14	13	80 - 33	19H1875	1D14	5	30 - 19
19H1721	2D23	3	50 - 91	19H1777	2E4	4	50 - 97	19H1875	1D16	1	30 - 21
19H1721	2D25	4	50 - 93	19H1777	2E6	4	50 - 99	19H1892	4A25	13	80 - 19
19H1721	2E2	4	50 - 95	19H1777	4A11	4	80 - 5	19H1894	1E17	10	30 - 47
19H1721	2E8	4	50 - 101	19H1777	4A13	19	80 - 7	19H1895	3H4	3	70 - 99
19H1721	2G3	13	50 - 144	19H1792	1C5	2	20 - 48	19H1895	4D4	5	80 - 72
19H1721	2G4	10	50 - 145	19H1792	1C7	6	20 - 50	19H1897	1E25	4	40 - 3
19H1721	2G6	22	50 - 147	19H1792	1G14	11	40 - 41	19H1900	1C4	1	20 - 47
19H1721	2G8	16	50 - 149	19H1792	2G22	8	50 - 163	19H1900	1D14	8	30 - 19
19H1721	2G12	25	50 - 153	19H1792	3E18	29	70 - 41	19H1900	1D16	7	30 - 21
19H1721	2G20	25	50 - 161	19H1792	4G22	4	90 - 63	19H1900	3G4	2	70 - 75
19H1721	3E18	9	70 - 41	19H1792	4H9	4	90 - 75	19H1900	3G6	1	70 - 77
19H1721	3G18	5	70 - 89	19H1800	1B14	2	20 - 33	19H1900	3G16	14	70 - 87
19H1721	3I14	5	70 - 134	19H1800	1B17	5	20 - 36	19H1904	2B24	8	50 - 43
19H1721	4A11	27	80 - 5	19H1800	1C12	10	20 - 55	19H1904	3F18	14	70 - 65
19H1721	4G15	12	90 - 56	19H1800	1E15	8	30 - 45	19H1904	3F22	16	70 - 69
19H1726	1C9	8	20 - 52	19H1800	2D9	10	50 - 77	19H1912	2B2	15	50 - 21
19H1726	3H22	15	70 - 117	19H1800	2D14	9	50 - 82	19H1912	3H4	11	70 - 99
19H1731	1A19	18	20 - 13	19H1800	3B8	16	60 - 27	19H1916	4D11	7	80 - 79
19H1731	1D22	5	30 - 27	19H1800	3B10	24	60 - 29	19H1916	4D13	9	80 - 81
19H1731	1D25	10	30 - 30	19H1800	3D4	7	70 - 2	19H1919	3F20	12	70 - 67
19H1731	1E1	10	30 - 31	19H1800	3E3	12	70 - 26	19H1919	3F22	15	70 - 69
19H1731	1E13	10	30 - 43	19H1800	3H2	12	70 - 97	19H1919	3G2	21	70 - 73
19H1731	1F14	33	40 - 17	19H1801	1B1	13	20 - 20	19H1925	1D6	9	30 - 11
19H1731	1F16	32	40 - 19	19H1801	2D13	3	50 - 81	19H1926	2A13	6	50 - 7
19H1731	2F18	14	50 - 135	19H1801	2D18	6	50 - 86	19H1930	2G24	8	50 - 165
19H1731	3H5	3	70 - 100	19H1801	3A12	7	60 - 6	19H1930	4G15	3	90 - 56
19H1731	3H20	14	70 - 115	19H1801	3A21	5	60 - 15	19H1936	1E13	18	30 - 43
19H1731	4C17	2	80 - 60	19H1801	3C12	8	60 - 55	19H1936	2A13	3	50 - 7
19H1731	4C18	3	80 - 61	19H1801	4C7	5	80 - 50	19H1936	3A19	13	60 - 13
19H1732	1C4	11	20 - 47	19H1801	4C8	8	80 - 51	19H1936	3C8	3	60 - 51
19H1732	1C9	10	20 - 52	19H1805	4G15	5	90 - 56	19H1936	3E5	12	70 - 28
19H1732	1D4	4	30 - 9	19H1813	1A14	3	20 - 8	19H1936	3E6	12	70 - 29
19H1732	1D6	13	30 - 11	19H1813	2D7	3	50 - 75	19H1944	1C12	9	20 - 55
19H1732	1D10	14	30 - 15	19H1813	2D19	2	50 - 87	19H1944	1E24	9	40 - 2
19H1732	3D4	8	70 - 2	19H1813	4G18	11	90 - 59	19H1944	3B8	14	60 - 27

1L19

TRACTORS (-429999) 2040S,2140

NUMERICAL INDEX - CONTINUED

PART NO.	GRID	KEY	PAGE	PART NO.	GRID	KEY	PAGE	PART NO.	GRID	KEY	PAGE
19H1944	3B10	16	60 - 29	19H2128	1C12	21	20 - 55	19H2552	3E5	4	70 - 28
19H1944	3D7	34	70 - 5	19H2128	3E3	13	70 - 26	19H2552	3E6	4	70 - 29
19H1944	3D9	34	70 - 7	19H2151	3E23	13	70 - 46	19H2552	3E10	7	70 - 33
19H1945	3E18	5	70 - 41	19H2212	4A17	4	80 - 11	19H2552	3E12	15	70 - 35
19H1945	4A11	35	80 - 5	19H2224	3C7	11	60 - 50	19H2552	3H16	14	70 - 111
19H1945	4A17	17	80 - 11	19H2228	1B17	10	20 - 36	19H2552	3H22	37	70 - 117
19H1945	4G20	5	90 - 61	19H2228	1D6	6	30 - 11	19H2553	4C19	8	80 - 62
19H1948	1B3	7	20 - 22	19H2228	2C6	2	50 - 49	19H2592	4D5	5	80 - 73
19H1948	4C23	8	80 - 66	19H2284	1B1	6	20 - 20	19H2600	4B24	1	80 - 43
19H1949	1E25	3	40 - 3	19H2284	1B2	6	20 - 21	19H2633	1C4	24	20 - 47
19H1974	3D17	31	70 - 15	19H2284	1C12	5	20 - 55	19H2636	2C8	16	50 - 51
19H1974	3D23	29	70 - 21	19H2284	1D14	25	30 - 19	19H2636	4C21	2	80 - 64
19H1974	3E18	3	70 - 41	19H2284	1D16	25	30 - 21	19H2637	4D11	15	80 - 79
19H1974	3G18	5	70 - 89	19H2284	1D20	14	30 - 25	19H2637	4D13	15	80 - 81
19H1974	3H8	3	70 - 103	19H2284	1E11	35	30 - 41	19H2639	1C12	21	20 - 55
19H1974	3I12	4	70 - 132	19H2284	1E24	2	40 - 2	19H2644	4A11	38	80 - 5
19H1992	3E18	4	70 - 41	19H2284	2C22	2	50 - 65	19H2644	4A13	40	80 - 7
19H2001	4B6	8	80 - 25	19H2284	2G22	7	50 - 163	19H2663	4D5	3	80 - 73
19H2001	4B8	9	80 - 27	19H2284	2G24	23	50 - 165	19H2665	1B5	7	20 - 24
19H2007	1E15	9	30 - 45	19H2284	3A19	13	60 - 13	19H2665	2F14	17	50 - 131
19H2008	4D7	5	80 - 75	19H2284	3F2	20	70 - 49	19H2665	4C7	3	80 - 50
19H2008	4D11	14	80 - 79	19H2284	3F4	27	70 - 51	19H2665	4C8	9	80 - 51
19H2008	4D13	14	80 - 81	19H2284	3F8	22	70 - 55	19H2691	4B22	4	80 - 41
19H2021	1A21	6	20 - 15	19H2310	4B24	9	80 - 43	19H2710	3A17	15	60 - 11
19H2021	1A23	6	20 - 17	19H2343	3F22	17	70 - 69	19H2722	2A17	5	50 - 11
19H2021	1D2	11	30 - 7	19H2351	1B14	4	20 - 33	19H2722	3C10	6	60 - 53
19H2021	1D22	21	30 - 27	19H2351	1B14	5	20 - 33	19H2726	1B18	2	20 - 37
19H2021	1F8	13	40 - 11	19H2353	1C5	2	20 - 48	19H2735	2A13	8	50 - 7
19H2021	1G5	13	40 - 32	19H2353	1C6	2	20 - 49	19H2735	2D7	34	50 - 75
19H2021	1G6	7	40 - 33	19H2353	1C7	6	20 - 50	19H2735	2E12	5	50 - 105
19H2021	1H7	14	40 - 59	19H2358	4A23	2	80 - 17	19H2827	4B8	16	80 - 27
19H2021	1H9	11	40 - 61	19H246	1D6	1	30 - 11	19H2898	4A11	26	80 - 5
19H2021	2D7	37	50 - 75	19H2473	1B10	1	20 - 29	19H2898	4A13	3	80 - 7
19H2021	2E12	3	50 - 105	19H2473	1B10	2	20 - 29	19H2898	4A17	14	80 - 11
19H2021	2F14	23	50 - 131	19H2473	3H16	27	70 - 111	19H2898	4G8	11	90 - 49
19H2021	3B10	6	60 - 29	19H2473	3H20	27	70 - 115	19H2898	4G16	5	90 - 57
19H2021	3G2	28	70 - 73	19H2473	3H22	17	70 - 117	19H2898	4G20	1	90 - 61
19H2021	4A23	14	80 - 17	19H2508	2G24	5	50 - 165	19H2898	4G20	10	90 - 61
19H2021	4C14	11	80 - 57	19H2510	2D7	30	50 - 75	19H2898	4H7	9	90 - 73
19H2021	4C17	7	80 - 60	19H2510	2E12	12	50 - 105	19H2898	4H12	4	90 - 78
19H2021	4C18	7	80 - 61	19H2510	4G20	5	90 - 61	19H3011	1A24	2	20 - 18
19H2021	4C19	6	80 - 62	19H2528	4B10	8	80 - 29	19H3011	1A25	8	20 - 19
19H2021	4C21	6	80 - 64	19H2541	4B10	11	80 - 29	19H3057	2A13	10	50 - 7
19H2021	4C22	1	80 - 65	19H2545	1B1	2	20 - 20	19H3111	1E17	8	30 - 47
19H2021	4C23	5	80 - 66	19H2545	1B2	13	20 - 21	19H3120	3F16	1	70 - 63
19H2021	4D4	2	80 - 72	19H2545	1B14	2	20 - 33	19H3150	4H23	8	90 - 89
19H2021	4I4	25	90 - 95	19H2545	1D4	10	30 - 9	19H3181	1B1	2	20 - 20
19H2036	1B3	2	20 - 22	19H2545	2A17	32	50 - 11	19H3181	1B2	14	20 - 21
19H2036	1B4	4	20 - 23	19H2545	3A19	8	60 - 13	19H3202	2F24	3	50 - 141
19H2036	1F8	7	40 - 11	19H2545	4C19	7	80 - 62	19H3210	4B6	8	80 - 25
19H2036	3F18	13	70 - 65	19H2545	4D3	20	80 - 71	19H3217	3E22	1	70 - 45
19H2036	3F20	14	70 - 67	19H2548	4D1	4	80 - 69	19H3219	1E13	1	30 - 43
19H2036	3F22	12	70 - 69	19H2549	1B1	2	20 - 20	19H3221	1B17	8	20 - 36
19H2036	3G2	18	70 - 73	19H2549	1B2	15	20 - 21	19H3231	3G16	12	70 - 87
19H2038	1D18	14	30 - 23	19H2549	1C12	22	20 - 55	19H3239	2A13	13	50 - 7
19H2038	1D22	26	30 - 27	19H2549	1E13	23	30 - 43	19H3239	2C10	5	50 - 53
19H2054	3C16	15	60 - 59	19H2550	3C7	12	60 - 50	19H3239	2D9	12	50 - 77
19H2054	3C18	21	60 - 61	19H2551	1E2	17	30 - 32	19H3239	2D13	5	50 - 81
19H2054	3C20	21	60 - 63	19H2552	2B24	32	50 - 43	19H3239	2D18	5	50 - 86
19H2054	3C22	27	60 - 65	19H2552	2C4	17	50 - 47	19H3239	2F16	2	50 - 133
19H2104	1D6	8	30 - 11	19H2552	2C22	10	50 - 65	19H3239	2F18	15	50 - 135
19H2117	3A9	13	60 - 3	19H2552	2C24	8	50 - 67	19H3239	3A17	3	60 - 11
19H2117	3A12	5	60 - 6	19H2552	2C24	21	50 - 67	19H3281	4B20	11	80 - 39
19H2123	3A9	5	60 - 3	19H2552	2D18	9	50 - 86	19H3299	1B15	1	20 - 34
19H2127	4H25	3	90 - 91	19H2552	3C10	11	60 - 53	19H3307	4B6	7	80 - 25
19H2128	1B5	6	20 - 24	19H2552	3C12	12	60 - 55	19H3307	4B8	7	80 - 27
19H2128	1C12	9	20 - 55	19H2552	3E3	14	70 - 26	19H3354	3F20	15	70 - 67

1L20

TRACTORS (-429999) 2040S,2140

NUMERICAL INDEX - CONTINUED

PART NO.	GRID	KEY	PAGE	PART NO.	GRID	KEY	PAGE	PART NO.	GRID	KEY	PAGE
19H3367	4B20	13	80 - 39	19M7181	3F8	12	70 - 55	19M7513	4C16	15	80 - 59
19H3520	3D19	10	70 - 17	19M7185	4A11	17	80 - 5	19M7546	4F24	3	90 - 41
19H3520	3D25	13	70 - 23	19M7185	4A13	25	80 - 7	19M7550	2H5	31	50 - 171
19H3547	4H23	11	90 - 89	19M7214	4C9	7	80 - 52	19M7550	3A25	2	60 - 19
19H3631	1A23	10	20 - 17	19M7214	4C10	7	80 - 53	19M7560	3C6	8	60 - 49
19H3631	1A23	11	20 - 17	19M7268	4D3	26	80 - 71	19M7560	4C16	26	80 - 59
19H988	1B17	4	20 - 36	19M7268	4E12	9	90 - 5	19M7560	4E14	18	90 - 7
19H988	1C12	20	20 - 55	19M7285	4C10	8	80 - 53	19M7560	4F14	2	90 - 31
19H988	1D4	13	30 - 9	19M7286	4E22	7	90 - 15	19M7560	4I4	8	90 - 95
19H988	1D6	7	30 - 11	19M7286	4F2	23	90 - 19	19M7576	2C10	22	50 - 53
19M1732	1D8	11	30 - 13	19M7288	2G14	24	50 - 155	19M7603	3C23	12	60 - 66
19M2284	4A11	34	80 - 5	19M7288	4H15	14	90 - 81	19M7603	3F18	6	70 - 65
19M2284	4A13	39	80 - 7	19M7288	4H17	27	90 - 83	19M7603	3F20	24	70 - 67
19M6614	2C2	31	50 - 45	19M7297	3E14	16	70 - 37	19M7603	3F22	26	70 - 69
19M6614	4C24	3	80 - 67	19M7297	3E16	9	70 - 39	19M7604	4E14	31	90 - 7
19M6614	4C25	9	80 - 68	19M7297	3I3	20	70 - 123	19M7616	4B4	13	80 - 23
19M6614	4D3	19	80 - 71	19M7297	3I3	27	70 - 123	19M7640	4I4	21	90 - 95
19M6614	4F4	12	90 - 21	19M7297	4G10	2	90 - 51	19M7642	4F24	17	90 - 41
19M6614	4F18	20	90 - 35	19M7297	4G24	25	90 - 65	19M7658	4B14	4	80 - 33
19M6614	4F21	1	90 - 38	19M7297	4H21	14	90 - 87	19M7661	3A23	18	60 - 17
19M6614	4G4	16	90 - 45	19M7298	2D25	20	50 - 93	19M7662	1C24	5	30 - 5
19M6755	1E9	7	30 - 39	19M7298	2E2	20	50 - 95	19M7662	2H7	16	50 - 173
19M6770	4A11	30	80 - 5	19M7298	2E4	25	50 - 97	19M7662	3A21	15	60 - 15
19M7077	4C14	4	80 - 57	19M7298	2E6	25	50 - 99	19M7662	4G8	8	90 - 49
19M7077	4C14	25	80 - 57	19M7298	2E8	25	50 - 101	19M7698	3A23	29	60 - 17
19M7077	4C23	2	80 - 66	19M7298	2F14	5	50 - 131	19M7698	3B2	27	60 - 21
19M7077	4I4	9	90 - 95	19M7298	3A21	9	60 - 15	19M7700	4F2	13	90 - 19
19M7139	1D10	5	30 - 15	19M7298	4I4	31	90 - 95	19M7700	4G2	14	90 - 43
19M7139	1D12	8	30 - 17	19M7300	2H19	5	50 - 185	19M7715	2G14	1	50 - 155
19M7139	1G16	5	40 - 43	19M7300	4F20	3	90 - 37	19M7715	2G16	27	50 - 157
19M7139	2C14	34	50 - 57	19M7301	2B12	17	50 - 31	19M7719	4A19	2	80 - 13
19M7139	2C16	34	50 - 59	19M7301	2B14	17	50 - 33	19M7722	4B4	14	80 - 23
19M7139	3B12	12	60 - 31	19M7301	2B16	20	50 - 35	19M7723	4H15	2	90 - 81
19M7139	3B20	12	60 - 39	19M7301	4A11	7	80 - 5	19M7724	1D8	10	30 - 13
19M7139	3F6	1	70 - 53	19M7301	4B18	8	80 - 37	19M7724	1D10	13	30 - 15
19M7139	4C16	1	80 - 59	19M7325	3B20	13	60 - 39	19M7724	1G13	10	40 - 40
19M7139	4D9	8	80 - 77	19M7329	2E16	16	50 - 109	19M7724	4G8	9	90 - 49
19M7139	4G2	21	90 - 43	19M7330	4C10	7	80 - 53	19M7724	4H15	31	90 - 81
19M7139	4H17	32	90 - 83	19M7364	4A13	24	80 - 7	19M7768	2C10	8	50 - 53
19M7139	4H21	10	90 - 87	19M7372	1G2	5	40 - 29	19M7770	2H19	1	50 - 185
19M7156	2B2	16	50 - 21	19M7372	1G10	15	40 - 37	19M7770	2H21	1	50 - 187
19M7156	4B14	9	80 - 33	19M7372	4F8	4	90 - 25	19M7800	4D3	12	80 - 71
19M7160	1E11	30	30 - 41	19M7375	1G10	24	40 - 37	19M7871	2H5	16	50 - 171
19M7162	1C4	8	20 - 47	19M7378	2B12	7	50 - 31	19M7872	2H11	1	50 - 177
19M7162	1G4	3	40 - 31	19M7378	2B14	7	50 - 33	19M7875	2H7	15	50 - 173
19M7162	3F6	6	70 - 53	19M7378	2B16	8	50 - 35	19M7876	2H9	15	50 - 175
19M7162	4F2	5	90 - 19	19M7378	3I3	7	70 - 123	19M7877	2H13	1	50 - 179
19M7162	4F6	4	90 - 23	19M7378	4D9	7	80 - 77	19M7878	2H15	16	50 - 181
19M7162	4F16	4	90 - 33	19M7382	2B4	6	50 - 23	19M7878	2H17	14	50 - 183
19M7162	4G2	21	90 - 43	19M7392	2H21	20	50 - 187	19M7878	2H21	13	50 - 187
19M7162	4G8	10	90 - 49	19M7393	4C14	6	80 - 57	19M7879	2H7	30	50 - 173
19M7162	4H5	26	90 - 71	19M7402	1G13	9	40 - 40	19M7879	2H9	30	50 - 175
19M7162	4H17	32	90 - 83	19M7402	4F24	7	90 - 41	19M7881	4H5	28	90 - 71
19M7162	4H21	13	90 - 87	19M7407	1D12	11	30 - 17	19M7887	2C18	4	50 - 61
19M7162	4H22	5	90 - 88	19M7407	2C17	14	50 - 60	19M7900	4F24	3	90 - 41
19M7162	4I4	26	90 - 95	19M7407	4C16	15	80 - 59	19M7902	4G24	25	90 - 65
19M7163	3B12	9	60 - 31	19M7479	2B4	1	50 - 23	19M7917	4B10	23	80 - 29
19M7163	4E12	3	90 - 5	19M7479	2B6	1	50 - 25	19M7917	4B12	2	80 - 31
19M7166	2D18	2	50 - 86	19M7490	4C9	12	80 - 52	19M7918	4B12	8	80 - 31
19M7167	3A21	10	60 - 15	19M7493	4C9	8	80 - 52	19M7919	4B12	10	80 - 31
19M7167	3F11	7	70 - 58	19M7493	4C10	8	80 - 53	19M7924	4G24	30	90 - 65
19M7168	4F24	4	90 - 41	19M7513	1D8	5	30 - 13	19M7924	4H11	28	90 - 77
19M7170	1D20	6	30 - 25	19M7513	1D10	9	30 - 15	19M7924	4H15	37	90 - 81
19M7170	2F14	24	50 - 131	19M7513	2G10	8	50 - 151	19M7925	3A23	29	60 - 17
19M7170	2F14	26	50 - 131	19M7513	2H11	17	50 - 177	19M7929	3A19	16	60 - 13
19M7170	4G12	14	90 - 53	19M7513	2H13	17	50 - 179	19M7931	2C4	7	50 - 47
19M7181	2B4	2	50 - 23	19M7513	4A15	2	80 - 9	19M7966	3B8	12	60 - 27

1L21

TRACTORS (-429999) 2040S,2140

NUMERICAL INDEX - CONTINUED

PART NO.	GRID	KEY	PAGE	PART NO.	GRID	KEY	PAGE	PART NO.	GRID	KEY	PAGE
19M7966	3B10	14	60 - 29	21M7238	4D9	2	80 - 77	24H1286	3C7	17	60 - 50
19M8008	1D8	4	30 - 13	21M7246	4C25	14	80 - 68	24H1286	3H8	14	70 - 103
19M8008	1D10	4	30 - 15	21M7248	4E14	18	90 - 7	24H1287	3E23	12	70 - 46
19M8008	1D12	3	30 - 17	21M7250	1C5	12	20 - 48	24H1288	3F18	12	70 - 65
19M8008	2C17	11	50 - 60	21M7250	1C6	11	20 - 49	24H1288	3F20	13	70 - 67
19M8058	4H5	17	90 - 71	21M7251	1F24	7	40 - 27	24H1288	3F22	11	70 - 69
19M8107	4E15	4	90 - 8	21M7251	1G10	21	40 - 37	24H1288	3G2	19	70 - 73
19M8146	3I11	5	70 - 131	21M7252	1G8	7	40 - 35	24H1290	1B1	9	20 - 20
19M8146	3I11	18	70 - 131	21M7255	1D18	5	30 - 23	24H1290	1B2	9	20 - 21
19M8146	3I11	19	70 - 131	21M7266	4I6	9	90 - 97	24H1290	3E24	14	70 - 47
19M8154	4B10	21	80 - 29	21M7268	1F22	12	40 - 25	24H1292	1E25	2	40 - 3
19M8300	4A13	21	80 - 7	21M7269	1F10	6	40 - 13	24H1298	3D19	23	70 - 17
19M8366	4H11	24	90 - 77	21M7271	1F16	10	40 - 19	24H1301	3H16	18	70 - 111
19M8532	4A11	30	80 - 5	21M7271	4F4	8	90 - 21	24H1301	3H20	18	70 - 115
19M8615	3A23	12	60 - 17	21M7278	1F18	13	40 - 21	24H1303	1D25	9	30 - 30
19M8615	3A23	18	60 - 17	21M7278	1F20	9	40 - 23	24H1303	1E1	9	30 - 31
21H1116	4C12	5	80 - 55	21M7278	1H10	16	40 - 62	24H1303	2B12	10	50 - 31
21H1293	1G5	5	40 - 32	21M7278	4F10	18	90 - 27	24H1303	2B14	10	50 - 33
21H1293	1G14	5	40 - 41	21M7282	4I4	35	90 - 95	24H1303	2B16	11	50 - 35
21H1303	4D23	4	80 - 91	21M7283	4I4	32	90 - 95	24H1303	2C6	3	50 - 49
21H1317	1H2	6	40 - 54	21M7296	3I3	24	70 - 123	24H1303	2C8	15	50 - 51
21H1317	1H3	4	40 - 55	21M7307	2B18	4	50 - 37	24H1303	3D7	49	70 - 5
21H1317	1H5	9	40 - 57	21M7336	3E19	1	70 - 42	24H1303	3D9	49	70 - 7
21H1322	2D14	4	50 - 82	21M7336	3E19	11	70 - 42	24H1304	1B1	5	20 - 20
21H1331	3H24	14	70 - 119	22H1025	3H5	13	70 - 100	24H1304	1B2	5	20 - 21
21H1331	4G16	2	90 - 57	22H812	3E24	17	70 - 47	24H1304	1B5	5	20 - 24
21H1331	4G20	2	90 - 61	22M1910	4F18	12	90 - 35	24H1304	1D2	12	30 - 7
21H1331	4H7	2	90 - 73	22M1912	3F23	10	70 - 70	24H1304	1D6	5	30 - 11
21H1356	1G16	8	40 - 43	22M7083	4F20	16	90 - 37	24H1304	1E24	8	40 - 2
21H973	1G2	14	40 - 29	22M7094	4E22	21	90 - 15	24H1305	1D6	3	30 - 11
21M1211	1F14	8	40 - 17	22M7094	4E23	11	90 - 16	24H1305	1D18	15	30 - 23
21M1211	1F16	30	40 - 19	22M7098	4H5	21	90 - 71	24H1305	1D22	27	30 - 27
21M7022	4F10	1	90 - 27	22M7099	3B14	3	60 - 33	24H1305	1E13	19	30 - 43
21M7030	4H15	49	90 - 81	22M7101	1E9	7	30 - 39	24H1305	1E24	3	40 - 2
21M7033	4G2	30	90 - 43	22M7105	2C14	32	50 - 57	24H1305	3B8	13	60 - 27
21M7033	4G4	17	90 - 45	22M7105	2C16	32	50 - 59	24H1305	3B10	15	60 - 29
21M7036	4E24	2	90 - 17	24H1020	1C9	1	20 - 52	24H1305	3E5	11	70 - 28
21M7086	4E14	18	90 - 7	24H1020	1C10	2	20 - 53	24H1305	3E6	11	70 - 29
21M7086	4E18	10	90 - 11	24H1122	1C4	2	20 - 47	24H1305	3F2	4	70 - 49
21M7092	4F8	21	90 - 25	24H1136	1D23	4	30 - 28	24H1305	3F4	4	70 - 51
21M7095	4I6	12	90 - 97	24H1136	1D24	5	30 - 29	24H1305	4C8	4	80 - 51
21M7096	4H17	4	90 - 83	24H1136	2G24	25	50 - 165	24H1305	4C9	5	80 - 52
21M7135	1G8	7	40 - 35	24H1211	1E9	12	30 - 39	24H1305	4C10	5	80 - 53
21M7156	2C17	9	50 - 60	24H1211	1E11	7	30 - 41	24H1305	4C14	12	80 - 57
21M7156	4H15	12	90 - 81	24H1224	3F2	12	70 - 49	24H1305	4C17	6	80 - 60
21M7162	3G2	1	70 - 73	24H1224	3F2	22	70 - 49	24H1305	4D3	8	80 - 71
21M7172	4G24	30	90 - 65	24H1224	3F2	26	70 - 49	24H1305	4D22	6	80 - 90
21M7172	4H11	28	90 - 77	24H1224	3F4	12	70 - 51	24H1306	4D3	3	80 - 71
21M7173	1G4	13	40 - 31	24H1224	3F4	29	70 - 51	24H1307	4C12	7	80 - 55
21M7173	1G4	20	40 - 31	24H1224	3F4	33	70 - 51	24H1307	4C18	6	80 - 61
21M7173	4C24	14	80 - 67	24H1227	2B19	3	50 - 38	24H1307	4C19	5	80 - 62
21M7182	4E18	10	90 - 11	24H1227	2F15	6	50 - 132	24H1322	1G12	13	40 - 39
21M7185	4C24	11	80 - 67	24H1243	1E2	14	30 - 32	24H1323	4H23	9	90 - 89
21M7188	3I11	19	70 - 131	24H1243	1E3	18	30 - 33	24H1340	1G5	8	40 - 32
21M7198	1F2	16	40 - 5	24H1243	2B20	7	50 - 39	24H1341	1G6	5	40 - 33
21M7198	1F4	15	40 - 7	24H1243	2B21	9	50 - 40	24H1341	2B21	6	50 - 40
21M7198	1F14	20	40 - 17	24H1243	2C8	13	50 - 51	24H1341	2C8	6	50 - 51
21M7200	3I11	9	70 - 131	24H1254	3E18	30	70 - 41	24H1349	4G16	6	90 - 57
21M7206	1G4	4	40 - 31	24H1254	4G16	7	90 - 57	24H1349	4G20	7	90 - 61
21M7206	1G8	13	40 - 35	24H1254	4H7	7	90 - 73	24H1349	4H7	8	90 - 73
21M7206	4C16	4	80 - 59	24H1283	3E18	12	70 - 41	24H1349	4H12	3	90 - 78
21M7206	4C16	30	80 - 59	24H1285	2B12	23	50 - 31	24H1355	1G5	10	40 - 32
21M7206	4F18	17	90 - 35	24H1285	2B14	23	50 - 33	24H1363	4D11	6	80 - 79
21M7206	4F21	5	90 - 38	24H1285	2B16	25	50 - 35	24H1363	4D13	8	80 - 81
21M7212	4E18	21	90 - 11	24H1286	1B3	6	20 - 22	24H1375	4D7	2	80 - 75
21M7234	4H15	22	90 - 81	24H1286	1B4	3	20 - 23	24H1375	4D11	12	80 - 79
21M7235	4H15	50	90 - 81	24H1286	1E9	22	30 - 39	24H1375	4D13	12	80 - 81

1L22

TRACTORS (-429999) 2040S,2140

NUMERICAL INDEX - CONTINUED

PART NO.	GRID	KEY	PAGE	PART NO.	GRID	KEY	PAGE	PART NO.	GRID	KEY	PAGE
24H1378	2G24	2	50 - 165	24M7044	4G24	17	90 - 65	24M7088	2G16	20	50 - 157
24H1451	2B2	4	50 - 21	24M7044	4H11	15	90 - 77	24M7088	3C10	23	60 - 53
24H1462	1G2	4	40 - 29	24M7047	2G14	13	50 - 155	24M7088	4C16	32	80 - 59
24H1622	1D12	9	30 - 17	24M7047	2G16	7	50 - 157	24M7088	4C25	13	80 - 68
24H1625	3H4	4	70 - 99	24M7047	3F6	18	70 - 53	24M7088	4D3	18	80 - 71
24H1646	1F8	3	40 - 11	24M7047	4E12	7	90 - 5	24M7088	4F8	24	90 - 25
24H1658	3C14	6	60 - 57	24M7047	4G22	5	90 - 63	24M7088	4I4	3	90 - 95
24H1682	1C4	12	20 - 47	24M7047	4H1	2	90 - 67	24M7090	4A11	21	80 - 5
24H1682	3E10	9	70 - 33	24M7047	4H9	5	90 - 75	24M7108	2G2	3	50 - 143
24H1682	3E10	18	70 - 33	24M7047	4H19	2	90 - 85	24M7108	4B20	8	80 - 39
24H1682	3E12	22	70 - 35	24M7049	1E13	17	30 - 43	24M7111	4C16	3	80 - 59
24H1682	3E12	23	70 - 35	24M7051	4D5	2	80 - 73	24M7111	4E12	8	90 - 5
24H1685	1A14	4	20 - 8	24M7052	4H15	5	90 - 81	24M7112	4C14	7	80 - 57
24H1685	2A13	20	50 - 7	24M7053	4D5	6	80 - 73	24M7113	4C14	7	80 - 57
24H1698	4C12	11	80 - 55	24M7053	4F24	10	90 - 41	24M7117	2G14	2	50 - 155
24H1698	4E10	2	90 - 3	24M7054	1E11	28	30 - 41	24M7117	2G16	26	50 - 157
24H1716	4C2	3	80 - 45	24M7054	1F16	13	40 - 19	24M7117	4I7	5	90 - 98
24H1752	4H25	6	90 - 91	24M7054	3I11	2	70 - 131	24M7118	4F24	15	90 - 41
24H1785	1D22	2	30 - 27	24M7054	4C16	25	80 - 59	24M7128	4H21	17	90 - 87
24M4810	2B6	11	50 - 25	24M7054	4C24	4	80 - 67	24M7138	1G10	17	40 - 37
24M4813	2F8	12	50 - 125	24M7054	4E18	7	90 - 11	24M7138	3E16	6	70 - 39
24M7027	1F2	2	40 - 5	24M7054	4F2	22	90 - 19	24M7138	4F8	13	90 - 25
24M7027	1F4	2	40 - 7	24M7054	4F14	3	90 - 31	24M7139	1F8	8	40 - 11
24M7027	2B18	2	50 - 37	24M7054	4F18	8	90 - 35	24M7139	2C2	30	50 - 45
24M7027	4F4	9	90 - 21	24M7054	4F18	18	90 - 35	24M7139	3I11	4	70 - 131
24M7028	1G12	3	40 - 39	24M7055	1D10	8	30 - 15	24M7139	4C16	5	80 - 59
24M7028	1G13	3	40 - 40	24M7055	1D12	10	30 - 17	24M7139	4F18	1	90 - 35
24M7028	3C18	24	60 - 61	24M7055	2C6	26	50 - 49	24M7139	4F20	12	90 - 37
24M7028	3C22	31	60 - 65	24M7055	2C17	12	50 - 60	24M7145	4B18	4	80 - 37
24M7028	3F11	15	70 - 58	24M7055	3E16	8	70 - 39	24M7146	1C5	5	20 - 48
24M7028	4C14	22	80 - 57	24M7055	3F2	15	70 - 49	24M7146	1C6	5	20 - 49
24M7028	4F24	5	90 - 41	24M7055	3F2	24	70 - 49	24M7146	4G22	17	90 - 63
24M7028	4H15	15	90 - 81	24M7055	3F2	25	70 - 49	24M7146	4H3	20	90 - 69
24M7028	4I2	13	90 - 93	24M7055	3F4	15	70 - 51	24M7147	4A11	21	80 - 5
24M7029	1D18	6	30 - 23	24M7055	3F4	31	70 - 51	24M7147	4A13	32	80 - 7
24M7036	1C4	9	20 - 47	24M7055	3F4	32	70 - 51	24M7149	1E13	9	30 - 43
24M7036	1C24	18	30 - 5	24M7055	3F6	8	70 - 53	24M7149	3F6	13	70 - 53
24M7036	1F6	26	40 - 9	24M7055	4A15	8	80 - 9	24M7149	4G24	11	90 - 65
24M7036	1G16	3	40 - 43	24M7055	4A17	8	80 - 11	24M7149	4H11	11	90 - 77
24M7036	2B12	8	50 - 31	24M7055	4A19	4	80 - 13	24M7149	4H15	32	90 - 81
24M7036	2B14	8	50 - 33	24M7055	4C16	16	80 - 59	24M7178	1C24	13	30 - 5
24M7036	2B16	9	50 - 35	24M7055	4D9	5	80 - 77	24M7178	1C24	21	30 - 5
24M7036	2C2	16	50 - 45	24M7055	4E22	8	90 - 15	24M7178	4H15	32	90 - 81
24M7036	3A21	8	60 - 15	24M7055	4F16	3	90 - 33	24M7207	1C22	15	30 - 3
24M7036	3B12	5	60 - 31	24M7055	4G2	22	90 - 43	24M7207	4E12	4	90 - 5
24M7036	3B20	2	60 - 39	24M7055	4G18	10	90 - 59	24M7207	4G24	32	90 - 65
24M7036	3E14	15	70 - 37	24M7055	4H1	9	90 - 67	24M7207	4G24	35	90 - 65
24M7036	3F6	2	70 - 53	24M7055	4H3	31	90 - 69	24M7207	4G24	39	90 - 65
24M7036	4C16	16	80 - 59	24M7055	4H17	5	90 - 83	24M7207	4H11	31	90 - 77
24M7036	4F8	23	90 - 25	24M7055	4H19	18	90 - 85	24M7207	4H11	34	90 - 77
24M7036	4G10	1	90 - 51	24M7055	4H22	6	90 - 88	24M7207	4H11	37	90 - 77
24M7036	4H21	9	90 - 87	24M7087	1B3	3	20 - 22	24M7207	4H17	1	90 - 83
24M7036	4I4	18	90 - 95	24M7087	1F18	11	40 - 21	24M7207	4I4	29	90 - 95
24M7040	1D20	7	30 - 25	24M7087	1F20	7	40 - 23	24M7211	4F24	15	90 - 41
24M7040	1E13	2	30 - 43	24M7087	1G2	8	40 - 29	24M7213	4H1	7	90 - 67
24M7040	2G14	34	50 - 155	24M7087	1G18	16	40 - 45	24M7213	4H1	11	90 - 67
24M7040	2G16	35	50 - 157	24M7087	1G18	18	40 - 45	24M7213	4H5	6	90 - 71
24M7040	3A21	11	60 - 15	24M7087	1H10	17	40 - 62	24M7213	4H15	43	90 - 81
24M7040	3C10	7	60 - 53	24M7087	2B18	13	50 - 37	24M7219	2F8	12	50 - 125
24M7040	3C12	9	60 - 55	24M7087	4C16	12	80 - 59	24M7220	2F8	12	50 - 125
24M7040	4A11	29	80 - 5	24M7087	4I4	22	90 - 95	24M7221	2F8	12	50 - 125
24M7040	4C23	6	80 - 66	24M7087	4I6	4	90 - 97	24M7222	2G18	6	50 - 159
24M7040	4D4	3	80 - 72	24M7088	1E11	34	30 - 41	24M7223	2F6	13	50 - 123
24M7040	4G8	5	90 - 49	24M7088	1G8	15	40 - 35	24M7224	2F6	13	50 - 123
24M7040	4G12	16	90 - 53	24M7088	1G18	17	40 - 45	24M7225	2F6	13	50 - 123
24M7043	2B6	14	50 - 25	24M7088	1G18	18	40 - 45	24M7227	4B2	17	80 - 21
24M7044	1E13	14	30 - 43	24M7088	2C10	7	50 - 53	24M7228	3E18	7	70 - 41

1L23

TRACTORS (-429999) 2040S,2140

NUMERICAL INDEX - CONTINUED

PART NO.	GRID	KEY	PAGE	PART NO.	GRID	KEY	PAGE	PART NO.	GRID	KEY	PAGE
24M7228	4G15	14	90 - 56	28H1878	3E5	15	70 - 28	34H282	3I9	5	70 - 129
24M7229	2C6	14	50 - 49	28H1878	3E7	8	70 - 30	34H283	1A24	3	20 - 18
24M7231	2F6	13	50 - 123	28H1878	4G8	2	90 - 49	34H283	1A25	3	20 - 19
24M7238	1D8	3	30 - 13	28H1882	3I11	20	70 - 131	34H284	1E9	15	30 - 39
24M7238	1D10	3	30 - 15	28H1938	3B10	9	60 - 29	34H284	1E11	26	30 - 41
24M7238	1D12	4	30 - 17	28H1992	3B20	9	60 - 39	34H284	2C2	5	50 - 45
24M7240	4A11	5	80 - 5	28H3359	3I11	11	70 - 131	34H286	1A24	12	20 - 18
24M7240	4A13	18	80 - 7	28H5	4H3	34	90 - 69	34H297	3H5	12	70 - 100
24M7241	4C14	16	80 - 57	28H856	1C4	23	20 - 47	34H312	3C7	6	60 - 50
24M7250	4I4	2	90 - 95	28H86	1D2	12	30 - 7	34H316	3I7	2	70 - 127
24M7255	2D21	1	50 - 89	28H862	3A19	10	60 - 13	34H322	3E23	4	70 - 46
24M7255	2G3	6	50 - 144	28H862	3A21	17	60 - 15	34H340	4A23	21	80 - 17
24M7255	2G3	8	50 - 144	30H15	3H8	4	70 - 103	34H387	1E11	6	30 - 41
24M7255	2G8	9	50 - 149	30H15	3H12	29	70 - 107	34H387	2B21	4	50 - 40
24M7255	2G8	11	50 - 149	30M7004	2D21	7	50 - 89	34H387	2C8	4	50 - 51
24M7267	3E19	1	70 - 42	30M7004	2D23	7	50 - 91	34H394	3F16	10	70 - 63
24M7267	3E19	7	70 - 42	30M7004	2D25	8	50 - 93	34M3851	4G18	12	90 - 59
24M7267	3E20	2	70 - 43	30M7004	2E2	8	50 - 95	34M3851	4G24	18	90 - 65
24M7267	3E20	7	70 - 43	30M7004	2E4	8	50 - 97	34M3851	4H1	4	90 - 67
24M7320	4B18	4	80 - 37	30M7004	2E6	8	50 - 99	34M3851	4H11	16	90 - 77
24M7320	4B20	2	80 - 39	30M7004	2E8	8	50 - 101	34M7023	3F18	5	70 - 65
24M7334	3E22	39	70 - 45	30M7004	2H11	20	50 - 177	34M7023	3F20	5	70 - 67
25H747	1E9	5	30 - 39	30M7004	2H13	19	50 - 179	34M7023	3F22	5	70 - 69
25H747	1E11	10	30 - 41	30M7005	2B12	3	50 - 31	34M7023	4G24	33	90 - 65
25H760	3H16	10	70 - 111	30M7007	2A13	31	50 - 7	34M7023	4H11	32	90 - 77
25H760	3H20	10	70 - 115	30M7007	2D21	15	50 - 89	34M7027	3F8	10	70 - 55
25M3784	2A13	29	50 - 7	30M7007	2D23	15	50 - 91	34M7027	3F11	12	70 - 58
25M3827	4A9	3	80 - 3	30M7007	2D25	13	50 - 93	34M7027	3G2	5	70 - 73
25M3827	4D17	8	80 - 85	30M7007	2E2	13	50 - 95	34M7029	2G18	3	50 - 159
25M7018	4H17	14	90 - 83	30M7007	2E4	13	50 - 97	34M7032	4F20	7	90 - 37
25M7019	4H17	12	90 - 83	30M7007	2E6	13	50 - 99	34M7033	2H5	27	50 - 171
26H72	1B8	5	20 - 27	30M7007	2E8	13	50 - 101	34M7039	3I3	11	70 - 123
26H72	1B9	7	20 - 28	30M7008	2D21	11	50 - 89	34M7041	2H7	26	50 - 173
26H77	2F16	9	50 - 133	30M7008	2D23	11	50 - 91	34M7041	2H9	26	50 - 175
26H77	2F18	12	50 - 135	30M7008	2D25	9	50 - 93	34M7061	1C4	14	20 - 47
26H77	2G18	1	50 - 159	30M7008	2E2	9	50 - 95	34M7062	3E10	3	70 - 33
26H77	3C10	16	60 - 53	30M7008	2E4	9	50 - 97	34M7062	3E12	3	70 - 35
26H77	3C12	17	60 - 55	30M7008	2E6	9	50 - 99	34M7087	3F11	17	70 - 58
26H77	3D7	3	70 - 5	30M7008	2E8	9	50 - 101	34M7090	3F4	26	70 - 51
26H77	3D9	3	70 - 7	30M7017	2H3	24	50 - 169	34M7091	3I11	17	70 - 131
26H85	2G24	12	50 - 165	31M5965	4D14	1	80 - 82	34M7094	4H17	22	90 - 83
26H93	2G24	27	50 - 165	31M6768	4D14	1	80 - 82	34M7102	2H11	24	50 - 177
27333	1E6	6	30 - 36	31M7009	4D14	3	80 - 82	34M7102	2H13	23	50 - 179
28H1513	4D9	9	80 - 77	31M7010	4D14	3	80 - 82	34M7104	2B4	15	50 - 23
28H1518	2D13	6	50 - 81	32240	3C23	8	60 - 66	34M7104	2B22	6	50 - 41
28H1518	3B8	37	60 - 27	32240	3E14	3	70 - 37	34M7104	2C4	25	50 - 47
28H1521	3C16	16	60 - 59	34H231	3H2	10	70 - 97	34M7105	2F6	1	50 - 123
28H1521	3C18	22	60 - 61	34H241	3H2	2	70 - 97	34M7107	2B16	37	50 - 35
28H1521	3C20	22	60 - 63	34H247	2D7	14	50 - 75	34M7107	2B16	38	50 - 35
28H1521	3C22	28	60 - 65	34H247	2E12	21	50 - 105	34M7107	2B16	40	50 - 35
28H1524	3B8	7	60 - 27	34H247	3H12	33	70 - 107	34M7109	3I3	12	70 - 123
28H1527	1D20	5	30 - 25	34H251	2D17	2	50 - 85	34M7109	3I3	29	70 - 123
28H1534	2B2	14	50 - 21	34H251	2F11	9	50 - 128	34M7110	2H11	23	50 - 177
28H1596	4G8	12	90 - 49	34H254	3D13	2	70 - 11	34M7110	2H13	22	50 - 179
28H1596	4G8	15	90 - 49	34H254	3D19	1	70 - 17	34M7111	2H5	30	50 - 171
28H1686	4A15	3	80 - 9	34H254	3D25	5	70 - 23	34M7115	3I11	13	70 - 131
28H1686	4I4	16	90 - 95	34H255	2B7	3	50 - 26	34M7116	4G24	33	90 - 65
28H1689	3B8	25	60 - 27	34H264	1E9	28	30 - 39	34M7116	4H11	32	90 - 77
28H1689	3B10	27	60 - 29	34H264	1E11	17	30 - 41	34M7118	3I11	13	70 - 131
28H1697	3B10	36	60 - 29	34H264	3H16	7	70 - 111	34M7121	4G24	33	90 - 65
28H1863	1C5	4	20 - 48	34H264	3H20	7	70 - 115	34M7127	4G24	32	90 - 65
28H1863	1C6	4	20 - 49	34H268	3F8	21	70 - 55	34M7127	4G24	35	90 - 65
28H1863	3C10	19	60 - 53	34H280	2B20	3	50 - 39	34M7127	4G24	38	90 - 65
28H1863	3C12	21	60 - 55	34H280	2B21	7	50 - 40	34M7127	4H11	31	90 - 77
28H1878	1D8	8	30 - 13	34H280	2C8	7	50 - 51	34M7127	4H11	32	90 - 77
28H1878	1D10	12	30 - 15	34H282	2B20	6	50 - 39	34M7127	4H11	34	90 - 77
28H1878	3E4	8	70 - 27	34H282	2C2	3	50 - 45	34M7130	2G14	15	50 - 155

1L24

TRACTORS (-429999) 2040S,2140

NUMERICAL INDEX - CONTINUED

PART NO.	GRID	KEY	PAGE	PART NO.	GRID	KEY	PAGE	PART NO.	GRID	KEY	PAGE
34M7130	2G16	18	50 - 157	37M7074	3I11	1	70 - 131	40M7088	3E20	6	70 - 43
34M7130	3F4	20	70 - 51	37M7075	4I6	5	90 - 97	40M7093	3B22	11	60 - 41
34M7137	2G14	9	50 - 155	37M7076	4C14	20	80 - 57	40M7094	3B22	12	60 - 41
34M7137	2G16	11	50 - 157	37M7076	4F2	10	90 - 19	40M7095	3B22	13	60 - 41
34M7145	3I3	13	70 - 123	37M7076	4G4	12	90 - 45	40M7096	2C2	14	50 - 45
34M7159	4H3	8	90 - 69	37M7078	4D22	3	80 - 90	40M7097	2H15	20	50 - 181
37H129	3E16	5	70 - 39	37M7079	1C4	18	20 - 47	40M7112	2H3	12	50 - 169
37H133	1E15	11	30 - 45	37M7079	4G24	36	90 - 65	40M7115	2D21	1	50 - 89
37H147	4G14	10	90 - 55	37M7079	4H11	35	90 - 77	40M7115	2G3	5	50 - 144
37H164	4C14	20	80 - 57	37M7081	1G10	5	40 - 37	40M7115	2G3	8	50 - 144
37H32	4G9	17	90 - 50	37M7081	4C24	1	80 - 67	40M7115	2G8	8	50 - 149
37H42	4D1	8	80 - 69	37M7081	4C25	6	80 - 68	40M7115	2G8	11	50 - 149
37H43	4G14	3	90 - 55	37M7094	4G22	10	90 - 63	40M7122	2C14	6	50 - 57
37H44	1E19	12	30 - 49	37M7095	1F22	7	40 - 25	40M7122	2C16	6	50 - 59
37H47	1D20	10	30 - 25	37M7142	1G10	22	40 - 37	40M7144	4E14	2	90 - 7
37H47	1H9	3	40 - 61	40M1816	4F4	20	90 - 21	40M7144	4F4	16	90 - 21
37H49	4D3	31	80 - 71	40M1821	4H19	9	90 - 85	40M7178	2G12	18	50 - 153
37M6630	4F8	16	90 - 25	40M1851	1C5	9	20 - 48	40M7195	3B12	16	60 - 31
37M6630	4F12	13	90 - 29	40M1851	1C6	10	20 - 49	40M7195	4B12	17	80 - 31
37M7005	4F10	1	90 - 27	40M1855	3B6	1	60 - 25	40M7195	4B14	17	80 - 33
37M7009	3E20	13	70 - 43	40M1873	2C12	3	50 - 55	40M7202	1E13	13	30 - 43
37M7012	4G2	1	90 - 43	40M1873	2E16	7	50 - 109	400R	2B16	28	50 - 35
37M7016	4F8	29	90 - 25	40M4378	3H12	41	70 - 107	400R	2D17	8	50 - 85
37M7016	4F10	12	90 - 27	40M7000	4H3	12	90 - 69	400R	3C2	16	60 - 45
37M7016	4G18	5	90 - 59	40M7000	4H15	46	90 - 81	400R	3H9	5	70 - 104
37M7018	4F2	19	90 - 19	40M7030	4G24	20	90 - 65	44M1082	2C14	22	50 - 57
37M7024	1H7	16	40 - 59	40M7030	4H19	1	90 - 85	44M1082	2C16	22	50 - 59
37M7024	1H9	13	40 - 61	40M7032	4F4	19	90 - 21	44M1082	2C17	3	50 - 60
37M7024	4E14	25	90 - 7	40M7040	4H5	37	90 - 71	44M1082	2C17	4	50 - 60
37M7031	4F2	10	90 - 19	40M7041	4G24	6	90 - 65	44M1124	4F18	2	90 - 35
37M7031	4H22	3	90 - 88	40M7041	4H11	6	90 - 77	44M1124	4F21	10	90 - 38
37M7038	3I3	28	70 - 123	40M7042	2A17	21	50 - 11	44M7037	2B4	7	50 - 23
37M7038	4C16	24	80 - 59	40M7042	4G18	3	90 - 59	44M7065	4F20	8	90 - 37
37M7042	2G14	20	50 - 155	40M7042	4G24	3	90 - 65	45M6305	4A17	1	80 - 11
37M7042	2G16	22	50 - 157	40M7042	4H11	3	90 - 77	45M6305	4A19	5	80 - 13
37M7048	4F2	25	90 - 19	40M7042	4H15	9	90 - 81	45M7029	3I9	8	70 - 129
37M7048	4F6	13	90 - 23	40M7042	4H17	20	90 - 83	45M7030	3I9	19	70 - 129
37M7052	3I11	21	70 - 131	40M7042	4H19	19	90 - 85	45M7032	3I12	1	70 - 132
37M7059	3I3	18	70 - 123	40M7044	2C10	2	50 - 53	45M7037	2G14	28	50 - 155
37M7059	3I3	27	70 - 123	40M7044	2G3	5	50 - 144	45M7037	2G16	31	50 - 157
37M7059	4C16	11	80 - 59	40M7044	2G8	8	50 - 149	45M7080	4A15	18	80 - 9
37M7059	4E14	3	90 - 7	40M7045	2G20	13	50 - 161	47M7003	4A23	1	80 - 17
37M7059	4F10	9	90 - 27	40M7046	2C10	4	50 - 53	47M7003	4A23	20	80 - 17
37M7059	4F14	8	90 - 31	40M7054	2G16	29	50 - 157	47M7003	4A23	27	80 - 17
37M7060	2C14	23	50 - 57	40M7054	4H19	23	90 - 85	48M7038	2A11	1	50 - 5
37M7060	2C16	23	50 - 59	40M7055	4H19	3	90 - 85	48M7038	2C14	29	50 - 57
37M7060	4E14	27	90 - 7	40M7058	2C10	31	50 - 53	48M7038	2C16	29	50 - 59
37M7060	4E18	3	90 - 11	40M7059	4E14	10	90 - 7	48M7038	2D21	1	50 - 89
37M7060	4E23	5	90 - 16	40M7065	2G12	1	50 - 153	48M7038	2G3	8	50 - 144
37M7061	4E14	8	90 - 7	40M7065	2G20	8	50 - 161	48M7038	2G3	9	50 - 144
37M7061	4E18	4	90 - 11	40M7071	2G8	1	50 - 149	48M7038	2G8	11	50 - 149
37M7062	4F6	11	90 - 23	40M7071	2G10	3	50 - 151	48M7038	2G8	12	50 - 149
37M7066	1F22	13	40 - 25	40M7071	2G12	2	50 - 153	48M7039	2C14	36	50 - 57
37M7066	4F6	10	90 - 23	40M7071	2G20	3	50 - 161	48M7039	2C16	36	50 - 59
37M7066	4F10	15	90 - 27	40M7075	2H11	19	50 - 177	49M7030	2C2	27	50 - 45
37M7067	1F18	15	40 - 21	40M7076	2H11	34	50 - 177	51M4230	1E17	4	30 - 47
37M7067	1F20	11	40 - 23	40M7078	2H11	16	50 - 177	51M4234	3C16	19	60 - 59
37M7067	1G22	3	40 - 49	40M7079	2H11	11	50 - 177	51M4234	3C18	27	60 - 61
37M7067	1G24	2	40 - 51	40M7079	2H13	11	50 - 179	51M4234	3C20	26	60 - 63
37M7067	1G25	5	40 - 52	40M7080	2H13	34	50 - 179	51M4234	3C22	34	60 - 65
37M7068	4H21	7	90 - 87	40M7081	2H13	16	50 - 179	51M4236	3B23	6	60 - 42
37M7070	4H3	6	90 - 69	40M7082	4I6	2	90 - 97	51M4236	3C16	32	60 - 59
37M7071	1G8	12	40 - 35	40M7083	2G20	15	50 - 161	51M4236	3C20	5	60 - 63
37M7072	4F2	27	90 - 19	40M7086	2D12	2	50 - 80	51M4238	3G4	10	70 - 75
37M7072	4F22	2	90 - 39	40M7088	3E19	1	70 - 42	51M4238	3G6	10	70 - 77
37M7073	1G10	16	40 - 37	40M7088	3E19	6	70 - 42	51M4238	3G16	9	70 - 87
37M7073	4E15	3	90 - 8	40M7088	3E20	2	70 - 43	51M4240	2H11	22	50 - 177

1L25

TRACTORS (-429999) 2040S,2140

NUMERICAL INDEX - CONTINUED

PART NO.	GRID	KEY	PAGE	PART NO.	GRID	KEY	PAGE	PART NO.	GRID	KEY	PAGE
51M4240	2H13	21	50 - 179	57M7041	1H11	6	40 - 63	99M6933	4E4	1	80 - 97
51M4240	2H15	24	50 - 181	57M7041	1H13	18	40 - 65	99M6934	2G8	11	50 - 149
51M4240	3G12	9	70 - 83	57M7044	1B3	2	20 - 22	99M6934	2G8	20	50 - 149
51M4245	3C23	2	60 - 66	57M7044	1B3	8	20 - 22	99M6934	2G10	19	50 - 151
51M4245	3F23	8	70 - 70	57M7044	1H10	13	40 - 62	99M6934	2G12	29	50 - 153
51M4247	2H17	25	50 - 183	57M7045	1H10	14	40 - 62	99M6934	2G20	27	50 - 161
51M4282	2D7	18	50 - 75	57M7046	1H13	40	40 - 65	99M6934	4E4	1	80 - 97
51M4282	2D19	12	50 - 87	57M7059	1H13	22	40 - 65	99M6985	4E4	1	80 - 97
51M7012	1B22	12	20 - 41	57M7060	1H13	19	40 - 65	99M6986	3I9	4	70 - 129
51M7012	1B24	12	20 - 43	57M7061	1H13	20	40 - 65	99M6986	4E4	1	80 - 97
51M7012	1C2	3	20 - 45	57M7062	1H13	36	40 - 65	99M7002	4D14	3	80 - 82
51M7017	2C10	10	50 - 53	57M7064	1H13	25	40 - 65	99M7004	4E4	1	80 - 97
51M7018	2H11	26	50 - 177	57M7065	1H13	31	40 - 65	99M7006	4E4	1	80 - 97
51M7018	2H13	25	50 - 179	57M7066	1H13	30	40 - 65	99M7009	4E4	1	80 - 97
51M7018	2H15	26	50 - 181	57M7067	1H13	33	40 - 65	99M7010	1G2	17	40 - 29
51M7018	2H17	22	50 - 183	57M7068	1H13	32	40 - 65	99M7010	4E4	1	80 - 97
51M7033	3B12	7	60 - 31	57M7069	1H13	35	40 - 65	99M7010	4I6	14	90 - 97
51M7033	3B12	26	60 - 31	57M7071	1H11	7	40 - 63	99M7011	4E4	1	80 - 97
51M7033	3B20	5	60 - 39	57M7071	1H13	6	40 - 65	99M7014	4F8	9	90 - 25
51M7033	3B20	20	60 - 39	57M7072	1H13	41	40 - 65	99M7015	4E4	1	80 - 97
51M7033	3B23	3	60 - 42	57M7073	1G22	9	40 - 49	99M7016	4E4	1	80 - 97
51M7033	3B23	10	60 - 42	57M7073	1G24	11	40 - 51	99M7026	3F8	7	70 - 55
52M7011	2C12	6	50 - 55	57M7073	1H10	12	40 - 62	99M7027	3F6	14	70 - 53
52M7012	4B2	19	80 - 21	57M7073	1H13	24	40 - 65	99M7030	1F24	14	40 - 27
52M7013	2H13	3	50 - 179	57M7083	1H13	27	40 - 65	99M7033	4E4	1	80 - 97
53M7002	4B4	7	80 - 23	57M7087	1H13	28	40 - 65	99M7035	4E4	1	80 - 97
54M4418	4A15	17	80 - 9	57M7089	1H11	3	40 - 63	99M7037	4E4	1	80 - 97
55M7007	1E11	27	30 - 41	57M7089	1H13	23	40 - 65	99M7038	3B8	15	60 - 27
55M7007	4E14	23	90 - 7	57M7093	1H13	29	40 - 65	99M7038	3B8	26	60 - 27
55M7007	4E22	12	90 - 15	57M7095	1H10	5	40 - 62	99M7038	3B8	27	60 - 27
55M7007	4E23	6	90 - 16	57M7095	3C6	7	60 - 49	99M7038	4E4	1	80 - 97
55M7007	4F4	3	90 - 21	57M7102	1F18	4	40 - 21	99M7042	4D5	4	80 - 73
56M4435	1E11	24	30 - 41	57M7107	1H10	15	40 - 62	99M7043	2E12	13	50 - 105
56M4437	3F8	2	70 - 55	57M7109	1H10	10	40 - 62	99M7043	4C25	11	80 - 68
56M4437	3F11	2	70 - 58	57M7115	1H10	11	40 - 62	99M7043	4E4	1	80 - 97
56M4437	3G2	14	70 - 73	57M7116	2B18	14	50 - 37	99M7045	4A21	2	80 - 15
56M4537	3F8	3	70 - 55	57M7171	1H10	4	40 - 62	99M7045	4E4	1	80 - 97
56M4537	3F11	4	70 - 58	58M5573	3B14	9	60 - 33	99M7048	1F24	14	40 - 27
56M4537	3G2	13	70 - 73	58M5573	3B17	5	60 - 36	99M7049	4E4	1	80 - 97
56M7003	2C2	32	50 - 45	58M5573	4A11	24	80 - 5	99M7055	1H2	7	40 - 54
56M7003	2G14	26	50 - 155	58M5573	4A13	14	80 - 7	99M7055	1H3	5	40 - 55
56M7003	2G16	2	50 - 157	58M5573	4B14	2	80 - 33	99M7055	1H5	10	40 - 57
56M7004	2C2	38	50 - 45	58M5574	2H3	17	50 - 169	99M7056	4E4	1	80 - 97
56M7004	2G14	36	50 - 155	58M5574	2H17	28	50 - 183	99M7058	4E4	1	80 - 97
56M7004	2G16	36	50 - 157	58M5574	2H19	3	50 - 185	99M7059	4E4	1	80 - 97
56M7006	4F4	4	90 - 21	58M5574	2H21	7	50 - 187	99M7059	4E14	28	90 - 7
56M7006	4I4	5	90 - 95	58M5574	2H21	22	50 - 187	99M7070	4E4	1	80 - 97
56M7006	4I4	6	90 - 95	58M5574	4B12	4	80 - 31	99M7073	4E4	1	80 - 97
56M7007	4F4	4	90 - 21	58M5577	2H15	28	50 - 181	99M7077	4E4	1	80 - 97
56M7007	4F4	24	90 - 21	58M5577	2H21	12	50 - 187	99M7080	4A9	2	80 - 3
56M7007	4I4	40	90 - 95	58M5579	2H1	4	50 - 167	99M7082	4E4	1	80 - 97
56M7009	4I4	6	90 - 95	58M5579	2H3	14	50 - 169	99M7087	4E4	1	80 - 97
56M7010	4I4	5	90 - 95	58M5579	2H17	27	50 - 183				
57M6274	1G8	8	40 - 35	58M6987	3I9	6	70 - 129				
57M6274	1G10	2	40 - 37	58M7004	3B16	16	60 - 35				
57M6394	1G4	9	40 - 31	99M5562	4E4	1	80 - 97				
57M6511	1H7	6	40 - 59	99M5565	4E4	1	80 - 97				
57M6511	1H9	18	40 - 61	99M5567	4E4	1	80 - 97				
57M6844	1G4	7	40 - 31	99M5764	4E4	1	80 - 97				
57M7013	1G10	4	40 - 37	99M5913	4E4	1	80 - 97				
57M7014	1G8	2	40 - 35	99M6185	4E4	1	80 - 97				
57M7014	1G10	6	40 - 37	99M6203	4E4	1	80 - 97				
57M7016	1G4	7	40 - 31	99M6430	4D14	4	80 - 82				
57M7033	1H13	42	40 - 65	99M6488	4C23	3	80 - 66				
57M7038	1H13	26	40 - 65	99M6488	4C24	7	80 - 67				
57M7039	1H13	17	40 - 65	99M6488	4C25	1	80 - 68				
57M7040	1H13	7	40 - 65	99M6551	4E4	1	80 - 97				