

1A2

1640, 2040, 2040S TRACTORS (430000-)

CODES USED IN "REMARKS" COLUMN
 CODES UTILISES DANS LA COLONNE "REMARQUES"
 KODE-ZEICHEN IN DER SPALTE "BEMERKUNGEN"
 CODICI USATI NELLA COLONNA "NOTE"
 CODIFICATION EN LA COLUMNA "NOTAS"
 KODATS SOM ANVANDS PA KOLUMN "ANMAERKNINGER"

FX100031 -UN-01JAN94

	English	Français	Deutsch
APPL	This application only	Uniquement pour cette utilisation	Nur für diese Anwendung
AR	As required	Suivant besoin	Nach Bedarf
ASSY	Complete assembly	Ensemble complet	Kompl. Zusammenbau
FOR	Use with	Pour	Für
FRONT	Front	Avant	Vorn
ID	Inside diameter	Diamètre intérieur	Innendurchmesser
INCL KEYS	Including keys	Comprend les repères	Einschließlich Teile
KIT	Kit	Jeu de réparation	Reparatursatz
L	Number of links	Nombre de maillons	Zahl der Glieder
LGTH	Length	Longueur	Länge
LH	Left-hand	Gauche	Links
LOW	Lower	Inférieur	Unten
MARKED	Marked	Marqué	Markiert
MF	Make from	Réaliser avec	Herstellen von
NA	Not applicable	Non utilisé	Nicht zutreffend
NSEP	Not supplied separately	Non livré séparément	Einzel nicht lieferbar
OD	Outside diameter	Diamètre extérieur	Außendurchmesser
OR	Or	Ou	Oder
ORD	Order	Commander	Bestelle
ORD W/	Also order	Commander avec	Bestelle mit
PACKG	Packet of	Par paquet de	Verpackt zu
RATIO	Ratio	Rapport de transmission	Übersetzungsverhältnis
REAR	Rear	Arrière	Hinten
RH	Right-hand	Droit	Rechts
SUB	Replaced by	Remplacé par	Ersetzt durch
SUB FOR	Substitutes for	Remplace	Ersatz für
TK	Thickness	Epaisseur	Stärke
UP	Upper	Supérieur	Oben
W/O	Without	Sans	Ohne
Z	Gear and sprocket teeth number	Nombre de dents des pignons	Zähnezahl für Ketten- und Zahnrad

FX100031

1A3

1640, 2040, 2040S TRACTORS (430000-)

CODES USED IN "REMARKS" COLUMN
 CODES UTILISES DANS LA COLONNE "REMARQUES"
 KODE-ZEICHEN IN DER SPALTE "BEMERKUNGEN"
 CODICI USATI NELLA COLONNA "NOTE"
 CODIFICACION EN LA COLUMNA "NOTAS"
 KODATS SOM ANVANDS PA KOLUMN "ANMAERKNINGER"

FX100032 -UN-01JAN94

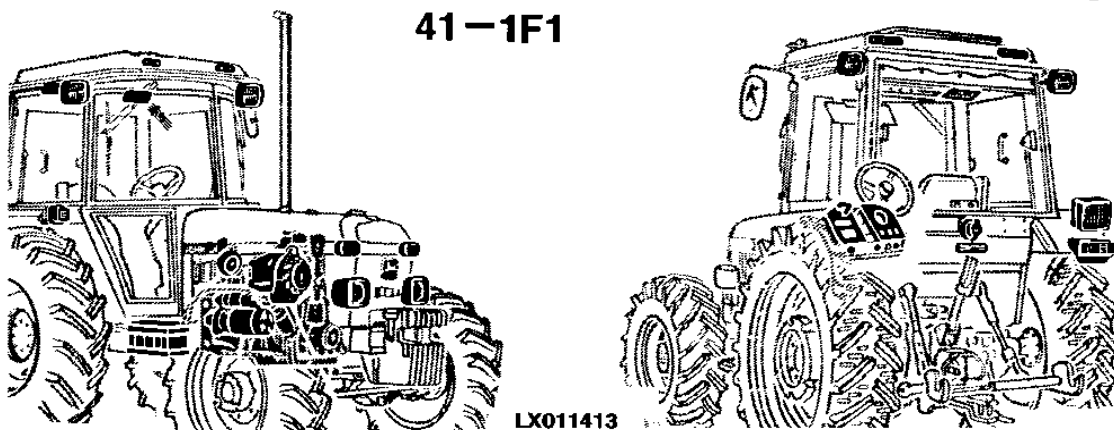
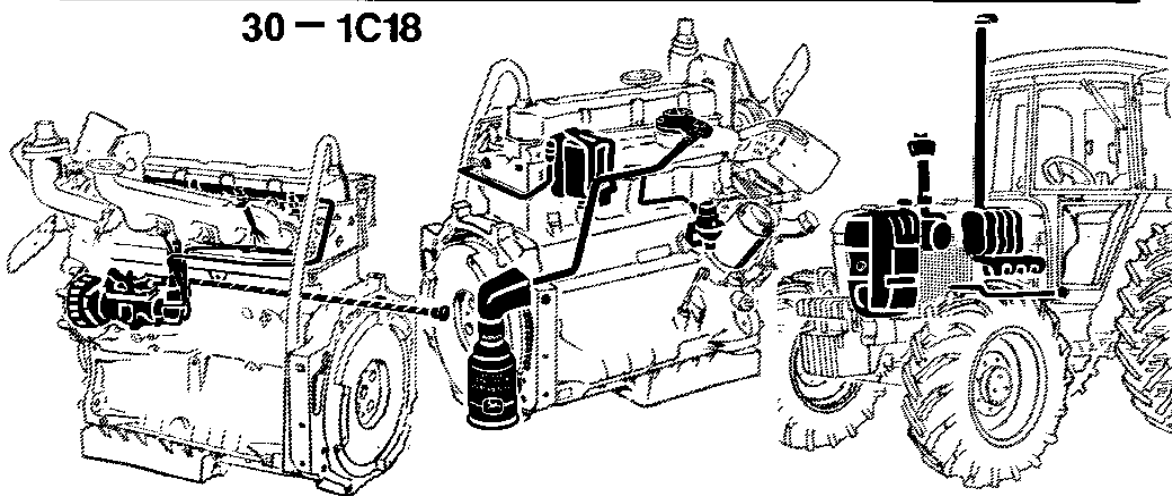
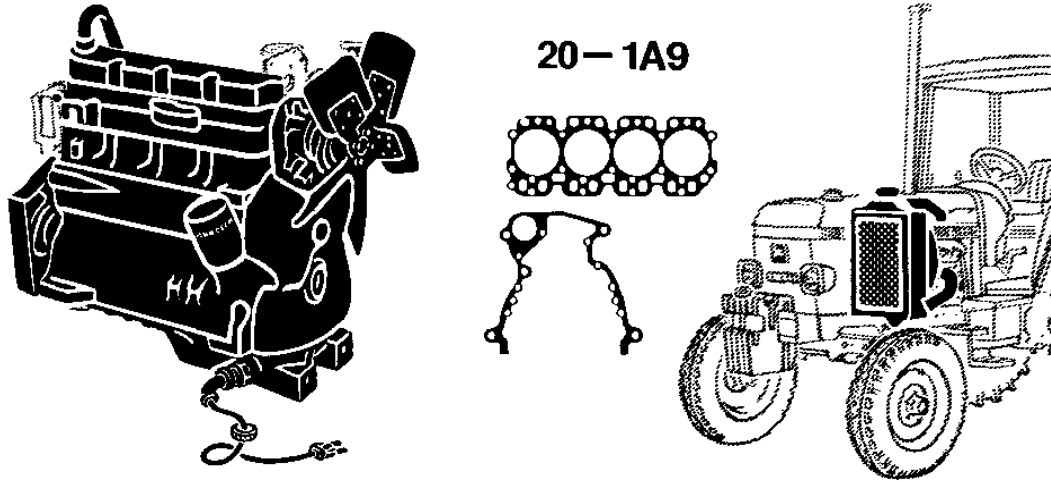
	Italiano	Español	Svenska
APPL	Solo per questo impiego	Tan sólo para este propósito	Endast för denna användning
AR	Secondo necessità	Según necesidad	I må av behov
ASSY	Gruppo completo	Conjunto completo	Komplett enhet
FOR	Per	Para	För
FRONT	Anteriore	Frente	Fram
ID	Diametro interno	Diámetro interior	Inre diameter
INCL KEYS	Chiavette incluse	Incluye las posiciones	Inklusive nycklar
KIT	Corredo	Conjunto de reparación	Sats
L	Numero di maglie	Número de eslabones	Antal länkar eller led
LGTH	Lunghezza	Longitud	Längd
LH	Sinistra	Izquierda	Vänster sida
LOW	Inferiore	Inferior	Nedre
MARKED	Marcato	Marcado	Märkt
MF	Fabbricare di	Hacer de	Tillverka av
NA	Non si usa	No utilizado	Ej lämplig
NSEP	Non fornito separatamente	No se suministra por separado	Kan ej erhållas separat
OD	Diametro esterno	Diámetro exterior	Yttre diameter
OR	Oppure	O	Eller
ORD	Ordinare	Pídase	Beställ
ORD W/	Ordinare con	Pídase con	Beställ med
PACKG	In confezione da	Por paquete de	I sats eller paket
RATIO	Rapporto di riduzione	Índice desmultiplicación	Reduktion
REAR	Posteriore	Trasero	Bak, bakre
RH	Destra	Derecha	Höger sida
SUB	Sostituito per	Sustituido por	Ersättad med
SUB FOR	Sostituisce	Sustitución para	Ersätter
TK	Spessore	Espesor	Tjocklek
UP	Superiore	Superior	Övre
W/O	Senza	Sin	Utan, exklusive
Z	No. denti corona o pignone	Número de dientes de los engranajes	Antal tänder på drev och kuggjul

FX100032

1A4

1640, 2040, 2040S TRACTORS (430000-)

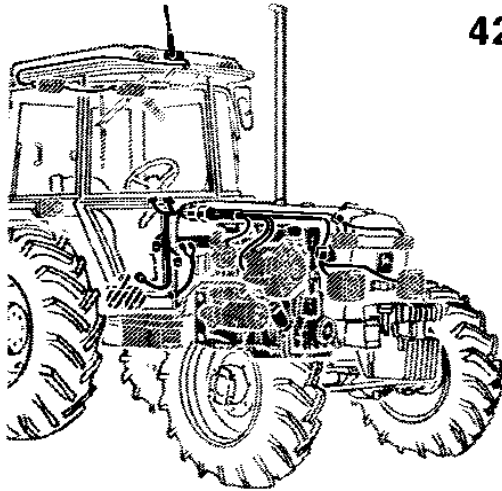
PRIMARY INDEX
INDEX PRINCIPAL
HAUPTINDEX
INDICE PRINCIPALE
INDICE DE MATERIAS
HUVUDFORTECKNING
LX011413 -UN-14JUL95



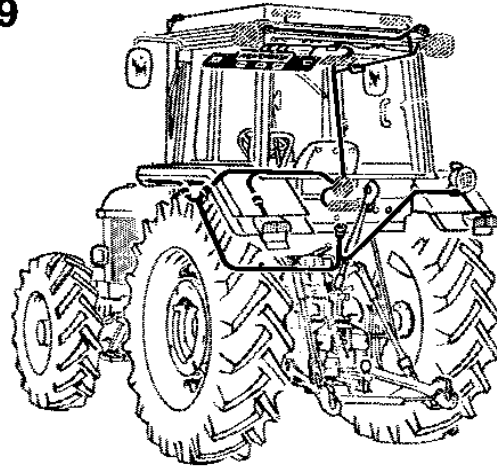
1A5

1640, 2040, 2040S TRACTORS (430000-)

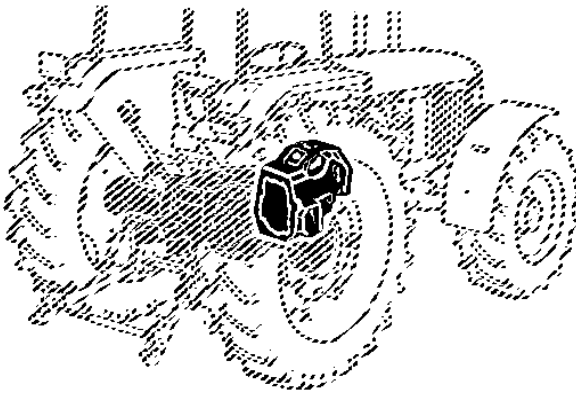
PRIMARY INDEX
INDEX PRINCIPAL
HAUPTINDEX
INDICE PRINCIPALE
INDICE DE MATERIAS
HUVUDFORTECKNING
LX011414 -UN-14JUL95



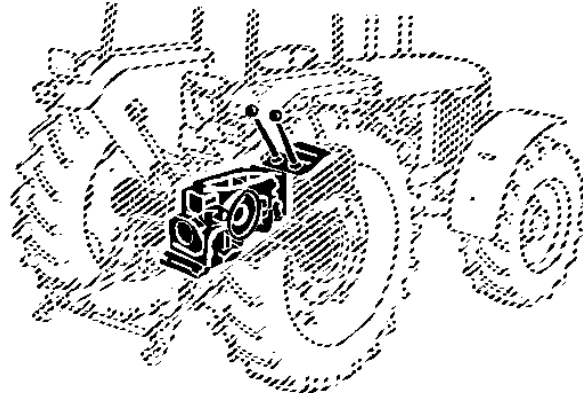
42-2A9



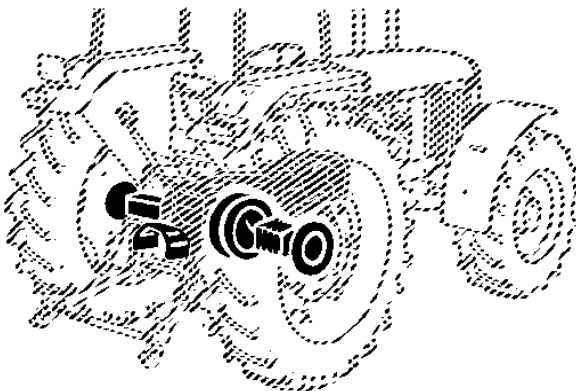
51-2C5



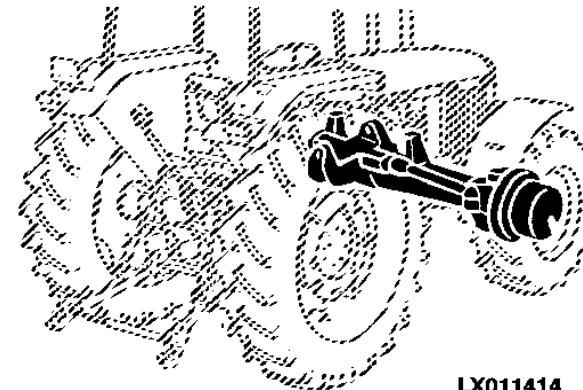
52-2D14/53-3A9



54-3G1



55-4A9



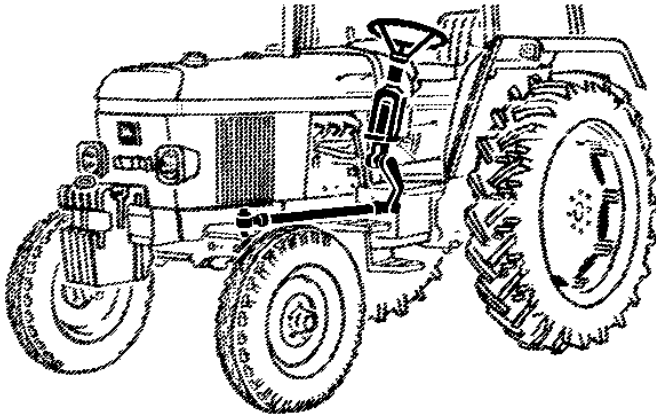
LX011414

1A6

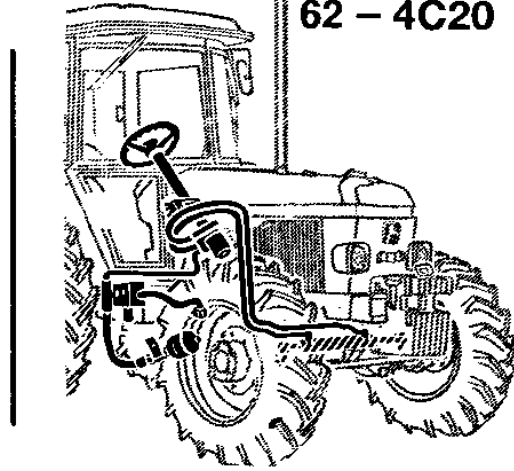
1640, 2040, 2040S TRACTORS (430000-)

PRIMARY INDEX
INDEX PRINCIPAL
HAUPTINDEX
INDICE PRINCIPALE
INDICE DE MATERIAS
HUVUDFORTECKNING
LX011415 -UN-14JUL95

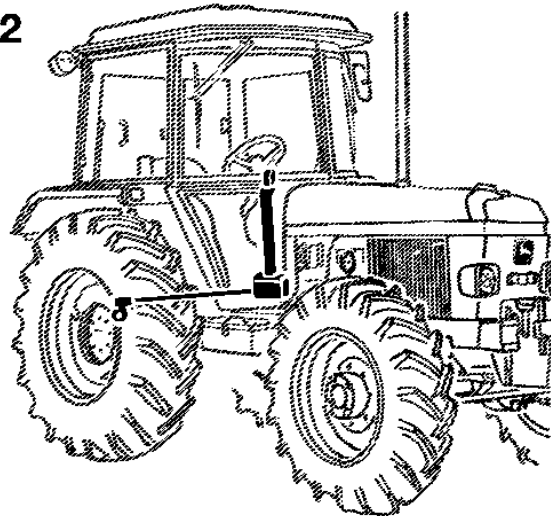
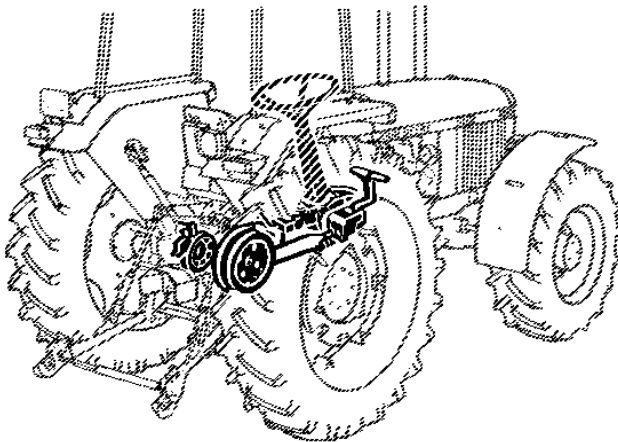
61 - 4C8



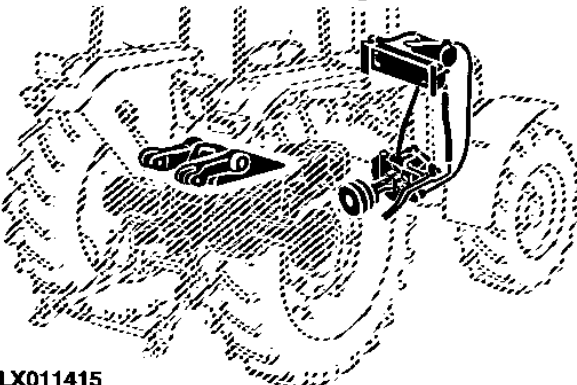
62 - 4C20



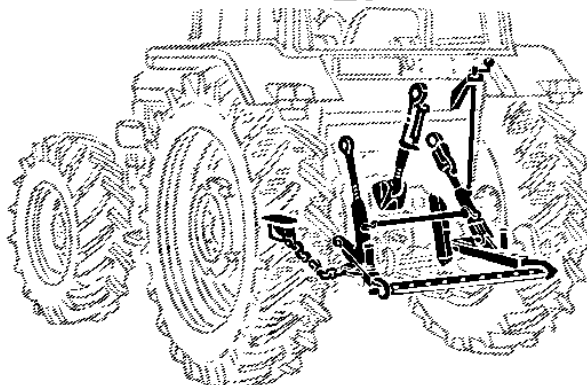
63 - 4G2



71 - 5A9



72 - 5E1

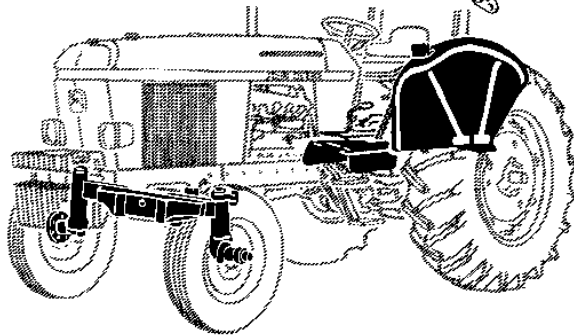
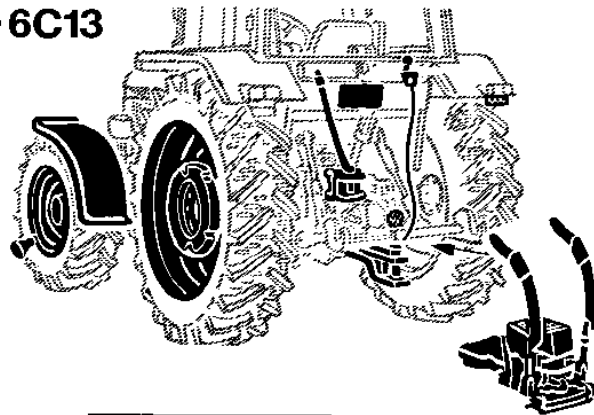
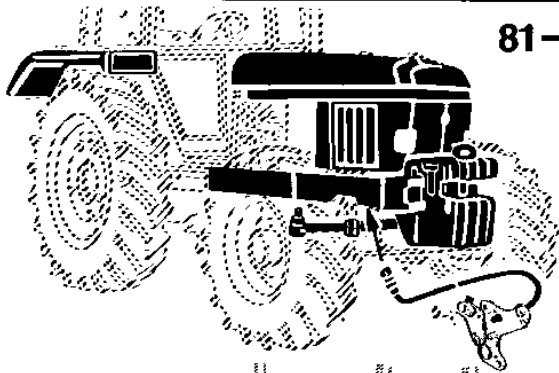
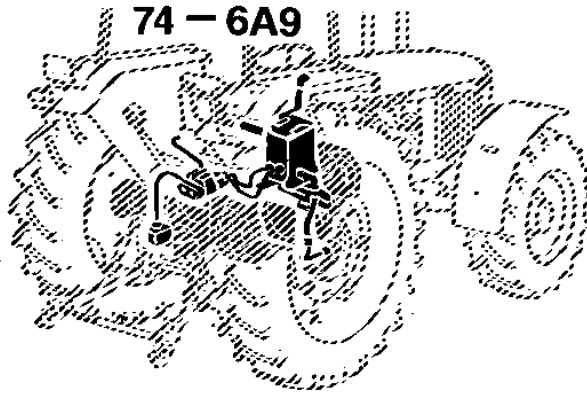
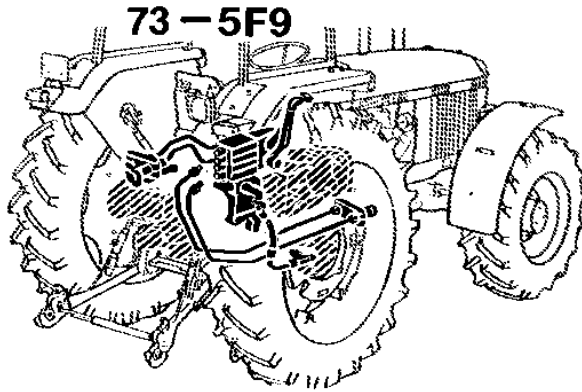


LX011415

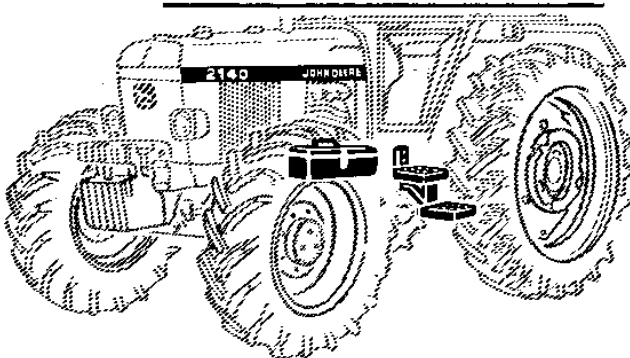
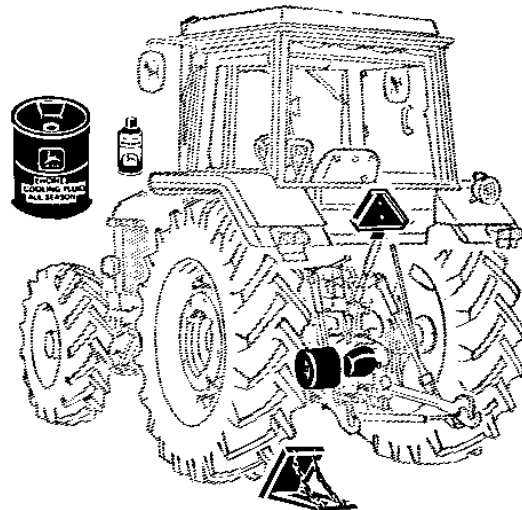
1A7

1640, 2040, 2040S TRACTORS (430000-)

PRIMARY INDEX
INDEX PRINCIPAL
HAUPTINDEX
INDICE PRINCIPALE
INDICE DE MATERIAS
HUVUDFORTECKNING
LX011416 -UN-14JUL95



82 - 6G12

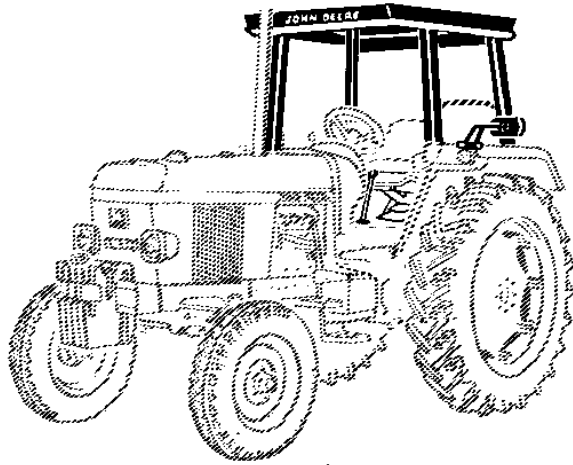


LX011416

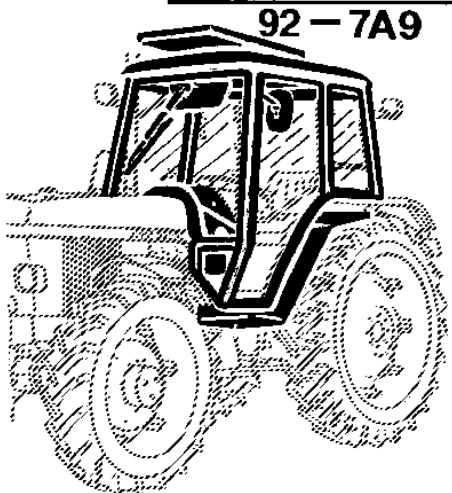
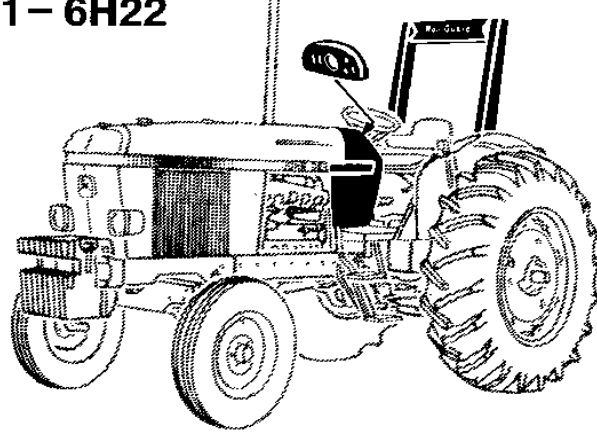
1A8

1640, 2040, 2040S TRACTORS (430000-)

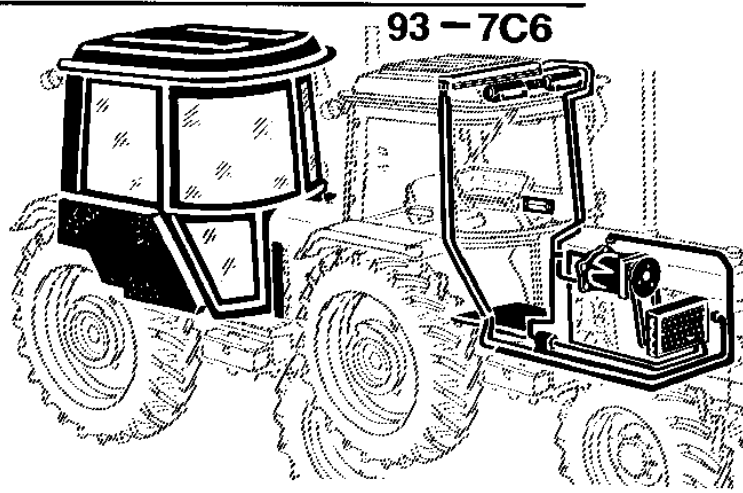
PRIMARY INDEX
INDEX PRINCIPAL
HAUPTINDEX
INDICE PRINCIPALE
INDICE DE MATERIAS
HUVUDFORTECKNING
LX011417 -UN-14JUL95



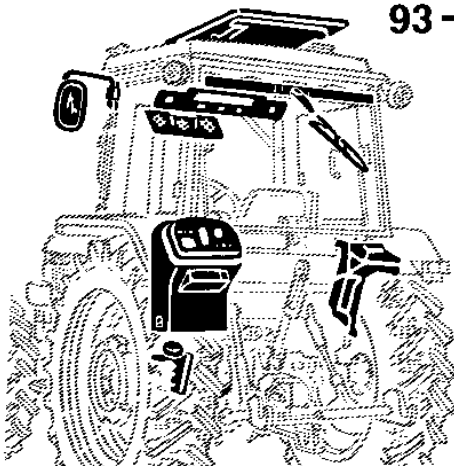
91-6H22



92-7A9



93-7C6



93-7C6



94-7G5

LX011417

MEMORANDA

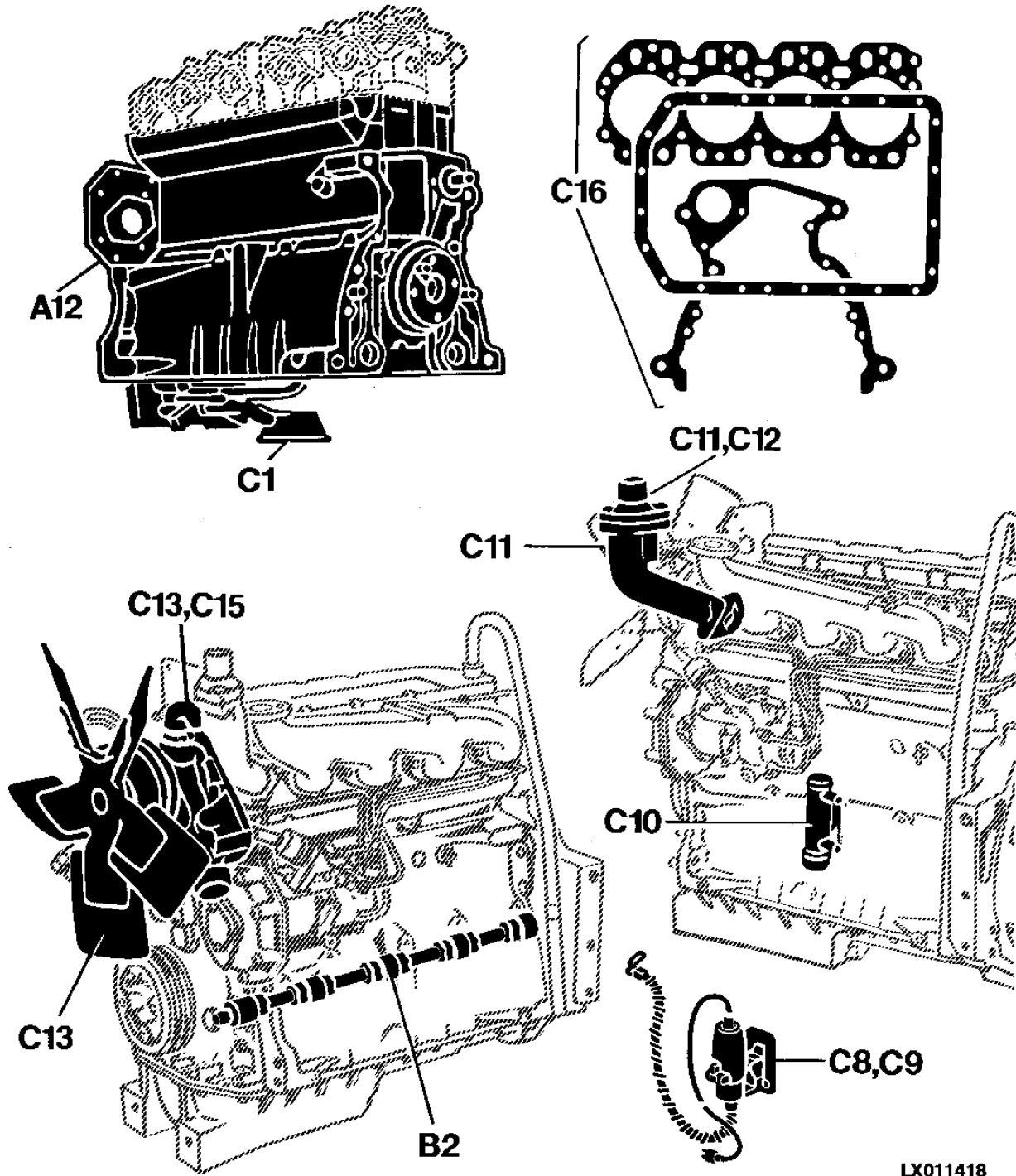
1A9

ENGINE

XX
XX
XX
XX
XX
XX
XX
XX
XX
XX
XX

SECTIONAL INDEX
INDEX DE SECTION
GRUPPENINDEX
INDICE DELLA SEZIONE
INDICE DE GRUPOS
GRUPPSFORTECKNING

LX011418 -UN-14JUL95



LX011418

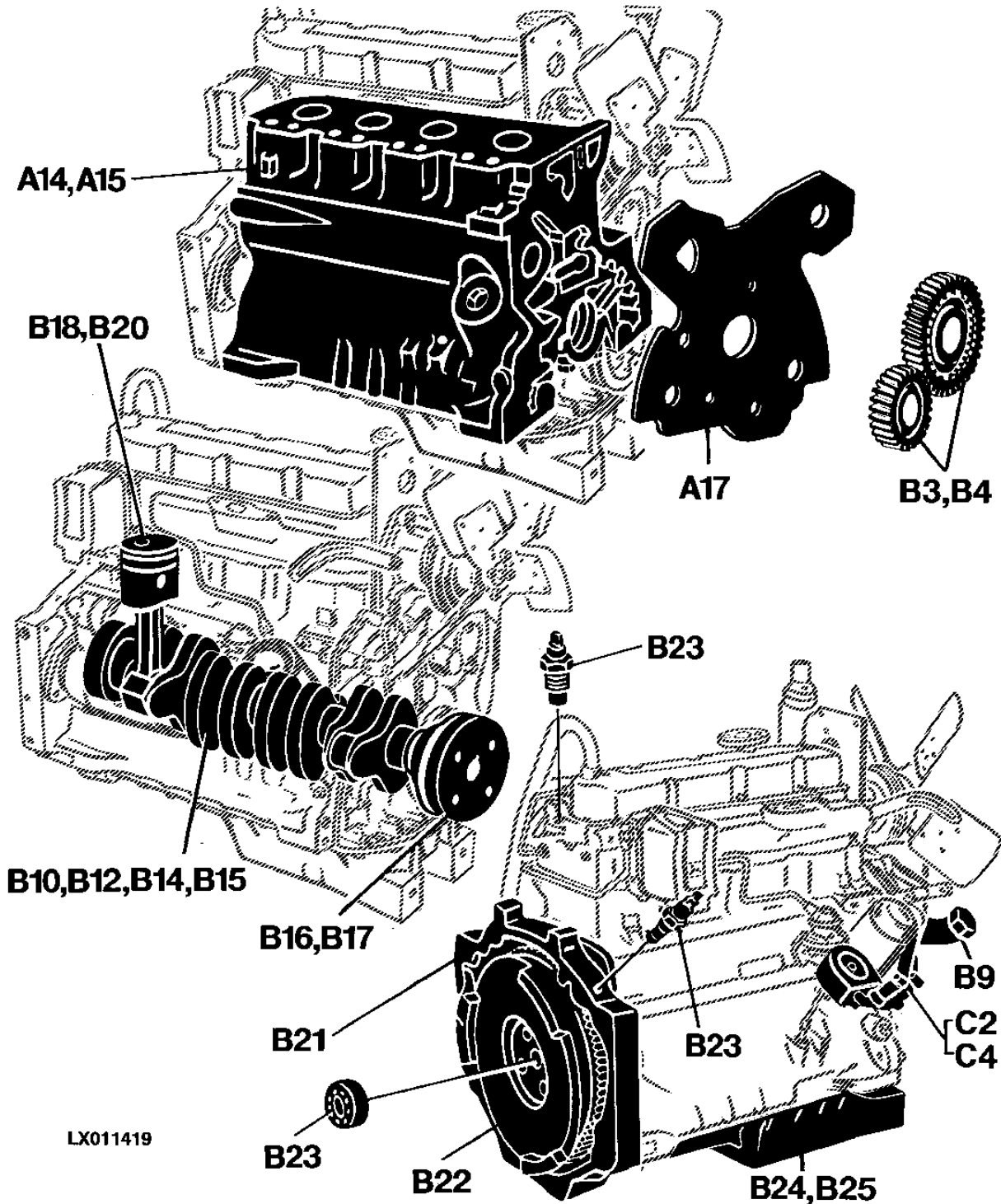
1A10

ENGINE

XX
XX
XX
XX
XX
XX
XX
XX
XX
XX
XX

SECTIONAL INDEX
INDEX DE SECTION
GRUPPENINDEX
INDICE DELLA SEZIONE
INDICE DE GRUPOS
GRUPPSFORTECKNING

LX011419 -UN-14JUL95



LX011419

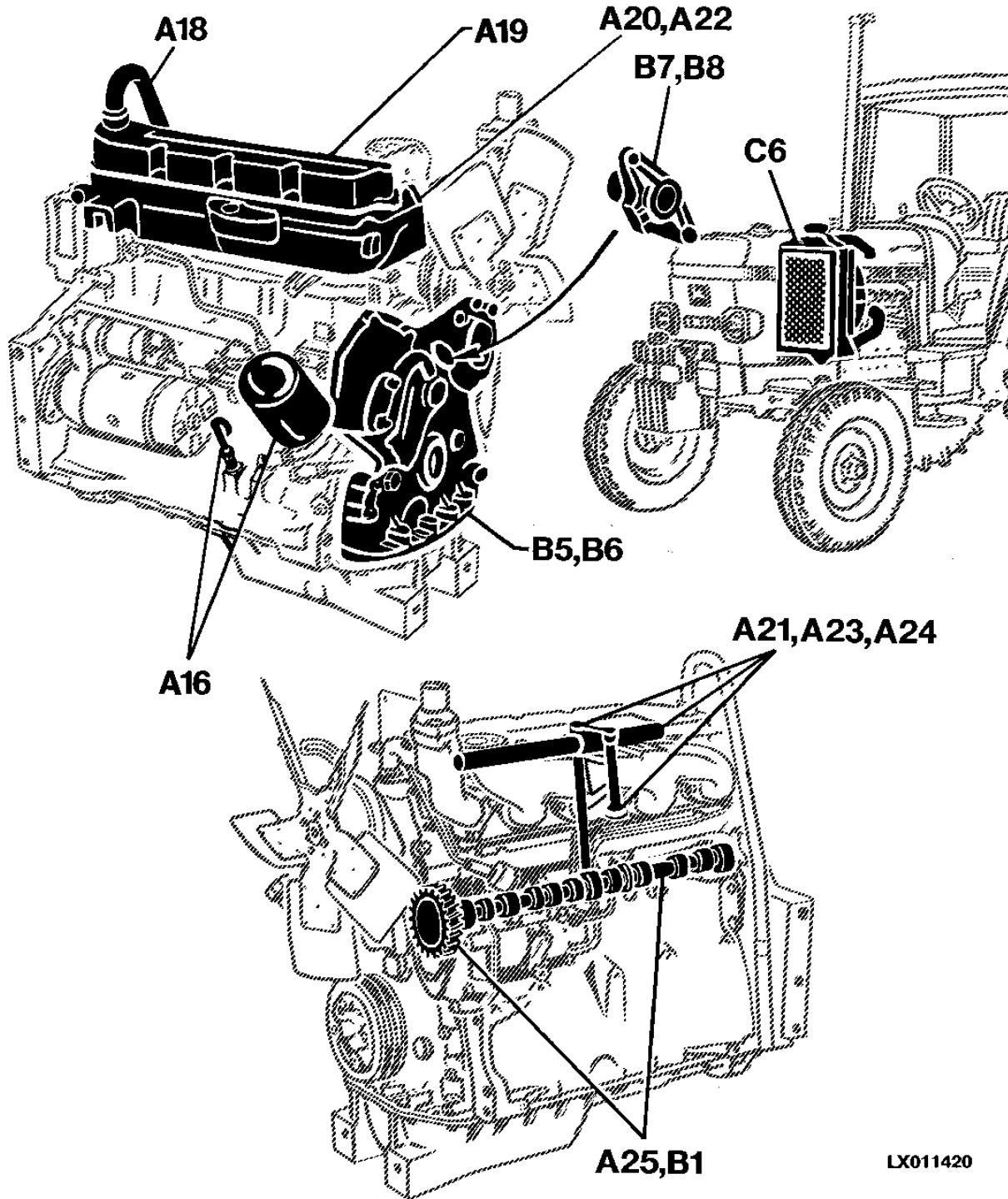
1A11

ENGINE

XX
XX
XX
XX
XX
XX
XX
XX
XX
XX

SECTIONAL INDEX
INDEX DE SECTION
GRUPPENINDEX
INDICE DELLA SEZIONE
INDICE DE GRUPOS
GRUPPSFORTECKNING

LX011420 -UN-14JUL95

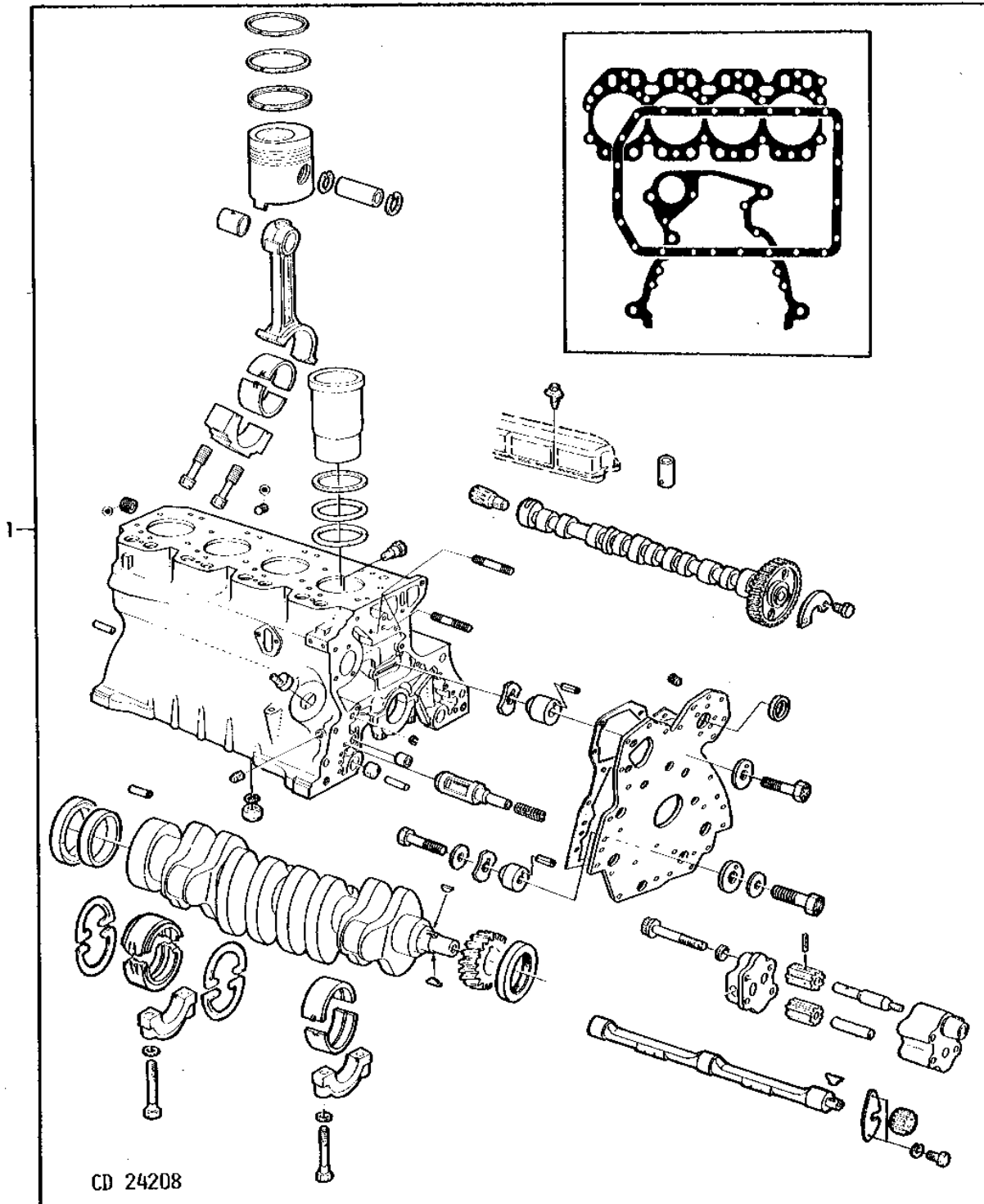


LX011420

1A12

ENGINE

SHORT BLOCK ASSEMBLY
BLOC-CYL. AVEC EQUIP. MOBILE
RUMPFMOTOR
GRUPPO MOTORE CORTO
BLOQUE DE CIL. CON PIEZ. MOV.
KORTMOTORENHET
CD24208 -UN-01JAN94



1A13

ENGINE

KEY	PART NO.	PART NAME	QTY	ENGINE SERIAL NO.		REMARKS
					2 1 2 0 6 0 4 4 4 0 0 0 S	
1	RE16815	SHORT BLOCK ASSEMBLY	AR	-687810	X X X	(A) (MARKED R72974) (ORD RE25575, (18) R85363) (SUB FOR AR97228)
	RE25575	SHORT BLOCK ASSEMBLY	AR	687811-	X X X	(A) (MARKED R80726)
	RE25578	SHORT BLOCK ASSEMBLY	AR	687811-	X X X	(B) (MARKED R80726)

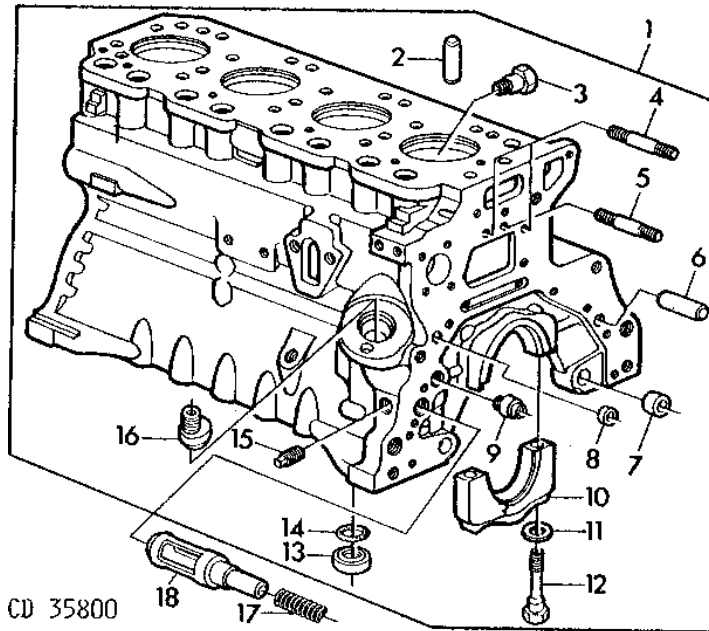
(A) TRACTOR W/O INCREASED LIFTING CAPACITY
 TRACTEUR SANS CAPACITE DE RELEVAGE AUGMENTEE
 TRAKTOR OHNE HUBKRAFTERHOEHUNG
 TRATT.SENZA ELEVATA CAPACITA DI SOLLEVAMENTO
 TRACTOR SIN CAPACIDAD ELEVADA DE LEVAMIENTO
 TRAKTOR UTAN OKAD LYFTKAPACITET

(B) TRACTOR WITH INCREASED LIFTING CAPACITY
 TRACTEUR AVEC CAPACITE DE RELEVAGE AUGMENTEE
 TRAKTOR MIT HUBKRAFTERHOEHUNG
 TRATT.CON ELEVATA CAPACITA DI SOLLEVAMENTO
 TRACTOR CON CAPACIDAD ELEVADA DE LEVAMIENTO
 TRAKTOR MED OKAD LYFTKAPACITET

1A14

ENGINE

CYLINDER BLOCK-FRONT RH
 BLOC-CYLINDRES-AVANT DROIT
 ZYLINDERBLOCK-VORN RECHTS
 MONOBLOCCO-LATO ANTERIORE DESTRO
 BLOQUE DE CILINDROS-PARTE FRONTAL DER.
 CYLINDERBLOCK-FRAMRE HOGER SIDA
 CD35800 -UN-01JAN94

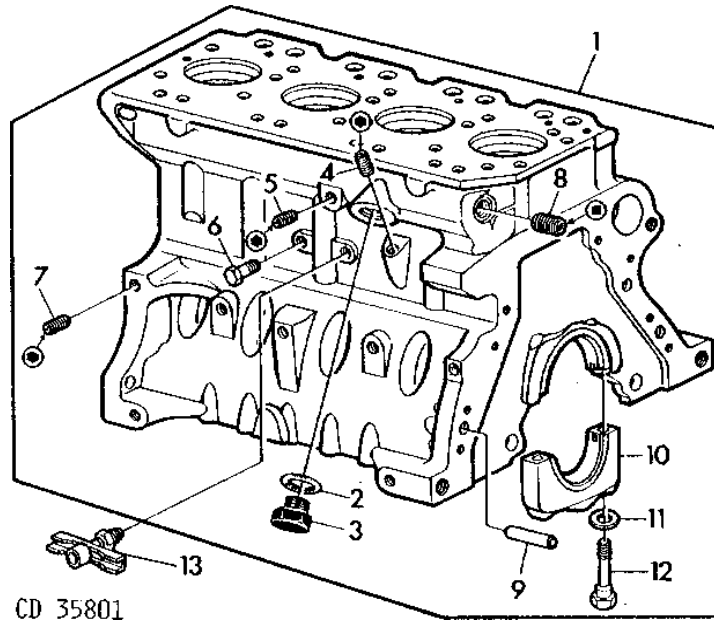


KEY	PART NO.	PART NAME	QTY	ENGINE SERIAL NO.		REMARKS
					2	
					1 2 0	
					6 0 4	
					4 4 0	
					0 0 S	
1	AR71007	CYLINDER BLOCK	1	-460066	X X X	(ORD RE25595, (18) R85363, R46625, R73139, R73140)
	AR97218	CYLINDER BLOCK	1	-687810	X X X	(MARKED R72974) (ORD RE25595, (18) R85363)
	RE25595	CYLINDER BLOCK	AR	687811-	X X X	(MARKED R80726)
2	A120R	DOWEL PIN	2		X X X	(SUB FOR R26241 APPL)
3	R54802	ORIFICE	4		X X X	
4	T33279	STUD	2		X X X	3/8"-16UNC (ORD R84984, 14H774)
	R84984	STUD	AR		X X X	3/8"X-24UNF (FOR RE25595)
5	T25701	STUD	1		X X X	3/8"-16UNC (ORD R82674, 14H774)
	R82674	STUD	AR		X X X	3/8"-24UNF (FOR RE25595)
6	A4879R	DOWEL PIN	2		X X X	
7	R57160	BUSHING	6		X X X	OD= STANDARD
	R91708	BUSHING	AR		X X X	OD= 2MM (0.078")
8	T18891	CAP	2		X X X	
9	R26493	BUSHING	1		X X X	
10	R65215	BEARING CAP	4		X X X	
11	T20168	WASHER	8		X X X	
12	T23474	CAP SCREW	8		X X X	
13	R75893	FITTING	1	574190-	X X X	
14	R75892	O-RING	1	574190-	X X X	
15	15H255	PIPE PLUG	1		X X X	3/8"
16	T23435	THREADED NIPPLE	1		X X X	
17	R46625	SPRING	1		X X X	
18	R73139	VALVE	1		X X X	

1A15

ENGINE

CYLINDER BLOCK-REAR LH
 BLOC-CYLINDRES-ARRIERE GAUCHE
 ZYLINDERBLOCK-HINTEN LINKS
 MONOBLOCCO-LATO POSTERIORE SINISTRO
 BLOQUE DE CILINDROS-PARTE TRAS. IZQDA.
 CYLINDERBLOCK-BAKRE VANSTER SIDA
 CD35801 -UN-01JAN94

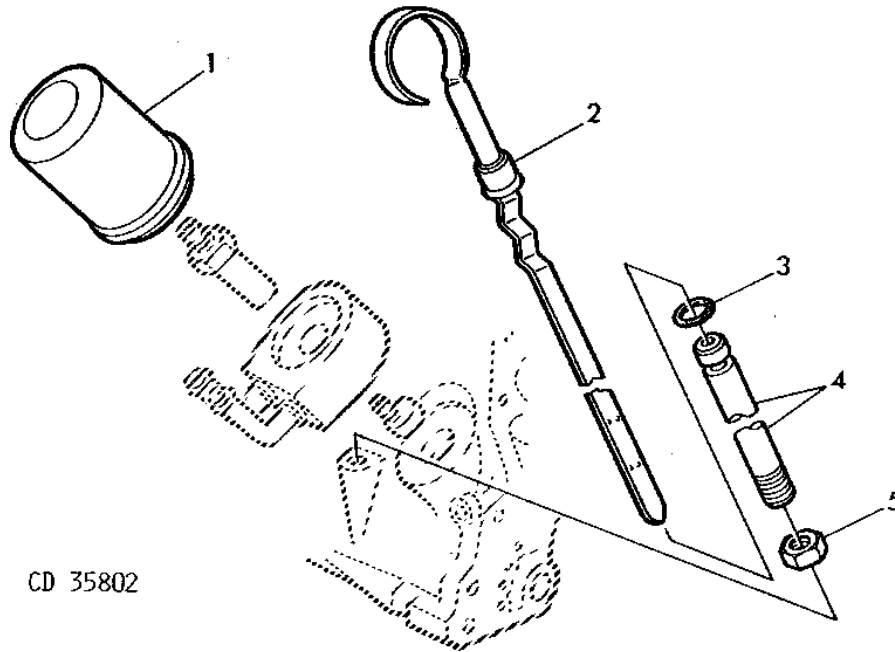


KEY	PART NO.	PART NAME	QTY	ENGINE SERIAL NO.	REMARKS
				2	
				1 2 0	
				6 0 4	
				4 4 0	
				0 0 S	
1	AR71007	CYLINDER BLOCK	1	-460066	X X X (ORD RE25595, (18) R85363, R46625, R73139, R73140)
	AR97218	CYLINDER BLOCK	1	-687810	X X X (MARKED R72974) (ORD RE25595, (18) R85363)
	RE25595	CYLINDER BLOCK	AR	687811-	X X X (MARKED R80726)
2	U13639	O-RING	1	687811-	X X X
3	R92159	DRAIN PLUG	1	687811-	X X X (SUB FOR R39741)
4	15H624	PIPE PLUG	1	687811-	X X X 1/2"
5	15H275	PIPE PLUG	1		X X X 1/4"
6	R55233	PIPE PLUG	2		X X X 1/4"
7	15H558	PIPE PLUG	5	687811-	X X X 1/8"
8	15H665	PIPE PLUG	1		X X X 3/4"
9	A120R	DOWEL PIN	2		X X X
10	R79089	CAP	1		X X X
11	T20168	WASHER	2		X X X
12	T23474	CAP SCREW	2		X X X
13	AT13740	DRAIN VALVE	AR		X X X

1A16

ENGINE

OIL FILTER AND DIPSTICK
 FILTRE A HUILE ET JAUGE
 OELFILTER UND MESSTAB
 FILTRO OLIO E ASTA LIVELLO OLIO
 FILTRO DE ACEITE Y VARILLA DE NIVEL
 OLJEFILTER OCH OLJESTICK
 CD35802 -UN-01JAN94



CD 35802

2
 1 2 0
 6 0 4
 4 4 0
 0 0 S

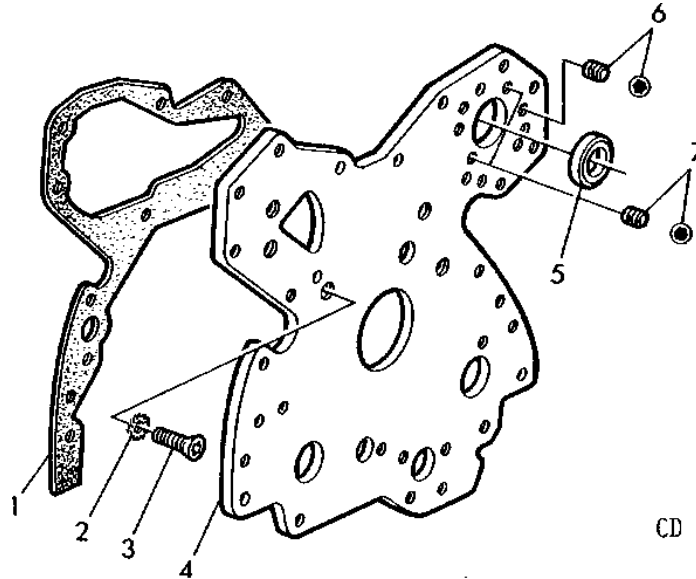
KEY	PART NO.	PART NAME	QTY	SERIAL NO.	REMARKS
1	T19044	OIL FILTER	1	X X X	
2	AR78192	DIPSTICK	1	X X X	LGTH= 270MM (10.63")
	AT21534	DIPSTICK	1	X	(A) LGTH= 270MM (10.63")
3	R10093	O-RING	1	X X X	
4	R55299	THREADED NIPPLE	1	X X X	LGTH= 59MM (2.32")
5	14H826	NUT	1	X X X	1/2"

(A) TRACTOR WITH INCREASED LIFTING CAPACITY
 TRACTEUR AVEC CAPACITE DE RELEVAGE AUGMENTE
 TRAKTOR MIT HUBKRAFTERHOEHUNG
 TRATT.CON ELEVATA CAPACITA DI SOLLEVAMENTO
 TRACTOR CON CAPACIDAD ELEVADA DE LEVAMIENTO
 TRAKTOR MED OKAD LYFTKAPACITET

1A17

ENGINE

FRONT PLATE
 PLAQUE AVANT
 VORDERE PLATTE
 PIASTRA ANTERIORE
 PLACA DELANTERA
 FRONTPLATTA
 CD35803 -UN-01JAN94



CD 35803

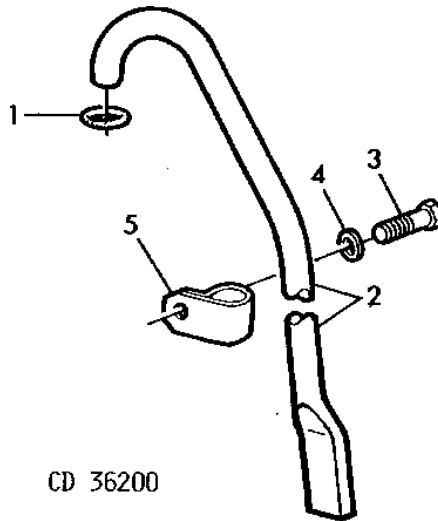
KEY	PART NO.	PART NAME	QTY	ENGINE SERIAL NO.	REMARKS
					2
					1 2 0
					6 0 4
					4 4 0
					0 0 S
1	R90648	GASKET	1		X X X (SUB FOR R73140)
2	12H324	WASHER	5		X X X 3/8"
3	T20166	SCREW	5		X X X 3/8"X5/8"
4	R79863	PLATE	1	-531584	X (ORD W/ R79854, (8) AT21191, (2) AT22919) (SUB FOR AT29928, R77149)
	R79863	PLATE	1	531585-	X (ORD W/ (8) AT21191, (2) AT22919)
	R79863	PLATE	1	-530063	X (ORD W/ R79854, (8) AT21191, (2) AT22919) (SUB FOR AT29928, R77149)
	R79863	PLATE	1	530064-	X (ORD W/ (8) AT21191, (2) AT22919)
	R79863	PLATE	1	-531046	X (A) (ORD W/ R79854, (8) AT21191, (2) AT22919) (SUB FOR AT29928, R77149)
	R79863	PLATE	1	531047-	X (A) (ORD W/ (8) AT21191, (2) AT22919)
5	R79854	WASHER	AR	-531584	X
	R79854	WASHER	AR	-530064	X
	R79854	WASHER	AR		X
6	AT21191	SET SCREW	8		X X X 5/16"
7	AT22919	SET SCREW	2		X X X 3/8"

(A) FOR 2040 JAPAN AND 2040S
 POUR 2040 JAPON ET 2040S
 FUER 2040 (JAPAN) UND 2040S
 PER 2040 GIAPPONE E 2040S
 PARA 2040 (JAPON) Y 2040S
 FOR 2040 JAPAN OCH 2040S

1A18

ENGINE

VENT TUBE
 RENIFLARD
 ENTLUEFTUNGSROHR
 TUBO DI SFIATO
 RESPIRADERO
 VENTILATIONSROOR
 CD36200 -UN-01JAN94



CD 36200

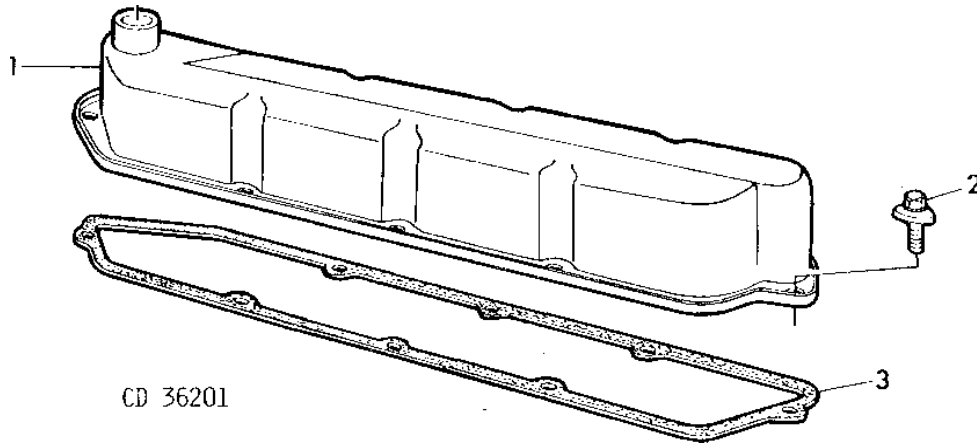
2
 1 2 0
 6 0 4
 4 4 0
 0 0 S

KEY	PART NO.	PART NAME	QTY	SERIAL NO.	REMARKS
1	R56463	O-RING	1	X X X	(SUB FOR R495R APPL)
2	R60890	LINE	1	X X X	
3	19H1813	CAP SCREW	1	X X X	5/16"X5/8"
4	24H1685	WASHER	1	X X X	11/32"X3/4"X0.075"
5	R40791	CLAMP	1	X X X	

1A19

ENGINE

ROCKER ARM COVER (SHEET METAL)
 CACHE-CULBUTEURS (TOLE)
 ZYLINDERKOPFHAUBE (BLECH)
 COPERCHIO PUNTERIE (LATTA)
 TAPA DE BALANCINES (CHAPA)
 VENTILKAPA (BLECK)
 CD36201 -UN-01JAN94

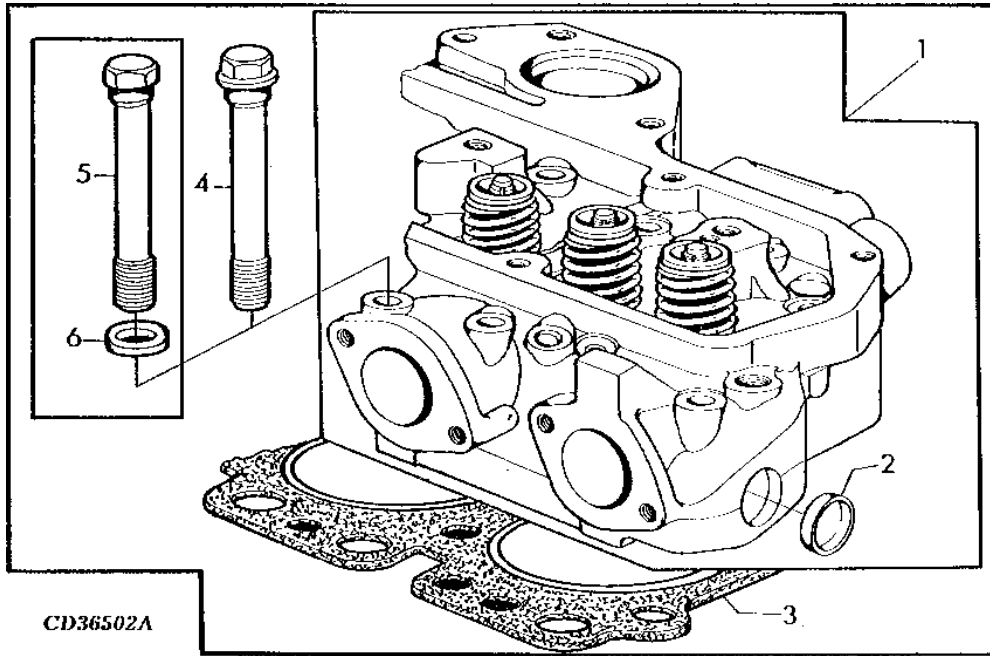


KEY	PART NO.	PART NAME	QTY	ENGINE SERIAL NO.	REMARKS
				2	
				1 2 0	
				6 0 4	
				4 4 0	
				0 0 S	
1	AT18015	VALVE COVER	1		X X X
2	AR100124	SCREW, WITH WASHER	8		X X X (SUB FOR AR45530)
3	R68227	GASKET	1	-539556	X X X (ORD R73521, (8) AR100124)
	R73521	GASKET	1	539557-	X X X

1A20

ENGINE

CYLINDER HEAD
 CULASSE
 ZYLINDERKOPF
 TESTATA
 CULATA
 CYLINDERTOPP
 CD36502A -UN-01JAN94



CD36502A

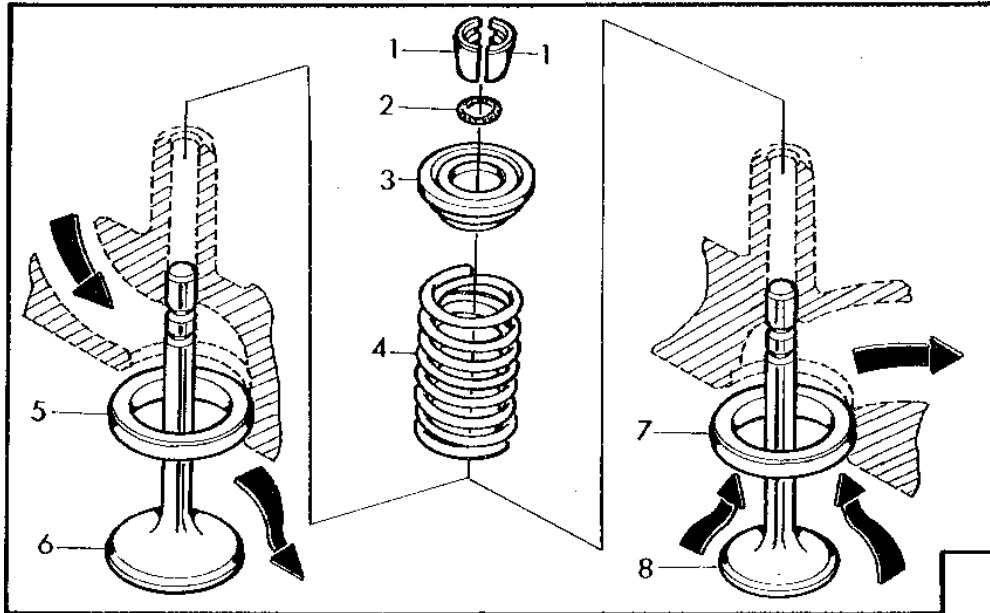
2
 1 2 0
 6 0 4
 4 4 0
 0 0 S

KEY	PART NO.	PART NAME	QTY	ENGINE SERIAL NO.	REMARKS
1	AR70589	CYLINDER HEAD	1		X X X (MARKED R54560) (ORD RE56308)
2	A3910R	CAP	1	-687810	X X X OD= 25.4MM (1")
	CD16284	CAP	1	687811-	X X X OD= 32.4MM (1.274")
3	R92425	GASKET	1		X X X (SUB FOR R59448, R80242)
4	R85363	CAP SCREW	18	714353-	X X X 12.7MMX112MM (0.5"X4.41")
5	R53223	CAP SCREW	18	-687810	X X X 12.7MMX108MM (0.5"X4.25")
	T20182	CAP SCREW	18	687811-714352	X X X 12.7MMX114MM (0.5"X4.5")
6	T20168	WASHER	18	-714352	X X X

1A21

ENGINE

VALVE/VALVE SEAT/SPRING/RETAINER
 SOUPAPE/SIEGE DE SOUPAPE/RESSORT/ELEMENT DE MAINTIEN
 VENTILE/VENTILSITZ/FEDER/HALTER
 VALVOLE/SEDE VALVOLA/MOLLA/ELEMENTO DI FERMO
 VALVULA/ASIENTO DE VALVULA/RESORTE RETENEDOR
 VENTILER/VENTILSATE/FJADER/HALLARE
 CD36911A -UN-01JAN94



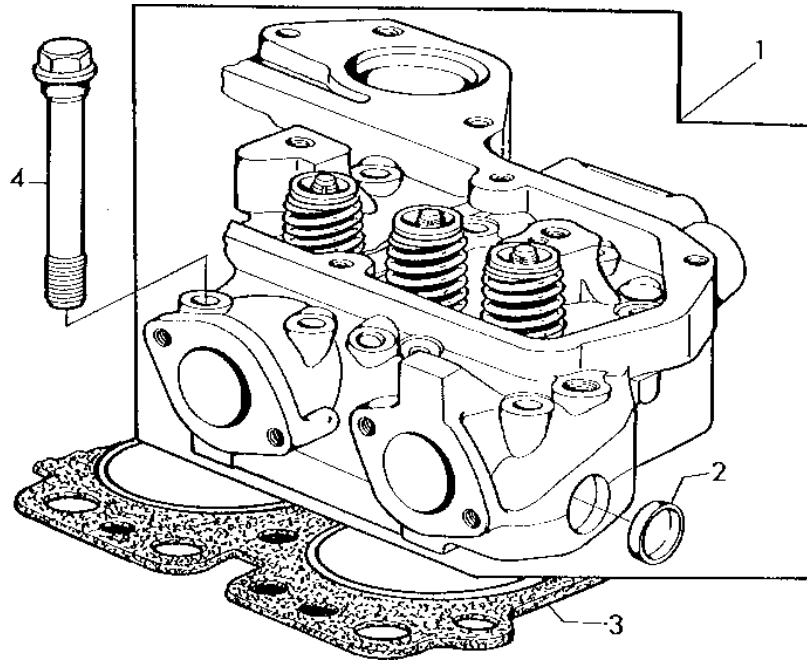
CD36911A

KEY	PART NO.	PART NAME	QTY	ENGINE SERIAL NO.	REMARKS
				2	
				1 2 0	
				6 0 4	
				4 4 0	
				0 0 S	
1	T20077	RETAINER	16	X X X	
2	R87627	O-RING	AR	X X X	(ORD W/ R41412) (FOR AR70589)
3	R41412	CAP	8	X X X	(SUB FOR T20176)
4	R26125	SPRING	8	X X X	
5	R97779	VALVE SEAT INSERT	AR	X X X	(SUB FOR CD14725)
6	R79623	INTAKE VALVE	4	X X X	OD= STANDARD (SUB FOR R52251)
	R79628	INTAKE VALVE	AR	X X X	OD= +0.076MM (0.003") (SUB FOR R57332)
	R79629	INTAKE VALVE	AR	X X X	OD= +0.381MM (0.015") (SUB FOR R57334)
	R79630	INTAKE VALVE	AR	X X X	OD= +0.762MM (0.030") (SUB FOR R57336)
7	R97778	VALVE SEAT INSERT	4	X X X	(SUB FOR CD13979)
8	R79624	EXHAUST VALVE	4	X X X	OD= STANDARD (SUB FOR R52252)
	R79625	EXHAUST VALVE	AR	X X X	OD= +0.076MM (0.003") (SUB FOR R57333)
	R79626	EXHAUST VALVE	AR	X	OD= +0.381MM (0.015") (SUB FOR R57335)
	R79627	EXHAUST VALVE	AR	X	OD= +0.762MM (0.030") (SUB FOR R57337)

1A22

ENGINE

CYLINDER HEAD - CONVERSION PARTS
 CULASSE - PIECES DE CONVERSION
 ZYLINDERKOPF - UMBBAUTEILE
 TESTATA - PARTI CONVERSIONE
 CULATA - PIEZAS DE MODIFICACION
 CYLINDERTOPP - OMBYGGNADSDELAR
 CD35314 -UN-01JAN94



CD35314

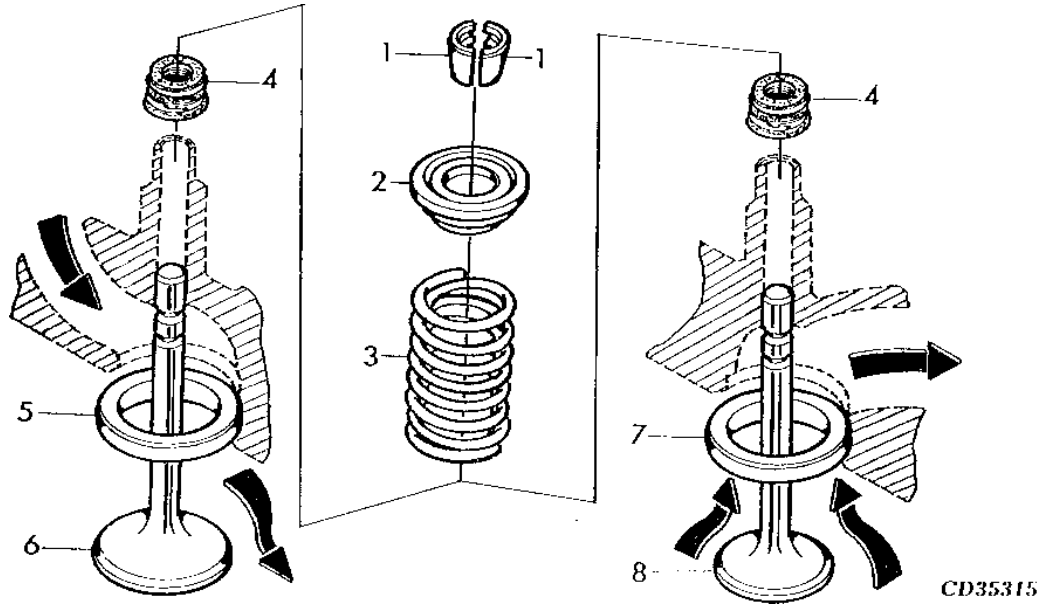
2
 1 2 0
 6 0 4
 4 4 0
 0 0 S

KEY	PART NO.	PART NAME	QTY	ENGINE SERIAL NO.	REMARKS
1	RE56308	CYLINDER HEAD	1	X X X	(MARKED R54560) (SUB FOR AR70589)
2	CD16284	CAP	2	X X X	OD= 32.4MM (1.274")
3	R92425	GASKET	1	X X X	
4	R85363	CAP SCREW	18	X X X	12.7MMX112MM (0.5"X4.41")

1A23

ENGINE

VALVE/VALVE SEAT/SPRING/RETAINER
 SOUPAPE/SIEGE DE SOUPAPE/RESSORT/ELEMENT DE MAINTIEN
 VENTILE/VENTILSITZ/FEDER/HALTER
 VALVOLE/SEDE VALVOLA/MOLLA/ELEMENTO DI FERMO
 VALVULA/ASIENTO DE VALVULA/RESORTE/RETENDOR
 VENTILER/VENTILSAETE/FJAEDER/HALLARE
 CD35315 -UN-01JAN94



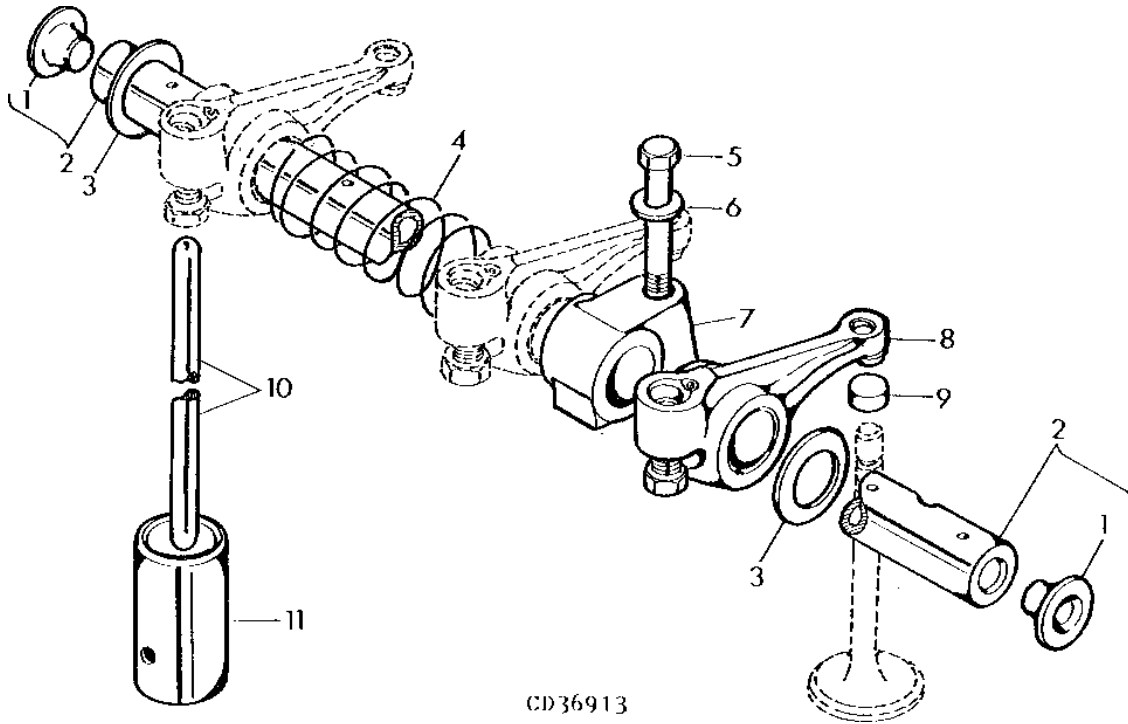
KEY	PART NO.	PART NAME	QTY	ENGINE SERIAL NO.	REMARKS
				2 1 2 0 6 0 4 4 4 0 0 0 S	
1	T20077	RETAINER	16	X X X	
2	R41412	CAP	8	X X X	
3	R26125	SPRING	8	X X X	
4	R110524	SEAL	8	X X X	ID X OD= 9MM (0.344") X 19MM (0.75") (FOR RE56308)
5	R97779	VALVE SEAT INSERT	AR	X X X	
6	R79623	INTAKE VALVE	4	X X X	OD= STANDARD
7	R97778	VALVE SEAT INSERT	4	X X X	
8	R79624	EXHAUST VALVE	4	X X X	OD= STANDARD

1A24

ENGINE

ROCKER ARM/SHAFT/TAPPET/PUSH ROD
 CULBUTEUR/ARBRE/POUSSOIR/TIGE DE CULBUTEUR
 KIPPEBEL/WELLE/VENTILSTOESSEL/STOESSELSTANGE
 BILANCIERE/ALBERO/CELENTE/ASTINA PUNTERIE
 BALANCIN/ARBOL/BOTADOR/VARILLA DE EMPUJE
 VIPPARM/AXEL/KAMFOLJARE/STOTSTANG

CD36913 -UN-01JAN94



CD36913

2
1 2 0
6 0 4
4 4 0
0 0 S

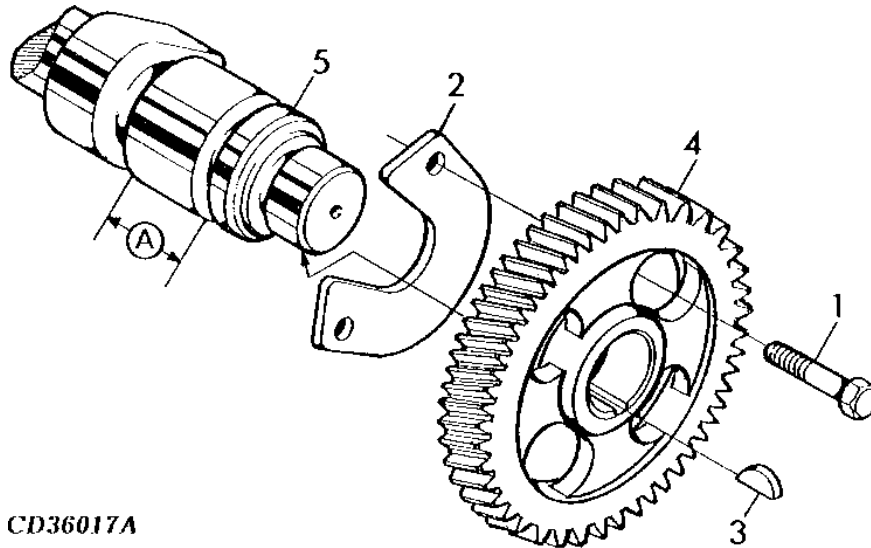
KEY	PART NO.	PART NAME	QTY	ENGINE SERIAL NO.	REMARKS
1	R54565	PLUG	2	X X X	
2	DD12120	ROCKER ARM SHAFT	1	X X X	
3	T20316	WASHER	2	X X X	
4	T20314	SPRING	3	X X X	
5	19H1733	CAP SCREW	4	X X X	3/8"X2-1/2"
6	R42729	WASHER	4	X X X	
7	T20315	SUPPORT	4	X X X	
8	RE31973	ROCKER ARM	8	X X X	(SUB FOR RE19031)
9	T20129	CAP	8	X X X	
10	T20310	PIN	8	X X X	LGTH= 234MM (9.21")
11	T20073	TAPPET	8	X X X	

1A25

ENGINE

CAMSHAFT
 ARBRE A CAMES
 NOCKENWELLE
 ALBERO CAMME
 ARBOL DE LEVAS
 KAMAXEL

CD36017A -UN-01JAN94



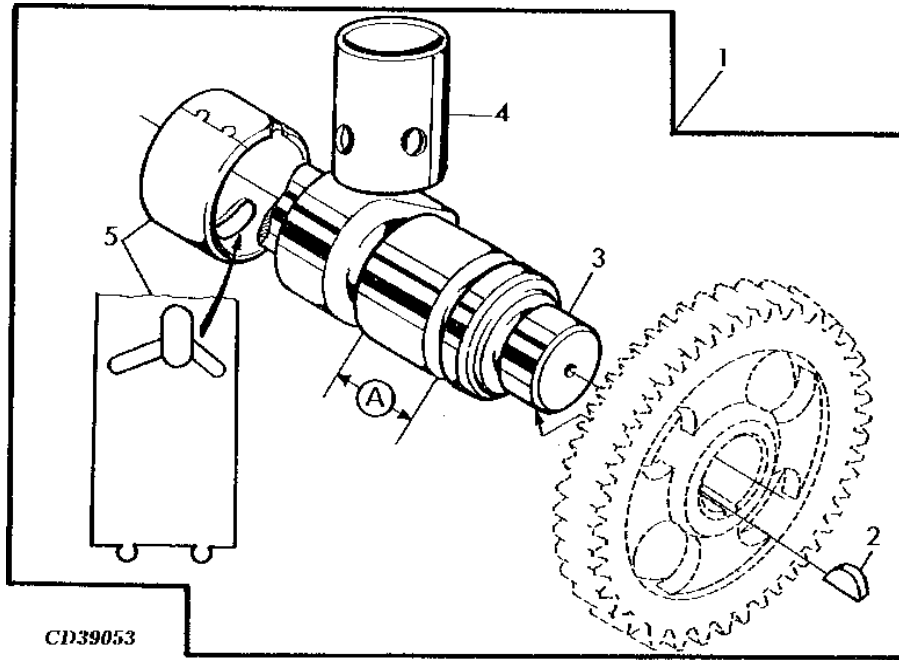
CD36017A

KEY	PART NO.	PART NAME	QTY	ENGINE SERIAL NO.	REMARKS
				2 1 2 0 6 0 4 4 4 0 0 0 S	
1	19H2676	CAP SCREW	2	X X X	3/8"X1"
2	T20072	PLATE	1	X X X	
3	26H72	SHAFT KEY	1	X X X	1/8"X5/8"
4	T20070	GEAR	1	X X X	Z=48
5	CAMSHAFT	1	X X X	A= 28MM (1.10") (MARKED R79344) (ORD RE55901)

1B1

ENGINE

CAMSHAFT, KIT
 ARBRE A CAMES, JEU DE PIECES
 NOCKENWELLE, TEILESATZ
 ALBERO A CAMME, SERIE PEZZI
 ARBOL DE LEVAS, JUEGO
 KAMAXEL, SATS
 CD39053 -UN-01JAN94



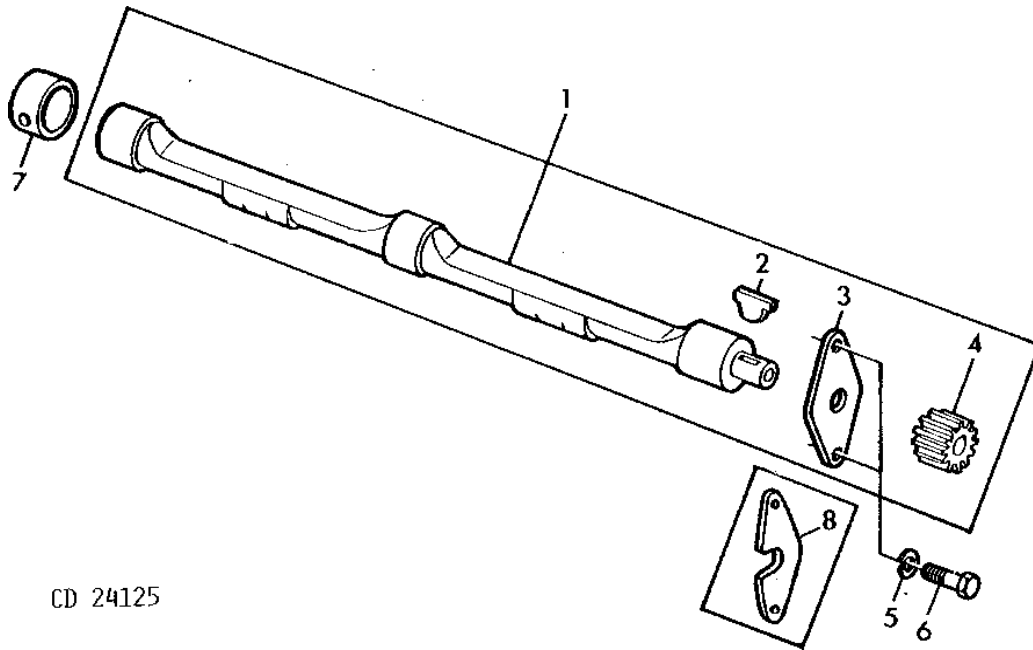
KEY	PART NO.	PART NAME	QTY	ENGINE SERIAL NO.	REMARKS
				1 2 0 6 0 4 4 4 0 0 0 S	
1	RE55901	CAMSHAFT	AR	X X X	KIT (SUB FOR RE14972) (MARKED R79334) (SUB FOR AR79623) (MARKED T20014)
2	26H72	SHAFT KEY	1	X X X	1/8"X5/8"
3	CAMSHAFT	1	X X X	A= 40MM (1.57") (MARKED R115335) (ORD RE55901)
4	T20073	TAPPET	8	X X X	
5	R119874	BUSHING	NA	X X X	

MEMORANDA
MEMORANDA
MEMORANDA
MEMORANDA
MEMORANDA

1B2

ENGINE

ENGINE BALANCER SHAFTS
 ARBRES D'EQUILIBRAGE
 MOTOR-MASSENAUSGLEICHSWELLEN
 EQUILIBRATORI DINAMICI MOTORE
 EJES COMPENSADORES DEL MOTOR
 MOTORBALANSAXLAR
 CD24125 -UN-01JAN94



CD 24125

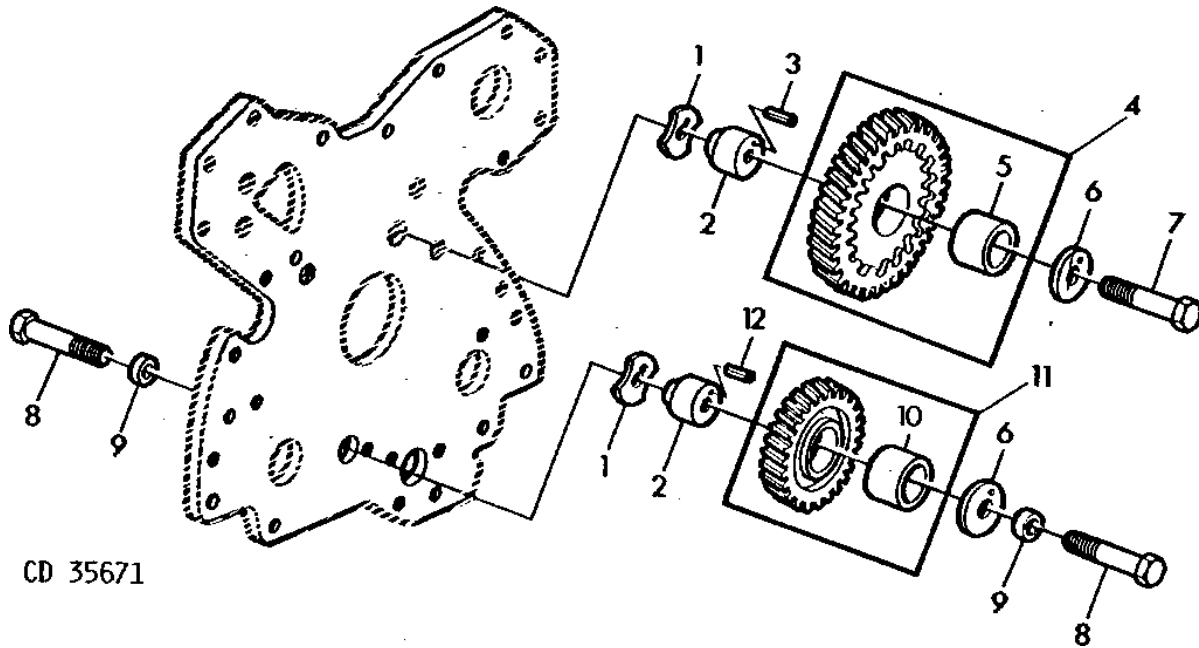
2
 1 2 0
 6 0 4
 4 4 0
 0 0 S

KEY	PART NO.	PART NAME	QTY	SERIAL NO.	REMARKS
1	RE26282	BALANCER SHAFT	1	X X X	RH (MARKED R54054) (SUB FOR AR61351)
	RE26283	BALANCER SHAFT	1	X X X	LH (MARKED R54054) (SUB FOR AR61352)
2	T28041	SHAFT KEY	1	X X X	
3	R88112	STOP	1	X X X	(FOR RE16282, RE16283)
4	T20130	GEAR	1	X X X	RH, Z=12
	T20133	GEAR	1	X X X	LH, Z=12
5	12H304	LOCK WASHER	4	X X X	3/8"
6	19H2021	CAP SCREW	4	X X X	3/8"X5/8"
7	R57160	BUSHING	6	X X X	OD= STANDARD
	R91708	BUSHING	AR	X X X	OD= +2MM (0.078")
8	T20193	STOP	2	X X X	(FOR AR63351, AR63352) (ORD R88112)

1B3

ENGINE

IDLE GEARS
 PIGNONS DE LA DISTRIBUTION
 STEUERRAEDER
 INGRANAGGI DISTRIBUZIONE
 ENGRANAJES DE DISTRIBUCION
 TIDHJUL
 CD35671 -UN-01JAN94



CD 35671

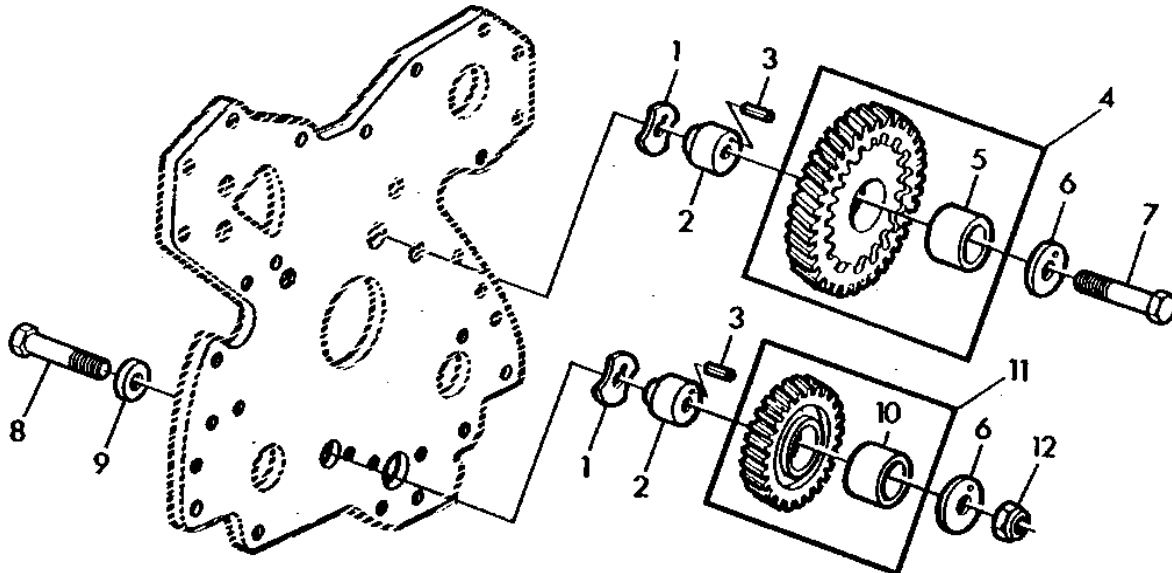
2
 1 2 0
 6 0 4
 4 4 0
 0 0 S

KEY	PART NO.	PART NAME	QTY	SERIAL NO.	REMARKS
1	T23624	LEVER	2	X X X	
2	R89825	PIN	1	X X X	UP (SUB FOR T26323) (ORD R89824 APPL)
	R89825	PIN	1	X X X	LOW (SUB FOR T26323) (ORD R89824, 14H865, 19H3011 APPL)
3	34H283	SPRING PIN	1	X X X	UP, 3/16"X1-1/8"
4	AR91660	GEAR	1	X X X	Z=55, UP
5	T20034	BUSHING	1	X X X	UP
6	T26326	THRUST WASHER	2	X X X	
7	T26327	SCREW	1	X X X	UP
8	T26325	SCREW	2	X X X	LOW
9	R76126	WASHER	2	X X X	LOW (ORD R100105)
10	T26321	BUSHING	1	X X X	LOW
11	AT24252	GEAR	1	X X X	Z=45, LOW
12	34H286	SPRING PIN	1	X X X	LOW, 3/16"X1-1/2"

1B4

ENGINE

IDLE GEARS
 PIGNONS DE LA DISTRIBUTION
 STEUERRAEDER
 INGRANAGGI DISTRIBUZIONE
 ENGRANAJES DE DISTRIBUCION
 TIDHJUL
 CD35672 -UN-01JAN94



CD 35672

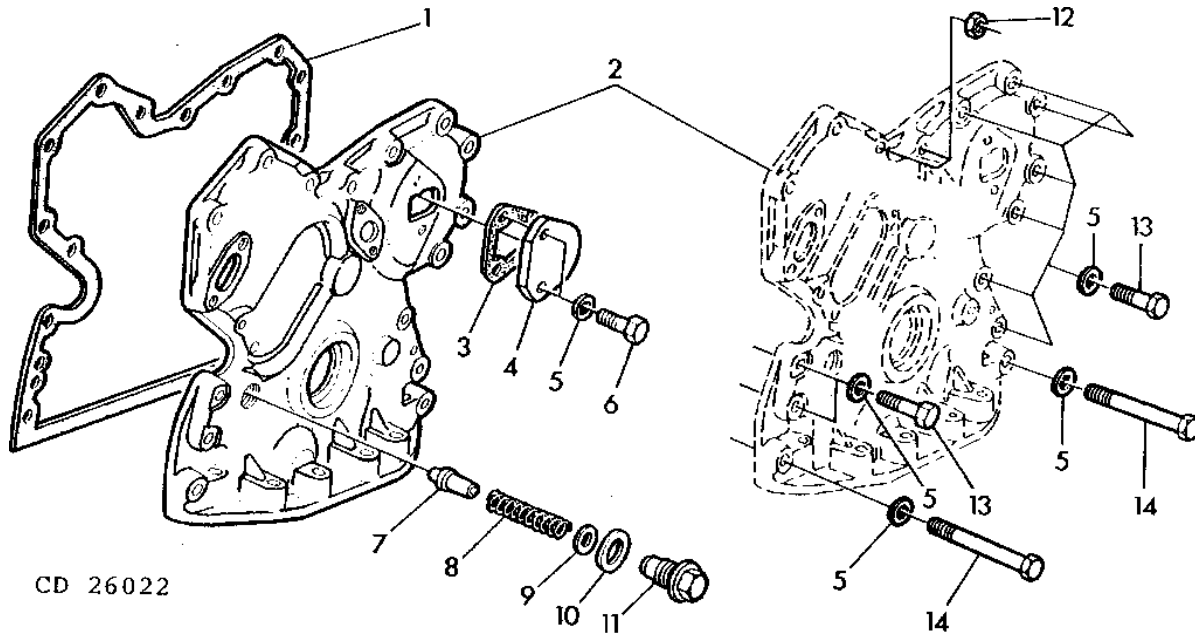
2
 1 2 0
 6 0 4
 4 4 0
 0 0 S

KEY	PART NO.	PART NAME	QTY	SERIAL NO.	REMARKS
1	T26324	THRUST WASHER	2	X X X	
2	R89824	SHAFT	2	X X X	
3	34H283	SPRING PIN	2	X X X	
4	AR91660	GEAR	1	X X X	3/16"X1-1/8"
5	T20034	BUSHING	1	X X X	Z=55, UP
6	T26326	THRUST WASHER	2	X X X	UP
7	T26327	SCREW	1	X X X	UP
8	19H3011	CAP SCREW	1	X X X	1/2"X2-1/8", LOW
9	R100105	WASHER	1	X X X	LOW
10	T26321	BUSHING	1	X X X	LOW
11	AT24252	GEAR	1	X X X	Z=45, LOW
12	14H865	NUT	1	X X X	1/2", LOW

1B5

ENGINE

TIMING GEAR COVER
 COUVERCLE DE DISTRIBUTION
 STEUERGEHAEUSE
 COPERCHIO DISTRIBUZIONE
 TAPA DE LA DISTRIBUCION
 TIDHJULSKAPA
 CD26022 -UN-01JAN94



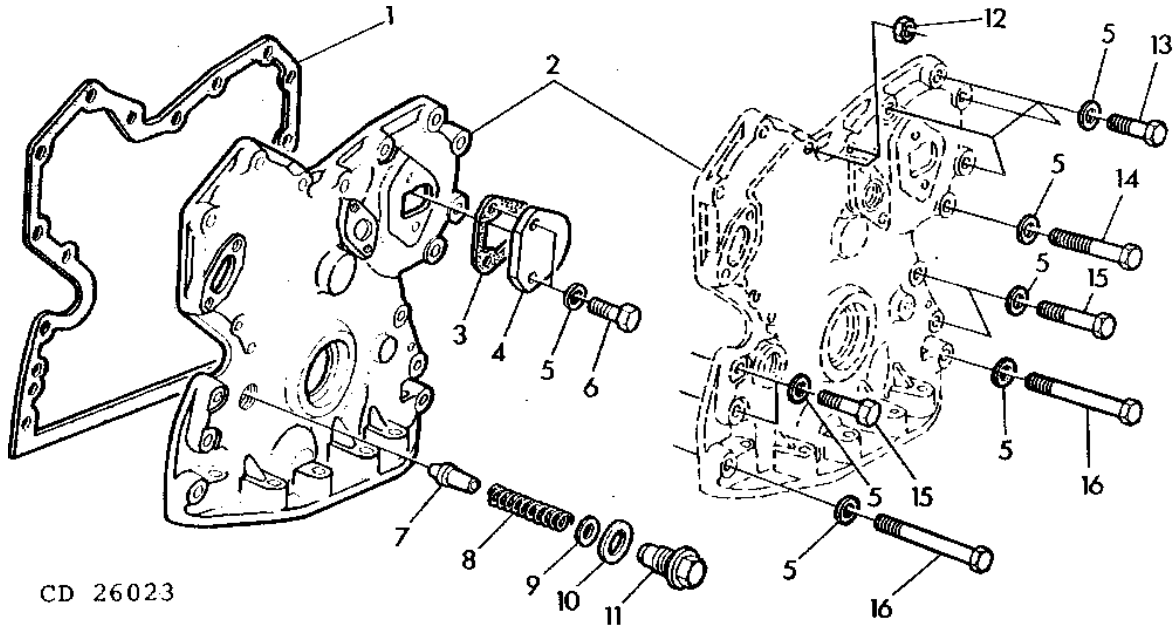
CD 26022

KEY	PART NO.	PART NAME	QTY	ENGINE SERIAL NO.	REMARKS
				2	
				1 2 0	
				6 0 4	
				4 4 0	
				0 0 S	
1	R97454	GASKET	1	X X X	(SUB FOR T20155)
2	AR91662	COVER	1	X X X	(ORD RE30685, 19H3181, (4) 19H2549, (4) 19H2545)
3	R69260	GASKET	1	X X X	(SUB FOR T20364)
4	T20362	COVER	1	X X X	
5	24H1304	WASHER	13	X X X	13/32"X23/64"X0.120"
6	19H2284	CAP SCREW	2	X X X	3/8"X7/8"
7	R83169	VALVE	1	X X X	(SUB FOR R51516)
8	T27658	SPRING	1	X X X	
9	24H1290	WASHER	AR	X X X	21/64"X3/4"X0.036"
10	A4827R	WASHER	1	X X X	
11	R91692	FITTING PLUG	1	X X X	(SUB FOR T27657)
12	14H812	NUT	2	-707591	X X X 3/8"-16UNC
	14H774	NUT	AR	707592-	X X X 3/8"-24UNF
13	19H1801	CAP SCREW	9	X X X	3/8"X2"
14	19H1733	CAP SCREW	2	X X X	3/8"X2-1/2"

1B6

ENGINE

TIMING GEAR COVER
 COUVERCLE DE DISTRIBUTION
 STEUERGEHAEUSE
 COPERCHIO DISTRIBUZIONE
 TAPA DE LA DISTRIBUCION
 TIDHJULSKAPA
 CD26023 -UN-01JAN94



CD 26023

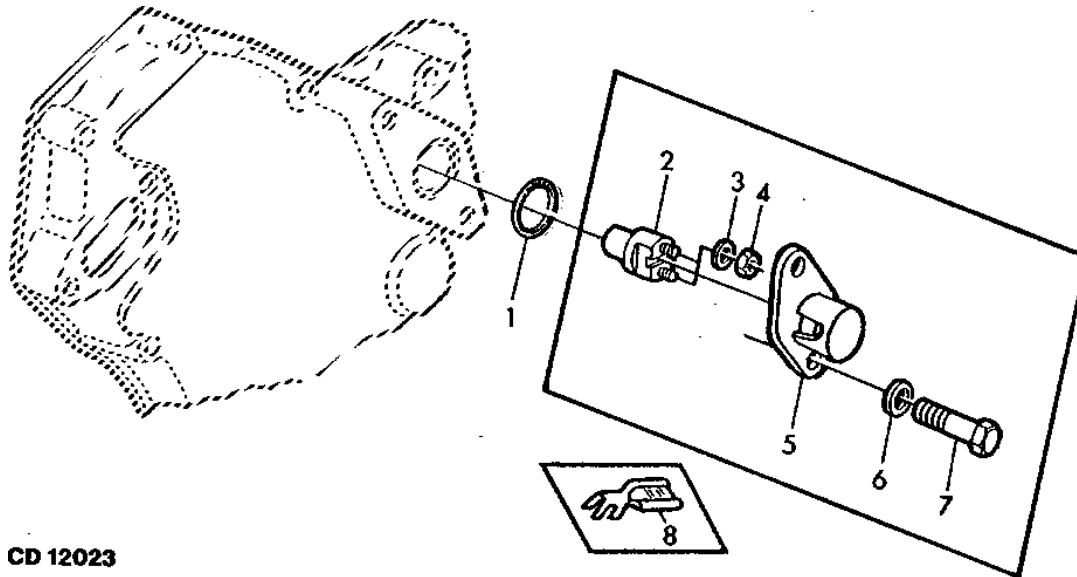
2
 1 2 0
 6 0 4
 4 4 0
 0 0 S

KEY	PART NO.	PART NAME	QTY	SERIAL NO.	REMARKS
1	R97454	GASKET	1	X X X	(SUB FOR T20155)
2	RE30685	COVER	AR	X X X	(MARKED RE30684)
3	R69260	GASKET	1	X X X	
4	T20362	COVER	1	X X X	
5	24H1304	WASHER	13	X X X	13/32"X23/32"X0.120"
6	19H2284	CAP SCREW	2	X X X	3/8"X7/8"
7	R83169	VALVE	1	X X X	
8	T27658	SPRING	1	X X X	
9	24H1290	WASHER	AR	X X X	21/64"X3/4"X0.036"
10	A4827R	WASHER	1	X X X	
11	R91692	FITTING PLUG	1	X X X	
12	14H812	NUT	2	X X X	3/8"-16UNC
	14H774	NUT	AR	X X X	3/8"-24UNF
13	19H2545	CAP SCREW	4	X X X	3/8"X1-3/8"
14	19H3181	CAP SCREW	1	X X X	3/8"X2"
15	19H2549	CAP SCREW	4	X X X	3/8"X1-7/8"
16	19H1733	CAP SCREW	2	X X X	3/8"X2-1/2"

1B7

ENGINE

MAGNETIC PICK-UP
 CAPTEUR MAGNETIQUE
 MAGNETISCHER IMPULSGEBER
 SENSORE MAGNETICO CONTAGIRI
 CAPTADOR MAGNETICO
 MAGNETGIVARE
 CD12023 -UN-01JAN94



CD 12023

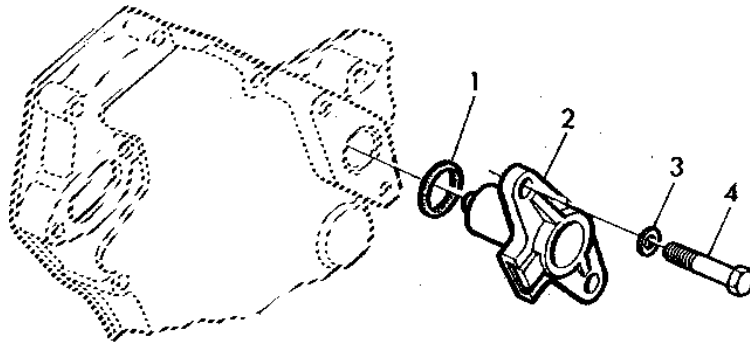
2
 1 2 0
 6 0 4
 4 4 0
 0 0 S

KEY	PART NO.	PART NAME	QTY	ENGINE SERIAL NO.	REMARKS
1	R47154	O-RING	1	-681070	X X X
2	AR87494	MAGNET	1	-681070	X X X (ORD RE23375, 57M7044, (2) 19H2036)
3	24M7087	WASHER	2	-681070	X X X 5.500X10X1MM
4	14M7028	NUT	2	-681070	X X X M5
5	R67230	COVER	1	-681070	X X X
6	24H1286	WASHER	2	-681070	X X X 9/32"X1/2"X0.060"
7	19H1948	CAP SCREW	2	-681070	X X X 1/4"X3/4"
8	57M7044	RECEPTACLE	1	-681070	X X X (FOR RE22375)

1B8

ENGINE

MAGNETIC PICK-UP
 CAPTEUR MAGNETIQUE
 MAGNETISCHER IMPULSGEBER
 SENSORE MAGNETICO CONTAGIRI
 CAPTADOR MAGNETICO
 MAGNETGIVARE
 CD23134 -UN-01JAN94



CD 23134

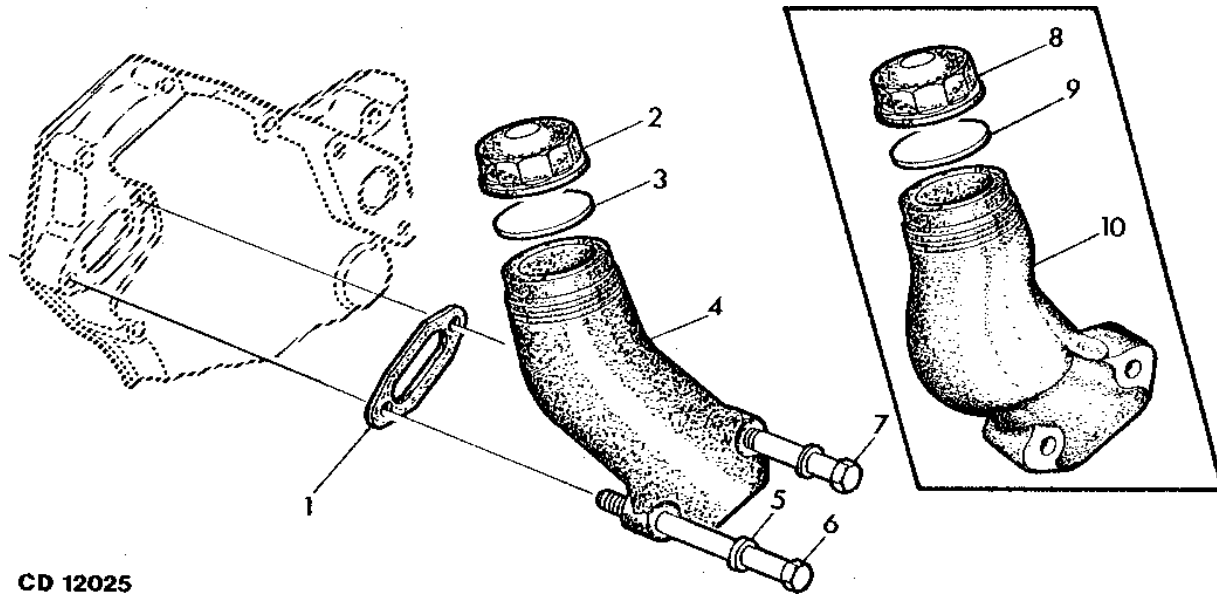
KEY	PART NO.	PART NAME	QTY	ENGINE SERIAL NO.		REMARKS
					2	
					1 2 0	
					6 0 4	
					4 4 0	
					0 0 S	
1	R47154	O-RING	1	681071-	X X X	
2	RE23375	SENDER	1	681071-	X X X	
3	24H1286	WASHER	2	681071-	X X X	9/32"X1/2"X0.060"
4	19H2036	CAP SCREW	2	681071-	X X X	1/4"X7/8"

1B9

ENGINE

OIL FILLER
 GOULOTTE DE REMPLISSAGE D'HUILE
 OELINFUELLSTUTZEN
 BOCCHETTONE RIEMPIMENTO OLIO
 BOCA DE LLENADO DE ACEITE
 OLJEPAFYLLING

CD12025 -UN-01JAN94



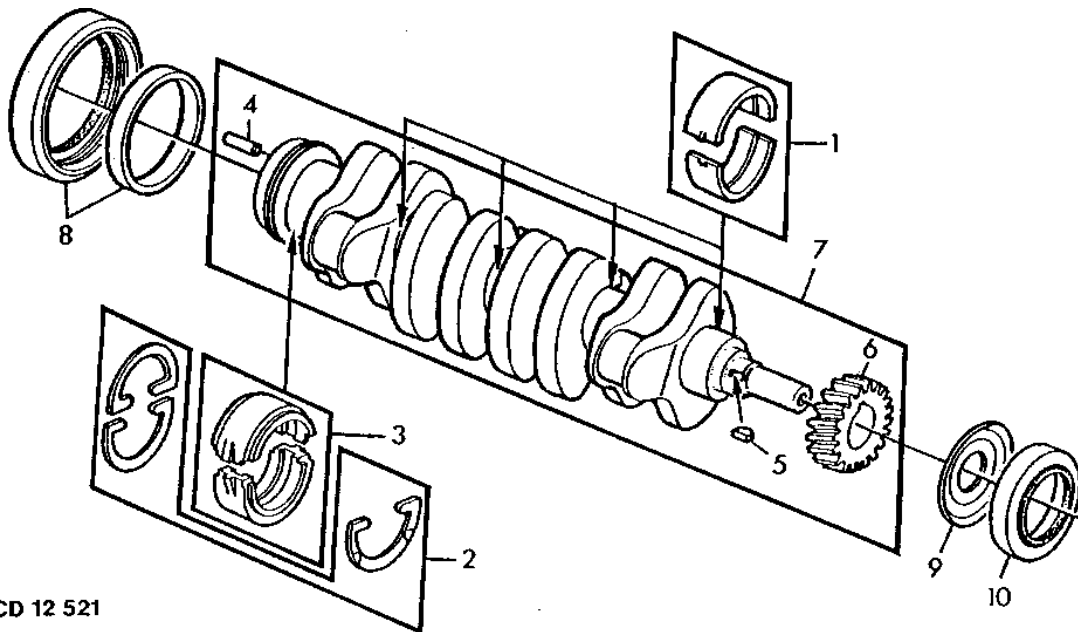
CD 12025

KEY	PART NO.	PART NAME	QTY	ENGINE SERIAL NO.	REMARKS
				2	
				1 2 0	
				6 0 4	
				4 4 0	
				0 0 S	
1	R97352	GASKET	1		X X X (SUB FOR T20336)
2	R80136	FILLER CAP	1	607181-	X X X (ORD W/ R80137)
3	R80135	GASKET	1	607181-	X X X (ORD W/ R80137)
4	R80137	FILLER NECK	1	607181-	X X X
5	24H1304	WASHER	2		X X X 13/32"X23/32"X0.120"
6	19H2128	CAP SCREW	1		X X X 3/8"X3"
7	19H2665	CAP SCREW	1		X X X 3/8"X1-5/8"
8	T20294	CAP	1	-607180	X X X (ORD W/ T23614)
9	T20328	GASKET	1	-607180	X X X (ORD W/ T23614)
10	T23614	FILLER NECK	1	-607180	X X X (ORD R80136, R80135, R80137)

1B10

ENGINE

CRANKSHAFT/BEARINGS
VILEBREQUIN/DEMI-COUSSINETS
KURBELWELLE/LAGER
ALBERO COLLI/BRONZINE
CIGUENAL/COJINETES
VEVAXEL/RAMLAGER
CD12521 -UN-01JAN94



CD 12 521

1B11

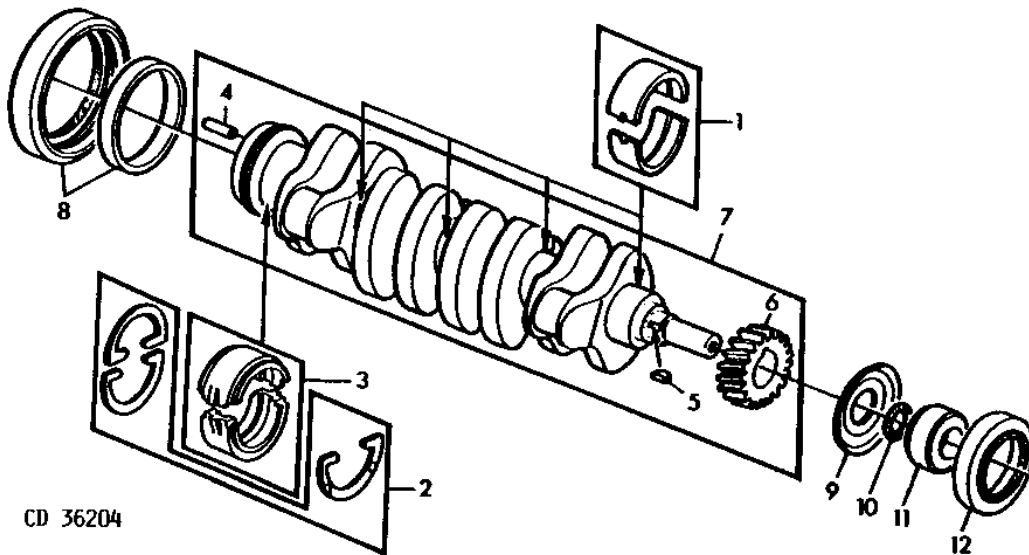
ENGINE

KEY	PART NO.	PART NAME	QTY	SERIAL NO.	REMARKS
					2 1 2 0 6 0 4 4 4 0 0 0 S
1	RE27352	KIT	4	X X X	ID= STANDARD (KIT (2) R83380) (SUB FOR AT21140) (KIT (2) T23214)
	RE27353	KIT	AR	X X X	ID= -0.254MM (0.010") (KIT (2) R87750) (SUB FOR AT21108) (KIT (2) T23552) (SUB FOR AT21110) (KIT (2) T23554)
	RE27360	KIT	AR	X X X	ID= -0.508MM (0.020") (KIT (2) R87756) (SUB FOR AT21112) (KIT (2) T23556)
	RE27368	KIT	AR	X X X	ID= -0.762MM (0.030") (KIT (2) R87759) (SUB FOR AT21114) (KIT (2) T23558)
2	RE13571	KIT	1	X X X	TK= STANDARD (KIT (3) R78598) (SUB FOR AR95931)
	AR95932	KIT	AR	X X X	TK= 0.17MM (.007") (MARKED R64851)
3	RE27350	KIT	1	X X X	REAR, ID= STANDARD (KIT (2) R83381) (SUB FOR AR81786) (KIT (2) R64264) (SUB FOR AT21139)
	RE27351	KIT	AR	X X X	REAR, ID= -0.254MM (0.010") (KIT (2) R87749) (SUB FOR AR81787) (KIT (2) R64847) (SUB FOR AR81788) (KIT (2) R64848) (SUB FOR AT21130, AT21132)
	RE27359	KIT	AR	X X X	REAR, ID= -0.508MM (.020") (KIT (2) R87755) (SUB FOR AR81789) (KIT (2) R64849) (SUB FOR AT21134)
	RE27366	KIT	AR	X X X	REAR, ID= -0.762MM (0.030") (KIT (2) R87758) (SUB FOR AR81790) (KIT (2) R64850) (SUB FOR AT21136)
4	A120R	DOWEL PIN	1	X X X	(SUB FOR T26565)
5	26H72	SHAFT KEY	1	X X X	1/8"X5/8"
6	T20094	GEAR	1	X X X	Z=24
7	AT18030	CRANKSHAFT	1	X X X	(MARKED T23517)
8	RE24959	SEAL	1	X X X	(SUB FOR AR92893, RE11036)
9	T20046	OIL SLINGER	1	X X X	
10	AR67942	SEAL	1	X X X	FRONT

1B12

ENGINE

CRANKSHAFT/BEARINGS FOR TRACTOR WITH FRONT PTO
VILEBREQUIN/DEMI-COUSSINETS SUR TRACTEURS A PDF AVANT
KURBELWELLE/LAGER BEI TRAKTOREN MIT FRONT-ZAPFWELLE
ALBERO COLLI/BRONZINE PER TRATT. CON PDF CENTRALE
CIGUENAL/COJINETES EN TRACTORES CON TDF DELANTERA
VEVAXEL/RAMLAGER FOR TRAKT. MED MITTRE KRAFTUTTAG
CD36204 -UN-17JUL95



1B13

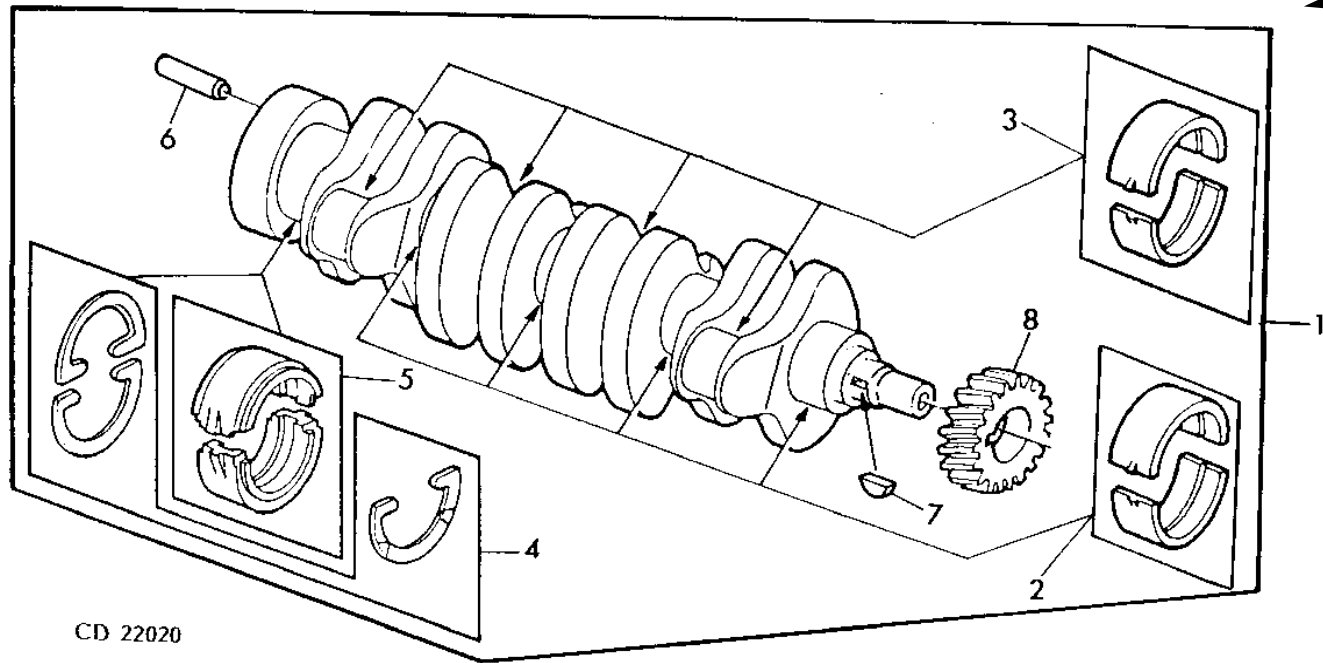
ENGINE

KEY	PART NO.	PART NAME	QTY	SERIAL NO.	REMARKS
					2
					1 2 0
					6 0 4
					4 4 0
					0 0 S
1	RE27352	KIT	4		X ID= STANDARD (KIT (2) R83380)
	RE27353	KIT	AR		X ID= -0.254MM (0.010") (KIT (2) R87750)
	RE27360	KIT	AR		X ID= -0.508MM (0.020") (KIT (2) R87756)
	RE27368	KIT	AR		X ID= -0.762MM (0.030") (KIT (2) R87759)
2	RE13571	KIT	1		X TK= STANDARD (KIT (3) R78598)
	AR95932	KIT	AR		X TK= 0.17MM (.007") (MARKED R64851)
3	RE27350	KIT	1		X REAR, ID= STANDARD (KIT (2) R83381)
	RE27351	KIT	AR		X REAR, ID= -0.254MM (0.010") (KIT (2) R87749)
	RE27359	KIT	AR		X REAR, ID= -0.508MM (0.020") (KIT (2) R87755)
	RE27366	KIT	AR		X REAR, ID= -0.762MM (0.030") (KIT (2) R87758)
4	A120R	DOWEL PIN	1		X
5	26H72	SHAFT KEY	1		X 1/8"X5/8"
6	T20094	GEAR	1		X Z=24
7	RE20585	CRANKSHAFT	1		X (MARKED R81959)
8	RE24959	SEAL	1		X
9	T20046	OIL SLINGER	1		X
10	H35244	RING	1		X
11	R81989	SLEEVE	1		X
12	AR67942	SEAL	1		X

1B14

ENGINE

CRANKSHAFT FOR 0,254MM (0.010 IN.) UNDERSIZE BEARINGS
 VILEBREQUIN POUR PALIERS COTE REPAR. 0,254MM (0.010IN)
 KURBELWELLE MIT 0,254MM (0.010 IN.) KLEINEREM LAGERDURCHMESSER
 ALBERO A GOMITO CON BRONZINE MINORATI DI 0,254MM (0.01 IN.)
 CIGUENAL CON DIAMETRO DE COJINETES REDUCIDO 0,254MM/0.010IN
 VEVAXEL MED UNDERDIMENS, RAMLAGER (0,254MM-0,01 IN MINDRE)
 CD22020 -UN-01JAN94



CD 22020

2
1 2 0
6 0 4
4 4 0
0 0 S

KEY	PART NO.	PART NAME	QTY	SERIAL NO.	REMARKS
1	RE26204	KIT	AR	X X X	(A) MARKED R (SUB FOR DD13895)
2	RE27353	KIT	4	X X X	ID= -0.254MM (.010") (KIT (2) R87750)
3	RE27349	KIT	4	X X X	ID= -0.254MM (.010") (KIT (2) R87748)
4	RE13571	KIT	1	X X X	TK= STANDARD (KIT (3) R78598)
5	RE27351	KIT	1	X X X	ID= -0.254MM (.010") (KIT (2) R87749)
6	A120R	DOWEL PIN	1	X X X	
7	26H72	SHAFT KEY	1	X X X	
8	T20094	GEAR	1	X X X	Z=24

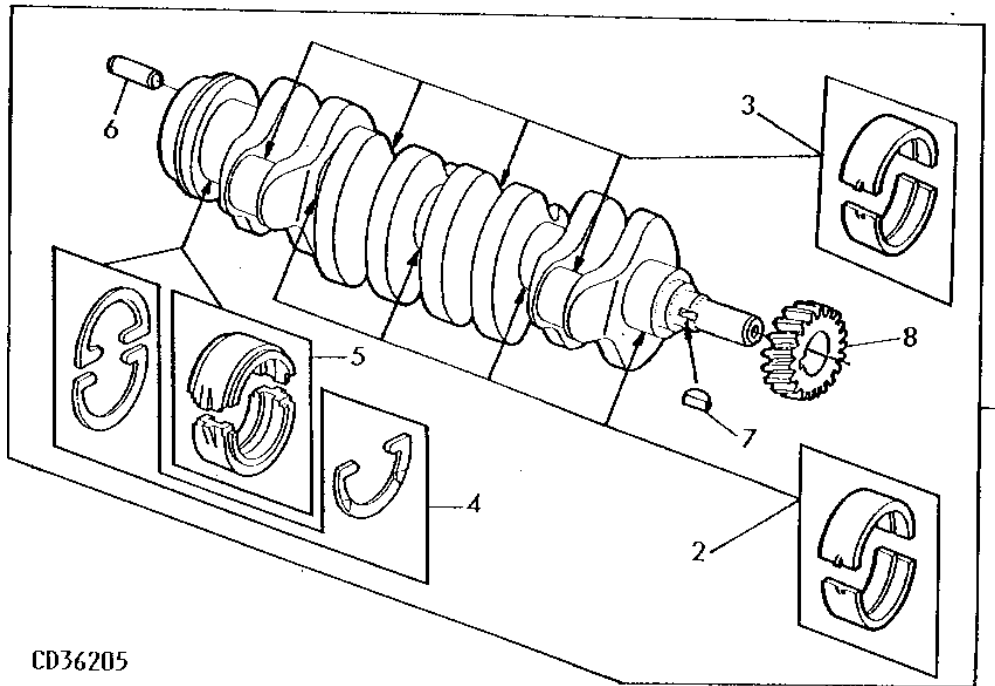
(A) CHECK LOCAL AVAILABILITY
 VERIFIER DISPONIBILITE LOCALE
 LOKALE VERFUEGBARKEIT UEBERPRUEFEN
 ESAMINARE SI OTTENIBILE
 VERIFICAR EL SUMINISTRO LOCAL
 KONTROLLERA ATKOMLIGHET

1B15

ENGINE

CRANKSHAFT FOR 0,254MM (0.010 IN.) UNDERSIZE BEARINGS FOR TRACTOR WITH FRONT PTO
 VILEBREQUIN POUR PALIERS COTE REPAR. 0,254MM (0.010IN) SUR TRACTEURS A PDF AVANT
 KURBELWELLE MIT 0,254MM (0.010IN.) KLEINEREM LAGERDURCHMESSER BEI TRAKTOREN MIT FRONT-ZAPFWELLE
 ALBERO A GOMITO CON BRONZINE MINORATI DI 0,254MM (0.01 IN.) PER TRATT. CON PDF CENTRALE
 CIGUENAL CON DIAMETRO DE COJINETES REDUCIDO 0,254MM/0.010IN EN TRACTORES CON TDF DELANTERA
 VEVAXEL MED UNDERDIMENS, RAMLAGER (0,254MM-0,01 IN MINDRE) FOR TRAKT. MED MITTRE KRAFTUTTAG

CD36205 -UN-01JAN94



CD36205

2
1 2 0
6 0 4
4 4 0
0 0 S

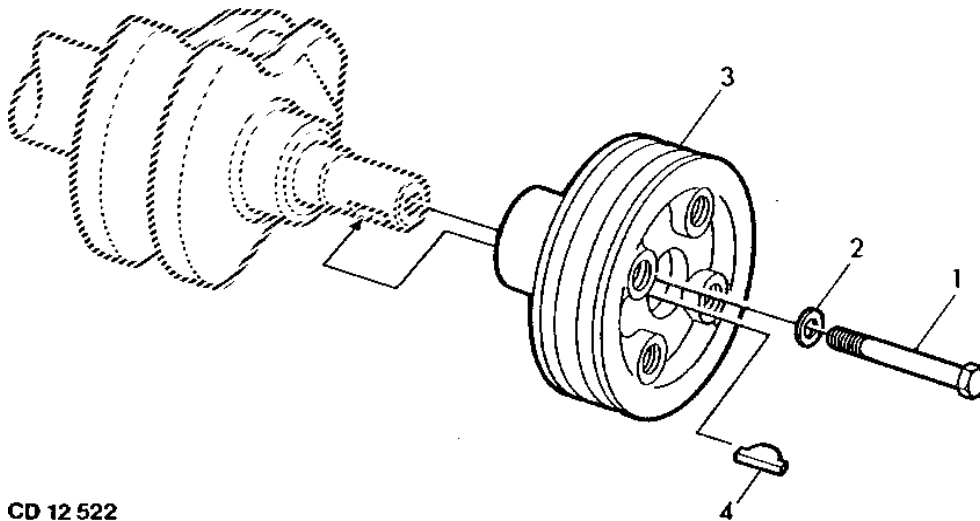
KEY	PART NO.	PART NAME	QTY	SERIAL NO.	REMARKS
1	RE31621	KIT	AR		X (A) MARKED R
2	RE27353	KIT	4		X ID= -0.254MM (.010") (KIT (2) R87750)
3	RE27349	KIT	4		X ID= -0.254MM (.010") (KIT (2) R87748)
4	RE13571	KIT	1		X TK= STANDARD (KIT (3) R78598)
5	RE27351	KIT	1		X ID= -0.254MM (.010") (KIT (2) R87749)
6	A120R	DOWEL PIN	1		X
7	26H72	SHAFT KEY	1		X
8	T20094	GEAR	1		X Z=24

(A) CHECK LOCAL AVAILABILITY
 VERIFIER DISPONIBILITE LOCALE
 LOKALE VERFUEGBARKEIT UEBERPRUEFEN
 ESAMINARE SI OTTENIBILE
 VERIFICAR EL SUMINISTRO LOCAL
 KONTROLLERA ATKOMLIGHET

1B16

ENGINE

BELT PULLEY WITH TRAILER AIR BRAKE
 POULIE POUR FREIN DE REMORQUE PNEUMATIQUE
 RIEMENSCHIEBE BEI DRUCKLUFT-ANHAENGERBREMSE
 PULEGGIA CON FRENO ARIA RIMORCHIO
 POLEA CON FRENO NEUMATICO DE REMOLQUE
 REMSKIVA VID LUFTBROMSAR FOR SLAPVAGN
 CD12522 -UN-01JAN94



CD 12 522

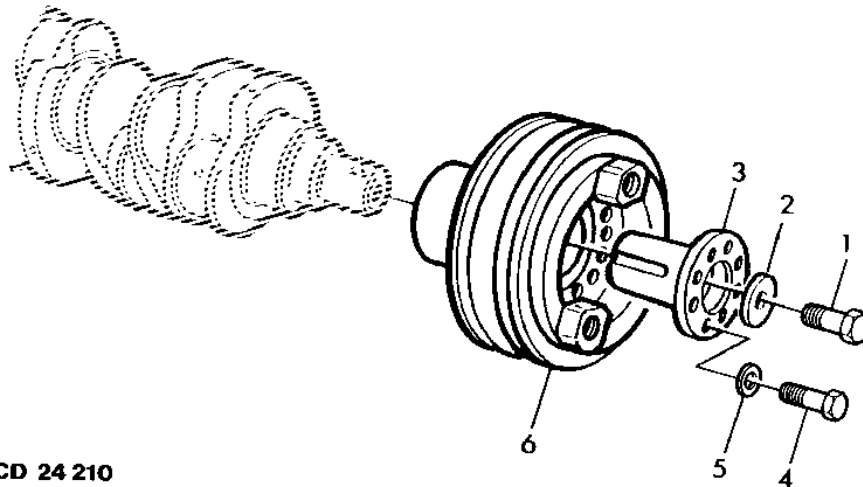
KEY	PART NO.	PART NAME	QTY	ENGINE		REMARKS
				SERIAL NO.		
					2	
					1 2 0	
					6 0 4	
					4 4 0	
					0 0 S	
1	19H1721	CAP SCREW	1	-717781	X X X	1/2"X1-1/2" (ORD CD16045, 19H2473)
	19H2473	CAP SCREW	AR	717782-	X X X	1/2"X1-3/4" (FOR CD16045)
2	T20217	WASHER	1	-717781	X X X	TK= 6MM (0.236") (ORD CD16045, 19H2473)
	CD16045	SPACER	1	717782-	X X X	TK= 12MM (0.472") (FOR 19H2473)
3	R70443	PULLEY	1		X X X	
4	T23604	SHAFT KEY	1		X X X	

1B17

ENGINE

PULLEY WITH DAMPENER/COUPLING (WITH FRONT PTO)
 POULIE A AMORTISSEUR/MANCHON (AVEC PRISE DE FORCE AVANT)
 RIEMENSCHIBE MIT DAEMPFER/MUFFE (MIT FRONT-ZAPFWELLE)
 PULEGGIA CON ANTIVIBRATORE/MOZZO (CON PDF ANTERIORE)
 POLEA CON AMORTIGUADOR/ACOPLAMIENTO (CON TDF DELANTERA)
 KILREMSSKIVA MED TORSIONSDAMPARE/NAV (VID FRAMRE KRAFTUTTAG)

CD24210 -UN-17JUL95



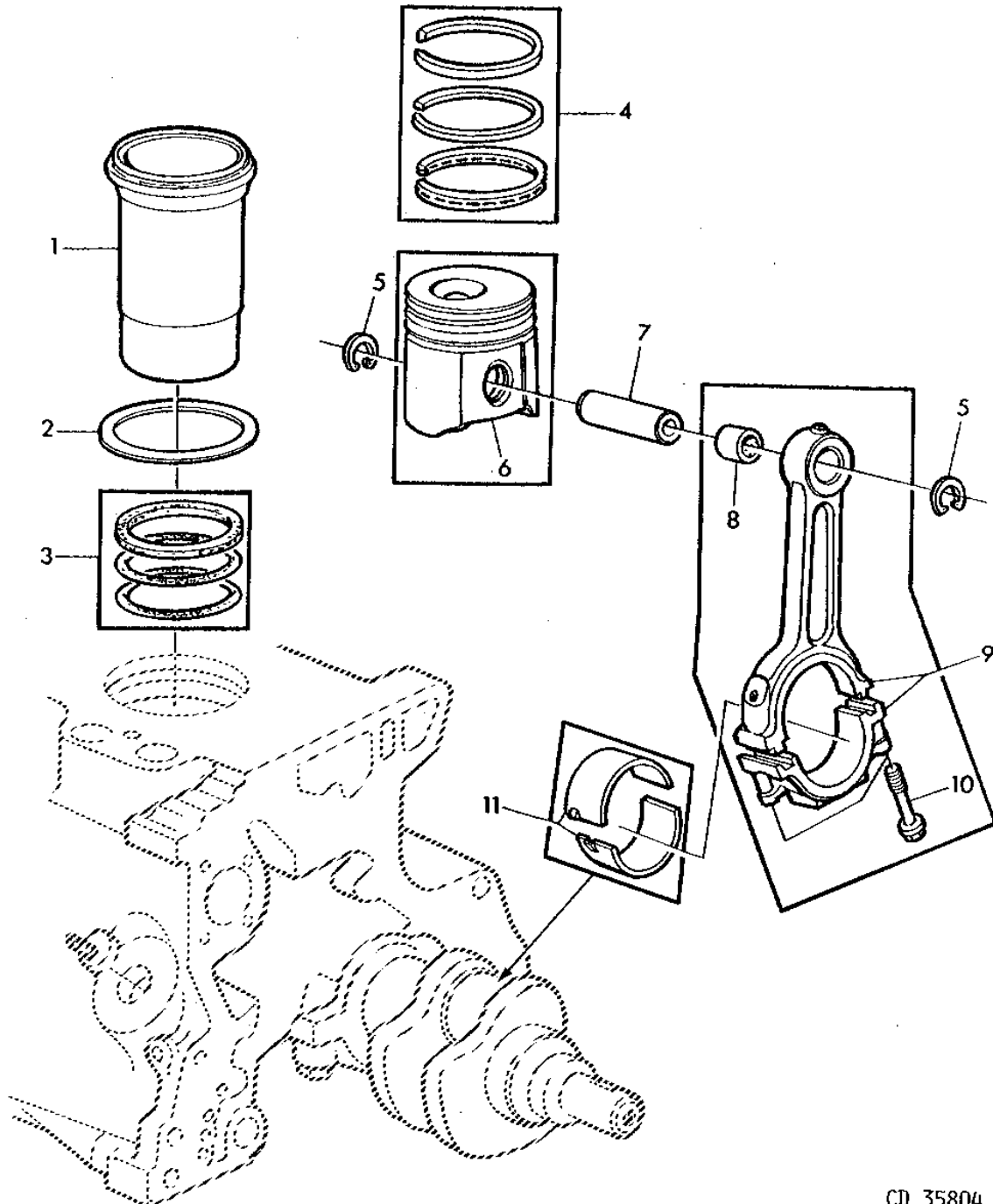
CD 24 210

KEY	PART NO.	PART NAME	QTY	ENGINE SERIAL NO.		REMARKS
				4 4 0	0 0 S	
1	19H1805	CAP SCREW	1	-717781	X	1/2"X2-1/4" (ORD CD16045, 19H2644)
	19H2644	CAP SCREW	1	717782-	X	1/2"X2-1/2" (FOR CD16045)
2	T20217	WASHER	1	-717781	X	(ORD CD16045, 19H2644)
	CD16045	SPACER	1	717782-	X	(FOR 19H2644)
3	R80727	COUPLING	1		X	
4	19H3131	CAP SCREW	8		X	5/16"X2"
5	24M7232	WASHER	8		X	8.7X2MM
6	R82874	SHEAVE	1		X	

1B18

ENGINE

PISTON/CONNECTING ROD/LINER
PISTON/BIELLE/CHEMISE
KOLBEN/PLEUELSTANGE/BUECHSE
PISTONE/BIELLA/CAMICCIA
PISTON/BIELA/CAMISAS
KOLV/KOLVSTAKE/CYLINDERFODER
CD35804 -UN-01JAN94



CD 35804

1B19

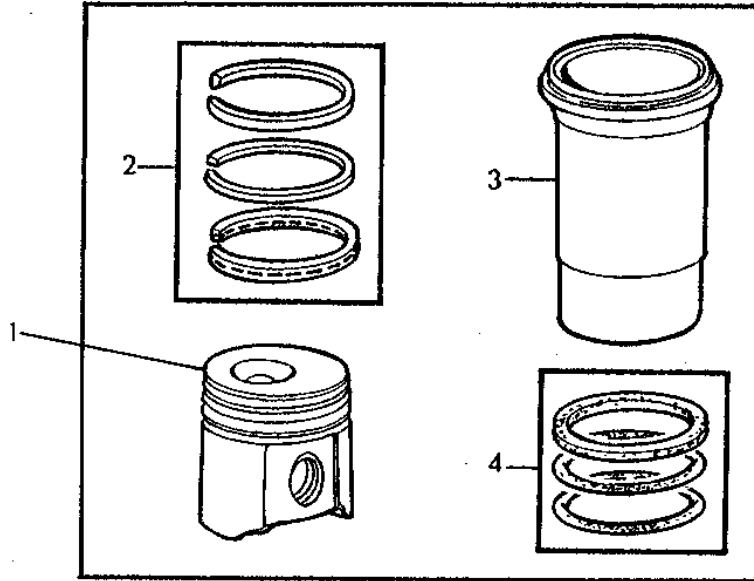
ENGINE

KEY	PART NO.	PART NAME	QTY	ENGINE SERIAL NO.	2			REMARKS
					1	2	0	
					6	0	4	
					4	4	0	
					0	0	S	
1	R80724	CYLINDER LINER	4		X	X	X	(SUB FOR R51726)
2	CD15466	SHIM	AR		X	X	X	0.05MM (0.002")
	R65833	SHIM	AR		X	X	X	0.1MM (0.004")
3	AR65507	O-RING KIT	4		X	X	X	PACKG 3
4	RE15674	PISTON RING KIT	4		X	X	X	PACKG 3 (SUB FOR DD11831)
5	M41029	SNAP RING	8		X	X	X	PACKG 6
6	PISTON	AR		X	X	X	NSEP (ORD RE24458 OR RE24539) (SUB FOR AR79868 OR AR87738)
7	R51731	PISTON PIN	4		X	X	X	OD= 35MM (1.37")
8	R55647	BUSHING	1		X	X	X	(SUB FOR R51728)
9	AR55978	CONNECTING ROD	4	-603298	X	X	X	(MARKED R51727) (ORD RE16495)
	RE16495	CONNECTING ROD	4	603299-	X	X	X	(MARKED R80034)
10	R74194	SCREW	2	-603298	X	X	X	(FOR AR55978) (SUB FOR T20009)
	R80033	SCREW	2	603299-	X	X	X	(FOR RE16495)
11	RE27348	KIT	4		X	X	X	ID= STANDARD (KIT (2) R83379) (SUB FOR AT21138) (KIT (2) T20011)
	RE27349	KIT	AR		X	X	X	ID= -0.254MM (0.010") (KIT (2) R87748) (SUB FOR AT21124) (KIT (2) T23568)
	RE27358	KIT	AR		X	X	X	ID= -0.508MM (0.020") (KIT (2) R87754) (SUB FOR AT21126) (KIT (2) T23570)
	RE27364	BEARING KIT	AR		X	X	X	ID= -0.762MM (0.030") (KIT (2) R87757) (SUB FOR AT21128) (KIT (2) T23572)

1B20

ENGINE

CYLINDERLINER AND PISTON KIT
 CHEMISE ET PISTON-JEU DE REPARATION
 ZYLINDERBUECHSE UND KOLBEN-REPARATURSATZ
 GRUPPO CAMICCIA E PISTONE
 CAMISAS Y PISTONES-JUEGO DE REPARACION
 CYLINDERFODER OCH KOLV/ENHET
 CD10694 -UN-01JAN94



CD 10694

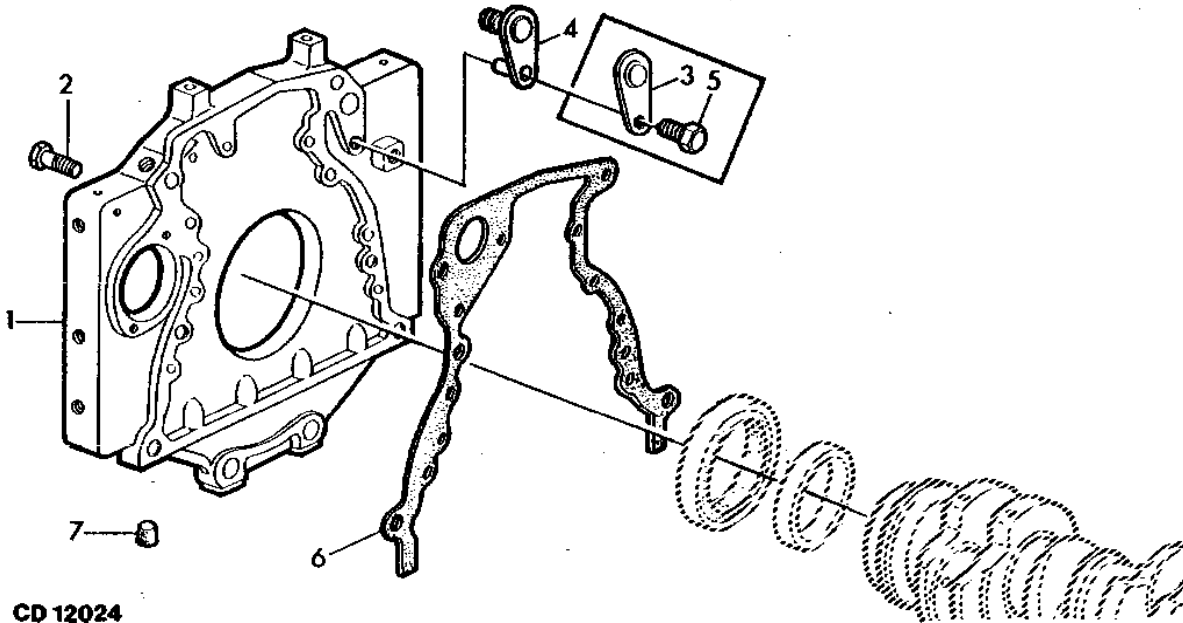
2
 1 2 0
 6 0 4
 4 4 0
 0 0 S

KEY	PART NO.	PART NAME	QTY	SERIAL NO.	REMARKS
1	RE24458	PISTON-LINER KIT	AR	X X X	MARKED "B" (SUB FOR RE11509, RE18694)
	RE24539	PISTON-LINER KIT	AR	X X X	MARKED "H" (SUB FOR RE11510, RE18697)
2	RE15674	PISTON RING KIT	1	X X X	PACKG 3 (SUB FOR DD11831)
3	R80724	CYLINDER LINER	1	X X X	(SUB FOR R51726)
4	AR65507	O-RING KIT	1	X X X	PACKG 3

1B21

ENGINE

FLYWHEEL HOUSING
 CARTER DE VOLANT
 SCHWUNGRADGEHAEUSE
 CARTER VOLANO
 CARTER DEL VOLANTE
 SVANGHJULSKAPA
 CD12024 -UN-01JAN94



CD 12024

2
 1 2 0
 6 0 4
 4 4 0
 0 0 S

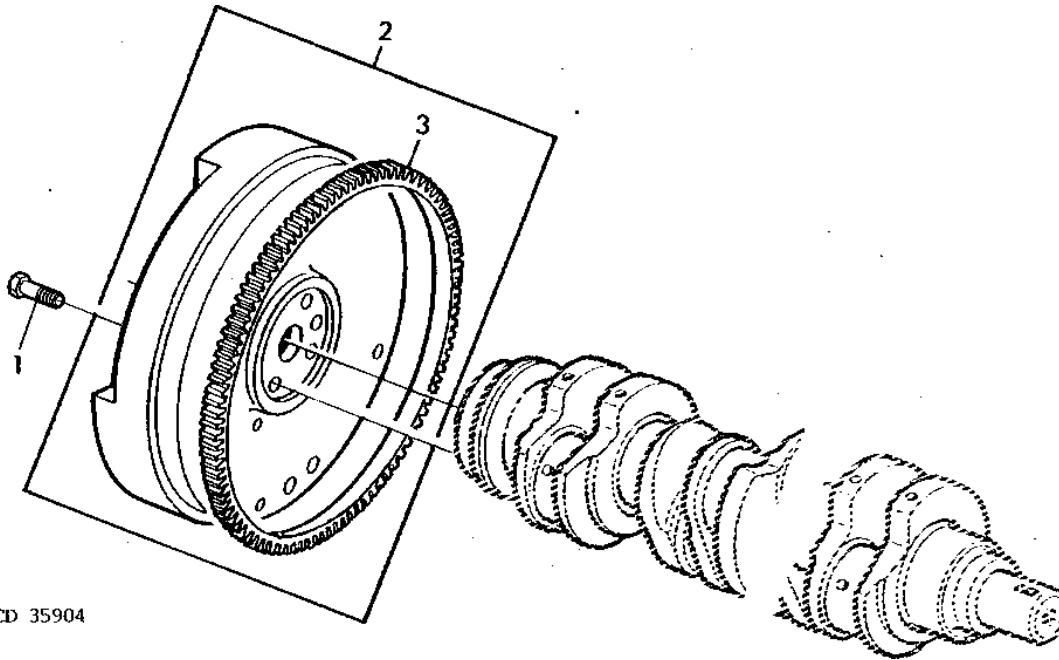
KEY	PART NO.	PART NAME	QTY	SERIAL NO.	REMARKS
1	R70492	HOUSING	1	X X X	
2	19H2545	CAP SCREW	8	X X X	3/8"X1-3/8" (SUB FOR 19H1800, 12H304 APPL)
3	T28435	COVER	1	X X X	(ORD R83554)
4	R83554	PLUG	AR	X X X	(SUB FOR T28435, 19H2351)
5	19H2351	CAP SCREW	1	X X X	1/2"X1/2" (FOR T28435)
6	R97351	GASKET	1	X X X	(SUB FOR R70433)
7	T23590	PLUG	1	X X X	

1B22

ENGINE

FLYWHEEL
VOLANT
SCHWUNGRAD
VOLANO
VOLANTE
SVANGHJUL

CD35904 -UN-01JAN94



CD 35904

2
1 2 0
6 0 4
4 4 0
0 0 S

KEY	PART NO.	PART NAME	QTY	ENGINE SERIAL NO.	REMARKS
1	19H3385	CAP SCREW	4		X X 1/2" X 1-1/8"
	19H3385	CAP SCREW	4	-463068	X X (A) 1/2"X1-1/8"
	19H3299	CAP SCREW	4	463069-	X X (B) 1/2"X1-1/4"
	19H3299	CAP SCREW	4		X 1/2"X1-1/4"
2	AR92507	FLYWHEEL	1		X X (A) (MARKED R70489)
	AR92507	FLYWHEEL	1		X X (B) (MARKED R70489)
	RE18678	FLYWHEEL	1		X (SUB FOR AR103749)
3	T20088	GEAR	1		X X X Z=142

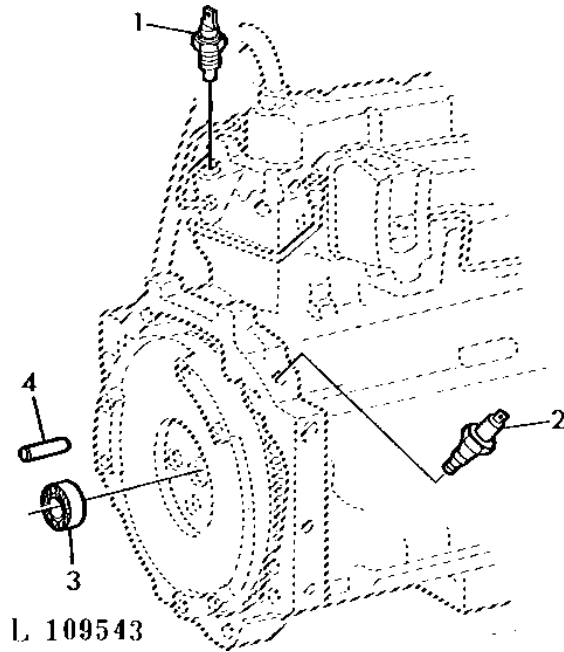
(A) WITH DOUBLE CLUTCH
AVEC EMBRAYAGE DOUBLE
BEI DOPPELKUPPLUNG
CON FRIZIONE DOPPIA
CON EMBRAGUE DOBLE
VID DUBBELKOPPLING

(B) WITH SINGLE CLUTCH
AVEC EMBRAYAGE SIMPLE
BEI EINFACHKUPPLUNG
CON FRIZIONE SEMPLICE
CON EMBRAGUE SIMPLE
VID ENKELKOPPLING

1B23

ENGINE

COOLANT TEMP. GAUGE/ENGINE OIL PRESSURE SENDING UNIT, PILOT BEARING
 CAPTEUR TEMP. LIQU. REFR.-PRESSION D'HUILE MOTEUR/BAGUE PILOTE
 GEBER-WASSERTEMPERATUR-MOTOROELDRUCK/FUEHRUNGLAGER
 TRASM. TEMP. REFRIG./CONTATTO PRESS. OLIO/CUSCIN. PILOTA
 Sonda TEMP. REFRIG./-PRESION ACEITE MOTOR/RODAM. GUIA
 TEMPERATURGIVARE MOTOROLJETRYCK-GIVARE/KULLAGER
 L109543 -UN-01JAN94



2
 1 2 0
 6 0 4
 4 4 0
 0 0 S

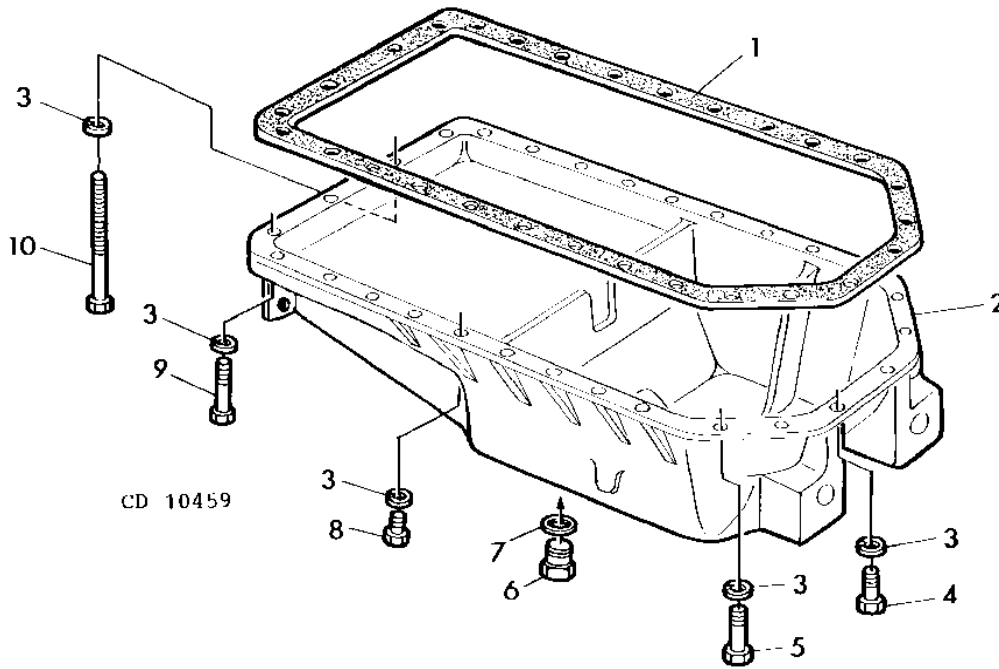
KEY	PART NO.	PART NAME	QTY	SERIAL NO.	REMARKS
1	RE51774	SENSOR	1	X X X	(SUB FOR AL24527)
2	AT85174	SWITCH	1	X X X	(SUB FOR AR27977)
3	JD10107	BALL BEARING	1	X X X	
4	T26565	DOWEL PIN	2	X X X	

1B24

ENGINE

OIL PAN
 CARTER D'HUILE
 OELWANNE
 COPPA OLIO
 CARTER DE ACEITE
 OLJESUMP

CD10459 -UN-17JUL95



2
 1 2 0
 6 0 4
 4 4 0
 0 0 S

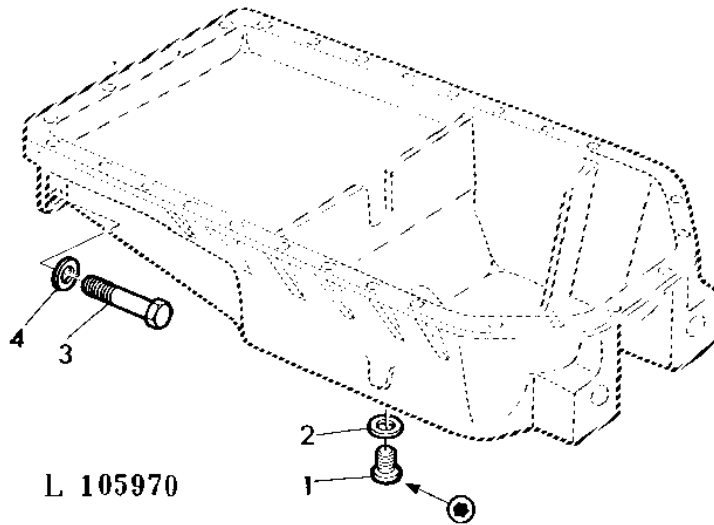
KEY	PART NO.	PART NAME	QTY	SERIAL NO.	REMARKS
1	R97342	GASKET	1	X X X	(SUB FOR R49515)
2	R78032	PAN	1	X X X	(SUB FOR R53471)
	R80402	OIL PAN	1	X	(A)
3	12H304	LOCK WASHER	28	X X X	3/8"
4	19H988	CAP SCREW	2	X X X	3/8"X1-1/4"
5	19H1800	CAP SCREW	4	X X X	3/8"X1-1/2"
6	M1746T	DRAIN PLUG	1	X X X	7/8"
7	T13213	WASHER	1	X X X	
8	19H3221	CAP SCREW	18	X X X	3/8"X1-1/4"
9	19H1733	CAP SCREW	2	X X X	3/8"X2-1/2"
10	19H2228	CAP SCREW	2	X X X	3/8"X4"

(A) TRACTOR WITH INCREASED LIFTING CAPACITY
 TRACTEUR AVEC CAPACITE DE RELEVAGE AUGMENTE
 TRAKTOR MIT HUBKRAFTERHOEHUNG
 TRATT.CON ELEVATA CAPACITA DI SOLLEVAMENTO
 TRACTOR CON CAPACIDAD ELEVADA DE LEVAMIENTO
 TRAKTOR MED OKAD LYFTKAPACITET

1B25

ENGINE

OIL PAN MOUNTING PARTS
 ELEMENTS DE FIXATION DU CARTER D'HUILE
 BEFESTIGUNGSTEILE FUER OELWANNE
 PARTI FISSAGGIO PER COPPA OLIO MOTORE
 PIEZAS DE SUJECION DEL CARTER DE ACEITE
 FASTDELAR FOR MOTOROLJETRAG
 L105970 -UN-17JUL95



KEY	PART NO.	PART NAME	QTY	ENGINE SERIAL NO.			REMARKS
					2	0	
					1	2	
					6	0	
					4	4	
					0	0	S
1	L39749	PLUG	1	-531486	X	X	X
2	T13213	WASHER	1		X	X	X
3	19H2726	CAP SCREW	2		X	X	X 5/8"X4"
4	R70268	WASHER	2		X	X	X 5/8" (SUB FOR R42363)

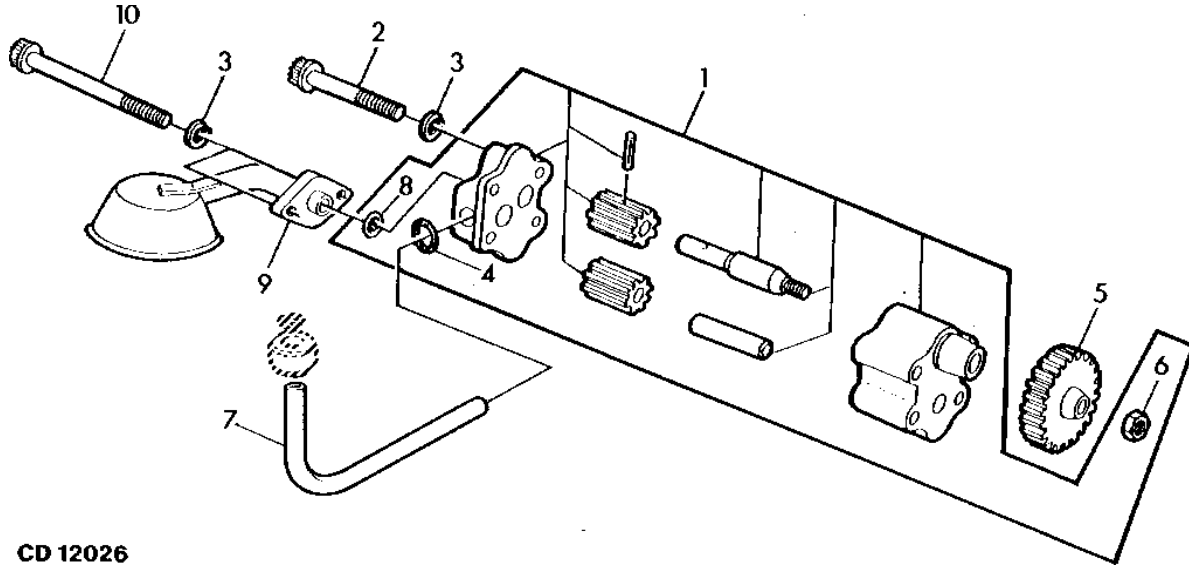
MEMORANDA
MEMORANDA
MEMORANDA
MEMORANDA
MEMORANDA

1C1

ENGINE

OIL PUMP
 POMPE A HUILE
 OELPUMPE
 POMPA OLIO
 BOMBA DE ACEITE
 OLJEPUMP

CD12026 -UN-01JAN94



CD 12026

2
 1 2 0
 6 0 4
 4 4 0
 0 0 S

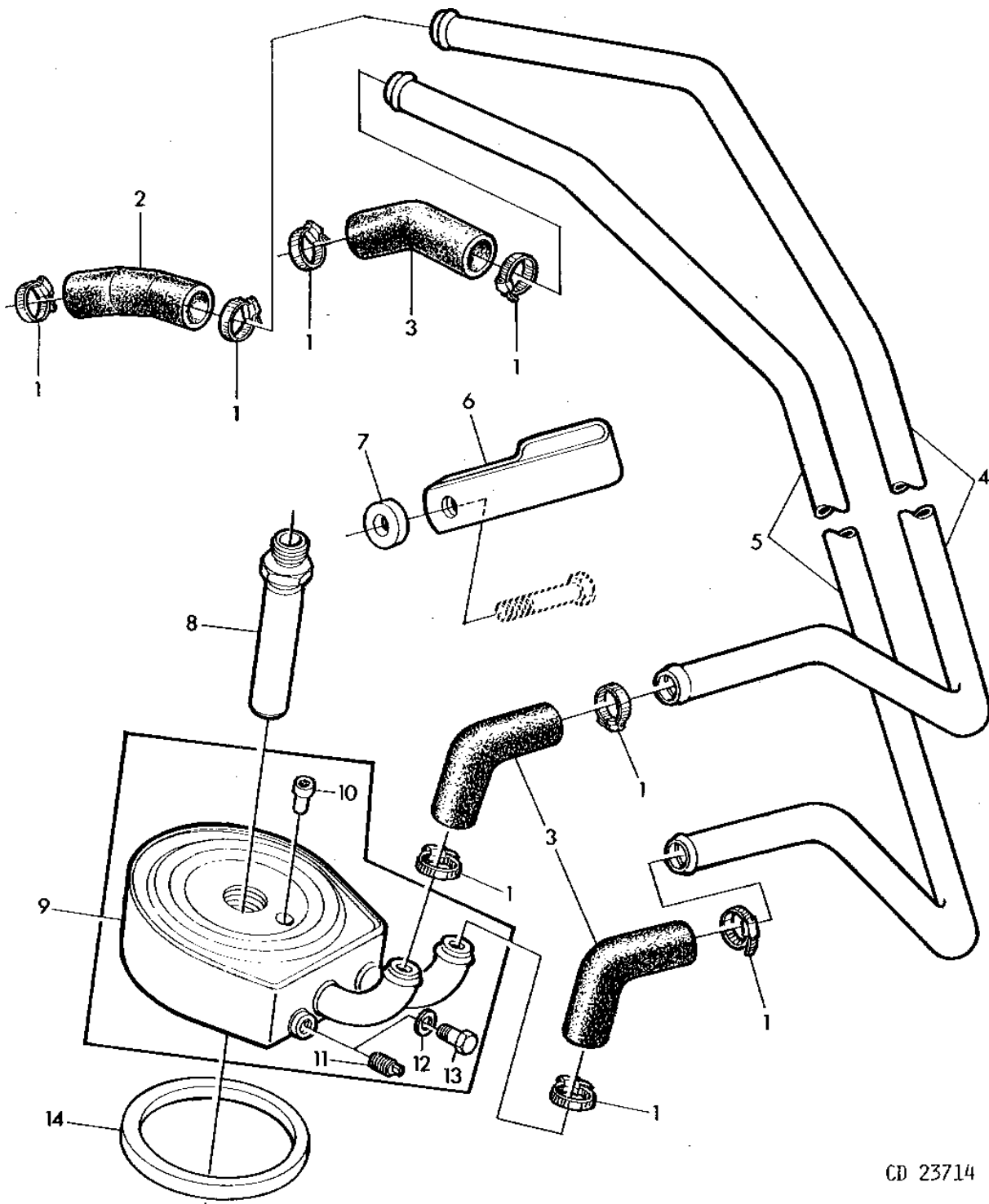
KEY	PART NO.	PART NAME	QTY	SERIAL NO.	REMARKS
1	RE35685	OIL PUMP	1	X X X	(SUB FOR AR62979, R53382, R54614, AR62978, DD14760)
2	R57059	CAP SCREW	2	X X X	3/8"X2-3/4"
3	12H304	LOCK WASHER	4	X X X	3/8"
4	R74354	O-RING	1	X X X	(SUB FOR R27166 APPL)
5	T20298	GEAR	1	X X X	Z=33
6	14H826	NUT	1	X X X	1/2"
7	T20050	OIL TUBE	1	X X X	
8	R61871	O-RING	1	X X X	(SUB FOR A4730R APPL)
9	RE36425	OIL PUMP INTAKE	1	X X X	(SUB FOR AR60701)
10	R81072	CAP SCREW	2	X X X	3/8"X3.898" (SUB FOR R59409)

1C2

ENGINE

ENGINE OIL COOLER/8 PLATES/BASIC COOLING CAPACITY
REFROIDISSEUR D'HUILE MOTEUR/8 PLAQUES/CAPACITE STANDARD
MOTOROELKUEHLER/8 PLATTEN/NORMALE KUEHLEISTUNG
SCAMBIATORE CALORE OLIO MOTORE(8 PIASTRE-PORTATA STANDARD)
REFRIGERADOR DE ACEITE DEL MOTOR/8 PLACAS/CAPACIDAD DE REFRIGERACION ESTANDAR
MOTOROLJEKYLARE(8 PLATTOR-STANDARD GENOMSTROMNINGSKAPACITET)

CD23714 -UN-01JAN94



CD 23714

1C3

ENGINE

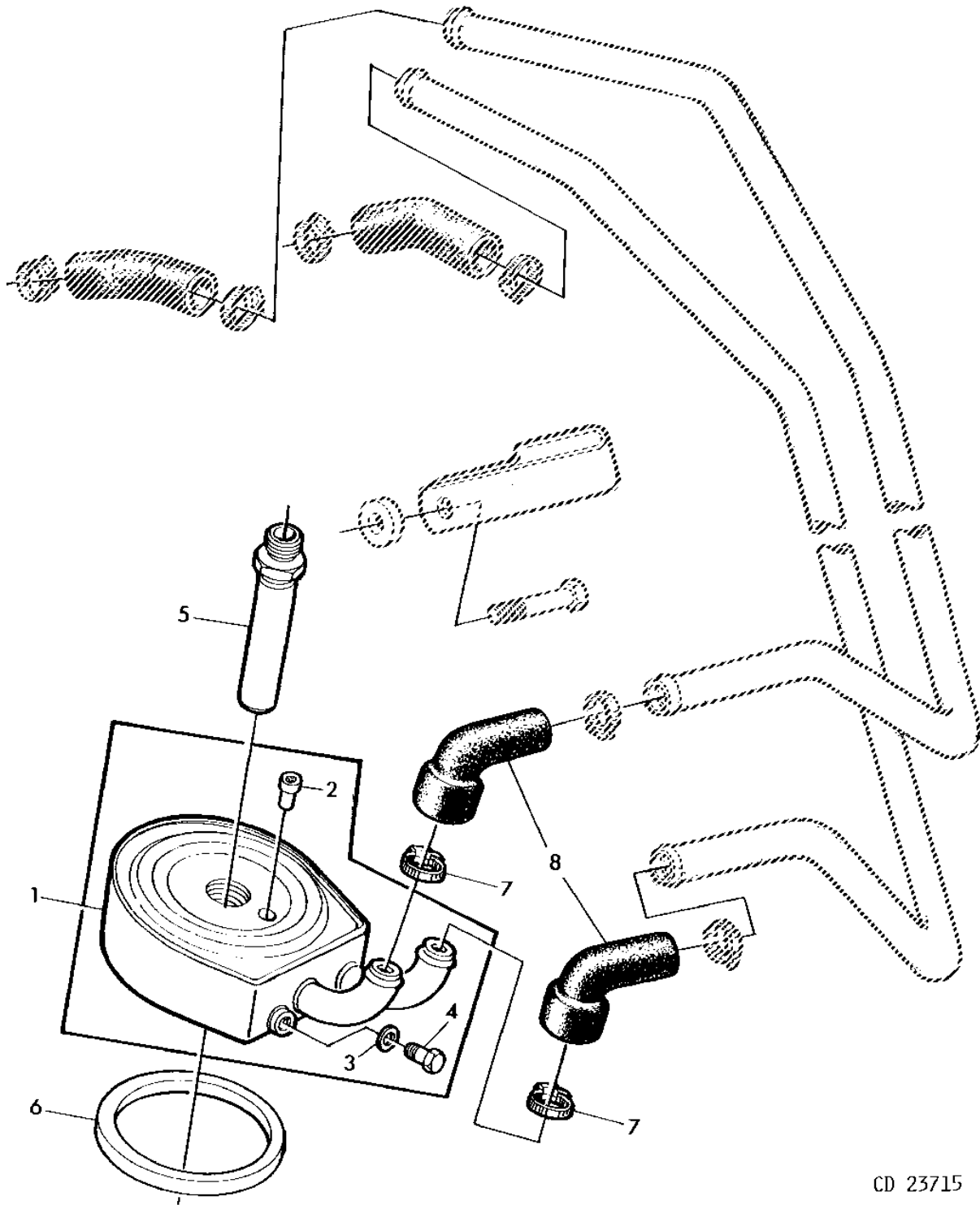
KEY	PART NO.	PART NAME	QTY	SERIAL NO.	REMARKS
					2
					1 2 0
					6 0 4
					4 4 0
					0 0 S
1	AL64588	CLAMP	8		(SUB FOR AL55852, AR21837)
2	R70438	HOSE	1		
3	R55127	HOSE	3		
4	R73609	TUBE	1		ID= 16MM (0.62")
5	R73610	TUBE	1		ID= 16MM (0.62")
6	R53524	CLAMP	1		
7	T20280	WASHER	1		
8	T31306	THREADED NIPPLE	1		
9	AR98852	OIL COOLER	1		BEHR (ORD RE10869)
	RE10869	OIL COOLER	AR		MODINE
10	AR98853	VALVE	1		(FOR AR98852)
	R77332	RELIEF VALVE	1		(FOR RE10869)
11	R56947	DRAIN PLUG	1		(ORD RE10869)
12	51M7012	RING	1		(FOR AR98852) (SUB FOR CD15227)
13	15M2714	DRAIN PLUG	1		(FOR AR98852)
14	R70956	WASHER	1		(SUB FOR R55434)

1C4

ENGINE

ENGINE OIL COOLER/10 PLATES/BASIC COOLING CAPACITY
REFROIDISSEUR D'HUILE MOTEUR/10 PLAQUES/CAPACITE STANDARD
MOTOROELKUEHLER/10 PLATTEN/NORMALE KUEHLLLEISTUNG
SCAMBIATORE CALORE OLIO MOTORE(10 PIASTRE-PORTATA STANDARD)
REFRIGERADOR DE ACEITE DEL MOTOR/10 PLACAS/CAPACIDAD DE REFRIGERACION ESTANDAR
MOTOROLJEKYLARE(10 PLATTOR-STANDARD GENOMSTROMNINGSKAPACITET)

CD23715 -UN-11JUL95



CD 23715

1C5

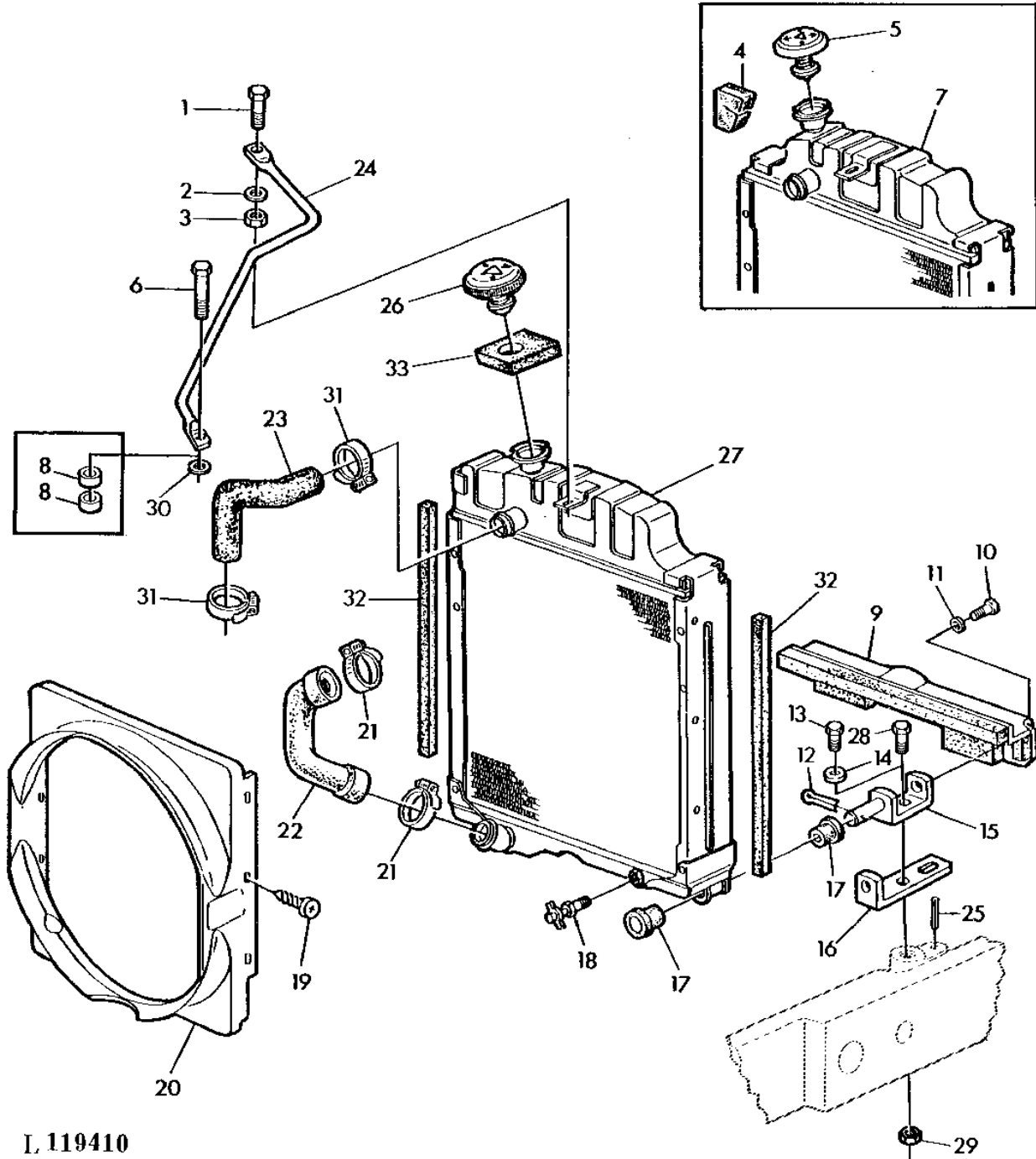
ENGINE

KEY	PART NO.	PART NAME	QTY	SERIAL NO.	2 1 2 0 6 0 4 4 4 0 0 0 S	REMARKS
1	RE14448	OIL COOLER	1		X X X	BEHR (ORD RE31929, T31306 APPL)
	RE31929	OIL COOLER	AR		X X X	MODINE
2	AR98853	VALVE	1		X X X	
3	51M7012	RING	1		X X X	
4	15M2714	DRAIN PLUG	1		X X X	
5	R78290	THREADED NIPPLE	1		X X X	(FOR RE14448)
	T31306	THREADED NIPPLE	AR		X X X	(FOR RE31929)
6	R70956	WASHER	1		X X X	
7	AT18904	CLAMP	2		X X X	(SUB FOR AL37451, AL55853)
8	R79691	HOSE	2		X X X	ID= 16MMX19MM (0.62"X0.74")

1C6

ENGINE

RADIATOR/WATER HOSES
RADIATEUR/DURITES
KUEHLER/WASSERSCHLAEUCHE
RADIATORE/MANICOTTI
RADIADOR/MANGUERAS DE AGUA
KYLARE/VATTENSLANGAR
L119410 -UN-18JUL95



L 119410

1C7

ENGINE

KEY	PART NO.	PART NAME	QTY	SERIAL NO.	REMARKS
					2
					1 2 0
					6 0 4
					4 4 0
					0 0 S
1	19H1900	CAP SCREW	1		X X X 5/16"X3/4"
2	24H1122	WASHER	1		X X X 3/8"X7/8"X.075"
3	14H785	NUT	1		X X X 5/16"
4	L57559	FOAM PAD	1	-457685	X X X (SUB FOR L36976)
5	AT29054	FILLER CAP	1	-457685	X X X
6	19H2633	CAP SCREW	1		X X X 3/8"X1-1/2"
7	AL31237	RADIATOR	1	-457685	X X X (ORD AL37568, AL38374)
8	28H856	WASHER	2		X X X 3/8"X.188"
9	AL56407	SHIELD	1		X X X (SUB FOR AL31895, AL37450, AL41463)
10	19M7162	CAP SCREW	2		X X X M8X16
11	24M7036	WASHER	2		X X X 9X17X1.6MM
12	11M7021	COTTER PIN	2		X X X 4X25MM
13	19H1732	CAP SCREW	2		X X X 3/8"X1-1/4"
14	24H1682	WASHER	2		X X X 13/32"X7/8"X.120"
15	AL31893	CLEVIS	2		X X X
16	L34975	ANGLE	2		X X X
17	L34974	BUSHING	4		X X X
18	AT13740	DRAIN VALVE	1		X X X
19	37M7079	SCREW	6		X X X 6.3X13MM
20	L40538	SHROUD	1	-515860	X X (A) (SUB FOR L34562)
	L39728	SHROUD	1	515861-	X X (A)
	L40538	SHROUD	1		X (A) (B) (SUB FOR L34562)
	L40538	SHROUD	1	-515860	X X X (SUB FOR L34562)
	L39728	SHROUD	1	515861-	X X X
	L40538	SHROUD	1		X (A) (SUB FOR L34562)
21	AR21840	CLAMP	2		X X X
22	L34921	HOSE	1		X X X LOW
23	L34898	HOSE	1		X X X UP
24	L34648	LEVER	1		X X X
25	34M7061	SPRING PIN	2		X X X
26	AL38374	FILLER CAP	1	457686-	X X X
27	AL37568	RADIATOR	1	457686-	X X X
28	19H1726	CAP SCREW	2		X (C) 3/8"X2-1/4"
29	14H812	NUT	2		X (C) 3/8"
30	24M7180	WASHER	1		X X X 13X40X3MM
31	AR21840	CLAMP	2		X X X (SUB FOR T271T)
32	L59886	FOAM PAD	2		X X X (SUB FOR L56398)
33	L60523	FOAM PAD	1		X X X

(A) WITH SG2 CAB
 AVEC CABINE SG2
 BEI SG2 KABINE
 CON CABINA SG2
 CON CABINA SG2
 VID SG2 HYTT

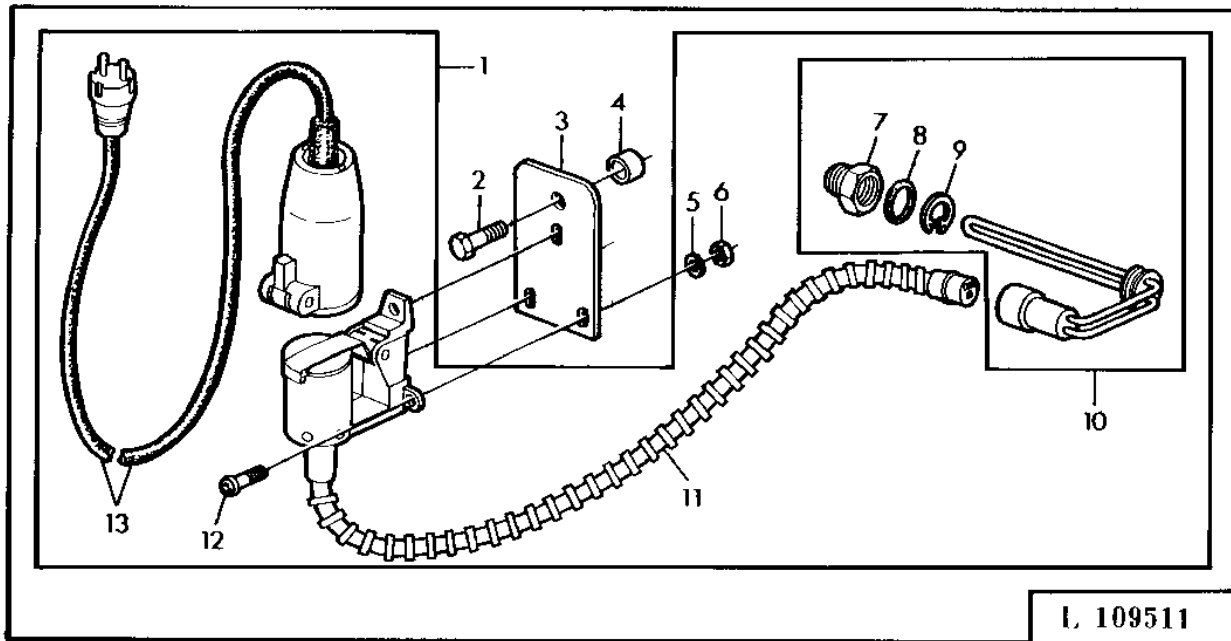
(B) FOR JAPAN ONLY
 UNIQUEMENT JAPON
 NUR FUER JAPAN
 SOLO PER GIAPPONE
 SOLO PARA JAPON
 ENDAST FOR JAPAN

(C) WITH INCR.LIFTING CAPAC.
 AVEC CAPACITE DE REL.AUGM.
 BEI HUBKRAFTERHOEHUNG
 CON ELEV.CAPACITA DI SOLLEV.
 CON FUERZA DE ELEV.AUMENTADA
 VID OKAD LYFTKAPACITET

1C8

ENGINE

ENGINE COOLANT HEATER 220V, 750W
 RECHAUFFEUR DU LIQUIDE DE REFROIDISSEMENT 220V, 750W
 KUEHLWASSER-VORWAERMER 220V, 750W
 RISCALDATORE REFRIGERANTE 220V, 750W
 DISPOSITIVO PARA EL CALENTAMIENTO DEL LIQUIDO REFRIGERANTE 220V, 750W
 KYLVATSKEVARMARE 220V, 750W
 L109511 -UN-07JUL95



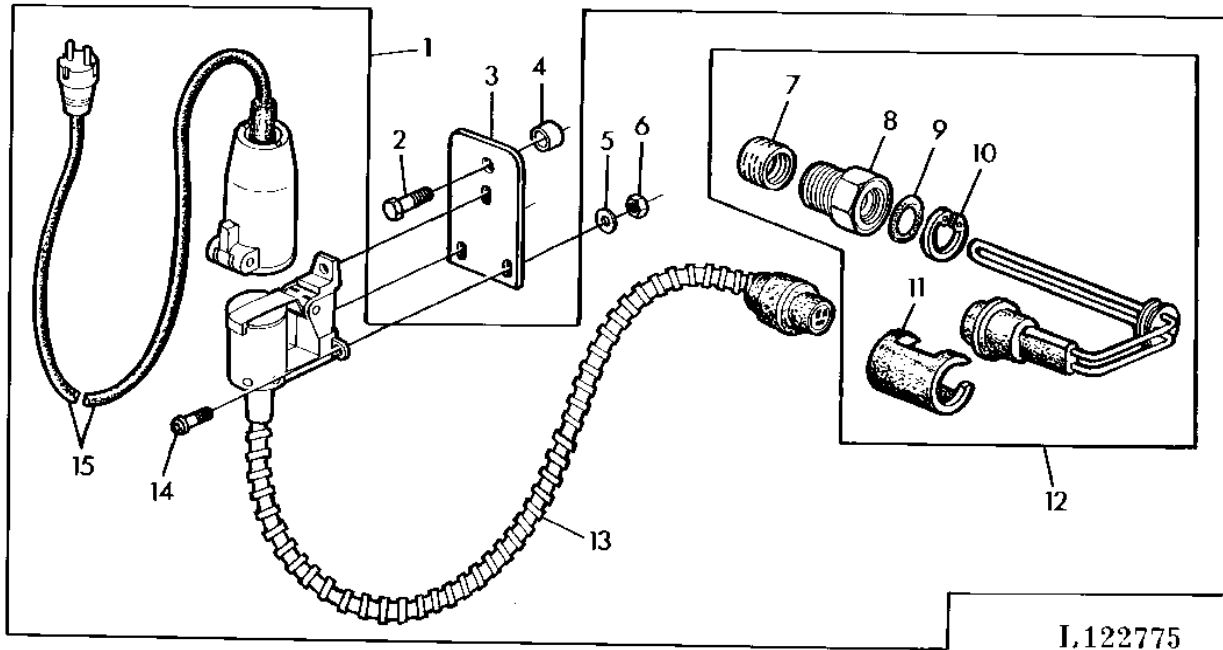
2
 1 2 0
 6 0 4
 4 4 0
 0 0 S

KEY	PART NO.	PART NAME	QTY	SERIAL NO.	REMARKS
1	AL33526	COOLANT HEATER	1	X X X	(ORD AL40847)
2	19H2353	CAP SCREW	1	X X X	9/16"X1"
3	L36372	STRAP	1	X X X	
4	28H1863	WASHER	1	X X X	
5	24M7146	WASHER	3	X X X	4.3X12X1MM
6	14M7139	NUT	3	X X X	M4
7	L37507	ADAPTER	1	X X X	
8	L53836	O-RING	1	X X X	
9	40M1851	SNAP RING	1	X X X	22X1MM
10	AL33530	COOLANT HEATER	1	X X X	(ORD AL68214)
11	AL33531	CABLE	1	X X X	
12	21M7250	SCREW	3	X X X	M4X12
13	AL33532	CABLE	1	X X X	

1C9

ENGINE

ENGINE COOLANT HEATER 220V, 500W
 RECHAUFFEUR DU LIQUIDE DE REFROIDISSEMENT 220V, 500W
 KUEHLWASSER-VORWAERMER 220V, 500W
 RISCALDATORE REFRIGERANTE 220V, 500W
 DISPOSITIVO PARA EL CALENTAMIENTO DEL LIQUIDO REFRIGERANTE 220V, 500W
 KYLVATSKEVARMARE 220V, 500W
 L122775 -UN-15MAY95



I.122775

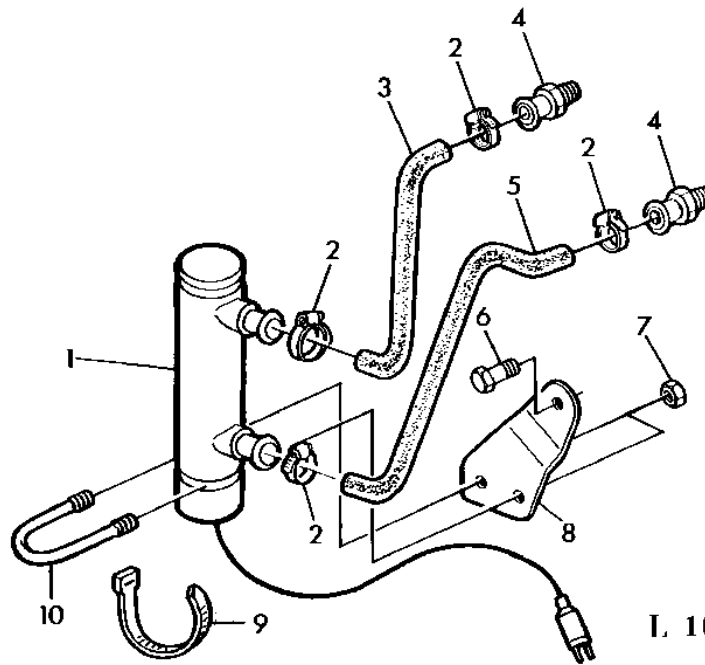
2
1 2 0
6 0 4
4 4 0
0 0 S

KEY	PART NO.	PART NAME	QTY	SERIAL NO.	REMARKS
1	AL40847	COOLANT HEATER	1	X X X	
2	19H1792	CAP SCREW	AR	X X X	1/2"X1"
	19H2353	CAP SCREW	AR	X X X	9/16"X1"
3	L36372	STRAP	1	X X X	
4	28H1863	WASHER	1	X X X	
5	24M7146	WASHER	3	X X X	4.3X12X1MM
6	14M7139	NUT	3	X X X	M4
7	L62675	ADAPTER	1	X X X	1"X3/4"
8	L37507	ADAPTER	1	X X X	
9	L53836	O-RING	1	X X X	
10	40M1851	SNAP RING	1	X X X	22X1MM
11	L77837	CLAMP	1	X X X	
12	AL68214	HEATING ELEMENT	1	X X X	
13	AL57945	WIRING HARNESS	1	X X X	
14	21M7250	SCREW	3	X X X	M4X12MM
15	AL33532	CABLE	1	X X X	

1C10

ENGINE

ENGINE COOLANT HEATER 110V, 1000W
 RECHAUFFEUR DU LIQUIDE DE REFROIDISSEMENT 110V, 1000W
 KUEHLWASSER-VORWAERMER 110V, 1000W
 RISCALDATORE REFRIGERANTE 110V, 1000W
 DISPOSITIVO PARA EL CALENTAMIENTO DEL LIQUIDO REFRIGERANTE 110V, 1000W
 KYLVATSKEVARMARE 110V, 1000W
 L109513 -UN-17JUL95



L 109513

2
 1 2 0
 6 0 4
 4 4 0
 0 0 S

KEY	PART NO.	PART NAME	QTY	SERIAL NO.	REMARKS
1	AR72957	COOLANT HEATER	1	X X	
2	AL37451	CLAMP	4	X X	(SUB FOR AL31992, AL55853)
3	L32822	HOSE	1	X X	UP
4	T29388	UNION FITTING	2	X X	
5	L32823	HOSE	1	X X	LOW
6	19H2353	CAP SCREW	1	X X	9/16"X1"
7	E45229	LOCK NUT	2	X X	1/4"
8	L32821	RETAINER	1	X X	
9	R44302	TIE BAND	1	X X	
10	R60124	U-BOLT	1	X X	

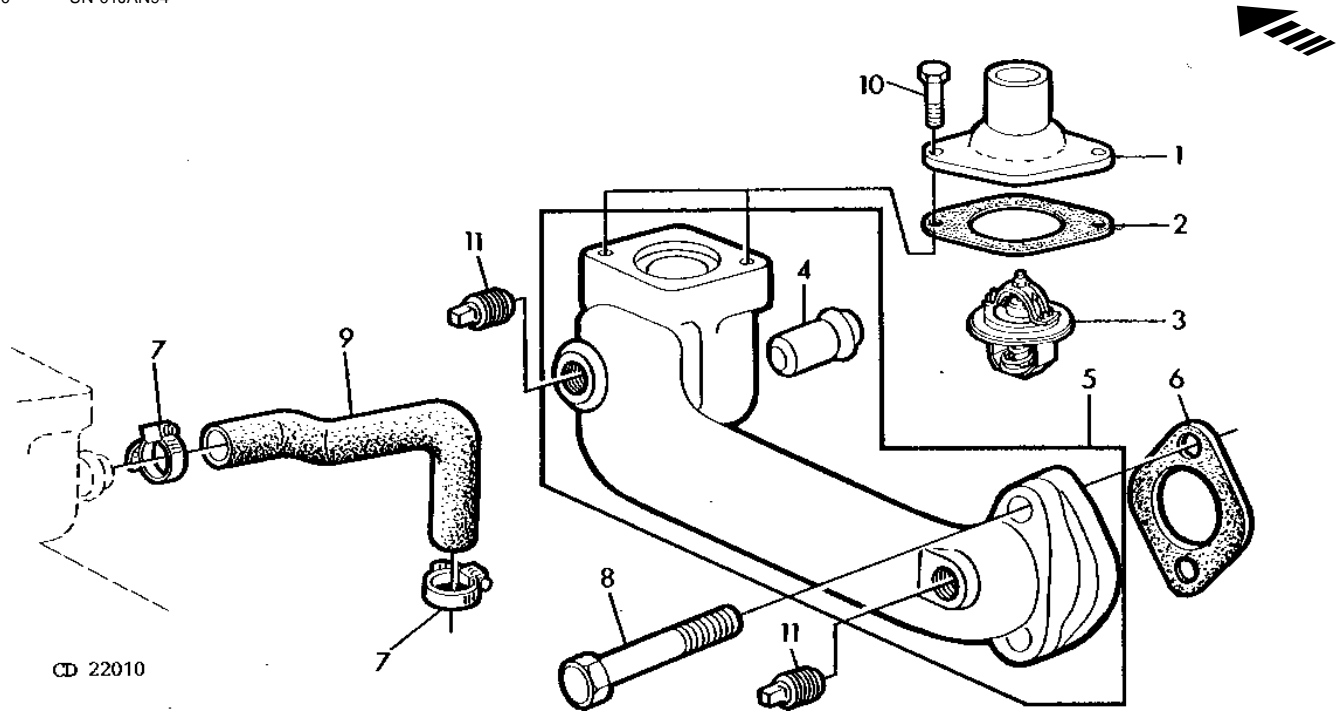
MEMORANDA
MEMORANDA
MEMORANDA
MEMORANDA
MEMORANDA

1C11

ENGINE

THERMOSTAT / THERMOSTAT HOUSING
 THERMOSTAT / BOITIER DE THERMOSTAT
 THERMOSTAT / THERMOSTATGEHAEUSE
 TERMOSTATO / SEDE TERMOSTATO
 TERMOSTATO / Y CAJA DEL TERMOSTATO
 TERMOSTAT / TERMOSTATHUS

CD22010 -UN-01JAN94



CD 22010

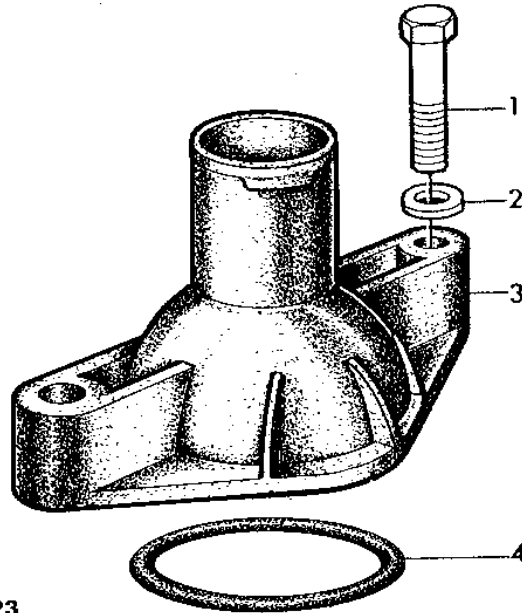
2
1 2 0
6 0 4
4 4 0
0 0 S

KEY	PART NO.	PART NAME	QTY	SERIAL NO.	REMARKS
1	R70736	COVER	1	X X X	(ORD R97876, R97877, (2) 19H1800, (2) 24H1020)
2	T20215	GASKET	1	X X X	
3	AR61538	THERMOSTAT	1	X X X	82°C (180°F)
4	R34985	LINE	1	X X X	
5	AR92905	HOUSING	1	X X X	(MARKED R70741) NSEP (ORD AR100178, (2) 15H561)
6	AR100178	HOUSING	AR	X X X	(MARKED R74549)
7	T20219	GASKET	1	X X X	
7	AT18904	CLAMP	2	X X X	
8	19H1726	CAP SCREW	2	X X X	3/8"X2-1/4"
9	R70737	HOSE	1	X X X	
10	19H1732	CAP SCREW	2	X X X	3/8"X1-1/4"
11	15H561	PIPE PLUG	2	X X X	1/2" (FOR AR100178)

1C12

ENGINE

THERMOSTAT COVER (REPLACEMENT PART)
 COUVERCLE DE THERMOSTAT (PIECE DE REMPLACEMENT)
 THERMOSTATDECKEL (ERSATZTEIL)
 COPERCHIO DEL TERMOSTATO (PARTE DI RICAMBIO)
 TAPA DEL TERMOSTATO (REPUESTO)
 TERMOSTATLOCK (RESERVDEL)
 CD12523 -UN-01JAN94



CD 12 523

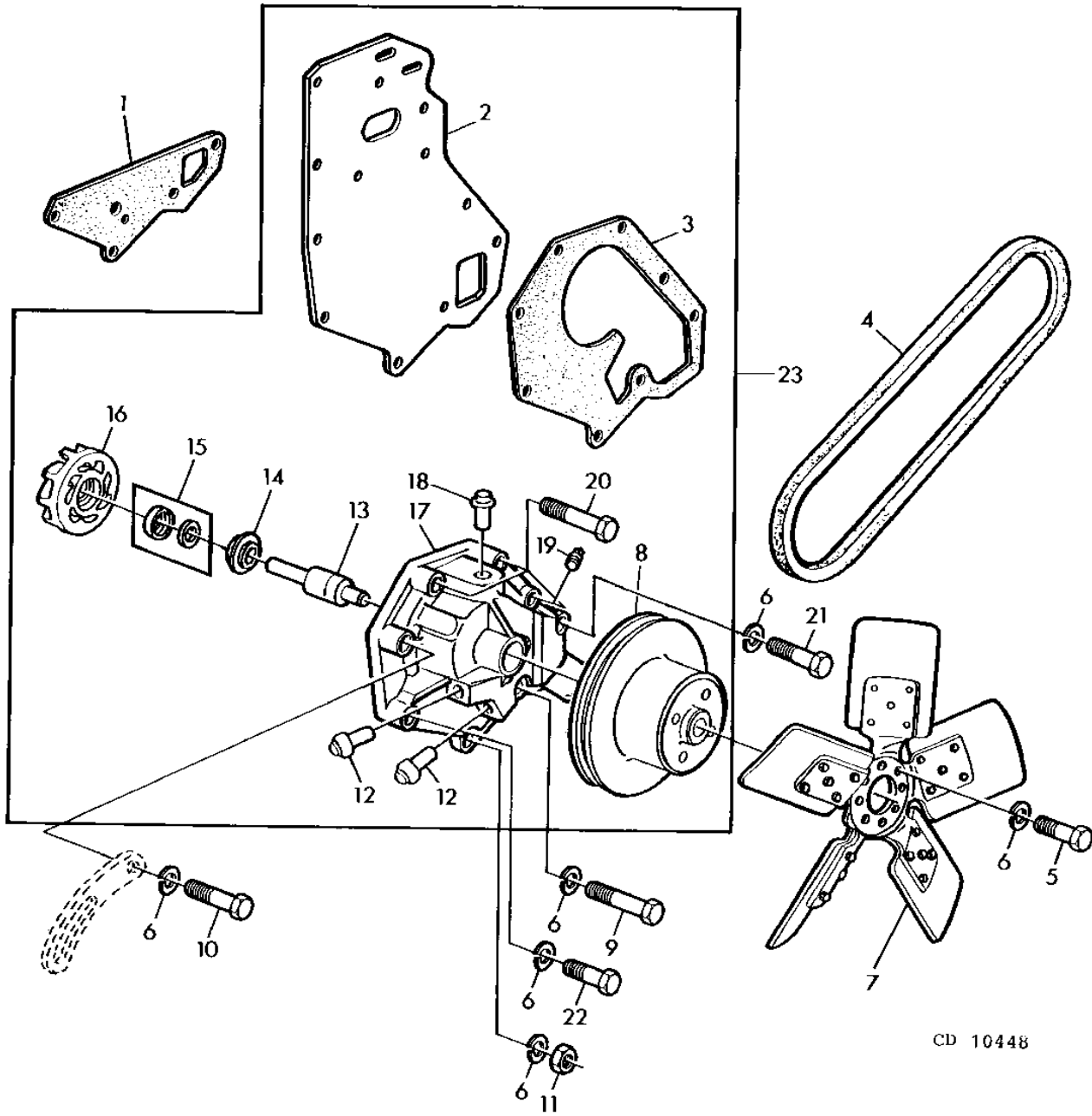
2
 1 2 0
 6 0 4
 4 4 0
 0 0 S

KEY	PART NO.	PART NAME	QTY	SERIAL NO.	REMARKS
1	19H1800	CAP SCREW	2	X X X	3/8"X1-1/2"
2	24H1020	WASHER	2	X X X	13/32"X23/32"X0.120"
3	R97876	COVER	1	X X X	
4	R97877	O-RING	1	X X X	

1C13

ENGINE

WATER PUMP / FAN
POMPE A EAU / VENTILATEUR
WASSERPUMPE / LUEFTER
POMPA ACQUA / VENTILATORE
BOMBA DE AGUA / VENTILADOR
VATTENPUMP / FLAKT
CD10448 -UN-17JUL95



CD 10448

1C14

ENGINE

KEY	PART NO.	PART NAME	QTY	ENGINE SERIAL NO.	2			REMARKS
					1	2	0	
					6	0	4	
					4	4	0	
					0	0	S	
1	T20243	GASKET	1		X	X	X	
2	R70441	COVER	1		X	X	X	
3	R55405	GASKET	1		X	X	X	
4	R73784	BELT	1		X	X	X	LGTH= 1340MM (52.76")
5	19H2284	CAP SCREW	4		X	X	X	3/8" X 7/8"
6	12H304	LOCK WASHER	AR		X	X	X	
7	AR26382	FAN	1	-592653	X	X		(B)
	DD12151	FAN	1	592654-	X	X		(B)
	AR26382	FAN	1		X			(B) (C)
	AR26382	FAN	1	-592653	X	X	X	
	DD12151	FAN	1	592654-	X	X	X	
	AR26382	FAN	1		X			(B)
8	R70442	PULLEY	1		X	X	X	
	R70740	PULLEY	1		X			(A)
9	19H2128	CAP SCREW	1		X	X	X	3/8"X3" (SUB FOR 19H1944)
10	19H1800	CAP SCREW	1		X	X	X	3/8"X1-1/2"
11	14H774	NUT	AR		X	X	X	(FOR R82674)
	14H812	NUT	1		X	X	X	3/8" (FOR T25701)
12	R48993	TUBE	2		X	X	X	ID= 16MM (0.62")
13	JD9448	BEARING	1		X	X	X	NSEP (ORD RE11347)
14	T27261	SEAL	1		X	X	X	NSEP (ORD RE11347)
15	AR41691	INSERT	1		X	X	X	NSEP (ORD RE11347)
16	T30897	IMPELLER	1		X	X	X	NSEP (ORD RE11347)
17	WATER PUMP	1		X	X	X	(MARKED R70437) NSEP (ORD AR92418) (SUB FOR AR92415)
	WATER PUMP	1		X			(A) (MARKED R70437) NSEP (SUB FOR AR92415) (ORD AR92903)
18	R34985	LINE	1		X	X	X	ID= 19MM (0.74")
19	15H584	PIPE PLUG	1		X	X	X	1/2"
20	19H988	CAP SCREW	3		X	X	X	3/8"X1-1/4"
21	19H2639	CAP SCREW	1		X	X	X	3/8"X3-3/8" (SUB FOR 19H2128)
22	19H2549	CAP SCREW	1		X	X	X	3/8"X1-7/8" (SUB FOR 19H1800)
23	AR92418	WATER PUMP	AR		X	X	X	ASSY
	AR92903	WATER PUMP	AR		X			(A)

(A) WITH AIR CONDITIONING
 AVEC CLIMATISATION
 BEI KLIMAANLAGE
 CON CONDIZ. ARIA
 CON ACONDIC. DE AIRE
 VID LUFTKONDITIONERING

(B) WITH SG2 CAB
 AVEC CABINE SG2
 BEI SG2 KABINE
 CON CABINA SG2
 CON CABINA SG2
 VID SG2 HYTT

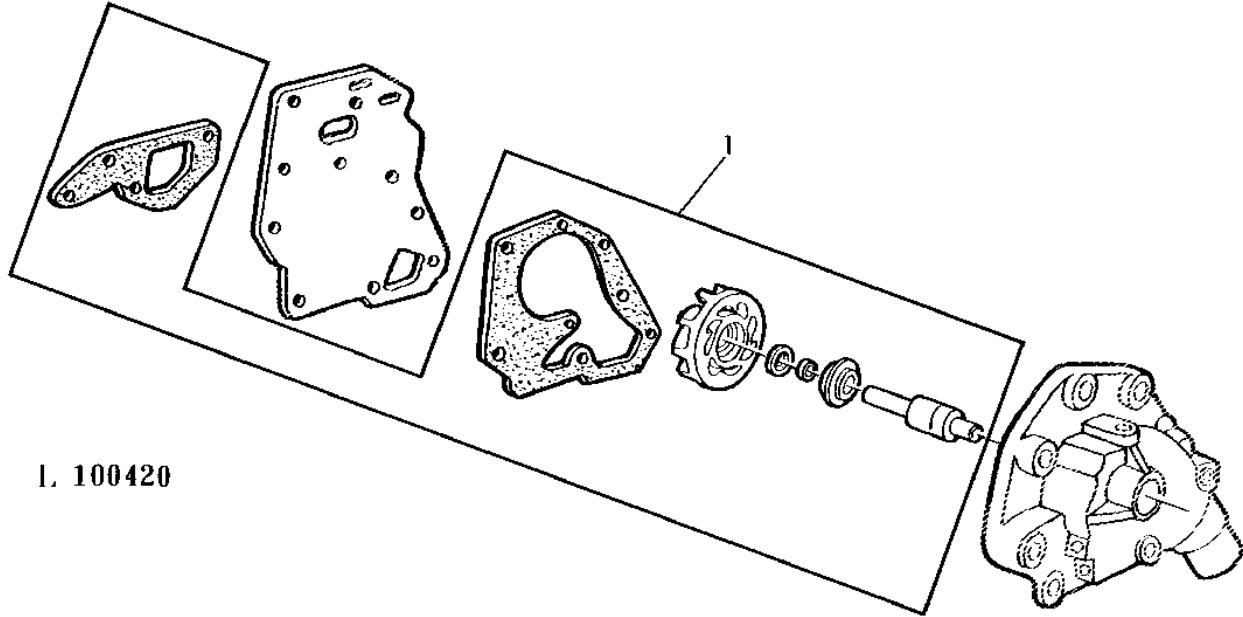
(C) FOR JAPAN ONLY
 POUR LE JAPON SEULEMENT
 NUR FUER JAPAN
 SOLO PER GIAPPONE
 SOLO PARA JAPON
 ENDAST FOR JAPAN

1C15

ENGINE

WATER PUMP
 POMPE A EAU
 WASSERPUMPE
 POMPA ACQUA
 BOMBA DE AGUA
 VATTENPUMP

L100420 -UN-17JUL95



L. 100420

2
 1 2 0
 6 0 4
 4 4 0
 0 0 S

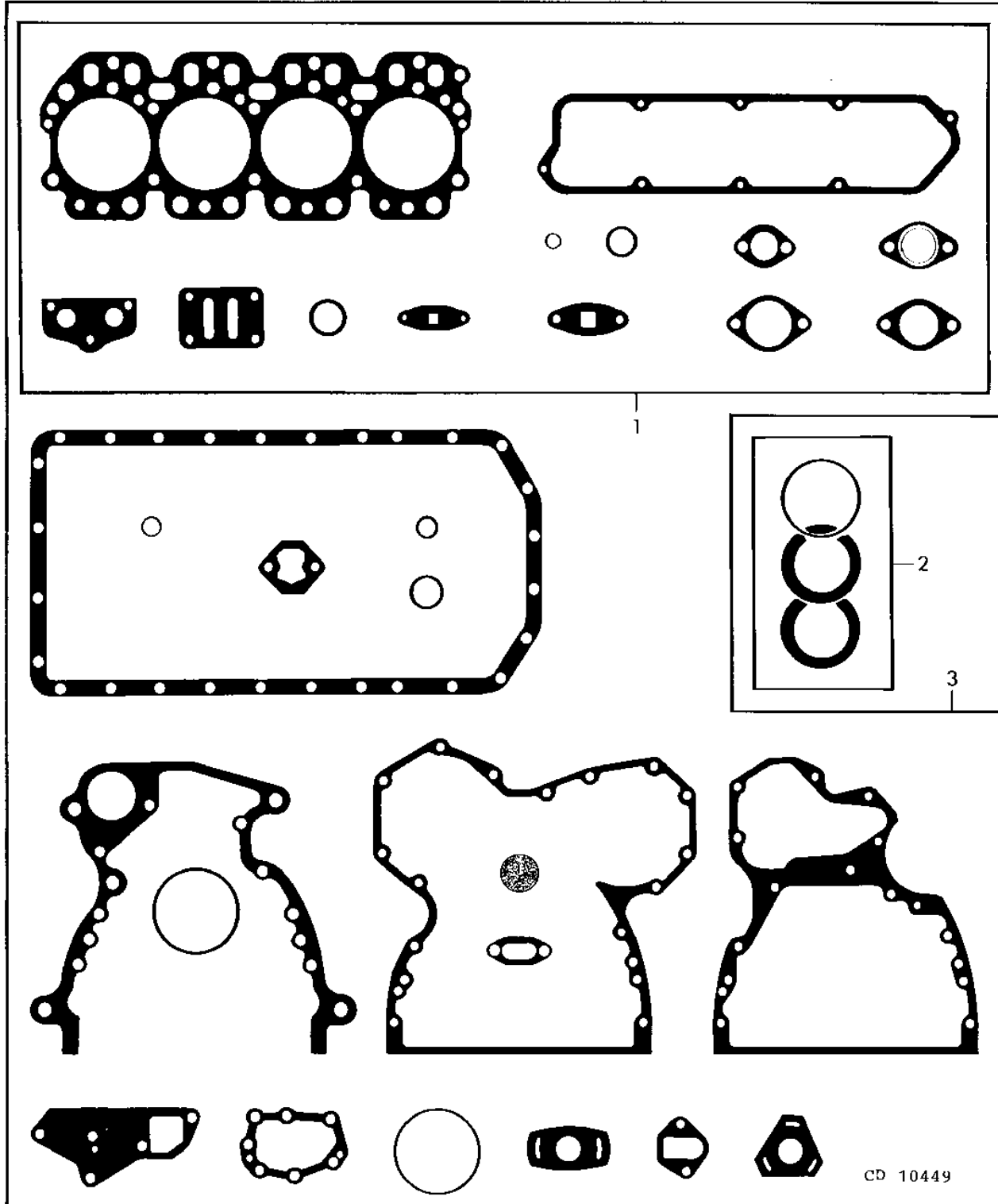
KEY	PART NO.	PART NAME	QTY	SERIAL NO.	REMARKS
1	RE11347	KIT	1	X X X	KIT

MEMORANDA
MEMORANDA
MEMORANDA
MEMORANDA
MEMORANDA

1C16

ENGINE

ENGINE GASKET SET
JEU DE JOINTS MOTEUR
MOTOR-DICHTUNGSSATZ
SERIE GUARNIZIONI MOTORE
JUEGO DE JUNTAS PARA EL MOTOR
PACKNINGSSATS FOR MOTOR
CD10449 -UN-17JUL95



1C17

ENGINE

KEY	PART NO.	PART NAME	QTY	ENGINE SERIAL NO.	2			REMARKS
					1	2	0	
					6	0	4	
					4	4	0	
					0	0	S	
1	AR71992 RE37490	SEAL KIT GASKET KIT	AR AR	-539556 539557-	X X X X X X			(ORD RE16920) (ORD W/ (8) AR100124) (ORD W/ (4) RE13887) (SUB FOR AR100426, RE16920)
2	AR65507	O-RING KIT	AR		X X X			KIT (3)
3	AR97178	GASKET	AR	-539556	X X X			(ORD RE16920, AR67942, RE11036, 14H826, (4) AR65507, (8) AR100124)
	RE37493	GASKET KIT	AR	539557-	X X X			(ORD W/ AR67942, RE11036, 14H826, (4) AR65507, (4) RE13887) (SUB FOR RE12459, RE16922)

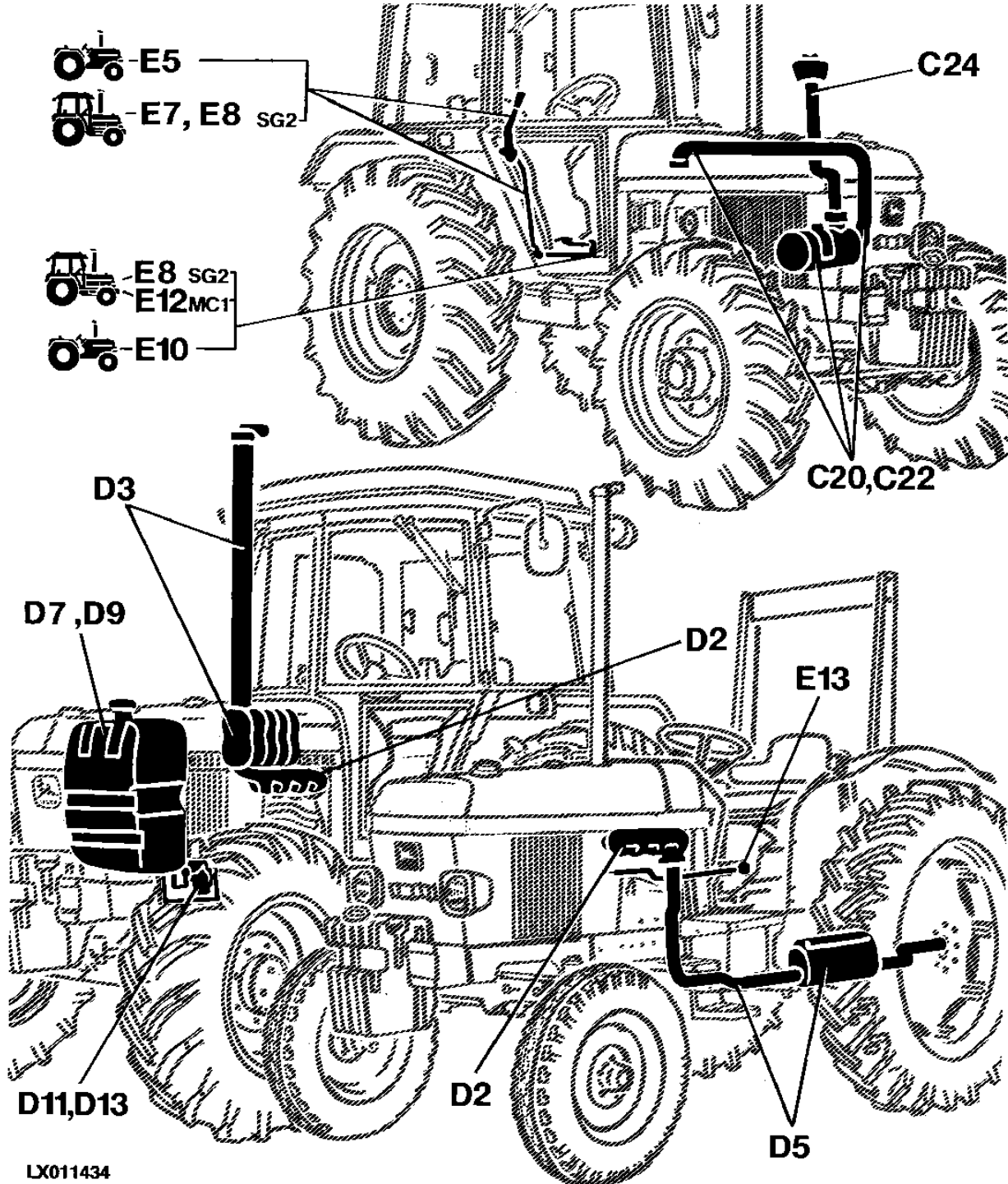
1C18

FUEL SYSTEM AND AIR INTAKE SYSTEM

XX
XX
XX
XX
XX
XX
XX
XX

SECTIONAL INDEX
INDEX DE SECTION
GRUPPENINDEX
INDICE DELLA SEZIONE
INDICE DE GRUPOS
GRUPPSFORTECKNING

LX011434 -UN-14JUL95



LX011434

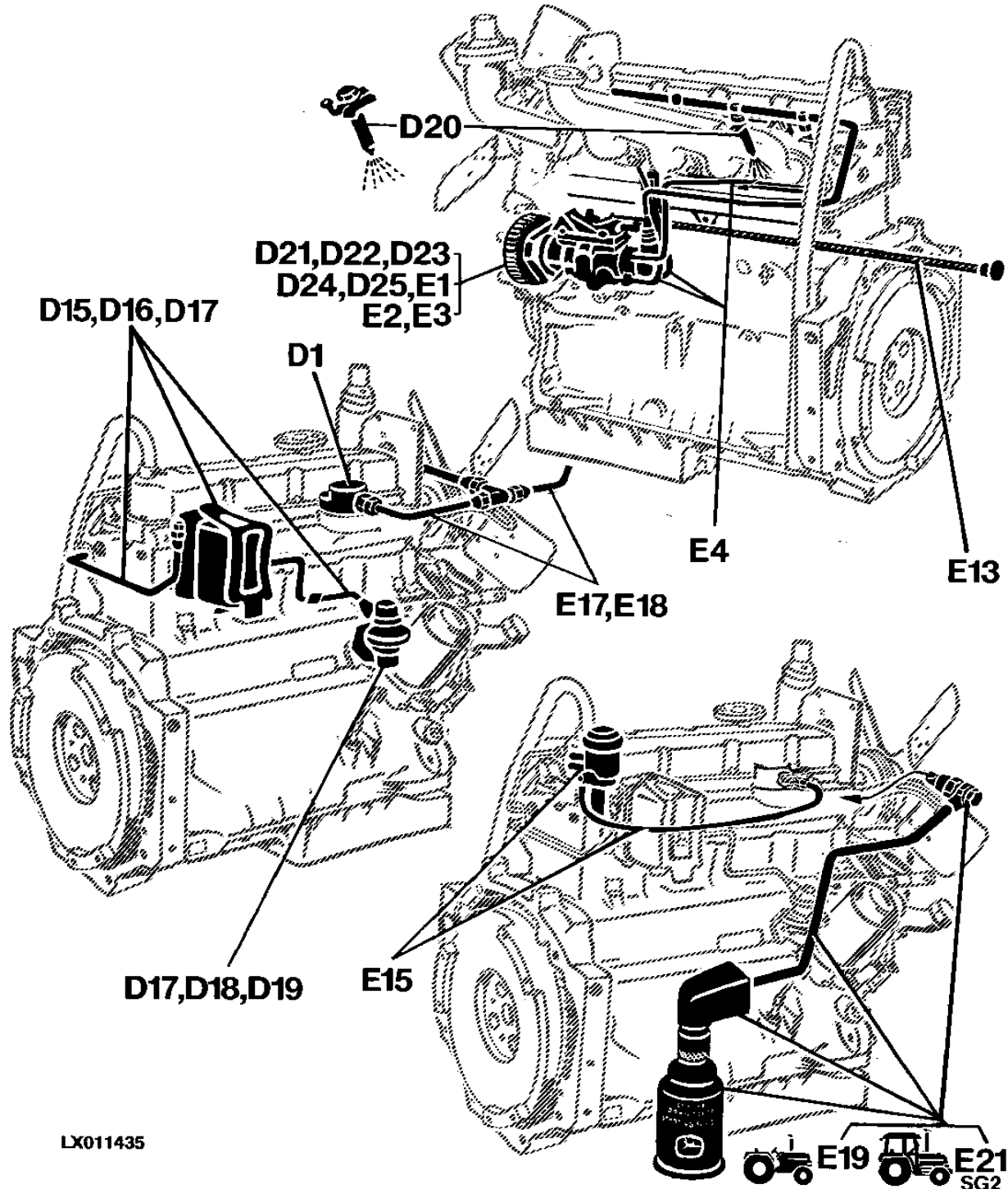
1C19

FUEL SYSTEM AND AIR INTAKE SYSTEM

XX
XX
XX
XX
XX
XX
XX
XX

SECTIONAL INDEX
INDEX DE SECTION
GRUPPENINDEX
INDICE DELLA SEZIONE
INDICE DE GRUPOS
GRUPPSFORTECKNING

LX011435 -UN-14JUL95

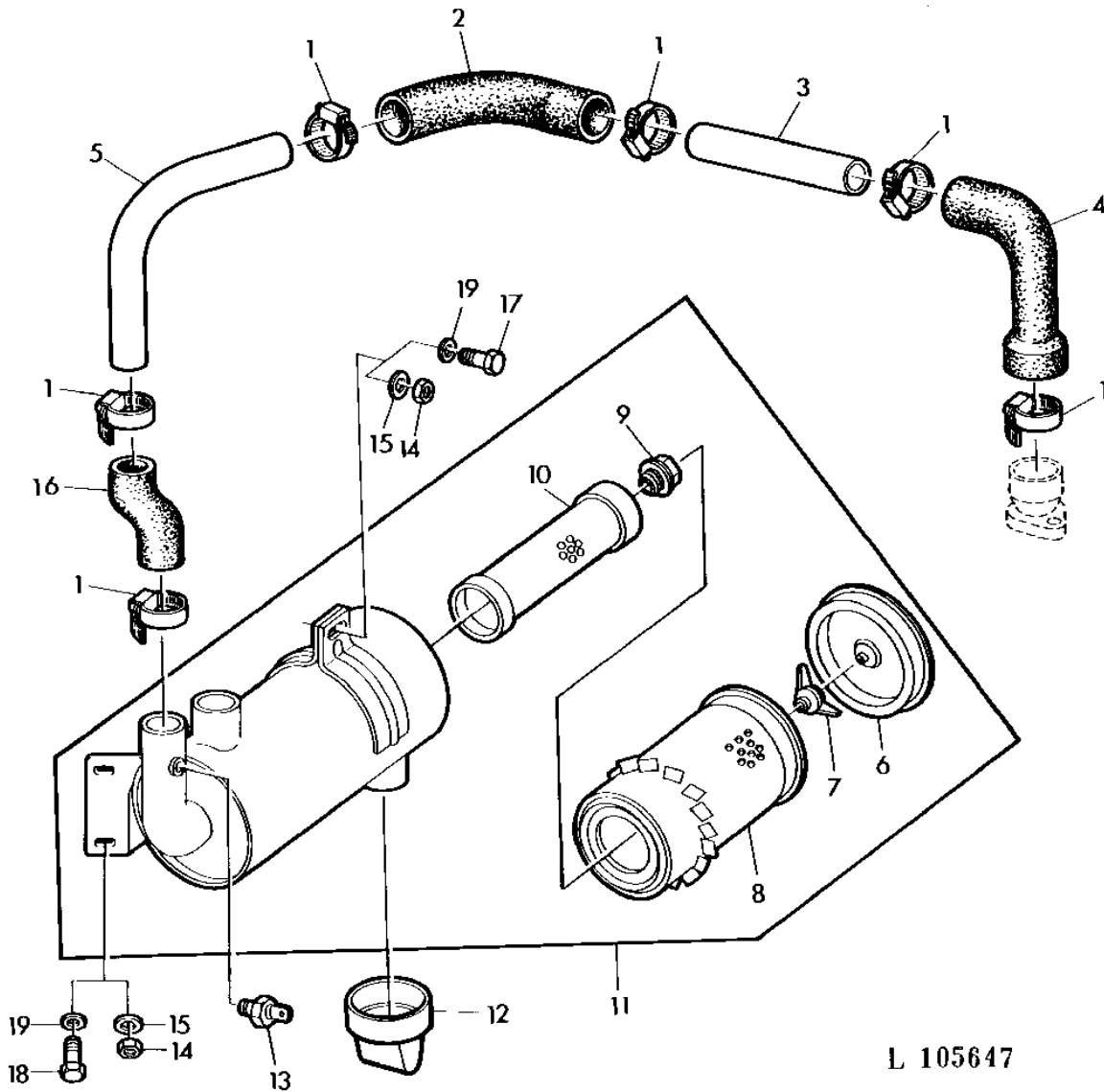


LX011435

1C20

FUEL SYSTEM AND AIR INTAKE SYSTEM

DRY AIR CLEANER
FILTRE A AIR SEC
TROCKENLUFTFILTER
FILTRO ARIA SECCO
FILTRO DE AIRE EN SECO
TORRLUFTRENARE
L105647 -UN-17JUL95



L 105647

1C21

FUEL SYSTEM AND AIR INTAKE SYSTEM

KEY	PART NO.	PART NAME	QTY	SERIAL NO.	REMARKS
					2
					1 2 0
					6 0 4
					4 4 0
					0 0 S
1	AR21999	CLAMP	6		X X X
2	L34652	HOSE	1		X X X
3	L34650	TUBE	1		X X X
4	L34918	HOSE	1		X X X
5	L34651	TUBE	1		X X X
6	AT24438	COVER	1		X X X
7	AH20849	WING NUT	1		X X X
8	AR84228	FILTER ELEMENT	1		X X X
9	AL37975	NUT	1		X X X (SUB FOR R48567)
10	AE31724	FILTER ELEMENT	1		X X X
11	AL28179	AIR CLEANER	1		X X X (SUB FOR AL27156)
12	T23262	VALVE	1		X X X
13	AL59882	TOUCH SWITCH	1		X X X (SUB FOR AL32975)
14	14M7273	NUT	3		X X X M8
15	24M7298	WASHER	3		X X X 8.4X25X2MM
16	L34646	HOSE	1		X X X
17	19H1936	CAP SCREW	1		X X X (A) 3/8"X3/4"
18	19H2021	CAP SCREW	2		X X X (A) 3/8"X5/8"
19	24M7028	WASHER	3		X X X (A) 10.5X21X2MM

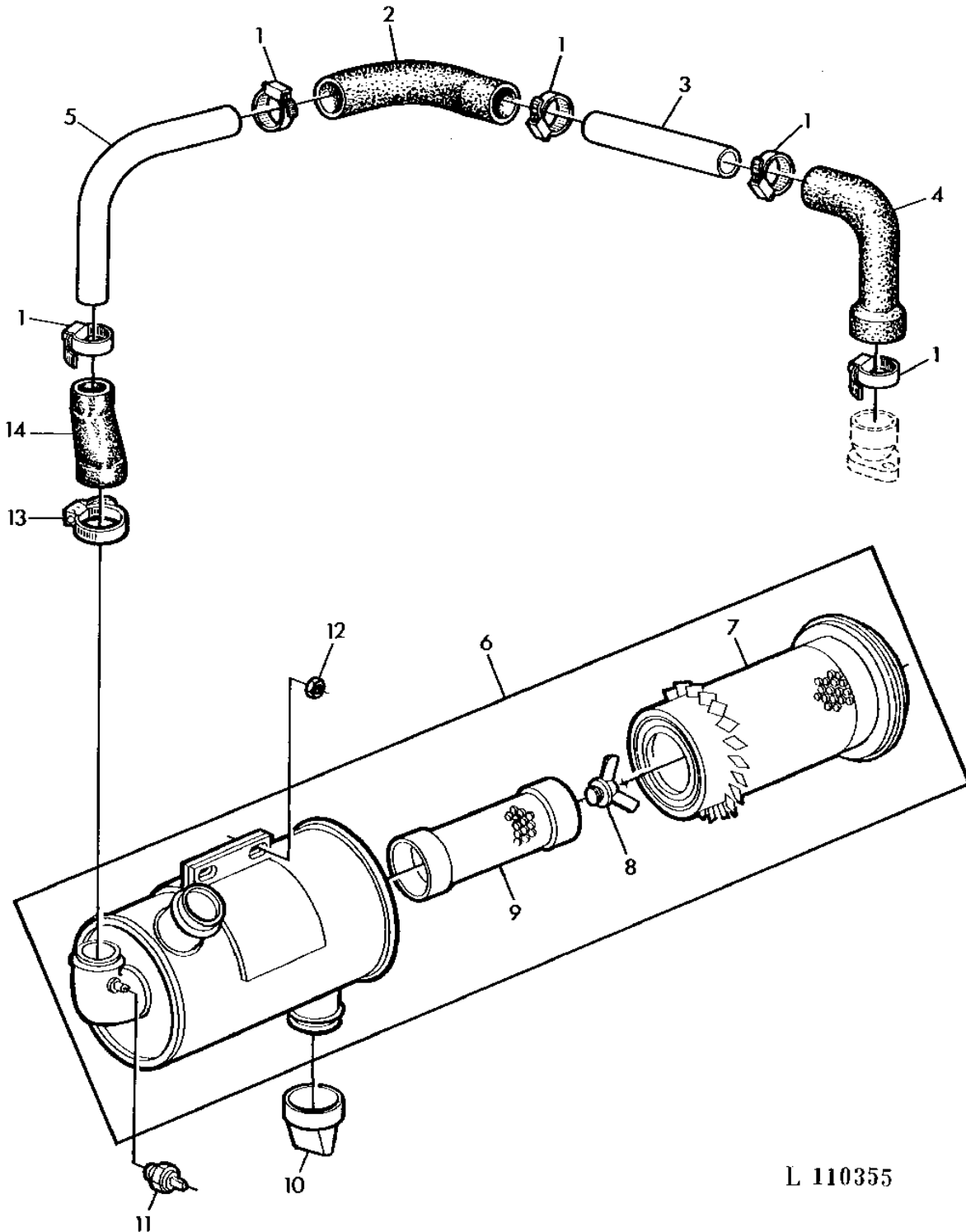
(A) WITH METAL TANK
 AVEC RESERVOIR A COMBUSTIBLE METALLIQUE
 BEI BLECHKRAFTSTOFFTANK
 CON SERBATIO GASOLIO METALLICO
 CON DEPOSITO COMBUSTIBLE METALICO
 VID BLECKBRANSLETANK

1C22

FUEL SYSTEM AND AIR INTAKE SYSTEM

DRY AIR CLEANER (WITH INCREASED LIFTING CAPACITY)
FILTRE A AIR SEC (AVEC CAPACITE DE REL. AUGM.)
TROCKENLUFTFILTER (BEI HUBKRAFTERHOEHUNG)
FILTRO ARIA SECCO (CON ELEVATA CAPACITA DI SOLLEVAMENTO)
FILTRO DE AIRE EN SECO (CON FUERZA DE ELEV. AUMENTADA)
TORRLUFTRENARE (VID OKAD LYFTKAPACITET)

L110355 -UN-17JUL95



L 110355

1C23

FUEL SYSTEM AND AIR INTAKE SYSTEM

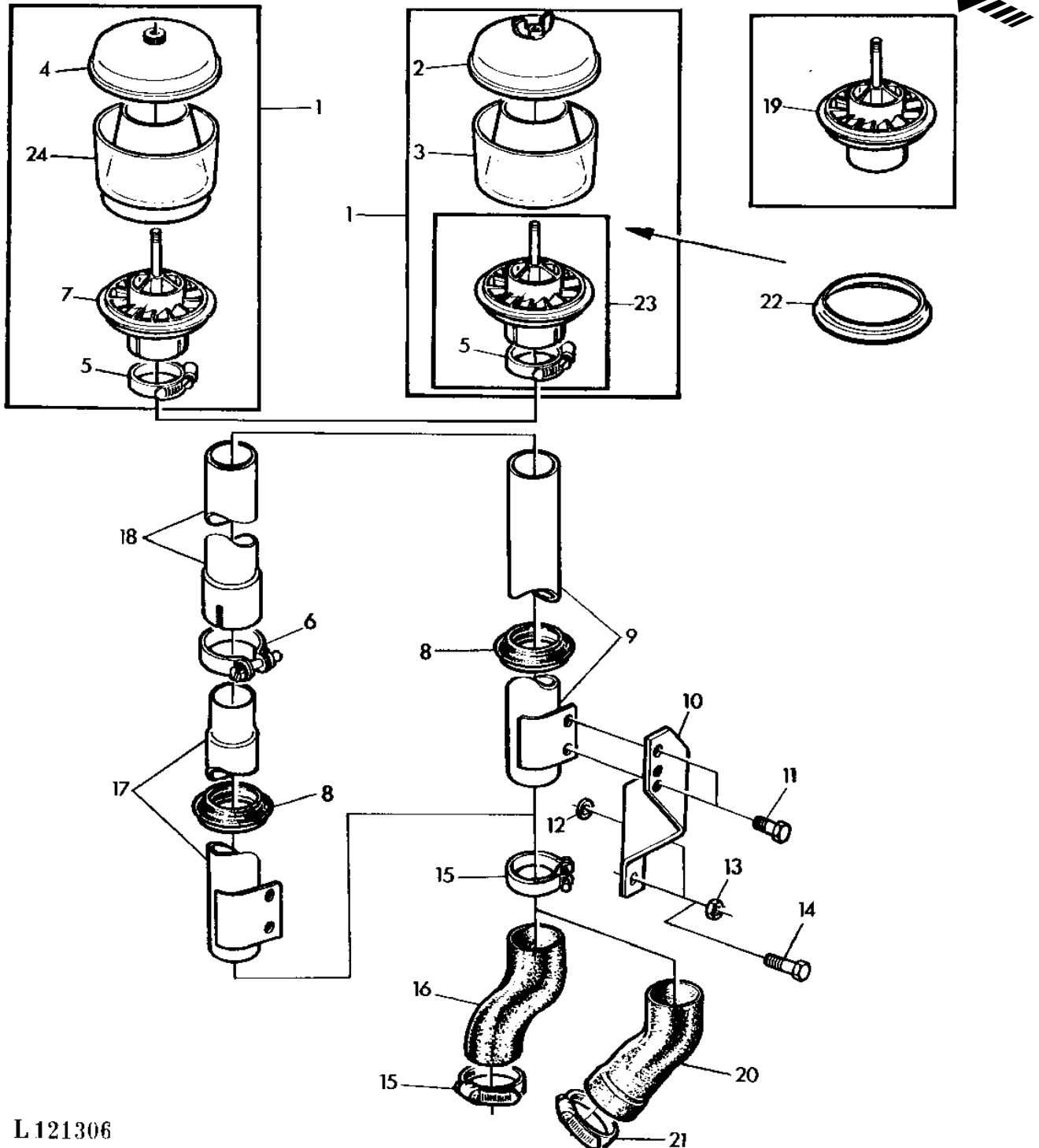
KEY	PART NO.	PART NAME	QTY	SERIAL NO.	2 1 2 0 6 0 4 4 4 0 0 0 S	REMARKS
1	AR21999	CLAMP	5		X	
2	L34652	HOSE	1		X	
3	L34650	TUBE	1		X	
4	L34918	HOSE	1		X	
5	L34651	TUBE	1		X	
6	AL38838	AIR CLEANER	1		X	
7	AL30394	FILTER ELEMENT	1		X	
8	AH20849	WING NUT	1		X	
9	L34832	FILTER ELEMENT	1		X	
10	T23262	VALVE	1		X	
11	AL59882	TOUCH SWITCH	1		X	(SUB FOR AL32975)
12	14M7273	NUT	2		X	M8
13	AR21841	CLAMP	1		X	
14	L41618	HOSE	1		X	

1C24

FUEL SYSTEM AND AIR INTAKE SYSTEM

AIR PRE-CLEANER (FOR DRY AIR CLEANER)
PRÉFILTRE A AIR (POUR FILTRE AIR SEC)
LUFTVORFILTER (FUER TROCKENLUFTFILTER)
PRÉFILTRO (PER FILTRO ARIA SECCO)
PRE-PURIFICADOR DE AIRE (PARA FILTRO DE AIRE EN SECO)
FORRENARE (FOR TORRLUFTRENARE)

L121306 -UN-18JUL95



L 121306

1C25

FUEL SYSTEM AND AIR INTAKE SYSTEM

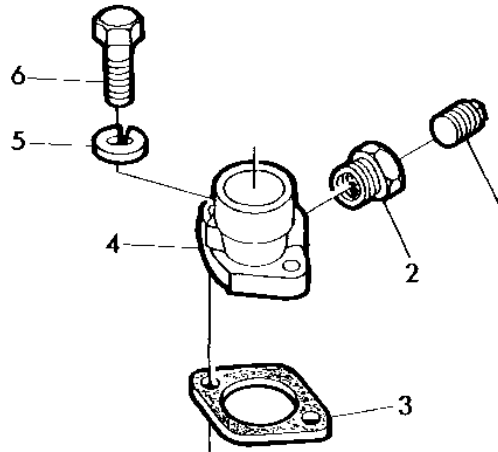
KEY	PART NO.	PART NAME	QTY	SERIAL NO.	REMARKS
					2
					1 2 0
					6 0 4
					4 4 0
					0 0 S
1	AL39934	PRESCREENER	1	X X X	(SUB FOR AF3580R, AL37357) PUROLATOR
	AL39934	PRESCREENER	1	X X X	DONALDSON
2	AL63309	COVER	1	X X X	(SUB FOR AF3583R, AL37364) PUROLATOR
3	L60631	BOWL	1	X X X	(SUB FOR R28794) PUROLATOR
4	AL37364	COVER	1	X X X	DONALDSON
5	AL38379	CLAMP	1	X X X	
6	AL36330	CLAMP	1	X X X	
7	AL37365	BASE	1	X X X	DONALDSON
8	L35826	THIMBLE	1	X X X	
9	AL37358	PIPE	1	X X X	(SUB FOR AL31643)
10	AL35931	SUPPORT	1	X X X	
	AL35930	SUPPORT	1	X	(A)
11	19H2021	CAP SCREW	2	X X X	3/8"X5/8"
12	24H1304	WASHER	1	X X X	13/32"X23/32"X.120"
13	14M7273	NUT	2	X X X	M8
14	19H1936	CAP SCREW	2	X X	3/8"X3/4"
15	AR21841	CLAMP	2	X X X	
16	L34631	HOSE	1	X X X	
17	AL34735	TUBE	1	X X X	
18	L60038	TUBE	1	X X X	(SUB FOR L37223, L39580)
19	AF3584R	BASE	1	X X X	(ORD AL63298)
20	L40727	HOSE	1	X	(A)
21	AR21842	CLAMP	1	X	(A)
22	L41854	DEFLECTOR	AR	X X X	
23	AL63298	BASE	1	X X X	PUROLATOR (SUB FOR L41855)
24	L62500	BOWL	1	X X X	DONALDSON

(A) WITH INCREASED LIFTING CAPACITY
 AVEC CAPACITE DE REL.AUGM.
 BEI HUBKRAFTERHOEHUNG
 CON ELEVATA CAPACITA DI SOLLEVAMENTO
 CON FUERZA DE ELEV.AUMENTADA
 VID OKAD LYFTKAPACITET

1D1

FUEL SYSTEM AND AIR INTAKE SYSTEM

AIR INTAKE
 PIPE D'ADMISSION
 LUFTANSAUGSTUTZEN
 COLLETTORE ASPIRAZIONE
 TUBO DE ADMISION DE AIRE
 INSUGNINGSROR
 L33603 -UN-18JUL95



L 33603

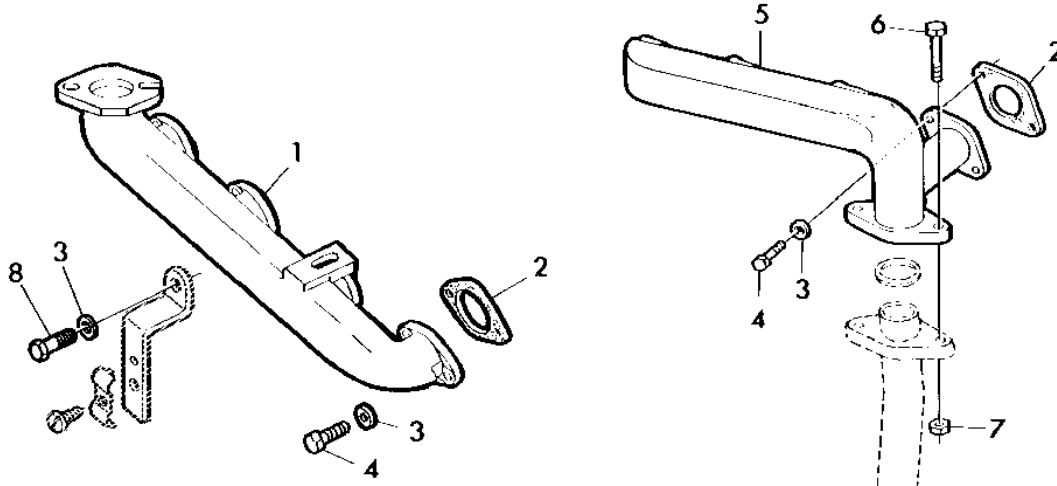
2
 1 2 0
 6 0 4
 4 4 0
 0 0 S

KEY	PART NO.	PART NAME	QTY	SERIAL NO.	REMARKS
1	15H255	PIPE PLUG	AR	X X X	
2	T27986	FITTING	1	X X X	
3	R81275	GASKET	1	X X X	(SUB FOR T20159)
4	R56455	FILLER NECK	1	X X X	
5	12H304	LOCK WASHER	2	X X X	3/8"
6	19H1732	CAP SCREW	2	X X X	3/8"X1-1/4"

1D2

FUEL SYSTEM AND AIR INTAKE SYSTEM

EXHAUST MANIFOLD
 COLLECTEUR D'ÉCHAPPEMENT
 AUSLASSKRUEMMER
 COLLETTORE SCARICO
 COLECTOR DE ESCAPE
 AVGASGRENOR
 L100857 -UN-17JUL95



L 100857

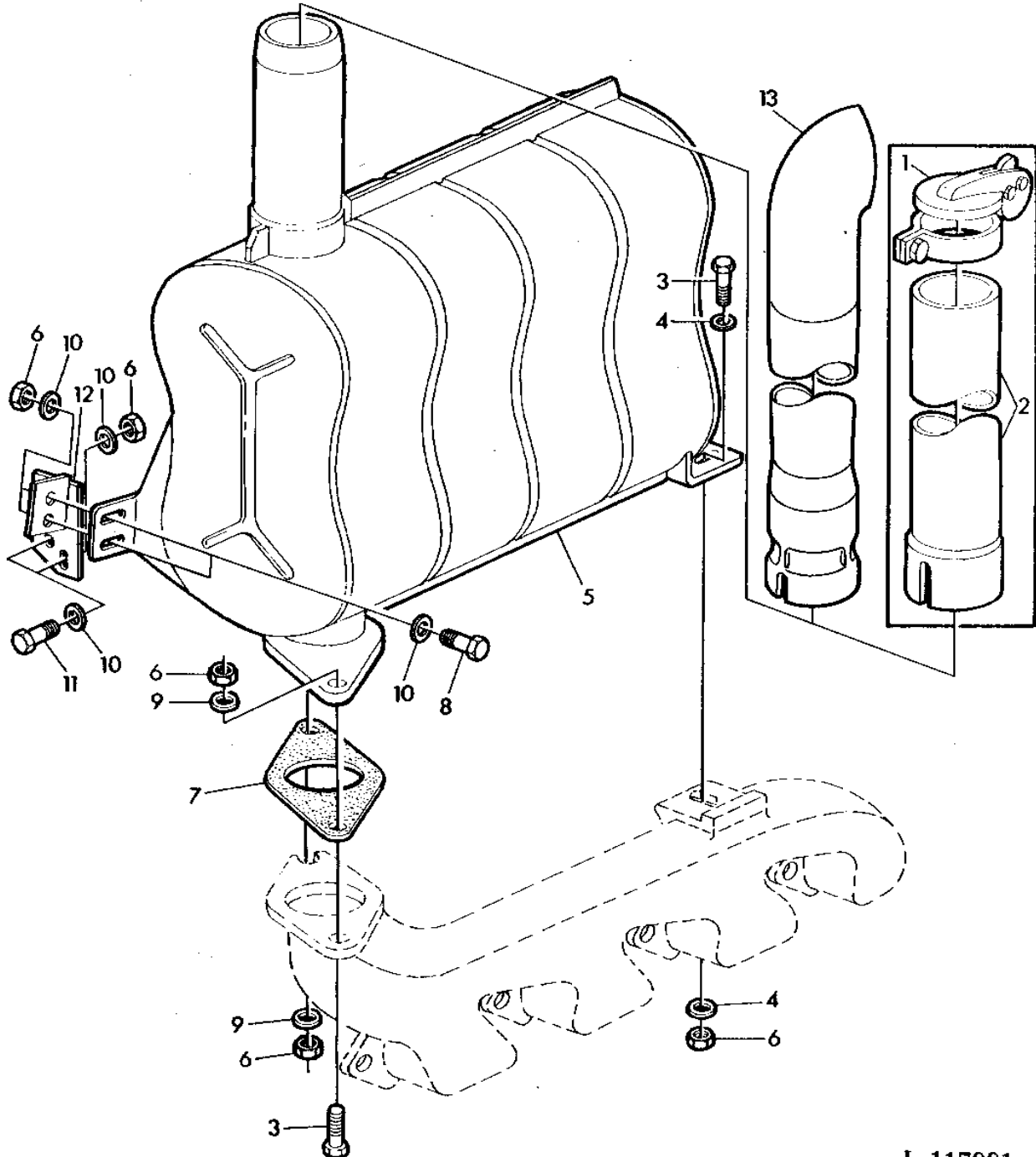
2
 1 2 0
 6 0 4
 4 4 0
 0 0 S

KEY	PART NO.	PART NAME	QTY	SERIAL NO.	REMARKS
1	R70411	EXHAUST MANIFOLD	1	X X X	
2	R90658	GASKET	4	X X X	(SUB FOR T20006)
3	24H1304	WASHER	8	X X X	13/32"X23/32"X.120"
4	19H1732	CAP SCREW	8	X X X	3/8"X1-1/4"
5	T20255	EXHAUST MANIFOLD	1	X X	
6	19H1819	CAP SCREW	2	X X	3/8"X2-1/8"
7	14H812	NUT	2	X X	3/8"
8	19H1800	CAP SCREW	1	X X X	3/8" X 1-1/2"

1D3

FUEL SYSTEM AND AIR INTAKE SYSTEM

EXHAUST SYSTEM WITH MUFFLER
ECHAPPEMENT AVEC SILENCIEUX
ABGASANLAGE MIT SCHALLDAEMPfung
SCARICO CON SILENZIATORE
SISTEMA DE ESCAPE CON SILENCIADOR
AVGASSYSTEM MED LJUDDAMPARE
L117881 -UN-01JAN94



L 117881

1D4

FUEL SYSTEM AND AIR INTAKE SYSTEM

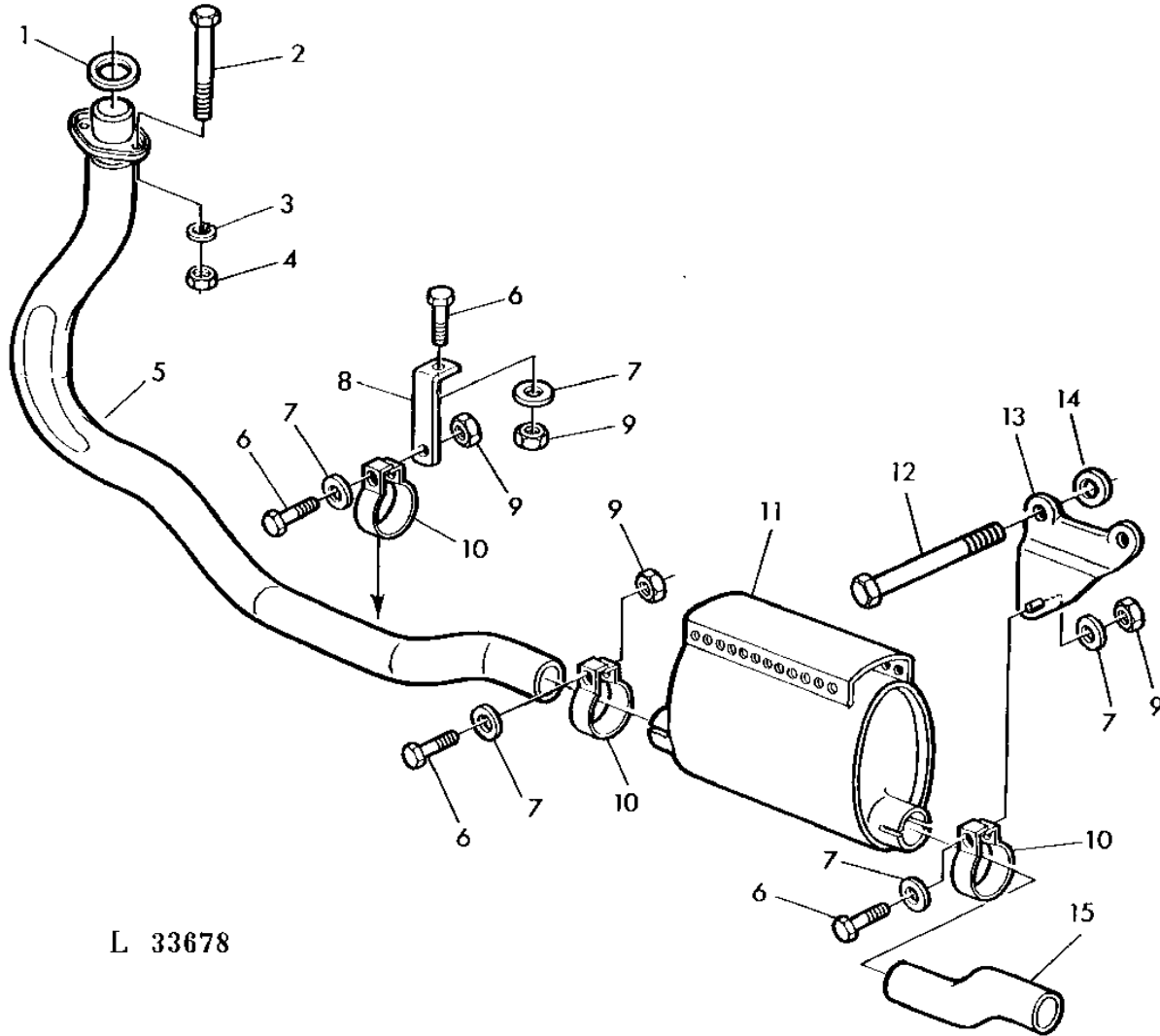
KEY	PART NO.	PART NAME	QTY	SERIAL NO.	REMARKS
					2
					1 2 0
					6 0 4
					4 4 0
					0 0 S
1	AL28307	EXHAUST CAP	1	X X X	
2	AL34694	EXHAUST PIPE	1	X X X	LGTH= 1050MM
	AL31863	EXHAUST PIPE	1	X X X	LGTH= 1200MM
	AL31862	EXHAUST PIPE	1	X X	LGTH= 1330MM
3	19M8008	CAP SCREW	2	X X X	8X35MM
4	24M7036	WASHER	2	X X X	9X16X1.6MM
5	AL31492	MUFFLER	1	X X X	
	AL31063	MUFFLER	1	X X X	(A) (ORD AL31492)
6	14M7273	NUT	3	X X X	8MM
7	L62441	GASKET	1	X X X	(SUB FOR L34455)
8	19M7139	CAP SCREW	2	X X X	8X20MM
9	24H1622	WASHER	2	X X X	3/8"X7/8"X.120"
10	24M7055	WASHER	8	X X X	8.4MM
11	19M7407	CAP SCREW	2	X X X	8X25MM
12	AL36691	BRACKET	1	X X X	
13	AL61139	EXHAUST PIPE	1	X X X	LGTH= 1085MM
	AL61138	EXHAUST PIPE	1	X X X	LGTH= 1280MM

(A) WITH SPARK DEFLECTOR
 AVEC PARE-ETINCELLES
 MIT FUNKENSCHUTZ
 CON PARASCINTILLE
 CON PARACHISPAS
 VID GNISTFANGARE

1D5

FUEL SYSTEM AND AIR INTAKE SYSTEM

DOWNWARD EXHAUST
POST D'ÉCHAPPEMENT HORIZONTAL
AUSPUFF NACH UNTEN
TUBO DI SCARICO LATERALE
TUBO DE ESCAPE HORIZONTAL
NEDATRIKTAT AVGASROR
L33678 -UN-14JUN95



L 33678

1D6

FUEL SYSTEM AND AIR INTAKE SYSTEM

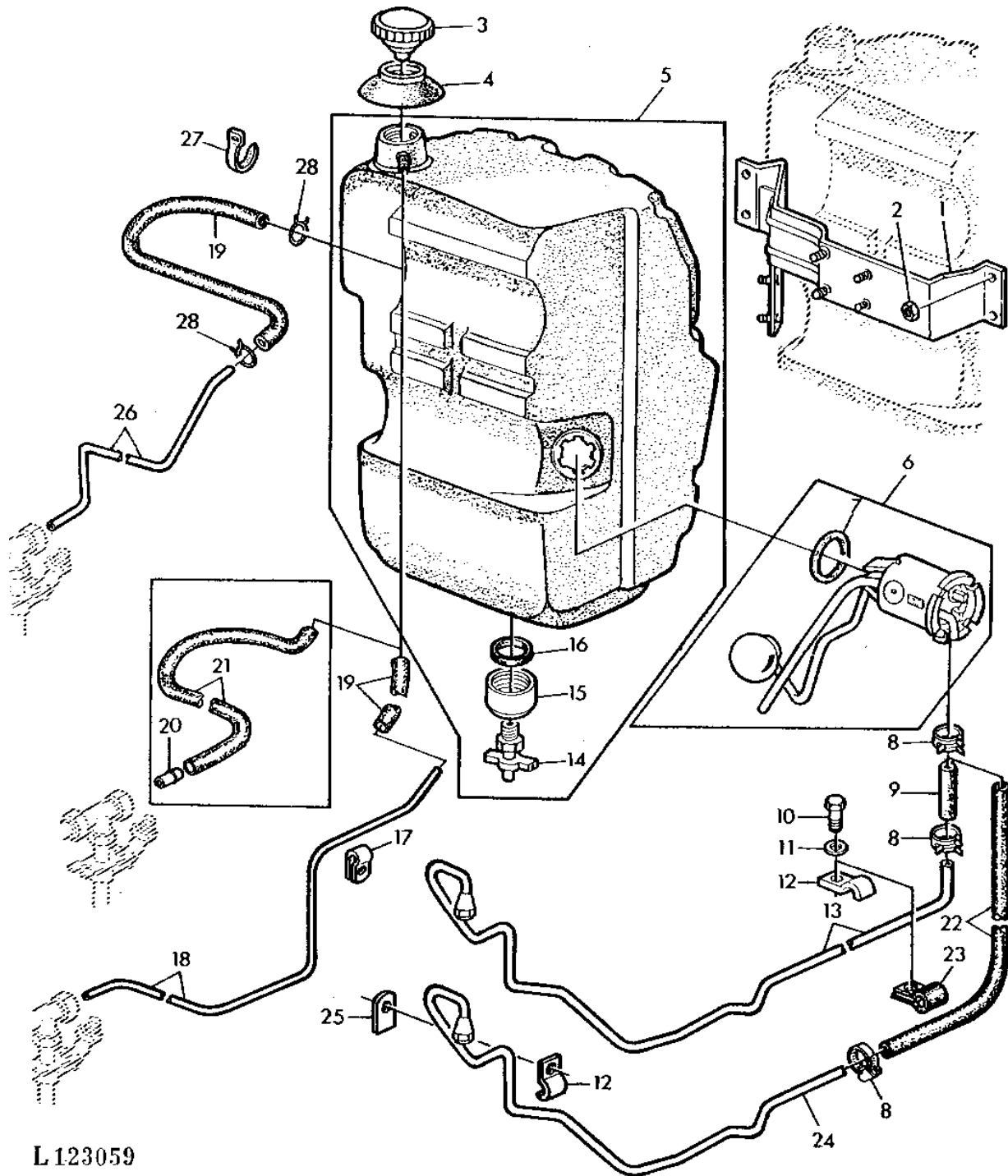
KEY	PART NO.	PART NAME	QTY	SERIAL NO.	REMARKS
					2
					1 2 0
					6 0 4
					4 4 0
					0 0 S
1	51M4249	RING	1	X X	38X44X2.5MM (SUB FOR 51M4282, 51M7033)
2	19H1819	CAP SCREW	2	X X	3/8"X2-1/8"
3	12H304	LOCK WASHER	2	X X	3/8"
4	14H812	NUT	2	X X	3/8"
5	AL34937	EXHAUST PIPE	1	X X	
6	19M7407	CAP SCREW	4	X X	8X25MM
7	24M7036	WASHER	5	X X	9X16X1.6MM
8	L35128	ANGLE	1	X X	
9	14M7273	NUT	4	X X	8MM
10	R66684	CLAMP	3	X X	
11	AL32213	MUFFLER	1	X X	
12	19H1974	CAP SCREW	2	X X	1/2"X2-3/4"
	08H4268	CAP SCREW	2	X	(A) 1/2"X7"
13	L35127	HOLDER	1	X X	
	L36698	RETAINER	1	X	(A)
14	L33629	SPACER	2	X X	16X25X10MM
15	L35126	EXHAUST PIPE	1	X X	

(A) WITH HEAVY-DUTY FINAL DRIVE
 AVEC COMMANDE FINALE RENFORCEE
 BEI VERSTAERKTEM ENDANTRIEB
 CON RIDUZIONE FINALE RINFORZATA
 CON REDUCCION FINAL REFORZADA
 VID FORSTARKT SLUTDREV

1D7

FUEL SYSTEM AND AIR INTAKE SYSTEM

FUEL TANK
RESERVOIR A COMBUSTIBLE
KRAFTSTOFFTANK
SERBATOIO COMBUSTIBILE
DEPOSITO DE COMBUSTIBLE
BRANSETANK
L123059 -UN-01JAN94



L123059

1D8

FUEL SYSTEM AND AIR INTAKE SYSTEM

KEY	PART NO.	PART NAME	QTY	SERIAL NO.	REMARKS
					2
					1 2 0
					6 0 4
					4 4 0
					0 0 S
1	AL31292	HOLDER	1		X X X
	AL31433	HOLDER	1		X (A)
2	14M7273	NUT	4		X X X M8
3	AL34678	FILLER CAP	1		X X X
4	L56921	GROMMET	1		X X X (SUB FOR L34794 APPL)
5	AL38853	FUEL TANK	1		X X X (SUB FOR AL35464, AL37380)
	AL41711	FUEL TANK	1		X (A) (B)
6	AL68201	SENDER	1		X X X (SUB FOR AL33498, AL38314)
7	L33601	O-RING	1		X X X
8	R56101	CLIP	2		X X X (SUB FOR AR48236 APPL)
9	HOSE	1		X X X LGTH= 355MM (MF UN4660)
10	19H2038	CAP SCREW	1		X X X 3/8"X1/2"
11	24H1305	WASHER	1		X X X 13/32"X13/16"X.060"
12	L36022	CLAMP	1		X X X
13	AL33885	FUEL LINE	1		X X X
14	AT13740	DRAIN VALVE	1		X X X
15	L35187	ADAPTER	1		X X X
16	R42879	WASHER	1		X X X
17	BP13682	CLIP	1	-568834	X X X
18	L40781	FUEL LINE	1	-568834	X X X
19	HOSE	1		X X X LGTH= 500MM (MF UN4663)
20	DD13407	HOSE FITTING	1		X X X
21	L34848	HOSE	1		X X X LGTH= 840MM (MF UN4663)
22	HOSE	1		X (A) LGTH= 920MM (MF UN4660)
23	R34557	CLAMP	1		X (A)
24	AL55107	FUEL LINE	1		X (A)
25	R27256	STRAP	1		X (A)
26	L57304	FUEL LINE	1	568835-	X X X
27	R44302	TIE BAND	1		X X X
28	T19324	CLAMP	2		X X X
..	UN4663	HOSE	1		X X X LGTH= 5000MM
..	UN4660	HOSE	1		X X X LGTH= 10000MM

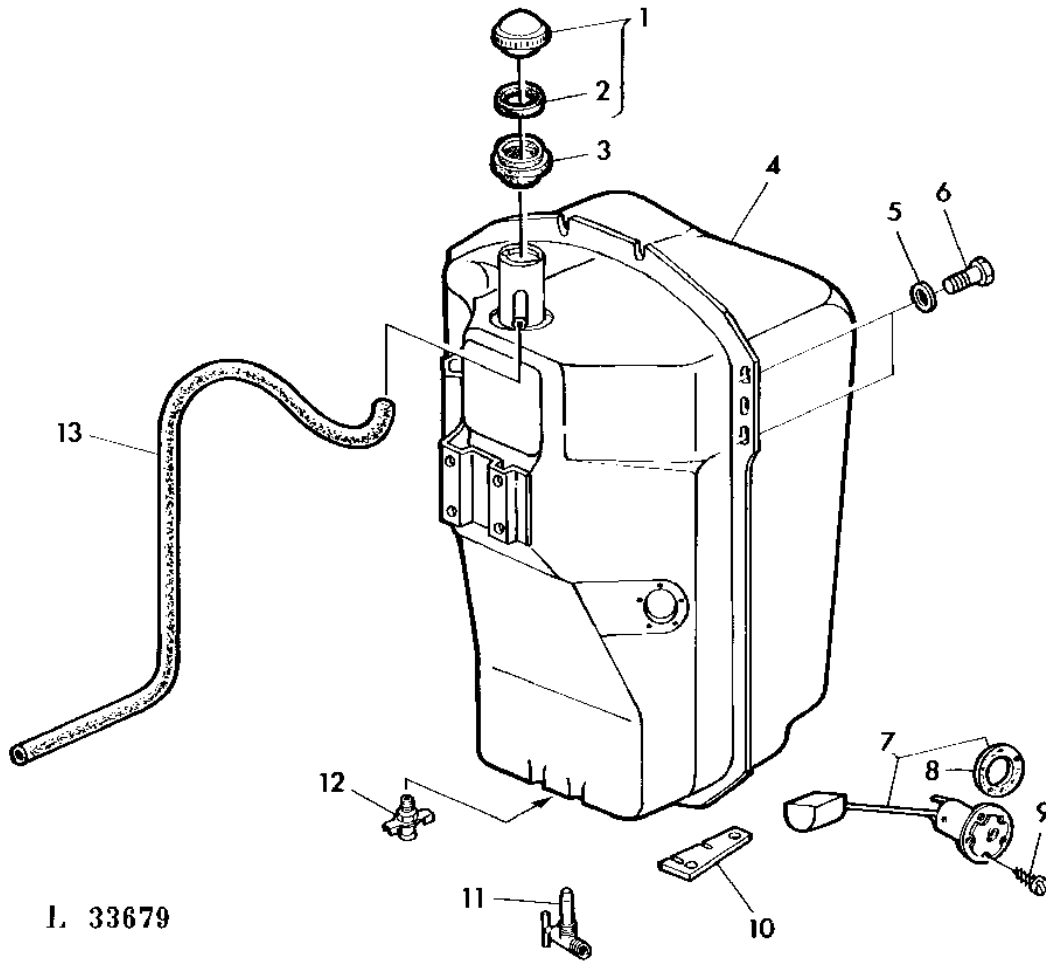
(A) WITH INCREASED LIFTING CAPACITY
 AVEC CAPACITE DE REL. AUGM.
 BEI HUBKRAFTERHOEHUNG
 CON ELEVATA CAPACITA DI SOLLEVAMENTO
 CON FUERZA DE ELEV. AUMENTADA
 VID OKAD LYFTKAPACITET

(B) WITH FRONT PTO
 AVEC PDF AVANT
 BEI FRONTZAPFWELLE
 CON PDF ANTERIORE
 CON TDF FRONTAL
 VID FRAMRE KRAFTUTTAG

1D9

FUEL SYSTEM AND AIR INTAKE SYSTEM

METAL FUEL TANK
RESERVOIR METALLIQUE
BLECH-KRAFTSTOFFTANK
SERBATOIO DI COMBUSTIBILE METALLICO
DEPOSITO DE COMBUSTIBLE METALICO
BRANSETANK AV PLAT
L33679 -UN-18JUL95



1D10

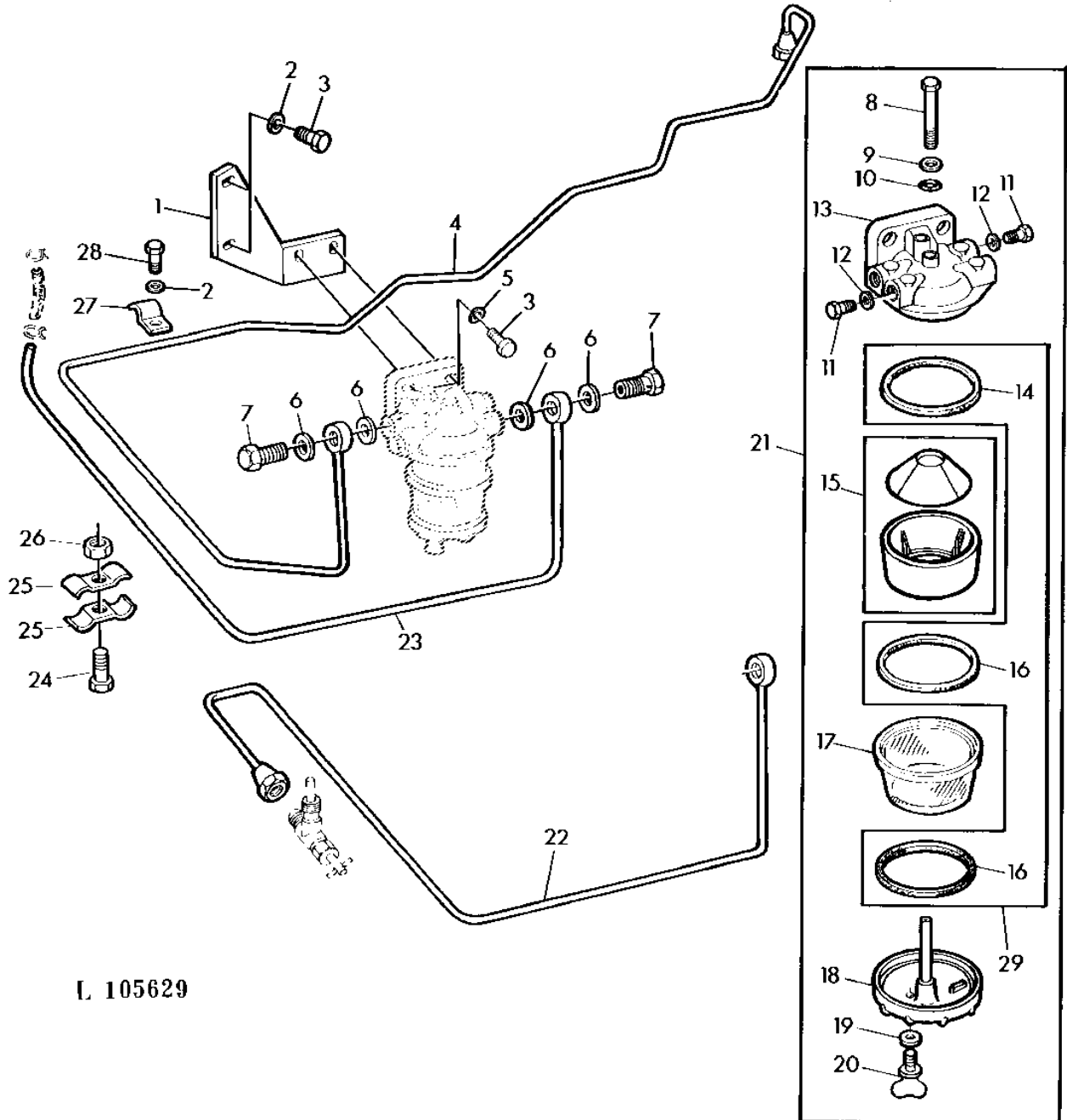
FUEL SYSTEM AND AIR INTAKE SYSTEM

KEY	PART NO.	PART NAME	QTY	SERIAL NO.	REMARKS
					2
					1 2 0
					6 0 4
					4 4 0
					0 0 S
1	AT20911	FILLER CAP	1	X X	KIT
2	R39615	WASHER	1	X X	
3	R39613	GROMMET	1	X X	
4	AL33041	FUEL TANK	1	X X	
5	24M7028	WASHER	4	X X	10.5X21X2MM
6	19M7166	CAP SCREW	4	X X	10X20MM
7	AT31619	FLOAT	1	X X	(ORD W/ L29265)
8	L29265	GASKET	1	X X	
9	37H47	SCREW	5	X X	4.2X13MM
10	L35803	STRAP	2	X X	
11	R34656	SHUT-OFF VALVE	1	X X	
12	AT13740	DRAIN VALVE	1	X X	
13	L34848	HOSE	1	X X	LGTH= 840MM (MF UN4663)
..	UN4663	HOSE	1	X X	LGTH= 5000MM

1D11

FUEL SYSTEM AND AIR INTAKE SYSTEM

WATER TRAP
DECANTEUR
WASSERABSCHEIDER
POZZETTO CONDENSA
SEPARADOR DE AGUA
VATTENAVSKILJARE
L105629 -UN-17JUL95



L 105629

1D12

FUEL SYSTEM AND AIR INTAKE SYSTEM

KEY	PART NO.	PART NAME	QTY	SERIAL NO.	REMARKS
					2
					1 2 0
					6 0 4
					4 4 0
					0 0 S
1	AL25036	BRACKET	1	X X X	
2	24H1305	WASHER	3	X X	(A) 13/32"X13/16"X.060"
	24H1305	WASHER	1	X X X	13/32"X13/16"X.060"
3	19H1731	CAP SCREW	4	X X	(A) 3/8"X1"
	19H1731	CAP SCREW	2	X X X	3/8"X1"
4	AL33884	FUEL LINE	1	X X X	
5	12H304	LOCK WASHER	1	X X X	3/8"
6	T24608	WASHER	4	X X X	
7	CD13182	HOLLOW SCREW	2	X X X	(SUB FOR L30607)
8	CD13188	CAP SCREW	1	X X X	
9	CD14203	WASHER	1	X X X	
10	T24647	O-RING	1	X X X	
11	CD13180	FITTING PLUG	2	X X X	
12	CD13181	WASHER	2	X X X	
13	CD14202	COVER	1	X X X	
14	R75867	GASKET	1	X X X	(ORD AL39581)
15	DD11751	KIT	1	X X X	
16	T19114	GASKET	2	X X X	(ORD AL39581) (SUB FOR L32110)
17	CD13185	SEDIMENT BOWL	1	X X X	(SUB FOR L32108)
18	DD11371	BOTTOM	1	X X X	
19	CD13191	WASHER	1	X X X	(SUB FOR L32111)
20	CD13190	DRAIN PLUG	1	X X X	(SUB FOR L32109)
21	DD11218	WATER TRAP	1	X X X	
22	AL25038	FUEL LINE	1	X X	(A)
23	AL34179	FUEL LINE	1	X X X	
24	19H2021	CAP SCREW	1	X X X	3/8"X5/8"
25	R42009	CLAMP	2	X X X	
26	14H812	NUT	1	X X X	3/8"
27	L36022	CLAMP	1	X X X	
28	19H2038	CAP SCREW	1	X X X	3/8"X1/2"
29	AL39581	SEAL	1	X X X	

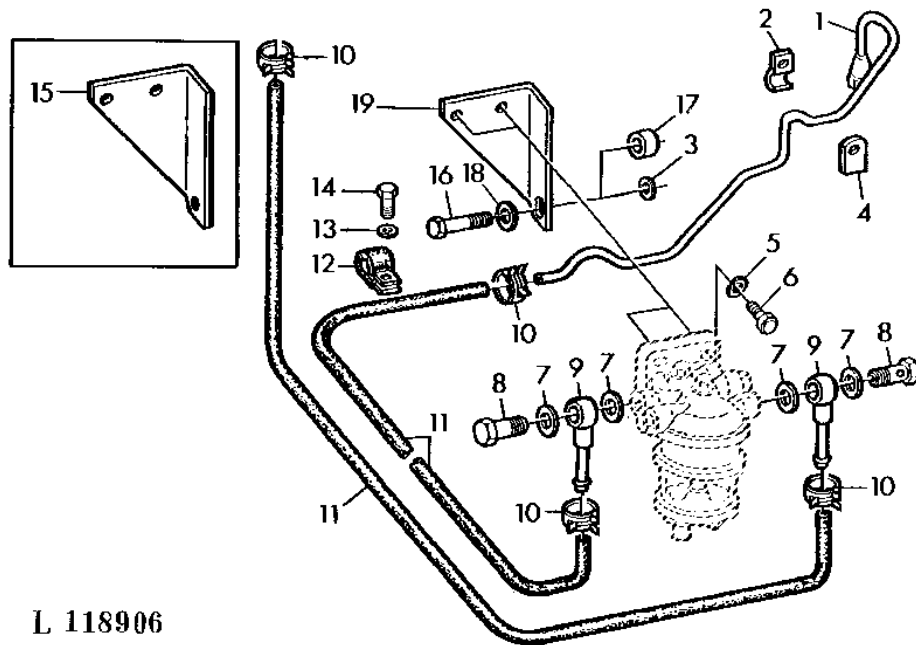
(A) WITH METAL TANK
 AVEC RESERVOIR A COMBUSTIBLE METALLIQUE
 BEI BLECHKRAFTSTOFFTANK
 CON SERBATIO GASOLIO METALLICO
 CON DEPOSITO COMBUSTIBLE METALICO
 VID BLECKBRANSLETANK

1D13

FUEL SYSTEM AND AIR INTAKE SYSTEM

WATER TRAP-LINES WITH INCREASED LIFT CAPACITY
DECANTEUR-CONDUITES AVEC ELEVATION RENFORCEE
WASSERABSCHIEDER-LEITUNGEN BEI HUBKRAFTERHOEHUNG
POZZETTO CONDENSA-TUBAZIONI CON ELEVATA CAPACITA SOLLEVAM.
DECANTADOR-TUBERIAS CON ELEVADA FUERZA DE ELEVACION
VATTENAVSKILJARE-LEDNINGAR VID OKAD LYFTKAPACITET

L118906 -UN-18JUL95



L 118906

1D14

FUEL SYSTEM AND AIR INTAKE SYSTEM

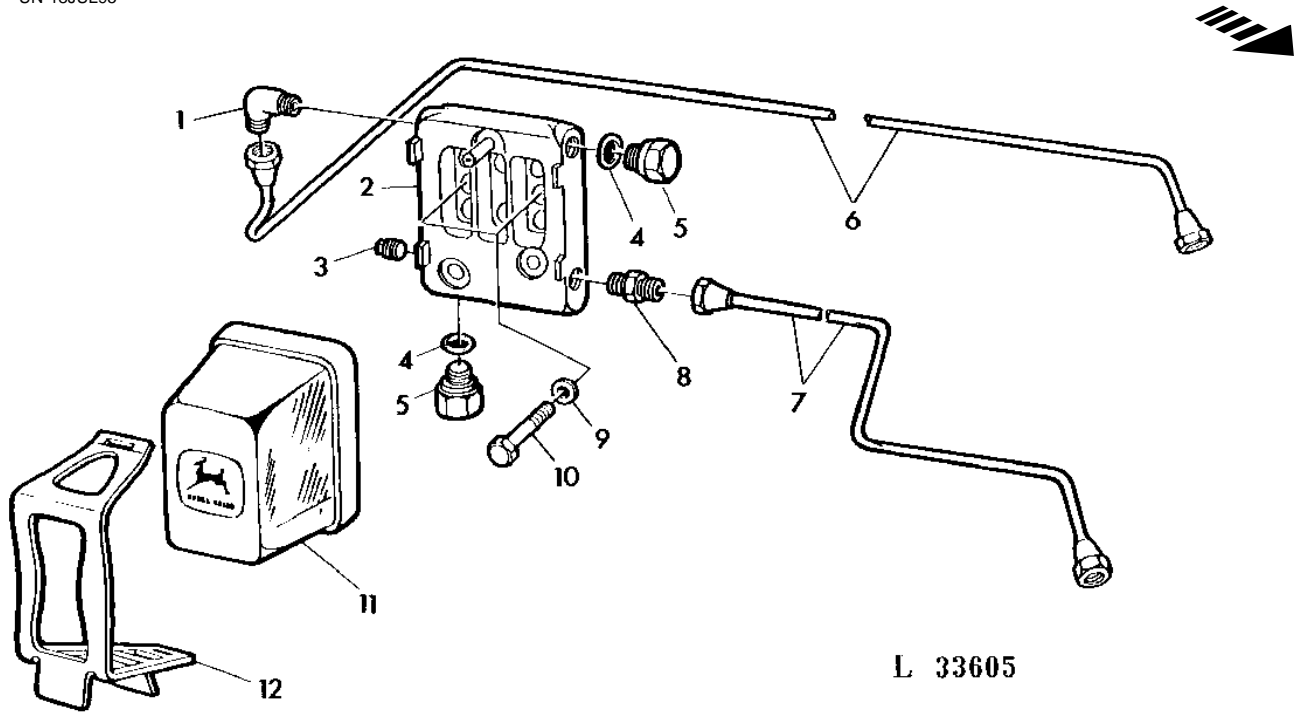
KEY	PART NO.	PART NAME	QTY	SERIAL NO.	REMARKS
					2
					1 2 0
					6 0 4
					4 4 0
					0 0 S
1	AL55107	FUEL LINE	1		X
2	L36022	CLAMP	1		X
3	24M7047	WASHER	1		X 13X24X2.5MM
4	R27256	STRAP	1		X
5	12H304	LOCK WASHER	2		X 3/8"
6	19H1731	CAP SCREW	2		X 3/8"X1"
7	T24608	WASHER	4		X
8	CD13182	HOLLOW SCREW	2		X
9	AL39148	FITTING	2		X
10	R56101	CLIP	4		X (SUB FOR AR48236 APPL)
11	HOSE	2		X LGTH= 920MM (MF UN4660)
12	R34557	CLAMP	1		X
13	24H1305	WASHER	1		X 13/32"X13/16"X.060"
14	19H2038	CAP SCREW	1		X 3/8"X1/2"
15	AL25034	RETAINER	1		X (ORD AL59350, 24M7044)
16	19H1974	CAP SCREW	1		X (A) 1/2"X2-3/4"
17	L28612	SPACER	1		X (A)
18	24M7044	WASHER	1		X 13X20X2MM
19	AL59350	SUPPORT	1		X
..	UN4660	HOSE	1		X LGTH= 10000MM

(A) WITH HYDR.PUMP 40CM3
 AVEC POMPE HYDRAULIQUE 40CM3
 BEI HYDRAULIKPUMPE 40CM3
 CON POMPA IDRAULICA 40CM3
 CON BOMBA HIDR.DE 40CM3
 VID HYDRAULPUMP 40CM3

1D15

FUEL SYSTEM AND AIR INTAKE SYSTEM

FUEL FILTER
 FILTRE A COMBUSTIBLE
 KRAFTSTOFF-FILTER
 FILTRO COMBUSTIBILE
 FILTRO DE COMBUSTIBLE
 BRANSLEFILTER
 L33605 -UN-18JUL95



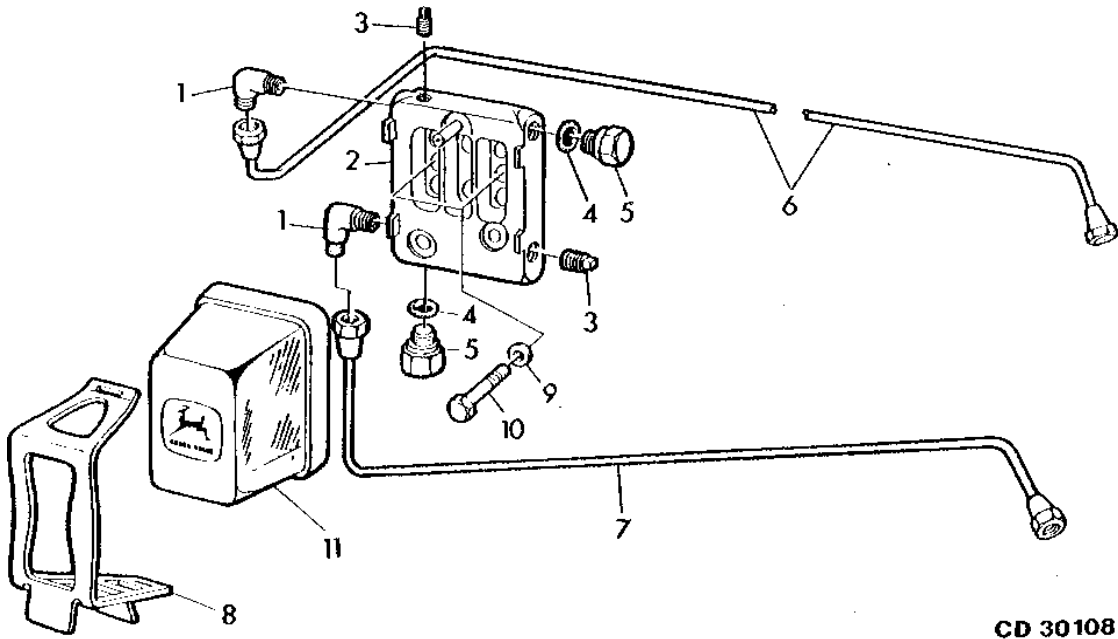
L 33605

KEY	PART NO.	PART NAME	QTY	ENGINE SERIAL NO.		REMARKS
					2	
					1 2 0	
					6 0 4	
					4 4 0	
					0 0 S	
1	R82131	ELBOW FITTING	1	-687810	X X X	(SUB FOR T30738)
2	HOUSING	1	-687810	X X X	(MARKED RE28534) NSEP (ORD RE28535, 15H558) (SUB FOR AR50040)
3	15H558	PIPE PLUG	1	-687810	X X X	1/8"
4	R26287	O-RING	2	-687810	X X X	
5	R48071	DRAIN PLUG	2	-687810	X X X	
6	AR69743	FUEL LINE	1	-687810	X X X	(ORD RE26981)
7	AR84733	FUEL LINE	1	-687810	X X X	
8	R27346	FITTING	1	-687810	X X X	
9	24H1303	WASHER	2	-687810	X X X	13/32"X11/16"X.060"
10	19H1731	CAP SCREW	2	-687810	X X X	3/8"X1"
11	AR50041	FUEL FILTER	1	-687810	X X X	
12	R66821	CLAMP	1	-687810	X X X	

1D16

FUEL SYSTEM AND AIR INTAKE SYSTEM

FUEL FILTER
 FILTRE A COMBUSTIBLE
 KRAFTSTOFF-FILTER
 FILTRO COMBUSTIBILE
 FILTRO DE COMBUSTIBLE
 BRANSLEFILTER
 CD30108 -UN-01JAN94

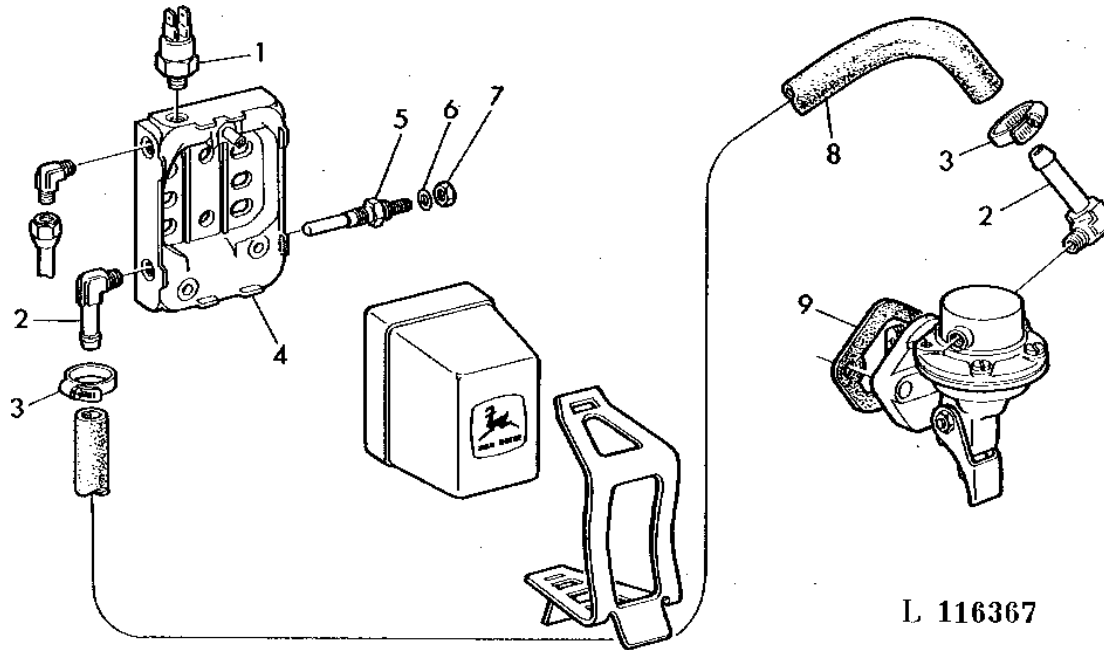


KEY	PART NO.	PART NAME	QTY	ENGINE SERIAL NO.	REMARKS
				2	
				1 2 0	
				6 0 4	
				4 4 0	
				0 0 S	
1	R82131	ELBOW FITTING	2	687811-	X X X
2	HOUSING	1	687811-	X X X (MARKED RE28534) NSEP (ORD RE28535, 15H558)
	RE28535	HOUSING	AR	687811-	X X X
3	15H558	PIPE PLUG	2	687811-	X X X 1/8" (FOR RE28535)
	15H558	PIPE PLUG	1	687811-	X X X 1/8" (FOR AR50040, RE28534)
4	R26287	O-RING	2	687811-	X X X
5	R48071	DRAIN PLUG	2	687811-	X X X
6	RE26981	FUEL LINE	1	687811-	X X X
7	RE26214	FUEL LINE	1	687811-	X X X
8	R66821	CLAMP	1	687811-	X X X
9	24H1303	WASHER	2	687811-	X X X 13/32"X11/16"X.060"
10	19H1731	CAP SCREW	2	687811-	X X X 3/8"X1"
11	AR50041	FUEL FILTER	1	687811-	X X X

1D17

FUEL SYSTEM AND AIR INTAKE SYSTEM

FUEL PREHEATER
 PRECHAUFFEUR DE COMBUSTIBLE
 KRAFTSTOFF-VORWAERMER
 PRERISCALDATORE GASOLIO
 CALENTADOR DE COMBUSTIBLE
 BRANSLEVARMARE
 L116367 -UN-01JAN94



L 116367

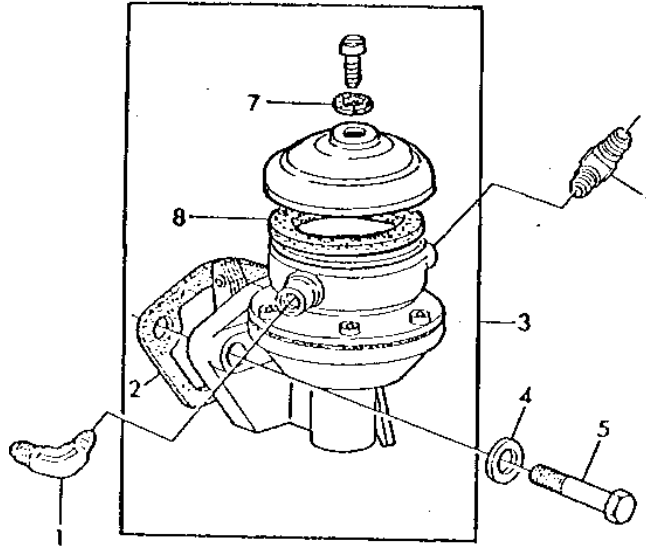
2
 1 2 0
 6 0 4
 4 4 0
 0 0 S

KEY	PART NO.	PART NAME	QTY	SERIAL NO.	REMARKS
1	RE28533	SWITCH	1	X X X	
2	R61356	ELBOW FITTING	2	X X X	
3	AR48236	CLAMP	2	X X X	
4	RE28535	HOUSING	1	X X X	
5	DD14698	GLOW PLUG	1	X X X	
6	24M7027	WASHER	1	X X X	5.3X10X1MM
7	14M7028	NUT	1	X X X	M5
8	L60511	HOSE	1	X X X	LGTH= 700MM (MF UN4660)
9	R97350	GASKET	1	X X X	(SUB FOR R27285)
..	UN4660	HOSE	1	X X X	LGTH= 1000MM

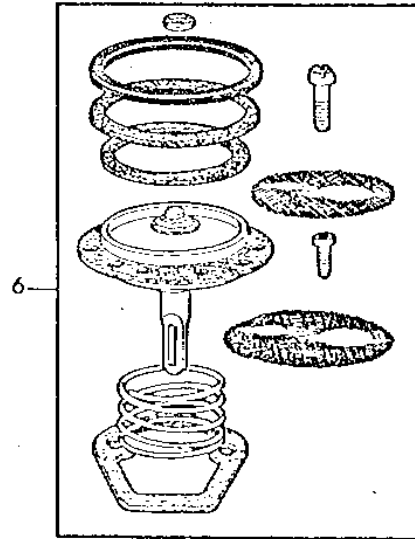
1D18

FUEL SYSTEM AND AIR INTAKE SYSTEM

FUEL TRANSFER PUMP "SOFABEX"
 POMPE D'ALIMENTATION "SOFABEX"
 KRAFTSTOFFOERDERPUMPE "SOFABEX"
 POMPA ALIMENTAZIONE "SOFABEX"
 BOMBA DE ALIMENTACION DE COMBUSTIBLE "SOFABEX"
 MATAREPUMP "SOFABEX"
 CD35015 -UN-01JAN94



CD35015



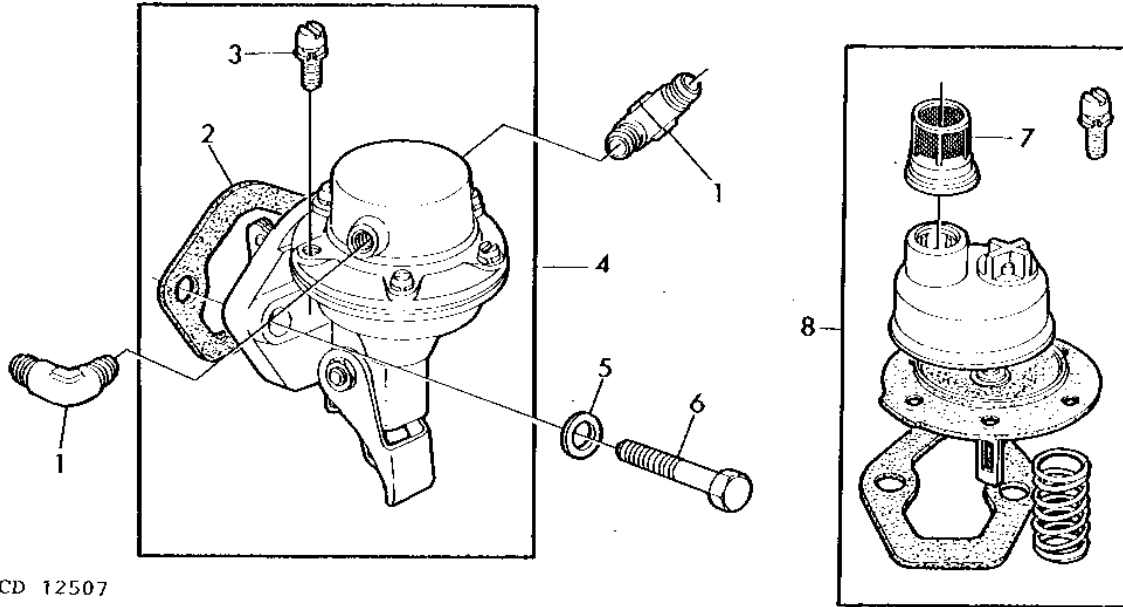
2
 1 2 0
 6 0 4
 4 4 0
 0 0 S

KEY	PART NO.	PART NAME	QTY	SERIAL NO.	REMARKS
1	R82131	ELBOW FITTING	2	X X X	(SUB FOR T30738)
2	R97350	GASKET	1	X X X	(SUB FOR R27285)
3	RE37482	FUEL PUMP	1	X X X	(SUB FOR DD13483, DD14292)
4	T27860	WASHER	2	X X X	(SUB FOR 24H1136 APPL)
5	19H1849	CAP SCREW	2	X X X	5/16"X1-1/4"
6	RE37463	KIT	AR	X X X	(SUB FOR AR60559, AR102452, RE13517)
7	R75832	GASKET	1	X X X	
8	R64506	WASHER	1	X X X	

1D19

FUEL SYSTEM AND AIR INTAKE SYSTEM

FUEL TRANSFER PUMP "CORONA"
 POMPE D'ALIMENTATION "CORONA"
 KRAFTSTOFFOERDERPUMPE "CORONA"
 POMPA ALIMENTAZIONE "CORONA"
 BOMBA DE ALIMENTACION DE COMBUSTIBLE "CORONA"
 MATAREPUMP "CORONA"
 CD12507 -UN-01JAN94



CD 12507

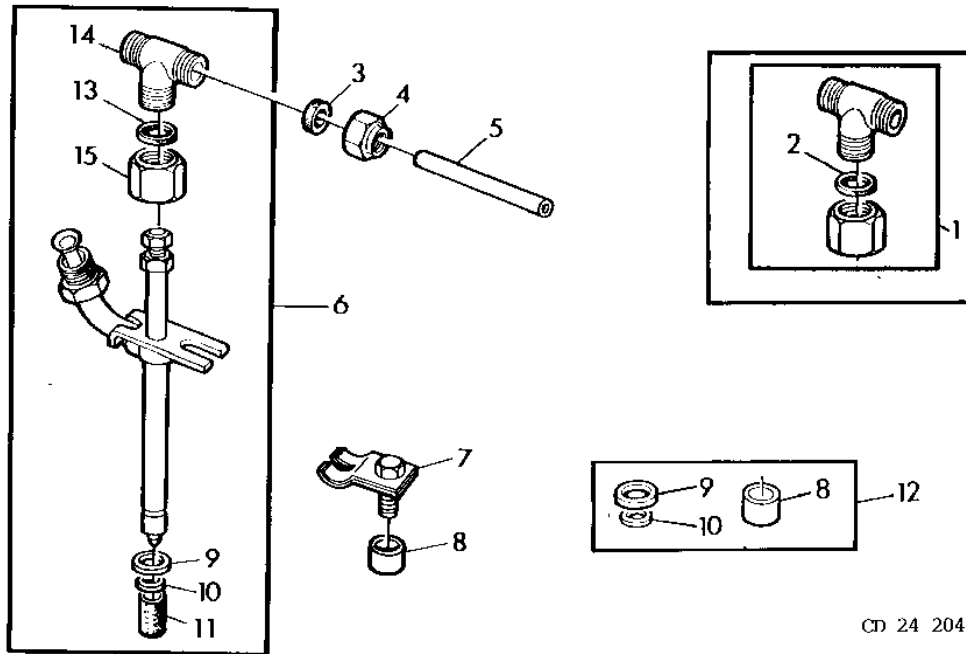
2
 1 2 0
 6 0 4
 4 4 0
 0 0 S

KEY	PART NO.	PART NAME	QTY	SERIAL NO.	REMARKS
1	R82131	ELBOW FITTING	2	X X X	(SUB FOR T30738)
2	R97350	GASKET	1	X X X	(SUB FOR R27285)
3	AR102676	SCREW, WITH WASHER	6	X X X	
4	DD14195	FUEL PUMP	1	X X X	(SUB FOR AR102678) (ORD RE37482)
5	T27860	WASHER	2	X X X	11/32"X11/16"X.060" (SUB FOR 24H1136 APPL)
6	19H1849	CAP SCREW	2	X X X	5/16"X1-1/4"
7	R75931	STRAINER	1	X X X	
8	RE37466	KIT	AR	X X X	(SUB FOR AR102675, DD14194)

1D20

FUEL SYSTEM AND AIR INTAKE SYSTEM

FUEL INJECTION NOZZLE
 INJECTEUR
 KRAFTSTOFF-EINSPRITZDUESE
 INIETTORE
 INYECTOR
 BRANSLAINSPRUTARE
 CD24204 -UN-17JUL95



CD 24 204

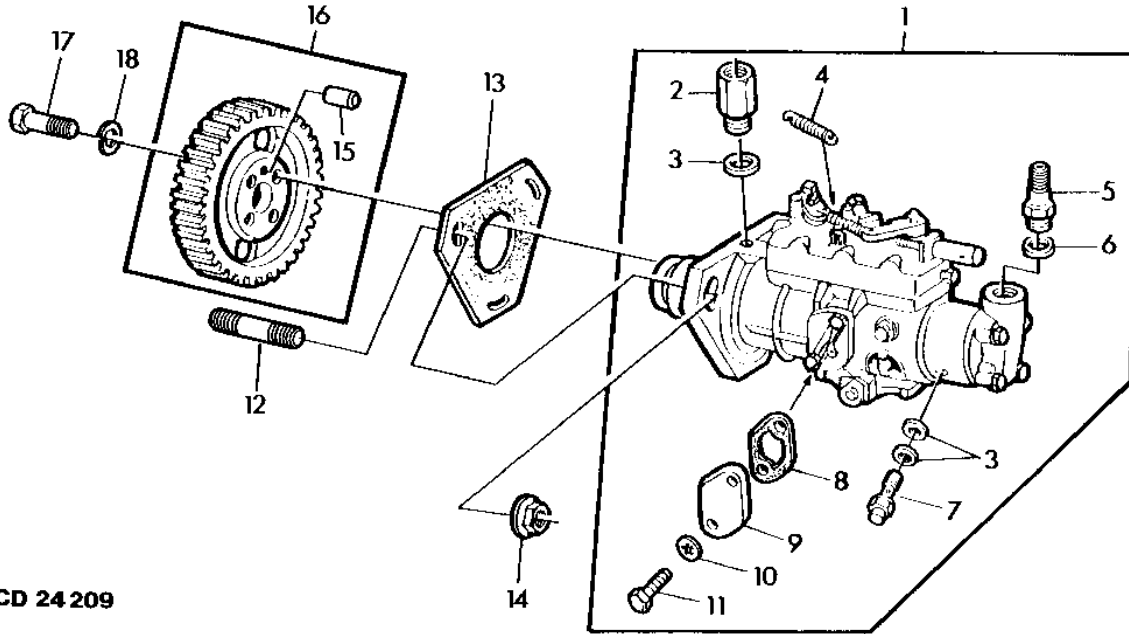
KEY	PART NO.	PART NAME	QTY	SERIAL NO.	REMARKS
				2	
				1 2 0	
				6 0 4	
				4 4 0	
				0 0 S	
1	AR85618	CAP	AR	X X X	KIT (ORD R79604, R79605, R79606)
2	T29539	WASHER	4	X X X	(ORD R79605)
3	R51936	PACKING	8	X X X	
4	R51937	TUBE NUT	8	X X X	
5	R66090	TUBE	3	X X X	
6	AR89563	INJECTION NOZZLE	4	X X X	STANADYNE-27333
7	R34760	CLAMP	4	X X X	
8	SPACER	4	X X X	TK= 12.5MM (0.492") NSEP (ORD RE13887) (SUB FOR R60745)
9	SEALING WASHER	1	X X X	UP, TK= 3MM (0.118") NSEP (ORD RE13887) (SUB FOR R34764, R60746)
10	PACKING	1	X X X	LOW, NSEP (ORD RE13887) (SUB FOR R48000)
11	T24472	PLUG	4	X X X	
12	RE13887	O-RING KIT	AR	X X X	
13	R79605	WASHER	1	X X X	
14	R79606	TEE FITTING	1	X X X	
15	R79604	TUBE NUT	1	X X X	

1D21

FUEL SYSTEM AND AIR INTAKE SYSTEM

FUEL INJECTION PUMP/RADIAL OUTLETS
 POMPE D'INJECTION/SORTIES RADIALES
 KRAFTSTOFF-EINSPRITZPUMPE/RADIALANSCHLUESSE
 POMPA INIEZIONE/USCITE RADIALI
 BOMBA DE INYECCION/SALIDAS RADIALES
 INSPRUTNINGSPUMP/RADIELLA ANSLUTNINGAR

CD24209 -UN-17JUL95



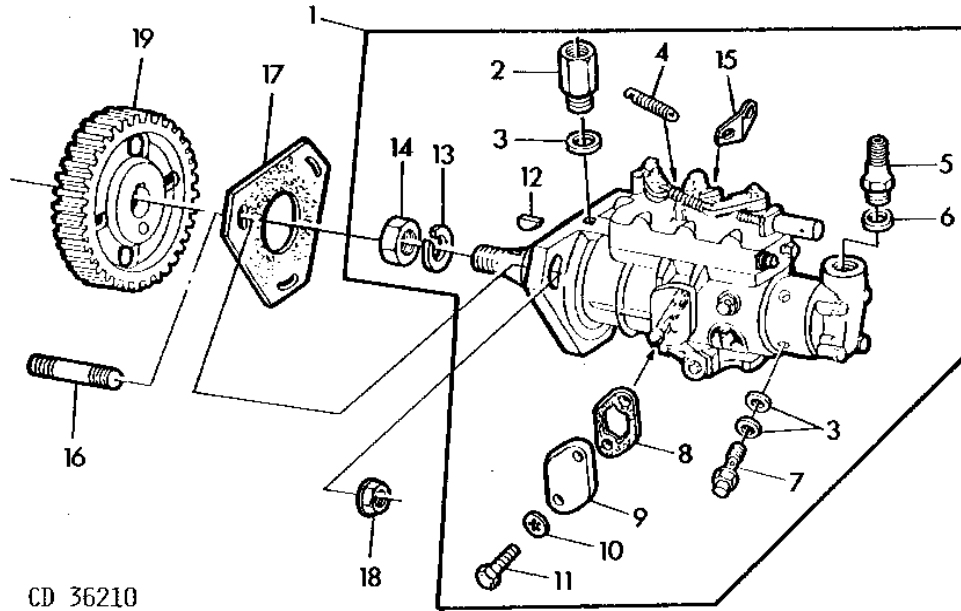
CD 24 209

KEY	PART NO.	PART NAME	QTY	ENGINE SERIAL NO.		REMARKS
					2	
					1 2 0	
					6 0 4	
					4 4 0	
					0 0 S	
1	AR91773	FUEL INJECTION PUMP	1	-531584	X	LUCAS/CAV R3443F630
2	RE11602	BALL CHECK	1	-531584	X	(SUB FOR AR76102)
3	T20055	WASHER	9	-531584	X	
4	T26058	SPRING	1	-531584	X	
5	R79015	FITTING	1	-531584	X	(SUB FOR T24607, T24608 APPL)
6	T24608	WASHER	1	-531584	X	(FOR T24607)
	T24619	WASHER	1	-531584	X	(FOR R79015)
7	AT29464	VALVE	4	-531584	X	
8	GASKET	1	-531584	X	NSEP
9	COVER	1	-531584	X	NSEP
10	WASHER	2	-531584	X	NSEP
11	SCREW	2	-531584	X	NSEP
12	T23442	STUD	3	-531584	X	
13	R97354	GASKET	1	-531584	X	(SUB FOR T24460, R77126)
14	A22698	NUT	3	-531584	X	(SUB FOR 12H303, 14H785, 24H1243 APPL)
15	T28030	DOWEL PIN	1	-531584	X	
16	AR85710	GEAR	1	-531584	X	Z=48
17	19H2551	CAP SCREW	3	-531584	X	5/16"X3/4"
18	12H303	LOCK WASHER	3	-531584	X	5/16"

1D22

FUEL SYSTEM AND AIR INTAKE SYSTEM

FUEL INJECTION PUMP/RADIAL OUTLETS
 POMPE D'INJECTION/SORTIES RADIALES
 KRAFTSTOFF-EINSPRITZPUMPE/RADIALANSCHLUESSE
 POMPA INIEZIONE/USCITE RADIALI
 BOMBA DE INYECCION/SALIDAS RADIALES
 INSPRUTNINGSPUMP/RADIELLA ANSLUTNINGAR
 CD36210 -UN-01JAN94



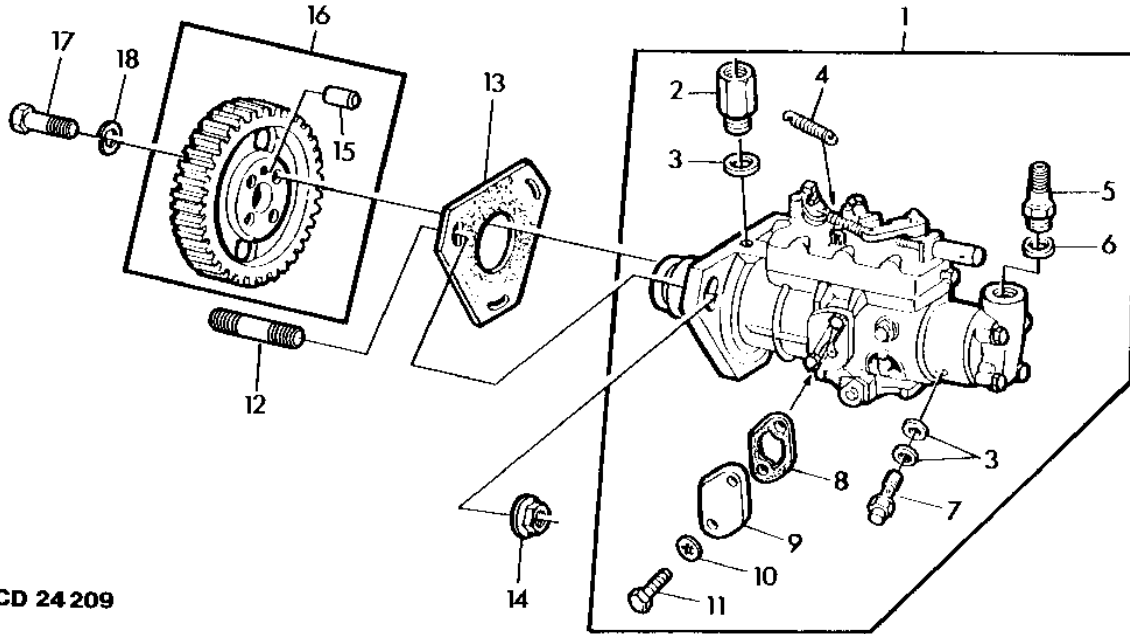
KEY	PART NO.	PART NAME	QTY	ENGINE SERIAL NO.	REMARKS
				2	
				1 2 0	
				6 0 4	
				4 4 0	
				0 0 S	
1	RE11321	FUEL INJECTION PUMP	1	531585-	X LUCAS/CAV R3443F980
2	RE11602	BALL CHECK	1	531585-	X (SUB FOR AR76102)
3	T20055	WASHER	9	531585-	X
4	T26058	SPRING	1	531585-	X
5	R79015	FITTING	1	531585-	X (SUB FOR T24607, T24608 APPL)
6	T24608	WASHER	1	531585-	X (FOR T24607)
	T24619	WASHER	1	531585-	X (FOR R79015)
7	AT29464	VALVE	4	531585-	X
8	GASKET	1	531585-	X NSEP
9	COVER	1	531585-	X NSEP
10	WASHER	2	531585-	X NSEP
11	SCREW	2	531585-	X NSEP
12	R56131	SHAFT KEY	1	531585-	X
13	12H317	LOCK WASHER	1	531585-	X 9/16"
14	R78743	NUT	1	531585-	X M14
15	CD16286	BRACKET	1	531585-	X (SUB FOR R79404)
16	T23442	STUD	3	531585-	X
17	R97354	GASKET	1	531585-	X (SUB FOR R77126)
18	A22698	NUT	3	531585-	X (SUB FOR 24H1243, 12H303, 14H785)
19	R76964	PINION	1	531585-	X Z=48

1D23

FUEL SYSTEM AND AIR INTAKE SYSTEM

FUEL INJECTION PUMP/RADIAL OUTLETS
 POMPE D'INJECTION/SORTIES RADIALES
 KRAFTSTOFF-EINSPRITZPUMPE/RADIALANSCHLUESSE
 POMPA INIEZIONE/USCITE RADIALI
 BOMBA DE INYECCION/SALIDAS RADIALES
 INSPRUTNINGSPUMP/RADIELLA ANSLUTNINGAR

CD24209 -UN-17JUL95



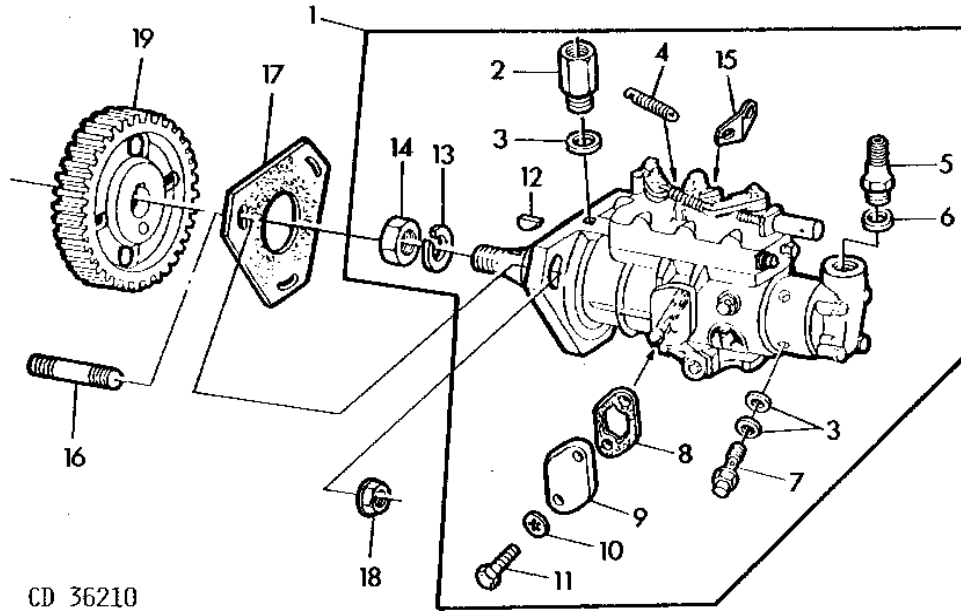
CD 24 209

KEY	PART NO.	PART NAME	QTY	ENGINE SERIAL NO.		REMARKS
					2	
					1 2 0	
					6 0 4	
					4 4 0	
					0 0 S	
1	AR91774	FUEL INJECTION PUMP	1	-530063	X	LUCAS/CAV R3443F640
2	RE11602	BALL CHECK	1	-530063	X	(SUB FOR AR76102)
3	T20055	WASHER	9	-530063	X	
4	T26058	SPRING	1	-530063	X	
5	R79015	FITTING	1	-530063	X	(SUB FOR T24607, T24608 APPL)
6	T24608	WASHER	1	-530063	X	(FOR T24607)
	T24619	WASHER	1	-530063	X	(FOR R79015)
7	AT29464	VALVE	4	-530063	X	
8	GASKET	1	-530063	X	NSEP
9	COVER	1	-530063	X	NSEP
10	WASHER	2	-530063	X	NSEP
11	SCREW	2	-530063	X	NSEP
12	T23442	STUD	3	-530063	X	
13	R97354	GASKET	1	-530063	X	(SUB FOR T24460, R77126)
14	A22698	NUT	3	-530063	X	(SUB FOR 12H303, 14H785, 24H1243)
15	T28030	DOWEL PIN	1	-530063	X	
16	AR85710	GEAR	1	-530063	X	Z=48
17	19H2551	CAP SCREW	3	-530063	X	5/16"X3/4"
18	12H303	LOCK WASHER	3	-530063	X	5/16"

1D24

FUEL SYSTEM AND AIR INTAKE SYSTEM

FUEL INJECTION PUMP/RADIAL OUTLETS
 POMPE D'INJECTION/SORTIES RADIALES
 KRAFTSTOFF-EINSPRITZPUMPE/RADIALANSCHLUESSE
 POMPA INIEZIONE/USCITE RADIALI
 BOMBA DE INYECCION/SALIDAS RADIALES
 INSPRUTNINGSPUMP/RADIELLA ANSLUTNINGAR
 CD36210 -UN-01JAN94



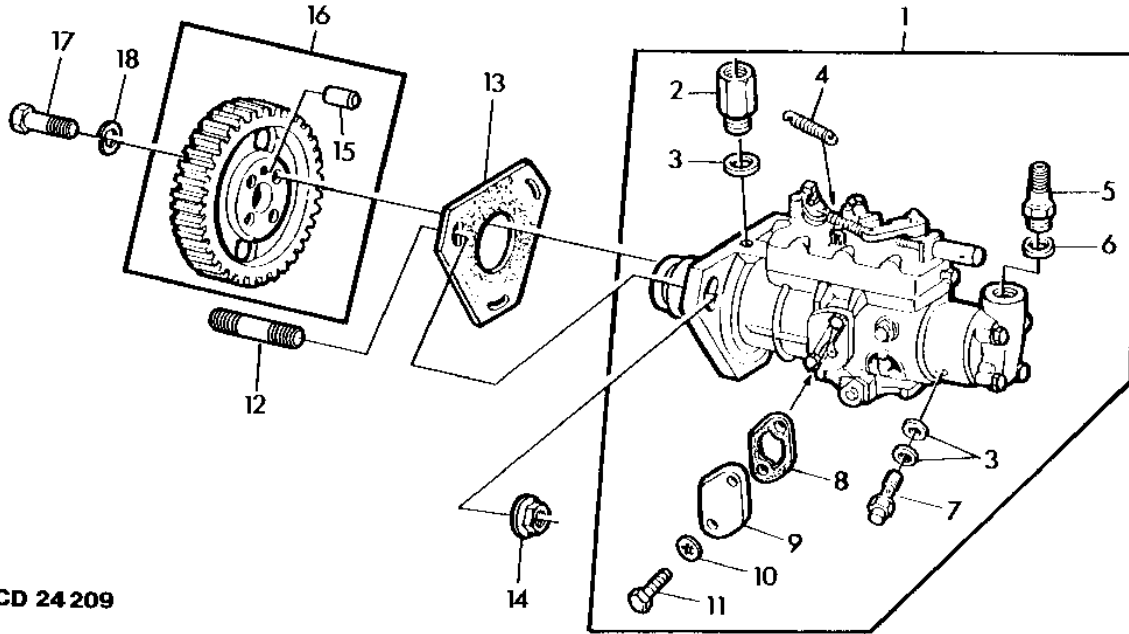
KEY	PART NO.	PART NAME	QTY	ENGINE SERIAL NO.		REMARKS
					2	
					1 2 0	
					6 0 4	
					4 4 0	
					0 0 S	
1	RE11319	FUEL INJECTION PUMP	1	530064-	X	LUCAS/CAV R3443F970
2	RE11602	BALL CHECK	1	530064-	X	(SUB FOR AR76102)
3	T20055	WASHER	9	530064-	X	
4	T26058	SPRING	1	530064-	X	
5	R79015	FITTING	1	530064-	X	(SUB FOR T24607, T24608 APPL)
6	T24608	WASHER	1	530064-	X	(FOR T24607)
	T24619	WASHER	1	530064-	X	(FOR R79015)
7	AT29464	VALVE	4	530064-	X	
8	GASKET	1	530064-	X	NSEP
9	COVER	1	530064-	X	NSEP
10	WASHER	2	530064-	X	NSEP
11	SCREW	2	530064-	X	NSEP
12	R56131	SHAFT KEY	1	530064-	X	
13	12H317	LOCK WASHER	1	530064-	X	9/16"
14	R78743	NUT	1	530064-	X	M14
15	CD16286	BRACKET	1	530064-	X	(SUB FOR R79404)
16	T23442	STUD	3	530064-	X	
17	R97354	GASKET	1	530064-	X	(SUB FOR R77126)
18	A22698	NUT	3	530064-	X	(SUB FOR 24H1243, 12H303, 14H785)
19	R76964	PINION	1	530064-	X	Z=48

1D25

FUEL SYSTEM AND AIR INTAKE SYSTEM

FUEL INJECTION PUMP/RADIAL OUTLETS
 POMPE D'INJECTION/SORTIES RADIALES
 KRAFTSTOFF-EINSPRITZPUMPE/RADIALANSCHLUESSE
 POMPA INIEZIONE/USCITE RADIALI
 BOMBA DE INYECCION/SALIDAS RADIALES
 INSPRUTNINGSPUMP/RADIELLA ANSLUTNINGAR

CD24209 -UN-17JUL95



CD 24 209

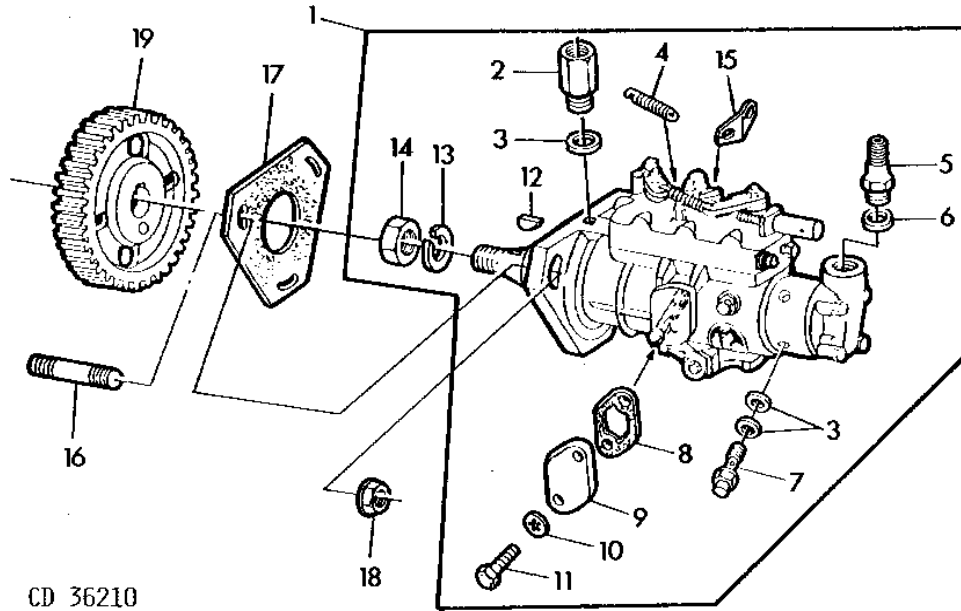
KEY	PART NO.	PART NAME	QTY	ENGINE SERIAL NO.		REMARKS
					2	
					1 2 0	
					6 0 4	
					4 4 0	
					0 0 S	
1	AR86016	FUEL INJECTION PUMP	AR	-531046	X	(A) LUCAS/CAV R3443F570 (SUB FOR AR72870) LUCAS/CAV R3443F140
2	RE11602	BALL CHECK	1	-531046	X	(A) (SUB FOR AR76102)
3	T20055	WASHER	9	-531046	X	(A)
4	T26058	SPRING	1	-531046	X	(A)
5	R79015	FITTING	1	-531046	X	(A) (SUB FOR T24607, T24608 APPL)
6	T24608	WASHER	1	-531046	X	(A) (FOR T24607)
	T24619	WASHER	1	-531046	X	(A) (FOR R79015)
7	AT29464	VALVE	4	-531046	X	(A)
8	GASKET	1	-531046	X	(A) NSEP
9	COVER	1	-531046	X	(A) NSEP
10	WASHER	2	-531046	X	(A) NSEP
11	SCREW	2	-531046	X	(A) NSEP
12	T23442	STUD	3	-531046	X	(A)
13	R97354	GASKET	1	-531046	X	(A) (FOR T24460, R77126)
14	A22698	NUT	3	-531046	X	(SUB FOR 12H303, 14H785, 24H1243)
15	T28030	DOWEL PIN	1	-531046	X	(A)
16	AR85710	GEAR	1	-531046	X	(A) Z=48
17	19H2551	CAP SCREW	3	-531046	X	(A) 5/16"X3/4"
18	12H303	LOCK WASHER	3	-531046	X	(A) 5/16"

(A) FOR JAPAN
 POUR JAPON
 FUER JAPAN
 PER GIAPPONE
 PARA JAPON
 FOR JAPAN

1E1

FUEL SYSTEM AND AIR INTAKE SYSTEM

FUEL INJECTION PUMP/RADIAL OUTLETS
 POMPE D'INJECTION/SORTIES RADIALES
 KRAFTSTOFF-EINSPRITZPUMPE/RADIALANSCHLUESSE
 POMPA INIEZIONE/USCITE RADIALI
 BOMBA DE INYECCION/SALIDAS RADIALES
 INSPRUTNINGSPUMP/RADIELLA ANSLUTNINGAR
 CD36210 -UN-01JAN94



CD 36210

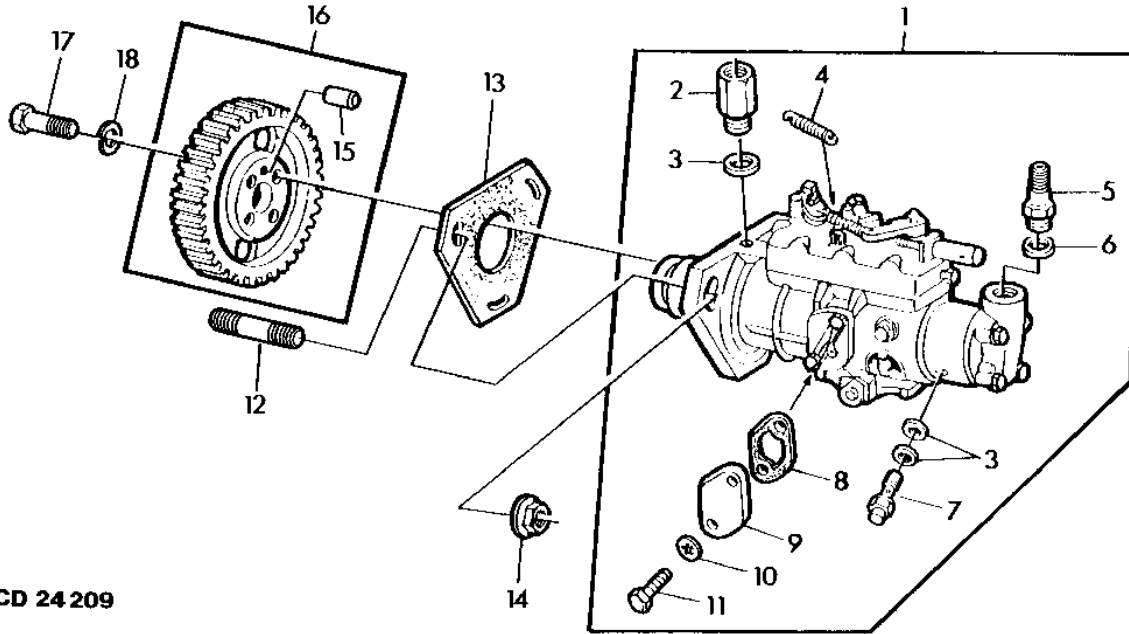
KEY	PART NO.	PART NAME	QTY	ENGINE SERIAL NO.		REMARKS
					2	
					1 2 0	
					6 0 4	
					4 4 0	
					0 0 S	
1	RE10438	FUEL INJECTION PUMP	1	531047-	X	(A) LUCAS/CAV R3443F950
2	RE11602	BALL CHECK	1	531047-	X	(A) (SUB FOR AR76102)
3	T20055	WASHER	9	531047-	X	(A)
4	T26058	SPRING	1	531047-	X	(A)
5	R79015	FITTING	1	531047-	X	(A) (SUB FOR T24607, T24608 APPL)
6	T24608	WASHER	1	531047-	X	(A) (FOR T24607)
	T24619	WASHER	1	531047-	X	(A) (FOR R79015)
7	AT29464	VALVE	4	531047-	X	(A)
8	GASKET	1	531047-	X	(A) NSEP
9	COVER	1	531047-	X	(A) NSEP
10	WASHER	2	531047-	X	(A) NSEP
11	SCREW	2	531047-	X	(A) NSEP
12	R56131	SHAFT KEY	1	531047-	X	(A)
13	12H317	LOCK WASHER	1	531047-	X	(A) 9/16"
14	R78743	NUT	1	531047-	X	(A) M14
15	CD16286	BRACKET	1	531047-	X	(A) (SUB FOR R79404)
16	T23442	STUD	3	531047-	X	(A)
17	R97354	GASKET	1	531047-	X	(A) (SUB FOR R77126)
18	A22698	NUT	3	531047-	X	(SUB FOR 12H303, 14H785, 24H1243)
19	R76964	PINION	1	531047-	X	(A) Z=48

(A) FOR JAPAN
 POUR JAPON
 FUER JAPAN
 PER GIAPPONE
 PARA JAPON
 FOR JAPAN

1E2

FUEL SYSTEM AND AIR INTAKE SYSTEM

FUEL INJECTION PUMP/RADIAL OUTLETS
 POMPE D'INJECTION/SORTIES RADIALES
 KRAFTSTOFF-EINSPRITZPUMPE/RADIALANSCHLUESSE
 POMPA INIEZIONE/USCITE RADIALI
 BOMBA DE INYECCION/SALIDAS RADIALES
 INSPRUTNINGSPUMP/RADIELLA ANSLUTNINGAR
 CD24209 -UN-17JUL95



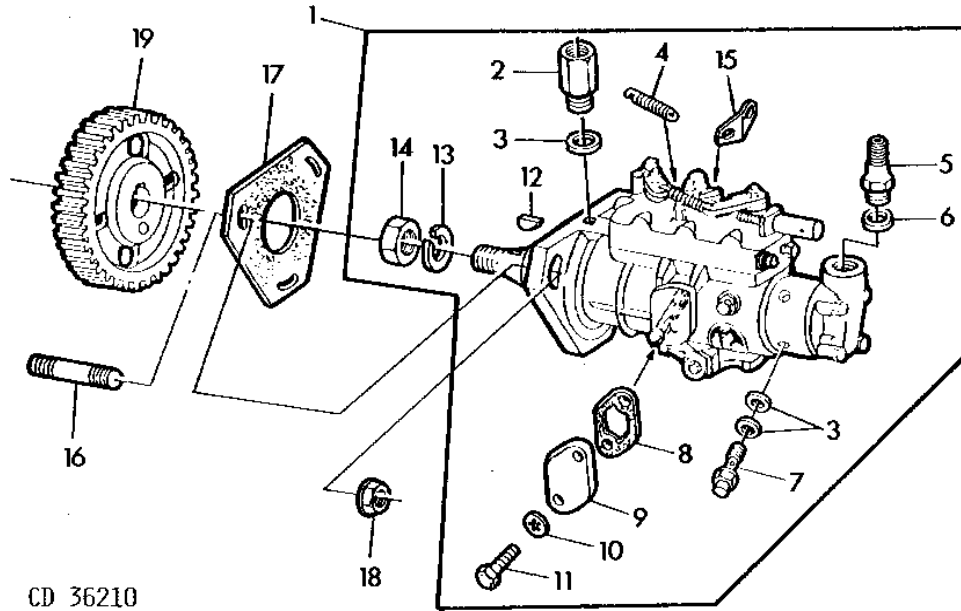
CD 24 209

KEY	PART NO.	PART NAME	QTY	ENGINE SERIAL NO.		REMARKS
					2	
					1 2 0	
					6 0 4	
					4 4 0	
					0 0 S	
1	AR86016	FUEL INJECTION PUMP	AR	-531046	X	LUCAS/CAV R3443570 (SUB FOR AR72870) LUCAS/CAV R3443F140 (SUB FOR AR76102)
2	RE11602	BALL CHECK	1	-531046	X	
3	T20055	WASHER	9	-531046	X	
4	T26058	SPRING	1	-531046	X	
5	R79015	FITTING	1	-531046	X	(SUB FOR T24607, T24608 APPL)
6	T24608	WASHER	1	-531046	X	(FOR T24607)
	T24619	WASHER	1	-531046	X	(FOR R79015)
7	AT29464	VALVE	4	-531046	X	
8	GASKET	1	-531046	X	NSEP
9	COVER	1	-531046	X	NSEP
10	WASHER	2	-531046	X	NSEP
11	SCREW	2	-531046	X	NSEP
12	T23442	STUD	3	-531046	X	
13	R97354	GASKET	1	-531046	X	(SUB FOR T24460, R77126)
14	A22698	NUT	3	-531046	X	(SUB FOR 12H303, 14H785, 24H1243)
15	T28030	DOWEL PIN	1	-531046	X	
16	AR85710	GEAR	1	-531046	X	Z=48
17	19H2551	CAP SCREW	3	-531046	X	5/16"X3/4"
18	12H303	LOCK WASHER	3	-531046	X	5/16"

1E3

FUEL SYSTEM AND AIR INTAKE SYSTEM

FUEL INJECTION PUMP/RADIAL OUTLETS
 POMPE D'INJECTION/SORTIES RADIALES
 KRAFTSTOFF-EINSPRITZPUMPE/RADIALANSCHLUESSE
 POMPA INIEZIONE/USCITE RADIALI
 BOMBA DE INYECCION/SALIDAS RADIALES
 INSPRUTNINGSPUMP/RADIELLA ANSLUTNINGAR
 CD36210 -UN-01JAN94

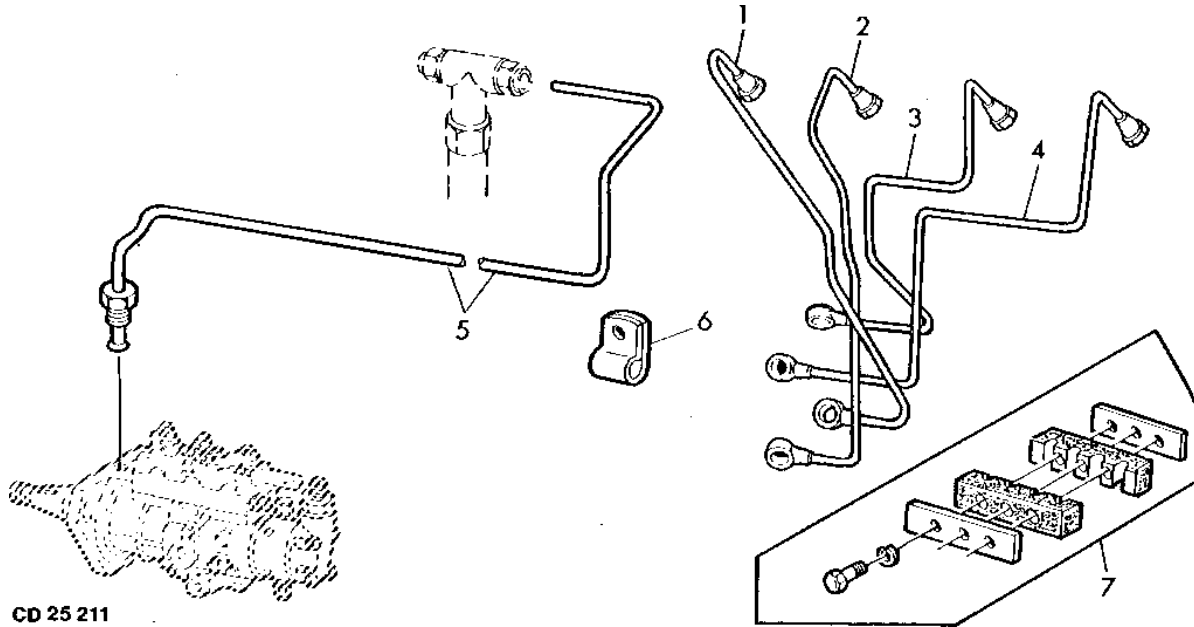


KEY	PART NO.	PART NAME	QTY	ENGINE SERIAL NO.	REMARKS
				2	
				1 2 0	
				6 0 4	
				4 4 0	
				0 0 S	
1	RE10438	FUEL INJECTION PUMP	1	531047-	X LUCAS/CAV R3443F950
2	RE11602	BALL CHECK	1	531047-	X (SUB FOR AR76102)
3	T20055	WASHER	9	531047-	X
4	T26058	SPRING	1	531047-	X
5	R79015	FITTING	1	531047-	X (SUB FOR T24607, T24608 APPL)
6	T24608	WASHER	1	531047-	X (FOR T24607)
	T24619	WASHER	1	531047-	X (FOR R79015)
7	AT29464	VALVE	4	531047-	X
8	GASKET	1	531047-	X NSEP
9	COVER	1	531047-	X NSEP
10	WASHER	2	531047-	X NSEP
11	SCREW	2	531047-	X NSEP
12	R56131	SHAFT KEY	1	531047-	X
13	12H317	LOCK WASHER	1	531047-	X 9/16"
14	R78743	NUT	1	531047-	X M14
15	CD16286	BRACKET	1	531047-	X (SUB FOR R79404)
16	T23442	STUD	3	531047-	X
17	R97354	GASKET	1	531047-	X (SUB FOR R77126)
18	A22698	NUT	3	531047-	X (SUB FOR 12H303, 14H785, 24H1243)
19	R76964	PINION	1	531047-	X Z=48

1E4

FUEL SYSTEM AND AIR INTAKE SYSTEM

FUEL INJECTION PUMP LINES
 POMPE D'INJECTION TUYAUX
 KRAFTSTOFF-EINSPRITZPUMPENLEITUNGEN
 TUBAZIONI DELLA POMPA D'INIEZIONE
 TUBERIAS DE BOMBA DE INYECCION DE COMBUSTIBLE
 LEDNINGAR AV INSPRUTNINGSPUMPEN
 CD25211 -UN-01JAN94



CD 25 211

2
 1 2 0
 6 0 4
 4 4 0
 0 0 S

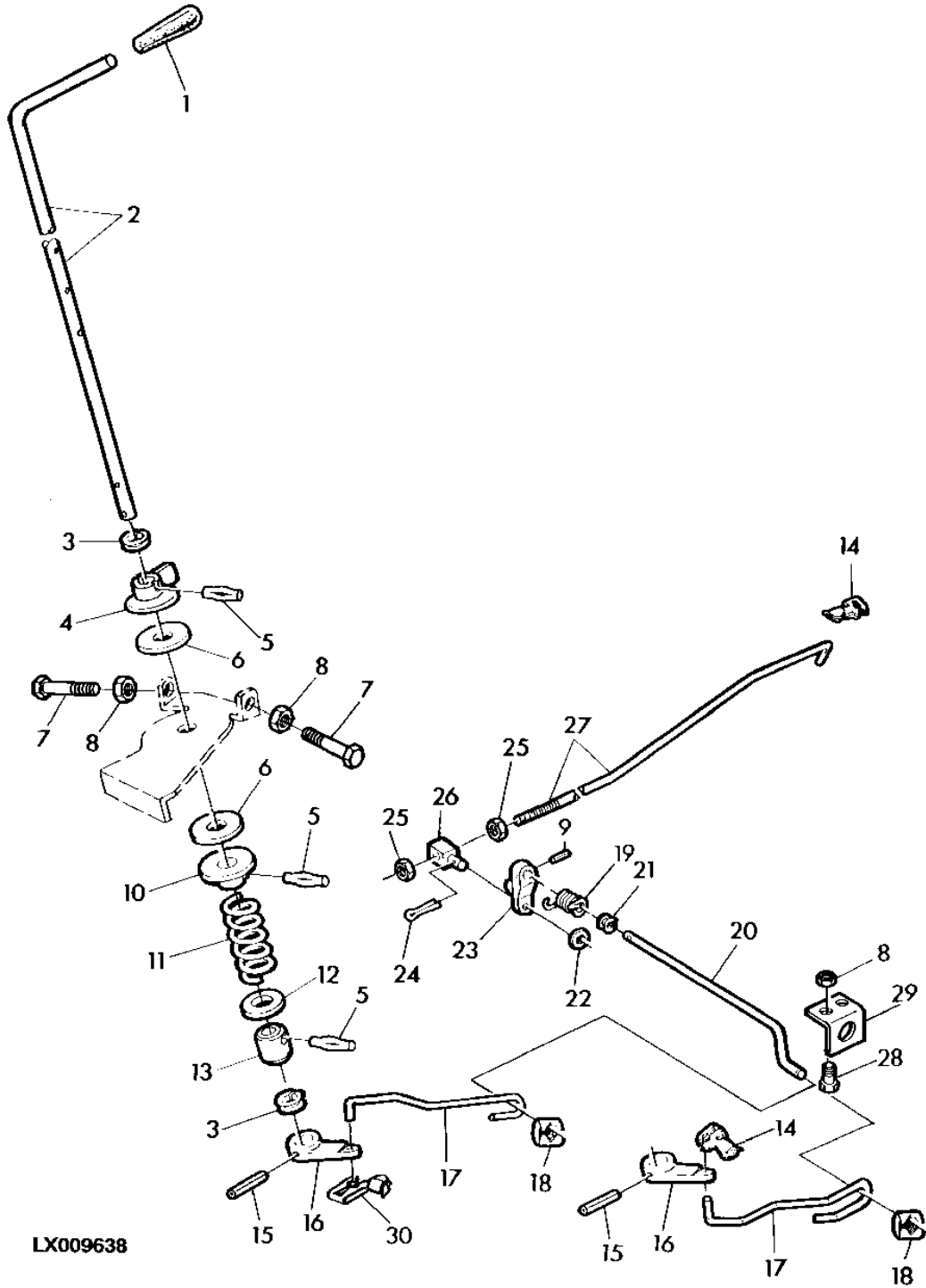
KEY	PART NO.	PART NAME	QTY	ENGINE SERIAL NO.	REMARKS
1	AR95750	FUEL LINE	1	-666545	X X X NO. 1 (ORD RE20785, RE20786)
	RE20785	FUEL LINE	1	666546-	X X X NO. 1
2	AR95751	FUEL LINE	1	-666545	X X X NO. 2 (ORD RE20786, RE20785)
	RE20786	FUEL LINE	1	666546-	X X X NO. 2
3	AR95752	FUEL LINE	1		X X X NO. 3
4	AR95753	FUEL LINE	1		X X X NO. 4
5	AR89845	LINE	1		X X X
6	T29969	CLAMP	1		X X X
7	DD13913	FLANGE	1		X X X

MEMORANDA
MEMORANDA
MEMORANDA
MEMORANDA
MEMORANDA

1E5

FUEL SYSTEM AND AIR INTAKE SYSTEM

SPEED CONTROL LEVER AND LINKAGE
MANETTE D'ACCELERATION ET TRINGLERIE
DREHZAHHANDHEBEL UND GESTÄNGE
TIRANTERIA REGOLAZIONE VELOCITÀ
PALANCA Y VARILLAJE DE ACELERACION
GASREGLAGE
LX009638 -UN-17JUL95



LX009638

1E6

FUEL SYSTEM AND AIR INTAKE SYSTEM

KEY	PART NO.	PART NAME	QTY	SERIAL NO.	REMARKS
					2
					1 2 0
					6 0 4
					4 4 0
					0 0 S
1	L56922	GRIP	1	X X X	(SUB FOR R54271 APPL)
2	L34421	LEVER	1	X X X	
	L57286	LEVER	1	X X X	(B)
3	R34811	GROMMET	2	X X X	(SUB FOR R52646)
4	L34423	DISK	1	X X X	
5	25H747	GROOVE PIN	2	X X X	3/16"X3/4"
6	L41465	WASHER	2	X X X	
7	19M7160	CAP SCREW	2	X X X	M6X30
8	14M7272	NUT	2	X X X	M6
	14M7272	NUT	4	X X X	(B) M6
9	34H264	SPRING PIN	1	X X X	5/32"X7/8"
10	T22698	DISK	1	X X X	
11	L61983	COMPRESSION SPRING	1	X X X	(SUB FOR R26637)
12	24H1211	WASHER	1	X X X	9/16"X1-3/8"X.105"
13	L34424	BUSHING	1	X X X	
14	T29742	CLIP	1	X X X	
15	34H284	SPRING PIN	1	X X X	3/16"X1-1/4"
16	T22239	LEVER	1	X X X	
17	L36653	ROD	1	X X X	
	L36654	ROD	1	X X X	(A)
18	L28416	NUT	1	X X X	
19	L38144	EXTENSION SPRING	1	X X X	
20	L38143	ROD	1	X X X	
21	T22241	GROMMET	2	X X X	
22	24H1286	WASHER	1	X X X	9/32"X1/2"X.060"
23	T22240	ARM	1	X X X	
24	11M7009	COTTER PIN	1	X X X	2X16MM
25	14H850	NUT	2	X X X	1/4"
26	T22242	SWIVEL	1	X X X	
27	T27350	ROD	1	X X X	
28	19M7560	CAP SCREW	2	X X X	(B) M6X16
29	L57214	ANGLE	1	X X X	(B)
30	T29741	CLIP	1	X X X	

(A) WITH HYDROST. STEERING
 AVEC DIR. HYDROSTAT.
 BEI HYDROSTATISCHER LENKUNG
 CON STERZO IDROSTATICO
 CON DIR. HIDROSTAT.
 VID HYDROSTATISK STYRNING

(B) WITH MC1 CAB
 AVEC CABINE MC1
 BEI MC1 KABINE
 CON CABINA MC1
 CON CABINA MC1
 VID MC1 HYTT

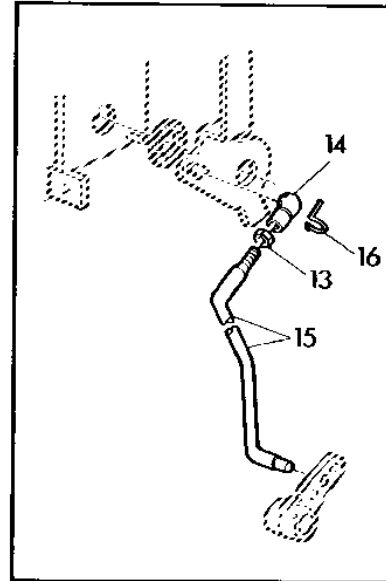
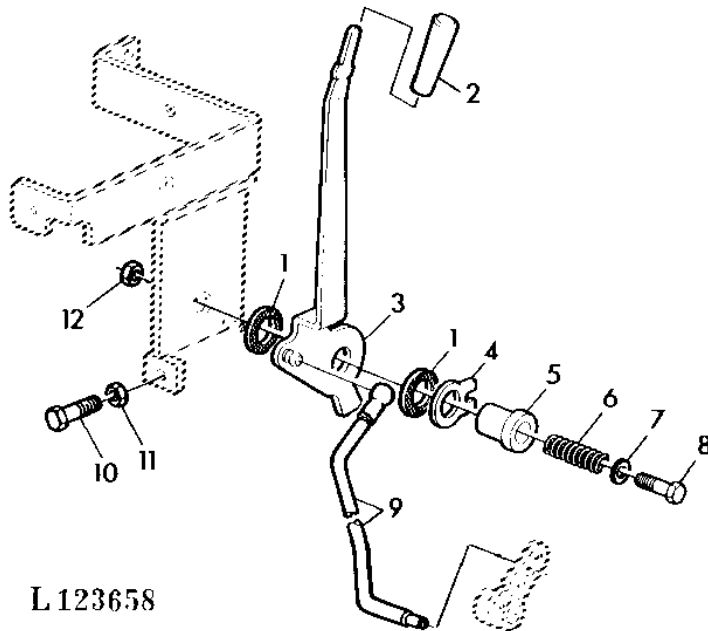
MEMORANDA
MEMORANDA
MEMORANDA
MEMORANDA
MEMORANDA

1E7

FUEL SYSTEM AND AIR INTAKE SYSTEM

SPEED CONTROL LINKAGE (WITH SG2 CAB)
 REGULATION DU REGIME (AVEC CABINE SG2)
 DREHZAHLREGULIERUNG (BEI SG2 KABINE)
 TIRANTERIA DELL'ACCELERATORE (CON CABINA SG2)
 VARILLAJE DEL ACELERADOR (CON CABINA SG2)
 GASREGLAGE (VID SG2 HYTT)

L123658 -UN-18JUL95



L123658

2
1 2 0
6 0 4
4 4 0
0 0 S

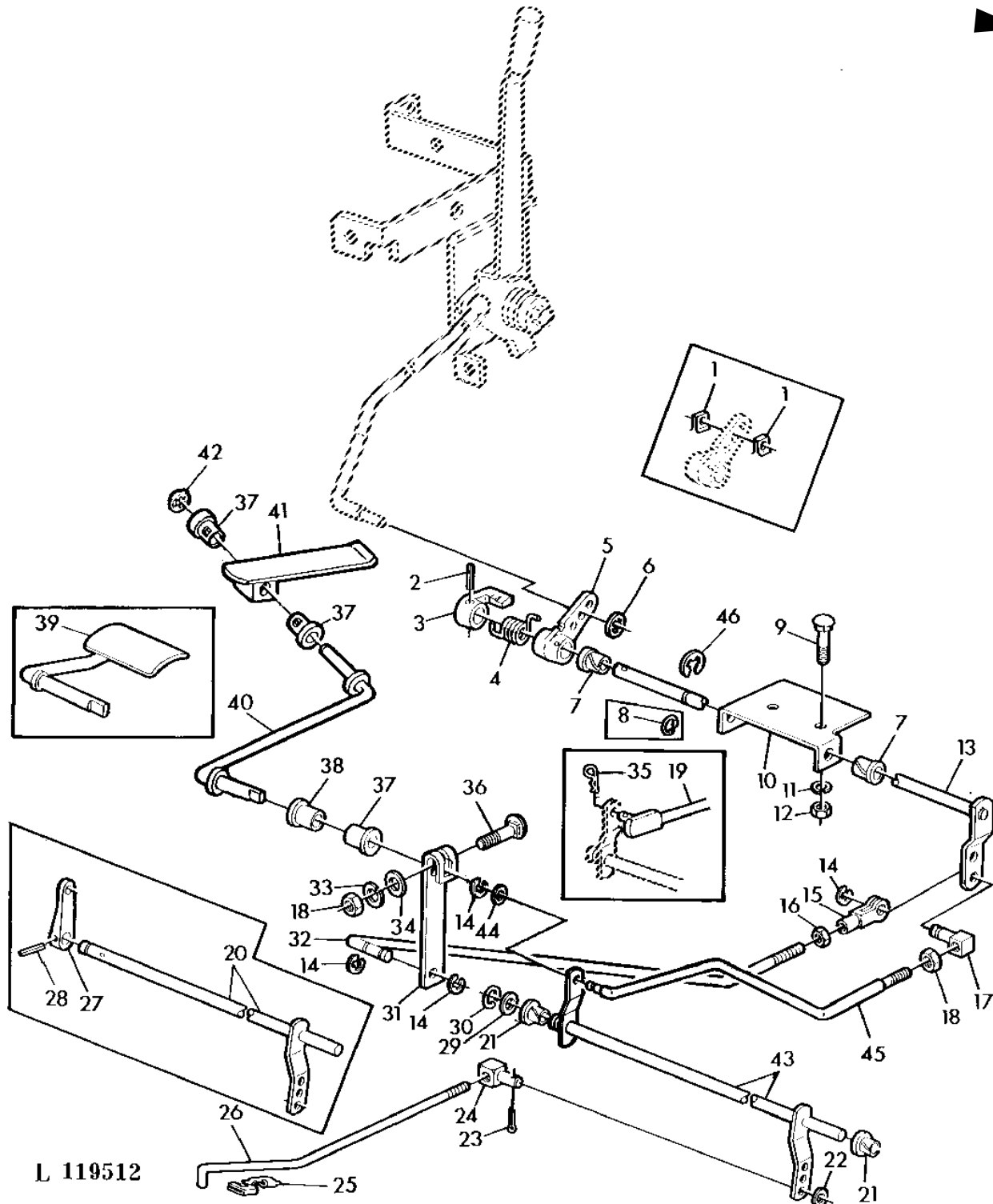
KEY	PART NO.	PART NAME	QTY	SERIAL NO.	REMARKS
1	L58671	WASHER	2		X X X (SUB FOR R50226)
2	L56927	KNOB	1		X X X (SUB FOR R50506 APPL)
3	AL36125	LEVER	1		X X X
4	R52117	WASHER	1		X X X
5	R50227	RETAINER	1		X X X
6	R31271	SPRING	1		X X X
7	24M7055	WASHER	1		X X X 8.4X17X1.6MM
8	19M7378	CAP SCREW	1		X X X M8X45
9	AL37433	ROD	1	458600-	X X X
10	19M7298	CAP SCREW	1		X X X M8X35
11	14M7151	NUT	1		X X X M8
12	14M7273	NUT	1		X X X M8
13	14M7272	NUT	1	-458599	X X X M6
14	56M7006	BALL JOINT SOCKET	1		X X X (ORD W/ 56M7007)
15	L38081	ROD	1	-458599	X X X (ORD AL37433)
16	56M7007	BALL JOINT RETAINER	1		X X X

1E8

FUEL SYSTEM AND AIR INTAKE SYSTEM

SPEED CONTROL LINKAGE (WITH SG2 CAB)
REGULATION DU REGIME (AVEC CABINE SG2)
DREHZAHREGULIERUNG (BEI SG2 KABINE)
TIRANTERIA DELL'ACCELERATORE (CON CABINA SG2)
VARILLAJE DEL ACELERADOR (CON CABINA SG2)
GASREGLAGE (VID SG2 HYTT)

L119512 -UN-18JUL95



L 119512

1E9

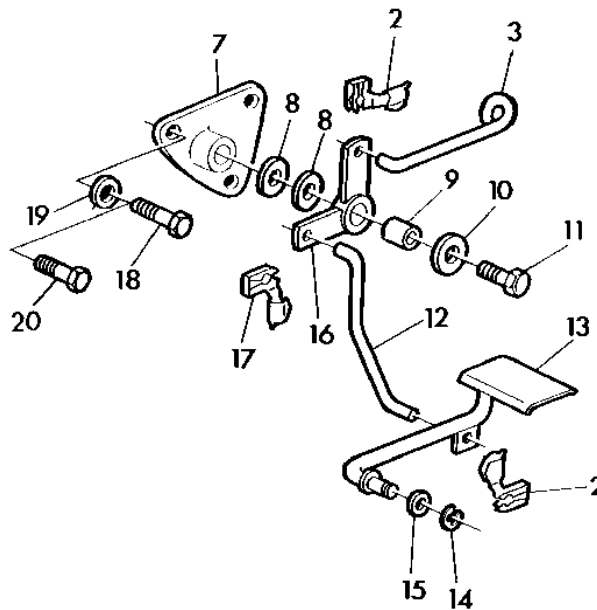
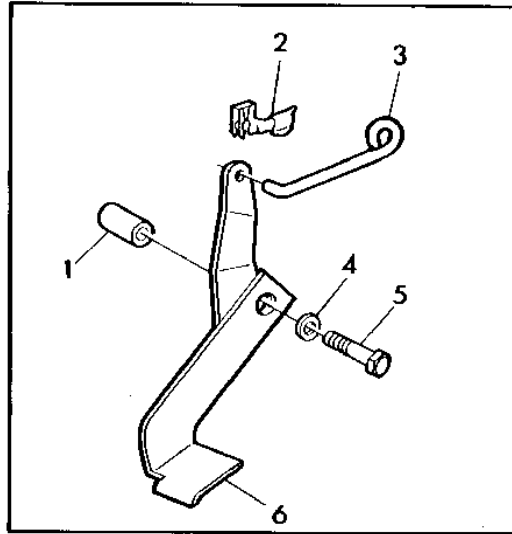
FUEL SYSTEM AND AIR INTAKE SYSTEM

KEY	PART NO.	PART NAME	QTY	SERIAL NO.	REMARKS
					2
					1 2 0
					6 0 4
					4 4 0
					0 0 S
1	L33681	CLAMP	2		X X X
2	34H279	SPRING PIN	1		X X X
3	R58511	ARM	1		X X X
4	R58512	SPRING	1		X X X
5	R58509	LEVER	1		X X X
6	L41366	RETAINING WASHER	1		X X X
7	R41076	GROMMET	2		X X X
8	F2208R	SNAP RING	1		X X X (FOR AR88518)
9	03H2070	BOLT	2		X X X 3/8"X1-1/8"
10	R68001	CLEVIS	1		X X X
11	12H304	LOCK WASHER	2		X X X 3/8"
12	14H812	NUT	2		X X X 3/8"
13	AR88518	ARM	1		X X X (ORD AL57553, R26871)
	AL57553	ARM	1		X X X
14	R27507	SNAP RING	AR		X X X
15	M3742T	YOKE	1		X X X
16	14H649	NUT	1		X X X 1/4"
17	R68006	SWIVEL	1		X X X
18	14H850	NUT	2		X X X 1/4"
19	AL36495	ROD	1		X X X (ORD L55544, R27507, 24M7088)
20	AL35337	SHAFT	1		X X X (ORD AL56720)
21	T22241	GROMMET	2		X X X
22	24H1286	WASHER	1		X X X 9/32"X1/2"X.060"
23	11M7009	COTTER PIN	1		X X X 2X16MM
24	L37612	SWIVEL	1		X X X
25	T29742	CLIP	1		X X X
26	T27350	ROD	1		X X X
27	R68005	ARM	1		X X X
28	34H260	SPRING PIN	1		X X X 5/32"X5/8"
29	24M7055	WASHER	1		X X X 8.4X17X1.6MM
30	R72655	SNAP RING	1		X X X (SUB FOR T12808)
31	R58507	LEVER	1		X X X
32	R67900	ROD	1		X X X
33	12H302	LOCK WASHER	1		X X X
34	24H1287	WASHER	1		X X X 9/32"X5/8"
35	R46528	SPRING LOCKING PIN	1		X X X
36	03H1810	BOLT	1		X X X 1/4"X1/1/2"
37	R34811	GROMMET	3		X X X (SUB FOR R52646)
38	R67575	WASHER	1		X X X
39	AR101357	PEDAL	1		X X X (ORD AL39993, AL39992, AL39991, (2) R34811)
40	AL39991	ROD	1		X X X
41	AL39993	PLATE	1		X X X
42	AL39992	RETAINING WASHER	1		X X X
43	AL56720	SHAFT	1		X X X
44	24M7088	WASHER	1		X X X 6.6X12.5X1.6MM
45	L55544	ROD	1		X X X
46	R26871	SNAP RING	1		X X X (FOR AL57553)

1E10

FUEL SYSTEM AND AIR INTAKE SYSTEM

FOOT SPEED CONTROL
PEDALE D'ACCELERATION
DREHZAHLFUSSHEBEL
PEDALE ACCELERATORE
ACELERADOR DE PIE
GASPEDAL
L105644 -UN-17JUL95



1. 105644

1E11

FUEL SYSTEM AND AIR INTAKE SYSTEM

KEY	PART NO.	PART NAME	QTY	SERIAL NO.	REMARKS
					2
					1 2 0
					6 0 4
					4 4 0
					0 0 S
1	L64981	BUSHING	1		X X X (SUB FOR M1339T)
2	T29741	CLIP	AR		X X X
3	L34696	PIN	1		X X X
4	24H1305	WASHER	1		X X X 13/32"X13/16"X.060"
5	19H2722	CAP SCREW	1		X X X 3/8"X2-3/8"
6	AL31899	ACCELERATOR	1		X X X
7	AL19801	QUILL	1		X X X
8	24M7178	WASHER	2		X X (A) 10.5X30X2.5MM
9	L31065	SPACER	1		X X X
10	24M7149	WASHER	1		X X X 10.5X30X2.5MM
11	19H1731	CAP SCREW	1		X X X 3/8"X1"
12	L34695	LEVER	1		X X X
13	AL30287	PEDAL	1		X X X
14	40M7202	SNAP RING	1		X X X 12X1MM
15	24M7044	WASHER	1		X X 13X20X2MM
	24M7047	WASHER	1		X 13X24X2.5MM
16	AL30288	ACCELERATOR	1		X X X
17	T29742	CLIP	1		X X X
18	19H3219	CAP SCREW	3		X X X 3/8"X1-3/8"
19	24M7028	WASHER	3		X X X 10.5X21X2MM
20	19H2552	CAP SCREW	3		X X X (A) 3/8"X1-1/8"

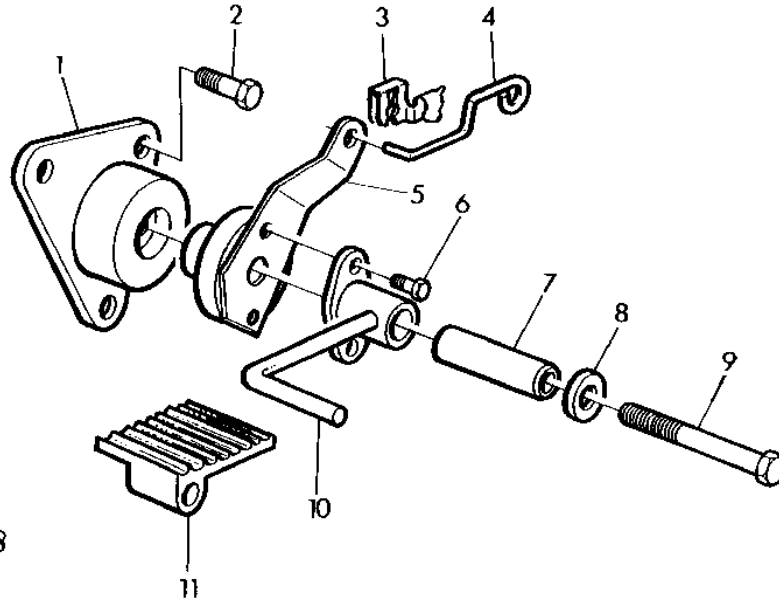
(A) WITH HYDROSTATIC STEERING
 AVEC DIRECTION HYDROSTAT.
 BEI HYDROSTATISCHER LENKUNG
 CON STERZO IDROSTATICO
 CON DIRECCION HIDROSTATICA
 VID HYDROSTATISK STYRNING

MEMORANDA
MEMORANDA
MEMORANDA
MEMORANDA
MEMORANDA

1E12

FUEL SYSTEM AND AIR INTAKE SYSTEM

ACCELERATOR AND LINKAGE WITH MC1 CAB
 PEDALE D'ACCELERATION AVEC CABINE MC1
 DREHZAHLFUSSHEBEL BEI MC1 KABINE
 PEDALE ACCELERATORE E TIRANTERIA CON CABINA MC1
 ACELADOR DE PIE CON CABINA MC1
 VARVTALSPEDAL OCH REGLAGE VID MC1 FORARHYTT
 L113408 -UN-11JUL95



L. 113408

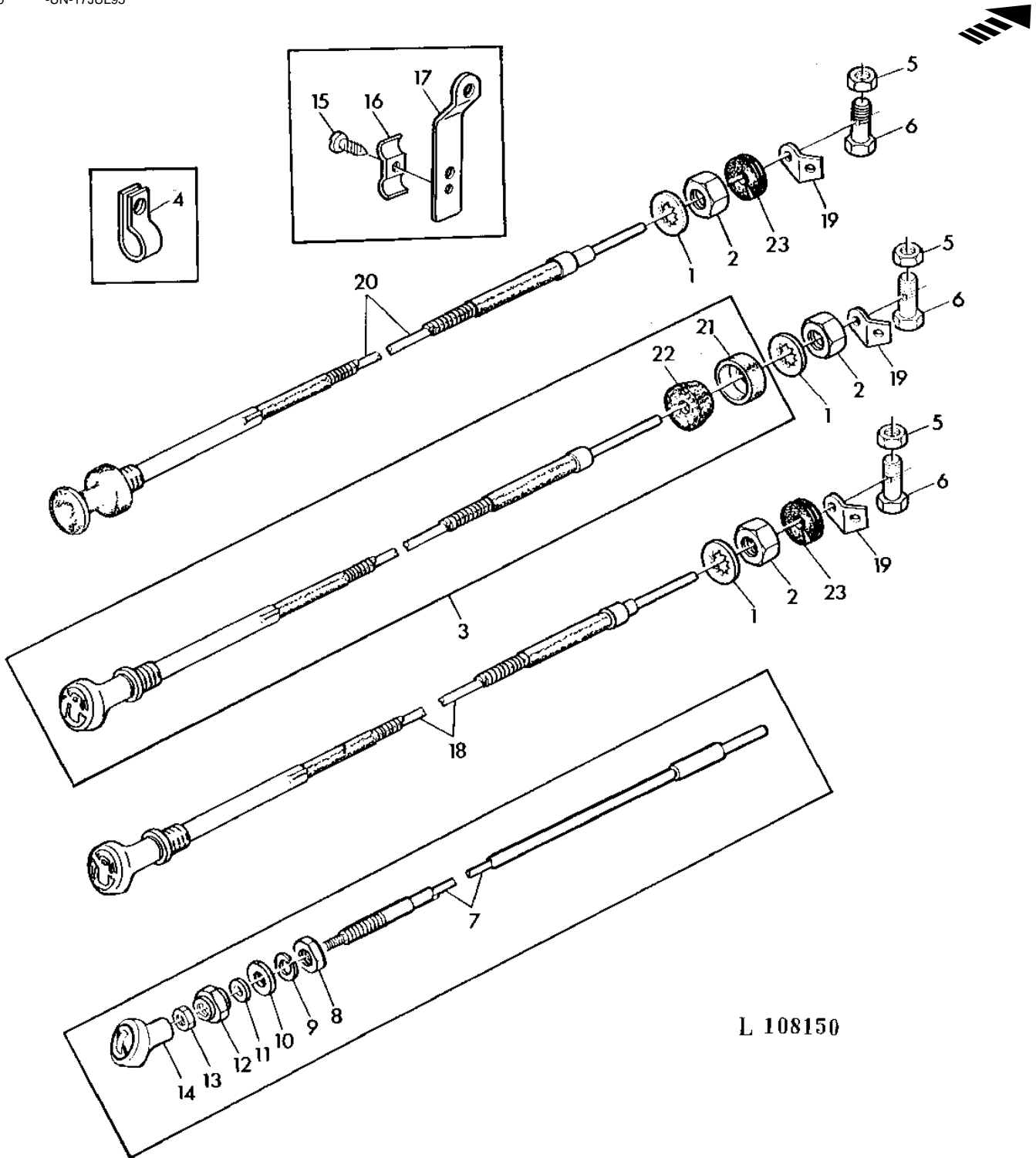
2
1 2 0
6 0 4
4 4 0
0 0 S

KEY	PART NO.	PART NAME	QTY	SERIAL NO.	REMARKS
1	AL58559	PLATE	1	X X X	
2	19H3219	CAP SCREW	3	X X X	3/8"X1-3/8"
3	T29741	CLIP	1	X X X	
4	L57216	PIN	1	X X X	
5	AL58560	LEVER	1	X X X	
6	19M7560	CAP SCREW	2	X X X	M6X16
7	L57850	BUSHING	1	X X X	
8	24M7047	WASHER	1	X X X	13X24X2.5MM
9	19M7414	CAP SCREW	1	X X X	M12X90
10	AL58558	LEVER	1	X X X	
11	L58406	PLATE	1	X X X	

1E13

FUEL SYSTEM AND AIR INTAKE SYSTEM

SHUT-OFF KNOB
TIRETTE D'ARRET
ABSTELLZUG
TIRANTE D'ARRESTO
DISPOSITIVO DE PARADA
STOPPREGLAGE
L108150 -UN-17JUL95



L 108150

1E14

FUEL SYSTEM AND AIR INTAKE SYSTEM

KEY	PART NO.	PART NAME	QTY	SERIAL NO.	REMARKS
					2
					1 2 0
					6 0 4
					4 4 0
					0 0 S
1	12H325	LOCK WASHER	1	X X X	7/16"
2	14H934	NUT	1	X X X	7/16"
	14H807	NUT	1	X X X	(A) 7/16"
3	AL36923	PUSH PULL CABLE	1	X X X	(SUB FOR AL31685, AL36924)
4	L24648	CLAMP	1	X X X	
5	14H850	NUT	1	X X X	1/4"
6	T29185	BOLT	1	X X X	1/4"
7	AR77679	PUSH PULL CABLE	1	X X X	(B) (ORD AL38885)
8	14H774	NUT	1	X X X	3/8"
9	12H304	LOCK WASHER	1	X X X	3/8"
10	24H1305	WASHER	1	X X X	13/32"X13/16"X.06 (SUB FOR 24H1325)
11	R62900	WASHER	1	X X X	
12	R62899	NUT	1	X X X	
13	14H649	NUT	1	X X X	1/4"
14	R55202	KNOB	1	X X X	(B)
15	37H133	SCREW	1	X X X	
16	R53300	CLIP	1	X X X	
17	L39315	STRAP	1	X X	
18	AL38885	PUSH PULL CABLE	1	X X X	(B) (SUB FOR AR77679)
19	R79404	BRACKET	1	X X X	
20	AL36907	PUSH PULL CABLE	1	X X X	(A) (SUB FOR AL31686, AL36911)
	AL36910	PUSH PULL CABLE	1	X X X	(A) (B)
21	L39089	WASHER	1	X X X	
22	L39090	SEAL	1	X X X	
23	R26936	GROMMET	1	X X X	(B)

(A) FOR ENGLAND,NORWAY AND FINLAND
 POUR ANGLETERRE,NORVEGE,FINLANDE
 FUER ENGLAND,NORWEGEN U.FINNLAND
 PER INGLATERRA,NORVEGIA E FINL.
 PARA INGLATERRA,NORUEGA Y FINLAN.
 FOR ENGLAND,NORGE OCH FINLAND

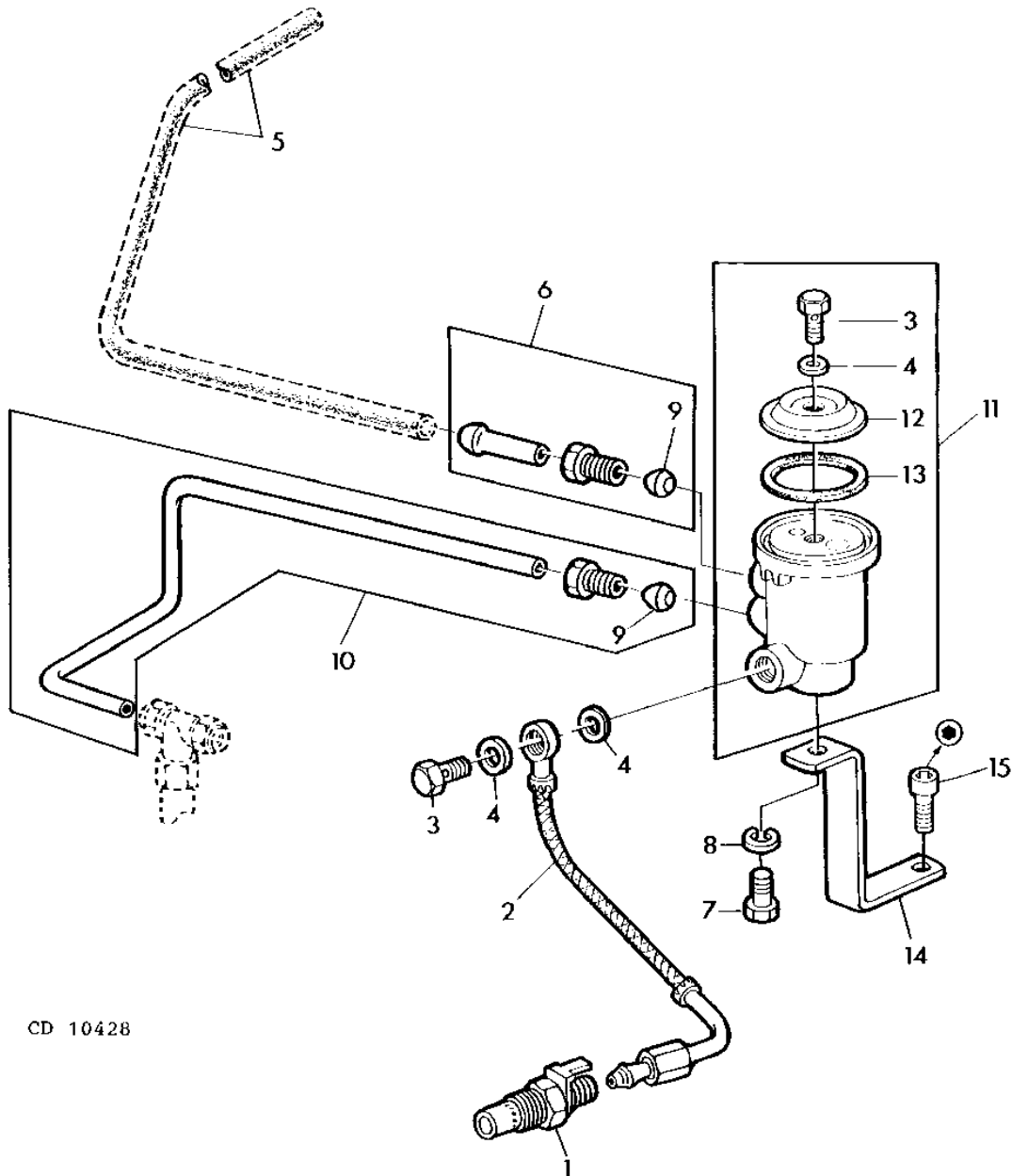
(B) WITH SG2 CAB
 AVEC CABINE SG2
 BEI SG2 KABINE
 CON CABINA SG2
 CON CABINA SG2
 VID SG2 HYTT

1E15

FUEL SYSTEM AND AIR INTAKE SYSTEM

"THERMOSTART" STARTING AID WITH PLASTIC AND METAL FUEL TANKS
AIDE AU DEMARRAGE THERMIQUE AVEC RESERVOIR DE COMBUSTIBLE EN PLAST./METAL
THERMO-STARHILFE BEI KUNSTSTOFF- UND BLECHKRAFTSTOFFTANK
DISPOSITIVO THERMOSTART CON SERBATOIO COMBUSTIBILE IN PLASTICO/METALICO
TERMOARRANQUE CON DEPOSITOS DE PLASTICO Y DE CHAPA
THERMOSTART STARHJALP VID PLAST- OCH BLECK-BRANSLETANK

CD10428 -UN-17JUL95



CD 10428

1E16

FUEL SYSTEM AND AIR INTAKE SYSTEM

KEY	PART NO.	PART NAME	QTY	SERIAL NO.	REMARKS
					2
					1 2 0
					6 0 4
					4 4 0
					0 0 S
1	AR63103	BURNER	1		X X X
2	AR94126	HOSE	1		X X X (A)
3	CD12887	FITTING	2		X X X (A)
4	51M4230	RING	3		X X X (A) 8X12X1MM (SUB FOR CD12888)
5	FUEL LINE	1		X X X
6	DD13407	HOSE FITTING	1		X X X (A) ASSY
7	19H1894	CAP SCREW	1		X X X (A) 3/8"X3/4"
8	12H304	LOCK WASHER	1		X X X (A) 3/8"
9	R62034	SLEEVE FITTING	AR		X X X
10	AR94127	TUBE	1		X X X (A) ASSY
11	AT26140	RESERVOIR	1		X X X (A) ASSY
12	T27974	COVER	1		X X X (A)
13	T27973	WASHER	1		X X X (A)
14	R49507	BRACKET	1		X X X (A)
15	19H3111	SCREW	1		X X X (A) 3/8"X1-3/8"

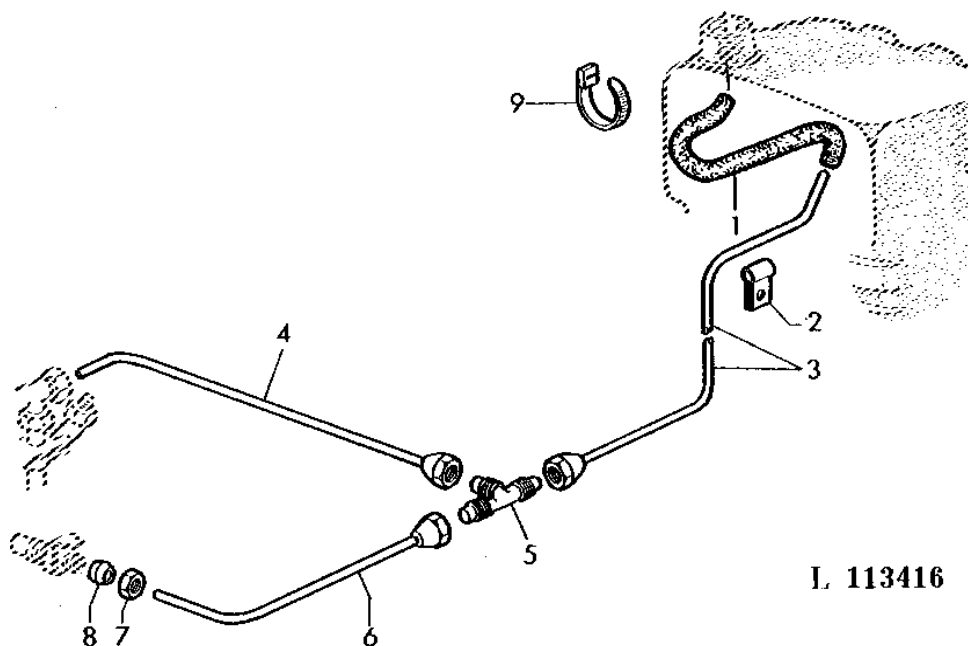
(A) WITH PLASTIC FUEL TANK UP TO SERIAL NO.544831
 AVEC RESERVOIR EN PLASTIQUE JUSQU'AU NO.SERIE 544831
 BEI KUNSTSTOFFTANK BIS SERIEN NR.544831
 CON SERBAT.COMBUST.IN PLAST.FINO AL NO.MATR.544831
 CON DEPOSITO DE PLASTICO HASTA NO.SERIE 544831
 VID PLAST-BRANSLLETANK TILL SERIENUMMER 544831

1E17

FUEL SYSTEM AND AIR INTAKE SYSTEM

"THERMOSTART" STARTING AID WITH PLASTIC FUEL TANK
 AIDE AU DEMARRAGE THERMIQUE AVEC RESERVOIR EN MAT. PLASTIQUE
 THERMO-STARHILFE BEI KUNSTSTOFF-KRAFTSTOFFTANK
 DISPOSITIVO THERMOSTART CON SERBATOIO COMBUSTIBILE PLASTICO
 TERMOARRANQUE CON DEPOSITO DE PLASTICO
 TERMOSTART STARHJALP VID PLAST-BRANSLETANK

L113416 -UN-01JAN94



L 113416

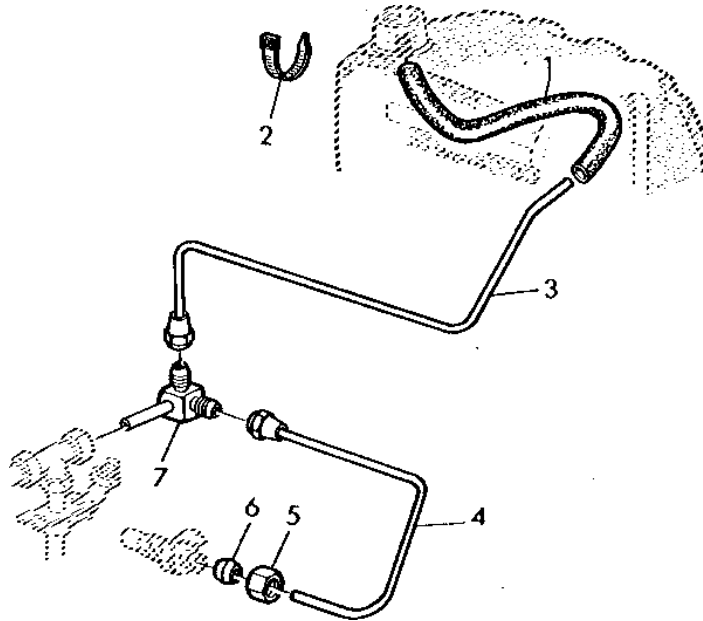
2
1 2 0
6 0 4
4 4 0
0 0 S

KEY	PART NO.	PART NAME	QTY	SERIAL NO.		REMARKS
1	HOSE	1	544832-568834	X X X	LGTH= 500MM (MF UN4663)
2	BP13682	CLIP	1	544832-568834	X X X	
3	AL38863	FUEL LINE	1	544832-568834	X X X	
4	AL38861	FUEL LINE	1	544832-568834	X X X	
5	L40786	TEE FITTING	1	544832-568834	X X X	
6	AL38860	FUEL LINE	1	544832-568834	X X X	
7	L40785	TAPERED SLEEVE	1	544832-568834	X X X	
8	L40784	TAPERED SLEEVE	1	544832-568834	X X X	
9	R44302	TIE BAND	1	544832-568834	X X X	
..	UN4663	HOSE	1		X X X	LGTH= 5000MM

1E18

FUEL SYSTEM AND AIR INTAKE SYSTEM

"THERMOSTART" STARTING AID WITH PLASTIC FUEL TANK
 AIDE AU DEMARRAGE THERMIQUE AVEC RESERVOIR EN MAT. PLASTIQUE
 THERMO-STARHILFE BEI KUNSTSTOFF-KRAFTSTOFFTANK
 DISPOSITIVO THERMOSTART CON SERBATOIO COMBUSTIBILE PLASTICO
 TERMOARRANQUE CON DEPOSITO DE PLASTICO
 TERMOSTART STARHJALP VID PLAST-BRANSLETANK
 L113548 -UN-01JAN94



L 113548

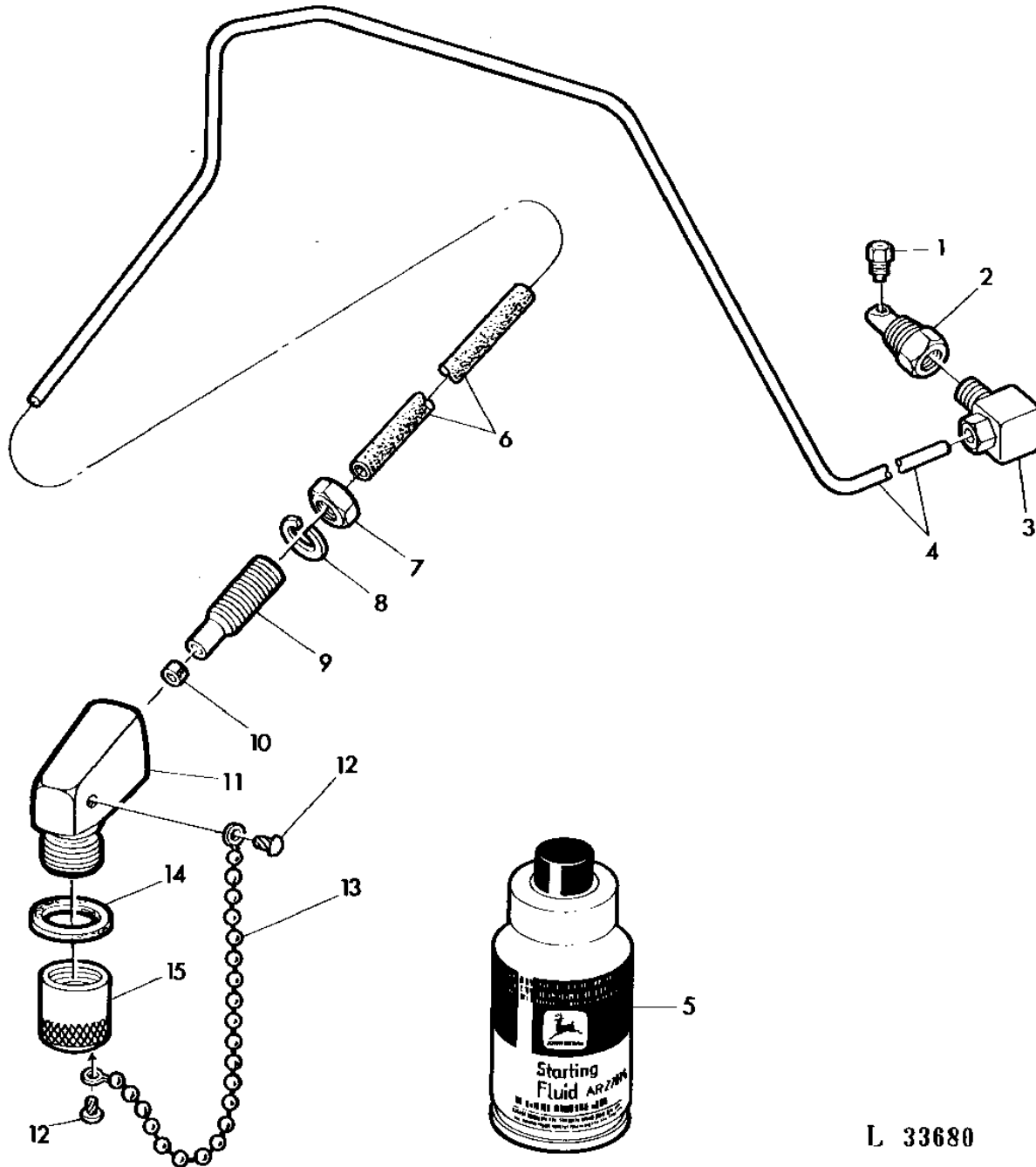
2
 1 2 0
 6 0 4
 4 4 0
 0 0 S

KEY	PART NO.	PART NAME	QTY	SERIAL NO.	REMARKS
1	HOSE	1	568835-	X X X LGTH= 500MM (MF UN4663)
2	R44302	TIE BAND	1	568835-	X X X
3	AL57879	FUEL LINE	1	568835-	X X X
4	AL57877	FUEL LINE	1	568835-	X X X
5	L40785	TAPERED SLEEVE	1	568835-	X X X
6	L40784	TAPERED SLEEVE	1	568835-	X X X
7	AL57886	TEE FITTING	1	568835-	X X X
..	UN4663	HOSE	1		X X X LGTH= 500MM

1E19

FUEL SYSTEM AND AIR INTAKE SYSTEM

ETHER COLD WEATHER STARTING AID
AIDE AU DEMARRAGE A L'ETHER
AETHER-STARHILFE
DISP. PER L'AVVIAMENTO A FREDDO CON ETERE
DISP. PARA FACILITAR EL ARRANQUE EN FRIJO CON ETER
KALLSTART (ETER)
L33680 -UN-18JUL95



L 33680

1E20

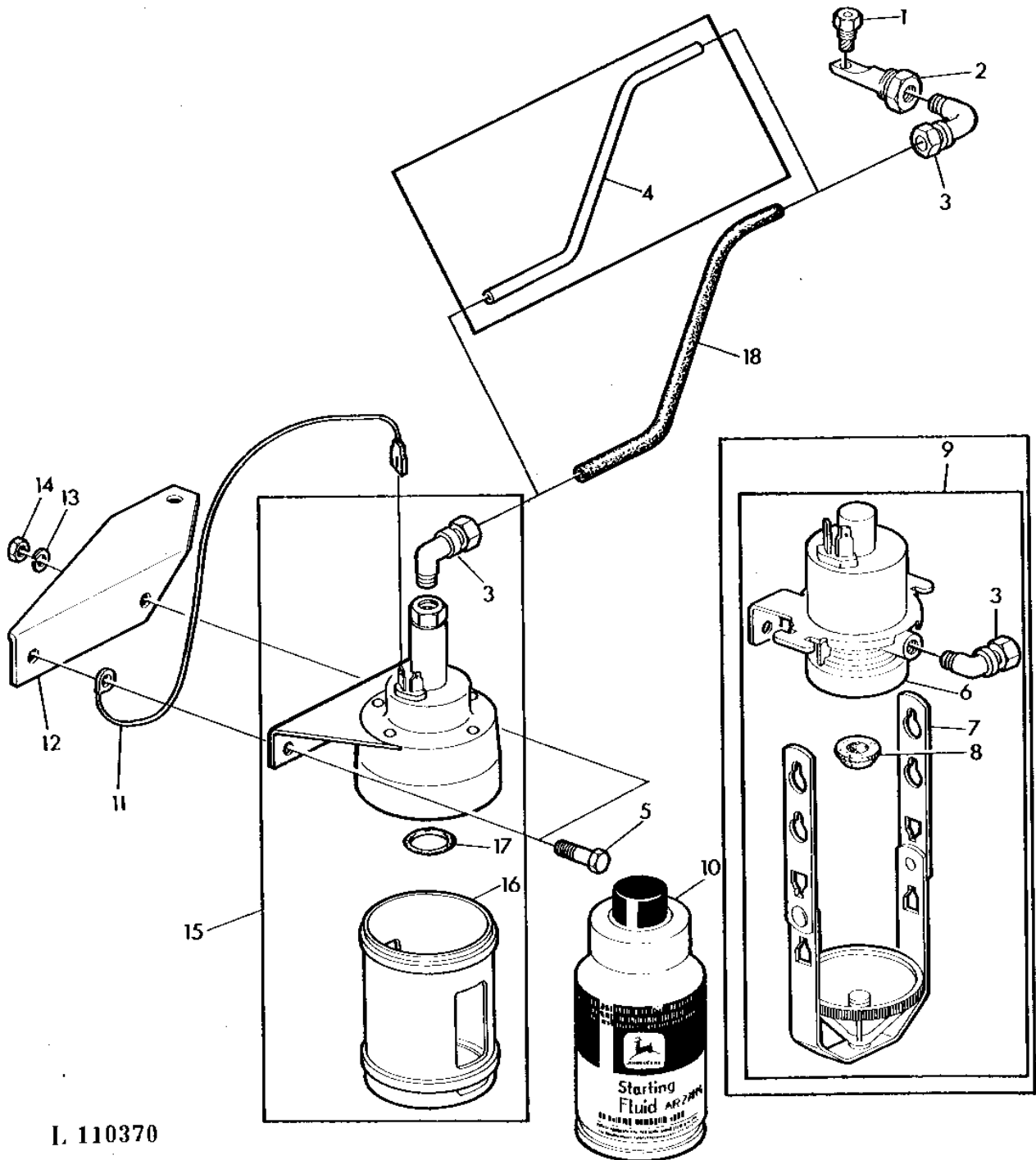
FUEL SYSTEM AND AIR INTAKE SYSTEM

KEY	PART NO.	PART NAME	QTY	SERIAL NO.	REMARKS
					2
					1 2 0
					6 0 4
					4 4 0
					0 0 S
1	R28583	NOZZLE	1		X X X
2	R47160	NOZZLE HOLDER	1		X X X
3	RE21790	ELBOW FITTING	1		X X X (SUB FOR AT25266)
4	L35005	LINE	1		X X X
5	RE33636	STARTING FLUID	1		X X X (SUB FOR AR27814, RE30174)
6	T64421	HOSE	1		X X X
7	14H1040	NUT	1		X X X 1/2"
8	12H301	LOCK WASHER	1		X X X 1/2"
9	R34395	ADAPTER	1		X X X
10	R34394	WASHER	1		X X X
11	T22534	ADAPTER	1		X X X
12	37H44	SCREW	2		X X X NO. 7 X 3/8"
13	AR27940	LINK CHAIN	1		X X X
14	R26149	PACKING	1		X X X
15	R32306	CAP	1		X X X

1E21

FUEL SYSTEM AND AIR INTAKE SYSTEM

ETHER COLD WEATHER STARTING AID (ELECTRIC, SG2 CAB)
 AIDE AU DEMARRAGE A L'ETHER (ELECTRIQUE, CABINE SG2)
 AETHER-STARHILFE (ELEKTRISCH, SG2 KABINE)
 DISP. PER L'AVVIAMENTO A FREDDO CON ETERE (ELET. CABINA SG2)
 DISP. PARA FAC. EL ARRANQUE EN FRIJO CON ETER (ELECT. CABINA SG2)
 ETER KALLSTART (ELEKTRISK, SG2 HYTT)
 L110370 -UN-01JAN94



L 110370

1E22

FUEL SYSTEM AND AIR INTAKE SYSTEM

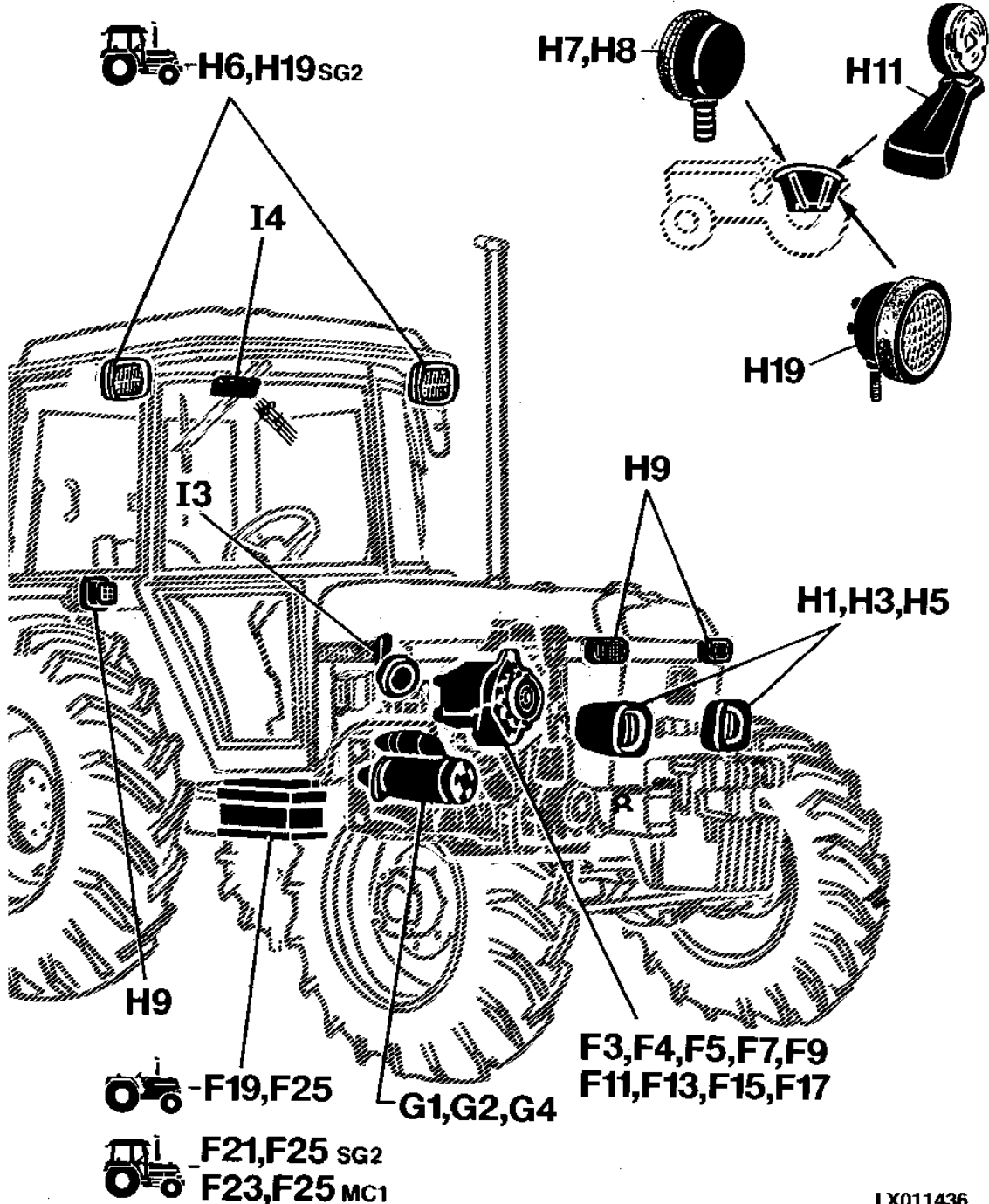
KEY	PART NO.	PART NAME	QTY	SERIAL NO.	REMARKS
					2
					1 2 0
					6 0 4
					4 4 0
					0 0 S
1	R28583	NOZZLE	1		X X X
2	R47160	NOZZLE HOLDER	1		X X X
3	RE21790	ELBOW FITTING	2		X X X (SUB FOR AT25266)
4	L37779	LINE	1		X X X (ORD R79818)
5	19H2127	CAP SCREW	2		X X X 5/16"X7/8"
6	AT45395	SOLENOID	1		X X X (ORD AR97514)
7	AT57288	BAIL	1		X X X
8	T46726	GASKET	1		X X X
9	AT39623	SOLENOID	1		X X X (ORD AR97514)
10	RE33636	STARTING FLUID	1		X X X (SUB FOR AR27814, RE30174)
11	AT24549	WIRING LEAD	1		X X X
12	L32515	BRACKET	1		X X X
13	12M7056	LOCK WASHER	2		X X X
14	14H785	NUT	2		X X X 5/16"
15	AR97514	STARTING AID SOLENOID	1		X X X
16	R73498	CONTAINER	1		X X X
17	T13119	O-RING	1		X X X
18	LINE	1		X X X LGTH= 145MM (MF R79818)
..	R79818	HOSE	1		X X X LGTH= 2000MM

1F1

XX
XX
XX
XX
XX
XX
XX
XX
XX
XX
XX

SECTIONAL INDEX
INDEX DE SECTION
GRUPPENINDEX
INDICE DELLA SEZIONE
INDICE DE GRUPOS
GRUPPSFORTECKNING

LX011436 -UN-14JUL95



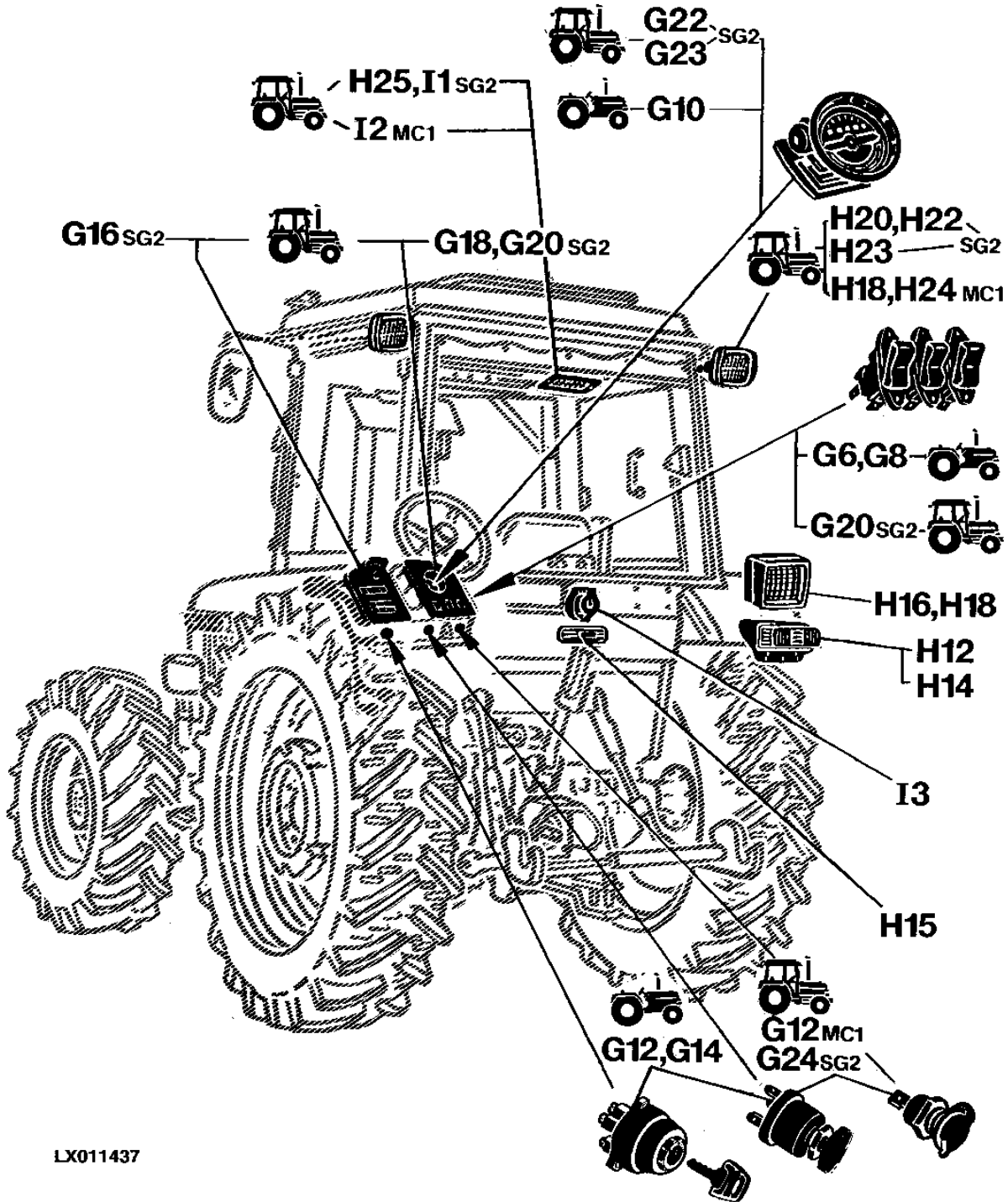
LX011436

1F2

XX
XX
XX
XX
XX
XX
XX
XX

SECTIONAL INDEX
INDEX DE SECTION
GRUPPENINDEX
INDICE DELLA SEZIONE
INDICE DE GRUPOS
GRUPPSFORTECKNING

LX011437 -UN-14JUL95

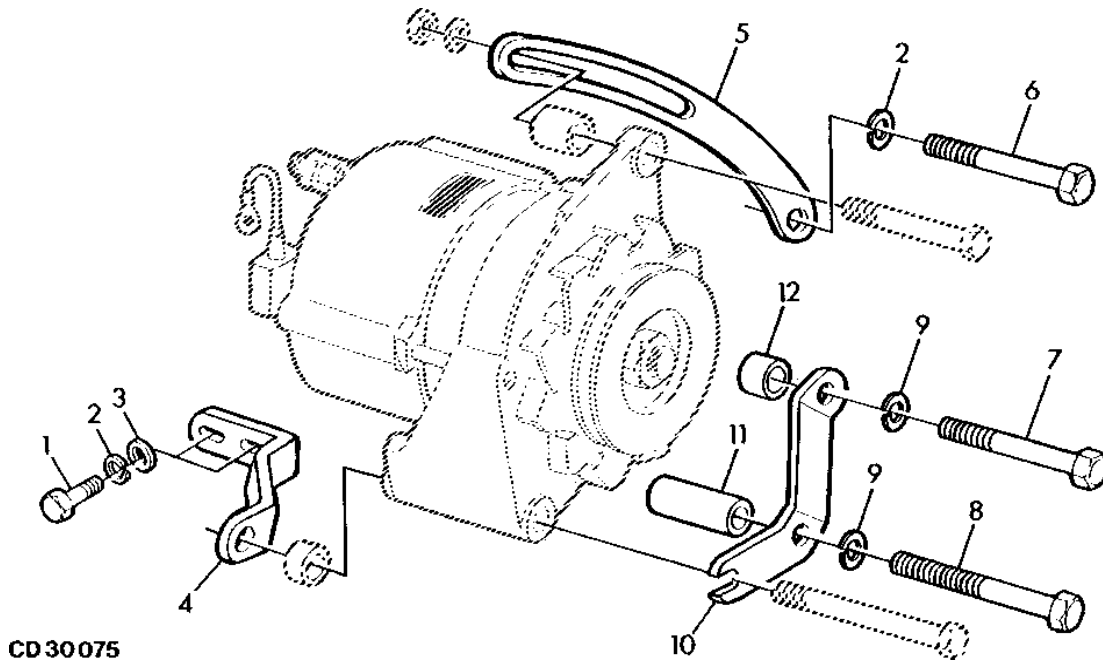


LX011437

1F3

ELECTRICAL PARTS

ALTERNATOR ATTACHING PARTS
 ELEMENTS DE FIXATION DE L'ALTERNATEUR
 BEFESTIGUNGSTEILE DREHSTROM-GENERATOR
 PARTI DA FISSAGIO DELL'ALTERNATORE
 PIEZAS DE FIJACION DEL ALTERNADOR
 MONTERINGSDELAR FOR VAXELSTROMSGENERATOR
 CD30075 -UN-01JAN94



CD 30 075

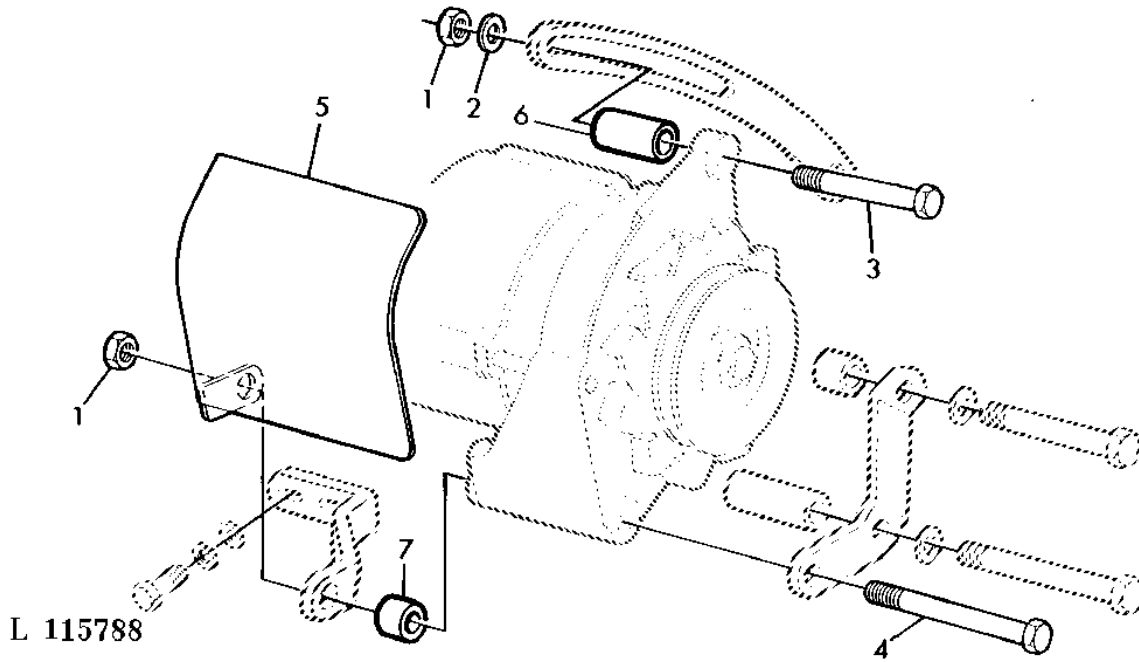
2
 1 2 0
 6 0 4
 4 4 0
 0 0 S

KEY	PART NO.	PART NAME	QTY	SERIAL NO.	REMARKS
1	19H2284	CAP SCREW	2	X X X	3/8"X7/8"
2	12H304	LOCK WASHER	3	X X X	3/8"
3	24H1305	WASHER	2	X X X	13/32"X13/16"X0.060"
4	R60828	BRACKET	1	X X X	REAR
5	R73786	STRAP	1	X X X	
6	19H2549	CAP SCREW	1	X X X	3/8"X1-7/8"
7	19H1944	CAP SCREW	1	X X X	3/8"X2-3/4"
8	19H1854	CAP SCREW	1	X X X	3/8"X3-3/4"
9	24H1304	WASHER	2	X X X	13/32"X23/32"X0.120"
10	R87249	BRACKET	1	X X X	FRONT (SUB FOR R66794)
11	P41011	SPACER	1	X X X	
12	R73788	SPACER	1	X X X	

1F4

ELECTRICAL PARTS

ALTERNATOR ATTACHING PARTS
 ELEMENTS DE FIXATION DE L'ALTERNATEUR
 BEFESTIGUNGSTEILE DREHSTROM-GENERATOR
 PARTI DA FISSAGIO DELL'ALTERNATORE
 PIEZAS DE FIJACION DEL ALTERNADOR
 MONTERINGSDELAR FOR VAXELSTROMSGENERATOR
 L115788 -UN-18JUL95

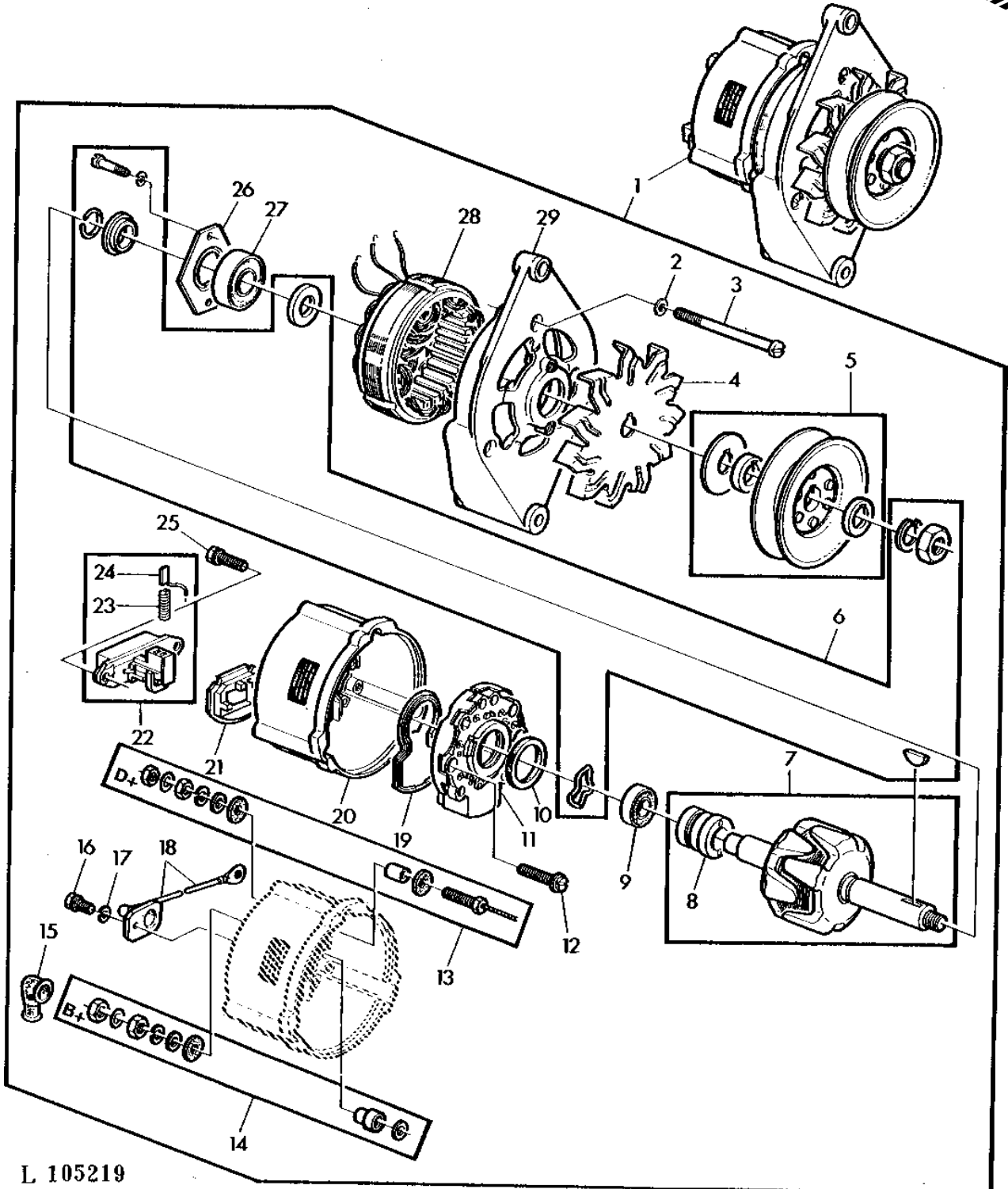


KEY	PART NO.	PART NAME	QTY	SERIAL NO.	REMARKS
				2	
				1 2 0	
				6 0 4	
				4 4 0	
				0 0 S	
1	14H785	NUT	2	X X X	5/16"
2	24H1292	WASHER	1	X X X	11/32"X3/4"X.120"
3	19H1949	CAP SCREW	1	X X X	5/16"X2-1/2"
4	19H1897	CAP SCREW	1	X X X	5/16"X3-3/4"
5	AL33275	GUARD	1	X X X	
6	R73787	SPACER	1	X X X	
7	CD14689	SPACER	1	X X X	

1F5

ELECTRICAL PARTS

ALTERNATOR (33A)
ALTERNATEUR (33A)
DREHSTROM-GENERATOR (33A)
ALTERNATORE (33A)
ALTERNADOR (33A)
VAXELSTROMSGENERATOR (33A)
L105219 -UN-01JAN94



L 105219

1F6

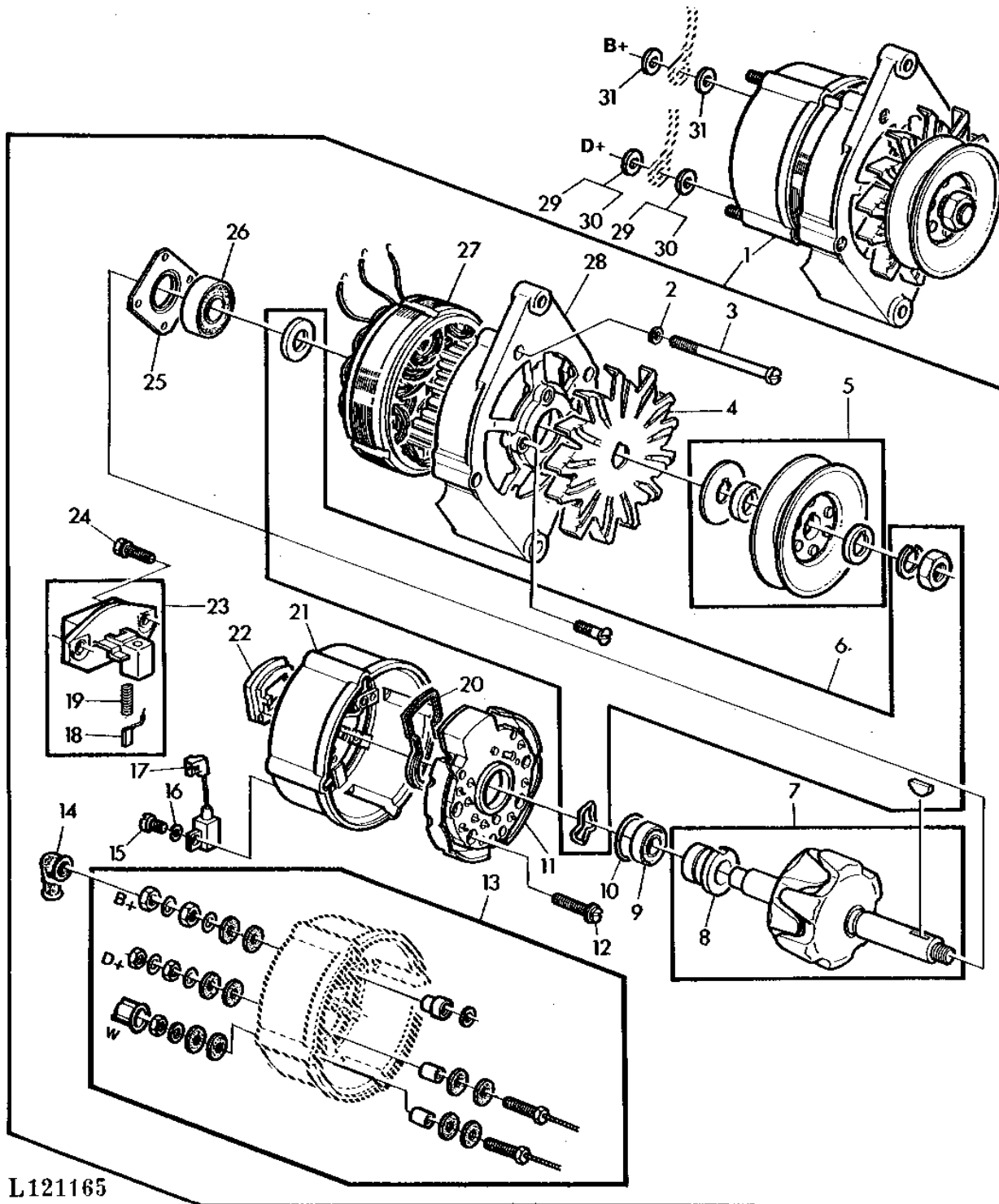
ELECTRICAL PARTS

KEY	PART NO.	PART NAME	QTY	SERIAL NO.	REMARKS
					2 1 2 0 6 0 4 4 4 0 0 0 S
1	AL36100	ALTERNATOR	1	X X X	R.BOSCH-14V, 33A, 0120339545 (ORD AL78689, 12M7060, 14M7028, 14M7273, 24M7036)
2	24M7027	WASHER	3	X X X	5.3X10X1MM
3	L32147	SCREW	3	X X X	
4	L29167	FAN	1	X X X	
5	AL32863	PULLEY	1	X X X	(ORD AL68891)
6	AL23857	KIT	1	X X X	(ORD L65058, L78085)
7	AZ24489	ROTOR	1	X X X	
8	L29160	RING	1	X X X	
9	AL23852	BEARING	1	X X X	
10	L41297	O-RING	1	X X X	
11	AL27374	RECTIFIER	1	X X X	
12	Z42049	SCREW	3	X X X	
13	AL33271	KIT	1	X X X	
14	AL33270	KIT	1	X X X	
15	L33994	TERMINAL NIPPLE	2	X X X	
16	21M7198	SCREW	1	X X X	M5X8
17	12M7075	WASHER	1	X X X	5MM
18	AZ24485	CAPACITOR	1	X X X	
19	L41298	GASKET	1	X X X	
20	AZ24488	CASE	1	X X X	
21	Z35542	INSULATOR	1	X X X	
22	AL36101	REGULATOR	1	X X X	
23	L27339	SPRING	2	X X X	
24	AL27373	CARBON BRUSH CONDUCTOR	1	X X X	KIT
25	Z42047	SCREW	2	X X X	
26	L29161	PLATE	1	X X X	
27	AL23851	BEARING	1	X X X	
28	AZ24487	STATOR	1	X X X	
29	L29159	CASE	1	X X X	

1F7

ELECTRICAL PARTS

ALTERNATOR (55A)
ALTERNATEUR (55A)
DREHSTROM-GENERATOR (55A)
ALTERNATORE (55A)
ALTERNADOR (55A)
VAXELSTROMSGENERATOR (55A)
L121165 -UN-01JAN94



L121165

1F8

ELECTRICAL PARTS

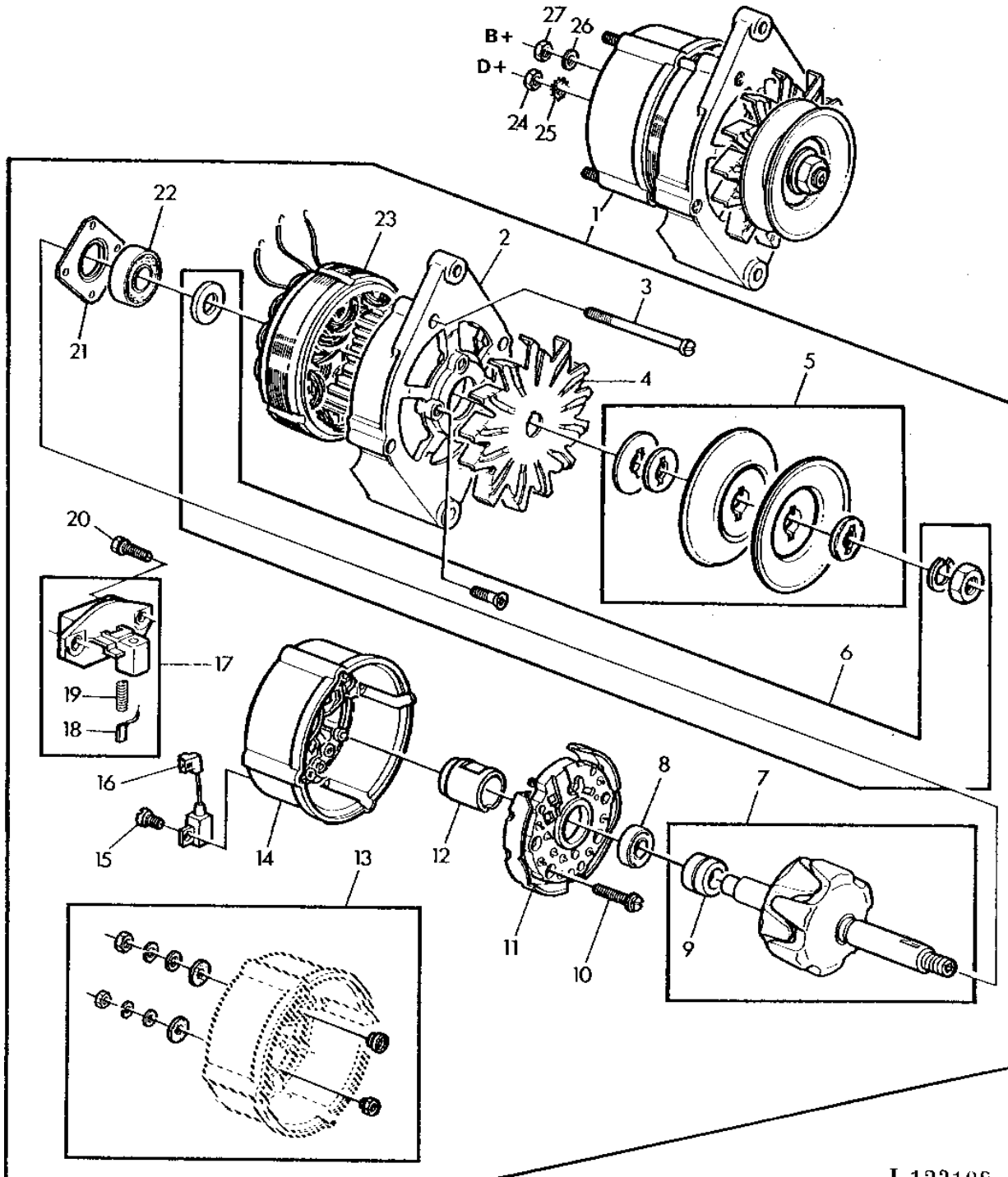
KEY	PART NO.	PART NAME	QTY	SERIAL NO.	REMARKS
					2 1 2 0 6 0 4 4 4 0 0 0 S
1	AL35998	ALTERNATOR	1	X X X	R.BOSCH-14V, 55A, 0120489704 (ORD AL78689, 12M7060, 14M7028, 14M7273, 24M7036)
2	24M7027	WASHER	4	X X X	5.3X10X1MM
3	L41575	SCREW	4	X X X	
4	L33993	FAN	1	X X X	
5	AL32863	PULLEY	1	X X X	(ORD AL68891)
6	AL30424	KIT	1	X X X	(ORD L65058, L78085)
7	AL30416	ROTOR	1	X X X	
8	L33986	RING	1	X X X	
9	AL30417	BEARING	1	X X X	
10	L33987	O-RING	1	X X X	
11	AL30419	DIODE HOLDER	1	X X X	
12	Z42049	SCREW	3	X X X	M4X16
13	AL30425	KIT	1	X X X	
14	L33994	TERMINAL NIPPLE	2	X X X	
15	21M7198	SCREW	1	X X X	M5X8
16	12M7075	WASHER	1	X X X	5MM
17	AL30423	CAPACITOR	1	X X X	
18	AL30421	CARBON BRUSH CONDUCTOR	1	X X X	KIT
19	Z42048	SPRING	2	X X X	(SUB FOR L33988 APPL)
20	L41296	GASKET	1	X X X	
21	AL30418	HOUSING	1	X X X	
22	L33992	INSULATOR	1	X X X	
23	AL35999	REGULATOR	1	X X X	
24	Z42047	SCREW	2	X X X	
25	L33985	FLANGE	1	X X X	
26	JD10036	BALL BEARING	1	X X X	
27	AL30422	STATOR	1	X X X	
28	AL30414	CASE	1	X X X	
29	24M7146	WASHER	2	X X X	4.3X12X1MM
30	24M7027	WASHER	2	X X X	(A) 5.3X10X1MM
31	24M7088	WASHER	2	X X X	(A) 6.6X12.5X1.6MM

(A) WITH ENGINE WIRING HARNESS AL55858 OR AL55855
 AVEC FAISCEAU DE CABLES MOTEUR AL55858 OU AL55855
 BEI MOTORKABELBAUM AL55858 ODER AL55855
 CON FASCIO CAVI MOTORE AL55858 OD AL55855
 CON GRUPPO DE CABLES DEL MOTOR AL55858 O AL55855
 VID MOTORNS KABELHARVA AL55858 ELLER AL55855

1F9

ELECTRICAL PARTS

ALTERNATOR (55A)
ALTERNATEUR (55A)
DREHSTROM-GENERATOR (55A)
ALTERNATORE (55A)
ALTERNADOR (55A)
VAXELSTROMSGENERATOR (55A)
L123108 -UN-01JAN94



L123108

1F10

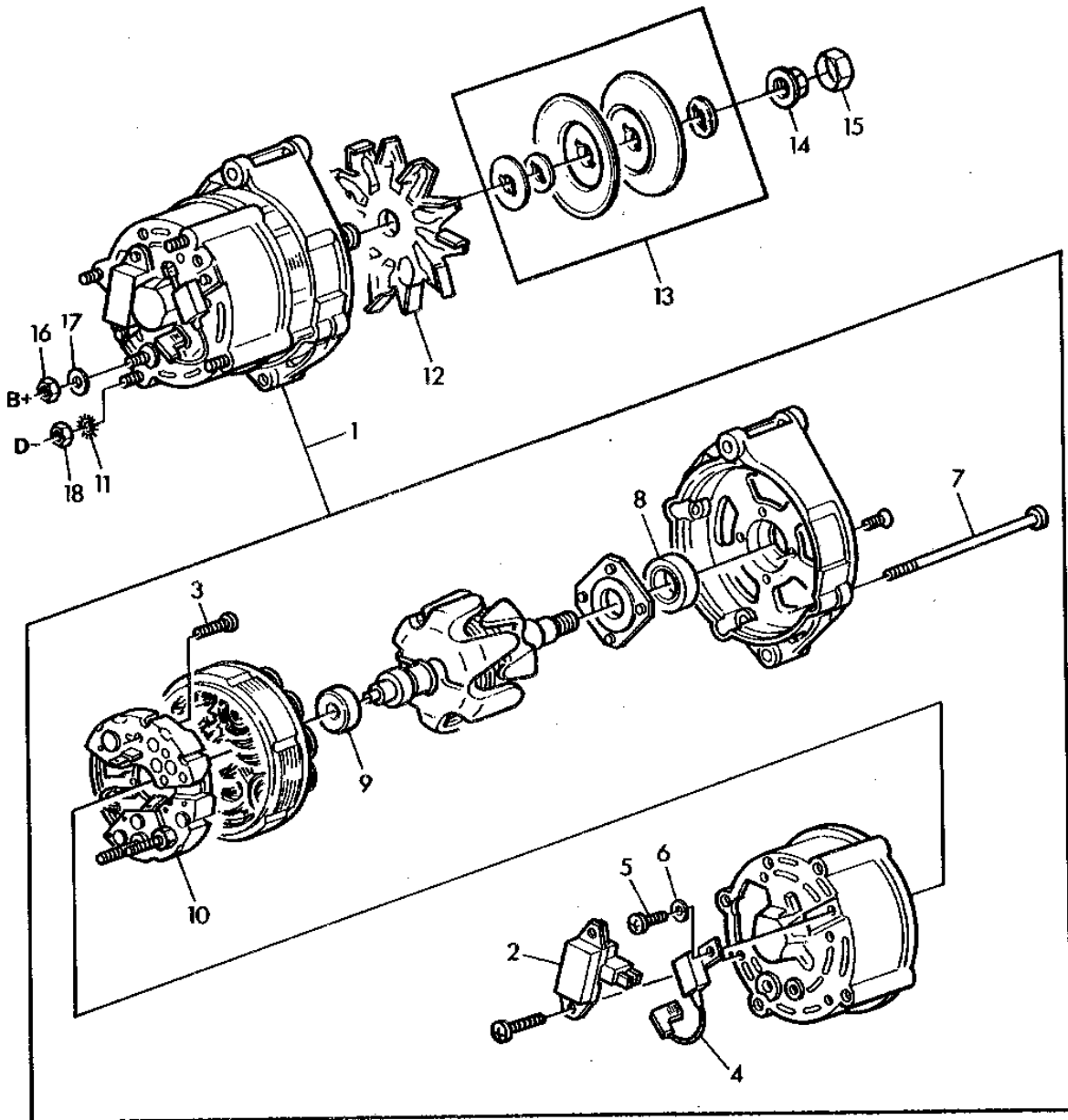
ELECTRICAL PARTS

KEY	PART NO.	PART NAME	QTY	SERIAL NO.	REMARKS
					2 1 2 0 6 0 4 4 4 0 0 0 S
1	AL67175	ALTERNATOR	1	X X X	R.BOSCH-14V, 55A, 0120488218 (ORD AL78689)
2	AL68883	BEARING	1	X X X	(ORD AL78689)
3	L41575	SCREW	4	X X X	
4	L33993	FAN	1	X X X	(ORD L77042)
5	AL68891	PULLEY	1	X X X	
6	AL23857	KIT	1	X X X	(ORD L65058, L78085)
7	AL68885	ROTOR	1	X X X	(ORD AL78689)
8	JD30001	BALL BEARING	1	X X X	
9	L64324	RING	1	X X X	(ORD AL78689)
10	Z42047	SCREW	2	X X X	
11	AL68887	RECTIFIER	1	X X X	
12	L61844	GUARD	1	X X X	(ORD AL78689)
13	AL68893	KIT	1	X X X	KIT
14	L64325	BEARING	1	X X X	(ORD AL78689)
15	L63731	SCREW	1	X X X	(ORD 21M7198)
16	AL30423	CAPACITOR	1	X X X	
17	AL65077	REGULATOR	1	X X X	
18	AL30421	CARBON BRUSH CONDUCTOR	1	X X X	KIT (ORD AL65077)
19	Z42048	SPRING	2	X X X	
20	L64371	SCREW	2	X X X	(ORD Z42047)
21	L64323	PLATE	1	X X X	(ORD AL78689)
22	JD10036	BALL BEARING	1	X X X	
23	AL68889	STAND-OFF	1	X X X	(ORD AL78689)
24	14M7028	NUT	1	X X X	M5
25	12M7060	WASHER	1	X X X	
26	24M7036	WASHER	1	X X X	9X16X1.6MM
27	14M7273	NUT	1	X X X	M8

1F11

ELECTRICAL PARTS

ALTERNATOR (55A)
ALTERNATEUR (55A)
DREHSTROM-GENERATOR (55A)
ALTERNATORE (55A)
ALTERNADOR (55A)
VAXELSTROMSGENERATOR (55A)
LX003203 -UN-01JAN94



LX003203

1F12

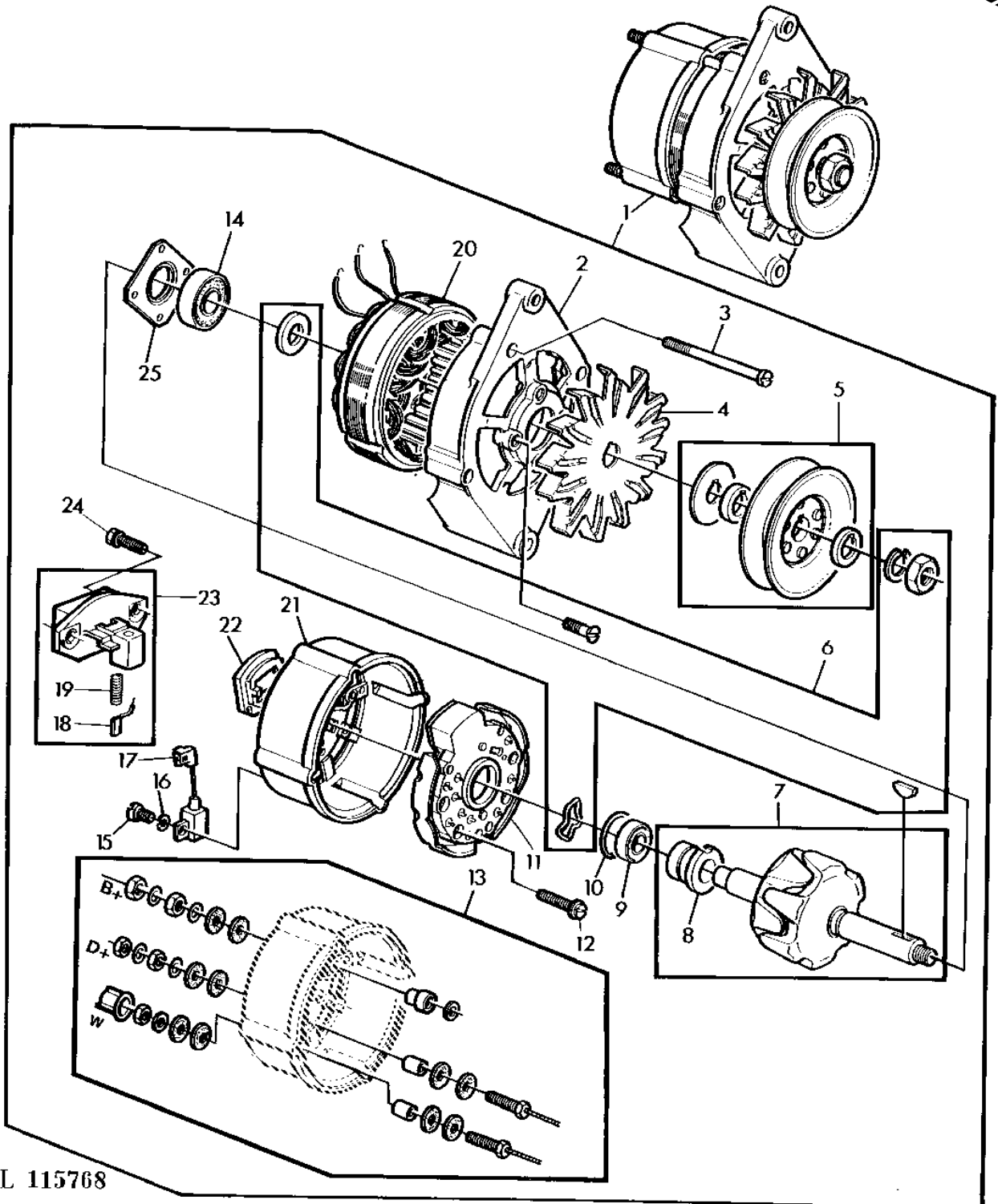
ELECTRICAL PARTS

KEY	PART NO.	PART NAME	QTY	SERIAL NO.	REMARKS
					2
					1 2 0
					6 0 4
					4 4 0
					0 0 S
1	AL78689	ALTERNATOR	1	X X X	R.BOSCH-14V, 55AH, 0120488267
2	AL65077	REGULATOR	1	X X X	
3	Z42047	SCREW	2	X X X	
4	AL30423	CAPACITOR	1	X X X	
5	21M7198	SCREW	1	X X X	M5X8
6	12M7075	WASHER	1	X X X	5,3X10X0,6MM
7	L41575	SCREW	4	X X X	
8	JD30001	BALL BEARING	1	X X X	
9	JD10036	BALL BEARING	1	X X X	
10	AL68887	RECTIFIER	1	X X X	
11	12M7060	WASHER	1	X X X	5,3X10X0,6MM
12	L77042	FAN	1	X X X	
13	AL68891	PULLEY	1	X X X	
14	L78085	FLANGE NUT	1	X X X	
15	L65058	FLANGE	1	X X X	
16	14M7273	NUT	1	X X X	M8
17	24M7036	WASHER	1	X X X	9X16X1,6MM
18	14M7028	NUT	1	X X X	M5

1F13

ELECTRICAL PARTS

ALTERNATOR (70A)
ALTERNATEUR (70A)
DREHSTROM-GENERATOR (70A)
ALTERNATORE(70A)
ALTERNADOR (70A)
VAXELSTROMSGENERATOR (70A)
L115768 -UN-30MAY95



L 115768

1F14

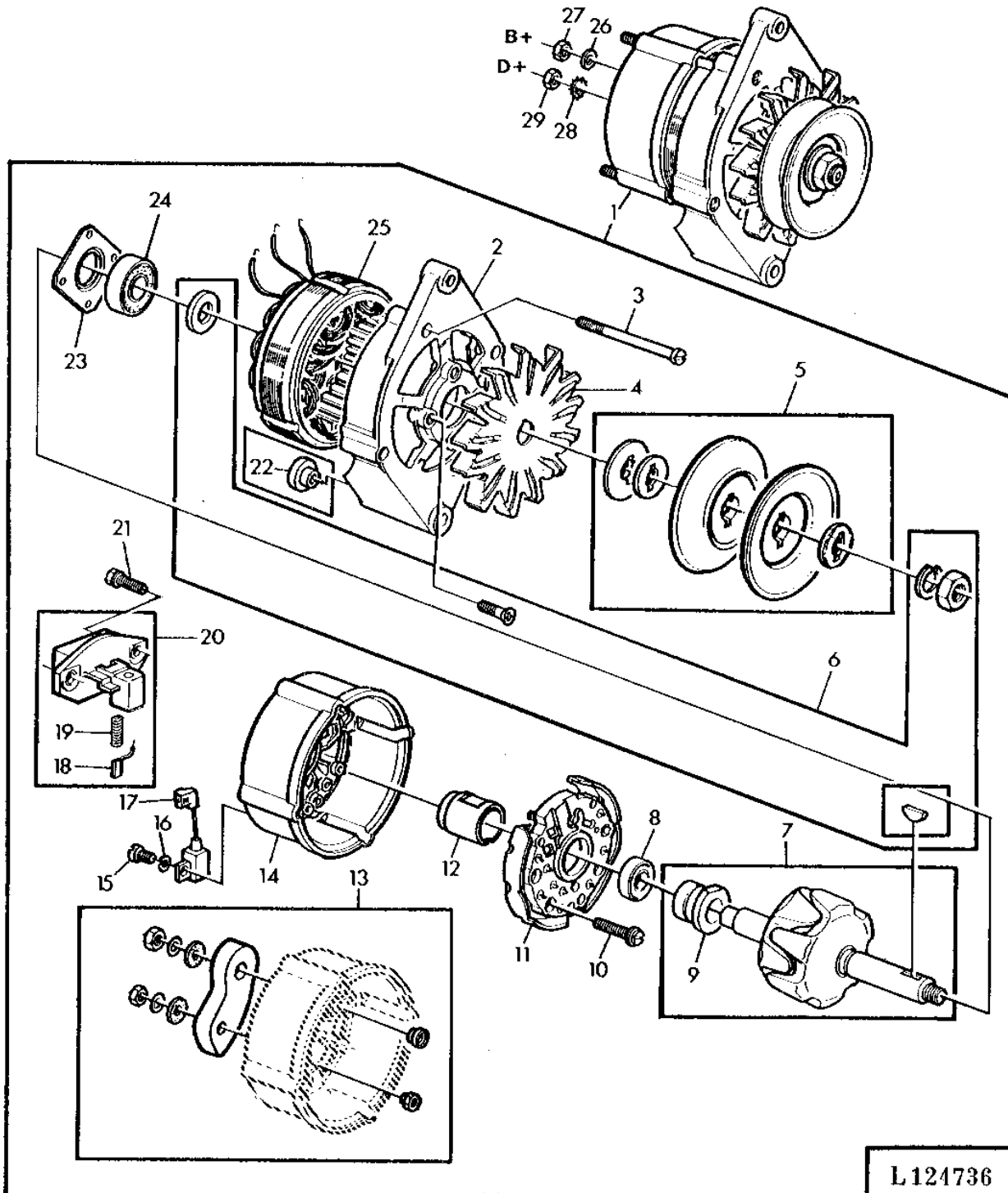
ELECTRICAL PARTS

KEY	PART NO.	PART NAME	QTY	SERIAL NO.	REMARKS
					2 1 2 0 6 0 4 4 4 0 0 0 S
1	AL57438	ALTERNATOR	1	X X X	R.BOSCH-14V, 70A 0120489317 (ORD AL78690, 12M7060, 14M7028, 14M7273, 24M7036)
2	AL60027	QUILL	1	X X X	
3	L41575	SCREW	4	X X X	
4	L58744	VANE	1	X X X	(ORD AL68891)
5	AL32863	PULLEY	1	X X X	
6	AL30424	KIT	1	X X X	(ORD L65058, L78085)
7	AL60121	ROTOR	1	X X X	
8	L58339	RING	1	X X X	
9	AL30417	BEARING	1	X X X	
10	L33987	O-RING	1	X X X	
11	AL60123	RECTIFIER	1	X X X	
12	Z42049	SCREW	3	X X X	M4X16
13	AL30425	KIT	1	X X X	
14	JD10036	BALL BEARING	1	X X X	
15	21M7198	SCREW	1	X X X	M5X8
16	12M7075	WASHER	1	X X X	5MM
17	AL30423	CAPACITOR	1	X X X	
18	AL30421	CARBON BRUSH CONDUCTOR	1	X X X	KIT
19	Z42048	SPRING	2	X X X	
20	AL60126	STATOR	1	X X X	
21	AL60122	COMMUTATOR HOUSING	1	X X X	
22	L33992	INSULATOR	1	X X X	
23	AL35999	REGULATOR	1	X X X	(SUB FOR AL60124)
24	Z42047	SCREW	2	X X X	
25	L33985	FLANGE	1	X X X	

1F15

ELECTRICAL PARTS

ALTERNATOR (85A)
ALTERNATEUR (85A)
DREHSTROM-GENERATOR (85A)
ALTERNATORE (85A)
ALTERNADOR (85A)
VAXELSTROMSGENERATOR (85A)
L124736 -UN-01JAN94



1F16

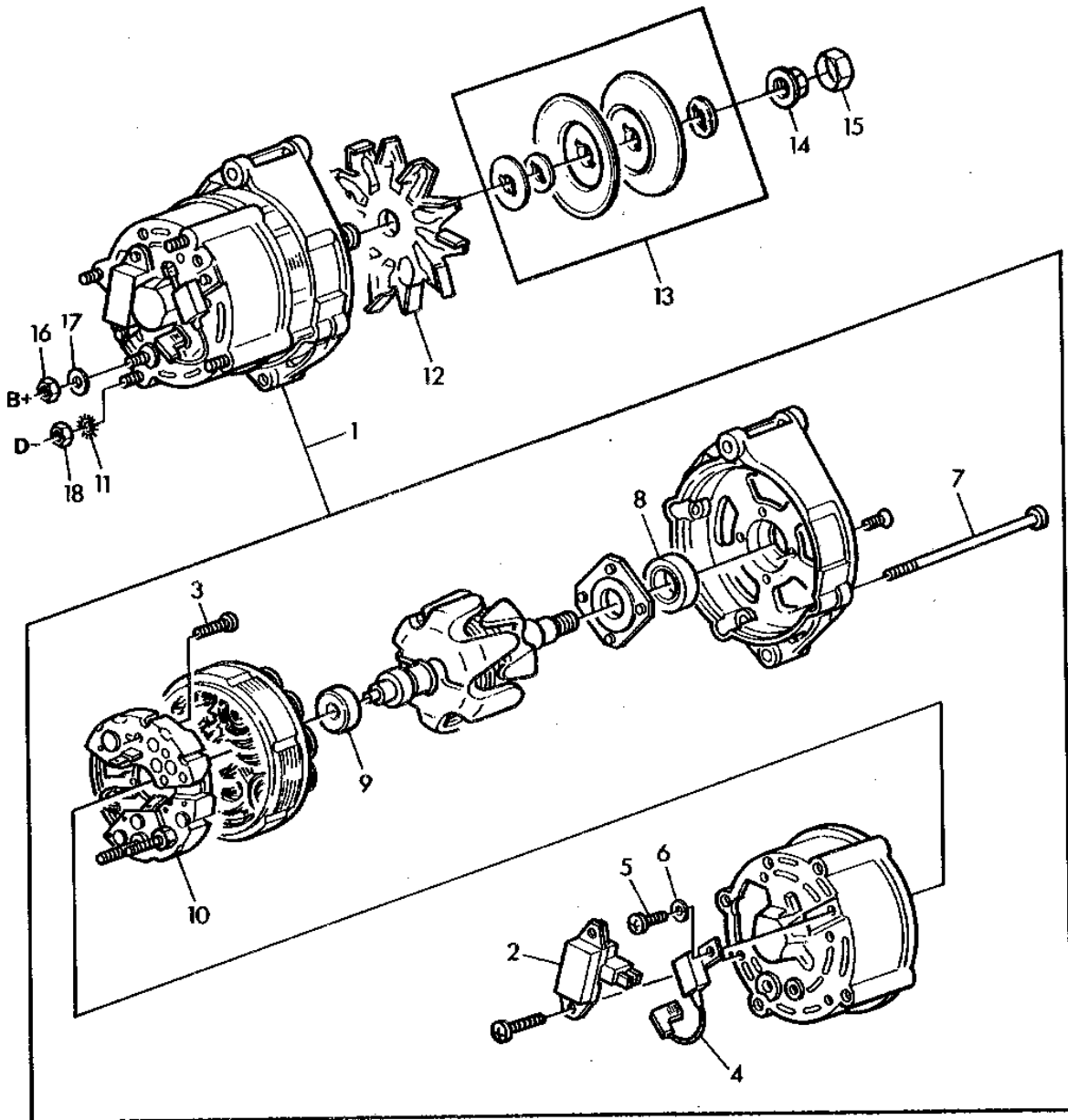
ELECTRICAL PARTS

KEY	PART NO.	PART NAME	QTY	SERIAL NO.	REMARKS
					2 1 2 0 6 0 4 4 4 0 0 0 S
1	AL67176	ALTERNATOR	1	X X X	R.BOSCH-14V, 85A, 0120484003 (ORD AL78690) (SUB FOR AL60033)
2	AL60027	QUILL	1	X X X	(ORD AL78690)
3	L41575	SCREW	4	X X X	
4	L61845	FAN	1	X X X	(ORD L77042)
5	AL68891	PULLEY	1	X X X	(SUB FOR AL65078 APPL)
6	AL30424	KIT	1	X X X	(ORD L65058, L78085)
7	AL65073	ROTOR	1	X X X	(ORD AL78690)
8	JD30001	BALL BEARING	1	X X X	(SUB FOR AL68894)
9	L58339	RING	1	X X X	(ORD AL78690)
10	Z42049	SCREW	2	X X X	
11	AL65075	RECTIFIER	1	X X X	
12	L61844	GUARD	1	X X X	(ORD AL78690)
13	AL65079	KIT	1	X X X	
14	AL65074	BEARING	1	X X X	(ORD AL78690)
15	21M7198	SCREW	1	X X X	M5X18
16	12M7075	WASHER	1	X X X	
17	AL30423	CAPACITOR	1	X X X	
18	AL30421	CARBON BRUSH CONDUCTOR	2	X X X	(ORD AL65077)
19	Z42048	SPRING	2	X X X	
20	AL65077	REGULATOR	1	X X X	
21	Z42047	SCREW	2	X X X	
22	L61843	BUSHING	1	X X X	(ORD AL78690)
23	L33985	FLANGE	1	X X X	(ORD AL78690)
24	JD10036	BALL BEARING	1	X X X	
25	AL65076	STATOR	1	X X X	(ORD AL78690)
26	24M7036	WASHER	1	X X X	9X16X1.6MM
27	14M7273	NUT	1	X X X	M8
28	12M7060	WASHER	1	X X X	
29	14M7028	NUT	1	X X X	M5

1F17

ELECTRICAL PARTS

ALTERNATOR (85A)
ALTERNATEUR (85A)
DREHSTROM-GENERATOR (85A)
ALTERNATORE (85A)
ALTERNADOR (85A)
VAXELSTROMSGENERATOR (85A)
LX003203 -UN-01JAN94



LX003203

1F18

ELECTRICAL PARTS

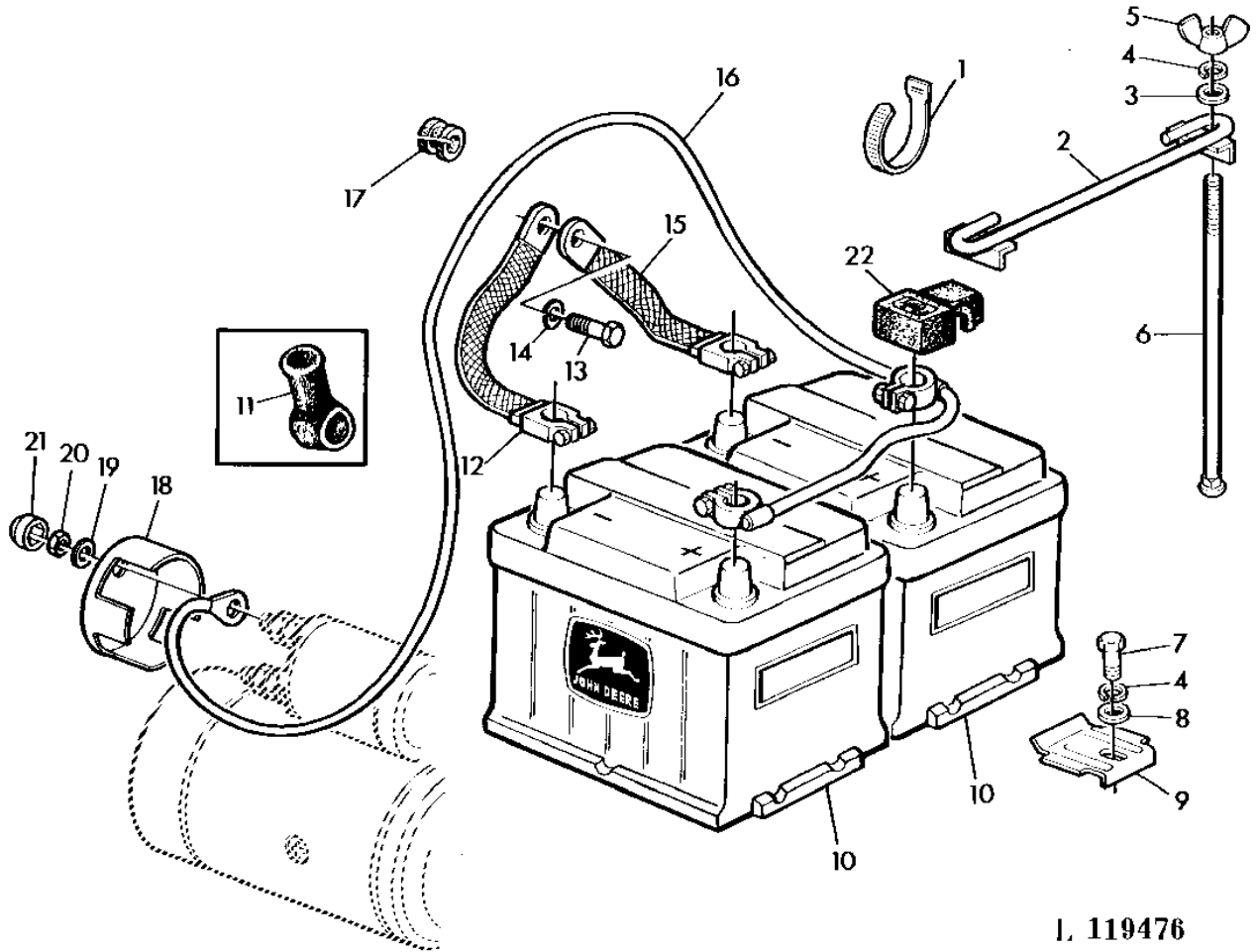
KEY	PART NO.	PART NAME	QTY	SERIAL NO.	REMARKS
					2
					1 2 0
					6 0 4
					4 4 0
					0 0 S
1	AL78690	ALTERNATOR	1	X X X	R.BOSCH-14V, 85AH, 0120484016
2	AL65077	REGULATOR	1	X X X	
3	Z42047	SCREW	2	X X X	
4	AL30423	CAPACITOR	1	X X X	
5	21M7198	SCREW	1	X X X	M5X8
6	12M7075	WASHER	1	X X X	5,3X10X0,6MM
7	L41575	SCREW	4	X X X	
8	JD30001	BALL BEARING	1	X X X	
9	JD10036	BALL BEARING	1	X X X	
10	AL65075	RECTIFIER	1	X X X	
11	12M7060	WASHER	1	X X X	5,3X10X0,6MM
12	L77042	FAN	1	X X X	
13	AL68891	PULLEY	1	X X X	
14	L78085	FLANGE NUT	1	X X X	
15	L65058	FLANGE	1	X X X	
16	14M7273	NUT	1	X X X	M8
17	24M7036	WASHER	1	X X X	9X16X1,6MM
18	14M7028	NUT	1	X X X	M5

1F19

ELECTRICAL PARTS

BATTERY
BATTERIE
BATTERIE
BATTERIA
BATTERI
L119476

-UN-18JUL95



1F20

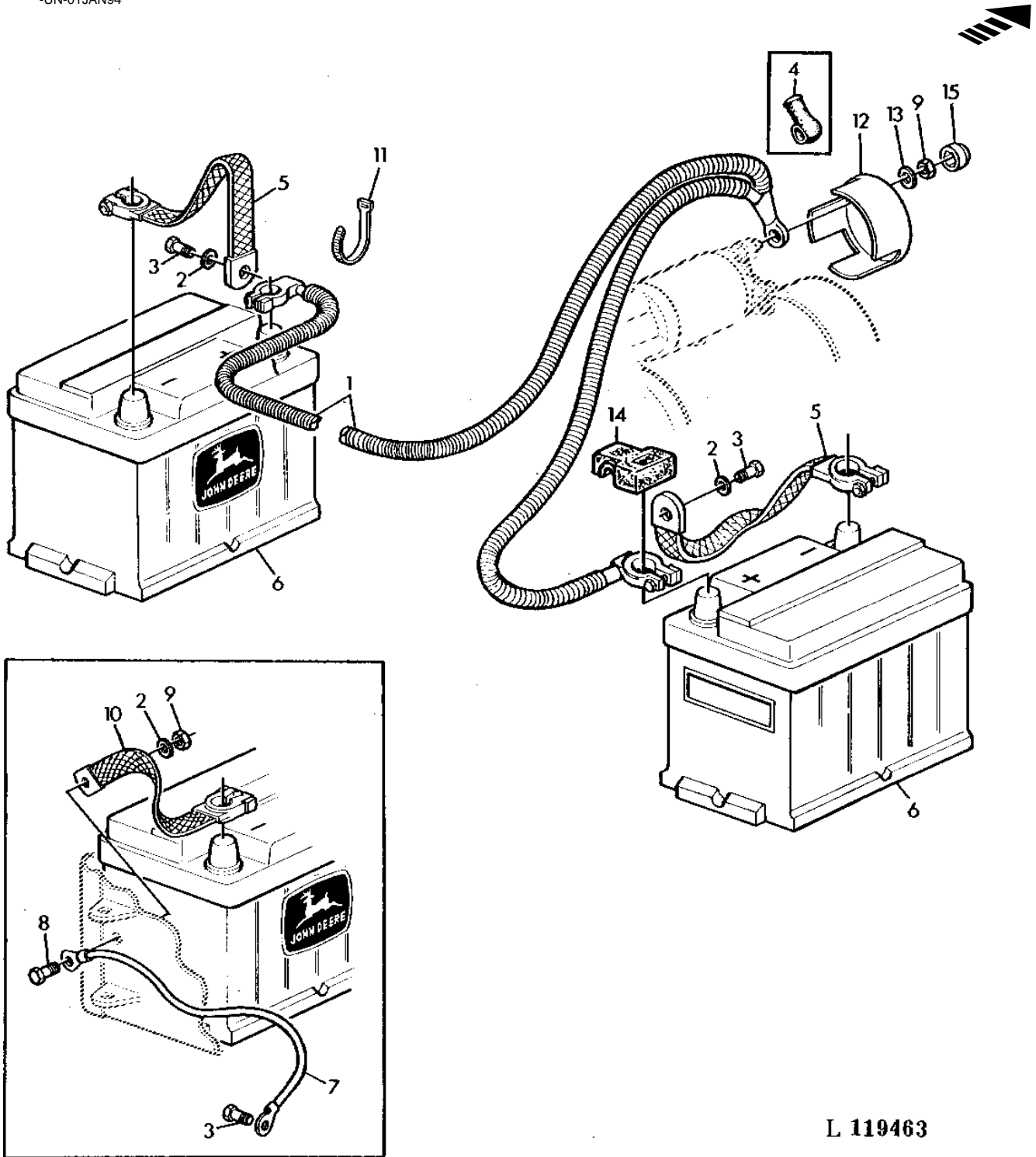
ELECTRICAL PARTS

KEY	PART NO.	PART NAME	QTY	SERIAL NO.	REMARKS
					2
					1 2 0
					6 0 4
					4 4 0
					0 0 S
1	R44302	TIE BAND	1		X X X
2	AT20452	CLAMP	1		X X X
3	24H1646	WASHER	2		X X X 17/64"X3/4"X.060"
4	12H302	LOCK WASHER	2		X X X 1/4"
5	14H952	WING NUT	2		X X X 1/4"
6	R56526	BOLT	2		X X X
7	19H2036	CAP SCREW	2		X X X 1/4"X7/8"
8	24M7139	WASHER	2		X X X 6.4X18X1.5MM
9	L31742	CLAMP	2		X X X
10	AL38481	BATTERY	2		X X X 12V, 55AH (ORD AL69984) (SUB FOR AL26939, AL36838)
11	L12809	TERMINAL NIPPLE	1		X X X
12	AL11176	GROUND CABLE	1		X X X (SUB FOR AT20749)
13	19H2021	CAP SCREW	1		X X X 3/8"X5/8"
14	12H304	LOCK WASHER	1		X X X 3/8"
15	AL11176	GROUND CABLE	1		X X X LGTH= 270MM (10.63")
16	AR53999	CABLE	1		X X X (+)
17	T23247	GROMMET	1		X X X
18	L63521	COVER	1		X X X (SUB FOR L42085, L58655)
19	24M7028	WASHER	1		X X X 10.5X21X2MM
20	14M7274	NUT	1		X X X M10
21	L32903	CAP	1		X X X
22	L61692	SHIELD	AR		X X X

1F21

ELECTRICAL PARTS

BATTERY SG2 CAB
BATTERIE CABINE SG2
BATTERIE SG2 KABINE
BATTERIA CABINA SG2
BATERIA CABINA SG2
BATTERI SG2 HYTT
L119463 -UN-01JAN94



L 119463

1F22

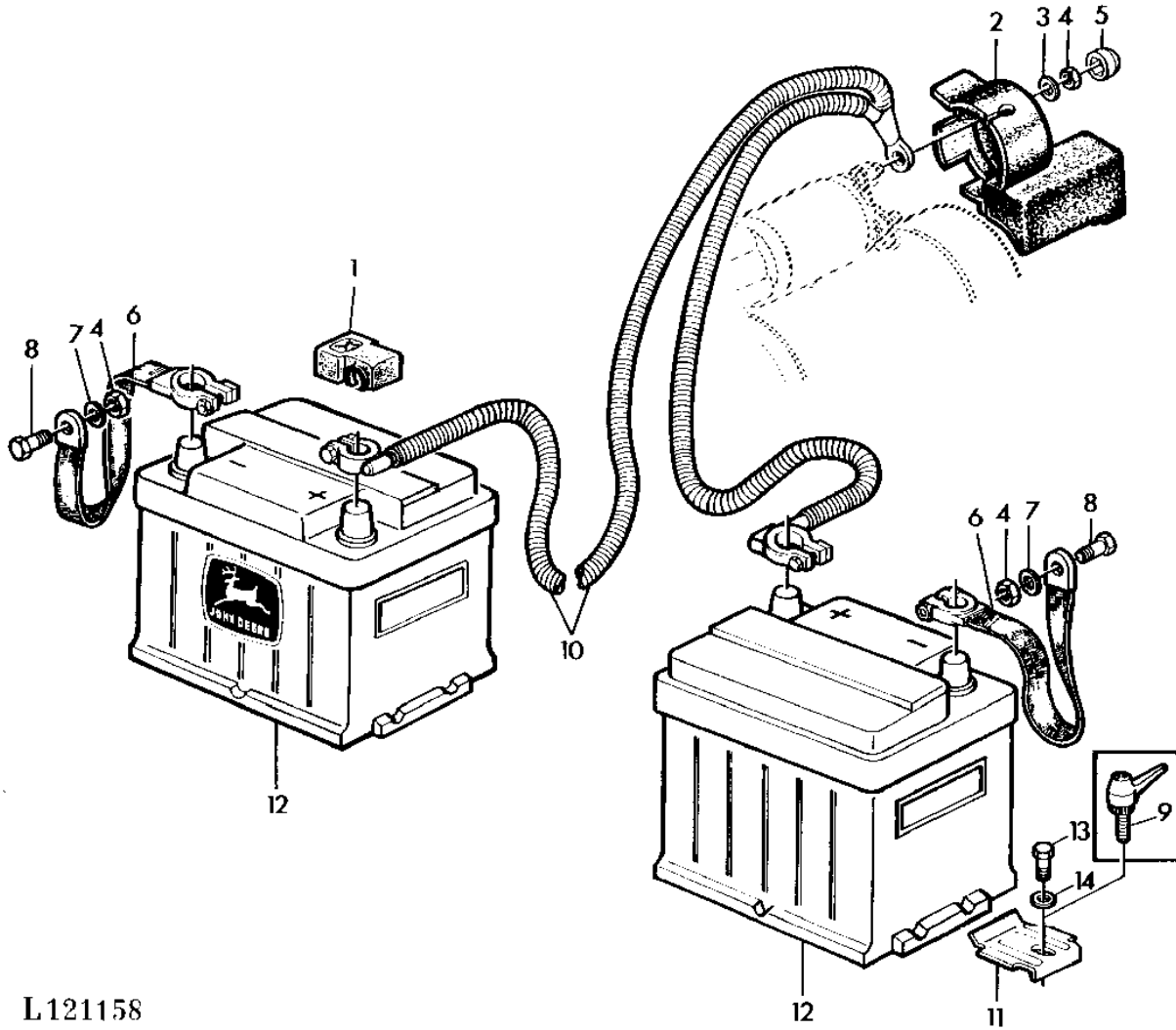
ELECTRICAL PARTS

KEY	PART NO.	PART NAME	QTY	SERIAL NO.	REMARKS
					2
					1 2 0
					6 0 4
					4 4 0
					0 0 S
1	AL39166	CABLE	1	X X X	(+) (SUB FOR AL36558)
2	24M7111	WASHER	2	X X X	13X25X3MM
3	19H2021	CAP SCREW	2	X X X	3/8"X5/8"
4	L12809	TERMINAL NIPPLE	1	X X X	
5	AL11176	GROUND CABLE	2	X X X	(-) (SUB FOR AL24499 APPL)
6	AL38481	BATTERY	2	X X X	12V, 55AH (ORD AL69984) (SUB FOR
	AL38480	BATTERY	2	X X X	AL36838) 12V, 66AH (ORD AL69986) (SUB FOR
					AL34461)
7	AL36601	CABLE	2	X X X	(ORD AL24499)
8	19M7166	CAP SCREW	3	X X X	M10X20
9	14M7274	NUT	1	X X X	M10
10	AT20749	GROUND CABLE	2	X X X	(ORD AL24499)
11	R44302	TIE BAND	3	X X X	
12	L63521	COVER	1	X X X	(SUB FOR L42085, L58655)
13	24M7028	WASHER	1	X X X	10.5X21X2MM
14	L61692	SHIELD	2	X X X	(SUB FOR L42114)
15	L32903	CAP	1	X X X	

1F23

ELECTRICAL PARTS

BATTERY MC1 CAB
BATTERIE CABINE MC1
BATTERIE MC1 KABINE
BATTERIA CABINA MC1
BATERIA CABINA MC1
BATTERI MC1 HYTT
L121158 -UN-12JUL95



L121158

1F24

ELECTRICAL PARTS

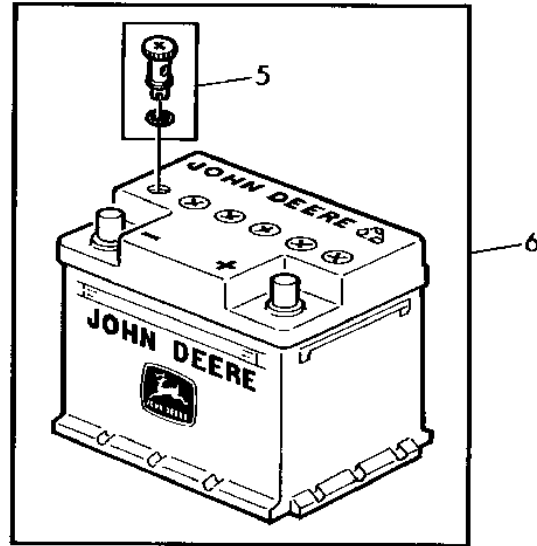
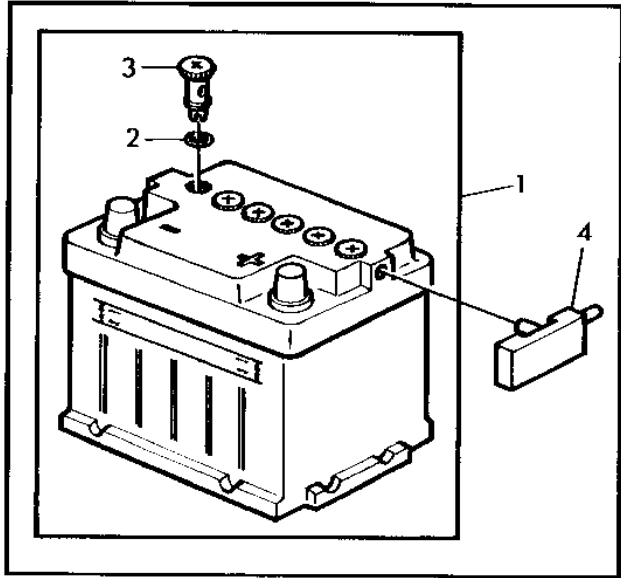
KEY	PART NO.	PART NAME	QTY	SERIAL NO.	REMARKS
					2
					1 2 0
					6 0 4
					4 4 0
					0 0 S
1	L61692	SHIELD	2	X X X	(SUB FOR L42114)
2	L63521	COVER	1	X X X	(SUB FOR L58655)
3	24M7028	WASHER	1	X X X	10.5X21X2MM
4	14M7274	NUT	3	X X X	M10
5	L32903	CAP	1	X X X	
6	AL11176	GROUND CABLE	2	X X X	(-)
7	24M7028	WASHER	2	X X X	10.5X21X2MM
8	19M7557	CAP SCREW	2	X X X	M10X16
9	AL61949	LEVER	2	X X X	(ORD 19M7163, 24M7036)
10	AL39166	CABLE	1	X X X	(+)
11	L31742	CLAMP	2	X X X	
12	AL38481	BATTERY	2	X X X	12V, 55AH (ORD AL69684)
	AL38480	BATTERY	2	X X X	12V, 66AH (ORD AL69986)
13	19M7163	CAP SCREW	2	X X X	M8X25
14	24M7036	WASHER	2	X X X	9X17X2.5MM

1F25

ELECTRICAL PARTS

BATTERY
BATTERIE
BATTERIE
BATTERIA
BATTERI
LX003062

-UN-07JUL95



LX003062

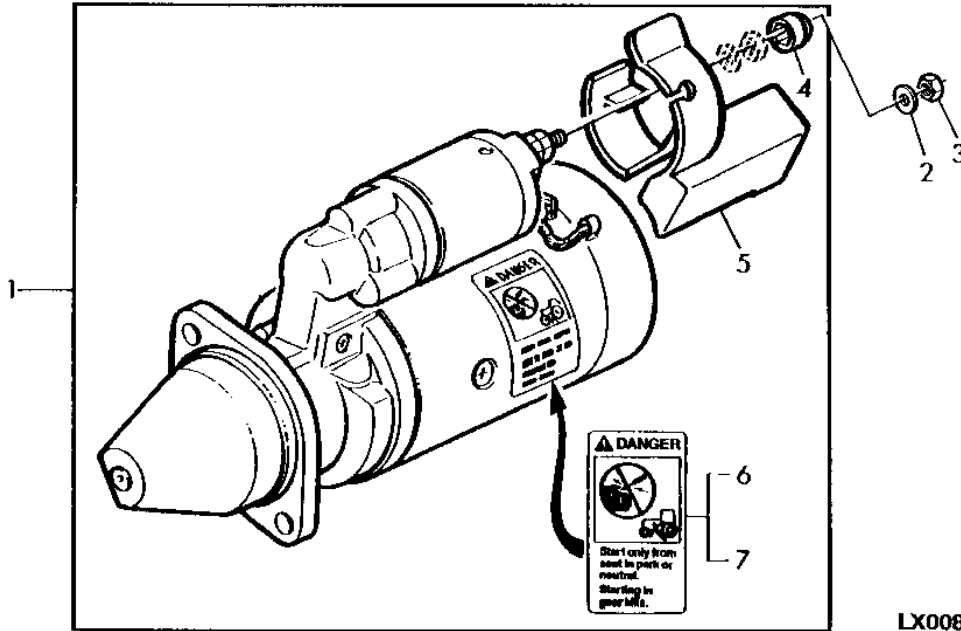
2
1 2 0
6 0 4
4 4 0
0 0 S

KEY	PART NO.	PART NAME	QTY	SERIAL NO.	REMARKS
1	AL66620	BATTERY	AR	X X X	12V, 55AH (ORD AL69984)
	AL66621	BATTERY	AR	X X X	12V, 66AH (ORD AL69986)
2	L62875	O-RING	6	X X X	
3	L62874	PIPE PLUG	6	X X X	
4	L62877	CONTAINER	AR	X X X	
5	AL69982	PIPE PLUG	6	X X X	
6	AL69984	BATTERY	AR	X X X	12V, 55AH (SUB FOR AL66620)
	AL69986	BATTERY	AR	X X X	12V, 66AH (SUB FOR AL66621)

1G1

ELECTRICAL PARTS

STARTING MOTOR KIT
 JEU DE PIECES POUR DEMARREUR
 TEILESATZ FUER ANLASSER
 KIT PER MOTORINO AVVIAMENTO
 CONJUNTO DE PIEZAS PARA MOTOR DE ARRANQUE
 SATS FOR STARTMOTOR
 LX008574 -UN-27APR95



LX008574

2
 1 2 0
 6 0 4
 4 4 0
 0 0 S

KEY	PART NO.	PART NAME	QTY	SERIAL NO.	REMARKS
1	AL70850	STARTER	1	X X X	3.0 KW
2	24M7028	WASHER	1	X X X	10.500X20X2MM
3	14M7274	NUT	1	X X X	M10
4	L32903	CAP	1	X X X	
5	L64990	COVER	1	X X X	
6	T146102	WARNING LABEL	1	X X X	(A) (SUB FOR T84409)
7	T146517	WARNING LABEL	1	X X X	(B) (SUB FOR T134456)

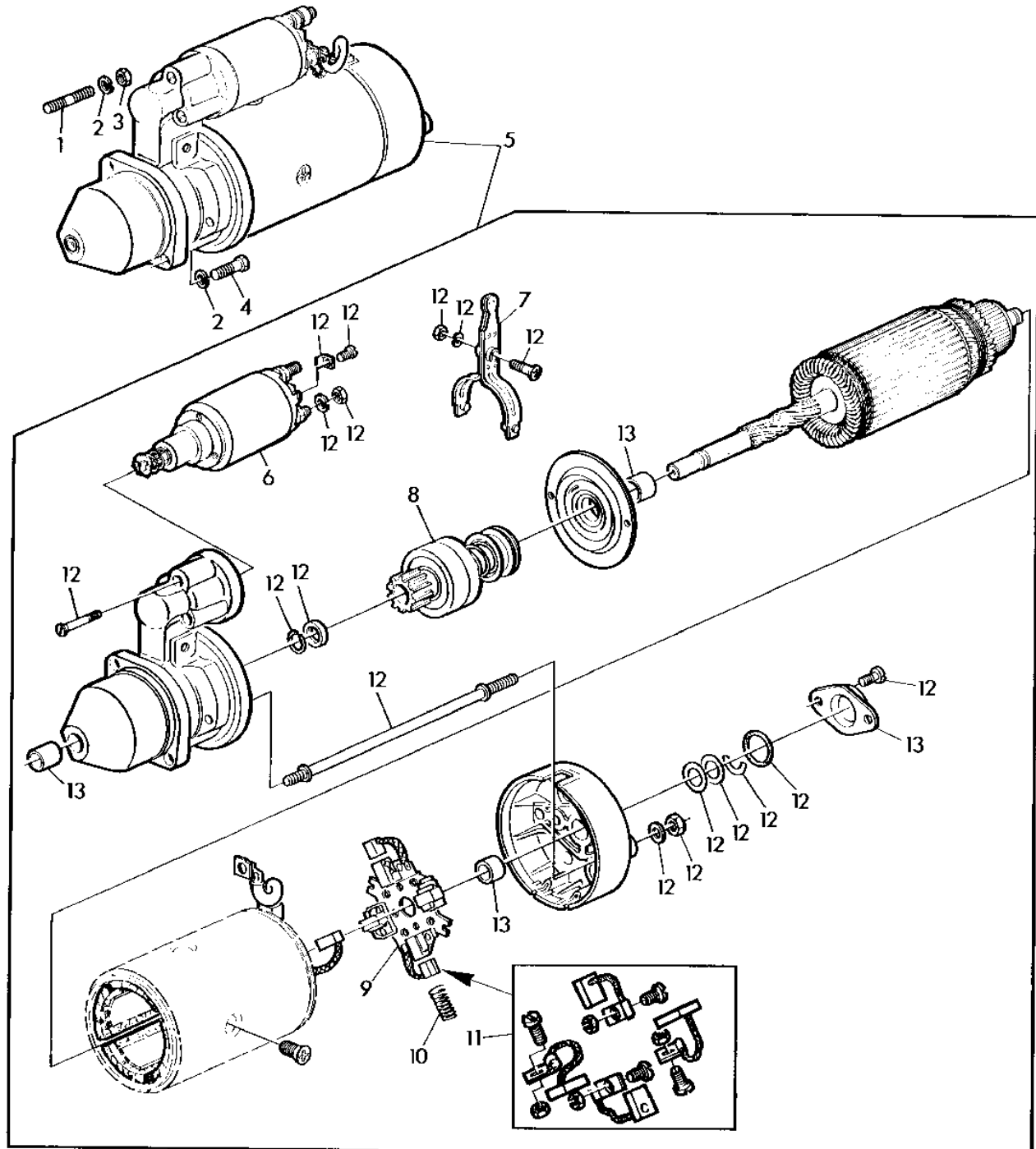
(A) ENGLISH
 ANGLAIS
 ENGLISCH
 INGLESE
 INGLES
 ENGELSK

(B) ENGLISH AND FRENCH
 ANGLAIS ET FRANCAIS
 ENGLISCH UND FRANZOESISCH
 INGLESE E FRANCESE
 INGLES Y FRANCES
 ENGELSK OCH FRANSK

1G2

ELECTRICAL PARTS

STARTING MOTOR
DEMARREUR
STARTER
AVVIATORE ELETTRICO
MOTOR DE ARRANQUE
STARTMOTOR
LX008576 -UN-27APR95



LX008576

1G3

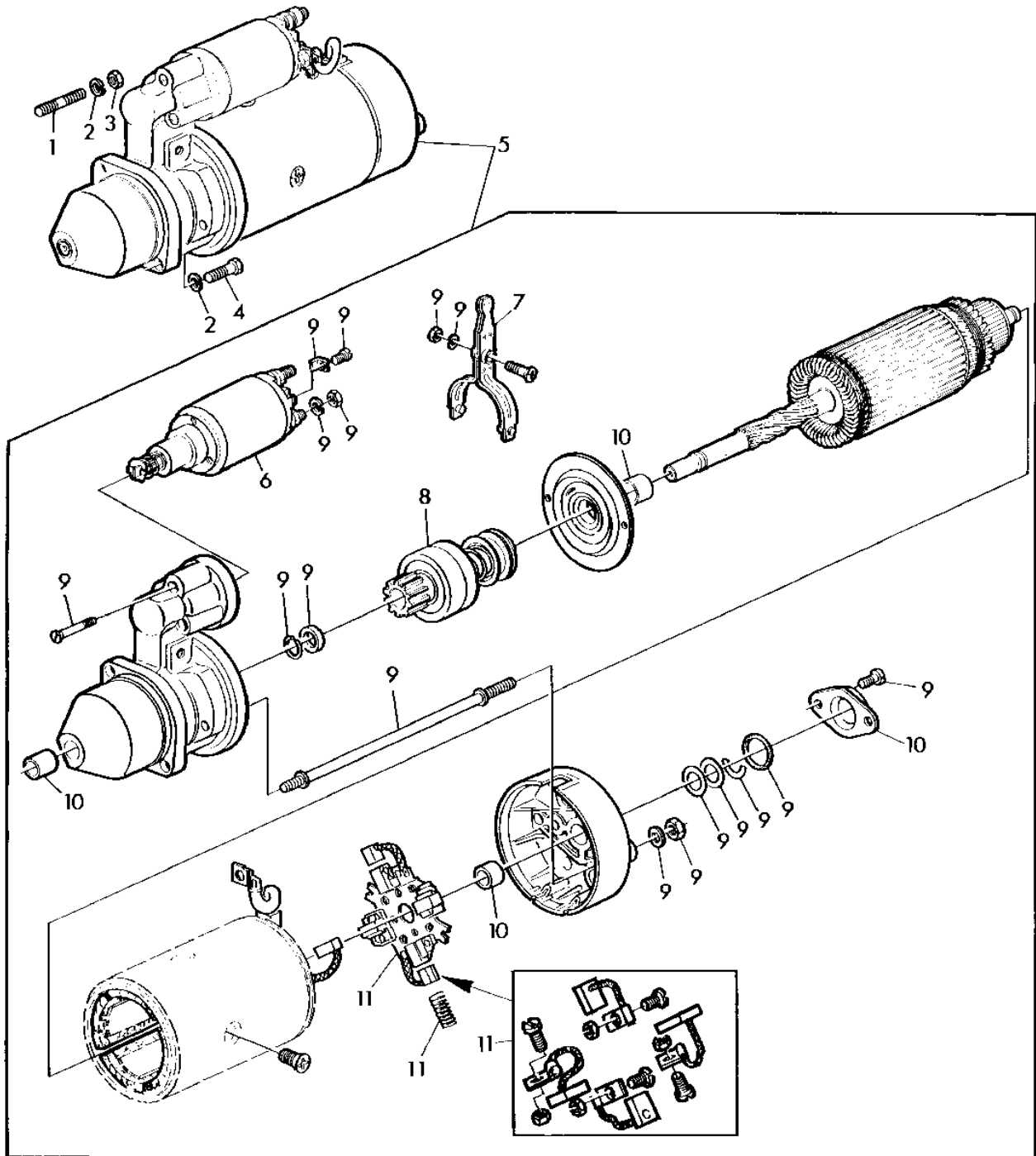
ELECTRICAL PARTS

KEY	PART NO.	PART NAME	QTY	SERIAL NO.	REMARKS
					2
					1 2 0
					6 0 4
					4 4 0
					0 0 S
1	L39334	STUD	1		(SUB FOR M3636T APPL)
2	12H304	LOCK WASHER	2		
3	14H812	NUT	1		3/8"
4	19H1731	CAP SCREW	1		3/8"X1"
5	AL41247	STARTER	1		2.7 KW, R.BOSCH 0001362312 (ORD AL70850)
	AL62690	STARTER	1		2.7 KW, R.BOSCH 0001362316 (ORD AL70850)
6	AL55046	SOLENOID	1		
7	AL25073	SOCKET OUTLET	1		
8	AL63095	BENDIX DRIVE	1		
9	AL55044	CARBON BRUSH HOLDER	1		
10	L55066	COMPRESSION SPRING	4		
11	AL55047	CARBON BRUSH CONDUCTOR	1		
12	AL70855	KIT	1		
13	AL70854	KIT	1		

1G4

ELECTRICAL PARTS

STARTING MOTOR
DEMARREUR
STARTER
AVVIATORE ELETTRICO
MOTOR DE ARRANQUE
STARTMOTOR
LX008577 -UN-27APR95



LX008577

1G5

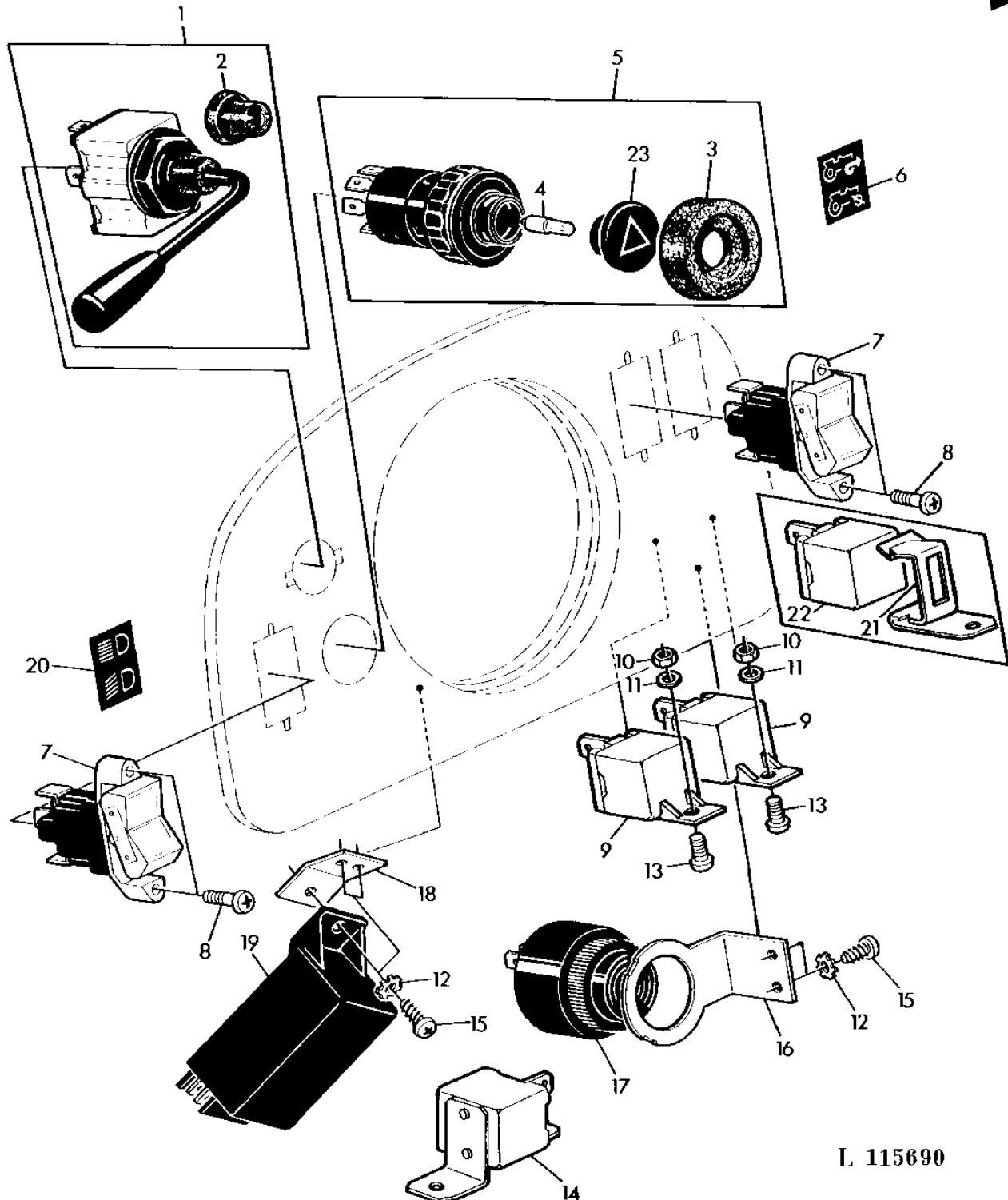
ELECTRICAL PARTS

KEY	PART NO.	PART NAME	QTY	SERIAL NO.	REMARKS
				2	
				1 2 0	
				6 0 4	
				4 4 0	
				0 0 S	
1	L39334	STUD	1	X X X	(SUB FOR M3636T APPL)
2	12H304	LOCK WASHER	2	X X X	
3	14H812	NUT	1	X X X	3/8"
4	19H1731	CAP SCREW	1	X X X	3/8" X 1"
5	AL78760	STARTER	1	X X X	3.0 KW (ORD AL70850)
6	AL55046	SOLENOID	1	X X X	
7	AL25273	LEVER	1	X X X	
8	AL63095	BENDIX DRIVE	1	X X X	(SUB FOR AL70364)
9	AL70855	KIT	1	X X X	
10	AL70854	KIT	1	X X X	
11	AL70853	KIT	1	X X X	

1G6

ELECTRICAL PARTS

ELECTRICAL INSTRUMENTS (BILUX)
INSTRUMENTS ELECTRIQUES (BILUX)
ELEKTRISCHE ARMATUREN (BILUX)
STRUMENTAZIONE ELETTRICA (BILUX)
MANDOS E INSTRUMENTOS ELECTRICOS (BILUX)
ELEKTRISKA INSTRUMENT (BILUX)
L115690 -UN-12JUL95



I. 115690

1G7

ELECTRICAL PARTS

KEY	PART NO.	PART NAME	QTY	SERIAL NO.	REMARKS
					2
					1 2 0
					6 0 4
					4 4 0
					0 0 S
1	AL31892	SWITCH	1		X X X
	AL31891	SWITCH	1		X X X (A)
2	L35164	CAP	1		X X X
3	L35162	CAP	1		X X X
4	57M7102	BULB	1		X X X 12V, 1.2W
5	AL32062	SWITCH	1		X X X
6	L31962	SIGN	1		X X X
	L37607	LABEL	1		X X X (A)
7	AL32113	TOGGLE SWITCH	AR		X X X
8	R54388	SCREW	AR		X X X
9	AL69699	RELAY	2		X X X (SUB FOR AL58367)
	AL69700	RELAY	2		X X X (B) (SUB FOR AL61470)
10	14M7028	NUT	2		X X X M5
11	24M7027	WASHER	2		X X X 5.3X10X1MM
12	12M7060	WASHER	5		X X X 5.3MM
13	21M7278	SCREW	2		X X X M5X10
	19M7372	CAP SCREW	2		X X X (A)
14	AL32066	TIMER	1		X X X
15	37M7067	SCREW	5		X X X 4.2X9.5MM
16	L35878	ANGLE	1		X X X
17	AL38594	WARNING BUZZER	1		X X X (SUB FOR AL32268)
18	L35879	STRAP	1		X X X
19	AL32891	FLASHER	1		X X X
20	L35170	SIGN	1		X X X
	L37608	LABEL	1		X X X (A)
21	L38387	CLIP	2		X X X (ORD AL69699)
22	AL36335	RELAY	2		X X X (ORD AL69699)
23	L40523	INSERT	1		X X X

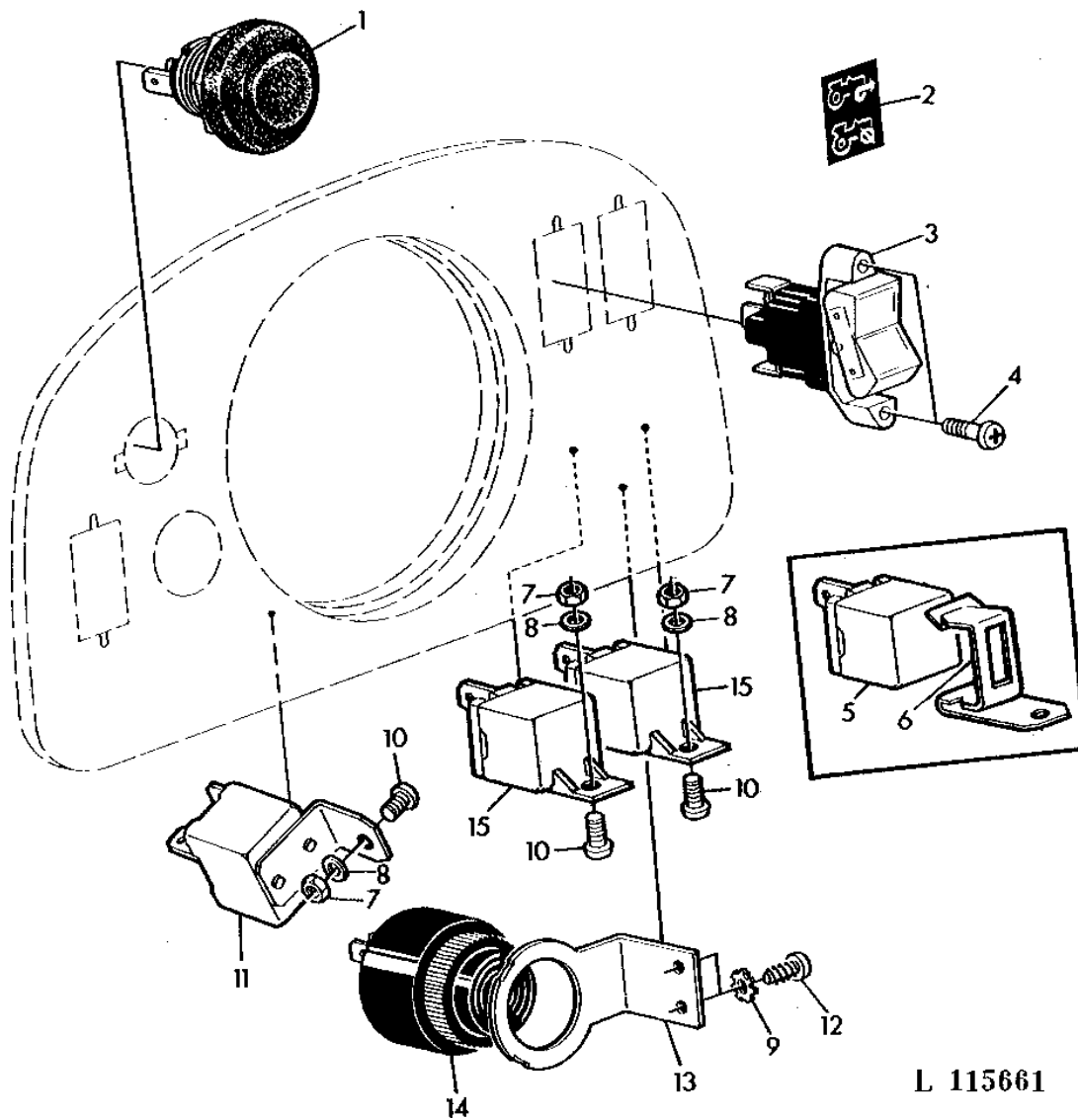
(A) WITH MC1 CAB
 AVEC CABINE MC1
 BEI MC1 KABINE
 CON CABINA MC1
 CON CABINA MC1
 VID MC1 HYTT

(B) PART OF CONVERSION KIT AL60892
 FAIT PARTIE DU JEU AL60892
 TEIL VON UMRUESTSATZ AL60892
 FA PARTE DEL KIT CONVERS. AL60892
 FORMA PARTE DEL JUEGO AL60892
 DEL AV OMBYGGNADSSATS AL60892

1G8

ELECTRICAL PARTS

ELECTRICAL INSTRUMENTS (SEALED BEAM)
INSTRUMENTS ELECTRIQUES (SEALED BEAM)
ELEKTRISCHE ARMATUREN (SEALED BEAM)
STRUMENTAZIONE ELETTRICA (SEALED BEAM)
MANDOS E INSTRUMENTOS ELECTRICOS (SEALED BEAM)
ELEKTRISKA INSTRUMENT (SEALED BEAM)
L115661 -UN-01JAN94



1G9

ELECTRICAL PARTS

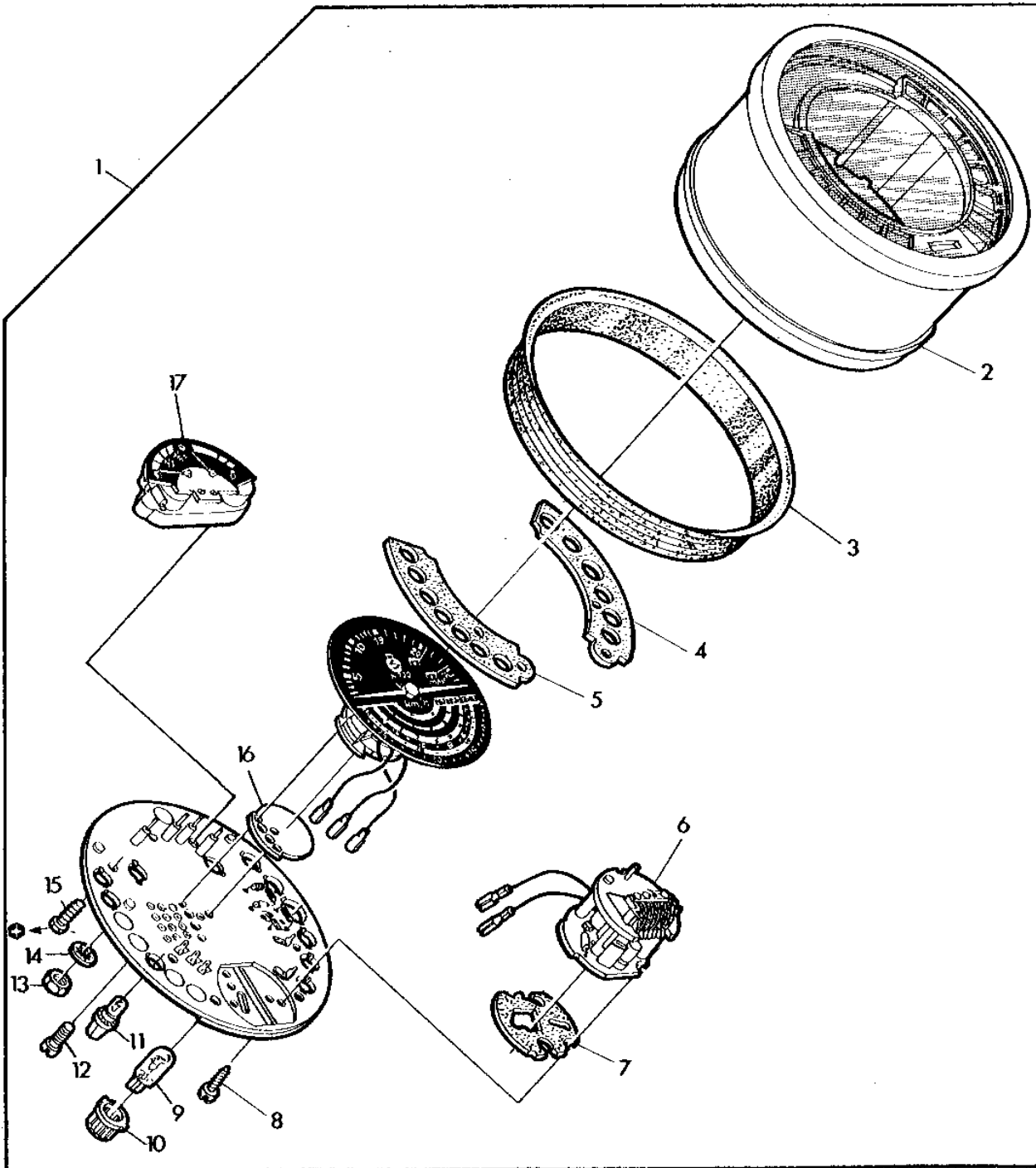
KEY	PART NO.	PART NAME	QTY	SERIAL NO.	REMARKS
					2
					1 2 0
					6 0 4
					4 4 0
					0 0 S
1	AL17684	PUSH BUTTON	1		X X X
2	L31962	SIGN	1		X X X
3	AL32113	TOGGLE SWITCH	1		X X X
4	R54388	SCREW	2		X X X
5	AL36335	RELAY	2		X X X (ORD AL69699)
6	L38387	CLIP	2		X X X (ORD AL69699)
7	14M7028	NUT	3		X X X M5
8	24M7027	WASHER	3		X X X 5.3X10X1MM
9	12M7060	WASHER	2		X X X 5.3MM
10	21M7278	SCREW	3		X X X M5X10
11	AL32066	TIMER	1		X X X
12	37M7067	SCREW	2		X X X 4.2X9.5MM
13	L35878	ANGLE	1		X X X
14	AL38594	WARNING BUZZER	1		X X X (SUB FOR AL32268)
15	AL69699	RELAY	2		X X X (SUB FOR AL58367)
	AL69700	RELAY	2		X X X (A) (SUB FOR AL61470)

(A) PART OF CONVERSION KIT AL60892
 FAIT PARTIE DU JEU AL60892
 TEIL VOM UMRUESTSATZ AL60892
 FA PARTE DEL KIT CONVERS.AL60892
 FORMA PARTE DEL JUEGO AL60892
 DEL AV OMBYGGNADSSATS AL60892

1G10

ELECTRICAL PARTS

INSTRUMENT CLUSTER
TABLEAU DE CONTROLE
ZENTRAL KONTROLLINSTRUMENT
STRUMENTO SPIA GENERALE
AVISADOR GENERAL
CENTRALINSTRUMENT
L112332 -UN-01JAN94



L 112332

1G11

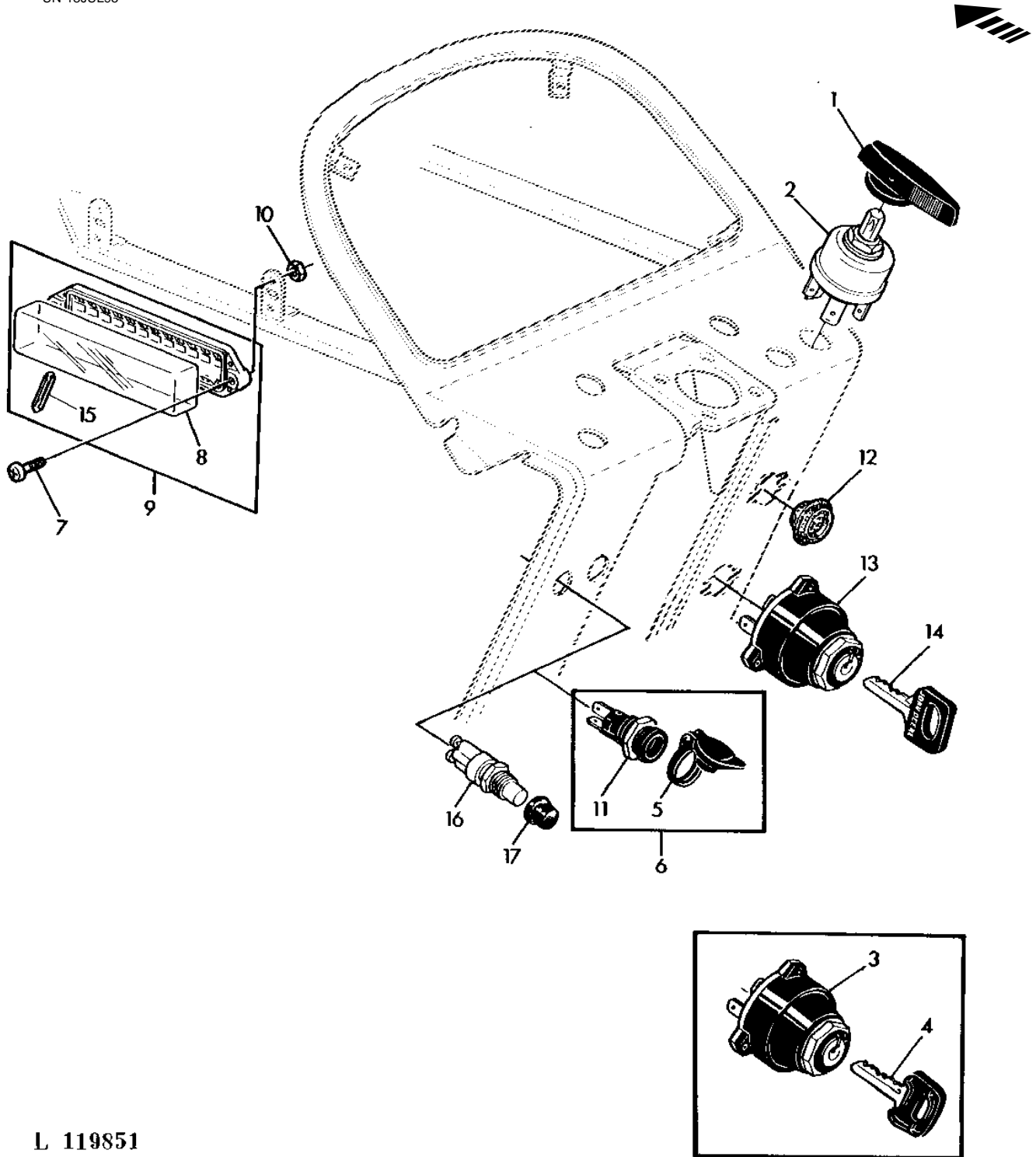
ELECTRICAL PARTS

KEY	PART NO.	PART NAME	QTY	SERIAL NO.				REMARKS
					1	2	0	
					6	0	4	
					4	4	0	
					0	0	S	
1	AL31825	INSTRUMENT CLUSTER	1	-507734	X	X	X	-25KM/H
	AL31824	INSTRUMENT CLUSTER	1	-507734	X	X	X	-30KM/H
	AL31828	INSTRUMENT CLUSTER	1	-507734	X	X	X	-16MPH
	AL31829	INSTRUMENT CLUSTER	1	-507734	X	X	X	-20MPH
	AL56410	INSTRUMENT CLUSTER	1	507735-	X	X	X	-25KM/H (SUB FOR AL39181)
	AL56411	INSTRUMENT CLUSTER	1	507735-	X	X	X	-30KM/H (SUB FOR AL39182)
	AL56412	INSTRUMENT CLUSTER	1	507735-	X	X	X	-16MPH (SUB FOR AL39183)
	AL56413	INSTRUMENT CLUSTER	1	507735-	X	X	X	-20MPH (SUB FOR AL39184)
2	AL33166	HOUSING	1		X	X	X	
3	L34912	RING	1		X	X	X	
4	L35897	WEATHERSTRIP	1		X	X	X	RH
5	L35898	WEATHERSTRIP	1		X	X	X	LH
6	AL33164	HOUR METER	1		X	X	X	
7	L35896	GASKET	1		X	X	X	
8	37M7095	SCREW	3		X	X	X	2.9X13MM
9	AL33163	LAMP	1		X	X	X	5W
10	AL33336	PEDESTAL	1		X	X	X	
11	AL33162	BULB	9		X	X	X	2W
12	21M7268	SCREW	3		X	X	X	M3X6
13	14M7139	NUT	2		X	X	X	M4
14	12M7091	LOCK WASHER	2		X	X	X	4.3MM
15	37M7066	SCREW	6		X	X	X	3.5X16MM
16	L36179	PLATE	1		X	X	X	
17	AL33165	GAUGE	1		X	X	X	

1G12

ELECTRICAL PARTS

ELECTRICAL INSTRUMENTS (BILUX)
INSTRUMENTS ELECTRIQUES (BILUX)
ELEKTRISCHE ARMATUREN (BILUX)
STRUMENTAZIONE ELETTRICA (BILUX)
MANDOS E INSTRUMENTOS ELECTRICOS (BILUX)
ELEKTRISKA INSTRUMENT (BILUX)
L119851 -UN-18JUL95



L 119851

1G13

ELECTRICAL PARTS

KEY	PART NO.	PART NAME	QTY	SERIAL NO.	REMARKS
					2
					1 2 0
					6 0 4
					4 4 0
					0 0 S
1	L34972	KNOB	1		X X X
2	AL62707	SWITCH	1		X X X (SUB FOR AL36365)
3	AL32905	SWITCH	1	-452352	X X X (ORD AL35864, AL35863)
4	Z44576	KEY	1	-452352	X X X (SUB FOR L28520)
5	L30661	CAP	1		X X X
6	AL25073	SOCKET OUTLET	1		X X X
7	21M7251	SCREW	2		X X X M5X25
8	L35167	COVER	1		X X X
9	AL32118	FUSE BOX	1		X X X
10	14M7028	NUT	2		X X X M5
11	AL24543	SOCKET OUTLET	1		X X X NSEP (ORD AL25073)
12	L41904	PLUG	1		X X X (SUB FOR L40850)
13	AL35864	SWITCH	1	452353-	X X X
14	AL35863	KEY	2	452353-	X X X
15	99M7048	FUSE	9		X X X 8A
	99M7030	FUSE	1		X X X 16A
16	R39554	SWITCH	1		X X X (A) (B)
17	T55585	CAP	1		X X X (A) (B)

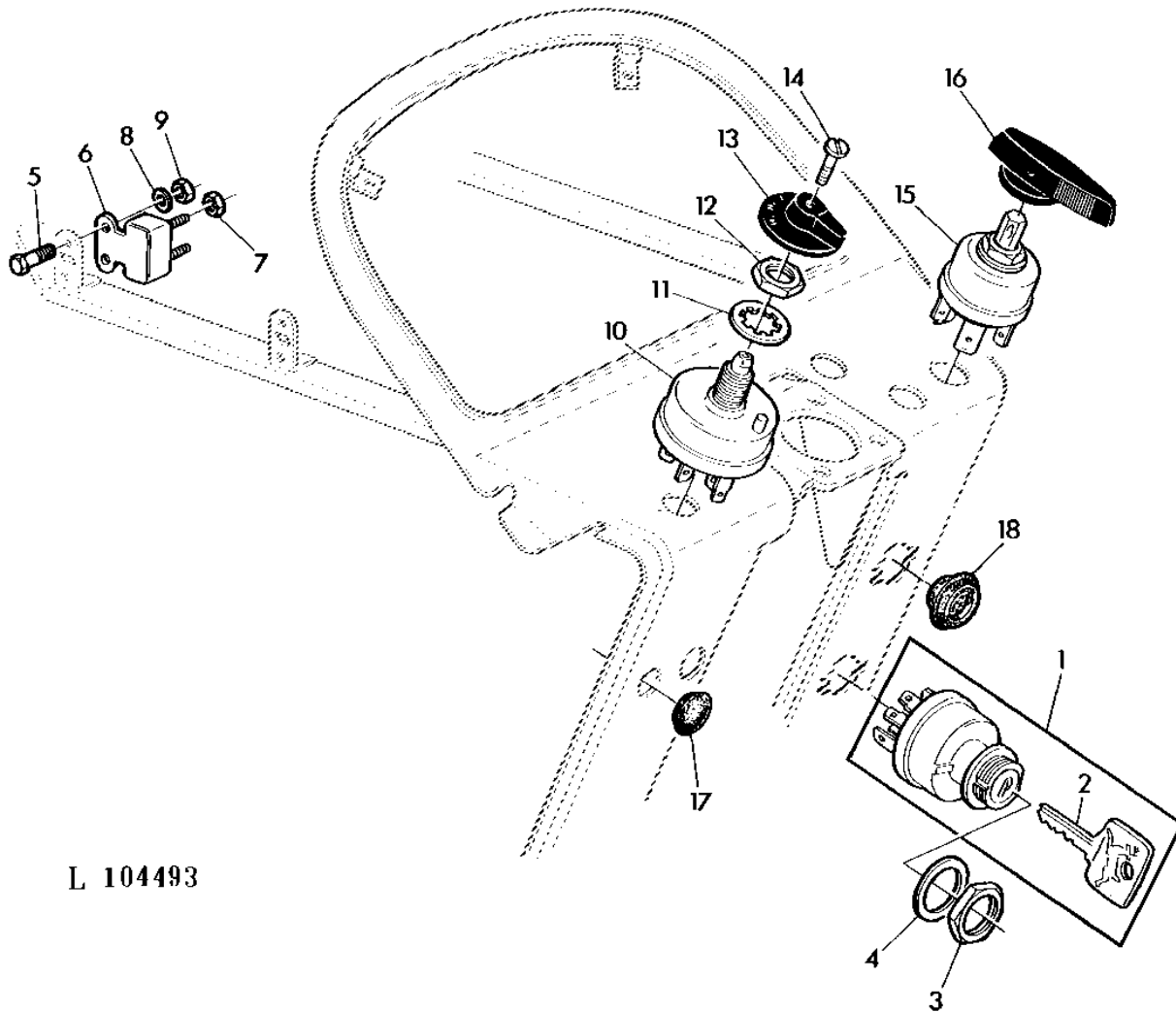
(A) WITH MC1 CAB
 AVEC CABINE MC1
 BEI MC1 KABINE
 CON CABINA MC1
 CON CABINA MC1
 VID MC1 FORARHYTT

(B) WITH ETHER STARTING AID
 AVEC AIDE AU DEMARRAGE ETHER
 BEI ELEKTR.AETHER-STARHILFE
 CON AIUTO D'AVVIA.PER ETERE
 CON AYUDA ARRANQUE POR ETER
 VID ELEKTRISK KALLSTART (ETER)

1G14

ELECTRICAL PARTS

ELECTRICAL INSTRUMENTS (SEALED BEAM)
INSTRUMENTS ELECTRIQUES (SEALED BEAM)
ELEKTRISCHE ARMATUREN (SEALED BEAM)
STRUMENTAZIONE ELETTRICA (SEALED BEAM)
MANDOS E INSTRUMENTOS ELECTRICOS (SEALED BEAM)
ELEKTRISKA INSTRUMENT (SEALED BEAM)
L104493 -UN-17JUL95



L 104493

1G15

ELECTRICAL PARTS

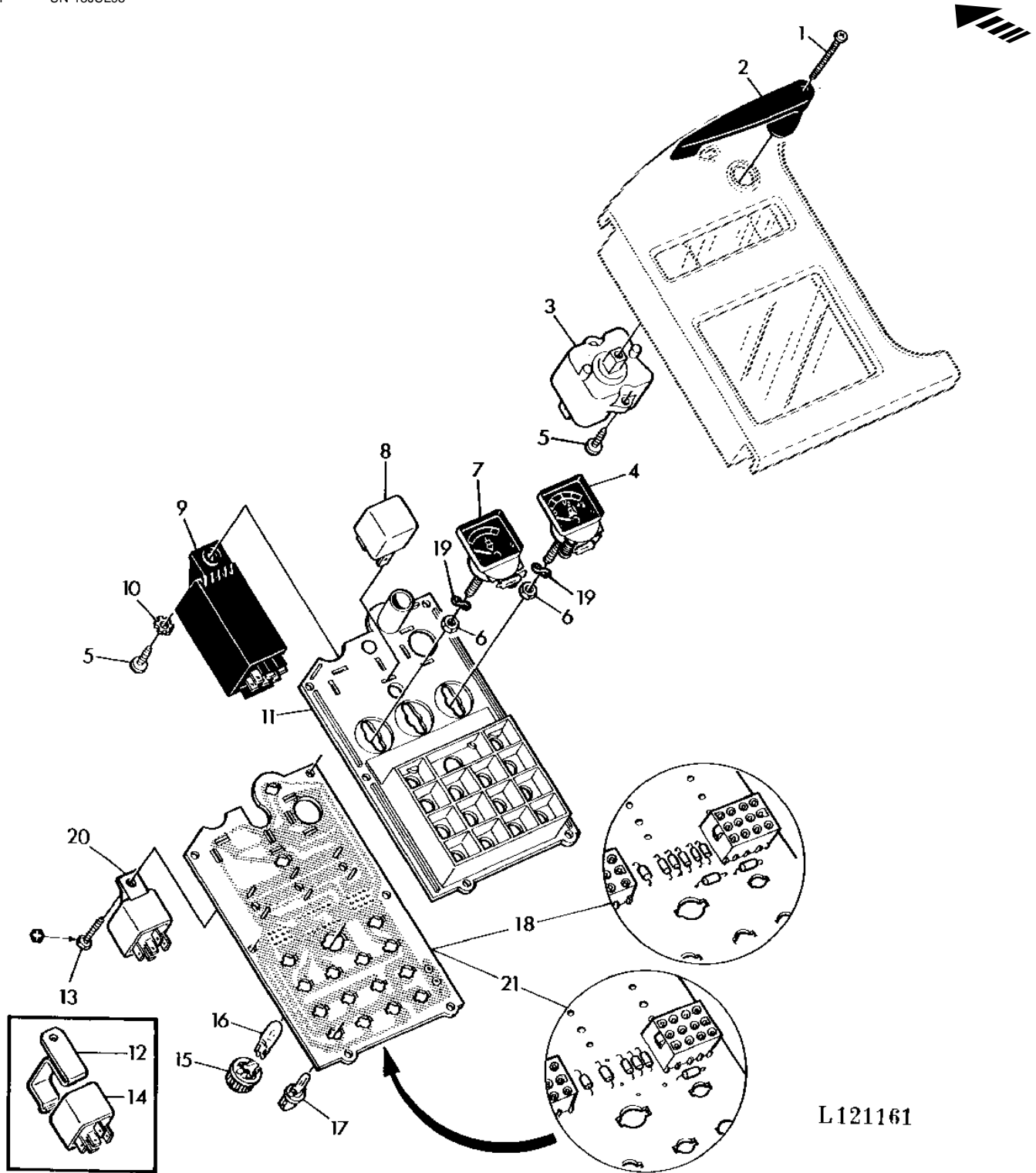
KEY	PART NO.	PART NAME	QTY	SERIAL NO.	REMARKS
					2
					1 2 0
					6 0 4
					4 4 0
					0 0 S
1	AR58126	KEY SWITCH	1	X X X	
2	AL35863	KEY	1	X X X	(SUB FOR AR51481 APPL)
3	R44342	NUT	1	X X X	
4	24H1462	WASHER	1	X X X	1-1/16"X1-1/2".060"
5	19M7372	CAP SCREW	2	X X X	M5X16
6	AR28403	CIRCUIT BREAKER	1	X X X	
7	14H631	NUT	2	X X X	NO. 10
8	24M7027	WASHER	2	X X X	5.3X10X1MM
9	14M7028	NUT	2	X X X	M5
10	AR66478	SWITCH	1	X X X	
11	12H292	LOCK WASHER	1	X X X	1/2"
12	A4655R	NUT	1	X X X	
13	AR66799	KNOB	1	X X X	
14	21H973	SCREW	1	X X X	NO. 8 X 3/8"
15	AL62707	SWITCH	1	X X X	(A) (SUB FOR AL36365)
16	L34972	KNOB	1	X X X	(A)
17	99M7010	PLUG	1	X X X	
18	L40850	PLUG	1	X X X	

(A) WITH THERMOSTART STARTING AID
 AVEC DISPOSITIF THERMO-START
 BEI THERMO-STARHILFE
 CON THERMOSTART PER L'AVVIAMENTO
 CON THERMOARRANQUE
 VID TERMOSTART ANLAGGNING

1G16

ELECTRICAL PARTS

INSTRUMENT HOUSING, LEFT-HAND SG2 CAB
CARTER DES INSTRUMENTS, COTE GAUCHE CABINE SG2
INSTRUMENTENGEHAEUSE LINKS SG2 KABINE
PANNELLO DEL CRUSCOTTO SULLA SINISTRA CABINA SG2
PANEL DE INSTRUMENTOS A LA IZQUIERDA CABINA SG2
INSTRUMENTHUS VANSTER SG2 HYTT
L121161 -UN-18JUL95



L121161

1G17

ELECTRICAL PARTS

KEY	PART NO.	PART NAME	QTY	SERIAL NO.	REMARKS
					2
					1 2 0
					6 0 4
					4 4 0
					0 0 S
1	21M7290	SCREW	1	X X X	M3X35
2	L37489	HANDLE	1	X X X	
3	AL35179	SWITCH	1	X X X	
4	AL35174	GAUGE	1	X X X	
5	37H47	SCREW	3	X X X	NO. 8 X 1/2"
6	14M7139	NUT	2	X X X	M4
7	AL35173	TEMPERATURE GAUGE	1	X X X	
8	AL35260	TIMER	1	X X X	
9	AL32891	FLASHER	1	X X X	
10	12M7060	WASHER	1	X X X	5.3MM
11	L55644	HOUSING	1	X X X	(SUB FOR L37482, L55512)
12	L38387	CLIP	1	X	(A) (ORD AL69699)
13	37M7066	SCREW	6	X X X	3.5X16MM
14	AL36335	RELAY	1	X	(A) (ORD AL69699)
15	AL33336	PEDESTAL	1	X X X	
16	AL33163	LAMP	1	X X X	5W
17	AL33162	BULB	15	X X X	2W
	AL65575	BULB	1	X X X	(B) 1.2W
18	AL35172	PRINTED CIRCUIT	1	X X X	
19	12M7106	WASHER	2	X X X	
20	AL69699	RELAY	1	X	(A) (SUB FOR AL58367)
21	AL64795	PRINTED CIRCUIT	1	X X X	

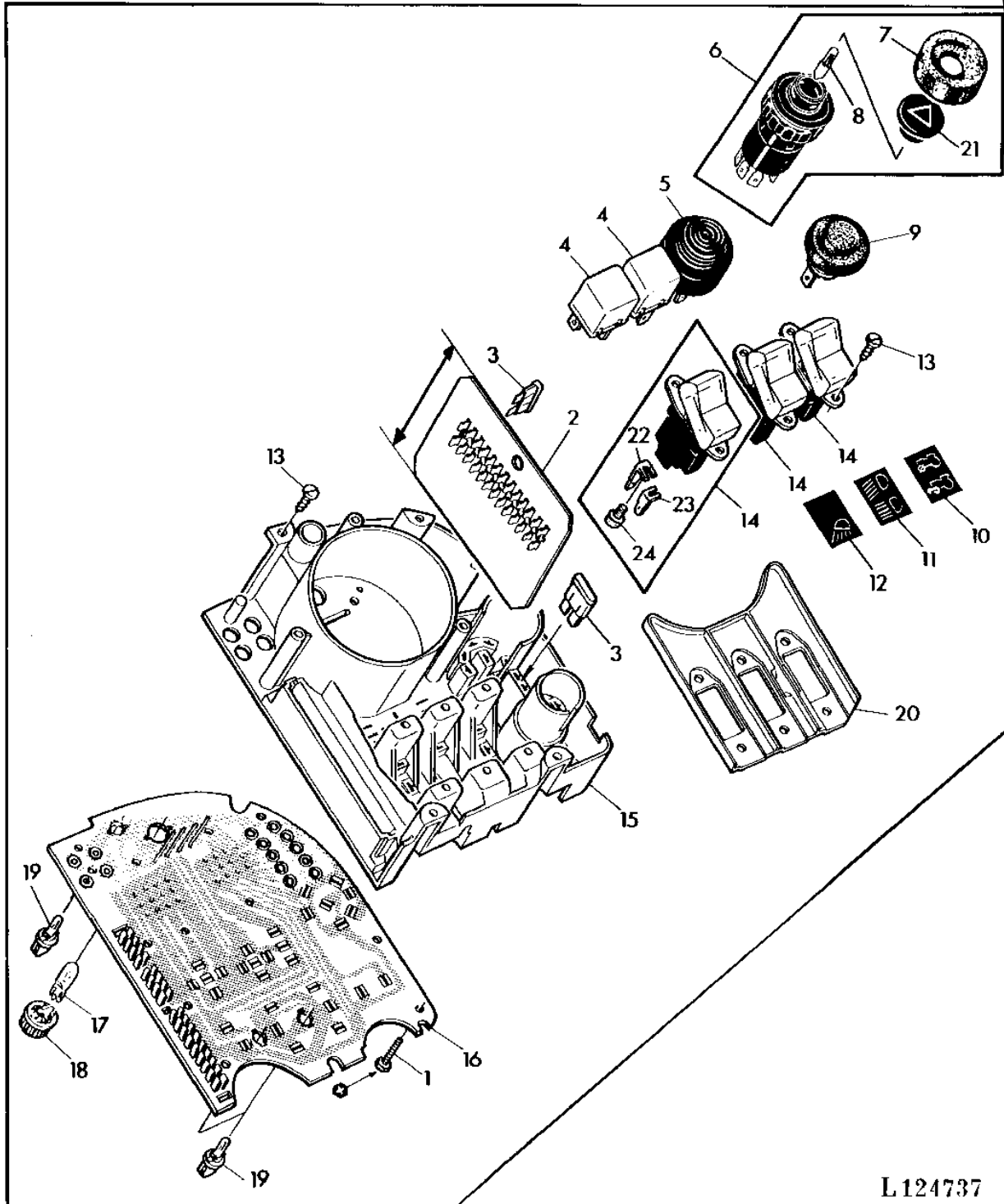
(A) WITH FRONT PTO
 AVEC PDF AVANT
 BEI FRONT-ZAPFWELLE
 CON PDF CENTRALE
 CON TDF FRONTAL
 VID MITTRE KRAFTUTTAG

(B) WITH FRONT WHEEL DRIVE
 AVEC PONT AVANT
 BEI FRONTANTRIEB
 CON TRAZIONE ANTERIORE
 CON TRACCION DELANTERA
 VID FRAMHJULSDRIFT

1G18

ELECTRICAL PARTS

INSTRUMENT HOUSING-RIGHT-HAND SG2 CAB
CARTER DES INSTRUMENTS, COTE DROIT CABINE SG2
INSTRUMENTENGEHAEUSE RECHTS SG2 KABINE
PANNELLO DEL CRUSCOTTO SULLA DESTRA CABINA SG2
PANEL DE INSTRUMENTOS A LA DERECHA CABINA SG2
INSTRUMENTHUS HOGER SG2 HYTT
L124737 -UN-18JUL95



L124737

1G19

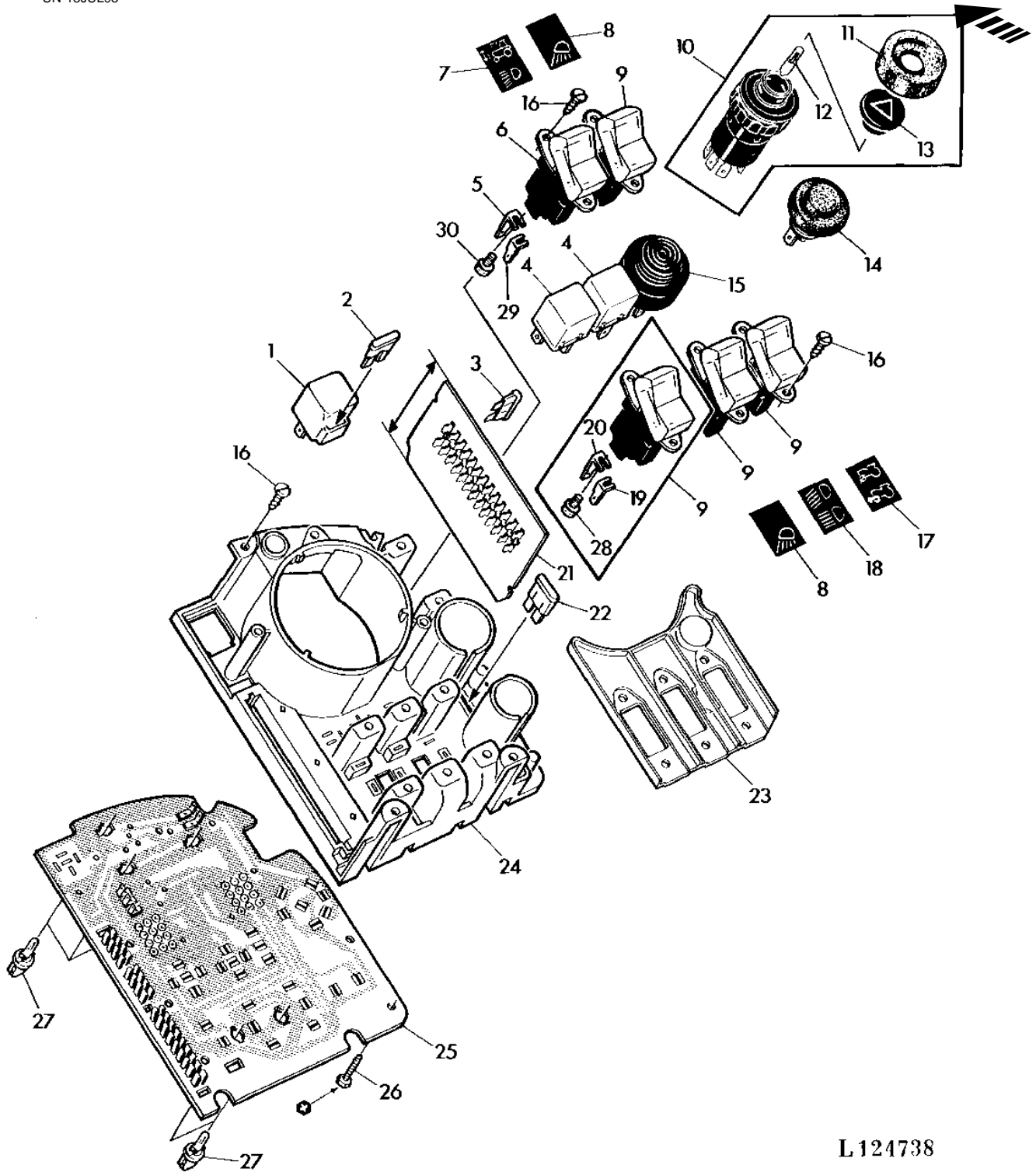
ELECTRICAL PARTS

KEY	PART NO.	PART NAME	QTY	SERIAL NO.	REMARKS
					2
					1 2 0
					6 0 4
					4 4 0
					0 0 S
1	37M7066	SCREW	6	X X X	3.5X16MM
2	AL35161	PRINTED CIRCUIT	1	X X X	72MM
3	99M7064	FUSE	9	X X X	7.5A
	99M7065	FUSE	3	X X X	15A
	57M7120	FUSE	1	X X X	20A
4	AL69709	RELAY	2	X X X	(SUB FOR AL35243, AL36335, AL58366)
	AL69710	RELAY	2	X X X	(FOR AL58356) (SUB FOR AL69700 APPL)
5	AL38594	WARNING BUZZER	1	X X X	(SUB FOR AL32268)
6	AL32062	SWITCH	1	X X X	
7	L35162	CAP	1	X X X	
8	57M7102	BULB	1	X X X	12V, 1.2W
9	AL17684	PUSH BUTTON	1	X X X	
10	L37607	LABEL	1	X X X	
11	L37608	LABEL	1	X X X	
12	L38303	LABEL	1	X X X	
13	37H95	SCREW	AR	X X X	NO. 8 X 1/2"
14	AL58803	TOGGLE SWITCH	AR	X X X	(SUB FOR AL35162 APPL)
15	AL38784	HOUSING	1	X X X	(SUB FOR L37462, AL37996)
16	AL70294	KIT	1	X X X	(SUB FOR AL35168, AL37513)
17	57M7105	BULB	1	X X X	
18	AL33336	PEDESTAL	1	X X X	
19	AL33162	BULB	3	X X X	
20	L38541	DEFLECTOR	1	X X X	
21	L40523	INSERT	1	X X X	
22	L55646	TAB	2	X X X	
23	L55645	TAB	1	X X X	
24	AL64758	SCREW, WITH WASHER	3	X X X	

1G20

ELECTRICAL PARTS

INSTRUMENT HOUSING-RIGHT-HAND SG2 CAB
CARTER DES INSTRUMENTS, COTE DROIT CABINE SG2
INSTRUMENTENGEHAEUSE RECHTS SG2 KABINE
PANNELLO DEL CRUSCOTTO SULLA DESTRA CABINA SG2
PANEL DE INSTRUMENTOS A LA DERECHA CABINA SG2
INSTRUMENTHUS HOGER SG2 HYTT
L124738 -UN-18JUL95



L124738

1G21

ELECTRICAL PARTS

KEY	PART NO.	PART NAME	QTY	SERIAL NO.	REMARKS
				1 2 0	
				6 0 4	
				4 4 0	
				0 0 S	
1	AL55650	RELAY	1	X X X	(A)
2	57M7120	FUSE	1	X X X	(A) 20A
3	57M7121	FUSE	8	X X X	10A
	99M7065	FUSE	1	X X X	15A
	57M7120	FUSE	3	X X X	20A
4	AL69709	RELAY	2	X X X	(SUB FOR AL35243, AL36335, AL58366)
	AL69710	RELAY	2	X X X	(FOR AL58356) (SUB FOR AL69700 APPL)
5	L55645	TAB	6	X X X	(B)
6	AL55645	TOGGLE SWITCH	1	X X X	(B)
7	L57517	LABEL	1	X X X	(B)
8	L38303	LABEL	AR	X X X	
9	AL58803	TOGGLE SWITCH	AR	X X X	(SUB FOR AL55522 APPL)
10	AL32062	SWITCH	1	X X X	
11	L35162	CAP	1	X X X	
12	57M7102	BULB	1	X X X	12V, 1.2W
13	L40523	INSERT	1	X X X	
14	AL17684	PUSH BUTTON	1	X X X	
15	AL38594	WARNING BUZZER	1	X X X	(SUB FOR AL32268)
16	37H95	SCREW	AR	X X X	NO. 8 X 1/2"
17	L37607	LABEL	1	X X X	
18	L37608	LABEL	1	X X X	
19	L55645	TAB	1	X X X	
20	L55646	TAB	1	X X X	
21	AL55519	PRINTED CIRCUIT	1	X X X	48.5MM
22	57M7121	FUSE	1	X X X	10A
23	L55643	DEFLECTOR	1	X X X	
24	AL55517	HOUSING	1	X X X	
25	AL55518	PRINTED CIRCUIT	1	X X X	
26	37M7066	SCREW	6	X X X	3.5X16MM
27	AL33162	BULB	AR	X X X	
28	AL64758	SCREW, WITH WASHER	3	X X X	
29	L55645	TAB	2	X X X	
30	AL64758	SCREW, WITH WASHER	6	X X X	

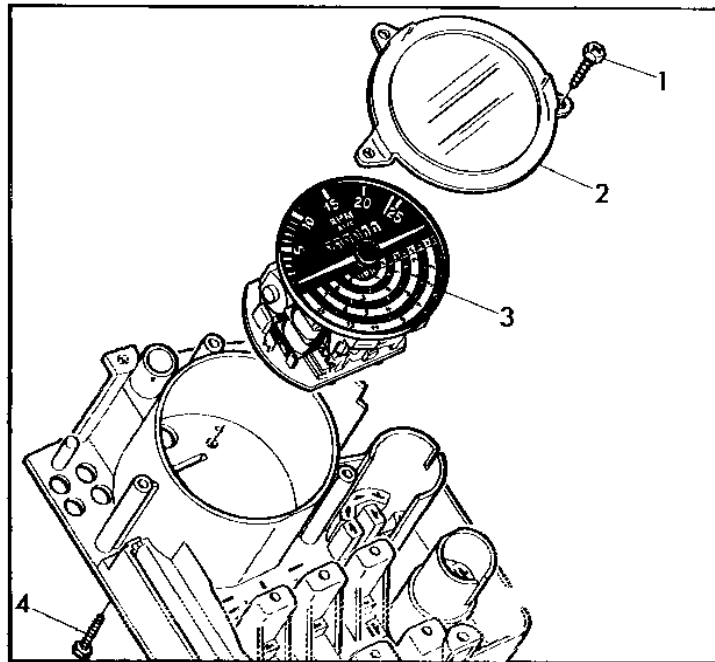
(A) WITH WORKLIGHT ON CAB ROOF
 AVEC PHARE DE TRAVAIL SUR PAVILLON DE CABINE
 BEI GERAETESCHEINWERFER AM KABINENDACH
 CON LUCE LAVORO SUL TETTO
 CON FARO AUXILIAR SOBRE TECHO DE CABINA
 VID ARBETSBELYSNING PA HYTTAKEN

(B) WITH ROOF HEADLIGHTS
 AVEC PHARES SUR PAVILLON
 BEI DACHFAHRSCHEINWERFER
 CON FARI MONTATI SULL'TETTO
 CON FAROS MONTADOS SOBRE TECHO
 VID TAKMONTERADE STRALKASTARE

1G22

ELECTRICAL PARTS

SPEED-HOUR METER SG2 CAB
 TRACTOMETRE CABINE SG2
 TRAKTORMETER SG2 KABINE
 TRATTOMETRO CABINA SG2
 TRACTOMETRO CABINA SG2
 TRAKTORMETER SG2 HYTT
 L113068 -UN-17JUL95



L 113068

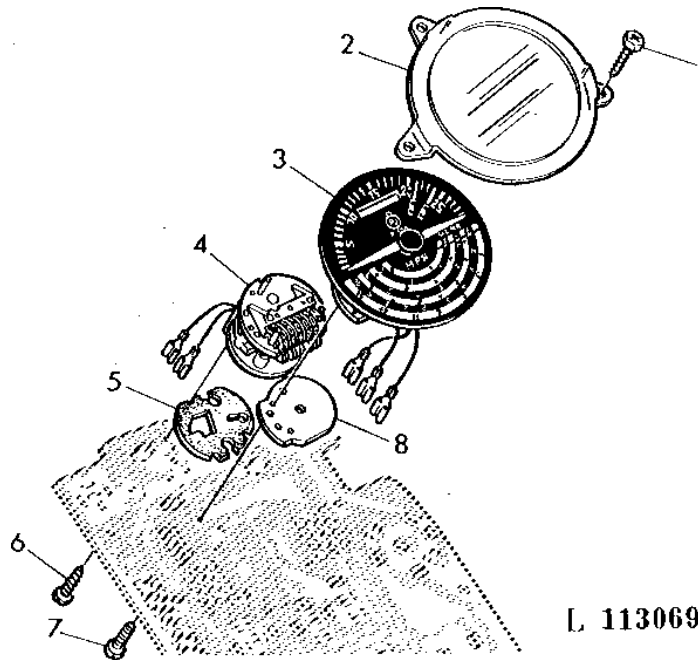
2
 1 2 0
 6 0 4
 4 4 0
 0 0 S

KEY	PART NO.	PART NAME	QTY	SERIAL NO.	REMARKS
1	37M7066	SCREW	3		X X X 3.5X16MM
2	L37463	WINDOW	1		X X X
3	AL35165	SPEED-HOUR METER	1	-507734	X X X -16MPH
	AL35166	SPEED-HOUR METER	1	-507734	X X X -20MPH
	AL35164	SPEED-HOUR METER	1	-507734	X X X -25KM/H
	AL35163	SPEED-HOUR METER	1	-507734	X X X -30KM/H
	AL39179	SPEED-HOUR METER	1	507735-	X X X -16MPH
	AL39180	SPEED-HOUR METER	1	507735-552593	X X X -20MPH
	AL39177	SPEED-HOUR METER	1	507735-548304	X X X -25KM/H
	AL39178	SPEED-HOUR METER	1	507735-548304	X X X -30KM/H
4	37M7113	SCREW	4		X X X 2.9X16MM

1G23

ELECTRICAL PARTS

SPEED-HOUR METER SG2 CAB
 TRACTOMETRE CABINE SG2
 TRAKTORMETER SG2 KABINE
 TRATTOMETRO CABINA SG2
 TRACTOMETRO CABINA SG2
 TRAKTORMETER SG2 HYTT
 L113069 -UN-01JAN94



L 113069

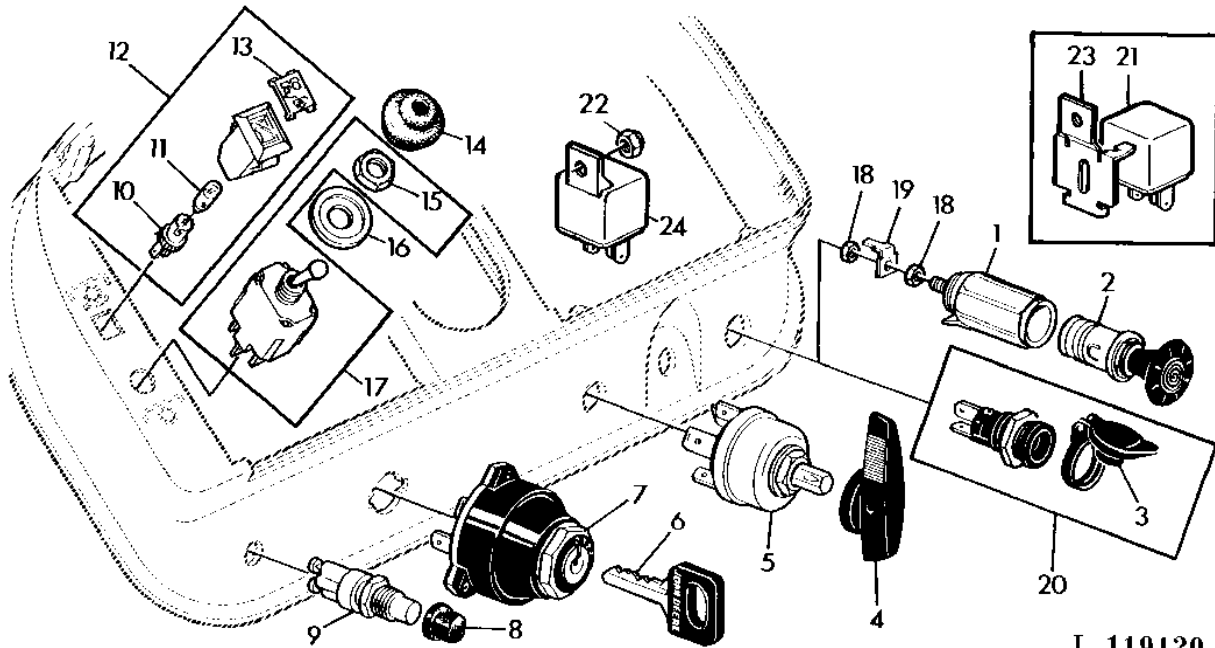
2
 1 2 0
 6 0 4
 4 4 0
 0 0 S

KEY	PART NO.	PART NAME	QTY	SERIAL NO.	REMARKS
1	37M7066	SCREW	3		X X X 3.5X16MM
2	L55642	LENS	1		X X X
3	AL55516	TACHOMETER	1	552594-	X X X -20MPH
	AL55513	TACHOMETER	1	548305-	X X X -25KM/H
	AL55514	TACHOMETER	1	548305-	X X X -30KM/H
4	AL33164	HOUR METER	1		X X X
5	L35896	GASKET	1		X X X
6	37M7095	SCREW	3		X X X 2.9X13MM
7	21M7268	SCREW	3		X X X M3X6
8	L36179	PLATE	1		X X X

1G24

ELECTRICAL PARTS

ELECTRICAL INSTRUMENTS SG2 CAB
INSTRUMENTS ELECTRIQUES CABINE SG2
ELEKTRISCHE ARMATUREN SG2 KABINE
STRUMENTAZIONE ELETTRICA CABINA SG2
MANDOS E INSTRUMENTOS ELECTRICOS CABINA SG2
ELEKTRISKA INSTRUMENT SG2 HYTT
L119120 -UN-18JUL95



L 119120

1G25

ELECTRICAL PARTS

KEY	PART NO.	PART NAME	QTY	SERIAL NO.	REMARKS
					2
					1 2 0
					6 0 4
					4 4 0
					0 0 S
1	AR56766	HOUSING	1		X X X
2	AR60937	LIGHTER	1		X X X
3	L30661	CAP	1		X X X
4	L34972	KNOB	1		X X X
5	AL62707	SWITCH	1		X X X (SUB FOR AL36365)
6	AL35863	KEY	2		X X X
7	AL35864	SWITCH	1		X X X
8	T55585	CAP	1		X X X (A)
9	R39554	SWITCH	1		X X X (A)
10	AL40938	SOCKET	1		X (B)
11	57M6343	BULB	1		X (B) 12V, 2W
12	AL40936	INDICATOR LIGHT	1		X (B)
13	L41747	SIGN	1		X (B)
14	L58200	BOOT	1		X (B) (SUB FOR L41749)
15	L41750	NUT	1		X (B)
16	L58199	WASHER	1		X (B) (SUB FOR L41748)
17	AL40935	TOGGLE SWITCH	1		X (B)
18	14H605	NUT	2		X X X NO. 8
19	57M7085	TAB	1		X X X
20	AL25073	SOCKET OUTLET	1		X X X
21	AL36335	RELAY	1		X X X (C) (ORD AL69699)
22	L40924	NUT	1		X X X (C)
23	L38387	CLIP	1		X X X (C) (ORD AL69699)
24	AL69699	RELAY	1		X X X (C) (SUB FOR AL58367)

(A) WITH ETHER STARTING AID
 AVEC AIDE AU DEMARRAGE ETHER
 BEI ELEKTR.AETHER-STARHILFE
 CON AIUTO D'AVVIA.PER ETERE
 CON AYUDA ARRANQUE POR ETER
 VID ELEKTR.KALLSTART (ETER)

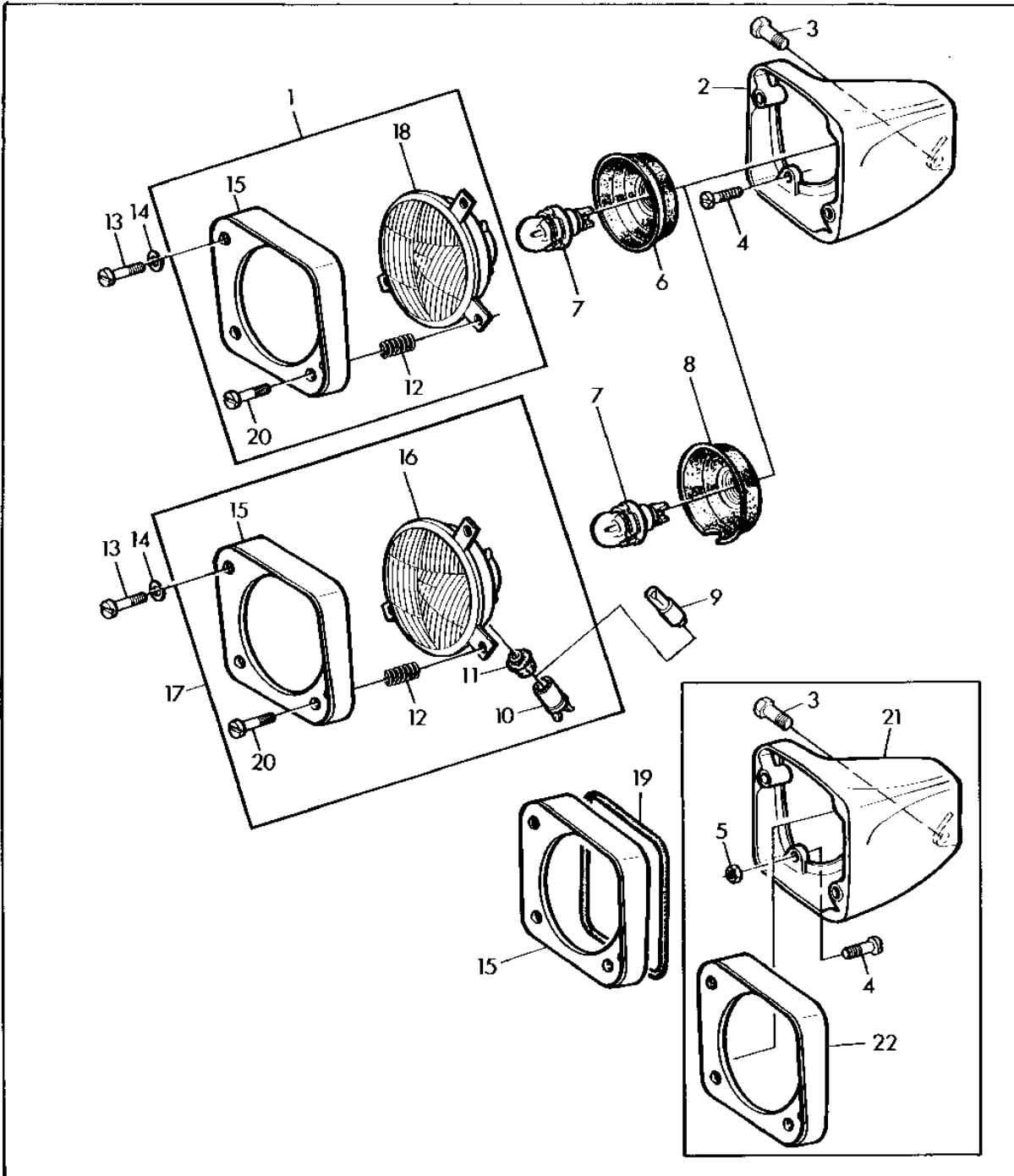
(B) WITH FRONT PTO
 AVEC PDF AVANT
 BEI FRONT-ZAPFWELLE
 CON PDF CENTRALE
 CON TDF FRONTAL
 VID MITTRE KRAFTUTTAG

(C) WITH FRONT WORKLIGHT
 AVEC PHARE DE TRAVAIL AVANT
 BEI GERAETESCHEINWERFER VORN
 CON LUCE LAVORO ANTERIORE
 CON FARO AUXILIAR DELANTERO
 VID FRAMRE ARBETSBELYSNING

1H1

ELECTRICAL PARTS

HEADLIGHTS (BILUX)
PROJECTEURS (BILUX)
SCHEINWERFER (BILUX)
FARI (BILUX)
STRALKASTARE (BILUX)
LX010675 -UN-11JUL95



LX010675

1H2

ELECTRICAL PARTS

KEY	PART NO.	PART NAME	QTY	SERIAL NO.	REMARKS
					2
					1 2 0
					6 0 4
					4 4 0
					0 0 S
1	DE13652	HEADLIGHT	2	X X X	(A)
	DE13653	HEADLIGHT	2	X X X	(A) (B)
2	L56434	HOUSING	1	X X X	RH
	L56462	HOUSING	1	X X X	LH
3	19M7162	CAP SCREW	2	X X X	M8X18
4	21M7206	SCREW	4	X X X	M6X20
5	14M7272	NUT	4	X X X	M6
6	CE15294	DUST SHIELD	2	X X X	(SUB FOR CE12986)
7	57M6844	BULB	2	X X X	12V, 40/45W
	57M7016	BULB	2	X X X	12V, 40/45W, (ORD (2) 57M6844), GELB, YELLOW, JAUNE, AMARILLO, GIALLA, GUL
8	CE14071	DUST SHIELD	2	X X X	(C) (ORD CE15294)
9	57M6394	BULB	2	X X X	(C) 12V, 4W
10	CE14020	SOCKET	1	X X X	(C)
11	CE14070	GROMMET	1	X X X	(C)
12	T28631	SPRING	3	X X X	(SUB FOR CE12985)
13	21M7173	SCREW	4	X X X	M5X25
14	12M7077	WASHER	4	X X X	
15	L55980	BEZEL	1	X X X	
16	DE13582	HEADLIGHT	1	X X X	(C) (ORD (2) AL56091, (2) 57M7166)
17	DE13654	HEADLIGHT	2	X X X	(A)
18	DE17426	HEADLIGHT	1	X X X	(SUB FOR DE12298) (ORD (2) AL56091, (2) 57M7166)
	DE13583	HEADLIGHT	1	X X X	(C) (ORD (2) AL56092, (2) 57M7166)
19	L60167	O-RING	1	X X X	(SUB FOR 51M7025 APPL)
20	21M7173	SCREW	3	X X X	M5X25
21	L34897	HOUSING	1	X X X	RH (ORD L56434)
	L34849	HOUSING	1	X X X	LH (ORD L56462)
22	R60135	BEZEL	1	X X X	(ORD L55980, L60167)

(A) NO LONGER AVAILABLE AS AN ASSEMBLY
 N'EST PLUS DISPONIBLE COMPLET
 KOMPLETT NICHT MEHR LIEFERBAR
 NON E PIU DISPONIBILE COME GRUPPO
 YA NO ESTA DISPONIBLE COMO CONJUNTO COMPLETO
 INTE LANGRE ATKOMLIG SOM KOMPLETT

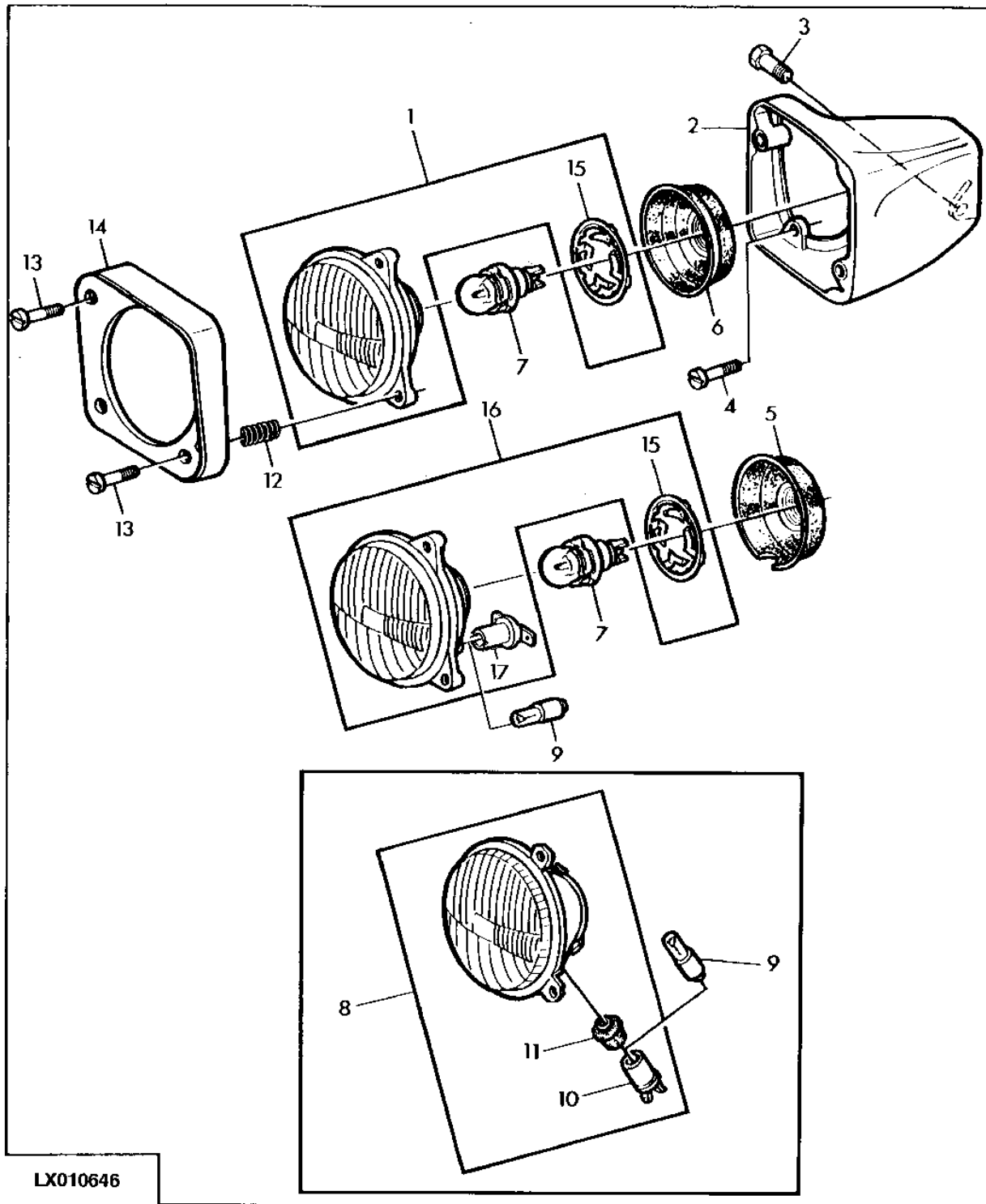
(B) LEFT-HAND DRIVE
 POUR CIRCULATION A GAUCHE
 BEI LINKSVERKEHR
 CON TRAFFICO A SINISTRA
 CIRCULACION POR LA IZQUIERDA
 VID VANSTERTRAFIK

(C) WITH PARKING LIGHT
 AVEC FEU DE STATIONNEMENT
 MIT STANDLICHT
 CON LUCI POSIZIONE
 CON LUZ DE ESTACIONAMIENTO
 VID PARKERINGSLJUS

1H3

ELECTRICAL PARTS

HEADLIGHTS (BILUX)
PROJECTEURS (BILUX)
SCHEINWERFER (BILUX)
FARI (BILUX)
FAROS (BILUX)
STRALKASTARE (BILUX)
LX010646 -UN-22MAY95



LX010646

1H4

ELECTRICAL PARTS

KEY	PART NO.	PART NAME	QTY	SERIAL NO.	REMARKS
					2 1 2 0 6 0 4 4 4 0 0 0 S
1	AL69316	REFLECTOR	2	X X X	(SUB FOR AL68231) (ORD (2) AL56091, (2) 57M7166)
	AL68232	REFLECTOR	2	X X X	(B) (ORD (2) AL65092, (2) 57M7166)
2	L56434	HOUSING	1	X X X	RH
	L56462	HOUSING	1	X X X	LH
3	19M7162	CAP SCREW	2	X X X	M8X18
4	21M7206	SCREW	4	X X X	M6X20
5	CE14071	DUST SHIELD	2	X X X	(A) (ORD CE15294)
6	CE15294	DUST SHIELD	2	X X X	
7	57M6844	BULB	2	X X X	12V, 40/45W
	57M7016	BULB	2	X X X	12V, 40/45W, (ORD (2) 57M6844), GELB, YELLOW, JAUNE, AMARILLO, GIALLA, GULI
8	AL68230	REFLECTOR	2	X X X	(A) (ORD (2) AL56091,(2) 57M7166)
9	57M6394	BULB	2	X X X	(A) 12V, 4W
10	L64144	SOCKET	1	X X X	
11	L64145	GROMMET	1	X X X	
12	T28631	SPRING	6	X X X	
13	21M7173	SCREW	10	X X X	M5X25
14	L55980	BEZEL	2	X X X	
15	L64668	RING	1	X X X	
16	AL69315	REFLECTOR	2	X X X	(A) (ORD (2) AL56091, (2) 57M7166)
17	AL69491	SOCKET	1	X X X	(A)

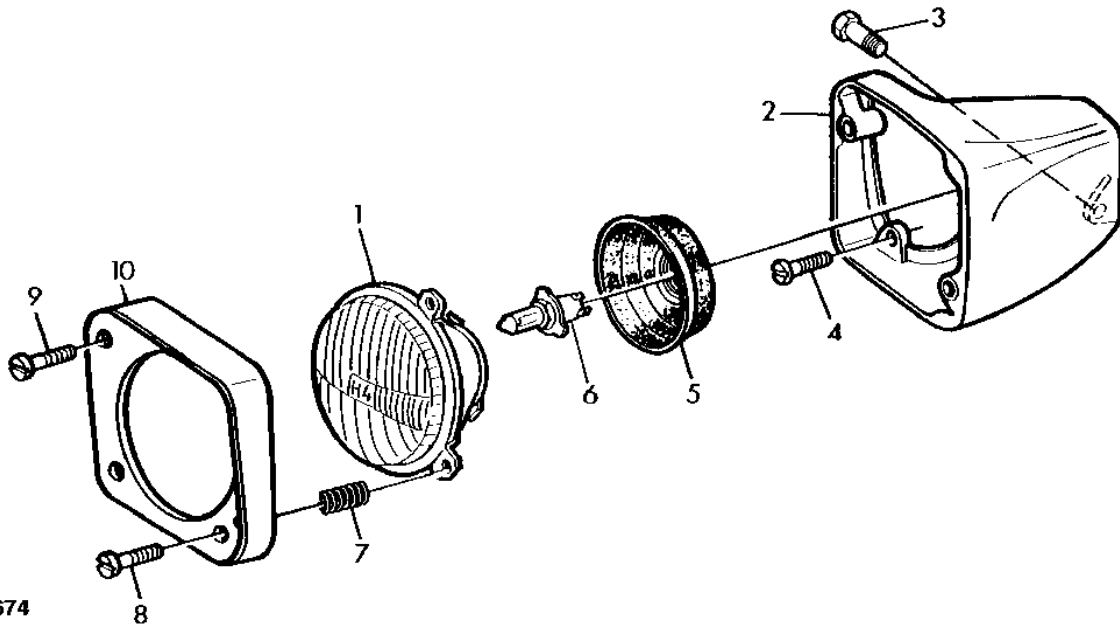
(A) WITH PARKING LIGHT
 AVEC FEU DE STATIONNEMENT
 MIT STANDLICHT
 CON LUCI POSIZIONE
 CON LUZ DE ESTACIONAMIENTO
 VID PARKERINGSLJUS

(B) FOR L.H.-TRAFFIC
 POUR CIRCULATION A GAUCHE
 BEI LINKSVERKEHR
 CON TRAFFICO A SINISTRA
 EN PAISES DE CIRCULACION POR LA IZQUIERDA
 VID VANSTERTRAFIK

1H5

ELECTRICAL PARTS

H4 HEADLIGHTS (BILUX)
 PROJECTEURS H4 (BILUX)
 H4 SCHEINWERFER (BILUX)
 FARI H4 (BLUX)
 FAROS H4 (BILUX)
 H4 STRALKASTARE (BILUX)
 LX010674 -UN-12MAY95



LX010674

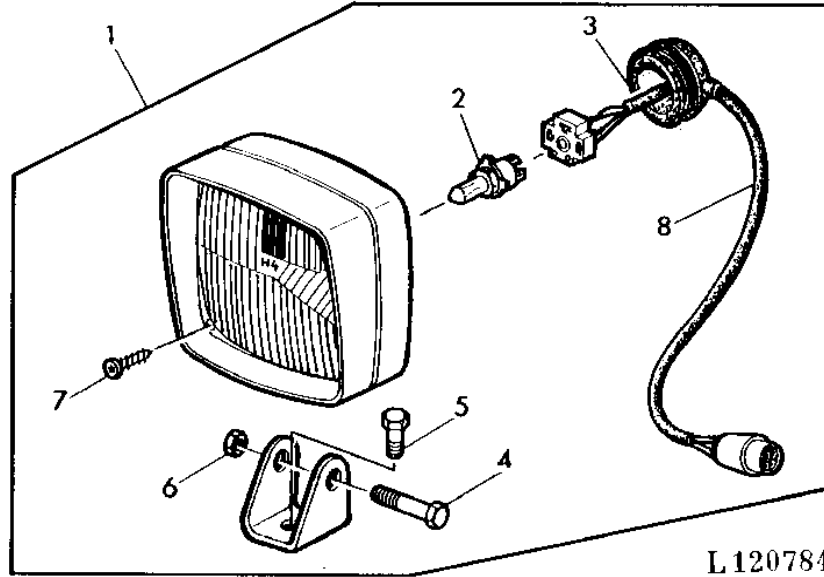
2
 1 2 0
 6 0 4
 4 4 0
 0 0 S

KEY	PART NO.	PART NAME	QTY	SERIAL NO.	REMARKS
1	AL56091	HEADLIGHT	1	X X X	
2	L56434	HOUSING	1	X X X	RH
	L56462	HOUSING	1	X X X	LH
3	19M7162	CAP SCREW	2	X X X	M8X18
4	21M7206	SCREW	4	X X X	M6X20
5	CE15294	DUST SHIELD	2	X X X	
6	57M7166	BULB	2	X X X	H4-12V, 60/55W
7	T28631	SPRING	6	X X X	
8	21M7173	SCREW	10	X X X	M5X25
9	L55980	BEZEL	2	X X X	

1H6

ELECTRICAL PARTS

ROOF HEADLIGHTS (SG2 CAB)
 PHARES SUR PAVILLON (CABINE SG2)
 DACH-FAHRSCHEINWERFER SG2 KABINE
 FARI MONTATI SULL'TETTO (CABINA SG2)
 FAROS MONTADOS SOBRE EL TECHO (CABINA SG2)
 TAKMONTERADE STRALKASTARE (SG2 FORARHYTT)
 L120784 -UN-26MAY95



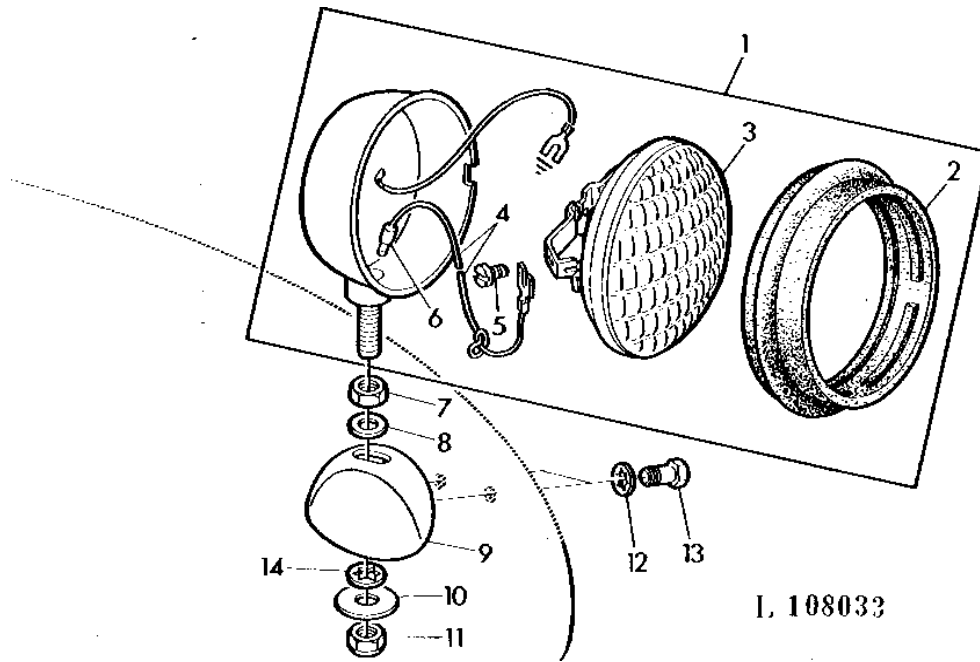
L 120784

KEY	PART NO.	PART NAME	QTY	SERIAL NO.	REMARKS
				2	
				1 2 0	
				6 0 4	
				4 4 0	
				0 0 S	
1	AL57432	HEADLIGHT	1	X X X	RH
	AL57433	HEADLIGHT	1	X X X	LH
2	57M7166	BULB	1	X X X	H4-12V60/55W
3	L58747	BREATHER	1	X X X	
4	19M7724	CAP SCREW	1	X X X	M10X45
5	19M7167	CAP SCREW	1	X X X	M10X25
6	14M7167	LOCK NUT	1	X X X	M10
7	37M7113	SCREW	4	X X X	2.9X13MM
8	AL55962	WIRING HARNESS	1	X X X	

1H7

ELECTRICAL PARTS

HEADLIGHTS (SEALED BEAM)
 PROJECTEURS (SEALED BEAM)
 SCHEINWERFER (SEALED BEAM)
 FARI (SEALED BEAM)
 FAROS (SEALED BEAM)
 STRALKASTARE (SEALED BEAM)
 L108033 -UN-01JAN94



L 108033

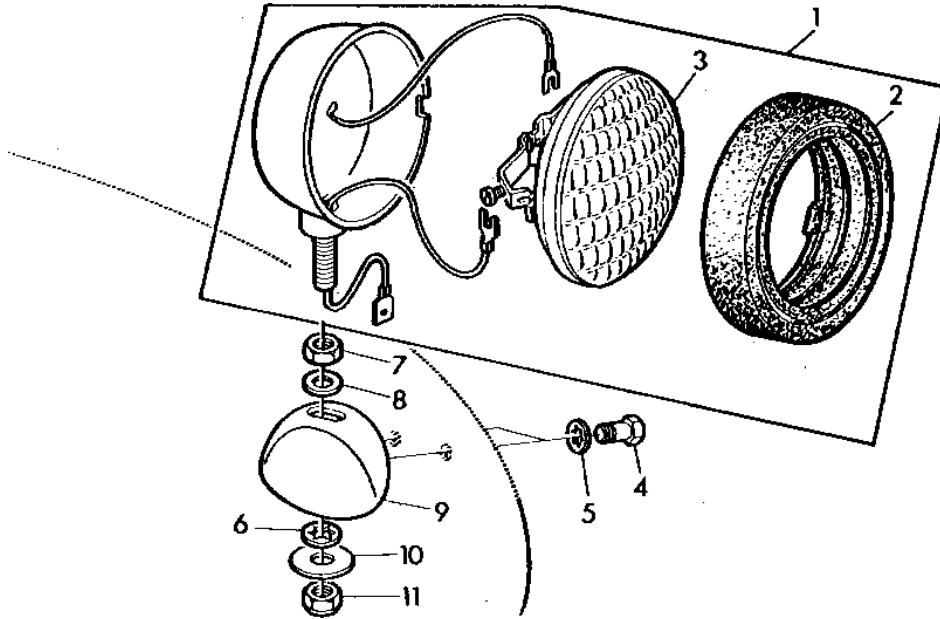
2
 1 2 0
 6 0 4
 4 4 0
 0 0 S

KEY	PART NO.	PART NAME	QTY	SERIAL NO.	REMARKS
1	AT18815	HEADLIGHT	2	X X X	
2	R30182	BEZEL	1	X X X	HOBBS
	R31250	BEZEL	1	X X X	GUIDE LAMP
3	AF3892R	HEADLIGHT	1	X X X	
4	AT14771	WIRING LEAD	1	X X X	HOBBS
	AT18995	WIRING LEAD	1	X X X	GUIDE LAMP
5	21H1293	SCREW	2	X X X	0.164" X 5/16"
6	T16623	TERMINAL	1	X X X	
7	14H1040	NUT	2	X X X	1/2"
8	24H1340	WASHER	2	X X X	
9	T21761	SUPPORT	2	X X X	
10	24H1355	WASHER	4	X X X	37/64"X1-1/8"X0.12" (SUB FOR R31892 APPL)
11	BP12214	LOCK NUT	2	X X X	
12	12H310	LOCK WASHER	4	X X X	3/8"
13	19H2021	CAP SCREW	4	X X X	3/8"X5/8"
14	12H292	LOCK WASHER	2	X X X	1/2"

1H8

ELECTRICAL PARTS

HEADLIGHTS "SEALED BEAM"
 PROJECTEURS OPTIQUES SCELLEES
 SCHEINWERFER "SEALED BEAM"
 FARI "SEALED BEAM"
 FAROS "SEALED BEAM"
 STRALKASTARE "SEALED BEAM"
 L121833 -UN-01JAN94



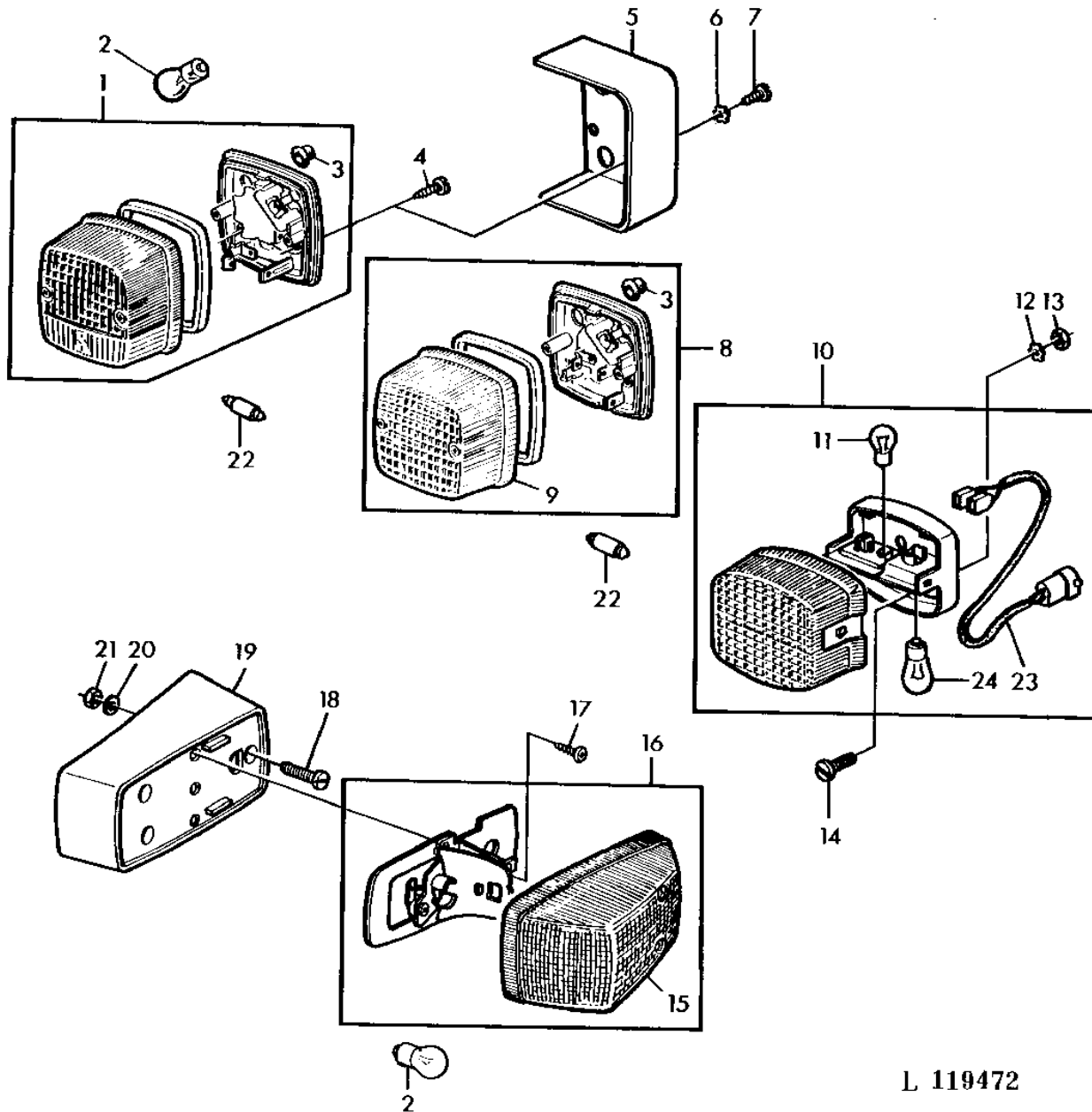
L121833

KEY	PART NO.	PART NAME	QTY	SERIAL NO.	REMARKS
				2	
				1 2 0	
				6 0 4	
				4 4 0	
				0 0 S	
1	AL68202	HEADLIGHT	2	X X X	
2	R30182	BEZEL	1	X X X	HOBBS
	R31250	BEZEL	1	X X X	GUIDE LAMP
3	AR21059	HEADLIGHT	1	X X X	
4	19H2021	CAP SCREW	4	X X X	3/8"X5/8"
5	12H310	LOCK WASHER	4	X X X	3/8"
6	12H292	LOCK WASHER	2	X X X	1/2"
7	14H1040	NUT	2	X X X	1/2"
8	24H1340	WASHER	2	X X X	
9	T21761	SUPPORT	2	X X X	
10	24H1355	WASHER	2	X X X	37/64X1-1/8"X0.12"
11	BP12214	LOCK NUT	2	X X X	

1H9

ELECTRICAL PARTS

TURN-SIGNAL AND CLEARANCE LIGHTS (BILUX)
CLIGNOTANTS ET FEUX DE POSITION (BILUX)
BLINK- UND POSITIONSLEUCHTEN (BILUX)
LUCI DI INGOMBRO E INDICATORE DI DIREZIONE (BILUX)
LUCES INTERMITENTES Y DE POSICION (BILUX)
BLINKERS OCH POSITIONSLJUS (BILUX)
L119472 -UN-18JUL95



L 119472

1H10

ELECTRICAL PARTS

KEY	PART NO.	PART NAME	QTY	SERIAL NO.	REMARKS
				2	
				1 2 0	
				6 0 4	
				4 4 0	
				0 0 S	
1	AL58739	SIDE LIGHT	2	X X X	(SUB FOR AL25644)
2	57M7014	BULB	2	X X X	12V, 21W
3	L31774	GROMMET	1	X X X	
4	37M7025	SCREW	4	X X X	4.8X13MM
5	L57833	GUARD	1	X X X	(A) RH
	L57834	GUARD	1	X X X	(A) LH
6	12H297	LOCK WASHER	4	X X X	(A)
7	37M7156	SCREW	4	X X X	(A)
8	AL25877	SIDE LIGHT	2	X X X	
9	AL27012	LENS	1	X X X	
10	AL55071	DIRECTION INDICATOR	1	X X X	(B) RH
	AL55070	DIRECTION INDICATOR	1	X X X	(B) LH
11	57M7013	BULB	1	X X X	(B) 12V, 10W
12	12M7060	WASHER	4	X X X	(B)
13	14M7028	NUT	4	X X X	(B) M5
14	21M7022	SCREW	4	X X X	(B) M5X20
15	AL27016	LENS	1	X X X	RH
	AL27017	LENS	1	X X X	LH
16	AL26463	DIRECTION INDICATOR	1	X X X	RH
	AL26464	DIRECTION INDICATOR	1	X X X	LH
17	37M7071	SCREW	4	X X X	4.8X13MM
18	21M7206	SCREW	4	X X X	M6X20
19	L34428	SPACER	2	X X X	
20	24M7088	WASHER	4	X X X	6.6X12.5X1.6MM
21	14M7272	NUT	4	X X X	M6
22	57M6274	BULB	2	X X X	12V, 5W
23	AL38893	WIRING HARNESS	1	X X X	(B)
24	57M7014	BULB	1	X X X	(B) 12V, 21W

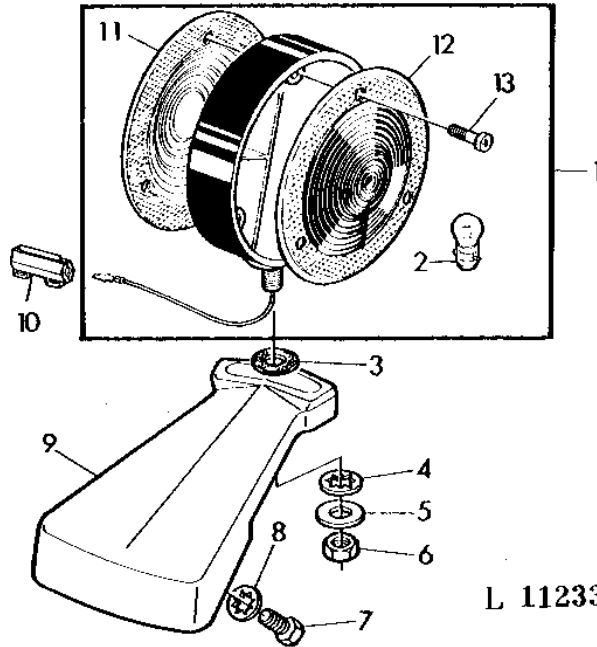
(A) WITH MC1 CAB
 AVEC CABINE MC1
 BEI MC1 KABINE
 CON CABINA MC1
 CON CABINA MC1
 VID MC1 HYTT

(B) FOR FINLAND ONLY
 POUR LA FINLANDE SEULEMENTE
 NUR FUER FINNLAND
 SOLO PER FINLANDIA
 SOLO PARA FINLANDIA
 ENDAST FOR FINLAND

1H11

ELECTRICAL PARTS

WARNING LIGHT - SHELL-TYPE FENDERS (SEALED BEAM)
 FEU DE DETRESSE-AILES COQUILLES (OPTIQUE SCELLEE)
 WARNLEUCHTE-MUSCHELKOTFLUEGEL (SEALED BEAM)
 LUCE D'AVVISO-PARAFANGHI A CONCHIGLIA (FARI SIGILLATI)
 LUZ DE AVISO-GUARDABARROS DE CONCHA (FAROS SEALED BEAM)
 VARNINGSBLINKERS-DELTACKANDE SKARMAR (SEALED BEAM)
 L112336 -UN-01JAN94



L 112336

2
 1 2 0
 6 0 4
 4 4 0
 0 0 S

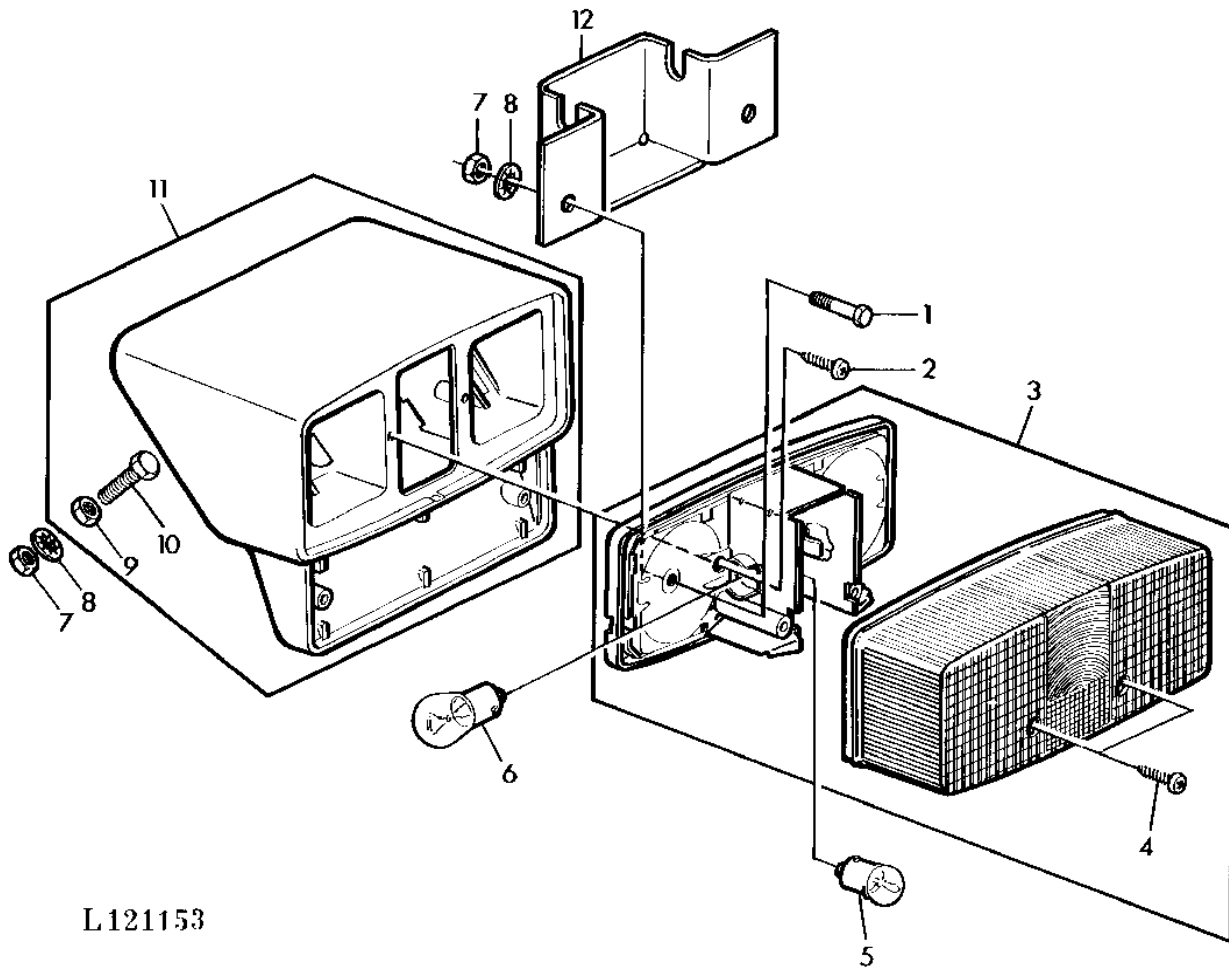
KEY	PART NO.	PART NAME	QTY	SERIAL NO.	REMARKS
1	AR50580	LAMP	2	X X X	
2	AD2062R	BULB	2	X X X	12V, 16W
3	R47831	WASHER	2	X X X	
4	12H292	LOCK WASHER	2	X X X	1/2"
5	24H1341	WASHER	2	X X X	17/32"X15/16"X.060"
6	14H865	NUT	2	X X X	1/2"
7	19H2021	CAP SCREW	4	X X X	3/8"X5/8"
8	12H310	LOCK WASHER	4	X X X	3/8"
9	L29390	SUPPORT	2	X X X	
10	L31124	INSULATING CAPSULE	2	X X X	
11	R48665	LENS	1	X X X	FRONT
12	R48664	LENS	1	X X X	REAR
13	R49296	SCREW	6	X X X	

MEMORANDA
MEMORANDA
MEMORANDA
MEMORANDA
MEMORANDA

1H12

ELECTRICAL PARTS

TAIL LIGHTS (BILUX)
FEUX ARRIERE (BILUX)
SCHLUSSLEUCHTEN (BILUX)
LUCI CODA (BILUX)
LUCES PILOTO TRASERAS (BILUX)
BAKLJUS (BILUX)
L121153 -UN-12JUL95



L121153

1H13

ELECTRICAL PARTS

KEY	PART NO.	PART NAME	QTY	SERIAL NO.	REMARKS
					2
					1 2 0
					6 0 4
					4 4 0
					0 0 S
1	19M7077	CAP SCREW	4	X X X	(A) M6X20
	19M7286	CAP SCREW	4	X X X	(A) (B) M6X25
2	37M7142	SCREW	4	X X X	3.9X19MM
3	AL32070	TAIL LAMP	1	X X X	RH
	AL32071	TAIL LAMP	1	X X X	LH
	AL35176	TAIL LAMP	1	X X X	(C) LH
4	37M7081	SCREW	2	X X X	3.9X16MM
5	57M7013	BULB	2	X X X	12V, 10W
6	57M7014	BULB	4	X X X	12V, 21W
7	14M7272	NUT	4	X X X	M6
8	12M7081	LOCK WASHER	2	X X X	
9	14M7194	NUT	2	X X X	M6
10	19M7375	CAP SCREW	2	X X X	M6X18
11	AL32253	RETAINER	2	X X X	
12	L59157	GUARD	1	X X X	(A) (B)

(A) WITH SNOW CHAIN FENDERS
 AVEC AILES POUR CHATNE NEIGE
 BEI SCHNEEKETTEN KOTFLUEGEL
 CON PARAFANG. DA CATENE NEVE
 CON GUARDAB. CADENAS NIEVE
 VID SKARMAR FOR SNOKEDJOR

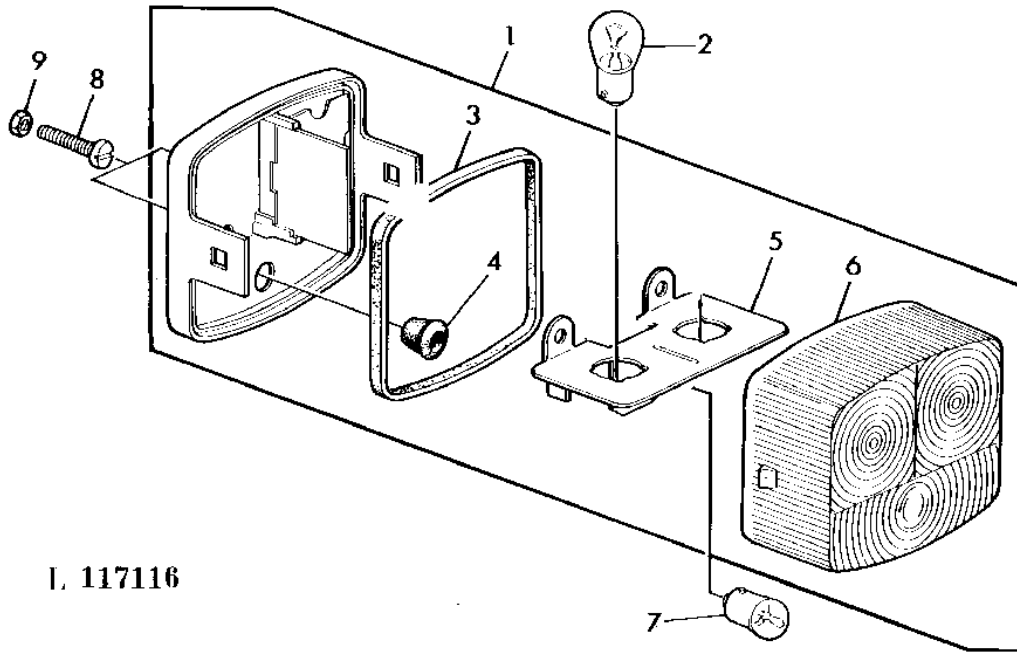
(B) WITH MC1 CAB
 AVEC CABINE MC1
 BEI MC1 KABINE
 CON CABINA MC1
 CON CABINA MC1
 VID MC1 HYTT

(C) WITHOUT REGISTR.PLAQUE LIGHT
 SANS ECLAIRAGE DE PLAQUE
 OHNE KENNZEICHEN-BELEUCHTUNG
 SENZA LUCE PER PLACCA DI MAT
 SIN LUZ PARA PLACA DE MATR.
 UTAN SKYLTBELYSNING

1H14

ELECTRICAL PARTS

TALLIGHTS-SHELL-TYPE FENDERS
 FEUX AR SUR AILES COQUILLES (BILUX)
 SCHLUSSLEUCHTEN MUSCHELKOTSCHUETZER (BILUX)
 LUCI CODA - PARAFANGHI A GUSCIO (BILUX)
 LUCES TRASERAS CON GUARDABARROS DE CONCHA (BILUX)
 BAKLJUS - DELTACKANDE STANKSKARMAR (BILUX)
 L117116 -UN-26MAY95



I. 117116

2
 1 2 0
 6 0 4
 4 4 0
 0 0 S

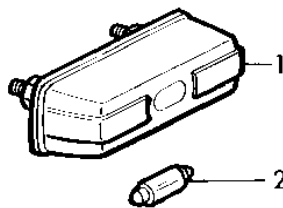
KEY	PART NO.	PART NAME	QTY	SERIAL NO.	REMARKS
1	AT43600	LAMP	1	X X X	LH
	AT43601	LAMP	1	X X X	RH
2	57M7014	BULB	4	X X X	12V, 21W
3	L31778	GASKET	1	X X X	
4	L31774	GROMMET	1	X X X	
5	L31777	HOLDER	1	X X X	
6	L31780	LENS	1	X X X	LH
	L31781	LENS	1	X X X	RH
7	57M7013	BULB	2	X X X	12V, 10W
8	21M7251	SCREW	4	X X X	M5X25
9	14M7028	NUT	4	X X X	M5

1H15

ELECTRICAL PARTS

REGISTRATION PLATE LIGHTING WITH SNOW CHAIN AND SHELL-TYPE FENDERS (BILUX)
 ECLAIRAGE DE PLAQUE MINERA LOGIQUE AVEC AILES COQUILLE POUR SHAINES NEIGE (BILUX)
 KENNZEICHEN-BELEUCHTUNG BEI SCHNEEKETTEN- UND MUSCHELKOTFLUEGEL (BILUX)
 LUCE TARGA CON PARAFANGHI DA CATENE PER NEVE O PARAF. CONCHIGIA (BILUX)
 LUZ DE LA PLACA DE MATRICULA CON GUARDABARROS PARA CADENAS NIEVE O DE CONCHA (BILUX)
 SKYLTBELYSNING VID SKARMAR FOR SNOKEDJOR ELL. DELTACK. SKARMAR (BILUX)

L121155 -UN-12JUL95



I.121155

2
1 2 0
6 0 4
4 4 0
0 0 S

KEY	PART NO.	PART NAME	QTY	SERIAL NO.	REMARKS
-----	----------	-----------	-----	------------	---------

1	AL59724	LAMP	1	X X X	(A) MC1
	AT27535	LAMP	1	X X X	(A) (C) OR (B)
2	57M6274	BULB	1	X X X	12V, 5W

(A) WITH SNOW CHAIN FENDERS
 AVEC AILES POUR CHATNE NEIGE
 BEI SCHNEEKETTEN-KOTFLUEGEL
 CON PARAFANG. DA CATENE NEVE
 CON GUARDAB. CADENAS NIEVE
 VID SKARMAR FOR SNOKEDJOR

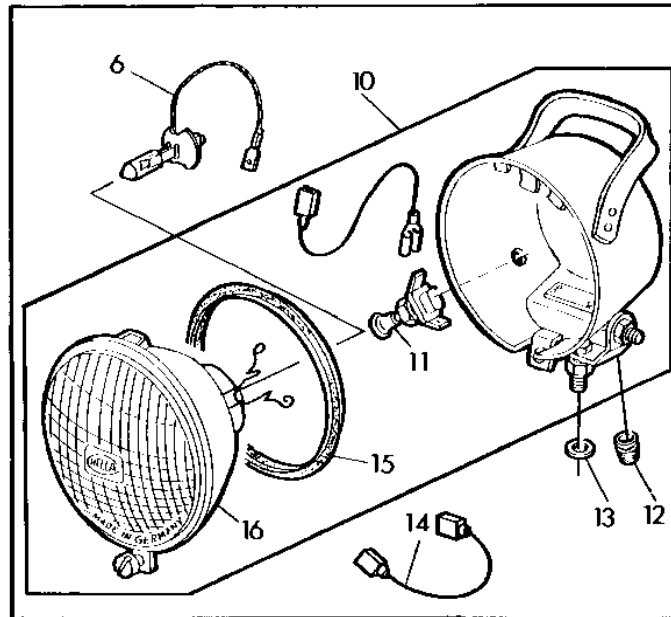
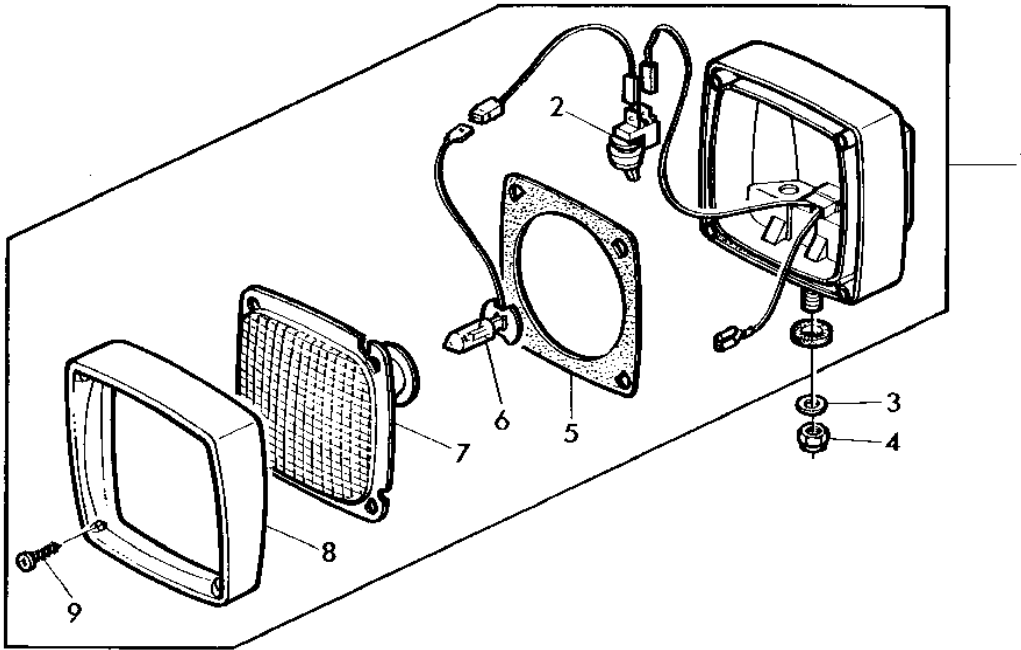
(B) W/REAR FENDERS (SHELL TYPE)
 AVEC AILES ARRIERE(COQUILLE)
 BEI MUSCHELKOTFLUEGEL
 CON PARAFANGHI A CONCHIGLIA
 CON GUARDABARROS DE CONCHA
 VID DELTACK.BAKSTANKSKARMA

(C) WITH SG2 CAB
 AVEC CABINE SG2
 BEI SG2 KABINE
 CON CABINA SG2
 CON CABINA SG2
 VID SG2 HYTT

1H16

ELECTRICAL PARTS

WORKLIGHT (BILUX)
PROJECTEUR DE TRAVAIL (BILUX)
GERAETESCHINWERFER (BILUX)
CON LUCE DI LAVORO (BILUX)
CON FARO AUXILIAR (BILUX)
ARBETSBELYSNING (BILUX)
L112330 -UN-07JUL95



L 112330

1H17

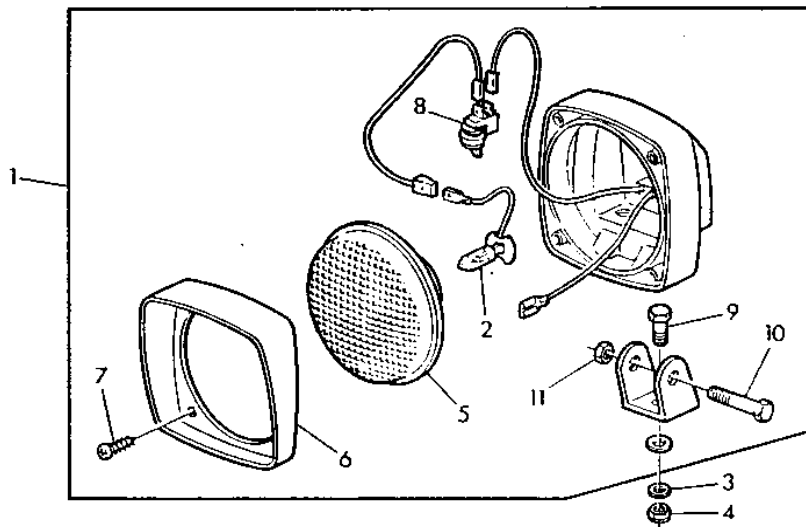
ELECTRICAL PARTS

KEY	PART NO.	PART NAME	QTY	SERIAL NO.	REMARKS
					2
					1 2 0
					6 0 4
					4 4 0
					0 0 S
1	AL39200	FLOODLAMP	1		(ORD AL65268)
2	AL36562	SWITCH	1		
3	24M7028	WASHER	1		10.5X21X2MM
4	14M7167	LOCK NUT	1		M10
5	T80393	GASKET	1		
6	Z26998	BULB	1		H3-12V, 55W
7	T80392	LENS	1		
8	T80391	BEZEL	1		
9	T80394	SCREW	4		
10	AL29611	FLOODLAMP	1		(ORD AL65268)
11	AL29615	SWITCH	1		
12	L12807	GROMMET	1		
13	24H1322	WASHER	1		29/64"X13/16"X.060"
14	AT24696	CABLE	1		
15	L33463	BEZEL	1		
16	AL29614	LAMP	1		(ORD AL65268)

1H18

ELECTRICAL PARTS

WORKLIGHT (BILUX)
 PROJECTEUR DE TRAVAIL (BILUX)
 GERAETESCHEINWERFER (BILUX)
 CON LUCE DI LAVORO (BILUX)
 CON FARO AUXILIAR (BILUX)
 ARBETSBELYSNING (BILUX)
 L119460 -UN-12MAY95



L 119460

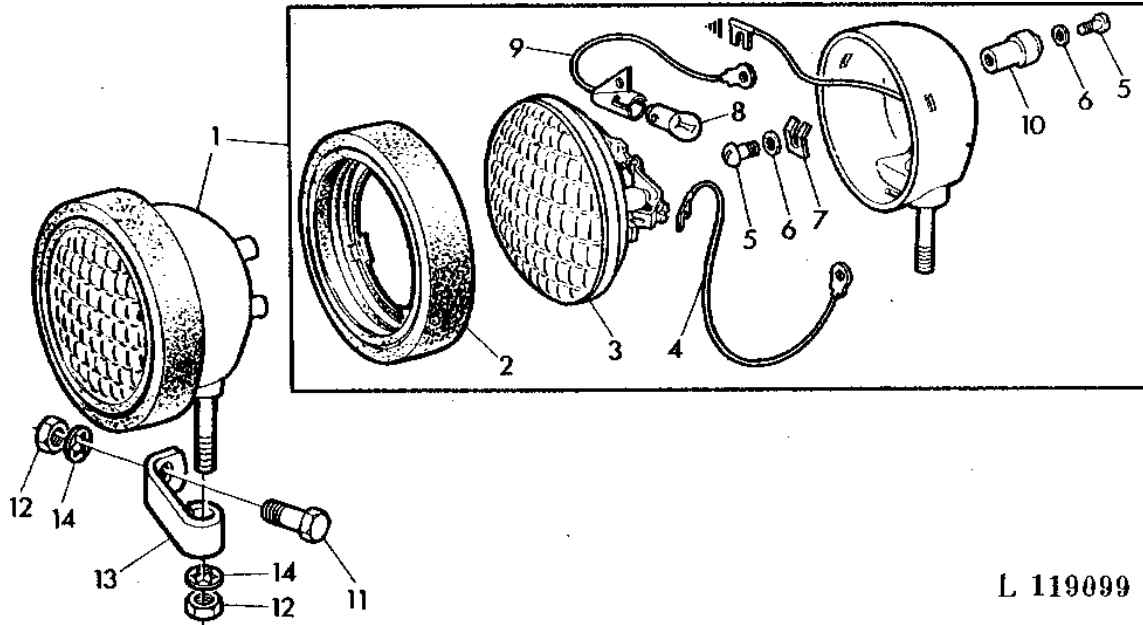
2
 1 2 0
 6 0 4
 4 4 0
 0 0 S

KEY	PART NO.	PART NAME	QTY	SERIAL NO.	REMARKS
1	AL65268	FLOODLAMP	1	X X X	
2	Z26998	BULB	1	X X X	H3-12V, 55W
3	24M7028	WASHER	1	X X X	10.5X21X2MM
4	14M7167	LOCK NUT	1	X X X	M10
5	LAMP	1	X X X	NSEP (ORD AL65268)
6	BEZEL	1	X X X	NSEP (ORD AL65268)
7	T80394	SCREW	4	X X X	
8	AL36562	SWITCH	1	X X X	
9	19M7402	CAP SCREW	1	X X X	M10X25
10	19M7724	CAP SCREW	1	X X X	M10X45
11	14M7167	LOCK NUT	1	X X X	M10

1H19

ELECTRICAL PARTS

REAR WORK LIGHT (SEALED BEAM)
 PHARE DE LABOUR (SEALED BEAM)
 GERAETESCHINWERFER (SEALED BEAM)
 LUCE LAVORO (SEALED BEAM)
 FARO AUXILIAR (SEALED BEAM)
 BAKRE ARBETSLAMPA (SEALED BEAM)
 L119099 -UN-01JAN94



L 119099

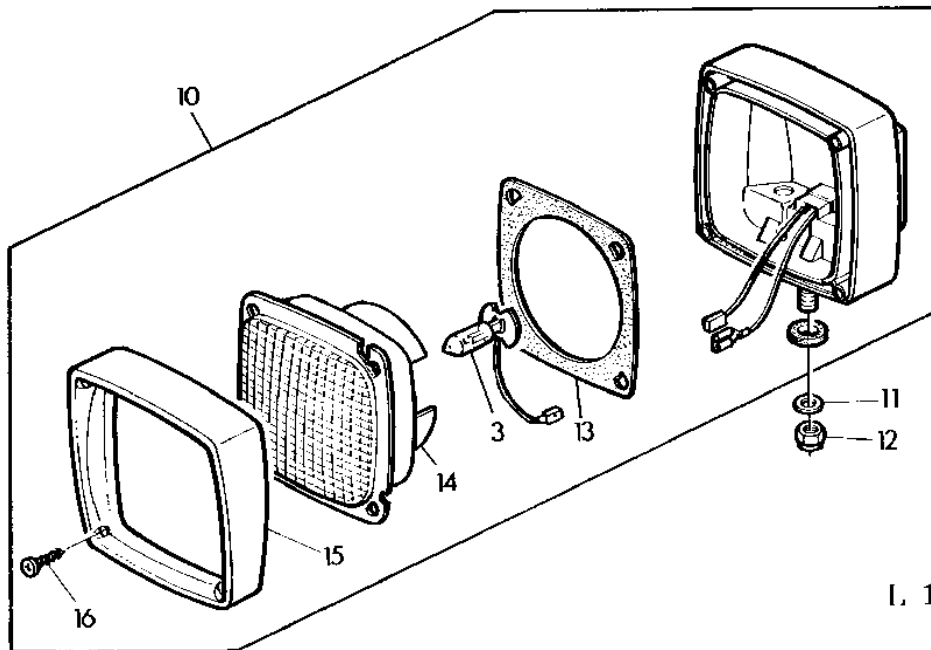
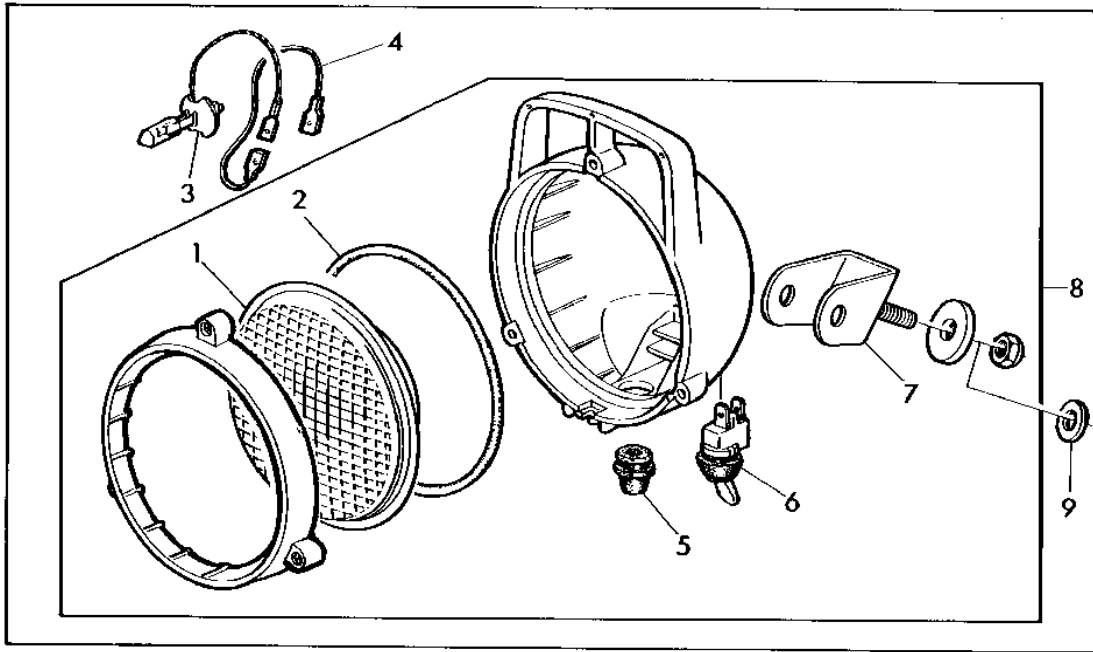
2
 1 2 0
 6 0 4
 4 4 0
 0 0 S

KEY	PART NO.	PART NAME	QTY	SERIAL NO.	REMARKS
1	AR77326	FLOODLAMP	1	X X X	
2	R30182	BEZEL	1	X X X	HOBBS
3	AR77324	LAMP	1	X X X	
4	CABLE	1	X X X	NSEP (ORD R66319, (2) R32015)
5	21H1293	SCREW	4	X X X	NO. 8 X 5/16"
6	12H290	WASHER	4	X X X	NO. 8
7	A2899R	ASSEMBLY LINE PARTS	2	X X X	
8	AD2062R	BULB	1	X X X	12-16V, 32C.P.
9	AR77325	SOCKET	1	X X X	
10	R30181	PLATE	2	X X X	HOBBS
11	19H1792	CAP SCREW	1	X X X	1/2"X1"
12	14H1040	NUT	2	X X X	1/2"
13	L62245	BRACKET	1	X X X	(SUB FOR R59160)
14	12H292	LOCK WASHER	2	X X X	1/2"
..	R66319	WIRING LEAD	1	X X X	LGTH= 30.5M (100FT)

1H20

ELECTRICAL PARTS

REAR WORK LIGHT SG2 CAB
PHARE DE LABOUR CABINE SG2
GERAETESCHEINWERFER SG2 KABINE
LUCE LAVORO CABINA SG2
FARO AUXILIAR CABINA SG2
BAKRE ARBETSLAMPA SG2 HYTT
L113055 -UN-17JUL95



L. 113055

1H21

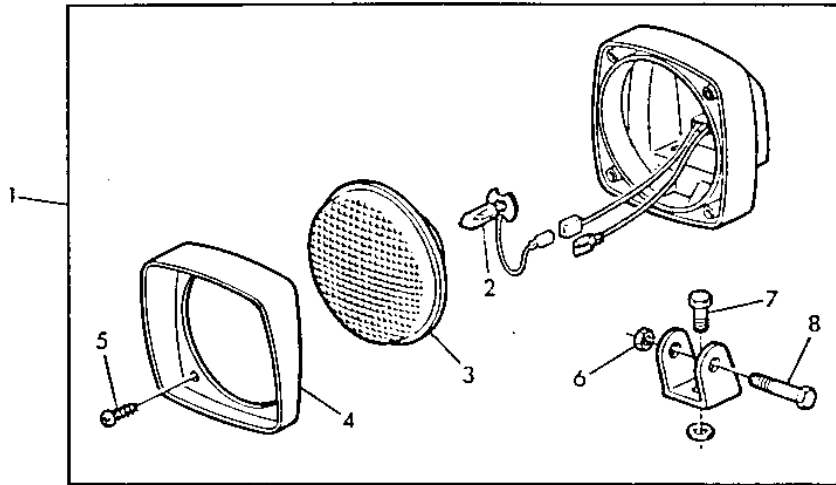
ELECTRICAL PARTS

KEY	PART NO.	PART NAME	QTY	SERIAL NO.	REMARKS
					2
					1 2 0
					6 0 4
					4 4 0
					0 0 S
1	AL36560	LENS	1		X X X (ORD AL65268)
2	L38630	GASKET	1		X X X
3	Z26998	BULB	1		X X X H3-12V, 55W
4	AT24696	CABLE	1		X X X
5	L12807	GROMMET	1		X X X
6	AL36562	SWITCH	1		X X X
7	AL36561	UNIVERSAL JOINT YOKE	1		X X X
8	AL36559	FLOODLAMP	1		X X X (ORD AL65268)
9	24H1322	WASHER	1		X X X 29/64"X13/16"X.060"
10	AL38800	FLOODLAMP	AR		X X X (ORD AL65268)
11	24M7028	WASHER	1		X X X 10.5X21X2MM
12	14M7167	LOCK NUT	1		X X X M10
13	T80393	GASKET	1		X X X
14	T80392	LENS	1		X X X
15	T80391	BEZEL	1		X X X
16	T80394	SCREW	4		X X X

1H22

ELECTRICAL PARTS

REAR WORK LIGHT SG2 CAB
 PHARE DE LABOUR CABINE SG2
 GERAETESCHEINWERFER SG2 KABINE
 LUCE LAVORO CABINA SG2
 FARO AUXILIAR CABINA SG2
 BAKRE ARBETSLAMPA SG2 HYTT
 L119461 -UN-22MAY95



L 119461

2
 1 2 0
 6 0 4
 4 4 0
 0 0 S

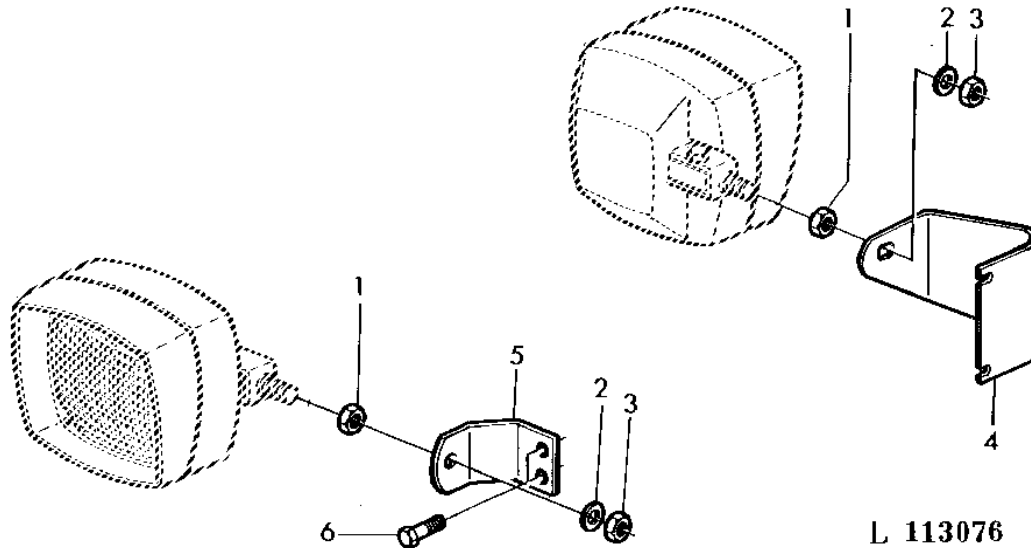
KEY	PART NO.	PART NAME	QTY	SERIAL NO.	REMARKS
1	AL64937	FLOODLAMP	1	X X X	(ORD AL65268)
2	Z26998	BULB	1	X X X	H3-12V, 55W
3	BEZEL	1	X X X	NSEP (ORD AL65268)
4	LAMP	1	X X X	NSEP (ORD AL65268)
5	T80394	SCREW	4	X X X	
6	14M7167	LOCK NUT	1	X X X	M10
7	19M7402	CAP SCREW	1	X X X	M10X25
8	19M7724	CAP SCREW	1	X X X	M10X45

MEMORANDA
MEMORANDA
MEMORANDA
MEMORANDA
MEMORANDA

1H23

ELECTRICAL PARTS

SECURING BRACKET FOR HEADLIGHT ON SG2 CAB ROOF
 SUPPORT DE PHARE SUR PAVILLON DE CABINE SG2
 HALTERUNG SCHEINWERFER SG2 KABINEN-DACH
 SUPPORTO PER FARO SUL TETTO CABINA SG2
 SOPORTE FARO SOBRE TECHO DE CABINA SG2
 FASTE FOR STRALKASTARE PA HYTTAKEN SG2
 L113076 -UN-17JUL95



L 113076

2
 1 2 0
 6 0 4
 4 4 0
 0 0 S

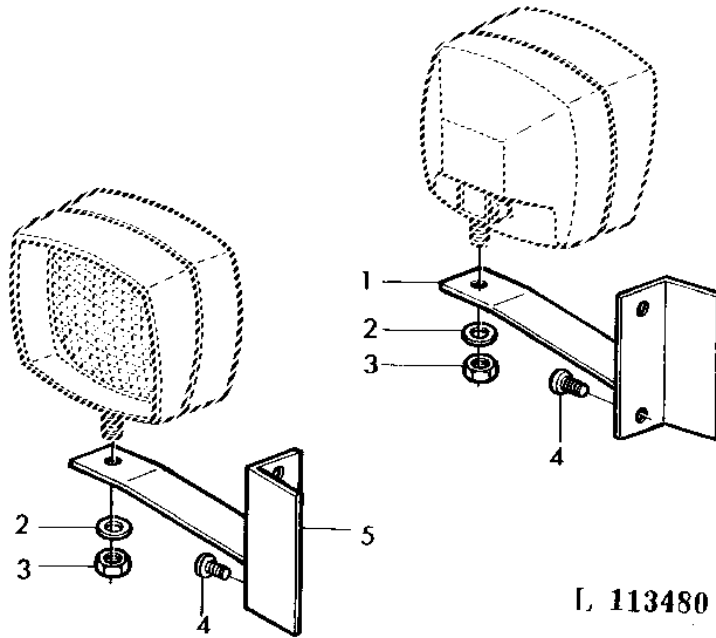
KEY	PART NO.	PART NAME	QTY	SERIAL NO.	REMARKS
1	14M7274	NUT	AR	X X X	M10
2	24M7028	WASHER	AR	X X X	10.5X21X2MM
3	14M7167	LOCK NUT	AR	X X X	M10
4	L55637	CLEVIS	1	X X X	RH, FRONT
	L55638	CLEVIS	1	X X X	LH, FRONT
	L58592	CLEVIS	1	X X X	(A) RH, FRONT
	L58593	CLEVIS	1	X X X	(A) LH, FRONT
5	L56315	ANGLE	AR	X X X	REAR
6	37M7089	SCREW	AR	X X X	M6X12

(A) WITH TELESCOPIC REAR VIEW MIRROR
 AVEC RETROVISEUR EXTRACTIBLE
 BEI AUSZIEHBAREM RUECKSPIEGEL
 CON RETROVISORE TELESCOPICO
 CON ESPEJO RETROVISOR TELESCOPICO
 MED TELESKOPISK BACKSPEGEL

1H24

ELECTRICAL PARTS

WORK LIGHT BRACKET (MC1 CAB)
 SUPPORT DE PROJECTEUR DE TRAVAIL - CABINE MC1
 HALTERUNG GERAETESCHINWERFER MC1 KABINE
 SUPPORTO PER LUCE LAVORO (CABINA MC1)
 SOPORTE PARA FARO AUXILIAR (CABINA MC1)
 FASTE FOR ARBETSBELYSNING (MC1 HYTT)
 L113480 -UN-11JUL95



L 113480

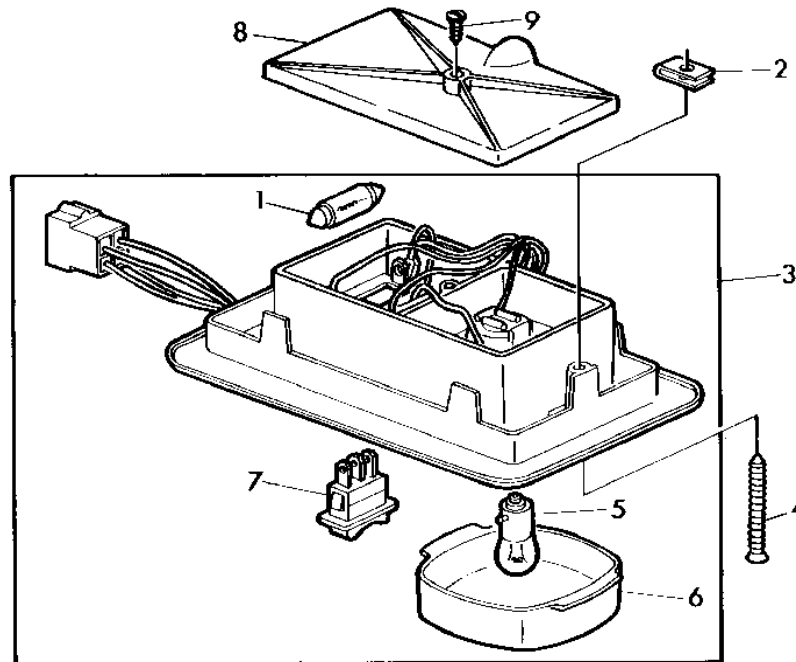
2
 1 2 0
 6 0 4
 4 4 0
 0 0 S

KEY	PART NO.	PART NAME	QTY	SERIAL NO.	REMARKS
1	AL59670	RETAINER	1	X X X	FRONT LH OR REAR RH
2	24M7028	WASHER	AR	X X X	10.5X21X2MM
3	14M7167	LOCK NUT	AR	X X X	M10
4	37M7109	SCREW	AR	X X X	6.3X16MM
5	AL59669	RETAINER	1	X X X	FRONT RH OR REAR LH

1H25

ELECTRICAL PARTS

DOME LIGHT-CONSOLE LIGHT SG2 CAB
 PLAFONNIER CABINE SG2
 DECKEN- UND KONSOLENLEUCHTE SG2 KABINE
 PLAFONIERA CABINA SG2
 LUZ DEL TECHO DE CABINA SG2
 TAKLJUS SG2 HYTT
 L104444 -UN-17JUL95

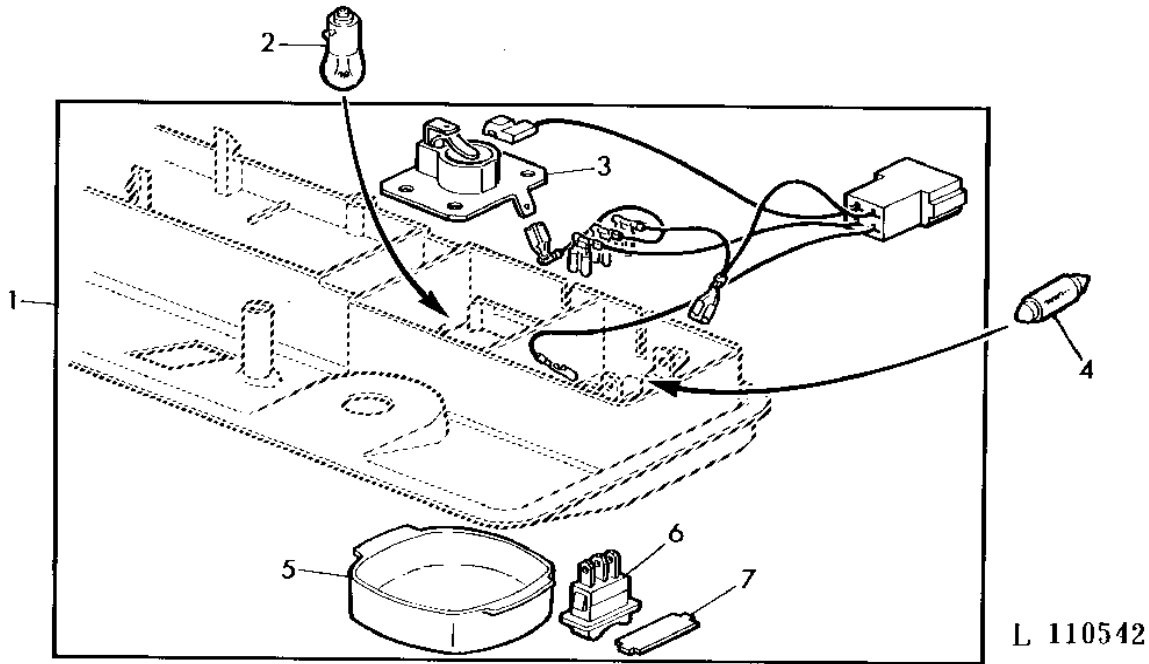


L 104444

2
 1 2 0
 6 0 4
 4 4 0
 0 0 S

KEY	PART NO.	PART NAME	QTY	SERIAL NO.	REMARKS
1	57M7086	BULB	1	X X X	12V, 5W
2	R52130	LOCK NUT	2	X X X	
3	AL37327	LAMP	1	X X X	(SUB FOR AL35705)
4	37M7140	SCREW	2	X X X	4.8X32MM (SUB FOR R53678)
5	57M7013	BULB	1	X X X	12V, 10W
6	R63496	LENS	1	X X X	
7	AL37269	SWITCH	1	X X X	(SUB FOR AL35773)
8	L40778	COVER	1	X X X	
9	37M7142	SCREW	1	X X X	3.9X19MM (SUB FOR 37M7081 APPL)

DOME AND CONSOLE LIGHT-SG2 CAB WITH LOW PROFILE CAB
 ECLAIRAGE PLAFOND ET CONSOLE CABINE SG2 A TOIT PLAT
 DECKEN- UND KONSOLENLEUCHTE SG2 KABINE MIT FLACHDACH
 PLAFONIERA PER CABINA SG2 CON TETTO BASSO
 LUCES INTERIORES PARA CABINA SG2 CON TECHO BAJO
 INNERBELYSNING FOR FORARHYTT MED LAGPROFIL
 L110542 -UN-07JUN95



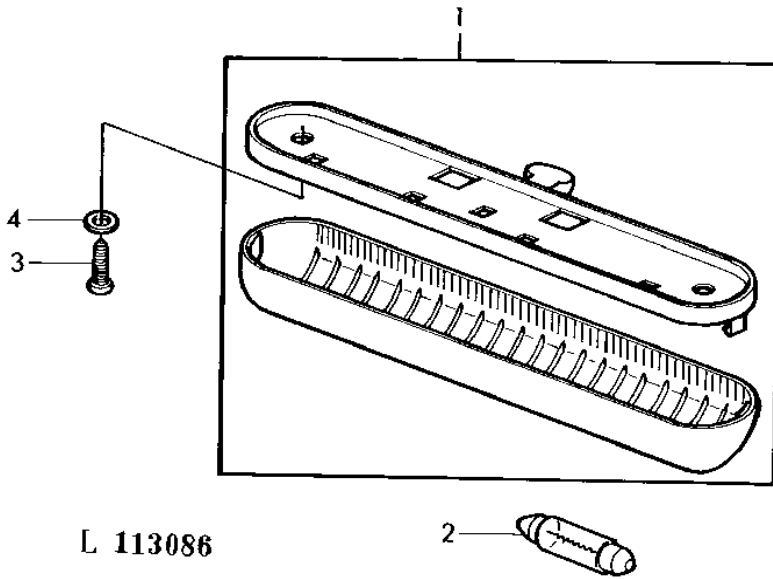
L 110542

KEY	PART NO.	PART NAME	QTY	SERIAL NO.	REMARKS
				2	
				1 2 0	
				6 0 4	
				4 4 0	
				0 0 S	
1	AL55528	LAMP	1	X X X	
2	57M7013	BULB	1	X X X	12V, 10W
3	AL55506	SOCKET	1	X X X	
4	57M7086	BULB	1	X X X	12V, 5W
5	R63496	LENS	1	X X X	
6	AL37269	SWITCH	1	X X X	
7	L55632	LENS	1	X X X	

112

ELECTRICAL PARTS

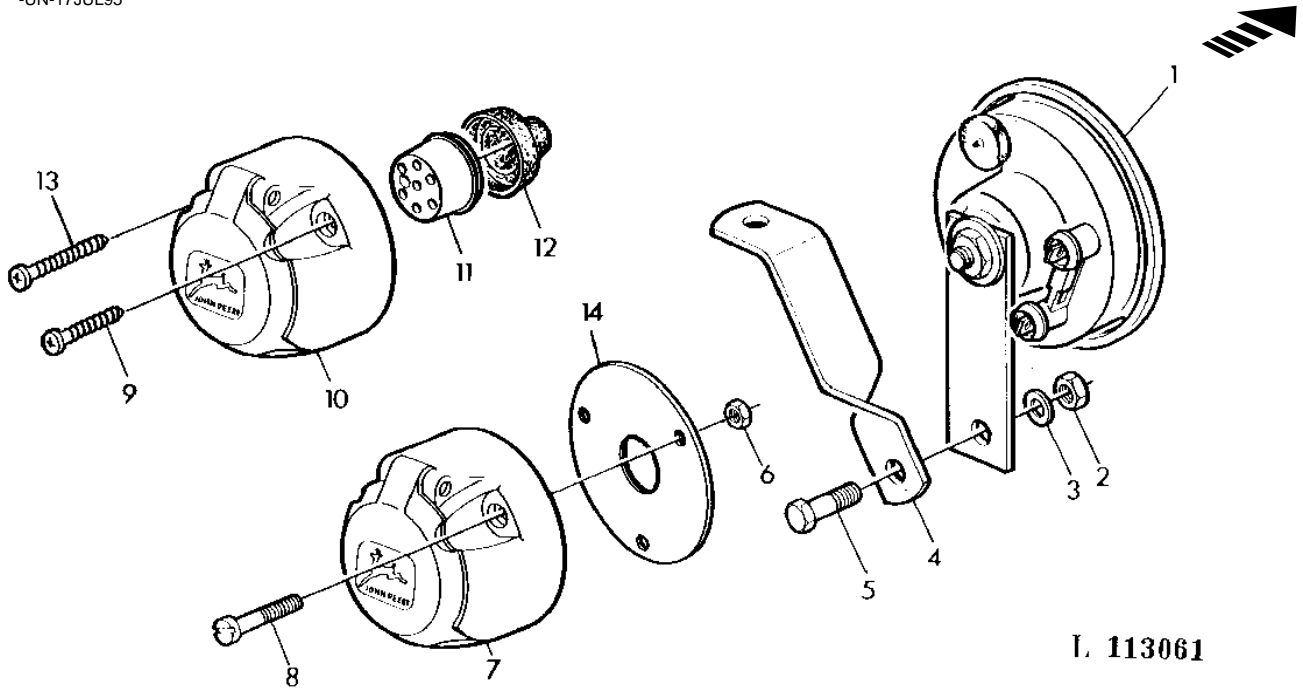
INTERIOR ROOF LIGHT - MC1 CAB
 PLAFONNIER - CABINE MC1
 DECKENLEUCHTE MC1 KABINE
 LUCI INTERNI - CABINA MC1
 LUZ INTERIOR - CABINA MC1
 INNERBELYSNING - MC1 HYTT
 L113086 -UN-11JUL95



2
 1 2 0
 6 0 4
 4 4 0
 0 0 S

KEY	PART NO.	PART NAME	QTY	SERIAL NO.	REMARKS
1	AL58545	LAMP	1	X X X	
2	57M6274	BULB	2	X X X	12V, 5W
3	37M7067	SCREW	2	X X X	4.2X9.5MM
4	24M7117	WASHER	2	X X X	4.3X9X0.8MM

HORN/TRAILER SOCKET
AVERTISSEUR/PRISE DE REMORQUE
SIGNALHORN/ANHAENGER STECKDOSE
AVVISATORE ACCUSTICO/PRESA PER RIMORCHIO
BOCINA ENSCHUFE PARA REMOLQUE
SIGNALHORN/UTTAG FOR SLAPVAGN
 L113061 -UN-17JUL95



I. 113061

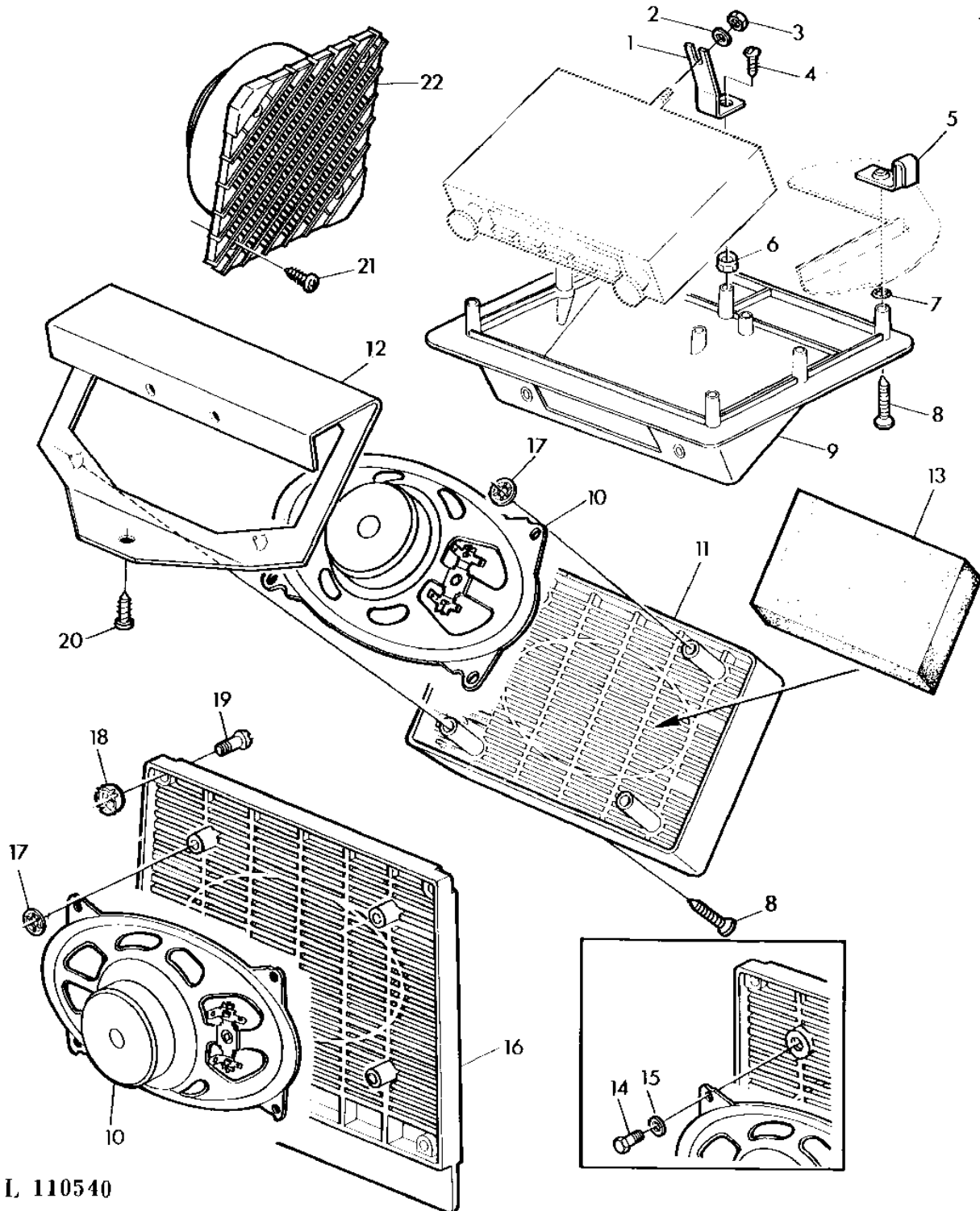
KEY	PART NO.	PART NAME	QTY	SERIAL NO.	REMARKS
					2
					1 2 0
					6 0 4
					4 4 0
					0 0 S
1	AL111147	HORN	1		X X X (SUB FOR AL14896)
2	14M7273	NUT	1		X X X M8
3	24M7036	WASHER	1		X X X 9X17X1.6MM
4	L31106	BRACKET	1		X X X
5	19M7139	CAP SCREW	1		X X X M8X20
6	14H778	NUT	3		X X X NO. 10
7	L83677	SOCKET OUTLET	1		X X X
	L83677	SOCKET OUTLET	1	-486078	X X X (A)
8	21H1356	SCREW	3		X X X NO. 10 X 1-1/4"
9	37M7140	SCREW	3		X X X (C)
	37M7140	SCREW	2	486079-	X X X (A) 4.8X32MM
10	57M7117	SOCKET OUTLET	1	486079-	X X X (A) (C)
11	L40816	SOCKET CONT.CONNECTOR BODY	1	486079-	X X X (A) (C)
12	L40817	GROMMET	1	486079-	X X X (A) (C)
13	37M7143	SCREW	1		X X X (A) 4.8X38MM
14	L56544	WASHER	1		X X X (B)

(A) WITH SG2 CAB
 AVEC CABINE SG2
 BEI SG2 KABINE
 CON CABINA SG2
 CON CABINA SG2
 VID SG2 HYTT

(B) W/REAR FENDERS 240MM WIDE
 AILES AR.ENVELOP.LARG.240MM
 BEI DACHKOTFL.240MM BREIT
 PARAF.POSTER.NORMALI 240MM
 GUARDAB.TRAS.TEJADIL. 240MM
 VID BAKRE STANKSKARM.240MM

(C) WITH MC1 CAB
 AVEC CABINE MC1
 BEI MC1 KABINE
 CON CABINA MC1
 CON CABINA MC1
 VID MC1 HYTT

RADIO AND LOUDSPEAKER COVERS SG2 CAB
 CACHES POUR RADIO ET HAUT-PARLEURS CABINE SG2
 RADIO- UND LAUTSPRECHERVERKLEIDUNG SG2 KABINE
 RIVESTIMENTI PER RADIO ED ALTOPARLANTI CABINA SG2
 REVESTIMIENTOS PARA RADIO Y ALTAVOCES CABINA SG2
 BEKLADNAD FOR RADIO OCH HOGTALARE SG2 HYTT
 L110540 -UN-17JUL95



L 110540

115

ELECTRICAL PARTS

KEY	PART NO.	PART NAME	QTY	SERIAL NO.	REMARKS
					2
					1 2 0
					6 0 4
					4 4 0
					0 0 S
1	R76497	BRACKET	1	X X X	
2	24M7027	WASHER	1	X X X	5.3X10X1MM
3	14M7028	NUT	1	X X X	M5
4	37H47	SCREW	1	X X X	NO. 8 X 1/2" (SUB FOR 37M7068 APPL)
5	R50974	NUT	6	X X X	
6	L39675	CAP	1	X X X	
7	R34812	O-RING	6	X X X	
8	37M7140	SCREW	14	X X X	4.8X32MM (SUB FOR R76333, R53678)
9	L40299	BRACKET	1	X X X	(SUB FOR L39528)
10	AL38865	SPEAKER	2	X X X	
11	L40309	GRILLE	2	X X X	(SUB FOR L38090)
12	R72625	BRACKET	2	X X X	
13	L41369	FOAM PAD	2	X X X	(B)
14	21H1300	SCREW	8	X X X	(A) NO. 10 X 3/8"
15	24M7138	WASHER	8	X X X	(A) 5.3X15X1.6MM
16	L40530	GRILLE	2	X X X	(SUB FOR R71347)
17	L41610	RETAINING WASHER	4	X X X	(SUB FOR R61268)
18	R71348	NUT	8	X X X	(A)
19	R50499	SCREW	8	X X X	(A) (SUB FOR L38836)
20	37M7109	SCREW	6	X X X	6.3X16MM
21	37M7152	SCREW	8	X X X	(C) 3.5X16MM
22	AL55534	SPEAKER	2	X X X	(C)

(A) WITH CAB HATCH
 AVEC TOIT OUVRANT
 BEI DACHLUKE
 CON LUCERNARIO DI CABINA
 CON LUCERA PARA EL TECHO
 VID NODLUCKA

(B) WITHOUT LOUDSPEAKER
 SANS HAUT-PARLEUR
 OHNE LAUTSPRECHER
 SENZA ALTOPARLANTE
 SIN ALTAVOZ
 UTAN HOGTALARE

(C) WITH LOW PROFILE CAB
 AVEC TOIT PLAT
 MIT FLACHDACH
 CABINA CON TETTO BASSO
 CABINA CON TECHO BAJO
 FORARHYTT VID LAGPROFIL

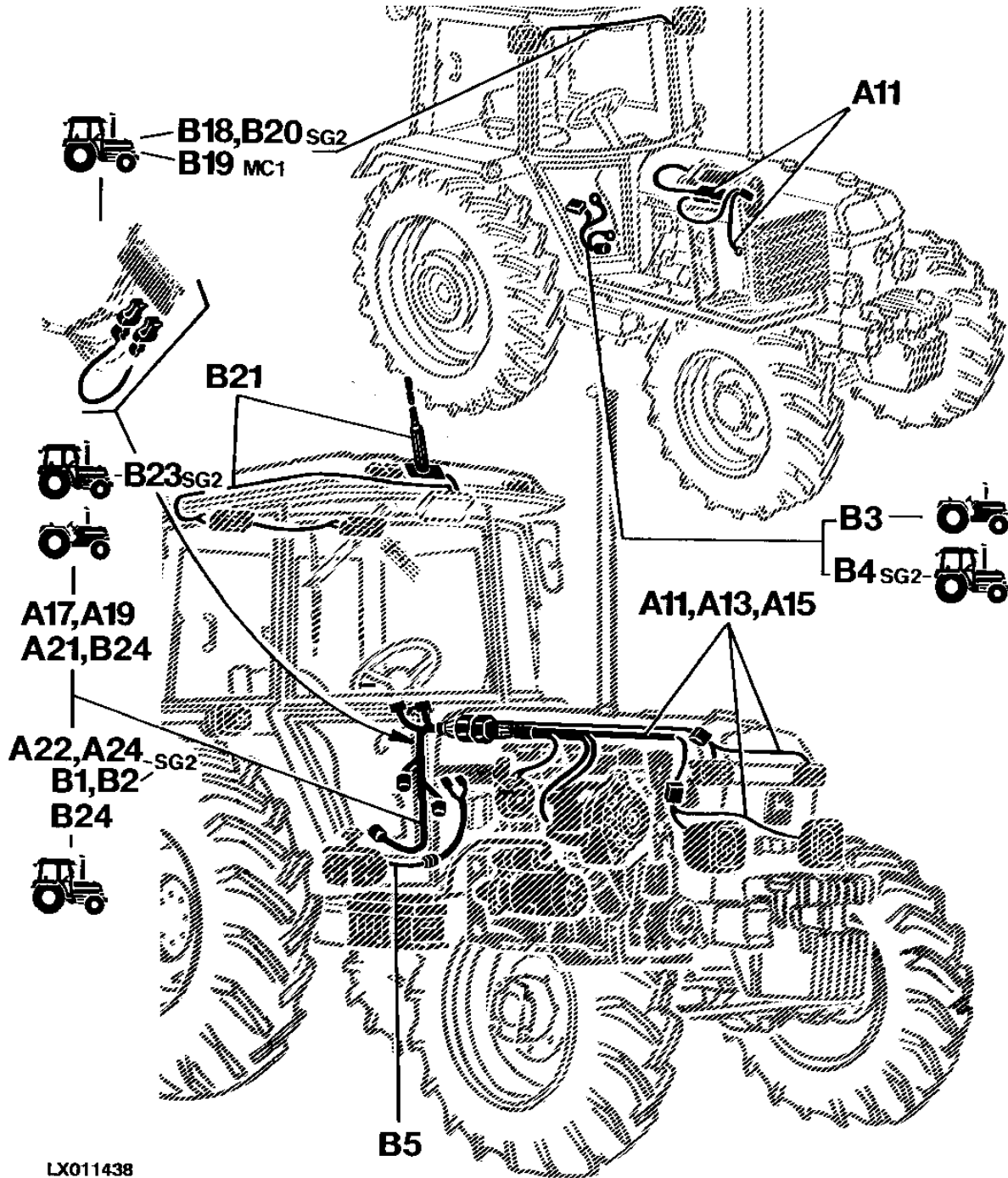
2A9

WIRING HARNESS

XX
XX
XX
XX
XX
XX
XX
XX
XX
XX

SECTIONAL INDEX
INDEX DE SECTION
GRUPPENINDEX
INDICE DELLA SEZIONE
INDICE DE GRUPOS
GRUPPSFORTECKNING

LX011438 -UN-14JUL95



LX011438

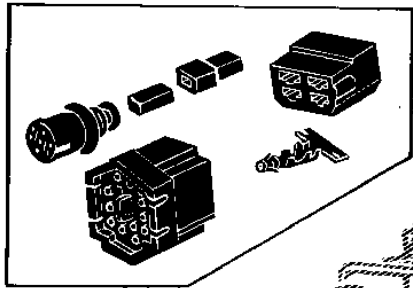
2A10

WIRING HARNESS

XX
XX
XX
XX
XX
XX
XX
XX
XX


SECTIONAL INDEX
INDEX DE SECTION
GRUPPENINDEX
INDICE DELLA SEZIONE
INDICE DE GRUPOS
GRUPPSFORTECKNING

LX011439 -UN-14JUL95



C1,C3

 B18^{SG2}
B19^{MC1}


 B10,B12^{SG2}
B14,B25^{SG2}
B16^{MC1}



 B10,B12,B14^{SG2}
B16^{MC1}

 B8



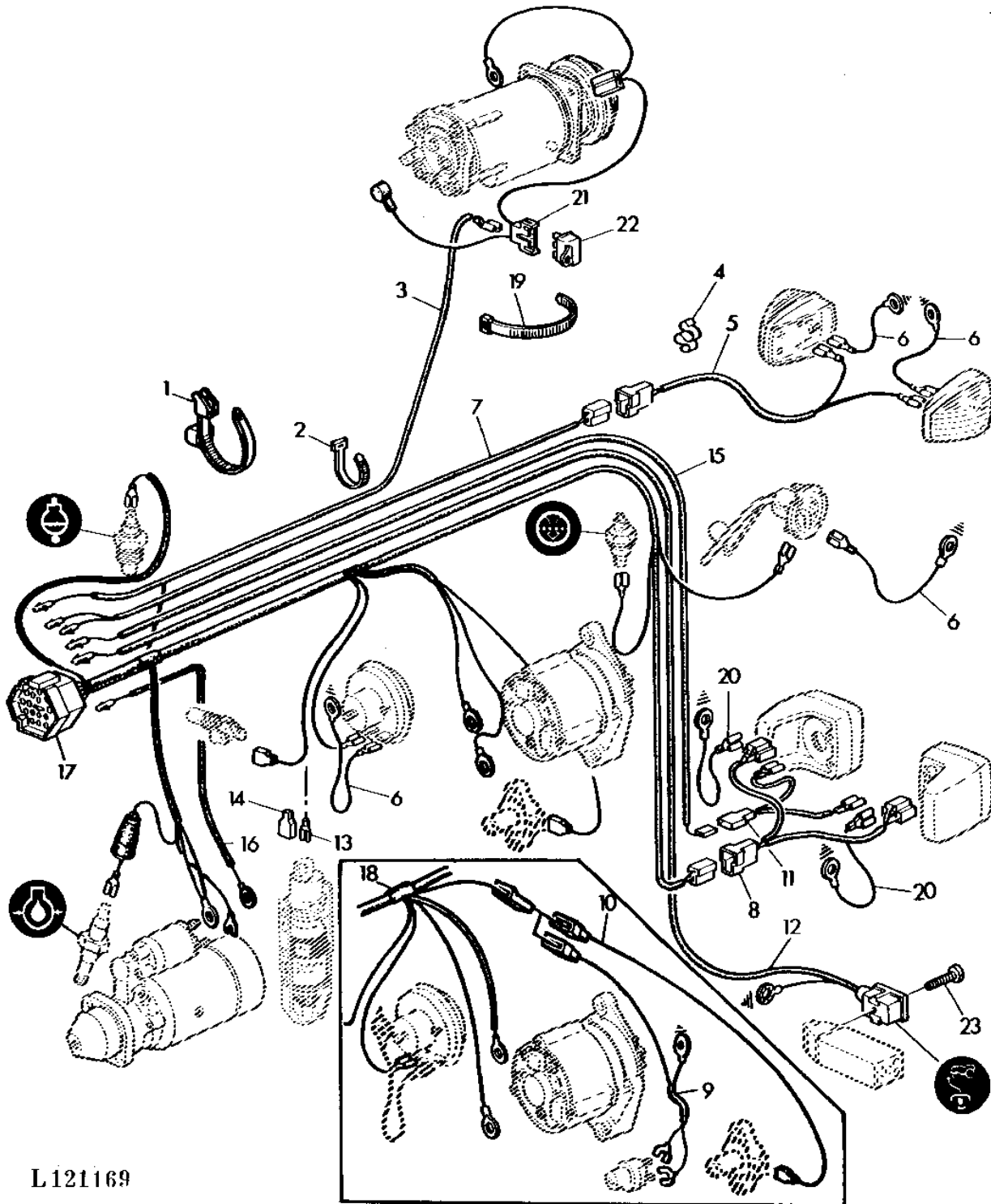
B6,B7 

LX011439

2A11

WIRING HARNESS

WIRING HARNESSES-ENGINE (BILUX)
FAISCEAUX-MOTEUR (BILUX)
KABELBAUM-MOTOR (BILUX)
GRUPPO DEI CAVI-MOTORE (BILUX)
HAZ DE CABLES-MOTOR (BILUX)
KABELHARVA-MOTOR (BILUX)
L121169 -UN-18JUL95



L121169

2A12

WIRING HARNESS

KEY	PART NO.	PART NAME	QTY	SERIAL NO.	REMARKS
					2
					1 2 0
					6 0 4
					4 4 0
					0 0 S
1	L40484	BAND	1		X X X
2	R44302	TIE BAND	AR		X X X
3	AL55857	WIRING LEAD	1		X X X (SUB FOR AL31990)
4	T41072	CLIP	AR		X X X
5	AR74812	WIRING HARNESS	1		X X X
6	AT24549	WIRING LEAD	4		X X X
7	AL32112	WIRING HARNESS	1		X X X
8	AL27220	WIRING HARNESS	1		X X X
9	AL32267	WIRING LEAD	1		X X X
10	AL58036	WIRING LEAD	1		X X X
11	AL26905	WIRING HARNESS	1		X X X (B)
12	AL41571	WIRING HARNESS	1		X
13	57M7045	RECEPTACLE	1		X X X
14	57M7067	RECEPTACLE CONNECTOR BODY	1		X X X
15	AL26948	WIRING LEAD	1		X X X (B)
16	AL37435	WIRING LEAD	1		X X X (A)
17	AL55858	WIRING HARNESS	1		X X X (SUB FOR AL35559)
18	AL35559	WIRING HARNESS	1		X X X (ORD AL55858)
19	T44946	TIE BAND	1		X X X
20	AL27901	WIRING LEAD	2		X X X
21	AR77345	WIRING HARNESS	1		X X X
22	AR77344	FUSE	1		X X X
23	21M7345	SCREW	1		X M3X25

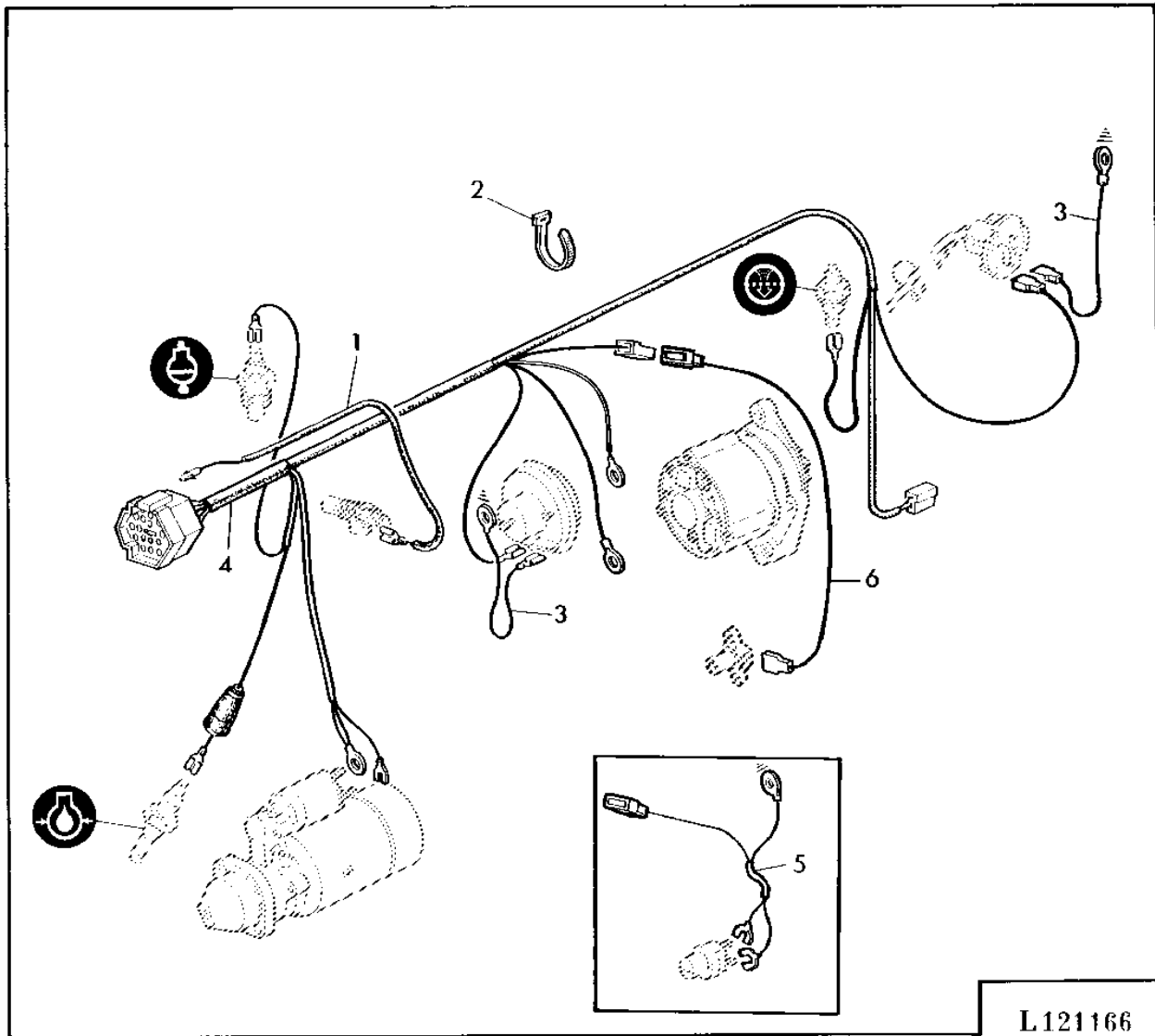
(A) WITH WORKLIGHT (SG2)
 AVEC PHARE DE TRAVAIL (SG2)
 BEI GERAETESCHEINWERFER (SG2)
 CON LUCE LAVORO (SG2)
 CON FARO AUXILIAR (SG2)
 VID ARBETSBELYSNING (SG2)

(B) WITH PARKING LIGHT
 AVEC FEU DE STATIONNEMENT
 MIT STANDLICHT
 CON LUCI POSIZIONE
 CON LUZ DE ESTACIONAMIENTO
 VID PARKERINGS LJUS

2A13

WIRING HARNESS

WIRING HARNESS-ENGINE (SEALED BEAM)
FAISCEAU-MOTEUR (SEALED BEAM)
KABELBAEUME MOTOR (SEALED BEAM)
GRUPPO CAVI MOTORE (SEALED BEAM)
HAZ DE CABLES MOTOR (SEALED BEAM)
KABELHARVA MOTOR (SEALED BEAM)
L121166 -UN-12JUL95



2A14

WIRING HARNESS

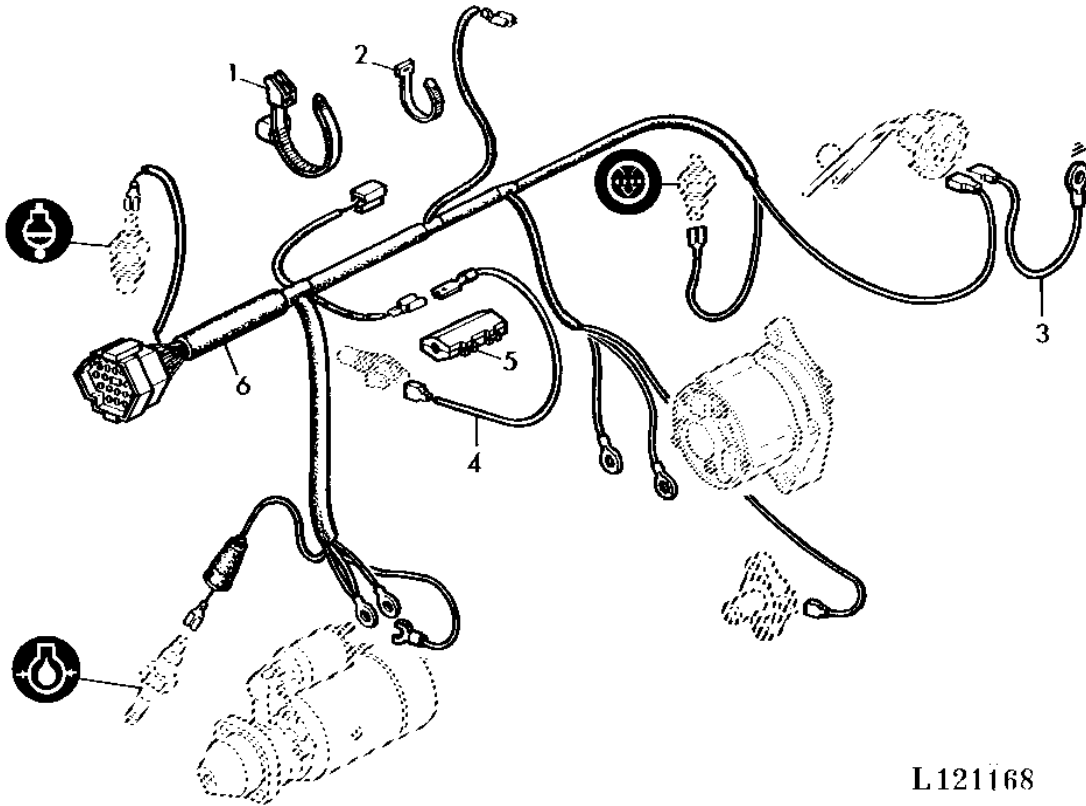
KEY	PART NO.	PART NAME	QTY	SERIAL NO.	REMARKS
				2	
				1 2 0	
				6 0 4	
				4 4 0	
				0 0 S	
1	AL32269	WIRING LEAD	1		X X X (A)
2	R44302	TIE BAND	AR		X X X
3	AT24549	WIRING LEAD	2		X X X
4	AL35562	WIRING HARNESS	1		X X X
5	AL32267	WIRING LEAD	1		X X X
6	AL58036	WIRING LEAD	1		X X X

(A) WITH THERMOSTART STARTING AID
AVEC DISPOSITIF THERMO-START
BEI THERMO-STARHILFE
CON THERMOSTART PER L'AVVIAMENTO
CON THERMOARRANQUE
VID TERMOSTART ANLAGGNING

2A15

WIRING HARNESS

WIRING HARNESS-ENGINE (SEALED BEAM)
FAISCEAU-MOTEUR (SEALED BEAM)
KABELBAEUME MOTOR (SEALED BEAM)
GRUPPO CAVI MOTORE (SEALED BEAM)
HAZ DE CABLES MOTOR (SEALED BEAM)
KABELHARVA MOTOR (SEALED BEAM)
L121168 -UN-12JUL95



L121168

2A16

WIRING HARNESS

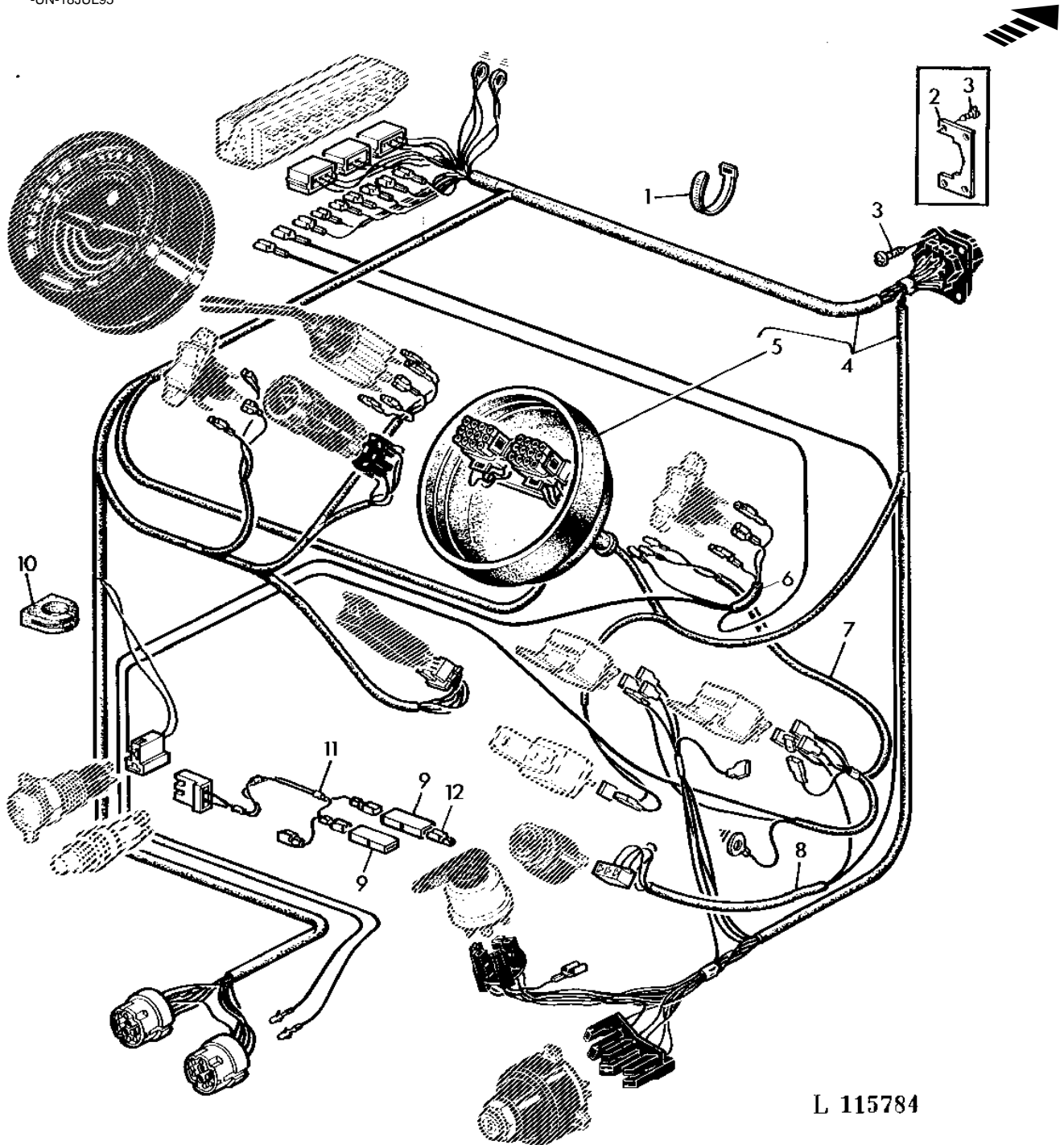
KEY	PART NO.	PART NAME	QTY	SERIAL NO.	REMARKS
					2
					1 2 0
					6 0 4
					4 4 0
					0 0 S
1	L40484	BAND	1		X X X
2	R44302	TIE BAND	5		X X X
3	AT24549	WIRING LEAD	1		X X X
4	AL55856	WIRING LEAD	1		X X X (A)
5	L31124	INSULATING CAPSULE	1		X X X (A)
6	AL55855	WIRING HARNESS	1		X X X

(A) WITH THERMOSTART STARTING AID
 AVEC DISPOSITIF THERMO-START
 BEI THERMO-STARHILFE
 CON THERMOSTART PER L'AVVIAMENTO
 CON THERMOARRANQUE
 VID TERMOSTART ANLAGGNING

2A17

WIRING HARNESS

WIRING HARNESS-DASH (BILUX)
FAISCEAU-TABLEAU DE BORD (BILUX)
KABELBAUM-ARMATURENWAND (BILUX)
GRUPPO CAVI-CRUSCOTTO (BILUX)
HAZ DE CABLES-TABLERO (BILUX)
KABELHARVA-INSTRUMENTPANEL (BILUX)
L115784 -UN-18JUL95



L 115784

2A18

WIRING HARNESS

KEY	PART NO.	PART NAME	QTY	SERIAL NO.	REMARKS
					2
					1 2 0
					6 0 4
					4 4 0
					0 0 S
1	R44302	TIE BAND	AR		X X X
2	L31033	RETAINER	1		X X X
3	37M7067	SCREW	4		X X X 4.2X9.5MM
4	AL35561	WIRING HARNESS	1	-526827	X X X
	AL38335	WIRING HARNESS	1	526828-	X X X
5	L35172	CAP	1		X X X
6	AL32722	WIRING HARNESS	1		X X X (A)
7	AL32799	WIRING HARNESS	1		X X X
8	AL32793	WIRING HARNESS	1		X X X
9	57M7073	CONNECTOR	2		X X X (B) (C)
10	L35553	GROMMET	1		X X X
11	AL35325	WIRING HARNESS	1		X X X (B) (C)
12	57M7041	RECEPTACLE	1		X X X (B) (C)

(A) WITH FWD
 AVEC PONT AVANT
 BEI FRONTANTRIEB
 CON TRAZIONE ANTER
 CON TRACCION DELAN.
 VID FRAMHJULSDRIFT

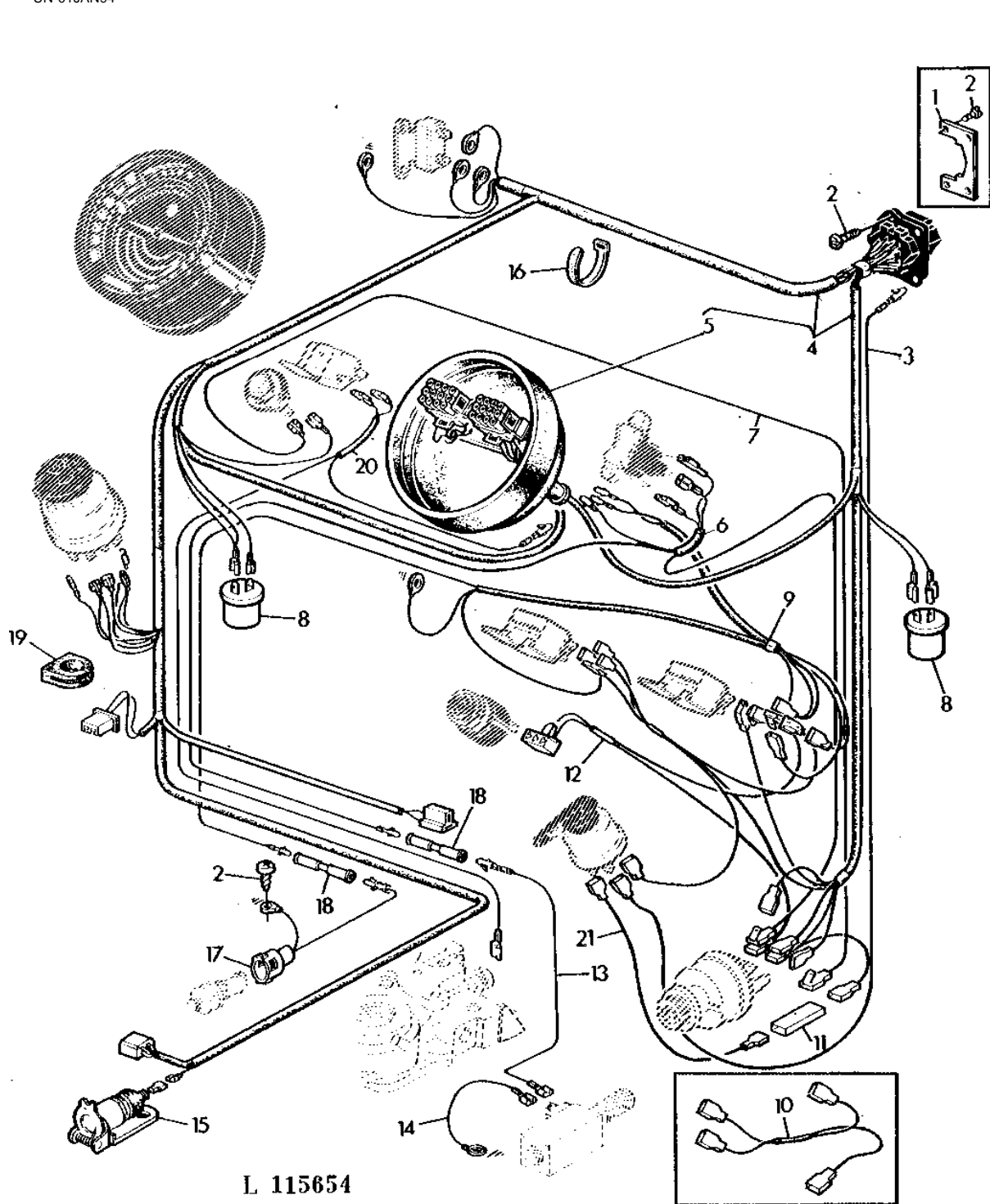
(B) WITH MC1 CAB
 AVEC CABINE MC1
 BEI MC1 KABINE
 CON CABINA MC1
 CON CABINA MC1
 VID MC1 FORARHYTT

(C) WITH ETHER STARTING AID
 AVEC AIDE AU DEMARRAGE ETHER
 BEI ELEKTR.AETHER-STARTRILFE
 CON AIUTO D'AVIA.PER ETERE
 CON AYUDA ARRANQUE POR ETER
 VID ELEKTRISK KALLSTART (ETE)

2A19

WIRING HARNESS

WIRING HARNESS-DASH (SEALED BEAM)
FAISCEAU-TABLEAU DE BORD (SEALED BEAM)
KABELBAUM-ARMATURENWAND (SEALED BEAM)
GRUPPO CAVI-CRUSCOTTO (SEALED BEAM)
HAZ DE CABLES-TABLERO DE INSTRUMENTOS (SEALED BEAM)
KABELHARVA-INSTRUMENTPANEL (SEALED BEAM)
L115654 -UN-01JAN94



L 115654

2A20

WIRING HARNESS

KEY	PART NO.	PART NAME	QTY	SERIAL NO.	REMARKS
					2
					1 2 0
					6 0 4
					4 4 0
					0 0 S
1	L31033	RETAINER	1		X X X
2	37M7067	SCREW	5		X X X 4.2X9.5MM
3	AL32677	WIRING HARNESS	1		X X X
4	AL35564	WIRING HARNESS	1	-526827	X X X
	AL39009	WIRING HARNESS	1	526828-	X X X
5	L35172	CAP	1		X X X
6	AL32722	WIRING HARNESS	1		X X X (B)
7	AL19914	WIRING LEAD	1		X X X
8	AU41465	FLASHER	2		X X X
9	AL32799	WIRING HARNESS	1		X X X
10	AL32833	WIRING HARNESS	1	-526827	X X X (A)
11	57M7073	CONNECTOR	1		X X X
12	AL32793	WIRING HARNESS	1		X X X
13	AL32720	WIRING LEAD	1		X X X (B)
14	AT24549	WIRING LEAD	1		X X X (B)
15	AT20709	SOCKET OUTLET	1		X X X
16	R44302	TIE BAND	2		X X X
17	AL32831	WIRING HARNESS	1		X X X
18	L36710	ROUND CONNECTOR	AR		X X X
19	L35553	GROMMET	1		X X X
20	AL32923	WIRING HARNESS	1		X X X
21	AL59782	WIRING LEAD	1		X X X

(A) ON TRACTORS WITHOUT THERMOSTART
 SUR TRACTEURS SANS THERMOSTART
 BEI TRAKTOREN OHNE THERMOSTART
 CON TRATTORI SENZA THERMOSTART
 CON TRACTORES SIN THERMOSTART
 VID TRAKTORER UTAN TERMOSTART

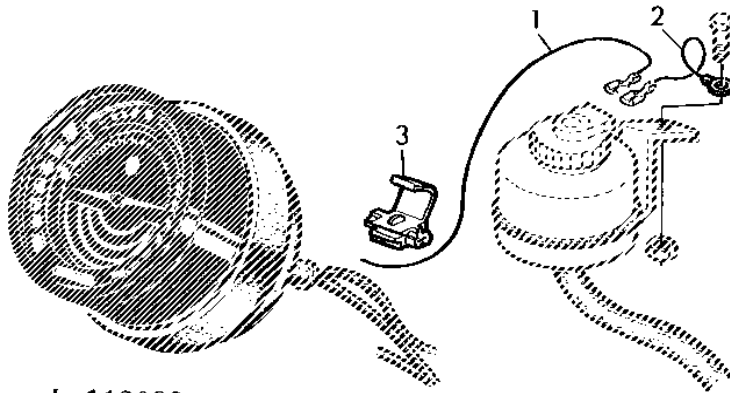
(B) WITH FRONT WHEEL DRIVE
 AVEC PONT AVANT
 BEI FRONTANTRIEB
 CON TRAZIONE ANTERIORE
 CON TRACCION DELANTERA
 VID FRAMHJULSDRIFT

2A21

WIRING HARNESS

CABLE FOR FOOT BRAKE OIL RESERVOIR
 CABLE POUR RESERVE A'HUILE DE FREIN A PIED
 KABEL FUER FUSSBREMS-OELVORRATSBEHAELTER
 CAVO PER SERBATOIO FLUIDO PER FRENI A PEDALE
 CABLE PARA DEPOSITO DE ACEITE DEL FRENO DE PIE
 KABEL FOR BROMSVATSKABEHALLARE

L113062 -UN-12MAY95



L 113062

2
 1 2 0
 6 0 4
 4 4 0
 0 0 S

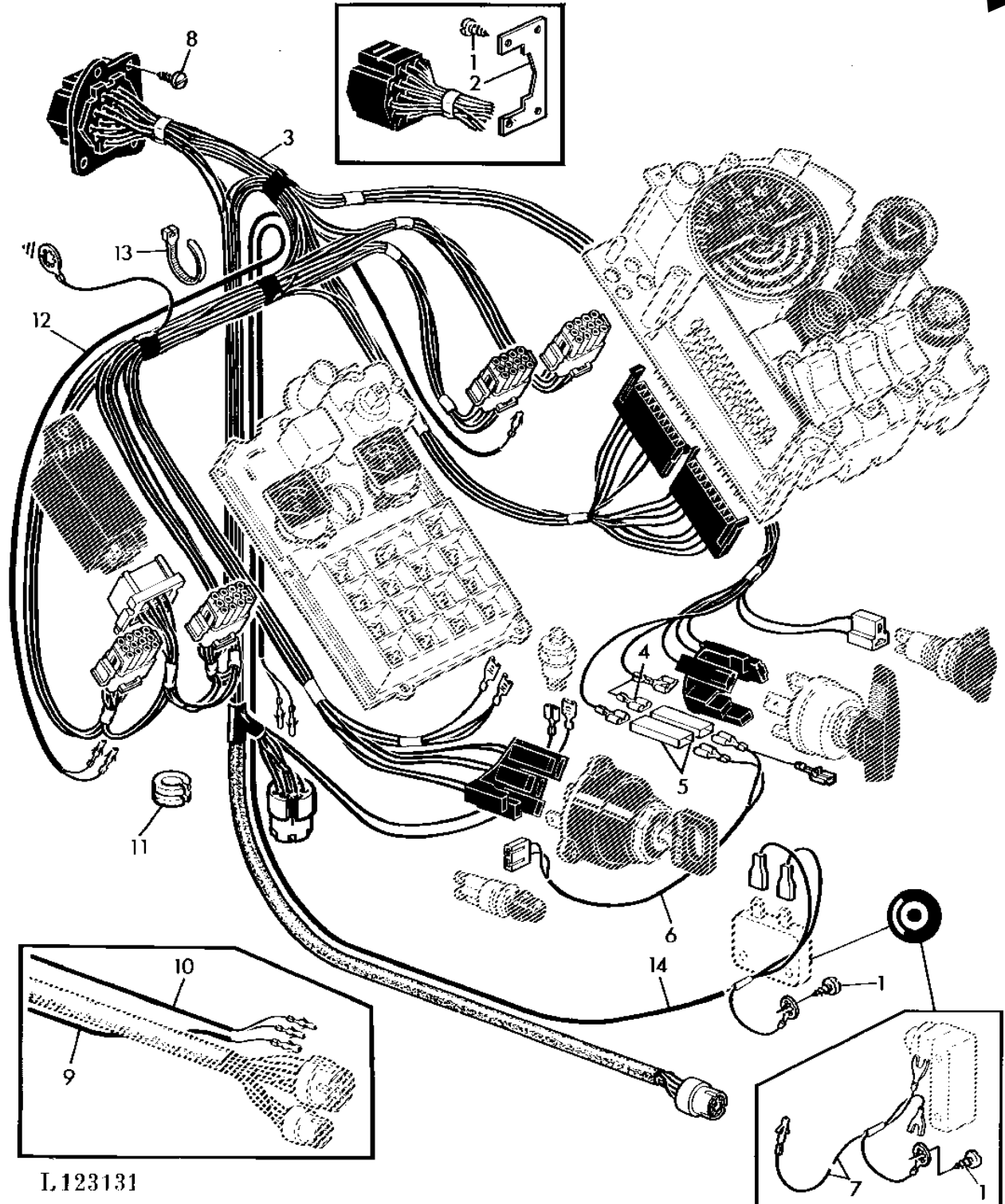
KEY	PART NO.	PART NAME	QTY	SERIAL NO.	REMARKS
1	AL57392	WIRING LEAD	1	X X X	
2	AL27901	WIRING LEAD	1	X X X	
3	57M7095	CONNECTOR	1	X X X	

MEMORANDA
MEMORANDA
MEMORANDA
MEMORANDA
MEMORANDA

2A22

WIRING HARNESS

WIRING HARNESSES-DASH SG2 CAB
FAISCEAUX-TABLEAU DE BORD CABINE SG2
KABELBAUM-ARMATURENWAND SG2 KABINE
GRUPPO CAVI-CRUSCOTTO CABINA SG2
HAZ DE CABLES-TABLERO CABINA SG2
KABELHARVA-INSTRUMENTPANEL SG2 HYTT
L123131 -UN-18JUL95



L123131

2A23

WIRING HARNESS

KEY	PART NO.	PART NAME	QTY	SERIAL NO.	REMARKS
					2
					1 2 0
					6 0 4
					4 4 0
					0 0 S
1	37M7067	SCREW	5		X X X 4.2X9.5MM
2	L31033	RETAINER	1		X X X
3	AL35276	WIRING HARNESS	1	-486078	X X X
	AL38683	WIRING HARNESS	1	486079-548304	X X X (ORD AL55286, L41600)
	AL55286	WIRING HARNESS	1	548305-	X X X
4	57M7041	RECEPTACLE	1		X X X (C)
5	57M7073	CONNECTOR	2		X X X (C)
6	AL35325	WIRING HARNESS	1		X X X (C)
7	AL35694	WIRING HARNESS	1		X X X
8	R53028	CAP SCREW	4		X X X
9	AL35326	WIRING HARNESS	1	-486078	X X X (A)
10	AL35967	WIRING HARNESS	1	-486078	X X X (B)
11	L41186	GROMMET	1		X X X ID= 23MM (SUB FOR R38454, T75186)
	R50636	GROMMET	1		X X X ID= 27MM
12	AL39109	WIRING HARNESS	1	486079-	X X X (B)
13	R44302	TIE BAND	AR		X X X
14	AL55067	WIRING HARNESS	1		X X X

(A) WITH AIR CONDITIONING
 AVEC CLIMATISATION
 BEI KLIMAANLAGE
 CON CONDIZ. ARIA
 CON ACONDIC.DE AIRE
 VID LUFTKONDITIONERING

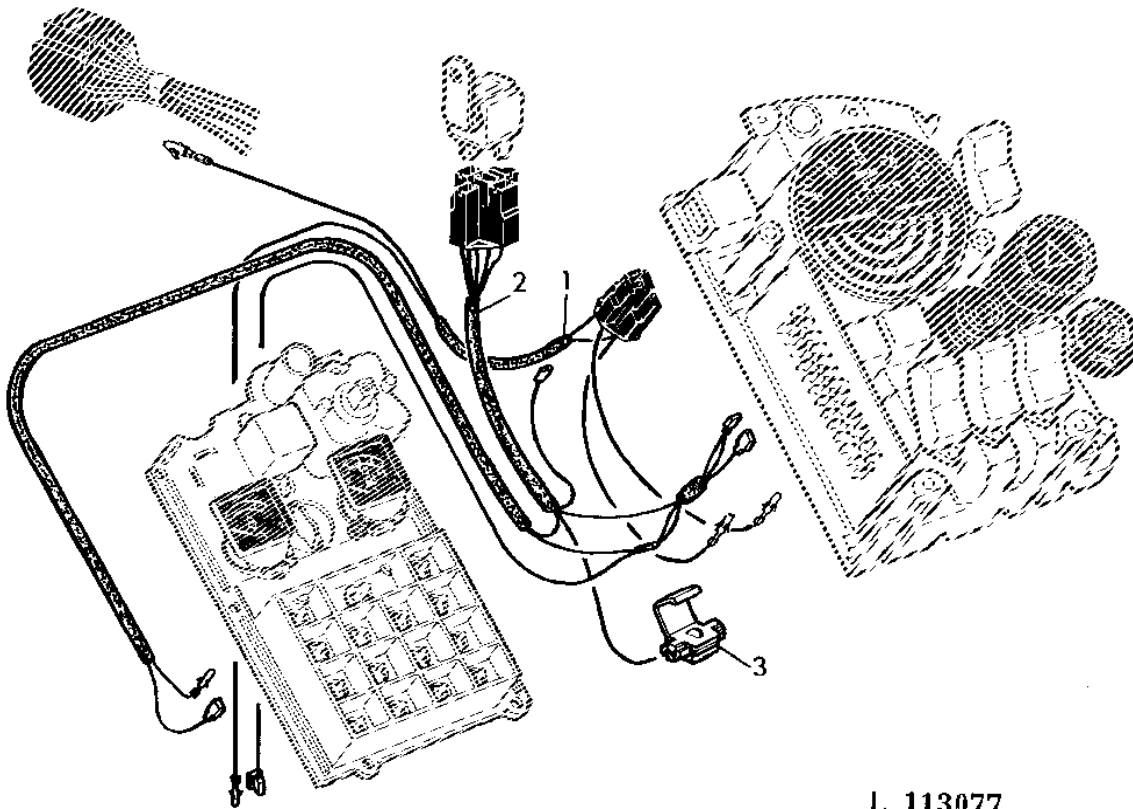
(B) WITH HANDSHIFT PTO
 AVEC PDF A SELECT.PAR MANET.
 BEI UMSCHALTBARER ZAPFWELLE
 CON PTO A CAMBIO MANUALE
 CON TDF DE REGIMEN VARIABLE
 VID VAXLINGSBAR KRAFTUTTAG

(C) WITH ETHER STARTING AID
 AVEC AIDE AU DEMARRAGE ETHER
 BEI ELEKTR.AETHER-STARTHILFE
 CON AIUTO D'AVVIA.PER ETERE
 CON AYUDA ARRANQUE POR ETER
 VID ELEKTR. KALLSTART (ETER)

2A24

WIRING HARNESS

WIRING HARNESS FOR WORKLIGHT ON SG2 CAB ROOF (BILUX)
FAISCEAU DU PHARE DE TRAVAIL, PAVILLON CABINE SG2 (BILUX)
KABELBAUM FUER GERAETESCHEINWERFER SG2 KABINEN-DACH (BILUX)
COMPL. CONDUIT. PER LUCE LAVORO SUI TETTO CABINA SG2 (BILUX)
GRUPO DE CABLES I FARO AUXILIAR SOBRE TECHO CAB. SG2 (BILUX)
KABELHARVA FOR ARBETSBELYSN. (BILUX) PA TAK AV SG2 HYTT
L113077 -UN-17JUL95



L 113077

2A25

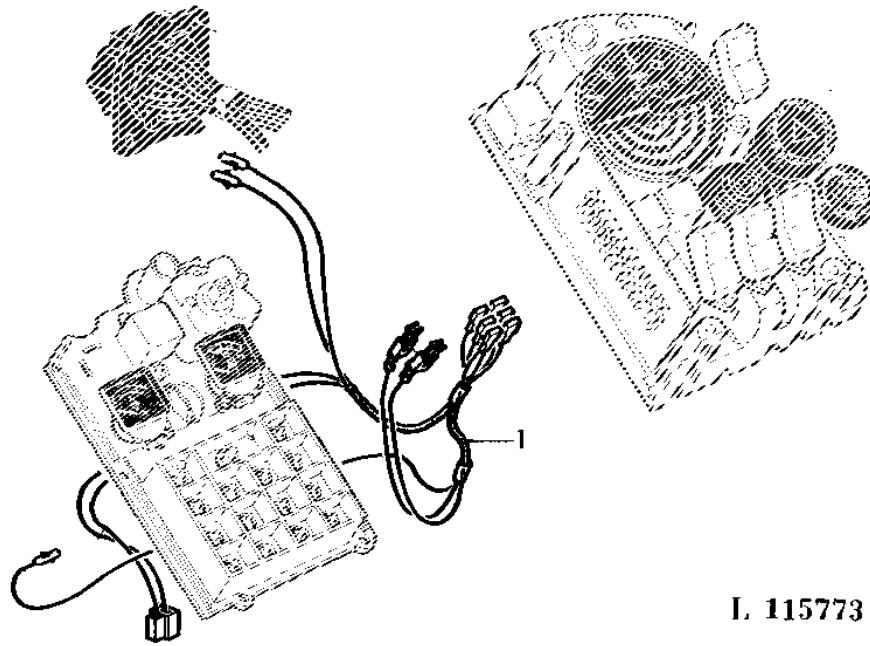
WIRING HARNESS

KEY	PART NO.	PART NAME	QTY	SERIAL NO.	REMARKS
				2	
				1 2 0	
				6 0 4	
				4 4 0	
				0 0 S	
1	AL55651	WIRING HARNESS	1	X X X	REAR
2	AL56223	WIRING HARNESS	1	X X X	FRONT
3	57M7095	CONNECTOR	1	X X X	

2B1

WIRING HARNESS

WIRING HARNESS ROOF HEADLIGHTS (SG2 CAB) BILUX
 FAISCEAU DE CABLES POUR PHARES SUR PAVILLON (CABINE SG2) BILUX
 KABELBAUM DACH-FAHRSCHENWERFER SG2 KABINE (BILUX)
 COMPLESSO CONDUTT. PER FARI MONTATI SULL'TETTO (CABINA SG2) BILUX
 GRUPO DE CABLE DE LOS FAROS MONTADOS SOBRE TECHO (CABINA SG2) BILUX
 KABELHARVA FOR TAKMONTERADE STRALKASTARE (SG2 FORARHYTT) BILUX
 L115773 -UN-18JUL95



I. 115773

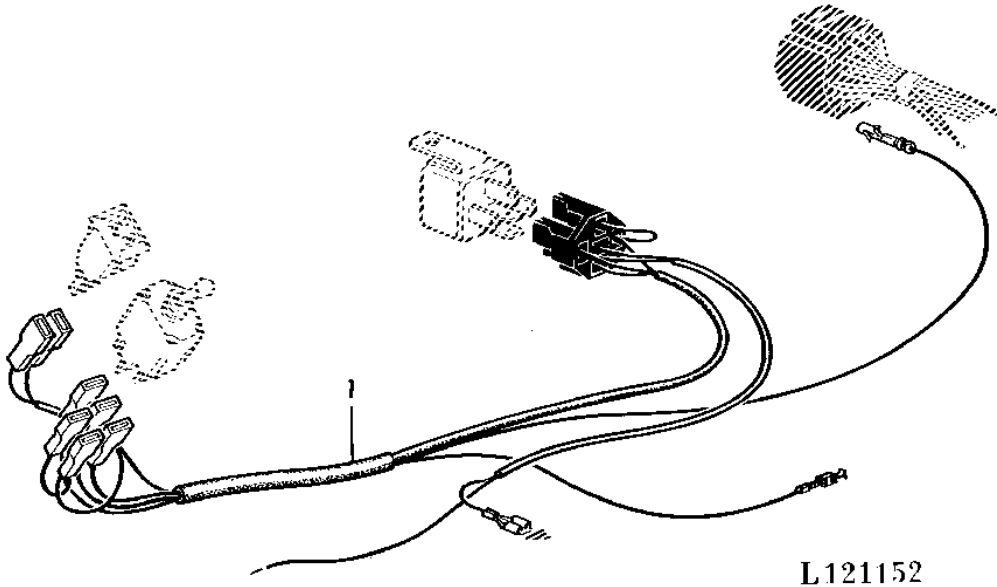
2
 1 2 0
 6 0 4
 4 4 0
 0 0 S

KEY	PART NO.	PART NAME	QTY	SERIAL NO.	REMARKS
1	AL55643	WIRING HARNESS	1	X X X	

2B2

WIRING HARNESS

DASH WIRING HARNESS WITH FRONT PTO AND SG2 CAB
 TABLEAU DE BORD-FAISCEAU POUR PDF FRONTALE (CABINE SG2)
 ARMATURENWAND-KABELBAUM BEI FRONT-ZAPFWELLE (SG2 KABINE)
 COMPL. CONDUTTORI PER CRUSCOTTO CON PDF ANTERIORE (CAB. SG2)
 TABLERO DE INSTRUMENTOS-MAZO CABLES PARA TDF FRONTAL (SG2)
 KABELHARVA FOR INSTRUMENTBR. VID FRAMRE KRAFTUT. (SG2 HYTT)
 L121152 -UN-26MAY95



L121152

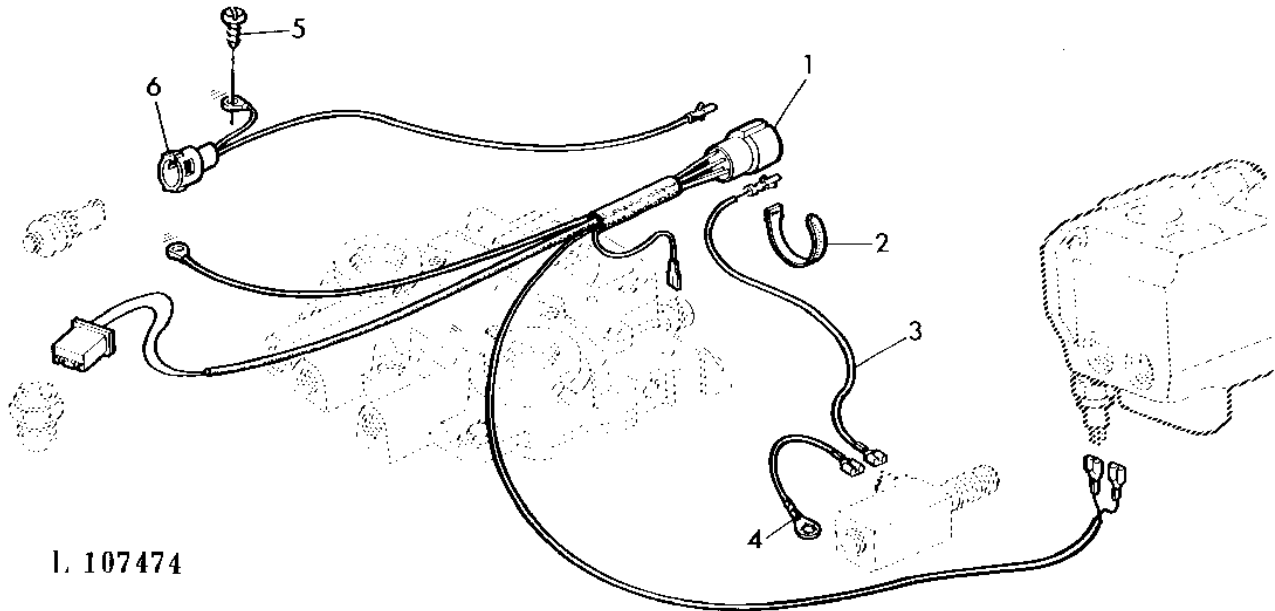
2
 1 2 0
 6 0 4
 4 4 0
 0 0 S

KEY	PART NO.	PART NAME	QTY	SERIAL NO.	REMARKS
1	AL40937	WIRING HARNESS	1	X	

2B3

WIRING HARNESS

WIRING HARNESS-TRANSMISSION/PARKING BRAKE INDICATOR LIGHT (BILUX)
 FAISCEAU-BOITE/VOYANT DE FREIN A MAIN (BILUX)
 KABELBAUM-GETRIEBE/HANDBREMSKONTROLLE (BILUX)
 FASCIO DI CAVI-CAMBIO/SPIA DEL FRENO A MANO (BILUX)
 HAZ DE CABLES-TRANSMISION/LUZ TESTIGO DEL FRENO DE MANO (BILUX)
 KABELHARVA-TRANSMISSION-INDIKATORLAMPA FOR HANDBROMS (BILUX)
 L107474 -UN-17JUL95



I. 107474

2
1 2 0
6 0 4
4 4 0
0 0 S

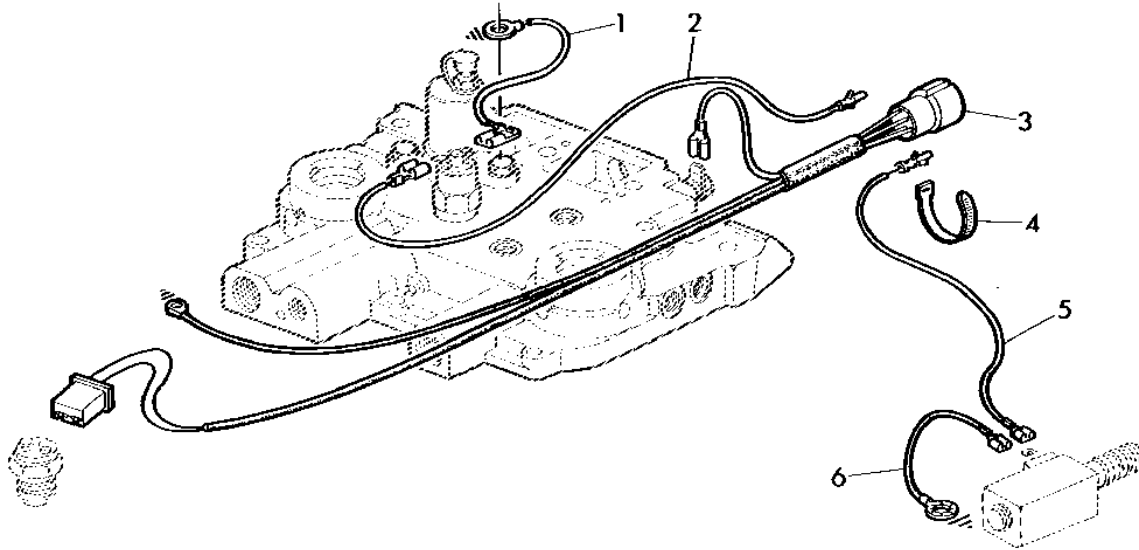
KEY	PART NO.	PART NAME	QTY	SERIAL NO.	REMARKS
1	AL32120	WIRING HARNESS	1	X X X	
2	R44302	TIE BAND	1	X X X	
3	AL32720	WIRING LEAD	1	X X X (A)	
4	AT24549	WIRING LEAD	1	X X X (A)	
5	37M7067	SCREW	1	X X X	4.2X9.5MM
6	AL32831	WIRING HARNESS	1	X X X	

(A) WITH FRONT WHEEL DRIVE
 AVEC PONT AVANT
 BEI FRONTANTRIEB
 CON TRAZIONE ANTERIORE
 CON TRACCION DELANTERA
 VID FRAMHJULSDRIFT

2B4

WIRING HARNESS

WIRING HARNESS SG2 CAB
 FAISCEAU-BOITE CABINE SG2
 KABELBAUM-GETRIEBE SG2 KABINE
 FASCIO DI CAVI-CAMBIO CABINA SG2
 HAZ DE CABLES-CAMBIO CABINA SG2
 KABELHARVA-VAXELLADA SG2 HYTT
 L100848 -UN-17JUL95



L 100848

KEY	PART NO.	PART NAME	QTY	SERIAL NO.	REMARKS
				2	
				1 2 0	
				6 0 4	
				4 4 0	
				0 0 S	
1	AL37084	WIRING LEAD	1	X X X	(A)
2	AL36958	WIRING HARNESS	1	X X X	(A)
3	AL34996	WIRING HARNESS	1	X X X	
	AL40840	WIRING HARNESS	1	X	(C)
4	R44302	TIE BAND	1	X X X	
5	AL32720	WIRING LEAD	1	X X X	(B)
6	AT24549	WIRING LEAD	1	X X X	(B)

(A) WITH HI-LO SHIFT UNIT
 AVEC HIGH-LOW
 BEI LASTSCHALTSTUFE
 CON RIDUTT.HI-LO
 CON REDUCCION HI-LO
 VID HOG-LAG VAXLING

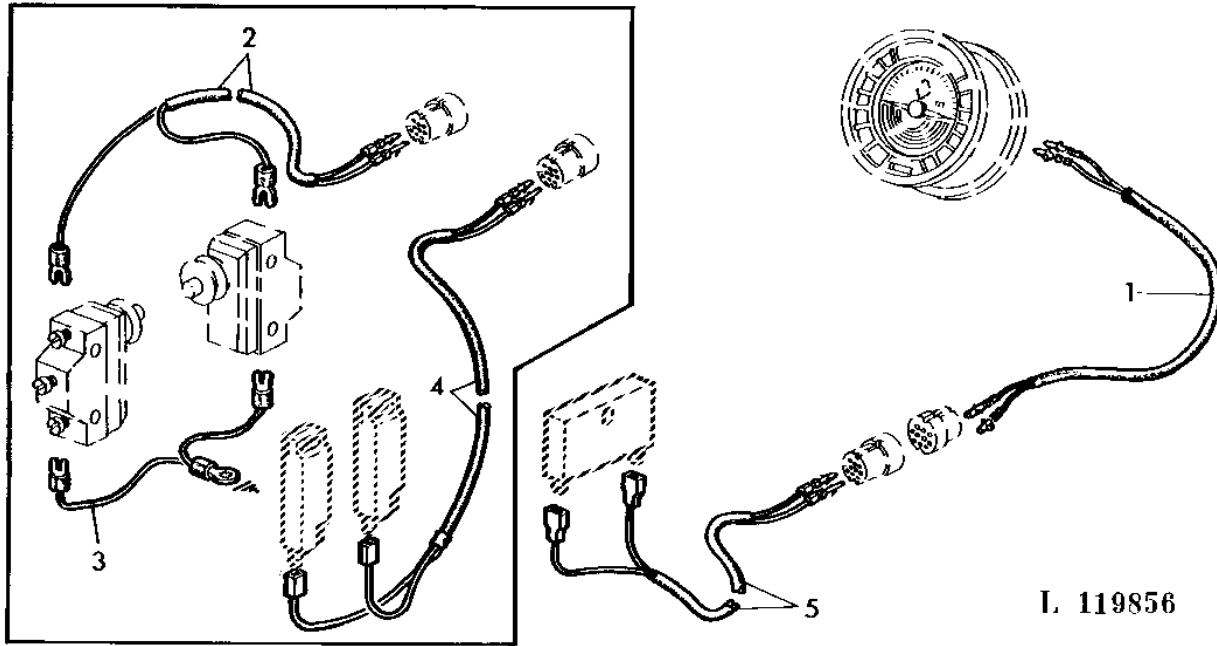
(B) WITH FRONT WHEEL DRIVE
 AVEC PONT AVANT
 BEI FRONTANTRIEB
 CON TRAZIONE ANTERIORE
 CON TRACCION DELANTERA
 VID FRAMHJULSDRIFT

(C) WITH INCREASED LIFT.CAPACITY
 AVEC CAPACITE DE REL.AUGM.
 BEI HUBKRAFTERHOEHUNG
 CON ELEV.CAPAC.DI SOLLEV.
 CON FUERZA DE ELEV.AUMENTADA
 VID OKAD LYFTKAPACITET

2B5

WIRING HARNESS

WIRING HARNESS FOR HANDSHIFT PTO
 FAISCEAU POUR PDF A SELECTION PAR MANETTE
 KABELBAUM FUER UMSCHALTBARE ZAPFWELLE
 FASCIO DI CAVI PER PTO A CAMBIO MANUALE
 GRUPO DE CABLES PARA TDF CAMBIABLE
 KABELHARVA FOR VAXELBART KRAFTUTTAG
 L119856 -UN-07JUL95



L 119856

2
 1 2 0
 6 0 4
 4 4 0
 0 0 S

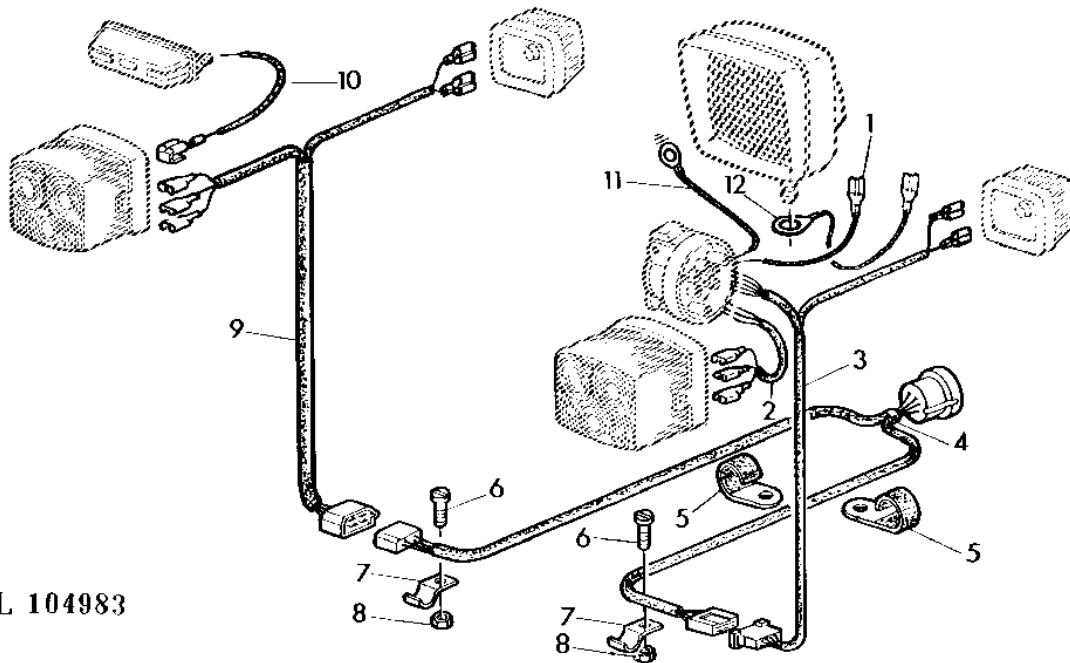
KEY	PART NO.	PART NAME	QTY	SERIAL NO.	REMARKS
1	AL32978	WIRING HARNESS	1		X X X
2	AL32979	WIRING HARNESS	1	-544403	X X X
	AL35968	WIRING HARNESS	1	-486078	X X X (A)
	AL39110	WIRING HARNESS	1	486079-540851	X X X (A)
3	AL32832	GROUND CABLE	1	-544403	X X X
	AL32832	GROUND CABLE	1	-540851	X X X (A)
4	AL55782	WIRING HARNESS	1	544404-XXXXXX	X X X
	AL55783	WIRING HARNESS	1	540852-575567	X X X (A)
5	AL58448	WIRING HARNESS	1	XXXXXX-	X X X
	AL58449	WIRING HARNESS	1	575568-	X X X (A)

(A) WITH SG2 CAB
 SUR CABINE SG2
 BEI SG2 KABINE
 CON CABINA SG2
 CON CABINA SG2
 VID SG2 HYTT

2B6

WIRING HARNESS

WIRING HARNESS-SHELL-TYPE FENDERS (BILUX)
 FAISCEAU-AILES COQUILLE (BILUX)
 KABELBAUM-MUSCHELKOTFLUEGEL (BILUX)
 GRUPPO DEI CAVI-PARAFANGHI A CONCHIGLIA (BILUX)
 HAZ DE CABLES-GUARDABARROS DE CONCHA (BILUX)
 KABELHARVA BAKSTANKSKARMAR (BILUX)
 L104983 -UN-17JUL95



L 104983

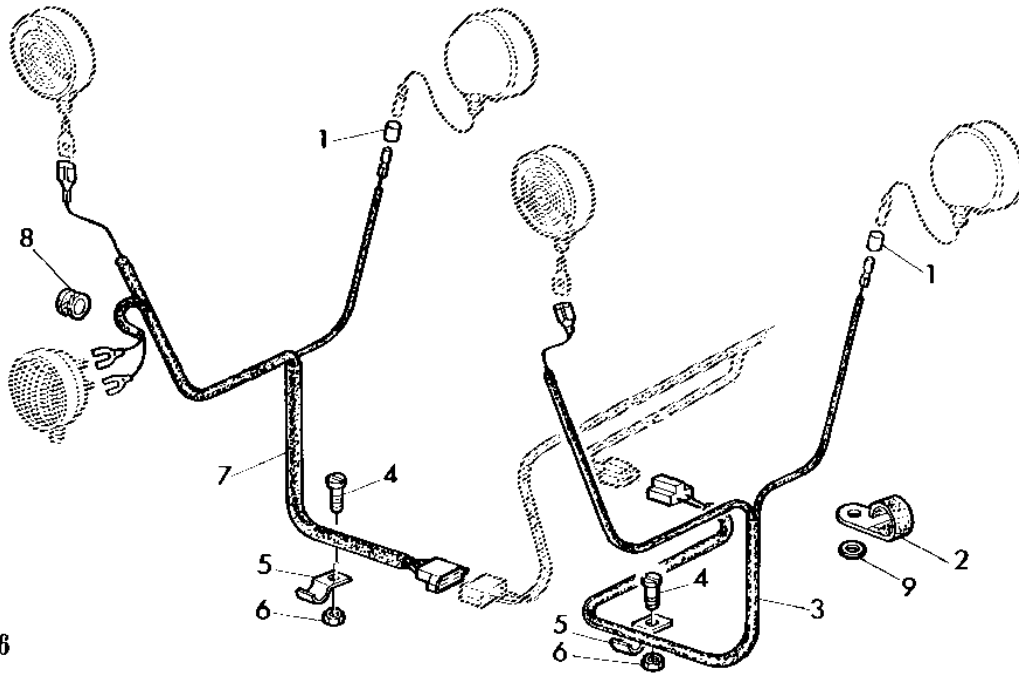
2
1 2 0
6 0 4
4 4 0
0 0 S

KEY	PART NO.	PART NAME	QTY	SERIAL NO.	REMARKS
1	AL23087	WIRING LEAD	1	X X X	
2	AT31780	WIRING HARNESS	1	X X X	
3	AL32279	WIRING HARNESS	1	X X X	
4	AL32119	WIRING HARNESS	1	X X X	
5	T13744	CLAMP	2	X X X	
6	21H1317	SCREW	2	X X X	NO. 10 X 5/8"
7	99M7055	CLAMP	2	X X X	
8	14H778	NUT	2	X X X	NO. 10
9	AL32278	WIRING HARNESS	1	X X X	
10	AT27534	WIRING LEAD	1	X X X	
11	AL17099	WIRING LEAD	1	X X X	
12	AL66086	WIRING LEAD	1	X X X	(SUB FOR AT24549 APPL)

2B7

WIRING HARNESS

WIRING HARNESS-SHELL-TYPE FENDERS (SEALED BEAM)
 FAISCEAU-AILES COQUILLE (OPTIQUE SCELLEES)
 KABELBAUM-MUSCHELKOTFLUEGEL (SEALED BEAM)
 GRUPPO CAVI-PARAFANGHI CONCHIGLIA (SEALED BEAM)
 HAZ DE CABLES-GUARDABARROS DE CONCHA (SEALED BEAM)
 KABELHARVA-DELTACKANDE STANKSKARMAR (SEALED BEAM)
 L100886 -UN-17JUL95



L 100886

2
 1 2 0
 6 0 4
 4 4 0
 0 0 S

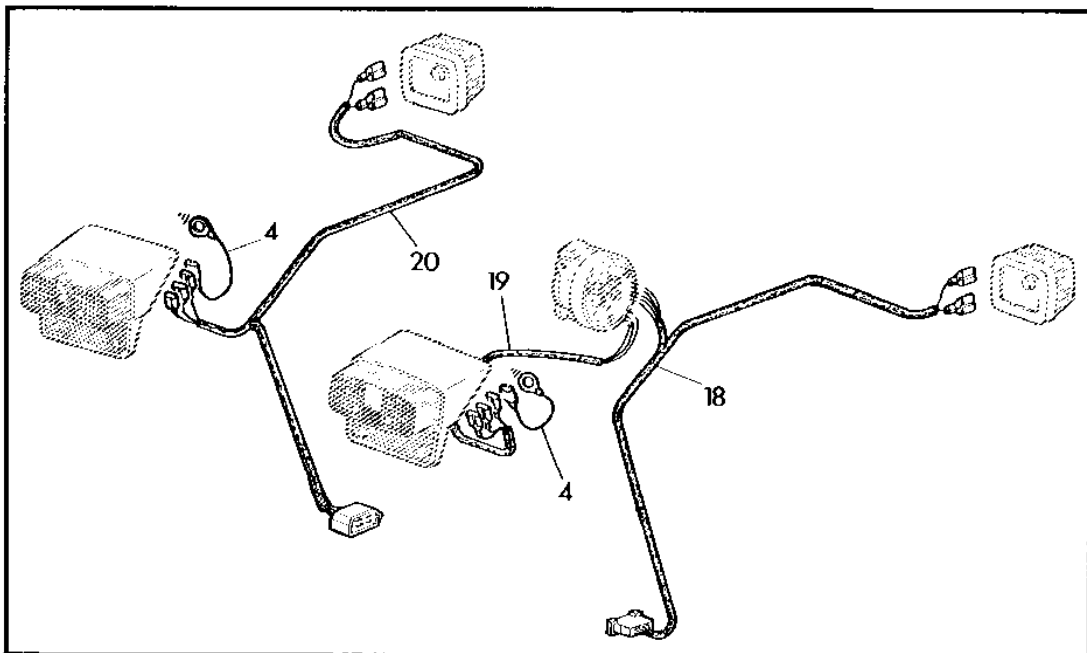
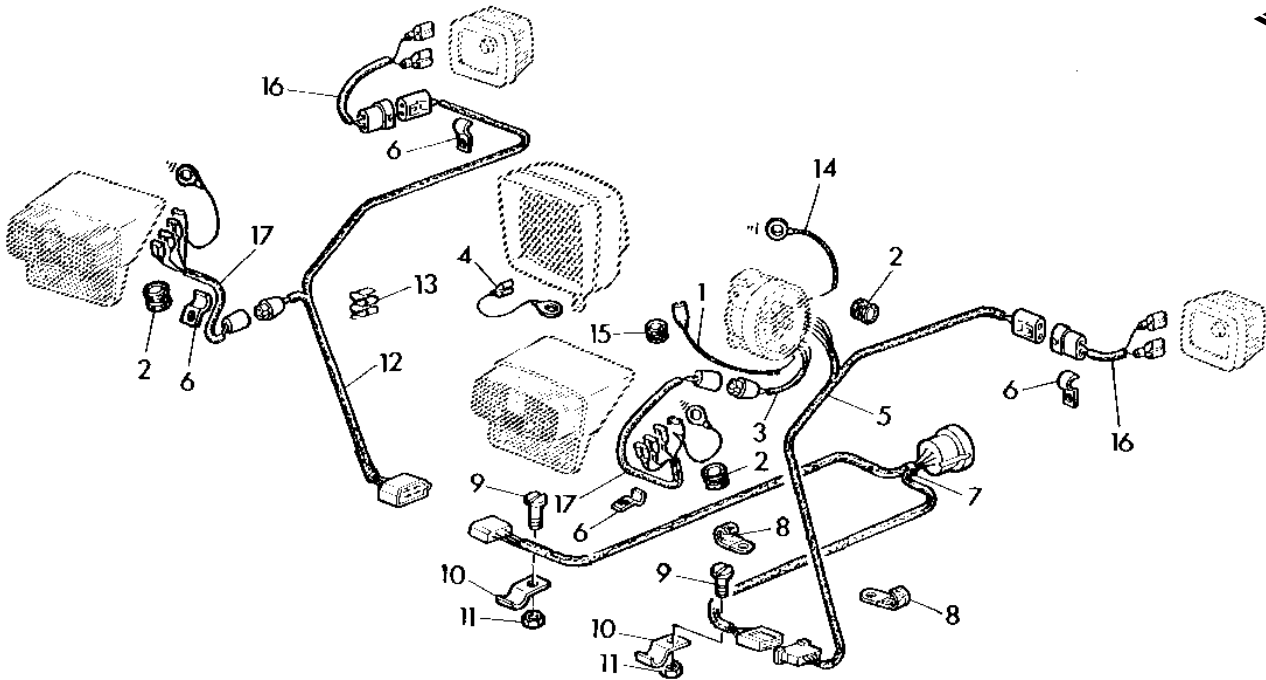
KEY	PART NO.	PART NAME	QTY	SERIAL NO.	REMARKS
1	AL2976T	CONNECTOR	2	X X X	
2	T13744	CLAMP	3	X X X	
3	AL25349	WIRING HARNESS	1	X X X	
4	21H1317	SCREW	2	X X X	NO. 10 X 5/8"
5	99M7055	CLAMP	2	X X X	
6	14H778	NUT	2	X X X	NO. 10
7	AL25348	WIRING HARNESS	1	X X X	
8	L13325	GROMMET	1	X X X	
9	24H1227	WASHER	3	X X X	17/32"X13/16"X.060"

MEMORANDA
MEMORANDA
MEMORANDA
MEMORANDA
MEMORANDA

2B8

WIRING HARNESS

WIRING HARNESS-WITH WIDE REAR FENDERS
FAISCEAU (AVEC AILES ARRIERE ENVELOPPANTES)
KABELBAUM (BEI DACHKOTFLUEGEL)
GRUPPO CAVI (CON PARAFANGHI LARGHI)
HAZ DE CABLES (CON GUARDABARROS DE TEJADILLO)
KABELHARVA (VID BAKRE BREDA STANKSKARMAR)
L108195 -UN-17JUL95



I. 108195

2B9

WIRING HARNESS

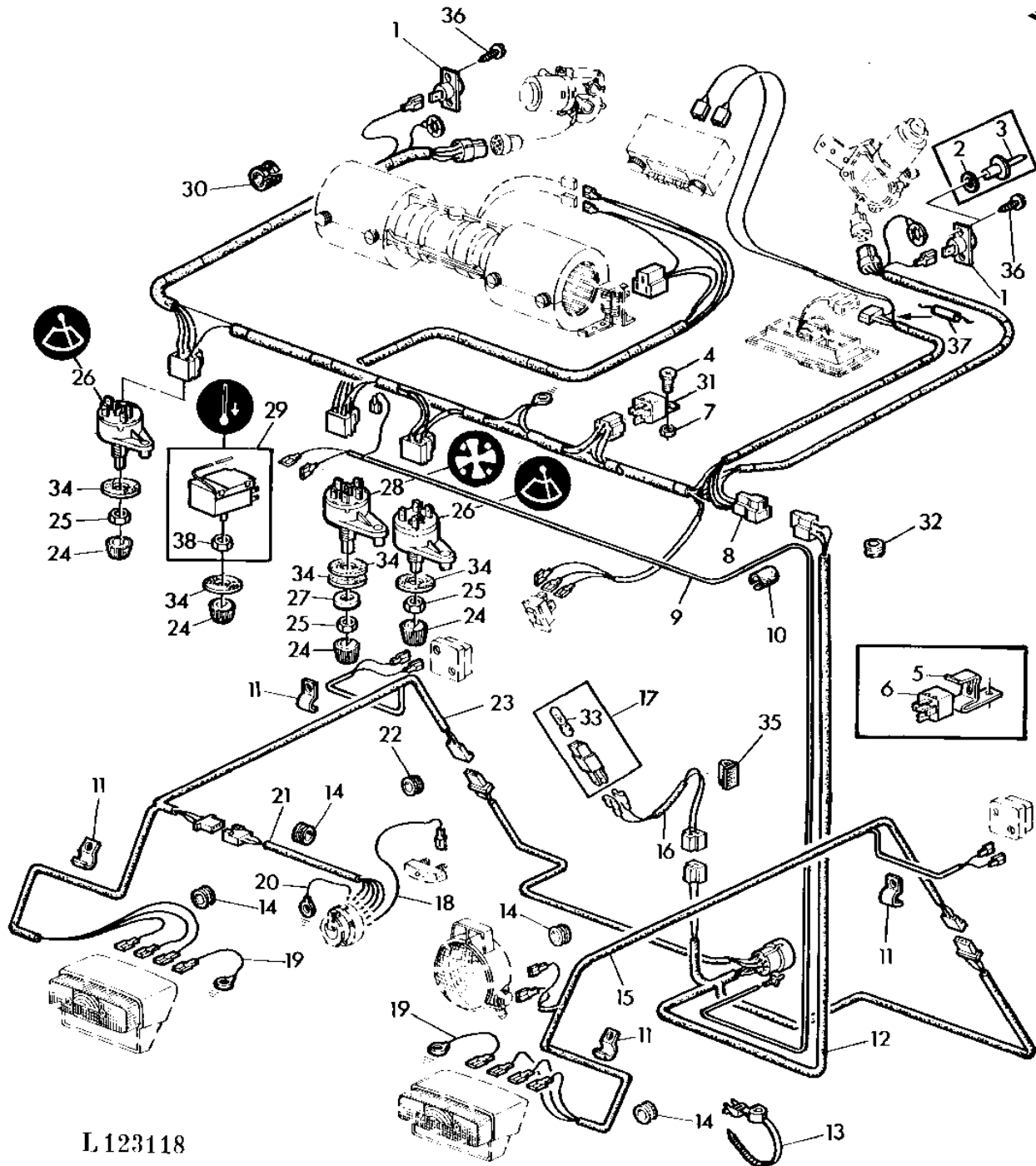
KEY	PART NO.	PART NAME	QTY	SERIAL NO.	REMARKS
					2
					1 2 0
					6 0 4
					4 4 0
					0 0 S
1	AL23088	WIRING LEAD	1		X X X
2	L12807	GROMMET	3		X X X
3	AL39919	WIRING HARNESS	1		X X X
4	AL66086	WIRING LEAD	3		X X X (SUB FOR AT24549 APPL)
5	AL39917	WIRING HARNESS	1		X X X
	AL41309	WIRING HARNESS	1		X X X (A)
6	Z22588	CLAMP	6		X X X
7	AL32119	WIRING HARNESS	1		X X X
8	T13744	CLAMP	2		X X X
9	21H1317	SCREW	2		X X X NO. 10 X 5/8"
10	99M7055	CLAMP	2		X X X
11	14H778	NUT	2		X X X NO. 10
12	AL57871	WIRING HARNESS	1		X X X (SUB FOR AL39918 APPL)
	AL41310	WIRING HARNESS	1		X X X (A)
13	T41072	CLIP	10		X X X
14	AL17099	WIRING LEAD	1		X X X
15	L13325	GROMMET	1		X X X
16	AL38893	WIRING HARNESS	2		X X X
17	AL38894	WIRING HARNESS	2		X X X
18	AL32129	WIRING HARNESS	1		X X X (ORD AL39917, AL38893)
19	AL32131	POWER CORD	1		X X X (ORD AL39919, AL38894)
20	AL32130	WIRING HARNESS	1		X X X (ORD AL39918, AL38893, AL38894)

(A) WITH 240MM WIDE FENDERS
 AVEC AILES ENVELOPPANTES DE 240 MM
 BEI DACHKOTFLUEGEL 240MM BREIT
 CON PARAFANGHI LARGHI (240 MM)
 CON GUARDABARROS DE 240MM DE ANCH.
 VID HELTACKANDE SKARMAR (240 MM BREDD)

2B10

WIRING HARNESS

WIRING HARNESS SG2 CAB
FAISCEAU CABINE SG2
KABELBAUM SG2 KABINE
GRUPPO CAVI CABINA SG2
HAZ DE CABLES CABINA SG2
KABELHARVA SG2 HYTT
L123118 -UN-18JUL95



L123118

2B11

WIRING HARNESS

KEY	PART NO.	PART NAME	QTY	SERIAL NO.		REMARKS
					2	
					1 2 0	
					6 0 4	
					4 4 0	
					0 0 S	
1	AR56987	DOOR LIGHT SWITCH	AR	-486078	X X X	
2	R52119	WASHER	AR	-486078	X X X	(SUB FOR R41337)
3	R55427	RIVET	AR	-486078	X X X	(SUB FOR R53608)
4	21M7271	SCREW	AR	-486078	X X X	M5X16 (SUB FOR 19M7372 APPL)
5	L38387	CLIP	1	-486078	X X X	(ORD AL69699)
	L38387	CLIP	2	-486078	X X X	(C) (ORD AL69699)
6	AL36335	RELAY	1	-486078	X X X	(ORD AL69699)
	AL36335	RELAY	2	-486078	X X X	(C) (ORD AL69699)
7	14M7028	NUT	AR	-486078	X X X	M5
8	AL38850	WIRING HARNESS	1	-486078	X X X	(SUB FOR AL35186)
	AL38851	WIRING HARNESS	1	-486078	X X X	(C) (SUB FOR AL37254)
9	AL35190	WIRING HARNESS	1	-486078	X X X	(A)
10	R53080	ISOLATOR	1	-486078	X X X	
11	Z22588	CLAMP	6	-486078	X X X	
12	AL35277	WIRING HARNESS	1	-486078	X X X	
13	L40484	BAND	9	-486078	X X X	
14	L12807	GROMMET	5	-486078	X X X	
15	AL35286	WIRING HARNESS	1	-486078	X X X	RH
16	AL36957	WIRING HARNESS	1	-486078	X X X	(B)
17	AL36535	SOCKET	1	-486078	X X X	(B)
18	AL23088	WIRING LEAD	1	-486078	X X X	(C)
19	AT24549	WIRING LEAD	2	-486078	X X X	
20	AL17099	WIRING LEAD	1	-486078	X X X	
21	AL35275	WIRING HARNESS	1	-486078	X X X	
22	L13325	GROMMET	1	-486078	X X X	(C)
23	AL35287	WIRING HARNESS	1	-486078	X X X	LH
24	AL58295	KNOB	AR	-486078	X X X	(SUB FOR AR69370)
25	R44165	LOCK NUT	AR	-486078	X X X	
26	AL36528	SWITCH	2	-486078	X X X	
	AL36528	SWITCH	1	-486078	X X X	(C)
27	24M7028	WASHER	1	-486078	X X X	10.5X21X2MM
28	AL36529	SWITCH	1	-486078	X X X	
29	AL59879	SWITCH	1	-486078	X X X	(A) (SUB FOR AR59779)
30	L56627	GROMMET	1	-486078	X X X	(SUB FOR R26941)
31	AL69699	RELAY	1	-486078	X X X	(SUB FOR AL58367)
	AL69699	RELAY	2	-486078	X X X	(C) (SUB FOR AL58367)
32	L41255	GROMMET	1	-486078	X X X	
33	57M7102	BULB	1	-486078	X X X	12V, 1.2W
34	L55034	SEALING WASHER	5	-486078	X X X	
35	R47474	CLIP	5	-486078	X X X	
36	37M7174	SCREW	AR	-486078	X X X	4.2X13MM
37	L41259	DIODE	2	-486078	X X X	
38	L59927	NUT	1	-486078	X X X	

(A) WITH AIR CONDITIONING
 AVEC CLIMATISATION
 BEI KLIMAANLAGE
 CON IMPIANTO D'ARIA CONDIZ.
 CON SISTEMA DE AIRE ACONDIC.
 VID LUFTKONDITIONERING

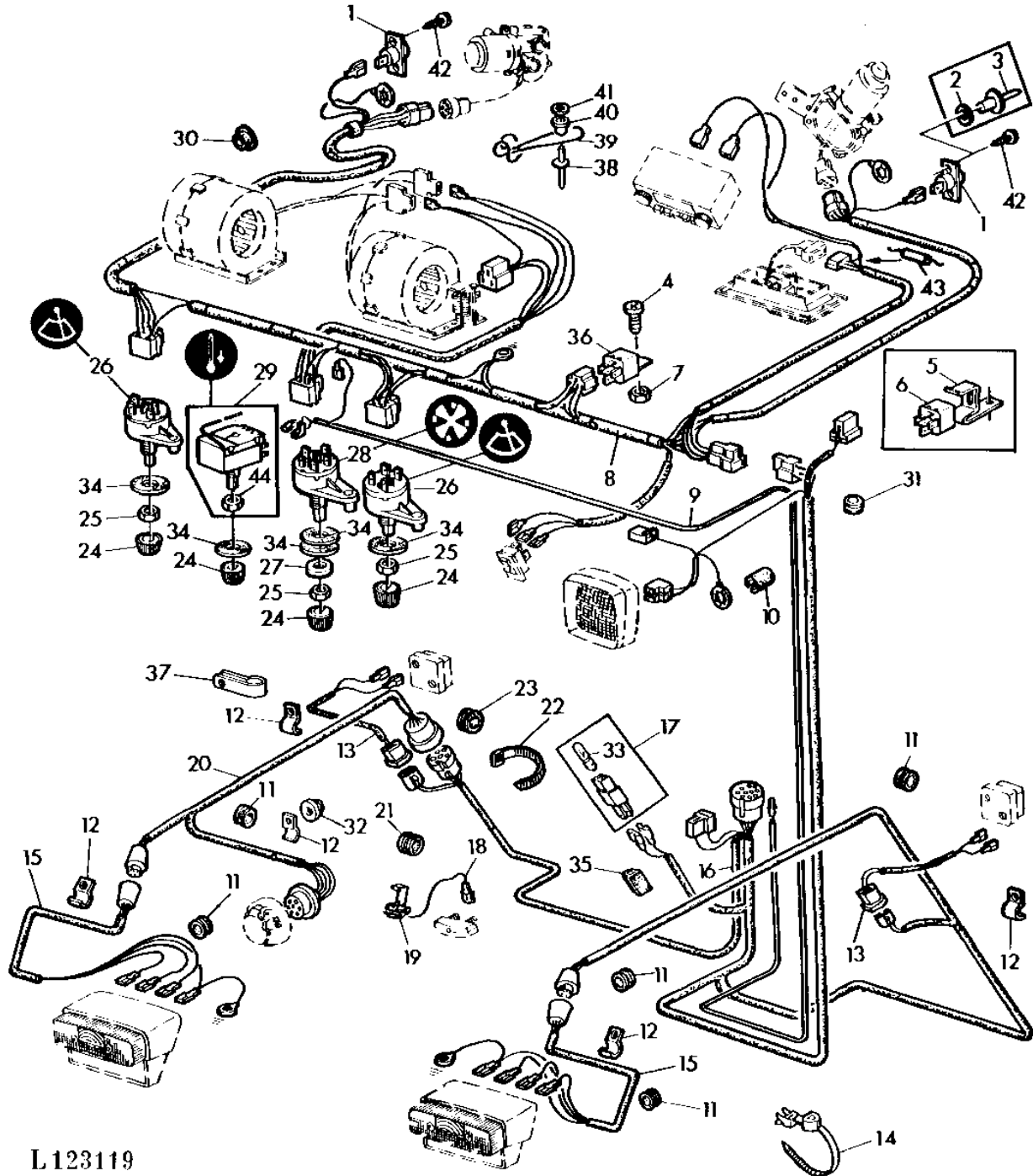
(B) WITH HI-LO SHIFT UNIT
 AVEC HIGH-LOW
 BEI LASTSCHALTSTUFE
 CON RIDUTT.HI-LO
 CON REDUCCION HI-LO
 VID HOEG-LAG VAEXLING

(C) FOR NORWAY ONLY
 POUR NORVEGE UNIQUEMENT
 NUR FUER NORWEGEN
 SOLO PER NORVEGIA
 SOLO PARA NORUEGA
 ENDAST FOR NORGE

2B12

WIRING HARNESS

WIRING HARNESS SG2 CAB
FAISCEAU CABINE SG2
KABELBAUM SG2 KABINE
GRUPPO CAVI CABINA SG2
HAZ DE CABLES CABINA SG2
KABELHARVA SG2 HYTT
L123119 -UN-18JUL95



L123119

2B13

WIRING HARNESS

KEY	PART NO.	PART NAME	QTY	SERIAL NO.		REMARKS
					2	
					1 2 0	
					6 0 4	
					4 4 0	
					0 0 S	
1	AR56987	DOOR LIGHT SWITCH	AR	486079-	X X X	
2	R52119	WASHER	AR	486079-	X X X	
3	R55427	RIVET	AR	486079-	X X X	
4	21M7271	SCREW	AR	486079-	X X X	M5X16
5	L38387	CLIP	1	486079-	X X X	(ORD AL69699)
	L38387	CLIP	2	486079-	X X X	(C) (ORD AL69699)
6	AL36335	RELAY	1	486079-	X X X	(ORD AL69699)
	AL36335	RELAY	2	486079-	X X X	(C) (ORD AL69699)
7	14M7028	NUT	AR	486079-	X X X	M5
8	AL38850	WIRING HARNESS	1	486079-	X X X	
	AL38851	WIRING HARNESS	1	486079-	X X X	(C)
9	AL35190	WIRING HARNESS	1	486079-	X X X	(A)
10	R53080	ISOLATOR	1	486079-	X X X	
11	L12807	GROMMET	6	486079-	X X X	
12	Z22588	CLAMP	7	486079-	X X X	
13	AL38893	WIRING HARNESS	2	486079-	X X X	
14	L40484	BAND	9	486079-	X X X	
15	AL38894	WIRING HARNESS	2	486079-	X X X	
16	AL38869	WIRING HARNESS	1	486079-574724	X X X	
	AL55968	WIRING HARNESS	1	574725-	X X X	
17	AL36535	SOCKET	1	486079-	X X X	(B)
18	AL23088	WIRING LEAD	1	486079-	X X X	(C)
19	57M7095	CONNECTOR	1	486079-	X X X	(C)
20	AL38895	WIRING HARNESS	1	486079-	X X X	
21	L13325	GROMMET	1	486079-	X X X	(C)
22	R44302	TIE BAND	4	486079-	X X X	
23	R32555	GROMMET	1	486079-	X X X	
24	AL58295	KNOB	AR	486079-	X X X	(SUB FOR AR69370)
25	R44165	LOCK NUT	AR	486079-	X X X	
26	AL36528	SWITCH	2	486079-	X X X	
	AL36528	SWITCH	1	486079-	X X X	(C)
27	24M7028	WASHER	1	486079-	X X X	10.5X21X2MM
28	AL36529	SWITCH	1	486079-	X X X	
29	AL59879	SWITCH	1	486079-	X X X	(A) (SUB FOR AR59779)
30	L56627	GROMMET	1	486079-	X X X	(SUB FOR R26941)
31	L41255	GROMMET	1	486079-	X X X	
32	L40924	NUT	1	486079-	X X X	
33	57M7102	BULB	1	486079-	X X X	12V, 1.2W
34	L55034	SEALING WASHER	5	486079-	X X X	
35	R47474	CLIP	AR	486079-	X X X	
36	AL69699	RELAY	1	486079-	X X X	(SUB FOR AL36335, AL58367)
	AL69699	RELAY	2	486079-	X X X	(C) (SUB FOR AL36335, AL58367)
37	R51892	CLAMP	1	486079-	X X X	
38	AL56534	RIVET	1	486079-	X X X	
39	L58745	RING	1	486079-	X X X	
40	R50642	WASHER	1	486079-	X X X	
41	24M7138	WASHER	1	486079-	X X X	
42	37M7174	SCREW	AR	486079-	X X X	4.2X13MM
43	L41259	DIODE	2	486079-	X X X	
44	L59927	NUT	1	486079-	X X X	

(A) WITH AIR CONDITIONING
 AVEC CLIMATISATION
 BEI KLIMAANLAGE
 CON IMPIANTO D'ARIA CONDIZ.
 CON SISTEMA DE AIRE ACONDIC.
 VID LUFTKONDITIONERING

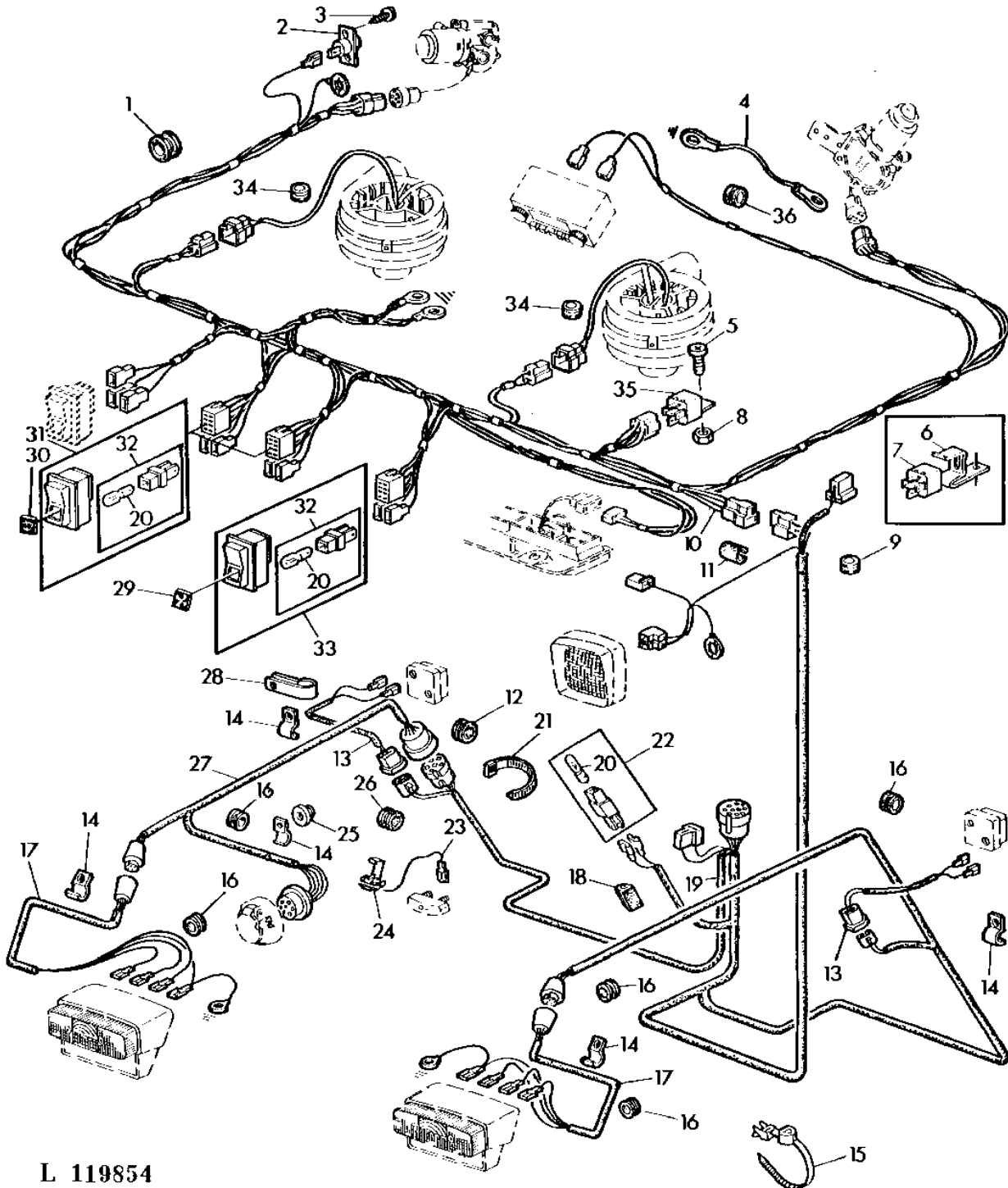
(B) WITH HI-LO SHIFT UNIT
 AVEC HIGH-LOW
 BEI LASTSCHALTSTUFE
 CON RIDUTT.HI-LO
 CON REDUCCION HI-LO
 VID HOEG-LAG VAEXLING

(C) FOR NORWAY ONLY
 POUR NORVEGE UNIQUEMENT
 NUR FUER NORWEGEN
 SOLO PER NORVEGIA
 SOLO PARA NORUEGA
 ENDAST FOR NORGE

2B14

WIRING HARNESS

WIRING HARNESS-SG2 LOW PROFILE CAB
FAISCEAU CABINE SG2-TOIT PLAT
KABELBAUM SG2 KABINE MIT FLACHDACH
COMPLESSO CONDUTTORI PER CABINA SG2 CON TETTO BASSO
HAZ DE CABLES CABINA SG2 CON TECHO BAJO
KABELHARVA FOR SG2 HYTT VID LAGPROFIL
L119854 -UN-18JUL95



L 119854

2B15

WIRING HARNESS

KEY	PART NO.	PART NAME	QTY	SERIAL NO.	REMARKS
					2
					1 2 0
					6 0 4
					4 4 0
					0 0 S
1	L56627	GROMMET	1		X X X
2	AR56987	DOOR LIGHT SWITCH	1		X X X
3	37M7174	SCREW	2		X X X 4.2X13MM (SUB FOR R55427 APPL)
4	AL58737	WIRING LEAD	1		X X X
5	21M7271	SCREW	AR		X X X M5X16
6	L38387	CLIP	1		X X X (ORD AL69699)
	L38387	CLIP	2		X X X (A) (ORD AL69699)
7	AL36335	RELAY	1		X X X (ORD AL69699)
	AL36335	RELAY	2		X X X (A) (ORD AL69699)
8	14M7028	NUT	AR		X X X M5
9	T65643	GROMMET	1		X X X
10	AL57898	WIRING HARNESS	1		X X X (SUB FOR AL55524)
	AL57899	WIRING HARNESS	1		X X X (A) (SUB FOR AL55525)
11	R53080	ISOLATOR	1		X X X
12	R32555	GROMMET	1		X X X
13	AL38893	WIRING HARNESS	2		X X X
14	Z22588	CLAMP	7		X X X
15	L40484	BAND	9		X X X
16	L12807	GROMMET	5		X X X
17	AL38894	WIRING HARNESS	2		X X X
18	R47474	CLIP	AR		X X X
19	AL38869	WIRING HARNESS	1	-574724	X X X
	AL55968	WIRING HARNESS	1	574725-	X X X
20	57M7102	BULB	1		X X X 12V, 1.2W
21	R44302	TIE BAND	4		X X X
22	AL36535	SOCKET	1		X X X (B)
23	AL23088	WIRING LEAD	1		X X X (A)
24	57M7095	CONNECTOR	1		X X X (A)
25	L40924	NUT	1		X X X
26	L13325	GROMMET	1		X X X (A)
27	AL38895	WIRING HARNESS	1		X X X
28	R51892	CLAMP	1		X X X
29	L56160	INSERT	1		X X X
30	L39638	INSERT	2		X X X
31	AL37429	TOGGLE SWITCH	2		X X X
32	AL36535	SOCKET	1		X X X
33	AL57901	TOGGLE SWITCH	1		X X X
34	R41440	GROMMET	2		X X X
35	AL69699	RELAY	1		X X X (SUB FOR AL58367)
	AL69699	RELAY	2		X X X (A) (SUB FOR AL58367)
36	A3411R	GROMMET	1		X X X

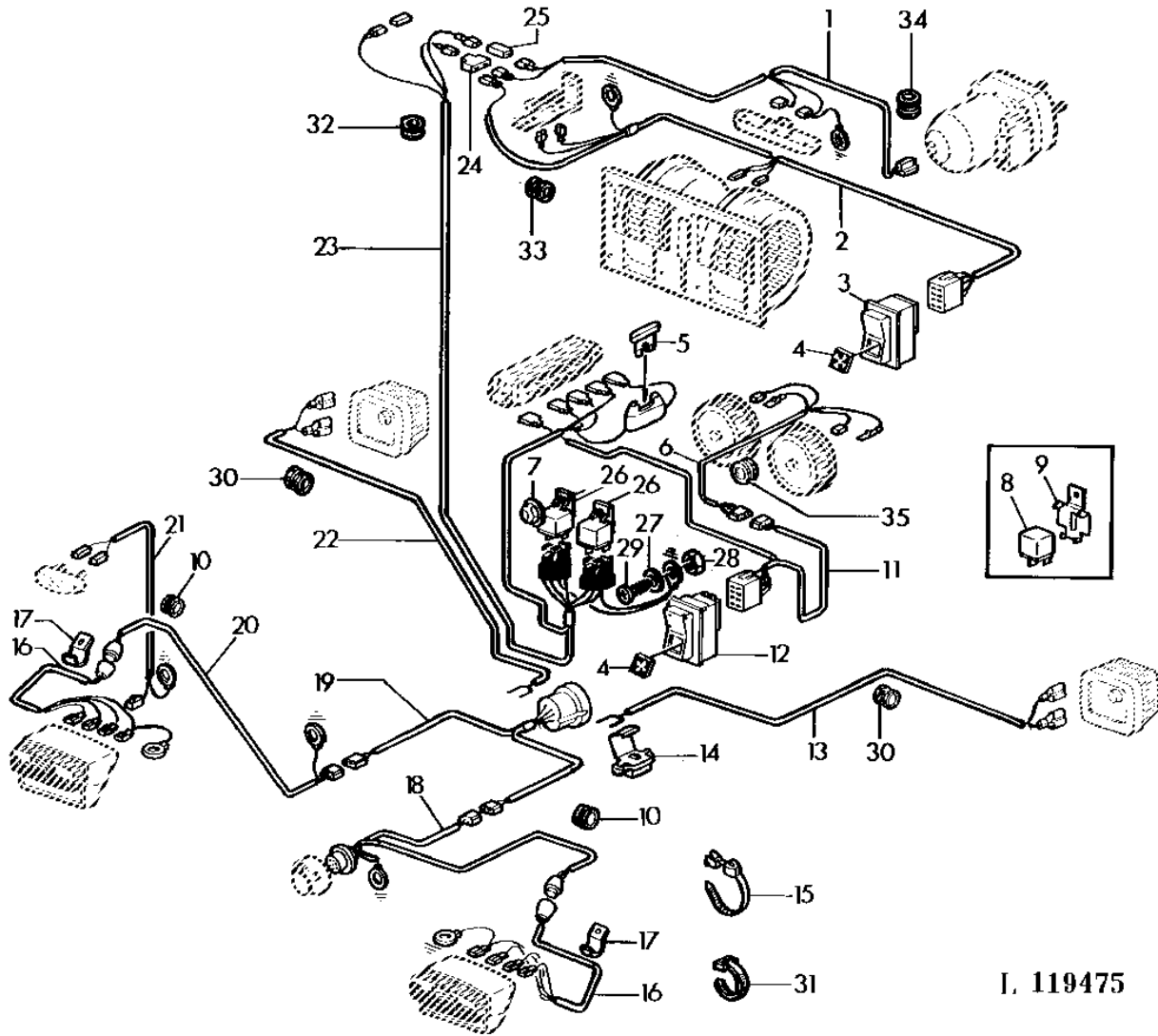
(A) FOR NORWAY ONLY
 POUR NORVEGE UNIQUEMENT
 NUR FUER NORWEGEN
 SOLO PER NORVEGIA
 SOLO PARA NORUEGA
 ENDAST FOR NORGE

(B) WITH HI-LO SHIFT UNIT
 AVEC HIGH-LOW
 BEI LASTSCHALTSTUFE
 CON RIDUTT.HI-LO
 CON REDUCCION HI-LO
 VID HOG-LAG SNABBVAXEL

2B16

WIRING HARNESS

WIRING HARNESS MC1 CAB
FAISCEAU CABINE MC1
KABELBAUM MC1 KABINE
GRUPPO CAVI CABINA MC1
HAZ DE CABLES CABINA MC1
LEDNINGSNAT MC1 FORARHYTT
L119475 -UN-12JUL95



I. 119475

2B17

WIRING HARNESS

KEY	PART NO.	PART NAME	QTY	SERIAL NO.	REMARKS
					2
					1 2 0
					6 0 4
					4 4 0
					0 0 S
1	AL59658	WIRING HARNESS	1		X X X
2	AL59656	WIRING HARNESS	1		X X X
3	AL37429	TOGGLE SWITCH	1		X X X
4	L56160	INSERT	1		X X X
5	57M7120	FUSE	1		X X X (A) 20A
6	AL59665	WIRING HARNESS	1		X X X
7	L40924	NUT	AR		X X X
8	AL36335	RELAY	1		X X X (ORD AL69699)
	AL36335	RELAY	2		X X X (A) (ORD AL69699)
9	L38387	CLIP	AR		X X X (ORD AL69699)
10	L12807	GROMMET	2		X X X
11	AL59659	WIRING HARNESS	1		X X X
12	AL57901	TOGGLE SWITCH	1		X X X
13	AL59661	WIRING HARNESS	1		X X X
14	57M7095	CONNECTOR	4		X X X
15	L40484	BAND	AR		X X X
16	AL38894	WIRING HARNESS	2		X X X
17	Z22588	CLAMP	2		X X X
18	AL59655	WIRING HARNESS	1		X X X
19	AL32119	WIRING HARNESS	1		X X X
20	AL59662	WIRING HARNESS	1		X X X
21	AL59728	WIRING HARNESS	1		X X X (B)
22	AL59660	WIRING HARNESS	1		X X X
23	AL59657	WIRING HARNESS	1		X X X
24	57M7107	CONNECTOR	1		X X X
25	57M7073	CONNECTOR	1		X X X
26	AL69699	RELAY	1		X X X (SUB FOR AL58367)
	AL69699	RELAY	2		X X X (A) (SUB FOR AL58367)
27	24M7138	WASHER	1		X X X 5.3X15X1.7MM
28	14M7028	NUT	1		X X X M5
29	21M7271	SCREW	1		X X X M5X16
30	L59181	GROMMET	2		X X X
31	R44302	TIE BAND	6		X X X
32	L59197	GROMMET	4		X X X
33	L30894	GROMMET	1		X X X
34	A3411R	GROMMET	1		X X X
35	H23127	GROMMET	1		X X X

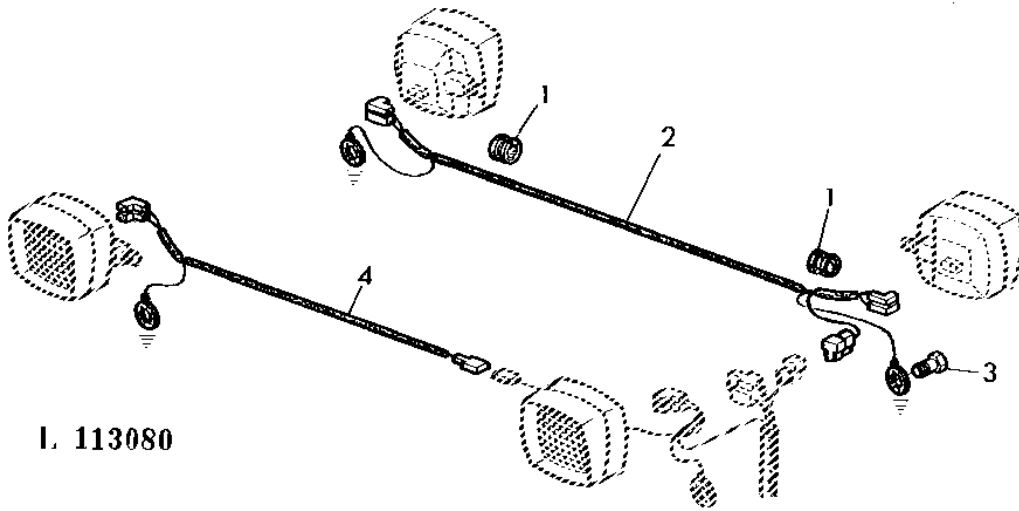
(A) WITH REAR WORK LIGHT
 AVEC PHARE DE LABOUR
 BEI GERAETESCHEINWERFER
 CON LUCE LAVORO
 CON FARO AUXILIAR
 VID BAKRE ARBETSLAMPA

(B) WITH SNOW CHAIN FENDERS
 AVEC AILES POUR CHAINES DE NEIGE
 BEI SCHNEEKETTEN-KOTFLUEGEL
 CON PARAFANGHI DA CATENE PER NEVE
 CON GUARDABARROS PARA CADENAS NIEVE
 VID SKARMAR FOR SNOKEDJOR

2B18

WIRING HARNESS

WIRING HARNESS FOR WORKLIGHT ON SG2 CAB ROOF
 FAISCEAU DU PHARE DE TRAVAIL, PAVILLON CABINE SG2
 KABELBAUM FUER GERAETESCHINWERFER SG2 KABINEN-DACH
 COMPL. CONDUTT. PER LUCE LAVORO SUL TETTO CABINA SG2
 GRUPO DE CABLES I FARO AUXILIAR SOBRE TECHO CAB. SG2
 KABELHARVA FOR ARBETSBELYSN. PA TAK AV SG2 HYTT
 L113080 -UN-17JUL95



L 113080

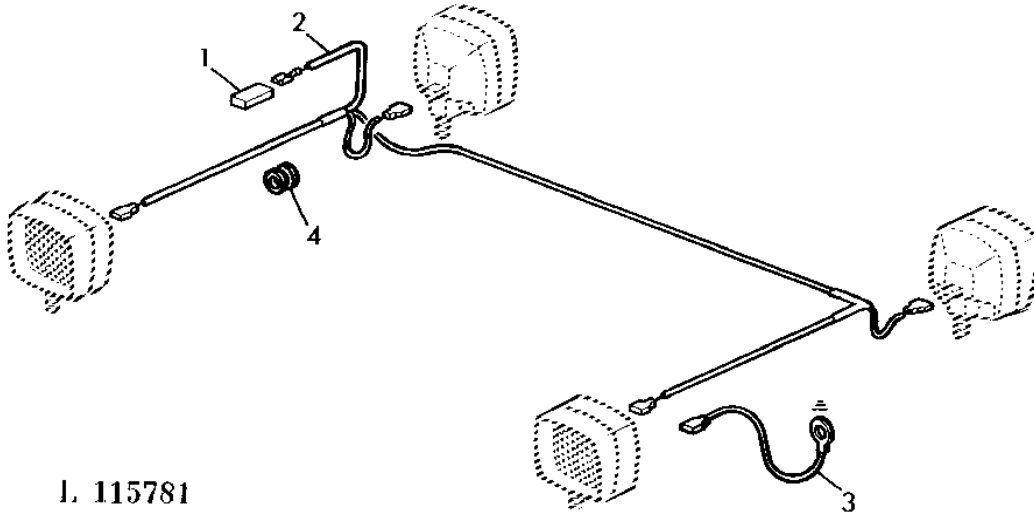
2
 1 2 0
 6 0 4
 4 4 0
 0 0 S

KEY	PART NO.	PART NAME	QTY	SERIAL NO.	REMARKS
1	L13325	GROMMET	AR	X X X	
2	AL55957	WIRING HARNESS	1	X X X	
3	37M7087	SCREW	AR	X X X	M10X25
4	AL55958	WIRING HARNESS	1	X X X	

2B19

WIRING HARNESS

WIRING HARNESS FOR WORKLIGHT (MC1 CAB)
 FAISCEAU DU PHARE DE TRAVAIL (CABINE MC1)
 KABELBAUM FUER GERAETESCHINWERFER (MC1 KABINE)
 COMPL. CONDUTT. PER LUCE LAVORO (CABINA MC1)
 GRUPO DE CABLES I FARO AUXILIAR (CABINA MC1)
 KABELHARVA FOR ARBETSBELYSN. (MC1 FORARHYTT)
 L115781 -UN-12JUL95



I. 115781

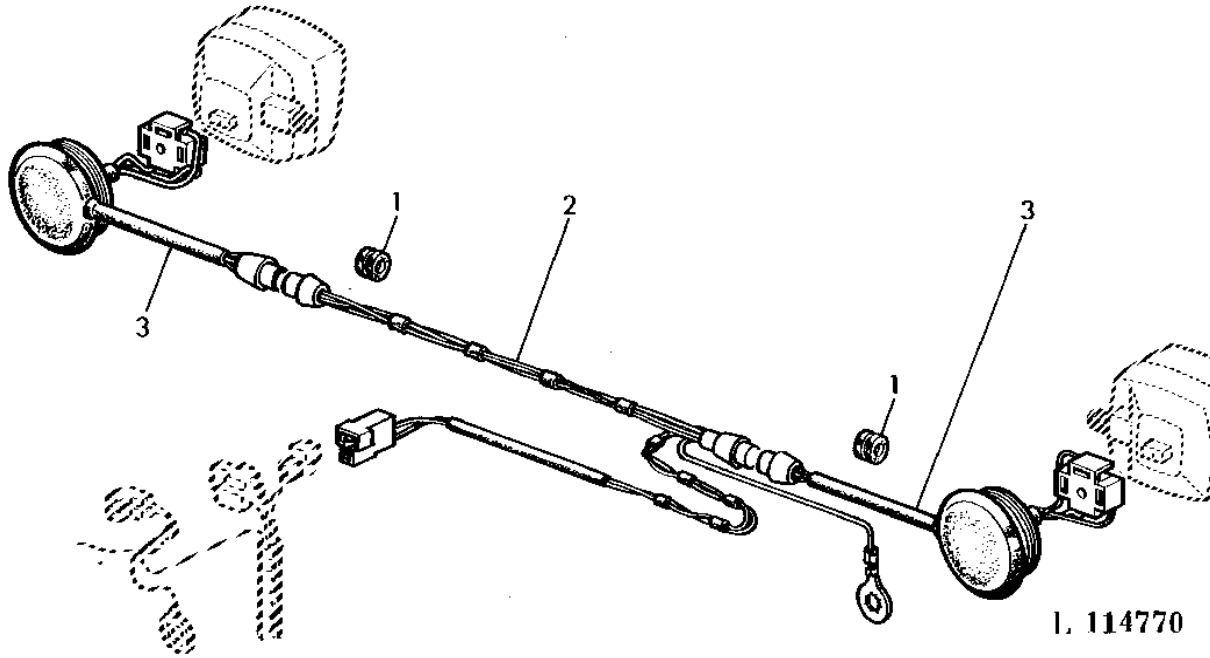
2
 1 2 0
 6 0 4
 4 4 0
 0 0 S

KEY	PART NO.	PART NAME	QTY	SERIAL NO.	REMARKS
1	57M7073	CONNECTOR	1	X X X	
2	AL59725	WIRING HARNESS	1	X X X	
3	AL66086	WIRING LEAD	4	X X X	(SUB FOR AT24549 APPL)
4	L59181	GROMMET	4	X X X	

2B20

WIRING HARNESS

WIRING HARNESS ROOF HEADLIGHTS (SG2 CAB)
 FAISCEAU DE CABLES-PHARES SUR PAVILLON (CABINE SG2)
 KABELBAUM DACH-FAHRSCHWEINWERFER SG2 KABINE
 COMPL. CONDUTT. PER FARI MONTATI SULL'TETTO (CABINA SG2)
 GRUPO DE CABLES PARA FAROS MONTADOS SOBRE TECHO (CABINA SG2)
 KABELHARVA FOR TAKMONTERADE STRALKASTARE (SG2 FORARHYTT)
 L114770 -UN-07JUN95



2
 1 2 0
 6 0 4
 4 4 0
 0 0 S

KEY	PART NO.	PART NAME	QTY	SERIAL NO.	REMARKS
1	L13325	GROMMET	2	X X X	
2	AL55648	WIRING HARNESS	1	X X X	
3	AL55962	WIRING HARNESS	2	X X X	

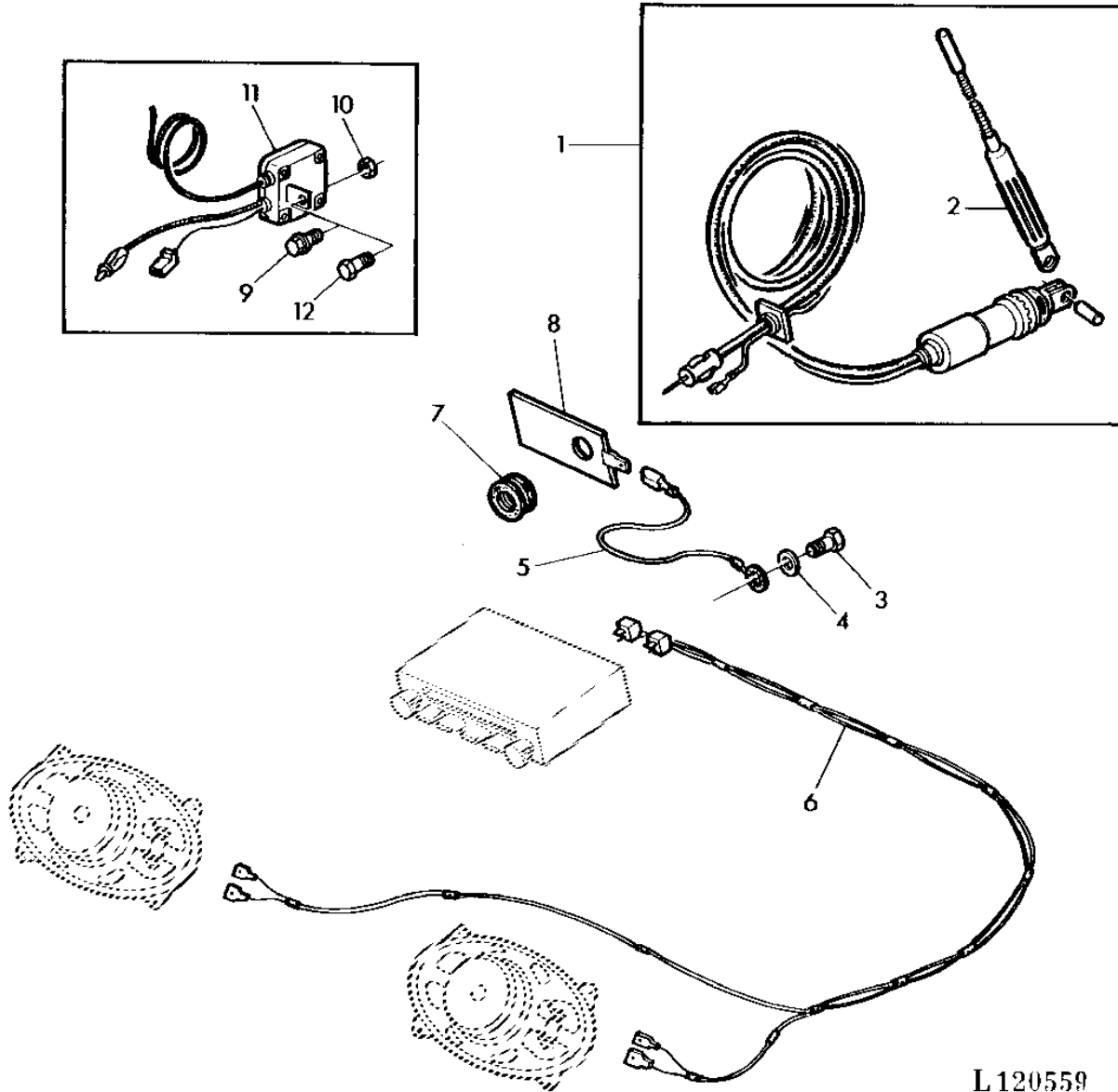
MEMORANDA
MEMORANDA
MEMORANDA
MEMORANDA
MEMORANDA

2B21

WIRING HARNESS

AERIAL/LOUDSPEAKER WIRING HARNESS SG2 AND MC1 CAB
ANTENNE/FAISCEAU HAUT-PARLEUR CABINES SG2 ET MC1
ANTENNE/LAUTSPRECHERKABELBAUM SG2 UND MC1 KABINE
ANTENNA/COMPLESSO CONDUTTORI PER ALTOPARLANTE CABINE SG2 E MC1
ANTENNA/HAZ DE CABLES DEL ALTAVOZ CABINA SG2 Y MC1
ANTENN/KABELHARVA FOR HOGTALARE SG2 OCH MC1 FORARHYTT

L120559 -UN-08JUN95



2B22

WIRING HARNESS

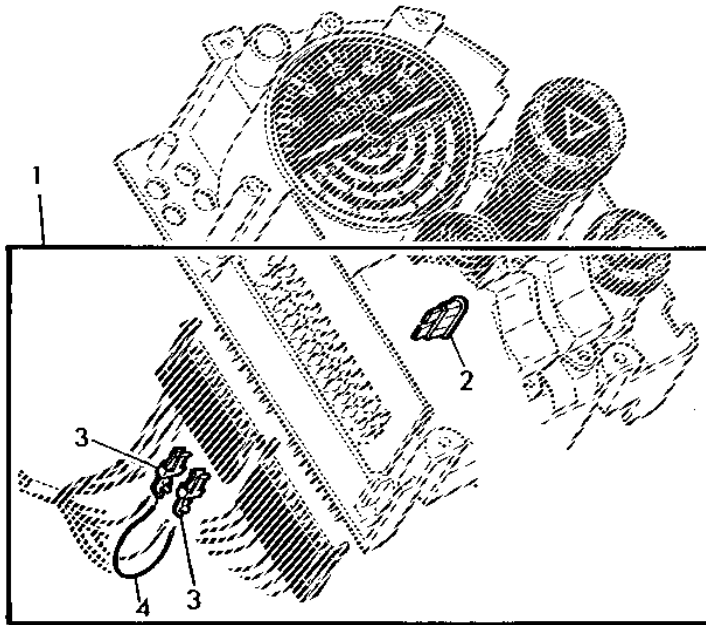
KEY	PART NO.	PART NAME	QTY	SERIAL NO.	REMARKS
					2
					1 2 0
					6 0 4
					4 4 0
					0 0 S
1	AL60125	ANTENNA	1		X X X
2	AL66100	ANTENNA	1		X X X
3	37M7087	SCREW	1		X X X (A) M10X25
4	24H1789	WASHER	1		X X X (A) 13.5X32X2.7MM
5	AL60981	GROUND CABLE	1		X X X
6	AL37948	WIRING HARNESS	1		X X X (A)
7	B30667	GROMMET	1		X X X
8	AL64507	STRAP	1		X X X
9	37M7089	SCREW	1		X X X (A) M6X12
10	14M7272	NUT	1		X X X (A) M6
11	AL38899	ANTENNA	1		X X X (A) (ORD AL64575)
12	19M8059	CAP SCREW	1		X X X (A) M6X12
..	AL64575	ANTENNA	1		X X X INCL KEYS 1-5, 7, 8

(A) WITH SG2 CAB
 SUR CABINE SG2
 BEI SG2 KABINE
 CON CABINA SG2
 CON CABINA SG2
 VID SG2 HYTT

2B23

WIRING HARNESS

CONVERSION KIT-FUSE PRINTED CIRCUIT BOARD (SG2 CAB)
 JEU D'ADAPTION-CARTE DE FUSIBLES (CABINE SG2)
 UMRUESTSATZ SICHERUNGS-LEITERPLATTE (SG2 KABINE)
 KIT CONVERSIONE-PIASTRA CIRCUITA STAMPATO FUSIBILI (CAB SG2)
 CONJUNTO DE MODIF.-CIRCUITO IMPRESO DEL PORTAFUSIBLES (CAB. SG2)
 MODIFIERINGSATS-KRETSKORT (SG2 FORARHYTT)
 L119477 -UN-18JUL95



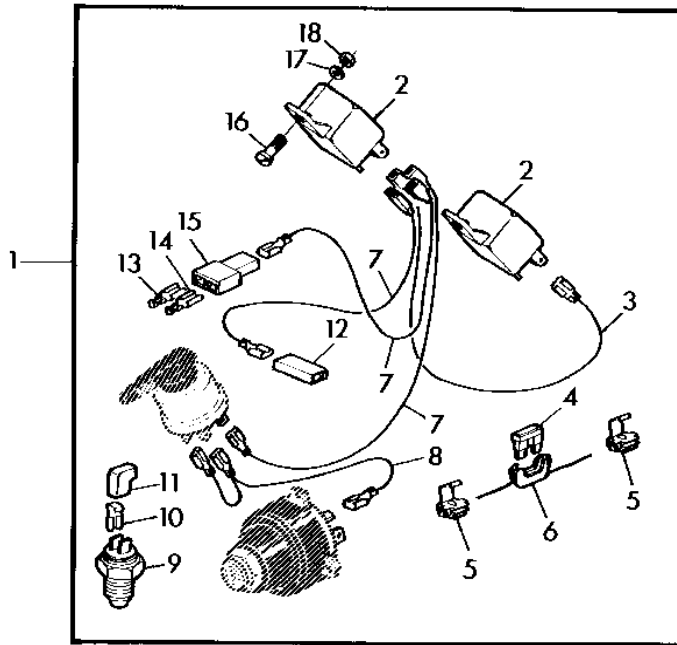
I, 119477

KEY	PART NO.	PART NAME	QTY	SERIAL NO.	REMARKS
				2	
				1 2 0	
				6 0 4	
				4 4 0	
				0 0 S	
1	AL60028	WIRING HARNESS	1	X X X	
2	99M7065	FUSE	2	X X X	15A
3	57M7217	TERMINAL	2	X X X	
4	L58743	WIRING LEAD	1	X X X	

2B24

WIRING HARNESS

CONVERSION KIT-NEUTRAL START SWITCH WITH REED CONTACTS
 JEU ADAPTION-INTERRUPTEUR SECURITE DEMARRAGE/BILAMES REED
 UMRUESTSATZ-ANLASSICHERHEITSSCHALTER MIT REED-KONTAKT
 KIT CONVERSIONE-INTERR. SICUREZZA AVVIAM. CON CONTATTI REED
 CONJ. DE MODIF.-INTERRUPTOR SEGURIDAD DE ARRANQUE/RILAMINA REED
 MODIFIERINGSATS-STARTSPARRKONTAKT MED REED-KONTAKTER
 L121162 -UN-07JUL95



L121162

KEY	PART NO.	PART NAME	QTY	SERIAL NO.	REMARKS
				2	
				1 2 0	
				6 0 4	
				4 4 0	
				0 0 S	
1	AL60892	KIT	1	X X X	
2	AL69700	RELAY	2	X X X	(SUB FOR AL61470)
3	AL56117	GROUND CABLE	1	X X X	
4	57M7171	FUSE	1	X X X	0.5A
5	57M7095	CONNECTOR	2	X X X	
6	AL58768	FUSE HOLDER	1	X X X	
7	AL56010	WIRING LEAD	3	X X X	
8	AL56011	WIRING LEAD	1	X X X	
9	AL58356	SWITCH	1	X X X	(A) (ORD AL68633)
	AL58356	SWITCH	1	X X X	(B) (ORD AT86950, RE47197)
10	57M7109	TERMINAL	2	X X X	
11	57M7115	INSULATING SLEEVE	2	X X X	
12	57M7073	CONNECTOR	1	X X X	
13	57M7044	RECEPTACLE	1	X X X	
14	57M7045	RECEPTACLE	1	X X X	
15	57M7107	CONNECTOR	1	X X X	
16	21M7278	SCREW	1	X X X	M5X10
17	24M7027	WASHER	1	X X X	5.3X10X1MM
18	14M7297	NUT	1	X X X	M5

(A) BILUX LIGHTING SYSTEM
 SYSTEME BILUX
 BILUX-SYSTEM
 SISTEMA BILUX
 SISTEMA BILUX
 BILUX EL SYSTEM

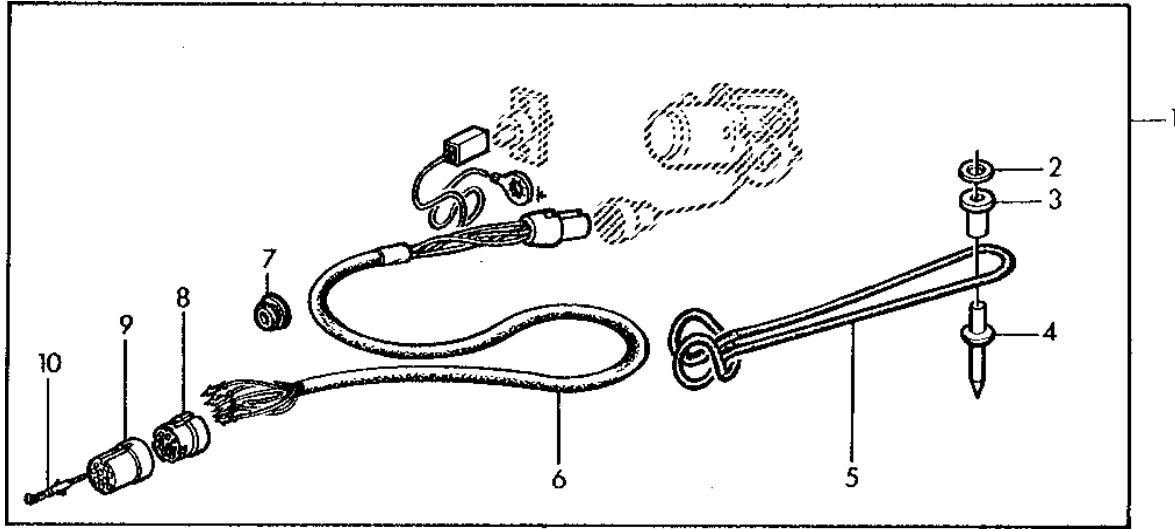
(B) SEALED-BEAM LIGHTING SYSTEM
 SYSTEME SEALED BEAM
 SEALED-BEAM-SYSTEM
 SISTEMA SEALED BEAM
 SISTEMA SEALED BEAM
 SEALED BEAM EL-SYSTEM

MEMORANDA
MEMORANDA
MEMORANDA
MEMORANDA
MEMORANDA

2B25

WIRING HARNESS

REPAIR KIT-ROOF WIRING HARNESS/WINDSHIELD WIPER LH (SG2)
 JEU DE REPARATIONS-FAISCEAU DE PAVILLON/ESSUIE-GLACE GAUCHE (SG2)
 REPARATURSATZ-DACHKABELBAUM/SCHEIBENWISCHERMOTOR LINKS (SG2 KABINE)
 KIT RIPARAZIONE-GRUPPO CAVI TETTO/TERGICRISTALLO SIN. (CAB SG2)
 JUEGO DE REPARACION-MAZO DE CABLES, TECHO/LIMPIAPARABRISAS IZQ. (SG2)
 REPARATIONSATS-KABELHARVA HYTTAK/MOTOR VAN VINDRUTETORK. (SG2)
 L115779 -UN-01JAN94



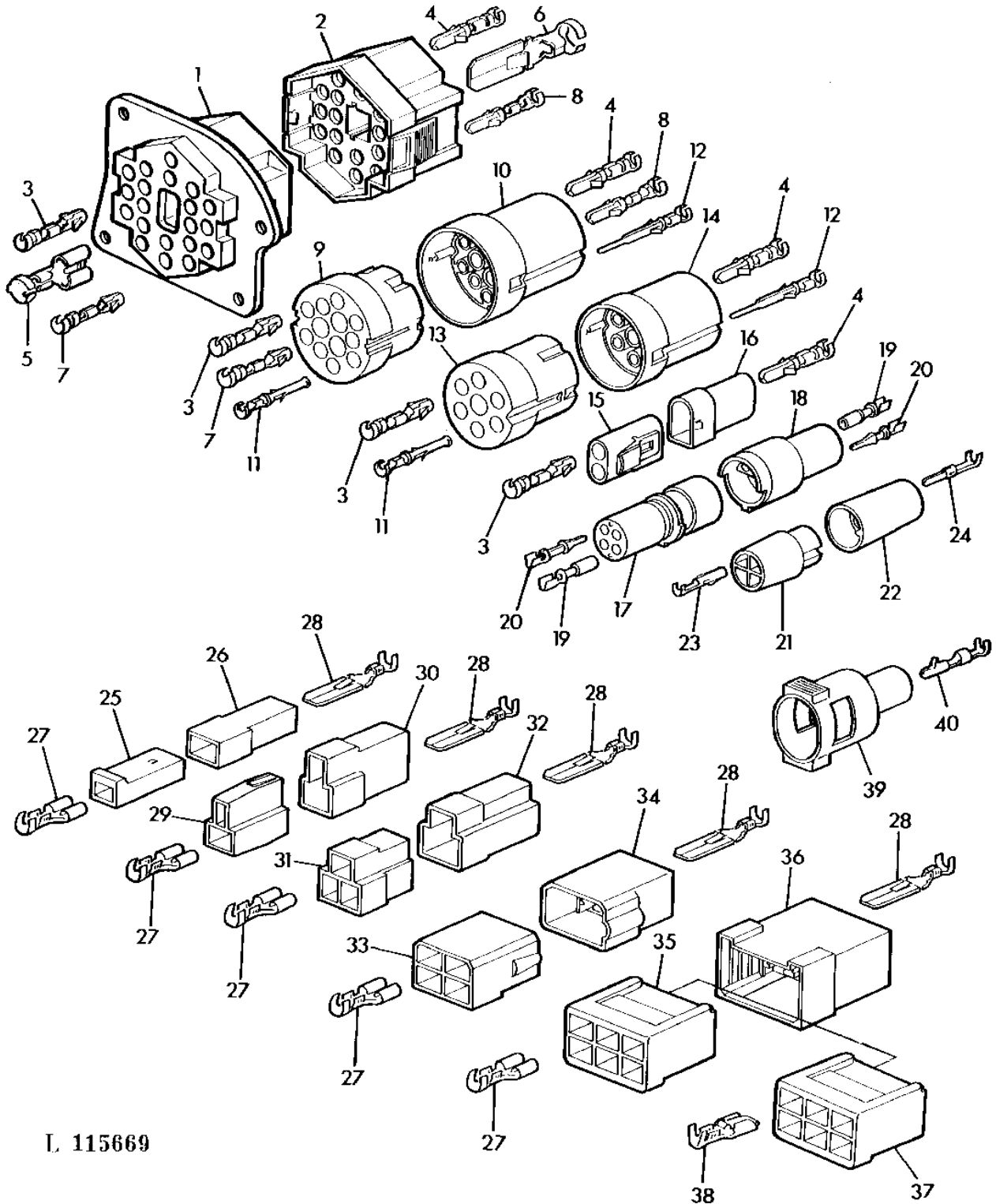
L 115779

KEY	PART NO.	PART NAME	QTY	SERIAL NO.	REMARKS
				2	
				1 2 0	
				6 0 4	
				4 4 0	
				0 0 S	
1	AL62184	KIT	1	X X X	
2	24M7138	WASHER	1	X X X	
3	R50642	WASHER	1	X X X	
4	AL56534	RIVET	1	X X X	
5	L58745	RING	1	X X X	
6	AL58199	WIRING HARNESS	1	X X X	
7	L56627	GROMMET	1	X X X	
8	L36671	SOCKET CONT.CONNECTOR BODY	1	X X X	
9	L36672	PIN CONTACT CONNECTOR BODY	1	X X X	
10	L35425	PIN CONTACT	6	X X X	

2C1

WIRING HARNESS

CABLE CLIPS CONNECTORS AND PLUGS
PRISES ELECTRIQUES
STECKVERBINDER FUER ELEKTRIK
CONNETTORI E DISTRIBUTORI ELETTRICI
REGLETAS DE CONEXIONES Y DISTRIBUIDORES ELECTRICOS
KOPPLINGSPLINTEN OCH STICKANSLUTNINGAR
L115669 -UN-18JUL95



L 115669

2C2

WIRING HARNESS

KEY	PART NO.	PART NAME	QTY	SERIAL NO.	REMARKS
					2
					1 2 0
					6 0 4
					4 4 0
					0 0 S
1	L56765	SOCKET CONT.CONNECTOR BODY	AR	X X X	(A) (B) (SUB FOR L35418, L37799)
2	L37798	RECEPTACLE CONNECTOR BODY	AR	X X X	(A) (B) (SUB FOR L35419)
3	L36681	SOCKET CONTACT	AR	X X X	(A) (B) (C) -4.0MM2/3.5MM
4	L35423	PIN CONTACT	AR	X X X	(A) (B) (C) -4.0MM2/3.5MM
5	57M7071	RECEPTACLE	AR	X X X	(A) (B) (C) -10.0MM2/9.5MM
6	57M7040	TAB	AR	X X X	(A) (B) (C) -10.0MM2/9.5MM
7	L36685	SOCKET CONTACT	AR	X X X	(A) (B) (C) -2.0MM2/3.5MM
8	L36670	PIN CONTACT	AR	X X X	(A) (B) (C) -2.0MM2/3.5MM
9	L35420	PIN CONTACT CONNECTOR BODY	AR	X X X	(A) (B)
10	L35421	PIN CONTACT CONNECTOR BODY	AR	X X X	(A) (B)
11	L35424	SOCKET CONTACT	AR	X X X	(A) (B) (C) -2.5MM2/1.6MM
12	L35425	PIN CONTACT	AR	X X X	(A) (B) (C) -2.5MM2/1.6MM
13	L36671	SOCKET CONT.CONNECTOR BODY	AR	X X X	(A) (B)
14	L36672	PIN CONTACT CONNECTOR BODY	AR	X X X	(A) (B)
15	L39913	SOCKET CONT.CONNECTOR BODY	AR	X X X	(A)
16	L39914	PIN CONTACT CONNECTOR BODY	AR	X X X	(A)
17	L39559	CONNECTOR BODY,(PIN&SOCKET	AR	X X X	(A) (B)
18	L39560	CONNECTOR BODY,(PIN&SOCKET	AR	X X X	(A) (B)
19	L39558	SOCKET CONTACT	AR	X X X	(A) (B) (C) -2.5MM2/2.1MM
20	L39557	PIN CONTACT	AR	X X X	(A) (B) (C) -2.5MM2/2.1MM
21	L38802	SOCKET CONT.CONNECTOR BODY	AR	X X X	(A) (B)
22	L38801	PIN CONTACT CONNECTOR BODY	AR	X X X	(A) (B)
23	L39561	SOCKET CONTACT	AR	X X X	(A) (B) (C) -2.5MM2/2.1MM
24	L36669	PIN CONTACT	AR	X X X	(A) (B) (C) -2.5MM2/2.1MM
25	57M7165	PIN CONTACT	AR	X X X	(A) (B) (C) -/2.8MM
	57M7067	RECEPTACLE CONNECTOR BODY	AR	X X X	(A) (B) (C) -/6.3MM
26	57M7068	TAB CONNECTOR BODY	AR	X X X	(A) (B)
27	57M7041	RECEPTACLE	AR	X X X	(A) (B) (C) -2.5MM2/6.3MM
28	57M7039	TAB	AR	X X X	(A) (B) (C) -2.5MM2/6.3MM
29	57M7065	RECEPTACLE CONNECTOR BODY	AR	X X X	(A) (B)
30	57M7066	TAB CONNECTOR BODY	AR	X X X	(A) (B)
31	57M7088	RECEPTACLE CONNECTOR BODY	AR	X X X	(A) (B)
32	57M7092	TAB CONNECTOR BODY	AR	X X X	(A) (B)
33	57M7060	RECEPTACLE CONNECTOR BODY	AR	X X X	(A) (B)
34	57M7061	TAB CONNECTOR BODY	AR	X X X	(A) (B)
35	57M7058	RECEPTACLE CONNECTOR BODY	AR	X X X	(A)
36	57M7059	TAB CONNECTOR BODY	AR	X X X	(A) (B)
37	L39317	RECEPTACLE CONNECTOR BODY	AR	X X X	(B)
38	57M7106	TERMINAL	AR	X X X	(A) (B) (C) -4.0MM2/6.3MM
39	AL34425	CASE	AR	X X X	(A) (B)
40	L36669	PIN CONTACT	AR	X X X	(A) (B) (C) -1.0MM2/2.1MM

(A) BILUX LIGHTING SYSTEM
 SYSTEME BILUX
 BILUX-SYSTEM
 SISTEMA BILUX
 SISTEMA BILUX
 BILUX BELYSNING

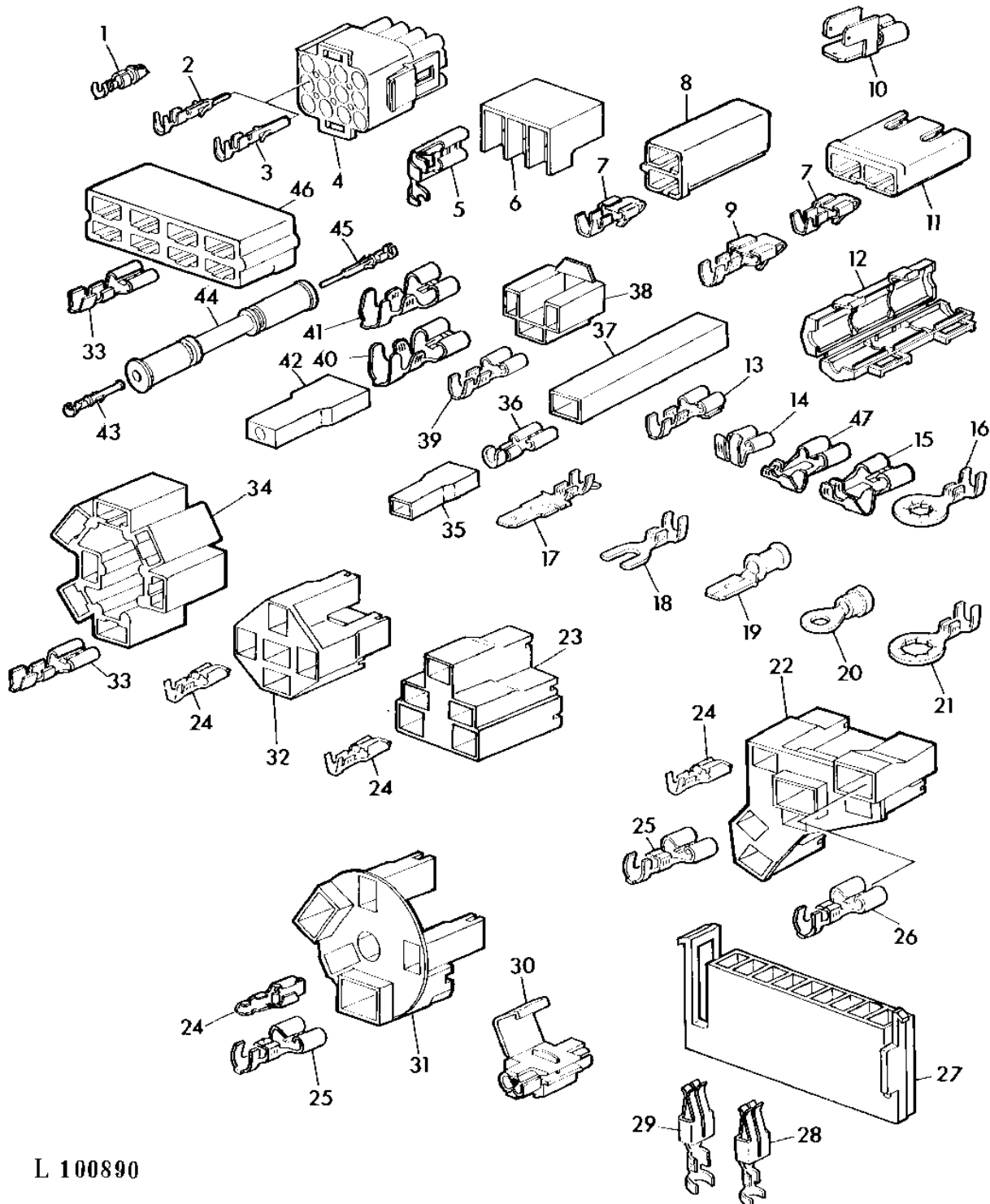
(B) SEALED-BEAM LIGHTING SYSTEM
 SYSTEME SEALED BEAM
 SEALED-BEAM-SYSTEM
 SISTEMA SEALED BEAM
 SISTEMA SEALED BEAM
 SEALED BEAMBELYSNING

(C) WIRE GAUGECONNECTOR WIDTH
 SECTION CABLELARGHEUR CONNEC
 KABELQUERSCHN.STECKERBREITE
 SEZIONE CAVOLARGHEZZA SPINA
 SECCION DE CABLEANCH.ENCHUFE
 KABELTVARSNITTBREDD AV KONTA

2C3

WIRING HARNESS

CABLE CLIPS CONNECTORS AND PLUGS
PRISES ELECTRIQUES
STECKVERBINDER FUER ELEKTRIK
CONNETTORI E DISTRIBUTORI ELETTRICI
REGLETAS DE CONEXIONES Y DISTRIBUIDORES ELECTRICOS
KOPPLINGSPLINTEN OCH STICKANSLUTNINGAR
L100890 -UN-17JUL95



L 100890

2C4

WIRING HARNESS

KEY	PART NO.	PART NAME	QTY	SERIAL NO.	REMARKS
					2
					1 2 0
					6 0 4
					4 4 0
					0 0 S
1	L36683	PIN CONTACT	AR	X X X	(B) (C) -2.3MM2/4.0MM
2	L36682	PIN CONTACT	AR	X X X	(A) (B) (C) -2.5MM2/2.1MM
3	L36668	SOCKET CONTACT	AR	X X X	(A) (B) (C) -2.5MM2/2.1MM
4	L36667	CONNECTOR BODY,(PIN&SOCKET	AR	X X X	(A) (B)
5	57M7069	RECEPTACLE	AR	X X X	(A) (B) (C) -2.5MM2/6.3MM
6	57M7062	RECEPTACLE CONNECTOR BODY	AR	X X X	(A) (B)
7	U46662	TERMINAL	AR	X X X	(A) (B) (C) -2.1MM2/6.3MM
8	R77477	CONNECTOR	AR	X X X	(B)
9	N115096	TERMINAL	AR	X X X	(A) (C) -5.0MM2/6.3MM
10	57M7099	TAB	AR	X X X	(A) (B)
11	R77480	CONNECTOR	AR	X X X	(A) (B) (SUB FOR L36675)
12	L31124	INSULATING CAPSULE	AR	X X X	(B)
13	57M7070	RECEPTACLE	AR	X X X	(A) (B) (C) -1.0MM2/6.3MM
14	57M7109	TERMINAL	AR	X X X	(A) (B) (C) -1.5MM2/6.3MM
15	57M7078	RECEPTACLE	AR	X X X	(A) (B) (C) -2.5MM2/8.0MM
16	57M7087	TERMINAL	AR	X X X	(A) (B) (C) -1.0MM2/8.4MM
17	L36677	TERMINAL	AR	X X X	(A) (B) (C) -0.8MM2/6.3MM
18	57M7093	TERMINAL	AR	X X X	(A) (B) (C) -1.0MM2/4.0MM
19	57M7096	TAB	AR	X X X	(A) (B) (C) -3.4MM2/6.3MM
20	57M7097	TERMINAL	AR	X X X	(A) (B) (C) -2.5MM2/5.3MM
21	57M7083	TERMINAL	AR	X X X	(A) (B) (C) -2.5MM2/10.5MM
22	L37847	RECEPTACLE CONNECTOR BODY	AR	X X X	(A)
23	L38622	RECEPTACLE CONNECTOR BODY	AR	X X X	(A) (B)
24	57M7089	RECEPTACLE	AR	X X X	(A) (B) (C) -2.0MM2/6.3MM
25	57M7108	RECEPTACLE	AR	X X X	(A) (B) (C) -5.3MM2/9.5MM
26	57M7071	RECEPTACLE	AR	X X X	(A) (B) (C) -10.0MM2/9.5MM
27	L37949	RECEPTACLE CONNECTOR BODY	AR	X X X	(A) (B)
28	57M7100	RECEPTACLE	AR	X X X	(A) (B) (C) -1.0MM2/6.3MM
29	57M7090	RECEPTACLE	AR	X X X	(A) (B) (C) -2.5MM2/6.3MM
	57M7149	RECEPTACLE	AR	X X X	(A) (C) -6.0MM2/6.3MM
30	57M7095	CONNECTOR	AR	X X X	(A) (B) (C) -1.5MM2/-
31	L37848	HOUSING	AR	X X X	(A)
32	L35168	ELECTRICAL PLUG	AR	X X X	(A) (B)
33	57M7041	RECEPTACLE	AR	X X X	(A) (B) (C) -2.5MM2/6.3MM
34	L36996	RECEPTACLE CONNECTOR BODY	AR	X X X	(A)
35	57M7033	INSULATING SLEEVE	AR	X X X	(A) (B)
36	57M7045	RECEPTACLE	AR	X X X	(A) (B) (C) -2.5MM2/6.3MM
	57M7080	RECEPTACLE	AR	X X X	(A) (B) (C) -6.0MM2/6.3MM
37	57M7073	CONNECTOR	AR	X X X	(A) (B)
38	57M7064	RECEPTACLE CONNECTOR BODY	AR	X X X	(A)
39	57M7038	RECEPTACLE	AR	X X X	(A) (B) (C) -1.5MM2/8.0MM
40	57M7046	RECEPTACLE	AR	X X X	(A) (B) (C) -6.0MM2/9.5MM
41	57M7098	RECEPTACLE	AR	X X X	(A) (B) (C) -5.3MM2/9.5MM
42	57M7072	INSULATING SLEEVE	AR	X X X	(A) (B)
43	L35424	SOCKET CONTACT	AR	X X X	(A) (B) (C) -2.5MM2/1.6MM
44	L36710	ROUND CONNECTOR	AR	X X X	(B)
45	L35425	PIN CONTACT	AR	X X X	(A) (B) (C) -2.5MM2/1.6MM
46	L35169	RECEPTACLE CONNECTOR BODY	AR	X X X	(A)
47	57M7069	RECEPTACLE	AR	X X X	(A) (B) (C) -2.5MM2/6.3MM

(A) BILUX LIGHTING SYSTEM
 SYSTEME BILUX
 BILUX-SYSTEM
 SISTEMA BILUX
 SISTEMA BILUX
 BILUX BELYSNING

(B) SEALED-BEAM LIGHTING SYSTEM
 SYSTEME SEALED BEAM
 SEALED-BEAM-SYSTEM
 SISTEMA SEALED BEAM
 SISTEMA SEALED BEAM
 SEALED BEAMBELYSNING

(C) WIRE GAUGECONNECTOR WIDTH
 SECTION CABLELARGHEUR CONNEX
 KABELQUERSCHN.STECKERBREITE
 SEZIONE CAVOLARGHEZZA SPINA
 SECCION DE CABLEANCH.ENCHUFE
 KABELTVARSNITTBREDD AV KONTA

MEMORANDA
MEMORANDA
MEMORANDA
MEMORANDA
MEMORANDA

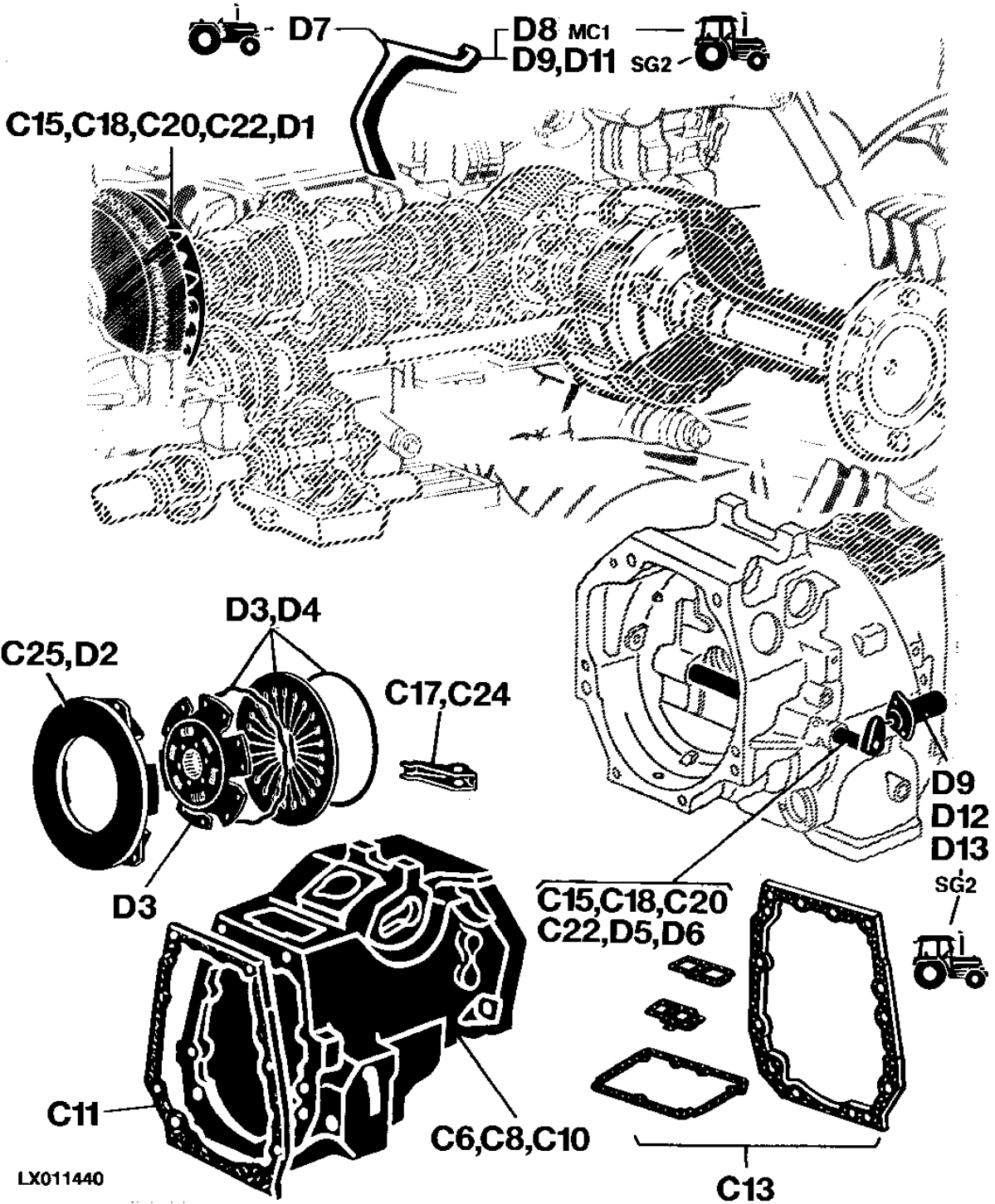
2C5

CLUTCHES

XX
XX
XX
XX
XX
XX
XX
XX
XX
XX

SECTIONAL INDEX
INDEX DE SECTION
GRUPPENINDEX
INDICE DELLA SEZIONE
INDICE DE GRUPOS
GRUPPSFORTECKNING

LX011440 -UN-14JUL95

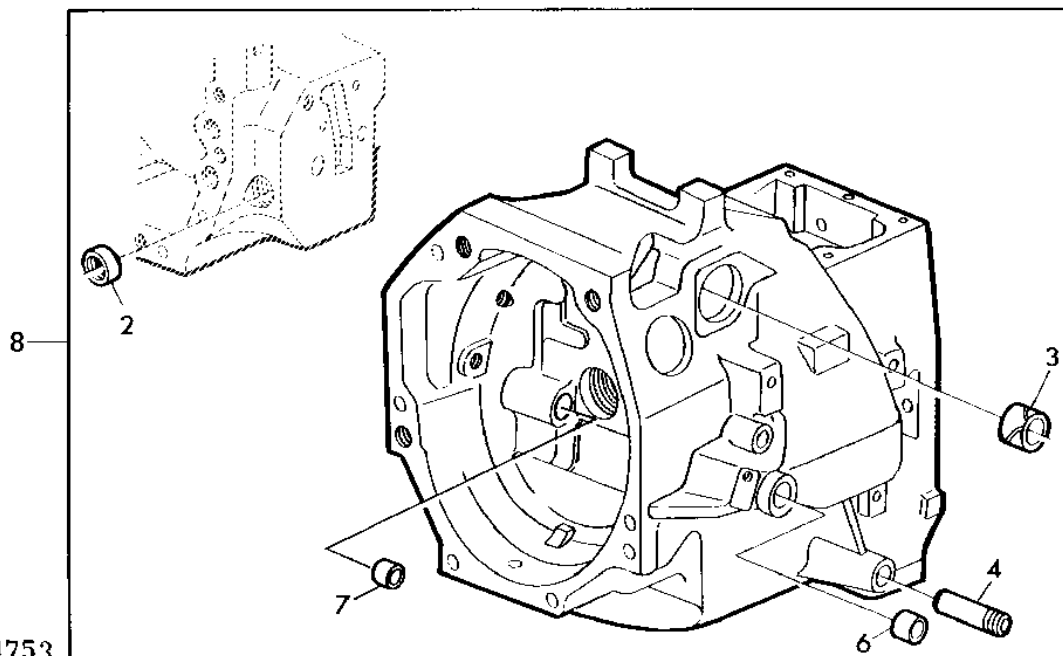
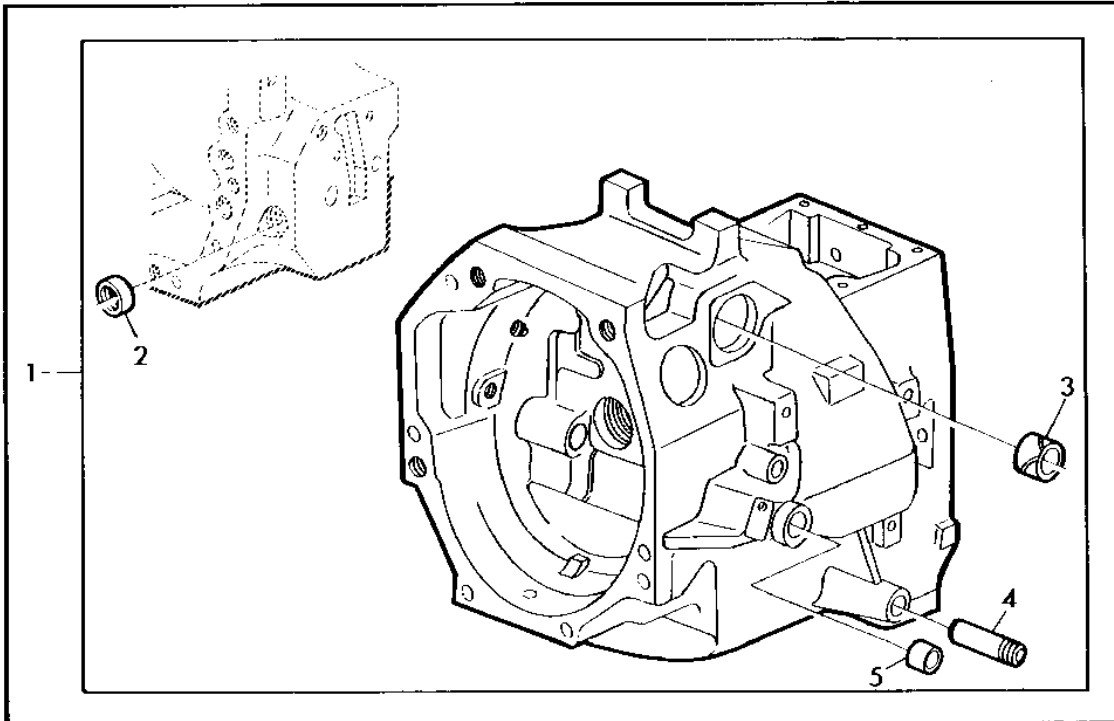


LX011440

2C6

CLUTCHES

CLUTCH HOUSING
CARTER D'EMBRAYAGE
KUPPLUNGSGEHAEUSE
SCATOLA FRIZIONE
CARTER DEL EMBRAGUE
KOPPLINGSHUS
L104753 -UN-17JUL95



L 104753

2C7

CLUTCHES

KEY	PART NO.	PART NAME	QTY	SERIAL NO.		REMARKS
					2	
					1 2 0	
					6 0 4	
					4 4 0	
					0 0 S	
1	AL28917	HOUSING	1	-505941	X X	(A) (ORD AL37858, AL37860)
	AL28917	HOUSING	1	-505941	X X X	(MARKED L33388) (ORD AL37858, AL37861)
	AL28917	HOUSING	1	-505941	X X X	(B) (ORD W/ AL39540, L40897)
2	T28797	VALVE SEAT INSERT	1		X X X	
3	L64255	BUSHING	1		X X X	(SUB FOR T21445)
4	T21448	PIN	1		X X X	
5	T21446	BUSHING	1	-505941	X X X	
6	L39935	BUSHING	1	505942-	X X X	28X32X20MM
7	L40445	BUSHING	1	505942-	X X X	28X31X20MM
8	AL37858	HOUSING	1	505942-	X X X	(MARKED L39934)

(A) WITH CONTINUOUS-RUNNING PTO
 AVEC PDF MOTEUR
 BEI MOTORZAPFWELLE
 CON PTO A FUNZION. CONTINUO
 CON TDF DE FUNCIONAMIENTO CONTINUO
 VID KOPPLINGSBER. KRAFTUTTAG

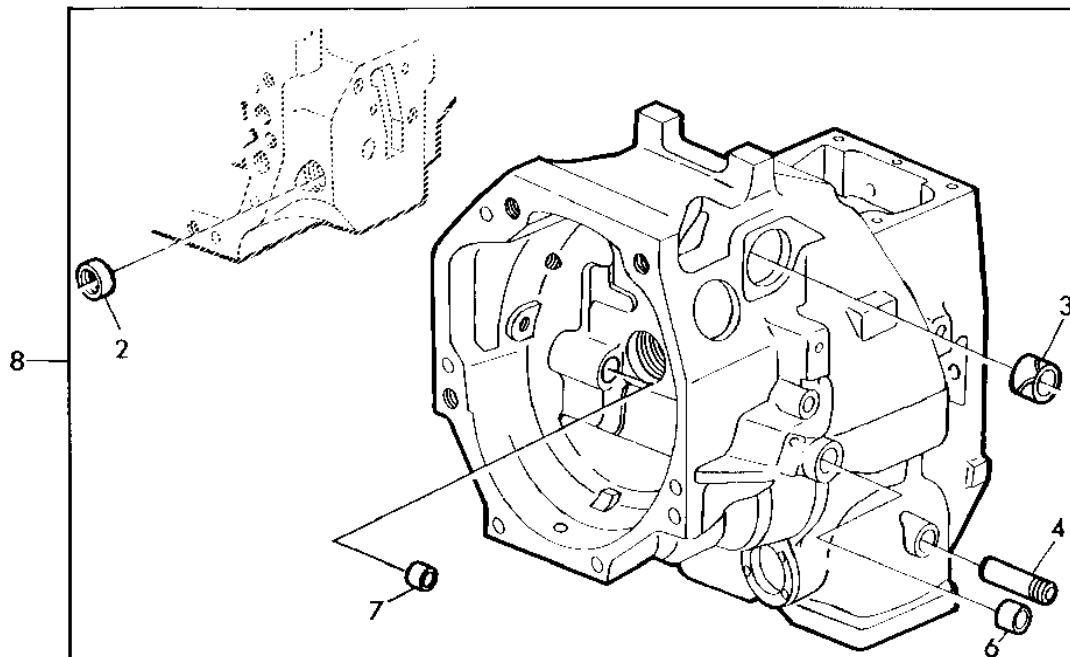
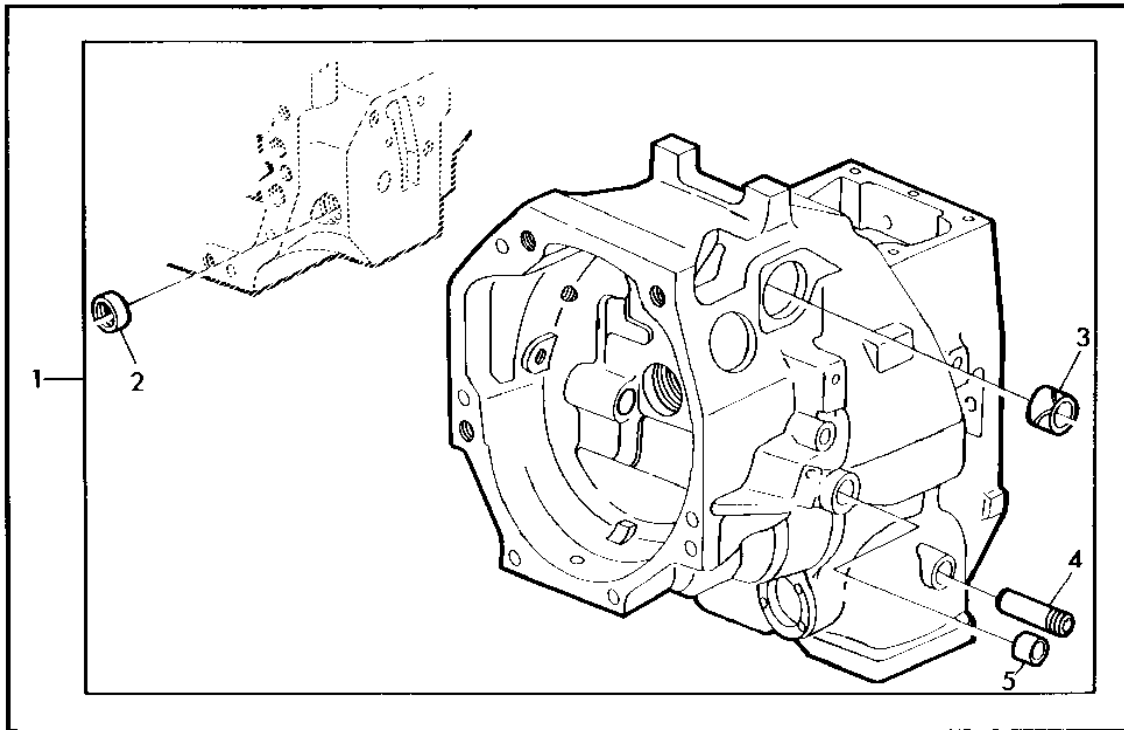
(B) WITH SG2 CAB
 AVEC CABINE SG2
 BEI SG2 KABINE
 CON CABINA SG2
 CON CABINA SG2
 VID SG2 HYTT

2C8

CLUTCHES

CLUTCH HOUSING (WITH FRONT WHEEL DRIVE)
CARTER D'EMBRAYAGE (AVEC PONT AVANT)
KUPPLUNGSGEHAUESE (BEI FRONTANTRIEB)
SCATOLA FRIZIONE (CON TRAZIONE ANTERIORE)
CARTER DEL EMBRAGUE (CON TRACCION-DELANTERA)
KOPPLINGSHUS (VID FRAMHJULSDRIFT)

L104754 -UN-17JUL95



I. 104754

2C9

CLUTCHES

KEY	PART NO.	PART NAME	QTY	SERIAL NO.		REMARKS
					2	
					1 2 0	
					6 0 4	
					4 4 0	
					0 0 S	
1	AL28740	HOUSING	1	-457577	X X X	(MARKED L33179) (ORD AL38671, AL37861, L41324, L40897, L62773, R34140, JD10234, L39490, L39491, L39495, 48M7038)
	AL28740	HOUSING	1	-457577	X X X	(A) (ORD AL38671, AL39540, L40897, L62773, R34140, JD10234, L39490, L39491, L39495, 48M7038)
	AL37279	HOUSING	1	457578-505941	X X X	(MARKED L39493) (ORD AL38671, AL37861, L41324, L40897)
	AL37279	HOUSING	1	457578-505941	X X X	(A) (ORD AL38671, AL39540, L40897)
2	T28797	VALVE SEAT INSERT	1		X X X	
3	L64255	BUSHING	1		X X X	(SUB FOR T21445)
4	T21448	PIN	1		X X X	
5	T21446	BUSHING	1	-505941	X X X	
6	L39935	BUSHING	1	505942-	X X X	28X32X20MM
7	L40445	BUSHING	1	505942-	X X X	28X31X20MM
8	AL38671	HOUSING	1	505942-	X X X	(MARKED L39731)

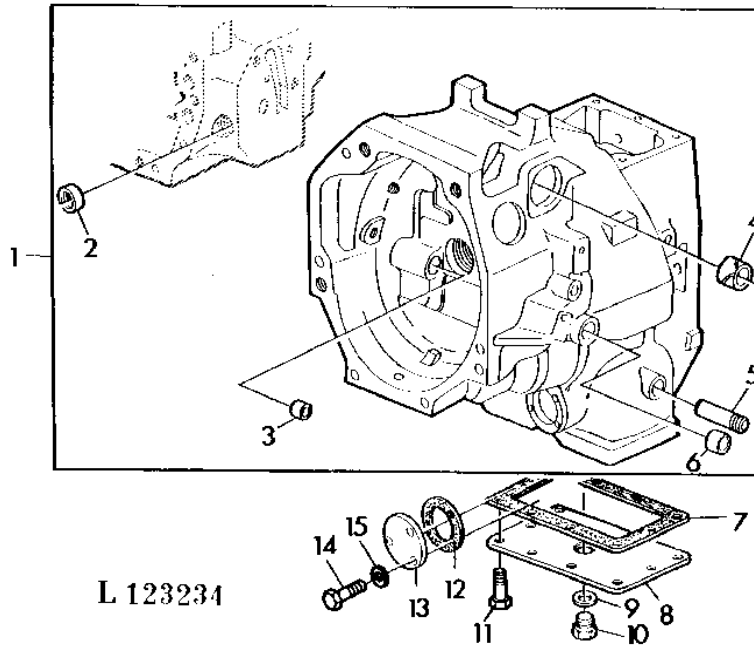
(A) WITH SG2 CAB
 SUR CABINE SG2
 BEI SG2 KABINE
 CON CABINA SG2
 CON CABINA SG2
 VID SG2 HYTT

2C10

CLUTCHES

CLUTCH HOUSING (WITH INCREASED LIFTING CAPACITY)
 CARTER D'EMBRAYAGE (AVEC CAPACITE DE REL. AUGM.)
 KUPPLUNGSGEHAUSE (BEI HUBKRAFTERHOEHUNG)
 SCATOLA FRIZIONE (CON ELEVATA CAPACITA DI SOLLEVAMENTO)
 CARTER DEL EMBRAGUE (CON FUERZA DE ELEV. AUMENTADA)
 KOPPLINGSKAPACITET (VID OKAD LYFTKAPACITET)

L123234 -UN-18JUL95



L 123234

KEY	PART NO.	PART NAME	QTY	SERIAL NO.	REMARKS
				2	
				1 2 0	
				6 0 4	
				4 4 0	
				0 0 S	
1	AL38671	HOUSING	1		X (MARKED L39731)
2	T28797	VALVE SEAT INSERT	1		X
3	L40445	BUSHING	1		X 28X31X20MM
4	L64255	BUSHING	1		X (SUB FOR T21445)
5	T21448	PIN	1		X
6	L39935	BUSHING	1		X 28X32X20MM
7	L61920	GASKET	1		X (A) (SUB FOR L36699)
8	AL30588	COVER	1		X (A)
9	A4827R	WASHER	1		X (A) (SUB FOR 51M7019 APPL)
10	R51895	FITTING	1		X (A)
11	19M7163	CAP SCREW	10		X (A) M8X25
12	L62424	GASKET	1		X (A) (SUB FOR L36700)
13	L33141	COVER	1		X (A)
14	19M7139	CAP SCREW	3		X (A) M8X20
15	51M4231	RING	3		X (A)

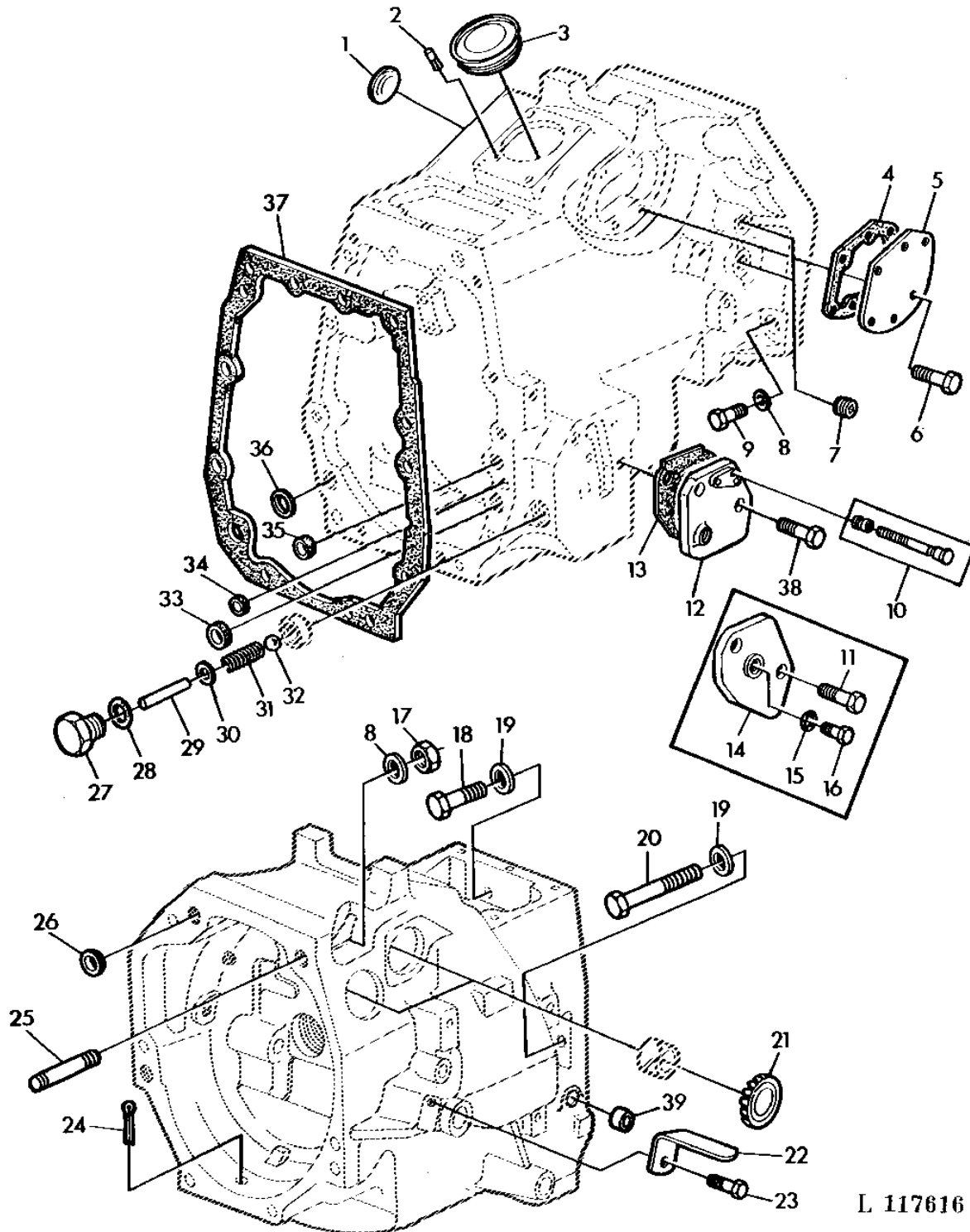
(A) WITHOUT FWD
 SANS PONT AVANT
 OHNE FRONTANTRIEB
 SENZA TRAZ.ANT.
 SIN TRACCION DELANTERA
 UTAN FRAMHJULSDRIFT

MEMORANDA
MEMORANDA
MEMORANDA
MEMORANDA
MEMORANDA

2C11

CLUTCHES

CLUTCH HOUSING
CARTER D'EMBRAYAGE
KUPPLUNGSGEHAUSE
SCATOLA FRIZIONE
CARTER DEL EMBRAGUE
KOPPLINGSHUS
L117616 -UN-18JUL95



L 117616

2C12

CLUTCHES

KEY	PART NO.	PART NAME	QTY	SERIAL NO.	REMARKS
					2 1 2 0 6 0 4 4 4 0 0 0 S
1	T22653	CAP	1		X X X (B)
2	25M3784	GROOVE PIN	1		X X X 10X40MM
	L40897	PLUG	1		X X X 13.3X15MM
3	AL34736	COVER	1		X X X (B)
4	L61963	GASKET	1		X X X (B) (SUB FOR L36701)
5	L36937	COVER	1		X X X (B)
6	19H1936	CAP SCREW	6		X X X (B) 3/8"X3/4"
7	L34121	DRAIN PLUG	2		X X X
8	R70268	WASHER	4		X X X (SUB FOR R42363)
9	19H1926	CAP SCREW	2		X X X 5/8"X4-3/4"
10	AL36807	PLUG	1		X
11	19H1792	CAP SCREW	2		X X X (A) 1/2"X1"
12	L38283	COVER	1		X X X (A) (SUB FOR T33594 APPL)
13	L63387	GASKET	1		X X X (A) (SUB FOR T28468, T30687, L62368)
14	T33594	COVER	1		X X X (A) (ORD L38283)
15	R26287	O-RING	1		X X X (A)
16	R31631	DRAIN PLUG	1		X X X (A)
17	14H1039	NUT	2		X X X 5/8"
18	19H2735	CAP SCREW	2		X X X 1/2"X2"
	19H2644	CAP SCREW	2		X X X (C) 1/2"X2-1/2"
19	L30695	WASHER	3		X X X
20	19H3057	CAP SCREW	1		X X X 1/2"X2-3/4"
21	AL24554	PLUG	2		X X X
22	T22531	BRACKET	1		X X X
23	19H3239	CAP SCREW	1		X X X 3/8" X 1-1/4"
24	11M7028	COTTER PIN	1		X X X 5X32MM
25	L29854	STUD	2		X X X 5/8"
26	L35628	SEAL	1		X X X ID= 16.8MM (.66")
27	L40568	PIPE PLUG	1		X X X (SUB FOR R27175 APPL)
28	F3171R	O-RING	1		X X X
29	T22850	PIN	1		X X X
30	24H1685	WASHER	AR		X X X 3/4"X11/32"X.075"
31	T14059	SPRING	1		X X X
32	F2772R	BALL	1		X X X
33	L40966	WASHER	1		X X X ID= 19MM (.75") (SUB FOR R26149 APPL)
34	L35226	GASKET	1		X X X ID= 13MM (.51")
35	T68412	WASHER	1	-494557	X X X (ORD L40965, L40964) ID= 15.2MM (.60")
	L40965	WASHER	1	494558-	X X X
36	A4723R	WASHER	1		X X X ID= 25.4MM (1")
37	L61918	GASKET	1		X X X (SUB FOR L33139)
38	19H2508	CAP SCREW	2		X X X (A) 1/2"X1-3/8"
39	30M7007	CAP	1		X X X

(A) WITH SG2 CAB
AVEC CABINE SG2
BEI SG2 KABINE
CON CABINA SG2
CON CABINA SG2
VID SG2 HYTT

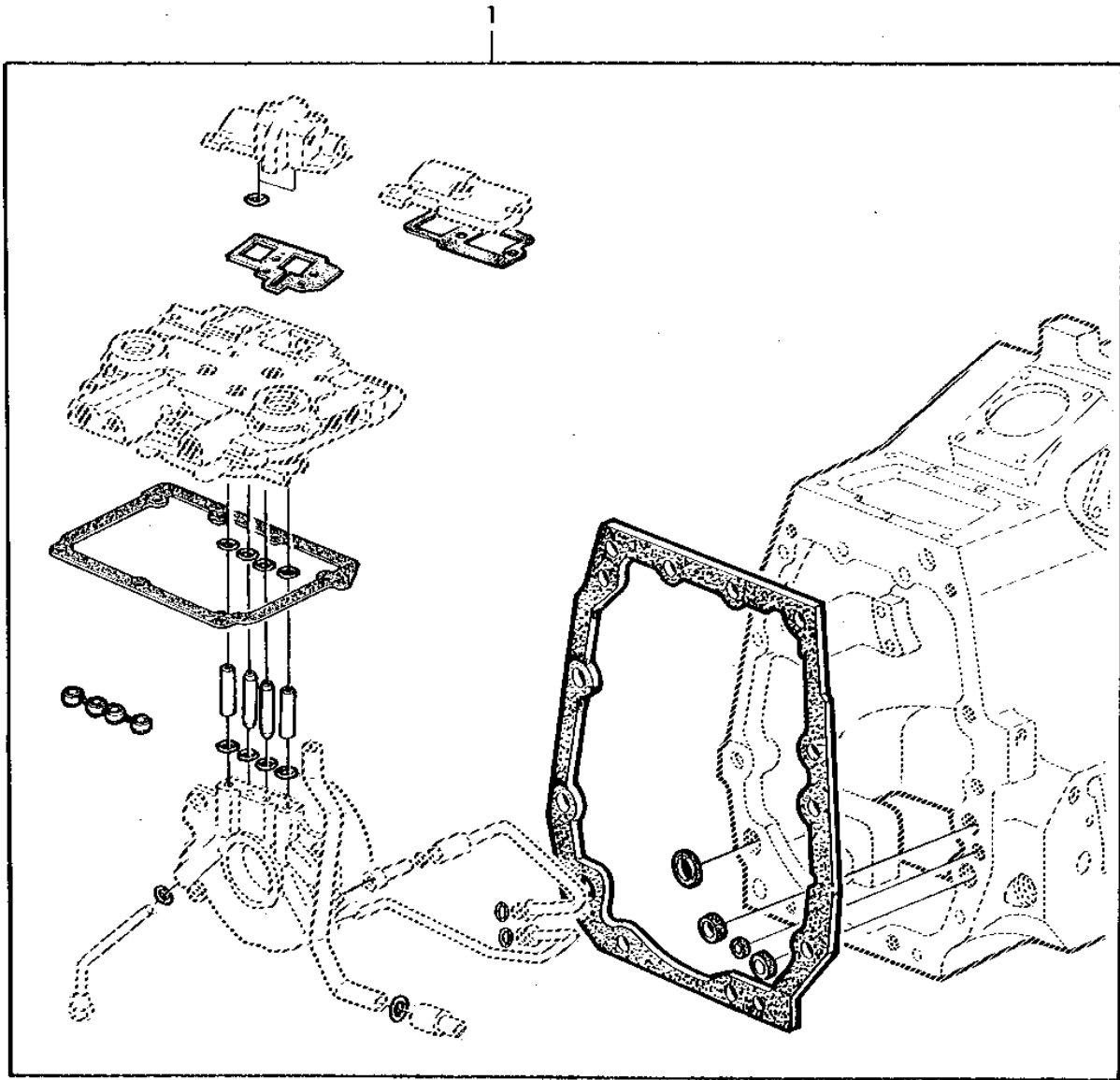
(B) WITH HYDROST.STEERING
AVEC DIRECTION HYDROSTAT.
BEI HYDROST.LENKUNG
CON STERZO IDROST.
CON DIRECCION HIDROST.
VID HYDROST.STYRNING

(C) WITH INCREASED LIFTING CAPAC
AVEC CAPACITE DE REL.AUGM.
BEI HUBKRAFTERHOEHUNG
CON ELEVATA CAPACITA DI SOLL
CON FUERZA DE ELEV.AUMENTADA
VID OKAD LYFTKAPACITET

2C13

CLUTCHES

GASKET KIT
JEU DE JOINTS PLATS
DICHTUNGSSATZ
SERIE GUARNIZIONI
JUEGO DE JUNTAS
PACKNINGSSATS
L112043 -UN-01JAN94



L 112043

2C14

CLUTCHES

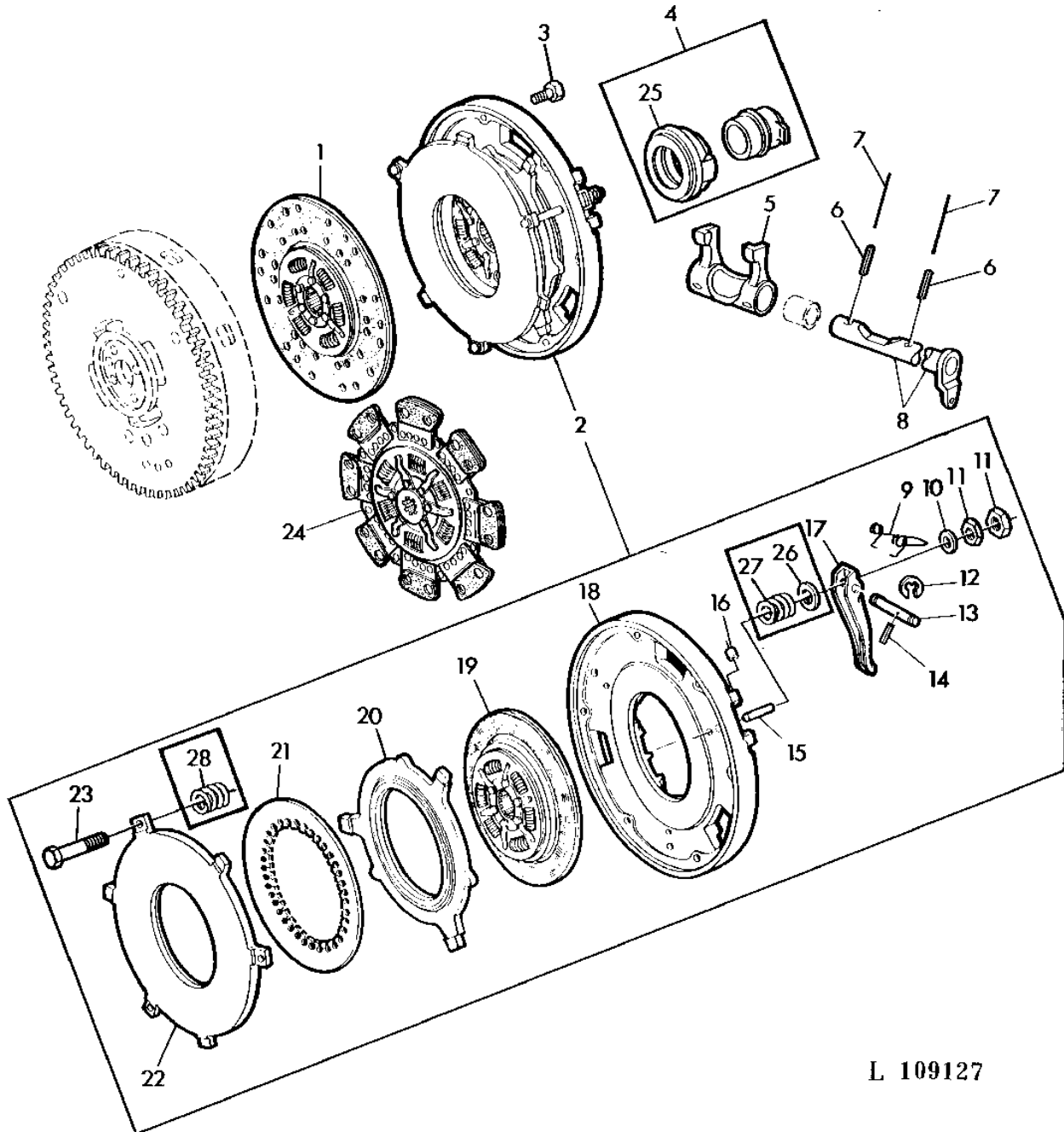
KEY	PART NO.	PART NAME	QTY	SERIAL NO.	REMARKS
1	AL57975	GASKET KIT	1	X X X	

2
1 2 0
6 0 4
4 4 0
0 0 S

2C15

CLUTCHES

DUAL-STAGE CLUTCH
EMBAYAGE DOUBLE EFFET
ZWEIFACHKUPPLUNG
FRIZONE DOPPIO STADIO
EMBRAGUE DOBLE
TVASTEGSKOPPLING
L109127 -UN-17JUL95



L 109127

2C16

CLUTCHES

KEY	PART NO.	PART NAME	QTY	SERIAL NO.		REMARKS
					2	
					1 2 0	
					6 0 4	
					4 4 0	
					0 0 S	
1	AL66180	CLUTCH DISK	1		X X	(SUB FOR AL31436 APPL)
2	AL30151	CLUTCH	1	-505941	X X	F+S 32.1888040.001 (ORD AL55140)
	AL40882	CLUTCH	1	505942-541994	X X	F+S 32.1888040.201 (ORD AL55140)
	AL55140	CLUTCH	1	541995-	X X	F+S 32.1888053.001 OR .101 (SUB FOR AL30151, AL40882) (AL39624 F+S 32.1888040.101)
3	19H2545	CAP SCREW	6		X X	3/8" X 1-3/8"
4	AL28738	BEARING	1		X X	
5	L33719	FORK	1	-505941	X X	
	L41893	FORK	1	505942-	X X	
6	34H348	SPRING PIN	2		X X	
7	A2552R	WIRE	2		X X	LGTH= 150MM (MF L63453)
8	AL35948	SHAFT	1	-505941	X X	
	AL37860	SHAFT	1	505942-	X X	
9	T28230	SPRING	3	-541994	X X	(FOR AL30151, AL39624, AL40882) (ORD AL60270)
	L55214	TORSION SPRING	3	541995-	X X	
10	T29650	WASHER	3		X X	
11	T29649	NUT	6		X X	
12	L38513	SNAP RING	6		X X	
13	T28222	PIN	3	-505941	X X	(FOR AL30151)
	L41387	PIN	3	505942-541994	X X	(FOR AL39624, AL40882)
	L55215	PIN	3	541995-	X X	
14	T28226	SPRING PIN	3	-505941	X X	(FOR AL30151)
	34M7010	SPRING PIN	3	505942-	X X	3X20MM
15	T28224	PIN	3	-505941	X X	(FOR AL30151)
	L41390	PIN	3	505942-541994	X X	(FOR AL39624, AL40882)
	L55216	PIN	3	541995-	X X	
16	T28225	BUSHING	6		X X	
17	L34925	LEVER	3	-505941	X X	(FOR AL30151) (ORD AL60271)
	L41389	LEVER	3	505942-541994	X X	(ORD AL60271) (FOR AL39624 OR AL40882)
	L55213	LEVER	3	541995-	X X	
18	T29353	PLATE	1		X X	
19	AL19092	CLUTCH	1		X X	
20	T29646	CLUTCH PLATE	1		X X	
21	L39302	DIAPHRAGM	1		X X	(SUB FOR L25750)
22	T29647	CLUTCH PLATE	1		X X	
23	L41388	CAP SCREW	3		X X	(SUB FOR T29648 APPL)
24	AL38892	CLUTCH DISK	1		X X	(A) (SUB FOR AL37270 APPL)
25	JD10243	THROW-OUT BEARING	1		X X	
26	L41589	WASHER	3	505942-541994	X X	(FOR AL39624, AL40882)
27	L41588	COMPRESSION SPRING	3	505942-541994	X X	(FOR AL39624, AL40882)
28	L41587	COMPRESSION SPRING	3		X X	(FOR AL39624)
..	L63453	WIRE	1		X X	LGTH= 1500MM

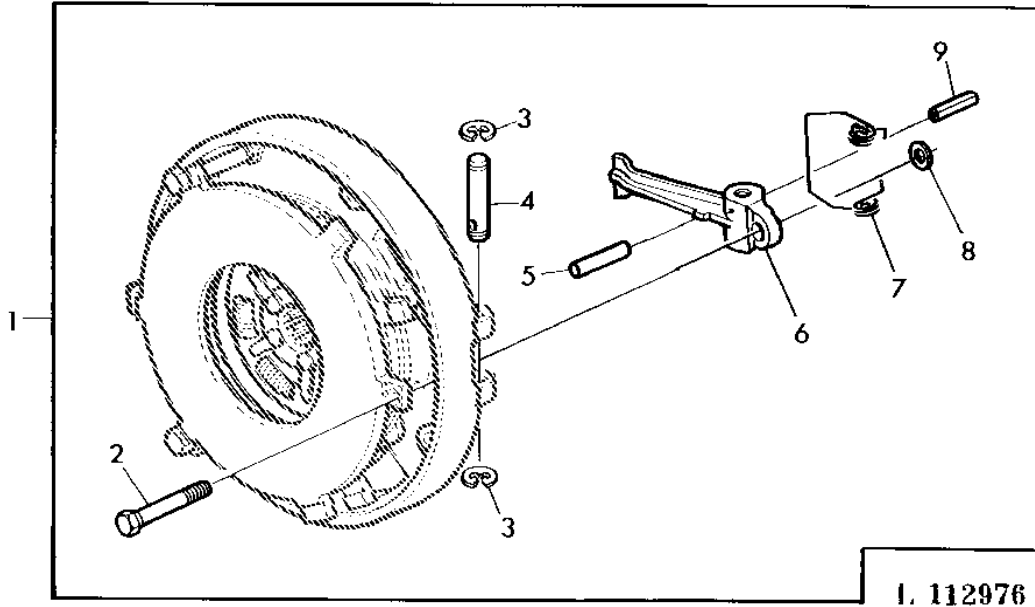
(A) CLUTCH DISK WITH CERAMIC PADS
 DISQUE D'EMBRAYAGE AVEC PASTILLES FRITTEES
 MITNEHMERSCHEIBE MIT KERAMIKBELAG
 DISCO FRIZZIONE A FERODO DI CERAMICA
 DISCO DEL EMBRAGUE CON FORRO DE CERAMICA
 KOPPLINGSSKIVA MED KERAMIKLAMELLER

MEMORANDA
MEMORANDA
MEMORANDA
MEMORANDA
MEMORANDA

2C17

CLUTCHES

REPAIR KIT FOR DUAL-STAGE CLUTCH (F+S)
 JEU DE REPARATION POUR EMBRAYAGE DOUBLE EFFET (F+S)
 REPARATURSATZ FUER ZWEIFACHKUPPLUNG (F+S)
 CORREDO DI RIPARAZIONE PER FRIZIONE A DOPPIO STADIO (F+S)
 JUEGO DE REPARACION PARA EMBRAGUE DE DOBLE EFECTO (F+S)
 REPARATIONSSATS FOR TVASTEGSKOPPLING (F+S)
 L112976 -UN-07JUL95



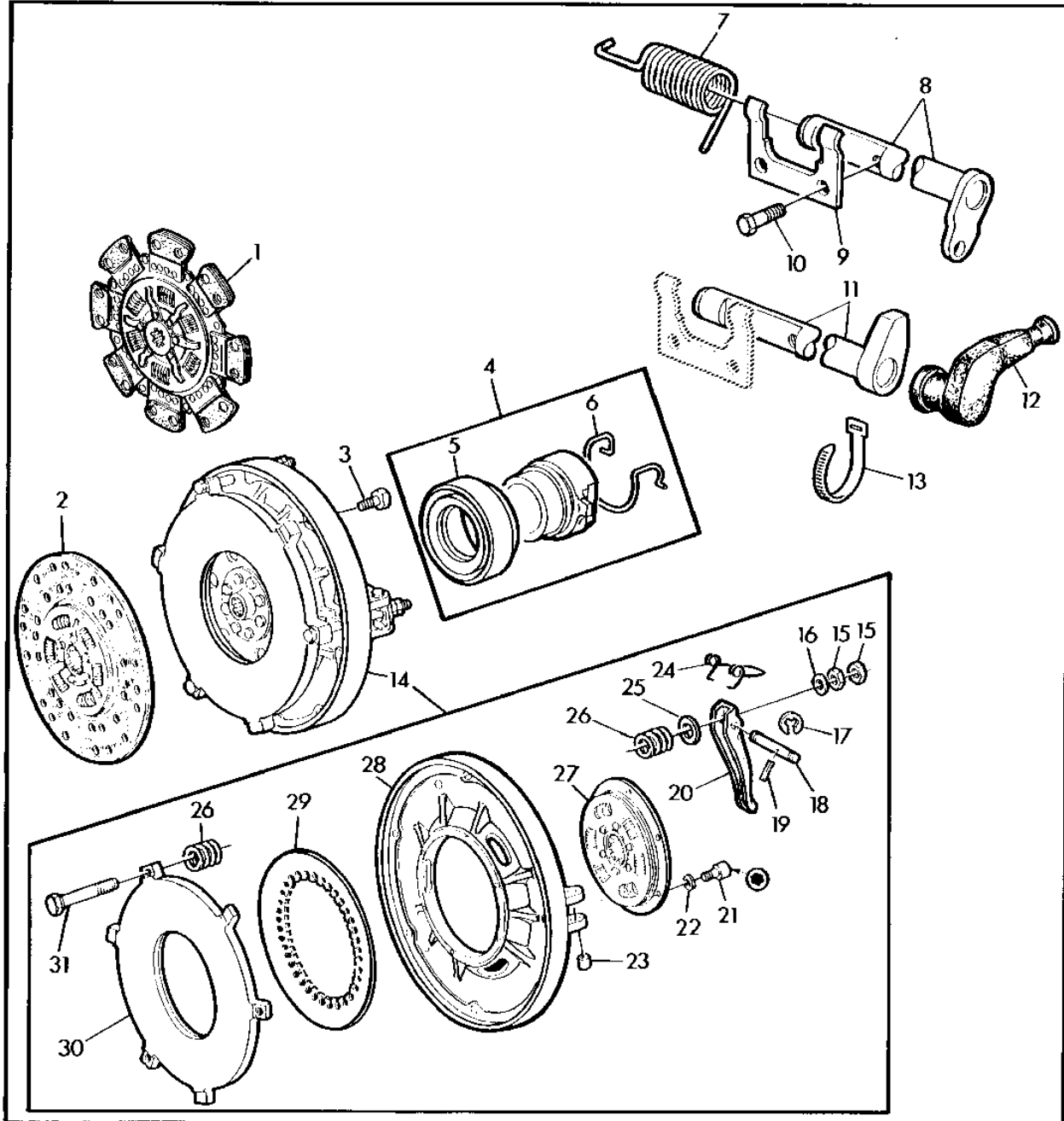
KEY	PART NO.	PART NAME	QTY	SERIAL NO.	REMARKS
				2 1 2 0 6 0 4 4 4 0 0 0 S	
1	AL60271	SHIPPING BUNDLE	1	X X	(FOR AL30151, AL39624 OR AL40882) (SUB FOR AL39936)
2	L41388	CAP SCREW	3	X X	
3	L38513	SNAP RING	6	X X	
4	L55215	PIN	3	X X	
5	L55216	PIN	3	X X	
6	L55213	LEVER	3	X X	
7	L55214	TORSION SPRING	3	X X	
8	L56083	WASHER	3	X X	
9	34M7010	SPRING PIN	3	X X	3X20MM

2C18

CLUTCHES

SINGLE CLUTCH (LEVER-TYPE)
EMBAYAGE SIMPLE EFFET (VERSION A LEVIER)
EINFACHKUPPLUNG (HEBEL-VERSION)
FRIZIONE MONOSTADIO (VERSIONE CON LEVE DISINNESTO)
EMBRAGUE SIMPLE (TIPO CON PATILLA)
ENKELKOPPLING (UTFORANDE MED FINGRAR)

L112975 -UN-17JUL95



L 112975

2C19

CLUTCHES

KEY	PART NO.	PART NAME	QTY	SERIAL NO.		REMARKS
					2	
					1 2 0	
					6 0 4	
					4 4 0	
					0 0 S	
1	AL38892	CLUTCH DISK	1	-463068	X X	(A) (SUB FOR AL37270)
2	AL66180	CLUTCH DISK	1	-463068	X X	(SUB FOR AL31436 APPL)
3	19H2545	CAP SCREW	6	-463068	X X	3/8"X1-3/8"
4	AL28860	BEARING	1	-463068	X X	(ORD AL39540)
	AL28860	BEARING	1	-463068	X X	(B) (ORD AL39931)
5	JD10248	THROW-OUT BEARING	1	-463068	X X	
6	L35777	SPRING	1	-463068	X X	
7	L41853	TORSION SPRING	1	-463068	X X	(B) (SUB FOR L36273)
8	AL31912	SHAFT	1	-463068	X X	(B) (ORD AL39931)
9	L32029	FORK	1	-463068	X X	
10	T22874	BOLT	2	-463068	X X	
11	AL34883	SHAFT	1	-463068	X X	(ORD AL39540)
12	L40895	BOOT	1	-463068	X X	
13	R44302	TIE BAND	1	-463068	X X	
14	AL39618	CLUTCH PLATE	1		X X	F+S 65.1882284.206 (ORD AL56167) (SUB FOR AL32965, AL36374, AL37192, AL37707)
	AL56167	CLUTCH	1		X X	F+S 65.1882284.306 (SUB FOR AL39618)
	AL32965	CLUTCH	1	-430034	X X	F+S 65.1882.999 (ORD AL56167)
	AL36374	CLUTCH	1	430035-430967	X X	F+S 65.1882284.104 (ORD AL56167)
	AL37192	CLUTCH	1	430968-454021	X X	F+S 65.1882284.105 (ORD AL56167)
	AL37707	CLUTCH	1	454022-463068	X X	F+S 65.1882284.106 (ORD AL56167)
15	T29649	NUT	6	-463068	X X	
16	L56083	WASHER	3		X X	(FOR AL56167)
	T29650	WASHER	3	-463068	X X	
17	L38513	SNAP RING	6	-463068	X X	
18	L41387	PIN	3		X X	(FOR AL39618)
	L55215	PIN	3		X X	(FOR AL56167)
	T28222	PIN	3	-463068	X X	
19	34M7010	SPRING PIN	3		X X	(FOR AL39618, AL56167)
	T28226	SPRING PIN	3	-463068	X X	
20	L41386	LEVER	3		X X	(FOR AL39618)
	L56084	LEVER	3		X X	(FOR AL56167)
	T28221	LEVER	3	-430034	X X	(ORD AL60272)
	L38512	LEVER	3	430035-463068	X X	(ORD AL60270)
21	L27184	SCREW	6	-463068	X X	
22	12M6791	LOCK WASHER	6	-463068	X X	10MM
23	T28225	BUSHING	6	-463068	X X	(SUB FOR L27183)
24	L55214	TORSION SPRING	3		X X	(FOR AL56167)
	T28230	SPRING	3	-463068	X X	(ORD AL60270)
25	L41589	WASHER	3		X X	(FOR AL39618)
26	L41588	COMPRESSION SPRING	6		X X	(FOR AL39618)
27	AL32964	TORSIONAL DAMPENER	1	-463068	X X	
28	L27185	PLATE	1	-430034	X X	
	L38511	PLATE	1	430035-463068	X X	
29	L56085	DISK SPRING	1		X X	(FOR AL56167)
	L39302	DIAPHRAGM	1		X X	(SUB FOR L29246)
30	L39950	CLUTCH PLATE	1	-463068	X X	(SUB FOR L27182)
31	L41388	CAP SCREW	3		X X	(SUB FOR T29648 APPL)

(A) WITH CERAMIC PADS
 AVEC PASTILLES FRITTEES
 MIT KERAMIKBELAG
 A FERODO DI CERAMICA
 CON FORRO DE CERAMICA
 MED KERAMIKLAMELLER

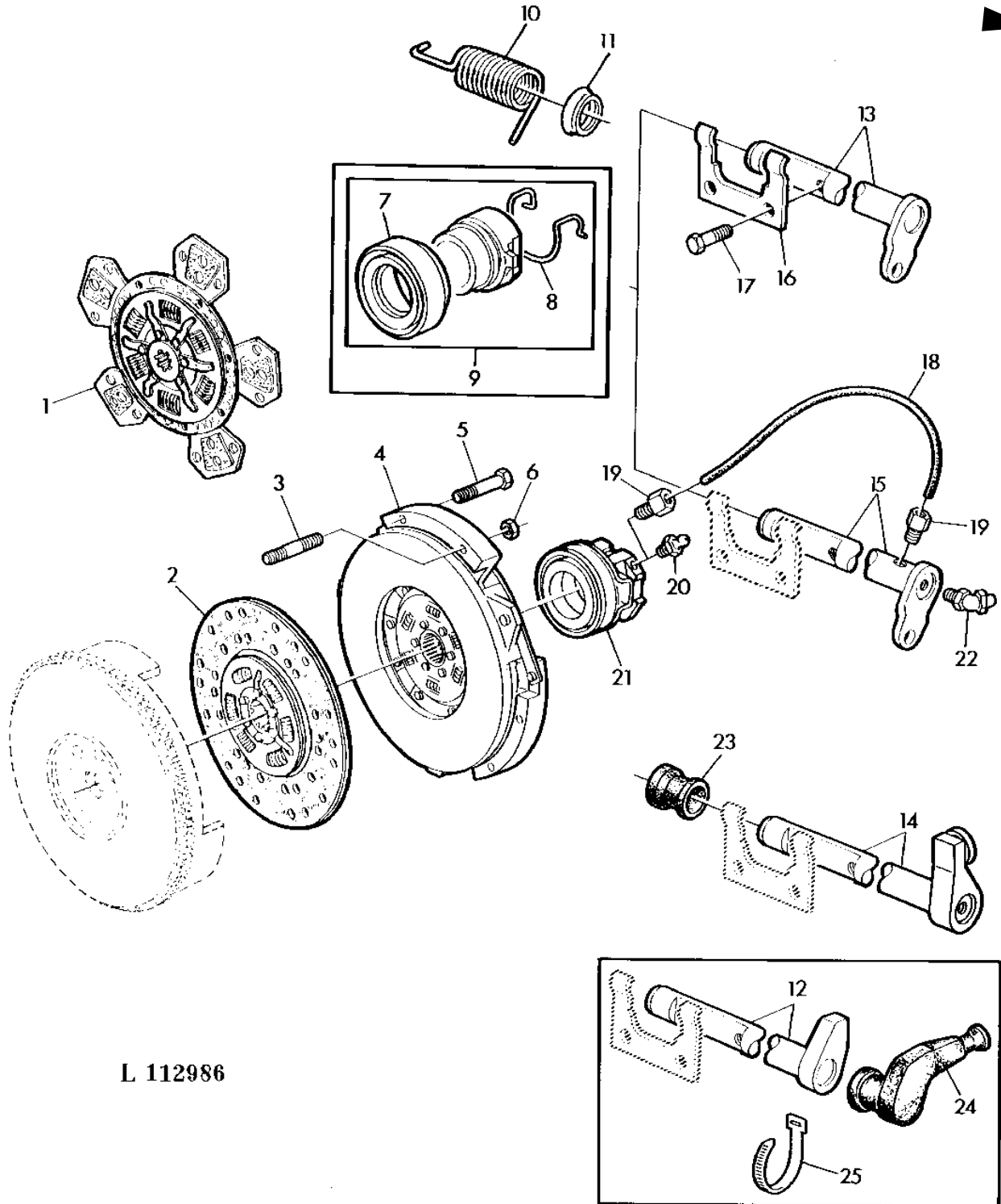
(B) WITHOUT SG2 CAB
 SANS CABINE SG2
 OHNE SG2 KABINE
 SENZA CABINA SG2
 SIN CABINA SG2
 UTAN SG2 HYTT

2C20

CLUTCHES

SINGLE CLUTCH (DIAPHRAGM-TYPE)
EMBAYAGE SIMPLE EFFET (VERSION A DIAPHRAGME)
EINFACHKUPPLUNG (MEMBRANFEDER-VERSION)
FRIZIONE MONOSTADIO (VERSIONE CON DIAFRAMMA)
EMBRAGUE SIMPLE (VERSION CON DIAFRAGMA)
ENKELKOPPLING (UTFORANDE MED LAMELL)

L112986 -UN-17JUL95



L 112986

2C21

CLUTCHES

KEY	PART NO.	PART NAME	QTY	SERIAL NO.		REMARKS
					2	
					1 2 0	
					6 0 4	
					4 4 0	
					0 0 S	
1	AL39169	CLUTCH DISK	1	463069-	X X	(B)
2	AL64340	CLUTCH DISK	1	463069-	X X	(SUB FOR AL36525, AL56308 APPL)
3	L38319	STUD	2	463069-	X X	
4	AL38197	CLUTCH	1	463069-479497	X X	LUK A1032.007.00 (ORD AL39592)
	AL38557	CLUTCH	1	479498-505941	X X	F+S 33.3482039.202 (ORD AL39592)
	AL39592	CLUTCH	1	505942-	X X	F+S 33.3482.039.302 (SUB FOR AL38197, AL38557)
5	19H2733	CAP SCREW	4	463069-	X X	3/8"X2-3/8"
6	14H1076	NUT	2	463069-	X X	3/8"
7	JD10248	THROW-OUT BEARING	1	463069-490745	X X	
8	L35777	SPRING	1	463069-490745	X X	
9	AL28860	BEARING	1	463069-490745	X X	(ORD AL39540)
	AL28860	BEARING	1	463069-490745	X X	(A) (ORD AL39931)
10	L41853	TORSION SPRING	1	463069-	X X	(A) (SUB FOR L36273)
11	L41859	SEAL	1	533392-	X X	(A)
12	AL34883	SHAFT	1	463069-505941	X X	(ORD AL39540)
13	AL31912	SHAFT	1	463069-505941	X X	(A) (ORD AL39931)
	AL37861	SHAFT	1	505942-	X X	(A)
14	AL39588	SHAFT	1	505942-	X X	
15	AL39877	SHAFT	1	533392-	X X	(C)
16	L32029	FORK	1	463069-	X X	
17	T22874	BOLT	2	463069-	X X	
18	L41344	HOSE	1	463069-	X X	(C)
19	AN10065	LUBRICATION FITTING	2	505942-	X X	(C)
20	JD7844	LUBRICATION FITTING	1	505942-	X X	
21	AL37539	THROW-OUT BEARING	1	490746-505941	X X	(ORD AL39540)
	AL37539	THROW-OUT BEARING	1	490746-505941	X X	(A) (ORD AL39931)
	AL39541	THROW-OUT BEARING	1	505942-	X X	
22	JD7799	LUBRICATION FITTING	1	533392-	X X	(C)
23	L41324	GROMMET	1	505942-	X X	
24	L40895	BOOT	1	463069-505941	X X	
25	R44302	TIE BAND	1	463069-505941	X X	

(A) WITHOUT SG2 CAB
SANS CABINE SG2
OHNE SG2 KABINE
SENZA CABINA SG2
SIN CABINA SG2
UTAN SG2 HYTT

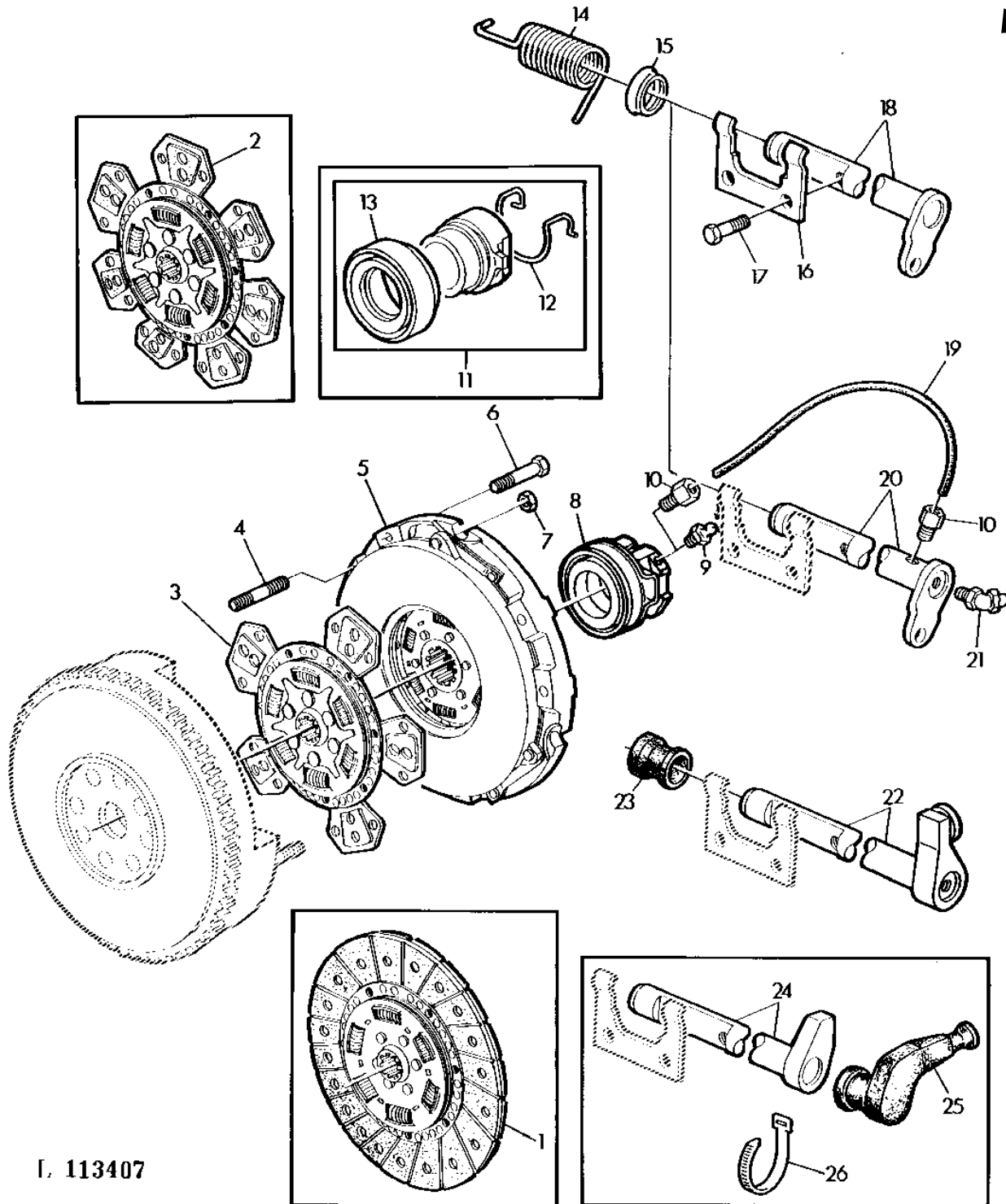
(B) WITH CERAMIC PADS
AVEC PASTILLES FRITTEES
MIT KERAMIKBELAG
A FERODO DI CERAMICA
CON FORRO DE CERAMICA
MED KERAMIKLAMELLER

(C) WITH MC1 CAB
AVEC CABINE MC1
BEI MC1 KABINE
CON CABINA MC1
CON CABINA MC1
VID MC1 FORARHYTT

2C22

CLUTCHES

SINGLE CLUTCH
EMBAYAGE SIMPLE EFFET
EINFACHKUPPLUNG
FRIZIONE MONOSTADIO
EMBRAGUE SIMPLE
ENKELKOPPLING
L113407 -UN-17JUL95



I. 113407

2C23

CLUTCHES

KEY	PART NO.	PART NAME	QTY	SERIAL NO.	2 1 2 0 6 0 4 4 4 0 0 0 S	REMARKS
1	AL33126 AL64340	CLUTCH DISK CLUTCH DISK	1 1	-467535 -505941	X X	(C) (FOR AL36134 OR AL38670) (SUB FOR AL36525, AL56308 APPL)
2	AL64759 AL36133	CLUTCH DISK CLUTCH DISK	1 1	467536-481137	X X	(SUB FOR AL36133) (ORD AL64759)
3	AL62792 AL62792	SHIPPING BUNDLE SHIPPING BUNDLE	1 1		X X	(ORD AL64948) (C) (ORD AL64949)
	AL39099 AL39168 AL39169	CLUTCH DISK CLUTCH DISK CLUTCH DISK	1 1 1	481138-501262 501263- 505942-	X X X	(ORD AL64948) (ORD AL64948) (C)
4	L38319	STUD	2		X	
5	AL36134 AL36134 AL38670 AL38670 AL39591 AL39591 AL55240 AL55240	CLUTCH CLUTCH CLUTCH CLUTCH CLUTCH CLUTCH CLUTCH CLUTCH	1 1 1 1 1 1 1 1	-477891 -477891 477892-505941 477892-505941 505942-528115 505942-528115 528116- 528116-	X X X X X X X X	LUK A1032.004.02 (ORD AL64948) (C) LUK A1032.004.02 (ORD AL64949) (C) LUK A1032.004.03 (ORD AL64949) LUK A1032.004.03 (ORD AL64948) LUK A1032.004.05 (ORD AL64948) (C) LUK A1032.004.05 (ORD AL64949) LUK A1032.004.09 (ORD AL64948) (C) LUK A1032.004.09 (ORD AL64949)
6	19H2733	CAP SCREW	4		X	3/8"X2-3/8"
7	14H1076	NUT	2		X	3/8"
8	AL37539 AL37539 AL39541	THROW-OUT BEARING THROW-OUT BEARING THROW-OUT BEARING	1 1 1	490746-505941 490746-505941 505942-	X X X	(ORD AL39540) (A) (ORD AL39931) X
9	JD7844	LUBRICATION FITTING	1	505942-	X	(A)
10	AN10065	LUBRICATION FITTING	2		X	(B)
11	AL28860 AL28860	BEARING BEARING	1 1	-490745 -490745	X X	(ORD AL39540) (A) (ORD AL39931)
12	L35777	SPRING	1	-490745	X	
13	JD10248	THROW-OUT BEARING	1	-490745	X	
14	L41853	TORSION SPRING	1		X	(A) (SUB FOR L36273)
15	L41859	SEAL	1	533392-	X	(A)
16	L32029	FORK	1		X	
17	T22874	BOLT	2		X	
18	AL31912 AL37861	SHAFT SHAFT	1 1	-505941 505942-	X X	(A) (ORD AL39931) (A)
19	L41344	HOSE	1		X	(B)
20	AL39877	SHAFT	1		X	(B)
21	JD7799	LUBRICATION FITTING	1		X	(B)
22	AL39588	SHAFT	1	505942-	X	(A)
23	L41324	GROMMET	1	505942-	X	
24	AL34883	SHAFT	1	-505941	X	(ORD AL39540)
25	L40895	BOOT	1	-505941	X	
26	R44302	TIE BAND	1	-505941	X	

(A) WITHOUT SG2 CAB
SANS CABINE SG2
OHNE SG2 KABINE
SENZA CABINA SG2
SIN CABINA SG2
UTAN SG2 HYTT

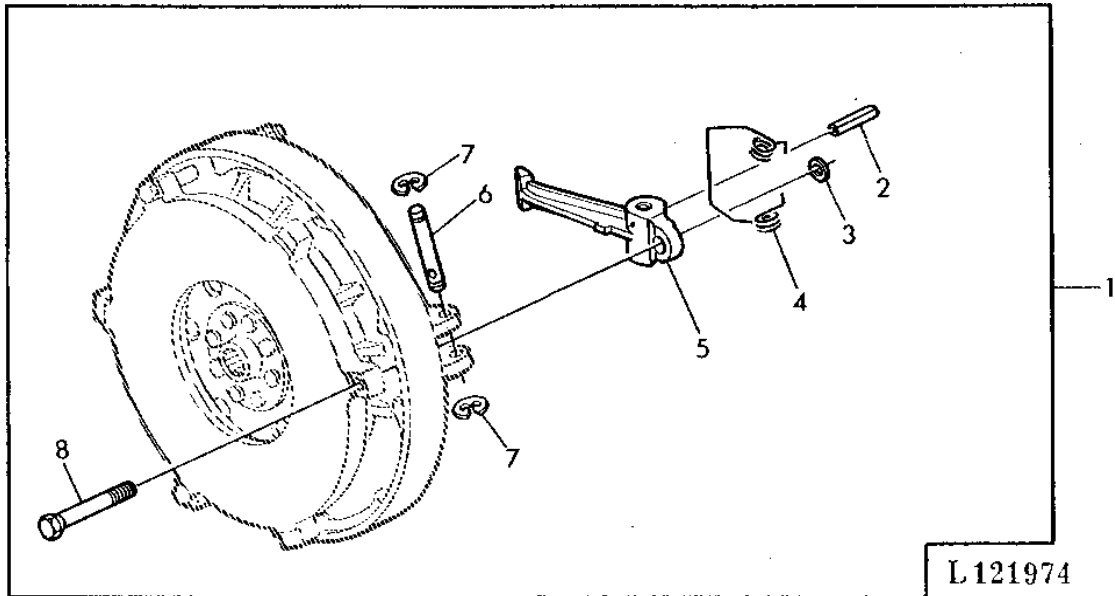
(B) WITH MC1 CAB
AVEC CABINE MC1
BEI MC1 KABINE
CON CABINA MC1
CON CABINA MC1
VID MC1 FORARHYTT

(C) WITH COLL.SHIFT TR.WO HI-LO
BOITE MAN.BALAD.SANS HI-LO
MUFFENSCHALTGETR.OHNE HI-LO
TRASM.COLL.SCOR.SENZA HI-LO
TRANSM.COLL.SIN RED.HI-LO
COLL.SH.TRANS.UTAN HOG-LAG

2C24

CLUTCHES

REPAIR KIT FOR SINGLE-STAGE CLUTCH (F+S)
 JEU DE REPARATION POUR EMBRAYAGE SIMPLE EFFET (F+S)
 REPARATURSATZ FUER EINFACHKUPPLUNG (F+S)
 CORREDO DI RIPARAZIONE PER FRIZIONE MONODISCO (F+S)
 JUEGO DE REPARACION PARA EMBRAGUE DE SIMPLE EFECTO (F+S)
 REPARATIONSSATS FOR ENKELKOPPLING (F+S)
 L121974 -UN-01JAN94

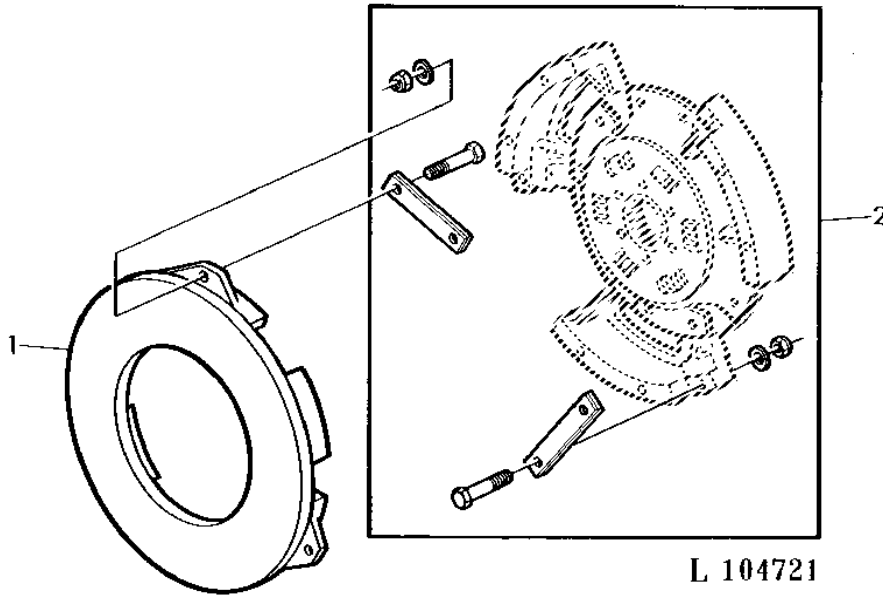


KEY	PART NO.	PART NAME	QTY	SERIAL NO.	REMARKS
					2 1 2 0 6 0 4 4 4 0 0 0 S
1	AL60270	SHIPPING BUNDLE	1	X X	(SUB FOR AL39935) (FOR AL36374, AL37192, AL37707, AL56167)
	AL60272	SHIPPING BUNDLE	1	X X	(FOR AL32965) (SUB FOR AL39937)
2	34M7010	SPRING PIN	3	X X	
3	L56083	WASHER	3	X X	
4	L55214	TORSION SPRING	3	X X	
5	L56084	LEVER	3	X X	
	L56375	LEVER	3	X X	(FOR AL32965)
6	L55215	PIN	3	X X	
7	L38513	SNAP RING	6	X X	
8	L41388	CAP SCREW	3	X X	

2C25

CLUTCHES

SPARE PARTS FOR SINGLE DISK CLUTCH (F+S)
 JEU REPARATION POUR EMBRAYAGE SIMPLE (F+S)
 REPARATURTEILE FUER EINFACHKUPPLUNG (F+S)
 PARTI PER FRIZIONE MONODISCO (F+S)
 JUEGO DE PIEZAS DE REPARACION PARA EMBRAGUE SIMPLE (F+S)
 DELAR FOR ENKELKOPPLING (F+S)
 L104721 -UN-17JUL95



L 104721

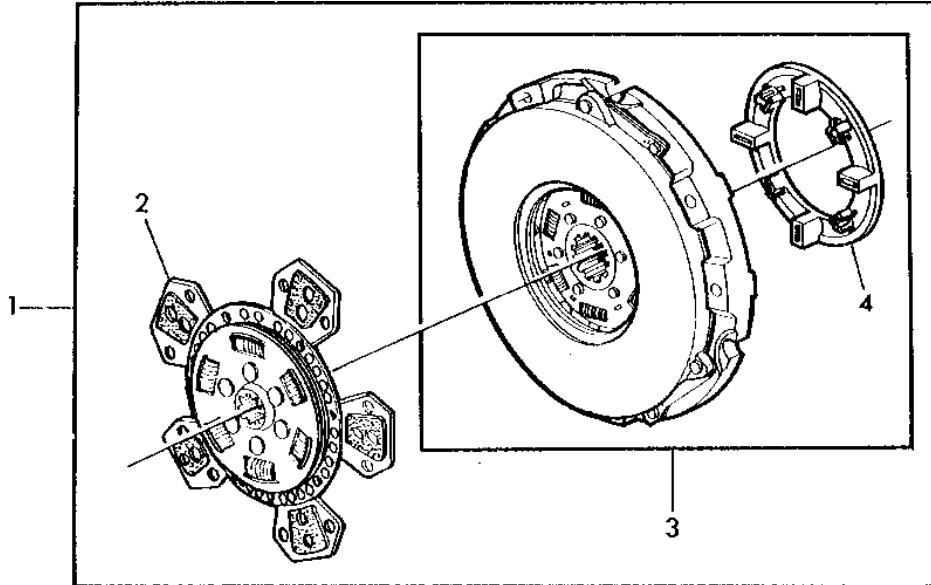
2
1 2 0
6 0 4
4 4 0
0 0 S

KEY	PART NO.	PART NAME	QTY	SERIAL NO.	REMARKS
1	L41473	PLATE	1	X X	(ORD W/ AL39758) (FOR AL38557, AL39592)
2	AL39758	KIT	1	X X	(FOR AL38557, AL39592)

2D1

CLUTCHES

CONVERSION KIT FOR SINGLE-STAGE CLUTCH (LUK)
 JEU DE MODIFICATION POUR EMBRAYAGE MONODISQUE (LUK)
 UMRUESTSATZ FUER EINFACHKUPPLUNG (LUK)
 KIT CONVERSIONE PER FRIZIONE MONOSTADIO (LUK)
 JUEGO DE MODIFICACION PARA EMBRAGUE MONODISCO (LUK)
 OMBYGGNADSSATS FOR ENKELKOPPLING (LUK)
 L117610 -UN-01JAN94



L 117610

2
1 2 0
6 0 4
4 4 0
0 0 S

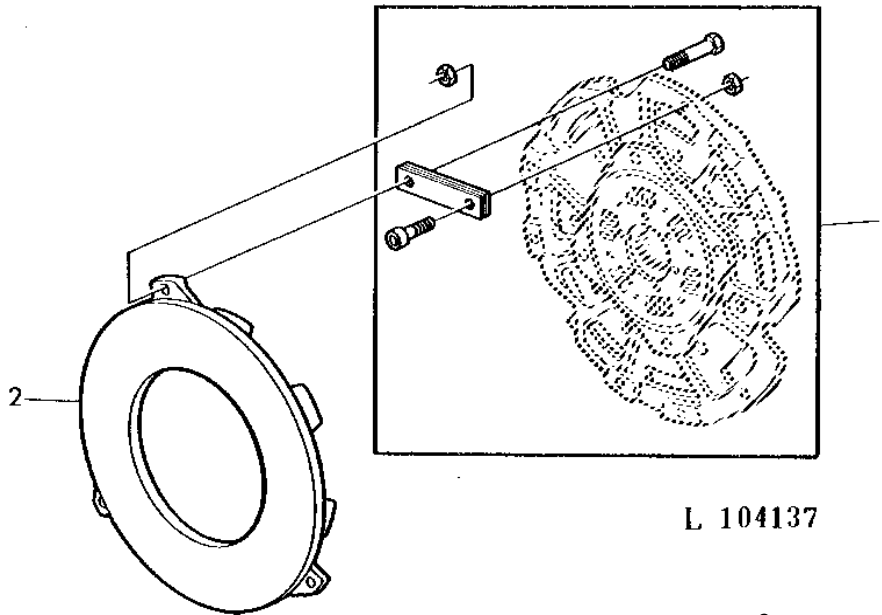
KEY	PART NO.	PART NAME	QTY	SERIAL NO.	REMARKS
1	AL64948	KIT	1		X (SUB FOR AL62774)
	AL64949	SHIPPING BUNDLE	1		X (A)
2	AL68022	CLUTCH DISK	1		X (SUB FOR AL57415, AL61754)
	AL68024	CLUTCH DISK	1		X (A) (SUB FOR AL63934)
3	AL59324	CLUTCH	1		X LUK A1033.045.01 (ORD AL68485)
	AL65891	CLUTCH	1		X LUK A1033.045.03 (ORD AL68485)
	AL67184	CLUTCH	1		X LUK A1033.045.04 (ORD AL68485) (SUB FOR AL59324, AL65891)
	AL68485	CLUTCH	1		X LUK A1033.045.06 (SUB FOR AL67184)
4	L42285	RING	1		X

(A) WITH COLL.SHIFT TR.WO HI-LO
 BOITE MANCH.BALADEURS SANS HI-LO
 MUFFENSCHALTGETR.OHNE HI-LO
 TRASM.COLL.SCORREV.SENZA HI-LO
 TRANSM.COLLARINES SIN RED.HI-LO
 COLL.SHIFT TRANSM.UTAN HOG-LAG

2D2

CLUTCHES

REPAIR KIT FOR SINGLE-STAGE CLUTCH (LUK)
 JEU DE REPARATION POUR EMBRAYAGE SIMPLE EFFET (LUK)
 REPARATURSATZ FUER EINFACHKUPPLUNG (LUK)
 CORREDO DI RIPARAZIONE PER FRIZIONE MONODISCO (LUK)
 JUEGO DE REPARACION PARA EMBRAGUE DE SIMPLE EFECTO (LUK)
 REPARATIONSSATS FOR ENKELKOPPLING (LUK)
 L104137 -UN-01JAN94



L 104137

2
1 2 0
6 0 4
4 4 0
0 0 S

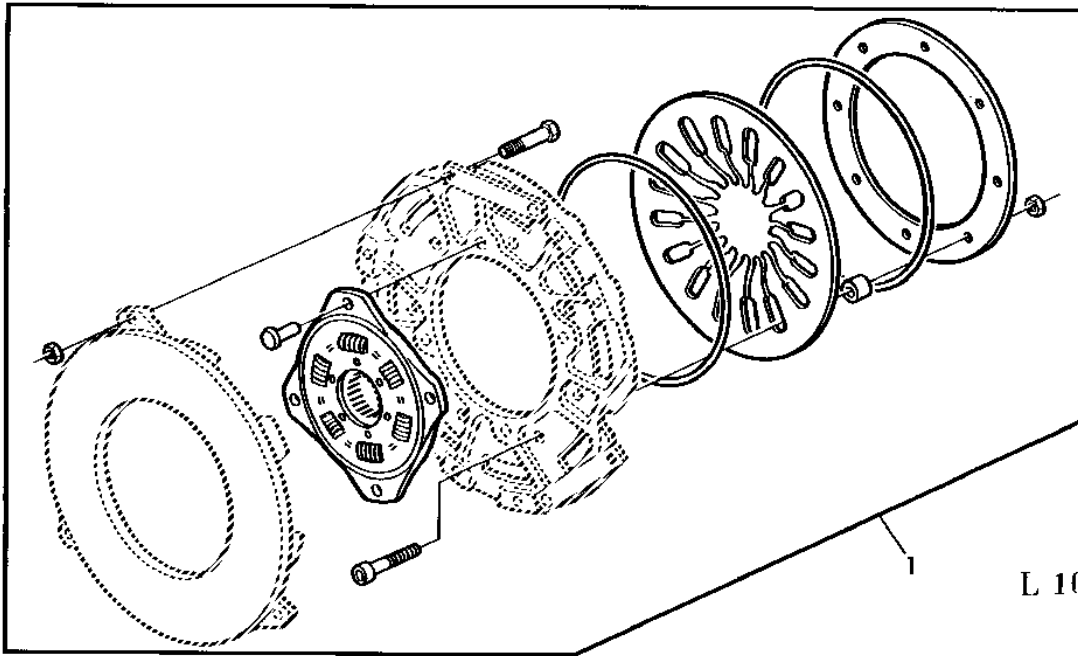
KEY	PART NO.	PART NAME	QTY	SERIAL NO.	REMARKS
1	AL39297	KIT	1		X X (FOR AL38197)
	AL60582	SHIPPING BUNDLE	1		X (FOR AL59324 OR AL65891)
	AL39297	KIT	1	458700-	X (FOR AL36134, AL38670, AL39591 OR AL55240)
2	L41516	CLUTCH PLATE	1		X X (ORD W/ AL39297) (FOR AL38197)
	L59028	CLUTCH PLATE	1		X (ORD W/ AL60582) (FOR AL59324 OR AL65891)
	L41516	CLUTCH PLATE	1	458700-	X (ORD W/ AL39297) (FOR AL36134, AL38670, AL39591 OR AL55240)

2D3

CLUTCHES

REPAIR KIT FOR SINGLE-STAGE CLUTCH (LUK)
 JEU DE REPARATION POUR EMBRAYAGE SIMPLE EFFET (LUK)
 REPARATURSATZ FUER EINFACHKUPPLUNG (LUK)
 CORREDO DI RIPARAZIONE PER FRIZIONE MONODISCO (LUK)
 JUEGO DE REPARACION PARA EMBRAGUE DE SIMPLE EFECTO (LUK)
 REPARATIONSSATS FOR ENKELKOPPLING (LUK)

L103602 -UN-17JUL95



L 103602

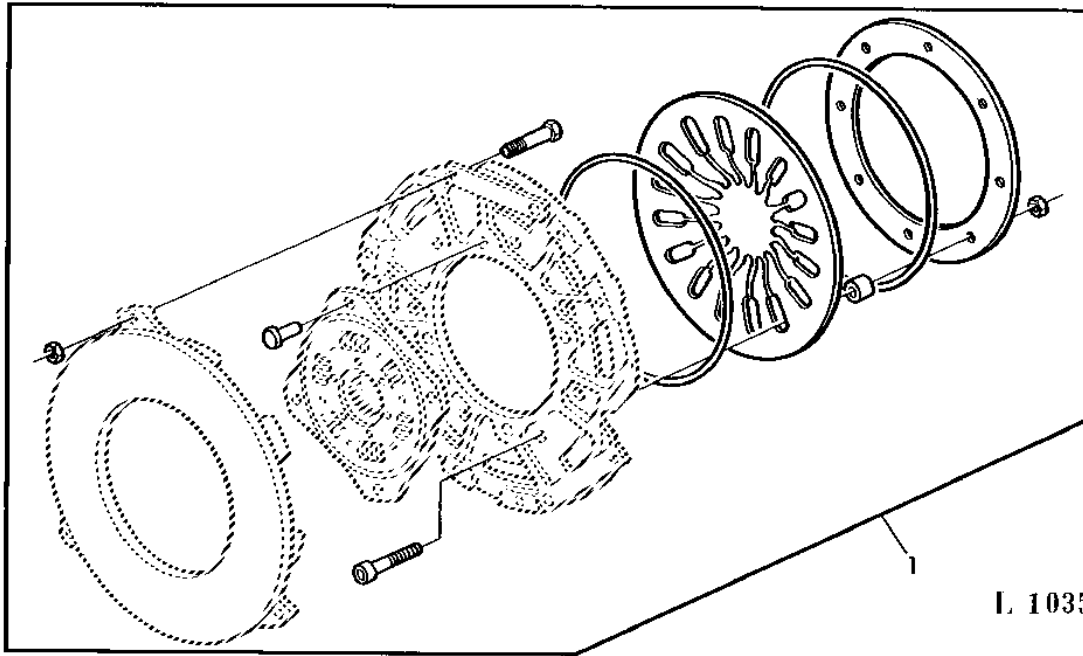
2
1 2 0
6 0 4
4 4 0
0 0 S

KEY	PART NO.	PART NAME	QTY	SERIAL NO.	REMARKS
1	AL39298	KIT	1	458700-505941	X (FOR AL36134 OR AL38670)

2D4

CLUTCHES

REPAIR KIT FOR SINGLE-STAGE CLUTCH (LUK)
 JEU DE REPARATION POUR EMBRAYAGE SIMPLE EFFET (LUK)
 REPARATURSATZ FUER EINFACHKUPPLUNG (LUK)
 CORREDO DI RIPARAZIONE PER FRIZIONE MONODISCO (LUK)
 JUEGO DE REPARACION PARA EMBRAGUE DE SIMPLE EFECTO (LUK)
 REPARATIONSSATS FOR ENKELKOPPLING (LUK)
 L103596 -UN-17JUL95



L 103596

2
1 2 0
6 0 4
4 4 0
0 0 S

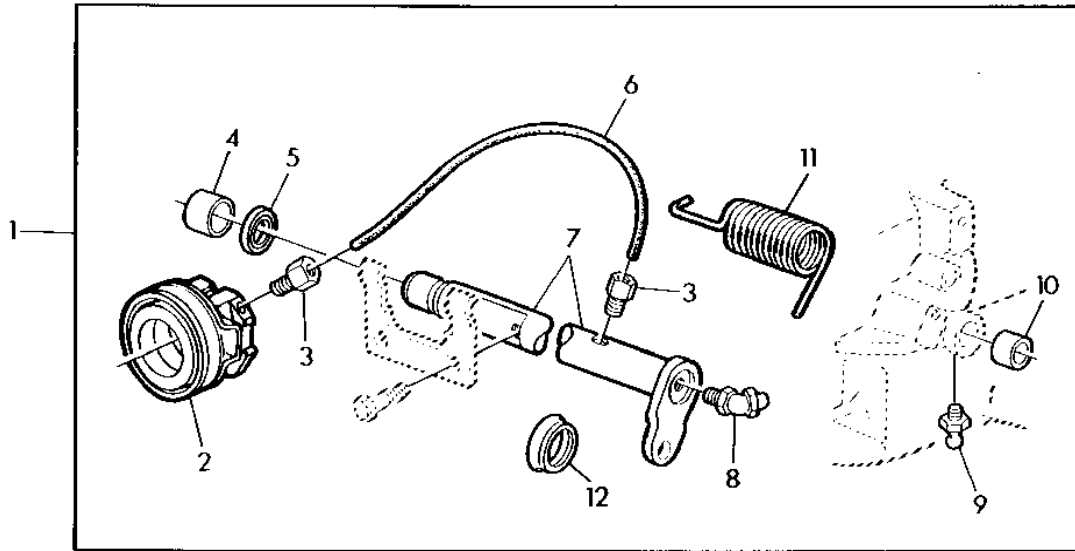
KEY	PART NO.	PART NAME	QTY	SERIAL NO.		REMARKS
1	AL39295	KIT	1	463069-479497	X X	(FOR AL38197)
	AL39295	KIT	1	458700-505941	X	(FOR AL36134 OR AL38670)

2D5

CLUTCHES

REPAIR KIT FOR CLUTCH OPERATING PARTS (SINGLE DISK)
 JEU DE REPARATION POUR ELEMENTS DE COMMANDE D'EMBRAYAGE (EMBRAYAGE SIMPLE)
 REPARATURSATZ FUER KUPPLUNGSBETAETIGUNGSTEILE (BEI EINFACHKUPPLUNG)
 KIT RIPARAZIONE PER TIRANTERIA FRIZIONE MONODISCO
 JUEGO DE REPARACION PARA MANDO DEL EMBRAGUE (DISCO SIMPLE)
 REPARATIONSSATS FOR KOPPLINGSLANKAGE (ENSKIVIG UTFORANDE)

L108870 -UN-17JUL95



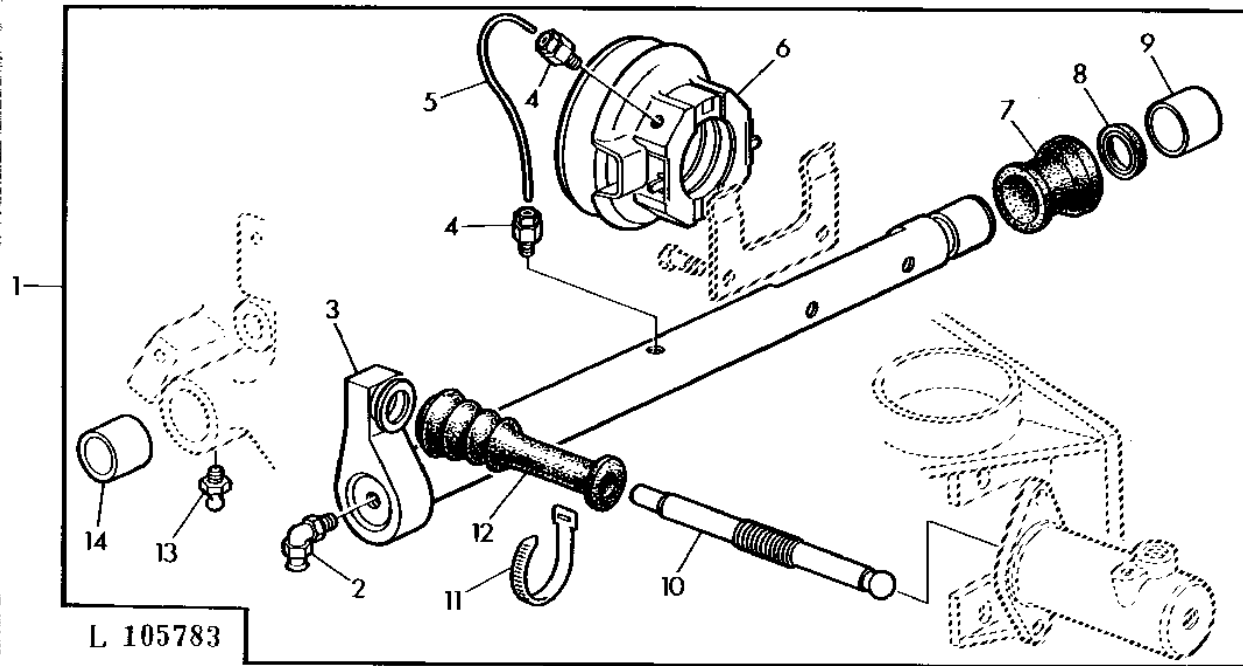
L 108870

KEY	PART NO.	PART NAME	QTY	SERIAL NO.	REMARKS
					2
					1 2 0
					6 0 4
					4 4 0
					0 0 S
1	AL39931	KIT	1	-505941	X X X
2	AL39541	THROW-OUT BEARING	1		X X X
3	AN10065	LUBRICATION FITTING	2		X X X
4	L41322	BUSHING	1		X X X
5	L41323	WASHER	1		X X X
6	L41344	HOSE	1		X X X
7	AL39932	SHAFT	1		X X X
8	JD7847	LUBRICATION FITTING	1		X X X
9	JD7798	LUBRICATION FITTING	1		X X X
10	T21446	BUSHING	1		X X X
11	L41853	TORSION SPRING	1		X X X
12	L41859	SEAL	1		X X X

2D6

CLUTCHES

REPAIR KIT FOR CLUTCH OPERATING PARTS (WITH SG2 CAB)
 JEU DE REP. POUR ELEM. DE COMMANDE D'EMBR. (AVEC CABINE SG2)
 REPARATURSATZ FUER KUPPLUNGSBETAETIGUNGST. (BEI SG2 KABINE)
 PARTI PER COMANDO DELLA FRIZIONE (CON CABINA SG2)
 JUEGO DE REPARAC. PARA ELEM. DE MANDO DEL EMBR. (CON CAB. SG2)
 DELAR FOR KOPPLINGSLANKAGE (VID SG2 HYTT)
 L105783 -UN-17JUL95



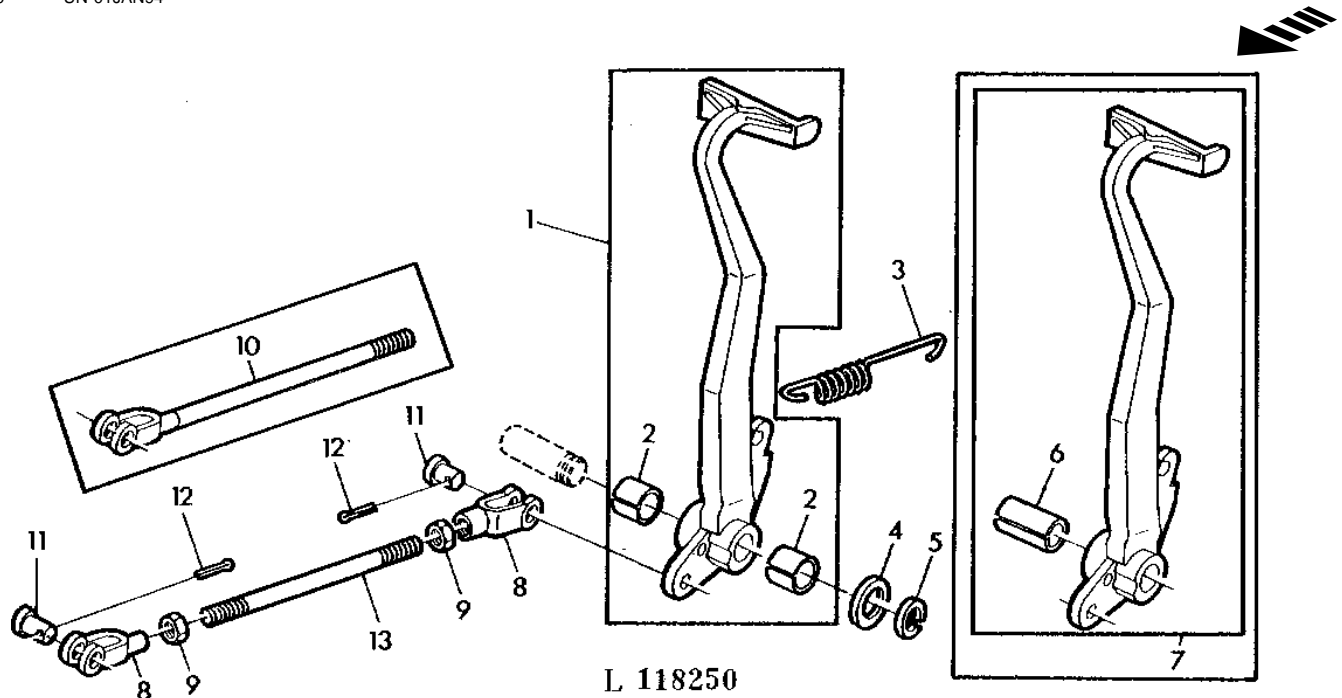
L 105783

KEY	PART NO.	PART NAME	QTY	SERIAL NO.		REMARKS
					2	
					1 2 0	
					6 0 4	
					4 4 0	
					0 0 S	
1	AL39540	KIT	1	-505941	X X X	
2	JD7847	LUBRICATION FITTING	1		X X X	(SUB FOR JD7799 APPL)
3	AL39542	SHAFT	1		X X X	
4	AN10065	LUBRICATION FITTING	2		X X X	
5	L41344	HOSE	1		X X X	
6	AL39541	THROW-OUT BEARING	1		X X X	
7	L41324	GROMMET	1		X X X	
8	L41323	WASHER	1		X X X	
9	L41322	BUSHING	1		X X X	
10	L41326	ROD	1		X X X	LGTH= 164.5MM
11	R44302	TIE BAND	1		X X X	
12	L41325	BOOT	1		X X X	
13	JD7798	LUBRICATION FITTING	1		X X X	
14	T21446	BUSHING	1		X X X	

2D7

CLUTCHES

CLUTCH PEDAL
 PEDALE D'EMBRAYAGE
 KUPPLUNGSFUSSHEBEL
 PEDALE FRIZIONE
 PEDAL DEL EMBRAGUE
 KOPPLINGSPEDAL
 L118250 -UN-01JAN94



L 118250

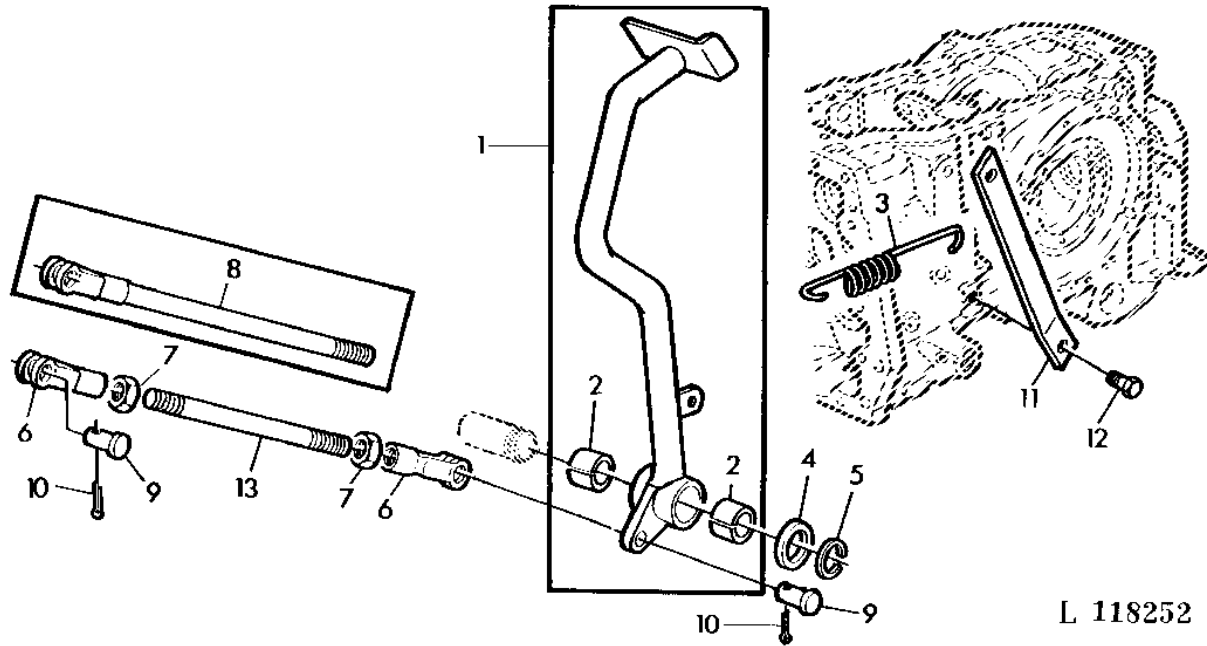
2
 1 2 0
 6 0 4
 4 4 0
 0 0 S

KEY	PART NO.	PART NAME	QTY	SERIAL NO.	REMARKS
1	AL38246	PEDAL	1	X X X	(MARKED L40441) (SUB FOR AL30157)
2	L40446	BUSHING	2	X X X	
3	T21452	EXTENSION SPRING	1	X X X	
4	24H1451	WASHER	1	X X X	1-1/32"X1-3/4"X.060"
5	A602R	SNAP RING	1	X X X	
6	T21998	BUSHING	1	X X X	
7	AL30157	PEDAL	1	X X X	(MARKED L33732) (ORD AL38246)
8	L324T	YOKE	2	X X X	
9	14H774	NUT	2	X X X	3/8"
10	AT22926	ROD	1	X X X	(ORD L62679, L324T, 14H774)
11	C1067R	PIN	2	X X X	
12	11H211	COTTER PIN	2	X X X	1/8"X3/4"
13	L62679	STUD	1	X X X	

2D8

CLUTCHES

CLUTCH PEDAL (WITH MC1 CAB)
 PEDALE D'EMBRAYAGE (AVEC CABINE MC1)
 KUPPLUNGSFUSSHEBEL (BEI MC1 KABINE)
 PEDALE FRIZIONE (CON CABINA MC1)
 PEDAL DEL EMBRAGUE (CON CABINA MC1)
 KOPPLINGSPEDAL (VID MC1 FORARHYTT)
 L118252 -UN-12JUL95



L 118252

2
 1 2 0
 6 0 4
 4 4 0
 0 0 S

KEY	PART NO.	PART NAME	QTY	SERIAL NO.	REMARKS
1	AL60326	PEDAL	1	X X X	
2	L40446	BUSHING	2	X X X	
3	T21452	EXTENSION SPRING	1	X X X	
4	24H1451	WASHER	1	X X X	1-1/32"X1-3/4"X.060"
5	A602R	SNAP RING	1	X X X	
6	L324T	YOKE	2	X X X	
7	14H774	NUT	2	X X X	3/8"
8	AT22926	ROD	1	X X X	(ORD L62679, L324T, 14H774)
9	C1067R	PIN	2	X X X	
10	11H211	COTTER PIN	2	X X X	1/8"X3/4"
11	L58431	RETAINER	1	X X X	(A)
12	19H1936	CAP SCREW	1	X X X	3/8"X3/4"
13	L62679	STUD	1	X X X	

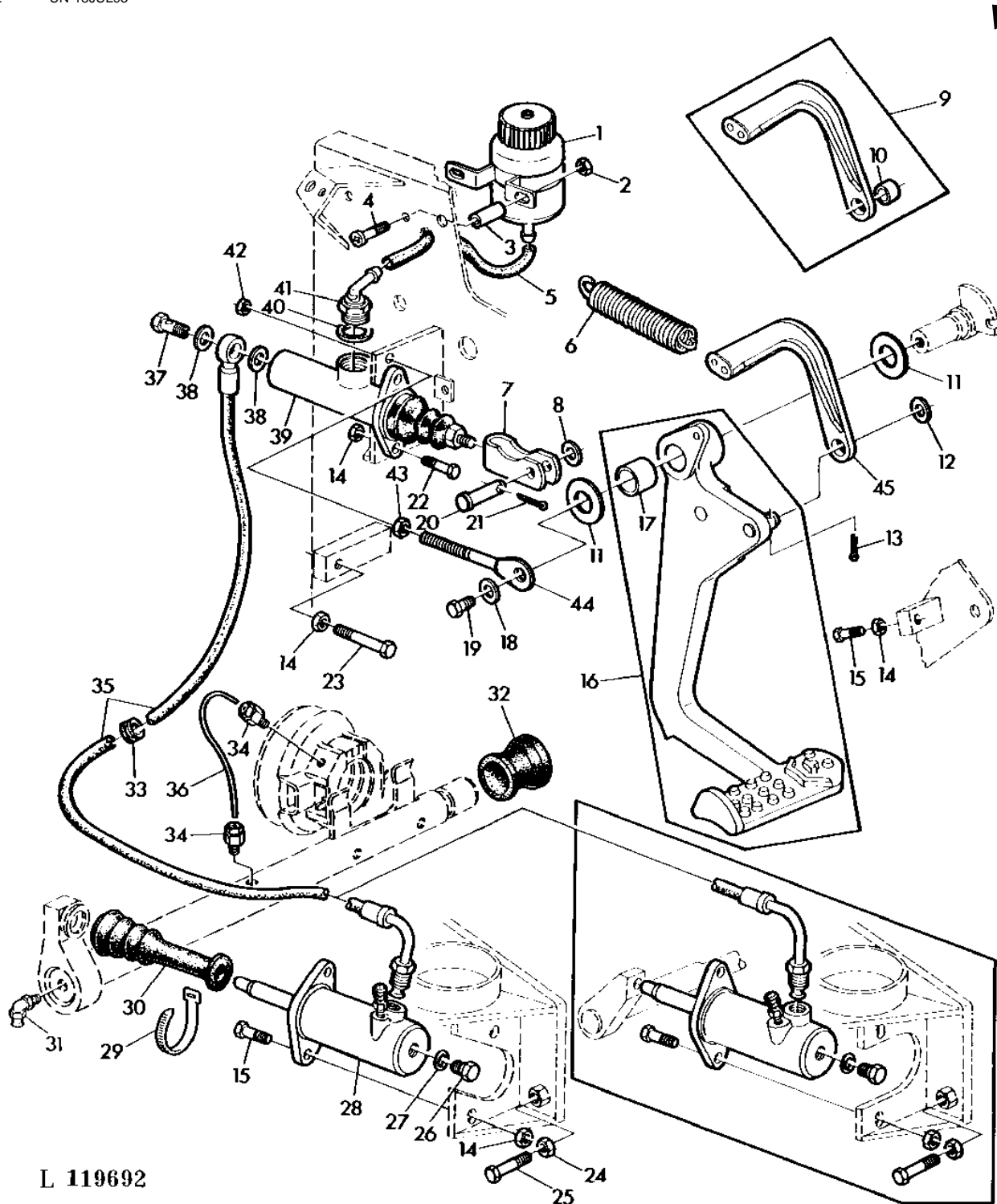
(A) NO LONGER AVAILABLE
 N'EST PLUS DISPONIBLE
 NICHT MEHR LIEFERBAR
 NON E PIU DISPONIBILE
 YA NO ESTA DISPONIBLE
 INTE LANGRE TILLGANGLIG

2D9

CLUTCHES

CLUTCH OPERATING PARTS(SG2)
DISPOSITIF DE COMMANDE DE L'EMBRAYAGE (AVEC CABINE SG2)
KUPPLUNGSBETAETIGUNGSTEILE (BEI SG2 KABINE)
ELEMENTI DI COMANDO DELLA FRIZIONE (CON CABINA SG2)
ELEMENTOS DE MANDO DEL EMBRAGUE (CON CABINA SG2)
KOPPLINGSCYLINDRAR OCH LANKAGE (VID SG2 HYTT)

L119692 -UN-18JUL95



2D10

CLUTCHES

KEY	PART NO.	PART NAME	QTY	SERIAL NO.	REMARKS
					2
					1 2 0
					6 0 4
					4 4 0
					0 0 S
1	AL34759	RESERVOIR	1		X (A)
	AL37471	RESERVOIR	1		X X X
2	14M7272	NUT	2		X X X M6
3	L62994	BUSHING	2		X X X
4	21M7327	SCREW	2		X X X M6X35
5	L37232	HYDRAULIC HOSE	1		X X X
6	L38227	SPRING	1		X X X
7	L37315	CLEVIS	1		X X X
8	24M7028	WASHER	1		X X X 10.5X21X2MM
9	AL35939	BAIL	1	-509313	X X X (MARKED L38226) (ORD L61301)
	AL39358	BAIL	1	509314-	X X X (MARKED L41180) (SUB FOR AL35939) (ORD L61301)
10	L38229	WASHER	1	-509313	X X X (FOR AL35939)
	L41181	WASHER	1	509314-	X X X (FOR AL39358)
11	24H1394	WASHER	2		X X X 25/32"X1-7/6"X.036"
12	24M7047	WASHER	1		X X X
13	11M7059	COTTER PIN	1		X X X 3.2X20MM
14	14M7273	NUT	6		X X X M8
15	19M7513	CAP SCREW	3		X X X M8X30
16	AL35912	PEDAL	1	-509313	X X X (MARKED L38225) (ORD AL39359)
	AL39359	PEDAL	1	509314-	X X X (MARKED L41179) (SUB FOR AL35912)
17	L37550	BUSHING	2	-509313	X X X (FOR AL35912)
	L41178	BUSHING	2	509314-	X X X (FOR AL39359)
18	24M7178	WASHER	1		X X X 10.5X30X2.5MM
19	19H1936	CAP SCREW	1		X X X 3/8"X3/4"
20	45M7060	PIN	1		X X X
21	11M7012	COTTER PIN	1		X X X 3.2X16MM
22	19M7407	CAP SCREW	2		X X X M8X25
23	19M7164	CAP SCREW	1		X X X M8X50
24	14M7274	NUT	1		X X X M10
25	19M7385	CAP SCREW	1		X X X M10X70
26	R31631	DRAIN PLUG	1		X X X
27	L39222	O-RING	1		X X X
28	AL34744	HYDRAULIC CYLINDER	1		X X X (B)
29	R44302	TIE BAND	1	505942-	X X X
30	L41362	BOOT	1	505942-	X X X
31	JD7847	LUBRICATION FITTING	1	505942-	X X X (SUB FOR JD7799 APPL)
32	L41324	GROMMET	1	505942-	X X X
33	L38642	GROMMET	1		X X X
34	AN10065	LUBRICATION FITTING	2	505942-	X X X
35	AL36491	HYDRAULIC HOSE	1		X X X
36	L41344	HOSE	1	505942-	X X X
37	L37282	HOLLOW SCREW	1		X X X
38	51M4234	RING	2		X X X
39	AL34743	HYDRAULIC CYLINDER	1		X X X
40	51M7055	RING	1		X X X
41	L37230	HOSE FITTING	1		X X X
42	14M7350	LOCK NUT	1	509314-	X X X M6
43	14M7272	NUT	1	509314-	X X X M6
44	L41300	EYEBOLT	1	509314-	X X X
45	L61301	BAIL	1		X X X (SUB FOR AL39358)

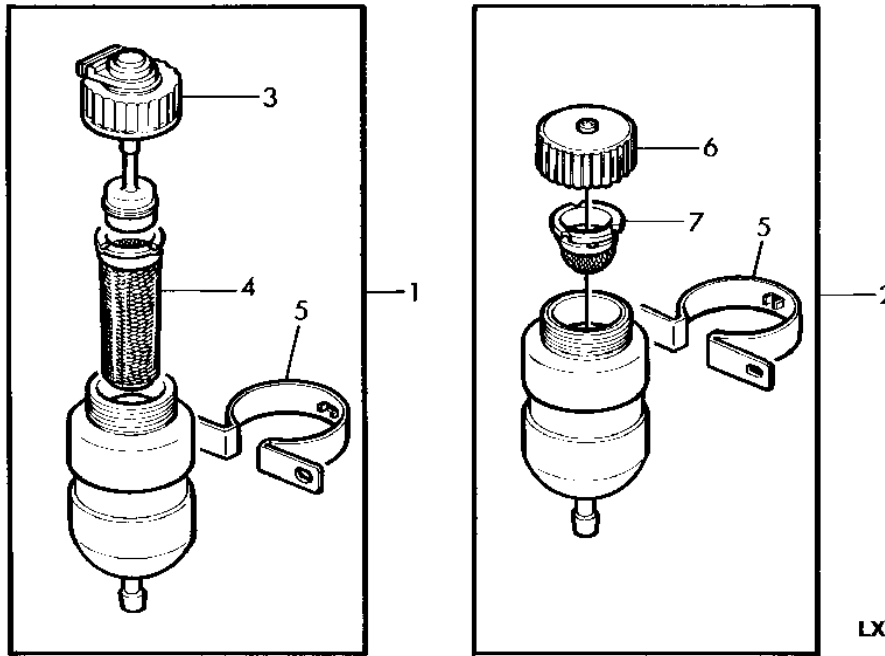
(A) WITH "SEALED BEAM" LIGHTING
 AVEC ECLAIRAGE OPTIQUES SCELLEES
 BEI BELEUCHTUNG (SEALED BEAM)
 CON IMPIANTO ILLUM.A FARO SIGILLATO
 CON EQUIPO DE LUCES SEALED BEAM
 VID SEALED-BEAM BELYSNING

(B) L41326 IS ALSO REQUIRED WITH AL39542
 POUR UTILISER AVEC AL39542,L41326 EST NECESS.
 IN VERB.MIT AL39542 AUCH L41326 ERFORDERLICH
 USARE AL39542 INSIEME CON L41326
 UTILIZAR AL39542 JUNTO CON AL41326
 ANVANDAS AL39542 GEMENSAM MED L41326

2D11

CLUTCHES

RESERVOIR FOR CLUTCH (WITH SG2 CAB)
 RESERVOIR POUR EMBRAYAGE (AVEC CABINE SG2)
 VORRATSBEHAELTER FUER KUPPLUNG (BEI SG2 KABINE)
 SERBATOIO PER FRIZIONE (CON CABINA SG2)
 DEPOSITO DE FLUIDO DEL EMBRAGUE (CON CABINA SG2)
 BEHALLARE FOR KOPPLINGSVATSKA (VID SG2 HYTT)
 LX010499 -UN-17JUL95



LX010499

2
 1 2 0
 6 0 4
 4 4 0
 0 0 S

KEY	PART NO.	PART NAME	QTY	SERIAL NO.	REMARKS
1	AL34759	RESERVOIR	1	X	(A)
2	AL37471	RESERVOIR	1	X X X	
3	AL39159	FILLER CAP	1	X	(A)
4	L40799	STRAINER	1	X	(A)
5	L40795	CLAMP	1	X X X	
6	AL39160	FILLER CAP	1	X X X	
7	L40798	STRAINER	1	X X X	

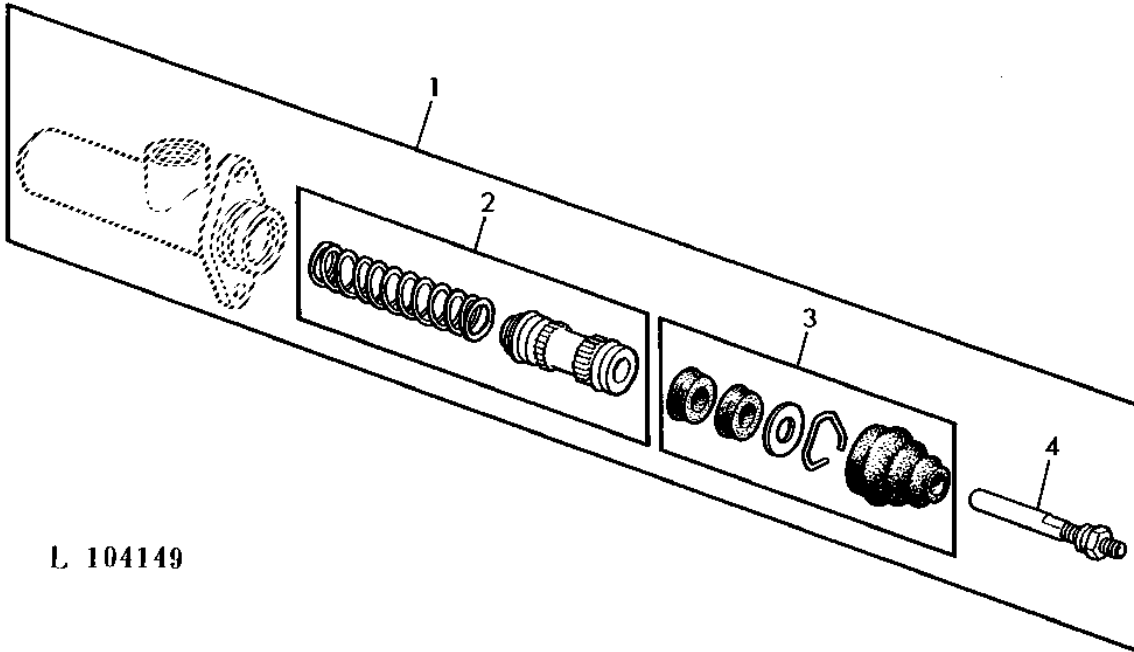
(A) WITH "SEALED BEAM" LIGHTING
 AVEC ECLAIRAGE OPTIQUES SCHELLES
 BEI BELEUCHTUNG (SEALED BEAM)
 CON IMPIANTO ILLUM.A FARO SIGILLATO
 CON EQUIPO DE LUCES SEALED BEAM
 VID SEALED-BEAM BELYSNING

2D12

CLUTCHES

REPAIR KIT FOR CLUTCH MASTER CYLINDER (WITH SG2 CAB)
 JEU DE REPAR. POUR MAITRE-CYL. D'EMBRAYAGE (AVEC CABINE SG2)
 REPARATURSATZ FUER KUPPLUNGSGEBERZYLINDER (BEI SG2 KABINE)
 PARTI PER CILINDRO MAESTRO DELLA FRIZIONE (CON CABINA SG2)
 JUEGO DE REPAR. PARA LA BOMBA DEL EMBRAGUE (CON CABINA SG2)
 DELAR FOR KOPPLINGSTRYCKCYLINDER (VID SG2 HYTT)

L104149 -UN-17JUL95



L 104149

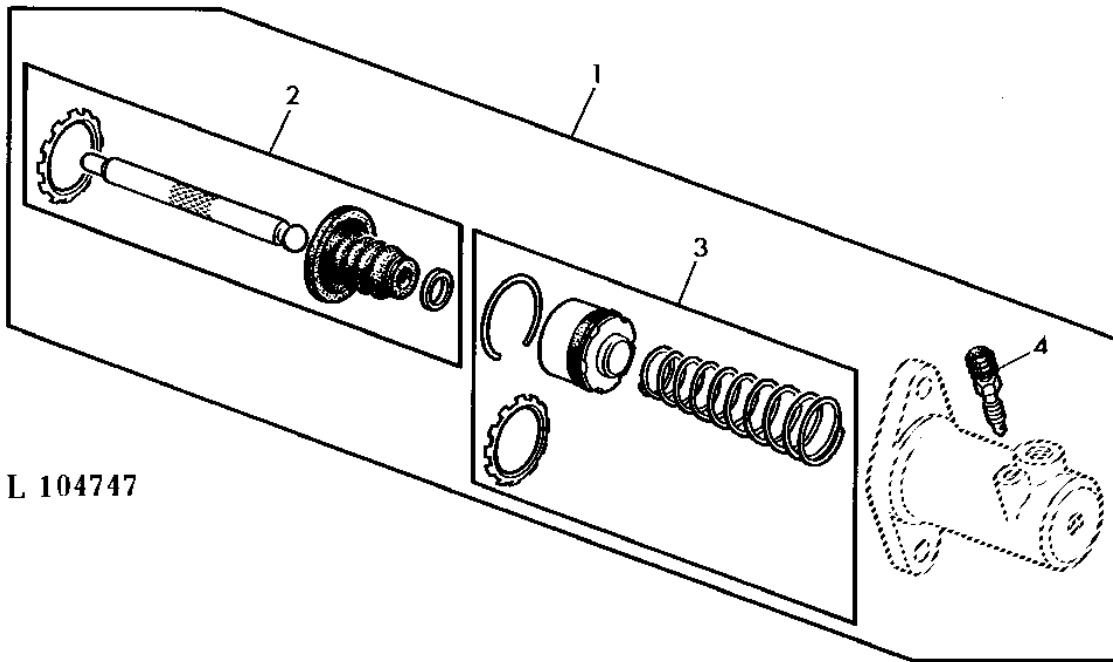
2
1 2 0
6 0 4
4 4 0
0 0 S

KEY	PART NO.	PART NAME	QTY	SERIAL NO.	REMARKS
1	AL37514	KIT	1	X X X	
2	AL37518	KIT	1	X X X	
3	AL37517	KIT	1	X X X	
4	AL37516	KIT	1	X X X	

2D13

CLUTCHES

REPAIR KIT FOR CLUTCH SLAVE CYLINDER (WITH SG2 CAB)
 JEU DE REPAR. POUR CYL. RECEPTEUR D'EMBR. (AVEC CABINE SG2)
 REPARATURSATZ FUER KUPPLUNGSNEHMERZYLINDER (BEI SG2 KABINE)
 PARTI PER CILINDRO SECONDARIO DELLA FRIZ. (CON CABINA SG2)
 JUEGO DE REPAR. PARA EL BOMBIN DEL EMBR. (CON CABINA SG2)
 DELAR FOR KOPPLINGSMANOVERCYLINDER (VID SG2 HYTT)
 L104747 -UN-17JUL95



L 104747

2
1 2 0
6 0 4
4 4 0
0 0 S

KEY	PART NO.	PART NAME	QTY	SERIAL NO.	REMARKS
1	AL37515	KIT	1	X X X	
2	AL37519	KIT	1	X X X	
3	AL37520	KIT	1	X X X	
4	AL37521	BLEED VALVE	1	X X X	

MEMORANDA
MEMORANDA
MEMORANDA
MEMORANDA
MEMORANDA

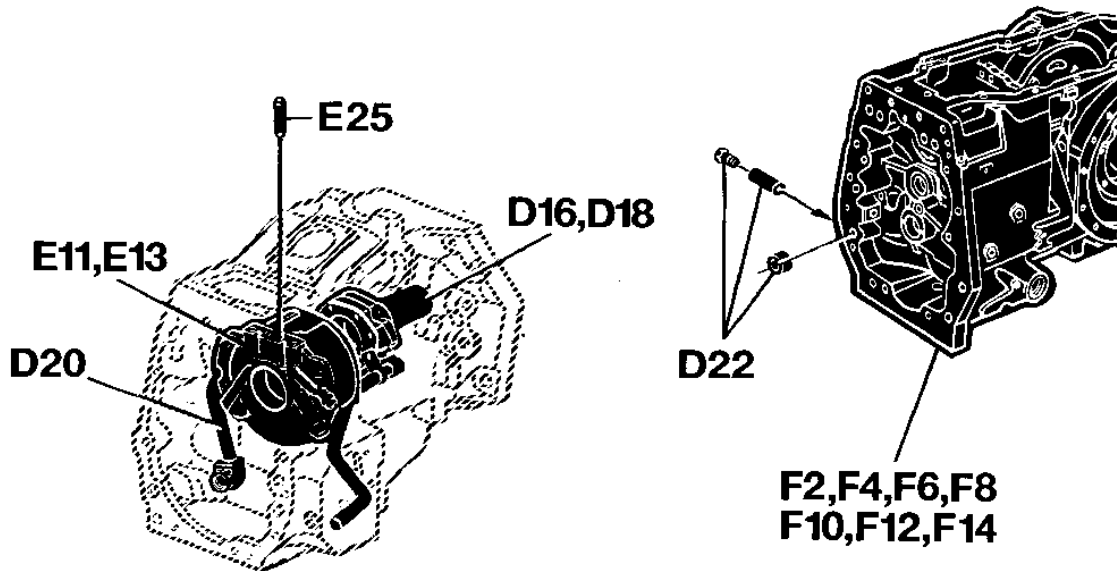
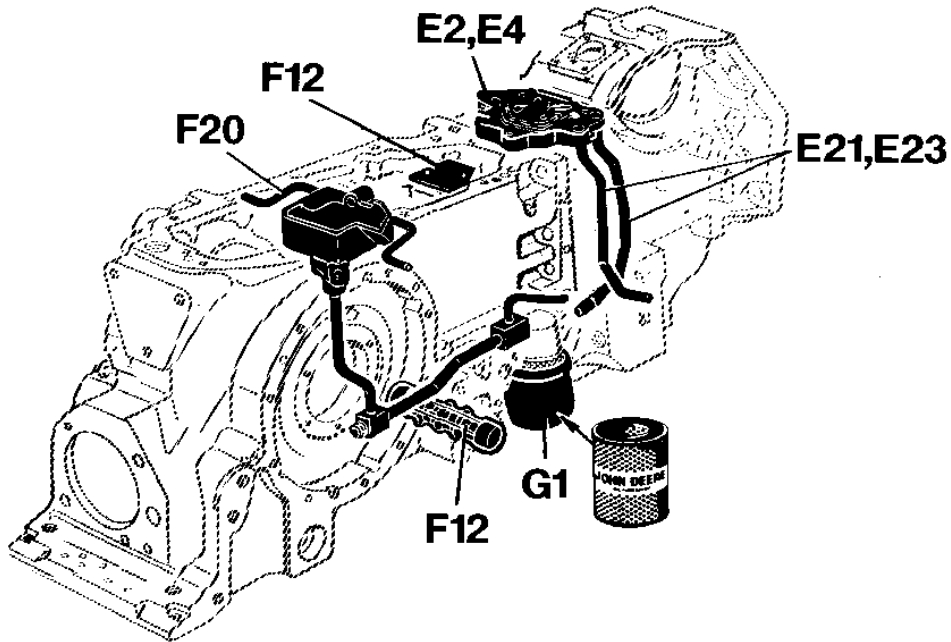
2D14

COLLAR SHIFT TRANSMISSION, HI-LO SHIFT

XX
XX
XX
XX
XX
XX
XX
XX
XX
XX

SECTIONAL INDEX
INDEX DE SECTION
GRUPPENINDEX
INDICE DELLA SEZIONE
INDICE DE GRUPOS
GRUPPSFORTECKNING

LX011441 -UN-14JUL95



LX011441

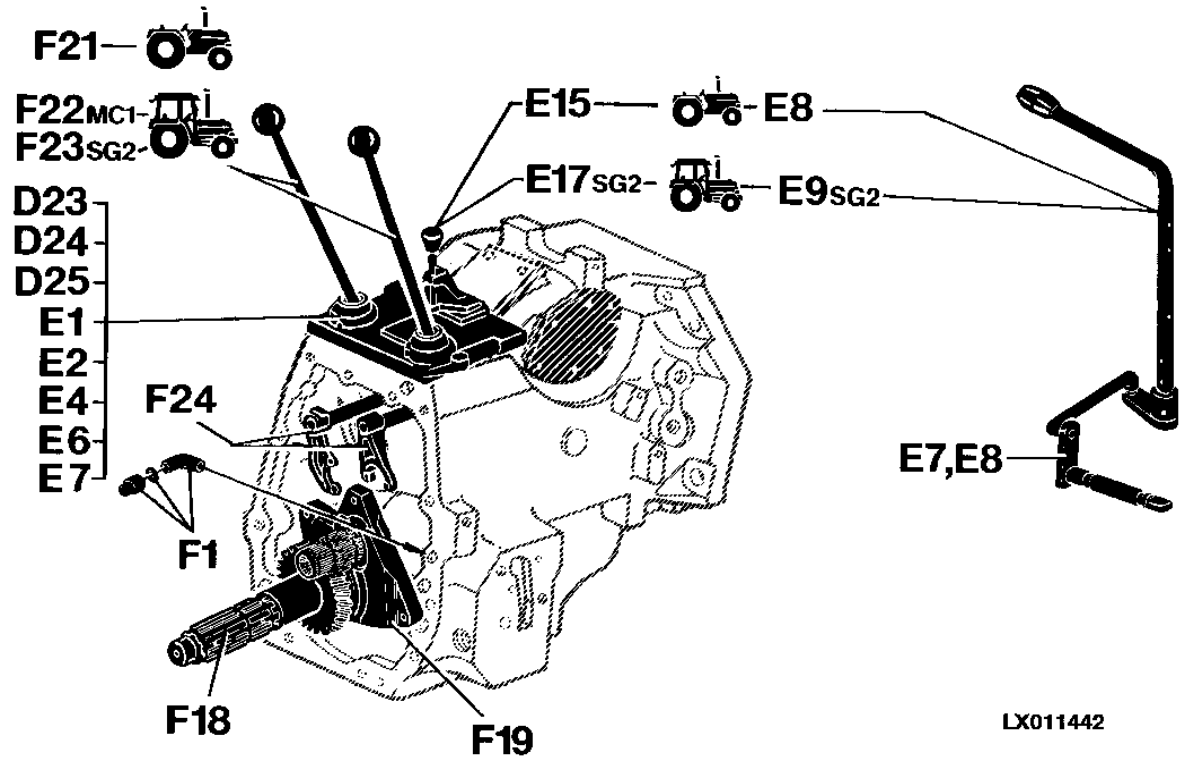
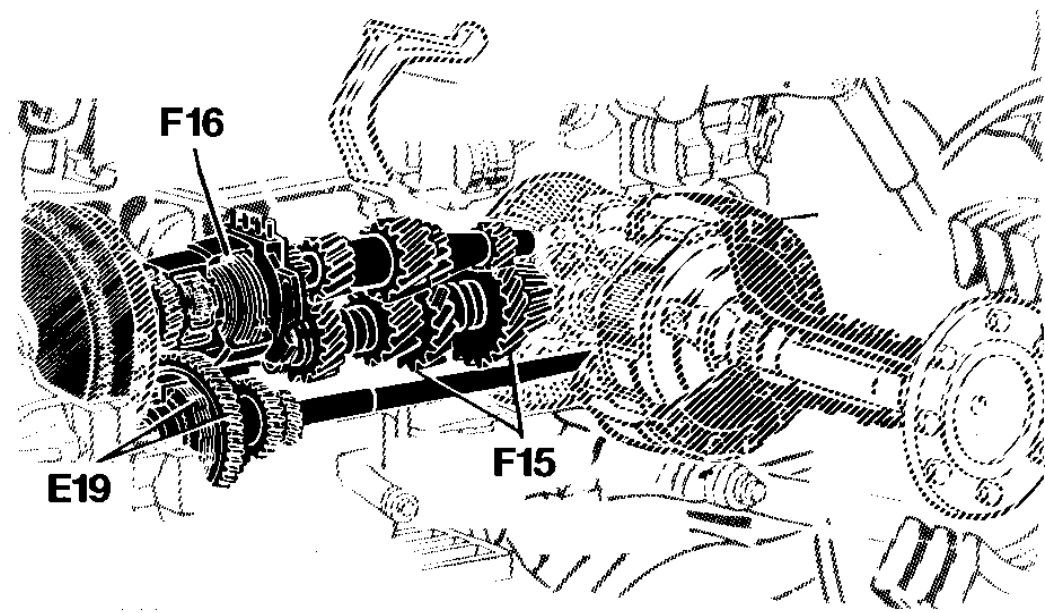
2D15

COLLAR SHIFT TRANSMISSION, HI-LO SHIFT

XX
 XX
 XX
 XX
 XX
 XX
 XX
 XX
 XX
 XX
 XX

SECTIONAL INDEX
 INDEX DE SECTION
 GRUPPENINDEX
 INDICE DELLA SEZIONE
 INDICE DE GRUPOS
 GRUPPSFORTECKNING

LX011442 -UN-14JUL95



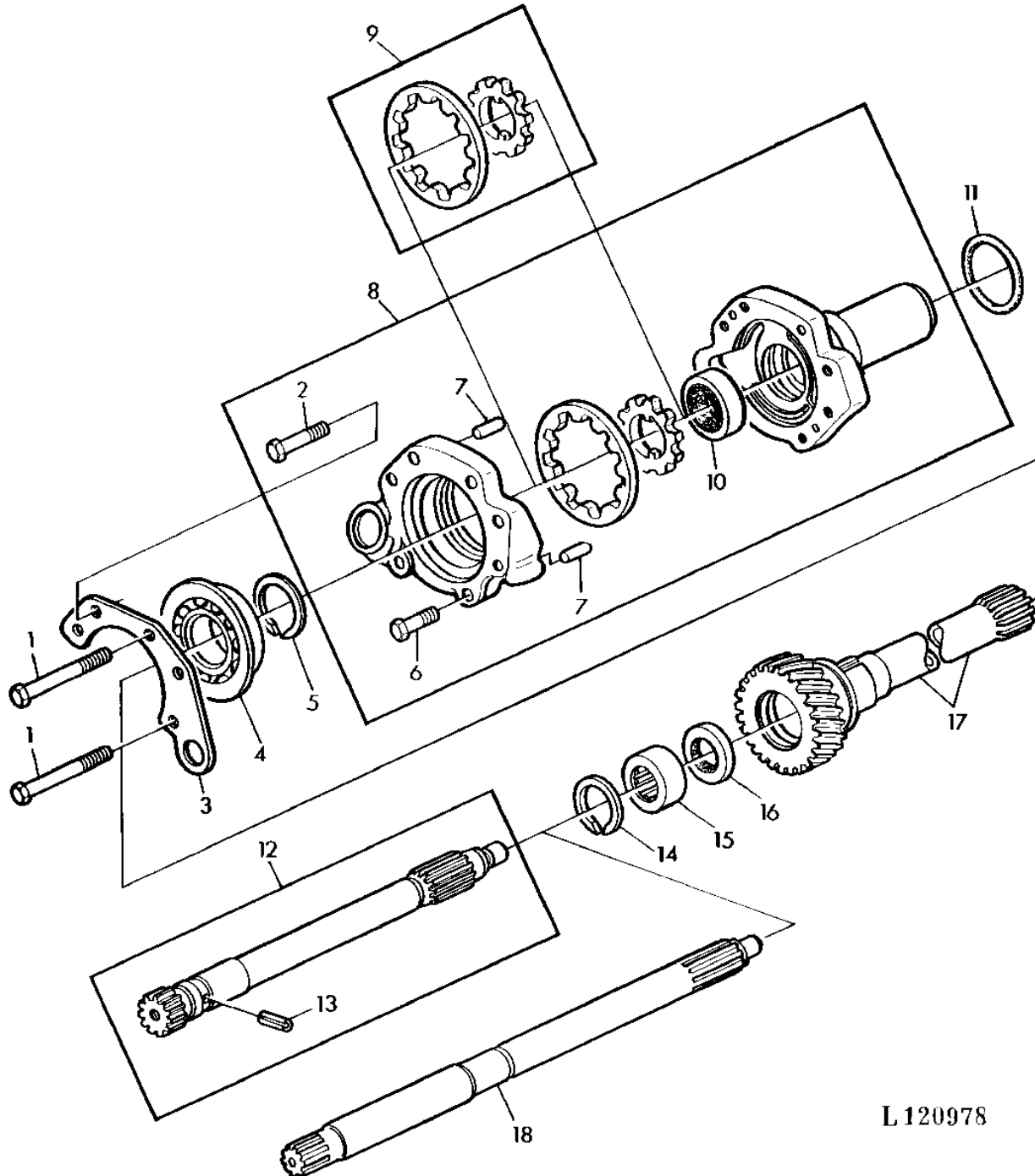
LX011442

2D16

COLLAR SHIFT TRANSMISSION, HI-LO SHIFT

OIL PUMP/PTO DRIVE SHAFT/CLUTCH SHAFT (COLLAR-SHIFT TRANSMISSION)
POMPE A'HUILE/ARBRE DE PDF/ARBRE D'EMBRAYAGE (BOITE A MANCHONS BALADEURS)
OELPUMPE/ZAPFWELLENANTRIEBSWELLE/KUPPLUNGSWELLE (MUFFENSCHALTGETRIEBE)
POMPA OLIO/ALBERO COMANDO PDF/ALBERO FRIZIONE (CAMBIO COLLARE SCORREVOLE)
BOMBA DE ACEITE/EJE DE LA TDF/EJE DEL EMBRAGUE (CAMBIO DE COLLARINES DESPLAZABLES)
OLJEPUMP/KRAFTUTTAGS DRIVAXEL/KOPPLINGSAXEL (VAXELLADA "COLLAR-SHIFT")

L120978 -UN-07JUL95



L 120978

2D17

COLLAR SHIFT TRANSMISSION, HI-LO SHIFT

KEY	PART NO.	PART NAME	QTY	SERIAL NO.	REMARKS
					2
					1 2 0
					6 0 4
					4 4 0
					0 0 S
1	19M7479	CAP SCREW	2		X X X M10X80
2	19M7181	CAP SCREW	2		X X X M10X55
3	L62815	RETAINER	1		X X X (SUB FOR L33146, L37886)
4	JD10104	BALL BEARING	1		X X X
5	L33304	SNAP RING	1		X X X
6	19M7382	CAP SCREW	2		X X X M10X40
7	44M7037	DOWEL PIN	2		X X X 8X16MM
8	AL41639	OIL PUMP	1		X X (A) (SUB FOR AL30154) (ORD AL69761)
	AL64139	OIL PUMP	1		X X (A) (B) (ORD AL69761)
	AL39355	OIL PUMP	1		X X X (SUB FOR AL28923) (ORD AL69761)
	AL69761	OIL PUMP	1		X X X (B)
9	AL39778	GEAR	1		X X (A) (B) (FOR AL30154 OR AL41639 OR AL64139)
	AL68435	GEAR	1		X X X (B) (FOR AL39355)
10	AL28870	SEAL	1		X X X
11	L33701	O-RING	1		X X X
12	AL37900	SHAFT	1		X X (SUB FOR AL34249)
	AL39243	SHAFT	1		X (SUB FOR AL30921)
13	34M7104	SPRING PIN	1		X X X 2.5X10MM
14	L34114	SNAP RING	1		X X X
15	L65031	NEEDLE BEARING	1		X X X (SUB FOR JD10105)
16	AL28922	SEAL	1		X X X
17	L33734	DRIVE SHAFT	1		X X Z=27, 540-1000U/MIN (RPM)
	L33735	DRIVE SHAFT	1	-507734	X X Z=17, 540U/MIN (RPM)
	L40834	DRIVE SHAFT	1	507735-	X X Z=19, 540U/MIN (RPM)
	L33123	DRIVE SHAFT	1		X Z=27, 540-1000U/MIN (RPM)
	L33306	DRIVE SHAFT	1	-507734	X Z=17, 540U/MIN (RPM)
	L40835	DRIVE SHAFT	1	507735-	X Z=19, 540U/MIN (RPM)
18	L35244	SHAFT	1		X X X (A)

(A) WITHOUT HI-LO SHIFT UNIT
 SANS HI-LO
 OHNE LASTSCHALTSTUFE
 SENZA RIDUTTORE HI-LO
 SIN MECAN.DE CAMBIO HI-LO
 UTAN HOG-LAG VAXLING

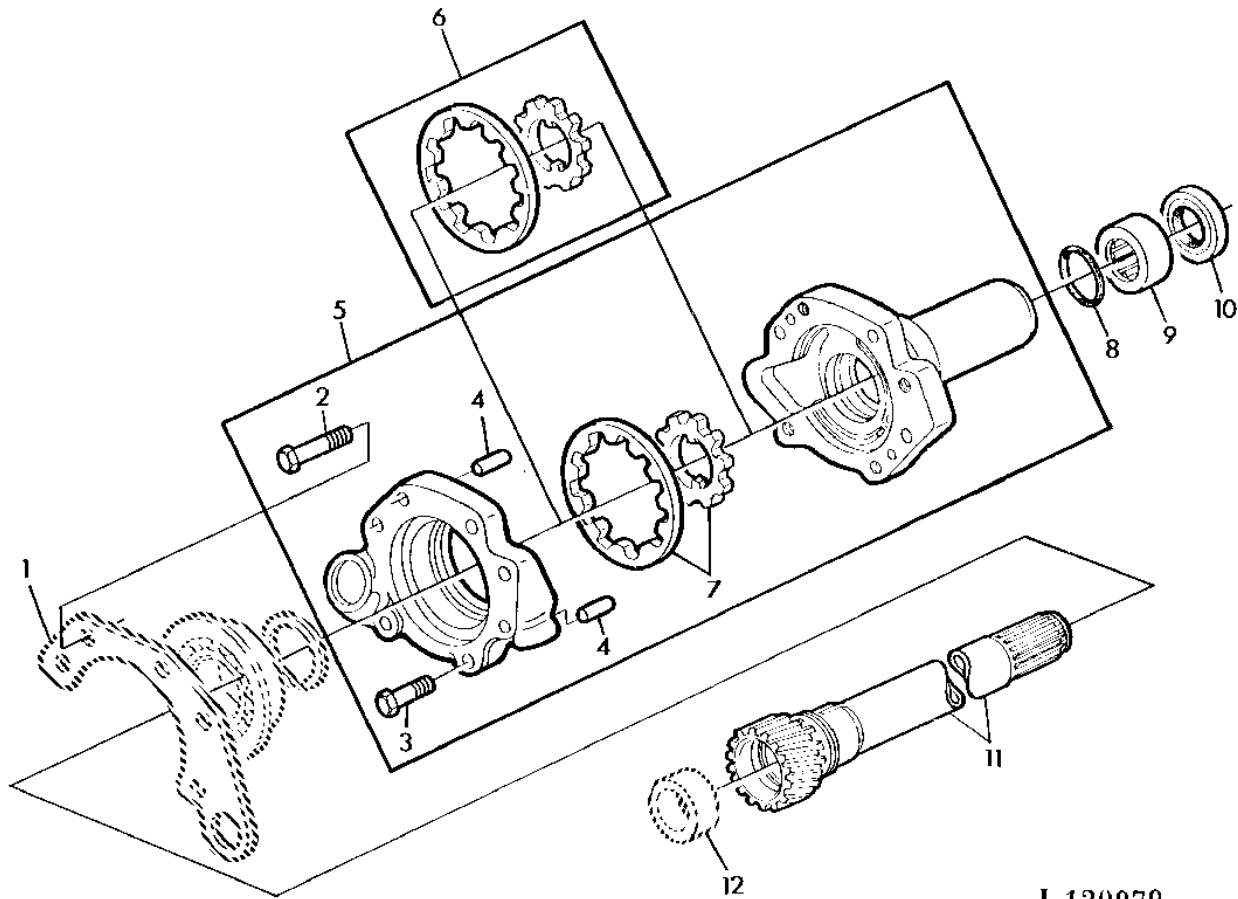
(B) WITH STEEL RACE
 AVEC CHEMIN EN ACIER
 MIT STAHL INNENLAEUFER
 CON PISTA INTERIORE D'ACCIAIO
 CON PISTA INTERIOR DE ACERO
 MED STALBANA

2D18

COLLAR SHIFT TRANSMISSION, HI-LO SHIFT

OIL PUMP/DRIVE SHAFT (CONTINUOUS RUNNING PTO-540 RPM) COLLAR-SHIFT TRANSMISSION
POMPE A'HUILE/ARBRE D'ENTRAINEMENT(PDF MOTEUR 540 TR/MN BOITE A MANCHONS BALADEURS)
OELPUMPE/ANTRIEBSWELLE (MOTORIZAPFWELLE 540U/MIN MUFFENSCHALTGETRIEBE)
POMPA OLIO/ALBERO COMANDO (PDF FUNZ.CONT.540 G/MIN) CAMBIO COLLARE SCORREVOLE
BOMBA DE ACEITE/EJE PRIMARIO (TDF MECANICA 540 R/MIN) CAMBIO DE COLLARINES DESPLAZABLES
OLJEPUMP/DRIVAXEL/KOPPLINGSBER.KRAFTUTT.540 RPM VAXELLADA"COLLAR-SHIFT"

L120979 -UN-15MAY95



L 120979

2D19

COLLAR SHIFT TRANSMISSION, HI-LO SHIFT

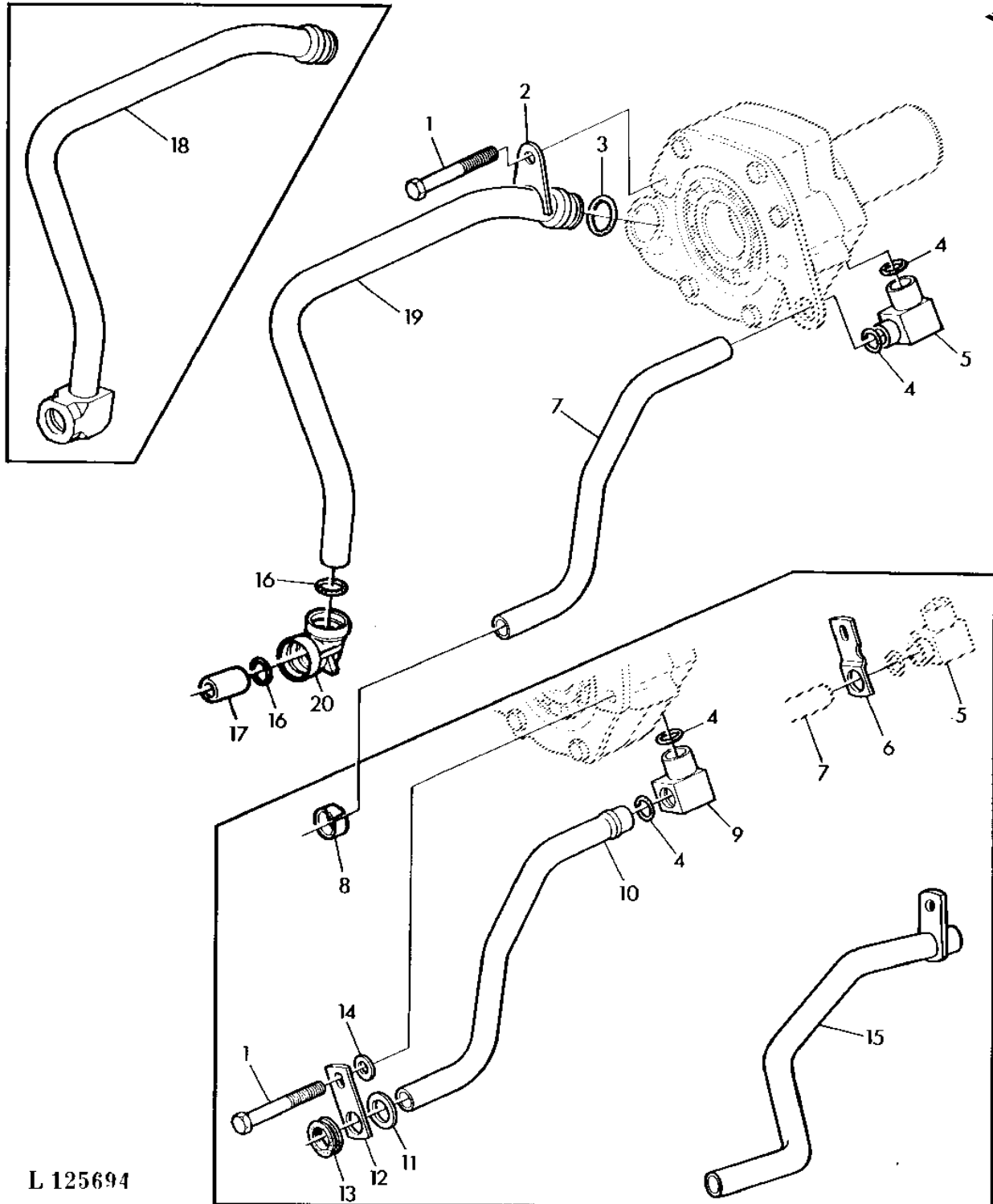
KEY	PART NO.	PART NAME	QTY	SERIAL NO.	REMARKS
					2
					1 2 0
					6 0 4
					4 4 0
					0 0 S
1	RETAINER	1		X X
2	19M7181	CAP SCREW	2		X X M10X55
3	19M7572	CAP SCREW	2		X X M10X45
4	44M7037	DOWEL PIN	2		X X 8X16MM
5	AL41637	OIL PUMP	1		X X (SUB FOR AL29878)
	AL64140	OIL PUMP	1		X X (A)
6	AL39778	GEAR	1		X X
7	GEAR	1		X X NSEP (ORD AL39778)
8	L33701	O-RING	1		X X
9	JD10073	NEEDLE BEARING	1		X X
10	48M7061	SEAL	1		X X
11	L33638	DRIVE SHAFT	1	-507734	X X Z=17
	L40833	DRIVE SHAFT	1	507735-	X X Z=19
12	NEEDLE BEARING	1		X X

(A) WITH STEEL RACE
 AVEC CHEMIN EN ACIER
 MIT STAHL INNENLAEUFER
 CON PISTA INTERIORE D'ACCIAIO
 CON PISTA INTERIOR DE ACERO
 MED STALBANA

2D20

COLLAR SHIFT TRANSMISSION, HI-LO SHIFT

TRANSMISSION OIL PUMP-OIL LINES
POMPE A HUILE DE BOITE-CONDUITES D'HUILE
GETRIEBEOELPUMPE/OELLEITUNGEN
POMPA OLIO L CAMBIO/LINEE
POMBA DE ACEITE DE LA TRANSMISION/TURERIAS
VAXELLADS OLJEPUMP/LEDNINGAR
L125694 -UN-07JUL95



L 125694

2D21

COLLAR SHIFT TRANSMISSION, HI-LO SHIFT

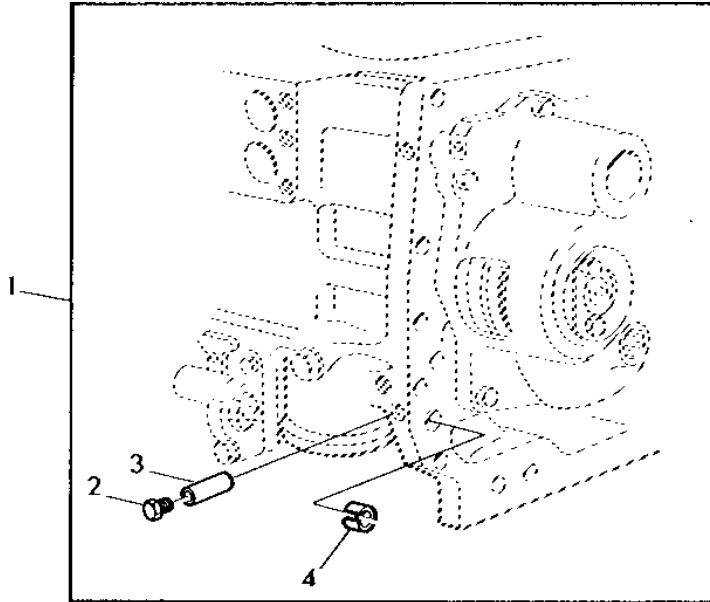
KEY	PART NO.	PART NAME	QTY	SERIAL NO.	2 1 2 0 6 0 4 4 4 0 0 0 S	REMARKS
1	19M7479	CAP SCREW	1		X X X	M10X80
2	L33180	RETAINER	1		X X X	
3	L34352	O-RING	1		X X X	
4	T13119	O-RING	2		X X X	
5	AL38226	ELBOW FITTING	1	473484-	X X X	
6	L40424	STRAP	1	473484-	X X X	(ORD L62815)
7	L40425	TUBE	1	473484-	X X X	
8	L41897	BUSHING	1	473484-515433	X X X	
9	AL28759	ELBOW FITTING	1	-473483	X X X	(ORD AL38226, L62815, L40425, L41897)
10	L33201	TUBE	1	431500-473483	X X X	(ORD AL38226, L62815, L40425, L41897)
11	24M4810	WASHER	1	431500-473483	X X X	20X28X1.4MM
12	L39088	STRAP	1	431500-473483	X X X	(ORD AL38226, L62815, L40425, L41897)
13	R40445	GROMMET	1	431500-473483	X X X	
14	24M7043	WASHER	1	431500-473483	X X X	12X25X3MM
15	AL28746	OIL LINE	1	-431499	X X X	(ORD AL38226, L62815, L40425, L41897)
16	L33374	O-RING	2		X X X	
17	L33151	TUBE	1		X X X	
18	AL28745	OIL LINE	1		X X X	(ORD AL68325, AL69305, L33374)
19	AL68325	OIL LINE	1		X X X	
20	AL69305	ELBOW FITTING	1		X X X	

2D22

COLLAR SHIFT TRANSMISSION, HI-LO SHIFT

REPAIR KIT (STOP BUSHING IN TRANSMISSION CASE)
 JEU DE REPARATION (BAGUE DE BUTEE DANS CARTER DE BOITE VIT.)
 REPARATURSATZ (ANSCHLAGBUCHSENBEFESTIGUNG IM GETRIEBEGEH.)
 GRUPPO PER RIPARAZIONE (BULLONERIA PER CUSCINETTO)
 JUEGO DE REPARACION (CASQUILLO DE TOPE EN EL CARTER TRANSM.)
 REPARATIONSSATS (FASTDELAR FOR BUSSNING)

L108401 -UN-01JAN94



L 108401

2
1 2 0
6 0 4
4 4 0
0 0 S

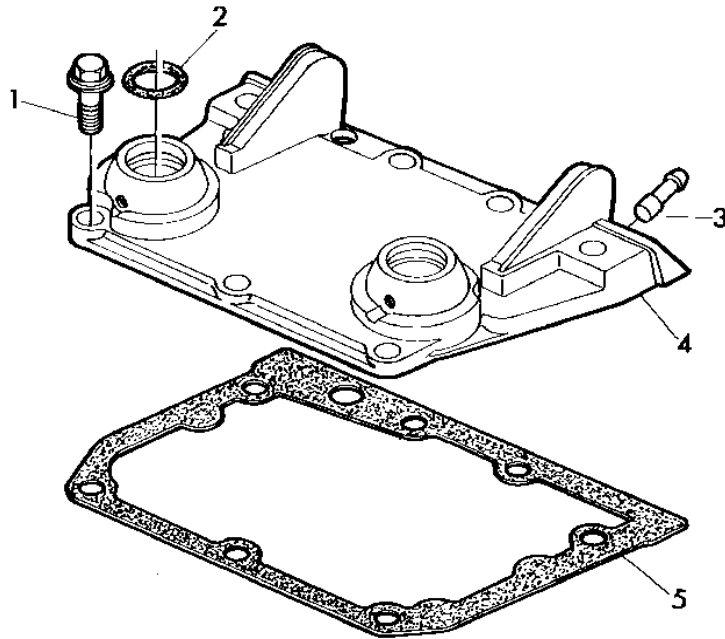
KEY	PART NO.	PART NAME	QTY	SERIAL NO.	REMARKS
1	AL41352	KIT	1	X X X	
2	15H558	PIPE PLUG	1	X X X	1/8"
3	34H255	SPRING PIN	1	X X X	
4	L41897	BUSHING	1	X X X	

MEMORANDA
MEMORANDA
MEMORANDA
MEMORANDA
MEMORANDA

2D23

COLLAR SHIFT TRANSMISSION, HI-LO SHIFT

SHIFT COVER (WITH COLLAR SHIFT TRANS. AND CONT. RUNNING PTO)
 COUVERCLE CARTER D'EMBRAYAGE (MANCHONS BALADEURS/PDF MOTEUR)
 SCHALTDECKEL (BEI MUFFENSCHALTGETRIEBE MIT MOTORZAPFW.)
 COPERCHIO DEL CAMBIO (COLLARE SCORREVOLE/PDF COMANDO CONTIN.)
 TAPA DEL CAMBIO (TRANSM. POR COLLARINES/TDF MANDO CONTINUO)
 VAXELSPAKSLOCK (VID COLLAR SHIFT OCH KOPPLINGSBER. KRAFTUTT.)
 L34344 -UN-18JUL95



I. 34344

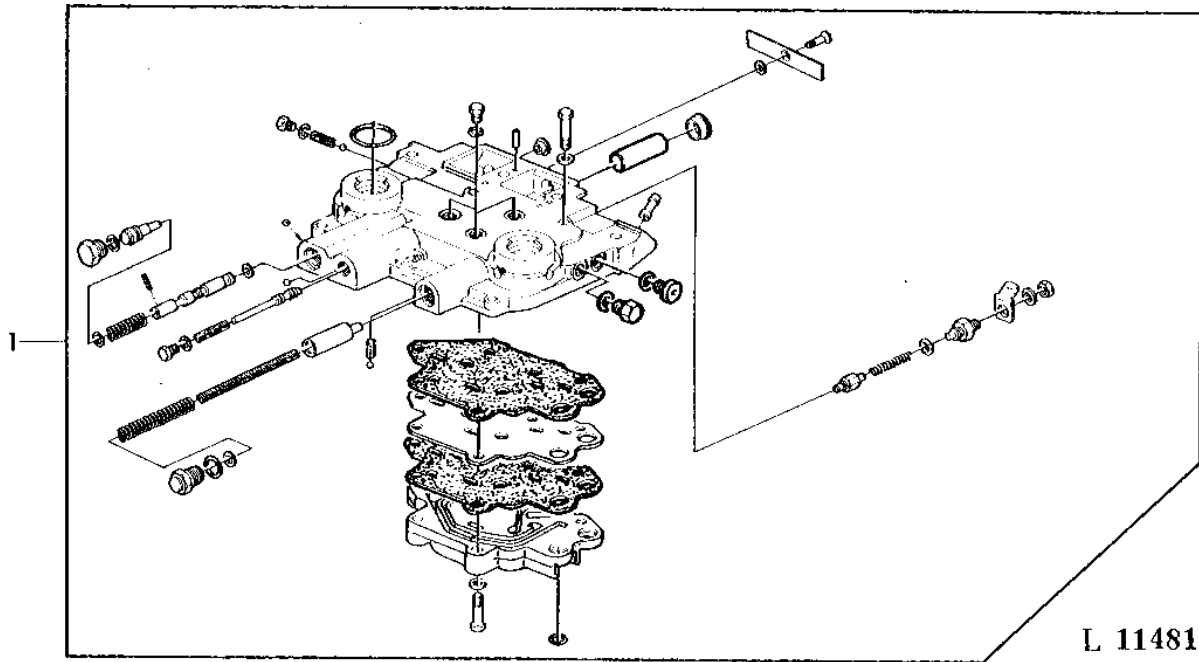
KEY	PART NO.	PART NAME	QTY	SERIAL NO.	REMARKS
				2	
				1 2 0	
				6 0 4	
				4 4 0	
				0 0 S	
1	T22728	SCREW	5		X X
2	R29936	O-RING	2		X X
3	T24395	TUBE	1		X X
4	L35895	COVER	1		X X
5	R54189	GASKET	1		X X

2D24

COLLAR SHIFT TRANSMISSION, HI-LO SHIFT

SHIFT COVER (WITH CONTINUOUS-RUNNING PTO AND HI-LO SHIFT)
 COUVERCLE DE CARTER D'EMBRAYAGE (AVEC PDF MOTEUR ET HI-LO)
 SCHALTDECKEL (BEI MOTORZAPFW. UND LASTSCHALTSTUFE)
 COPERCHIO DISPOS. INNESTO (CON PDF FUNZ. CONT. E HI-LO)
 TAPA CAJA DE CAMBIOS (CON TDF CONTINUA Y REDUCCION HI-LO)
 VAXELSPAKSLOCK (VID KOPPLINGSBER. KRAFTUTTA OCH HOG-LAG)

L114811 -UN-01JAN94



2
1 2 0
6 0 4
4 4 0
0 0 S

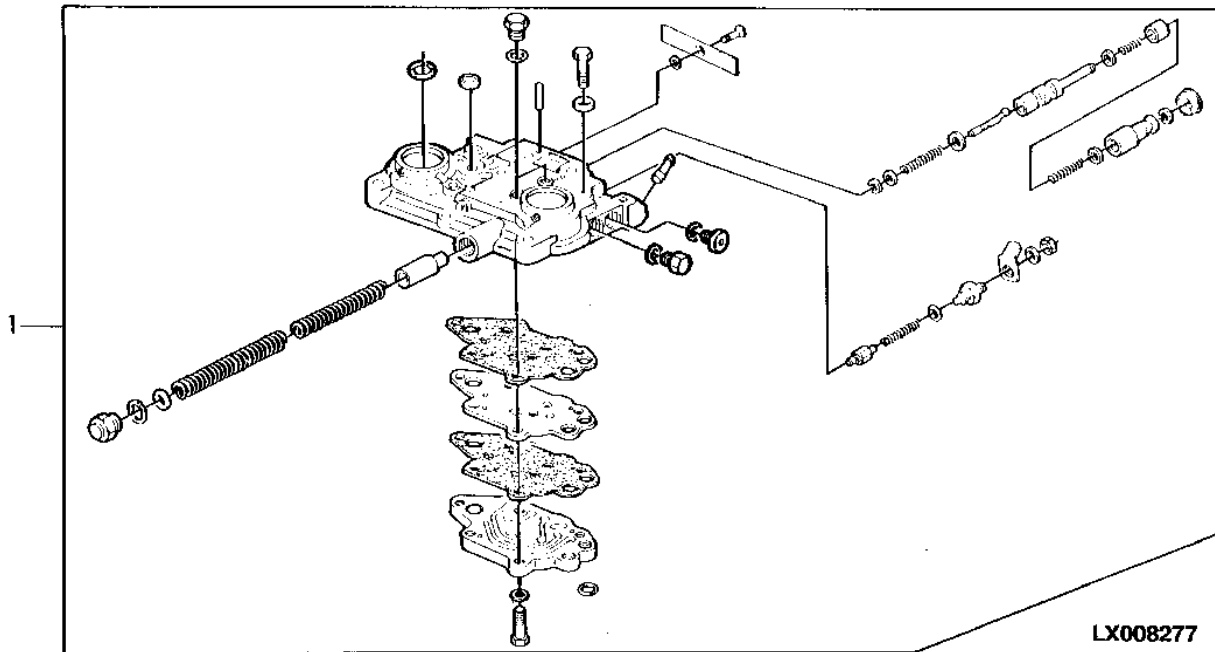
KEY	PART NO.	PART NAME	QTY	SERIAL NO.		REMARKS
1	AL64215	HOUSING	1	-581734	X X	(ORD W/ (8) A3917R) (SUB FOR AL34746, AL39554, AL55666)
	AL64215	HOUSING	1	581735-	X X	(ORD W/ L40773) (SUB FOR AL55666)

2D25

COLLAR SHIFT TRANSMISSION, HI-LO SHIFT

SHIFT COVER (WITH IND. PTO)
 COUVERCLE DU CARTER D'EMBRAYAGE (PDF INDEP.)
 SCHALTDECKEL (BEI UNABH. ZAPFWELLE)
 COPERCHIO DISPOSITIVO INNESTO (CON PDF INDIPENDENTE)
 TAPA DE LA CAJA DE CAMBIOS (CON TDF INDEPENDIENTE)
 VAXELSPAKSLOCK (VID OBEROENDE KRAFTUTTAG)

LX008277 -UN-27APR95



LX008277

2
 1 2 0
 6 0 4
 4 4 0
 0 0 S

KEY	PART NO.	PART NAME	QTY	SERIAL NO.	REMARKS
1	AL55258	HOUSING	1	-581734	X X X (ORD W/ (3) A3917R) (SUB FOR AL34748)
	AL55257	HOUSING	1	-581734	X X X (A) (ORD W/ (3) A3917R) (SUB FOR AL34747)
	AL55258	HOUSING	1	581735-	X X X (ORD W/ L40773)
	AL55257	HOUSING	1	581735-	X X X (A) (ORD W/ L40773)

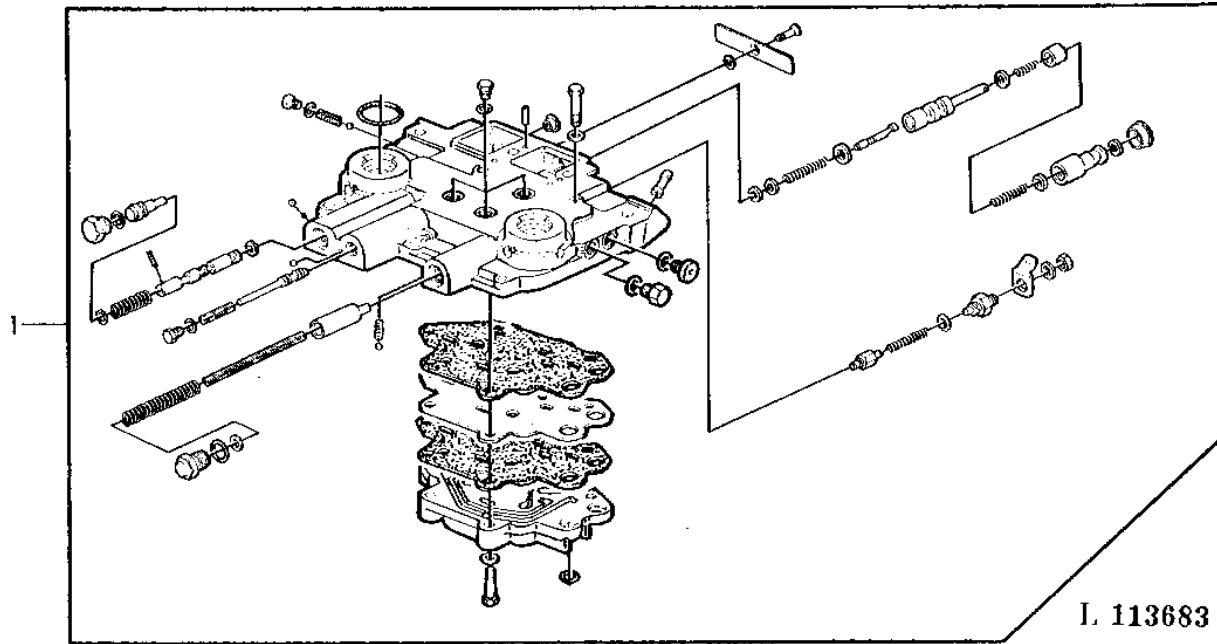
(A) WITH FRONT WHEEL DRIVE
 AVEC PONT AVANT
 BEI FRONTANTRIEB
 CON TRAZIONE ANTERIORE
 CON TRACCION DELANTERA
 VID FRAMHJULSDRIFT

2E1

COLLAR SHIFT TRANSMISSION, HI-LO SHIFT

SHIFT COVER (WITH IND. PTO AND HI-LO SHIFT UNIT)
 COUVERCLE DE CARTER D'EMBRAYAGE (AVEC PDF INDEP. ET HI-LO)
 SCHALTDECKEL (BEI UNABH. ZAPFWELLE UND LASTSCHALTSTUFE)
 COPERCHIO INNESTO (CON PDF INDIP. E GRUPPO HI-LO)
 TAPA DEL CAMBIO (CON TDF INDEP. Y REDUCCION HI-LO)
 VAXELSPAKSLOCK (VID OBER. KRAFTUTTAG OCH HOG-LAG SNABBVAXEL)

L113683 -UN-01JAN94



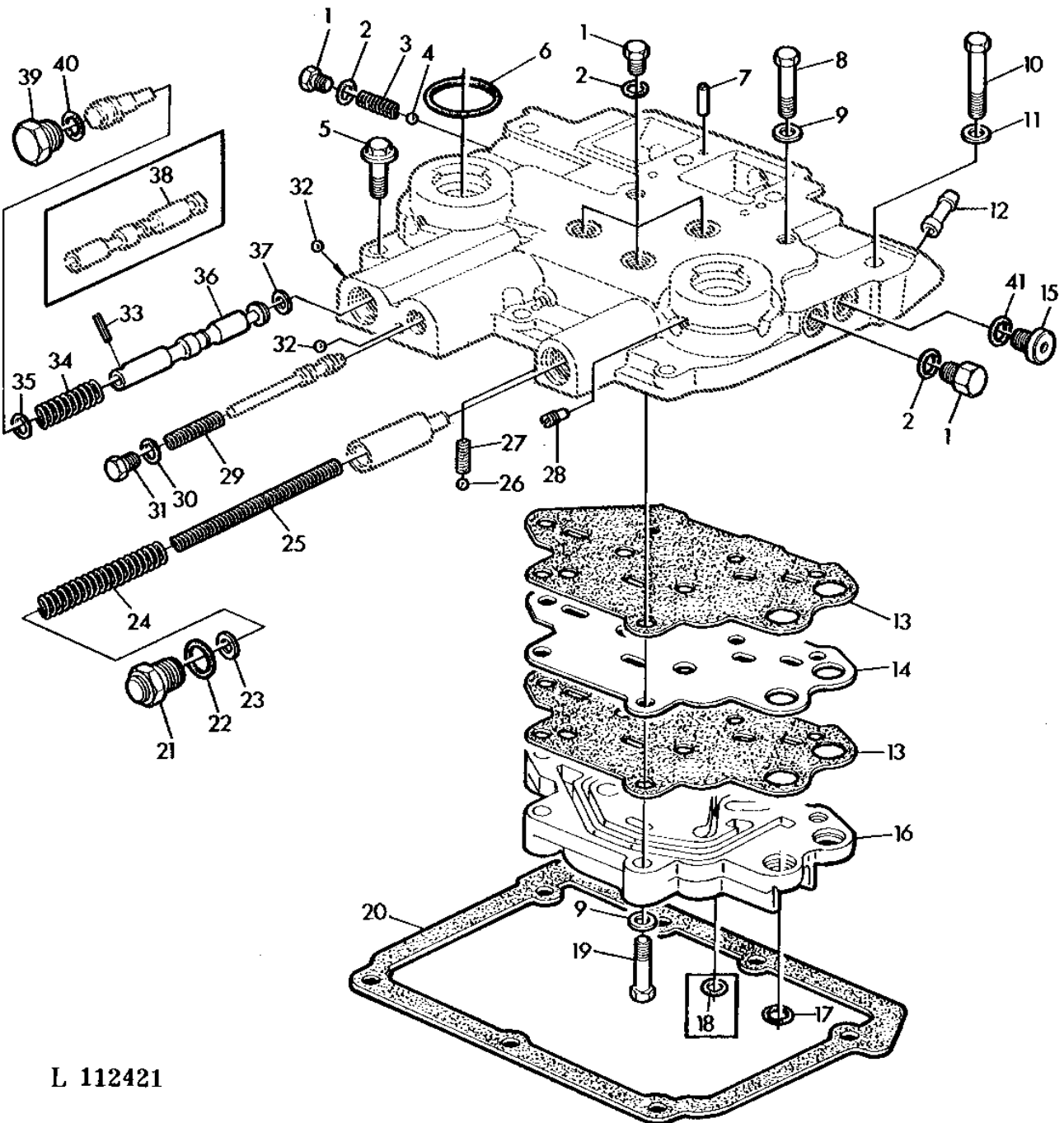
2
1 2 0
6 0 4
4 4 0
0 0 S

KEY	PART NO.	PART NAME	QTY	SERIAL NO.	REMARKS
1	AL64214	HOUSING	1	-581734	X X X (ORD W/ (8) A3917R) (SUB FOR AL34745, AL39553, AL55665)
	AL64214	HOUSING	1	581735-	X X X (ORD W/ L40773) (SUB FOR AL55665)

2E2

COLLAR SHIFT TRANSMISSION, HI-LO SHIFT

SHIFT COVER WITH HI-LO TRANS. (FOR IND. OR CONT. RUNNING PTO)
COUVERCLE CARTER EMBRAYAGE HI-LO (PDF IND. OU PDF MOTEUR)
SCHALTDECKEL BEI LASTSCHALTST. (FUER UNABH. ODER MOTORZAPFW.)
COPERCHIO INNESTO CON HI-LO (PER PDF INDIP. O A FUNZ. CONT.)
TAPA CAJA DE CAMBIOS CON HI-LO (PARA TDF INDEP. O CONTINUA)
VAXELSPAKSLOCK VID HOG-LAG (OBER. EL. KOPPLINGSBER. KRAFTUTTAG)
L112421 -UN-01JAN94



L 112421

2E3

COLLAR SHIFT TRANSMISSION, HI-LO SHIFT

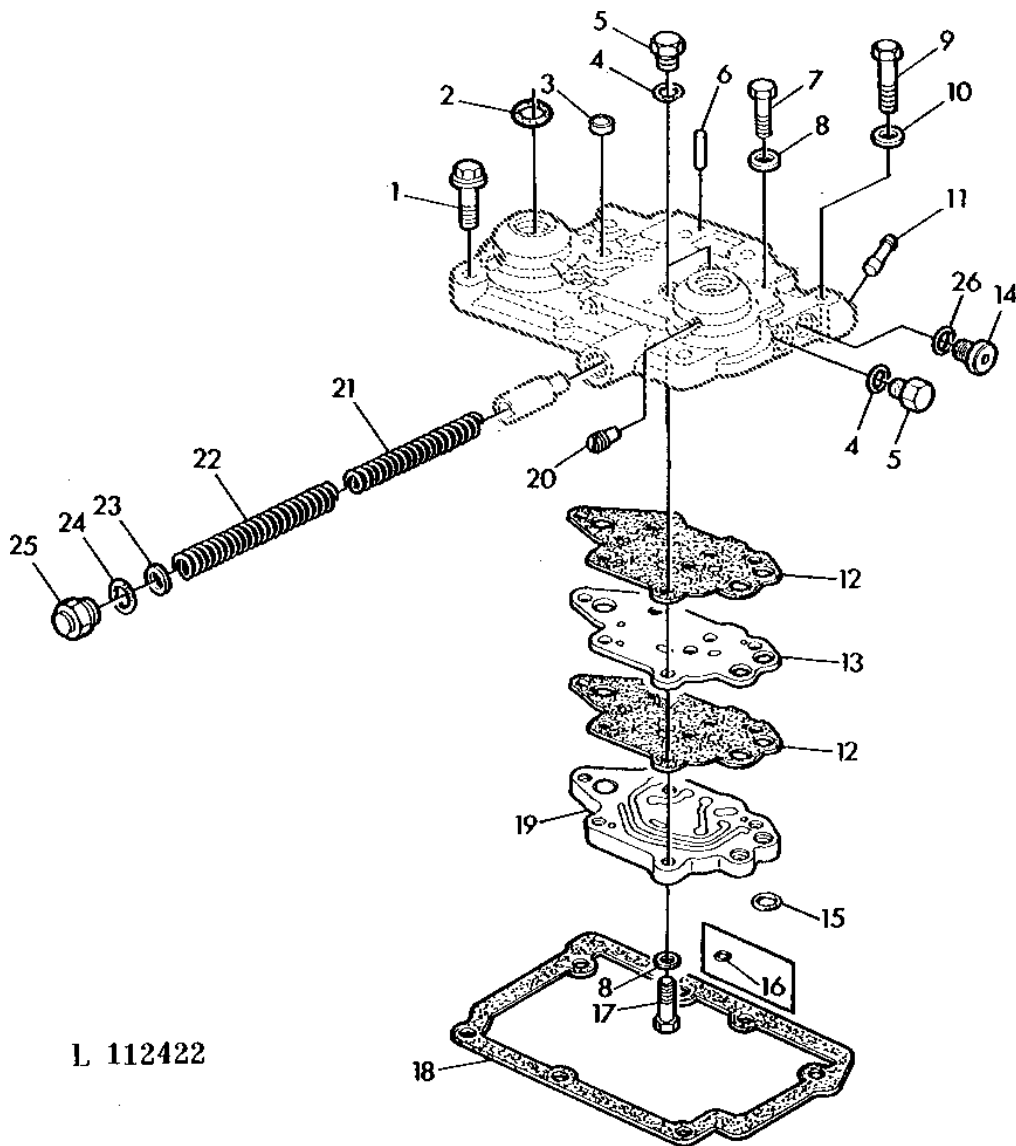
KEY	PART NO.	PART NAME	QTY	SERIAL NO.	2 1 2 0 6 0 4 4 4 0 0 0 S	REMARKS
1	R31631	DRAIN PLUG	4	-526234	X X X	3/8"
	R31631	DRAIN PLUG	5	526235-	X X X	3/8"
2	R26287	O-RING	4	-526234	X X X	
	R26287	O-RING	5	526235-	X X X	
3	L33340	SPRING	1		X X X	
4	R26552	BALL	1		X X X	
5	T22728	SCREW	3		X X X	
6	R29936	O-RING	2		X X X	
7	R28634	PIN	2		X X X	
8	19M7378	CAP SCREW	2		X X X	M8X45
9	24M7036	WASHER	5		X X X	9X17X1.6MM
10	19H1819	CAP SCREW	1		X X X	3/8"X2-1/8"
11	24H1303	WASHER	1		X X X	13/32"X11/16"X.060"
12	T24395	TUBE	1		X X X	
13	L61964	GASKET	2		X X X	(SUB FOR L33339, L33747, L42048)
14	L33746	PLATE	1		X X X	
15	R31631	DRAIN PLUG	1	-540979	X X X	3/8"
	L41079	PIPE PLUG	1	540980-	X X X	M12X1.5
16	L33344	MANIFOLD	1		X X X	
17	R375R	O-RING	2		X X X	
18	A3917R	O-RING	4		X X X	
19	19M7301	CAP SCREW	3		X X X	M8X40
20	L34345	GASKET	1		X X X	
21	L33336	DRAIN PLUG	1		X X X	
22	R26375	O-RING	1		X X X	
23	24H1285	WASHER	AR		X X X	17/64"X7/16"X.060"
24	L64854	COMPRESSION SPRING	1		X X X	(SUB FOR L33337)
25	L64853	COMPRESSION SPRING	1		X X X	(SUB FOR L33378)
26	400R	BALL	1		X X X	
27	R26373	SPRING	1		X X X	
28	CE14055	SET SCREW	2		X X X	
29	L34340	SPRING	1		X X X	
30	R28782	O-RING	1		X X X	
31	L34970	FITTING	1		X X X	
32	H871R	BALL	3		X X X	
33	34M7107	SPRING PIN	1		X X X	25X12MM
34	L34342	SPRING	1		X X X	
35	P50883	RING	1		X X X	
36	AL59768	VALVE SPOOL	1	520478-	X X X	(ORD W/ L41346, P50883, 34M7107) (SUB FOR L41345)
37	L41346	WASHER	1	513979-	X X X	
38	SPOOL VALVE	1	-520477	X X X	NSEP (ORD L41346, AL59768, P50883, 34M7107)
39	R27474	DRAIN PLUG	1		X X X	
40	R26906	O-RING	1		X X X	
41	R26287	O-RING	1	-540979	X X X	
	L41443	O-RING	1	540980-	X X X	

2E4

COLLAR SHIFT TRANSMISSION, HI-LO SHIFT

SHIFT COVER (WITH IND. PTO)
COUVERCLE DU CARTER D'EMBRAYAGE (PDF INDEP.)
SCHALTDECKEL (BEI UNABH. ZAPFWELLE)
COPERCHIO DISPOSITIVO INNESTO (CON PDF INDIPENDENTE)
TAPA DE LA CAJA DE CAMBIOS (CON TDF INDEPENDIENTE)
VAXELSPAKSLOCK (VID OBEROENDE KRAFTUTTAG)

L112422 -UN-01JAN94



L 112422

2E5

COLLAR SHIFT TRANSMISSION, HI-LO SHIFT

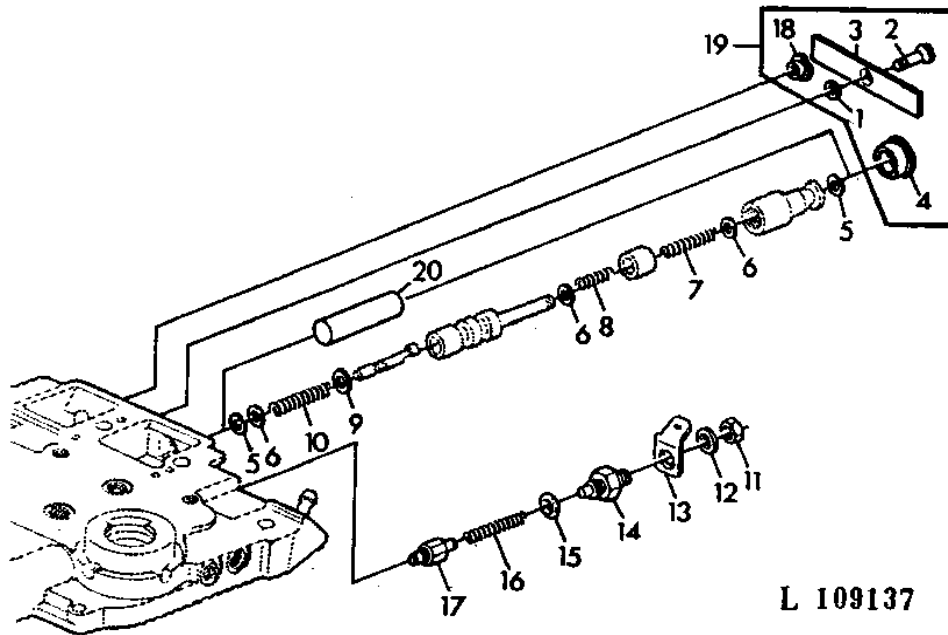
KEY	PART NO.	PART NAME	QTY	SERIAL NO.	REMARKS
					2
					1 2 0
					6 0 4
					4 4 0
					0 0 S
1	T22728	SCREW	3		X X X
2	R29936	O-RING	2		X X X
3	30M7005	CAP	1		X X X
4	R26287	O-RING	3		X X X
5	R31631	DRAIN PLUG	3		X X X 3/8"
6	R28634	PIN	2		X X X
7	19M7378	CAP SCREW	2		X X X M8X45
8	24M7036	WASHER	5		X X X 9X17X1.6MM
9	19H1819	CAP SCREW	1		X X X 3/8"X2-1/8"
10	24H1303	WASHER	1		X X X 13/32"X11/16"X.060"
11	T24395	TUBE	1		X X X
12	L61964	GASKET	2		X X X (SUB FOR L33775, L33766, L42048)
13	L33749	PLATE	1		X X X
14	R31631	DRAIN PLUG	1	-540979	X X X 3/8"
	L41079	PIPE PLUG	1	540980-	X X X M12X1.5
15	R375R	O-RING	2		X X X
16	A3917R	O-RING	3		X X X
17	19M7301	CAP SCREW	3		X X X M8X40
18	L34345	GASKET	1		X X X
19	L33777	MANIFOLD	1		X X X
20	CE14055	SET SCREW	2		X X X (A)
21	L64853	COMPRESSION SPRING	1		X X X (SUB FOR L33378)
22	L64854	COMPRESSION SPRING	1		X X X (SUB FOR L33337)
23	24H1285	WASHER	AR		X X X 17/64"X7/16"X.060"
24	R26375	O-RING	1		X X X
25	L33336	DRAIN PLUG	1		X X X
26	R26287	O-RING	1	-540979	X X X
	L41443	O-RING	1	540980-	X X X

(A) WITH CENTER SHIFT
 AVEC SELECTION CENTRALE
 BEI MITTELSCHALTUNG
 CAMBIABILE DAL CENTRO
 CAMBIABLE DESDE CENTRO
 VID CENTRALT VAXLING

2E6

COLLAR SHIFT TRANSMISSION, HI-LO SHIFT

CONTROL VALVE/SENDING UNIT
 DISTRIBUTEUR/TRANSMETTEUR
 STEUERVENTIL/KONTAKTSTOPFEN
 DISTRIBUTORE/MANICOTTO COLLEGAMENTO
 VALVULA DE CONTROL/CONTACTOR-IMPULSOR
 MANOVERVENTIL/VENTILSPOLE
 L109137 -UN-12MAY95



L 109137

KEY	PART NO.	PART NAME	QTY	SERIAL NO.	REMARKS
					2
					1 2 0
					6 0 4
					4 4 0
					0 0 S
1	24M7027	WASHER	1	X X X	5.300X10X1MM
2	21M7307	SCREW	1	X X X	M5X12
3	L39034	STRAP	1	X X X	
4	L39035	PLUG	1	X X X	
5	R67794	SNAP RING	2	X X X	
6	R31632	SHIM	9	X X X	
7	R34863	SPRING	1	X X X	
8	T17589	SPRING	1	X X X	
9	B1664R	SHIM	AR	X X X	
10	R45582	SPRING	1	X X X	
11	14H631	NUT	1	X X X	NO. 10
12	24M7027	WASHER	1	X X X	5.300X10X1MM
13	57M7116	TAB	1	X X X	(SUB FOR 57M7085 APPL)
14	AL30150	PLUG	1	X X X	
15	R26448	O-RING	1	X X X	
16	L34104	SPRING	1	X X X	
17	AL30590	CONTACT	1	X X X	
18	L39036	PLUG	1	X X X	(B)
19	AL37565	KIT	1	X X X	
20	L35210	PIN	1	X X	(A)

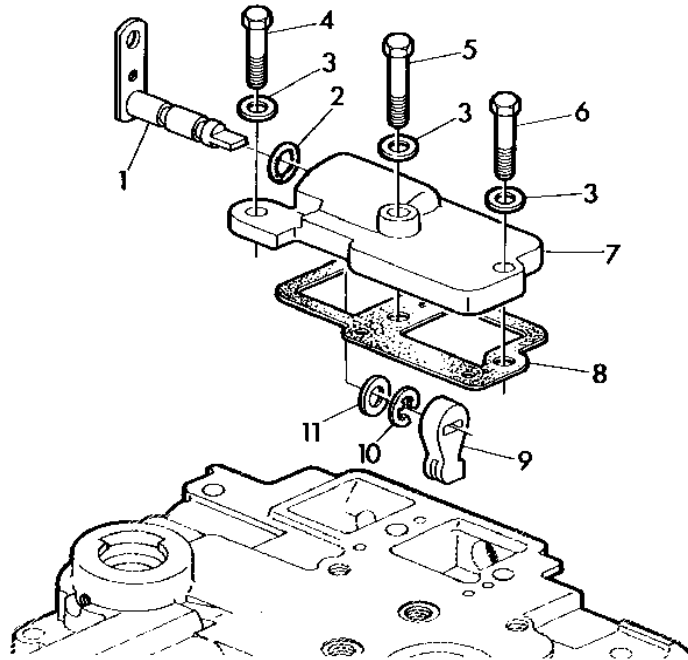
(A) WITH CONTINUOUS RUNNING PTO
 AVEC PDF MOTEUR
 BEI MOTORZAPFWELLE
 CON P.D.F.FUNZION CONTINUO
 CON T.D.F.MANDO CONTINUO
 VID KOPPLINGSBER.KRAFTUTTAG

(B) WITH HI-LO SHIFT UNIT
 AVEC HI-LO
 BEI LASTSCHALTSTUFE
 CON RIDUTT.HI-LO
 CON REDUCCION HI-LO
 VID HOG-LAG VAXLING

2E7

COLLAR SHIFT TRANSMISSION, HI-LO SHIFT

HI-LO SHIFT (WITH CONTINUOUS RUNNING PTO)
 REDUCTEUR HI-LO (AVEC PDF MOTEUR)
 LASTSCHALTSTUFE-SCHALTUNG (BEI MOTORZAPFWELLE)
 COMANDO DELLA RIDUZIONE HI-LO (CON PDF DI COMANDO CONTINUO)
 DISP. DE MANDO DE LA REDUCCION HI-LO (CON TDF MANDO CONTINUO)
 MANOVERLANK. FOR HOG-LAG VAXEL (VID KOPPLINGSBER. KRAFTUTT.)
 L34192 -UN-15MAY95



L 34192

2
 1 2 0
 6 0 4
 4 4 0
 0 0 S

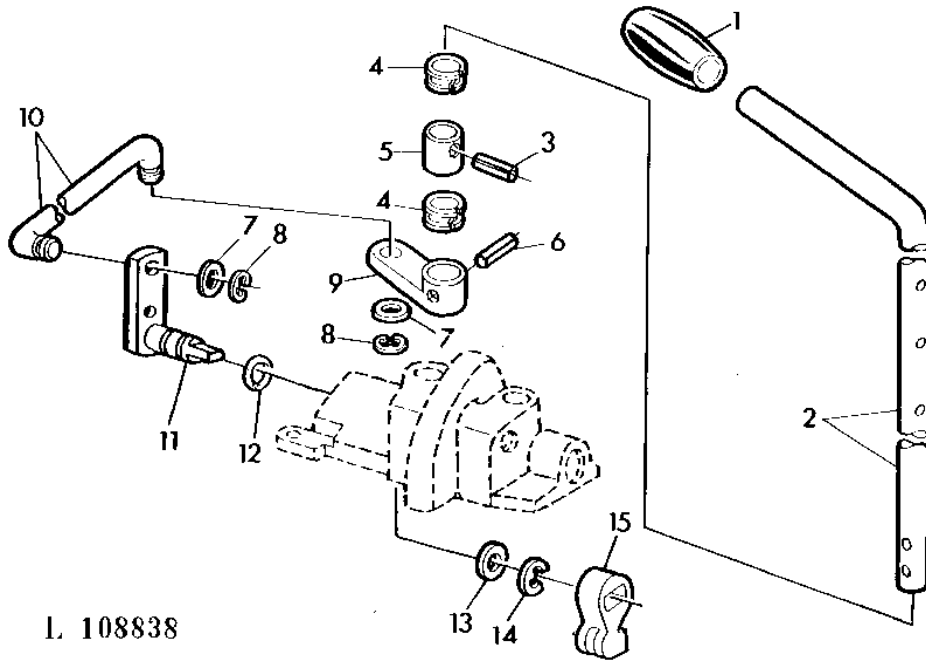
KEY	PART NO.	PART NAME	QTY	SERIAL NO.	REMARKS
1	AT29712	LEVER	1	X X	
2	R28782	O-RING	1	X X	
3	24H1303	WASHER	3	X X	13/32"X11/16"X.060"
4	19H1819	CAP SCREW	1	X X	3/8"X2-1/8"
5	19H1944	CAP SCREW	1	X X	3/8"X2-3/4"
6	19H1726	CAP SCREW	1	X X	3/8"X2-1/4"
7	L34343	COVER	1	X X	
8	L34344	GASKET	1	X X	
9	T25395	LEVER	1	X X	
10	P44982	PISTON RING	1	X X	
11	24H1227	WASHER	1	X X	13/16"X17/32"X.060"

MEMORANDA
MEMORANDA
MEMORANDA
MEMORANDA
MEMORANDA

2E8

COLLAR SHIFT TRANSMISSION, HI-LO SHIFT

HI-LO SHIFT CONTROL LEVER
 LEVIER DE COMMANDE DE HI-LO
 LASTSCHALTSTUFE-SCHALTHEBEL
 LEVA COMANDO HI-LO
 PALANCA PARA MECANISMO DE CAMBIO HI-LO
 MANOVERSPAK FOR HOG-LAG SNABBVAXEL
 L108838 -UN-31MAY95



L 108838

2
 1 2 0
 6 0 4
 4 4 0
 0 0 S

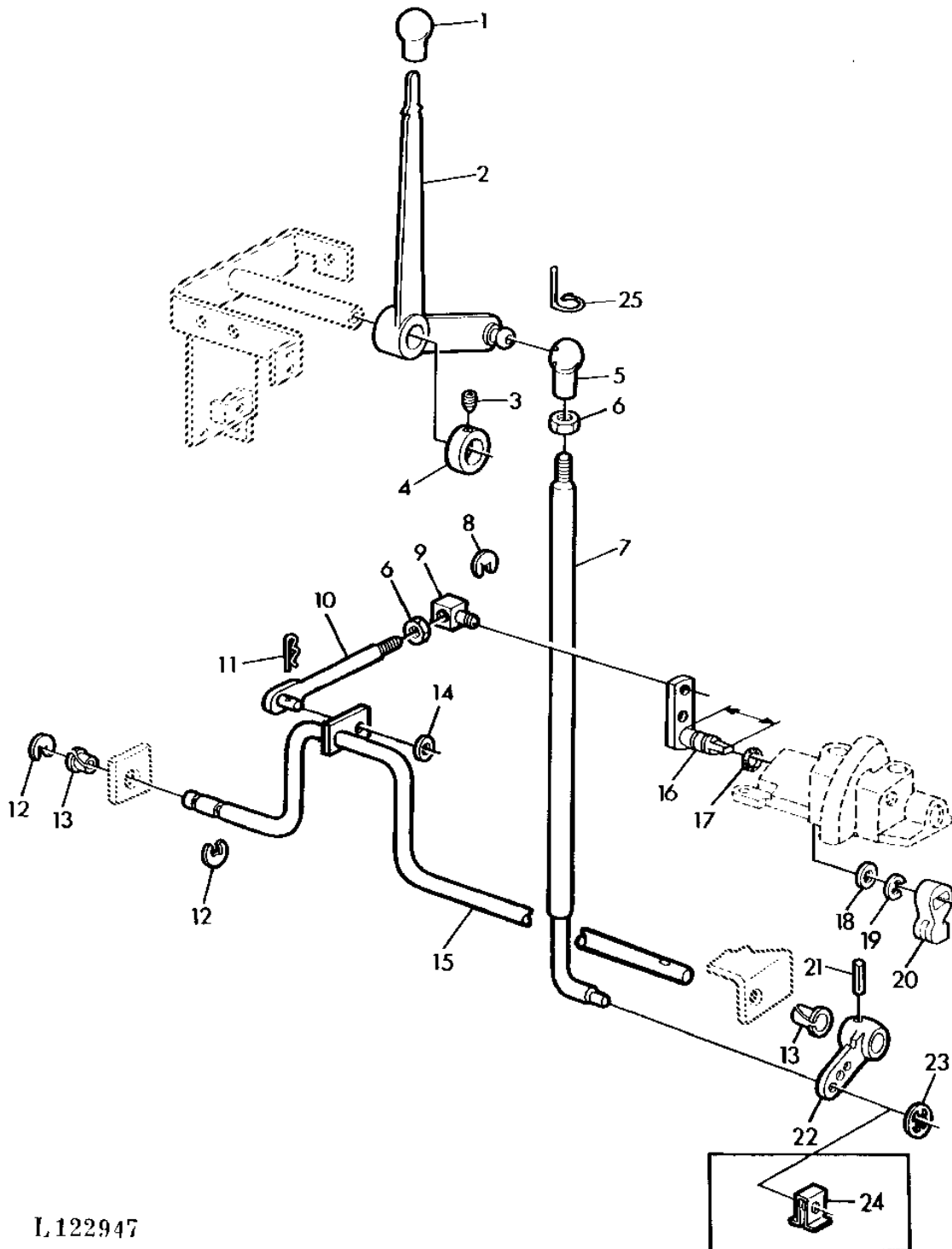
KEY	PART NO.	PART NAME	QTY	SERIAL NO.	REMARKS
1	L56923	CAP	1	X X X	(SUB FOR R54272 APPL)
2	L34421	LEVER	1	X X X	
3	34H280	SPRING PIN	1	X X X	3/16"X7/8"
4	R34811	GROMMET	2	X X X	(SUB FOR R52646)
5	L34424	BUSHING	1	X X X	
6	34H282	SPRING PIN	1	X X X	3/16"X1"
7	24H1243	WASHER	2	X X X	11/32"X5/8"X.060"
8	R27507	SNAP RING	2	X X X	
9	L63868	ARM	1	X X X	(SUB FOR L34830)
10	L34831	ROD	1	X X X	
11	AT29712	LEVER	1	X X X	
12	R28782	O-RING	1	X X X	
13	24H1227	WASHER	1	X X X	17/32"X13/16"X.060"
14	P44982	PISTON RING	1	X X X	
15	T25395	LEVER	1	X X X	

2E9

COLLAR SHIFT TRANSMISSION, HI-LO SHIFT

HI-LO SHIFT LINKAGE (WITH SG2 CAB AND COLLAR-SHIFT TRANSMISSION)
TRINGLERIE DE HI-LO (AVEC CABINE SG2 ET BOITE A MANCHONS BALADEURS)
LASTSCHALTSTUFE-SCHALTGESTÄNGE (BEI SG2 KABINE UND MUFFENSCHALTGETRIEBE)
LEVE DI COMANDO DELLA RIDUZIONE HI-LO (CON CABINA SG2 E CAMBIO COLLARE SCORREVOLE)
VARILLAJE DE MANDO DE LA REDUCCION HI-LO (CON CABINA SG2 Y CAMBIO DE COLLARINES DESPLAZABLES)
MANOVERLANKAGE FOR HOG-LAG VAXEL (VID SG2 HYT OCH VAXELLADA "COLLAR-SHIFT")

L122947 -UN-18JUL95



L122947

2E10

COLLAR SHIFT TRANSMISSION, HI-LO SHIFT

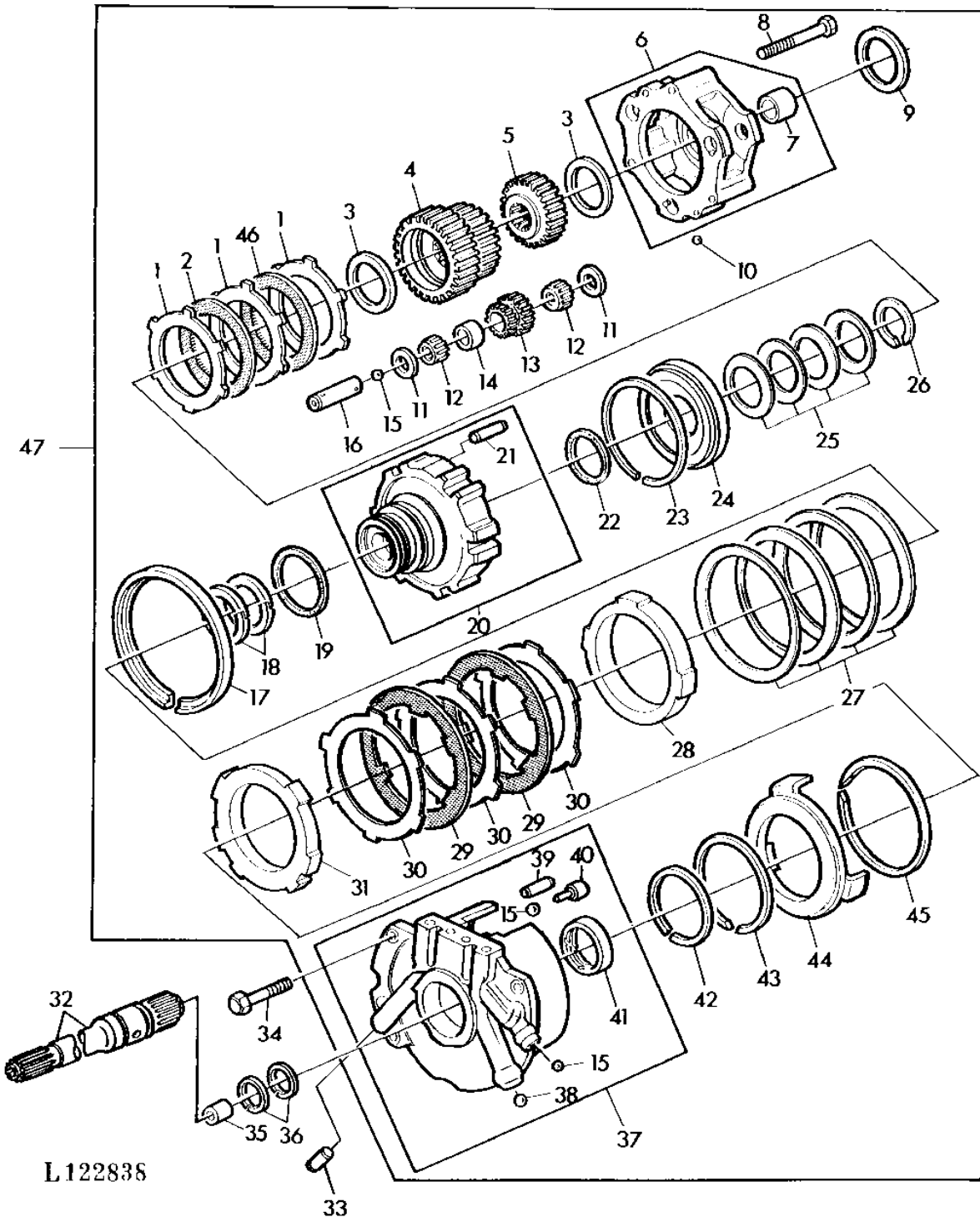
KEY	PART NO.	PART NAME	QTY	SERIAL NO.	REMARKS
					2
					1 2 0
					6 0 4
					4 4 0
					0 0 S
1	L56928	KNOB	1		(SUB FOR R68175 APPL)
2	AL34180	GEARSHIFT LEVER	1		
3	L39091	BOLT	1		M8X10
4	99M7081	BUSHING	1		
5	56M7003	BALL JOINT SOCKET	1		
6	14M7151	NUT	2		M8
7	L36636	ROD	1		
8	R27507	SNAP RING	1		
9	L38589	PIN	1		
10	AR88561	ROD	1		
11	R46528	SPRING LOCKING PIN	1		
12	F2208R	SNAP RING	2		(FOR AL33214)
	R26871	SNAP RING	2		(FOR AL57552)
13	R41076	GROMMET	2		
14	24H1286	WASHER	1		9/32"X1/2"X0.06"
15	AL33214	ROD	1		(ORD AL57552, (2) 40M7042)
	AL57552	ROD	1		
16	AL34173	LEVER	1	-530537	LGTH= 53.5MM (FOR L33341)
	AL39575	LEVER	1	530538-	LGTH= 63MM (FOR L41351)
17	R28782	O-RING	1		
18	24H1227	WASHER	1		17/32"X13/16"X.060"
19	P44982	PISTON RING	1		
20	T25395	LEVER	1		
21	34H394	SPRING PIN	1		
22	R58509	LEVER	1		
23	L41366	RETAINING WASHER	1		
24	L33681	CLAMP	1		
25	56M7004	BALL JOINT SOCKET	1		

2E11

COLLAR SHIFT TRANSMISSION, HI-LO SHIFT

HI-LO CLUTCH (COLLAR-SHIFT TRANSMISSION)
EMBRAYAGE DE HI-LO (BOITE A MANCHONS BALADEURS)
LASTSCHALTSTUFE-KUPPLUNG (MUFFENSCHALTGETRIEBE)
FRIZIONE HI-LO (CAMBIO COLLARE SCORREVOLE)
EMBRAGUE DE MECANISMO DE CAMBIO HI-LO (CAMBIO DE COLLARINES DESPLAZABLES)
HOG-LAG KOPPLING (VAXELLADA "COLLAR-SHIFT")

L122838 -UN-07JUL95



L122838

2E12

COLLAR SHIFT TRANSMISSION, HI-LO SHIFT

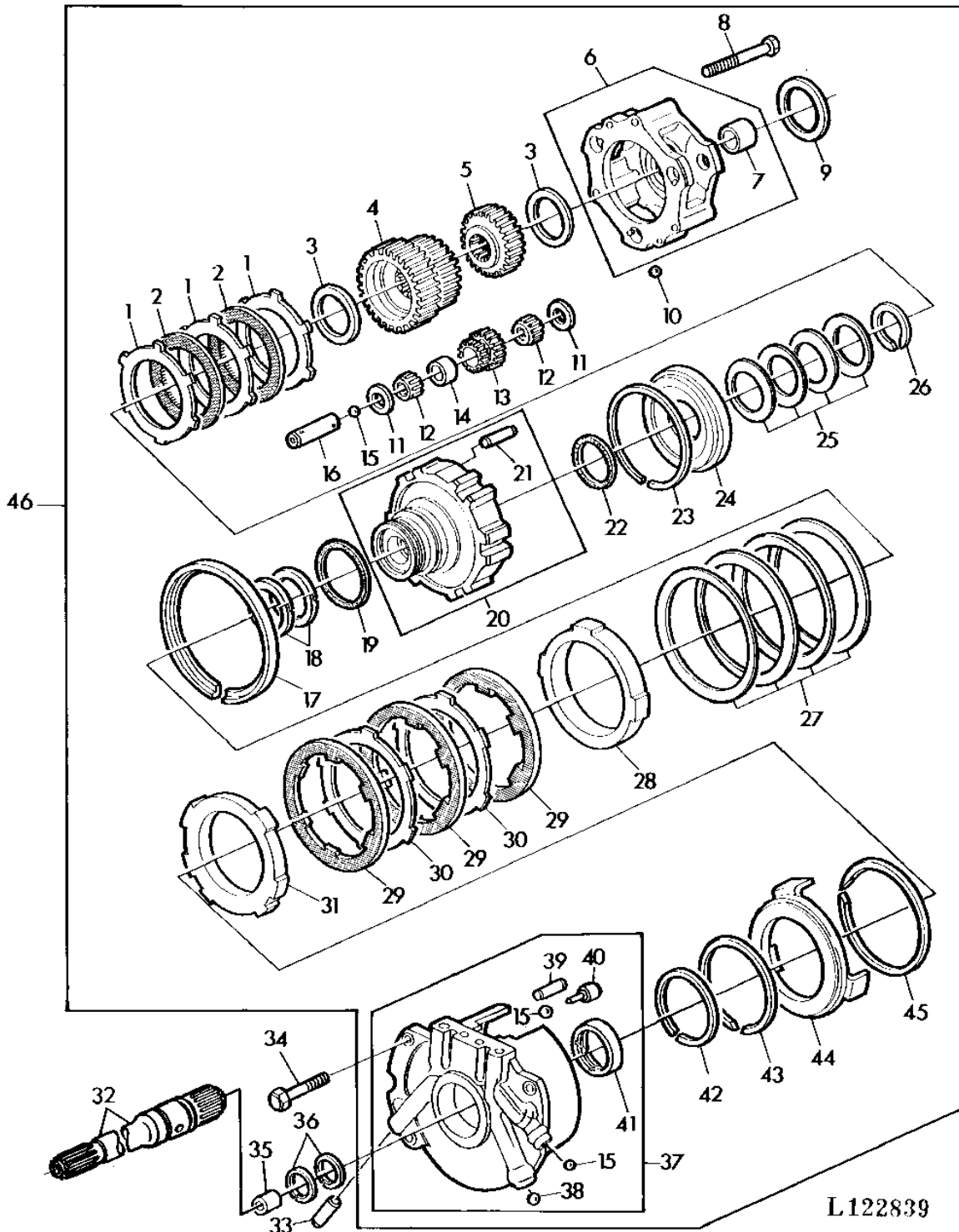
KEY	PART NO.	PART NAME	QTY	SERIAL NO.	REMARKS
					2
					1 2 0
					6 0 4
					4 4 0
					0 0 S
1	R64197	CLUTCH PLATE	3	X X	
2	AL38239	DISK, INNER SPLINE	1	X X	(SUB FOR AR78361)
3	R33083	WASHER	2	X X	
4	AL28751	PINION	1	X X	
5	L36661	PINION	1	X X	
6	AL30686	PLANET PINION CARRIER	1	X X	
7	L34116	BUSHING	1	X X	
8	19H1904	CAP SCREW	3	X X	5/16"X3"
9	L33159	THRUST WASHER	1	X X	
10	H871R	BALL	8	X X	5MM (3/16")
11	R54961	THRUST WASHER	6	X X	
12	JD9932	NEEDLE BEARING	6	X X	(ORD (2) AL39254, L41032)
	AL39254	NEEDLE BEARING	6	X X	
13	L33157	PINION	3	X X	
14	L41032	WASHER	3	X X	TK= 3.15MM
	R58209	WASHER	3	X X	TK= 8.15MM (ORD L41032, (2) AL39254)
15	L38718	BALL	5	X X	6MM (1/4")
16	L33158	PINION SHAFT	3	X X	
17	L33303	SNAP RING	1	X X	
18	L33155	RING	2	X X	
19	R50349	WASHER	1	X X	
20	AL28748	DRUM	1	X X	
21	R38295	NEEDLE ROLLER	3	X X	
22	R39304	WASHER	1	X X	
23	R39280	PISTON RING	1	X X	
24	R39285	PISTON	1	X X	
25	R50348	DISK SPRING	4	X X	
26	R39299	SNAP RING	1	X X	
27	L62954	DISK SPRING	4	X X	(SUB FOR L33161)
28	L33162	PLATE	1	X X	
29	AL38238	DISK, INNER SPLINE	2	X X	(SUB FOR AL30687)
30	L33163	CLUTCH PLATE	3	X X	
31	L33164	PLATE	1	X X	
32	L35243	SHAFT	1	X X	
33	L33334	DOWEL PIN	1	X X	
34	19H2552	CAP SCREW	4	X X	3/8"X1-1/8"
35	L33134	BUSHING	1	X X	
36	T28807	PISTON RING	2	X X	
37	AL40807	HOUSING	1	X X	(MARKED L41677) (ORD W/ L40773, L33334) (SUB FOR AL30685, AL38868)
38	R26552	BALL	1	X X	8MM (5/16")
39	R30587	DOWEL PIN	2	X X	
40	L33369	PIN	1	X X	
41	L34115	BUSHING	1	X X	
42	L62161	SEAL	1	X X	(SUB FOR L34185)
43	L62272	SEAL	1	X X	(SUB FOR L33167)
44	AL64922	PISTON	1	X X	(SUB FOR AL28756)
45	L33165	SNAP RING	1	X X	
46	AR39128	DISK, INNER SPLINE	1	X X	
47	AL40806	HIGH-LOW CLUTCH	1	X X	(ORD W/ L33334) (SUB FOR AL30681)

2E13

COLLAR SHIFT TRANSMISSION, HI-LO SHIFT

HI-LO CLUTCH (COLLAR-SHIFT TRANSMISSION)
EMBAYAGE DE HI-LO (BOITE A MANCHONS BALADEURS)
LASTSCHALTSTUFE-KUPPLUNG (MUFFENSCHALTGETRIEBE)
FRIZIONE HI-LO (CAMBIO COLLARE SCORREVOLE)
EMBRAGUE DE MECANISMO DE CAMBIO HI-LO (CAMBIO DE COLLARINES DESPLAZABLES)
HOG-LAG KOPPLING (VAXELLADA "COLLAR-SHIFT")

L122839 -UN-18JUL95



L122839

2E14

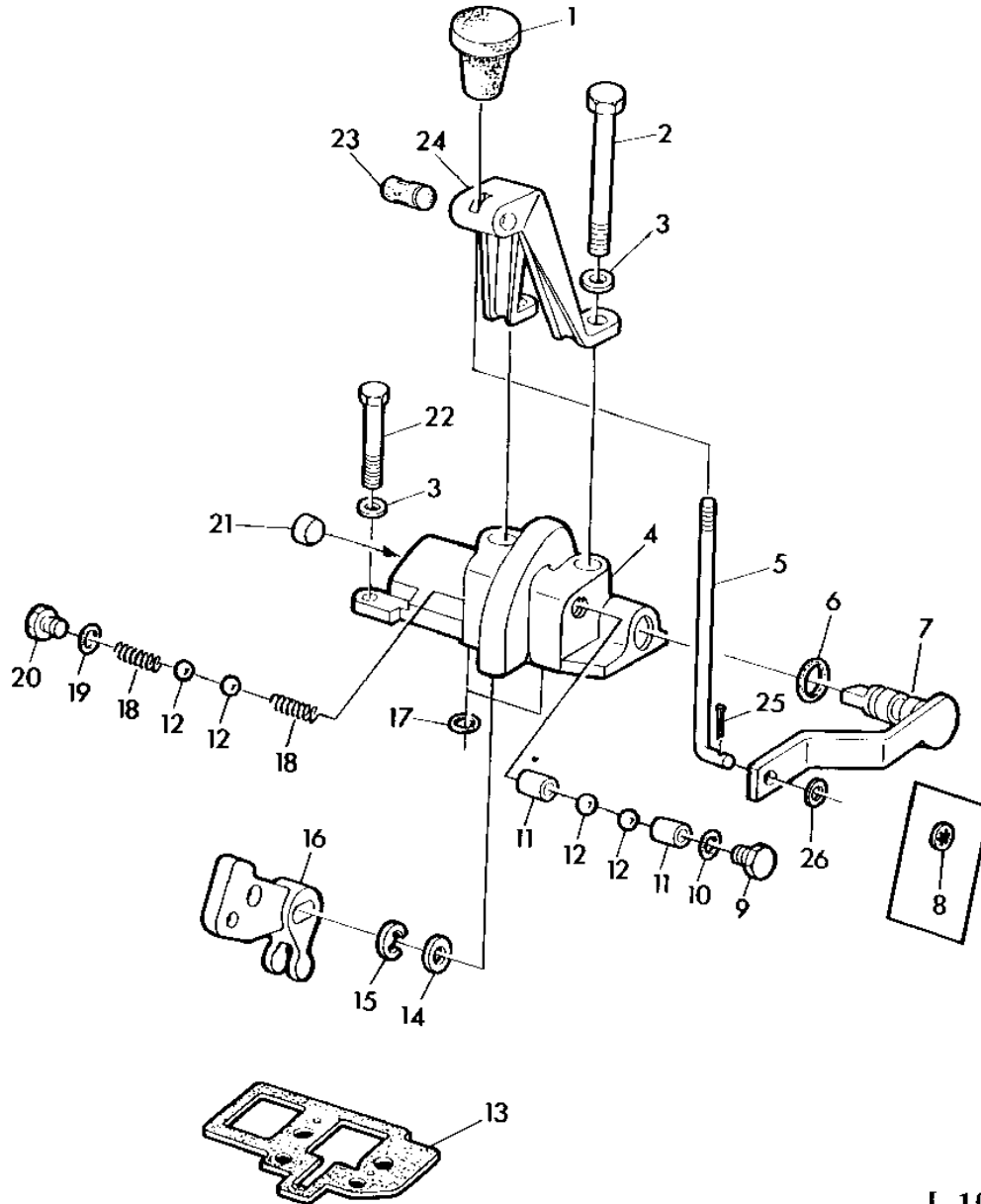
COLLAR SHIFT TRANSMISSION, HI-LO SHIFT

KEY	PART NO.	PART NAME	QTY	SERIAL NO.	REMARKS
					2
					1 2 0
					6 0 4
					4 4 0
					0 0 S
1	R64197	CLUTCH PLATE	3		X
2	AL38239	DISK, INNER SPLINE	2		X (SUB FOR AR78361)
3	R33083	WASHER	2		X
4	AL28751	PINION	1		X
5	L33156	PINION	1		X
6	AL30686	PLANET PINION CARRIER	1		X
7	L34116	BUSHING	1		X
8	19H1904	CAP SCREW	3		X 5/16"X3"
9	L33159	THRUST WASHER	1		X
10	H871R	BALL	8		X 5MM (3/16")
11	R54961	THRUST WASHER	6		X
12	JD9932	NEEDLE BEARING	6		X (ORD (2) AL39254, L41032)
	AL39254	NEEDLE BEARING	6		X
13	L33157	PINION	3		X
14	L41032	WASHER	3		X TK= 3.15MM
	R58209	WASHER	3		X TK= 8.15MM (ORD L41032, (2) AL39254)
15	L38718	BALL	5		X 6MM (1/4")
16	L33158	PINION SHAFT	3		X
17	L33303	SNAP RING	1		X
18	L33155	RING	2		X
19	R50349	WASHER	1		X
20	AL28748	DRUM	1		X
21	R38295	NEEDLE ROLLER	3		X
22	R39304	WASHER	1		X
23	R39280	PISTON RING	1		X
24	R39285	PISTON	1		X
25	R50348	DISK SPRING	4		X
26	R39299	SNAP RING	1		X
27	L62954	DISK SPRING	4		X (SUB FOR L33161)
28	L33162	PLATE	1		X
29	AL38238	DISK, INNER SPLINE	3		X (SUB FOR AL30687)
30	L33163	CLUTCH PLATE	2		X
31	L33164	PLATE	1		X
32	L35243	SHAFT	1		X
33	L33334	DOWEL PIN	1		X
34	19H2552	CAP SCREW	4		X 3/8"X1-1/8"
35	L33134	BUSHING	1		X
36	T28807	PISTON RING	2		X
37	AL40807	HOUSING	1		X (MARKED L41677) (ORD W/ L40773, L33334) (SUB FOR AL30685, AL38868)
38	R26552	BALL	1		X 8MM (5/16")
39	R30587	DOWEL PIN	2		X
40	L33369	PIN	1		X
41	L34115	BUSHING	1		X
42	L62161	SEAL	1		X (SUB FOR L34185)
43	L62272	SEAL	1		X (SUB FOR L33167)
44	AL64922	PISTON	1		X (SUB FOR AL28756)
45	L33165	SNAP RING	1		X
46	AL40808	HIGH-LOW CLUTCH	1		X (ORD W/ L33334) (SUB FOR AL28739)

2E15

COLLAR SHIFT TRANSMISSION, HI-LO SHIFT

COVER/CONTROL LEVER (WITH INDEPENDENT PTO)
COUVERCLE/LEVIER (AVEC PDF INDEPENDANTE)
DECKEL/HEBEL (BEI UNABH. ZAPFWELLE)
COMANDO PDF INDIPENDENTE
TAPA/PALANCA DE MANDO (CON TDF INDEPENDIENTE)
MANOVERLANKAGE FOR OBEROENDE KRAFTUTTAG
L100532 -UN-17JUL95



I. 100532

2E16

COLLAR SHIFT TRANSMISSION, HI-LO SHIFT

KEY	PART NO.	PART NAME	QTY	SERIAL NO.	REMARKS
					2
					1 2 0
					6 0 4
					4 4 0
					0 0 S
1	L56920	KNOB	1	X X X	(SUB FOR L31945)
2	19H2228	CAP SCREW	2	X X X	3/8"X4"
	19H2636	CAP SCREW	2	X X X	(B) 3/8"X3-5/8"
3	24H1303	WASHER	3	X X X	13/32"X11/16"X.060"
4	L59830	COVER	1	X X X	(SUB FOR L33341, L41351 APPL)
5	L31946	BOLT	1	X X X	
6	R28782	O-RING	1	X X X	
7	AL60773	LEVER	1	X X X	(SUB FOR AL35969 APPL)
8	L31947	SNAP RING	1	X X X	
9	R27218	FITTING PLUG	1	X X X	
10	R26448	O-RING	1	X X X	
11	L59305	PISTON	2	X X X	(SUB FOR L34105)
12	R26552	BALL	4	X X X	5/16"
13	L33342	GASKET	1	X X X	
14	24M7229	SHIM	1	X X X	14X20X0.3MM
15	R26871	SNAP RING	1	X X X	
16	L33318	LEVER	1	X X X	
17	L36237	O-RING	2	X X X	
18	L34106	SPRING	2	X X X	
19	R26287	O-RING	1	X X X	
20	R31631	DRAIN PLUG	1	X X X	3/8"
21	M4224T	PLUG	1	X X X	(A)
22	19H1819	CAP SCREW	1	X X X	3/8"X2-1/8"
23	L31944	PIN	1	X X X	
24	L31943	SUPPORT	1	X X X	
25	11M7009	COTTER PIN	1	X X X	2X16MM
26	24M7055	WASHER	1	X X X	8.4X17X1.4MM

(A) WITHOUT HI-LO SHIFT UNIT
 SANS HI-LO
 OHNE LASTSCHALTSTUFE
 SENZA RIDUTTORE HI-LO
 SIN MECANISMO DE CAMBIO HI-LO
 UTAN HOG-LAG SNABBVAXEL

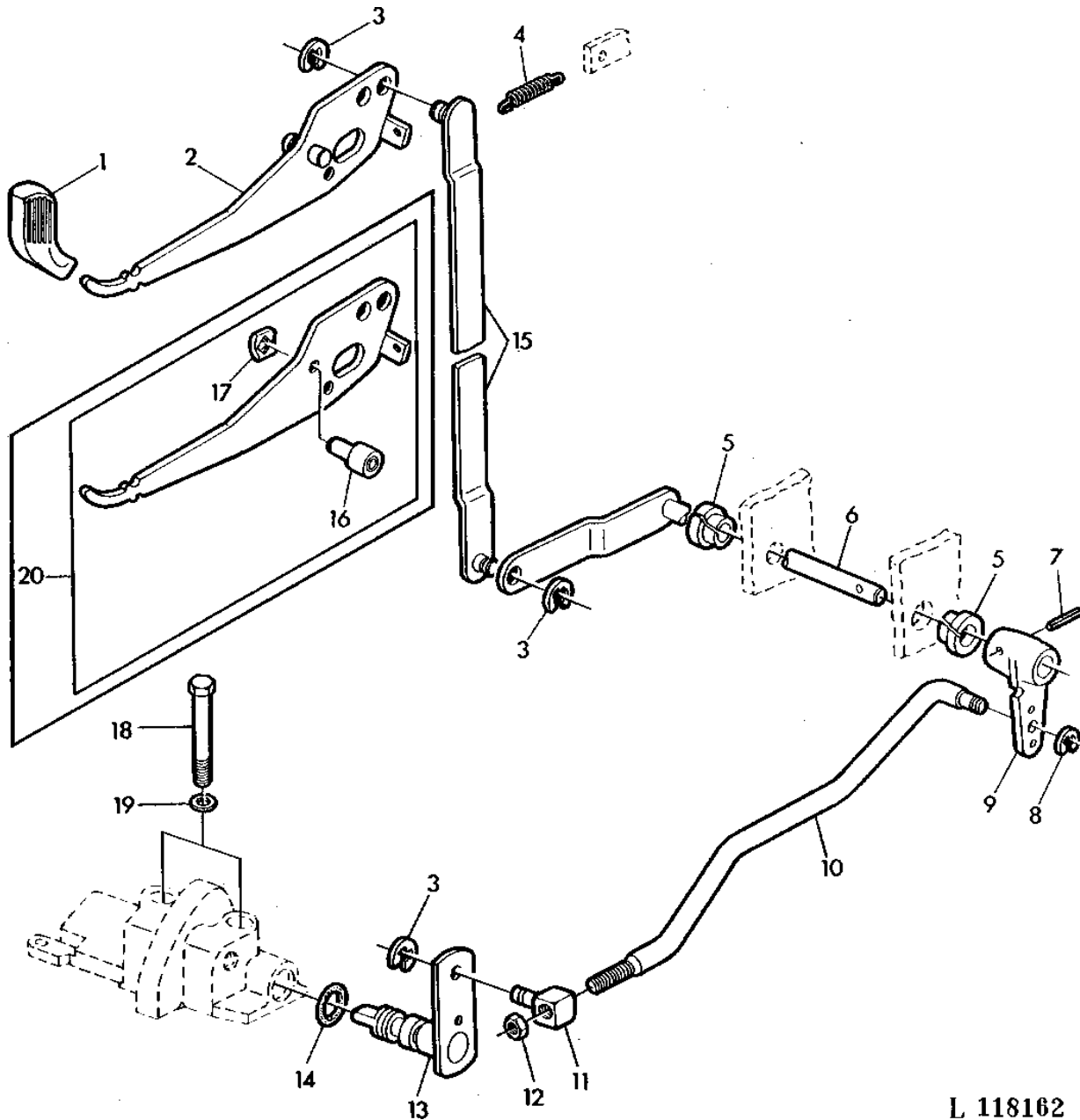
(B) WITH MC1 CAB WITHOUT CONSOLE L31943
 SUR CABINE MC1 SANS CONSOLE L31943
 BEI MC1 KABINE OHNE KONSOLE L31943
 CON CABINA MC1 SENZA SUPPORTO L31943
 CON CABINA MC1 SIN CONSOLA L31943
 VID MC1 FORARHYTT UTAN KONSOLL L31943

2E17

COLLAR SHIFT TRANSMISSION, HI-LO SHIFT

PTO CONTROL LINKAGE (WITH SG2 CAB AND COLLAR-SHIFT TRANSMISSION)
TRINGLERIE DE PDF (AVEC CABINE SG2 ET BOITE A MANCHONS BALADEURS)
ZAPFWELLEN-GESTAENGE (BEI SG2 KABINE UND MUFFENSCHALTGETRIEBE)
LEVE DI COMANDO DELLA PDF (CON CABINA SG2 E CAMBIO COLLARE SCORREVOLE)
VARILLAJE DE MANDO DE LA TDF (CON CABINA SG2 Y CAMBIO DE COLLARINES DESPLAZABLES)
MANOVERLANKAGE FOR KRAFTUTTAG (VID SG2 HYTT OCH VAXELLADA "COLAR-SHIFT")

L118162 -UN-01JAN94



L 118162

2E18

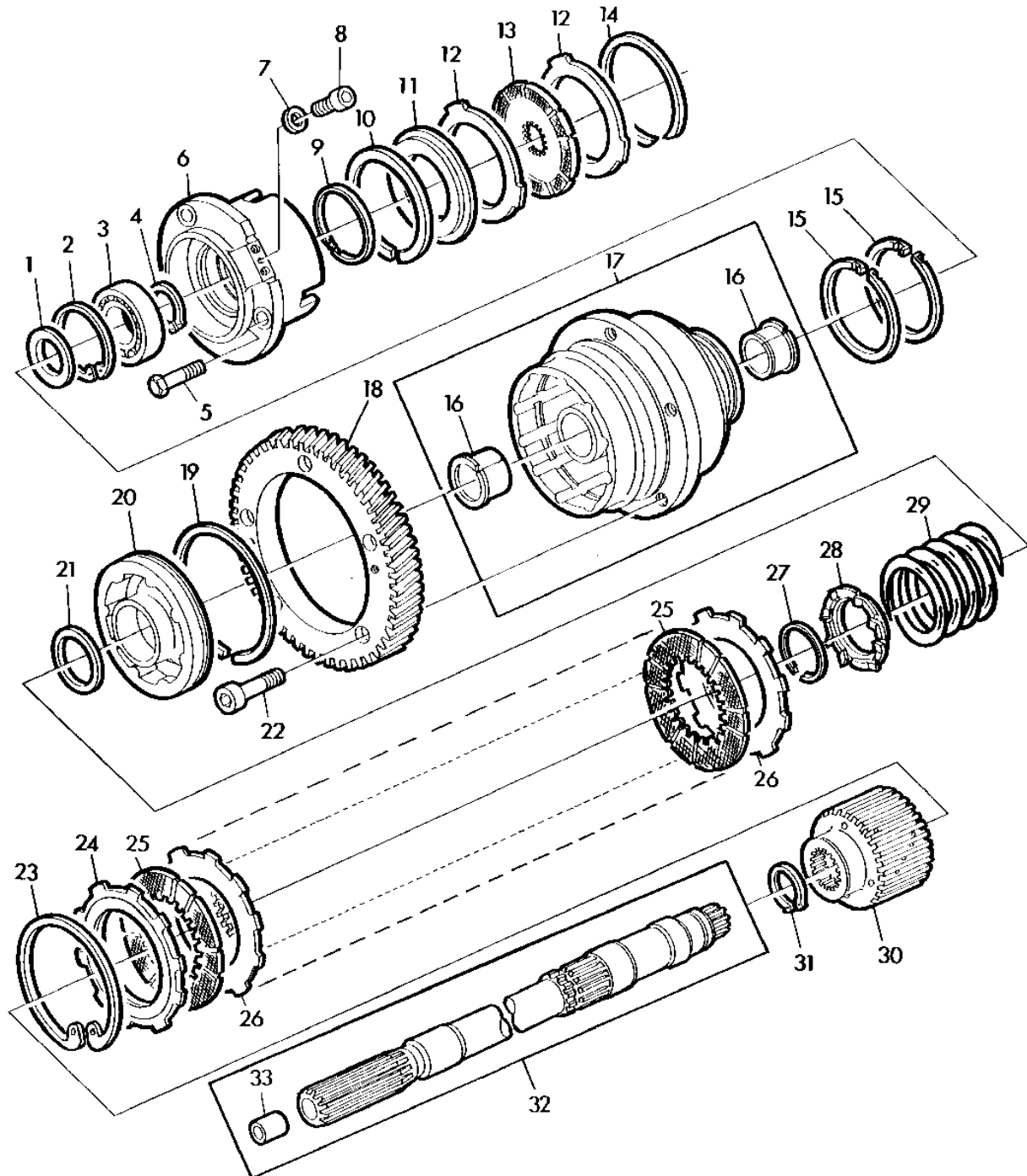
COLLAR SHIFT TRANSMISSION, HI-LO SHIFT

KEY	PART NO.	PART NAME	QTY	SERIAL NO.	REMARKS
					2
					1 2 0
					6 0 4
					4 4 0
					0 0 S
1	RE18923	KNOB	1	X X	(SUB FOR R52056 APPL)
2	AL56724	LEVER	1	X X	(SUB FOR AL36515)
3	R72655	SNAP RING	3	X X	(SUB FOR T12808)
4	L38612	SPRING	1	X X	
5	R41076	GROMMET	2	X X	
6	AR88142	SHAFT	1	X X	
7	34H394	SPRING PIN	1	X X	(SUB FOR 34H279 APPL)
8	R27507	SNAP RING	1	X X	
9	R58509	LEVER	1	X X	
10	R67702	ROD	1	X X	
11	L41292	SWIVEL	1	X X	(SUB FOR R51067 APPL)
12	14H850	NUT	1	X X	1/4"
13	AL34334	LEVER	1	X X	
14	R28782	O-RING	1	X X	
15	AR88143	LINK	1	X X	
16	AL36514	ROLLER	1	X X	
17	L35975	CLIP	1	X X	
18	19H2636	CAP SCREW	2	X X	3/8"X3-5/8"
19	24H1303	WASHER	2	X X	13/32"X11/16"X0.060"
20	AL36515	LEVER	1	X X	(ORD AL56724)

2E19

COLLAR SHIFT TRANSMISSION, HI-LO SHIFT

PTO CLUTCH (COLLAR-SHIFT TRANSMISSION)
EMBRAYAGE DE PDF (BOITE A MANCHONS BALADEURS)
ZAPFWELLENKUPPLUNG (MUFFENSCHALTGETRIEBE)
FRIZIONE PDF (CAMBIO COLLARE SCORREVOLE)
EMBRAGUE DE LA TDF (CAMBIO DE COLLARINES DESPLAZABLES)
KRAFTTAGSKOPPLING (VAXELLADA "COLLAR-SHIFT")
L115578 -UN-12MAY95



I. 115578

2E20

COLLAR SHIFT TRANSMISSION, HI-LO SHIFT

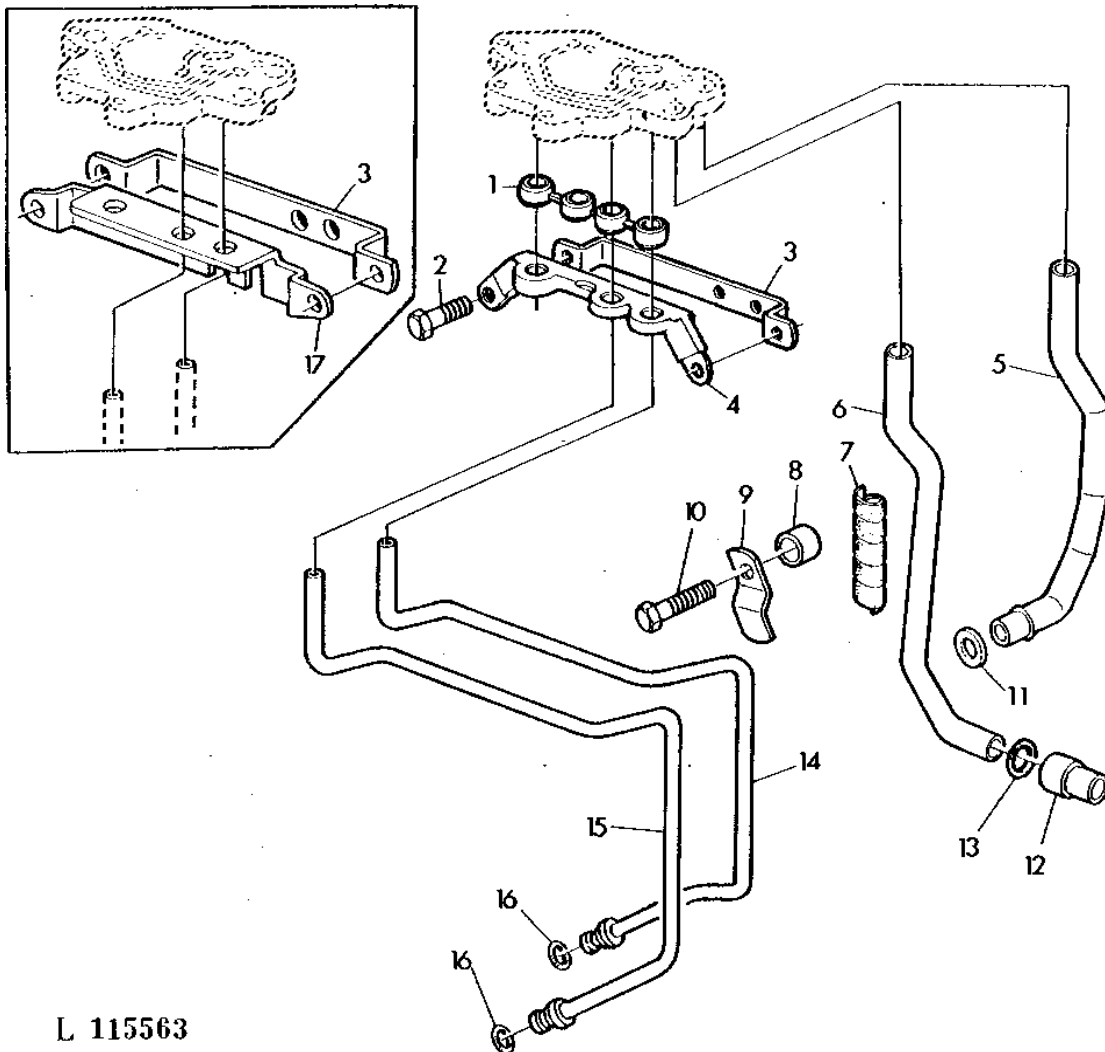
KEY	PART NO.	PART NAME	QTY	SERIAL NO.	REMARKS
					2
					1 2 0
					6 0 4
					4 4 0
					0 0 S
1	L33313	WASHER	1		X X X
2	40M7044	SNAP RING	1		X X X 72X2.5MM
3	L64838	BALL BEARING	1		X X X (SUB FOR JD10095)
4	40M7046	SNAP RING	1		X X X 35X1.5MM
5	19H3239	CAP SCREW	3		X X X 3/8"X1-1/4"
6	L33312	DRUM	1		X X X
7	24M7088	WASHER	1		X X X 6.6MM
8	19M7768	SCREW	1		X X X M6X16
9	L33117	PISTON RING	1		X X X
10	51M7017	PISTON RING	1		X X X 110X100.8X3MM
11	L33316	PISTON	1		X X X
12	L33125	PLATE	2		X X X
13	AL55075	DISK, INNER SPLINE	1		X X X (SUB FOR AL28723)
14	L33119	SNAP RING	1		X X X
15	R33167	RING	2		X X X
16	L33320	BUSHING	2		X X X
17	AL39262	DRUM	1		X X X (SUB FOR AL35664)
18	L61828	GEAR	1		X X X Z=65 (SUB FOR L34053)
	L34052	GEAR	1	-507734	X X X (A) Z=75
	L40837	GEAR	1	507735-	X X X (A) Z=72
19	L28656	PISTON RING	1		X X X
20	L32738	PISTON	1		X X X
21	R39304	WASHER	1		X X X
22	19M7576	SCREW	5		X X X M10X1.5X30
23	L38023	SNAP RING	1		X X X
24	L33563	PLATE	1		X X X
25	AL38240	DISK, INNER SPLINE	10		X X X (A) (SUB FOR AT26632)
	AL38239	DISK, INNER SPLINE	8		X X X (SUB FOR AR78361)
26	T28664	DISK, OUTER SPLINE	10		X X X (A)
	T28664	DISK, OUTER SPLINE	8		X X X
27	R39299	SNAP RING	1		X X X
28	T32849	RETAINER	1		X X X
29	T32848	SPRING	1		X X X
30	L33314	HUB	1		X X X
31	40M7058	SNAP RING	1		X X X 40X1.75MM
32	AL33344	SHAFT	1		X X X
33	T22127	BUSHING	1		X X X

(A) WITH IND. 540 RPM PTO
 AVEC PDF INDEPENDANTE 540 TR/MIN
 BEI UNABH. ZAPFW. 540 U/MIN
 CON PDF INDIP. 540 G/MIN
 CON TDF INDEP. DE 540 R/MIN
 VID OBER. KRAFTUTTAG 540 RPM

2E21

COLLAR SHIFT TRANSMISSION, HI-LO SHIFT

OIL MANIFOLD/OIL LINES (WITH IND. PTO)
REPARTITEUR/CONDUITES D'HUILE (AVEC PDF INDEP.)
OELVERTEILER/OELLEITUNGEN (BEI UNABH. ZAPFWELLE)
RIPARTITORE/LINEE OLIO (CON PDF INDIPENDENTE)
REPARTIDOR DE ACEITE/TUBERIAS (CON TDF INDEPENDIENTE)
OLJEFORDELARE OCH LEDNINGAR (VID OBER. KRAFTUTTAG)
L115563 -UN-01JAN94



L 115563

2E22

COLLAR SHIFT TRANSMISSION, HI-LO SHIFT

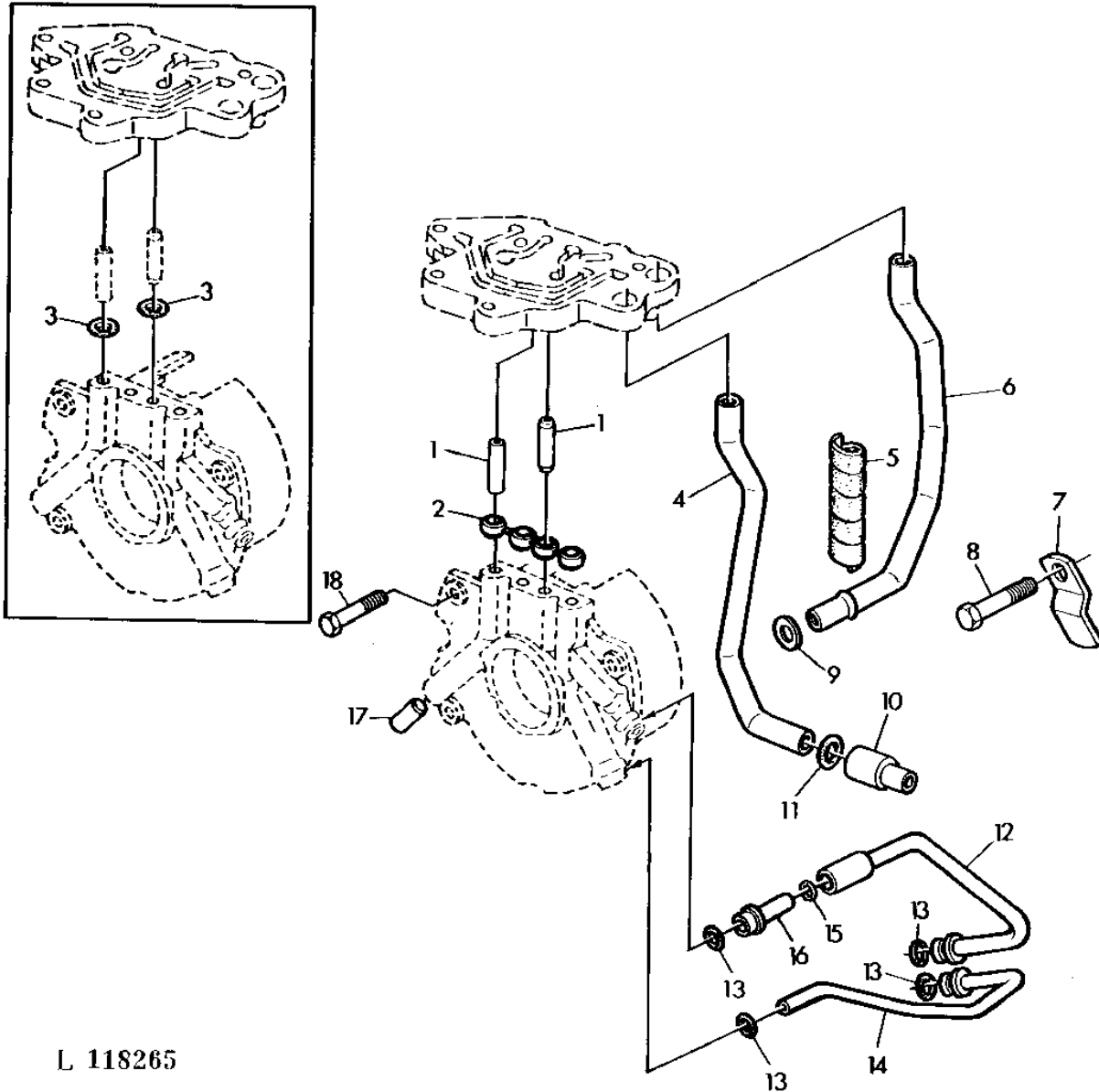
KEY	PART NO.	PART NAME	QTY	SERIAL NO.		REMARKS
					2	
					1 2 0	
					6 0 4	
					4 4 0	
					0 0 S	
1	L40773	GASKET	1	581735-	X X X	
2	19H2284	CAP SCREW	2		X X X	3/8"X7/8"
3	L33727	RETAINER	1		X X X	
4	L40776	BAIL	1	581735-	X X X	
5	L37505	OIL LINE	1	-494557	X X X	(ORD L40964, L40965)
	L40964	OIL LINE	1	494558-	X X X	
6	L34111	LINE	1		X X X	
7	L57983	GUARD	1		X X X	(SUB FOR L35477)
8	L34109	SPACER	1		X X X	
9	L33152	HOLDER	1		X X X	
10	19H2552	CAP SCREW	1		X X X	3/8"X1-1/8"
11	L40965	WASHER	1	494558-	X X X	
12	L57732	ADAPTER	1		X X X	(SUB FOR T25408)
13	R375R	O-RING	AR		X X X	
14	AL28874	OIL LINE	1		X X X	
15	AL28873	OIL LINE	1		X X X	
16	A3917R	O-RING	2		X X X	
17	L33387	RETAINER	1	-581734	X X X	(ORD L40776, L40773)

2E23

COLLAR SHIFT TRANSMISSION, HI-LO SHIFT

OIL MANIFOLD/OIL LINES (COLLAR-SHIFT TRANSMISSION)
REPARTITEUR/CONDUITES D'HUILE (BOITE A MANCHONS BALADEURS)
OELVERTEILER/OELLEITUNGEN (MUFFENSCHALTGETRIEBE)
RIPARTITORE E LINEE OLIO (CAMBIO COLLARE SCORREVOLE)
REPARTIDOR DE ACEITE/TUBERIAS (CAMBIO DE COLLARINES DESPLAZABLES)
OLJEFORDERLARE OCH LEDNINGAR (VAXELLADA "COLLAR-SHIFT")

L118265 -UN-07JUL95



L 118265

2E24

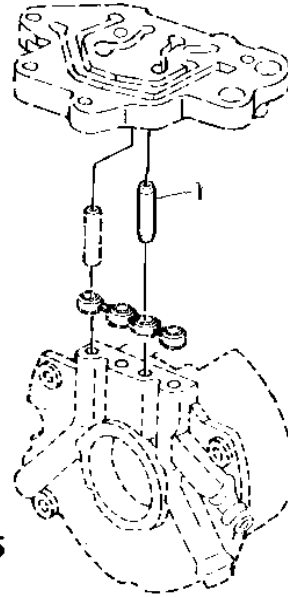
COLLAR SHIFT TRANSMISSION, HI-LO SHIFT

KEY	PART NO.	PART NAME	QTY	SERIAL NO.	2 1 2 0 6 0 4 4 4 0 0 0 S	REMARKS
1	L33333	TUBE	AR		X X X	
2	L40773	GASKET	1	581735-	X X X	
3	A3917R	O-RING	AR	-581734	X X X	
4	L34111	LINE	1		X X X	
5	L57983	GUARD	1		X X X	(SUB FOR L35477)
6	L37505	OIL LINE	1	-494557	X X X	(ORD L40964, L40965)
	L40964	OIL LINE	1	494558-	X X X	
7	L33152	HOLDER	1		X X X	
8	19H2021	CAP SCREW	1		X X X	3/8"X5/8"
9	L40965	WASHER	1	494558-	X X X	
10	L57732	ADAPTER	1		X X X	(SUB FOR T25408)
11	R375R	O-RING	1		X X X	
12	AL28868	OIL LINE	1		X X X	
13	A3917R	O-RING	AR		X X X	
14	AL28867	OIL LINE	1		X X X	
15	T44604	O-RING	1		X X X	
16	L39853	OIL TUBE	1		X X X	(SUB FOR AL30188)
17	L33334	DOWEL PIN	1		X X X	
18	19H2552	CAP SCREW	4		X X X	3/8"X1-1/8"

2E25

COLLAR SHIFT TRANSMISSION, HI-LO SHIFT

TUBULAR SHIELD FOR SMOOTH PTO ENGAGEMENT
 ORIFICE CALIBRE POUR ENCLENCH. AMORTI DE PDF
 ROHRBLLENDE FUER GEDAEMPFTZ ZAPFWELLENZUSCHALTUNG
 MANICOTTO CON ORIFICIO PER INSERIMENTO ATTENUATO DELLA PDF
 OBTURADOR TUBULAR PARA EMBRAGUE AMORTIGUADO DE LA TDF
 STRYPNING FOR DAMPAD INKOPPLING AV KRAFTUTTAG
 L112475 -UN-12MAY95



L 112475

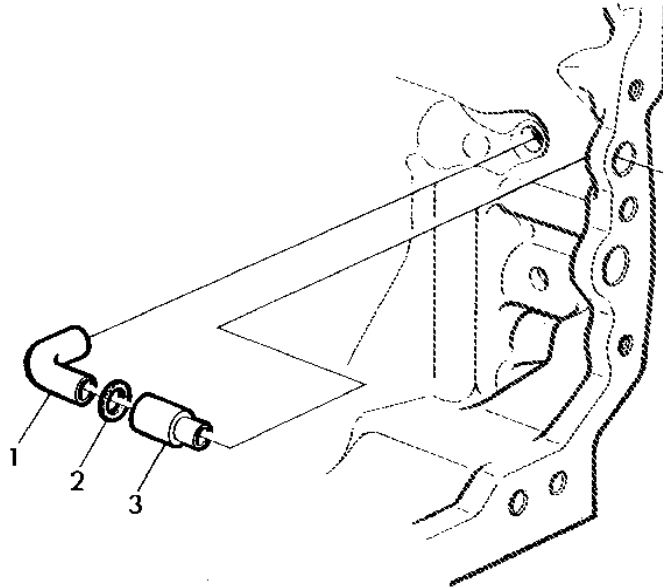
2
 1 2 0
 6 0 4
 4 4 0
 0 0 S

KEY	PART NO.	PART NAME	QTY	SERIAL NO.	REMARKS
1	L41626	ORIFICE	1	X X X	

2F1

COLLAR SHIFT TRANSMISSION, HI-LO SHIFT

OIL LINE (COLLAR SHIFT TRANSMISSION WITH CONT. RUNNING PTO)
 CONDUITE D'HUILE (BOITE A MANCHONS BALADEURS AVEC PDF MOTEUR)
 OELLEITUNG BEI MUFFENSCHALTGETR. MIT MOTORZAPFWELLE
 LINEE OLIO (CAMBIO A COLLARE SCORR. CON PDF COMANDO CONTIN.)
 TUBERIAS (CAMBIO DE COLLARIN DESPL. CON TDF DE MANDO CONT.)
 OLJELEDNING (COLLAR SHIFT TRANSM. VID KOPPLINGSBER. KRAFTUTT.)
 L101069 -UN-12MAY95



L 101069

2
 1 2 0
 6 0 4
 4 4 0
 0 0 S

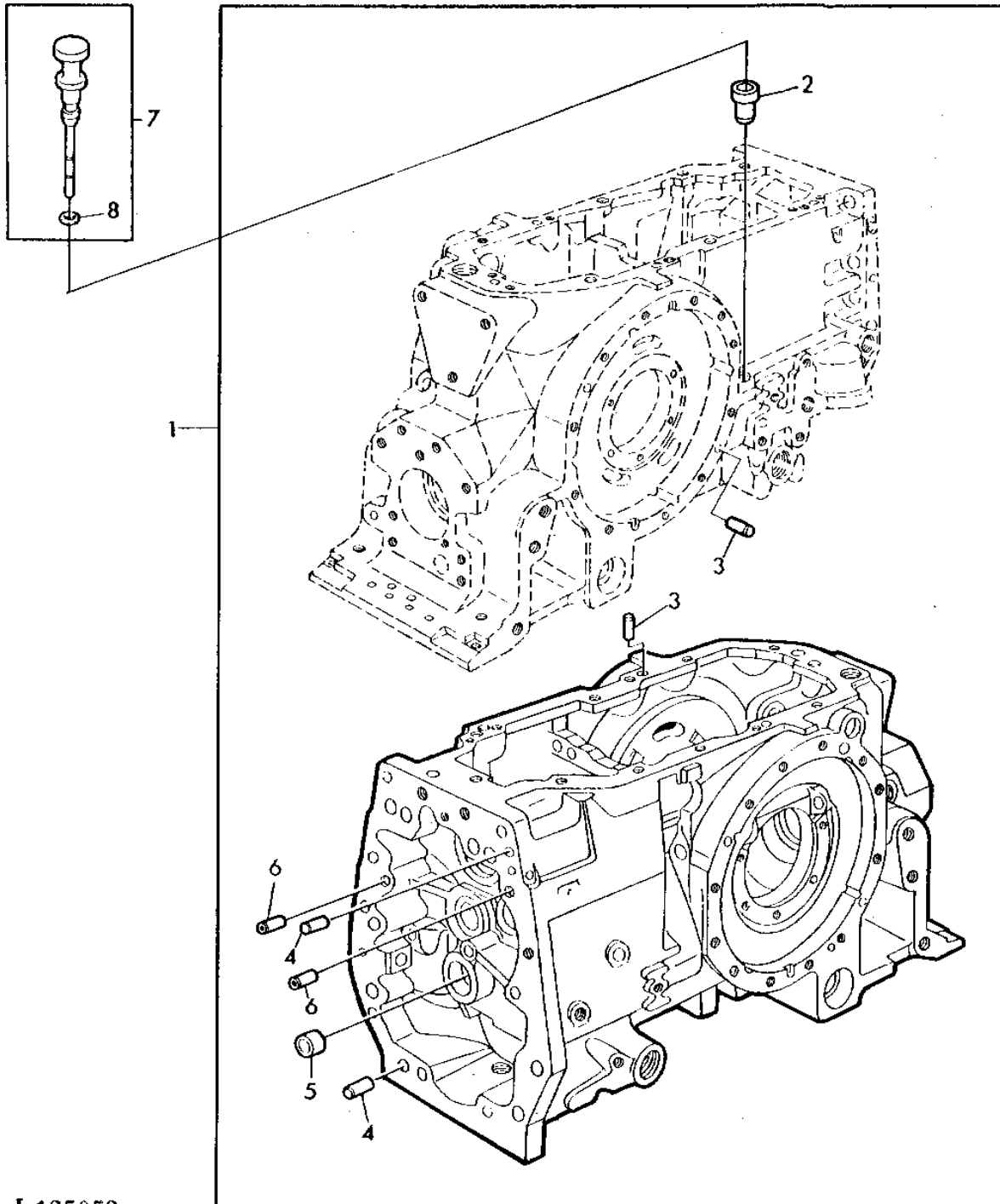
KEY	PART NO.	PART NAME	QTY	SERIAL NO.	REMARKS
1	L39123	OIL TUBE	1	X X	
2	R375R	O-RING	1	X X	
3	L57732	ADAPTER	1	X X	(SUB FOR T25408)

2F2

COLLAR SHIFT TRANSMISSION, HI-LO SHIFT

TRANSMISSION CASE (COLLARSHIFT TRANSM. WITH LOW FOOTRESTS)
CARTER DE BOITE (BOITE A MANCH. BALAD. AVEC MARCHEPIEDS BAS)
GETRIEBEGEHAEUSE (MUFFENSCHALTGETR. MIT NIEDEREN TRITTBLECHEN)
SCATOLA CAMBIO (A COL. SCORREV. CON SOSTEGNI DA PIEDI BASSI)
CAJA DE LA TRANSM. (DE COLLARIN DESPL. CON REPOSAPIES BAJOS)
TRANSMISSIONSHUS (COLLAR SHIFT VID NEDRE FOTSTEGEN)

L125052 -UN-01JAN94



L125052

2F3

COLLAR SHIFT TRANSMISSION, HI-LO SHIFT

KEY	PART NO.	PART NAME	QTY	SERIAL NO.		REMARKS
					2	
					1 2 0	
					6 0 4	
					4 4 0	
					0 0 S	
1	AL32970	TRANSMISSION CASE	1	-473483	X X	(A) (ORD W/ L40424, L40425)
	AL32970	TRANSMISSION CASE	1	473484-	X X	(A)
	AL32969	TRANSMISSION CASE	1	-473483	X X	(B) (ORD W/ L62815, L40425)
	AL32969	TRANSMISSION CASE	1	-446546	X X	(C) (ORD W/ L38231, L38134, R59468, R26448, R27218, L62815, L40425)
	AL32969	TRANSMISSION CASE	1	446547-473483	X X	(C) (ORD W/ L62815, L40425)
	AL32969	TRANSMISSION CASE	1	473484-	X X	(B) (C)
2	L35260	BUSHING	1		X X	
3	R48685	DOWEL PIN	6		X X	
4	T26565	DOWEL PIN	2		X X	
5	T22128	BUSHING	1		X X	
6	T24729	BUSHING	2		X X	
7	AL32587	DIPSTICK	1		X X	
8	L35484	O-RING	1		X X	

(A) W/INTERCHANGEABLE PTO SHAFTS
 AVEC PDF INTERCHANGEABLE
 BEI AUSWECHSELBARER ZAPFW.
 CON PDF INTERCAMBIABILE
 CON TDF DE REGIMEN VARIABLE
 VID UTBYTBAR KRAFTUTTAG

(B) WITH IND. 540 RPM PTO
 AVEC PDF INDEP. 540 TR/MIN
 BEI UNABH.ZAPFW.540 U/MIN
 CON PDF INDIP. 540 G/MIN
 CON TDF INDEP. DE 540 R/MIN
 VID OBER. KRAFTUTTAG 540 RPM

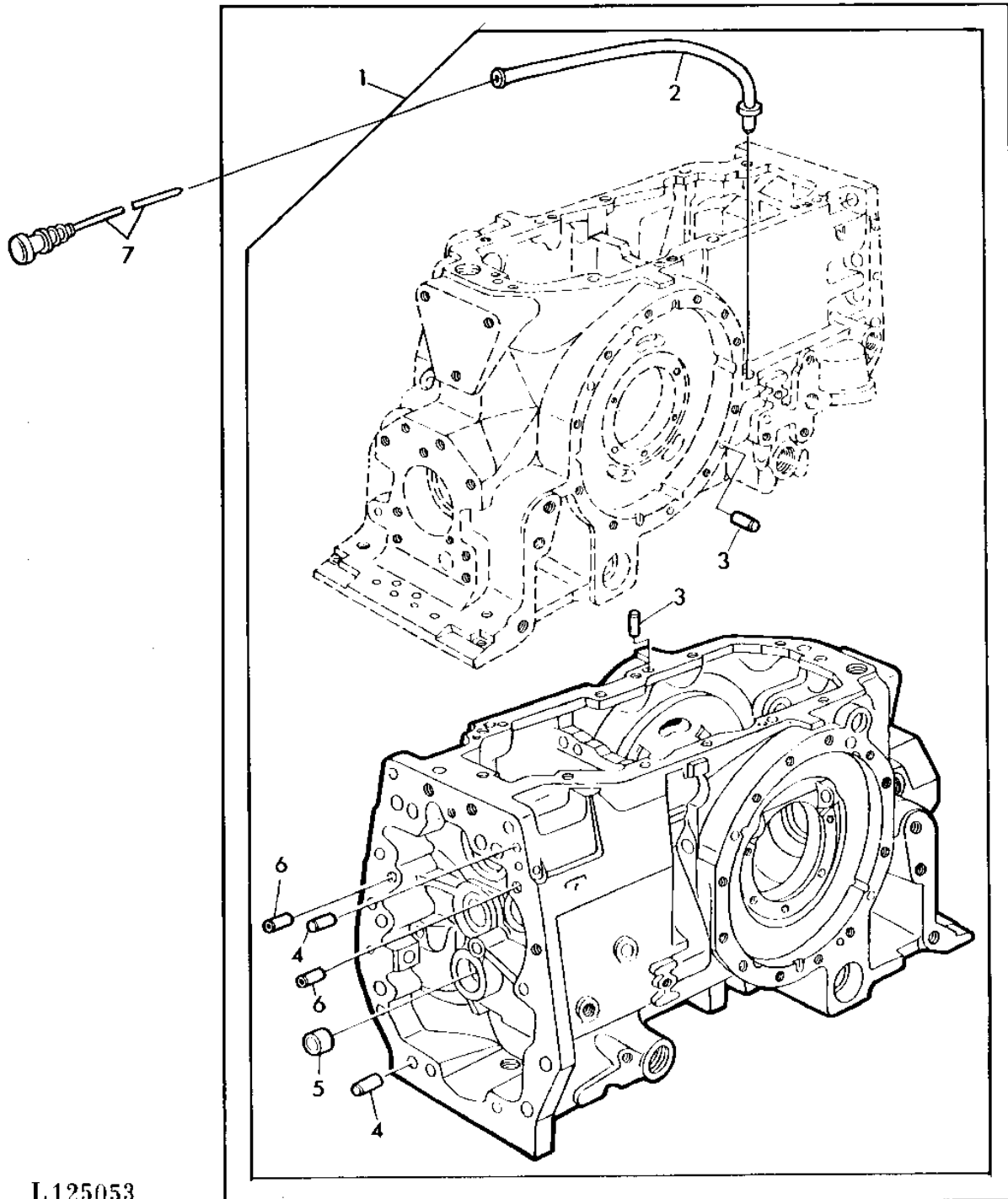
(C) WITH CONTINUOUS-RUNNING PTO
 AVEC PDF MOTEUR
 BEI MOTORZAPFWELLE
 CON PTO A FUNZION. CONTINUO
 CON TDF DE FUNCION. CONTINUO
 VID KOPPLINGSBER.KRAFTUTTAG

2F4

COLLAR SHIFT TRANSMISSION, HI-LO SHIFT

TRANSMISSION CASE (COLLAR SHIFT TRANSM.WITH HIGH FOOTRESTS AND CONTINUOUS RUNNING PTO)
CARTER DE BOITE (MANCHONS BALAD.AVEC MARCHEPIEDS HAUTS ET PDF MOTEUR)
GETRIEBEGEHAUSE (MUFFENSCHALTGETR. MIT ERHOECHTEN TRITTB. U. MOTORZAPFWELLE)
SCATOLA CAMBIO (TRASM.COLLARE SCORREV.CON SOSTEGNI DA PIEDI ELEVATI E P.D.F.FUNCION CONTINUO)
CAJA DE LA TRANSM.(TRANSM.POR COLLARINES CON REPOSAPIES ALTOS Y T.D.F.MANDO CONTINUO)
TRANSMISSIONSHUS (COLLAR SHIFT VAXELLADA VID HOGA FOTSTEGEN OCH KOPPLINGSBER.KRAFTUTTAG)

L125053 -UN-07JUL95



L125053

2F5

COLLAR SHIFT TRANSMISSION, HI-LO SHIFT

KEY	PART NO.	PART NAME	QTY	SERIAL NO.		REMARKS
					2	
					1 2 0	
					6 0 4	
					4 4 0	
					0 0 S	
1	AL32849	TRANSMISSION CASE	1	-446546	X X	(A) (MARKED L35550) (ORD AL66801, L38231, L38134, R59468, R26448, R27218, L62815, L40425)
	AL32849	TRANSMISSION CASE	1	466547-473483	X X	(A) (ORD AL66801, L62815, L40425)
	AL32849	TRANSMISSION CASE	1	473484-	X X	(A) (ORD AL66801)
	AL32849	TRANSMISSION CASE	1	-446546	X X	(B) (ORD AL66804, L38231, L38134, R59468, R26448, R27218, L62815, L40425)
	AL32849	TRANSMISSION CASE	1	466547-473483	X X	(B) (ORD AL66804, L62815, L40425)
	AL32849	TRANSMISSION CASE	1	473484-	X X	(B) (ORD AL66804)
2	AL24999	EXTENSION	1		X X	
3	R48685	DOWEL PIN	6		X X	
4	T26565	DOWEL PIN	2		X X	
5	T22128	BUSHING	1		X X	
6	T24729	BUSHING	2		X X	
7	AL38634	DIPSTICK	1		X X	(SUB FOR AL27108)

(A) WITH DIFFERENTIAL AL35740 ALSO ORDER L62449
 AVEC DIFFER. AL35740. COMMANDER AUSSI L62449
 BEI DIFFERENTIAL AL35740 BESTELLE AUCH L62449
 CON DIFF. AL35740 PEDIRE ANCHE L62449
 CON DIFERENCIAL AL35740 PEDIR TAMBIEN L62449
 VID DIFF. AL35740 BESTALLAS AVEN L62449

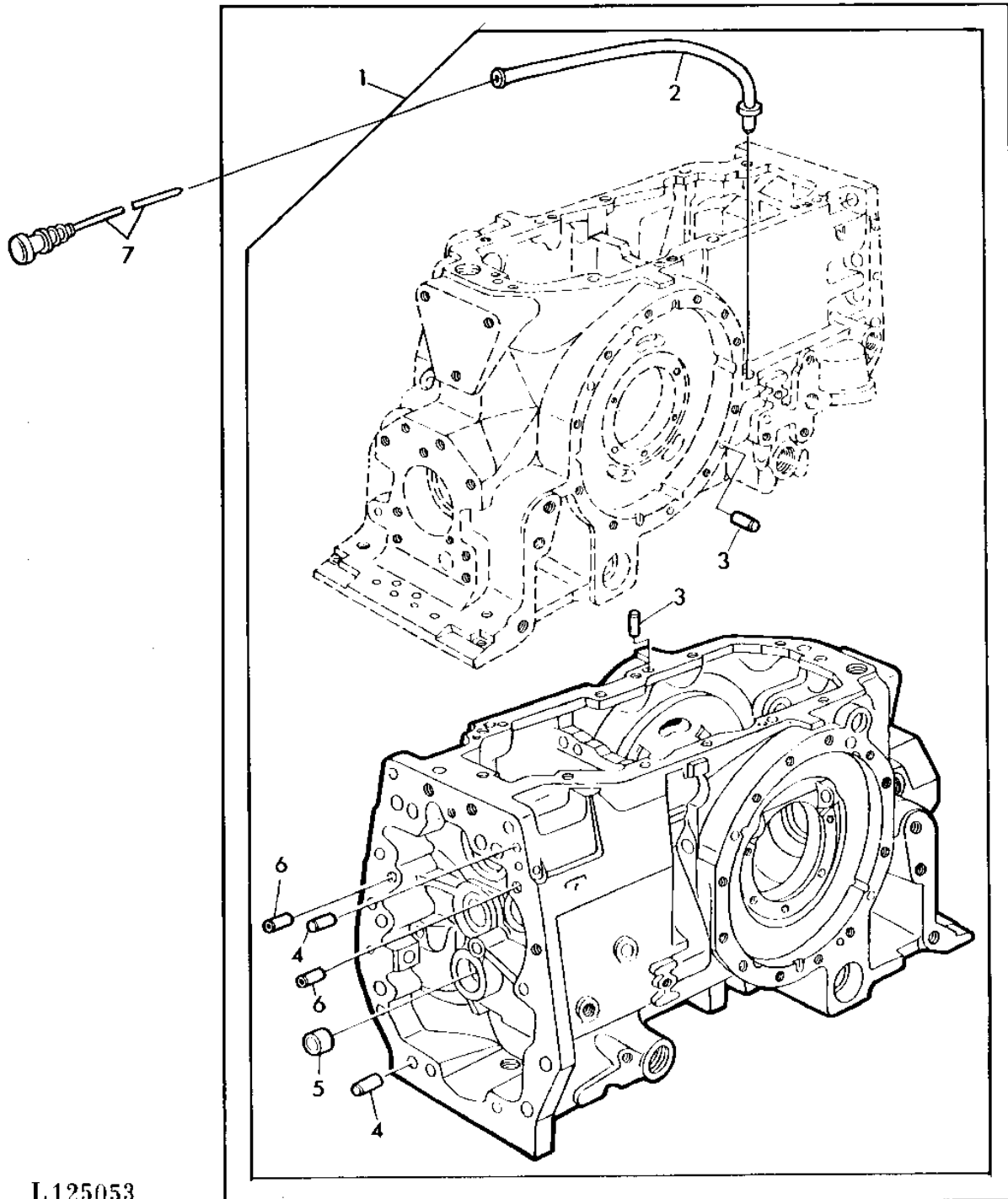
(B) WITH HEAVY-DUTY FINAL DRIVE
 AVEC REDUCTION FINALE RENFORCEE
 BEI VERSTAERKTEM ENDANTRIEB
 CON RIDUZ. FIN. RINFORZ.
 CON MANDOS FINALES REFORZADOS
 VID FORSTARKT SLUTDREV

2F6

COLLAR SHIFT TRANSMISSION, HI-LO SHIFT

COLLAR SHIFT TRANSM.CASE WITH RAISED FOOTRESTS OR MC1 AND INDEP.540 RPM PTO
CARTER BOITE MANCH.BALAD.AVEC PL-FORME SURELEV.OU MC1 ET PDF INDEP.540 TR/MIN
MUFFENSCHALTGETR.-GEHAEUSE MIT ERHOECHTEN TRITTLBL. ODER MC1 U. UNABH. ZAPFW. 540 U/MIN
CASSA TRASM.COLL.SCORREV.CON PEDANE ELEV.O CAB.MC1 E PTO INDIPEND.540 G/MIN
CARC.TRASM.DE COLL.CON PLATAFORMA ELEV.O CAB.MC1 Y TDF INDEPEND.DE 540 R/MIN
COLLAR-SHIFT VAXELLADSHUS MED HOJADE FOTSTEGE ELL. MC1 HYTT OCH OBER.KRAFTUTTA G 40 RPM

L125053 -UN-07JUL95



L125053

2F7

COLLAR SHIFT TRANSMISSION, HI-LO SHIFT

KEY	PART NO.	PART NAME	QTY	SERIAL NO.		REMARKS
					2	
					1 2 0	
					6 0 4	
					4 4 0	
					0 0 S	
1	AL32849	TRANSMISSION CASE	1	-473483	X X	(A) (MARKED L35550) (ORD AL66801, L62815, L40425)
	AL32849	TRANSMISSION CASE	1	473484-	X X	(A) (ORD AL66801)
	AL32849	TRANSMISSION CASE	1	-473483	X X X	(B) (ORD AL66804, L62815, L40425)
	AL32849	TRANSMISSION CASE	1	473484-	X X X	(B) (ORD AL66804)
2	AL24999	EXTENSION	1		X X X	
3	R48685	DOWEL PIN	6		X X X	
4	T26565	DOWEL PIN	2		X X X	
5	T22128	BUSHING	1		X X X	
6	T24729	BUSHING	2		X X X	
7	AL38634	DIPSTICK	1		X X X	(SUB FOR AL27108)

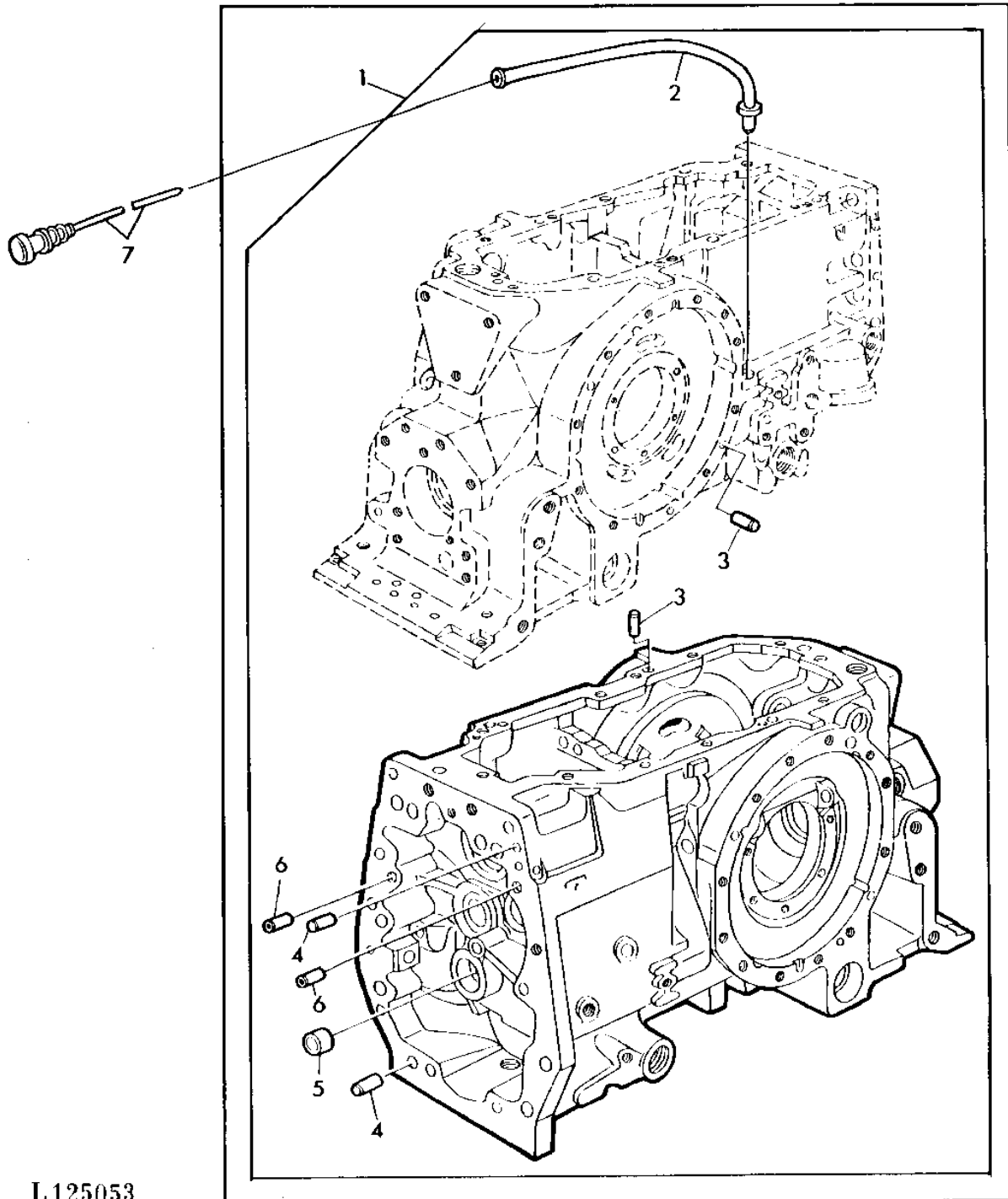
(A) WITH DIFFERENTIAL AL35740 ALSO ORDER L62449
 AVEC DIFFER. AL35740, COMMANDER AUSSI L62449
 BEI DIFFERENTIAL AL35740 BESTELLE AUCH L62449
 CON DIFF. AL35740 PEDIRE ANCHE L62449
 CON DIFERENCIAL AL35740 PEDIR TAMBIEN L62449
 VID DIFF. AL35740 BESTALLAS AVEN L62449

(B) WITH HEAVY-DUTY FINAL DRIVE
 AVEC REDUCTION FINALE RENFORCEE
 BEI VERSTAERKTEM ENDANTRIEB
 CON RIDUZ. FIN. RINFORZ.
 CON MANDOS FINALES REFORZADOS
 VID FORSTARKT SLUTDREV

2F8

COLLAR SHIFT TRANSMISSION, HI-LO SHIFT

COLLAR SHIFT TRANSM. CASE WITH RAISED FOOTRESTS OR MC1 AND INTERCHANGEABLE PTO
CARTER BOITE MANCH. BALAD. AVEC PL-FORME SURELEV. OU MC1 ET PDF INTERCHANGEABLE
MUFFENSCHALTGETR.-GEHAEUSE MIT ERHOECHTEN TRITTLBL. ODER MC1 U. AUSWECHSELB. ZAPFW.
CASSA TRASM. COLL. SCORREV. CON PEDANE ELEV. O CAB. MC1 E PTO INTERCAMBIABILE
CARC. TRASM. DE COLLARIN CON PLATAFORMA ELEV. O CAB. MC1 Y TDF CAMBIABLE
COLLAR-SHIFT VAXELLADSHUS MED HOJADE FOTSTEGE ELL. MC1 OCH UTBYTBAR KRAFTUTTAG
L125053 -UN-07JUL95



L125053

2F9

COLLAR SHIFT TRANSMISSION, HI-LO SHIFT

KEY	PART NO.	PART NAME	QTY	SERIAL NO.		REMARKS
					2	
					1 2 0	
					6 0 4	
					4 4 0	
					0 0 S	
1	AL32848	TRANSMISSION CASE	1	-473483	X X	(A) (MARKED L35766) (ORD AL66800, L62815, L40425)
	AL32848	TRANSMISSION CASE	1	473484-	X X	(A) (ORD AL66800)
	AL32848	TRANSMISSION CASE	1	-473483	X X X	(B) (ORD AL66798, L62815, L40425)
	AL32848	TRANSMISSION CASE	1	473484-	X X X	(B) (ORD AL66798)
2	AL24999	EXTENSION	1		X X X	
3	R48685	DOWEL PIN	6		X X X	
4	T26565	DOWEL PIN	2		X X X	
5	T22128	BUSHING	1		X X X	
6	T24729	BUSHING	2		X X X	
7	AL38634	DIPSTICK	1		X X X	(SUB FOR AL27108)

(A) WITH DIFFERENTIAL AL35740 ALSO ORDER L62449
 AVEC DIFFER. AL35740, COMMANDER AUSSI L62449
 BEI DIFFERENTIAL AL35740 BESTELLE AUCH L62449
 CON DIFF. AL35740 PEDIRE ANCHE L62449
 CON DIFERENCIAL AL35740 PEDIR TAMBIEN L62449
 VID DIFF. AL35740 BESTALLAS AVEN L62449

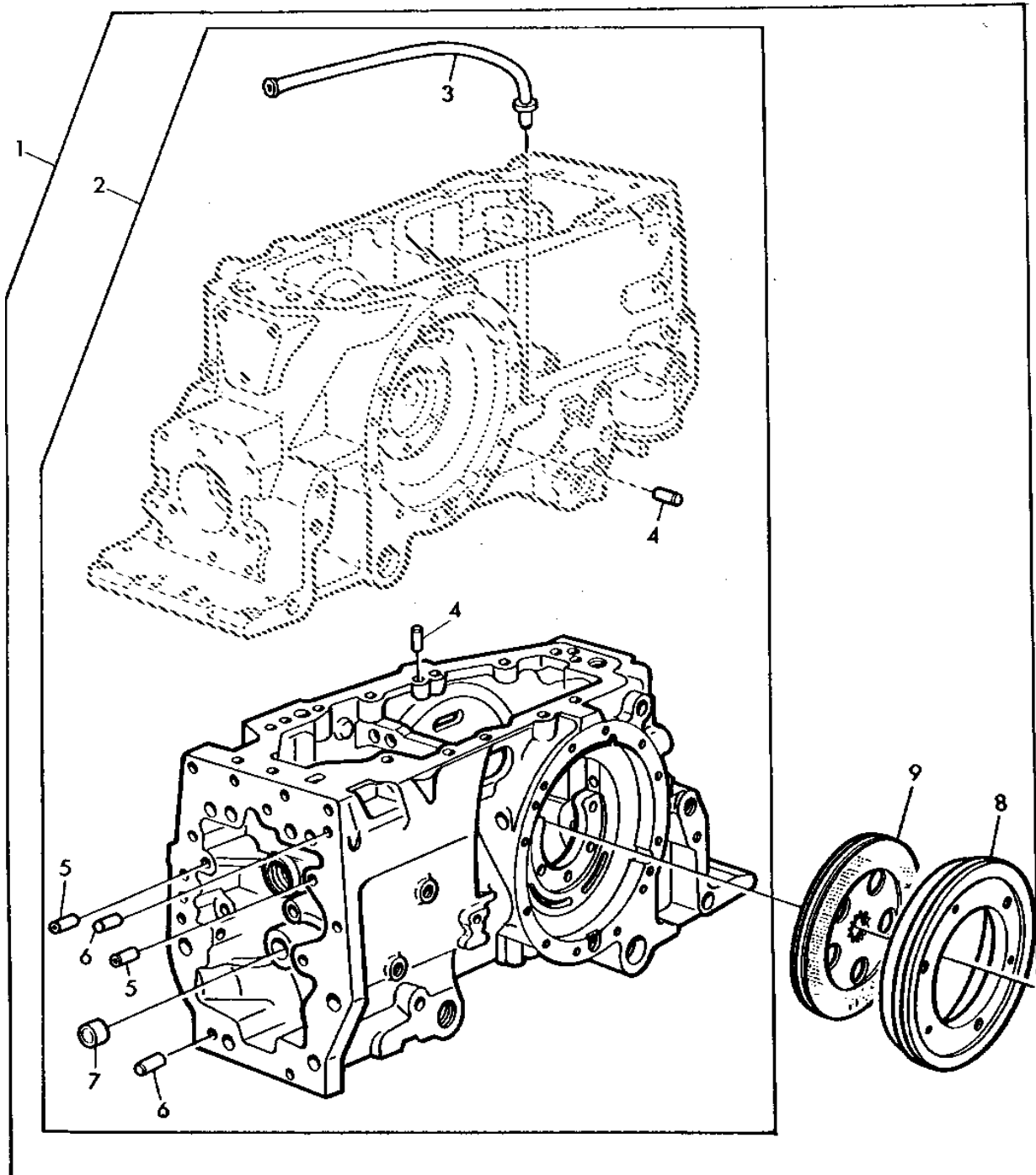
(B) WITH HEAVY-DUTY FINAL DRIVE
 AVEC REDUCTION FINALE REFORCEE
 BEI VERSTAERKTEM ENDANTRIEB
 CON RIDUZ. FIN. RINFORZ.
 CON MANDOS FINALES REFORZADOS
 VID FORSTARKT SLUTDREV

2F10

COLLAR SHIFT TRANSMISSION, HI-LO SHIFT

COLLAR SHIFT TRANSM. CASE WITH RAISED FOOTRESTS OR MC1/CONVERSION KIT
CARTER BOITE MANCH. BALAD. AVEC PL-FORME SURELEV. OU MC1/JEU ADAPTATION
MUFFENSCHALTGETR.-GEHAEUSE MIT ERHOECHTEN TRITTLBL. ODER MC1/UMRUESTSATZ
CASSA TRASM. COLL. SCORREV. CON PEDANE ELEVATE O CABINA MC1/KIT CONVERSIONE
CARC. TRANSM. DE COLLARIN CON PLATAFORMA ELEVADA O CABINA MC1/CONJ. DE MODIFIC.
COLLAR-SHIFT VAXELLADSHUS MED HOJADE FOTSTEGE ELL. MC1 FORARHYTT/MODIFIERINGSSATS

L125050 -UN-01JAN94



L125050

2F11

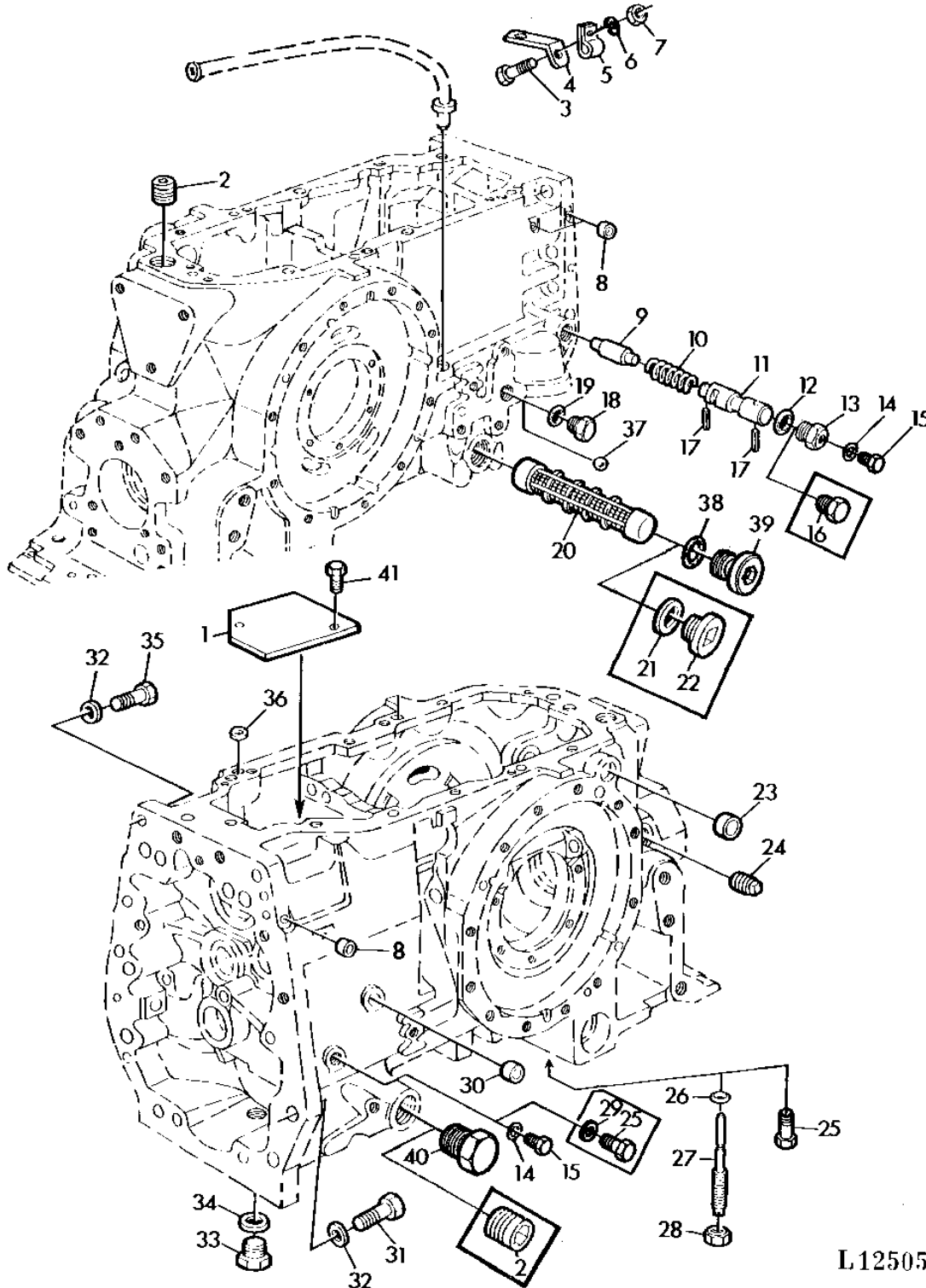
COLLAR SHIFT TRANSMISSION, HI-LO SHIFT

KEY	PART NO.	PART NAME	QTY	SERIAL NO.	REMARKS
					2 1 2 0 6 0 4 4 4 0 0 0 S
1	AL66800	TRANSMISSION CASE	1	X X	(A) INCL. KEYS (2) AL65872, (2) L63944
	AL66804	TRANSMISSION CASE	1	X X X	(B) (C) INCL. KEYS (2) L62830
	AL66798	TRANSMISSION CASE	1	X X X	(A) (C) INCL. KEYS (2) L62830
2	AL66801	TRANSMISSION CASE	1	X X	(B) INCL. KEYS (2) AL65872, (2) L63944
	AL66796	TRANSMISSION CASE	1	X X X	(A) (MARKED L62444) (ORD AL68507)
	AL68507	TRANSMISSION CASE	1	X X X	(A) (MARKED L63939) (SUB FOR AL66796)
	AL66797	TRANSMISSION CASE	1		(B) (MARKED L62443) (ORD AL68508)
	AL68508	TRANSMISSION CASE	1	X X X	(B) (MARKED L63938) (SUB FOR AL66797)
3	AL24999	EXTENSION	1	X X X	
4	R48685	DOWEL PIN	6	X X X	
5	T24729	BUSHING	2	X X X	
6	T26565	DOWEL PIN	2	X X X	
7	T22128	BUSHING	1	X X X	
8	L62830	BRAKE ACTUATING DISK	2	X X X	(C) (FOR AL66798 OR AL66804)
	L63944	BRAKE ACTUATING DISK	2	X X	(FOR AL66800 OR AL66801) (SUB FOR L60890)
9	AL65872	BRAKE DISK	2	X X	(FOR AL66800 OR AL66801)
(A)	W/INTERCHANGEABLE PTO SHAFTS AVEC PDF INTERCHANGEABLE BEI AUSWECHSELBARER ZAPFW. CON PDF INTERCAMBIABILE CON TDF CAMBIABLE VID UTBYTBAR KRAFTUTTAG		(B)	WITH PTO 540 RPM AVEC PDF 540 TR/MIN BEI ZAPFW.540 U/MIN CON PDF 540 G/MIN CON TDF 540 R/MIN VID KRAFTUTT.540 VARVS	
			(C)	WITH HEAVY-DUTY FINAL DRIVE AVEC COMMANDE FINALE RENFORC BEI VERSTAERKTEM ENDANTRIEB CON RIDUZIONE FINALE RINFORZ CON REDUCCION FINAL REFORZAD VID FORSTARKT SLUTDREV	

2F12

COLLAR SHIFT TRANSMISSION, HI-LO SHIFT

TRANSMISSION CASE (COLLAR-SHIFT TRANSMISSION)
CARTER DE BOITE (MANCHONS BALADEURS)
GETRIEBEGEHAUSE (MUFFENSCHALTGETRIEBE)
SCATOLA CAMBIO A COLLARE SCORREVOLE
CAJA DE LA TRANSMISION
VAXELLADA (COLLAR-SHIFT)
L125054 -UN-07JUL95



L125054

2F13

COLLAR SHIFT TRANSMISSION, HI-LO SHIFT

KEY	PART NO.	PART NAME	QTY	SERIAL NO.	2 1 2 0 6 0 4 4 4 0 0 0 S	REMARKS
1	L62644	COVER	1		X X X	(SUB FOR T22854, L56711)
2	15H562	PIPE PLUG	2	-550358	X X X	1"
	15H562	PIPE PLUG	1	550359-	X X X	1"
3	19H1813	CAP SCREW	1		X X X	5/16"X5/8"
4	L31806	STRAP	1		X X X	
5	T21101	CLAMP	1		X X X	
6	12M7056	LOCK WASHER	1		X X X	
7	14H785	NUT	1		X X X	5/16"
8	M1102T	CAP	3		X X X	
9	L62898	VALVE SPOOL	1		X X X	(SUB FOR R39294)
10	T24999	SPRING	1		X X X	
11	T22853	SLEEVE	1		X X X	
12	F3171R	O-RING	1		X X X	
13	L32704	THREADED NIPPLE	1	437996-	X X X	1-1/16"
14	R26448	O-RING	2		X X X	
15	R27218	FITTING PLUG	2		X X X	
16	R27175	DRAIN PLUG	1	-437995	X X X	1-1/16"
17	34H247	SPRING PIN	2		X X X	1/8"X3/4"
18	R39112	FITTING	1		X X X	3/4"
19	R26375	O-RING	1		X X X	
20	R53169	SCREEN	1		X X X	
21	51M4282	RING	1	-550358	X X X	38X44X2.5MM
22	R40147	FITTING	1	-550358	X X X	1-1/2"
23	T21937	CAP	1		X X X	
24	15H584	PIPE PLUG	1		X X X	1/2"
25	R53802	CAP SCREW	2		X X X	1/2"X1/2"
26	R27490	O-RING	1		X X X	(A)
27	T21776	SCREW	1		X X X	(A)
28	14H971	NUT	1		X X X	(A) 1/2"
29	R27003	WASHER	1		X X X	
30	T18891	CAP	1		X X X	
31	19H2510	CAP SCREW	6		X X X	1/2"X1-5/8"
32	T20168	WASHER	8		X X X	
33	R27474	DRAIN PLUG	2		X X X	7/8" (FOR AL66796 OR AL66797)
	R51895	FITTING	2		X X X	1"
34	A4827R	WASHER	2		X X X	
	R26906	O-RING	2		X X X	(FOR AL66796 OR AL66797)
35	19H2735	CAP SCREW	2		X X X	1/2"X2"
36	T17882	WASHER	1		X X X	
37	R26552	BALL	1		X X X	(B)
38	L41547	O-RING	1	550359-	X X X	
39	L41534	PIPE PLUG	1	550359-	X X X	1-1/2"
40	AL39878	PIPE PLUG	1	550359-	X X X	1-5/16"
41	19H2021	CAP SCREW	2		X X X	3/8"X5/8"

(A) WITH HANDBRAKE
 AVEC FREIN A MAIN
 BEI HANDBREMSE
 CON FRENO MANO
 CON FRENO DE MANO
 VID HANDBROMS

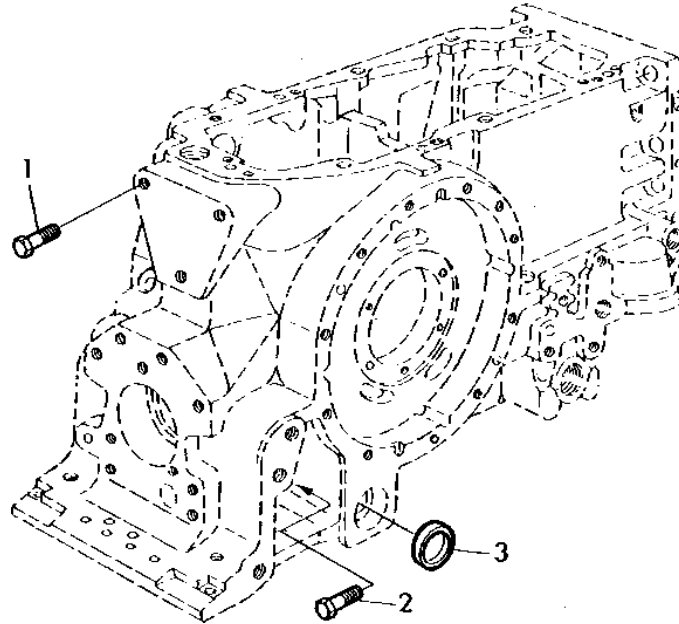
(B) WITH MANUAL STEERING
 AVEC DIRECTION MECANIQUE
 BEI MECHANISCHER LENKUNG
 CON STERZO MECCANICO
 CON DIRECCION MANUAL
 VID MEKANISK STYRNING

2F14

COLLAR SHIFT TRANSMISSION, HI-LO SHIFT

PLUGS AND CAPS FOR COLLAR SHIFT TRANSM. (WITHOUT ROCKSHAFT)
 ELEMENTS D'OBTURATION POUR B.V.A MANCHONS BALADEURS (SANS RELEVAGE)
 VERSCHLUSSTEILE FUER MUFFENSCHALTGETR. (OHNE KRAFTHEBER)
 TAPPI PER SCATOLA CAMBIO COLLAR SHIFT (SENZA SOLLEVATORE)
 TAPAS Y TAPONES/TRANS. DE COLLARIN (SIN ELEVADOR HIDR.)
 PLUGGAR OCH LOCK FOR COLLAR SHIFT VAXELLADA (UTAN TREPUNKTSLYFT)

L112941 -UN-01JAN94



L 112941

2
1 2 0
6 0 4
4 4 0
0 0 S

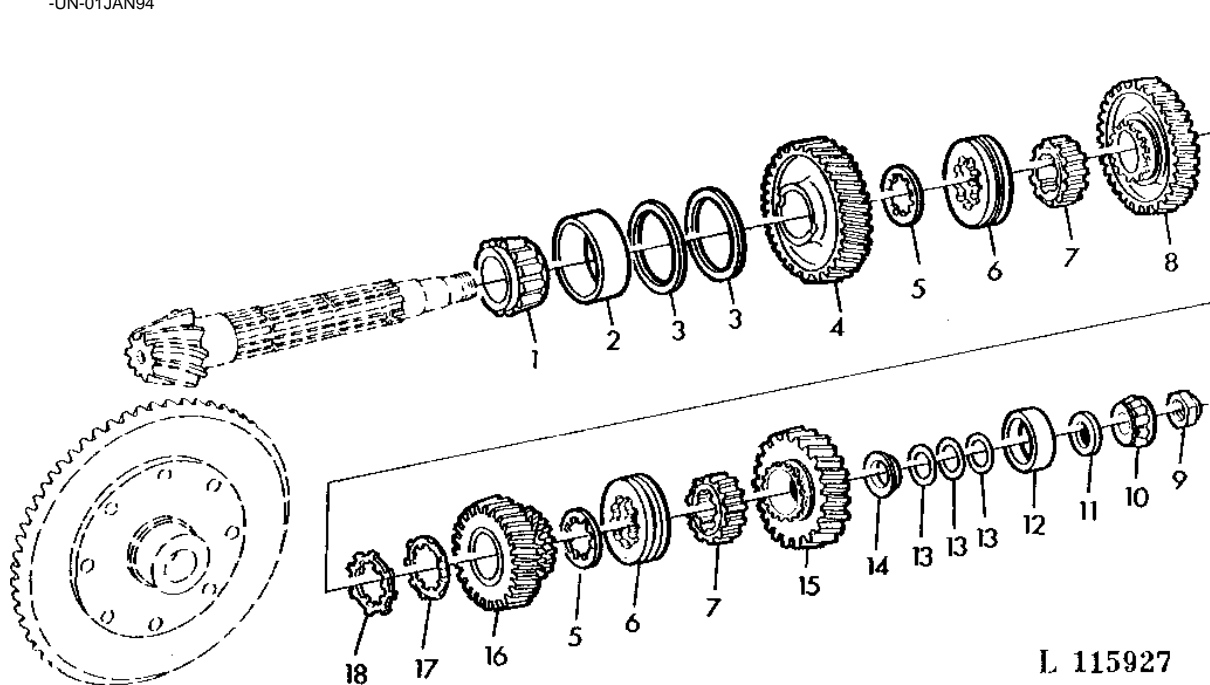
KEY	PART NO.	PART NAME	QTY	SERIAL NO.	REMARKS
1	19H2367	CAP SCREW	1	X X X	5/8"X3/4"
2	19H2643	CAP SCREW	1	X X X	1/2"X7/8"
3	T22653	CAP	2	X X X	

2F15

COLLAR SHIFT TRANSMISSION, HI-LO SHIFT

PINION SHAFT (COLLAR-SHIFT TRANSM.)
 ARBRE DU PIGNON D'ATTAQUE (BOITE A MANCHONS BALADEURS)
 HAUPTWELLE (MUFFENSCHALTGETRIEBE)
 ALBERO PRINCIPALE (TRASM. A COLLARE SCORREV.)
 EJE DE SALIDAL DEL CAMBIO (TRANSM. DE COLLAR. DESPL.)
 DIFFERENTIALDRIVAXEL (COLLAR SHIFT TRANSMISSION)

L115927 -UN-01JAN94



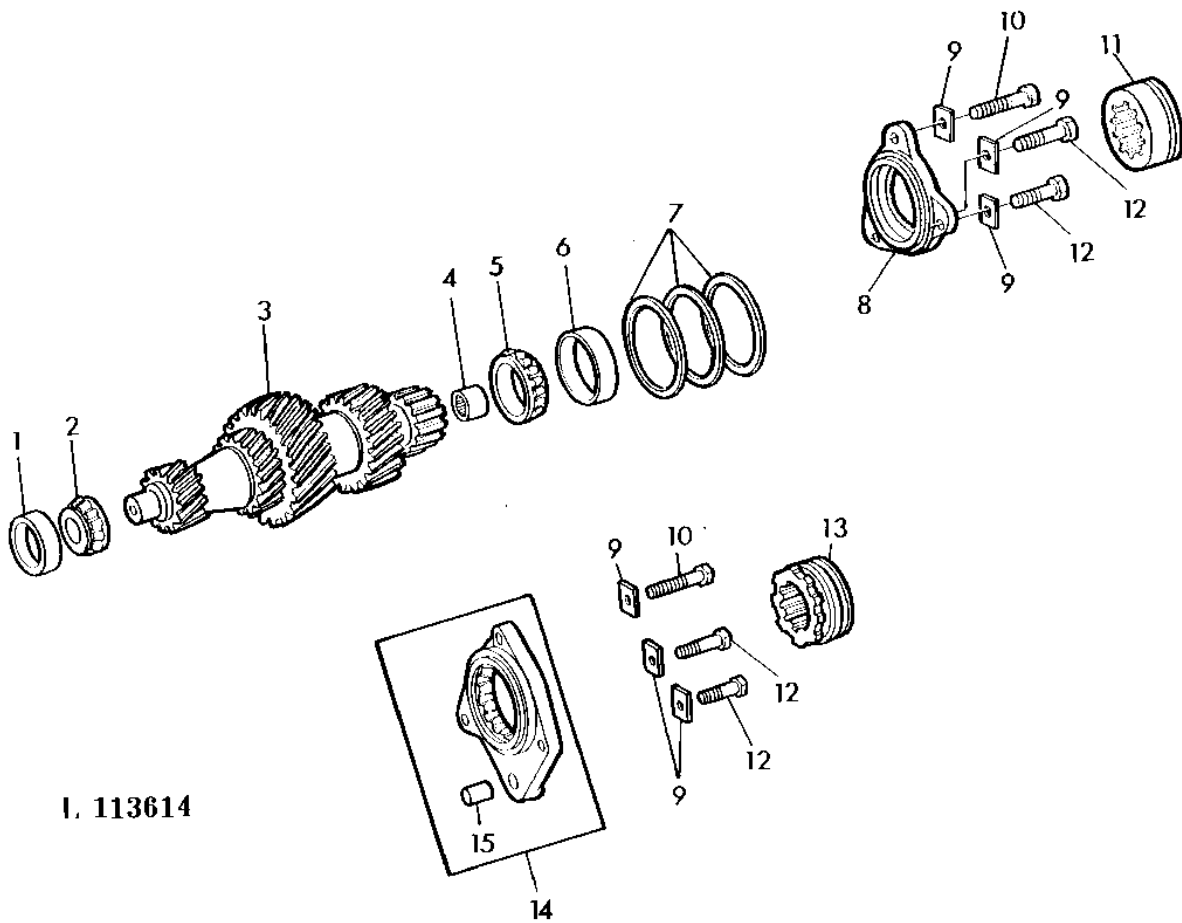
L 115927

KEY	PART NO.	PART NAME	QTY	SERIAL NO.	REMARKS
				2	
				1 2 0	
				6 0 4	
				4 4 0	
				0 0 S	
1	JD8997	BEARING CONE	1	X X X	REAR
2	JD8255	BEARING CUP	1	X X X	REAR
3	T17201	SHIM	2	X X X	TK= 0.25MM (.010")
4	L31503	GEAR	1	X X	Z=40
	L28663	GEAR	1	X	Z=40
5	T24730	THRUST WASHER	2	X X X	
6	L29283	SHIFT COLLAR	2	X X X	
7	L29284	SHIFT COLLAR CARRIER	2	X X X	
8	T21976	GEAR	1	X X	Z=36
	L28664	GEAR	1	X	Z=36
9	L32843	NUT	1	X X X	1-1/8"
10	JD8979	BEARING	1	X X X	FRONT
11	T24918	WASHER	1	X X X	
12	JD8267	BEARING CUP	1	X X X	FRONT
13	L29269	SHIM	AR	X X X	TK= 0.05MM (.002")
	L29270	SHIM	AR	X X X	TK= 0.13MM (.005")
	L29271	SHIM	AR	X X X	TK= 0.25MM (.010")
14	T21965	WASHER	1	X X X	
15	AL68118	GEAR	1	X X	Z=31 (SUB FOR AT30053)
	AL67546	GEAR	1	X	Z=31 (SUB FOR AL32830)
16	T21977	GEAR	1	X X	Z=27
	L35532	GEAR	1	X	Z=27
17	R56473	THRUST WASHER	1	X X X	
18	T24731	THRUST WASHER	1	X X X	

2F16

COLLAR SHIFT TRANSMISSION, HI-LO SHIFT

TRANSMISSION DRIVE SHAFT (COLLAR SHIFT TRANSMISSION)
ARBRE DE COMMANDE DE BOITE (A MANCHONS BALADEURS)
GETRIEBEANTRIEBSWELLE (MUFFENSCHALTGETRIEBE)
ALBERO COMANDO CAMBIO (A COLLARE SCORREVOLE)
EJE PRIMARIO (CAMBIO DE COLLARINES DESPLAZABLES)
VAXELLADS DRIVAXEL (COLLAR-SHIFT)
L113614 -UN-26MAY95



I. 113614

2F17

COLLAR SHIFT TRANSMISSION, HI-LO SHIFT

KEY	PART NO.	PART NAME	QTY	SERIAL NO.	REMARKS
					2
					1 2 0
					6 0 4
					4 4 0
					0 0 S
1	JD7449	BEARING CUP	1		X X X
2	JD7375	BEARING CONE	1		X X X REAR
3	T21980	DRIVE SHAFT	1		X X
	L35620	DRIVE SHAFT	1		X
4	JD9839	NEEDLE BEARING	1		X X X
5	JD8171	BEARING CONE	1		X X FRONT
	JD7369	BEARING CONE	1		X FRONT (SUB FOR L28675)
6	L31077	BEARING CUP	1		X X FRONT
	L29040	BEARING CUP	1		X FRONT
7	L29041	SHIM	AR		X X X TK= 0.08MM (.003")
	L29042	SHIM	AR		X X X TK= 0.13MM (.005")
	L29043	SHIM	AR		X X X TK= 0.25MM (.010")
	L29044	SHIM	AR		X X X TK= 0.50MM (.020")
8	L28672	QUILL	1		X X (B)
9	H246R	STRAP	3		X X X
10	19H1800	CAP SCREW	1		X X X 3/8"X1-1/2"
11	T23244	SHIFT COLLAR	1		X X (B)
12	19H3239	CAP SCREW	2		X X X 3/8"X1-1/4"
13	L28666	SHIFT COLLAR	1		X X X (A)
14	AL23119	QUILL	1		X X X (A)
15	R54380	DOWEL PIN	1		X X X

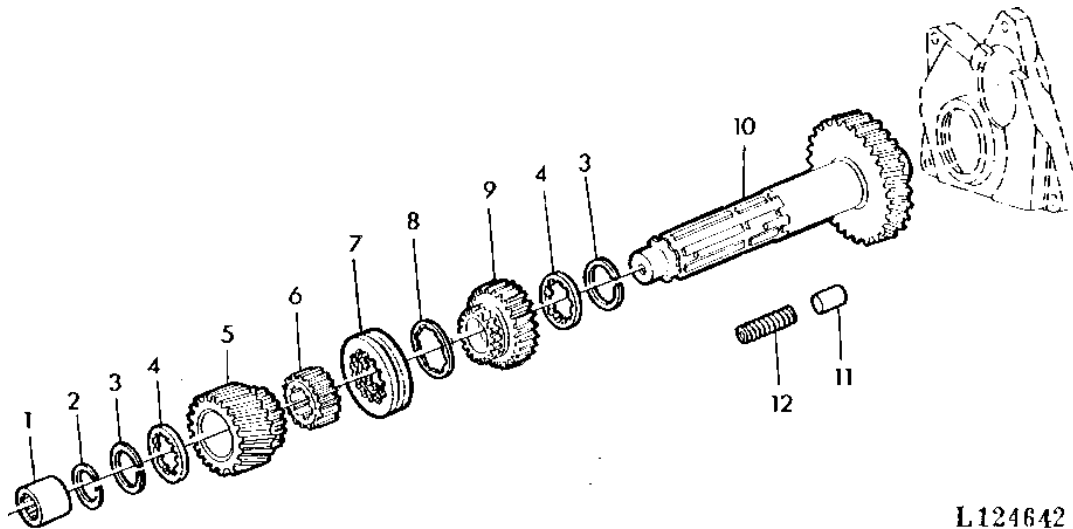
(A) WITH PARKING LOCK
 AVEC VERROUILLAGE DE STATIONNEMENT
 BEI PARKSPERRE
 CON BLOCCO STAZIONAMENTO
 CON BLOQUEO DE APARCAMIENTO
 VID PARKERINGSSPARR

(B) WITH HANDBRAKE
 AVEC FREIN A MAIN
 BEI HANDBREMSE
 CON FRENO MANO
 CON FRENO DE MANO
 VID HANDBROMS

2F18

COLLAR SHIFT TRANSMISSION, HI-LO SHIFT

COUNTERSHAFT (COLLAR-SHIFT TRANSM.)
 ARBRE INTENED (BOITE A MANCHONS BALADEURS)
 NEBENWELLE (BEI MUFFENSCHALTGETRIEBE)
 ALBERO SECONDARIO CAMBIO (TRASM.A COLLARE SCORRE.)
 EJE INTERMEDIO (TRANSM.DE COLLAR.DESPL.)
 MELLANAXEL (COLLAR SHIFT TRANSMISSION)
 L124642 -UN-01JAN94



L124642

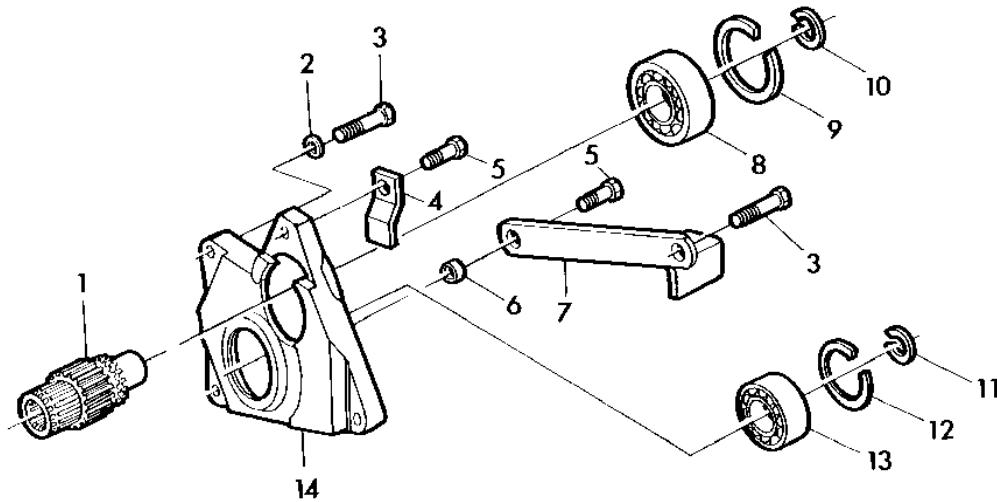
KEY	PART NO.	PART NAME	QTY	SERIAL NO.	REMARKS
					2 1 2 0 6 0 4 4 4 0 0 0 S
1	JD10093	NEEDLE BEARING	1		X X
	JD10085	NEEDLE BEARING	1		X
2	40M7086	SNAP RING	1		X X X
3	T19242	SNAP RING	2		X X X
4	T19245	THRUST WASHER	2		X X X
5	T30065	GEAR	1		X X Z=22
	L35530	GEAR	1		X
6	L29284	SHIFT COLLAR CARRIER	1		X X X
7	R50655	SHIFT COLLAR	1		X X X
8	T24730	THRUST WASHER	1		X X X
9	T21981	GEAR	1		X X Z=21
	L35529	GEAR	1		X Z=21
10	T24726	COUNTERSHAFT	1		X X Z=37
	L28671	COUNTERSHAFT	1	-XXXXXX	X Z=36, LGTH= 297MM
	L41704	SHAFT	1	XXXXXX-	X Z=36, LGTH= 304MM
11	T21969	FRICION PLUG	2		X X X
12	T24732	SPRING	2		X X X

2F19

COLLAR SHIFT TRANSMISSION, HI-LO SHIFT

FRONT BEARING SUPPORT (COLLAR SHIFT TRANSMISSION)
 COUVERCLE DE ROULEMENT AVANT (BOITE A MANCHONS BALADEURS)
 LAGERDECKEL VORN (MUFFENSCHALTGETRIEBE)
 SUPPORTO ANTERIORE (CAMBIO A COLLARE SCOREVOLE)
 TAPA DEL RODAMIENTO DELANTERO (CAMBIO DE COLLAR. DESPLAZ.)
 FRAMRE LAGERHUS (VAXELLADA "COLLAR-SHIFT")

L21834 -UN-07JUL95



L 21834

2
1 2 0
6 0 4
4 4 0
0 0 S

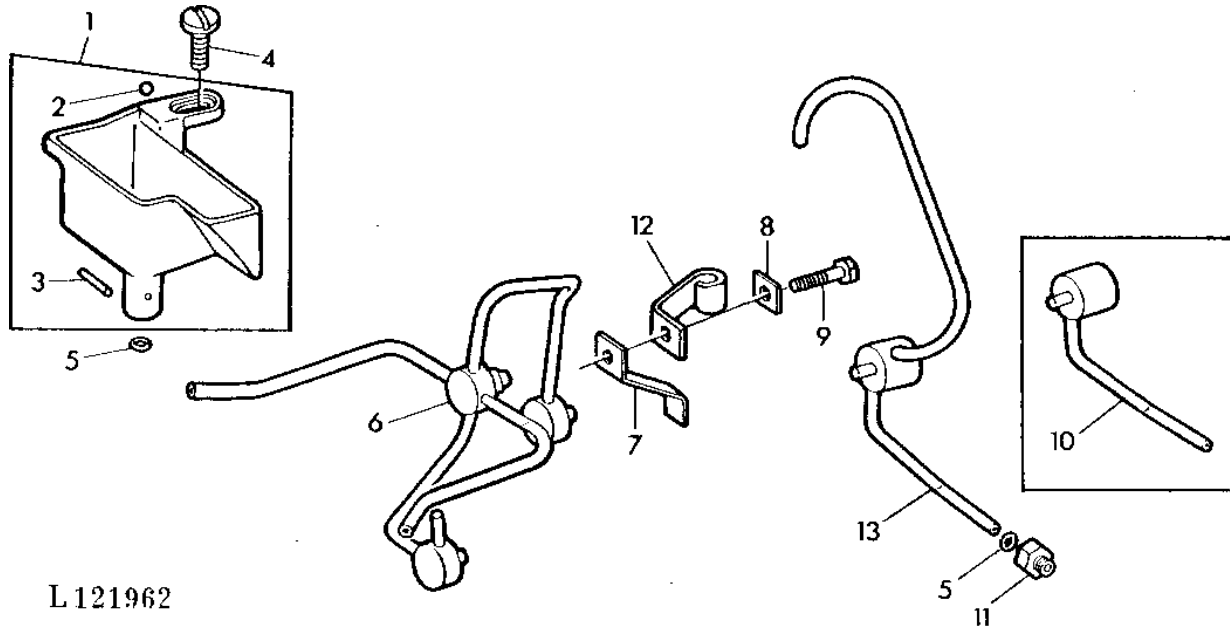
KEY	PART NO.	PART NAME	QTY	SERIAL NO.	REMARKS
1	T24728	GEAR	1		X X Z=12
	L28660	GEAR	1	-XXXXXX	X Z=13, LGTH= 102MM
	L41703	PINION	1	XXXXXX-	X Z=13, LGTH= 109MM
2	R1870R	WASHER	1		X X X
3	19H1801	CAP SCREW	2		X X 3/8"X2"
	19H1801	CAP SCREW	2	-XXXXXX	X 3/8"X2"
	19H1726	CAP SCREW	2	XXXXXX-	X 3/8"X2-1/4"
4	T24736	CLAMP	1		X X X
5	19H3239	CAP SCREW	2		X X 3/8"X1-1/4"
	19H3239	CAP SCREW	1	-XXXXXX	X 3/8"X1-1/4"
	19H1800	CAP SCREW	2	XXXXXX-	X 3/8"X1-1/2"
6	28H1518	WASHER	1		X X 3/8"X.312"
	28H1518	WASHER	1	-XXXXXX	X 3/8"X.312"
	28H1689	SPACER	1	XXXXXX-	X 3/8"X.625"
7	AL32976	RETAINER	1		X X X
8	JD10172	BALL BEARING	1		X X X
9	T24737	SNAP RING	1		X X X
10	A364R	SNAP RING	1		X X X
11	F215R	RING	1		X X X
12	B190R	SNAP RING	1		X X X
13	L28405	BALL BEARING	1		X X X
14	L36557	QUILL	1		X X (SUB FOR T24691)
	L36557	QUILL	1	-XXXXXX	X (SUB FOR T24691)
	L41705	QUILL	1	XXXXXX-	X

2F20

COLLAR SHIFT TRANSMISSION, HI-LO SHIFT

LUBRICATING LINES/OIL (COLLAR SHIFT TRANSMISSION)
 CONDUITES GRAISSAGE/RESERVE (BOITE A MANCHONS BALADEURS)
 SCHMIEROELLEITUNGEN/OELTOPF (MUFFENSCHALTGETRIEBE)
 LINEE OLIO CAMBIO (A COLLARE SCORREVOLE)
 TUBERIAS DE ENGRASE/TAZA DE ACEITE (CAMBIO DE COLLAR. DESPL.)
 LEDNINGAR/SKAL (VAXELLADA "COLLAR-SHIFT")

L121962 -UN-01JAN94



L 121962

2
1 2 0
6 0 4
4 4 0
0 0 S

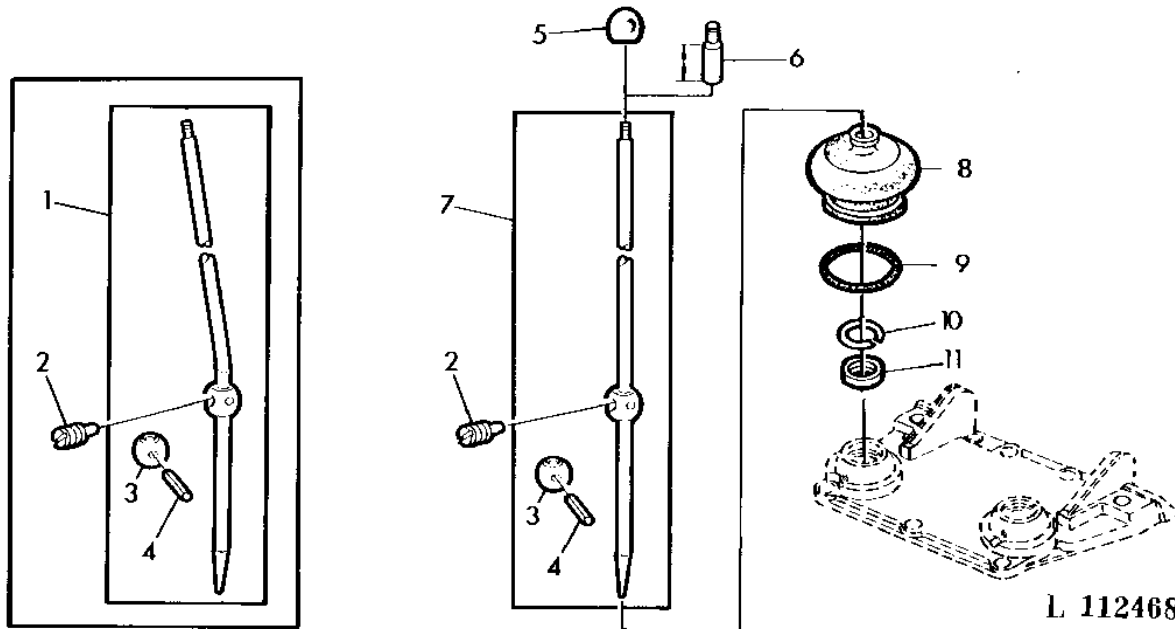
KEY	PART NO.	PART NAME	QTY	SERIAL NO.	REMARKS
1	AL28231	OIL CUP	1	X X X	
2	R26552	BALL	1	X X X	5/16"
3	R39090	NEEDLE ROLLER	1	X X X	
4	21H1322	SCREW	1	X X X	3/8"X7/8"
5	A3917R	O-RING	2	X X X	
6	AL28232	MANIFOLD	1	X X X	REAR
7	T22974	CLAMP	1	X X X	
8	H246R	STRAP	1	X X X	
9	19H1800	CAP SCREW	1	X X X	3/8"X1-1/2"
10	AT22002	OIL TUBE	1	X X X	FRONT (ORD AL67261, L63188)
11	T22852	ADAPTER	1	X X X	9/16"
12	L63188	BRACKET	1	X X X	
13	AL67261	OIL LINE	1	X X X	FRONT

2F21

COLLAR SHIFT TRANSMISSION, HI-LO SHIFT

GEAR SHIFT LEVER (COLLAR SHIFT TRANSMISSION)
 LEVIER DE VITESSE (BOITE A MANCHONS BALADEURS)
 GANGSCHALTHEBEL (MUFFENSCHALTGETRIEBE)
 LEVA DEL CAMBIO (CAMBIO A COLLARE SCORREVOLE)
 PALANCA DE CAMBIO DE VELOCIDADES (TRANSM. DE COLLARINES)
 VAXELSPAK (COLLAR-SHIFT TRANSMISSION)

L112468 -UN-17JUL95



L 112468

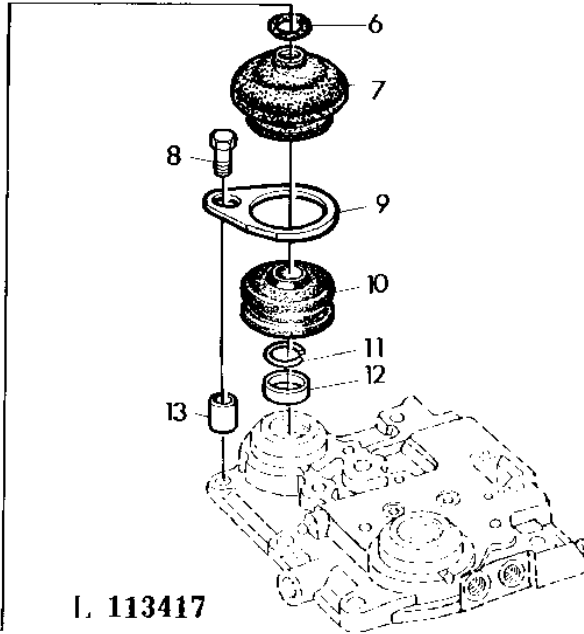
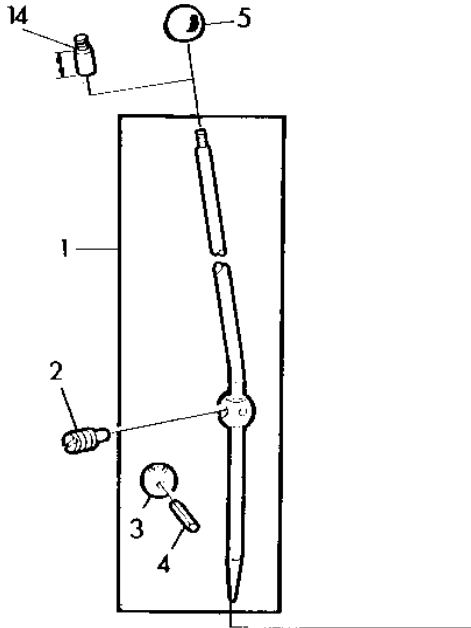
2
1 2 0
6 0 4
4 4 0
0 0 S

KEY	PART NO.	PART NAME	QTY	SERIAL NO.	REMARKS
1	DE13627	GEARSHIFT LEVER	2	X X X	
2	CE14055	SET SCREW	2	X X X	
3	CE14048	BALL	1	X X X	
4	34H251	SPRING PIN	1	X X X	1/8"X1"
5	AL58296	KNOB	2	X X X	(SUB FOR R50864 APPL)
6	L38087	EXTENSION	2	X X X	50MM
	L38088	EXTENSION	2	X X X	80MM
	L38089	EXTENSION	2	X X X	100MM
7	AL32791	GEARSHIFT LEVER	2	X X X	
8	L31055	BOOT	2	X X X	
9	L31311	O-RING	2	X X X	
10	L4035T	SNAP RING	2	X X X	
11	L4027T	BUSHING	2	X X X	

2F22

COLLAR SHIFT TRANSMISSION, HI-LO SHIFT

GEAR SHIFT LEVER (COLLAR SHIFT TRANSMISSION) WITH MC1 CAB
 LEVIER DE VITESSE (BOITE A MANCHONS BALADEURS) AVEC CABINE MC1
 GANGSCHALTHEBEL (MUFFENSCHALTGETRIEBE) BEI MC1 KABINE
 LEVA DEL CAMBIO (CAMBIO A COLLARE SCORREVOLE) CON CABINA MC1
 PALANCA DE CAMBIO DE VELOCIDADES (TRANSM. DE COLLARINES) CON CABINA MC1
 VAXELSPAK (COLLAR-SHIFT TRANSMISSION) VID MC1 FORARHYTT
 L113417 -UN-11JUL95



I. 113417

2
1 2 0
6 0 4
4 4 0
0 0 S

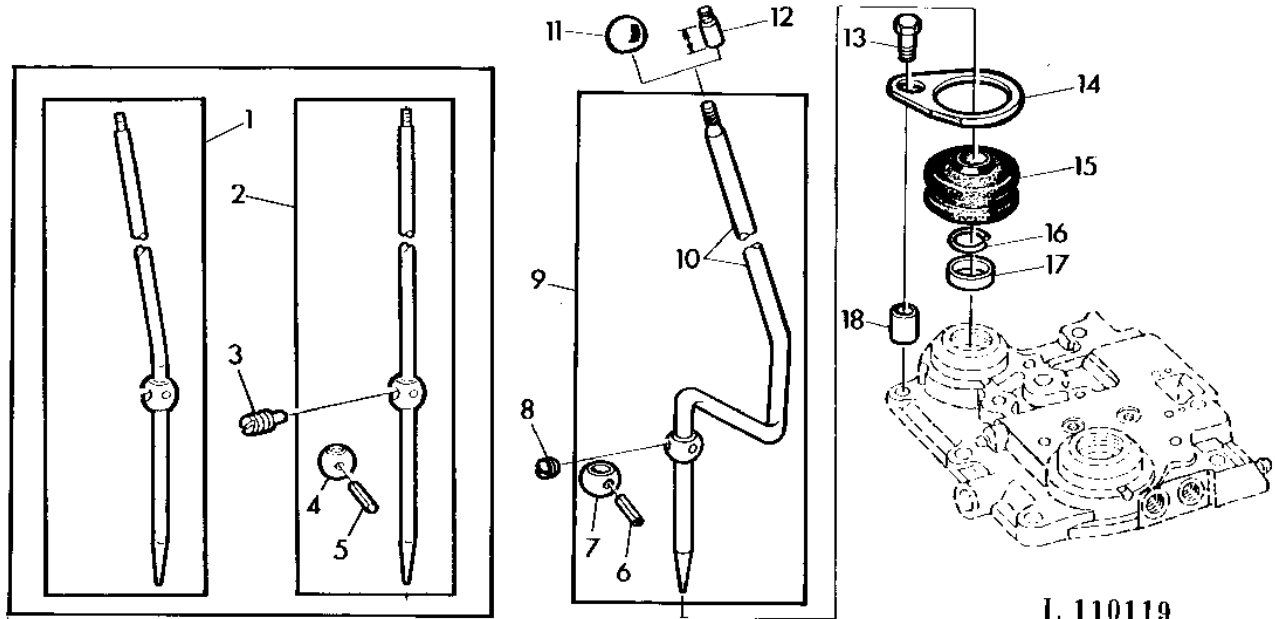
KEY	PART NO.	PART NAME	QTY	SERIAL NO.	REMARKS
1	AL32768	GEARSHIFT LEVER	1	X X X	RH
	DE13627	GEARSHIFT LEVER	1	X X X	LH
2	CE14055	SET SCREW	2	X X X	
3	CE14048	BALL	1	X X X	
4	34H251	SPRING PIN	1	X X X	
5	AL58296	KNOB	2	X X X	(SUB FOR R50864 APPL)
6	L58600	O-RING	2	X X X	
7	L31055	BOOT	2	X X X	
8	19H1801	CAP SCREW	2	X X X	3/8"X2"
9	L42192	RETAINER	2	X X X	
10	L42191	BOOT	2	X X X	
11	L4035T	SNAP RING	2	X X X	
12	L4027T	BUSHING	2	X X X	
13	L30818	SPACER	2	X X X	
14	L38087	EXTENSION	1	X X X	50MM

2F23

COLLAR SHIFT TRANSMISSION, HI-LO SHIFT

GEAR SHIFT LEVER WITH SG2 CAB AND CENTER SHIFT (COLLAR SHIFT)
 LEVIER DE CHANGEMENT DE VITESSES SUR SG2 ET SELECTION CENTRALE (A MANCHONS BALADEURS)
 GANGSCHALTHEBEL BEI SG2 UND MITTELSCHALTUNG (MUFFENSCHALTGETRIEBE)
 LEVA INNESTO MARCE CON SG2 ED INNESTO CENTR. (TRASM. COLL. SCORR.)
 PALANCA CAMBIO VELOC. CON SG2 Y SELECTOR CENTRAL (TRANSM. COLLAR.)
 VAXELSPAK VID SG2 OCH CENTRALVAXLING (COLLAR SHIFT VAXELLADA)

L110119 -UN-17JUL95



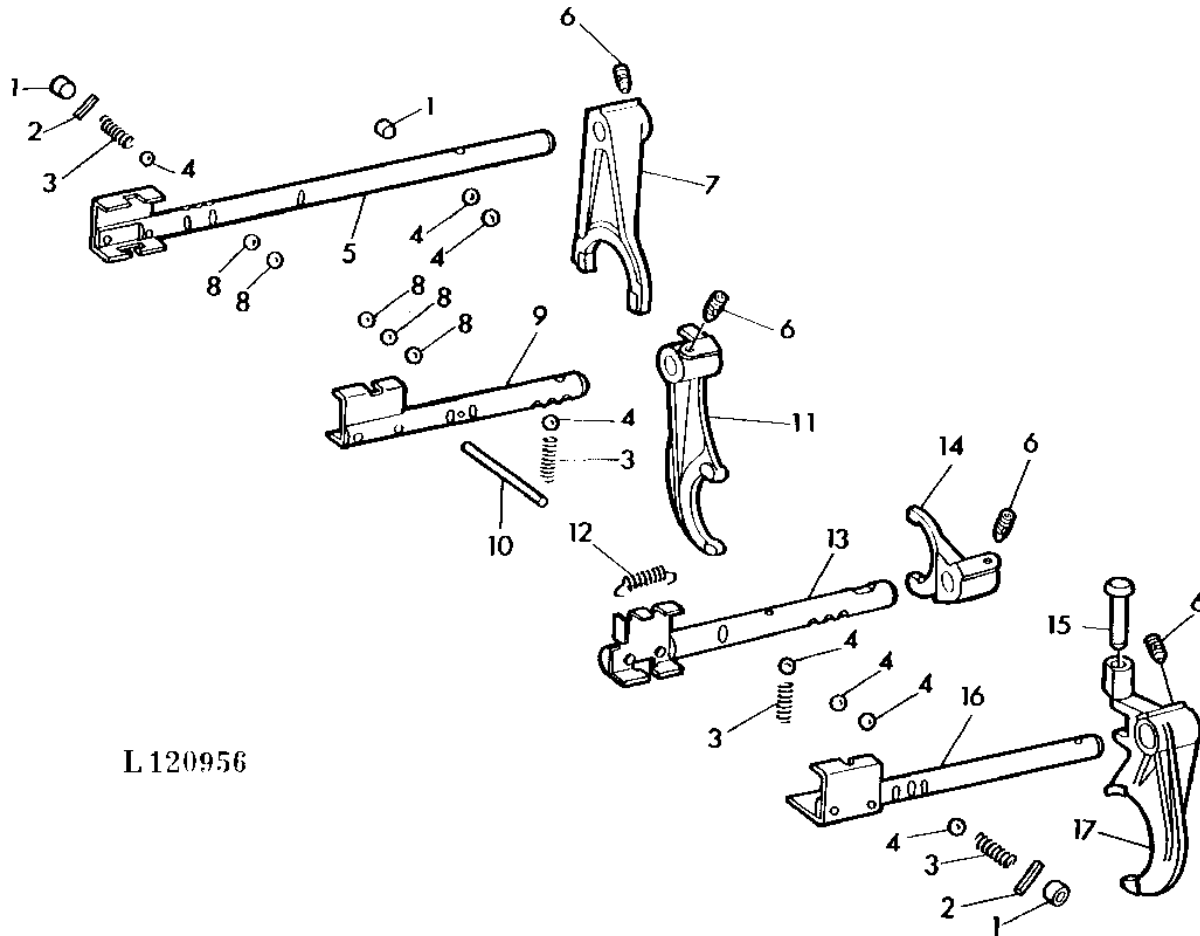
L 110119

KEY	PART NO.	PART NAME	QTY	SERIAL NO.	REMARKS
				2	
				1 2 0	
				6 0 4	
				4 4 0	
				0 0 S	
1	DE13627	GEARSHIFT LEVER	2		X X
2	AL32791	GEARSHIFT LEVER	2	-552322	X X
3	CE14055	SET SCREW	2	-552322	X X
4	CE14048	BALL	2	-552322	X X
5	34H251	SPRING PIN	2	-552322	X X
6	34M7144	SPRING PIN	2	552323-	X X
7	L42193	BALL	2	552323-	X X
8	R53308	SET SCREW	2	552323-	X X
9	AL57614	GEARSHIFT LEVER	2	552323-	X X
10	L42235	GEARSHIFT LEVER	2	552323-	X X
11	L56929	KNOB	2		X X (SUB FOR R50864 APPL)
12	L38087	EXTENSION	2		X X 50MM
	L38088	EXTENSION	2		X X 80MM
	L38089	EXTENSION	2		X X 100MM
13	19H1765	CAP SCREW	2	552323-	X X 3/8"X1-3/4"
14	L42192	RETAINER	2	552323-	X X
15	L31055	BOOT	2	-552322	X X
	L42191	BOOT	2	552323-	X X
16	L4035T	SNAP RING	2		X X
17	L4027T	BUSHING	2		X X
18	L30818	SPACER	2	552323-	X X

2F24

COLLAR SHIFT TRANSMISSION, HI-LO SHIFT

GEAR SHIFTING PARTS (COLLAR SHIFT TRANSMISSION)
ELEMENTS CHANGEMENT DE VITESSE (BOITE A MANCHONS BALADEURS)
GANGSCHALTUNGSTEILE (BEI MUFFENSCHALTGETRIEBE)
PARTI INNESTO MARCE (CAMBIO A COLLARE SCORREVOLE)
PIEZAS CAMBIO VELOCIDADES (CON COLLARINES DESPLAZABLES)
VAXLINGSMEKANISM (VAXELLADA "COLLAR-SHIFT")
L120956 -UN-07JUL95



L120956

2F25

COLLAR SHIFT TRANSMISSION, HI-LO SHIFT

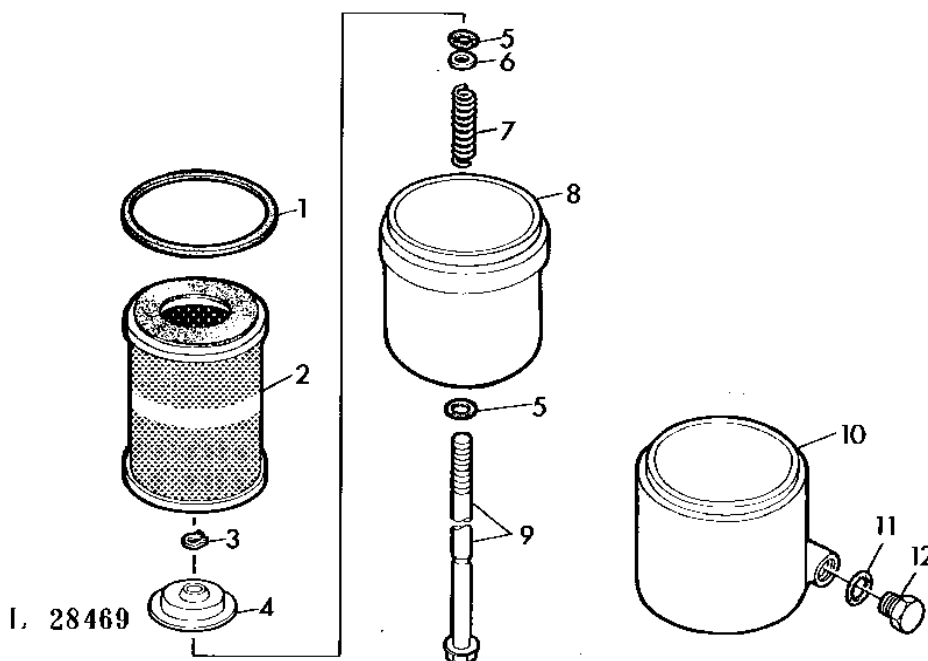
KEY	PART NO.	PART NAME	QTY	SERIAL NO.	1 2 0 6 0 4 4 4 0 0 0 S	REMARKS
1	M1102T	CAP	3		X X X	
2	34H251	SPRING PIN	2		X X X	1/8"X1"
3	T27716	SPRING	4		X X X	
4	R26552	BALL	8		X X X	5/16"
5	AL33280	SHIFTER ROD	1		X X	
	AL33280	SHIFTER ROD	1	-XXXXXX	X X	(A)
	AL55294	SHIFTER ROD	1	XXXXXX-	X X	(A)
	AL33278	SHIFTER ROD	1		X	
6	T25614	SET SCREW	4		X X X	
7	L28401	SHIFTER	1		X X X	
8	400R	BALL	5		X X X	
9	AL33279	SHIFTER ROD	1	-XXXXXX	X X	(A)
	AL55295	SHIFTER ROD	1	XXXXXX-	X X	(A)
	AL33279	SHIFTER ROD	1		X X X	
10	T22736	PIN	1		X X X	
11	T32142	SHIFTER	1		X X X	
12	L36575	SPRING	1		X X X	
13	AL37582	SHIFTER ROD	1	-XXXXXX	X X	(A)
	AL55293	SHIFTER ROD	1	XXXXXX-	X X	(A)
	AL33247	SHIFTER ROD	1	-472548	X X X	
	AL37582	SHIFTER ROD	1	472549-	X X X	
14	T26197	SHIFTER	1		X X X	
15	R98941	PIN	1		X X X	(SUB FOR R60559, T22435, L41886)
16	AL33250	SHIFTER ROD	1	-XXXXXX	X X	(A)
	AL55292	SHIFTER ROD	1	XXXXXX-	X X	(A)
	AL33250	SHIFTER ROD	1		X X X	
17	R60557	SHIFTER	1		X X X	(SUB FOR R51233)

(A) WITH SG2 CAB AND CENTER SHIFT
 AVEC CABINE SG2 ET COMMANDE CENTRALE
 BEI SG2 KABINE UND MITTELSCHALTUNG
 CON CABINA SG2 E CAMBIO LEVE CENTRALI
 CON CABINA SG2 Y CAMBIO CENTRAL
 VID SG2 HYTT OCH MITTKONSOL

2G1

COLLAR SHIFT TRANSMISSION, HI-LO SHIFT

TRANSMISSION OIL FILTER
 FILTRE A HUILE DE BOITE
 GETRIEBEOELFILTER
 FILTRO OLIO CAMBIO
 FILTRO DE ACEITE DE LA TRANSMISION
 TRANSMISSIONSOLJEFILTER
 L28469 -UN-31MAY95



2
 1 2 0
 6 0 4
 4 4 0
 0 0 S

KEY	PART NO.	PART NAME	QTY	SERIAL NO.	REMARKS
1	R34733	WASHER	1	X X X	
2	AR75603	FILTER ELEMENT	1	X X X	
	AR98098	FILTER ELEMENT	1	X X X	(B) (SUB FOR AR70506)
3	R32507	SNAP RING	1	X X X	
4	L29251	RETAINER	1	X X X	
5	R394R	O-RING	2	X X X	
6	24H1227	WASHER	1	X X X	17/32"X13/16"X.060"
7	L29252	COMPRESSION SPRING	1	X X X	
8	L29250	COVER	1	X X X	
9	L29253	CAP SCREW	1	X X X	
	R65904	CAP SCREW	1	X X X	(B)
10	T31170	COVER	1	X X X	(A)
	L34630	COVER	1	X X X	(B)
11	U12547	O-RING	1	X X X	(A) (SUB FOR F3171R APPL)
12	R27175	DRAIN PLUG	1	X X X	(A) 1-1/16"

(A) FOR CONNECTING HYDRAULIC MOTOR
 POUR BRANCHER LE MOTEUR HYDRAULIQUE
 FUER HYDRO-MOTOR ANSCHLUSS
 PER ATTACCARE UN MOTORE IDRAULICO
 PARA ACOPLAR EL MOTOR HIDRAULICO
 FOR ANSLUTNING AV HYDRAULMOTOR

(B) W/PUMP 50CCM
 AVEC POMPE HYDRAULIQUE 50CCM
 BEI HYDRAULIKPUMPE 50CCM
 CON POMPA IDRAULICA 50CCM
 CON BOMBA HIDR.DE 50CCM
 VID HYDRAULPUMP 50CCM

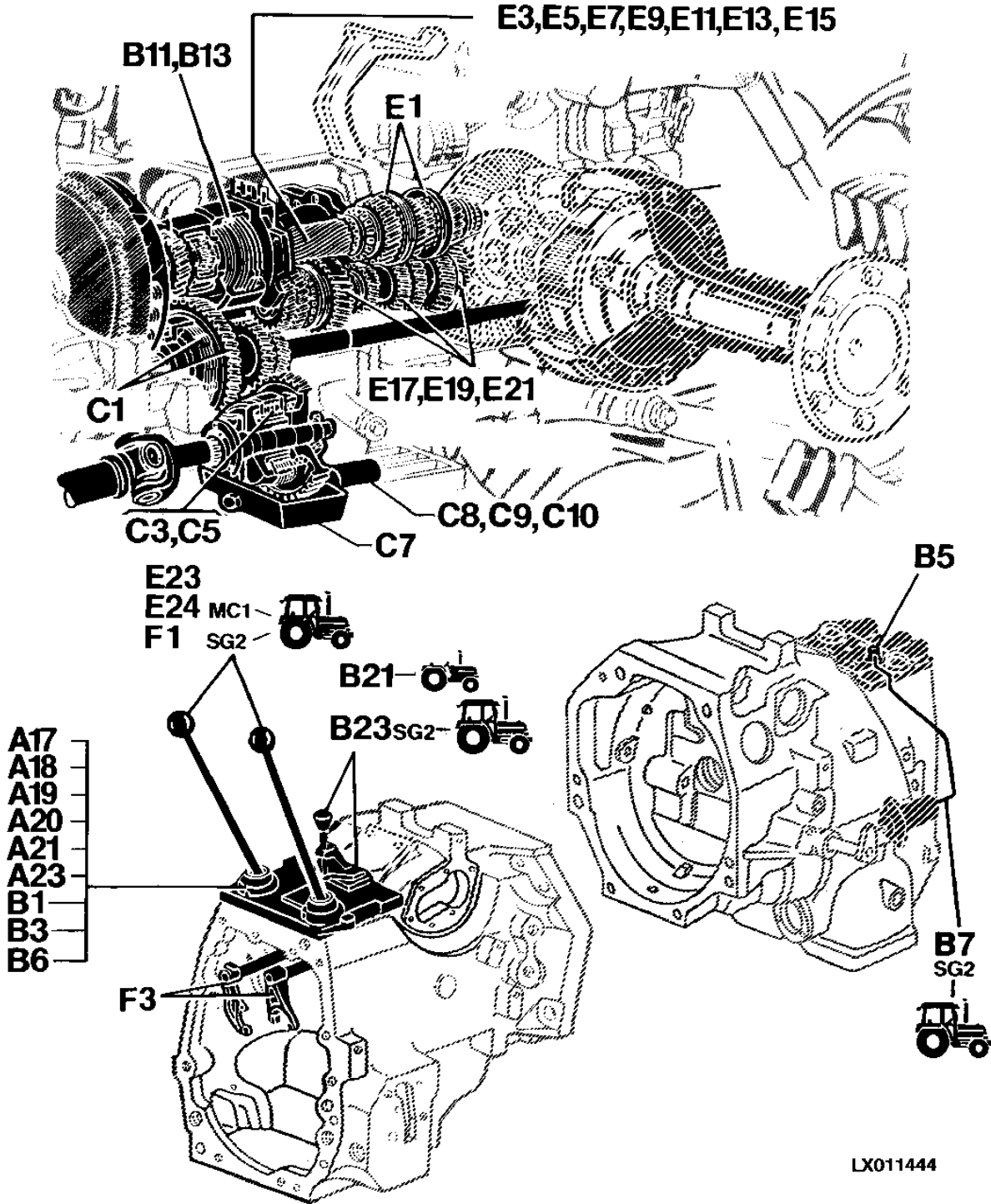
3A10

SYNCHRO. TRANSMISSION, HI-LO, CREEPER TRANSM.

XX
 XXX
 XXX
 XXX
 XXX
 XXX
 XXX
 XXX
 XXX
 XXX

SECTIONAL INDEX
 INDEX DE SECTION
 GRUPPENINDEX
 INDICE DELLA SEZIONE
 INDICE DE GRUPOS
 GRUPPSFORTECKNING

LX011444 -UN-14JUL95



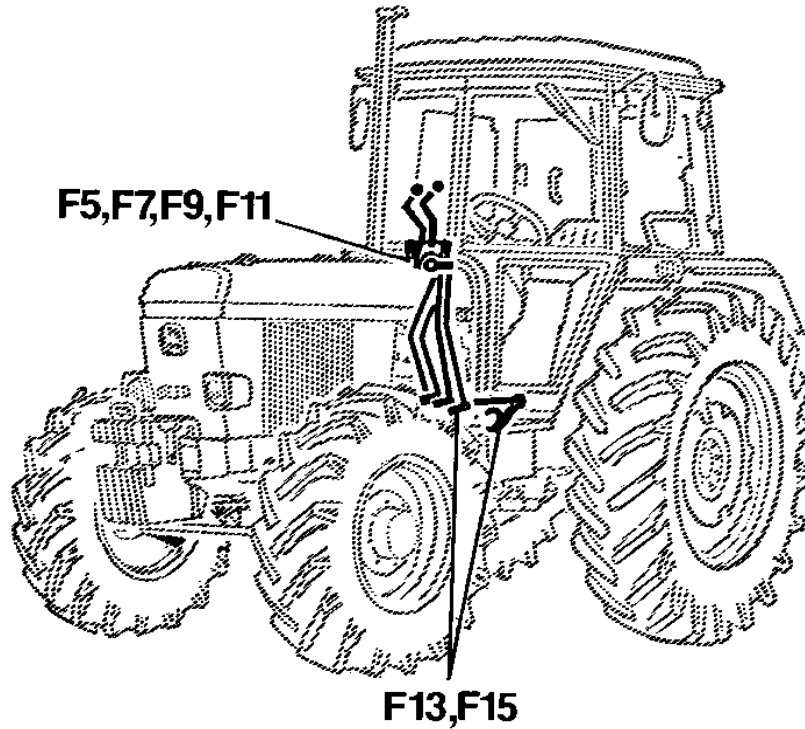
3A11

SYNCHRO. TRANSMISSION, HI-LO, CREEPER TRANSM.

XX
XX
XX
XX
XX
XX
XX

SECTIONAL INDEX
INDEX DE SECTION
GRUPPENINDEX
INDICE DELLA SEZIONE
INDICE DE GRUPOS
GRUPPSFORTECKNING

L122323 -UN-14JUL95



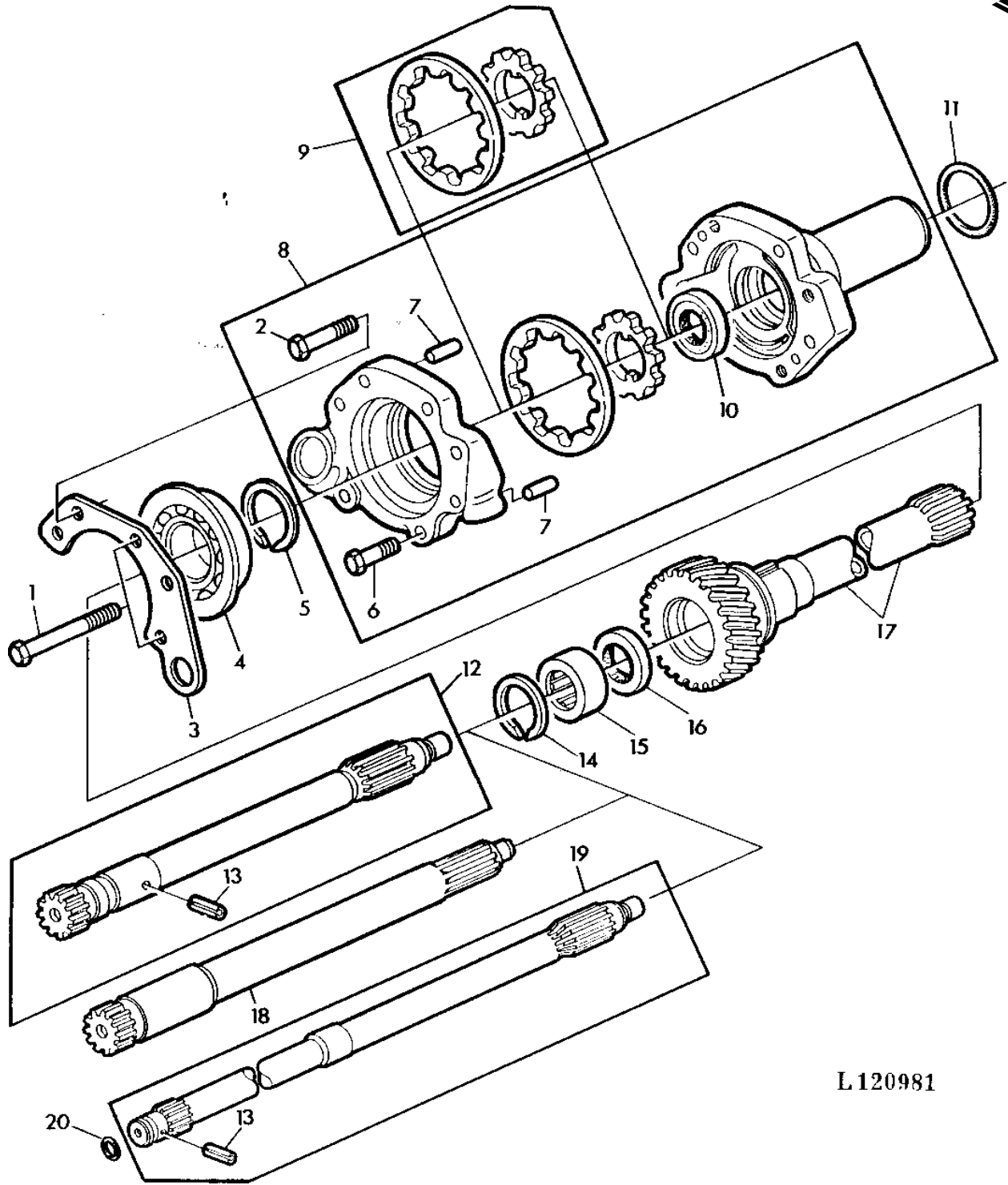
L122323

3A12

SYNCHRO. TRANSMISSION, HI-LO, CREEPER TRANSM.

OIL PUMP/PTO DRIVE SHAFT/CLUTCH SHAFT (SYNCHRONIZED TRANSMISSION)
POMPE A'HUILE/ARBRE DE PDF/ARBRE D'EMBRAYAGE (SYNCHRONISEE)
OELPUMPE/ZAPFWELLENANTRIEBSWELLE/KUPPLUNGSWELLE (SYNCHRONGETRIEBE)
POMPA OLIO/ALBERO COMANDO PDF/ALBERO FRIZIONE (TIPO SINCRONIZZATO)
BOMBA DE ACEITE/EJE DE LA TDF/EJE DEL EMBRAGUE (TIPO SINCRONIZADO)
OLJEPUMP/KRAFTUTTAGS DRIVAXEL/KOPPLINGSAXEL (SYNKRONISERAD VAXELLADA)

L120981 -UN-01JAN94



L120981

3A13

SYNCHRO. TRANSMISSION, HI-LO, CREEPER TRANSM.

KEY	PART NO.	PART NAME	QTY	SERIAL NO.	REMARKS
					2
					1 2 0
					6 0 4
					4 4 0
					0 0 S
1	19M7479	CAP SCREW	2		X X X M10X80
2	19M7181	CAP SCREW	2		X X X M10X55
3	L62815	RETAINER	1		X X X (SUB FOR L33146, L37886)
4	JD10104	BALL BEARING	1		X X X
5	L33304	SNAP RING	1		X X X
6	19M7382	CAP SCREW	2		X X X M10X40
7	44M7037	DOWEL PIN	2		X X X 8X16MM
8	AL41639	OIL PUMP	1		X X (A) (SUB FOR AL30154) (ORD AL69761)
	AL64139	OIL PUMP	1		X X (A) (C) (ORD AL69761)
	AL39355	OIL PUMP	1		X X X (SUB FOR AL28923) (ORD AL69761)
	AL69761	OIL PUMP	1		X X X (C)
9	AL39778	GEAR	1		X X (A) (C) (FOR AL30154 OR AL41639 OR AL64139)
	AL68435	GEAR	1		X X X (C) (FOR AL39355)
10	AL28870	SEAL	1		X X X
11	L33701	O-RING	1		X X X
12	AL37900	SHAFT	1		X X (SUB FOR AL34249)
	AL39243	SHAFT	1		X (SUB FOR AL30921)
13	34M7104	SPRING PIN	1		X X X 2.5X10MM
14	L34114	SNAP RING	1		X X X
15	L65031	NEEDLE BEARING	1		X X X (SUB FOR JD10105)
16	AL28922	SEAL	1		X X X
17	L33734	DRIVE SHAFT	1		X X Z=27, 540-1000U/MIN (RPM)
	L33735	DRIVE SHAFT	1	-507734	X X Z=17, 540U/MIN (RPM)
	L40834	DRIVE SHAFT	1	507735-	X X Z=19, 540U/MIN (RPM)
	L33123	DRIVE SHAFT	1		X Z=27, 540-1000U/MIN (RPM)
	L33306	DRIVE SHAFT	1	-507734	X Z=17, 540U/MIN (RPM)
	L40835	DRIVE SHAFT	1	507735-	X Z=19, 540U/MIN (RPM)
18	L39954	SHAFT	1		X X (B) (SUB FOR L34112)
	L33786	SHAFT	1		X (B)
19	AL37899	SHAFT	1		X X (A) (SUB FOR AL30923)
	AL30689	SHAFT	1		X (A)
20	T13119	O-RING	1		X X X (A)

(A) WITHOUT HI-LO SHIFT UNIT
 SANS HI-LO
 OHNE LASTSCHALTSTUFE
 SENZA RIDUTTORE HI-LO
 SIN MECAN.DE CAMBIO HI-LO
 UTAN HOG-LAG VAXLING

(B) WITH CREEPER TRANSMISSION
 AVEC GAMME RAMPANTE
 BEI KRIECHGANGGETRIEBE
 CON GRUPPO RAMPANTE
 CON TRANSMISION CREEPER
 VID KRYPKORNING

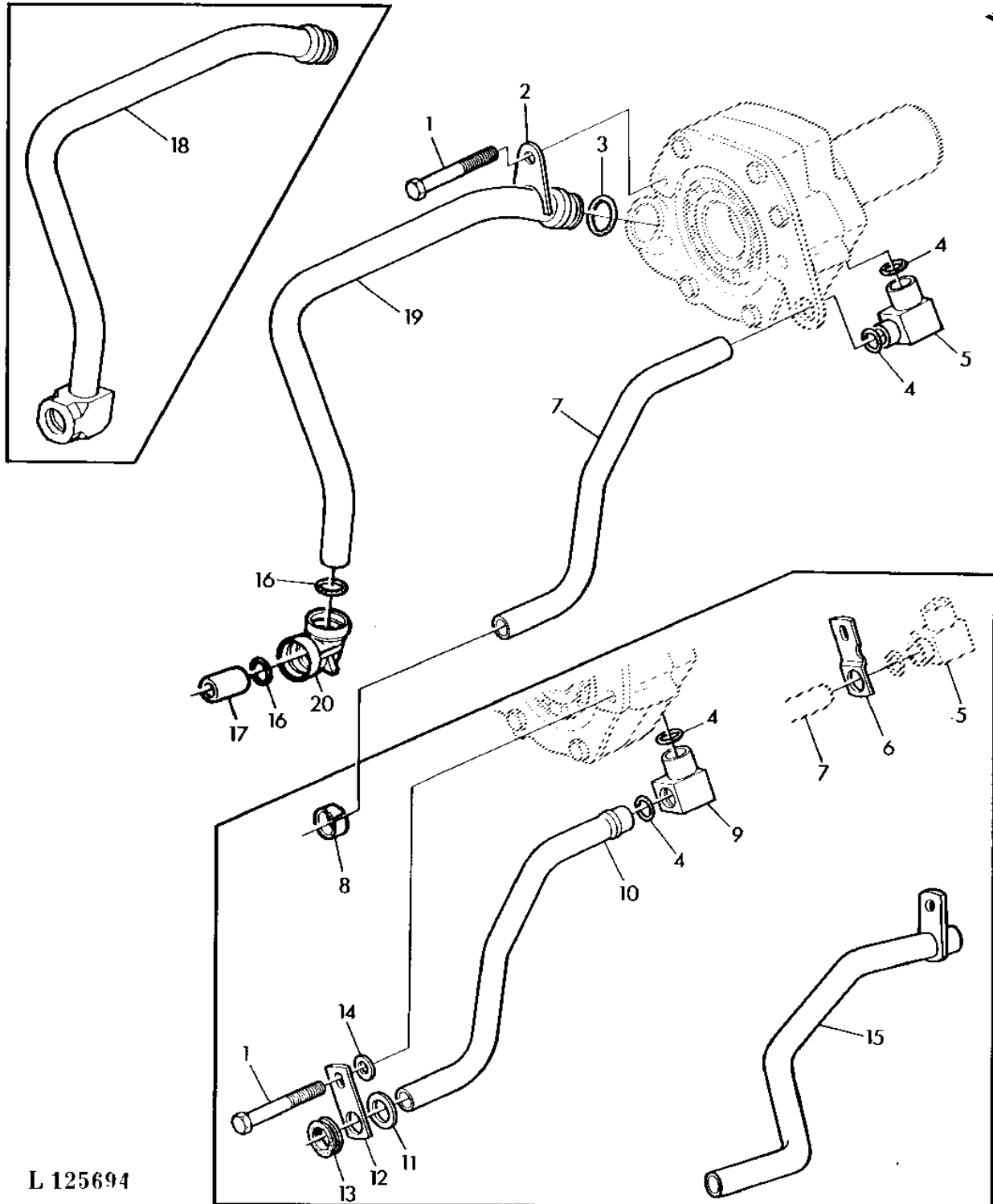
(C) WITH STEEL RACE
 AVEC CHEMIN EN ACIER
 MIT STAHL INNENLAEUFER
 CON PISTA INTERIORE D'ACCIAI
 CON PISTA INTERIOR DE ACERO
 MED STALBANA

3A14

SYNCHRO. TRANSMISSION, HI-LO, CREEPER TRANSM.

TRANSMISSION OIL PUMP/OIL LINES (SYNCHRONIZED TRANSMISSION)
POMPE A HUILE DE BOITE/CONDUITES D'HUILE (SYNCHRONISEE)
GETRIEBEOELPUMPE/OELLEITUNGEN (SYNCHRONGETRIEBE)
POMPA OLIO L CAMBIO/LINEE (TIPO SINCRONIZZATO)
BOMBA DE ACEITE DE LA TRANSMISION/TUBERIAS (TIPO SINCRONIZADO)
VAXELLADS OLJEPUMP/LEDNINGAR (SYNKRONISERAD VAXELLADA)

L125694 -UN-07JUL95



L 125694

3A15

SYNCHRO. TRANSMISSION, HI-LO, CREEPER TRANSM.

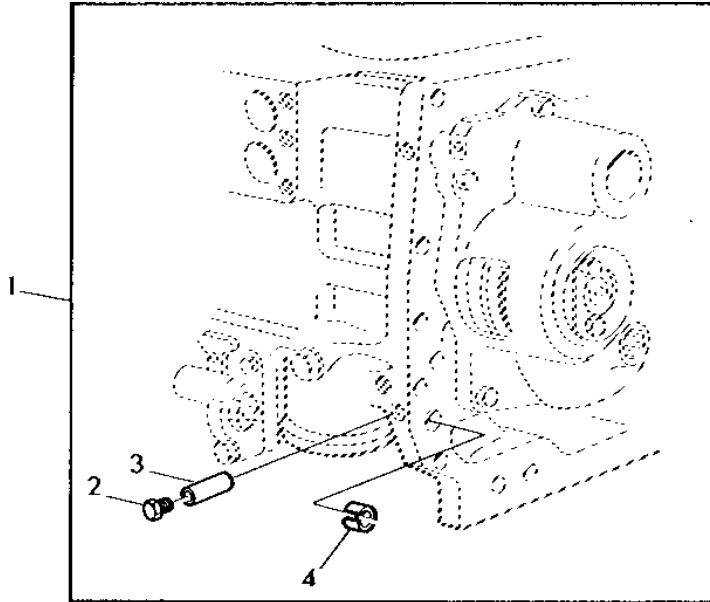
KEY	PART NO.	PART NAME	QTY	SERIAL NO.	REMARKS
					2
					1 2 0
					6 0 4
					4 4 0
					0 0 S
1	19M7479	CAP SCREW	1		M10X80
2	L33180	RETAINER	1		
3	L34352	O-RING	1		
4	T13119	O-RING	2		
5	AL38226	ELBOW FITTING	1	473484-	
6	L40424	STRAP	1	473484-	(ORD L62815)
7	L40425	TUBE	1	473484-	
8	L41897	BUSHING	1	473484-517059	(SUB FOR L40434)
9	AL28759	ELBOW FITTING	1	-473483	(ORD AL38226, L62815, L40425, L41897)
10	L33201	TUBE	1	431500-473483	(ORD AL38226, L62815, L40425, L41897)
11	24M4810	WASHER	1	431500-473483	20X28X1.4MM
12	L39088	STRAP	1	431500-473483	(ORD AL38226, L62815, L40425, L41897)
13	R40445	GROMMET	1	431500-473483	
14	24M7043	WASHER	1	431500-473483	12X25X3MM
15	AL28746	OIL LINE	1	-431499	(ORD AL38226, L62815, L40425, L41897)
16	L33374	O-RING	2		
17	L33151	TUBE	1		
18	AL28745	OIL LINE	1		(ORD AL68325, AL69305, L33374)
19	AL68325	OIL LINE	1		
20	AL69305	ELBOW FITTING	1		

3A16

SYNCHRO. TRANSMISSION, HI-LO, CREEPER TRANSM.

REPAIR KIT (STOP BUSHING IN TRANSMISSION CASE)
 JEU DE REPARATION (BAGUE DE BUTEE DANS CARTER DE BOITE VIT.)
 REPARATURSATZ (ANSCHLAGBUCHSENBEFESTIGUNG IM GETRIEBEGEH.)
 GRUPPO PER RIPARAZIONE (BULLONERIA PER CUSCINETTO)
 JUEGO DE REPARACION (CASQUILLO DE TOPE EN EL CARTER TRANSM.)
 REPARATIONSSATS (FASTDELAR FOR BUSSNING)

L108401 -UN-01JAN94



L 108401

2
1 2 0
6 0 4
4 4 0
0 0 S

KEY	PART NO.	PART NAME	QTY	SERIAL NO.	REMARKS
1	AL41352	KIT	1	X X X	
2	15H558	PIPE PLUG	1	X X X	1/8"
3	34H255	SPRING PIN	1	X X X	
4	L41897	BUSHING	1	X X X	

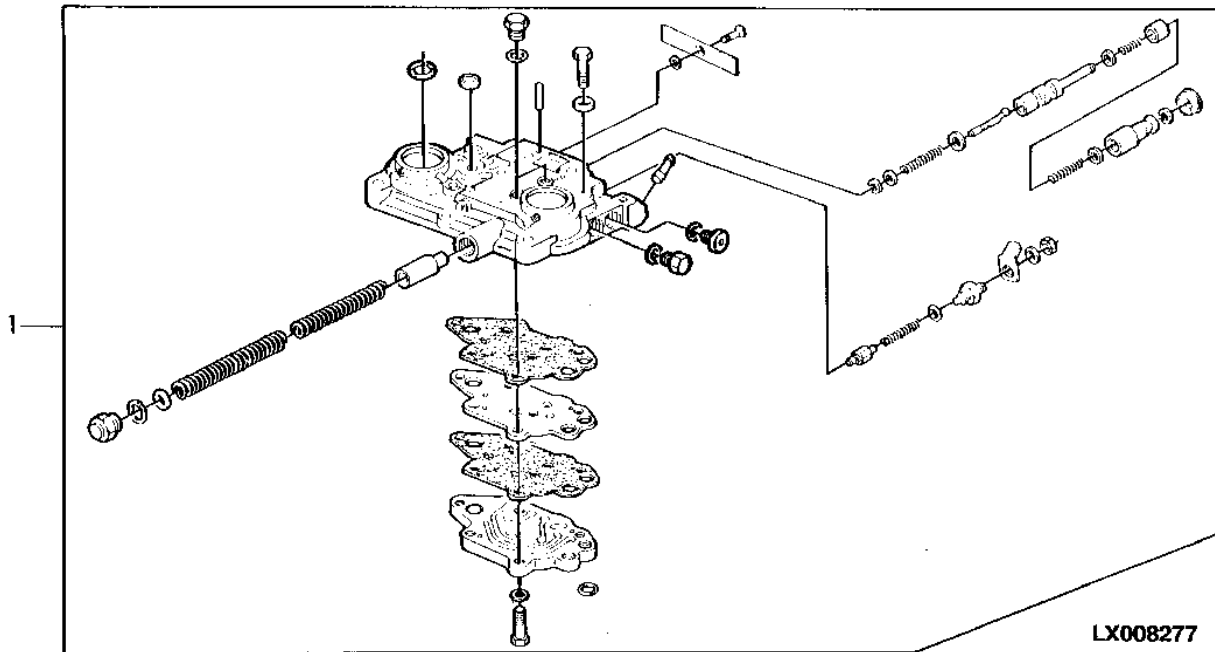
MEMORANDA
MEMORANDA
MEMORANDA
MEMORANDA
MEMORANDA

3A17

SYNCHRO. TRANSMISSION, HI-LO, CREEPER TRANSM.

SHIFT COVER (WITH IND. PTO)
 COUVERCLE DU CARTER D'EMBRAYAGE (PDF INDEP.)
 SCHALTDECKEL (BEI UNABH. ZAPFWELLE)
 COPERCHIO DISPOSITIVO INNESTO (CON PDF INDIPENDENTE)
 TAPA DE LA CAJA DE CAMBIOS (CON TDF INDEPENDIENTE)
 VAXELSPAKSLOCK (VID OBEROENDE KRAFTUTTAG)

LX008277 -UN-27APR95



2
 1 2 0
 6 0 4
 4 4 0
 0 0 S

KEY	PART NO.	PART NAME	QTY	SERIAL NO.	REMARKS
1	AL55258	HOUSING	1	-581734	X X X (ORD W/ (3) A3917R) (SUB FOR AL34748)
	AL55257	HOUSING	1	-581734	X X X (A) (ORD W/ (3) A3917R) (SUB FOR AL34747)
	AL55258	HOUSING	1	581735-	X X X (ORD W/ L40773)
	AL55257	HOUSING	1	581735-	X X X (A) (ORD W/ L40773)

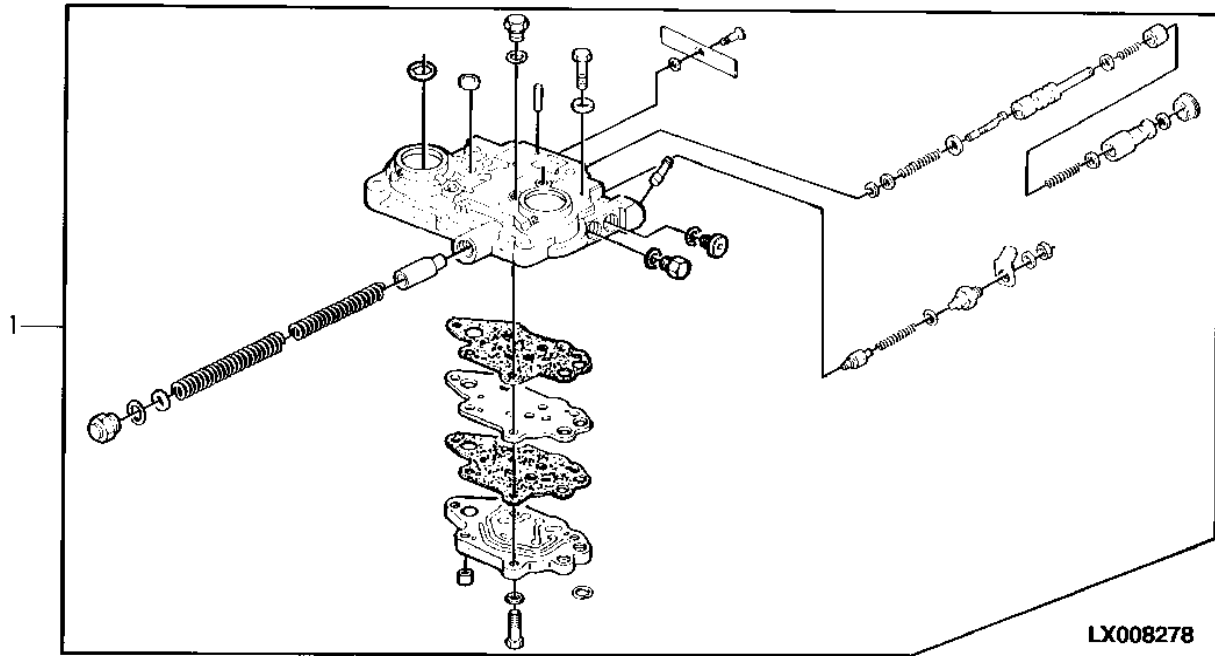
(A) WITH FRONT WHEEL DRIVE
 AVEC PONT AVANT
 BEI FRONTANTRIEB
 CON TRAZIONE ANTERIORE
 CON TRACCION DELANTERA
 VID FRAMHJULSDRIFT

3A18

SYNCHRO. TRANSMISSION, HI-LO, CREEPER TRANSM.

SHIFT COVER (WITH IND. PTO AND CREEPER TRANSMISSION)
 COUVERCLE DE CARTER D'EMBR. (AVEC PDF INDEP. ET GAMME RAMP.)
 SCHALTDECKEL (BEI UNABH. ZAPFWELLE UND KRIECHGANG-GETRIEBE)
 COPERCHIO INNESTO (CON PDF INDIP. E GRUPPO MARCE RAMPANTI)
 TAPA DEL CAMBIO (CON TDF INDEPEND. Y TRANSMISION CREEPER)
 VAXELSPAKSLOCK (VID OBER. KRAFTUTTAG OCH KRYPVAXEL)

LX008278 -UN-27APR95



2
1 2 0
6 0 4
4 4 0
0 0 S

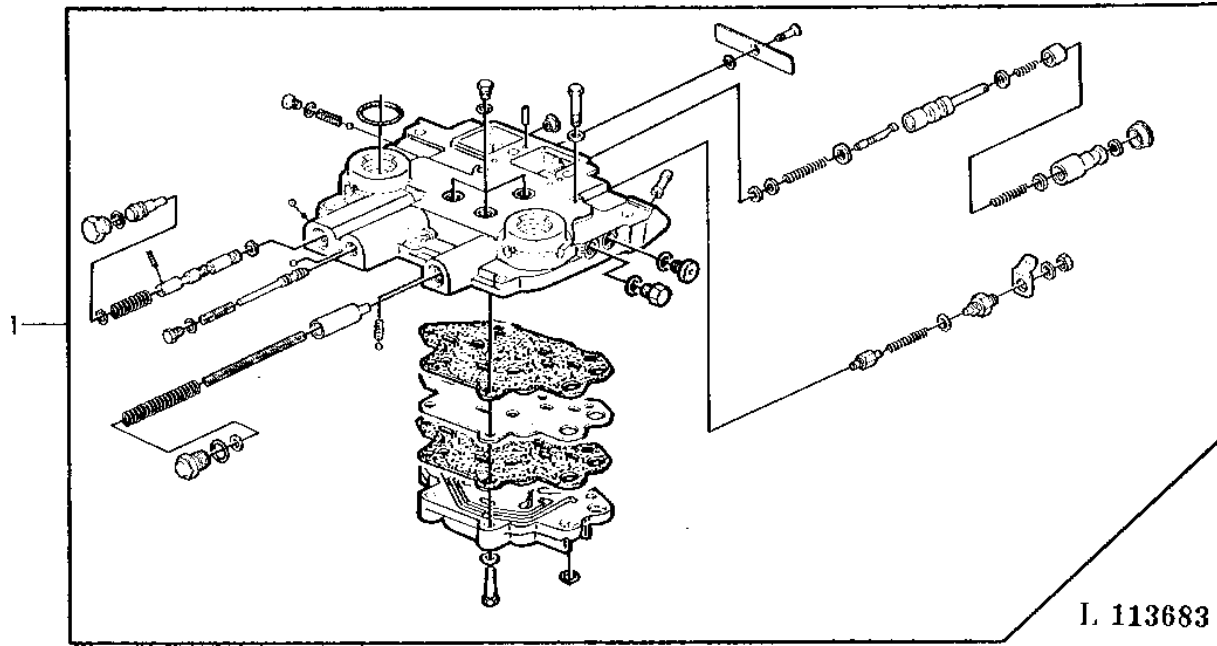
KEY	PART NO.	PART NAME	QTY	SERIAL NO.	REMARKS
1	AL55260	HOUSING	1	-581734	X X X (ORD W/ (6) A3917R) (SUB FOR AL34750)
	AL55260	HOUSING	1	581735-	X X X (ORD W/ L40773)

3A19

SYNCHRO. TRANSMISSION, HI-LO, CREEPER TRANSM.

SHIFT COVER (WITH IND. PTO AND HI-LO SHIFT UNIT)
 COUVERCLE DE CARTER D'EMBRAYAGE (AVEC PDF INDEP. ET HI-LO)
 SCHALTDECKEL (BEI UNABH. ZAPFWELLE UND LASTSCHALTSTUFE)
 COPERCHIO INNESTO (CON PDF INDIP. E GRUPPO HI-LO)
 TAPA DEL CAMBIO (CON TDF INDEP. Y REDUCCION HI-LO)
 VAXELSPAKSLOCK (VID OBER. KRAFTUTTAG OCH HOG-LAG SNABBVAXEL)

L113683 -UN-01JAN94



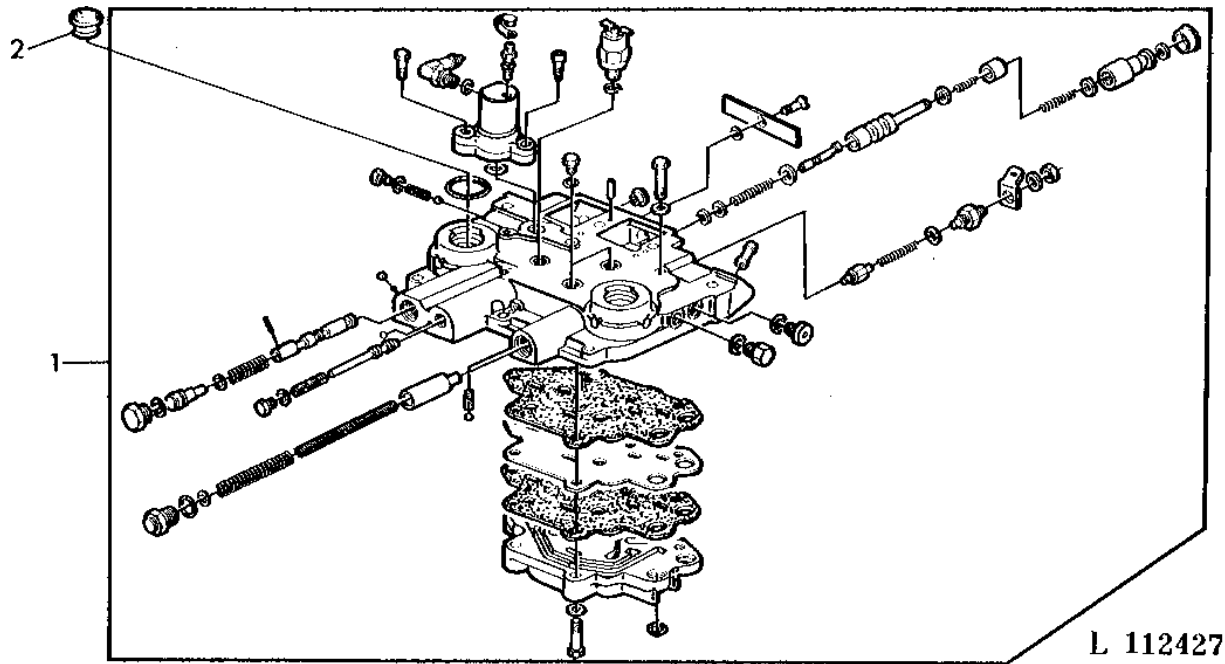
2
1 2 0
6 0 4
4 4 0
0 0 S

KEY	PART NO.	PART NAME	QTY	SERIAL NO.	REMARKS
1	AL64214	HOUSING	1	-581734	X X X (ORD W/ (8) A3917R) (SUB FOR AL34745, AL39553, AL55665)
	AL64214	HOUSING	1	581735-	X X X (ORD W/ L40773) (SUB FOR AL55665)

3A20

SYNCHRO. TRANSMISSION, HI-LO, CREEPER TRANSM.

SHIFT COVER (IND. PTO, HI-LO SHIFT AND CONSOLE SHIFT)
 COUVERCLE CARTER EMBRAYAGE (PDF IND., HI-LO, SELECTION CONSOLE)
 SCHALTDECKEL (UNABH. ZAPFW. LASTSCHALTST. UND KONSOLENSCHALTUNG)
 COPERCHIO INNESTO (PDF INDIP., HI-LO E INNESTO CONS.)
 TAPA CAJA DE CAMBIOS (TDF INDEP., HI-LO Y MANDOS CON CONSOLA)
 VAXELSPAKSLOCK (OBER. KRAFTUTTAG, HOG-LAG, KONSOLVAXLING)
 L112427 -UN-01JAN94



2
1 2 0
6 0 4
4 4 0
0 0 S

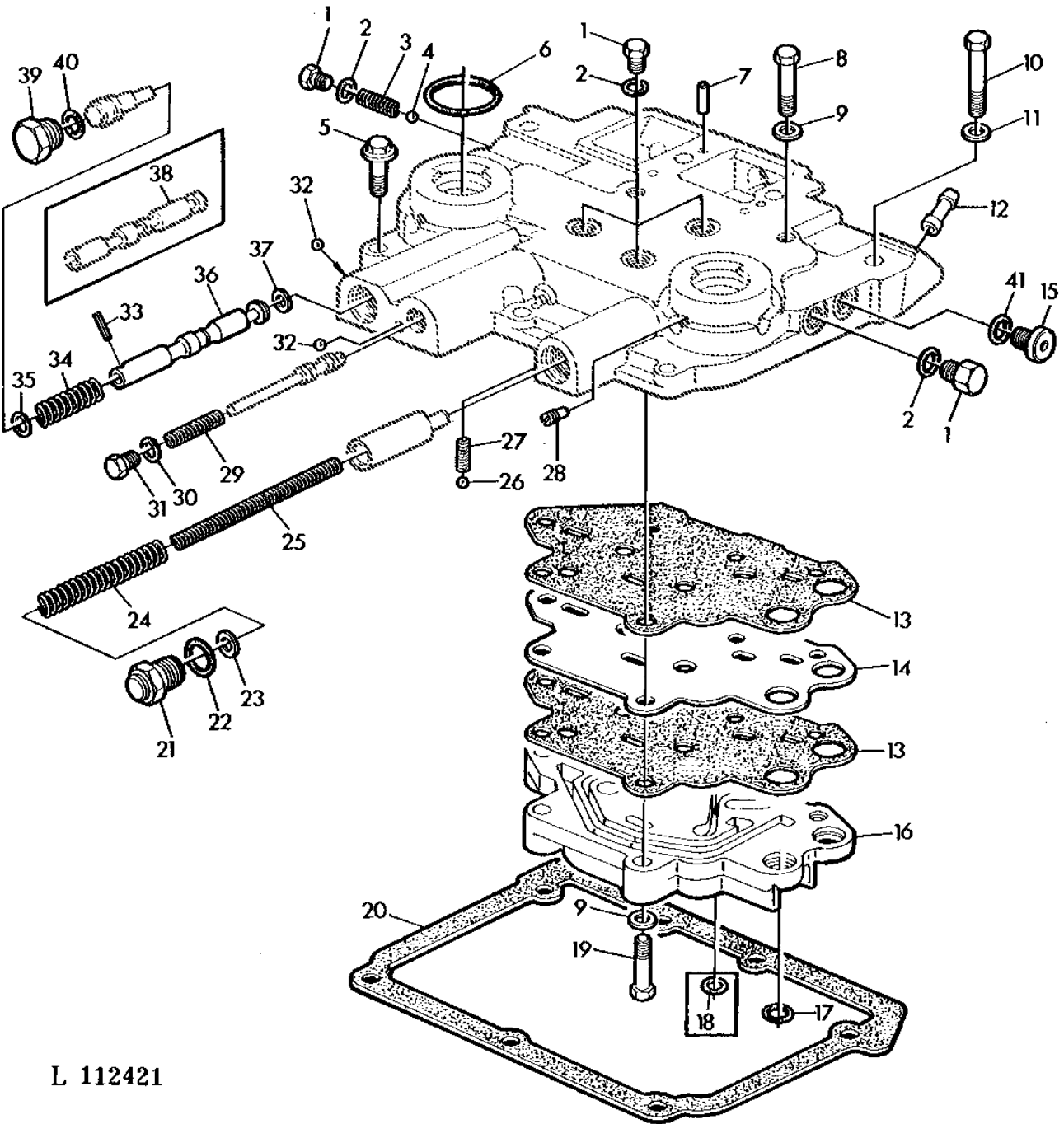
KEY	PART NO.	PART NAME	QTY	SERIAL NO.		REMARKS
1	AL64216	HOUSING	1	-581734	X X X	(ORD W/ (2) L36622, (8) A3917R) (SUB FOR AL37095, AL38836, AL39557, AL55667)
	AL64216	HOUSING	1	581735-	X X X	(ORD W/ (2) L36622, L40773) (SUB FOR AL55667)
2	L36622	PLUG	2		X X X	

3A21

SYNCHRO. TRANSMISSION, HI-LO, CREEPER TRANSM.

SHIFT COVER WITH HI-LO TRANS. (FOR IND. PTO)
COUVERCLE CARTER EMBRAYAGE HI-LO (PDF INDEP.)
SCHALTDECKEL BEI LASTSCHALTST. (FUER UNABH. ZAPFWELLE)
COPERCHIO INNESTO CON HI-LO (PER PDF INDIP.)
TAPA CAJA DE CAMBIOS CON HI-LO (PARA TDF INDEP.)
VAXELSPAKSLOCK VID HOG-LAG (VID OBEROENDE KRAFTUTTAG)

L112421 -UN-01JAN94



L 112421

3A22

SYNCHRO. TRANSMISSION, HI-LO, CREEPER TRANSM.

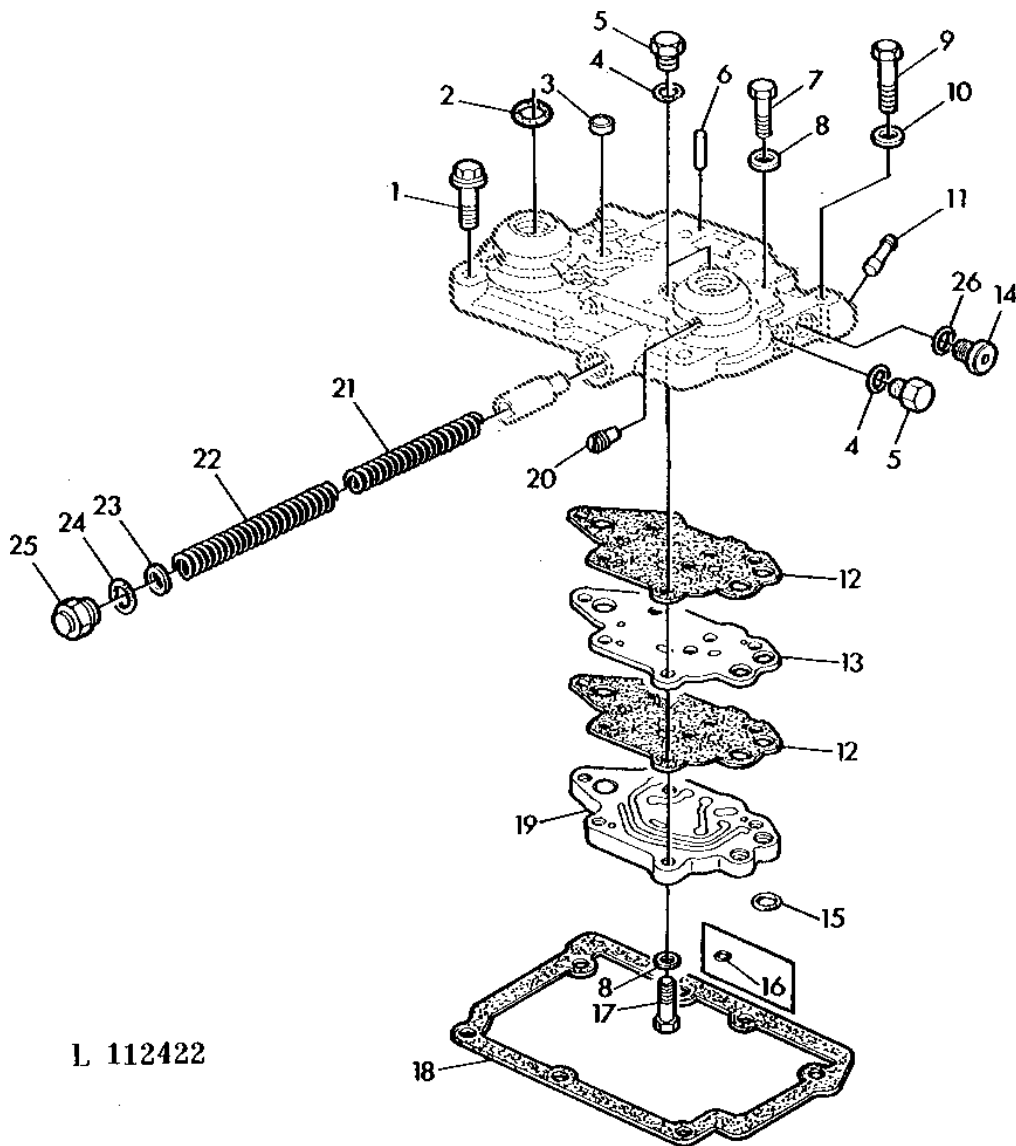
KEY	PART NO.	PART NAME	QTY	SERIAL NO.		REMARKS
					2	
					1 2 0	
					6 0 4	
					4 4 0	
					0 0 S	
1	R31631	DRAIN PLUG	4	-526234	X X X	3/8"
	R31631	DRAIN PLUG	5	526235-	X X X	3/8"
2	R26287	O-RING	4	-526234	X X X	
	R26287	O-RING	5	526235-	X X X	
3	L33340	SPRING	1		X X X	
4	R26552	BALL	1		X X X	
5	T22728	SCREW	3		X X X	
6	R29936	O-RING	2		X X X	
7	R28634	PIN	2		X X X	
8	19M7378	CAP SCREW	2		X X X	M8X45
9	24M7036	WASHER	5		X X X	9X17X1.6MM
10	19H1819	CAP SCREW	1		X X X	3/8"X2-1/8"
11	24H1303	WASHER	1		X X X	13/32"X11/16"X.060"
12	T24395	TUBE	1		X X X	
13	L61964	GASKET	2		X X X	(SUB FOR L33339, L33747, L42048)
14	L33746	PLATE	1		X X X	
15	R31631	DRAIN PLUG	1	-540979	X X X	3/8"
	L41079	PIPE PLUG	1	540980-	X X X	M12X1.5
16	L33344	MANIFOLD	1		X X X	
17	R375R	O-RING	2		X X X	
18	A3917R	O-RING	4		X X X	
19	19M7301	CAP SCREW	3		X X X	M8X40
20	L34345	GASKET	1		X X X	
21	L33336	DRAIN PLUG	1		X X X	
22	R26375	O-RING	1		X X X	
23	24H1285	WASHER	AR		X X X	17/64"X7/16"X.060"
24	L64854	COMPRESSION SPRING	1		X X X	(SUB FOR L33337)
25	L64853	COMPRESSION SPRING	1		X X X	(SUB FOR L33378)
26	400R	BALL	1		X X X	
27	R26373	SPRING	1		X X X	
28	CE14055	SET SCREW	2		X X X	
29	L34340	SPRING	1		X X X	
30	R28782	O-RING	1		X X X	
31	L34970	FITTING	1		X X X	
32	H871R	BALL	3		X X X	
33	34M7107	SPRING PIN	1		X X X	25X12MM
34	L34342	SPRING	1		X X X	
35	P50883	RING	1		X X X	
36	AL59768	VALVE SPOOL	1	520478-	X X X	(ORD W/ L41346, P50883, 34M7107) (SUB FOR L41345)
37	L41346	WASHER	1	513979-	X X X	
38	SPOOL VALVE	1	-520477	X X X	NSEP (ORD L41346, AL59768, P50883, 34M7107)
39	R27474	DRAIN PLUG	1		X X X	
40	R26906	O-RING	1		X X X	
41	R26287	O-RING	1	-540979	X X X	
	L41443	O-RING	1	540980-	X X X	

3A23

SYNCHRO. TRANSMISSION, HI-LO, CREEPER TRANSM.

SHIFT COVER (WITH IND. PTO)
COUVERCLE DU CARTER D'EMBRAYAGE (PDF INDEP.)
SCHALTDECKEL (BEI UNABH. ZAPFWELLE)
COPERCHIO DISPOSITIVO INNESTO (CON PDF INDIPENDENTE)
TAPA DE LA CAJA DE CAMBIOS (CON TDF INDEPENDIENTE)
VAXELSPAKSLOCK (VID OBEROENDE KRAFTUTTAG)

L112422 -UN-01JAN94



L 112422

3A24

SYNCHRO. TRANSMISSION, HI-LO, CREEPER TRANSM.

KEY	PART NO.	PART NAME	QTY	SERIAL NO.	REMARKS
					2
					1 2 0
					6 0 4
					4 4 0
					0 0 S
1	T22728	SCREW	3		X X X
2	R29936	O-RING	2		X X X
3	30M7005	CAP	1		X X X
4	R26287	O-RING	3		X X X
5	R31631	DRAIN PLUG	3		X X X 3/8"
6	R28634	PIN	2		X X X
7	19M7378	CAP SCREW	2		X X X M8X45
8	24M7036	WASHER	5		X X X 9X17X1.6MM
9	19H1819	CAP SCREW	1		X X X 3/8"X2-1/8"
10	24H1303	WASHER	1		X X X 13/32"X11/16"X.060"
11	T24395	TUBE	1		X X X
12	L61964	GASKET	2		X X X (SUB FOR L33775, L33766, L42048)
	L62421	GASKET	2		X X X (A) (SUB FOR L42049)
13	L33749	PLATE	1		X X X
	L33776	PLATE	1		X X X (A)
14	R31631	DRAIN PLUG	1	-540979	X X X 3/8"
	L41079	PIPE PLUG	1	540980-	X X X M12X1.5
15	R375R	O-RING	2		X X X
16	A3917R	O-RING	3		X X X
17	19M7301	CAP SCREW	3		X X X M8X40
18	L34345	GASKET	1		X X X
19	L33777	MANIFOLD	1		X X X
20	CE14055	SET SCREW	2		X X X (B)
21	L64853	COMPRESSION SPRING	1		X X X (SUB FOR L33378)
22	L64854	COMPRESSION SPRING	1		X X X (SUB FOR L33337)
23	24H1285	WASHER	AR		X X X 17/64"X7/16"X.060"
24	R26375	O-RING	1		X X X
25	L33336	DRAIN PLUG	1		X X X
26	R26287	O-RING	1	-540979	X X X
	L41443	O-RING	1	540980-	X X X

(A) WITH FRONT WHEEL DRIVE
 AVEC PONT AVANT
 BEI FRONTANTRIEB
 CON TRAZIONE ANTERIORE
 CON TRACCION DELANTERA
 VID FRAMHJULSDRIFT

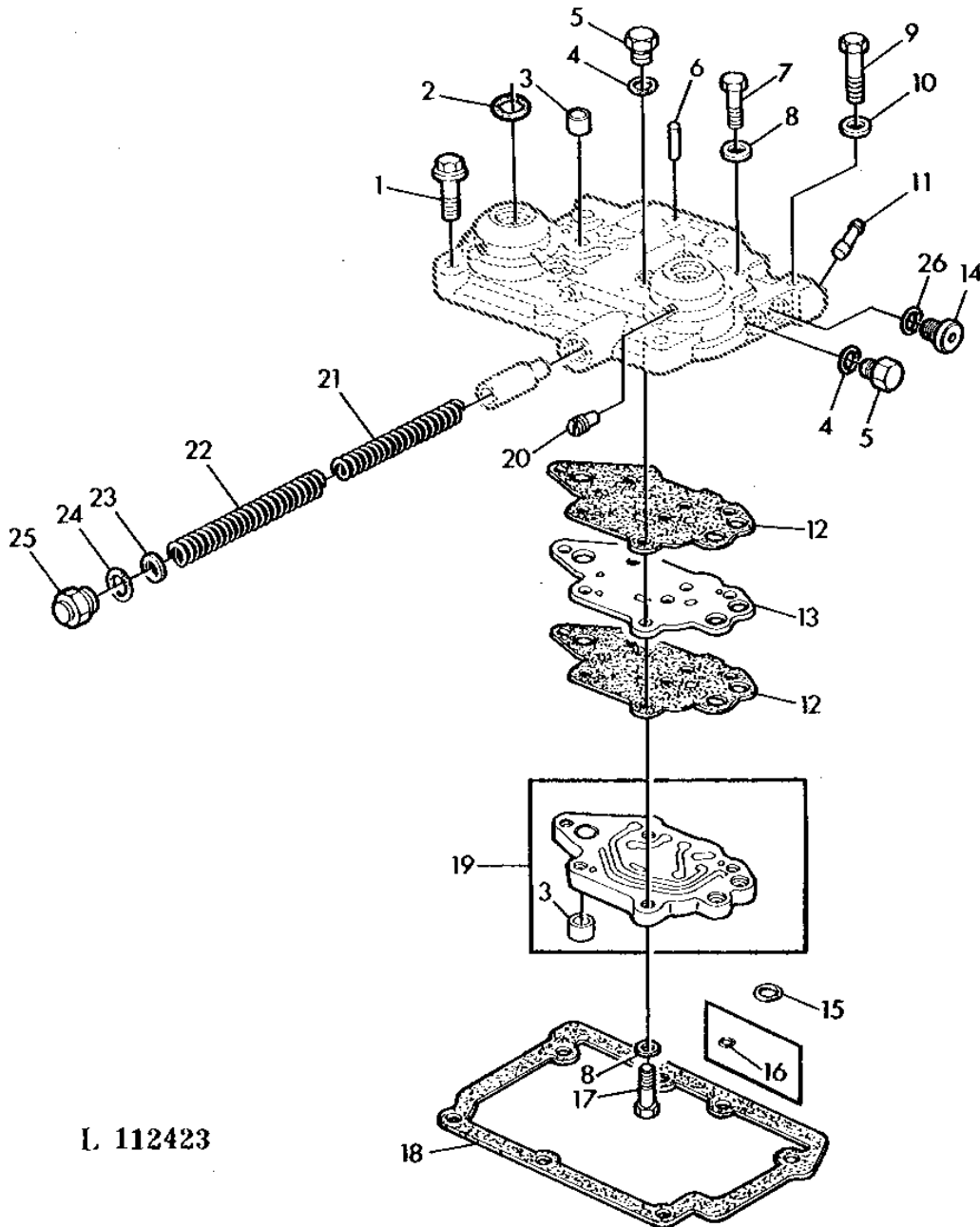
(B) WITH CENTER SHIFT
 AVEC SELECTION CENTRALE
 BEI MITTELSCHALTUNG
 CAMBIABILE DAL CENTRO
 CAMBIABLE DESDE CENTRO
 VID CENTRALT VAXLING

3B1

SYNCHRO. TRANSMISSION, HI-LO, CREEPER TRANSM.

SHIFT COVER (WITH IND. PTO AND CREEPER TRANSMISSION)
COUVERCLE DE CARTER D'EMBR. (AVEC PDF INDEP. ET GAMME RAMP.)
SCHALTDECKEL (BEI UNABH. ZAPFWELLE UND KRIECHGANG-GETRIEBE)
COPERCHIO INNESTO (CON PDF INDIP. E GRUPPO MARCE RAMPANTI)
TAPA DEL CAMBIO (CON TDF INDEPEND. Y TRANSMISION CREEPER)
VAXELSPAKSLOCK (VID OBER. KRAFTUTTAG OCH KRYPVAXEL)

L112423 -UN-01JAN94



L 112423

3B2

SYNCHRO. TRANSMISSION, HI-LO, CREEPER TRANSM.

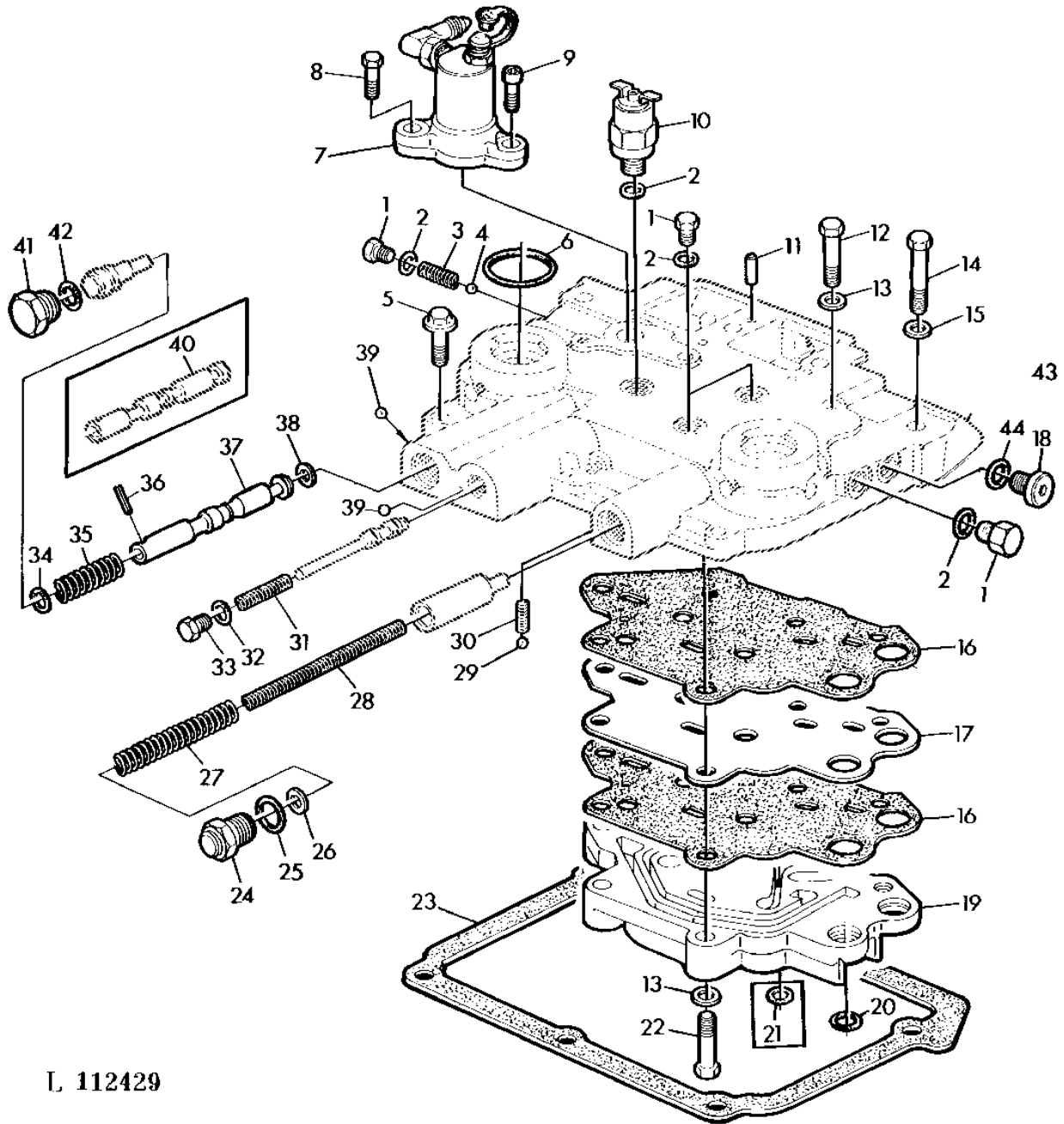
KEY	PART NO.	PART NAME	QTY	SERIAL NO.	REMARKS
					2
					1 2 0
					6 0 4
					4 4 0
					0 0 S
1	T22728	SCREW	3		X X X
2	R29936	O-RING	2		X X X
3	L63354	BUSHING	2		X X X (SUB FOR L35231)
4	R26287	O-RING	3		X X X
5	R31631	DRAIN PLUG	3		X X X 3/8"
6	R28634	PIN	4		X X X
7	19M7378	CAP SCREW	2		X X X M8X45
8	24M7036	WASHER	5		X X X 9X17X1.6MM
9	19H1819	CAP SCREW	1		X X X 3/8"X2-1/8"
10	24H1303	WASHER	1		X X X 13/32"X11/16"X.060"
11	T24395	TUBE	1		X X X
12	L62421	GASKET	2		X X X (SUB FOR L33775, L33766, L42049)
13	L33776	PLATE	1		X X X
14	R31631	DRAIN PLUG	1	-540979	X X X 3/8"
	L41079	PIPE PLUG	1	540980-	X X X M12X1.5
15	R375R	O-RING	2		X X X
16	A3917R	O-RING	3		X X X
17	19M7301	CAP SCREW	3		X X X M8X40
18	L34345	GASKET	1		X X X
19	AL32228	MANIFOLD	1		X X X
20	CE14055	SET SCREW	2		X X X (A)
21	L64853	COMPRESSION SPRING	1		X X X (SUB FOR L33378)
22	L64854	COMPRESSION SPRING	1		X X X (SUB FOR L33337)
23	24H1285	WASHER	AR		X X X 17/64"X7/16"X.060"
24	R26375	O-RING	1		X X X
25	L33336	DRAIN PLUG	1		X X X
26	R26287	O-RING	1	-540979	X X X
	L41443	O-RING	1	540980-	X X X

(A) WITH CENTER SHIFT
 AVEC SELECTION CENTRALE
 BEI MITTELSCHALTUNG
 CAMBIABILE DAL CENTRO
 CAMBIABLE DESDE CENTRO
 VID CENTRALT VAXLING

3B3

SYNCHRO. TRANSMISSION, HI-LO, CREEPER TRANSM.

SHIFT COVER (IND. PTO, HI-LO SHIFT AND CONSOLE SHIFT)
 COUVERCLE CARTER EMBRAYAGE (PDF IND., HI-LO, SELECTION CONSOLE)
 SCHALTDECKEL (UNABH. ZAPFW. LASTSCHALTST. UND KONSOLENSCHALTUNG)
 COPERCHIO DISPOS.INNESTO (PDF INDIP. HI-LO E INNESTO CONS.)
 TAPA CAJA DE CAMBIOS (TDF INDEP. HI-LO Y MANDOS CON CONSOLA)
 VAXELSPAKSLOCK (OBER. KRAFTUTTAG, HOG-LAG, KONSOL VAXLING)
 L112429 -UN-17JUL95



L 112429

3B4

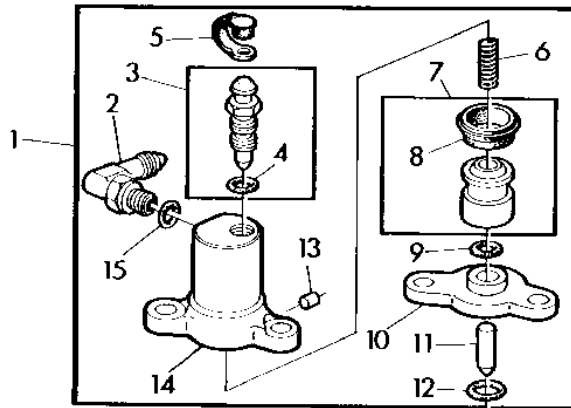
SYNCHRO. TRANSMISSION, HI-LO, CREEPER TRANSM.

KEY	PART NO.	PART NAME	QTY	SERIAL NO.	REMARKS
					2
					1 2 0
					6 0 4
					4 4 0
					0 0 S
1	R31631	DRAIN PLUG	4		X X X 3/8"
2	R26287	O-RING	5		X X X
3	L33340	SPRING	1		X X X
4	R26552	BALL	1		X X X
5	T22728	SCREW	3		X X X
6	R29936	O-RING	2		X X X
7	AL38837	DETENT	1		X X X (SUB FOR AL37005)
8	19M7139	CAP SCREW	1		X X X M8X20
9	19M7508	SCREW	1		X X X M8X60
10	AL37044	TOUCH SWITCH	1		X X X
11	R28634	PIN	2		X X X
12	19M7378	CAP SCREW	1		X X X M8X45
13	24M7036	WASHER	5		X X X 9X17X1.6MM
14	19H1819	CAP SCREW	1		X X X 3/8"X2-1/8"
15	24H1303	WASHER	1		X X X 13/32"X11/16"X.060"
16	L61964	GASKET	2		X X X (SUB FOR L33339, L33747, L42048)
17	L33746	PLATE	1		X X X
18	R31631	DRAIN PLUG	1	-540979	X X X 3/8"
	L41079	PIPE PLUG	1	540980-	X X X M12X1.5
19	L33344	MANIFOLD	1		X X X
20	R375R	O-RING	2		X X X
21	A3917R	O-RING	4		X X X
22	19M7301	CAP SCREW	3		X X X M8X40
23	L34345	GASKET	1		X X X
24	L33336	DRAIN PLUG	1		X X X
25	R26375	O-RING	1		X X X
26	24H1285	WASHER	AR		X X X 17/64"X7/16"X.060"
27	L64854	COMPRESSION SPRING	1		X X X (SUB FOR L33337)
28	L64853	COMPRESSION SPRING	1		X X X (SUB FOR L33378)
29	400R	BALL	1		X X X
30	R26373	SPRING	1		X X X
31	L34340	SPRING	1		X X X
32	R28782	O-RING	1		X X X
33	L34970	FITTING	1		X X X
34	P50883	RING	1		X X X
35	L34342	SPRING	1		X X X
36	34M7107	SPRING PIN	1		X X X 25X12MM
37	AL59768	VALVE SPOOL	1	520478-	X X X (ORD W/ L41346, P50883, 34M7107) (SUB FOR L41345)
38	L41346	WASHER	1	520478-	X X X
39	H871R	BALL	3		X X X
40	SPOOL VALVE	1	-520477	X X X NSEP (ORD L41346, AL59768, P50883, 34M7107)
41	R27474	DRAIN PLUG	1		X X X
42	R26906	O-RING	1		X X X
43	T24395	TUBE	1		X X X
44	R26287	O-RING	1	-540979	X X X
	L41443	O-RING	1	540980-	X X X

3B5

SYNCHRO. TRANSMISSION, HI-LO, CREEPER TRANSM.

HI-LO SHIFT UNIT-LOCKING DEVICE PARTS
 COMMANDE DO HI-LO-ELEMENTS DE VERROUILLAGE
 LASTSCHALTSTUFE-SPERRE/EINZELTEILE
 GRUPPO HI-LO-DISPOS. DI BLOCCO(PARTI)
 HI-LO-PIEZAS DISPOSITIVO DE BLOQUEO
 HOG-LAG SNABBVAXEL-SPARRDELAR
 L108836 -UN-17JUL95



L 108836

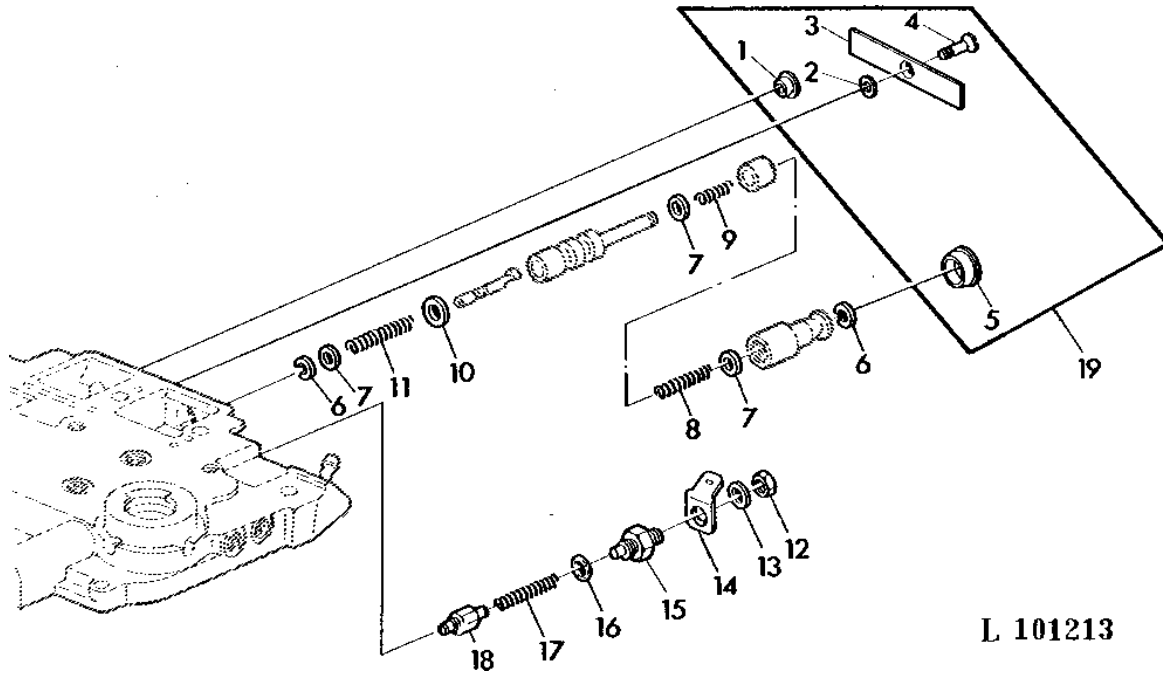
2
1 2 0
6 0 4
4 4 0
0 0 S

KEY	PART NO.	PART NAME	QTY	SERIAL NO.	REMARKS
1	AL38837	DETENT	1	X X X	(SUB FOR AL37005)
2	AR26746	ELBOW FITTING	1	X X X	
3	AL38310	BLEED SCREW	1	X X X	(ORD R21612)
	R21612	BLEED SCREW	1	X X X	(W/O L36237)
4	L36237	O-RING	1	X X X	
5	R47862	CAP	1	X X X	
6	L39296	SPRING	1	X X X	
7	AL39946	PISTON	1	X X X	(SUB FOR AL36527)
8	L38667	SEAL	1	X X X	
9	L39166	O-RING	1	X X X	
10	L40341	FLANGE	1	X X X	
11	L38566	PIN	1	X X X	
12	L53976	O-RING	1	X X X	
13	L39167	PLUG	1	X X X	
14	L40340	HYDRAULIC CYLINDER	1	X X X	
15	L39222	O-RING	1	X X X	

3B6

SYNCHRO. TRANSMISSION, HI-LO, CREEPER TRANSM.

CONTROL VALVE/SENDING UNIT
 DISTRIBUTEUR/TRANSMETTEUR
 STEUERVENTIL/KONTAKTSTOPFEN
 DISTRIBUTORE/MANICOTTO COLLEGAMENTO
 VALVULA DE CONTROL/CONTACTOR-IMPULSOR
 MANOVERVENTIL/VENTILSPOLE
 L101213 -UN-01JAN94



L 101213

2
 1 2 0
 6 0 4
 4 4 0
 0 0 S

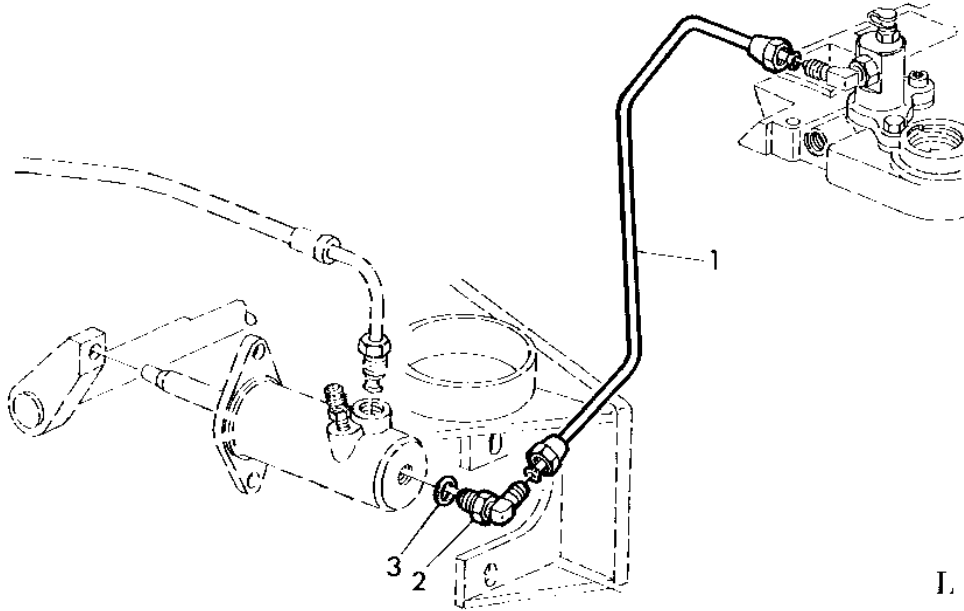
KEY	PART NO.	PART NAME	QTY	SERIAL NO.	REMARKS
1	L39036	PLUG	1	X X X	(A)
2	24M7027	WASHER	1	X X X	5.300X10X1MM
3	L39034	STRAP	1	X X X	
4	21M7307	SCREW	1	X X X	M5X12
5	L39035	PLUG	1	X X X	
6	R67794	SNAP RING	2	X X X	
7	R31632	SHIM	9	X X X	
8	R34863	SPRING	1	X X X	
9	T17589	SPRING	1	X X X	
10	B1664R	SHIM	AR	X X X	
11	R45582	SPRING	1	X X X	
12	14H631	NUT	1	X X X	NO. 10
13	24M7027	WASHER	1	X X X	5.300X10X1MM
14	57M7116	TAB	1	X X X	
15	AL30150	PLUG	1	X X X	
16	R26448	O-RING	1	X X X	
17	L34104	SPRING	1	X X X	
18	AL30590	CONTACT	1	X X X	
19	AL37565	KIT	1	X X X	

(A) WITH HI-LO SHIFT UNIT
 AVEC HI-LO
 BEI LASTSCHALTSTUFE
 CON RIDUTT.HI-LO
 CON REDUCCION HI-LO
 VID HOG-LAG VAXLING

3B7

SYNCHRO. TRANSMISSION, HI-LO, CREEPER TRANSM.

HI-LO LOCK LINE (WITH SG2 CAB)
 CONDUITE DE BLOCAGE DE HI-LO (AVEC CABINE SG2)
 LEITUNG FUER LASTSCHALTSTUFE-SPERRE (BEI SG2 KABINE)
 LINEA PER BLOCCAGGIO DEL HI-LO (CON CABINA SG2)
 TUBERIA PARA BLOQUEO DEL HI-LO (CON CABINA SG2)
 LEDNING FOR HOG-LAG SNABBVAXELSPARR (VID SG2 HYTT)
 L100492 -UN-17JUL95



I. 100492

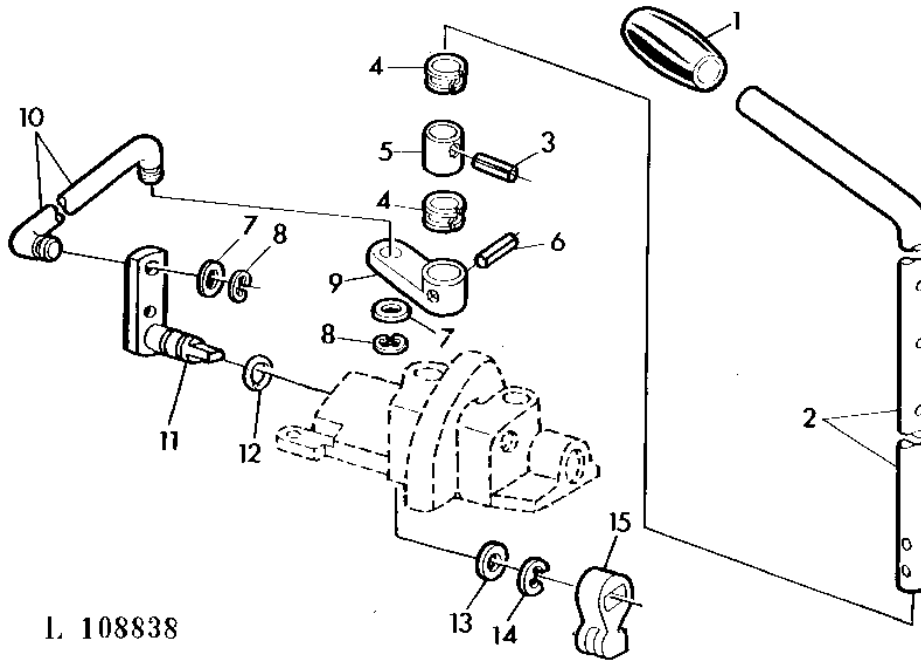
2
 1 2 0
 6 0 4
 4 4 0
 0 0 S

KEY	PART NO.	PART NAME	QTY	SERIAL NO.	REMARKS
1	AL36567	LINE	1	X X X	
2	AR26746	ELBOW FITTING	1	X X X	
3	L39222	O-RING	1	X X X	

3B8

SYNCHRO. TRANSMISSION, HI-LO, CREEPER TRANSM.

HI-LO SHIFT CONTROL LEVER
 LEVIER DE COMMANDE DE HI-LO
 LASTSCHALTSTUFE-SCHALTHEBEL
 LEVA COMANDO HI-LO
 PALANCA PARA MECANISMO DE CAMBIO HI-LO
 MANOVERSPAK FOR HOG-LAG SNABBVAXEL
 L108838 -UN-31MAY95



L 108838

2
 1 2 0
 6 0 4
 4 4 0
 0 0 S

KEY	PART NO.	PART NAME	QTY	SERIAL NO.	REMARKS
1	L56923	CAP	1	X X X	(SUB FOR R54272 APPL)
2	L34421	LEVER	1	X X X	
	L57286	LEVER	1	X X X	(A)
3	34H280	SPRING PIN	1	X X X	3/16"X7/8"
4	R34811	GROMMET	2	X X X	(SUB FOR R52646)
5	L34424	BUSHING	1	X X X	
6	34H282	SPRING PIN	1	X X X	3/16"X1"
7	24H1243	WASHER	2	X X X	11/32"X5/8"X.060"
8	R27507	SNAP RING	2	X X X	
9	L63868	ARM	1	X X X	(SUB FOR L34830)
10	L34831	ROD	1	X X X	
11	AT29712	LEVER	1	X X X	
12	R28782	O-RING	1	X X X	
13	24H1227	WASHER	1	X X X	17/32"X13/16"X.060"
14	P44982	PISTON RING	1	X X X	
15	T25395	LEVER	1	X X X	

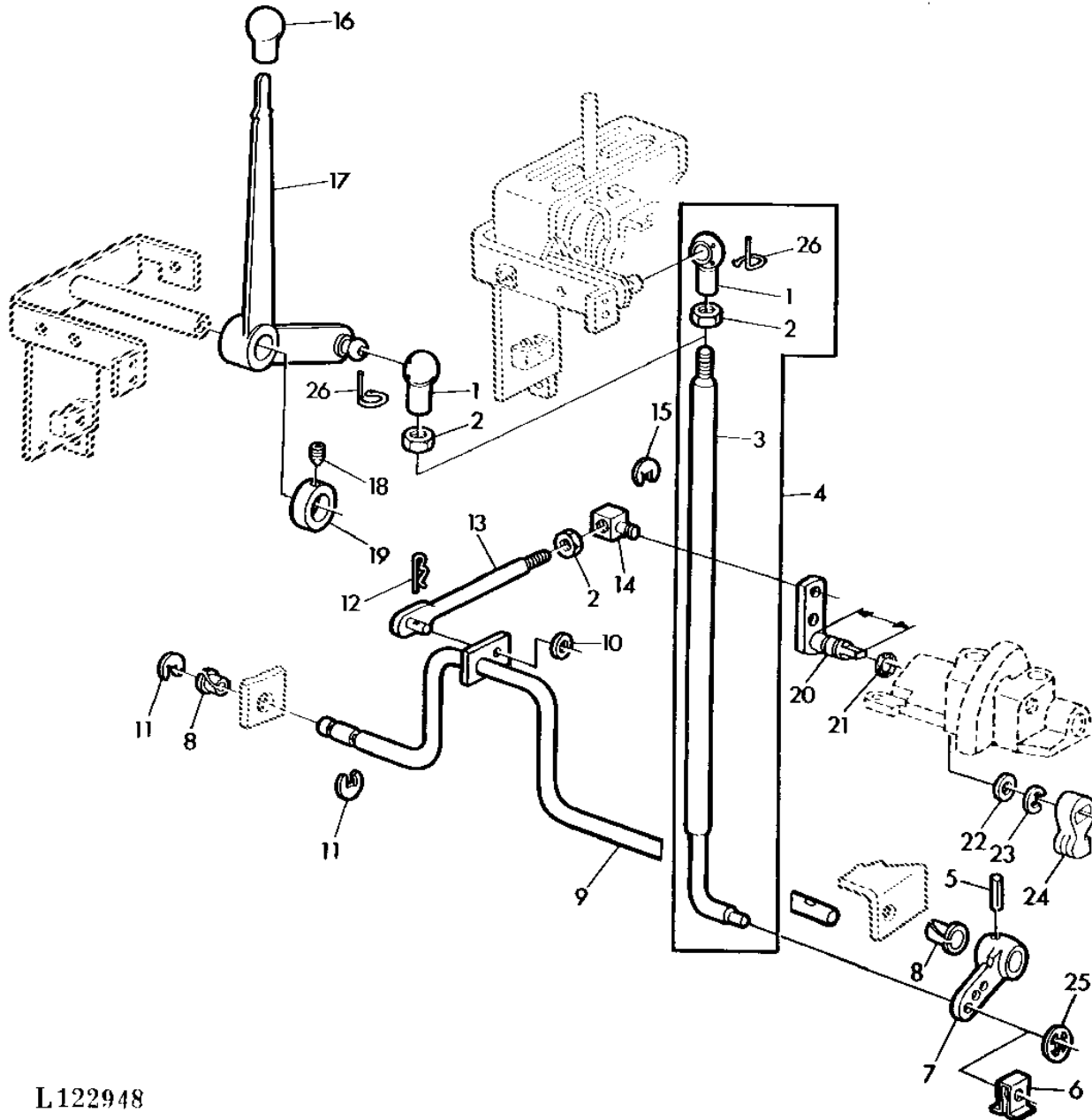
(A) WITH MC1 CAB
 AVEC CABINE MC1
 BEI MC1 KABINE
 CON CABINA MC1
 CON CABINA MC1
 VID MC1 FORARHYTT

3B9

SYNCHRO. TRANSMISSION, HI-LO, CREEPER TRANSM.

HI-LO SHIFT LINKAGE (WITH SG2 CAB)
TRINGLERIE DE HI-LO (AVEC CABINE SG2)
LASTSCHALTSTUFE-SCHALTGESTAENGE (BEI SG2 KABINE)
LEVE DI COMANDO DELLA RIDUZIONE HI-LO (CON CABINA SG2)
VARILLAJE DE MANDO DE LA REDUCCION HI-LO (CON CABINA SG2)
MANOVERLANKAGE FOR HOG-LAG VAXEL (VID SG2 HYTT)

L122948 -UN-18JUL95



L122948

3B10

SYNCHRO. TRANSMISSION, HI-LO, CREEPER TRANSM.

KEY	PART NO.	PART NAME	QTY	SERIAL NO.	REMARKS
					2
					1 2 0
					6 0 4
					4 4 0
					0 0 S
1	56M7003	BALL JOINT SOCKET	1		X X X
2	14M7151	NUT	2		X X X M8
3	L35987	ROD	1		X X X
	L36636	ROD	1		X X X (A)
4	AL33201	ROD	1		X X X (ORD L35987, 14M7151, 56M7004, 56M7003)
5	34H394	SPRING PIN	1		X X X
6	L35975	CLIP	1		X X X
	L33681	CLAMP	1	-XXXXXX	X X X (A)
7	R58509	LEVER	1		X X X
8	R41076	GROMMET	2		X X X
9	AL33214	ROD	1		X X X (ORD AL57552, (2) 40M7042)
	AL57552	ROD	1		X X X
10	24H1286	WASHER	1		X X X 9/32"X1/2"X0.06"
11	F2208R	SNAP RING	2		X X X (FOR AL33214)
	R26871	SNAP RING	2		X X X (FOR AL57552)
12	R46528	SPRING LOCKING PIN	1		X X X
13	AR88561	ROD	1		X X X
14	L38589	PIN	1		X X X
15	R27507	SNAP RING	1		X X X
16	L56928	KNOB	1		X X X (A) (SUB FOR R68175 APPL)
17	AL34180	GEARSHIFT LEVER	1		X X X (A)
18	L39091	BOLT	1		X X X (A) M8X10
19	99M7081	BUSHING	1		X X X (A)
20	AL34173	LEVER	1	-530537	X X X LGTH= 53.5MM (ORD AL39575, L59830)
	AL39575	LEVER	1	530538-	X X X LGTH= 63MM
21	R28782	O-RING	1		X X X
22	24H1227	WASHER	1		X X X 17/32"X13/16"X.060"
23	P44982	PISTON RING	1		X X X
24	T25395	LEVER	1		X X X
25	L41366	RETAINING WASHER	1	XXXXXX-	X X X (A)
26	56M7004	BALL JOINT SOCKET	1		X X X

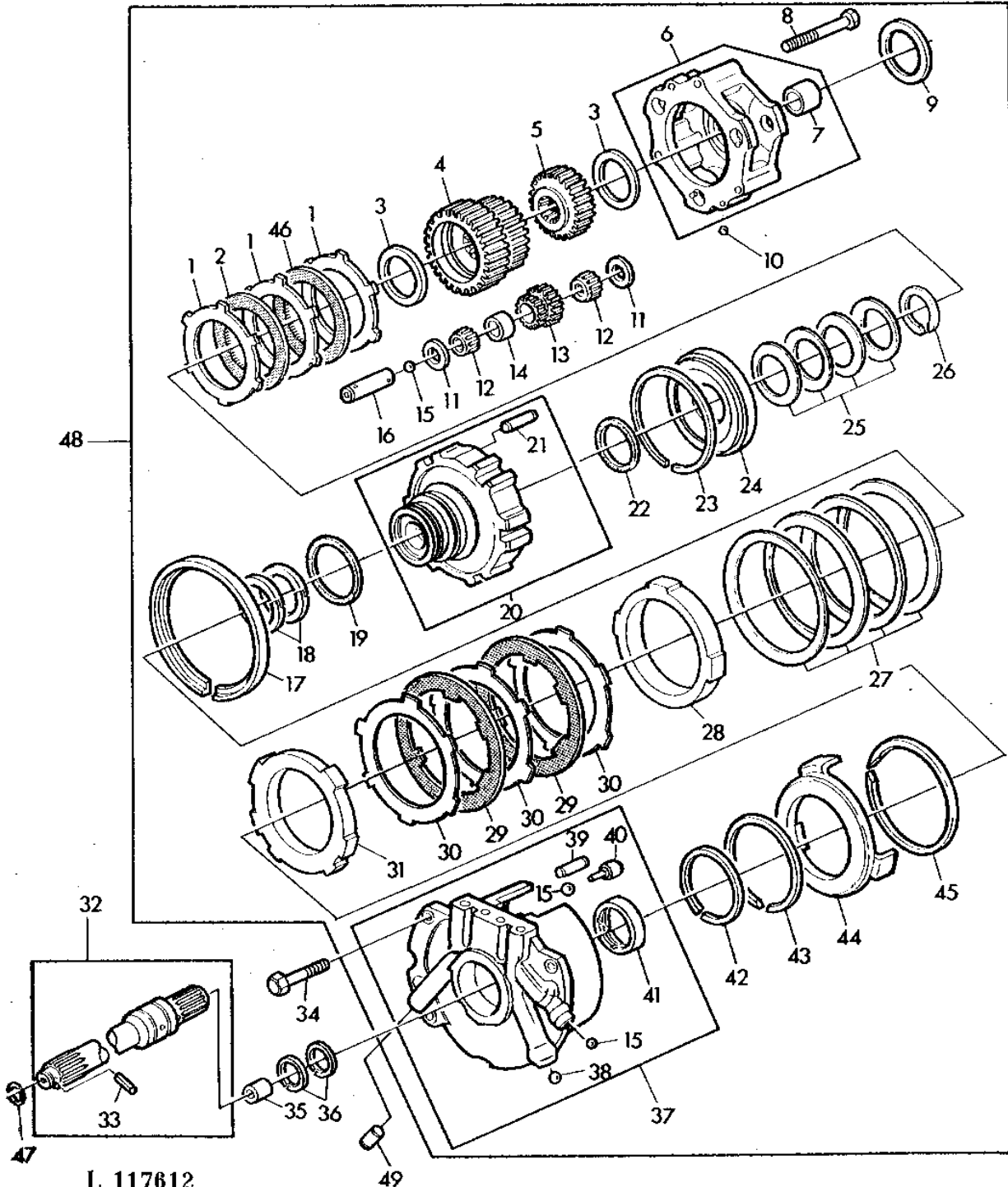
(A) WITH CENTER SHIFT
 AVEC SELECTION CENTRALE
 BEI MITTELSCHALTUNG
 CAMBIABILE DAL CENTRO
 CAMBIABLE DESDE CENTRO
 VID CENTRALT VAXLING

3B11

SYNCHRO. TRANSMISSION, HI-LO, CREEPER TRANSM.

HI-LO CLUTCH (SYNCHRONIZED TRANSMISSION)
EMBAYAGE DE HI-LO (SYNCHRONISEE)
LASTSCHALTSTUFE-KUPPLUNG (SYNCHRONGETRIEBE)
FRIZIONE HI-LO (TIPO SINCRONIZZATO)
EMBRAGUE DE MECANISMO DE CAMBIO HI-LO (TIPO SINCRONIZADO)
HOG-LAG KOPPLING (SYNKRONISERAD VAXELLADA)

L117612 -UN-01JAN94



L 117612

3B12

SYNCHRO. TRANSMISSION, HI-LO, CREEPER TRANSM.

KEY	PART NO.	PART NAME	QTY	SERIAL NO.	REMARKS
					2
					1 2 0
					6 0 4
					4 4 0
					0 0 S
1	R64197	CLUTCH PLATE	3	X X	
2	AL38239	DISK, INNER SPLINE	1	X X	(SUB FOR AR78361)
3	R33083	WASHER	2	X X	
4	AL28751	PINION	1	X X	
5	L36661	PINION	1	X X	
6	AL30686	PLANET PINION CARRIER	1	X X	
7	L34116	BUSHING	1	X X	
8	19H1904	CAP SCREW	3	X X	5/16"X3"
9	L33159	THRUST WASHER	1	X X	
10	H871R	BALL	8	X X	5MM (3/16")
11	R54961	THRUST WASHER	6	X X	
12	JD9932	NEEDLE BEARING	6	X X	(ORD (2) AL39254, L41032)
13	L33157	PINION	3	X X	
14	R58209	WASHER	3	X X	(ORD L41032, (2) AL39254)
15	L38718	BALL	5	X X	6MM (1/4")
16	L33158	PINION SHAFT	3	X X	
17	L33303	SNAP RING	1	X X	
18	L33155	RING	2	X X	
19	R50349	WASHER	1	X X	
20	AL28748	DRUM	1	X X	
21	R38295	NEEDLE ROLLER	3	X X	
22	R39304	WASHER	1	X X	
23	R39280	PISTON RING	1	X X	
24	R39285	PISTON	1	X X	
25	R50348	DISK SPRING	4	X X	
26	R39299	SNAP RING	1	X X	
27	L62954	DISK SPRING	4	X X	(SUB FOR L33161)
28	L33162	PLATE	1	X X	
29	AL38238	DISK, INNER SPLINE	2	X X	(SUB FOR AL30687)
30	L33163	CLUTCH PLATE	3	X X	
31	L33164	PLATE	1	X X	
32	AL30899	SHAFT	1	X X	
33	34M7104	SPRING PIN	1	X X	2.5X10MM
34	19H2552	CAP SCREW	4	X X	3/8"X1-1/8"
35	L33134	BUSHING	1	X X	
36	T28807	PISTON RING	2	X X	
37	AL40807	HOUSING	1	X X	(MARKED L41677) (ORD W/ L40773) (SUB FOR AL30685, AL38868)
	AL40807	HOUSING	1	X X	(A) (ORD W/ L33334, L40773)
38	R26552	BALL	1	X X	8MM (5/16")
39	R30587	DOWEL PIN	2	X X	
40	L33369	PIN	1	X X	
41	L34115	BUSHING	1	X X	
42	L34185	PISTON RING	1	X X	
43	L33167	PISTON RING	1	X X	
44	AL64922	PISTON	1	X X	(SUB FOR AL28756)
45	L33165	SNAP RING	1	X X	
46	AR39128	DISK, INNER SPLINE	1	X X	
47	T13119	O-RING	1	X X	
48	AL40806	HIGH-LOW CLUTCH	1	X X	(SUB FOR AL30681)
	AL40806	HIGH-LOW CLUTCH	1	X X	(A) (ORD W/ L33334)
49	L33334	DOWEL PIN	1	X X	(A)

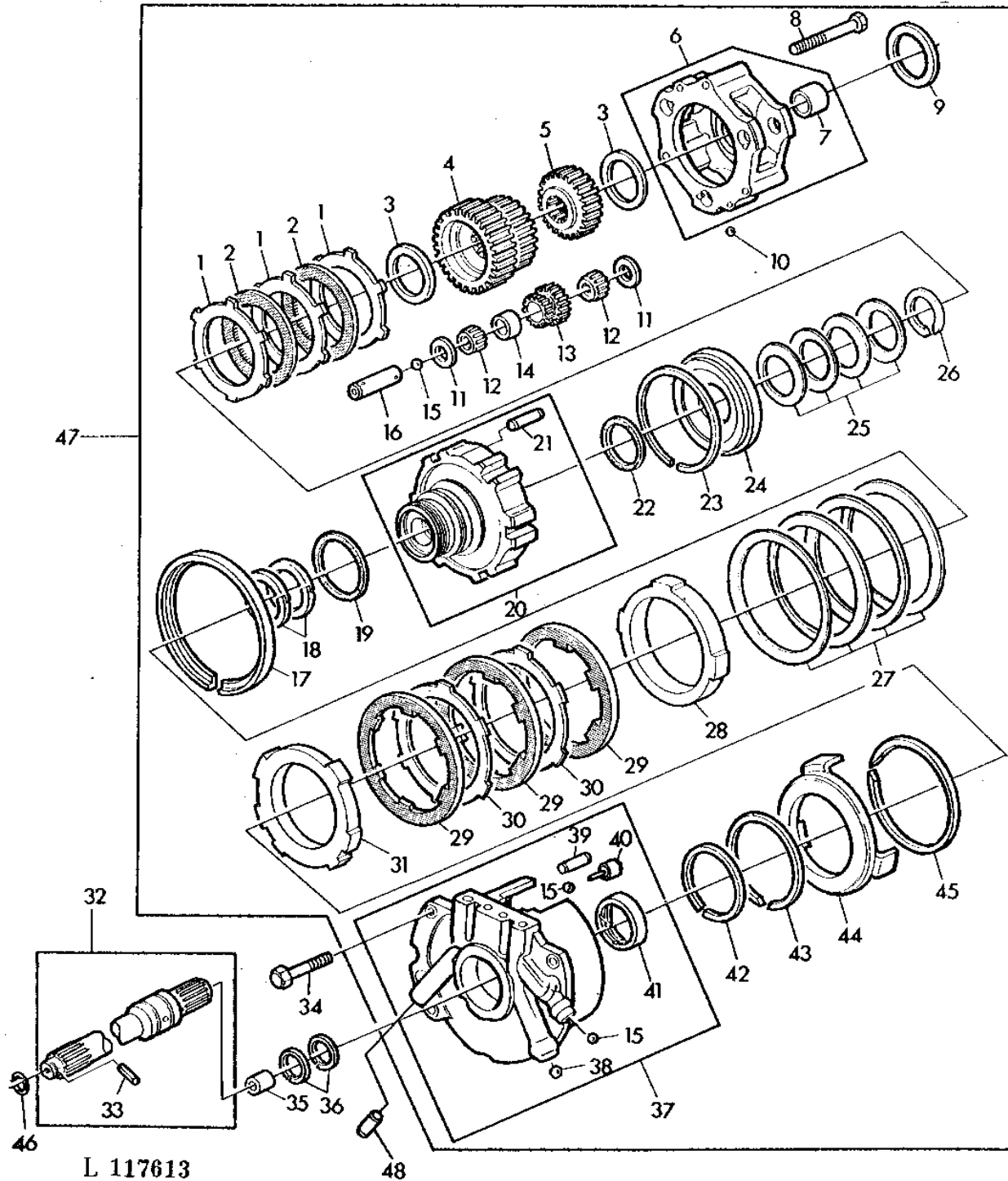
(A) WITHOUT FWD
 SANS PONT AVANT
 OHNE FRONTANTRIEB
 SENZA TRAZ.ANT.
 SIN TRACCION DELANTERA
 UTAN FRAMHJULSDRIFT

3B13

SYNCHRO. TRANSMISSION, HI-LO, CREEPER TRANSM.

HI-LO CLUTCH (SYNCHRONIZED TRANSMISSION)
EMBAYAGE DE HI-LO (SYNCHRONISEE)
LASTSCHALTSTUFE-KUPPLUNG (SYNCHRONGETRIEBE)
FRIZIONE HI-LO (TIPO SINCRONIZZATO)
EMBRAGUE DE MECANISMO DE CAMBIO HI-LO (TIPO SINCRONIZADO)
HOG-LAG KOPPLING (SYNKRONISERAD VAXELLADA)

L117613 -UN-01JAN94



L 117613

3B14

SYNCHRO. TRANSMISSION, HI-LO, CREEPER TRANSM.

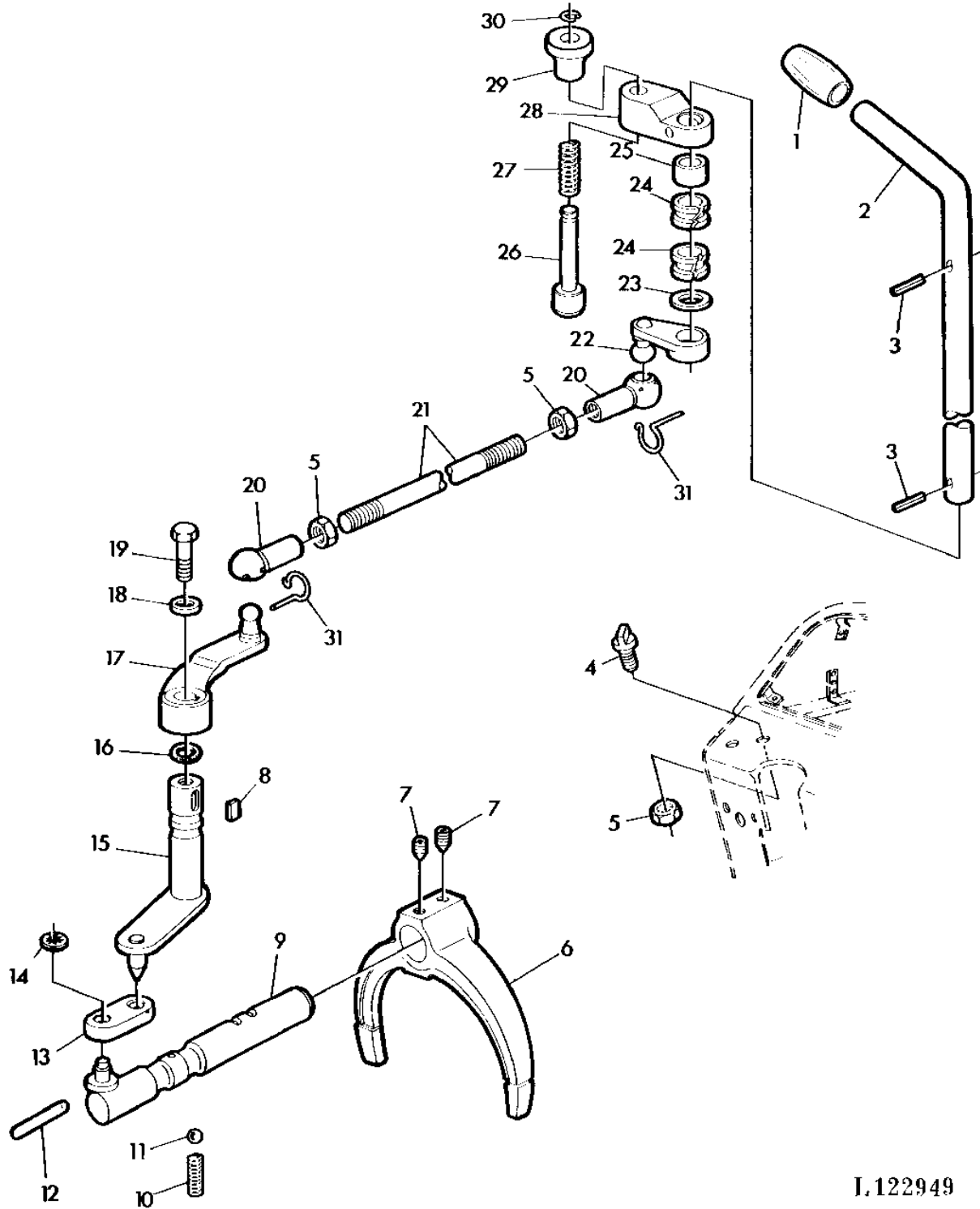
KEY	PART NO.	PART NAME	QTY	SERIAL NO.	REMARKS
					2
					1 2 0
					6 0 4
					4 4 0
					0 0 S
1	R64197	CLUTCH PLATE	3		X
2	AL38239	DISK, INNER SPLINE	2		X (SUB FOR AR78361)
3	R33083	WASHER	2		X
4	AL28751	PINION	1		X
5	L33156	PINION	1		X
6	AL30686	PLANET PINION CARRIER	1		X
7	L34116	BUSHING	1		X
8	19H1904	CAP SCREW	3		X 5/16"X3"
9	L33159	THRUST WASHER	1		X
10	H871R	BALL	8		X 5MM (3/16")
11	R54961	THRUST WASHER	6		X
12	JD9932	NEEDLE BEARING	6		X (ORD (2) AL39254, L41032)
13	L33157	PINION	3		X
14	R58209	WASHER	3		X (ORD L41032, (2) AL39254)
15	L38718	BALL	5		X 6MM (1/4")
16	L33158	PINION SHAFT	3		X
17	L33303	SNAP RING	1		X
18	L33155	RING	2		X
19	R50349	WASHER	1		X
20	AL28748	DRUM	1		X
21	R38295	NEEDLE ROLLER	3		X
22	R39304	WASHER	1		X
23	R39280	PISTON RING	1		X
24	R39285	PISTON	1		X
25	R50348	DISK SPRING	4		X
26	R39299	SNAP RING	1		X
27	L62954	DISK SPRING	4		X (SUB FOR L33161)
28	L33162	PLATE	1		X
29	AL38238	DISK, INNER SPLINE	3		X (SUB FOR AL30687)
30	L33163	CLUTCH PLATE	2		X
31	L33164	PLATE	1		X
32	AL30899	SHAFT	1		X
33	34M7104	SPRING PIN	1		X 2.5X10MM
34	19H2552	CAP SCREW	4		X 3/8"X1-1/8"
35	L33134	BUSHING	1		X
36	T28807	PISTON RING	2		X
37	AL40807	HOUSING	1		X (MARKED L41677) (ORD W/ L40773) (SUB FOR AL30685, AL38868)
	AL40807	HOUSING	1		X (A) (ORD W/ L33334, L40773)
38	R26552	BALL	1		X 8MM (5/16")
39	R30587	DOWEL PIN	2		X
40	L33369	PIN	1		X
41	L34115	BUSHING	1		X
42	L62161	SEAL	1		X (SUB FOR L34185)
43	L62272	SEAL	1		X (SUB FOR L33167)
44	AL64922	PISTON	1		X (SUB FOR AL28756)
45	L33165	SNAP RING	1		X
46	T13119	O-RING	1		X
47	AL40808	HIGH-LOW CLUTCH	1		X (SUB FOR AL28739)
	AL40808	HIGH-LOW CLUTCH	1		X (A) (ORD W/ L33334)
48	L33334	DOWEL PIN	1		X (A)

(A) WITHOUT FWD
 SANS PONT AVANT
 OHNE FRONTANTRIEB
 SENZA TRAZ.ANT.
 SIN TRACCION DELANTERA
 UTAN FRAMHJULSDRIFT

3B15

SYNCHRO. TRANSMISSION, HI-LO, CREEPER TRANSM.

CREEPER TRANSMISSION CONTROL LEVER AND LINKAGE
LEVIER ET TRINGLERIE DE GAMME RAMPANTE
KRIECHGANG-SCHALTUNG
LEVA E TIRANTERIA GRUPPO RAMPANTE
PALANEN Y VARILLAJE, TRANSMISSION "CREEPER"
VÄXLINGSMEKANISM FOR KRYPVÄXEL
L122949 -UN-18JUL95



I.122949

3B16

SYNCHRO. TRANSMISSION, HI-LO, CREEPER TRANSM.

KEY	PART NO.	PART NAME	QTY	SERIAL NO.	REMARKS
					2
					1 2 0
					6 0 4
					4 4 0
					0 0 S
1	L56923	CAP	1	X X X	(SUB FOR R54272 APPL)
2	L37046	LEVER	1	X X X	
	L57887	PIN	1	X X X	(A)
3	34H282	SPRING PIN	2	X X X	3/16"X1"
4	L37043	SCREW	1	X X X	
5	14M7273	NUT	3	X X X	M8
6	L33769	SHIFTER	1	X X X	
7	L33332	SET SCREW	2	X X X	M12X1X16
8	49M7030	SHAFT KEY	1	X X X	5X3X14MM
9	AL32973	SHIFTER ROD	1	X X X	
10	T27716	SPRING	1	X X X	
11	R26552	BALL	1	X X X	8MM (5/16")
12	L33772	PIN	1	X X X	
13	L35700	STRAP	1	X X X	
14	L35701	SNAP RING	1	X X X	
15	AL32974	LEVER	1	X X X	
16	R28776	O-RING	1	X X X	
17	AL30184	LEVER	1	X X X	
18	24M7139	WASHER	1	X X X	6.4X18X1.6MM
19	19M6614	CAP SCREW	1	X X X	M6X12
20	56M7003	BALL JOINT SOCKET	2	X X X	
21	L33785	STUD	1	X X X	
22	AL34657	LEVER	1	X X X	
23	L37042	WASHER	1	X X X	
24	R34811	GROMMET	2	X X X	(SUB FOR R52646)
25	L37041	BUSHING	1	X X X	
26	L37039	PIN	1	X X X	
27	R65028	SPRING	1	X X X	
28	L61690	STRAP	1	X X X	(SUB FOR L37047)
29	L37040	KNOB	1	X X X	
30	40M7096	SNAP RING	1	X X X	26X0.8MM
31	56M7004	BALL JOINT SOCKET	2	X X X	

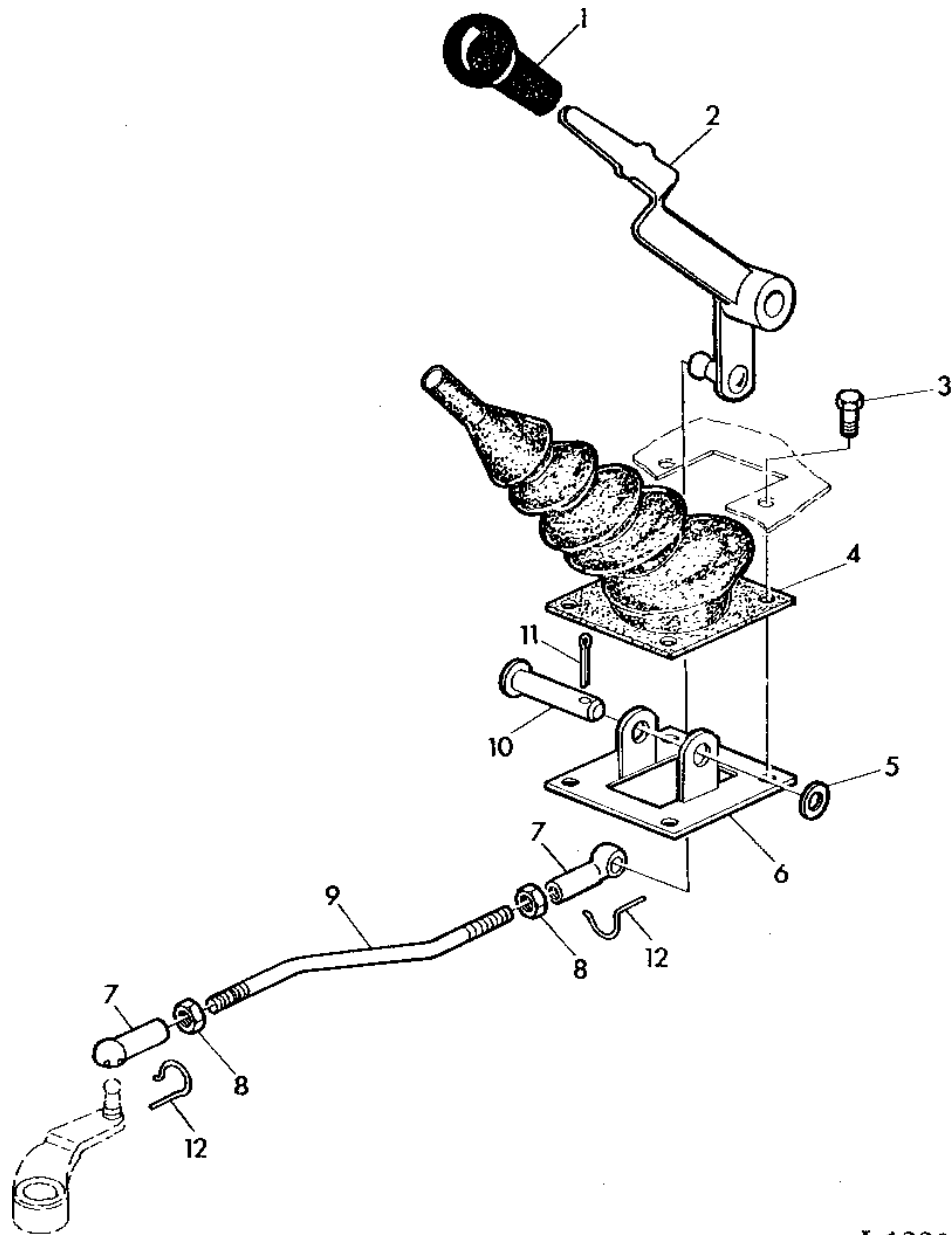
(A) WITH MC1 CAB
 AVEC CABINE MC1
 BEI MC1 KABINE
 CON CABINA MC1
 CON CABINA MC1
 VID MC1 FORARHYTT

3B17

SYNCHRO. TRANSMISSION, HI-LO, CREEPER TRANSM.

CREEPER TRANSMISSION CONTROL LEVER AND LINKAGE (WITH SG2 CAB)
LEVIER ET TRINGLERIE DE GAMME RAMPANTE (AVEC CABINE SG2)
KRIECHGANG-SCHALTUNG (BEI SG2 KABINE)
SELETTORE DELLA TRASMISSIONE RAMPANTE (CON CABINA SG2)
SELECTOR DE LA TRANSMISION CREEPER (CON CABINA SG2)
VAXLINGSMEKANISM FOR KRYPVAXEL (VID SG2 HYTT)

L122950 -UN-01JAN94



L122950

3B18

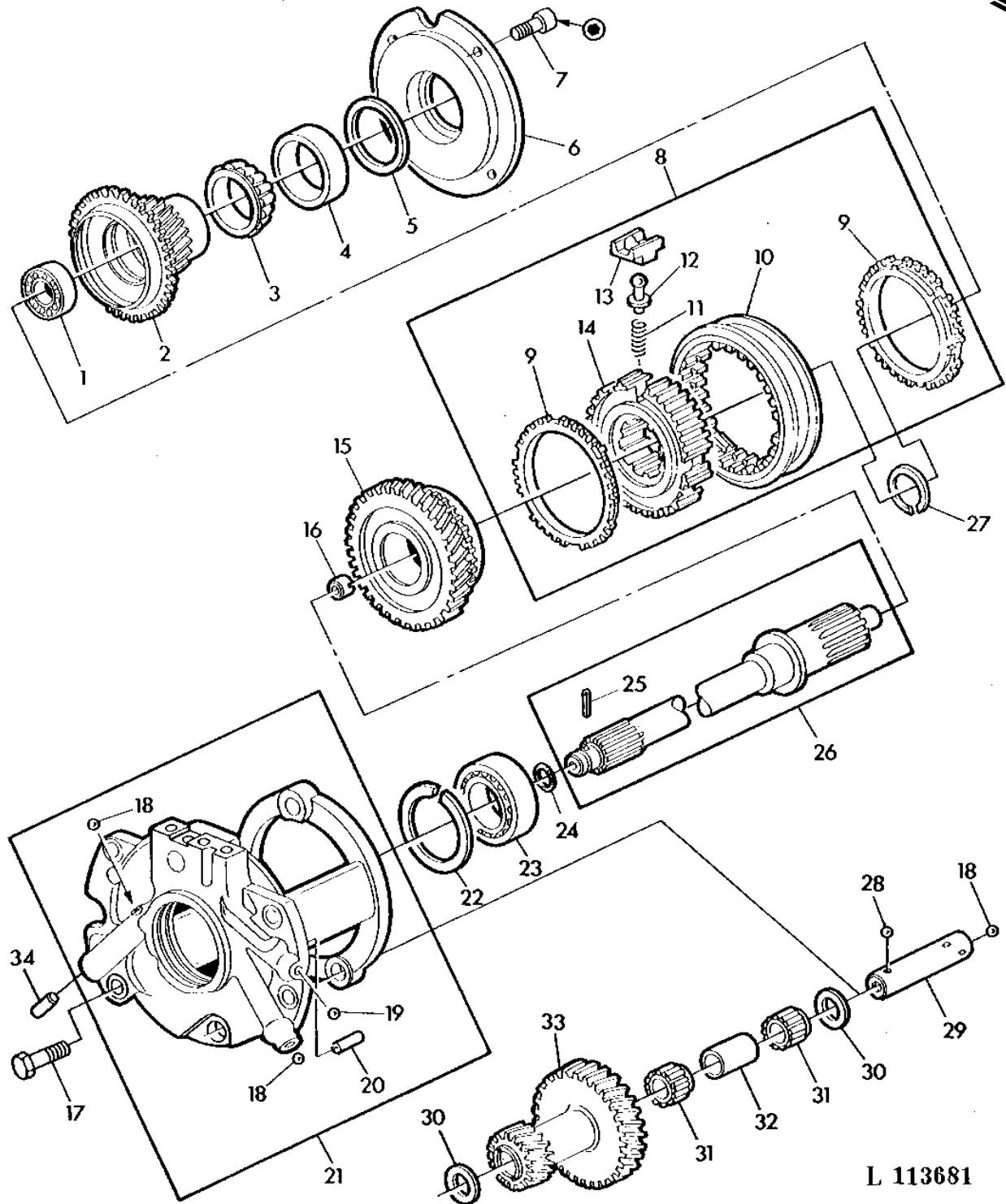
SYNCHRO. TRANSMISSION, HI-LO, CREEPER TRANSM.

KEY	PART NO.	PART NAME	QTY	SERIAL NO.	REMARKS
					2
					1 2 0
					6 0 4
					4 4 0
					0 0 S
1	L56928	KNOB	1	X X X	(SUB FOR R68175 APPL)
2	AL55090	LEVER	1	X X X	(SUB FOR AL34419)
3	19M7560	CAP SCREW	4	X X X	M6X16
4	L36738	BOOT	1	X X X	
5	24M7028	WASHER	1	X X X	10.5X21X2MM
6	AL34420	PLATE	1	X X X	
7	56M7003	BALL JOINT SOCKET	2	X X X	
8	14M7273	NUT	2	X X X	M8
9	L40478	LEVER	1	X X X	(SUB FOR L36739)
10	45M7054	PIN	1	X X X	10X50X45.5MM
11	11M7012	COTTER PIN	1	X X X	3.2X16MM
12	56M7004	BALL JOINT SOCKET	2	X X X	

3B19

SYNCHRO. TRANSMISSION, HI-LO, CREEPER TRANSM.

CREEPER TRANSMISSION
REDUCTEUR GAMME RAMPANTE
KRIECHGANGGETRIEBE
GRUPPO RAMPANTE
TRANSMISION "CREEPER"
KRYPVAXEL
L113681 -UN-01JAN94



L 113681

3B20

SYNCHRO. TRANSMISSION, HI-LO, CREEPER TRANSM.

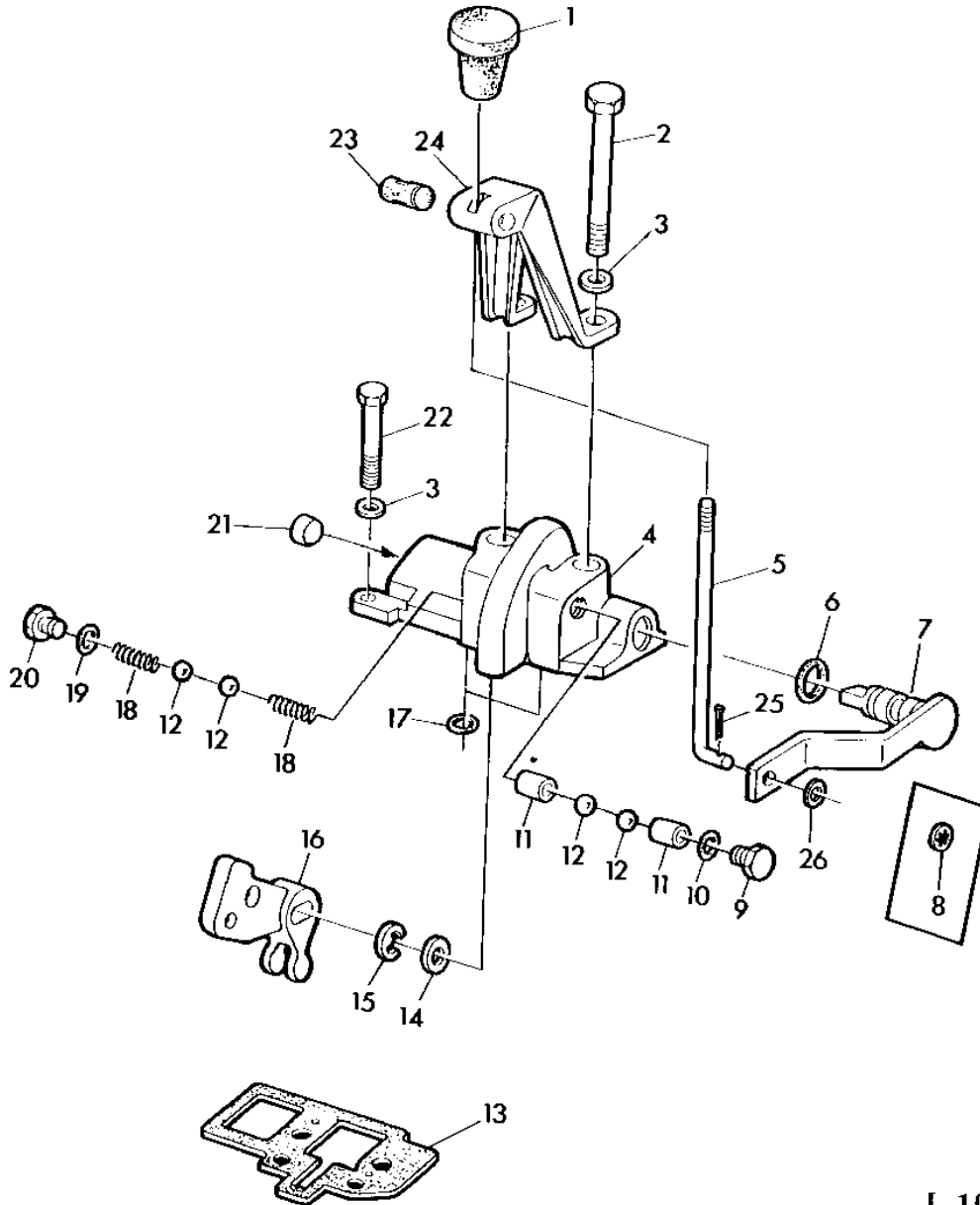
KEY	PART NO.	PART NAME	QTY	TRANSMISSION SERIAL NO.				REMARKS
					2	1	0	
					6	0	4	
					4	4	0	
					0	0	S	
1	JD10037	ROLLER BEARING	1		X	X	X	
2	AL66408	GEAR	1		X	X	X	Z=21 (SUB FOR AL30196)
3	JD10040	BEARING CONE	1		X	X	X	
4	JD10039	BEARING CUP	1		X	X	X	
5	L33756	SHIM	AR		X	X	X	TK= 0.15MM (.005")
	L33757	SHIM	AR		X	X	X	TK= 0.2MM (.007")
	L33758	SHIM	AR		X	X	X	TK= 0.5MM (.019")
6	L33755	QUILL	1		X	X	X	
7	19M7931	SCREW	4		X	X	X	M8X16
8	AL39237	KIT	1	-XXXXXX	X	X	X	(SUB FOR AL28708) (ORD AL41727)
	AL41727	SYNCHRONIZER	1	XXXXXX-	X	X	X	
9	L33102	SYNCHRONIZER	2	-500577	X	X	X	(ORD AL41727)
	L41023	SYNCHRONIZER	2	500578-XXXXXX	X	X	X	(SUB FOR L41176)
	L42320	SYNCHRONIZER	2	XXXXXX-	X	X	X	(FOR AL41727)
10	L33098	SHIFT COLLAR	1	-500577	X	X	X	(ORD AL41727)
	L41210	SHIFT COLLAR	1	500578-XXXXXX	X	X	X	
	L42321	SHIFT COLLAR	1	XXXXXX-	X	X	X	(FOR AL41727)
11	L33103	SPRING	3	-XXXXXX	X	X	X	
	L58657	SPRING	3	XXXXXX-	X	X	X	(FOR AL41727)
12	L33100	STUD	3	-XXXXXX	X	X	X	
	L58659	BALL	3	XXXXXX-	X	X	X	(FOR AL41727)
13	L33101	SHOE	3	-XXXXXX	X	X	X	
	L58658	SHOE	3	XXXXXX-	X	X	X	(FOR AL41727)
14	L57621	GEAR	1	-XXXXXX	X	X	X	(SUB FOR L33099)
	L42323	SHIFT COLLAR CARRIER	1	XXXXXX-	X	X	X	(FOR AL41727)
15	AL66407	GEAR	1		X	X	X	Z=44 (SUB FOR AL30195)
16	L33763	BUSHING	1		X	X	X	
17	19H2552	CAP SCREW	4		X	X	X	3/8"X1-1/8"
18	L38718	BALL	3		X	X	X	6MM (1/4")
19	R26552	BALL	1		X	X	X	8MM (5/16")
20	R30587	DOWEL PIN	2		X	X	X	
21	AL40805	HOUSING	1		X	X	X	(MARKED L41676) (ORD W/ L40773) (SUB FOR AL30174, AL38867)
	AL40805	HOUSING	1		X	X	X	(A) (ORD W/ L33334, L40773)
22	E60918	SNAP RING	1		X	X	X	
23	JD10038	ROLLER BEARING	1		X	X	X	
24	T13119	O-RING	1		X	X	X	
25	34M7104	SPRING PIN	1		X	X	X	2.5X10MM
26	AL30924	DRIVE SHAFT	1		X	X	X	
27	L36932	SNAP RING	1		X	X	X	(SUB FOR L33280)
28	H871R	BALL	1		X	X	X	5MM (3/16")
29	L41675	SHAFT	1		X	X	X	(SUB FOR L33767)
30	R54961	THRUST WASHER	2		X	X	X	
31	JD10041	ROLLER BEARING	2		X	X	X	
32	L33765	BUSHING	1		X	X	X	
33	L34054	GEAR	1		X	X	X	Z=18/41
34	L33334	DOWEL PIN	1		X	X	X	(A)

(A) WITHOUT FWD
 SANS PONT AVANT
 OHNE FRONTANTRIEB
 SENZA TRAZ.ANT.
 SIN TRACCION DELANTERA
 UTAN FRAMHJULSDRIFT

3B21

SYNCHRO. TRANSMISSION, HI-LO, CREEPER TRANSM.

COVER/CONTROL LEVER (WITH INDEPENDENT PTO)
COUVERCLE/LEVIER (AVEC PDF INDEPENDANTE)
DECKEL/HEBEL (BEI UNABH. ZAPFWELLE)
COMANDO PDF INDIPENDENTE
TAPA/PALANCA DE MANDO (CON TDF INDEPENDIENTE)
MANOVERLANKAGE FOR OBEROENDE KRAFTUTTAG
L100532 -UN-17JUL95



L 100532

3B22

SYNCHRO. TRANSMISSION, HI-LO, CREEPER TRANSM.

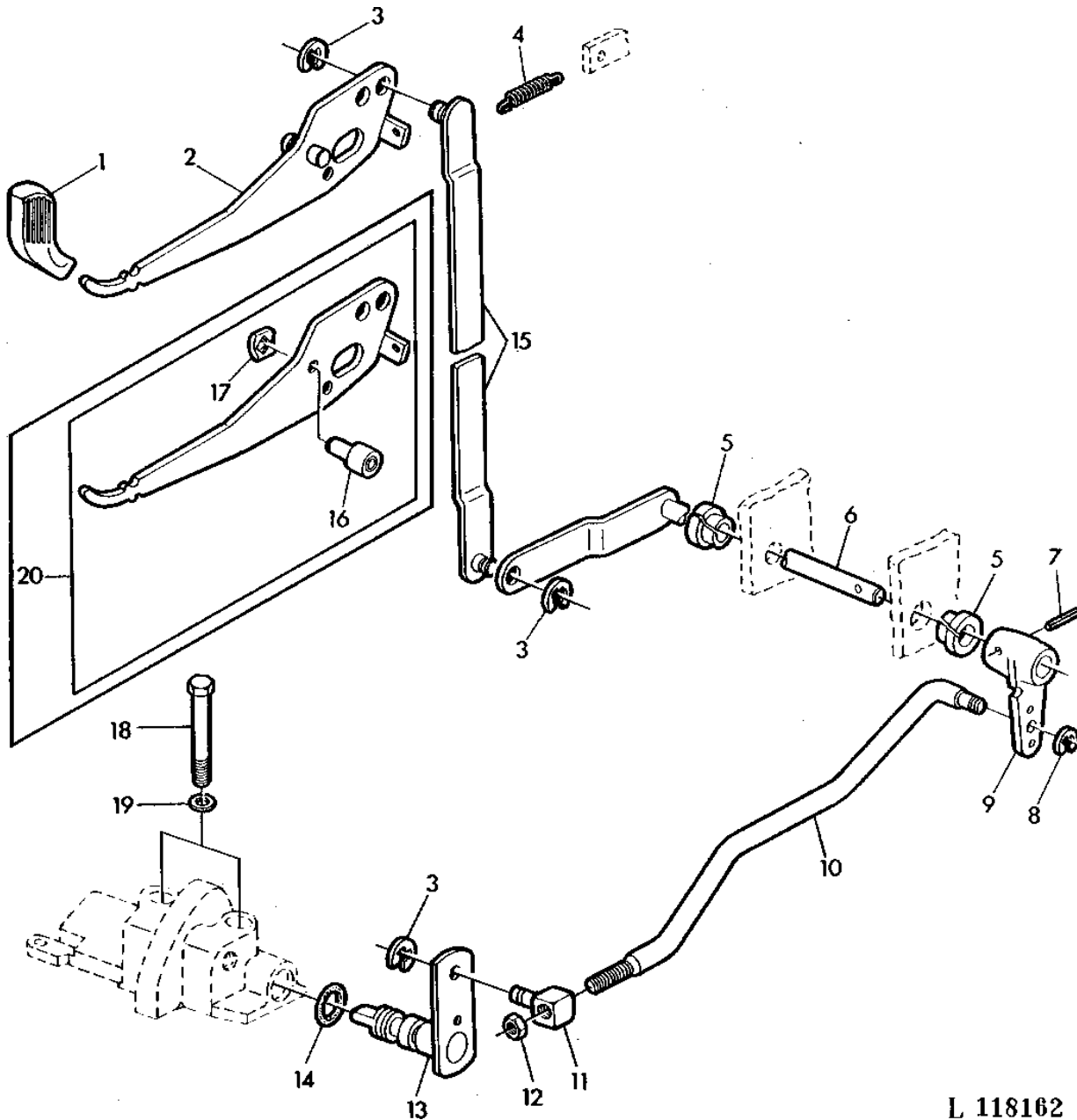
KEY	PART NO.	PART NAME	QTY	SERIAL NO.	REMARKS
					2
					1 2 0
					6 0 4
					4 4 0
					0 0 S
1	L56920	KNOB	1	X X X	(SUB FOR L31945)
2	19H2228	CAP SCREW	2	X X X	3/8"X4"
3	24H1303	WASHER	3	X X X	13/32"X11/16"X.060"
4	L59830	COVER	1	X X X	(SUB FOR L33341, L41351 APPL)
5	L31946	BOLT	1	X X X	
6	R28782	O-RING	1	X X X	
7	AL60773	LEVER	1	X X X	(SUB FOR AL35969 APPL)
8	L31947	SNAP RING	1	X X X	
9	R27218	FITTING PLUG	1	X X X	
10	R26448	O-RING	1	X X X	
11	L59305	PISTON	2	X X X	(SUB FOR L34105)
12	R26552	BALL	4	X X X	5/16"
13	L33342	GASKET	1	X X X	
14	24M7229	SHIM	1	X X X	14X20X0.3MM
15	R26871	SNAP RING	1	X X X	
16	L33318	LEVER	1	X X X	
17	L36237	O-RING	2	X X X	
18	L34106	SPRING	2	X X X	
19	R26287	O-RING	1	X X X	
20	R31631	DRAIN PLUG	1	X X X	3/8"
21	M4224T	PLUG	1	X X X	(A)
22	19H1819	CAP SCREW	1	X X X	3/8"X2-1/8"
23	L31944	PIN	1	X X X	
24	L31943	SUPPORT	1	X X X	
25	11M7009	COTTER PIN	1	X X X	2X16MM
26	24M7055	WASHER	1	X X X	8.4X17X1.4MM

(A) WITHOUT HI-LO SHIFT UNIT
 SANS HI-LO
 OHNE LASTSCHALTSTUFE
 SENZA RIDUTTORE HI-LO
 SIN MECANISMO DE CAMBIO HI-LO
 UTAN HOG-LAG SNABBVAXEL

3B23

SYNCHRO. TRANSMISSION, HI-LO, CREEPER TRANSM.

PTO CONTROL LINKAGE (WITH SG2 CAB)
TRINGLERIE DE PDF (AVEC CABINE SG2)
ZAPFWELLEN-GESTAENGE (BEI SG2 KABINE)
LEVE DI COMANDO DELLA PDF (CON CABINA SG2)
VARILLAJE DE MANDO DE LA TDF (CON CABINA SG2)
MANOVERLANKAGE FOR KRAFTUTTAG (VID SG2 HYTT)
L118162 -UN-01JAN94



L 118162

3B24

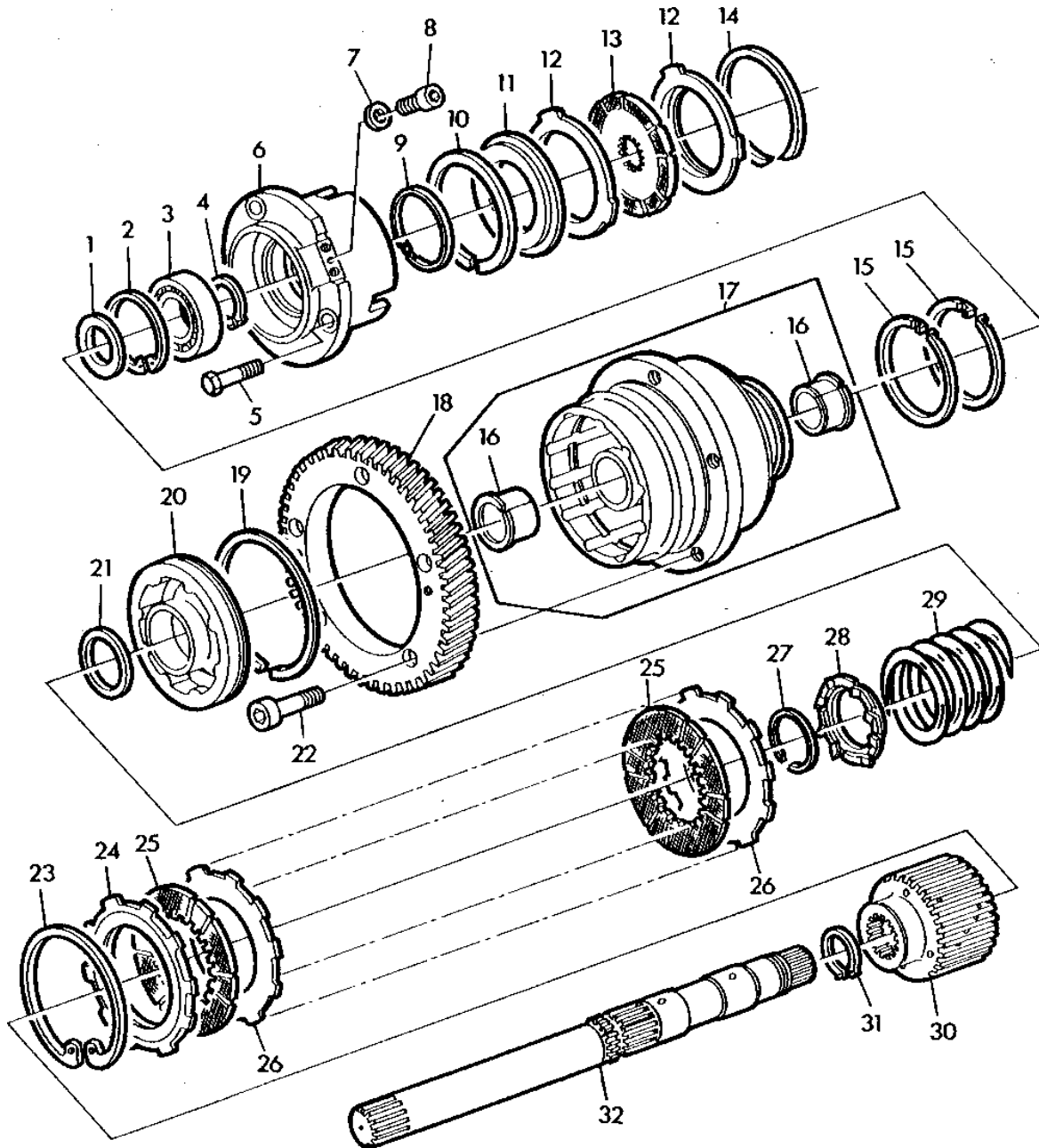
SYNCHRO. TRANSMISSION, HI-LO, CREEPER TRANSM.

KEY	PART NO.	PART NAME	QTY	SERIAL NO.	REMARKS
				2	
				1 2 0	
				6 0 4	
				4 4 0	
				0 0 S	
1	RE18923	KNOB	1	X X X	(SUB FOR R52056 APPL)
2	AL56724	LEVER	1	X X X	(SUB FOR AL36515)
3	R72655	SNAP RING	3	X X X	(SUB FOR T12808)
4	L38612	SPRING	1	X X X	
5	R41076	GROMMET	2	X X X	
6	AR88142	SHAFT	1	X X X	
7	34H394	SPRING PIN	1	X X X	
8	R27507	SNAP RING	1	X X X	
9	R58509	LEVER	1	X X X	
10	R67702	ROD	1	X X X	
11	L41292	SWIVEL	1	X X X	(SUB FOR R51067 APPL)
12	14H850	NUT	1	X X X	1/4"
13	AL34334	LEVER	1	X X X	
14	R28782	O-RING	1	X X X	
15	AR88143	LINK	1	X X X	
16	AL36514	ROLLER	1	X X X	
17	L35975	CLIP	1	X X X	
18	19H2636	CAP SCREW	2	X X X	3/8"X3-5/8"
19	24H1303	WASHER	2	X X X	13/32"X11/16"X0.060"
20	AL36515	LEVER	1	X X X	(ORD AL56724)

3C1

SYNCHRO. TRANSMISSION, HI-LO, CREEPER TRANSM.

PTO CLUTCH (SYNCHRONIZED TRANSMISSION)
EMBAYAGE DE PDF (SYNCHRONISEE)
ZAPFWELLENKUPPLUNG (SYNCHRONGETRIEBE)
FRIZIONE PDF (TIPO SINCRONIZZATO)
EMBRAGUE DE LA TDF (TIPO SINCRONIZADO)
KRAFTUTTAGSKOPPLING (SYNKRONISERAD VAXELLADA)
L115577 -UN-01JAN94



L 115577

3C2

SYNCHRO. TRANSMISSION, HI-LO, CREEPER TRANSM.

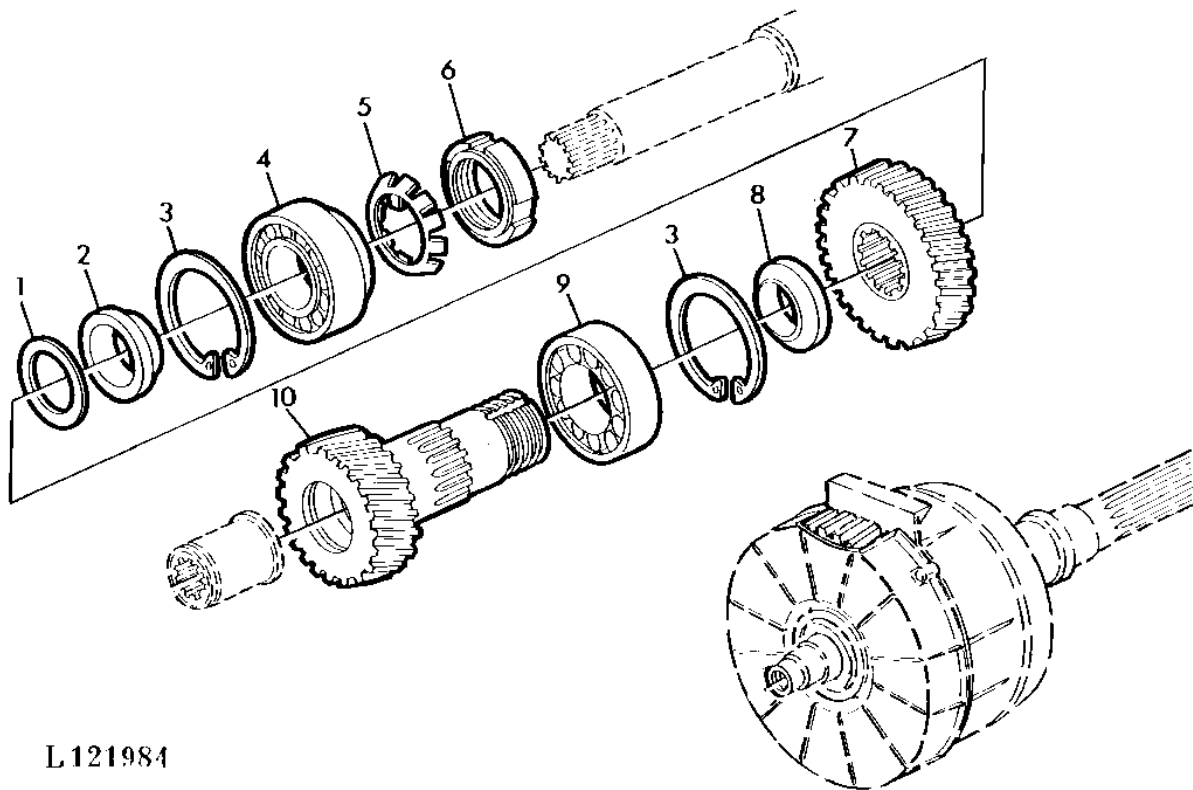
KEY	PART NO.	PART NAME	QTY	SERIAL NO.	REMARKS
					2
					1 2 0
					6 0 4
					4 4 0
					0 0 S
1	L33313	WASHER	1		X X X
2	40M7044	SNAP RING	1		X X X 72X2.5MM
3	L64838	BALL BEARING	1		X X X (SUB FOR JD10095)
4	40M7046	SNAP RING	1		X X X 35X1.5MM
5	19H3239	CAP SCREW	3		X X X 3/8"X1-1/4"
6	L33312	DRUM	1		X X X
7	24M7088	WASHER	1		X X X 6.6MM
8	19M7768	SCREW	1		X X X M6X16
9	L33117	PISTON RING	1		X X X
10	51M7017	PISTON RING	1		X X X 110X100.8X3MM
11	L33316	PISTON	1		X X X
12	L33125	PLATE	2		X X X
13	AL55075	DISK, INNER SPLINE	1		X X X (SUB FOR AL28723)
14	L33119	SNAP RING	1		X X X
15	R33167	RING	2		X X X
16	L33320	BUSHING	2		X X X
17	AL39263	DRUM	1		X X (SUB FOR AL35665)
	AL39262	DRUM	1		X X X (A) (SUB FOR AL35664)
	AL39262	DRUM	1		X (SUB FOR AL35664)
18	L61828	GEAR	1		X X X Z=65 (SUB FOR L34053)
	L34052	GEAR	1	-507734	X X X (A) Z=75
	L40837	GEAR	1	507735-	X X X (A) Z=72
19	L28656	PISTON RING	1		X X X
20	L32738	PISTON	1		X X X
21	R39304	WASHER	1		X X X
22	19M7576	SCREW	5		X X X M10X1.5X30
23	L38023	SNAP RING	1		X X X
24	L33563	PLATE	1		X X X
25	AL38239	DISK, INNER SPLINE	7		X X (SUB FOR AR78361)
	AL38240	DISK, INNER SPLINE	10		X X X (A) (SUB FOR AT26632)
	AL38239	DISK, INNER SPLINE	8		X (SUB FOR AR78361)
26	T28664	DISK, OUTER SPLINE	7		X X
	T28664	DISK, OUTER SPLINE	10		X X X (A)
	T28664	DISK, OUTER SPLINE	8		X
27	R39299	SNAP RING	1		X X X
28	T32849	RETAINER	1		X X X
29	T32848	SPRING	1		X X X
30	L33314	HUB	1		X X X
31	40M7058	SNAP RING	1		X X X 40X1.75MM
32	L33317	SHAFT	1		X X X

(A) WITH IND. 540 RPM PTO
 AVEC PDF INDEPENDANTE 540 TR/MIN
 BEI UNABH.ZAPFWELLE 540 U/MIN
 CON PDF INDIP. 540 G/MIN
 CON TDF INDEP. DE 540 R/MIN
 VID OBER. KRAFTUTTAG 540 RPM

3C3

SYNCHRO. TRANSMISSION, HI-LO, CREEPER TRANSM.

FWD-DRIVE ELEMENTS (OUTPUT)
SORTE DE PONT AVANT/EMBAYAGE MULTIDISQUE
FRONTANTRIEB-ABTRIEB
TRAZ.ANT./USCITA DI FORZA
TRACCION DELANTERA, SALIDA DE FUERZA IMPULSORA
FHD DRIVENHETER (UTGAANDE)
L121984 -UN-12JUN95



L121984

3C4

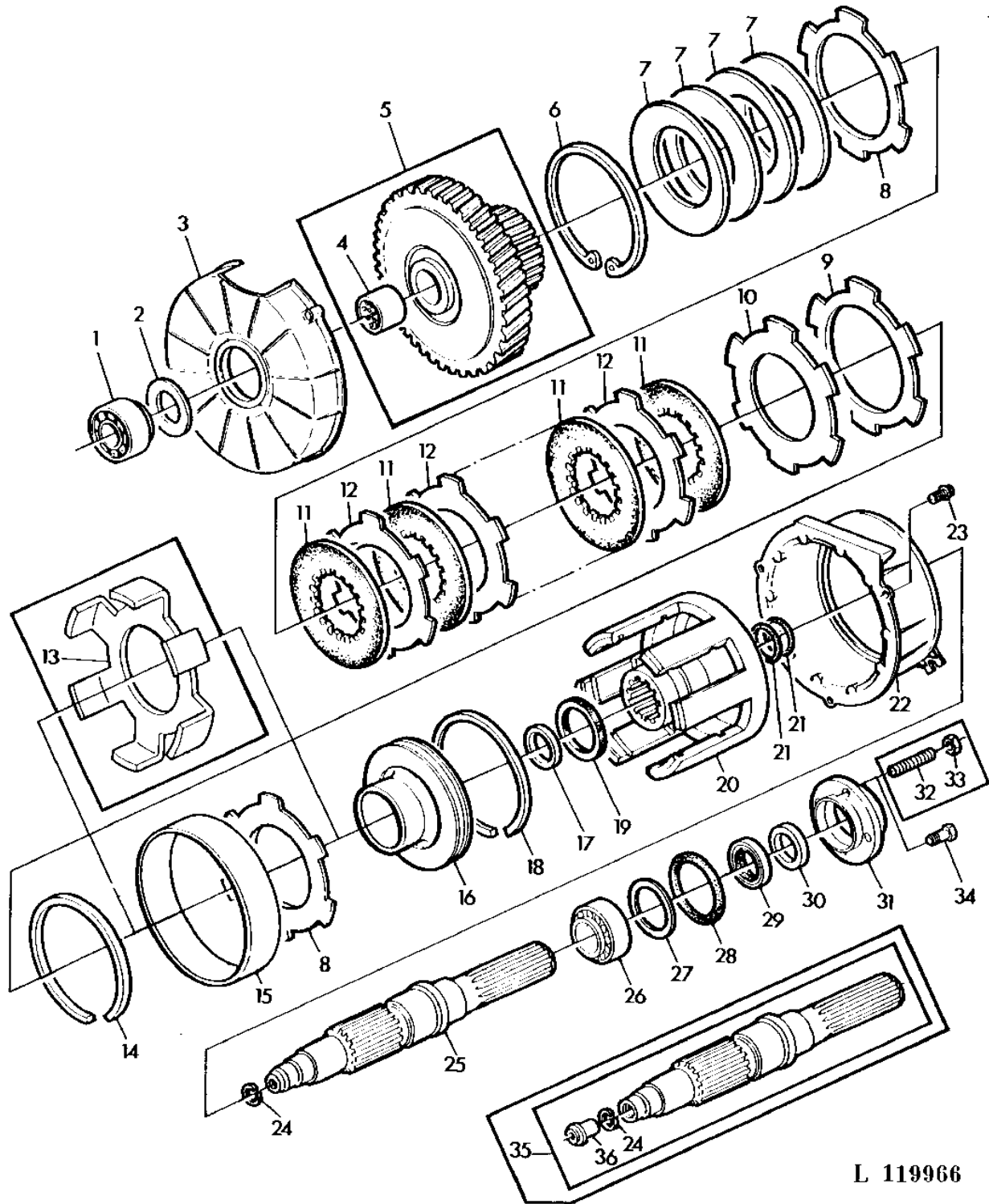
SYNCHRO. TRANSMISSION, HI-LO, CREEPER TRANSM.

KEY	PART NO.	PART NAME	QTY	SERIAL NO.	2			REMARKS
					1	2	0	
					6	0	4	
					4	4	0	
					0	0	S	
1	L40582	SHIM	AR		X	X	X	TK= 0.05MM (.002")
	L40583	SHIM	AR		X	X	X	TK= 0.10MM (.004")
	L33242	SHIM	AR		X	X	X	TK= 0.15MM (.0059")
	L33243	SHIM	AR		X	X	X	TK= 0.2MM (.008")
	L33244	SHIM	AR		X	X	X	TK= 0.5MM (.019")
2	L33245	SPACER	1		X	X	X	
3	40M1873	SNAP RING	2		X	X	X	90X3MM
4	JD10114	ROLLER BEARING	1		X	X	X	
5	12M7083	LOCK PLATE	1		X	X	X	
6	52M7011	NUT	1		X	X	X	M50X1.5
7	L41165	GEAR	1		X	X	X	Z=30 (SUB FOR L33241)
8	L33240	BUSHING	1		X	X	X	
9	JD37219	ROLLER BEARING	1		X	X	X	
10	L60519	GEAR	1		X	X		Z=20 (FOR AL63828, AL63829, AL63830) (SUB FOR L41687)
	L36726	GEAR	1		X	X		Z=22 (FOR L33264) (SUB FOR L34057)
	L41689	GEAR	1		X	X		Z=22 (FOR AL63828, AL63829, AL63830)
	L41690	GEAR	1		X	X		Z=22 (FOR AL63828, AL63829, AL63830)
	L37459	GEAR	1		X	X		Z=24 (FOR L37461)
	L37460	GEAR	1		X	X		Z=25 (FOR L37461)
	L38832	GEAR	1	450000-449999	X	X		Z=20 (FOR L38833)
	L38834	GEAR	1	450000-	X	X		Z=20 (FOR L33266 OR L57658)
	L36727	GEAR	1	450000-	X	X		Z=22 (FOR L34100)
	L36725	GEAR	1		X	X	X	Z=21 (FOR L33266 OR L57658) (SUB FOR L33239)
	L60520	GEAR	1		X	X	X	Z=21 (FOR AL63828, AL63829, AL63830) (SUB FOR L41688)
	L36724	GEAR	1		X	X	X	Z=23 (FOR L33264 OR L35003) (SUB FOR L33265)
	L41691	GEAR	1		X	X	X	Z=23 (FOR AL63828, AL63829, AL63830)
	L37460	GEAR	1		X			Z=25 (FOR L37461)

3C5

SYNCHRO. TRANSMISSION, HI-LO, CREEPER TRANSM.

FWD MULTI-DISK CLUTCH
SORTIE DE PONT AVANT/EMBAYAGE MULTIDISQUE
FRONTANTRIEB-LAMELLENKUPPLUNG
TRAZ. ANT./FRIZIONE MULTIDISCO
EMBRAGUE MULTIDISCO/TRACC. DELANT.
FRAMHJULSDRIFT-KOPPLING
L119966 -UN-12JUL95



L 119966

3C6

SYNCHRO. TRANSMISSION, HI-LO, CREEPER TRANSM.

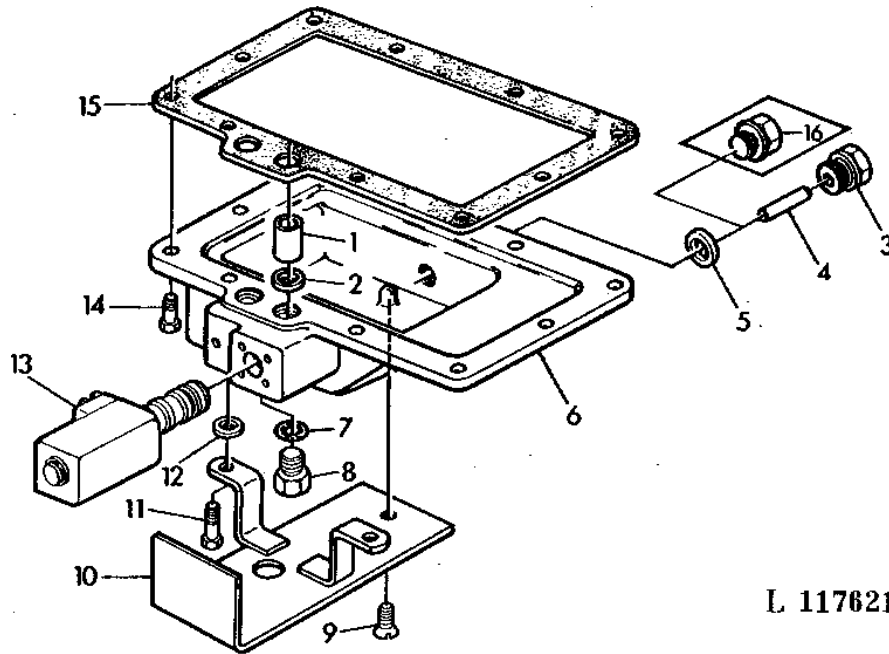
KEY	PART NO.	PART NAME	QTY	SERIAL NO.		REMARKS
					2	
					1 2 0	
					6 0 4	
					4 4 0	
					0 0 S	
1	JD37218	ROLLER BEARING	1	-457577	X X X	(FOR AL28925)
	JD10234	ROLLER BEARING	1	457578-	X X X	(FOR AL37280 OR L62773)
2	L33253	WASHER	1	-457577	X X X	(FOR AL28925)
	L39495	WASHER	1	457578-	X X X	(FOR AL37280 OR L62773)
3	L39837	HOUSING	1	450702-	X X X	
4	L33263	BUSHING	1		X X X	(FOR AL37596)
5	AL67651	GEAR	1		X X X	Z=49 (SUB FOR AL28918, AL37596)
6	40M7122	SNAP RING	1		X X X	145X4MM
7	L34068	DISK SPRING	4		X X X	
8	L38258	CLUTCH PLATE	2		X X X	
9	L37025	PLATE	1		X X X	
10	L34063	DISK, OUTER SPLINE	1		X X X	KM/H-25
	L34063	DISK, OUTER SPLINE	1	453072-	X X X	KM/H25-
11	L34064	DISK, INNER SPLINE	8		X X X	KM/H-25
	L34064	DISK, INNER SPLINE	9	-453071	X X X	KM/H25-
	L34064	DISK, INNER SPLINE	8	453072-	X X X	KM/H25-
12	L34062	DISK, OUTER SPLINE	7		X X X	KM/H-25
	L34062	DISK, OUTER SPLINE	8	-453071	X X X	KM/H25-
	L34062	DISK, OUTER SPLINE	7	453072-	X X X	KM/H25-
13	L34061	DRUM	1		X X X	(ORD L38692, L38258)
14	L34067	SNAP RING	1		X X X	
15	L38692	SPACER	1		X X X	
16	L34059	PISTON	1		X X X	
17	L33251	WASHER	1		X X X	
18	L34060	PISTON RING	1		X X X	
19	R39304	WASHER	1		X X X	
20	L39840	DRUM	1		X X X	(SUB FOR L34058)
21	H35244	RING	2		X X X	
22	L39838	HOUSING	1	450702-511374	X X X	(ORD L41308, L41295, 44M1082)
	L41308	SHIELD	1	511375-	X X X	
23	37M7060	SCREW	3	450702-	X X X	M4X10
24	R34140	RING	1		X X X	
25	L62773	DRIVE SHAFT	1		X X X	(SUB FOR L62960)
26	JD37047	ROLLER BEARING	1		X X X	
27	L33247	SHIM	AR		X X X	TK= 0.15MM (.0059")
	L33252	SHIM	AR		X X X	TK= 0.2MM (.008")
	L33260	SHIM	AR		X X X	TK= 0.5MM (.019")
28	L33257	O-RING	1		X X X	
29	48M7039	SEAL	1	-457577	X X X	(SUB FOR AL28828)
	48M7038	SEAL	1	457578-	X X X	38X52X7MM
30	L39491	WASHER	1	457578-	X X X	
31	L33256	QUILL	1	-457577	X X X	
	L39490	QUILL	1	457578-	X X X	
32	22M7105	SET SCREW	3		X X X	(A) M8X45
33	14M7273	NUT	3		X X X	(A) M8
34	19M7139	CAP SCREW	3		X X X	M8X1.25X20
35	AL28925	DRIVE SHAFT	1	-457577	X X X	
	AL37280	DRIVE SHAFT	1	457578-	X X X	(ORD L62773, R34140)
36	R39279	RETAINER	1		X X X	

(A) WITH W/Joint DRIVE SHAFT A/Wrapping Guard
 AVEC PROTECTION ANTIENROULEMENT D'ARBRE A CARDANS
 BEI GELENKWELLEN-WICKELSCHUTZ
 CON DIFESA CONTRA AVVOLG.SULL'ALBERO CARDAN.
 CON DEFENSA CONTRA ARROLL.SOBRE EJE DE CARDAN
 VID LINDNINGSSKYDD FOR KARDANAXEL

3C7

SYNCHRO. TRANSMISSION, HI-LO, CREEPER TRANSM.

FWD COVER/SOLENOID VALVE
 COUVERCLE DE PONT AVANT/ELECTROVANNE
 FRONTANTRIEB-DECKEL/MAGNETVENTIL
 TRAZ. ANT. COPERCHIO E ELETTROVALVOLA
 VALVULA ELECTROMAGNETICA PARA TRACCION DELAN./TAPA
 OLJETRAG OCH SOLENOIDVENTIL FOR FRAMHJULSDRIFT
 L117621 -UN-01JAN94



L 117621

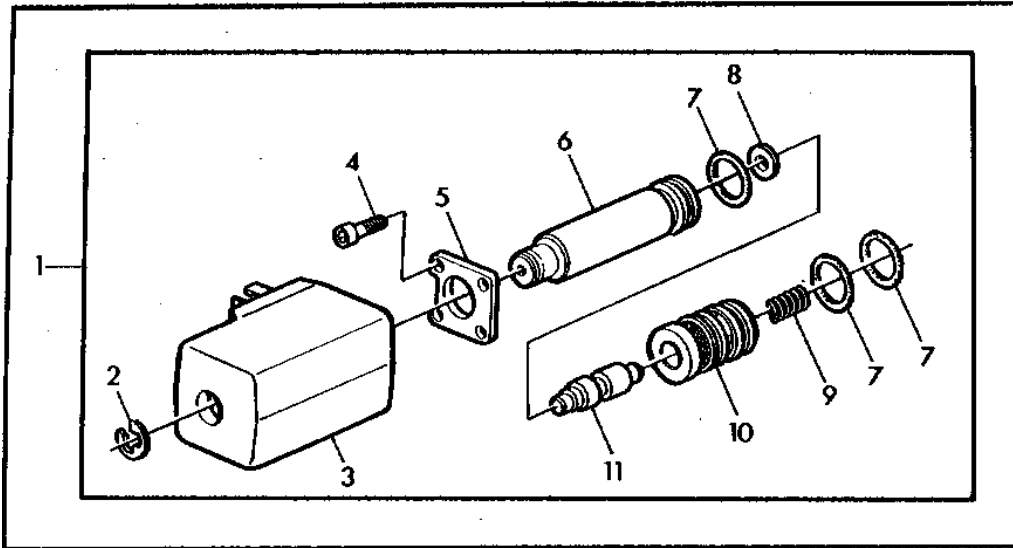
2
1 2 0
6 0 4
4 4 0
0 0 S

KEY	PART NO.	PART NAME	QTY	SERIAL NO.	REMARKS
1	L33261	FUEL LINE	1		X X X
2	A4847R	WASHER	2		X X X
3	L41295	DRAIN PLUG	1	514679-	X X X (ORD W/ 44M1082)
4	44M1082	DOWEL PIN	1	514679-	X X X 8X36MM
5	A4827R	WASHER	1		X X X
6	AL37937	COVER	1		X X X (SUB FOR AL30197)
7	R26287	O-RING	1		X X X
8	R31631	DRAIN PLUG	1		X X X 3/8"
9	21M7156	SCREW	1		X X X M8X20
10	AL39483	GUARD	1		X X X (SUB FOR AL33304, AL37219)
11	19M8008	CAP SCREW	2		X X X M8X35
12	24M7055	WASHER	2		X X X 8.4X17X1.6MM
13	AL58788	SOLENOID VALVE	1		X X X (SUB FOR AL30198, AL37367, AL55066)
14	19M7407	CAP SCREW	8		X X X M8X25
15	L61966	GASKET	1		X X X (SUB FOR L33346)
16	R51895	FITTING	1	-514678	X X X 1"

3C8

SYNCHRO. TRANSMISSION, HI-LO, CREEPER TRANSM.

FWD-SOLENOID
 PONT AVANT-ELECTROVANNE
 FRONTANTRIEB-MAGNETVENTIL
 TRAZ. ANT., ELETTROVALVOLA
 TRACC. DELANT., ELECTROVALVULA
 FRAMHJULSDRIFT, SOLENOIDVENTIL
 L117623 -UN-01JAN94



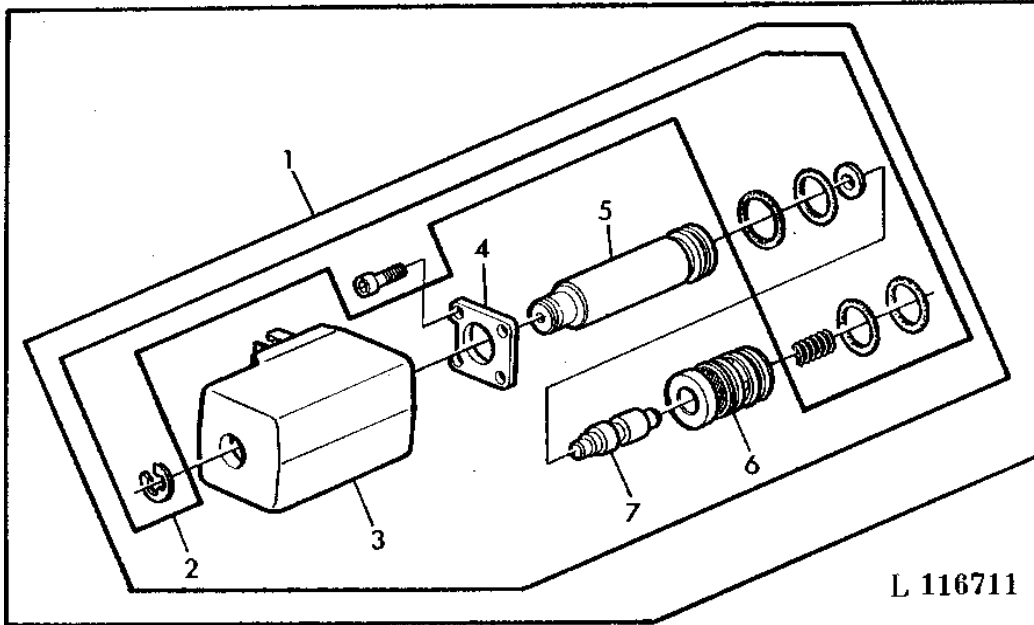
L 117623

KEY	PART NO.	PART NAME	QTY	SERIAL NO.	2 1 2 0 6 0 4 4 4 0 0 0 S	REMARKS
1	AL37367	VALVE	1	-569295	X X X	(SUB FOR AL30198) (ORD AL58788)
2	L35868	SNAP RING	1	-569295	X X X	(ORD AL62659)
3	AL33147	ELECTRICAL COIL	1	-569295	X X X	(ORD AL58788)
4	19M7887	SCREW	4	-569295	X X X	M5X10 (ORD AL62659)
5	L35871	FLANGE	1	-569295	X X X	(ORD AL58788)
6	AL37595	INSERT	1	-569295	X X X	(SUB FOR AL33146) (ORD AL58788)
7	L35870	O-RING	3	-569295	X X X	(ORD AL62659)
8	L35875	WASHER	1	-569295	X X X	(ORD AL62659)
9	L35874	SPRING	1	-569295	X X X	(ORD AL62659)
10	AL37368	SLEEVE	1	-569295	X X X	(SUB FOR L35873) (ORD AL58788)
11	L39591	PISTON	1	-569295	X X X	(SUB FOR L35872) (ORD AL58788)

3C9

SYNCHRO. TRANSMISSION, HI-LO, CREEPER TRANSM.

FWD-SOLENOID
 PONT AVANT-ELECTROVANNE
 FRONTANTRIEB-MAGNETVENTIL
 TRAZ. ANT., ELETTROVALVOLA
 TRACC. DELANT., ELECTROVALVULA
 FRAMHJULSDRIFT, SOLENOIDVENTIL
 L116711 -UN-01JAN94



L 116711

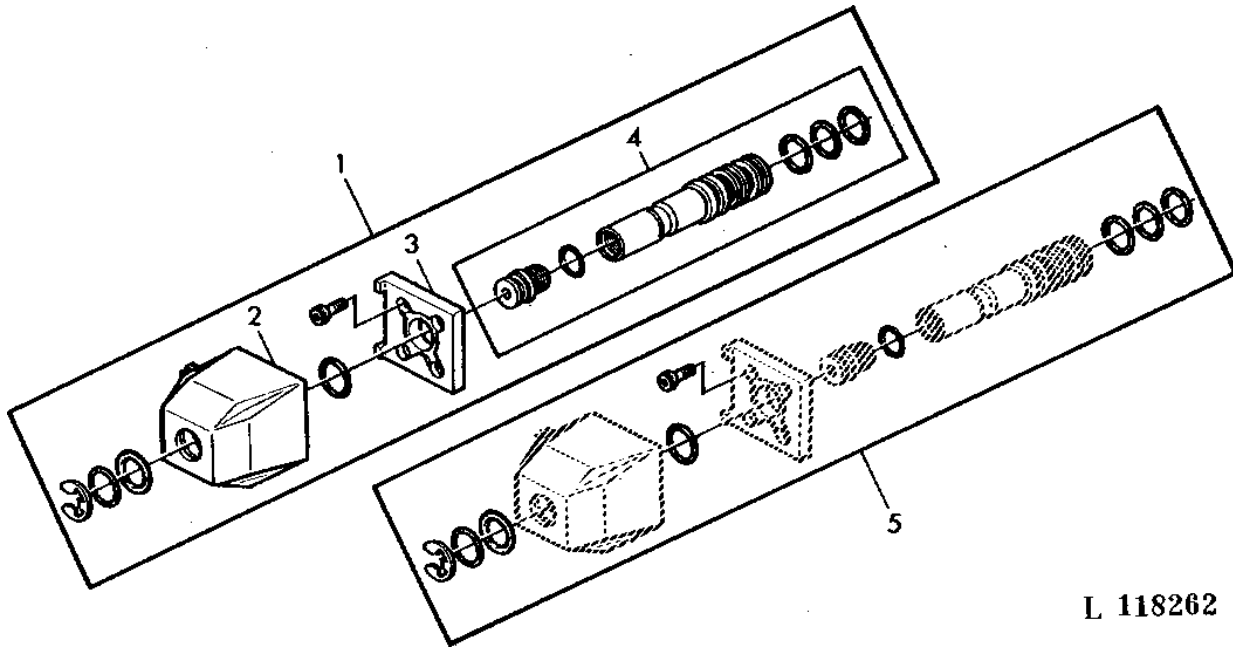
2
 1 2 0
 6 0 4
 4 4 0
 0 0 S

KEY	PART NO.	PART NAME	QTY	SERIAL NO.	REMARKS
1	AL55066	SOLENOID VALVE	1	569296-	X X X (ORD AL58788)
2	AL57916	KIT	1	569296-	X X X (ORD AL62659)
3	AL33147	ELECTRICAL COIL	1	569296-	X X X (ORD AL58788)
4	L35871	FLANGE	1	569296-	X X X (ORD AL58788)
5	AL57788	INSERT	1	569296-	X X X (ORD AL58788)
6	AL57789	SLEEVE	1	569296-	X X X (ORD AL58788)
7	L57045	PISTON	1	569296-	X X X (ORD AL58788)

3C10

SYNCHRO. TRANSMISSION, HI-LO, CREEPER TRANSM.

FWD-SOLENOID/SPARE PARTS KIT
 PONT AVANT-ELECTROVANNE/LOT DE REPARATION
 FRONTANTRIEB-MAGNETVENTIL/ERSATZTEILSATZ
 TRAZ. ANT., ELETTROVALVOLA/GRUPPO RIPARAZIONE
 TRACC. DELANT., ELECTROVALVULA/CONJUNTO DE REPARACION
 FRAMHJULSDRIFT, SOLENOIDVENTIL/REPARATIONSSATS
 L118262 -UN-01JAN94



L 118262

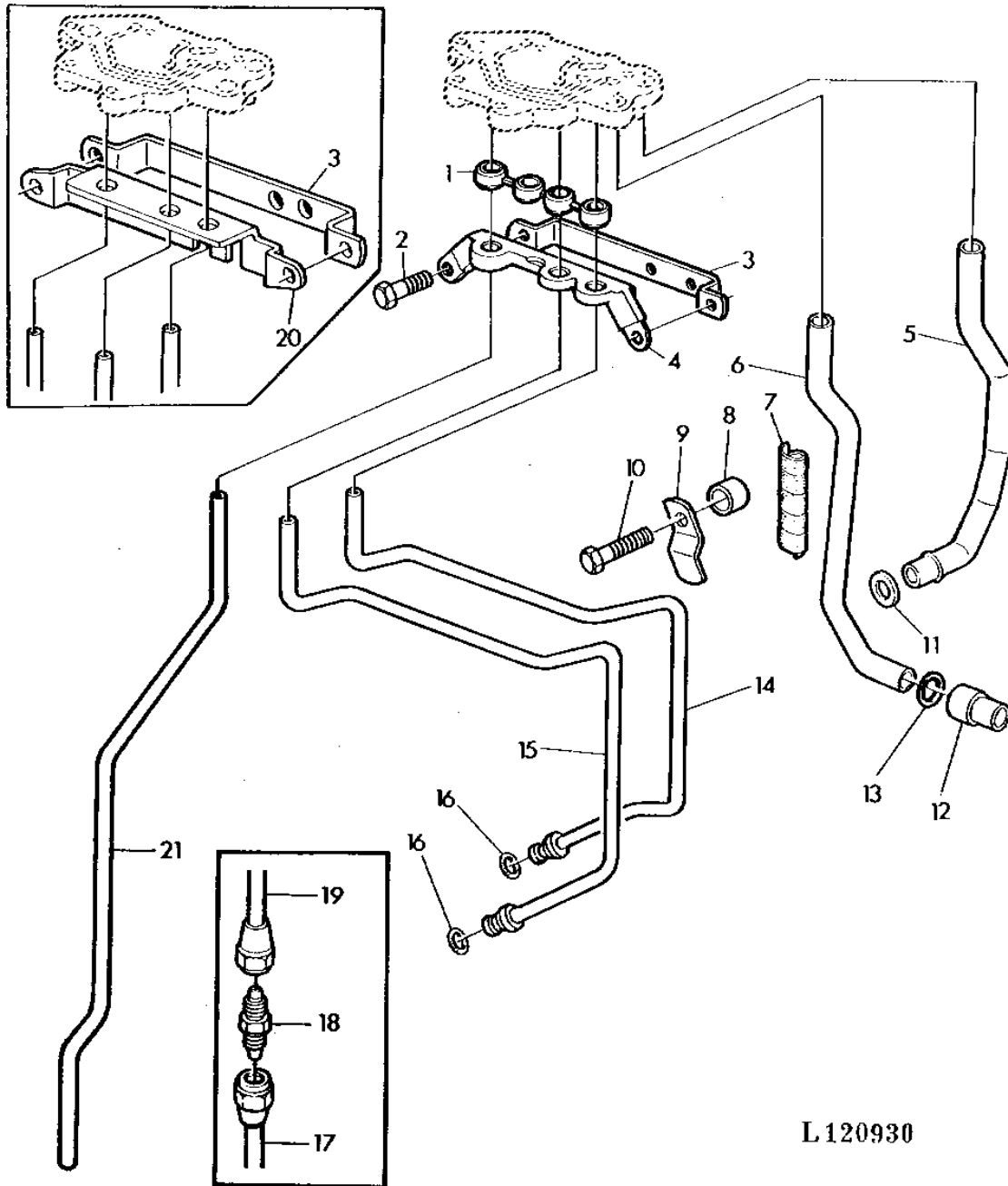
2
 1 2 0
 6 0 4
 4 4 0
 0 0 S

KEY	PART NO.	PART NAME	QTY	SERIAL NO.	REMARKS
1	AL58788	SOLENOID VALVE	1	X X X	(SUB FOR AL30198, AL37367, AL55066)
2	AL62657	ELECTRICAL COIL	1	X X X	
3	L60354	FLANGE	1	X X X	
4	AL62655	INSERT	1	X X X	
5	AL62659	KIT	1	X X X	(SUB FOR AL57916)

3C11

SYNCHRO. TRANSMISSION, HI-LO, CREEPER TRANSM.

OIL MANIFOLD/OIL LINES (WITH IND. PTO)
REPARTITEUR/CONDUITES D'HUILE (AVEC PDF INDEP.)
OELVERTEILER/OELLEITUNGEN (BEI UNABH. ZAPFWELLE)
RIPARTITORE/LINEE OLIO (CON PDF INDIPENDENTE)
REPARTIDOR DE ACEITE/TUBERIAS (CON TDF INDEPENDIENTE)
OLJEFORDELARE OCH LEDNINGAR (VID OBER. KRAFTUTTAG)
L120930 -UN-01JAN94



L120930

3C12

SYNCHRO. TRANSMISSION, HI-LO, CREEPER TRANSM.

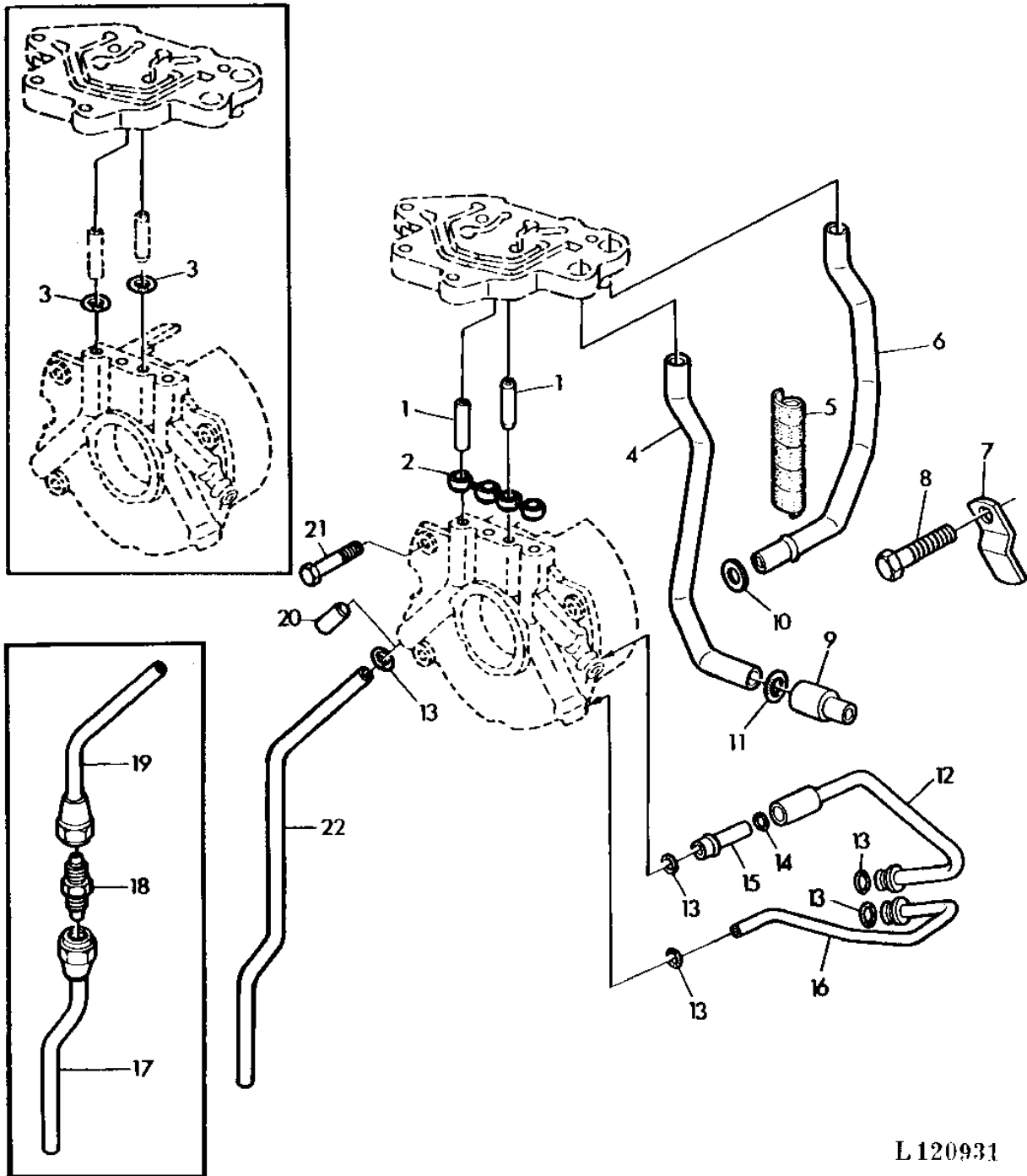
KEY	PART NO.	PART NAME	QTY	SERIAL NO.		REMARKS
					2	
					1 2 0	
					6 0 4	
					4 4 0	
					0 0 S	
1	L40773	GASKET	1	581735-	X X X	
2	19H2284	CAP SCREW	2		X X X	3/8"X7/8"
3	L33727	RETAINER	1		X X X	
4	L40776	BAIL	1	581735-	X X X	
5	L37505	OIL LINE	1	-494557	X X X	(ORD L40964, L40965)
	L40964	OIL LINE	1	494558-	X X X	
6	L34111	LINE	1		X X X	
7	L57983	GUARD	1		X X X	(SUB FOR L35477)
8	L34109	SPACER	1		X X X	
9	L33152	HOLDER	1		X X X	
10	19H2552	CAP SCREW	1		X X X	3/8"X1-1/8"
11	L40965	WASHER	1	494558-	X X X	
12	L57732	ADAPTER	1		X X X	(SUB FOR T25408)
13	R375R	O-RING	AR		X X X	
14	AL28874	OIL LINE	1		X X X	
15	AL28873	OIL LINE	1		X X X	
16	A3917R	O-RING	2		X X X	
17	AL28880	OIL LINE	1		X X X	(A) (ORD L63154)
18	R27095	FITTING	1		X X X	(A)
19	AL28921	OIL LINE	1		X X X	(A) (ORD L63154)
20	L33387	RETAINER	1	-581734	X X X	(ORD L40776, L40773)
21	L63154	OIL LINE	1		X X X	(A)

(A) WITH FRONT WHEEL DRIVE
 AVEC PONT AVANT
 BEI FRONTANTRIEB
 CON TRAZIONE ANTERIORE
 CON TRACCION DELANTERA
 VID FRAMHJULSDRIFT

3C13

SYNCHRO. TRANSMISSION, HI-LO, CREEPER TRANSM.

OIL MANIFOLD / OIL LINES
REDARTITEUR/CONDUITES D'HUILE
OELVERTEILER/OELLEITUNGEN
RIPARTITORE E LINEE OLIO
REPARTIDOR DE ACEITE/TUBERIAS
OLJEFORDELARE OCH LEDNINGAR
L120931 -UN-12JUL95



L120931

3C14

SYNCHRO. TRANSMISSION, HI-LO, CREEPER TRANSM.

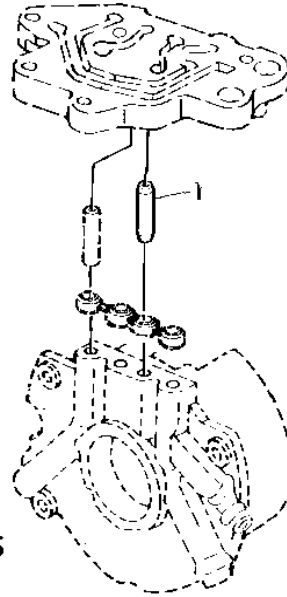
KEY	PART NO.	PART NAME	QTY	SERIAL NO.	2 1 2 0 6 0 4 4 4 0 0 0 S	REMARKS
1	L33333	TUBE	AR		X X X	
2	L40773	GASKET	1	581735-	X X X	
3	A3917R	O-RING	AR	-581734	X X X	
4	L34111	LINE	1		X X X	
5	L57983	GUARD	1		X X X	(SUB FOR L35477)
6	L37505	OIL LINE	1	-494557	X X X	(ORD L40964, L40965)
	L40964	OIL LINE	1	494558-	X X X	
7	L33152	HOLDER	1		X X X	
8	19H2021	CAP SCREW	1		X X X	3/8"X5/8"
9	L57732	ADAPTER	1		X X X	(SUB FOR T25408)
10	L40965	WASHER	1	494558-	X X X	
11	R375R	O-RING	1		X X X	
12	AL28868	OIL LINE	1		X X X	
13	A3917R	O-RING	AR		X X X	
14	T44604	O-RING	1		X X X	
15	L39853	OIL TUBE	1		X X X	(SUB FOR AL30188)
16	AL28867	OIL LINE	1		X X X	
17	AL28880	OIL LINE	1		X X X	(ORD L63140)
18	R27095	FITTING	1		X X X	
19	AL28881	OIL LINE	1		X X X	(ORD L63140)
20	L33334	DOWEL PIN	1		X X X	(A)
21	19H2552	CAP SCREW	4		X X X	3/8"X1-1/8"
22	L63140	OIL LINE	1		X X X	

(A) WITHOUT FWD
 SANS PONT AVANT
 OHNE FRONTANTRIEB
 SENZA TRAZ.ANT.
 SIN TRACCION DELANTERA
 UTAN FRAMHJULSDRIFT

3C15

SYNCHRO. TRANSMISSION, HI-LO, CREEPER TRANSM.

TUBULAR SHIELD FOR SMOOTH PTO ENGAGEMENT
 ORIFICE CALIBRE POUR ENCLENCH. AMORTI DE PDF
 ROHRBLLENDE FUER GEDAEMPFTZ ZAPFWELLENZUSCHALTUNG
 MANICOTTO CON ORIFICIO PER INSERIMENTO ATTENUATO DELLA PDF
 OBTURADOR TUBULAR PARA EMBRAGUE AMORTIGUADO DE LA TDF
 STRYPNING FOR DAMPAD INKOPPLING AV KRAFTUTTAG
 L112475 -UN-12MAY95



L 112475

2
1 2 0
6 0 4
4 4 0
0 0 S

KEY	PART NO.	PART NAME	QTY	SERIAL NO.	REMARKS
1	L41626	ORIFICE	1	X X X	

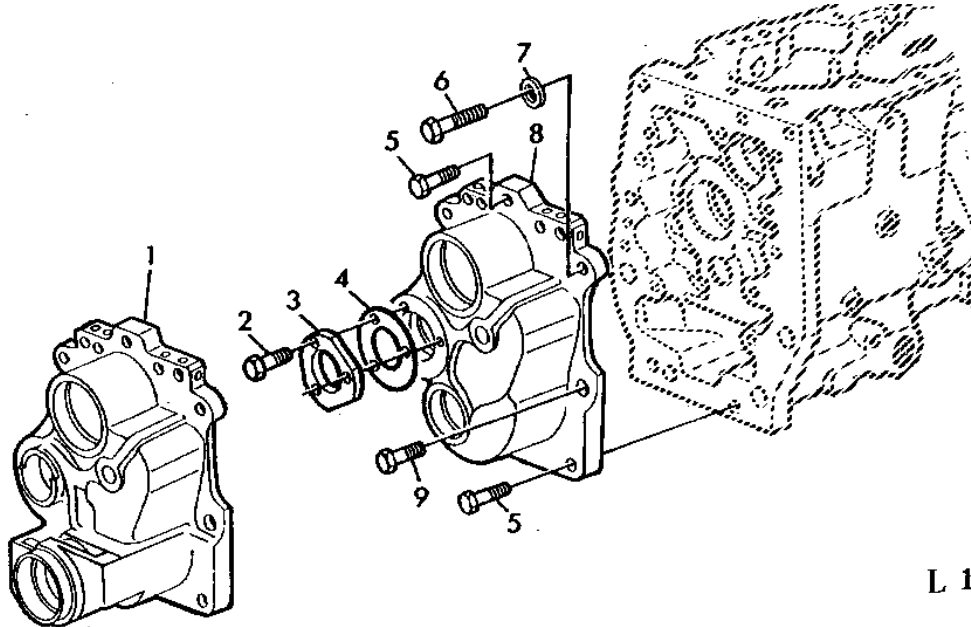
MEMORANDA
MEMORANDA
MEMORANDA
MEMORANDA
MEMORANDA

3C16

SYNCHRO. TRANSMISSION, HI-LO, CREEPER TRANSM.

TRANSMISSION CASE/END COVER (WITH AND WITHOUT INCREASED LYFTING CAPACITY)
 CARTER DE BOITE/COUVERCLE (AVEC ET SANS CAPACITE DE RELEVAGE AUGMENTEE)
 GETRIEBEGEAUESE/DECKEL (MIT UND OHNE HUBKRAFTERHOEHUNG)
 SCATOLA CAMBIO/PORTACUSCINETTO (CON E SENZA ELEVATA CAPACITA SOLLEVAMENTO)
 CAJA DE TRANSMISION/TAPA (CON/SIN ALTA CAPACIDAD DE ELEVACION)
 TRANSMISSIONSHUS/LAGERHUS (MED OCH UTAN OKAD LYFTKAPACITET)

L118205 -UN-01JAN94



L 118205

2
1 2 0
6 0 4
4 4 0
0 0 S

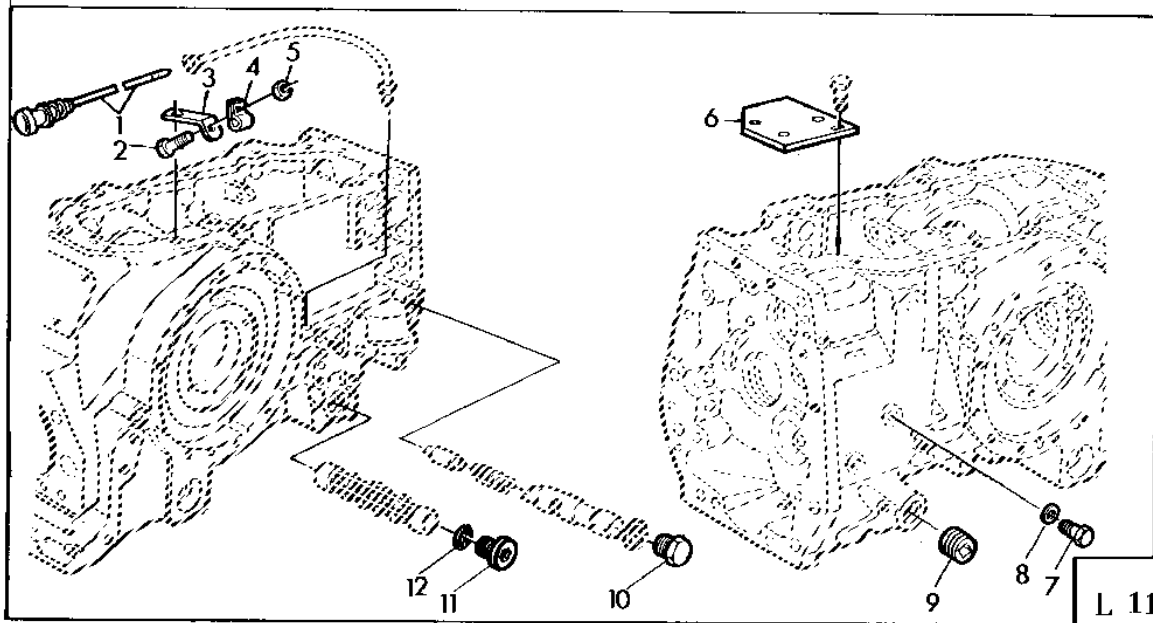
KEY	PART NO.	PART NAME	QTY	SERIAL NO.	REMARKS
1	L39841	QUILL	1	X X X	(A) (SUB FOR L33286)
2	19M7166	CAP SCREW	3	X X X	M10X20
3	L33056	RETAINER	1	X X X	
4	33014	BAR	AR	X X X	TK= 0.10MM (.004")
	L37270	SHIM	AR	X X X	TK= 0.15MM (.006")
	L33015	SHIM	AR	X X X	TK= 0.20MM (.008")
	L33016	SHIM	AR	X X X	TK= 0.30MM (.012")
	L37271	WASHER	AR	X X X	TK= 1.00MM (.040")
5	19H3239	CAP SCREW	3	X X X	3/8"X1-1/4"
6	19H1801	CAP SCREW	2	X X X	3/8"X2"
7	R1870R	WASHER	2	X X X	
8	L33055	QUILL	1	X X X	
9	19H2552	CAP SCREW	1	X X X	3/8"X1-1/8"

(A) WITH FRONT WHEEL DRIVE
 AVEC PONT AVANT
 BEI FRONTANTRIEB
 CON TRAZIONE ANTERIORE
 CON TRACCION DELANTERA
 VID FRAMHJULSDRIFT

3C17

SYNCHRO. TRANSMISSION, HI-LO, CREEPER TRANSM.

TRANSMISSION CASE (SYNCHRONIZED TRANSMISSION)
 CARTER DE BOITE (SYNCHRONISEE)
 GETRIEBEGEHAEUSE (SYNCHRONGETRIEBE)
 SCATOLA CAMBIO (TIPO SINCRONIZZATO)
 CAJA DE TRANSMISION (TIPO SINCRONIZADO)
 VAXELLADSHUS (SYNKRONISERAD VAXELLADA)
 L118208 -UN-07JUL95



L 118208

2
1 2 0
6 0 4
4 4 0
0 0 S

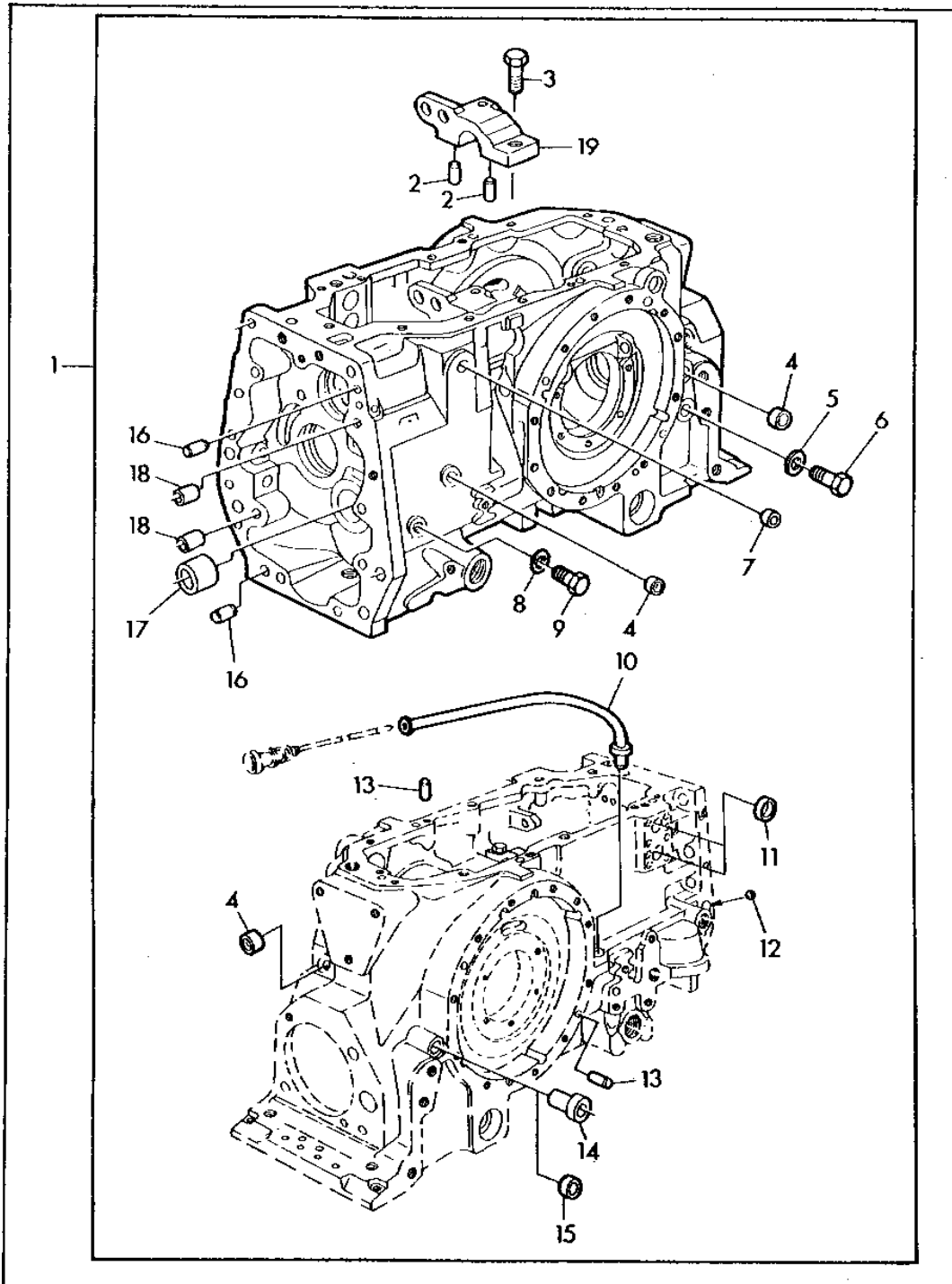
KEY	PART NO.	PART NAME	QTY	SERIAL NO.	REMARKS
1	AL38632	DIPSTICK	1	X X X	(SUB FOR AL36614)
2	19H1813	CAP SCREW	1	X X X	5/16"X5/8"
3	L31806	STRAP	1	X X X	
	L37578	RETAINER	1	X X X	(A)
4	T21101	CLAMP	1	X X X	
5	14H785	NUT	1	X X X	5/16"
6	AL28744	COVER	1	-532592	X X X (ORD AL39257, (2) 14M7327)
7	R53802	CAP SCREW	1	X X X	1/2"X1/2"
8	R27003	WASHER	1	X X X	
9	15H562	PIPE PLUG	1	-549759	X X X 1"
10	R27175	DRAIN PLUG	1	-437995	X X X 1-1/16"
11	R40147	FITTING	1	-549759	X X X 1-1/2"
12	51M4282	RING	1	-549759	X X X 38X44X2.5MM

(A) WITH SG2 CAB
 SUR CABINE SG2
 BEI SG2 KABINE
 CON CABINA SG2
 CON CABINA SG2
 VID SG2 HYTT

3C18

SYNCHRO. TRANSMISSION, HI-LO, CREEPER TRANSM.

TRANSMISSION CASE-SYNCHR. TRANSM. (WITH IND. PTO 540 RPM)
CARTER DE BOITE SYNCHRONISEE (AVEC PDF INDEP. 540 TR/MIN)
GETRIEBEGEHAUSE-SYNCHRONGETR. (BEI UNABH. ZAPFWELLE 540 U/MIN)
SCATOLA TRASMIS. SINCRON. (CON PDF INDIPENDENTE 540 G/MIN)
CARCASA TRANSM. SINCR. (CON TDF INDEPENDIENTE 540 R/MIN)
TRANSSIONSHUS SYNKRON. (VID OBER. KRAFTUTTAG 540 VARVS)
L122801 -UN-01JAN94



L122801

3C19

SYNCHRO. TRANSMISSION, HI-LO, CREEPER TRANSM.

KEY	PART NO.	PART NAME	QTY	SERIAL NO.		REMARKS
					2	
					1 2 0	
					6 0 4	
					4 4 0	
					0 0 S	
1	AL38551	KIT	1	-437369	X X	(A) (MARKED L36623 OR L41131) (ORD AL66714, AL67450, L62815, L40425)
	AL38551	KIT	1	437370-473483	X X	(A) (ORD AL67502, AL67450, L62815, L40425)
	AL38551	KIT	1	473484-	X X	(A) (ORD AL67502, AL67450)
	AL38551	KIT	1	-437369	X X X	(A) (C) (ORD AL67503, AL67450, L62815, L40425, L38803, L28405, L33007, M2353T, 24M7255, 40M7115, 48M7038, (2) L61922)
	AL38551	KIT	1	437370-473483	X X X	(A) (C) (ORD AL67503, AL67450, L62815, L40425, (2) L61922)
	AL38551	KIT	1	473484-	X X X	(A) (C) (ORD AL67503, AL67450, (2) L61922)
	AL38551	KIT	1	-473483	X X	(B) (ORD AL67502, AL67449, L62815, L40425)
	AL38551	KIT	1	473484-	X X	(B) (ORD AL67502, AL67449)
	AL38551	KIT	1	-473483	X X X	(B) (C) (ORD AL67503, AL67449, L62815, L40425, (2) L61922)
	AL38551	KIT	1	473484-	X X X	(B) (C) (ORD AL67503, AL67449, (2) L61922)
2	R726R	DOWEL PIN	2		X X X	
3	19H1721	CAP SCREW	2		X X X	1/2"X1-1/2"
4	T18891	CAP	3		X X X	
5	R27003	WASHER	1		X X X	
6	R53802	CAP SCREW	1		X X X	1/2"X1/2"
7	30M7004	CAP	1		X X X	OD= 14MM
8	R26448	O-RING	1		X X X	
9	R27218	FITTING PLUG	1		X X X	
10	AL24999	EXTENSION	1		X X X	(SUB FOR AL35020)
11	30M7008	CAP	2		X X X	OD= 28MM
12	A174R	BALL	1		X X X	
13	R48685	DOWEL PIN	6		X X X	
14	L34253	BUSHING	1		X X X	
15	30M7007	CAP	1		X X X	OD= 20MM
16	T26565	DOWEL PIN	2		X X X	
17	T22128	BUSHING	1		X X X	
18	T24729	BUSHING	2		X X X	
19	AL68306	KIT	1		X X X	

(A) WITH 540 RPM PTO
SUR PRISE DE FORCE 540 TR/MN
BEI ZAPFWELLE 540 U/MIN
CON PDF 540 G/MIN
CON TDF DE 540 R/MIN
VID 540 VARVS KRAFTUTTAG

(B) WITH HEAVY-DUTY 540 RPM PTO
SUR PDF 540 TR/MIN RENFORCEE
BEI ZAPFW.VERST.AUSF.540 U/M
CON PDF RINFORZ.540 G/MIN
CON TDF REFORZ.DE 540 R/MIN
VID FORSTARKT 540 V.KRAFTUT.

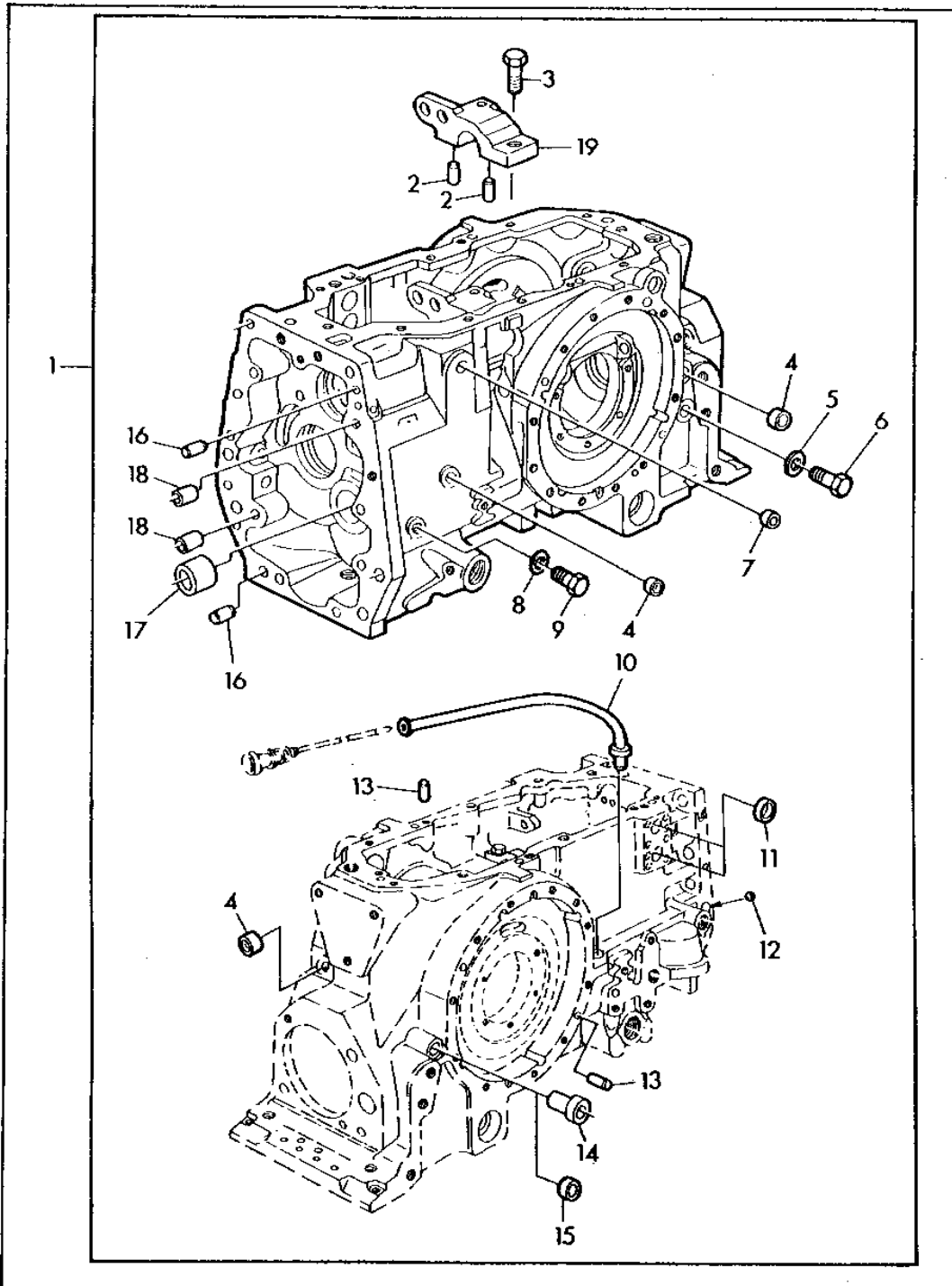
(C) WITH HEAVY-DUTY FINAL DRIVE
AVEC COMMANDE FINALE RENFORC
BEI VERSTAERKTEM ENDANTRIEB
CON RIDUZIONE FINALE RINFORZ
CON REDUCCION FINAL REFORZAD
VID FORSTARKT SLUTDREV

3C20

SYNCHRO. TRANSMISSION, HI-LO, CREEPER TRANSM.

TRANSM. CASE/SYNCHR. TRANSM. (WITH HANDSHIFT AND INTERCHANGEABLE PTO SHAFTS)
CARTER BOITE SYNCHRO (PDF SELECTION MANETTE OU EMBOUTS PERMUTABLES)
GETRIEBEGEHAUESE-SYNCHRONGETR. (BEI UMSCHALTBARER U. AUSWECHSELBARER ZAPFWELLE)
CASSA TRASMISS. SINCRONIZZ. (CON PTO A CAMBIO MANUALE OD INTERCAMBIABILE)
CARCASA TRANSMIS. SINCRONIZ. (CON TDF CAMBIABILE O DE REGIMEN VARIABLE)
TRANSMISSIONSHUS (SYNKRON.-VID VAXLINGSBAR ELL. UTBYTTBAR KRAFTUTTAG)

L122801 -UN-01JAN94



L122801

3C21

SYNCHRO. TRANSMISSION, HI-LO, CREEPER TRANSM.

KEY	PART NO.	PART NAME	QTY	SERIAL NO.		REMARKS
					2	
					1 2 0	
					6 0 4	
					4 4 0	
					0 0 S	
1	AL38551	KIT	1	-473483	X X	(A) (MARKED L36623 OR L41131) (ORD AL67502, AL67447, L62815, L40425)
	AL38551	KIT	1	473484-	X X	(A) (ORD AL67502, AL67447)
	AL38551	KIT	1	-473483	X X X	(A) (C) (ORD AL67503, AL67447, L62815, L40425, (2) L61922)
	AL38551	KIT	1	473484-	X X X	(A) (C) (ORD AL67503, AL67447, (2) L61922)
	AL38551	KIT	1	-473483	X X	(B) (ORD AL67502, AL67448, L62815, L40425)
	AL38551	KIT	1	473484-	X X	(B) (ORD AL67502, AL67448)
	AL38551	KIT	1	-473483	X X X	(B) (C) (ORD AL67503, AL67448, L62815, L40425, (2) L61922)
	AL38551	KIT	1	473484-	X X X	(B) (C) (ORD AL67503, AL67448, (2) L61922)
2	R726R	DOWEL PIN	2		X X X	
3	19H1721	CAP SCREW	2		X X X	1/2"X1-1/2"
4	T18891	CAP	3		X X X	
5	R27003	WASHER	1		X X X	
6	R53802	CAP SCREW	1		X X X	1/2"X1/2"
7	30M7004	CAP	1		X X X	OD= 14MM
8	R26448	O-RING	1		X X X	
9	R27218	FITTING PLUG	1		X X X	
10	AL24999	EXTENSION	1		X X X	(SUB FOR AL35020)
11	30M7008	CAP	2		X X X	OD= 28MM
12	A174R	BALL	1		X X X	
13	R48685	DOWEL PIN	6		X X X	
14	L34253	BUSHING	1		X X X	
15	30M7007	CAP	1		X X X	OD= 20MM
16	T26565	DOWEL PIN	2		X X X	
17	T22128	BUSHING	1		X X X	
18	T24729	BUSHING	2		X X X	
19	AL68306	KIT	1		X X X	

(A) WITH HANDSHIFT PTO
 AVEC PDF A SELEC.PAR MANETTE
 BEI UMSCHALTBARER ZAPFWELLE
 CON PTO A CAMBIO MANUALE
 CON TDF DE REGIMEN VARIABLE
 VID VAXLINGSBAR KRAFTUTTAG

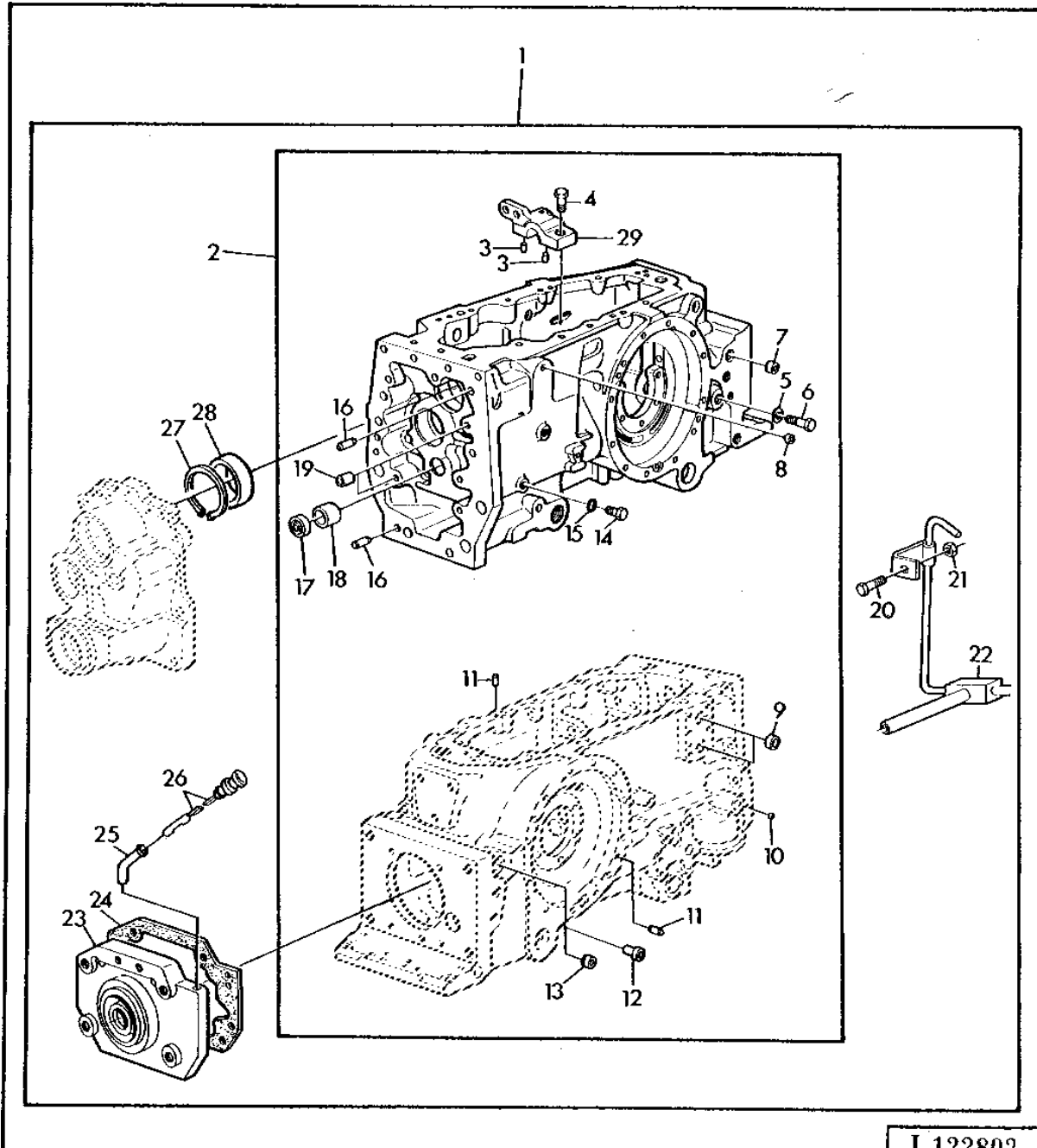
(B) W/INTERCHANGEABLE PTO SHAFTS
 AVEC PDF INTERCHANGEABLE
 BEI AUSWECHSELBARER ZAPFW.
 CON PDF INTERCAMBIABILE
 CON TDF CAMBIABILE
 VID UTBYTBAR KRAFTUTTAG

(C) WITH HEAVY-DUTY FINAL DRIVE
 AVEC COMMANDE FINALE RENFORC
 BEI VERSTAERKTEM ENDANTRIEB
 CON RIDUZIONE FINALE RINFORZ
 CON REDUCCION FINAL REFORZAD
 VID FORSTARKT SLUTDREV

3C22

SYNCHRO. TRANSMISSION, HI-LO, CREEPER TRANSM.

TRANSM. CASE CONVERSION KIT/SYNCHR. TRANSM. (WITH INDEP. 540 RPM PTO)
JEU ADAPTION, CARTER BOITE SYNCHRO. (AVEC PDF INDEP. 540 TR/MIN)
GETRIEBEGEHAEUSE-UMRUESTSATZ/SYNCHRONGETR. (BEI UNABH. ZAPFWELLE 540)
KIT CONVERSIONE PER TRASMISS. SINCRON. (CON PTO INDIPENDENTE 540 GIRI)
CONJ. DE MODIFIC. PARA TRANSM. SINCRON. (CON TDF INDEPEND. DE 540 R/MIN)
MODIFIERINGSATS FOR SYNKRON. TRANSMISSION (MED OBEROENDE 540 VARVS KRAFTUTTAG)
L122802 -UN-01JAN94



L122802

3C23

SYNCHRO. TRANSMISSION, HI-LO, CREEPER TRANSM.

KEY	PART NO.	PART NAME	QTY	SERIAL NO.	REMARKS
					2 1 2 0 6 0 4 4 4 0 0 0 S
1	AL65437	KIT	1	X X	(A) (ORD AL67502, AL67450)
	AL65437	KIT	1	X X X	(A) (C) (ORD AL67503, AL67450, (2) L61922)
	AL65439	KIT	1	X X	(B) (ORD AL67502, AL67449)
	AL65439	KIT	1	X X X	(B) (C) (ORD AL67503, AL67449, (2) L61922)
2	AL64570	TRANSMISSION CASE	1	X X	(MARKED L60593 OR L61975) (ORD AL68510)
	AL64570	TRANSMISSION CASE	1	X X X	(C) (ORD AL68510, (2) L62830, (2) L61922)
	AL66781	TRANSMISSION CASE	1	X X X	(MARKED L62445) (INCL L57619, (3) L61496, (2) R26906, (2) R27474) (ORD AL68510)
	AL66781	TRANSMISSION CASE	1	X X X	(C) (ORD AL68510, (2) L61922)
3	R726R	DOWEL PIN	2	X X X	
4	19H1777	CAP SCREW	2	X X X	1/2"X1-3/4"
5	R27003	WASHER	1	X X X	
6	R53802	CAP SCREW	1	X X X	1/2"X1/2"
7	T18891	CAP	1	X X X	
8	30M7004	CAP	1	X X X	OD= 14MM
9	30M7008	CAP	2	X X X	OD= 28MM
10	A174R	BALL	1	X X X	
11	R48685	DOWEL PIN	6	X X X	
12	L34253	BUSHING	1	X X X	
13	30M7007	CAP	1	X X X	OD= 20MM
14	R27218	FITTING PLUG	1	X X X	
15	R26448	O-RING	1	X X X	
16	T26565	DOWEL PIN	2	X X X	
17	L41022	SEAL	1	X X X	
18	T22128	BUSHING	1	X X X	
19	T24729	BUSHING	2	X X X	
20	19M7298	CAP SCREW	1	X X X	M8X35
21	14M7273	NUT	1	X X X	M8
22	AL59585	OIL LINE	1	X X X	
23	L60545	BEARING CAP	1	X X X	(A) (ORD AL67450)
	L60544	BEARING CAP	1	X X X	(B) (ORD AL67449)
24	L60548	GASKET	1	X X X	
25	L62158	EXTENSION	1	X X X	
26	AL67054	DIPSTICK	1	X X X	(SUB FOR AL64512 APPL)
27	L41669	SNAP RING	1	X X X	
28	JD10341	BEARING CUP	1	X X X	
29	AL68306	KIT	1	X X X	

(A) WITH 540 RPM PTO
SUR PRISE DE FORCE 540 TR/MN
BEI ZAPFWELLE 540 U/MIN
CON PDF 540 G/MIN
CON TDF DE 540 R/MIN
VID 540 VARVS KRAFTUTTAG

(B) WITH HEAVY-DUTY 540 RPM PTO
SUR PDF 540 TR/MIN RENFORCEE
BEI ZAPFW.VERST.AUSF.540 U/M
CON PDF RINFORZ.540 G/MIN
CON TDF REFORZ.DE 540 R/MIN
VID FORSTARKT 540 V.KRAFTUT.

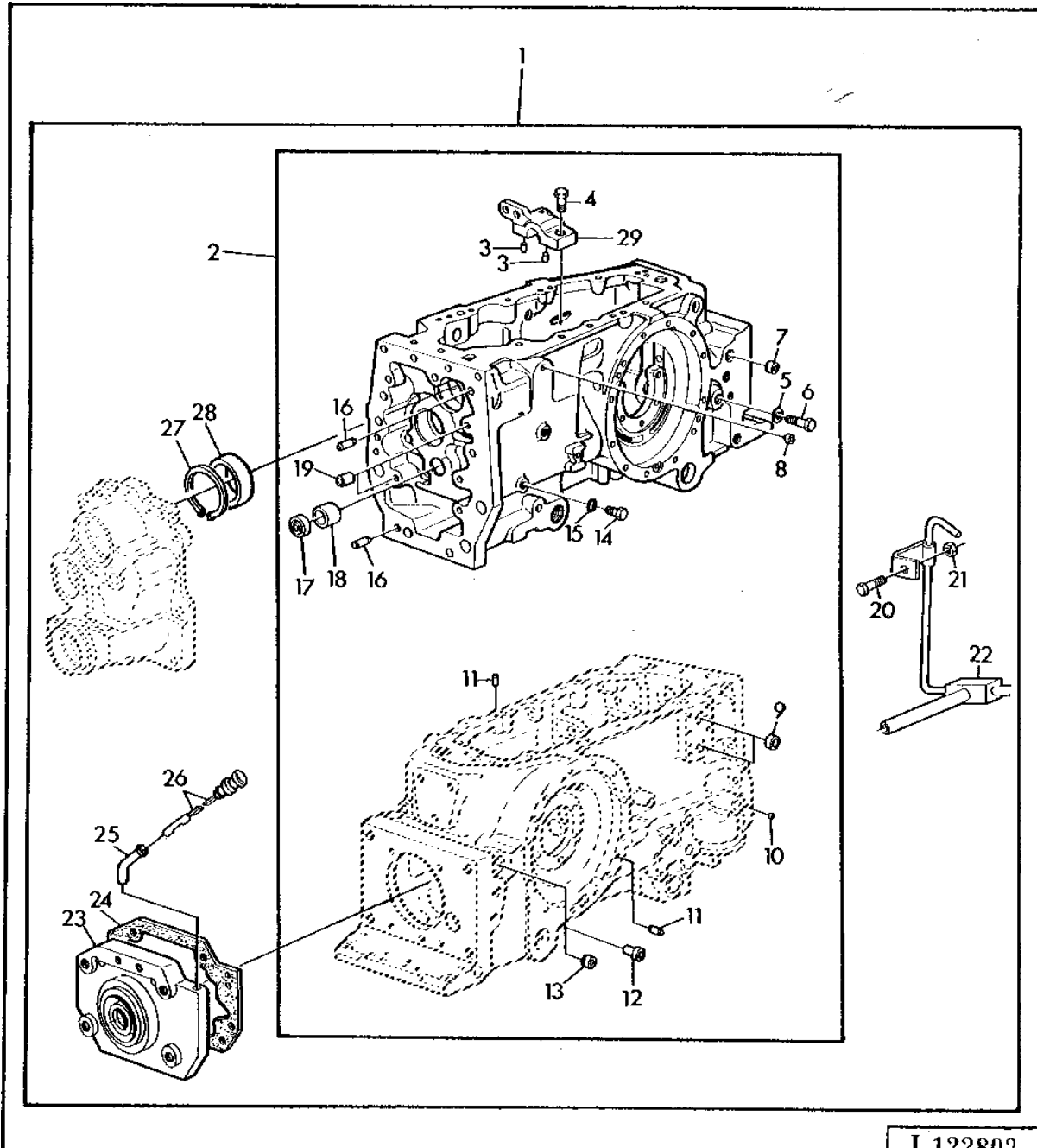
(C) WITH HEAVY-DUTY FINAL DRIVE
AVEC COMMANDE FINALE RENFORC
BEI VERSTAERKTEM ENDANTRIEB
CON RIDUZIONE FINALE RINFORZ
CON REDUCCION FINAL REFORZAD
VID FORSTARKT SLUTDREV

3C24

SYNCHRO. TRANSMISSION, HI-LO, CREEPER TRANSM.

TRANSM.CASE CONVERSION KIT/SYNCHR.TRANSM. (W/HANDSHIFT AND INTERCHANGEABLE PTO SHAFT)
CARTER BOITE SYNCHRO-JEU ADAPTATION (PDF SELECTION MANETTE OU EMBOUTS PERMUTABTTAG)
GETRIEBEGEHAEUSE-UMRUESTSATZ/SYNCHRONGETR. (BEI UMSCHALTB. U. AUSWECHSELB. ZAPFWELLE)
KIT CONVERSIONE PER TRASM.SINCRO. (CON PTO A CAMBIO MANUALE OD INTERCAMBIABILE)
CONJ.DE MODIFIC.PARA CARCASA/TRANSMIS.SINCRO. (CON TDF CAMBIABLE O DE REGIMEN VARIABLE)
MODIFIERINGSATS FOR SYNKRON.TRANSMISSION (VID VAXLINGSBAR ELL.UTBYTBAR KRAFTUTTAG)

L122802 -UN-01JAN94



3C25

SYNCHRO. TRANSMISSION, HI-LO, CREEPER TRANSM.

KEY	PART NO.	PART NAME	QTY	SERIAL NO.	REMARKS
					2 1 2 0 6 0 4 4 4 0 0 0 S
1	AL66091	KIT	1	X X	(A) (ORD AL67502, AL67447)
	AL66091	KIT	1	X X X	(A) (C) (ORD AL67503, AL67447, (2) L61922)
	AL65438	KIT	1	X X	(B) (ORD AL67502, AL67448)
	AL65438	KIT	1	X X X	(B) (C) (ORD AL67503, AL67448, (2) L61922)
2	AL64570	TRANSMISSION CASE	1	X X	(MARKED L60593 OR L61975) (ORD AL68510)
	AL64570	TRANSMISSION CASE	1	X X X	(C) (ORD AL68510, (2) L62830, (2) L61922)
	AL66781	TRANSMISSION CASE	1	X X X	(MARKED L62445) INCL L57619, (3) L61496, (2) R26906, (2) R27474) (ORD AL68510)
	AL66781	TRANSMISSION CASE	1	X X X	(C) (ORD AL68510, (2) L61922)
3	R726R	DOWEL PIN	2	X X X	
4	19H1777	CAP SCREW	2	X X X	1/2"X1-3/4"
5	R27003	WASHER	1	X X X	
6	R53802	CAP SCREW	1	X X X	1/2"X1/2"
7	T18891	CAP	1	X X X	
8	30M7004	CAP	1	X X X	OD= 14MM
9	30M7008	CAP	2	X X X	OD= 28MM
10	A174R	BALL	1	X X X	
11	R48685	DOWEL PIN	6	X X X	
12	L34253	BUSHING	1	X X X	
13	30M7007	CAP	1	X X X	OD= 20MM
14	R27218	FITTING PLUG	1	X X X	
15	R26448	O-RING	1	X X X	
16	T26565	DOWEL PIN	2	X X X	
17	L41022	SEAL	1	X X X	
18	T22128	BUSHING	1	X X X	
19	T24729	BUSHING	2	X X X	
20	19M7298	CAP SCREW	1	X X X	M8X35
21	14M7273	NUT	1	X X X	M8
22	AL59585	OIL LINE	1	X X X	
23	L60542	BEARING CAP	1	X X X	(A) (ORD AL67447)
	L60543	BEARING CAP	1	X X X	(B) (ORD AL67448)
24	L60548	GASKET	1	X X X	
25	L62158	EXTENSION	1	X X X	
26	AL67054	DIPSTICK	1	X X X	(SUB FOR AL64512 APPL)
27	L41669	SNAP RING	1	X X X	
28	JD10341	BEARING CUP	1	X X X	
29	AL68306	KIT	1	X X X	

(A) WITH HANDSHIFT PTO
 AVEC PDF A SELEC.PAR MANETTE
 BEI UMSCHALTBARER ZAPFWELLE
 CON PTO A CAMBIO MANUALE
 CON TDF DE REGIMEN VARIABLE
 VID VAXLINGSBAR KRAFTUTTAG

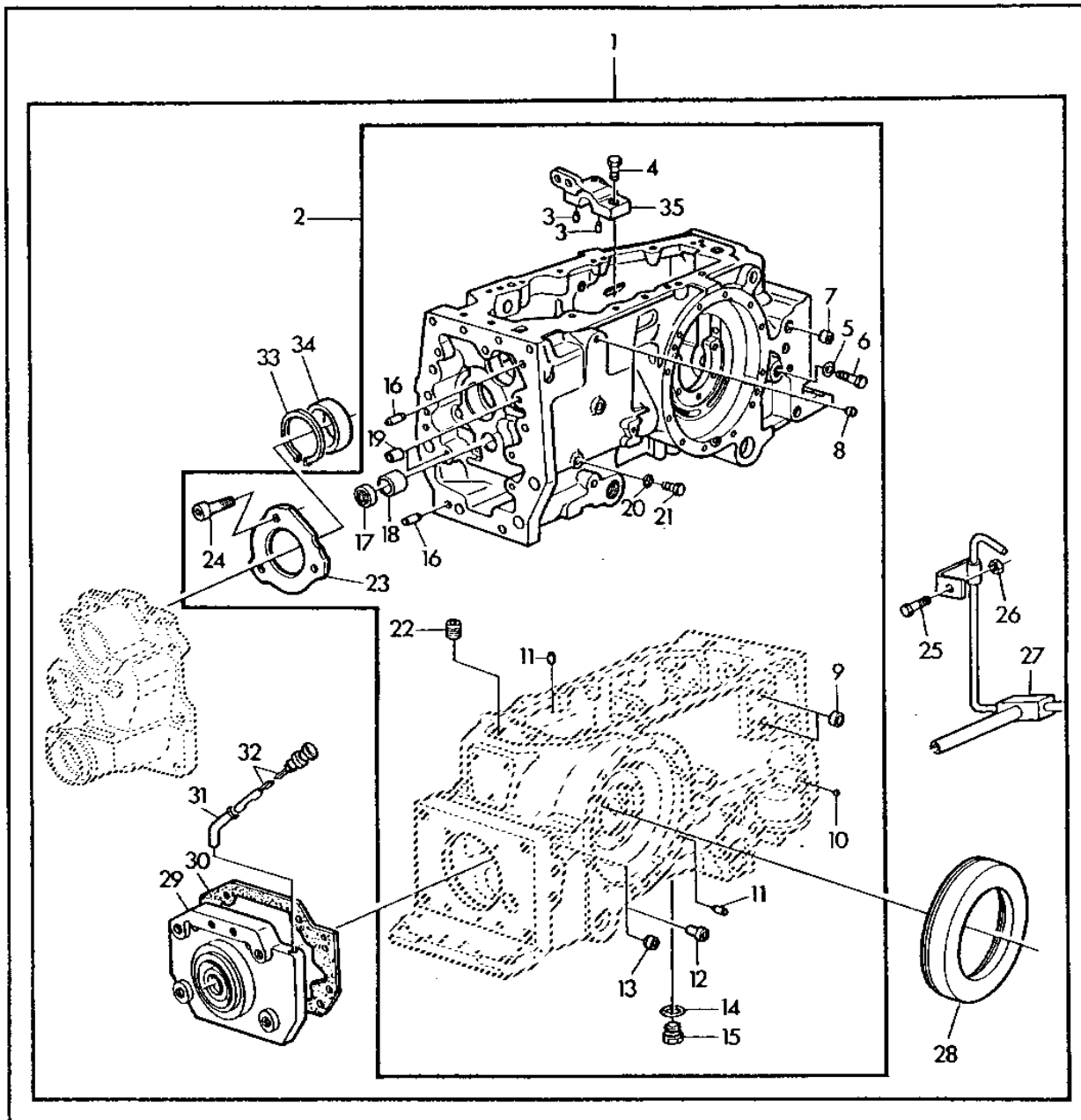
(B) W/INTERCHANGEABLE PTO SHAFTS
 AVEC PDF INTERCHANGEABLE
 BEI AUSWECHSELBARER ZAPFW.
 CON PDF INTERCAMBIABILE
 CON TDF CAMBIABILE
 VID UTBYTBAR KRAFTUTTAG

(C) WITH HEAVY-DUTY FINAL DRIVE
 AVEC COMMANDE FINALE RENFORC
 BEI VERSTAERKTEM ENDANTRIEB
 CON RIDUZIONE FINALE RINFORZ
 CON REDUCCION FINAL REFORZAD
 VID FORSTARKT SLUTDREV

3D1

SYNCHRO. TRANSMISSION, HI-LO, CREEPER TRANSM.

TRANSMISSION CASE (SYNCHR. TR.) HEAVY DUTY FINAL DRIVES AND 540 RPM IND. PTO
CARTER DE BOITE SYNCHR. (AVEC COMMANDE FINALE RENF. ET PDF 540 TR/MIN IND.)
GEHAEUSE-SYNCHRONGETR. (BEI VERST. ENDANTR. UND UNABH. ZAPFW. 540 U/MIN)
CASSA TRASM. SINCRON. (CON RID. FINALI RINF. E PDF INDIP. 540 G/MIN)
CARCASA TRASM. SINCR. (CON MANDOS FIN. REFORZ. Y TDF INDEPEND. 540 R/MIN.)
HUS AV SYNKR. TRANM. (VID FORST. SLUTVAXLAR OCH OBER. KRAFTUTTAG 540 RPM)
L122804 -UN-01JAN94



L122804

3D2

SYNCHRO. TRANSMISSION, HI-LO, CREEPER TRANSM.

KEY	PART NO.	PART NAME	QTY	SERIAL NO.	REMARKS
					2
					1 2 0
					6 0 4
					4 4 0
					0 0 S
1	AL66799	TRANSMISSION CASE	1	X X X	(ORD AL67503, AL67450, (2) L61922)
	AL66788	TRANSMISSION CASE	1	X X X	(A) (ORD AL67503, AL67449, (2) L61922)
2	AL66781	TRANSMISSION CASE	1	X X X	(MARKED L62445) (ORD AL68510, (2) L61922)
3	R726R	DOWEL PIN	2	X X X	
4	19H1777	CAP SCREW	2	X X X	1/2"X1-3/4"
5	R27003	WASHER	1	X X X	
6	R53802	CAP SCREW	1	X X X	1/2"X1/2"
7	T18891	CAP	1	X X X	
8	30M7004	CAP	1	X X X	OD= 14MM
9	30M7008	CAP	2	X X X	OD= 28MM
10	A174R	BALL	1	X X X	
11	R48685	DOWEL PIN	6	X X X	
12	L34253	BUSHING	1	X X X	
13	30M7007	CAP	1	X X X	OD= 20MM
14	R26906	O-RING	2	X X X	
15	R27474	DRAIN PLUG	2	X X X	7/8"
16	T26565	DOWEL PIN	2	X X X	
17	L41022	SEAL	1	X X X	
18	T22128	BUSHING	1	X X X	
19	T24729	BUSHING	2	X X X	
20	R26448	O-RING	1	X X X	
21	R27218	FITTING PLUG	1	X X X	
22	15H665	PIPE PLUG	1	X X X	3/4"
23	L57619	FLANGE	1	X X X	
24	L61496	SCREW	3	X X X	
25	19M7298	CAP SCREW	1	X X X	M8X35
26	14M7273	NUT	1	X X X	M8
27	AL59585	OIL LINE	1	X X X	
28	L62830	BRAKE ACTUATING DISK	2	X X X	
29	L60545	BEARING CAP	1	X X X	(ORD AL67450)
	L60544	BEARING CAP	1	X X X	(A) (ORD AL67449)
30	L60548	GASKET	1	X X X	
31	L62158	EXTENSION	1	X X X	
32	AL67054	DIPSTICK	1	X X X	(SUB FOR AL64512 APPL)
33	L41669	SNAP RING	1	X X X	
34	JD10341	BEARING CUP	1	X X X	
35	AL68306	KIT	1	X X X	

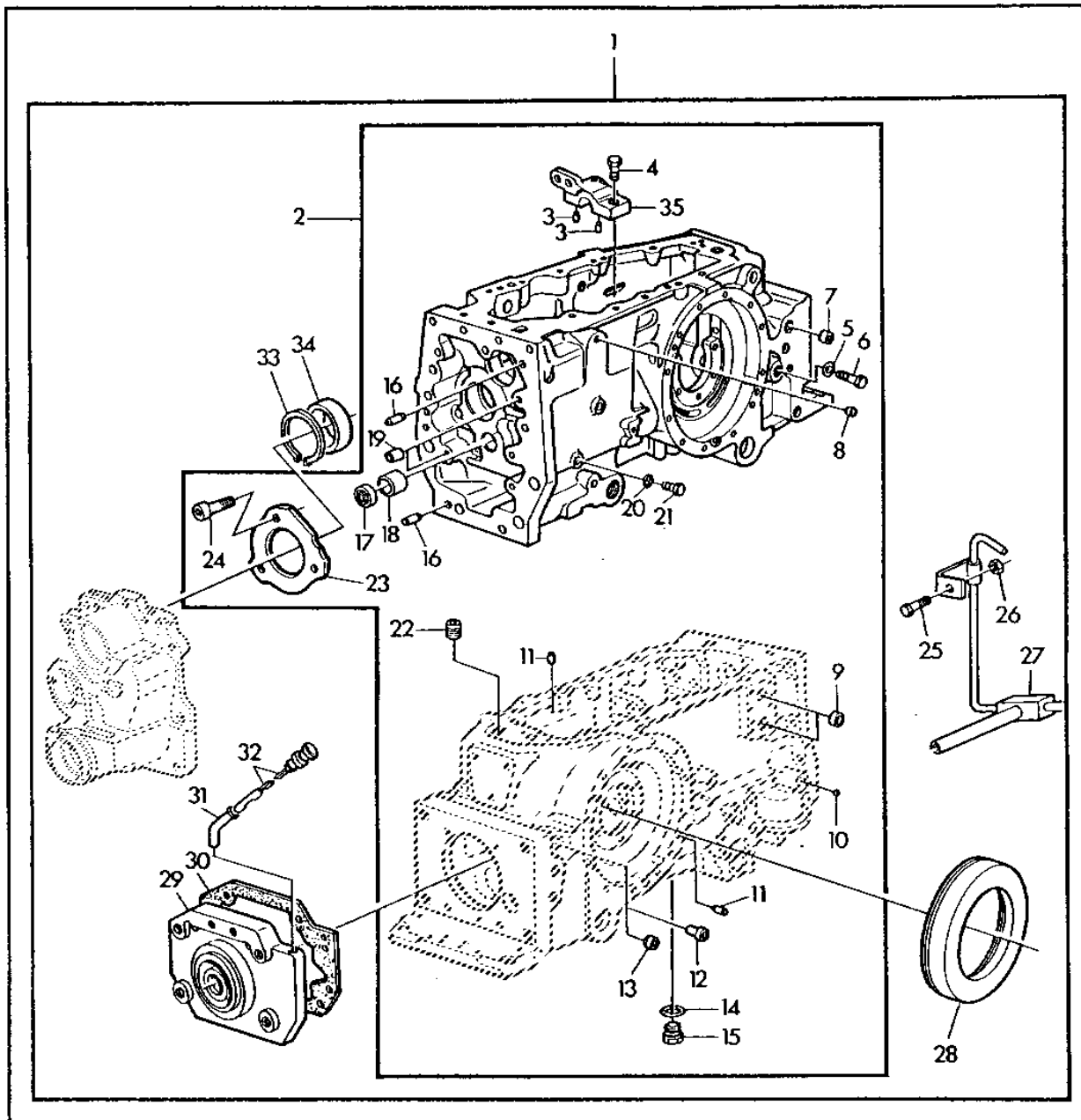
(A) WITH HEAVY-DUTY 540 RPM PTO
 SUR PDF 540 TR/MIN RENFORCEE
 BEI ZAPFW.VERST.AUSF.540 U/MIN
 CON PDF RINFORZ.540 G/MIN
 CON TDF REFORZ.DE 540 R/MIN
 VID FORSTARKT 540 RPM KRAFTUTT.

3D3

SYNCHRO. TRANSMISSION, HI-LO, CREEPER TRANSM.

CASE SYNCHRON. TRANSM. (WITH HEAVY-DUTY FINAL DR. AND HANDSHIFT OR INTERCH. PTO)
CARTER BOITE SYNCHR. (AVEC COMMANDE FIN. RENF. ET PDF SELECT. MAN. DU INTERCH.)
GEHAEUSE-SYNCHRONGETR. (BEI VERST. ENDANTR. U. UMSCHALT- ODER AUSWECHSELBARER ZAPFW.)
CASSA TRASM. SINCR. (CON RID. FIN. RINFORZ. E PTO A CAMBIO MANUALE OD INTERCAMB.)
CARC. TRANSM. SINCR. (CON MANDOS FINAL. REFORZ. Y TDF CAMBIABLE O DE REGIMEN VAR.)
TRANSMISSIONSHUS, SYNKR. (MED FORST. SLUTDREV OCH VAXLINGSBAR ELL. UTBYTB. KRAFTUTT.)

L122804 -UN-01JAN94



L122804

3D4

SYNCHRO. TRANSMISSION, HI-LO, CREEPER TRANSM.

KEY	PART NO.	PART NAME	QTY	SERIAL NO.	REMARKS
					2
					1 2 0
					6 0 4
					4 4 0
					0 0 S
1	AL66789	TRANSMISSION CASE	1	X X X	(A) (ORD AL67503, AL67447, (2) L61922)
	AL66787	TRANSMISSION CASE	1	X X X	(B) (ORD AL67503, AL67448, (2) L61922)
2	AL66781	TRANSMISSION CASE	1	X X X	(MARKED L62445) (ORD AL68510, (2) L61922)
3	R726R	DOWEL PIN	2	X X X	
4	19H1777	CAP SCREW	2	X X X	1/2"X1-3/4"
5	R27003	WASHER	1	X X X	
6	R53802	CAP SCREW	1	X X X	1/2"X1/2"
7	T18891	CAP	1	X X X	
8	30M7004	CAP	1	X X X	OD= 14MM
9	30M7008	CAP	2	X X X	OD= 28MM
10	A174R	BALL	1	X X X	
11	R48685	DOWEL PIN	6	X X X	
12	L35253	BUSHING	1	X X X	
13	30M7007	CAP	1	X X X	OD= 20MM
14	R26906	O-RING	2	X X X	
15	R27474	DRAIN PLUG	2	X X X	7/8"
16	T26565	DOWEL PIN	2	X X X	
17	L41022	SEAL	1	X X X	
18	T22128	BUSHING	1	X X X	
19	T24729	BUSHING	2	X X X	
20	R26448	O-RING	1	X X X	
21	R27218	FITTING PLUG	1	X X X	
22	15H665	PIPE PLUG	1	X X X	3/4"
23	L57619	FLANGE	1	X X X	
24	L61496	SCREW	3	X X X	
25	19M7298	CAP SCREW	1	X X X	M8X35
26	14M7273	NUT	1	X X X	M8
27	AL59585	OIL LINE	1	X X X	
28	L62830	BRAKE ACTUATING DISK	2	X X X	
29	L60542	BEARING CAP	1	X X X	(A) (ORD AL67447)
	L60543	BEARING CAP	1	X X X	(B) (ORD AL67448)
30	L60548	GASKET	1	X X X	
31	L62158	EXTENSION	1	X X X	
32	AL67054	DIPSTICK	1	X X X	(SUB FOR AL64512 APPL)
33	L41669	SNAP RING	1	X X X	
34	JD10341	BEARING CUP	1	X X X	
35	AL68306	KIT	1	X X X	

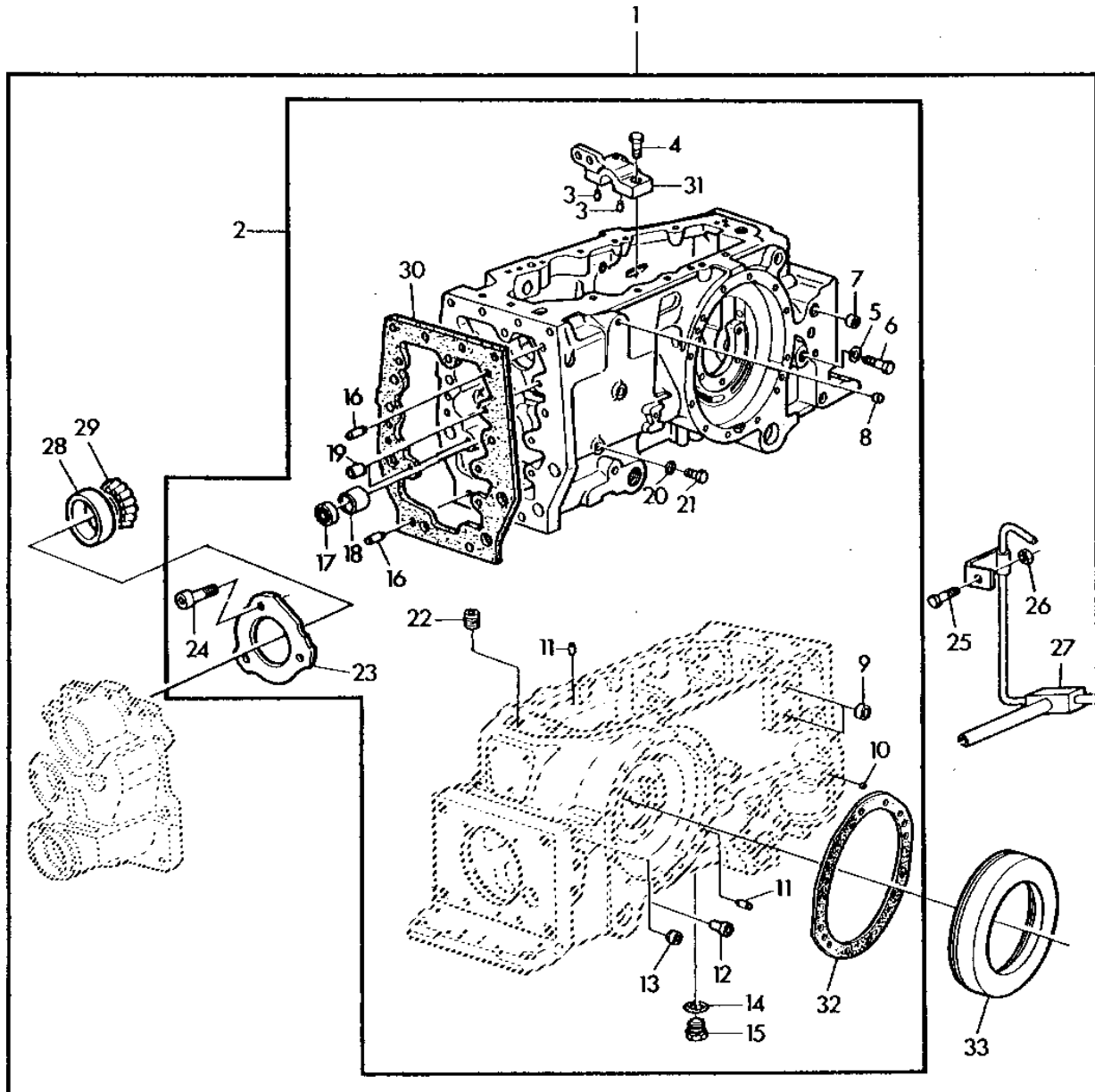
(A) WITH HANDSHIFT PTO
 AVEC PDF A SELECTION PAR MANETTE
 BEI UMSCHALTBARER ZAPFWELLE
 CON PTO A CAMBIO MANUALE
 CON TDF DE REGIMEN VARIABLE
 VID VAXLINGSBAR KRAFTUTTAG

(B) WITH INTERCHANGEABLE PTO SHAFTS
 AVEC PDF INTERCHANGEABLE
 BEI AUSWECHSELBARER ZAPFWELLE
 CON PDF INTERCAMBIABILE
 CON TDF CAMBIABILE
 VID UTBYTBAR KRAFTUTTAG

3D5

SYNCHRO. TRANSMISSION, HI-LO, CREEPER TRANSM.

TRANSMISSION CASE CONVERSION KIT (SYNCHRONIZED TRANSMISSION)
CARTER DE BOITE JEU DE MODIFICATION (SYNCHRONISEE)
GETRIEBEGEHAEUSE-UMRUESTSATZ (SYNCHRONGETRIEBE)
SCATOLA CAMBIO KIT CONVERSIONE (TIPO SINCRONIZZATO)
CAJA DE TRANSMISION JUEGO DE MODIFICACION (TIPO SINCRONIZADO)
VAXELLADSHUS OMBYGGNADSSATS (SYNKRONISERAD VAXELLADA)
L122805 -UN-01JAN94



L122805

3D6

SYNCHRO. TRANSMISSION, HI-LO, CREEPER TRANSM.

KEY	PART NO.	PART NAME	QTY	SERIAL NO.	REMARKS
					2
					1 2 0
					6 0 4
					4 4 0
					0 0 S
1	AL67503	KIT	1		X X X (B) INCL L62830 (ORD W/ (2) L61922)
	AL67502	KIT	1		X X X
	AL66714	KIT	1	-437369	X X X (A) INCL L38803, L28405, L33007, M2353T, 24M7255, 40M7115, 48M7038 (MARKED L62445) (KIT W/O L61918, L61922) (ORD AL68510)
2	AL66781	TRANSMISSION CASE	1		X X X (MARKED L63940) (SUB FOR AL66781) (B) (ORD W/ (2) L61922)
	AL68510	TRANSMISSION CASE	1		X X X
	AL68510	TRANSMISSION CASE	1		X X X
3	R726R	DOWEL PIN	2		X X X
4	19H1777	CAP SCREW	2		X X X 1/2"X1-3/4"
5	R27003	WASHER	1		X X X (FOR R53802)
	R26448	O-RING	1		X X X (FOR R27218)
6	R53802	CAP SCREW	1		X X X 1/2"X1/2"
	R27218	FITTING PLUG	1		X X X 9/16"-18UNF-2AX0.39"
7	T18891	CAP	1		X X X
8	30M7004	CAP	1		X X X OD= 14MM
9	30M7008	CAP	2		X X X OD= 28MM
10	A174R	BALL	1		X X X
11	R48685	DOWEL PIN	6		X X X
12	L34253	BUSHING	1		X X X
13	30M7007	CAP	1		X X X OD= 20MM
14	R26906	O-RING	2		X X X
15	R27474	DRAIN PLUG	2		X X X 7/8"
16	T26565	DOWEL PIN	2		X X X
17	L41022	SEAL	1		X X X
18	T22128	BUSHING	1		X X X
19	T24729	BUSHING	2		X X X
20	R26448	O-RING	1		X X X
21	R27218	FITTING PLUG	1		X X X 9/16"-18UNF-2AX0.39"
22	15H665	PIPE PLUG	1		X X X 3/4"
23	L57619	FLANGE	1		X X X
24	L61496	SCREW	3		X X X
25	19M7298	CAP SCREW	1		X X X M8X35
26	14M7273	NUT	1		X X X M8
27	AL59585	OIL LINE	1		X X X
28	JD10341	BEARING CUP	1		X X X
29	JD10102	BEARING CONE	1		X X X
30	L61918	GASKET	1		X X X
31	AL68306	KIT	1		X X X
32	L61922	GASKET	2		X X X
33	L62830	BRAKE ACTUATING DISK	2		X X X (B)

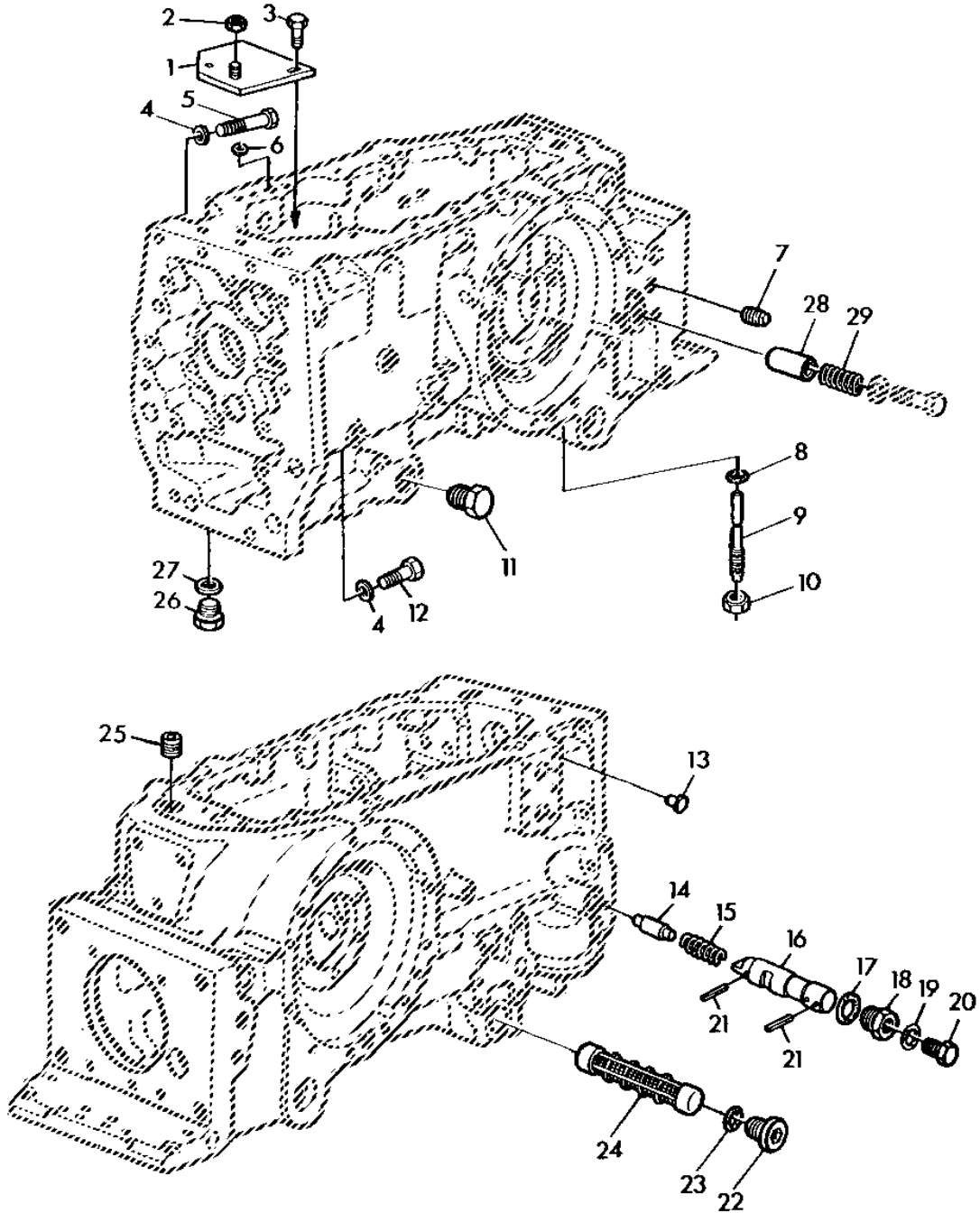
(A) WITH IND. 540 RPM PTO
 AVEC PDF INDEPENDANTE 540 TR/MIN
 BEI UNABH.ZAPFW.540 U/MIN
 CON PDF INDIP. 540 G/MIN
 CON TDF INDEP.DE 540 R/MIN
 VID OBER. KRAFTUTTAG 540 RPM

(B) WITH HEAVY-DUTY FINAL DRIVE
 AVEC REDUCTION FINALE RENFORCEE
 BEI VERSTAERKTEM ENDANTRIEB
 CON RIDUZ. FIN. RINFORZ.
 CON MANDOS FINALES REFORZADOS
 VID FORSTARKT SLUTDREV

3D7

SYNCHRO. TRANSMISSION, HI-LO, CREEPER TRANSM.

TRANSMISSION CASE (SYNCHRONIZED TRANSMISSION)
CARTER DE BOITE (SYNCHRONISEE)
GETRIEBEGEHAEUSE (SYNCHRONGETRIEBE)
SCATOLA CAMBIO (TIPO SINCRONIZZATO)
CAJA DE TRANSMISION (TIPO SINCRONIZADO)
VAXELLADSHUS (SYNKRONISERAD)
L118209 -UN-07JUL95



I. 118209

3D8

SYNCHRO. TRANSMISSION, HI-LO, CREEPER TRANSM.

KEY	PART NO.	PART NAME	QTY	SERIAL NO.		REMARKS
					2	
					1 2 0	
					6 0 4	
					4 4 0	
					0 0 S	
1	AL39257	COVER	1	532593-	X X X	
2	14M7327	LOCK NUT	2	532593-	X X X	M8
3	19H2021	CAP SCREW	2		X X X	3/8"X5/8"
4	L30695	WASHER	8		X X X	
5	19H2735	CAP SCREW	2		X X X	1/2"X2"
6	T17882	WASHER	1		X X X	
7	15H584	PIPE PLUG	1		X X X	
8	R27490	O-RING	1		X X X	
9	T21776	SCREW	1		X X X	1/2"
10	14H971	NUT	1		X X X	1/2"
11	AL39878	PIPE PLUG	1	549760-	X X X	1-5/16"
12	19H2510	CAP SCREW	6		X X X	1/2"X2-5/8"
13	99M7043	PLUG	6		X X X	
14	L62898	VALVE SPOOL	1		X X X	(SUB FOR R39294)
15	L33358	SPRING	1		X X X	
16	L33357	SLEEVE	1		X X X	
17	F3171R	O-RING	1		X X X	
18	L32704	THREADED NIPPLE	1	437996-	X X X	1-1/16"
19	R26448	O-RING	1		X X X	
20	R27218	FITTING PLUG	1		X X X	
21	34H247	SPRING PIN	2		X X X	
22	L41534	PIPE PLUG	1	549760-	X X X	1-1/2"
23	L41547	O-RING	1	549760-	X X X	
24	R53169	SCREEN	1		X X X	
25	15H562	PIPE PLUG	1		X X X	1"
	15H665	PIPE PLUG	1		X X X	3/4" (FOR AL64570, AL66781 OR AL68510)
26	R51895	FITTING	2		X X X	1"
	R27474	DRAIN PLUG	2		X X X	7/8"
27	A4827R	WASHER	2		X X X	(FOR R51895)
	R26906	O-RING	2		X X X	(FOR R27474)
28	L34246	DOWEL PIN	1	-573211	X X X	(A) LGTH= 20MM (ORD L42135, L42136)
	L42135	PIN	1	573212-	X X X	(A) LGTH= 25MM
29	T22739	SPRING	1	-573211	X X X	(A) LGTH= 25MM (ORD L42136, L42135)
	L42136	COMPRESSION SPRING	1	573212-	X X X	(A) LGTH= 20MM

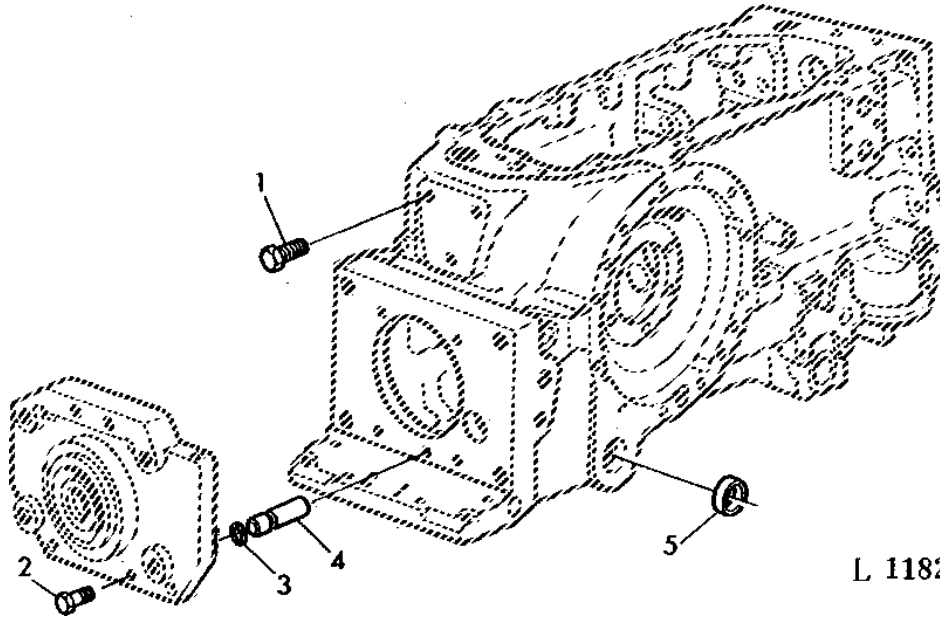
(A) WITH HANDSHIFT PTO
 AVEC PDF A SELECTION PAR MANETTE
 BEI UMSCHALTBARER ZAPFWELLE
 CON PTO A CAMBIO MANUALE
 CON TDF DE REGIMEN VARIABLE
 VID VAXLINGSBAR KRAFTUTTAG

3D9

SYNCHRO. TRANSMISSION, HI-LO, CREEPER TRANSM.

PLUGS AND CAPS FOR SYNCHRONIZED TRANSMISSION (W/O ROCKSHAFT)
 ELEMENTS D'OBTURATION POUR B.V. SYNCHRONISEE (SANS RELEVAGE)
 VERSCHLUSSTEILE FUER SYNCHRONGETR. (OHNE KRAFTHEBER)
 TAPPI PER SCATOLA TRASMISSIONE SINCRONIZ. (SENZA SOLLEVATORE)
 TAPAS Y TAPONES/TRANSMISION SINCRONIZ. (SIN ELEVADOR HIDR.)
 PLUGGAR OCH LOCK FOR SYNKRONISERAD VAXELLADA (UTAN TREPUNKTSLYFT)

L118206 -UN-01JAN94



L 118206

2
1 2 0
6 0 4
4 4 0
0 0 S

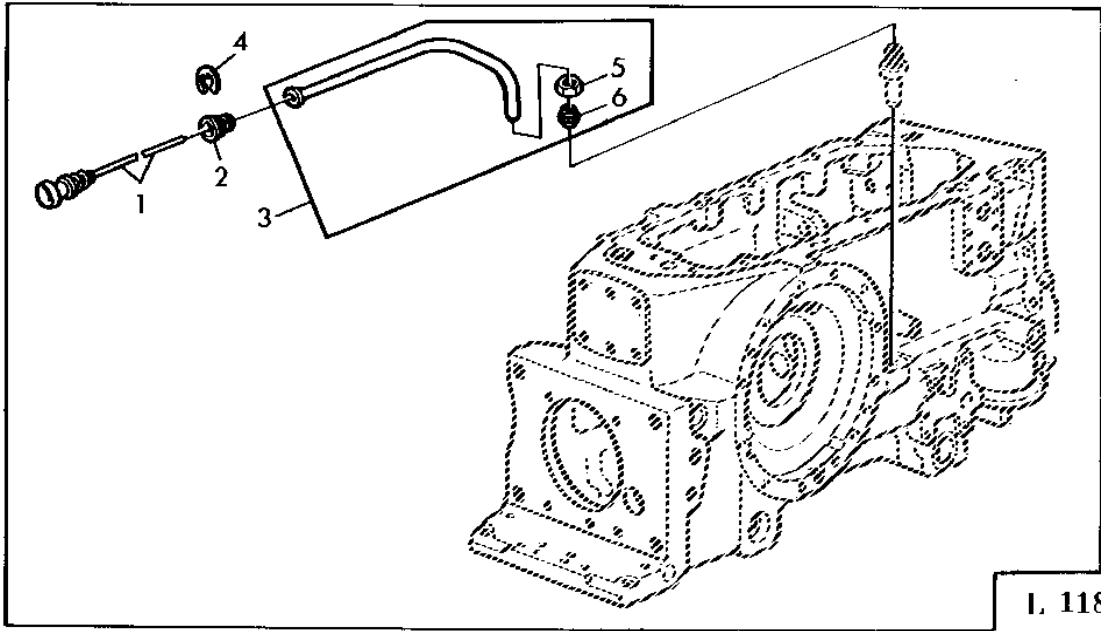
KEY	PART NO.	PART NAME	QTY	SERIAL NO.	REMARKS
1	19H2367	CAP SCREW	1	X X X	5/8"X3/4"
2	19H2488	CAP SCREW	1	X X X	5/16"X5/8"
3	A4365R	O-RING	1	X X X	
4	T30918	PIN	1	X X X	
5	T22653	CAP	2	X X X	

3D10

SYNCHRO. TRANSMISSION, HI-LO, CREEPER TRANSM.

TRANSM. CASE/OIL DIPSTICK (W/SYNCHR. TRANSM. AND INCR. LIFT. CAPY.)
 CARTER DE BOITE JAUGE D'HUILE (BOITE SYNCHR. CAP. RELEV. AUGM.)
 GETRIEBEGEHAEUSE/OELMESSSTAB (BEI SYNCHRONGETR. U. HUBKRAFTERH.)
 SCAT. TRASM./AST. LIV. OLIO (CON TRASM. SINCR. E EL. CAP. SOL.)
 CAJA DEL CAMBIO/VARILLA DE NIVEL (TRASM. SINCR./ALTA CAP. ELEV.)
 TRANSMISSIONSHUS/OLJESTICK (VID SYNKR. TRANSM. O. OKAD LYFTKAP.)

L118240 -UN-18JUL95



I. 118240

2
1 2 0
6 0 4
4 4 0
0 0 S

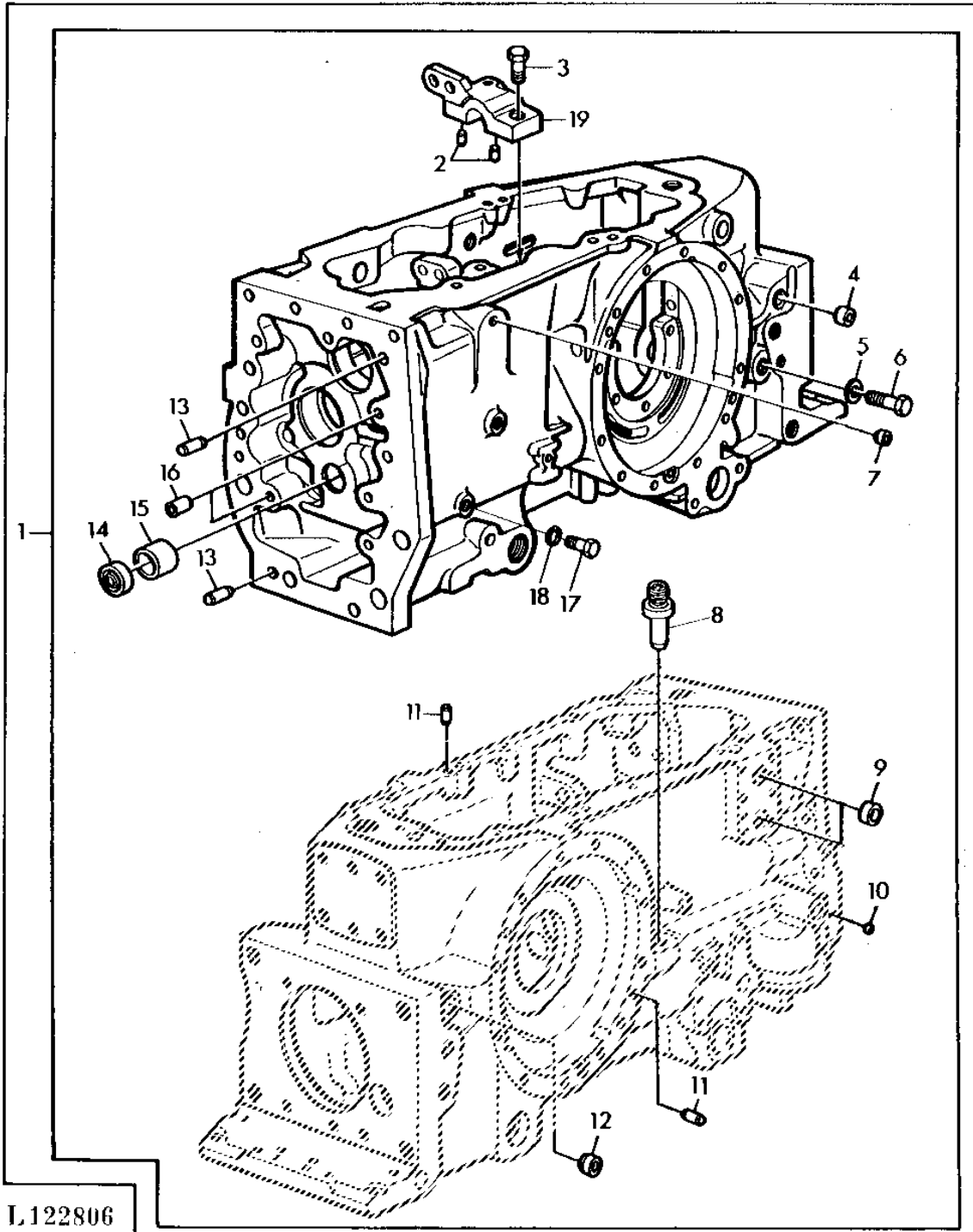
KEY	PART NO.	PART NAME	QTY	SERIAL NO.	REMARKS
1	AL57620	DIPSTICK	1		X (FOR AL40865)
2	L41805	HALF CLAMP	2		X
3	AL55036	EXTENSION	1		X
4	P46402	SNAP RING	1		X
5	15M6139	FITTING	1		X
6	Z32994	TAPERED SLEEVE	1		X

3D11

SYNCHRO. TRANSMISSION, HI-LO, CREEPER TRANSM.

TRANSMISSION CASE/SYNCHRO. TRANSMISSION (W/INCREASED LIFT AND IND. PTO)
CARTER DE BOITE/SYNCHRONISEE (AVEC ELEVATION RENFORCEE ET PDF INDEP.)
GETRIEBEGEHAUSE/SYNCHRONGETRIEBE (BEI HUBKRAFTERHOEHUNG UND UNABH. ZAPFWELLE)
SCATOLA TRASMISSIONE SINCRONIZZATA (CON ELEV. CAP. SOLLEVAMENTO E PDF INDIPENDENTE)
CAJA DE CAMBIOS/TRANSM./SINCRONIZADA (CON ELEV. FUERZA DE ELEVACION Y TDF INDEPENDIENTE)
VAXELLADSHUS (SYNKRONS. VAXELLADA VID OKAD LYFTKAPACITET OCH OBER. KRAFTUTTAG)

L122806 -UN-08JUN95



L122806

3D12

SYNCHRO. TRANSMISSION, HI-LO, CREEPER TRANSM.

KEY	PART NO.	PART NAME	QTY	SERIAL NO.	REMARKS
					2
					1 2 0
					6 0 4
					4 4 0
					0 0 S
1	AL40865	TRANSMISSION CASE	1		X (A) (MARKED L42122 OR L59096) (ORD AL67450, AL68519)
	AL40865	TRANSMISSION CASE	1		X (B) (ORD AL67449, AL68519)
	AL40865	TRANSMISSION CASE	1		X (C) (ORD AL67448, AL68519)
2	R726R	DOWEL PIN	2		X
3	19H1721	CAP SCREW	2		X 1/2"X1-1/2"
4	T18891	CAP	1		X
5	R27003	WASHER	1		X
6	R53802	CAP SCREW	1		X
7	30M7004	CAP	1		X OD= 14MM
8	L41025	FITTING	1		X LGTH= 30MM
	L56763	FITTING	1		X LGTH= 78MM
9	30M7008	CAP	2		X OD= 28MM
10	A174R	BALL	1		X
11	R48685	DOWEL PIN	6		X
12	30M7007	CAP	1		X OD= 20MM
13	T26565	DOWEL PIN	2		X
14	L41022	SEAL	1		X
15	T22128	BUSHING	1		X
16	T24729	BUSHING	2		X
17	R27218	FITTING PLUG	1		X
18	R26448	O-RING	1		X
19	AL68306	KIT	1		X

(A) WITH 540 RPM PTO
 AVEC PRISE DE FORCE 540TR/MN
 BEI ZAPFWELLE 540 U/MIN
 CON PDF 540 G/MIN
 CON TDF DE 540 R/MIN
 VID 540 RPM KRAFTUTTAG

(B) W/HEAVY-DUTY 540 RPM PTO
 AVEC PDF 540 TR/MN RENFORCEE
 BEI ZAPFW.VERST.AUSF.540 U/M
 CON PDF RINFORZ. 540 G/MIN
 CON TDF REFORZ. DE 540 R/MIN
 VID FORST.540 RPM KRAFTUTTAG

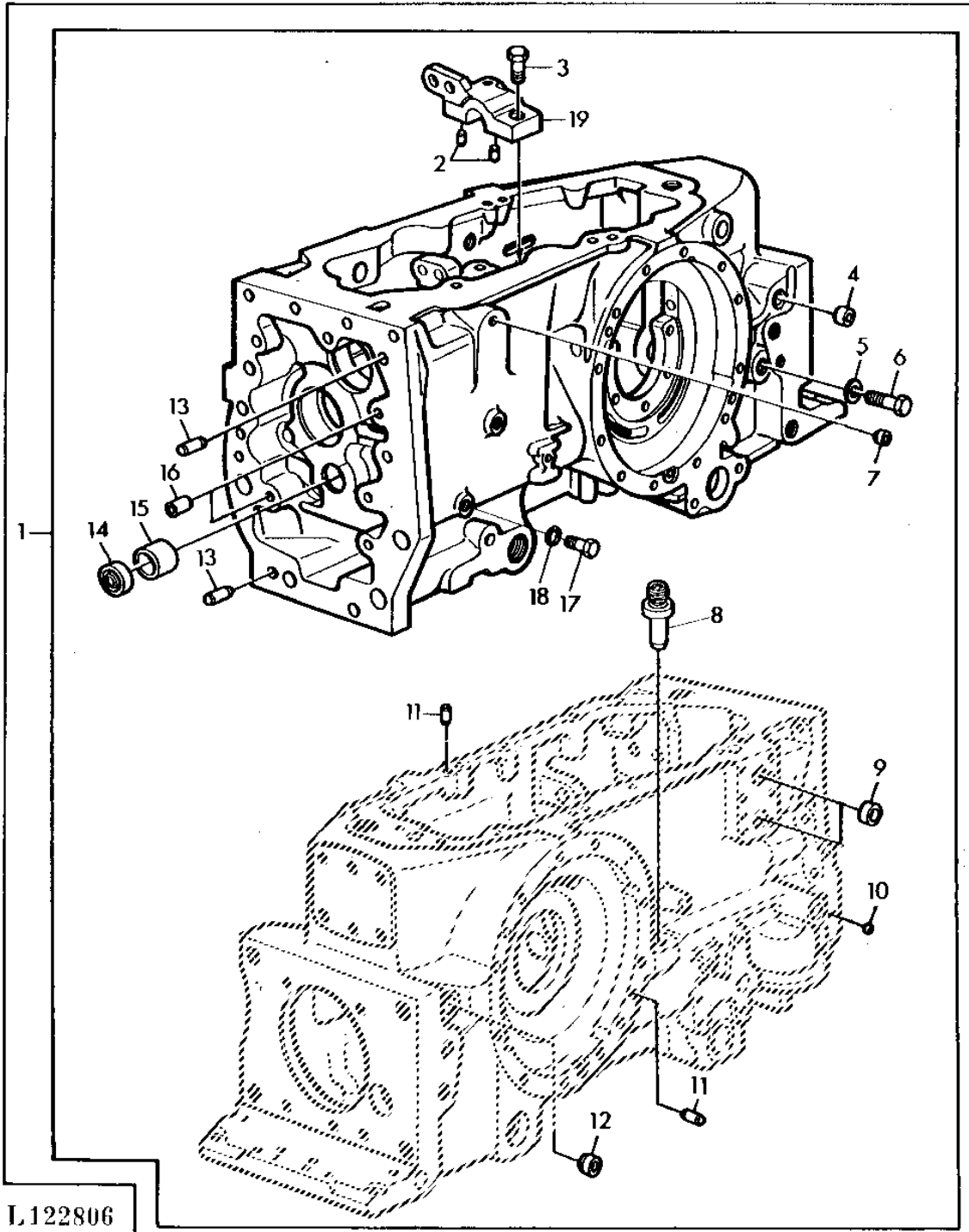
(C) W/INTERCHANGEABLE PTO SHAFTS
 AVEC PDF INTERCHANGEABLE
 BEI AUSWECHSELB. ZAPFWELLE
 CON PDF INTERCAMBIABILE
 CON TDF DE REGIMEN VARIABLE
 VID UTBYTBAR KRAFTUTTAG

3D13

SYNCHRO. TRANSMISSION, HI-LO, CREEPER TRANSM.

TRANSMISSION CASE/SYNCHR.TRANSMISSION (W/INCREASED LIFT AND HANDSHIFT PTO)
CARTER DE BOITE/SYNCHRONISEE (AVEC ELEVATION RENFORCEE ET PDF A SELECTION PAR MANETTE)
GETRIEBEGEHAUSE/SYNCHRONGETRIEBE (BEI HUBKRAFTERHOEHUNG UND UMSCHALTBARER ZAPFW.)
SCATOLA TRASMISSIONE SINCRONIZZATA (CON ELEV.CAP.SOLLEVAMENTO E PTO A CAMBIO MANUALE)
CAJA DE CAMBIOS/TRANSM./SINCRONIZADA(CON ELEV.FUERZA DE ELEVACION Y TDF DE REGIMEN VARIABLE)
VAXELLADSHUS (SYNKRONS.VAXELLADA VID OKAD LYFTKAPACITET OCH VAXLINGSBAR KRAFTUTTAG)

L122806 -UN-08JUN95



L122806

3D14

SYNCHRO. TRANSMISSION, HI-LO, CREEPER TRANSM.

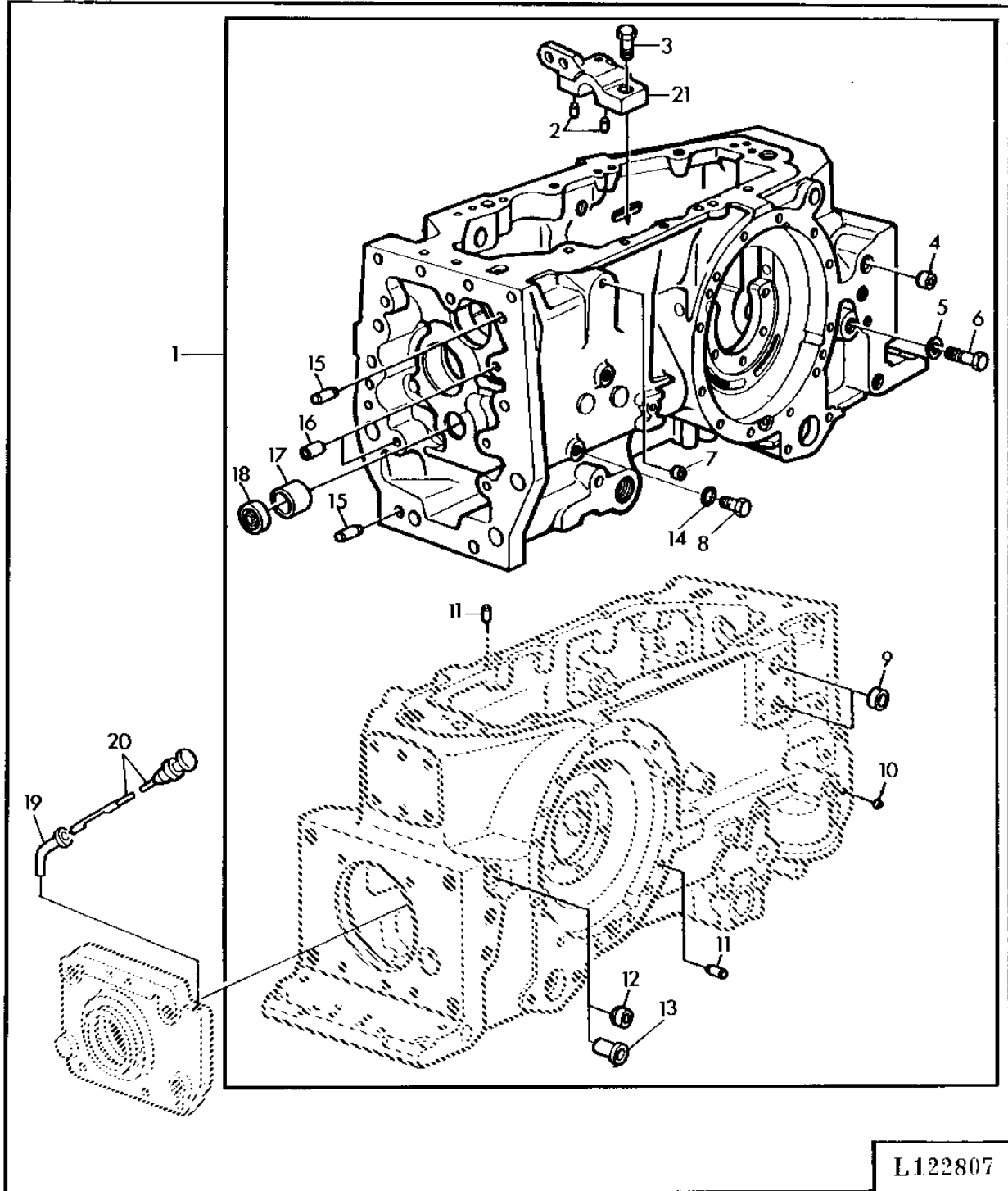
KEY	PART NO.	PART NAME	QTY	SERIAL NO.	REMARKS
					2
					1 2 0
					6 0 4
					4 4 0
					0 0 S
1	AL40865	TRANSMISSION CASE	1		X (MARKED L42122 OR L59096) (ORD AL67447, AL68519)
2	R726R	DOWEL PIN	2		X
3	19H1721	CAP SCREW	2		X 1/2"X1-1/2"
4	T18891	CAP	1		X
5	R27003	WASHER	1		X
6	R53802	CAP SCREW	1		X
7	30M7004	CAP	1		X OD= 14MM
8	L41025	FITTING	1		X LGTH= 30MM
	L56763	FITTING	1		X LGTH= 78MM
9	30M7008	CAP	2		X OD= 28MM
10	A174R	BALL	1		X
11	R48685	DOWEL PIN	6		X
12	30M7007	CAP	1		X OD= 20MM
13	T26565	DOWEL PIN	2		X
14	L41022	SEAL	1		X
15	T22128	BUSHING	1		X
16	T24729	BUSHING	2		X
17	R27218	FITTING PLUG	1		X
18	R26448	O-RING	1		X
19	AL68306	KIT	1		X

3D15

SYNCHRO. TRANSMISSION, HI-LO, CREEPER TRANSM.

TRANSMISSION CASE/SYNCHRO.TRANSMISSION (W/INCREASED LIFT AND IND.PTO)
CARTER DE BOITE/SYNCHRONISEE (AVEC ELEVATION RENFORCEE ET PDF INDEP.)
GETRIEBEGEHAUSE/SYNCHRONGETRIEBE (BEI HUBKRAFTERHOEHUNG UND UNABH. ZAPFWELLE)
SCATOLA TRASMISSIONE SINCRONIZZATA (CON ELEV.CAP.SOLLEVAMENTO E PDF INDIPENDENTE)
CAJA DE CAMBIOS/TRANSM.SINCRONIZADA (CON ELEV.FUERZA DE ELEVACION Y TDF INDEPENDIENTE)
VAXELLADSHUS (SYNKRONIS.VAXELLADA VID OKAD LYFTKAPACITET OCH OBER.KRAFTUTTAG)

L122807 -UN-18JUL95



L122807

3D16

SYNCHRO. TRANSMISSION, HI-LO, CREEPER TRANSM.

KEY	PART NO.	PART NAME	QTY	SERIAL NO.	REMARKS
					2
					1 2 0
					6 0 4
					4 4 0
					0 0 S
1	AL64571	TRANSMISSION CASE	1		X (A) (MARKED L60594) (ORD AL68519, AL67450)
	AL64571	TRANSMISSION CASE	1		X (B) (ORD AL67449, AL68519)
	AL64571	TRANSMISSION CASE	1		X (C) (ORD AL67448, AL68519)
2	R726R	DOWEL PIN	2		X
3	19H1777	CAP SCREW	2		X 1/2"X1-3/4"
4	T18891	CAP	1		X
5	R27003	WASHER	1		X
6	R53802	CAP SCREW	1		X
7	30M7004	CAP	1		X OD= 14MM
8	R27218	FITTING PLUG	1		X
9	30M7008	CAP	2		X OD= 28MM
10	A174R	BALL	1		X
11	R48685	DOWEL PIN	6		X
12	30M7007	CAP	1		X OD= 20MM
13	L34253	BUSHING	1		X
14	R26448	O-RING	1		X
15	T26565	DOWEL PIN	2		X
16	T24729	BUSHING	2		X
17	T22128	BUSHING	1		X
18	L41022	SEAL	1		X
19	L62158	EXTENSION	1		X
20	AL67054	DIPSTICK	1		X (SUB FOR AL64512 APPL)
21	AL68306	KIT	1		X

(A) WITH 540 RPM PTO
 AVEC PRISE DE FORCE 540TR/MN
 BEI ZAPFWELLE 540 U/MIN
 CON PDF 540 G/MIN
 CON TDF DE 540 R/MIN
 VID 540 RPM KRAFTUTTAG

(B) WITH HEAVY-DUTY 540 RPM PTO
 AVEC PDF 540 TR/MN RENFORCEE
 BEI ZAPFW.VERST.AUSF.540 U/M
 CON PDF RINFORZ. 540 G/MIN
 CON TDF REFORZ. DE 540 R/MIN
 VID FORST. 540 RPM KRAFTUTT.

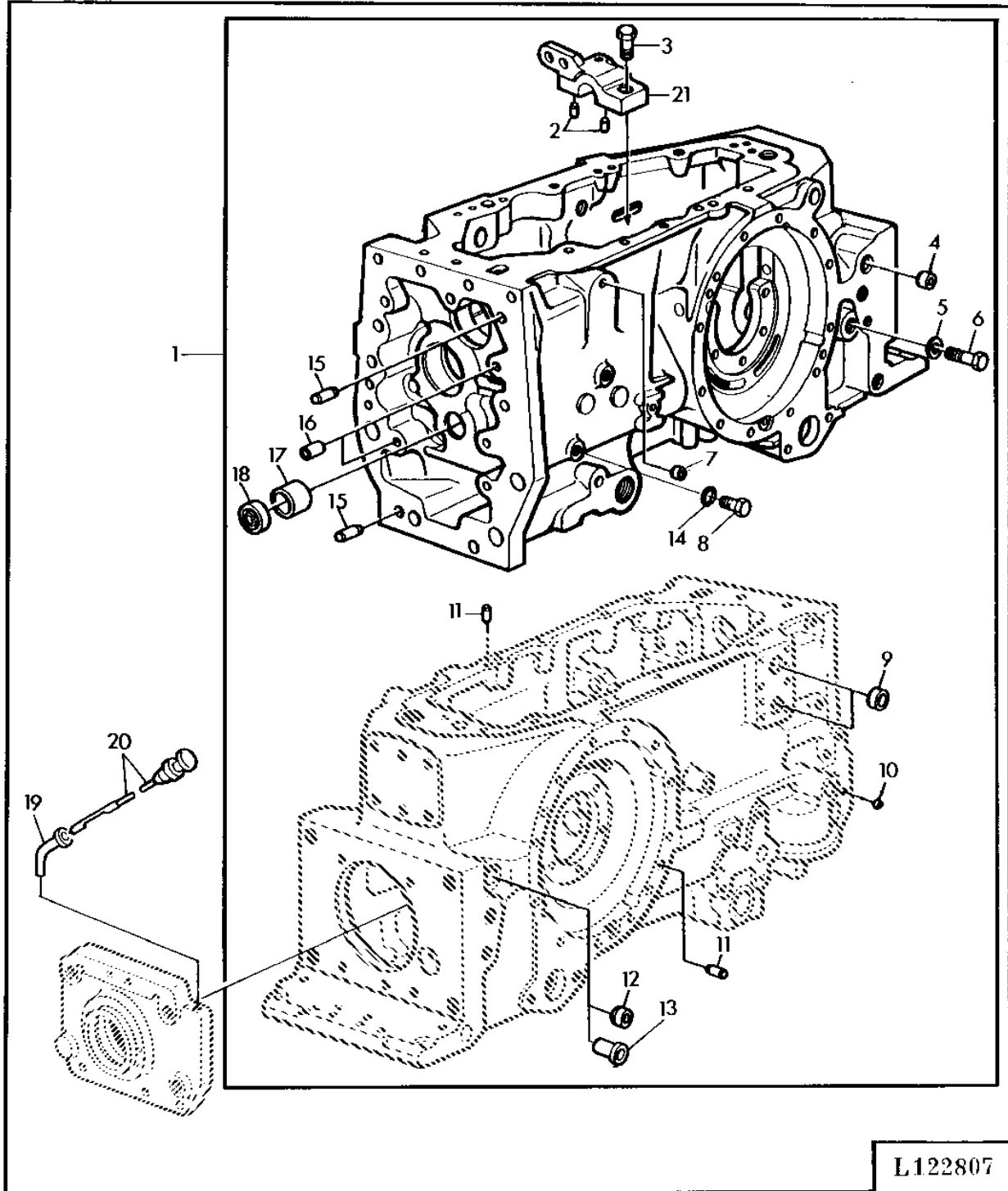
(C) W/INTERCHANGEABLE PTO SHAFTS
 AVEC PDF INTERCHANGEABLE
 BEI AUSWECHSELBARER ZAPFW.
 CON PDF INTERCAMBIABILE
 CON TDF DE REGIMEN VARIABLE
 VID UTBYTBAR KRAFTUTTAG

3D17

SYNCHRO. TRANSMISSION, HI-LO, CREEPER TRANSM.

TRANSMISSION CASE/SYNCHR.TRANSMISSION (W/INCREASED LIFT AND HANDSHIFT PTO)
 CARTER DE BOITE/SYNCHRONISEE (AVEC ELEVATION RENFORCEE ET PDF A SELECTION PAR MANETTE)
 GETRIEBEGEHAUSE/SYNCHRONGETRIEBE (BEI HUBKRAFTERHOEHUNG UND UMSCHALTBARER ZAPFW.)
 SCATOLA TRASMISSIONE SINCRONIZZATA (CON ELEV.CAP.SOLLEVAMENTO E PTO A CAMBIO MANUALE)
 CAJA DE CAMBIOS/TRANSM./SINCRONIZADA (CON ELEV.FUERZA DE ELEVACION Y TDF DE REGIMEN VARIABLE)
 VAXELLADSHUS (SYNKRONS.VAXELLADA VID OKAD LYFTKAPACITET OCH VAXLINGSBAR KRAFTUTTAG)

L122807 -UN-18JUL95



3D18

SYNCHRO. TRANSMISSION, HI-LO, CREEPER TRANSM.

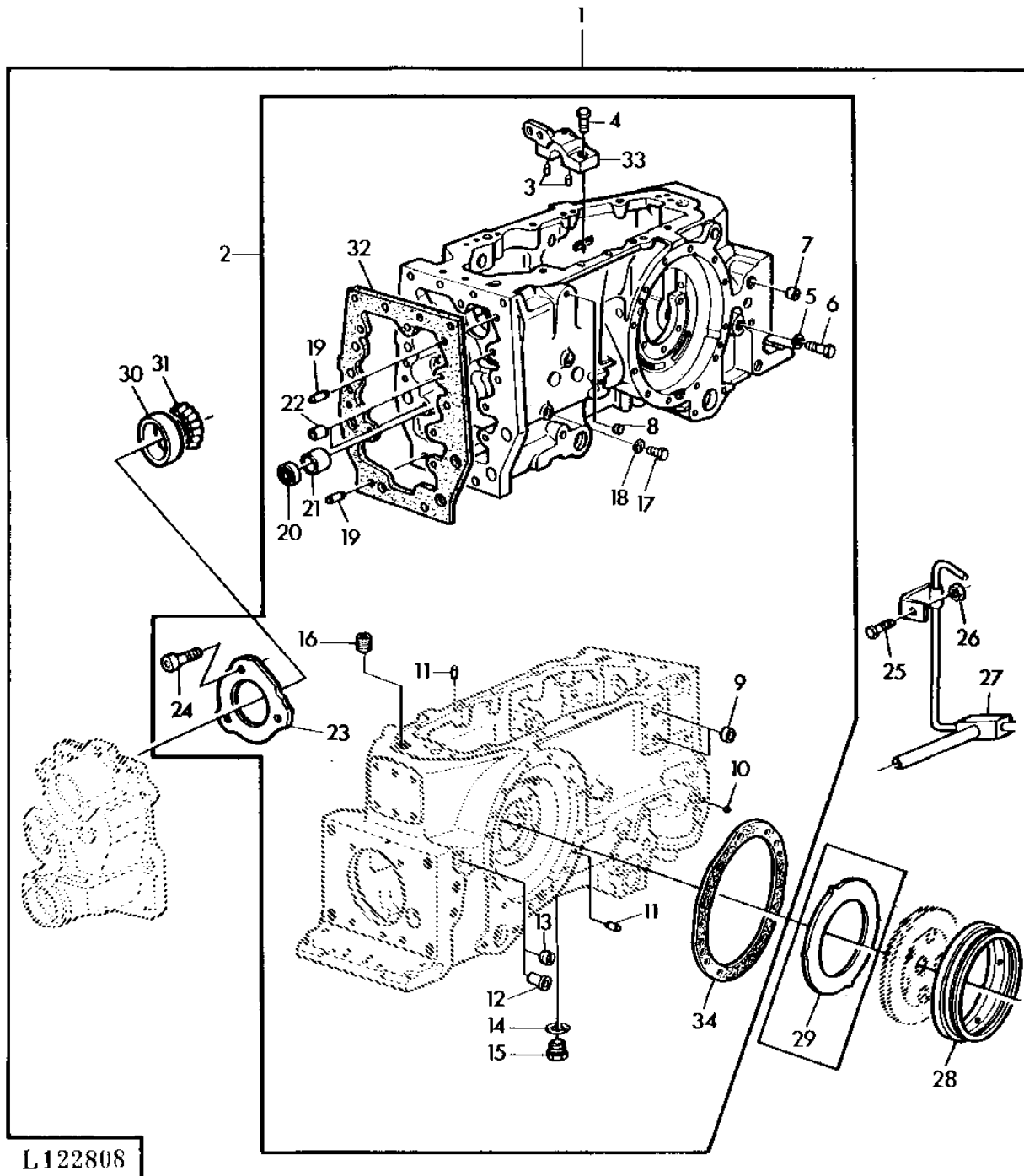
KEY	PART NO.	PART NAME	QTY	SERIAL NO.	REMARKS
					2
					1 2 0
					6 0 4
					4 4 0
					0 0 S
1	AL64571	TRANSMISSION CASE	1		X (MARKED L60594) (ORD AL68519, AL67447)
2	R726R	DOWEL PIN	2		X
3	19H1777	CAP SCREW	2		X 1/2"X1-3/4"
4	T18891	CAP	1		X
5	R27003	WASHER	1		X
6	R53802	CAP SCREW	1		X
7	30M7004	CAP	1		X OD= 14MM
8	R27218	FITTING PLUG	1		X
9	30M7008	CAP	2		X OD= 28MM
10	A174R	BALL	1		X
11	R48685	DOWEL PIN	6		X
12	30M7007	CAP	1		X OD= 20MM
13	L34253	BUSHING	1		X
14	R26448	O-RING	1		X
15	T26565	DOWEL PIN	2		X
16	T24729	BUSHING	2		X
17	T22128	BUSHING	1		X
18	L41022	SEAL	1		X
19	L62158	EXTENSION	1		X
20	AL67054	DIPSTICK	1		X (SUB FOR AL64512 APPL)
21	AL68306	KIT	1		X

3D19

SYNCHRO. TRANSMISSION, HI-LO, CREEPER TRANSM.

TRANSM. CASE CONVERSION KIT/SYNCHR. TRANSM. (W/INCREASED LIFT)
CARTER BOITE SYNCHRO-JEU ADAPTATION (AVEC ELEVATION RENFORCEE)
GETRIEBEGEHAEUSE-UMRUESTSATZ/SYNCHRONGETR. (BEI HUBKRAFTERHOEHUNG)
KIT CONVERSIONE PER TRASM. SINCRON. (CON ELEV. CAP. SOLLEVAMENTO)
CONJ. DE MODIFIC. PARA CARCASA/TRANSMIS. SINCRONIZ. (CON ELEV. FUERZA DE ELEVACION)
MODIFIERINGSATS FOR SYNKRON. TRANSMISSION (VID OKAD LYFTKAPACITET)

L122808 -UN-18JUL95



3D20

SYNCHRO. TRANSMISSION, HI-LO, CREEPER TRANSM.

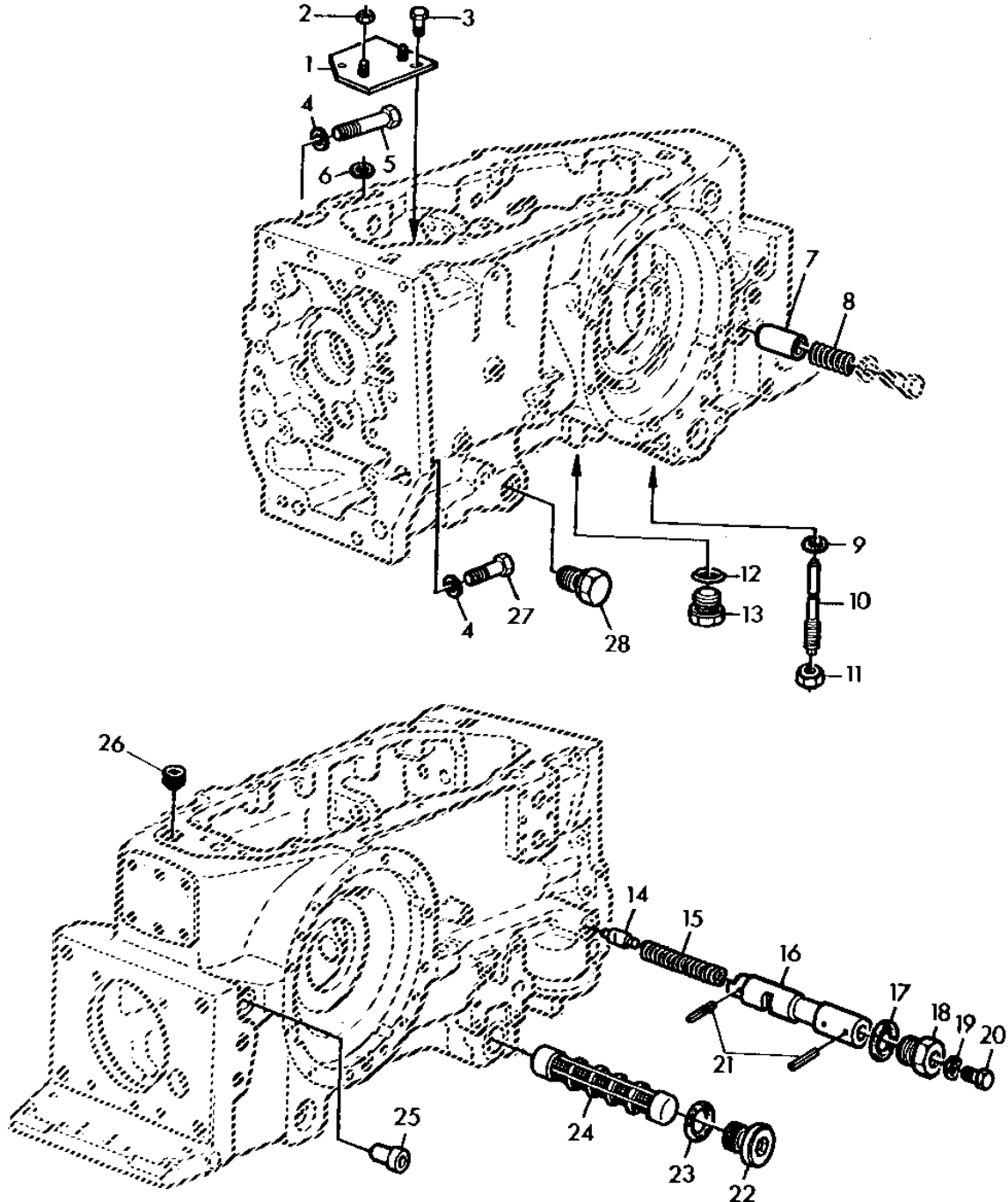
KEY	PART NO.	PART NAME	QTY	SERIAL NO.	REMARKS
					2
					1 2 0
					6 0 4
					4 4 0
					0 0 S
1	AL67799	TRANSMISSION CASE	1		X (ORD AL68519)
	AL68519	CASE	1		X (KIT W/O L33497) (SUB FOR AL67799)
2	AL66782	TRANSMISSION CASE	1		X (MARKED L62446) (KIT W/O L61918, L61922) (ORD AL68511)
	AL68511	CASE	1		X (MARKED L63941) (SUB FOR AL66782)
3	R726R	DOWEL PIN	2		X
4	19H1777	CAP SCREW	2		X 1/2"X1-3/4"
5	R26448	O-RING	1		X (FOR R27218)
	R27003	WASHER	1		X (FOR R53802)
6	R27218	FITTING PLUG	1		X 9/16"-18UNF-2AX0.39"
	R53802	CAP SCREW	1		X 1/2"X1/2"
7	T18891	CAP	1		X
8	30M7004	CAP	1		X OD= 14MM
9	30M7008	CAP	2		X OD= 28MM
10	A174R	BALL	1		X
11	R48685	DOWEL PIN	6		X
12	L34253	BUSHING	1		X
13	30M7007	CAP	1		X OD= 20MM
14	R26906	O-RING	2		X
15	R27474	DRAIN PLUG	2		X 7/8"
16	15H665	PIPE PLUG	1		X 3/4"
17	R27218	FITTING PLUG	1		X 9/16"-18UNF-2AX0.39"
18	R26448	O-RING	1		X
19	T26565	DOWEL PIN	2		X
20	L41022	SEAL	1		X
21	T22128	BUSHING	1		X
22	T24729	BUSHING	2		X
23	L57619	FLANGE	1		X
24	L61496	SCREW	3		X
25	19M7298	CAP SCREW	1		X M8X35
26	14M7273	NUT	1		X M8
27	AL59585	OIL LINE	1		X
28	L62830	BRAKE ACTUATING DISK	2		X
29	L33497	BRAKE ACTUATING DISK	2		X (FOR AL67799) (SUB FOR L56247)
30	JD10341	BEARING CUP	1		X
31	JD10102	BEARING CONE	1		X
32	L61918	GASKET	1		X
33	AL68306	KIT	1		X
34	L61922	GASKET	4		X

3D21

SYNCHRO. TRANSMISSION, HI-LO, CREEPER TRANSM.

TRANSMISSION CASE/SYNCHRO. TRANSMISSION (W/INCREASED LIFT)
CARTER DE BOITE SYNCHRONISEE (AVEC ELEVATION RENFORCEE)
GETRIEBEGEHAUSE/SYNCHRONGETRIEBE (BEI HUBKRAFTERHOEHUNG)
SCATOLA TRASMISSIONE SINCRONIZZATA (CON ELEV. CAP. SOLLEVAMENTO)
CAJA DE CAMBIOS/TRANSM. SINCRONIZADA (CON ELEV. FUERZA DE ELEVACION)
VAXELLADSHUS (SYNKRONIS. VAXELLADA VID OKAD LYFTKAPACITET)

L120950 -UN-18JUL95



L 120950

3D22

SYNCHRO. TRANSMISSION, HI-LO, CREEPER TRANSM.

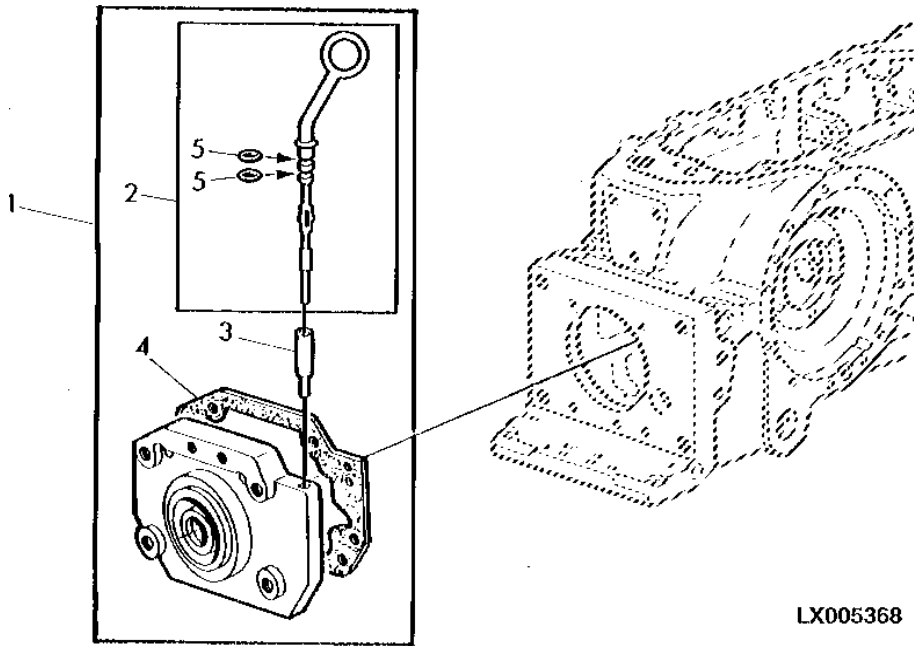
KEY	PART NO.	PART NAME	QTY	SERIAL NO.	REMARKS
					2
					1 2 0
					6 0 4
					4 4 0
					0 0 S
1	AL39257	COVER	1		X
2	14M7327	LOCK NUT	2		X M8
3	19H2021	CAP SCREW	2		X 3/8"X5/8"
4	L30695	WASHER	6		X
5	19H2644	CAP SCREW	2		X 1/2"X2-1/2"
6	T17882	WASHER	1		X
7	L34246	DOWEL PIN	1	-573211	X (A) LGTH= 20MM (ORD L42135, L42136)
	L42135	PIN	1	573212-	X (A) LGTH= 25MM
8	T22739	SPRING	1	-573211	X (A) LGTH= 25MM (ORD L42136, L42135)
	L42136	COMPRESSION SPRING	1	573212-	X (A) LGTH= 25MM
9	R27490	O-RING	1		X
10	T21776	SCREW	1		X 1/2"
11	14H971	NUT	1		X 1/2"
12	A4827R	WASHER	2		X
13	R51895	FITTING	2		X 1"
14	L62898	VALVE SPOOL	1		X (SUB FOR R39294)
15	L33358	SPRING	1		X
16	L33357	SLEEVE	1		X
17	F3171R	O-RING	1		X
18	L32704	THREADED NIPPLE	1		X 1-1/16"
19	R26448	O-RING	1		X
20	R27218	FITTING PLUG	1		X
21	34H247	SPRING PIN	2		X
22	L41534	PIPE PLUG	1		X 1-1/2"
23	L41547	O-RING	1		X
24	R53169	SCREEN	1		X
25	L34253	BUSHING	1		X (A)
26	15H665	PIPE PLUG	1		X 3/4"
27	19H2510	CAP SCREW	6		X 1/2"X1-5/8"
28	AL39878	PIPE PLUG	1		X 1-5/16"

(A) WITH HANDSHIFT PTO
 AVEC PDF A SELECTION PAR MANETTE
 BEI UMSCHALTBARER ZAPFWELLE
 CON PTO A CAMBIO MANUALE
 CON TDF DE REGIMEN VARIABLE
 VID VAXLINGSBAR KRAFTUTTAG

3D23

SYNCHRO. TRANSMISSION, HI-LO, CREEPER TRANSM.

PTO BEARING QUILL CONVERSION KIT (W/SYNCHR. TRANSM./IND. PTO)
 PALIER PDF/JEU (AVEC BOITE SYNCHR. PDF INDEPENDANTE)
 ZAPFW. LAGERDECKEL/TEILESATZ (BEI SYNCHRONGETR. U. UNABH. ZAPFW.)
 SUPP. CUSCIN. PDF/GRUPPO (CON TRASM. SINCRON. E PDF INDEP.)
 CAJA DE RODAMIENTO DE TDF/CONJ. (TRANSM. SINCR. Y TDF INDEP.)
 LAGERHUS-ENHET AV KRAFTUTTAG (VID SYNKR. TRANM./OBER. KRAFTUTT.)
 LX005368 -UN-01JAN94



LX005368

2
1 2 0
6 0 4
4 4 0
0 0 S

KEY	PART NO.	PART NAME	QTY	SERIAL NO.	REMARKS
1	AL67450	KIT	1	X X X	(A)
	AL67449	KIT	1	X X X	(B)
	AL67448	KIT	1	X X X	(C)
2	AL69907	DIPSTICK	1	X X X	(SUB FOR AL66767)
3	L62535	BUSHING	1	X X X	
4	L60548	GASKET	1	X X X	
5	L64380	O-RING	2	X X X	6X1MM (FOR AL66767)
	L64884	O-RING	2	X X X	6X1.5MM (FOR AL69907)

(A) WITH 540 RPM PTO
 SUR PDF 540 TR/MIN
 BEI ZAPFW.540 U/MIN
 CON PDF 540 G/MIN
 CON TDF DE 540 R/MIN
 VID 540 VARVS KRAFTUTTAG

(B) WITH HEAVY-DUTY 540 RPM PTO
 SUR PDF 540 TR/MIN RENFORCEE
 BEI ZAPFW.VERST.AUSF.540 U/M
 CON PDF RINFORZ.540 G/MIN
 CON TDF REFORZ.DE 540 R/MIN
 VID FORSTARKT 540 V.KRAFTUTT.

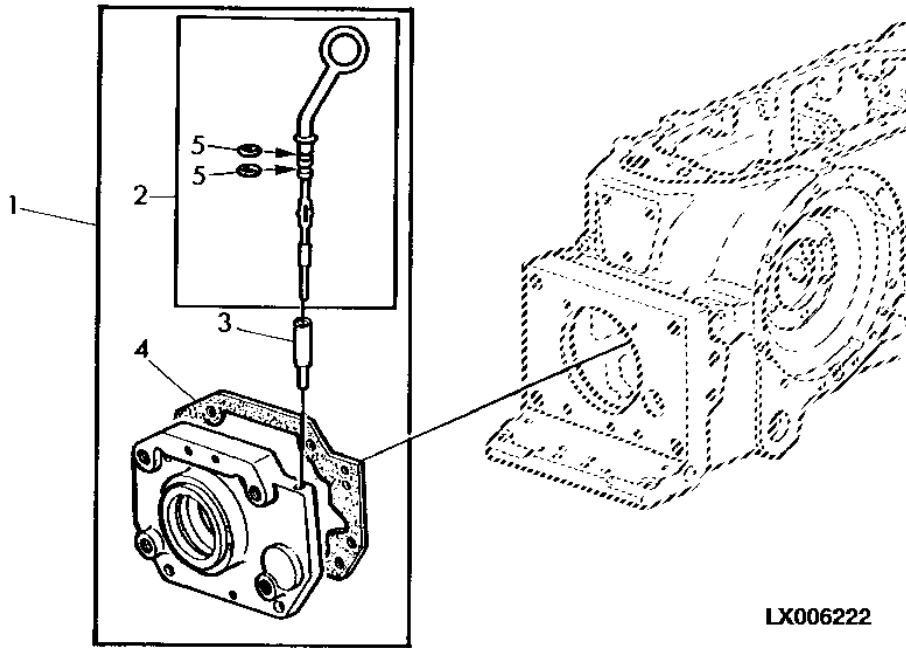
(C) W/INTERCHANGEABLE PTO SHAFTS
 AVEC PDF INTERCHANGEABLE
 BEI AUSWECHSELBARER ZAPFW.
 CON PDF INTERCAMBIABILE
 CON TDF CAMBIABILE
 VID UTBYTBAR KRAFTUTTAG

3D24

SYNCHRO. TRANSMISSION, HI-LO, CREEPER TRANSM.

PTO BEARING QUILL CONVERSION KIT (W/SYNCHR. TRANSM. AND HANDSHIFT PTO)
 PALIER PDF/JEU (AVEC BOITE SYNCHR. PDF SELECT. PAR MANETTE)
 ZAPFW. LAGERDECKEL/TEILESATZ (BEI SYNCHRONGETR. U. UMSCHALTBARER ZAPFWELLE)
 GRUPPO SUPP. CUSC. PDF (CON TRASM. SINCR. E PDF A CAMBIO MAN.)
 CAJA DE RODAMIENTO DE TDF/CONJ. (TRANSM. SINCR. Y TDF DE REGIMEN VARIABLE)
 KRAFTUTTAGS-LAGERHUS/ENHET (VID SYNKR. TRANSM./VAXLINGSB. KRAFTUTT.)

LX006222 -UN-12MAY95



LX006222

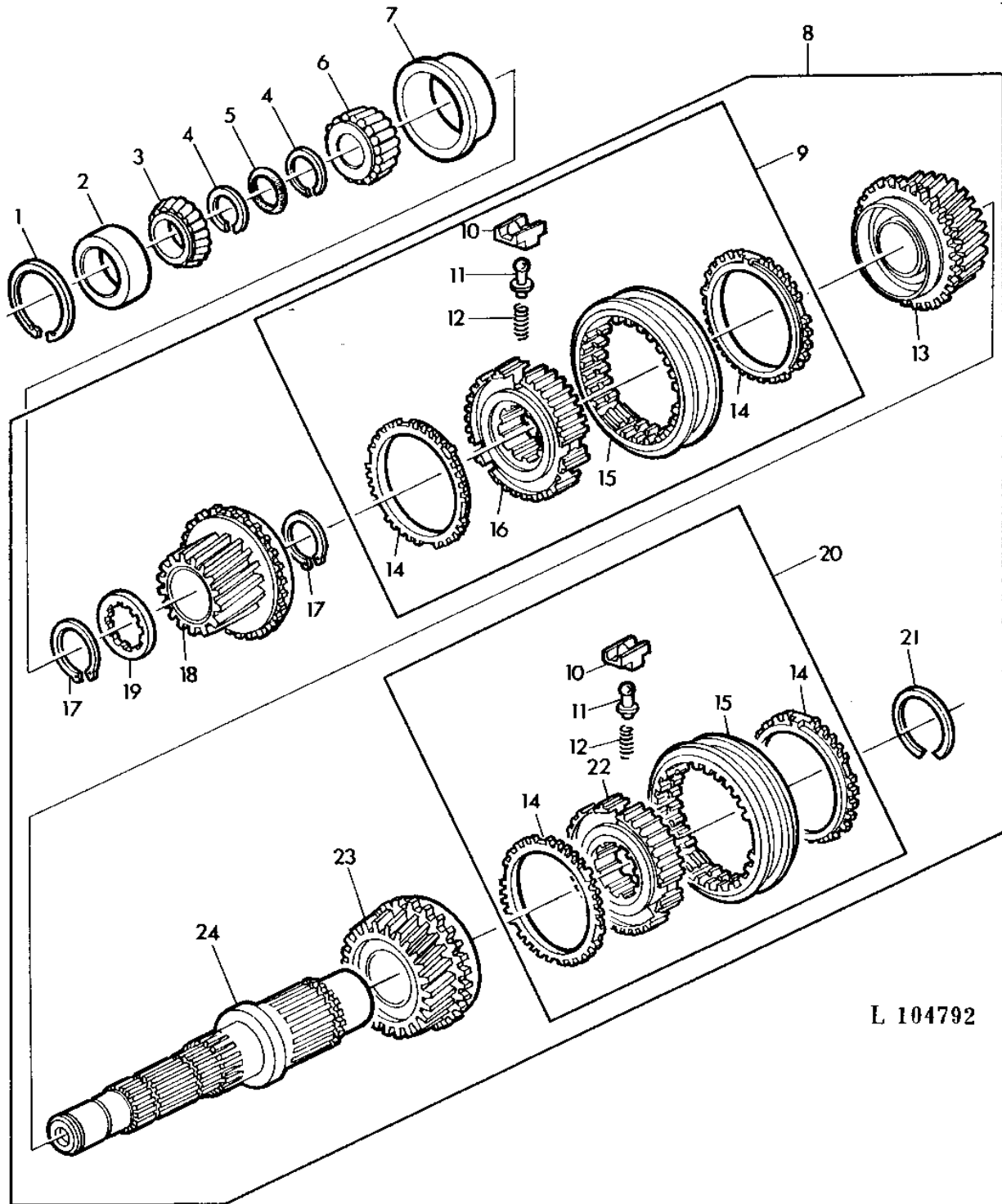
2
1 2 0
6 0 4
4 4 0
0 0 S

KEY	PART NO.	PART NAME	QTY	SERIAL NO.	REMARKS
1	AL67447	KIT	1	X X X	
2	AL69907	DIPSTICK	1	X X X	(SUB FOR AL66767)
3	L62535	BUSHING	1	X X X	
4	L60548	GASKET	1	X X X	
5	L64380	O-RING	2	X X X	6X1MM (FOR AL66767)
	L64884	O-RING	2	X X X	5X1.5MM (FOR AL69907)

3E1

SYNCHRO. TRANSMISSION, HI-LO, CREEPER TRANSM.

TRANSMISSION DRIVE SHAFT AND SYNCHRONIZING PARTS
ARBRE PRIMAIRE ET SYNCHROS
GETRIEBE-ANTRIEBSWELLE UND SYNCHRONTEILE
ALBERO COMANDO CAMBIO E SINCRONIZZATORI
EJE PRIMARIO Y SINCRONIZADORES
VAXELLADSDRIVAXEL OCH SYNKRONISERINGSDELAR
L104792 -UN-01JAN94



L 104792

3E2

SYNCHRO. TRANSMISSION, HI-LO, CREEPER TRANSM.

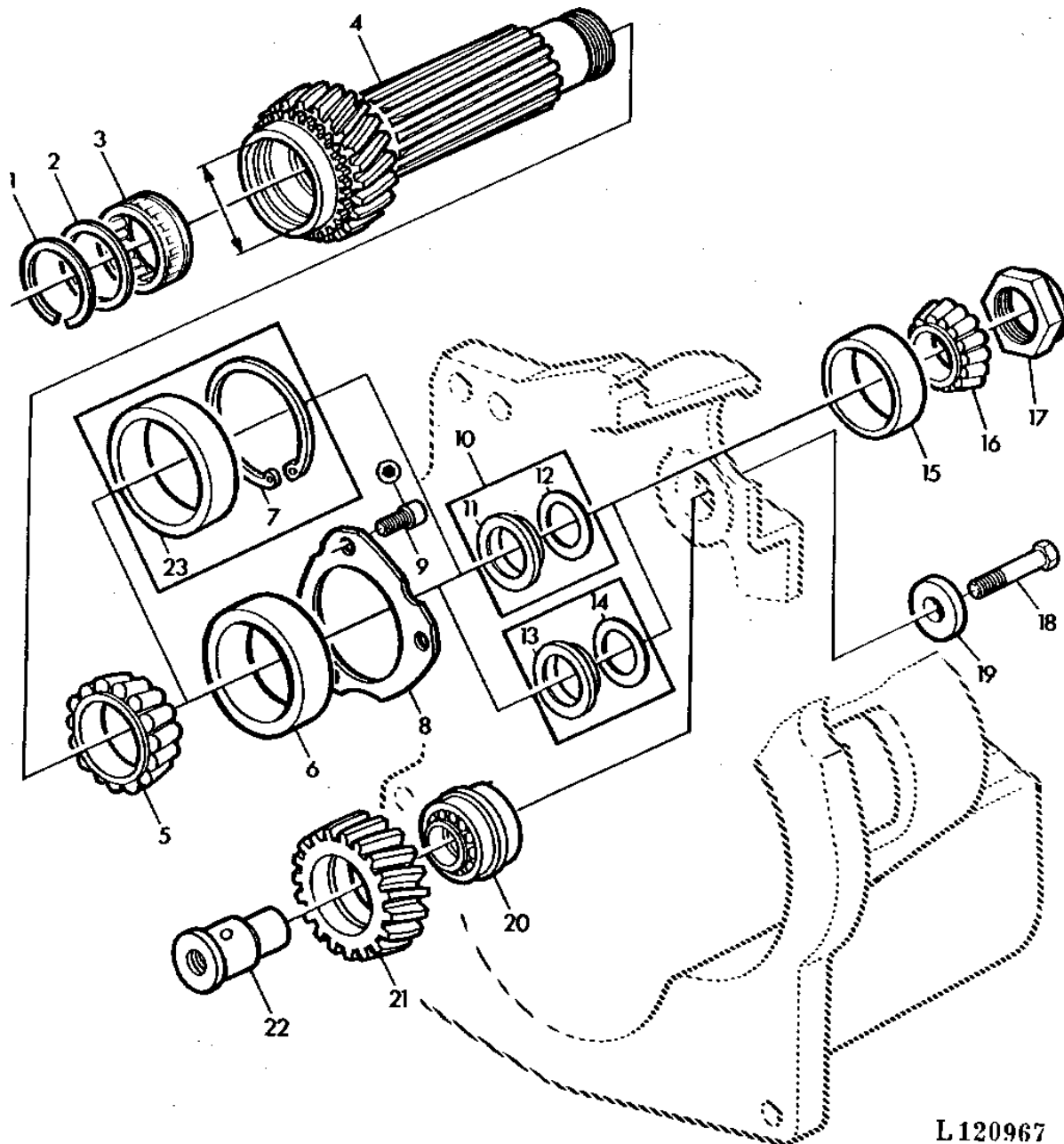
KEY	PART NO.	PART NAME	QTY	TRANSMISSION			REMARKS
				SERIAL NO.	0 0 S	4 4 0	
							2
							1 2 0
							6 0 4
							4 4 0
							0 0 S
1	L33278	SNAP RING	AR		X X	TK= 1.9MM (.075")	
	L33277	SNAP RING	AR		X X X	TK= 1.8MM (.071")	
	L33274	SNAP RING	AR		X X X	TK= 2.0MM (.080")	
	L33275	SNAP RING	AR		X X X	TK= 2.1MM (.082")	
	L33276	SNAP RING	AR		X X X	TK= 2.2MM (.086")	
2	JD10081	BEARING CUP	1		X X X		
3	JD10099	BEARING CONE	1		X X X		
4	L33269	SNAP RING	AR		X X X	TK= 2.0MM (.080")	
	L33271	SNAP RING	AR		X X X	TK= 2.1MM (.082")	
	L33272	SNAP RING	AR		X X X	TK= 2.2MM (.086")	
	L64121	SNAP RING	AR		X X X	TK= 2.8MM (.110")	
	L64120	SNAP RING	AR		X X X	TK= 2.9MM (.114")	
	L64119	SNAP RING	AR		X X X	TK= 3.0MM (.118")	
	L64364	SNAP RING	AR		X X X	TK= 3.1MM (.122")	
5	L33070	O-RING	1		X X X		
6	JD10213	BEARING CONE	1		X X X	(SUB FOR JD10100)	
7	JD10101	BEARING CUP	1		X X X		
8	AL39233	DRIVE SHAFT	1		X X X	(SUB FOR AL28707)	
9	AL39237	KIT	1	-XXXXXX	X X X	(SUB FOR AL28708) (ORD AL41727)	
	AL41727	SYNCHRONIZER	1	XXXXXX-	X X X		
10	L33101	SHOE	3	-XXXXXX	X X X		
	L58658	SHOE	3	XXXXXX-	X X X	(FOR AL41727)	
11	L33100	STUD	3	-XXXXXX	X X X		
	L58659	BALL	3	XXXXXX-	X X X	(FOR AL41727)	
12	L33103	SPRING	3	-XXXXXX	X X X		
	L58657	SPRING	3	XXXXXX-	X X X	(FOR AL41727)	
13	AL64426	GEAR	1		X X X	Z=19 (SUB FOR AL28711)	
14	L33102	SYNCHRONIZER	2	-500577	X X X	(ORD AL41727)	
	L41023	SYNCHRONIZER	2	500578-XXXXXX	X X X	(SUB FOR L41176)	
	L42320	SYNCHRONIZER	2	XXXXXX-	X X X	(FOR AL41727)	
15	L33098	SHIFT COLLAR	1	-500577	X X X	(ORD AL41727)	
	L41210	SHIFT COLLAR	1	500578-XXXXXX	X X X		
	L42321	SHIFT COLLAR	1	XXXXXX-	X X X	(FOR AL41727)	
16	L57621	GEAR	1	-XXXXXX	X X X	(SUB FOR L33099)	
	L42323	SHIFT COLLAR CARRIER	1	XXXXXX-	X X X	(FOR AL41727)	
17	L36931	SNAP RING	AR		X X X	TK= 1.45MM (.057")	
	L36933	SNAP RING	AR		X X X	TK= 1.55MM (.061")	
	L36934	SNAP RING	AR		X X X	TK= 1.65MM (.065")	
	L36932	SNAP RING	AR		X X X	TK= 1.75MM (.069")	
18	AL64425	GEAR	1		X X X	Z=15 (SUB FOR AL28712)	
19	L33083	THRUST WASHER	1		X X X		
20	AL41728	SYNCHRONIZER	1		X X X	(SUB FOR AL28710, AL39238)	
21	L39654	SNAP RING	AR		X X X	TK= 1.45MM (.057")	
	L36511	SNAP RING	AR		X X X	TK= 1.55MM (.061")	
	L36510	SNAP RING	AR		X X X	TK= 1.65MM (.065")	
	L36509	SNAP RING	AR		X X X	TK= 1.75MM (.069")	
22	L57622	GEAR	1		X X X	(SUB FOR L33104)	
23	AL28709	GEAR	1		X X X	Z=24	
24	L64122	DRIVE SHAFT	1		X X X	(SUB FOR L33078, L41630) (ORD W/ L64119, L64120, L64121, L64364)	

3E3

SYNCHRO. TRANSMISSION, HI-LO, CREEPER TRANSM.

HOLLOW DRIVE SHAFT (SYNCHRONIZED TRANSMISSION)
ARBRE CREUX (BOITE SYNCHRONISEE)
ANTRIEBSHOHLWELLE (SYNCHRONGETRIEBE)
ALBERO COMANDO CAVO (CAMBIO SINCRONIZZATO)
EJE HUECO (TRANSMISION SINCRONIZADA)
RORDRIVAXEL (SYNKRONISERAD VAXELLADA)

L120967 -UN-01JAN94



L120967

3E4

SYNCHRO. TRANSMISSION, HI-LO, CREEPER TRANSM.

KEY	PART NO.	PART NAME	QTY	SERIAL NO.	REMARKS
					2
					1 2 0
					6 0 4
					4 4 0
					0 0 S
1	L33270	SNAP RING	1	X X X	(FOR AL28713)
	L60559	SNAP RING	1	X X X	(FOR AL64050)
2	L60560	THRUST WASHER	1	X X X	(FOR AL64050)
3	AL63097	NEEDLE BEARING	1	X X X	OD= 50MM (FOR AL64050)
	JD10072	NEEDLE BEARING	1	X X X	OD= 55MM (FOR AL28713)
4	AL64050	DRIVE SHAFT	1	X X X	Z=29/14, ID= 50MM
	AL28713	DRIVE SHAFT	1	X X X	Z=29/14, ID= 55MM (ORD AL64050, L60560, L60559, AL63097)
5	JD10102	BEARING CONE	1	X X X	
6	JD10341	BEARING CUP	1	X X X	OD= 95.5MM (FOR AL64570 OR AL66781)
	JD10341	BEARING CUP	1	X	(A) (FOR AL40865, AL64571 OR AL66782)
7	40M1873	SNAP RING	1	X X X	90X3MM (FOR AL38551)
	L41669	SNAP RING	1	X X X	(FOR AL64570)
	L41669	SNAP RING	1	X	(A) (FOR AL40865 OR AL64571)
8	L57619	FLANGE	1	X X X	(FOR AL66781 OR AL66782)
9	L61496	SCREW	3	X X X	(FOR AL66781 OR AL66782)
10	AL60717	SHIPPING BUNDLE	1	X X X	
11	L58121	WASHER	1	X X X	TK= 4.55MM
	L58120	WASHER	1	X X X	TK= 4.60MM
	L58119	WASHER	1	X X X	TK= 4.65MM
	L58118	WASHER	1	X X X	TK= 4.70MM
	L58115	WASHER	1	X X X	TK= 4.75MM
	L58107	WASHER	1	X X X	TK= 4.80MM
	L58108	WASHER	1	X X X	TK= 4.85MM
	L58109	WASHER	1	X X X	TK= 4.90MM
	L58110	WASHER	1	X X X	TK= 4.95MM
	L58111	WASHER	1	X X X	TK= 5.00MM
	L58112	WASHER	1	X X X	TK= 5.05MM
	L58113	WASHER	1	X X X	TK= 5.10MM
	L58114	WASHER	1	X X X	TK= 5.15MM
	L56005	LOCK WASHER	1	X X X	TK= 5.20MM
	L56377	LOCK WASHER	1	X X X	TK= 5.25MM
12	L58721	SHIM	1	X X X	TK= 0.70MM
13	L33030	WASHER	1	X X X	(B)
14	L33028	SHIM	AR	X X X	(B) TK= 0.10MM (.004")
	L33027	SHIM	AR	X X X	(B) TK= 0.15MM (.006")
	L33029	SHIM	AR	X X X	(B) TK= 0.25MM (.098")
15	JD10067	BEARING CUP	1	X X X	
16	JD10068	BEARING CONE	1	X X X	
17	L55841	NUT	1	X X X	(SUB FOR L33059, L41792)
18	19M7329	CAP SCREW	1	X X X	M10X75
19	L33065	WASHER	1	X X X	
20	JD10069	ROLLER BEARING	1	X X X	
21	L41604	GEAR	1	X X X	Z=25 (SUB FOR L33062 APPL)
22	L33066	SHAFT	1	X X X	
23	JD10103	BEARING CUP	1	X X X	OD= 90MM (FOR AL38551)

(A) WITH INCREASED LIFTING CAPACITY
 AVEC CAPACITE DE REL.AUGM.
 BEI HUBKRAFTERHOEHUNG
 CON ELEVATA CAPACITA DI SOLLEVAMENTO
 CON FUERZA DE ELEV.AUMENTADA
 VID OKAD LYFTKAPACITET

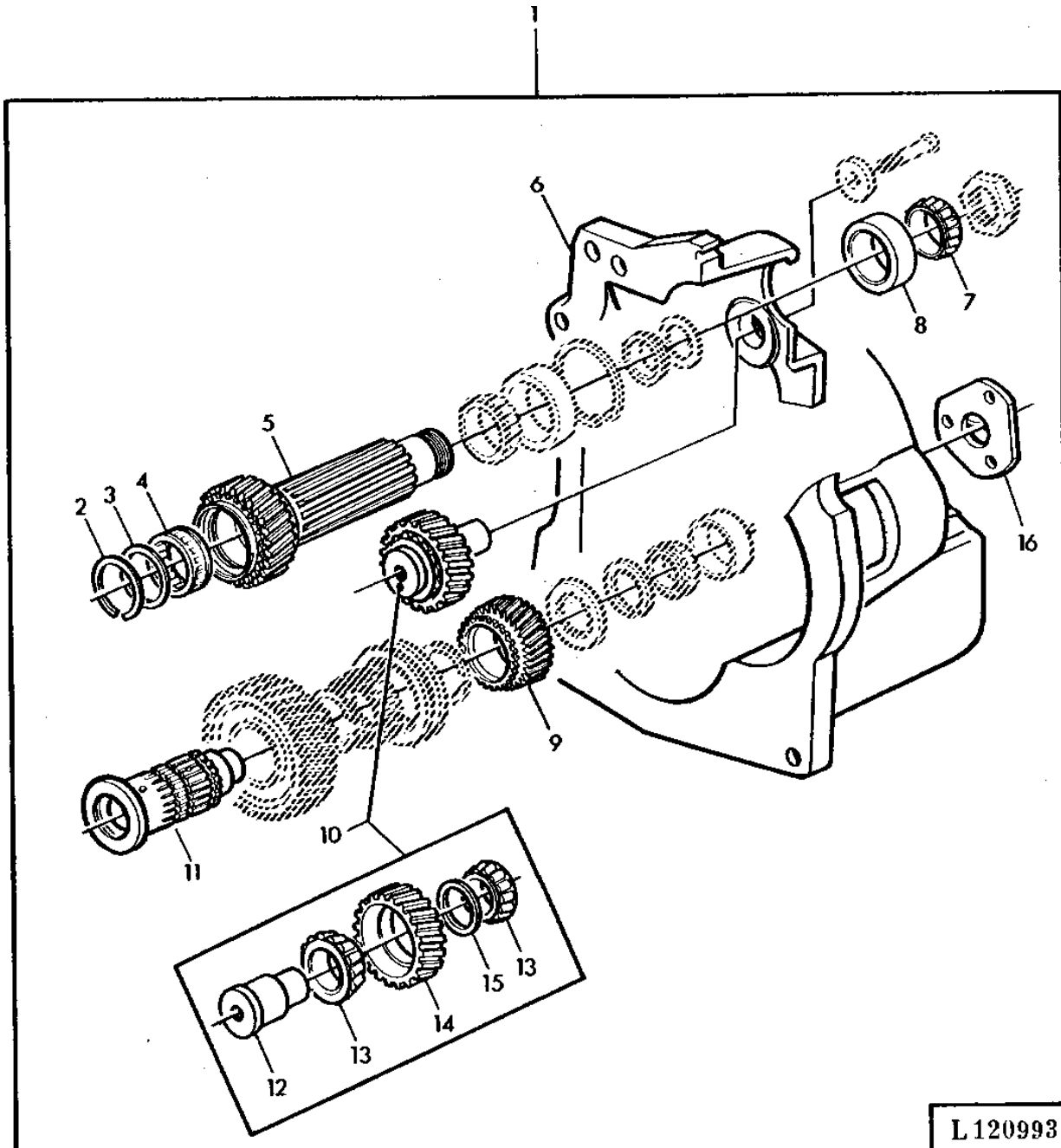
(B) ORDER PART 10,11 OR 12 AS REQUIRED
 COMMANDER PIECE 10,11 OU 12 SELON BESOIN
 BESTELLE TEIL 10,11 ODER 12 NACH BEDARF
 ORDINARE PEZZO 10,11 O 12 SECONDO NECESSITA
 PEDIR PIEZA 10,11 O 12 SI ES NECESARIO
 BESTALLAS DEL 10,11 ELLER 12 EFTER BEHOY

3E5

SYNCHRO. TRANSMISSION, HI-LO, CREEPER TRANSM.

REVERSE RANGE CONVERSION KIT (WITH SYNCHR. TRANSMISSION)
JEU D'ADAPTATION POUR GAMME ARRIERE (BOITE SYNCHRONISEE)
RUECKWAERTSGRUPPE-UMRUESTSATZ (BEI SYNCHRONGETRIEBE)
KIT CONVERSIONE PER GRUPPO RETROMARCE (CON TRANSM. SINCRON.)
CONJ. DE MODIF. GRUPO DE MARCHA ATRAS (TRANSMIS. SINCR.)
OMBYGGNADSSATS FOR BAKVAXELENH. (SYNKRON. TRANSMISSION)

L120993 -UN-01JAN94



L 120993

3E6

SYNCHRO. TRANSMISSION, HI-LO, CREEPER TRANSM.

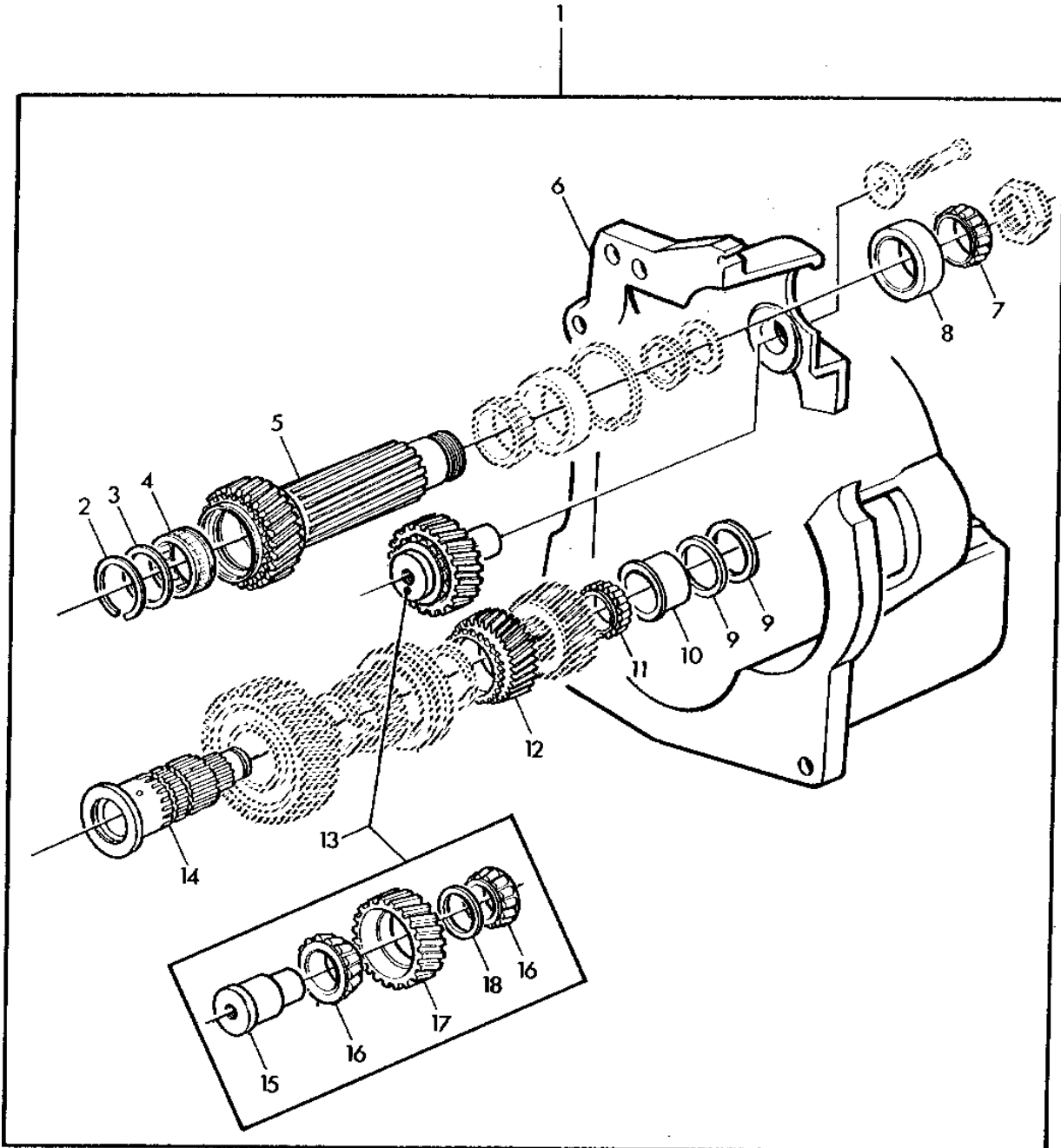
KEY	PART NO.	PART NAME	QTY	SERIAL NO.	REMARKS
					2
					1 2 0
					6 0 4
					4 4 0
					0 0 S
1	AL63831	KIT	1		X X X
2	L60559	SNAP RING	1		X X X
3	L60560	THRUST WASHER	1		X X X
4	AL63097	NEEDLE BEARING	1		X X X
5	AL66410	DRIVE SHAFT	1		X X X (SUB FOR AL60231)
6	L41667	QUILL	1		X X X
7	JD10337	BEARING CONE	1		X X X
8	JD10336	BEARING CUP	1		X X X
9	L57555	GEAR	1		X X X Z=28
10	AL66358	GEAR	1		X X X
11	L41665	SHAFT	1		X X X
12	L41641	SHAFT	1		X X X (ORD AL66358)
13	JD10330	BEARING CONE	2		X X X
14	L60387	GEAR	1		X X X Z=25 (ORD AL66358)
15	L41649	BUSHING	AR		X X X TK= 8.00MM
	L41650	BUSHING	AR		X X X TK= 8.05MM
	L41651	BUSHING	AR		X X X TK= 8.10MM
	L41652	BUSHING	AR		X X X TK= 8.15MM
	L41653	BUSHING	AR		X X X TK= 8.20MM
	L41654	BUSHING	AR		X X X TK= 8.25MM
	L41655	BUSHING	AR		X X X TK= 8.30MM
	L41656	BUSHING	AR		X X X TK= 8.35MM
	L41657	BUSHING	AR		X X X TK= 8.40MM
16	L63431	COVER	1		X X X

3E7

SYNCHRO. TRANSMISSION, HI-LO, CREEPER TRANSM.

REVERSE RANGE CONVERSION KIT (WITH SYNCHR. TRANSM. AND FRONT WH. DRIVE)
JEU D'ADAPTATION POUR GAMME ARRIERE (BOITE SYNCHRONISEE ET PONT AVT)
RUECKWAERTSGRUPPE-UMRUESTSATZ (BEI SYNCHRONGETR. MIT FRONTANTR.)
KIT CONVERSIONE PER GRUPPO RETROMARCE (CON TRANSM. SINCRON. E TRAZ. ANT)
CONJ. DE MODIF. GRUPO DE MARCHA ATRAS (TRANSMIS. SINCR. Y TRACC. DEL.)
OMBYGGNADSSATS FOR BAKVAXELENH. (SYNKRON. TRANSM. MED FRAMHJULSDRIFT)

L118200 -UN-01JAN94



L 118200

3E8

SYNCHRO. TRANSMISSION, HI-LO, CREEPER TRANSM.

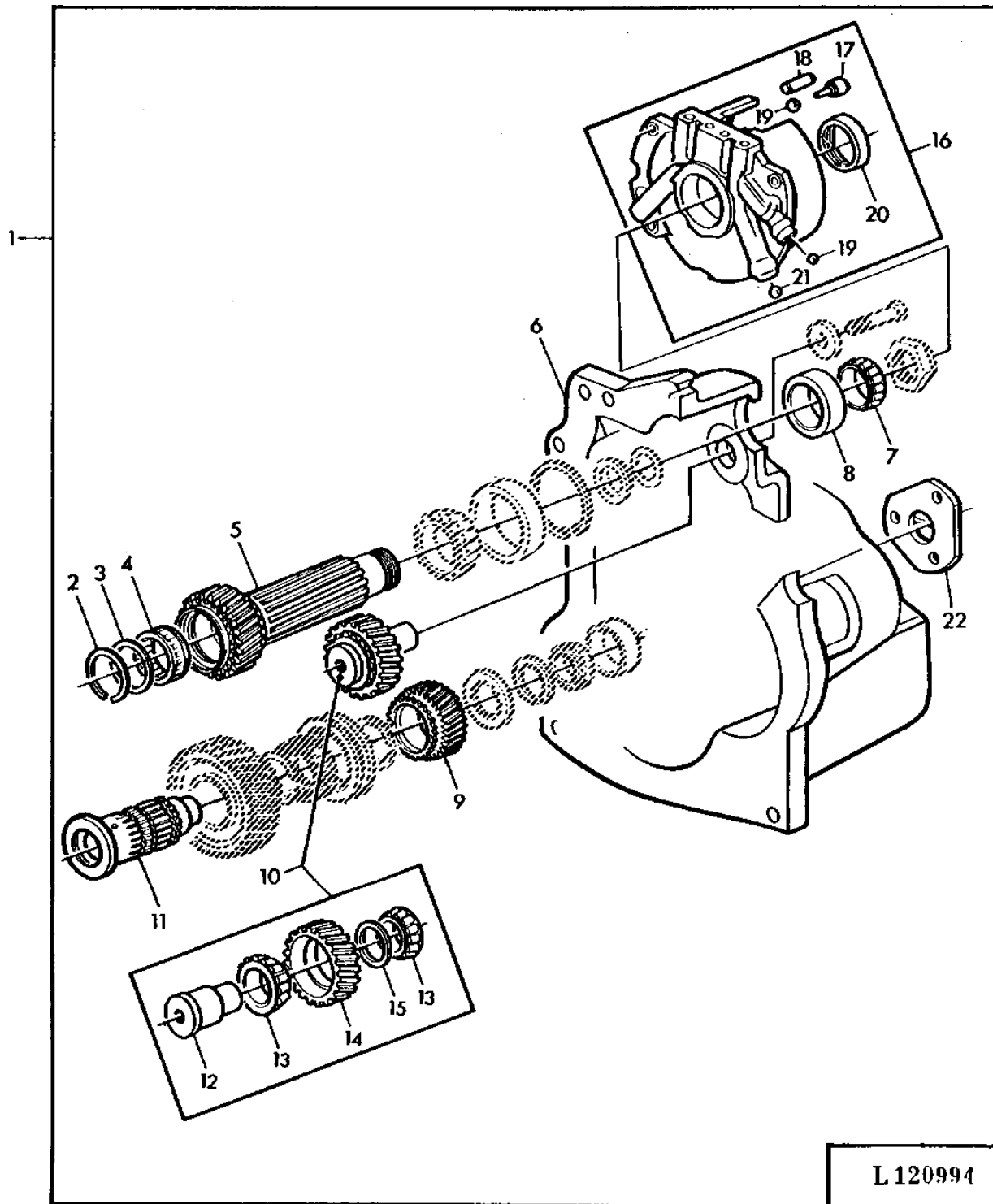
KEY	PART NO.	PART NAME	QTY	SERIAL NO.	2		REMARKS
					1	2	
					0	0	
					6	0	
					4	4	
					0	0	
					0	0	S
1	AL63828	KIT	1		X	X	(A) L33264/L36726 (Z=21/22) (ORD W/ L41689)
	AL63828	KIT	1		X	X	(A) L34100/L36727 (Z=22/22) (ORD W/ L41690)
	AL63828	KIT	1		X	X	(A) L57658/L38834 (Z=23/20) (ORD W/ L60519)
	AL63828	KIT	1		X	X	X
	AL63828	KIT	1		X	X	X
	AL63828	KIT	1		X	X	X
	AL63828	KIT	1		X	X	X
	AL63828	KIT	1		X	X	X
	AL63828	KIT	1		X	X	X
2	L60559	SNAP RING	1		X	X	X
3	L60560	THRUST WASHER	1		X	X	X
4	AL63097	NEEDLE BEARING	1		X	X	X
5	AL66410	DRIVE SHAFT	1		X	X	X
6	L41668	QUILL	1		X	X	X
7	JD10337	BEARING CONE	1		X	X	X
8	JD10336	BEARING CUP	1		X	X	X
9	L41660	SHIM	AR		X	X	X
	L41659	SHIM	AR		X	X	X
	L41663	SHIM	AR		X	X	X
	L41661	SHIM	AR		X	X	X
	L41662	WASHER	AR		X	X	X
	L41664	WASHER	AR		X	X	X
10	JD10339	BEARING CUP	1		X	X	X
11	JD10338	BEARING CONE	1		X	X	X
12	L57555	GEAR	1		X	X	X
13	AL66358	GEAR	1		X	X	X
14	L41666	SHAFT	1		X	X	X
15	L41641	SHAFT	1		X	X	X
16	JD10330	BEARING CONE	2		X	X	X
17	L60387	GEAR	1		X	X	X
18	L41649	BUSHING	AR		X	X	X
	L41650	BUSHING	AR		X	X	X
	L41651	BUSHING	AR		X	X	X
	L41652	BUSHING	AR		X	X	X
	L41653	BUSHING	AR		X	X	X
	L41654	BUSHING	AR		X	X	X
	L41655	BUSHING	AR		X	X	X
	L41656	BUSHING	AR		X	X	X
	L41657	BUSHING	AR		X	X	X

(A) WITH FRONT WHEEL DRIVE-GEAR PAIRS
 SUR PONT AVANT-PAIRE DE PIGNONS
 BEI FRONTANTRIEB-ZAHNRADPAARUNG
 CON TRAZIONE ANTERIORE-INGRANAGGIO DOPPIO
 CON TRACCION DELANTERA-PAR DE PINONES
 VID FRAMHJULSDRIVNING-DUBBELDREV

3E9

SYNCHRO. TRANSMISSION, HI-LO, CREEPER TRANSM.

REVERSE RANGE CONVERSION KIT (WITH SYNCHR. TRANSM. AND HI-LO SHIFT UNIT)
JEU D'ADAPTATION POUR GAMME ARRIERE (BOITE SYNCHRONISEE ET REDUSTEUR HI-LO)
RUECKWAERTSGRUPPE-UMRUESTSATZ (BEI SYNCHRONGETR. MIT LASTSCHALTST.)
KIT CONVERSIONE PER GRUPPO RETROMARCE (CON TRANSM. SINCRON. E CAMPIO HI-LO)
CONJ. DE MODIF. GRUPO DE MARCHA ATRAS (TRANSMIS. SINCR. Y REDUCCION HI-LO)
OMBYGGNADSSATS FOR BAKVAXELENH. (SYNKRON. TRANSM. OCH HOG-LAG SNABBVAXEL)
L120994 -UN-01JAN94



L 120994

3E10

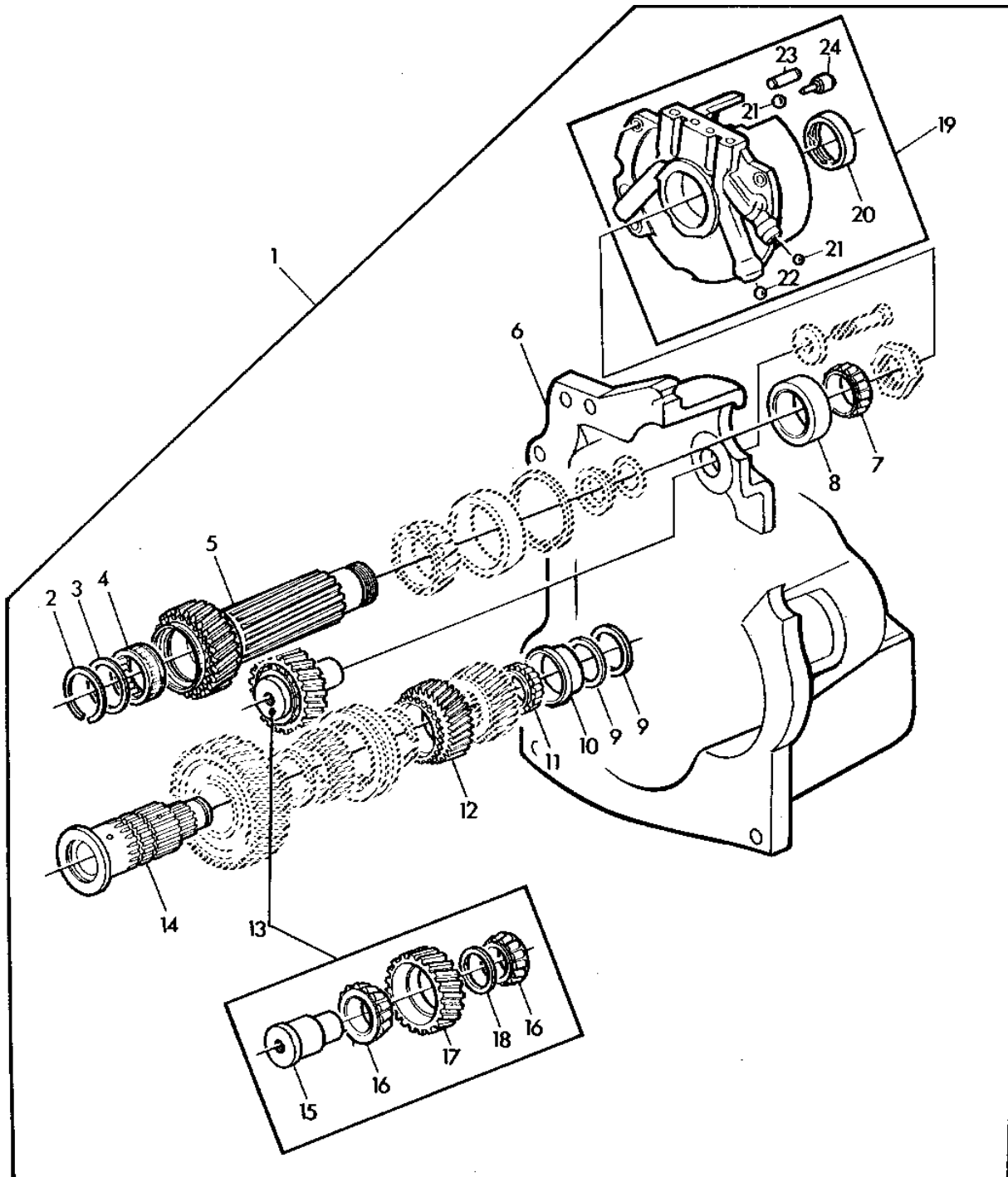
SYNCHRO. TRANSMISSION, HI-LO, CREEPER TRANSM.

KEY	PART NO.	PART NAME	QTY	SERIAL NO.	REMARKS
					2
					1 2 0
					6 0 4
					4 4 0
					0 0 S
1	AL63832	KIT	1		X X X
2	L60559	SNAP RING	1		X X X
3	L60560	THRUST WASHER	1		X X X
4	AL63097	NEEDLE BEARING	1		X X X
5	AL66410	DRIVE SHAFT	1		X X X (SUB FOR AL60231)
6	L41667	QUILL	1		X X X
7	JD10337	BEARING CONE	1		X X X
8	JD10336	BEARING CUP	1		X X X
9	L57555	GEAR	1		X X X Z=28
10	AL66358	GEAR	1		X X X
11	L41665	SHAFT	1		X X X
12	L41641	SHAFT	1		X X X (ORD AL66358)
13	JD10330	BEARING CONE	2		X X X
14	L60387	GEAR	1		X X X Z=25 (ORD AL66358)
15	L41649	BUSHING	AR		X X X TK= 8.00MM
	L41650	BUSHING	AR		X X X TK= 8.05MM
	L41651	BUSHING	AR		X X X TK= 8.10MM
	L41652	BUSHING	AR		X X X TK= 8.15MM
	L41653	BUSHING	AR		X X X TK= 8.20MM
	L41654	BUSHING	AR		X X X TK= 8.25MM
	L41655	BUSHING	AR		X X X TK= 8.30MM
	L41656	BUSHING	AR		X X X TK= 8.35MM
	L41657	BUSHING	AR		X X X TK= 8.40MM
16	AL40807	HOUSING	1		X X X (MARKED L41677) (ORD W/ L40773)
17	L33369	PIN	1		X X X
18	R30587	DOWEL PIN	2		X X X
19	L38718	BALL	2		X X X
20	L34115	BUSHING	1		X X X
21	R26552	BALL	1		X X X
22	L63431	COVER	1		X X X

3E11

SYNCHRO. TRANSMISSION, HI-LO, CREEPER TRANSM.

REVERSE RANGE CONVERSION KIT (WITH SYNCHR. TRANSM. AND HI-LO SHIFT UNIT/MFWD)
JEU D'ADAPTATION GAMME ARRIERE (BOITE SYNCHRON. AVEC REDUCTEUR HI-LO/PONT AVANT.)
RUECKWAERTSGRUPPE-UMRUESTSATZ (BEI SYNCHRONGETR. MIT LASTSCHALTST. UND FRONTANTR.)
KIT CONVERSIONE PER GRUPPO RETROMARCE (CON TRANSM. SINCRON. HILO E TRAZ. ANTER.)
CONJ. DE MODIF. GRUPO DE MARCHA ATRAS (TRANSMIS. SINCR., HI-LO Y TRACC. DELANT)
OMBYGGNADSSATS FOR BAKVAXELENH. (SYNKRON. TRANSM., HOG-LAG SNABBV. OCH FRAMHJULSDR.)
L118245 -UN-01JAN94



I. 118245

3E12

SYNCHRO. TRANSMISSION, HI-LO, CREEPER TRANSM.

KEY	PART NO.	PART NAME	QTY	SERIAL NO.	REMARKS
					2 1 2 0 6 0 4 4 4 0 0 0 S
1	AL63829	KIT	1	X X	(A) L33264/L36762 (Z=21/22) (ORD W/ L41689)
	AL63829	KIT	1	X X	(A) L34100/L36727 (Z=22/22) (ORD W/ L41690)
	AL63829	KIT	1	X X	(A) L57658/L38834 (Z=23/20) (ORD W/ L60519)
	AL63829	KIT	1	X X X	(A) L35003/L36724 (Z=20/23) OR L33264/L36724 (Z=21/23) (ORD W/ L41691)
	AL63829	KIT	1	X X X	
	AL63829	KIT	1	X X X	(A) L57658/L36725 (Z=23/21) (ORD W/ L60520)
2	L60559	SNAP RING	1	X X X	
3	L60560	THRUST WASHER	1	X X X	
4	AL63097	NEEDLE BEARING	1	X X X	
5	AL66410	DRIVE SHAFT	1	X X X	(SUB FOR AL60231)
6	L41668	QUILL	1	X X X	
7	JD10337	BEARING CONE	1	X X X	
8	JD10336	BEARING CUP	1	X X X	
9	L41660	SHIM	AR	X X X	TK= 0.10MM
	L41659	SHIM	AR	X X X	TK= 0.15MM
	L41663	SHIM	AR	X X X	TK= 0.20MM
	L41661	SHIM	AR	X X X	TK= 0.30MM
	L41662	WASHER	AR	X X X	TK= 1.00MM
	L41664	WASHER	AR	X X X	TK= 1.05MM
10	JD10339	BEARING CUP	1	X X X	
11	JD10338	BEARING CONE	1	X X X	
12	L57555	GEAR	1	X X X	Z=28
13	AL66358	GEAR	1	X X X	
14	L41666	SHAFT	1	X X X	
15	L41641	SHAFT	1	X X X	(ORD AL66358)
16	JD10330	BEARING CONE	2	X X X	
17	L60387	GEAR	1	X X X	Z=25 (ORD AL66358)
18	L41649	BUSHING	AR	X X X	TK= 8.00MM
	L41650	BUSHING	AR	X X X	TK= 8.05MM
	L41651	BUSHING	AR	X X X	TK= 8.10MM
	L41652	BUSHING	AR	X X X	TK= 8.15MM
	L41653	BUSHING	AR	X X X	TK= 8.20MM
	L41654	BUSHING	AR	X X X	TK= 8.25MM
	L41655	BUSHING	AR	X X X	TK= 8.30MM
	L41656	BUSHING	AR	X X X	TK= 8.35MM
	L41657	BUSHING	AR	X X X	TK= 8.40MM
19	AL40807	HOUSING	1	X X X	(MARKED L41677) (ORD W/ L40773)
20	L34115	BUSHING	1	X X X	
21	L38718	BALL	2	X X X	
22	R26552	BALL	1	X X X	
23	R30587	DOWEL PIN	2	X X X	
24	L33369	PIN	1	X X X	

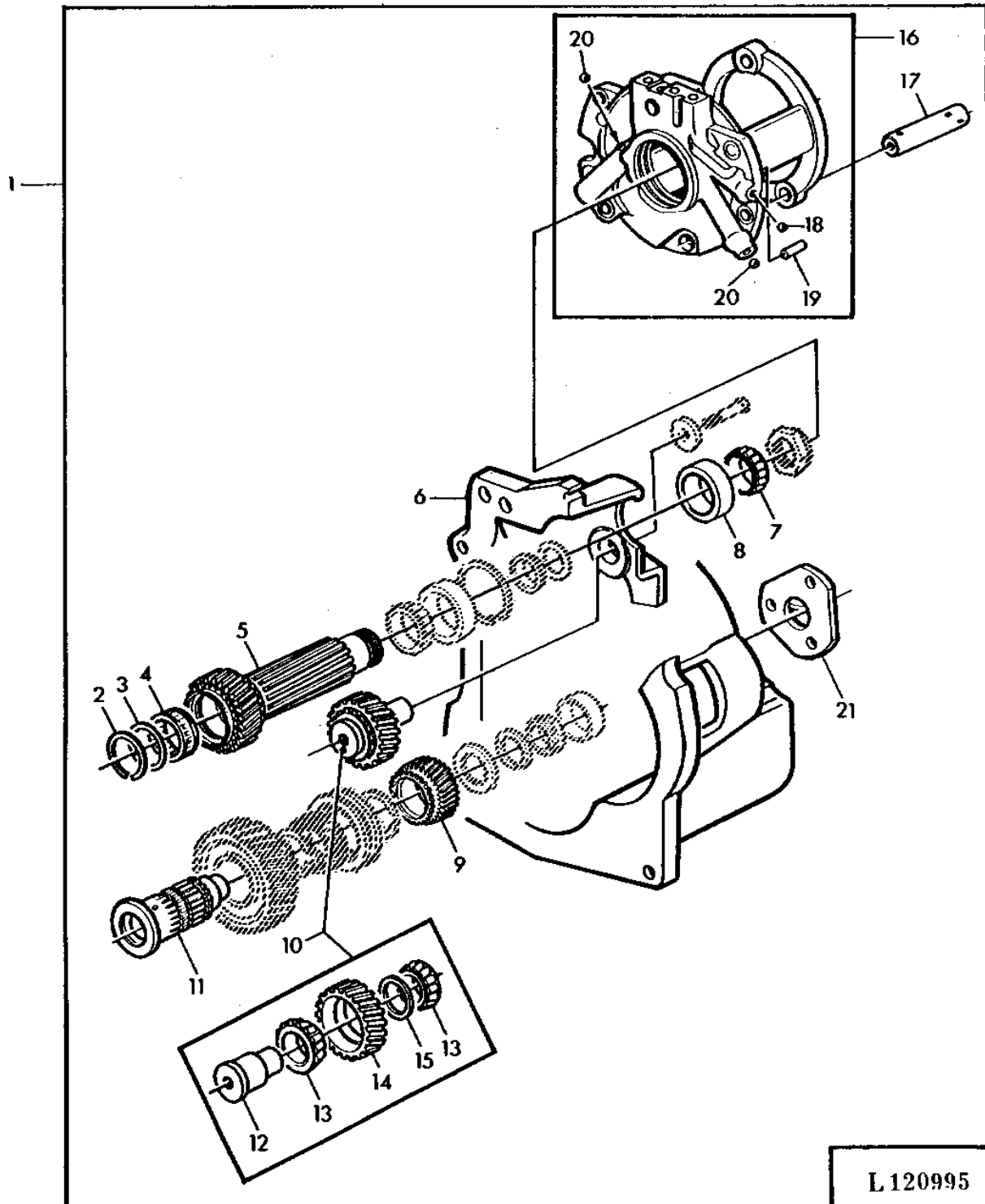
(A) WITH FRONT WHEEL DRIVE-GEAR PAIRS
 SUR PONT AVANT-PAIRE DE PIGNONS
 BEI FRONTANTRIEB-ZAHNRADPAARUNG
 CON TRAZIONE ANTERIORE-INGRANAGGIO DOPPIO
 CON TRACCION DELANTERA-PAR DE PINONES
 VID FRAMHJULSDRIVNING-DUBBELDREV

3E13

SYNCHRO. TRANSMISSION, HI-LO, CREEPER TRANSM.

REVERSE RANGE CONVERSION KIT (WITH SYNCHR. TRANSM. AND CREEPER TRANSMISSION)
JEU D'ADAPTATION GAMME ARRIERE (BOITE SYNCHRONISEE ET REDUCTEUR GAMME RAMPANTE)
RUECKWAERTSGRUPPE-UMRUESTSATZ (BEI SYNCHRONGETR. MIT KRIECHGANGGETR.)
KIT CONVERSIONE PER GRUPPO RETROMARCE (CON TRANSM. SINCRON. E MARCE RAMPANTI)
CONJ. DE MODIF. GRUPO DE MARCHA ATRAS (TRANSMIS. SINCR. Y TRANSM. CREEPER)
OMBYGGNADSSATS FOR BAKVAXELENH. (SYNKRON. TRANSM. OCH KRYPVAXEL)

L120995 -UN-01JAN94



3E14

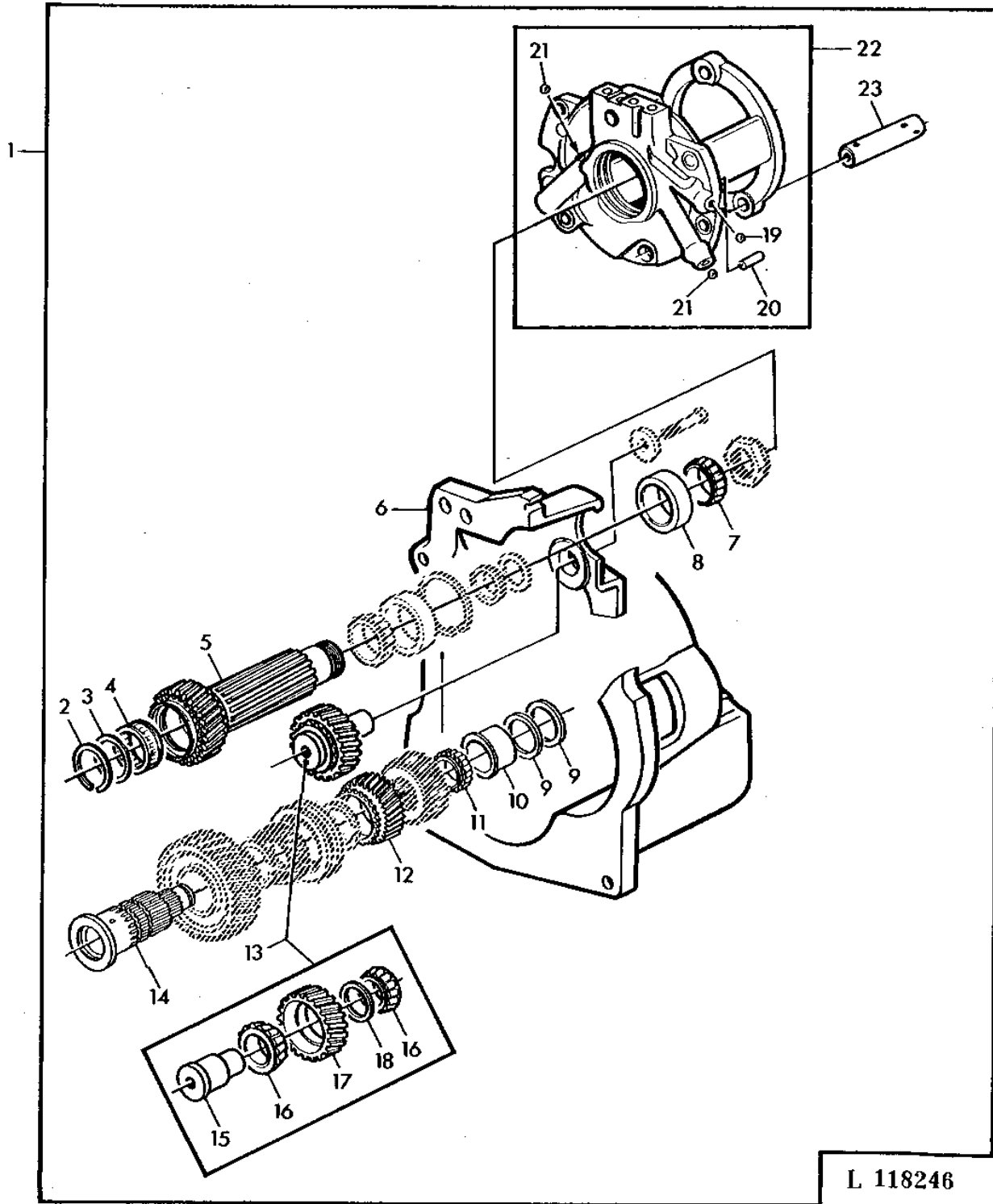
SYNCHRO. TRANSMISSION, HI-LO, CREEPER TRANSM.

KEY	PART NO.	PART NAME	QTY	SERIAL NO.	REMARKS
					2
					1 2 0
					6 0 4
					4 4 0
					0 0 S
1	AL63833	KIT	1		X X X
2	L60559	SNAP RING	1		X X X
3	L60560	THRUST WASHER	1		X X X
4	AL63097	NEEDLE BEARING	1		X X X
5	AL66410	DRIVE SHAFT	1		X X X (SUB FOR AL60231)
6	L41667	QUILL	1		X X X
7	JD10337	BEARING CONE	1		X X X
8	JD10336	BEARING CUP	1		X X X
9	L57555	GEAR	1		X X X Z=28
10	AL66358	GEAR	1		X X X
11	L41665	SHAFT	1		X X X
12	L41641	SHAFT	1		X X X (ORD AL66358)
13	JD10330	BEARING CONE	2		X X X
14	L60387	GEAR	1		X X X Z=25 (ORD AL66358)
15	L41649	BUSHING	AR		X X X TK= 8.00MM
	L41650	BUSHING	AR		X X X TK= 8.05MM
	L41651	BUSHING	AR		X X X TK= 8.10MM
	L41652	BUSHING	AR		X X X TK= 8.15MM
	L41653	BUSHING	AR		X X X TK= 8.20MM
	L41654	BUSHING	AR		X X X TK= 8.25MM
	L41655	BUSHING	AR		X X X TK= 8.30MM
	L41656	BUSHING	AR		X X X TK= 8.35MM
	L41657	BUSHING	AR		X X X TK= 8.40MM
16	AL40805	HOUSING	1		X X X (MARKED L41676) (ORD W/ L40773)
17	L41675	SHAFT	1		X X X
18	R26552	BALL	1		X X X 8MM
19	R30587	DOWEL PIN	2		X X X
20	L38718	BALL	2		X X X 6MM
21	L63431	COVER	1		X X X

3E15

SYNCHRO. TRANSMISSION, HI-LO, CREEPER TRANSM.

REVERSE RANGE CONVERSION KIT (WITH SYNCHR. TRANSM. AND CREEPER TRANSM./MFW)
JEU D'ADAPTATION GAMME ARRIERE (BOITE SYNCHRON/REDUCT. GAMME RAMPANTE/PONT AVT)
RUECKWAERTSGRUPPE-UMRUESTSATZ (BEI SYNCHRONGETR. MIT KRIECHGANGGETR. U. FRONTANTR.)
KIT CONVERS. PER GRUPPO RETROM. (CON TRANSM. SINCRON., MARCE RAMP. E TRAZ. ANTER.)
CONJ. DE MODIF. GRUPO DE MARCHA ATRAS (TRANSMIS. SINCR., CREEPER Y TRACCION DEL.)
OMBYGGNADSSATS FOR BAKVAXELENH. (SYNKRON. TRANSM., KRYPVAXEL OCH FRAMHJULSDRIFT)
L118246 -UN-01JAN94



3E16

SYNCHRO. TRANSMISSION, HI-LO, CREEPER TRANSM.

KEY	PART NO.	PART NAME	QTY	SERIAL NO.	REMARKS
					2 1 2 0 6 0 4 4 4 0 0 0 S
1	AL63830	KIT	1	X X X	
	AL63830	KIT	1	X X	(A) L33264/L36726 (Z=21/22) (ORD W/ L41689)
	AL63830	KIT	1	X X	(A) L34100/L36727 (Z=22/22) (ORD W/ L41690)
	AL63830	KIT	1	X X	(A) L33266/L38834 (Z=23/20) OR L57658/L38834 (Z=23/20) (ORD W/ L60519)
	AL63830	KIT	1	X X X	(A) L35003/L36724 (Z=20/23) OR L33264/L36724 (Z=21/23) (ORD W/ L41691)
	AL63830	KIT	1	X X X	(A) L33266/L36725 (Z=23/21) OR L57658/L36725 (Z=23/21) (ORD W/ L60520)
2	L60559	SNAP RING	1	X X X	
3	L60560	THRUST WASHER	1	X X X	
4	AL63097	NEEDLE BEARING	1	X X X	
5	AL66410	DRIVE SHAFT	1	X X X	(SUB FOR AL60231)
6	L41668	QUILL	1	X X X	
7	JD10337	BEARING CONE	1	X X X	
8	JD10336	BEARING CUP	1	X X X	
9	L41660	SHIM	AR	X X X	TK= 0.10MM
	L41659	SHIM	AR	X X X	TK= 0.15MM
	L41663	SHIM	AR	X X X	TK= 0.20MM
	L41661	SHIM	AR	X X X	TK= 0.30MM
	L41662	WASHER	AR	X X X	TK= 1.00MM
	L41664	WASHER	AR	X X X	TK= 1.05MM
10	JD10339	BEARING CUP	1	X X X	
11	JD10338	BEARING CONE	1	X X X	
12	L57555	GEAR	1	X X X	Z=28
13	AL66358	GEAR	1	X X X	
14	L41666	SHAFT	1	X X X	
15	L41641	SHAFT	1	X X X	(ORD AL66358)
16	JD10330	BEARING CONE	2	X X X	
17	L60387	GEAR	1	X X X	Z=25 (ORD AL66358)
18	L41649	BUSHING	AR	X X X	TK= 8.00MM
	L41650	BUSHING	AR	X X X	TK= 8.05MM
	L41651	BUSHING	AR	X X X	TK= 8.10MM
	L41652	BUSHING	AR	X X X	TK= 8.15MM
	L41653	BUSHING	AR	X X X	TK= 8.20MM
	L41654	BUSHING	AR	X X X	TK= 8.25MM
	L41655	BUSHING	AR	X X X	TK= 8.30MM
	L41656	BUSHING	AR	X X X	TK= 8.35MM
	L41657	BUSHING	AR	X X X	TK= 8.40MM
19	R26552	BALL	1	X X X	8MM
20	R30587	DOWEL PIN	2	X X X	
21	L38718	BALL	2	X X X	6MM
22	AL40805	HOUSING	1	X X X	(MARKED L41676) (ORD W/ L40773)
23	L41675	SHAFT	1	X X X	

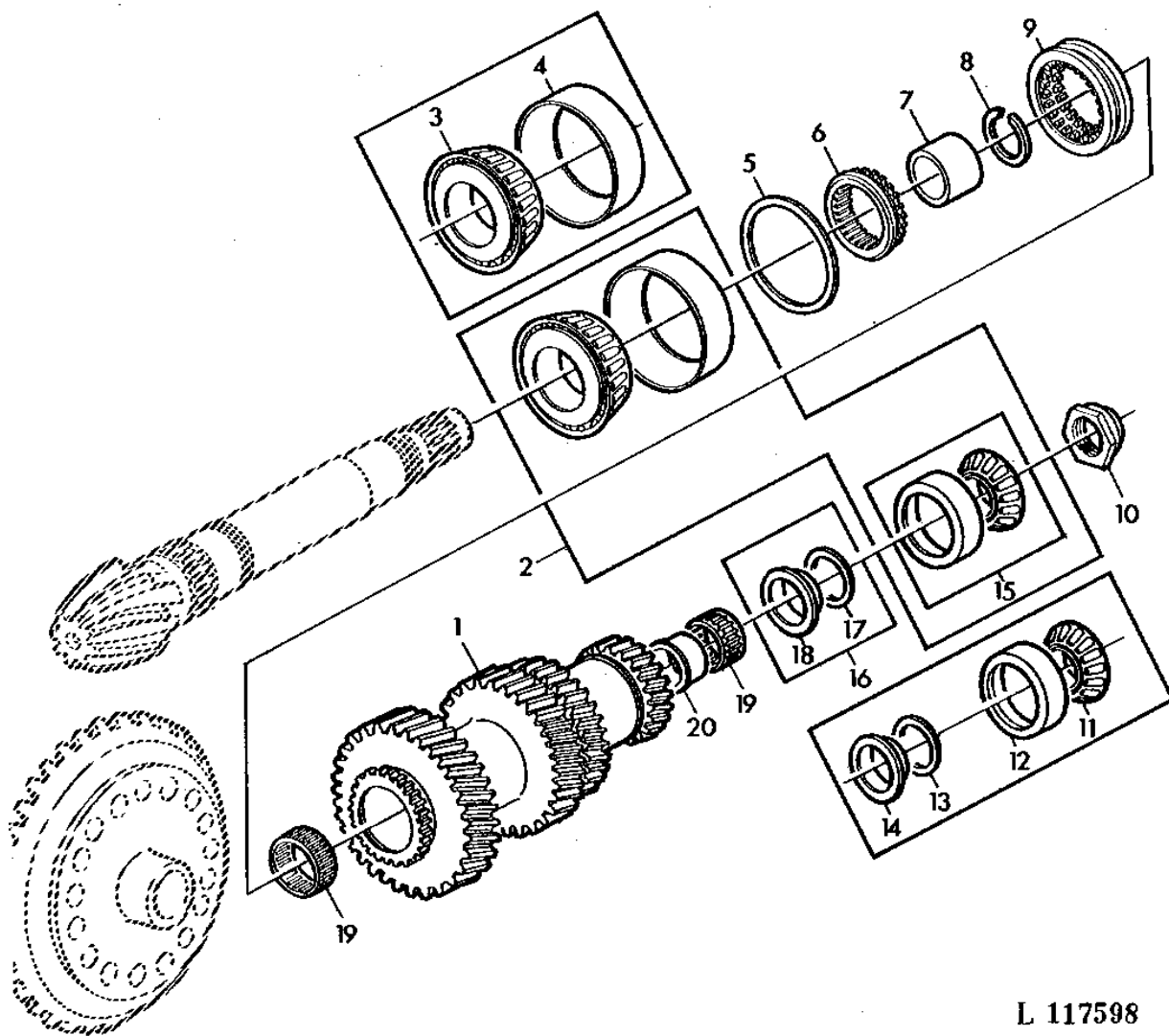
(A) WITH FRONT WHEEL DRIVE-GEAR PAIRS
 SUR PONT AVANT-PAIRE DE PIGNONS
 BEI FRONTANTRIEB-ZAHNRADPAARUNG
 CON TRAZIONE ANTERIORE-INGRANAGGIO DOPPIO
 CON TRACCION DELANTERA-PAR DE PINONES
 VID FRAMHJULSDRVNING-DUBBELDREV

3E17

SYNCHRO. TRANSMISSION, HI-LO, CREEPER TRANSM.

PINION SHAFT/GROUP SHAFT (SYNCHRONIZED TRANSMISSION)
ARBRE DU PIGNON D'ATTAQUE/ARBRE DES GROUPES (BOITE SYNCHRO.)
HAUPTWELLE/GRUPPENWELLE (SYNCHRONGETRIEBE)
ALBERO PRINCIPALE/ALBERO GAMME (CAMBIO SINCRONIZZATO)
EJE DE SALIDA DEL CAMBIO/EJE PARA GRUPOS (TRANSM. SINCRON.)
DIFFERENTIALDRIVAXEL/GRUPPAXEL (SYNKRONISERAD VAXELLADA)

L117598 -UN-01JAN94



L 117598

3E18

SYNCHRO. TRANSMISSION, HI-LO, CREEPER TRANSM.

KEY	PART NO.	PART NAME	QTY	SERIAL NO.	REMARKS
					2
					1 2 0
					6 0 4
					4 4 0
					0 0 S
1	L41021	COUNTERSHAFT	1	X X	Z=36/33/29/26 (SUB FOR L33019)
2	AL65858	BEARING	1	X X	
3	JD10097	BEARING CONE	1	X X	(ORD AL65858)
4	L28648	BEARING CUP	1	X X	(ORD AL65858)
5	T28284	SHIM	AR	X X	TK= 0.1MM (.003")
	T28285	SHIM	AR	X X	TK= 0.15MM (.005")
	T28286	SHIM	AR	X X	TK= 0.25MM (.010")
6	L33721	SHIFT COLLAR CARRIER	1	X X	
7	JD10075	BEARING RACE	1	X X	
8	40M7072	SNAP RING	1	X X	
9	L33033	SHIFT COLLAR	1	X X	
10	L55840	NUT	1	X X	(SUB FOR L34182, L41793)
11	JD10080	BEARING CONE	1	X X	(ORD AL65171)
12	JD10098	BEARING CUP	1	X X	(ORD AL65171)
13	M809T	SHIM	1	X X	(A) 45.237X55.575X0.127MM
	24M7223	SHIM	AR	X X	(A) 45X56X0.1MM
	L36301	SHIM	1	X X	(A) 45X56X0.15MM
	24M7225	SHIM	AR	X X	(A) 45X56X0.2MM
	24M7224	SHIM	AR	X X	(A) 45X56X0.3MM
	24M7231	SHIM	1	X X	(A) 45X56X0.5MM
14	L36087	SPACER	1	X X	(A)
15	AL65171	BEARING	1	X X	
16	AL60718	SHIPPING BUNDLE	1	X X	
17	L58722	SHIM	1	X X	TK= 0.50MM
18	L55896	SPACER	1	X X	TK= 14.00MM
	L55897	SPACER	1	X X	TK= 14.05MM
	L55898	SPACER	1	X X	TK= 14.10MM
	L55899	SPACER	1	X X	TK= 14.15MM
	L55900	SPACER	1	X X	TK= 14.20MM
	L55901	SPACER	1	X X	TK= 14.25MM
	L55902	SPACER	1	X X	TK= 14.30MM
	L55903	SPACER	1	X X	TK= 14.35MM
	L55904	SPACER	1	X X	TK= 14.40MM
	L55905	SPACER	1	X X	TK= 14.45MM
19	JD10543	NEEDLE BEARING	2	X X	(SUB FOR JD10070)
20	JD10074	BEARING RACE	1	X X	

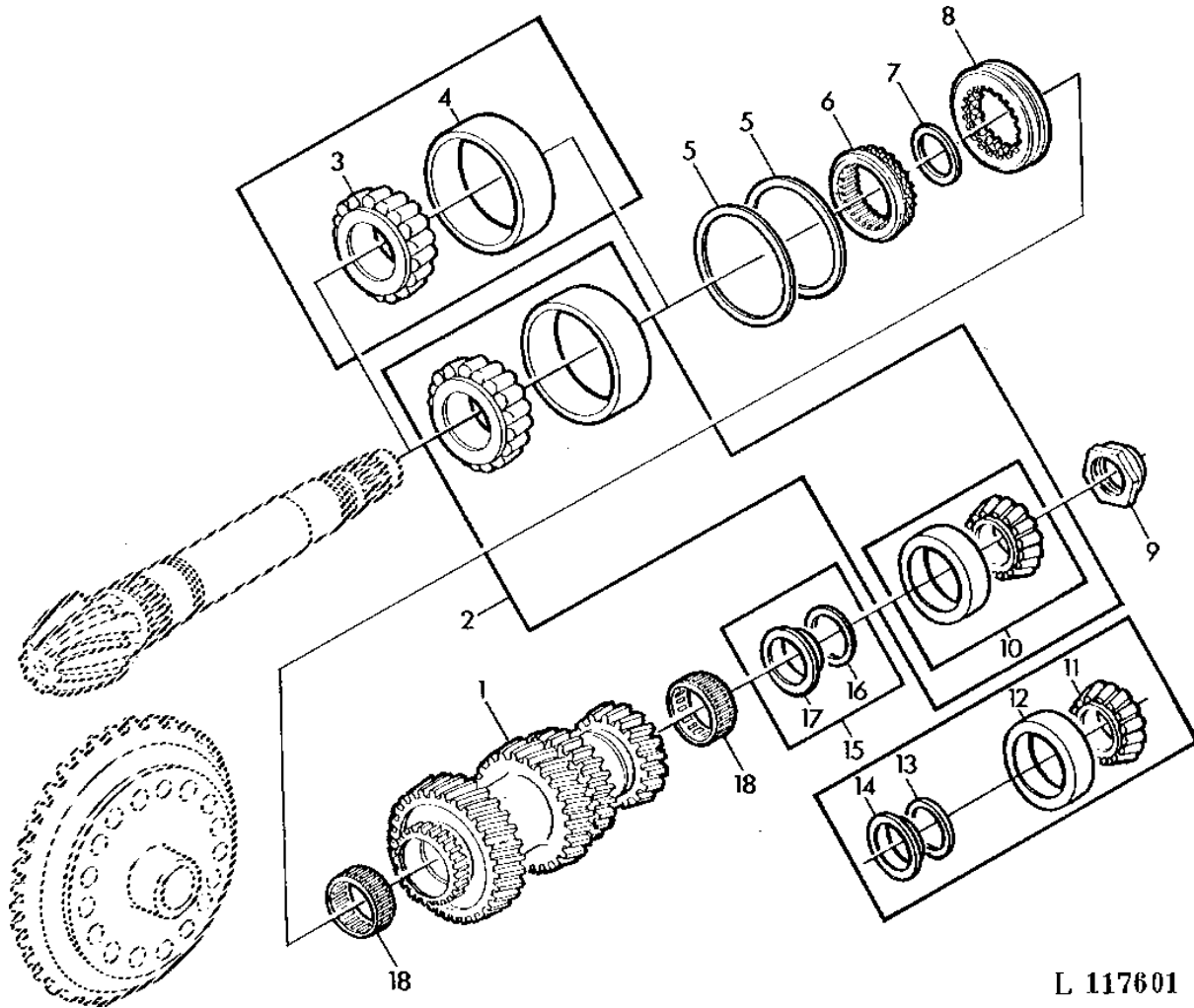
(A) ORDER PART 16,17 OR 18 AS REQUIRED
 COMMANDER PIECE 16,17 OU 18 SELON BESOIN
 BESTELLE TEIL 16,17 ODER 18 NACH BEDARF
 ORDINARE PEZZO 16,17 O 18 SECONDO NECESSITA
 PEDIR PIEZA 16,17 O 18 SI ES NECESARIO
 BESTALLAS DEL 16,17 ELLER 18 EFTER BEHOV

3E19

SYNCHRO. TRANSMISSION, HI-LO, CREEPER TRANSM.

PINION SHAFT/GROUP SHAFT (SYNCHRONIZED TRANSMISSION)
ARBRE DU PIGNON D'ATTAQUE/ARBRE DES GROUPES (BOITE SYNCHRO.)
HAUPTWELLE/GRUPPENWELLE (SYNCHRONGETRIEBE)
ALBERO PRINCIPALE/ALBERO GAMME (CAMBIO SINCRONIZZATO)
EJE DE SALIDA DEL CAMBIO/EJE PARA GRUPOS (TRANSM. SINCRON.)
DIFFERENTIALDRIVAXEL/GRUPPAXEL (SYNKRONISERAD VAXELLADA)

L117601 -UN-01JAN94



L 117601

3E20

SYNCHRO. TRANSMISSION, HI-LO, CREEPER TRANSM.

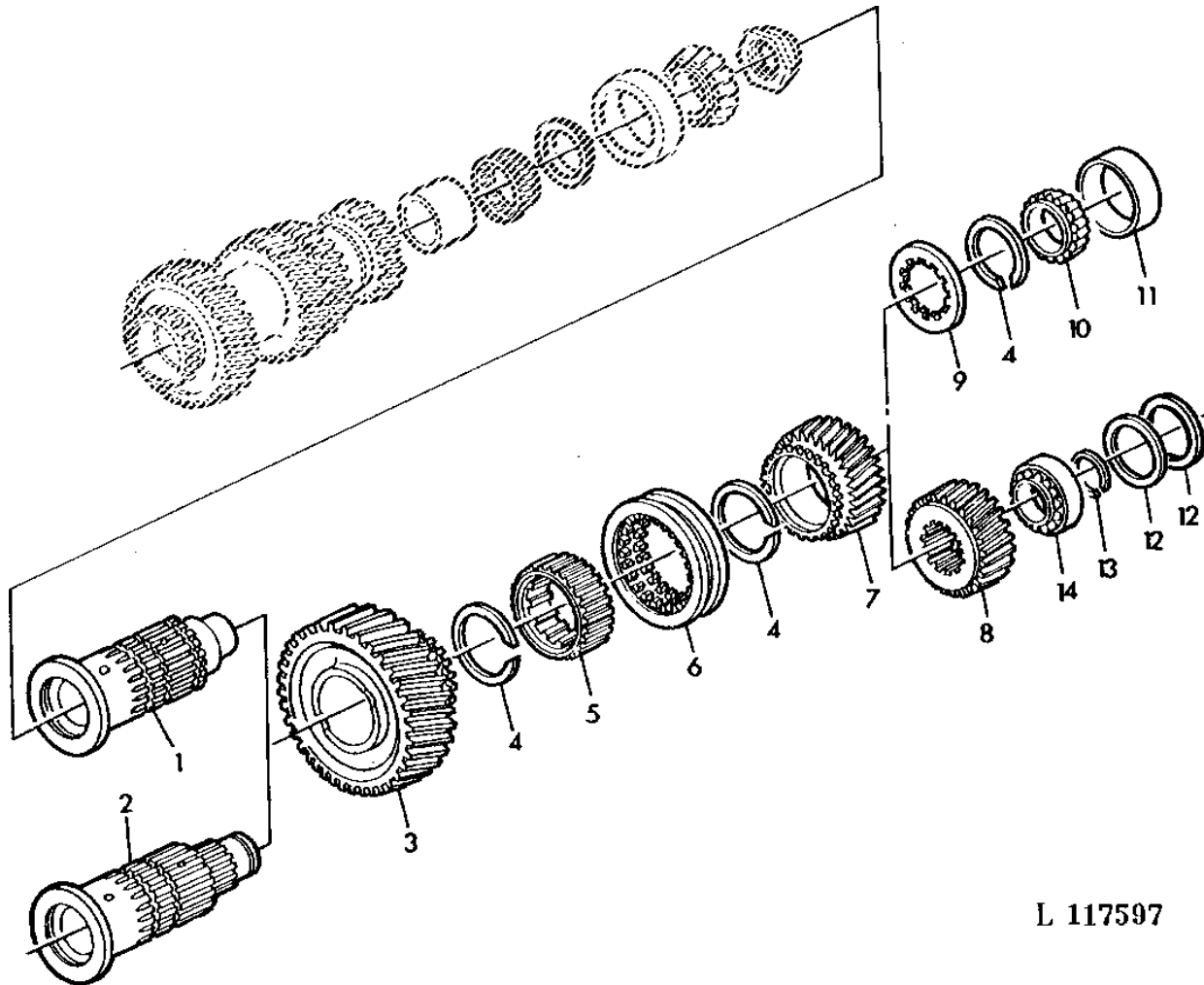
KEY	PART NO.	PART NAME	QTY	SERIAL NO.	REMARKS
					2
					1 2 0
					6 0 4
					4 4 0
					0 0 S
1	L41021	COUNTERSHAFT	1		X Z=36/33/29/26 (SUB FOR L33019)
2	AL65172	BEARING	1		X
3	JD10076	ROLLER BEARING	1		X (ORD AL65172)
4	L28648	BEARING CUP	1		X (ORD AL65172)
5	T28284	SHIM	AR		X TK= 0.1MM (.003")
	T28285	SHIM	AR		X TK= 0.15MM (.005")
	T28286	SHIM	AR		X TK= 0.25MM (.010")
6	L33032	GEAR	1		X
7	L33733	THRUST WASHER	1		X
8	L33033	SHIFT COLLAR	1		X
9	L55840	NUT	1		X (SUB FOR L34182, L41793)
10	AL65171	BEARING	1		X
11	JD10080	BEARING CONE	1		X (ORD AL65171)
12	JD10098	BEARING CUP	1		X (ORD AL65171)
13	M809T	SHIM	1		X (A) 45.237X55.575X0.127MM
	24M7223	SHIM	AR		X (A) 45X56X0.1MM
	L36301	SHIM	1		X (A) 45X56X0.15MM
	24M7225	SHIM	AR		X (A) 45X56X0.2MM
	24M7224	SHIM	AR		X (A) 45X56X0.3MM
	24M7231	SHIM	1		X (A) 45X56X0.5MM
14	L36087	SPACER	1		X (A)
15	AL60718	SHIPPING BUNDLE	1		X
16	L58722	SHIM	1		X TK= 0.50MM
17	L55896	SPACER	1		X TK= 14.00MM
	L55897	SPACER	1		X TK= 14.05MM
	L55898	SPACER	1		X TK= 14.10MM
	L55899	SPACER	1		X TK= 14.15MM
	L55900	SPACER	1		X TK= 14.20MM
	L55901	SPACER	1		X TK= 14.25MM
	L55902	SPACER	1		X TK= 14.30MM
	L55903	SPACER	1		X TK= 14.35MM
	L55904	SPACER	1		X TK= 14.40MM
	L55905	SPACER	1		X TK= 14.45MM
18	JD10543	NEEDLE BEARING	2		X (SUB FOR JD10070)

(A) ORDER PART 15,16 OR 17 AS REQUIRED
 COMMANDER PIECE 15,16 OU 17 SELON BESOIN
 BESTELLE TEIL 15,16 ODER 17 NACH BEDARF
 ORDINARE PEZZO 15,16 O 17 SECONDO NECESSITA
 PEDIR PIEZA 15,16 O 17 SI ES NECESARIO
 BESTALLAS DEL 15,16 ELLER 17 EFTER BEHOY

3E21

SYNCHRO. TRANSMISSION, HI-LO, CREEPER TRANSM.

GROUP SHAFT (SYNCHRONIZED TRANSMISSION)
ARBRE DES GROUPES (BOITE SYNCHRO.)
GRUPPENWELLE (SYNCHRONGETRIEBE)
ALBERO GAMME (CAMBIO SINCRONIZZATO)
EJE PARA GRUPOS (TRANSM. SINCRON.)
GRUPPVAXEL (SYNKRONISERAD VAXELLADA)
L117597 -UN-01JAN94



L 117597

3E22

SYNCHRO. TRANSMISSION, HI-LO, CREEPER TRANSM.

KEY	PART NO.	PART NAME	QTY	SERIAL NO.	REMARKS
					2 1 2 0 6 0 4 4 4 0 0 0 S
1	L37589	SHAFT	1		X X
2	L37590	SHAFT	1		X X X (A)
3	L33023	GEAR	1		X X X Z=43
4	L33035	SNAP RING	3		X X
	L33035	SNAP RING	2		X X X (A)
5	L33060	SHIFT COLLAR CARRIER	1		X X X
6	L33024	SHIFT COLLAR	1		X X X
7	L33025	GEAR	1		X X X Z=28
8	L35003	GEAR	1	-449999	X X (A) Z=20 (FOR L36724)
	L38833	GEAR	1	450000-480977	X X (A) Z=24 (FOR L38832)
	L34100	GEAR	1	450000-	X X (A) Z=22 (FOR L36727)
	L37461	GEAR	1		X X X (A) Z=20 (FOR L37459 OR L37460)
	L33264	GEAR	1		X X X (A) Z=21 (FOR L36724 OR L36726)
	L57658	GEAR	1		X X X (A) Z=23 (FOR L36725 OR L38834) (SUB FOR L33266)
	L35003	GEAR	1		X (A) Z=20 (FOR L36724)
	L33238	GEAR	1		X (A) Z=22 (FOR L36725)
9	L33044	THRUST WASHER	1		X X
10	JD10065	BEARING CONE	1		X X
11	JD7409	BEARING CUP	1		X X (SUB FOR JD10066)
12	24M7219	SHIM	AR		X X X (A) 50X62X0.1MM
	L36302	SHIM	1		X X X (A) 50X62X0.15MM
	24M7220	SHIM	AR		X X X (A) 50X62X0.2MM
	24M7221	SHIM	AR		X X X (A) 50X62X0.3MM
	24M4813	WASHER	1		X X X (A) 50X62X1MM
13	B1402R	SNAP RING	1		X X X (A)
14	JD10079	BEARING CONE	1		X X X (A)

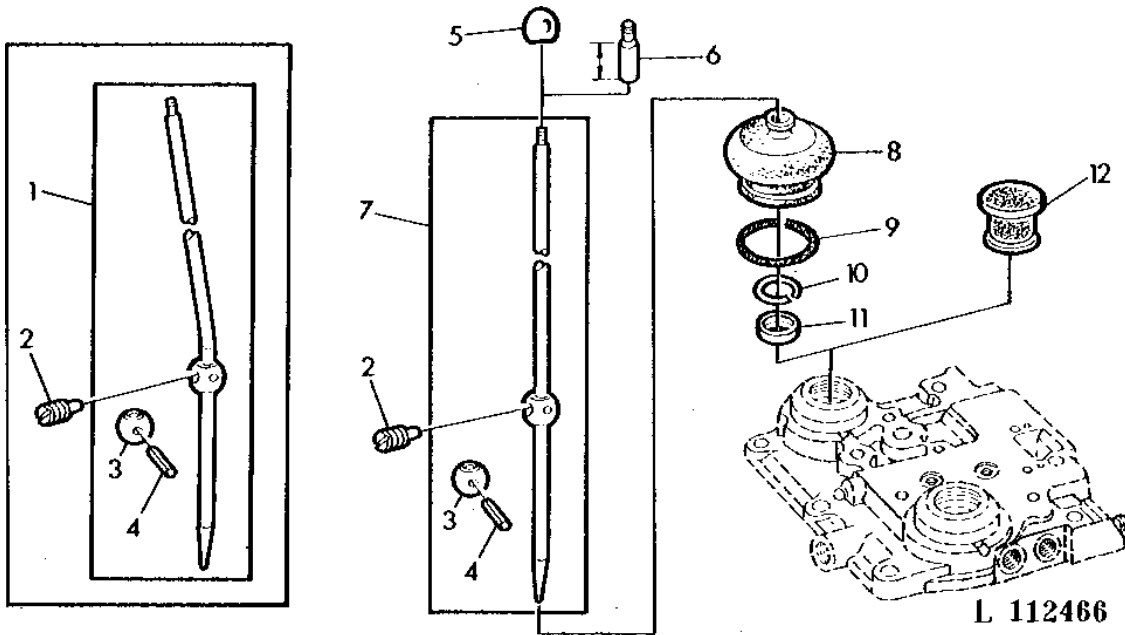
(A) WITH FRONT WHEEL DRIVE
 AVEC PONT AVANT
 BEI FRONTANTRIEB
 CON TRAZIONE ANTERIORE
 CON TRACCION DELANTERA
 VID FRAMHJULSDRIFT

3E23

SYNCHRO. TRANSMISSION, HI-LO, CREEPER TRANSM.

GEAR SHIFT LEVER (SYNCHRONIZED TRANSMISSION)
 LEVIER DE CHANGEMENT DE VITESSE (BOITE SYNCHRONISEE)
 GANGSCHALTHEBEL (SYNCHRONGETRIEBE)
 LEVE CAMBIO (CAMBIO SINCRONIZZATO)
 PALANCA DE CAMBIO DE VELOCIDADES (TRANSMISION SINCRONIZADA)
 VAXELSPAKAR (SYNKRONISERAD VAXELLADA)

L112466 -UN-01JAN94



2
1 2 0
6 0 4
4 4 0
0 0 S

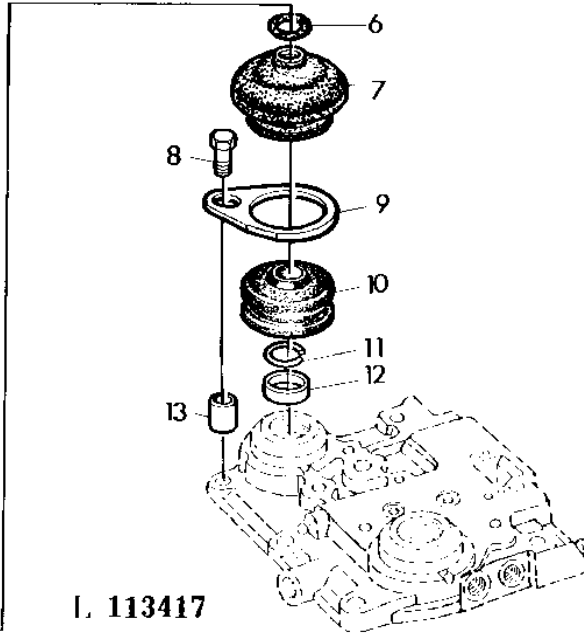
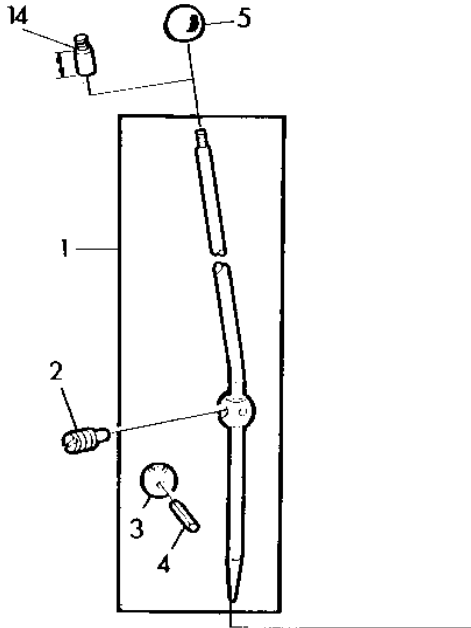
KEY	PART NO.	PART NAME	QTY	SERIAL NO.	REMARKS
1	DE13627	GEARSHIFT LEVER	2	X X X	
2	CE14055	SET SCREW	2	X X X	
3	CE14048	BALL	1	X X X	
4	34H251	SPRING PIN	1	X X X	1/8"X1"
5	AL58296	KNOB	2	X X X	(SUB FOR R50864 APPL)
6	L38087	EXTENSION	2	X X X	50MM
	L38088	EXTENSION	2	X X X	80MM
	L38089	EXTENSION	2	X X X	100MM
7	AL32791	GEARSHIFT LEVER	2	X X X	
8	L31055	BOOT	2	X X X	
9	L31311	O-RING	2	X X X	
10	L4035T	SNAP RING	2	X X X	
11	L4027T	BUSHING	2	X X X	
12	L36622	PLUG	2	X X X	(A)

(A) WITH CONSOLE SHIFT
 AVEC SELECTION A LA CONSOLE
 BEI KONSOLENSCHALTUNG
 CON SELEZIONE DA QUADRANTE
 CON SELECCION DESDE CUADRANTE
 VID KONSOLVAXLING

3E24

SYNCHRO. TRANSMISSION, HI-LO, CREEPER TRANSM.

GEAR SHIFT LEVER (SYNCHRONIZED TRANSMISSION) WITH MC1 CAB
 LEVIER DE CHANGEMENT DE VITESSE (BOITE SYNCHRONISEE) AVEC CABINE MC1
 GANGSCHALTHEBEL (SYNCHRONGETRIEBE) BEI MC1 KABINE
 LEVE CAMBIO (CAMBIO SINCRONIZZATO) CON CABINA MC1
 PALANCA DE CAMBIO DE VELOCIDADES (TRANSMISION SINCRONIZADA) CON CABINA MC1
 VAXELSPAKAR (SYNKRONISERAD VAXELLADA) VID MC1 FORARHYTT
 L113417 -UN-11JUL95



I. 113417

2
1 2 0
6 0 4
4 4 0
0 0 S

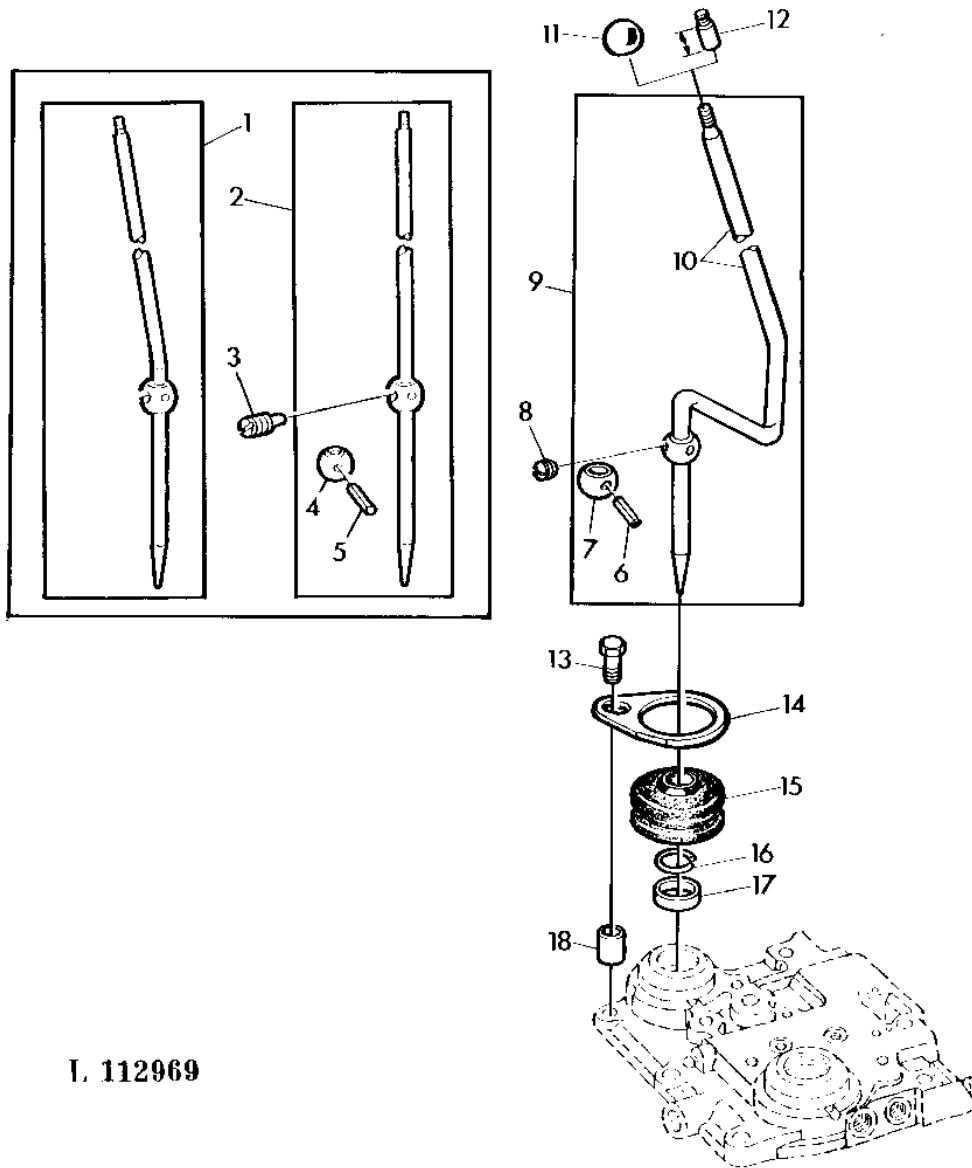
KEY	PART NO.	PART NAME	QTY	SERIAL NO.	REMARKS
1	AL32768	GEARSHIFT LEVER	1	X X X	RH
	DE13627	GEARSHIFT LEVER	1	X X X	LH
2	CE14055	SET SCREW	2	X X X	
3	CE14048	BALL	1	X X X	
4	34H251	SPRING PIN	1	X X X	
5	AL58296	KNOB	2	X X X	(SUB FOR R50864 APPL)
6	L58600	O-RING	2	X X X	
7	L31055	BOOT	2	X X X	
8	19H1801	CAP SCREW	2	X X X	3/8"X2"
9	L42192	RETAINER	2	X X X	
10	L42191	BOOT	2	X X X	
11	L4035T	SNAP RING	2	X X X	
12	L4027T	BUSHING	2	X X X	
13	L30818	SPACER	2	X X X	
14	L38087	EXTENSION	1	X X X	50MM

3F1

SYNCHRO. TRANSMISSION, HI-LO, CREEPER TRANSM.

GEAR SHIFT LEVER WITH SG2 CAR AND CENTER SHIFT (SYN. TRANSMISSION)
LEVIER DE VIT. SUR CAB. SG2 ET DISPOS. SELEC. CENTRAL (BOITE SYNCHRO.)
GANGSCHALTHEBEL BEI SG2 UND MITTELSCHALTUNG (SYNCHRONGETRIEBE)
LEVA INNESTO CON CAB. SG2 ED INNESTO CENTR. (TRASM. SINCRONIZZATA)
PALANCA CAMBIO VELOC. CON SG2 Y SELECTOR CENTRAL (TRANSM. SINCR.)
VAXELSPAK VID SG2 HYTT OCH MID-MONTERAD VAXLING (SYNKRON. VAXLING)

L112969 -UN-17JUL95



I. 112969

3F2

SYNCHRO. TRANSMISSION, HI-LO, CREEPER TRANSM.

KEY	PART NO.	PART NAME	QTY	SERIAL NO.	2 1 2 0 6 0 4 4 4 0 0 0 S	REMARKS
1	DE13627	GEARSHIFT LEVER	2		X X X	
2	AL32791	GEARSHIFT LEVER	2	-552322	X X X	
3	CE14055	SET SCREW	2	-552322	X X X	
4	CE14048	BALL	2	-552322	X X X	
5	34H251	SPRING PIN	2	-552322	X X X	1/8"X1"
6	34M7144	SPRING PIN	2	552323-	X X X	
7	L42193	BALL	2	552323-	X X X	
8	R53308	SET SCREW	2	552323-	X X X	
9	AL57614	GEARSHIFT LEVER	2	552323-	X X X	
10	L42235	GEARSHIFT LEVER	2	552323-	X X X	
11	AL58296	KNOB	2		X X X	(SUB FOR R50864 APPL)
12	L38087	EXTENSION	2		X X X	50MM
	L38088	EXTENSION	2		X X X	80MM
	L38089	EXTENSION	2		X X X	100MM
13	19H1765	CAP SCREW	2	552323-	X X X	3/8"X1-3/4"
14	L58056	RETAINER	2		X X X	(A)
	L42192	RETAINER	2	552323-	X X X	
15	L31055	BOOT	2	-552322	X X X	
	L42191	BOOT	2	552323-	X X X	
16	L4035T	SNAP RING	2		X X X	
17	L4027T	BUSHING	2		X X X	
18	L30818	SPACER	2	552323-	X X X	

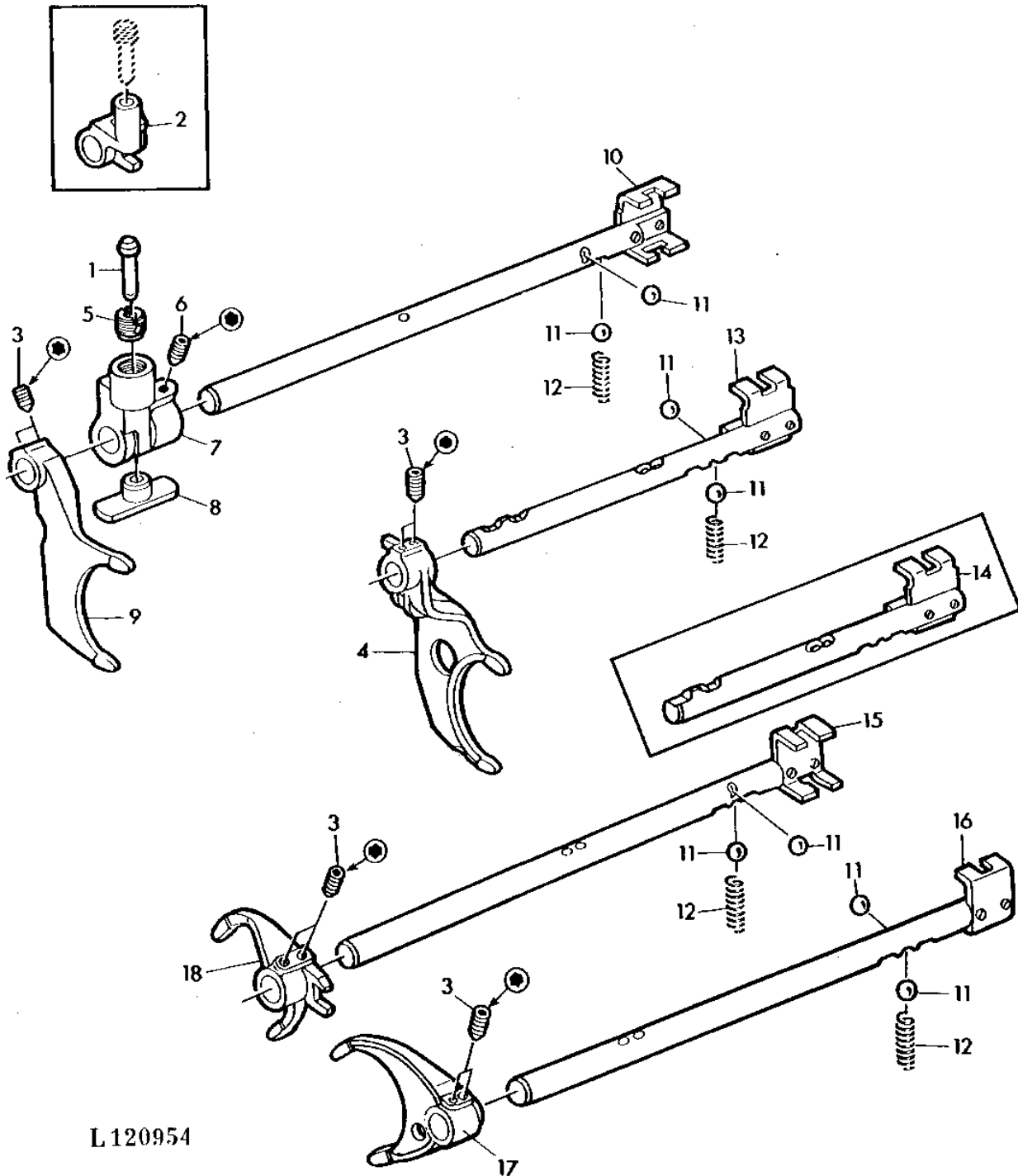
(A) WITH CREEPER TRANSMISSION
 AVEC GAMME RAMPANTE
 BEI KRIECHGANGGETRIEBE
 CON GRUPPO RAMPANTE
 CON TRANSMISION CREEPER
 VID KRYPVAXEL

3F3

SYNCHRO. TRANSMISSION, HI-LO, CREEPER TRANSM.

GEAR SHIFTING PARTS (SYNCHRONIZED TRANSMISSION)
ELEMENTS DU CHANGEMENT DE VITESSE (BOITE SYNCHRONISEE)
GANGSCHALTUNGSTEILE (SYNCHRONGETRIEBE)
PARTI INNESTRO MARCE (CAMBIO SINCRONIZZATO)
PIEZAS CAMBIO VELOCIDADES (TRANSMISION SINCRONIZADA)
VAXLINGSMEKANISM (SYNKRONISERAD VAXELLADA)

L120954 -UN-01JAN94



L120954

3F4

SYNCHRO. TRANSMISSION, HI-LO, CREEPER TRANSM.

KEY	PART NO.	PART NAME	QTY	SERIAL NO.	REMARKS
					2
					1 2 0
					6 0 4
					4 4 0
					0 0 S
1	R98941	PIN	1		X X X (SUB FOR R60559, T22435, L41886)
2	L33054	GUIDE	1	-472548	X X X
3	L33332	SET SCREW	8		X X X M12X1X16
4	L33051	SHIFTER	1		X X X
5	L39081	SET SCREW	1	472549-	X X X
6	T25614	SET SCREW	1		X X X 3/8"
7	L39080	GUIDE	1	472549-	X X X
8	AL36859	SHOE	1	472549-	X X X
9	L62253	SHIFTER	1		X X X (SUB FOR L33052)
10	AL37584	SHIFTER ROD	1		X X X (SUB FOR AL33245)
	AL37585	SHIFTER ROD	1		X X X (A) (SUB FOR AL33277)
	AL37585	SHIFTER ROD	1	-552322	X X X (A) (B)
	AL37584	SHIFTER ROD	1	-552322	X X X (B)
	AL55937	SHIFTER ROD	1	552323-	X X X (A) (B)
	AL41701	SHIFTER ROD	1	552323-	X X X (B)
11	R26552	BALL	8		X X X 5/16"
12	T27716	SPRING	4		X X X
13	AL67178	SHIFTER ROD	1	-552322	X X X (B) (SUB FOR AL38757)
	AL66931	SHIFTER ROD	1	552323-	X X X (B) (SUB FOR AL41700)
	AL67178	SHIFTER ROD	1	472549-	X X X (SUB FOR AL36844, AL38757)
14	AL33259	SHIFTER ROD	1	-472548	X X X
15	AL33539	SHIFTER ROD	1		X X X
	AL33539	SHIFTER ROD	1	-552322	X X X (B)
	AL41703	SHIFTER ROD	1	552323-	X X X (B)
16	AL33540	SHIFTER ROD	1		X X X
	AL33540	SHIFTER ROD	1	-552322	X X X (B)
	AL41702	SHIFTER ROD	1	552323-	X X X (B)
17	L33050	SHIFTER	1		X X X
18	L33045	SHIFTER	1		X X X

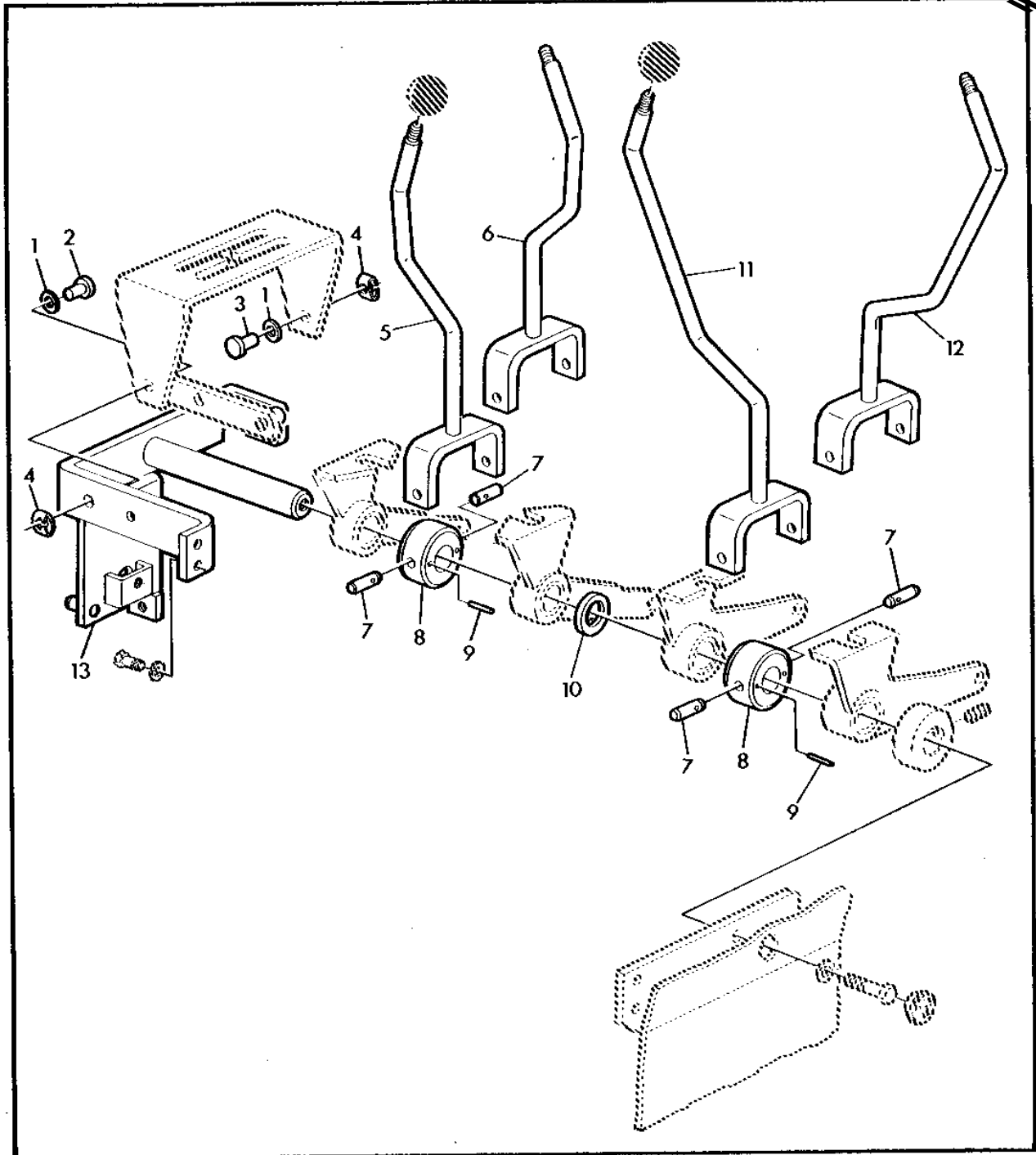
(A) WITH CREEPER TRANSMISSION
 AVEC REDUCTEUR GAMME RAMPANTE
 BEI KRIECHGANG GETRIEBE
 CON SUPERRIDUTTORE
 CON TRANSMISION LENTA
 MED KRYPVAXEL

(B) WITH SG2 CAB AND CENTER SHIFT
 AVEC CABINE SG2 ET COMMANDE CENTRALE
 BEI SG2 KABINE UND MITTELSCHALTUNG
 CON CABINA SG2 E CAMBIO LEVE CENTRALI
 CON CABINA SG2 Y CAMBIO CENTRAL
 VID SG2 HYTT OCH MITTKONSOL

3F5

SYNCHRO. TRANSMISSION, HI-LO, CREEPER TRANSM.

CONSOLE SHIFT
SELECTION A LA CONSOLE
KONSOLENSCHALTUNG
SELEZIONE DA QUADRANTE
SELECCION DESDE CUADRANTE
KONSOLVAXLING
L109174 -UN-01JAN94



L 109174

3F6

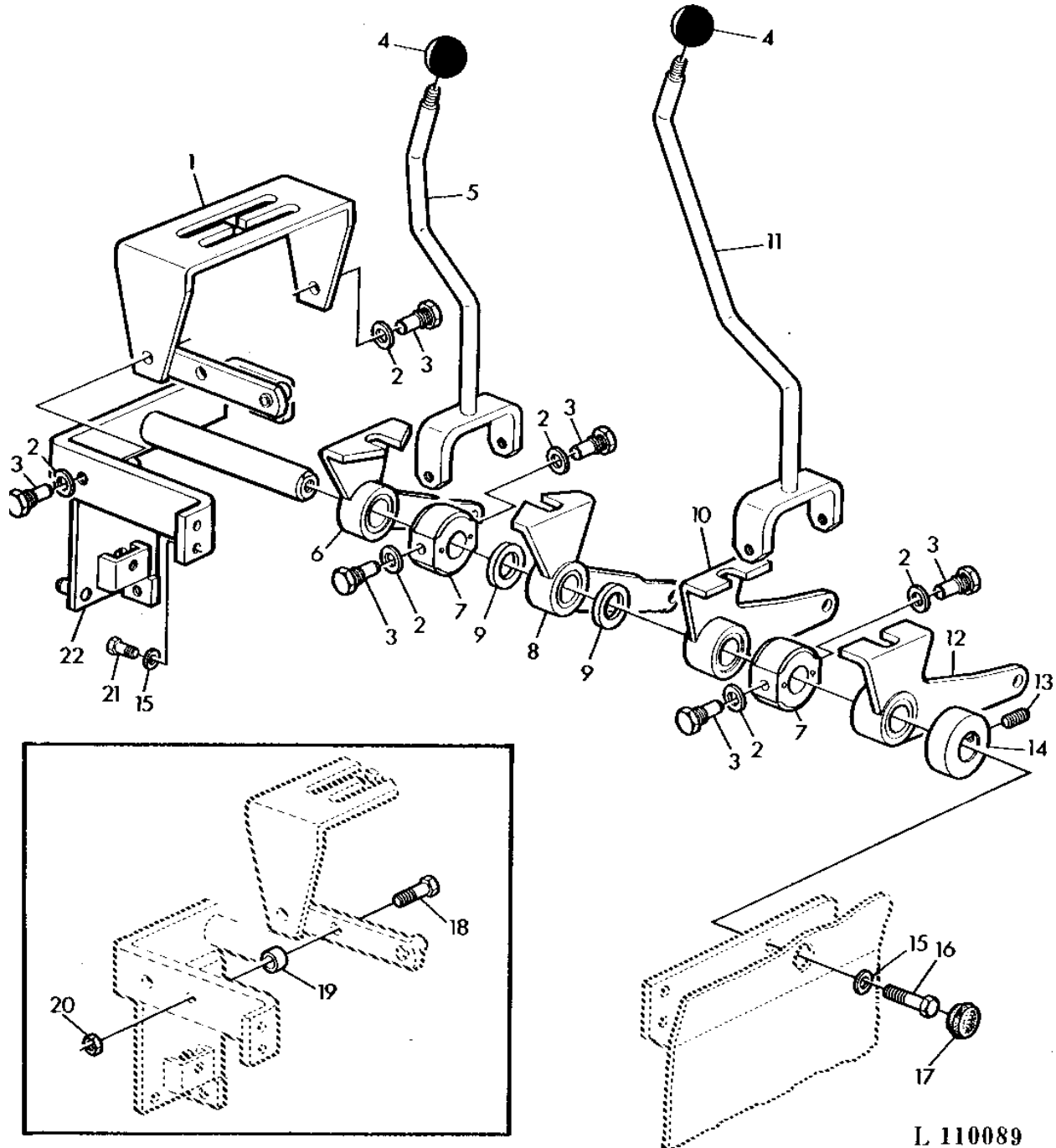
SYNCHRO. TRANSMISSION, HI-LO, CREEPER TRANSM.

KEY	PART NO.	PART NAME	QTY	SERIAL NO.	2 1 2 0 6 0 4 4 4 0 0 0 S	REMARKS
1	L37281	WASHER	2	-530068	X X X	
2	45M7059	PIN	1	-530068	X X X	
3	45M7037	PIN	1	-530068	X X X	
4	L39778	CLIP	2	-530068	X X X	
5	AL37965	LEVER	1	469500-530068	X X X	(ORD AL39971, (2) L41602)
6	AL33208	LEVER	1	-469499	X X X	(ORD AL39971, AL39972, (4) L41602)
7	44M7058	PIN	4	-530068	X X X	
8	L35999	BUSHING	2	-530068	X X X	
9	34M7137	SPRING PIN	4	-530068	X X X	3X18MM
10	L35978	WASHER	1		X X X	(ORD (2) 24H1275)
11	AL37966	LEVER	1	469500-530068	X X X	(ORD AL39972, (2) L41602)
12	AL33207	LEVER	1	-469499	X X X	(ORD AL39971, AL39972, (4) L41602)
13	AL34181	SUPPORT	1	-530068	X X X	(ORD AL39973, (2) L41602)

3F7

SYNCHRO. TRANSMISSION, HI-LO, CREEPER TRANSM.

CONSOLE SHIFT
SELECTION A LA CONSOLE
KONSOLENSCHALTUNG
SELEZIONE DA QUADRANTE
SELECCION DESDE CUADRANTE
KONSOLVAXLING
L110089 -UN-01JAN94



L 110089

3F8

SYNCHRO. TRANSMISSION, HI-LO, CREEPER TRANSM.

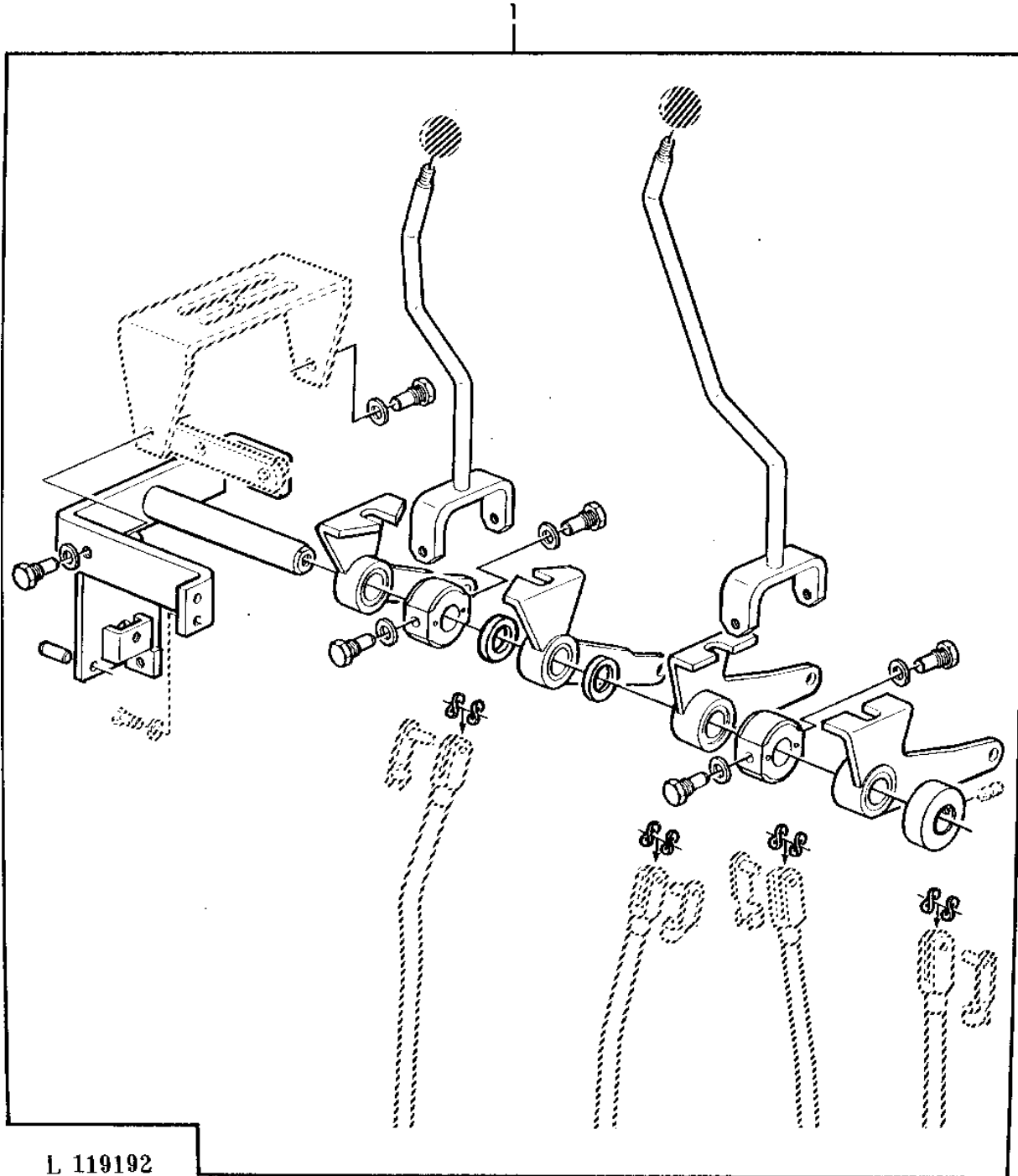
KEY	PART NO.	PART NAME	QTY	SERIAL NO.		REMARKS
					2	
					1 2 0	
					6 0 4	
					4 4 0	
					0 0 S	
1	AL33206	BAIL	1		X X X	(A)
2	12M7051	WASHER	6	530069-	X X X	(A)
3	L41602	CAP SCREW	6	530069-	X X X	(A)
4	AL58296	KNOB	2		X X X	(SUB FOR R50864 APPL)
5	AL39971	LEVER	1	530069-	X X X	
6	L40818	QUADRANT	1		X X X	(SUB FOR AL33202)
7	L41603	BUSHING	2	530069-	X X X	
8	L40819	QUADRANT	1		X X X	(SUB FOR AL33203)
9	24H1275	WASHER	2	530069-	X X X	
10	L40821	QUADRANT	1		X X X	(SUB FOR AL33204)
11	AL39972	LEVER	1	530069-	X X X	
12	L40820	QUADRANT	1		X X X	(SUB FOR AL33205)
13	L39091	BOLT	1		X X X	M8X10 (SUB FOR 22M7100)
14	99M7086	SHIFT COLLAR	1		X X X	(SUB FOR L37244)
15	24M7055	WASHER	3		X X X	8.4X17X1.6MM
16	19M7513	CAP SCREW	1		X X X	M8X30
17	R52233	PLUG	1		X X X	
18	19M7163	CAP SCREW	1		X X X	M8X25
19	T26550	WASHER	1		X X X	
20	14M7273	NUT	1		X X X	M8
21	19M7139	CAP SCREW	2		X X X	M8X20
22	AL39973	SUPPORT	1	530069-	X X X	

(A) WITH HI-LO SHIFT UNIT
 AVEC HI-LO
 BEI LASTSCHALTSTUFE
 CON RIDUTT.HI-LO
 CON REDUCCION HI-LO
 VID HOG-LAG VAXLING

3F9

SYNCHRO. TRANSMISSION, HI-LO, CREEPER TRANSM.

SERVICE KIT-CONSOLE SHIFT
DISPOSITIF SELECTEUR-JEU D'ELEMENTS
GANGSCHALTHEBEL-TEILESATZ
KIT PARTI PER INNESTO CENTRALE
PALANCA CAMBIO VELOCIDAD-JUEGO DE PIEZAS
DELAR FOR MID-MONTERAD VAXLING
L119192 -UN-01JAN94



3F10

SYNCHRO. TRANSMISSION, HI-LO, CREEPER TRANSM.

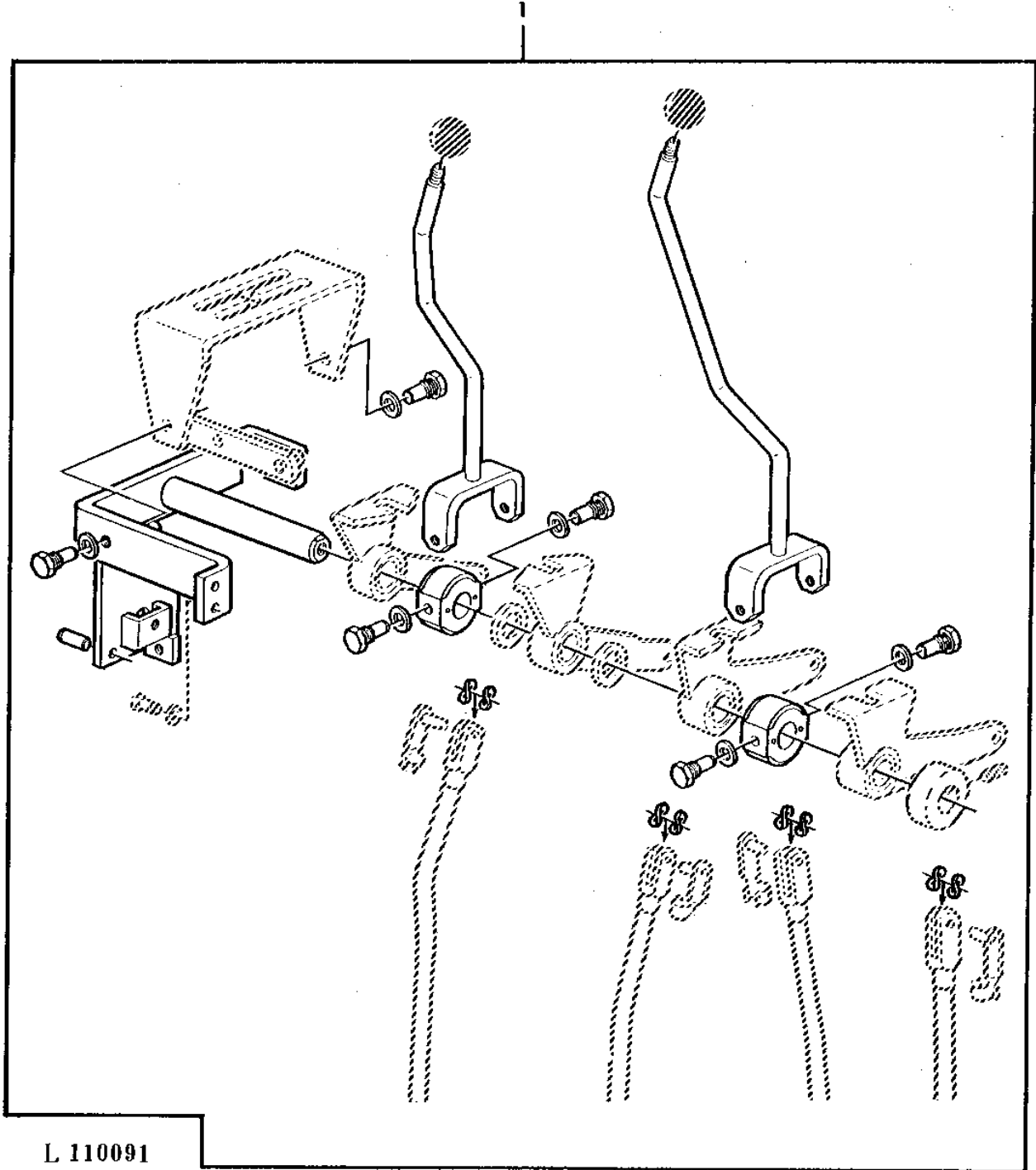
KEY	PART NO.	PART NAME	QTY	SERIAL NO.	REMARKS
1	CG20876	KIT	1	X X X	

2
1 2 0
6 0 4
4 4 0
0 0 S

3F11

SYNCHRO. TRANSMISSION, HI-LO, CREEPER TRANSM.

SERVICE KIT-CONSOLE SHIFT
DISPOSITIF SELECTEUR-JEU D'ELEMENTS
GANGSCHALTHEBEL-TEILESATZ
KIT PARTI PER INNESTO CENTRALE
PALANCA CAMBIO VELOCIDAD-JUEGO DE PIEZAS
DELAR FOR MID-MONTERAD VAXLING
L110091 -UN-01JAN94



L 110091

3F12

SYNCHRO. TRANSMISSION, HI-LO, CREEPER TRANSM.

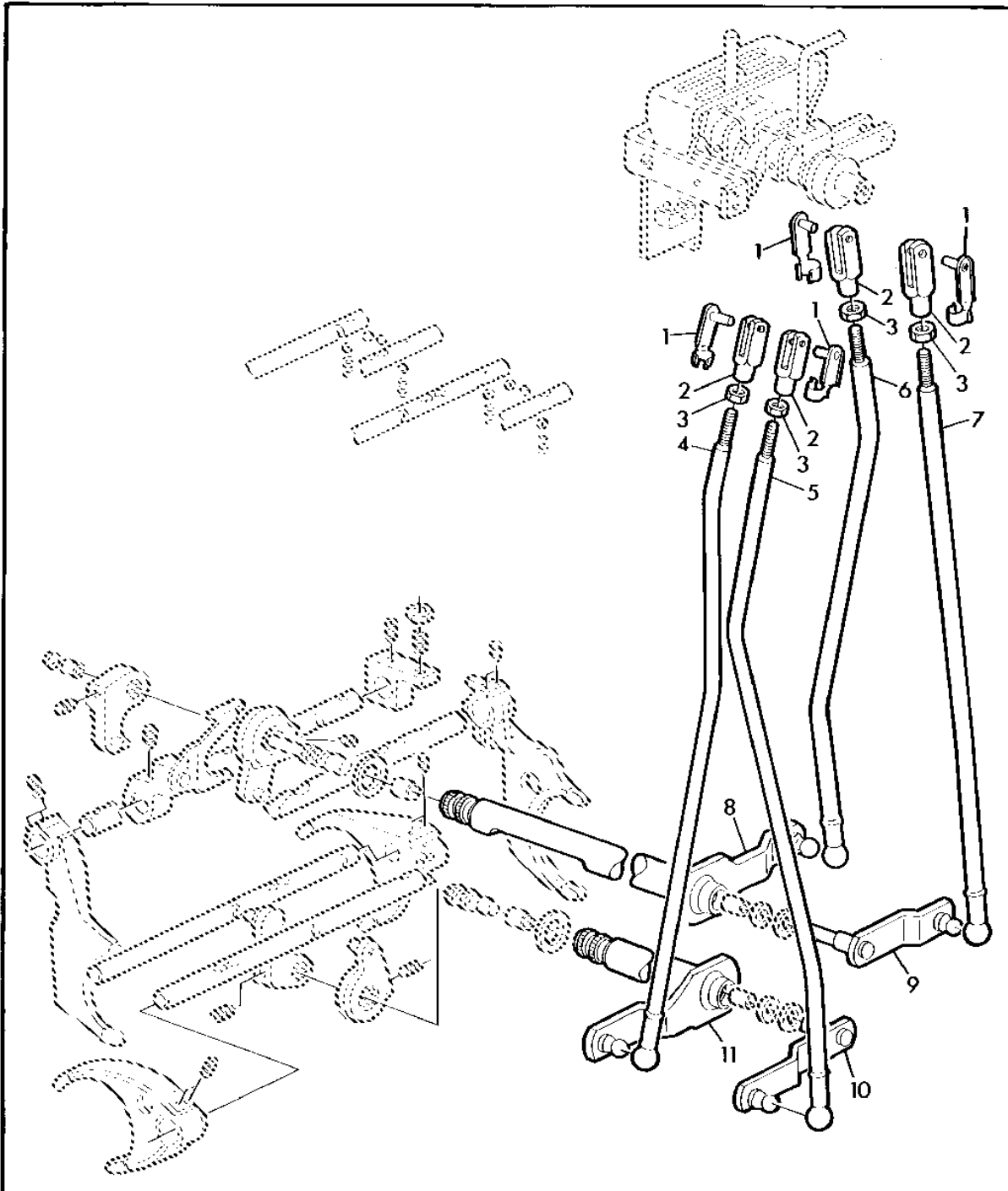
KEY	PART NO.	PART NAME	QTY	SERIAL NO.	REMARKS
1	CG20877	KIT	1	X X X	

2
1 2 0
6 0 4
4 4 0
0 0 S

3F13

SYNCHRO. TRANSMISSION, HI-LO, CREEPER TRANSM.

CONSOLE SHIFT LINKAGE
TRINGLERIE DE SELECTION DE LA CONSOLE
KONSOLENSCHALTUNGSGESTAENGE
TIRANTERIE DEL CAMBIO A CUADRANTE
VARILLAJES DEL CAMBIO CON CUADRANTE
KONSOLVAXLINGSMEKANISM
L107207 -UN-17JUL95



L 107207

3F14

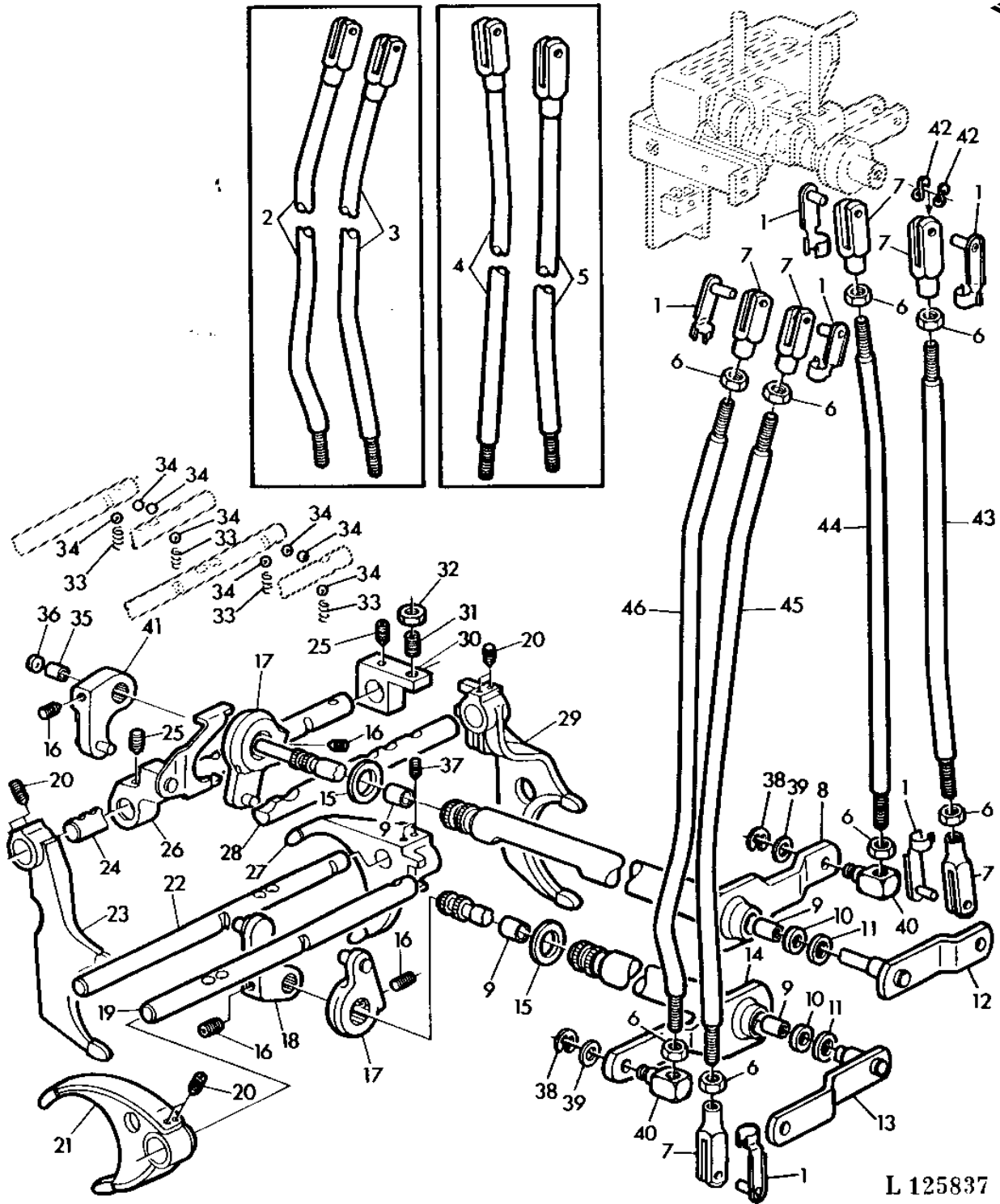
SYNCHRO. TRANSMISSION, HI-LO, CREEPER TRANSM.

KEY	PART NO.	PART NAME	QTY	SERIAL NO.		REMARKS
					2	
					1 2 0	
					6 0 4	
					4 4 0	
					0 0 S	
1	45M7065	SPRING LOCKING PIN	4	-534824	X X X	
2	54M4420	YOKE	4	-534824	X X X	
3	14M7151	NUT	4		X X X	M8
4	AL36165	ROD	1	-534824	X X X	
5	AL36167	ROD	1	-534824	X X X	
6	AL36169	ROD	1	-534824	X X X	
7	AL36171	ROD	1	-534824	X X X	
8	AL36354	SHAFT	1	-534824	X X X	
9	AL36357	SHAFT	1	-534824	X X X	
10	AL36358	SHAFT	1	-534824	X X X	
11	AL36359	SHAFT	1	-534824	X X X	

3F15

SYNCHRO. TRANSMISSION, HI-LO, CREEPER TRANSM.

CONSOLE SHIFT LINKAGE
TRINGLERIE DE SELECTION DE LA CONSOLE
KONSOLENSCHALTUNGSGESTAENGE
TIRANTERIE DEL CAMBIO A QUADRANTE
VARILLAJES DEL CAMBIO CON CUADRANTE
KONSOLVAXLINGSMEKANISM
L125837 -UN-01JAN94



L 125837

3F16

SYNCHRO. TRANSMISSION, HI-LO, CREEPER TRANSM.

KEY	PART NO.	PART NAME	QTY	SERIAL NO.		REMARKS
					2	
					1 2 0	
					6 0 4	
					4 4 0	
					0 0 S	
1	45M7065	SPRING LOCKING PIN	6	534825-	X X X	
2	AL38046	ROD	1	534825-	X X X	(ORD L40289, 14M7151, 54M4420)
3	AL38047	ROD	1	534825-	X X X	(ORD L40290, 14M7151, 54M4420)
4	AL38048	ROD	1	534825-	X X X	(ORD L40291, 14M7151, 54M4420)
5	AL38049	ROD	1	534825-	X X X	(ORD L40292, 14M7151, 54M4420)
6	14M7151	NUT	AR		X X X	M8
7	54M4420	YOKE	AR	534825-	X X X	
8	AL55218	SHAFT	1	534825-	X X X	(SUB FOR AL36925)
9	L62818	BUSHING	4		X X X	(SUB FOR L36612)
10	L36621	SEAL	2		X X X	
11	L38399	WASHER	2		X X X	
12	AL36353	SHAFT	1	534825-	X X X	
	AL41336	SHAFT	1		X	(B)
13	AL36355	SHAFT	1	534825-	X X X	
14	AL36356	SHAFT	1	534825-	X X X	
15	L38500	WASHER	2		X X X	
16	L39091	BOLT	4		X X X	8X10MM
17	L62930	LEVER	2		X X X	(SUB FOR L36626, L41798)
18	L36627	LEVER	1		X X X	
19	L36610	SHIFTER ROD	1		X X X	
20	L33332	SET SCREW	6		X X X	M12X1X16
21	L33050	SHIFTER	1		X X X	
22	L55720	SHIFTER ROD	1		X X X	(SUB FOR L36609)
23	L62253	SHIFTER	1		X X X	(SUB FOR L33052)
24	L39028	ROD	1		X X X	
	L39029	SHIFTER ROD	1		X X X	(A)
25	T25614	SET SCREW	2		X X X	
26	AL36737	QUADRANT	1		X X X	
27	L36538	SHIFTER	1		X X X	
28	L62951	SHIFTER ROD	1		X X X	(SUB FOR L39027)
29	L33051	SHIFTER	1		X X X	
30	L41374	GUIDE	1		X X X	(SUB FOR L39026)
31	22M7106	SET SCREW	1		X X X	M10X20
32	14M7361	NUT	1		X X X	M10
33	T27716	SPRING	4		X X X	
34	R26552	BALL	8		X X X	5/16"
35	L62819	BUSHING	1		X X X	(SUB FOR L36615)
36	30M7004	CAP	1		X X X	
37	L33332	SET SCREW	2		X X X	M12X1X16 (SUB FOR L36614)
38	R72653	SNAP RING	2	534825-	X X X	
39	24M7055	WASHER	2	534825-	X X X	8.4X17X1.6MM
40	L40293	SWIVEL	2	534825-	X X X	
41	L36627	LEVER	1		X X X	
	L41797	LEVER	1		X	(B)
42	12M5442	WASHER	8		X X X	
43	L40292	LEVER	1		X X X	
44	L40291	LEVER	1		X X X	
45	L40290	LEVER	1		X X X	
46	L40289	LEVER	1		X X X	

(A) WITH CREEPER TRANSMISSION
 AVEC GAMME RAMPANTE
 BEI KRIECHGANGGETRIEBE
 CON GRUPPO RAMPANTE
 CON TRANSMISION CREEPER
 VID KRYPKORNING

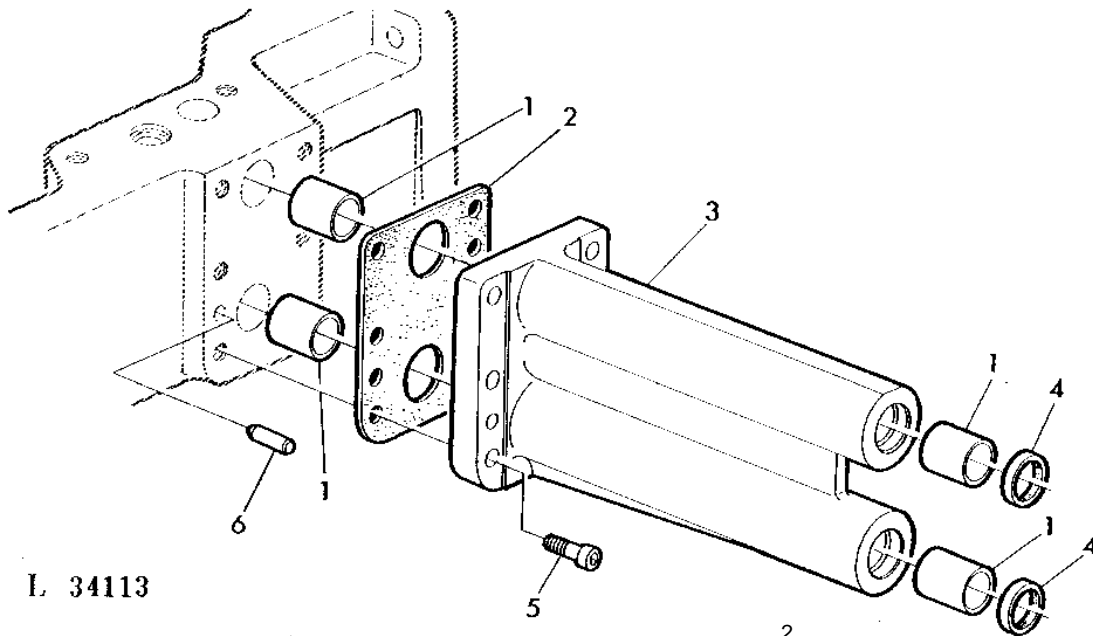
(B) WITH INCREASED LIFTING CAPACITY
 AVEC CAPACITE DE REL.AUGM.
 BEI HUBKRAFTERHOEHUNG
 CON ELEVATA CAPACITA DI SOLLEVAMENTO
 CON FUERZA DE ELEV.AUMENTADA
 VID OKAD LYFTKAPACITET

3F17

SYNCHRO. TRANSMISSION, HI-LO, CREEPER TRANSM.

SHIFTER SHAFT HOUSING (WITH CONSOLE SHIFT)
 BOITIER DES COULISSEUX (AVEC SELECT. A LA CONSOLE)
 SCHALTWELLENGEHAUSE (BEI KONSOLENSCHALTUNG)
 SCATOLA DEGLI ALBERI DI COMANDO (CON SELEZIONE DA QUADRANTE)
 CAJA DE LOS EJES CORREDIZOS (CON SELECCION DESDE CUADRANTE)
 HUS FOR VAXELFORARE (VID KONSOLVAXLING)

L34113 -UN-01JAN94



L 34113

2
1 2 0
6 0 4
4 4 0
0 0 S

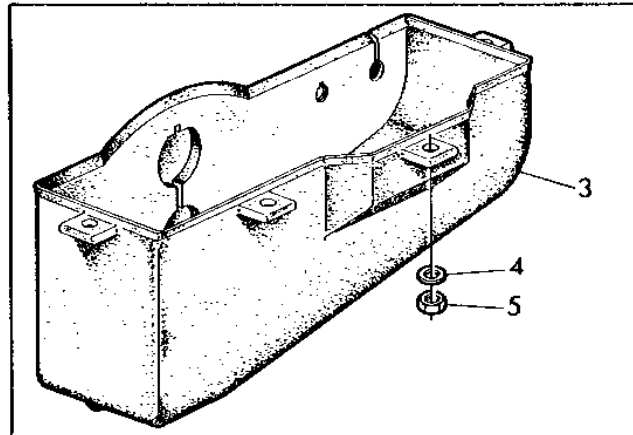
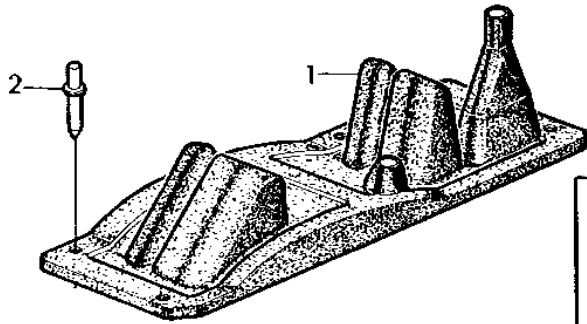
KEY	PART NO.	PART NAME	QTY	SERIAL NO.	REMARKS
1	L36613	BUSHING	4	X X X	
2	L36607	GASKET	1	X X X	
3	L36539	HOUSING	1	X X X	
4	L36620	SEAL	2	X X X	
5	19M7657	SCREW	6	X X X	M8X25
6	44M7054	DOWEL PIN	2	X X X	6X20MM

3F18

SYNCHRO. TRANSMISSION, HI-LO, CREEPER TRANSM.

COVER FOR SHIFT LINKAGE (SG2 CAB)
 COUVERCLE DE LA TRINGLERIE DE SELECTION (CABINE SG2)
 ABDECKUNG FUER SCHALTGESTAENGE (SG2 KABINE)
 COPERTA PER TIRANERIA DEL CAMBIO (CABINA SG2)
 CUBRIMIENTO PARA VARILLAJE DEL CAMBIO (CABINA SG2)
 TÄTNINGSHUS FOR VÄXLINGSMEKANISM (SG2 HYTT)

L112255 -UN-01JAN94



L 112255

2
1 2 0
6 0 4
4 4 0
0 0 S

KEY	PART NO.	PART NAME	QTY	SERIAL NO.	REMARKS
1	AL57683	BOOT	1	557674-	X X X
2	AL56534	RIVET	6	557674-	X X X
3	L35982	BOOT	1	-557673	X X X (ORD AL57683, (6) AL56534)
4	24M7055	WASHER	4	-557673	X X X 8.4X17X1.6MM
5	14M7273	NUT	4	-557673	X X X M8

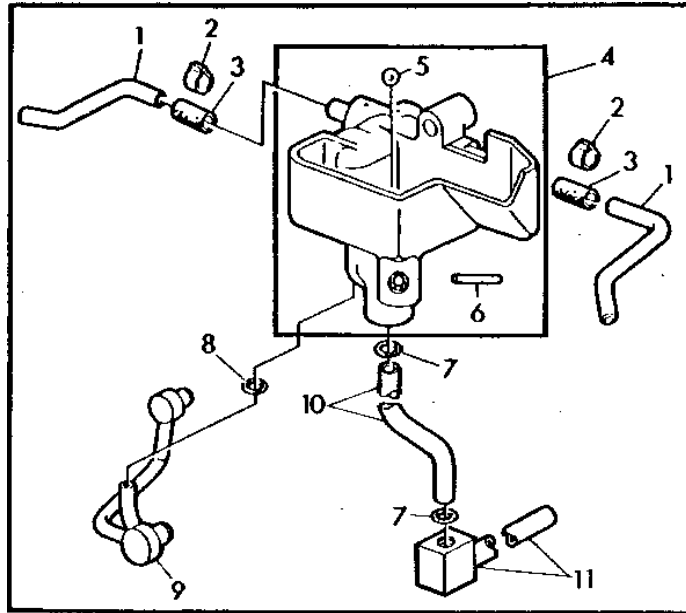
MEMORANDA
MEMORANDA
MEMORANDA
MEMORANDA
MEMORANDA

3F19

SYNCHRO. TRANSMISSION, HI-LO, CREEPER TRANSM.

LUBRICATING LINES/OIL (SYNCHRONIZED TRANSMISSION)
 ONDUITES DE GRAISSAGE/RESERVE D'HUILE (BOITE SYNCHRONISEE)
 SCHMIEROELLEITUNGEN/OELTOPF (SYNCHRONGETRIEBE)
 LINEE OLIO CAMBIO/VASO (CAMBIO SINCRONIZZATA)
 TUBERIAS DE ENGRASE/TAZA DE ACEITE (TRANSM. SINCRONIZADA)
 OLJELEDNINGAR/SKAL (SYNKRONISERAD TRANSMISSION)

L120999 -UN-01JAN94



L120999

KEY	PART NO.	PART NAME	QTY	SERIAL NO.	REMARKS
					2 1 2 0 6 0 4 4 4 0 0 0 S
1	L38321	OIL LINE	2		X X X
2	L33351	CLAMP	4		X X X
3	L38322	HOSE	2		X X X
4	AL36124	OIL CUP	1		X X X (ORD AL66971, AL41541, L62406)
5	R26552	BALL	1		X X X 5/16"
6	R39090	NEEDLE ROLLER	2		X X X
7	R28776	O-RING	1		X X X
8	A3917R	O-RING	1		X X X
9	AL28863	OIL LINE	1		X X X
10	L33363	OIL LINE	1		X X X
11	AL62014	OIL LINE	1		X X X (A) (ORD AL66971, AL41541, L62406) (SUB FOR AL28862)

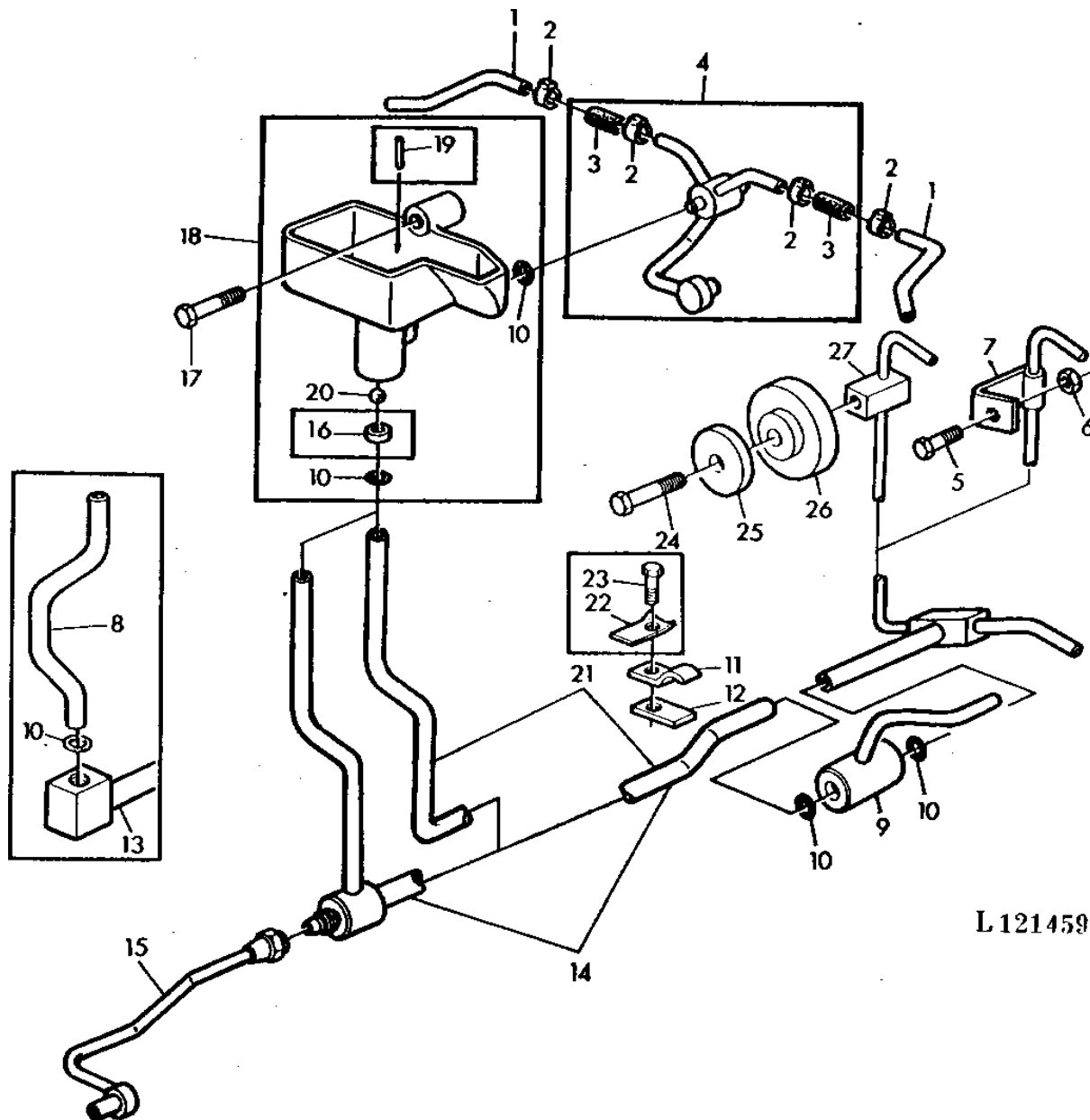
(A) WITH OIL CUP AL36124
 AVEC RESERVE D'HUILE AL36124
 BEI OELTOPF AL36124
 CON VASO OLIO AL36124
 CON TAZA DE ACEITE AL36124
 VID OLJESKAL AL36124

3F20

SYNCHRO. TRANSMISSION, HI-LO, CREEPER TRANSM.

LUBRICATING LINES/OIL CUP (SYNCHRONIZED TRANSMISSION)
ONDUITES DE GRAISSAGE/RESERVE D'HUILE (BOITE SYNCHRONISEE)
SCHMIEROELLEITUNGEN/OELTOPF (SYNCHRONGETRIEBE)
LINEE OLIO CAMBIO/VASO (CAMBIO SINCRONIZZATA)
TUBERIAS DE ENGRASE/TAZA DE ACEITE (TRANSM. SINCRONIZADA)
LEDNINGAR/SKAL (SYNKRONISERAD VAXELLADA)

L121459 -UN-01JAN94



L121459

3F21

SYNCHRO. TRANSMISSION, HI-LO, CREEPER TRANSM.

KEY	PART NO.	PART NAME	QTY	SERIAL NO.	REMARKS
					2
					1 2 0
					6 0 4
					4 4 0
					0 0 S
1	L38321	OIL LINE	2		X X X
2	L33351	CLAMP	4		X X X
3	L38322	HOSE	2		X X X
4	AL41541	MANIFOLD	1		X X X
5	19M7298	CAP SCREW	1		X X X M8X35
6	14M7273	NUT	1		X X X M8
7	AL59585	OIL LINE	1		X X X (FOR AL64570 OR AL66781)
8	L42299	TUBE	1		X X X
9	AL66201	OIL LINE	1		X X X (SUB FOR AL30194, AL59584)
10	R28776	O-RING	AR		X X X
11	R28346	CLAMP	2		X X X
12	L33564	DRUM	1		X X X
13	AL62014	OIL LINE	1		X X X (ORD L62406) (SUB FOR AL28862)
	AL62014	OIL LINE	1		X X X (A) OR (B) AL66200, AL67182, L63222
14	AL66200	OIL LINE	1		X X X (A) OR (B)
15	AL67182	OIL LINE	1		X X X (A) OR (B)
16	L42300	WASHER	1		X X X (FOR AL41540)
17	19H2665	CAP SCREW	1		X X X 3/8"X1-5/8"
18	AL66971	OIL CUP	1		X X X (SUB FOR AL41540)
19	R39090	NEEDLE ROLLER	2		X X X (FOR AL41540)
20	T23426	BALL	1		X X X
21	L62406	OIL LINE	1		X X X
22	R1888R	STRAP	2	-532592	X X X
23	19H2021	CAP SCREW	2	-532592	X X X 3/8"X5/8"
24	19M7170	CAP SCREW	1		X X X M10X50
25	L36108	WASHER	1		X X X
26	L36107	BUSHING	1		X X X
27	AL33237	OIL LINE	1		X X X

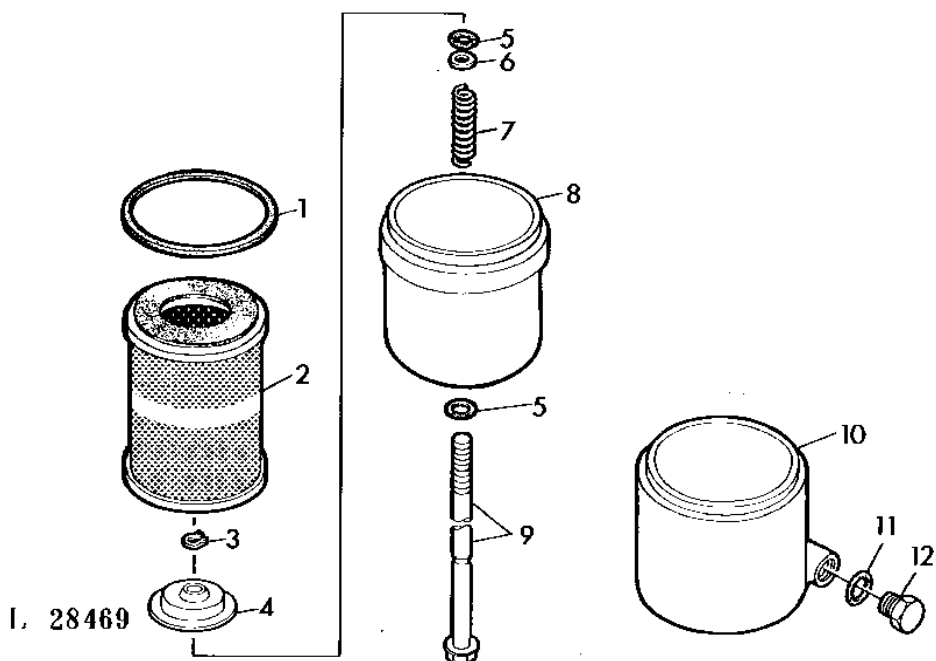
(A) WITH INTERCHANGEABLE PTO SHAFTS
 AVEC PDF INTERCHANGEABLE
 BEI AUSWECHSELBARER ZAPFWELLE
 CON PDF INTERCAMBIABILE
 CON TDF CAMBIABLE
 VID UTBYTBAR KRAFTUTTAG

(B) WITH HANDSHIFT PTO
 AVEC PDF A SELECTION PAR MANETTE
 BEI UMSCHALTBARER ZAPFWELLE
 CON PTO A CAMBIO MANUALE
 CON TDF DE REGIMEN VARIABLE
 VID VAXLINGSBAR KRAFTUTTAG

3F22

SYNCHRO. TRANSMISSION, HI-LO, CREEPER TRANSM.

TRANSMISSION OIL FILTER
 FILTRE A HUILE DE BOITE
 GETRIEBEOELFILTER
 FILTRO OLIO CAMBIO
 FILTRO DE ACEITE DE LA TRANSMISION
 TRANSMISSIONSOLJEFILTER
 L28469 -UN-31MAY95



2
 1 2 0
 6 0 4
 4 4 0
 0 0 S

KEY	PART NO.	PART NAME	QTY	SERIAL NO.	REMARKS
1	R34733	WASHER	1	X X X	
2	AR75603	FILTER ELEMENT	1	X X X	
	AR98098	FILTER ELEMENT	1	X X X	(B) (SUB FOR AR70506)
3	R32507	SNAP RING	1	X X X	
4	L29251	RETAINER	1	X X X	
5	R394R	O-RING	2	X X X	
6	24H1227	WASHER	1	X X X	17/32"X13/16"X.060"
7	L29252	COMPRESSION SPRING	1	X X X	
8	L29250	COVER	1	X X X	
9	L29253	CAP SCREW	1	X X X	
	R65904	CAP SCREW	1	X X X	(B)
10	L55982	COVER	1	X X X	(A) (SUB FOR T31170)
	L34630	COVER	1	X X X	(B)
11	U12547	O-RING	1	X X X	(A) (SUB FOR F3171R APPL)
12	R27175	DRAIN PLUG	1	X X X	(A) 1-1/16"

(A) FOR CONNECTING HYDRAULIC MOTOR
 POUR BRANCHER LE MOTEUR HYDRAULIQUE
 FUER HYDRO-MOTOR ANSCHLUSS
 PER ATTACCARE UN MOTORE IDRAULICO
 PARA ACOPLAR EL MOTOR HIDRAULICO
 FOR ANSLUTNING AV HYDRAULMOTOR

(B) W/PUMP 50CCM
 AVEC POMPE HYDRAULIQUE 50CCM
 BEI HYDRAULIKPUMPE 50CCM
 CON POMPA IDRAULICA 50CCM
 CON BOMBA HIDR.DE 50CCM
 VID HYDRAULPUMP 50CCM

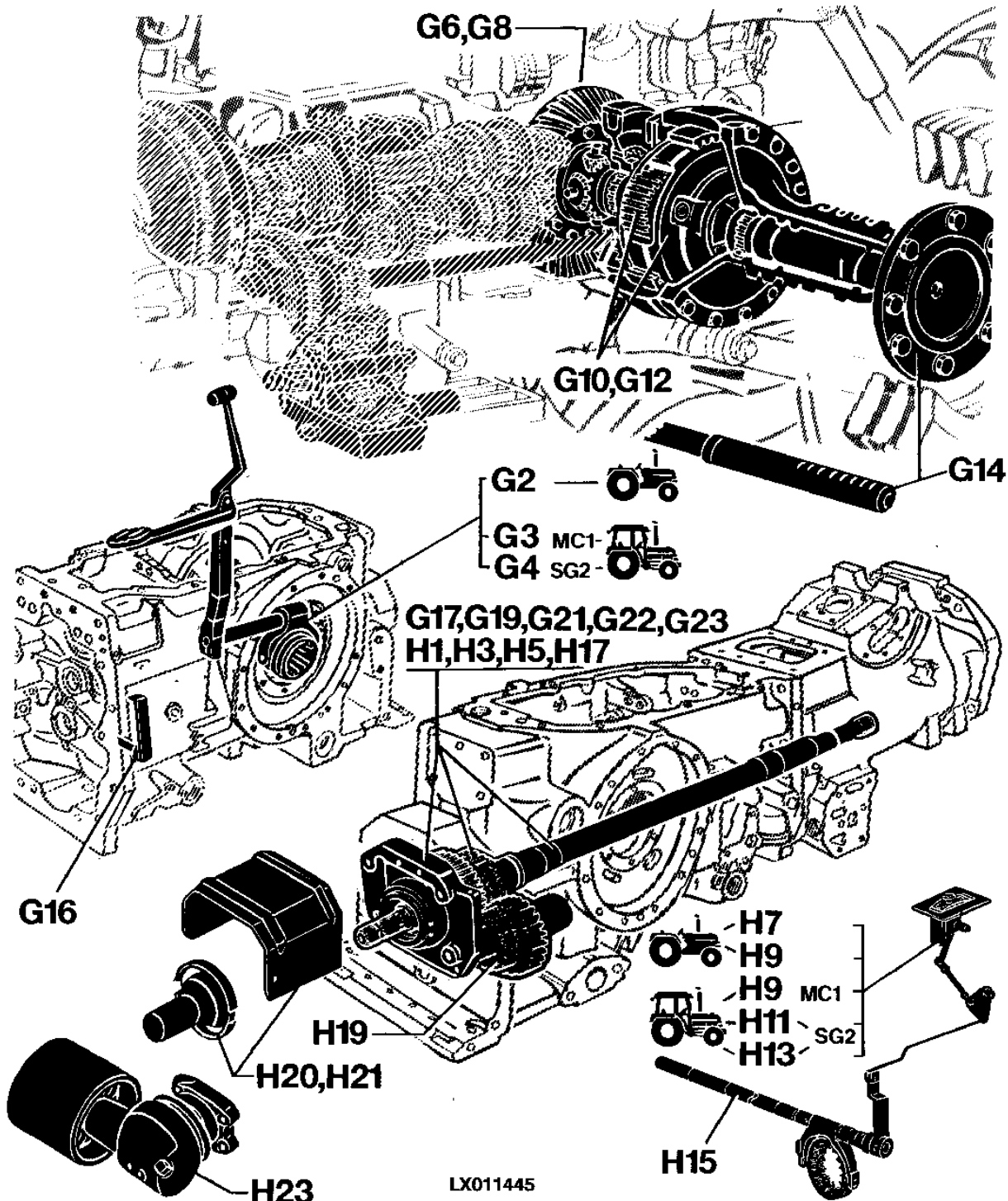
3G1

DIFFERENTIAL, FINAL DRIVE ASSEMBLIES

XX
XX
XX
XX
XX
XX
XX

SECTIONAL INDEX
INDEX DE SECTION
GRUPPENINDEX
INDICE DELLA SEZIONE
INDICE DE GRUPOS
GRUPPSFORTECKNING

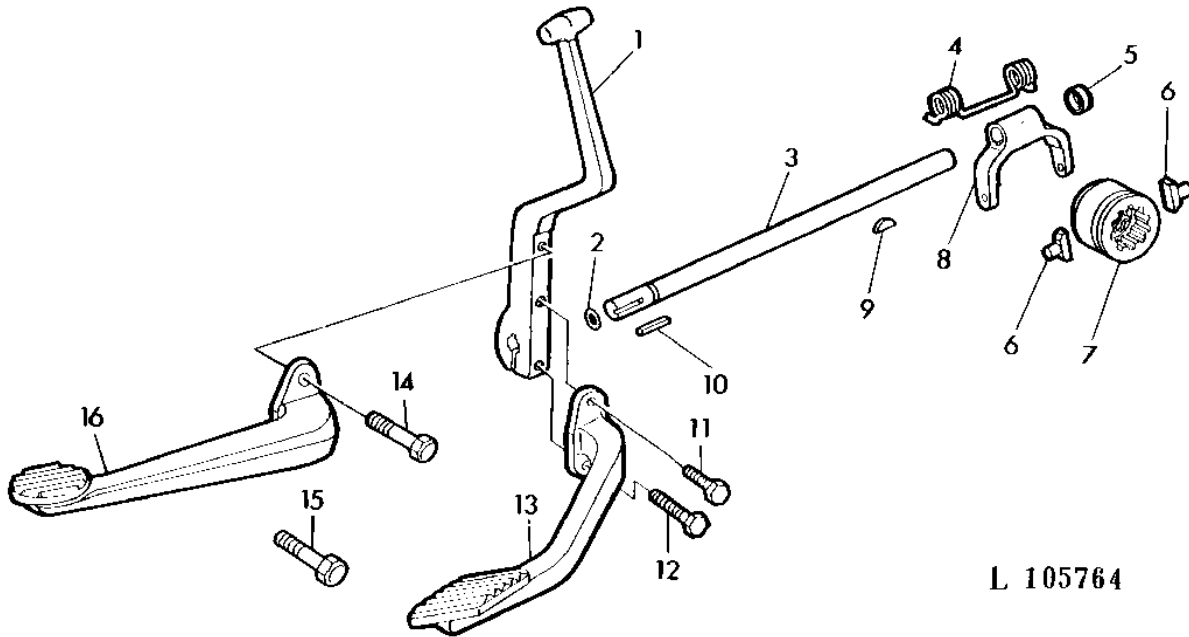
LX011445 -UN-14JUL95



3G2

DIFFERENTIAL, FINAL DRIVE ASSEMBLIES

DIFFERENTIAL LOCK
 BLOPAGE DE DIFFERENTIEL
 DIFFERENTIALSPERRE
 BLOCCO DIFFERENZIALE
 BLOQUEO DE DIFERENCIAL
 DIFFERENTIALSPARR
 L105764 -UN-17JUL95



L 105764

KEY	PART NO.	PART NAME	QTY	SERIAL NO.	REMARKS
					2
					1 2 0
					6 0 4
					4 4 0
					0 0 S
1	L34463	LEVER	1		X X X
2	R28776	O-RING	1		X X X
3	L32839	SHAFT	1		X X X
4	L42282	TORSION SPRING	1		X X X (SUB FOR R63850 APPL)
5	T18891	CAP	1		X X X
6	T21841	SHOE	2		X X
	L30768	SHOE	2	-570680	X X X (A)
	T21841	SHOE	2	570681-	X X X (A)
7	L32569	SHIFT COLLAR	1		X X
	L39645	SHIFT COLLAR	1		X X X (A) (SUB FOR L36200)
8	T21840	YOKE	1		X X
	L36198	SHIFTER	1		X X X (A)
9	26H77	SHAFT KEY	1		X X X 3/16"X3/4"
10	L29834	SHAFT KEY	1		X X X
11	19H1731	CAP SCREW	1		X X X 3/8"X1"
12	19H2665	CAP SCREW	1		X X X 3/8"X1-5/8"
13	T27430	PEDAL	1	-478686	X X X (B)
14	19H1731	CAP SCREW	2		X X X 3/8"X1"
15	19H3239	CAP SCREW	1		X X X 3/8"X1-1/4"
16	L34850	PEDAL	1		X X X

(A) WITH HEAVY-DUTY FINAL DRIVE
 AVEC REDUCTION FINALE RENFORCEE
 BEI VERSTAERKTEM ENDANTRIEB
 CON RIDUZ. FIN. RINFORZ.
 CON MANDOS FINALES REFORZADOS
 VID FORSTARKT SLUTDREV

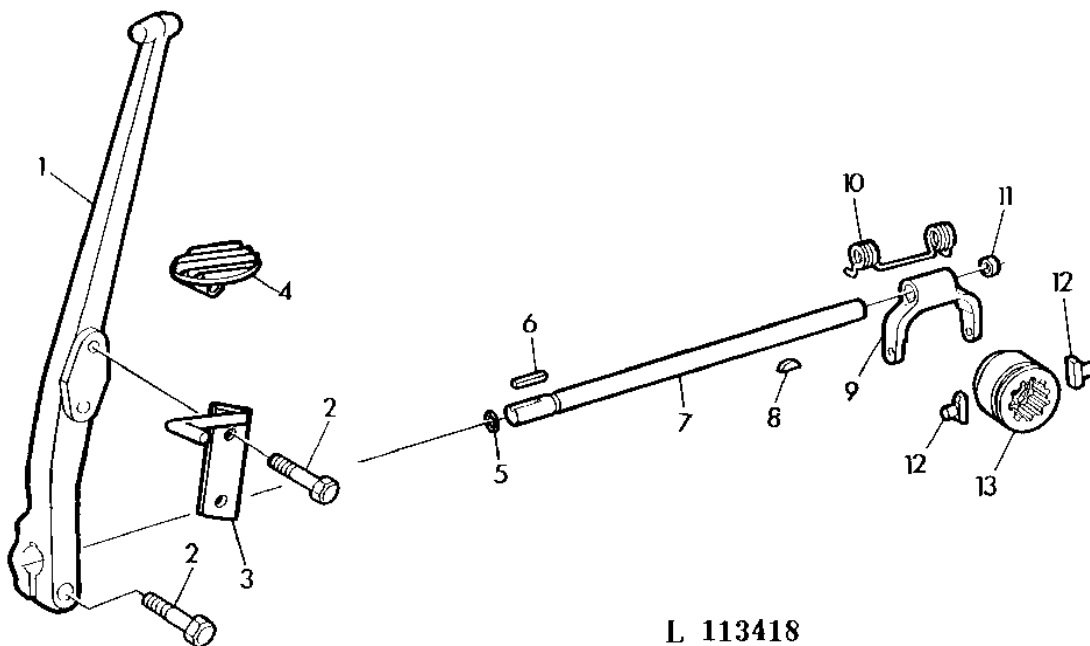
(B) WITH LOW STEPS
 AVEC MARCHEPIEDS BAS
 BEI NIEDEREN TRITTBLECHEN
 CON MARCIAPIEDI BASSI
 CON PELDANOS BAJOS
 VID LAG FOTSTEG

3G3

DIFFERENTIAL, FINAL DRIVE ASSEMBLIES

DIFFERENTIAL LOCK MECHANISM (WITH MC1 CAB)
 BLOCAGE DE DIFFERENTIEL (AVEC CABINE MC1)
 DIFFERENTIALSPERRE (BEI MC1 KABINE)
 BLOCCO DIFFERENZIALE (CON CABINA MC1)
 BLOQUEO DEL DIFERENCIAL (CON CABINA MC1)
 DIFFERENTIALSPAERR (VID MC1 FORARHYTT)

L113418 -UN-11JUL95



L 113418

2
1 2 0
6 0 4
4 4 0
0 0 S

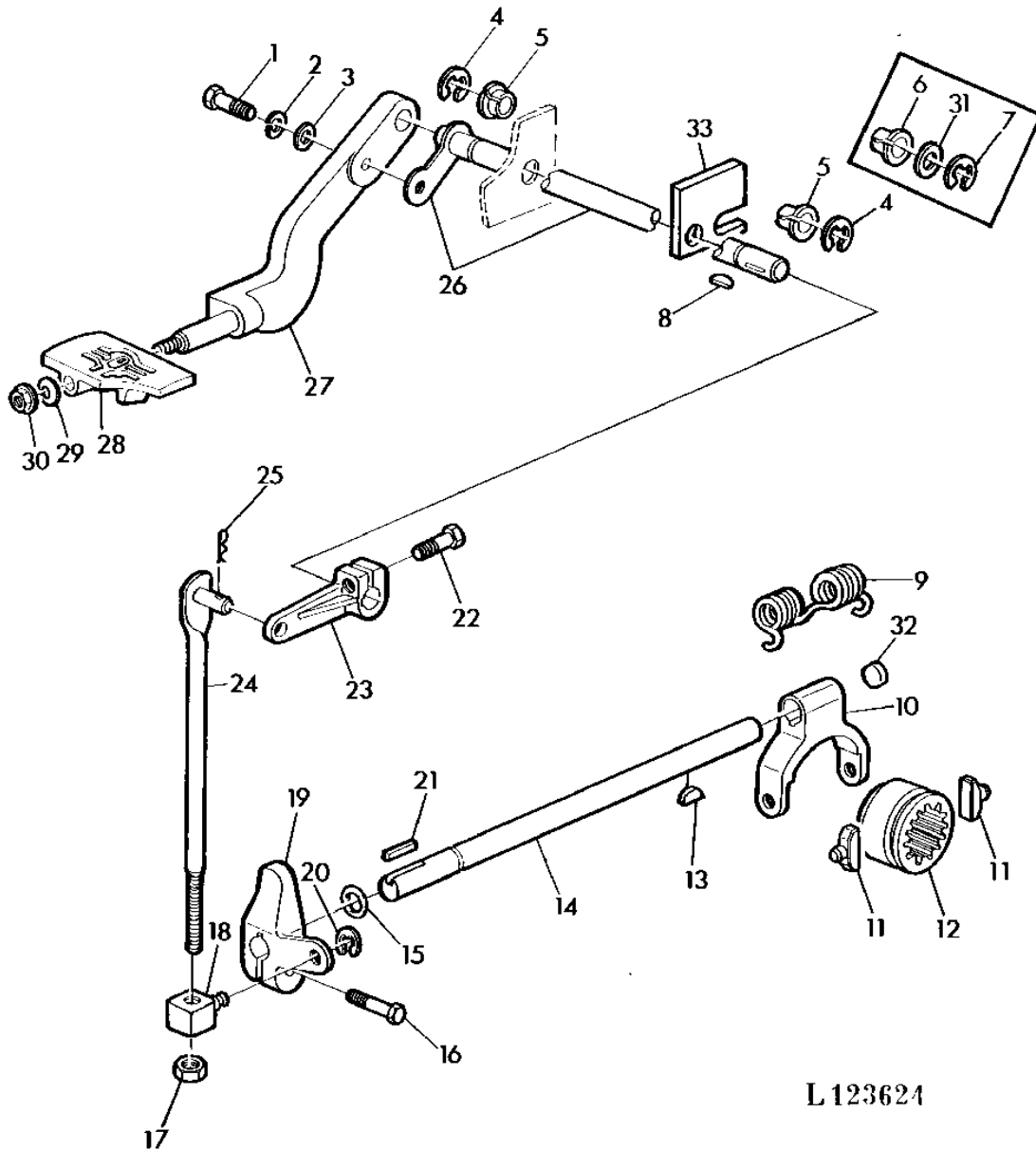
KEY	PART NO.	PART NAME	QTY	SERIAL NO.	REMARKS
1	T31498	LEVER	1	X X X	
2	19H3239	CAP SCREW	3	X X X	3/8"X1-1/4"
3	AL61016	LEVER	1	X X X	(SUB FOR AL58569)
4	L57879	PLATE	1	X X X	
5	R28776	O-RING	1	X X X	
6	L29834	SHAFT KEY	1	X X X	
7	L32839	SHAFT	1	X X X	
8	26H77	SHAFT KEY	1	X X X	
9	T21840	YOKE	1	X X	
	L36198	SHIFTER	1	X X X	(A)
10	L42282	TORSION SPRING	1	X X X	
11	T18891	CAP	1	X X X	
12	T21841	SHOE	2	X X X	
13	L32569	SHIFT COLLAR	1	X X	
	L39645	SHIFT COLLAR	1	X X X	(A)

(A) WITH HEAVY-DUTY FINAL DRIVE
 AVEC COMMANDE FINALE RENFORCEE
 BEI VERSTAERKTEM ENDANTRIEB
 CON RIDUZIONE FINALE RINFORZATA
 CON REDUCCION FINAL REFORZADA
 VID FORSTARKT SLUTDREV

3G4

DIFFERENTIAL, FINAL DRIVE ASSEMBLIES

DIFFERENTIAL LOCK (WITH SG2 CAB)
BLOCAGE DE DIFFERENTIEL (AVEC CABINE SG2)
DIFFERENTIALSPERRE (BEI SG2 KABINE)
BLOCCO DIFFERENZIALE (CON CABINA SG2)
BLOQUEO DE DIFERENCIAL (CON CABINA SG2)
DIFFERENTIALSPARR (VID SG2 HYTT)
L123624 -UN-18JUL95



L 123624

3G5

DIFFERENTIAL, FINAL DRIVE ASSEMBLIES

KEY	PART NO.	PART NAME	QTY	SERIAL NO.	REMARKS
					2 1 2 0 6 0 4 4 4 0 0 0 S
1	L39078	CAP SCREW	1		X X X
2	12M7056	LOCK WASHER	1		X X X
3	24M7055	WASHER	1		X X X 8.4X17X1.6MM
4	40M7039	SNAP RING	2		X X X (SUB FOR F2863R APPL)
5	R42093	GROMMET	2		X X X
6	R41076	GROMMET	1		X X X
7	F2208R	SNAP RING	1		X X X
8	26M4224	SHAFT KEY	1		X X X 4X6.5X15.72
9	L42282	TORSION SPRING	1		X X X (SUB FOR R63850 APPL)
10	T21840	YOKE	1		X X
	L36198	SHIFTER	1		X X X (A)
11	T21841	SHOE	2		X X
	L30768	SHOE	2	-570680	X X X (A)
	T21841	SHOE	2	570681-	X X X (A)
12	L32569	SHIFT COLLAR	1		X X
	L39645	SHIFT COLLAR	1		X X X (A) (SUB FOR L36200)
13	26H77	SHAFT KEY	1		X X X 3/16"X3/4"
14	L32839	SHAFT	1		X X X
15	R28776	O-RING	1		X X X
16	19H3239	CAP SCREW	1		X X X 3/8"X1-1/4"
17	14H882	NUT	1		X X X 5/16"
18	R67542	SWIVEL	1		X X X
19	L39670	ARM	1		X X X (SUB FOR R67695)
20	R72653	SNAP RING	1		X X X (SUB FOR M2396T)
21	L29834	SHAFT KEY	1		X X X
22	19M7288	CAP SCREW	1		X X X M8X30
23	R75127	LEVER	1		X X X
24	AR88551	ROD	1		X X X
25	R46528	SPRING LOCKING PIN	1		X X X
26	AR88028	SHAFT	1		X X X
27	AR88553	LEVER	1		X X X
28	R68061	PEDAL	1		X X X
29	R52862	SPRING WASHER	1		X X X
30	R40694	FLANGE NUT	1		X X X
31	D2491R	SHIM	AR		X X X
32	T18891	CAP	1		X X X
33	AL67848	SHIPPING BUNDLE	1		X X X (B)

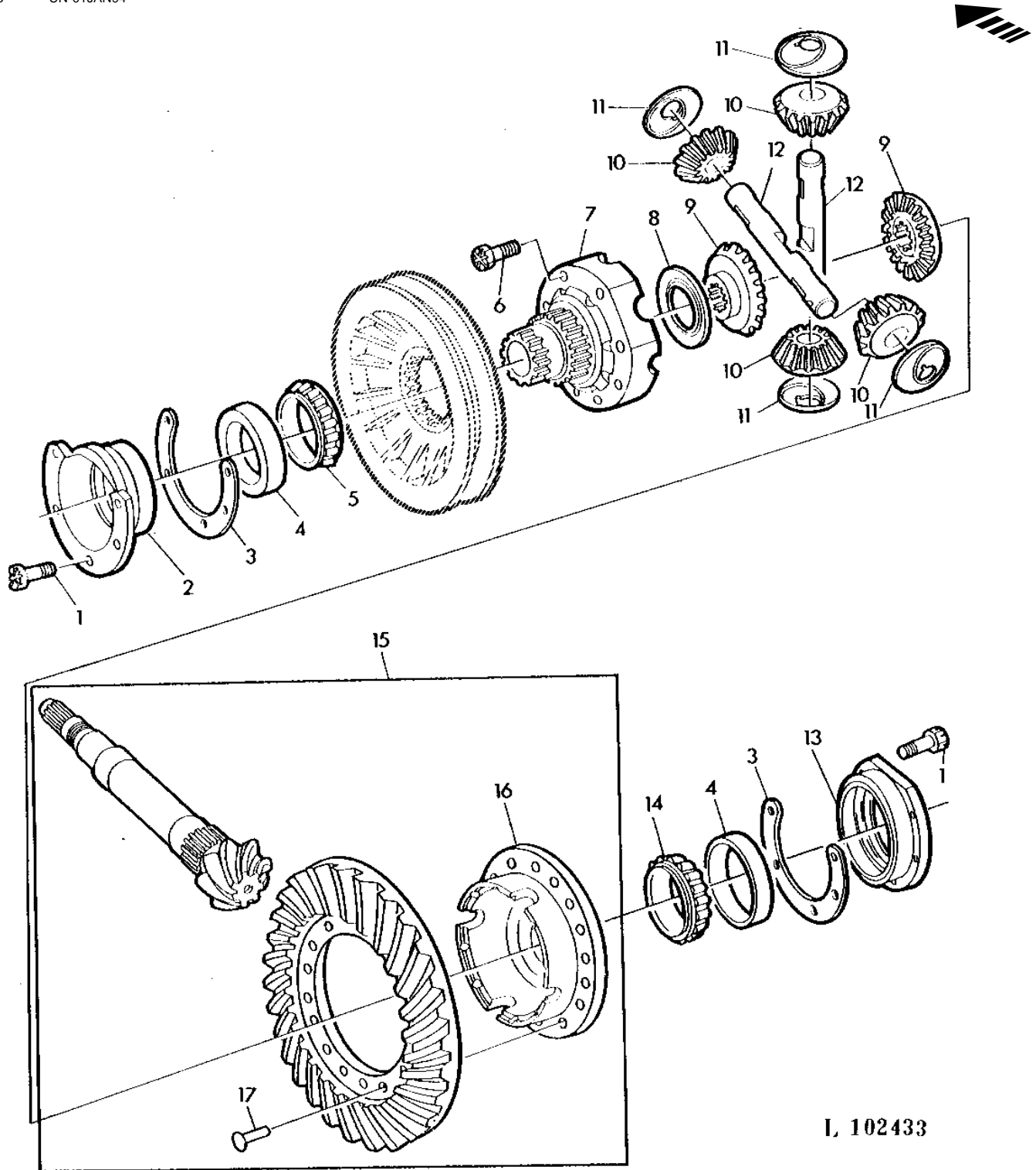
(A) WITH HEAVY-DUTY FINAL DRIVE
 AVEC COMMANDE FINALE RENFORCEE
 BEI VERSTAERKTEM ENDANTRIEB
 CON RIDUZIONE FINALE RINFORZATA
 CON REDUCCION FINAL REFORZADA
 VID FORSTARKT SLUTDREV

(B) REQUIRED WITH NEW CAB FRAME ONLY
 SEULEMENT AVEC NOUVEAU CADRE DE CABINE
 NUR BEI NEUEM KABINENRAHMEN ERFORDERLICH
 SI USA SOLO CON TELAIO NUOVO PER CABINA
 SOLO CON NUEVO BASTIDOR DE CABINA
 ERFORDRAS ENDAST VID NY FORARHYTT

3G6

DIFFERENTIAL, FINAL DRIVE ASSEMBLIES

DIFFERENTIAL
DIFFERENTIEL
DIFFERENTIAL
DIFFERENZIALE
DIFFERENTIAL
L102433 -UN-01JAN94



L 102433

3G7

DIFFERENTIAL, FINAL DRIVE ASSEMBLIES

KEY	PART NO.	PART NAME	QTY	SERIAL NO.	REMARKS
					2
					1 2 0
					6 0 4
					4 4 0
					0 0 S
1	T22874	BOLT	10	X X	3/8"
2	R62849	QUILL	1	X X	LH
3	L40721	SHIM	AR	X X	TK= 0.05MM (.002")
	L29005	SHIM	AR	X X	TK= 0.08MM (.003") (SUB FOR T21434 APPL)
	L29006	SHIM	AR	X X	TK= 0.13MM (.005") (SUB FOR T21435 APPL)
	L29007	SHIM	AR	X X	TK= 0.25MM (.010") (SUB FOR T21436 APPL)
	T29862	SHIM	AR	X X	TK= 0.50MM (.020")
4	JD8206	BEARING CUP	2	X X	LH, RH
5	JD8151	BEARING CONE	1	X X	LH
6	T21430	CAP SCREW	8	X X	3/8"
7	L32568	HOUSING	1	X X	LH
8	L32570	WASHER	1	X X	
9	T29394	BEVEL GEAR	2	X X	Z=18
10	L29227	GEAR	4	X X	Z=11
11	L31793	THRUST WASHER	4	X X	
12	L29226	SHAFT	2	X X	
13	T21432	QUILL	1	X X	RH
14	JD8946	BEARING CONE	1	X X	RH
15	AL35738	SHAFT	1	X X	Z=8/50
	AL70976	KIT	1	X X	Z=9/46(SUB FOR AL39093, AL35739 APPL)
	AL35741	ROCKSHAFT	1	X X	(A) Z=7/40
	AL67796	HOUSING	1	X X	(A) Z=9/43 (SUB FOR AL35740)
16	T59690	HOUSING	1	X X	
17	L40557	RIVET	16	X X	7/16"X1-11/16" (SUB FOR L29871)

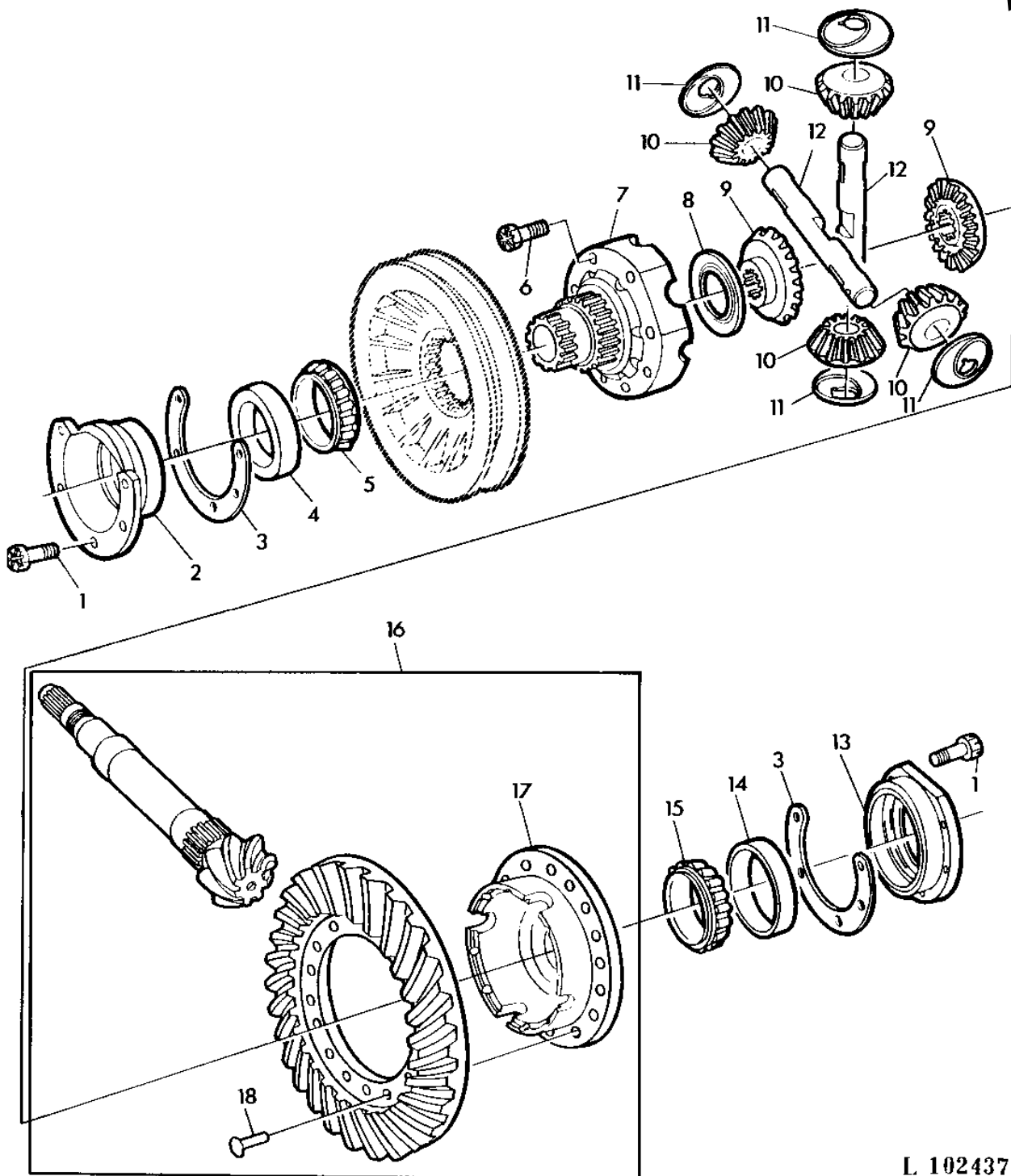
(A) WITH COLLAR-SHIFT TRANSMISSION
 AVEC BOITE A MANCHONS BALADEURS
 BEI MUFFENSCHALTGETRIEBE
 CON TRASM.A COLLARE SCORREVOLE
 CON TRANSM.DE COLLAR.DESPLAZABLES
 VID VAXELLADA "COLLAR-SHIFT"

3G8

DIFFERENTIAL, FINAL DRIVE ASSEMBLIES

DIFFERENTIAL (WITH HEAVY-DUTY FINAL DRIVE)
DIFFERENTIEL (AVEC COMMANDE FINALE RENF)
DIFFERENTIAL (BEI VERSTAERKTEM ENDANTRIEB)
DIFFERENZIALE (CON RIDUZ. FINALE RINFORZATA)
DIFERENCIAL (CON REDUCC. FINAL REFORZADA)
DIFFERENTIAL (VID FORSTARKT SLUTDREV)

L102437 -UN-01JAN94



L 102437

3G9

DIFFERENTIAL, FINAL DRIVE ASSEMBLIES

KEY	PART NO.	PART NAME	QTY	SERIAL NO.	2			REMARKS
					1	2	0	
					6	0	4	
					4	4	0	
					0	0	S	
1	T22874	BOLT	10		X	X	X	3/8"
2	R62849	QUILL	1		X	X	X	LH
3	L40721	SHIM	AR		X	X	X	TK= 0.05MM (.002")
	L29005	SHIM	AR		X	X	X	TK= 0.08MM (.003") (SUB FOR T21434 APPL)
	L29006	SHIM	AR		X	X	X	TK= 0.13MM (.005") (SUB FOR T21435 APPL)
	L29007	SHIM	AR		X	X	X	TK= 0.25MM (.010") (SUB FOR T21436 APPL)
	T29862	SHIM	AR		X	X	X	TK= 0.51MM (.020")
4	JD10084	BEARING CUP	1		X	X	X	LH
5	JD10318	BEARING CONE	1		X	X	X	LH (SUB FOR JD9096)
6	T21430	CAP SCREW	8		X	X	X	3/8"
7	L36199	HOUSING	1		X	X	X	LH
8	L31792	WASHER	1		X	X	X	LH
9	L28376	BEVEL GEAR	2		X	X	X	Z=18
10	L29227	GEAR	4		X	X	X	Z=11
11	L31793	THRUST WASHER	4		X	X	X	
12	L29226	SHAFT	2		X	X	X	
13	L36203	QUILL	1		X	X	X	RH
14	JD8210	BEARING CUP	1		X	X	X	RH
15	JD10322	BEARING CONE	1		X	X	X	RH (SUB FOR JD8159)
16	AL34838	KIT	1		X	X		(A) 25KM/H-, Z=9/43 (SUB FOR AL35156)
	AL35568	SHAFT	1		X	X		(B) 25KM/H-, Z=9/43
	AL70975	KIT	1		X	X		(B) 25KM/H-, Z=9/46 (SUB FOR AL39089, AL34840 APPL)
	AL35570	KIT	1	-XXXXXX	X	X		(B) -25KM/H, Z=9/52 (ORD AL39458, JD10097)
	AL39458	SHAFT	1	XXXXXX-	X	X		(B) -25KM/H, Z=8/50
	AL35568	SHAFT	1		X			(B) 25KM/H-, Z=9/43
	AL35570	KIT	1		X			(B) -25KM/H, Z=9/52
	AL33354	KIT	1		X			(A) 25KM/H-, Z=8/35
	AL38554	KIT	1		X			(A) 25KM/H-, Z=9/39 (ORD AL33354)
17	L36205	HOUSING	1		X	X	X	RH
18	L40557	RIVET	16		X	X	X	7/16"X1-11/16" (SUB FOR L29871)

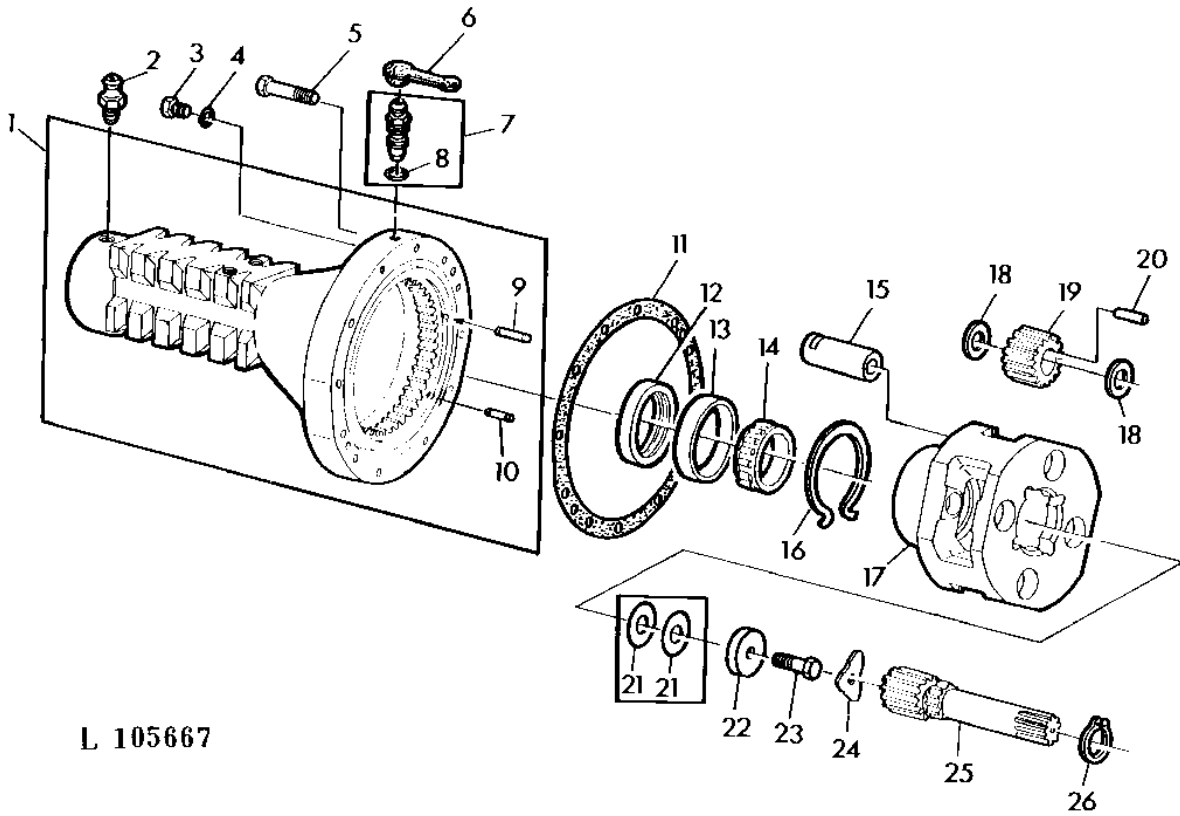
(A) WITH COLLAR-SHIFT TRANSMISSION
 AVEC BOITE A MANCHONS BALADEURS
 BEI MUFFENSCHALTGETRIEBE
 CON CAMBIO COLLARE SCORREVOLE
 CON CAMBIO DE COLLARINES DESPLAZABLES
 VID VAXELLADA "COLLAR-SHIFT"

(B) WITH SYNCHRONIZED TRANSM.
 AVEC BOITE SYNCHRONISEE
 BEI SYNCHRONGETRIEBE
 CON CAMBIO SINCRONIZZATA
 CON TRANSM. SINCRONIZADA
 VID SYNKRONISER. VAXELLADA

3G10

DIFFERENTIAL, FINAL DRIVE ASSEMBLIES

FINAL DRIVE
COMMANDES FINALES
ENDANTRIEB
RIDUZIONE FINALE
MANDOS FINALES
SLUTVAXEL
L105667 -UN-17JUL95



3G11

DIFFERENTIAL, FINAL DRIVE ASSEMBLIES

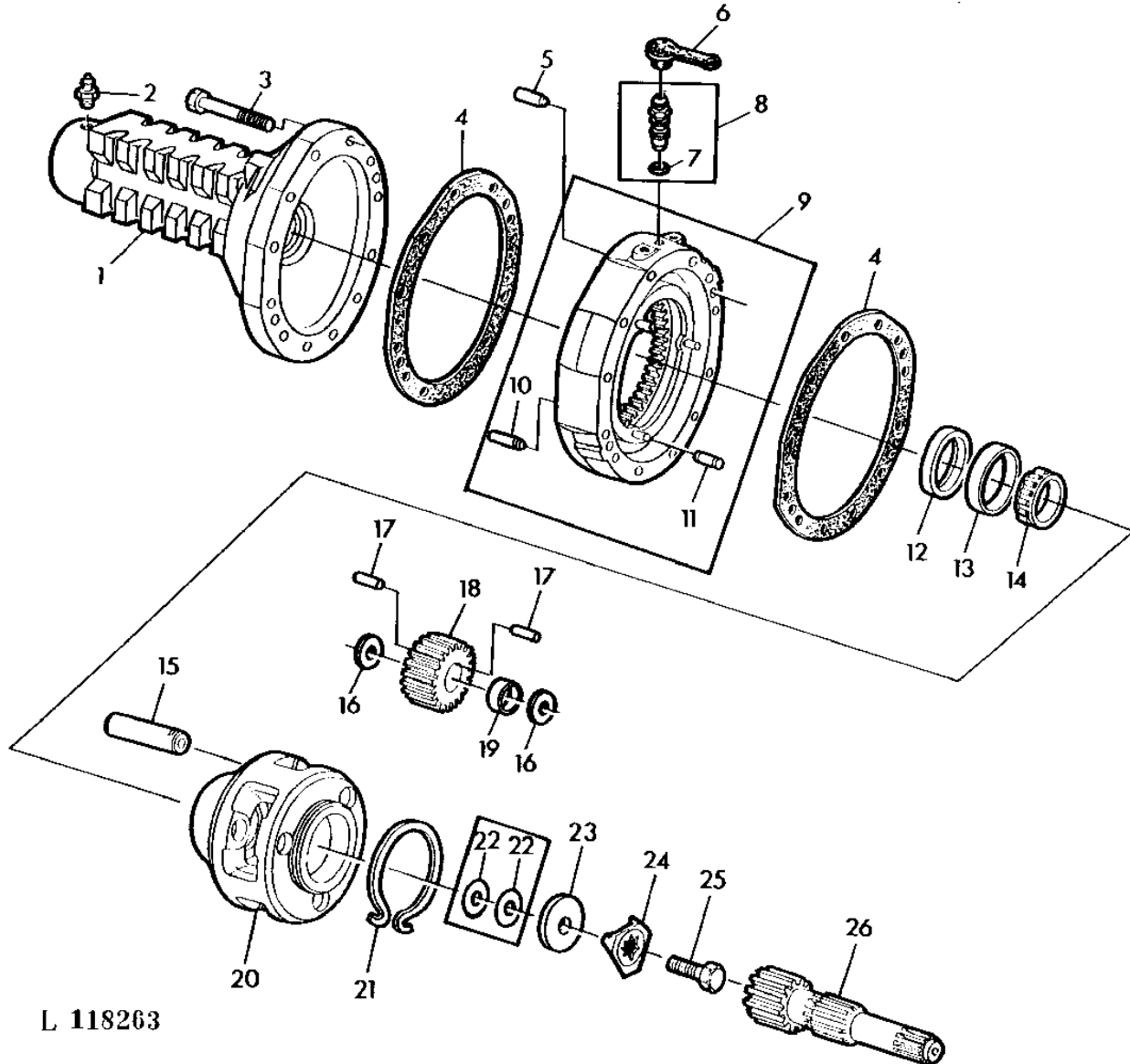
KEY	PART NO.	PART NAME	QTY	SERIAL NO.	REMARKS
					2
					1 2 0
					6 0 4
					4 4 0
					0 0 S
1	AL35993	HOUSING	2	X X	
2	JD7759	LUBRICATION FITTING	2	X X	1/8"
3	R31631	DRAIN PLUG	2	X X	3/8"
4	R26287	O-RING	2	X X	
5	19H1805	CAP SCREW	22	X X	1/2"X2-1/4"
6	R47862	CAP	2	X X	
7	AL38310	BLEED SCREW	2	X X	3/8" (ORD R21612)
	R21612	BLEED SCREW	2	X X	(W/O L36237)
8	L36237	O-RING	2	X X	
9	T21428	DOWEL PIN	6	X X	
10	R26650	DOWEL PIN	6	X X	(SUB FOR L40375, T29447)
11	L61922	GASKET	2	X X	(SUB FOR T21419)
12	AL38356	SEAL	2	X X	(SUB FOR AT21693)
13	JD8206	BEARING CUP	2	X X	
14	JD10246	BEARING CONE	2	X X	(SUB FOR JD9007)
15	T38049	PINION SHAFT	8	X X	
16	T35791	SNAP RING	2	X X	
17	L39929	PLANET PINION CARRIER	2	X X	(SUB FOR L35145)
18	T21424	THRUST WASHER	16	X X	
19	T21547	GEAR	8	X X	Z=18
20	AL24238	NEEDLE	8	X X	KIT, PACKG 23
21	L35782	SHIM	AR	X X	TK= 0.15MM (.005")
	L35783	SHIM	AR	X X	TK= 0.4MM (.015")
	L35784	SHIM	AR	X X	TK= 0.5MM (.020")
	L35785	WASHER	1	X X	TK= 2.0MM (.080")
22	L38057	WASHER	2	X X	
23	L37325	CAP SCREW	2	X X	1/2"X1-1/2"
24	R49993	PLATE	2	X X	
25	L41166	DRIVE SHAFT	1	X X	RH (SUB FOR L34168 APPL)
	L41167	DRIVE SHAFT	1	X X	LH (SUB FOR L34353 APPL)
	L62449	DRIVE SHAFT	1	X X	(A) RH
26	L34400	SNAP RING	2	X X	

(A) ONLY REQUIRED IN CONJUNCTION WITH DIFFERENTIAL AL35740 AND TRANSMIS.CASE AL66796 OR AL66797
 UNIQUEMENT EN LIAISON AVEC DIFFERENTIEL AL35740 ET CARTER DE BOITE AL66796 OU AL66797
 NUR IN VERBIND.MIT DIFF.AL35740 UND GETR.GEHAUSE AL66796 ODER AL66797 ERFORDERLICH
 SOLO NECESS.IN COLLEGAM.DIFF.AL35740 E CASSA TRASMISS.AL66796 OD AL66797
 SOLO NECESARIO JUNTO CON DIFERENCIAL AL35740 Y CARCASA DEL CAMBIO AL66796 O AL66797
 BEHOVS ENDAST FOR DIFFER.AL35740 OCH TRANSMISSIONSHUS AL66796 ELLER AL66797

3G12

DIFFERENTIAL, FINAL DRIVE ASSEMBLIES

FINAL DRIVE (HEAVY DUTY)
COMMANDES FINALES (RENFORCEES)
ENDANTRIEB (VERSTAERKTE AUSFUEHRUNG)
RIDUZIONE FINALE (RINFORZATO)
MANDOS FINALES (REFORZADO)
SLUTVAXEL (FORSTARKT)
L118263 -UN-18JUL95



L 118263

3G13

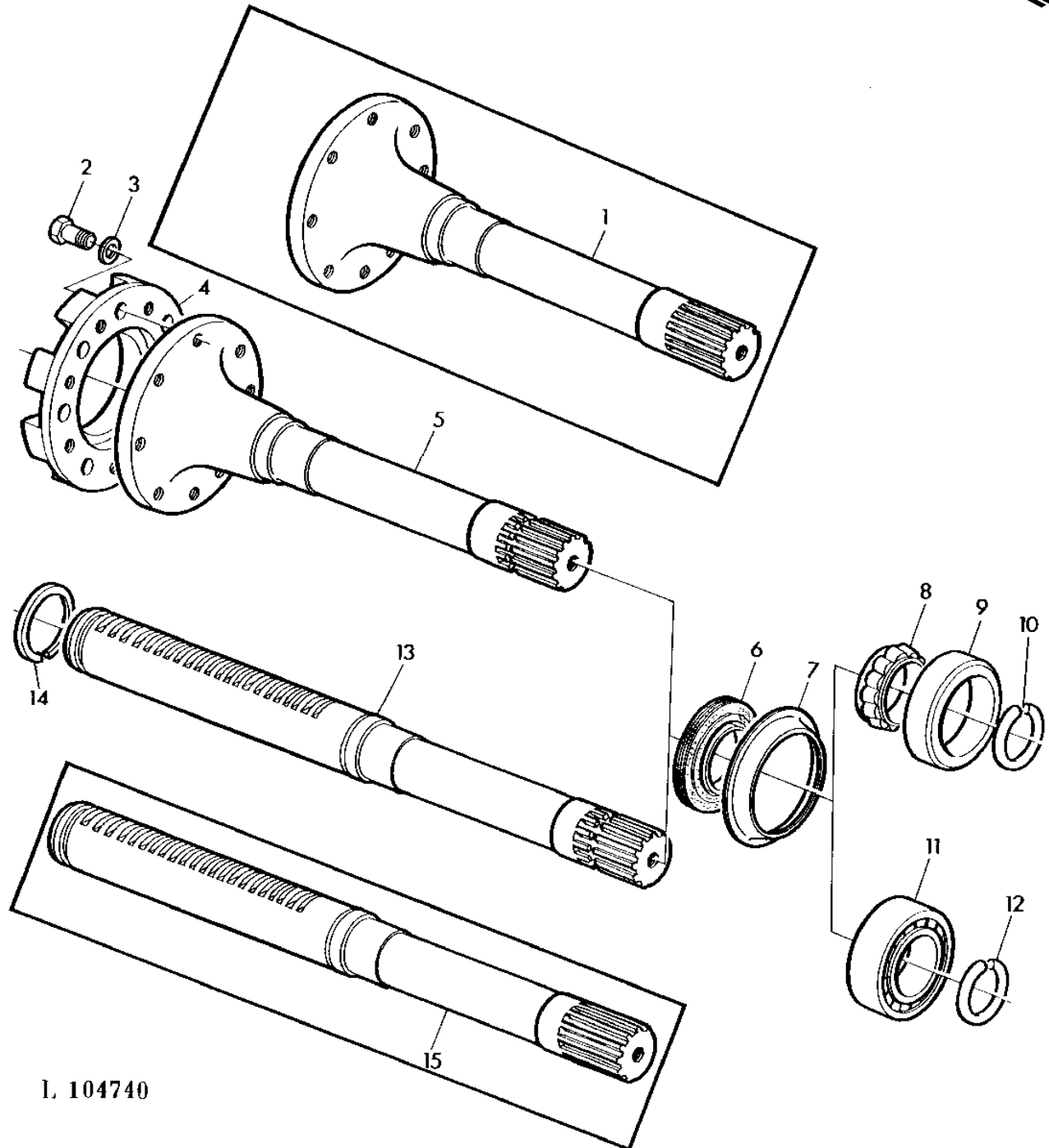
DIFFERENTIAL, FINAL DRIVE ASSEMBLIES

KEY	PART NO.	PART NAME	QTY	SERIAL NO.	REMARKS
					2
					1 2 0
					6 0 4
					4 4 0
					0 0 S
1	L36707	HOUSING	2	X X X	
2	JD7759	LUBRICATION FITTING	2	X X X	1/8"
3	19H3202	CAP SCREW	22	X X X	1/2"X6-1/2"
4	L61922	GASKET	4	X X X	(SUB FOR T21419)
5	R48685	DOWEL PIN	4	X X X	(SUB FOR A120R APPL)
6	R47862	CAP	4	X X X	
7	L36237	O-RING	2	X X X	
8	AL38310	BLEED SCREW	2	X X X	3/8" (ORD R21612)
	R21612	BLEED SCREW	2	X X X	(W/O L36237)
9	AL35925	HOUSING	1	X X X	RH
	AL35926	HOUSING	1	X X X	LH
10	T29449	DOWEL PIN	3	X X X	
11	R26650	DOWEL PIN	3	X X X	(SUB FOR T29447)
12	AL38357	SEAL	2	X X X	(SUB FOR AL23547)
13	JD8206	BEARING CUP	2	X X X	
14	JD10247	BEARING CONE	2	X X X	(SUB FOR JD8151 APPL)
15	T29445	PINION SHAFT	6	X X X	
16	T28827	WASHER	12	X X X	
17	AL24045	NEEDLE	6	X X X	KIT, PACKG 40
18	T29444	PINION	6	X X X	Z=26
19	T29446	BUSHING	6	X X X	
20	L39930	PLANET PINION CARRIER	2	X X X	(SUB FOR L29055)
21	T28832	SNAP RING	2	X X X	
22	L35795	SHIM	AR	X X X	TK= 0.15MM (.005")
	L35796	SHIM	AR	X X X	TK= 0.4MM (.015")
	L35797	SHIM	AR	X X X	TK= 0.5MM (.020")
	L35798	WASHER	AR	X X X	TK= 2.0MM (.080")
23	L38058	WASHER	2	X X X	
24	T29451	LOCK PLATE	2	X X X	
25	L36227	CAP SCREW	2	X X X	
26	L36201	SHAFT	1	X X X	RH
	L36202	DRIVE SHAFT	1	X X X	LH

3G14

DIFFERENTIAL, FINAL DRIVE ASSEMBLIES

REAR AXLE
ARBRE DE ROUE ARRIERE
HINTERACHSE
ASSALE POSTERIORE
PALIER
BAKAXEL
L104740 -UN-17JUL95



L. 104740

3G15

DIFFERENTIAL, FINAL DRIVE ASSEMBLIES

KEY	PART NO.	PART NAME	QTY	SERIAL NO.		REMARKS
					2	
					1 2 0	
					6 0 4	
					4 4 0	
					0 0 S	
1	L34720	SPINDLE	2	-511315	X X	580MM (23.62") (ORD L40175, L40173)
	L35794	SPINDLE	2	-512339	X X X	(A) 505MM (19.88") (ORD L40177, L40174)
2	L31683	SCREW	16		X X X	(B)
3	24M7108	WASHER	16		X X X	(B) 20X32X4MM
4	L36186	HUB	2		X X X	(B)
5	L40175	HALF AXLE	2	511316-	X X	
	L40177	HALF AXLE	2	512340-	X X X	(A)
6	AT20703	SEAL	2		X X X	
7	L35542	GUIDE	2		X X X	
8	JD8946	BEARING CONE	2		X X	
9	JD8206	BEARING CUP	2		X X	
10	L40173	SNAP RING	2		X X	
11	JD10053	ROLLER BEARING	2		X X X	(A)
12	L40174	SNAP RING	2		X X X	(A)
13	L40176	HALF AXLE	2	514235-	X X	
	L40178	HALF AXLE	2	514201-	X	
14	R53656	SNAP RING	2		X X X	
15	L35781	HALF AXLE	2	-514234	X X	458MM (18.04") (ORD L40176, L40173)
	L35799	REAR AXLE	2	-514200	X	436MM (17.187") (ORD L40178, L40174)

(A) WITH HEAVY-DUTY FINAL DRIVE
 AVEC REDUCTION FINALE RENFORCEE
 BEI VERSTAERKTEM ENDANTRIEB
 CON RIDUZ. FIN. RINFORZ.
 CON MANDOS FINALES REFORZADOS
 VID FORSTARKT SLUTDREV

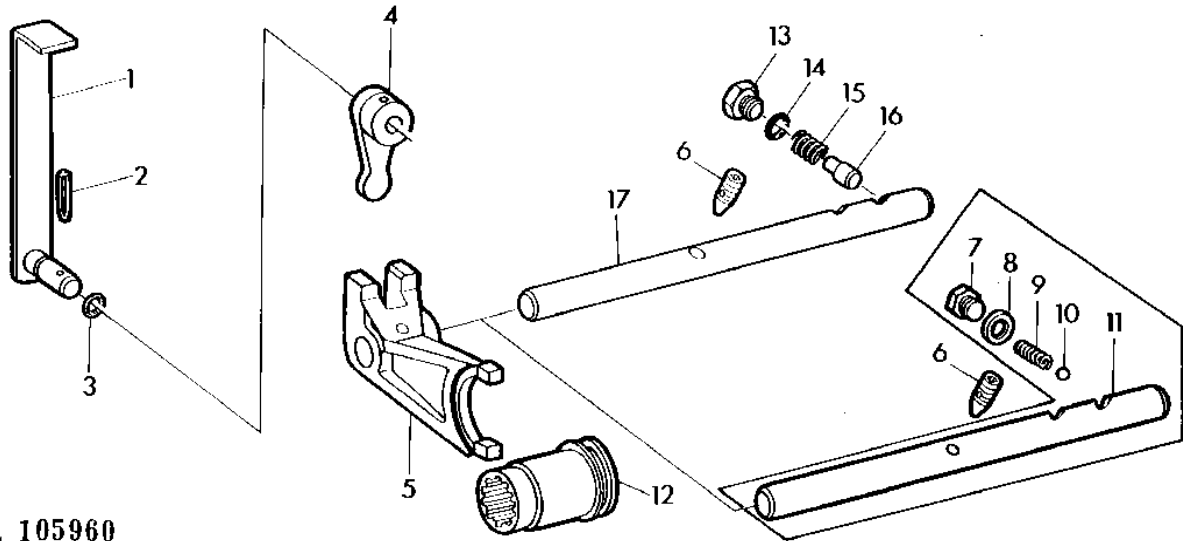
(B) FOR EXTENDED AXLE
 POUR ELARGISSEMENT DE VOIE
 FUER SPURVERBREITERUNG
 PER CARREGGIATA MAGGIORATA
 PARA ANCHO DE VIA EXTENDIDO
 FOR OKAD SPARVIDD

MEMORANDA
MEMORANDA
MEMORANDA
MEMORANDA
MEMORANDA

3G16

DIFFERENTIAL, FINAL DRIVE ASSEMBLIES

SHIFTING PARTS - CONTINUOUS RUNNING PTO
 SELECTEUR-PDF MOTEUR
 SCHALTUNG-MOTORZAPFWELLE
 MECANISMO CAMBIO PDF FUNCIONAMIENTO CONTINUO
 PIEZAS DE CAMBIO DE LA TDF DE FUNCIONAMIENTO CONTINUO
 VAXLINGSMEKANISM FOR KOPPLINGSBEROENDE KRAFTUTTAG
 L105960 -UN-17JUL95



L 105960

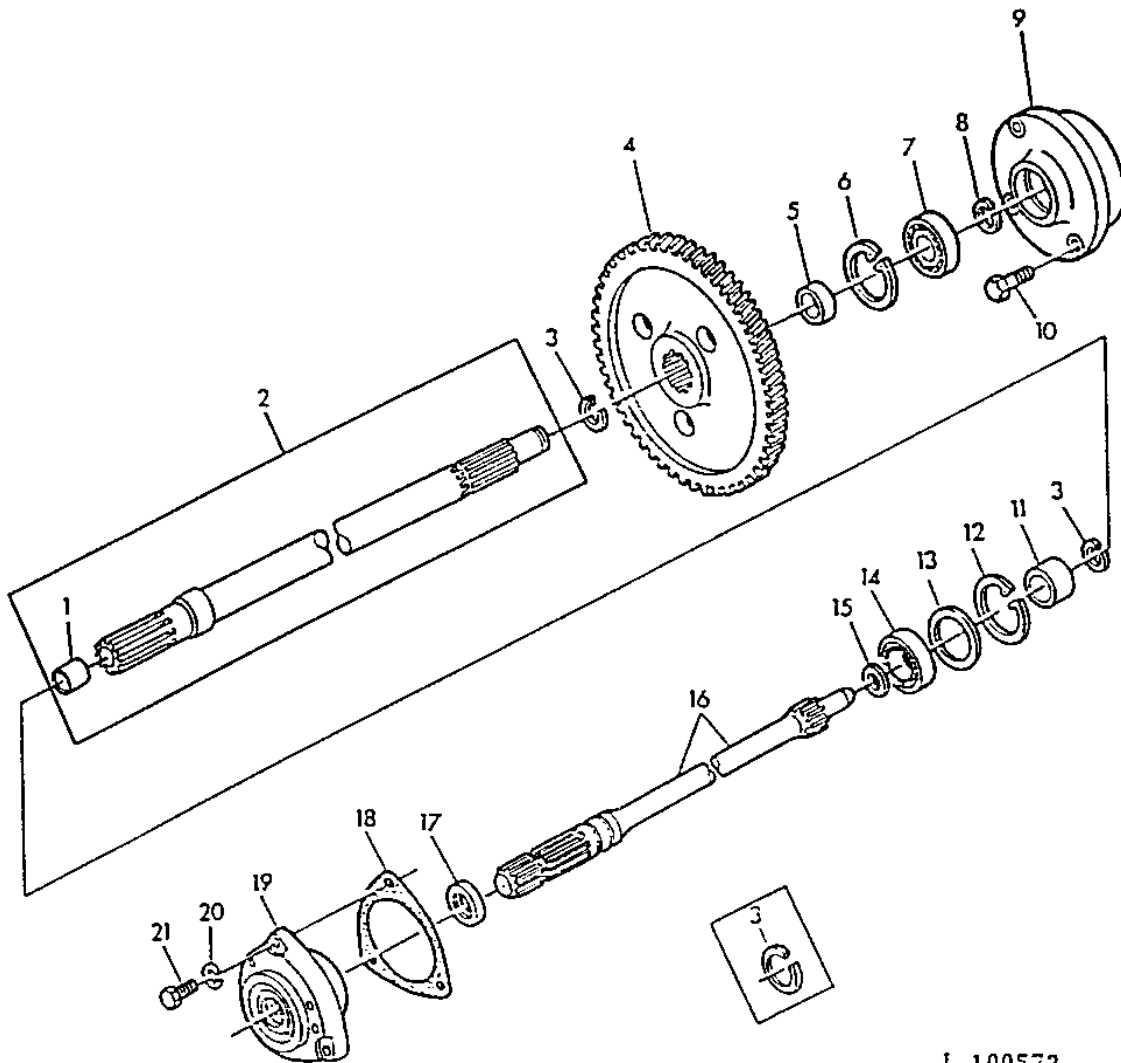
2
1 2 0
6 0 4
4 4 0
0 0 S

KEY	PART NO.	PART NAME	QTY	SERIAL NO.	REMARKS
1	AL34733	LEVER	1	X X	
2	T27544	GROOVE PIN	1	X X	
3	R28776	O-RING	1	X X	
4	AT20025	ARM	1	X X	
5	T21992	SHIFTER	1	X X	
6	T25614	SET SCREW	1	X X	
7	R53802	CAP SCREW	1	-466546	X X 1/2"
8	R27003	WASHER	1	-466546	X X
9	T27716	SPRING	1	-466546	X X
10	R26552	BALL	1	-466546	X X 5/16"
11	R48289	SHAFT	1	-466546	X X
12	T26337	SHIFT COLLAR	1	X X	
13	R27218	FITTING PLUG	1	466547-	X X
14	R26448	O-RING	1	466547-	X X
15	R59468	SPRING	1	466547-	X X
16	L38134	PIN	1	466547-	X X
17	L38231	SHIFTER ROD	1	466547-	X X

3G17

DIFFERENTIAL, FINAL DRIVE ASSEMBLIES

CONTINUOUS-RUNNING PTO-540 RPM (COLLAR SHIFT TRANSMISSION)
PDF MOTEUR 540 (BOITE A MANCHONS BALADEURS)
MOTORIZAPFWELLE 540 (MUFFENSCHALTGETRIEBE)
PDF FUNZIONAMENTO CONTINUO 540 GIRI/MIN (CAMBIO A COLLARE SCORREVOLE)
TDF MECANICA 540 (TRANSM. DE COLLARIN. DESPLAZABLOS)
KOPPLINGSBERONDE KRAFTUTTAG 540 VARVS VAXELLADA (COLLAR-SHIFT)
L100572 -UN-17JUL95



L 100572

3G18

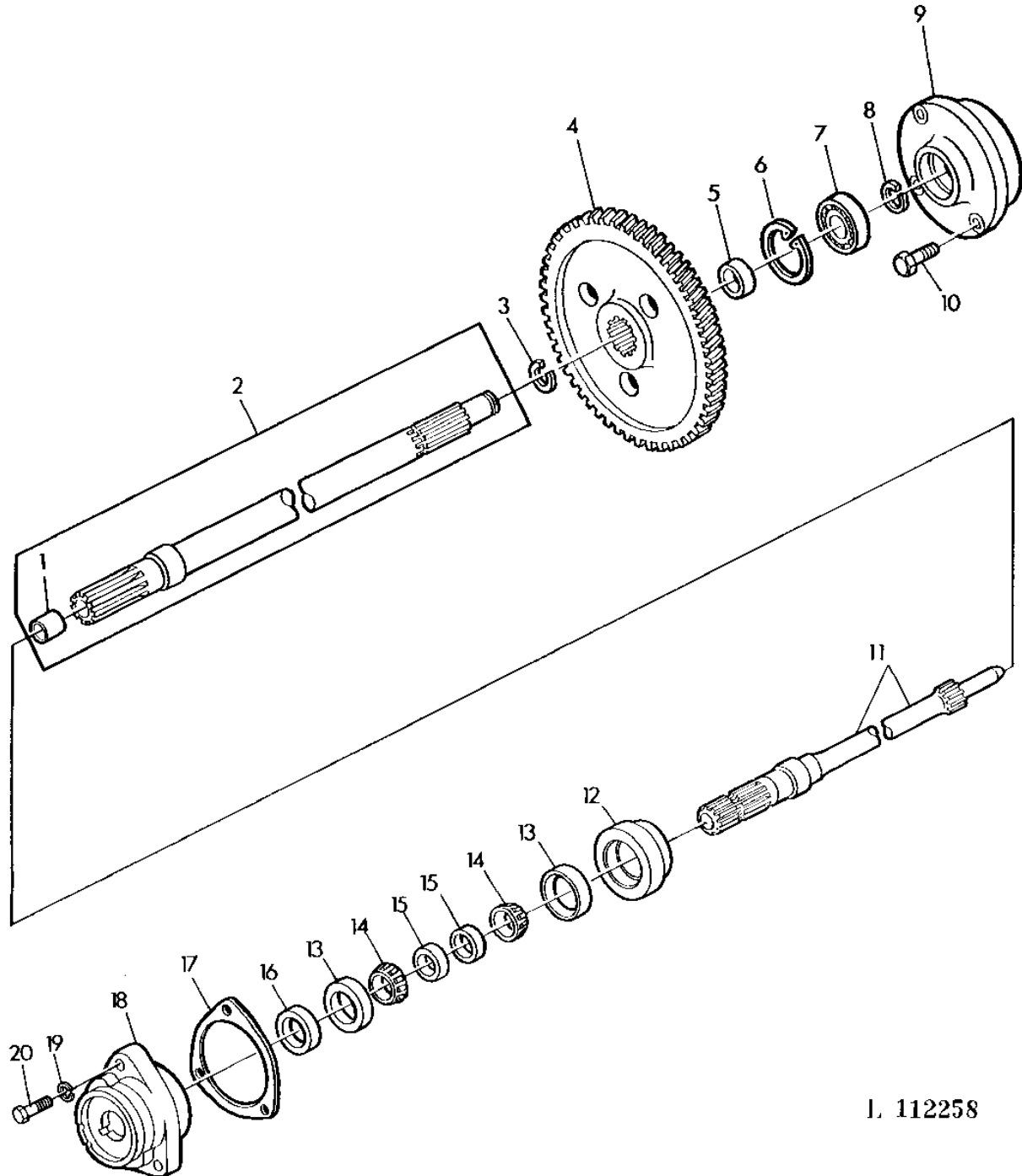
DIFFERENTIAL, FINAL DRIVE ASSEMBLIES

KEY	PART NO.	PART NAME	QTY	SERIAL NO.		REMARKS
					2	
					1 2 0	
					6 0 4	
					4 4 0	
					0 0 S	
1	T22127	BUSHING	1		X X	
2	AL33160	DRIVE SHAFT	1		X X	
3	M2353T	SNAP RING	3	-437369	X X	
4	M2353T	SNAP RING	2	437370-	X X	
	L33707	GEAR	1	-507734	X X	Z=75
	L40836	GEAR	1	507735-	X X	Z=72
5	L35894	SPACER	1		X X	
6	40M7044	SNAP RING	1		X X	72X2.5MM
7	JD10112	BEARING	1		X X	
8	40M7084	SNAP RING	1		X X	30X1.5MM
9	L33639	COVER	1		X X	FRONT
10	19H3239	CAP SCREW	3		X X	3/8"X1-1/4"
11	L33007	BUSHING	1	437370-	X X	
12	40M7044	SNAP RING	1	-437369	X X	(SUB FOR R47513)
	40M7115	SNAP RING	1	437370-	X X	80X2.5MM
13	24M7255	WASHER	1	437370-	X X	63X80X3MM
14	JD9344	BALL BEARING	1	-437369	X X	
	L28405	BALL BEARING	1	437370-	X X	
15	T22546	WASHER	1		X X	
16	L28712	POWER-TAKEOFF	1	-437369	X X	(ORD L38806) (ORD W/ L38807, L28405, L33007, M2353T, 24M7255, 40M7115, 48M7038)
17	L38806	POWER-TAKEOFF	1	437370-	X X	540U/MIN (RPM)
	T22069	SEAL	1	-437369	X X	
	48M7038	SEAL	1	437370-	X X	38X52X7MM
18	T22080	GASKET	1		X X	
19	R47514	QUILL	1	-437369	X X	REAR
	L38807	QUILL	1	437370-	X X	REAR
20	12H301	LOCK WASHER	3		X X	
21	19H1721	CAP SCREW	3		X X	1/2"X1-1/2"

3G19

DIFFERENTIAL, FINAL DRIVE ASSEMBLIES

CONTINUOUS-RUNNING PTO-540 RPM (HEAVY-DUTY COLLAR SHIFT TRANSM.)
PDF MOTEUR 540 (BOITE MANCHONS BALAD. VERSION RENFORCEE)
MOTORIZAPFELLE 540 (MUFFENSCHALTGETRIEBE, VERSTAERKTE AUSF.)
PDF FUNZIONAMENTO CONTINUO 540 GIRI/MIN (CAMBIO A COLLARE SCORREVOLE RINFORZATO)
TDF MECANICA 540 (CAMBIO DE COLLARINES DESPLAZABLES REFORZ.)
KOPPLINGSBERONDE KRAFTUTTAG 540 VARVS VAXELLADA (COLLAR-SHIFT VAXELLADA, FORSTARKT)
L112258 -UN-13JUN95



I. 112258

3G20

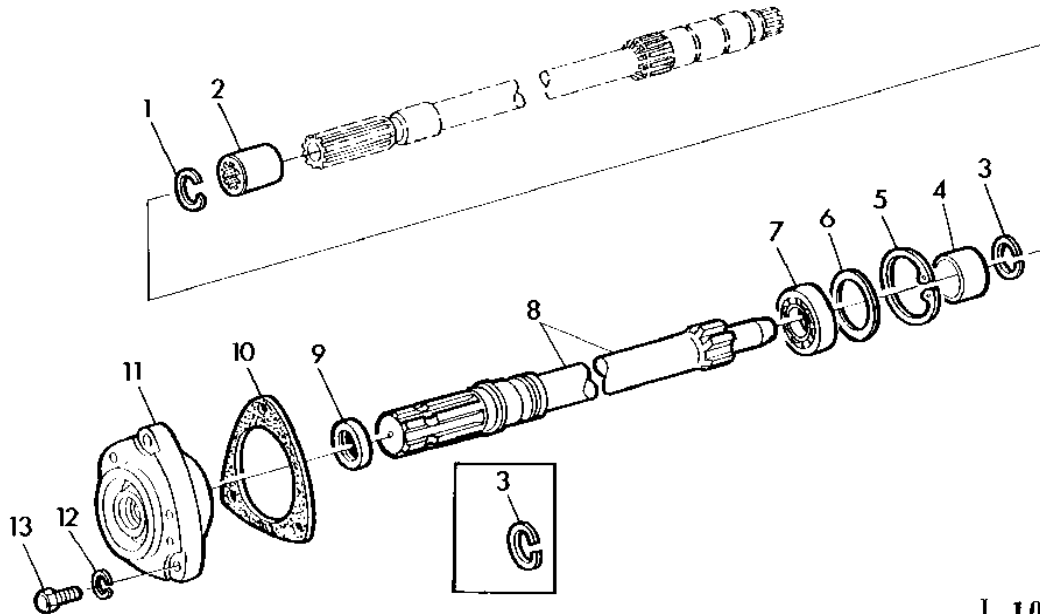
DIFFERENTIAL, FINAL DRIVE ASSEMBLIES

KEY	PART NO.	PART NAME	QTY	SERIAL NO.	REMARKS
					2
					1 2 0
					6 0 4
					4 4 0
					0 0 S
1	T22127	BUSHING	1		X X
2	AL33160	DRIVE SHAFT	1		X X
3	M2353T	SNAP RING	1		X X
4	L40836	GEAR	1		X X Z=72
5	L35894	SPACER	1		X X
6	40M7044	SNAP RING	1		X X 72X2.5MM
7	JD10112	BEARING	1		X X
8	40M7084	SNAP RING	1		X X 30X1.5MM
9	L33639	COVER	1		X X FRONT
10	19H3239	CAP SCREW	3		X X 3/8"X1-1/4"
11	R69509	SHAFT	1		X X
12	R69511	BUSHING	1		X X
13	JD9125	BEARING CUP	2		X X
14	JD9065	BEARING CONE	2		X X
15	R69510	SPACER	2		X X
16	AL56820	SEAL	1		X X
17	R69513	SHIM	AR		X X TK= 0.13MM (.005") STEEL
	R69514	SHIM	AR		X X TK= 0.13MM (.005") PAPER
	R69515	SHIM	AR		X X TK= 0.25MM (.010") STEEL
	R69516	SHIM	AR		X X TK= 0.50MM (.020") STEEL
18	R69512	QUILL	1		X X REAR
19	12H301	LOCK WASHER	3		X X 1/2"
20	19H1721	CAP SCREW	3		X X 1/2"X1-1/2"

3G21

DIFFERENTIAL, FINAL DRIVE ASSEMBLIES

INDEPENDENT PTO 540 RPM (COLLAR SHIFT TRANSMISSION)
 PDF INDEPENDANTE 540 (BOITE A MANCHONS BALADEURS)
 UNABH. ZAPFWELLE 540 (MUFFENSCHALTGETRIEBE)
 PDF INDIPENDENTE 540 (CAMBIO A COLLARE SCORREVOLE)
 TDF INDEPENDIENTE 540 (TRANSM. DE COLLARINES DESPLAZABLES)
 OBERONDE KRAFTUTTAG 540 (VAXELLADA COLLAR-SHIFT)
 L100570 -UN-17JUL95



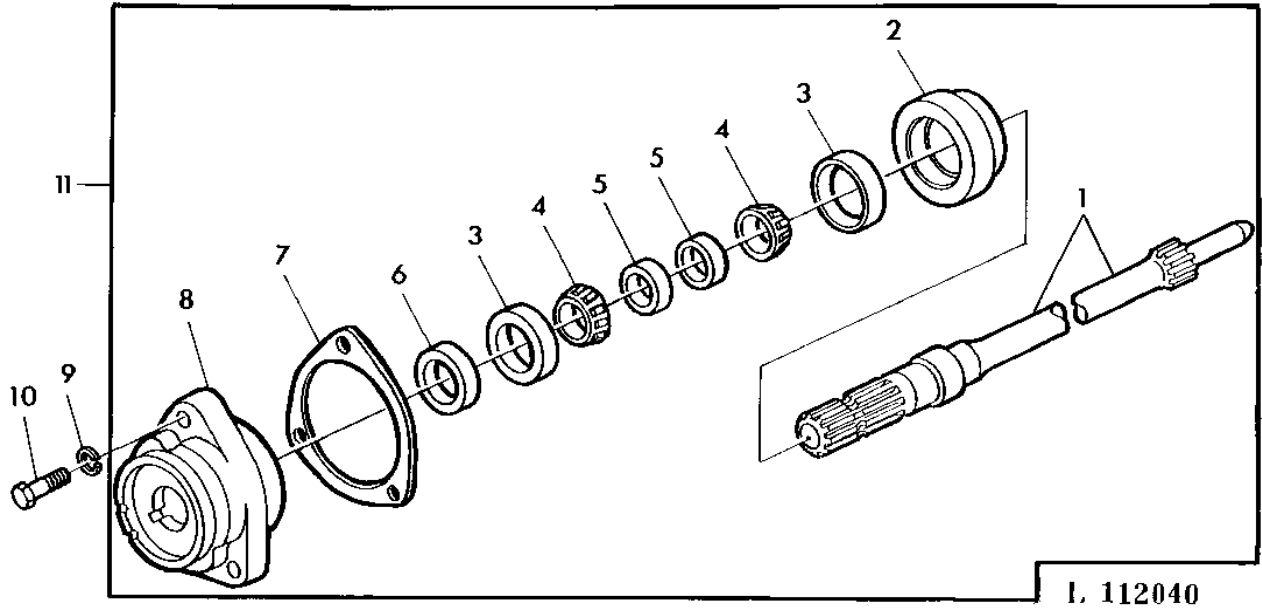
L 100570

KEY	PART NO.	PART NAME	QTY	SERIAL NO.	REMARKS
					2
					1 2 0
					6 0 4
					4 4 0
					0 0 S
1	T30766	SNAP RING	1		X X X
2	T30767	SPLINED COUPLING	1		X X X
3	M2353T	SNAP RING	2	-437369	X X
	M2353T	SNAP RING	1	437370-	X X X
4	L33007	BUSHING	1	437370-	X X X
5	40M7044	SNAP RING	1	-437369	X X (SUB FOR R47513)
	40M7115	SNAP RING	1	437370-	X X X 80X2.5MM
6	24M7255	WASHER	1	437370-	X X X 63X80X3MM
7	JD9344	BALL BEARING	1	-437369	X X
	L28405	BALL BEARING	1	437370-	X X X
8	L28712	POWER-TAKEOFF	1	-437369	X X (ORD L38806) (ORD W/ L38807, L28405, L33007, M2353T, 24M7255, 40M7115, 48M7038)
	L38806	POWER-TAKEOFF	1	437370-	X X X 540U/MIN (RPM)
9	T22069	SEAL	1	-437369	X X
	48M7038	SEAL	1	437370-	X X X 38X52X7MM
10	T22080	GASKET	1		X X X
11	R47514	QUILL	1	-437369	X X
	L38807	QUILL	1	437370-	X X X
12	12H301	LOCK WASHER	3		X X X
13	19H1721	CAP SCREW	3		X X X 1/2"X1-1/2"

3G22

DIFFERENTIAL, FINAL DRIVE ASSEMBLIES

IND. 540 RPM PTO (HEAVY-DUTY COLLAR SHIFT TRANSMISSION)
 PDF INDEP. 540 (BOITE MANCHONS BALAD. VERSION RENFORCEE)
 UNABH. ZAPFWELLE 540 (MUFFENSCHALTGETRIEBE, VERSTAERKTE AUSF.)
 PDF INDIP. 540 (CAMBIO A COLLARE SCORREVOLE RINFORZATO)
 TDF INDEP. 540 (CAMBIO DE COLLARINES DESPLAZABLES REFORZADO)
 OBEROENDE KRAFTUTTAG 540 (COLLAR-SHIFT VAXELLADA, FORSTARKT)
 L112040 -UN-12MAY95



2
1 2 0
6 0 4
4 4 0
0 0 S

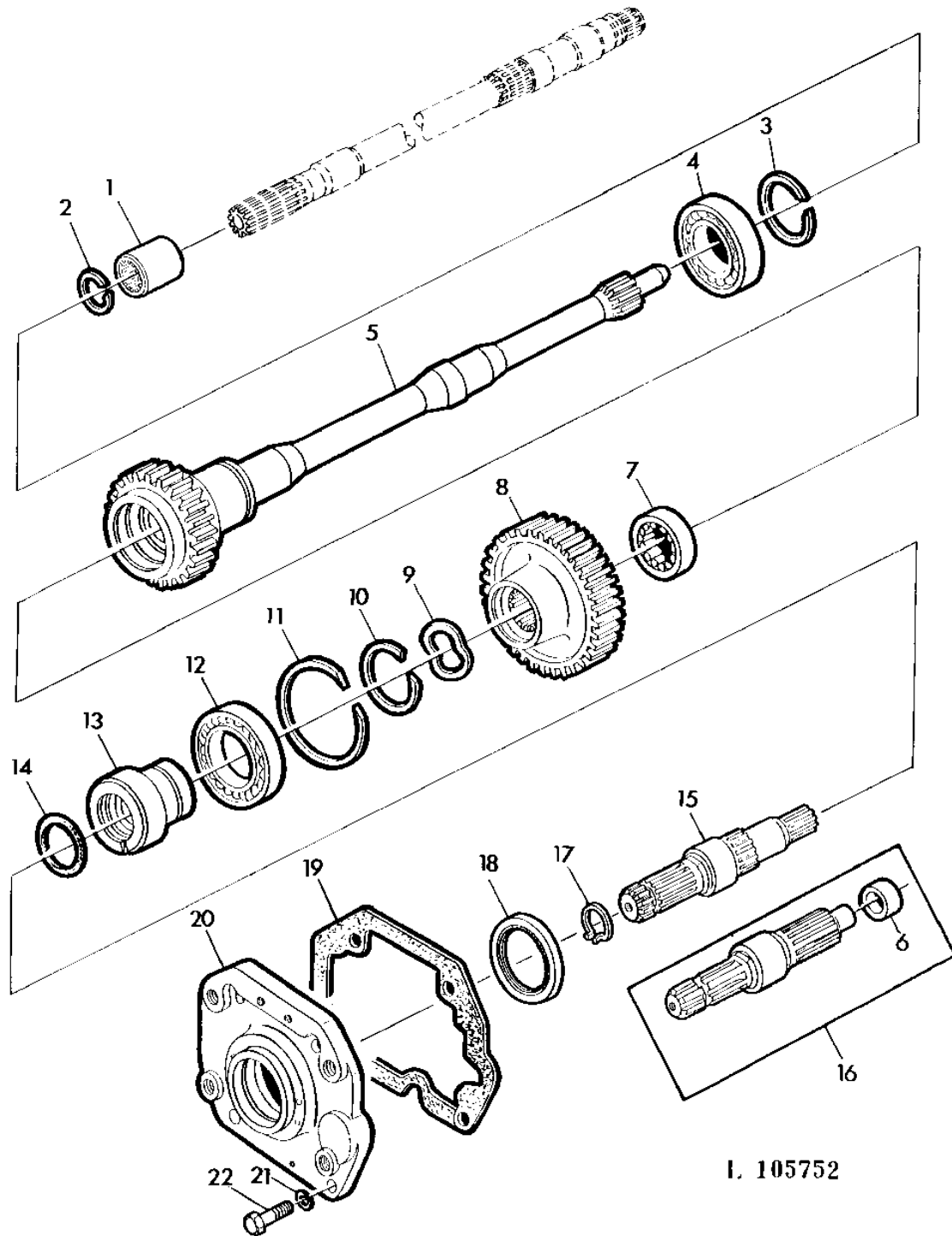
KEY	PART NO.	PART NAME	QTY	SERIAL NO.	REMARKS
1	R69509	SHAFT	1	X X X	
2	R69511	BUSHING	1	X X X	
3	JD9125	BEARING CUP	2	X X X	
4	JD9065	BEARING CONE	2	X X X	
5	R69510	SPACER	2	X X X	
6	AL56820	SEAL	1	X X X	(SUB FOR T22069 APPL)
7	R69513	SHIM	AR	X X X	0.13MM (.005") STEEL
	R69514	SHIM	AR	X X X	0.13MM (.005") PAPER
	R69515	SHIM	AR	X X X	0.25MM (.010") STEEL
	R69516	SHIM	AR	X X X	0.5MM (.020") STEEL
8	R69512	QUILL	1	X X X	
9	12H301	LOCK WASHER	3	X X X	1/2"
10	19H1721	CAP SCREW	3	X X X	1/2"X1-1/2"
11	AL57323	KIT	1	X X X	(SUB FOR AR93928 APPL)

3G23

DIFFERENTIAL, FINAL DRIVE ASSEMBLIES

INDEPENDENT PTO-540-1000 RPM (INTERCHANGEABLE) WITH COLLAR SHIFT TRANSMISSION
PDF INDEPENDANTE 540-1000 (INTERCHANGEABLE) AVEC BOITE MANCH. BALAD.
UNABH. ZAPFWELLE 540-1000 (AUSWECHSELBAR) BEI MUFFENSCHALTGETR.
PDF INDEPENDENTE 540-1000 (INTERCAMB.) CON TRASM. A COLL. SCORR.
TDF INDEPENDIENTE 540-1000 (TRANSM. DE COLLARIN. DESPLAZABLOS) (CAMBIABLE) CON TRANSM. DE COLLARIN
OBEROENDE KRAFTUTTAG 540-1000 (UTBYTBAR) VID COLLAR-SHIFT VAXELLADA

L105752 -UN-13JUN95



I. 105752

3G24

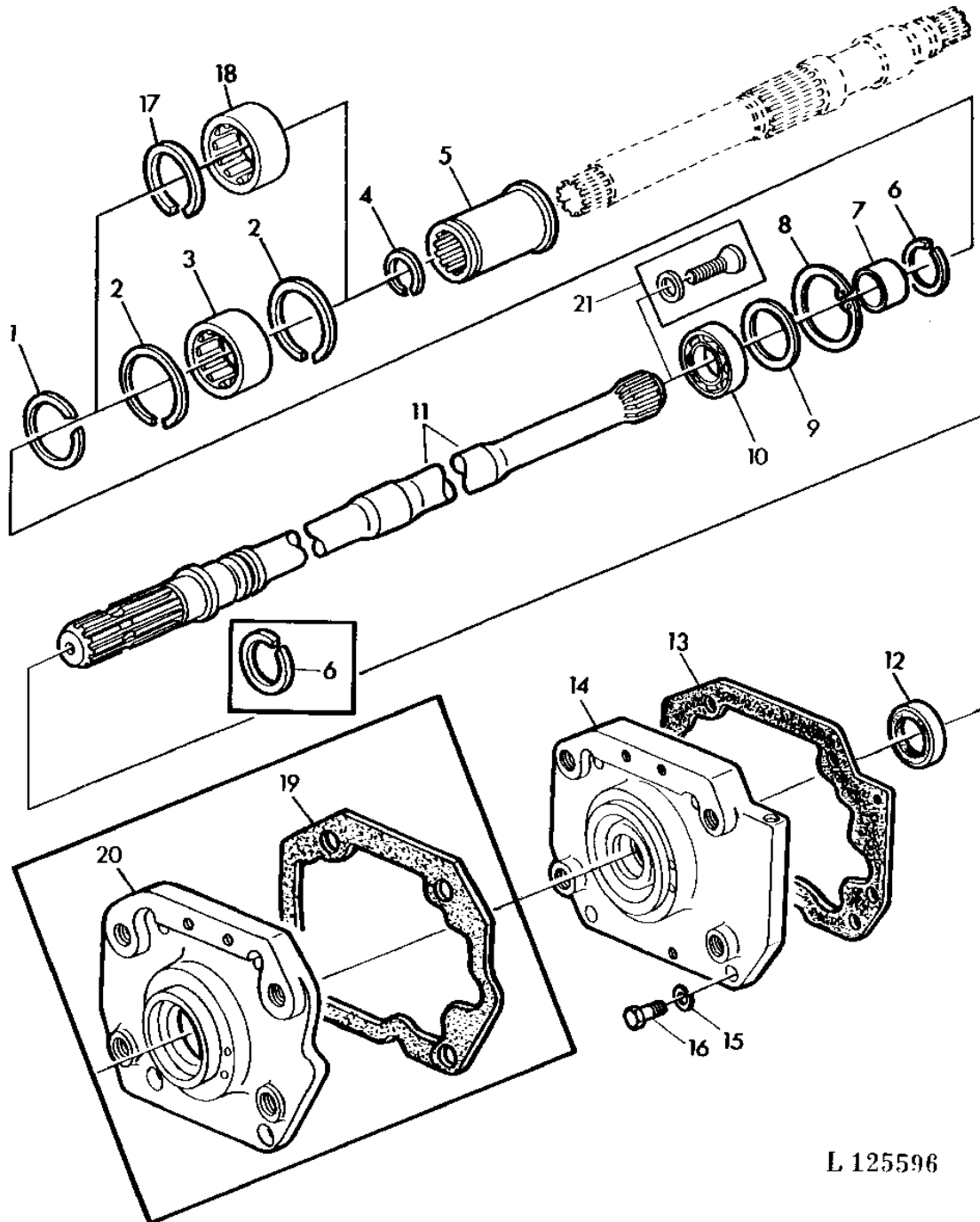
DIFFERENTIAL, FINAL DRIVE ASSEMBLIES

KEY	PART NO.	PART NAME	QTY	SERIAL NO.	REMARKS
					2
					1 2 0
					6 0 4
					4 4 0
					0 0 S
1	T30767	SPLINED COUPLING	1		X X X
2	T30766	SNAP RING	1		X X X
3	R29001	RING	1		X X X
4	L28711	BALL BEARING	1		X X X
5	AL23806	POWER-TAKEOFF	1	-507734	X X X Z=24
	AL38963	DRIVE SHAFT	1	507735-	X X X Z=26
6	JD10283	BEARING RACE	1		X X X (SUB FOR JD7557)
7	JD10282	ROLLER BEARING	1		X X X (SUB FOR JD7537)
8	T30798	GEAR	1		X X X Z=31
9	R38219	THRUST WASHER	1		X X X
10	F1334R	SNAP RING	1		X X X
11	C1919R	SNAP RING	1		X X X
12	JD9320	BALL BEARING	1		X X X
13	R45126	GUIDE	1		X X X
14	P50631	O-RING	1		X X X
15	T30803	SHAFT	1		X X X 540-1000U/MIN (RPM)
16	AT29707	POWER-TAKEOFF	1		X X X 540U/MIN (RPM)
17	R38221	SNAP RING	1		X X X
18	AL68619	SEAL	1		X X X (SUB FOR AT16431)
19	L29268	GASKET	1		X X X
20	R69658	QUILL	1		X X X REAR (SUB FOR T30799)
21	12H301	LOCK WASHER	4		X X X
22	19H1721	CAP SCREW	4		X X X 1/2"X1-1/2"

3H1

DIFFERENTIAL, FINAL DRIVE ASSEMBLIES

INDEPENDENT PTO-540 RPM (SYNCHRONIZED TRANSMISSION)
PDF INDEPENDANTE 540 (BOITE SYNCHRONISEE)
UNABH. ZAPFWELLE 540 (SYNCRONGETRIEBE)
PDF INDIPENDENTE 540 (CAMBIO SINCRONIZZATO)
TDF INDEPENDIENTE 540 (TRANSMISION SINCRONIZADA)
OBEROENDE KRAFTUTTAG 540 (SYNKRONISERAD VAXELLADA)
L125596 -UN-12JUL95



L 125596

3H2

DIFFERENTIAL, FINAL DRIVE ASSEMBLIES

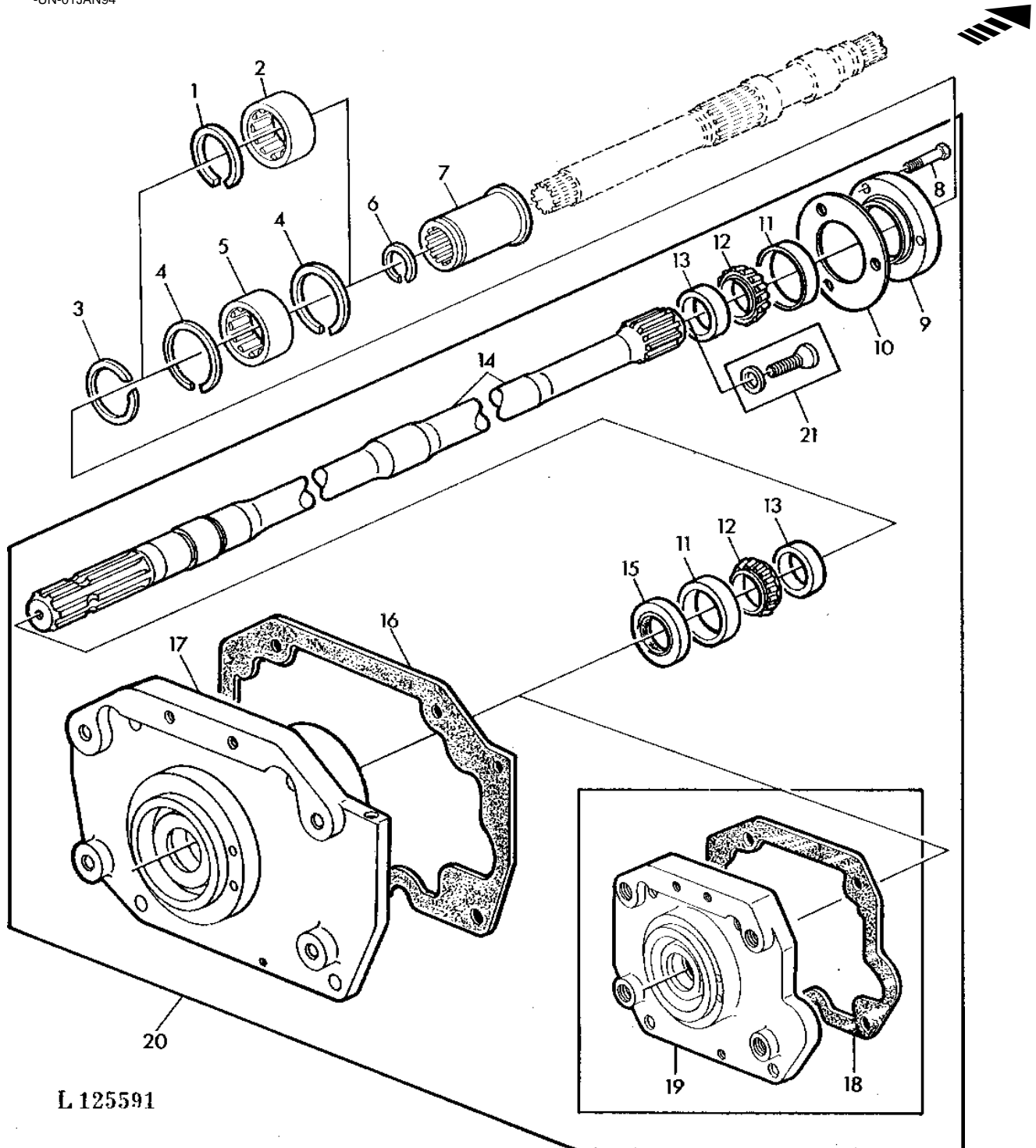
KEY	PART NO.	PART NAME	QTY	SERIAL NO.	2 1 2 0 6 0 4 4 4 0 0 0 S	REMARKS
1	40M7071	SNAP RING	1		X X X	
2	Z22760	SNAP RING	2		X X X	
3	JD10108	NEEDLE BEARING	1		X X X	
4	T30766	SNAP RING	1		X X X	
5	L33126	SLEEVE	1		X X X	
6	M2353T	SNAP RING	2	-437369	X X X	
	M2353T	SNAP RING	1	437370-	X X X	
7	L33007	BUSHING	1	437370-	X X X	
8	40M7044	SNAP RING	1	-437369	X X X	(SUB FOR R47513)
	40M7115	SNAP RING	1	437370-	X X X	80X2.5MM
9	24M7255	WASHER	1	437370-	X X X	63X80X3MM
10	JD9344	BALL BEARING	1	-437369	X X X	
	L28405	BALL BEARING	1	437370-	X X X	
11	L33234	SHAFT	1	-437369	X X X	(ORD L38803, L28405, L60545, L60548, L33007, M2353T, 24M7255, 99M6934, 40M7115, 48M7038)
	L38803	POWER-TAKEOFF	1	437370-	X X X	
12	T22069	SEAL	1	-437369	X X X	
	48M7038	SEAL	1	437370-	X X X	38X52X7MM
13	L60548	GASKET	1		X X X	
14	L60545	BEARING CAP	1		X X X	(ORD AL67450)
15	12H301	LOCK WASHER	4		X X X	1/2"
16	19H1721	CAP SCREW	4		X X X	1/2"X1-1/2"
17	L33745	SNAP RING	1		X X X	(A)
18	JD10071	NEEDLE BEARING	1		X X X	(A)
19	L29268	GASKET	1		X X X	
20	L34126	BEARING CAP	1	-437369	X X X	
	L38804	BEARING CAP	1	437370-	X X X	(ORD AL67450, 99M6934)
21	AL68461	KIT	1		X X X	(A)

(A) WITH FRONT WHEEL DRIVE
 AVEC PONT AVANT
 BEI FRONTANTRIEB
 CON TRAZIONE ANTERIORE
 CON TRACCION DELANTERA
 VID FRAMHJULSDRIFT

3H3

DIFFERENTIAL, FINAL DRIVE ASSEMBLIES

IND. 540 RPM (HEAVY-DUTY, SYNCHRONIZED TRANSMISSION)
PDF INDEP. 540 TR/MIN BOITE SYNCHRO, VERSION RENFORCEE
UNABH. ZAPFWELLE 540 (SYNCHRONGETRIEBE, VERSTAERKTE AUSF.)
PDF INDIPEND. DA 540 G.(TRASM. SINCR. VERS. RINFORZ.)
TDF INDEP. 540 RPM TRANSM. SINCRONIZADA, EJEC. REFORZADA
OBER. KRAFTUTTAG 540RPM (SYNKRON. TRANSM., FORST. UTFOR)
L125591 -UN-01JAN94



L 125591

3H4

DIFFERENTIAL, FINAL DRIVE ASSEMBLIES

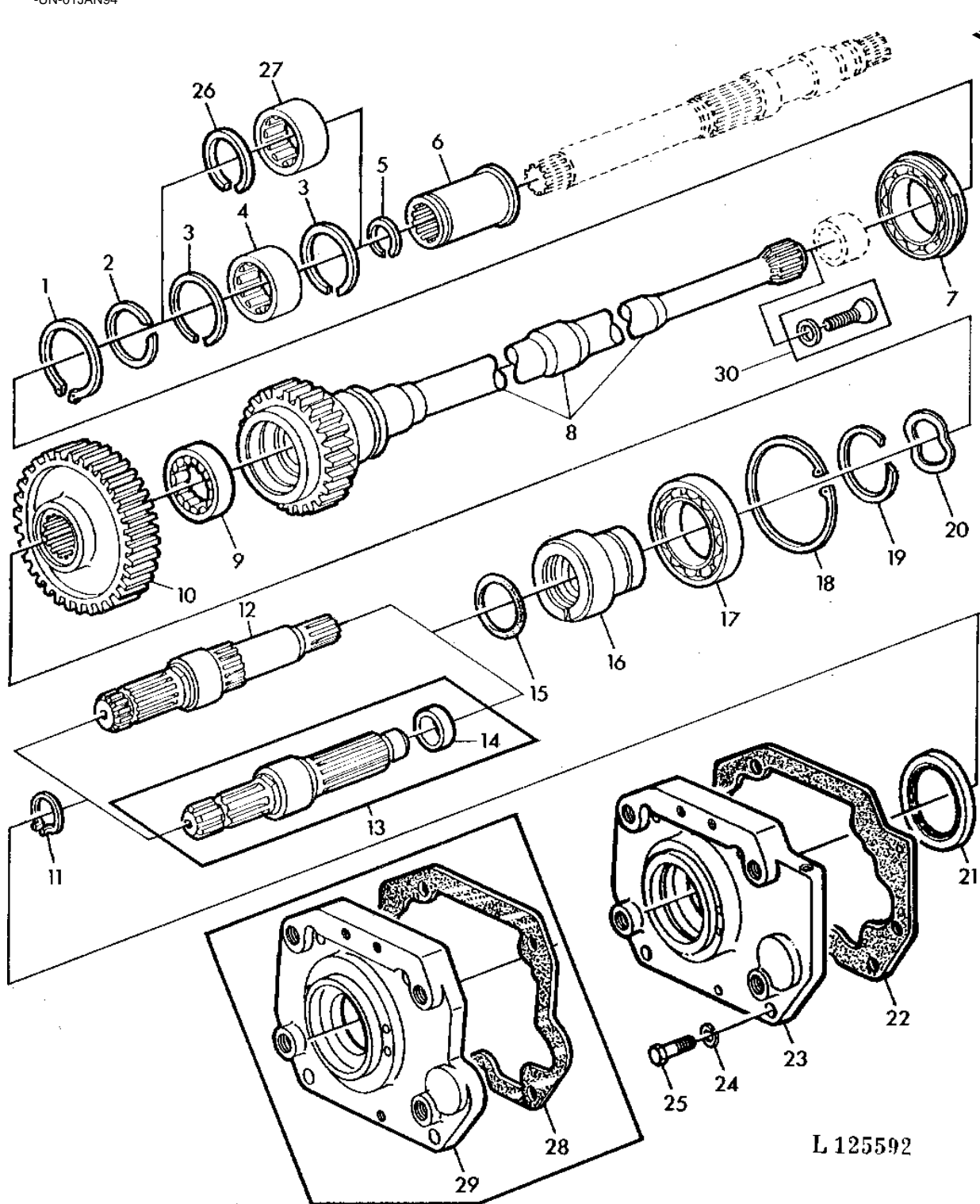
KEY	PART NO.	PART NAME	QTY	SERIAL NO.	REMARKS
					2
					1 2 0
					6 0 4
					4 4 0
					0 0 S
1	L33745	SNAP RING	1		X X X (A)
2	JD10071	NEEDLE BEARING	1		X X X (A)
3	40M7071	SNAP RING	1		X X X
4	Z22760	SNAP RING	2		X X X
5	JD10108	NEEDLE BEARING	1		X X X
6	T30766	SNAP RING	1		X X X
7	L33126	SLEEVE	1		X X X
8	19M7513	CAP SCREW	3		X X X M8X30
9	L39945	QUILL	1		X X X
10	L39946	SHIM	AR		X X X 0.1MM
	L39947	SHIM	AR		X X X 0.15MM
	L39948	SHIM	AR		X X X 0.25MM
11	JD9125	BEARING CUP	2		X X X
12	JD9065	BEARING CONE	2		X X X
13	R69510	SPACER	2		X X X
14	L39949	POWER-TAKEOFF	1		X X X
15	AL56820	SEAL	1		X X X (SUB FOR T22069 APPL)
16	L60548	GASKET	1		X X X
17	L60544	BEARING CAP	1		X X X (ORD AL67449)
18	L29268	GASKET	1		X X X
19	L39944	BEARING CAP	1		X X X (ORD AL67449, 99M6934)
20	AL37866	KIT	1		X X X
21	AL68461	KIT	1		X X X (A)

(A) WITH FRONT WHEEL DRIVE
 AVEC PONT AVANT
 BEI FRONTANTRIEB
 CON TRAZIONE ANTERIORE
 CON TRACCION DELANTERA
 VID FRAMHJULSDRIFT

3H5

DIFFERENTIAL, FINAL DRIVE ASSEMBLIES

INDEPENDENT PTO-540-1000 RPM (INTERCHANGEABLE) WITH SYNCHRONIZED TRANSMISSION
PDF INDEPENDANTE 540-1000 (INTERCHANGEABLE) AVEC BOITE SYNCHRONISEE
UNABH. ZAPFWELLE 540-1000 (AUSWECHSELBAR) BEI SYNCHRONGETRIEBE
PDF INDIPENDENTE 540-1000 (INTERCAMBIABILE) CON TRASMISS. SINCRON.
TDF INDEPENDENTE 540-1000 (CAMBIABLE) CON TRANSM. SINCRON.
OBEROENDE KRAFTUTTAG 540-1000 (UTBYTBAR) VID SYNKRON. TRANSM.
L125592 -UN-01JAN94



L 125592

3H6

DIFFERENTIAL, FINAL DRIVE ASSEMBLIES

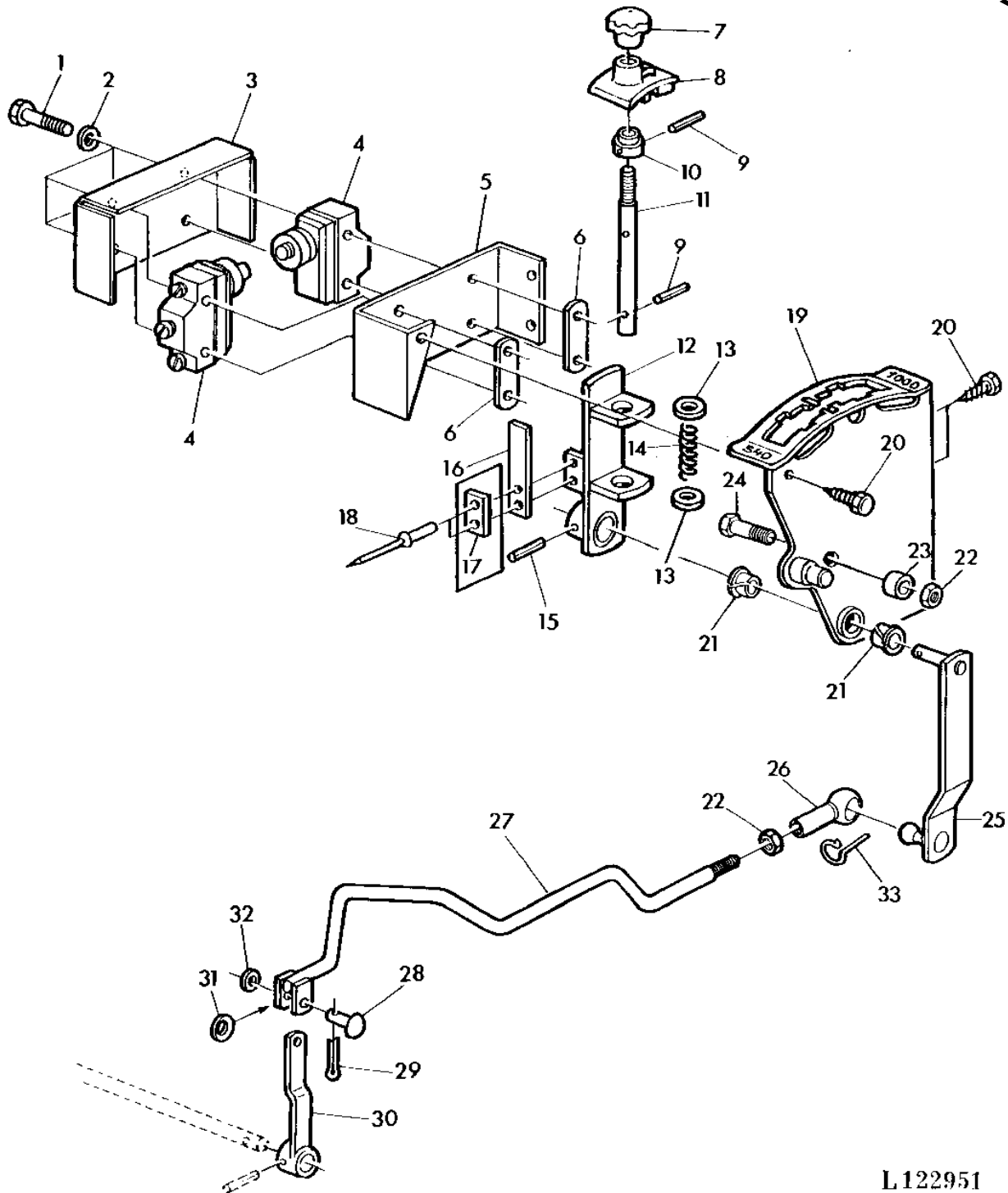
KEY	PART NO.	PART NAME	QTY	SERIAL NO.		REMARKS
					2	
					1 2 0	
					6 0 4	
					4 4 0	
					0 0 S	
1	40M7065	SNAP RING	1	-XXXXXX	X X X	70X2.5MM
2	40M7071	SNAP RING	1		X X X	
3	Z22760	SNAP RING	2		X X X	
4	JD10108	NEEDLE BEARING	1		X X X	
5	T30766	SNAP RING	1		X X X	
6	L33126	SLEEVE	1		X X X	
7	JD10117	BEARING CUP	1		X X X	
8	AL30688	DRIVE SHAFT	1	-507734	X X X	Z=24
	AL38961	DRIVE SHAFT	1	507735-	X X X	Z=26
9	JD10282	ROLLER BEARING	1		X X X	(SUB FOR JD7537)
10	L34122	GEAR	1		X X X	Z=31
11	R38221	SNAP RING	1		X X X	
12	T30803	SHAFT	1		X X X	1000U/MIN (RPM)
13	AT29707	POWER-TAKEOFF	1		X X X	540U/MIN (RPM)
14	JD10283	BEARING RACE	1		X X X	(SUB FOR JD7557)
15	P50631	O-RING	1		X X X	
16	R45126	GUIDE	1		X X X	
17	JD9320	BALL BEARING	1		X X X	(SUB FOR JD10056)
18	40M7178	SNAP RING	1		X X X	(SUB FOR L25837)
19	F1334R	SNAP RING	1		X X X	
20	R38219	THRUST WASHER	1		X X X	
21	AL68619	SEAL	1		X X X	(SUB FOR AT16431)
22	L60548	GASKET	1		X X X	
23	L60543	BEARING CAP	1		X X X	(ORD AL67448)
24	12H301	LOCK WASHER	4		X X X	
25	19H1721	CAP SCREW	4		X X X	1/2"X1-1/2"
26	L33745	SNAP RING	1		X X X	(A)
27	JD10071	NEEDLE BEARING	1		X X X	(A)
28	L29268	GASKET	1		X X X	
29	L37838	BEARING CAP	1		X X X	(ORD AL67448, 99M6934)
30	AL68461	KIT	1		X X X	(A)

(A) WITH FRONT WHEEL DRIVE
 AVEC PONT AVANT
 BEI FRONTANTRIEB
 CON TRAZIONE ANTERIORE
 CON TRACCION DELANTERA
 VID FRAMHJULSDRIFT

3H7

DIFFERENTIAL, FINAL DRIVE ASSEMBLIES

PTO SHIFT LINKAGE
TRINGLERIE DE PDF
ZAPFWELLEN-SCHALTGESTÄENGE
TIRANTERIA COMANDO PDF
VARILLAJE DE MANDO DE TDF
MANOVERLANKAGE FOR KRAFTUTTAG
L122951 -UN-18JUL95



L122951

3H8

DIFFERENTIAL, FINAL DRIVE ASSEMBLIES

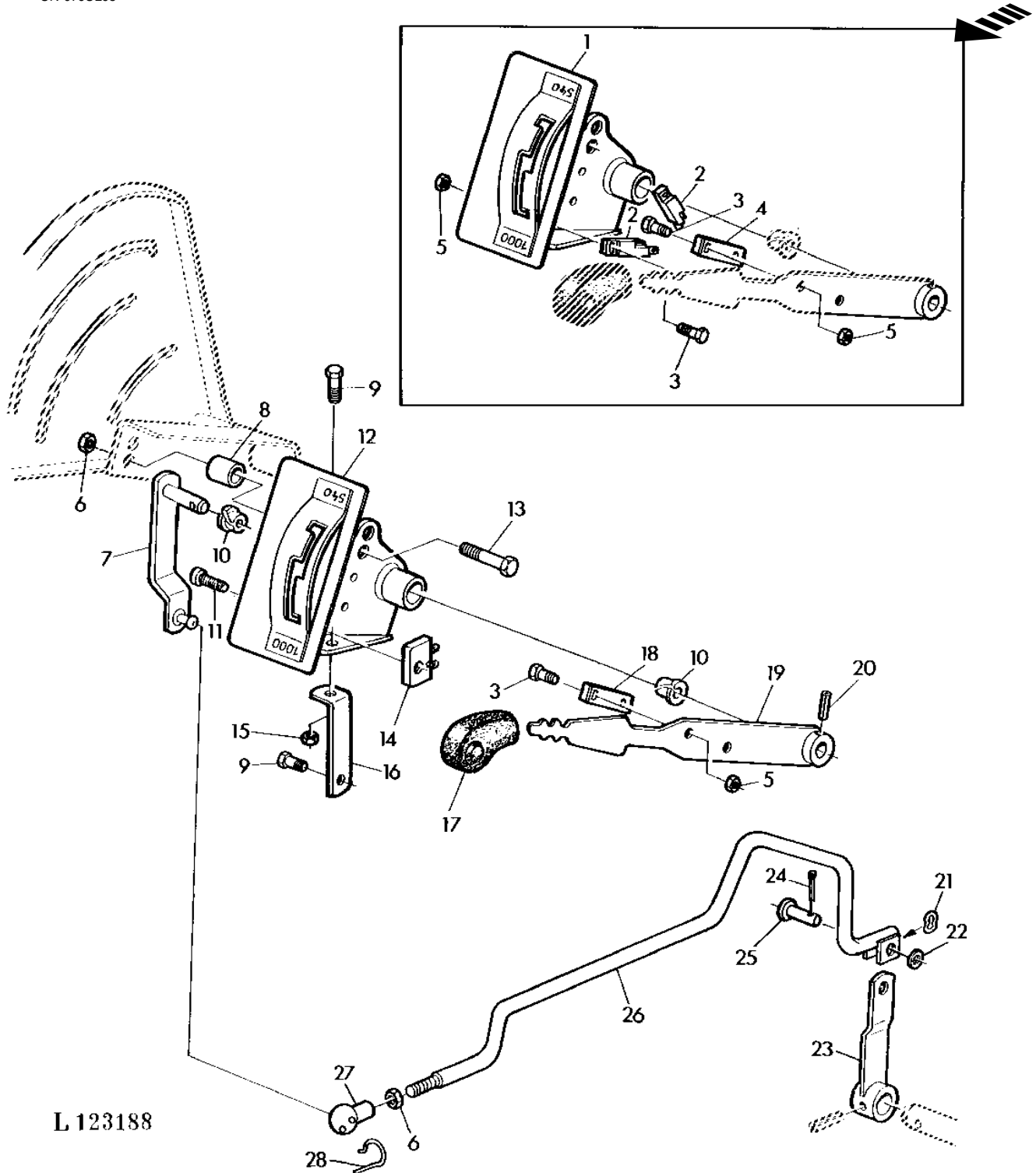
KEY	PART NO.	PART NAME	QTY	SERIAL NO.		REMARKS
					2	
					1 2 0	
					6 0 4	
					4 4 0	
					0 0 S	
1	19M7715	CAP SCREW	4	-544403	X X X	M4X30
2	24M7117	WASHER	4	-544403	X X X	4.3MM
3	L35450	SHIELD	1	-544403	X X X	
4	AR62072	SWITCH	2	-544403	X X X	
5	L35451	BRACKET	1	-544403	X X X	
6	L32801	STRAP	2	-544403	X X X	
7	L35637	KNOB	1	-544403	X X X	
8	L35289	NUT	1	-544403	X X X	
9	34M7137	SPRING PIN	2	-544403	X X X	3X18MM
10	L35286	BUSHING	1	-544403	X X X	
11	L35279	STUD	1	-544403	X X X	
12	AL32567	GUIDE	1	-544403	X X X	
13	24M7055	WASHER	2	-544403	X X X	8.4X17X1.6MM
14	L35535	SPRING	1	-544403	X X X	
15	34M7130	SPRING PIN	1	-544403	X X X	4X20MM
16	L35452	STRAP	1	-544403	X X X	
17	L35455	STRAP	1	-544403	X X X	(ORD (2) AT44188)
18	AT44188	RIVET	2	-544403	X X X	
19	AL32612	SECTOR	1	-544403	X X X	
20	37M7042	SCREW	3	-544403	X X X	4.2X9.5MM
21	L30470	BUSHING	2	-544403	X X X	
22	14M7151	NUT	2	-544403	X X X	M8
23	L28584	SPACER	1	-544403	X X X	
24	19M7288	CAP SCREW	1	-544403	X X X	M8X30
25	AL57565	LEVER	1	-544403	X X X	(SUB FOR AL32769)
26	56M7003	BALL JOINT SOCKET	1	-544403	X X X	
27	AL32779	LEVER	1	-544403	X X	
	AL35970	ROD	1	-544403	X X	(A)
	AL36191	ROD	1	-544403	X	
28	45M7037	PIN	1	-544403	X X X	10X25X20.5MM
29	11M7012	COTTER PIN	1	-544403	X X X	3.2X16MM
30	AL32704	STRAP	1	-544403	X X X	
31	12M7089	WASHER	1	-544403	X X X	10MM
32	24M7028	WASHER	1	-544403	X X X	10.5X21X2MM
33	56M7004	BALL JOINT SOCKET	1	-544403	X X X	

(A) WITH HEAVY-DUTY FINAL DRIVE
 AVEC COMMANDE FINALE RENFORCEE
 BEI VERSTAERKTEM ENDANTRIEB
 CON RIDUZIONE FINALE RINFORZATA
 CON REDUCCION FINAL REFORZADA
 VID FORSTARKT SLUTDREV

3H9

DIFFERENTIAL, FINAL DRIVE ASSEMBLIES

PTO SHIFT LINKAGE
TRINGLERIE DE PDF
ZAPFWELLEN-SCHALTGESTÄENGE
TIRANTERIA COMANDO PDF
VARILLAJE DE MANDO DE TDF
MANOVERLANKAGE FOR KRAFTUTTAG
L123188 -UN-07JUL95



L 123188

3H10

DIFFERENTIAL, FINAL DRIVE ASSEMBLIES

KEY	PART NO.	PART NAME	QTY	SERIAL NO.		REMARKS
					2	
					1 2 0	
					6 0 4	
					4 4 0	
					0 0 S	
1	AL55006	SECTOR	1	544404-575567	X X X	
2	AL55135	SOLENOID	2	544404-575567	X X X	
3	21M7042	SCREW	AR	544404-	X X X	M3X16
4	AL55136	MAGNET	1	544404-575567	X X X	
5	14M7196	NUT	AR	544404-	X X X	M3
6	14M7151	NUT	2	544404-	X X X	M8
7	AL57566	LEVER	1		X X	(B)
	AL57565	LEVER	1	544404-	X X X	(SUB FOR AL32769)
8	L28584	SPACER	1	544404-	X X X	
9	19M7162	CAP SCREW	2		X X X	M8 X 16
10	L30470	BUSHING	2	544404-	X X X	
11	19M7600	SCREW	1	575568-	X X X	M5X12
12	AL58445	SECTOR	1	575568-	X X X	
13	19M7288	CAP SCREW	1	544404-	X X X	M8X30
14	AL58446	SWITCH	1	575568-	X X X	
15	14M7273	NUT	1		X X X	M8
16	L57479	ANGLE	1		X X X	
17	L58955	GRIP	1	544404-	X X X	(SUB FOR L55024)
18	AL58447	MAGNET	1	575568-	X X X	
19	AL61308	LEVER	1		X X X	(B)
	AL55008	LEVER	1	544404-	X X X	
20	34M7130	SPRING PIN	1	544404-	X X X	4X20MM
21	12M7089	WASHER	1	544404-	X X X	10MM
22	24M7028	WASHER	1	544404-	X X X	10.5X21X2MM
23	AL64752	STRAP	1	544404-	X X X	(SUB FOR AL32704)
24	11M7012	COTTER PIN	1	544404-	X X X	3.2X16MM
25	45M7037	PIN	1	544404-	X X X	
26	AL36191	ROD	1		X X	(B)
	AL32779	LEVER	1	544404-	X X	
	AL35970	ROD	1	544404-	X X	(A)
	AL36191	ROD	1	544404-	X	
27	56M7003	BALL JOINT SOCKET	1	544404-	X X X	
28	56M7004	BALL JOINT SOCKET	1	544404-	X X X	

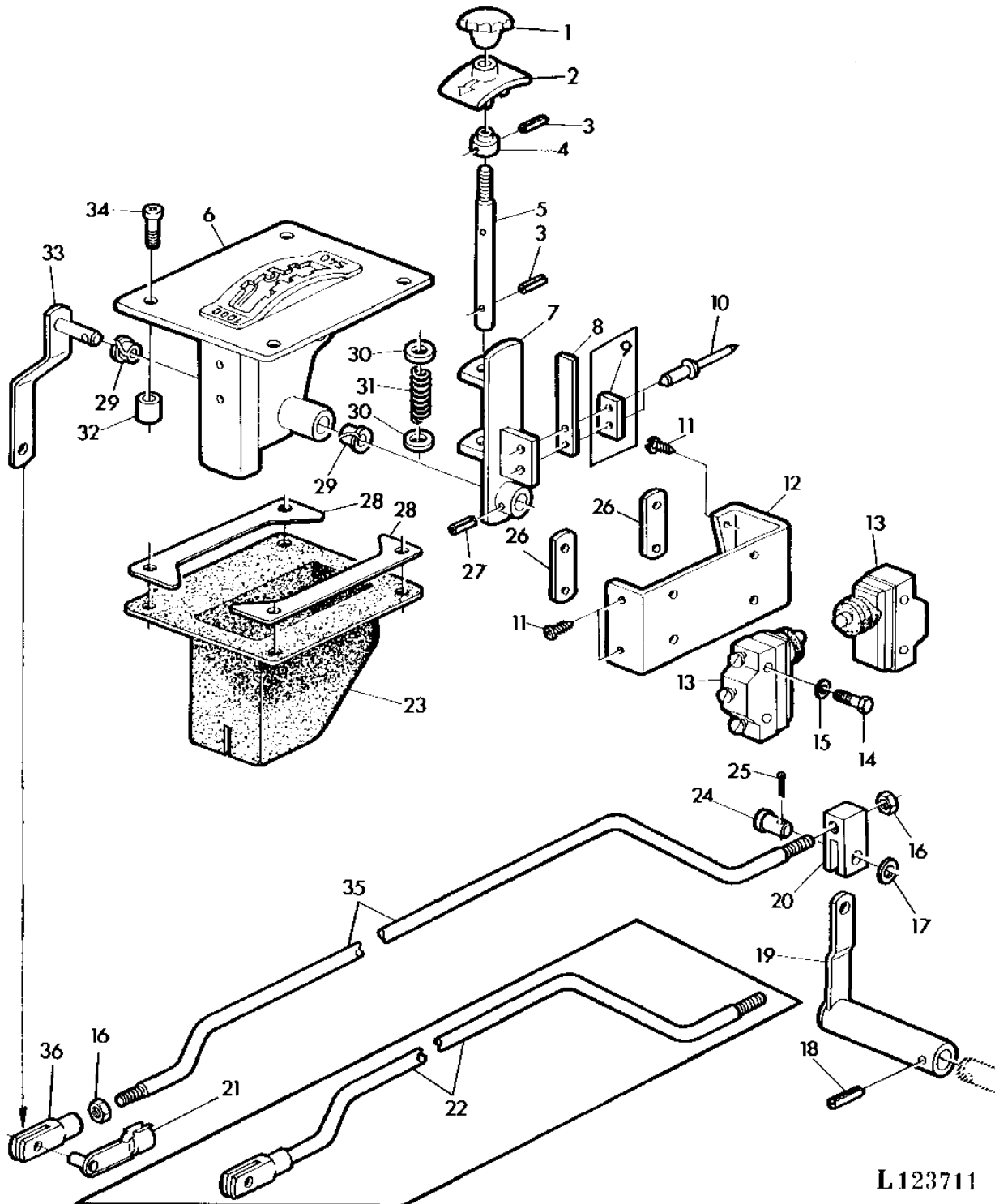
(A) WITH HEAVY-DUTY FINAL DRIVE
 AVEC COMMANDE FINALE RENF.
 BEI VERSTAERKTEM ENDANTRIEB
 CON RIDUZ.FINALI RINFORZATI
 CON REDUCC.FINAL REFORZADA
 VID FORSTARKTA SLUTVAXLAR

(B) WITH MC1 CAB
 AVEC CABINE MC1
 BEI MC1 KABINE
 CON CABINA MC1
 CON CABINA MC1
 VID MC1 FORARHYTT

3H11

DIFFERENTIAL, FINAL DRIVE ASSEMBLIES

PTO SHIFT LINKAGE (WITH SG2 CAB)
TRINGLERIE DE PDF (AVEC CABINE SG2)
ZAPFWELLEN-SCHALTGESTÄENGE (BEI SG2 KABINE)
LEVE DI COMANDO DELLA PDF (CON CABINA SG2)
VARILLAJE DE MANDO DE LA TDF (CON CABINA SG2)
MANOVERLANKAGE FOR KRAFTUTTAG (VID SG2 HYTT)
L123711 -UN-18JUL95



L123711

3H12

DIFFERENTIAL, FINAL DRIVE ASSEMBLIES

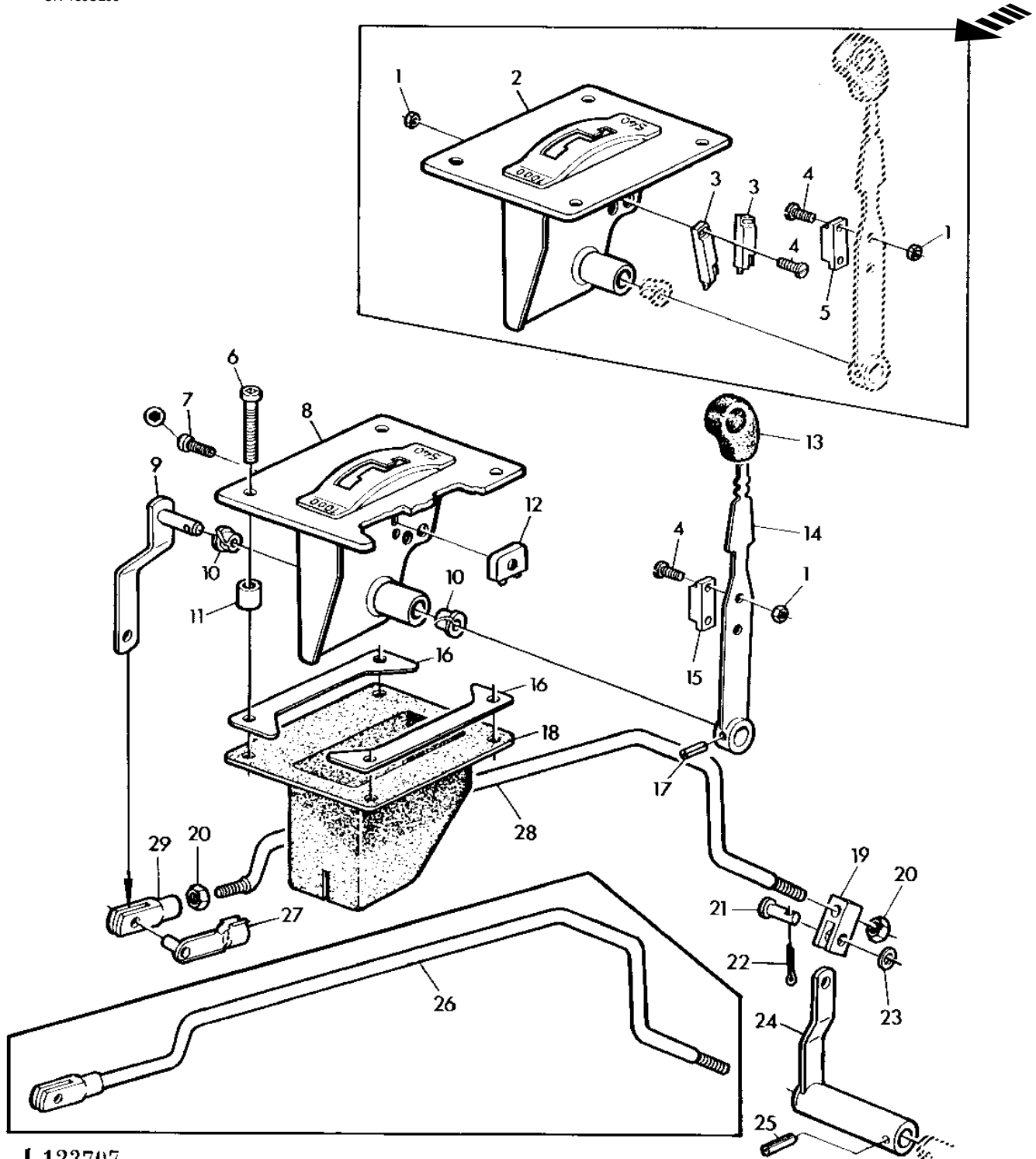
KEY	PART NO.	PART NAME	QTY	SERIAL NO.		REMARKS
					2	
					1 2 0	
					6 0 4	
					4 4 0	
					0 0 S	
1	L35637	KNOB	1	-540851	X X X	
2	L35289	NUT	1	-540851	X X X	
3	34M7137	SPRING PIN	2	-540851	X X X	3X18MM
4	L35286	BUSHING	1	-540851	X X X	
5	L35279	STUD	1	-540851	X X X	
6	AL33235	SECTOR	1	-540851	X X X	
7	AL32567	GUIDE	1	-540851	X X X	
8	L35452	STRAP	1	-540851	X X X	
9	L35455	STRAP	1	-540851	X X X	(ORD (2) AT44188)
10	AT44188	RIVET	2	-540851	X X X	
11	37M7067	SCREW	3	-540851	X X X	4.2X9.5MM
12	L35451	BRACKET	1	-540851	X X X	
13	AR62072	SWITCH	2	-540851	X X X	
14	19M7715	CAP SCREW	4	-540851	X X X	M4X30
15	24M7117	WASHER	4	-540851	X X X	4.3MM
16	14M7151	NUT	AR	-540851	X X X	M8
17	24M7028	WASHER	1	-540851	X X X	10.5X21X2MM
18	34M7029	SPRING PIN	1	-540851	X X X	4X30MM
19	AL36615	LEVER	1	-540851	X X X	
20	L38615	YOKE	1	-540851	X X X	
21	45M7065	SPRING LOCKING PIN	1	-540851	X X X	
22	AL36526	ROD	1	-540851	X X X	(ORD L38618, 14M7151, 54M4420)
23	L36036	BOOT	1	-540851	X X X	
24	45M7037	PIN	1	-540851	X X X	10X20X20.5MM
25	11M7012	COTTER PIN	1	-540851	X X X	3.2X16MM
26	L32801	STRAP	2	-540851	X X X	
27	34M7130	SPRING PIN	1	-540851	X X X	4X20MM
28	L36034	STRAP	2	-540851	X X X	
29	L30470	BUSHING	2	-540851	X X X	
30	24M7055	WASHER	2	-540851	X X X	8.4X17X1.6MM
31	L35535	SPRING	1	-540851	X X X	
32	L62994	BUSHING	4	-540851	X X X	
33	AL57563	LEVER	1	-540851	X X X	(SUB FOR AL36523)
34	21M7327	SCREW	4	-540851	X X X	M6X35
35	L38618	ROD	1		X X X	
36	54M4420	YOKE	1		X X X	

3H13

DIFFERENTIAL, FINAL DRIVE ASSEMBLIES

PTO SHIFT LINKAGE (WITH SG2 CAB)
TRINGLERIE DE PDF (AVEC CABINE SG2)
ZAPFWELLEN-SCHALTGESTÄENGE (BEI SG2 KABINE)
LEVE DI COMANDO DELLA PDF (CON CABINA SG2)
VARILLAJE DE MANDO DE LA TDF (CON CABINA SG2)
MANOVERLANKAGE FOR KRAFTUTTAG (VID SG2 HYTT)

L123707 -UN-18JUL95



L123707

3H14

DIFFERENTIAL, FINAL DRIVE ASSEMBLIES

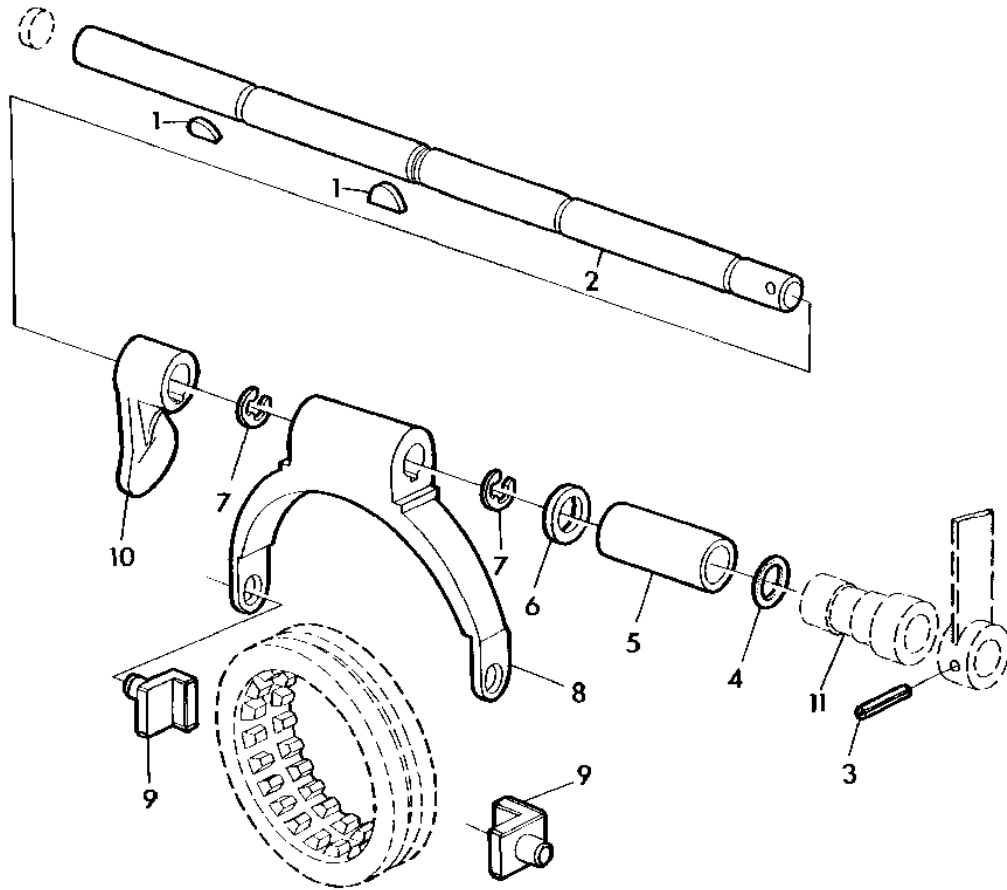
KEY	PART NO.	PART NAME	QTY	SERIAL NO.		REMARKS
					2	
					1 2 0	
					6 0 4	
					4 4 0	
					0 0 S	
1	14M7196	NUT	AR	540852-	X X X	M3
2	AL55007	SECTOR	1	540852-575567	X X X	
3	AL55135	SOLENOID	2	540852-575567	X X X	
4	21M7042	SCREW	AR	540852-	X X X	M3X16
5	AL55136	MAGNET	1	540852-575567	X X X	
6	21M7327	SCREW	4	540852-	X X X	M6X35
7	19M7600	SCREW	1	575568-	X X X	M5X12
8	AL58444	SECTOR	1	575568-	X X X	
9	AL57563	LEVER	1	540852-	X X X	(SUB FOR AL36523)
10	L30470	BUSHING	2	540852-	X X X	
11	L62994	BUSHING	4	540852-	X X X	
12	AL58446	SWITCH	1	575568-	X X X	
13	L58955	GRIP	1	540852-	X X X	(SUB FOR L55024)
14	AL55008	LEVER	1	540852-	X X X	
15	AL58447	MAGNET	1	575568-	X X X	
16	L36034	STRAP	2	540852-	X X X	
17	34M7130	SPRING PIN	1	540852-	X X X	4X20MM
18	L36036	BOOT	1	540852-	X X X	
19	L38615	YOKE	1	540852-	X X X	
20	14M7151	NUT	AR	540852-	X X X	M8
21	45M7037	PIN	1	540852-	X X X	
22	11M7012	COTTER PIN	1	540852-	X X X	3.2X16MM
23	24M7028	WASHER	1	540852-	X X X	10.5X21X2MM
24	AL36615	LEVER	1	540852-	X X X	
	AL64752	STRAP	1	540852-	X	(A) (SUB FOR AL32704)
25	34M7029	SPRING PIN	1	540852-	X X X	4X30MM
26	AL36526	ROD	1	540852-	X X X	(ORD L38618, 14M7151, 54M4420)
	AL55450	ROD	1	540852-	X	(A) (ORD L55625, 14M7151, 54M4420)
27	45M7065	SPRING LOCKING PIN	1	540852-	X X X	
28	L38618	ROD	1		X X X	
	L55625	ROD	1		X	(A)
29	54M4420	YOKE	1		X X X	

(A) WITH INCREASED LIFTING CAPACITY
 AVEC CAPACITE DE REL.AUGM.
 BEI HUBKRAFTERHOEHUNG
 CON ELEVATA CAPACITA DI SOLLEVAMENTO
 CON FUERZA DE ELEV.AUMENTADA
 VID OKAD LYFTKAPACITET

3H15

DIFFERENTIAL, FINAL DRIVE ASSEMBLIES

SHIFTER FORK AND SHAFT FOR PTO
FOURCHETTE/TRINGLE DE SELECTION PDF
SCHALTGABEL/SCHALTSTANGE FUER ZAPFWELLE
FORCELLA E ALBERO COMANDO PD
HORQUILLA Y BARRA CORREDIZA PARA TDF
VAXLINGSLANKAGE FOR KRAFTUTTAG
L113605 -UN-12MAY95



L 113605

3H16

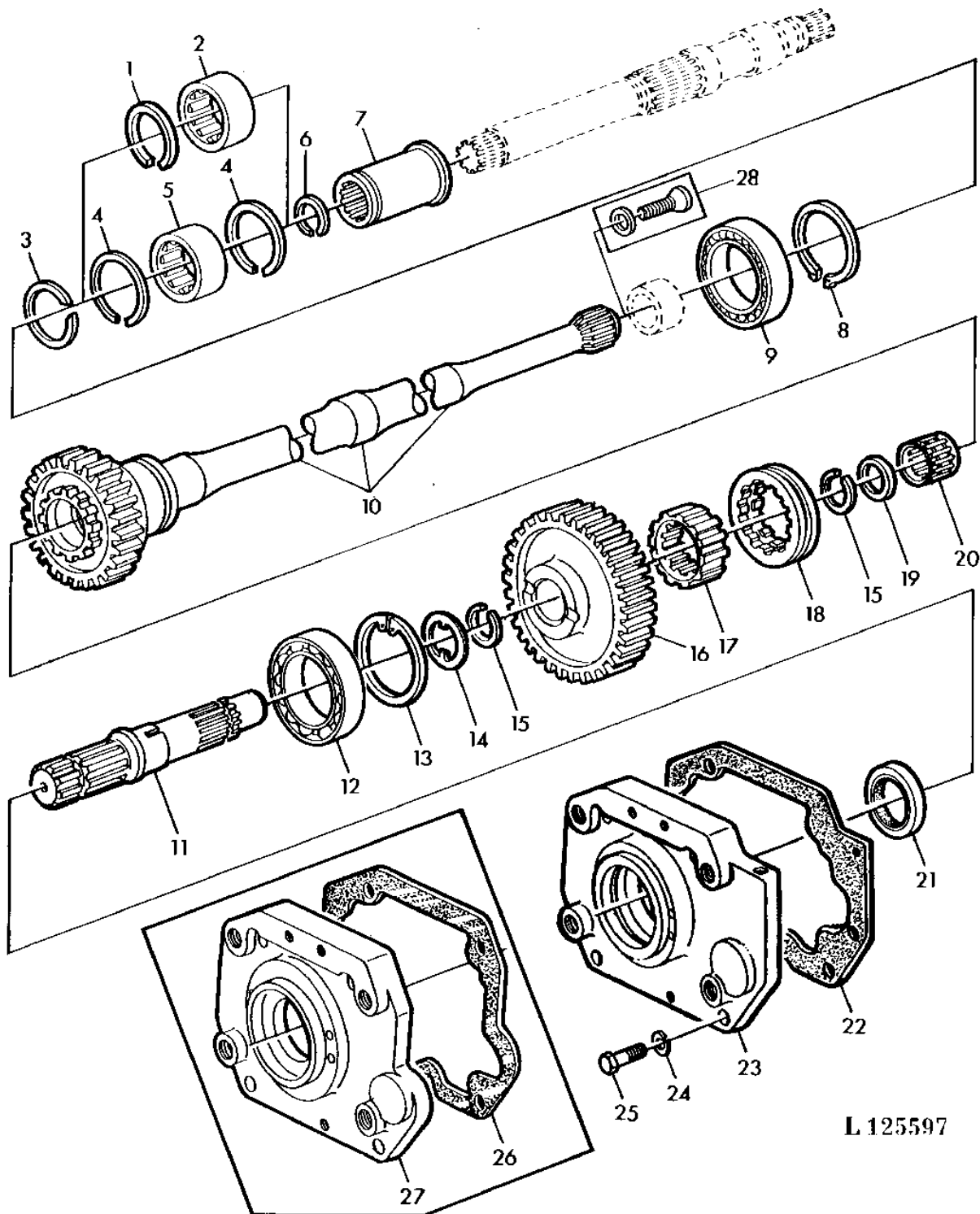
DIFFERENTIAL, FINAL DRIVE ASSEMBLIES

KEY	PART NO.	PART NAME	QTY	SERIAL NO.	REMARKS
					2
					1 2 0
					6 0 4
					4 4 0
					0 0 S
1	26H77	SHAFT KEY	2		
2	L34255	SHIFTER ROD	1		X X X
3	34M7029	SPRING PIN	1		X X X 4X30MM
4	L53813	O-RING	1		X X X
5	L35405	SPACER	1		X X X
6	24M7222	WASHER	1		X X X 16X22X1.5MM
7	F2863R	SNAP RING	2		X X X
8	L34244	SHIFTER	1		X X X
9	L34247	SHOE	2		X X X
10	L34245	ARM	1		X X X
11	SHAFT	1		X X X

3H17

DIFFERENTIAL, FINAL DRIVE ASSEMBLIES

INDEPENDENT PTO 540-1000 RPM (HANDSHIFT) WITH SYNCHR. TRANSM.
PDF INDEPENDANTE 540/1000 TR/MIN (SELECT. MAN.) BOITE SYNCHRO.
UNABH. ZAPFWELLE 540-1000 (UMSCHALTBAR) BEI SYNCHRONGETRIEBE
PTO INDIPEPEND. 540/1000 GIRI (A CAMBIO MAN.) PER TRASMISS. SINCRON.
TDF INDEPEPEND. 540/1000 R/MIN (CAMBIO MAN.) TRANSMIS. SINCRON.
OBEROENDE KRAFTUTTAG 540/1000 VARVS (VAXLINGSBAR) FOR SYNKRON. TRANSMISSION
L125597 -UN-29MAY95



L 125597

3H18

DIFFERENTIAL, FINAL DRIVE ASSEMBLIES

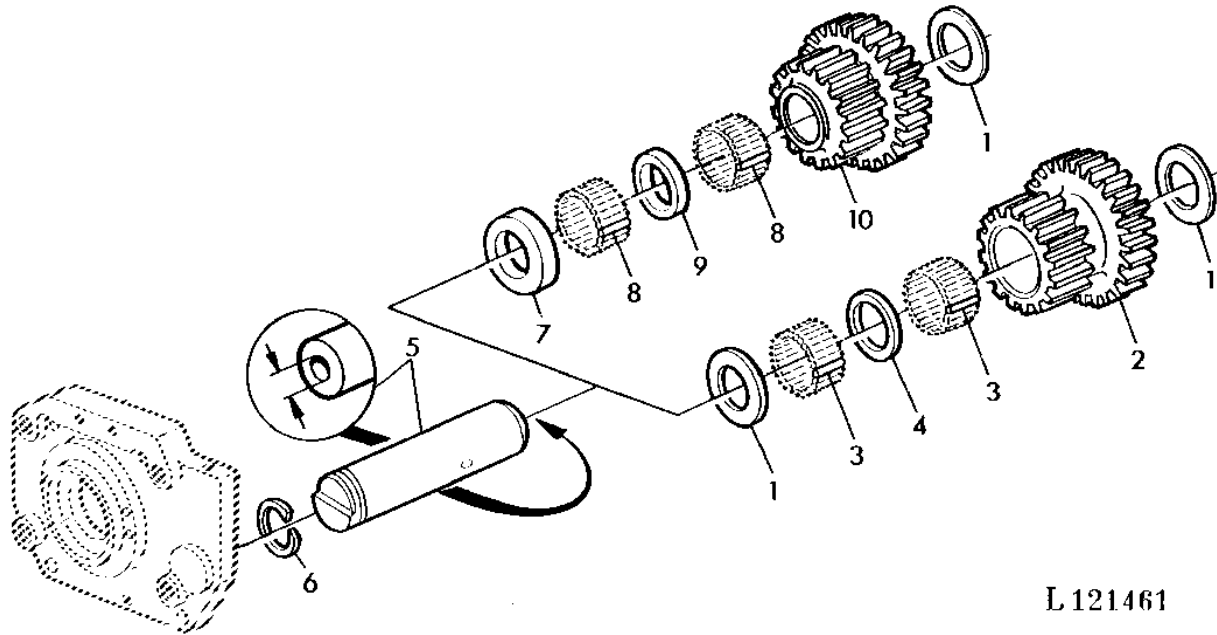
KEY	PART NO.	PART NAME	QTY	SERIAL NO.	REMARKS
					2
					1 2 0
					6 0 4
					4 4 0
					0 0 S
1	L33745	SNAP RING	1		X X X (A)
2	JD10071	NEEDLE BEARING	1		X X X (A)
3	40M7071	SNAP RING	1		X X X
4	Z22760	SNAP RING	2		X X X
5	JD10108	NEEDLE BEARING	1		X X X
6	T30766	SNAP RING	1		X X X
7	L33126	SLEEVE	1		X X X
8	40M7065	SNAP RING	1	-XXXXXX	X X X 70X2.5MM
9	JD10117	BEARING CUP	1		X X X
10	AL35627	DRIVE SHAFT	1	-507734	X X X Z=24
	AL38964	DRIVE SHAFT	1	507735-	X X X Z=26
11	L34193	POWER-TAKEOFF	1		X X X
12	JD30132	BALL BEARING	1		X X X
13	40M7045	SNAP RING	1		X X X 110X4MM
14	L34192	THRUST WASHER	1		X X X
15	40M7083	SNAP RING	2		X X X 36X2.5MM
16	AL69188	GEAR	1		X X X Z=31 (SUB FOR AL35628)
17	L34191	SHIFT COLLAR CARRIER	1		X X X
18	L29283	SHIFT COLLAR	1		X X X
19	L34243	WASHER	1		X X X
20	JD10064	NEEDLE BEARING	1		X X X
21	L34257	SEAL	1		X X X
22	L60548	GASKET	1		X X X
23	L60542	BEARING CAP	1		X X X (ORD AL67447)
24	12H301	LOCK WASHER	4		X X X
25	19H1721	CAP SCREW	4		X X X 1/2"X1-1/2"
26	L29268	GASKET	1		X X X
27	L37839	BEARING CAP	1		X X X (ORD AL67447, 99M6934)
28	AL68461	KIT	1		X X X (A)

(A) WITH FRONT WHEEL DRIVE
 AVEC PONT AVANT
 BEI FRONTANTRIEB
 CON TRAZIONE ANTERIORE
 CON TRACCION DELANTERA
 VID FRAMHJULSDRIFT

3H19

DIFFERENTIAL, FINAL DRIVE ASSEMBLIES

PTO COUNTERSHAFT
 ARBRE INTERMEDIAIRE DE PDF
 ZAPFWELLEN-VORGELEGE
 ALBERO RINVIO PDF
 ENGRANAJE INTERMEDIO DE LA TDF
 MELLANAXEL FOR KRAFTUTTAG
 L121461 -UN-15MAY95



L121461

2
 1 2 0
 6 0 4
 4 4 0
 0 0 S

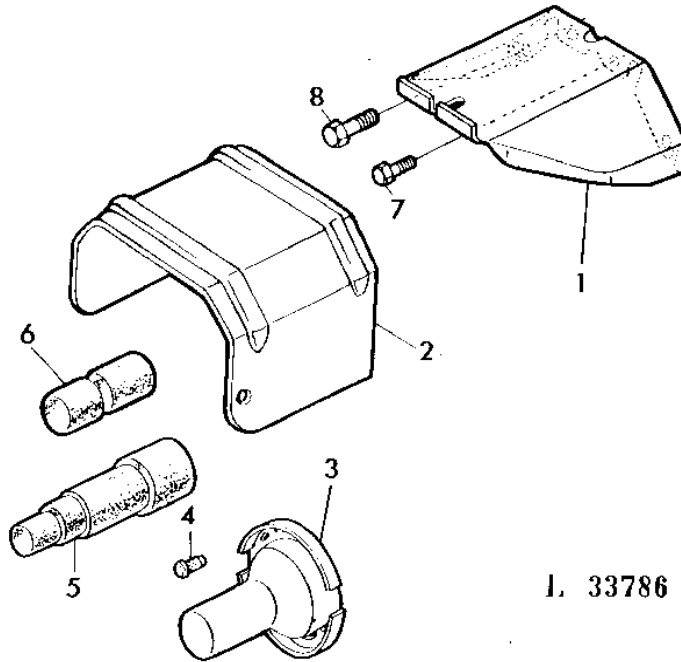
KEY	PART NO.	PART NAME	QTY	SERIAL NO.	REMARKS
1	T28669	THRUST WASHER	2		X X X (SUB FOR T30793)
	T28669	THRUST WASHER	1		X X X (A) (SUB FOR T30793)
2	L34125	GEAR	1	-507734	X X X Z=16/23
	L40838	GEAR	1	507735-	X X X Z=16/21
3	AL36578	NEEDLE BEARING	1		X X X KIT, PACKG 48
4	L34124	WASHER	1		X X X
5	L63222	COUNTERSHAFT	1		X X X 10.3MM
	R33852	COUNTERSHAFT	1		X X X 12.7MM (ORD AL66200, AL67182, L63222)
	R33852	COUNTERSHAFT	1		X X X (A) 12.7MM (ORD L63222)
6	R33320	SNAP RING	1		X X X
7	R38216	SPACER	1		X X X (A)
8	R26006	NEEDLE ROLLER	48		X X X (A)
9	R38215	WASHER	1		X X X (A)
10	R38214	GEAR	1	-507734	X X X (A) Z=16/23
	L40840	GEAR	1	507735-	X X X (A) Z=16/21

(A) WITH COLLAR-SHIFT TRANSMISSION
 AVEC BOITE A MANCHONS BALADEURS
 BEI MUFFENSCHALTGETRIEBE
 CON TRASM.A COLLARE SCORREVOLE
 CON TRANSM.DE COLLAR.DESPLAZABLES
 VID VAXELLADA "COLLAR-SHIFT"

3H20

DIFFERENTIAL, FINAL DRIVE ASSEMBLIES

POWER TAKE-OFF GUARD
 GARANT DE PDF
 ZAPFWELLENSCHUTZ
 PROTEZIONE PDF
 PROTECCIONES DE LA TDF
 KRAFTUTTAGSSKYDD
 L33786 -UN-31MAY95



I. 33786

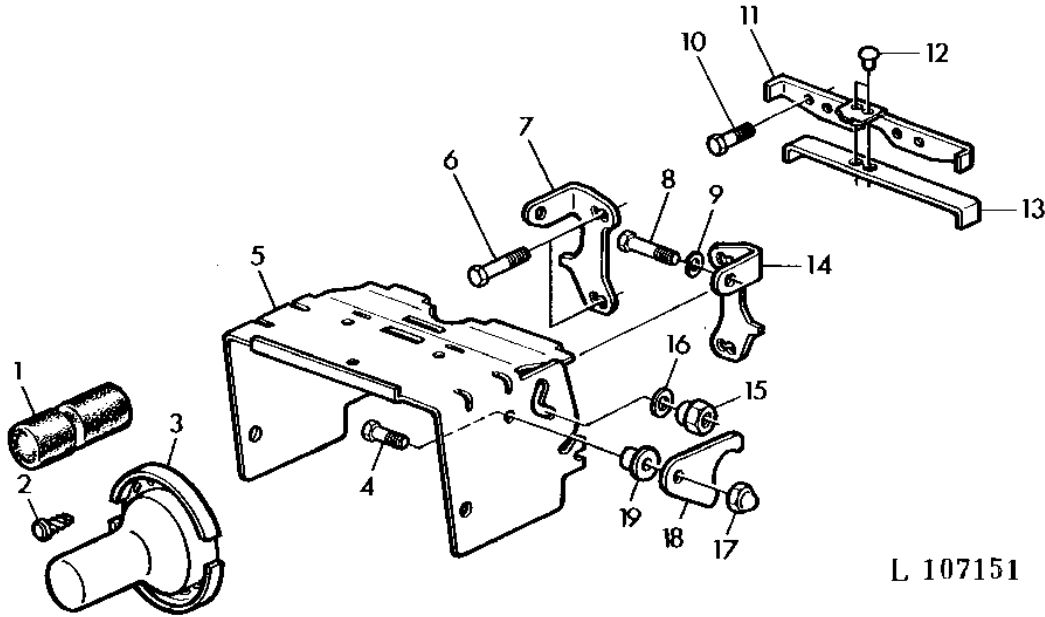
2
 1 2 0
 6 0 4
 4 4 0
 0 0 S

KEY	PART NO.	PART NAME	QTY	SERIAL NO.	REMARKS
1	T30037	GUARD	1	X X X	540U/MIN (RPM)
	T30802	SHIELD	1	X X X	540-1000U/MIN (RPM)
2	AR53799	GUARD	1	X X X	
3	L64456	GUARD	1	X X X	(SUB FOR AR26782)
4	R27329	SCREW	2	X X X	
5	T30804	GUARD	1	X X X	540-1000U/MIN (RPM)
6	L12974	CAP	1	X X X	540U/MIN (RPM)
7	19H2284	CAP SCREW	2	X X X	3/8"X7/8"
8	19H1792	CAP SCREW	2	X X X	1/2"X1"

3H21

DIFFERENTIAL, FINAL DRIVE ASSEMBLIES

POWER TAKE-OFF GUARD (WITH INCREASED LIFTING CAPACITY)
 GARANT DE PDF (AVEC CAPACITE DE REL. AUGM.)
 ZAPFWELLENSCHUTZ (BEI HUBKRAFTERHOEHUNG)
 PROTEZIONE PDF (CON ELEVATA CAPACITA DI SOLLEVAMENTO)
 PROTECCIONES DE LA TDF (CON FUERZA DE ELEV. AUMENTADA)
 KRAFTUTTAGSSKYDD (VID OKAD LYFTKAPACITET)
 L107151 -UN-22JUN95



L 107151

2
1 2 0
6 0 4
4 4 0
0 0 S

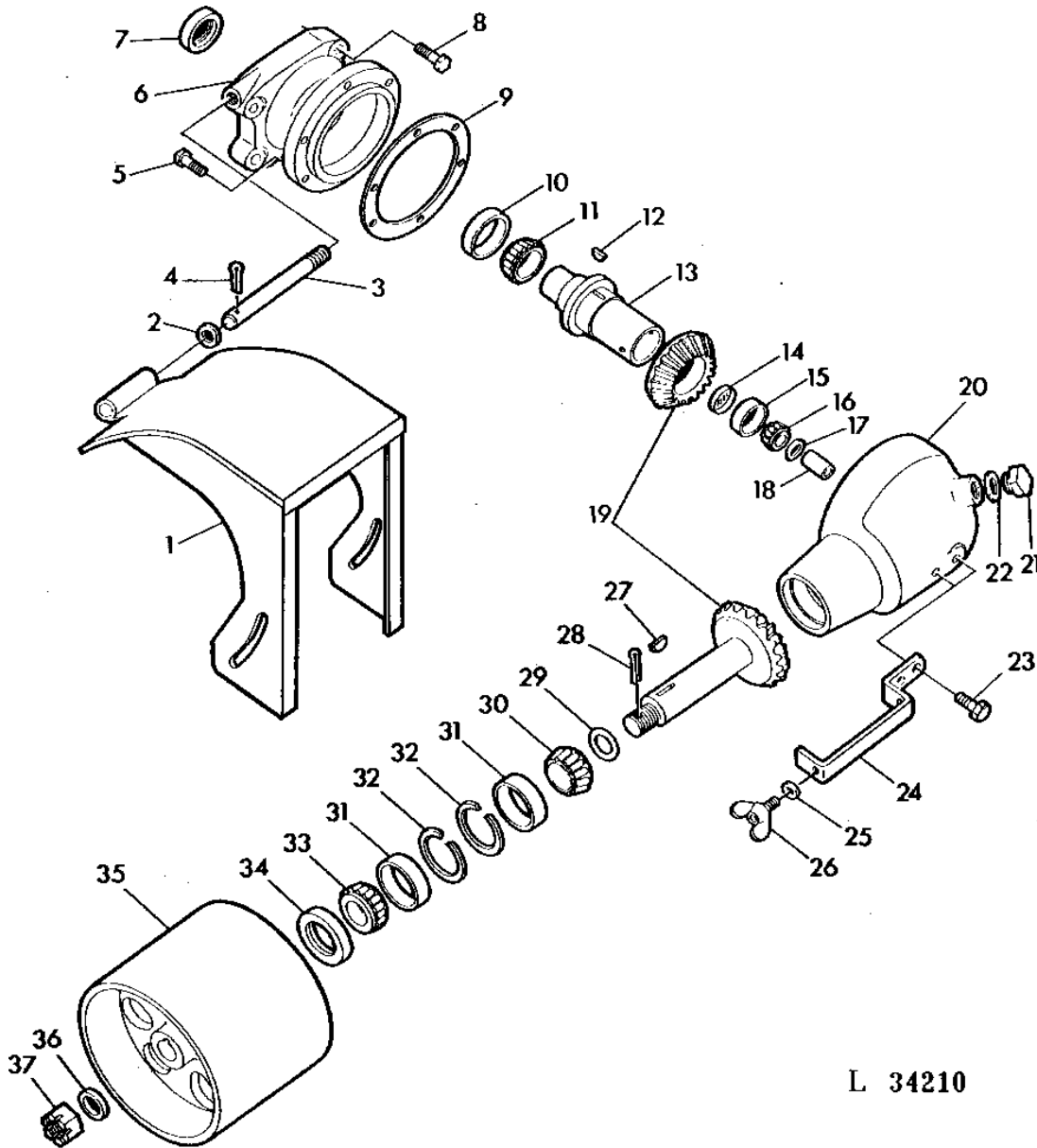
KEY	PART NO.	PART NAME	QTY	SERIAL NO.	REMARKS
1	L12974	CAP	1		X
2	R27329	SCREW	2		X
3	L64456	GUARD	1		X (SUB FOR AR26782)
4	19M7077	CAP SCREW	2		X M6X20
5	L40968	GUARD	1		X FRONT
	L40969	GUARD	1		X REAR
6	19H1792	CAP SCREW	4		X 1/2"X1"
7	L79059	RETAINER	1		X LH (SUB FOR L40973)
8	19H1731	CAP SCREW	2		X 3/8"X1"
	19M7166	CAP SCREW	2		X M10X20
9	12H304	LOCK WASHER	2		X 3/8"
10	19H2284	CAP SCREW	2		X 3/8"X7/8"
11	L79060	ANGLE	1		X (SUB FOR L40970)
12	H62547	RIVET	2		X
13	L41562	STRIP	1		X
14	L79058	RETAINER	1		X RH (SUB FOR L40972)
15	R63607	WELD NUT	2		X 3/8" (ORD L62369, 19M7166)
	L62369	NUT	2		X M10
16	T497T	WASHER	2		X
17	14M7376	LOCK NUT	2		X M6
18	L41018	PAWL	2		X
19	R50642	WASHER	2		X

MEMORANDA
MEMORANDA
MEMORANDA
MEMORANDA
MEMORANDA

3H22

DIFFERENTIAL, FINAL DRIVE ASSEMBLIES

BELT PULLEY 540 RPM
POULIE 540 TR/MN
RIEMENSCHIEBE 540 U/MIN
PULEGGIA 540 G/MIN
POLEA DE LA TRILLA 540 R/MIN
REMSKIVA 540 RPM
L34210 -UN-01JAN94



L 34210

3H23

DIFFERENTIAL, FINAL DRIVE ASSEMBLIES

KEY	PART NO.	PART NAME	QTY	SERIAL NO.	REMARKS
					2
					1 2 0
					6 0 4
					4 4 0
					0 0 S
1	AT27264	GUARD	1	X X X	
2	24H1378	WASHER	1	X X X	11/16"X1-1/2"X.134"
3	T29240	STUD	1	X X X	5/8"
4	11H239	COTTER PIN	1	X X X	5/32"X1"
5	19H2508	CAP SCREW	6	X X X	1/2"X1-3/8"
6	T29243	QUILL	1	X X X	(B)
	T29550	QUILL	1	X X X	
7	AT12431	SEAL	1	X X X	
8	19H2644	CAP SCREW	4	X X X	1/2"X2-1/2"
9	R44372	SHIM	AR	X X X	(A) 0.13MM (.005"-.006")
	R44361	SHIM	AR	X X X	0.13MM (.005")
	T13341	SHIM	AR	X X X	0.25MM (.010")
10	JD8247	BEARING CUP	1	X X X	FRONT
11	JD8922	BEARING CONE	1	X X X	FRONT
12	26H85	SHAFT KEY	1	X X X	1/4"X1"
13	T22999	HUB	1	X X X	
14	M2206T	CAP	1	X X X	
15	JD7438	BEARING CUP	1	X X X	REAR
16	JD8135	BEARING CONE	1	X X X	REAR
17	T13331	SHIM	AR	X X X	0.08MM (.003")
	T13332	SHIM	AR	X X X	0.13MM (.005")
	T13333	SHIM	AR	X X X	0.25MM (.010")
18	T13471	PIN	1	X X X	
19	AT28050	DRIVE SHAFT	1	X X X	Z=13/23, KIT
20	T29242	CASE	1	X X X	
21	R26727	DRAIN PLUG	1	X X X	
22	A4827R	WASHER	1	X X X	
23	19H2284	CAP SCREW	2	X X X	3/8"X7/8"
24	T29239	BAIL	1	X X X	
25	24H1136	WASHER	2	X X X	11/32"X11/16"X.060"
26	T29241	WING SCREW	2	X X X	5/16"
27	26H93	SHAFT KEY	1	X X X	1/4"X1-1/4"
28	11H222	COTTER PIN	1	X X X	3/16"X2"
29	L11027	SHIM	AR	X X X	0.10MM (.004")
	R48566	SHIM	AR	X X X	0.15MM (.006")
	L11028	SHIM	AR	X X X	0.20MM (.008")
30	JD8969	BEARING CONE	1	X X X	
31	JD7418	BEARING CUP	2	X X X	
32	T13325	SNAP RING	2	X X X	
33	JD8982	BEARING CONE	1	X X X	
34	AT16887	SEAL	1	X X X	
35	T18718	PULLEY	1	X X X	
36	R30399	WASHER	1	X X X	(SUB FOR T18996)
37	14H920	NUT	1	X X X	1"

(A) PAPER
PAPIER
PAPIER
CARTA
PAPEL
PAPPER

(B) WITH COLLAR-SHIFT TRANSM.AND 540 RPM PTO
AVEC BOITE A MANCHONS BALAD.ET PDF 540 TR/MN
BEI MUFFENSCHALTGETRIEBE UND ZAPFW.540 U/MIN
CON TRANSM.A COLLARE SCORREV.PTO 540 G/MIN
CON TRANSM.DE COLLARIN Y TDF 540 R/MIN
VID "COLLAR-SHIFT"VAXELL.OCH 540 RPM KRAFT.

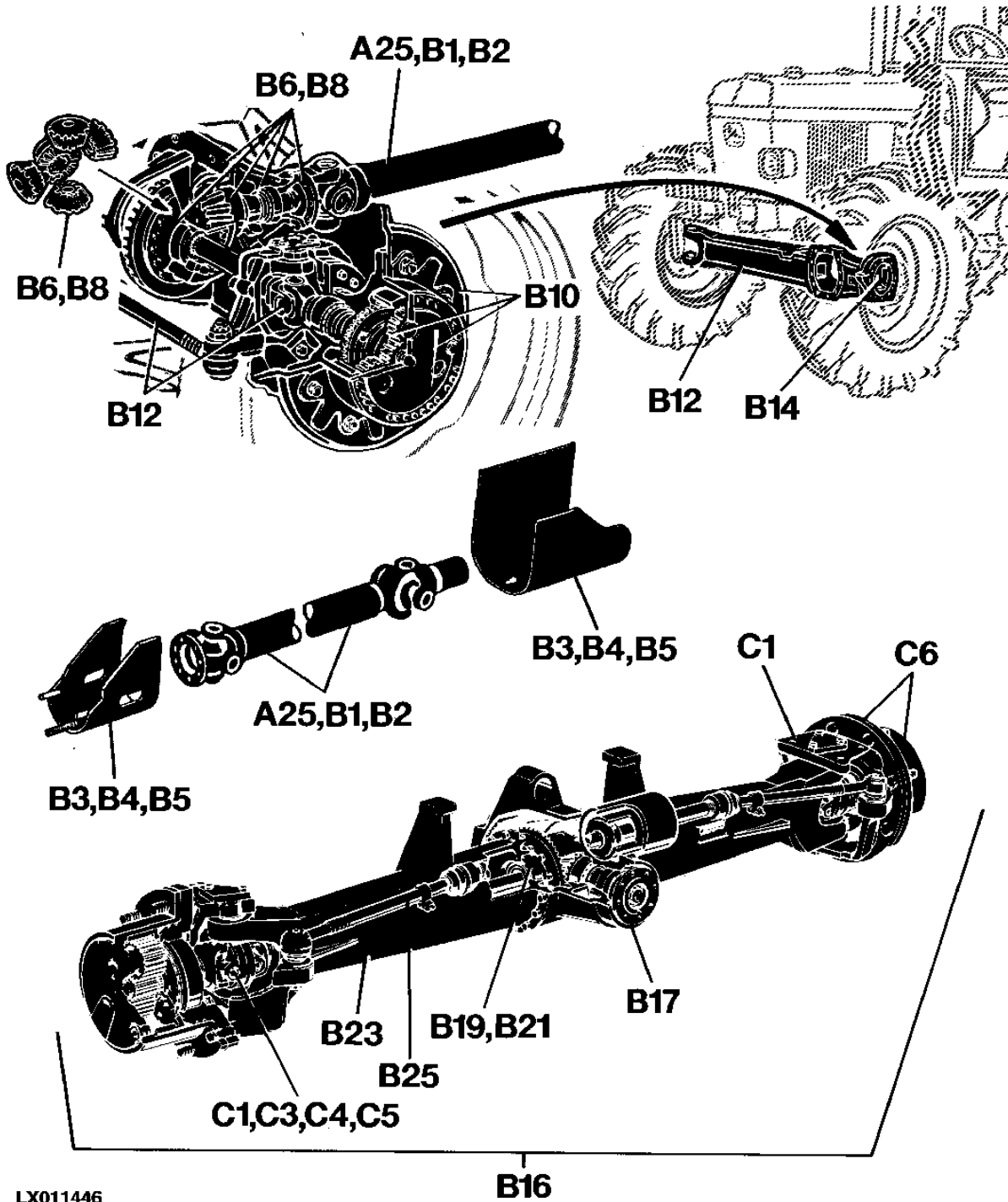
4A9

FRONT WHEEL DRIVE

XX
XX
XX
XX
XX
XX
XX
XX
XX
XX
XX

SECTIONAL INDEX
INDEX DE SECTION
GRUPPENINDEX
INDICE DELLA SEZIONE
INDICE DE GRUPOS
GRUPPSFORTECKNING

LX011446 -UN-14JUL95



LX011446

B16

4A10

FRONT WHEEL DRIVE

XX
XX
XX
XX
XX
XX
XX
XX

SECTIONAL INDEX
INDEX DE SECTION
GRUPPENINDEX
INDICE DELLA SEZIONE
INDICE DE GRUPOS
GRUPPSFORTECKNING

LX011447 -UN-14JUL95



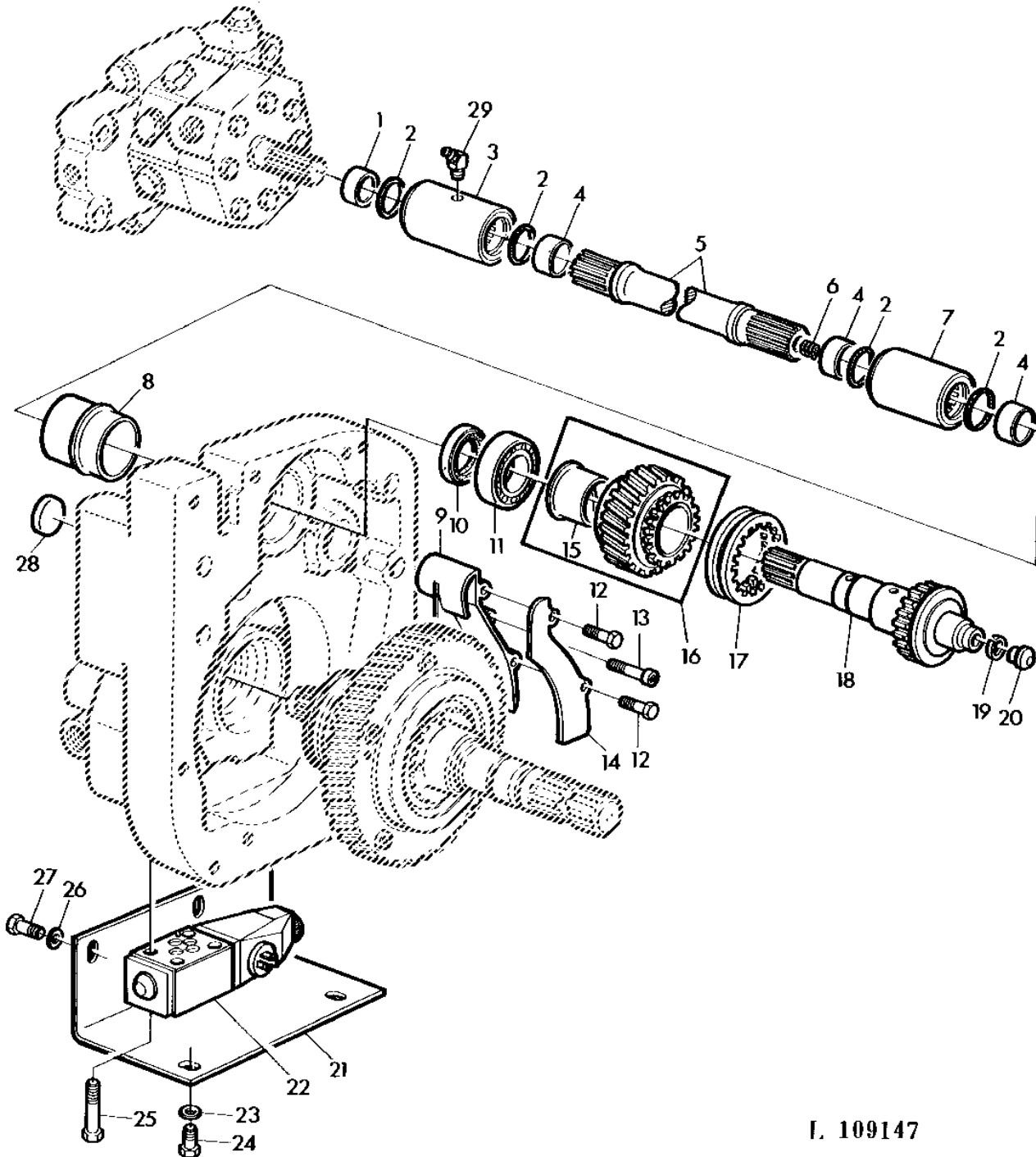
LX011447

4A11

FRONT WHEEL DRIVE

FRONT PTO-DRIVE AND SOLENOID (ROTATES CLOCKWISE-SEEN FROM OP. SEAT)
PDF AVANT ENTRAINEMENT ET SOLENOIDE (HORAIRE EN SENS DE MARCHÉ)
FRONT-ZAPFWELLE/ANTRIEB/MAGNETVENTIL (IN FAHRTRICHTUNG RECHTS-DREHEND)
COMANDO PTO ANTER. E VALV. SOL. (ROTAZ. IN SENSO ORARIO-VISTA DAL SED. DELL'OPERAT.)
TDF FRONTAL - TRANSMISION Y SOLENOIDE (ROTACION A LA DERECHA EN SENTIDO AVANCE)
FRAMRE KRAFTUTTAGSDRIVNING OCH SOLENOID (ROTARAR MEDURS SETT FRAN FORARPLATSEN)

L109147 -UN-26MAY95



I. 109147

4A12

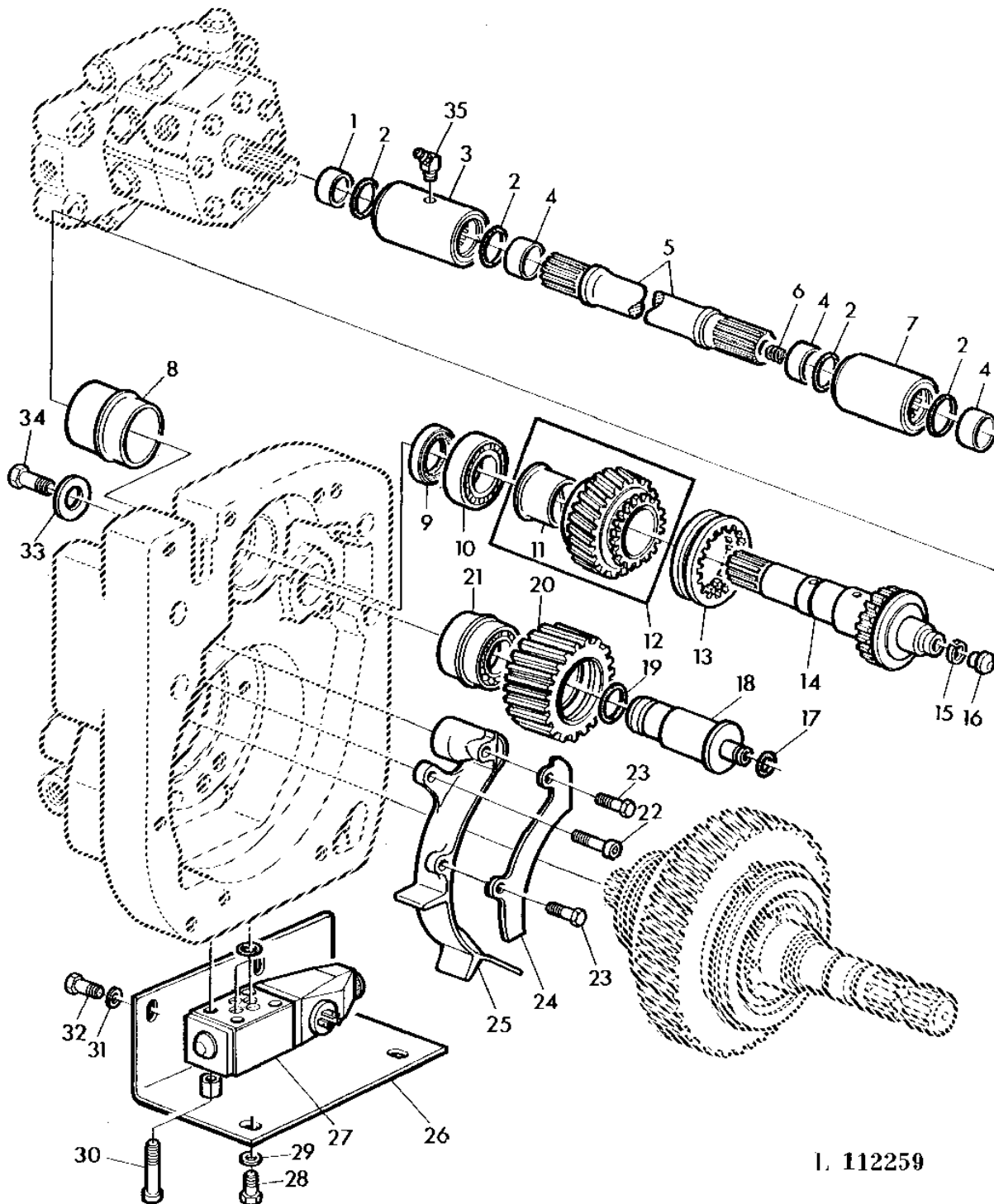
FRONT WHEEL DRIVE

KEY	PART NO.	PART NAME	QTY	SERIAL NO.	REMARKS
					2
					1 2 0
					6 0 4
					4 4 0
					0 0 S
1	L41810	BUSHING	1		X
2	L53825	O-RING	4		X
3	L56971	SPLINED COUPLING	1		X
4	L56969	BUSHING	3		X
5	L56973	SHAFT	1		X
6	L30092	COMPRESSION SPRING	1		X
7	L56970	COUPLING	1		X
8	L41439	BUSHING	1		X
9	L41441	DEFLECTOR	1		X
10	T22069	SEAL	1		X
11	AL39722	ROLLER BEARING	1		X
12	37M7060	SCREW	2		X M4X10
13	19M7966	SCREW	1		X M6X25
14	L41429	COVER	1		X
15	L41448	BUSHING	1		X
16	AL39723	GEAR	1		X Z=27
17	L34195	SHIFT COLLAR	1		X
18	L41425	SHAFT	1		X
19	R34140	RING	1		X
20	R39279	RETAINER	1		X
21	L41436	ANGLE	1		X
22	AL68437	SOLENOID VALVE	1		X (SUB FOR AL39728)
23	24M7055	WASHER	2		X 8.4X17X1.6MM
24	19M7139	CAP SCREW	2		X M8X20
25	19H3390	SCREW	4		X NO. 10 X 2"
	19H3070	SCREW	4		X NO. 10 X 1-1/4"
26	24M7028	WASHER	2		X 10.5X21X2MM
27	19M7167	CAP SCREW	2		X M10X25
28	30M7008	CAP	1		X
29	58M5632	LUBRICATION FITTING	1		X M6

4A13

FRONT WHEEL DRIVE

FRONT PTO - DRIVE AND SOLENOID (ROTATES ANTI-CLOCKWISE-SEEN FROM OP.SEAT)
PDF AVANT-ENTRAINEMENT ET SOLENOIDE (ANTI-HORAIRE EN SENS DE MARCHE)
FRONTZAPFWELLE/ANTRIEB/MAGNETVENTIL (IN FAHRTRICHTUNG LINKSDREHEND)
COMANDO PTO ANTER. E VALV. SOL. (ROTAZ. ANTI-ORARIA-VISTA DAL SED. DELL'OPERAT.)
TDF FRONTAL - TRANSMISION Y SOLENOIDE (ROTACION A LA IZQDA EN SENTIDO AVANCE)
FRAMRE KRAFTUTTAGSKOPPLING OCH SOLENOID (ROTARAR MOTURS SETT FRAN FORARPLATSEN)
L112259 -UN-26MAY95



L 112259

4A14

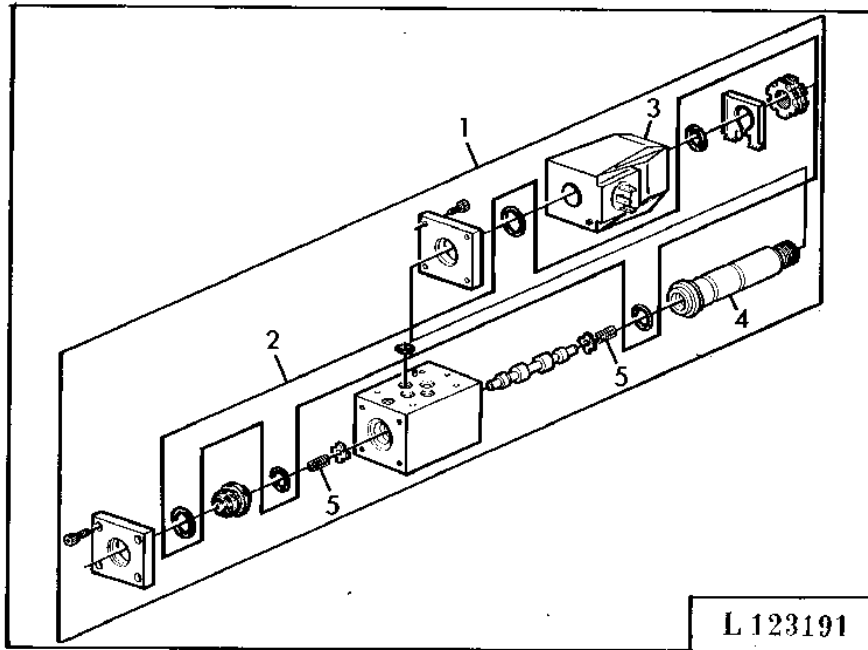
FRONT WHEEL DRIVE

KEY	PART NO.	PART NAME	QTY	SERIAL NO.	REMARKS
					2
					1 2 0
					6 0 4
					4 4 0
					0 0 S
1	L41810	BUSHING	1		X
2	L53825	O-RING	4		X
3	L56971	SPLINED COUPLING	1		X 50X87MM
4	L56969	BUSHING	3		X 35X16.4MM
5	L56973	SHAFT	1		X
6	L30092	COMPRESSION SPRING	1		X
7	L56970	COUPLING	1		X 50X88.5MM
8	L41439	BUSHING	1		X
9	T22069	SEAL	1		X
10	AL39722	ROLLER BEARING	1		X
11	L41448	BUSHING	1		X
12	AL55427	GEAR	1		X Z=26
13	L34195	SHIFT COLLAR	1		X
14	L41425	SHAFT	1		X
15	R34140	RING	1		X
16	R39279	RETAINER	1		X
17	L53824	O-RING	1		X
18	L42130	SHAFT	1		X
19	M4125T	O-RING	1		X
20	L42129	GEAR	1		X Z=27
21	AL41619	ROLLER BEARING	1		X
22	19M7603	SCREW	1		X M6X20
23	37M7060	SCREW	2		X M4X10
24	L42125	COVER	1		X
25	L42127	DEFLECTOR	1		X
26	L41436	ANGLE	1		X
27	AL68437	SOLENOID VALVE	1		X (SUB FOR AL39728)
28	19M7139	CAP SCREW	2		X M8X20
29	24M7055	WASHER	2		X 8.4X17X1.6MM
30	19H3390	SCREW	4		X NO. 10 X 2"
	19H3070	SCREW	4		X NO. 10 X 1-1/4"
31	24M7028	WASHER	2		X 10.5X21X2MM
32	19M7167	CAP SCREW	2		X M10X25
33	L42131	WASHER	1		X
34	19M7662	CAP SCREW	1		X M10X30
35	58M5632	LUBRICATION FITTING	1		X M6

4A15

FRONT WHEEL DRIVE

FRONT PTO/SOLENOID VALVE
 PDF AVANT/ELECTROVANNE
 FRONT-ZAPFWELLE/MAGNETVENTIL
 PDF ANTER.-SOLENOIDE
 TDF FRONTAL/VALVULA ELECTROMAGNETICA
 FRAMRE KRAFTUTTAG-SOLENOIDVENTIL
 L123191 -UN-31MAY95



L 123191

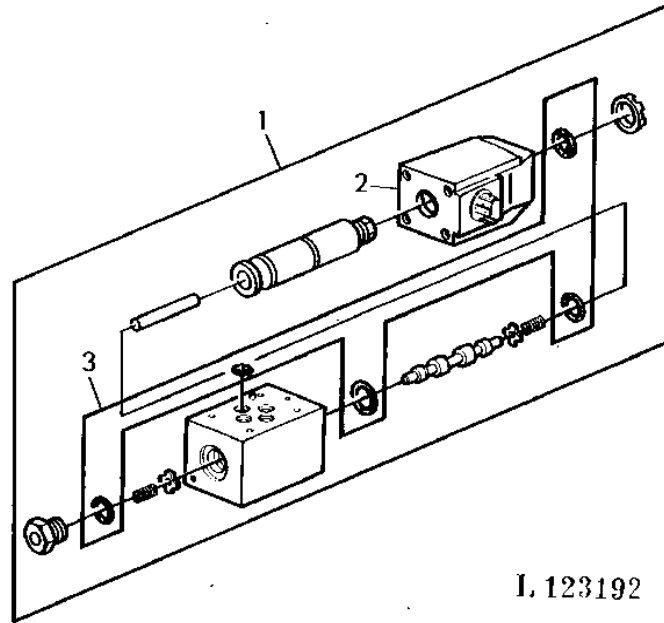
2
 1 2 0
 6 0 4
 4 4 0
 0 0 S

KEY	PART NO.	PART NAME	QTY	SERIAL NO.	REMARKS
1	AL39728	SOLENOID VALVE	1		X (ORD AL68437)
2	AL57316	KIT	1		X
3	AL57314	ELECTRICAL COIL	1		X
4	AL57315	MAGNETO	1		X
5	L56788	SPRING	2		X

4A16

FRONT WHEEL DRIVE

FRONT PTO/SOLENOID VALVE
 PDF AVANT/ELECTROVANNE
 FRONT-ZAPFWELLE/MAGNETVENTIL
 PDF ANTER.-SOLENOIDE
 TDF FRONTAL/VALVULA ELECTROMAGNETICA
 FRAMRE KRAFTUTTAG-SOLENOIDVENTIL
 L123192 -UN-26MAY95



I. 123192

2
 1 2 0
 6 0 4
 4 4 0
 0 0 S

KEY	PART NO.	PART NAME	QTY	SERIAL NO.	REMARKS
1	AL68437	SOLENOID VALVE	1		X
2	AL68438	ELECTRICAL COIL	1		X
3	AL68439	KIT	1		X

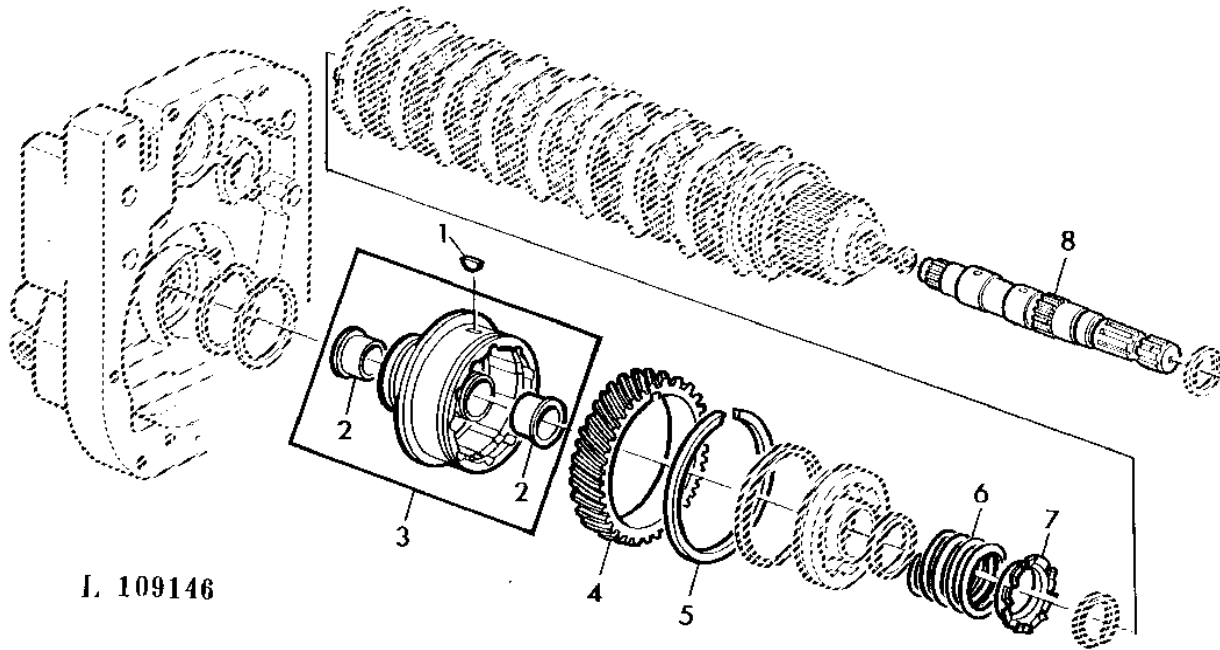
MEMORANDA
MEMORANDA
MEMORANDA
MEMORANDA
MEMORANDA

4A17

FRONT WHEEL DRIVE

FRONT PTO - CLUTCH (ROTATES ANTI-CLOCKWISE-SEEN FROM OP. SEAT)
 PDF AVANT-EMBAYAGE (EN SENS DE MARCHE-TOURNANT EN SENS INVERSE D'HORLOGE)
 FRONT-ZAPFWELLE/KUPPLUNG (IN FAHRTRICHTUNG LINKSDREHEND)
 FRIZIONE PTO. ANTER. (ROTAZ. ANTI-ORARIA-VISTA DAL SEDILE DELL'OPERATORE)
 TDF FRONTAL / EMBRAGUE (ROTACION A IZQUA EN SENTIDO AVANCE)
 FRAMRE KRAFTUTTAGSKOPPLING (ROTARAR MOTURS SETT FRAN FORARPLATSEN)

L109146 -UN-26MAY95



L 109146

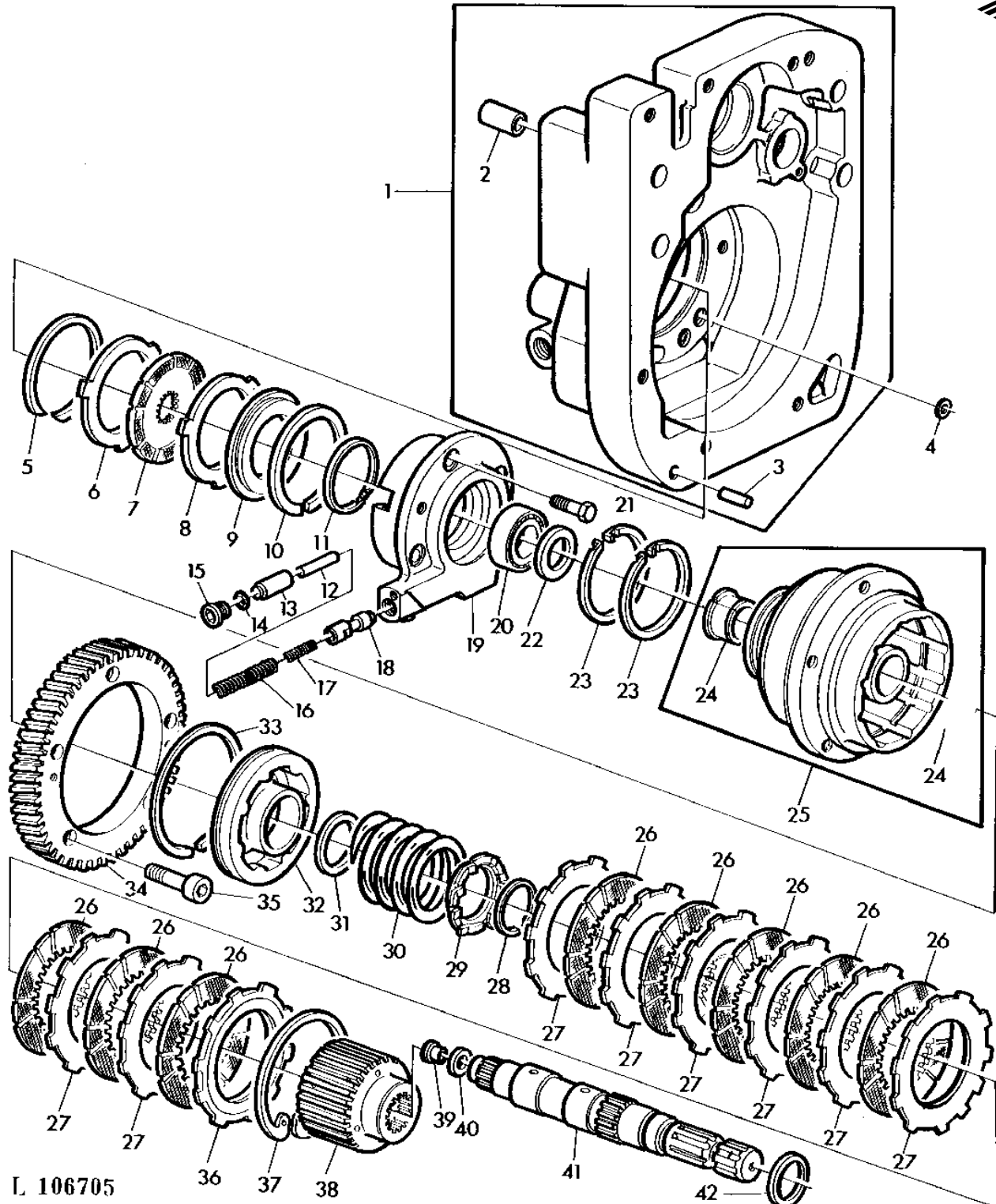
2
1 2 0
6 0 4
4 4 0
0 0 S

KEY	PART NO.	PART NAME	QTY	SERIAL NO.	REMARKS
1	26H77	SHAFT KEY	1		X
2	L33320	BUSHING	2		X
3	AL55891	DRUM	1		X
4	L42126	GEAR	1		X Z=56
5	L42128	SNAP RING	1		X
6	T32848	SPRING	1		X
7	T32849	RETAINER	1		X
8	L56837	SHAFT	1		X

4A18

FRONT WHEEL DRIVE

FRONT PTO/HOUSING AND CLUTCH
PDF FRONTALE/CARTER/EMBAYAGE
FRONT-ZAPFWELLE/GEHAEUSE/KUPPLUNG
PDF FRONTALE/SCATOLA E FRIZIONE
TDF FRONTAL/CARCASA Y EMBRAGUE
FRAMRE KRAFTUTTAG/HUS OCH KOPPLING
L106705 -UN-17JUL95



L 106705

THIS PARTS LISTING IS CONTINUED

4A19

FRONT WHEEL DRIVE

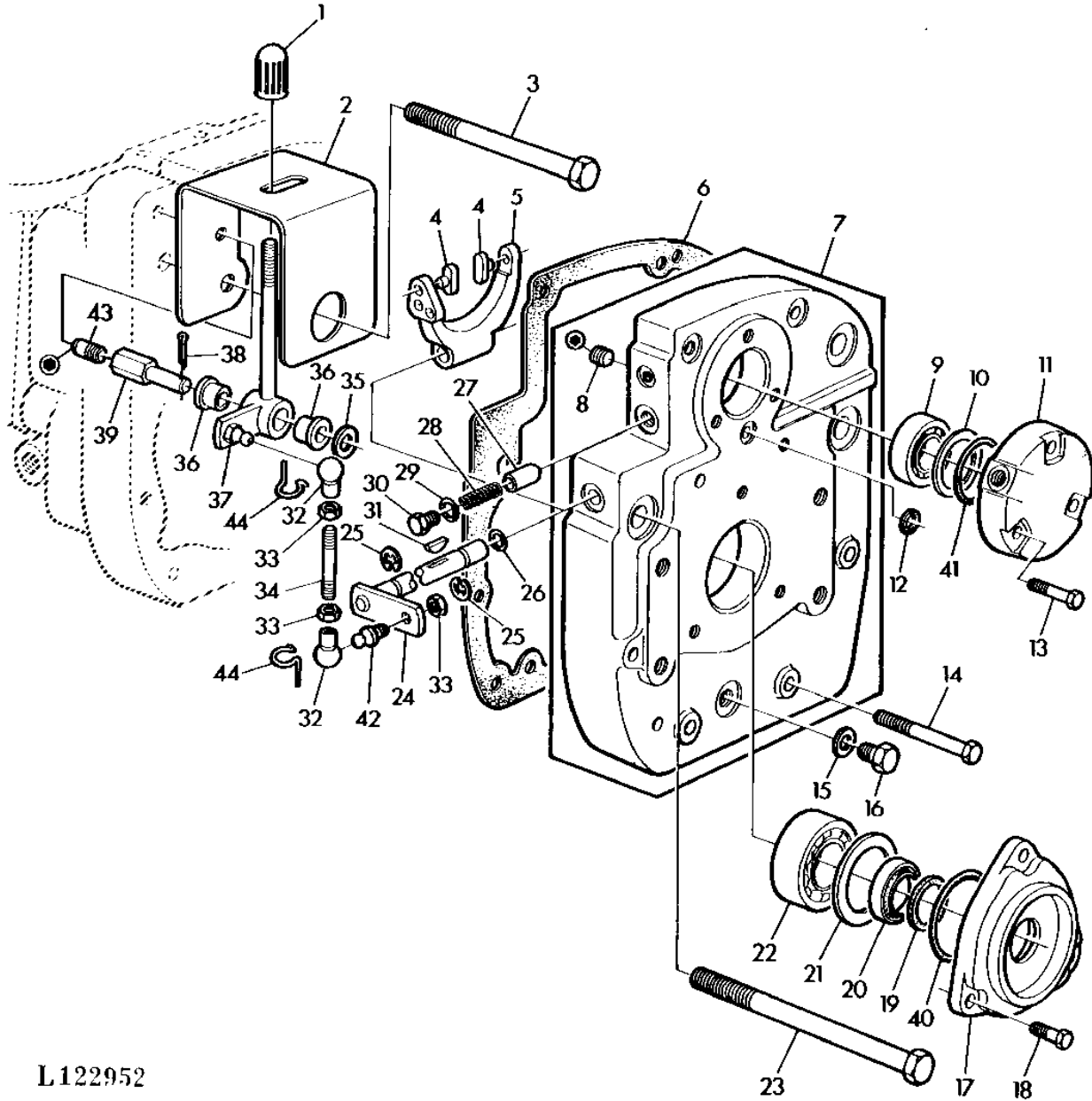
KEY	PART NO.	PART NAME	QTY	SERIAL NO.	REMARKS
					2
					1 2 0
					6 0 4
					4 4 0
					0 0 S
1	AL39720	HOUSING	1		X
2	L41445	BUSHING	2		X
3	44M7036	DOWEL PIN	2		X 10X24MM
4	A4847R	WASHER	3		X
5	L33119	SNAP RING	1		X
6	L33125	PLATE	1		X (SUB FOR L33121)
7	AL55075	DISK, INNER SPLINE	1		X (SUB FOR AL28723)
8	L33125	PLATE	1		X
9	L33316	PISTON	1		X
10	51M7017	PISTON RING	1		X 110X100.8X3MM
11	L33117	PISTON RING	1		X
12	R43244	NEEDLE ROLLER	1		X
13	R71811	PISTON	1		X
14	R26906	O-RING	1		X
15	T58477	FITTING	1		X
16	L41424	SPRING	1		X
17	L41423	SPRING	1		X
18	L41422	VALVE	1		X
19	AL39721	MANIFOLD	1		X
20	JD10137	ROLLER BEARING	1		X
21	19H3239	CAP SCREW	3		X 3/8"X1-1/4"
22	L33313	WASHER	1		X
23	R33167	RING	2		X
24	L33320	BUSHING	2		X (A)
25	AL39262	DRUM	1		X (A)
26	AL38239	DISK, INNER SPLINE	8		X
27	T28664	DISK, OUTER SPLINE	8		X
28	R39299	SNAP RING	1		X
29	T32474	GUIDE	1		X (A)
30	T28662	SPRING	1		X (A)
31	R39304	WASHER	1		X
32	L32738	PISTON	1		X
33	L28656	PISTON RING	1		X
34	L41440	GEAR	1		X (A) Z=65
35	19M7576	SCREW	5		X (A) M10X30
36	L33563	PLATE	1		X
37	L38023	SNAP RING	1		X
38	L41427	HUB	1		X
39	R39279	RETAINER	1		X
40	R34140	RING	1		X
41	L41426	SHAFT	1		X (A)
42	24M7285	WASHER	1		X 40X50X2.5MM

(A) FOR FRONT PTO (ROTATES CLOCKWISE - SEEN FROM OP.SEAT)
 POUR PDF AVANT (ROTATION SENS HORAIRE, VU DU SIEGE CONDUCTEUR)
 FUER FRONT-ZAPFWELLE IN FAHRTRICHTUNG RECHTS DREHEND
 PER PTO ANTERIORE (ROTAZIONE SENSO ORARIO-VISTA DALL' SEDILE OPERATORE)
 PARA TDF FRONTAL (ROTACION A LA DERECHA EN SENTIDO DE AVANCE)
 FOR FRAMRE KRAFTUTTAG (ROTARER NEDURS SETT FRAN FORARPLATSEN)

4A20

FRONT WHEEL DRIVE

FRONT PTO/SHIFT LINKAGE AND BEARING COVER
PDF FRONTALE/COMMANDE/COUVERCLE DE ROULEMENT
FRONT-ZAPFWELLE/SCHALTUNG/LAGERDECKEL
PDF FRONTALE/TIRANTERIA COMANDO E PORTACUSCINETTO
TDF FRONTAL/PIEZAS DE CONEXION Y TAPA-PORTACOJINETES
FRAMRE KRAFTUTTAG/AXLINGSLANKAGE OCH LAGERHUS
L122952 -UN-18JUL95



L122952

4A21

FRONT WHEEL DRIVE

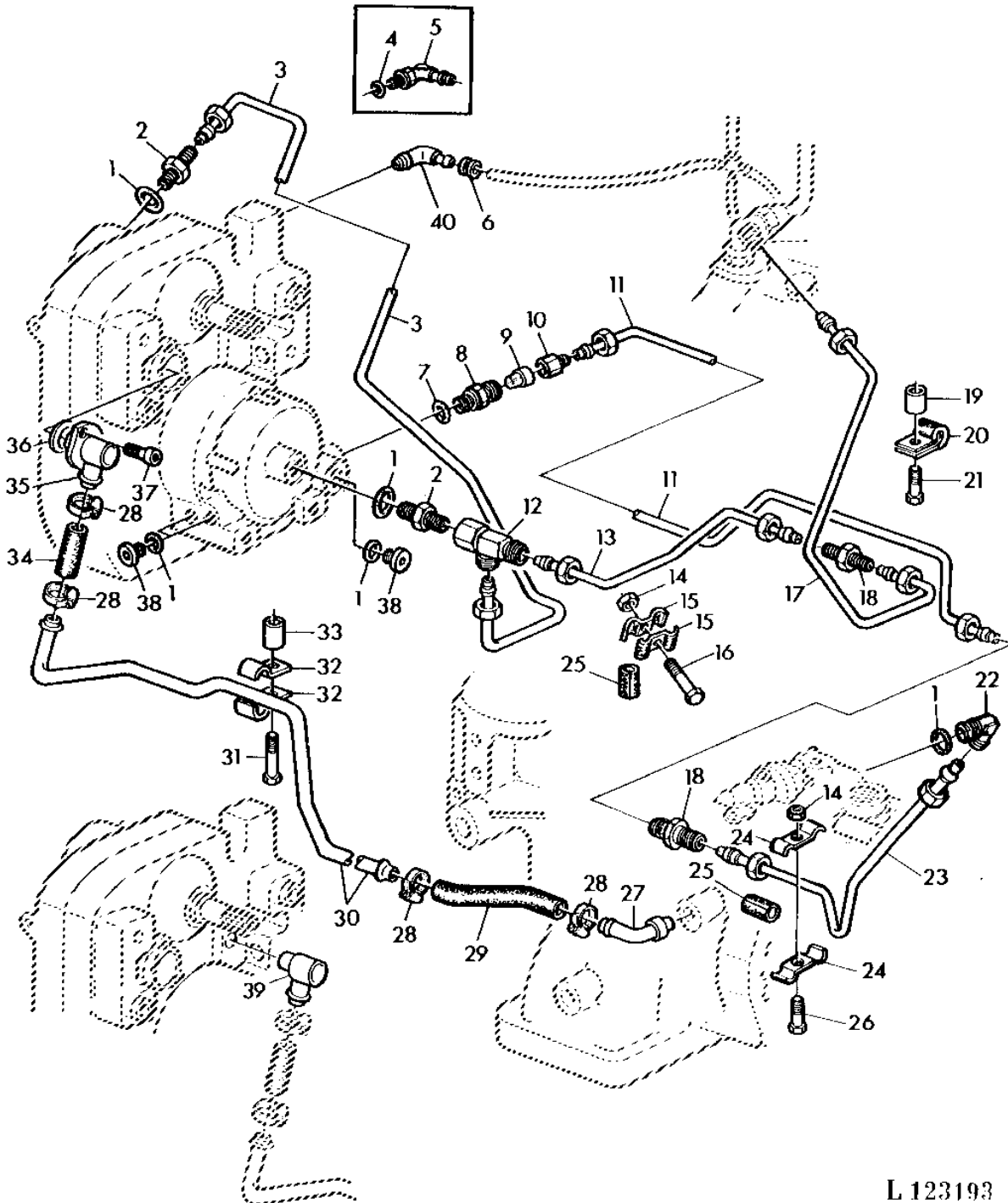
KEY	PART NO.	PART NAME	QTY	SERIAL NO.	REMARKS
					2
					1 2 0
					6 0 4
					4 4 0
					0 0 S
1	L57987	GRIP	1		X (SUB FOR AR62028 APPL)
2	L41437	GUARD	1		X
3	19H3307	CAP SCREW	1		X 3/4"X6"
4	T21841	SHOE	2		X
5	L41430	SHIFTER	1		X
6	L62428	GASKET	1		X (SUB FOR L41433)
7	AL39725	COVER	1		X
8	U40054	PIPE PLUG	1		X (A) (SUB FOR T35599 APPL)
9	JD10137	ROLLER BEARING	1		X
10	24M7219	SHIM	AR		X TK= 0.1MM (.004")
	L36302	SHIM	AR		X TK= 0.15MM (.006")
	24M7220	SHIM	AR		X TK= 0.2MM (.008")
	24M7221	SHIM	AR		X TK= 0.3MM (.012")
	24M4813	WASHER	AR		X TK= 1.0MM (.04")
11	AL39727	COVER	1		X
12	A4847R	WASHER	1		X
13	19M7288	CAP SCREW	3		X M8X30
14	19M7385	CAP SCREW	6		X M10X70
15	R64857	WASHER	1		X
16	R64929	DRAIN PLUG	1		X
17	L41435	QUILL	1		X
18	19M7139	CAP SCREW	3		X M8X20
19	L39491	WASHER	1		X
20	48M7038	SEAL	1		X
21	L33247	SHIM	AR		X TK= 0.15MM (.006")
	L33252	SHIM	AR		X TK= 0.2MM (.008")
	L33260	SHIM	AR		X TK= 0.5MM (.02")
22	JD37047	ROLLER BEARING	1		X
23	08H4422	CAP SCREW	3		X 3/4"X7-1/2"
24	AL57873	SHIFTER ROD	1		X
25	F2863R	SNAP RING	2		X
26	L53813	O-RING	1		X
27	L41431	PIN	1		X
28	L41432	SPRING	1		X
29	R26448	O-RING	1		X
30	R45010	FITTING	1		X
31	26H77	SHAFT KEY	1		X
32	56M7003	BALL JOINT SOCKET	2		X
33	14M7273	NUT	3		X M8
34	42M7014	STUD	1		X
35	24M7047	WASHER	1		X 13X24X2.5MM
36	L30470	BUSHING	2		X
37	AL39730	LEVER	1		X
38	11M7059	COTTER PIN	1		X 3.2X20MM
39	L41438	STUD	1		X
40	L33257	O-RING	1		X
41	L41434	O-RING	1		X
42	L57005	BALL STUD	1		X
43	22M7108	SET SCREW	1		X M10X35
44	56M7004	BALL JOINT SOCKET	2		X

(A) FOR FRONT PTO (ROTATES CLOCKWISE - SEEN FROM OP.SEAT)
 POUR PDF AVANT (ROTATION SENS HORAIRE, VU DU SIEGE CONDUCTEUR)
 FUER FRONT-ZAPFWELLE IN FAHRTRICHTUNG RECHTS DREHEND
 PER PTO ANTERIORE (ROTAZIONE SENSO ORARIO-VISTA DALL' SEDILE OPERATORE)
 PARA TDF FRONTAL (ROTACION A LA DERECHA EN SENTIDO DE AVANCE)
 FOR FRAMRE KRAFTUTTAG (ROTARER NEDURS SETT FRAN FORARPLATSEN)

4A22

FRONT WHEEL DRIVE

FRONT PTO-OIL LINES
PDF FRONTALE/CONDUITES D'HUILE
FRONT-ZAPFWELLE/OELLEITUNGEN
PDF FRONTALE/TUBAZIONI IDRAULICI
TDF FRONTAL-CONDUCTOS DE ACEITE
FRAMRE KRAFTUTTAG/OLJELEDNINGAR
L123193 -UN-08JUN95



L 123193

4A23

FRONT WHEEL DRIVE

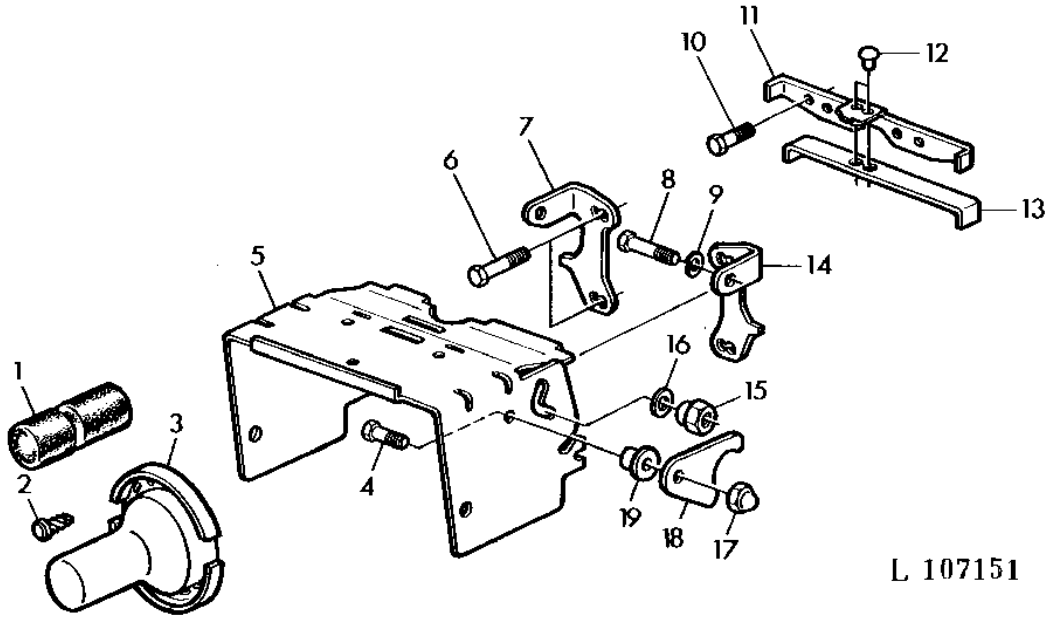
KEY	PART NO.	PART NAME	QTY	SERIAL NO.	REMARKS
					2
					1 2 0
					6 0 4
					4 4 0
					0 0 S
1	L41443	O-RING	6		X
2	L41442	UNION FITTING	2		X
3	AL41587	OIL LINE	1		X
4	R26287	O-RING	1		X
5	AL28468	ELBOW FITTING	1		X (ORD L63540)
6	B30667	GROMMET	1		X
7	L41383	RING	1		X
8	L42088	FITTING	1		X
9	AL41590	STRAINER	1		X
10	L42094	FITTING	1		X
11	AL57812	OIL LINE	1		X
12	AL41586	TEE FITTING	1		X
13	AL57813	OIL LINE	1		X
14	14M7273	NUT	2		X M8
15	R42009	CLAMP	2		X
16	19M7162	CAP SCREW	1		X M8X16
17	AL57814	OIL LINE	1		X
18	L42095	FITTING	2		X
19	28H1697	SPACER	1		X
20	R65099	CLIP	3		X (SUB FOR T14264)
21	19H1800	CAP SCREW	1		X 3/8"X1-1/2"
22	AL56479	ELBOW FITTING	1		X
23	AL56488	OIL LINE	1		X
24	R46919	CLAMP	2		X
25	L41982	ISOLATOR	4		X
26	19M7163	CAP SCREW	1		X M8X25
27	AL57827	FITTING	1		X
28	AL37451	CLAMP	4		X (SUB FOR AL55853)
29	L42097	HYDRAULIC HOSE	1		X LGTH= 365MM (MF UN4672)
30	L57066	OIL LINE	1		X
31	19H2665	CAP SCREW	1		X 3/8" X 1-5/8"
32	R27531	CLAMP	2		X
33	28H1524	SPACER	1		X
34	L42096	HYDRAULIC HOSE	1		X LGTH= 140MM (MF UN4672)
35	AL39729	ELBOW FITTING	1		X
36	M4125T	O-RING	1		X
37	19M7603	SCREW	2		X M6X20
38	L41079	PIPE PLUG	3		X
39	AL41618	ELBOW FITTING	1		X (A)
40	L63540	FITTING	1		X
..	UN4672	HOSE	1		X LGTH= 2000MM

(A) FOR FRONT PTO (ROTATES ANTI-CLOCKWISE-SEEN FROM OP.SEAT)
 POUR PDF AVANT (ROTATION ANTIHORAIRE, VU DU SIEGE CONDUCTEUR)
 BEI FRONT-ZAPFWELLE IN FAHRTRICHTUNG LINKSDREHEND
 PER PTO ANTERIORE (ROTAZIONE ANTI-ORARIA-VISTA DALL' SEDILE OPERATORE)
 CON TDF FRONTAL (ROTACION A LA IZQUIERDA EN SENTIDO DE AVANCE)
 FOR FRAMRE KRAFTUTTAG (ROTARER MOTURS,SETT FRAN FORARPLATSEN)

4A24

FRONT WHEEL DRIVE

FRONT PTO GUARD
 GARANTS DE PDF AVANT
 SCHUTZ FUER FRONT-ZAPFWELLE
 PROTEZIONE PDF ANTERIORE
 PROTECCION PARA TDF FRONTAL
 SKYDD FOR FRAMRE KRAFTUTTAG
 L107151 -UN-22JUN95



L 107151

2
 1 2 0
 6 0 4
 4 4 0
 0 0 S

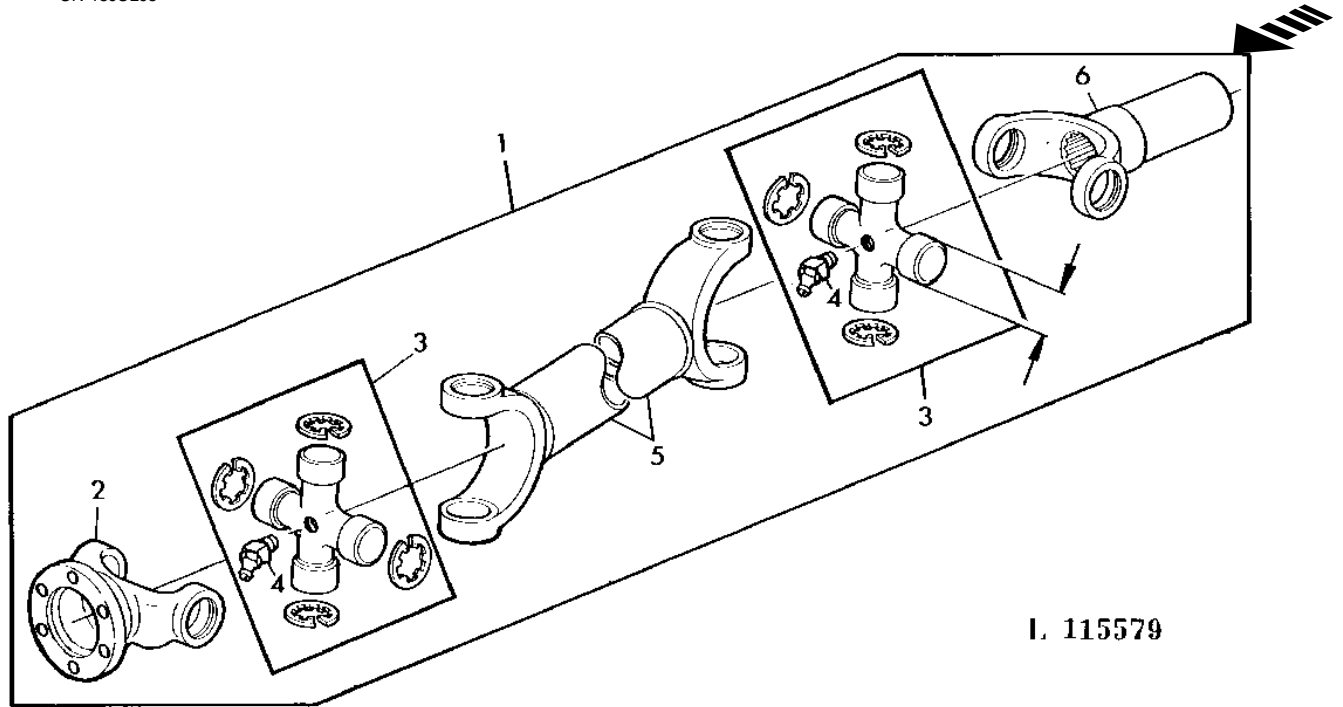
KEY	PART NO.	PART NAME	QTY	SERIAL NO.	REMARKS
1	L12974	CAP	1		X
2	R27329	SCREW	2		X
3	L64456	GUARD	1		X (SUB FOR AR26782)
4	19M7077	CAP SCREW	2		X M6X20
5	L40968	GUARD	1		X FRONT
	L40969	GUARD	1		X REAR
6	19H1792	CAP SCREW	4		X 1/2"X1"
7	L79059	RETAINER	1		X LH (SUB FOR L40973)
8	19H1731	CAP SCREW	2		X 3/8"X1"
	19M7166	CAP SCREW	2		X M10X20
9	12H304	LOCK WASHER	2		X 3/8"
10	19H2284	CAP SCREW	2		X 3/8"X7/8"
11	L79060	ANGLE	1		X (SUB FOR L40970)
12	H62547	RIVET	2		X
13	L41562	STRIP	1		X
14	L79058	RETAINER	1		X RH (SUB FOR L40972)
15	R63607	WELD NUT	2		X 3/8" (ORD L62369, 19M7166)
	L62369	NUT	2		X M10
16	T497T	WASHER	2		X
17	14M7376	LOCK NUT	2		X M6
18	L41018	PAWL	2		X
19	R50642	WASHER	2		X

MEMORANDA
MEMORANDA
MEMORANDA
MEMORANDA
MEMORANDA

4A25

FRONT WHEEL DRIVE

FRONT WHEEL DRIVE UNIVERSAL JOINTED SHAFT (APL 1351)
 PONT AVANT ARBRE DE TRANSMISSION (APL 1351)
 FRONTANTRIEB-GELENKWELLE (APL 1351)
 TRAZ. ANT.-ALBERO COMANDO (APL 1351)
 EJE ARTICULACION CARDAN-TRACCION DELANTERA (APL 1351)
 FRAMHJULSDRIFT-KARDANAXEL (APL 1351)
 L115579 -UN-18JUL95



I. 115579

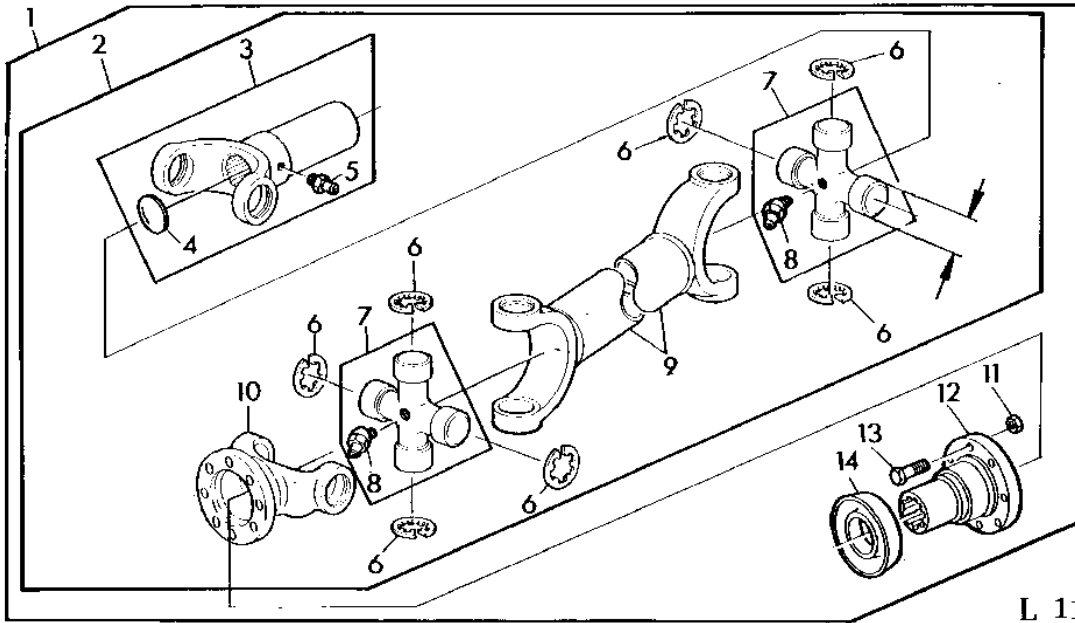
2
 1 2 0
 6 0 4
 4 4 0
 0 0 S

KEY	PART NO.	PART NAME	QTY	SERIAL NO.	REMARKS
1	AL28950	UNIVERSAL DRIVESHAFT	1	-449999	X X X (ORD AL38765)
2	L37213	FLANGE	1	-449999	X X X
3	AL34709	UNIVERSAL JOINT CROSS	2	-449999	X X X OD= 30MM
4	58M5579	LUBRICATION FITTING	2	-449999	X X X
5	AL34714	UNIVERSAL JOINT, WITH SHAF	1	-449999	X X X
6	AL34711	UNIVERSAL JOINT YOKE	1	-449999	X X X

4B1

FRONT WHEEL DRIVE

FWD-UNIVERSAL JOINTED SHAFT (APL 1351)
 PONT AVANT-ARBRE DE TRANSMISSION (APL 1351)
 FRONTANTRIEB-GELENKWELLE (APL 1351)
 TRAZ. ANTER.-ALBERO CARDANICO (APL 1351)
 TRACCION DELANTERA-EJE TRANSMISION ARTICULADO (APL 1351)
 FHD-KARDANAXEL (APL 1351)
 L115580 -UN-18JUL95



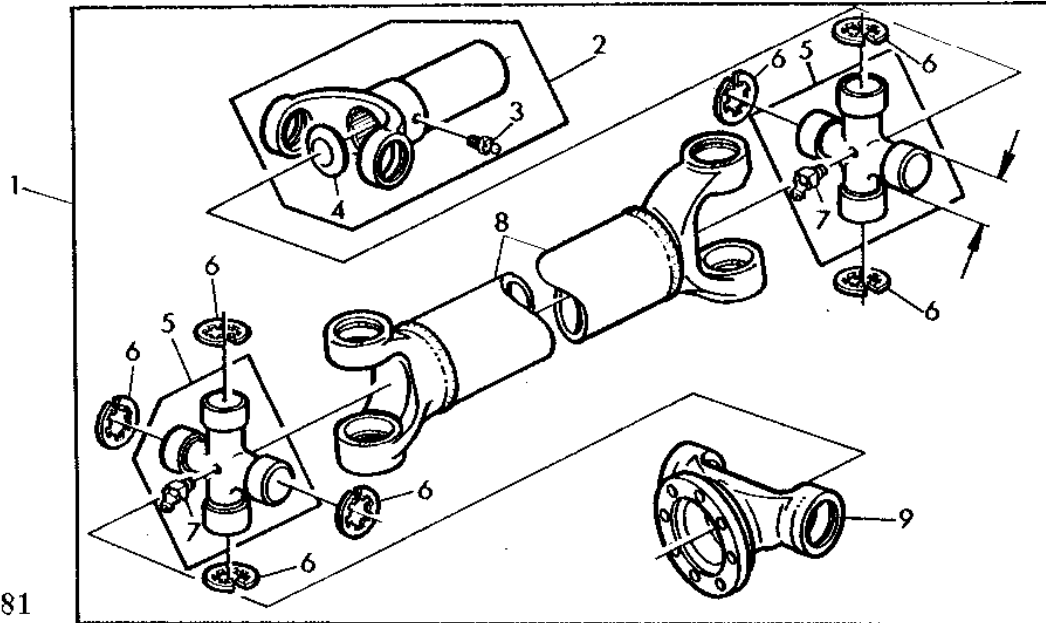
L 115580

KEY	PART NO.	PART NAME	QTY	SERIAL NO.	REMARKS
				2	
				1 2 0	
				6 0 4	
				4 4 0	
				0 0 S	
1	AL38765	UNIVERSAL JOINT	1	-449999	X X X (SUB FOR AL28950)
2	AL38766	UNIVERSAL JOINT	1	-449999	X X X
3	AL37071	YOKE, WITH TUBE	1	-449999	X X X
4	30M7017	PLUG	1	-449999	X X X
5	58M5574	LUBRICATION FITTING	1	-449999	X X X
6	40M7112	SNAP RING	8	-449999	X X X
7	AL37069	CROSS AND BEARING ASSEMBLY	2	-449999	X X X OD= 35MM
8	58M5579	LUBRICATION FITTING	2	-449999	X X X
9	AL38767	UNIVERSAL JOINT	1	-449999	X X X
10	L39214	FLANGE	1	-449999	X X X
11	14M7308	LOCK NUT	8	-449999	X X X M10X1
12	L40705	FLANGE	1	-449999	X X X
13	L35718	CAP SCREW	8	-449999	X X X M10X1X28
14	L35568	DUST SHIELD	1	-449999	X X X (SUB FOR L40706)

4B2

FRONT WHEEL DRIVE

FWD-UNIVERSAL JOINTED SHAFT (APL 325)
 PONT AVANT-ARBRE DE TRANSMISSION (APL 325)
 FRONTANTRIEB-GELENKWELLE (APL 325)
 TRAZ. ANTER.-ALBERO CARDANICO (APL 325)
 TRACCION DELANTERA-EJE TRANSMISION ARTICULADO (APL 325)
 FHD-KARDANAXEL (APL 325)
 L115581 -UN-01JAN94



L 115581

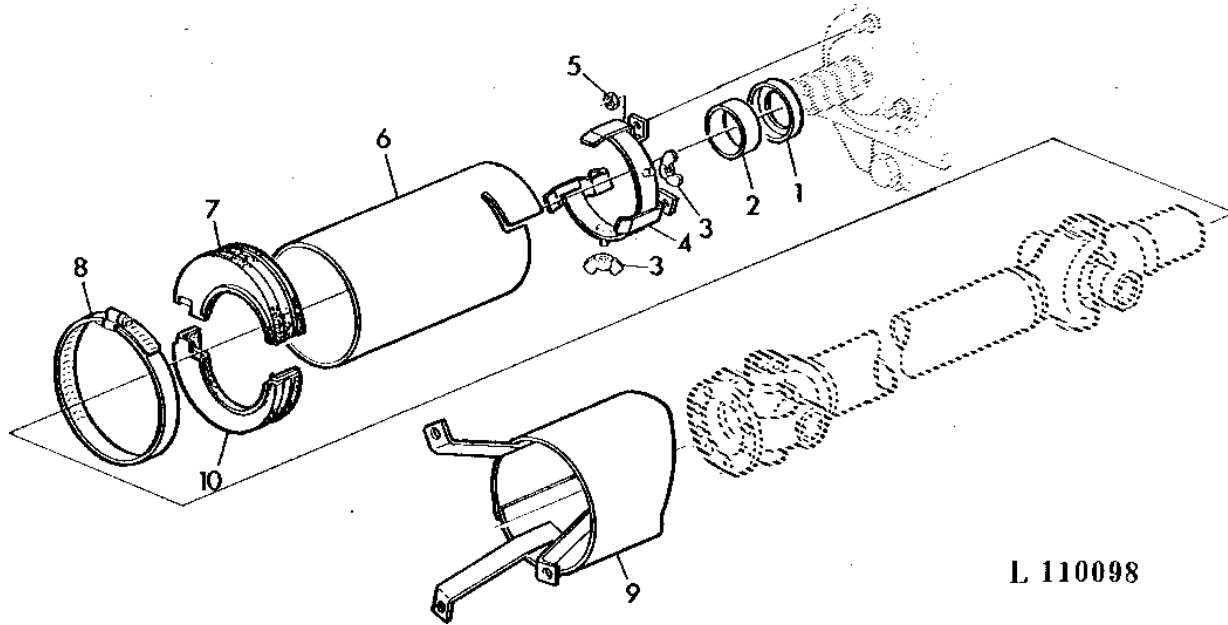
2
 1 2 0
 6 0 4
 4 4 0
 0 0 S

KEY	PART NO.	PART NAME	QTY	SERIAL NO.	REMARKS
1	AL37159	UNIVERSAL DRIVESHAFT	1	450000-	X X X
2	AL37071	YOKE, WITH TUBE	1	450000-	X X X
3	58M5574	LUBRICATION FITTING	1	450000-	X X X
4	30M7017	PLUG	1	450000-	X X X
5	AL37069	CROSS AND BEARING ASSEMBLY	2	450000-	X X X OD= 35MM
6	40M7112	SNAP RING	8	450000-	X X X
7	58M5579	LUBRICATION FITTING	2	450000-	X X X
8	AL38196	YOKE, WITH TUBE	1	450000-	X X X
9	L39214	FLANGE	1	450000-	X X X

4B3

FRONT WHEEL DRIVE

FWD-ANTI-WRAP GUARD (APL 1351)
 PONT AVANT-PROTECTION ANTIENROULEMENT (APL 1351)
 FRONTANTRIEB-WICKELSCHUTZ (APL 1351)
 TRAZ. ANTER.-PROTEZIONE ANTI-INTASAMENTO (APL 1351)
 TRACCION DELANTERA-PROTECCION ANTI-ENROLLAMIENTO (APL 1351)
 FHD-LINDNINGSSKYDD (APL 1351)
 L110098 -UN-01JAN94



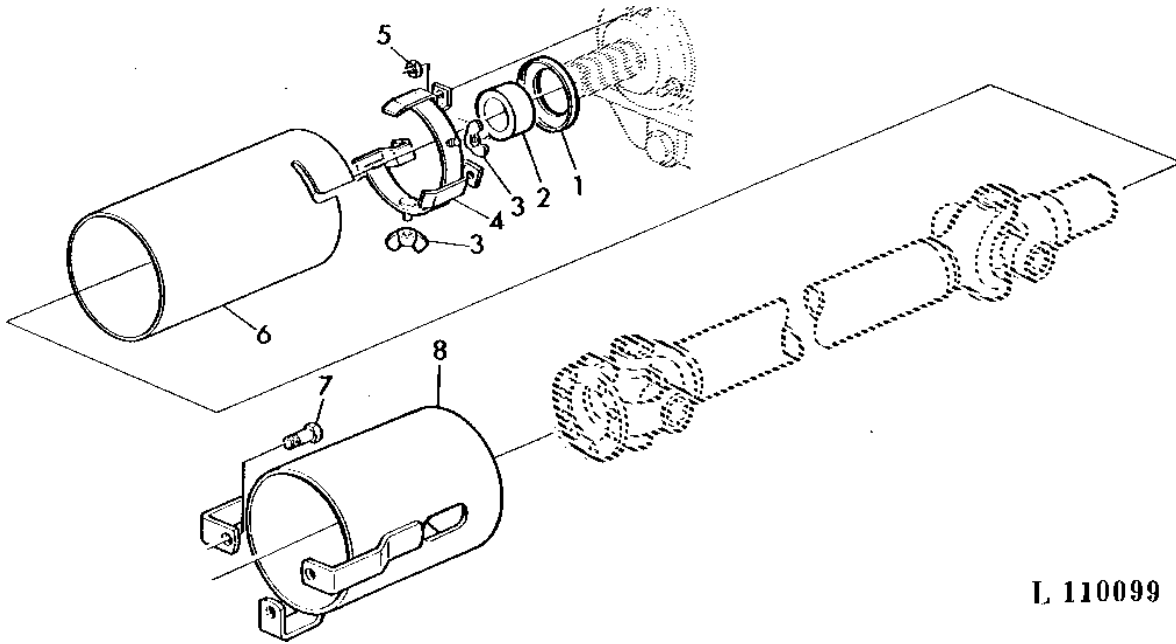
L 110098

KEY	PART NO.	PART NAME	QTY	SERIAL NO.	REMARKS
				2	
				1 2 0	
				6 0 4	
				4 4 0	
				0 0 S	
1	L40621	WASHER	1	-449999	X X X
2	L41187	BUSHING	1	-449999	X X X (SUB FOR L40622)
3	14M7020	WING NUT	2	-449999	X X X M8
4	AL36722	BRACKET	1	-449999	X X X
5	14M7273	NUT	3	-449999	X X X M8
6	L39018	GUARD	1	-449999	X X X REAR
7	L39031	GUARD	1	-449999	X X X
8	AR85327	CLAMP	1	-449999	X X X
9	AL36721	GUARD	1	-449999	X X X FRONT
10	L39032	GUARD	1	-449999	X X X

4B4

FRONT WHEEL DRIVE

FWD-ANTI-WRAP GUARD (APL 325)
 PONT AVANT-PROTECTION ANTIENROULEMENT (APL 325)
 FRONTANTRIEB-WICKELSCHUTZ (APL 325)
 TRAZ. ANTER.-PROTEZIONE ANTI-INTASAMENTO (APL 325)
 TRACCION DELANTERA-PROTECCION ANTI-ENROLLAMIENTO (APL 325)
 FHD-LINDNINGSSKYDD (APL 325)
 L110099 -UN-01JAN94



L 110099

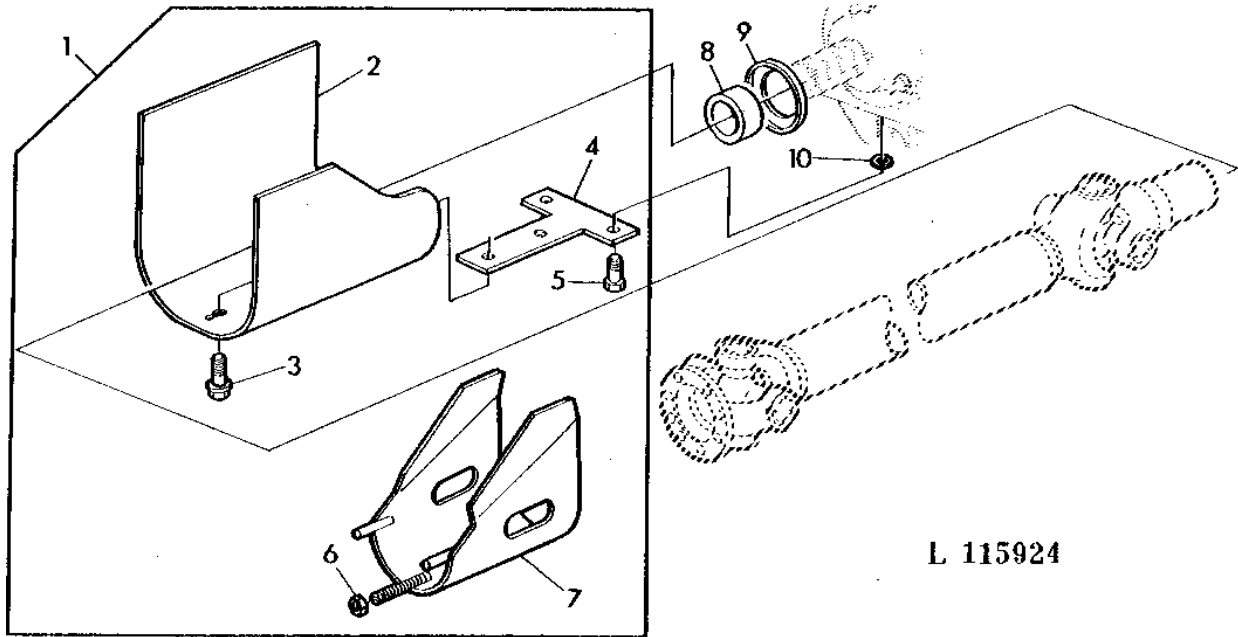
KEY	PART NO.	PART NAME	QTY	AXLE SERIAL NO.	REMARKS
				2	
				1 2 0	
				6 0 4	
				4 4 0	
				0 0 S	
1	L40621	WASHER	1	-037784	X X X (A)
2	L41187	BUSHING	1	-037784	X X X (A) (SUB FOR L40622)
3	14M7020	WING NUT	2	-037784	X X X (A) M8
4	AL36722	BRACKET	1	-037784	X X X (A) (ORD AL40893, L41740, (2) 19M7865, (2) 19M7298, (2) 24M7055)
5	14M7273	NUT	3	-037784	X X X (A) M8
6	L39018	GUARD	1	-037784	X X X (A) (ORD AL40893, L41740, (2) 19M7865, (2) 19M7298, (2) 24M7055)
7	19M7139	CAP SCREW	3	-037784	X X X (A) M8X20
8	AL38035	GUARD	1	-037784	X X X (A)

(A) FROM TRACTOR SERIAL NO. 450000
 A PARTIR DU NO.SERIE TRACTEUR 450000
 AB TRAKTOR SERIEN-NR. 450000
 DAL NO. MATRICOLA A TRATTORE 450000
 DESDE EL TRACTOR NO. DE SERIE 450000
 F.O.M. TRAKTOR-SERIENUMMER 450000

4B5

FRONT WHEEL DRIVE

FWD-ANTI-WRAP GUARD (APL 325)
 PONT AVANT-PROTECTION ANTIENROULEMENT (APL 325)
 FRONTANTRIEB-WICKELSCHUTZ (APL 325)
 TRAZ. ANTER.-PROTEZIONE ANTI-INTASAMENTO (APL 325)
 TRACCION DELANTERA-PROTECCION ANTI-ENROLLAMIENTO (APL 325)
 FHD-LINDNINGSSKYDD (APL 325)
 L115924 -UN-01JAN94



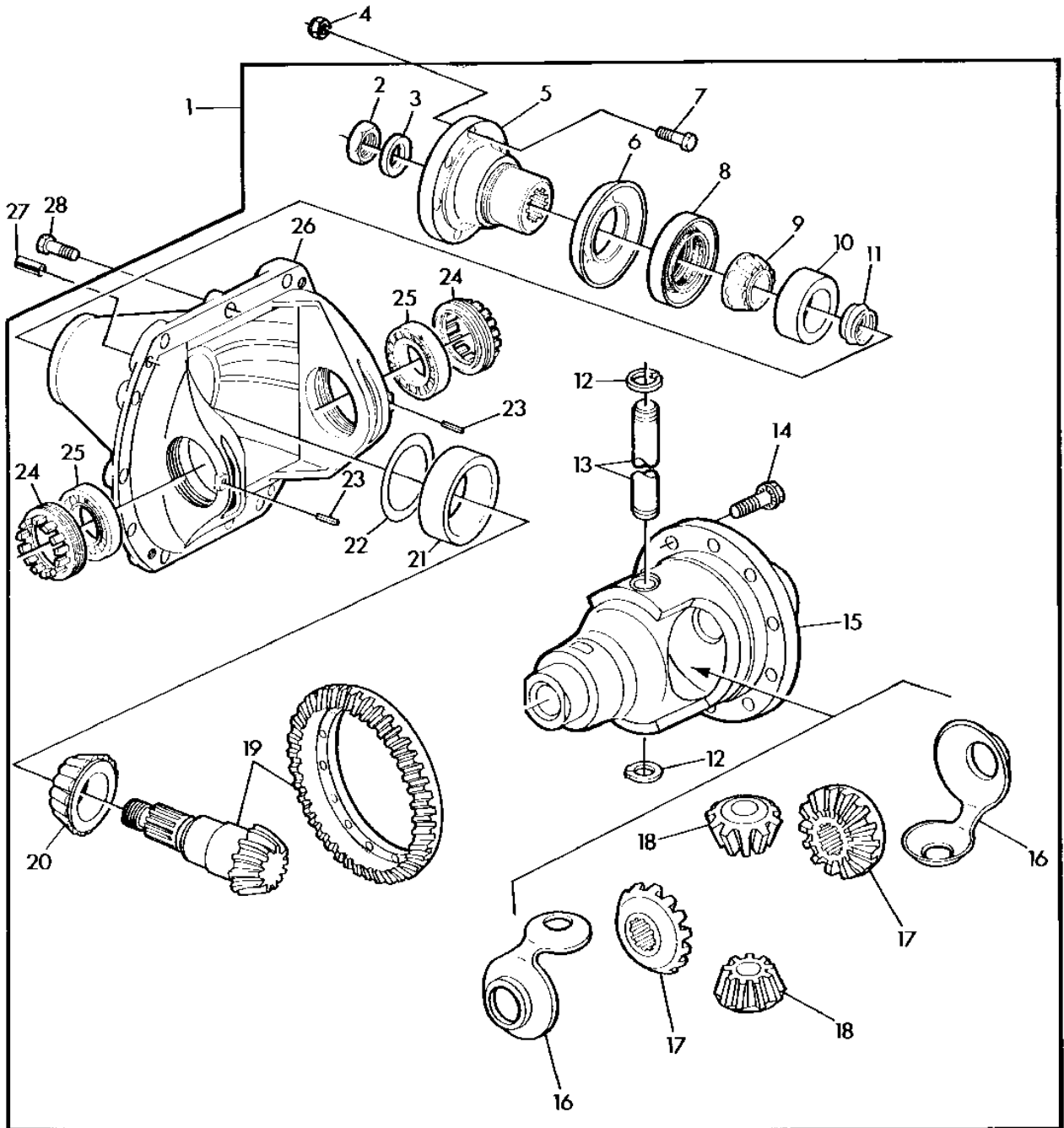
L 115924

KEY	PART NO.	PART NAME	QTY	AXLE		REMARKS
				SERIAL NO.		
					2	
					1 2 0	
					6 0 4	
					4 4 0	
					0 0 S	
1	AL40895	KIT	1	037785-	X X X	
2	L41740	GUARD	1	037785-	X X X	REAR
3	19M7865	SCREW	2	037785-	X X X	M8X16
4	AL40893	BRACKET	1	037785-	X X X	
5	19M8008	CAP SCREW	2	037785-	X X X	M8X35
6	14M7273	NUT	1	037785-	X X X	M8
7	AL40894	GUARD	1	037785-	X X X	FRONT
8	L41187	BUSHING	1	037785-	X X X	(SUB FOR L40622)
9	L40621	WASHER	1	037785-	X X X	
10	24M7055	WASHER	2	037785-	X X X	8.4X17X1.6MM

4B6

FRONT WHEEL DRIVE

FWD DIFFERENTIAL AND CARRIER (APL 1351)
PONT AVANT ET COUPLE CONIQUE/DIFFERENTIEL (APL 1351)
FRONTANTRIEB-ACHSEINSATZ/DIFFERENTIAL (APL 1351)
TRAZ. ANT.-DIFFERENZIALE E PIASTRA PORT. ASSALE (APL 1351)
CONJUNTO DE BRIDA DE EJE PARA TRACCION DELANTERA/DIFFERENCIAL (APL 1351)
FRAMHJULSDRIFT-DIFFERENTIAL OCH AXELHUS (APL 1351)
L118171 -UN-12JUL95



L 118171

4B7

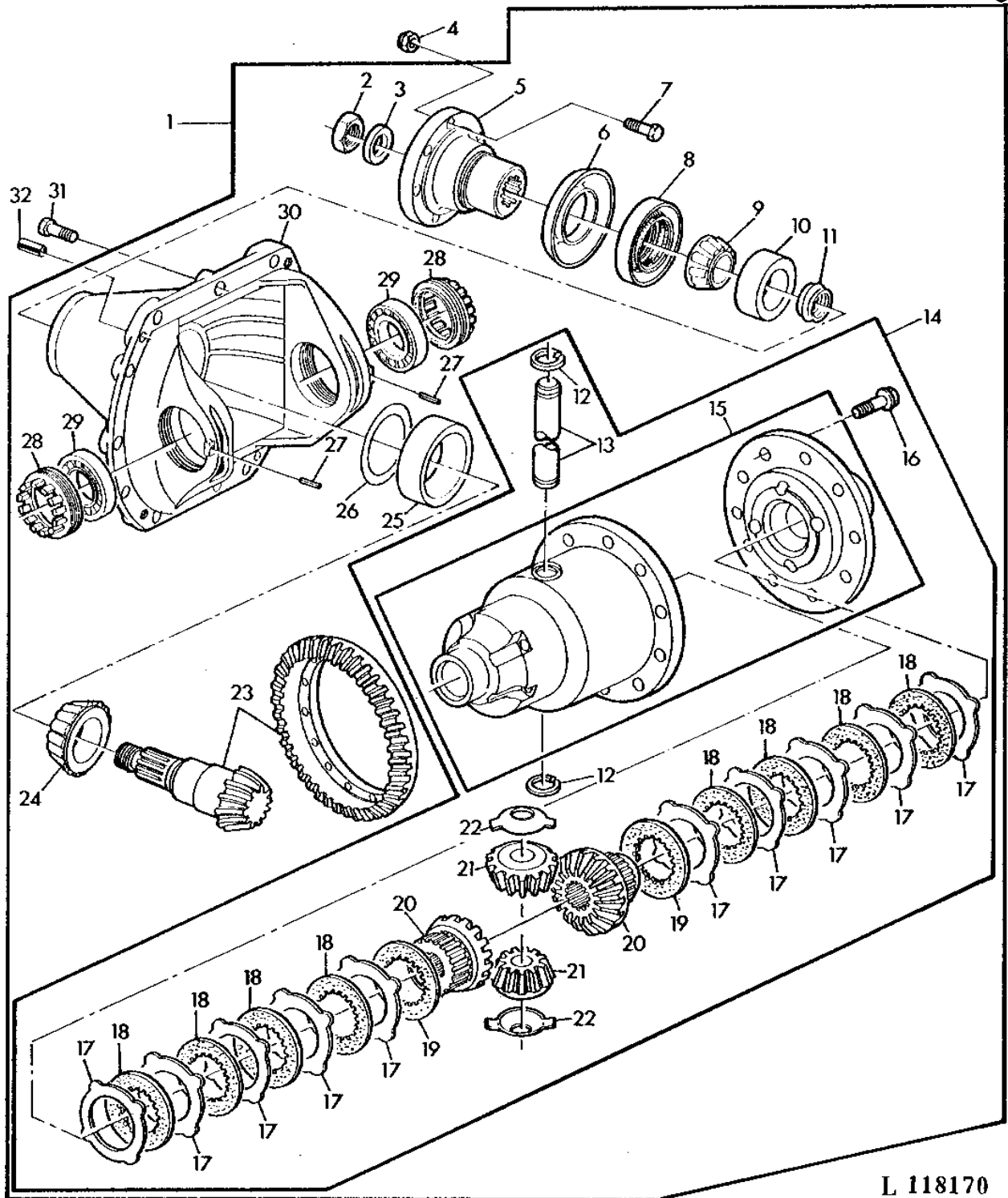
FRONT WHEEL DRIVE

KEY	PART NO.	PART NAME	QTY	SERIAL NO.		REMARKS
					2	
					1 2 0	
					6 0 4	
					4 4 0	
					0 0 S	
1	AL33084	CRADLE	1	-449999	X X X	KM/H-25
	AL33082	CRADLE	1	-449999	X X X	KM/H25-
2	14M7306	NUT	1	-449999	X X X	M20X1.5
3	L35562	WASHER	1	-449999	X X X	
4	L64882	FLANGE NUT	6	-449999	X X X	M8X1.25
5	L35567	FLANGE	1	-449999	X X X	
6	L35568	DUST SHIELD	1	-449999	X X X	
7	L35569	CAP SCREW	6	-449999	X X X	M8X25
8	AL32869	SEAL	1	-449999	X X X	
9	JD8295	BEARING CONE	1	-449999	X X X	
10	JD8267	BEARING CUP	1	-449999	X X X	
11	L35556	SLEEVE	1	-449999	X X X	
12	40M7061	SNAP RING	2	-449999	X X X	18X1.2MM (FOR L35832)
13	L35571	DOWEL PIN	1	-449999	X X X	KM/H-25
	L35832	GROOVE PIN	1	-449999	X X X	KM/H25-
14	19M7870	BOLT	10	-449999	X X X	M10X1X20
15	L35570	CASE	1	-449999	X X X	KM/H-25
	L35831	CASE	1	-449999	X X X	KM/H25-
16	L35574	THRUST WASHER	2	-449999	X X X	
17	L35572	GEAR	2	-449999	X X X	
18	L35573	GEAR	2	-449999	X X X	
19	AL32871	GEAR	1	-449999	X X X	Z=12/31 (KM/H-25)
	AL32870	GEAR	1	-449999	X X X	Z=17/35 (KM/H25-)
20	JD8967	BEARING CONE	1	-449999	X X X	
21	JD8252	BEARING CUP	1	-449999	X X X	
22	L35560	SHIM	AR	-449999	X X X	TK= 0.1MM (.003")
	L35559	SHIM	AR	-449999	X X X	TK= 0.2MM (.007")
	L35558	SHIM	AR	-449999	X X X	TK= 0.3MM (.011")
	L35557	SHIM	1	-449999	X X X	TK= 0.6MM (.023")
23	34M7033	SPRING PIN	2	-449999	X X X	5X30MM
24	L35561	NUT	2	-449999	X X X	M88X1.5
25	JD37071	ROLLER BEARING	2	-449999	X X X	
26	L35555	CRADLE	1	-449999	X X X	
27	34M7111	SPRING PIN	2	-449999	X X X	10X30MM
28	19M7550	CAP SCREW	12	-449999	X X X	M10X35

4B8

FRONT WHEEL DRIVE

FWD DIFFERENTIAL AND CARRIER/Self-LOCKING DIFFERENTIAL (APL 1351)
PONT AVANT ET COUPLE CONIQUE/DIFFERENTIEL AUTOBLOQUANT (APL 1351)
FRONTANTRIEB-ACHSEINSATZ/SELBSTSPERRDIFFERENTIAL (APL 1351)
TRAZ. ANT.-PIASTRA PORT. ASSALE/DIFFERENZIALE AUTOBLOCCANTE (APL 1351)
CONJUNTO DE BRIDA DE EJE PARA TRAC. DELANT./DIFER. AUTOBL. (APL1351)
FRAMHJULSDRIFT-AXELHUS/DIFFERENTIALBROMS (APL 1351)
L118170 -UN-01JAN94



L 118170

4B9

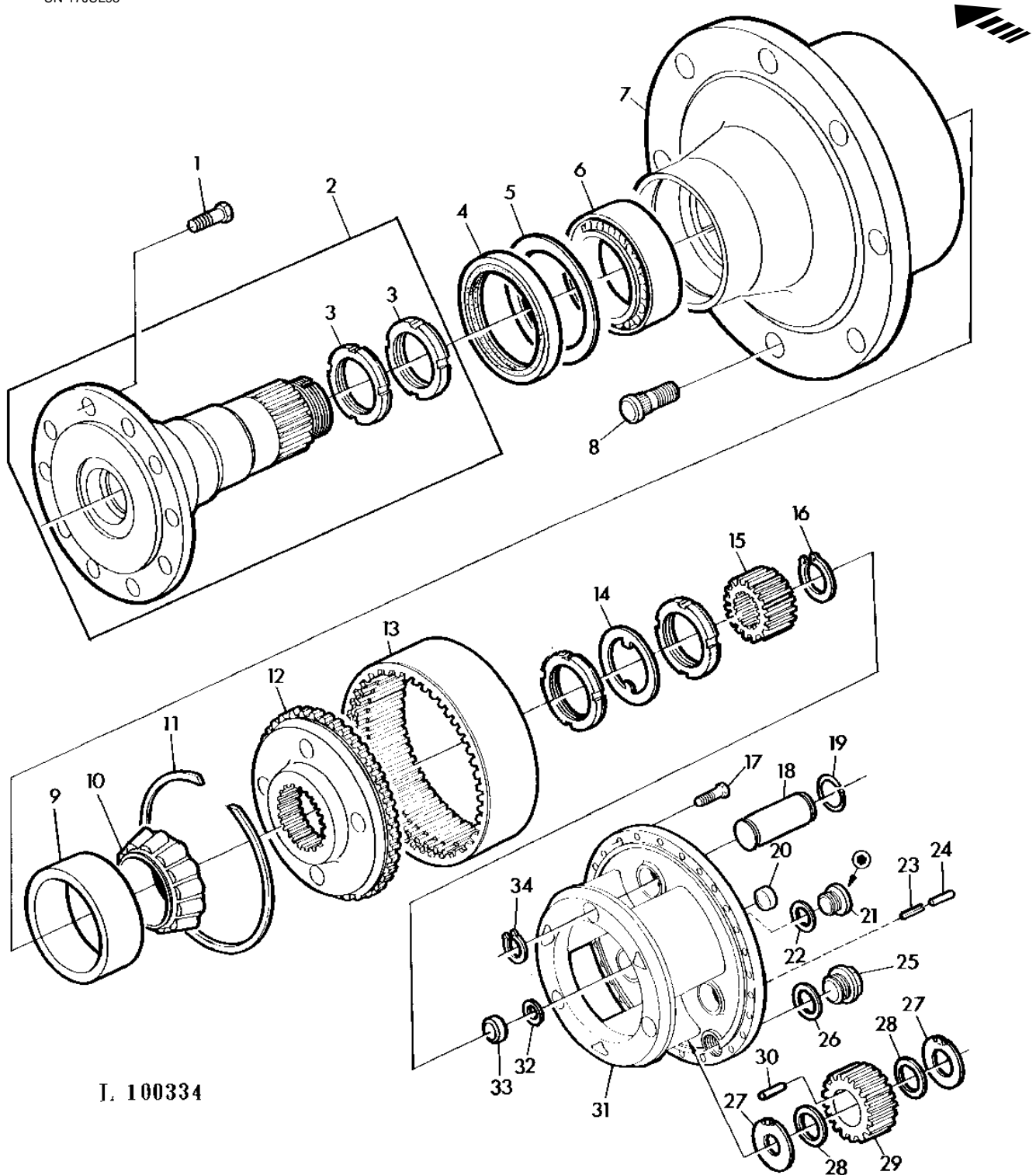
FRONT WHEEL DRIVE

KEY	PART NO.	PART NAME	QTY	SERIAL NO.		REMARKS
					2	
					1 2 0	
					6 0 4	
					4 4 0	
					0 0 S	
1	AL33085	CRADLE	1	-449999	X X X	KM/H-25
	AL33083	CRADLE	1	-449999	X X X	KM/H25-
2	14M7306	NUT	1	-449999	X X X	M20X1.5
3	L35562	WASHER	1	-449999	X X X	
4	L64882	FLANGE NUT	6	-449999	X X X	M8X1.25
5	L35567	FLANGE	1	-449999	X X X	
6	L35568	DUST SHIELD	1	-449999	X X X	
7	L35569	CAP SCREW	6	-449999	X X X	M8X25
8	AL32869	SEAL	1	-449999	X X X	
9	JD8295	BEARING CONE	1	-449999	X X X	
10	JD8267	BEARING CUP	1	-449999	X X X	
11	L35556	SLEEVE	1	-449999	X X X	
12	40M7074	SNAP RING	2	-449999	X X X	18X1.2MM
13	L35585	PIN	1	-449999	X X X	
14	AL33081	DIFFERENTIAL LOCK	1	-449999	X X X	KM/H-25
	AL32874	DIFFERENTIAL LOCK	1	-449999	X X X	KM/H25-
15	AL33080	CASE	1	-449999	X X X	KM/H-25
	AL33078	CASE	1	-449999	X X X	KM/H25-
16	19M7871	SCREW	10	-449999	X X X	M10X1X22
17	L35577	PLATE	10	-449999	X X X	
18	L35578	DISK	8	-449999	X X X	
19	L35581	THRUST WASHER	AR	-449999	X X X	TK= 2.8MM (.110")
	L35580	THRUST WASHER	AR	-449999	X X X	TK= 2.9MM (.114")
	L35579	THRUST WASHER	2	-449999	X X X	TK= 3.0MM (.118")
20	L35582	GEAR	2	-449999	X X X	
21	L35583	BEVEL GEAR	2	-449999	X X X	
22	L35584	THRUST WASHER	2	-449999	X X X	
23	AL32871	GEAR	1	-449999	X X X	Z=12/31 (KM/H-25)
	AL32870	GEAR	1	-449999	X X X	Z=17/35 (KM/H25-)
24	JD8967	BEARING CONE	1	-449999	X X X	
25	JD8252	BEARING CUP	1	-449999	X X X	
26	L35560	SHIM	AR	-449999	X X X	TK= 0.1MM (.003")
	L35559	SHIM	AR	-449999	X X X	TK= 0.2MM (.007")
	L35558	SHIM	AR	-449999	X X X	TK= 0.3MM (.011")
	L35557	SHIM	1	-449999	X X X	TK= 0.6MM (.023")
27	34M7033	SPRING PIN	2	-449999	X X X	5X30MM
28	L35561	NUT	2	-449999	X X X	M88X1.5
29	JD37071	ROLLER BEARING	2	-449999	X X X	
30	L35555	CRADLE	1	-449999	X X X	
31	19M7550	CAP SCREW	12	-449999	X X X	M10X35
32	34M7111	SPRING PIN	2	-449999	X X X	10X30MM

4B10

FRONT WHEEL DRIVE

FWD HUB CARRIER AND PLANETARY DRIVE (APL 1351)
MOYEU ET REDUCTEUR PLANETAIRE DE PONT AVANT (APL 1351)
FRONTANTRIEB-NABENTRAEGER/PLANETENTRIEB (APL 1351)
TRAZ. ANT. SUPPORTO MOZZO/RIDUTT. PLANETARIO (APL 1351)
SOPORTE DE BRIDA Y REDUCC. POR PLANETARIOS DE FWD (APL 1351)
FRAMHJULSDRIFT-NAVHALLARE/PLANETDREV (APL 1351)
L100334 -UN-17JUL95



I. 100334

4B11

FRONT WHEEL DRIVE

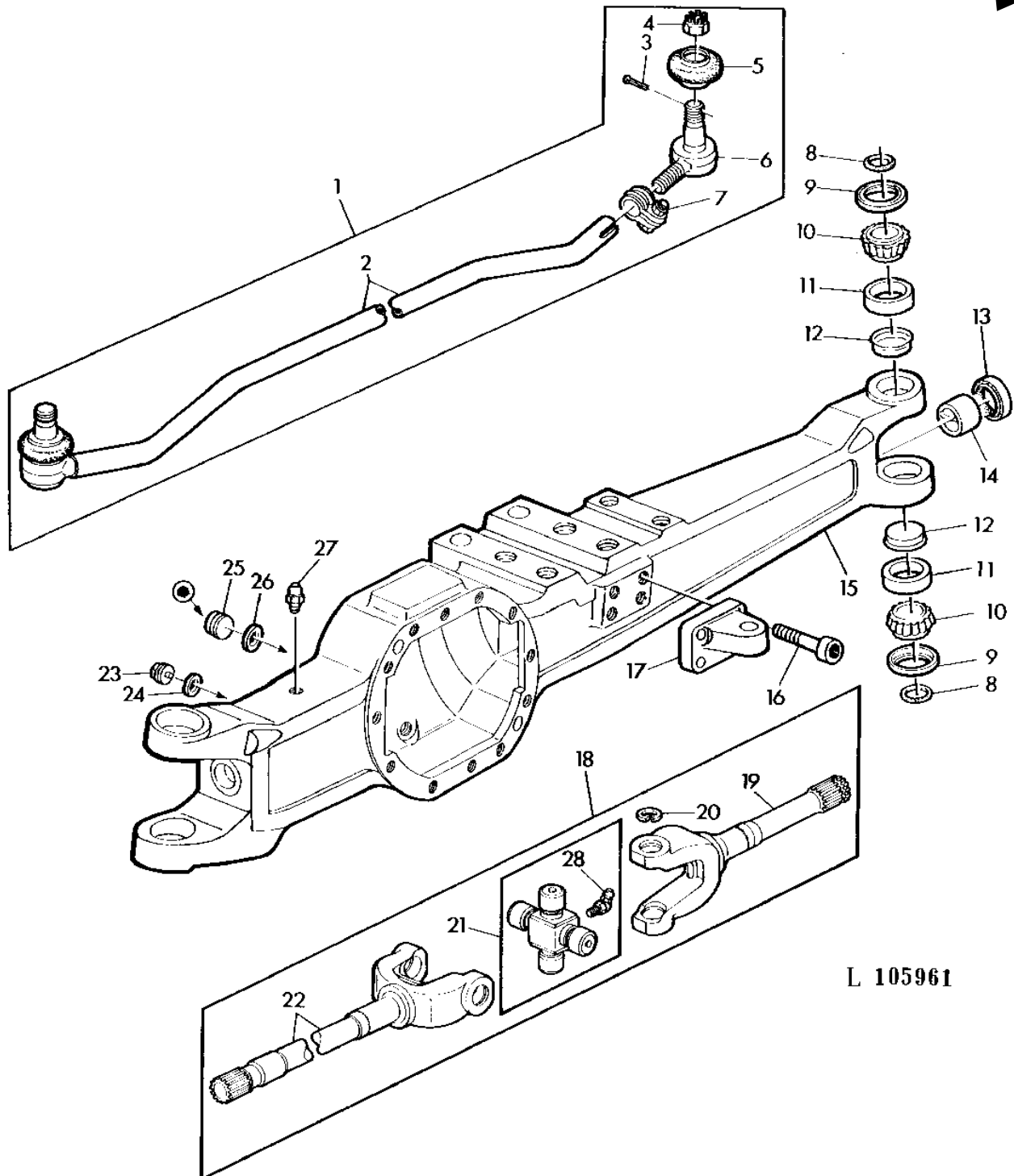
KEY	PART NO.	PART NAME	QTY	SERIAL NO.		REMARKS
					2	
					1 2 0	
					6 0 4	
					4 4 0	
					0 0 S	
1	19M7872	CAP SCREW	24	-449999	X X X	M12X25
2	AL33349	AXLE	2	-449999	X X X	
3	L35612	NUT	4	-449999	X X X	
4	AL32888	SEAL	2	-449999	X X X	
5	L35616	WASHER	2	-449999	X X X	
6	JD10148	ROLLER BEARING	2	-449999	X X X	
7	L35617	HUB	2	-449999	X X X	
8	L35619	WHEEL BOLT	16	-449999	X X X	
9	JD9121	BEARING CUP	2	-449999	X X X	
10	JD9058	BEARING CONE	2	-449999	X X X	
11	40M7079	SNAP RING	2	-449999	X X X	170X2.5MM
12	L35598	GEAR	2	-449999	X X X	Z=72
13	L35599	GEAR	2	-449999	X X X	Z=72
14	L35613	PLATE	2	-449999	X X X	
15	L35597	GEAR	2	-449999	X X X	Z=18
16	40M7078	SNAP RING	2	-449999	X X X	28X1.5MM
17	19M7513	CAP SCREW	54	-449999	X X X	M8X30
18	L35587	GROOVE PIN	6	-449999	X X X	
19	40M7075	SNAP RING	6	-449999	X X X	22MM
20	30M7004	CAP	2	-449999	X X X	
21	15M7025	DRAIN PLUG	2	-449999	X X X	M18X1.5
22	51M4240	RING	2	-449999	X X X	18X22MM
23	34M7110	SPRING PIN	8	-449999	X X X	8X26MM
24	34M7102	SPRING PIN	8	-449999	X X X	5X26MM
25	L35596	DRAIN PLUG	2	-449999	X X X	24X1.5MM
26	51M7018	RING	2	-449999	X X X	24X29MM
27	L35591	THRUST WASHER	12	-449999	X X X	
28	L35590	WASHER	12	-449999	X X X	
29	L35588	PINION	6	-449999	X X X	Z=26
30	L35589	NEEDLE ROLLER	32	-449999	X X X	
31	L35586	PLANET PINION CARRIER	2	-449999	X X X	
32	L35595	SHIM	AR	-449999	X X X	TK= 0.3MM (.012")
	L35594	SHIM	AR	-449999	X X X	TK= 0.5MM (.019")
	L35593	WASHER	2	-449999	X X X	TK= 1.0MM (.039")
33	L35592	DOWEL PIN	2	-449999	X X X	
34	40M7076	SNAP RING	6	-449999	X X X	24X1.2MM

4B12

FRONT WHEEL DRIVE

FRONT WHEEL DRIVE-AXLE HOUSING/THE ROD (APL 1351)
PONT AVANT/CARTER DE PONT/BARRE D'ACCOUPLMENT (APL 1351)
FRONTANTRIEB-ACHSBRUECKE/SPURSTANGE (APL 1351)
TRAZ. ANTER. PONTE ANTERIORE/BARRA D'ACCOPIAMENTO (APL 1351)
TRACC. DELANT.-PUENTE DELANTERO/VARILLA TENSORA (APL 1351)
FRAMHJULSDRIFT-FRAMAXEL/PARALLELLSTAG (APL 1351)

L105961 -UN-17JUL95



L 105961

4B13

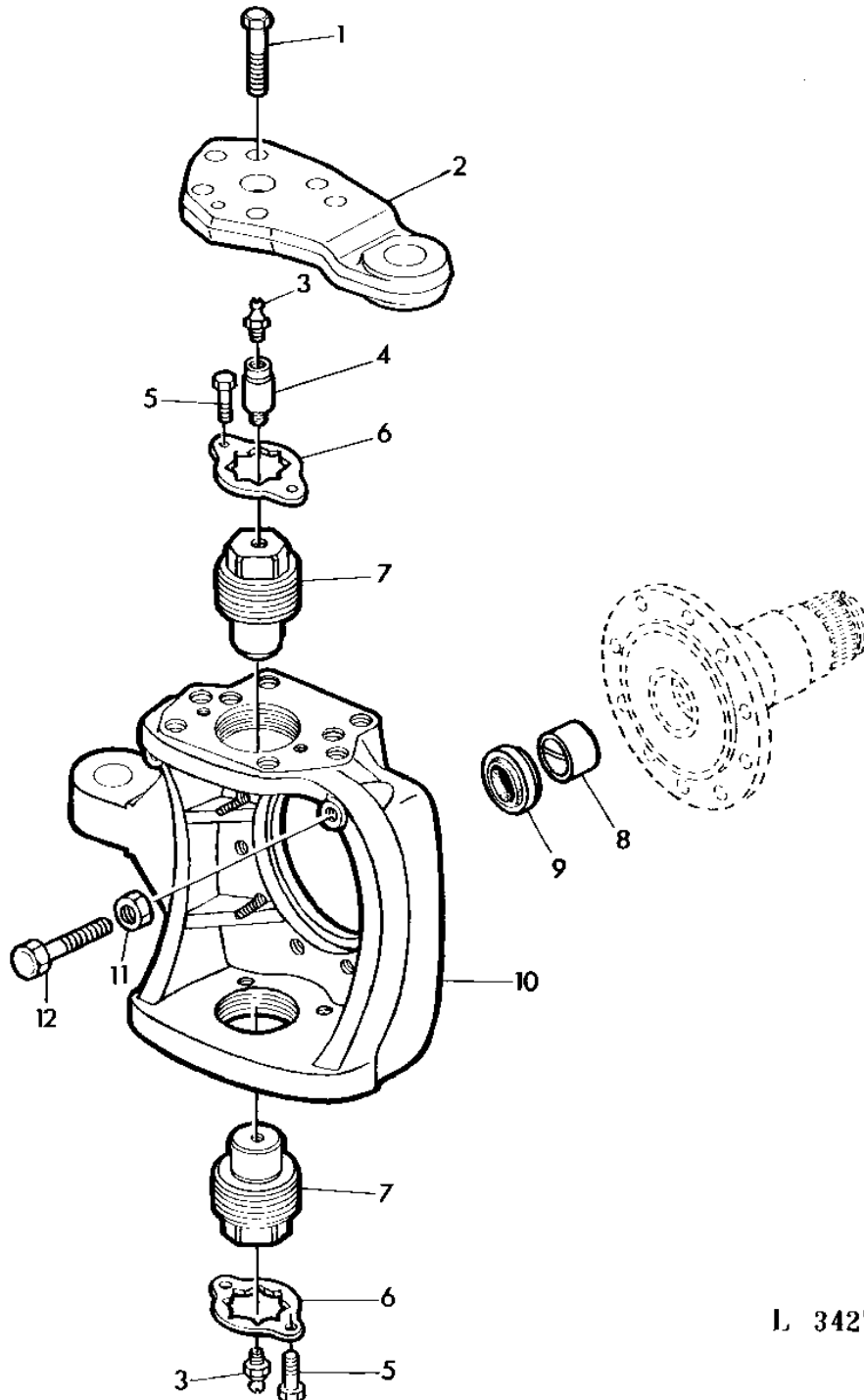
FRONT WHEEL DRIVE

KEY	PART NO.	PART NAME	QTY	SERIAL NO.		REMARKS
					2	
					1 2 0	
					6 0 4	
					4 4 0	
					0 0 S	
1	AL37754	TIE ROD	1	-449999	X X X	(SUB FOR AL34264)
2	AL34265	TIE ROD END	1	-449999	X X X	(ORD AL37754)
3	11M7087	COTTER PIN	2	-449999	X X X	4X40MM
4	14M7305	NUT	2	-449999	X X X	M18X1.5
5	AL32881	BOOT	2	-449999	X X X	
6	AL38887	TIE ROD END	1	-449999	X X X	(SUB FOR AL32889)
7	AL34261	CLAMP	1	-449999	X X X	
8	L35608	SEAL	4	-449999	X X X	
9	L35607	BEARING CAP	4	-449999	X X X	
10	JD9053	BEARING CONE	4	-449999	X X X	
11	JD9117	BEARING CUP	4	-449999	X X X	
12	L35609	COVER	4	-449999	X X X	
13	AL32893	SEAL	2	-449999	X X X	
14	L35600	SLEEVE	2	-449999	X X X	
15	L35602	HOUSING	1	-449999	X X X	
16	19M7878	SCREW	4	-449999	X X X	M14X35
17	L35618	BRACKET	1	-449999	X X X	
18	AL32882	UNIVERSAL JOINT	1	-449999	X X X	RH
	AL32886	UNIVERSAL JOINT	1	-449999	X X X	LH
19	AL32883	YOKE, WITH SHAFT	1	-449999	X X X	
20	40M7097	SNAP RING	4	-449999	X X X	27X1.3MM
21	AL32885	CROSS AND BEARING ASSEMBLY	1	-449999	X X X	
22	AL32884	YOKE, WITH SHAFT	1	-449999	X X X	RH
	AL32887	YOKE, WITH SHAFT	1	-449999	X X X	LH
23	AL32876	DRAIN PLUG	1	-449999	X X X	M18X1.5
24	51M4240	RING	1	-449999	X X X	18X22MM
25	15M7026	DRAIN PLUG	1	-449999	X X X	M24X1.5
26	51M7018	RING	1	-449999	X X X	24X29MM
27	AL32877	VENT	1	-449999	X X X	
28	58M5577	LUBRICATION FITTING	1	-449999	X X X	

4B14

FRONT WHEEL DRIVE

FRONT WHEEL DRIVE-KNUCKLE HOUSING (APL 1351)
PONT AVANT PIVOT DE FUSEE (APL 1351)
FRONTANTRIEB-GELENKGEHAEUSE (APL 1351)
TRAZ. ANTER. CERCHIONE PORTAFUSELLO (APL 1351)
TRACC. DELANT.-PORTAMANGUETA ARTICULADA (APL 1351)
FRAMHJULSDRIFT-STYASPINDEL (APL 1351)
L34270 -UN-18JUL95



L 34270

4B15

FRONT WHEEL DRIVE

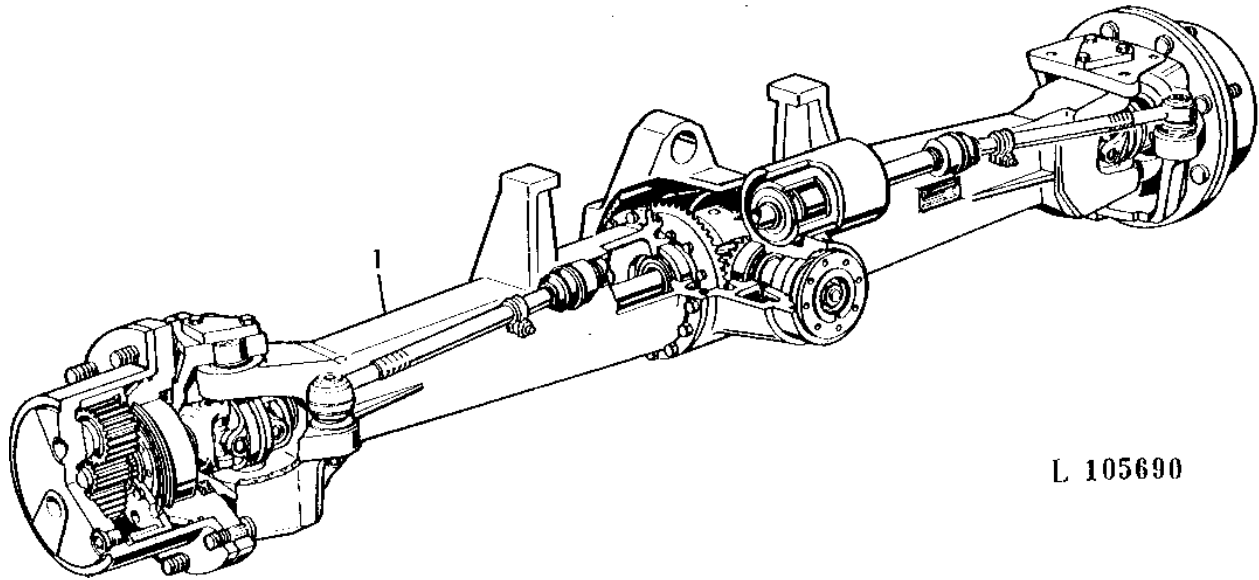
KEY	PART NO.	PART NAME	QTY	SERIAL NO.		REMARKS
					2	
					1 2 0	
					6 0 4	
					4 4 0	
					0 0 S	
1	19M7770	CAP SCREW	6	-449999	X X X	M14X50
2	L35554	ARM	1	-449999	X X X	
3	58M5574	LUBRICATION FITTING	4	-449999	X X X	M8X1
4	L36580	EXTENSION	1	-449999	X X X	RH
	L36578	EXTENSION	1	-449999	X X X	LH
5	19M7300	CAP SCREW	8	-449999	X X X	M6X10
6	L35610	COVER	4	-449999	X X X	
7	L35606	TRUNNION	4	-449999	X X X	M50X1.5
8	L35600	SLEEVE	2	-449999	X X X	
9	AL32893	SEAL	2	-449999	X X X	
10	L35604	HOUSING	1	-449999	X X X	RH
	L35603	HOUSING	1	-449999	X X X	LH
11	14M7304	NUT	4	-449999	X X X	M12X1.5
12	L35605	BOLT	4	-449999	X X X	

MEMORANDA
MEMORANDA
MEMORANDA
MEMORANDA
MEMORANDA

4B16

FRONT WHEEL DRIVE

FWD-STEERING AXLE (APL 325)
 ESSIEU AVANT MOTEUR-DIRECTION (APL 325)
 FRONTANTRIEB-LENKACHSE (APL 325)
 TRAZIONE ANTERIORE, ASSALE STERZANTE (APL 325)
 TRACCION DELANTERA, EJE DE DIRECCION (APL 325)
 FHD AXELHUS (APL 325)
 L105690 -UN-01JAN94



L 105690

2
 1 2 0
 6 0 4
 4 4 0
 0 0 S

KEY	PART NO.	PART NAME	QTY	SERIAL NO.	REMARKS
1	AL40927	AXLE	1	X X X	(A) (SUB FOR AL36627)
	AL40928	AXLE	1	X X X	(A) (B) (SUB FOR AL36625)

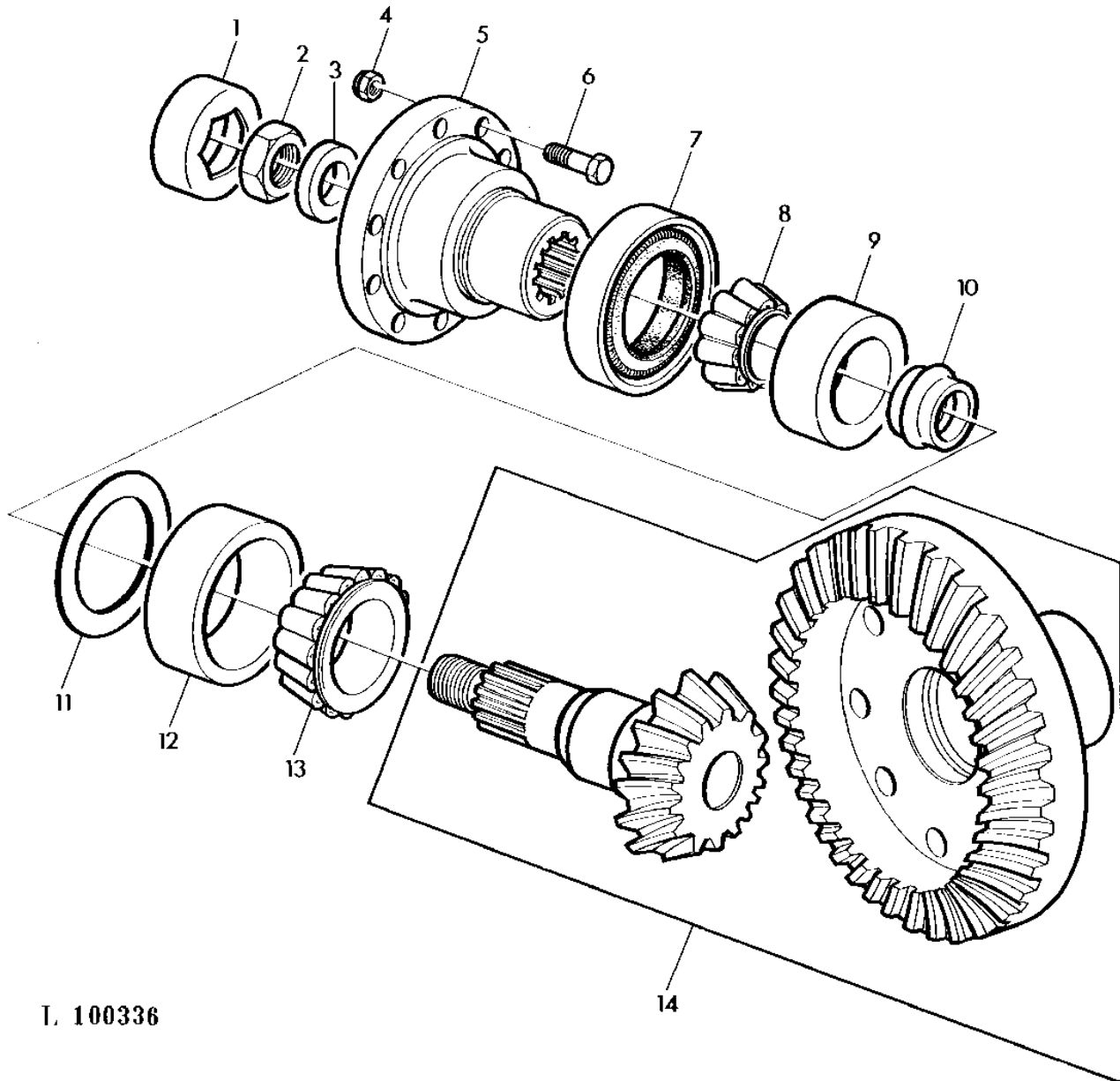
(A) FROM TRACTOR SERIAL NO. 450000
 A PARTIR DU NO. DE SERIE TRACTEUR 450000
 AB TRAKTOR SERIEN-NR. 450000
 DAL NO. MATRICOLA A TRATTORE 450000
 DESDE EL TRACTOR NO. DE SERIE 450000
 F.O.M.TRAKTOR-SERIENUMMER 450000

(B) WITH DISK-TYPE DIFFERENTIAL
 AVEC DIFFERENTIEL A BLOCAGE MULTIDISQUE
 MIT LAMELLENSPERRDIFFERENTIAL
 CON DIFFERENZ. A DISCHI
 CON DIFERENCIAL DE BLOQUEO MULTIDISCO
 VID SKIV-TYP DIFFERENTIAL

4B17

FRONT WHEEL DRIVE

FWD-DRIVE ELEMENTS (INPUT) APL 325
ESSIEU AVANT MOTEUR/ENTRAINEMENT (APL 325)
FRONTANTRIEB-ANTRIEB (APL 325)
TRAZIONE ANTERIORE, INGRESSO DI FORZA (APL 325)
TRACCION DELANTERA ENTRADA DE FUERZA IMPULSORA (APL 325)
FHD DRIVENHETER (INGAANDE) APL 325
L100336 -UN-17JUL95



I. 100336

4B18

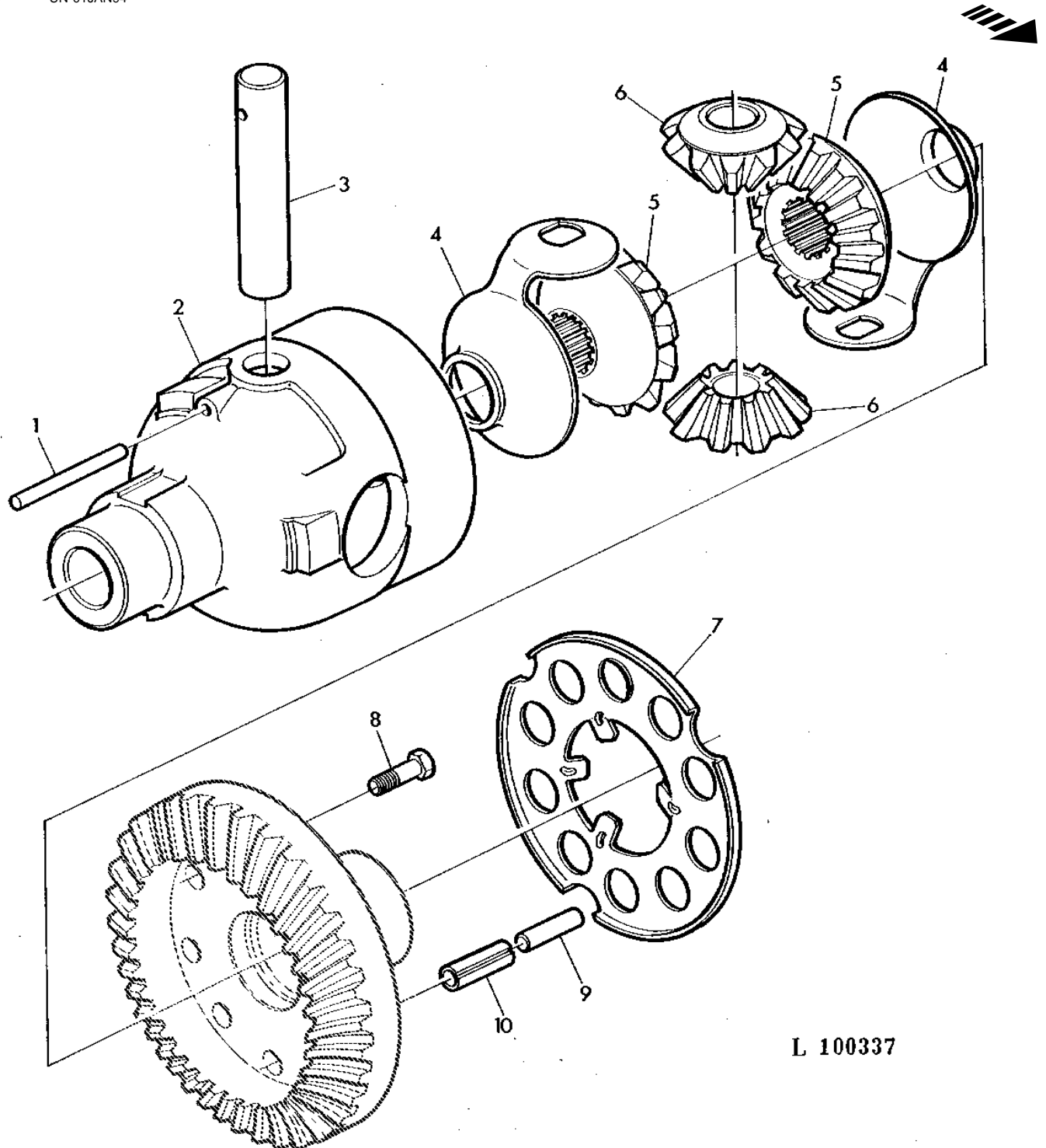
FRONT WHEEL DRIVE

KEY	PART NO.	PART NAME	QTY	SERIAL NO.	REMARKS
					2
					1 2 0
					6 0 4
					4 4 0
					0 0 S
1	L40039	LOCK PLATE	1		X X X
2	14M7306	NUT	1		X X X M20X1.5
3	L35562	WASHER	1		X X X
4	14M7308	LOCK NUT	8		X X X M10X1
5	L40220	FLANGE	1		X X X
6	L35718	CAP SCREW	8		X X X M10X1X28
7	AL38095	SEAL	1		X X X
8	JD8295	BEARING CONE	1		X X X
9	JD8267	BEARING CUP	1		X X X
10	L35556	SLEEVE	1		X X X
11	L40077	WASHER	AR		X X X TK= 0.90MM
	L40078	WASHER	AR		X X X TK= 0.95MM
	L40079	WASHER	AR		X X X TK= 1.00MM
	L40080	WASHER	AR		X X X TK= 1.05MM
	L40081	WASHER	AR		X X X TK= 1.10MM
	L40082	WASHER	AR		X X X TK= 1.15MM
	L40083	WASHER	AR		X X X TK= 1.20MM
	L40084	WASHER	AR		X X X TK= 1.25MM
	L40085	WASHER	AR		X X X TK= 1.30MM
	L41009	WASHER	AR		X X X TK= 1.35MM
	L41010	WASHER	AR		X X X TK= 1.40MM
	L41011	WASHER	AR		X X X TK= 1.45MM
	L41012	WASHER	AR		X X X TK= 1.50MM
12	JD8257	BEARING CUP	1		X X X
13	JD10251	BEARING CONE	1		X X X
14	AL38089	GEAR	1		X X X Z=21/37

4B19

FRONT WHEEL DRIVE

FWD-DIFFERENTIAL (APL 325)
ESSIEU AVANT MOTEUR-DIFFERENTIEL (APL 325)
FRONTANTRIEB-DIFFERENTIAL (APL 325)
TRAZIONE ANTERIORE, DIFFERENZIALE (APL 325)
TRACCION DELANTERA, DIFERENCIAL (APL 325)
FHD DIFFERENTIAL (APL 325)
L100337 -UN-01JAN94



L 100337

4B20

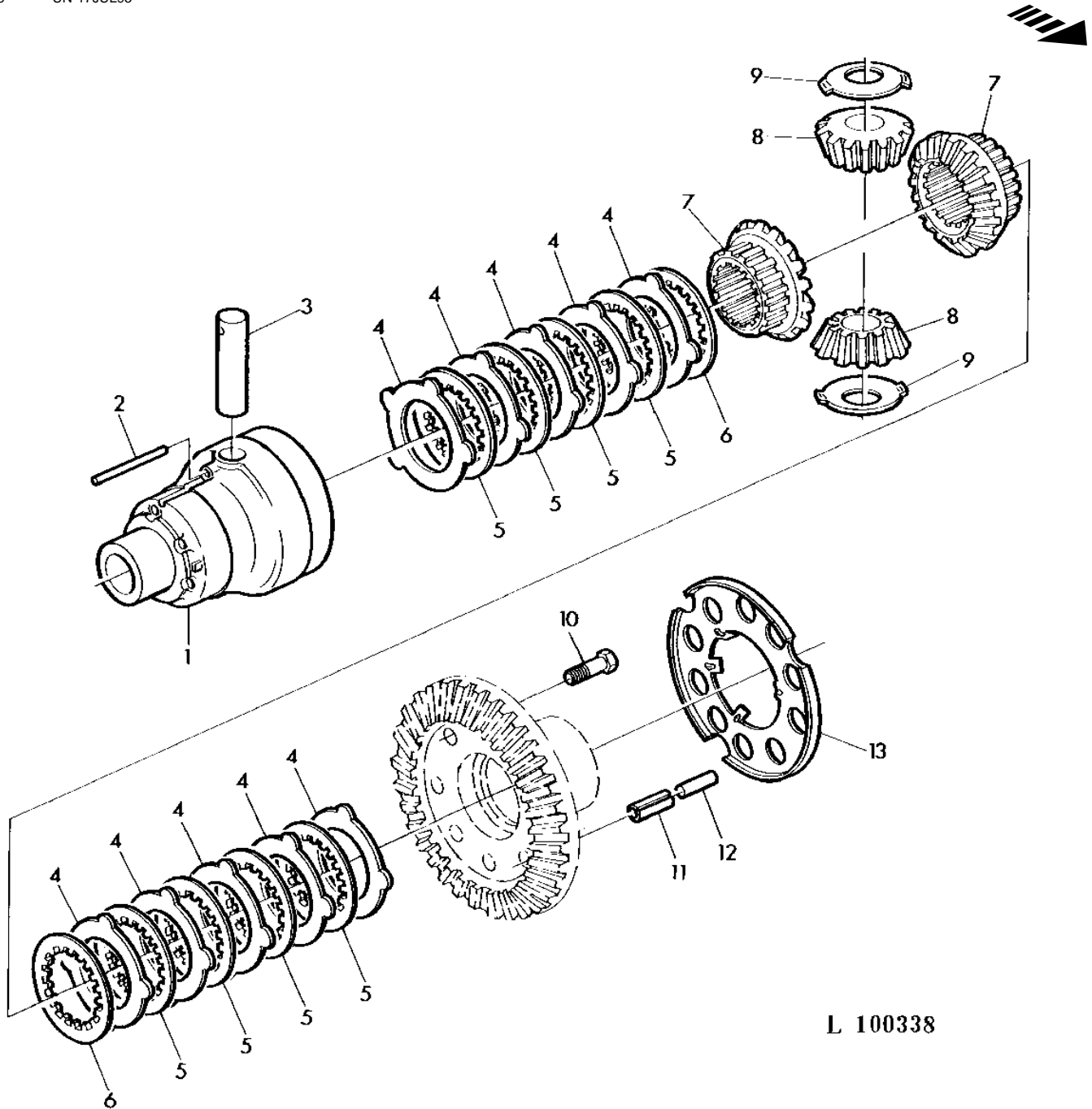
FRONT WHEEL DRIVE

KEY	PART NO.	PART NAME	QTY	SERIAL NO.	REMARKS
				2	
				1 2 0	
				6 0 4	
				4 4 0	
				0 0 S	
1	34M7037	SPRING PIN	1	X X X	5X50MM
2	L40216	HOUSING	1	X X X	
3	L40047	PIN	1	X X X	
4	L40252	THRUST WASHER	2	X X X	
5	L40214	BEVEL GEAR	2	X X X	
6	L101698	BEVEL GEAR	2	X X X	Z=11 (SUB FOR L41104, L40192)
7	L40040	LOCK PLATE	1	X X X	
8	19M7879	CAP SCREW	10	X X X	M10X28
9	34M7040	SPRING PIN	5	X X X	6X30MM
10	34M7111	SPRING PIN	5	X X X	10X30MM

4B21

FRONT WHEEL DRIVE

FWD-MULTIPLE DISK SELF-LOCK DIFFERENTIAL (APL 325)
ESSIEU AVANT MOTEUR-DIFFERENTIEL DE BLOCAGE MULTIDISQUE (APL 325)
FRONTANTRIEB-LAMELLENSPERRDIFFERENTIAL (APL 325)
TRAZIONE ANTERIORE, DIFFERENZ. A BLOCCAGGIO MULTIDISCO (APL 325)
TRACCION DELANTERA, DIFERENC. DE BLOQUEO MULTIDISCO (APL 325)
FHD FLERSKIVS-DIFFERENTIALBROMS (APL 325)
L100338 -UN-17JUL95



L 100338

4B22

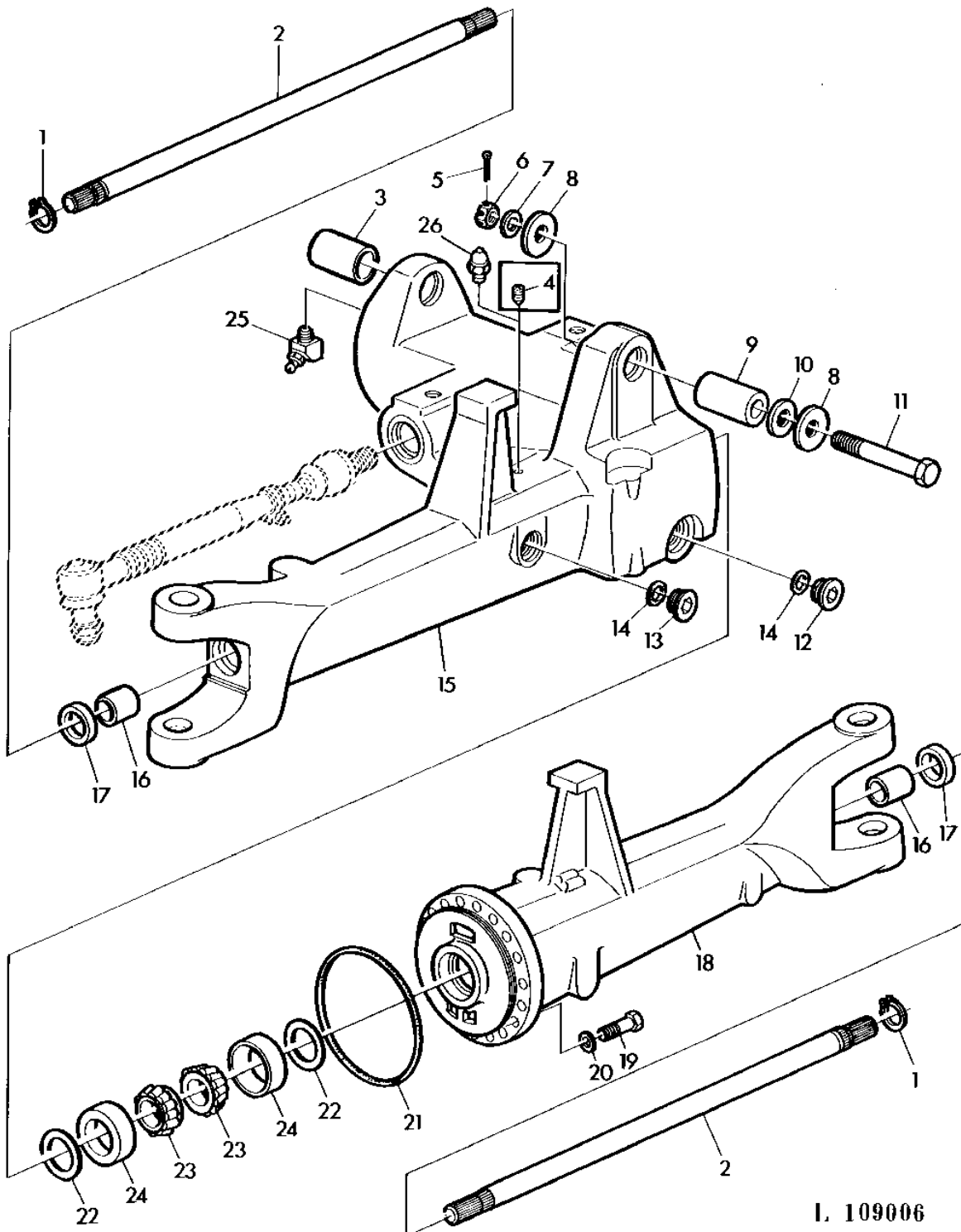
FRONT WHEEL DRIVE

KEY	PART NO.	PART NAME	QTY	SERIAL NO.	REMARKS
					2
					1 2 0
					6 0 4
					4 4 0
					0 0 S
1	L40215	HOUSING	1		X X X
2	34M7037	SPRING PIN	1		X X X 5X50MM
3	L40047	PIN	1		X X X
4	L40022	DISK, OUTER SPLINE	10		X X X
5	L40280	DISK, INNER SPLINE	8		X X X
6	L40258	DISK, INNER SPLINE	AR		X X X TK= 3MM (SUB FOR L40256, L40257, L40259, L40260, L40261)
7	L40305	GEAR	2		X X X
8	L101698	BEVEL GEAR	2		X X X Z=11 (SUB FOR L41104, L40192)
9	L40136	THRUST WASHER	2		X X X
10	19M7879	CAP SCREW	10		X X X M10X28
11	34M7111	SPRING PIN	5		X X X 10X30MM
12	34M7040	SPRING PIN	5		X X X 6X30MM
13	L40040	LOCK PLATE	1		X X X

4B23

FRONT WHEEL DRIVE

FWD-AXLE BRIDGE (APL 325)
ESSIEU AVANT MOTEUR-PONT (APL 325)
FRONTANTRIEB-ACHSBRUECKE (APL 325)
TRAZIONE ANTER., PONTE DELL'ASSALE (APL 325)
TRACCION DELANT., PUENTE DEL EJE (APL 325)
FHD AXELHUS (APL 325)
L109006 -UN-17JUL95



I. 109006

4B24

FRONT WHEEL DRIVE

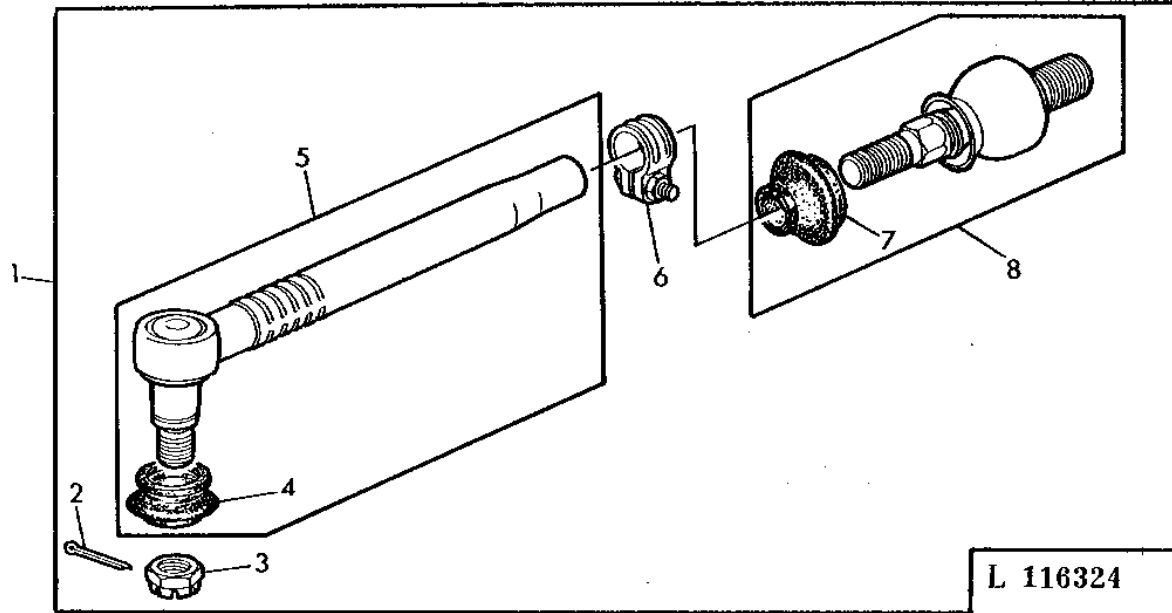
KEY	PART NO.	PART NAME	QTY	AXLE			REMARKS
				SERIAL NO.	0	0	
					2		
					1	2	
					6	0	
					4	4	
					0	0	
					0	0	S
1	L40026	SNAP RING	2		X	X	X
2	L40316	SHAFT	2		X	X	X
3	L62836	BUSHING	1		X	X	X (SUB FOR T23170, L57310)
4	15M6457	DRAIN PLUG	1	-017998	X	X	X M10X1 (ORD AL32877)
5	11H218	COTTER PIN	1		X	X	X 3/16"X1-1/2"
6	14H1086	NUT	1		X	X	X 3/4"
7	T10510	WASHER	1		X	X	X
8	T25922	WASHER	2		X	X	X
9	T21669	BUSHING	1		X	X	X
10	T25921	SHIM	AR		X	X	X TK= 0.4MM
11	T25840	CAP SCREW	1		X	X	X
12	L40037	PIPE PLUG	1		X	X	X
13	15M7030	PIPE PLUG	1		X	X	X M36X1.5
14	L40275	O-RING	2		X	X	X
15	L62259	HOUSING	1		X	X	X (SUB FOR L40307, L41744)
16	L60748	BUSHING	2		X	X	X (SUB FOR L40018)
17	AL63351	SEAL	2		X	X	X (SUB FOR AL38096, AL39466)
18	L62260	HOUSING	1		X	X	X (SUB FOR L40435)
19	19M7404	CAP SCREW	16		X	X	X M14 X 40
20	L40014	WASHER	16		X	X	X
21	L40306	O-RING	1		X	X	X 156X3MM
22	L40093	SHIM	AR		X	X	X TK= 0.50MM
	L40094	SHIM	AR		X	X	X TK= 0.60MM
	L40095	SHIM	AR		X	X	X TK= 0.70MM
	L40092	SHIM	AR		X	X	X TK= 0.75MM
	L40096	WASHER	AR		X	X	X TK= 0.80MM
	L40091	WASHER	AR		X	X	X TK= 0.85MM
	L40097	WASHER	AR		X	X	X TK= 0.90MM
	L40090	WASHER	AR		X	X	X TK= 0.95MM
	L40098	WASHER	AR		X	X	X TK= 1.00MM
	L40089	WASHER	AR		X	X	X TK= 1.05MM
	L40099	WASHER	AR		X	X	X TK= 1.10MM
	L40088	WASHER	AR		X	X	X TK= 1.15MM
	L40100	WASHER	AR		X	X	X TK= 1.20MM
	L40087	WASHER	AR		X	X	X TK= 1.25MM
	L40101	WASHER	AR		X	X	X TK= 1.30MM
	L40086	WASHER	AR		X	X	X TK= 1.35MM
	L40102	WASHER	AR		X	X	X TK= 1.40MM
	L40103	WASHER	AR		X	X	X TK= 1.50MM
	L40104	WASHER	AR		X	X	X TK= 1.60MM
	L40015	WASHER	AR		X	X	X TK= 1.80MM
23	JD8902	BEARING CONE	2		X	X	X
24	JD8237	BEARING CUP	2		X	X	X
25	JD7847	LUBRICATION FITTING	1		X	X	X
26	AL32877	VENT	1	017999-	X	X	X

MEMORANDA
MEMORANDA
MEMORANDA
MEMORANDA
MEMORANDA

4B25

FRONT WHEEL DRIVE

FRONT AXLE DRIVE TIE ROD (APL 325)
 ESSIEU AVANT MOTEUR-BARRE D'ACCOUPEMENT (APL 325)
 FRONTANTRIEB-SPURSTANGE (APL 325)
 TRAZIONE-ANTER.-BARRA ACCOPPIAMENTO (APL 325)
 VARILLA TENSORA-TRACCION DELANTERA (APL 325)
 FRAMHJULSDRIFT-PARALLELSTAG (APL 325)
 L116324 -UN-01JAN94



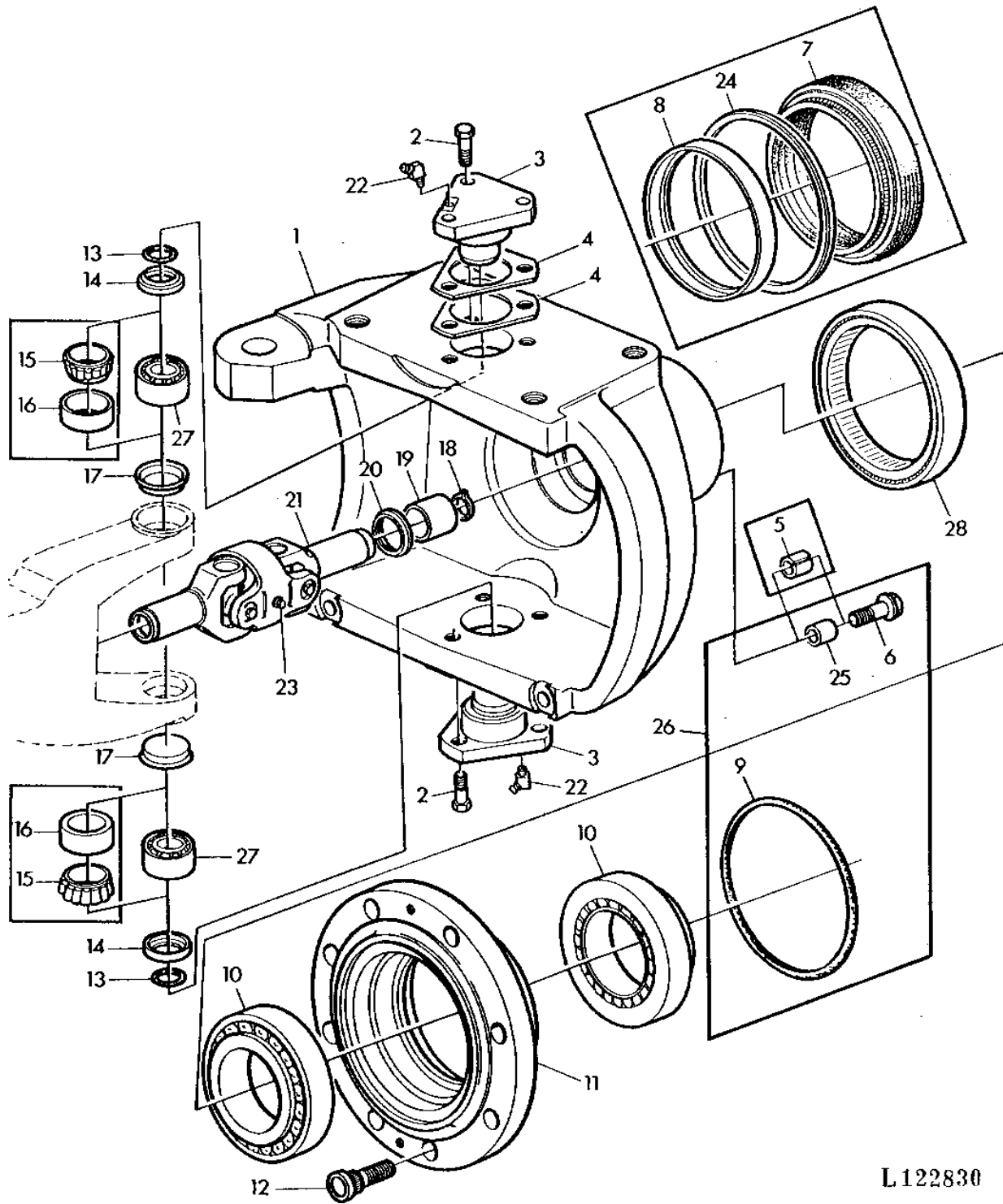
2
 1 2 0
 6 0 4
 4 4 0
 0 0 S

KEY	PART NO.	PART NAME	QTY	SERIAL NO.	REMARKS
1	AL38097	TIE ROD	2	X X X	
2	11M7087	COTTER PIN	1	X X X	4X40MM
3	14M7305	NUT	1	X X X	M18X1.5
4	AL38891	BOOT	1	X X X	
5	AL39319	BALL JOINT	1	X X X	
6	AL39321	CLAMP	1	X X X	
7	AL63799	BOOT	1	X X X	
8	AL39320	TIE ROD END	1	X X X	

4C1

FRONT WHEEL DRIVE

FWD-KNUCKLE HOUSING (APL 325)
ESSIEU AVANT MOTEUR-PIVOT DE FUSEE (APL 325)
FRONTANTRIEB-GELENKGEHAEUSE (APL 325)
TRAZIONE ANTERIORE, SCATOLA DELL'ARTICOLAZIONE (APL 325)
TRACCION DELANTERA, PORTAMANGUETA ARTICULADA (APL 325)
FHD SPINDELBULTSHUS (APL 325)
L122830 -UN-01JAN94



L122830

4C2

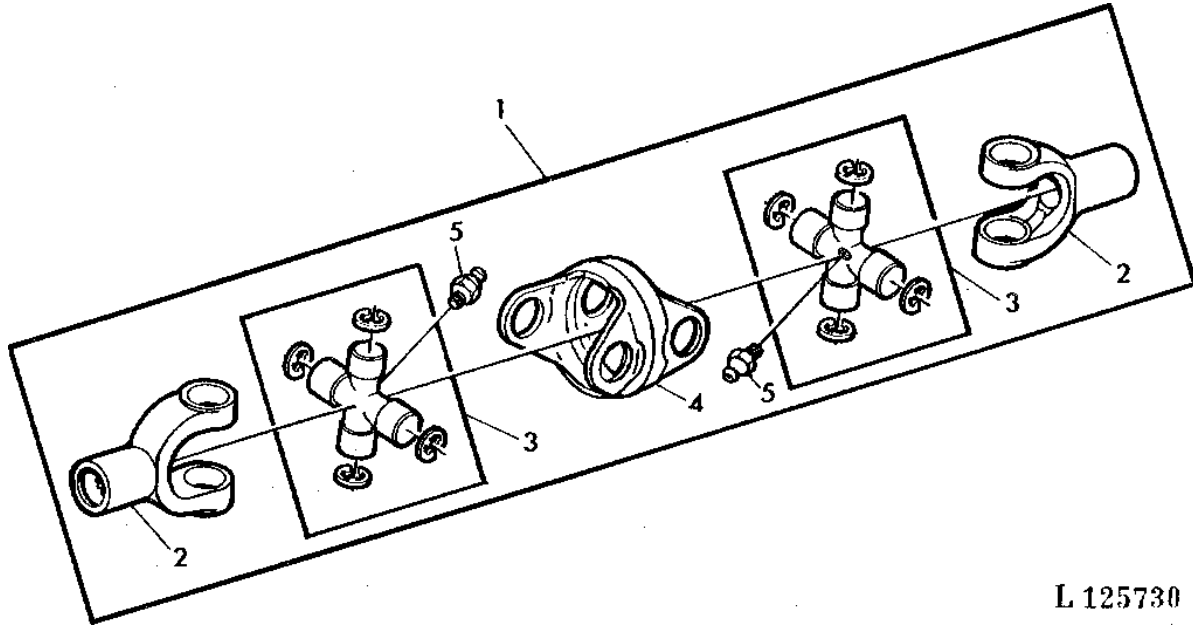
FRONT WHEEL DRIVE

KEY	PART NO.	PART NAME	QTY	AXLE			REMARKS
				SERIAL NO.	2	0	
					1	2	
					6	0	
					4	4	
					0	0	
					0	0	S
1	L40269	HOUSING	1		X	X	RH (ORD L61202, L60093)
	L40268	HOUSING	1		X	X	LH (ORD L61201, L60093)
	L61202	HOUSING	1		X	X	RH
	L61201	HOUSING	1		X	X	LH
2	19M8011	CAP SCREW	12		X	X	M12X30
3	L40036	TRUNNION	4		X	X	
4	L63126	SHIM	AR		X	X	TK= 0.2MM
	L63125	SHIM	AR		X	X	TK= 0.3MM
	L40120	SHIM	AR		X	X	TK= 0.4MM
	L40118	SHIM	AR		X	X	TK= 0.6MM
	L40119	WASHER	AR		X	X	TK= 0.8MM
	L40117	WASHER	AR		X	X	TK= 1.0MM
	L40116	WASHER	AR		X	X	TK= 1.4MM
5	L40045	SPRING PIN	16	-017550	X	X	(ORD AL39751)
6	19M8120	SCREW	16		X	X	M10X45
7	AL38098	SEAL	2	-025490	X	X	(ORD AL68210)
	AL39467	SEAL	2	025491-	X	X	(ORD AL68210)
8	L40027	BUSHING	2		X	X	(ORD AL68210)
9	L40317	O-RING	2		X	X	200X3
10	AL38099	ROLLER BEARING	4		X	X	
11	L60093	HUB	2		X	X	(SUB FOR L40123)
12	L40044	WHEEL BOLT	16		X	X	
13	L53819	O-RING	4		X	X	
14	L40024	CAP	4		X	X	
15	JD10253	BEARING CONE	4		X	X	ZF0635-900-286 (ORD AL63617)
16	JD10252	BEARING CUP	4		X	X	ZF0635-900-285 (ORD AL63617)
17	30M7016	CAP	4		X	X	
18	L40026	SNAP RING	2		X	X	
19	L60747	BUSHING	2		X	X	(SUB FOR L40017)
20	AL63351	SEAL	2		X	X	(SUB FOR AL38096, AL39466)
21	AL63606	UNIVERSAL JOINT	2		X	X	(SUB FOR AL38018, AL64250)
22	58M5632	LUBRICATION FITTING	4		X	X	
23	58M5573	LUBRICATION FITTING	2		X	X	M6X1
24	L41258	SCRAPER RING	2	025491-	X	X	(ORD AL68210)
25	L41116	BUSHING	16	017551-	X	X	
26	AL39751	KIT	1		X	X	
27	AL63617	ROLLER BEARING	4		X	X	
28	AL68210	SEAL	2		X	X	

4C3

FRONT WHEEL DRIVE

FWD-DOUBLE UNIVERSAL JOINT (APL 325)
 PONT AVANT-CARDAN DOUBLE (APL 325)
 FRONTANTRIEB-DOPPELGELENK (APL 325)
 TRAZ. ANTER.-SNODO CARDANICO DOPPIO (APL 325)
 TDF FRONTAL-DOBLE CARDAN (APL 325)
 FHD-DUBBEL KARDANKNUT (APL 325)
 L125730 -UN-01JAN94



L 125730

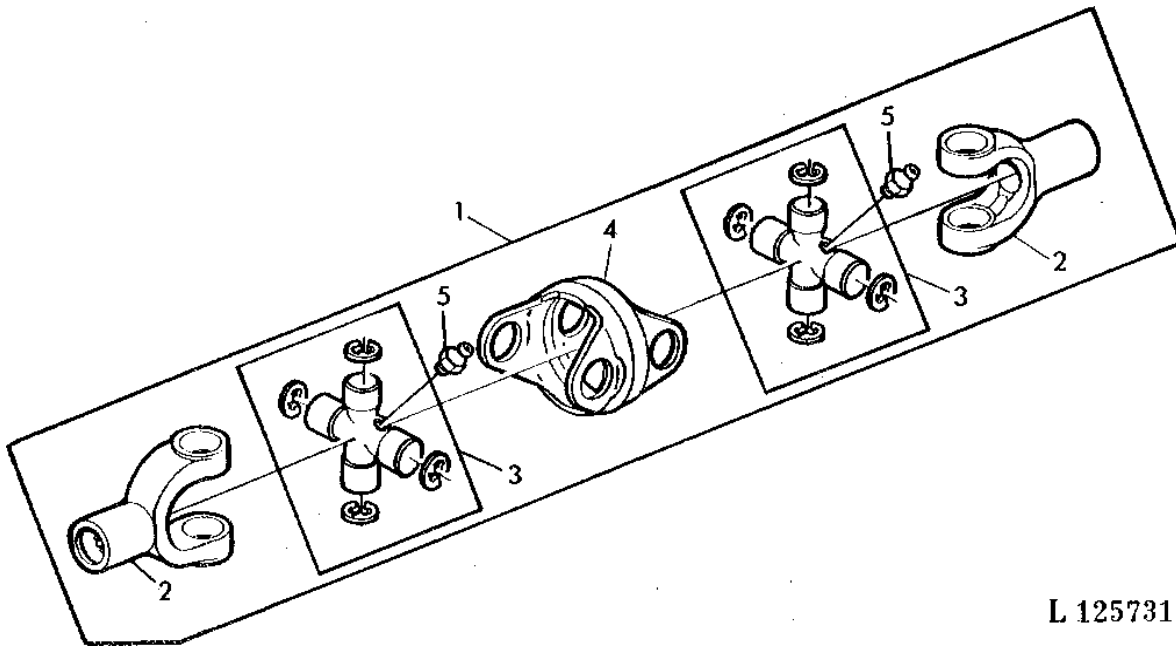
KEY	PART NO.	PART NAME	QTY	AXLE			REMARKS
				SERIAL NO.	0 0 S	4 4 0	
1	UNIVERSAL JOINT	1	-032476	X X X	(A)	(MARKED 0750-136-057) (ORD AL63606)
	AL38018	UNIVERSAL JOINT	1	032477-038264	X X X		(MARKED 0501-204-552) (ORD AL63606)
2	AL55942	UNIVERSAL JOINT YOKE	2	032477-038264	X X X		(MARKED 0501-308-962)
3	AL55943	UNIVERSAL JOINT CROSS	2	032477-038264	X X X		(MARKED 0501-205-345)
4	L55871	UNIVERSAL JOINT BEARING	1	032477-038264	X X X		(MARKED 0501-308-963)
5	58M5573	LUBRICATION FITTING	2	032477-038264	X X X		

(A) UP TO AXLE SERIAL NO.32476 REPLACEABLE AS AN ASSEMBLY ONLY
 JOSQU'AU PONT NO.SERIE 32476 REMPLACER EN BLOC
 BIS ACHSEN-SERIEN NR.32476 NUR KOMPLETT AUSTAUSCHBAR
 FINO NO.MATR.ASSALE 32476 SOSTITUIRE SOLTANTO COME GRUPPO
 HASTA EJE NO.DE SERIE 32476 REEMPLAZAR SOLO JUEGO COMPLETO
 TILL AXELNS SERIEN. 32476 ERSATTAS ENDAST SOM ENHET

4C4

FRONT WHEEL DRIVE

FWD-DOUBLE UNIVERSAL JOINT (APL 325)
 PONT AVANT-CARDAN DOUBLE (APL 325)
 FRONTANTRIEB-DOPPELGELENK (APL 325)
 TRAZ. ANTER.-SNODO CARDANICO DOPPIO (APL 325)
 TDF FRONTAL-DOBLE CARDAN (APL 325)
 FHD-DUBBEL KARDANKNUT (APL 325)
 L125731 -UN-01JAN94



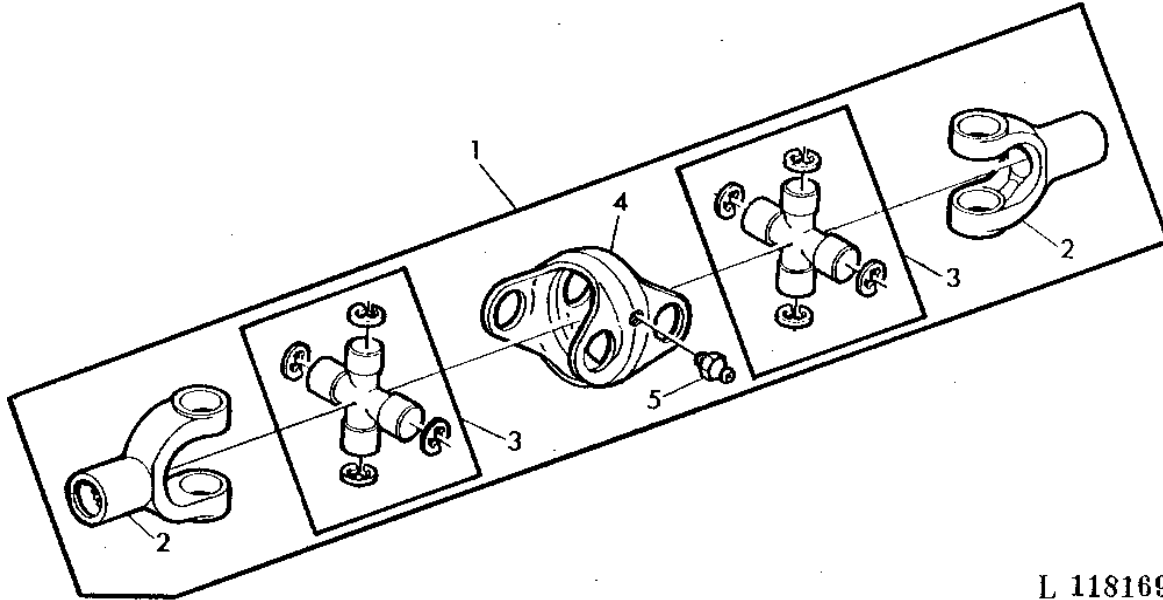
L 125731

KEY	PART NO.	PART NAME	QTY	AXLE SERIAL NO.				REMARKS
					2	1 2 0	6 0 4	
1	AL64250	UNIVERSAL JOINT	1	038265-048738	X	X	X	(MARKED 7029-310-204) (ORD AL63603)
2	AL64125	UNIVERSAL JOINT YOKE	2	038265-048738	X	X	X	
3	AL64255	UNIVERSAL JOINT CROSS	2	038265-048738	X	X	X	(MARKED 7029-457-202)
4	L61428	UNIVERSAL JOINT YOKE	1	038265-048738	X	X	X	(MARKED 7029-010-204)
5	58M5573	LUBRICATION FITTING	2	038265-048738	X	X	X	M6X1

4C5

FRONT WHEEL DRIVE

FWD-DOUBLE UNIVERSAL JOINT (APL 325)
 PONT AVANT-CARDAN DOUBLE (APL 325)
 FRONTANTRIEB-DOPPELGELENK (APL 325)
 TRAZ. ANTER.-SNODO CARDANICO DOPPIO (APL 325)
 TDF FRONTAL-DOBLE CARDAN (APL 325)
 FHD-DUBBEL KARDANKNUT (APL 325)
 L118169 -UN-01JAN94



L 118169

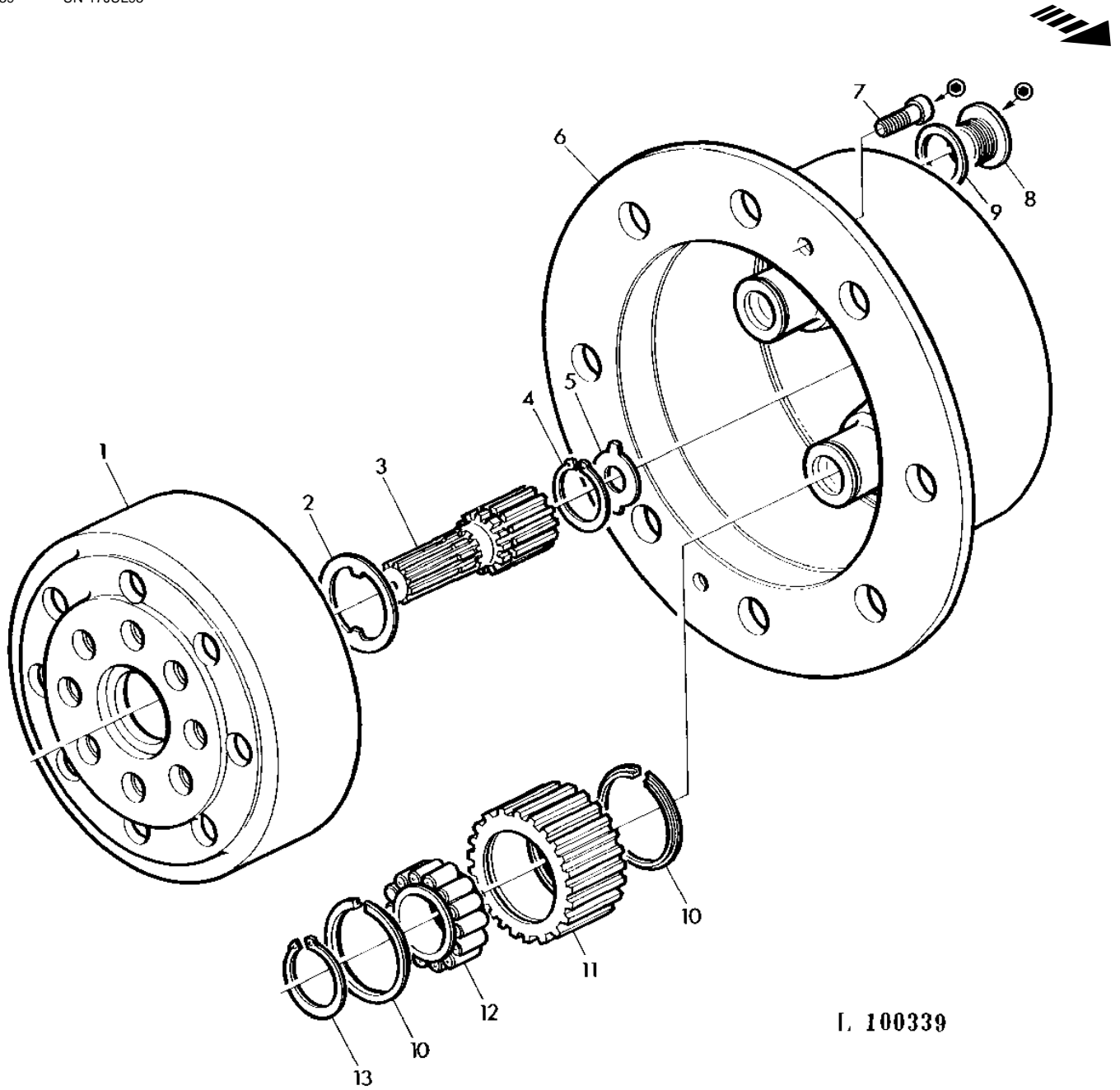
KEY	PART NO.	PART NAME	QTY	AXLE SERIAL NO.				REMARKS
					2	1 2 0	6 0 4	
					4 4 0			
					0 0 S			
1	AL63606	UNIVERSAL JOINT	1	048739-	X X X		(MARKED 7029-910-202)	
2	AL64125	UNIVERSAL JOINT YOKE	2	048739-	X X X			
3	AL64126	UNIVERSAL JOINT CROSS	2	048739-	X X X			
4	L61207	UNIVERSAL JOINT BEARING	1	048739-	X X X		(MARKED 7029-010-210)	
5	58M5574	LUBRICATION FITTING	2	048739-	X X X		M8X1	

MEMORANDA
MEMORANDA
MEMORANDA
MEMORANDA
MEMORANDA

4C6

FRONT WHEEL DRIVE

FWD-PLANETARY DRIVE (APL 325)
ESSIEU AVANT MOTEUR-TRAIN PLANETAIRE (APL 325)
FRONTANTRIEB-PLANETENTRIEB (APL 325)
TRAZIONE ANTERIOR. RIDUTTORE PLANETARIO (APL 325)
TRACCION DELANTERA, REDUCCION POR PLANETARIOS (APL 325)
FHD PLANETSLUTVAXEL (APL 325)
L100339 -UN-17JUL95



L 100339

4C7

FRONT WHEEL DRIVE

KEY	PART NO.	PART NAME	QTY	SERIAL NO.	REMARKS
					2
					1 2 0
					6 0 4
					4 4 0
					0 0 S
1	L40043	GEAR	2	X X X	Z=114
2	L41293	WASHER	2	X X X	(SUB FOR L40193)
3	L40029	PINION SHAFT	2	X X X	
4	40M7109	SNAP RING	2	X X X	
5	L41013	WASHER	AR	X X X	TK= 1.0MM
	L39988	WASHER	AR	X X X	TK= 1.5MM
	L40153	WASHER	AR	X X X	TK= 2.0MM
	L40154	WASHER	AR	X X X	TK= 2.5MM
6	L40041	PLANET PINION CARRIER	2	X X X	
7	19M5039	SCREW	4	X X X	M10X20
8	15M7026	DRAIN PLUG	2	X X X	M24X1.5
9	51M7018	RING	2	X X X	
10	L41159	SNAP RING	12	X X X	(SUB FOR L40251)
11	L40028	GEAR	6	X X X	
12	JD10250	ROLLER BEARING	6	X X X	
13	40M4624	SNAP RING	6	X X X	

MEMORANDA
MEMORANDA
MEMORANDA
MEMORANDA
MEMORANDA

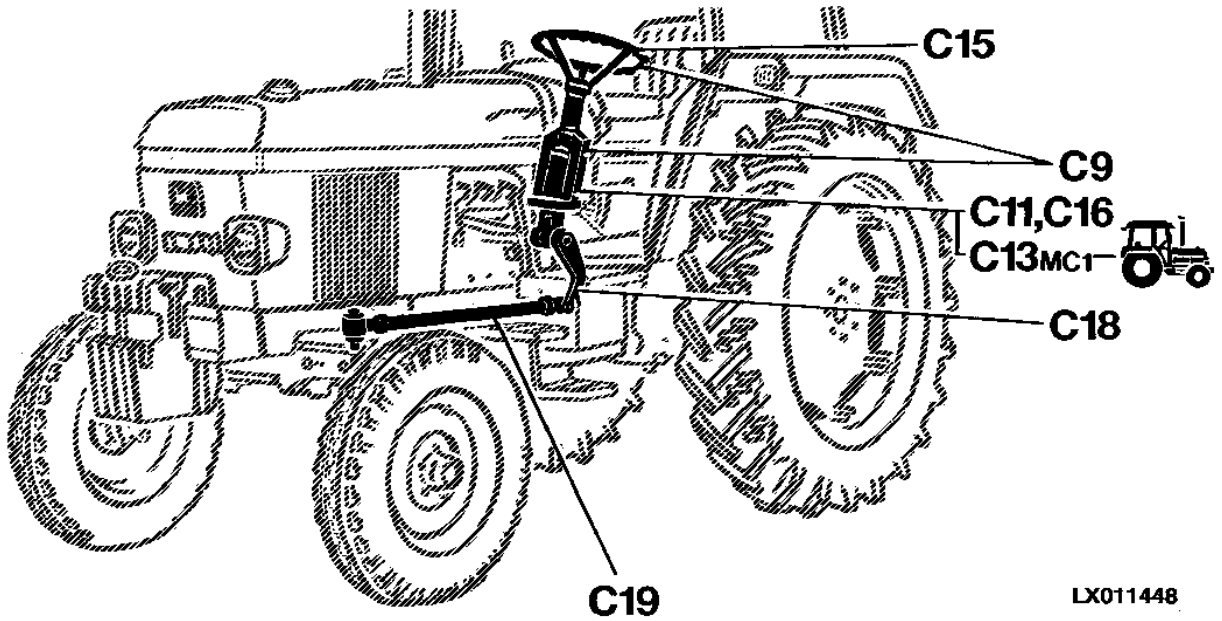
4C8

MANUAL AND POWER STEERING

XX
XX
XX
XX
XX
XX
XX
XX
XX
XX

SECTIONAL INDEX
INDEX DE SECTION
GRUPPENINDEX
INDICE DELLA SEZIONE
INDICE DE GRUPOS
GRUPPSFORTECKNING

LX011448 -UN-14JUL95

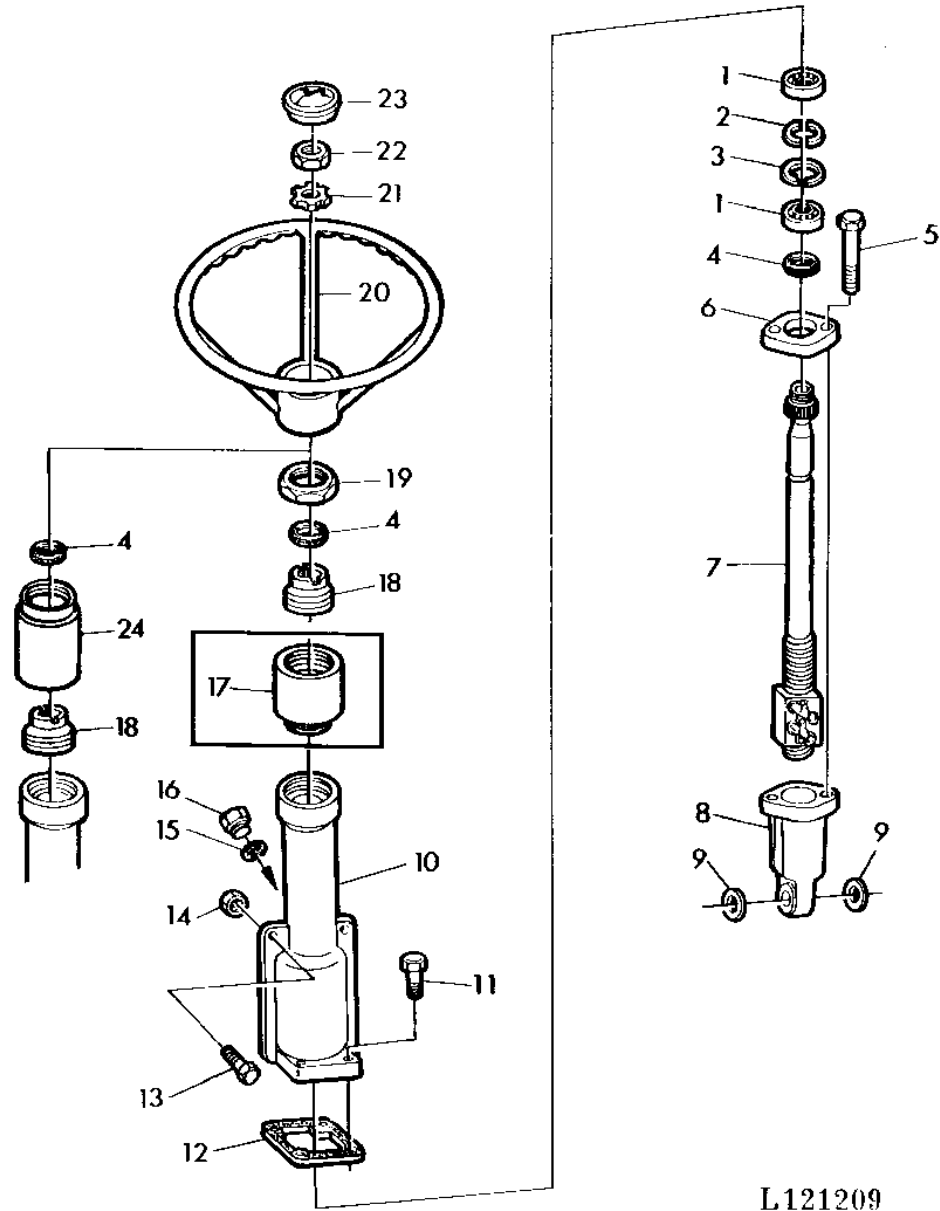


LX011448

4C9

MANUAL AND POWER STEERING

MANUAL STEERING-STEERING COLUMN
DIRECTION MECANIQUE-COLONNE DE DIRECTION
MECHANISCHE LENKUNG-LENKSAEULE
STERZO MECCANICO-SCATOLA VALVOLA
DIRECCION MANUAL-COLUMNACCON
MEKANISK STYRNING-VENTILHUS
L121209 -UN-18JUL95



L121209

4C10

MANUAL AND POWER STEERING

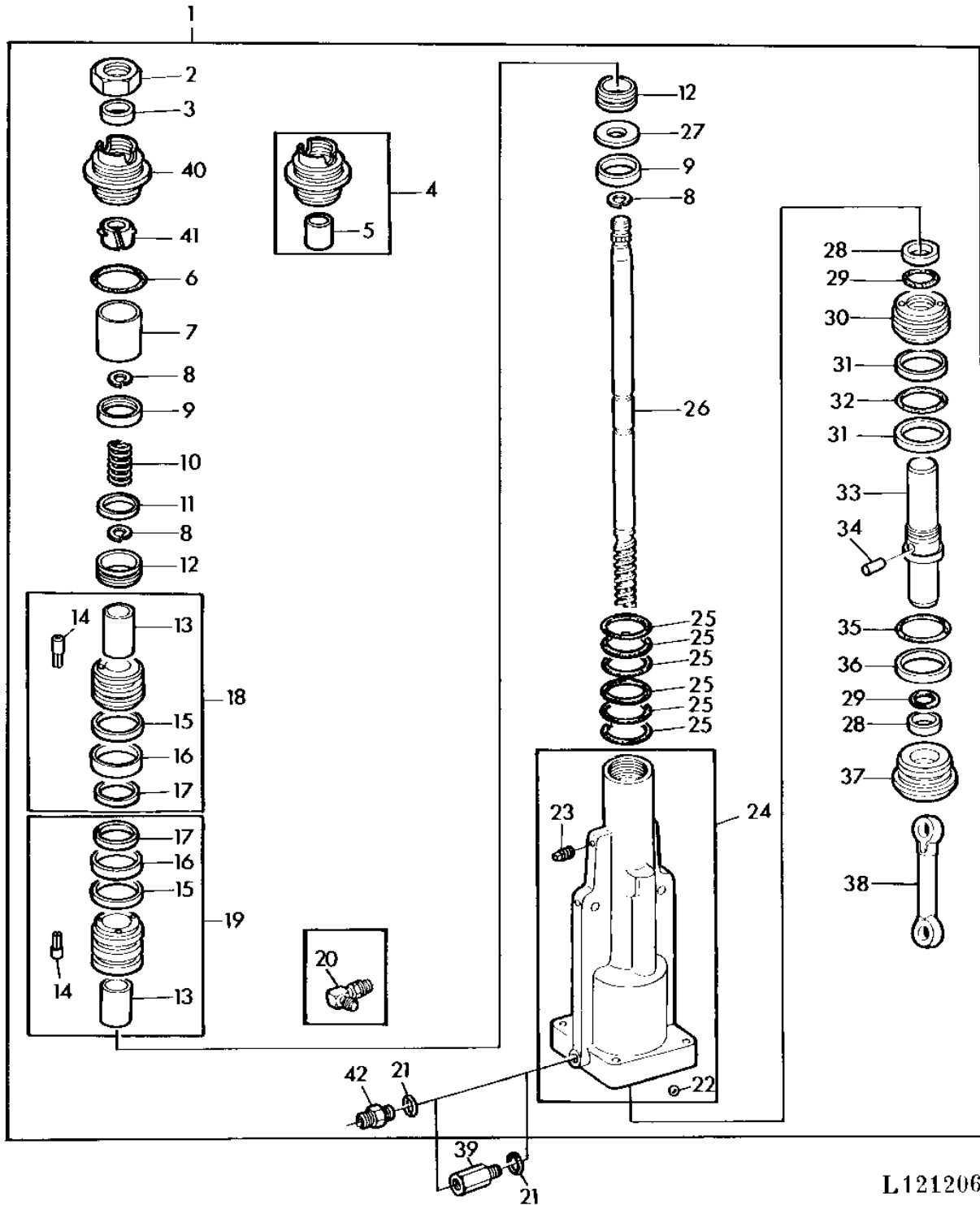
KEY	PART NO.	PART NAME	QTY	SERIAL NO.	REMARKS
					2
					1 2 0
					6 0 4
					4 4 0
					0 0 S
1	JD8728	BEARING	2		X X X
2	T22482	WASHER	2		X X X
3	F215R	RING	1		X X X
4	T22260	SEAL	2		X X X
5	19H2123	CAP SCREW	2		X X X 1/2"X4-1/4"
6	T22527	RETAINER	1		X X X
7	AT20372	SHAFT	1		X X X
	AL59715	STEERING WHEEL SHAFT	1		X X X (A)
8	T22526	YOKE	1		X X X
9	L31697	SHIM	AR		X X X 0.3MM (012")
	L31696	SHIM	AR		X X X 0.5MM (.020")
	L31698	WASHER	AR		X X X 1.0MM (040")
10	R52989	HOUSING	1		X X X
11	19H1765	CAP SCREW	4		X X X 3/8"X1-3/4"
12	L62422	GASKET	1		X X X (SUB FOR T21528)
13	19H2117	CAP SCREW	2		X X X 5/16"X1-1/8"
14	14H785	NUT	2		X X X 5/16"
15	R26375	O-RING	1		X X X
16	R39112	FITTING	1		X X X 3/4"
17	L58484	BUSHING	1		X X X (A) (ORD L62343)
18	T22480	BUSHING	1		X X X
19	R51952	NUT	1		X X X 2-3/8"
20	AL31236	STEERING WHEEL	1		X X X
	AL28458	STEERING WHEEL	1		X X X (A)
21	T17148	LOCK WASHER	1		X X X
22	14H904	NUT	1		X X X 3/4"
23	AL24052	COVER	1		X X X OD= 62.5MM
24	L62343	SPACER	1		X X X (A)

(A) WITH MC1 CAB
 AVEC CABINE MC1
 BEI MC1 KABINE
 CON CABINA MC1
 CON CABINA MC1
 VID MC1 FORARHYTT

4C11

MANUAL AND POWER STEERING

POWER STEERING-STEERING COLUMN
 DIRECTION HYDRAULIQUE-COLONNE DE DIRECTION
 HYDRAULISCHE LENKUNG-LENKSAEULE
 STERZO IDRAULICO-SCATOLA VALVOLA
 DIRECCION HIDRAULICA-COLUMNACCON
 HYDRAULSTYRNING-VENTILHUS
 L121206 -UN-12JUL95



L121206

4C12

MANUAL AND POWER STEERING

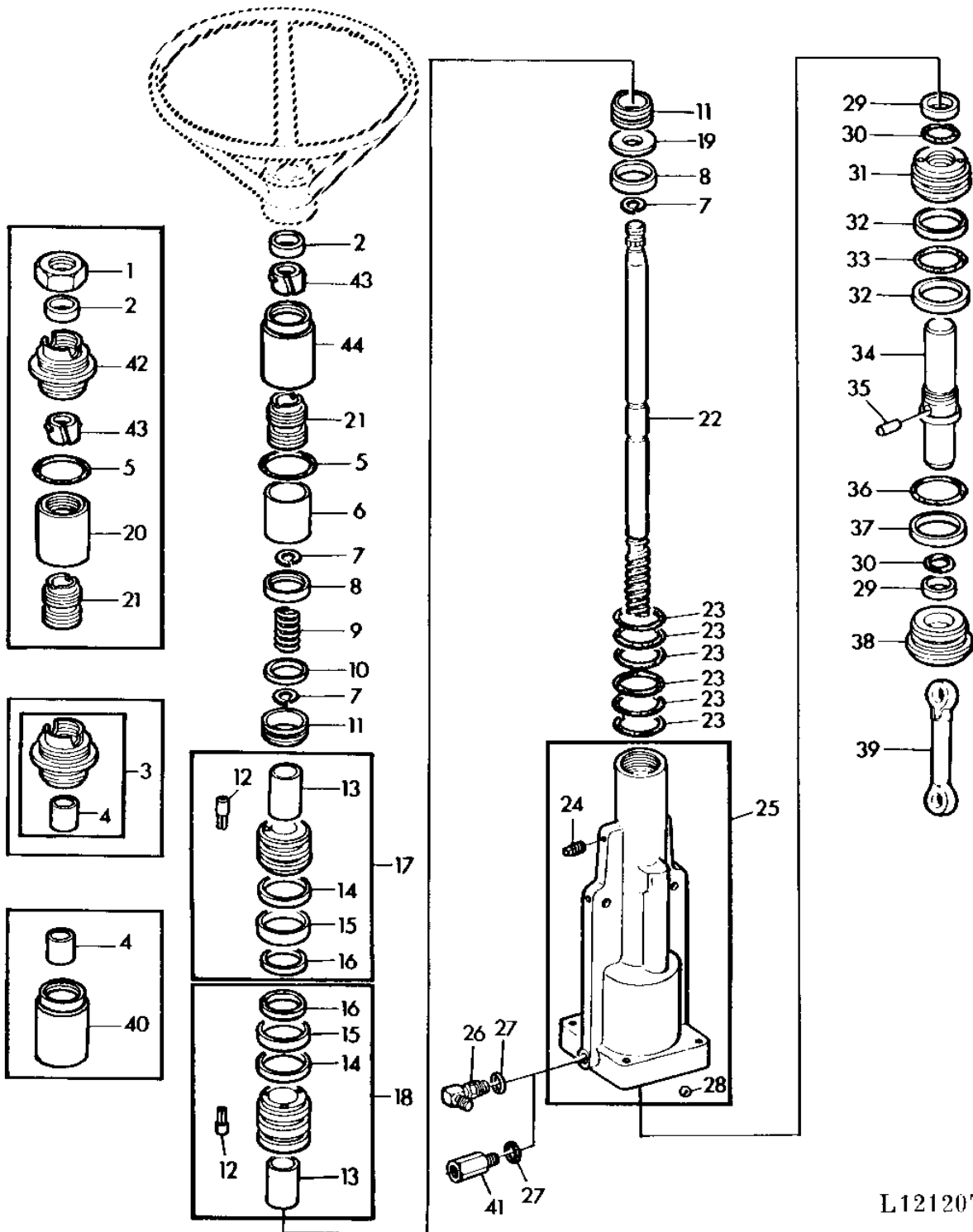
KEY	PART NO.	PART NAME	QTY	SERIAL NO.	REMARKS
					2
					1 2 0
					6 0 4
					4 4 0
					0 0 S
1	AL31262	VALVE	1	X X X	(ORD W/ AT35121)
2	T21718	NUT	1	X X X	2"
3	T22260	SEAL	1	X X X	
4	AT19858	ADJUSTER	1	X X X	(ORD AL66303, L62641)
5	R27320	BUSHING	1	X X X	
6	B3690R	O-RING	1	X X X	
7	T22823	SLEEVE	1	X X X	
8	R35226	SNAP RING	3	X X X	
9	T22824	BUSHING	2	X X X	
10	T13555	SPRING	1	X X X	
11	L29197	THRUST WASHER	1	X X X	
12	AL25855	THRUST BEARING	2	X X X	
13	R49980	SLEEVE	2	X X X	
14	R49982	SLEEVE	2	X X X	
15	T25333	SHIM	4	X X X	0.05MM (.002")
	T25334	SHIM	8	X X X	0.25MM (.010")
16	T25332	WASHER	2	X X X	
17	L31434	WASHER	2	X X X	
18	AL26312	VALVE	1	X X X	UP
19	AL26311	VALVE	1	X X X	LOW
20	AT35121	ELBOW FITTING	1	X X X	(SUB FOR AR26725)
21	R26448	O-RING	AR	X X X	
22	R26552	BALL	3	X X X	
23	15H560	PIPE PLUG	5	X X X	1/16"
24	AL31515	HOUSING	1	X X X	
25	L34451	O-RING	6	X X X	
26	L29199	STEERING WHEEL SHAFT	1	X X X	
27	T25741	SHIM	AR	X X X	0.05MM (.002")
	T22825	SHIM	AR	X X X	0.13MM (.005")
	T31290	SHIM	AR	X X X	0.76MM (.030")
28	T25327	BACK-UP RING	2	X X X	
29	N131838	O-RING	2	X X X	
30	T25325	PISTON	1	X X X	
31	T25326	BACK-UP RING	2	X X X	
32	F3450R	O-RING	1	X X X	
33	T25323	ROD	1	X X X	
34	T21655	PIN	1	X X X	
35	L34452	O-RING	1	X X X	
36	R35684	BACK-UP RING	1	X X X	
37	L34454	GUIDE	1	X X X	
38	L35639	DRAG LINK	1	X X X	
39	AT54132	CHECK VALVE	1	X X X	
40	AL66303	ADJUSTER	1	X X X	
41	L62641	BUSHING	1	X X X	
42	L37858	FITTING	1	X X X	

4C13

MANUAL AND POWER STEERING

POWER STEERING-STEERING COLUMN (MC1 CAB)
 DIRECTION HYDRAULIQUE-COLONNE DE DIRECTION (CABINE MC1)
 HYDRAULISCHE LENKUNG-LENKSAEULE (MC1-KABINE)
 STERZO IDRAULICO-SCATOLA VALVOLA (CABINA MC1)
 DIRECCION HIDRAULICA-COLUMNACCON (CABINA MC1)
 HYDRAULSTYRNING-VENTILHUS (MC1 FORARHYTT)

L121207 -UN-12JUL95



L121207

4C14

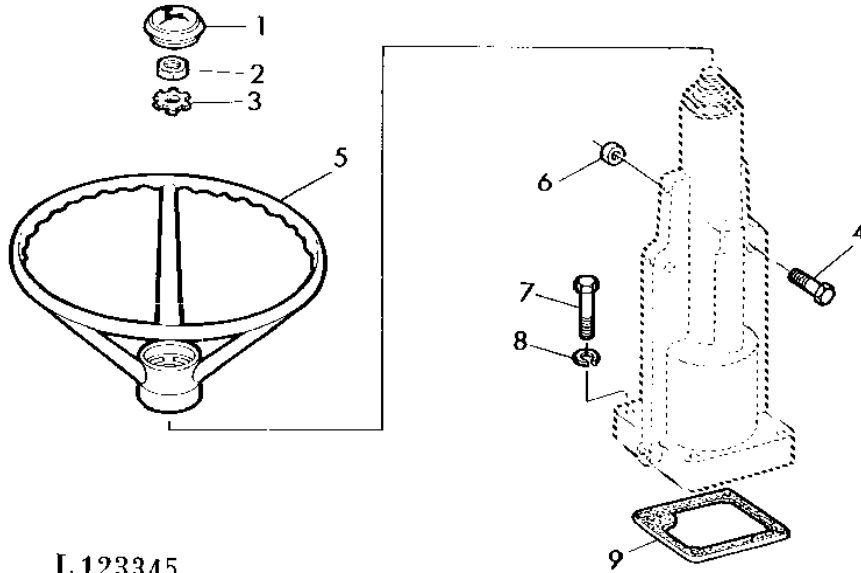
MANUAL AND POWER STEERING

KEY	PART NO.	PART NAME	QTY	SERIAL NO.	REMARKS
					2
					1 2 0
					6 0 4
					4 4 0
					0 0 S
1	T21718	NUT	1	X X X	2"
2	T22260	SEAL	1	X X X	
3	AT19858	ADJUSTER	1	X X X	(ORD AL66303, L62641)
4	R27320	BUSHING	1	X X X	
5	B3690R	O-RING	AR	X X X	
6	T22823	SLEEVE	1	X X X	
7	R35226	SNAP RING	3	X X X	
8	T22824	BUSHING	2	X X X	
9	T13555	SPRING	1	X X X	
10	L29197	THRUST WASHER	1	X X X	
11	AL25855	THRUST BEARING	2	X X X	
12	R49982	SLEEVE	2	X X X	
13	R49980	SLEEVE	2	X X X	
14	T25333	SHIM	4	X X X	0.05MM (.002")
	T25334	SHIM	8	X X X	0.25MM (.010")
15	T25332	WASHER	2	X X X	
16	L31434	WASHER	2	X X X	
17	AL26312	VALVE	1	X X X	UP
18	AL26311	VALVE	1	X X X	LOW
19	T25741	SHIM	AR	X X X	0.05MM (.002")
	T22825	SHIM	AR	X X X	0.13MM (.005")
	T31290	SHIM	AR	X X X	0.76MM (.030")
20	L58483	BUSHING	1	X X X	(ORD L62506, L62641)
21	L62643	ADJUSTER	1	X X X	(SUB FOR T21717)
22	L58482	STEERING WHEEL SHAFT	1	X X X	
23	L34451	O-RING	6	X X X	
24	15H560	PIPE PLUG	5	X X X	1/16"
25	AL31515	HOUSING	1	X X X	
26	AT35121	ELBOW FITTING	1	X X X	
27	R26448	O-RING	1	X X X	
28	R26552	BALL	3	X X X	
29	T25327	BACK-UP RING	2	X X X	
30	N131838	O-RING	2	X X X	
31	T25325	PISTON	1	X X X	
32	T25326	BACK-UP RING	2	X X X	
33	F3450R	O-RING	1	X X X	
34	T25323	ROD	1	X X X	
35	T21655	PIN	1	X X X	
36	L34452	O-RING	1	X X X	
37	R35684	BACK-UP RING	1	X X X	
38	L34454	GUIDE	1	X X X	
39	L35639	DRAG LINK	1	X X X	
40	L61434	SPACER	1	X X X	(ORD L62506, L62641)
41	AT54132	CHECK VALVE	1	X X X	
42	AL66303	ADJUSTER	1	X X X	
43	L62641	BUSHING	1	X X X	
44	L62506	SPACER	1	X X X	

4C15

MANUAL AND POWER STEERING

POWER STEERING-STEERING WHEEL AND ATTACHING PARTS
 DIRECTION HYDRAULIQUE-VOLANT/PIECES DE MONTAGE
 HYDR. LENKUNG-LENKRAD/ANBAUTEILE
 STERZO IDRAULICO-VOLANTE/PARTI
 DIRECCION HIDRAULICA-VOLANTE Y PIEZAS DE MONTAJE
 HYDRAULSTYRNING-RATT/DELAR
 L123345 -UN-19JUL95



L 123345

2
1 2 0
6 0 4
4 4 0
0 0 S

KEY	PART NO.	PART NAME	QTY	SERIAL NO.	REMARKS
1	AL24052	COVER	1	X X X	OD= 62.5MM
2	14H904	NUT	1	X X X	3/4"
3	T17148	LOCK WASHER	1	X X X	
4	19H2117	CAP SCREW	2	X X X	5/16"X1-1/8"
5	AL31236	STEERING WHEEL	1	X X X	
	AL28458	STEERING WHEEL	1	X X X	(A)
6	14H785	NUT	2	X X X	5/16"
7	19H1801	CAP SCREW	4	X X X	3/8"X2"
8	12H304	LOCK WASHER	4	X X X	3/8"
9	L62422	GASKET	1	X X X	(SUB FOR T21528)

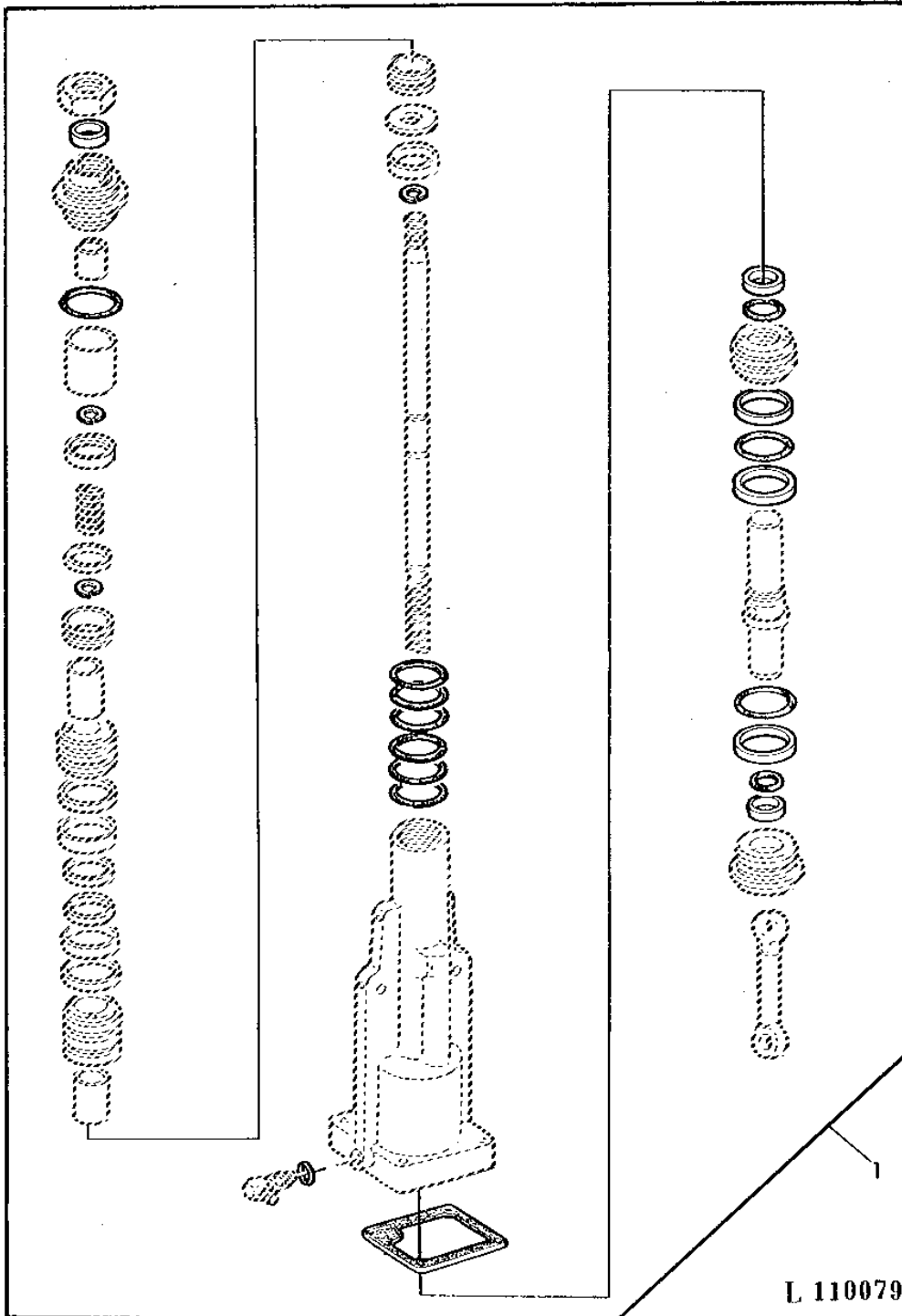
(A) WITH MC1 CAB
 AVEC CABINE MC1
 BEI MC1 KABINE
 CON CABINA MC1
 CON CABINA MC1
 VID MC1 FORARHYTT

MEMORANDA
MEMORANDA
MEMORANDA
MEMORANDA
MEMORANDA

4C16

MANUAL AND POWER STEERING

REPAIR KIT-POWER STEERING
DIRECTION HYDRAULIQUE-JEU DE REPARATION
REPARATURSATZ FUER HYDRAULISCHE LENKUNG
KIT RIPARAZIONE PER STERZO IDRAULICO
JUEGO DE REPARACION PARA DIRECCION HIDRAULICA
REPARATIONSSATS FOR HYDRAULISK STYRNING
L110079 -UN-01JAN94



L 110079

4C17

MANUAL AND POWER STEERING

KEY	PART NO.	PART NAME	QTY	SERIAL NO.	REMARKS
1	AT26188	KIT	1	X X X	

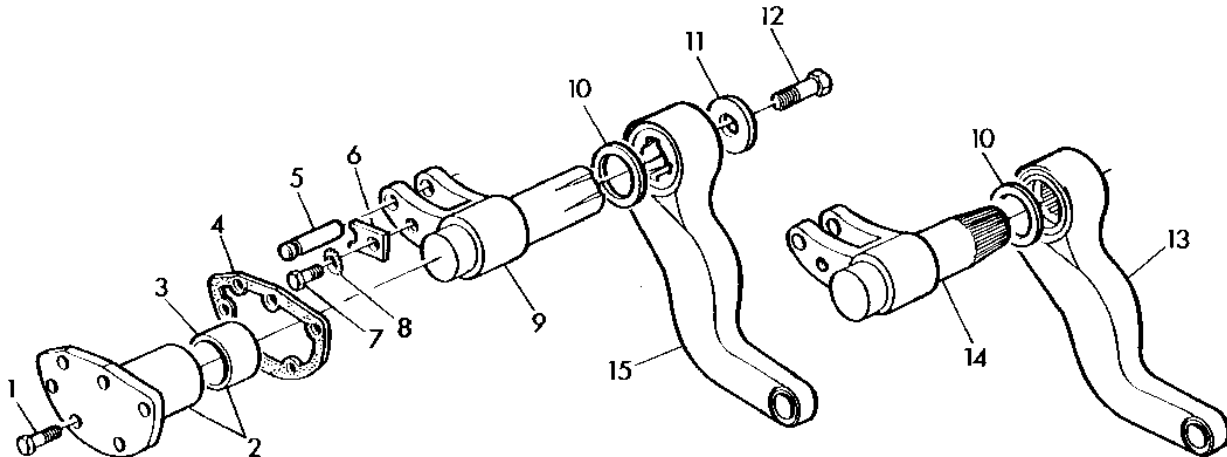
2
1 2 0
6 0 4
4 4 0
0 0 S

4C18

MANUAL AND POWER STEERING

STEERING ARM
BRAS DE DIRECTION
LENKHEBEL
BRACCIO STERZO
BRAZO DE DIRECCION
STYRARM

LX010671 -UN-15MAY95



LX010671

KEY	PART NO.	PART NAME	QTY	SERIAL NO.	REMARKS
				2	
				1 2 0	
				6 0 4	
				4 4 0	
				0 0 S	
1	19H3239	CAP SCREW	6	X X X	3/8"X1-1/4"
2	AL40871	COVER	1	X X X	(SUB FOR AL30173)
3	L64255	BUSHING	1	X X X	(SUB FOR T21445)
4	L61962	GASKET	1	X X X	(SUB FOR L33750)
5	T21722	PIN	1	X X X	
6	T21659	PLATE	1	X X X	
7	19H1227	CAP SCREW	1	X X X	1/4X1/2"
8	12H297	LOCK WASHER	1	X X X	1/4"
9	L42079	SHAFT	1	X X X	(SUB FOR T21546)
	T21866	SHAFT	1	X X X	(A)
10	AL28553	SEAL	1	X X X	
11	T42971	BUSHING	1	X X X	
12	19H2710	CAP SCREW	1	X X X	5/8"X1-3/4"
13	L42082	LEVER	1	X X X	(B)
14	L38591	STEERING WHEEL SHAFT	1	X X X	(B)
	L38594	STEERING WHEEL SHAFT	1	X X X	(A) (B)
15	L42080	LEVER	1	X X X	(SUB FOR L37327)

(A) WITH MANUAL STEERING
AVEC DIERCTION MECANIQUE
BEI MECHANISCHER LENKUNG
CON STERZO MECCANICO
CON DIRECCION MANUAL
VID MEKANISK STYRNING

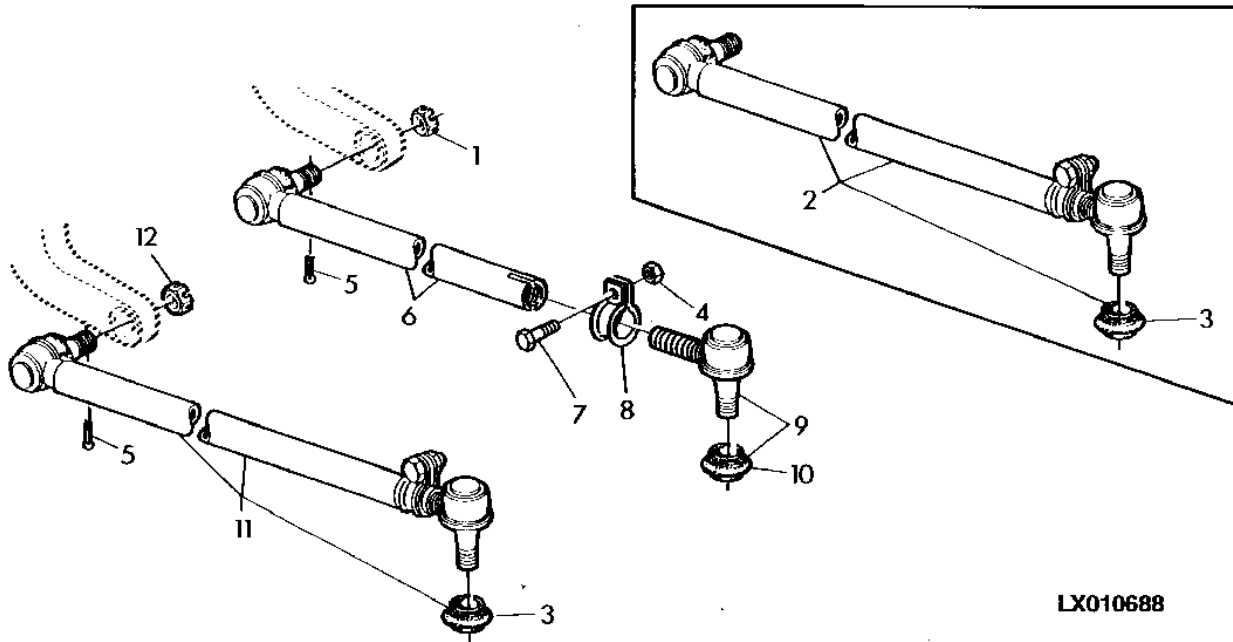
(B) FOR SEVERE OPERATING CONDITIONS
POUR CONDITIONS DE SERVICE SEVERES
BEI ERSCHWERTEN EINSATZBEDINGUNGEN
PER LAVORI PESANTI
PARA CONDICIONES DE TRABAJO DURAS
FOR SVARA FORHALLANDE

4C19

MANUAL AND POWER STEERING

DRAG LINK
 BARRE DE DIRECTION
 LENKSCHUBSTANGE
 TIRANTE STERZO
 BARRA DE DIRECCION
 STYRARM

LX010688 -UN-31MAY95



LX010688

2
 1 2 0
 6 0 4
 4 4 0
 0 0 S

KEY	PART NO.	PART NAME	QTY	SERIAL NO.	REMARKS
1	14M7305	NUT	2	485445-	X X X M18X1.5
2	AL38638	DRAG LINK	1	485445-	X X X (ORD AL82837, AL110074, L64251, 14M7324, 19M8616)
3	AL38891	BOOT	2		X X X
4	14M7324	LOCK NUT	1		X X X M10X1
5	11H240	COTTER PIN	2		X X X 5/32"X1-1/2"
6	AL82837	BALL JOINT	1		X X X
7	19M8616	CAP SCREW	1		X X X M10X1X50
8	L64251	CLAMP	1		X X X
9	AL110074	BALL JOINT	1		X X X
10	AL82835	BOOT	2		X X X
11	AL34935	DRAG LINK	1	-485444	X X X (ORD AL82837, AL110074, L64251, 14M7324, 19M8616, (2) 14M7305)
12	14H902	NUT	2	-485444	X X X 3/4"

MEMORANDA
MEMORANDA
MEMORANDA
MEMORANDA
MEMORANDA

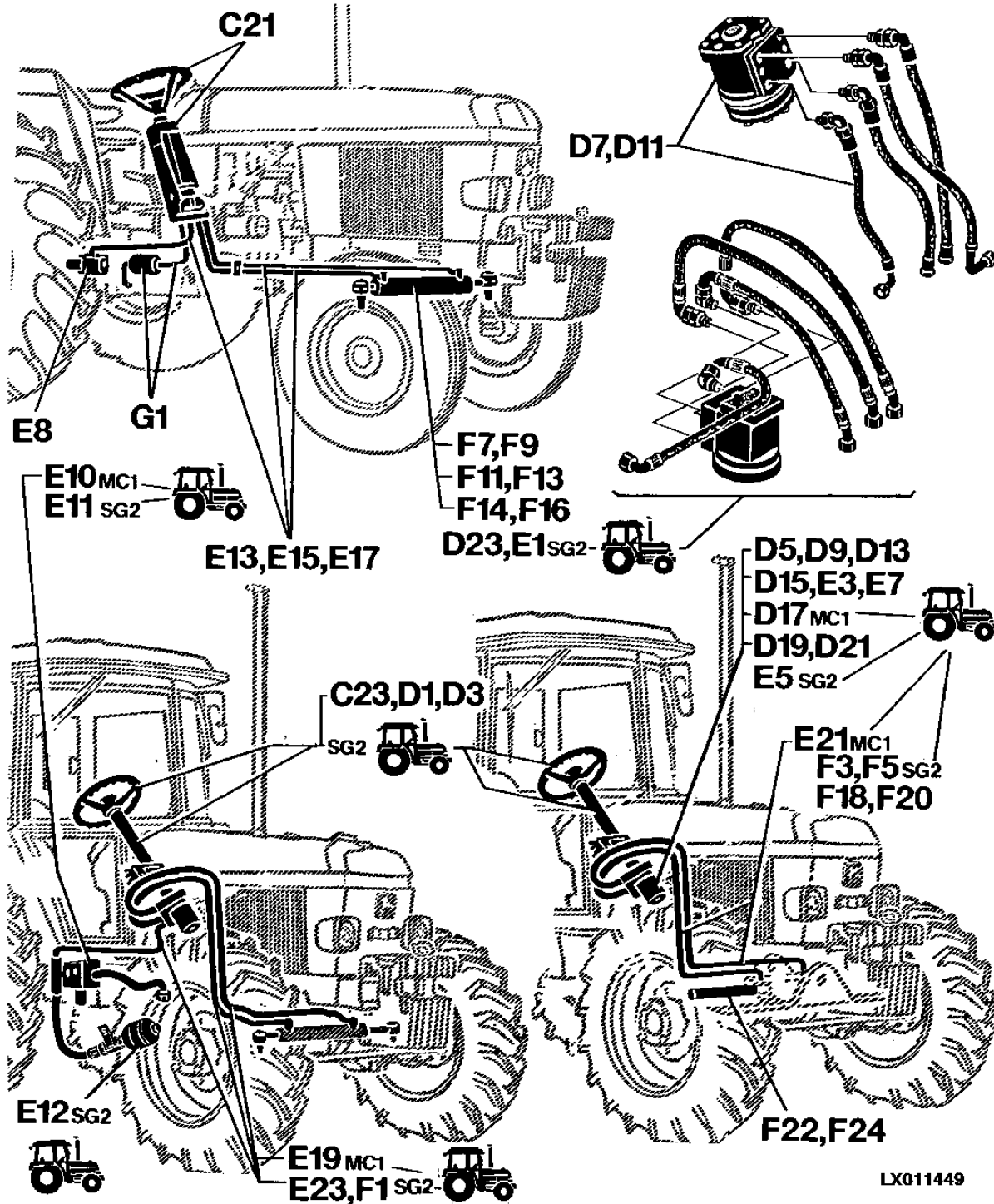
4C20

HYDROSTATIC STEERING

XX
XX
XX
XX
XX
XX
XX
XX
XX
XX
XX

SECTIONAL INDEX
INDEX DE SECTION
GRUPPENINDEX
INDICE DELLA SEZIONE
INDICE DE GRUPOS
GRUPPSFORTECKNING

LX011449 -UN-14JUL95

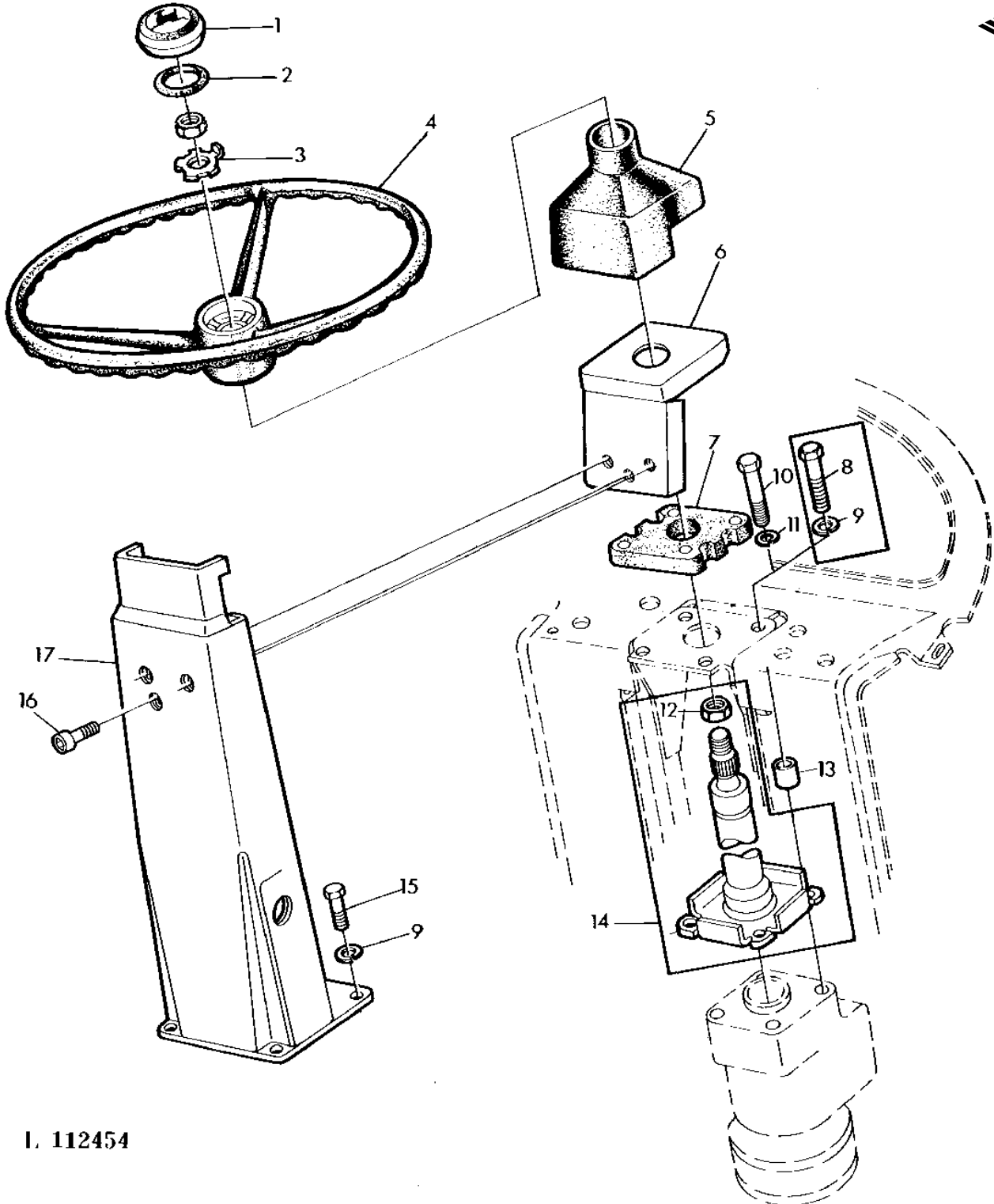


LX011449

4C21

HYDROSTATIC STEERING

HYDROSTATIC STEERING-STEERING COLUMN
DIRECTION HYDROSTATIQUE-COLONNE DE DIRECTION
HYDROSTATISCHE LENKUNG-LENKSAEULE
STERZO IDROSTATICO-SCATOLA VALVOLA
DIRECCION HIDROSTATICA-COLUMNACCON
HYDROSTATISK STYRNING-RATTAXELHUS
L112454 -UN-17JUL95



I. 112454

4C22

HYDROSTATIC STEERING

KEY	PART NO.	PART NAME	QTY	SERIAL NO.	REMARKS
					2
					1 2 0
					6 0 4
					4 4 0
					0 0 S
1	AL36533	COVER	1		X X X OD= 74MM
	AL24052	COVER	1		X X X (A) OD= 62.5MM
2	B3690R	O-RING	1		X X X (FOR AL36533)
3	T17148	LOCK WASHER	1		X X X
4	AL28457	STEERING WHEEL	1		X X X
	AL28458	STEERING WHEEL	1		X X X (A)
5	L34438	SHIELD	1		X X X
6	AL31494	COVER	1		X X X
7	L34434	BARRIER	1		X X X
8	19H2545	CAP SCREW	4		X X X 3/8"X1-3/8"
9	12H304	LOCK WASHER	AR		X X X 3/8"
10	19M7550	CAP SCREW	4		X X X M10X35
11	12M7135	LOCK WASHER	4		X X X
12	14M7209	NUT	1		X X X M18
13	28H862	SPACER	4	-462140	X X X 3/8"X.438"
14	AL31247	STEERING COLUMN	1		X X X
	AL59714	STEERING COLUMN	1		X X X (A)
15	19H1936	CAP SCREW	4		X X X 3/8"X3/4"
16	19M7929	SCREW	3		X X X M6X10
17	AL31022	SUPPORT	1		X X X
	AL58563	SUPPORT	1		X X X (A)

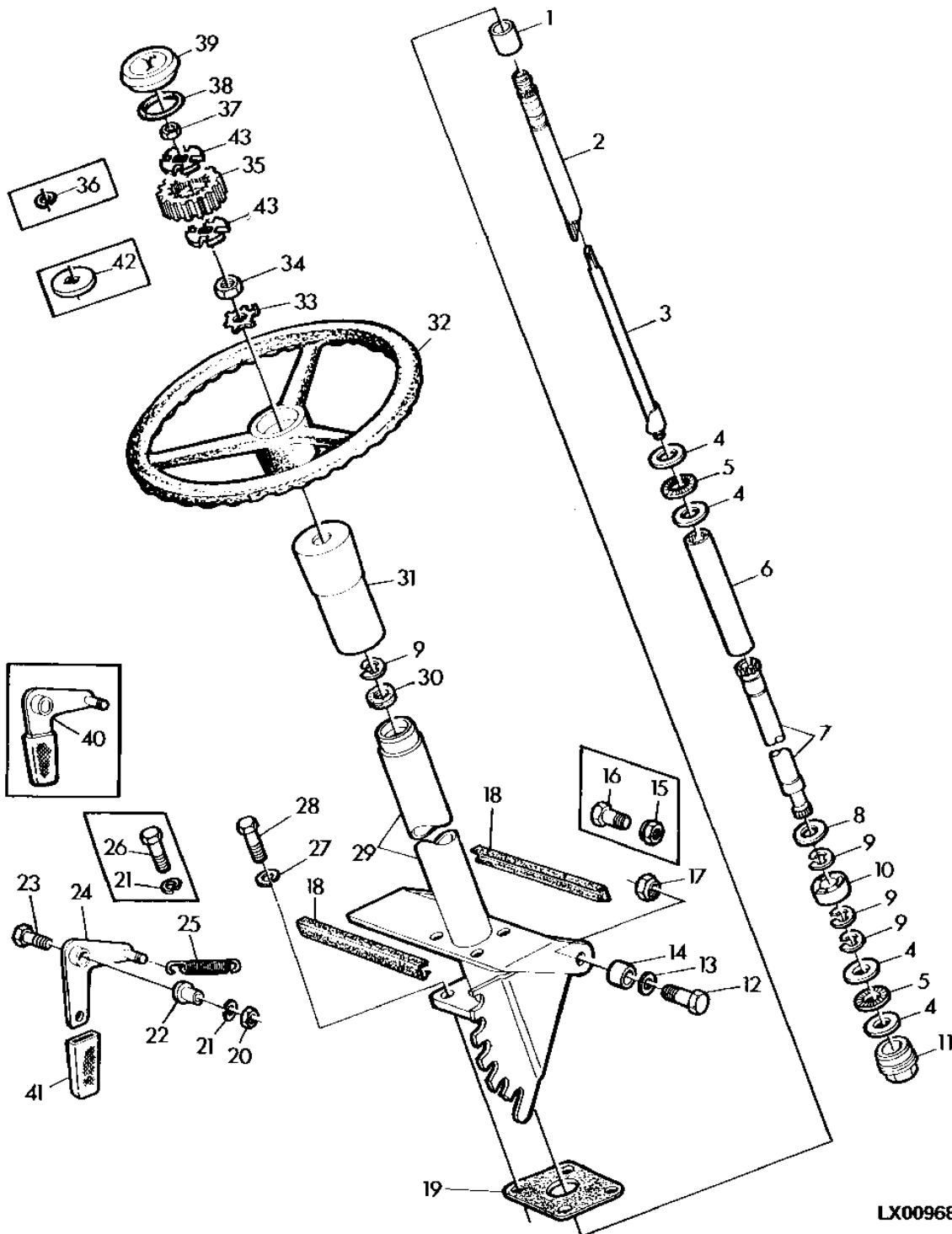
(A) WITH MC1 CAB
 AVEC CABINE MC1
 BEI MC1 KABINE
 CON CABINA MC1
 CON CABINA MC1
 VID MC1 FORARHYTT

4C23

HYDROSTATIC STEERING

HYDROSTATIC STEERING-STEERING COLUMN/CONSOLE SHIFT (SG2 CAB)
DIRECTION HYDROSTATIQUE-COLONNE DE DIRECTION SELECTION SUR CONSOLE (CABINE SG2)
HYDROSTATISCHE LENKUNG-LENKSAEULE KONSOLENSCHALTUNG (SG2 KABINE)
STERZO IDROSTATICO-SCATOLA VALVOLA GRUPPO LEVE DI INNESTO DA CONSOLE (CABINA SG2)
DIRECCION HIDROSTATICA-COLUMNA/CON CONSOLA DE MANDOS (CABINA SG2)
HYDROSTATISK STYRNING-VENTILHUS KONSOLVAEXLING (SG2 HYTT)

LX009689 -UN-16MAY95



LX009689

4C24

HYDROSTATIC STEERING

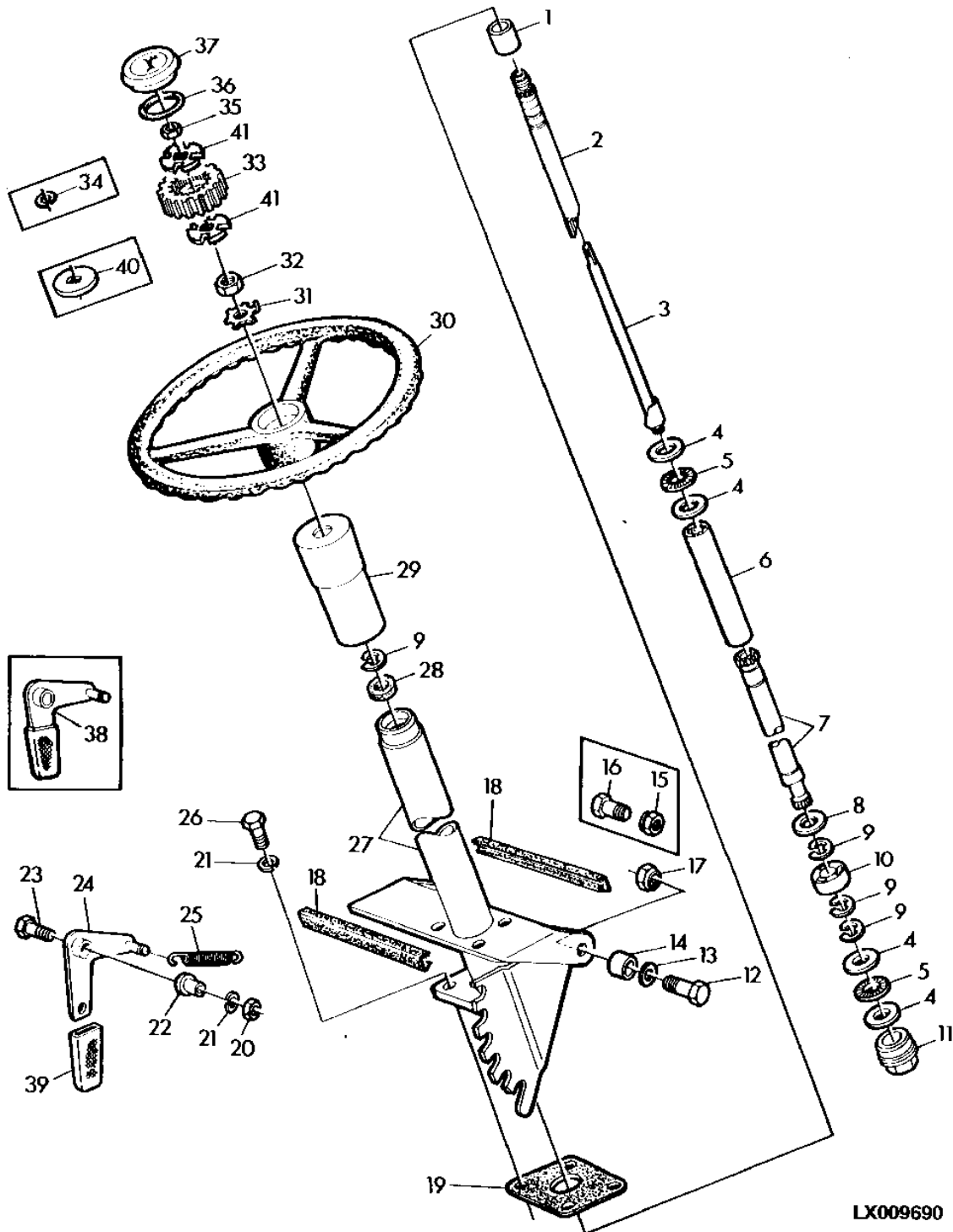
KEY	PART NO.	PART NAME	QTY	SERIAL NO.	REMARKS
					2
					1 2 0
					6 0 4
					4 4 0
					0 0 S
1	L64214	BUSHING	1		X X X (SUB FOR R50875)
2	R62280	SHAFT	1		X X X
3	AR54808	ROD	1		X X X
4	JD9931	THRUST BEARING	4		X X X
5	JD8875	NEEDLE BEARING	2		X X X
6	R50869	SPLINED COUPLING	1		X X X
7	L38629	STEERING WHEEL SHAFT	1		X X X
8	R42629	WASHER	1		X X X
9	P46402	SNAP RING	4		X X X
10	R55498	BUSHING	1		X X X
11	L39033	HOLLOW SCREW	1		X X X
12	19H1721	CAP SCREW	2		X X X 1/2"X1-1/2"
13	24H1789	WASHER	2		X X X 13.5X32X2.7MM
14	L56566	BUSHING	2		X X X
15	R64704	BUSHING	2		X X X (ORD L56566, T27645, 19H1721, 24H1798)
16	19H1792	CAP SCREW	2		X X X 1/2"X1"
17	T27645	NUT	2		X X X
18	L65007	GUARD	2		X X X (SUB FOR L37189, L39233)
19	R67938	SHIM	1		X X X
20	14H1076	NUT	1		X X X 3/8"
21	12H304	LOCK WASHER	AR		X X X 3/8"
22	R58614	SPACER	1		X X X
23	19H3181	CAP SCREW	1		X X X 3/8"X2"
24	AL57743	LEVER	1	558000-	X X X
25	R59953	SPRING	1		X X X
26	19H2284	CAP SCREW	4		X X X 3/8"X7/8"
27	12M7135	LOCK WASHER	4		X X X
28	19M7166	CAP SCREW	4		X X X M10X20
29	AL38553	TUBE	1		X X X (SUB FOR AL37351)
30	R72858	SEAL	1		X X X (SUB FOR R32730)
31	R51153	SLEEVE	1		X X X
32	AL28457	STEERING WHEEL	1		X X X
33	T17148	LOCK WASHER	1		X X X
34	14H904	NUT	1		X X X 3/4"
35	R50871	KNOB	1		X X X (ORD R117246, (2) L100436)
	R117246	KNOB	1		X X X (SUB FOR R91298)
36	12M7056	LOCK WASHER	1		X X X
37	14H650	NUT	1		X X X 5/16"
38	B3690R	O-RING	1		X X X
39	AL36533	COVER	1		X X X OD= 74MM
40	AL38552	LEVER	1	-557999	X X X (ORD AL57743, L55209) (SUB FOR AR70442)
41	L55209	GRIP	1	558000-	X X X
42	L61603	WASHER	1		X X X (ORD (2) L100436)
43	L100436	WASHER	2		X X X

4D1

HYDROSTATIC STEERING

HYDROST. STEERING-STEERING COLUMN W/CENTER SHIFT (SG2 CAB)
DIRECTION HYDROST.-COLONNE AVEC DISP. SELECT. CENT. (CABIN. SG2)
HYDROST. LENKUNG-LENKSAEULE BEI MITTELSCHALTUNG (SG2 KABINE)
STERZO IDROSTAT.-MONTANTE STERZO CON INNESTO CENTRALE (SG2)
DIRECCION HIDR.-COLUMNA DIREC. CON SELECTOR CENTRAL (SG2)
HYDROST. STYRNING-RATTAXELHUS VID MID-MONTER. VAXLING (SG2)

LX009690 -UN-17JUL95



LX009690

4D2

HYDROSTATIC STEERING

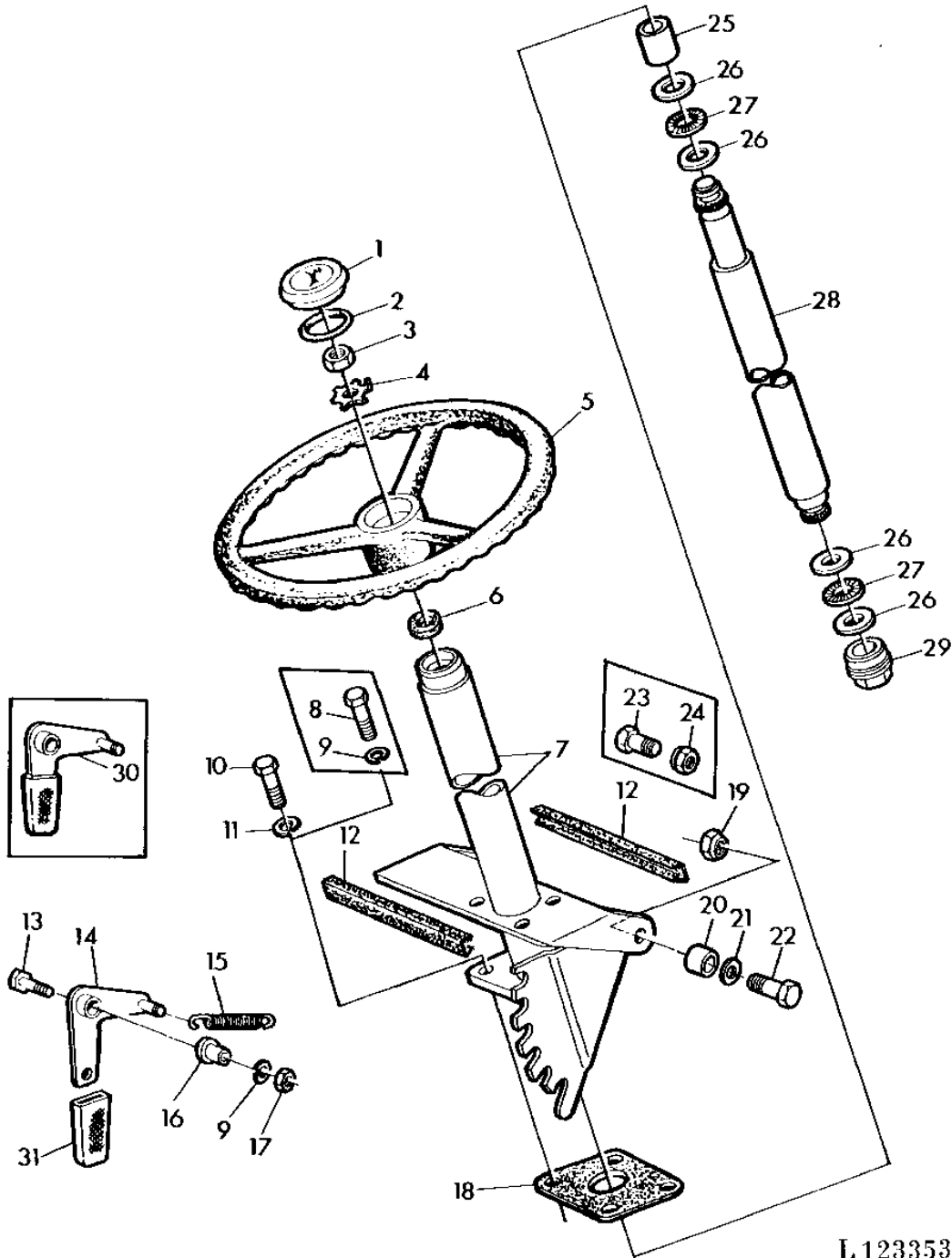
KEY	PART NO.	PART NAME	QTY	SERIAL NO.		REMARKS
					2	
					1 2 0	
					6 0 4	
					4 4 0	
					0 0 S	
1	L64214	BUSHING	1	-552318	X X X	(SUB FOR R50875)
2	R62280	SHAFT	1	-552318	X X X	
3	AR54808	ROD	1	-552318	X X X	
4	JD9931	THRUST BEARING	4	-552318	X X X	
5	JD8875	NEEDLE BEARING	2	-552318	X X X	
6	R50869	SPLINED COUPLING	1	-552318	X X X	
7	L38629	STEERING WHEEL SHAFT	1	-552318	X X X	
8	R42629	WASHER	1	-552318	X X X	
9	P46402	SNAP RING	4	-552318	X X X	
10	R55498	BUSHING	1	-552318	X X X	
11	L39033	HOLLOW SCREW	1	-552318	X X X	
12	19H1721	CAP SCREW	2	-552318	X X X	1/2"X1-1/2"
13	24H1789	WASHER	2	-552318	X X X	13.5X32X2.7MM
14	L56566	BUSHING	2	-552318	X X X	
15	R64704	BUSHING	2	-552318	X X X	(ORD L56566, T27645, 19H1721, 24H1798)
16	19H1792	CAP SCREW	2	-552318	X X X	1/2"X1"
17	T27645	NUT	2	-552318	X X X	
18	L65007	GUARD	2	-552318	X X X	(SUB FOR L37189, L39233)
19	R67938	SHIM	1	-552318	X X X	
20	14H1076	NUT	1	-552318	X X X	3/8"
21	12H304	LOCK WASHER	5	-552318	X X X	3/8"
22	R58614	SPACER	1	-552318	X X X	
23	19H3181	CAP SCREW	1	-552318	X X X	3/8"X2"
24	AL57743	LEVER	1	-552318	X X X	
25	R59953	SPRING	1	-552318	X X X	
26	19H2284	CAP SCREW	4	-552318	X X X	3/8"X7/8"
27	AL38553	TUBE	1	-552318	X X X	(SUB FOR AL37351)
28	R72858	SEAL	1	-552318	X X X	(SUB FOR R32730)
29	R51153	SLEEVE	1	-552318	X X X	
30	AL28457	STEERING WHEEL	1	-552318	X X X	
31	T17148	LOCK WASHER	1	-552318	X X X	
32	14H904	NUT	1	-552318	X X X	3/4"
33	R117246	KNOB	1	-552318	X X X	(SUB FOR R91298)
	R50871	KNOB	1	-552318	X X X	(ORD R117246, (2) L100436)
34	12M7056	LOCK WASHER	1	-552318	X X X	
35	14H650	NUT	1	-552318	X X X	5/16"
36	B3690R	O-RING	1	-552318	X X X	
37	AL36533	COVER	1	-552318	X X X	OD= 74MM
38	AL38552	LEVER	1	-552318	X X X	(ORD AL57743, L55209) (SUB FOR AR70442)
39	L55209	GRIP	1	-552318	X X X	
40	L61603	WASHER	1	-552318	X X X	(ORD (2) L100436)
41	L100436	WASHER	2	-552318	X X X	

4D3

HYDROSTATIC STEERING

HYDROST. STEERING-STEERING COLUMN W/CENTER SHIFT (SG2 CAB)
DIRECTION HYDROST.-COLONNE AVEC DISP. SELECT. CENT. (CABIN. SG2)
HYDROST. LENKUNG-LENKSAEULE BEI MITTELSCHALTUNG (SG2 KABINE)
STERZO IDROSTAT.-MONTANTE STERZO CON INNESTO CENTRALE (SG2)
DIRECCION HIDR.-COLUMNA DIREC. CON SELECTOR CENTRAL (SG2)
HYDROST. STYRNING-RATTAXELHUS VID MID-MONTER. VAXLING (SG2)

L123353 -UN-18JUL95



L123353

4D4

HYDROSTATIC STEERING

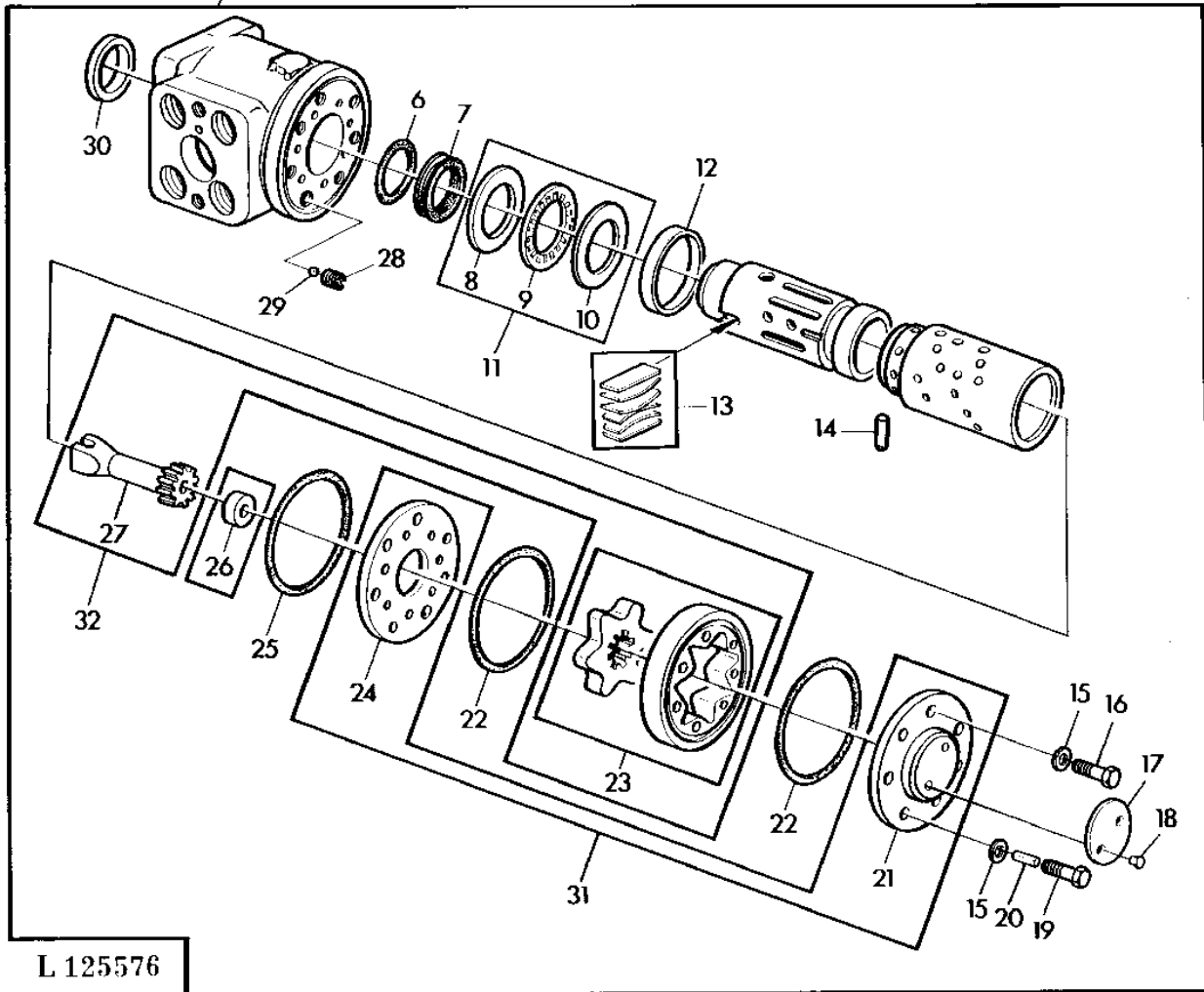
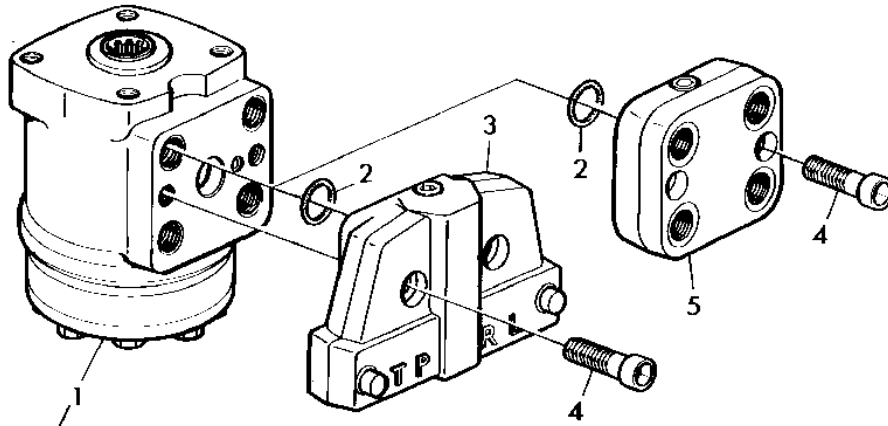
KEY	PART NO.	PART NAME	QTY	SERIAL NO.		REMARKS
					2	
					1 2 0	
					6 0 4	
					4 4 0	
					0 0 S	
1	AL36533	COVER	1	552319-	X X X	OD= 74MM
2	B3690R	O-RING	1	552319-	X X X	
3	14H904	NUT	1	552319-	X X X	3/4"
4	T17148	LOCK WASHER	1	552319-	X X X	
5	AL28457	STEERING WHEEL	1	552319-	X X X	
6	R72858	SEAL	1	552319-	X X X	(SUB FOR R32730)
7	AL38553	TUBE	1	552319-	X X X	
8	19H2284	CAP SCREW	4	552319-	X X X	3/8"X7/8"
9	12H304	LOCK WASHER	AR	552319-	X X X	3/8"
10	19M7166	CAP SCREW	4	552319-	X X X	M10X20
11	12M7135	LOCK WASHER	4	552319-	X X X	
12	L65007	GUARD	2	552319-	X X X	(SUB FOR L39233)
13	19H3181	CAP SCREW	1	552319-	X X X	3/8"X2"
14	AL57743	LEVER	1	558000-	X X X	
15	R59953	SPRING	1	552319-	X X X	
16	R58614	SPACER	1	552319-	X X X	
17	14H1076	NUT	1	552319-	X X X	3/8"
18	R67938	SHIM	1	552319-	X X X	
19	T27645	NUT	2	552319-	X X X	
20	L56566	BUSHING	2	552319-	X X X	
21	24H1789	WASHER	2	552319-	X X X	13.5X32X2.7MM
22	19H1721	CAP SCREW	2	552319-	X X X	1/2"X1-1/2"
23	19H1792	CAP SCREW	2	552319-	X X X	1/2" X 1"
24	R64704	BUSHING	2	552319-	X X X	(ORD L56566, T27645, 19H1721, 24H1798)
25	L64214	BUSHING	1	552319-	X X X	(SUB FOR R50875)
26	JD9931	THRUST BEARING	4	552319-	X X X	
27	JD8875	NEEDLE BEARING	2	552319-	X X X	
28	L42171	STEERING WHEEL SHAFT	1	552319-	X X X	
29	L39033	HOLLOW SCREW	1	552319-	X X X	
30	AL38552	LEVER	1	552319-557999	X X X	(ORD AL57743, L55209)
31	L55209	GRIP	1	558000-	X X X	

4D5

HYDROSTATIC STEERING

HYDROSTATIC STEERING UNIT WITH ONE DOUBLE-ACTING CYLINDER
 UNITE DE DIRECTION HYDROSTATIQUE AVEC VERIN DOUBLE EFFET
 HYDROSTATISCHE LENKEINHEIT BEI EINEM DOPPELWIRKENDEN ZYL.
 GRUPPO VALVOLA DI STERZO IDROSTATICO CON 1 CILINDRO STERZO
 CONJUNTO DE BOMBA DE DIREC. HIDROST. CON UN CIL. DE DOBLE EFEC.
 HYDROSTATISK STYRVENTILENHET VID 1 STYRCYLINDER

L125576 -UN-18JUL95



L 125576

4D6

HYDROSTATIC STEERING

KEY	PART NO.	PART NAME	QTY	SERIAL NO.		REMARKS
					2	
					1 2 0	
					6 0 4	
					4 4 0	
					0 0 S	
1	AL35833	STEERING CONTROL UNIT	1	-449999	X X	(C) DANFOSS OSPB 125CN 159
	AL35833	STEERING CONTROL UNIT	1	-449999	X X X	(A) DANFOSS OSPB 125CN 159 (ORD AL58132) (SUB FOR AL32757)
	AL55954	STEERING CONTROL UNIT	1	-558049	X X X	(B) DANFOSS OSPB 100CN 150-0173 (SUB FOR AL28268, AL35832) (ORD W/ (2) 19M8615)
	AL55956	STEERING CONTROL UNIT	1	-449999	X	(C) DANFOSS OSPB 160CN 150-0175 (SUB FOR AL35834) (ORD W/ (2) 19M8615)
2	P47908	O-RING	4	-558049	X X X	
3	AL32798	VALVE STACK	1	-449999	X X X	(A) (SUB FOR AL31245)
4	19M7661	SCREW	AR	-558049	X X X	M10X1X40
	19M8615	SCREW	AR	-558049	X X X	M10X1X45
5	AL38398	VALVE STACK	1	-558049	X X X	(B) (SUB FOR AL34998)
6	Z31452	O-RING	1	-558049	X X X	
7	Z31455	BACK-UP RING	1	-558049	X X X	
8	Z31351	THRUST WASHER	1	-558049	X X X	NSEP (ORD AL36989)
9	AZ20006	THRUST BEARING	1	-558049	X X X	NSEP (ORD AL36989)
10	Z31352	THRUST WASHER	1	-558049	X X X	NSEP (ORD AL36989)
11	AL36989	THRUST BEARING	1	-558049	X X X	
12	Z31353	RING	1	-558049	X X X	
13	AZ25154	LEAF SPRING	1	-558049	X X X	
14	Z31354	PIN	1	-558049	X X X	
15	Z31456	WASHER	7	-558049	X X X	
16	19M7698	CAP SCREW	6	-558049	X X X	(B) M8X1X40
	19M7925	CAP SCREW	6	-449999	X	(C) M8X1X45
17	L32710	MEDALLION	1	-558049	X X X	
18	Z31364	SCREW	2	-558049	X X X	
19	L32709	CAP SCREW	1	-558049	X X X	(B) M8X1X40
	L36308	CAP SCREW	1	-449999	X	(C) M8X1X45
20	Z31360	SPRING PIN	1	-558049	X X X	
21	L39146	PISTON	1	-558049	X X X	NSEP (ORD AL68083)
22	Z31454	O-RING	2	-558049	X X X	
23	AL32777	GEAR	1	-558049	X X X	(A) (C) NSEP (ORD AL69628)
	AL28272	STEERING METERING PUMP	1	-558049	X X X	(B) NSEP (ORD AL69627)
	AL32778	GEAR	1	-449999	X	(C) NSEP (ORD AL69629)
24	Z31358	DISTRIBUTOR PLATE	1	-558049	X X X	NSEP (ORD AL68083)
25	Z31453	O-RING	1	-558049	X X X	
26	L36306	SHIM	1	-449999	X X X	(A) (C)
	L32708	SHIM	1	-558049	X X X	(B)
	L36307	SHIM	1	-449999	X	(C)
27	Z31356	DRIVE SHAFT	1	-558049	X X X	NSEP (ORD AL69627 OR AL69628 OR AL69629)
28	Z31350	PIPE PLUG	1	-558049	X X X	
29	Z31349	BALL	1	-558049	X X X	8.5MM
30	Z31348	SEAL	1	-558049	X X X	
31	AL68083	KIT	1	-558049	X X X	
32	AL69627	GEAR	1	-558049	X X X	(FOR AL55954)
	AL69628	GEAR	1	-449999	X X X	(FOR AL35833)
	AL69629	GEAR	1	-449999	X X X	(FOR AL55956)

(A) WITH FRONT WHEEL DRIVE
AVEC ESSIEU AVANT MOTEUR
BEI FRONTANTRIEB
CON TRAZIONE ANTERIORE
CON TRACCION DELANTERA
VID FRAMHJULSDRIFT

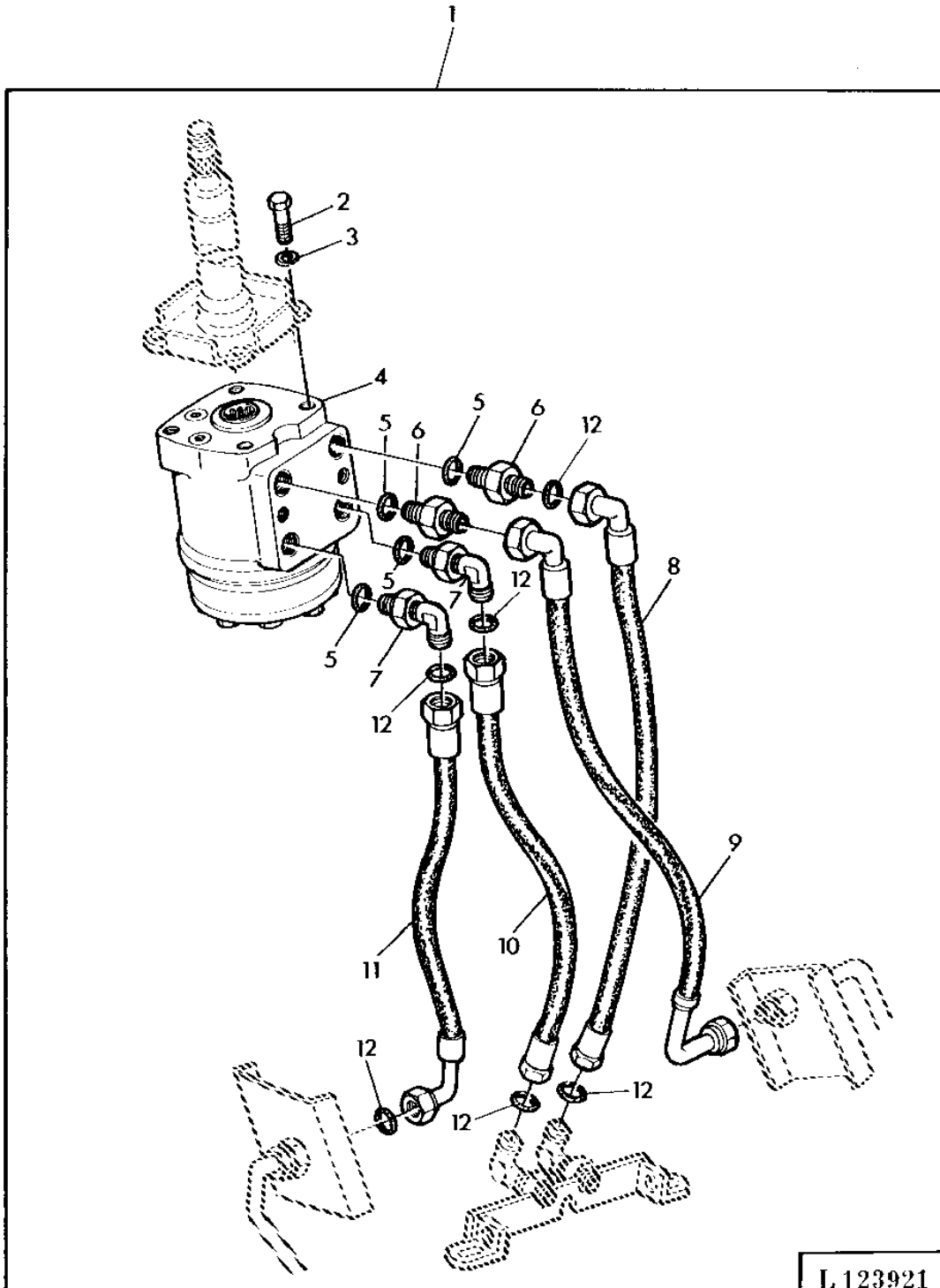
(B) WITH SG2 CAB
AVEC CABINE SG2
BEI SG2 KABINE
CON CABINA SG2
CON CABINA SG2
VID SG2 HYTT

(C) WITH FRONT WHEEL DRIVE,SG2 C
AVEC PONT AVANT CABINE SG2
BEI FRONTANTR.SG2 KABINE
CON TRAZ.ANTER.E CABINA SG2
CON TRACC.DELANTERA CABINA S
VID FRAMHJULSDRIFT,SG2 HYTT

4D7

HYDROSTATIC STEERING

CONVERSION KIT FOR STEERING UNIT AL35833 F.N.D.
JEU DE MODIF. POUR UNITE DE DIRECT. AL35833 PONT AV
UMRUESTSATZ FUER LENKEINHEIT AL35833 FRONTANTRIEB
KIT CONVERSIONE PER VALVOLA STERZO AL35833 TAM
JUEGO DE MODIF. PARA VALV. DE DIRECCION AL35833
OMBYGGNADSSATS FOR STYRENHET AL35833 FHD
L123921 -UN-18JUL95



4D8

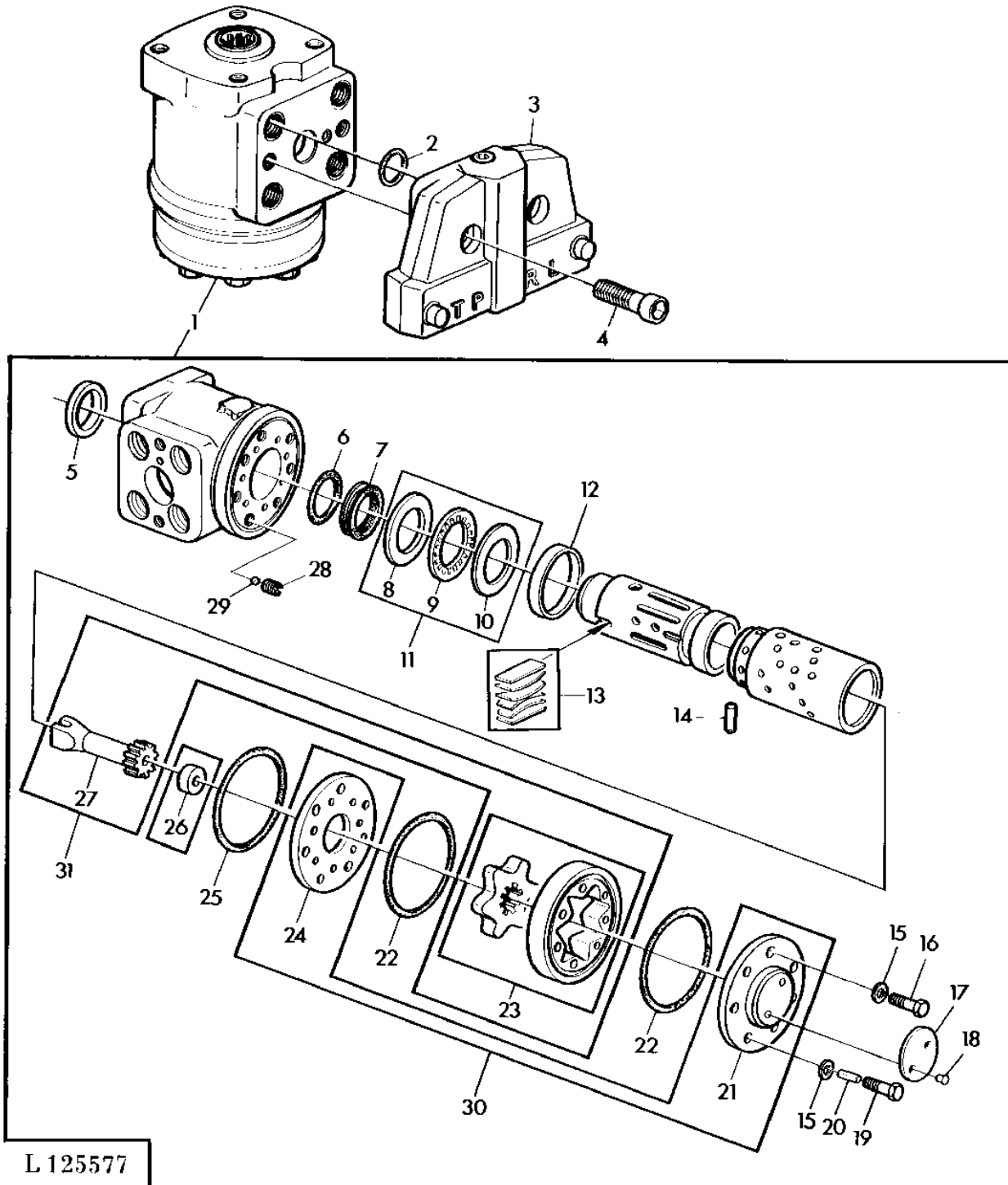
HYDROSTATIC STEERING

KEY	PART NO.	PART NAME	QTY	SERIAL NO.		REMARKS
					2	
					1 2 0	
					6 0 4	
					4 4 0	
					0 0 S	
1	AL58132	KIT	1	-449999	X X X	
2	19M7550	CAP SCREW	4		X X X	M10X35
3	12M7135	LOCK WASHER	4		X X X	
4	AL58121	STEERING CONTROL UNIT	1		X X X	DANFOSS OSPC 125CN 150-0184
5	L41383	RING	4		X X X	
6	L41898	ADAPTER	2		X X X	
7	AL41290	ELBOW FITTING	2		X X X	
8	AL31647	HYDRAULIC HOSE	1		X X X	
9	AL41641	HYDRAULIC HOSE	1		X X X	
10	AL41642	HYDRAULIC HOSE	1		X X X	
11	AL41722	HYDRAULIC HOSE	1		X X X	
12	Z27993	O-RING	AR		X X X	

4D9

HYDROSTATIC STEERING

HYDROSTATIC STEERING UNIT WITH FWD-APL 325
UNITE DE DIRECTION HYDROSTATIQUE AVEC ESSIEU AV. MOT.-APL 325
HYDROSTAT. LENKINHEIT BEI FRONTANTRIEB-APL 325
GRUPPO VALVOLA IDROST. CON TRAZIONE ANTERIORE-APL 325
DIRECCION HIDROST.-BOMBA DE DIREC. TRACCION DELANTERA-APL 325
HYDROSTATISK STYRVENTIL VID FRAMHJULSDRIFT-APL 325
L125577 -UN-18JUL95



4D10

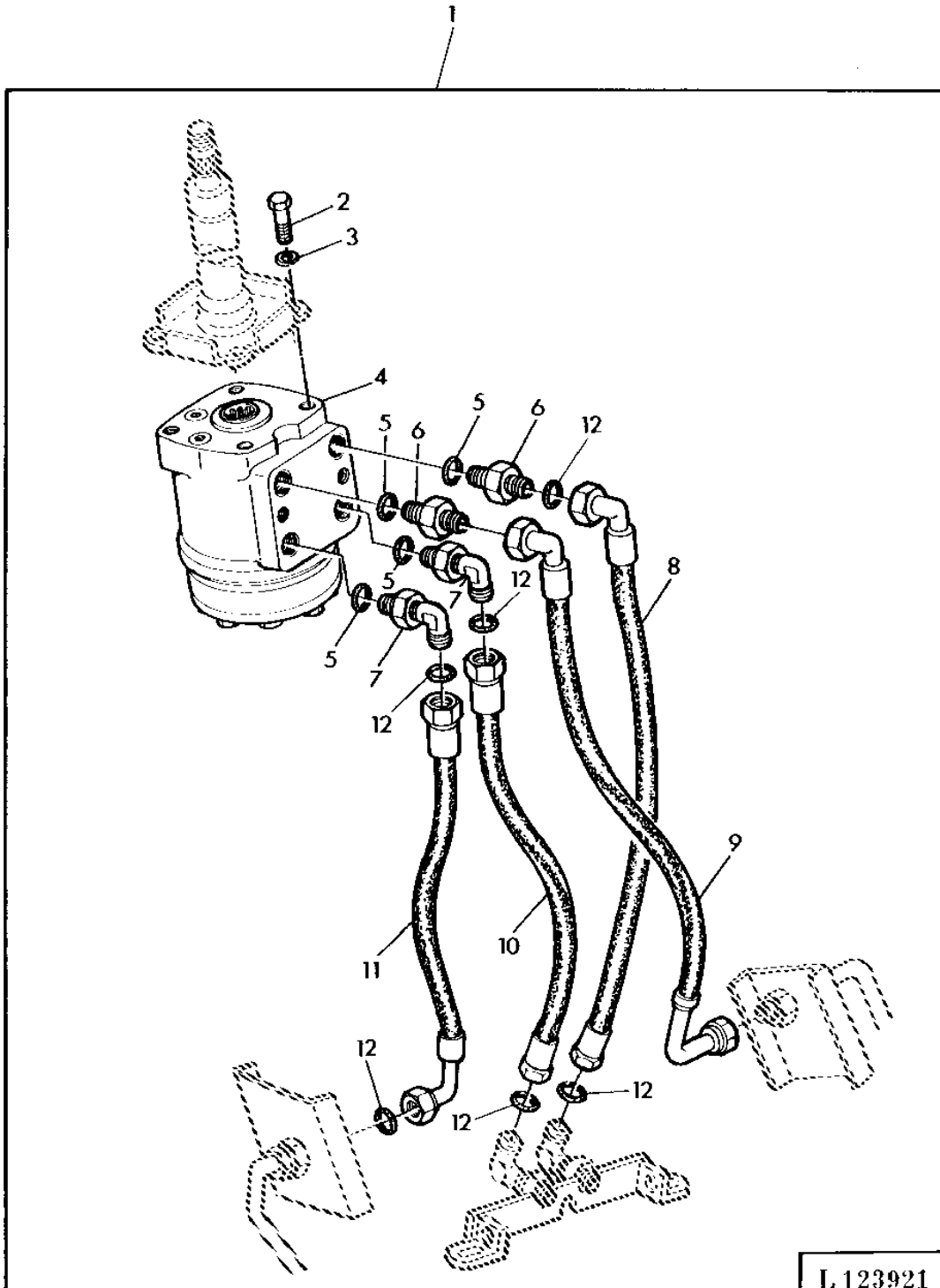
HYDROSTATIC STEERING

KEY	PART NO.	PART NAME	QTY	SERIAL NO.		REMARKS
					2	
					1 2 0	
					6 0 4	
					4 4 0	
					0 0 S	
1	AL35011	STEERING CONTROL UNIT	1	450000-557668	X X X	DANFOSS OSPB 125CN 150-0169 (ORD AL58129)
2	P47908	O-RING	4	450000-557668	X X X	
3	AL32798	VALVE STACK	1	450000-557668	X X X	(SUB FOR AL31245)
4	19M7661	SCREW	2	450000-557668	X X X	M10X1X40
5	Z31348	SEAL	1	450000-557668	X X X	
6	Z31452	O-RING	1	450000-557668	X X X	
7	Z31455	BACK-UP RING	1	450000-557668	X X X	
8	Z31351	THRUST WASHER	1	450000-557668	X X X	NSEP (ORD AL36989)
9	AZ20006	THRUST BEARING	1	450000-557668	X X X	NSEP (ORD AL36989)
10	Z31352	THRUST WASHER	1	450000-557668	X X X	NSEP (ORD AL36989)
11	AL36989	THRUST BEARING	1	450000-557668	X X X	
12	Z31353	RING	1	450000-557668	X X X	
13	AZ25154	LEAF SPRING	1	450000-557668	X X X	KIT
14	Z31354	PIN	1	450000-557668	X X X	
15	Z31456	WASHER	7	450000-557668	X X X	
16	19M7698	CAP SCREW	6	450000-557668	X X X	M8X1X40
17	L32710	MEDALLION	1	450000-557668	X X X	
18	Z31364	SCREW	2	450000-557668	X X X	
19	L32709	CAP SCREW	1	450000-557668	X X X	M8X1X40
20	Z31360	SPRING PIN	1	450000-557668	X X X	
21	L39146	PISTON	1	450000-557668	X X X	NSEP (ORD AL68083)
22	Z31454	O-RING	2	450000-557668	X X X	
23	AL32777	GEAR	1	450000-557668	X X X	NSEP (ORD AL69628)
24	Z31358	DISTRIBUTOR PLATE	1	450000-557668	X X X	NSEP (ORD AL68083)
25	Z31453	O-RING	1	450000-557668	X X X	
26	L36306	SHIM	1	450000-557668	X X X	
27	Z31356	DRIVE SHAFT	1	450000-557668	X X X	NSEP (ORD AL69628)
28	Z31350	PIPE PLUG	1	450000-557668	X X X	
29	Z31349	BALL	1	450000-557668	X X X	8.5MM
30	AL68083	KIT	1	450000-557668	X X X	
31	AL69628	GEAR	1	450000-557668	X X X	

4D11

HYDROSTATIC STEERING

CONVERSION KIT FOR STEERING UNIT AL35011 F.N.D.-APL 325
JEU DE MODIF. POUR UNITE DE DIRECT. AL35011 PONT AV-APL 325
UMRUESTSATZ FUER LENKEINHEIT AL35011 FRONTANTRIEB-APL 325
KIT CONVERSIONE PER VALVOLA STERZO AL35011 TAM-APL 325
JUEGO DE MODIF. PARA VALV. DE DIRECCION AL35011 TDM-APL 325
OMBYGGNADSSATS FOR STYRENHET AL35011 FHD-APL 325
L123921 -UN-18JUL95



L 123921

4D12

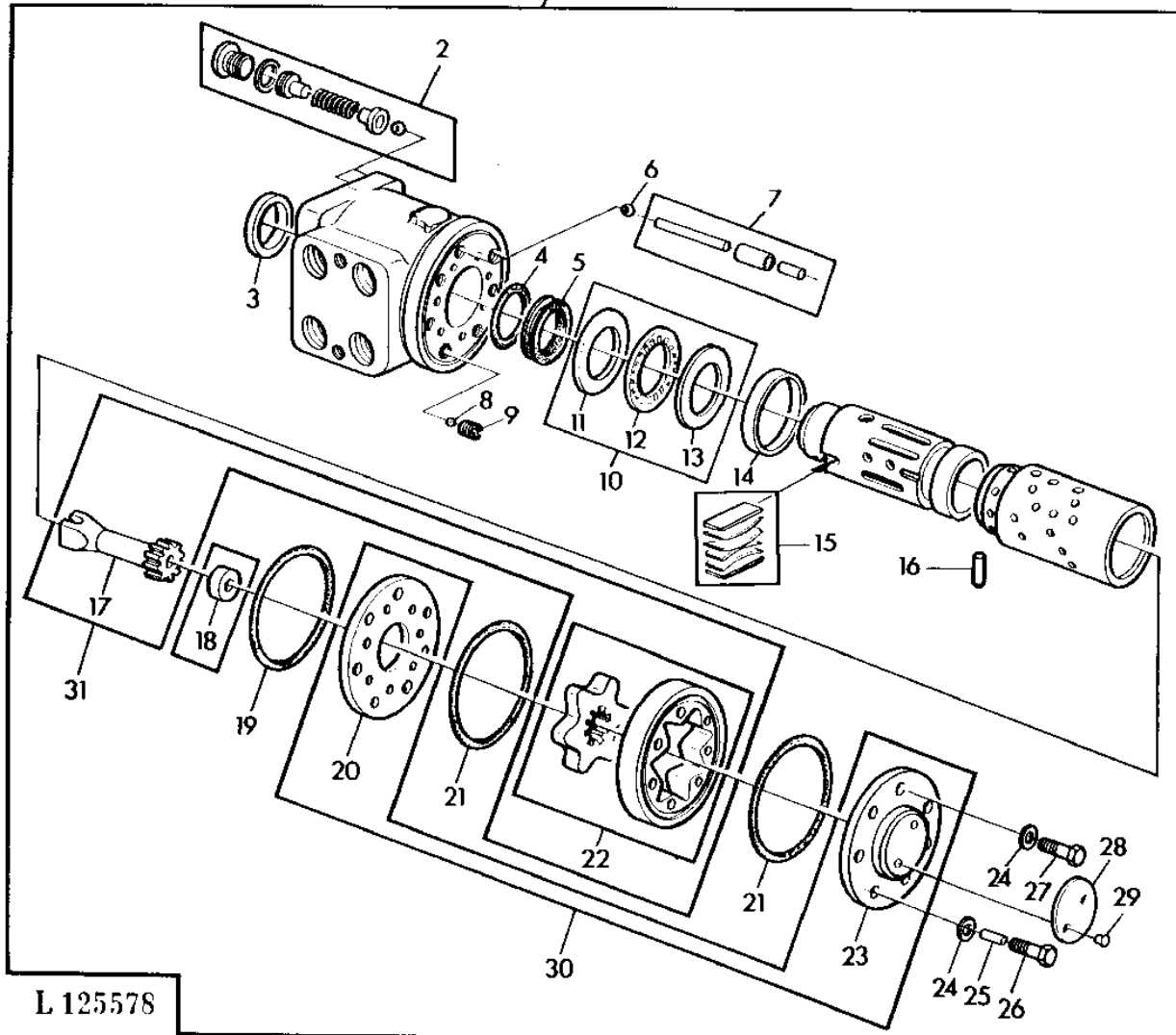
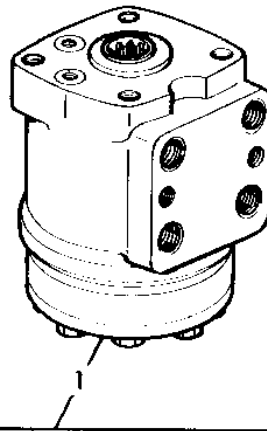
HYDROSTATIC STEERING

KEY	PART NO.	PART NAME	QTY	SERIAL NO.	REMARKS
					2
					1 2 0
					6 0 4
					4 4 0
					0 0 S
1	AL58129	KIT	1		X X X
2	19M7550	CAP SCREW	4		X X X M10X35
3	12M7135	LOCK WASHER	4		X X X
4	AL58121	STEERING CONTROL UNIT	1		X X X DANFOSS OSPC 125CN 150-0184
5	L41383	RING	4		X X X
6	L41898	ADAPTER	2		X X X
7	AL41290	ELBOW FITTING	2		X X X
8	AL31647	HYDRAULIC HOSE	1		X X X
9	AL41641	HYDRAULIC HOSE	1		X X X
10	AL41642	HYDRAULIC HOSE	1		X X X
11	AL41722	HYDRAULIC HOSE	1		X X X
12	Z27993	O-RING	AR		X X X

4D13

HYDROSTATIC STEERING

HYDROSTATIC STEERING UNIT FOR CONVERSION KIT AL58132/AL58129
UNITE DIRECTION HYDROSTAT. POUR JEU MODIFIC. AL58132/AL58129
HYDROSTAT. LENKEINHEIT FUER UMRUESTSATZ AL58132 UND AL58129
STERZO IDROSTATICO PER GRUPPO CONVERSIONE AL58132/AL58129
UNIDAD DE DIRECCION HIDROST. PARA JUEGO DE MODIF. AL58132/AL58129
SATS AL58132/AL58129 FOR KONVERTERING HYDROSTATISK STYRNING
L125578 -UN-09JUN95



L 125578

4D14

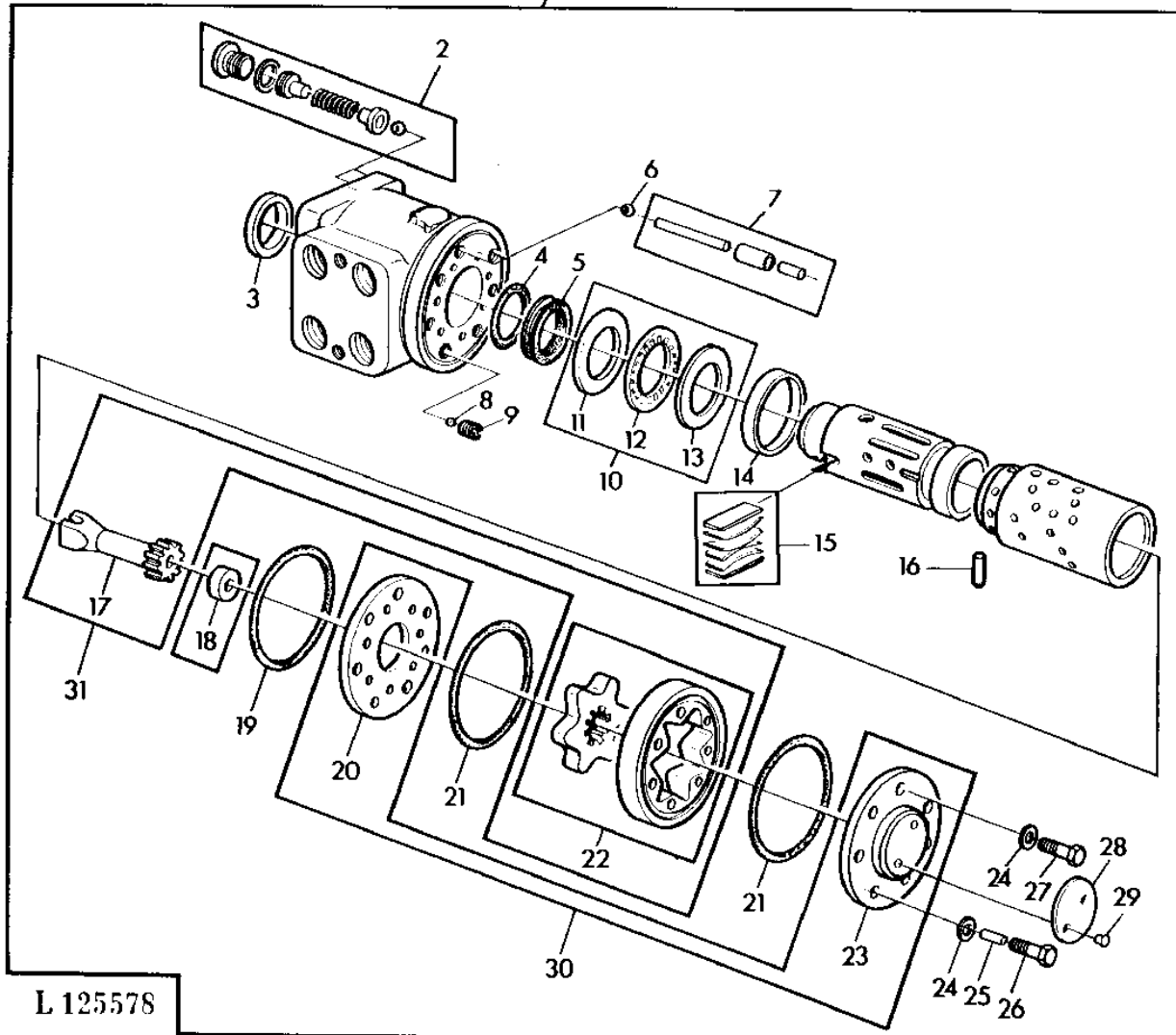
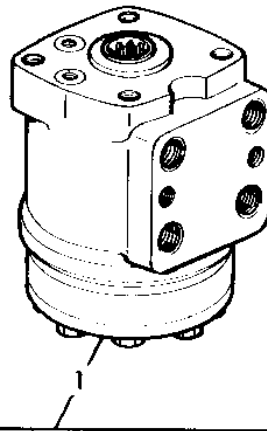
HYDROSTATIC STEERING

KEY	PART NO.	PART NAME	QTY	SERIAL NO.	REMARKS
					2
					1 2 0
					6 0 4
					4 4 0
					0 0 S
1	AL58121	STEERING CONTROL UNIT	1	X X X	DANFOSS-OSPC 125CN 150-0184
2	AZ31301	VALVE	2	X X X	
3	Z31348	SEAL	1	X X X	
4	Z31452	O-RING	1	X X X	
5	Z31455	BACK-UP RING	1	X X X	
6	H871R	BALL	2	X X X	
7	AL37593	PIN	2	X X X	
8	Z31349	BALL	1	X X X	8.5MM
9	Z31350	PIPE PLUG	1	X X X	
10	AL36989	THRUST BEARING	1	X X X	
11	Z31351	THRUST WASHER	1	X X X	NSEP (ORD AL36989)
12	AZ20006	THRUST BEARING	1	X X X	NSEP (ORD AL36989)
13	Z31352	THRUST WASHER	1	X X X	NSEP (ORD AL36989)
14	Z31353	RING	1	X X X	
15	AZ25154	LEAF SPRING	1	X X X	KIT
16	Z31354	PIN	1	X X X	
17	Z31356	DRIVE SHAFT	1	X X X	NSEP (ORD AL69628)
18	L32708	SHIM	1	X X X	
19	Z31453	O-RING	1	X X X	
20	Z31358	DISTRIBUTOR PLATE	1	X X X	NSEP (ORD AL68083)
21	Z31454	O-RING	2	X X X	
22	AL32777	GEAR	1	X X X	NSEP (ORD AL69628)
23	L39146	PISTON	1	X X X	NSEP (ORD AL68083)
24	Z31456	WASHER	7	X X X	
25	Z31360	SPRING PIN	1	X X X	
26	L32709	CAP SCREW	1	X X X	M8X1X40
27	19M7698	CAP SCREW	6	X X X	M8X1X40
28	L32710	MEDALLION	1	X X X	
29	Z31364	SCREW	2	X X X	
30	AL68083	KIT	1	X X X	
31	AL69628	GEAR	1	X X X	

4D15

HYDROSTATIC STEERING

HYDROSTATIC STEERING UNIT WITH FWD-APL 325
UNITE DE DIRECTION HYDROSTATIQUE AVEC ESSIEU AV. MOT.-APL 325
HYDROSTAT. LENKINHEIT BEI FRONTANTRIEB-APL 325
GRUPPO VALVOLA IDROST. CON TRAZIONE ANTERIORE-APL 325
DIRECCION HIDROST.-BOMBA DE DIREC. TRACCION DELANTERA-APL 325
HYDROSTATISK STYRVENTIL VID FRAMHJULSDRIFT-APL 325
L125578 -UN-09JUN95



L 125578

4D16

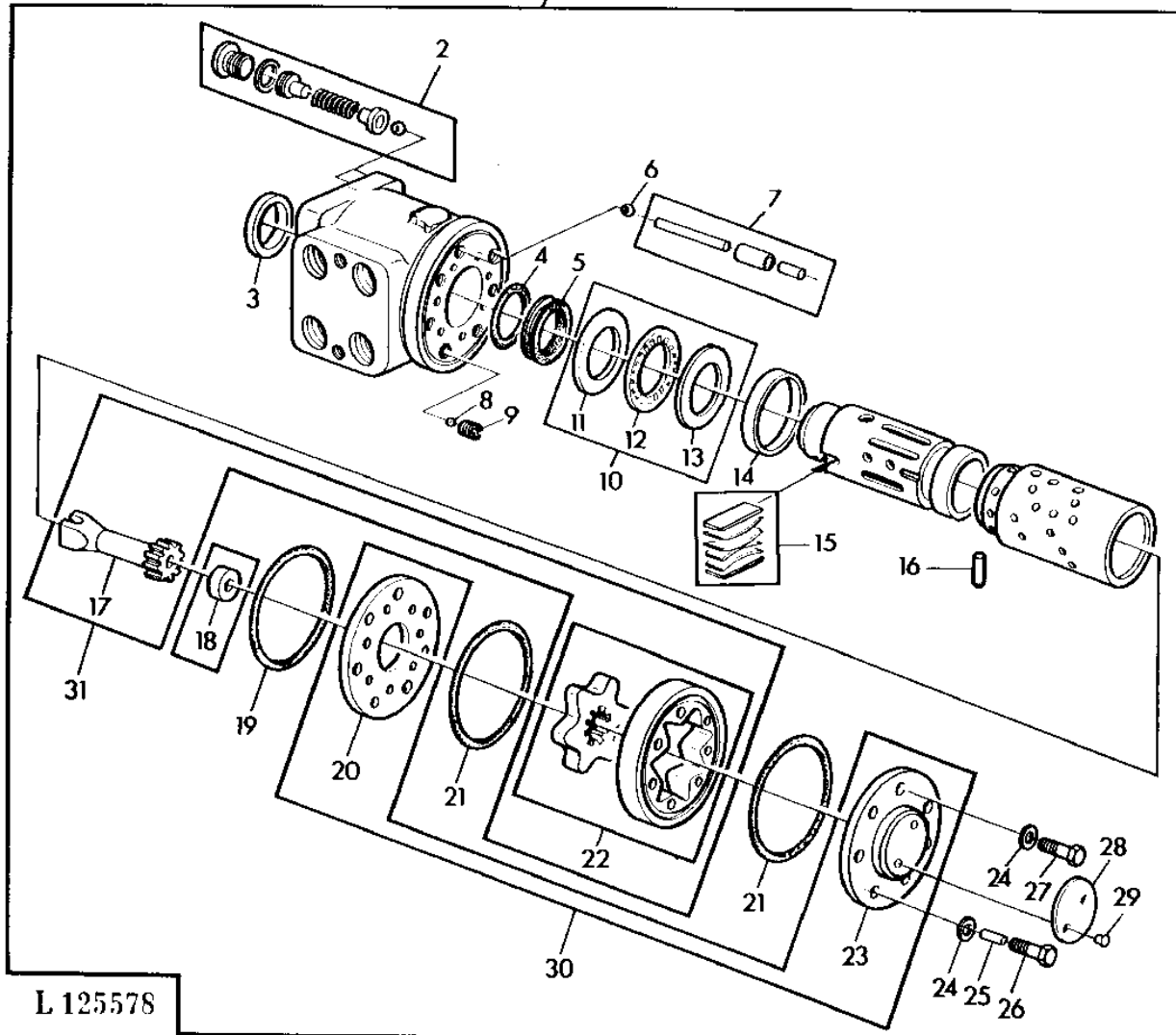
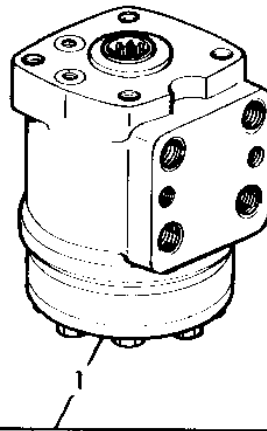
HYDROSTATIC STEERING

KEY	PART NO.	PART NAME	QTY	SERIAL NO.		REMARKS
					2	
					1 2 0	
					6 0 4	
					4 4 0	
					0 0 S	
1	AL41631	STEERING CONTROL UNIT	1	557669-	X X X	DANFOSS OSPC 125CN 150-0179
2	AZ31301	VALVE	2	557669-	X X X	
3	Z31348	SEAL	1	557669-	X X X	
4	Z31452	O-RING	1	557669-	X X X	
5	Z31455	BACK-UP RING	1	557669-	X X X	
6	H871R	BALL	2	557669-	X X X	
7	AL37593	PIN	2	557669-	X X X	
8	Z31349	BALL	1	557669-	X X X	8.5MM
9	Z31350	PIPE PLUG	1	557669-	X X X	
10	AL36989	THRUST BEARING	1	557669-	X X X	
11	Z31351	THRUST WASHER	1	557669-	X X X	NSEP (ORD AL36989)
12	AZ20006	THRUST BEARING	1	557669-	X X X	NSEP (ORD AL36989)
13	Z31352	THRUST WASHER	1	557669-	X X X	NSEP (ORD AL36989)
14	Z31353	RING	1	557669-	X X X	
15	AZ25154	LEAF SPRING	1	557669-	X X X	KIT
16	Z31354	PIN	1	557669-	X X X	
17	Z31356	DRIVE SHAFT	1	557669-	X X X	NSEP (ORD AL69628)
18	L36306	SHIM	1	557669-	X X X	
19	Z31453	O-RING	1	557669-	X X X	
20	Z31358	DISTRIBUTOR PLATE	1	557669-	X X X	NSEP (ORD AL68083)
21	Z31454	O-RING	2	557669-	X X X	
22	AL32777	GEAR	1	557669-	X X X	NSEP (ORD AL69628)
23	L39146	PISTON	1	557669-	X X X	NSEP (ORD AL68083)
24	Z31456	WASHER	7	557669-	X X X	
25	Z31360	SPRING PIN	1	557669-	X X X	
26	L32709	CAP SCREW	1	557669-	X X X	M8X1X40
27	19M7698	CAP SCREW	6	557669-	X X X	M8X1X40
28	L32710	MEDALLION	1	557669-	X X X	
29	Z31364	SCREW	2	557669-	X X X	
30	AL68083	KIT	1	557669-	X X X	
31	AL69628	GEAR	1	557669-	X X X	

4D17

HYDROSTATIC STEERING

HYDROSTATIC STEERING UNIT (MC1 CAB)
UNITE DE DIRECTION HYDROSTATIQUE (CABINE MC1)
HYDROSTAT. LENKEINHEIT (MC1-KABINE)
GRUPPO VALVOLA IDROST. (CABINA MC1)
DIRECCION HIDROST.-BOMBA DE DIREC. (CABINA MC1)
HYDROSTATISK STYRVENTIL (MC1 FORARHYTT)
L125578 -UN-09JUN95



4D18

HYDROSTATIC STEERING

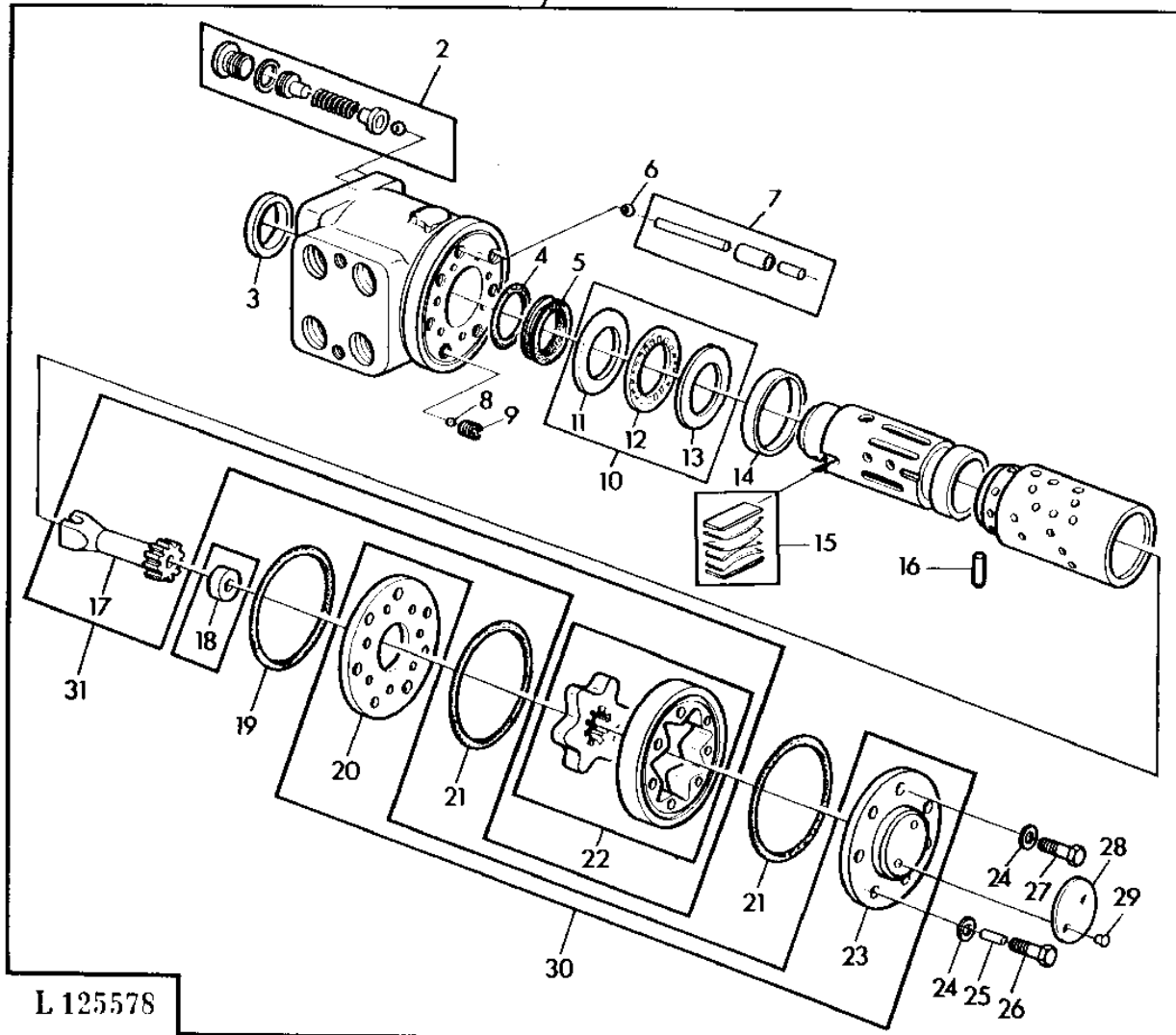
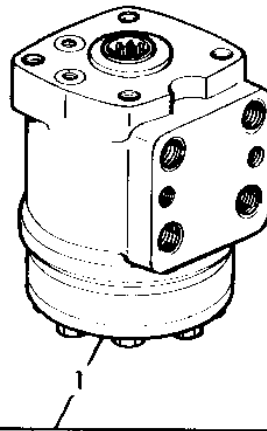
KEY	PART NO.	PART NAME	QTY	SERIAL NO.	REMARKS
					2
					1 2 0
					6 0 4
					4 4 0
					0 0 S
1	AL41291	STEERING CONTROL UNIT	1	X X X	DANFOSS OSPC 160CN 150-0178
2	AZ31301	VALVE	2	X X X	
3	Z31348	SEAL	1	X X X	
4	Z31452	O-RING	1	X X X	
5	Z31455	BACK-UP RING	1	X X X	
6	H871R	BALL	2	X X X	
7	AL37593	PIN	2	X X X	
8	Z31349	BALL	1	X X X	8.5MM
9	Z31350	PIPE PLUG	1	X X X	
10	AL36989	THRUST BEARING	1	X X X	
11	Z31351	THRUST WASHER	1	X X X	NSEP (ORD AL36989)
12	AZ20006	THRUST BEARING	1	X X X	NSEP (ORD AL36989)
13	Z31352	THRUST WASHER	1	X X X	NSEP (ORD AL36989)
14	Z31353	RING	1	X X X	
15	AZ25154	LEAF SPRING	1	X X X	KIT
16	Z31354	PIN	1	X X X	
17	Z31356	DRIVE SHAFT	1	X X X	NSEP (ORD AL69629)
18	L36307	SHIM	1	X X X	
19	Z31453	O-RING	1	X X X	
20	Z31358	DISTRIBUTOR PLATE	1	X X X	NSEP (ORD AL68083)
21	Z31454	O-RING	2	X X X	
22	AL32778	GEAR	1	X X X	NSEP (ORD AL69629)
23	L39146	PISTON	1	X X X	NSEP (ORD AL68083)
24	Z31456	WASHER	7	X X X	
25	Z31360	SPRING PIN	1	X X X	
26	L36308	CAP SCREW	1	X X X	M8X1X45
27	19M7925	CAP SCREW	6	X X X	M8X1X45
28	L32710	MEDALLION	1	X X X	
29	Z31364	SCREW	2	X X X	
30	AL68083	KIT	1	X X X	
31	AL69629	GEAR	1	X X X	

4D19

HYDROSTATIC STEERING

HYDROSTATIC STEERING UNIT WITH DOUPLE-ACTING CYLINDER (SG2 CAB)
DIRECTION HYDR.-UNITE DE DIRECTION AVEC VERIN DOUBLE EFFET (CABINE SG2)
HYDROST. LENKEINHEIT BEI EINEM DOPPELWIRKENDEN ZYLINDER (SG2 KABINE)
STERZO IDROST. GRUPPO VALVOLA DI STERZO CON 1 CIL. DOPPIO EFF. (CABINA SG2)
DIREC. HIDROST. BOMBA DE DIREC. CON UN CIL. DE DOBLE EFECTO (CABINA SG2)
HYDROST. STYRHUS OCH VENTILBLOCK VID 1 DUBBELVERK. STYRCYL. (SG2 HYTT)

L125578 -UN-09JUN95



L 125578

4D20

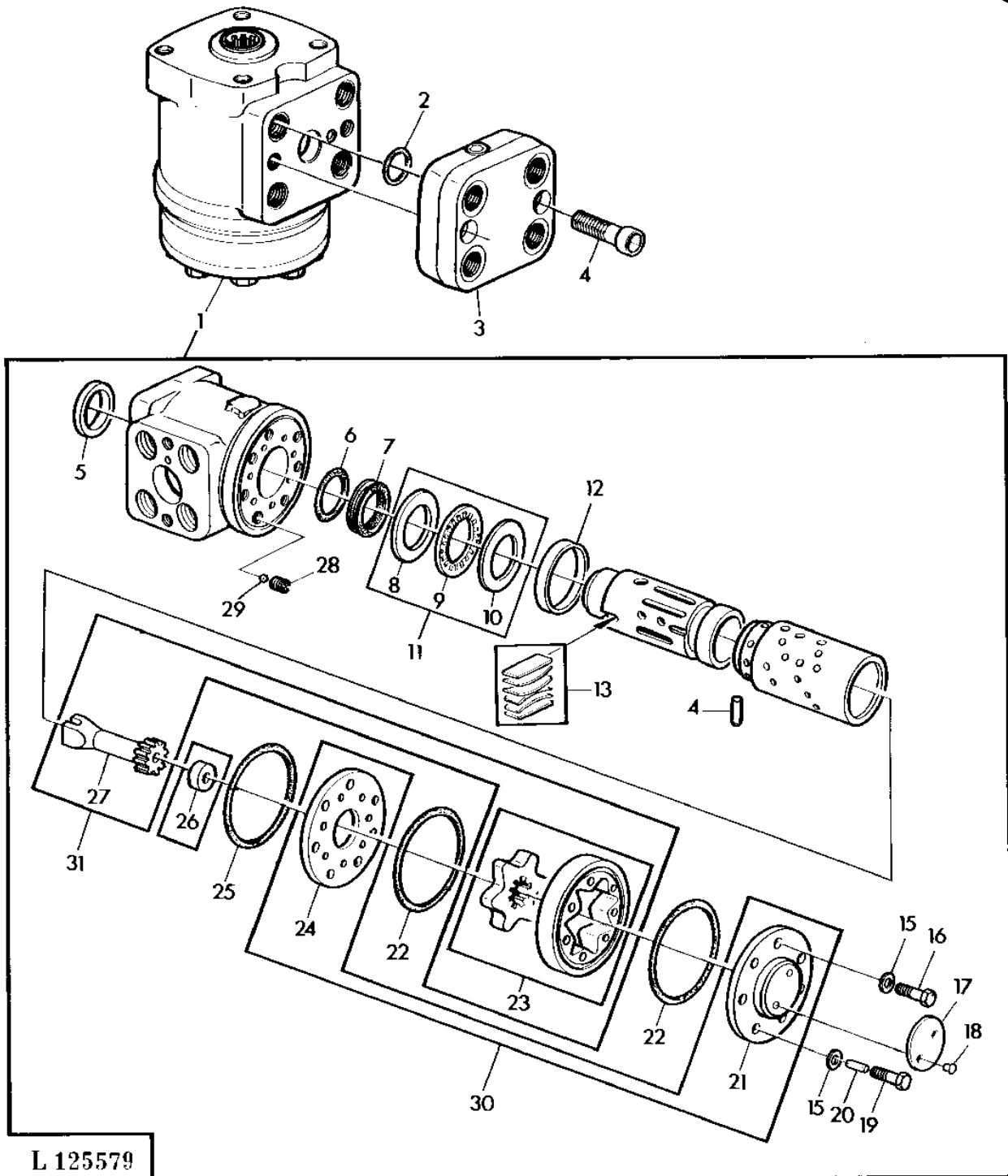
HYDROSTATIC STEERING

KEY	PART NO.	PART NAME	QTY	SERIAL NO.		REMARKS
					2	
					1 2 0	
					6 0 4	
					4 4 0	
					0 0 S	
1	AL55308	STEERING CONTROL UNIT	1	558050-	X X X	DANFOSS-OSPC 100CN 150-0183
2	AZ31301	VALVE	2	558050-	X X X	
3	Z31348	SEAL	1	558050-	X X X	
4	Z31452	O-RING	1	558050-	X X X	
5	Z31455	BACK-UP RING	1	558050-	X X X	
6	H871R	BALL	2	558050-	X X X	
7	AL37593	PIN	2	558050-	X X X	
8	Z31349	BALL	1	558050-	X X X	8.5MM
9	Z31350	PIPE PLUG	1	558050-	X X X	
10	AL36989	THRUST BEARING	1	558050-	X X X	
11	Z31351	THRUST WASHER	1	558050-	X X X	NSEP (ORD AL36989)
12	AZ20006	THRUST BEARING	1	558050-	X X X	NSEP (ORD AL36989)
13	Z31352	THRUST WASHER	1	558050-	X X X	NSEP (ORD AL36989)
14	Z31353	RING	1	558050-	X X X	
15	AZ25154	LEAF SPRING	1	558050-	X X X	KIT
16	Z31354	PIN	1	558050-	X X X	
17	Z31356	DRIVE SHAFT	1	558050-	X X X	NSEP (ORD AL69627)
18	L32708	SHIM	1	558050-	X X X	
19	Z31453	O-RING	1	558050-	X X X	
20	Z31358	DISTRIBUTOR PLATE	1	558050-	X X X	NSEP (ORD AL68083)
21	Z31454	O-RING	2	558050-	X X X	
22	AL28272	STEERING METERING PUMP	1	558050-	X X X	NSEP (ORD AL69627)
23	L39146	PISTON	1	558050-	X X X	NSEP (ORD AL68083)
24	Z31456	WASHER	7	558050-	X X X	
25	Z31360	SPRING PIN	1	558050-	X X X	
26	L32709	CAP SCREW	1	558050-	X X X	M8X1X40
27	19M7698	CAP SCREW	6	558050-	X X X	M8X1X40
28	L32710	MEDALLION	1	558050-	X X X	
29	Z31364	SCREW	2	558050-	X X X	
30	AL68083	KIT	1	558050-	X X X	
31	AL69627	GEAR	1	558050-	X X X	

4D21

HYDROSTATIC STEERING

HYDROSTATIC STEERING UNIT WITH FWD-APL 325 (SG2 CAB)
UNITE DE DIRECTION HYDROSTATIQUE AVEC FWD-APL 325 (CABINE SG2)
HYDROST. LENKEINHEIT BEI FRONTANTR.-APL 325 (SG2 KABINE)
GRUPPO VALVOLA IDROST. CON TRAZ. ANTER.-APL 325 (CABINA SG2)
CONJUNTO BOMBA DE DIRECCION HYDROST. CON TD-APL 325 (CABINA SG2)
HYDROSTAT. STYRVENTILENHET-APL 325 (SG2 HYTT)
L125579 -UN-18JUL95



L 125579

4D22

HYDROSTATIC STEERING

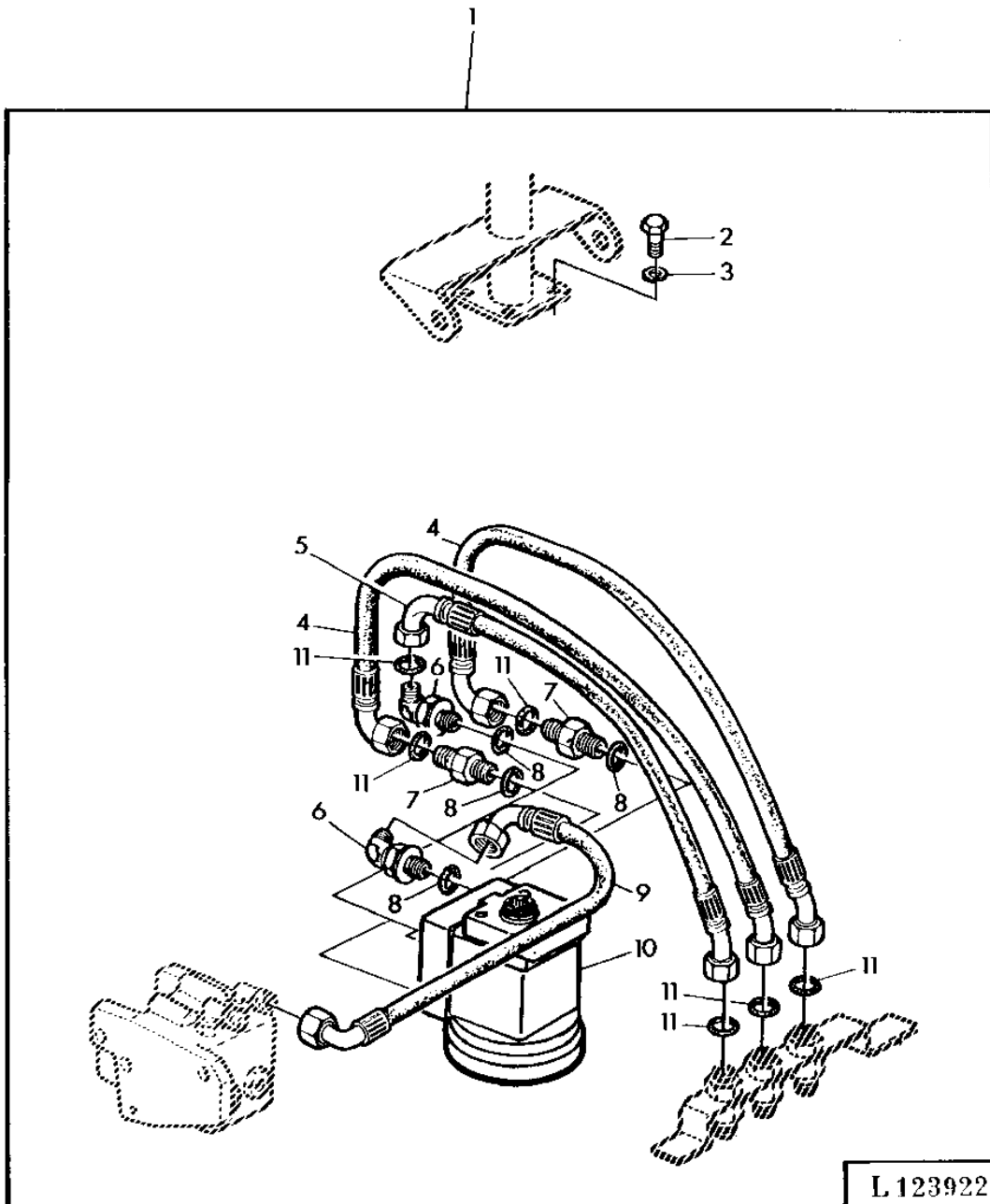
KEY	PART NO.	PART NAME	QTY	SERIAL NO.		REMARKS
					2	
					1 2 0	
					6 0 4	
					4 4 0	
					0 0 S	
1	AL35011	STEERING CONTROL UNIT	1	450000-555841	X X	DANFOSS OSPB 125CN 150-0169 (ORD AL58135)
	AL35010	STEERING CONTROL UNIT	1	450000-519334	X	DANFOSS OSPB 160CN 150-0168 (ORD AL58137)
	AL35011	STEERING CONTROL UNIT	1	519335-555841	X	DANFOSS OSPB 125CN 150-0169 (ORD AL58135)
2	P47908	O-RING	4	450000-555841	X X X	
3	AL38398	VALVE STACK	1	450000-555841	X X X	(SUB FOR AL34998)
4	19M7661	SCREW	2	450000-555841	X X X	M10X1X40
5	Z31348	SEAL	1	450000-555841	X X X	
6	Z31452	O-RING	1	450000-555841	X X X	
7	Z31455	BACK-UP RING	1	450000-555841	X X X	
8	Z31351	THRUST WASHER	1	450000-555841	X X X	NSEP (ORD AL36989)
9	AZ20006	THRUST BEARING	1	450000-555841	X X X	NSEP (ORD AL36989)
10	Z31352	THRUST WASHER	1	450000-555841	X X X	NSEP (ORD AL36989)
11	AL36989	THRUST BEARING	1	450000-555841	X X X	
12	Z31353	RING	1	450000-555841	X X X	
13	AZ25154	LEAF SPRING	1	450000-555841	X X X	KIT
14	Z31354	PIN	1	450000-555841	X X X	
15	Z31456	WASHER	7	450000-555841	X X X	
16	19M7698	CAP SCREW	6	450000-555841	X X	M8X1X40
	19M7925	CAP SCREW	6	450000-519334	X	M8X1X45
	19M7698	CAP SCREW	6	519335-555841	X	M8X1X40
17	L32710	MEDALLION	1	450000-555841	X X X	
18	Z31364	SCREW	2	450000-555841	X X X	
19	L32709	CAP SCREW	1	450000-555841	X X	M8X1X40
	L36308	CAP SCREW	1	450000-519334	X	M8X1X45
	L32709	CAP SCREW	1	519335-555841	X	M8X1X40
20	Z31360	SPRING PIN	1	450000-555841	X X X	
21	L39146	PISTON	1	450000-555841	X X X	NSEP (ORD AL68083)
22	Z31454	O-RING	2	450000-555841	X X X	
23	AL32777	GEAR	1	450000-555841	X X	NSEP (ORD AL69628)
	AL32778	GEAR	1	450000-519334	X	NSEP (ORD AL69629)
	AL32777	GEAR	1	519335-555841	X	NSEP (ORD AL69628)
24	Z31358	DISTRIBUTOR PLATE	1	450000-555841	X X X	NSEP (ORD AL68083)
25	Z31453	O-RING	1	450000-555841	X X X	
26	L36306	SHIM	1	450000-555841	X X	
	L36307	SHIM	1	450000-519334	X	
	L36306	SHIM	1	519335-555841	X	
27	Z31356	DRIVE SHAFT	1	450000-555841	X X X	NSEP (ORD AL69628 OR AL69629)
28	Z31350	PIPE PLUG	1	450000-555841	X X X	
29	Z31349	BALL	1	450000-555841	X X X	8.5MM
30	AL68083	KIT	1	450000-555841	X X X	
31	AL69628	GEAR	1	450000-555841	X X	(FOR AL35011)
	AL69629	GEAR	1	450000-519334	X	(FOR AL35010)
	AL69628	GEAR	1	519335-555841	X	(FOR AL35011)

4D23

HYDROSTATIC STEERING

CONVERSION KIT FOR STEERING UNIT AL35011 F.N.D.-APL 325 (SG2 CAB)
JEU DE MODIF. POUR UNITE DE DIRECT. AL35011 PONT AV-APL 325 (CABINE SG2)
UMRUESTSATZ FUER LENKEINHEIT AL35011 FRONTANTRIEB-APL 325 (SG2 KABINE)
KIT CONVERSIONE PER VALVOLA STERZO AL35011 TAM-APL 325 (CABINA SG2)
JUEGO DE MODIF. PARA VALV. DE DIRECCION AL35011 TDM-APL 325 (CABINA SG2)
OMBYGGNADSSATS FOR STYRENHET AL35011 FHD-APL 325 (SG2 HYTT)

L123922 -UN-18JUL95



4D24

HYDROSTATIC STEERING

KEY	PART NO.	PART NAME	QTY	SERIAL NO.	2 1 2 0 6 0 4 4 4 0 0 0 S	REMARKS
1	AL58135	KIT	1	450000-	X X X	
2	19M7166	CAP SCREW	4		X X X	M10X20
3	12M7135	LOCK WASHER	4		X X X	
4	AL41621	HYDRAULIC HOSE	2		X X X	
5	AL41620	HYDRAULIC HOSE	1		X X X	
6	AL41290	ELBOW FITTING	2		X X X	
7	L41898	ADAPTER	2		X X X	
8	L41383	RING	4		X X X	
9	AL35000	HYDRAULIC HOSE	1		X X X	
10	AL41631	STEERING CONTROL UNIT	1		X X X	DANFOSS OSPC 125CN 150-0179
11	Z27993	O-RING	AR		X X X	

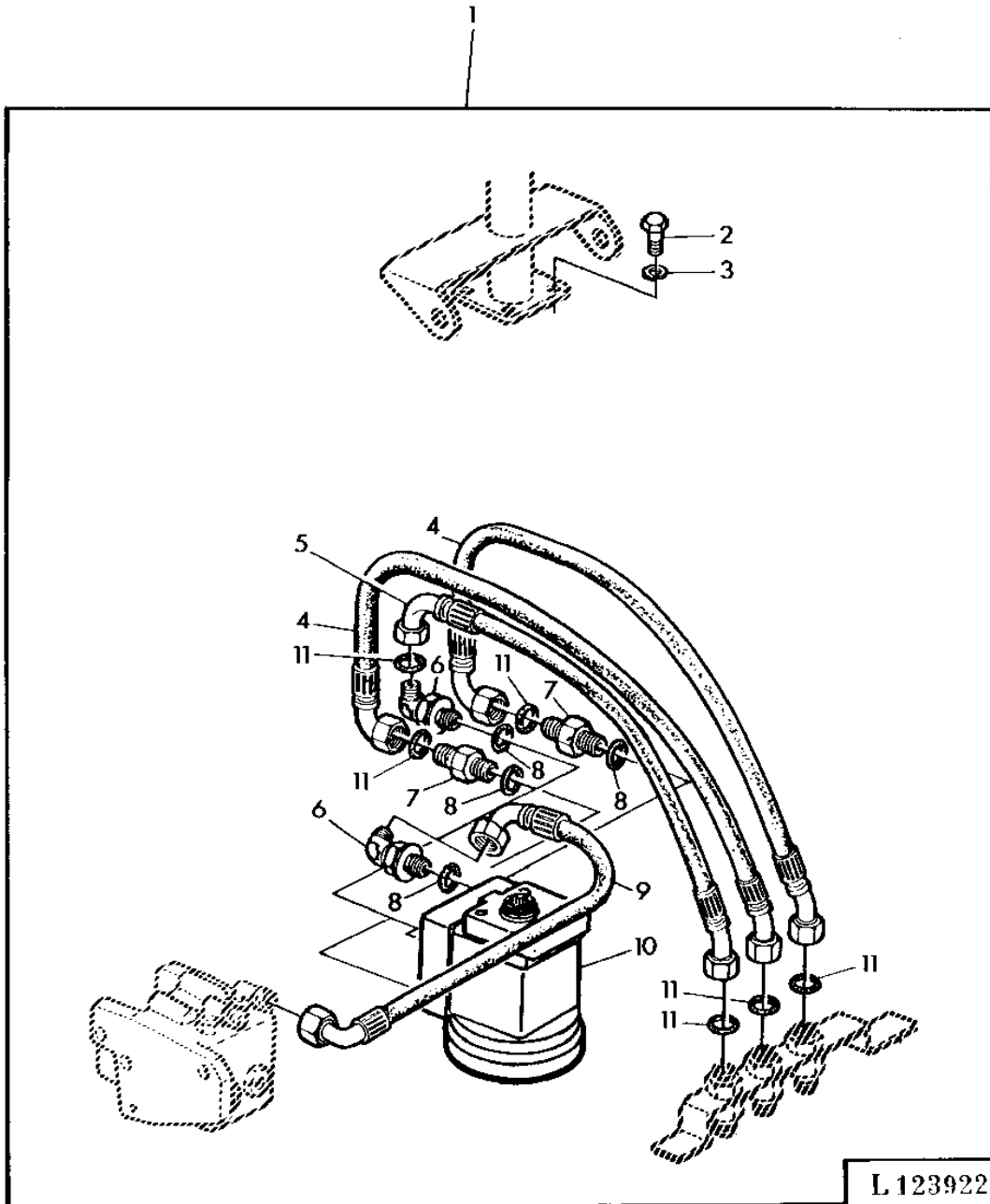
4E1

HYDROSTATIC STEERING

CONVERSION KIT FOR STEERING UNIT AL35010 F.N.D.-APL 325-(SG2 CAB)
JEU DE MODIF. POUR UNITE DE DIRECT. AL35010 PONT AV-APL 325 (CABINE SG2)
UMRUESTSATZ FUER LENKEINHEIT AL35010 FRONTANTRIEB-APL 325 (SG2 KABINE)
KIT CONVERSIONE PER VALVOLA STERZO AL35010 TAM-APL 325 (CABINA SG2)
JUEGO DE MODIF. PARA VALV. DE DIRECCION AL35010 TDM-APL 325 (CABINA SG2)
OMBYGGNADSSATS FOR STYRENHET AL35010 FHD-APL 325 (SG2 HYTT)

L123922

-UN-18JUL95



4E2

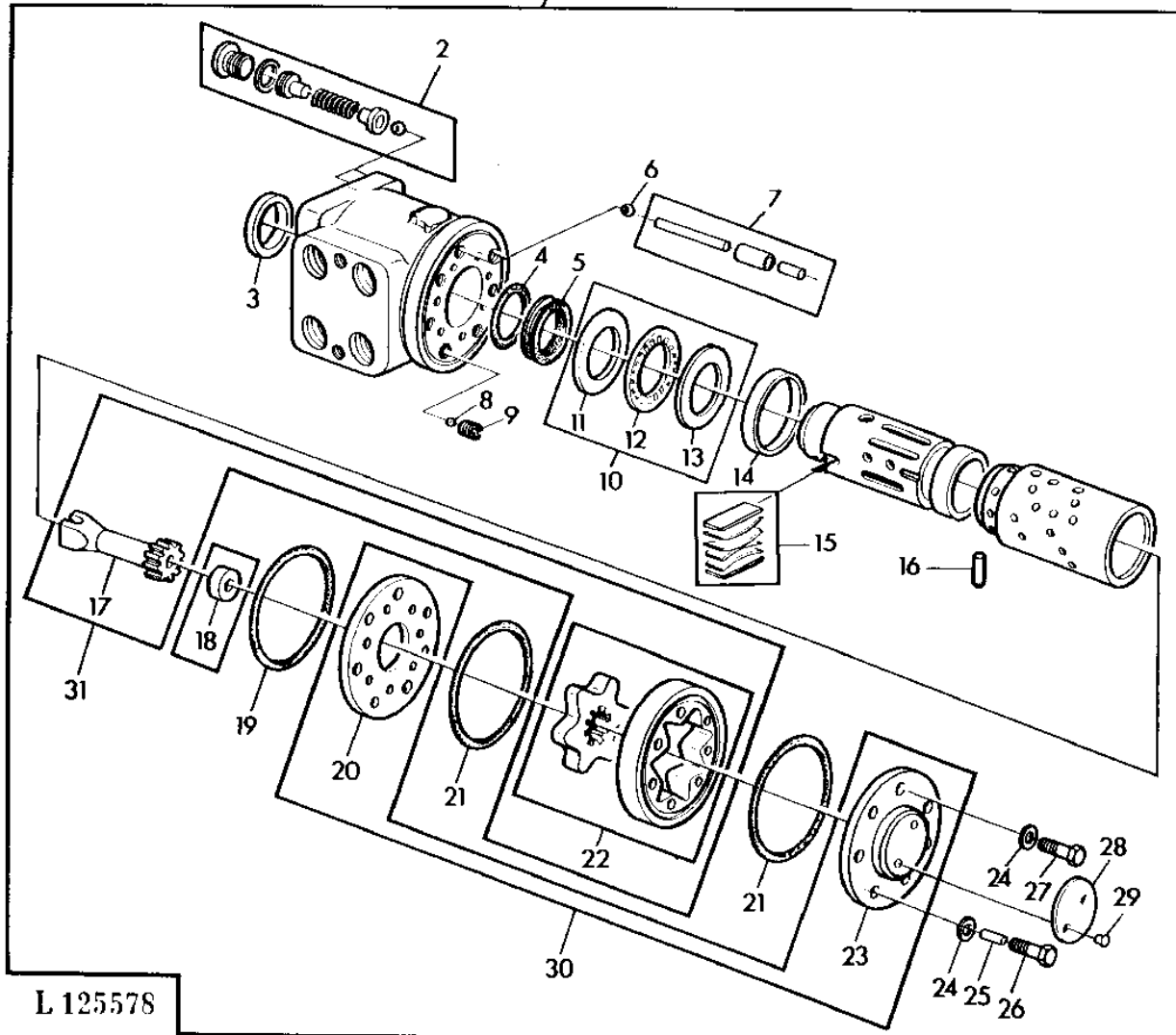
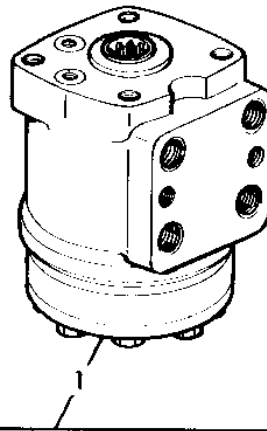
HYDROSTATIC STEERING

KEY	PART NO.	PART NAME	QTY	SERIAL NO.	2 1 2 0 6 0 4 4 4 0 0 0 S	REMARKS
1	AL58137	KIT	1	450000-519334	X	
2	19M7166	CAP SCREW	4		X	M10X20
3	12M7135	LOCK WASHER	4		X	
4	AL41621	HYDRAULIC HOSE	2		X	
5	AL41620	HYDRAULIC HOSE	1		X	
6	AL41290	ELBOW FITTING	2		X	
7	L41898	ADAPTER	2		X	
8	L41383	RING	4		X	
9	AL35000	HYDRAULIC HOSE	1		X	
10	AL41291	STEERING CONTROL UNIT	1		X	DANFOSS OSPC 160CN 150-0178
11	Z27993	O-RING	AR		X	

4E3

HYDROSTATIC STEERING

HYDROSTATIC STEERING UNIT FOR CONVERSION KIT AL58137
UNITE DIRECTION HYDROSTAT. POUR JEU MODIFIC. AL58137
HYDROST. LENKEINHEIT FUER UMRUESTSATZ AL58137
STERZO IDROSTATICO PER GRUPPO CONVERSIONE AL58137
UNIDAD DE DIRECCION HIDROSTATICA PARA JUEGO DE MODIF. AL58137
SATS AL58137 FOR KONVERTERING HYDROSTATISK STYRNING
L125578 -UN-09JUN95



L 125578

4E4

HYDROSTATIC STEERING

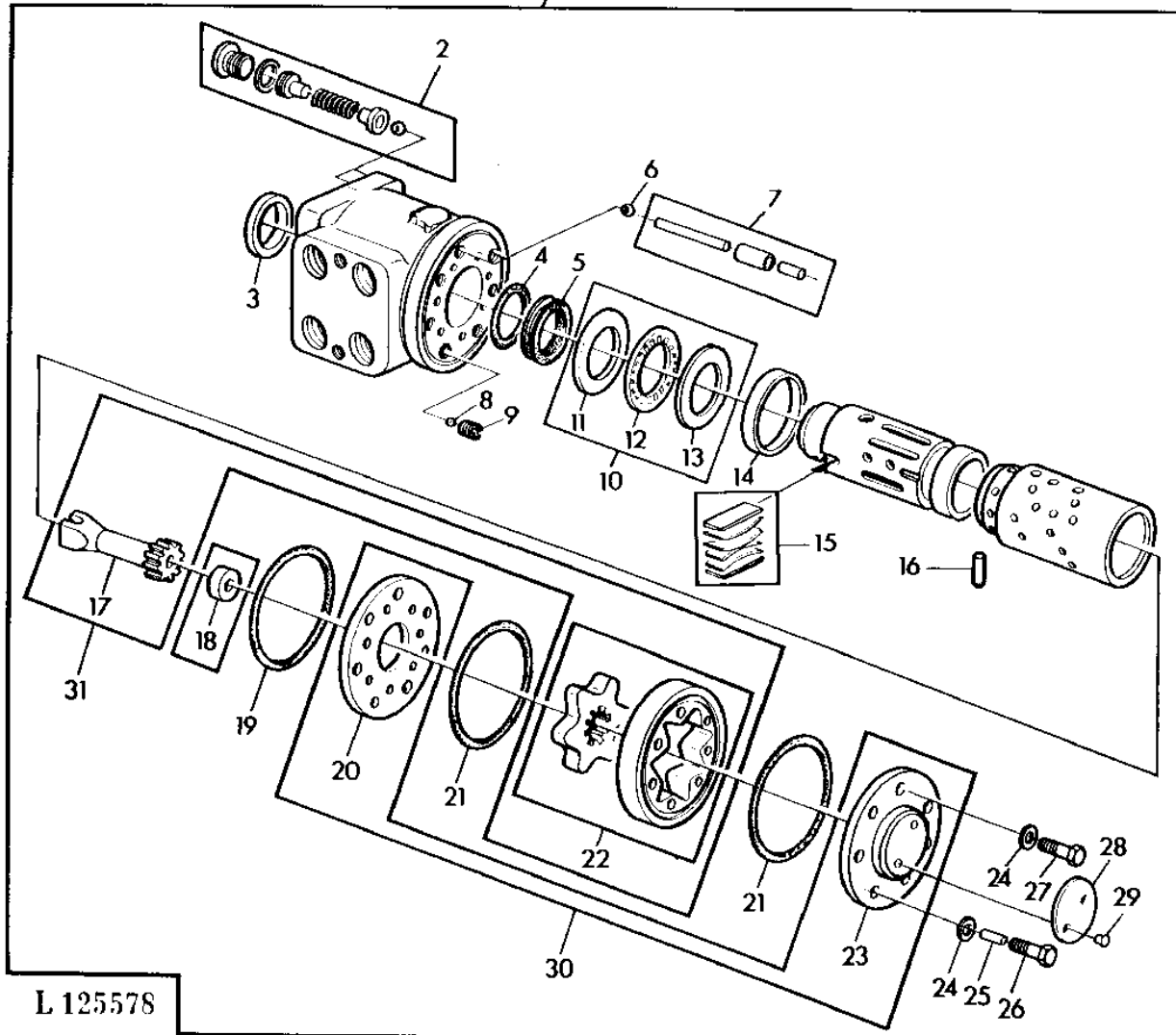
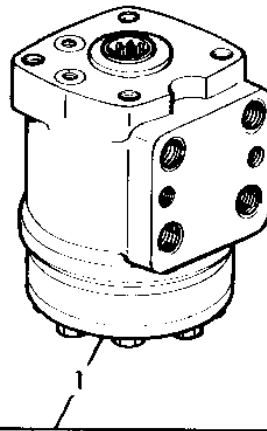
KEY	PART NO.	PART NAME	QTY	SERIAL NO.	REMARKS
					2
					1 2 0
					6 0 4
					4 4 0
					0 0 S
1	AL41291	STEERING CONTROL UNIT	1	X X X	DANFOSS OSPC 160CN 150-0178
2	AZ31301	VALVE	2	X X X	
3	Z31348	SEAL	1	X X X	
4	Z31452	O-RING	1	X X X	
5	Z31455	BACK-UP RING	1	X X X	
6	H871R	BALL	2	X X X	
7	AL37593	PIN	2	X X X	
8	Z31349	BALL	1	X X X	8.5MM
9	Z31350	PIPE PLUG	1	X X X	
10	AL36989	THRUST BEARING	1	X X X	
11	Z31351	THRUST WASHER	1	X X X	NSEP (ORD AL36989)
12	AZ20006	THRUST BEARING	1	X X X	NSEP (ORD AL36989)
13	Z31352	THRUST WASHER	1	X X X	NSEP (ORD AL36989)
14	Z31353	RING	1	X X X	
15	AZ25154	LEAF SPRING	1	X X X	KIT
16	Z31354	PIN	1	X X X	
17	Z31356	DRIVE SHAFT	1	X X X	NSEP (ORD AL69629)
18	L36307	SHIM	1	X X X	
19	Z31453	O-RING	1	X X X	
20	Z31358	DISTRIBUTOR PLATE	1	X X X	NSEP (ORD AL68083)
21	Z31454	O-RING	2	X X X	
22	AL32778	GEAR	1	X X X	NSEP (ORD AL69629)
23	L39146	PISTON	1	X X X	NSEP (ORD AL68083)
24	Z31456	WASHER	7	X X X	
25	Z31360	SPRING PIN	1	X X X	
26	L36308	CAP SCREW	1	X X X	M8X1X45
27	19M7925	CAP SCREW	6	X X X	M8X1X45
28	L32710	MEDALLION	1	X X X	
29	Z31364	SCREW	2	X X X	
30	AL68083	KIT	1	X X X	
31	AL69629	GEAR	1	X X X	

4E5

HYDROSTATIC STEERING

HYDROSTATIC STEERING UNIT WITH FWD-APL 325 (SG2 CAB)
UNITE DE DIRECTION HYDROSTATIQUE AVEC ESSIEU AV. MOT.-APL 325 (CABINE SG2)
HYDROSTAT. LENKINHEIT BEI FRONTANTRIEB-APL 325 (SG2 KABINE)
GRUPPO VALVOLA IDROST. CON TRAZIONE ANTERIORE-APL 325 (CABINA SG2)
DIRECCION HIDROST.-BOMBA DE DIREC. TRACCION DELANTERA-APL 325 (CABINA SG2)
HYDROSTATISK STYRVENTIL VID FRAMHJULSDRIFT-APL 325 (SG2 HYTT)

L125578 -UN-09JUN95



4E6

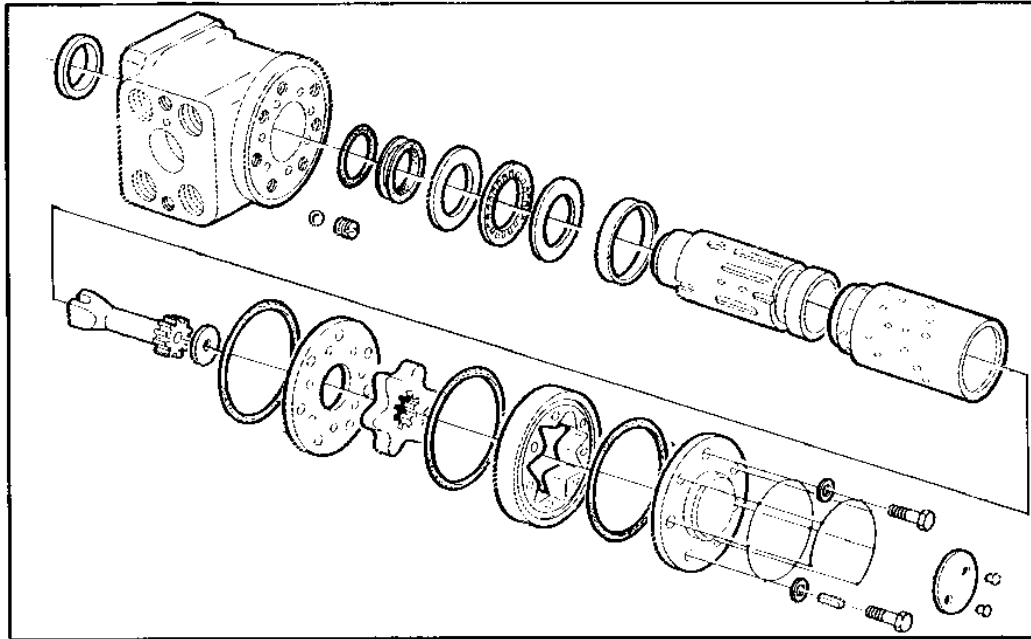
HYDROSTATIC STEERING

KEY	PART NO.	PART NAME	QTY	SERIAL NO.	REMARKS
					2
					1 2 0
					6 0 4
					4 4 0
					0 0 S
1	AL41631	STEERING CONTROL UNIT	1	X X X	DANFOSS OSPC 125CN 150-0179
2	AZ31301	VALVE	2	X X X	
3	Z31348	SEAL	1	X X X	
4	Z31452	O-RING	1	X X X	
5	Z31455	BACK-UP RING	1	X X X	
6	H871R	BALL	2	X X X	
7	AL37593	PIN	2	X X X	
8	Z31349	BALL	1	X X X	8.5MM
9	Z31350	PIPE PLUG	1	X X X	
10	AL36989	THRUST BEARING	1	X X X	
11	Z31351	THRUST WASHER	1	X X X	NSEP (ORD AL36989)
12	AZ20006	THRUST BEARING	1	X X X	NSEP (ORD AL36989)
13	Z31352	THRUST WASHER	1	X X X	NSEP (ORD AL36989)
14	Z31353	RING	1	X X X	
15	AZ25154	LEAF SPRING	1	X X X	KIT
16	Z31354	PIN	1	X X X	
17	Z31356	DRIVE SHAFT	1	X X X	NSEP (ORD AL69628)
18	L36306	SHIM	1	X X X	
19	Z31453	O-RING	1	X X X	
20	Z31358	DISTRIBUTOR PLATE	1	X X X	NSEP (ORD AL68083)
21	Z31454	O-RING	2	X X X	
22	AL32777	GEAR	1	X X X	NSEP (ORD AL69628)
23	L39146	PISTON	1	X X X	NSEP (ORD AL68083)
24	Z31456	WASHER	7	X X X	
25	Z31360	SPRING PIN	1	X X X	
26	L32709	CAP SCREW	1	X X X	M8X1X40
27	19M7698	CAP SCREW	6	X X X	M8X1X40
28	L32710	MEDALLION	1	X X X	
29	Z31364	SCREW	2	X X X	
30	AL68083	KIT	1	X X X	
31	AL69628	GEAR	1	X X X	

4E7

HYDROSTATIC STEERING

STEERING UNIT-SEAL KIT
 UNITE DE DIRECTION-LOT DE JOINTS
 LENKEINHEIT-DICHRINGSATZ
 GRUPPO VALVOLA STERZO-CORREDO DI GUARNIZIONI
 CONJUNTO BOMBA DIRECCION-JUEGO DE JUNTAS
 STYRVENTILENHET-TATNINGSSATS
 L101154 -UN-17JUL95



L 101154

2
 1 2 0
 6 0 4
 4 4 0
 0 0 S

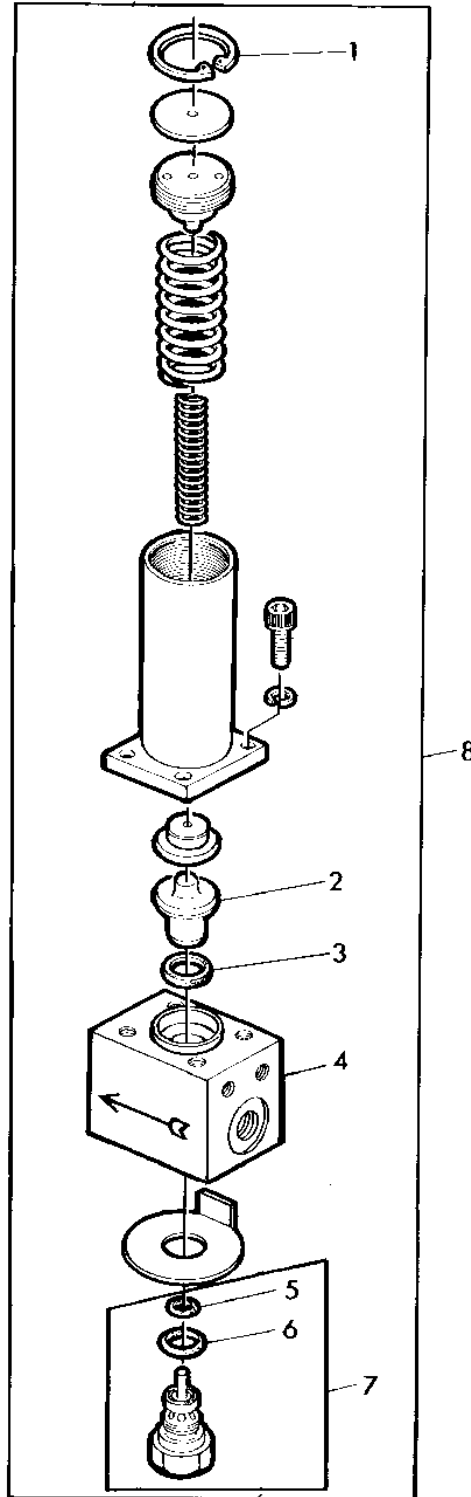
KEY	PART NO.	PART NAME	QTY	SERIAL NO.	REMARKS
1	AZ20003	SEAL KIT	1	X X X	

MEMORANDA
MEMORANDA
MEMORANDA
MEMORANDA
MEMORANDA

4E8

HYDROSTATIC STEERING

PRESSURE REDUCTION VALVE
SOUPAPE REDUCTRICE DE PRESSION
DRUCKREDUZIERVERTIL
VALVOLA LIMITATRICE DI PRESSIONE
VALVULA DE DESCARGA LIMITADORA DE PRESION
TRYCKREDUCERINGSVENTIL
L105891 -UN-17JUL95



L 105891

4E9

HYDROSTATIC STEERING

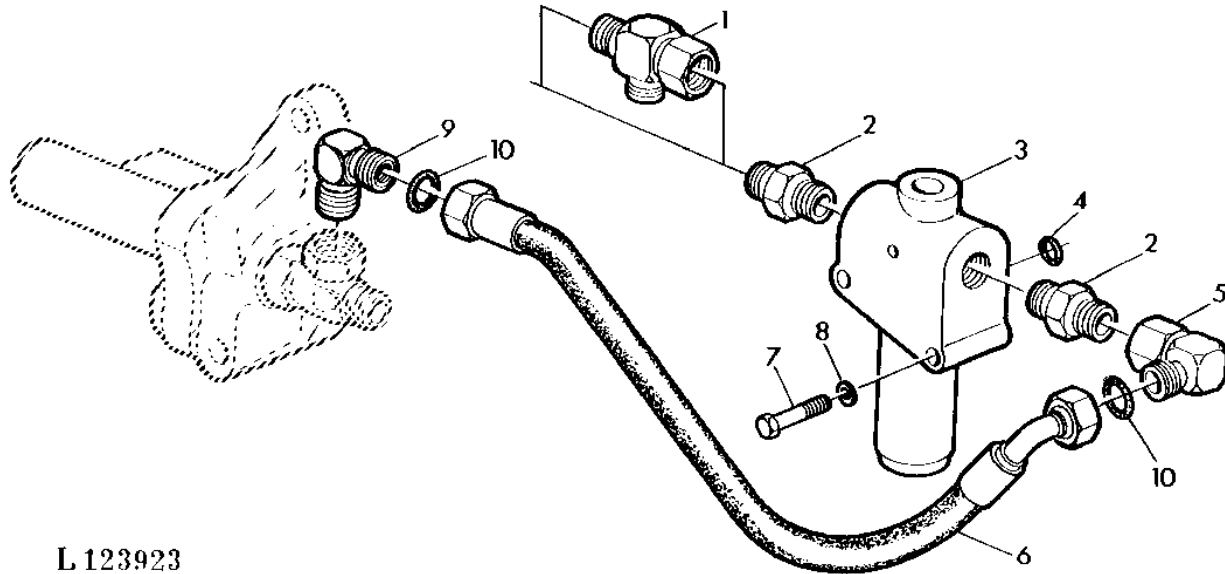
KEY	PART NO.	PART NAME	QTY	SERIAL NO.	REMARKS
				2	
				1 2 0	
				6 0 4	
				4 4 0	
				0 0 S	
1	40M1855	SNAP RING	1	X X X	30X1.2MM
2	L37173	PISTON	1	X X X	
3	L35916	PACKING	1	X X X	
4	L35917	HOUSING	1	X X X	
5	A3917R	O-RING	1	X X X	
6	R459R	O-RING	1	X X X	
7	AL33182	VALVE	1	X X X	
8	AL34676	VALVE	1	X X X	

4E10

HYDROSTATIC STEERING

PRESSURE REDUCTION VALVE WITH FRONT WHEEL DRIVE (MC1 CAB)
 SOUPAPE REDUCTRICE DE PRESSION AVEC ESSIEU AVANT MOTEUR (CABINE MC1)
 DRUCKREDUZIERVERTIL BEI FRONTANTRIEB (MC1 KABINE)
 VALVOLA LIMITATRICE DI PRESSIONE CON TRAZIONE ANTERIORE (CAB. MC1)
 VALVULA DE DESCARGA LIMITADORA DE PRESION CON TRACCION DELANT. (CAB MC1)
 TRYCKREDUCERINGSVENTIL VID FRAMHJULSDRIFT (MC1 FORARHYTT)

L123923 -UN-18JUL95



L 123923

2
1 2 0
6 0 4
4 4 0
0 0 S

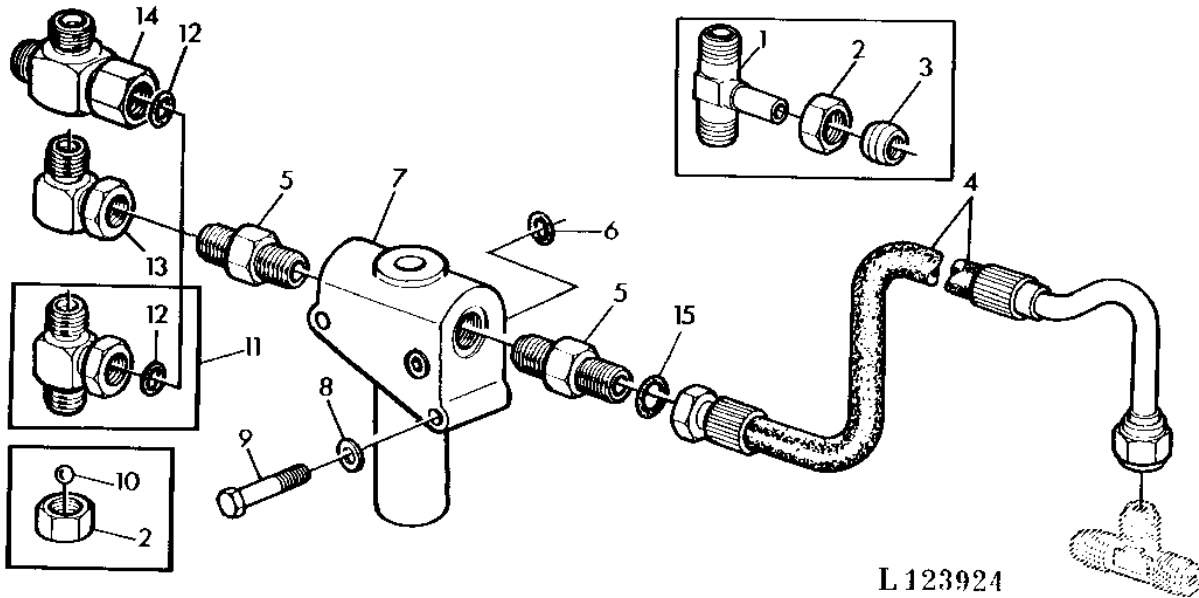
KEY	PART NO.	PART NAME	QTY	SERIAL NO.	REMARKS
1	AL37332	FITTING	1	X X X	(A)
2	L34371	FITTING	2	X X X	
3	AL41724	VALVE	1	X X X	
4	T60414	O-RING	1	X X X	
5	AL37133	ELBOW FITTING	1	X X X	
6	AL37459	HYDRAULIC HOSE	1	X X X	
7	19M7164	CAP SCREW	2	X X X	M8X50
8	24M7055	WASHER	2	X X X	8.4X17MM
9	L40353	ELBOW FITTING	1	X X X	
10	Z27993	O-RING	AR	X X X	

(A) WITH HYDR.TRAILER BRAKES
 AVEC FREIN DE REMORQ.HYDR.
 BEI HYDRAUL.ANHAENGERBR.
 CON FRENO IDR.RIMORCHIO
 CON FRENO HIDR.PARA REMOLQ.
 VID HYDR.VAGNSBROMS

4E11

HYDROSTATIC STEERING

PRESSURE REDUCTION VALVE (SG2 CAB)
 SOUPE REDUCTRICE DE PRESSION (CABINE SG2)
 DRUCKREDUZIERVENTIL (SG2 KABINE)
 VALVOLA LIMITATRICE DI PRESSIONE (CABINA SG2)
 VALVULA DE DESCARGA LIMITADORA DE PRESION (CABINA SG2)
 TRYCKREDUCERINGSVENTIL (SG2 HYTT)
 L123924 -UN-18JUL95



L 123924

KEY	PART NO.	PART NAME	QTY	SERIAL NO.	REMARKS
					2
					1 2 0
					6 0 4
					4 4 0
					0 0 S
1	L34868	TEE FITTING	1		X X X (ORD AL37132)
2	15M6139	FITTING	2		X X X
3	Z32994	TAPERED SLEEVE	1		X X X
4	AL37130	HYDRAULIC HOSE	1		X X X (SUB FOR AL35266)
5	L34371	FITTING	2		X X X (SUB FOR L38680)
6	T60414	O-RING	1		X X X
7	AL37946	VALVE	1	-555841	X X X (C)
	AL37946	VALVE	1	-558049	X X X (SUB FOR AL36681)
	AL41724	VALVE	1	555842-	X X X (C)
	AL41724	VALVE	1	558050-	X X X
8	24M7055	WASHER	2		X X X
9	19M7164	CAP SCREW	2		X X X M8X50
10	L38741	BALL	1		X X X
11	AL37132	TEE FITTING	1		X X X (A)
12	R78436	O-RING	1		X X X
13	AL37133	ELBOW FITTING	1		X X X
14	AL37332	FITTING	1		X (A) (B)
15	Z27993	O-RING	AR		X X X

(A) W/HYDRAULIC TRAILER BRAKES
 AVEC FREIN HYDR.DE REMORQUE
 BEI HYDRAUL.ANHAENGERBREMSE
 CON FRENI IDRAUL.RIMORCHIO
 CON FRENO DE REMOL.HIDRAUL.
 VID HYDR. VAGNSBROMS

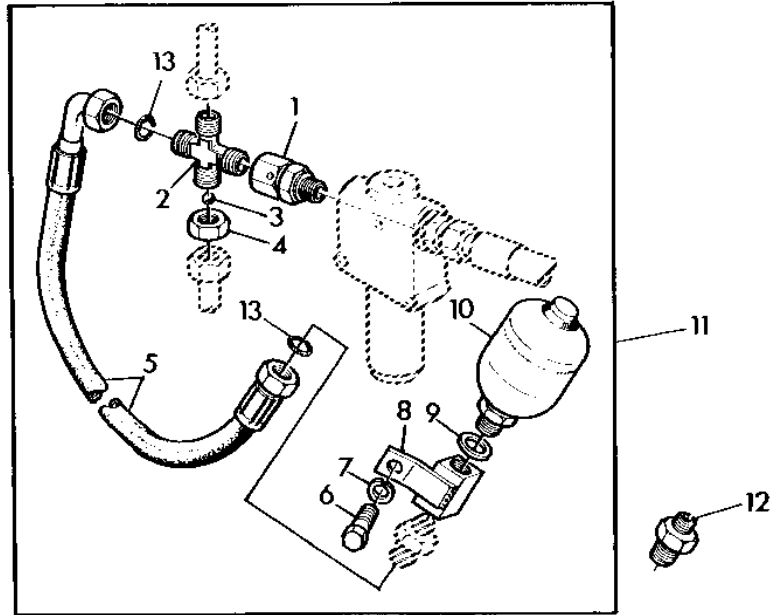
(B) W/INCREASED LIFTING CAPACITY
 AVEC CAPACITE DE REL.AUGM.
 BEI HUBKRAEFERHOEHUNG
 CON ELEV.CAPACITA DI SOLLEV.
 CON FUERZA DE ELEV. AUMENT.
 VID OKAD LYFTKAPACITET

(C) WITH FRONT WHEEL DRIVE
 AVEC PONT AVANT
 BEI FRONTANTRIEB
 CON TRAZIONE ANTERIORE
 CON TRACCION DELANTERA
 VID FRAMHJULSDRIFT

4E12

HYDROSTATIC STEERING

ACCUMULATOR FOR HYDROSTATIC STEERING (WITH SG2 CAB)
 ACCUMULATEUR-JEU DE PIECES DIRECTION HYDROST. (CABINE SG2)
 DRUCKOELSPEICHER-TEILESATZ FUER HYDROST. LENKUNG (SG2 KABINE)
 GRUPPO ACCUMULATORE PER STERZO IDROSTATICO (CABINA SG2)
 ACUMULADOR-JUEGO DE PIEZAS DI REC. HIDROST. (CABINA SG2)
 ACKUMULATORDELAR FOR HYDROSTATISK STYRNING (SG2 FORARHYTT)
 L123951 -UN-18JUL95



L 123951

KEY	PART NO.	PART NAME	QTY	SERIAL NO.	REMARKS
				2	
				1 2 0	
				6 0 4	
				4 4 0	
				0 0 S	
1	AL40836	FITTING	1	X X X	
2	Z33631	FITTING	1	X X X	
3	L38741	BALL	1	X X X (A)	
4	15M6139	FITTING	1	X X X (A)	
5	AL37459	HYDRAULIC HOSE	1	X X X	
6	19H1721	CAP SCREW	1	X X X	1/2" X 1-1/2"
7	12H301	LOCK WASHER	1	X X X	
8	AL36455	FITTING	1	X X X	
9	51M4236	RING	1	X X X	
10	AL36454	ACCUMULATOR	1	X X X	
11	AL40839	KIT	1	X X X	
12	L34371	FITTING	1	X X X	
13	Z27993	O-RING	AR	X X X	

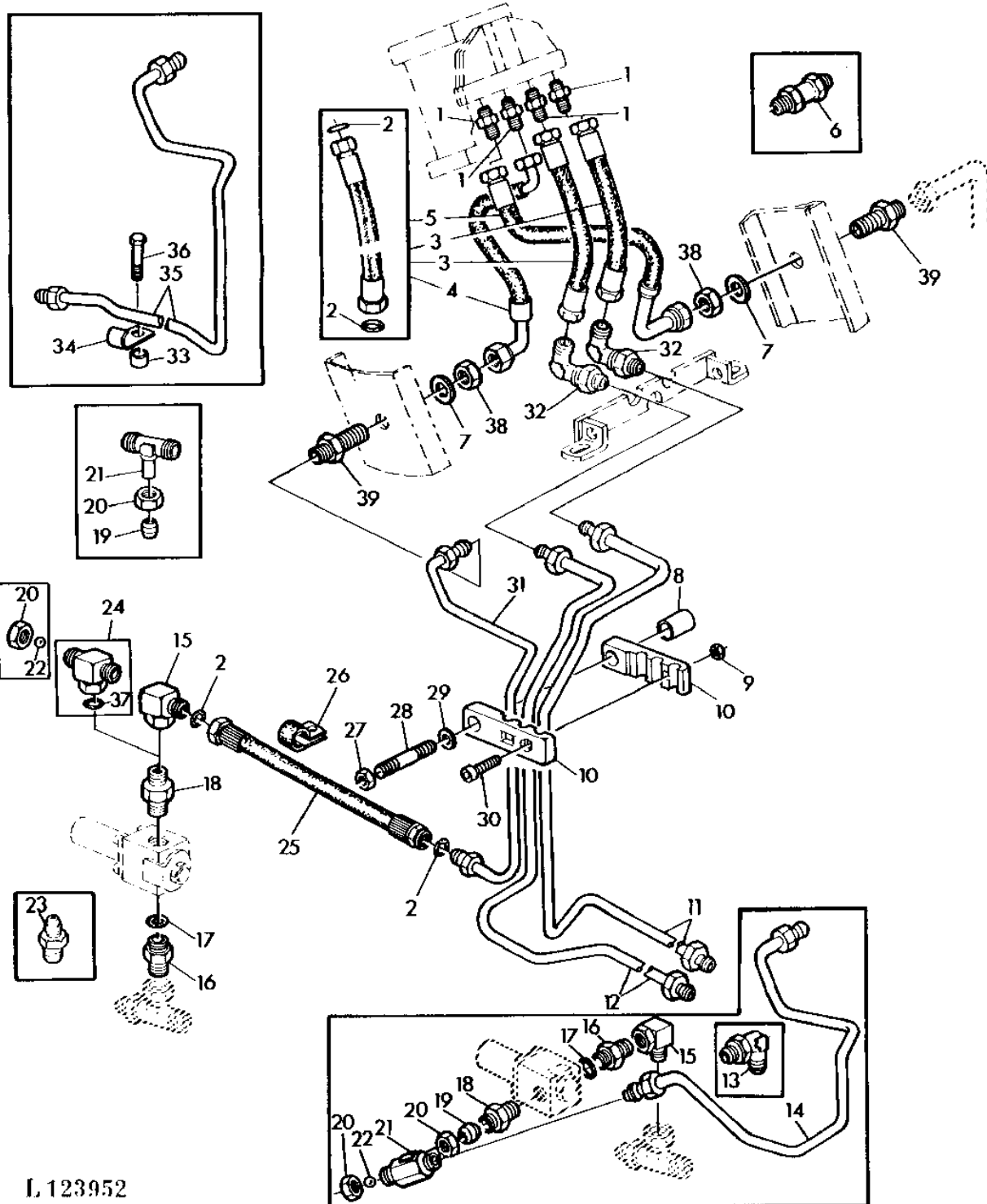
(A) WITHOUT HYDRAULIC TRAILER BRAKES
 SANS FREIN HYDRAULIQUE DE REMORQUE
 OHNE HYDRAUL.ANHAENGERBREMSE
 SENZA FRENO PER RIMORCHIO
 SIN FRENO DE REMOLQUE HIDRAULICO
 UTAN SLAPVAGNSBROMS

MEMORANDA
MEMORANDA
MEMORANDA
MEMORANDA
MEMORANDA

4E13

HYDROSTATIC STEERING

HYDROSTATIC STEERING WITH ONE DOUBLE-ACTING CYLINDER W/FWD
DIRECTION HYDROSTATIQUE AVEC VERIN SIMPLE EFFET/FWD
HYDROST. LENKUNG MIT EINEM DOPPELTW. ZYLINDER BEI FRONTANTRIEB
STERZO IDROSTAT. CON 1 CILINDRO DOPPIO EFF. E TRAZ. ANTER.
DIRECCION HIDROST. CON UN CILINDRO DOBLE EFECTO CON TD
HYDROST. STYRNING VID 1 DUBBELVERK. STYRCYL. OCH FHD
L123952 -UN-18JUL95



L123952

4E14

HYDROSTATIC STEERING

KEY	PART NO.	PART NAME	QTY	SERIAL NO.		REMARKS
					2	
					1 2 0	
					6 0 4	
					4 4 0	
					0 0 S	
1	L34371	FITTING	4	-449999	X X X	(SUB FOR L38680)
2	Z27993	O-RING	AR	-449999	X X X	
3	AL31249	HYDRAULIC HOSE	2	-449999	X X X	
4	AL34418	HYDRAULIC HOSE	1	-449999	X X X	
5	AL31644	HYDRAULIC HOSE	1	-449999	X X X	
6	AL32895	UNION FITTING	2	-449999	X X X	(ORD L63538, 14M7477)
7	24M7051	WASHER	1	-449999	X X X	21X37X3MM
8	28H1518	WASHER	1	-449999	X X X	
9	14M7272	NUT	1	-449999	X X X	M6
10	L37549	CLAMP	2	-449999	X X X	
11	AL34766	OIL LINE	1	-449999	X X X	
12	AL34765	OIL LINE	1	-449999	X X X	
13	AT35121	ELBOW FITTING	1	-449999	X X X	(A) (SUB FOR AR26725)
14	AL34244	OIL LINE	1	-449999	X X X	(A) (ORD AL36118, AL36337, R46414)
15	AL37133	ELBOW FITTING	1	-449999	X X X	(A)
16	L37858	FITTING	1	-449999	X X X	
17	R26448	O-RING	1	-449999	X X X	
18	L34653	UNION FITTING	1	-449999	X X X	
19	Z32994	TAPERED SLEEVE	1	-449999	X X X	
20	15M6139	FITTING	2	-449999	X X X	
21	L34868	TEE FITTING	1	-449999	X X X	
22	L38741	BALL	1	-449999	X X X	
23	R27212	FITTING	1	-449999	X X X	
24	AL37132	TEE FITTING	1	-449999	X X X	(B)
25	AL36118	HYDRAULIC HOSE	1	-449999	X X X	(SUB FOR AL35025)
26	R46414	CLAMP	1	-449999	X X X	
27	14H1076	NUT	1	-449999	X X X	3/8"
28	L38319	STUD	1	-449999	X X X	(SUB FOR 19H1944 APPL)
29	24H1305	WASHER	1	-449999	X X X	
30	19M7966	SCREW	1	-449999	X X X	M6X25
31	AL36337	OIL LINE	1	-449999	X X X	
32	AL31402	ELBOW FITTING	2	-449999	X X X	
33	28H1689	SPACER	1	-449999	X X X	
34	T35126	CLAMP	1	-449999	X X X	
35	AL34241	OIL LINE	1	-449999	X X X	(ORD AL36118, AL36337, R46414)
36	19H1800	CAP SCREW	1	-449999	X X X	3/8"X1-1/2"
37	R78436	O-RING	1	-449999	X X X	
38	14M7477	NUT	2	-449999	X X X	M18X1.5
39	L63538	UNION FITTING	2	-449999	X X X	

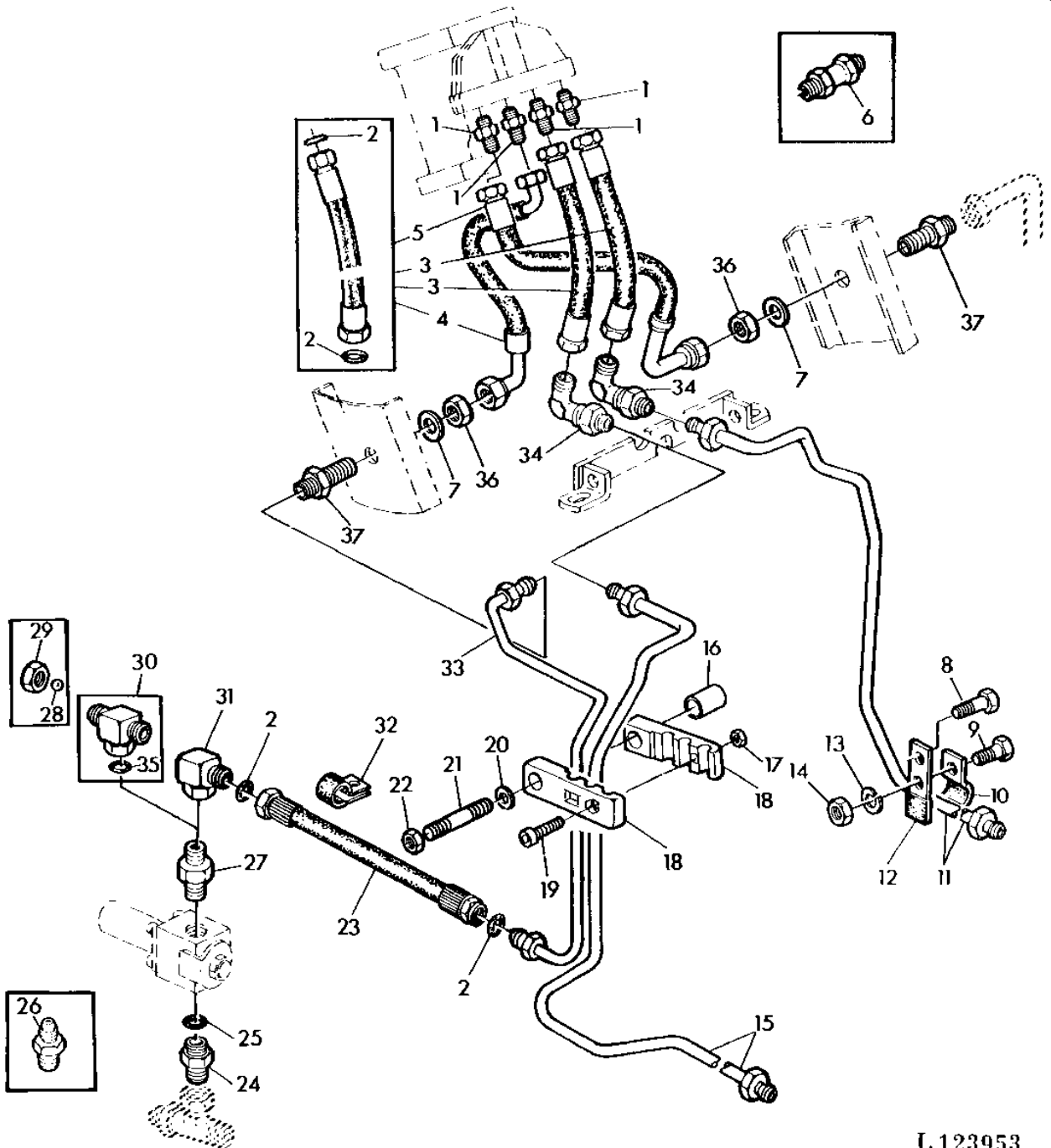
(A) WITH REAR FENDERS (SHELL TYPE)
 AVEC AILES ARRIERE (TYPE COQUILLE)
 BEI MUSCHELKOTFLUEGEL
 CON PARAFANGHI A CONCHIGLIA
 CON GUARDABARROS DE CONCHA
 VID TANKSKARMAR

(B) WITH HYDRAULIC TRAILER BRAKES
 AVEC FREIN HYDR.DE REMORQUE
 BEI HYDRAUL.ANHAENGERBREMSE
 CON FRENI IDRAUL.RIMORCHIO
 CON FRENO DE REMOLQUE HIDRAULICO
 VID HYDR.VAGNSBROMS

4E15

HYDROSTATIC STEERING

HYDROSTATIC STEERING WITH FRONT WHEEL DRIVE-APL 325
DIRECTION HYDROSTATIQUE AVEC ESSIEU AVANT MOTEUR-APL 325
HYDROSTATISCHE LENKUNG BEI FRONTANTRIEB-APL 325
STERZO IDROSTATICO CON TRAZIONE ANTERIORE-APL 325
DIRECCION HIDROSTAT.-TUBERIAS PARA TRACCION DELANTERA-APL 325
HYDROSTATISK STYRNING VID FHD-APL 325
L123953 -UN-18JUL95



L 123953

4E16

HYDROSTATIC STEERING

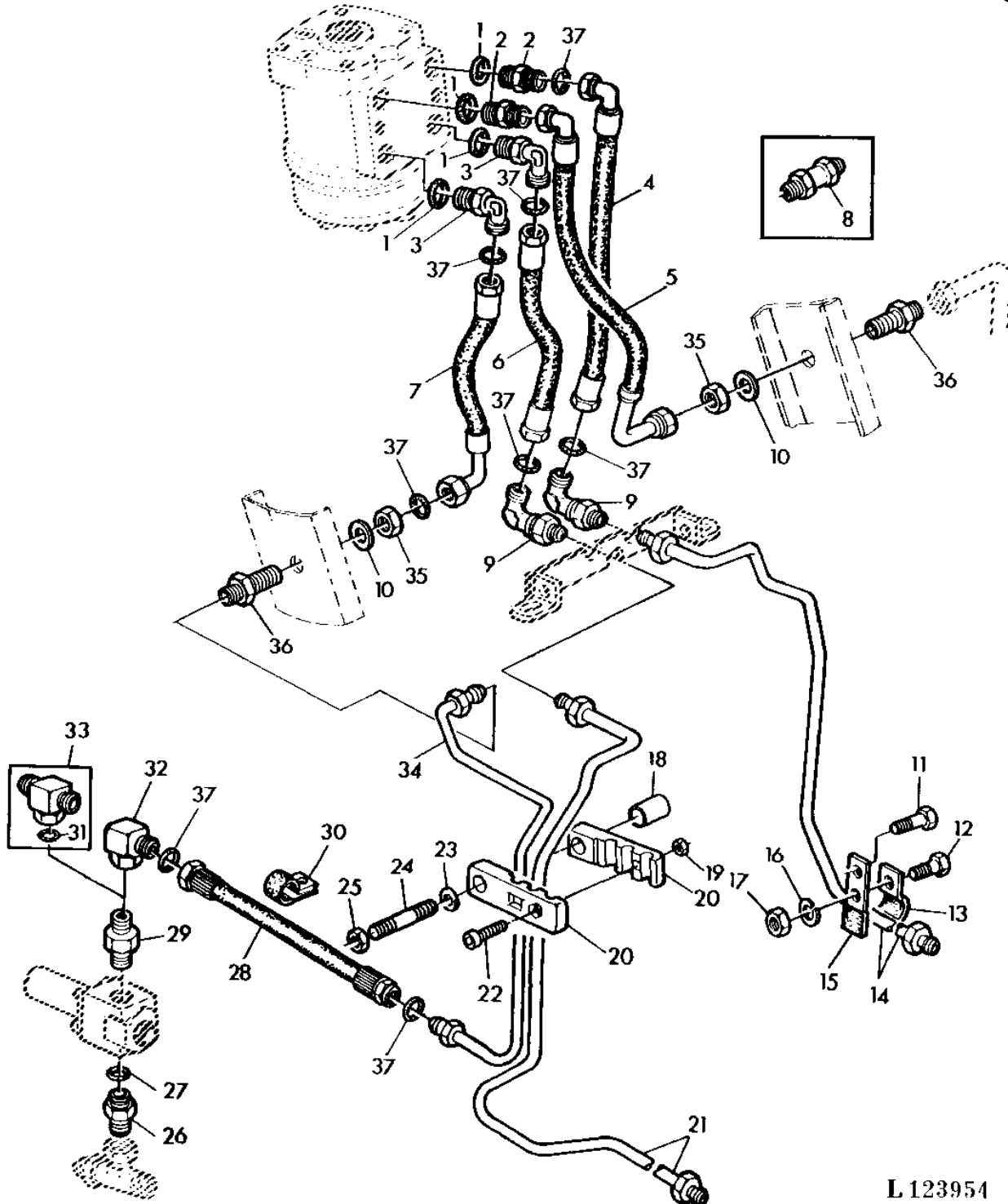
KEY	PART NO.	PART NAME	QTY	SERIAL NO.		REMARKS
					2	
					1 2 0	
					6 0 4	
					4 4 0	
					0 0 S	
1	L34371	FITTING	4	450000-557668	X X X	(SUB FOR L38680)
2	Z27993	O-RING	AR	450000-557668	X X X	
3	AL31249	HYDRAULIC HOSE	2	450000-557668	X X X	
4	AL34418	HYDRAULIC HOSE	1	450000-557668	X X X	
5	AL31644	HYDRAULIC HOSE	1	450000-557668	X X X	
6	AL32895	UNION FITTING	2	450000-557668	X X X	(ORD L63538, 14M7477)
7	24M7051	WASHER	1	450000-557668	X X X	21X37X3MM
8	19H2353	CAP SCREW	1	450000-557668	X X X	9/16"X1"
9	19M7386	CAP SCREW	1	450000-557668	X X X	M12X20
10	L28744	CLAMP	1	450000-557668	X X X	(SUB FOR R28538)
11	AL34784	OIL LINE	1	450000-557668	X X X	
12	L37268	STRAP	1	450000-557668	X X X	
13	24M7145	WASHER	1	450000-557668	X X X	15MM
14	14M7275	NUT	1	450000-557668	X X X	M12
15	AL34765	OIL LINE	1	450000-557668	X X X	
16	28H1518	WASHER	1	450000-557668	X X X	3/8"X.312"
17	14M7272	NUT	1	450000-557668	X X X	M6
18	L37549	CLAMP	2	450000-557668	X X X	
19	19M7966	SCREW	1	450000-557668	X X X	M6X25
20	24H1305	WASHER	1	450000-557668	X X X	13/32"X13/16"X.060"
21	L38319	STUD	1	450000-557668	X X X	
22	14H1076	NUT	1	450000-557668	X X X	3/8"
23	AL36118	HYDRAULIC HOSE	1	450000-557668	X X X	(SUB FOR AL35025)
24	L37858	FITTING	1	485396-557668	X X X	
25	R26448	O-RING	1	450000-557668	X X X	
26	R27212	FITTING	1	450000-485395	X X X	
27	L34653	UNION FITTING	1	450000-557668	X X X	
28	L38741	BALL	1	450000-557668	X X X	
29	15M6139	FITTING	1	450000-557668	X X X	
30	AL37132	TEE FITTING	1	450000-557668	X X X	(A)
31	AL37133	ELBOW FITTING	1	450000-557668	X X X	
32	R46414	CLAMP	1	450000-557668	X X X	
33	AL36337	OIL LINE	1	450000-557668	X X X	
34	AL31402	ELBOW FITTING	2	450000-557668	X X X	
35	R78436	O-RING	1	450000-557668	X X X	
36	14M7477	NUT	2	450000-557668	X X X	M18X1.5
37	L63538	UNION FITTING	2	450000-557668	X X X	

(A) WITH HYDRAULIC TRAILER BRAKES
 AVEC FREIN HYDRAULIQUE DE REMORQUE
 BEI HYDRAUL.ANHAENGERBREMSE
 CON FRENI IDRAUL.RIMORCHIO
 CON FRENO DE REMOLQUE HIDRAULICO
 VID HYDR.VAGNSBROMS

4E17

HYDROSTATIC STEERING

HYDROSTATIC STEERING WITH FRONT WHEEL DRIVE-APL 325
DIRECTION HYDROSTATIQUE AVEC ESSIEU AVANT MOTEUR-APL 325
HYDROSTATISCHE LENKUNG BEI FRONTANTRIEB-APL 325
STERZO IDROSTATICO CON TRAZIONE ANTERIORE-APL 325
DIRECCION HIDROSTAT.-TUBERIAS PARA TRACCION DELANTERA-APL 325
HYDROSTATISK STYRNING VID FHD-APL 325
L123954 -UN-18JUL95



L 123954

4E18

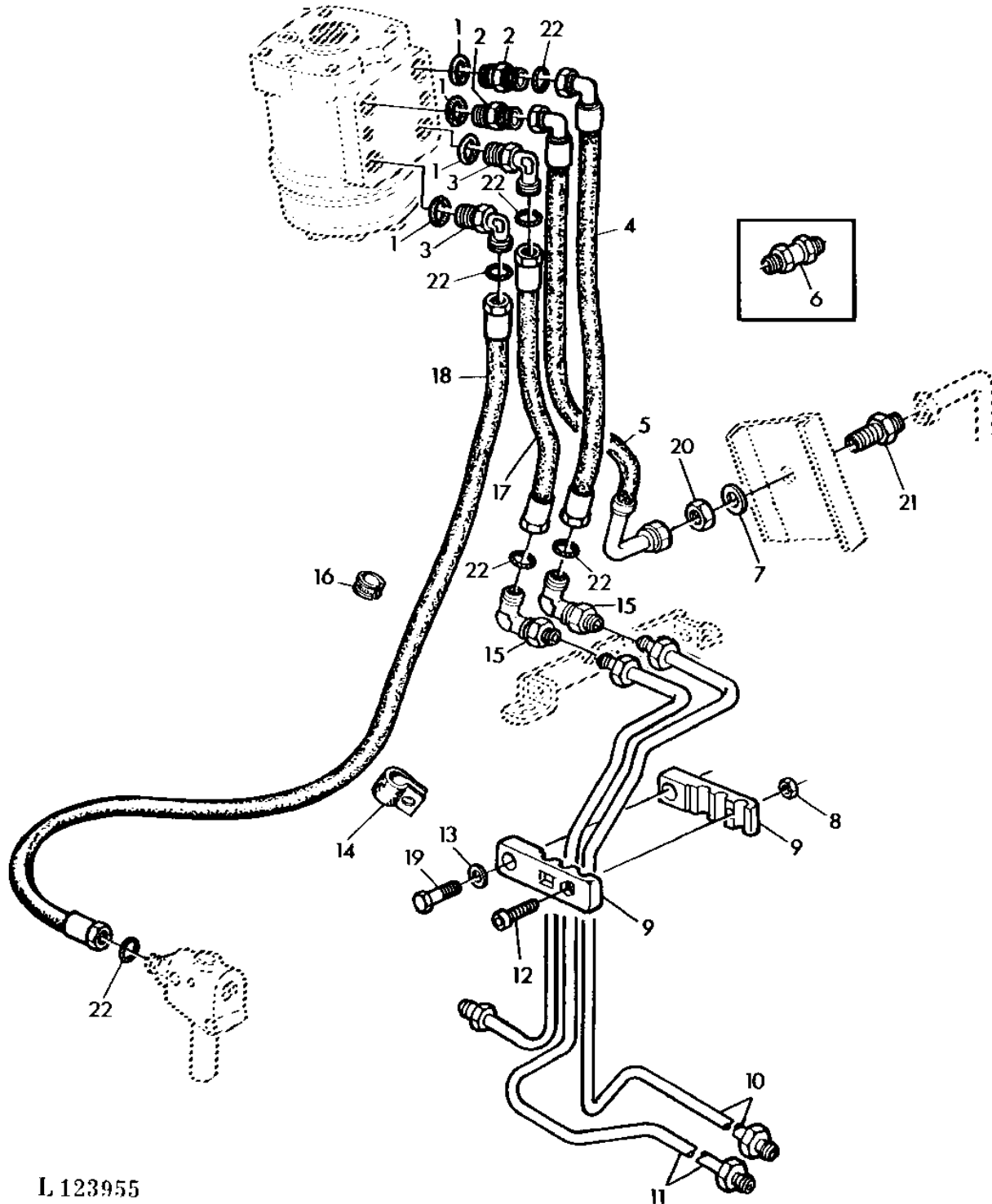
HYDROSTATIC STEERING

KEY	PART NO.	PART NAME	QTY	SERIAL NO.		REMARKS
					2	
					1 2 0	
					6 0 4	
					4 4 0	
					0 0 S	
1	L41383	RING	4	557669-	X X X	
2	L41898	ADAPTER	2	557669-	X X X	
3	AL41290	ELBOW FITTING	2	557669-	X X X	
4	AL31647	HYDRAULIC HOSE	1	557669-	X X X	
5	AL41641	HYDRAULIC HOSE	1	557669-	X X X	
6	AL41642	HYDRAULIC HOSE	1	557669-	X X X	
7	AL41722	HYDRAULIC HOSE	1	557669-	X X X	
8	AL32895	UNION FITTING	2	557669-	X X X	(ORD L63538, 14M7477)
9	AL31402	ELBOW FITTING	2	557669-	X X X	
10	24M7051	WASHER	1	557669-	X X X	21X37X3MM
11	19H2353	CAP SCREW	1	557669-	X X X	9/16"X1"
12	19M7386	CAP SCREW	1	557669-	X X X	M12X20
13	L28744	CLAMP	1	557669-	X X X	
14	AL34784	OIL LINE	1	557669-	X X X	
15	L37268	STRAP	1	557669-	X X X	
16	24M7145	WASHER	1	557669-	X X X	15MM
17	14M7275	NUT	1	557669-	X X X	M12
18	28H1518	WASHER	1	557669-	X X X	3/8"X.312"
19	14M7272	NUT	1	557669-	X X X	M6
20	L37549	CLAMP	2	557669-	X X X	
21	AL34765	OIL LINE	1	557669-	X X X	
22	19M7966	SCREW	1	557669-	X X X	M6X25
23	24H1305	WASHER	1	557669-	X X X	13/32"X13/16"X.060"
24	L38319	STUD	1	557669-	X X X	
25	14H1076	NUT	1	557669-	X X X	3/8"
26	L37858	FITTING	1	557669-	X X X	
27	R26448	O-RING	1	557669-	X X X	
28	AL36118	HYDRAULIC HOSE	1	557669-	X X X	
29	L34653	UNION FITTING	1	557669-	X X X	
30	R46414	CLAMP	1	557669-	X X X	
31	R78436	O-RING	1	557669-	X X X	
32	AL37133	ELBOW FITTING	1	557669-	X X X	
33	AL37132	TEE FITTING	1	557669-	X X X	
34	AL36337	OIL LINE	1	557669-	X X X	
35	14M7477	NUT	2	557669-	X X X	M18X1.5
36	L63538	UNION FITTING	2	557669-	X X X	
37	Z27993	O-RING	AR	557669-	X X X	

4E19

HYDROSTATIC STEERING

HYDROSTATIC STEERING (MC1 CAB)
DIRECTION HYDROSTAT (CABINE MC1)
HYDROST. LENKUNG (MC1 KABINE)
STERZO IDROSTATICO (CABINA MC1)
DIRECCION HIDROSTAT. (CABINA MC1)
HYDROSTATISK STYRNING (MC1 FORARHYTT)
L123955 -UN-18JUL95



L 123955

4E20

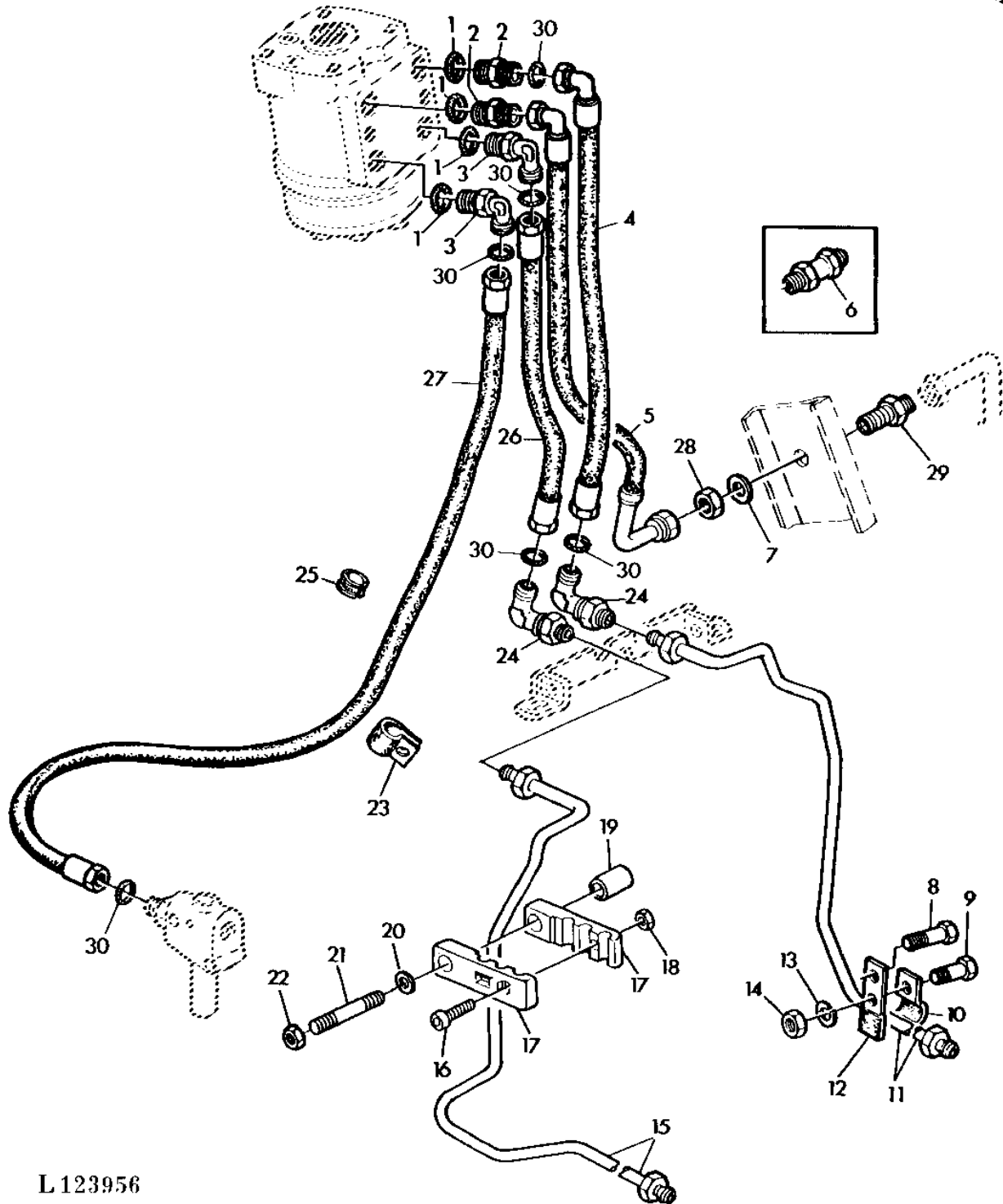
HYDROSTATIC STEERING

KEY	PART NO.	PART NAME	QTY	SERIAL NO.	REMARKS
					2
					1 2 0
					6 0 4
					4 4 0
					0 0 S
1	L41383	RING	4		X X X
2	L41898	ADAPTER	2		X X X
3	AL41290	ELBOW FITTING	2		X X X
4	AL31647	HYDRAULIC HOSE	1		X X X
5	AL41641	HYDRAULIC HOSE	1		X X X
6	AL32895	UNION FITTING	1		X X X (ORD L63538, 14M7477)
7	24M7051	WASHER	1		X X X 21X37X3MM
8	14M7272	NUT	1		X X X M6
9	L37549	CLAMP	2		X X X
10	AL34766	OIL LINE	1		X X X
11	AL34765	OIL LINE	1		X X X
12	19M7966	SCREW	1		X X X M6X25
13	24H1305	WASHER	1		X X X 13/32"X13/16"X.060"
14	R46414	CLAMP	1		X X X
15	AL31402	ELBOW FITTING	2		X X X
16	R36235	GROMMET	1		X X X
17	AL41642	HYDRAULIC HOSE	1		X X X
18	AL36521	HYDRAULIC HOSE	1		X X X
19	19M7169	CAP SCREW	1		X X X M10X35
20	14M7477	NUT	1		X X X M18X1.5
21	L63538	UNION FITTING	1		X X X
22	Z27993	O-RING	AR		X X X

4E21

HYDROSTATIC STEERING

HYDROST. STEERING WITH FWD-APL 345 (MC1 CAB)
DIRECTION HYDROSTATIQUE AVEC ESSIEU AVANT MOTEUR-APL 345 (CABINE MC1)
HYDROST. LENKUNG BEI FRONTANTRIEB-APL 345 (MC1 KABINE)
STERZO IDROST. CON TRAZIONE ANTERIORE-APL 345 (CABINA MC1)
DIRECCION HIDROSTAT. TRACCION DELANTERA-APL 345 (CABINA MC1)
HYDROSTATISK STYRNING-VID FRAMHJULSDRIFT-APL 345 (MC1 FORARHYTT)
L123956 -UN-18JUL95



L 123956

4E22

HYDROSTATIC STEERING

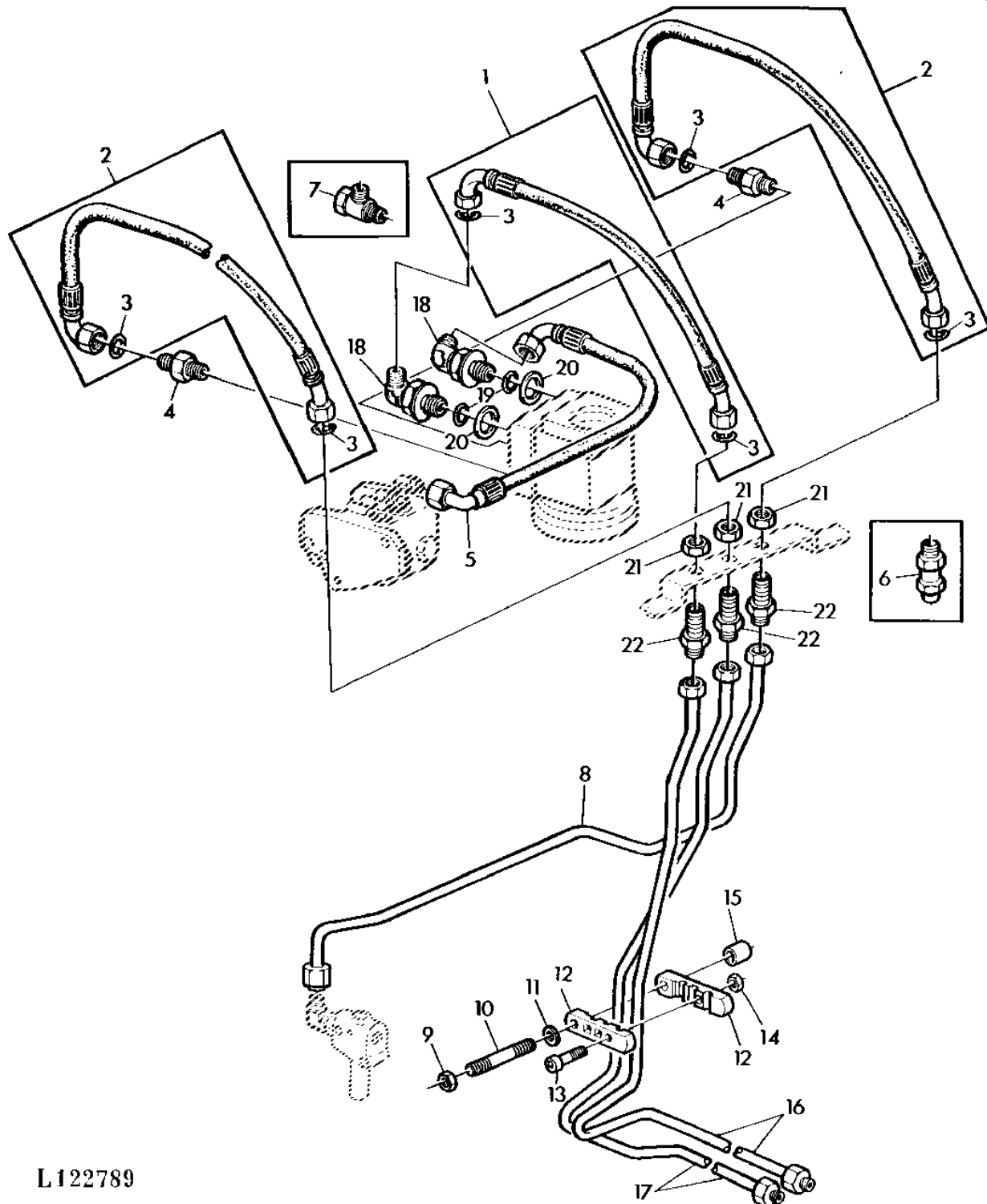
KEY	PART NO.	PART NAME	QTY	SERIAL NO.	REMARKS
					2
					1 2 0
					6 0 4
					4 4 0
					0 0 S
1	L41383	RING	4		X X X
2	L41898	ADAPTER	2		X X X
3	AL41290	ELBOW FITTING	2		X X X
4	AL31647	HYDRAULIC HOSE	1		X X X
5	AL41641	HYDRAULIC HOSE	1		X X X
6	AL32895	UNION FITTING	1		X X X (ORD L63538, 14M7477)
7	24M7051	WASHER	1		X X X 21X37X3MM
8	19H2353	CAP SCREW	1		X X X 9/16"X1"
9	19M7386	CAP SCREW	1		X X X M12X20
10	L28744	CLAMP	1		X X X
11	AL34784	OIL LINE	1		X X X
12	L37268	STRAP	1		X X X
13	24M7145	WASHER	1		X X X 15MM
14	14M7275	NUT	1		X X X M12
15	AL34765	OIL LINE	1		X X X
16	19M7966	SCREW	1		X X X M6X25
17	L37549	CLAMP	2		X X X
18	14M7272	NUT	1		X X X M6
19	28H1697	SPACER	1		X X X 3/8"X.75"
20	24H1305	WASHER	1		X X X 13/32"X13/16"X.060"
21	L38319	STUD	1		X X X 3/8"
22	14H812	NUT	1		X X X 3/8"
23	R46414	CLAMP	1		X X X
24	AL31402	ELBOW FITTING	2		X X X
25	R36235	GROMMET	1		X X X
26	AL41642	HYDRAULIC HOSE	1		X X X
27	AL36521	HYDRAULIC HOSE	1		X X X
28	14M7477	NUT	1		X X X M18X1.5
29	L63538	UNION FITTING	1		X X X
30	Z27993	O-RING	AR		X X X

4E23

HYDROSTATIC STEERING

HYDROSTATIC STEERING WITH DOUBLE-ACTING CYLINDER (SG2 CAB)
 DIRECTION HYDR. A VERIN DOUBLE EFFET (CABINE SG2)
 HYDROST. LENKUNG MIT DOPPELWIRKENDEM ZYLINDER (SG2 KABINE)
 STERZO IDROST. CON CILINDRO DOPPIO EFFETTO (CABINA SG2)
 DIRECCION HIDR. CON CILINDRO ACCION DOBLE (CABINA SG2)
 HYDR. STYRNING VID DUBBELVERKAND CYLINDER (SG2 HYTT)

L122789 -UN-18JUL95



L122789

4E24

HYDROSTATIC STEERING

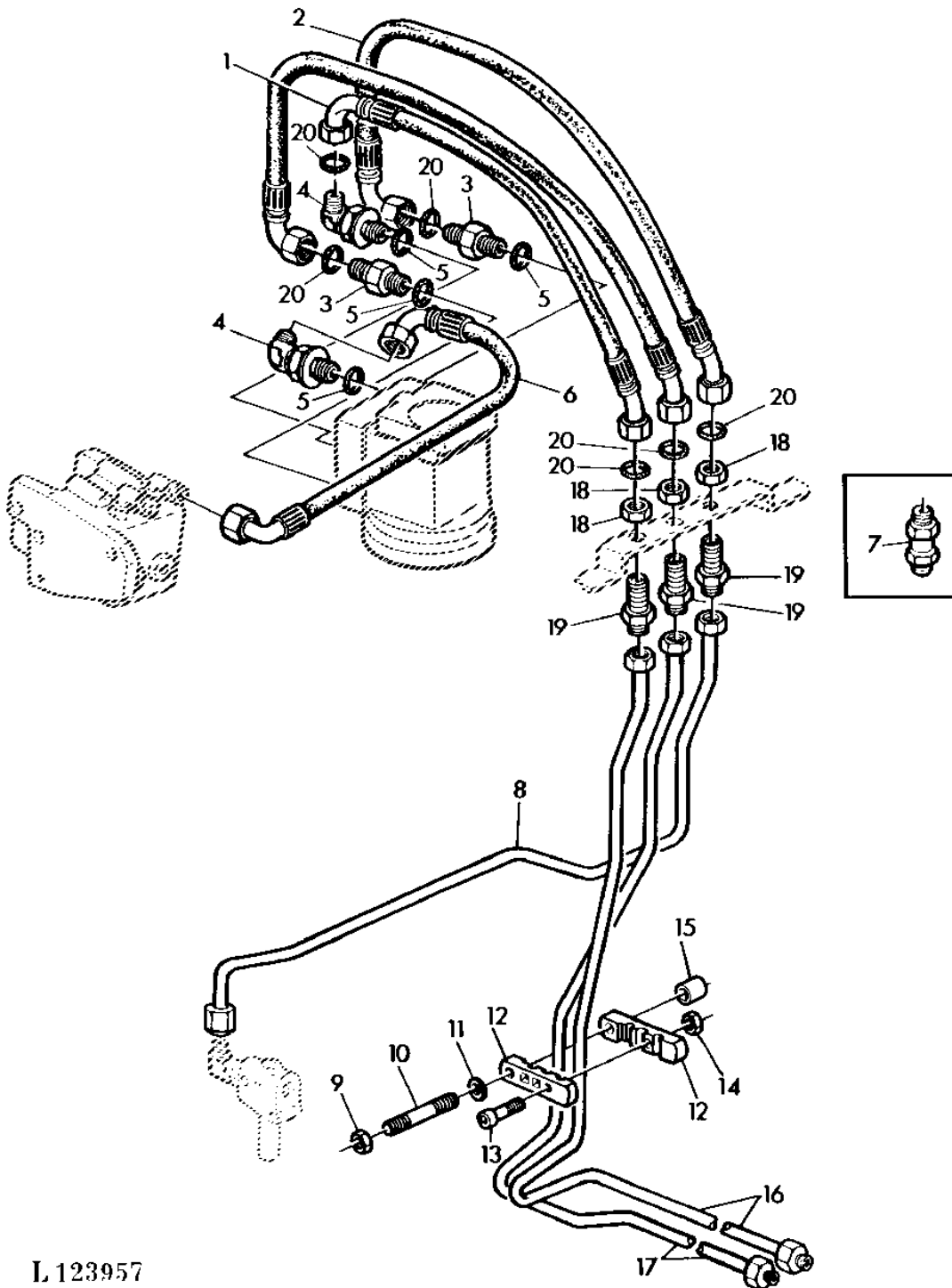
KEY	PART NO.	PART NAME	QTY	SERIAL NO.		REMARKS
					2	
					1 2 0	
					6 0 4	
					4 4 0	
					0 0 S	
1	AL34999	HYDRAULIC HOSE	1	-558049	X X X	
2	AL34245	HYDRAULIC HOSE	2	-558049	X X X	
3	Z27993	O-RING	AR	-558049	X X X	
4	L34371	FITTING	2	-558049	X X X	(SUB FOR L38680)
5	AL35000	HYDRAULIC HOSE	1	-558049	X X X	
6	AL32895	UNION FITTING	3	-558049	X X X	(ORD L63538, 14M7477)
7	AL39862	ELBOW FITTING	2	-558049	X X X	(SUB FOR AL31412) (ORD AL41290, L62122, 51M7033)
8	AL37488	OIL LINE	1	-558049	X X X	(SUB FOR AL35140)
9	14H1076	NUT	1	-558049	X X X	3/8"
10	L38319	STUD	1	-558049	X X X	(SUB FOR 19H1944 APPL)
11	24H1305	WASHER	2	-558049	X X X	13/32"X13/16"
12	L37549	CLAMP	2	-558049	X X X	
13	19M7966	SCREW	1	-558049	X X X	M6X25
14	14M7272	NUT	1	-558049	X X X	M6
15	28H1697	SPACER	1	-558049	X X X	3/8"X.75"
16	AL35142	OIL LINE	1	-558049	X X X	
17	AL35017	OIL LINE	1	-558049	X X X	
18	AL41290	ELBOW FITTING	2	-558049	X X X	
19	51M7033	O-RING	2	-558049	X X X	
20	L62122	WASHER	2	-558049	X X X	
21	14M7477	NUT	3	-558049	X X X	M18X1.5
22	L63538	UNION FITTING	3	-558049	X X X	

4F1

HYDROSTATIC STEERING

HYDROSTATIC STEERING WITH DOUBLE-ACTING CYLINDER (SG2 CAB)
DIRECTION HYDR. A VERIN DOUBLE EFFET (CABINE SG2)
HYDROST. LENKUNG MIT DOPPELWIRKENDEM ZYLINDER (SG2 KABINE)
STERZO IDROST. CON CILINDRO DOPPIO EFFETTO (CABINA SG2)
DIRECCION HIDR. CON CILINDRO ACCION DOBLE (CABINA SG2)
HYDR. STYRNING VID DUBBELVERKAND CYLINDER (SG2 HYTT)

L123957 -UN-18JUL95



L 123957

4F2

HYDROSTATIC STEERING

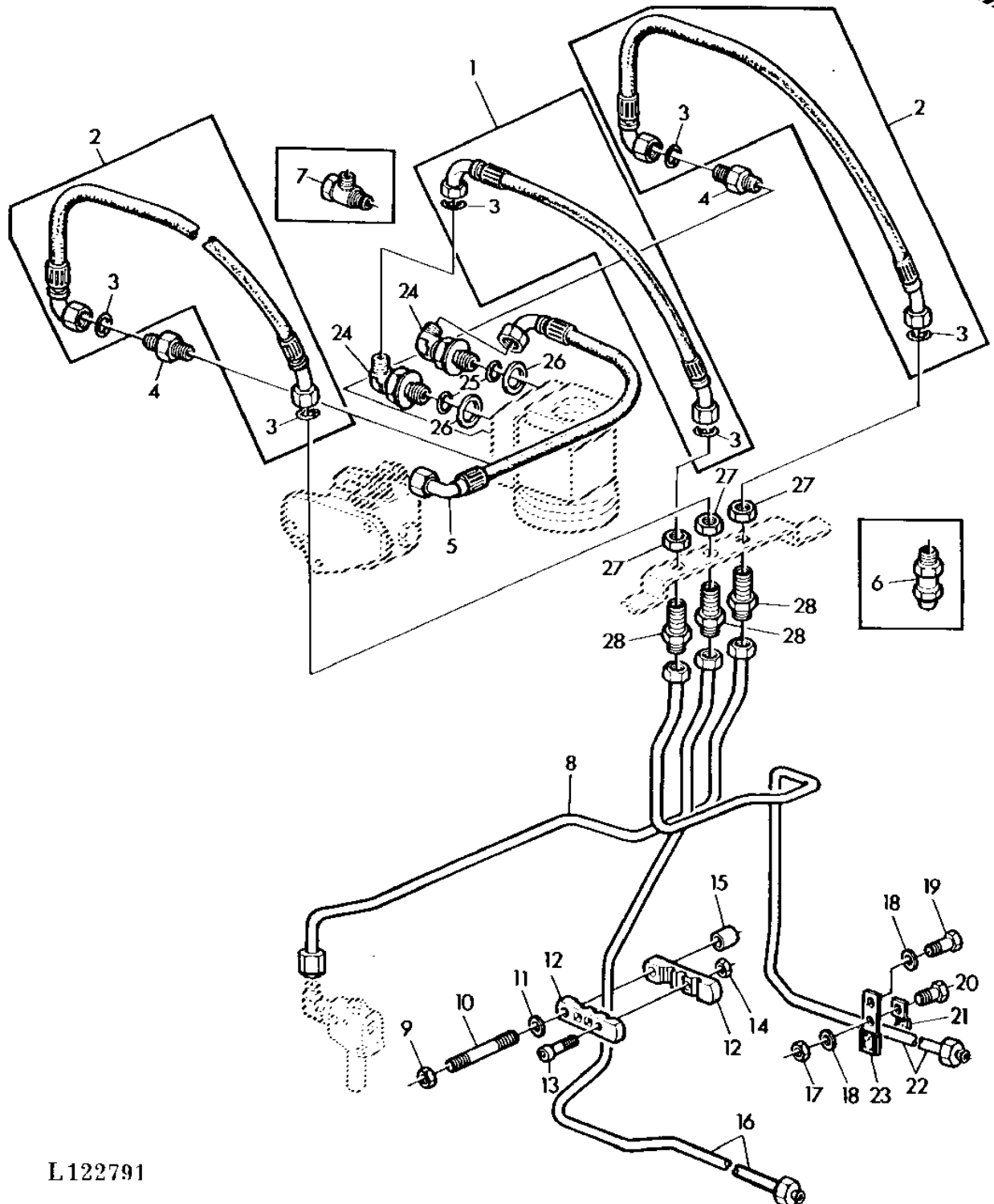
KEY	PART NO.	PART NAME	QTY	SERIAL NO.		REMARKS
					2	
					1 2 0	
					6 0 4	
					4 4 0	
					0 0 S	
1	AL41620	HYDRAULIC HOSE	1	558050-	X X X	
2	AL41621	HYDRAULIC HOSE	2	558050-	X X X	
3	L41898	ADAPTER	2	558050-	X X X	
4	AL41290	ELBOW FITTING	2	558050-	X X X	
5	L41383	RING	4	558050-	X X X	
6	AL35000	HYDRAULIC HOSE	1	558050-	X X X	
7	AL32895	UNION FITTING	3	558050-	X X X	(ORD L63538, 14M7477)
8	AL37488	OIL LINE	1	558050-	X X X	
9	14H1076	NUT	1	558050-	X X X	3/8"
10	L38319	STUD	1	558050-	X X X	
11	24H1305	WASHER	2	558050-	X X X	13/32"X13/16"
12	L37549	CLAMP	2	558050-	X X X	
13	19M7966	SCREW	1	558050-	X X X	M6X25
14	14M7272	NUT	1	558050-	X X X	M6
15	28H1697	SPACER	1	558050-	X X X	3/8"X.75"
16	AL35142	OIL LINE	1	558050-	X X X	
17	AL35017	OIL LINE	1	558050-	X X X	
18	14M7477	NUT	3	558050-	X X X	M18X1.5
19	L63538	UNION FITTING	3	558050-	X X X	
20	Z27993	O-RING	AR	558050-	X X X	

4F3

HYDROSTATIC STEERING

HYDROSTATIC STEERING WITH FRONT WHEEL DRIVE-APL 325 (SG2 CAB)
 DIRECTION HYDROST. AVEC ESSIEU AV. MOT.-APL 325 (CABINE SG2)
 HYDROSTATISCHE LENKUNG BEI FRONTANTRIEB-APL 325 (SG2 KABINE)
 STERZO IDROST. CON TRAZ. ANTER.-APL 325 (CABINA SG2)
 DIRECCION HIDROSTAT. TRACCION DELANTERA-APL 325 (CABINA SG2)
 HYDROSTATISK STYRNING VID FHD-APL 325 (SG2 HYTT)

L122791 -UN-18JUL95



L122791

4F4

HYDROSTATIC STEERING

KEY	PART NO.	PART NAME	QTY	SERIAL NO.		REMARKS
					2	
					1 2 0	
					6 0 4	
					4 4 0	
					0 0 S	
1	AL34999	HYDRAULIC HOSE	1	450000-555841	X X X	
2	AL34245	HYDRAULIC HOSE	2	450000-555841	X X X	
3	Z27993	O-RING	AR	450000-555841	X X X	
4	L34371	FITTING	2	450000-555841	X X X	(SUB FOR L38680)
5	AL35000	HYDRAULIC HOSE	1	450000-555841	X X X	
6	AL32895	UNION FITTING	3	450000-555841	X X X	(ORD L63538, 14M7477)
7	AL39862	ELBOW FITTING	2	450000-555841	X X X	(SUB FOR AL31412) (ORD AL41290, L62122, 51M7033)
8	AL37488	OIL LINE	1	450000-555841	X X X	(SUB FOR AL35140)
9	14H1076	NUT	1	450000-555841	X X X	3/8"
10	L38319	STUD	1	450000-555841	X X X	
11	24H1305	WASHER	1	450000-555841	X X X	13/32"X13/16"X.060"
12	L37549	CLAMP	2	450000-555841	X X X	
13	19M7966	SCREW	1	450000-555841	X X X	M6X25
14	14M7272	NUT	1	450000-555841	X X X	M6
15	28H1697	SPACER	1	450000-555841	X X X	3/8"X.75"
16	AL35017	OIL LINE	1	450000-555841	X X X	
	AL57815	OIL LINE	1	-555841	X	(A)
17	14M7275	NUT	1	450000-555841	X X X	M12
18	24M7145	WASHER	2	450000-555841	X X X	15MM
19	19H2353	CAP SCREW	1	450000-555841	X X X	9/16"X1"
20	19M7386	CAP SCREW	1	450000-555841	X X X	M12X20
21	L28744	CLAMP	1	450000-555841	X X X	(SUB FOR R28538)
22	AL37127	HYDRAULIC HOSE	1	450000-555841	X X X	
	AL57816	OIL LINE	1	-555841	X	(A)
23	L37268	STRAP	1	450000-555841	X X X	
24	AL41290	ELBOW FITTING	2	450000-555841	X X X	
25	51M7033	O-RING	2	450000-555841	X X X	
26	L62122	WASHER	2	450000-555841	X X X	
27	14M7477	NUT	3	450000-555841	X X X	M18X1.5
28	L63538	UNION FITTING	3	450000-555841	X X X	

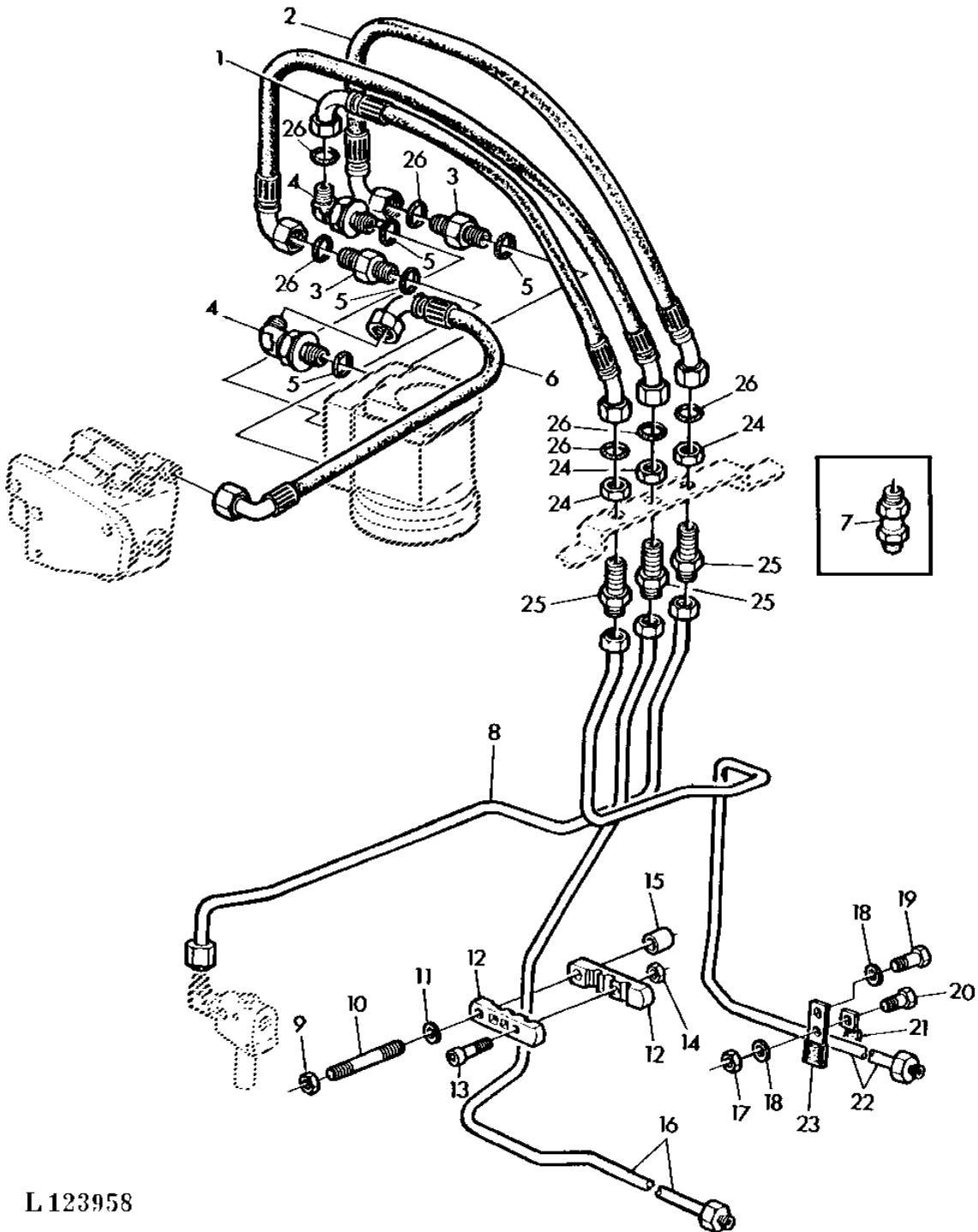
(A) WITH FRONT PTO
 AVEC PRISE DE FORCE AVANT
 BEI FRONTZAPFWELLE
 CON PTO ANTERIORE
 CON TDF FRONTAL
 MED FRAMRE KRAFTUTTAG

4F5

HYDROSTATIC STEERING

HYDROSTATIC STEERING WITH FRONT WHEEL DRIVE-APL 345 (SG2 CAB)
DIRECTION HYDROST. AVEC ESSIEU AV. MOT.-APL 345 (CABINE SG2)
HYDROSTATISCHE LENKUNG BEI FRONTANTRIEB-APL 345 (SG2 KABINE)
STERZO IDROST. CON TRAZ. ANTER.-APL 345 (CABINA SG2)
DIRECCION HIDROSTAT. TRACCION DELANTERA-APL 345 (CABINA SG2)
HYDROSTATISK STYRNING VID FHD-APL 345 (SG2 HYTT)

L123958 -UN-18JUL95



L 123958

4F6

HYDROSTATIC STEERING

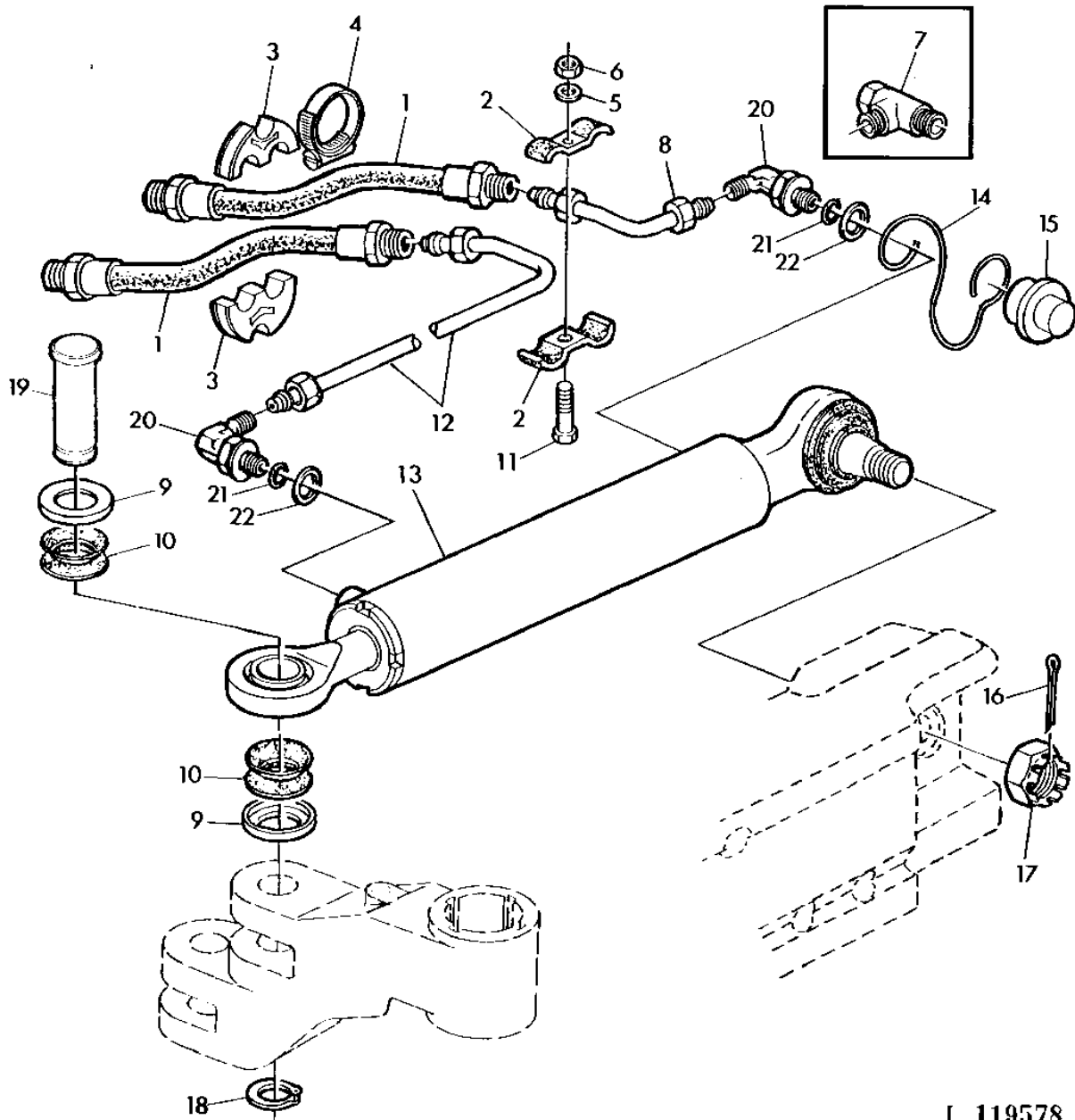
KEY	PART NO.	PART NAME	QTY	SERIAL NO.		REMARKS
					2	
					1 2 0	
					6 0 4	
					4 4 0	
					0 0 S	
1	AL41620	HYDRAULIC HOSE	1	555842-	X X X	
2	AL41621	HYDRAULIC HOSE	2	555842-	X X X	
3	L41898	ADAPTER	2	555842-	X X X	
4	AL41290	ELBOW FITTING	2	555842-	X X X	
5	L41383	RING	4	555842-	X X X	
6	AL35000	HYDRAULIC HOSE	1	555842-	X X X	
7	AL32895	UNION FITTING	3	555842-	X X X	(ORD L63538, 14M7477)
8	AL37488	OIL LINE	1	555842-	X X X	
9	14H1076	NUT	1	555842-	X X X	3/8"
10	L38319	STUD	1	555842-	X X X	
11	24H1305	WASHER	1	555842-	X X X	13/32"X13/16"X.060"
12	L37549	CLAMP	2	555842-	X X X	
13	19M7966	SCREW	1	555842-	X X X	M6X25
14	14M7272	NUT	1	555842-	X X X	M6
15	28H1697	SPACER	1	555842-	X X X	3/8"X3/4"
16	AL35017	OIL LINE	1	555842-	X X X	
	AL57815	OIL LINE	1	555842-	X	(A)
17	14M7275	NUT	1	555842-	X X X	M12
18	24M7145	WASHER	2	555842-	X X X	15MM
19	19H2353	CAP SCREW	1	555842-	X X X	9/16"X1"
20	19M7386	CAP SCREW	1	555842-	X X X	M12X20
21	L28744	CLAMP	1	555842-	X X X	
22	AL37127	HYDRAULIC HOSE	1	555842-	X X X	
	AL57816	OIL LINE	1	555842-	X	(A)
23	L37268	STRAP	1	555842-	X X X	
24	14M7477	NUT	3	555842-	X X X	M18X1.5
25	L63538	UNION FITTING	3	555842-	X X X	
26	Z27993	O-RING	AR	555842-	X X X	

(A) WITH FRONT PTO
 AVEC PDF FRONTALE
 BEI FRONT ZAPFWELLE
 CON PDF FRONTALE
 CON TDF FRONTAL
 VID FRAMRE KRAFTUTTAG

4F7

HYDROSTATIC STEERING

HYDROSTATIC STEERING-CYLINDER
DIRECTION HYDROSTATIQUE-VERIN
HYDROSTATISCHE LENKUNG-ZYLINDER
STERZO IDROSTATICO-CILINDRO
DIRECCION HIDROSTATICA-CILINDRO
HYDROSTATISK STYRNING-CYLINDER
L119578 -UN-18JUL95



L 119578

4F8

HYDROSTATIC STEERING

KEY	PART NO.	PART NAME	QTY	SERIAL NO.	REMARKS
					2
					1 2 0
					6 0 4
					4 4 0
					0 0 S
1	AL31414	HYDRAULIC HOSE	2		X X X
2	R27491	CLAMP	2		X X X
3	L32580	RETAINER	2		X X X
4	AR21999	CLAMP	1		X X X
5	24M7036	WASHER	2		X X X 9X17X1.6MM
6	14M7273	NUT	2		X X X M8
7	AL39862	ELBOW FITTING	2		X X X (SUB FOR AL31412) (ORD AL41290, L62122, 51M7033)
8	AL35269	OIL LINE	1		X X X LH
9	L40300	CAP	2		X X X
10	L39306	SEAL	2		X X X
11	19M7163	CAP SCREW	1		X X X M8X25
12	AL35268	OIL LINE	1		X X X RH
13	AL31240	HYDRAULIC CYLINDER	1		X X X (MARKED AL31240) (ORD AL60895, (2) L40300, (2) L39306)
	AL36563	HYDRAULIC CYLINDER	1		X X X (MARKED AL36563) (ORD AL60895)
	AL60895	HYDRAULIC CYLINDER	1		X X X (MARKED AL60895)
	AR102516	HYDRAULIC CYLINDER	1		X X X (MARKED AR102516) (ORD AL60895)
14	L39291	SUPPORT	1		X X X (A)
	L39293	SUPPORT	1		X X X (B)
15	L39292	PIN	1		X X X
16	11M7023	COTTER PIN	1		X X X 4X32MM
17	14M5409	NUT	1		X X X M20
18	40M7195	SNAP RING	1		X X X 25X1.2MM
19	L36085	PIN	1		X X X
20	AL41290	ELBOW FITTING	2		X X X
21	51M7033	O-RING	2		X X X
22	L62122	WASHER	2		X X X
..	AL65851	GASKET KIT	1		X X X (FOR AL60895)
..	L40806	BOOT	1		X X X (FOR AL60895)

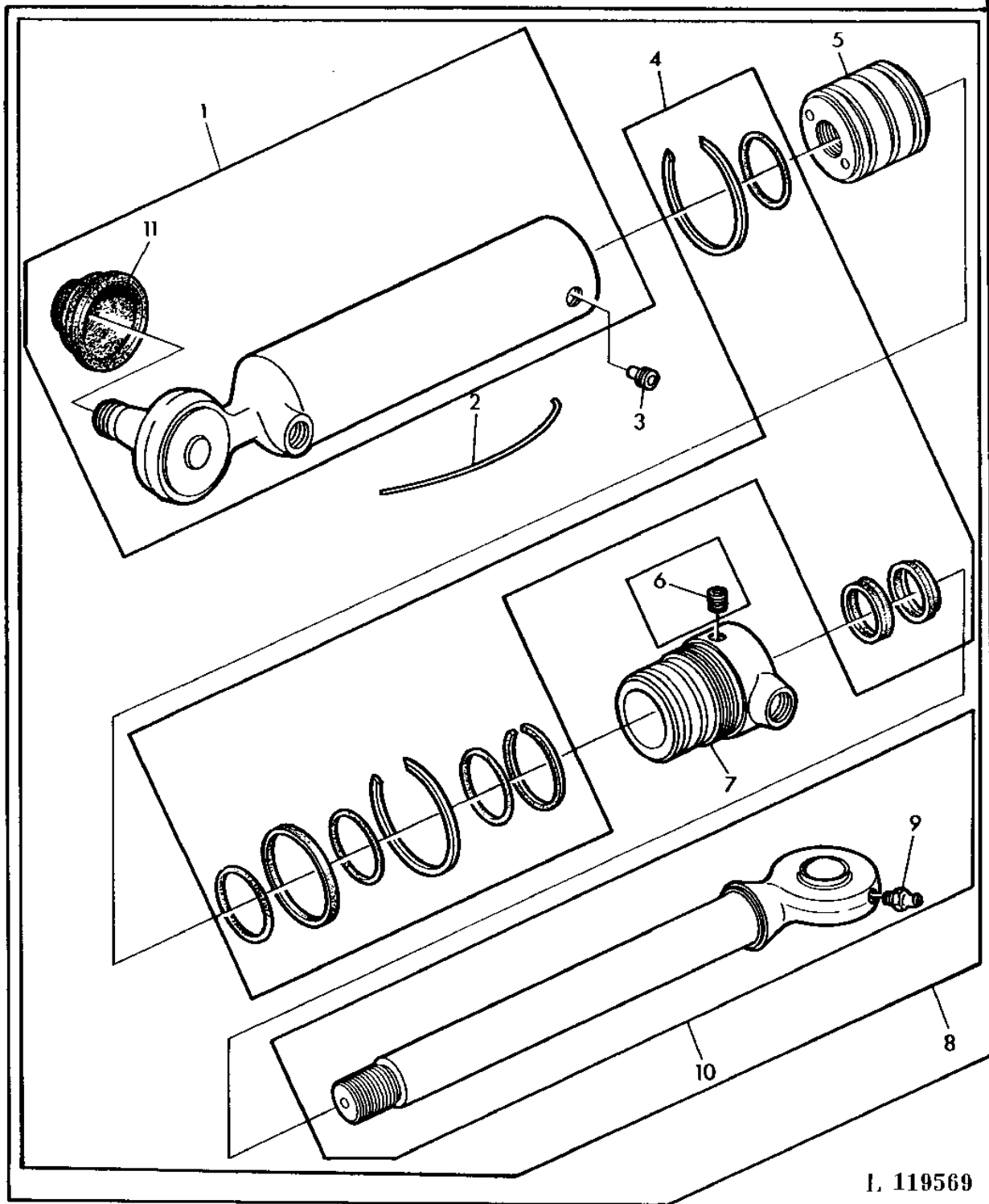
(A) AXLES WITH TWO ROWS OF HOLES
 SUR ESSIEUX AVEC DEUX RANQEEES DE TROUS
 BEI ACHSEN MIT ZWEI LOCHREIHEN
 CON ASSALI A DUE FILE DI FORI
 EJES CON DOS FILAS DE AGUJEROS
 VID AXEL MED TVA HALRADER

(B) WITH AXLE WITH ONE ROW OF HOLES
 AVEC ESSIEU UNE RANGEE DE TROUS
 BEI ACHSEN MIT EINER LOCHREIHE
 CON ASSALI A UNA FILA DI FORI
 CON EJES CON UNA FILA DE ORIFICIOS
 VID AXEL MED ETT HALRAD

4F9

HYDROSTATIC STEERING

STEERING CYLINDER ASSY.
ELEMENTS DU VERIN DE DIRECTION
LENKZYLINDER-EINZELTEILE
PARTI SINGOLE DEL CILINDRO DI STERZO
COMPONENTES DEL CILINDRO DE DIRECCION
STYRCYLINDER-DELAR
L119569 -UN-18JUL95



I. 119569

4F10

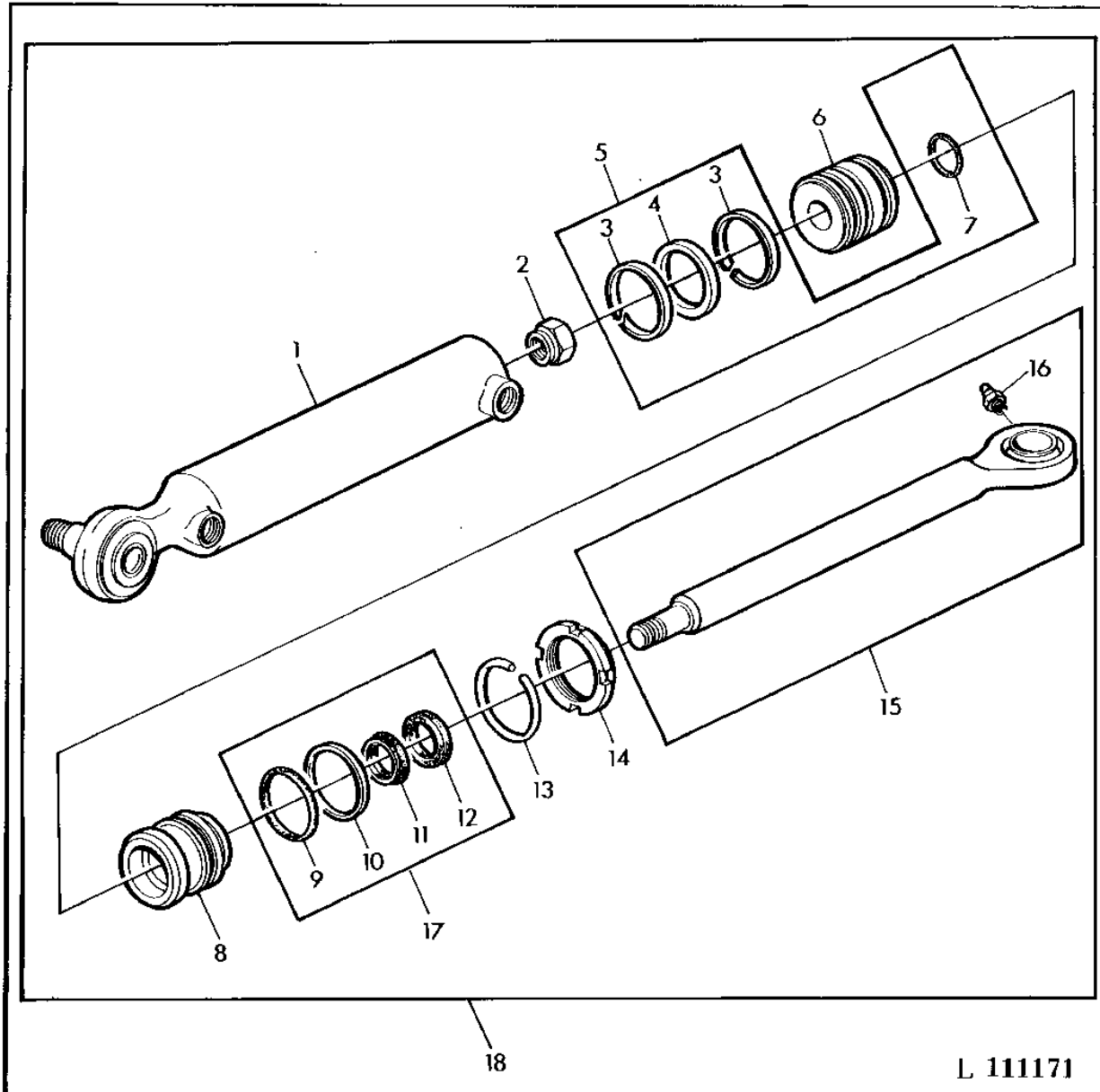
HYDROSTATIC STEERING

KEY	PART NO.	PART NAME	QTY	SERIAL NO.	REMARKS
					2
					1 2 0
					6 0 4
					4 4 0
					0 0 S
1	AL33040	CYLINDER	1	X X X	(ORD AL60895)
2	L35778	WIRE	1	X X X	
3	22M7099	SET SCREW	1	X X X	5X6MM
4	AL33039	SEAL KIT	1	X X X	
5	L35779	PISTON	1	X X X	
6	15H558	PIPE PLUG	1	X X X	1/8"
7	L35780	GUIDE	1	X X X	
8	AL31240	HYDRAULIC CYLINDER	1	X X X	(MARKED AL31240) (ORD AL60895, (2) L39306, (2) L40300)
	AL36563	HYDRAULIC CYLINDER	1	X X X	(MARKED AL36563) (ORD AL60895)
9	58M5573	LUBRICATION FITTING	1	X X X	
10	AL33038	ROD	1	X X X	(ORD AL37202, (2) L39306, (2) L40300)
	AL37202	ROD	1	X X X	(FOR AL36563)
11	L40806	BOOT	1	X X X	

4F11

HYDROSTATIC STEERING

STEERING CYLINDER ASSY.
ELEMENTS DU VERIN DE DIRECTION
LENKZYLINDER-EINZELTEILE
PARTI SINGOLE DEL CILINDRO DI STERZO
COMPONENTES DEL CILINDRO DE DIRECCION
STYRCYLINDER-DELAR
L111171 -UN-07JUN95



4F12

HYDROSTATIC STEERING

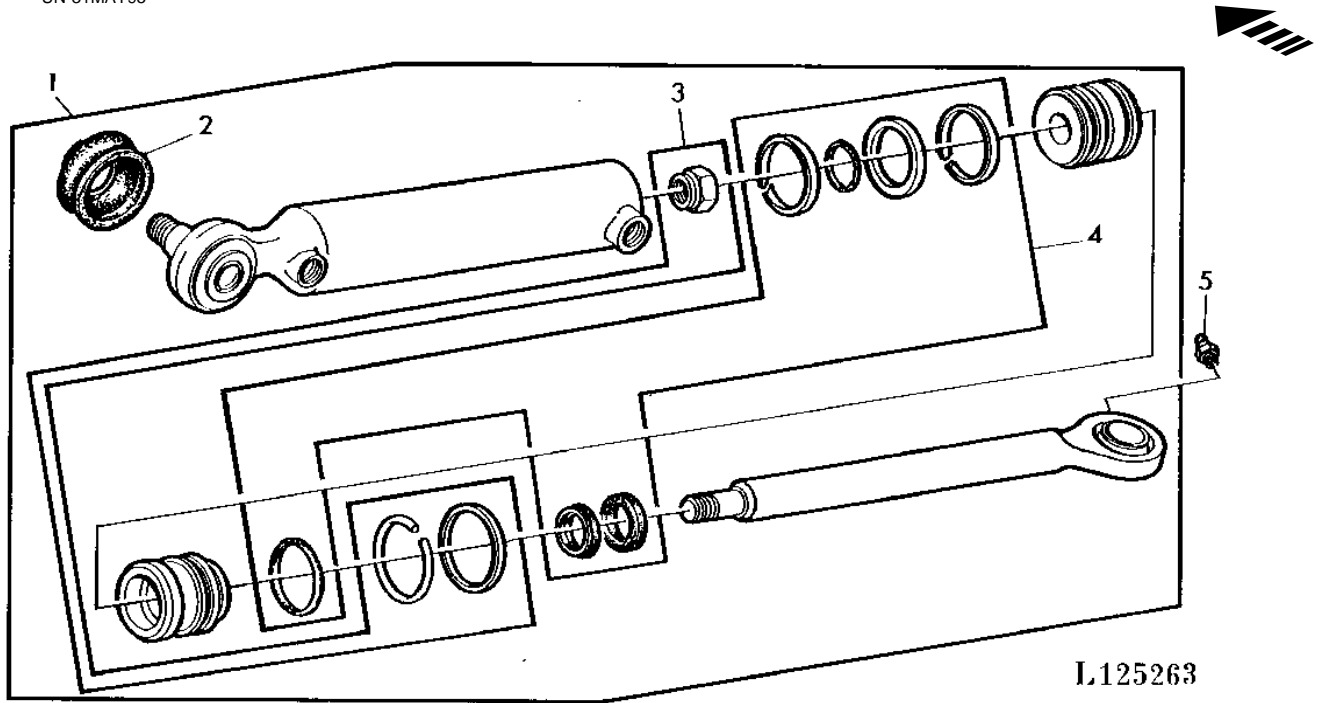
KEY	PART NO.	PART NAME	QTY	SERIAL NO.	REMARKS
				2	
				1 2 0	
				6 0 4	
				4 4 0	
				0 0 S	
1	RE17307	HYDRAULIC CYLINDER BARREL	1	X X X	(ORD AL60895)
2	R69706	LOCK NUT	1	X X X	
3	R80510	WEAR RING	2	X X X	
4	RE17308	PISTON RING	1	X X X	
5	DD14568	GASKET KIT	1	X X X	
6	R80508	PISTON	1	X X X	(ORD AL60895)
7	U15192	O-RING	1	X X X	
8	R80509	GUIDE	1	X X X	(ORD AL60895)
9	U46335	O-RING	1	X X X	
10	T50240	BACK-UP RING	1	X X X	
11	AR91010	SEAL	1	X X X	
12	AR102310	SEAL	1	X X X	
13	C12473	SNAP RING	1	X X X	
14	L35612	NUT	1	X X X	
15	RE17306	ROD	1	X X X	(ORD AL60895)
16	58M7004	LUBRICATION FITTING	1	X X X	
17	DD14569	GASKET KIT	1	X X X	
18	AR102516	HYDRAULIC CYLINDER	1	X X X	(MARKED AR102516) (ORD AL60895)

MEMORANDA
MEMORANDA
MEMORANDA
MEMORANDA
MEMORANDA

4F13

HYDROSTATIC STEERING

STEERING CYLINDER ASSY
 ELEMENTS DU VERIN DE DIRECTION
 LENKZYLINDER-EINZELTEILE
 PARTI SINGOLE DEL CILINDRO DELLO STERZO
 COMPONENTES DEL CILINDRO DE DIRECCION
 STYRCYLINDER
 L125263 -UN-31MAY95



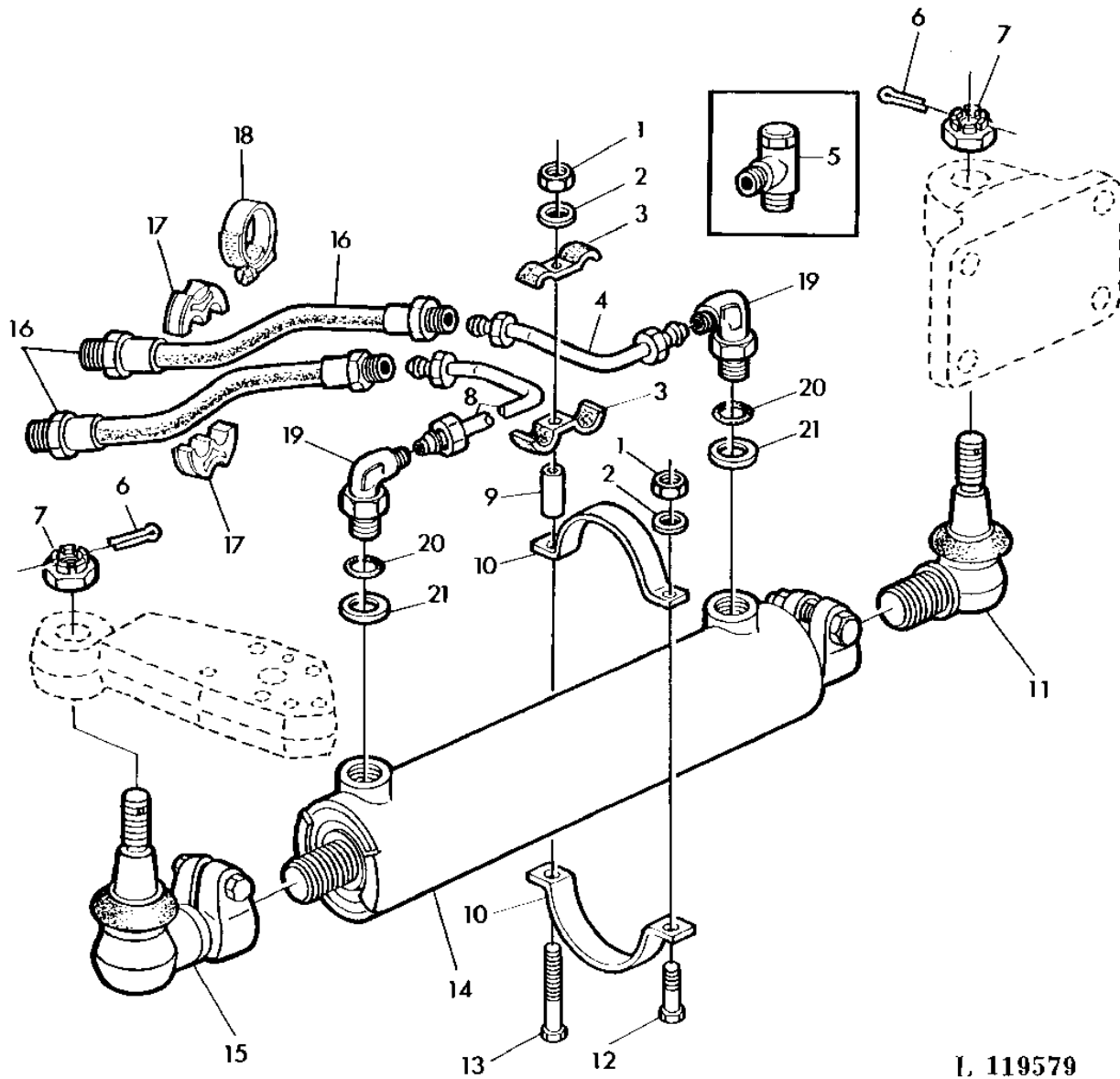
L125263

KEY	PART NO.	PART NAME	QTY	SERIAL NO.	REMARKS
				2	
				1 2 0	
				6 0 4	
				4 4 0	
				0 0 S	
1	AL60895	HYDRAULIC CYLINDER	1		X X X
2	L40806	BOOT	1		X X X
3	AL67181	KIT	1		X X X
4	AL65851	GASKET KIT	1		X X X
5	58M5573	LUBRICATION FITTING	1		X X X

4F14

HYDROSTATIC STEERING

HYDROSTATIC STEERING CYLINDER WITH FRONT WHEEL DRIVE
VERIN DE DIRECTION AVEC ESSIEU AVANT MOTEUR
HYDROST. LENKUNG-ZYLINDER BEI FRONTANTRIEB
CILINDRO STERZO IDROST. CON TRAZIONE ANTERIORE
CILINDRO DE DIRECCION HIDROSTAT.-TRACCION DELANTERA
HYDROSTATISK STYRCYLINDER VID FRAMHJULSDRIFT
L119579 -UN-18JUL95



I. 119579

4F15

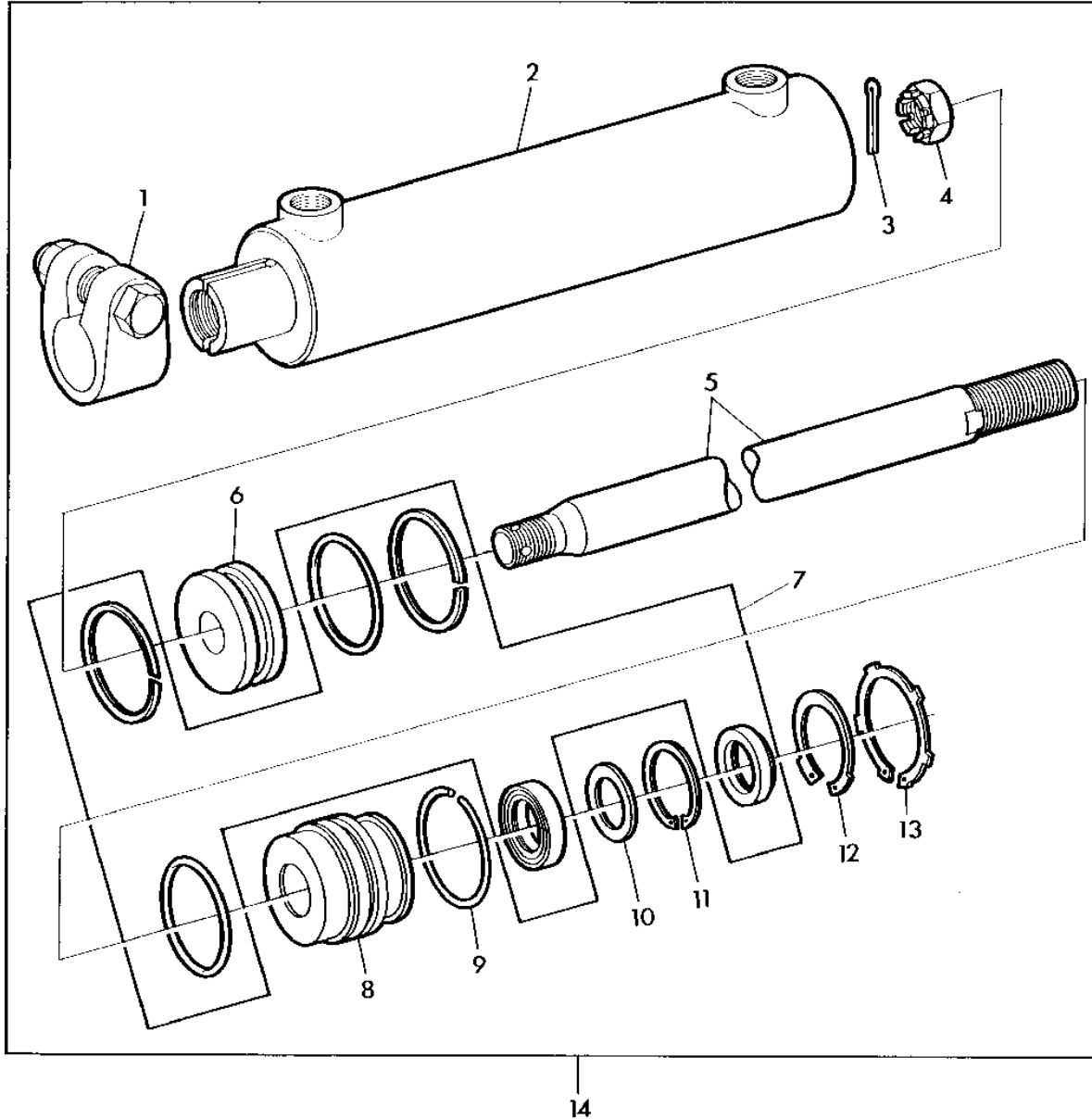
HYDROSTATIC STEERING

KEY	PART NO.	PART NAME	QTY	SERIAL NO.		REMARKS
					2	
					1 2 0	
					6 0 4	
					4 4 0	
					0 0 S	
1	14M7273	NUT	2	-449999	X X X	M8
2	24M7036	WASHER	2	-449999	X X X	9X17X1.6MM
3	R27491	CLAMP	2	-449999	X X X	
4	AL35269	OIL LINE	1	-449999	X X X	LH (SUB FOR AL31422)
5	AL39862	ELBOW FITTING	2	-449999	X X X	(SUB FOR AL31412) (ORD AL41290, L62122, 51M7033)
6	11M7032	COTTER PIN	2	-449999	X X X	5X50MM
7	14M7314	NUT	2	-449999	X X X	M27X1.5
8	AL31420	OIL LINE	1	-449999	X X X	RH
9	28H1992	SPACER	1	-449999	X X X	1/4"X2"
10	L37192	CLAMP	2	-449999	X X X	
11	AL32867	BALL JOINT	1	-449999	X X X	
12	19M7139	CAP SCREW	1	-449999	X X X	M8X20
13	19M7325	CAP SCREW	1	-449999	X X X	M8X80
14	AL32868	CYLINDER	1	-449999	X X X	
15	AL32866	BALL JOINT	1	-449999	X X X	
16	AL31414	HYDRAULIC HOSE	2	-449999	X X X	
17	L32580	RETAINER	2	-449999	X X X	
18	AR21999	CLAMP	1	-449999	X X X	
19	AL41290	ELBOW FITTING	2	-449999	X X X	
20	51M7033	O-RING	2	-449999	X X X	
21	L62122	WASHER	2	-449999	X X X	

4F16

HYDROSTATIC STEERING

STEERING CYLINDER ASSY WITH FRONT WHEEL DRIVE
ELEMENTS DU VERIN DE DIRECTION AVEC ESSIEU AVANT MOTEUR
LENKZYLINDER-EINZELTEILE BEI FRONTANTRIEB
GRUPPO CILINDRO STERZO CON TRAZIONE ANTERIORE
COMPONENTES DEL CILINDRO DE DIRECCION-TRACC. DELANTERA
STYRCYLINDER VID FRAMHJULSDRIFT
L105905 -UN-17JUL95



L 105905

4F17

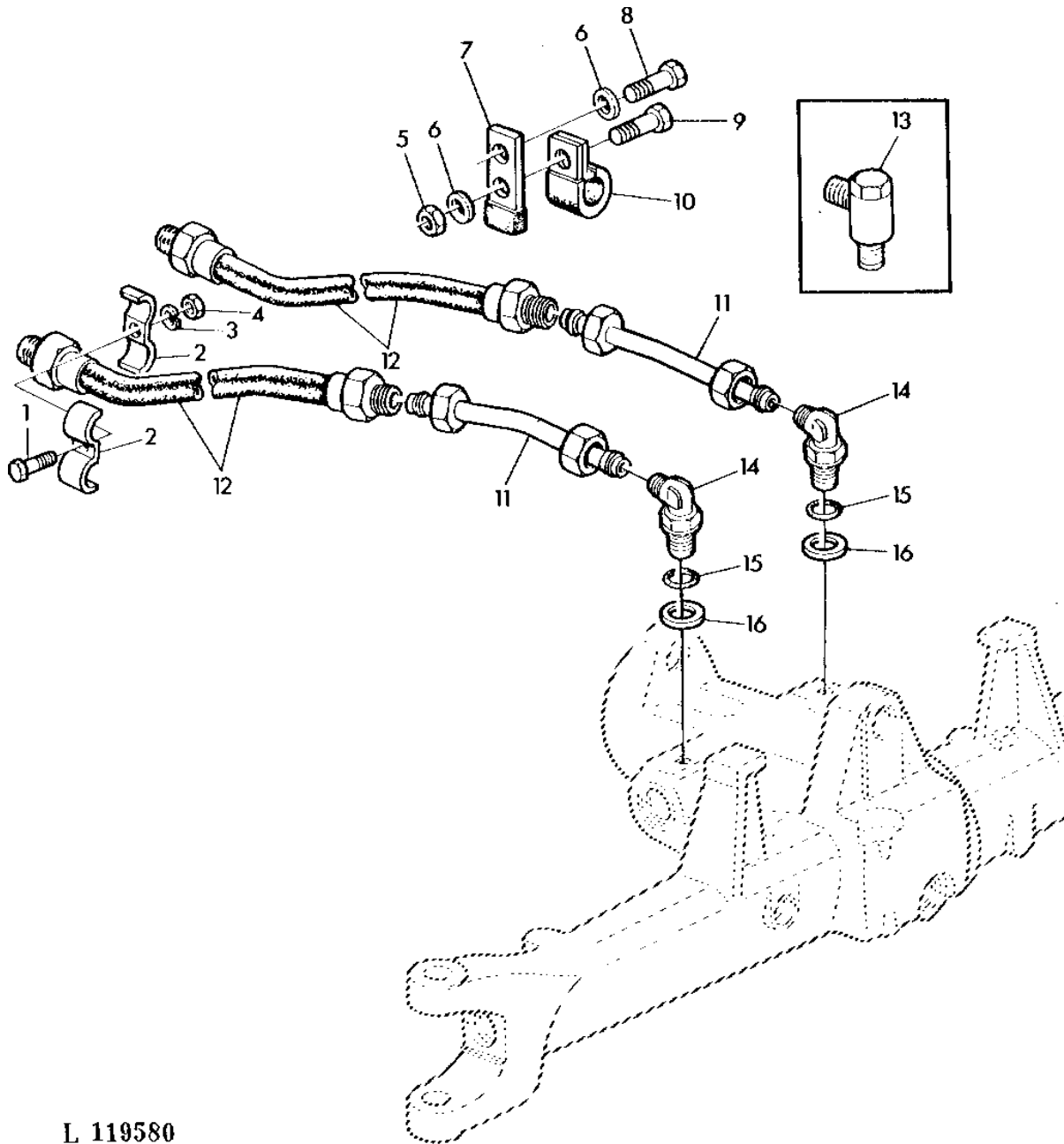
HYDROSTATIC STEERING

KEY	PART NO.	PART NAME	QTY	SERIAL NO.		REMARKS
					2	
					1 2 0	
					6 0 4	
					4 4 0	
					0 0 S	
1	AL33318	CLAMP	1	-449999	X X X	
2	L36172	CYLINDER	1	-449999	X X X	
3	11M7087	COTTER PIN	1	-449999	X X X	4X40MM
4	14M7331	NUT	1	-449999	X X X	M20X1.5MM
5	L36174	ROD	1	-449999	X X X	
6	L36165	PISTON	1	-449999	X X X	
7	AL39287	SEAL KIT	1	-449999	X X X	(SUB FOR AL33321)
8	L36169	GUIDE	1	-449999	X X X	
9	L36168	SNAP RING	1	-449999	X X X	
10	L36166	WASHER	1	-449999	X X X	
11	40M7093	SNAP RING	1	-449999	X X X	38X1.5MM
12	40M7094	SNAP RING	1	-449999	X X X	40X1.75MM
13	40M7095	SNAP RING	1	-449999	X X X	50X2MM
14	AL32868	CYLINDER	1	-449999	X X X	

4F18

HYDROSTATIC STEERING

HYDROSTATIC STEERING WITH FRONT WHEEL DRIVE-APL 325
DIRECTION HYDROSTATIQUE AVEC ESSIEU AVANT MOTEUR-APL 325
HYDROSTATISCHE LENKUNG BEI FRONTANTRIEB-APL 325
STERZO IDROSTATICO CON TRAZIONE ANTERIORE-APL 325
DIRECCION HIDROSTAT.-TUBERIAS PARA TRACCION DELANTERA-APL 325
HYDROSTATISK STYRNING VID FHD-APL 325
L119580 -UN-01JAN94



L 119580

4F19

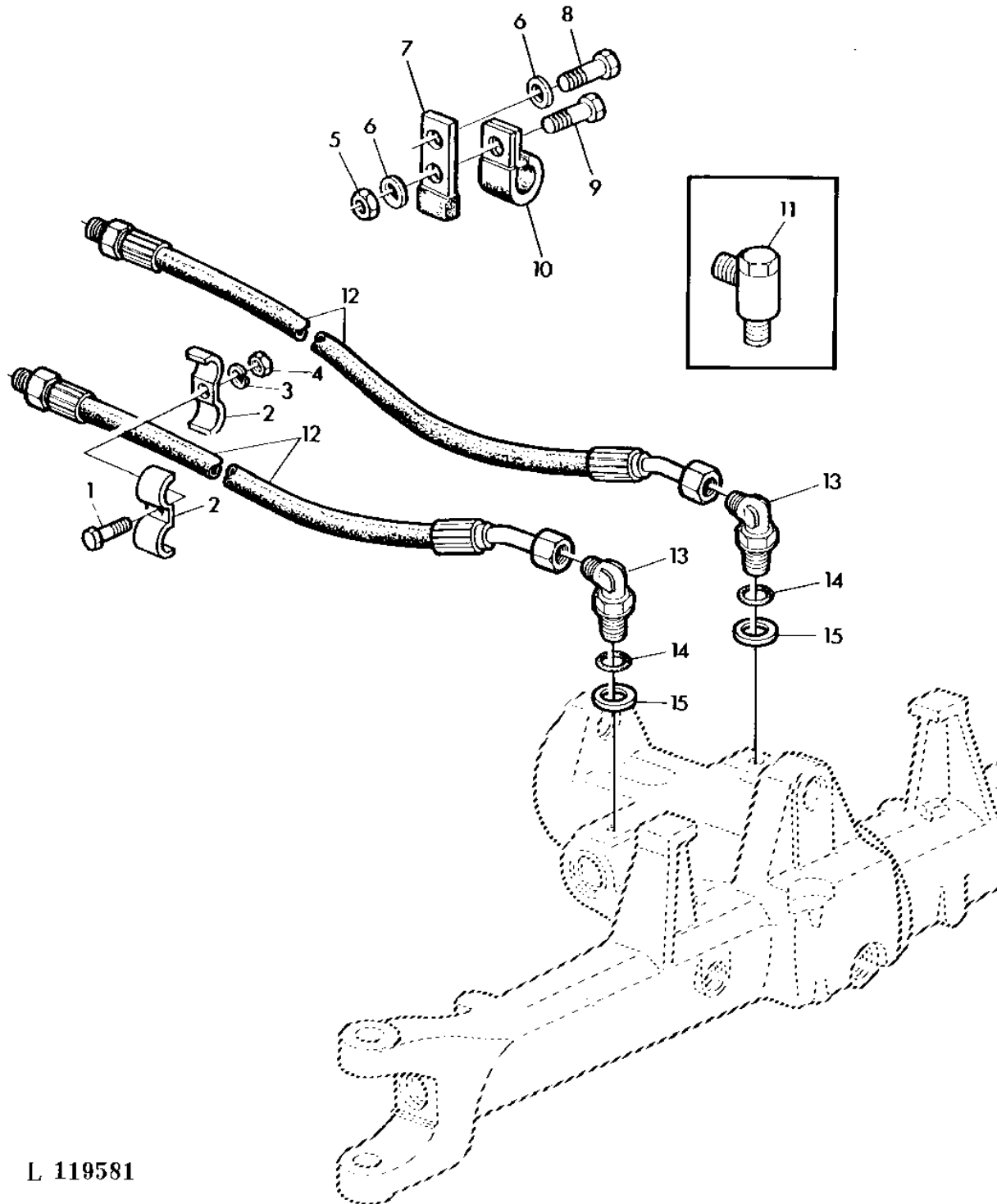
HYDROSTATIC STEERING

KEY	PART NO.	PART NAME	QTY	SERIAL NO.		REMARKS
					2	
					1 2 0	
					6 0 4	
					4 4 0	
					0 0 S	
1	19H1849	CAP SCREW	1	450000-	X X X	5/16"X1-1/4"
2	R46919	CLAMP	2	450000-	X X X	
3	12M7056	LOCK WASHER	1	450000-	X X X	
4	14H785	NUT	1	450000-	X X X	5/16"
5	14M7275	NUT	1	450000-	X X X	M12
6	24M7145	WASHER	2	450000-	X X X	15MM
7	L37268	STRAP	1	450000-	X X X	
8	19H2353	CAP SCREW	1	450000-	X X X	9/16"X1"
9	19M7386	CAP SCREW	1	450000-	X X X	M12X20
10	T28949	CLAMP	1	450000-	X X X	
11	AL34767	OIL LINE	2	450000-	X X X	
12	AL31414	HYDRAULIC HOSE	2	450000-	X X X	
13	AL39862	ELBOW FITTING	2	450000-	X X X	(SUB FOR AL31412) (ORD AL41290, L62122, 51M7033)
14	AL41290	ELBOW FITTING	2	450000-	X X X	
15	51M7033	O-RING	2	450000-	X X X	
16	L62122	WASHER	2	450000-	X X X	

4F20

HYDROSTATIC STEERING

HYDROST. STEERING WITH FRONT WHEEL DRIVE APL 325 AND FR. PTO
DIRECTION HYDROST. AVEC PONT AVANT APL 325 ET PDF AVANT
HYDROST. LENKUNG BEI FRONTANTRIEB-APL 325 UND FRONTZAPFW.
STERZO IDROST. CON TRAZ. ANT. APL 325 E PDF ANTER.
DIREC. HIDROST. CON TRACCION DELANT.-APL 325 TDF FRO
HYDROST. STYRNING VID FHD APL 325 OCH FRAMRE KRAFTUTTAG
L119581 -UN-18JUL95



L 119581

4F21

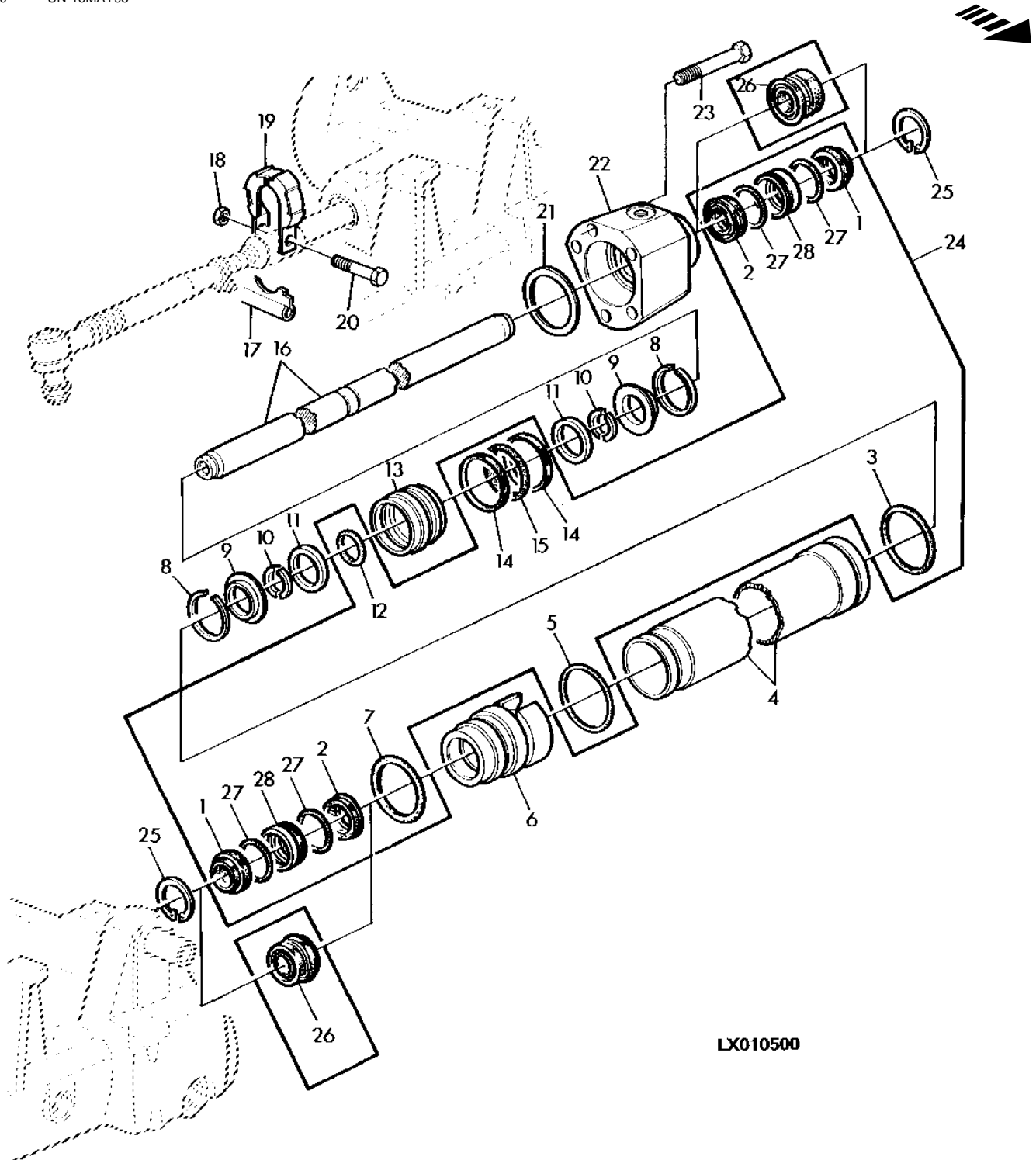
HYDROSTATIC STEERING

KEY	PART NO.	PART NAME	QTY	SERIAL NO.	REMARKS
				2	
				1 2 0	
				6 0 4	
				4 4 0	
				0 0 S	
1	19H1849	CAP SCREW	1	X	5/16"X1-1/4"
2	R46919	CLAMP	2	X	
3	12M7056	LOCK WASHER	1	X	
4	14H785	NUT	1	X	5/16"
5	14M7275	NUT	1	X	M12
6	24M7145	WASHER	2	X	15MM
7	L37268	STRAP	1	X	
8	19H2353	CAP SCREW	1	X	9/16"X1"
9	19M7386	CAP SCREW	1	X	M12X20
10	T28949	CLAMP	1	X	
11	AL39862	ELBOW FITTING	2	X	(SUB FOR AL31412) (ORD AL41290, L62122, 51M7033)
12	AL55377	HYDRAULIC HOSE	2	X	
13	AL41290	ELBOW FITTING	2	X	
14	51M7033	O-RING	2	X	
15	L62122	WASHER	2	X	

4F22

HYDROSTATIC STEERING

STEERING CYLINDER PARTS WITH FRONT WHEEL DRIVE-APL 325
ELEMENTS DU VERIN DE DIRECTION AVEC ESSIEU AV. MOTEUR-APL 325
LENKZYLINDER-EINZELTEILE BEI FRONTANTRIEB-APL 325
GRUPPO CILINDRO STERZO CON TRAZIONE ANTERIORE-APL 325
COMPONENTES-CILINDRO DIREC. USADO CON TRAC. DELANTERA-APL 325
STYRCYLINDERDELAR VID FRAMHJULSDRIFT-APL 325
LX010500 -UN-16MAY95



LX010500

4F23

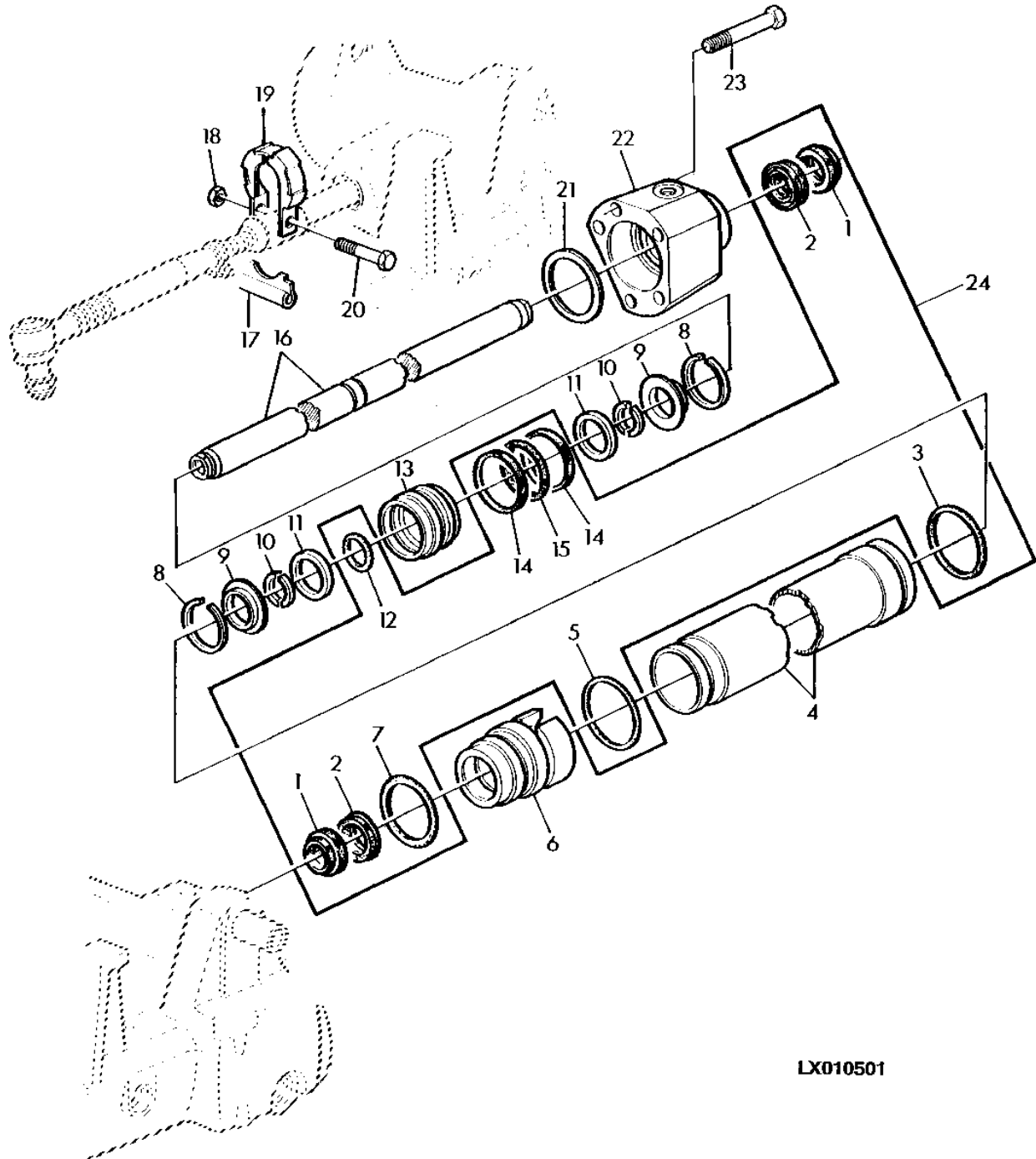
HYDROSTATIC STEERING

KEY	PART NO.	PART NAME	QTY	SERIAL NO.		REMARKS
					2	
					1 2 0	
					6 0 4	
					4 4 0	
					0 0 S	
1	L41318	SEAL	2	450000-498819	X X X	
2	L41317	SEAL	2	450000-498819	X X X	
3	L40318	O-RING	1	450000-498819	X X X	(SUB FOR L40319)
4	L40025	HYDRAULIC CYLINDER BARREL	1	450000-498819	X X X	
5	L40318	O-RING	1	450000-498819	X X X	
6	L40209	GUIDE	1	450000-498819	X X X	
7	L40320	O-RING	1	450000-498819	X X X	
8	40M7127	SNAP RING	2	450000-498819	X X X	
9	L40033	WASHER	2	450000-498819	X X X	
10	L40203	RING	2	450000-498819	X X X	
11	L40016	WASHER	2	450000-498819	X X X	
12	L40321	O-RING	1	450000-498819	X X X	
13	L40034	PISTON	1	450000-498819	X X X	
14	L40163	SCRAPER RING	2	450000-498819	X X X	
15	L40035	O-RING	1	450000-498819	X X X	
16	L40211	ROD	1	450000-498819	X X X	
17	L40264	SHIM	2	450000-498819	X X X	
18	14M7273	NUT	2	450000-498819	X X X	M8
19	AL38037	STOP	2	450000-498819	X X X	40/50, TK= 26MM
	AL38038	STOP	2	450000-498819	X X X	45/50, TK= 19MM
20	19M7164	CAP SCREW	2	450000-498819	X X X	M8X50
21	L40162	WASHER	AR	450000-498819	X X X	TK= 1.0MM
	L40161	WASHER	AR	450000-498819	X X X	TK= 1.1MM
	L40160	WASHER	AR	450000-498819	X X X	TK= 1.2MM
	L40159	WASHER	AR	450000-498819	X X X	TK= 1.3MM
	L40158	WASHER	AR	450000-498819	X X X	TK= 1.4MM
	L40157	WASHER	AR	450000-498819	X X X	TK= 1.5MM
	L40156	WASHER	AR	450000-498819	X X X	TK= 1.6MM
	L40155	WASHER	AR	450000-498819	X X X	TK= 1.7MM
	L39999	WASHER	AR	450000-498819	X X X	TK= 1.8MM
22	L40210	GUIDE	1	450000-498819	X X X	
23	19M8081	CAP SCREW	5	450000-498819	X X X	M10X80
24	AL39002	GASKET KIT	1	450000-498819	X X X	
25	L40249	SNAP RING	2	450000-498819	X X X	
26	AL38129	SEAL	2	450000-498819	X X X	
27	L65376	O-RING	4	450000-498819	X X X	
28	L65375	SELF-ALIGNING BUSHING	2	450000-498819	X X X	

4F24

HYDROSTATIC STEERING

STEERING CYLINDER PARTS WITH FRONT WHEEL DRIVE-APL 325
ELEMENTS DU VERIN DE DIRECTION AVEC ESSIEU AV. MOTEUR-APL 325
LENKZYLINDER-EINZELTEILE BEI FRONTANTRIEB-APL 325
GRUPPO CILINDRO STERZO CON TRAZIONE ANTERIORE-APL 325
COMPONENTES-CILINDRO DIREC. USADO CON TRAC. DELANTERA-APL 325
STYRCYLINDERDELAR VID FRAMHJULSDRIFT-APL 325
LX010501 -UN-03MAY95



LX010501

4F25

HYDROSTATIC STEERING

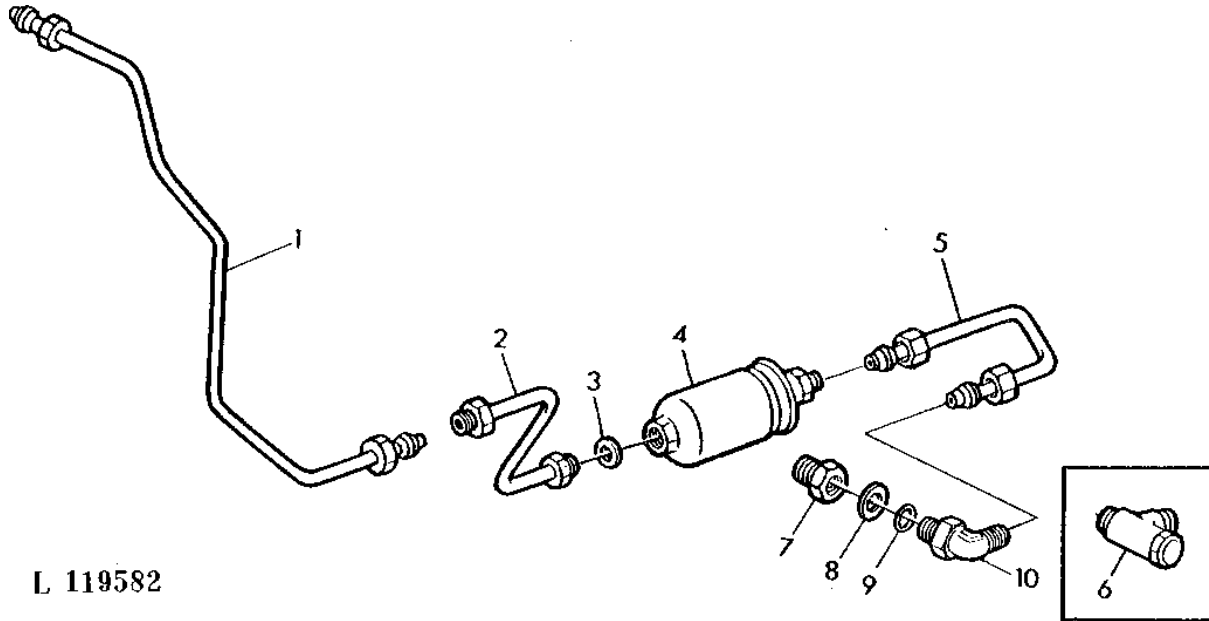
KEY	PART NO.	PART NAME	QTY	SERIAL NO.	2 1 2 0 6 0 4 4 4 0 0 0 S	REMARKS
1	L41318	SEAL	2	498820-	X X X	
2	L41317	SEAL	2	498820-	X X X	
3	L40318	O-RING	1	498820-	X X X	(SUB FOR L40319)
4	L40025	HYDRAULIC CYLINDER BARREL	1	498820-	X X X	
5	L40318	O-RING	1	498820-	X X X	
6	L41315	GUIDE	1	498820-	X X X	
7	L40320	O-RING	1	498820-	X X X	
8	40M7127	SNAP RING	2	498820-	X X X	
9	L40033	WASHER	2	498820-	X X X	
10	L40203	RING	2	498820-	X X X	
11	L40016	WASHER	2	498820-	X X X	
12	L40321	O-RING	1	498820-	X X X	
13	L40034	PISTON	1	498820-	X X X	
14	L40163	SCRAPER RING	2	498820-	X X X	
15	L40035	O-RING	1	498820-	X X X	
16	L40211	ROD	1	498820-	X X X	
17	L40264	SHIM	2	498820-	X X X	
18	14M7273	NUT	2	498820-	X X X	M8
19	AL38037	STOP	2	498820-	X X X	40/50, TK= 26MM
	AL38038	STOP	2	498820-	X X X	45/50, TK= 19MM
20	19M7164	CAP SCREW	2	498820-	X X X	M8X50
21	L40162	WASHER	AR	498820-	X X X	TK= 1.0MM
	L40161	WASHER	AR	498820-	X X X	TK= 1.1MM
	L40160	WASHER	AR	498820-	X X X	TK= 1.2MM
	L40159	WASHER	AR	498820-	X X X	TK= 1.3MM
	L40158	WASHER	AR	498820-	X X X	TK= 1.4MM
	L40157	WASHER	AR	498820-	X X X	TK= 1.5MM
	L40156	WASHER	AR	498820-	X X X	TK= 1.6MM
	L40155	WASHER	AR	498820-	X X X	TK= 1.7MM
	L39999	WASHER	AR	498820-	X X X	TK= 1.8MM
22	L41316	GUIDE	1	498820-	X X X	
23	19M8081	CAP SCREW	5	498820-	X X X	M10X80
24	AL70934	GASKET KIT	1	498820-	X X X	

4G1

HYDROSTATIC STEERING

HYDROSTATIC STEERING-OIL LINES (FILTER)
 DIRECTION HYDROSTATIQUE-CONDUITES D'HUILE (FILTRE)
 HYDROSTATISCHE LENKUNG-OELLEITUNG (FILTER)
 STERZO IDROSTATICO-TUBAZIONI OLIO (FILTRO)
 DIRECCION HIDROSTATICA-TUBERIAS (FILTRO)
 HYDROSTATISK STYRNING-LEDNINGAR (FILTER)

L119582 -UN-01JAN94



L 119582

2
1 2 0
6 0 4
4 4 0
0 0 S

KEY	PART NO.	PART NAME	QTY	SERIAL NO.	REMARKS
1	AL31405	OIL LINE	1		X X X
2	AL32963	LINE	1		X X X
3	51M4236	RING	1		X X X
4	AL31413	FILTER	1		X X X
5	AL31805	OIL LINE	1		X X X
6	AL39862	ELBOW FITTING	1		X X X (SUB FOR AL31412) (ORD AL41290, L62122, 51M7033)
7	L34372	ADAPTER	1	-549481	X X X
	AL57857	ADAPTER	1	549482-	X X X 1-5/16"
8	L62122	WASHER	1		X X X
9	51M7033	O-RING	1		X X X
10	AL41290	ELBOW FITTING	1		X X X

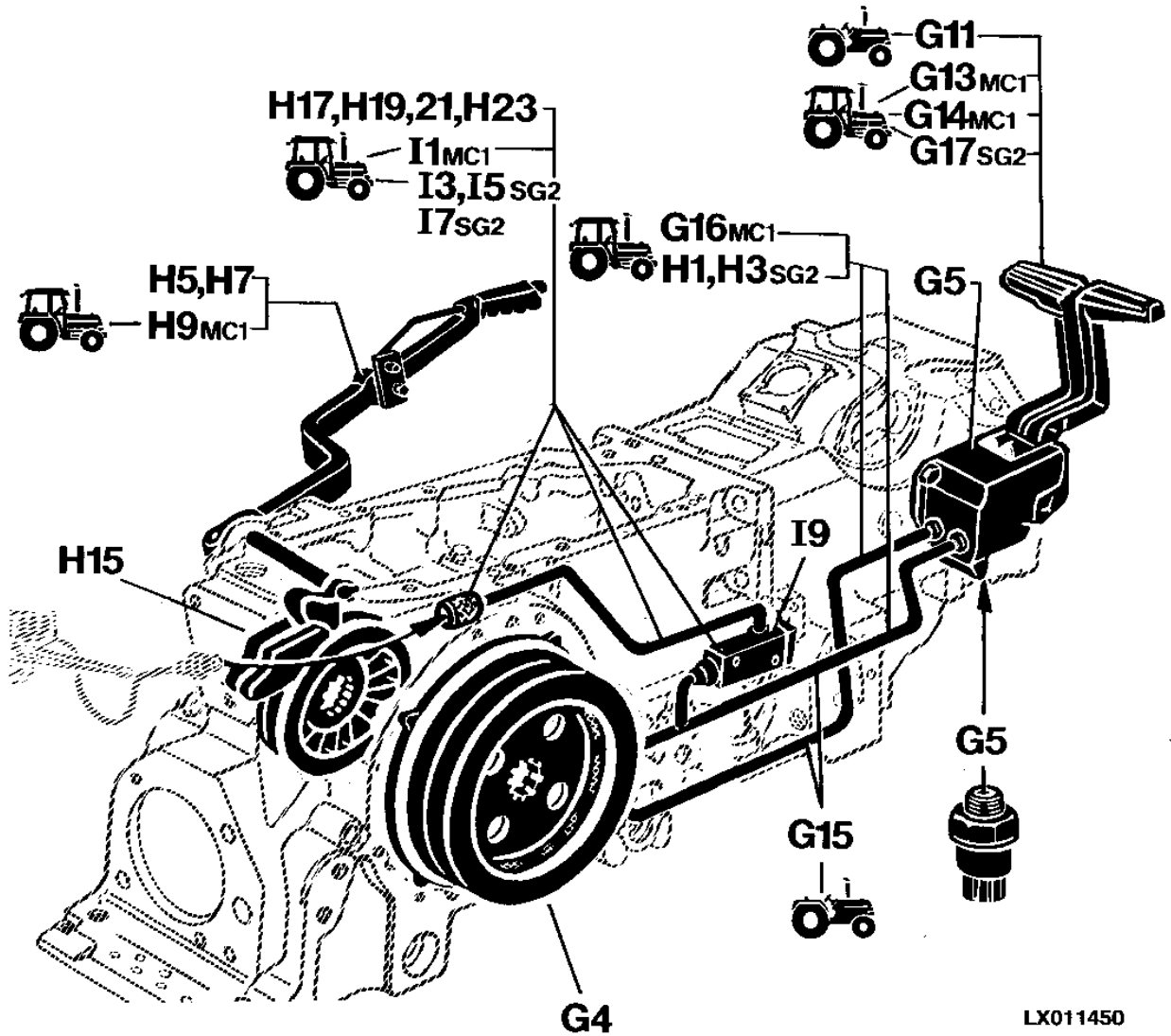
4G2

BRAKES

XX
XX
XX
XX
XX
XX
XX
XX
XX
XX
XX

SECTIONAL INDEX
INDEX DE SECTION
GRUPPENINDEX
INDICE DELLA SEZIONE
INDICE DE GRUPOS
GRUPPSFORTECKNING

LX011450 -UN-14JUL95



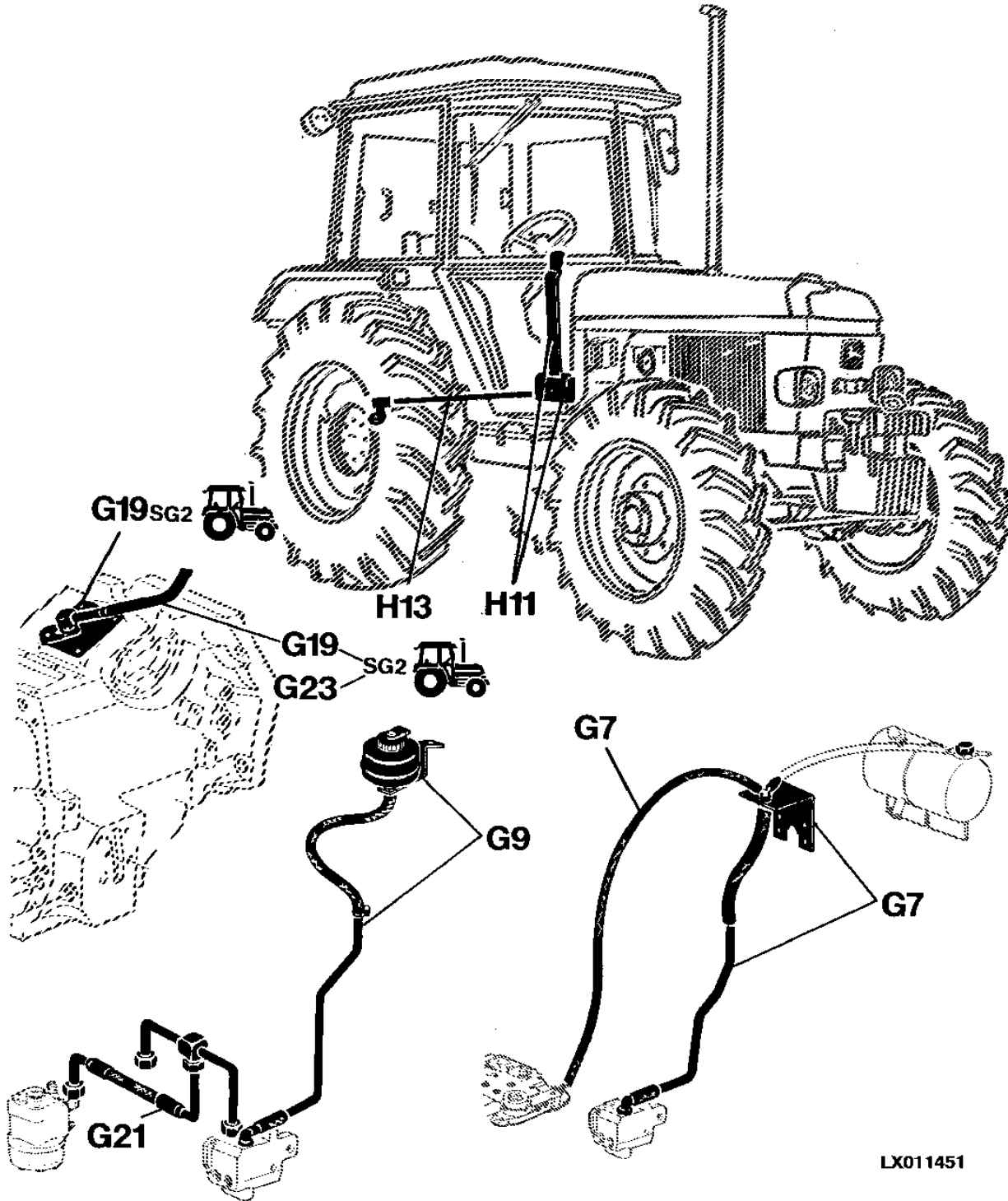
4G3

BRAKES

XX
XX
XX
XX
XX
XX
XX
XX
XX
XX
XX

SECTIONAL INDEX
INDEX DE SECTION
GRUPPENINDEX
INDICE DELLA SEZIONE
INDICE DE GRUPOS
GRUPPSFORTECKNING

LX011451 -UN-14JUL95

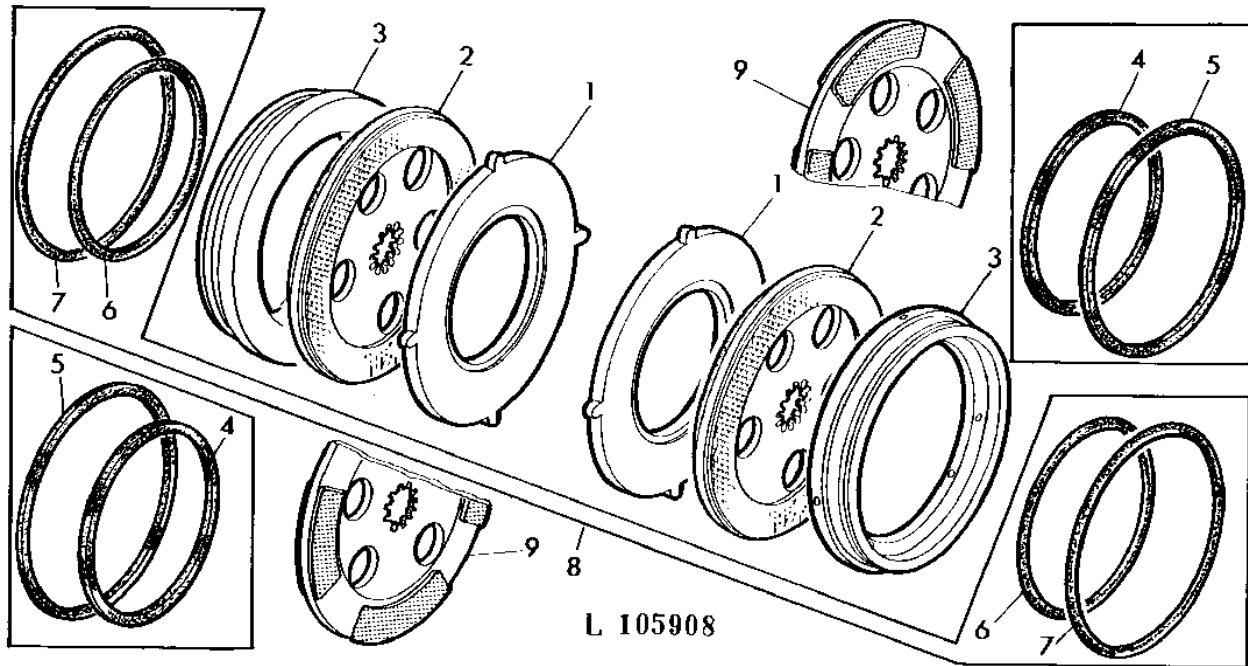


LX011451

4G4

BRAKES

BRAKE DISK
DISQUE DE FREIN
BREMSSSCHEIBE
DISCO FRENO
DISCO DEL FRENO
BROMSENHET
 L105908 -UN-17JUL95



KEY	PART NO.	PART NAME	QTY	SERIAL NO.	REMARKS
					2
					1 2 0
					6 0 4
					4 4 0
					0 0 S
1	L33497	BRAKE ACTUATING DISK	2	X X	(SUB FOR L56247)
	L55004	BRAKE ACTUATING DISK	2	X X X	(A) (SUB FOR L33481)
2	AL38234	DISK, INNER SPLINE	2	X X	(SUB FOR AL29645)
	AL65872	BRAKE DISK	2	X X	(FOR AL66796, AL66797, AL68507, AL68508)
	AL38235	DISK, INNER SPLINE	2	X X X	(A) (SUB FOR AL30095)
3	L33483	BRAKE ACTUATING DISK	2	X X	
	L63944	BRAKE ACTUATING DISK	2	X X	(FOR AL66796, AL66797, AL68507, AL68508) (SUB FOR L60890)
	L33910	BRAKE ACTUATING DISK	2	X X X	(A)
	L62830	BRAKE ACTUATING DISK	2	X X X	(A) (FOR AL66796, AL66797, AL68507, AL68508)
4	R50703	WASHER	2	-438364	X X X
5	R50704	SEALING WASHER	2	-438364	X X X
6	L56243	O-RING	2	438365-	X X X (SUB FOR L39803)
7	L56244	O-RING	2	438365-	X X X (SUB FOR L39804)
8	AL57436	O-RING KIT	1		X X X (SUB FOR AL37573)
9	AL68097	BRAKE DISK	2		X (A) (B) (SUB FOR AL39067)

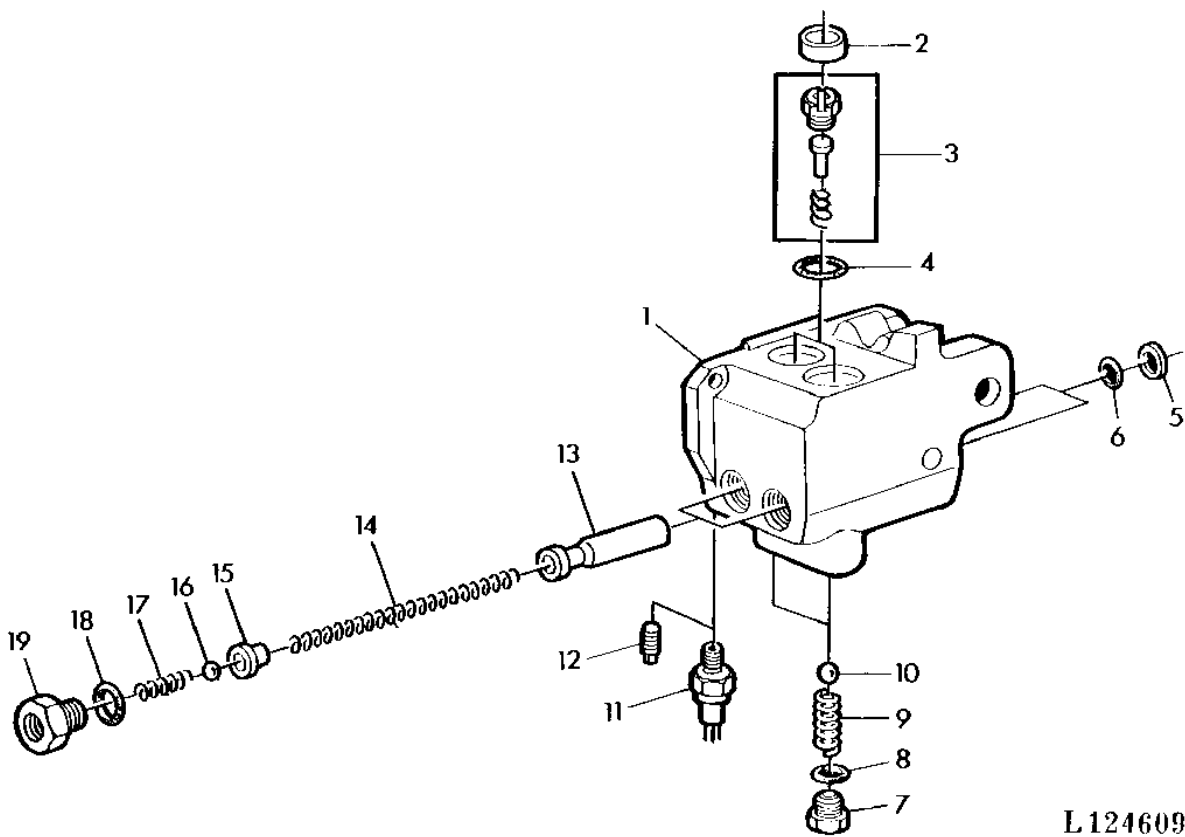
(A) WITH HEAVY-DUTY FINAL DRIVE
 AVEC REDUCTION FINALE RENFORCEE
 BEI VERSTAERKTEM ENDANTRIEB
 CON RIDUZ. FIN. RINFORZ.
 CON MANDOS FINALES REFORZADOS
 VID FORSTARKT SLUTDREV

(B) HEAVY-DUTY
 RENFORCEE
 VERSTAERKTE AUSFUEHRUNG
 RINFORZATO
 REFORZADO
 FORSTARKT

4G5

BRAKES

BRAKE VALVE
MAITRE-CYLINDRE
BREMSVENTIL
VALVOLA FRENO
VALVULA DE MANDO DEL FRENO
BROMSVENTIL
L124609 -UN-07JUL95



L124609

4G6

BRAKES

KEY	PART NO.	PART NAME	QTY	SERIAL NO.	REMARKS
					2 1 2 0 6 0 4 4 4 0 0 0 S
1	AL33145	HOUSING	1		X X X (A) (MARKED L37424) (ORD AL69167, (2) L41064, (2) U17409)
	AL69167	HOUSING	1		X X X (A) (MARKED L64463)
	AR63616	HOUSING	1		X X X (C) (MARKED R54978) (ORD AL69166, (2) L41064, (2) U17409)
	AL69166	HOUSING	1		X X X (C) (MARKED L64460)
	AR63616	HOUSING	1	-560344	X X X (MARKED R54978) (ORD AL69166, (2) L41064, (2) U17409)
	AL69166	HOUSING	1	-560344	X X X (MARKED L64460)
	AR63613	HOUSING	1	560345-	X X X (MARKED R54979) (ORD AL69170, (2) L41064, (2) U17409)
	AL69170	HOUSING	1	560345-	X X X (MARKED L64464)
2	R35286	CAP	2		X X X
	R35286	CAP	2	-560344	X X X (B)
	R35286	CAP	1	560345-	X X X (B)
3	AL69179	VALVE	1		X X X (SUB FOR AL23836, AL67574)
4	R26906	O-RING	2		X X X
5	T22101	SEAL	2		X X X
6	R495R	O-RING	2		X X X
7	R39112	FITTING	2		X X X 3/4"
8	R26375	O-RING	2		X X X
9	T21816	SPRING	2		X X X
10	D2361R	BALL	2		X X X 1/2"
11	AL67715	BRAKE LIGHT SWITCH	1		X X X (SUB FOR AL27809)
12	15H638	PIPE PLUG	1		X X X 1/8"
13	L64359	PISTON	2		X X X (FOR AR63613, AR63616) (SUB FOR L34040)
	L64467	PISTON	2		X X X (FOR AL69166, AL69170)
	L64361	PISTON	2		X X X (A) (FOR AL33145) (SUB FOR L34041)
	L64469	PISTON	2		X X X (A) (FOR AL69167)
14	L62883	COMPRESSION SPRING	2		X X X (SUB FOR R50112)
15	T21815	RETAINER	2		X X X
16	400R	BALL	2		X X X
17	L63429	COMPRESSION SPRING	2		X X X (SUB FOR T21814)
18	U12547	O-RING	2		X X X (FOR AL33145, AR63613, AR63616) (SUB FOR F3171R APPL)
	U17409	O-RING	2		X X X (FOR AL69166, AL69167, AL69170)
19	R50110	FITTING	2		X X X (FOR AL33145, AR63613, AR63616)
	L41064	FITTING	2		X X X (FOR AL69166, AL69167, AL69170)

(A) WITH SG2 CAB
AVEC CABINE SG2
BEI SG2 KABINE
CON CABINA SG2
CON CABINA SG2
VID SG2 HYTT

(B) WITH LOW PLATFORM
AVEC PLATE-FORME BASSE
BEI NIEDRIGER PLATTFORM
CON PIATTAFORMA BASSA
CON PLATAFORMA BAJA
VID LAG PLATTFORM

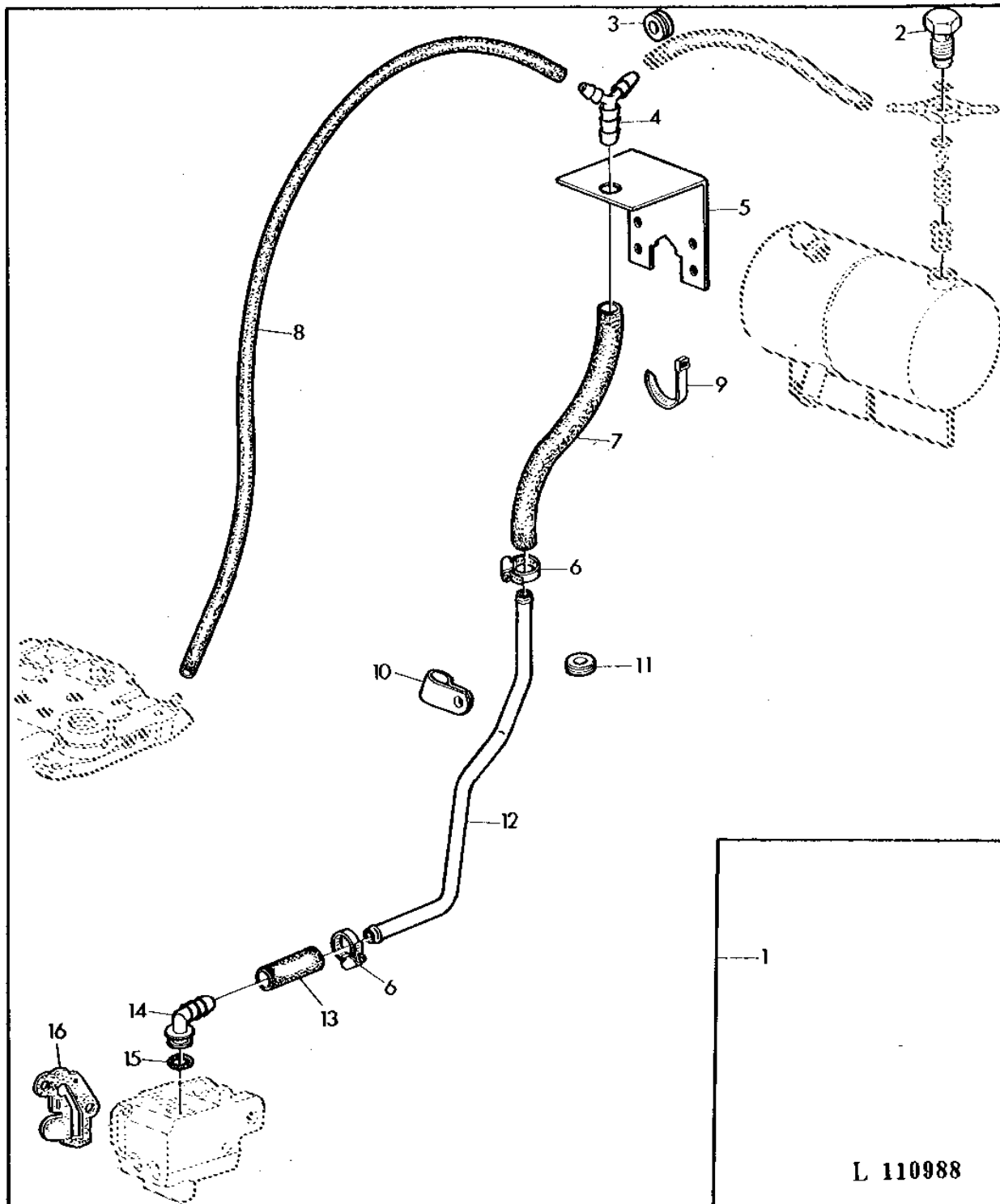
(C) WITH MC1 CAB
AVEC CABINE MC1
BEI MC1 KABINE
CON CABINA MC1
CON CABINA MC1
VID MC1 HYTT

4G7

BRAKES

PART FOR FOOT BRAKES ON TRACTORS WITH HYD. OIL RESERVOIR
PIECES DE FREIN A PIED (TRACTEURS AVEC RESERVOIR D'HUILE HYDRAULIQUE)
TEILE FUER FUSSBREMSE BEI TRAKTOREN MIT HYDR. OELBEHAELTER
PARTI PER FRENI A PEDALE CON TRATTORI CON SERBATOIO OLIO IDRAULICO
PIEZAS DEL FRENO DE PIE CON TRACTORES CON DEPOSITO DE ACEITE HIDR.
DELAR FOR FOTBROMSAR VID TRAKTORER MED HYDRAULOLJEBEHALLARE

L110988 -UN-01JAN94



4G8

BRAKES

KEY	PART NO.	PART NAME	QTY	SERIAL NO.	REMARKS
					2
					1 2 0
					6 0 4
					4 4 0
					0 0 S
1	AL57412	KIT	1		X X X
2	AL57615	PIPE PLUG	1	560345-	X X X
3	L12807	GROMMET	1	560345-	X X X
4	L56835	HOSE FITTING	1	560345-	X X X
5	L57302	ANGLE	1	560345-	X X X (A)
6	AL37489	CLAMP	2	560345-	X X X
7	L56832	HOSE	1	560345-	X X X
8	L56989	HOSE	1	560345-	X X X LGTH= 830MM (MF UN4632)
9	R44302	TIE BAND	5	560345-	X X X
10	H75541	CLAMP	1	560345-	X X X (SUB FOR R46415)
11	L38642	GROMMET	1	560345-	X X X
12	L56829	OIL LINE	1	560345-	X X X
	L57099	OIL LINE	1	560345-	X X X (A)
	L57352	OIL LINE	1	560345-	X X X (B)
13	L56833	HOSE	1	560345-	X X X LGTH= 50MM (ORD L56832)
14	L56974	HOSE FITTING	1	560345-	X X X
15	A4730R	O-RING	1	560345-	X X X
16	L61965	GASKET	1	560345-	X X X (SUB FOR L56836)
..	UN4632	HOSE	1		X X X LGTH= 10000MM

(A) WITH OPU
 AVEC CABINE PPI
 BEI FSC KABINE
 CON CABINA OPU
 CON CABINA SEGURIDAD
 VID OPU-FORARHYTT

(B) WITH REVERSER TRANSMISSION
 AVEC INVERSEUR
 BEI UMKEHRGETRIEBE
 CON INVERTITORE DI MARCHA
 CON ENGRANAJA REVERSIBLE
 VID FRAM-BACKAXEL

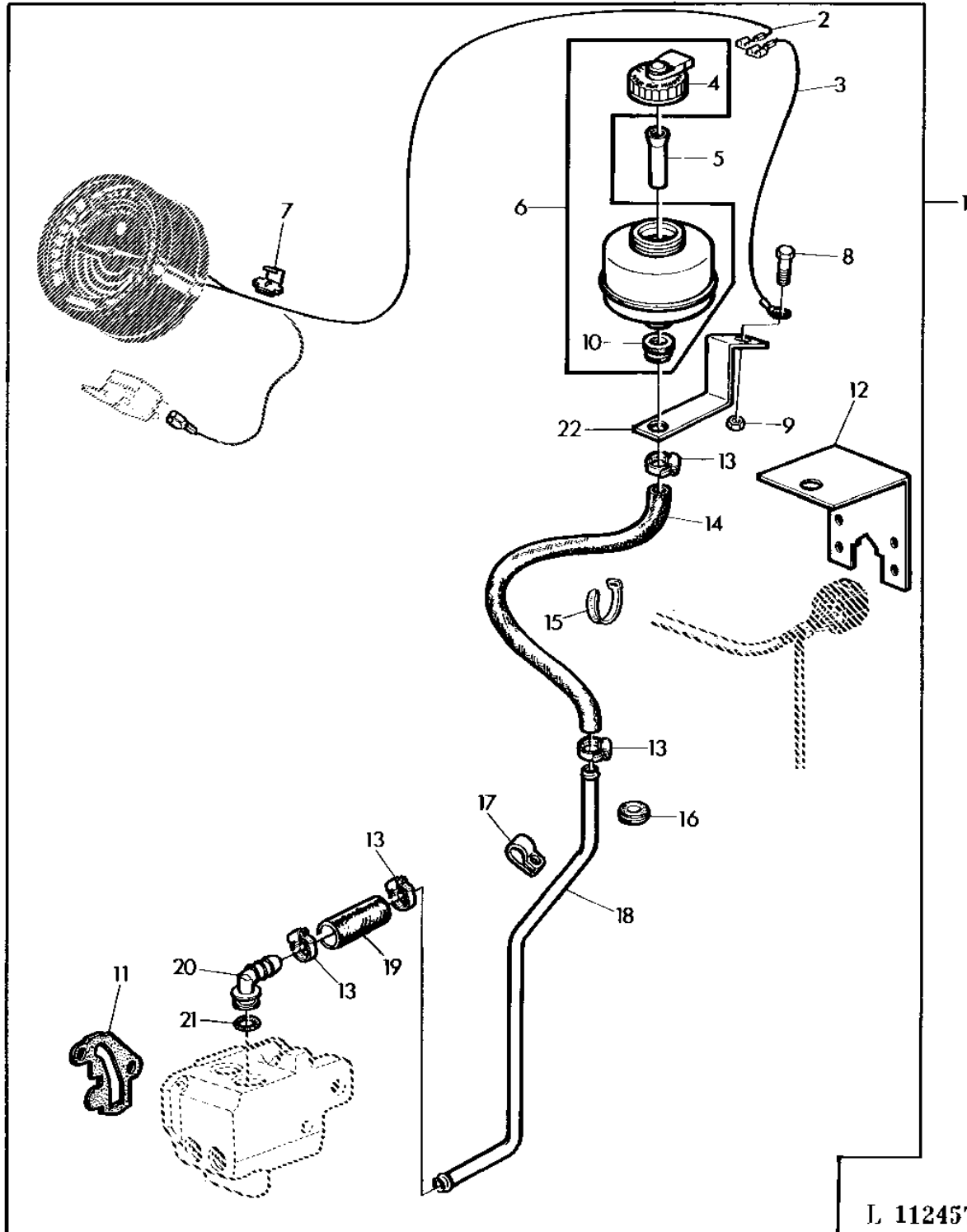
4G9

BRAKES

PARTS FOR FOOT BRAKES ON TRACTORS W/OUT HYDRAULIC OIL RESERVOIR
PIECES DU FREIN A PIED (TRACTEURS SANS RESERVOIR D'HUILE HYDRAULIQUE)
TEILE FUER FUSSBREMSE BEI TRAKTOREN OHNE HYDR. OELBEHAELTER
PARTI PER FRENO A PEDALE CON TRATTORI SENZA SERBATOIO OLIO IDRAULICO
PIEZAS DEL FRENO DE PIE CON TRACTORES SIN DEPOSITO DE ACEITE HIDR.
DELAR FOR FOTBROMSAR VID TRAKTORER UTAN HYDRAULOLJEBEHALLARE

L112457

-UN-07JUL95



4G10

BRAKES

KEY	PART NO.	PART NAME	QTY	SERIAL NO.	2 1 2 0 6 0 4 4 4 0 0 0 S	REMARKS
1	AL57598	KIT	1		X X X	
2	AL57392	WIRING LEAD	1	560345-	X X X	
3	AL27901	WIRING LEAD	1	560345-	X X X	
4	AL57599	COVER	1	560345-	X X X	
5	L56935	PIPE	1	560345-	X X X	
6	AL57390	RESERVOIR	1	560345-	X X X	
7	57M7095	CONNECTOR	1	560345-	X X X	
8	19M7560	CAP SCREW	1	560345-	X X X	M6X16
9	14M7272	NUT	1	560345-	X X X	M6
10	L56936	GROMMET	1	560345-	X X X	
11	L61965	GASKET	1	560345-	X X X	(SUB FOR L56836)
12	L57302	ANGLE	1	560345-	X X X	(A)
13	AL37489	CLAMP	3	560345-	X X X	
14	L56832	HOSE	1	560345-	X X X	
15	R44302	TIE BAND	5	560345-	X X X	
16	L38642	GROMMET	1	560345-	X X X	
17	H75541	CLAMP	1	560345-	X X X	(SUB FOR R46415)
18	L56829	OIL LINE	1	560345-	X X X	
	L57099	OIL LINE	1	560345-	X X X	(A)
	L57352	OIL LINE	1	560345-	X X X	(B)
19	L56833	HOSE	1	560345-	X X X	LGTH= 50MM (ORD L56832)
20	L56974	HOSE FITTING	1	560345-	X X X	
21	A4730R	O-RING	1	560345-	X X X	
22	L56937	RETAINER	1	560345-	X X X	

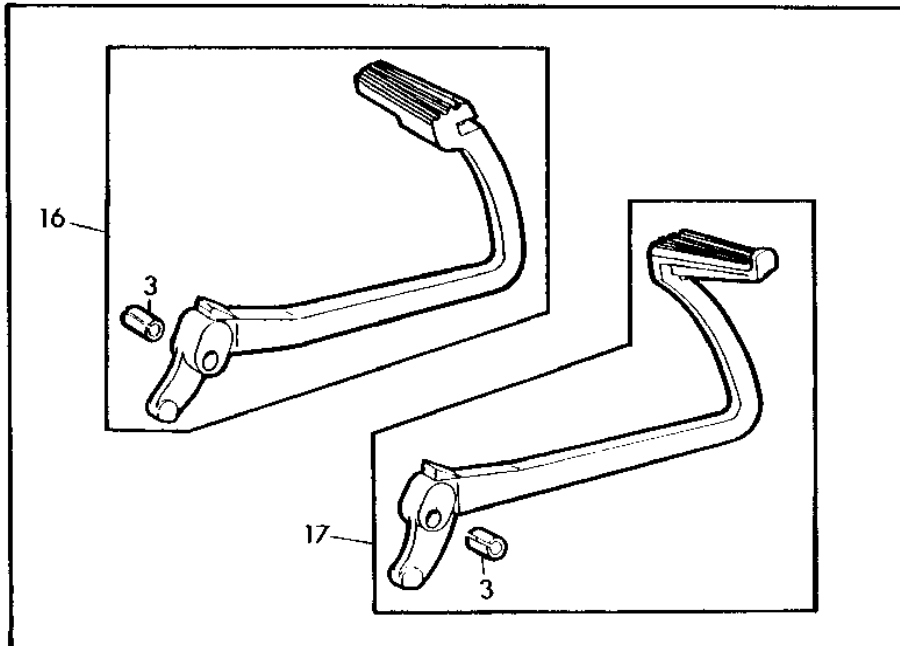
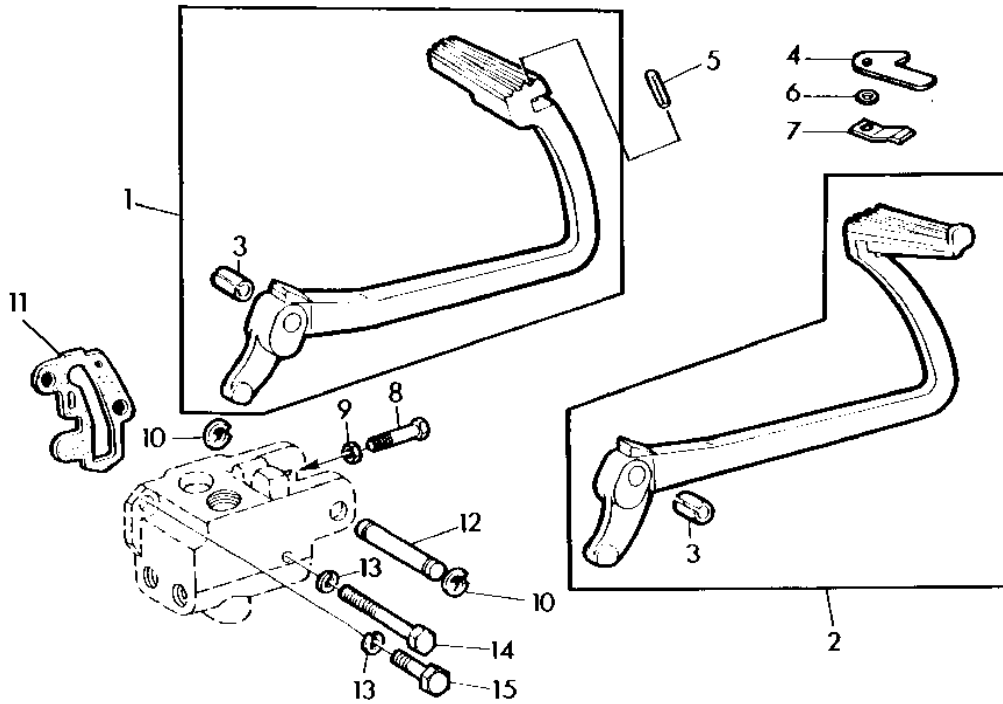
(A) WITH OPU
 AVEC CABINE PPI
 BEI FSC KABINE
 CON CABINA OPU
 CON CABINA SEGURIDAD
 VID OPU-FORARHYTT

(B) WITH REVERSER TRANSMISSION
 AVEC INVERSEUR
 BEI UMKEHRGETRIEBE
 CON INVERTITORE DI MARCHA
 CON ENGRANAJA REVERSIBLE
 VID FRAM-BACKAXEL

4G11

BRAKES

BRAKE PEDAL
PEDALE DE FREIN
BREMSFUSSEBEL
PEDALI FRENO
PEDAL DE FRENO
BROMSPEDALER
L121441 -UN-18JUL95



L 121441

4G12

BRAKES

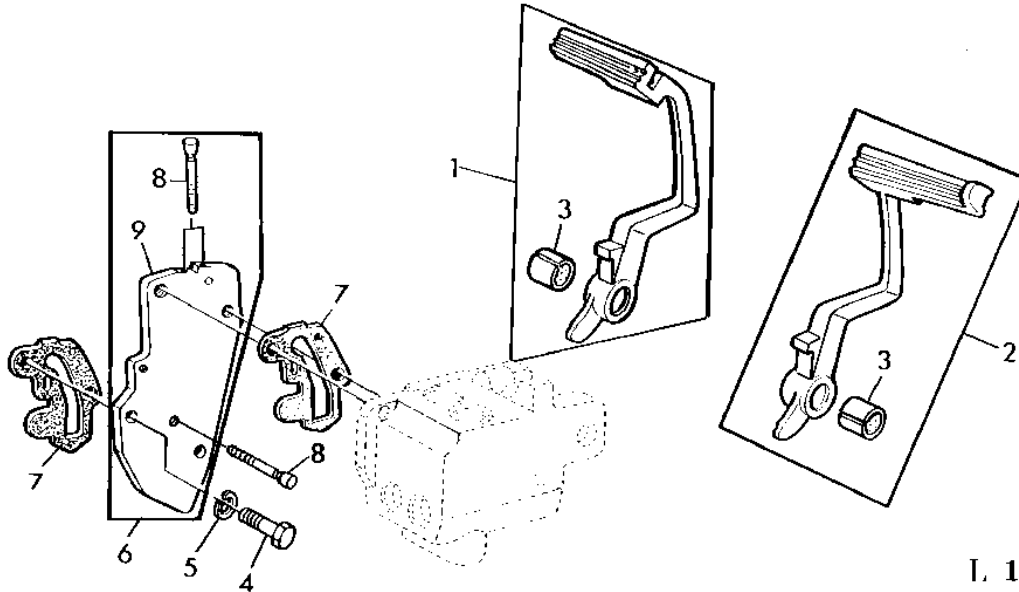
KEY	PART NO.	PART NAME	QTY	SERIAL NO.	REMARKS
					2
					1 2 0
					6 0 4
					4 4 0
					0 0 S
1	AL24065	PEDAL	1		X X X LH (MARKED L29276) (FOR AR63613)
2	AL24064	PEDAL	1		X X X RH (MARKED L29275) (FOR AR63613)
3	B177R	BUSHING	2		X X X
4	R50879	ARM	1		X X X (SUB FOR L29418)
5	34H312	SPRING PIN	1		X X X 1/4"X1"
6	24H1286	WASHER	1		X X X 9/32"X1"X.060"
7	T31134	LEAF SPRING	1		X X X
8	L32504	CAP SCREW	2		X X X 3/8"X1-1/4"
9	14H732	NUT	2		X X X 3/8"
10	F2863R	SNAP RING	2		X X X (SUB FOR 40M7039)
11	L63387	GASKET	1		X X X (SUB FOR T30687, L62368)
	L63387	GASKET	1	-560344	X X X (A) (SUB FOR T30687, L62368)
	L61965	GASKET	1	560345-	X X X (A) (SUB FOR L56836)
12	T49189	PIN	1		X X X
13	12H301	LOCK WASHER	2		X X X 1/2"
14	19H2224	CAP SCREW	1		X X X 1/2"X4-3/4"
15	19H2550	CAP SCREW	1		X X X 1/2"X1-5/8"
16	AL24066	PEDAL	1		X X X LH (MARKED L29277) (FOR AR63616)
17	AL24067	PEDAL	1		X X X RH (MARKED L29274) (FOR AR63616)

(A) WITH LOW PLATFORM
 AVEC PLATE-FORME BASSE
 BEI NIEDRIGER PLATTFORM
 CON PIATTAFORMA BASSA
 CON PLATTAFORMA BAJA
 VID LAG PLATTFORM

4G13

BRAKES

BRAKE PEDALS (WITH MC1 CAB)
 PEDALES DE FREIN (AVEC CABINE MC1)
 BREMSFUSSHEBEL (BEI MC1 KABINE)
 PEDALI FRENI (CON CABINA MC1)
 PEDAL DE FRENO (CON CABINA MC1)
 BROMSPEDALER (VID MC1 FORARHYTT)
 L113392 -UN-17JUL95



I. 113392

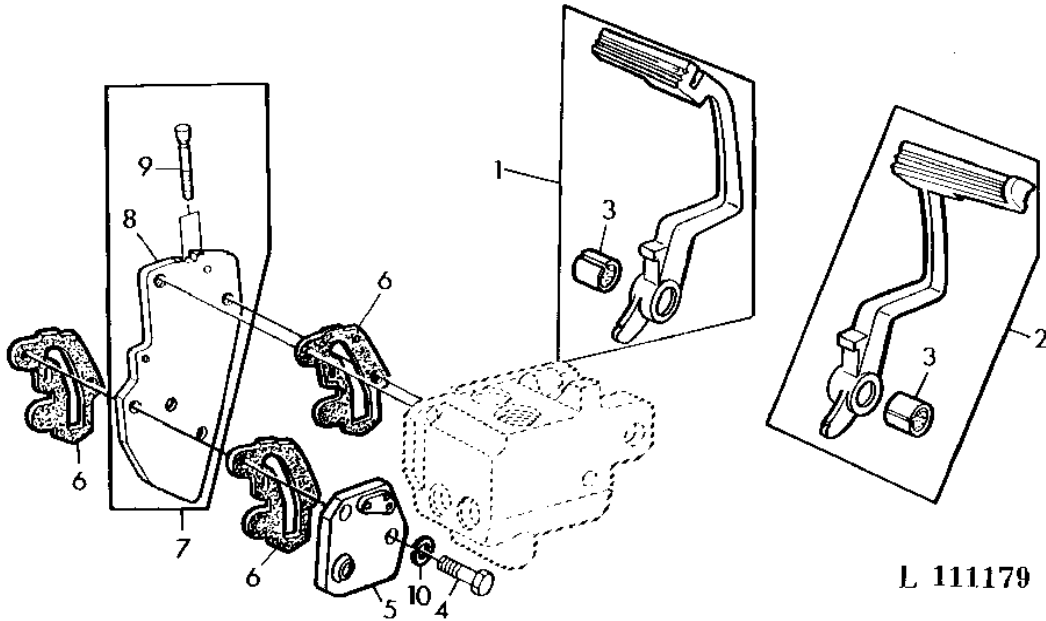
2
 1 2 0
 6 0 4
 4 4 0
 0 0 S

KEY	PART NO.	PART NAME	QTY	SERIAL NO.	REMARKS
1	AL58590	PEDAL	1	X X	LH
2	AT26524	PEDAL	1	X X	RH
3	B177R	BUSHING	2	X X	
4	19H2508	CAP SCREW	2	X X	1/2"X1-3/8"
5	12H301	LOCK WASHER	2	X X	1/2"
6	AL57495	PLATE	1	X X	
7	L63387	GASKET	2	X X	(SUB FOR T30687, L62368)
8	AL110474	PLUG	3	X X	(SUB FOR AL56123)
9	L55752	PLATE	1	X X	

4G14

BRAKES

BRAKE PEDAL WITH HYDROST. STEERING (MC1 CAB)
 PEDALE DE FREIN AVEC DIR. HYDROSTAT. (CABINE MC1)
 BREMSFUSSHEBEL BEI HYDROST. LENKUNG (MC1 KABINE)
 PEDALI FRENO CON STERZO IDROSTATICO (CABINA MC1)
 PEDALES DEL FRENO CON DIR. HIDROSTAT. (CABINA MC1)
 BROMSPEDALER VID HYDROSTATISK STYRNING (MC1 FORARHYTT)
 L111179 -UN-17JUL95



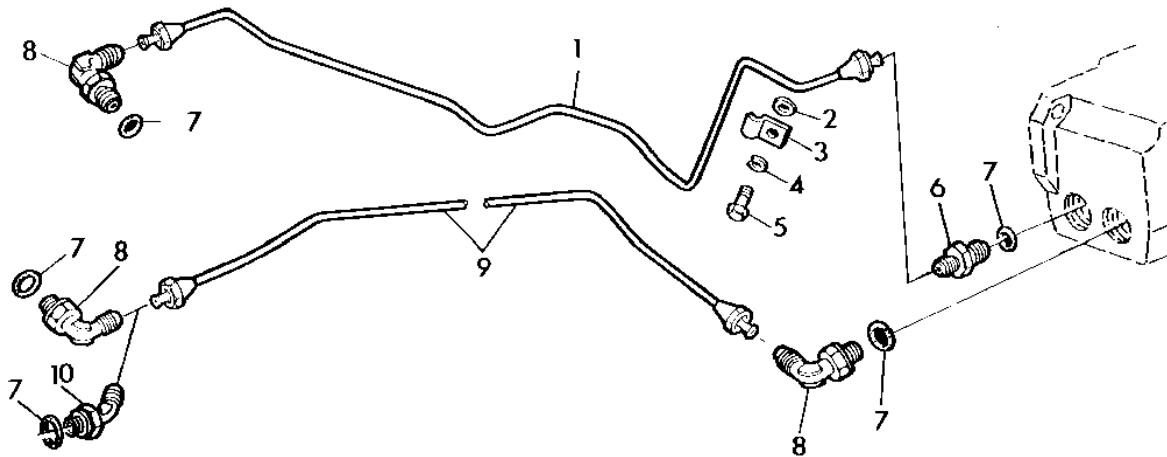
L 111179

KEY	PART NO.	PART NAME	QTY	SERIAL NO.	REMARKS
					2
					1 2 0
					6 0 4
					4 4 0
					0 0 S
1	AL58590	PEDAL	1	X X X	LH
2	AT26524	PEDAL	1	X X X	RH
3	B177R	BUSHING	2	X X X	
4	19H1974	CAP SCREW	2	X X X	1/2"X2-3/4"
5	L38283	COVER	1	X X X	
6	L63387	GASKET	3	X X X	(SUB FOR T30687, L62368)
7	AL57495	PLATE	1	X X X	
8	L55752	PLATE	1	X X X	
9	AL110474	PLUG	2	X X X	(SUB FOR AL56123)
10	12H301	LOCK WASHER	2	X X X	1/2"

4G15

BRAKES

BRAKE OIL LINES
CONDUITES D'HUILE DE FREIN
BREMSEELLEITUNGEN
TUBAZIONI FRENO
TUBERIAS DE ACEITE DEL FRENO
BROMSOLJELEDNINGAR
 L105909 -UN-17JUL95



I. 105909

2
 1 2 0
 6 0 4
 4 4 0
 0 0 S

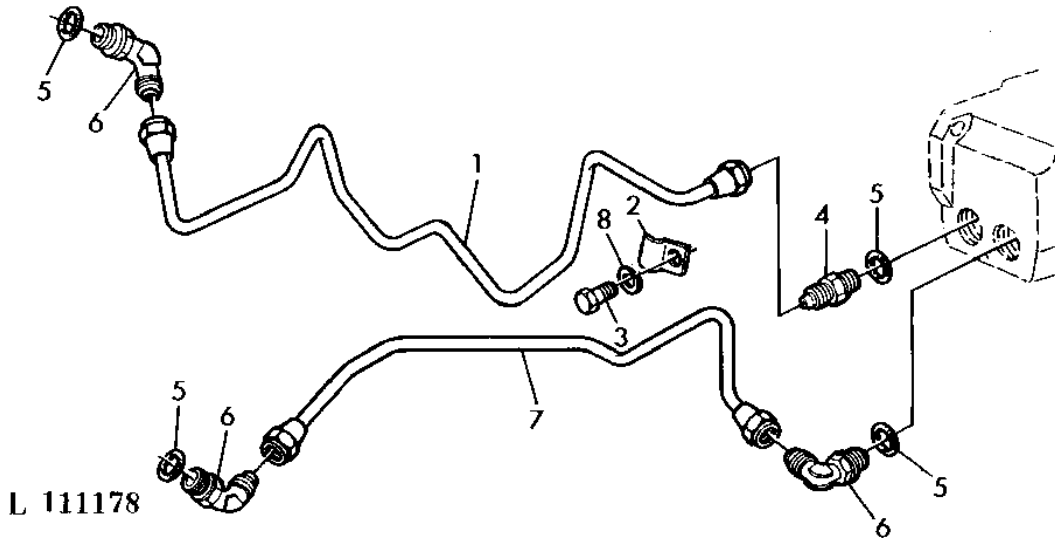
KEY	PART NO.	PART NAME	QTY	SERIAL NO.	REMARKS
1	AL33374	OIL LINE	1	X X	LH
	AL33486	OIL LINE	1	X X X	(A) LH
2	24H1312	WASHER	2	X X X	13/32"X1-3/8"X.105"
3	R27528	CLAMP	2	X X X	
4	12H304	LOCK WASHER	2	X X X	3/8"
5	19H1936	CAP SCREW	2	X X X	3/8"X3/4"
6	R27139	FITTING	1	X X X	
7	R26287	O-RING	4	X X X	
8	AR26746	ELBOW FITTING	AR	X X X	
9	AT23544	OIL LINE	1	X X	RH
	AT27472	OIL LINE	1	X X X	(A) RH
10	AT29531	ELBOW FITTING	1	X X X	(A) RH

(A) WITH HEAVY-DUTY FINAL DRIVE
 AVEC COMMANDE FINALE RENFORCEE
 BEI VERSTAERKTEM ENDANTRIEB
 CON RIDUZIONE FINALE RINFORZATA
 CON REDUCCION FINAL REFORZADA
 VID FORSTARKT SLUTDREV

4G16

BRAKES

BRAKE OIL LINES (MC1 CAB)
CONDUITES D'HUILE DE FREIN (CABINE MC1)
BREMSELEITUNGEN (MC1 KABINE)
TUBAZIONI FRENO (CABINA MC1)
TUBERIAS DE ACEITE DEL FRENO (CABINA MC1)
BROMSOLJELEDNINGAR (MC1 FORARHYTT)
 L111178 -UN-17JUL95



L 111178

2
1 2 0
6 0 4
4 4 0
0 0 S

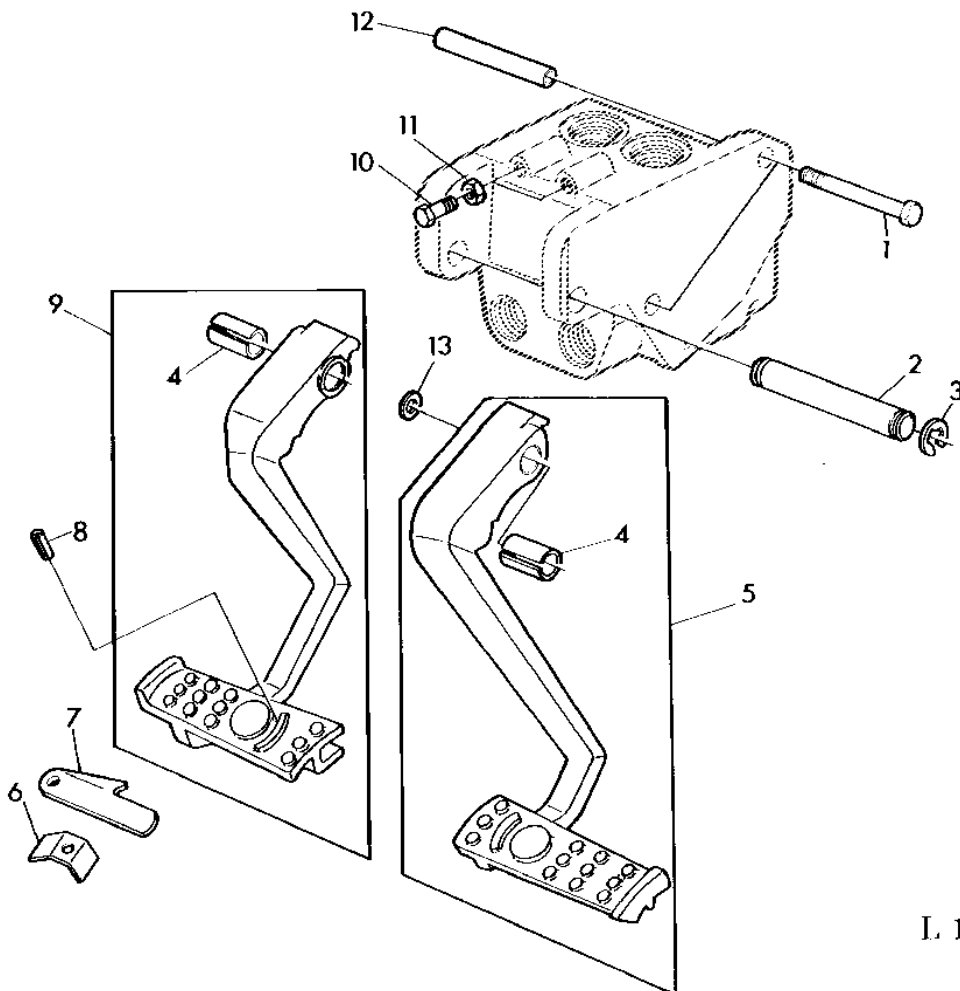
KEY	PART NO.	PART NAME	QTY	SERIAL NO.	REMARKS
1	AL27968	OIL LINE	1	X X X	LH
	AL33375	OIL LINE	1	X X X	(A) LH
2	R27528	CLAMP	1	X X X	
3	19H1936	CAP SCREW	1	X X X	3/8"X3/4"
4	R27139	FITTING	1	X X X	3/8"
5	R26287	O-RING	4	X X X	
6	AR26746	ELBOW FITTING	3	X X X	
7	AL27904	OIL LINE	1	X X X	RH
	AL29856	OIL LINE	1	X X X	(A) RH
8	12H304	LOCK WASHER	1	X X X	3/8"

(A) WITH HEAVY-DUTY FINAL DRIVE
 AVEC COMMANDE FINALE RENFORCEE
 BEI VERSTAERKTEM ENDANTRIEB
 CON RIDUZIONE FINALE RINFORZATA
 CON REDUCCION FINAL REFORZADA
 VID FORSTARKT SLUTDREV

4G17

BRAKES

BRAKE PEDAL (SG2 CAB)
PEDALE DE FREIN (CABINE SG2)
BREMSFUSSEBEL (SG2 KABINE)
PEDALI FRENO (CABINA SG2)
PEDALES DEL FRENO (CABINA SG2)
BROMSPEDALER (SG2 HYTT)
L100946 -UN-17JUL95



I. 100946

4G18

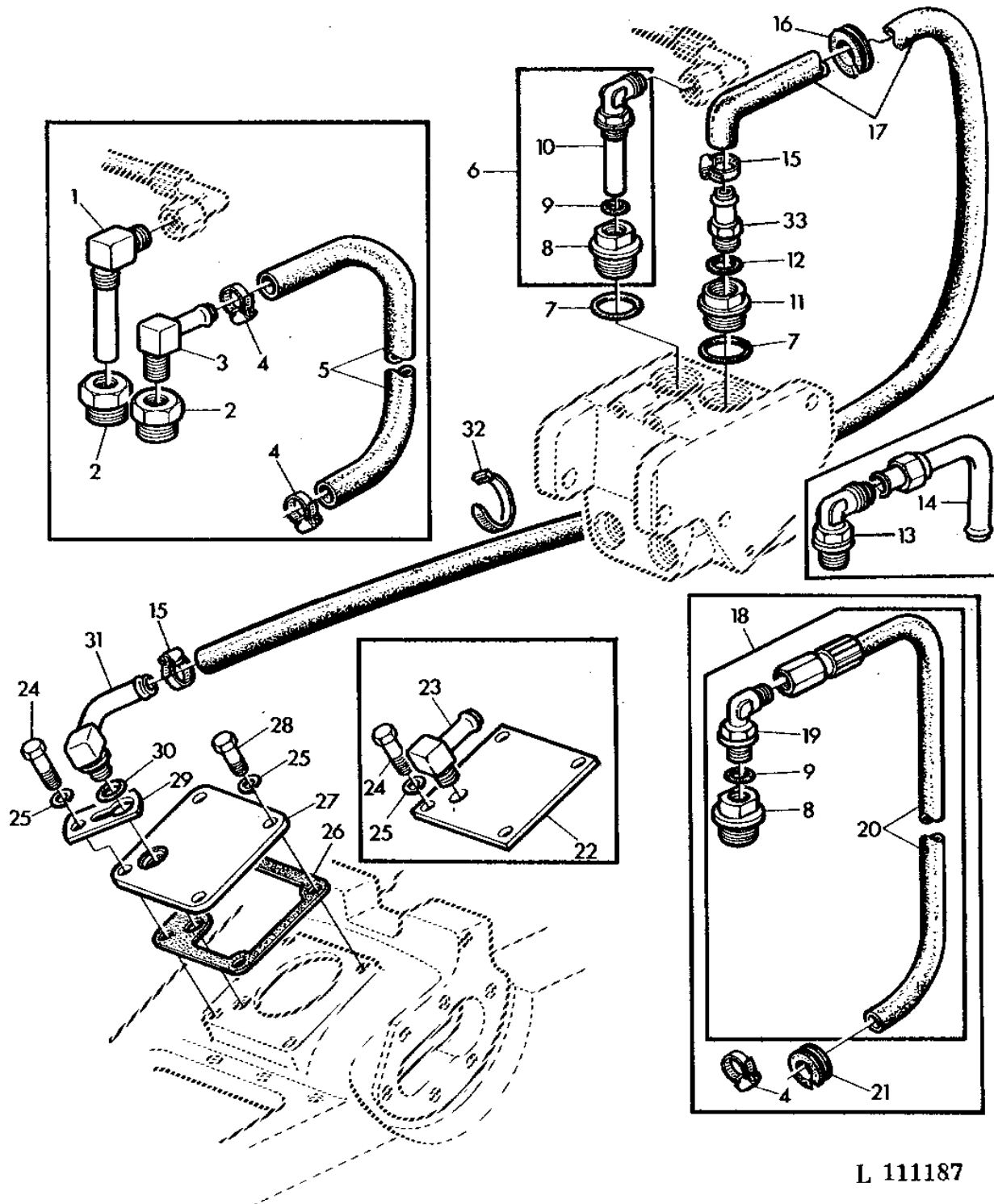
BRAKES

KEY	PART NO.	PART NAME	QTY	SERIAL NO.		REMARKS
					2	
					1 2 0	
					6 0 4	
					4 4 0	
					0 0 S	
1	19H2224	CAP SCREW	2	-499751	X X X	1/2"X4-3/4" (SUB FOR 19H1739)
	19M7728	CAP SCREW	2	499752-	X X X	M12X120
2	T49189	PIN	1		X X X	
3	F2863R	SNAP RING	2		X X X	(SUB FOR 40M7039)
4	B177R	BUSHING	2		X X X	
5	AL60149	PEDAL	1		X X X	(SUB FOR AR88033) (ORD W/ 19H2791)
6	R50034	LEAF SPRING	1		X X X	
7	R75124	STRAP	1		X X X	
8	34H312	SPRING PIN	1		X X X	1/4"X1"
9	AR88034	PEDAL	1		X X X	(ORD W/ 19H2791)
10	L32504	CAP SCREW	2		X X X	
11	14H732	NUT	2		X X X	3/8"
12	L37805	SPACER	1		X X X	
13	24H1139	WASHER	1		X X X	11/16"X1-1/4"X.105"

4G19

BRAKES

RETURN LINE STEERING UNIT/BRAKE VALVE (SG2 CAB)
 CONDUITE DE RETOUR DIRECTION/MAITRE-CYLINDRE (CABINE SG2)
 RUECKLAUFLEITUNG LENKEINHEIT/BREMSVENTIL (SG2 KABINE)
 TUBI FLESS. VALVOLA STERZO/VALVOLA FRENO (CABINA SG2)
 TUBERIAS DE RETORNO BOMBA DE DIREC./VALV. FRENO (CABINA SG2)
 RETURSLANGAR STYRVENTIL/BROMSVENTIL (SG2 HYTT)
 L111187 -UN-01JAN94



L 111187

4G20

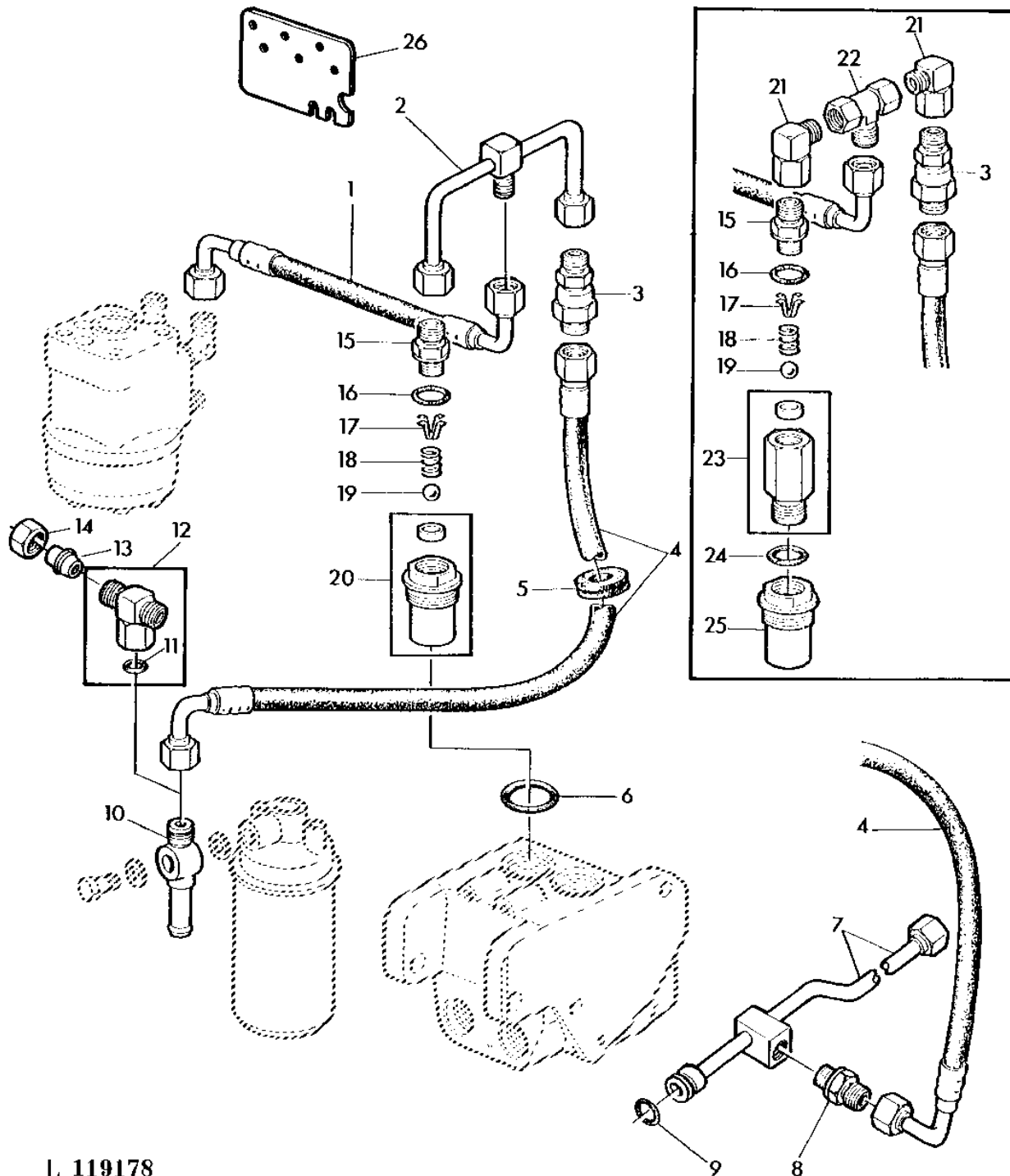
BRAKES

KEY	PART NO.	PART NAME	QTY	SERIAL NO.	REMARKS
					2
					1 2 0
					6 0 4
					4 4 0
					0 0 S
1	AR88524	FITTING	1		X X X (ORD AL38544)
2	R68019	ADAPTER	2		X X X (ORD AL38544 OR AL38545)
3	T12269	FITTING	1		X X X (ORD AL38545)
4	AL37489	CLAMP	AR	-481487	X X X (SUB FOR AR21836)
5	R65687	HOSE	1		X X X (ORD AL38545)
6	AL38544	KIT	1		X X X
7	R29936	O-RING	2		X X X
8	L39335	ADAPTER	AR		X X X
9	R26448	O-RING	AR		X X X
10	AL37361	ELBOW FITTING	1		X X X
11	L40342	ADAPTER	1	481488-	X X X
12	R26906	O-RING	1	481488-	X X X
13	AR26724	ELBOW FITTING	1	481488-XXXXXX	X X X
14	AL38126	OIL LINE	1	481488-XXXXXX	X X X
15	AL64588	CLAMP	2	481488-	X X X (SUB FOR AR21837)
16	L41186	GROMMET	1	481488-XXXXXX	X X X (SUB FOR T75186)
	R50636	GROMMET	1	XXXXXX-	X X X
17	L40343	HOSE	1		X X X (ORD L56560, R39171)
	L56560	HOSE	1		X X X
18	AL38545	KIT	1	-481487	X X X
19	AT35121	ELBOW FITTING	1	-481487	X X X (SUB FOR AR26725)
20	AL37461	HYDRAULIC HOSE	1	-481487	X X X
21	R27533	GROMMET	1	-481487	X X X
22	R67731	PLATE	1	-481487	X X X
23	T12269	FITTING	1	-481487	X X X
24	19H2552	CAP SCREW	AR		X X X 3/8"X1-1/8"
25	12H304	LOCK WASHER	4		X X X 3/8"
26	L61961	GASKET	1		X X X (SUB FOR R67939, L39898)
27	L39896	PLATE	1	481488-	X X X
28	19H1936	CAP SCREW	3	481488-	X X X 3/8"X3/4"
29	L39897	STRAP	1	481488-	X X X
30	R51203	O-RING	1	481488-	X X X
31	AL38127	OIL LINE	1	481488-	X X X
32	R44302	TIE BAND	1	481488-	X X X
33	R39171	HOSE FITTING	1		X X X

4G21

BRAKES

FIELD INSTALLATION KIT-OIL RETURN (SG2 CAB)
 JEU DE MONTAGE POUR RETOUR D'HUILE (CABINE SG2)
 NACHRUESTEILE FUER OELRUECKFUEHRUNGS-ANBAU (SG2 KABINE)
 KIT CONVERSIONE PER GRUPPO TUBAZ. RITORNO OLIO (CABINA SG2)
 JUEGO DE MODIFICACION/RETORNO DE ACEITE (CABINA SG2)
 OMBYGGNADSSATS FOR RETUROLJELEDNING (SG2 HYTT)
 L119178 -UN-18JUL95



L 119178

4G22

BRAKES

KEY	PART NO.	PART NAME	QTY	SERIAL NO.	REMARKS
				2	
				1 2 0	
				6 0 4	
				4 4 0	
				0 0 S	
1	AL59556	HYDRAULIC HOSE	1	X X X	
2	AL65445	OIL LINE	1	X X X	
3	AL36922	CHECK VALVE	1	X X X	
4	AL59557	HYDRAULIC HOSE	1	X X X	
5	L61850	GROMMET	1	X X X	
6	R29936	O-RING	1	X X X	
7	AL57820	OIL LINE	1	X X X (A)	
8	L34371	FITTING	1	X X X (A)	
9	R495R	O-RING	1	X X X (A)	
10	AL59559	HOSE FITTING	1	X X X	
11	R78436	O-RING	1	X X X	
12	AL37132	TEE FITTING	1	X X X	
13	Z42782	PLUG	1	X X X	
14	15M6139	FITTING	1	X X X	
15	L58322	FITTING	1	X X X	
16	L41383	RING	1	X X X	
17	L56451	RETAINER	1	X X X	
18	L58517	COMPRESSION SPRING	1	X X X	
19	D2361R	BALL	1	X X X	(SUB FOR L38736)
20	AL65854	ADAPTER	1	X X X	
21	AL37133	ELBOW FITTING	2	X X X	
22	AL62910	TEE FITTING	1	X X X	
23	AL58037	ADAPTER	1	X X X	
24	R26906	O-RING	1	X X X	
25	L58504	ADAPTER	1	X X X	
26	L60638	PLATE	1	X X X	

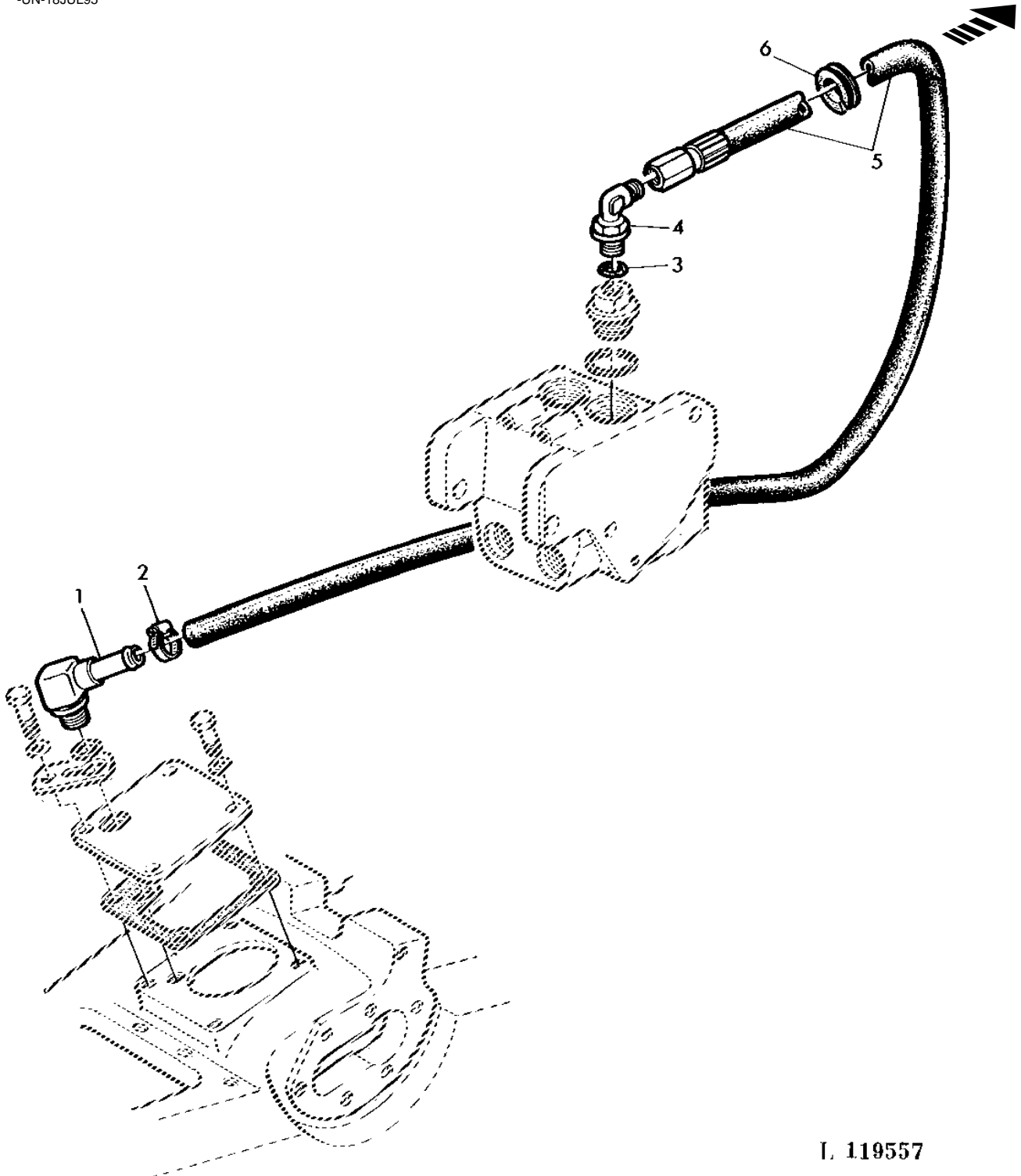
(A) WITHOUT RETURN FLOW FILTER
 SANS FILTRE DE RETOUR
 OHNE RUECKLAUFFILTER
 SENZO FILTRO OLIO RITORNO
 SIN FILTRO DE RETORNO
 UTAN RETUROLJEFILTER

4G23

BRAKES

FIELD INSTALLATION KIT-OIL RETURN (SG2 CAB)
JEU DE MONTAGE POUR RETOUR D'HUILE (CABINE SG2)
NACHRUESTEILE FUER OELRUECKFUHRUNGS-ANBAU (SG2 KABINE)
KIT CONVERSIONE PER GRUPPO TUBAZ. RITORNO OLIO (CABINA SG2)
JUEGO DE MODIFICACION/RETORNO DE ACEITE (CABINA SG2)
OMBYGGNADSSATS FOR RETUROLJELEDNING (SG2 HYTT)

L119557 -UN-18JUL95



I. 119557

4G24

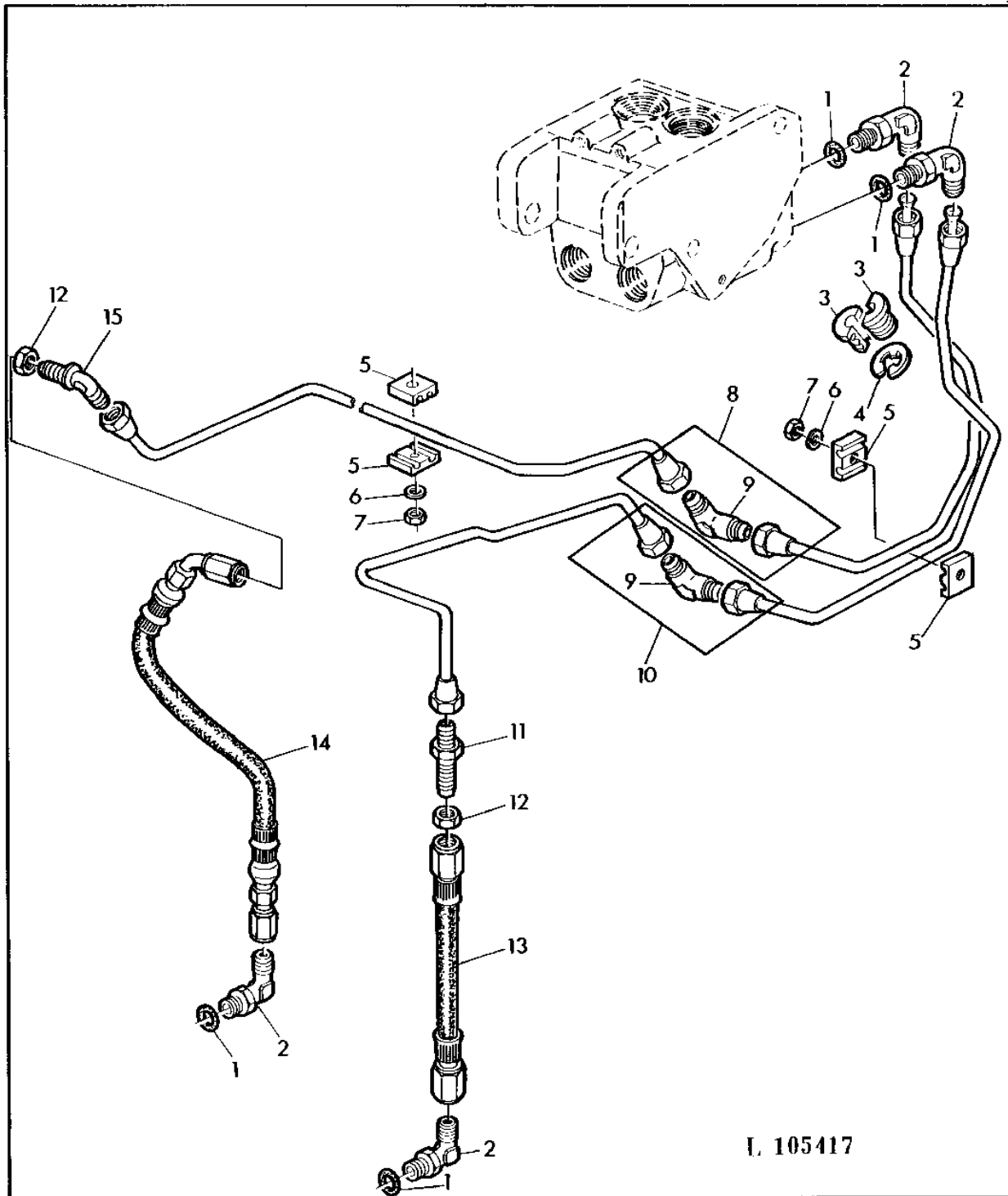
BRAKES

KEY	PART NO.	PART NAME	QTY	SERIAL NO.	2 1 2 0 6 0 4 4 4 0 0 0 S	REMARKS
1	AL62911	OIL LINE	1	481488-	X X X	
2	AL37489	CLAMP	1	481488-	X X X	
3	R26448	O-RING	1	481488-	X X X	
4	AT35121	ELBOW FITTING	1	481488-	X X X	
5	AL37461	HYDRAULIC HOSE	1	481488-	X X X	
6	R27533	GROMMET	1	481488-	X X X	

4H1

BRAKES

BRAKE OIL LINES (SG2 CAB)
CONDUITES D'HUILE DE FREIN (CABINE SG2)
BREMSELEITUNGEN (SG2 KABINE)
TUBAZIONI FRENO (CABINA SG2)
TUBERIAS DE ACEITE DEL FRENO (CABINA SG2)
BROMSOLJELEDNINGAR (SG2 HYTT)
L105417 -UN-17JUL95



L 105417

4H2

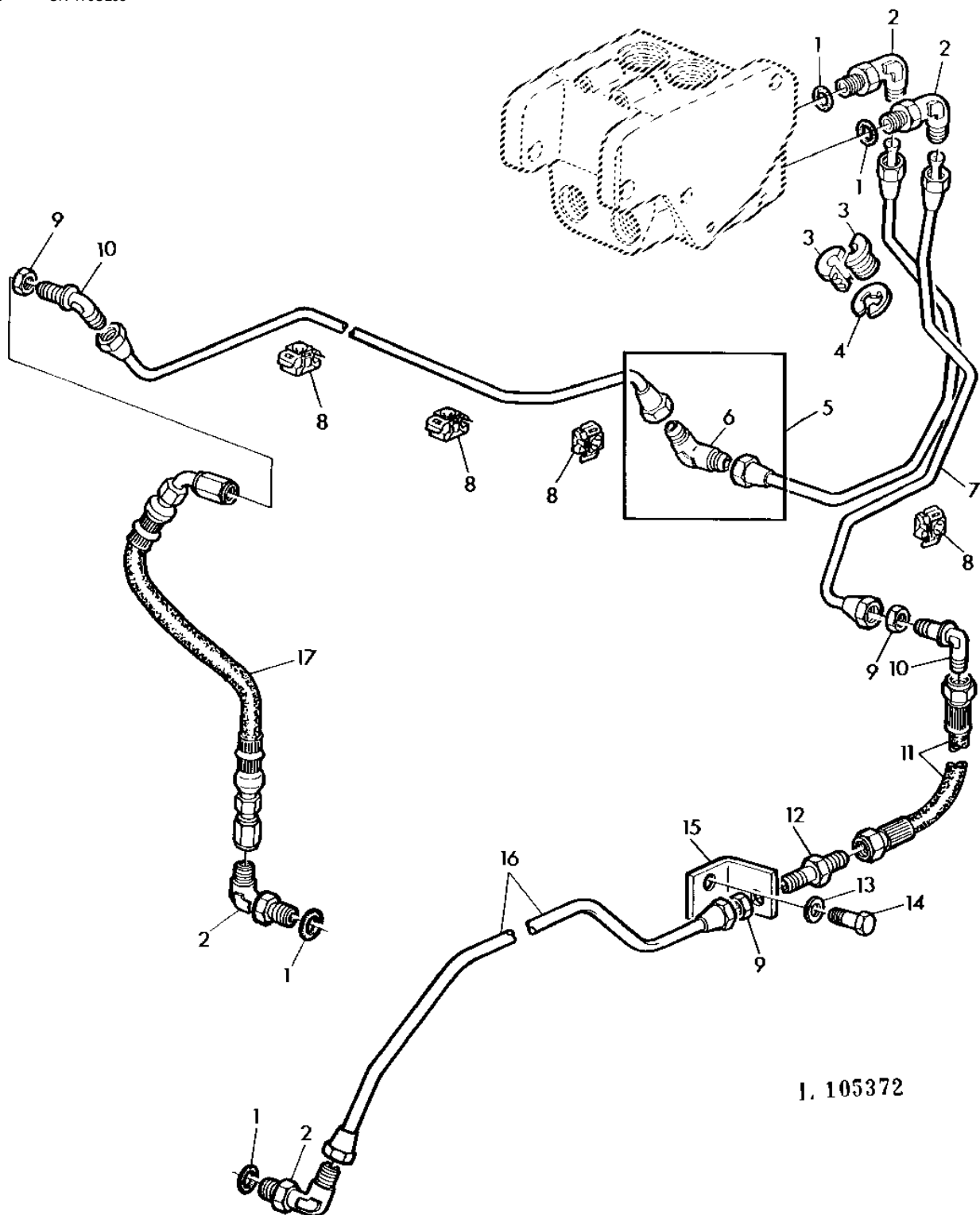
BRAKES

KEY	PART NO.	PART NAME	QTY	SERIAL NO.		REMARKS
					2	
					1 2 0	
					6 0 4	
					4 4 0	
					0 0 S	
1	R26287	O-RING	4	-481505	X X X	
2	AR26746	ELBOW FITTING	4	-481505	X X X	
3	R68141	BUSHING	4	-481505	X X X	
4	R27434	SNAP RING	2	-481505	X X X	
5	L37964	CLAMP	6	-481505	X X X	
6	24M7139	WASHER	3	-481505	X X X	6.4X18X1.6MM
7	14M7350	LOCK NUT	3	-481505	X X X	M6
8	AL35586	LINE	1	-481505	X X X	
9	L27044	ELBOW FITTING	2	-481505	X X X	
10	AL35585	OIL LINE	1	-481505	X X X	
11	R31653	UNION FITTING	1	-481505	X X X	
12	R27453	NUT	2	-481505	X X X	
13	AR36875	HOSE	1	-481505	X X X	
14	AL35582	HYDRAULIC HOSE	1	-481505	X X X	
15	AR35645	ELBOW FITTING	1	-481505	X X X	

4H3

BRAKES

BRAKE OIL LINES (SG2 CAB)
CONDUITES D'HUILE DE FREIN (CABINE SG2)
BREMSELEITUNGEN (SG2 KABINE)
TUBAZIONI FRENO (CABINA SG2)
TUBERIAS DE ACEITE DEL FRENO (CABINA SG2)
BROMSOLJELEDNINGAR (SG2 HYTT)
L105372 -UN-17JUL95



1. 105372

4H4

BRAKES

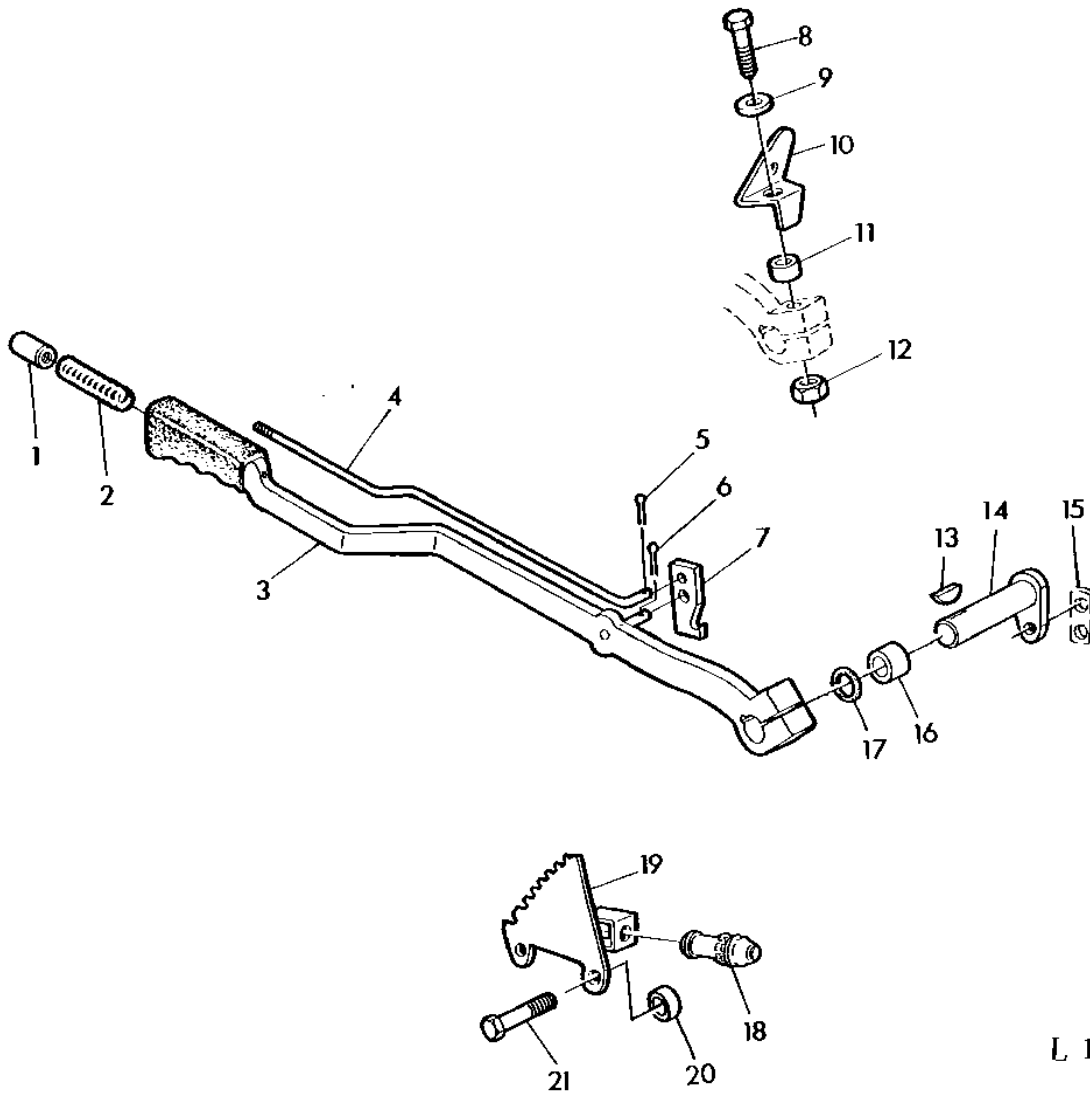
KEY	PART NO.	PART NAME	QTY	SERIAL NO.		REMARKS
					2	
					1 2 0	
					6 0 4	
					4 4 0	
					0 0 S	
1	R26287	O-RING	4	481506-	X X X	
2	AR26746	ELBOW FITTING	AR	481506-	X X X	
3	R68141	BUSHING	4	481506-	X X X	
4	R27434	SNAP RING	2	481506-	X X X	
5	AL35586	LINE	1	481506-	X X X	
6	L27044	ELBOW FITTING	1	481506-	X X X	
7	AL37930	OIL LINE	1	481506-	X X X	
8	L40483	CLAMP	4	481506-	X X X	
9	R27453	NUT	2	481506-	X X X	
10	AR35645	ELBOW FITTING	2	481506-	X X X	
11	AR36875	HOSE	2	481506-	X X X	
12	R31653	UNION FITTING	1	481506-	X X X	
13	24M7028	WASHER	1	481506-	X X X	10.5X21X2MM
14	19H1936	CAP SCREW	1	481506-	X X X	3/8"X3/4"
15	L39683	ANGLE	1	481506-	X X X	
16	AL37465	OIL LINE	1	481506-	X X	
	AL37467	OIL LINE	1	481506-	X X X	(A)
17	AL35582	HYDRAULIC HOSE	1	481506-	X X X	

(A) WITH HEAVY-DUTY FINAL DRIVE
 AVEC COMMANDE FINALE RENFORCEE
 BEI VERSTAERKTEM ENDANTRIEB
 CON RIDUZIONE FINALE RINFORZATA
 CON REDUCCION FINAL REFORZADA
 VID FORSTARKT SLUTDREV

4H5

BRAKES

HANDBRAKE
FREIN A MAIN
HANDBREMSHEBEL
LEVA DEL FRENO A MANO
PALANCA DEL FRENO DE MANO
HANDBROMSSPAK
L106105 -UN-17JUL95



L 106105

4H6

BRAKES

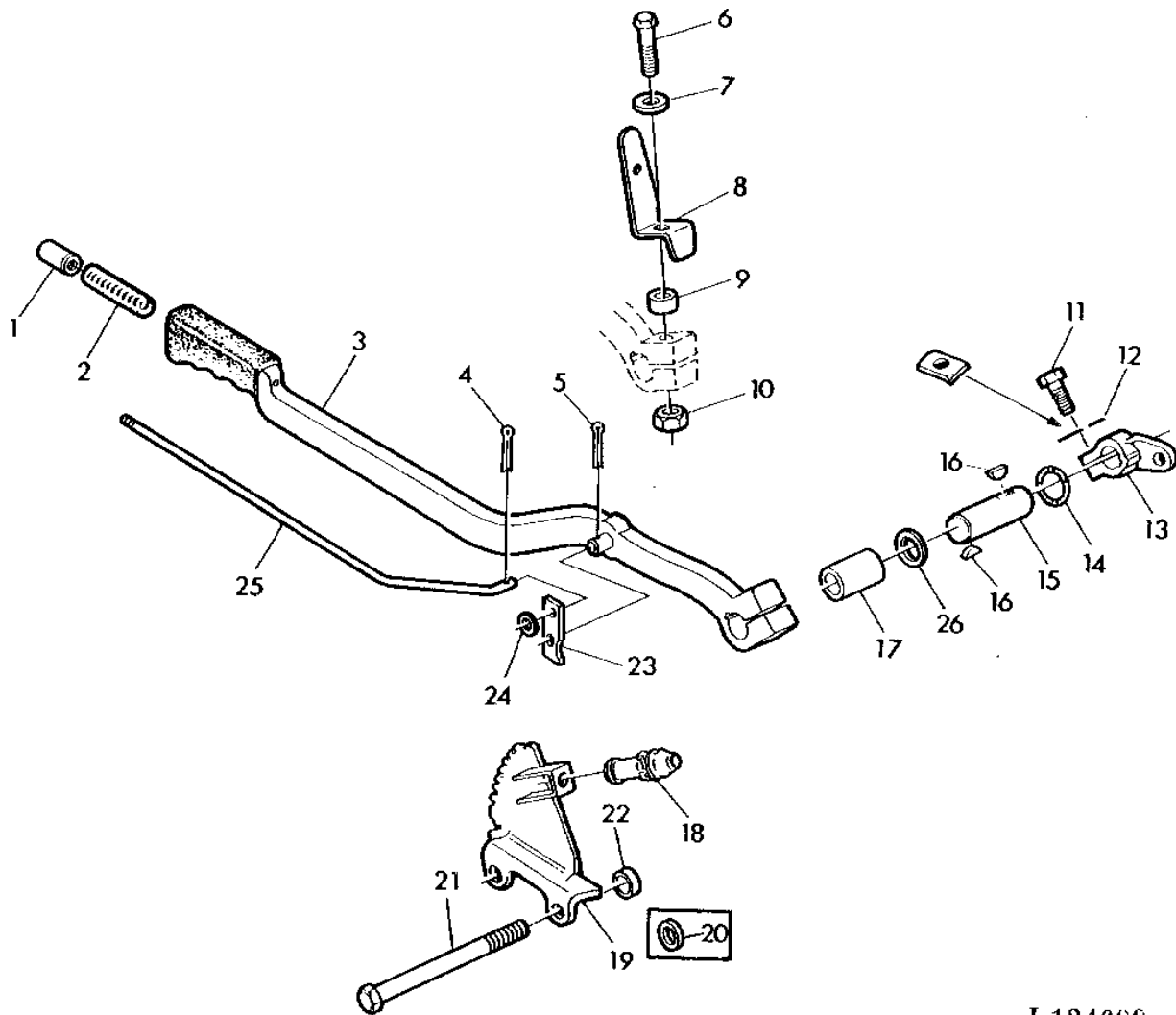
KEY	PART NO.	PART NAME	QTY	SERIAL NO.	REMARKS
					2
					1 2 0
					6 0 4
					4 4 0
					0 0 S
1	L62606	KNOB	1	X X	(SUB FOR T21595)
2	T21576	SPRING	1	X X	
3	AL37366	HANDBRAKE LEVER	1	X X	(SUB FOR AT19834)
4	T21594	ROD	1	X X	
5	11H231	COTTER PIN	1	X X	1/16"X1"
6	11H211	COTTER PIN	1	X X	1/8"X3/4"
7	T21587	PAWL	1	X X	
8	19H2722	CAP SCREW	1	X X	3/8"X2-3/8"
9	24M7028	WASHER	1	X X	10.5X21X2MM
10	L35190	ANGLE	1	X X	
11	L32957	SPACER	1	X X	
12	14H1076	NUT	1	X X	3/8"
13	26H77	SHAFT KEY	1	X X	
14	AL24550	SHAFT	1	X X	
15	STRAP	2	X X	
16	L60667	SPACER	1	X X	(SUB FOR L29882)
17	R495R	O-RING	1	X X	
18	AL32202	SWITCH	1	X X	
19	AL32200	SECTOR	1	X X	
20	L33629	SPACER	2	X X	16X25X10MM
21	19H1805	CAP SCREW	2	X X	1/2"X2-1/4"

4H7

BRAKES

HANDBRAKE (HEAVY-DUTY FINAL DRIVE)
FREIN A MAIN (COMMANDE FINALE RENFORCEE)
HANDBREMSHEBEL (VERSTAERKTER ENDANTRIEB)
LEVA DEL FRENO A MANO (RIDUZIONI FINALI RINFORZATI)
PALANCA DEL FRENO DE MANO (REDUCCION FINAL REFORZADA)
HANDBROMSSPAK (FORSTARKTA SLUTVAXLAR)

L124608 -UN-01JAN94



L124608

4H8

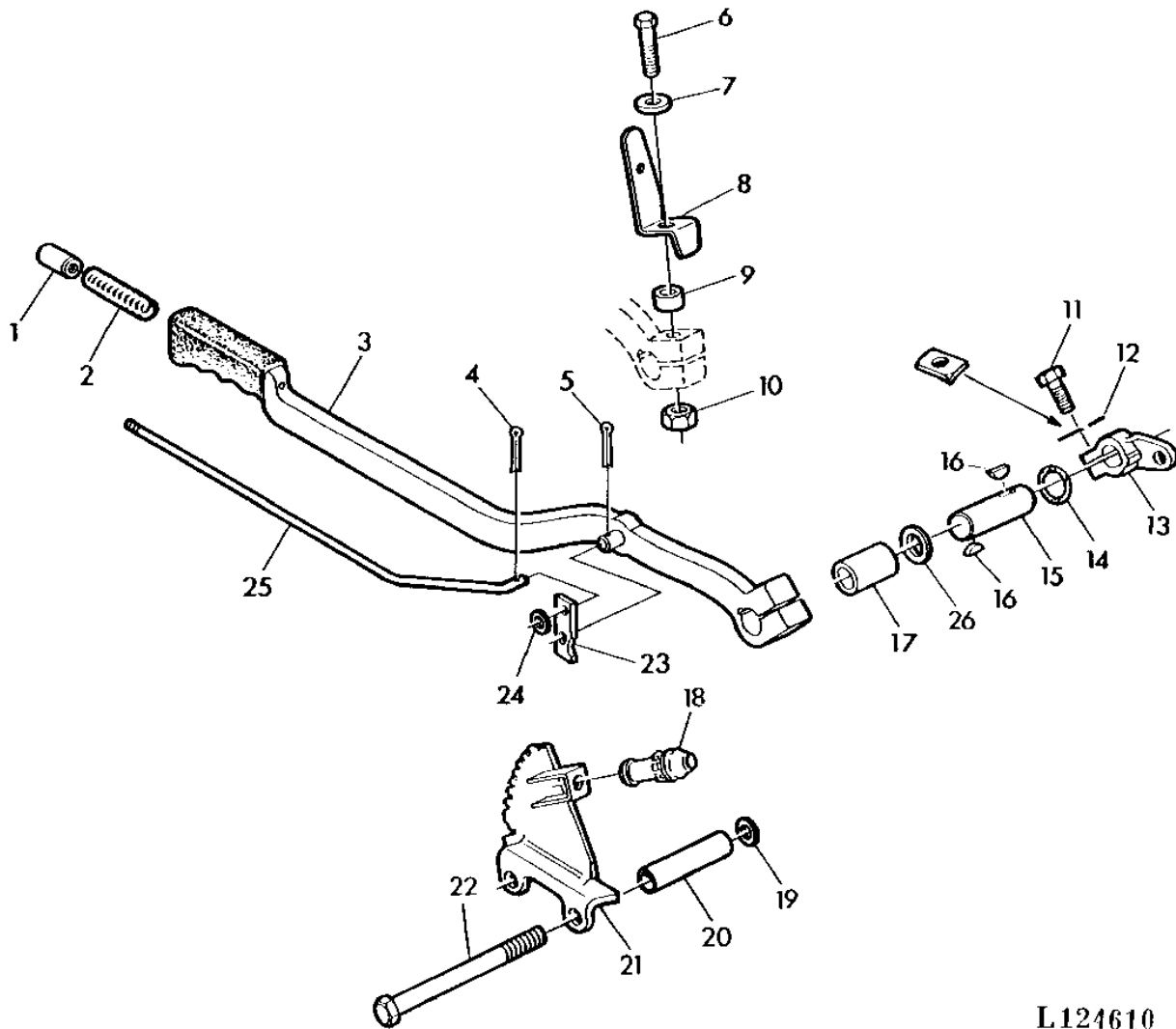
BRAKES

KEY	PART NO.	PART NAME	QTY	SERIAL NO.	REMARKS
					2
					1 2 0
					6 0 4
					4 4 0
					0 0 S
1	L62606	KNOB	1		X X X (SUB FOR T21595)
2	T21576	SPRING	1		X X X
3	AL37369	HANDBRAKE LEVER	1		X X X (SUB FOR AL31915)
4	11H231	COTTER PIN	2		X X X 1/16"X1"
5	11H211	COTTER PIN	1		X X X 1/8"X3/4"
6	19H2722	CAP SCREW	1		X X X 3/8"X2-3/8"
7	24M7028	WASHER	1		X X X 10.5X21X2MM
8	L35191	ANGLE	1		X X X
9	L32957	SPACER	1		X X X
10	14H1076	NUT	1		X X X 3/8"
11	19H2552	CAP SCREW	1		X X X 3/8"X1-1/8"
12	R1888R	STRAP	1		X X X
13	L32144	LEVER	1		X X X
14	R495R	O-RING	1		X X X
15	L58947	SHAFT	1		X X X (SUB FOR L28298)
16	26H77	SHAFT KEY	2		X X X 3/16"X3/4"
17	L29058	BUSHING	1		X X X
18	AL32202	SWITCH	1		X X X
19	AL32282	SECTOR	1		X X X
20	28H1863	WASHER	2	-498202	X X X 1/2"X.219"
21	08H4268	CAP SCREW	2		X X X 1/2"X7"
22	L33629	SPACER	2	498203-	X X X 16X25X10MM
23	T21587	PAWL	1		X X X
24	24M7088	WASHER	1		X X X 6.6X12.5X1.6MM
25	L34997	HANDBRAKE LEVER	1		X X X
26	24M7359	WASHER	1		X X X 23X39X3MM

4H9

BRAKES

HANDBRAKE (MC1 CAB)
FREIN A MAIN (CABINE MC1)
HANDBREMSHEBEL (MC1 KABINE)
LEVA DEL FRENO A MANO (CABINA MC1)
PALANCA DEL FRENO DE MANO (CABINA MC1)
HANDBROMSSPAK (MC1 FORARHYTT)
L124610 -UN-12JUL95



L124610

4H10

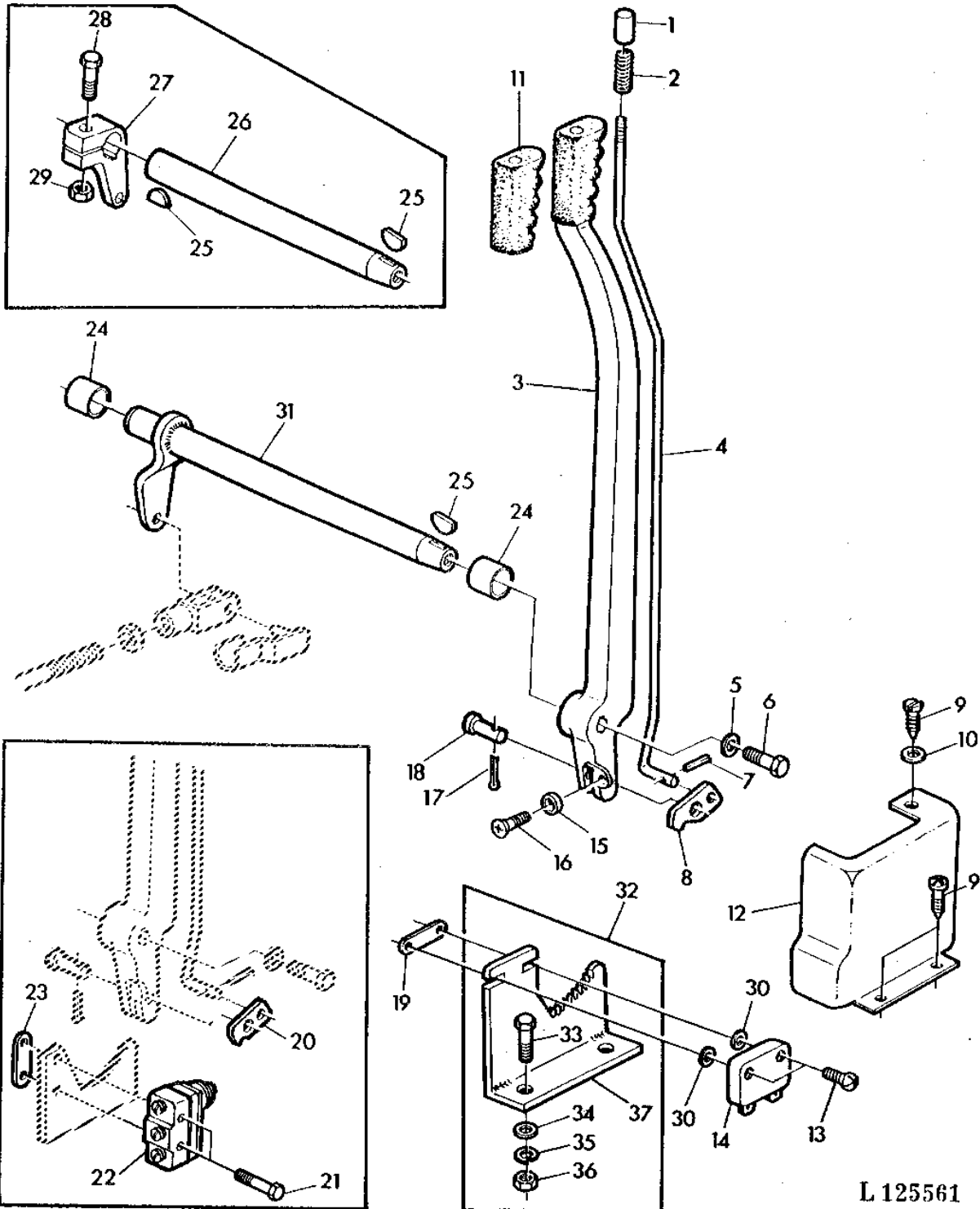
BRAKES

KEY	PART NO.	PART NAME	QTY	SERIAL NO.	REMARKS
				2	
				1 2 0	
				6 0 4	
				4 4 0	
				0 0 S	
1	L62606	KNOB	1	X X	(SUB FOR T21595)
2	T21576	SPRING	1	X X	
3	AL37369	HANDBRAKE LEVER	1	X X	
4	11H231	COTTER PIN	2	X X	1/16"X1"
5	11H211	COTTER PIN	1	X X	1/8"X3/4"
6	19H2722	CAP SCREW	1	X X	3/8"X2-3/8"
7	24M7028	WASHER	1	X X	10.5X21X2MM
8	L35191	ANGLE	1	X X	
9	L32957	SPACER	1	X X	
10	14H1076	NUT	1	X X	3/8"
11	19H2552	CAP SCREW	1	X X	3/8"X1-1/8"
12	R1888R	STRAP	1	X X	
13	L32144	LEVER	1	X X	
14	R495R	O-RING	1	X X	
15	L58947	SHAFT	1	X X	(SUB FOR L28298)
16	26H77	SHAFT KEY	2	X X	3/16"X3/4"
17	L29058	BUSHING	1	X X	
18	AL32202	SWITCH	1	X X	
19	24M7047	WASHER	2	X X	
20	L31128	SPACER	2	X X	
21	AL32282	SECTOR	1	X X	
22	08H4268	CAP SCREW	2	X X	1/2"X7"
23	T21587	PAWL	1	X X	
24	24M7088	WASHER	1	X X	6.6X12.5X1.6MM
25	L34997	HANDBRAKE LEVER	1	X X	
26	24M7359	WASHER	1	X X	23X39X3MM

4H11

BRAKES

HANDBRAKE (SG2 CAB)
FREIN A MAIN (CABINE SG2)
HANDBREMSHEBEL (SG2 KABINE)
LEVA DEL FRENO A MANO (CABINA SG2)
PALANCA DEL FRENO DE MANO (CABINA SG2)
HANDBROMSSPAK (SG2 HYTT)
L125561 -UN-01JAN94



L 125561

4H12

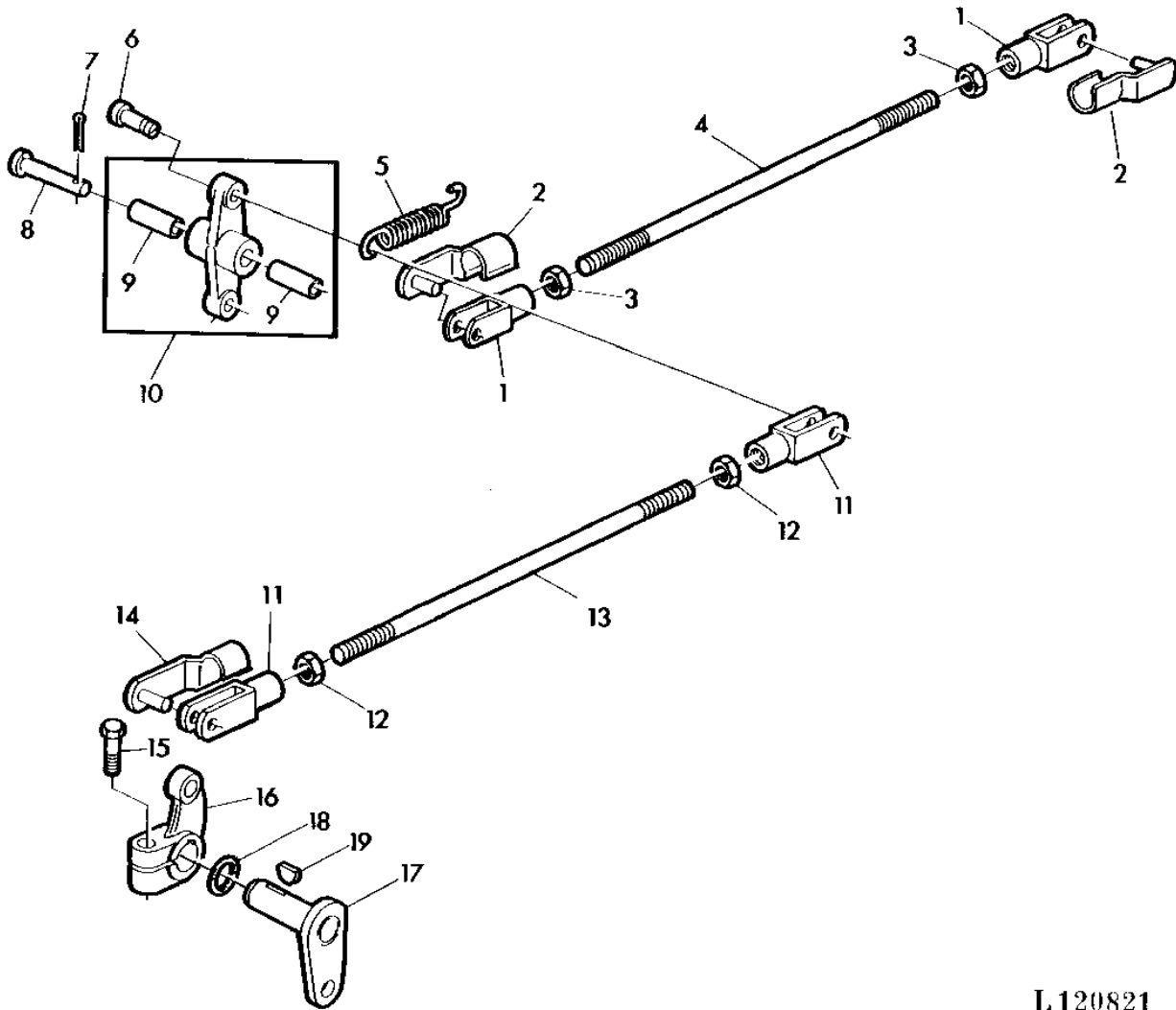
BRAKES

KEY	PART NO.	PART NAME	QTY	SERIAL NO.	REMARKS
					2
					1 2 0
					6 0 4
					4 4 0
					0 0 S
1	L62606	KNOB	1	X X X	(SUB FOR T21595)
2	L42044	COMPRESSION SPRING	1	X X X	(SUB FOR T21576)
3	AL64891	LEVER	1	X X X	(SUB FOR AL36409)
4	R71880	ROD	1	X X X	
5	24M7289	WASHER	1	X X X	(SUB FOR 24H1887)
6	19M7162	CAP SCREW	1	X X X	M8X16
7	34M7093	SPRING PIN	1	X X X	2X12MM
8	L42047	PAWL	1	X X X	
9	37M7109	SCREW	3	X X X	6.3X16MM
10	24M7251	WASHER	1	X X X	6.4MM
11	L55212	CAP	1	X X X	
12	R71882	COVER	1	X X X	
13	21M7216	SCREW	2	X X X	M4X20
14	AL41529	SWITCH	1	X X X	
15	L55078	MAGNET	1	X X X	
16	21M7338	SCREW	1	X X X	M4X12 (SUB FOR 21M7138 APPL)
17	11M7012	COTTER PIN	1	X X X	3.2X16MM
18	45M7059	PIN	1	X X X	10X30MM (SUB FOR 45M3667)
19	L42065	STRAP	1	X X X	
20	R71881	LATCH	1	X X X	
21	19M7715	CAP SCREW	2	X X X	M4X30
22	AR62072	SWITCH	1	X X X	
23	L32801	STRAP	1	X X X	
24	L61302	BUSHING	2	X X X	(SUB FOR R71878)
25	26M4227	SHAFT KEY	AR	X X X	
26	R71876	SHAFT	1	X X X	(ORD AL62760)
27	L38317	ARM	1	X X X	(SUB FOR R71877) (ORD AL62760)
28	19M7170	CAP SCREW	1	X X X	M10X50
29	14M7274	NUT	1	X X X	M10X1.5
30	24M7054	WASHER	2	X X X	6.4MM
31	AL62760	SHAFT	1	X X X	
32	AL69557	ASSEMBLY LINE PARTS	1	X X X	
33	19H1731	CAP SCREW	2	X X X	3/8"X1"
34	24M7028	WASHER	2	X X X	10.5X21X2MM
35	12M7135	LOCK WASHER	2	X X X	
36	14H812	NUT	2	X X X	3/8"
37	AL69482	SECTOR	1	X X X	

4H13

BRAKES

HANDBRAKE LINKAGE (SG2 CAB)
FREIN A MAIN-TRINGLERIE (CABINE SG2)
HANDBREMSE-GESTAENGE (SG2 KABINE)
FRENO MANO-TIRANTERIA (CABINA SG2)
HANDBROMS-LANKAGE (SG2 HYTT)
L120821 -UN-08JUN95



L120821

4H14

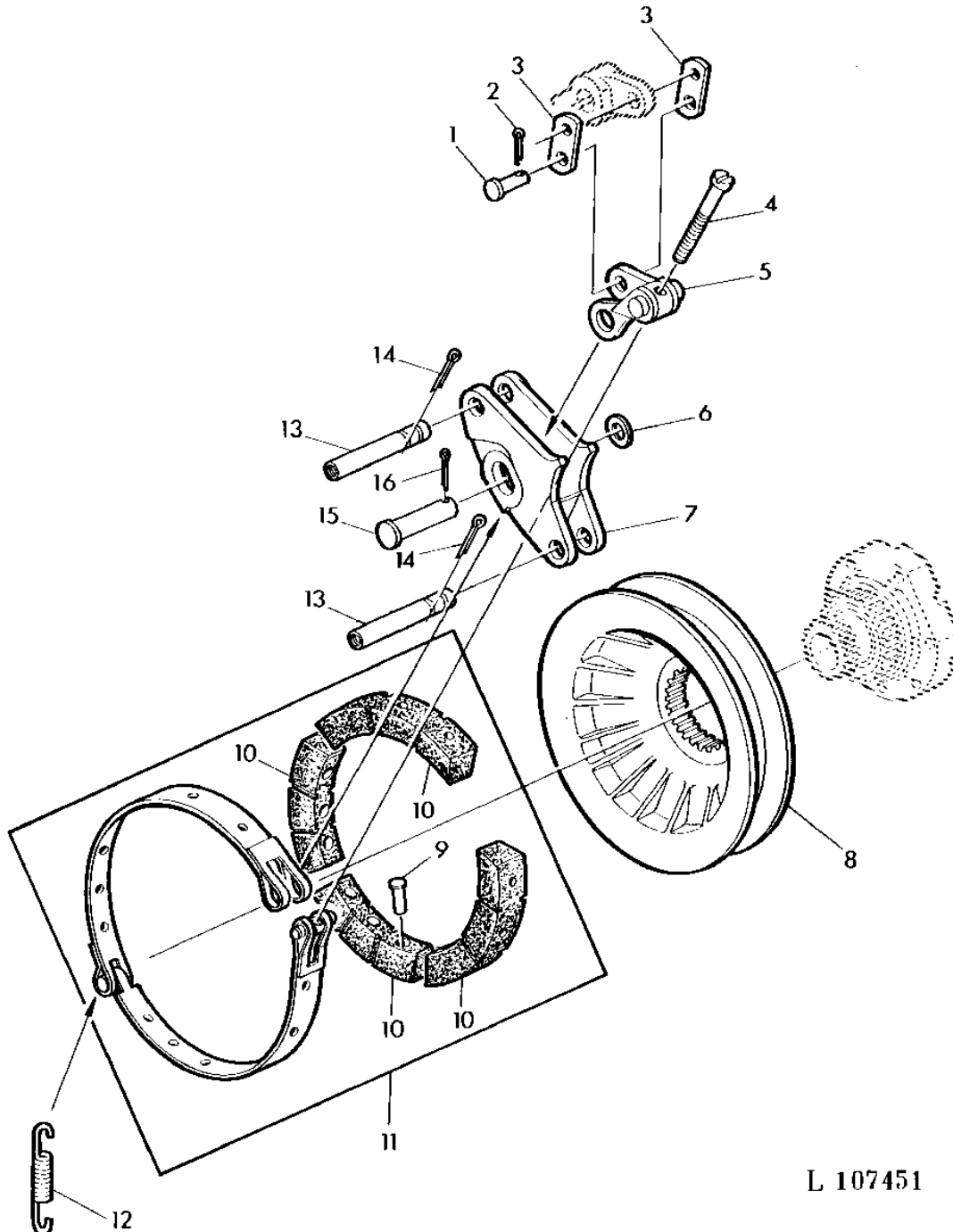
BRAKES

KEY	PART NO.	PART NAME	QTY	SERIAL NO.	REMARKS
					2
					1 2 0
					6 0 4
					4 4 0
					0 0 S
1	54M4422	YOKE	2		X X X
2	45M7063	SPRING LOCKING PIN	2		X X X 8X28X22MM
3	14M7152	NUT	2		X X X M10X1.5
4	L38350	STUD	1		X X X
5	R71874	EXTENSION SPRING	1		X X X
6	R71871	PIN	1		X X X
7	11M7021	COTTER PIN	1		X X X 4X25MM
8	45M7072	PIN	1		X X X 12X65MM (SUB FOR 45M3673)
9	L62564	BUSHING	2		X X X (SUB FOR R71873)
10	AL64883	LEVER	1		X X X (SUB FOR AR94546, AL36414)
11	54M4424	YOKE	2		X X X
12	14M7154	NUT	2		X X X M12X1.5
13	R71870	STUD	1		X X X
14	45M7064	SPRING LOCKING PIN	1		X X X
15	19M7168	CAP SCREW	1		X X X M10X30
16	L39673	LEVER	1		X X X (SUB FOR R71869)
17	AR94545	PIN	1		X X X
18	R495R	O-RING	1		X X X
19	26H77	SHAFT KEY	1		X X X

4H15

BRAKES

HANDBRAKE-BAND
FREIN A MAIN-BANDE
HANDBREMSE, BREMSBAND
FRENO MANO-NASTRO
FRENOS DE MANO-BANDA
HANDBROMS-BROMSBAND
L107451 -UN-17JUL95



L 107451

4H16

BRAKES

KEY	PART NO.	PART NAME	QTY	SERIAL NO.	REMARKS
					2
					1 2 0
					6 0 4
					4 4 0
					0 0 S
1	F2653R	PIN	2		X X X
2	11H211	COTTER PIN	2		X X X 1/8"X3/4"
3	L56128	STRAP	2		X X X (SUB FOR L29883)
4	T21579	SET SCREW	2		X X X
5	L29884	LEVER	1		X X X
6	24H1658	WASHER	1		X X X 21/32"X1"X.060"
7	T21772	ANCHOR	1		X X X
8	T21596	BRAKE DRUM	1		X X
	L36204	DRUM	1		X X X (A)
9	16M7014	RIVET	12		X X X 5X25MM
10	L40420	LINING	4		X X X (SUB FOR T21583)
11	AL38213	BRAKE BAND	1		X X X (SUB FOR AT19833)
12	T21577	SPRING	1		X X X
13	T21775	PIN	2		X X X
14	11H240	COTTER PIN	2		X X X 5/32"X1-1/2"
15	T25285	PIN	1		X X X 16X75X68MM
16	11H236	COTTER PIN	1		X X X 1/8"X1"

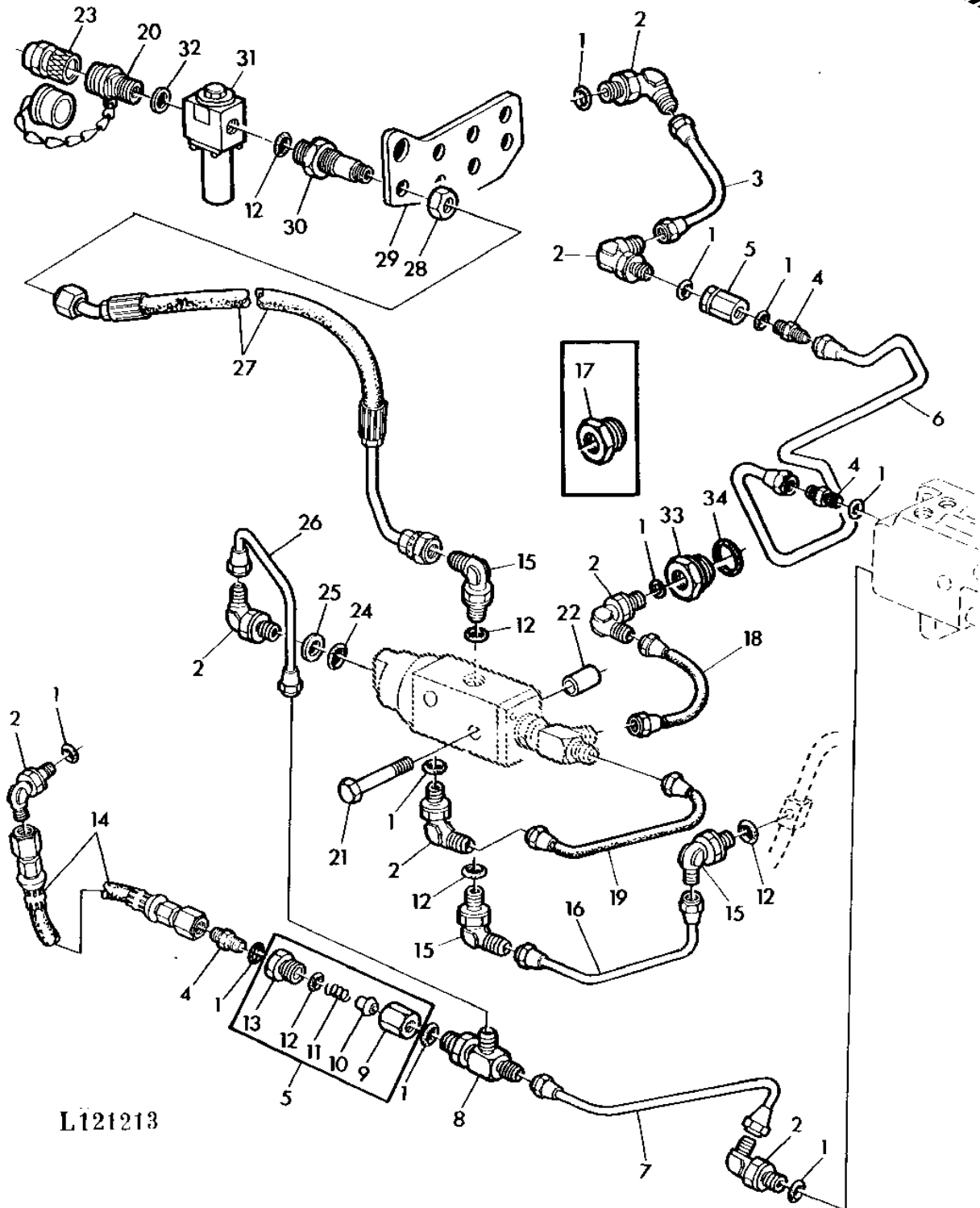
(A) WITH HEAVY-DUTY FINAL DRIVE
 AVEC COMMANDE FINALE RENFORCEE
 BEI VERSTAERKTEM ENDANTRIEB
 CON RIDUZIONE FINALE RINFORZATA
 CON REDUCCION FINAL REFORZADA
 VID FORSTARKT SLUTDREV

4H17

BRAKES

HYDR. TRAILER BRAKE-MANUAL OR POWER STEERING (OLD TYPE)
 FREIN DE REMORQUE HYDR.-DIRECTION ASS./MEC. (ANC. VERSION)
 HYDR. ANHAENGERBREMSE-HYDRO.-OD. MECH. LENKUNG (ALTE AUSFUEHRUNG)
 FRENO IDRAUL. RIMORCHIO-STERZO IDR. O MECCAN. (TIPO VECCHIO)
 SLAPVAGNSBROMS (MEKAN. ELLER HYDRAULSTYRNING-ALDRE UTFOR.)

L121213 -UN-18JUL95



L121213

4H18

BRAKES

KEY	PART NO.	PART NAME	QTY	SERIAL NO.	REMARKS
					2
					1 2 0
					6 0 4
					4 4 0
					0 0 S
1	R26287	O-RING	10	X X X	
2	AR26746	ELBOW FITTING	7	X X X	
3	AL33370	OIL LINE	1	X X	LH
	AL33371	OIL LINE	1	X X X	(C) LH
4	R27139	FITTING	3	X X X	
5	AL25103	VALVE	2	X X X	
6	AL33372	OIL LINE	1	X X X	LH
7	AL25100	OIL LINE	1	X X X	RH
8	AR45251	TEE FITTING	1	X X X	
9	L30719	VALVE	2	X X X	
10	L30722	POPPET	2	X X X	
11	L30720	COMPRESSION SPRING	2	X X X	
12	R26448	O-RING	6	X X X	
13	L30721	VALVE COVER	2	X X X	
14	AL36198	HYDRAULIC HOSE	1	X X X	RH (SUB FOR AL25102, AL29859)
15	AT35121	ELBOW FITTING	3	X X X	(SUB FOR AR26725)
16	AL35072	OIL LINE	1	X X X	(A)
	AL35439	OIL LINE	1	X X X	(B)
17	L28639	PIPE PLUG	1	X X X	(ORD L41524, L41547)
18	AL36122	HOSE	1	X X X	(SUB FOR AL23076)
19	AL36123	HOSE	1	X X X	(SUB FOR AL25104)
20	AR52372	PLUG	1	X X X	
21	19H2054	CAP SCREW	1	X X X	3/8"X4-3/4"
22	28H1521	SPACER	1	X X X	(A) 3/8"X.562"
	L28809	SPACER	1	X X X	(B) 14X66MM
23	AR52361	HYD. QUICK-CONNECT COUPLER	1	X X X	
24	L53811	O-RING	1	X X X	
25	51M4234	RING	1	X X X	12X16MM
26	AL25098	OIL LINE	1	X X X	
27	AL35090	HOSE	1	X X X	(SUB FOR AL24715)
28	14M7257	NUT	1	X X X	M20
29	L30207	PLATE	1	X X X	
30	L35882	UNION FITTING	1	X X X	
31	AL34676	VALVE	1	X X X	
32	L37599	RING	1	X X X	
33	L41524	ADAPTER	1	X X X	
34	L41547	O-RING	1	X X X	

(A) WITH HYDR. STEERING
 AVEC DIRECTION HYDRAULIQUE
 BEI HYDR.LENKUNG
 CON STERZO IDRAULICO
 CON DIRECCION HIDRAULICA
 VID HYDRAUL. STYRNING

(B) WITH MECH. STEERING
 AVEC DIRECTION MECANIQUE
 BEI MECHANISCHER LENKUNG
 CON STERZO MECCANICO
 CON DIRECCION MECANICA
 VID MEKANISK STYRNING

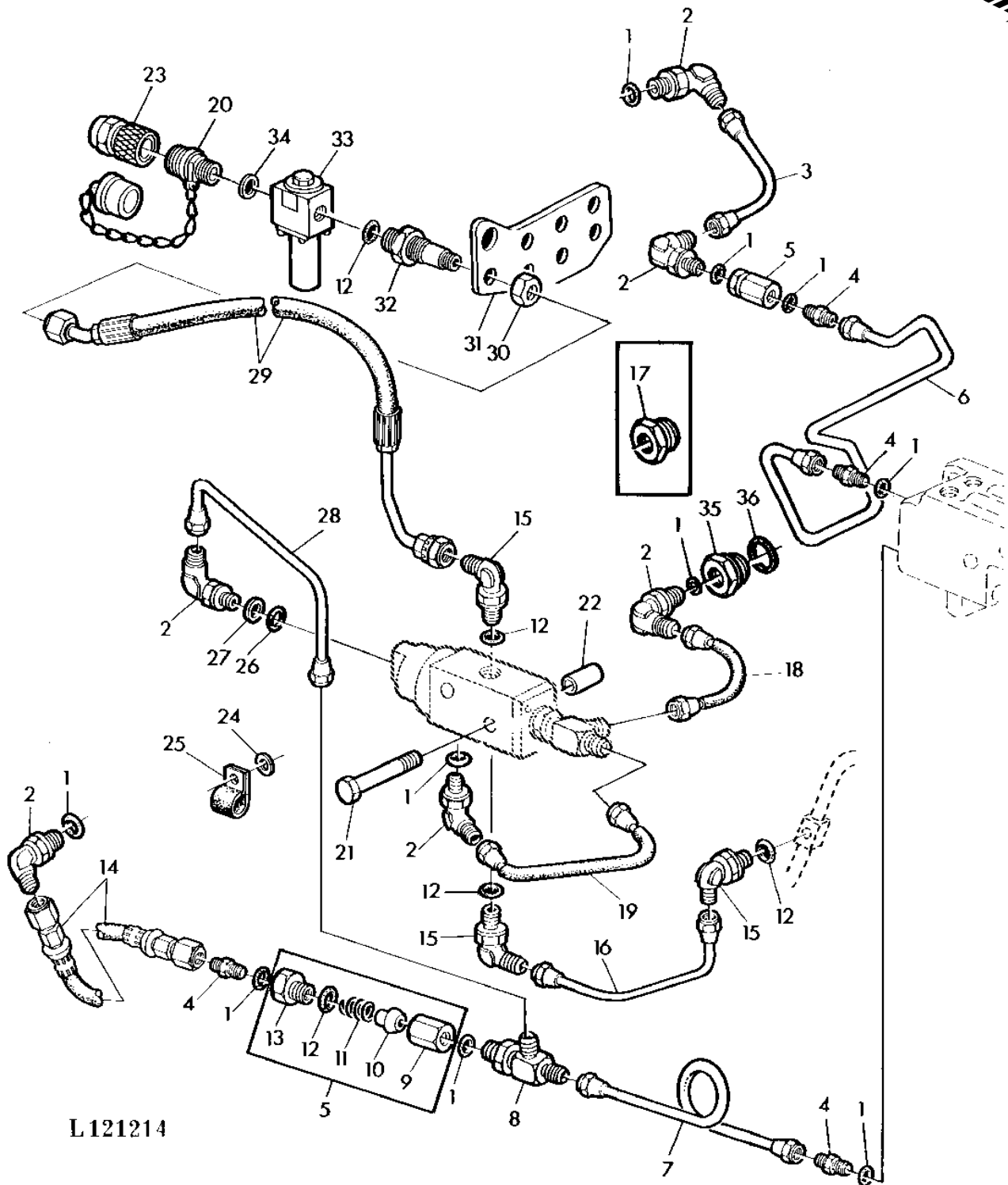
(C) WITH HEAVY-DUTY FINAL DRIVE
 AVEC REDUCT. FINALE RENFORCE
 BEI VERSTAERKTEM ENDANTRIEB
 CON RIDUZ. FIN. RINFORZ.
 CON MANDOS FINALES REFORZADO
 VID FORSTARKT SLUTDREV

4H19

BRAKES

HYDR. TRAILER BRAKE-MANUAL OR POWER STEERING (NEW TYPE)
 FREIN DE REMORQUE HYDR.-DIRECTION ASS./MEC. (NOUVELLE VERSIO)
 HYDR. ANHAENGERBREMSE-HYDR. OD. MECH. LENKUNG (NEUE AUSFUEHRUNG)
 FRENO IDRAUL. RIMORCHIO-STERZO IDR. O MECC. (TIPO NUOVO)
 FRENO HIDR. REMOLQUE-DIRECC. HIDR. O MECANICA (TIPO NUEVO)
 SLAPVAGNSBROMS (MEKAN. ELLER HYDRAULSTYRNING-NYARE UTFOR.)

L121214 -UN-18JUL95



L121214

4H20

BRAKES

KEY	PART NO.	PART NAME	QTY	SERIAL NO.	REMARKS
					2
					1 2 0
					6 0 4
					4 4 0
					0 0 S
1	R26287	O-RING	10		X X X
2	AR26746	ELBOW FITTING	6		X X X
3	AL33370	OIL LINE	1		X X LH
	AL33371	OIL LINE	1		X X X (C) LH
4	R27139	FITTING	4		X X X
5	AL25103	VALVE	2		X X X
6	AL33372	OIL LINE	1		X X X LH
7	AL36186	OIL LINE	1		X X X RH
8	AR45251	TEE FITTING	1		X X X
9	L30719	VALVE	2		X X X
10	L30722	POPPET	2		X X X
11	L30720	COMPRESSION SPRING	2		X X X
12	R26448	O-RING	6		X X X
13	L30721	VALVE COVER	2		X X X
14	AL36198	HYDRAULIC HOSE	1		X X X RH
15	AT35121	ELBOW FITTING	3		X X X (SUB FOR AR26725)
16	AL35072	OIL LINE	1		X X X (A)
	AL35439	OIL LINE	1		X X X (B)
17	L28639	PIPE PLUG	1		X X X (ORD L41524, L41547)
18	AL36122	HOSE	1		X X X
19	AL36123	HOSE	1		X X X
20	AR52372	PLUG	1		X X X
21	19H2054	CAP SCREW	1		X X X 3/8"X4-3/4"
22	28H1521	SPACER	1		X X X (A) 3/8"X.562"
	L28809	SPACER	1		X X X (B) 14X66MM
23	AR52361	HYD. QUICK-CONNECT COUPLER	1		X X X
24	24M7028	WASHER	1		X X X 10.5X21X2MM
25	L37536	CLAMP	1		X X X
26	L53811	O-RING	1		X X X
27	51M4234	RING	1		X X X 12X16MM
28	AL36187	OIL LINE	1		X X X
29	AL35090	HOSE	1		X X X
30	14M7257	NUT	1		X X X M20
31	L30207	PLATE	1		X X X
32	L35882	UNION FITTING	1		X X X
33	AL34676	VALVE	1		X X X
34	L37599	RING	1		X X X
35	L41524	ADAPTER	1		X X X
36	L41547	O-RING	1		X X X

(A) WITH HYDR. STEERING
 AVEC DIRECTION HYDRAULIQUE
 BEI HYDR.LENKUNG
 CON STERZO IDRAULICO
 CON DIRECCION HIDRAULICA
 VID HYDRAUL. STYRNING

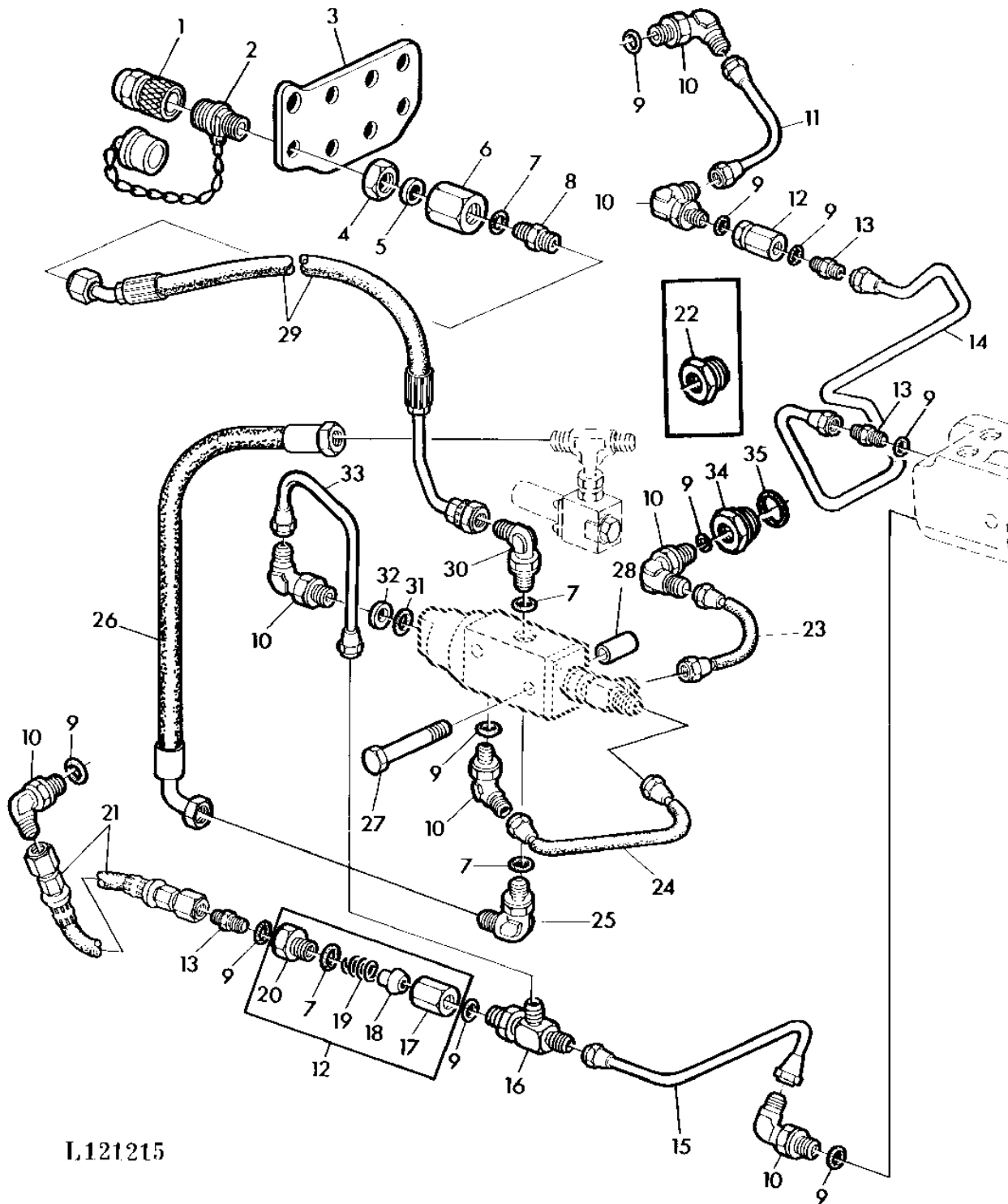
(B) WITH MECH. STEERING
 AVEC DIRECTION MECANIQUE
 BEI MECHANISCHER LENKUNG
 CON STERZO MECCANICO
 CON DIRECCION MECANICA
 VID MEKANISK STYRNING

(C) WITH HEAVY-DUTY FINAL DRIVE
 AVEC REDUC. FINALE RENFORCEE
 BEI VERSTAERKTEM ENDANTRIEB
 CON RIDUZ. FIN. RINFORZ.
 CON MANDOS FINALES REFORZADO
 VID FORSTARKT SLUTDREV

4H21

BRAKES

HYDR. TRAILER BRAKE WITH HYDROST. STEERING (OLD TYPE)
 FREIN DE REMORQUE HYDR.-DIRECTION HYDROST. (ANC. VERSION)
 HYDR. ANHAENGERBREMSE-HYDROST. LENKUNG (ALTE AUSFUEHRUNG)
 FRENO IDRAUL. RIMORCHIO-STERZO IDROSTATICO (TIPO VECCHIO)
 FRENO IDRAUL. REMOLQUE-DIRECC. HIDROSTATICA (TIPO ANTIGUO)
 SLAPVAGNSBROMS (HYDROSTATISK STYRNING-ALDRE UTFORANDE)
 L121215 -UN-18JUL95



L121215

4H22

BRAKES

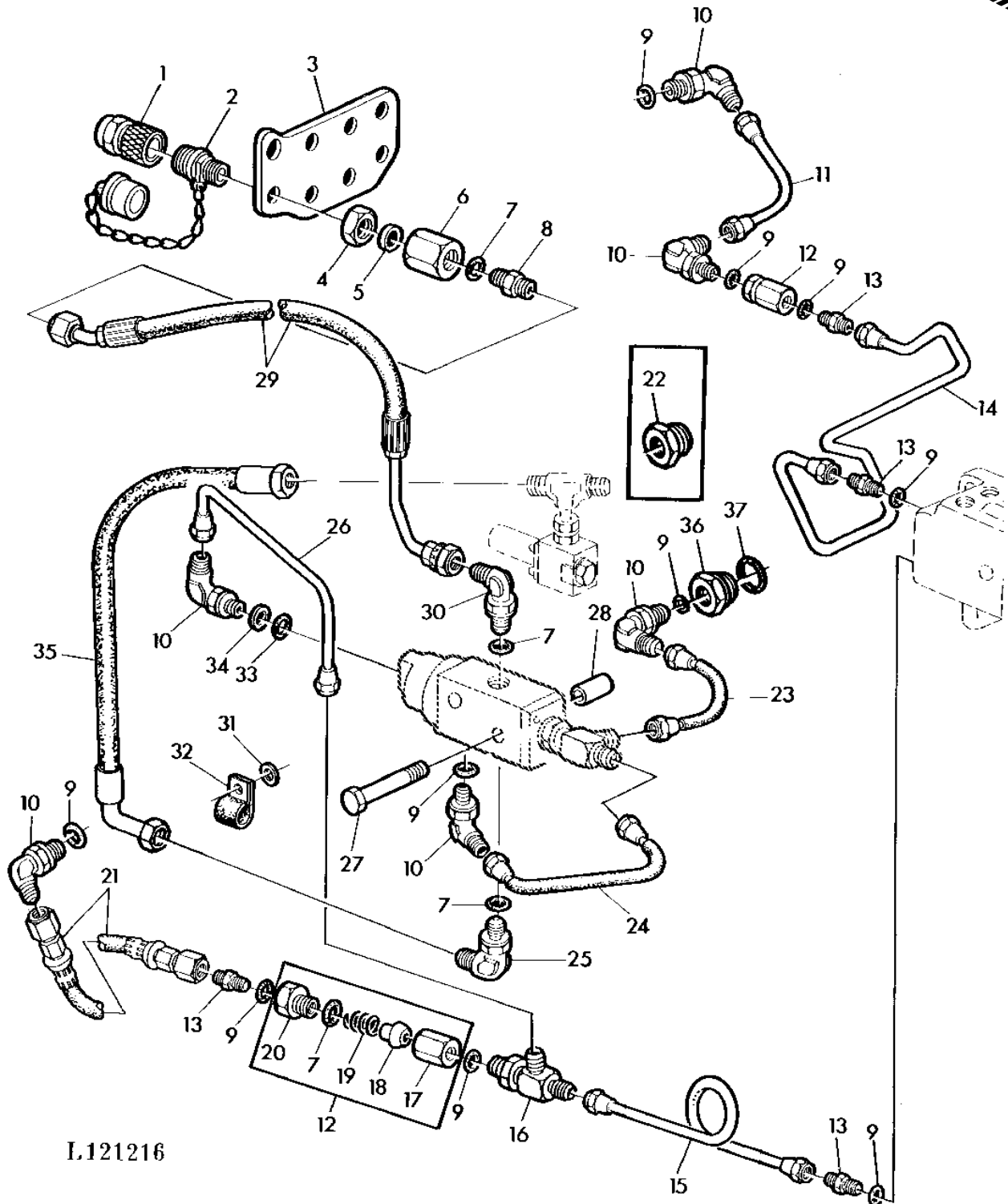
KEY	PART NO.	PART NAME	QTY	SERIAL NO.	REMARKS
					2
					1 2 0
					6 0 4
					4 4 0
					0 0 S
1	AR52361	HYD. QUICK-CONNECT COUPLER	1		X X X
2	AR52372	PLUG	1		X X X
3	L30207	PLATE	1		X X X
4	14M7257	NUT	1		X X X M20
5	L37599	RING	1		X X X
6	L40525	NUT	1		X X X (SUB FOR L30206)
7	R26448	O-RING	5		X X X
8	R27212	FITTING	1		X X X
9	R26287	O-RING	10		X X X
10	AR26746	ELBOW FITTING	7		X X X
11	AL33370	OIL LINE	1		X X LH
	AL33371	OIL LINE	1		X X X (A) LH
12	AL25103	VALVE	2		X X X
13	R27139	FITTING	3		X X X
14	AL33372	OIL LINE	1		X X X LH
15	AL25100	OIL LINE	1		X X X RH
16	AR45251	TEE FITTING	1		X X X
17	L30719	VALVE	2		X X X
18	L30722	POPPET	2		X X X
19	L30720	COMPRESSION SPRING	2		X X X
20	L30721	VALVE COVER	2		X X X
21	AL36198	HYDRAULIC HOSE	1		X X X RH (SUB FOR AL25102, AL29859)
22	L28639	PIPE PLUG	1		X X X (ORD L41524, L41547)
23	AL36122	HOSE	1		X X X (SUB FOR AL23076)
24	AL36123	HOSE	1		X X X (SUB FOR AL25104)
25	AL55385	ELBOW FITTING	1		X X X (SUB FOR AT35120)
26	AL35837	HOSE	1		X X X (SUB FOR AL34246, AL34910)
27	19H2054	CAP SCREW	1		X X X 3/8"X4-3/4"
28	28H1521	SPACER	1		X X X 3/8"X.562"
29	AL35090	HOSE	1		X X X (SUB FOR AL24715)
30	AT35121	ELBOW FITTING	1		X X X (SUB FOR AR26725)
31	L53811	O-RING	1		X X X
32	51M4234	RING	1		X X X 12X16MM
33	AL25098	OIL LINE	1		X X X
34	L41524	ADAPTER	1		X X X
35	L41547	O-RING	1		X X X

(A) WITH HEAVY-DUTY FINAL DRIVE
 AVEC COMMANDE FINALE RENFORCEE
 BEI VERSTAERKTEM ENDANTRIEB
 CON RIDUZIONE FINALE RINFORZATA
 CON REDUCCION FINAL REFORZADA
 VID FORSTARKT SLUTDREV

4H23

BRAKES

HYDR. TRAILER BRAKE WITH HYDROST. STEERING (NEW TYPE)
FREIN DE REMORQUE HYDR.-DIRECTION HYDROST. (NOUVELLE VERSION)
HYDR. ANHAENGERBREMSE-HYDROST. LENKUNG (NEUE AUSFUEHRUNG)
FRENO IDRAUL. RIMORCHIO-STERZO IDROSTATICO (TIPO NUOVO)
FRENO HIDR. REMOLQUE-DIRECCION HIDROSTATICA (TIPO NUEVO)
SLAPVAGNSBROMS (HYDROSTATISK STYRNING-NYARE UTFORANDE)
L121216 -UN-18JUL95



L121216

4H24

BRAKES

KEY	PART NO.	PART NAME	QTY	SERIAL NO.	REMARKS
					2
					1 2 0
					6 0 4
					4 4 0
					0 0 S
1	AR52361	HYD. QUICK-CONNECT COUPLER	1		X X X
2	AR52372	PLUG	1		X X X
3	L30207	PLATE	1		X X X
4	14M7257	NUT	1		X X X M20
5	L37599	RING	1		X X X
6	L40525	NUT	1		X X X (SUB FOR L30206)
7	R26448	O-RING	5		X X X
8	R27212	FITTING	1		X X X
9	R26287	O-RING	10		X X X
10	AR26746	ELBOW FITTING	6		X X X
11	AL33370	OIL LINE	1		X X LH
	AL33371	OIL LINE	1		X X X (A) LH
12	AL25103	VALVE	2		X X X
13	R27139	FITTING	4		X X X
14	AL33372	OIL LINE	1		X X X LH
15	AL36186	OIL LINE	1		X X X RH
16	AR45251	TEE FITTING	1		X X X
17	L30719	VALVE	2		X X X
18	L30722	POPPET	2		X X X
19	L30720	COMPRESSION SPRING	2		X X X
20	L30721	VALVE COVER	2		X X X
21	AL36198	HYDRAULIC HOSE	1		X X X RH
22	L28639	PIPE PLUG	1		X X X (ORD L41524, L41547)
23	AL36122	HOSE	1		X X X
24	AL36123	HOSE	1		X X X
25	AL55385	ELBOW FITTING	1		X X X (SUB FOR AT35120)
26	AL36187	OIL LINE	1		X X X
27	19H2054	CAP SCREW	1		X X X 3/8"X4-3/4"
28	28H1521	SPACER	1		X X X 3/8"X.562"
29	AL35090	HOSE	1		X X X
30	AT35121	ELBOW FITTING	1		X X X (SUB FOR AR26725)
31	24M7028	WASHER	1		X X X 10.5X21X2MM
32	L37536	CLAMP	1		X X X
33	L53811	O-RING	1		X X X
34	51M4234	RING	1		X X X 12X16MM
35	AL35837	HOSE	1		X X X
36	L41524	ADAPTER	1		X X X
37	L41547	O-RING	1		X X X

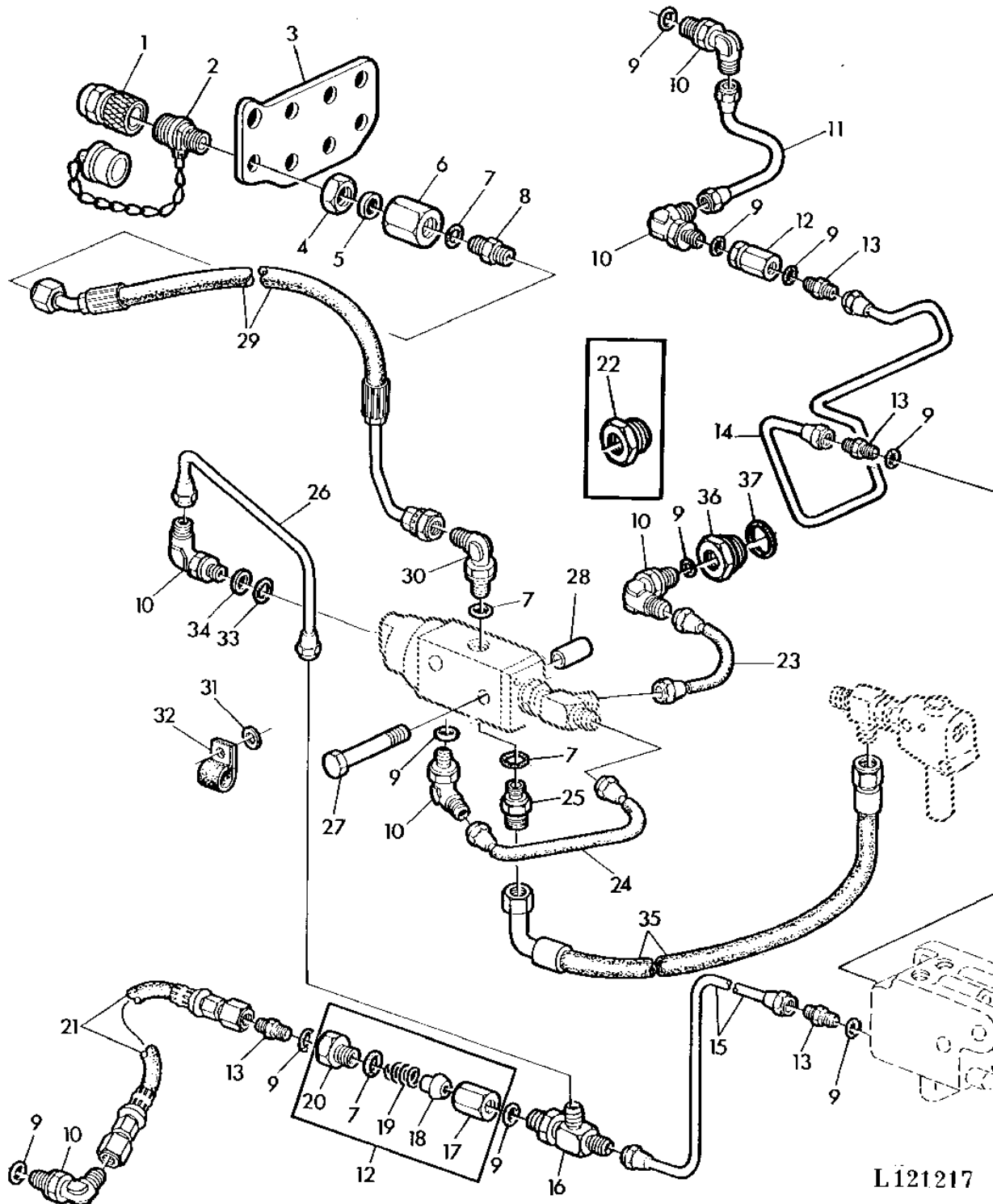
(A) WITH HEAVY-DUTY FINAL DRIVE
 AVEC COMMANDE FINALE RENFORCEE
 BEI VERSTAERKTEM ENDANTRIEB
 CON RIDUZIONE FINALE RINFORZATA
 CON REDUCCION FINAL REFORZADA
 VID FORSTARKT SLUTDREV

411

BRAKES

HYDR. TRAILER BRAKE (MC1 CAB)
FREIN HYDR. DE REMORQUE (CABINE MC1)
HYDR. ANHAENGERBREMSE (MC1-KABINE)
FRENO IDR. RIMORCHIO (CABINA MC1)
FRENOS HIDR. DEL REMOLQUE (CABINA MC1)
SLAPVAGNSBROMS (MC1 FORARHYTT)

L121217 -UN-18JUL95



L121217

412

BRAKES

KEY	PART NO.	PART NAME	QTY	SERIAL NO.	REMARKS
				2	
				1 2 0	
				6 0 4	
				4 4 0	
				0 0 S	
1	AR52361	HYD. QUICK-CONNECT COUPLER	1		
2	AR52372	PLUG	1	X X X	
3	L30207	PLATE	1	X X X	(A)
4	14M7257	NUT	1	X X X	M20
5	L37599	RING	1	X X X	
6	L40525	NUT	1	X X X	
7	R26448	O-RING	5	X X X	
8	R27212	FITTING	1	X X X	
9	R26287	O-RING	10	X X X	
10	AR26746	ELBOW FITTING	6	X X X	
11	AL33371	OIL LINE	1	X X X	
12	AL25103	VALVE	2	X X X	
13	R27139	FITTING	4	X X X	
14	AL33372	OIL LINE	1	X X X	
15	AL36188	OIL LINE	1	X X X	
16	AR45251	TEE FITTING	1	X X X	
17	L30719	VALVE	2	X X X	
18	L30722	POPPET	2	X X X	
19	L30720	COMPRESSION SPRING	2	X X X	
20	L30721	VALVE COVER	2	X X X	
21	AL36198	HYDRAULIC HOSE	1	X X X	
22	L28639	PIPE PLUG	1	X X X	(ORD L41524, L41547)
23	AL36122	HOSE	1	X X X	
24	AL36123	HOSE	1	X X X	
25	L37858	FITTING	1	X X X	
26	AL36187	OIL LINE	1	X X X	
27	19H2054	CAP SCREW	1	X X X	3/8"X4-3/4"
28	28H1521	SPACER	1	X X X	3/8"X.562"
29	AL35090	HOSE	1	X X X	
30	AT35121	ELBOW FITTING	1	X X X	
31	24M7028	WASHER	1	X X X	
32	L37536	CLAMP	1	X X X	
33	L53811	O-RING	1	X X X	
34	51M4234	RING	1	X X X	12X16MM
35	AL37459	HYDRAULIC HOSE	1	X X X	
36	L41524	ADAPTER	1	X X X	
37	L41547	O-RING	1	X X X	

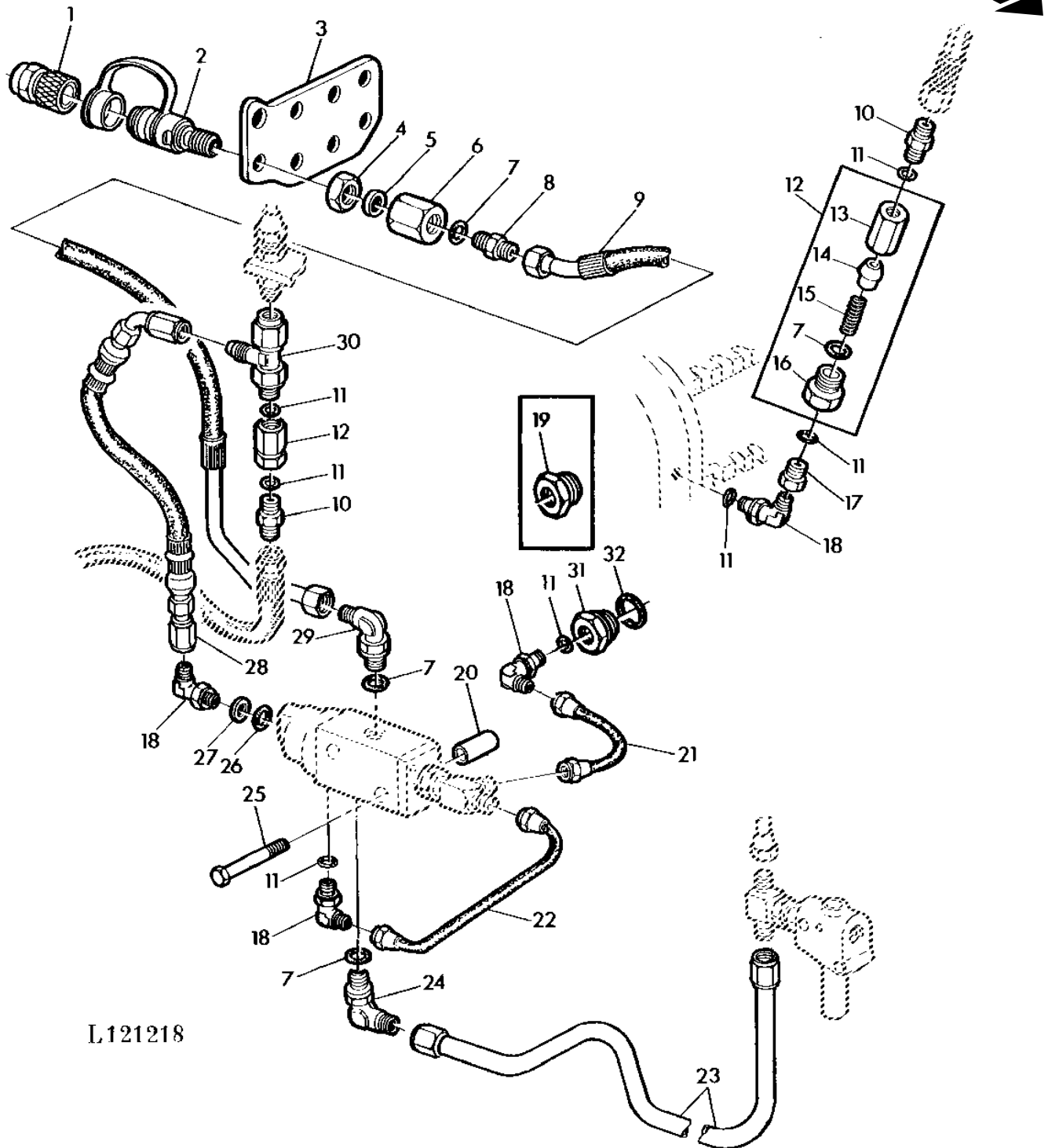
(A) WITHOUT SELECTIVE CONTROL VALVE
 SANS DISTRIBUTEUR DE COMMANDE AUXILIAIRE
 OHNE ZUSATZSTEUERGERAETE
 SENZA DISTRIBUTORE AUSILIARIO
 SIN VALVULA DE MANDO AUXILIAR
 UTAN FJARRCYLINDER

413

BRAKES

HYDR. TRAILER BRAKE-WITH HYDROST. STEERING (SG2 CAB)
FREIN HYDR. DE REMORQUE-AVEC DIREC. HYDROSTATIQUE (CABINE SG2)
HYDR. ANHAENGERBREMSE BEI HYDROST. LENKUNG (SG2 KABINE)
FRENO IDR. RIMORCHIO-CON STERZO IDROSTAT. (CABINA SG2)
FRENOS HIDR. DEL REMOLQUE-CON DIRECCION HIDROST. (CABINA SG2)
SLAPVAGNSBROMS-VID HYDROSTATISK STYRNING (SG2 HYTT)

L121218 -UN-18JUL95

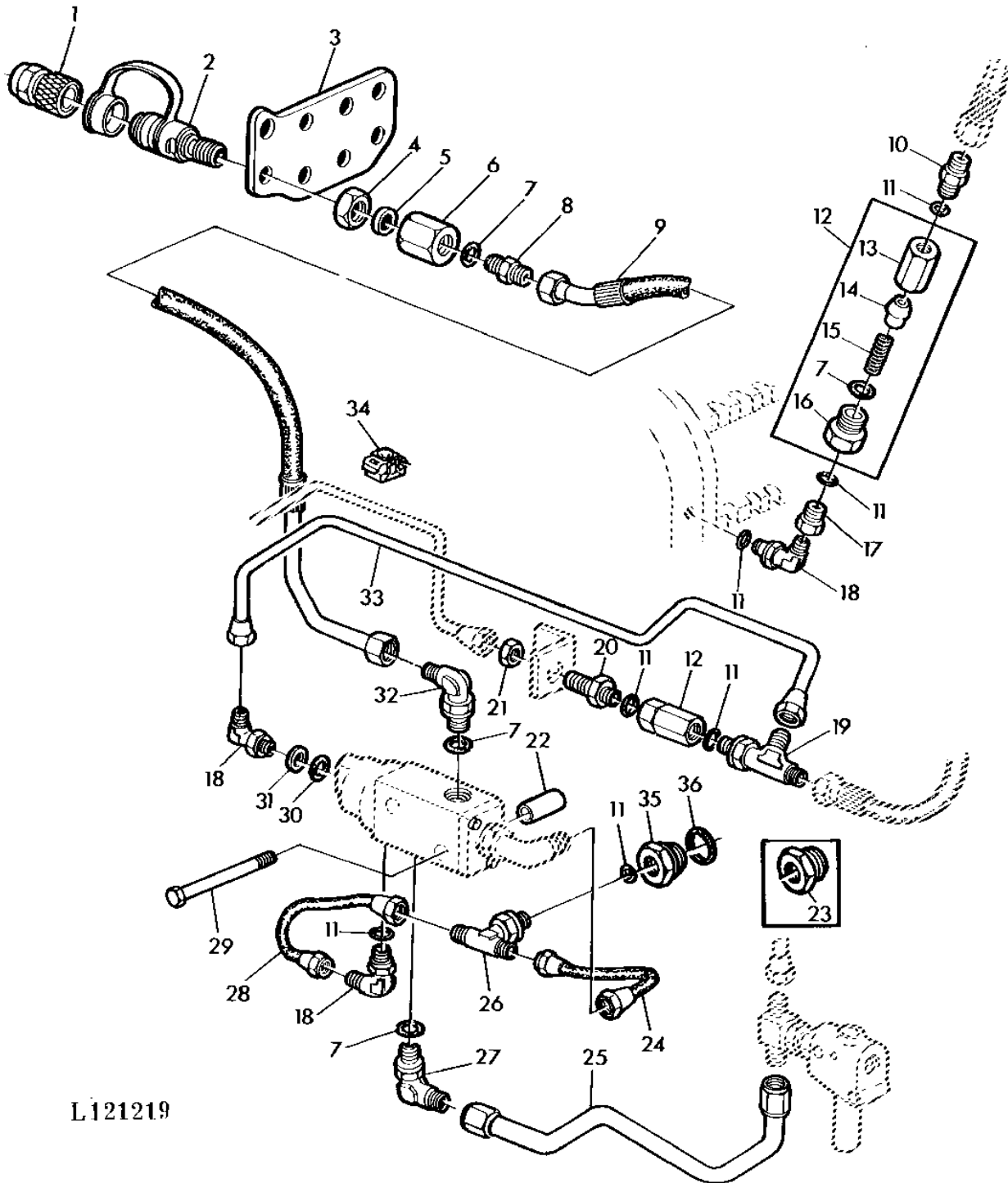


L121218

KEY	PART NO.	PART NAME	QTY	SERIAL NO.		REMARKS
					2	
					1 2 0	
					6 0 4	
					4 4 0	
					0 0 S	
1	AR52361	HYD. QUICK-CONNECT COUPLER	1	-481505	X X X	
2	AR52372	PLUG	1	-481505	X X X	
3	L30207	PLATE	1	-481505	X X X	
4	14M7257	NUT	1	-481505	X X X	M20X1.5
5	L37599	RING	1	-481505	X X X	
6	L40525	NUT	1	-481505	X X X	(SUB FOR L30206)
7	R26448	O-RING	4	-481505	X X X	
8	R27212	FITTING	1	-481505	X X X	
9	AL35090	HOSE	1	-481505	X X X	
10	R27139	FITTING	2	-481505	X X X	
11	R26287	O-RING	7	-481505	X X X	
12	AL25103	VALVE	2	-481505	X X X	
13	L30719	VALVE	2	-481505	X X X	
14	L30722	POPPET	2	-481505	X X X	
15	L30720	COMPRESSION SPRING	2	-481505	X X X	
16	L30721	VALVE COVER	2	-481505	X X X	
17	L38240	ADAPTER	1	-481505	X X X	
18	AR26746	ELBOW FITTING	4	-481505	X X X	
19	L28639	PIPE PLUG	1	-481505	X X X	(ORD L41524, L41547)
20	28H1521	SPACER	1	-481505	X X X	3/8"
21	AL36122	HOSE	1	-481505	X X X	(SUB FOR AL23076)
22	AL36123	HOSE	1	-481505	X X X	(SUB FOR AL25104)
23	AL35089	OIL LINE	1	-481505	X X X	
24	AL55385	ELBOW FITTING	1	-481505	X X X	(SUB FOR AT35120)
25	19H2054	CAP SCREW	1	-481505	X X X	3/8"X4-3/4"
26	L53811	O-RING	1	-481505	X X X	
27	51M4234	RING	1	-481505	X X X	
28	AL35582	HYDRAULIC HOSE	1	-481505	X X X	
29	AT35121	ELBOW FITTING	1	-481505	X X X	(SUB FOR AR26725)
30	AL35404	TEE FITTING	1	-481505	X X X	
31	L41524	ADAPTER	1	-481505	X X X	
32	L41547	O-RING	1	-481505	X X X	

HYDR. TRAILER BRAKE-WITH HYDROST. STEERING (SG2 CAB)
 FREIN HYDR. DE REMORQUE-AVEC DIREC. HYDROSTATIQUE (CABINE SG2)
 HYDR. ANHAENGERBREMSE BEI HYDROST. LENKUNG (SG2 KABINE)
 FRENO IDR. RIMORCHIO-CON STERZO IDROSTAT. (CABINA SG2)
 FRENOS HIDR. DEL REMOLQUE-CON DIRECCION HIDROST. (CABINA SG2)
 SLAPVAGNSBROMS-VID HYDROSTATISK STYRNING (SG2 HYTT)

L121219 -UN-18JUL95



L121219

416

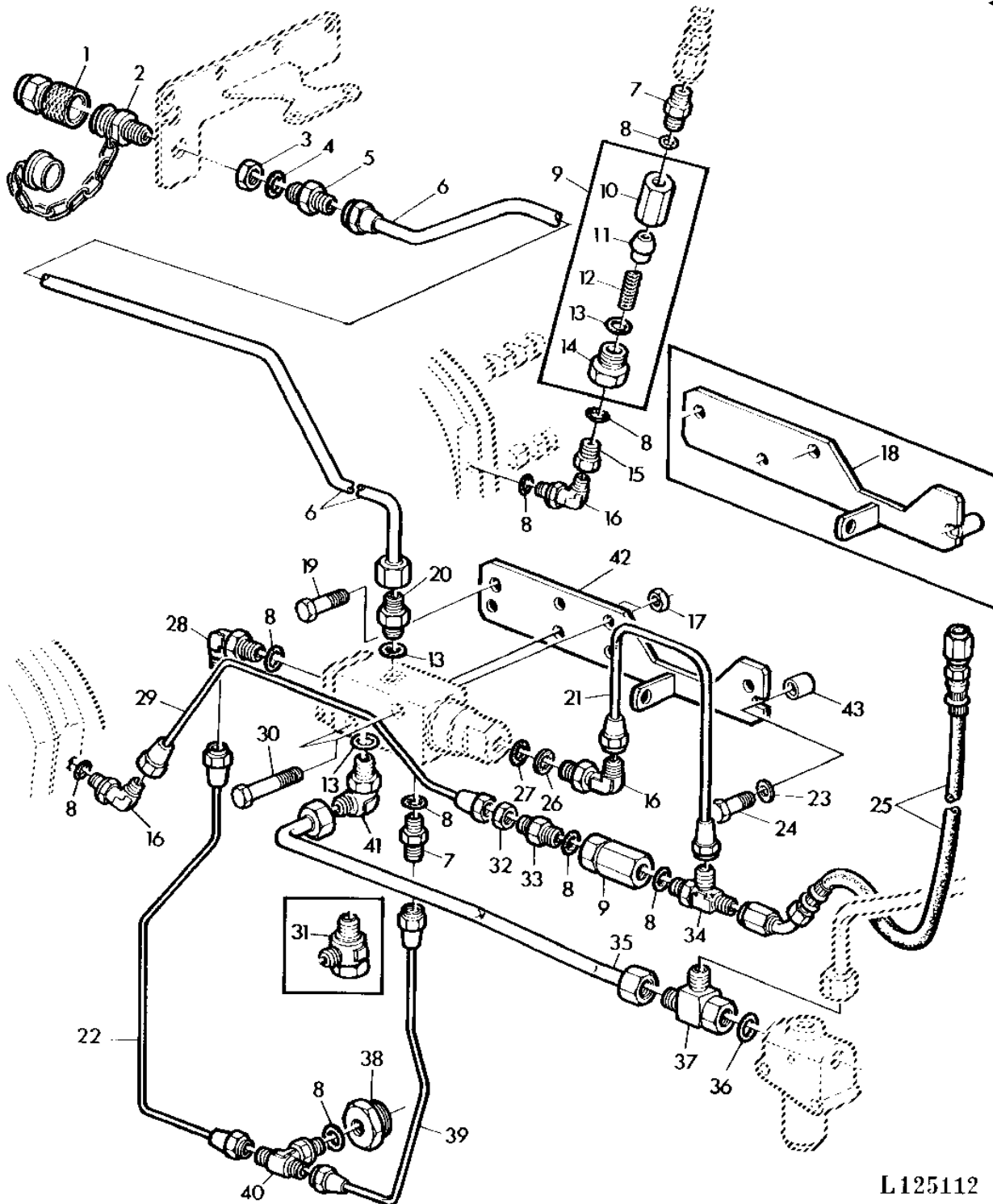
BRAKES

KEY	PART NO.	PART NAME	QTY	SERIAL NO.		REMARKS
					2	
					1 2 0	
					6 0 4	
					4 4 0	
					0 0 S	
1	AR52361	HYD. QUICK-CONNECT COUPLER	1	481506-	X X X	
2	AR52372	PLUG	1	481506-	X X X	
3	L30207	PLATE	1	481506-	X X X	
4	14M7257	NUT	1	481506-	X X X	M20X1.5
5	L37599	RING	1	481506-	X X X	
6	L40525	NUT	1	481506-	X X X	(SUB FOR L30206)
7	R26448	O-RING	4	481506-	X X X	
8	R27212	FITTING	1	481506-	X X X	
9	AL35090	HOSE	1	481506-	X X X	
10	R27139	FITTING	1	481506-	X X X	
11	R26287	O-RING	7	481506-	X X X	
12	AL25103	VALVE	2	481506-	X X X	
13	L30719	VALVE	1	481506-	X X X	
14	L30722	POPPET	1	481506-	X X X	
15	L30720	COMPRESSION SPRING	1	481506-	X X X	
16	L30721	VALVE COVER	1	481506-	X X X	
17	L38240	ADAPTER	1	481506-	X X X	
18	AR26746	ELBOW FITTING	3	481506-	X X X	
19	AR45251	TEE FITTING	1	481506-	X X X	
20	L39582	FITTING	1	481506-	X X X	
21	R27453	NUT	1	481506-	X X X	
22	28H1521	SPACER	1	481506-	X X X	
23	L28639	PIPE PLUG	1	481506-	X X X	(ORD L41524, L41547)
24	AL36122	HOSE	1	481506-	X X X	
25	AL37464	OIL LINE	1	481506-	X X X	
26	AL19023	TEE FITTING	1	481506-	X X X	
27	AL55385	ELBOW FITTING	1	481506-	X X X	(SUB FOR AT35120)
28	AL37490	HOSE	1	481506-	X X X	
29	19H2054	CAP SCREW	1	481506-	X X X	3/8"X4-3/4"
30	L53811	O-RING	1	481506-	X X X	
31	51M4234	RING	1	481506-	X X X	
32	AT35121	ELBOW FITTING	1	481506-	X X X	(SUB FOR AR26725)
33	AL37463	OIL LINE	1	481506-	X X X	
34	L40483	CLAMP	1	481506-	X X X	
35	L41524	ADAPTER	1	481506-	X X X	
36	L41547	O-RING	1	481506-	X X X	

417

BRAKES

HYDRAULIC TRAILER BRAKE WITH INCREASED LIFTING CAPACITY (SG2 CAB)
FREIN HYDRAULIQUE DE REMORQUE AVEC CAPACITE DE REL. AUGM. (CABINE SG2)
HYDR. ANHAENGERBREMSE BEI HUBKRAEFERHOEHUNG (SG2 KABINE)
FRENO IDR. PER RIMORCHIO CON ELEVATA CAPACITA SOLLEVAMENTO (CABINA SG2)
SLAPVAGNSBROMS VID OKAD LYFTKAPACITET (SG2 HYTT)
L125112 -UN-18JUL95



L125112

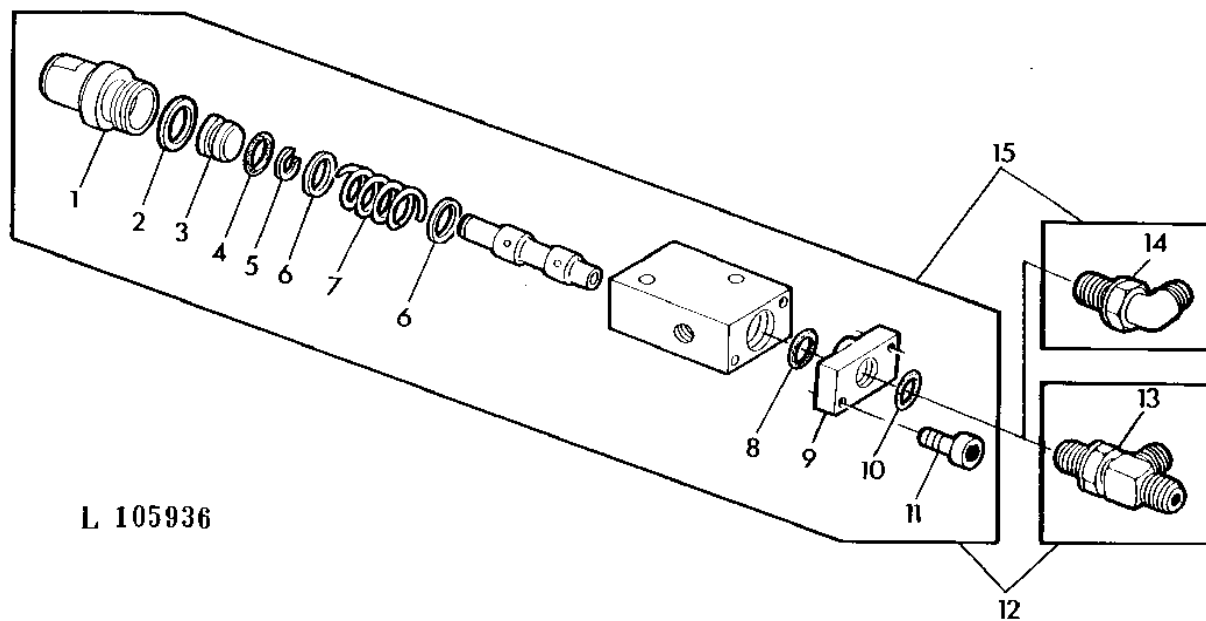
418

BRAKES

KEY	PART NO.	PART NAME	QTY	SERIAL NO.	REMARKS
					2
					1 2 0
					6 0 4
					4 4 0
					0 0 S
1	AR52361	HYD. QUICK-CONNECT COUPLER	1		X
2	AL39859	INTERNAL HALF COUPLER	1		X
3	14M7257	NUT	1		X M20
4	L41526	O-RING	1		X
5	L41525	FITTING	1		X
6	AL55028	OIL LINE	1		X
7	R27139	FITTING	2		X
8	R26287	O-RING	8		X
9	AL25103	VALVE	2		X
10	L30719	VALVE	2		X
11	L30722	POPPET	2		X
12	L30720	COMPRESSION SPRING	2		X
13	R26448	O-RING	4		X
14	L30721	VALVE COVER	2		X
15	L38240	ADAPTER	1		X
16	AR26746	ELBOW FITTING	3		X
17	14M7274	NUT	2		X M10
18	AL39852	BRACKET	1		X (ORD AL58729, Z23870)
19	19H1936	CAP SCREW	1		X 3/8"X3/4"
20	L37858	FITTING	1		X
21	AL39854	OIL LINE	1		X
22	AL39855	OIL LINE	1		X
23	24M7028	WASHER	1		X
24	19H1732	CAP SCREW	1		X 3/8"X1-1/4"
25	AL35582	HYDRAULIC HOSE	1		X
26	51M4234	RING	1		X
27	L53811	O-RING	1		X
28	AL37494	ELBOW FITTING	1		X 1.2MM
	AL37495	ELBOW FITTING	1		X 1.4MM
29	AL59555	OIL LINE	1		X (SUB FOR AL55024)
30	19M7724	CAP SCREW	2		X M10X45
31	AL36994	TEE FITTING	1		X (ORD AL62904, R26448)
32	R27453	NUT	1		X
33	L39582	FITTING	1		X
34	AR45251	TEE FITTING	1		X
35	AL39857	OIL LINE	1		X
36	R78436	O-RING	1		X
37	AL37332	FITTING	1		X
38	L41524	ADAPTER	1		X
39	AL39856	OIL LINE	1		X
40	AL19023	TEE FITTING	1		X
41	AL62904	ELBOW FITTING	1		X
42	AL58729	BRACKET	1		X
43	Z23870	SPACER	1		X

HYDRAULIC TRAILER BRAKE, BRAKE VALVE
 FREIN HYDRAULIQUE DE REMORQUE-MAITRE-CYLINDRE
 HYDR. ANHAENGERBREMSE, BREMSVENTIL
 FRENO IDRAULICO RIMORCHIO-VALVOLA FRENO
 FRENOS HIDRAULICOS DEL ROMOLQUE-VALVULA DE MANDO DEL FRENO
 HYDRAULISK VAGNSBROMS-BROMSVENTIL

L105936 -UN-17JUL95



L 105936

KEY	PART NO.	PART NAME	QTY	SERIAL NO.	REMARKS
				2	
				1 2 0	
				6 0 4	
				4 4 0	
				0 0 S	
1	L31763	CAP	1	X X X	
2	51M4245	RING	1	X X X	26X30MM
3	L30706	CYLINDER	1	X X X	
4	L53826	O-RING	1	X X X	
5	L18893	SNAP RING	1	X X X	
6	L20095	WASHER	2	X X X	
7	L30708	SPRING	1	X X X	
8	32240	O-RING	1	X X X	(SUB FOR U11343)
9	L34348	COVER	1	X X X	
10	R26287	O-RING	1	X X X	
11	19M7603	SCREW	2	X X X	M6X20
12	AL25867	VALVE	1	X X X	
	AL25867	VALVE	1	-481505	X X X (A)
13	AL25099	TEE FITTING	1	X X X	1.2MM
	AL25791	TEE FITTING	1	X X X	1.4MM
	AL25099	TEE FITTING	1	-481505	X X X (A) 1.2MM
	AL25791	TEE FITTING	1	-481505	X X X (A) 1.4MM
14	AL37494	ELBOW FITTING	1	481506-	X X X (A) 1.2MM
	AL37495	ELBOW FITTING	1	481506-	X X X (A) 1.4MM
15	AL37974	VALVE	1	481506-	X X X (A)

(A) WITH SG2 CAB
 SUR CABINE SG2
 BEI SG2 KABINE
 CON CABINA SG2
 CON CABINA SG2
 VID SG2 HYTT

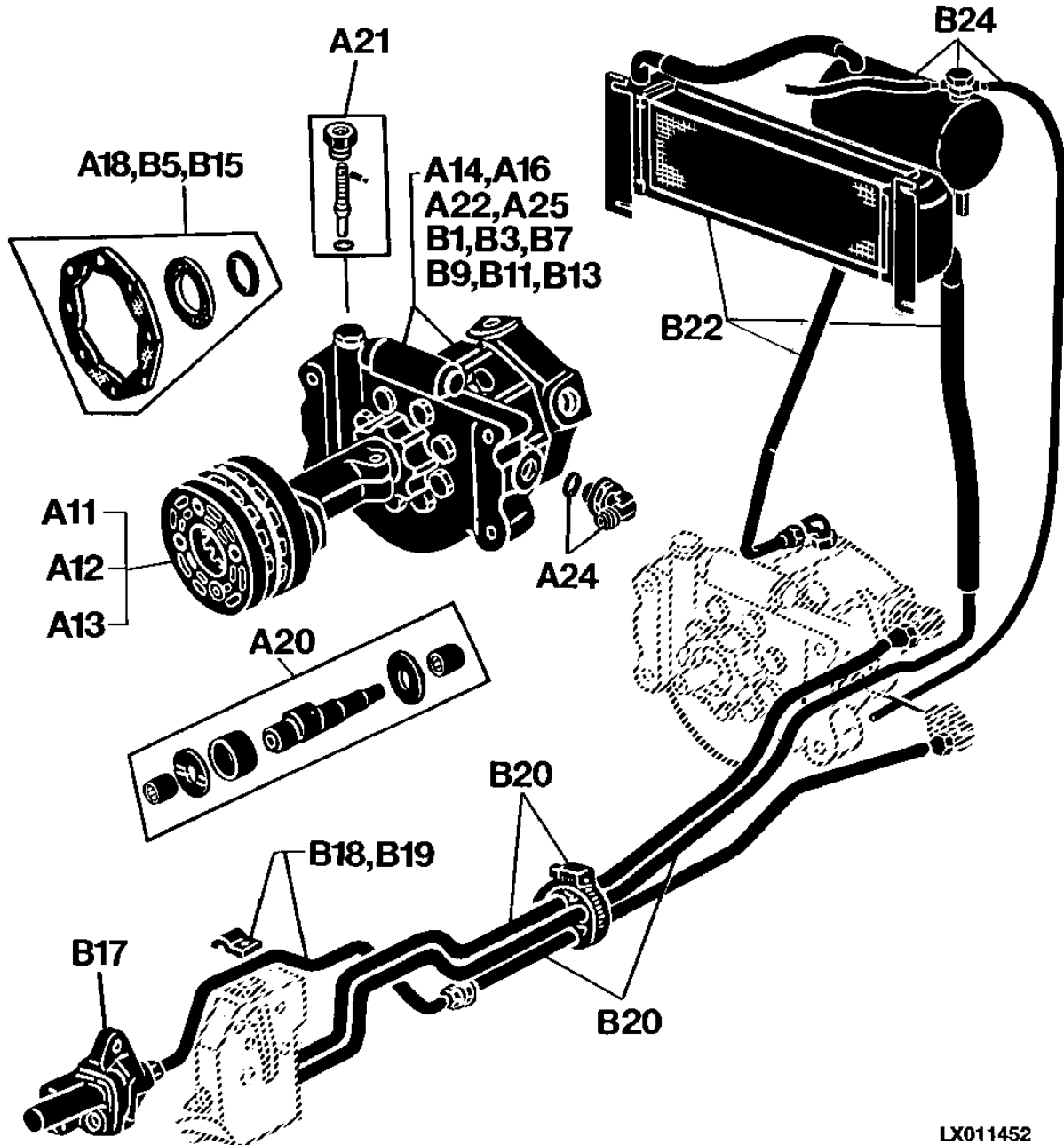
5A9

HYDRAULIC PUMPS, ROCKSHAFT

XX
XX
XX
XX
XX
XX
XX
XX
XX
XX
XX

SECTIONAL INDEX
INDEX DE SECTION
GRUPPENINDEX
INDICE DELLA SEZIONE
INDICE DE GRUPOS
GRUPPSFORTECKNING

LX011452 -UN-14JUL95



LX011452

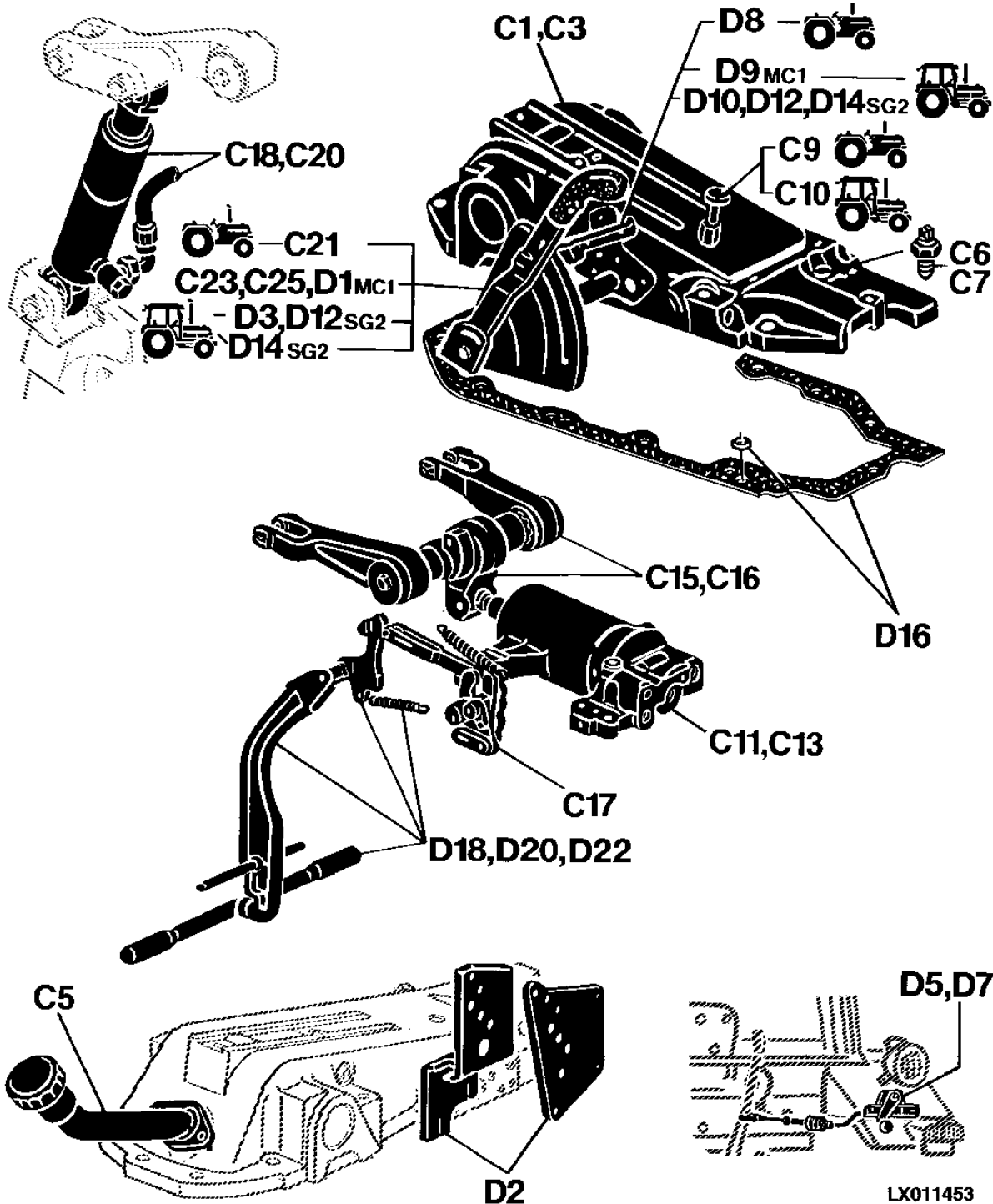
5A10

HYDRAULIC PUMPS, ROCKSHAFT

XX
 XX
 XX
 XX
 XX
 XX
 XX
 XX
 XX
 XX
 XX

SECTIONAL INDEX
 INDEX DE SECTION
 GRUPPENINDEX
 INDICE DELLA SEZIONE
 INDICE DE GRUPOS
 GRUPPSFORTECKNING

LX011453 -UN-14JUL95

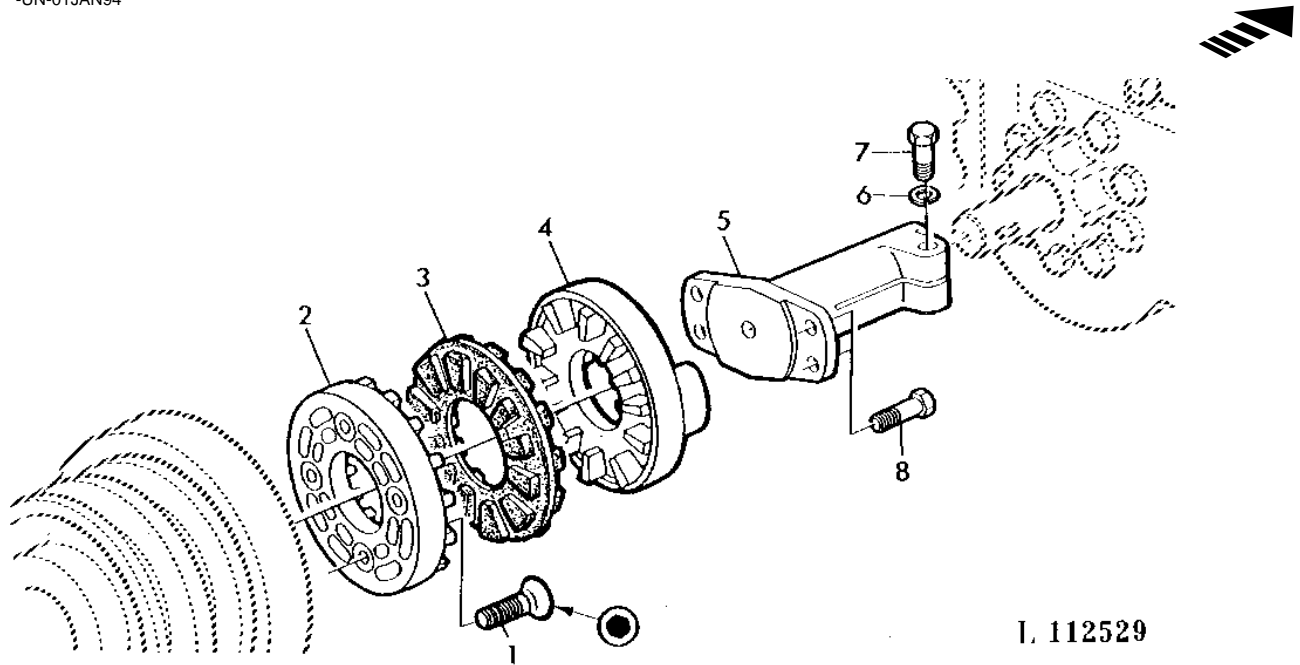


LX011453

5A11

HYDRAULIC PUMPS, ROCKSHAFT

HYDRAULIC PUMP DRIVE (12CM3=0,7 CU.IN./23CM3=1,4 CU.IN.)
 ELEMENTS D'ENTRAINEMENT DE LA POMPE HYDRAULIQUE (12CM3/23CM3)
 ANTRIEBSTEILE FUER HYDRAULIKPUMPE (12CM3/23CM3)
 COMANDO POMPA IDRAULICA (12CM3/23CM3)
 ACCIONAMIENTO BOMBA HIDRAULICA (12CM3/23CM3)
 HYDRAULPUMPENS DRIVNING (12CM3/23CM3)
 L112529 -UN-01JAN94



I. 112529

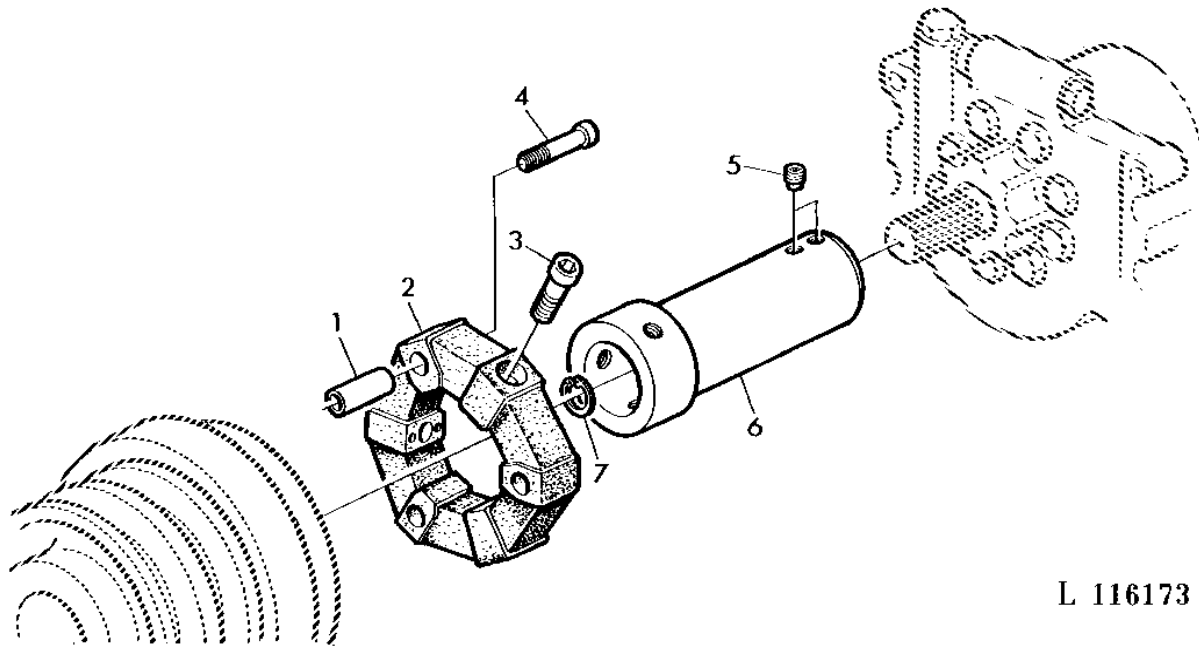
2
1 2 0
6 0 4
4 4 0
0 0 S

KEY	PART NO.	PART NAME	QTY	SERIAL NO.	REMARKS
1	L34575	SCREW	4	X X X	
2	L34569	COUPLING	1	X X X	REAR
3	R78202	CUSHION	1	X X X	(SUB FOR T58196)
4	L34432	COUPLING	1	X X X	FRONT
5	L34572	DRIVE SHAFT	1	X X X	
6	12H304	LOCK WASHER	1	X X X	3/8"
7	19H1800	CAP SCREW	1	X X X	3/8"X1-1/2"
8	19H1732	CAP SCREW	4	X X X	3/8"X1-1/4"

5A12

HYDRAULIC PUMPS, ROCKSHAFT

HYDRAULIC PUMP DRIVE PARTS (23CM3=1,4 CU.IN.) WITH FRONT PTO
 ENTRAINEMENT DE POMPE HYDR. (23CM3) AVEC PDF FRONTALE
 ANTRIEBSTEILE FUER HYDRAULIKPUMPE (23CM3) BEI FRONT-ZAPFW.
 GRUPPO COMANDO POMPA IDRAUL. (23CM3) CON PDF FRONTALE
 PIEZAS DE TRANSMISION PARA BOMBA HIDR. (23CM3) CON TDF FR.
 DRIVNING FOR HYDRAULPUMP (23CM3) VID FRAMRE KRAFTUTTAG
 L116173 -UN-18JUL95



L 116173

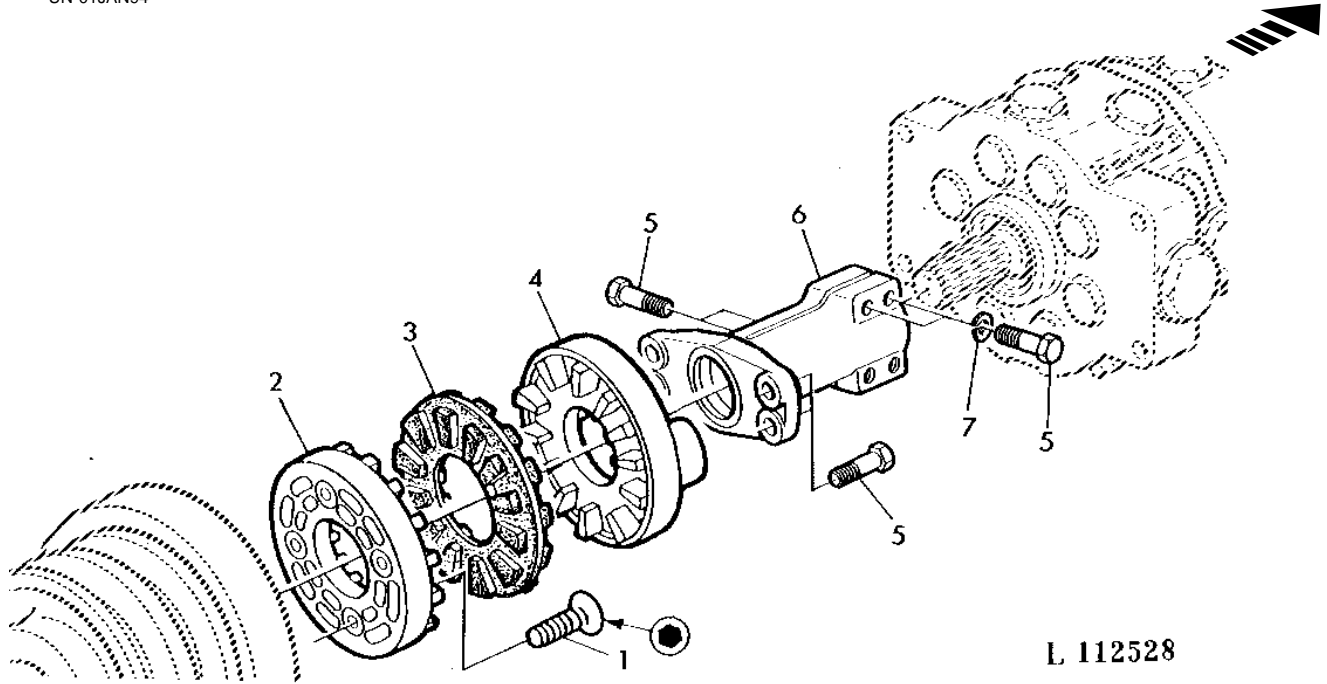
2
 1 2 0
 6 0 4
 4 4 0
 0 0 S

KEY	PART NO.	PART NAME	QTY	SERIAL NO.	REMARKS
1	L41488	BUSHING	3		X
2	L41487	COUPLING	1		X
3	19M8314	SCREW	3		X M12X35
4	19M8315	SCREW	3		X M12X60
5	22M7134	SET SCREW	23		X M12X16
6	L41486	HUB	1		X
7	40M7140	SNAP RING	1		X

5A13

HYDRAULIC PUMPS, ROCKSHAFT

HYDRAULIC PUMP DRIVE (40CM3=2,4 CU.IN./50CM3=3 CU.IN.)
 ELEMENTS D'ENTRAINEMENT DE LA POMPE HYDRAULIQUE (40CM3/50CM3)
 ANTRIEBSTEILE FUER HYDRAULIKPUMPE (40CM3/50CM3)
 COMANDO POMPA IDRAULICA (40CM3/50CM3)
 ACCIONAMIENTO BOMBA HIDRAULICA (40CM3/50CM3)
 HYDRAULPUMPENS DRIVNING (40CM3/50CM3)
 L112528 -UN-01JAN94



L 112528

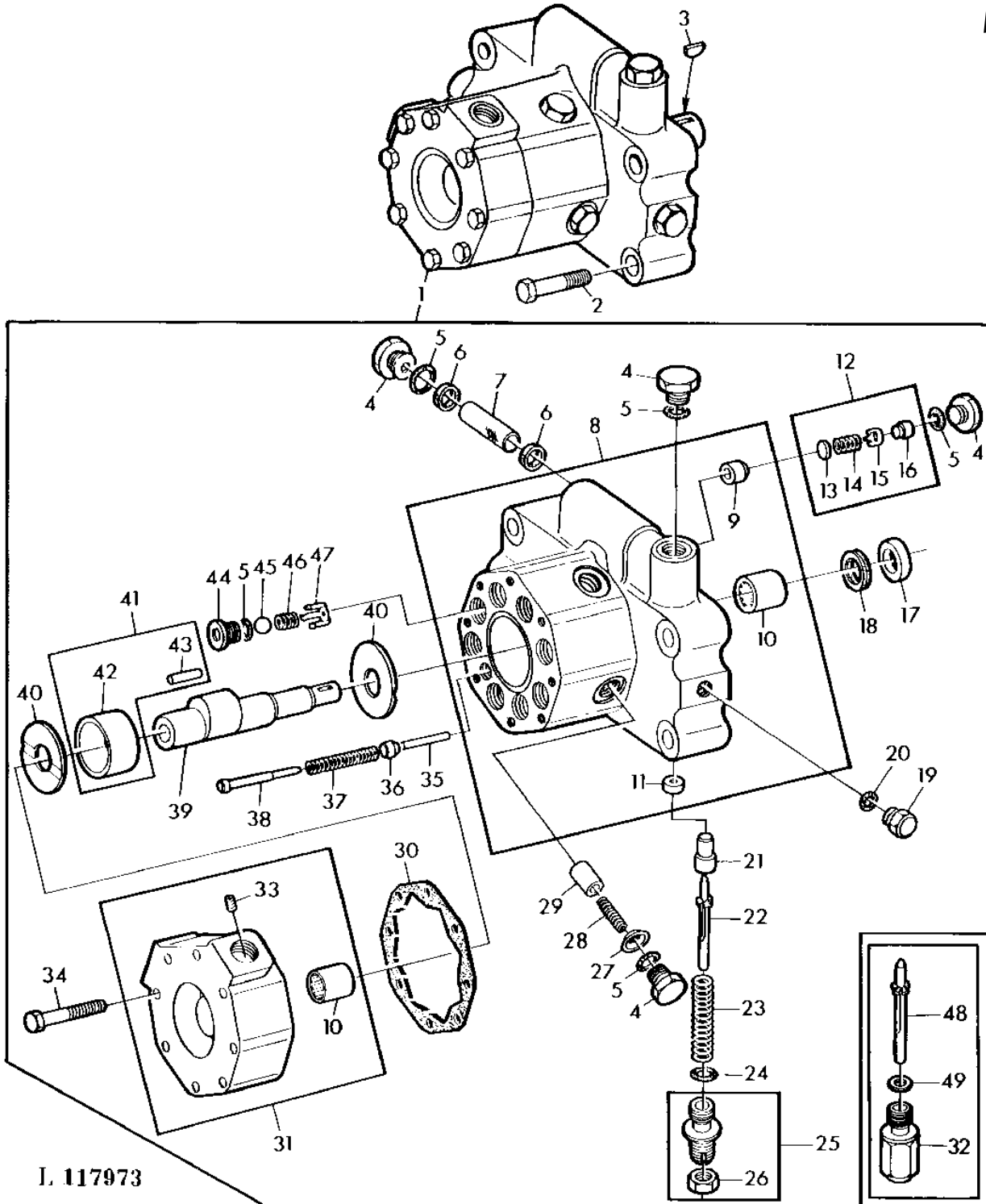
2
1 2 0
6 0 4
4 4 0
0 0 S

KEY	PART NO.	PART NAME	QTY	SERIAL NO.	REMARKS
1	L34575	SCREW	4	X X X	
2	L34569	COUPLING	1	X X X	REAR
3	R78202	CUSHION	1	X X X	(SUB FOR T58196)
4	L34432	COUPLING	1	X X X	FRONT
5	19H1732	CAP SCREW	8	X X X	3/8"X1-1/4"
6	L34573	DRIVE SHAFT	1	X X X	
7	12H304	LOCK WASHER	4	X X X	3/8"

5A14

HYDRAULIC PUMPS, ROCKSHAFT

HYDRAULIC PUMP (12CM3=0,7 CU.IN.)
 POMPE HYDRAULIQUE (12CM3)
 HYDRAULIKPUMPE (12CM3)
 POMPA IDRAULICA (12CM3)
 BOMBA HIDRAULICA (12CM3)
 HYDRAULPUMP (12CM3)
 L117973 -UN-07JUL95



L. 117973

5A15

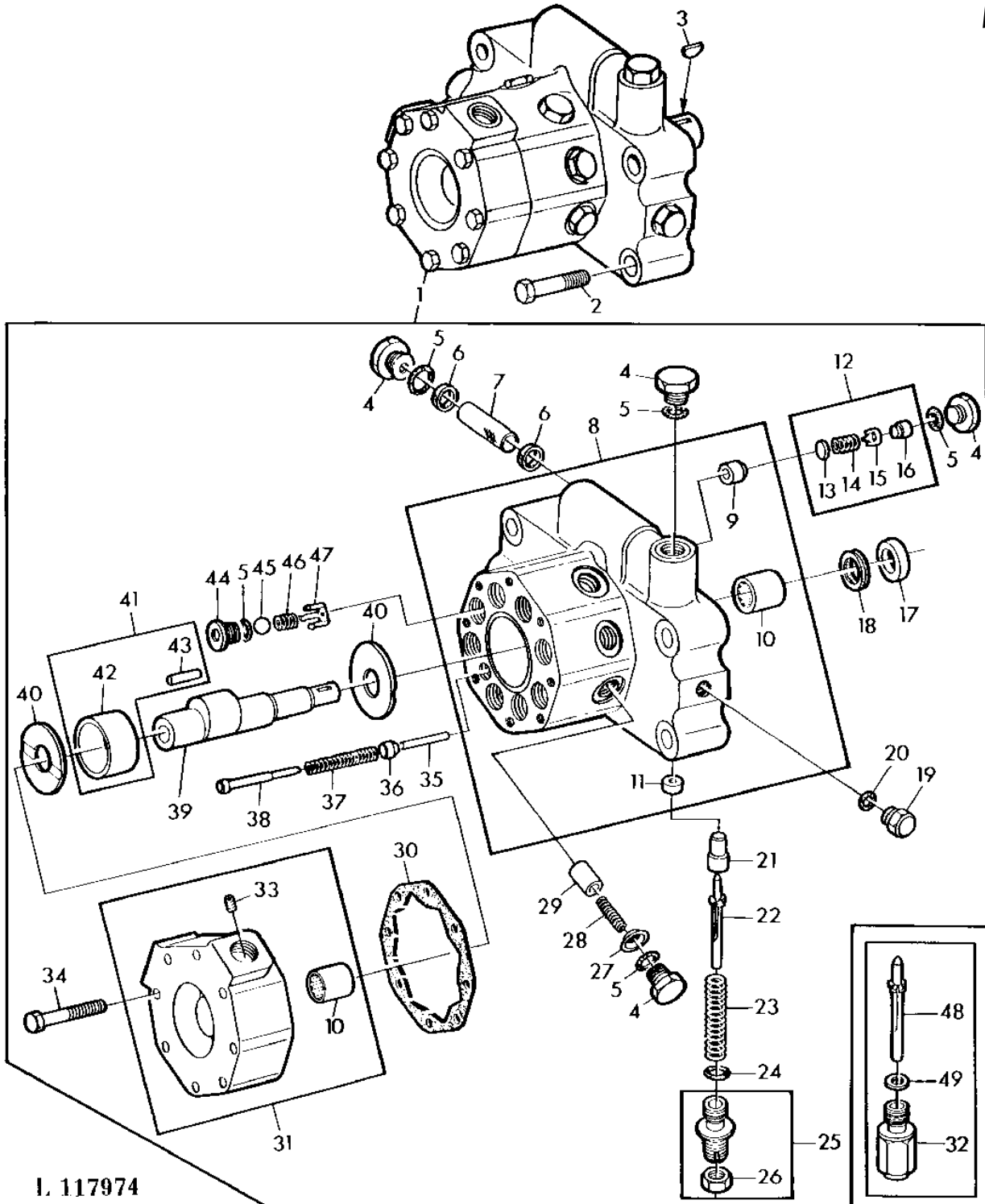
HYDRAULIC PUMPS, ROCKSHAFT

KEY	PART NO.	PART NAME	QTY	SERIAL NO.	REMARKS
					2
					1 2 0
					6 0 4
					4 4 0
					0 0 S
1	AR103035	HYDRAULIC PUMP	1		X X X (SUB FOR AR89062)
2	19H1820	CAP SCREW	4		X X X 1/2"X3"
3	26H77	SHAFT KEY	1		X X X 3/16"X3/4"
4	R39112	FITTING	18		X X X 3/4"
5	R26375	O-RING	AR		X X X
6	R68382	PACKING	2		X X X
7	R68381	FILTER	1		X X X
8	AR89076	HOUSING	1		X X X
9	R105583	SEAT	8		X X X (SUB FOR R39067)
10	JD9858	NEEDLE BEARING	2		X X X
11	R72936	VALVE SEAT INSERT	1		X X X (SUB FOR R69302)
12	RE23382	VALVE	4		X X X (SUB FOR AR52785, AR96613)
13	R49297	DISK	4		X X X
14	R39228	SPRING	4		X X X
15	R48738	GUIDE	4		X X X
16	R83508	STOP	4		X X X (SUB FOR R49298, R72886 APPL)
17	AR39052	SEAL	1		X X X
18	R63605	O-RING	1		X X X
19	R27094	DRAIN PLUG	1		X X X 1/2"
20	R26286	O-RING	1		X X X
21	R68384	CONTROL VALVE	1		X X X
22	R76167	GUIDE	1		X X X (SUB FOR R68383)
23	R39240	SPRING	1		X X X
24	R26906	O-RING	1		X X X
25	AR103040	SCREW	1		X X X (SUB FOR AR89073)
26	R76169	LOCK NUT	1		X X X
27	AR101238	SHIELD	1		X X X KIT (8) (SUB FOR R61633)
28	AR39041	SPRING	1		X X X KIT (8)
29	R63022	PISTON	4		X X X
30	L62442	GASKET	1		X X X (SUB FOR R59234)
31	AR90453	COVER	1		X X X
32	AR89073	ADJUSTER	1		X X X (ORD AR103040, R76167)
33	R39321	ORIFICE	1		X X X
34	19H1944	CAP SCREW	8		X X X 3/8"X2-3/4"
35	R39179	NEEDLE ROLLER	1		X X X
36	R39180	VALVE	1		X X X
37	R68390	SPRING	1		X X X
38	R39181	GUIDE	1		X X X
39	R39319	SHAFT	1		X X X
40	R66164	THRUST WASHER	2		X X X
41	AR89072	ROLLER BEARING	1		X X X
42	R63629	BEARING RACE	1		X X X
43	R39073	NEEDLE ROLLER	33		X X X
44	R68553	VALVE SEAT INSERT	4		X X X
45	D2361R	BALL	4		X X X
46	R39078	SPRING	4		X X X
47	R39076	GUIDE	4		X X X
48	R68383	GUIDE	1		X X X (ORD R76167, AR103040)
49	24H1303	WASHER	1		X X X 13/32"X11/16"X.060"

5A16

HYDRAULIC PUMPS, ROCKSHAFT

HYDRAULIC PUMP (23CM3=1,4 CU.IN.)
 POMPE HYDRAULIQUE (23CM3)
 HYDRAULIKPUMPE (23CM3)
 POMPA IDRAULICA (23CM3)
 BOMBA HIDRAULICA (23CM3)
 HYDRAULPUMP (23CM3)
 L117974 -UN-07JUL95



L 117974

5A17

HYDRAULIC PUMPS, ROCKSHAFT

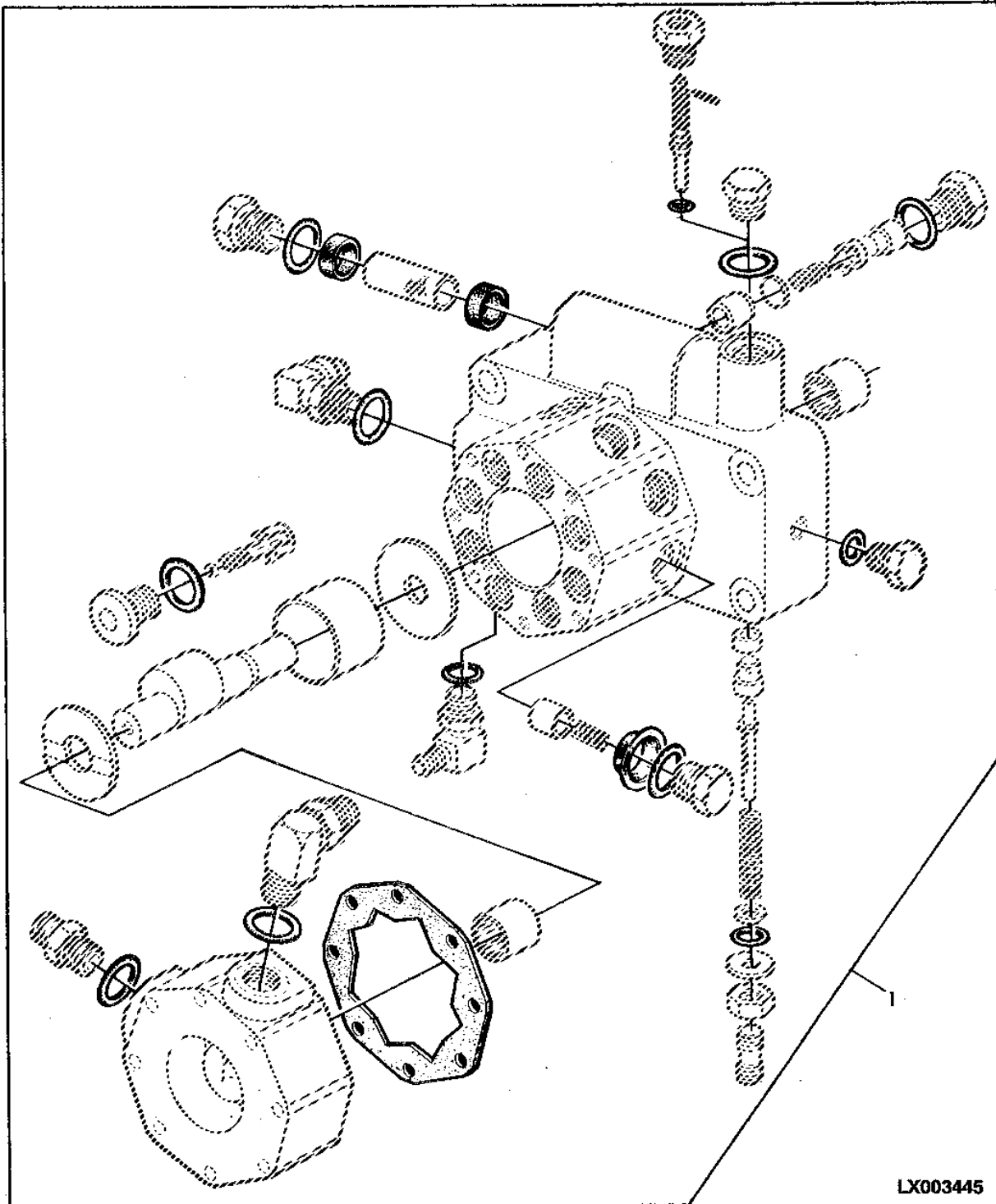
KEY	PART NO.	PART NAME	QTY	SERIAL NO.	REMARKS
					2
					1 2 0
					6 0 4
					4 4 0
					0 0 S
1	AR103033	HYDRAULIC PUMP	1	X	(A) (SUB FOR AR89064)
	AR103036	HYDRAULIC PUMP	1	X X X	(SUB FOR AR89061)
2	19H1820	CAP SCREW	4	X X X	1/2"X3"
3	26H77	SHAFT KEY	1	X X X	3/16"X3/4"
4	R39112	FITTING	18	X X X	3/4"
5	R26375	O-RING	AR	X X X	
6	R68382	PACKING	2	X X X	
7	R68381	FILTER	1	X X X	
8	AR89075	HOUSING	1	X X X	
9	R105583	SEAT	8	X X X	(SUB FOR R39067)
10	JD9858	NEEDLE BEARING	2	X X X	
11	R72936	VALVE SEAT INSERT	1	X X X	(SUB FOR R69302)
12	RE23382	VALVE	8	X X X	(SUB FOR AR52785, AR96613)
13	R49297	DISK	8	X X X	
14	R39228	SPRING	8	X X X	
15	R48738	GUIDE	8	X X X	
16	R83508	STOP	8	X X X	(SUB FOR R49298, R72886 APPL)
17	AR39052	SEAL	1	X X X	
18	R63605	O-RING	1	X X X	
19	R27094	DRAIN PLUG	1	X X X	1/2"
20	R26286	O-RING	1	X X X	
21	R68384	CONTROL VALVE	1	X X X	
22	R76167	GUIDE	1	X X X	(SUB FOR R68383)
23	R39240	SPRING	1	X X X	
24	R26906	O-RING	1	X X X	
25	AR103040	SCREW	1	X X X	(SUB FOR AR89073)
26	R76169	LOCK NUT	1	X X X	
27	AR101238	SHIELD	1	X X X	KIT (8) (SUB FOR R61633)
28	AR39041	SPRING	1	X X X	KIT (8)
29	R63022	PISTON	8	X X X	
30	L62442	GASKET	1	X X X	(SUB FOR R59234)
31	AR90453	COVER	1	X X X	
32	AR89073	ADJUSTER	1	X X X	(ORD AR103040, R76167)
33	R39321	ORIFICE	1	X X X	
34	19H1944	CAP SCREW	8	X X X	3/8"X2-3/4"
35	R39179	NEEDLE ROLLER	1	X X X	
36	R39180	VALVE	1	X X X	
37	R68390	SPRING	1	X X X	
38	R39181	GUIDE	1	X X X	
39	R39319	SHAFT	1	X X X	
40	R66164	THRUST WASHER	2	X X X	
41	AR89072	ROLLER BEARING	1	X X X	
42	R63629	BEARING RACE	1	X X X	
43	R39073	NEEDLE ROLLER	33	X X X	
44	R68553	VALVE SEAT INSERT	8	X X X	
45	D2361R	BALL	8	X X X	
46	R39078	SPRING	8	X X X	
47	R39076	GUIDE	8	X X X	
48	R68383	GUIDE	1	X X X	(ORD R76167, AR103040)
49	24H1303	WASHER	1	X X X	13/32"X11/16"X.060"

(A) FOR CANADA ONLY
 CANADA UNIQUEMENT
 NUR FUER KANADA
 SOLO PER CANADA
 SOLO PARA CANADA
 ENDAST FOR KANADA

5A18

HYDRAULIC PUMPS, ROCKSHAFT

HYDRAULIC PUMP SEALING SET (12CM3=0,7 CU.IN./23CM3=1,4 CU.IN.)
POMPE HYDRAULIQUE, JEU DE JOINTS (12CM3/23CM3)
HYDRAULIKPUMPEN-DICHTUNGSSATZ (12CM3/23CM3)
POMPA IDRAULICA, SERIE GUARNIZIONI (12CM3/23CM3)
BOMBA HIDRAULICA, JUEGO DE JUNTAS (12CM3/23CM3)
HYDRAULPUMP, PACKNINGSSATS (12CM3/23CM3)
LX003445 -UN-01JAN94



LX003445

5A19

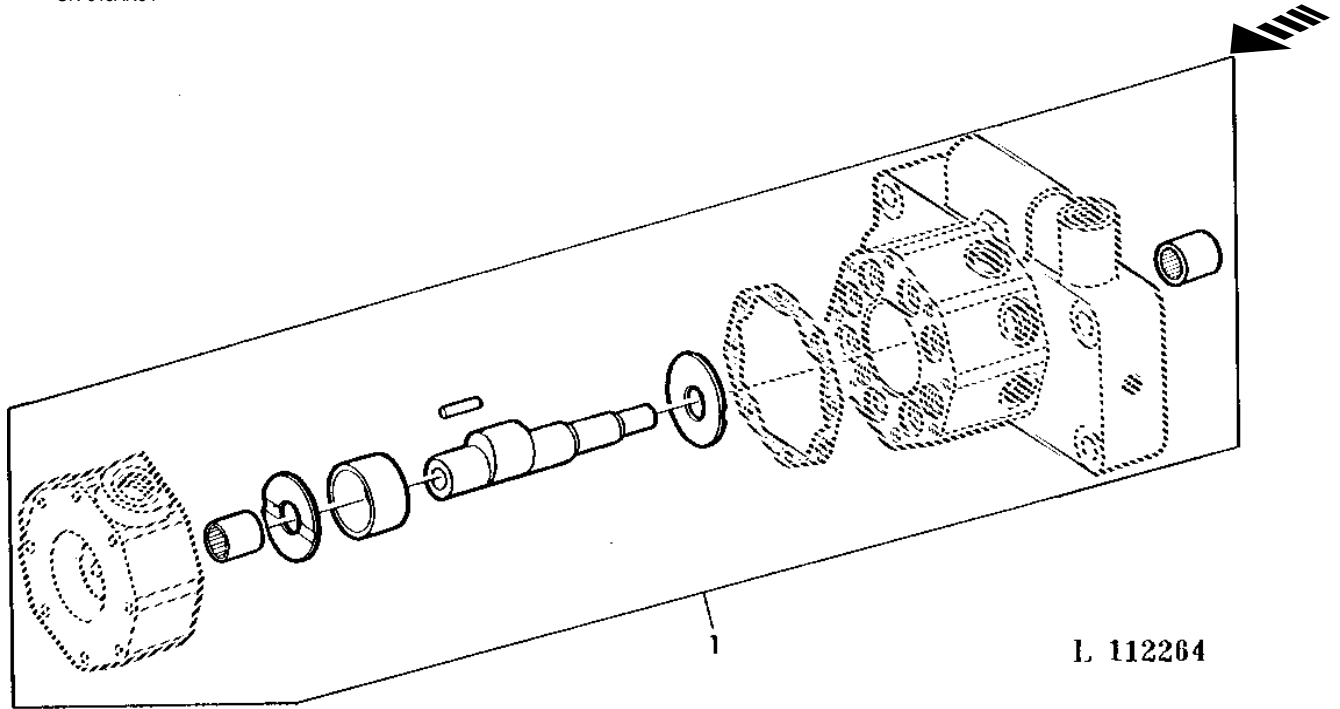
HYDRAULIC PUMPS, ROCKSHAFT

KEY	PART NO.	PART NAME	QTY	SERIAL NO.	REMARKS
1	AR98993	KIT	1	1 2 0 6 0 4 4 4 0 0 0 S	X X X

5A20

HYDRAULIC PUMPS, ROCKSHAFT

HYDRAULIC PUMP REPAIR SET (12CM3=0,7 CU.IN./23CM3=1,4 CU.IN.)
 JEU DE REPARATION POMPES HYDRAULIQUES (12CM3/23CM3)
 HYDRAULIKPUMPEN-REPARATURSATZ (12CM3/23CM3)
 CORREDO RIPARAZ. PER POMPE IDRAUL. (12CM3/23CM3)
 JUEGO DE REPARAC. PARA BOMBAS HIDR. (12CM3/23CM3)
 REPARATURSATZ FOR HYDRAULPUMP (12CM3/23CM3)
 L112264 -UN-01JAN94



L 112264

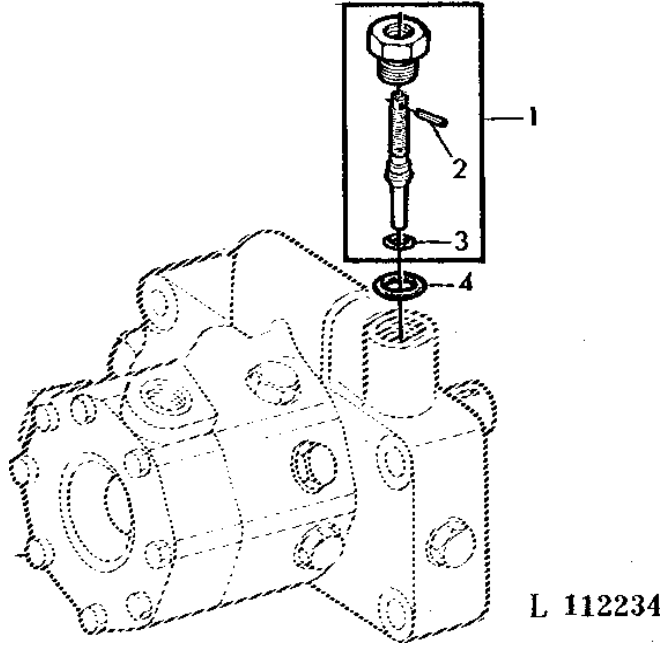
2
1 2 0
6 0 4
4 4 0
0 0 S

KEY	PART NO.	PART NAME	QTY	SERIAL NO.	REMARKS
1	AL35755	KIT	1	X X X	

5A21

HYDRAULIC PUMPS, ROCKSHAFT

SHUT-OFF SCREW FOR HYDRAULIC PUMP (12CM3 AND 23 CM3)
 VIS D'ARRET POUR POMPE HYDRAULIQUE (12CM3, 23CM3)
 ABSTELLSCHRAUBE FUER HYDRAULIKPUMPE (12CM3, 23CM3)
 VITE ARRESTO PER POMPA IDRAULICA (12CM3 E 23CM3)
 TORNILLO DE PARADA PARA BOMBA HIDRAULICA (12CM3,23CM3)
 AVSTANGNINGSSKRUV FOR HYDRAULPUMP (12CM3, 23CM3)
 L112234 -UN-01JAN94



L 112234

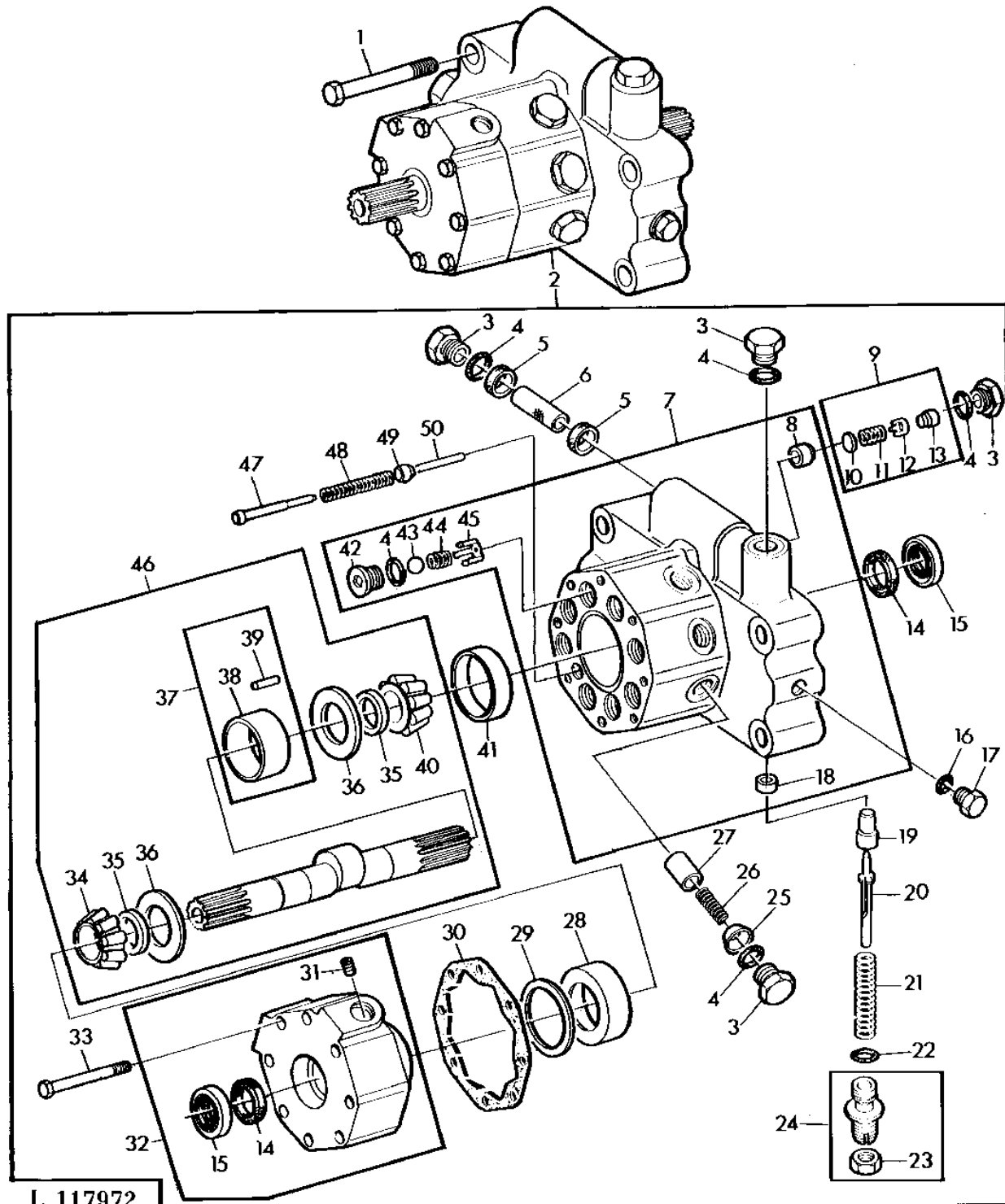
2
 1 2 0
 6 0 4
 4 4 0
 0 0 S

KEY	PART NO.	PART NAME	QTY	SERIAL NO.	REMARKS
1	AR38225	SCREW	1	X X X	
2	34H254	SPRING PIN	1	X X X	1/8"X1-1/2"
3	R30903	O-RING	1	X X X	
4	R26375	O-RING	1	X X X	

5A22

HYDRAULIC PUMPS, ROCKSHAFT

HYDRAULIC PUMP (23CM³=1,4 CU.IN.) WITH FRONT PTO
 POMPE HYDRAULIQUE (23CM³) AVEC PDF AVANT
 HYDRAULIKPUMPE (23CM³) BEI FRONT-ZAPFWELLE
 POMPA IDRAULICA (23CM³) CON PDF CENTRALE
 BOMBA HIDRAULICA (23CM³) CON TDF FRONTAL
 HYDRAULPUMP (23CM³) VID MITTRE KRAFTUTTAG
 L117972 -UN-18JUL95



I. 117972

5A23

HYDRAULIC PUMPS, ROCKSHAFT

KEY	PART NO.	PART NAME	QTY	SERIAL NO.	REMARKS
					2
					1 2 0
					6 0 4
					4 4 0
					0 0 S
1	19H1820	CAP SCREW	4		X 1/2"X3"
2	RE16582	HYDRAULIC PUMP	1		X
3	R39112	FITTING	18		X 3/4"
4	R26375	O-RING	AR		X
5	R68382	PACKING	2		X
6	R68381	FILTER	1		X
7	RE16583	HOUSING	1		X
8	R105583	SEAT	8		X (SUB FOR R39067)
9	RE23382	VALVE	8		X (SUB FOR AR96613)
10	R49297	DISK	8		X
11	R39228	SPRING	8		X
12	R48738	GUIDE	8		X
13	R83508	STOP	8		X (SUB FOR R72886 APPL)
14	R80904	O-RING	2		X
15	AT21780	SEAL	2		X
16	R26286	O-RING	1		X
17	R27094	DRAIN PLUG	1		X 1/2"
18	R72936	VALVE SEAT INSERT	1		X
19	R68384	CONTROL VALVE	1		X
20	R76167	GUIDE	1		X
21	R39240	SPRING	1		X
22	R26906	O-RING	1		X
23	R76169	LOCK NUT	1		X
24	AR103040	SCREW	1		X
25	AR101238	SHIELD	1		X KIT (8)
26	AR39041	SPRING	1		X KIT (8)
27	R63022	PISTON	8		X
28	JD7415	BEARING CUP	1		X
29	M2059T	SHIM	AR		X TK= 0.051MM
	M2060T	SHIM	AR		X TK= 0.127MM
30	L62442	GASKET	1		X (SUB FOR R59234)
31	R39321	ORIFICE	1		X
32	AL41572	COVER	1		X
33	19H1944	CAP SCREW	8		X 3/8"X2-3/4"
34	JD8916	BEARING CONE	1		X
35	R80141	THRUST WASHER	2		X
36	R80140	WASHER	2		X
37	AR89072	ROLLER BEARING	1		X
38	R63629	BEARING RACE	1		X
39	R39073	NEEDLE ROLLER	33		X
40	JD9090	BEARING CONE	1		X
41	JD8202	BEARING CUP	1		X
42	R68553	VALVE SEAT INSERT	8		X
43	D2361R	BALL	8		X
44	R39078	SPRING	8		X
45	R39076	GUIDE	8		X
46	AL41573	SHAFT	1		X
47	R39181	GUIDE	1		X
48	R68390	SPRING	1		X
49	R39180	VALVE	1		X
50	R39179	NEEDLE ROLLER	1		X

5A24

HYDRAULIC PUMPS, ROCKSHAFT

CONNECTING PARTS FOR HYDRAULIC PUMPS (12CM3=0.7 CU.IN./23CM3=1.4 CU.IN.)

RACCORDS POUR POMPES HYDRAULIQUES (12CM/23CM3)

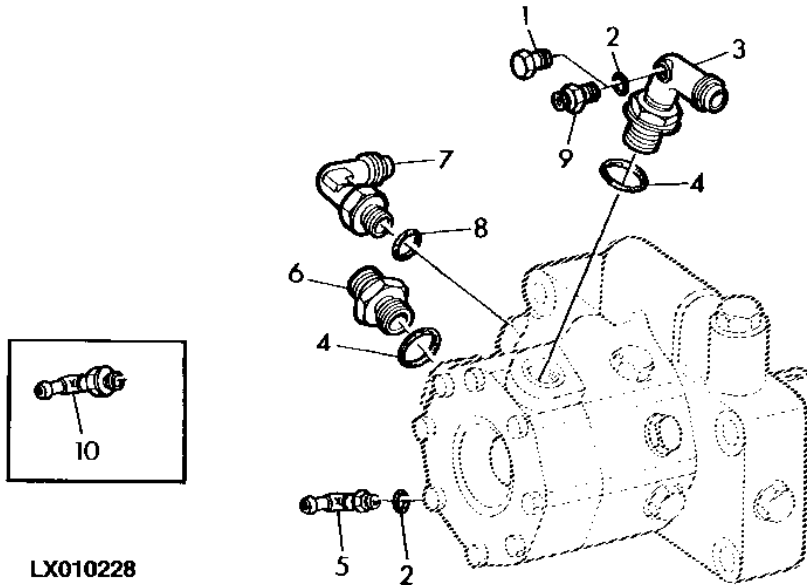
ANSCHLUSSTEILE FUER HYDRAULIKPUMPEN (12CM3/23CM3)

RACCORDI PER POMPE IDRAULICHE (12CM3/23CM3)

RACORES PARA BOMBAS HIDRAULICAS (12CM3/23CM3)

ANSLUTNINGAR FOR HYDRAULPUMPER (12CM3/23CM3)

LX010228 -UN-17JUL95



LX010228

2
1 2 0
6 0 4
4 4 0
0 0 S

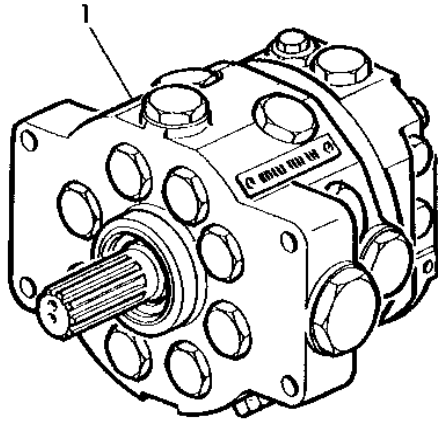
KEY	PART NO.	PART NAME	QTY	SERIAL NO.	REMARKS
1	R31631	DRAIN PLUG	1	X X X	
2	R26287	O-RING	AR	X X X	
3	AR73684	TEE FITTING	1	X X X	
4	U12547	O-RING	2	X X X	(SUB FOR F3171R APPL)
5	AL28468	ELBOW FITTING	AR	X X X	
6	R27267	FITTING	1	X X X	
7	AL28658	ELBOW FITTING	1	X X X	
8	R26375	O-RING	1	X X X	
9	R46704	FITTING	1	X	(A)
10	L63540	FITTING	AR	X X X	(ORD AL28468, R26287)

(A) WITH FRONT PTO
AVEC PDF AVANT
BEI FRONT-ZAPFWELLE
CON PDF CENTRALE
CON TDF FRONTAL
VID MITTRE KRAFTUTTAG

5A25

HYDRAULIC PUMPS, ROCKSHAFT

HYDRAULIC PUMP (40CM3=2,4 CU.IN./50CM3=3 CU.IN.)
 POMPE HYDRAULIQUE (40CM3/50CM3)
 HYDRAULIKPUMPE (40CM3/50CM3)
 POMPE IDRAULICA (40CM3/50CM3)
 BOMBA HIDRAULICA (40CM3/50CM3)
 HYDRAULPUMP (40CM3/50CM3)
 L102336 -UN-01JAN94



L 102336

2
 1 2 0
 6 0 4
 4 4 0
 0 0 S

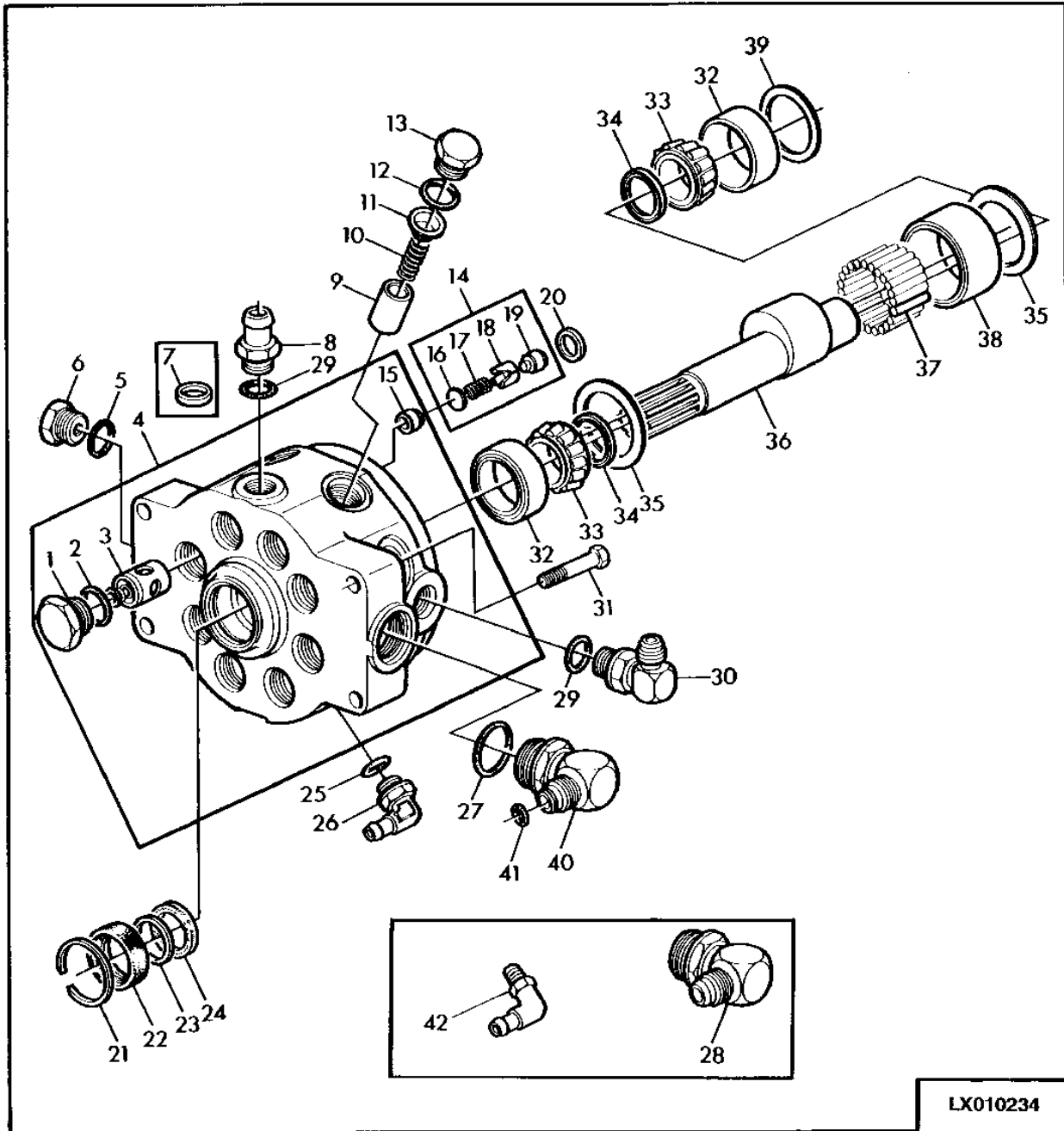
KEY	PART NO.	PART NAME	QTY	SERIAL NO.	REMARKS
1	AR90459	HYDRAULIC PUMP	1		X X X (A) 34PP1 (40CM3) (ORD AR97872, AL37265, U12547)
	AR97872	HYDRAULIC PUMP	1		X X X (A) EA1 (40CM3)
	AR101807	HYDRAULIC PUMP	1	-494042	X X X (A) GD1 OR GH1 (50CM3)
	RE13377	HYDRAULIC PUMP	1	494043-	X X X (A) GK1 (50CM3)

(A) MODEL-NO.
 NUMERO DE MODELE
 MODELLNUMMER
 NUMERO DEL TIPO
 NUMERO DEL TIPO
 MODEL-NR.

5B1

HYDRAULIC PUMPS, ROCKSHAFT

HYDRAULIC PUMP (40CM3=2,4 CU.IN.) MODEL NO. 34PP1
POMPE HYDRAULIQUE (40CM3) MODELE NO. 34PP1
HYDRAULIKPUMPE (40CM3) MODELL NO. 34PP1
POMPA IDRAULICA (40CM3) MODELLO NO. 34PP1
BOMBA HIDRAULICA (40CM3) MODELO NO. 34PP1
HYDRAULPUMP (40CM3) MODELL 34PP1
LX010234 -UN-17JUL95



LX010234

5B2

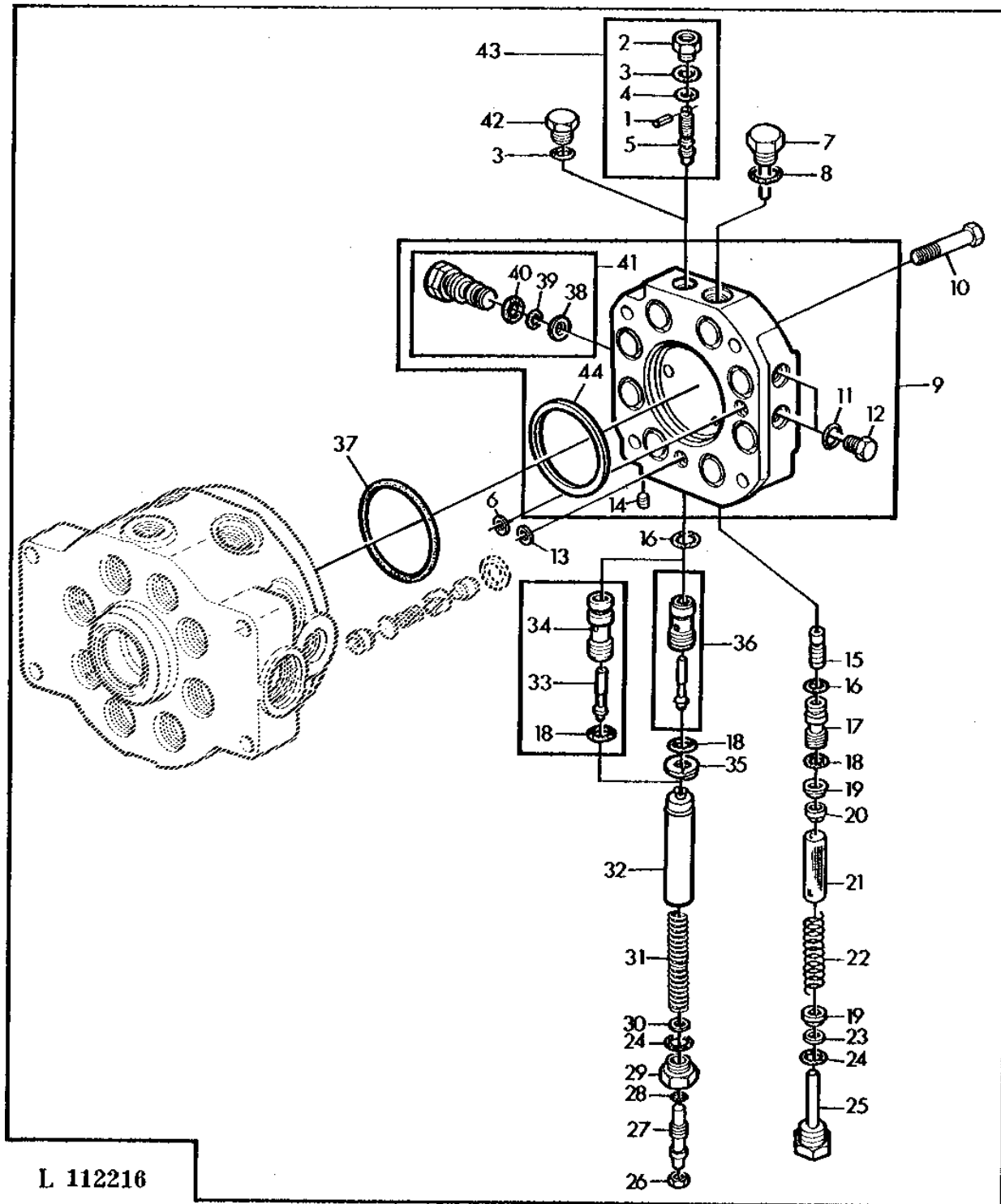
HYDRAULIC PUMPS, ROCKSHAFT

KEY	PART NO.	PART NAME	QTY	SERIAL NO.	REMARKS
					2
					1 2 0
					6 0 4
					4 4 0
					0 0 S
1	R78293	FITTING	8	X X X	
2	R27149	O-RING	8	X X X	
3	AR53301	VALVE	8	X X X	
4	AR47580	HOUSING	1	X X X	(MARKED R45228) (ORD AR97872, AL37265, U12547)
5	R56751	O-RING	1	X X X	
6	R27175	DRAIN PLUG	1	X X X	1-1/16"
7	R35827	WASHER	1	X X X	(ORD R26906)
8	R39215	FITTING	1	X X X	
9	R27150	PISTON	8	X X X	
10	R62372	SPRING	8	X X X	(SUB FOR AR76762)
11	AR101236	SHIELD	1	X X X	KIT (8) (SUB FOR R56749)
12	R56463	O-RING	8	X X X	
13	R45438	FITTING	8	X X X	
14	RE23382	VALVE	8	X X X	(SUB FOR AR52785, AR96613)
15	R105583	SEAT	8	X X X	(SUB FOR R39067)
16	R49297	DISK	1	X X X	
17	R39228	SPRING	1	X X X	
18	R48738	GUIDE	1	X X X	
19	R83508	STOP	1	X X X	(SUB FOR R49298, R72886)
20	R107239	PACKING	8	X X X	(SUB FOR R56754, R69279)
21	R26137	SNAP RING	1	X X X	
22	RE28790	SEAL	1	X X X	(SUB FOR AR52224)
23	R56753	SHIM	1	X X X	
24	R39729	O-RING	1	X X X	
25	R26287	O-RING	1	X X X	
26	AL28468	ELBOW FITTING	1	X X X	
27	U13639	O-RING	1	X X X	
28	AL39129	ELBOW FITTING	1	X X X	(SUB FOR AR39071) (ORD AL59809, L58310)
29	R26906	O-RING	2	X X X	
30	AL31989	ELBOW FITTING	1	X X X	
31	19H1974	CAP SCREW	4	X X X	1/2"X2-3/4"
32	JD8223	BEARING CUP	2	X X X	
33	JD8192	BEARING CONE	2	X X X	
34	R34349	WASHER	2	X X X	
35	R60732	WASHER	2	X X X	(SUB FOR R42467)
36	R39843	SHAFT	1	X X X	
37	R27145	NEEDLE ROLLER	36	X X X	
38	R45874	BEARING RACE	1	X X X	
39	R27478	SHIM	AR	X X X	TK= 0.15MM (.006")
	R27479	SHIM	AR	X X X	TK= 0.25MM (.010")
40	AL59809	ELBOW FITTING	1	X X X	
41	L58310	O-RING	1	X X X	
42	L63540	FITTING	1	X X X	(ORD AL28468, R26287)

5B3

HYDRAULIC PUMPS, ROCKSHAFT

PUMP COVER AND VALVES (40CM³=2,4 CU.IN.) MODEL NO. 34PP1
COUVERCLE DE POMPE ET SOUPAPES (40CM³) MODELE NO. 34PP1
PUMPENDECKEL UND VENTILE (40CM³) MODELL NO. 34PP1
COPERCHIO POMPA E VALVOLE (40CM³) MODELLO NO. 34PP1
TAPA DE BOMBA Y VALVULAS (40CM³) MODELO NO. 34PP1
PUMPKAPA OCH VENTILER (40CM³) MODELL 34PP1
L112216 -UN-01JAN94



L 112216

5B4

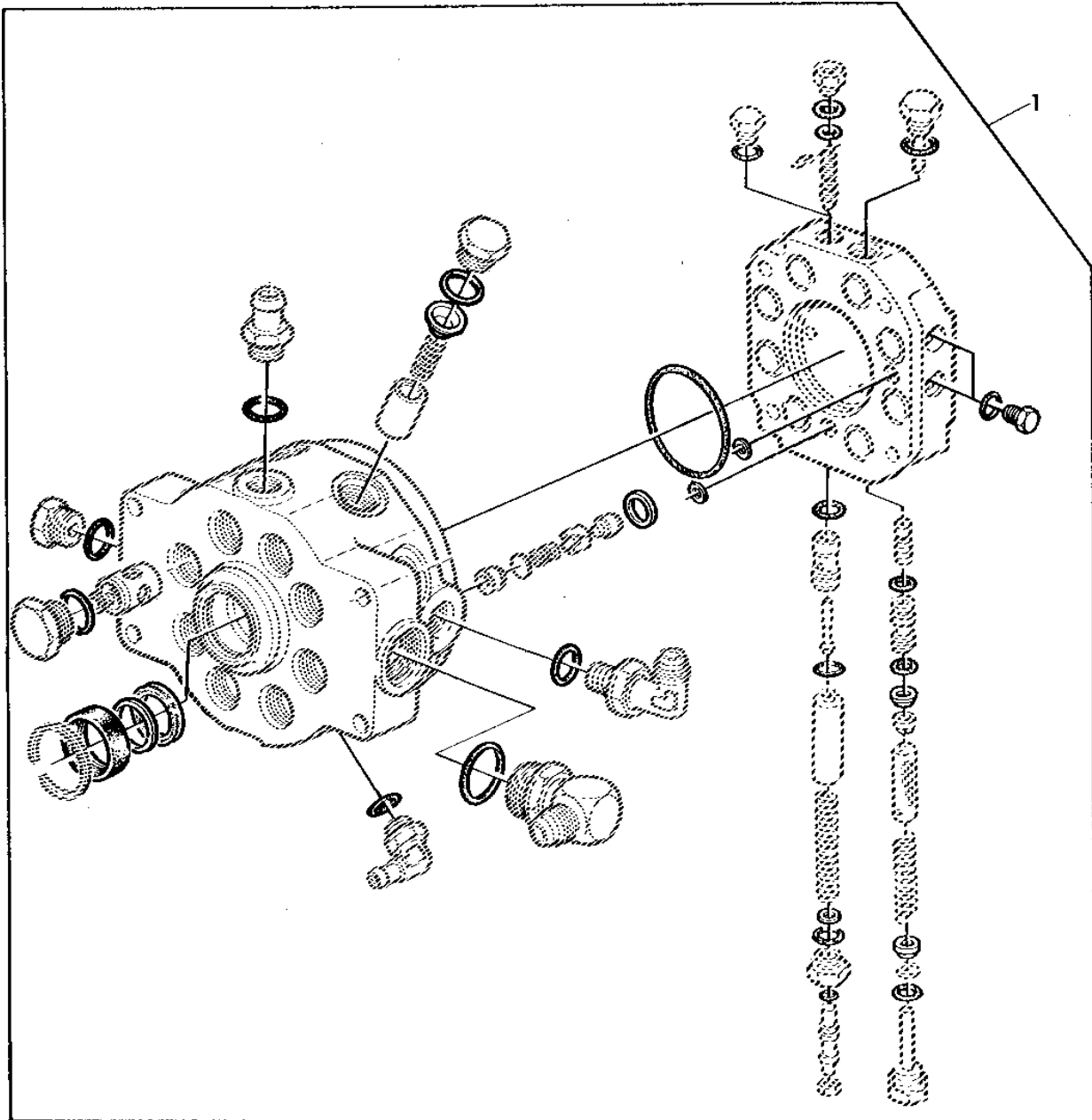
HYDRAULIC PUMPS, ROCKSHAFT

KEY	PART NO.	PART NAME	QTY	SERIAL NO.	REMARKS
					2
					1 2 0
					6 0 4
					4 4 0
					0 0 S
1	34H254	SPRING PIN	1	X X X	1/8"X1-1/2"
2	R27475	FITTING	2	X X X	
3	R26448	O-RING	1	X X X	
4	A4365R	O-RING	1	X X X	
5	R27171	SCREW	1	X X X	
6	R63548	O-RING	1	X X X	(SUB FOR R56756)
7	AR51745	DRAIN PLUG	1	X X X	
8	R26906	O-RING	1	X X X	
9	AR38714	HOUSING	1	X X X	(MARKED R42663, R44802 OR R49071)
10	19H3520	CAP SCREW	4	X X X	1/2"X3-1/4"
11	R26287	O-RING	2	X X X	
12	R27216	DRAIN PLUG	1	X X X	3/8"
13	R56755	WASHER	1	X X X	
14	15H560	PIPE PLUG	1	X X X	1/16" (FOR R49071)
15	R27172	VALVE	1	X X X	
16	R27564	O-RING	2	X X X	
17	R70351	SLEEVE	1	X X X	
18	R27166	O-RING	2	X X X	
19	R27174	PACKING	2	X X X	
20	R27167	GUIDE	1	X X X	
21	R27173	FILTER ELEMENT	1	X X X	
22	R27159	SPRING	1	X X X	
23	R27170	SHIM	AR	X X X	
	24H1298	WASHER	AR	X X X	3/8"X5/8"X.030"
24	F3171R	O-RING	2	X X X	
25	AR26646	DRAIN PLUG	1	X X X	
26	14H1021	NUT	1	X X X	7/16"
27	AR52254	SET SCREW	1	X X X	
28	R28782	O-RING	1	X X X	
29	R28781	FITTING	1	X X X	
30	R42260	WASHER	1	X X X	
31	R31781	SPRING	1	X X X	
32	R71321	GUIDE	1	X X X	
33	R70559	CONTROL VALVE	1	X X X	(ORD RE10712, R41057, R27166)
34	R69262	SLEEVE	1	X X X	(ORD RE10712, R41057, R27166)
35	R41057	BACK-UP RING	1	X X X	
36	RE10712	CONTROL VALVE	1	X X X	
37	R56757	O-RING	1	X X X	
38	T57374	BACK-UP RING	1	X X X	(FOR R49071)
39	T40308	O-RING	1	X X X	(FOR R49071)
40	R26375	O-RING	1	X X X	(FOR R49071)
41	AR90378	PLUG	1	X X X	(FOR R49071)
42	R27218	FITTING PLUG	1	X X X	
43	AR33249	SCREW	1	X X X	
44	R49072	WASHER	1	X X X	

5B5

HYDRAULIC PUMPS, ROCKSHAFT

HYDRAULIC PUMP KIT (40CM³≈2,4 CU.IN.) MODEL NO. 34PP1
JEU DE JOINTS POMPE (40CM³) MODELE NO. 34PP1
HYDRAULIKPUMPENDICHTUNGSSATZ (40CM³) MODELL NO. 34PP1
SERIE GUARNIZIONI POMPA IDRAULICA (40CM³) MODELLO NO. 34PP1
JUEGO DE JUNTAS PARA BOMBA HIDR. (40CM³) MODELO NO. 34PP1
PACKNINGSSATS FOR HYDRAULPUMP (40CM³) MODELL 34PP1
L110622 -UN-01JAN94



L 110622

5B6

HYDRAULIC PUMPS, ROCKSHAFT

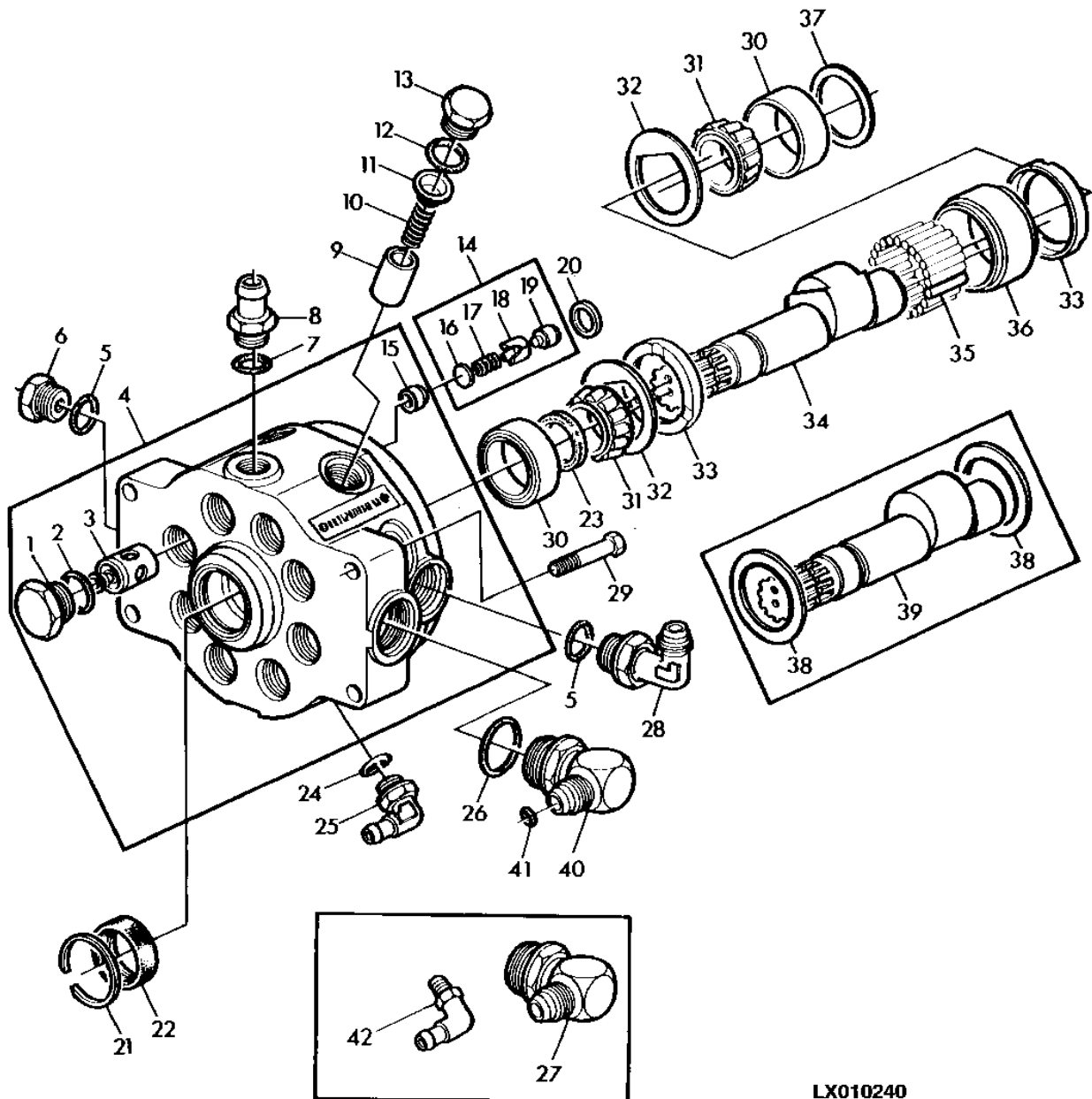
KEY	PART NO.	PART NAME	QTY	SERIAL NO.	REMARKS
1	RE29103	KIT	1	X X X	(SUB FOR AR67718)

2
1 2 0
6 0 4
4 4 0
0 0 S

5B7

HYDRAULIC PUMPS, ROCKSHAFT

HYDRAULIC PUMP (40CM3=2,4 CU.IN.) MODEL NO. EA1
POMPE HYDRAULIQUE (40CM3) MODELE NO. EA1
HYDRAULIKPUMPE (40CM3) MODELL NO. EA1
POMPE IDRAULICA (40CM3) MODELLO NO. EA1
BOMBA HIDRAULICA (40CM3) MODELO NO. EA1
HYDRAULPUMP (40CM3) MODELL NO. EA1
LX010240 -UN-16MAY95



LX010240

5B8

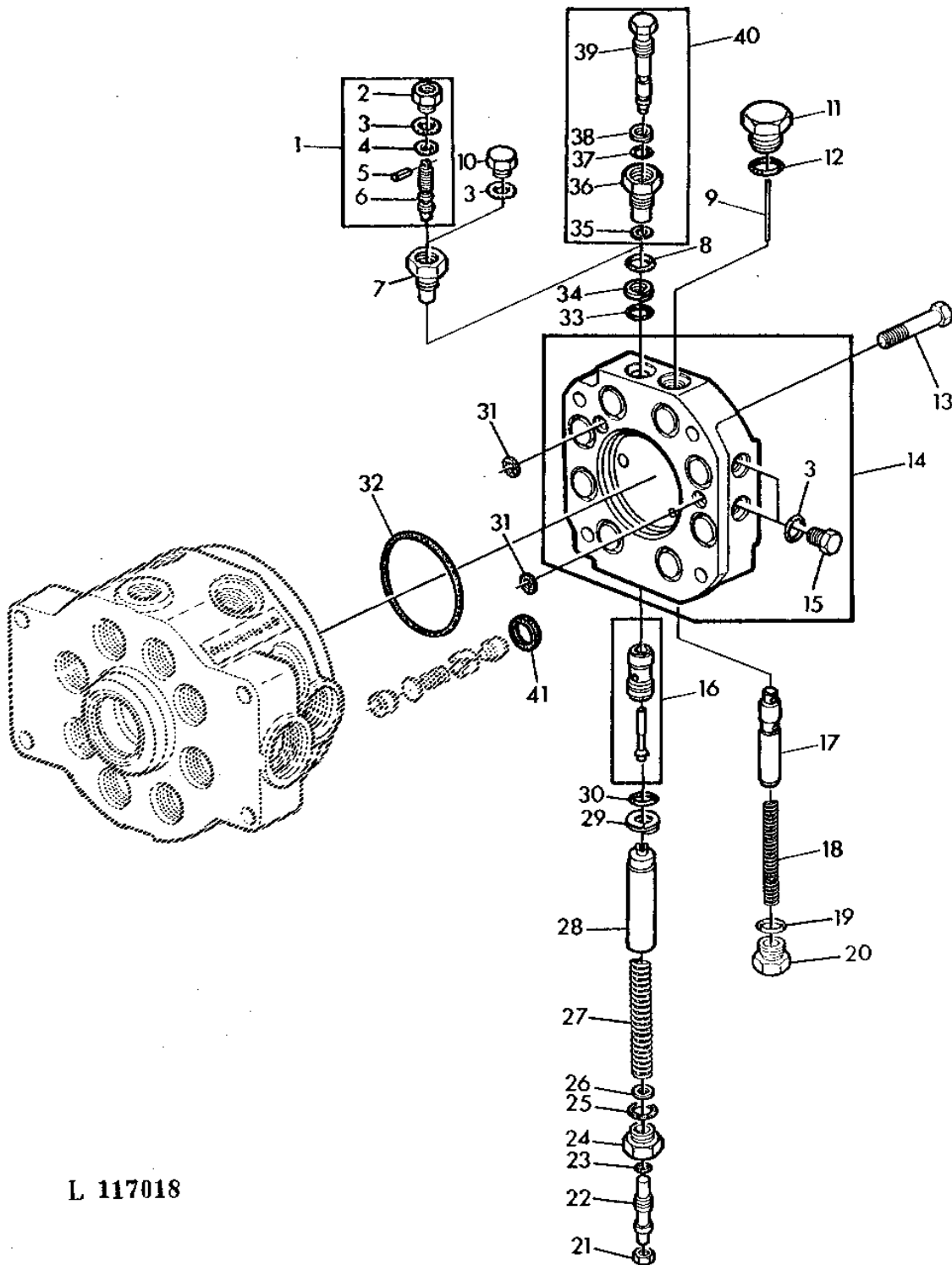
HYDRAULIC PUMPS, ROCKSHAFT

KEY	PART NO.	PART NAME	QTY	SERIAL NO.	REMARKS
					2
					1 2 0
					6 0 4
					4 4 0
					0 0 S
1	R78293	FITTING	8		X X X
2	R27149	O-RING	8		X X X
3	AR53301	VALVE	8		X X X
4	RE11804	HOUSING	1		X X X (MARKED R73741 OR R83507)
5	U12547	O-RING	2		X X X (SUB FOR F3171R APPL)
6	R27175	DRAIN PLUG	1		X X X 1-1/16"
7	R26906	O-RING	1		X X X
8	R39215	FITTING	1		X X X
9	R27150	PISTON	8		X X X
10	R62372	SPRING	8		X X X (SUB FOR AR76762)
11	AR101236	SHIELD	1		X X X KIT (8) (SUB FOR R56749)
12	R56463	O-RING	8		X X X
13	R45438	FITTING	8		X X X
14	RE23382	VALVE	8		X X X (SUB FOR AR96613)
15	R105583	SEAT	8		X X X (SUB FOR R39067)
16	R49297	DISK	1		X X X
17	R39228	SPRING	1		X X X
18	R48738	GUIDE	1		X X X
19	R83508	STOP	1		X X X (SUB FOR R72886)
20	R107239	PACKING	8		X X X (SUB FOR R69279)
21	R26137	SNAP RING	1		X X X
22	RE28790	SEAL	1		X X X (SUB FOR AR52224)
23	R77611	RING	1		X X X (SUB FOR R68252, RE11777)
24	R26287	O-RING	1		X X X
25	AL28468	ELBOW FITTING	1		X X X
26	U13639	O-RING	1		X X X
27	AL39129	ELBOW FITTING	1		X X X (SUB FOR AR39071) (ORD AL59809, L58310)
28	AL37265	ELBOW FITTING	1		X X X
29	19H1974	CAP SCREW	4		X X X 1/2"X2-3/4"
30	JD8223	BEARING CUP	2		X X X
31	JD8192	BEARING CONE	2		X X X
32	R79151	LOCK WASHER	2	014819-	X X X
33	R72507	THRUST WASHER	2		X X X
34	R79150	SHAFT	1	014819-	X X X
35	R116712	NEEDLE ROLLER	25		X X X (SUB FOR R77904, R45422)
36	R80558	BEARING RACE	1		X X X (SUB FOR R72506)
37	R27478	SHIM	AR		X X X TK= 0.15MM (.006")
	R27479	SHIM	AR		X X X TK= 0.25MM (.010")
38	R77903	WASHER	2	-014818	X X X (SUB FOR R45425)
39	R73228	SHAFT	1	-014818	X X X (ORD R79150, (2) R77903)
40	AL59809	ELBOW FITTING	1		X X X
41	L58310	O-RING	1		X X X
42	L63540	FITTING	1		X X X (ORD AL28468, R26287)

5B9

HYDRAULIC PUMPS, ROCKSHAFT

HYD. PUMP COVER AND VALVES (40CM³=2,4 CU.IN.) MODEL NO. EA1
COUVERCLE DE POMPE ET SOUPAPES (40CM³) MODELE NO. EA1
PUMPENDECKEL UND VENTILE (40CM³) MODELL NO. EA1
COPERCHIO POMPA E VALVOLE (40CM³) MODELLO NO. EA1
TAPA DE BOMBA Y VALVULAS (40CM³) MODELO NO. EA1
GAVEDOCH VENTILER FOR HYDRAULPUMP (40CM³) MODELL NO. EA1
L117018 -UN-01JAN94



L 117018

5B10

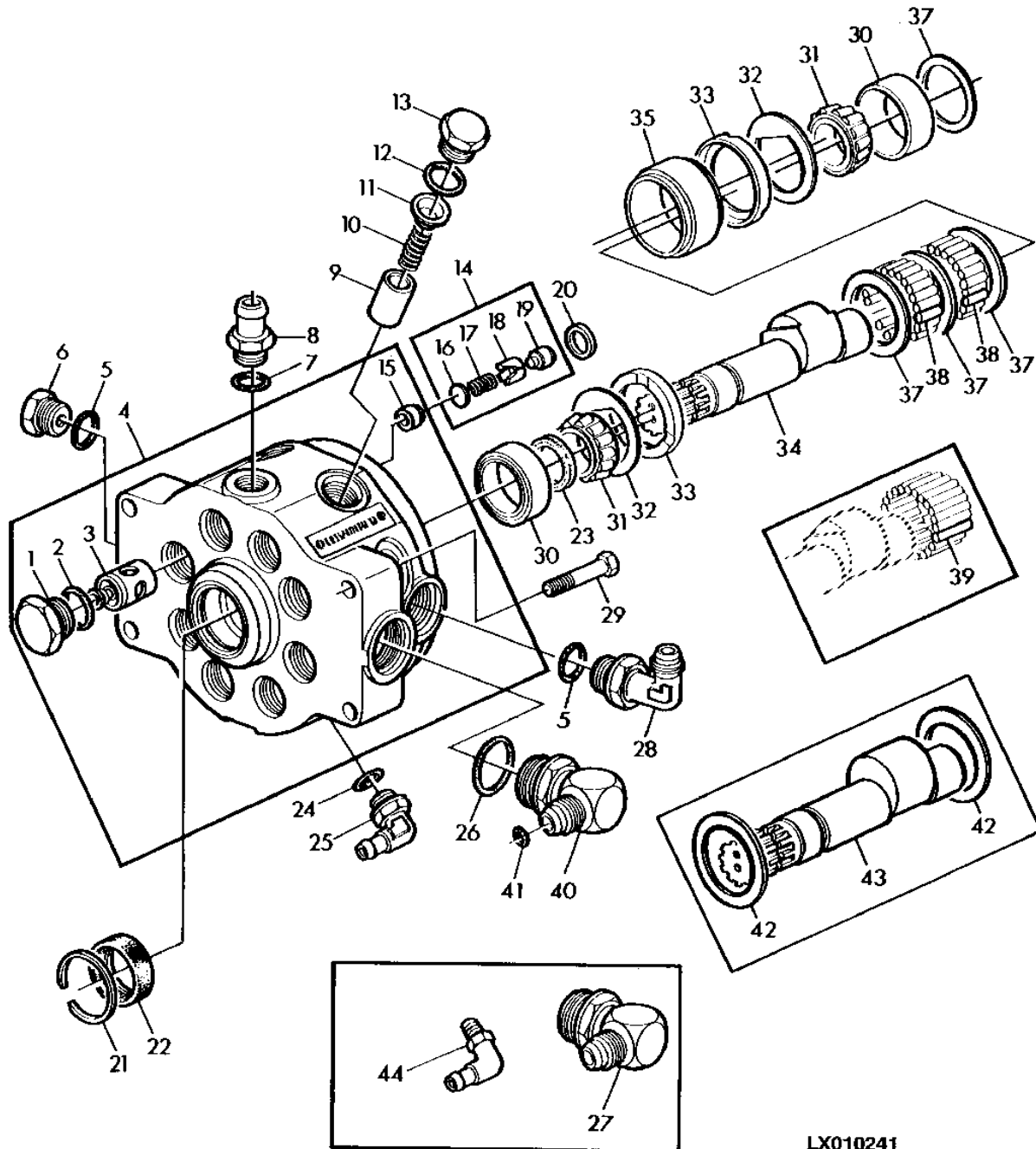
HYDRAULIC PUMPS, ROCKSHAFT

KEY	PART NO.	PART NAME	QTY	SERIAL NO.	REMARKS
					2
					1 2 0
					6 0 4
					4 4 0
					0 0 S
1	AR96625	SCREW	1		X X X
2	R27475	FITTING	1		X X X
3	R26448	O-RING	AR		X X X
4	A4365R	O-RING	1		X X X
5	34H254	SPRING PIN	1		X X X 1/8"X1-1/2"
6	R75879	SCREW	1		X X X
7	R70617	PIPE PLUG	1		X X X
8	R26906	O-RING	1		X X X
9	R75564	PIN	1		X X X
10	R27218	FITTING PLUG	1		X X X
11	R75642	DRAIN PLUG	1		X X X
12	R56751	O-RING	1		X X X
13	19H3520	CAP SCREW	4		X X X 1/2"X3-1/4"
14	RE12470	HOUSING	1		X X X (MARKED R77714)
15	R75376	DRAIN PLUG	2		X X X
16	RE10712	CONTROL VALVE	1		X X X
17	R70867	VALVE	1		X X X
18	R70868	SPRING	1		X X X
19	R26375	O-RING	1		X X X
20	R73736	PLUG	1		X X X
21	14H1021	NUT	1		X X X 7/16"
22	AR52254	SET SCREW	1		X X X
23	R28782	O-RING	1		X X X
24	R28781	FITTING	1		X X X
25	F3171R	O-RING	1		X X X
26	R42260	WASHER	1		X X X
27	R31781	SPRING	1		X X X
28	R71321	GUIDE	1		X X X
29	R41057	BACK-UP RING	1		X X X
30	R27166	O-RING	1		X X X
31	R56755	WASHER	2		X X X
32	R56757	O-RING	1		X X X
33	R27564	O-RING	1		X X X
34	R75938	WASHER	1		X X X
35	R79268	SNAP RING	1		X X X
36	R79267	PLUG	1		X X X
37	R34802	O-RING	1		X X X
38	R36358	BACK-UP RING	1		X X X
39	R79266	SCREW	1		X X X
40	RE13271	SCREW	1		X X X
41	R107239	PACKING	8		X X X (SUB FOR R69279)

5B11

HYDRAULIC PUMPS, ROCKSHAFT

HYDRAULIC PUMP (50CM³=3 CU.IN.)
POMPE HYDRAULIQUE (50 CM³)
HYDRAULIKPUMPE (50 CM³)
POMPE IDRAULICA (50 CM³)
BOMBA HIDRAULICA (50 CM³)
HYDRAULPUMP (50 CM³)
LX010241 -UN-17JUL95



LX010241

5B12

HYDRAULIC PUMPS, ROCKSHAFT

KEY	PART NO.	PART NAME	QTY	PUMP SERIAL NO.	2			REMARKS
					1	2	0	
					6	0	4	
					4	4	0	
					0	0	S	
1	R78293	FITTING	8		X	X	X	
2	R27149	O-RING	8		X	X	X	
3	AR53301	VALVE	8		X	X	X	
4	RE11804	HOUSING	1		X	X	X	(MARKED R73741 OR R83507)
5	U12547	O-RING	2		X	X	X	(SUB FOR F3171R APPL)
6	R27175	DRAIN PLUG	1		X	X	X	
7	R26906	O-RING	1		X	X	X	
8	R39215	FITTING	1		X	X	X	
9	R27150	PISTON	8		X	X	X	
10	R62372	SPRING	1		X	X	X	(SUB FOR AR76762)
11	AR101236	SHIELD	1		X	X	X	KIT (8) (SUB FOR R56749)
12	R56463	O-RING	8		X	X	X	
13	R45438	FITTING	8		X	X	X	
14	RE23382	VALVE	8		X	X	X	(SUB FOR AR96613)
15	R105583	SEAT	8		X	X	X	(SUB FOR R39067)
16	R49297	DISK	1		X	X	X	
17	R39228	SPRING	1		X	X	X	
18	R48738	GUIDE	1		X	X	X	
19	R83508	STOP	1		X	X	X	(SUB FOR R72886)
20	R107239	PACKING	8		X	X	X	(SUB FOR R69279)
21	R26137	SNAP RING	1		X	X	X	
22	RE28790	SEAL	1		X	X	X	(SUB FOR AR52224)
23	R77611	RING	1		X	X	X	(SUB FOR R68252, RE11777)
24	R26287	O-RING	1		X	X	X	
25	AL28468	ELBOW FITTING	1		X	X	X	
26	U13639	O-RING	1		X	X	X	
27	AL39129	ELBOW FITTING	1		X	X	X	(SUB FOR AR39071) (ORD AL59809, L58310)
28	AL37265	ELBOW FITTING	1		X	X	X	
29	19H1974	CAP SCREW	4		X	X	X	1/2"X2-3/4"
30	JD8223	BEARING CUP	2		X	X	X	
31	JD8192	BEARING CONE	2		X	X	X	
32	R79151	LOCK WASHER	2	001001-	X	X	X	(B)
	R79151	LOCK WASHER	2	004443-	X	X	X	(A)
33	R72507	THRUST WASHER	2		X	X	X	
34	R79152	SHAFT	1	001001-	X	X	X	(B)
	R79152	SHAFT	1	004443-	X	X	X	(A)
35	R80558	BEARING RACE	1		X	X	X	(SUB FOR R72506)
36	R27478	SHIM	AR		X	X	X	TK= 0.15MM (.006")
	R27479	SHIM	AR		X	X	X	TK= 0.25MM (.010")
37	R85557	WASHER	3		X	X	X	
38	R85558	NEEDLE ROLLER	50		X	X	X	
39	R116712	NEEDLE ROLLER	25		X	X	X	(SUB FOR R77904, R45422) (ORD (3) R85557, (50) R85558)
40	AL59809	ELBOW FITTING	1		X	X	X	
41	L58310	O-RING	1		X	X	X	
42	R77903	WASHER	2	-004442	X	X	X	(A) (SUB FOR R45425)
43	R71598	SHAFT	1	-004442	X	X	X	(A) (ORD R79152, (2) R77903)
44	L63540	FITTING	1		X	X	X	(ORD AL28468, R26287)

(A) WITH HYDR. PUMP AR101807
 AVEC POMPE HYDRAULIQUE AR101807
 BEI HYDR.PUMPE AR101807
 CON POMPA IDR. AR101807
 CON BOMBA HIDRAULICA AR101807
 VID HYDRAULPUMP AR101807

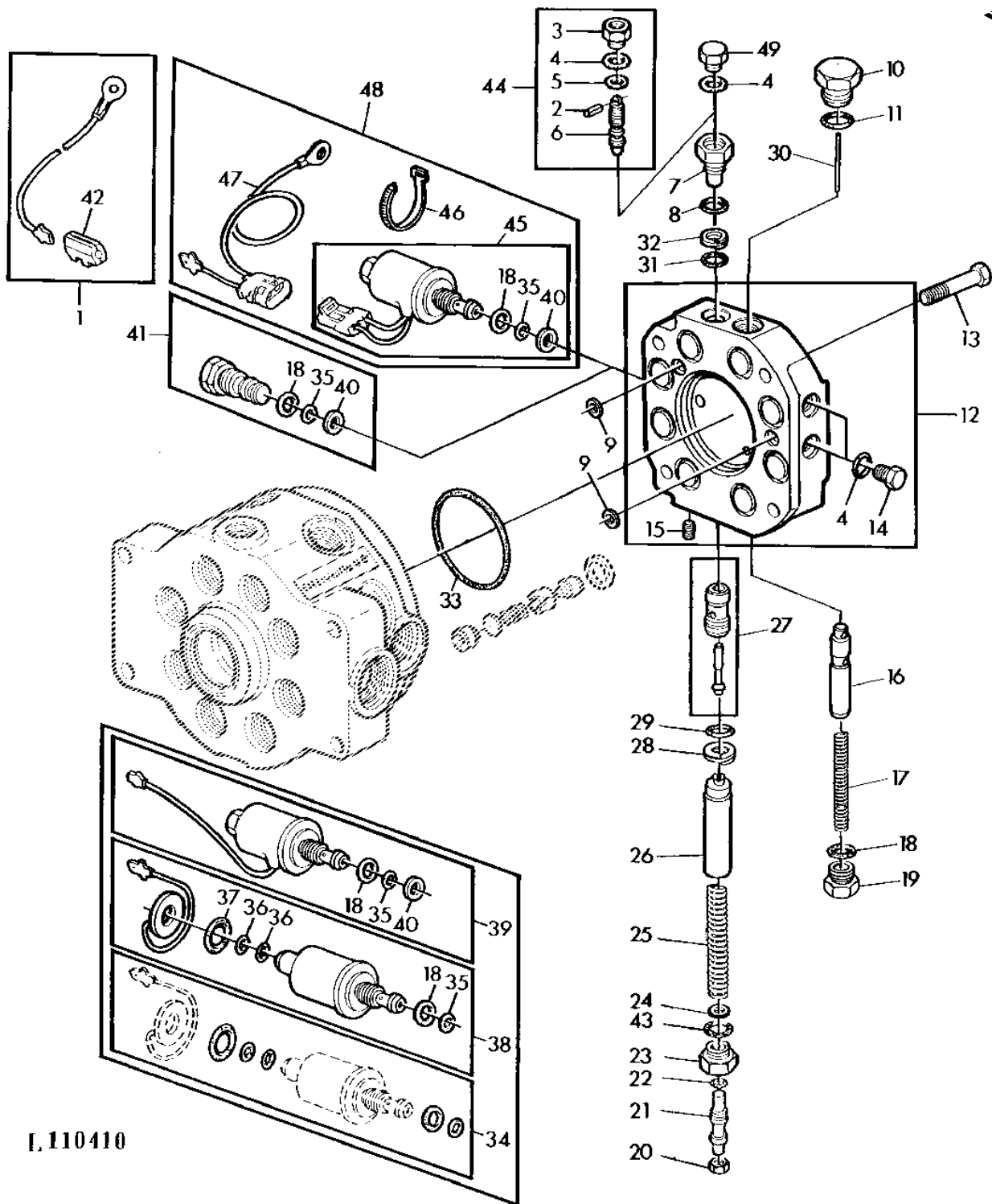
(B) WITH HYDR. PUMP RE13377
 AVEC POMPE HYDRAULIQUE RE13377
 BEI HYDR.PUMPE RE13377
 CON POMPA IDR. RE13377
 CON BOMBA HIDRAULICA RE13377
 VID HYDRAULPUMP RE13377

5B13

HYDRAULIC PUMPS, ROCKSHAFT

PUMP COVER AND VALVES (50CM3=3 CU.IN.)
 COUVERCLE DE POMPE ET SOUPAPES (50 CM3)
 PUMPENDECKEL UND VENTILE (50 CM3)
 COPERCHIO POMPA E VALVOLE (50 CM3)
 TAPA DE LA BOMBA Y VALVULAS (50 CM3)
 PUMPKAPA OCH VENTILER (50 CM3)

L110410 -UN-17JUL95



L110410

5B14

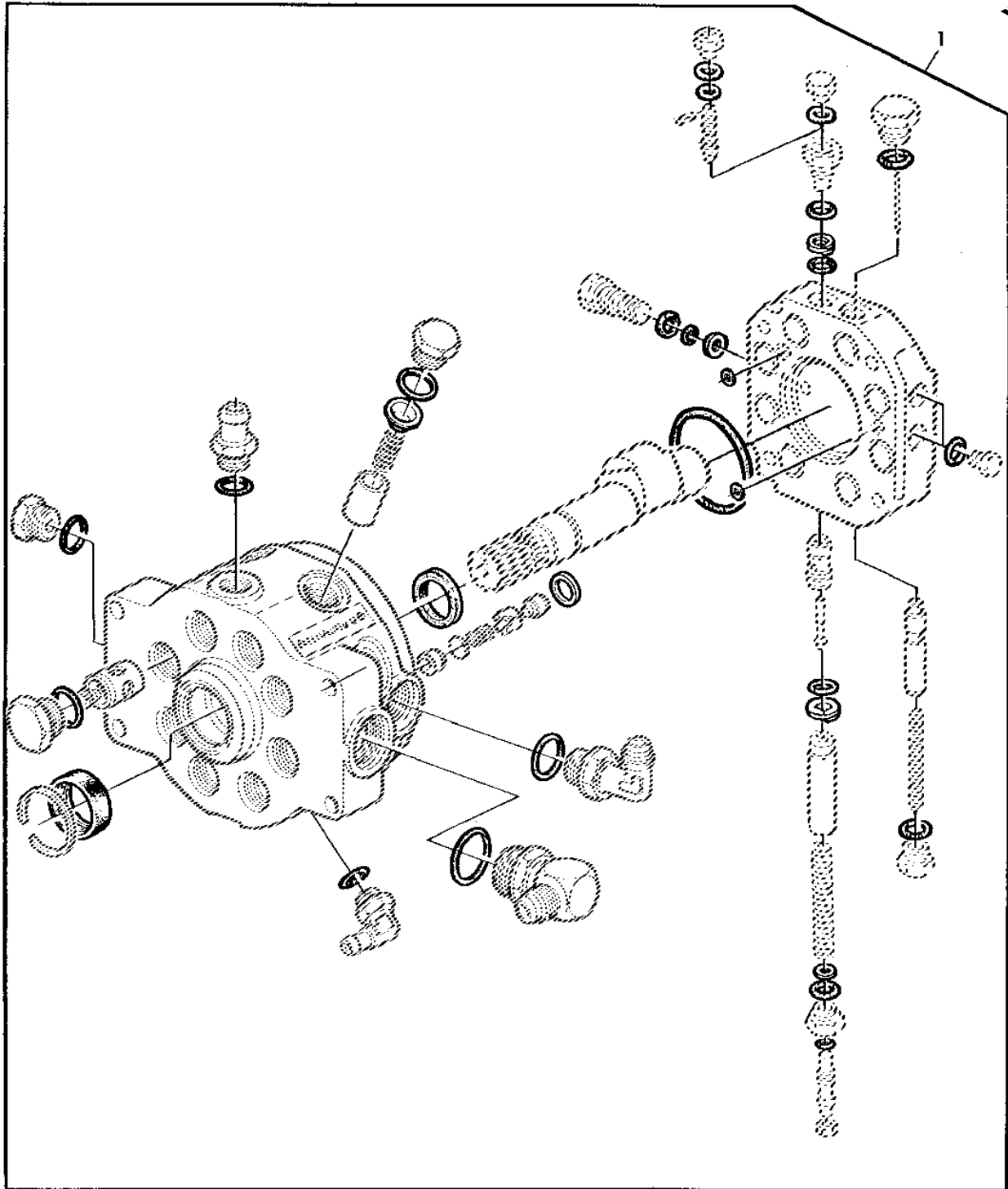
HYDRAULIC PUMPS, ROCKSHAFT

KEY	PART NO.	PART NAME	QTY	SERIAL NO.	REMARKS
					2
					1 2 0
					6 0 4
					4 4 0
					0 0 S
1	AL25232	WIRING LEAD	1	X X X	
2	34H254	SPRING PIN	1	X X X	1/8"X1-1/2"
3	R27475	FITTING	1	X X X	
4	R26448	O-RING	3	X X X	
5	A4365R	O-RING	1	X X X	
6	R75879	SCREW	1	X X X	
7	R70617	PIPE PLUG	1	X X X	
8	R26906	O-RING	1	X X X	
9	R56755	WASHER	2	X X X	
10	R75642	DRAIN PLUG	1	X X X	
11	R56751	O-RING	1	X X X	
12	AR101632	HOUSING	1	X X X	(MARKED R77712)
13	19H3520	CAP SCREW	4	X X X	1/2"X3-1/4"
14	R75376	DRAIN PLUG	2	X X X	
15	15H560	PIPE PLUG	1	X X X	1/16"
16	R70867	VALVE	1	X X X	
17	R70868	SPRING	1	X X X	
18	R26375	O-RING	2	X X X	
19	R73736	PLUG	1	X X X	
20	14H1021	NUT	1	X X X	3/8"
21	AR52254	SET SCREW	1	X X X	
22	R28782	O-RING	1	X X X	
23	R28781	FITTING	1	X X X	
24	R42260	WASHER	1	X X X	
25	R31781	SPRING	1	X X X	
26	R71321	GUIDE	1	X X X	
27	RE10712	CONTROL VALVE	1	X X X	
28	R41057	BACK-UP RING	1	X X X	
29	R27166	O-RING	1	X X X	
30	R75564	PIN	1	X X X	
31	R27564	O-RING	1	X X X	
32	R75938	WASHER	1	X X X	
33	R56757	O-RING	1	X X X	
34	AT53556	SEAL KIT	1	X X X	PARKER-HANNIFIN
35	T40308	O-RING	1	X X X	
36	T55758	O-RING	2	X X X	
37	U11326	O-RING	1	X X X	
38	AT37169	SOLENOID VALVE	1	X X X	PARKER-HANNIFIN (ORD AL38774)
39	AT37169	SOLENOID VALVE	1	X X X	WATERMAN-HYDRAULICS (ORD AL38774)
40	T57374	BACK-UP RING	1	X X X	
41	AR90378	PLUG	1	X X X	
42	L31124	INSULATING CAPSULE	1	X X X	
43	F3171R	O-RING	1	X X X	
44	AR96625	SCREW	1	X X X	
45	RE21725	SOLENOID VALVE	1	X X X	(SUB FOR RE12169 APPL)
46	R44302	TIE BAND	1	X X X	
47	AT74707	WIRING LEAD	4	X X X	
48	AL38774	KIT	1	X X X	
49	R27218	FITTING PLUG	1	X X X	

5B15

HYDRAULIC PUMPS, ROCKSHAFT

HYDRAULIC PUMP KIT (40CM³=2,4 CU.IN.) MODEL NO. EA1, (50CM³=3 CU.IN.)
JEU DE JOINTS POMPE (40CM³) MODELE NO. EA1, (50CM³)
HYDRAULIKPUMPENDICHTUNGSSATZ (40CM³) MODELL NO. EA1, (50CM³)
SERIE GUARNIZIONI POMPA IDR. (40CM³) MODELLO NO. EA1, (50CM³)
JUEGO DE JUNTAS PARA BOMBA HIDR. (40CM³) MODELO NO. EA1, (50CM³)
PACKNINGSSATS FOR HYDRAULPUMP (40CM³) MODELL NO. EA1, (50CM³)
L110631 -UN-17JUL95



L 110631

5B16

HYDRAULIC PUMPS, ROCKSHAFT

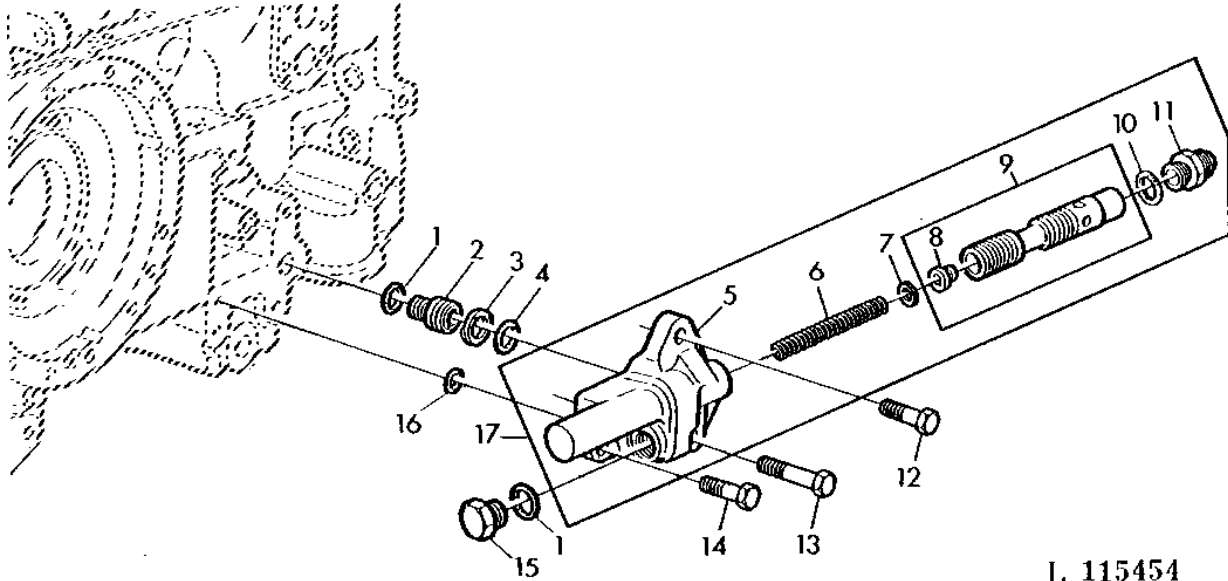
KEY	PART NO.	PART NAME	QTY	SERIAL NO.	REMARKS
1	RE29107	KIT	1	1 2 0 6 0 4 4 4 0 0 0 S	X X X (SUB FOR AR96321)

MEMORANDA
MEMORANDA
MEMORANDA
MEMORANDA
MEMORANDA

5B17

HYDRAULIC PUMPS, ROCKSHAFT

FLOW CONTROL VALVE
 SOUPEE REGULATRICE DE DEBIT
 MENGENREGULIERVENTIL
 VALVOLA PRIORITA
 VALVULA DOSIFICADORA
 FLODESKONTROLLVENTIL
 L115454 -UN-01JAN94



L 115454

KEY	PART NO.	PART NAME	QTY	SERIAL NO.	REMARKS
				2	
				1 2 0	
				6 0 4	
				4 4 0	
				0 0 S	
1	R26375	O-RING	2	X X X	
2	R66084	FITTING	1	X X X	3/4"
3	L55202	BACK-UP RING	1	X X X	(SUB FOR R66085)
4	T13119	O-RING	1	X X X	
5	R66083	HOUSING	1	X X X	
6	R40072	SPRING	1	X X X	
7	R33521	SHIM	7	X X X	TK= 0.75MM (.030")
8	R40562	APERTURE	1	X X X	
9	AR65881	VALVE	1	X X X	
10	R26906	O-RING	1	X X X	
11	R27270	FITTING	1	X X X	
12	19H1800	CAP SCREW	1	X X X	3/8"X1-1/2"
13	19H2128	CAP SCREW	1	X X X	3/8"X3"
14	19H2552	CAP SCREW	1	X X X	3/8"X1-1/8"
15	R39112	FITTING	1	X X X	(A)
16	R28776	O-RING	1	X X X	
17	AL31925	RELIEF VALVE	1	X X X	

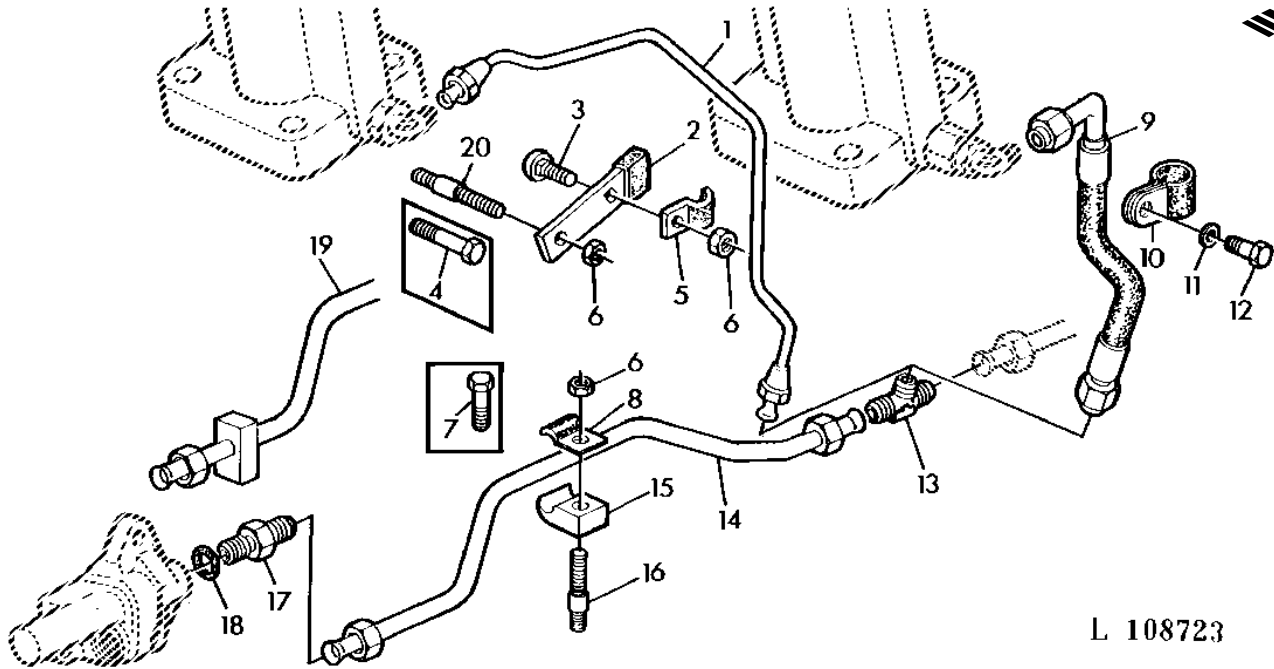
(A) WITHOUT SELECTIVE CONTROL VALVE
 SANS DISTRIBUTEUR AUXILIAIRE
 OHNE ZUSATZSTEUERGERAET
 SENZA DISTRIBUTORE AUSILIARIO
 SIN VALVULA DE MANDO AUXILIAR
 UTAN MANOVERVENTIL FOR FJARRCYLINDER

5B18

HYDRAULIC PUMPS, ROCKSHAFT

HYDRAULIC LINES WITH POWER STEERING
 CONDUITES HYDRAULIQUES AVEC DIRECTION HYDRAULIQUE
 HYDRAULIKLEITUNGEN BEI HYDRAULISCHER LENKUNG
 TUBAZIONI OLIO PER LO STERZO IDRAULICO
 TUBERIAS PARA LA DIRECCION HIDRAULICA
 OLJELEDNINGAR VID HYDRAULSTYRNING

L108723 -UN-17JUL95



L 108723

KEY	PART NO.	PART NAME	QTY	SERIAL NO.	REMARKS
				2	
				1 2 0	
				6 0 4	
				4 4 0	
				0 0 S	
1	AL28956	OIL LINE	1		X X X (SUB FOR AL35071)
2	R65246	BRACKET	1		X X X
3	03H2275	BOLT	1		X X X 3/8"X5/8"
4	19H2552	CAP SCREW	1		X X X 3/8"X1-1/8"
5	R27590	CLAMP	1		X X X
6	14H1076	NUT	1		X X X 3/8"
7	19H1732	CAP SCREW	1		X X X 3/8"X1-1/4"
8	L37521	CLAMP	1		X X X
9	AL31435	HOSE	1		X X X (B)
10	T28949	CLAMP	1		X X X (B)
11	24H1305	WASHER	1		X X X (B) 13/32"X13/16"X.060
12	19H1936	CAP SCREW	1		X X X (B) 3/8"X3/4"
13	L38239	TEE FITTING	1		X X X
14	AL35251	OIL LINE	1		X X X
15	L37547	CLAMP	1		X X X
16	T32508	STUD	1		X X X (SUB FOR L39334 APPL)
17	R27270	FITTING	1		X X X
18	R26906	O-RING	1		X X X
19	AL35075	OIL LINE	1		X X X (A)
20	L39334	STUD	1		X X X

(A) WITH HYDR. TRAILER BRAKES
 AVEC FREIN DE REMORQ. HYDR.
 BEI HYDRAUL. ANHAENGERBR.
 CON FRENO IDR. RIMORCHIO
 CON FRENO HIDR. PARA REMOLQ.
 VID HYDR. VAGNSBROMS

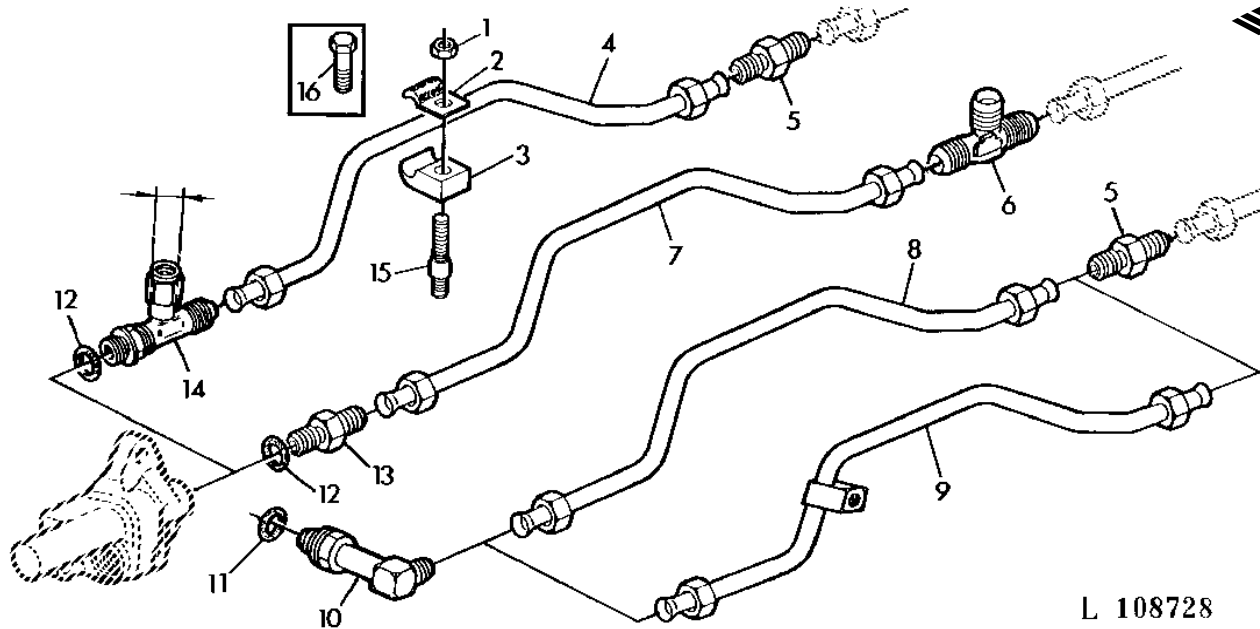
(B) WITH CHECK VALVE
 AVEC CLAPET ANTIRETOOR
 BEI RUECKSCHLAGVENTIL
 CON VALVOLA DI RITEGNO
 CON VALVULA DE RETENCION
 MED SAKERHETSVENTIL

5B19

HYDRAULIC PUMPS, ROCKSHAFT

HYDRAULIC LINES WITH MANUAL AND HYDROSTATIC STEERING
 CONDUITES HYDRAULIQUES AVEC DIRECTIONS MECAN. ET HYDROSTAT.
 HYDRAULIKOELLEITUNGEN BEI MECH. U. HYDROSTATISCHER LENKUNG
 LINEE OLIO PER STERZO MECCANICO ED IDROSTATICO
 TUBERIAS PARA DIRECCION MECANICA E HIDROSTATICA
 OLJELEDNINGAR FOR MANUELL OCH HYDROSTATISK STYRNING

L108728 -UN-17JUL95



L 108728

KEY	PART NO.	PART NAME	QTY	SERIAL NO.	REMARKS
					2
					1 2 0
					6 0 4
					4 4 0
					0 0 S
1	14H1076	NUT	1		X X X 3/8"
2	L37521	CLAMP	1		X X X
3	L37547	CLAMP	1		X X X
4	AL34788	OIL LINE	1		X X X (C)
5	R35717	FITTING	1		X X X
6	L38238	TEE FITTING	1		X X X (A) (C)
7	AL35251	OIL LINE	1		X X X (A) (C)
8	AL35088	OIL LINE	1		X X X
9	AL35087	OIL LINE	1		X X X (B)
10	AL30019	ELBOW FITTING	1		X X X
11	R26375	O-RING	1		X X X
12	R26906	O-RING	1		X X X
13	R27270	FITTING	1		X X X (A) (C)
14	AL33569	FITTING	1	-485395	X X X (C) 9/16" (ORD AL37360, AL37133, L37858)
	AL37360	TEE FITTING	1	485396-	X X X (C) M18
15	T32508	STUD	1		X X X (SUB FOR L39334 APPL)
16	19H1732	CAP SCREW	1		X X X 3/8"X1-1/4"

(A) WITH SG2 CAB
 AVEC CABINE SG2
 BEI SG2 KABINE
 CON CABINA SG2
 CON CABINA SG2
 MED SG2 HYTT

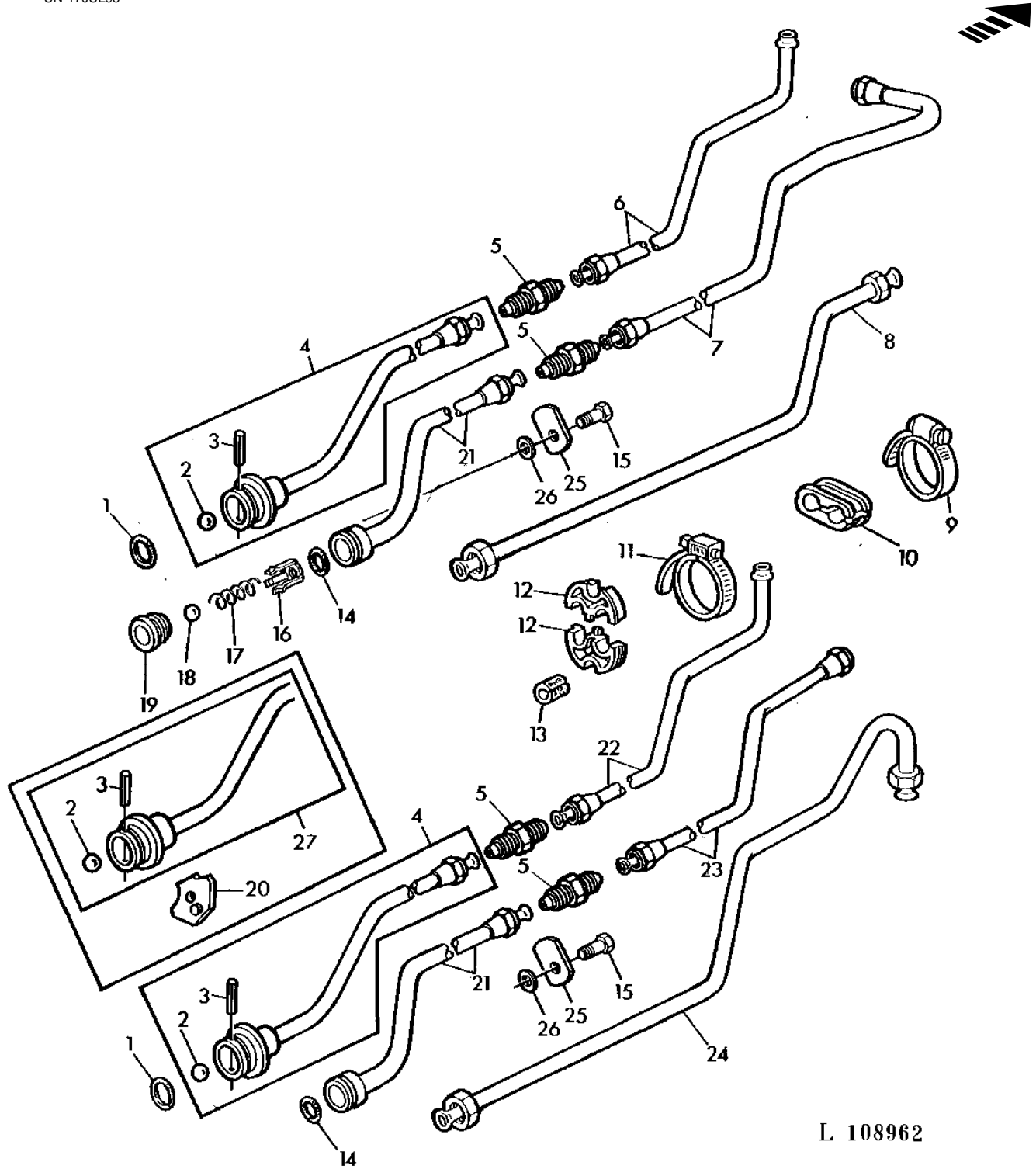
(B) WITH HYDR.TRAILER BRAKES
 AVEC FREIN DE REMORO.HYDR.
 BEI HYDRAUL.ANHAENGERBR.
 CON FRENO IDR.RIMORCHIO
 CON FRENO HIDR.PARA REMOLQ.
 VID HYDR.VAGNSBROMS

(C) WITH HYDROSTATIC STEERING
 AVEC DIRECTION HYDROSTAT.
 BEI HYDROSTATISCHER LENKUNG
 CON STERZO IDROSTATICO
 CON DIRECCION HIDROSTATICA
 VID HYDROSTATISK STYRNING

5B20

HYDRAULIC PUMPS, ROCKSHAFT

HYDRAULIC OIL LINES
TUYAUTERIES HYDRAULIQUES
HYDRAULIKOELLEITUNGEN
LINEE IDRAULICHE
TUBERIAS DE ACEITE HYDRAULICO
HYDRAULLEDNINGAR
L108962 -UN-17JUL95



L 108962

5B21

HYDRAULIC PUMPS, ROCKSHAFT

KEY	PART NO.	PART NAME	QTY	SERIAL NO.	REMARKS
					2 1 2 0 6 0 4 4 4 0 0 0 S
1	L34995	O-RING	1		X X X
2	L38752	BALL	1		X X X 20MM
3	34M7062	SPRING PIN	1		X X X 5X32MM
4	AL39842	OIL LINE	1	529230-	X X X REAR
5	R27266	FITTING	2		X X X
6	AL34888	OIL LINE	1		X X X FRONT
7	AL34887	OIL LINE	1		X X X FRONT
8	AL34785	OIL LINE	1		X X X FRONT
9	AL35049	CLAMP	1		X X X (SUB FOR AR44217, AL55854)
10	L37569	CLAMP	1		X X X
11	AR21999	CLAMP	2		X X X
12	L32580	RETAINER	4		X X X
13	L32581	HOSE	2		X X X
14	R495R	O-RING	1		X X X
15	19H2552	CAP SCREW	1		X X X 3/8"X1-1/8"
16	R39076	GUIDE	1		X X (B)
17	R39078	SPRING	1		X X (B)
18	D2361R	BALL	1		X X (B) 1/2"
19	T23203	VALVE SEAT	1		X X (B)
20	AL28864	RETAINER	1	-529229	X X X
21	AL34786	OIL LINE	1		X X X REAR
22	AL34888	OIL LINE	1		X X X (A) FRONT (SUB FOR AL35086)
23	AL35073	OIL LINE	1		X X X (A) FRONT
24	AL35074	OIL LINE	1		X X X (A) FRONT
25	L40696	STRAP	1	529230-	X X X
26	24H1682	WASHER	1	529230-	X X X 13/32"X7/8"X.120"
27	AL35944	OIL LINE	1	-529229	X X X REAR (ORD AL39842, L40696, 24H1682)

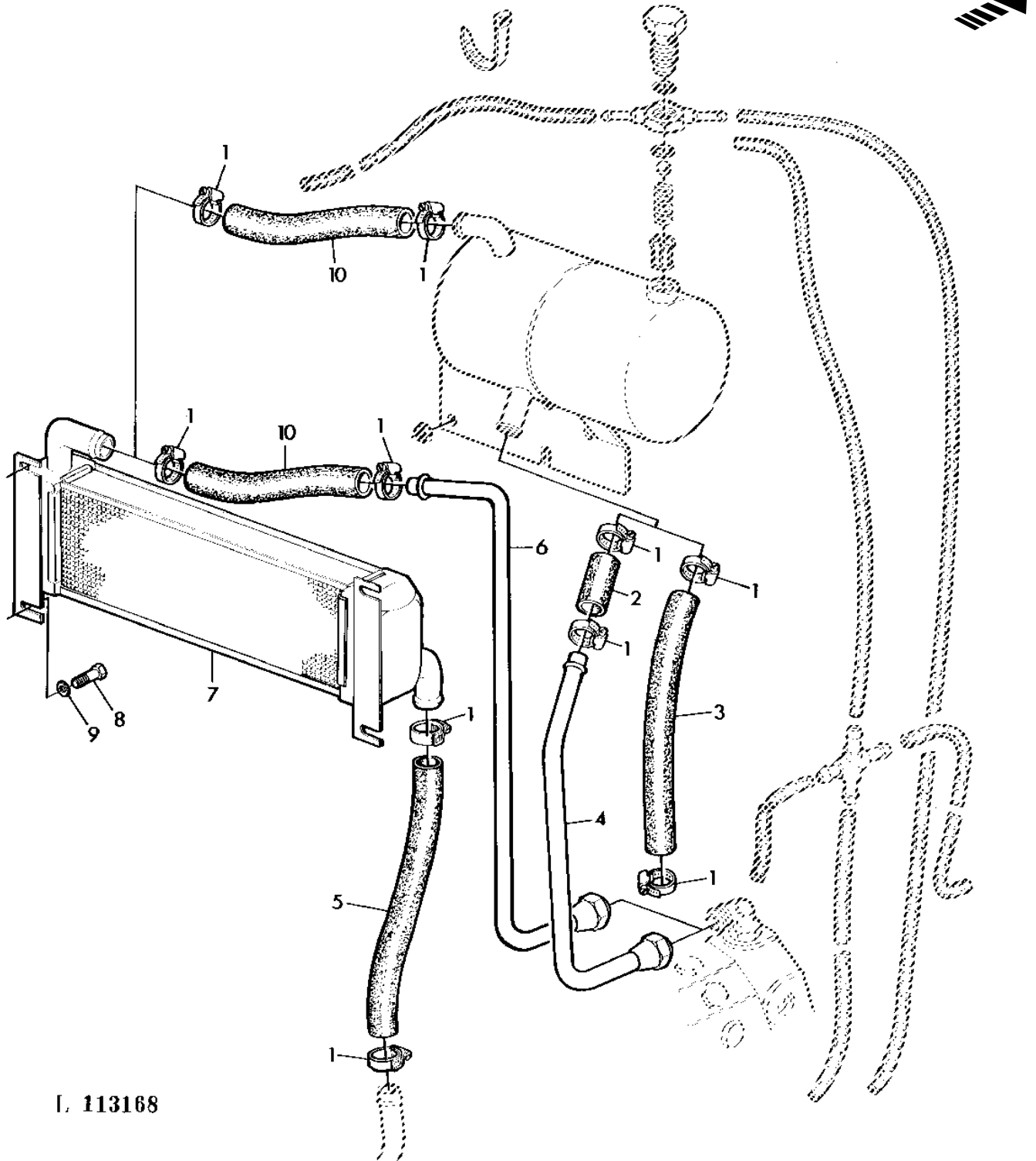
(A) WITH 40CM3 HYDR. PUMP
 AVEC POMPE HYDRAULIQUE 40CM3
 BEI HYDRAULIKPUMPE 40CM3
 CON POMPA IDR. 40CM3
 CON BOMBA HIDRAULICA 40CM3
 VID 40CM3 HYDR.

(B) W/COLLAR-SHIFT TRANSM.AND CONTIN.RUNN.PTO
 AVEC BOITE A MANCH.BALADEURS ET PDF MOTEUR
 BEI MUFFENSCHALTGETRIEBE MIT MOTORZAPFWELLE
 CON TRASM.COLLARE SCORREV.E PTO FUNZ.CONTIN.
 CON TRANSM.POR COLLARINES Y TDF CONTINUA
 VID COLLAR-SHIFT VAXELL.OCH KOPPL.KRAFTUTT.

5B22

HYDRAULIC PUMPS, ROCKSHAFT

HYDRAULIC OIL LINES/OIL COOLER
CONDUITES HYDRAULIQUES/REFROIDISSEUR D'HUILE
HYDRAULIKOELLEITUNGEN/OELKUEHLER
LINEE IDRAULICHE/RADIATORE OLIO
TUBERIAS DE ACEITE/REFRIGERADOR DE ACEITE
HYDRAULLEDNINGAR/OLJEKYLARE
L113168 -UN-17JUL95



L 113168

5B23

HYDRAULIC PUMPS, ROCKSHAFT

KEY	PART NO.	PART NAME	QTY	SERIAL NO.	REMARKS
					2
					1 2 0
					6 0 4
					4 4 0
					0 0 S
1	AL64588	CLAMP	6		X X X (SUB FOR AL31992, AL55853, AL37451)
2	HOSE	1		X X X (MF UN4672)
3	HOSE	1		X X X (A) (ORD L37286)
4	AL31800	OIL TUBE	1		X X X
	AL35044	OIL LINE	1		X X X (C)
5	HOSE	1		X X X (MF UN4672)
6	AL34092	OIL LINE	1		X X X (B)
7	AL38448	OIL COOLER	1		X X X (SUB FOR AL31239)
8	19M7297	CAP SCREW	4		X X X M8X12
9	24M7036	WASHER	4		X X X 9X17X1.6MM
10	HOSE	1		X X X (MF UN4672)
..	UN4672	HOSE	1		X X X LGTH= 2000MM

(A) WITH HYDR.PUMP 40CM3
 AVEC POMPE HYDRAULIQUE 40CM3
 BEI HYDRAULIKPUMPE 40CM3
 CON POMPA IDRAULICA 40CM3
 CON BOMBA HIDR.DE 40CM3
 VID HYDRAULPUMP 40CM3

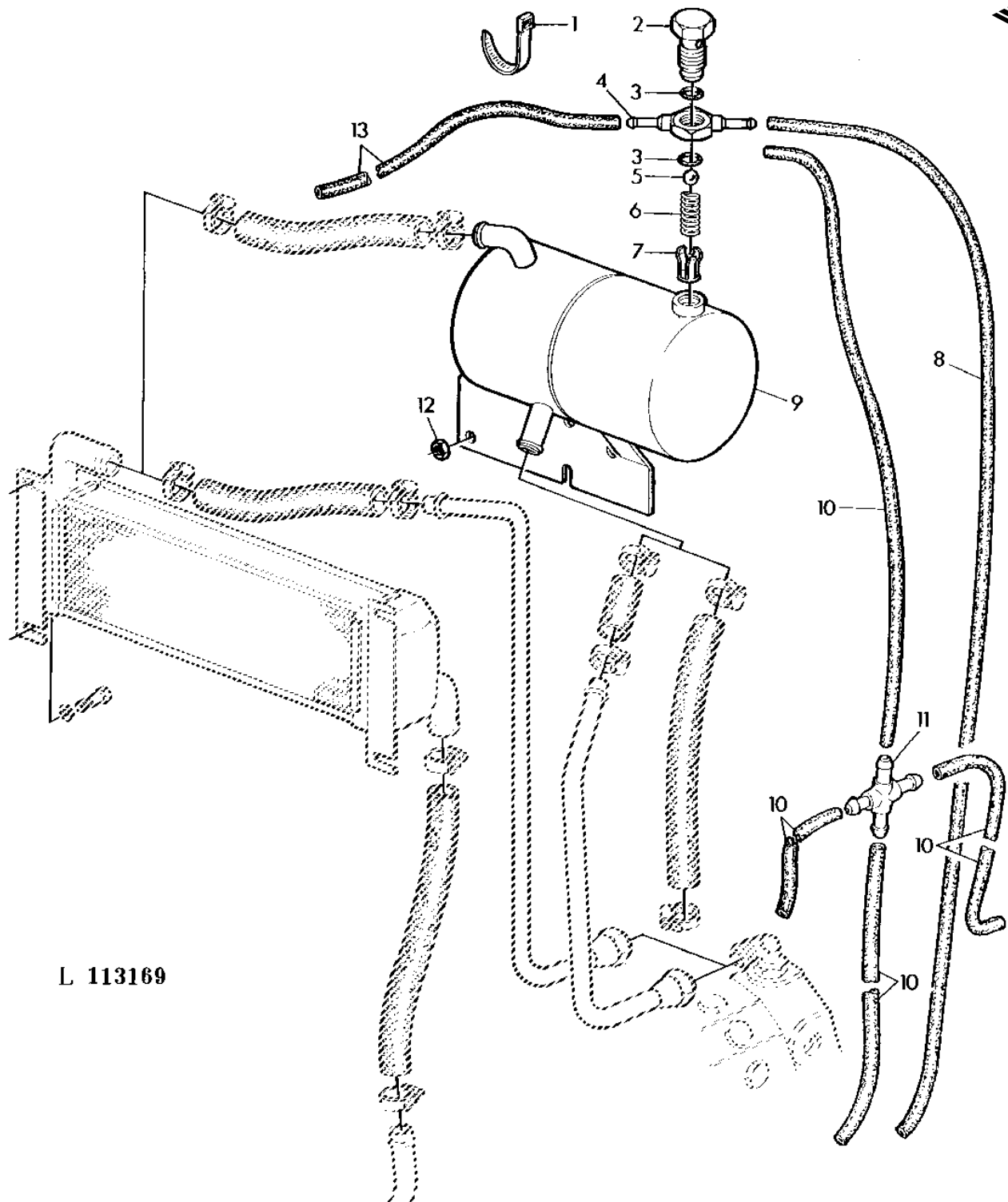
(B) W/O HYDRAULIC OIL RESERVOIR
 SANS RESERVOIR A HUILE HYDR.
 OHNE HYDRAULIKOELBEHAELTER
 SENZA SERBAT.OLIO IDRAULICO
 SIN DEPOS.DE ACEITE HIDRAUL.
 UTAN HYDRAULOLJEBEH.

(C) WITH METAL TANK
 AVEC RESERV.A COMBUST.METALL
 BEI BLECHKRAFTSTOFFTANK
 CON SERBAT.GASOLIO LAMIERA
 CON DEPOSITO COMBUST.METALIC
 VID BLECKBRANSLETANK

5B24

HYDRAULIC PUMPS, ROCKSHAFT

HYDRAULIC OIL RESERVOIR WITH OIL LEAK-OFF HOSES
RESERVOIR D'HUILE HYDRAUL/FLEXIBLES D'HUILE DE FUITE
HYDRAULIKOELBEHAELTER/LECKOELSCHLAEUCHE
SERBATOIO IDRAULICO CON TUBAZIONI DI TRAFILAMENTO
DEPOSITO DE ACEITE HIDRAULICO/CONDUCTOS DE ACEITE DE FUGA
HYDRAULTANK MED LAECKOLJESLANG
L113169 -UN-17JUL95



L 113169

5B25

HYDRAULIC PUMPS, ROCKSHAFT

KEY	PART NO.	PART NAME	QTY	SERIAL NO.	REMARKS
					2
					1 2 0
					6 0 4
					4 4 0
					0 0 S
1	R44302	TIE BAND	1		X X X
2	T22970	PLUG	1		X X X
	AL57615	PIPE PLUG	1		X X X (B)
3	32240	O-RING	2		X X X (SUB FOR U11343 APPL)
4	L60163	HOSE FITTING	1		X X X (SUB FOR AL33288)
5	L58594	BALL	1		X X X (SUB FOR D2361R APPL)
6	R39078	SPRING	1		X X X
7	R39076	GUIDE	1		X X X
8	L36121	HOSE	1		X X X LGTH= 1065MM (MF UN4632)
	L36158	HOSE	1		X X X (B) LGTH= 1980MM (MF UN4632)
9	AL30291	HYDRAULIC RESERVOIR	1		X X X
10	L42098	HYDRAULIC HOSE	4		X (A) LGTH= 600MM (MF UN4632)
11	L42099	HOSE FITTING	1		X (A)
12	14M7273	NUT	2		X X X M8
13	L36136	HOSE	1		X X X LGTH= 1730MM (MF UN4632)
..	UN4632	HOSE	1		X X X LGTH= 10000MM

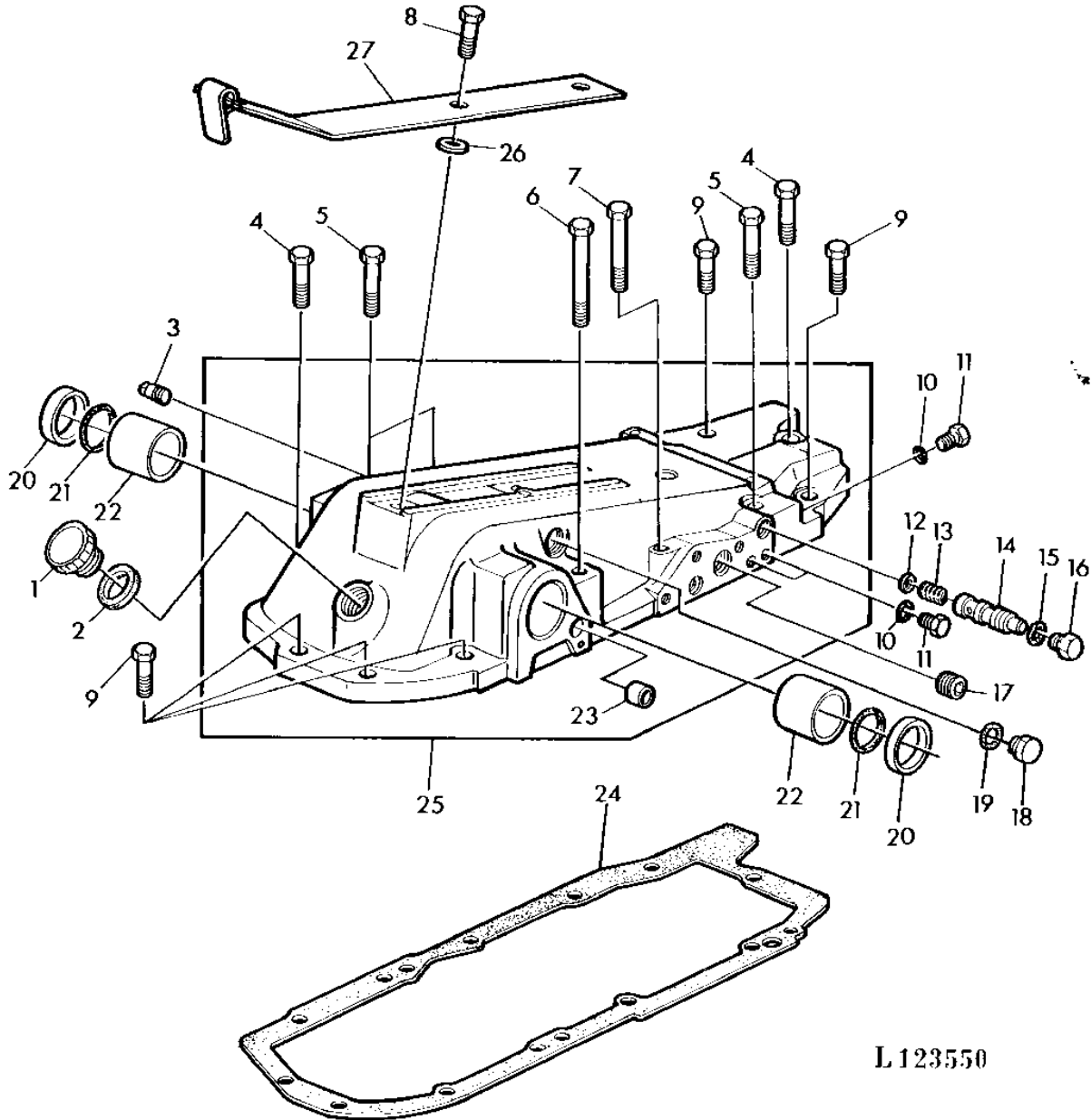
(A) WITH FRONT PTO
 AVEC PDF AVANT
 BEI FRONT-ZAPFWELLE
 CON PTO FRONTALE
 CON TDF FRONTAL
 VID FRAMRE KRAFTUTTAG

(B) WITH LEAK-OFF OIL BORE
 AVEC ALESAGE D'HUILE DE FUITE
 MIT LECKOELBOHRUNG
 CON ALESAGGIO OLIO TRAFILAMENTO
 CON ORIFICIO DE ACEITE DE FUGA
 VID LACKOLJEBORRING

5C1

HYDRAULIC PUMPS, ROCKSHAFT

ROCKSHAFT HOUSING
CARTER DU RELEVAGE
HYDRAULIKGEHAEUSE
CARTER SOLLEVATORE
CARCASA DEL ELEVADOR HIDRAULICO
JORDBRUKSLYFTENS HUS
L123550 -UN-26MAY95



L123550

5C2

HYDRAULIC PUMPS, ROCKSHAFT

KEY	PART NO.	PART NAME	QTY	SERIAL NO.	REMARKS
					2
					1 2 0
					6 0 4
					4 4 0
					0 0 S
1	AL38083	FILLER CAP	1	X X X	(SUB FOR AL32620)
2	T21564	WASHER	1	X X X	
3	15H638	PIPE PLUG	1	X X X	1/8"
4	19H1831	CAP SCREW	2	X X X	1/2"X2"
5	19H1974	CAP SCREW	3	X X X	1/2"X2-3/4"
6	19H1992	CAP SCREW	1	X X X	1/2"X4"
7	19H1945	CAP SCREW	1	X X X	1/2"X3-1/4"
8	19H1792	CAP SCREW	2	X X X	(A) 1/2"X1"
9	19H1721	CAP SCREW	6	X X X	1/2"X1-1/2"
10	R26287	O-RING	3	X X X	
11	R31631	DRAIN PLUG	3	X X X	
12	24H1283	WASHER	2	X X X	7/32"X1/2"X.048"
13	T28245	SPRING	1	X X X	
14	T27989	VALVE	1	X X X	
15	R26375	O-RING	1	X X X	
16	T22867	DRAIN PLUG	1	X X X	3/4"
17	15H562	PIPE PLUG	1	X X X	1"
18	R27474	DRAIN PLUG	1	X X X	(B)
19	R26906	O-RING	1	X X X	(B)
20	T21615	CAP	2	X X X	
21	T26904	O-RING	2	X X X	
22	L62405	BUSHING	2	X X X	(SUB FOR T22474 APPL)
23	T21631	BUSHING	1	X X X	
24	L41551	GASKET	1	X X X	(SUB FOR L34401)
25	AL31424	HOUSING	1	X X X	(ORD W/ 15H638)
26	24H1254	WASHER	2	X X X	(A) 17/32"X1/8"X.105"
27	AL25666	BRACKET	1	X X X	

(A) WITH MC1 CAB
 AVEC CABINE MC1
 BEI MC1 KABINE
 CON CABINA MC1
 CON CABINA MC1
 VID MC1 HYTT

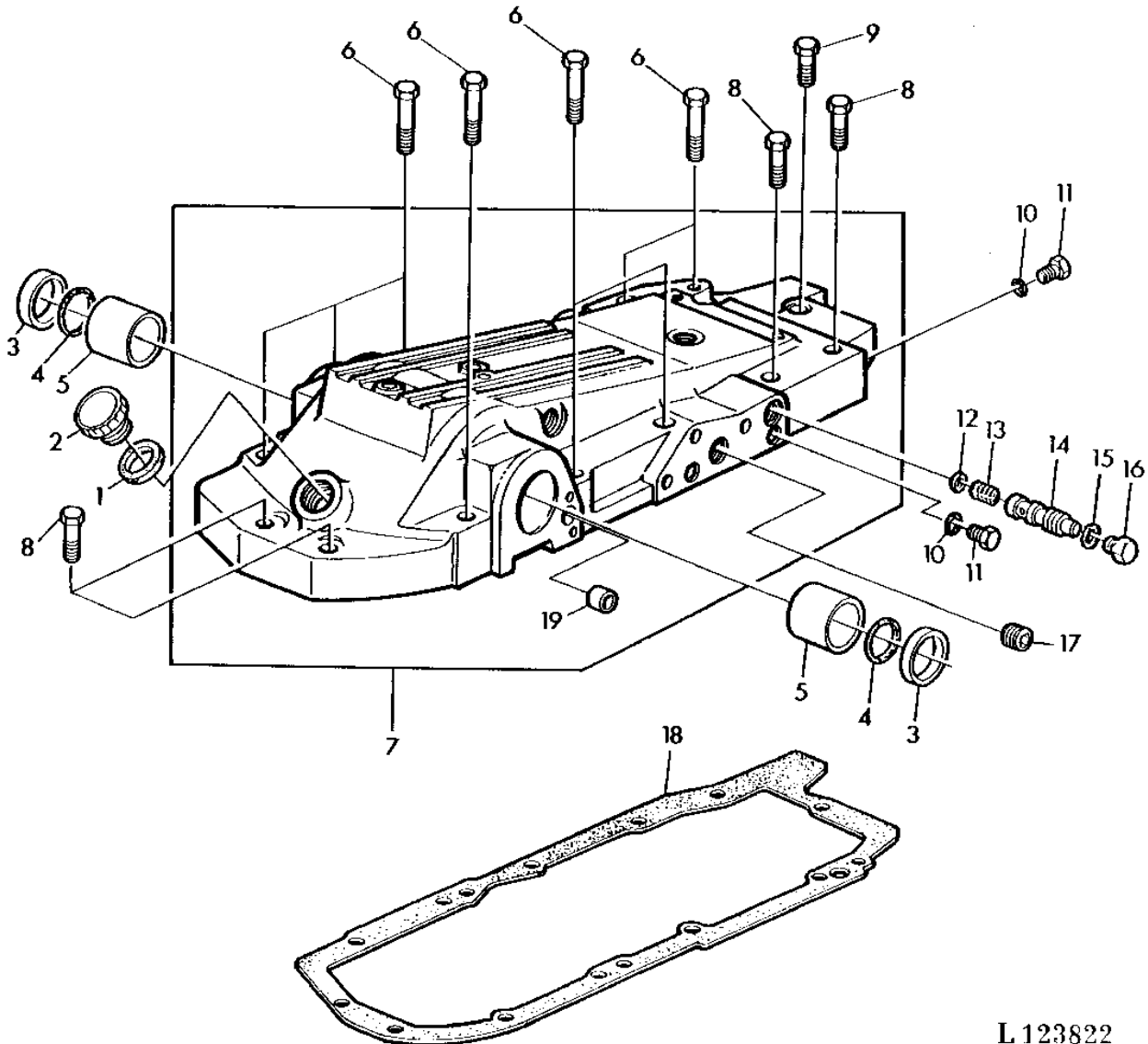
(B) WITHOUT SELECTIVE CONTROL VALVE
 SANS DISTRIBUTEUR AUXILIAIRE
 OHNE ZUSATZSTEUERGERAET
 SENZA DISTRIBUTORE AUSILIARIO
 SIN VALVULA DE MANDO AUXILIAR
 UTAN MANOVERVENTIL FOR FJARRCYLINDER

5C3

HYDRAULIC PUMPS, ROCKSHAFT

ROCKSHAFT HOUSING (WITH INCREASED LIFTING CAPACITY)
CARTER DU RELEVAGE (AVEC CAPACITE DE REL. AUGM.)
HYDRAULIKGEHAEUSE (BEI HUBKRAFTERHOEHUNG)
CARTER SOLLEVATORE (CON ELEVATA CAPACITA DI SOLLEVAMENTO)
CARCASA DEL ELEVADOR HIDRAULICO (CON FUERZA DE ELEV. AUMENTADA)
HYDRAULHUS (VID OKAD LYFTKAPACITET)

L123822 -UN-18JUL95



L 123822

5C4

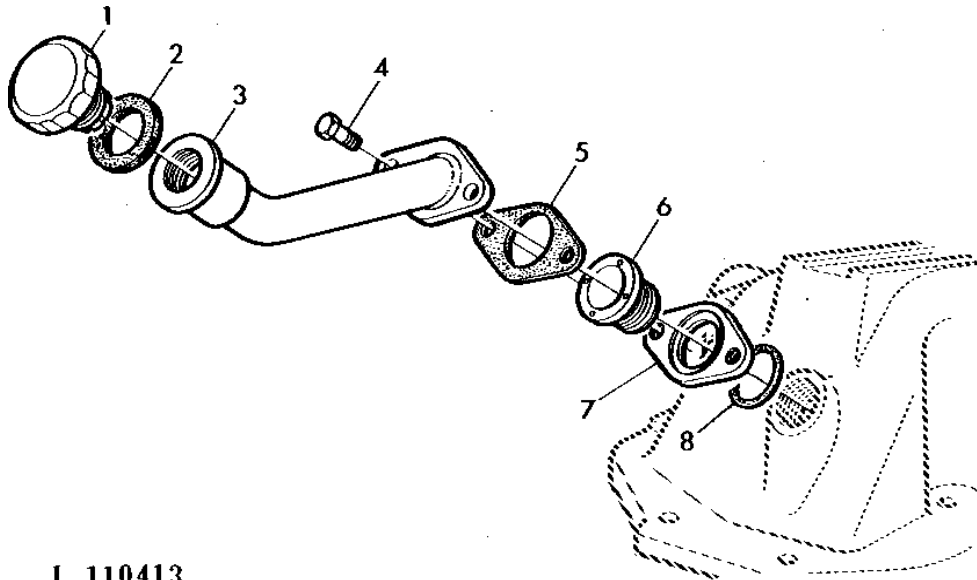
HYDRAULIC PUMPS, ROCKSHAFT

KEY	PART NO.	PART NAME	QTY	SERIAL NO.	REMARKS
					2
					1 2 0
					6 0 4
					4 4 0
					0 0 S
1	T21564	WASHER	1		X
2	AL38083	FILLER CAP	1		X
3	T21615	CAP	2		X
4	T26904	O-RING	2		X
5	L62405	BUSHING	2		X (SUB FOR T22474 APPL)
6	19H1945	CAP SCREW	8		X 1/2"X3-1/4"
7	AL40949	HOUSING	1		X (ORD AL68645, AL68633, L64105)
	AL68645	HOUSING	1		X
8	19H1974	CAP SCREW	4		X 1/2"X2-3/4"
9	19H1831	CAP SCREW	1		X 1/2"X2"
10	R26287	O-RING	2		X
11	R31631	DRAIN PLUG	2		X
12	24H1283	WASHER	2		X 7/32"X1/2"X.048"
13	T28245	SPRING	1		X
14	T27989	VALVE	1		X
15	R26375	O-RING	1		X
16	T22867	DRAIN PLUG	1		X 3/4"
17	15H562	PIPE PLUG	1		X 1"
18	L41551	GASKET	1		X
19	T21631	BUSHING	1		X

5C5

HYDRAULIC PUMPS, ROCKSHAFT

TRANSMISSION CASE OIL FILLER NECK (SG2 CAB)
 GOULOTTE DE REMPLISSAGE HUILE DE BOITE (CABINE SG2)
 GETRIEBEOEL-EINFUELLSTUTZEN (SG2 KABINE)
 TUBO PER RIPIENO DELL'OLIO DEL CAMBIO (CABINA SG2)
 TUBO PARA EL LLENADO DEL ACEITE DEL CAMBIO (CABINA SG2)
 PAFYLLNINGSROR FOR TRANSMISSIONSOLJE (SG2 HYTT)
 L110413 -UN-01JAN94



L 110413

2
 1 2 0
 6 0 4
 4 4 0
 0 0 S

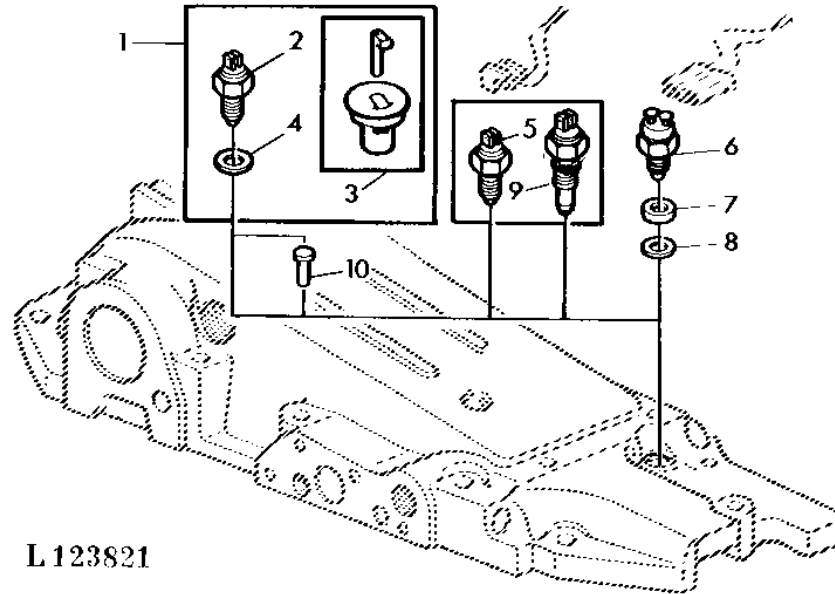
KEY	PART NO.	PART NAME	QTY	SERIAL NO.	REMARKS
1	AL38083	FILLER CAP	1	X X X	(SUB FOR AL32620)
2	T21564	WASHER	1	X X X	
3	AL38094	FILLER NECK	1	X X X	
4	19M7162	CAP SCREW	2	X X X	M8X16
5	L40332	GASKET	1	X X X	
6	L40314	ADAPTER	1	X X X	
7	L40315	FLANGE	1	X X X	
8	R1138R	O-RING	1	X X X	

5C6

HYDRAULIC PUMPS, ROCKSHAFT

NEUTRAL START SWITCH (BILUX)
 DISPOSITIF DE SECURITE AU DEMARRAGE (AVEC ECLAIRAGE BILUX)
 ANLASSICHERHEITSSCHALTER (BEI BILUX BELEUCHTUNG)
 INTERR. SICUR. AVVIAMENTO (CON SIST. ILLUMIN. BILUX)
 INTERRUPTOR DE SEGURIDAD DEL ARRANQUE (CON FAROS BILUX)
 STARTSPARRKONTAKT (VID SEALED BEAM BELYSNING)

L123821 -UN-18JUL95



L 123821

2
1 2 0
6 0 4
4 4 0
0 0 S

KEY	PART NO.	PART NAME	QTY	SERIAL NO.	REMARKS
1	AL68633	ASSEMBLY LINE PARTS	1	X X X	
2	SWITCH	1	X X X	NSEP (ORD AL68633)
3	RE37996	GAUGE	1	X X X	
4	T16911	SHIM	5	X X X	
5	AL58356	SWITCH	1	X X X	(A) (ORD AL68633)
6	AT85153	SWITCH	1	X X X	(SUB FOR AR89691)
7	24M7228	WASHER	1	X X X	15X21X1.3MM
8	R51494	WASHER	AR	X X X	TK= 0.4MM
9	AL58357	SWITCH	1	X	(B) (FOR AL40949)
10	L64105	PIN	1	X	(B) (FOR AL68645)

(A) PART OF CONVERSION KIT AL60892
 FAIT PARTIE DU JEU AL60892
 TEIL VON UMRUESTSATZ AL60892
 FA PARTE DEL KIT CONVERS.AL60892
 FORMA PARTE DEL JUEGO AL60892
 DEL AV OMBYGGNADSSATS AL60892

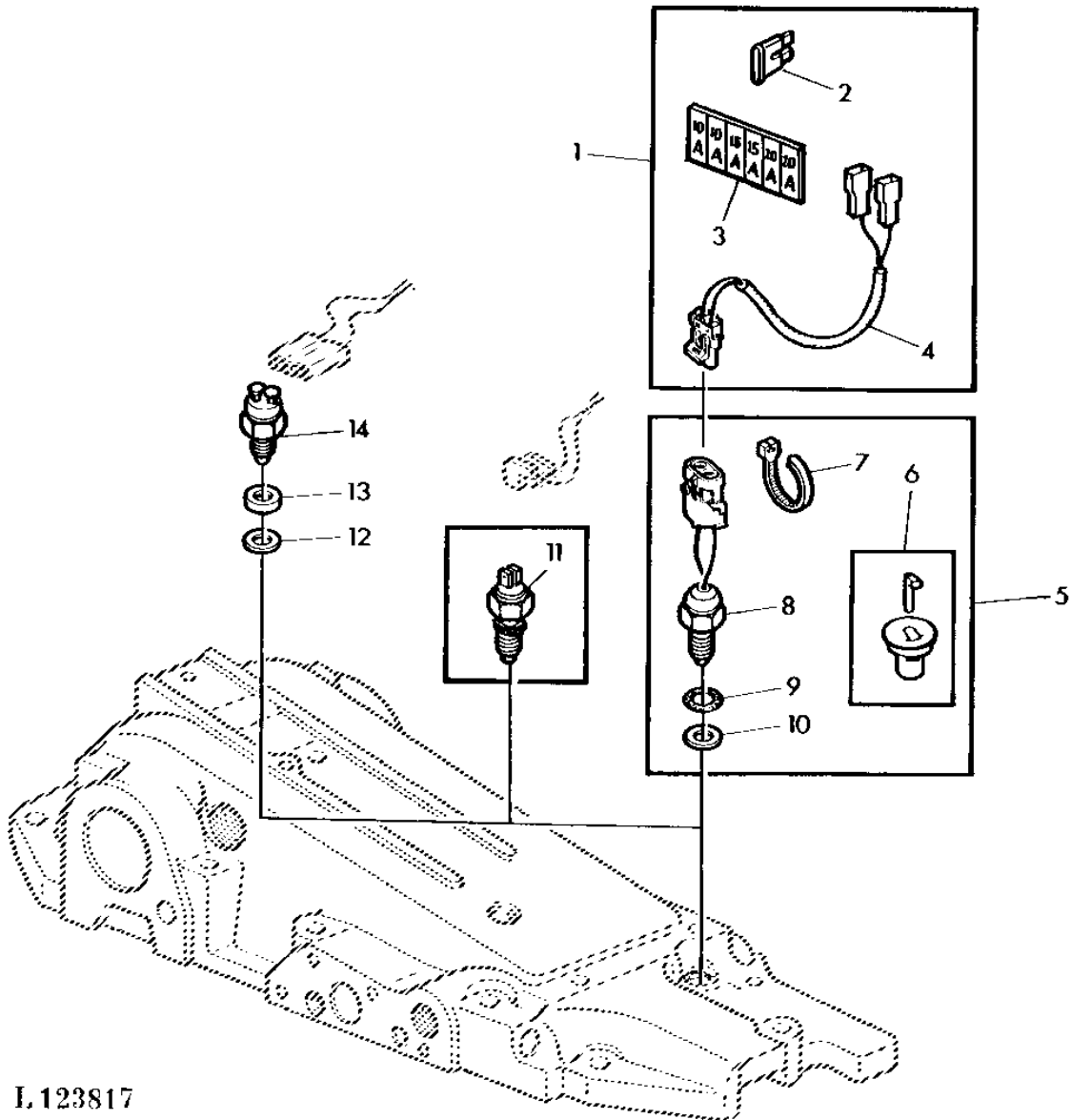
(B) WITH INCREASED LIFTING CAPACITY
 AVEC CAPACITE DE REL.AUGM.
 BEI HUBKRAFTERHOEHUNG
 CON ELEVATA CAPACITA DI SOLLEVAMENTO
 CON FUERZA DE ELEV.AUMENTADA
 VID OKAD LYFTKAPACITET

5C7

HYDRAULIC PUMPS, ROCKSHAFT

NEUTRAL START SWITCH / CONVERSION KIT (SEALED BEAM)
DISPOSITIF DE SECURITE AU DEMARRAGE/JEU D'ADAPTATION (AVEC OPTIQUES SCELEES)
ANLASSICHERHEITSSCHALTER/UMRUESTSATZ (BEI SEALED BEAM BELEUCHTUNG)
INTERRUPTORE SICUR. AVVIAM./KIT CONVERS. (CON SIST. ILLUM. SEALED BEAM)
INTERRUPTOR SEGUR. ARRANQUE / CONJ.MODIF. (CON FAROS SEALED BEAM)
STARTSPARRKONTAKT/OMBYGGNADSSATS (VID SEALED BEAM BELYSNING)

L123817 -UN-12JUL95



I.123817

5C8

HYDRAULIC PUMPS, ROCKSHAFT

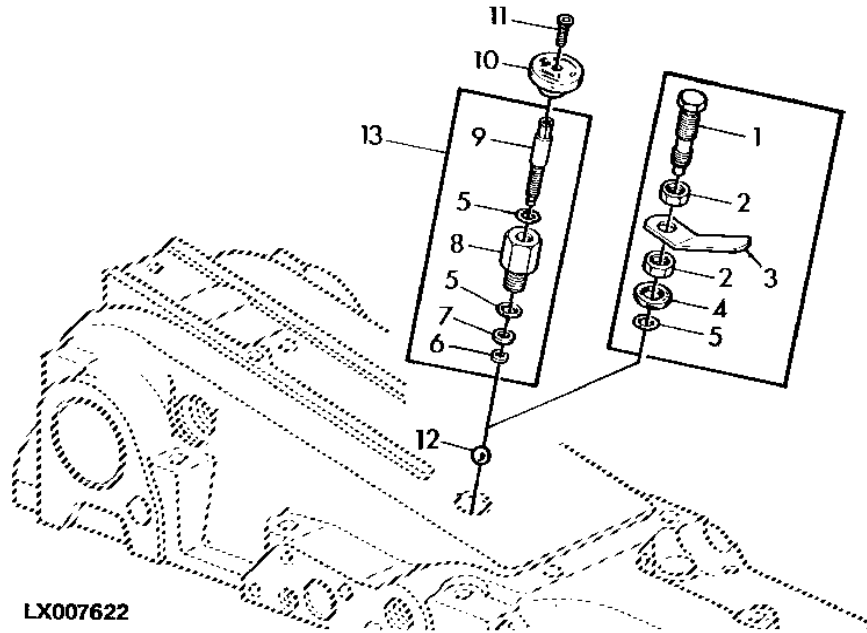
KEY	PART NO.	PART NAME	QTY	SERIAL NO.	REMARKS
					2
					1 2 0
					6 0 4
					4 4 0
					0 0 S
1	RE47197	KIT	1		
2	57M7121	FUSE	1		X X X 10A
3	L63908	LABEL	1		X X X
4	AL66133	WIRING HARNESS	1		X X X
5	AT86950	SWITCH	1		X X X
6	RE37996	GAUGE	1		X X X
7	R44302	TIE BAND	2		X X X
8	SWITCH	1		X X X NSEP (ORD AT86950)
9	R26448	O-RING	1		X X X
10	T16911	SHIM	3		X X X
11	AL58356	SWITCH	1		X X X (A) (ORD AT86950, RE47197)
12	R51494	WASHER	AR		X X X TK= 0.4MM
13	24M7228	WASHER	1		X X X 15X21X1.3MM
14	AT85153	SWITCH	1		X X X (SUB FOR AR89691)

(A) PART OF CONVERSION KIT AL60892
 FAIT PARTIE DU JEU AL60892
 TEIL VON UMRUESTSATZ AL60892
 FA PARTE DEL KIT CONVERS.AL60892
 FORMA PARTE DEL JUEGO AL60892
 DEL AV OMBYGGNADSSATS AL60892

5C9

HYDRAULIC PUMPS, ROCKSHAFT

PARTS FOR RATE-OF-DROP ADJUSTMENT
 RALENTISSEUR DE DESCENTE
 SENKDROSSEL
 REGOLAZIONE DELLA VELOCITA DI DISCESA (PARTI)
 RETARDADOR DE DESCENSO
 INSTALLNING AV SANKHASTIGHET (DELAR)
 LX007622 -UN-15MAY95



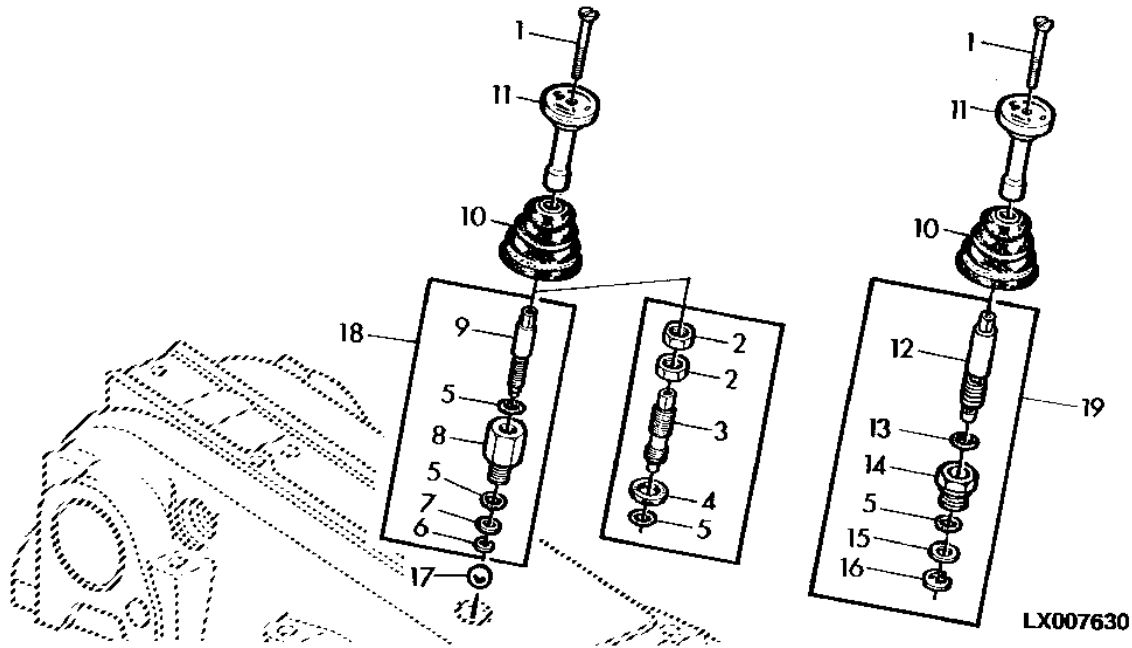
LX007622

KEY	PART NO.	PART NAME	QTY	SERIAL NO.	0 0 S	REMARKS
					2	
					1 2 0	
					6 0 4	
					4 4 0	
					0 0 S	
1	T27259	CAP SCREW	1	-517544	X X X	(ORD AL69711, L41301, 21M7336)
2	14H832	NUT	2	-517544	X X X	9/16"
3	T27258	STRAP	1	-517544	X X X	
4	T27260	WASHER	1	-517544	X X X	
5	R26448	O-RING	1	-517544	X X X	
	R26448	O-RING	2	517545-	X X X	(ORD AL69711)
6	40M7088	SNAP RING	1	517545-	X X X	(ORD AL69711)
7	24M7267	WASHER	1	517545-	X X X	6.4X11X1.6MM (ORD AL69711)
8	L41302	HOLLOW SCREW	1	517545-	X X X	(ORD AL69711)
9	L41303	SET SCREW	1	517545-	X X X	(ORD AL69711)
10	L41301	KNOB	1	517545-	X X X	
11	21M7336	SCREW	1	517545-	X X X	M4X16
12	D2361R	BALL	1		X X X	
13	AL69711	RESTRICTOR	1		X X X	

5C10

HYDRAULIC PUMPS, ROCKSHAFT

PARTS FOR RATE-OF-DROP ADJUSTMENT (MC1 AND SG2 CAB)
 RALENTISSEUR DE DESCENTE (CABINE MC1 ET SG2)
 SENKDROSSEL (MC1 UND SG2 KABINE)
 REGOLAZIONE DELLA VELOCITA DI DISCESA (PARTI) CABINA MC1 E SG2
 RETARDADOR DE DESCENSO (CABINA MC1 Y SG2)
 INSTALLNING AV SANKHASTIGHET (DELAR) MC1 OCH SG2 HYTT
 LX007630 -UN-17JUL95



LX007630

2
1 2 0
6 0 4
4 4 0
0 0 S

KEY	PART NO.	PART NAME	QTY	SERIAL NO.	REMARKS
1	21M7311	SCREW	1		X X X M4X60
2	14H832	NUT	2	-519162	X X X 9/16"
3	L39024	SET SCREW	1	-519162	X X X (ORD AL69711)
4	T27260	WASHER	1	-519162	X X X
5	R26448	O-RING	1	-519162	X X X
	R26448	O-RING	2	519163-	X X X (ORD AL69711 OR AL70119)
6	40M7088	SNAP RING	1	519163-	X X X (ORD AL69711)
7	24M7267	WASHER	1	519163-	X X X 6.4X11X1.6MM (ORD AL69711)
8	L41302	HOLLOW SCREW	1	519163-	X X X (ORD AL69711)
9	L41303	SET SCREW	1	519163-	X X X (ORD AL69711)
10	L38808	BOOT	1		X X X
11	L38809	GRIP	1		X X X
12	L41789	SET SCREW	1		X (A) (ORD AL70119)
13	P51212	O-RING	1		X (A) (ORD AL70119)
14	L41192	HOLLOW SCREW	1		X (A) (ORD AL70119)
15	24M3739	WASHER	1		X (A) 8X16X2MM
16	40M7041	SNAP RING	1		X (A) (ORD AL70119)
17	D2361R	BALL	1		X X X (ORD AL70119)
18	AL69711	RESTRICTOR	1		X X X
19	AL70119	RESTRICTOR	1		X (A)

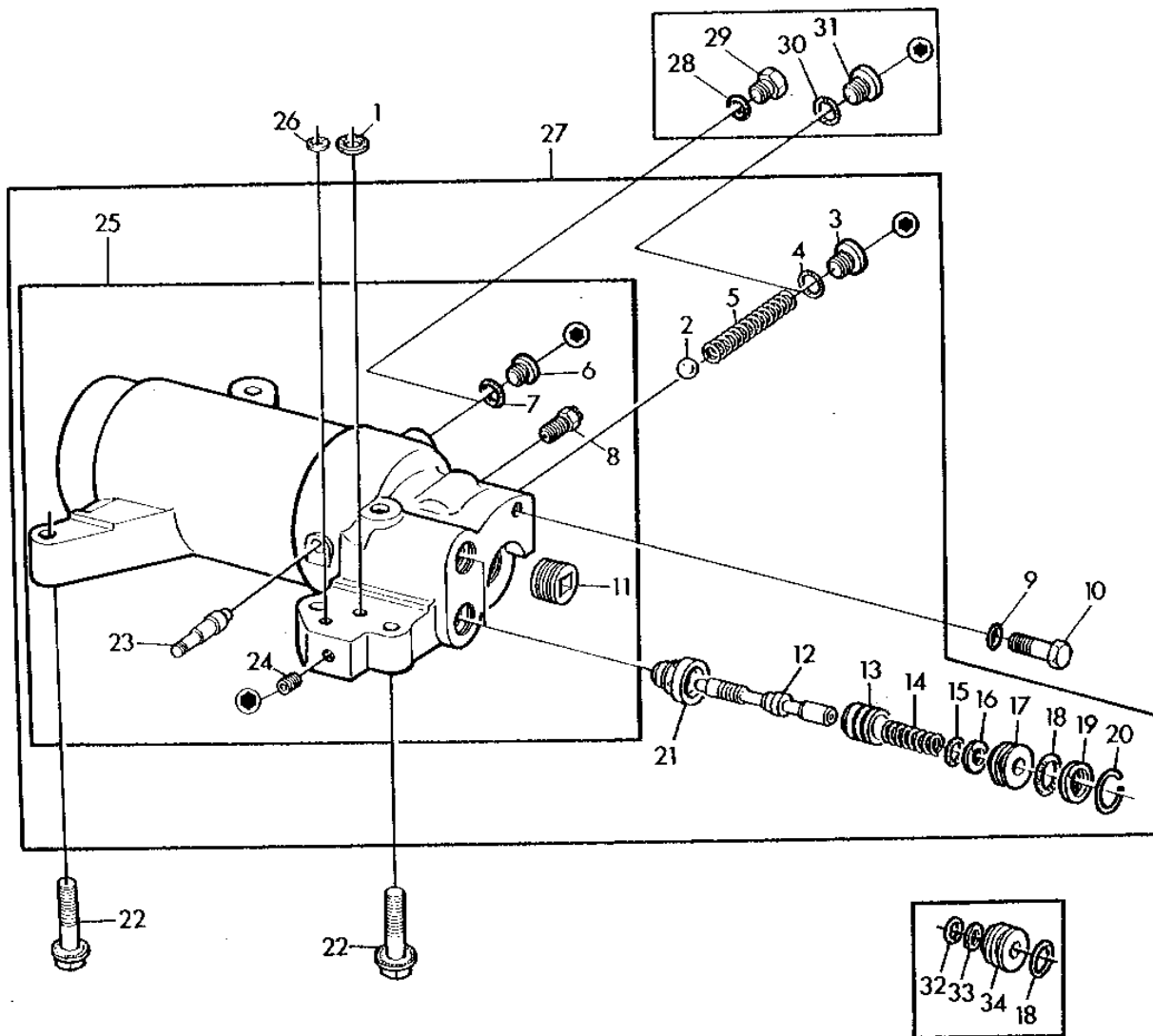
(A) WITH INCREASED LIFTING CAPACITY
 AVEC CAPACITE DE REL.AUGM.
 BEI HUBKRAFTERHOEHUNG
 CON ELEVATA CAPACITA DI SOLLEVAMENTO
 CON FUERZA DE ELEV.AUMENTADA
 VID OKAD LYFTKAPACITET

5C11

HYDRAULIC PUMPS, ROCKSHAFT

ROCKSHAFT CYLINDER AND VALVE HOUSING (WITH 92MM BORE)
VERIN DE RELEVAGE ET BOITIER DE SOUPAPES (AVEC ALESAGE DE 92MM)
HUBZYLINDER UND VENTILGEHAEUSE (MIT 92MM BOHRUNG)
CILINDRO SOLLEVATORE E SCATOLA VALVOLE (CON ALESAGGIO DI 92MM)
CILINDRO DEL ELEVADOR Y CAJA DE LA VALVULA DE MANDO (CON ORIFICIO DE 92MM)
LYFTCYLINDER OCH VENTILHUS (VID 92MM CYLINDERDIAMETER)

L117731 -UN-01JAN94



L 117731

5C12

HYDRAULIC PUMPS, ROCKSHAFT

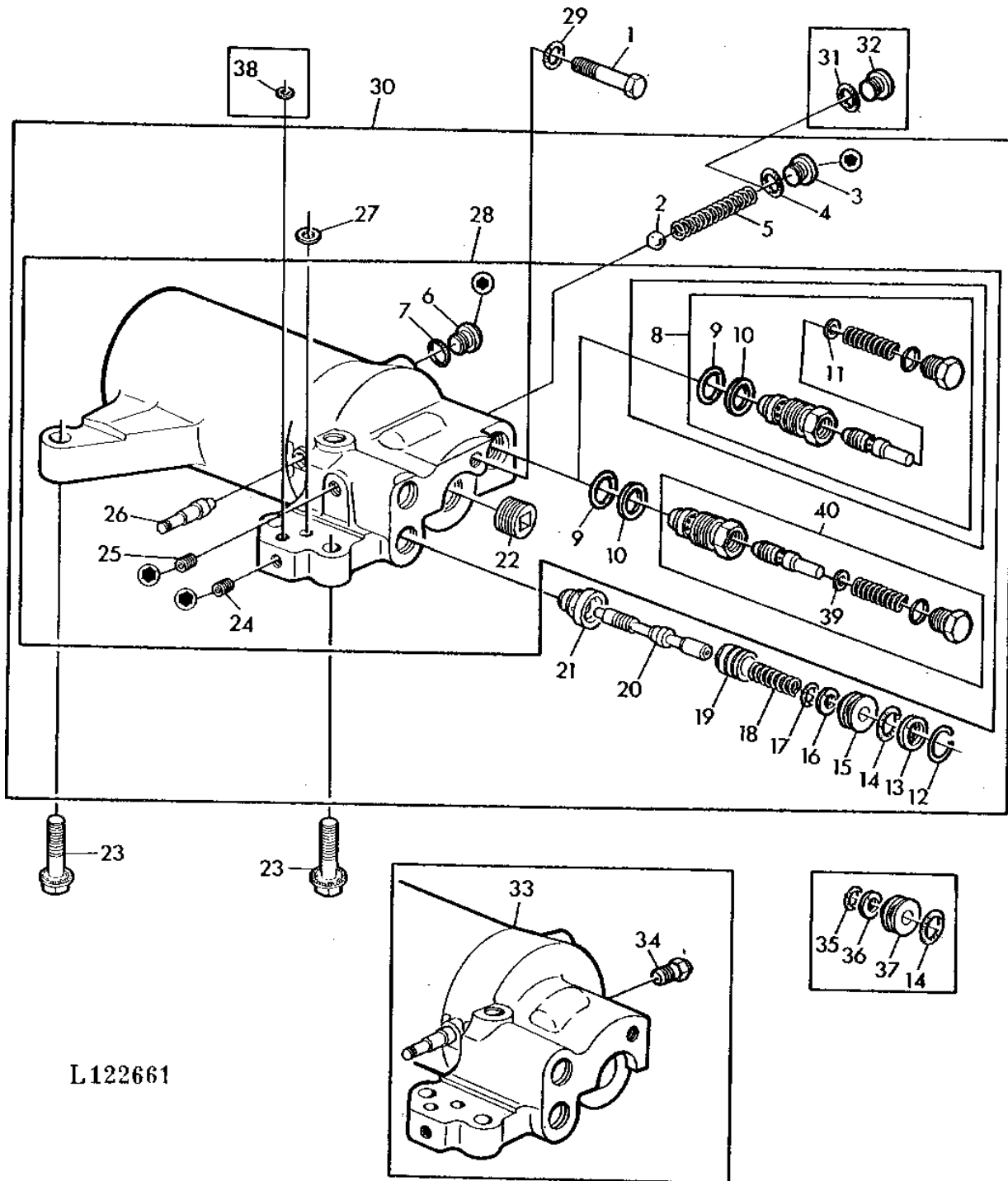
KEY	PART NO.	PART NAME	QTY	SERIAL NO.	2 1 2 0 6 0 4 4 4 0 0 0 S	REMARKS
1	L34382	WASHER	1		X X	
2	D2361R	BALL	1		X X	1/2"
3	L41384	PIPE PLUG	1	555624-	X X	M18 (FOR AL40886)
4	L41383	RING	1	555624-	X X	(FOR AL40886)
5	F3322R	SPRING	1		X X	
6	L41726	PIPE PLUG	1	555624-	X X	M16 (FOR AL40886)
7	L41536	O-RING	1	555624-	X X	(FOR AL40886)
8	AT21781	VALVE	1		X X	
9	R26286	O-RING	1		X X	
10	19H3217	CAP SCREW	1		X X	3/8"X1-3/4"
11	15H562	PIPE PLUG	1		X X	1"
12	R54969	VALVE SPOOL	2		X X	
13	T24540	SLEEVE	2		X X	
14	R49648	SPRING	2		X X	
15	L55203	O-RING	2		X X	
16	L56957	BACK-UP RING	2		X X	
17	L42314	PLUG	2		X X	
18	L55204	O-RING	2		X X	(SUB FOR R65548 APPL)
19	L55202	BACK-UP RING	2		X X	
20	M3265T	SNAP RING	2		X X	
21	T28538	VALVE SEAT INSERT	2		X X	
22	R48593	CAP SCREW	4		X X	
23	L64852	PIN	1		X X	(SUB FOR T22469)
24	15H559	PIPE PLUG	1		X X	1/4"
25	AL24244	HOUSING	1	-555623	X X	(MARKED L29412) (ORD AL64831)
	AL40886	HOUSING	1	555624-	X X	(MARKED L41723) (ORD AL64831)
26	L34383	WASHER	1		X X	
27	AL64831	SHIPPING BUNDLE	1		X X	
28	R26448	O-RING	1	-555623	X X	(ORD AL24244)
29	R27218	FITTING PLUG	1	-555623	X X	9/16" (FOR AL24244)
30	R26375	O-RING	1	-555623	X X	(FOR AL24244)
31	T22867	DRAIN PLUG	1	-555623	X X	3/4" (FOR AL24244)
32	R10093	O-RING	2		X X	
33	R31136	BACK-UP RING	2		X X	
34	L34381	PLUG	2		X X	(ORD L42314, L55202, L55204, L56957, L55203)

5C13

HYDRAULIC PUMPS, ROCKSHAFT

ROCKSHAFT CYLINDER AND VALVE HOUSING (WITH 100MM BORE)
VERIN DE RELEVAGE ET BOITIER DE SOUPAPES (AVEC ALESAGE DE 100MM)
HUBZYLINDER UND VENTILGEHAEUSE (MIT 100MM BOHRUNG)
CILINDRO SOLLEVATORE E SCATOLA VALVOLE (CON ALESAGGIO DI 100MM)
CILINDRO DEL ELEVADOR Y CAJA DE LA VALVULA DE MANDO (CON ORIFICIO DE 100MM)
LYFTCYLINDER OCH VENTILHUS (VID 100MM CYLINDERDIAMETER)

L122661 -UN-01JAN94



L122661

5C14

HYDRAULIC PUMPS, ROCKSHAFT

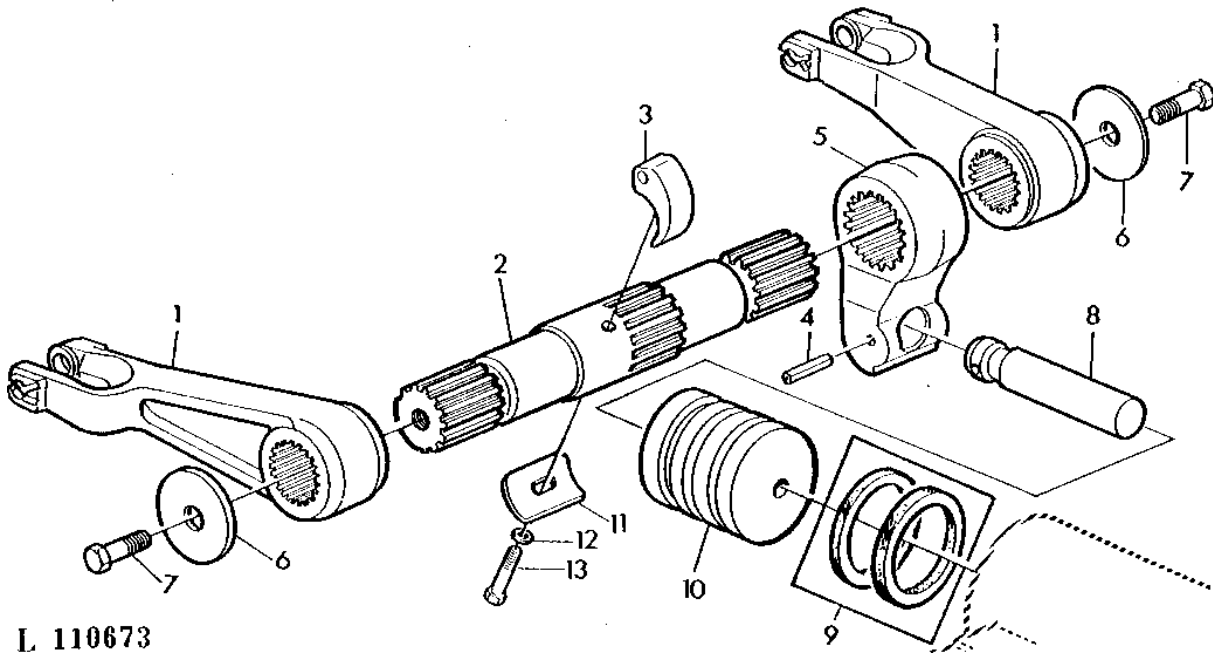
KEY	PART NO.	PART NAME	QTY	SERIAL NO.		REMARKS
					2	
					1 2 0	
					6 0 4	
					4 4 0	
					0 0 S	
1	19H3217	CAP SCREW	1		X X X	3/8"X1-3/4"
	19H2228	CAP SCREW	1		X	(A) 3/8"X4"
2	D2361R	BALL	1		X X X	1/2"
3	L41384	PIPE PLUG	1	554548-	X X X	M18 (FOR AL40884)
4	L41383	RING	1	554548-	X X X	(FOR AL40884)
5	F3322R	SPRING	1		X X X	
6	L41726	PIPE PLUG	1	554548-	X X X	M16 (FOR AL40884)
7	L41536	O-RING	1	554548-	X X X	(FOR AL40884)
8	AR102477	RELIEF VALVE	1		X X X	(ORD AL61753, T75972, T77072)
9	T77072	O-RING	1		X X X	(SUB FOR T44948 APPL)
10	T75972	BACK-UP RING	1		X X X	(SUB FOR T47769 APPL)
11	W19897	SHIM	AR		X X X	
	W19898	SHIM	AR		X X X	
	W20088	WASHER	AR		X X X	
12	M3265T	SNAP RING	2		X X X	
13	L55202	BACK-UP RING	2	573843-	X X X	
14	L55204	O-RING	2		X X X	(SUB FOR R65548 APPL)
15	L42314	PLUG	2	573843-	X X X	
16	L56957	BACK-UP RING	2	573843-	X X X	
17	L55203	O-RING	2	573843-	X X X	
18	R49648	SPRING	2		X X X	
19	T24540	SLEEVE	2		X X X	
20	R54969	VALVE SPOOL	2		X X X	
21	T28538	VALVE SEAT INSERT	2		X X X	
22	15H562	PIPE PLUG	1		X X X	1"
23	R48593	CAP SCREW	4		X X X	
24	15H559	PIPE PLUG	1		X X X	1/4"
25	15H558	PIPE PLUG	1		X X X	1/8"
26	L64852	PIN	1		X X X	(SUB FOR T22469)
27	L34382	WASHER	1		X X X	
28	AL38082	HOUSING	1	-554547	X X X	(MARKED L40298) (SUB FOR AL28230) (ORD AL64833)
	AL40884	HOUSING	1	554548-	X X X	(MARKED L41721) (ORD AL64833)
29	R26286	O-RING	1		X X X	
30	AL64833	SHIPPING BUNDLE	1		X X X	
31	R26375	O-RING	1	-554547	X X X	(FOR AL28230 OR AL38082)
32	T22867	DRAIN PLUG	1	-554547	X X X	3/4" (FOR AL28230 OR AL38082)
33	AL28230	CASE	1		X X X	(MARKED L28301) (ORD AL64833)
34	AT21781	VALVE	1		X X X	
35	R10093	O-RING	2	-573842	X X X	
36	R31136	BACK-UP RING	2	-573842	X X X	
37	L34381	PLUG	2	-573842	X X X	(ORD L42314, L55202, L55204, L56957, L55203)
38	L34383	WASHER	1	-554547	X X X	(FOR AL28230 OR AL38082)
39	24M7334	SHIM	AR		X X X	12X18X0.1MM
40	AL61753	RELIEF VALVE	1		X X X	(ORD W/ T75972, T77072)

(A) WITH INCREASED LIFTING CAPACITY
 AVEC CAPACITE DE REL.AUGM.
 BEI HUBKRAFTERHOEHUNG
 CON ELEVATA CAPACITA DI SOLLEVAMENTO
 CON FUERZA DE ELEV.AUMENTADA
 VID OKAD LYFTKAPACITET

5C15

HYDRAULIC PUMPS, ROCKSHAFT

LIFT SHAFT/ARMS AND PISTON WITH 92MM BORE
 ARBRE, BRAS ET PISTON DE RELEVAGE AVEC ALESAGE DE 92MM
 HUBWELLE/HUBARME/HUBKOLBEN MIT 92MM DURCHMESSER
 ALBERO SOLLEVAMENTO/BRACCI/PISTONE CON DIAMETRO 92MM
 EJE, BRAZOS Y PISTON DE ELEVACION CON 92MM DIAMETRO
 LYFTARMSAXEL/LYFTARMAR/LYFTKOLV MED 92MM DIAMETER
 L110673 -UN-01JAN94



L 110673

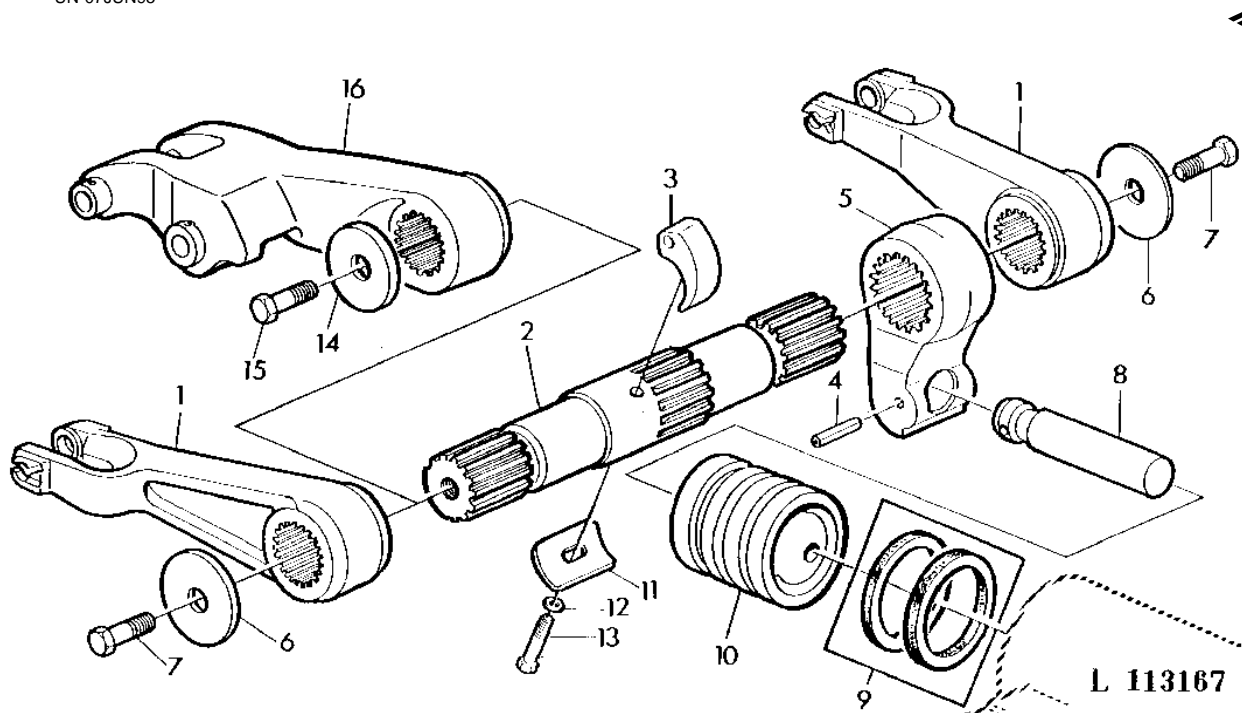
2
 1 2 0
 6 0 4
 4 4 0
 0 0 S

KEY	PART NO.	PART NAME	QTY	SERIAL NO.	REMARKS
1	L32649	LIFT ARM	2	X X	(SUB FOR T29931)
2	L41932	ROCKSHAFT	1	X X	(SUB FOR T26905)
3	T22319	CAM	1	X X	
4	34H110	SPRING PIN	1	X X	1/4"X2-1/4"
5	T21474	LEVER	1	X X	
6	T21956	WASHER	2	X X	
7	19H2898	CAP SCREW	2	X X	1/2"X1-1/4"
8	F2570R	ROD	1	X X	
9	AL33105	SEAL KIT	1	X X	
10	R47346	PISTON	1	X X	
11	T28362	SPACER	1	X X	
12	24H1287	WASHER	1	X X	9/32"X5/8"X.060"
13	19H2151	CAP SCREW	1	X X	1/4"X3"

5C16

HYDRAULIC PUMPS, ROCKSHAFT

LIFT SHAFT/ARMS AND PISTON WITH 100MM BORE
 ARBRE, BRAS ET PISTON DE RELEVAGE AVEC ALESAGE DE 100MM
 HUBWELLE/HUBARME/HUBKOLBEN MIT 100MM DURCHMESSER
 ALBERO SOLLEVAMENTO/BRACCI/PISTONE CON DIAMETRO 100MM
 EJE, BRAZOS Y PISTON DE ELEVACION CON 100MM DIAMETRO
 LYFTARMSAXEL/LYFTARMAR/LYFTKOLV MED 100MM DIAMETER
 L113167 -UN-07JUN95



2
 1 2 0
 6 0 4
 4 4 0
 0 0 S

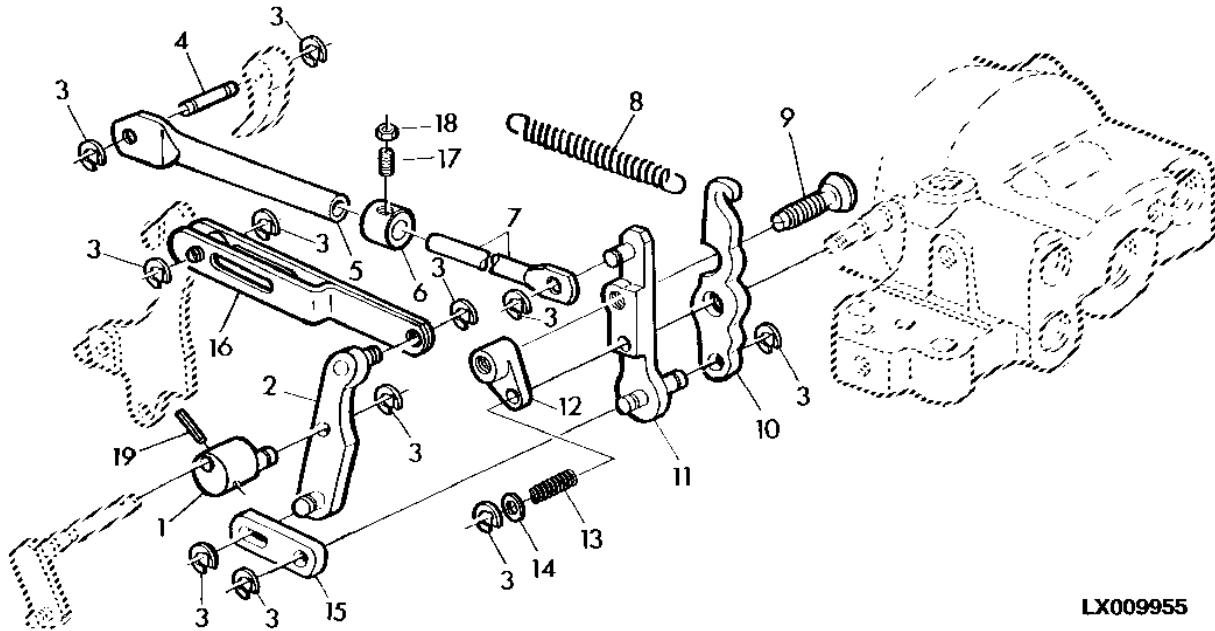
KEY	PART NO.	PART NAME	QTY	SERIAL NO.	REMARKS
1	L32649	LIFT ARM	2	X X X	(SUB FOR T29931)
2	L41932	ROCKSHAFT	1	X X X	(SUB FOR T26905)
3	T22319	CAM	1	X X X	
4	34H112	SPRING PIN	1	X X X	1/4"X2-3/4"
5	L32648	ARM	1	X X X	
	L41786	LEVER	1	X	(A)
6	T21956	WASHER	2	X X X	
7	19H2898	CAP SCREW	2	X X X	1/2"X1-1/4"
8	F2570R	ROD	1	X X X	
9	AL33017	SEAL KIT	1	X X X	
10	L32782	PISTON	1	X X X	
11	T28362	SPACER	1	X X X	
12	24H1287	WASHER	1	X X X	9/32"X5/8"X.060"
13	19H2151	CAP SCREW	1	X X X	1/4"X3"
14	L41629	WASHER	2	X	(A)
15	19H2898	CAP SCREW	2	X	(A) 1/2"X1-1/4"
16	L41784	ARM	1	X	(A) LH
	L41785	ARM	1	X	(A) RH

(A) WITH INCREASED LIFTING CAPACITY
 AVEC CAPACITE DE REL.AUGM.
 BEI HUBKRAFTERHOEHUNG
 CON ELEVATA CAPACITA DI SOLLEVAMENTO
 CON FUERZA DE ELEV.AUMENTADA
 VID OKAD LYFTKAPACITET

5C17

HYDRAULIC PUMPS, ROCKSHAFT

ROCKSHAFT CYLINDER AND VALVE HOUSING-LINKAGE
 VERIN DE RELEVAGE ET BOITIER DE SOUPAPES-TRINGLERIE
 HUBZYLINDER UND VENTILGEHAEUSE-GESTAENGE
 CILINDRO SOLLEVATORE-TIRANTERIA
 PALANCA DE MANDO DEL ELEVADOR, VARILLAJE
 LYFTCYLINDER OCH VENTILHUS-LAENKAGE
 LX009955 -UN-27APR95



LX009955

KEY	PART NO.	PART NAME	QTY	SERIAL NO.	REMARKS
				2	
			1	2	0
			6	0	4
			4	4	0
			0	0	S
1	AT19840	FULCRUM	1	X X X	
2	AT20085	LINK	1	X X X	
3	R72653	SNAP RING	11	X X X	(SUB FOR M2396T)
4	T24181	PIN	1	X X X	
5	R73443	TUBE	1	X X X	(SUB FOR T24169 APPL)
6	L41753	BUSHING	1	X X X	(SUB FOR L29873)
7	T24171	PIN	1	X X X	
8	T22473	SPRING	1	X X X	
9	T22228	SCREW	1	X X X	3/8"
10	T22224	CAM	1	X X X	
11	AR52278	LEVER	1	X X X	
12	T22229	NUT	1	X X X	
13	F1942R	SPRING	1	X X X	
14	24H1290	WASHER	1	X X X	21/64"X3/4"X.036"
15	T22232	STRAP	1	X X X	
16	AL28228	LINK	1	X X X	(SUB FOR AT20141)
17	22H812	SET SCREW	1	X X X	5/16"X3/4"
18	14H785	NUT	1	X X X	5/16"
19	34H268	SPRING PIN	1	X X X	5/32"X1-1/4"

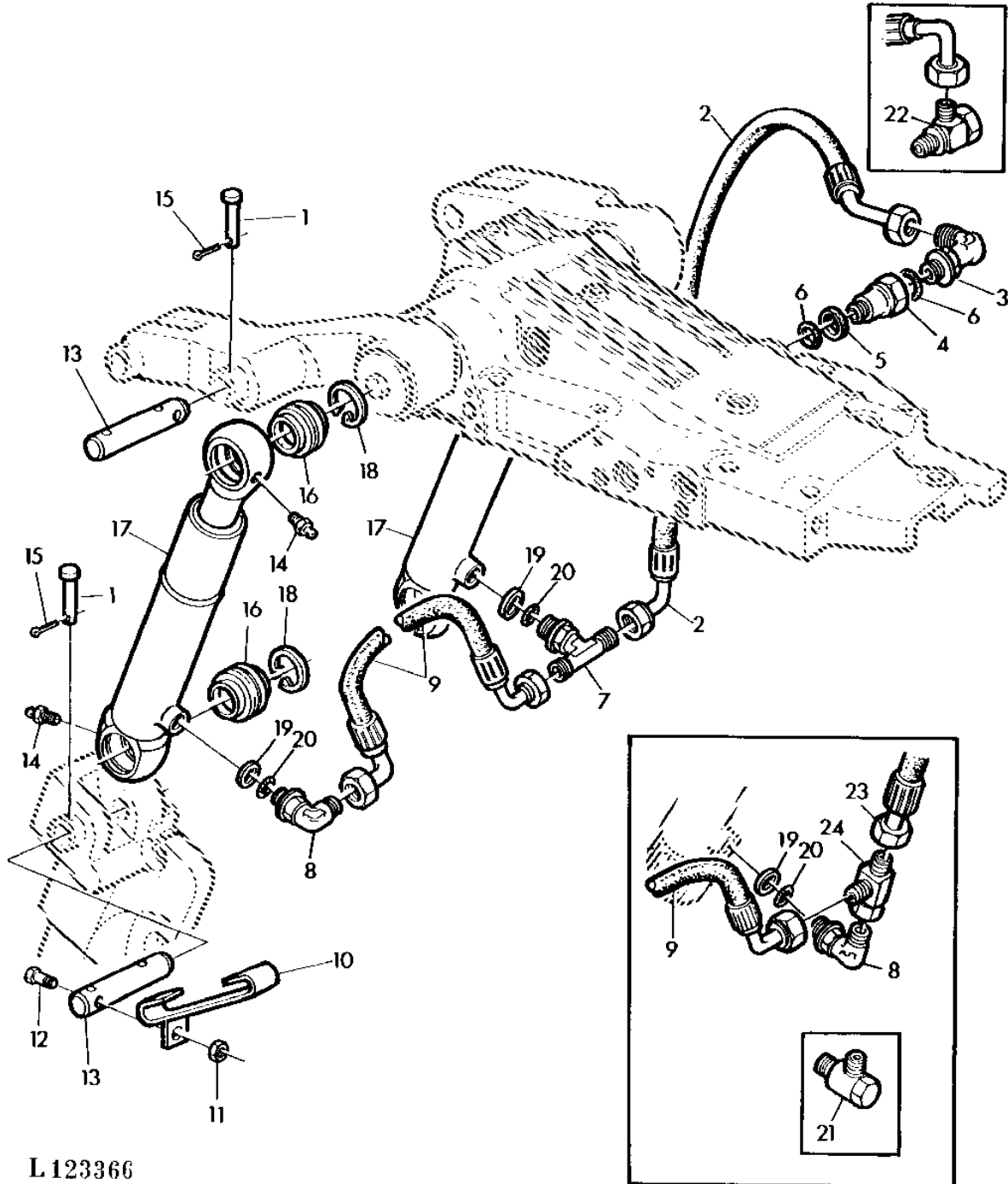
MEMORANDA
MEMORANDA
MEMORANDA
MEMORANDA
MEMORANDA

5C18

HYDRAULIC PUMPS, ROCKSHAFT

ADDITIONAL LIFT CYLINDER/ATTACHING PARTS WITH INCREASED LIFT CAPACITY
VERIN DE RELEVAGE ADDITIONNEL/FIXATIONS AVEC ELEVATION RENFORCEE
ZUSATZHUBZYLINDER/ANBAUTEILE (BEI HUBKRAFTERHOEHUNG)
CILINDRO SOLLEVATORE AUSILIARI/PARTI MONTAGGIO CON ELEVATA CAPACITA SOLLEVAM.
CILINDRO ADICIONAL/PIEZAS DE MONTAJE CON ELEVADA FUERZA DE ELEVACION
EXTRA LYFTCYLINDRAR/MONTERINGSDELAR VID OKAD LYFTKAPACITET

L123366 -UN-18JUL95



L 123366

5C19

HYDRAULIC PUMPS, ROCKSHAFT

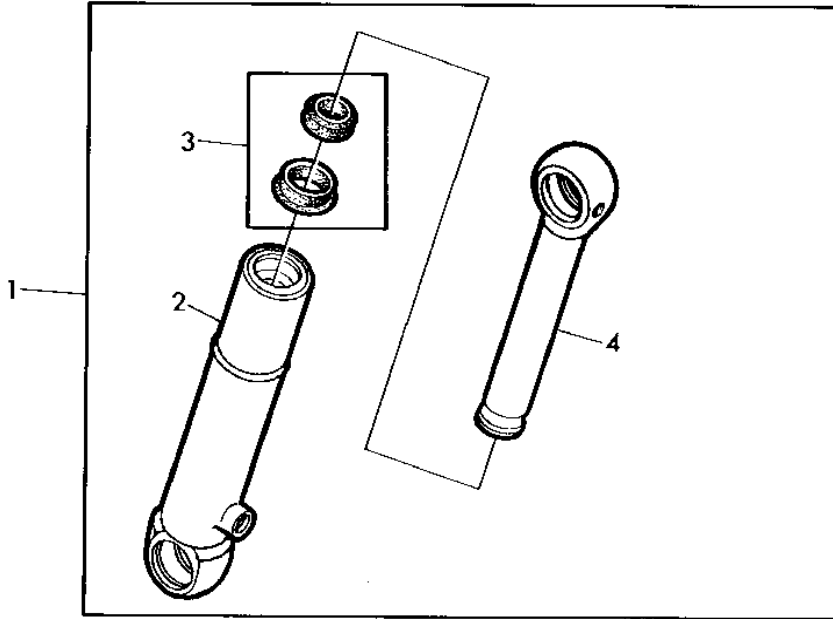
KEY	PART NO.	PART NAME	QTY	SERIAL NO.	REMARKS
					2
					1 2 0
					6 0 4
					4 4 0
					0 0 S
1	R69166	PIN	4		X (SUB FOR L56181)
2	AL67298	HYDRAULIC HOSE	1		X
3	AL65578	ELBOW FITTING	1		X
4	L62507	ADAPTER	1		X (SUB FOR L41538)
5	F1791R	WASHER	1		X
6	L41536	O-RING	2		X
7	AL67300	TEE FITTING	1		X
8	AL41290	ELBOW FITTING	2		X
9	AL67299	HYDRAULIC HOSE	1		X (SUB FOR AL55027)
10	AL39945	BRACKET	2		X
11	14M7324	LOCK NUT	2		X M10
12	19M8176	CAP SCREW	2		X M10X40
13	L41148	PIN	4		X
14	58M5573	LUBRICATION FITTING	4		X
15	11H211	COTTER PIN	4		X 1/8"X3/4"
16	AL57596	SELF-ALIGNING BUSHING	4		X (SUB FOR AL39386)
17	AL40952	HYDRAULIC CYLINDER	2		X
18	40M7131	SNAP RING	4		X
19	L62122	WASHER	2		X
20	51M7033	O-RING	2		X
21	AL39862	ELBOW FITTING	2		X (ORD AL41290, L62122, 51M7033)
22	AL39861	ELBOW FITTING	1		X (ORD L41536, L62507, AL65578)
23	AL55026	HYDRAULIC HOSE	1		X
24	AL37332	FITTING	1		X

MEMORANDA
MEMORANDA
MEMORANDA
MEMORANDA
MEMORANDA

5C20

HYDRAULIC PUMPS, ROCKSHAFT

ADDITIONAL LIFT CYLINDER SEAL KIT
 VERIN DE RELEVAGE AUXILIAIRE/JEU DE JOINTS
 ZUSATZHYLINDER/DICHTUNGSSATZ
 CILINDRI SUPPLEMENTARI SOLLEVATORE/KIT GUARNIZIONI
 CILINDROS SUPLEMENTARIOS DE ELEVACION/JUEGO DE JUNTAS
 EXTRA LYFTCYLINDRAR/TATNINGSSATS
 L112780 -UN-07JUN95



I. 112780

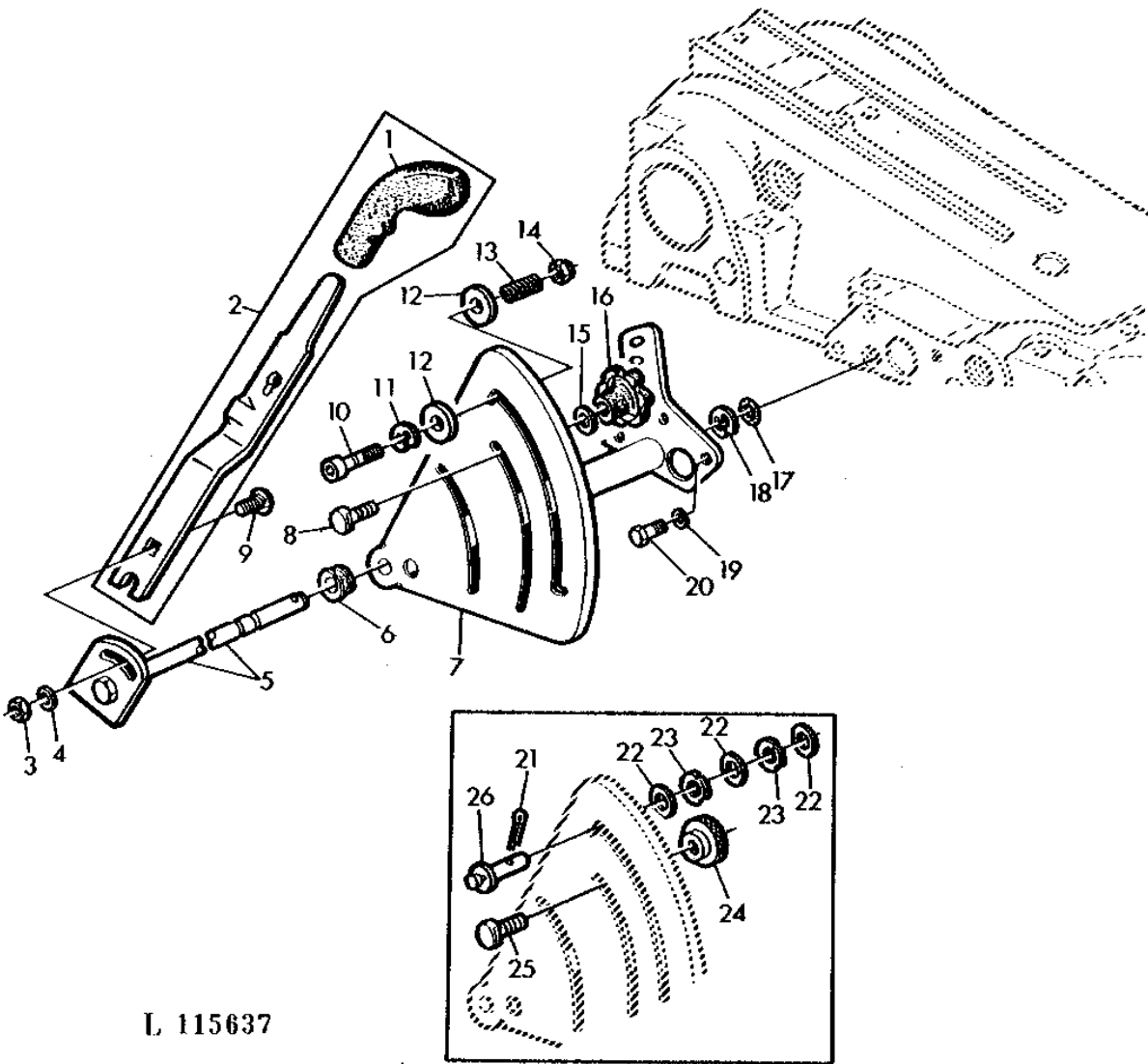
KEY	PART NO.	PART NAME	QTY	SERIAL NO.	REMARKS
1	AL40952	HYDRAULIC CYLINDER	2		X
2	AL59851	HYDRAULIC CYLINDER	1		X
3	AL59808	GASKET KIT	1		X
4	L58826	ROD	1		X

2
1 2 0
6 0 4
4 4 0
0 0 S

5C21

HYDRAULIC PUMPS, ROCKSHAFT

ROCKSHAFT CONTROL LEVER
LEVIER DE COMMANDE DU RELEVAGE
KRAFTHEBER-BEDIENUNGSHEBEL
LEVA COMANDO SOLLEVATORE
PALANCA DE MANDO DEL ELEVADOR
LYFTSPAK
L115637 -UN-01JAN94



L 115637

5C22

HYDRAULIC PUMPS, ROCKSHAFT

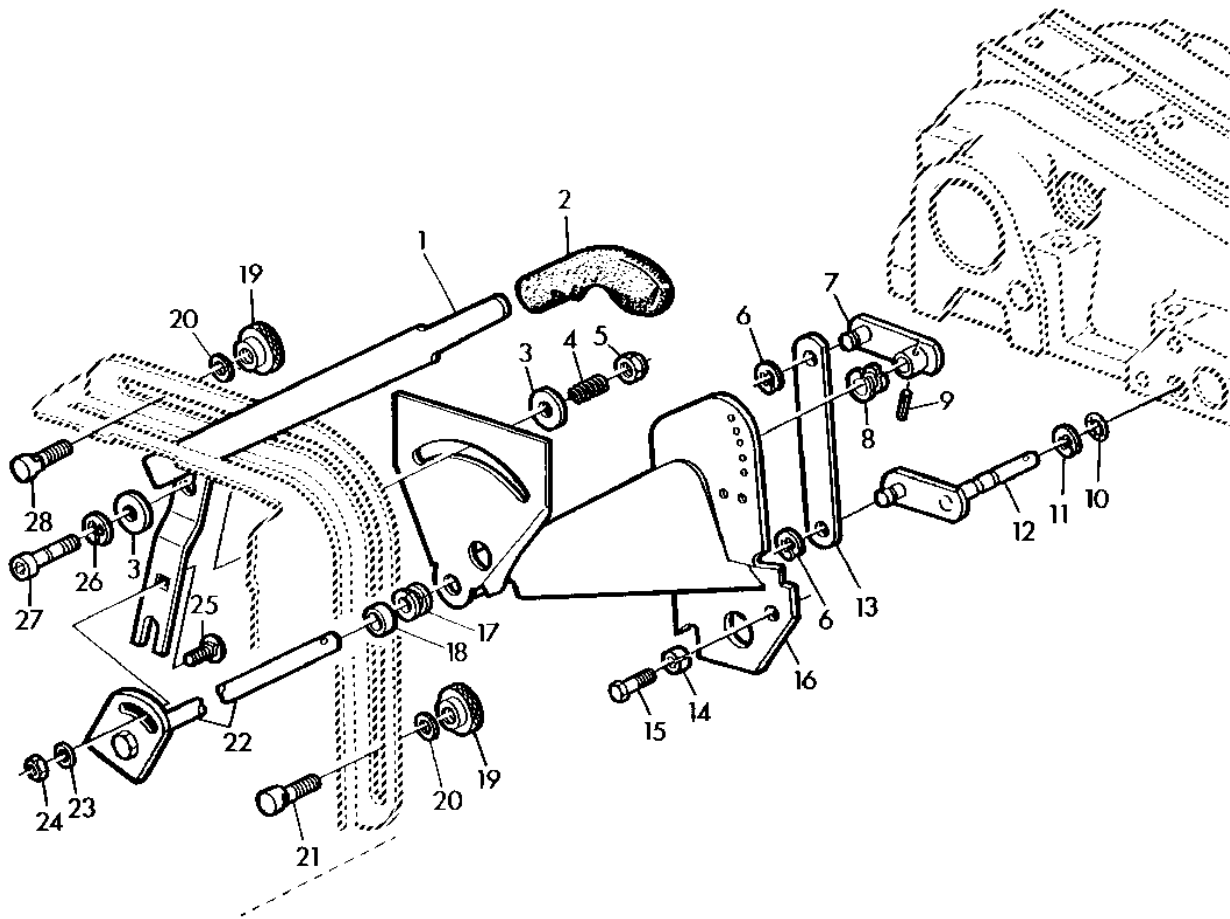
KEY	PART NO.	PART NAME	QTY	SERIAL NO.	REMARKS
					2
					1 2 0
					6 0 4
					4 4 0
					0 0 S
1	L56924	GRIP	1	X X X	(SUB FOR R54273 APPL)
2	AL24015	LEVER	1	X X X	
3	14H1076	NUT	1	X X X	3/8"
4	24H1305	WASHER	1	X X X	13/32"X13/16"X.060"
5	AL60565	LEVER	1	X X X	(SUB FOR AL27221)
6	L30201	WASHER	1	X X X	(SUB FOR T26626)
7	AL33044	QUADRANT	1	X X X	
	AL32834	QUADRANT	1	X X X	(A)
8	L55499	BOLT	1	X X X	
9	03H1765	BOLT	1	X X X	3/8"X3/4"
10	L59822	SCREW	1	X X X	
11	R72653	SNAP RING	1	X X X	
12	24M7298	WASHER	2	X X X	8.4X25X2MM
13	L60170	COMPRESSION SPRING	1	X X X	
14	14M7327	LOCK NUT	1	X X X	M8
15	24M7055	WASHER	1	X X X	8.4X17X1.6MM
16	L38166	KNOB	1	X X X	
17	R10093	O-RING	1	X X X	
18	R30437	SNAP RING	1	X X X	
19	12H304	LOCK WASHER	3	X X X	3/8"
20	19H2284	CAP SCREW	3	X X X	3/8"X7/8"
21	11H206	COTTER PIN	1	X X X	3/32"X3/4"
22	24M7298	WASHER	3	X X X	8.4X25X2MM
23	T22877	LOCK WASHER	2	X X X	
24	T22470	KNOB	1	X X X	(ORD L38166, L55499, 24M7055)
25	T22865	SCREW	1	X X X	(ORD L55499, L38166, 24M7055)
26	T26625	PIN	1	X X X	(ORD L59822, L60170, R72653, 14M7327, (2) 24M7298)

(A) WITH HANDSHIFT PTO
 AVEC PDF A SELECTION PAR MANETTE
 BEI UMSCHALTBARER ZAPFWELLE
 CON PTO A CAMBIO MANUALE
 CON TDF DE REGIMEN VARIABLE
 VID VAXLINGSBAR KRAFTUTTAG

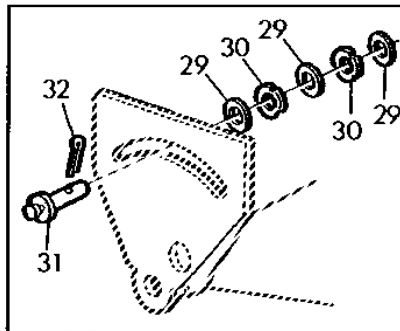
5C23

HYDRAULIC PUMPS, ROCKSHAFT

ROCKSHAFT CONTROL LEVER (WITH MC1 CAB)
LEVIER DE COMMANDE DU RELEVAGE (AVEC CABINE MC1)
KRAFTHEBER-BEDIENUNGSHEBEL (BEI MC1 KABINE)
LEVA COMANDO SOLLEVATORE (CON CABINA MC1)
PALANCA DE MANDO DEL ELEVADOR (CON CABINA MC1)
HYDRAULENS MANOVERREGLAGE (VID MC1 FORARHYTT)
L115642 -UN-12JUL95



L 115642



5C24

HYDRAULIC PUMPS, ROCKSHAFT

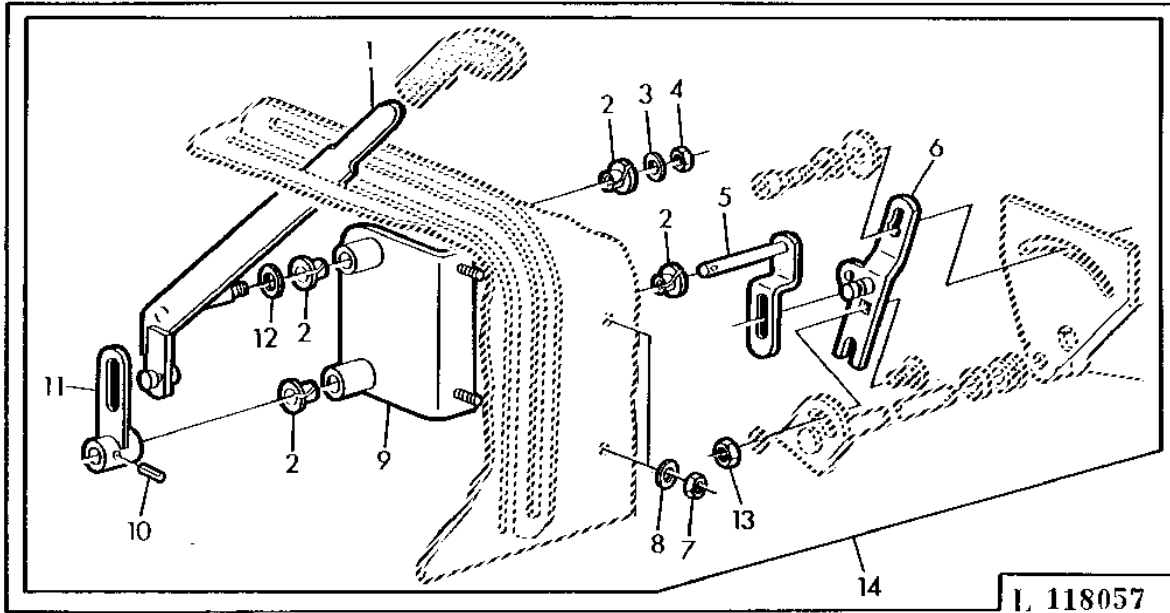
KEY	PART NO.	PART NAME	QTY	SERIAL NO.	REMARKS
					2
					1 2 0
					6 0 4
					4 4 0
					0 0 S
1	L57858	LEVER	1	X X X	
2	L56924	GRIP	1	X X X	(SUB FOR R54273 APPL)
3	24M7298	WASHER	2	X X X	8.4X25X2MM
4	L60170	COMPRESSION SPRING	1	X X X	
5	14M7327	LOCK NUT	1	X X X	M8
6	R72653	SNAP RING	2	X X X	
7	AL24705	LEVER	1	X X X	
8	L30201	WASHER	1	X X X	
9	34M7130	SPRING PIN	1	X X X	4X20MM
10	R10093	O-RING	1	X X X	
11	R30437	SNAP RING	1	X X X	
12	AL24710	SHAFT	1	X X X	
13	L30203	STRAP	1	X X X	
14	34M7090	SPRING PIN	2	X X X	12X10MM
15	19H2284	CAP SCREW	2	X X X	3/8"X7/8"
16	AL58571	QUADRANT	1	X X X	
17	L30201	WASHER	1	X X X	(SUB FOR T26626)
18	L30784	WASHER	1	X X X	
19	T22470	KNOB	2	X X X	
20	24M7055	WASHER	2	X X X	8.4X17X1.6MM
21	L58449	BOLT	1	X X X	
22	AL61970	LEVER	1	X X X	(SUB FOR AL24708)
23	24H1305	WASHER	1	X X X	13/32"X13/16"X.060"
24	14H1076	NUT	1	X X X	3/8"
25	03H1765	BOLT	1	X X X	3/8"X3/4"
26	R72653	SNAP RING	1	X X X	
27	L59822	SCREW	1	X X X	
28	L57193	STOP	1	X X X	
29	24M7298	WASHER	3	X X X	8.4X25X2MM
30	T22877	LOCK WASHER	2	X X X	
31	T26625	PIN	1	X X X	(ORD L59822, L60170, R72653, 14M7327, (2) 24M7298)
32	11H206	COTTER PIN	1	X X X	3/32"X3/4"

5C25

HYDRAULIC PUMPS, ROCKSHAFT

ROCKSHAFT CONTROL LEVER PARTS KIT (WITH MC1 CAB)
 JEU D'ELEMENTS DU LEVIER DE COMMANDE DU RELEVAGE AV (CABINE MC1)
 TEILESATZ KRAFTHEBER-BEDIENUNGSHEBEL (MC1 KABINE)
 GRUPPO LEVA COMANDO PER SOLLEVATORE (CABINE MC1)
 COMPONENTES/PALANCA DE MANDO DEL ELEVADOR HIDR. (CAB MC1)
 MANOVERSPAK FOR TREPUNKTSLYFT (ENHET) (MC1 FORARHYTT)

L118057 -UN-12JUL95



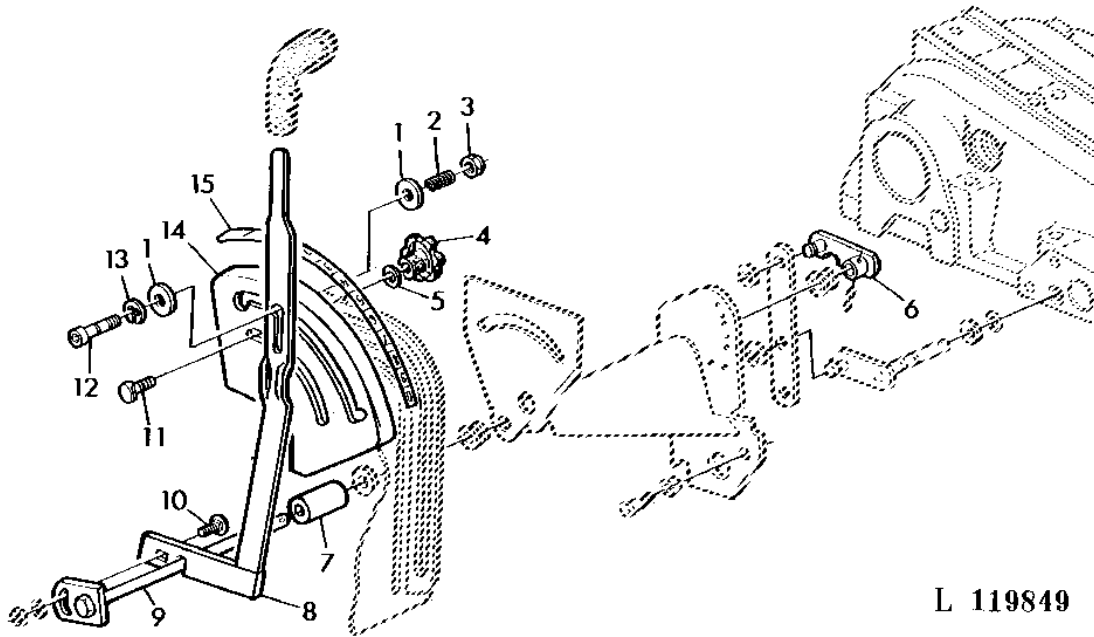
KEY	PART NO.	PART NAME	QTY	SERIAL NO.	REMARKS
				2	
				1 2 0	
				6 0 4	
				4 4 0	
				0 0 S	
1	AL62758	LEVER	1	X X X	
2	L30470	BUSHING	4	X X X	
3	24M7055	WASHER	1	X X X	8.4X17X1.6MM
4	14M7327	LOCK NUT	1	X X X	M8
5	AL62755	LEVER	1	X X X	
6	AL62757	LEVER	1	X X X	
7	14M7273	NUT	2	X X X	M8
8	24M7298	WASHER	2	X X X	8.4X25X2MM
9	AL62753	BRACKET	1	X X X	
10	34M7027	SPRING PIN	1	X X X	4X20MM
11	AL62754	LEVER	1	X X X	
12	24M7047	WASHER	1	X X X	13X24X2.5MM
13	14H732	NUT	1	X X X	3/8"
14	AL63249	SHIPPING BUNDLE	1	X X X	

5D1

HYDRAULIC PUMPS, ROCKSHAFT

CONVERSION KIT FOR ROCKSHAFT CONTROL LEVER (MC1 CAB)
 JEU DE CONVERSION-ATTELAGE 3 POINTS-COMMANDE (CABINE MC1)
 UMRUESTTEILE FUER KRAFTHEBER-BEDIENUNGSHEBEL (MC1 KABINE)
 KIT CONVERSIONE PER LEVA COMANDO SOLLEVATORE (CABINA MC1)
 CONJ. DE MODIF. PARA PALANCA DE MANDO DEL ELEV. HIDR. (CAB. MC1)
 MODIFIERINGSATS FOR TREPUNKTS-LYFTSPAK (MC1 FORARHYTT)

L119849 -UN-12JUL95



L 119849

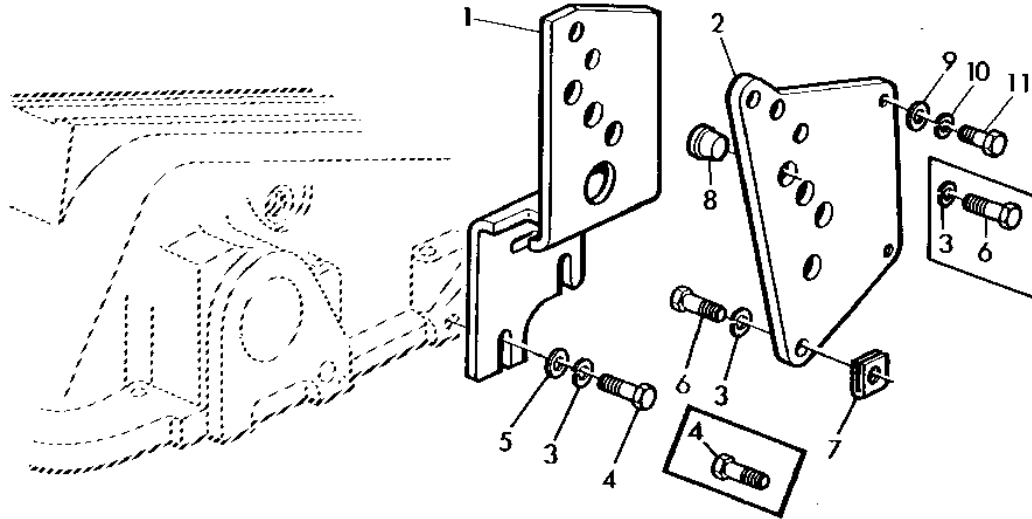
KEY	PART NO.	PART NAME	QTY	SERIAL NO.	REMARKS
					2
					1 2 0
					6 0 4
					4 4 0
					0 0 S
1	24M7298	WASHER	2	X X X	8.4X25X2MM
2	L60170	COMPRESSION SPRING	1	X X X	
3	14M7327	LOCK NUT	1	X X X	M8
4	L38166	KNOB	1	X X X	
5	24M7055	WASHER	1	X X X	8.4X17X1.6MM
6	AL66289	LEVER	1	X X X	
7	28H1530	BUSHING	1	X X X	
8	AL66287	LEVER	1	X X X	
9	AL66286	LEVER	1	X X X	
10	03H1557	BOLT	1	X X X	3/8"X1-1/4"
11	L62228	SCREW	1	X X X	
12	L59822	SCREW	1	X X X	
13	R72653	SNAP RING	1	X X X	
14	L62534	QUADRANT	1	X X X	
15	L62229	LABEL	1	X X X	

5D2

HYDRAULIC PUMPS, ROCKSHAFT

BRACKET FOR SHIFT LINKAGE (SG2 CAB)
 CONSOLE POUR TRINGLERIE DE SELECTION (CABINE SG2)
 KONSOLE FUER SCHALTGESTAENGE (SG2 KABINE)
 SUPPORTO PER LE LEVE DEL CAMBIO (CABINA SG2)
 SOPORTE PARA VARILLAJE DEL CAMBIO (CABINA SG2)
 HALLARE FOR VAXELLANKAGE (SG2 HYTT)

L119837 -UN-18JUL95



L 119837

2
 1 2 0
 6 0 4
 4 4 0
 0 0 S

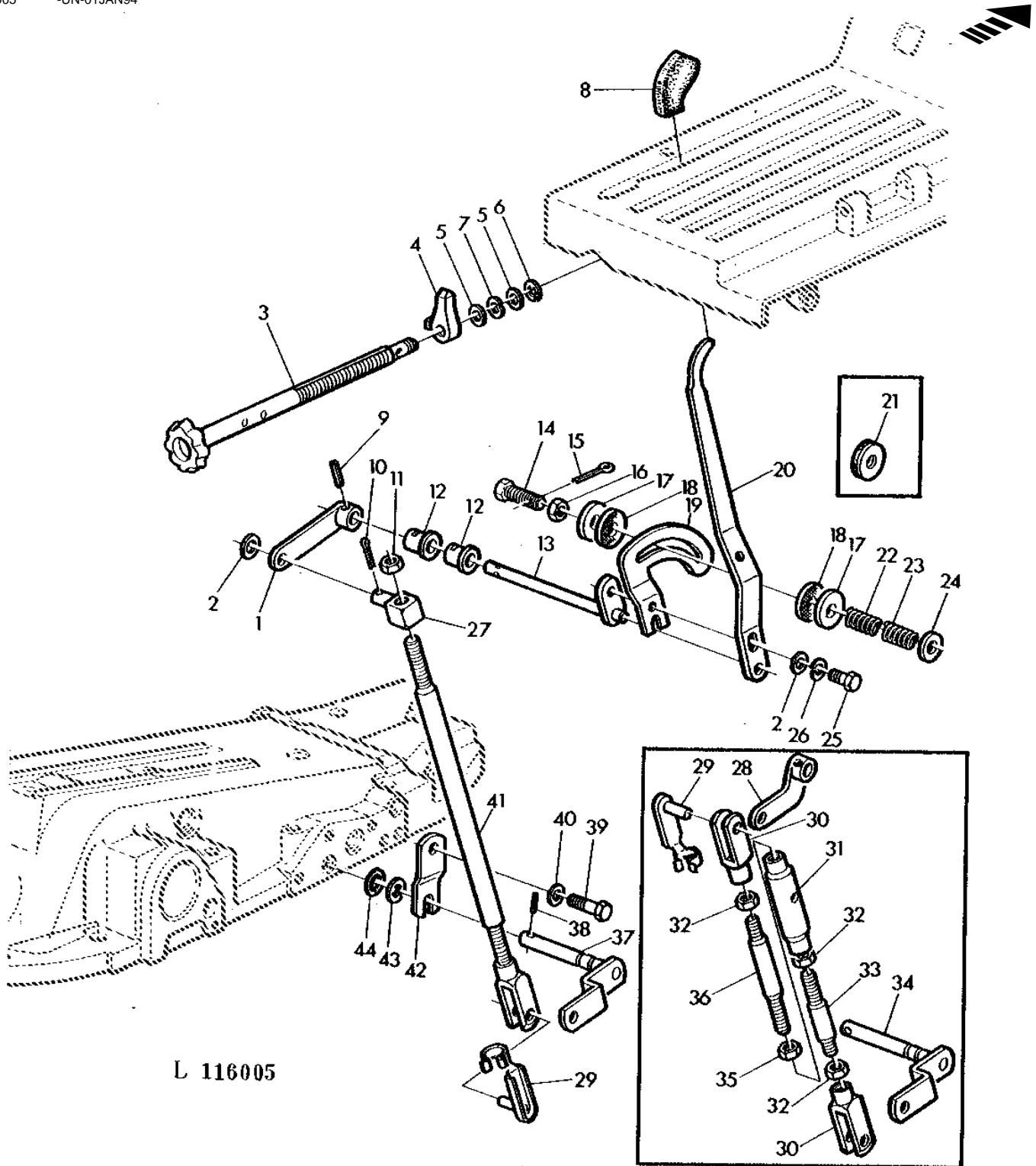
KEY	PART NO.	PART NAME	QTY	SERIAL NO.	REMARKS
1	R67001	SUPPORT	1		X X X
2	L58665	SUPPORT	1		X X X (SUB FOR R67500)
3	12H304	LOCK WASHER	AR		X X X 3/8"
4	19H1936	CAP SCREW	5	-520792	X X X 3/8"X3/4"
	19H1936	CAP SCREW	1	520793-	X X X 3/8"X3/4"
5	24H1305	WASHER	1		X X X 13/32"X13/16"X.060"
6	19M7166	CAP SCREW	AR	520793-	X X X M10X20
7	L55969	NUT	2	520793-	X X X (SUB FOR R50198)
8	M2477T	PLUG	AR		X X X
9	24M7298	WASHER	2		X X X 8.4X25X2MM
10	12M7056	LOCK WASHER	2		X X X
11	19M7139	CAP SCREW	2		X X X M8X20

MEMORANDA
MEMORANDA
MEMORANDA
MEMORANDA
MEMORANDA

5D3

HYDRAULIC PUMPS, ROCKSHAFT

ROCKSHAFT CONTROL LEVER (SG2 CAB)
LEVIER DE COMMANDE DU RELEVAGE (CABINE SG2)
KRAFTHEBER-BEDIENUNGSHEBEL (SG2 KABINE)
LEVA COMANDO SOLLEVATORE (CABINA SG2)
PALANCA DE MANDO DEL ELEVADOR (CABINA SG2)
JORDBRUKSLYFTENS MANOVERREGLAGE (SG2 HYTT)
L116005 -UN-01JAN94



L 116005

5D4

HYDRAULIC PUMPS, ROCKSHAFT

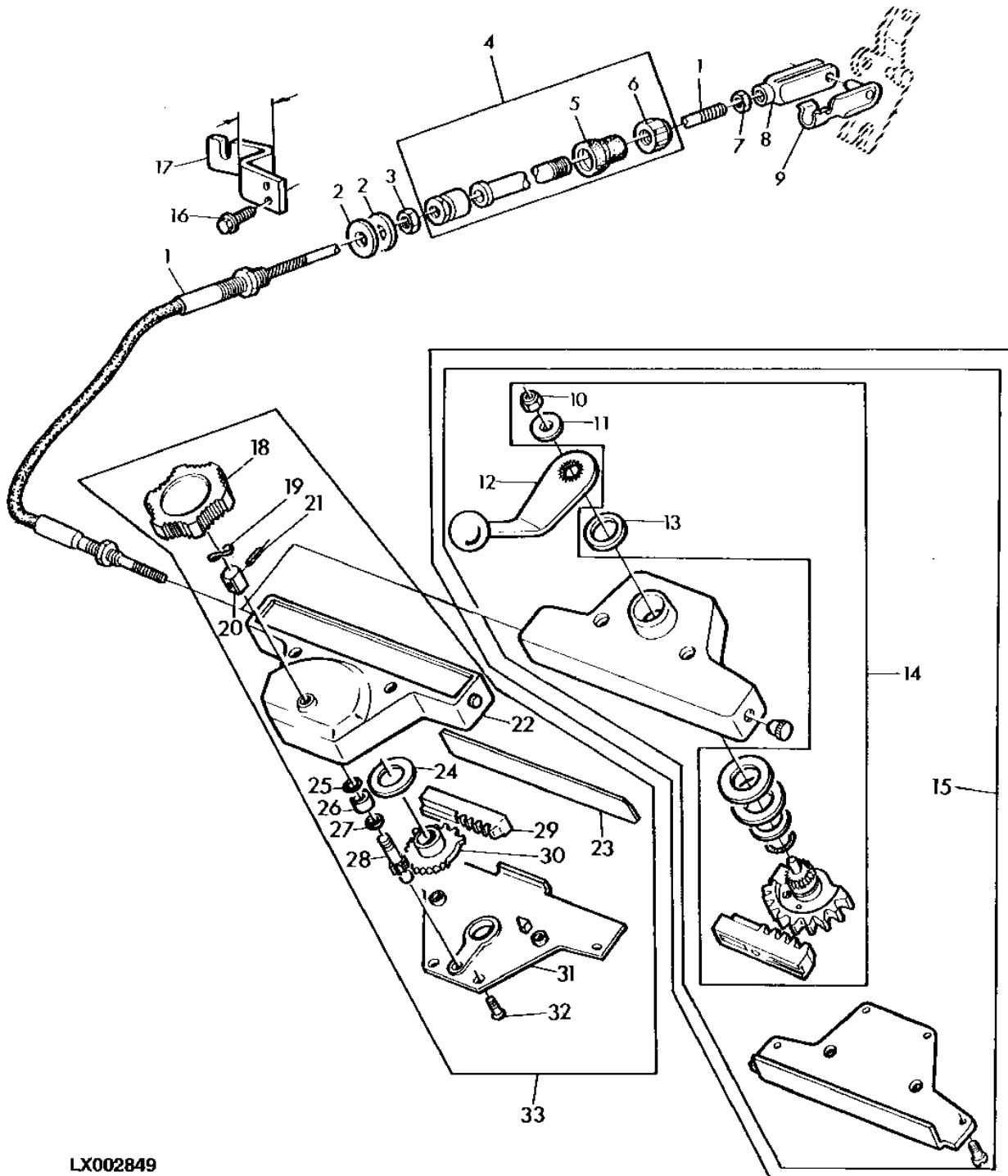
KEY	PART NO.	PART NAME	QTY	SERIAL NO.		REMARKS
					2	
					1 2 0	
					6 0 4	
					4 4 0	
					0 0 S	
1	L56634	LEVER	1	544771-	X X X	(SUB FOR AL41355)
2	24M7055	WASHER	2	544771-	X X X	8.4X17X1.6MM
3	R58204	SCREW	1		X X X	
4	R41386	STOP	1		X X X	
5	R47301	WASHER	2		X X X	
6	R26871	SNAP RING	1		X X X	
7	T519T	WASHER	1		X X X	
8	L56930	GRIP	1		X X X	(SUB FOR R51161 APPL)
9	R56504	SPRING PIN	1		X X X	
10	11M7080	COTTER PIN	1	544771-	X X X	2.5X16MM
11	14M7145	NUT	1	544771-	X X X	M8
12	R41076	GROMMET	2		X X X	
13	AR87961	SHAFT	1		X X X	
14	R49924	BOLT	1		X X X	
15	11M7059	COTTER PIN	1		X X X	3.2X20MM
16	14H732	NUT	1		X X X	3/8"
17	R41968	WASHER	2	544771-	X X X	
18	L41465	WASHER	2	544771-	X X X	
19	R52282	PLATE	1		X X X	
20	L59052	LEVER	1		X X X	(SUB FOR L37939)
21	AR42287	WASHER	2	-544770	X X X	(ORD L41465, R41968)
22	R44313	SPRING	1		X X X	
23	R41147	SPRING	1		X X X	
24	24H1299	WASHER	1		X X X	3/8"X1-1/4"X.060"
25	19H1900	CAP SCREW	1		X X X	5/16"X3/4"
26	12M7056	LOCK WASHER	1		X X X	
27	24M7036	WASHER	1		X X X	9X17X1.6MM
	L41894	SWIVEL	1	544771-	X X X	
28	AL36616	LEVER	1	-544770	X X X	
29	45M7065	SPRING LOCKING PIN	2	-544770	X X X	
	45M7065	SPRING LOCKING PIN	1	544771-	X X X	
30	54M4420	YOKE	2	-544770	X X X	
31	99M7026	TURNBUCKLE	1	-544770	X X X	
32	14M7273	NUT	3	-544770	X X X	M8
33	42M7014	STUD	1	-544770	X X X	M8X70
34	AR87960	LEVER	1	-544770	X X X	(ORD AL41452)
35	14M7145	NUT	1	-544770	X X X	M8
36	42M7018	STUD	1	-544770	X X X	M8X70
37	AL41365	LEVER	1	544771-	X X X	
38	34H268	SPRING PIN	1		X X X	5/32"X1-1/4"
39	19H2284	CAP SCREW	1		X X X	3/8"X7/8"
40	24H1305	WASHER	1		X X X	13/32"X13/16"X.060"
41	AL41437	ROD	1	544771-	X X X	
42	L40668	STRAP	1		X X X	
43	R30437	SNAP RING	1		X X X	
44	R10093	O-RING	1		X X X	

5D5

HYDRAULIC PUMPS, ROCKSHAFT

ROCKSHAFT REMOTE CONTROL (MC1 AND SG2 CABS)
COMMANDE A DISTANCE DU RELEVAGE (CABINES MC1 ET SG2)
KRAFTHEBER FERNBEDIENUNG (BEI MC1 UND SG2 KABINE)
TIRANTERIA COMANDO SOLLEVATORE (CABINA MC1 E SG2)
MANDO A DISTANCIA DEL ELEVADOR HIDR. (CABINA MC1 Y SG2)
FJARRLANKAGE FOR TREPUNKTSLYFT (MC1 OCH SG2 FORARHYTT)

LX002849 -UN-11JUL95



LX002849

5D6

HYDRAULIC PUMPS, ROCKSHAFT

KEY	PART NO.	PART NAME	QTY	SERIAL NO.	REMARKS
					2
					1 2 0
					6 0 4
					4 4 0
					0 0 S
1	AL61201	PUSH PULL CABLE	1	X X X	
	AL62418	PUSH PULL CABLE	1	X X X	(A)
2	24M7180	WASHER	2	X X X	13X40X3MM
3	R65044	NUT	1	X X X	
4	AL59551	UNIVERSAL JOINT	1	X X X	
5	L58323	CAP	1	X X X	
6	L58302	NUT	1	X X X	
7	14M7272	NUT	1	X X X	M6
8	54M7004	YOKE	1	X X X	
9	45M7080	SPRING LOCKING PIN	1	X X X	
10	14M7452	LOCK NUT	1	X X X	M6
11	24M7298	WASHER	1	X X X	8.4X25X2MM
12	AL61202	LEVER	1	X X X	
13	L59376	SHIM	1	X X X	
14	AL66284	KIT	1	X X X	(SUB FOR AL61203)
15	AL64189	ACTUATOR	1	X X X	(ORD AL69236, L64494, L64893, L64894, (2) 21M7403) (SUB FOR AL61200, AL63979)
16	37M7176	SCREW	2	X X X	M6X16
17	L59180	HOLDER	1	X X X	(A) =38MM
	L61287	BRACKET	1	X X X	(A) =58MM
18	L64506	KNOB	1	X X X	
19	12M1646	WASHER	1	X X X	
20	L64512	BUSHING	1	X X X	
21	34M7107	SPRING PIN	1	X X X	
22	L64507	HOUSING	1	X X X	
23	L64514	SHEET	1	X X X	
24	L64892	WASHER	1	X X X	
25	L53900	O-RING	1	X X X	
26	L64513	BUSHING	1	X X X	
27	L64826	WASHER	1	X X X	
28	L64511	DRIVE SHAFT	1	X X X	
29	L64510	RACK	1	X X X	
30	L64509	PINION	1	X X X	
31	L64508	COVER	1	X X X	
32	19M7887	SCREW	4	X X X	M5X10
33	AL69236	ACTUATOR	1	X X X	

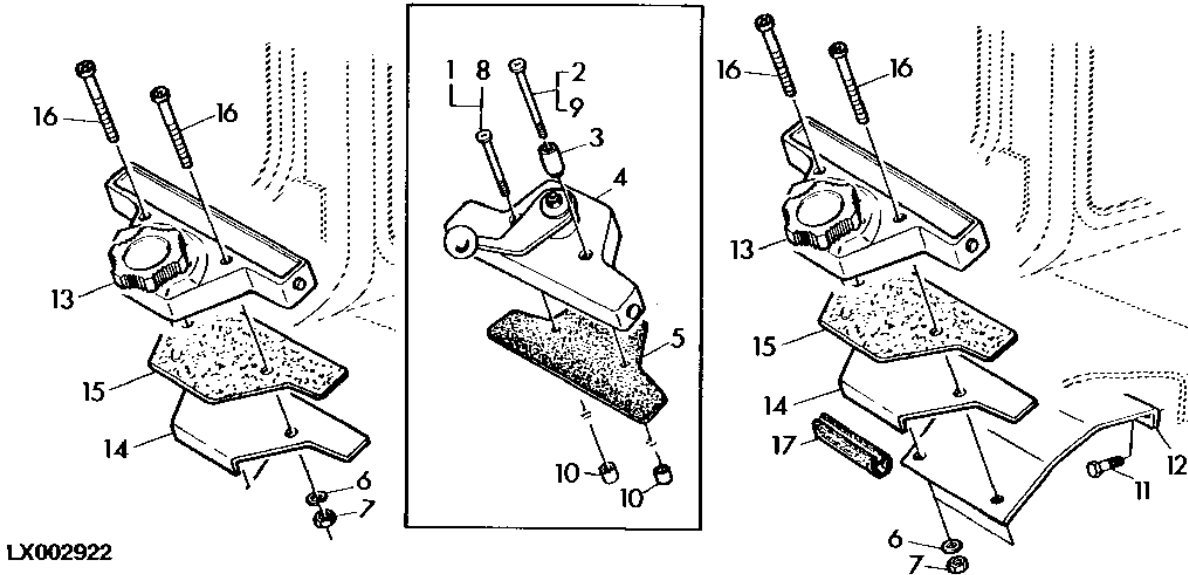
(A) WITH MC1 CAB
 AVEC CABINE MC1
 BEI MC1 KABINE
 CON CABINA MC1
 CON CABINA MC1
 VID MC1 FORARHYTT

5D7

HYDRAULIC PUMPS, ROCKSHAFT

ROCKSHAFT REMOTE CONTROL (WITH MC1 AND SG2 CAB)
 COMMANDE A DISTANCE DU RELEVAGE (AVEC CABINE MC1 ET SG2)
 KRAFTHEBER- FERNBEDIENUNG (BEI MC1 UND SG2 KABINE)
 TIRANTERIA COMANDO SOLLEVATORE (CON CABINA MC1 E SG2)
 MANDO A DISTANCIA DEL ELEVADOR HIDR. (CON CABINA MC1 Y SG2)
 FJARRLANKAGE FOR TREPUNKTSLYFT (VID MC1 OCH SG2 HYTT)

LX002922 -UN-17JUL95



LX002922

2
1 2 0
6 0 4
4 4 0
0 0 S

KEY	PART NO.	PART NAME	QTY	SERIAL NO.	REMARKS
1	21M7327	SCREW	1	X X X	M6X35
2	21M7376	SCREW	1	X X X	M6X50
3	L58326	BUSHING	1	X X X	(SUB FOR L60470)
4	AL64189	ACTUATOR	1	X X X	(ORD AL69236, L64494, L64893, L64894, (2) 21M7403, L60802) (SUB FOR AL61200, AL63979)
5	L60787	GASKET	1	X X X	
6	12H302	LOCK WASHER	2	X X X	1/4"
7	14M7272	NUT	2	X X X	M6
8	21M7376	SCREW	1	X X X	(A) M6X50
9	21M7384	SCREW	1	X X X	(A) M6X70
10	R53393	SLEEVE	2	X X X	(A)
11	19M7163	CAP SCREW	2	X X X	(A) M8X25
12	L59159	BRACKET	1	X X X	(A)
13	AL69236	ACTUATOR	1	X X X	
14	L64894	BRACKET	1	X X X	
15	L64893	GASKET	1	X X X	
16	21M7403	SCREW	2	X X X	M6X40
17	L60802	PAD	1	X X X	

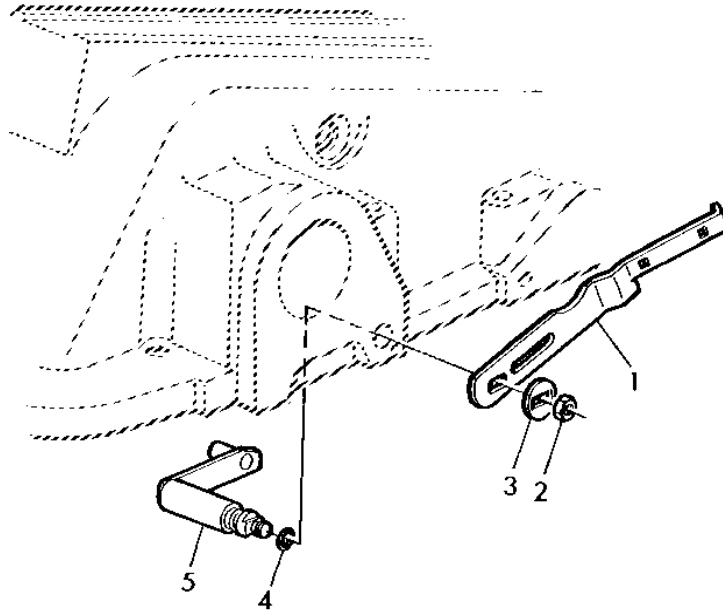
(A) WITH MC1 CAB
 AVEC CABINE MC1
 BEI MC1 KABINE
 CON CABINA MC1
 CON CABINA MC1
 VID MC1 HYTT

MEMORANDA
MEMORANDA
MEMORANDA
MEMORANDA
MEMORANDA

5D8

HYDRAULIC PUMPS, ROCKSHAFT

SELCOR LEVER
 LEVIER DE SYSTEME
 SYSTEMHEBEL
 LEVA SEL/ETTRICE SOLLEVATORE
 PALANCA SELECTORA DEL MODO DE TRABAJO
 VALJARSPAK
 L108755 -UN-17JUL95



L 108755

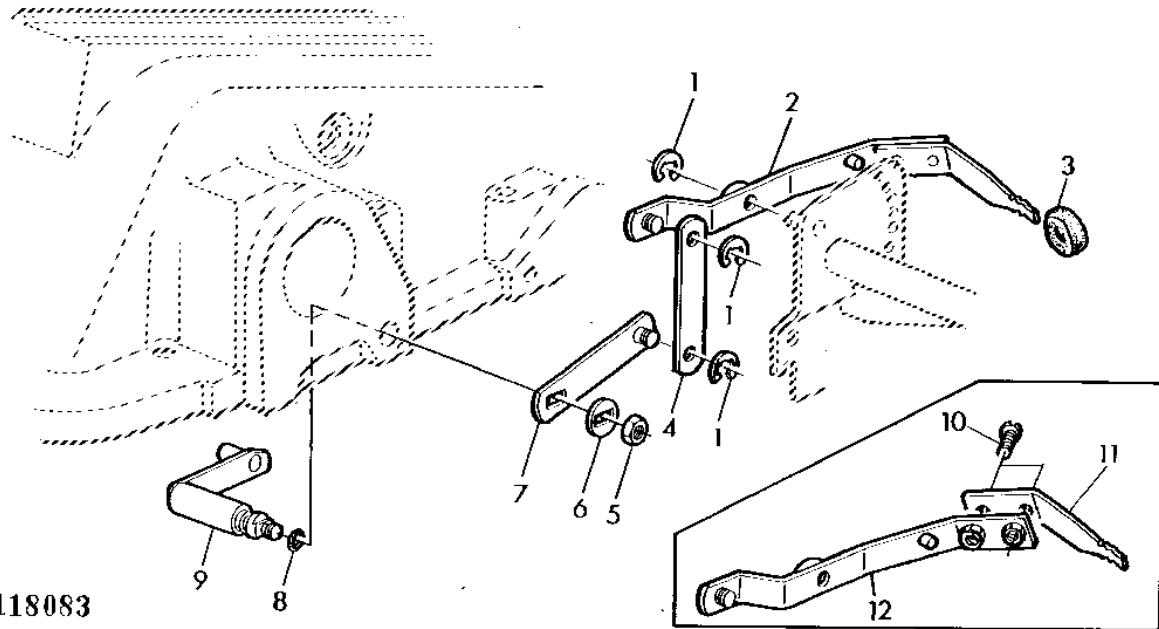
2
 1 2 0
 6 0 4
 4 4 0
 0 0 S

KEY	PART NO.	PART NAME	QTY	SERIAL NO.	REMARKS
1	L29848	LEVER	1	X X X	
2	14H732	NUT	1	X X X	3/8"
3	T22876	WASHER	1	X X X	
4	F3353R	O-RING	1	X X X	
5	AL28674	LEVER	1	X X X	(SUB FOR AL28227)

5D9

HYDRAULIC PUMPS, ROCKSHAFT

SELECTOR LEVER (WITH MC1 CAB)
 LEVIER DE SYSTEME (AVEC CABINE MC1)
 SYSTEMHEBEL BEI MC1 KABINE
 LEVA SELETRICE SOLLEVATORE (CON CABINA MC1)
 PALANCA SELETORA DEL TIPO DE REGULACION (CON CABINA MC1)
 HYDRAULVALJARSPAK (VID MC1 FORARHYTT)
 L118083 -UN-26MAY95



I, 118083

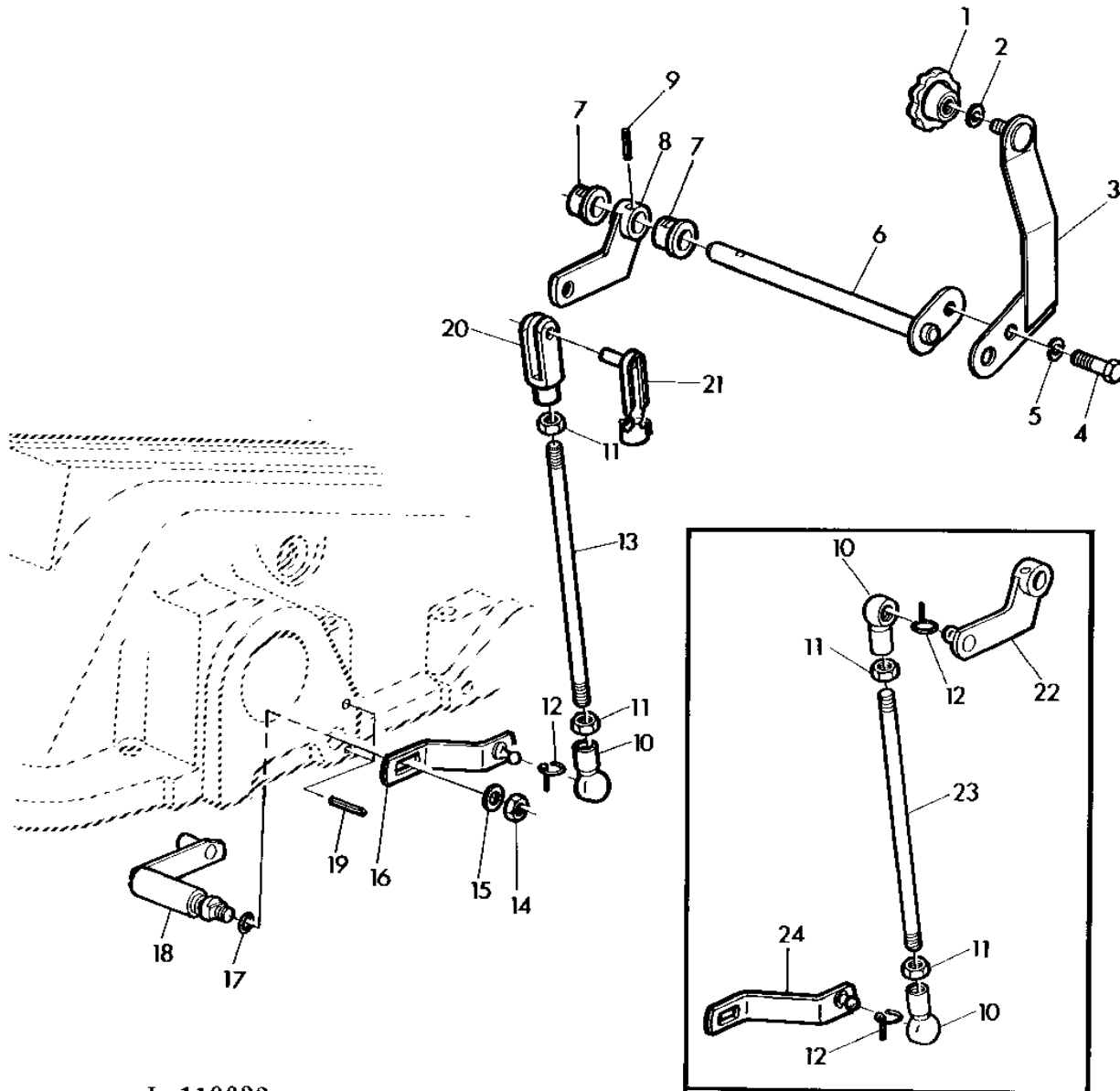
2
 1 2 0
 6 0 4
 4 4 0
 0 0 S

KEY	PART NO.	PART NAME	QTY	SERIAL NO.	REMARKS
1	R72653	SNAP RING	3	X X X	(SUB FOR M2396T)
2	AL63116	LEVER	1	X X X	
3	L57636	KNOB	1	X X X	(SUB FOR T22883, L56931)
4	L30202	STRAP	1	X X X	
5	14H732	NUT	1	X X X	3/8"
6	T22876	WASHER	1	X X X	
7	AL24706	STRAP	1	X X X	
8	F3353R	O-RING	1	X X X	
9	AL28674	LEVER	1	X X X	
10	21M7383	SCREW	2	X X X	M6X12
11	L57874	LEVER	1	X X X	
12	AL58564	LEVER	1	X X X	(ORD AL63116)

5D10

HYDRAULIC PUMPS, ROCKSHAFT

SELCATOR LEVER WITH SG2 CAB
LEVIER DE SYSTEME AVEC SG2 CABINE
SYSTEMHEBEL BEI SG2 KABINE
LEVA SEL/ETTRICE SOLLEVATORE CON SG2 CABINA
PALANCA SELECTORA DEL MODO DE TRABAJO CON SG2 CABINA
VALJARSPAK VID SG2 HYTT
L110633 -UN-17JUL95



L 110633

5D11

HYDRAULIC PUMPS, ROCKSHAFT

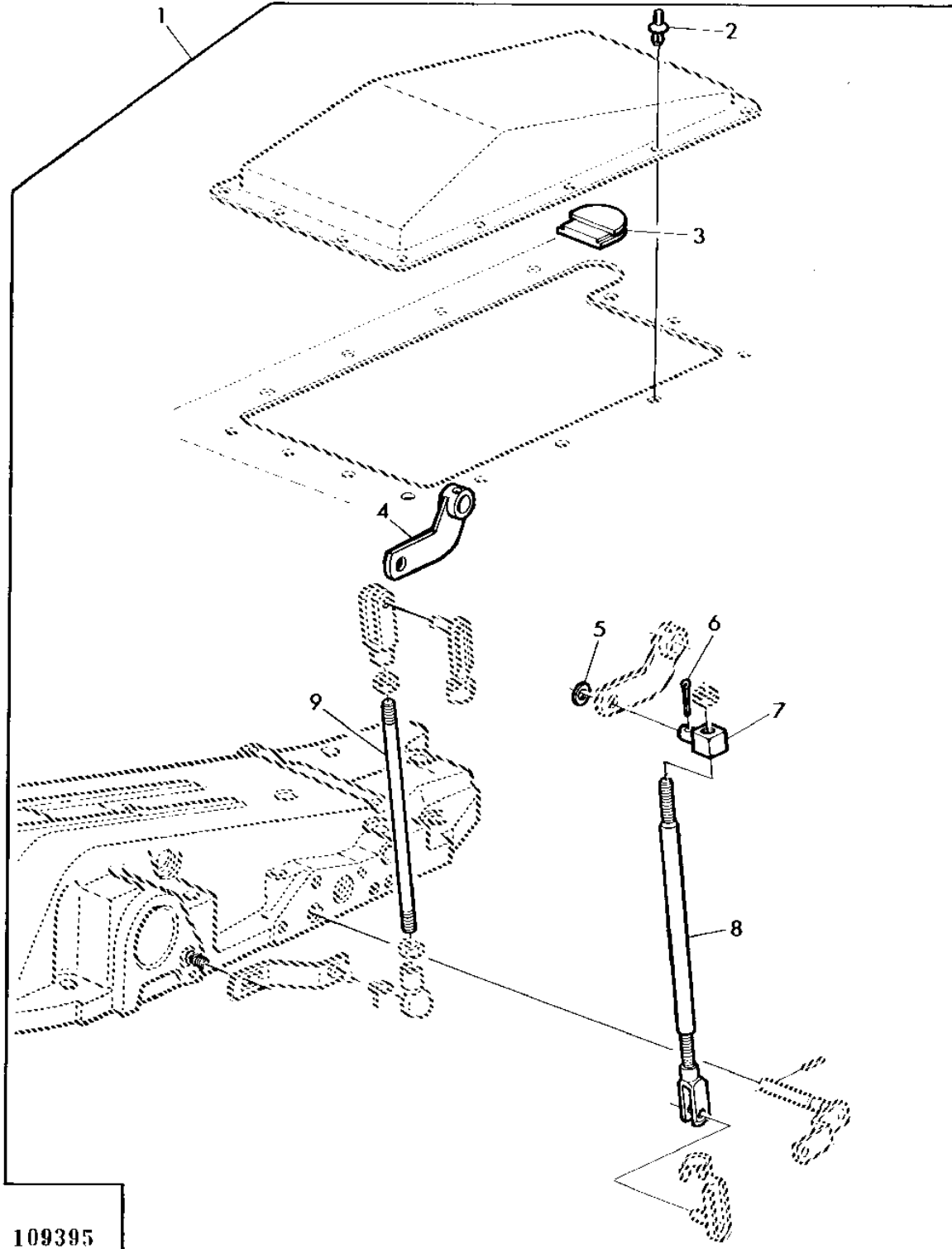
KEY	PART NO.	PART NAME	QTY	SERIAL NO.	2 1 2 0 6 0 4 4 4 0 0 0 S	REMARKS
1	L38166	KNOB	1		X X X	
2	24M7289	WASHER	1		X X X	9.5X28X3MM (SUB FOR A127R)
3	AL35539	LEVER	1		X X X	
4	19H1813	CAP SCREW	1		X X X	5/16"X5/8"
5	12M7056	LOCK WASHER	1		X X X	
6	AR87964	SHAFT	1		X X X	
7	R41076	GROMMET	2		X X X	
8	L56801	LEVER	1	544771-	X X X	(SUB FOR AL36616)
9	R56504	SPRING PIN	1		X X X	
10	56M7003	BALL JOINT SOCKET	2	-544770	X X X	
	56M7003	BALL JOINT SOCKET	1	544771-	X X X	
11	14M7273	NUT	2		X X X	M8
12	56M7004	BALL JOINT SOCKET	2	-544770	X X X	
	56M7004	BALL JOINT SOCKET	1	544771-	X X X	
13	42M7016	STUD	1	544771-	X X X	M8X160
14	14H732	NUT	1		X X X	3/8"
15	24M7028	WASHER	1		X X X	10.5X21X2MM
16	AL41364	LEVER	1	544771-	X X X	
17	F3353R	O-RING	1		X X X	
18	AL28674	LEVER	1		X X X	(SUB FOR AL28227)
19	34M7087	SPRING PIN	1		X X X	4X14MM
	34M7154	SPRING PIN	2		X	(A) 4X14MM
20	54M4420	YOKE	1	544771-	X X X	
21	45M7065	SPRING LOCKING PIN	1	544771-	X X X	
22	AL34689	LEVER	1	-544770	X X X	(ORD AL41450)
23	42M7021	STUD	1	-544770	X X X	8X170MM (ORD AL41450)
24	AL34605	LEVER	1	-544770	X X X	(ORD AL41452)

(A) WITH INCREASED LIFTING CAPACITY
 AVEC CAPACITE DE REL.AUGM.
 BEI HUBKRAFTERHOEHUNG
 CON ELEVATA CAPACITA DI SOLLEVAMENTO
 CON FUERZA DE ELEV.AUMENTADA
 VID OKAD LYFTKAPACITET

5D12

HYDRAULIC PUMPS, ROCKSHAFT

ROCKSHAFT ACTUATING PARTS SG2 CAB
ELEMENTS DE COMMANDE DU RELEVAGE-CABINE SG2
TEILESATZ FUER KRAFTHEBERBETAETIGUNG SG2 KABINE
GRUPPO COMANDO SOLLEVATORE CON CABINA SG2
ELEMENTOS DE MANDO DEL ELEVADOR-CABINA SG2
MANOVERDELAR FOR TREPUNKTSLYFT-SG2 FORARHYTT
L109395 -UN-17JUL95



L 109395

5D13

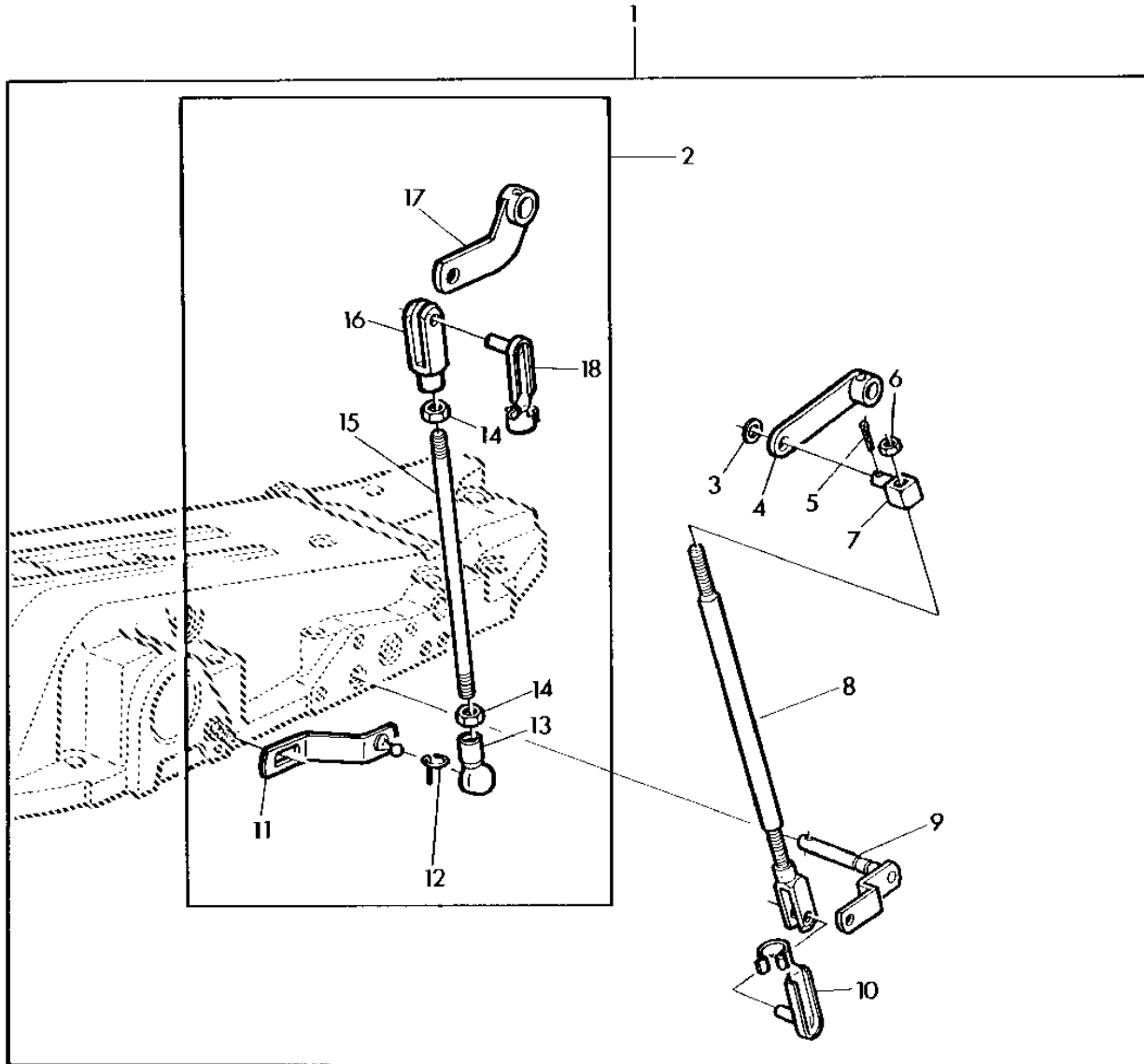
HYDRAULIC PUMPS, ROCKSHAFT

KEY	PART NO.	PART NAME	QTY	SERIAL NO.		REMARKS
					2	
					1 2 0	
					6 0 4	
					4 4 0	
					0 0 S	
1	AL41277	KIT	1	-544770	X X X	
2	L39134	RIVET	14	-544770	X X X	
3	L41891	COVER	1	-544770	X X X	
4	L56801	LEVER	1	-544770	X X X	(SUB FOR AL36616)
5	24M7055	WASHER	1	-544770	X X X	8.4X17X1.6MM
6	11M7080	COTTER PIN	1	-544770	X X X	
7	L41894	SWIVEL	1	-544770	X X X	
8	AL41275	LINKAGE	1	-544770	X X X	
9	42M7016	STUD	1	-544770	X X X	M8X160

5D14

HYDRAULIC PUMPS, ROCKSHAFT

ROCKSHAFT ACTUATING PARTS SG2 CAB
ELEMENTS DE COMMANDE DU RELEVAGE-CABINE SG2
TEILESATZ FUER KRAFTHEBERBETAETIGUNG SG2 KABINE
GRUPPO COMANDO SOLLEVATORE CON CABINA SG2
ELEMENTOS DE MANDO DEL ELEVADOR-CABINA SG2
MANOVERDELAR FOR TREPUNKTSLYFT-SG2 FORARHYTT
L109432 -UN-19JUL95



L 109432

5D15

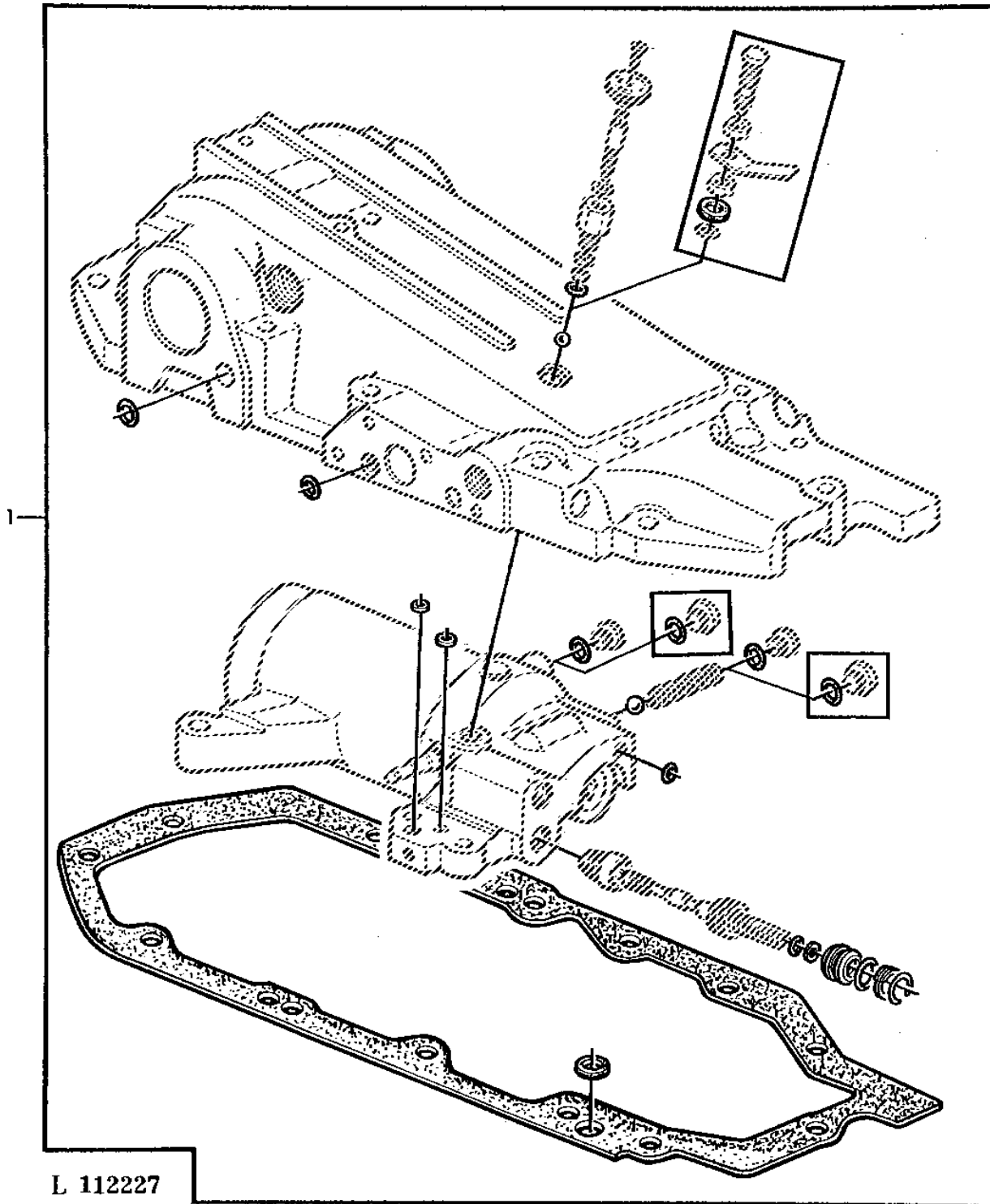
HYDRAULIC PUMPS, ROCKSHAFT

KEY	PART NO.	PART NAME	QTY	SERIAL NO.	REMARKS
					2
					1 2 0
					6 0 4
					4 4 0
					0 0 S
1	AL41452	KIT	1	X X X	
2	AL41450	KIT	1	X X X	NSEP (ORD AL41452)
3	24M7055	WASHER	1	X X X	8.4X17X1.6MM
4	L56634	LEVER	1	X X X	(SUB FOR AL41355)
5	11M7080	COTTER PIN	1	X X X	2.5X16MM
6	14M7145	NUT	1	X X X	M8
7	L41894	SWIVEL	1	X X X	
8	AL41437	ROD	1	X X X	
9	AL41365	LEVER	1	X X X	
10	45M7065	SPRING LOCKING PIN	1	X X X	
11	AL41364	LEVER	1	X X X	
12	56M7004	BALL JOINT SOCKET	1	X X X	
13	56M7003	BALL JOINT SOCKET	1	X X X	
14	14M7273	NUT	2	X X X	M8
15	42M7016	STUD	1	X X X	M8X160
16	54M4420	YOKE	1	X X X	
17	L56801	LEVER	1	X X X	(SUB FOR AL36616)
18	45M7065	SPRING LOCKING PIN	1	X X X	

5D16

HYDRAULIC PUMPS, ROCKSHAFT

ROCKSHAFT-SEALING KIT
RELEVAGE-LOT DE JOINTS
KRAFTHEBER-DICHTUNGSSATZ
SOLLEVATORE-KIT GUARNIZIONI
ELEVADOR-JUEGO DE JUNTAS
TREPUNKTSLYFT-TATNINGSSATS
L112227 -UN-01JAN94



5D17

HYDRAULIC PUMPS, ROCKSHAFT

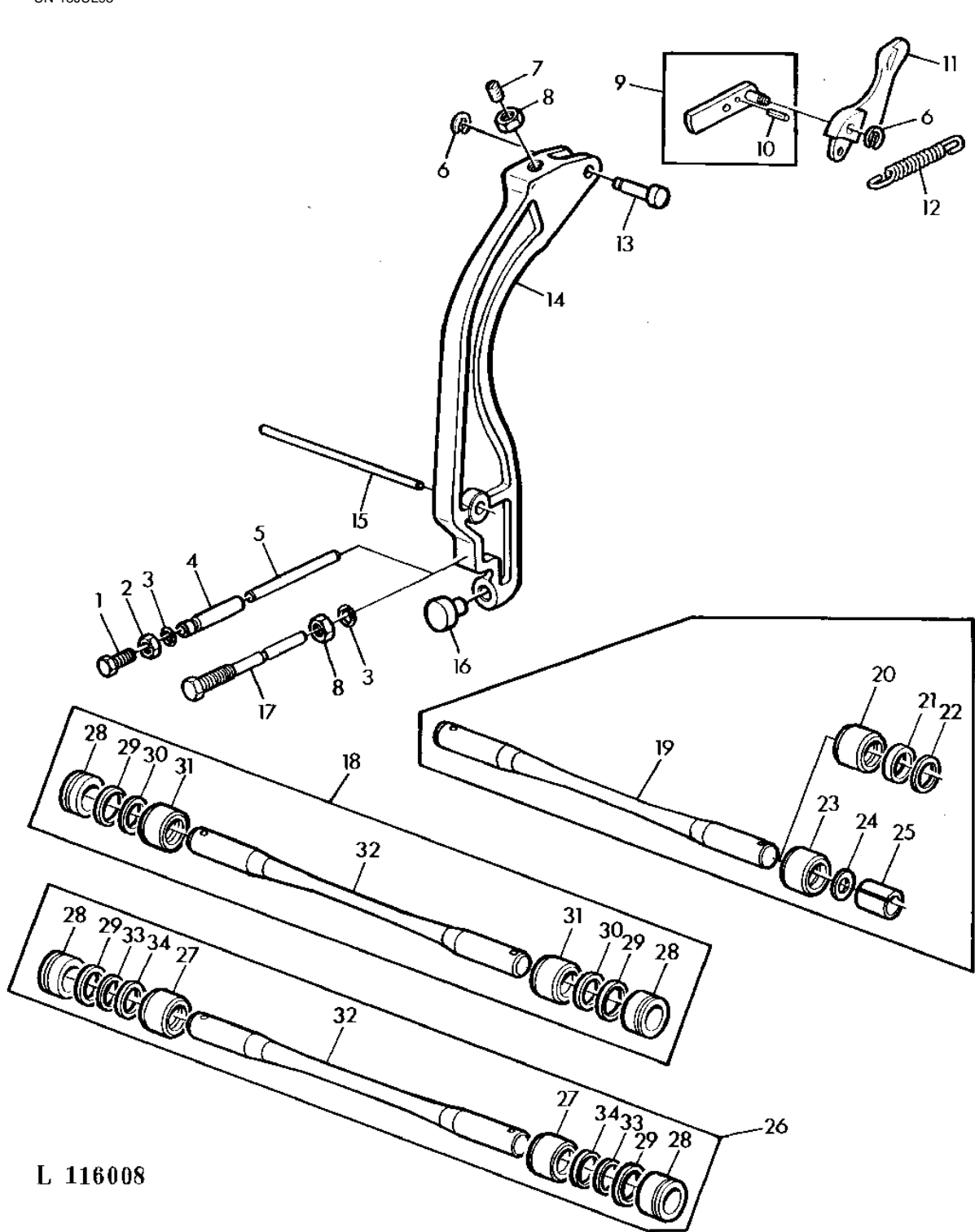
KEY	PART NO.	PART NAME	QTY	SERIAL NO.	REMARKS
1	AL57974	GASKET KIT	1	X X X	

2
1 2 0
6 0 4
4 4 0
0 0 S

5D18

HYDRAULIC PUMPS, ROCKSHAFT

PARTS FOR LOAD CONTROL
 ELEMENTS DU CONTROLE D'EFFORT
 TEILE FUER ZUGWIDERSTANDSREGELUNG
 PARTI PER REGOLAZIONE SFORZA CONTROLLATO
 PIEZAS PARA LA REGULACION AUTOMATICA POR CARGA
 DELAR FOR LASTKONTROLL
 L116008 -UN-18JUL95



L 116008

5D19

HYDRAULIC PUMPS, ROCKSHAFT

KEY	PART NO.	PART NAME	QTY	SERIAL NO.	REMARKS
					2 1 2 0 6 0 4 4 4 0 0 0 S
1	19H3120	CAP SCREW	1		X X X (B) 5/16"X1-1/2"
2	14H882	NUT	2		X X X (B) 5/16"
3	A4365R	O-RING	1		X X X
4	T30918	PIN	1		X X X (B) REAR
5	T30917	PIN	1		X X X (B) FRONT
6	R72653	SNAP RING	2		X X X (SUB FOR M2396T)
7	L56824	SET SCREW	1		X X X (SUB FOR T29311 APPL)
8	14H856	NUT	2		X X X 1/2"
9	AL61479	EXTENSION	1		X X X (SUB FOR AT30631 APPL)
10	34H394	SPRING PIN	1		X X X 3/16"X15/16"
11	L55223	CAM FOLLOWER	1		X X X (SUB FOR L32638)
12	T21955	EXTENSION SPRING	1		X X X
	R49962	EXTENSION SPRING	1		X X X (C)
13	T24690	PIN	1		X X X
14	L58389	LEVER	1		X X X (ORD W/ L56824) (SUB FOR T21487, L39120, L39881)
15	T21681	DOWEL PIN	1		X X X
16	T21680	PIN	1		X X X
17	T23216	CAP SCREW	1		X X X 1/2"
18	AL40976	KIT	1	529512-	X X X
19	L31199	SHAFT	1	-529511	X X X (ORD AL40976 OR AL40977)
20	L33865	BUSHING	2	-529511	X X (A)
21	L33864	WASHER	2	-529511	X X (A)
22	L33863	WASHER	2	-529511	X X (A)
23	L35841	BUSHING	2	-529511	X X X
24	L60162	SEALING WASHER	2	-529511	X X X (A) (SUB FOR L35840)
25	T28548	BUSHING	2	-529511	X X X (A)
26	AL40977	KIT	1	529512-	X X (A)
27	L41802	BUSHING	2	529512-	X X (A)
28	L41788	BUSHING	2	529512-	X X X
29	L41154	WASHER	4	529512-	X X X
30	L55844	SEALING WASHER	2	529512-	X X X (SUB FOR L41198)
31	L41196	BUSHING	2	529512-	X X X
32	L41787	SHAFT	1	529512-	X X X
33	L41804	SEALING WASHER	2	529512-	X X (A)
34	L55844	SEALING WASHER	2	529512-	X X (A) (SUB FOR L41803)

(A) SOUTH AFRICA VERSION
VERSION SUD-AFRICAINE
SUEDAFRIKA VERSION
VERSIONE SUDAFRICANA
VERSION SUDAFRICANA
SYDAFRIKANSK VERSION

(B) WITH IND.PTO(540-1000)
AVEC PDF INDEP.(540-1000)
BEI UNABH.ZAPFW.(540-1000)
CON PDF INDIP.(540-1000)
CON T.D.F.INDEP.(540-1000)
VID OBER.KRAFTUTT.(540-1000)

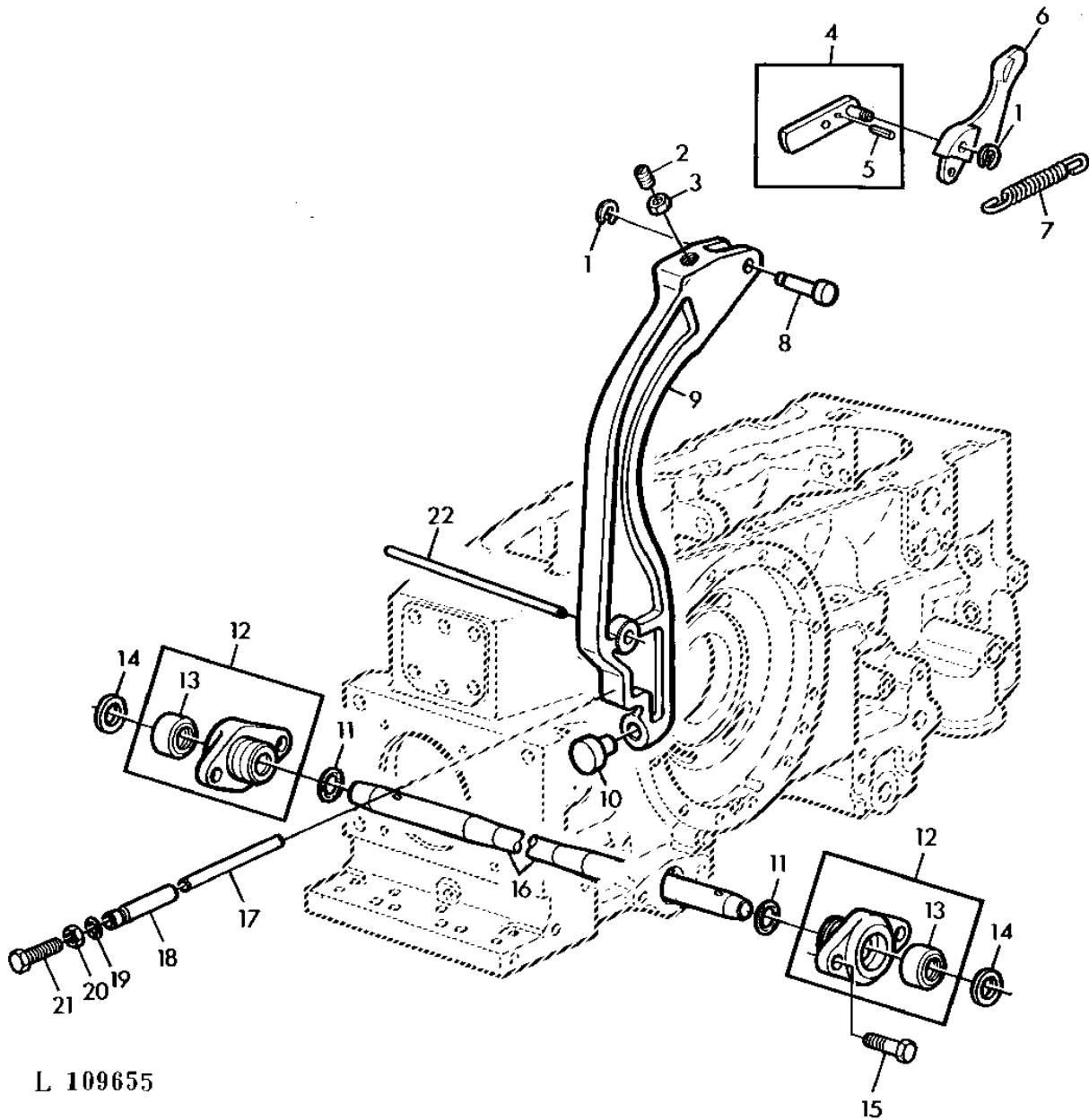
(C) WITH SYNCHRONIZED TRANSM.
AVEC BOITE SYNCHRONISEE
BEI SYNCHRON GETRIEBE
CON CAMBIO SINCRONIZZATA
CON TRANSM.SINCRONIZZATA
VID SYNKRONISER.VAXELLADA

5D20

HYDRAULIC PUMPS, ROCKSHAFT

PARTS FOR LOAD CONTROL (WITH INCREASED LIFTING CAPACITY)
ELEMENTS DU CONTROLE D'EFFORT (AVEC CAPACITE DE REL. AUGM.)
TEILE FUER ZUGWIDERSTANDSREGELUNG (BEI HUBKRAEFERHOEHUNG)
PARTI PER REGOLAZIONE SFORZO CONTROLLATO (CON ELEVATA CAPACITA DI SOLLEVAMENTO)
PIEZAS PARA LA REGULACION AUTOMATICA POR CARGA (CON FUERZA DE ELEV. AUMENTADA)
DELAR FOR DRAGKRAFTSREGLERING (VID OKAD LYFTKAPACITET)

L109655 -UN-07JUN95



L 109655

5D21

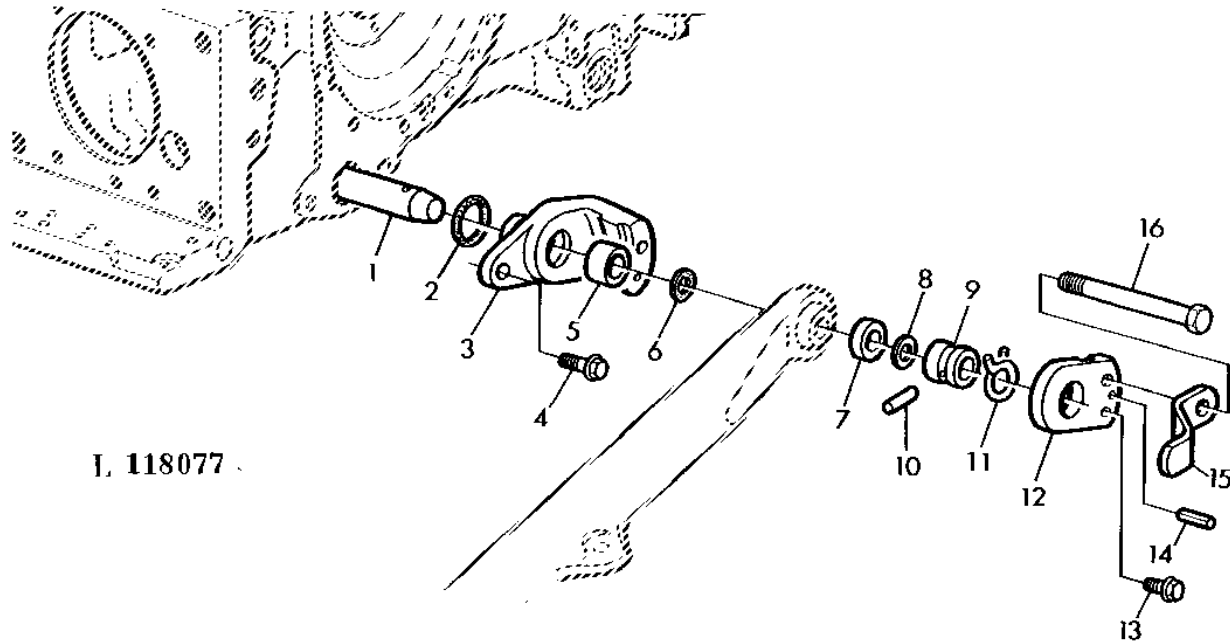
HYDRAULIC PUMPS, ROCKSHAFT

KEY	PART NO.	PART NAME	QTY	SERIAL NO.	REMARKS
					2
					1 2 0
					6 0 4
					4 4 0
					0 0 S
1	R72653	SNAP RING	2		X
2	L56824	SET SCREW	1		X 1/2"X1-1/2"
3	14H856	NUT	1		X 1/2"
4	AL61479	EXTENSION	1		X (SUB FOR AT30631 APPL)
5	34H394	SPRING PIN	1		X 3/16"X15/16"
6	L55223	CAM FOLLOWER	1		X
7	R49962	EXTENSION SPRING	1		X
8	T24690	PIN	1		X
9	L58389	LEVER	1		X (SUB FOR L39881)
10	T21680	PIN	1		X
11	T19687	O-RING	2		X
12	AL40773	FLANGE	2		X
13	L41196	BUSHING	1		X
14	L55844	SEALING WASHER	2		X (SUB FOR L41198)
15	19H1708	CAP SCREW	4		X 5/8"X1-3/4"
16	L41819	SHAFT	1		X
17	T30917	PIN	1		X
18	T30918	PIN	1		X
19	A4365R	O-RING	1		X
20	14H882	NUT	1		X 5/16"
21	19H3120	CAP SCREW	1		X 5/16"X1-1/2"
22	T21681	DOWEL PIN	1		X

5D22

HYDRAULIC PUMPS, ROCKSHAFT

CONVERSION KIT FOR HEAVY-DUTY LOAD CONTROL SHAFT BRGS (WITH INC.LIFT)
 JEU DE CONVERSION-SUPPORT DE BARRE DE TORSION RENF. (RELEVAGE RENF.)
 UMBBAUTEILE FUER VERSTAERKTE FEDERSTABSLAGERUNG (BEI HUBKRAFTERHOEHUNG)
 KIT CONVERS. PER SUPP. RINFORZ. ALB. SFORZO CONTR. (CON SOLLEV. RINF.)
 CONJ. DE MODIF. PARA CASQUILLOS REFORZ. DEL EJE FLEX. (ALTA CAP. ELEV.)
 MODIF.-SATS FOR FORSTARKT LASTKONTROLLAXELLAGRING (OKAD LYFTKAP.)
 L118077 -UN-08JUN95



L 118077

2
1 2 0
6 0 4
4 4 0
0 0 S

KEY	PART NO.	PART NAME	QTY	SERIAL NO.	REMARKS
1	L41197	SHAFT	1		X
2	T19687	O-RING	2		X
3	L56186	SUPPORT	1		X RH
	L56188	SUPPORT	1		X LH
4	19H1708	CAP SCREW	2		X 5/8"X1-3/4"
5	L41196	BUSHING	2		X
6	L55844	SEALING WASHER	2		X
7	L60636	BUSHING	2		X
8	L41154	WASHER	2		X
9	L41199	BUSHING	2		X
10	L26943	PIN	2		X
11	L26936	CLAMP	2		X
12	L56187	RETAINER	1		X RH
	L56189	RETAINER	1		X LH
13	19M8215	CAP SCREW	2		X M12X40
14	34M7059	SPRING PIN	2		X 6X12MM
15	L41201	RETAINER	2		X
16	19H1923	CAP SCREW	2		X 5/8"X5-1/2"

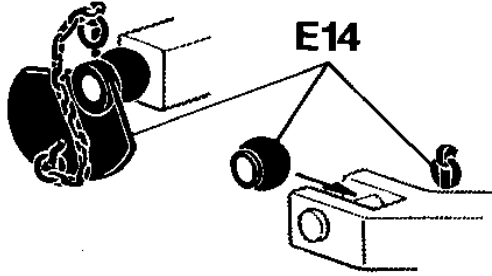
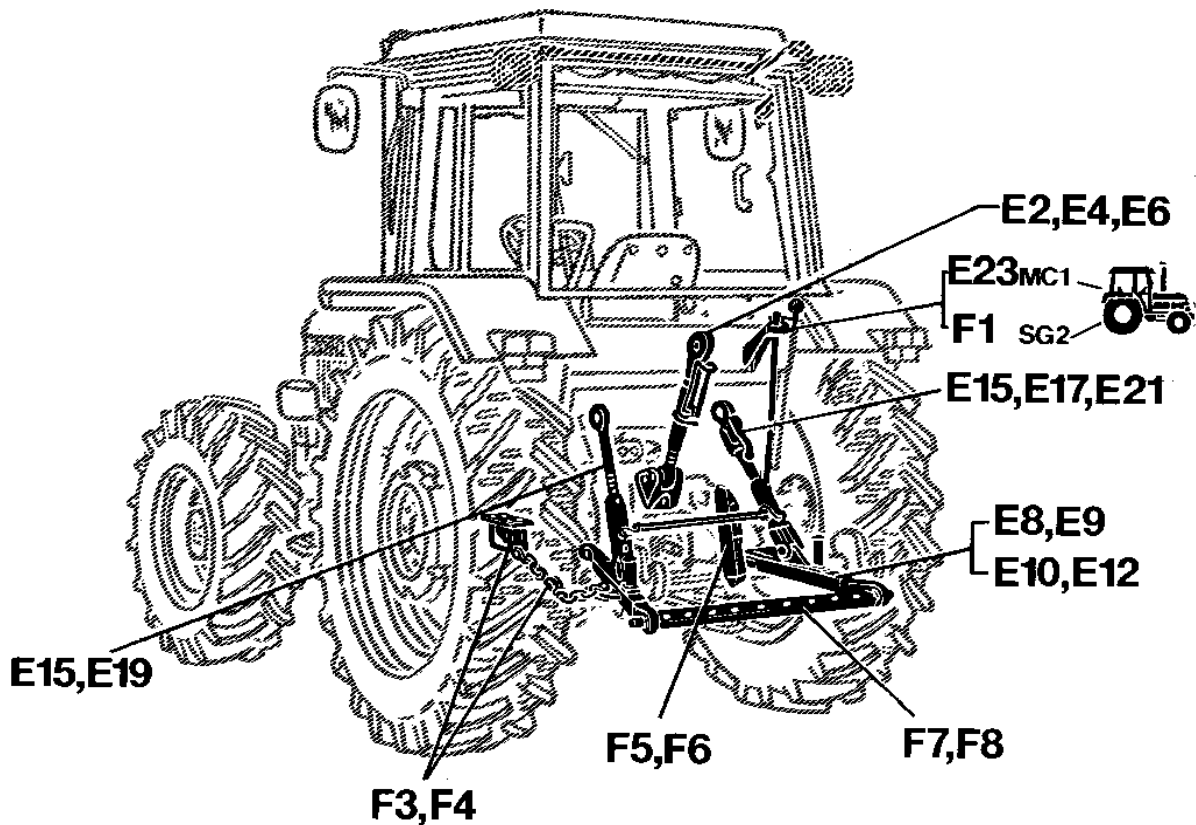
5E1

3-POINT HITCH

XX
XX
XX
XX
XX
XX
XX
XX
XX
XX

SECTIONAL INDEX
INDEX DE SECTION
GRUPPENINDEX
INDICE DELLA SEZIONE
INDICE DE GRUPOS
GRUPPSFORTECKNING

LX011454 -UN-14JUL95

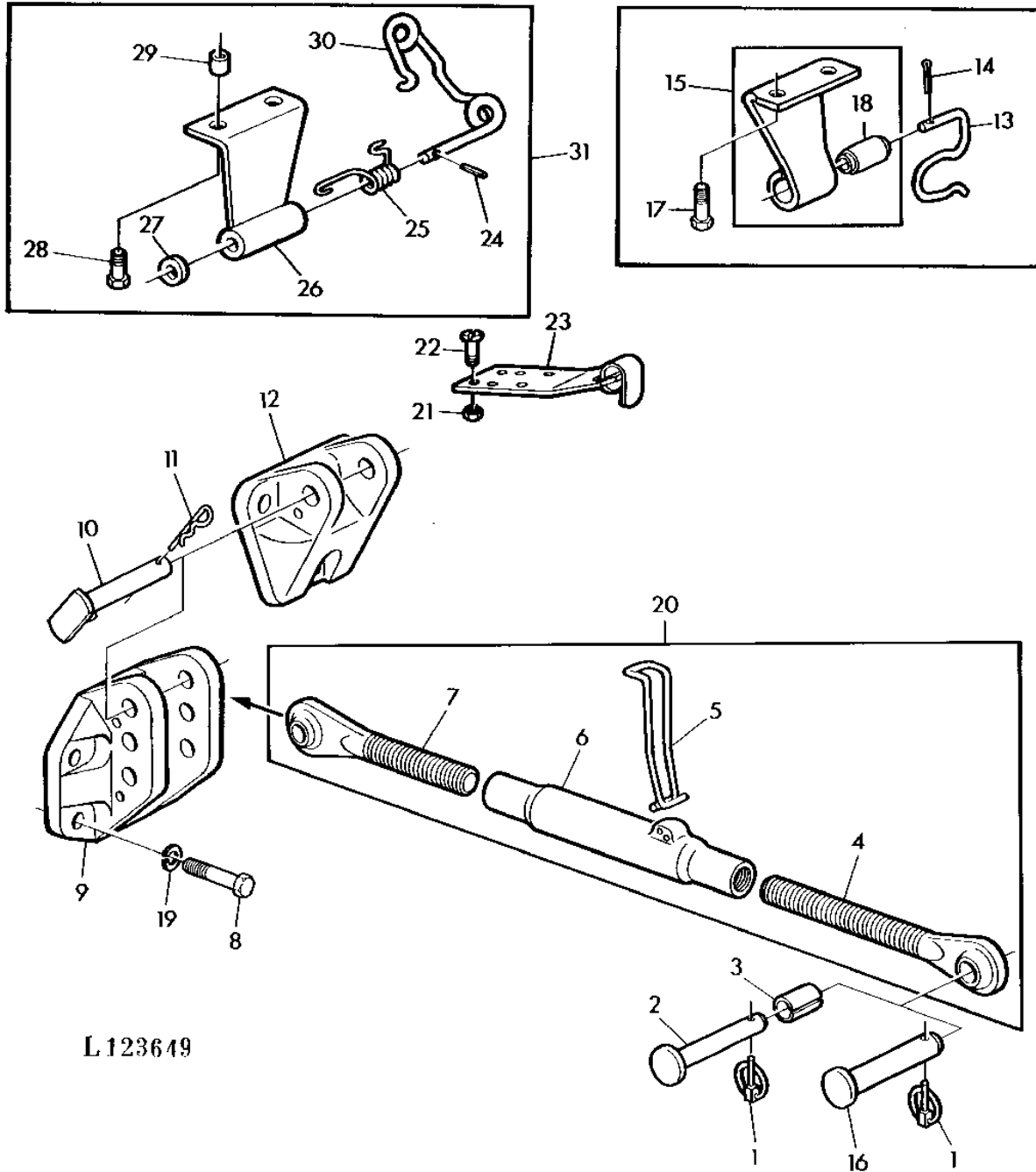


LX011454

5E2

3-POINT HITCH

THREE POINT HITCH CENTER LINK
ATTELAGE 3 POINTS BARRE DE POUSEE
DREIPUNKTAUFHAENGUNG-OBERER LENKER
ATTACCO 3 PUNTI, TERZO PUNTO
ENGANCHE EN TRES PUNTOS, TENSOR CENTRAL
TREPUNKTSLYFT, TRYCKSTANG
L123649 -UN-09JUN95



L123649

5E3

3-POINT HITCH

KEY	PART NO.	PART NAME	QTY	SERIAL NO.	REMARKS
					2
					1 2 0
					6 0 4
					4 4 0
					0 0 S
1	B11182	QUICK LOCK PIN	1	X X X	
2	R44917	PIN	1	X X X	(A) REAR
3	L11292	BUSHING	1	X X X	(A)
4	AL67292	CENTER LINK END	1	X X X	REAR, 1-1/8" (SUB FOR AL18136, AL39171)
5	T32077	HANDLE	1	X X X	(FOR AL39170) (SUB FOR T27136)
	L63659	HANDLE	1	X X X	(FOR AL67290)
6	AL18135	LINK BODY	1	X X X	
7	AL67293	CENTER LINK END	1	X X X	FRONT, 1-1/8", LH (SUB FOR AT23759, AL39172)
8	19H1734	CAP SCREW	3	X X X	5/8"X2"
9	L32978	BRACKET	1	X X X	
10	AL40957	PIN	1	X X X	(SUB FOR AT21912)
11	A3581R	SPRING LOCKING PIN	1	X X X	
12	T21685	BRACKET	1	X X X	
13	L37842	CLAMP	1	X X X	(C)
14	11M7012	COTTER PIN	1	X X X	(C) 3.2X16MM
15	AL41580	BRACKET	1	X X X	(C) (ORD AL68170) (SUB FOR AL35459)
16	R53296	PIN	1	X X X	(B) REAR
17	L39078	CAP SCREW	2	X X X	(C)
18	AL35460	RUBBER MOUNT	1	X X X	(C) NSEP (ORD AL68170)
19	12H294	LOCK WASHER	3	X X X	5/8"
20	AL39170	CENTER LINK	1	X X X	LGTH= 540-780MM (ORD AL67290)
	AL67290	CENTER LINK	1	X X X	LGTH= 590-830MM
21	14H785	NUT	2	X X X	5/16"
22	21H1331	SCREW	2	X X X	5/16"X1"
23	AL63296	SUPPORT	1	X X X	(SUB FOR AL23433)
24	34M7091	SPRING PIN	1	X X X	(C)
25	L63344	TORSION SPRING	1	X X X	(C)
26	AL67287	BRACKET	1	X X X	(C)
27	24M7362	WASHER	1	X X X	(C)
28	19H3130	CAP SCREW	2	X X X	(C) 5/16"X1-3/4"
29	L63705	BUSHING	2	X X X	(C)
30	L63670	HOOK	1	X X X	(C)
31	AL68170	KIT	1	X X X	(C)

(A) CATEGORY I
 CATEGORIE I
 KATEGORIE I
 CATEGORIA I
 CATEGORIA I
 KATEGORI I

(B) CATEGORY II
 CATEGORIE II
 KATEGORIE II
 CATEGORIA II
 CATEGORIA II
 KATEGORI II

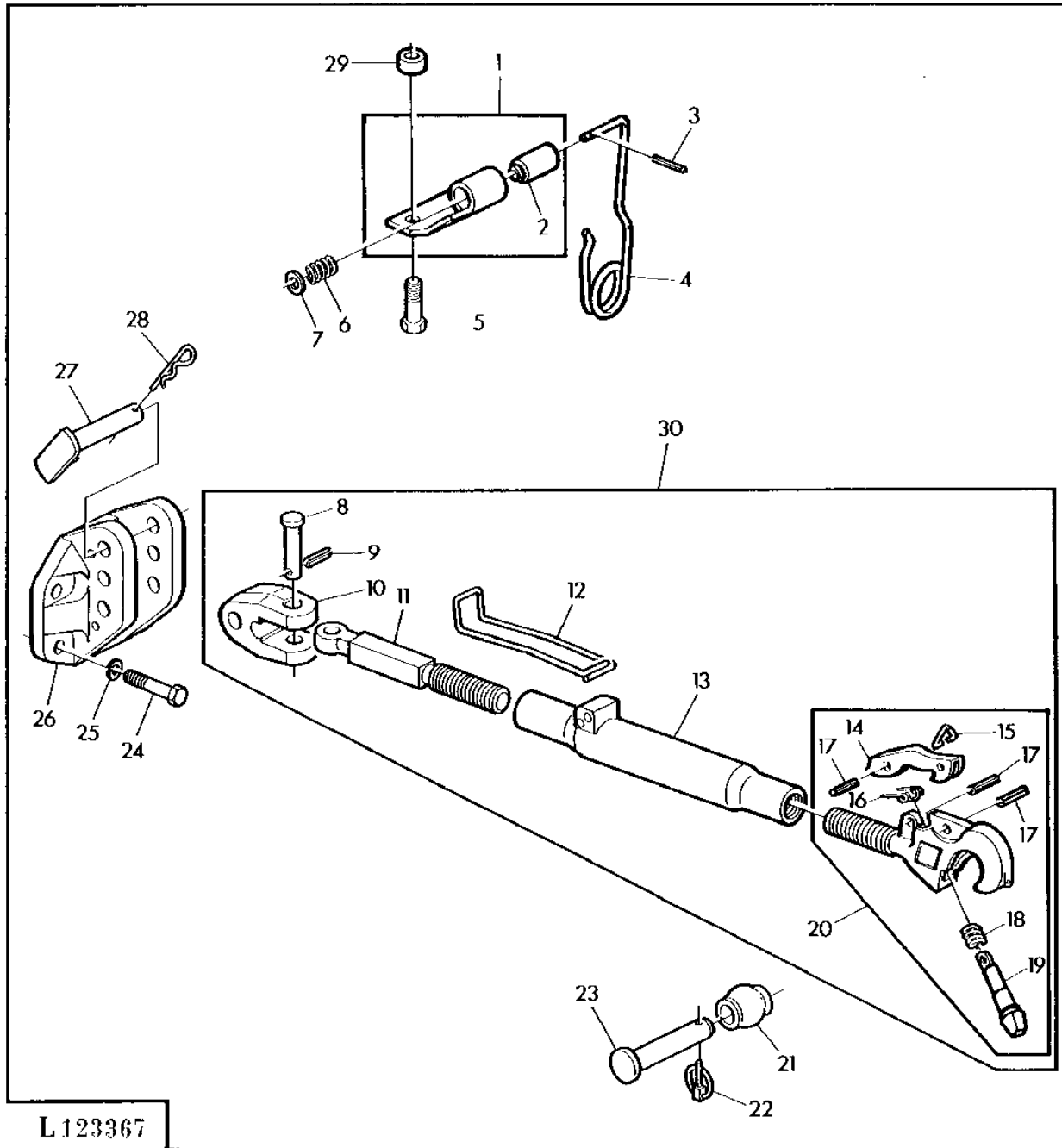
(C) WITH SG2 CAB
 AVEC CABINE SG2
 BEI SG2 KABINE
 CON CABINE SG2
 CON CABINE SG2
 VID SG2 HYTT

5E4

3-POINT HITCH

THREE POINT HITCH CENTER (WITH INCREASED LIFTING CAPACITY)
ATTELAGE 3 POINTS BARRE DE POUSEE (AVEC CAPACITE DE REL. AUGM.)
DREIPUNKTAUFHAENGUNG-OBERER LENKER (BEI HUBKRAFTERHOEHUNG)
ATTACCO 3 PUNTI, TERZO PUNTO (CON ELEVATA CAPACITA DI SOLLEVAMENTO)
ENGANCHE EN TRES PUNTOS, TENSOR CENTRAL (CON FUERZA DE ELEV. AUMENTADA)
TREPUNKTSLYFT, TRYCKSTANG (VID OKAD LYFTKAPACITET)

L123367 -UN-18JUL95



L123367

5E5

3-POINT HITCH

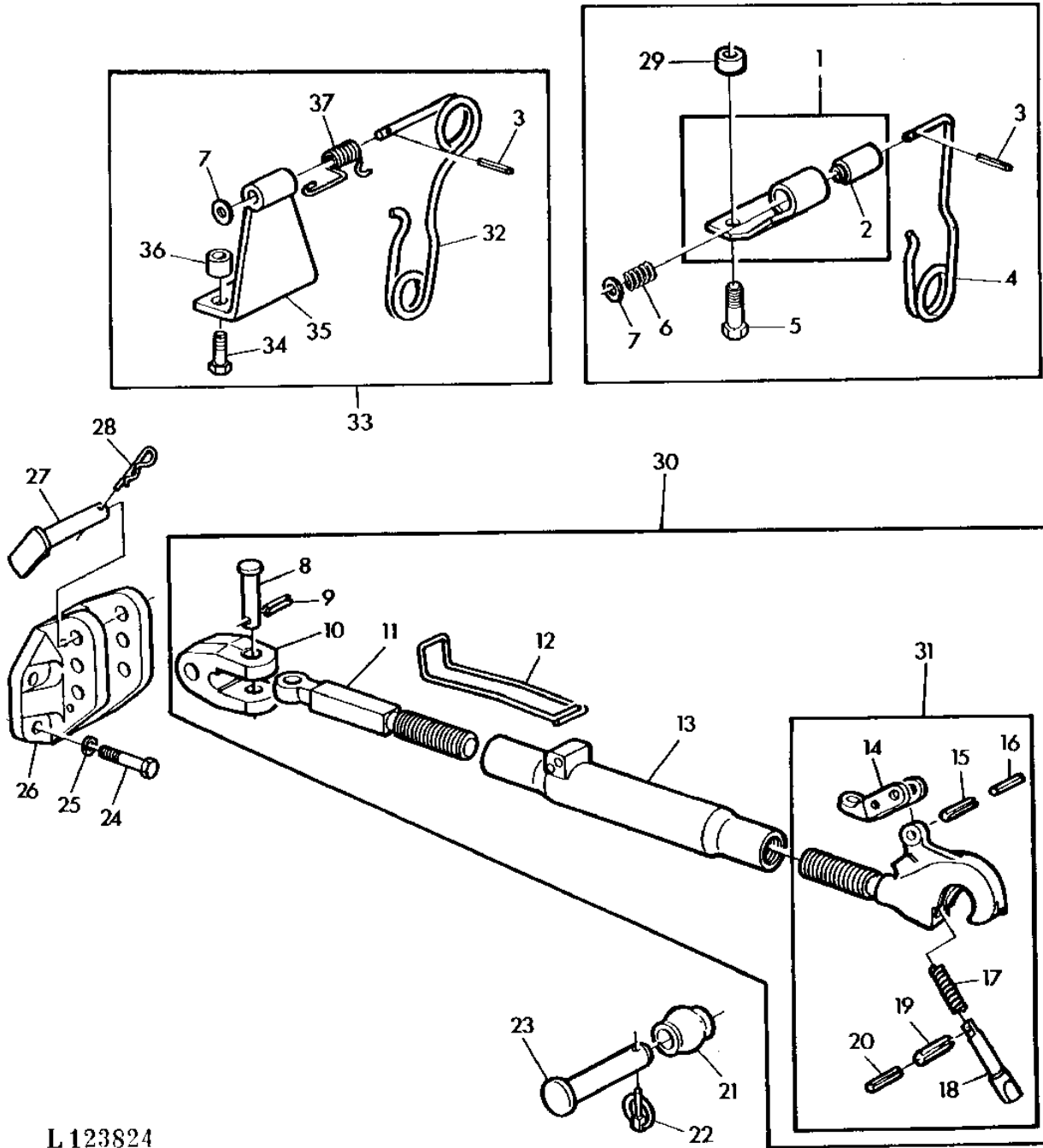
KEY	PART NO.	PART NAME	QTY	SERIAL NO.	REMARKS
					2
					1 2 0
					6 0 4
					4 4 0
					0 0 S
1	AL41313	BRACKET	1		X (ORD AL68170)
2	AL35460	RUBBER MOUNT	1		X NSEP (ORD AL68170)
3	34M7091	SPRING PIN	1		X 3.5X11MM
4	L41905	HOOK	1		X (ORD AL68170)
5	L58669	SCREW	2		X (SUB FOR L40498)
6	L41880	COMPRESSION SPRING	1		X
7	24M7362	WASHER	1		X
8	L28281	PIN	1		X
9	34M7047	SPRING PIN	1		X 8X40MM
10	L41865	YOKE	1		X
11	L41866	CENTER LINK END	1		X
12	T32077	HANDLE	1		X
13	AL41218	LINK BODY	1		X
14	L41869	LEVER	1		X
15	L35037	BAIL	1		X
16	L35444	TORSION SPRING	1		X
17	34M7039	SPRING PIN	3		X
18	L41870	COMPRESSION SPRING	1		X
19	L41868	PIN	1		X
20	AL41217	HOOK	1		X (ORD AL68207)
21	L42050	BALL	1		X
22	B11182	QUICK LOCK PIN	1		X
23	R53296	PIN	1		X
24	19H1734	CAP SCREW	6		X 5/8"X2"
25	12H294	LOCK WASHER	6		X 5/8"
26	L32978	BRACKET	1		X
27	AL40957	PIN	1		X
28	A3581R	SPRING LOCKING PIN	1		X
29	L33656	SPACER	2		X
30	AL56015	CENTER LINK	1		X (ORD AL68208)

5E6

3-POINT HITCH

THREE POINT HITCH CENTER (WITH INCREASED LIFTING CAPACITY)
 ATTELAGE 3 POINTS BARRE DE POUSEE (AVEC CAPACITE DE REL. AUGM.)
 DREIPUNKTAUFHAENGUNG-OBERER LENKER (BEI HUBKRAFTERHOEHUNG)
 ATTACCO 3 PUNTI, TERZO PUNTO (CON ELEVATA CAPACITA DI SOLLEVAMENTO)
 ENGANCHE EN TRES PUNTOS, TENSOR CENTRAL (CON FUERZA DE ELEV. AUMENTADA)
 TREPUNKTSLYFT, TRYCKSTANG (VID OKAD LYFTKAPACITET)

L123824 -UN-18JUL95



L 123824

5E7

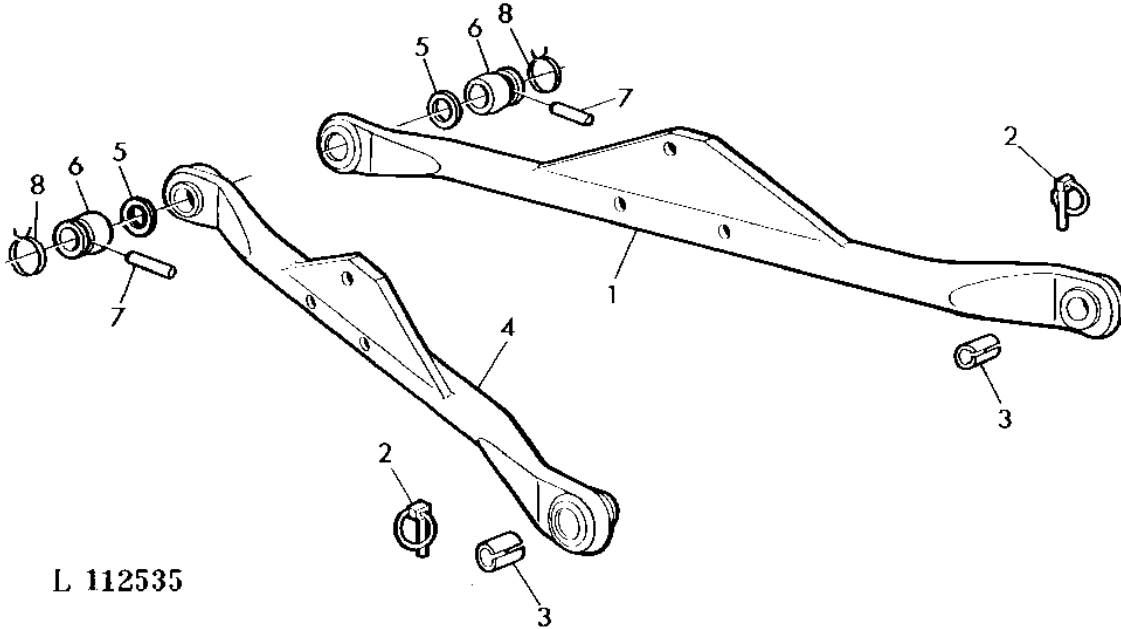
3-POINT HITCH

KEY	PART NO.	PART NAME	QTY	SERIAL NO.	REMARKS
				2	
				1 2 0	
				6 0 4	
				4 4 0	
				0 0 S	
1	AL41313	BRACKET	1		X (ORD AL68170)
2	AL35460	RUBBER MOUNT	1		X NSEP (ORD AL68170)
3	34M7091	SPRING PIN	1		X 3.5X11MM
4	L41905	HOOK	1		X (ORD AL68170)
5	L58669	SCREW	2		X (SUB FOR L40498)
6	L41880	COMPRESSION SPRING	1		X
7	24M7362	WASHER	1		X
8	L28281	PIN	1		X
9	34M7047	SPRING PIN	1		X 8X40MM
10	L41865	YOKE	1		X
11	L41866	CENTER LINK END	1		X
12	T32077	HANDLE	1		X
13	AL41218	LINK BODY	1		X
14	T32198	LEVER	1		X
15	34H299	SPRING PIN	1		X 7/32"X1-1/4"
16	34H252	SPRING PIN	1		X 1/8"X1-1/4"
17	F2822R	SPRING	1		X
18	L63756	PIN	1		X
19	34H294	SPRING PIN	1		X 7/32"X3/4"
20	34H247	SPRING PIN	1		X 1/8"X3/4"
21	L42050	BALL	1		X
22	B11182	QUICK LOCK PIN	1		X
23	R53296	PIN	1		X
24	19H1734	CAP SCREW	6		X 5/8"X2"
25	12H294	LOCK WASHER	6		X 5/8"
26	L32978	BRACKET	1		X
27	AL40957	PIN	1		X
28	A3581R	SPRING LOCKING PIN	1		X
29	L33656	SPACER	2		X
30	AL68208	CENTER LINK	1		X
31	AL68207	LINK	1		X
32	L63670	HOOK	1		X
33	AL68170	KIT	1		X
34	19H3130	CAP SCREW	2		X 5/16"X1-3/4"
35	AL67287	BRACKET	1		X
36	L63705	BUSHING	2		X
37	L63344	TORSION SPRING	1		X

5E8

3-POINT HITCH

THREE-POINT HITCH-REVERSIBLE DRAFT LINKS
 ATTELAGE TROIS-POINTS-BARRES DE TRACTION REVERSIBLES
 DREIPUNKTAUFHAENGUNG UMKEHR-UNTERLENKER
 ATTACCO A TRE PUNTI-PARALLELE RIVERSIBILI
 ENGANCHE DE TRES PUNTOS-BARRAS DE TIRO REVERSIBLES
 TREPUNKTSUPPHANGNING-VANDBARA DRAGARMAR
 L112535 -UN-12MAY95



L 112535

2
1 2 0
6 0 4
4 4 0
0 0 S

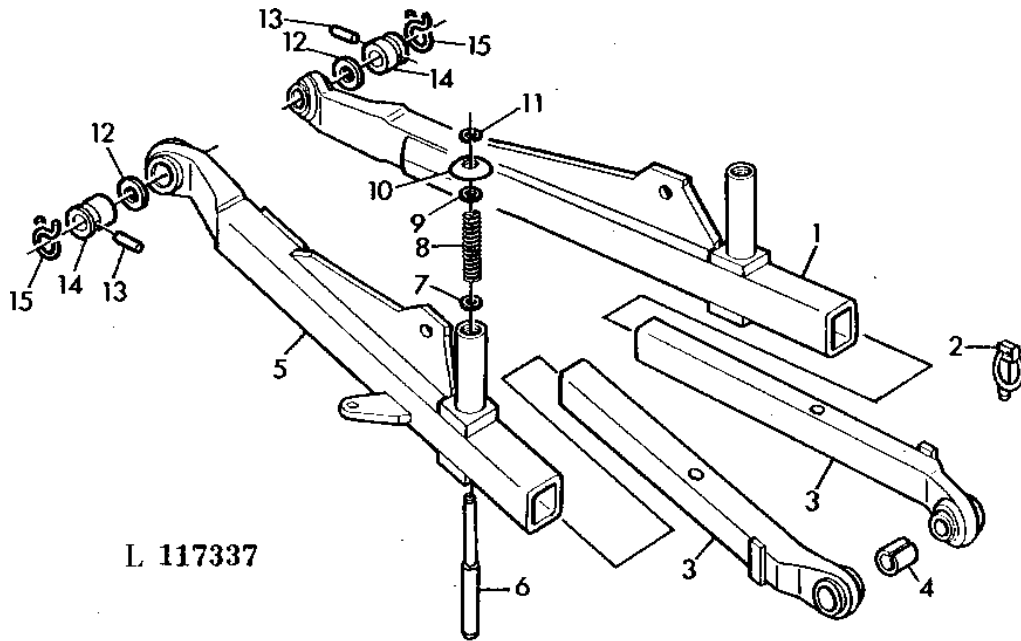
KEY	PART NO.	PART NAME	QTY	SERIAL NO.	REMARKS
1	AL26682	DRAFT LINK	1		X X X RH
2	AR62149	QUICK LOCK PIN	2		X X X
3	T25767	BUSHING	2		X X X (A) REAR
4	AL26683	DRAFT LINK	1		X X X LH
5	R63937	WASHER	AR	-529511	X X X
	L41154	WASHER	AR	529512-	X X X
6	L26941	BUSHING	2	-529511	X X X
	L41788	BUSHING	2	529512-	X X X
7	L26943	PIN	2		X X X
8	L26936	CLAMP	2		X X X

(A) CATEGORY I
 CATEGORIE I
 KATERORIE I
 CATERORIE I
 CATEGORIA I
 KATEGORI I

5E9

3-POINT HITCH

THREE-POINT HITCH-TELESCOPIC DRAFT LINKS
 ATTELAGE TROIS-POINTS-BARRES DE TRACTION TELESCOPIQUES
 DREIPUNKTAUFHAENGUNG TELESKOP-UNTERLENKER
 ATTACCO A TRE PUNTI-PARALLELE TELESCOPICHE
 ENGANCHE DE TRES PUNTOS-BARRAS DE TIRO TELESCOPICAS
 TREPUNKTSUPPHANGNING-TELESKOPISKA DRAGARMAR
 L117337 -UN-01JAN94



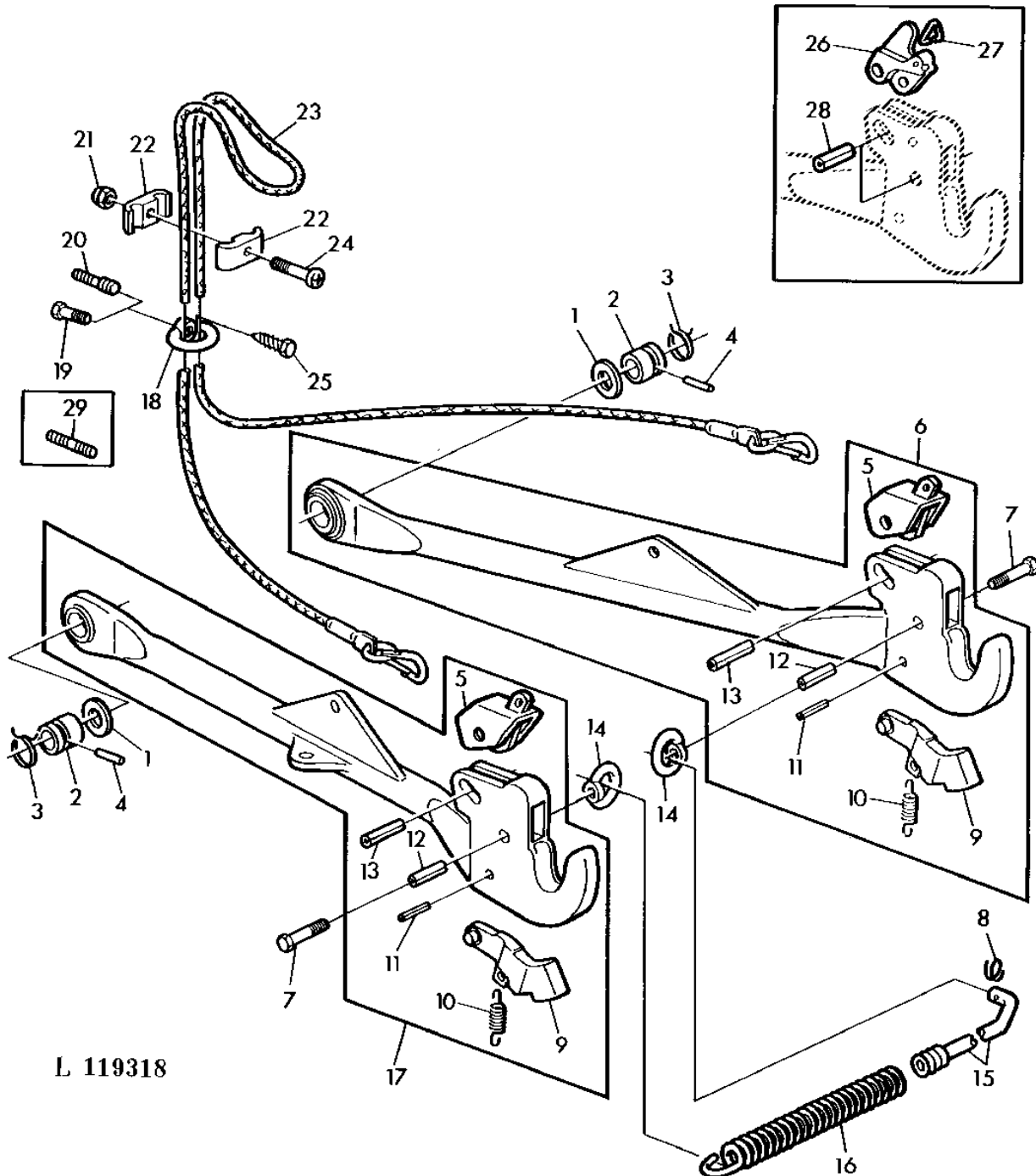
KEY	PART NO.	PART NAME	QTY	SERIAL NO.	REMARKS
				2	
			1	2	0
			6	0	4
			4	4	0
			0	0	S
1	AL26679	DRAFT LINK	1		X X X FRONT, RH
2	AR62149	QUICK LOCK PIN	2		X X X
3	AL24137	DRAFT LINK END	2		X X X REAR
4	T25767	BUSHING	2		X X X (A) REAR
5	AL26678	DRAFT LINK	1		X X X FRONT, LH
6	F2693R	PIN	2		X X X
7	D2865R	WASHER	2		X X X
8	F2695R	SPRING	2		X X X
9	T18716	WASHER	2		X X X
10	B2477R	WASHER	2		X X X
11	F2208R	SNAP RING	2		X X X
12	R63937	WASHER	AR	-529511	X X X
	L41154	WASHER	AR	529512-	X X X
13	L26943	PIN	2		X X X
14	L26941	BUSHING	2	-529511	X X X
	L41788	BUSHING	2	529512-	X X X
15	L26936	CLAMP	2		X X X

(A) CATEGORY I
 CATEGORIE I
 KATEGORIE I
 CATEGORIA I
 CATEGORIA I
 KATEGORI I

5E10

3-POINT HITCH

THREE POINT HITCH - HOOK DRAFT LINKS
ATTELAGE 3 POINTS-BARRES DE TRACTION A CROCHET
DREIPUNKTAUFHAENGUNG-FANGHAKEN-UNTERLENKER
ATTACO 3 PUNTI, BRACCI INFERIORI CON GANCI
ENGANCHE DE 3 PUNTOS, BARRAS DE TIRO CON GANCHOS
TREPUNKTSLYFT, DRAGSTANGER MED KOPPLINGSKROKAR
L119318 -UN-08JUN95



L 119318

5E11

3-POINT HITCH

KEY	PART NO.	PART NAME	QTY	SERIAL NO.		REMARKS
					2	
					1 2 0	
					6 0 4	
					4 4 0	
					0 0 S	
1	R63937	WASHER	AR	-529511	X X X	
	L41154	WASHER	AR	529512-	X X X	
2	L26941	BUSHING	2	-529511	X X X	
	L41788	BUSHING	2	529512-	X X X	
3	L26936	CLAMP	2		X X X	
4	L26943	PIN	2		X X X	
5	AL41215	LEVER	1		X X X	
6	AL31952	DRAFT LINK	1		X X X	RH
7	19M7378	CAP SCREW	2		X X X	M8X45
8	L55222	LOCK WASHER	1		X X X	(SUB FOR L29306)
9	L35034	PAWL	1		X X X	
10	L35036	SPRING	1		X X X	
11	34M7039	SPRING PIN	1		X X X	6X28MM
12	34M7109	SPRING PIN	1		X X X	13X32MM
13	34M7145	SPRING PIN	1		X X X	13X45MM
14	14M7284	NUT	2		X X X	M8
15	AL28691	ROD	1		X X X	
16	L32997	SPRING	1		X X X	
17	AL31953	DRAFT LINK	1		X X X	LH
18	14M7284	NUT	1		X X X	M8
	L59463	NUT	1		X X X	(A) M6 (ORD L62037, 14M7284)
19	19M7297	CAP SCREW	1		X X X	M8X12
20	L62037	STUD	1		X X X	(A)
21	14M7376	LOCK NUT	1		X X X	M6
22	L39978	CLAMP	2		X X X	
23	AL31983	CABLE	1		X X X	
24	21M7296	SCREW	1		X X X	M6X20
25	37H132	SCREW	1		X X X	(B) NO. 12 X 3/4"
26	L35035	LEVER	1		X X X	
27	L35037	BAIL	1		X X X	
28	34M7109	SPRING PIN	2		X X X	13X32MM
29	42M7032	STUD	1		X X X	(A) M6X35

(A) WITH MC1 CAB
 AVEC CABINE MC1
 BEI MC1 KABINE
 CON CABINA MC1
 CON CABINA MC1
 VID MC1 HYTT

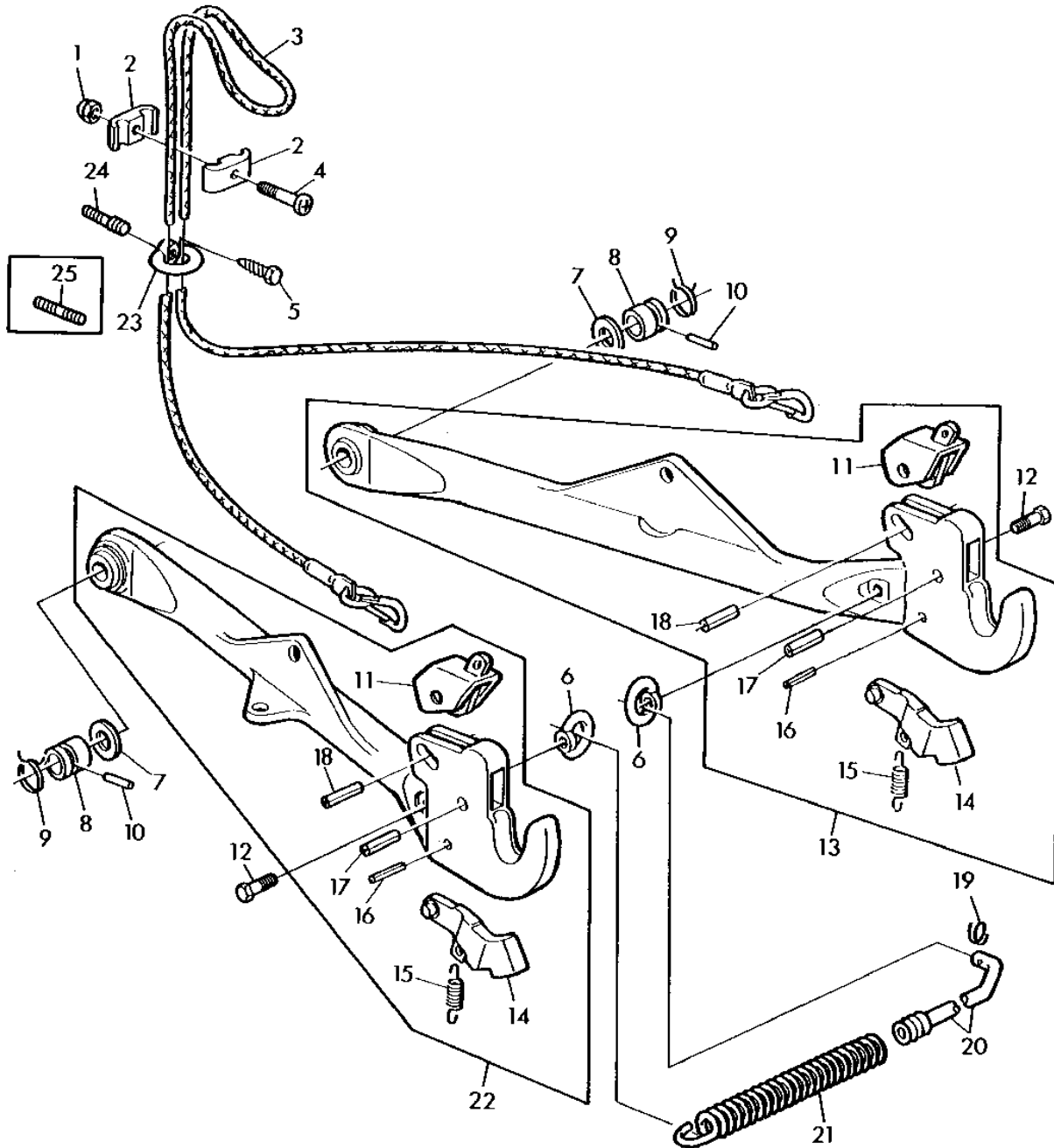
(B) WITH SG2 CAB
 AVEC CABINE SG2
 BEI SG2 KABINE
 CON CABINA SG2
 CON CABINA SG2
 VID SG2 HYTT

5E12

3-POINT HITCH

THREE POINT HITCH-HOOK DRAFT LINKS (WITH INCREASED LIFTING CAPACITY)
ATTELAGE 3 POINTS-BARRES DE TRACTION/CROCHET (AVEC CAPACITE DE REL. AUGM.)
DREIPUNKTAUFHAENGUNG-FANGHAKEN-UNTERLENKER (BEI HUBKRAFTERHOEHUNG)
ATTACCO 3 PUNTI, PARALLELE CON GANCI (CON ELEVATA CAPACITA DI SOLLEVAMENTO)
ENGANCHE DE 3 PUNTOS, BARRAS DE TIRO CON GANCHOS (CON FUERZA DE ELEV. AUMENTADA)
TREPUNKTSLYFT, DRAGARMAR MED KOPPLINGSKROKAR (VID OKAD LYFTKAPACITET)

L119319 -UN-08JUN95



1. 119319

5E13

3-POINT HITCH

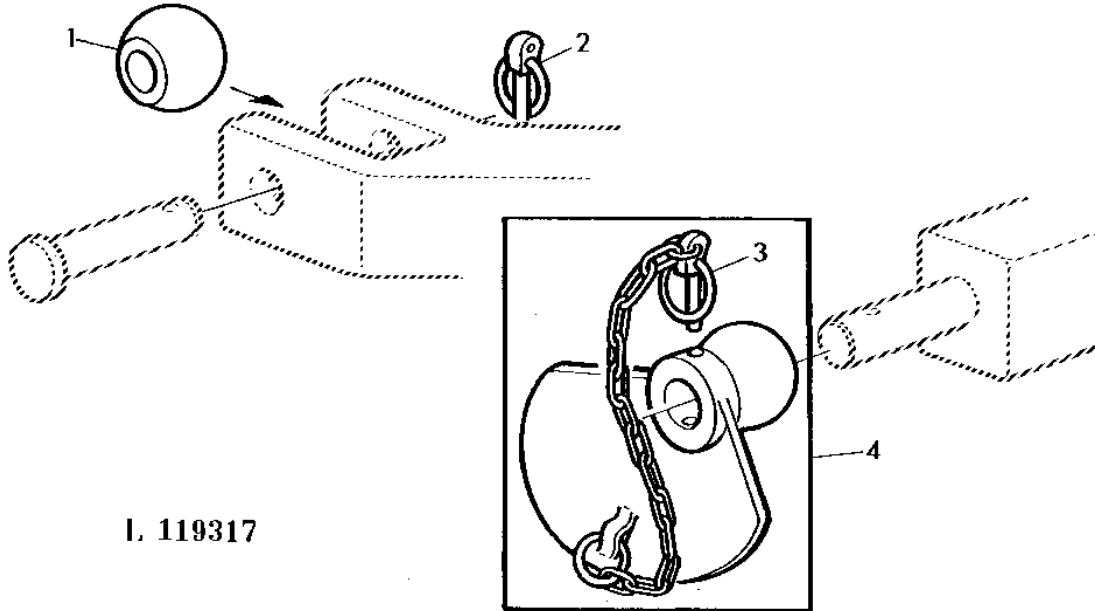
KEY	PART NO.	PART NAME	QTY	SERIAL NO.	REMARKS
					2
					1 2 0
					6 0 4
					4 4 0
					0 0 S
1	14M7376	LOCK NUT	1		X M6
2	L39978	CLAMP	2		X
3	AL31983	CABLE	1		X
4	21M7296	SCREW	1		X M6X20
5	37H132	SCREW	1		X NO. 12 X 3/4"
6	14M7284	NUT	2		X M8
7	L41154	WASHER	AR		X
8	L41788	BUSHING	2		X
9	L26936	CLAMP	2		X
10	L26943	PIN	2		X
11	AL41215	LEVER	1		X
12	19M7301	CAP SCREW	2		X M8X40
13	AL56392	DRAFT LINK	1		X RH
14	L35034	PAWL	1		X
15	L35036	SPRING	1		X
16	34M7039	SPRING PIN	1		X 6X28MM
17	34M7109	SPRING PIN	1		X 13X32MM
18	34M7145	SPRING PIN	1		X 13X45MM
19	L55222	LOCK WASHER	1		X (SUB FOR L29306)
20	AL39352	ROD	1		X
21	L32997	SPRING	1		X
22	AL56393	DRAFT LINK	1		X LH
23	14M7284	NUT	1		X M8
	L59463	NUT	1		X (A) M6 (ORD L62037, 14M7284)
24	L62037	STUD	1		X (A)
25	42M7032	STUD	1		X (A) M6X35

(A) WITH MC1 CAB
 AVEC CABINE MC1
 BEI MC1 KABINE
 CON CABINA MC1
 CON CABINA MC1
 VID MC1 FORARHYTT

5E14

3-POINT HITCH

BALL JOINTS FOR HOOK-TYPE DRAFT LINKS
 JOINTS A ROTULE POUR BARRES DE TRACTION A CROCHETS
 KUGEL/FANGPROFILE FUER FANGHAKEN-UNTERLENKER
 SNODI PER PARALLELE AD ATTACCO RAPIDO (TIPO A GANCIO)
 ROTULA/ELEM. DE ENGANCHE PARA BARRAS DE TIRO CON GANCHOS
 KULPROFILER FOR SNABBKOPPLADE DRAGARMAR (KROKTYP)
 L119317 -UN-12MAY95



L. 119317

2
 1 2 0
 6 0 4
 4 4 0
 0 0 S

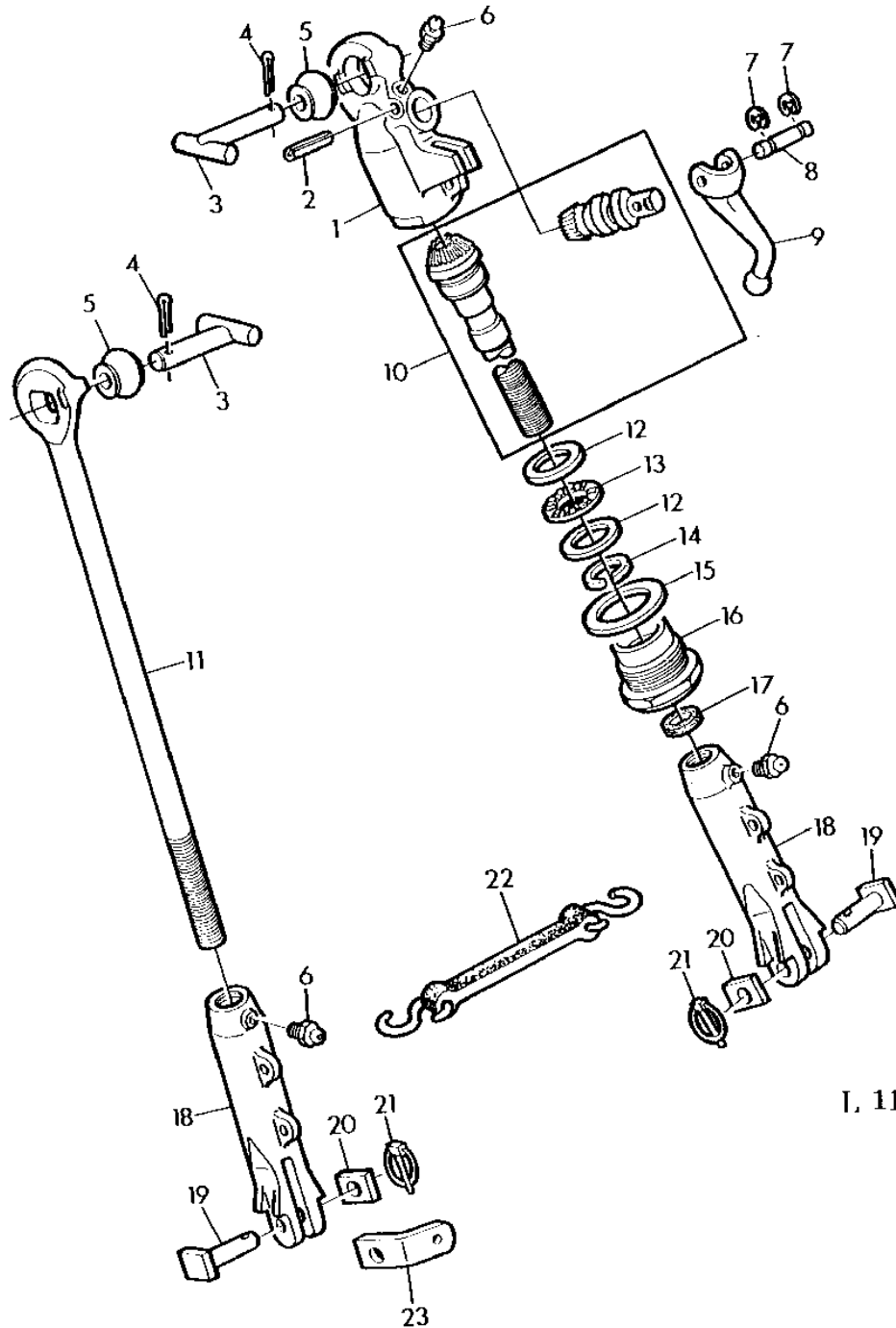
KEY	PART NO.	PART NAME	QTY	SERIAL NO.	REMARKS
1	L35138	BALL	2	X X X	
2	AR62149	QUICK LOCK PIN	2	X X X	
3	AL39416	QUICK LOCK PIN	1	X X X	
4	AL32027	GUIDE	2	X X X	

MEMORANDA
MEMORANDA
MEMORANDA
MEMORANDA
MEMORANDA

5E15

3-POINT HITCH

THREE POINT HITCH LIFT LINKS
ATTELAGE 3-PIONTS BIELLES DE RELEVAGE
DREIPUNKTAUFHAENGUNG HUBSPINDELN
ATTACCO A 3 PUNTI TIRANTI
ENGANCHE EN TRES PUNTOS TENSOSES LATERALES
TREPUNKSLYFT LYFTLANKAGE
L118071 -UN-18JUL95



I, 118071

5E16

3-POINT HITCH

KEY	PART NO.	PART NAME	QTY	SERIAL NO.	REMARKS
					2
					1 2 0
					6 0 4
					4 4 0
					0 0 S
1	L33537	HOUSING	1		X X X
2	34H316	SPRING PIN	1		X X X 1/4"X1-1/2"
3	AT21754	PIN	2		X X X
4	11H218	COTTER PIN	2		X X X 3/16"X1-1/2"
5	T21901	BALL	2		X X X
6	JD7798	LUBRICATION FITTING	3		X X X 1/8"
7	R26386	SNAP RING	2		X X X
8	T26454	PIN	1		X X X
9	T28346	HANDLE	1		X X X
10	AL33493	KIT	1		X X X
11	L28372	END	1		X X X LH
12	JD9854	BEARING RACE	2		X X X
13	JD9848	THRUST BEARING	1		X X X
14	T14647	SNAP RING	1		X X X
15	T28345	WASHER	1		X X X
16	L31639	BUSHING	1		X X X 2-1/4"
17	L31640	WASHER	1		X X X
18	R48595	LINK BODY	2		X X X
19	AR55695	PIN	2		X X X
20	T21759	STRAP	2		X X X
21	AL14540	QUICK LOCK PIN	2		X X X
22	AR68071	STRAP	1		X X X
23	L39249	STRAP	1		X X X (A)

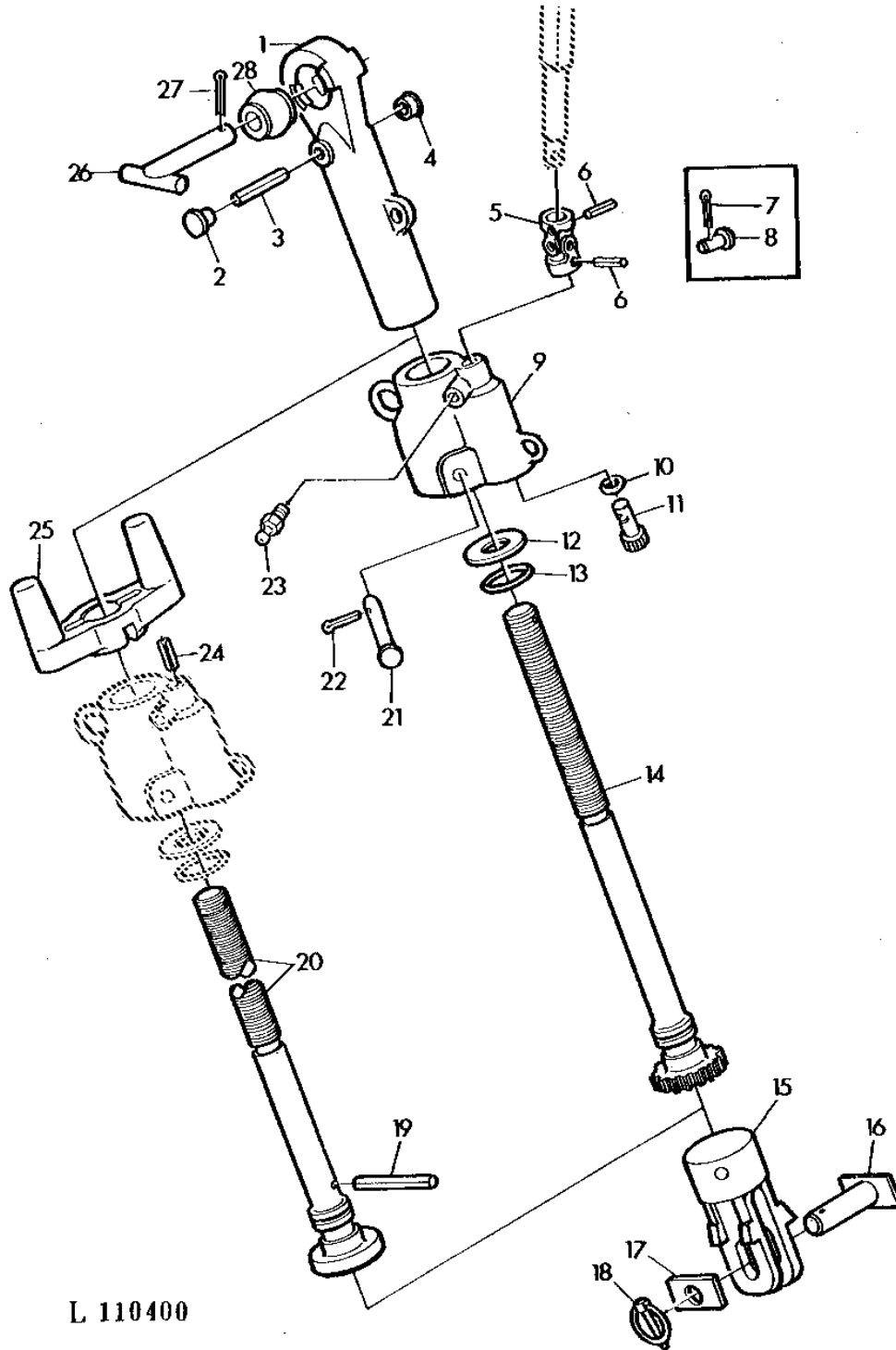
(A) WITH AXLA TRAILER HITCH
 AVEC DISPOSITIF D'ATTELAGE AXLA
 BEI AXLA WAGENANHAENGEVORRICHTUNG
 CON GANCIO TIRO RIMORCHIO AXLA
 CON ENGANCHE DE REMOLQUES AXLA
 VID AXLA VAGNSDRAG

5E17

3-POINT HITCH

THREE POINT HITCH LIFT LINKS RH (MC1 AND SG2 CAB)
ATTELAGE 3 POINTS BIELLE DE RELEVAGE DROITE (CABINE MC1 ET SG2)
DREIPUNKTAUFHAENGUNG-HUBSPINDEL RECHTS (BEI MC1 UND SG2 KABINE)
ATTACCO A 3 PUNTI, TIRANTE DESTRO (CABINA MC1 E SG2)
ENGANCHE EN 3 PUNTOS, TENSOR LATERAL DERECHO (CABINA MC1 Y SG2)
TREPUNKTSLYFT HOGER LYFTLANKAGE (MC1 OCH SG2 HYTT)

L110400 -UN-01JAN94



5E18

3-POINT HITCH

KEY	PART NO.	PART NAME	QTY	SERIAL NO.	REMARKS
				2	
				1 2 0	
				6 0 4	
				4 4 0	
				0 0 S	
1	L33539	LINK BODY	1	X X X	
2	99M6986	PLUG	1	X X X	
3	34H282	SPRING PIN	1	X X X	3/16"X1"
4	58M6987	LUBRICATION FITTING	1	X X X	
5	AL36196	UNIVERSAL JOINT	1	X X X	
6	34M7141	SPRING PIN	2	X X X	5X30MM
7	11M7075	COTTER PIN	2	X X X	1.2X12MM
8	45M7069	PIN	2	X X X	5X35MM
9	L39213	HOUSING	1	X X X	(SUB FOR L31642)
10	L53976	O-RING	1	X X X	10X1.5MM
11	L31648	SHAFT	1	X X X	Z=8
12	L31653	WASHER	1	X X X	
13	L53975	O-RING	1	X X X	29X3MM
14	L31655	LIFT LINK	1	X X X	RH, Z=27
15	L38625	YOKE	1	X X X	
16	AR55695	PIN	1	X X X	
17	T21759	STRAP	1	X X X	
	L39249	STRAP	1	X X X	(B)
18	AL14540	QUICK LOCK PIN	1	X X X	
19	34M7043	SPRING PIN	1	X X X	(A) 6X45MM
20	L42025	LIFT LINK	1	X X X	(A)
21	45M7030	PIN	1	X X X	11X95MM
22	11M7020	COTTER PIN	1	X X X	4X22MM
23	JD7798	LUBRICATION FITTING	1	X X X	1/8"
24	34M7109	SPRING PIN	1	X X X	(A) 13X32MM
25	L41147	GRIP	1	X X X	(A)
26	AT21754	PIN	1	X X X	
27	11H218	COTTER PIN	1	X X X	3/16"X1-1/2"
28	T21901	BALL	1	X X X	

(A) WITH SIMPLIFIED LIFT LINK ADJUSTMENT
 AVEC REGLAGE SIMPLIFE DE LA BILLE DE RELEVAGE
 BEI VEREINFACHTER HUBSPINDELVERSTELLUNG
 CON REGOLAZIONE SEMPLIFICATA DEI TIRNTI SOLL.
 CON AJUSTE SIMPLIFICADO DEL TENSOR ELEVADOR
 VID FORENKLAT REGLERING AV LYFTLANKAR

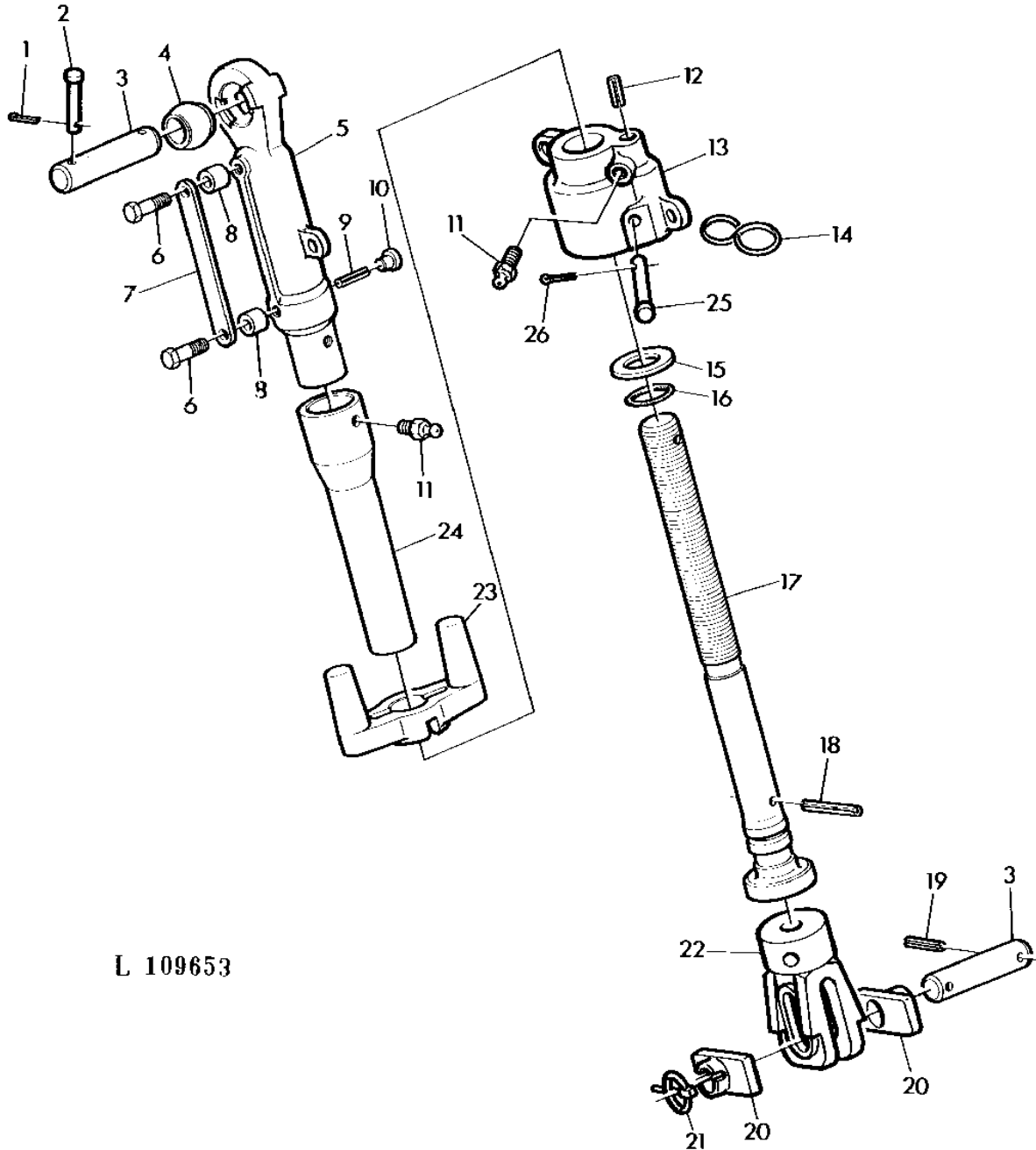
(B) WITH AXLA TRAILER HITCH
 AVEC DISPOSITIF D'ATTELAGE AXLA
 BEI AXLA WAGENANHAENGEVORRICHTUNG
 CON GANCIO TIRO RIMORCHIO AXLA
 CON ENGANCHE DE REMOLQUES AXLA
 VID AXLA VAGNSDRAG

5E19

3-POINT HITCH

THREE POINT HITCH LIFT LINK, LEFT-HAND (WITH INCREASED LIFTING CAPACITY)
ATTELAGE 3 POINTS BIELLES DE RELEVAGE (AVEC CAPACITE DE REL. AUGM.)
DREIPUNKTAUFHAENGUNG HUBSPINDELN, LINKS (BEI HUBKRAFTERHOEHUNG)
ATTACCO A 3 PUNTI, TIRANTE DI SINISTRA (CON ELEVATA CAPACITA DI SOLLEVAMENTO)
ENGANCHE EN TRES PUNTOS, TENSORES LATERALES (CON FUERZA DE ELEV. AUMENTADA)
TREPUNKTSLYFT, VANSTRA LYFTLANK (VID OKAD LYFTKAPACITET)

L109653 -UN-17JUL95



L 109653

5E20

3-POINT HITCH

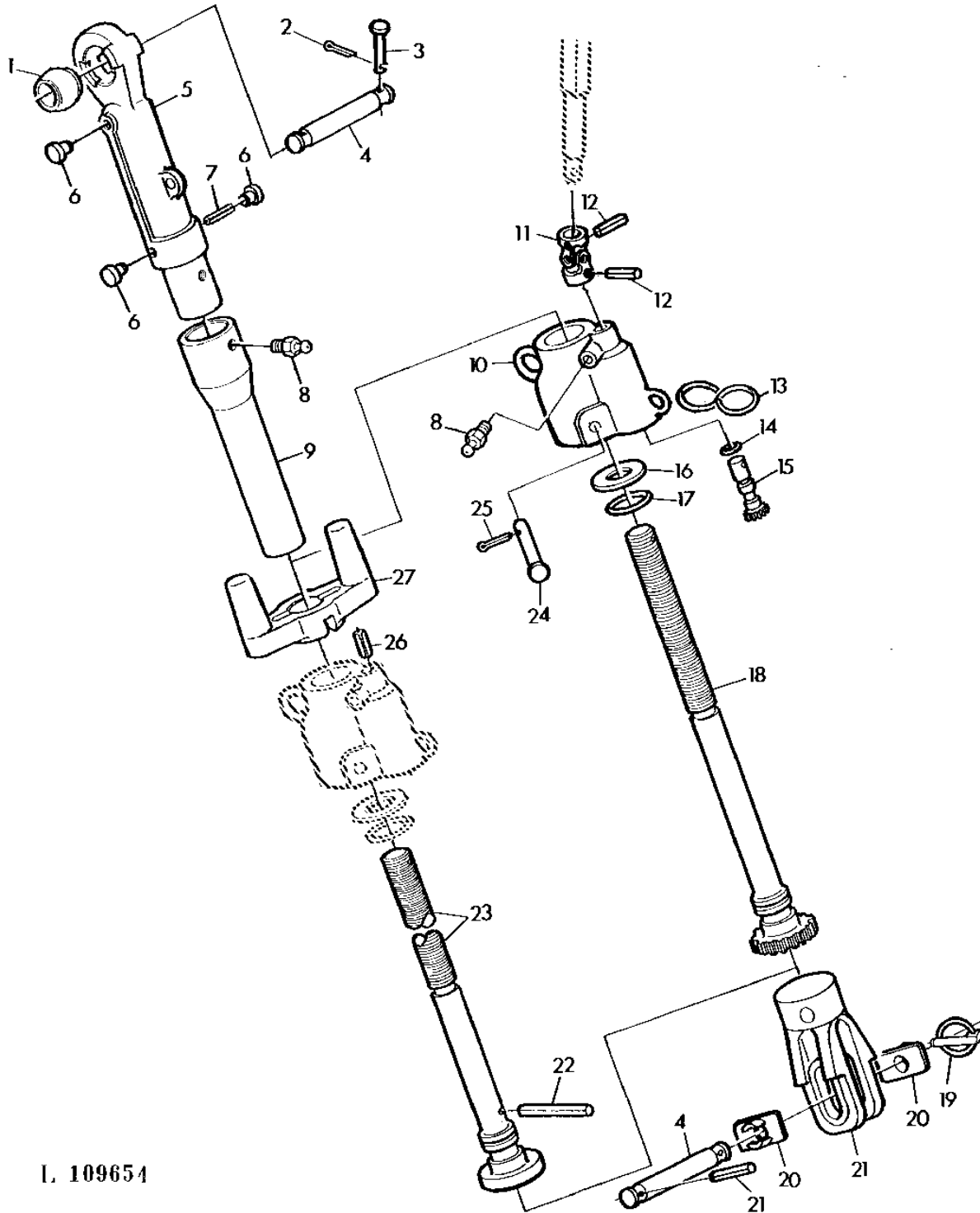
KEY	PART NO.	PART NAME	QTY	SERIAL NO.	REMARKS
					2
					1 2 0
					6 0 4
					4 4 0
					0 0 S
1	11H211	COTTER PIN	1		X 1/8"X3/4"
2	R69166	PIN	1		X (SUB FOR L56181)
3	L42058	PIN	2		X
4	T21901	BALL	1		X
5	L42056	LINK BODY	1		X
6	19M7166	CAP SCREW	2		X M10X20
7	L41717	STRAP	1		X
8	L31330	WASHER	2		X
9	34H282	SPRING PIN	1		X 3/16"X1"
10	99M5913	PLUG	1		X
11	JD7798	LUBRICATION FITTING	2		X
12	34M7109	SPRING PIN	1		X 13X32MM
13	L39213	HOUSING	1		X
14	L41718	HOOK	1		X
15	L31653	WASHER	1		X
16	L53975	O-RING	1		X
17	L42054	LIFT LINK	1		X
18	34M7043	SPRING PIN	1		X 6X45MM
19	34M7047	SPRING PIN	1		X 8X40
20	L42059	GUIDE	2		X
21	AL14540	QUICK LOCK PIN	1		X
22	L42057	YOKE	1		X
23	L41147	GRIP	1		X
24	L41146	GUARD	1		X
25	45M7030	PIN	1		X
26	11M7020	COTTER PIN	1		X 4X22MM

5E21

3-POINT HITCH

THREE POINT HITCH LIFT LINKS RH (WITH INCREASED LIFTING CAPACITY)
ATTELAGE 3 POINTS BIELLE DE RELEVAGE DROITE (AVEC CAPACITE DE REL. AUGM.)
DREIPUNKTAUFHAENGUNG HUBSPINDEL RECHTS (BEI HUBKRAFTERHOEHUNG)
ATTACCO A 3 PUNTI, TIRANTE DESTRO (CON ELEVATA CAPACITA DI SOLLEVAMENTO)
ENGANCHE EN 3 PUNTOS, TENSOR LATERAL DERECHO (CON FUERZA DE ELEV. AUMENTADA)
TREPUNKTSLYFT HOGER LYFTLANKAGE (VID OKAD LYFTKAPACITET)

L109654 -UN-17JUL95



L 109654

5E22

3-POINT HITCH

KEY	PART NO.	PART NAME	QTY	SERIAL NO.	REMARKS
					2
					1 2 0
					6 0 4
					4 4 0
					0 0 S
1	T21901	BALL	1		X
2	11H211	COTTER PIN	1		X 1/8"X3/4"
3	R69166	PIN	1		X (SUB FOR L56181)
4	L42058	PIN	2		X
5	L42056	LINK BODY	1		X
6	99M5913	PLUG	3		X
7	34H282	SPRING PIN	1		X 3/16"X1"
8	JD7798	LUBRICATION FITTING	2		X
9	L41146	GUARD	1		X
10	L39213	HOUSING	1		X
11	AL36196	UNIVERSAL JOINT	1		X
12	34M7141	SPRING PIN	2		X 5X30MM
13	L41718	HOOK	1		X
14	L53976	O-RING	1		X
15	L31648	SHAFT	1		X
16	L31653	WASHER	1		X
17	L53975	O-RING	1		X
18	L42055	LIFT LINK	1		X
19	AL14540	QUICK LOCK PIN	1		X
20	L42059	GUIDE	2		X
21	L42057	YOKE	1		X
	L55131	YOKE	1		X (A)
22	34M7043	SPRING PIN	1		X (A) 6X45MM
23	L42054	LIFT LINK	1		X (A)
24	45M7030	PIN	1		X
25	11M7020	COTTER PIN	1		X 4X20MM
26	34M7109	SPRING PIN	1		X (A) 13X32MM
27	L41147	GRIP	1		X (A)

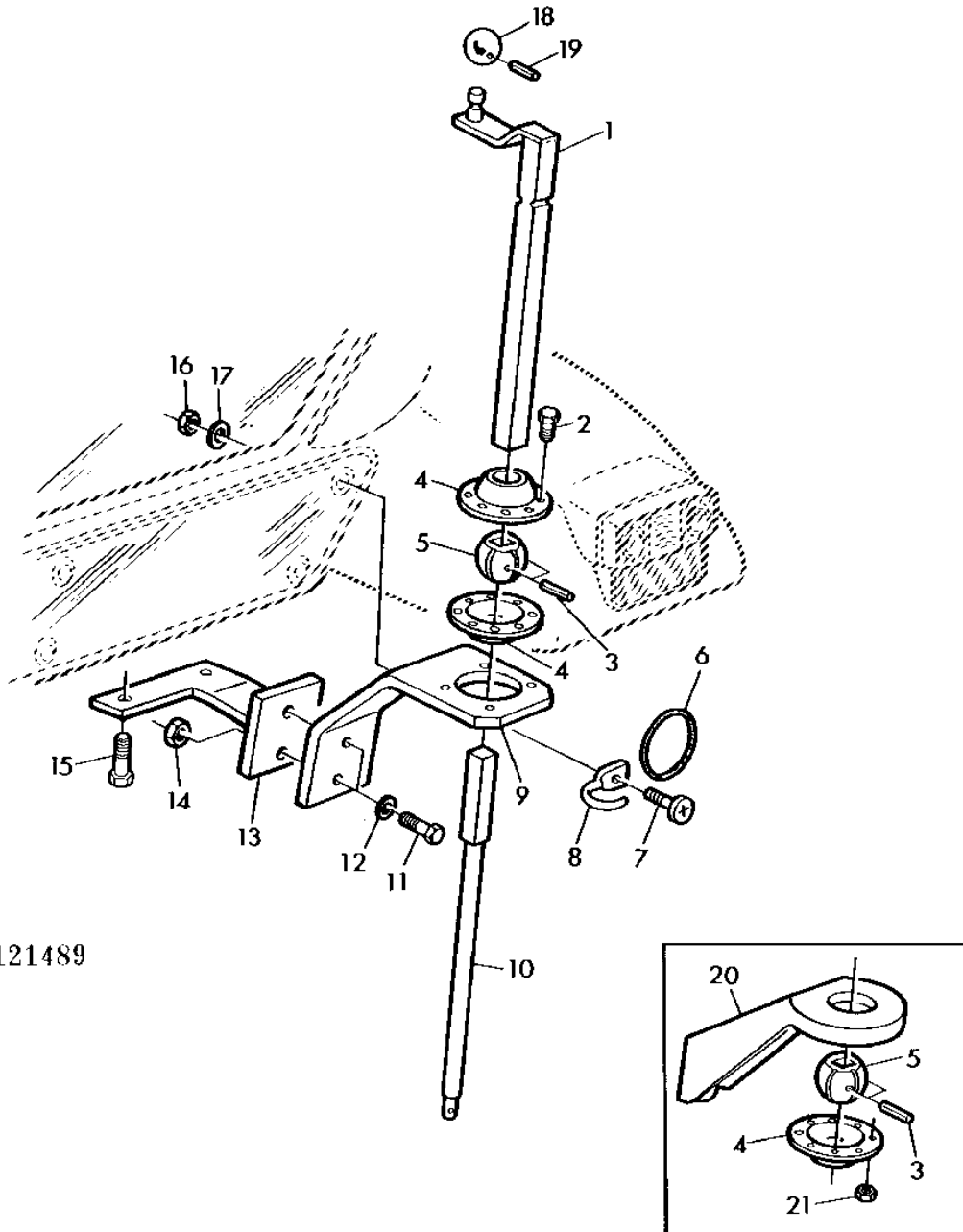
(A) WITH SIMPLIFIED LIFT LINK ADJUSTMENT
 AVEC REGLAGE SIMPLIFIE DE LA BILLE DE RELEVAGE
 BEI VEREINFACHTER HUBSPINDELVERSTELLUNG
 CON REGOLAZIONE SEMPLIFICATA DEI TIRANTI SOLL.
 CON AJUSTE SIMPLIFICADO DEL TENSOR ELEVADOR
 VID FORENKLAT REGLERING AV LYFTLANKAR

5E23

3-POINT HITCH

THREE POINT HITCH-LIFT LINK ADJUSTMENT (MC1 CAB)
ATELAGE TROIS POINTS-REGLAGE DE BIELLE DE RELEVAGE (CABINE MC1)
DREIPUNKTAUFHAENGUNG-HUBSPINDELVERSTELLUNG (MC1 KABINE)
ATTACCO A TRE PUNTI-REGOLAZIONE TIR. SOLLEV. (CABINA MC1)
ENGANCHE TRIPUNTAL-AJUSTE DEL TENSOR ELEVADOR (CABINA MC1)
TREPUNKTSUPPHANGNING-REGLERING AV LYFTLANKAR (MC1 HYTT)

L121489 -UN-12JUL95



5E24

3-POINT HITCH

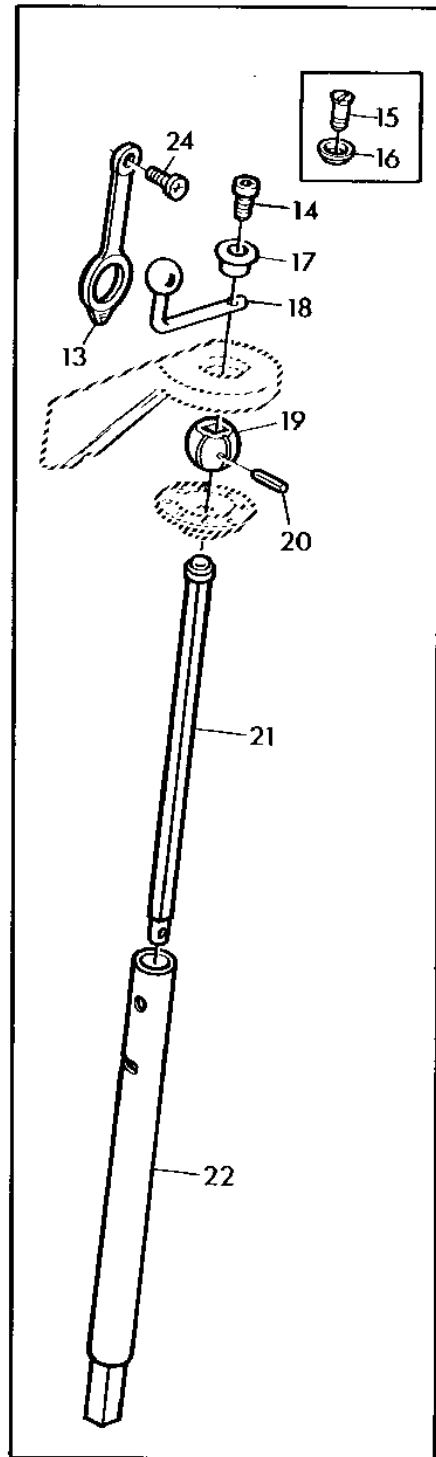
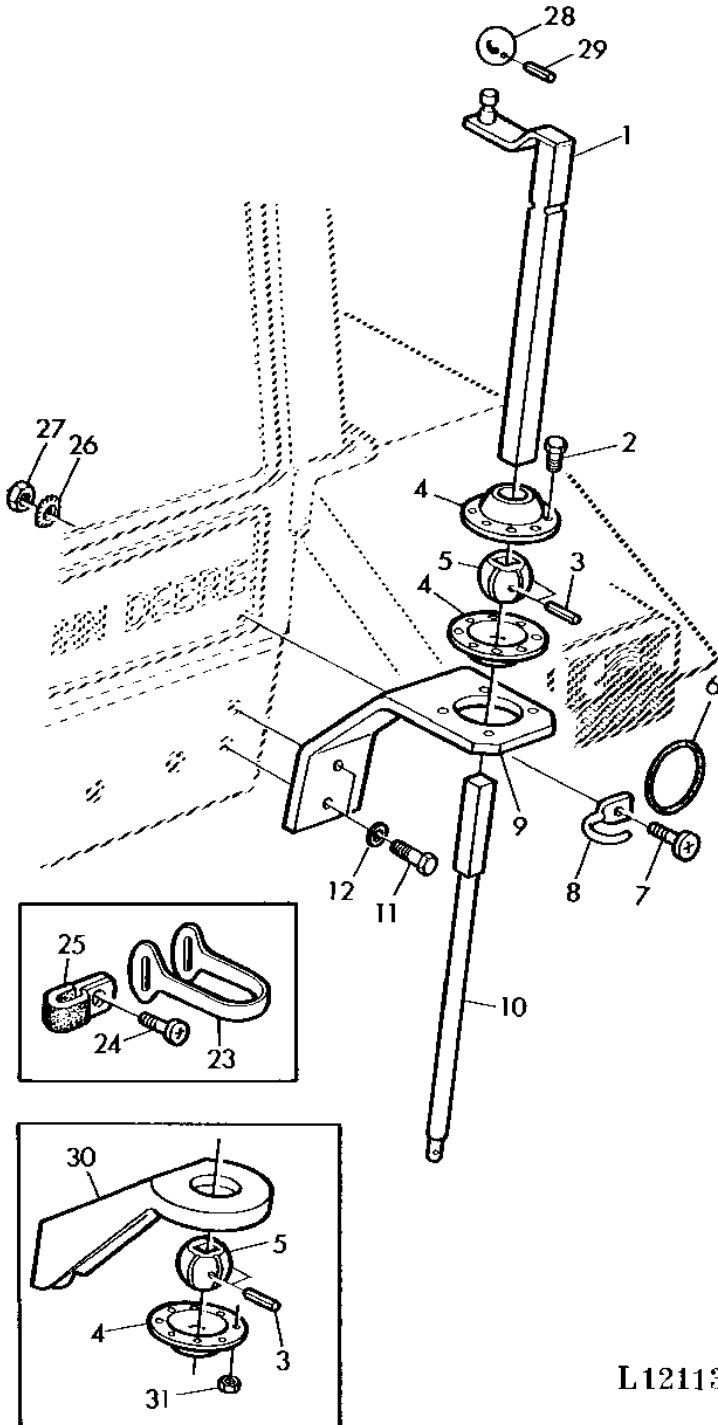
KEY	PART NO.	PART NAME	QTY	SERIAL NO.	REMARKS
				2	
				1 2 0	
				6 0 4	
				4 4 0	
				0 0 S	
1	AL60320	CRANK	1	X X X	
2	37M7047	SCREW	4	X X X	M5X12
3	34M7118	SPRING PIN	2	X X X	3.5X26MM
4	L38374	PRESSED FLANGED HOUSING	1	X X X	
5	L55830	BALL	1	X X X	
6	L56092	O-RING	1	X X X	
7	R50641	SCREW	1	X X X	
8	L56093	EYELET	1	X X X	
9	L63340	BRACKET	1	X X X	
10	AL60321	ROD	1	X X X	
11	L58669	SCREW	2	X X X	(SUB FOR L40498)
12	24M7260	WASHER	2	X X X	8.4X25X2MM
13	AL60319	BRACKET	1	X X X	
14	14H785	NUT	2	X X X	5/16"
15	19M7185	CAP SCREW	2	X X X	M8X60
16	14M7272	NUT	1	X X X	M6
17	24M7251	WASHER	1	X X X	6.4X18X1.6MM
18	L38371	KNOB	1	X X X	
19	34M7094	SPRING PIN	1	X X X	4X16MM
20	AL55791	BRACKET	1	X X X	(ORD L63340, L38374, (4) 37M7047)
21	14M7360	LOCK NUT	4	X X X	M5

5F1

3-POINT HITCH

THREE POINT HITCH-LIFT LINK ADJUSTMENT (SG2 CAB)
 ATTELAGE TROIS POINTS-REGLAGE DE BIELLE DE RELEVAGE (CABINE SG2)
 DREIPUNKTAUFHAENGUNG-HUBSPINDELVERSTELLUNG (SG2 KABINE)
 ATTACCO A TRE PUNTI-REGOLAZIONE TIR. SOLLEV. (CABINA SG2)
 ENGANCHE TRIPUNTAL-AJUSTE DEL TENSOR ELEVADOR (CABINA SG2)
 TREPUNKTSUPPHANGNING-REGLERING AV LYFTLANKAR (SG2 HYTT)

L121131 -UN-18JUL95



L121131

5F2

3-POINT HITCH

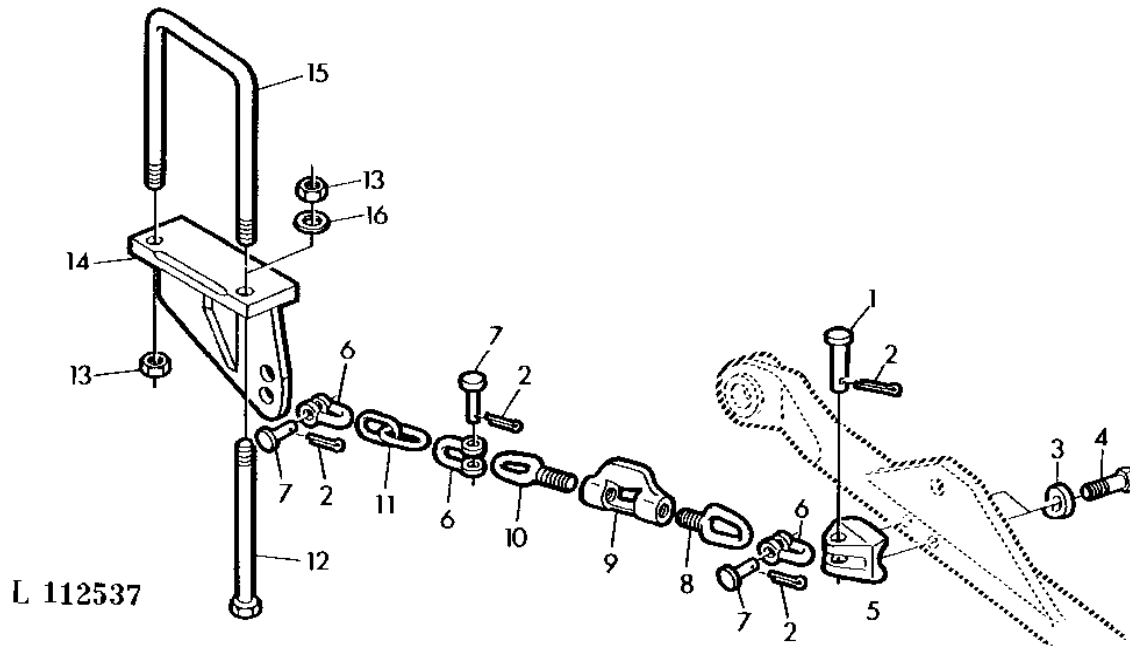
KEY	PART NO.	PART NAME	QTY	SERIAL NO.	REMARKS
					2
					1 2 0
					6 0 4
					4 4 0
					0 0 S
1	AL56030	CRANK	1		X X X
2	37M7047	SCREW	4		X X X M5X12
3	34M7118	SPRING PIN	2		X X X 3.5X26MM
4	L38374	PRESSED FLANGED HOUSING	AR		X X X
5	L55830	BALL	1		X X X
6	L56092	O-RING	1		X X X
7	R50641	SCREW	1		X X X
8	L56093	EYELET	1		X X X
9	L63340	BRACKET	1		X X X
10	AL56028	ROD	1		X X X
11	L58669	SCREW	2		X X X 5/16"X1-1/4" (SUB FOR L40498)
12	24M7260	WASHER	2		X X X 8.4X25X2MM
13	L39928	RETAINER	1		X X X
14	19M8146	SCREW	1		X X X M5X16
15	21M7300	SCREW	1		X X X M5X16 (ORD 19M8146, L40527)
16	L35671	WASHER	1		X X X (ORD L40527, 19M8146)
17	L40527	WASHER	1		X X X
18	AL38207	LEVER	1		X X X
19	L35670	BALL	1		X X X
20	34M7118	SPRING PIN	1		X X X 3.5X26MM
21	AL35592	SHAFT	1		X X X (ORD AL56030, AL56028, AL55791, L55830, (2) 34M7118)
22	L38035	PIPE	1		X X X (ORD AL56030, AL56028, AL55791, L55830, (2) 34M7118)
23	L42004	STRAP	1		X
24	37M7116	SCREW	1		X X X M8X20
25	T13913	CLIP	1		X
26	12M7081	LOCK WASHER	1		X X X 6.4MM
27	14H786	NUT	1		X X X 1/4"
28	L38371	KNOB	1		X X X
29	34M7094	SPRING PIN	1		X X X 4X16MM
30	AL55791	BRACKET	1		X X X (SUB FOR AL36369) (ORD L63340, L38374, (4) 37M7047)
31	14M7360	LOCK NUT	4		X X X M5

5F3

3-POINT HITCH

STABILISER CHAIN (WITH REVERSIBLE LINKS)
 CHAÎNE STABILISATRICE (AVEC BARRES DE TRACTION REVERSIBLES)
 STABILISIERUNGSKETTE (BEI UMKEHRLENKER)
 CATENA STABILIZZATRICE (CON PARALLELE RIVERSIBILI)
 CADENA ESTABILIZADORA (CON BARRAS DE TIRO REVERSIBLES)
 STABILISERINGSKEDJA (VID VANDBARA DRAGARMAR)

L112537 -UN-07JUL95



KEY	PART NO.	PART NAME	QTY	SERIAL NO.	REMARKS
				2	
				1 2 0	
				6 0 4	
				4 4 0	
				0 0 S	
1	45M7032	PIN	2	X X X	
2	11M7019	COTTER PIN	6	X X X	4X18MM
3	T31782	WASHER	4	X X X	
4	19H1974	CAP SCREW	4	X X X	1/2"X2-3/4"
5	L31569	BRACKET	2	X X X	
6	L31091	SHACKLE	6	X X X	
7	L31090	PIN	6	X X X	
8	L31088	EYEBOLT	2	X X X	(A)
9	L31089	TURNBUCKLE	2	X X X	
10	L31086	EYEBOLT	2	X X X	(B)
11	AL26689	LINK CHAIN	2	X X X	
12	08H4136	CAP SCREW	4	X X X	5/8"X8"
13	14H1039	NUT	4	X X X	5/8"
14	AL55073	BRACKET	1	X X X	RH (SUB FOR AL25616)
	AL55074	BRACKET	1	X X X	LH (SUB FOR AL25617)
15	T22705	U-BOLT	2	X X X	
16	24M7241	WASHER	4	X X X	17X34X4MM (SUB FOR T40728)

(A) WITH RIGHT-HAND THREAD
 AVEC FILETAGE A DROITE
 MIT RECHTSGEWINDE
 CON FILETT.DESTRORSA
 CON ROSCA A LA DERECHA
 HOGERGANGAD

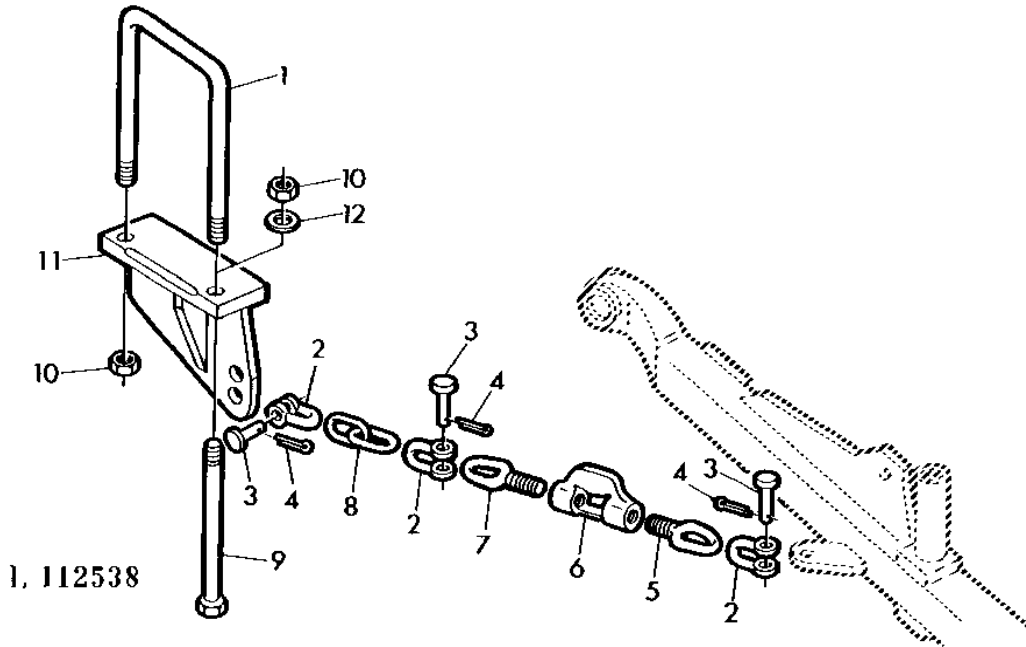
(B) WITH LEFT-HAND THREAD
 AVEC FILETAGE A GAUCHE
 MIT LINKSGEWINDE
 CON FILETT.SINISTRORSA
 CON ROSCA A LA IZQUIERDA
 VANSTERGANGAD

5F4

3-POINT HITCH

STABILISER CHAIN (WITH TELESCOPIC AND HOOK-TYPE DRAFT LINKS)
 CHAÎNE STABILISATRICE (AVEC BARRES DE TRAC. TELESC./A CROCHET)
 STABILISIERUNGSKETTE (BEI TELESKOP- U. FANGHAKEN-UNTERLENKER)
 CATENA STABILIZZATRICE (CON PARALL. TELESC. E AD ATT. RAP.)
 CADENA ESTABILIZAPORA (CON BARRAS DE TIRO TELESC./DE GANCHOS)
 STABILISERINGSKEDJA (VID TELESK. OCH SNABBKOPPL. DRAGARMAR)

L112538 -UN-11JUL95



2
1 2 0
6 0 4
4 4 0
0 0 S

KEY	PART NO.	PART NAME	QTY	SERIAL NO.	REMARKS
1	T22705	U-BOLT	2	X X X	
2	L31091	SHACKLE	6	X X X	
3	L31090	PIN	6	X X X	
4	11M7019	COTTER PIN	6	X X X	4X18MM
5	L31088	EYEBOLT	2	X X X	(A)
6	L31089	TURNBUCKLE	2	X X X	
7	L31086	EYEBOLT	2	X X X	(B)
8	AL26689	LINK CHAIN	2	X X X	
9	08H4136	CAP SCREW	4	X X X	5/8"X8"
10	14H1039	NUT	4	X X X	5/8"
11	AL55073	BRACKET	1	X X X	RH (SUB FOR AL25616)
	AL55074	BRACKET	1	X X X	LH (SUB FOR AL25617)
12	24M7241	WASHER	4	X X X	17X34X4MM (SUB FOR T40728)

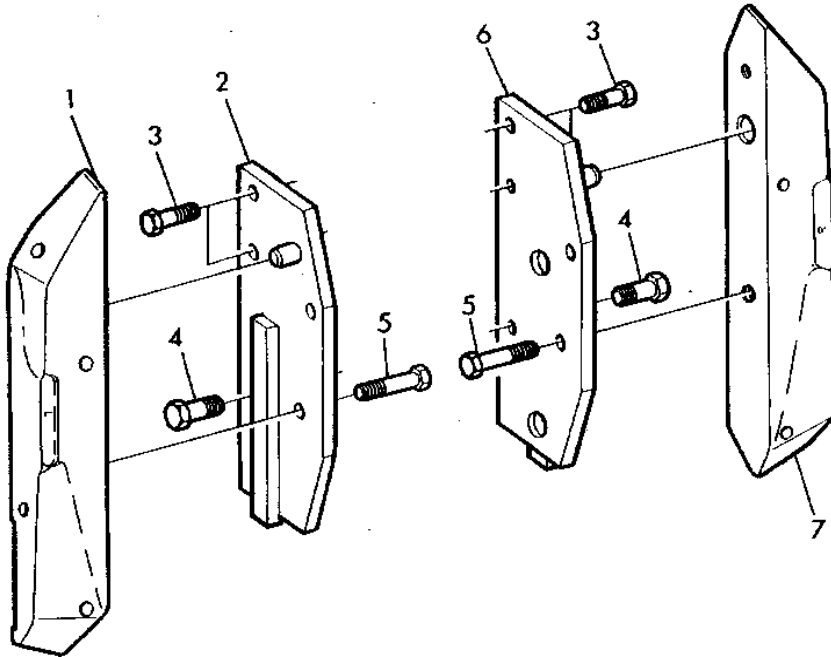
(A) WITH RIGHT-HAND THREAD
 AVEC FILETAGE A DROITE
 MIT RECHTSGEWINDE
 CON FILETT.DESTRORSA
 CON ROSCA A LA DERECHA
 HOGERGANGAD

(B) WITH LEFT-HAND THREAD
 AVEC FILETAGE A GAUCHE
 MIT LINKSGEWINDE
 CON FILETT.SINISTRORSA
 CON ROSCA A LA IZQUIERDA
 VANSTERGANGAD

5F5

3-POINT HITCH

SWAY BLOCKS AND SUPPORTS
 BUTEES STABILISATRICES
 STABILISIERUNGSANSCHLAEGE
 PIASTRE STABILIZZATRICI
 BLOQUES ESTABILIZADORES
 STODBLOCK OCH HALLARE
 L118052 -UN-01JAN94



L 118052

2
 1 2 0
 6 0 4
 4 4 0
 0 0 S

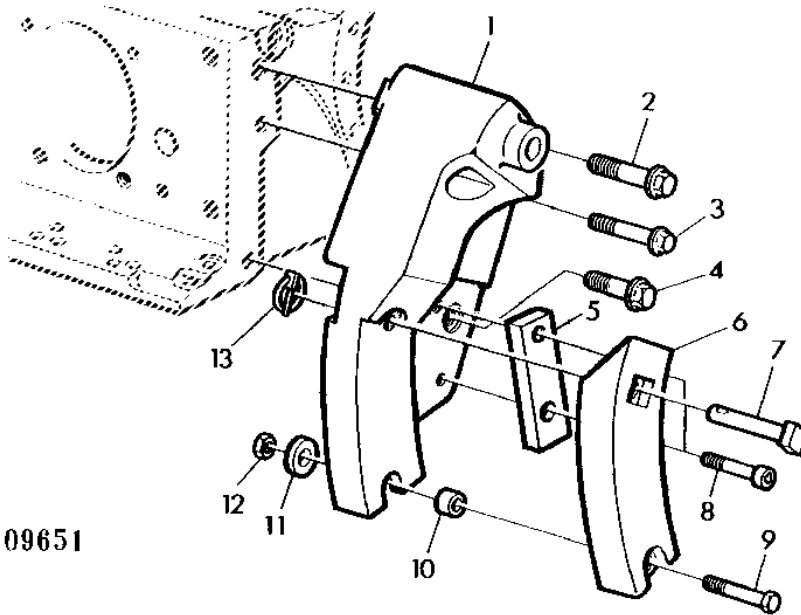
KEY	PART NO.	PART NAME	QTY	SERIAL NO.	REMARKS
1	T30277	SWAY BLOCK	1	X X X	LH
2	AL23106	SUPPORT	1	X X X	LH
3	19H1815	CAP SCREW	4	X X X	1/2"X1-1/4"
4	19H1732	CAP SCREW	2	X X X	3/8"X1-1/4"
5	19H1721	CAP SCREW	2	X X X	1/2"X1-1/2"
6	AL23105	SUPPORT	1	X X X	RH
7	T30276	SWAY BLOCK	1	X X X	RH

5F6

3-POINT HITCH

SWAY BLOCKS AND SUPPORTS (WITH INCREASED LIFTING CAPACITY)
 BUTEES STABILISATRICES (AVEC CAPACITE DE REL. AUGM.)
 STABILISIERUNGSANSCHLAEGE (BEI HUBKRAFTERHOEHUNG)
 BLOCCHI OSCILLANTI (CON ELEVATA CAPACITA DI SOLLEVAMENTO)
 BLOQUES ESTABILIZADORES (CON FUERZA DE ELEV. AUMENTADA)
 STODBLOCK OCH HALLARE (VID OKAD LYFTKAPACITET)

L109651 -UN-17JUL95



I. 109651

2
1 2 0
6 0 4
4 4 0
0 0 S

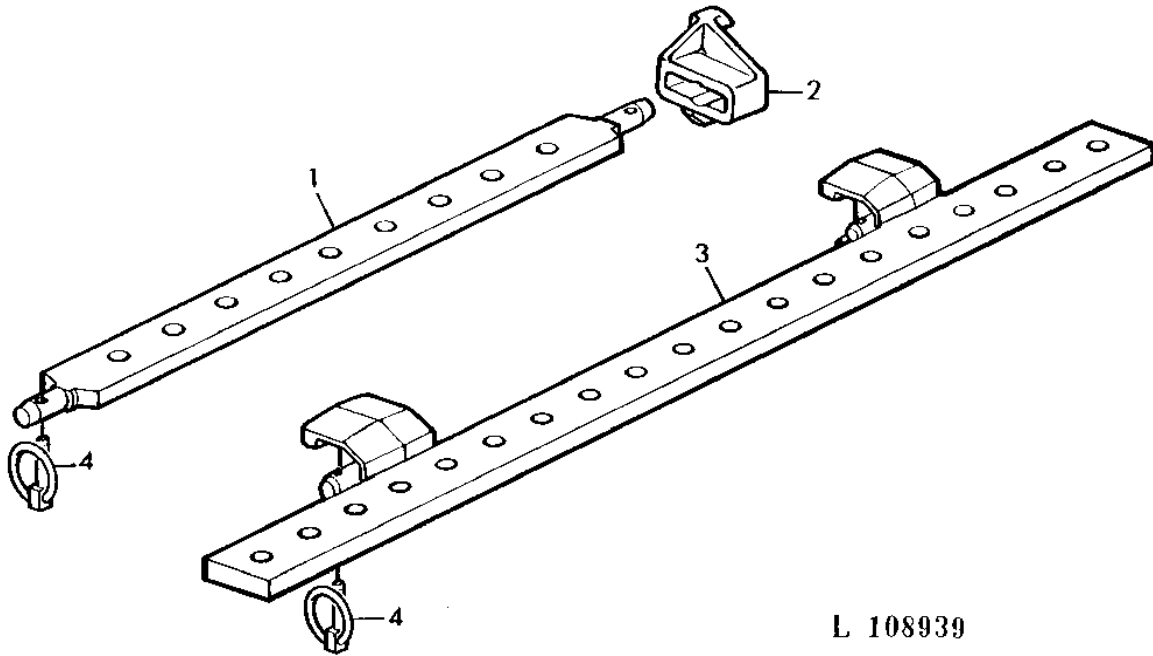
KEY	PART NO.	PART NAME	QTY	SERIAL NO.	REMARKS
1	L42051	SUPPORT	1		X RH
	L42052	SUPPORT	1		X LH
2	19M8258	CAP SCREW	2		X M20X55
3	19H1721	CAP SCREW	2		X 1/2"X1-1/2"
4	L42053	CAP SCREW	2		X M20X40
5	L41818	SWAY BLOCK	2		X (A)
6	L42061	SWAY BLOCK	1		X RH
	L42062	SWAY BLOCK	1		X LH
7	L41141	PIN	2		X
8	19M7576	SCREW	4		X (A) M10X30
9	19M7156	CAP SCREW	2		X M10X60
10	L41585	BUSHING	2		X
11	24H1308	WASHER	2		X 13/32"X1"X.134"
12	14M7167	LOCK NUT	2		X M10
13	99M7085	QUICK LOCK PIN	2		X

(A) WITH AXLA TRAILER HITCH
 AVEC DISP.D'ATTELAGE AXLA
 BEI AXLA ANHAENGEVORRICHTUNG
 CON ATTACCO IDRAULICO"AXLA"
 CON ENGANCHE DE TIRO TIPO AXLA
 VID AXLADRAG

5F7

3-POINT HITCH

IMPLEMENT BAR
 BARRE D'ATTELAGE
 GERAETESCHIENE
 BARRA TRAINO
 BARRA DE ENGANCHE
 KOPPLINGSSTANG
 L108939 -UN-07JUN95



L 108939

2
 1 2 0
 6 0 4
 4 4 0
 0 0 S

KEY	PART NO.	PART NAME	QTY	SERIAL NO.	REMARKS
1	L11581	TOOLBAR	1	X X X	(B)
2	L35142	STABILIZER	1	X X X	
3	AT25952	TOOLBAR	1	X X X	(A) (B)
4	AR62149	QUICK LOCK PIN	2	X X X	

(A) CATEGORY I
 CATEGORIE I
 KATEGORIE I
 CATEGORIA I
 CATEGORIA I
 KATEGORI I

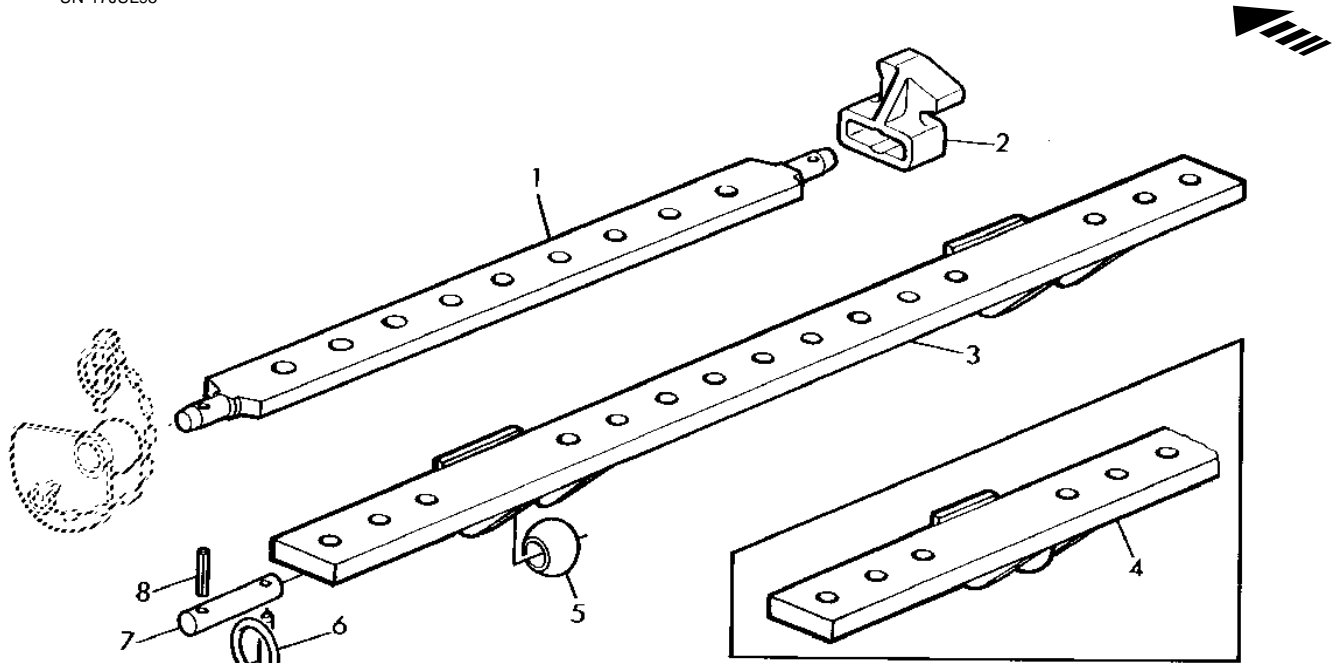
(B) CATEGORY II
 CATEGORIE II
 KATEGORIE II
 CATEGORIA II
 CATEGORIA II
 KATEGORI II

5F8

3-POINT HITCH

IMPLEMENT DRAWBAR FOR HOOK-TYPE DRAFT LINKS
 BARRE A TROUS POUR BARRES DE TRACTION A CROCHETS
 GERAETESCHIENE FUER FANGHAKEN-UNTERLENKER
 BARRA DI TRAINO PER PARALLELE TIPO A GANCIO
 BARRA TRANSVERSAL DE TIRO PARA TENSORES LATERALES DE GANCHO
 HALBOM FOR DRAGARMAR AV KROKTYP

L108940 -UN-17JUL95



L 108940

KEY	PART NO.	PART NAME	QTY	SERIAL NO.	REMARKS
				2	
				1 2 0	
				6 0 4	
				4 4 0	
				0 0 S	
1	L11581	TOOLBAR	1	X X X	
2	L35141	STABILIZER	1	X X X	
3	AL39599	TOOLBAR	1	X X X	
4	AL38384	TOOLBAR	1	X X X	(ORD AL39599, (2) L35138, (2) L41370, (2) 34M7056, (2) AR62149)
5	L35138	BALL	2	X X X	
6	AR62149	QUICK LOCK PIN	2	X X X	
7	L41370	PIN	2	X X X	
8	34M7056	SPRING PIN	2	X X X	12X55MM

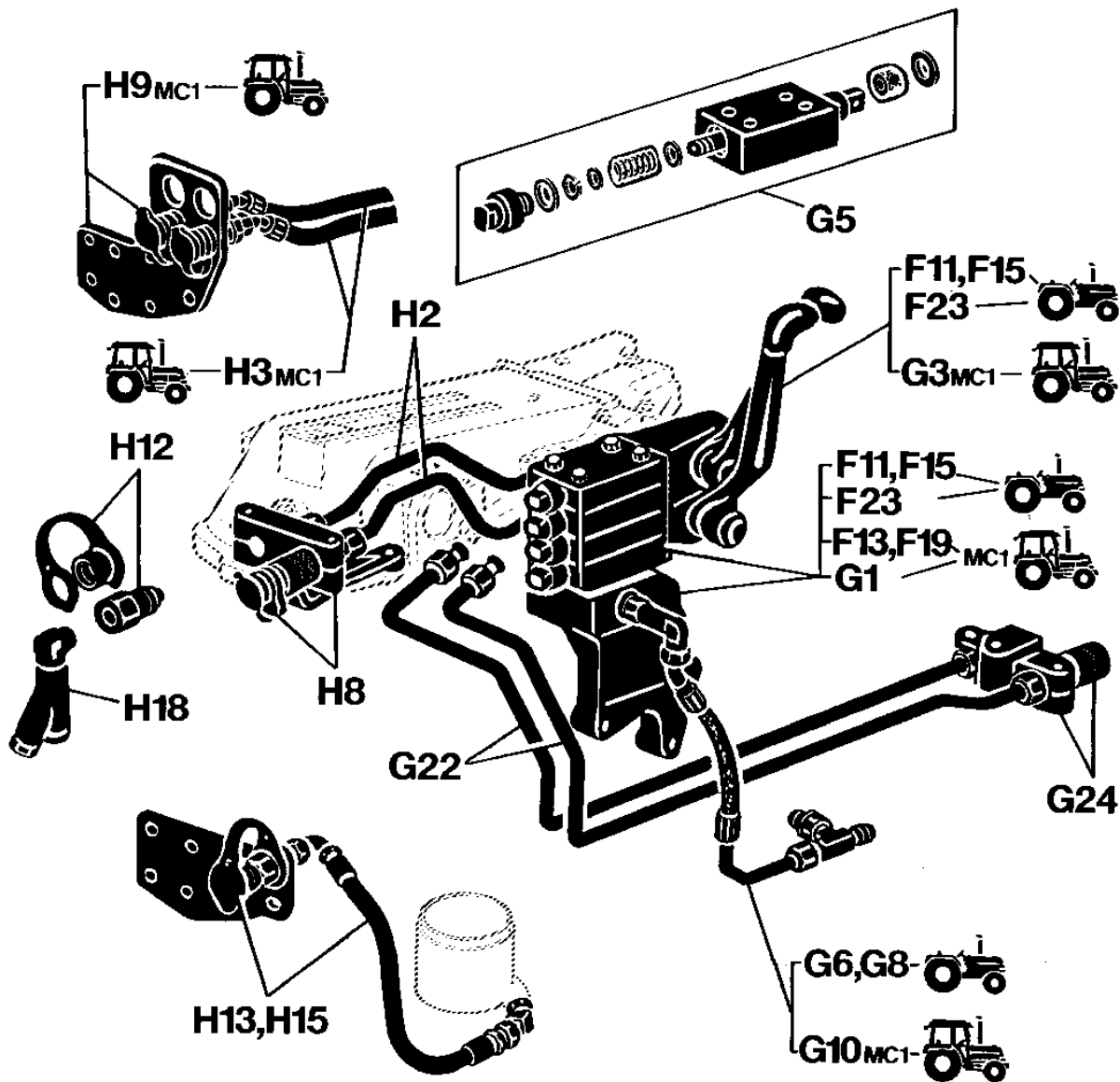
5F9

SELECTIVE CONTROL VALVES - SPOOL TYPE

XX
XX
XX
XX
XX
XX
XX
XX
XX
XX

SECTIONAL INDEX
INDEX DE SECTION
GRUPPENINDEX
INDICE DELLA SEZIONE
INDICE DE GRUPOS
GRUPPSFORTECKNING

LX011455 -UN-14JUL95



LX011455

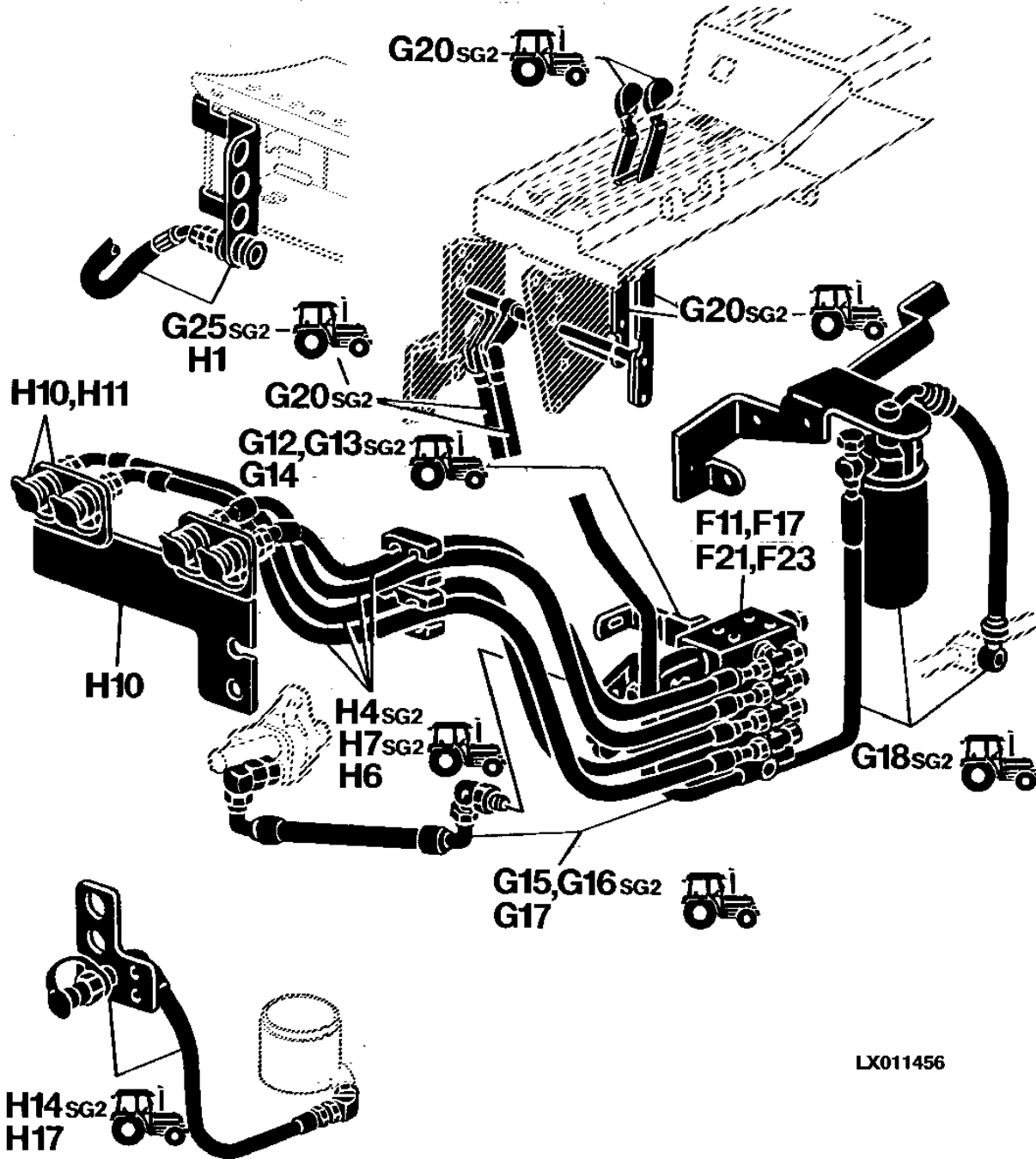
5F10

SELECTIVE CONTROL VALVES - SPOOL TYPE

XX
XX
XX
XX
XX
XX
XX
XX
XX
XX
XX

SECTIONAL INDEX
INDEX DE SECTION
GRUPPENINDEX
INDICE DELLA SEZIONE
INDICE DE GRUPOS
GRUPPSFORTECKNING

LX011456 -UN-14JUL95

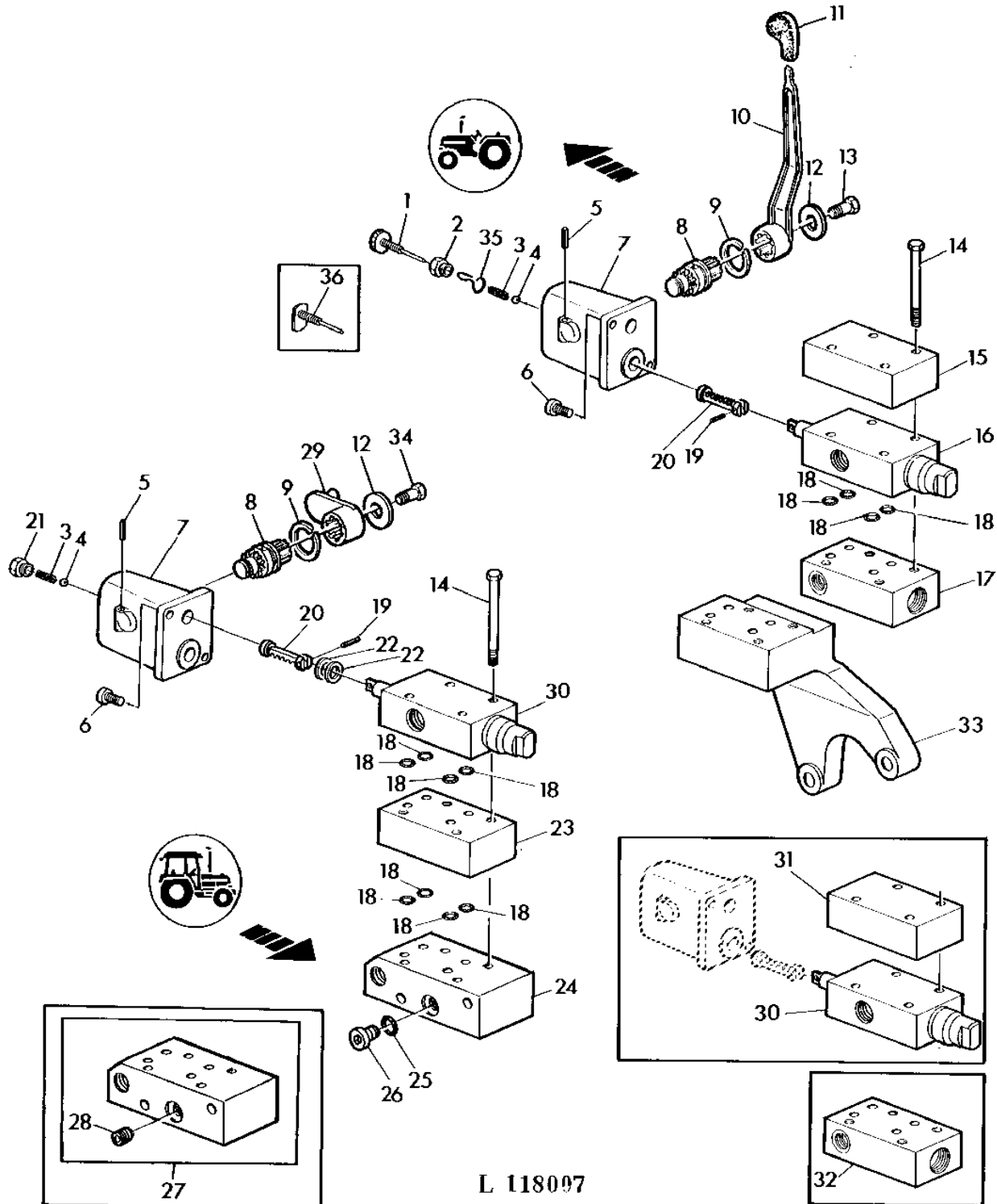


LX011456

5F11

SELECTIVE CONTROL VALVES - SPOOL TYPE

SINGLE-ACTING SELECTIVE CONTROL VALVE (SPOOL TYPE)
 DISTRIBUTEUR AUXILIAIRE SIMPLE EFFET (TIROIR)
 ZUSATZSTEUERGERAET EINFACHWIRKEND (SCHIEBERAUSF.)
 VALVOLA DI COMANDO SELETTIVO A STELO, EFFETTO SINGOLO
 DISP. DE MANDO AUXILIAR CON CORRED. DISTR. DE ACCION SIMPLE
 ENKELVERKANDE MANOVERVENTIL (SPOLTYP)
 L118007 -UN-18JUL95



L 118007

5F12

SELECTIVE CONTROL VALVES - SPOOL TYPE

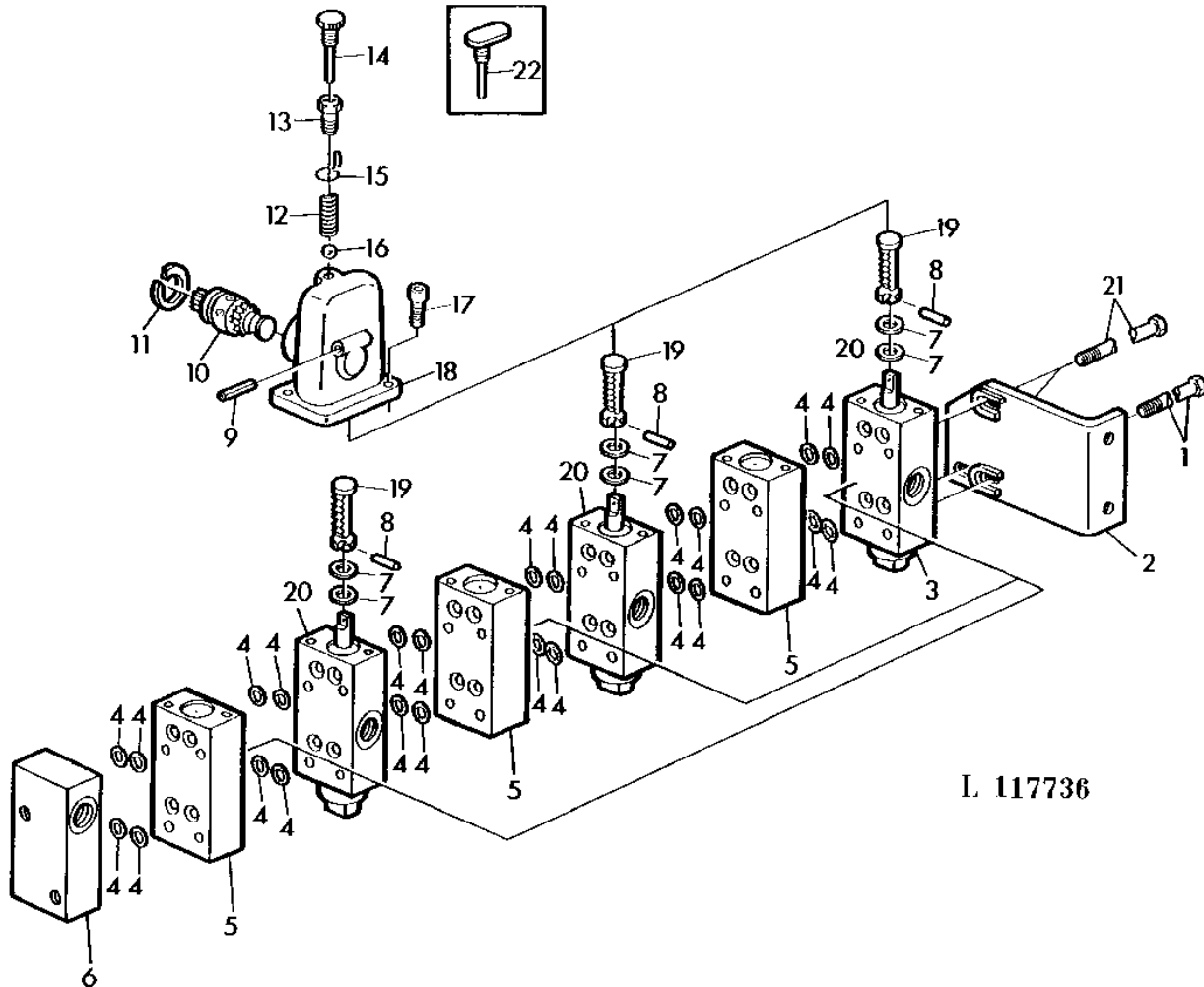
KEY	PART NO.	PART NAME	QTY	SERIAL NO.	REMARKS
					2 1 2 0 6 0 4 4 4 0 0 0 S
1	L62225	SET SCREW	1		X X X (SUB FOR AR61165)
2	R53800	SCREW	1		X X X
3	R53801	SPRING	1		X X X
4	R26552	BALL	1		X X X
5	34M7023	SPRING PIN	1		X X X 3X24MM
6	19M7603	SCREW	2		X X X M6X20
7	L39172	COVER	1		X X X (SUB FOR T32133)
8	T32547	DRIVE SHAFT	1		X X X
9	T32143	SNAP RING	1		X X X
10	AL24081	LEVER	1		X X X
11	L56926	GRIP	1		X X X (SUB FOR R54275 APPL)
12	24H1288	WASHER	1		X X X 9/32"X1"X.060"
13	19H2036	CAP SCREW	1		X X X 1/4"X7/8"
14	19H1904	CAP SCREW	4		X X X 5/16"X3"
15	L34390	COVER	1		X X X
16	AL34593	CONTROL VALVE	1		X X X
17	L34376	VALVE STACK	1		X X X (A)
18	L34378	O-RING	AR		X X X
19	R53218	NEEDLE ROLLER	1		X X X
20	T32132	RACK	1		X X X
21	R31631	DRAIN PLUG	1		X X X
22	L17658	WASHER	2	480706-	X X X
23	L40447	PLATE	1	480706-	X X X
24	L41708	HOUSING	1	524111-	X X X
25	L41526	O-RING	1	524111-	X X X
26	L41709	PIPE PLUG	1	524111-	X X X
27	AL37949	HOUSING	1	480706-524110	X X X (ORD L41708, L41709, L41526)
28	15M6643	DRAIN PLUG	1	-524110	X X X
29	AL35432	LEVER	1		X X X
30	AL34593	CONTROL VALVE	1		X X X
31	L34390	COVER	1	-480705	X X X
32	L34376	VALVE STACK	1	-480705	X X X
33	L34377	SUPPORT	1		X X
34	19H1919	CAP SCREW	1		X X X 1/4"X5/8"
35	L61890	BALL JOINT RETAINER	1		X X X
36	AR61165	LEVER	1		X X X (ORD L62225, L61890)

(A) WITH HEAVY-DUTY FINAL DRIVE
 AVEC COMMANDE FINALE RENFORCEE
 BEI VERSTAERKTEM ENDANTRIEB
 CON RIDUZIONE FINALE RINFORZATA
 CON REDUCCION FINAL REFORZADA
 VID FORSTARKT SLUTDREV

5F13

SELECTIVE CONTROL VALVES - SPOOL TYPE

SINGLE-ACTING SELECTIVE CONTROL VALVE (SPOOL TYPE) MC1 CAB
DISTRIBUTEUR AUXILIAIRE SIMPLE EFFET (TIROIR) CABINE MC1
ZUSATZSTEUERGERAET EINFACHWIRKEND (SCHIEBERAUSF. BEI MC1 KABINE)
VALVOLA DI COMANDO SELETTIVO A STELO, EFFETTO SINGOLO (CABINA MC1)
DISP. DE MANDO AUXILIAR CON CORRED. DISTR. DE ACCION SIMPLE (CABINA MC1)
ENKELVERKANDE MANOVERVENTIL (SPOLTYP) MC1 FORARHYTT
L117736 -UN-12JUL95



L 117736

5F14

SELECTIVE CONTROL VALVES - SPOOL TYPE

KEY	PART NO.	PART NAME	QTY	SERIAL NO.	REMARKS
					2
					1 2 0
					6 0 4
					4 4 0
					0 0 S
1	08H4397	CAP SCREW	2	X X X	5/16"X8"
	19H1904	CAP SCREW	2	X X X	(A) 5/16"X3"
	19H2343	CAP SCREW	2	X X X	(B) 5/16"X5-1/2"
2	AL58576	BRACKET	1	X X X	
3	AL34593	CONTROL VALVE	1	X X X	
4	L34378	O-RING	AR	X X X	
5	L40447	PLATE	AR	X X X	
6	L34376	VALVE STACK	1	X X X	
7	L17658	WASHER	AR	X X X	
8	R53218	NEEDLE ROLLER	AR	X X X	
9	34M7023	SPRING PIN	AR	X X X	3X24MM
10	T32547	DRIVE SHAFT	AR	X X X	
11	T32143	SNAP RING	AR	X X X	
12	R53801	SPRING	AR	X X X	
13	R53800	SCREW	AR	X X X	
14	L62225	SET SCREW	AR	X X X	(SUB FOR AR61165)
15	L61890	BALL JOINT RETAINER	AR	X X X	
16	R26552	BALL	AR	X X X	
17	19M7603	SCREW	AR	X X X	M6X20
18	L39172	COVER	AR	X X X	
19	T32132	RACK	AR	X X X	
20	AL34595	CONTROL VALVE	AR	X X X	
21	08H4405	CAP SCREW	2	X X X	5/16"X8-1/4"
	19H2043	CAP SCREW	2	X X X	(A) 5/16"X3-1/2"
	19H2344	CAP SCREW	2	X X X	(B) 5/16"X6"
22	AR61165	LEVER	AR	X X X	(ORD L62225, L61890)

(A) WITH ONE SELECTIVE CONTROL VALVE
 AVEC UN DISTRIBUTEUR AUXILIAIRE
 BEI EINEM ZUSATZSTEUERGERAET
 CON UN DISTRIBUTORE AUSILIARIO
 CON VALVULA DE MANDO AUXILIAR
 VID ETT FJARRMANOVERVENTIL

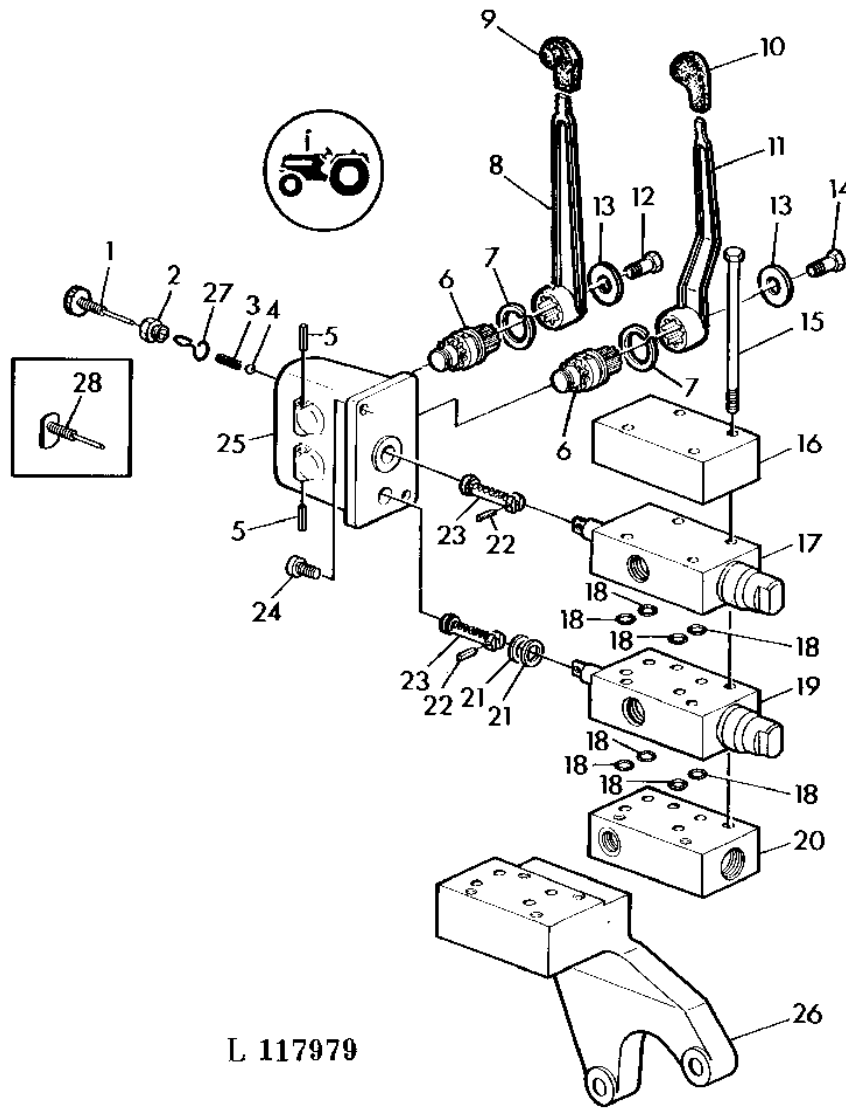
(B) WITH 2 SELECT.CONTROL VALVES
 AVEC 2 DISTRIB.AUXILIAIRES
 BEI 2 ZUSATZSTEUERGERAETEN
 CON 2 DISTRIBUTORI AUSILIARI
 CON 2 VALV.DE MANDO AUXIL.
 VID 2 FJARRMANOVERVENTILER

5F15

SELECTIVE CONTROL VALVES - SPOOL TYPE

TWO SINGLE ACTING SELECTIVE CONTROL VALVES (SPOOL TYPE)
DEUX DISTRIBUTEURS AUXILIAIRES DOUBLE EFFET (TRIOIR)
ZUSATZSTEUERGERAET/ZWEI EINFACHWIRKENDE (SCHIEBERAUSF.)
DUE VALVOLE DI COMANDO SELETTIVO A STELO
DOS DISP. DE MANDO AUXILIARES CON CORREDERA DE DISTRIBUCION
TVA ENKELVERKANDE MANOVERTILER (SPOLTYP)

L117979 -UN-18JUL95



L 117979

5F16

SELECTIVE CONTROL VALVES - SPOOL TYPE

KEY	PART NO.	PART NAME	QTY	SERIAL NO.	REMARKS
					2
					1 2 0
					6 0 4
					4 4 0
					0 0 S
1	L62225	SET SCREW	2	X X X	(SUB FOR AR61165)
2	R53800	SCREW	2	X X X	3/8"
3	R53801	SPRING	2	X X X	
4	R26552	BALL	2	X X X	
5	34M7023	SPRING PIN	2	X X X	3X24MM
6	T32547	DRIVE SHAFT	2	X X X	
7	T32143	SNAP RING	2	X X X	
8	AL24082	LEVER	1	X X X	
9	L56925	GRIP	1	X X X	(SUB FOR R54274 APPL)
10	L56926	GRIP	1	X X X	(SUB FOR R54275 APPL)
11	AL24081	LEVER	1	X X X	
12	19H1919	CAP SCREW	1	X X X	1/4"X5/8"
13	24H1288	WASHER	2	X X X	9/32"X1"X.060"
14	19H2036	CAP SCREW	1	X X X	1/4"X7/8"
15	19H3354	CAP SCREW	4	X X X	5/16"X4-1/4"
16	L34390	COVER	1	X X X	
17	AL34593	CONTROL VALVE	1	X X X	
18	L34378	O-RING	8	X X X	
19	AL34595	CONTROL VALVE	1	X X X	
20	L34376	VALVE STACK	1	X X X	(A)
21	L17658	WASHER	2	X X X	
22	R53218	NEEDLE ROLLER	2	X X X	
23	T32132	RACK	2	X X X	
24	19M7603	SCREW	2	X X X	M6X20
25	T32140	COVER	1	X X X	
26	L34377	SUPPORT	1	X X	
27	L61890	BALL JOINT RETAINER	2	X X X	
28	AR61165	LEVER	2	X X X	(ORD L62225, L61890)

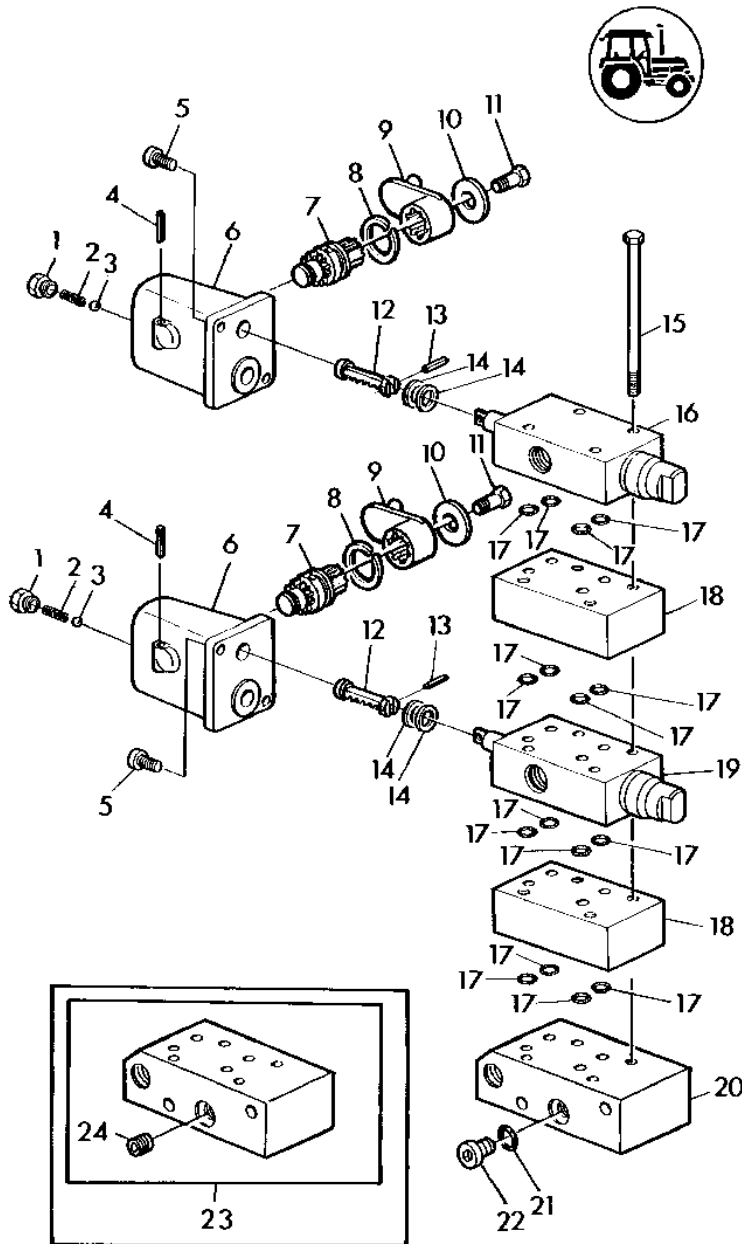
(A) WITH HEAVY-DUTY FINAL DRIVE
 AVEC COMMANDE FINALE RENFORCEE
 BEI VERSTAERKTEM ENDANTRIEB
 CON RIDUZIONE FINALE RINFORZATA
 CON REDUCCION FINAL REFORZADA
 VID FORSTARKT SLUTDREV

5F17

SELECTIVE CONTROL VALVES - SPOOL TYPE

TWO SINGLE ACTING SELECTIVE CONTROL VALVES (SPOOL TYPE) (SG2 CAB)
 DEUX DISTRIBUTEURS AUXILIAIRES DOUBLE EFFET (TRIOIR) (CABINE SG2)
 ZUSATZSTEUERGERAET/ZWEI EINFACHWIRKENDE (SCHIEBERAUSF.) (SG2 KABINE)
 DUE VALVOLE DI COMANDO SELETTIVO A STELO (CABINA SG2)
 DOS DISP. DE MANDO AUXILIARES CON CORREDERA DE DISTRIBUCION (CABINA SG2)
 TVA ENKELVERKANDE MANOVERVENTILER (SPOLTYP) (SG2 HYTT)

L110396 -UN-17JUL95



L 110396

5F18

SELECTIVE CONTROL VALVES - SPOOL TYPE

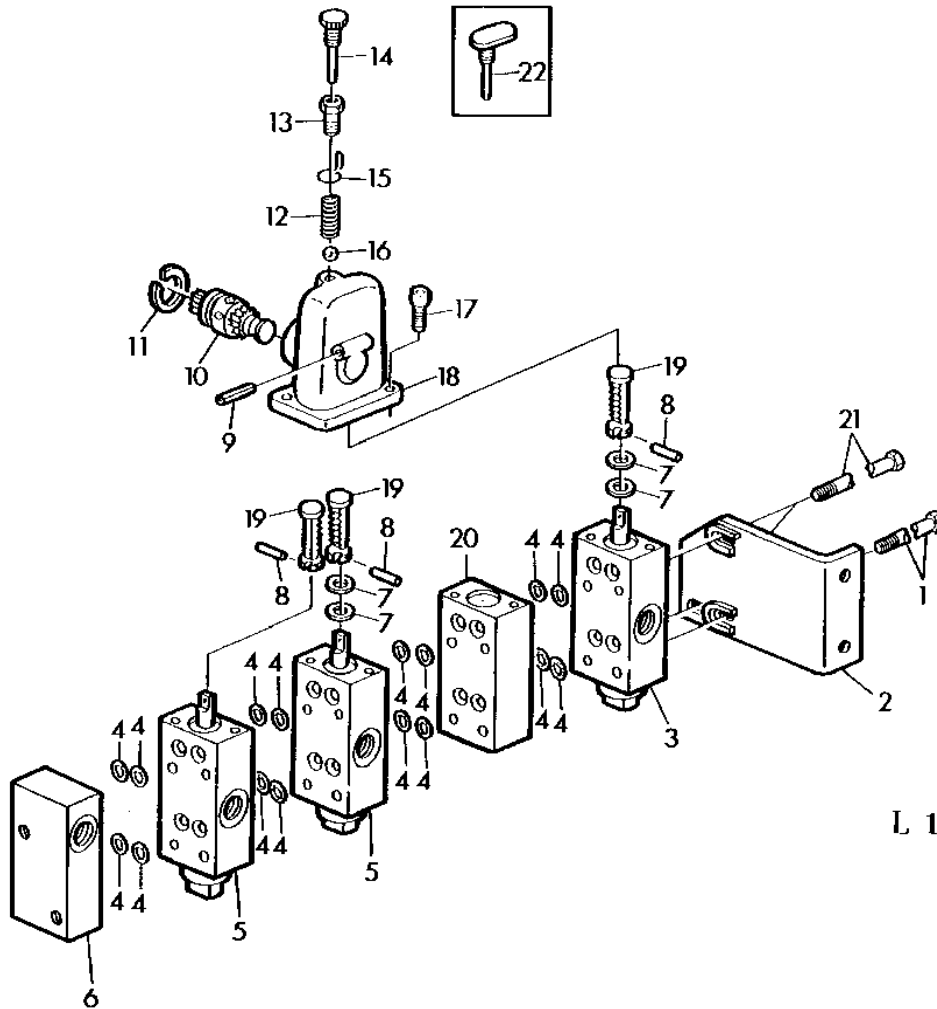
KEY	PART NO.	PART NAME	QTY	SERIAL NO.	REMARKS
					2
					1 2 0
					6 0 4
					4 4 0
					0 0 S
1	R31631	DRAIN PLUG	2		X X X
2	R53801	SPRING	2		X X X
3	R26552	BALL	2		X X X
4	34M7023	SPRING PIN	2		X X X 3X24MM
5	19M7603	SCREW	4		X X X M6X20
6	L39172	COVER	2		X X X (SUB FOR T32133)
7	T32547	DRIVE SHAFT	2		X X X
8	T32143	SNAP RING	2		X X X
9	AL35432	LEVER	2		X X X
10	24H1288	WASHER	2		X X X 9/32"X1"X.060"
11	19H1919	CAP SCREW	2		X X X 1/4"X5/8"
12	T32132	RACK	2		X X X
13	R53218	NEEDLE ROLLER	2		X X X
14	L17658	WASHER	4		X X X
15	19H2343	CAP SCREW	4		X X X 5/16"X5-1/2"
16	AL34593	CONTROL VALVE	1		X X X
17	L34378	O-RING	16		X X X
18	L40447	PLATE	2		X X X
19	AL34595	CONTROL VALVE	1		X X X
20	L41708	HOUSING	1	524111-	X X X
21	L41526	O-RING	1	524111-	X X X
22	L41709	PIPE PLUG	1	524111-	X X X
23	AL37949	HOUSING	1	480706-524110	X X X (ORD L41708, L41709, L41526)
24	15M6643	DRAIN PLUG	1	-524110	X X X

5F19

SELECTIVE CONTROL VALVES - SPOOL TYPE

ONE SINGLE AND ONE DOUBLE ACTING SCV (SPOOL TYPE WITH MC1 CAB)
UN DISTRIBUTEUR AUXILIAIRE SIMPLE EFFET ET UN DOUBLE (TYPE TIROIR, CABINE MC1)
ZUSATZSTEUERGER. 1X EINFACH- U. 1X DOPPELW. (SCHIEBERAUSF. BEI MC1 KABINE)
VALVOLE COMANDO SELETT. 1 SINGOLO ED 1 DOPPIO EF. (TIPO A STELO, CAB. MC1)
VALV. DE MANDO AUX., 1 DE SIMPLE, 1 DE DOBLE EFECTO (TIPO CON CORRED., CAB. MC1)
1 ENKELVERK., 1 DUBBELVERK. MANOVERVENTILER (SPOLTYP, MC1 FORARHYTT)

L117737 -UN-12JUL95



L 117737

5F20

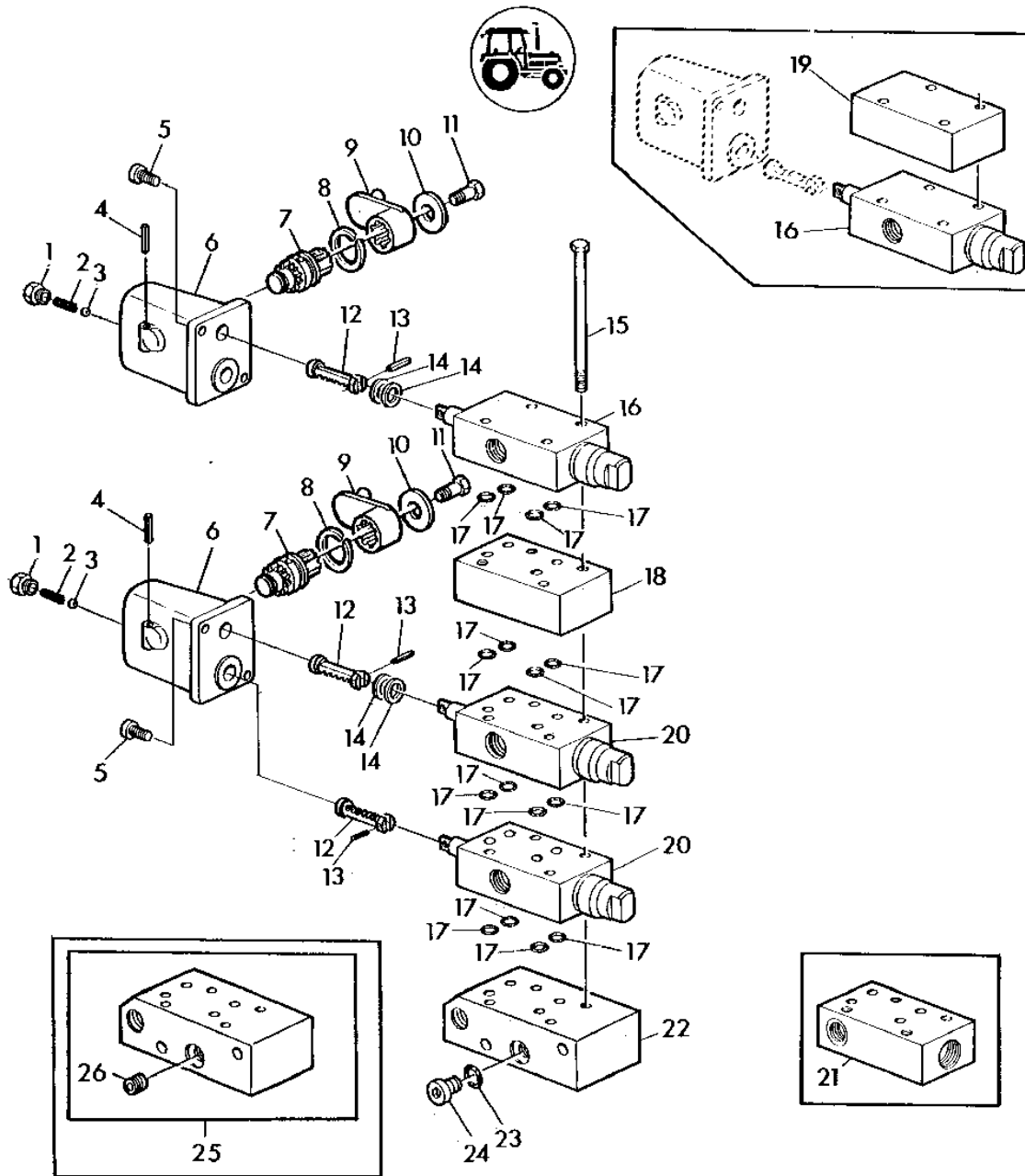
SELECTIVE CONTROL VALVES - SPOOL TYPE

KEY	PART NO.	PART NAME	QTY	SERIAL NO.	REMARKS
					2
					1 2 0
					6 0 4
					4 4 0
					0 0 S
1	19H2343	CAP SCREW	2	X X X	5/16"X5-1/2"
2	AL58576	BRACKET	1	X X X	
3	AL34593	CONTROL VALVE	1	X X X	
4	L34378	O-RING	16	X X X	
5	AL34595	CONTROL VALVE	2	X X X	
6	L34376	VALVE STACK	1	X X X	
7	L17658	WASHER	4	X X X	
8	R53218	NEEDLE ROLLER	3	X X X	
9	34M7023	SPRING PIN	2	X X X	3X24MM
10	T32547	DRIVE SHAFT	2	X X X	
11	T32143	SNAP RING	2	X X X	
12	R53801	SPRING	2	X X X	
13	R53800	SCREW	2	X X X	
14	L62225	SET SCREW	2	X X X	(SUB FOR AR61165)
15	L61890	BALL JOINT RETAINER	2	X X X	
16	R26552	BALL	2	X X X	
17	19M7603	SCREW	4	X X X	M6X20
18	L39172	COVER	2	X X X	
19	T32132	RACK	3	X X X	
20	L40447	PLATE	1	X X X	
21	19H2344	CAP SCREW	2	X X X	5/16"X6"
22	AR61165	LEVER	2	X X X	(ORD L62225, L61890)

5F21

SELECTIVE CONTROL VALVES - SPOOL TYPE

ONE SINGLE AND ONE DOUBLE ACTING SCV (SPOOL TYPE) WITH SG2 CAB
 UN DISTRIBUTEUR AUXILIAIRE SIMPLE EFFET ET UN DOUBLE/AVEC CABINE SG2
 ZUSATZSTEUERGER. SCHIEBERAUSF. 1X EINFACH- U. 1X DOPPELW. (SG2 KABINE)
 VALVOLE COMANDO SELETT. A STELO 1 SINGOLO ED 1 DOPPIO EF./CABINA SG2
 DISP. MANDO AUX. CON CORRED. DISTR. 1 SIMPLE Y 1 DOBLE ACC./CABINA SG2
 1 ENKELVERK., 2 DUBBELVERK. MANOVERVENTILER (SPOLTYP)/SG2 HYTT
 L106725 -UN-17JUL95



L 106725

5F22

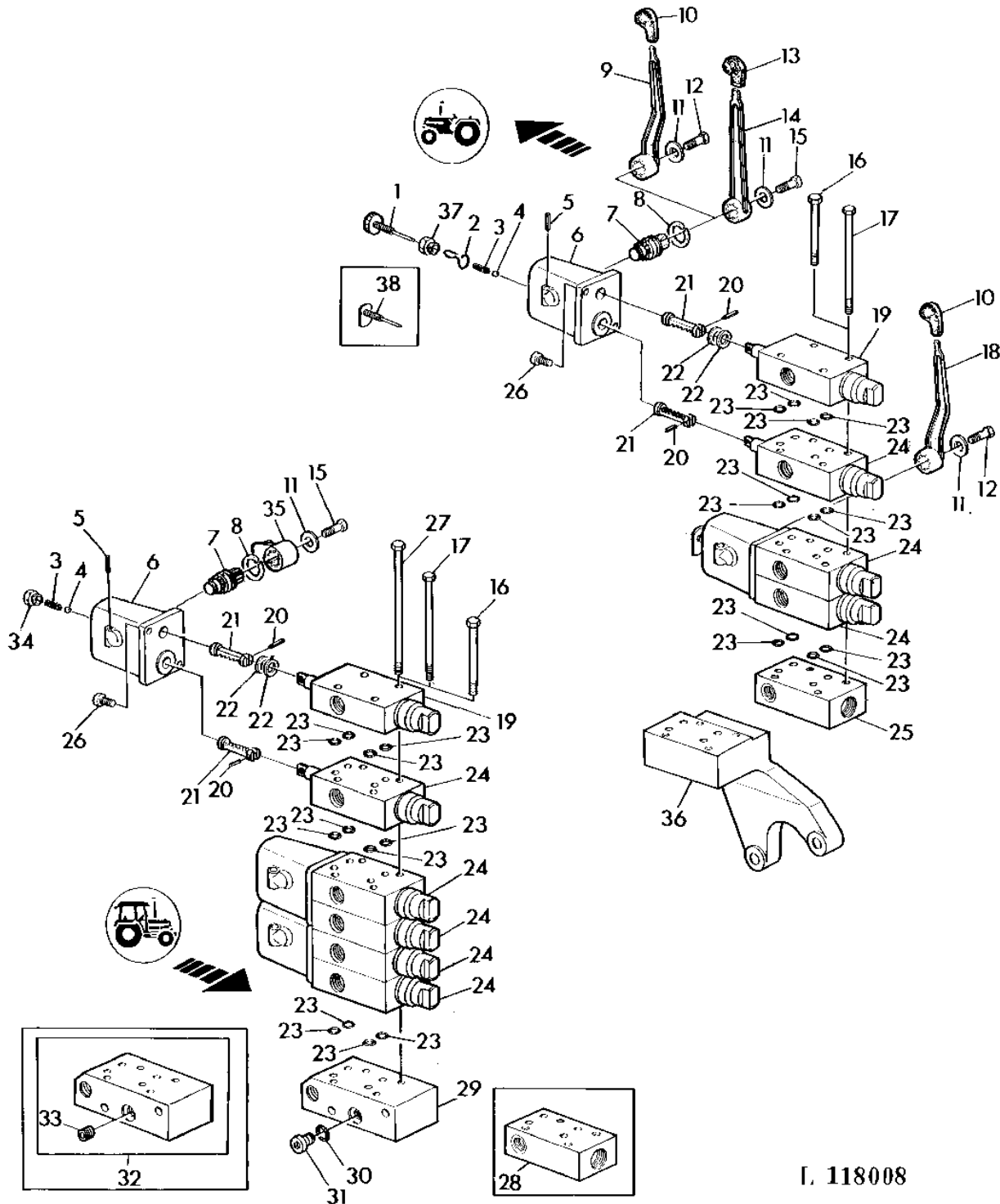
SELECTIVE CONTROL VALVES - SPOOL TYPE

KEY	PART NO.	PART NAME	QTY	SERIAL NO.	REMARKS
					2
					1 2 0
					6 0 4
					4 4 0
					0 0 S
1	R31631	DRAIN PLUG	2		X X X
2	R53801	SPRING	2		X X X
3	R26552	BALL	2		X X X
4	34M7023	SPRING PIN	2		X X X 3X24MM
5	19M7603	SCREW	4		X X X M6X20
6	L39172	COVER	2		X X X (SUB FOR T32133)
7	T32547	DRIVE SHAFT	2		X X X
8	T32143	SNAP RING	2		X X X
9	AL35432	LEVER	2		X X X
10	24H1288	WASHER	2		X X X 9/32"X1"X.060"
11	19H1919	CAP SCREW	2		X X X 1/4"X5/8"
12	T32132	RACK	3		X X X
13	R53218	NEEDLE ROLLER	3		X X X
14	L17658	WASHER	4		X X X
15	19H2343	CAP SCREW	4		X X X 5/16"X5-1/2"
16	AL34593	CONTROL VALVE	1		X X X
17	L34378	O-RING	16		X X X
18	L40447	PLATE	1	480706-	X X X
19	L34390	COVER	1	-480705	X X X
20	AL34595	CONTROL VALVE	2		X X X
21	L34376	VALVE STACK	1	-480705	X X X
22	L41708	HOUSING	1	524111-	X X X
23	L41526	O-RING	1	524111-	X X X
24	L41709	PIPE PLUG	1	524111-	X X X
25	AL37949	HOUSING	1	480706-524110	X X X (ORD L41708, L41709, L41526)
26	15M6643	DRAIN PLUG	1	-524110	X X X

5F23

SELECTIVE CONTROL VALVES - SPOOL TYPE

DOUBLE ACTING SELECTIVE CONTROL VALVE (SPOOL TYPE)
 DISTRIBUTEUR AUXILIAIRE DOUBLE EFFET (TRIOIR)
 ZUSATZSTEUERGERAETE DOPPELWIRKEND (SCHIEBERAUSF.)
 VALVOLE DI COMANDO SELETTIVO A STELO, DOPPIO EFFETTO
 DISP. DE MANDO AUXIL. CON CORRED. DE DISTRIBUCION, ACCION DOBLE
 DUBBELVERKANDE MANOVERVENTILER (SPOLTYP)
 L118008 -UN-18JUL95



I. 118008

5F24

SELECTIVE CONTROL VALVES - SPOOL TYPE

KEY	PART NO.	PART NAME	QTY	SERIAL NO.	REMARKS
					2
					1 2 0
					6 0 4
					4 4 0
					0 0 S
1	L62225	SET SCREW	AR		X X X (SUB FOR AR61165)
2	R53800	SCREW	AR		X X X
3	R53801	SPRING	AR		X X X
4	R26552	BALL	AR		X X X
5	34M7023	SPRING PIN	AR		X X X 3X24MM
6	L39172	COVER	AR		X X X (SUB FOR T32133)
7	T32547	DRIVE SHAFT	AR		X X X
8	T32143	SNAP RING	AR		X X X
9	AL24081	LEVER	1		X X X
10	L56926	GRIP	1		X X X (SUB FOR R54275 APPL)
11	24H1288	WASHER	AR		X X X 9/32"X1"X.060"
12	19H2036	CAP SCREW	AR		X X X 1/4" X 7/8"
13	L56925	GRIP	1		X X X (B) (SUB FOR R54274 APPL)
14	AL24082	LEVER	1		X X X (B)
15	19H1919	CAP SCREW	AR		X X X 1/4"X5/8"
16	19H1904	CAP SCREW	4		X X X 5/16"X3"
17	19H2343	CAP SCREW	4		X X X 5/16"X5-1/2"
18	AL24081	LEVER	1		X X X (B)
19	AL34593	CONTROL VALVE	1		X X X
20	R53218	NEEDLE ROLLER	AR		X X X
21	T32132	RACK	AR		X X X
22	L17658	WASHER	AR		X X X
23	L34378	O-RING	AR		X X X
24	AL34595	CONTROL VALVE	AR		X X X
25	L34376	VALVE STACK	1		X X X (A)
26	19M7603	SCREW	AR		X X X M6X20
27	08H4397	CAP SCREW	4		X X X (C) 5/16"X8"
28	L34376	VALVE STACK	1	-480705	X X X
29	L41708	HOUSING	1	524111-	X X X
30	L41526	O-RING	1	524111-	X X X
31	L41709	PIPE PLUG	1	524111-	X X X
32	AL37949	HOUSING	1	480706-524110	X X X (ORD L41708, L41709, L41526)
33	15M6643	DRAIN PLUG	1	-524110	X X X
34	R31631	DRAIN PLUG	AR		X X X
35	AL35432	LEVER	AR		X X X
36	L34377	SUPPORT	1		X X
37	L61890	BALL JOINT RETAINER	AR		X X X
38	AR61165	LEVER	AR		X X X (ORD L62225, L61890)

(A) WITH HEAVY-DUTY FINAL DRIVE
 AVEC REDUC. FINALE RENFORCEE
 BEI VERSTAERKTEM ENDANTRIEB
 CON RIDUZ. FIN. RINFORZ.
 CON MANDOS FINALES REFORZ.
 VID FORSTARKT SLUTDREV

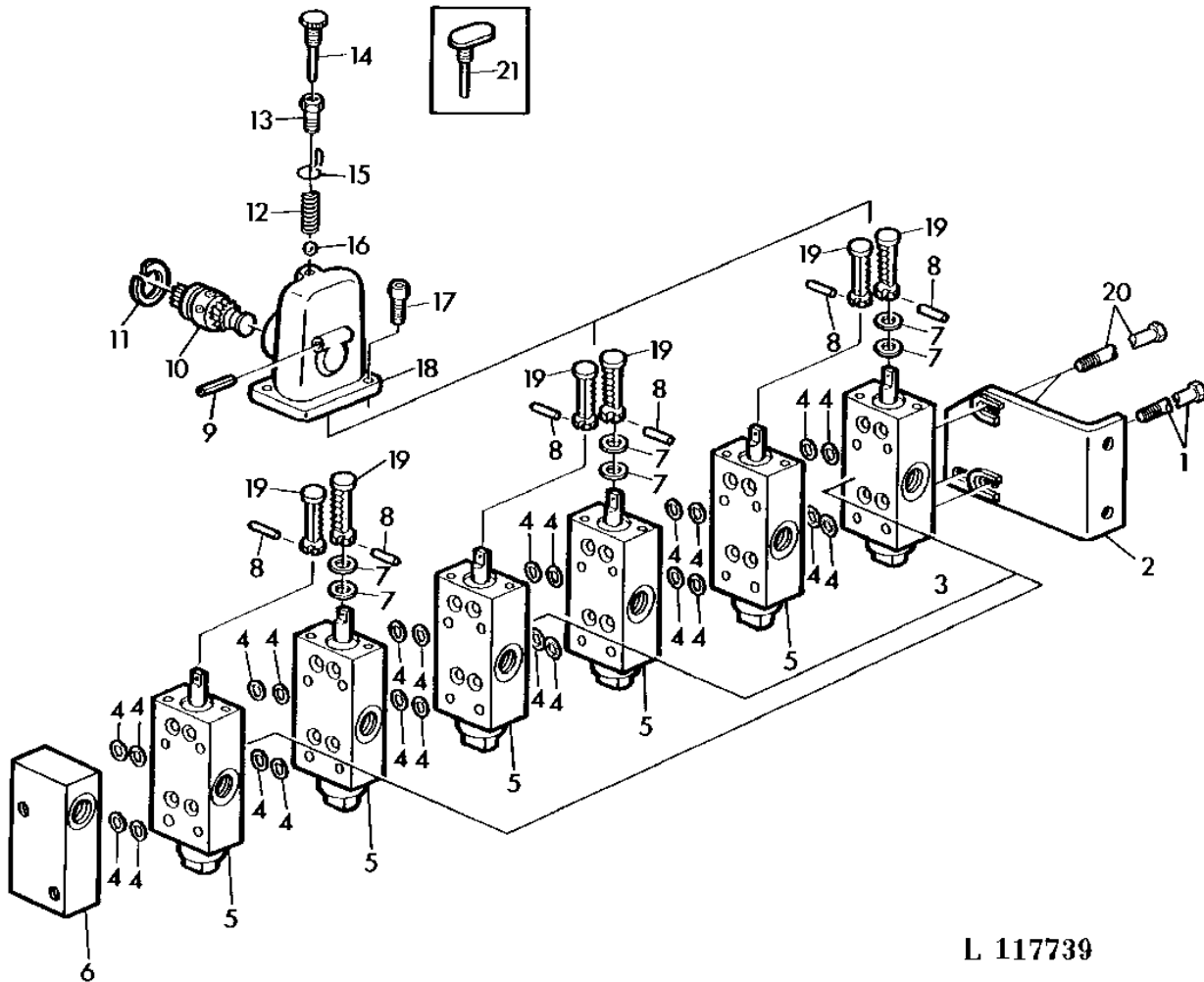
(B) FOR 2 SELECT.CONTROL VALVES
 POUR 2 DISTRIBUTEURS AUXIL.
 FUER 2 ZUSATZSTEUERGERAETE
 PER 2 DISTRIBUTORI AUSILIARI
 PARA 2 VALV.DE MANDO AUXIL.
 FOR 2 FJARRMANOVERVENTILER

(C) FOR 3 SELECT.CONTROL VALVES
 AVEC 3 DISTRIBUTEURS AUXIL.
 FUER 3 ZUSATZSTEUERGERAETE
 PER 3 DISTRIBUTORI AUSILIARI
 PARA 3 VALV.DE MANDO AUXIL.
 FOR 3 FJARRMANOVERVENTILER

5G1

SELECTIVE CONTROL VALVES - SPOOL TYPE

DOUBLE ACTING SELECTIVE CONTROL VALVE (SPOOL TYPE) MC1 CAB
DISTRIBUTEUR AUXILIAIRE DOUBLE EFFET (TRIOIR) CABINE MC1
ZUSATZSTEUERGERAETE DOPPELWIRKEND (SCHIEBERAUSF. BEI MC1 KABINE)
VALVOLE DI COMANDO SELETTIVO A STELO, DOPPIO EFFETTO (CABINA MC1)
DISP. DE MANDO AUXIL. CON CORRED. DE DISTRIBUCION, ACCION DOBLE (CABINA MC1)
DUBBELVERKANDE MANOVERVENTILER (SPOLTYP) MC1 FORARHYTT
L117739 -UN-12JUL95



L 117739

5G2

SELECTIVE CONTROL VALVES - SPOOL TYPE

KEY	PART NO.	PART NAME	QTY	SERIAL NO.	REMARKS
					2
					1 2 0
					6 0 4
					4 4 0
					0 0 S
1	08H4397	CAP SCREW	2	X X X	5/16"X8"
	19H1904	CAP SCREW	2	X X X	(A) 5/16"X3"
	19H2343	CAP SCREW	2	X X X	(B) 5/16"X5-1/2"
2	AL58576	BRACKET	1	X X X	
3	AL34593	CONTROL VALVE	1	X X X	
4	L34378	O-RING	AR	X X X	
5	AL34595	CONTROL VALVE	AR	X X X	
6	L34376	VALVE STACK	1	X X X	
7	L17658	WASHER	AR	X X X	
8	R53218	NEEDLE ROLLER	AR	X X X	
9	34M7023	SPRING PIN	AR	X X X	3X24MM
10	T32547	DRIVE SHAFT	AR	X X X	
11	T32143	SNAP RING	AR	X X X	
12	R53801	SPRING	AR	X X X	
13	R53800	SCREW	AR	X X X	
14	L62225	SET SCREW	AR	X X X	(SUB FOR AR61165)
15	L61890	BALL JOINT RETAINER	AR	X X X	
16	R26552	BALL	AR	X X X	
17	19M7603	SCREW	AR	X X X	M6X20
18	L39172	COVER	AR	X X X	
19	T32132	RACK	AR	X X X	
20	08H4405	CAP SCREW	2	X X X	5/16"X8-1/4"
	19H2043	CAP SCREW	2	X X X	(A) 5/16"X3-1/2"
	19H2344	CAP SCREW	2	X X X	(B) 5/16"X6"
21	AR61165	LEVER	AR	X X X	(ORD L62225, L61890)

(A) WITH ONE SELECTIVE CONTROL VALVE
 AVEC UN DISTRIBUTEUR AUXILIAIRE
 BEI EINEM ZUSATZSTEUERGERAET
 CON UN DISTRIBUTORE AUSILIARIO
 CON VALVULA DE MANDO AUXILIAR
 VID ETT FJARRMANOVERVENTIL

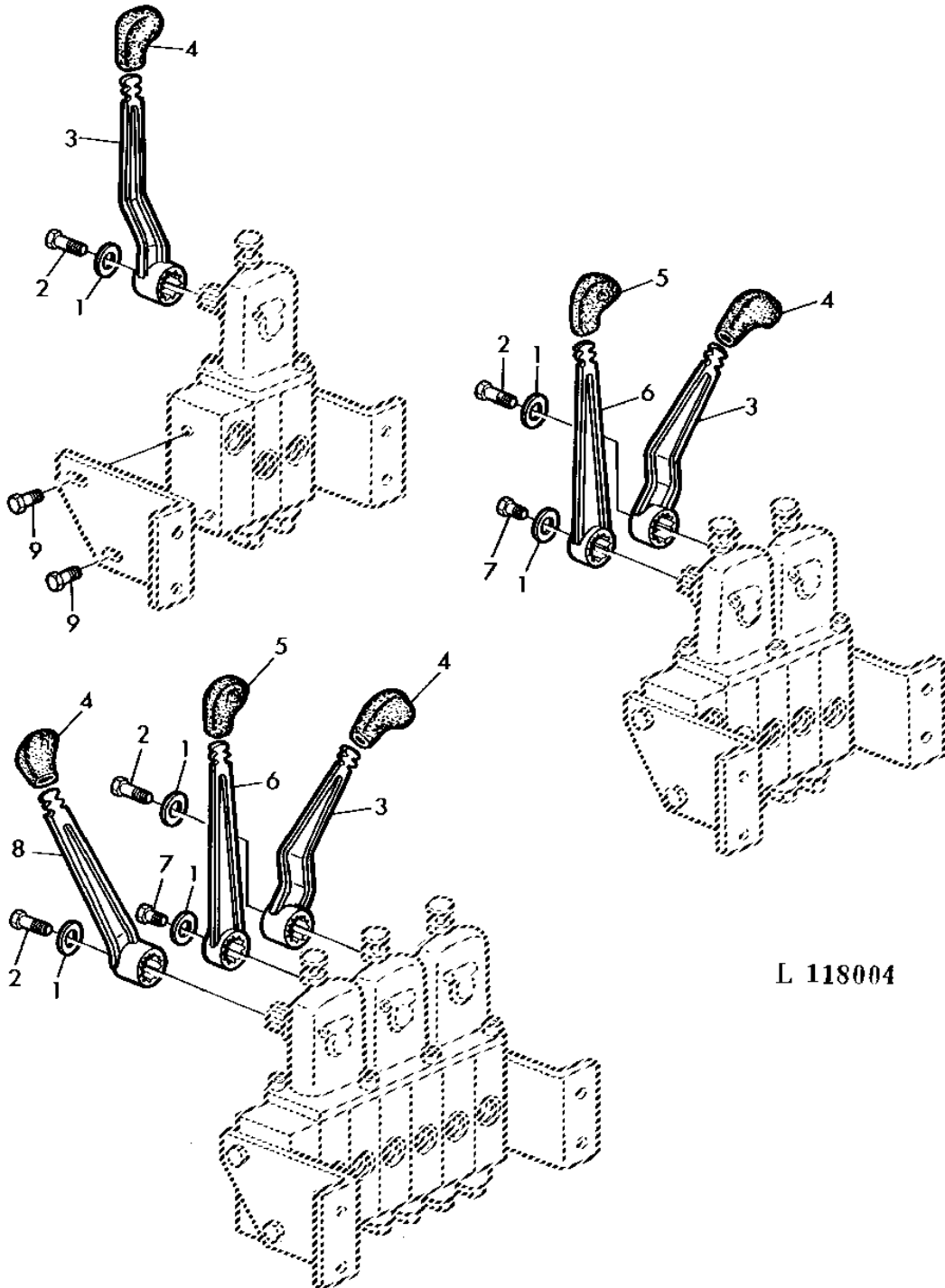
(B) WITH 2 SELECT.CONTROL VALVES
 AVEC 2 DISTRIB.AUXILIAIRES
 BEI 2 ZUSATZSTEUERGERAETEN
 CON 2 DISTRIBUTORI AUSILIARI
 CON 2 VALV.DE MANDO AUXIL.
 VID 2 FJARRMANOVERVENTILER

5G3

SELECTIVE CONTROL VALVES - SPOOL TYPE

S.C.V. CONTROL LEVER (SPOOL TYPE S.C.V.) MC1 CAB
LEVIER DE COMMANDE DE DISTRIBUTEUR AUXILIAIRE A (TIROIR) CAB MC1
SCHALTHEBEL ZUSATZSTEUERGERAETE (SCHIEBERAUSF. BEI MC1 KABINE)
LEVE COMANDO PER DISTRIBUTORI (TIPO A STELO) CABINA MC1
PALANCA DE MANDO (DISPOSITIVO DE MANDO AUX. CON. CORREDERA) CABINA MC1
MANOVERSPAK FOR FJARREGLAGE (SPOOLTYP) MC1 HYTT

L118004 -UN-12JUL95



L 118004

5G4

SELECTIVE CONTROL VALVES - SPOOL TYPE

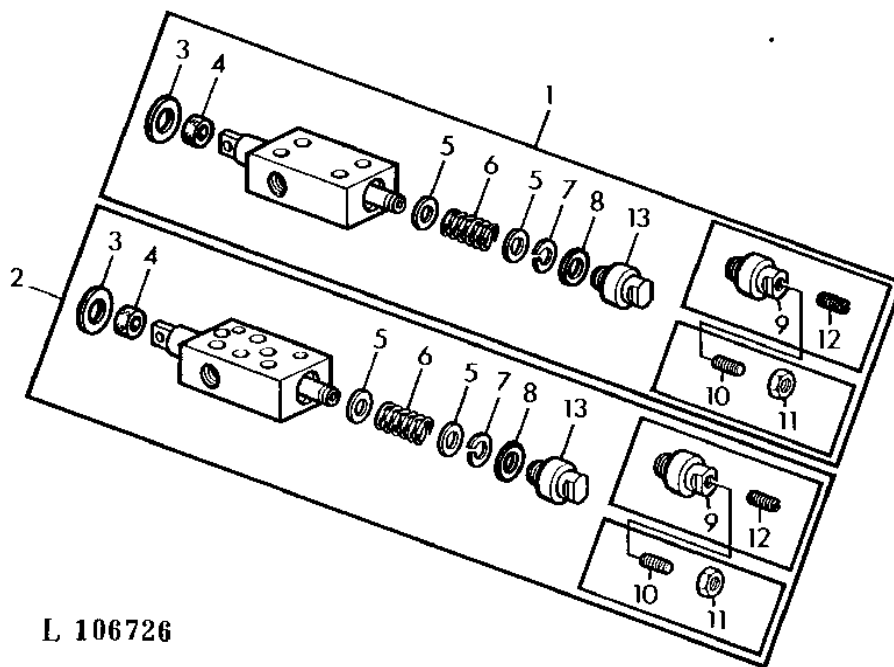
KEY	PART NO.	PART NAME	QTY	SERIAL NO.	REMARKS
					2
					1 2 0
					6 0 4
					4 4 0
					0 0 S
1	24M7298	WASHER	AR	X X X	8.4X25X2MM
2	19H2036	CAP SCREW	AR	X X X	1/4"X7/8"
3	AL24081	LEVER	1	X X X	
4	L56926	GRIP	AR	X X X	(SUB FOR R54275 APPL)
5	L56925	GRIP	1	X X X	(SUB FOR R54274 APPL)
6	AL24082	LEVER	1	X X X	
7	19H1919	CAP SCREW	1	X X X	1/4"X5/8"
8	AL55009	LEVER	1	X X X	

5G5

SELECTIVE CONTROL VALVES - SPOOL TYPE

SELECTIVE CONTROL VALVE (SPOOL TYPE), (INDIVIDUAL PARTS)
 DISTRIBUTEURS AUXILIAIRES (TIROIR) (ELEMENTS)
 ZUSATZSTEUERGERAETE SCHIEBERAUSFUEHRUNG (EINZELTEILE)
 DISTRIBUTORI A DISTANZA, TIPO A STELO (PARTI)
 DISP. DE MANDO AUXILIARES (CON CORREDERA DE DISTRIBUCION) (ELEMENTOS)
 FJARREGLAGE (SPOLTYP, DELAR)

L106726 -UN-17JUL95



L 106726

2
1 2 0
6 0 4
4 4 0
0 0 S

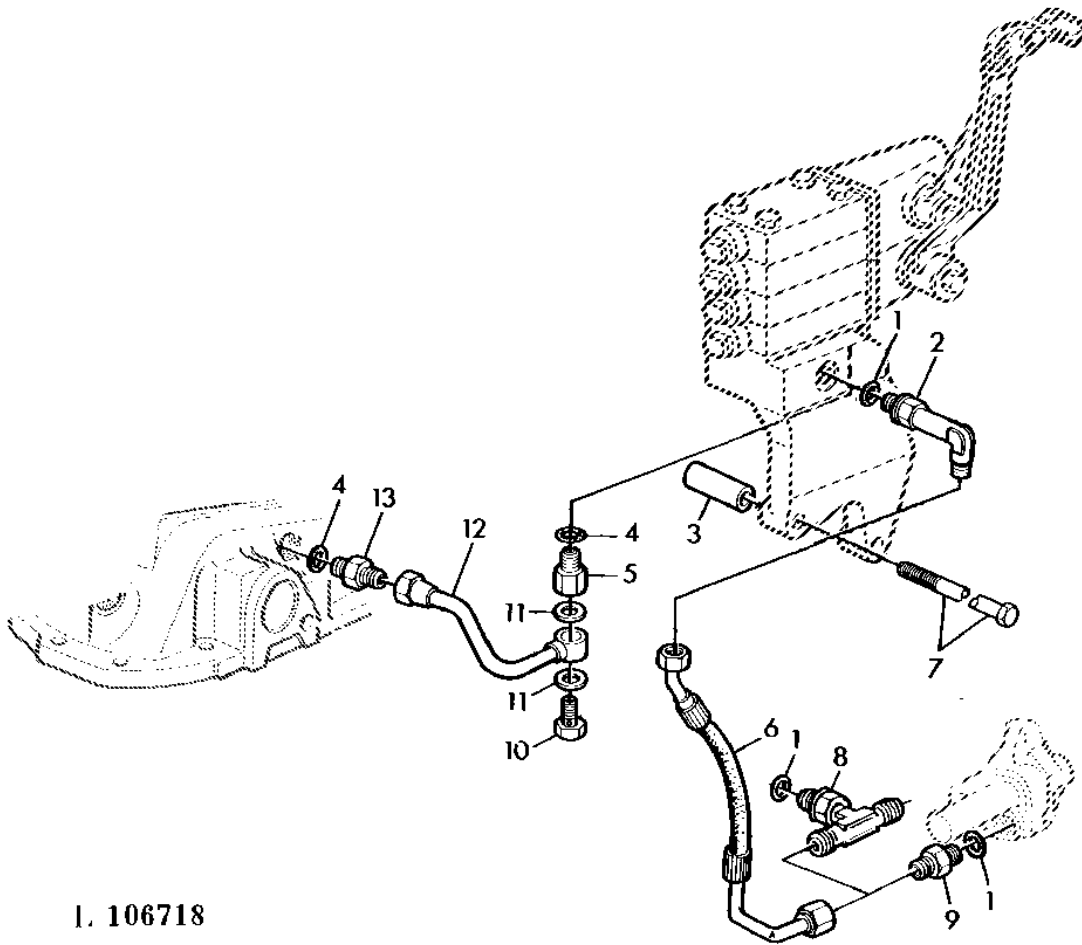
KEY	PART NO.	PART NAME	QTY	SERIAL NO.	REMARKS
1	AL34593	CONTROL VALVE	1	X X X	
2	AL34595	CONTROL VALVE	1	X X X	
3	L17658	WASHER	1	X X X	
4	L20102	SEAL	1	X X X	
5	L20095	WASHER	2	X X X	
6	L17056	SPRING	1	X X X	
7	L18893	SNAP RING	1	X X X	
8	51M4245	RING	1	X X X	24X30MM
9	L31754	DRAWER SLIDE	1	X X X	
10	22M1912	SET SCREW	1	X X X	M6X16 (ORD L39810)
11	L31755	NUT	1	X X X	M6 (ORD L39810)
12	L39810	SET SCREW	1	X X X	M6X16
13	L38016	CAP	1	X X X	

MEMORANDA
MEMORANDA
MEMORANDA
MEMORANDA
MEMORANDA

5G6

SELECTIVE CONTROL VALVES - SPOOL TYPE

OIL LINES-SELECTIVE CONTROL VALVES (SPOOL TYPE)
CONDUITES D'HUILE-DISTRIBUTEURS AUXILIAIRES (TIROIR)
OELLEITUNGEN ZUSATZSTEUERGERAETE SCHIEBERAUSFUEHRUNG
LINEE OLIO-VALVOLE COMANDO SELETTIVO A STELO
TUBERIAS-DISPOS. DE MANDO AUXILIARES CON CORRED. DISTR.
OLJELEDNINGAR TILL MANOVERVENTILER (SPOLTYP)
L106718 -UN-17JUL95



L. 106718

5G7

SELECTIVE CONTROL VALVES - SPOOL TYPE

KEY	PART NO.	PART NAME	QTY	SERIAL NO.	REMARKS
					2
					1 2 0
					6 0 4
					4 4 0
					0 0 S
1	R26375	O-RING	2		
2	AT23717	ELBOW FITTING	1		3/4"
3	R48481	BUSHING	2		
4	R26906	O-RING	2		
5	T32201	FITTING	1		7/8"X5/8"
6	AL37247	HYDRAULIC HOSE	1		(A) (SUB FOR AL35677 APPL)
	AL35677	HYDRAULIC HOSE	1		(B)
7	08H4702	CAP SCREW	2		1/2"X6-1/4"
8	AL30020	TEE FITTING	1		(A)
9	R27237	FITTING	1		(B)
10	L63537	FITTING	1		5/8" (SUB FOR T32204)
11	51M4238	RING	2		16X20MM
12	AR51691	OIL LINE	1		
13	R27270	FITTING	1		

(A) WITH MANUAL STEERING
 AVEC DIRECTION MECANIQUE
 BEI MECHANISCHER LENKUNG
 CON STERZO MECCANICO
 CON DIRECCION MANUAL
 VID MEKANISK STYRNING

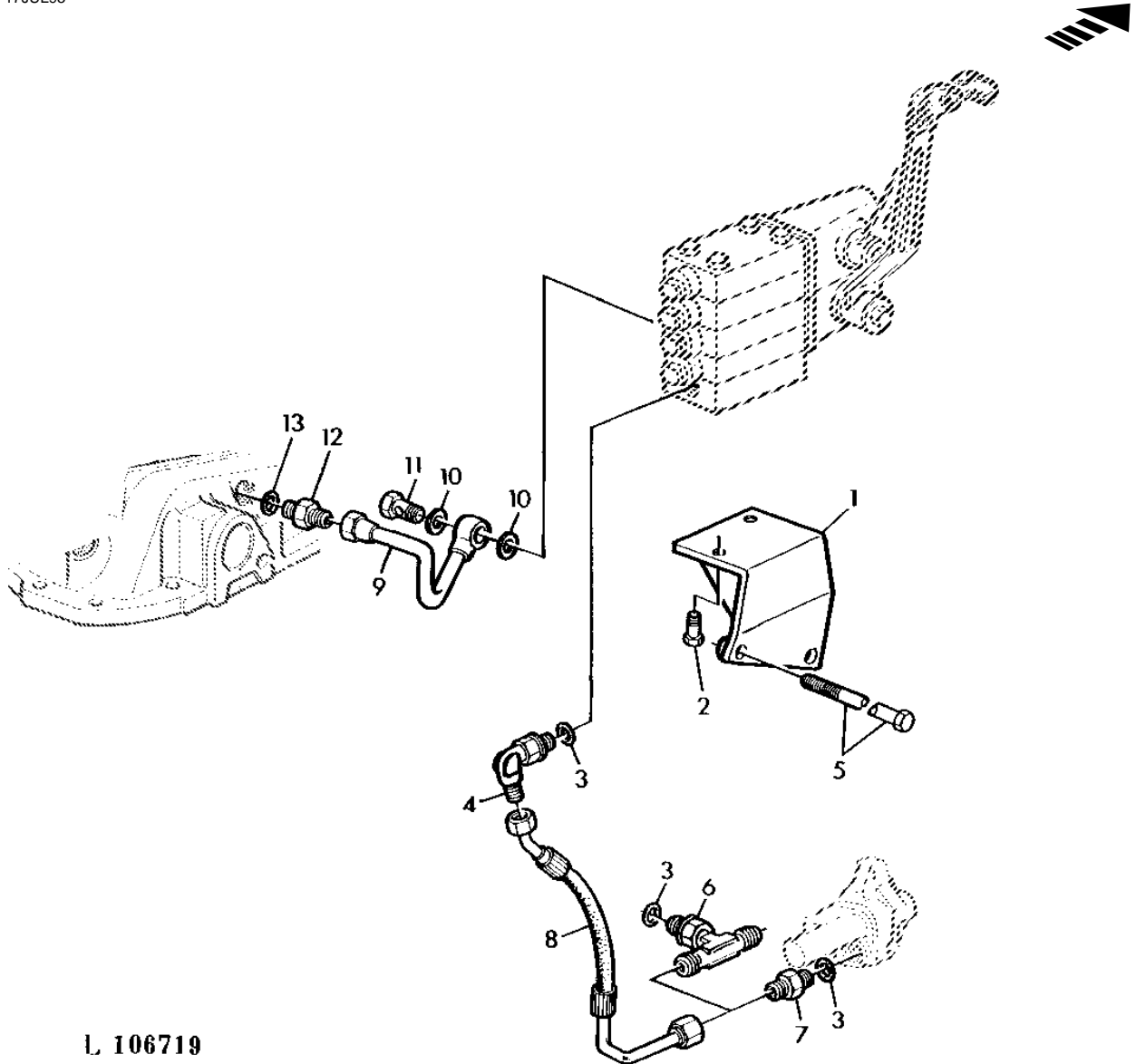
(B) WITH POWER STEERING
 AVEC DIRECTION ASSISTEE
 BEI HYDRAULISCHER LENKUNG
 CON STERZO IDRAULICO
 CON DIRECCION HIDRAULICA
 VID HYDRAULSTYRNING

5G8

SELECTIVE CONTROL VALVES - SPOOL TYPE

OIL LINES-SELECTIVE CONTROL VALVES (SPOOL TYPE) WITH HEAVY-DUTY FINAL DRIVE
CONDUITES D'HUILE-DISTRIBUTEURS AUXILIAIRES (TIROIR) AVEC COMMANDE FINALE RENFORCEE)
OELLEITUNGEN ZUSATZSTEUERGERAETE SCHIEBERAUSFUEHRUNG (VERSTAERKTER ENDANTR.)
LINEE OLIO-VALVOLE COMANDO SELETTIVO A STELO CON RIDUZIONE FINALE RINFORZATA
TUBERIAS-DISPOS. DE MANDO AUXILIARES CON CORRED. DISTR. CON REDUCCION FINAL REFORZADA
OLJELEDNINGAR TILL MANOVERVENTILER (SPOLTYP) VID FORSTARKT SLUTDREV

L106719 -UN-17JUL95



L 106719

5G9

SELECTIVE CONTROL VALVES - SPOOL TYPE

KEY	PART NO.	PART NAME	QTY	SERIAL NO.	REMARKS
					2
					1 2 0
					6 0 4
					4 4 0
					0 0 S
1	AL33403	BRACKET	1	X X X	
2	19H1900	CAP SCREW	2	X X X	5/16"X3/4"
3	R26375	O-RING	2	X X X	
4	AR26763	ELBOW FITTING	1	X X X	3/4"
5	08H4505	CAP SCREW	2	X X X	1/2"X7-1/4"
6	AL30020	TEE FITTING	1	X X X	(A)
7	R27237	FITTING	1	X X X	(B)
8	AL38456	HYDRAULIC HOSE	1	X X X	(A) (SUB FOR AL33514, AL33515, AL36121 APPL)
	AL36121	HYDRAULIC HOSE	1	X X X	(B) (SUB FOR AL33514, AL33515)
9	AL33513	OIL LINE	1	X X X	
10	51M4238	RING	2	X X X	16X20MM
11	L63537	FITTING	1	X X X	5/8" (SUB FOR T32204)
12	R27270	FITTING	1	X X X	
13	R26906	O-RING	1	X X X	

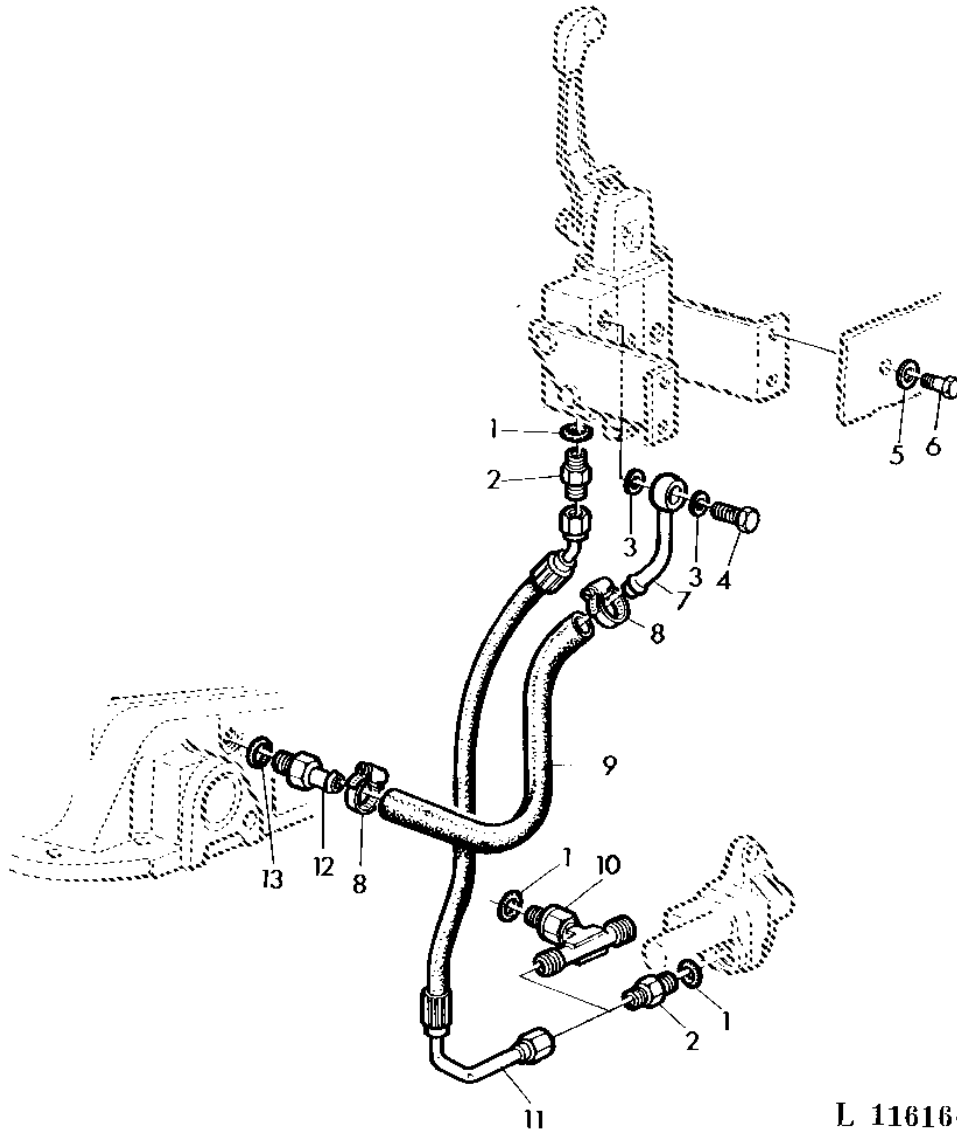
(A) WITH MANUAL STEERING
 AVEC DIRECTION MECANIQUE
 BEI MECHANISCHER LENKUNG
 CON STERZO MECCANICO
 CON DIRECCION MANUAL
 VID MEKANISK STYRNING

(B) WITH POWER STEERING
 AVEC DIRECTION ASSISTEE
 BEI HYDRAULISCHER LENKUNG
 CON STERZO IDRAULICO
 CON DIRECCION HIDRAULICA
 VID HYDRAULSTYRNING

5G10

SELECTIVE CONTROL VALVES - SPOOL TYPE

OIL LINES-SELECTIVE CONTROL VALVES (SPOOL TYPE) MC1 CAB
CONDUITES D'HUILE-DISTRIBUTEURS AUXILIAIRES (TIROIR) CABINE MC1
OELLEITUNGEN ZUSATZSTEUERGERAETE SCHIEBERAUSFUEHRUNG (MC1 KABINE)
LINEE OLIO-VALVOLE COMANDO SELETTIVO A STELO (CABINA MC1)
TUBERIAS-DISPOS. DE MANDO AUXILIAIRES CON CORRED. DISTR. (CABINA MC1)
OLJELEDNINGAR TILL MANOVERVENTILER (SPOLTYP) MC1 FORARHYTT
L116164 -UN-18JUL95



L 116164

5G11

SELECTIVE CONTROL VALVES - SPOOL TYPE

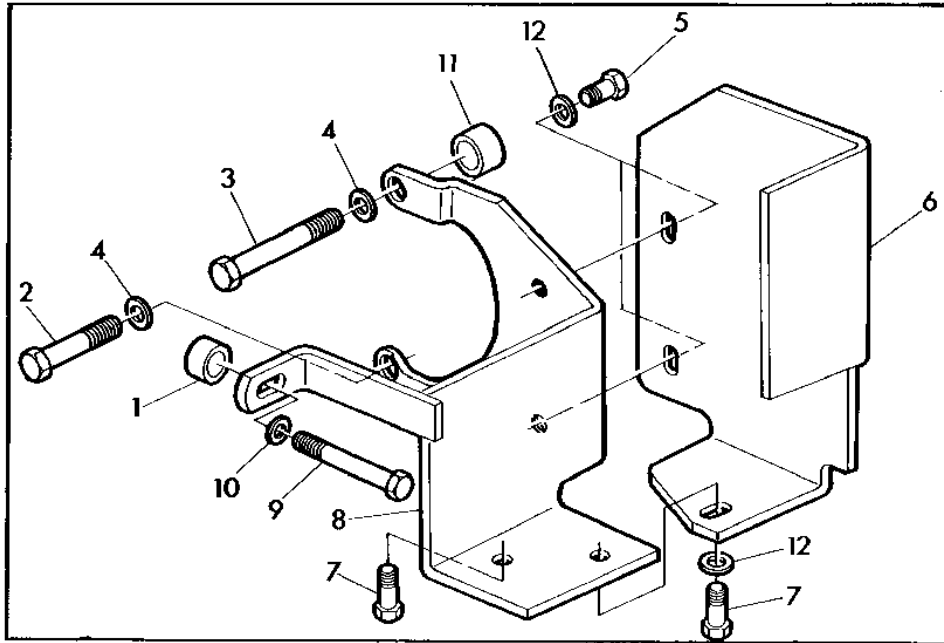
KEY	PART NO.	PART NAME	QTY	SERIAL NO.	REMARKS
					2
					1 2 0
					6 0 4
					4 4 0
					0 0 S
1	R26375	O-RING	2		X X X
2	R27237	FITTING	2		X X X
3	51M4238	RING	2		X X X 16.2X19.5X1.5MM
4	L63537	FITTING	1		X X X (SUB FOR T32204)
5	24M7298	WASHER	4		X X X 8.4X25X2MM
6	19M7163	CAP SCREW	4		X X X M8X25
7	AL58572	OIL LINE	1		X X X
8	AL64588	CLAMP	2		X X X (SUB FOR AL5852, AR21837)
9	L57872	HOSE	1		X X X LGTH= 410MM (MF UN4614)
10	AL30020	TEE FITTING	1		X X X (A)
11	AL58573	HYDRAULIC HOSE	1		X X X
12	R39171	HOSE FITTING	1		X X X
13	R26906	O-RING	1		X X X
..	UN4614	HOSE	1		X X X LGTH= 6000MM

(A) WITH MANUAL STEERING
 AVEC DIRECTION MECANIQUE
 BEI MECHANISCHER LENKUNG
 CON STERZO MECCANICO
 CON DIRECCION MANUAL
 VID MEKANISK STYRNING

5G12

SELECTIVE CONTROL VALVES - SPOOL TYPE

BRACKET FOR SELECTIVE CONTROL VALVES (SPOOL TYPE) WITH SG2 CAB
 SUPPORT DE DISTRIBUTEUR AUXILIAIRE (TIROIR) CABINE SG2
 HALTER FUER ZUSATZSTEUERGERAETE (SCHIEBERAUSFUEHRUNG) SG2 KABINE
 SUPPORTI PER VALVOLE DI COMANDO SELETTIVO A STELO CON CABINA SG2
 SOPORTES PARA DISP. DE MANDO AUXIL. CON CORREDERA DISTR. CON CABINA SG2
 HALIARE FOR MANOVERVENTILER (SPOLTYP) VID SG2 HYTT
 L105258 -UN-17JUL95



I, 105258

2
1 2 0
6 0 4
4 4 0
0 0 S

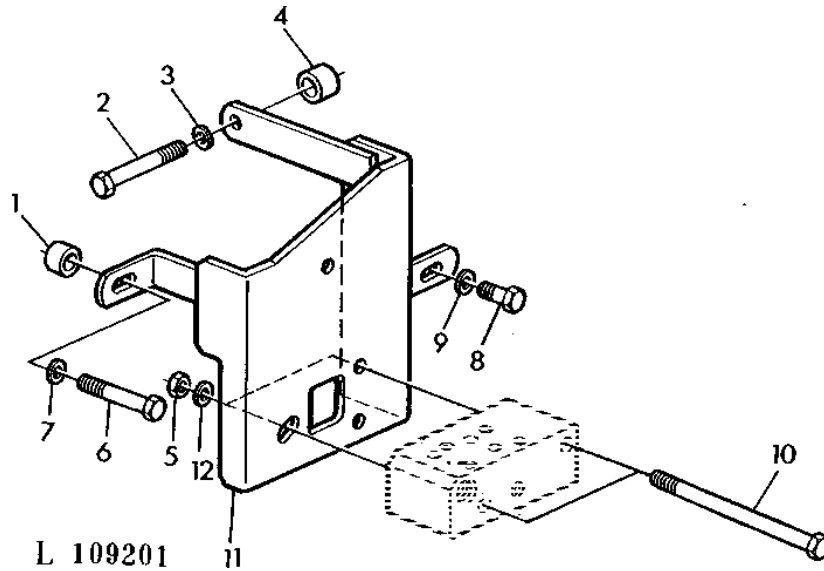
KEY	PART NO.	PART NAME	QTY	SERIAL NO.	REMARKS
1	28H1521	SPACER	1	-480705	X X X 3/8"X.562"
2	19H3265	CAP SCREW	1	-480705	X X X 1/2"X1-7/8"
3	19H1990	CAP SCREW	1	-480705	X X X 1/2"X2-1/4"
4	L30695	WASHER	2	-480705	X X X
5	19M7162	CAP SCREW	2	-480705	X X X M8X16
6	L37814	HOLDER	1	-480705	X X X
7	19H1900	CAP SCREW	2	-480705	X X X 5/16"X3/4"
8	AL35431	HOLDER	1	-480705	X X X
9	19H1726	CAP SCREW	1	-480705	X X X 3/8"X2-1/4"
10	24H1307	WASHER	1	-480705	X X X 13/32"X1"X.060"
11	28H1863	WASHER	1	-480705	X X X
12	24M7055	WASHER	3	-480705	X X X 8.4X17X1.6MM

5G13

SELECTIVE CONTROL VALVES - SPOOL TYPE

BRACKET FOR SELECTIVE CONTROL VALVES (SPOOL TYPE) WITH SG2 CAB
 SUPPORT DE DISTRIBUTEUR AUXILIAIRE (TIROIR) CABINE SG2
 HALTER FUER ZUSATZSTEUERGERAETE (SCHIEBERAUSFUEHRUNG) SG2 KABINE
 SUPPORTI PER VALVOLE DI COMANDO SELETTIVO A STELO CON CABINA SG2
 SOPORTES PARA DISP. DE MANDO AUXIL. CON CORREDERA DISTR. CON CABINA SG2
 HALIARE FOR MANOVERVENTILER (SPOLTYP) VID SG2 HYTT

L109201 -UN-01JAN94



L 109201

2
1 2 0
6 0 4
4 4 0
0 0 S

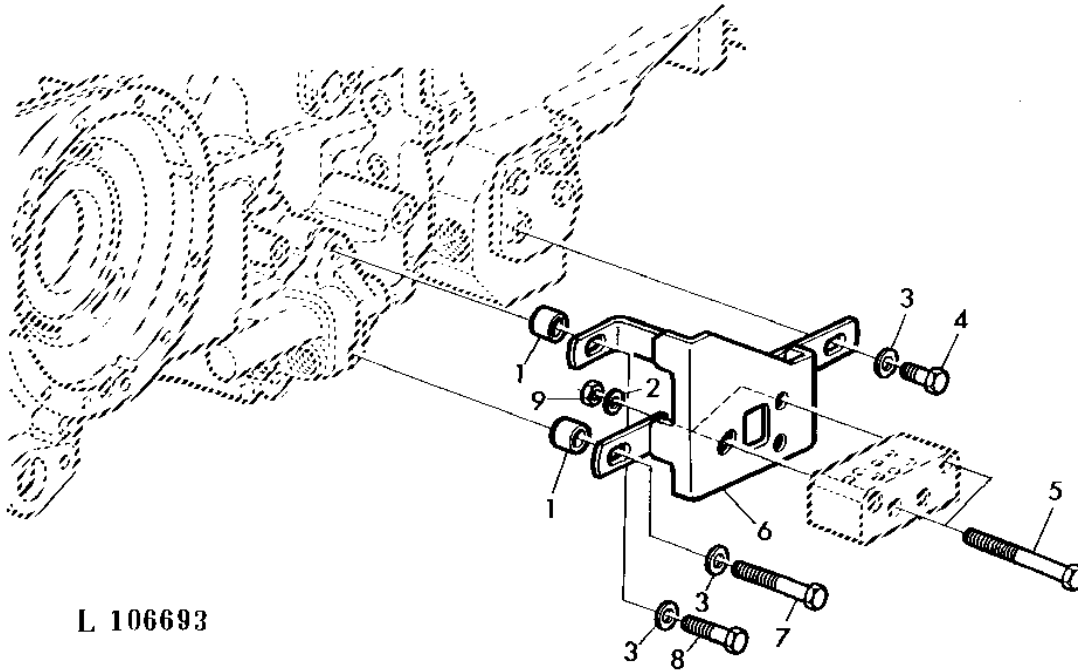
KEY	PART NO.	PART NAME	QTY	SERIAL NO.	REMARKS
1	28H1521	SPACER	1	480706-	X X X 3/8"X.562"
2	19H1990	CAP SCREW	1	480706-	X X X 1/2"X2-1/14"
3	L30695	WASHER	1	480706-	X X X
4	28H1863	WASHER	1	480706-	X X X
5	14M7275	NUT	2	480706-	X X X M12
6	19H1726	CAP SCREW	1	480706-	X X X 3/8"X2-1/4"
7	24H1307	WASHER	1	480706-	X X X 13/32"X1"X.060"
8	19M7167	CAP SCREW	1	480706-	X X X M10X25
9	24M7028	WASHER	1	480706-	X X X 10.5MM
10	19M7414	CAP SCREW	2	480706-	X X X M12X90
11	AL35976	BRACKET	1	480706-	X X X
12	24M7047	WASHER	2	480706-	X X X 13MM

5G14

SELECTIVE CONTROL VALVES - SPOOL TYPE

BRACKET FOR SELECTIVE CONTROL VALVES (W/INCREASED LIFT)
 SUPPORT DE DISTRIBUTEUR AUXILIAIRE (AVEC ELEVATION RENFORCEE)
 HALTER FUER ZUSATZSTEUERGERAETE (BEI HUBKRAFTERHOEHUNG)
 SUPPORTI PER DISTRIBUTORI A DISTANZA (CON ELEV. CAP. SOLLEVAMENTO)
 SOPORTES PARA DISP. DE MANDO AUXIL. (CON ELEV. FUERZA DE ELEVACION)
 HALLARE FOR FJARREGLAGE (VID OKAD LYFTKAPACITET)

L106693 -UN-17JUL95



L 106693

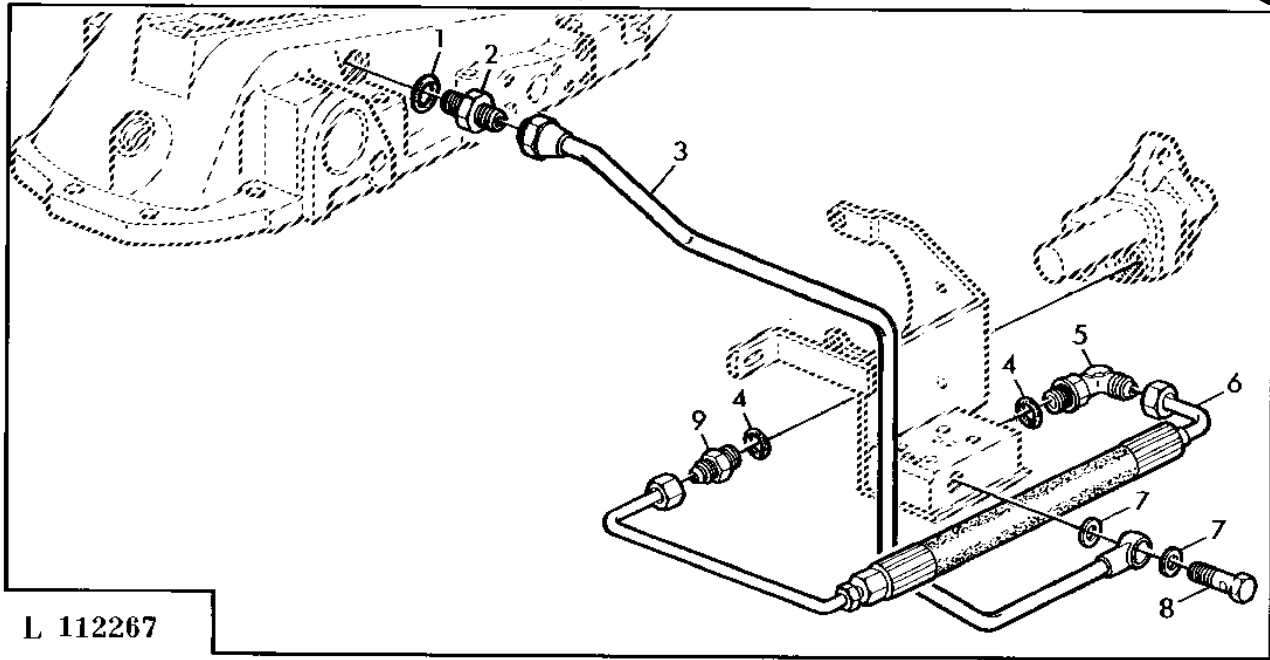
2
1 2 0
6 0 4
4 4 0
0 0 S

KEY	PART NO.	PART NAME	QTY	SERIAL NO.	REMARKS
1	28H1521	SPACER	2		X 3/8"X.562"
2	24M7047	WASHER	2		X 13X24X2.5MM
3	24M7213	WASHER	3		X 10.5X25X4MM
4	19M7167	CAP SCREW	1		X M10X25
5	19M7414	CAP SCREW	2		X M12X90
6	AL39907	BRACKET	1		X
7	19H1854	CAP SCREW	1		X 3/8"X3-3/4"
8	19H1726	CAP SCREW	1		X 3/8"X2-1/4"
9	14M7275	NUT	2		X M12

5G15

SELECTIVE CONTROL VALVES - SPOOL TYPE

OIL LINES-SELECTIVE CONTROL VALVES (SPOOL TYPE) WITH SG2 CAB
 CONDUITES D'HUILE-DISTRIBUTEURS AUXILIAIRES (TIROIR) CABINE SG2
 OELLEITUNGEN ZUSATZSTEUERGERAETE SCHIEBERAUSFUEHRUNG (SG2 KABINE)
 LINEE OLIO-VALVOLE COMANDO SELETTIVO A STELO CON CABINA SG2
 TUBERIAS-DISPOS. DE MANDO AUXILIARES CON CORRED. DISTR. CON CABINA SG2
 OLJELEDNINGAR TILL MANOVERVENTILER (SPOLTYP) VID SG2 HYTT
 L112267 -UN-17JUL95



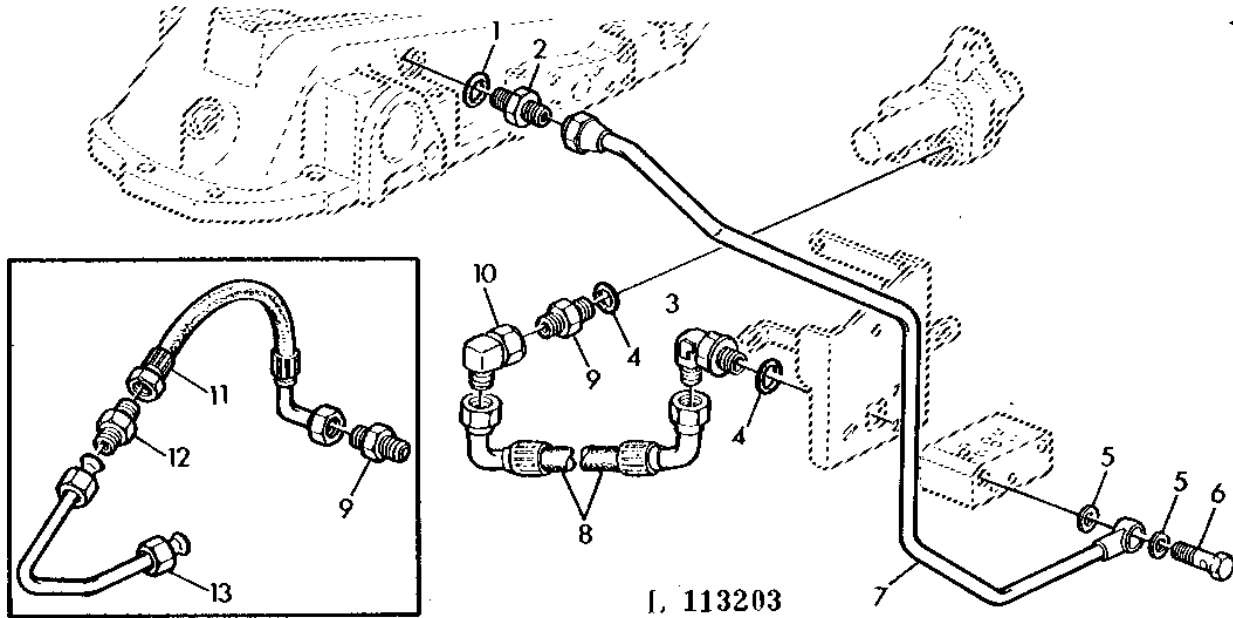
2
1 2 0
6 0 4
4 4 0
0 0 S

KEY	PART NO.	PART NAME	QTY	SERIAL NO.	REMARKS
1	R26906	O-RING	1	-480705	X X X
2	R27270	FITTING	1	-480705	X X X
3	AL35121	OIL LINE	1	-480705	X X X
4	R26375	O-RING	2	-480705	X X X
5	AR26763	ELBOW FITTING	1	-480705	X X X 3/4"
6	AL36808	HYDRAULIC HOSE	1	-480705	X X X (SUB FOR AL35270)
7	51M4238	RING	2	-480705	X X X 16X20MM
8	L63537	FITTING	1	-480705	X X X 5/8" (SUB FOR T32204)
9	R27237	FITTING	1	-480705	X X X

5G16

SELECTIVE CONTROL VALVES - SPOOL TYPE

OIL LINES-SELECTIVE CONTROL VALVES (SPOOL TYPE) WITH SG2 CAB
 CONDUITES D'HUILE-DISTRIBUTEURS AUXILIAIRES (TIROIR) CABINE SG2
 OELLEITUNGEN ZUSATZSTEUERGERAETE SCHIEBERAUSFUEHRUNG (SG2 KABINE)
 LINEE OLIO-VALVOLE COMANDO SELETTIVO A STELO CON CABINA SG2
 TUBERIAS-DISPOS. DE MANDO AUXILIARES CON CORRED. DISTR. CON CABINA SG2
 OLJELEDNINGAR TILL MANOVERVENTILER (SPOLTYP) VID SG2 HYTT
 L113203 -UN-01JAN94



L 113203

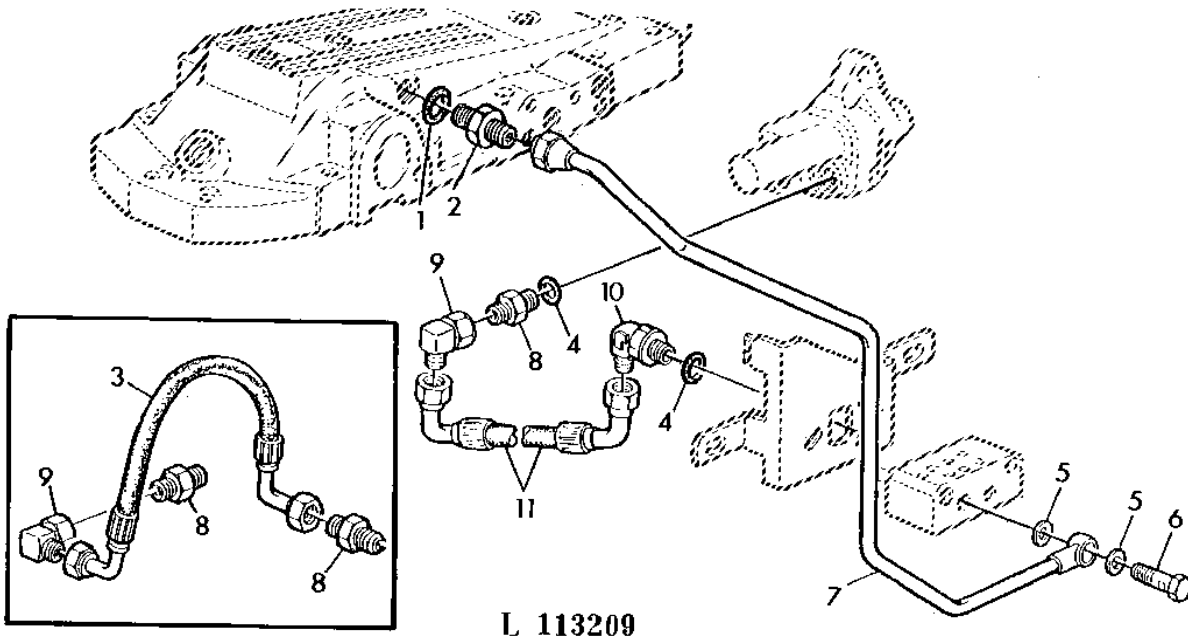
KEY	PART NO.	PART NAME	QTY	SERIAL NO.		REMARKS
					2	
					1 2 0	
					6 0 4	
					4 4 0	
					0 0 S	
1	R26906	O-RING	1	480706-	X X X	
2	R27270	FITTING	1	480706-	X X X	
3	AL36972	ELBOW FITTING	1	574615-	X X X	
4	R26375	O-RING	2	480706-	X X X	
5	51M4238	RING	2	480706-	X X X	16.2X19.99X1.5MM
6	L63537	FITTING	1	480706-	X X X	(SUB FOR T32204)
7	AL35121	OIL LINE	1	480706-	X X X	
8	AL55495	HYDRAULIC HOSE	1	574615-	X X X	
9	L38679	FITTING	AR	480706-	X X X	
10	AL37133	ELBOW FITTING	1	574615-	X X X	
11	AL37459	HYDRAULIC HOSE	1	480706-574614	X X X	
12	L38815	FITTING	1	480706-574614	X X X	
13	AL37462	OIL LINE	1	480706-574614	X X X	(ORD AL37133, AL55495, AL36972)

5G17

SELECTIVE CONTROL VALVES - SPOOL TYPE

OIL LINES FOR SELECTIVE CONTROL VALVES (WITH INCREASED LIFT CAPACITY)
 CONDUITES D'HUILE DES DISTRIBUTEURS AUXILIAIRES (AVEC ELEVATION RENFORCEE)
 OELLEITUNGEN FUER ZUSATZSTEUERGERAETE (BEI HUBKRAFTERHOEHUNG)
 LINEE OLIO PER DISTRIBUTORI AUSILIARI (CON ELEVATA CAPACITA SOLLEVAMENTO)
 TUBERIAS PARA DISPOSITIVOS DE MANDO AUXILIARES (CON ELEVADA FUERZA DE ELEVACION)
 HYDRAULLEDNINGAR FOR FJARRMANOVERVENTILER (VID OKAD LYFTKAPACITET)

L113209 -UN-17JUL95



L 113209

2
1 2 0
6 0 4
4 4 0
0 0 S

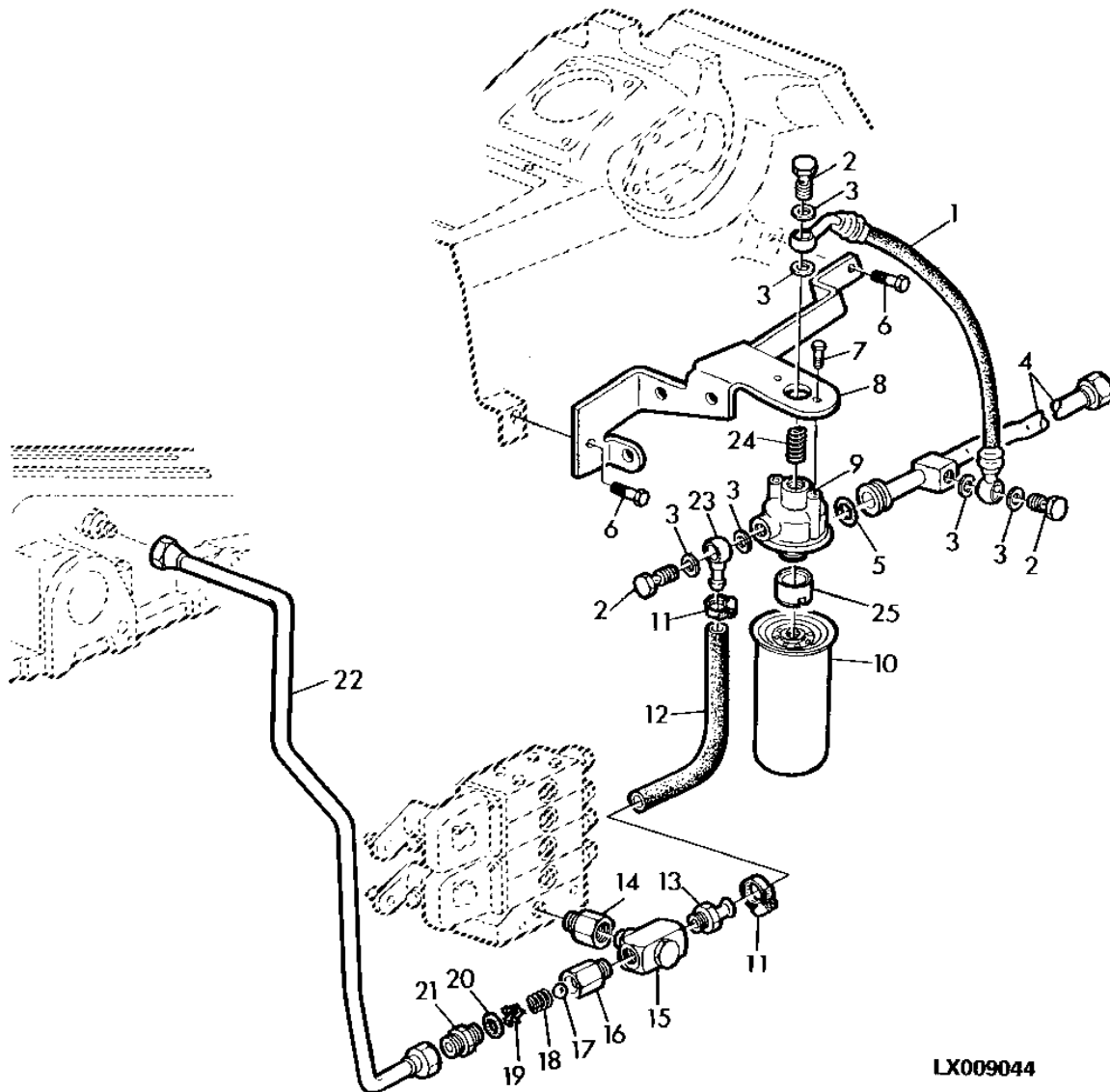
KEY	PART NO.	PART NAME	QTY	SERIAL NO.	REMARKS
1	R26906	O-RING	1		X
2	R27270	FITTING	1		X
3	AL55378	HYDRAULIC HOSE	1	-574614	X (ORD AL55495, AL36972)
4	R26375	O-RING	2		X
5	51M4238	RING	2		X 16.2X19.99X1.5MM
6	L63537	FITTING	1		X (SUB FOR T32204)
7	AL35121	OIL LINE	1		X
8	L38679	FITTING	AR		X
9	AL37133	ELBOW FITTING	1		X
10	AL36972	ELBOW FITTING	1	574615-	X
11	AL55495	HYDRAULIC HOSE	1	574615-	X

5G18

SELECTIVE CONTROL VALVES - SPOOL TYPE

FIELD INSTALLATION KIT - OIL RETURN (SG2 CAB)
JEU DE MONTAGE POUR RETOUR D'HUILE (CABINE SG2)
NACHRUESTEILE FÜR OELRUECKFUEHRUNGS-ANBAU (SG2 KABINE)
KIT CONVERSIONE PER GRUPPO TUBAZ. RITORNO OLIO (CABINA SG2)
JUEGO DE MODIFICACION / RETORNO DE ACEITE (CABINA SG2)
OMBYGGNADSSATS FOR RETUROLJELEDNING (SG2 HYTT)

LX009044 -UN-17JUL95



5G19

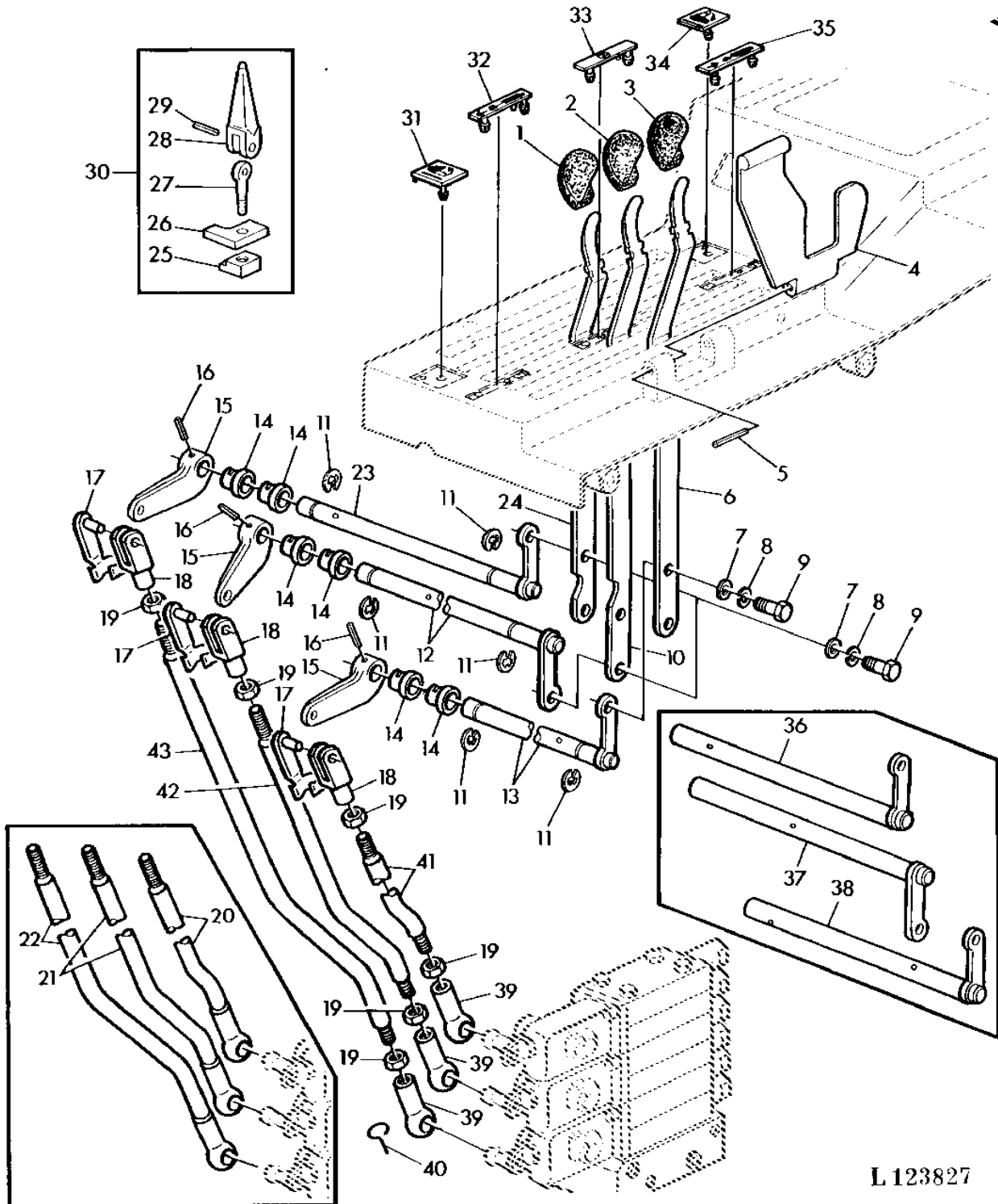
SELECTIVE CONTROL VALVES - SPOOL TYPE

KEY	PART NO.	PART NAME	QTY	SERIAL NO.	REMARKS
					2
					1 2 0
					6 0 4
					4 4 0
					0 0 S
1	AL56483	HOSE	1		
2	38M7007	FITTING	3		
3	51M4241	RING	6		18X24MM
4	AL57820	OIL LINE	1		
5	R495R	O-RING	1		
6	19H1936	CAP SCREW	2		3/8"X3/4"
7	19M7162	CAP SCREW	2		M8X16
8	AL60544	RETAINER	1		
9	AL66231	FILTER HEAD	1		(SUB FOR AL56470)
10	AL77061	OIL FILTER	1		LGTH= 151.6MM (ORD W/ L77623)
	AL56469	FILTER ELEMENT	1		LGTH= 178.5MM
	RE34958	OIL FILTER	1		LGTH= 240MM (ORD W/ L77623)
11	AL64588	CLAMP	2		(SUB FOR AR21837)
12	L57080	HOSE	1		LGTH= 330MM (MF UN4614)
13	L56883	HOSE FITTING	1		
14	L56161	ADAPTER	1		
15	AL57824	TEE FITTING	1		
16	AL58037	ADAPTER	1		
17	D2361R	BALL	1		(SUB FOR L38736)
18	L56426	COMPRESSION SPRING	1		
19	L56451	RETAINER	1		
20	L41383	RING	1		
21	L56178	FITTING	1		
22	AL57822	OIL LINE	1		
23	AL56482	HOSE FITTING	1		
24	L59014	COMPRESSION SPRING	1		
25	L77623	ADAPTER	1		(FOR AL77061 OR RE34958)
..	UN4614	HOSE	1		LGTH= 6000MM

5G20

SELECTIVE CONTROL VALVES - SPOOL TYPE

SELECTIVE CONTROL VALVE LINKAGE (SPOOL TYPE) WITH SG2 CAB
DISTRIBUTEUR AUXILIAIRE/TRINGLERIE (TIROIR) CABINE SG2
ZUSATZSTEUERGERAET/GESTAENGE (SCHIEBERAUSFUEHRUNG) BEI SG2 KABINE
LEVE DELLA VALVOLA DI COMANDO SELETTIVO A STELO CON CABINA SG2
VARILLAJE DEL DISP. DE MANDO AUXILIAR CON CORRED. DISTR. CON CABINA SG2
LANKAGE FOR MANOVERVENTILER (SPOLTYP) VID SG2 HYTT
L123827 -UN-18JUL95



L123827

5G21

SELECTIVE CONTROL VALVES - SPOOL TYPE

KEY	PART NO.	PART NAME	QTY	SERIAL NO.	REMARKS
					2
					1 2 0
					6 0 4
					4 4 0
					0 0 S
1	L56932	GRIP	1	X X X	(SUB FOR R52690 APPL)
2	L56933	GRIP	1	X X X	(A) (SUB FOR R52691 APPL)
3	L57635	GRIP	1	X X X	(SUB FOR R52692 APPL)
4	L36288	STOP	1	X X X	
5	34M7029	SPRING PIN	2	X X X	4X30MM
6	L38224	LEVER	1	X X X	(B)
7	24M7055	WASHER	AR	X X X	8.4X17X1.6MM
8	12M7056	LOCK WASHER	AR	X X X	
9	19H1900	CAP SCREW	AR	X X X	5/16"X3/4"
10	L38223	LEVER	1	X X X	(A)
11	40M7039	SNAP RING	AR	X X X	(SUB FOR F2863R)
12	AL38250	SHAFT	1	X X X	(A)
13	AL38251	SHAFT	1	X X X	(B)
14	R42093	GROMMET	AR	X X X	
15	R50012	LEVER	AR	X X X	
16	L61307	SPRING PIN	AR	X X X	(SUB FOR 34H313 APPL)
17	45M7065	SPRING LOCKING PIN	AR	X X X	8X32MM
18	54M4420	YOKE	AR	X X X	8X32MM
19	14M7151	NUT	AR	X X X	M8
20	AL36401	ROD	1	X X X	(B) (ORD L38528, 56M7003, 56M7004, 14M7151)
21	AL36399	ROD	1	X X X	(A) (ORD L38527, 56M7003, 56M7004, 14M7151)
22	AL36397	ROD	1	X X X	(ORD L38526, 56M7003, 56M7004, 14M7151)
23	AL38249	SHAFT	1	X X X	
24	L38222	LEVER	1	X X X	
25	R53476	NUT	1	X X X	(C)
26	R53475	STOP	1	X X X	(C)
27	R42641	EYEBOLT	1	X X X	(C)
28	R34537	CAM	1	X X X	(C)
29	34H387	SPRING PIN	1	X X X	(C) 3/16"X3/4"
30	AR60331	STOP	1	X X X	(C)
31	L42073	SIGN	1	X X X	
32	L42072	SIGN	1	X X X	
33	L55027	SIGN	1	X X X	(SUB FOR L40540)
34	L42074	SIGN	1	X X X	
35	L55026	SIGN	1	X X X	(SUB FOR L40539)
36	AR87968	SHAFT	1	X X X	(ORD AL38249, (2) F2863R)
37	AR87970	SHAFT	1	X X X	(A) (ORD AL38250, (2) F2863R)
38	AL33446	SHAFT	1	X X X	(B) (ORD AL38250, (2) F2863R)
39	56M7003	BALL JOINT SOCKET	AR	X X X	(ORD W/ 56M7004)
40	56M7004	BALL JOINT SOCKET	AR	X X X	
41	L38528	LEVER	1	X X X	(B)
42	L38527	LEVER	1	X X X	(A)
43	L38526	LEVER	1	X X X	

(A) TWO SELECTIVE CONTR.VALVES
POUR DEUX DISTRIB.AUXILIAIRES
FUER 2 ZUSATZSTEUERGERAETE
PER 2 DISTRIBUTORI AUSILIARI
PARA DOS DISP.DE MANDO AUXIL.
FOR TVA FJARRMANOVERVENTILER

(B) FOR 3 SELECT.CONTROL VALVES
POUR 3 DISTRIB.AUXILIAIRES
FUER 3 ZUSATZSTEUERGERAETE
PER 3 DISTRIBUTORI AUSILIARI
PARA 3 VALV.DE MANDO AUXIL.
FOR 3 FJARRMANOVERVENTILER

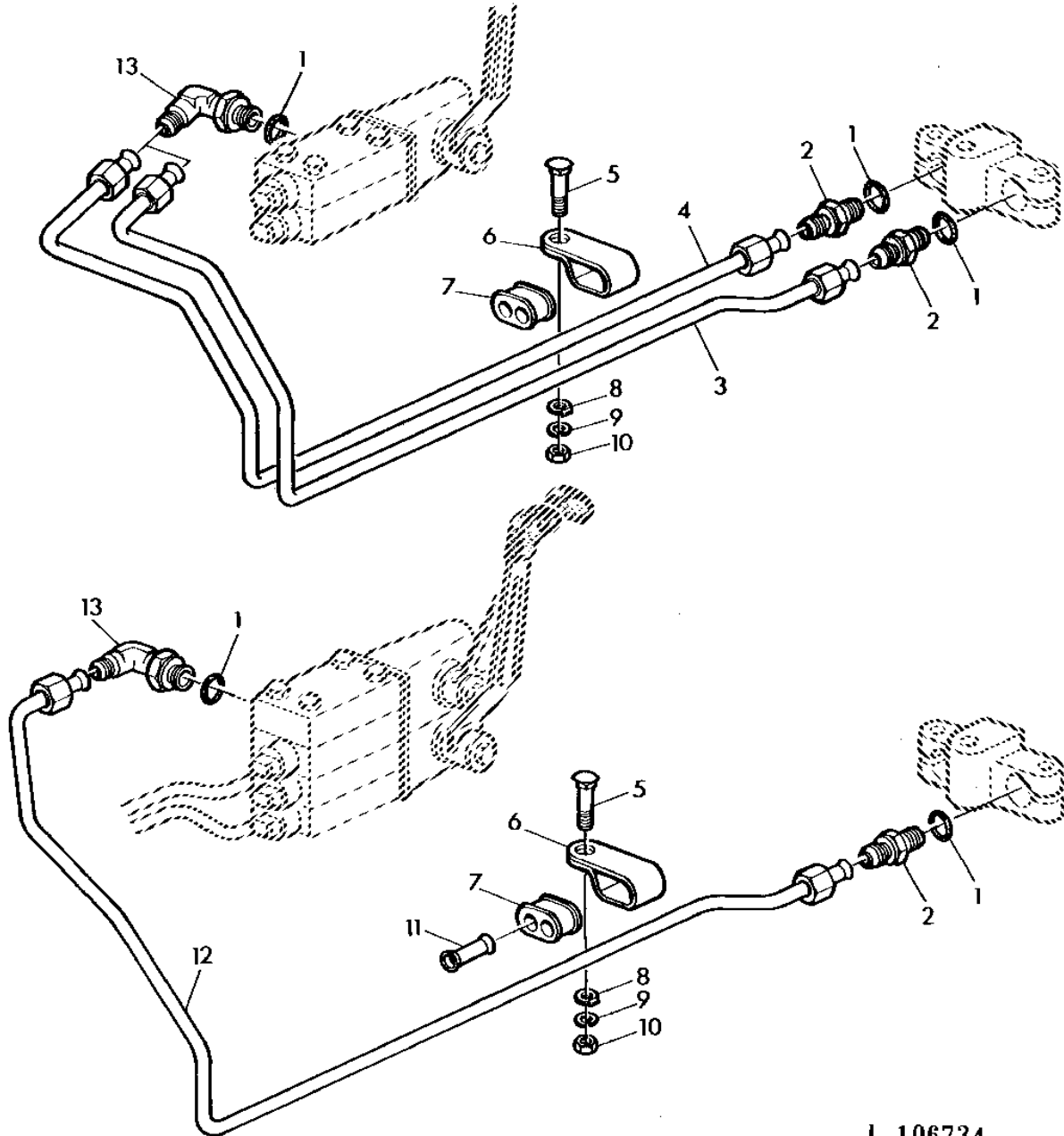
(C) WITH HYD.MOTOR DRIVE
AVEC HYDROMOTEUR
BEI HYDROMOTOR-BETRIEB
CON IDROMOTORE
CON MOTOR HIDRAULICO
VID HYDRAULMOTOR

5G22

SELECTIVE CONTROL VALVES - SPOOL TYPE

OIL LINES FOR MID-MOUNTED QUICK DISCONNECT COUPLERS
CONDUITES D'HUILE POUR RACCORDS RAPIDES CENTREAUX
OELLEITUNGEN FUER SCHNELLKUPPLUNGEN MITTE
TUBAZIONI OLIO PER GIUNTI AD ATTACCO RAPIDO CENTRALI
TUBERIAS DE ACEITE PARA ACOPLAMIENTOS RAPIDOS CENTRALES
OLJELEDNINGAR FOR MITTRE FASTA SNABBKOPPLINGAR

L106734 -UN-17JUL95



I. 106734

5G23

SELECTIVE CONTROL VALVES - SPOOL TYPE

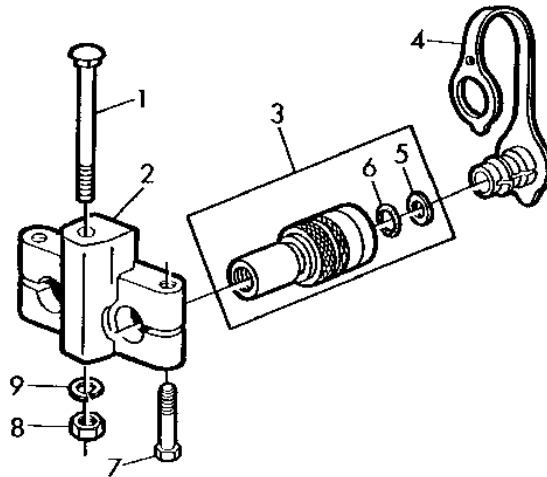
KEY	PART NO.	PART NAME	QTY	SERIAL NO.	REMARKS
					2
					1 2 0
					6 0 4
					4 4 0
					0 0 S
1	R26375	O-RING	AR		X X X
2	R27237	FITTING	AR		X X X
3	AL31659	OIL LINE	1		X X X
	AL25087	OIL LINE	1	-478686	X X X (A)
	AL31659	OIL LINE	1	478687-	X X X (A)
4	AL31660	OIL LINE	1		X X X
	AL25088	OIL LINE	1	-478686	X X X (A)
	AL31660	OIL LINE	1	478687-	X X X (A)
5	03H1519	BOLT	1		X X X 3/8"X1"
6	R28733	CLAMP	1		X X X
7	R35163	GROMMET	1		X X X
8	A4624R	WASHER	1		X X X
9	12H304	LOCK WASHER	1		X X X 3/8"
10	14H1076	NUT	1		X X X 3/8"
11	T23162	SPACER	1		X X X
12	AL25089	OIL LINE	1	-478686	X X (A)
	AL31661	OIL LINE	1		X X X
	AL31661	OIL LINE	1	478687-	X X X (A)
13	AR26763	ELBOW FITTING	AR		X X X

(A) W/REAR FENDERS (SHELL TYPE)
 AVEC AILES ARRIERE COQUILLE
 BEI MUSCHELKOTFLUEGEL
 CON PARAFANGHI CONCHIGLIA
 CON GUARDABARROS DE CONCHA
 VID BAKSTANKSKARMAR

5G24

SELECTIVE CONTROL VALVES - SPOOL TYPE

QUICK DISCONNECT COUPLERS (MID-MOUNTED)
 ACCOUPLEMENT RAPIDE CENTRAL
 SCHNELLKUPPLUNG MITTE
 GIUNTI RAPIDI CENTRALI
 ACOPLAMIENTO HIDRAULICO RAPIDO CENTRAL
 MITTRE SNABBKOPPLINGAR
 L116020 -UN-07JUL95



L 116020

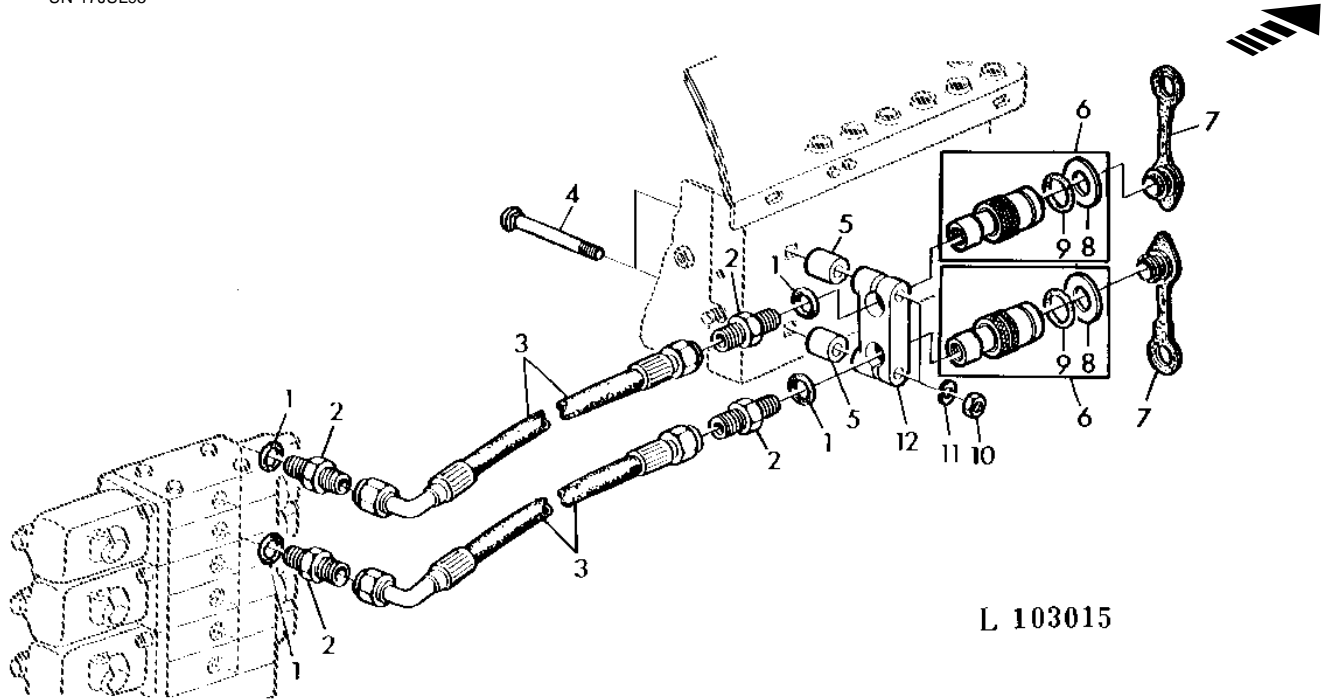
KEY	PART NO.	PART NAME	QTY	SERIAL NO.	REMARKS
					2
					1 2 0
					6 0 4
					4 4 0
					0 0 S
1	03H2120	BOLT	1	X X X	3/8"X3-3/4"
2	L30687	CLAMP	1	X X X	
3	AL26972	EXTERNAL HALF COUPLER	AR	X X X	
4	L31744	DUST SHIELD	AR	X X X	
5	L40691	BACK-UP RING	1	X X X	
6	L40690	O-RING	1	X X X	
7	19H1765	CAP SCREW	AR	X X X	3/8"X1-3/4"
8	14H1076	NUT	1	X X X	3/8"
9	12H304	LOCK WASHER	1	X X X	3/8"

5G25

SELECTIVE CONTROL VALVES - SPOOL TYPE

QUICK DISCONNECT COUPLERS - CENTER (SG2 CAB)
 RACCORDS RAPIDES CENTRAUX (CABINE SG2)
 SCHNELLKUPPLUNG MITTE (SG2 KABINE)
 GIUNTI RAPIDI CENTRALI (CABINA SG2)
 ACOPLAMIENTO HIDRAULICO RAPIDO CENTRAL (CABINA SG2)
 MITTRE SNABBKOPPLINGAR (SG2 HYTT)

L103015 -UN-17JUL95



L 103015

KEY	PART NO.	PART NAME	QTY	SERIAL NO.	REMARKS
				2	
				1 2 0	
				6 0 4	
				4 4 0	
				0 0 S	
1	R26375	O-RING	4	X X X	
2	R27237	FITTING	4	X X X	
3	AL35122	HYDRAULIC HOSE	2	X X X	
4	03H1836	BOLT	2	X X X	3/8"X3-1/2"
5	28H2523	BUSHING	2	X X X	
6	AL26972	EXTERNAL HALF COUPLER	2	X X X	
7	L31744	DUST SHIELD	2	X X X	
8	L40691	BACK-UP RING	1	X X X	
9	L40690	O-RING	1	X X X	
10	14H1076	NUT	2	X X X	3/8"
11	12H304	LOCK WASHER	2	X X X	3/8"
12	T28983	BRACKET	1	X X X	

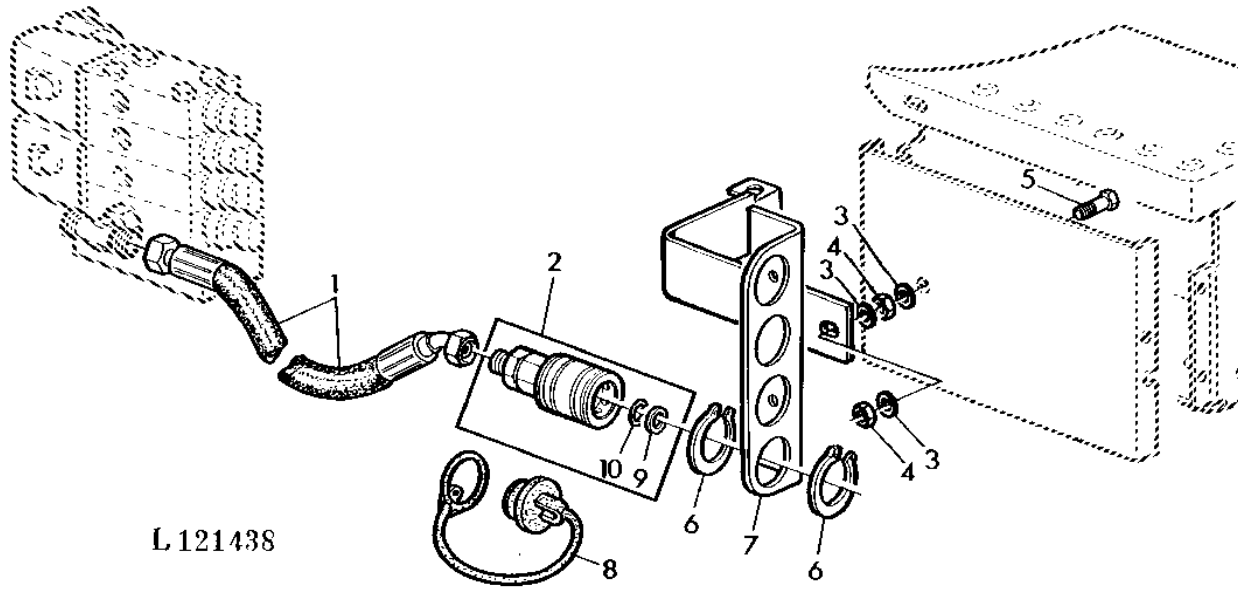
MEMORANDA
MEMORANDA
MEMORANDA
MEMORANDA
MEMORANDA

5H1

SELECTIVE CONTROL VALVES - SPOOL TYPE

QUICK DISCONNECT COUPLERS MID-MOUNTED (WITH INCREASED LIFT CAPACITY)
 ACCOUPLEMENT RAPIDE CENTRAL (AVEC CAPACITE DE RELEVAGE AUGMENTEE)
 SCHNELLKUPPLUNG MITTE (BEI HUBKRAFTERHOEHUNG)
 GIUNTI RAPIDI CENTRALI (CON CAPACITA SOLLEV. AUMENT.)
 ACOPLAMIENTO HIDRAULICO RAPIDO CENTRAL (CON FUERZA DE ELEVACION AUMENT.)
 MITTRE SNABBKOPPLINGAR (VID LYFTKAPACITET)

L121438 -UN-08JUN95



L 121438

2
1 2 0
6 0 4
4 4 0
0 0 S

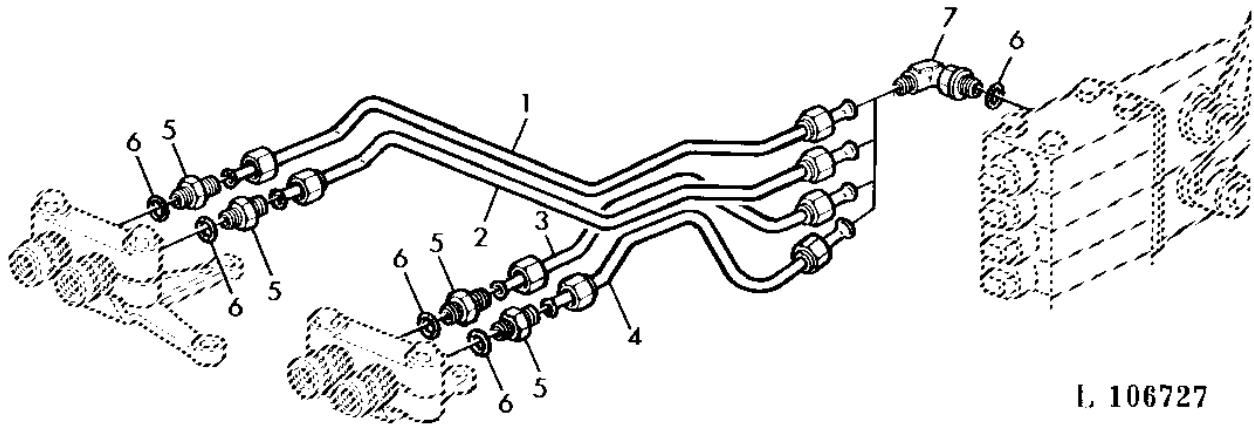
KEY	PART NO.	PART NAME	QTY	SERIAL NO.	REMARKS
1	AL35601	HYDRAULIC HOSE	AR		X
2	AL41599	EXTERNAL HALF COUPLER	AR		X
3	24M7054	WASHER	3		X 6.4X12.5X1.6MM
4	14M7272	NUT	2		X M6
5	19M7077	CAP SCREW	1		X M6X20
6	40M7062	SNAP RING	AR		X
7	AL58053	HOLDER	1		X
8	L62751	DUST SHIELD	AR		X (SUB FOR A15899)
9	L40691	BACK-UP RING	1		X
10	L40690	O-RING	1		X

5H2

SELECTIVE CONTROL VALVES - SPOOL TYPE

OIL LINES FOR REAR QUICK-DISCONNECT COUPLERS
 CONDUITES D'HUILE POUR RACCORDS RAPIDES ARRIERE
 OELLEITUNGEN FUER SCHNELLKUPPLUNGEN HINTEN
 TUBAZIONI OLIO PER GIUNTI AD ATTACCO RAPIDO POSTERIORI
 TUBERIAS DE ACEITE PARA ACOPLAMIENTOS RAPIDOS TRASEROS
 OLJELEDNINGAR FOR BAKRE FASTA SNABBKOPPLINGAR

L106727 -UN-17JUL95



L 106727

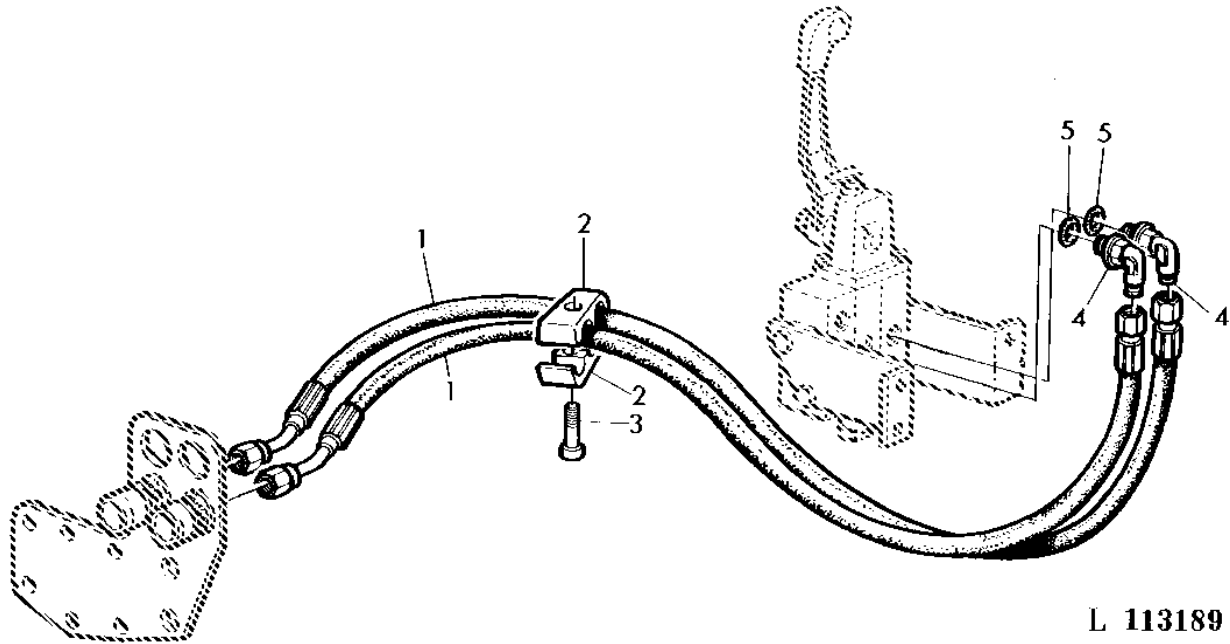
KEY	PART NO.	PART NAME	QTY	SERIAL NO.	REMARKS
				2	
				1 2 0	
				6 0 4	
				4 4 0	
				0 0 S	
1	AL35795	OIL LINE	1	X X X	
2	AL35794	OIL LINE	1	X X X	
3	AL35793	OIL LINE	1	X X X	
4	AL35792	OIL LINE	1	X X X	
5	R27237	FITTING	AR	X X X	
6	R26375	O-RING	AR	X X X	
7	AR26763	ELBOW FITTING	AR	X X X	

5H3

SELECTIVE CONTROL VALVES - SPOOL TYPE

OIL LINES FOR REAR QUICK-DISCONNECT COUPLERS (MC1 CAB)
 CONDUITES D'HUILE POUR RACCORDS RAPIDES ARRIERE (CABINE MC1)
 OELLEITUNGEN FUER SCHNELLKUPPLUNGEN HINTEN (MC1 KABINE)
 TUBAZIONI OLIO PER GIUNTI AD ATTACCO RAPIDO POSTERIORI (CABINA MC1)
 TUBERIAS DE ACEITE PARA ACOPLAMIENTOS RAPIDOS TRASEROS (CABINA MC1)
 OLJELEDNINGAR FOR BAKRE FASTA SNABBKOPPLINGAR (MC1 HYTT)

L113189 -UN-17JUL95



L 113189

2
1 2 0
6 0 4
4 4 0
0 0 S

KEY	PART NO.	PART NAME	QTY	SERIAL NO.	REMARKS
1	AL58574	HYDRAULIC HOSE	AR	X X X	
2	L39905	CLAMP	AR	X X X	
3	19M8263	SCREW	1	X X X	M6X30
	19M8572	SCREW	1	X X X	(A) M6X60
	19M8482	SCREW	1	X X X	(B) M6X80
4	AL36972	ELBOW FITTING	AR	X X X	
5	R26375	O-RING	AR	X X X	

(A) WITH 4 QUICK-DISCONNECT COUPLERS
 AVEC 4 RACCORDS RAPIDES
 BEI 4 SCHNELLKUPPLUNGEN
 CON 4 GIUNTI AD ATTACCO RAPIDO
 CON 4 ACOPLAMIENTOS RAPIDOS
 VID 4 FASTA SNABBKOPPLINGAR

(B) WITH 6 QUICK-DISCONNECT COUPLERS
 AVEC 6 RACCORDS RAPIDES
 BEI 6 SCHNELLKUPPLUNGEN
 CON 6 GIUNTI AD ATTACCO RAPIDO
 CON 6 ACOPLAMIENTOS RAPIDOS
 VID 6 FASTA SNABBKOPPLINGAR

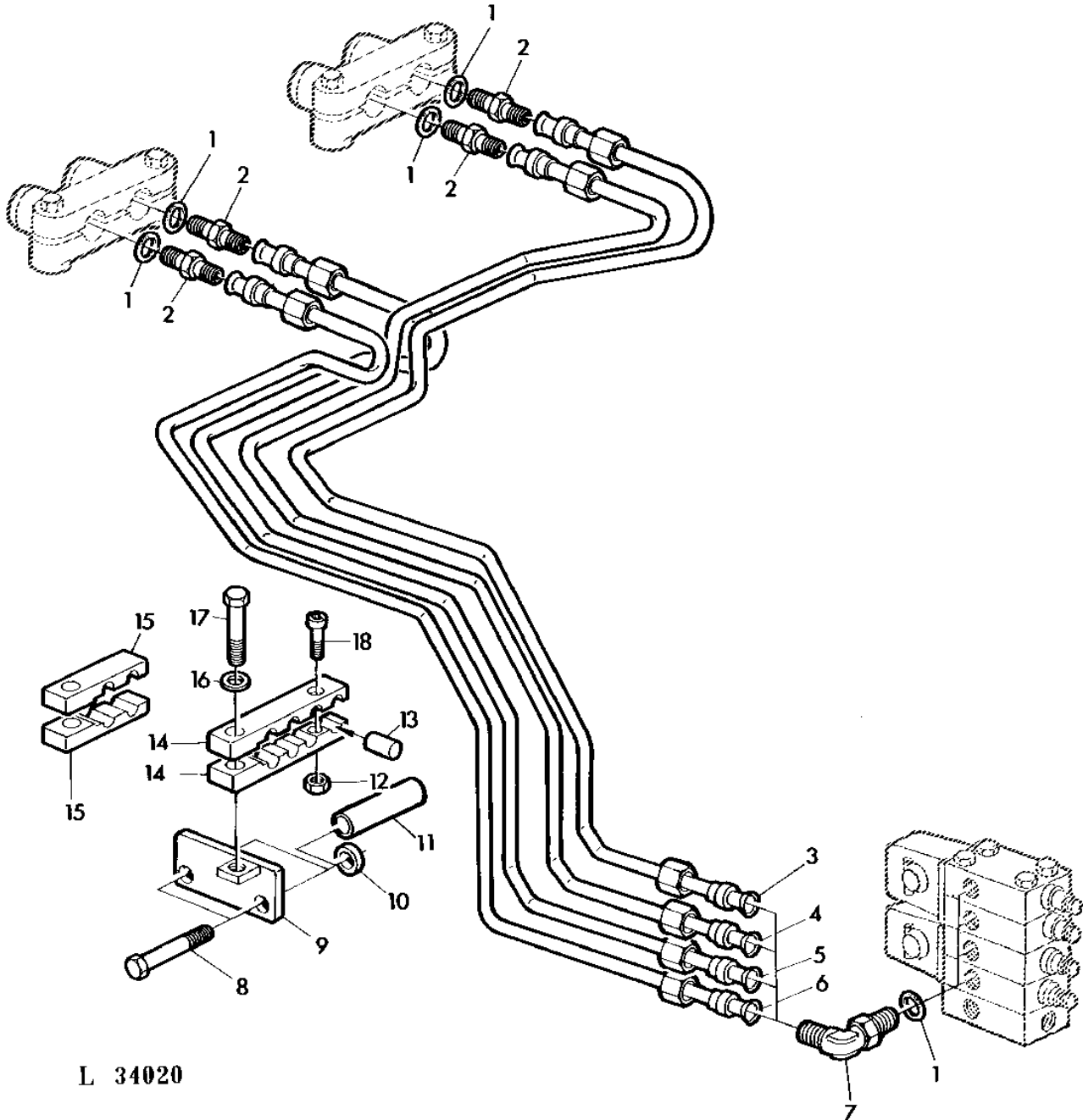
5H4

SELECTIVE CONTROL VALVES - SPOOL TYPE

OIL LINES FOR REAR QUICK-DISCONNECT COUPLERS (SG2 CAB)
CONDUITES D'HUILE POUR RACCORDS RAPIDES ARRIERE (CABINE SG2)
OELLEITUNGEN FUER SCHNELLKUPPLUNGEN HINTEN (SG2 KABINE)
TUBAZIONI OLIO PER GIUNTI AD ATTACCO RAPIDO POSTERIORI (CABINA SG2)
TUBERIAS DE ACEITE PARA ACOPLAMIENTOS RAPIDOS TRASEROS (CABINA SG2)
OLJELEDNINGAR FOR BAKRE FASTA SNABBKOPPLINGAR (SG2 HYTT)

L34020

-UN-18JUL95



L 34020

5H5

SELECTIVE CONTROL VALVES - SPOOL TYPE

KEY	PART NO.	PART NAME	QTY	SERIAL NO.	REMARKS
					2
					1 2 0
					6 0 4
					4 4 0
					0 0 S
1	R26375	O-RING	AR		X X X
2	R27237	FITTING	AR		X X X
3	AL35117	OIL LINE	1		X X X
4	AL35116	OIL LINE	1		X X X
5	AL35115	OIL LINE	1		X X X
6	AL35114	OIL LINE	1		X X X
7	AR26763	ELBOW FITTING	AR		X X X
8	08H4268	CAP SCREW	2		X X X 1/2"X7"
9	AL35919	HOLDER	1		X X X
10	L33629	SPACER	2		X X X (A) 16X25X10MM
11	L31128	SPACER	2		X X
12	14M7272	NUT	1		X X X M6
13	44M7060	PIN	1		X X X 12X24MM
14	L37519	CLAMP	2		X X X
15	L37520	CLAMP	2		X X X
16	24M7028	WASHER	1		X X X 10.5X21X2MM
17	19M7169	CAP SCREW	1		X X X M10X35
18	19M7603	SCREW	1		X X X M6X20

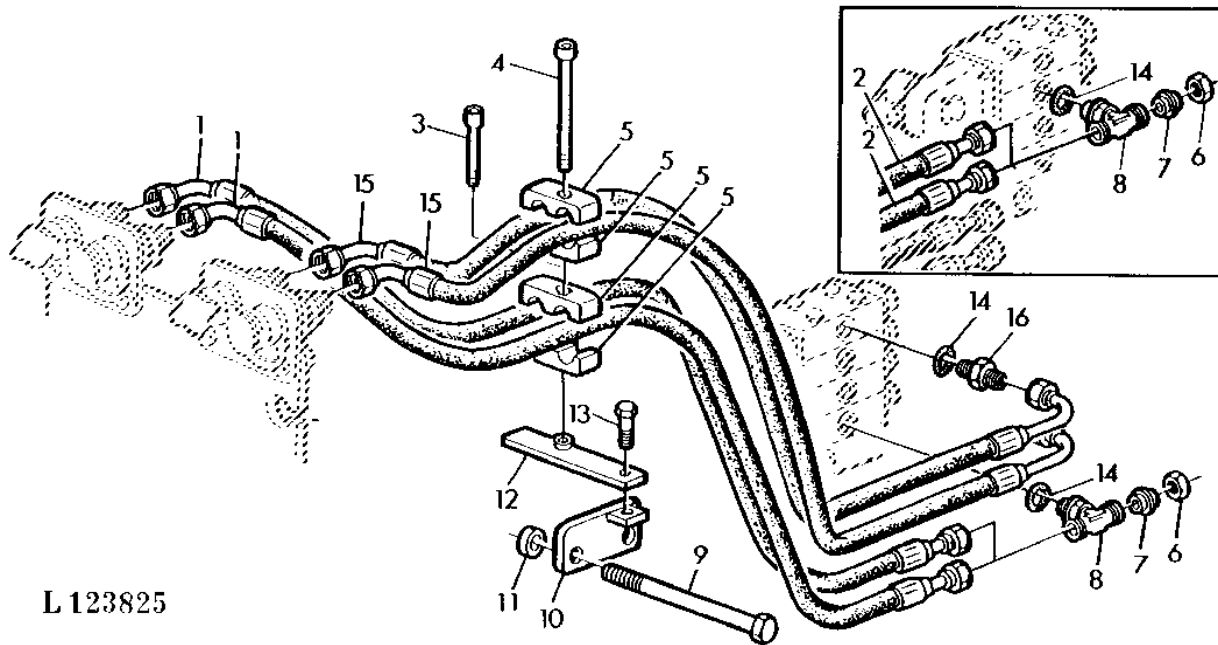
(A) WITH HEAVY-DUTY FINAL DRIVE
 AVEC COMMANDE FINALE RENFORCEE
 BEI VERSTAERKTEM ENDANTRIEB
 CON RIDUZIONE FINALE RINFORZATA
 CON REDUCCION FINAL REFORZADA
 VID FORSTARKT SLUTDREV

5H6

SELECTIVE CONTROL VALVES - SPOOL TYPE

OIL LINES FOR REAR QUICK-DISCONNECT COUPLERS (WITH INCREASED LIFTING CAPACITY)
 CONDUITES D'HUILE POUR RACCORDS RAPIDES ARRIERE (AVEC CAPACITE DE REL. AUGM.)
 OELLEITUNGEN FUER SCHNELLKUPPLUNGEN HINTEN (BEI HUBKRAFTERHOEHUNG)
 TUBAZ. OLIO PER GIUNTI AD ATTACCO RAPIDO POSTER. (CON ELEVATA CAPACITA DI SOLLEVAMENTO)
 TUBERIAS DE ACEITE PARA ACOPL. RAPIDOS TRASEROS (CON FUERZA DE ELEV. AUMENTADA)
 OLJELEDN. FOR BAKRE FASTA SNABBKOPPLINGAR (VID OKAD LYFTKAPACITET)

L123825 -UN-18JUL95



L 123825

KEY	PART NO.	PART NAME	QTY	SERIAL NO.	REMARKS
				2	
				1 2 0	
				6 0 4	
				4 4 0	
				0 0 S	
1	AL55033	HYDRAULIC HOSE	2		X (A) (SUB FOR AL55038, AL55037, AL55035)
2	AL58471	HYDRAULIC HOSE	2		X (SUB FOR AL55040, AL55039)
3	19M7603	SCREW	1		X (A) M6X20
4	19M8265	SCREW	1		X M6X50
5	L39905	CLAMP	AR		X
6	15M6139	FITTING	AR		X
7	Z42782	PLUG	AR		X
8	AL41596	TEE FITTING	AR		X
9	08H4268	CAP SCREW	2		X 1/2"X7"
10	AL35919	HOLDER	1		X
11	T68602	WASHER	2		X
12	AL56485	STRAP	1		X
13	19M7166	CAP SCREW	1		X M10X20
14	R26375	O-RING	AR		X
15	AL68332	HYDRAULIC HOSE	AR		X
16	L38679	FITTING	AR		X

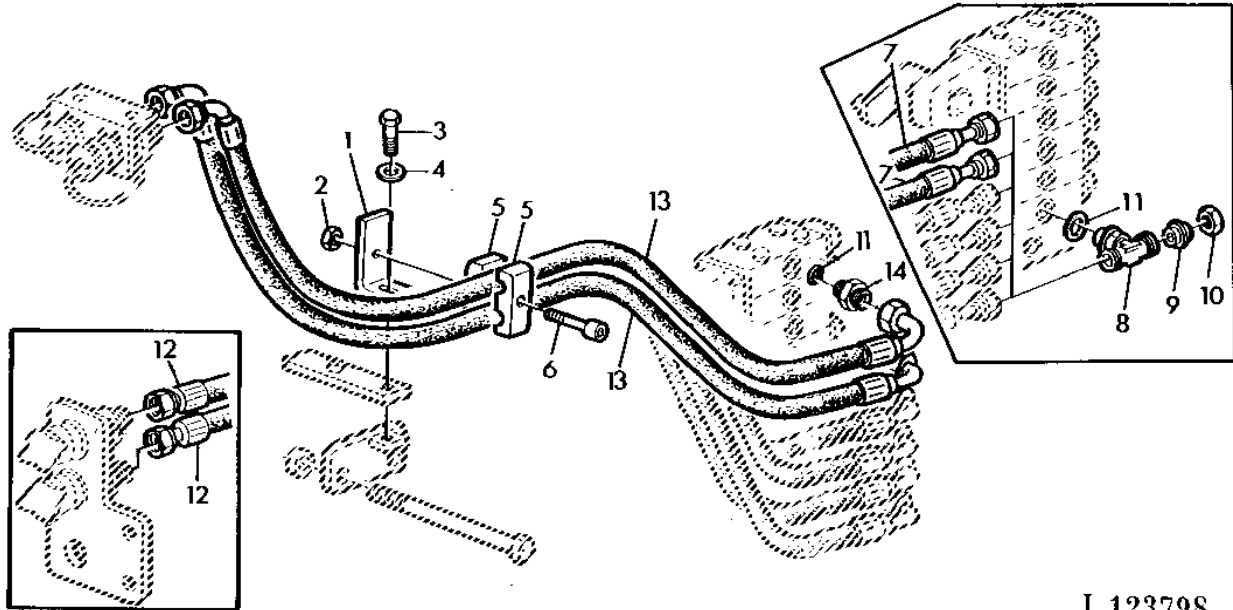
(A) WITH TWO QUICK DISCONNECT COUPLERS
 AVEC 2 ACCOUPLEMENT RAPIDE
 BEI 2 SCHNELLKUPPLUNGEN
 CON 2 GIUNTI RAPIDI
 CON 2 ACOPLAMIENTO HIDRAULICO RAPIDO
 VID 2 SNABBKOPPLINGAR

5H7

SELECTIVE CONTROL VALVES - SPOOL TYPE

OIL LINES FOR REAR QUICK-DISCONNECT COUPLERS WITH THREE S.C. VALVES (SG2 CAB)
 CONDUITES D'HUILE POUR RACCORDS RAPIDES ARRIERE AVEC 3 DISTRIB. AUXIL. (CABINE SG2)
 OELLEITUNGEN FUER SCHNELLKUPPLUNGEN HINTEN BEI 3 ZUSATZSTEUERGERAETEN (SG2 KABINE)
 CONDUZIONI OLIO-GIUNTI AD ATTACCO RAPIDO POST. CON 3 DISTRIB. (CABINA SG2)
 TUBERIAS DE ACEITE-ACOPL. RAPIDOS TRASEROS CON 3 DISPOS. DE MANDO (CABINA SG2)
 OLJELEDNINGAR-BAKRE FASTA SNABBKOPPLINGAR VID 3 FJARREGLAGE (SG2 FORARHYTT)

L123798 -UN-09JUN95



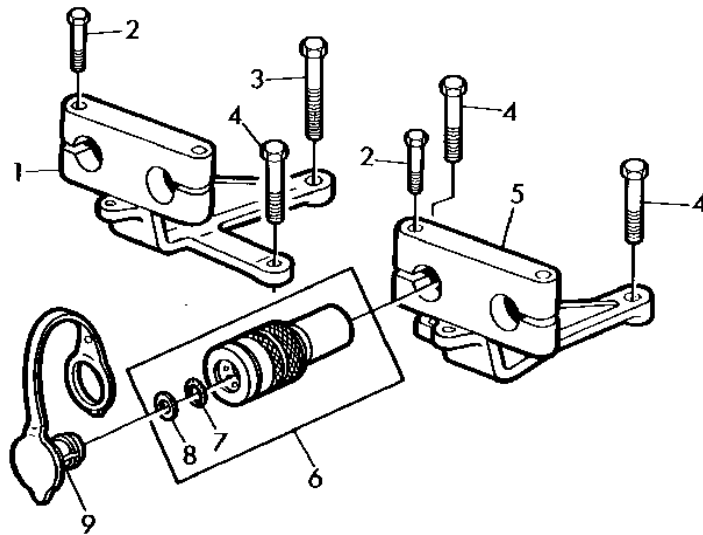
L 123798

KEY	PART NO.	PART NAME	QTY	SERIAL NO.	REMARKS
				2	
				1 2 0	
				6 0 4	
				4 4 0	
				0 0 S	
1	L57062	ANGLE	1		X
2	14M7272	NUT	1		X M6
3	19M7166	CAP SCREW	1		X M10X20
4	24M7028	WASHER	1		X 10.5X21X2MM
5	L39905	CLAMP	2		X
6	19M7320	CAP SCREW	1		X M6X40
7	AL55033	HYDRAULIC HOSE	AR		X
8	AL41596	TEE FITTING	AR		X
9	Z42782	PLUG	AR		X
10	15M6139	FITTING	AR		X
11	R26375	O-RING	AR		X
12	AL58390	HYDRAULIC HOSE	AR		X (ORD AL55033)
13	AL68330	HYDRAULIC HOSE	AR		X
14	L38679	FITTING	AR		X

5H8

SELECTIVE CONTROL VALVES - SPOOL TYPE

QUICK DISCONNECT COUPLERS, REAR
 ACCOUPLEMENT RAPIDE ARRIERE
 SCHNELLKUPPLUNG HINTEN
 GIUNTI RAPIDI POSTERIORE
 ACOPLAMIENTO HIDRAULICO RAPIDO TRASERO
 BAKRE SNABBKOPPLING
 L116032 -UN-18JUL95



L 116032

2
 1 2 0
 6 0 4
 4 4 0
 0 0 S

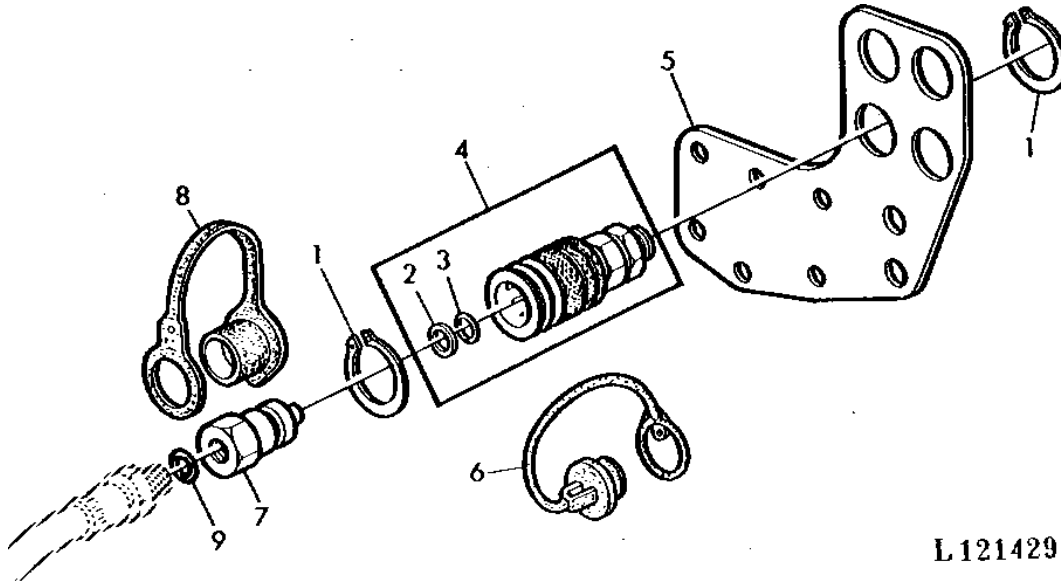
KEY	PART NO.	PART NAME	QTY	SERIAL NO.	REMARKS
1	T22245	CLAMP	1	X X X	REAR, LH
2	19H1765	CAP SCREW	AR	X X X	3/8"X1-3/4"
3	19H1974	CAP SCREW	1	X X X	1/2"X2-3/4"
4	19H1831	CAP SCREW	AR	X X X	1/2"X2"
5	T22243	CLAMP	1	X X X	REAR, RH
6	AL26972	EXTERNAL HALF COUPLER	AR	X X X	
7	L40690	O-RING	1	X X X	
8	L40691	BACK-UP RING	1	X X X	
9	L31744	DUST SHIELD	AR	X X X	

5H9

SELECTIVE CONTROL VALVES - SPOOL TYPE

QUICK DISCONNECT COUPLERS, REAR (WITH MC1 CAB)
 ACCOUPLEMENT RAPIDE ARRIERE (AVEC CABINE MC1)
 SCHNELLKUPPLUNG HINTEN (BEI MC1 KABINE)
 GIUNTI RAPIDI POSTERIORE (CON CABINA MC1)
 ACOPLAMIENTO HIDRAULICO RAPIDO TRASERO (CON CABINA MC1)
 BAKRE SNABBKOPPLING (MED MC1 HYTT)

L121429 -UN-01JAN94



L121429

2
1 2 0
6 0 4
4 4 0
0 0 S

KEY	PART NO.	PART NAME	QTY	SERIAL NO.	REMARKS
1	40M7062	SNAP RING	AR	X X X	
2	L40690	O-RING	1	X X X	
3	L40691	BACK-UP RING	1	X X X	
4	AL41599	EXTERNAL HALF COUPLER	AR	X X X	
5	L58125	BRACKET	1	X X X	
	L57004	BRACKET	1	X X X	(A)
6	L62751	DUST SHIELD	AR	X X X	(SUB FOR A15899)
7	AR94522	INTERNAL HALF COUPLER	AR	X X X	(SUB FOR AL26973)
8	L31745	DUST SHIELD	AR	X X X	
9	R26375	O-RING	AR	X X X	

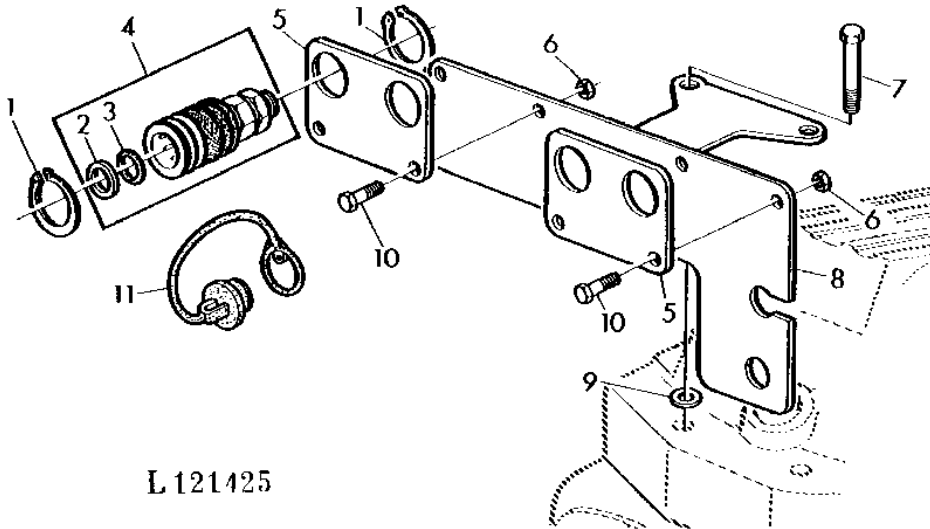
(A) WITH 6 QUICK DISCONNECT COUPLERS
 AVEC 6 ACCOUPLEMENT RAPIDE
 BEI 6 SCHNELLKUPPLUNGEN
 CON 6 GIUNTI RAPIDI
 CON 6 ACOPLAMIENTO HIDRAULICO RAPIDO
 VID 6 SNABBKOPPLINGAR

5H10

SELECTIVE CONTROL VALVES - SPOOL TYPE

QUICK DISCONNECT COUPLERS (W/INCREASED LIFTING CAPACITY)
 ACCOUPLEMENT RAPIDE ARRIERE (AVEC CAPACITE DE RELEVAGE AUGMENT.)
 SCHNELLKUPPLUNG HINTEN (BEI HUBKRAFTERHOEHUNG)
 GIUNTI RAPIDI POST. (CON ELEV. CAPACITA SOLLEV.)
 ACOPLAMIENTO HIDRAULICO RAPIDO TRASERO (CON AUM. FUERZA DE ELEV.)
 BAKRE SNABBKOPPLING (VID OKAD LYFTKAPACITET)

L121425 -UN-18JUL95



L121425

2
1 2 0
6 0 4
4 4 0
0 0 S

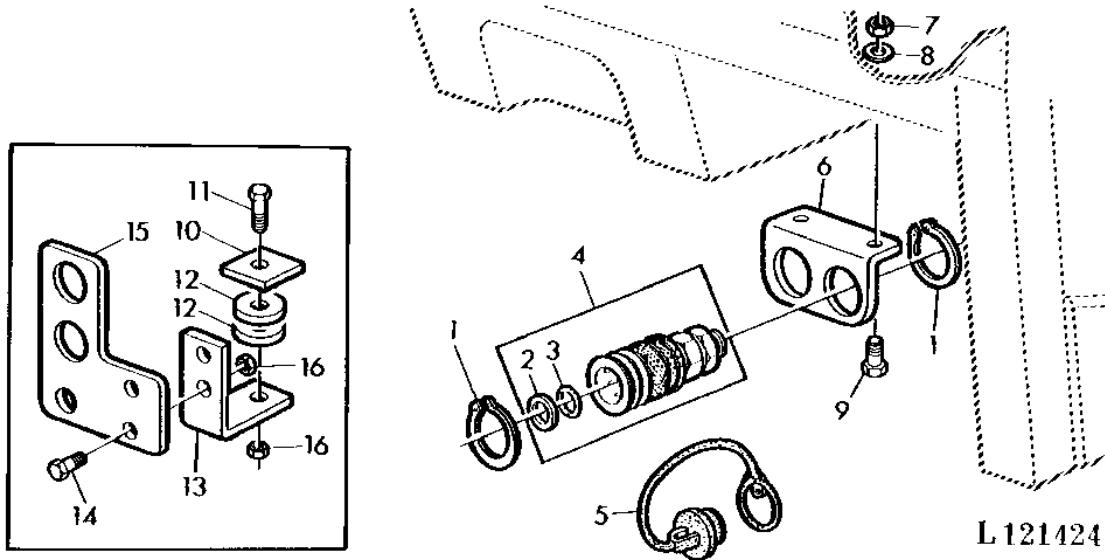
KEY	PART NO.	PART NAME	QTY	SERIAL NO.	REMARKS
1	40M7062	SNAP RING	AR		X
2	L40691	BACK-UP RING	1		X
3	L40690	O-RING	1		X
4	AL41599	EXTERNAL HALF COUPLER	AR		X
5	L55059	PLATE	AR		X
6	14M7274	NUT	AR		X M10
7	19H1945	CAP SCREW	2		X 1/2"X3-1/4"
8	AL55374	BRACKET	1		X
9	R79220	WASHER	2		X
10	19M7166	CAP SCREW	AR		X M10X20
11	L62751	DUST SHIELD	AR		X (SUB FOR A15899)

5H11

SELECTIVE CONTROL VALVES - SPOOL TYPE

QUICK DISCONNECT COUPLERS, REAR FOR 3 S.C. VALVES (W/INCREASED LIFTING CAPACITY)
 ACCOUPLEMENT RAPIDE ARRIERE POUR 3 DISTRIB. AUXIL. (AVEC CAPACITE DE RELEV. AUGMENT.)
 SCHNELLKUPPLUNG HINTEN FUER 3 ZUSATZSTEUERGERAETE (BEI HUBKRAEFERHOEHUNG)
 GIUNTI RAPIDI POSTERIORE PER 3 DISTRIB. (CON ELEV. CAPACITA SOLLEV.)
 ACOPL. HIDRAULICO RAPIDO TRASERO PARA 3 DISPOS. DE MANDO (CON AUM. FUERZA DE ELEV.)
 BAKRE SNABBKOPPLING FOR 3 FJARREGLAGE (VID OKAD LYFTKAPACITET)

L121424 -UN-18JUL95



L121424

KEY	PART NO.	PART NAME	QTY	SERIAL NO.	REMARKS
				2	
				1 2 0	
				6 0 4	
				4 4 0	
				0 0 S	
1	40M7062	SNAP RING	AR		X
2	L40691	BACK-UP RING	1		X
3	L40690	O-RING	1		X
4	AL41599	EXTERNAL HALF COUPLER	AR		X
5	L62751	DUST SHIELD	AR		X (SUB FOR A15899)
6	L41080	ANGLE	1		X
7	14M7273	NUT	2		X M8
8	24M7039	WASHER	2		X 9X17X1.6MM
9	19M7139	CAP SCREW	2		X M8X20
10	L34166	STRAP	1		X (A)
11	19M7382	CAP SCREW	1		X (A) M10X40
12	24M7149	WASHER	2		X (A) 10.5X30X2.5MM
13	L57361	ANGLE	1		X (A)
14	19M7167	CAP SCREW	2		X (A) M10X25
15	L57362	PLATE	1		X (A)

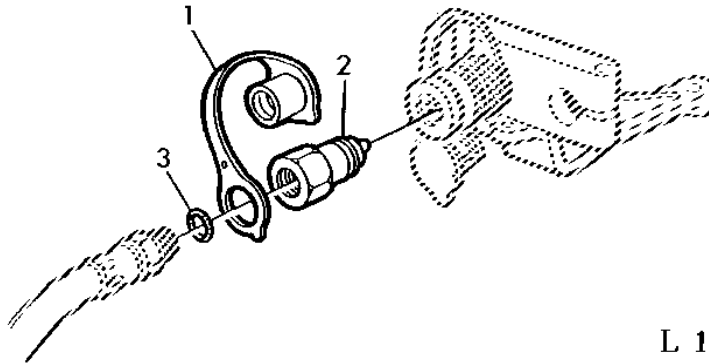
(A) WITH 6 QUICK DISCONNECT COUPLERS
 AVEC 6 ACCOUPLEMENT RAPIDE
 BEI 6 SCHNELLKUPPLUNGEN
 CON 6 GIUNTI RAPIDI
 CON 6 ACOPLAMIENTO HIDRAULICO RAPIDO
 VID 6 SNABBKOPPLINGAR

MEMORANDA
MEMORANDA
MEMORANDA
MEMORANDA
MEMORANDA

5H12

SELECTIVE CONTROL VALVES - SPOOL TYPE

COUPLER FOR QUICK COUPLER
 CONNECTEUR POUR RACCORD RAPIDE
 KUPPLUNGSSTECKER FUER SCHNELLKUPPLUNG
 CONNETTORE PER ATTACCO RAPIDO
 ENSCHUFE PARA ENSCHUFE RAPIDO
 HONDEL FOR SNABBKOPPLING
 L116035 -UN-07JUL95



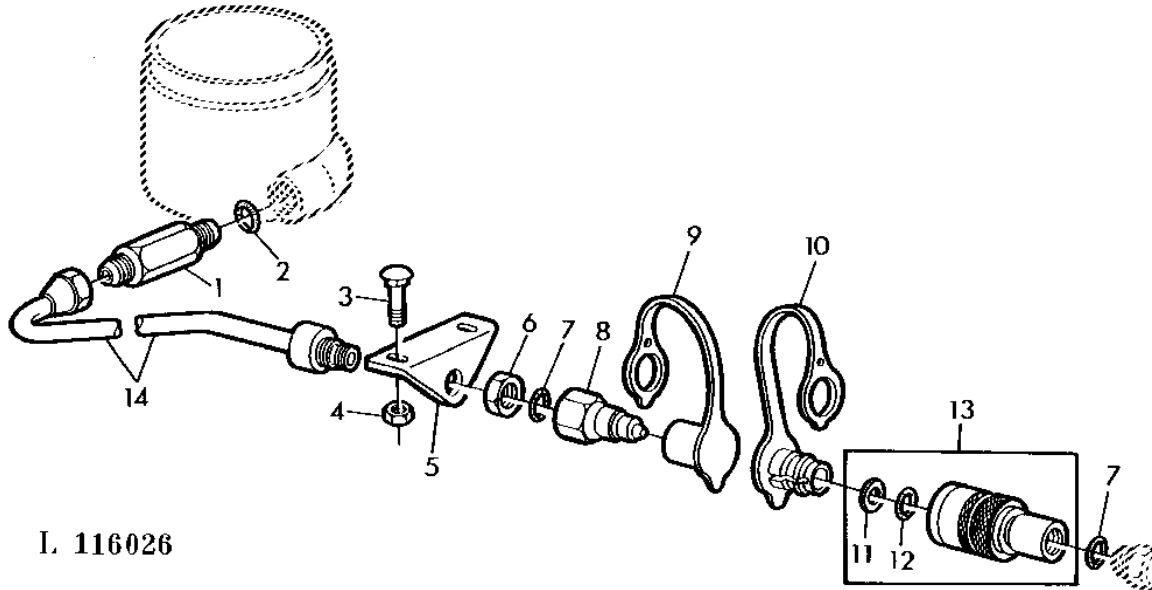
L 116035

KEY	PART NO.	PART NAME	QTY	SERIAL NO.	REMARKS
				2	
				1 2 0	
				6 0 4	
				4 4 0	
				0 0 S	
1	L31745	DUST SHIELD	AR	X X X	
2	AR94522	INTERNAL HALF COUPLER	AR	X X X	(SUB FOR AL26973)
3	R26375	O-RING	AR	X X X	

5H13

SELECTIVE CONTROL VALVES - SPOOL TYPE

CONNECTING PARTS FOR HYDRAULIC MOTOR - CENTER
 RACCORDS POUR MOTEUR HYDRAULIQUE CENTRAUX
 TEILE FUER HYDRO-MOTOR-ANSCHLUSS MITTE
 RACCORDI CENTRALI PER MOTORE IDRAULICO
 RACORES PARA EL MOTOR HIDRAULICO - CENTRALES
 MITTRE ANSLUTNINGAR FOR HYDRAULMOTOR
 L116026 -UN-07JUL95



L 116026

2
1 2 0
6 0 4
4 4 0
0 0 S

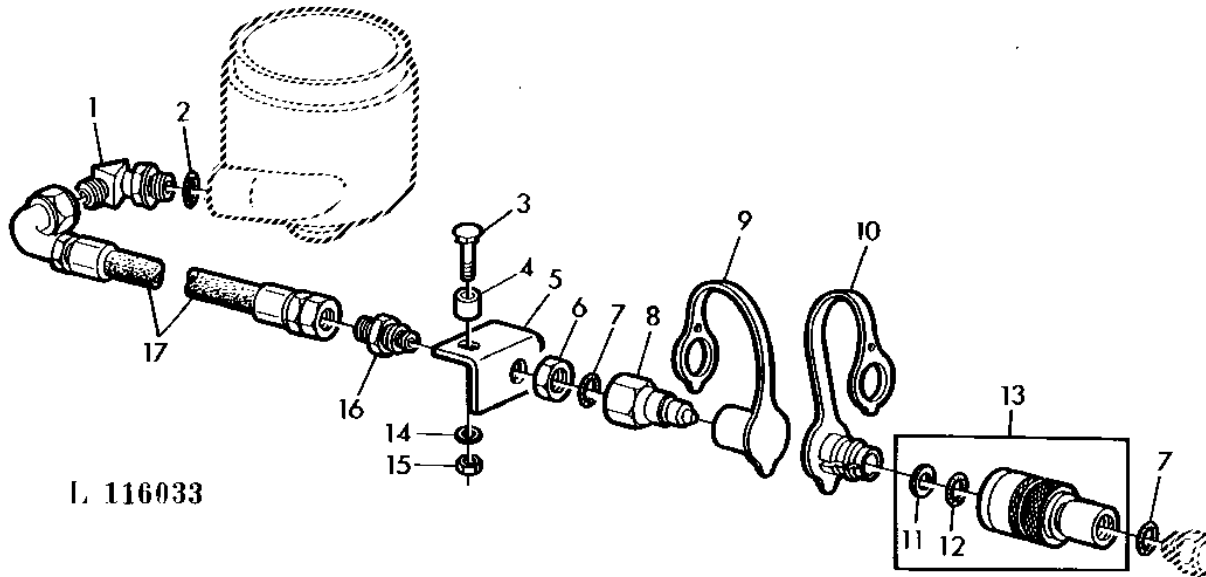
KEY	PART NO.	PART NAME	QTY	SERIAL NO.	REMARKS
1	T33164	FITTING	1	X X X	
2	U12547	O-RING	1	X X X	(SUB FOR F3171R APPL)
3	03H2275	BOLT	2	X X X	3/8"X5/8"
4	14H1076	NUT	2	X X X	3/8"
5	L30191	RETAINER	1	X X X	
6	R26627	NUT	1	X X X	
7	R26375	O-RING	2	X X X	
8	AR94522	INTERNAL HALF COUPLER	1	X X X	(SUB FOR AL26973)
9	L31745	DUST SHIELD	1	X X X	
10	L31744	DUST SHIELD	1	X X X	
11	L40691	BACK-UP RING	1	X X X	
12	L40690	O-RING	1	X X X	
13	AL26972	EXTERNAL HALF COUPLER	1	X X X	
14	AL31664	OIL LINE	1	X X X	

5H14

SELECTIVE CONTROL VALVES - SPOOL TYPE

CONNECTING PARTS FOR HYDRAULIC MOTOR - CENTER (SG2 CAB)
 RACCORDS POUR MOTEUR HYDRAULIQUE CENTRAUX (CABINE SG2)
 TEILE FUER HYDRO-MOTOR-ANSCHLUSS MITTE (SG2 KABINE)
 RACCORDI CENTRALI PER MOTORE IDRAULICO (CABINA SG2)
 RACORES PARA EL MOTOR HIDRAULICO - CENTRALES (CABINA SG2)
 MITTRE ANSLUTNINGAR FOR HYDRAULMOTOR (SG2 HYTT)

L116033 -UN-18JUL95



L 116033

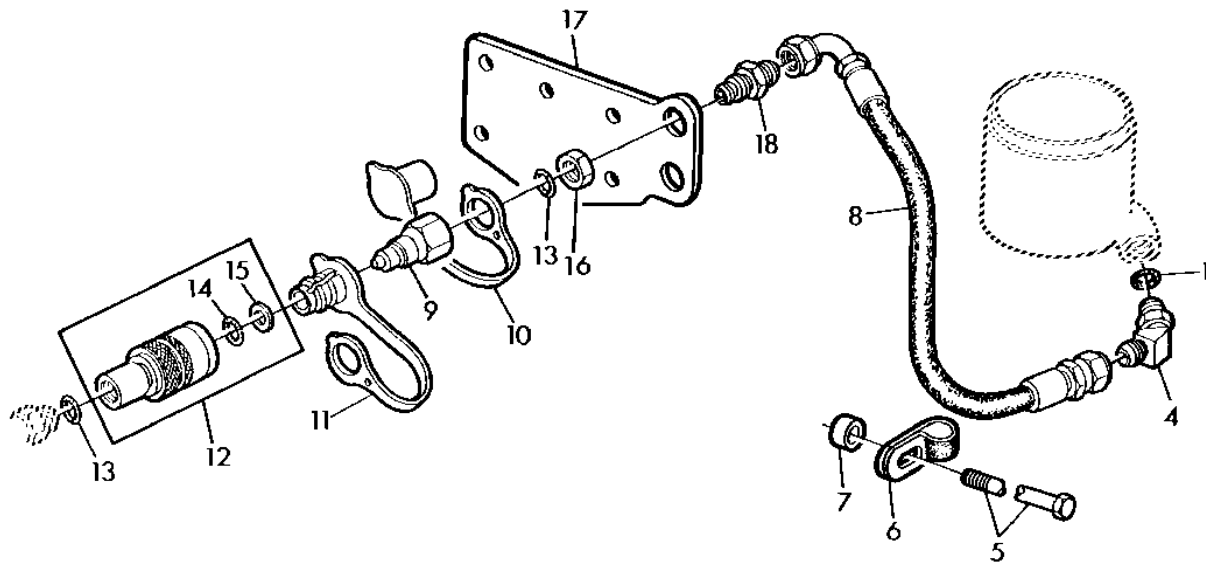
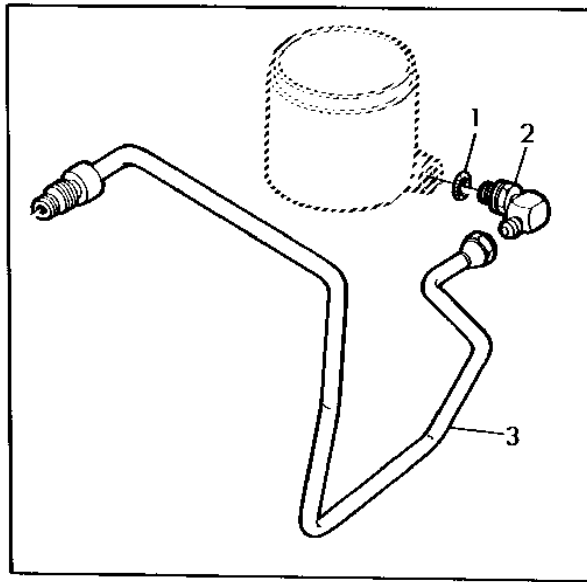
KEY	PART NO.	PART NAME	QTY	SERIAL NO.	REMARKS
				2	
				1 2 0	
				6 0 4	
				4 4 0	
				0 0 S	
1	AT48506	ELBOW FITTING	1	X X X	(SUB FOR AR28251)
2	U12547	O-RING	1	X X X	(SUB FOR F3171R APPL)
3	03M7199	BOLT	1	X X X	M12X35
4	28H1498	BUSHING	1	X X X	1/2"X.500"
5	L38841	ANGLE	1	X X X	
6	R26627	NUT	1	X X X	
7	R26375	O-RING	2	X X X	
8	AR94522	INTERNAL HALF COUPLER	1	X X X	(SUB FOR AL26973)
9	L31745	DUST SHIELD	1	X X X	
10	L31744	DUST SHIELD	1	X X X	
11	L40691	BACK-UP RING	1	X X X	
12	L40690	O-RING	1	X X X	
13	AL26972	EXTERNAL HALF COUPLER	1	X X X	
14	24M7047	WASHER	1	X X X	13MM
15	14M7275	NUT	1	X X X	M12
16	L38047	ADAPTER	1	X X X	
17	AL36586	HYDRAULIC HOSE	1	X X X	

5H15

SELECTIVE CONTROL VALVES - SPOOL TYPE

CONNECTING PARTS FOR HYDRAULIC MOTOR REAR
RACCORDS POUR MOTEUR HYDRAULIQUE ARRIERE
TEILE FUER HYDRO-MOTOR-ANSCHLUSS HINTEN
RACCORDI PER MOTORE IDRAULICO POSTERIORE
RACORES PARA EL MOTOR HIDRAULICO DETRAS
ANSLUTNINGAR FOR BAKRE HYDRAULMOTOR

L116022 -UN-07JUL95



L 116022

5H16

SELECTIVE CONTROL VALVES - SPOOL TYPE

KEY	PART NO.	PART NAME	QTY	SERIAL NO.	REMARKS
					2
					1 2 0
					6 0 4
					4 4 0
					0 0 S
1	U12547	O-RING	1		X X X (SUB FOR F3171R APPL)
2	AT32331	ELBOW FITTING	1		X X X (SUB FOR AR26723)
3	AL25714	OIL LINE	1		X X X
4	AT48506	ELBOW FITTING	1		X X X (SUB FOR AR28251)
5	19H1974	CAP SCREW	1		X X X 1/2"X2-3/4"
	08H4268	CAP SCREW	1		X X X (A) 1/2"X7"
6	L37536	CLAMP	1		X X X
7	L33629	SPACER	1		X X X
8	AL35123	HYDRAULIC HOSE	1		X X X
9	AR94522	INTERNAL HALF COUPLER	1		X X X (SUB FOR AL26973)
10	L31745	DUST SHIELD	1		X X X
11	L31744	DUST SHIELD	1		X X X
12	AL26972	EXTERNAL HALF COUPLER	1		X X X
13	R26375	O-RING	2		X X X
14	L40690	O-RING	1		X X X
15	L40691	BACK-UP RING	1		X X X
16	R26627	NUT	1		X X X
17	L30207	PLATE	1		X X X
18	L38047	ADAPTER	1		X X X

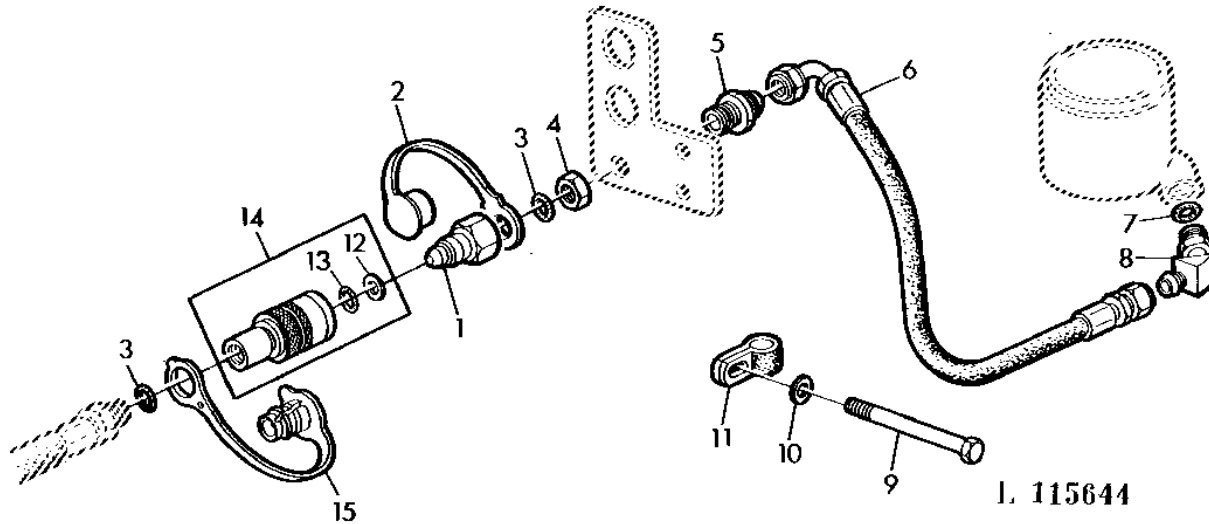
(A) WITH HEAVY-DUTY FINAL DRIVE
 AVEC COMMANDE FINALE RENFORCEE
 BEI VERSTAERKTEM ENDANTRIEB
 CON RIDUZIONE FINALE RINFORZATA
 CON REDUCCION FINAL REFORZADA
 VID FORSTARKT SLUTDREV

5H17

SELECTIVE CONTROL VALVES - SPOOL TYPE

CONNECTING PARTS FOR HYDRAULIC MOTOR (REAR) WITH INCREASED LIFT CAPACITY
 RACCORDS POUR MOTEUR HYDRAULIQUE (ARRIERE) AVEC ELEVATION RENFORCEE
 TEILE FUER HYDRO-MOTOR-ANSCHLUSS (HINTEN) BEI HUBKRAFTERHOEHUNG
 RACCORDI PER MOTORE IDRAULICO POSTERIORE CON ELEVATA CAPACITA SOLLEVAMENTO
 RACORES PARA EL MOTOR HIDRAULICO (DETRAS) CON ELEVADA FUERZADADA ELEVACION
 ANSLUTNINGAR FOR BAKRE HYDRAULMOTOR VID OKAD LYFTKAPACITET

L115644 -UN-18JUL95



2
1 2 0
6 0 4
4 4 0
0 0 S

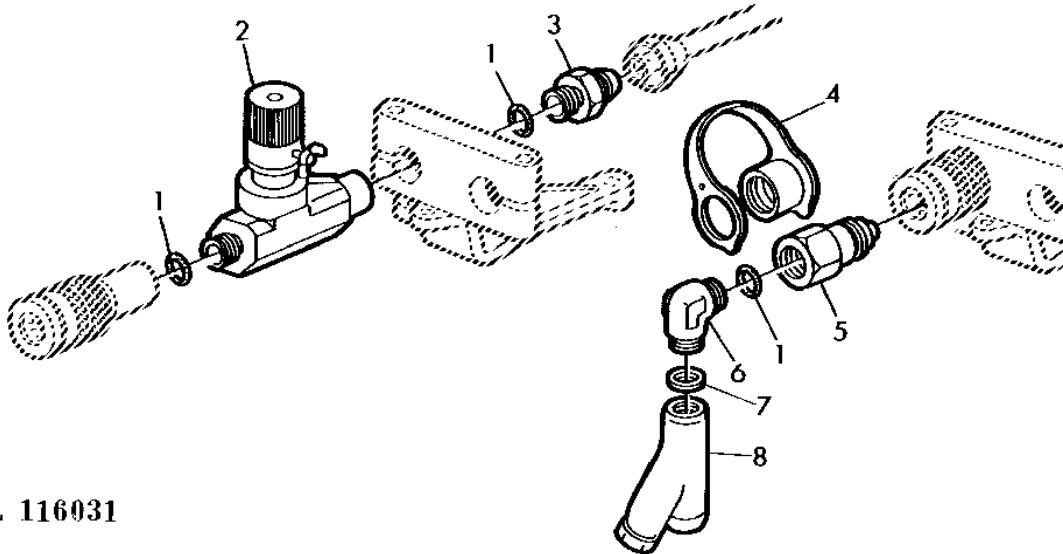
KEY	PART NO.	PART NAME	QTY	SERIAL NO.	REMARKS
1	AR94522	INTERNAL HALF COUPLER	1		X (SUB FOR AL26973)
2	L31745	DUST SHIELD	1		X
3	R26375	O-RING	2		X
4	R26627	NUT	1		X
5	L38047	ADAPTER	1		X
6	AL35123	HYDRAULIC HOSE	1		X
7	U12547	O-RING	1		X
8	AT48506	ELBOW FITTING	1		X (SUB FOR AR28251)
9	08H4268	CAP SCREW	1		X 1/2"X7"
10	T68602	WASHER	1		X
11	L37536	CLAMP	1		X
12	L40691	BACK-UP RING	1		X
13	L40690	O-RING	1		X
14	AL26972	EXTERNAL HALF COUPLER	1		X
15	L31744	DUST SHIELD	1		X

5H18

SELECTIVE CONTROL VALVES - SPOOL TYPE

FLOW CONTROL VALVES WITH HYDRAULIC MOTOR CONNECTION
 SOUPAPE LIMITATRICE DE DEBIT AVEC RACCORD POUR MOTEUR HYDR.
 MENGENBEGRENZUNGSVENTILE BEI HYDRO-MOTOR-ANSCHLUSS
 VALVOLE REGOLAZIONE PORTATA CON COLLEGAMENTO PER MOTORE IDR.
 VALVULA LIMITADORA DE CAUDAL CON RACOR PARA MOTOR HIDRAULICO
 FLODESKONTROLLVENTILER VID ANSLUTNING FOR HYDRAULMOTOR

L116031 -UN-07JUL95



L. 116031

2
1 2 0
6 0 4
4 4 0
0 0 S

KEY	PART NO.	PART NAME	QTY	SERIAL NO.	REMARKS
1	R26375	O-RING	AR	X X X	
2	AL34259	VALVE	1	X X X	
3	R27237	FITTING	1	X X X	
4	L31745	DUST SHIELD	1	X X X	
5	AR94522	INTERNAL HALF COUPLER	1	X X X	(SUB FOR AL26973)
6	L28921	ELBOW FITTING	1	X X X	
7	51M4240	RING	1	X X X	
8	AL23416	VALVE	1	X X X	

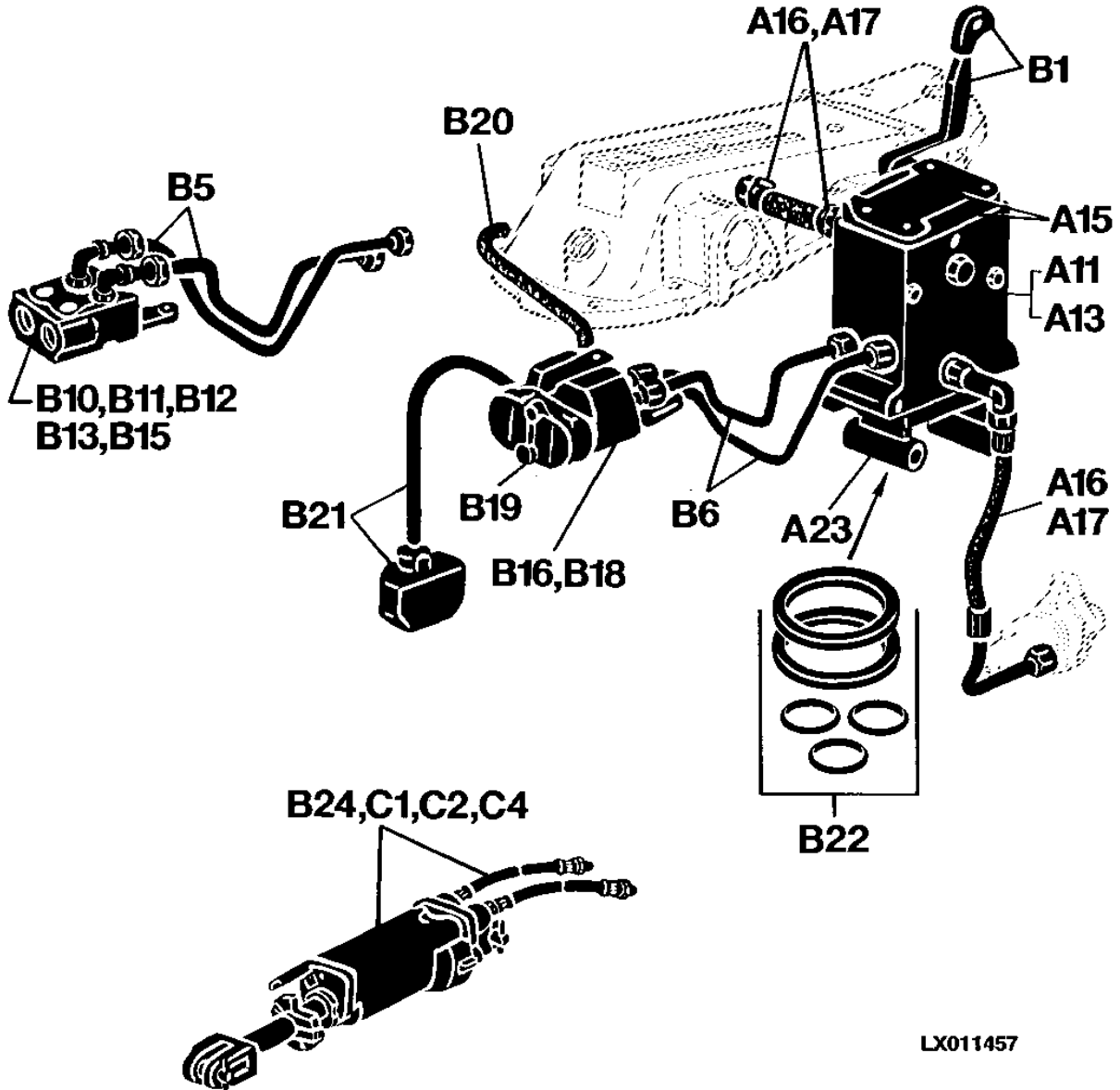
6A9

SELECTIVE CONTROL VALVES - POPPET TYPE, FRONT HITCH

XX
XX
XX
XX
XX
XX
XX
XX
XX
XX
XX

SECTIONAL INDEX
INDEX DE SECTION
GRUPPENINDEX
INDICE DELLA SEZIONE
INDICE DE GRUPOS
GRUPPSFORTECKNING

LX011457 -UN-14JUL95



LX011457

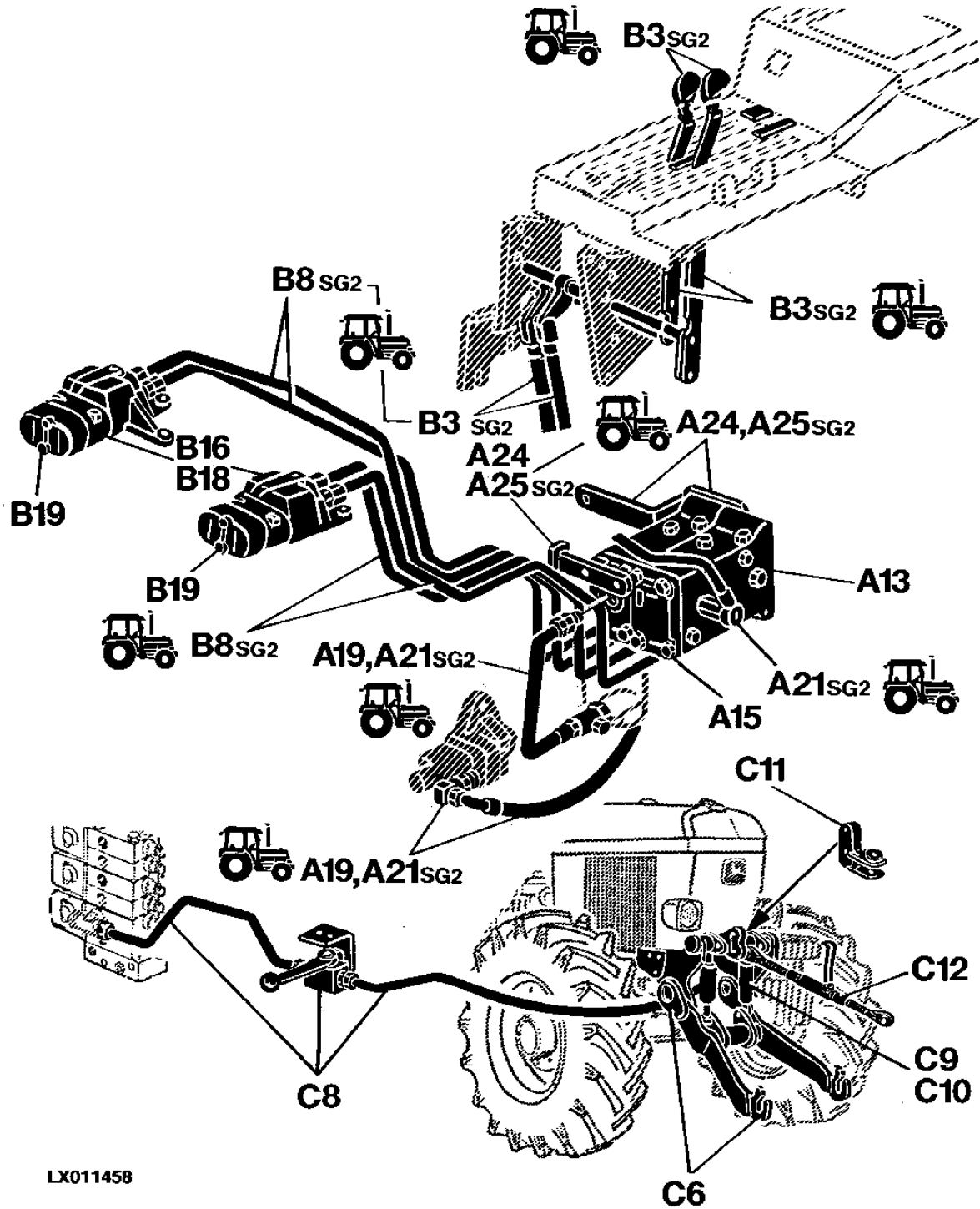
6A10

SELECTIVE CONTROL VALVES - POPPET TYPE, FRONT HITCH

XX
XX
XX
XX
XX
XX
XX
XX
XX
XX

SECTIONAL INDEX
INDEX DE SECTION
GRUPPENINDEX
INDICE DELLA SEZIONE
INDICE DE GRUPOS
GRUPPSFORTECKNING

LX011458 -UN-14JUL95



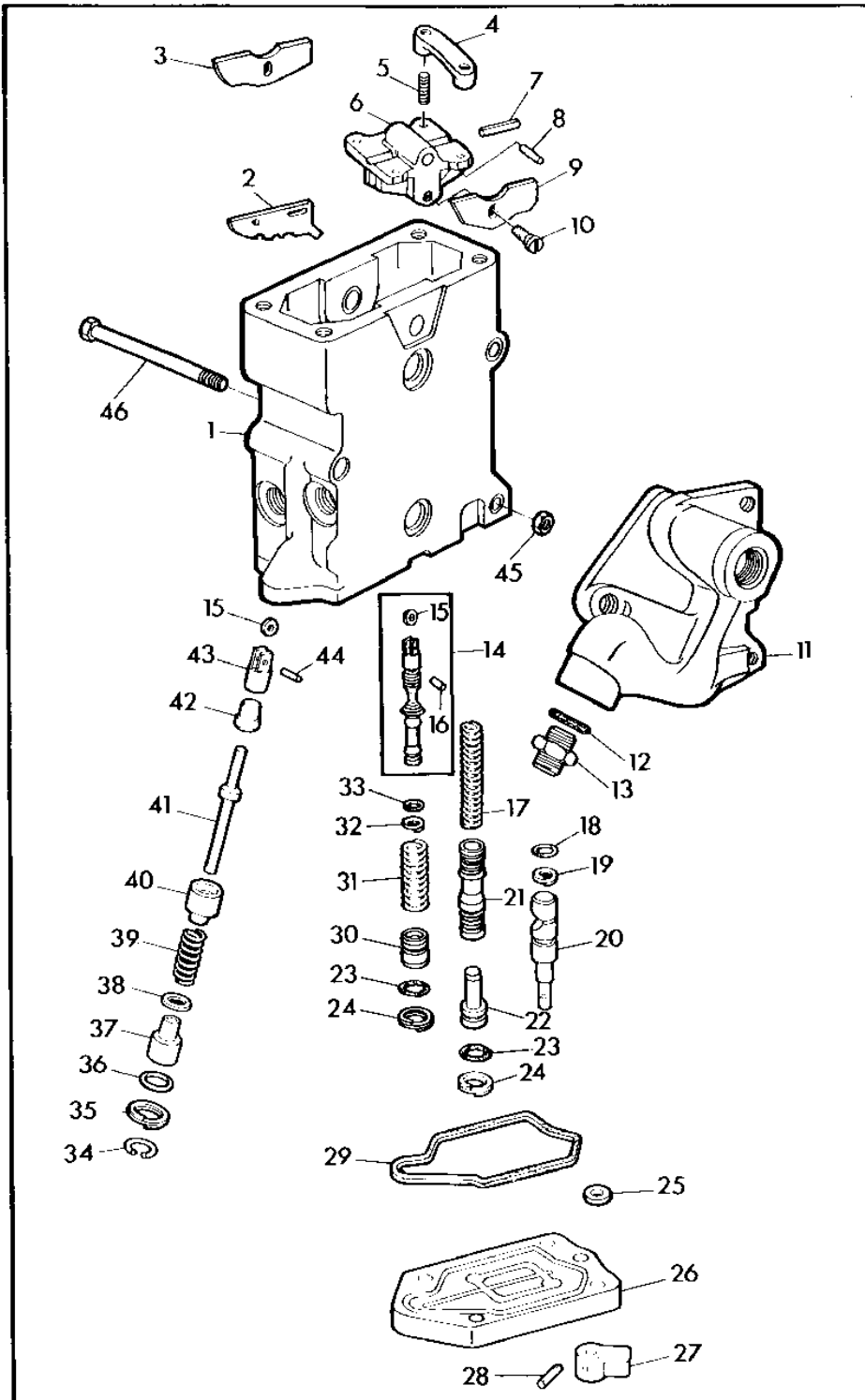
LX011458

6A11

SELECTIVE CONTROL VALVES - POPPET TYPE, FRONT HITCH

SELECTIVE CONTROL VALVE (POPPET TYPE)
DISTRIBUTEUR AUXILIAIRE (A SOUPE)
ZUSATZSTEUERGERAET (VENTILAUSFUEHRUNG)
DISTRIBUTORE AUSILIARIO (TIPO A FUNGO)
DISPOSITIVO DE MANDO AUXILIAR (CON VALVULA)
FJARRMANOVERVENTIL (TALLRIKSTYP)

L104865 -UN-17JUL95



L 104865

6A12

SELECTIVE CONTROL VALVES - POPPET TYPE, FRONT HITCH

KEY	PART NO.	PART NAME	QTY	SERIAL NO.	REMARKS
					2
					1 2 0
					6 0 4
					4 4 0
					0 0 S
1	AR83549	HOUSING	1		X X X
2	R51413	CAM	1		X X X
3	R51414	CAM	1		X X X
4	R49221	RETAINER	1		X X X
5	22H1025	SET SCREW	4		X X X 1/4"X7/8"
6	R51412	ROCKER	1		X X X
7	34H297	SPRING PIN	1		X X X 7/32"X1"
8	R28744	PIN	2		X X X
9	R51415	CAM	1		X X X
10	R27233	SCREW	2		X X X
11	R39289	COVER	1		X X X
12	R26375	O-RING	1		X X X
13	R27237	FITTING	1		X X X
14	AR86535	VALVE	4		X X X
15	R51409	SPACER	5		X X X
16	34H242	SPRING PIN	4		X X X 1/8"X7/16" (SUB FOR 34H241)
17	R41549	SPRING	1		X X X
18	P46051	O-RING	1		X X X
19	R40937	BACK-UP RING	1		X X X
20	R65289	VALVE	1		X X X
21	R52549	SHUT-OFF VALVE	1		X X X
22	R66916	STOP	1		X X X
23	R27166	O-RING	5		X X X
24	R41057	BACK-UP RING	5		X X X
25	R41339	SHIM	1		X X X
26	R59629	CAP	1		X X X
27	R41338	ARM	1		X X X
28	34H231	SPRING PIN	1		X X X
29	R74695	WASHER	1		X X X (SUB FOR R49187)
30	R66416	BUSHING	4		X X X
31	R65501	SPRING	2		X X X (A)
	R65502	SPRING	2		X X X (B)
32	R26484	BACK-UP RING	7		X X X
33	A3917R	O-RING	7		X X X (SUB FOR R65286)
34	R46722	SNAP RING	1		X X X
35	R26546	BACK-UP RING	1		X X X
36	B2762R	O-RING	1		X X X
37	R55397	GUIDE	1		X X X
38	T20229	WASHER	1		X X X
39	R41055	SPRING	1		X X X
40	R48980	PISTON	1		X X X
41	R55398	PIN	1		X X X
42	R48978	GUIDE	1		X X X
43	R51410	CAM FOLLOWER	1		X X X
44	R51411	PIN	1		X X X
45	14H1076	NUT	1		X X X (C) 3/8"
46	08H4451	CAP SCREW	3		X X X (C) 3/8"X6-1/2"

(A) OUTLET
ECHAPPEMENT
AUSLASS
SCARICO
ESCAPE
UTLOPP

(B) INLET
ADMISSION
EINLASS
INGRESSO
ADMISION
INLOPP

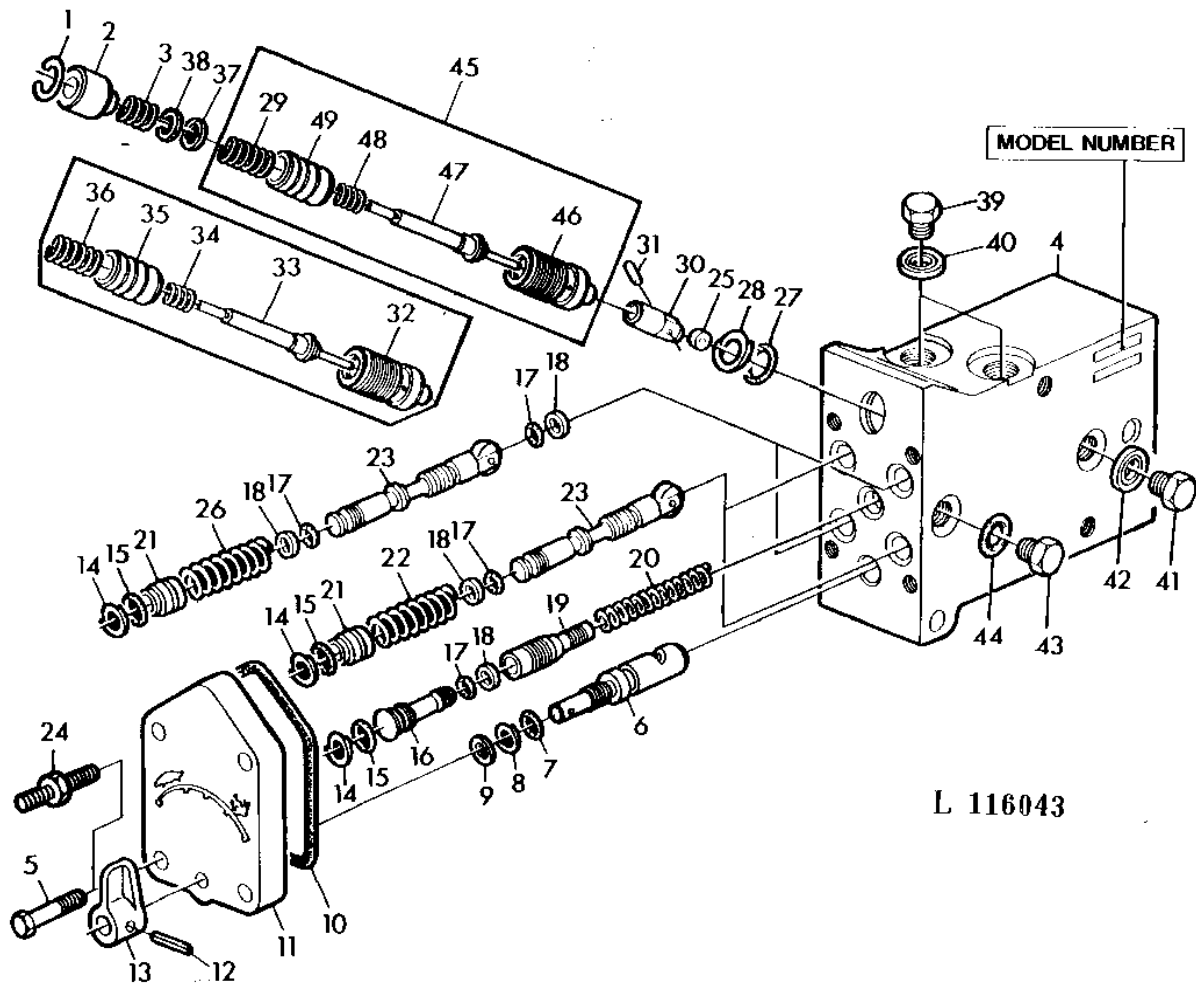
(C) TWO SELECTIVE CONTROL VALVES
POUR DEUX DISTRIB.AUXIL.COMM
FUER 2 ZUSATZSTEUERGERAETE
PER 2 DISTRIBUTORI AUSILIARI
PARA DOS DISP.DE MANDO AUXIL
FOR TVA FJARRMANOVERVENTILER

6A13

SELECTIVE CONTROL VALVES - POPPET TYPE, FRONT HITCH

SELECTIVE CONTROL VALVE (POPPET TYPE)
DISTRIBUTEUR AUXILIAIRE (A SOUPE)
ZUSATZSTEUERGERAET (VENTILAUSFUEHRUNG)
DISTRIBUTORE AUSILIARIO (TIPO A FUNGO)
DISPOSITIVO DE MANDO AUXILIAR (CON VALVULA)
FJARRMANOVERVENTIL (TALLRIKSTYP)

L116043 -UN-18JUL95



6A14

SELECTIVE CONTROL VALVES - POPPET TYPE, FRONT HITCH

KEY	PART NO.	PART NAME	QTY	SERIAL NO.	REMARKS
					2
					1 2 0
					6 0 4
					4 4 0
					0 0 S
1	R46722	SNAP RING	1	X X X	
2	R70979	GUIDE	1	X X X	(A) 36SC1 (B)
	R79778	GUIDE	1	X X X	(A) 36SC2
3	R64607	SPRING	1	X X X	
4	RE22582	HOUSING	1	X X X	(A) 36SC1 OR 36SC2
5	19H2545	CAP SCREW	4	X X X	3/8"X1-3/8"
6	R70034	VALVE	1	X X X	
7	P46051	O-RING	1	X X X	
8	R40937	BACK-UP RING	1	X X X	
9	R41339	SHIM	1	X X X	
10	R74695	WASHER	1	X X X	(SUB FOR R49187)
11	R59629	CAP	1	X X X	
12	34H231	SPRING PIN	1	X X X	3/32"X3/4"
13	R62652	ARM	1	X X X	
14	R41057	BACK-UP RING	5	X X X	
15	R27166	O-RING	5	X X X	
16	R71054	CONTROL VALVE	1	X X X	
17	A3917R	O-RING	7	X X X	(SUB FOR R65286)
18	R26484	BACK-UP RING	7	X X X	
19	R71055	VALVE	1	X X X	
20	R71056	SPRING	1	X X X	
21	R66416	BUSHING	4	X X X	
22	R65501	SPRING	2	X X X	
23	AR86535	VALVE	4	X X X	
24	R39225	STUD	4	X X X	(C)
25	R51409	SPACER	1	X X X	
26	R65502	SPRING	2	X X X	
27	B2762R	O-RING	1	X X X	
28	R26546	BACK-UP RING	1	X X X	
29	R79774	SPRING	1	X X X	(A) 36SC2
30	R70985	CAM FOLLOWER	1	X X X	
31	R51411	PIN	1	X X X	
32	R70986	DETENT	1	X X X	(A) 36SC1 (B)
33	R70987	SPRING PIN	1	X X X	(A) 36SC1 (B)
34	R70978	SPRING	1	X X X	(A) 36SC1 (B)
35	R70968	PISTON	1	X X X	(A) 36SC1 (B)
36	R65812	SPRING	1	X X X	(A) 36SC1 (B)
37	24H1289	WASHER	1	X X X	21/64"X5/8"X0.048"
38	R43816	SNAP RING	1	X X X	
39	R39112	FITTING	AR	X X X	
40	R26375	O-RING	AR	X X X	
41	R41155	PLUG	AR	X X X	
42	AR26697	SEALING WASHER	AR	X X X	
43	R27218	FITTING PLUG	AR	X X X	
44	R26448	O-RING	AR	X X X	
45	RE15926	KIT	1	X X X	(A) 36SC2
46	R79777	DETENT	1	X X X	(A) 36SC2
47	R79775	SPRING PIN	1	X X X	(A) 36SC2
48	R79773	SPRING	1	X X X	(A) 36SC2
49	R79776	PISTON	1	X X X	(A) 36SC2

(A) MODEL NUMBER
 NUMERO DE MODELE
 MODELL NUMBER
 NUMERO MODELLO
 NUMERO DE MODELO
 MODELLNUMBER

(B) ORDER RE15926,R79778
 COMMANDER RE15926,R79778
 BESTELLE RE15926,R79778
 ORDINARE RE15926,R79778
 PEDIDO RE15926,R79778
 BESTALLAS RE15926,R79778

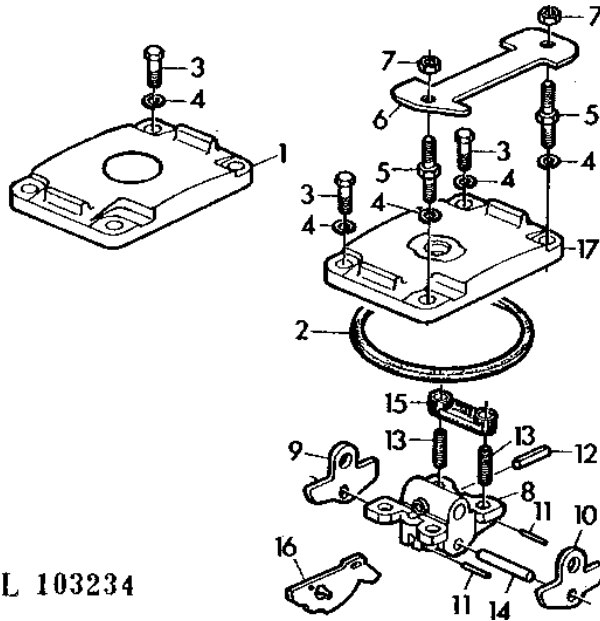
(C) WITH SG2 CAB
 AVEC CABINE SG2
 BEI SG2 KABINE
 CON CABINA SG2
 CON CABINA SG2
 VID SG2 HYTT

6A15

SELECTIVE CONTROL VALVES - POPPET TYPE, FRONT HITCH

SELECTIVE CONTROL VALVE (POPPET TYPE)
 DISTRIBUTEUR AUXILIAIRE (A SOUPAPE)
 ZUSATZSTEUERGERAET (VENTILAUSFUEHRUNG)
 DISTRIBUTORE AUSILIARIO (TIPO A FUNGO)
 DISPOSITIVO DE MANDO AUXILIAR (CON VALVULA)
 FJARRMANOVERVENTIL (TALLRIKSTYP)

L103234 -UN-01JAN94



L 103234

2
1 2 0
6 0 4
4 4 0
0 0 S

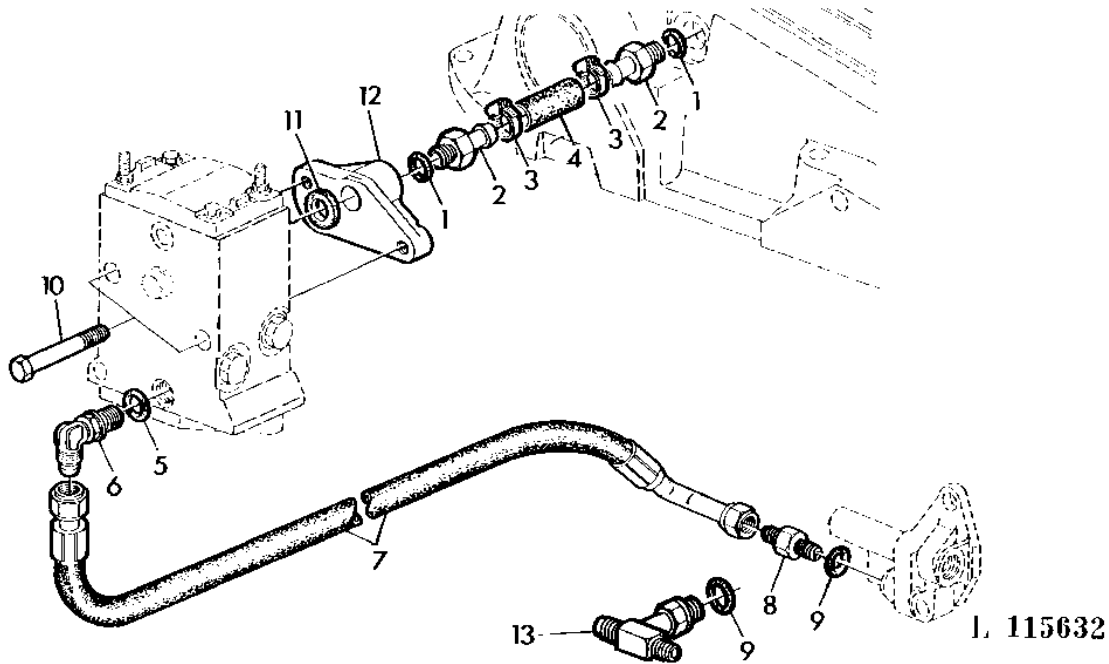
KEY	PART NO.	PART NAME	QTY	SERIAL NO.	REMARKS
1	R49186	COVER	1	X X X	
2	R74695	WASHER	1	X X X	(SUB FOR R49187)
3	19H1731	CAP SCREW	2	X X X	3/8"X1"
4	12H304	LOCK WASHER	4	X X X	3/8"
5	R39225	STUD	2	X X X	
6	L40225	STOP	2	X X X	(SUB FOR T22996)
7	14H732	NUT	2	X X X	3/8"
8	R70981	ROCKER	1	X X X	
9	R59881	CAM	1	X X X	
10	R59882	CAM	1	X X X	
11	R28744	PIN	2	X X X	
12	34H301	SPRING PIN	1	X X X	7/32"X1-1/2"
13	22H1025	SET SCREW	4	X X X	1/4"X7/8"
14	R59883	PIN	2	X X X	
15	R70982	RETAINER	2	X X X	
16	R70980	CAM	1	X X X	
17	R67534	COVER	1	X X X	

6A16

SELECTIVE CONTROL VALVES - POPPET TYPE, FRONT HITCH

OIL LINES FOR SELECTIVE CONTROL VALVE (POPPET TYPE)
 CONDUITES D'HUILE DE DISTRIBUTEURS AUXILIAIRES (A SOUPAPE)
 OELLEITUNGEN FUER ZUSATZSTEUERGERAETE (VENTILAUSSFUEHRUNG)
 TUBAZIONI OLIO PER DISTRIBUTORI AUSILIARI (TIPO A FUNGO)
 TUBERIAS PARA DISPOSITIVOS DE MANDO AUXILIARES CON VALVULA
 HYDRAULLEDNINGAR FOR FJARRMANOVERVENTILER (TALLRIKSTYP)

L115632 -UN-12JUL95



2
1 2 0
6 0 4
4 4 0
0 0 S

KEY	PART NO.	PART NAME	QTY	SERIAL NO.	REMARKS
1	R26906	O-RING	2	X X X	
2	R39171	HOSE FITTING	2	X X X	
3	AL64588	CLAMP	2	X X X	(SUB FOR T439T, AR21837)
4	L61849	HOSE	1	X X X	LGTH= 62MM (MF UN4614)
5	R26448	O-RING	1	X X X	
6	AL55385	ELBOW FITTING	1	X X X	(SUB FOR AT35120)
7	AL35677	HYDRAULIC HOSE	1	X X X	(SUB FOR AL30029, AL30974, AL33293, AL33294)
	AL37247	HYDRAULIC HOSE	1	X X X	(A) (SUB FOR AL35677 APPL)
8	R27237	FITTING	1	X X X	
9	R26375	O-RING	1	X X X	
10	19H1912	CAP SCREW	2	X X X	3/8"X3-1/2"
11	R26149	PACKING	1	X X X	
12	R69880	COVER	1	X X X	
13	AL30020	TEE FITTING	1	X X X	(A)
..	UN4614	HOSE	1	X X X	LGTH= 6000MM

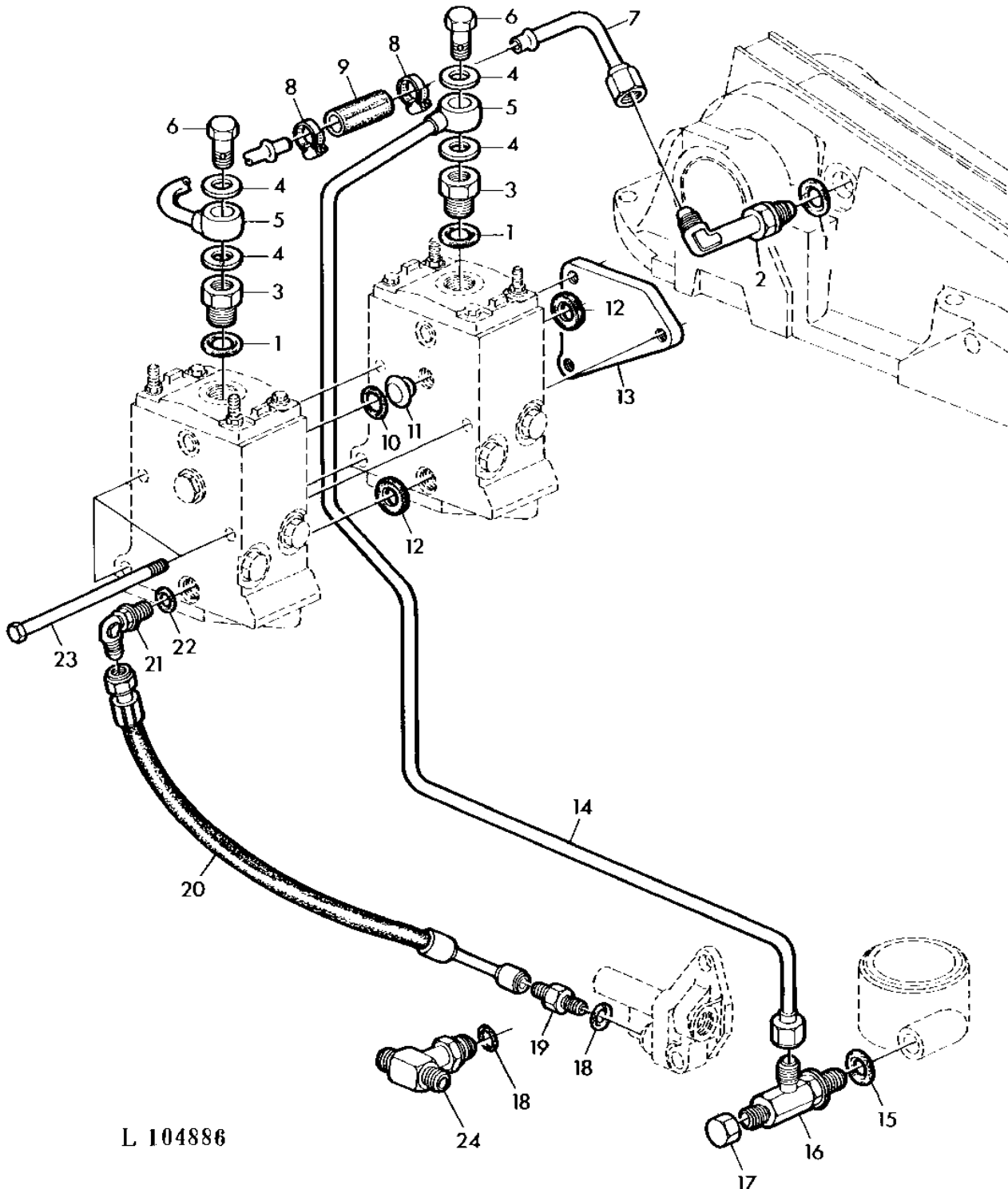
(A) WITH MANUAL STEERING
 AVEC DIRECTION MECANIQUE
 BEI MECHANISCHER LENKUNG
 CON STERZO MECCANICO
 CON DIRECCION MANUAL
 VID MEKANISK STYRNING

6A17

SELECTIVE CONTROL VALVES - POPPET TYPE, FRONT HITCH

OIL LINES FOR SELECTIVE CONTROL VALVE/POPPET TYPE
CONDUITES D'HUILE DE DISTRIBUTEURS AUXILIAIRES (A SOUPAPE)
OELLEITUNGEN FUER ZUSATZSTEUERGERAETE (VENTILAUSFUEHRUNG)
TUBAZIONI OLIO PER DISTRIBUTORI AUSILIARI (TIPO A FUNGO)
TUBERIAS PARA DISPOSITIVOS DE MANDO AUXILIARES CON VALVULA
HYDRAULLEDNINGAR FOR FJARRMANOVERVENTILER (TALLRIKSTYP)

L104886 -UN-17JUL95



L 104886

6A18

SELECTIVE CONTROL VALVES - POPPET TYPE, FRONT HITCH

KEY	PART NO.	PART NAME	QTY	SERIAL NO.	REMARKS
					2
					1 2 0
					6 0 4
					4 4 0
					0 0 S
1	R26906	O-RING	3		X X X
2	AL31989	ELBOW FITTING	1		X X X
3	L39693	ADAPTER	2		X X X
4	51M4238	RING	4		X X X 16.2X19.9X1.5MM
5	AL37931	OIL LINE	1		X X X
6	L63537	FITTING	2		X X X (SUB FOR T32204)
7	AL37936	OIL LINE	1		X X X
8	AL64588	CLAMP	2		X X X (SUB FOR AL55852, AR21837)
9	L61849	HOSE	1		X X X LGTH= 62MM (MF UN4614)
10	L40513	O-RING	1		X X X (SUB FOR H63289)
11	R77983	PLUG	1		X X X
12	R26149	PACKING	1		X X X
13	R37479	COVER	1		X X X
14	AL38118	OIL LINE	1		X X X
15	U12547	O-RING	1		X X X (SUB FOR F3171R APPL)
16	AL38025	TEE FITTING	1		X X X
17	R36927	FITTING	1		X X X
18	R26375	O-RING	1		X X X
19	R27237	FITTING	1		X X X
20	AL35677	HYDRAULIC HOSE	1		X X X
	AL37247	HYDRAULIC HOSE	1		X X X (A) (SUB FOR AL35677 APPL)
21	AL55385	ELBOW FITTING	1		X X X (SUB FOR AT35120)
22	R26448	O-RING	1		X X X
23	08H4451	CAP SCREW	3		X X X 3/8"X6-1/2"
24	AL30020	TEE FITTING	1		X X X (A)
..	UN4614	HOSE	1		X X X LGTH= 6000MM

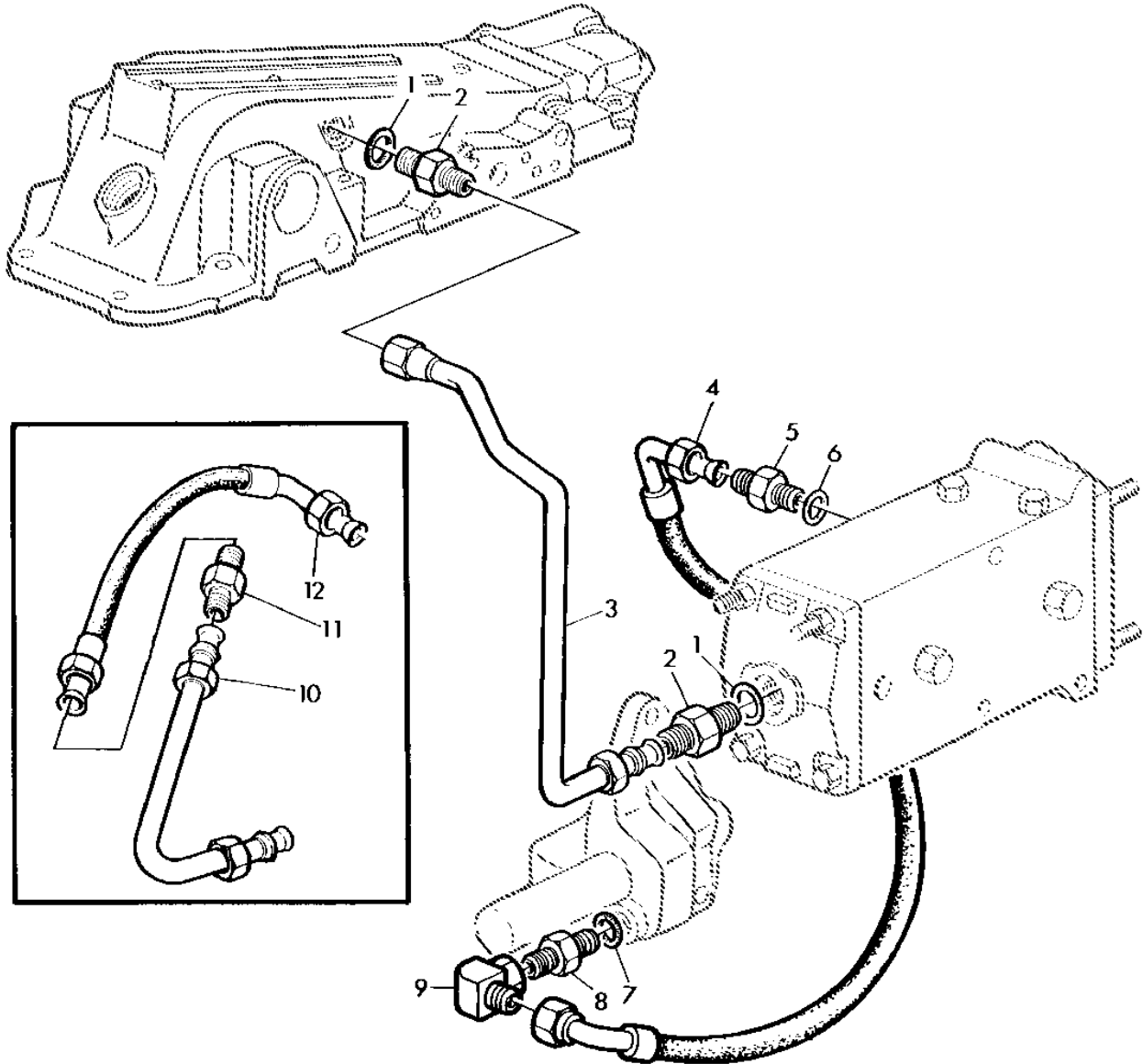
(A) WITH MANUAL STEERING
 AVEC DIRECTION MECANIQUE
 BEI MECHANISCHER LENKUNG
 CON STERZO MECCANICO
 CON DIRECCION MANUAL
 VID MEKANISK STYRNING

6A19

SELECTIVE CONTROL VALVES - POPPET TYPE, FRONT HITCH

OIL LINES FOR SEL. CONTROL VALVES (POPPET TYPE) SG2 CAB
CONDUITES POUR DISTRIBUTEURS AUXIL. (TYPE SOUPAPES) CABINE SG2
OELLEITUNGEN FUER ZUSATZSTEUERGERAETE (VENTILAUSF.) SG2 KABINE
LINEE OLIO PER DISTRIB. AUSILIARI (TIPO A FUNGO) CABINA SG2
TUBERIAS PARA DISP. MANDO AUXIL. (TIPO CON VALVULA) CABINA SG2
OLJELEDNINGAR FOR FJARRMANOVERVENTILER (TALLRIKSTYP) SG2 HYTT

L109634 -UN-17JUL95



L 109634

6A20

SELECTIVE CONTROL VALVES - POPPET TYPE, FRONT HITCH

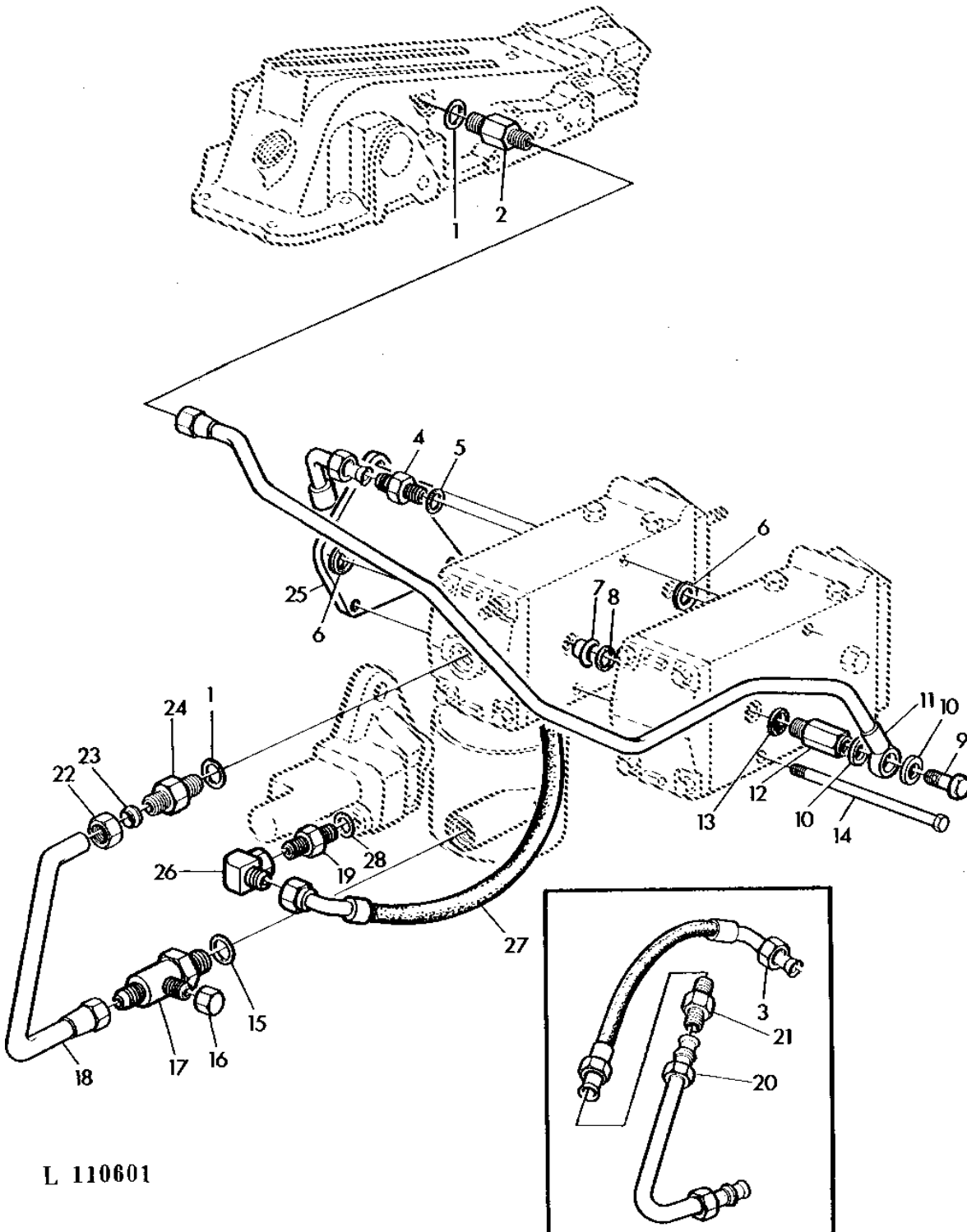
KEY	PART NO.	PART NAME	QTY	SERIAL NO.	2 1 2 0 6 0 4 4 4 0 0 0 S	REMARKS
1	R26906	O-RING	2		X X X	
2	R27270	FITTING	2		X X X	
3	AL35265	OIL LINE	1		X X X	
4	AL55494	HYDRAULIC HOSE	1		X X X	
5	L37858	FITTING	1		X X X	
6	R26448	O-RING	1		X X X	
7	R26375	O-RING	1		X X X	
8	L38679	FITTING	1		X X X	
9	AL37133	ELBOW FITTING	1		X X X	
10	AL37462	OIL LINE	1		X X X	(SUB FOR AL37129) (ORD AL55494, AL37133)
11	L38815	FITTING	1		X X X	
12	AL31647	HYDRAULIC HOSE	1		X X X	(ORD AL55494, AL37133)

6A21

SELECTIVE CONTROL VALVES - POPPET TYPE, FRONT HITCH

OIL LINES FOR SEL. CONTROL VALVES (POPPET TYPE) SG2 CAB
CONDUITES POUR DISTRIBUTEURS AUXIL. (TYPE SOUPAPES) CABINE SG2
OELLEITUNGEN FÜR ZUSATZSTEUERGERÄTE (VENTILAUFS.) SG2 KABINE
LINEE OLIO PER DISTRIB. AUSILIARI (TIPO A FUNGO) CABINA SG2
TUBERIAS PARA DISP. MANDO AUXIL. (TIPO CON VALVULA) CABINA SG2
OLJELEDNINGAR FÖR FJÄRRMANÖVERVENTILER (TÄLLRIKSTYP) SG2 HYTT

L110601 -UN-01JAN94



L 110601

6A22

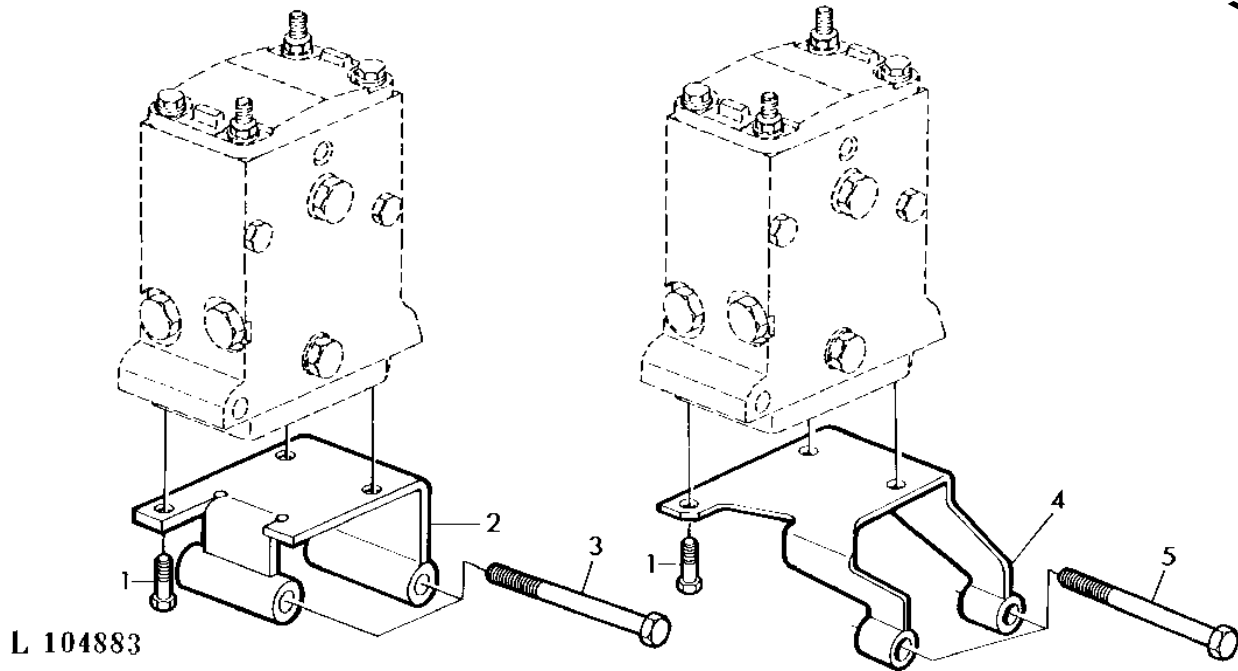
SELECTIVE CONTROL VALVES - POPPET TYPE, FRONT HITCH

KEY	PART NO.	PART NAME	QTY	SERIAL NO.	REMARKS
					2
					1 2 0
					6 0 4
					4 4 0
					0 0 S
1	R26906	O-RING	2		X X X
2	R27270	FITTING	1		X X X
3	AL31647	HYDRAULIC HOSE	1		X X X (ORD AL55494, AL37133)
4	L37858	FITTING	1		X X X
5	R26448	O-RING	1		X X X
6	R26149	PACKING	2		X X X
7	R77983	PLUG	1		X X X
8	L40513	O-RING	1		X X X (SUB FOR H63289)
9	L63537	FITTING	1		X X X (SUB FOR T32204)
10	51M4238	RING	2		X X X
11	AL38184	OIL LINE	1		X X X
12	L39970	FITTING	1		X X X
13	AR26697	SEALING WASHER	1		X X X
14	08H4451	CAP SCREW	3		X X X 3/8"X6-1/2"
15	U12547	O-RING	1		X X X (SUB FOR F3171R APPL)
16	R36927	FITTING	1		X X X
17	AL38025	TEE FITTING	1		X X X
18	AL38185	OIL LINE	1		X X X
19	L38679	FITTING	1		X X X
20	AL37462	OIL LINE	1		X X X (SUB FOR AL37129) (ORD AL55494, AL37133)
21	L38815	FITTING	1		X X X
22	15M7031	UNION FITTING	1		X X X
23	Z32993	SLEEVE FITTING	1		X X X
24	L40398	ADAPTER	1		X X X
25	R37479	COVER	1		X X X
26	AL37133	ELBOW FITTING	1		X X X
27	AL55494	HYDRAULIC HOSE	1		X X X
28	R26375	O-RING	1		X X X

6A23

SELECTIVE CONTROL VALVES - POPPET TYPE, FRONT HITCH

BRACKET FOR SELECTIVE CONTROL VALVES (POPPET TYPE)
 SUPPORT DE DISTRIBUTEUR AUXILIAIRE (A SOUPAPES)
 HALTER FUER ZUSATZSTEUERGERAETE (VENTILAUSF.)
 SUPPORTO DI VALV. COMANDO SELETT. A FUNGO.
 SOPORTE DE DISP. MANDO AUXIL. CON VALVULA
 FASTE FOR FJARRMANOVERVENTILER (TALLRIKSTYP)
 L104883 -UN-17JUL95



2
1 2 0
6 0 4
4 4 0
0 0 S

KEY	PART NO.	PART NAME	QTY	SERIAL NO.	REMARKS
1	19H2545	CAP SCREW	3	X X X	3/8"X1-3/8"
2	AR99025	BRACKET	1	X X	
3	19H2224	CAP SCREW	2	X X	1/2"X4-3/4"
4	AL30548	BRACKET	1	X X X	(A)
5	08H4505	CAP SCREW	2	X X X	(A) 1/2"X7-1/4"

(A) WITH HEAVY-DUTY FINAL DRIVE
 AVEC COMMANDE FINALE RENFORCEE
 BEI VERSTAERKTEM ENDANTRIEB
 CON RIDUZIONE FINALE RINFORZATA
 CON REDUCCION FINAL REFORZADA
 VID FORSTARKT SLUTDREV

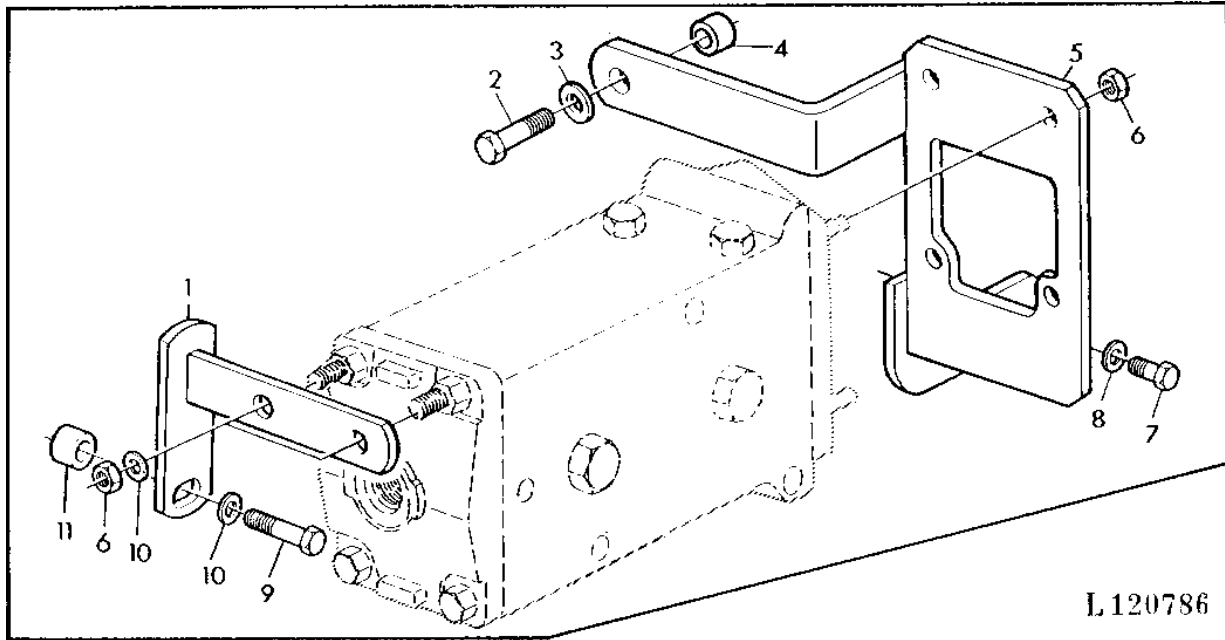
SELECTIVE CONTROL VALVES - POPPET TYPE, FRONT HITCH

MEMORANDA
MEMORANDA
MEMORANDA
MEMORANDA
MEMORANDA

6A24

SELECTIVE CONTROL VALVES - POPPET TYPE, FRONT HITCH

BRACKET FOR SELECTIVE CONTROL VALVES (POPPET TYPE) SG2 CAB
 SUPPORT DE DISTRIBUTEUR AUXILIAIRE (A SOUPAPES) CABINE SG2
 HALTER FUER ZUSATZSTEUERGERAETE (VENTILAUSF. BEI SG2 KABINE)
 SUPPORTO DI VALV. COMANDO SELETT. A FUNGO. CABINA SG2
 SOPORTE DE DISP. MANDO AUXIL. CON VALVULA CABINA SG2
 FASTE FOR FJARRMANOVERVENTILER (TALLRIKSTYP) SG2 HYTT
 L120786 -UN-01JAN94



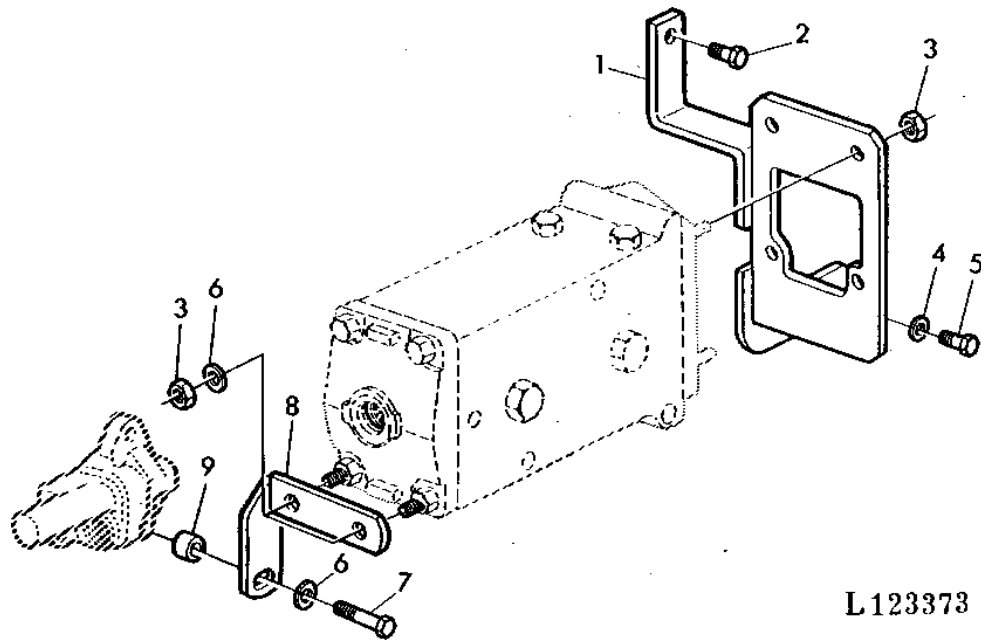
2
 1 2 0
 6 0 4
 4 4 0
 0 0 S

KEY	PART NO.	PART NAME	QTY	SERIAL NO.	REMARKS
1	AL36581	SUPPORT	1	X X X	(ORD AL66754)
2	19H1990	CAP SCREW	1	X X X	1/2"X2-1/4"
3	L30695	WASHER	1	X X X	
4	28H1863	WASHER	1	X X X	1/2"X0.219"
5	AL36582	BRACKET	1	X X X	(ORD AL66920)
6	14H1076	NUT	6	X X X	3/8"
7	19M7167	CAP SCREW	1	X X X	M10X25
8	24M7028	WASHER	1	X X X	10.5X21X2MM
9	19H1726	CAP SCREW	1	X X X	3/8"X2-1/4"
10	24H1307	WASHER	3	X X X	13/32"X1"X.060"
11	28H1521	SPACER	1	X X X	3/8"X0.562"

6A25

SELECTIVE CONTROL VALVES - POPPET TYPE, FRONT HITCH

BRACKET FOR SELECTIVE CONTROL VALVES (POPPET TYPE WITH SG2 CAB)
 SUPPORT DE DISTRIBUTEUR AUXILIAIRE (A SOUPAPES AVEC CABINE SG2)
 HALTER FUER ZUSATZSTEUERGERAETE (VENTILAUSF. BEI SG2 KABINE)
 SUPPORTO DI VALV. COMANDO (TIPO A FUNGO. CON CABINA SG2)
 SOPORTE DE DISP. MANDO AUXIL. (VALVULA CON CABINA SG2)
 FASTE FOR FJARRMANOVERVENTILER (TALLRIKSTYP VID SG2 HYTT)
 L123373 -UN-01JAN94



L123373

2
1 2 0
6 0 4
4 4 0
0 0 S

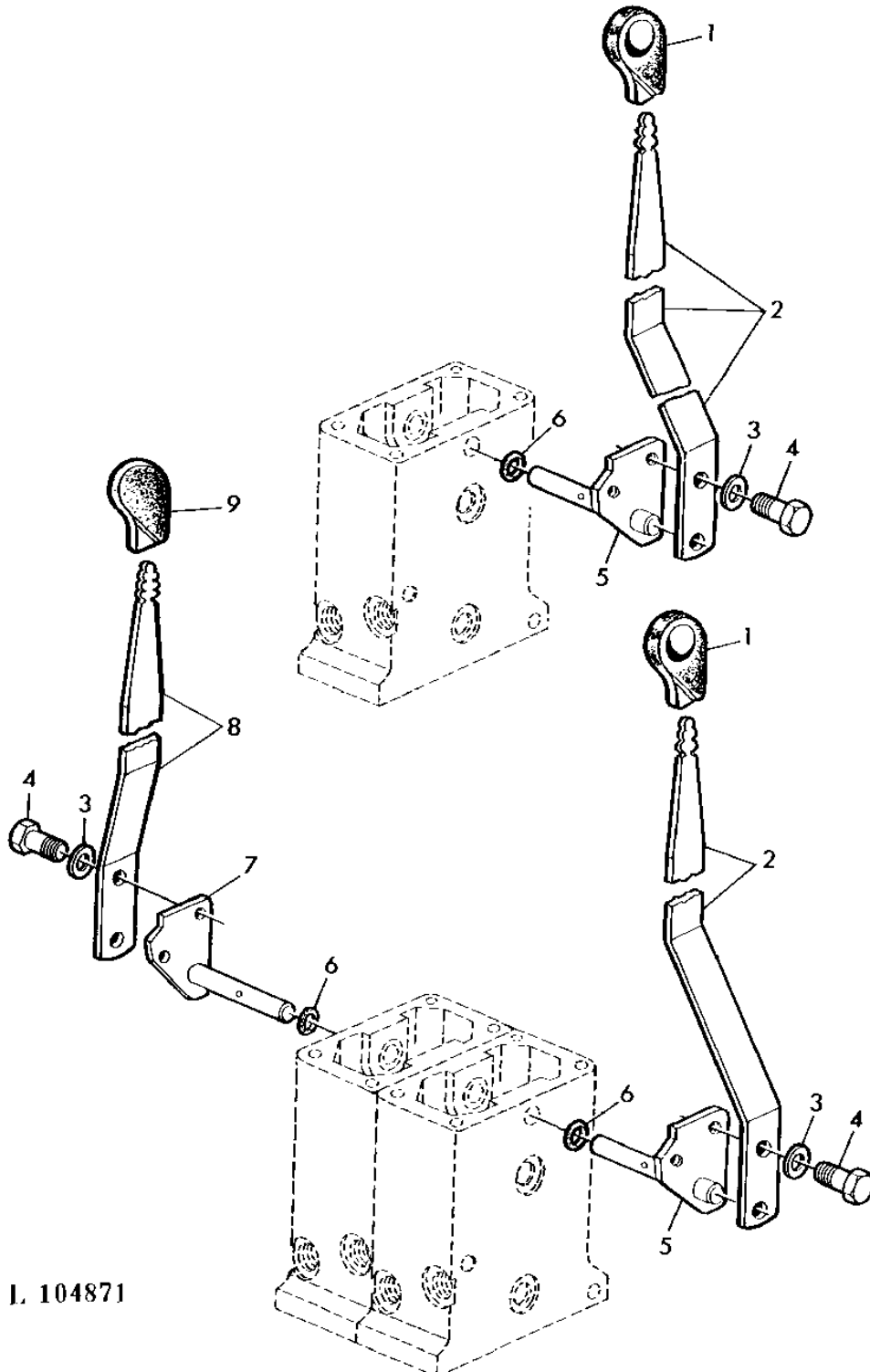
KEY	PART NO.	PART NAME	QTY	SERIAL NO.	REMARKS
1	AL66920	BRACKET	1	X X X	(SUB FOR AL36582)
2	19H2676	CAP SCREW	1	X X X	3/8"X1"
3	14H1076	NUT	6	X X X	3/8", HS SAE 8
4	24M7028	WASHER	1	X X X	10.5X21X2MM
5	19M7167	CAP SCREW	1	X X X	M10X25
6	24H1307	WASHER	3	X X X	13/32"X1"X0.060"
7	19H3445	CAP SCREW	1	X X X	3/8"X3-3/4"
8	AL66754	SUPPORT	1	X X X	(SUB FOR AL36581)
9	28H1521	SPACER	1	X X X	

6B1

SELECTIVE CONTROL VALVES - POPPET TYPE, FRONT HITCH

SELECTIVE CONTROL VALVE LEVERS (POPPET-VALVE TYPE)
DISTRIBUTEUR AUXILIAIRE (A SOUPAPES) / MANETTE DE COMMANDE
ZUSATZSTEUERGERAET/BEDIENUNGSHEBEL (VENTILAUSSFUEHRUNG)
LEVE DI COMANDO PER VALVOLE DI COMANDO SELETTIVO A FUNGO
PALANCAS DE MANDO PARA DISP. DE MANDO AUX. CON VALVULAS
MANOVERSPAKAR FOR FJARRMANOVERVENTILER (TALLRIKSTYP)

L104871 -UN-17JUL95



6B2

SELECTIVE CONTROL VALVES - POPPET TYPE, FRONT HITCH

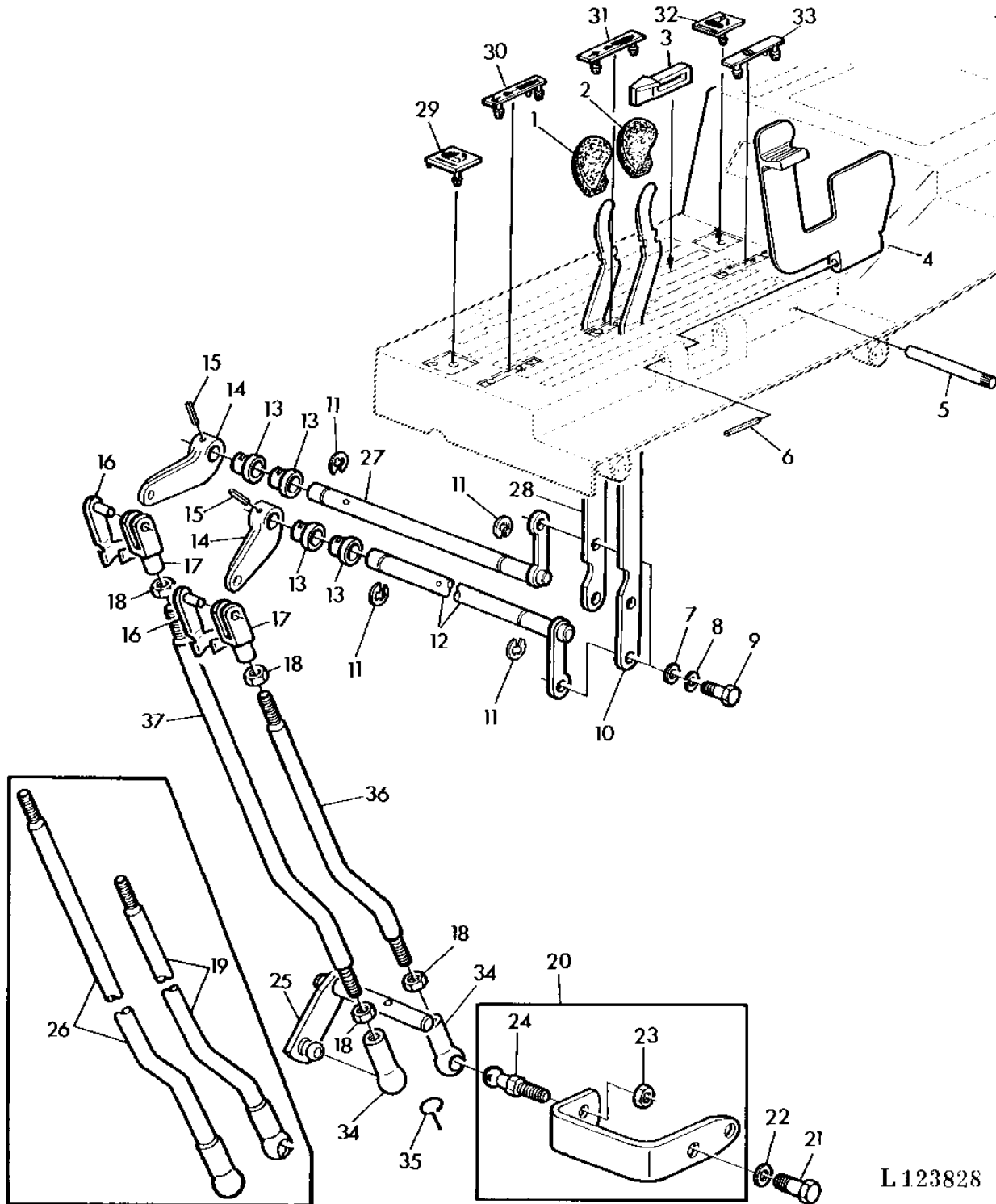
KEY	PART NO.	PART NAME	QTY	SERIAL NO.	REMARKS
					2
					1 2 0
					6 0 4
					4 4 0
					0 0 S
1	L56925	GRIP	1		X X X (SUB FOR R54274 APPL)
2	T23069	LEVER	1		X X X
3	24H1625	WASHER	AR		X X X 17/32"X1"X 120"
4	19H1895	CAP SCREW	AR		X X X 1/2"X3/4"
5	AR39157	ARM	1		X X X (A)
6	R394R	O-RING	AR		X X X (SUB FOR R65287 APPL)
7	AR39158	ARM	1		X X X (A)
8	T23071	LEVER	1		X X X (A)
9	L56926	GRIP	1		X X X (A) (SUB FOR R54275 APPL)

(A) TWO SELECTIVE CONTROL VALVES
 POUR DEUX DISTRIBUTEURS AUXILIAIRES DE COMMANDE
 FUER 2 ZUSATZSTEUERGERAETE
 PER 2 DISTRIBUTORI AUSILIARI
 PARA DOS DISP DE MANDO AUXILIARES
 FOR TVA FJARRMANOVERVENTILER

6B3

SELECTIVE CONTROL VALVES - POPPET TYPE, FRONT HITCH

SELECTIVE CONTROL VALVE LINKAGE (POPPET TYPE) SG2 CAB
DISTRIBUTEUR AUXILIAIRE/TRINGLERIE (A SOUP) CABINE SG2
ZUSATZSTEUERGERAET/GESTAENGE (VENTILAUFSF.) SG2 KABINE
TIRANTERIA VALVOLA COMANDO SELETT. A FUNGO CABINA SG2
VARILLAJE DEL DISP. MANDO AUXIL. CON VALVULA, CABINA SG2
MANOVERLANKAGE FOR FJARRVENTIL. (TALLRIKSTYP) SG2 HYTT
L123828 -UN-18JUL95



L 123828

6B4

SELECTIVE CONTROL VALVES - POPPET TYPE, FRONT HITCH

KEY	PART NO.	PART NAME	QTY	SERIAL NO.	REMARKS
					2
					1 2 0
					6 0 4
					4 4 0
					0 0 S
1	L56932	GRIP	1	X X X	(SUB FOR R52690)
2	L56933	GRIP	1	X X X	(A) (SUB FOR R52691)
3	R56479	STOP	AR	X X X	
4	L61319	STOP	1	X X X	(SUB FOR L38849)
5	L38168	PIN	1	X X X	
6	34M7029	SPRING PIN	2	X X X	4X30MM
7	24M7055	WASHER	AR	X X X	8.4X17X1.6MM
8	12M7056	LOCK WASHER	AR	X X X	
9	19H1900	CAP SCREW	AR	X X X	5/16"X3/4"
10	L38223	LEVER	1	X X X	(A)
11	40M7039	SNAP RING	AR	X X X	(SUB FOR F2863R)
12	AL38250	SHAFT	1	X X X	(A)
13	R42093	GROMMET	AR	X X X	
14	R50012	LEVER	AR	X X X	
15	L61307	SPRING PIN	AR	X X X	(SUB FOR 34H313 APPL)
16	45M7065	SPRING LOCKING PIN	AR	X X X	8X32MM
17	54M4420	YOKE	AR	X X X	8X32MM
18	14M7151	NUT	AR	X X X	M8
19	AL36465	ROD	1	X X X	(A) (ORD L38556, 56M7003, 56M7004, 14M7151)
20	AL35965	LEVER	1	X X X	(A)
21	19H1895	CAP SCREW	1	X X X	(A) 1/2"X3/4"
22	24H1625	WASHER	1	X X X	(A) 17/32"X1"X.120"
23	14M7327	LOCK NUT	1	X X X	(A) M8
24	55M7011	BALL STUD	1	X X X	(A)
25	AR100517	ARM	1	X X X	
26	AL36463	ROD	1	X X X	(ORD L38555, 56M7003, 56M7004, 14M7151)
27	AL38249	SHAFT	1	X X X	
28	L38222	LEVER	1	X X X	
29	L42073	SIGN	1	X X X	
30	L42072	SIGN	1	X X X	
31	L55026	SIGN	1	X X X	(SUB FOR L40539)
32	L42074	SIGN	1	X X X	
33	L55028	SIGN	1	X X X	(SUB FOR L40541)
34	56M7003	BALL JOINT SOCKET	AR	X X X	(ORD W/ 56M7004)
35	56M7004	BALL JOINT SOCKET	AR	X X X	
36	L38556	LEVER	1	X X X	(A)
37	L38555	LEVER	1	X X X	

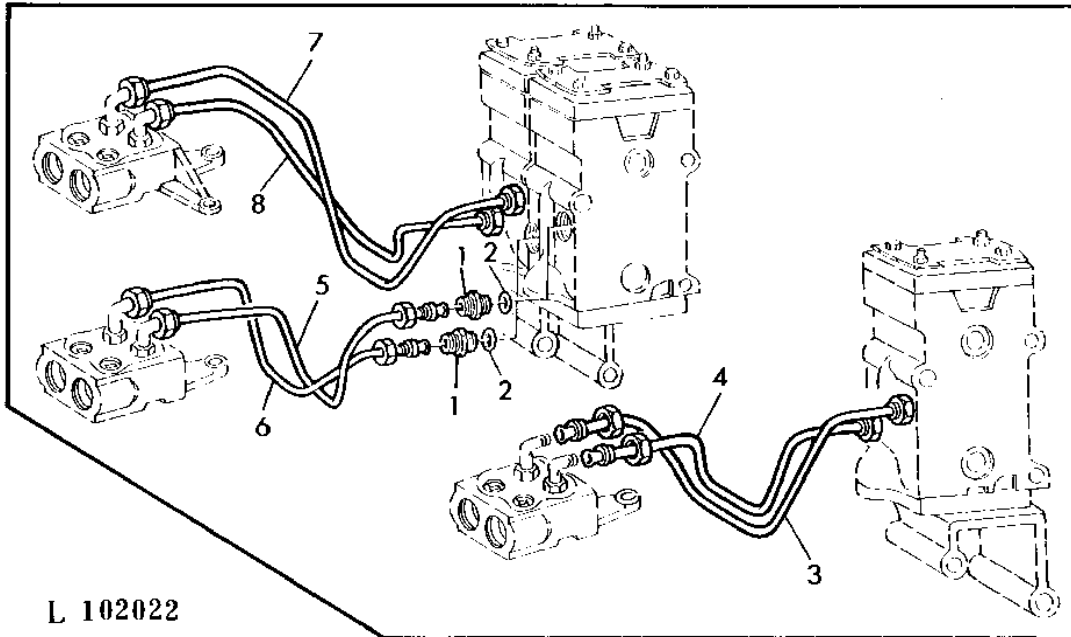
(A) TWO SELECTIVE CONTROL VALVES
 POUR DEUX DISTRIBUTEURS AUXILIAIRES
 FUER 2 ZUSATZSTEUERGERAETE
 PER 2 DISTRIBUTORI AUSILIARI
 PARA DOS DISP DE MANDO AUXILIARES
 FOR TVA FJARRMANOVERVENTILER

6B5

SELECTIVE CONTROL VALVES - POPPET TYPE, FRONT HITCH

OIL LINES FOR JOHN DEERE BREAKAWAY COUPLERS
 CONDUITES POUR RACCORDS DE SECURITE JOHN DEERE
 OELLEITUNGEN FUER JOHN DEERE ABREISSKUPPLUNG
 LINEE OLIO PER GIUNTI DI SCOLLEGAMENTO JOHN DEERE
 TUBERIAS PARA ACOPL. RAPIDOS DE SEGURIDAD JOHN DEERE
 OLJELEDNINGAR FOR JOHN DEERE-SNABBKOPPLINGAR

L102022 -UN-17JUL95



L 102022

2
1 2 0
6 0 4
4 4 0
0 0 S

KEY	PART NO.	PART NAME	QTY	SERIAL NO.	REMARKS
-----	----------	-----------	-----	------------	---------

1	R27237	FITTING	AR	X X X	
2	R26375	O-RING	AR	X X X	
3	AL30042	OIL LINE	1	X X X	UP
4	AL30043	OIL LINE	1	X X X	LOW
5	AL30038	OIL LINE	1	X X X	(A) UP
6	AL30039	OIL LINE	1	X X X	(A) LOW
7	AL30040	OIL LINE	1	X X X	(A) UP
8	AL30041	OIL LINE	1	X X X	(A) LOW

(A) TWO SELECTIVE CONTROL VALVES
 POUR DEUX DISTRIBUTEURS AUXILIAIRES
 FUER 2 ZUSATZSTEUERGERAETE
 PER 2 DISTRIBUTORI AUSILIARI
 PARA DOS DISP DE MANDO AUXILIARES
 FOR TVA FJARRMANOVERVENTILER

SELECTIVE CONTROL VALVES - POPPET TYPE, FRONT HITCH

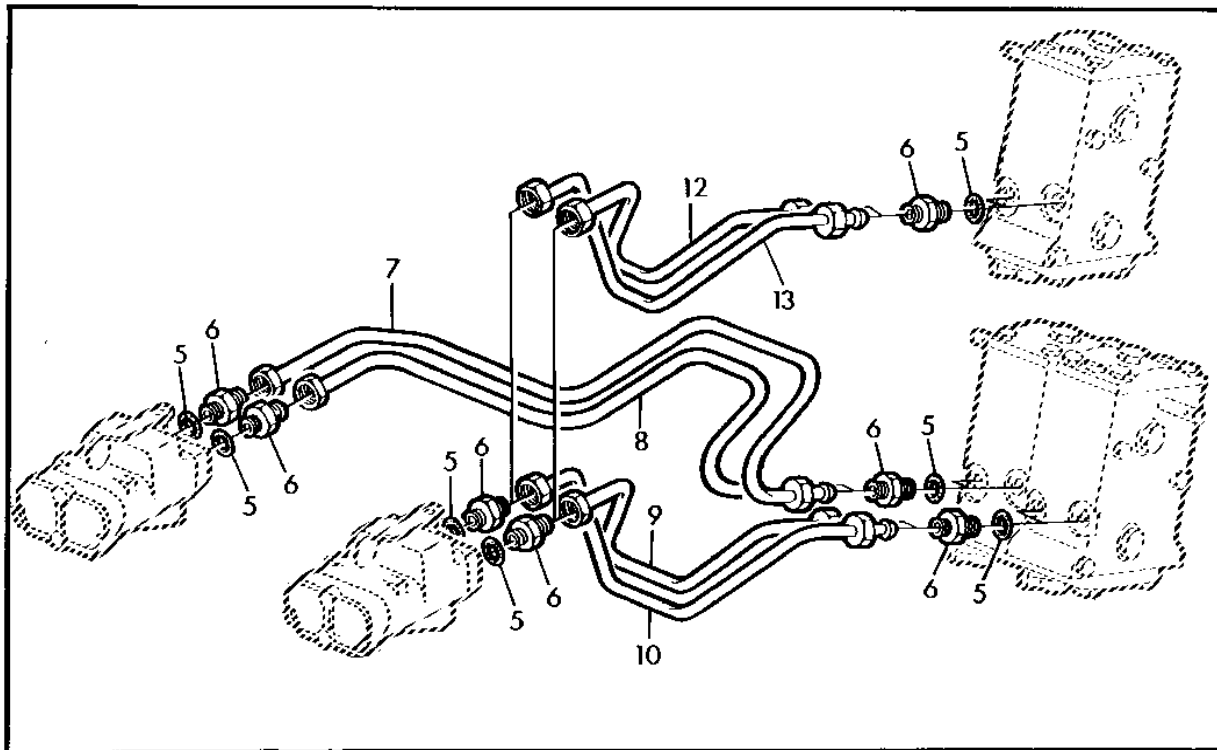
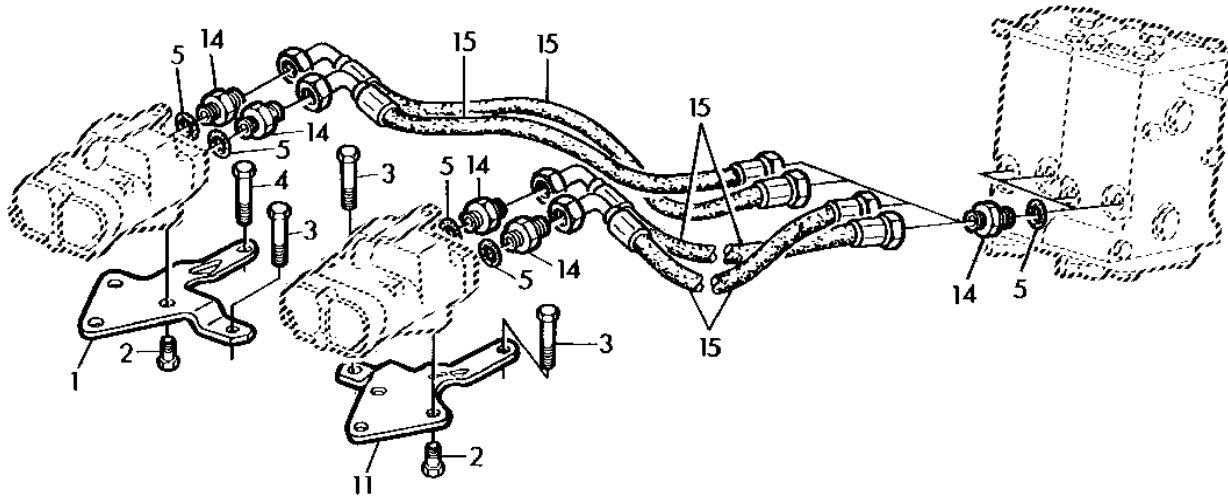
MEMORANDA
MEMORANDA
MEMORANDA
MEMORANDA
MEMORANDA

6B6

SELECTIVE CONTROL VALVES - POPPET TYPE, FRONT HITCH

OIL LINES FOR ISO BREAKAWAY COUPLERS
CONDUITES POUR RACCORDS DE SECURITE ISO
OELLEITUNGEN FUER ISO-ABREISSKUPPLUNGEN
LINEE OLIO PER GIUNTI DI SCOLLEGAMENTO ISO
TUBERIAS PARA ACOPL.RAPIDOS DE SEGURIDAD ISO
OLJELEDNINGAR FOR ISO-SNABBKOPPLINGAR

LX010454 -UN-27APR95



LX010454

6B7

SELECTIVE CONTROL VALVES - POPPET TYPE, FRONT HITCH

KEY	PART NO.	PART NAME	QTY	SERIAL NO.	REMARKS
					2
					1 2 0
					6 0 4
					4 4 0
					0 0 S
1	L57413	BRACKET	1		X X X LH
2	19H2021	CAP SCREW	AR		X X X 3/8"X5/8"
3	19H1831	CAP SCREW	AR		X X X 1/2"X2"
4	19H1974	CAP SCREW	1		X X X 1/2"X2-3/4"
5	R26375	O-RING	AR		X X X
6	R27237	FITTING	AR		X X X
7	AL36446	OIL LINE	1		X X X (A) (ORD AL66753, (2) L38679)
8	AL36447	OIL LINE	1		X X X (A) (ORD AL66753, (2) L38679)
9	AL36445	OIL LINE	1		X X X (A) (ORD AL66753, (2) L38679)
10	AL36444	OIL LINE	1		X X X (A) (ORD AL66753, (2) L38679)
11	L57412	BRACKET	1		X X X RH
12	AL36443	OIL LINE	1		X X X (A) (ORD AL66753, (2) L38679)
13	AL36442	OIL LINE	1		X X X (A) (ORD AL66753, (2) L38679)
14	L38679	FITTING	AR		X X X
15	AL66753	HYDRAULIC HOSE	AR		X X X

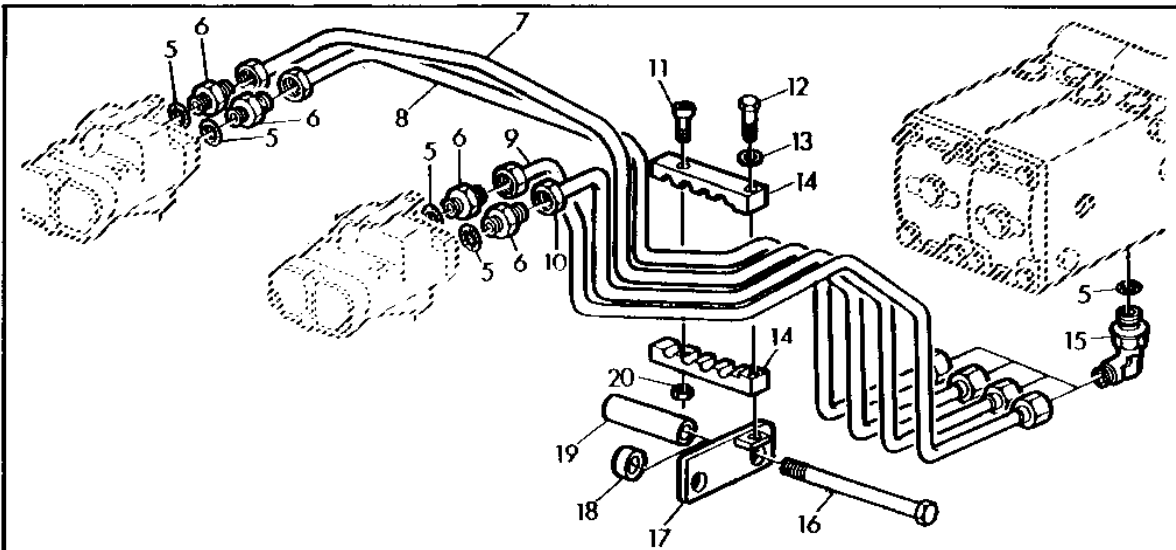
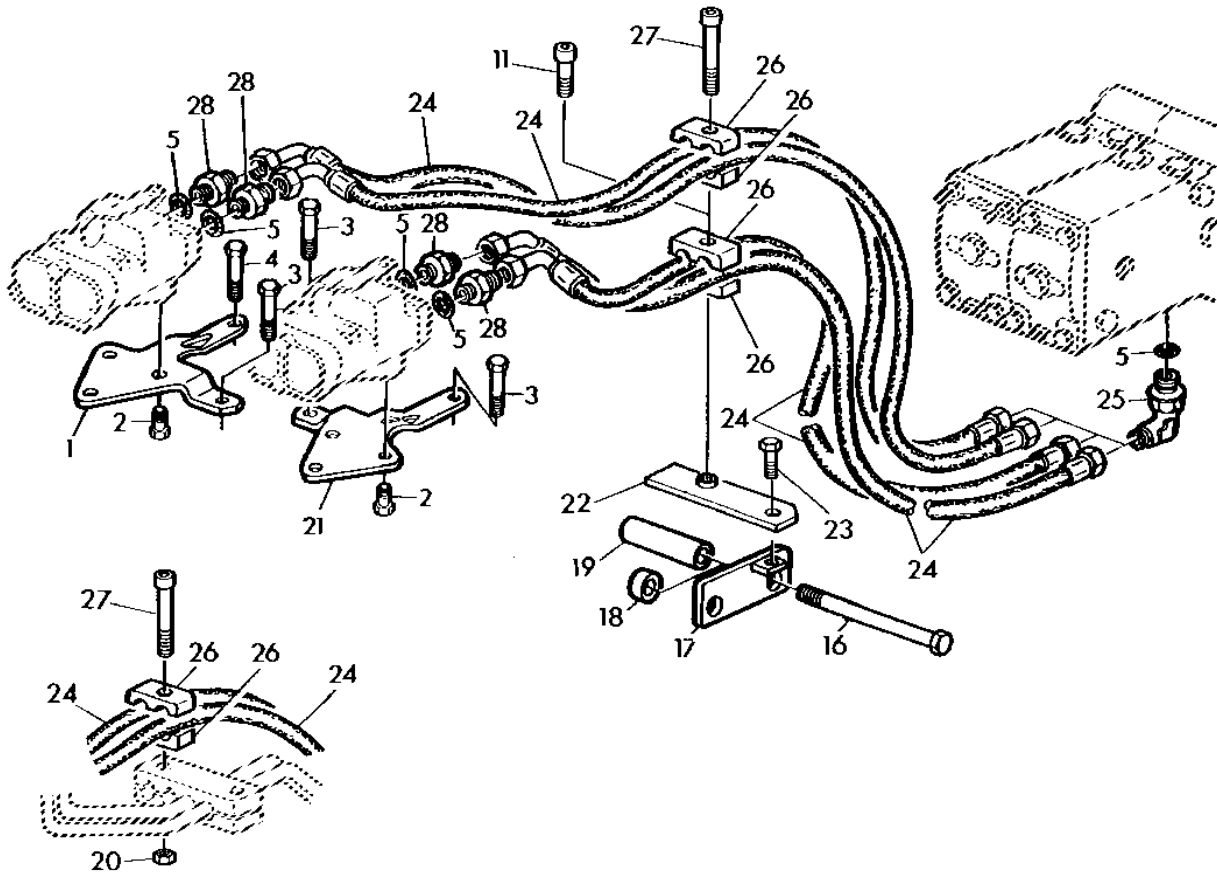
(A) REPLACE TUBES WITH HOSES ONLY IN PAIRS
 LE REMPLACEMENT DES TUYAUX PAR DES FLEXIBLES DOIT ETRE FAIT PAR PAIRES
 ROHRLEITUNGEN NUR PAARWEISE GEGEN SCHLAUCHLEITUNGEN AUSWECHSELN
 SOSTITUIRE I TUBI RIGIDI CON FLESSIBILI SOLO IN COPPIE
 CAMBIAR TUBOS POR MANGUERAS SOLO POR PAREJAS
 ERSATTAS RORLEDNINGAR MOT SLANGAR ENDAST PARVIS

6B8

SELECTIVE CONTROL VALVES - POPPET TYPE, FRONT HITCH

OIL LINES FOR ISO BREAKAWAY COUPLERS (S.C.V. CONTROL POPPET TYPE WITH SG2 CAB)
 CONDUITES POUR RACCORDS DE SECURITE ISO (DISTR. AUX. A SOUPE AVEC SG2 CABINE)
 OELLEITUNGEN FUER ISO-ABREISSKUPPLUNGEN (ZUSATZSTEUERGER. VENTILAUSF. BEI SG2 KABINE)
 LINEE OLIO PER GIUNTI DI SCOLLEGAMENTO ISO (DISTRIBUTORI TIPO A FUNGO CON CABINA SG2)
 TUBERIAS PARA ACOPL.RAPIDOS DE SEGURIDAD ISO (DISP.MANDO AUX.CON VALVULA CON CABINA SG2)
 OLJELEDNINGAR FOR ISO-SNABBKOPPLINGAR (FJARREGLAGE TALLRIKSTYP VID SG2 HYTT)

LX010490 -UN-03MAY95



LX010490

6B9

SELECTIVE CONTROL VALVES - POPPET TYPE, FRONT HITCH

KEY	PART NO.	PART NAME	QTY	SERIAL NO.	REMARKS
					2
					1 2 0
					6 0 4
					4 4 0
					0 0 S
1	L57413	BRACKET	1	X X X	LH
2	19H2021	CAP SCREW	6	X X X	3/8"X5/8"
3	19H1831	CAP SCREW	3	X X X	1/2"X2"
4	19H1974	CAP SCREW	1	X X X	1/2"X2-3/4"
5	R26375	O-RING	8	X X X	
6	R27237	FITTING	4	X X X	
7	AL35291	OIL LINE	1	X X X	(A) (B) (ORD AL66753, L38679, AL36972)
8	AL35292	OIL LINE	1	X X X	(A) (B) (ORD AL66753, L38679, AL36972)
9	AL35293	OIL LINE	1	X X X	(A) (B) (ORD AL66753, L38679, AL36972)
10	AL35294	OIL LINE	1	X X X	(A) (B) (ORD AL66753, L38679, AL36972)
11	19M7603	SCREW	1	X X X	M6X20
12	19M7169	CAP SCREW	1	X X X	M10X35
13	24M7028	WASHER	1	X X X	10.500X21X2MM
14	L37519	CLAMP	2	X X X	
15	AR26763	ELBOW FITTING	4	X X X	
16	08H4268	CAP SCREW	2	X X X	1/2"X7"
17	AL35919	HOLDER	1	X X X	
18	L33629	SPACER	2	X X X	(C)
19	L31128	SPACER	2	X X	
20	14M7272	NUT	1	X X X	M6
21	L57412	BRACKET	1	X X X	RH
22	AL56485	STRAP	2	X X X	
23	19M7166	CAP SCREW	1	X X X	M10X20
24	AL66753	HYDRAULIC HOSE	AR	X X X	
25	AL36972	ELBOW FITTING	AR	X X X	
26	L39905	CLAMP	AR	X X X	
27	19M8265	SCREW	1	X X X	M6X50
28	L38679	FITTING	AR	X X X	

(A) REPLACE TUBES WITH HOSES ONLY IN PAIRS
 LE REMPLACEMENT DES TUYAUX PAR DES FLEXIBLES DOIT ETRE FAIT PAR PAIRES
 ROHRLEITUNGEN NUR PAARWEISE GEGEN SCHLAUCHLEITUNGEN AUSWECHSELN
 SOSTITUIRE I TUBI RIGIDI CON FLESSIBILI SOLO IN COPPIE
 CAMBIAR TUBOS POR MANGUERAS SOLO POR PAREJAS
 ERSATTAS RORLEDNINGAR MOT SLANGAR ENDAST PARVIS

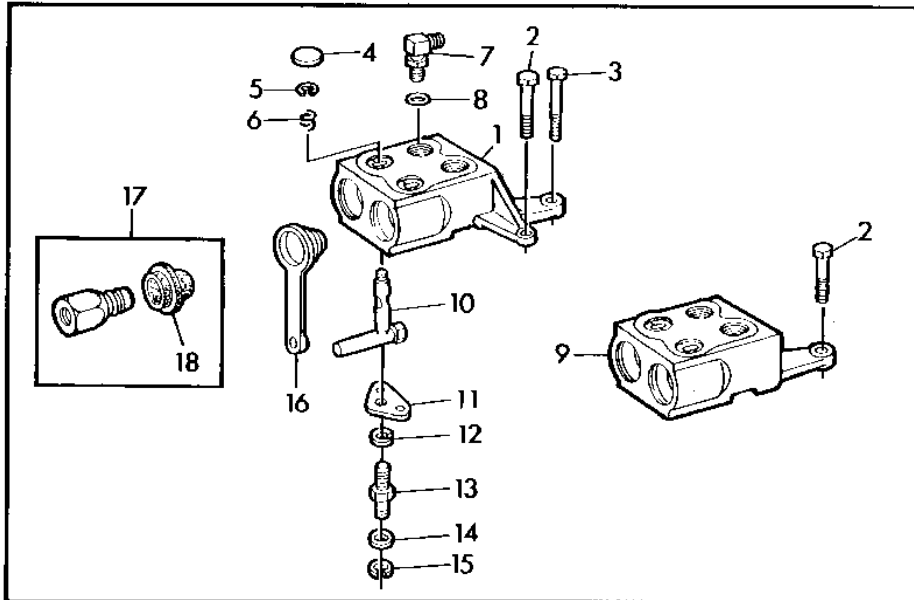
(B) ORDER HOSE ATTACHING PARTS AS REQUIRED
 COMMANDER LES ELEMENTS DE FIXATION DES FLEXIBLES SELON BESOIN
 SCHLAUCHBEFESTIGUNGSTEILE NACH BEDARF MITBESTELLEN
 ORDINARE FASCETTE SERRATUBO, SE OCCORRE
 PEDIR PIEZAS DE FIJACION DE MANGUERA SEGUN SEA NECESARIO
 BESTALLAS SLANGKLAMMOR EFTER BEHOV

(C) WITH HEAVY-DUTY FINAL DRIVE
 AVEC COMMANDE FINALE RENFORCEE
 MIT VERSTAERKTEM ENDANTRIEB
 CON RIDUZIONE FINALE RINFORZATA
 CON REDUCCION FINAL REFORZADA
 VID FORSTARKT SLUTDREV

6B10

SELECTIVE CONTROL VALVES - POPPET TYPE, FRONT HITCH

JOHN DEERE-BREAKAWAY COUPLER
 JOHN DEERE-COUPLEUR DE SECURITE
 JOHN DEERE-ABREISSKUPPLUNG
 JOHN DEERE-GIUNTO RAPIDO
 JOHN DEERE-ACOPLAMIENTO GIRATORIO DE DOBLE BOLA
 JOHN DEERE-SNABBKOPPLINGAR
 L101471 -UN-17JUL95



L 101471

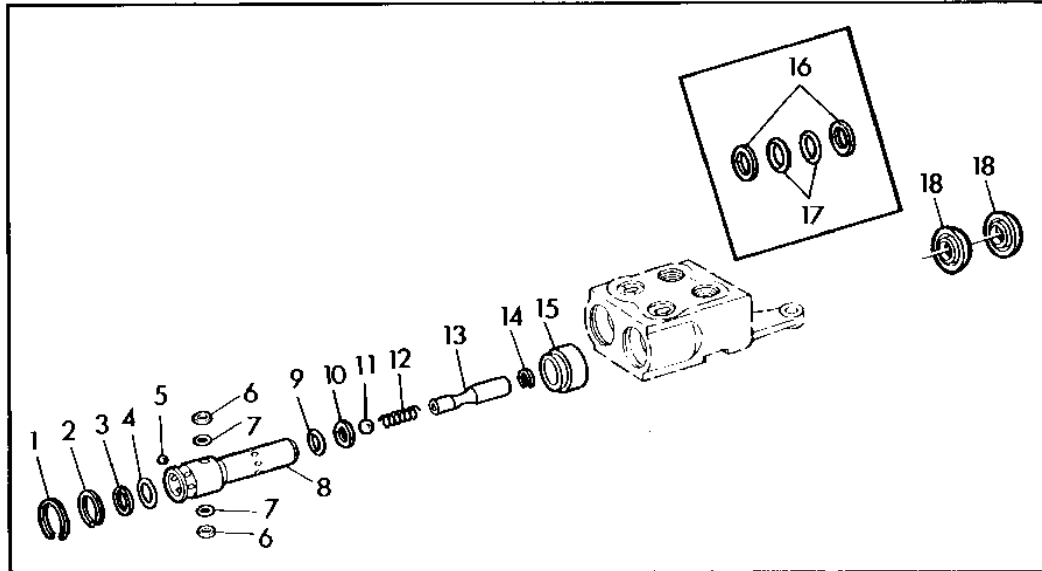
2
1 2 0
6 0 4
4 4 0
0 0 S

KEY	PART NO.	PART NAME	QTY	SERIAL NO.	REMARKS
1	AR52622	COUPLING	1	X X X	LH
2	19H1831	CAP SCREW	AR	X X X	1/2"X2"
3	19H1974	CAP SCREW	1	X X X	1/2"X2-3/4"
4	30H15	PLUG	AR	X X X	1-1/8"
5	R72653	SNAP RING	AR	X X X	(SUB FOR M2396T)
6	R31890	SPRING	AR	X X X	
7	AR26763	ELBOW FITTING	AR	X X X	
8	R26375	O-RING	AR	X X X	
9	AR52621	COUPLING	1	X X X	RH
10	AR99100	LEVER	AR	X X X	(SUB FOR AR33877)
11	AR75958	CAM	AR	X X X	
12	12M7056	LOCK WASHER	AR	X X X	
13	R49191	SCREW	AR	X X X	
14	24H1286	WASHER	AR	X X X	9/32"X1/2"X.060"
15	R27507	SNAP RING	AR	X X X	
16	R80324	COVER	AR	X X X	(SUB FOR R32419)
17	AL27019	INTERNAL HALF COUPLER	AR	X X X	
18	R28006	CAP	AR	X X X	

6B11

SELECTIVE CONTROL VALVES - POPPET TYPE, FRONT HITCH

JOHN DEERE-BREAKAWAY COUPLER
 JOHN DEERE-COUPLEUR DE SECURITE
 JOHN DEERE-ABREISSKUPPLUNG
 JOHN DEERE-GIUNTO RAPIDO
 JOHN DEERE-ACOPLAMIENTO GIRATORIO DE DOBLE BOLA
 JOHN DEERE-SNABBKOPPLINGAR
 L101469 -UN-17JUL95



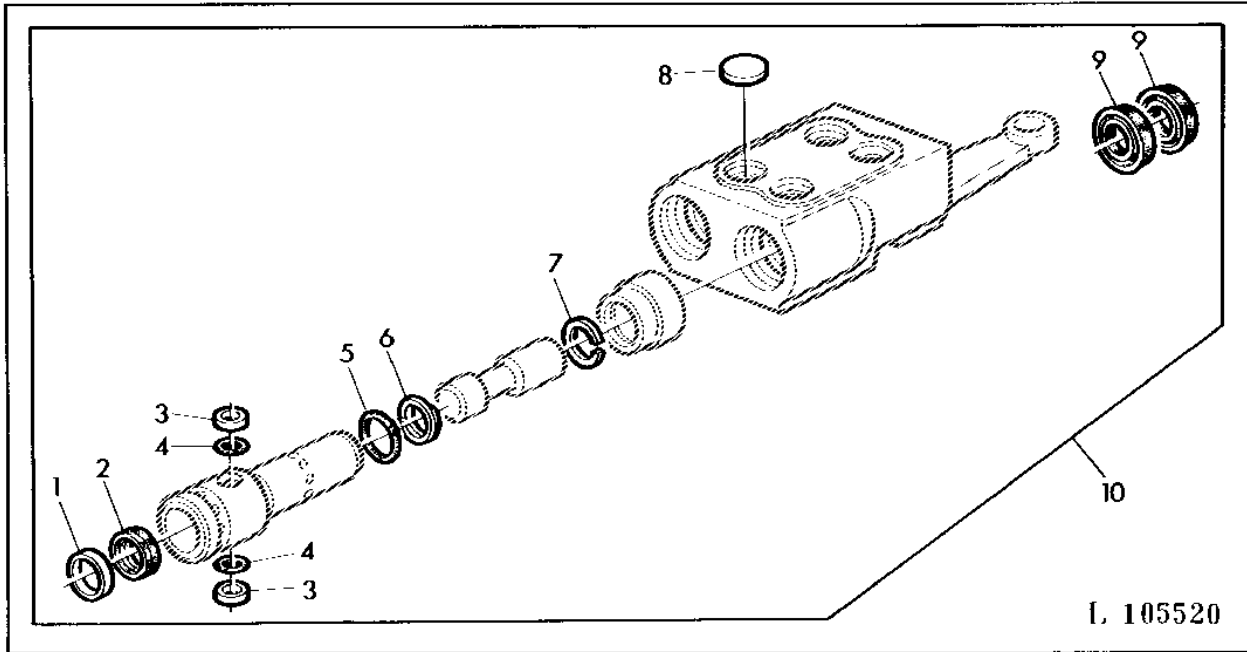
I. 101469

KEY	PART NO.	PART NAME	QTY	SERIAL NO.	REMARKS
				2	
				1 2 0	
				6 0 4	
				4 4 0	
				0 0 S	
1	R34399	SNAP RING	AR	X X X	
2	R32356	SNAP RING	AR	X X X	
3	R26485	BACK-UP RING	AR	X X X	
4	R59343	RING	AR	X X X	(SUB FOR R495R APPL)
5	R69281	BALL	AR	X X X	(SUB FOR 400R)
6	R26484	BACK-UP RING	AR	X X X	
7	A3917R	O-RING	AR	X X X	(SUB FOR R65286)
8	R34397	SOCKET OUTLET	AR	X X X	
9	R375R	O-RING	AR	X X X	
10	R26482	RING	AR	X X X	
11	D2361R	BALL	AR	X X X	
12	R28084	SPRING	AR	X X X	
13	R34400	PLUG	AR	X X X	
14	R26483	SNAP RING	AR	X X X	
15	R34398	SLEEVE	AR	X X X	
16	R26480	BACK-UP RING	AR	X X X	(ORD R79311)
17	A4730R	O-RING	AR	X X X	(ORD R79311)
18	R79311	SEAL	AR	X X X	(SUB FOR R74530)

6B12

SELECTIVE CONTROL VALVES - POPPET TYPE, FRONT HITCH

SEAL KIT FOR JOHN DEERE BREAKAWAY COUPLERS
 JEU DE JOINTS POUR RACCORD DE SECURITE JOHN DEERE
 DICHTUNGSATZ FUER JOHN DEERE-ABREISSKUPPLUNG
 CORREDO GUARNIZIONI PER GUINTI SCOLLEG. JOHN DEERE
 JUEGO DE JUNTAS PARA ACOPL. RAPIDOS DE SEGUR. JOHN DEERE
 TATNINGSSATS FOR JOHN DEERE SNABBKOPPL. MED RYCKUTLOSNING
 L105520 -UN-17JUL95



KEY	PART NO.	PART NAME	QTY	SERIAL NO.	REMARKS
				2	
				1 2 0	
				6 0 4	
				4 4 0	
				0 0 S	
1	R26485	BACK-UP RING	2	X X X	
2	R59343	RING	2	X X X	
3	R26484	BACK-UP RING	4	X X X	
4	A3917R	O-RING	4	X X X	(SUB FOR R65286)
5	R375R	O-RING	2	X X X	
6	R26482	RING	2	X X X	
7	R26483	SNAP RING	2	X X X	
8	30H15	PLUG	2	X X X	1-1/8"
9	R79311	SEAL	4	X X X	(SUB FOR R74530)
10	AR82570	KIT	1	X X X	KIT

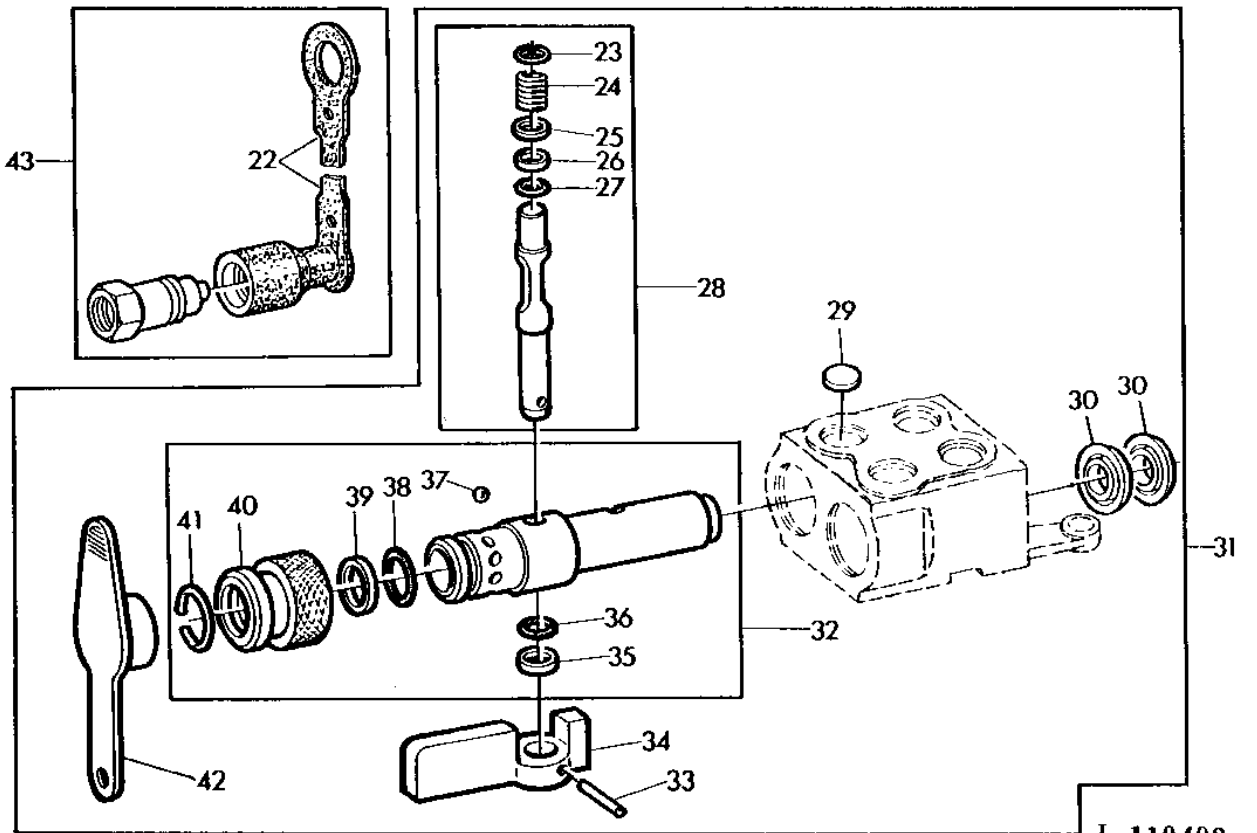
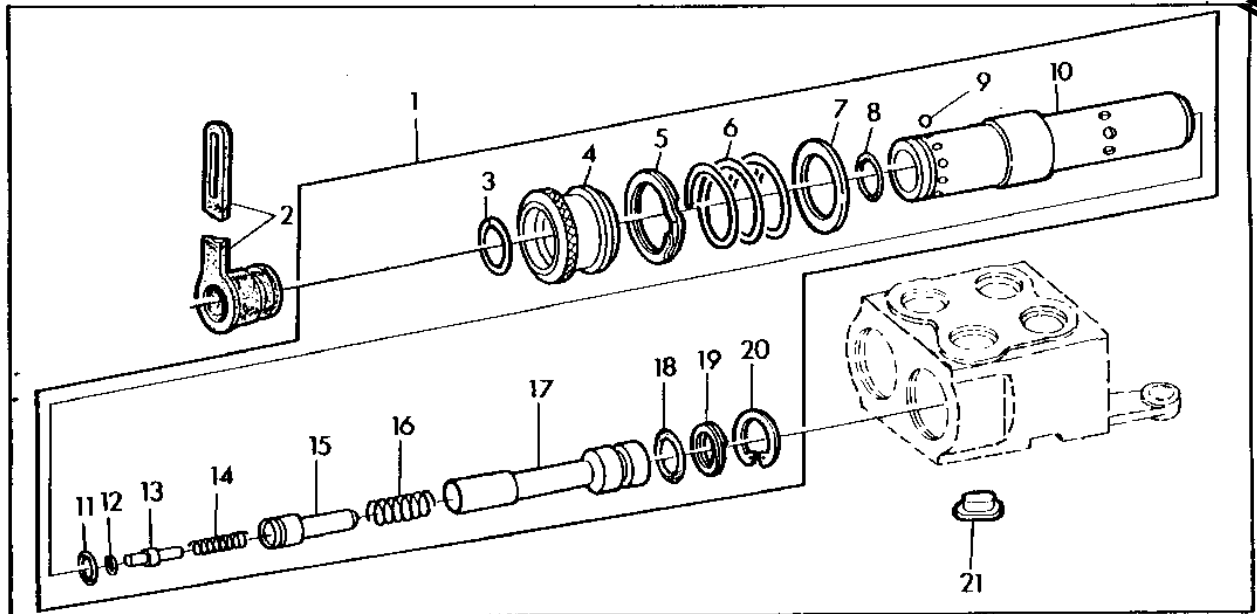
SELECTIVE CONTROL VALVES - POPPET TYPE, FRONT HITCH

MEMORANDA
MEMORANDA
MEMORANDA
MEMORANDA
MEMORANDA

6B13

SELECTIVE CONTROL VALVES - POPPET TYPE, FRONT HITCH

CONVERSION PARTS FROM JD TO ISO BREAKAWAY COUPLER
 PIECES DE CONVERSION COUPLEUR DE SECURITE JD EN ISO
 TEILE FUER UMBAU VON JD-AUF ISO-ABREISSKUPPLUNG
 PARTI PER CONVERTIRE GIUNTI RAPIDI JD IN GIUNTI ISO
 PIEZAS DEL-ACOPL. RAPIDO DE SEGUR. PARA CAMBIAR DE JD A ISO
 DELAR FOR OMBYGGNAD AV JD SNABBKOPPLINGAR TILL ISO
 L110402 -UN-11JUL95



L 110402

6B14

SELECTIVE CONTROL VALVES - POPPET TYPE, FRONT HITCH

KEY	PART NO.	PART NAME	QTY	SERIAL NO.	REMARKS
					2
					1 2 0
					6 0 4
					4 4 0
					0 0 S
1	AR80892	BREAKAWAY COUPLER	2		X X X (A)
2	L62751	DUST SHIELD	AR		X X X (SUB FOR A15899)
3	R64617	SNAP RING	1		X X X (A)
4	R64618	SLEEVE	1		X X X (A)
5	R64615	SNAP RING	1		X X X (A)
6	R64609	SPRING	1		X X X (A)
7	R64608	WASHER	1		X X X (A)
8	R21722	O-RING	1		X X X (A)
9	H871R	BALL	8		X X X (A) 4.8MM (3/16")
10	R64605	EXTERNAL HALF COUPLER	1		X X X (A)
11	R64613	O-RING	1		X X X (A)
12	R64614	SNAP RING	1		X X X (A)
13	R64612	PIN	1		X X X (A)
14	R64611	SPRING	1		X X X (A)
15	R64610	POPPET	1		X X X (A)
16	R64607	SPRING	1		X X X (A)
17	R64606	GUIDE	1		X X X (A)
18	R375R	O-RING	1		X X X (A)
19	R26482	RING	1		X X X (A)
20	U15969	SNAP RING	1		X X X (A)
21	R64561	PLUG	AR		X X X
22	L31745	DUST SHIELD	AR		X X X
23	R54242	SNAP RING	1		X X X
24	R78767	SPRING	1		X X X
25	R48698	WASHER	1		X X X
26	R31136	BACK-UP RING	1		X X X
27	R10093	O-RING	1		X X X
28	RE13814	SHAFT	2		X X X
29	30H15	PLUG	2		X X X
30	R79311	SEAL	4		X X X (SUB FOR R74530)
31	RE12121	RECEIVER	1		X X X
32	RE13813	RECEPTACLE	2		X X X
33	34H247	SPRING PIN	2		X X X
34	R78769	HANDLE	2		X X X
35	R78766	BACK-UP RING	1		X X X
36	P51212	O-RING	1		X X X
37	H871R	BALL	8		X X X 4.8MM (3/16")
38	R74210	O-RING	1		X X X
39	R71387	WASHER	1		X X X
40	R78765	SLEEVE	1		X X X
41	40M4378	SNAP RING	1		X X X 30X2MM
42	R78768	COVER	2		X X X
43	AL26971	INTERNAL HALF COUPLER	AR		X X X

ORD RE12121, R49191, AR75958, 12H303, R34399

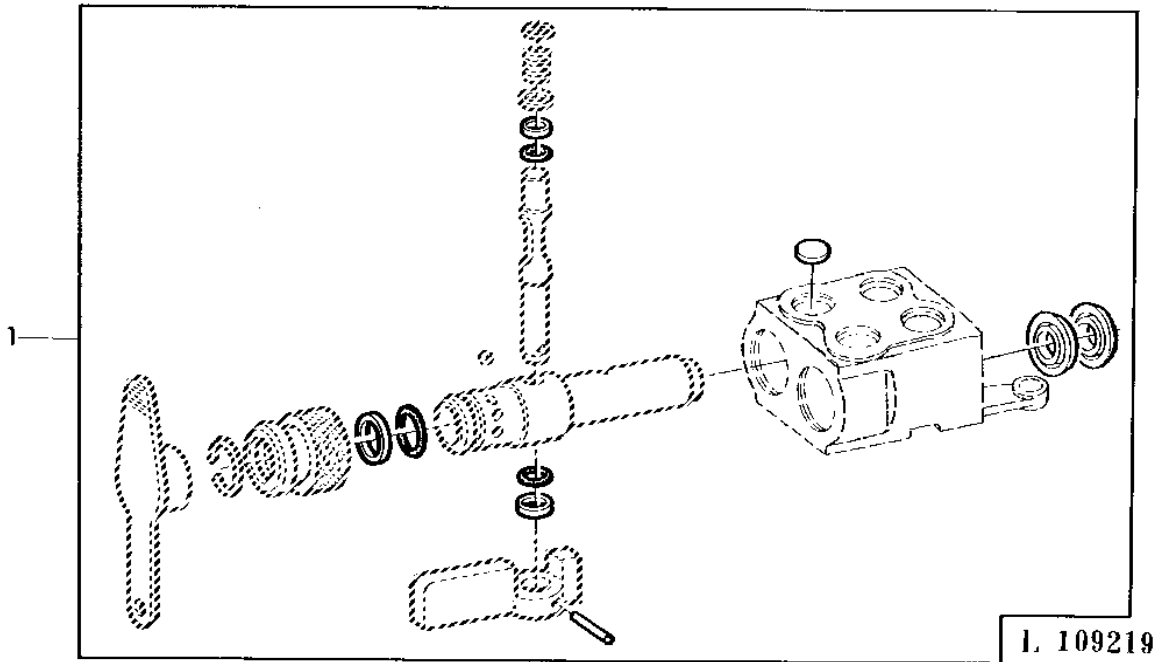
SELECTIVE CONTROL VALVES - POPPET TYPE, FRONT HITCH

MEMORANDA
MEMORANDA
MEMORANDA
MEMORANDA
MEMORANDA

6B15

SELECTIVE CONTROL VALVES - POPPET TYPE, FRONT HITCH

SEAL KIT FOR ISO BREAKAWAY COUPLERS
 JEU DE JOINTS POUR RACCORDS DE SECURITE ISO
 DICHTUNGSSATZ FUER ISO-ABREISSKUPPLUNG
 CORREDO GUARNIZIONI PER GIUNTI DI SCOLLEGAMENTO ISO
 JUEGO DE JUNTAS PARA ACOPL. RAPIDOS DE SEGURIDAD ISO
 TATNINGSSATS FOR ISO-SNABBKOPPLINGAR
 L109219 -UN-11JUL95



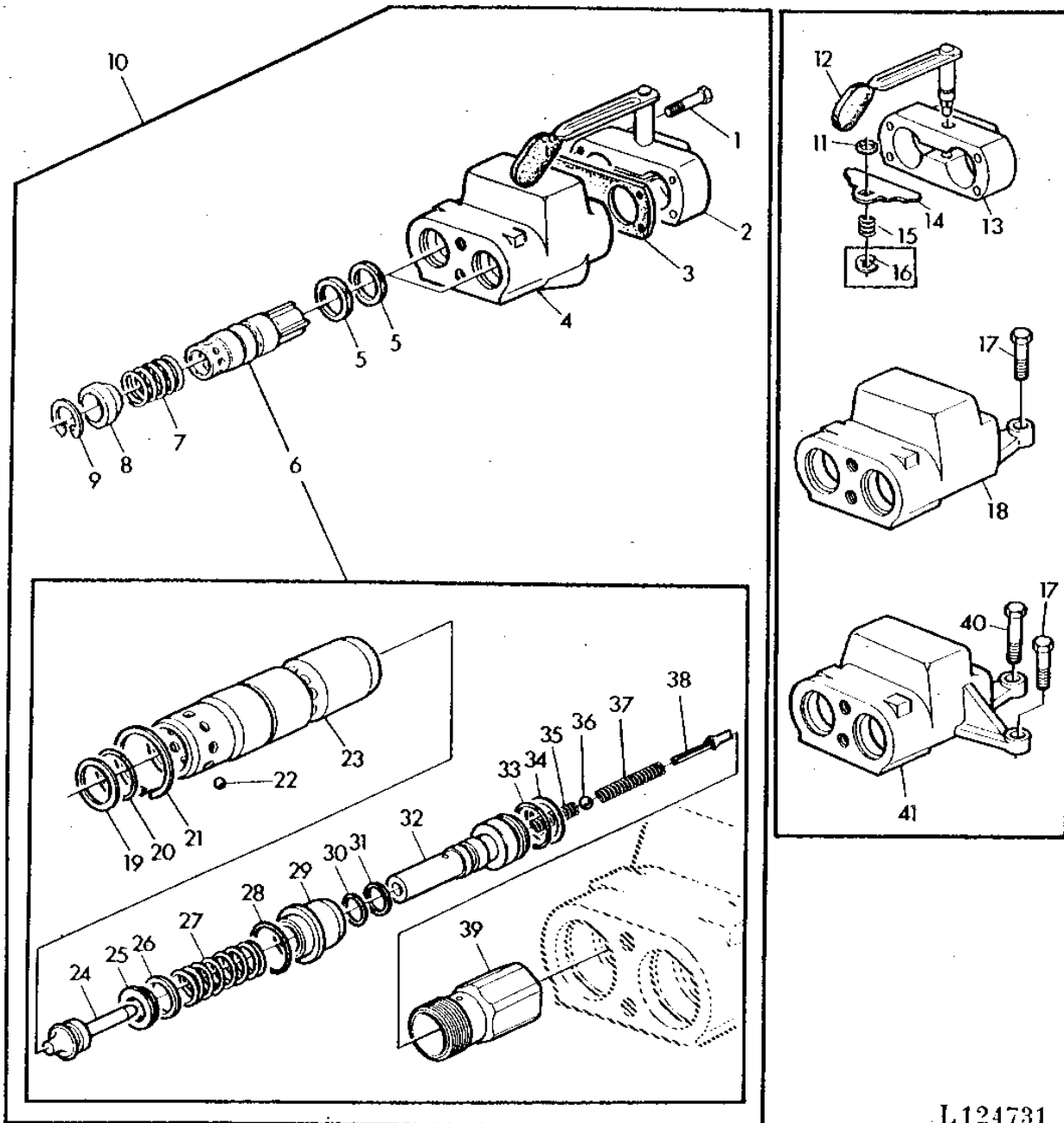
2
 1 2 0
 6 0 4
 4 4 0
 0 0 S

KEY	PART NO.	PART NAME	QTY	SERIAL NO.	REMARKS
1	RE13815	KIT	1	X X X	

6B16

SELECTIVE CONTROL VALVES - POPPET TYPE, FRONT HITCH

ISO-BREAKAWAY COUPLER
ISO-COUPLEUR DE SECURITE
ISO-ABREISSKUPPLUNG
ISO-GIUNTO RAPIDO
ISO-ACOPLAMIENTO GIRATORIO DE DOBLE BOLA
ISO-SNABBKOPPLINGAR
L124731 -UN-01JAN94



L124731

6B17

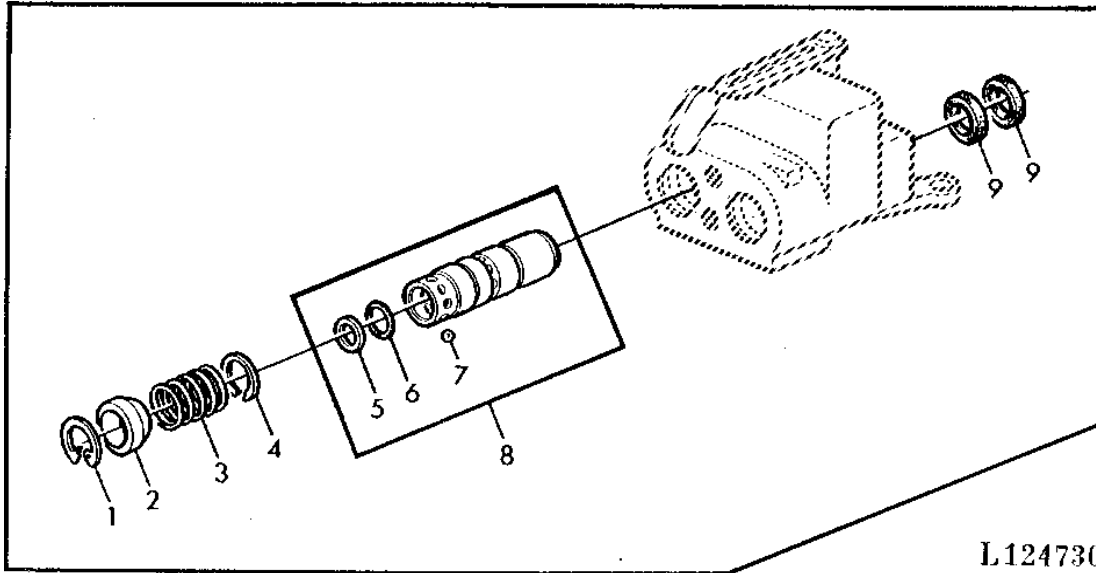
SELECTIVE CONTROL VALVES - POPPET TYPE, FRONT HITCH

KEY	PART NO.	PART NAME	QTY	SERIAL NO.	REMARKS
					2
					1 2 0
					6 0 4
					4 4 0
					0 0 S
1	19H1791	CAP SCREW	4		X X X 1/4"X1-1/4"
2	RE16756	COVER	1		X X X
3	R100333	GASKET	1		X X X (SUB FOR R71826)
4	R83079	HOUSING	1		X X X
5	R69891	SEAL	4		X X X
6	RE18834	RECEPTACLE	2	555185-	(ORD W/ (2) R69891) (SUB FOR RE14358, RE15585)
7	R70951	SPRING	2		X X X
8	R70745	SLEEVE	2		X X X
9	N107859	SNAP RING	2		X X X (SUB FOR R75132)
10	RE22586	BREAKAWAY COUPLER	AR		X X X
11	R78436	O-RING	AR		X X X
12	AR94477	LEVER	AR		X X X (ORD RE16756)
13	R74529	COVER	AR		X X X (ORD RE16756)
14	R71725	CAM	AR		X X X (ORD RE16756)
15	R39228	SPRING	AR		X X X
16	R72653	SNAP RING	AR		X X X (SUB FOR M2396T)
17	19H1831	CAP SCREW	AR		X X X 1/2"X2"
18	R73116	HOUSING	1		X X X (ORD R83079, L57412, (3) 19H2021)
19	R71387	WASHER	1		X X X
20	R74210	O-RING	1		X X X
21	R74241	SNAP RING	1		X X X
22	H871R	BALL	10		X X X
23	R81041	FITTING	1		X X X
24	R81043	POPPET	1		X X X
25	R70945	WASHER	1		X X X
26	R72919	LOCK WASHER	1		X X X
27	R71784	SPRING	1		X X X
28	R26906	O-RING	1		X X X
29	R81044	GUIDE	1		X X X
30	A3917R	O-RING	1		X X X (SUB FOR R65286)
31	R26484	BACK-UP RING	1		X X X
32	R81045	PISTON	1		X X X
33	R45925	BACK-UP RING	1		X X X
34	R27564	O-RING	1		X X X
35	R47606	SPRING	1		X X X
36	R79639	BALL	1		X X X
37	R65230	SPRING	1		X X X
38	R79038	BLEED VALVE	1		X X X
39	R81042	BREAKAWAY COUPLER	1		X X X
40	19H1974	CAP SCREW	1		X X X 1/2"X2-3/4"
41	R73117	HOUSING	1		X X X (ORD R83079, L57413, (3) 19H2021)

6B18

SELECTIVE CONTROL VALVES - POPPET TYPE, FRONT HITCH

COUPLER SOCKET FOR ISO BREAKAWAY COUPLER
 EMBASE POUR ATTACHE RAPIDE ISO
 KUPPLUNGSDOSE FUER ISO-ABREISSKUPPLUNG
 GRUPPO GIUNTO SCOLLEGAMENTO ISO
 BASE PARA ACOPLAMIENTO RAPIDO ISO
 KOPPLINGSENHET FOR ISO SNABBKOPPLING
 L124730 -UN-01JAN94



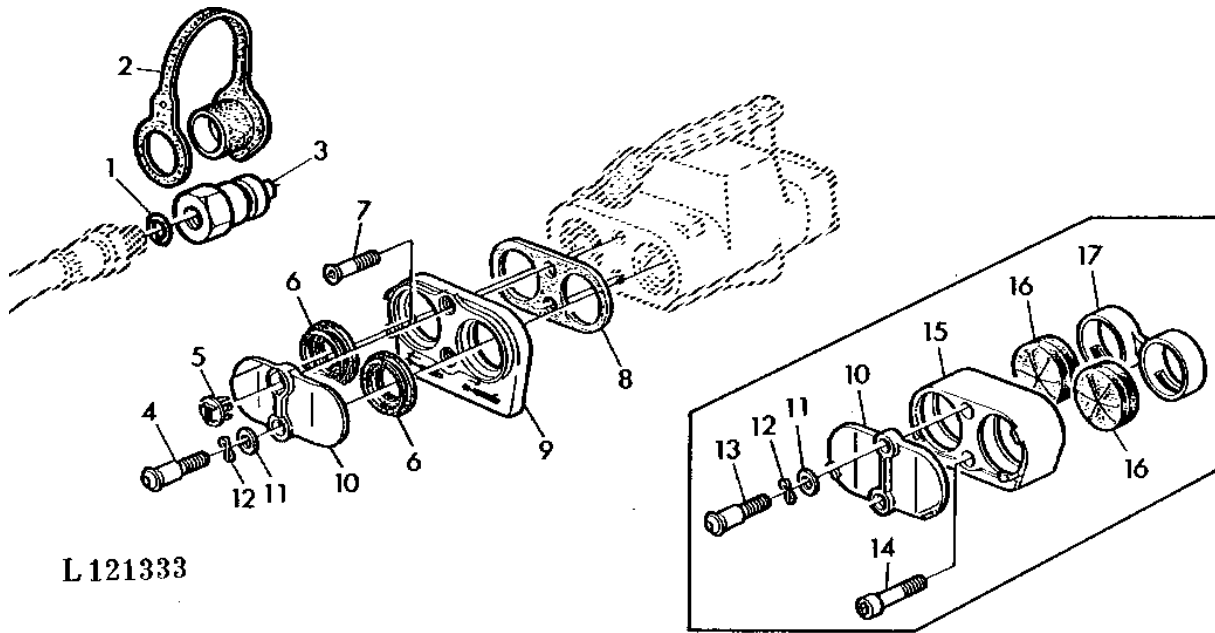
KEY	PART NO.	PART NAME	QTY	SERIAL NO.	REMARKS
					2 1 2 0 6 0 4 4 4 0 0 0 S
1	R75132	RING	2		X X X
2	R70745	SLEEVE	2		X X X
3	R70951	SPRING	2		X X X
4	R74241	SNAP RING	2		X X X
5	R71387	WASHER	2		X X X
6	R74210	O-RING	2		X X X
7	H871R	BALL	11		X X X
8	RE15585	RECEPTACLE	1	-555184	X X X (ORD RE18834, (2) R69891) (SUB FOR RE14358)
9	R69891	SEAL	2		X X X
10			1		

6B19

SELECTIVE CONTROL VALVES - POPPET TYPE, FRONT HITCH

DUST CAP FOR ISO BREAKAWAY COUPLERS
 CAPUCHON PARE-POUSSIÈRE POUR RACCORD DE SÉCURITÉ ISO
 STAUBKAPPE FÜR ISO-ABREISSKUPPLUNGEN
 CAPPuccio PROTEZ. PER ATTACCO RAPIDO ISO
 CAPERUZA GUARDAPOLVO PARA ENCHUFES DE SEGURIDAD ISO
 DAMMSKYDD FÖR ISO RYCKSAKRA SNABBKOPPLINGAR

L121333 -UN-01JAN94



L 121333

2
1 2 0
6 0 4
4 4 0
0 0 S

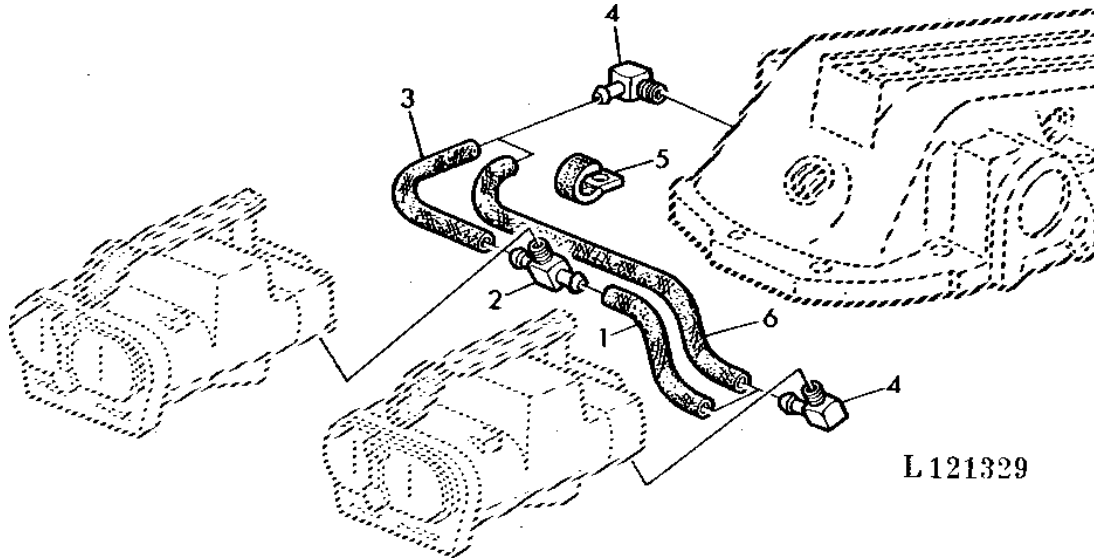
KEY	PART NO.	PART NAME	QTY	SERIAL NO.	REMARKS
1	R26375	O-RING	AR		X X X
2	L31745	DUST SHIELD	AR		X X X
3	AR94522	INTERNAL HALF COUPLER	AR		X X X (SUB FOR AL26973)
4	R81055	SCREW	AR	555185-	X X X
5	R74242	PLUG	1		X X X NO. I
	R74243	PLUG	1		X X X NO. II
6	R81053	SEAL	AR	555185-	X X X
7	21H1100	SCREW	AR	555185-	X X X 1/4"X1"
8	R100230	GASKET	AR		X X X (SUB FOR R72403)
9	R81054	RETAINER	AR	555185-	X X X
10	R75569	COVER	AR		X X X
11	24H1302	WASHER	AR		X X X 13/32"X11/16"X.036"
12	R76455	WASHER	AR		X X X
13	R75568	CAP SCREW	AR	-555184	X X X
14	19H2992	SCREW	AR	-555184	X X X 1/4"X1-1/4"
15	R77174	RETAINER	AR	-555184	X X X (ORD (2) R81053, R81054, R81055, 21H1100)
16	AR101594	SEAL	AR	-555184	X X X (ORD (2) R81053, R81054, R81055, 21H1100)
17	R77266	SPACER	AR	-555184	X X X (ORD (2) R81053, R81054, R81055, 21H1100)

6B20

SELECTIVE CONTROL VALVES - POPPET TYPE, FRONT HITCH

LEAK-OFF OIL LINE (FRONT) FOR ISO BREAKAWAY COUPLERS
 CONDUITE D'HUILE DE FUITE AVANT POUR RACCORDS DE SECURITE ISO
 LECKOELLEITUNG VORN FUER ISO-ABREISSKUPPLUNGEN
 CONDOITO DI TRAFILAMENTO PER ATTACCHI RAPIDI ISO
 TUBERIA DE ACEITE DE FUGA DELANT. PARA ENCHUFES DE SEGUR. ISO
 FRAMRE LACKOLJELEDNING FOR ISO RYCKSAKRA SNABBKOPPLING

L121329 -UN-01JAN94



L121329

KEY	PART NO.	PART NAME	QTY	SERIAL NO.	REMARKS
				2	
				1 2 0	
				6 0 4	
				4 4 0	
				0 0 S	
1	HOSE	1	X X X	LGTH= 255MM (MF UN4663)
2	H83254	TEE FITTING	1	X X X	
3	HOSE	1	X X X	LGTH= 115MM (MF UN4663)
4	M84497	ELBOW FITTING	2	X X X	(SUB FOR R71806)
5	L38800	CLAMP	1	X X X	(A)
6	HOSE	1	X X X	(A) LGTH= 390MM (MF UN4663)
..	UN4663	HOSE	1	X X X	LGTH= 5000MM

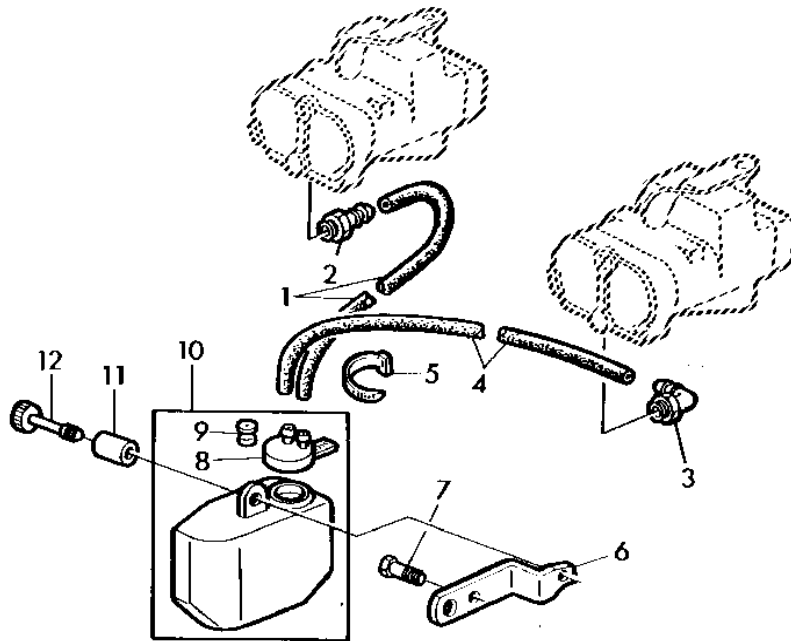
(A) WITH ONE BREAKAWAY COUPLER
 AVEC UN RACCORD DE SECURITE
 BEI EINER ABREISSKUPPLUNG
 CON UN ATTACCO RAPIDO
 CON UN ENCHUFE DE SEGURIDAD
 VID ETT SNABBKOPPLING

6B21

SELECTIVE CONTROL VALVES - POPPET TYPE, FRONT HITCH

LEAK-OFF RESERVOIR FOR ISO BREAKAWAY COUPLERS
 RESERVOIR HUILE DE FUITE POUR RACCORDS DE SECURITE ISO
 LECKOELBEHAELTER FUER ISO-ABREISSKUPPLUNGEN
 SCATOLA OLIO COLAGGIO PER GIUNTI DI SCOLLEGAMENTO ISO
 DEPOS. ACEITE DE FUGAS PARA ACOPL. RAPIDOS DE SEGURIDAD ISO
 RETUROLJEBEHALLARE FOR ISO-SNABBKOPPLINGAR

L117026 -UN-26MAY95



L 117026

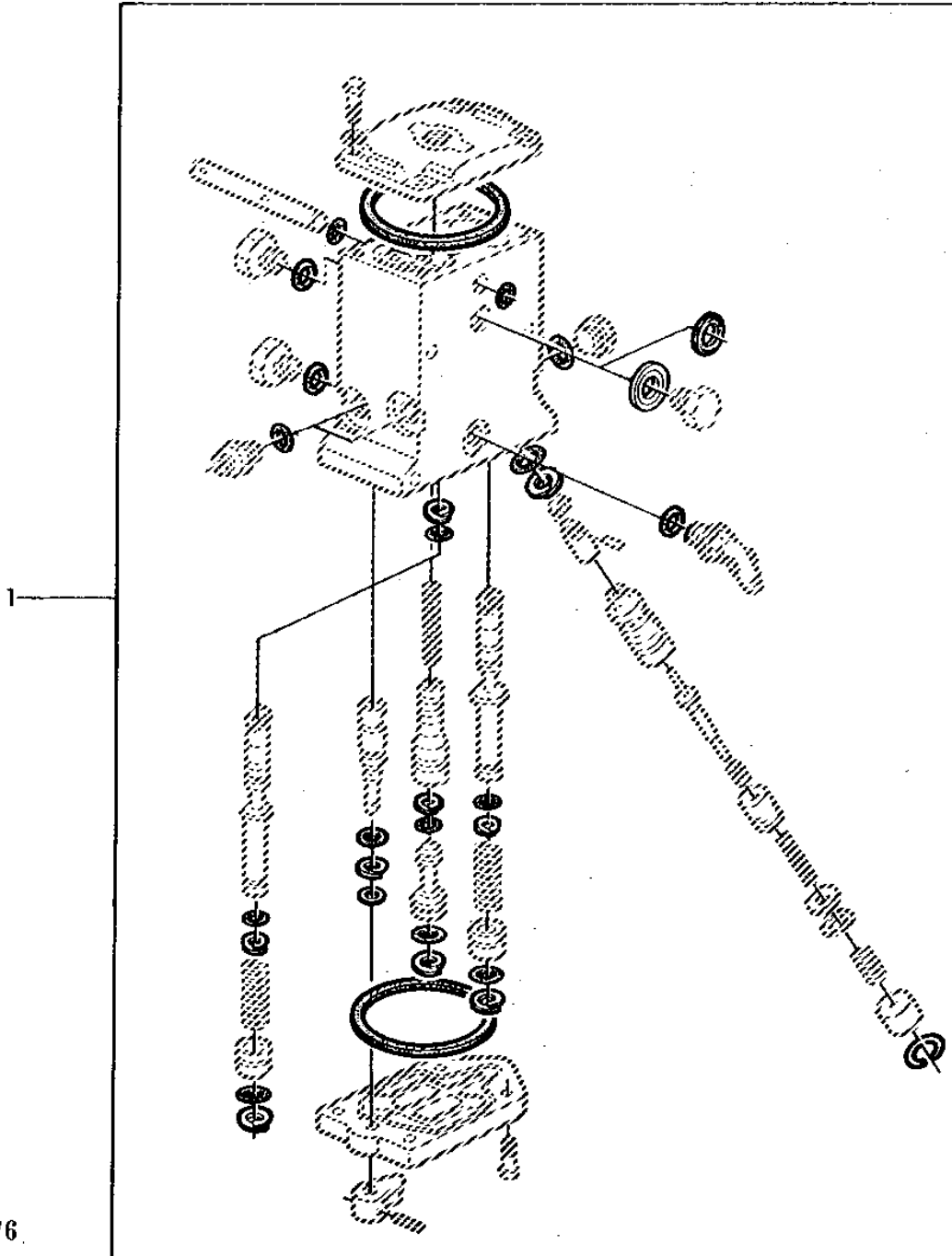
KEY	PART NO.	PART NAME	QTY	SERIAL NO.	REMARKS
				2	
				1 2 0	
				6 0 4	
				4 4 0	
				0 0 S	
1	L39835	HOSE	1	X X X	RH, LGTH= 400MM (MF UN4632)
2	L39830	CONNECTOR	1	X X X	
3	L39831	ELBOW FITTING	1	X X X	
4	L39834	HOSE	1	X X X	LH, LGTH= 520MM (MF UN4632)
5	R44302	TIE BAND	1	X X X	
6	L39618	BRACKET	1	X X X	
7	19H1732	CAP SCREW	1	X X X	3/8"X1-1/4"
8	L39952	CAP	1	X X X	
9	L39953	CAP	1	X X X	
10	AL37898	OIL CUP	1	X X X	
11	L39820	SPACER	1	X X X	
12	AR93864	KNOB	1	X X X	
..	UN4632	HOSE	1	X X X	LGTH= 10000MM

6B22

SELECTIVE CONTROL VALVES - POPPET TYPE, FRONT HITCH

SEALING KIT FOR (POPPET VALVE-TYPE) SELECTIVE CONTROL VALVES
JEU DE JOINTS POUR DISTRIBUTEURS AUXILIAIRES (A SOUPAPES)
DICHTUNGSSATZ FUER ZUSATZSTEUERGER. (VENTILAUSSFUEHRUNG)
KIT GUARNIZIONI PER DISTRIBUTORI (TIPO A FUNGHO)
JUEGO DE JUNTAS PARA VALV. DE MANDO A DIST. (TIPO CON VALVULAS)
TÄTNINGSSATS FOR FJÄRREGLAGE (TÄLLRIKSTYP)

L121376 -UN-01JAN94



L 121376

6B23

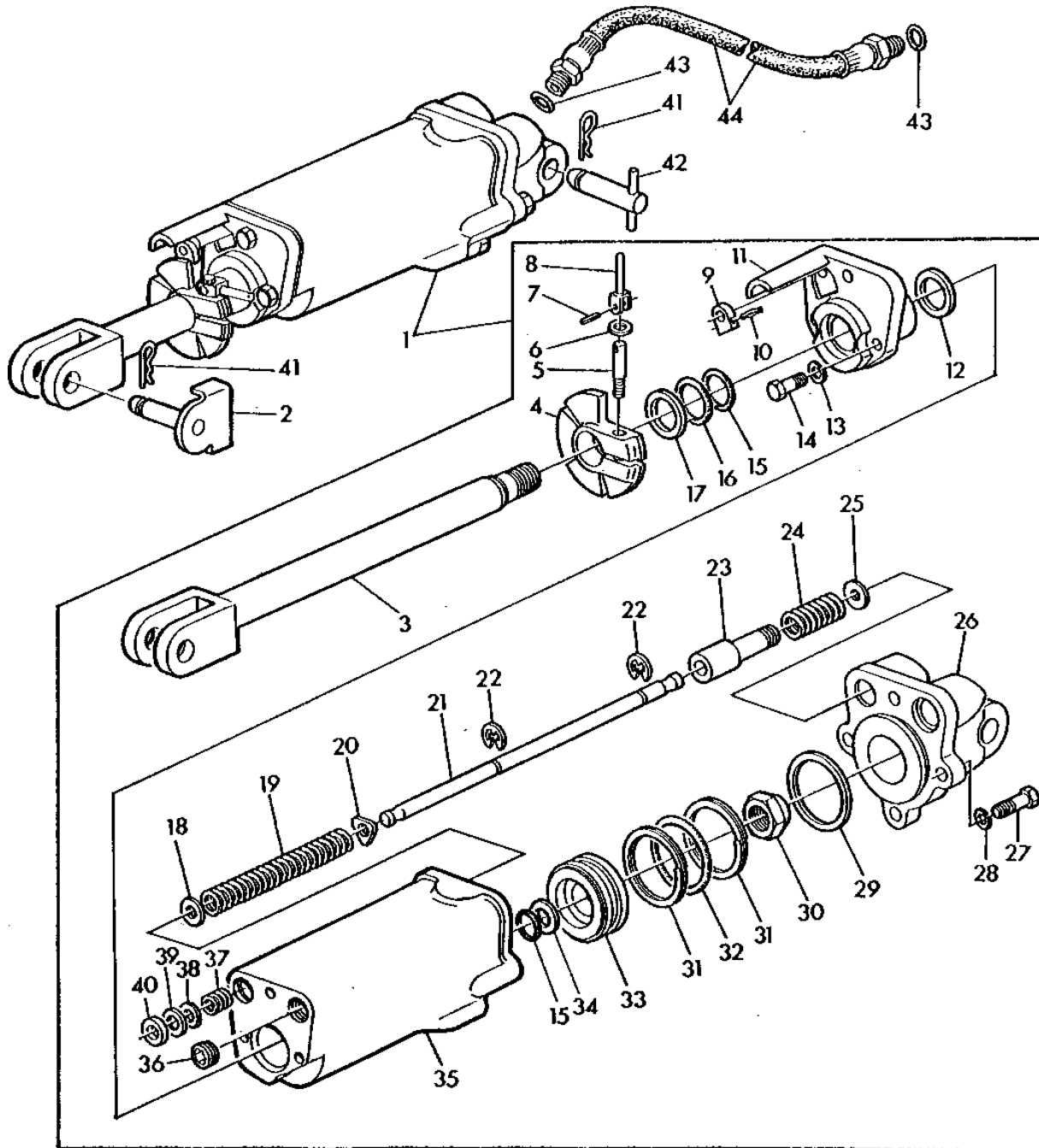
SELECTIVE CONTROL VALVES - POPPET TYPE, FRONT HITCH

KEY	PART NO.	PART NAME	QTY	SERIAL NO.	REMARKS
1	RE10924	KIT	1	1 2 0 6 0 4 4 4 0 0 0 S	X X X

6B24

SELECTIVE CONTROL VALVES - POPPET TYPE, FRONT HITCH

REMOTE CONTROL CYLINDER (MODEL 5RC3)
VERIN DE COMMANDE A DISTANCE (TYPE 5RC3)
FERNSTEUERZYLINDER (MODELL 5RC3)
CILINDRO COMANDO DISTANZA (MODELLO 5RC3)
CILINDRO HIDRAULICO REMOTO (MODELO 5RC3)
FJARRCYLINDER (MODELL 5RC3)
L112237 -UN-01JAN94



L 112237

6B25

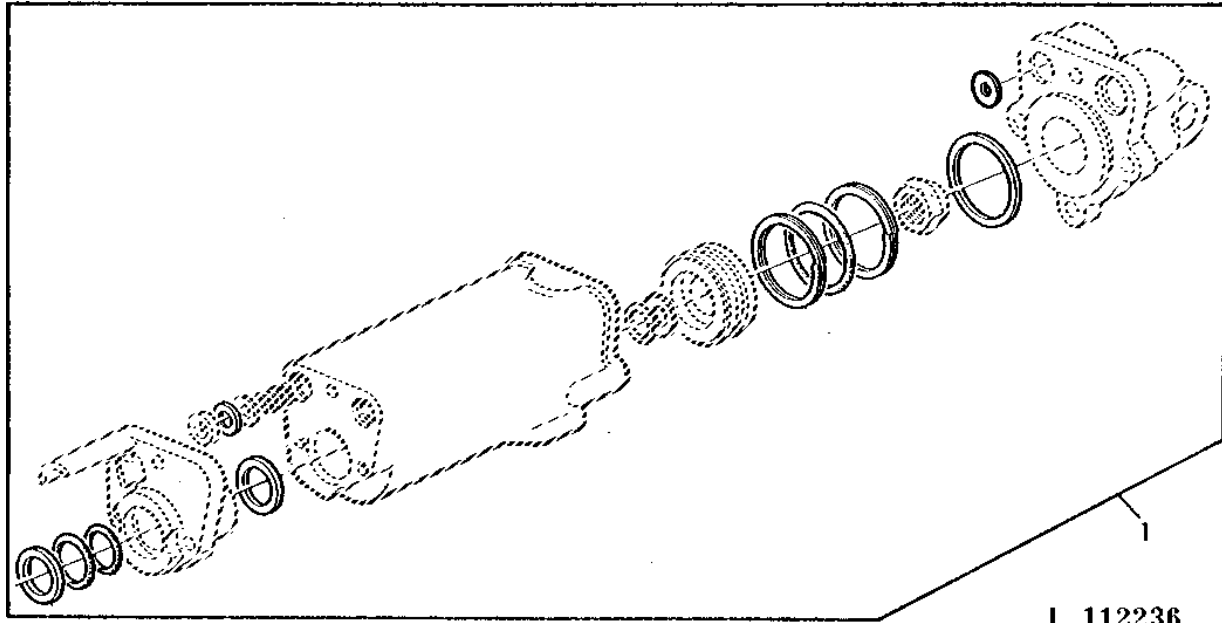
SELECTIVE CONTROL VALVES - POPPET TYPE, FRONT HITCH

KEY	PART NO.	PART NAME	QTY	SERIAL NO.	REMARKS
					2
					1 2 0
					6 0 4
					4 4 0
					0 0 S
1	AR38239	HYDRAULIC CYLINDER	1		X X X
2	AR71902	PIN	1		X X X
3	AR38849	ROD	1		X X X
4	R39064	STOP	1		X X X
5	A5301R	SCREW	1		X X X
6	R1870R	WASHER	1		X X X
7	34H264	SPRING PIN	1		X X X 5/32"X7/8"
8	A5302R	YOKE	1		X X X
9	R27426	ARM	1		X X X
10	25H760	GROOVE PIN	1		X X X 7/32"X1-1/4"
11	A4732R	GUIDE	1		X X X
12	A4733R	WASHER	1		X X X
13	12H304	LOCK WASHER	3		X X X 3/8"
14	19H2552	CAP SCREW	3		X X X 3/8"X1-1/8"
15	A4730R	O-RING	2		X X X
16	A4731R	WASHER	1		X X X
17	AA5607R	SEAL	1		X X X
18	24H1301	WASHER	1		X X X 13/32"X9/16"X0.060"
19	A4737R	SPRING	1		X X X
20	R57696	WASHER	1		X X X
21	A4736R	ROD	1		X X X
22	A4739R	RING	2		X X X
23	R39012	VALVE	1		X X X
24	R49352	SPRING	1		X X X
25	A4723R	WASHER	2		X X X
26	R39013	COVER	1		X X X
27	19H2473	CAP SCREW	4		X X X 1/2"X1-3/4"
28	12H301	LOCK WASHER	4		X X X 1/2"
29	R39029	WASHER	1		X X X
30	R38508	NUT	1		X X X
31	R39009	BACK-UP RING	2		X X X
32	L2104N	O-RING	1		X X X
33	R38537	PISTON	1		X X X
34	R26480	BACK-UP RING	1		X X X
35	R39006	CYLINDER	1		X X X
36	15H625	PIPE BUSHING	1		X X X 1/2"
37	A4748R	SPRING ASSEMBLY	1		X X X
38	A4747R	WASHER	1		X X X
39	A4745R	PACKING	3		X X X
40	A4746R	ADAPTER	1		X X X
41	A3581R	SPRING LOCKING PIN	2		X X X
42	AR47825	PIN	1		X X X
43	R26375	O-RING	4		X X X
44	AR26407	HYDRAULIC HOSE	2		X X X ID= 3/8", LGTH= 2337MM (92")

6C1

SELECTIVE CONTROL VALVES - POPPET TYPE, FRONT HITCH

REMOTE CYLINDER SEAL RING SET (MODEL 5RC3)
 VERIN A DISTANCE, JEU DE JOINTS (TYPE 5RC3)
 FERNSTEUERZYLINDER-DICHTRINGSATZ (MODELL 5RC3)
 CILINDRO COMANDO A DISTANZA, SERIE GUARNIZIONI (MODELLO 5RC3)
 CILINDRO REMOTO-JUEGO DE JUNTAS (MODELO 5RC3)
 FJARRCYLINDER, PACKNINGSSATS (MODELL 5RC3)
 L112236 -UN-01JAN94



L 112236

2
 1 2 0
 6 0 4
 4 4 0
 0 0 S

KEY	PART NO.	PART NAME	QTY	SERIAL NO.	REMARKS
1	AR38713	KIT	1	X X X	

SELECTIVE CONTROL VALVES - POPPET TYPE, FRONT HITCH

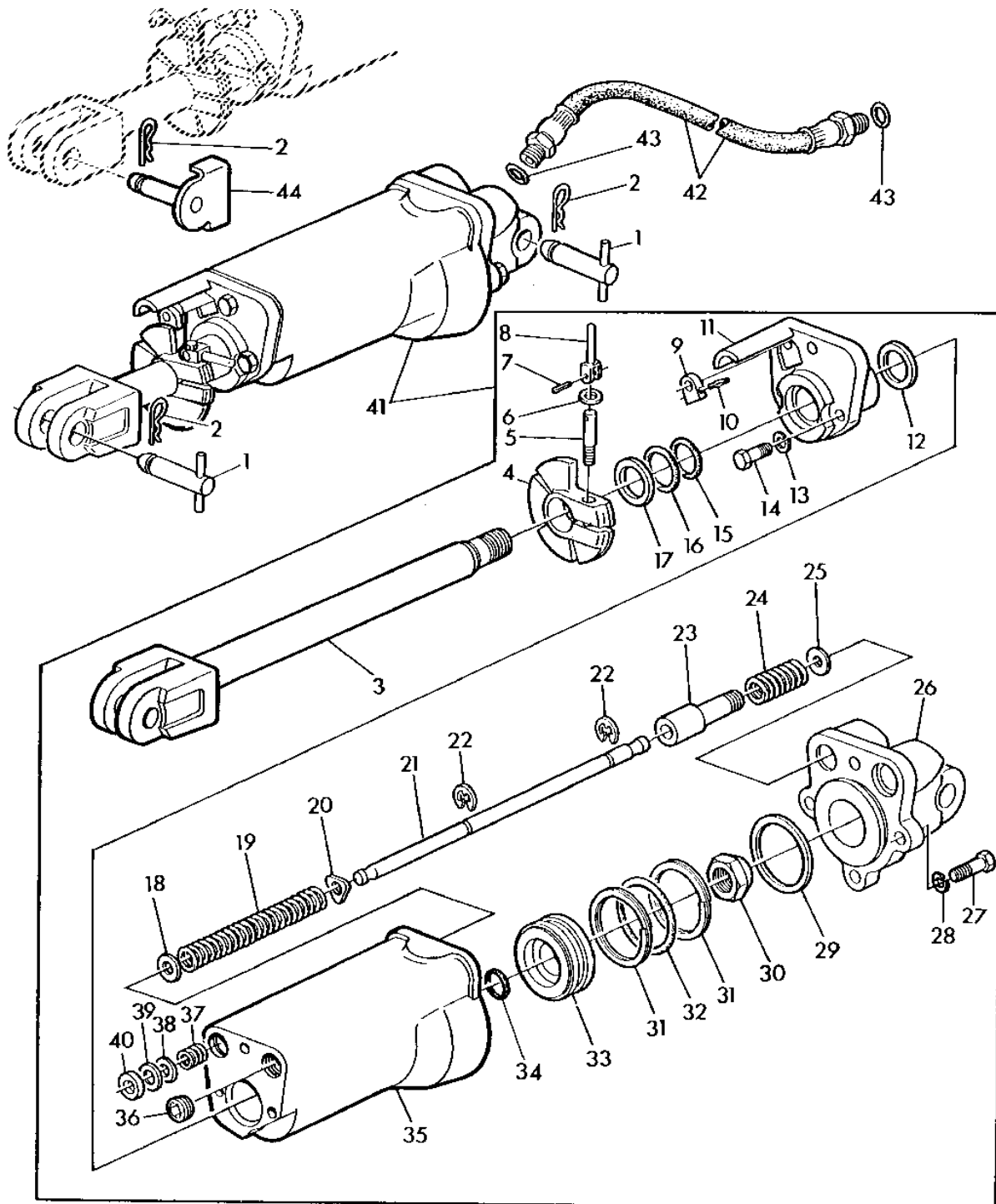
MEMORANDA
MEMORANDA
MEMORANDA
MEMORANDA
MEMORANDA

6C2

SELECTIVE CONTROL VALVES - POPPET TYPE, FRONT HITCH

REMOTE CONTROL CYLINDER WITH HYDRAULIC STOP (MODEL 6RC1)
VERIN DE COMMANDE A DISTANCE AVEC BUTEE HYDRAUL. (TYPE 6RC1)
FERNSTEUERZYLINDER MIT HYDRAULISCHEM ANSCHLAG (MODELL 6RC1)
CILINDRO COMANDO DISTANZA CON FERMO IDRAULICO (MODELLO 6RC1)
CILINDRO HIDRAULICO REMOTO CON TOPE HIDRAULICO (MODELO 6RC1)
FJARRHYDRAULCYLINDER VID HYDRAULISK STOPP. (MODELL 6RC1)

L116706 -UN-12MAY95



L 116706

6C3

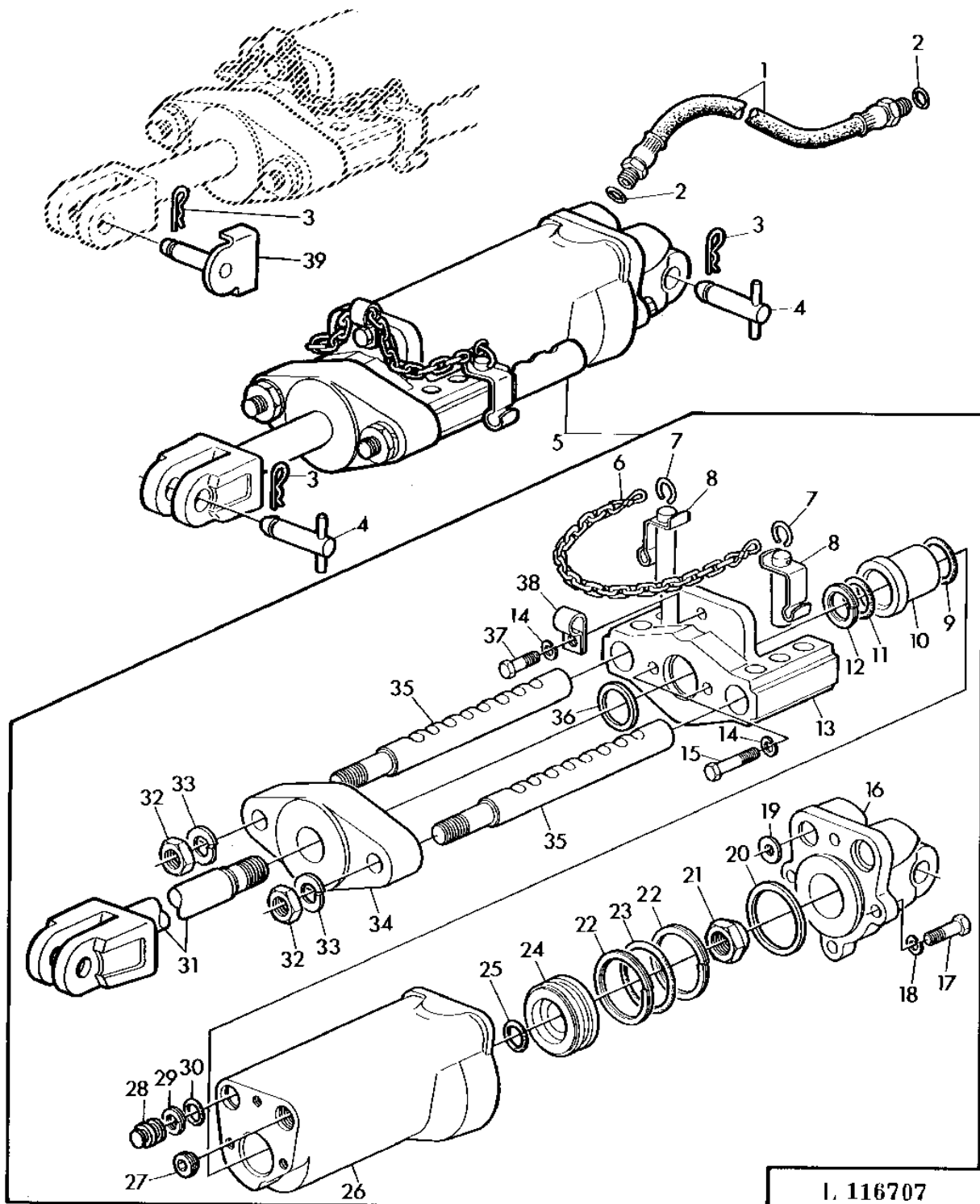
SELECTIVE CONTROL VALVES - POPPET TYPE, FRONT HITCH

KEY	PART NO.	PART NAME	QTY	SERIAL NO.	REMARKS
					2
					1 2 0
					6 0 4
					4 4 0
					0 0 S
1	AR47825	PIN	AR		X X X
2	A3581R	SPRING LOCKING PIN	2		X X X
3	AR97248	ROD	1		X X X
4	R35448	STOP	1		X X X
5	A5301R	SCREW	1		X X X
6	R1870R	WASHER	1		X X X
7	34H264	SPRING PIN	1		X X X 5/32"X7/8"
8	A5302R	YOKE	1		X X X
9	R27426	ARM	1		X X X
10	25H760	GROOVE PIN	1		X X X 7/32"X1-1/4"
11	R72117	GUIDE	1		X X X
12	F1441R	WASHER	1		X X X
13	12H304	LOCK WASHER	3		X X X 3/8"
14	19H1731	CAP SCREW	3		X X X 3/8"X1"
15	R29463	O-RING	1		X X X
16	R35473	BACK-UP RING	1		X X X
17	R35738	SEAL	1		X X X
18	24H1301	WASHER	1		X X X 13/32"X9/16"X.060"
19	A4737R	SPRING	1		X X X
20	R57696	WASHER	1		X X X
21	A4736R	ROD	1		X X X
22	A4739R	RING	2		X X X
23	R39012	VALVE	1		X X X
24	R49352	SPRING	1		X X X
25	A4723R	WASHER	2		X X X
26	R72134	HYDRAULIC CYLINDER CAP	1		X X X
27	19H1990	CAP SCREW	4		X X X 1/2"X2-1/4"
28	12H301	LOCK WASHER	4		X X X 1/2"
29	A4722R	WASHER	1		X X X
30	R72120	NUT	1		X X X
31	R27649	BACK-UP RING	2		X X X
32	A4728R	O-RING	1		X X X
33	R72697	PISTON	1		X X X
34	U15192	O-RING	1		X X X
35	R72116	HYDRAULIC CYLINDER BARREL	1		X X X
36	15H624	PIPE PLUG	1		X X X 1/2"
37	A4748R	SPRING ASSEMBLY	1		X X X
38	A4747R	WASHER	1		X X X
39	A4745R	PACKING	3		X X X
40	A4746R	ADAPTER	1		X X X
41	AR94790	CYLINDER	1		X X X
42	AL65417	HYDRAULIC HOSE	2		X X X (SUB FOR AR26407)
43	R26375	O-RING	4		X X X
44	AR71902	PIN	1		X X X

6C4

SELECTIVE CONTROL VALVES - POPPET TYPE, FRONT HITCH

REMOTE CONTROL CYLINDER WITH MECHANICAL STOP (MODEL 7RC1)
VERIN DE COMMANDE A DISTANCE AVEC BUTEE MECANIQUE (TYPE 7RC1)
FERNSTEUERZYLINDER MIT MECHANISCHEM ANSCHLAG MODELL 7RC1
CILINDRO COMANDO DISTANZA CON FERMO MECCANICO (MOD.7RC1)
CILINDRO HIDRAULICO REMOTO CON TOPE HIDRAULICO MODELO 7RC1
FJARRHYDRAULCYLINDER VID MEKANISK STOPP (MODELL 7RC1)
L116707 -UN-12MAY95



L 116707

6C5

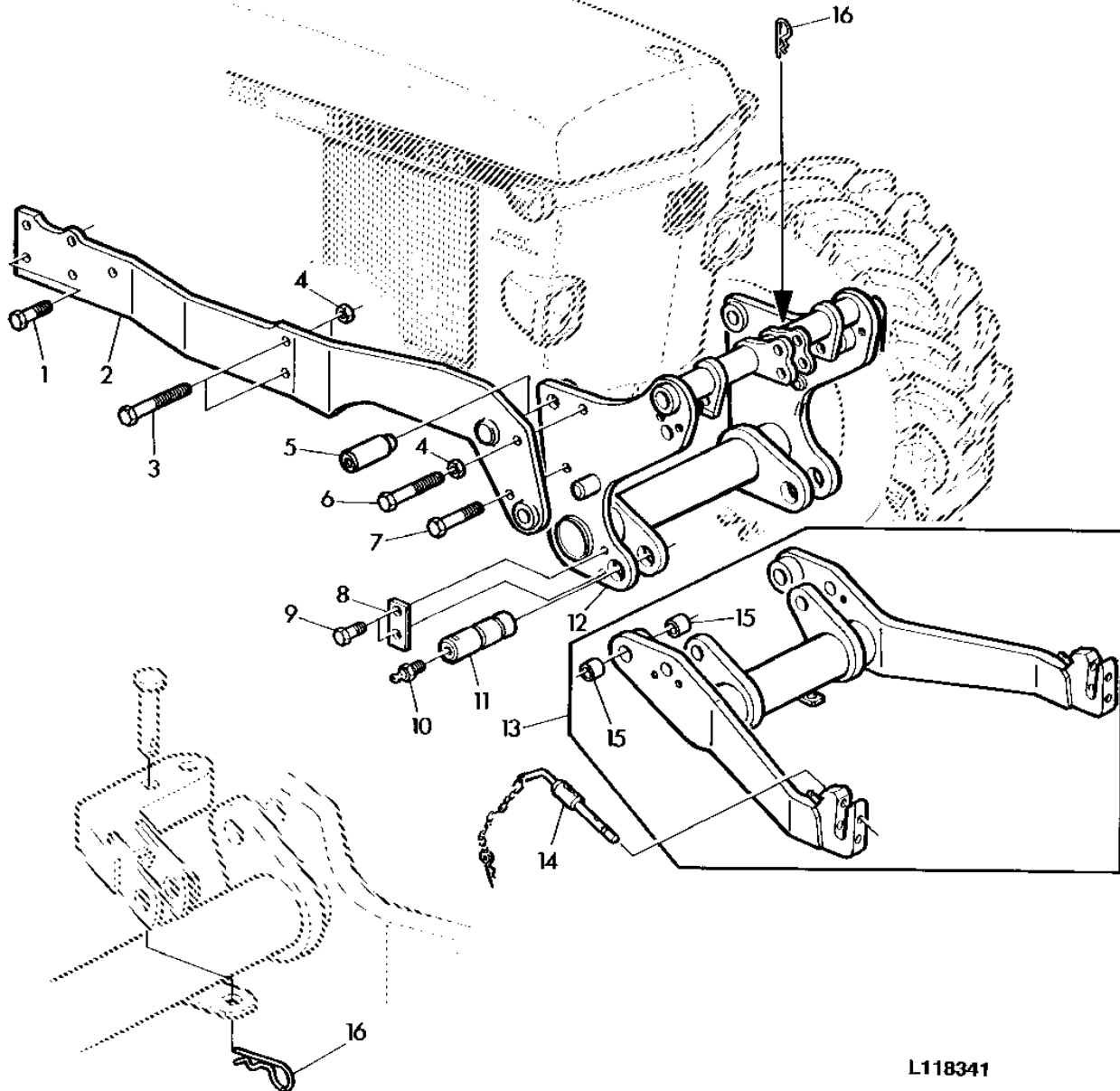
SELECTIVE CONTROL VALVES - POPPET TYPE, FRONT HITCH

KEY	PART NO.	PART NAME	QTY	SERIAL NO.	REMARKS
					2
					1 2 0
					6 0 4
					4 4 0
					0 0 S
1	AL65417	HYDRAULIC HOSE	2		(SUB FOR AR26407)
2	R26375	O-RING	4		
3	A3581R	SPRING LOCKING PIN	2		
4	AR47825	PIN	AR		
5	AR94791	CYLINDER	1		
6	R49193	LINK CHAIN	1		
7	D2913R	LINK	2		
8	AR68145	QUICK LOCK PIN	2		
9	F1441R	WASHER	1		
10	R36951	GUIDE	1		
11	R29463	O-RING	1		
12	R35473	BACK-UP RING	1		
13	R93053	GUIDE	1		(SUB FOR R44285)
14	12H304	LOCK WASHER	3		3/8"
15	19H1726	CAP SCREW	2		3/8"X2-1/4"
16	R72134	HYDRAULIC CYLINDER CAP	1		
17	19H2473	CAP SCREW	4		1/2"X1-3/4"
18	12H301	LOCK WASHER	4		1/2"
19	A4723R	WASHER	2		
20	A4722R	WASHER	1		
21	R72120	NUT	1		
22	R27649	BACK-UP RING	2		
23	A4728R	O-RING	1		
24	R72697	PISTON	1		
25	U15192	O-RING	1		
26	R72116	HYDRAULIC CYLINDER BARREL	1		
27	15H624	PIPE PLUG	1		1/2"
28	R34131	PLUG	1		
29	R32588	BACK-UP RING	1		
30	R459R	O-RING	1		
31	AR97248	ROD	1		
32	14H905	NUT	2		3/4"
33	12H236	LOCK WASHER	2		3/4"
34	R36952	STOP	1		
35	R44287	ROD	2		
36	R35738	SEAL	1		
37	19H2552	CAP SCREW	1		3/8"X1-1/8"
38	T13073	CLIP	1		
39	AR71902	PIN	1		

6C6

SELECTIVE CONTROL VALVES - POPPET TYPE, FRONT HITCH

FRONT HITCH FRAME
RELEVAGE FRONTAL/CADRE
FRONT-KRAFTHEBER/RAHMEN
SOLLEVATORE FRONTAL/TELAIO
ELEVADOR FRONTAL/BASTIDOR
FRAMRE LYFT/RAM
L118341 -UN-18JUL95



L118341

6C7

SELECTIVE CONTROL VALVES - POPPET TYPE, FRONT HITCH

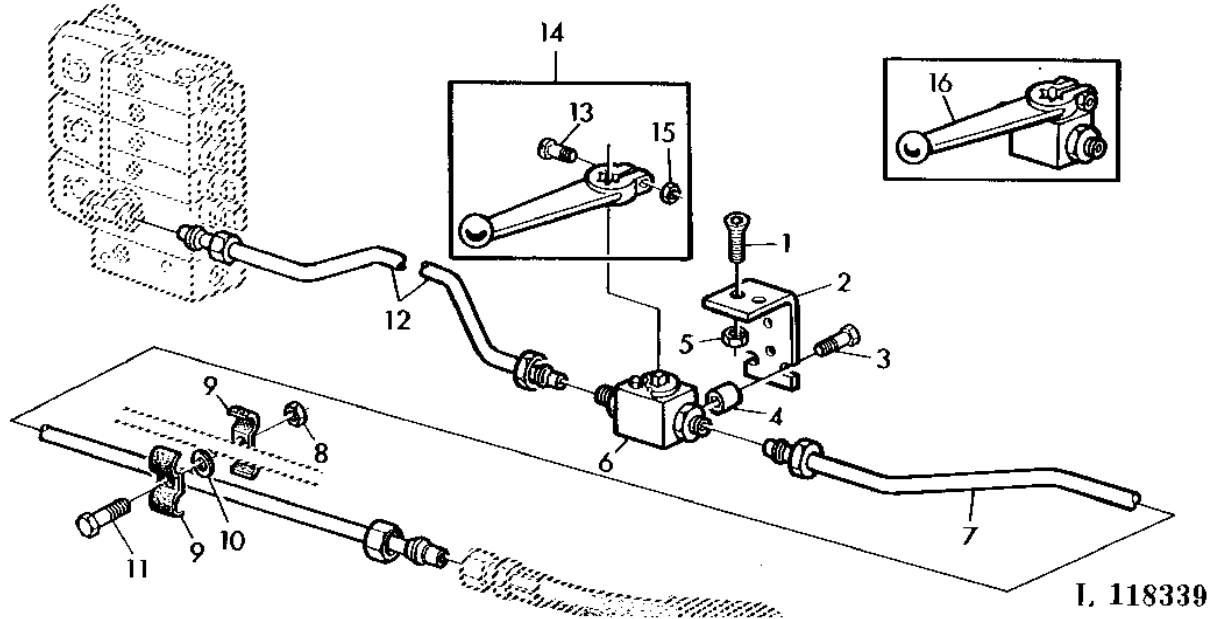
KEY	PART NO.	PART NAME	QTY	SERIAL NO.	REMARKS
					2
					1 2 0
					6 0 4
					4 4 0
					0 0 S
1	19H2706	CAP SCREW	4		X 5/8"X2"
2	AL55862	FRAME	1		X LH
	AL55863	FRAME	1		X RH
3	19M8043	CAP SCREW	4		X M16X140
4	14M7276	NUT	6		X M16
5	L55821	PIN	2		X
6	19M8350	CAP SCREW	2		X M16X85
7	19M8295	CAP SCREW	2		X M16X55
8	L55275	STRAP	2		X
9	19M8011	CAP SCREW	4		X M12X30
10	58M5575	LUBRICATION FITTING	2		X
11	L55820	PIN	2		X
12	AL55864	SUPPORT	1		X
13	AL55861	DRAFT LINK	1		X
14	AL55868	PIN	2		X
15	L55818	BUSHING	4		X
16	L12491	SPRING LOCKING PIN	1		X

6C8

SELECTIVE CONTROL VALVES - POPPET TYPE, FRONT HITCH

OIL LINES/SHUT-OFF VALVE (FRONT HITCH)
 CONDUITES HYDR./VALVE D'ARRET (RELEVAGE AVANT)
 OELLEITUNGEN/ABSPERRVENTIL (FRONT-KRAFTHEBER)
 TUBAZ. IDRAUL./VALVOLA ARRESTO (SOLLEV. FRONT.)
 TUBERIAS HIDR./VALV. DE CIERRE (ELEVADOR FRONTAL)
 OLJELEDNINGAR/AVSTANGNINGSVENTIL (FRONTLYFT)

L118339 -UN-18JUL95



2
1 2 0
6 0 4
4 4 0
0 0 S

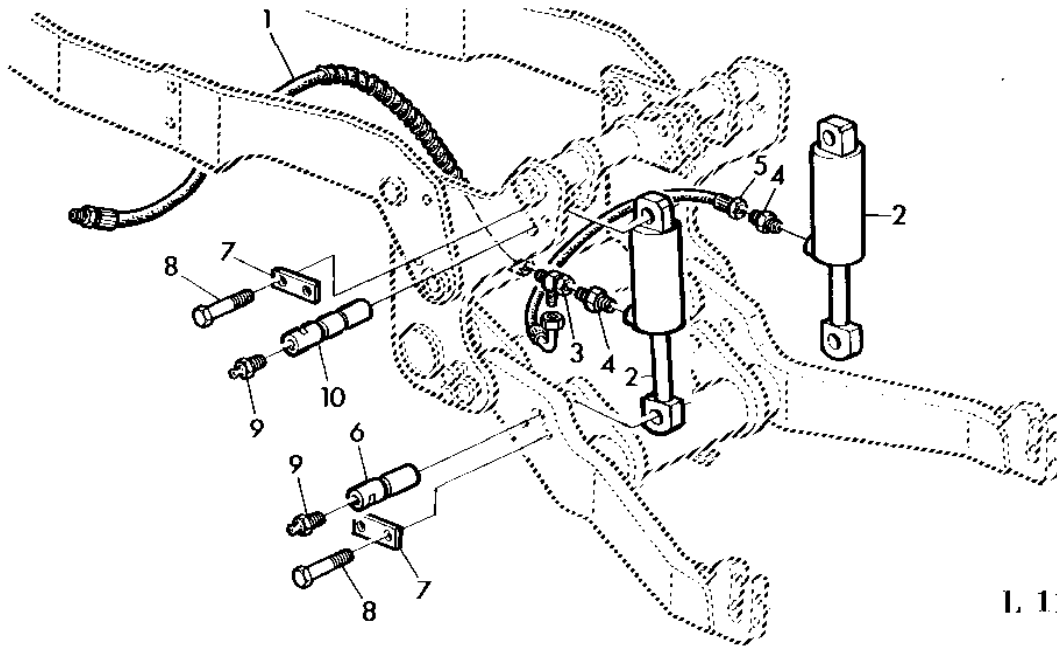
KEY	PART NO.	PART NAME	QTY	SERIAL NO.	REMARKS
1	21M7351	SCREW	2		X M6X60
2	L55046	ANGLE	1		X
3	19M7077	CAP SCREW	2		X M6X20
4	28H1509	WASHER	2		X
5	14M7272	NUT	2		X M6
6	AL64418	VALVE	1		X
7	AL56487	OIL LINE	1		X
8	14M7273	NUT	1		X M8
9	R27491	CLAMP	2		X
10	24M7036	WASHER	1		X 9X17X2.5MM
11	19M7162	CAP SCREW	1		X M8X16
12	AL56486	OIL LINE	1		X
13	21M7200	SCREW	1		X M5X20
14	AL62905	LEVER	1		X
15	14M7028	NUT	1		X M5
16	AL55023	VALVE	1		X (ORD AL64418, AL62905)

6C9

SELECTIVE CONTROL VALVES - POPPET TYPE, FRONT HITCH

HYDRAULIC HOSES/LIFTING CYLINDER WITH FRONT HITCH
 FLEXIBLES HYDRAUL./VERINS POUR RELEVAGE FRONTAL
 HYDRAULIKSCHLAUCHE/HUBZYLINDER BEI FRONT-KRAFTHEBER
 TUBI FLESS. IDRAULICI/CILINDR IDR. CON SOLLEVATORE FRONT.
 MANGUERAS HIDRAULICAS/CILINDROS DEL ELEVADOR FRONTAL
 HYDRAULSLANGAR/LYFTCYLINDRAR VID FRAMRE LYFT

L118340 -UN-18JUL95



L 118340

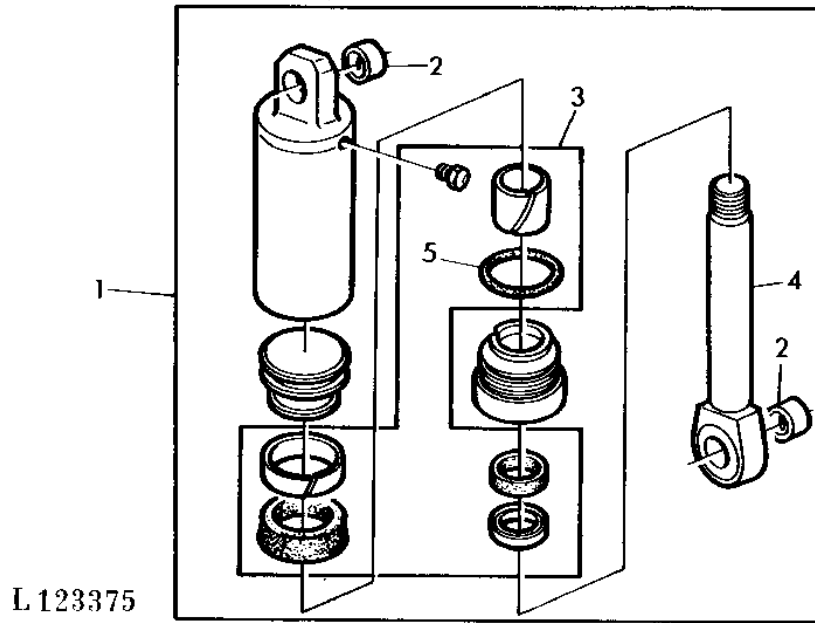
2
1 2 0
6 0 4
4 4 0
0 0 S

KEY	PART NO.	PART NAME	QTY	SERIAL NO.	REMARKS
1	AL38305	HYDRAULIC HOSE	1		X
2	AL55865	HYDRAULIC CYLINDER	2		X
3	AL37332	FITTING	1		X
4	L34371	FITTING	2		X
5	AL36995	HYDRAULIC HOSE	1		X
6	L55819	PIN	2		X
7	L55275	STRAP	4		X
8	19M8011	CAP SCREW	8		X M12X30
9	58M5575	LUBRICATION FITTING	4		X
10	L55820	PIN	2		X

6C10

SELECTIVE CONTROL VALVES - POPPET TYPE, FRONT HITCH

LIFT CYLINDER/SEAL KIT (FRONT HITCH)
 JOINTS POUR VERIN DE RELEVAGE (RELEVAGE AVANT)
 HUBZYLINDER/DICHTUNGSSATZ (FRONT-KRAFTHEBER)
 GRUPPO GUARNIZIONI PER CILINDRO (SOLLEVATORE FRONTALE)
 JUEGO DE RETENES (ELEVADOR FRONTAL)
 TÄTNINGSSATS FOR LYFTCYLINDRAR (FRONTLYFT)
 L123375 -UN-09JUN95

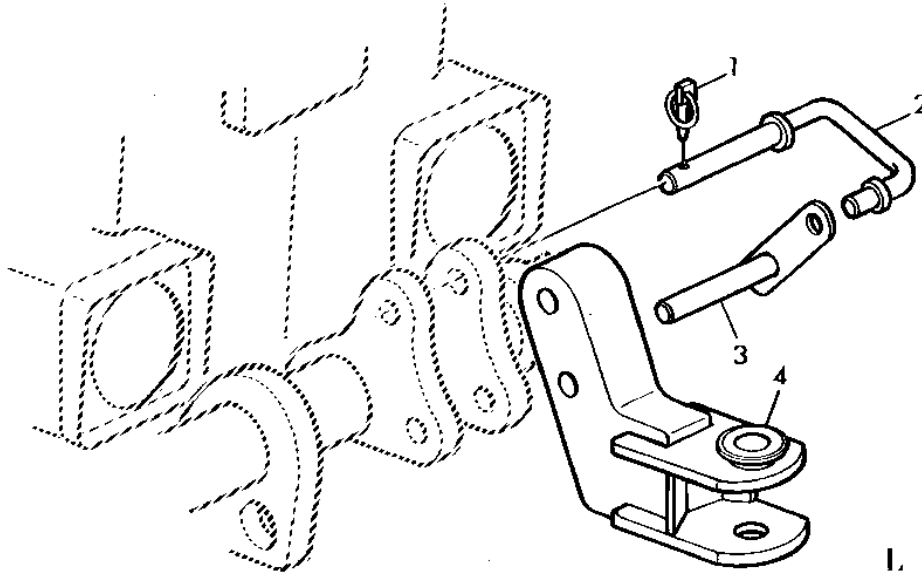


KEY	PART NO.	PART NAME	QTY	SERIAL NO.	REMARKS
				2	
				1 2 0	
				6 0 4	
				4 4 0	
				0 0 S	
1	AL55865	HYDRAULIC CYLINDER	2		X
2	L55818	BUSHING	2		X
3	AL63981	GASKET KIT	1		X
4	L61040	ROD	1		X
5	L63845	O-RING	1		X

6C11

SELECTIVE CONTROL VALVES - POPPET TYPE, FRONT HITCH

FRONT HITCH
 CHAPE D'ATTELAGE SUR RELEVAGE FRONTAL
 DRUECKEVORRICHTUNG BEI FRONT-KRAFTHEBER
 ATTACCO FRONTALE CON SOLLEVATORE FRONTALE
 ENGANCHE DELANTERO CON ELEVADOR FRONTAL
 FRONTDRAG VID FRAMRE LYFT
 L109667 -UN-07JUN95



L. 109667

2
 1 2 0
 6 0 4
 4 4 0
 0 0 S

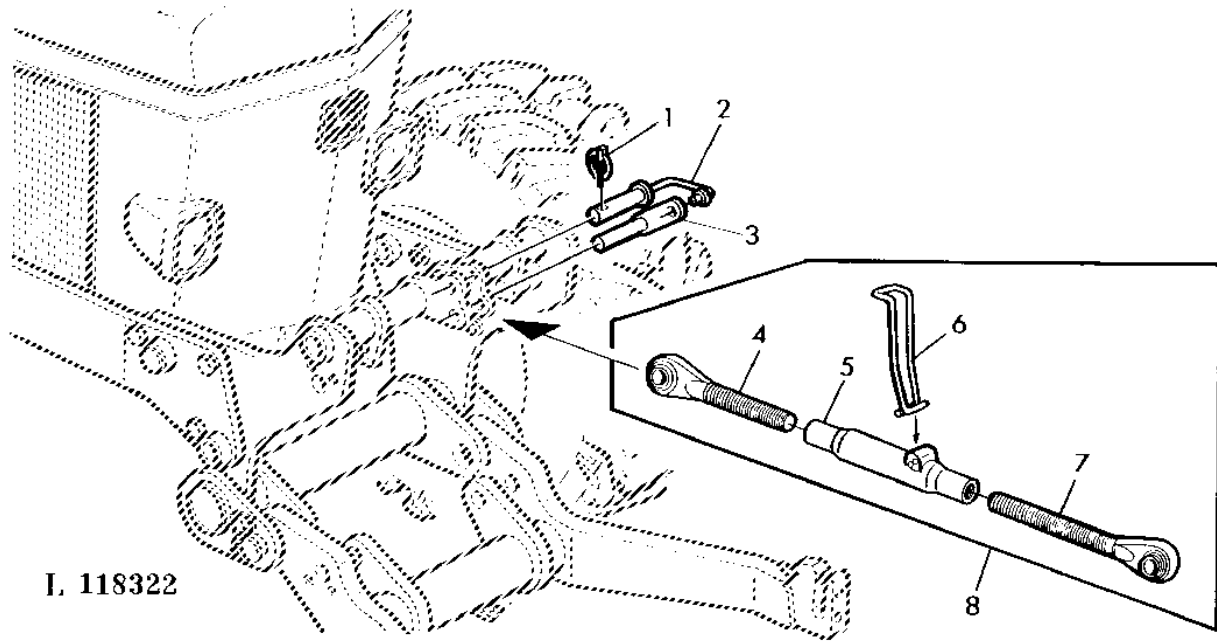
KEY	PART NO.	PART NAME	QTY	SERIAL NO.	REMARKS
1	99M7047	QUICK LOCK PIN	1		X
2	AL55064	PIN	1		X
3	AL55063	PIN	1		X
4	AL55062	HITCH COUPLING	1		X

6C12

SELECTIVE CONTROL VALVES - POPPET TYPE, FRONT HITCH

FRONT HITCH CENTER LINK
 BARRE DE POUSSEE SUR RELEVAGE FRONTAL
 OBERER LENKER BEI FRONT-KRAFTHEBER
 TERZO PUNTO CON SOLLEVATORE FRONTALE
 TENSOR CENTRAL/ELEVADOR FRONTAL
 TOPPSTANG VID FRAMRE LYFT

L118322 -UN-08JUN95



L 118322

2
 1 2 0
 6 0 4
 4 4 0
 0 0 S

KEY	PART NO.	PART NAME	QTY	SERIAL NO.	REMARKS
1	99M7047	QUICK LOCK PIN	1		X
2	AL55064	PIN	1		X
3	AL55063	PIN	1		X
4	AL67292	CENTER LINK END	1		X (SUB FOR AL39171)
5	AL18135	LINK BODY	1		X
6	T32077	HANDLE	1		X (FOR AL41397) (SUB FOR T27136)
	L63659	HANDLE	1		X (FOR AL67295)
7	AL67296	CENTER LINK END	1		X (SUB FOR AL41398)
8	AL41397	CENTER LINK	1		X LGTH= 540-780MM (ORD AL67295)
	AL67295	CENTER LINK	1		X LGTH= 590-830MM

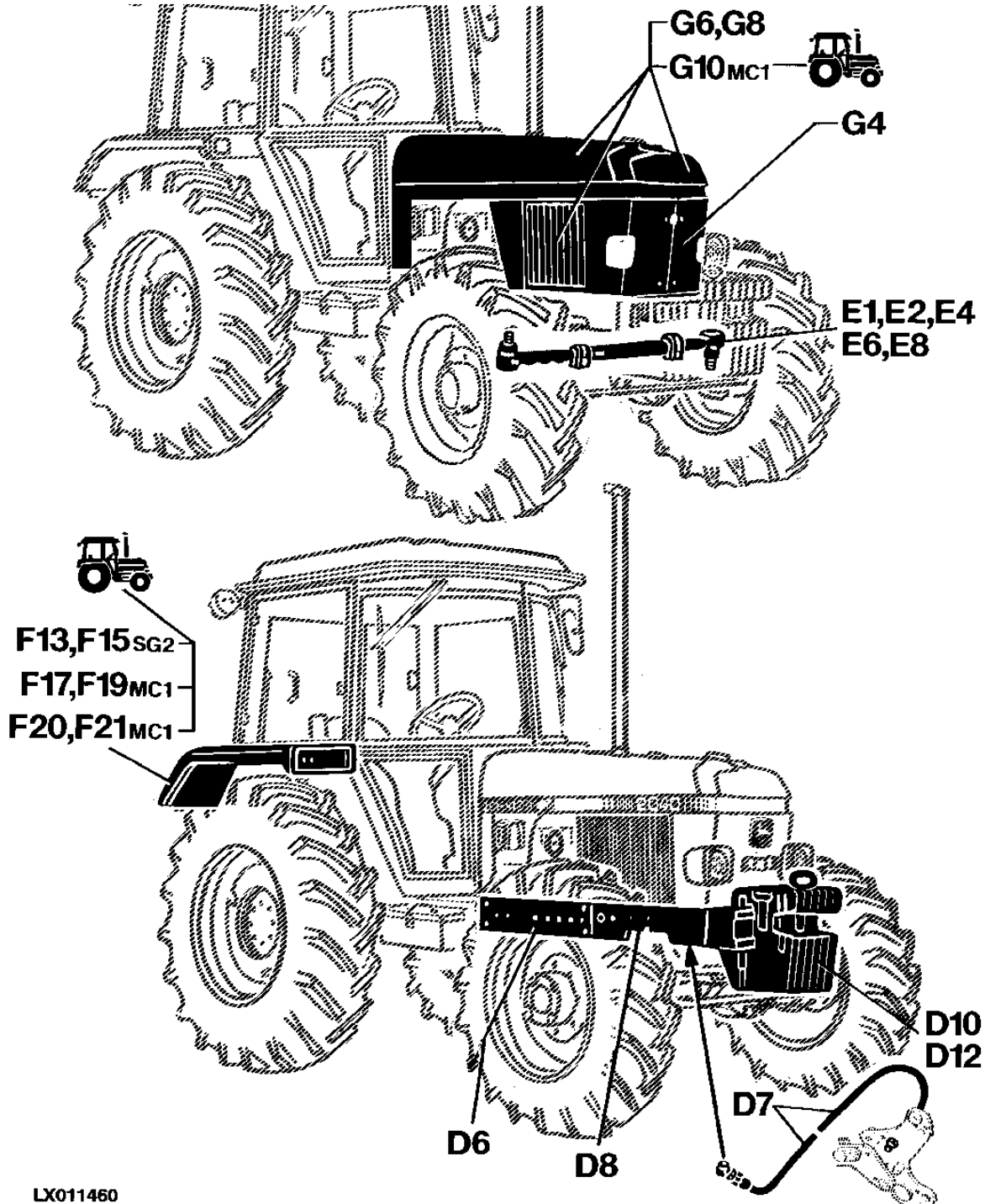
6C13

FRAME, WHEELS, COVERS

XX
XX
XX
XX
XX
XX
XX
XX
XX
XX

SECTIONAL INDEX
INDEX DE SECTION
GRUPPENINDEX
INDICE DELLA SEZIONE
INDICE DE GRUPOS
GRUPPSFORTECKNING

LX011460 -UN-14JUL95



LX011460

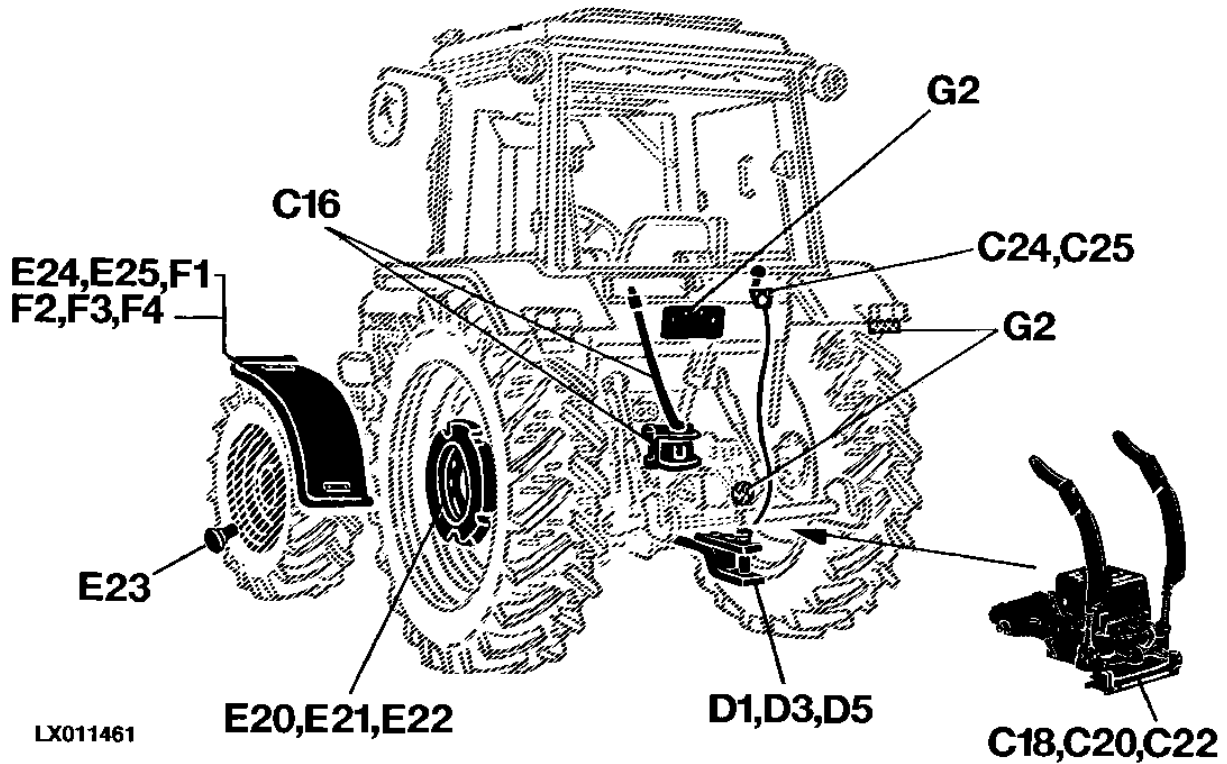
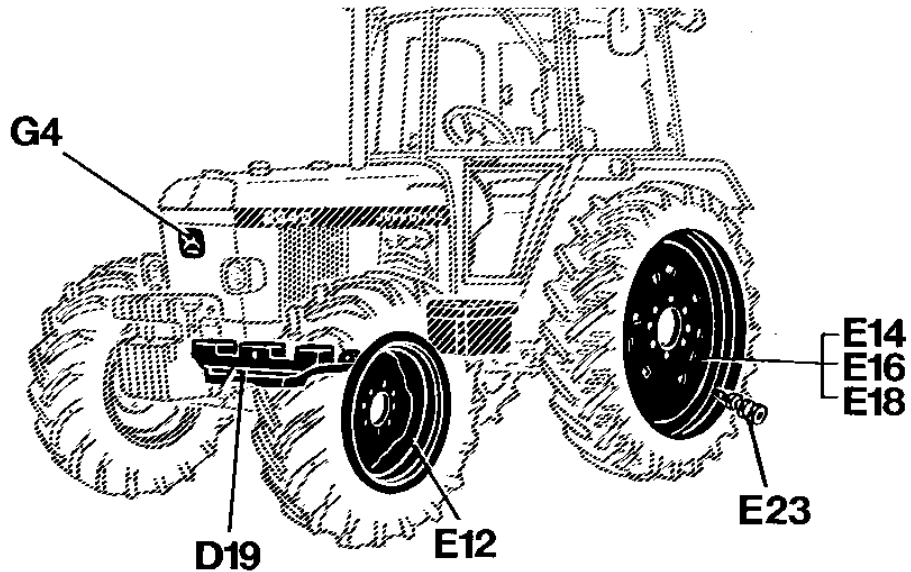
6C14

FRAME, WHEELS, COVERS

XX
XX
XX
XX
XX
XX
XX
XX
XX
XX

SECTIONAL INDEX
INDEX DE SECTION
GRUPPENINDEX
INDICE DELLA SEZIONE
INDICE DE GRUPOS
GRUPPSFORTECKNING

LX011461 -UN-14JUL95



LX011461

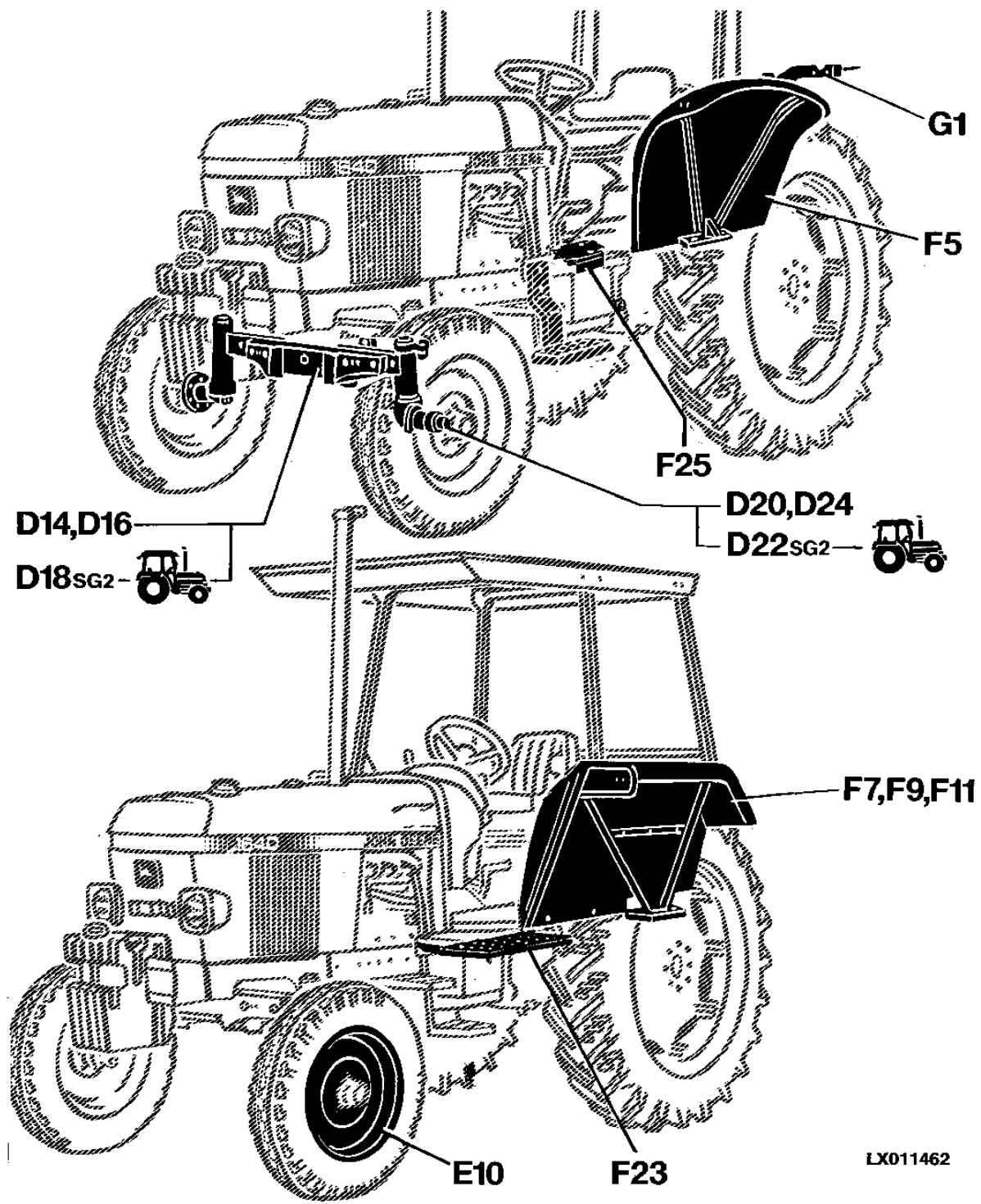
6C15

FRAME, WHEELS, COVERS

XXX
XXX
XXX
XXX
XXX
XXX
XXX
XXX

SECTIONAL INDEX
INDEX DE SECTION
GRUPPENINDEX
INDICE DELLA SEZIONE
INDICE DE GRUPOS
GRUPPSFORTECKNING

LX011462 -UN-14JUL95

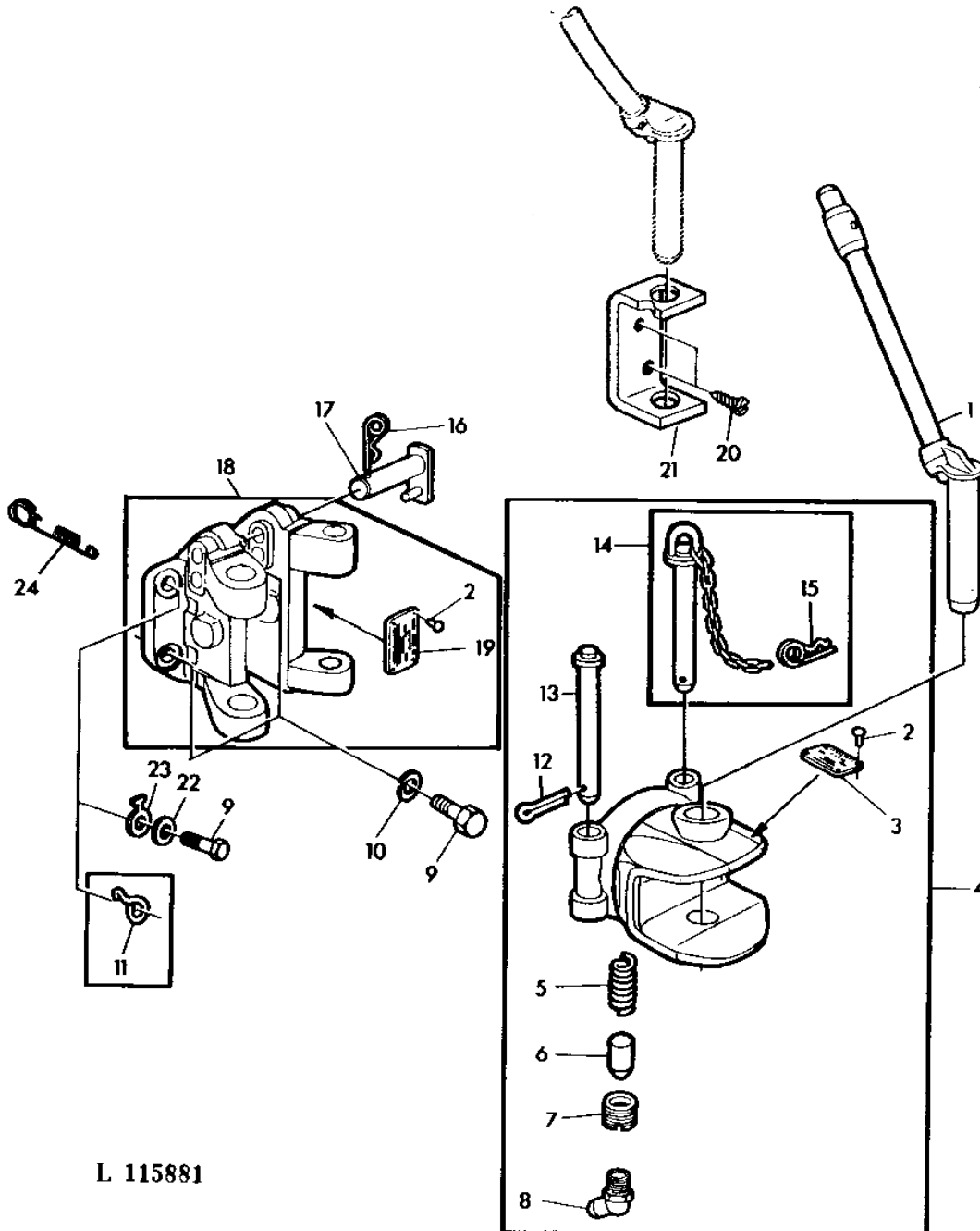


LX011462

6C16

FRAME, WHEELS, COVERS

HINGED TRAILER HITCH
CHAPE D'ATTELAGE ESCAMOTABLE
ANHAENGEKUPPLUNG SCHWENKBAR
GANCIO TRAINO RIVERSIBILE
ENGANCHE DE REMOLQUE, ABATIBLE
PICK-UPP HITCH, SVANGBAR
L115881 -UN-18JUL95



L 115881

6C17

FRAME, WHEELS, COVERS

KEY	PART NO.	PART NAME	QTY	SERIAL NO.	REMARKS
					2
					1 2 0
					6 0 4
					4 4 0
					0 0 S
1	AL63985	PIN	1	X X X	(SUB FOR AL35830, AL38085, AL38522)
	AL61088	PIN	1	X X X	(A) (SUB FOR AL35831, AL38086, AL38523)
2	25M3827	GROOVE PIN	6	X X X	3X8MM
3	T30712	SERIAL NUMBER PLATE	1	X X X	
4	AL38874	HITCH	1	X X X	(SUB FOR AL35839)
5	L24761	SPRING	1	X X X	
6	L30750	PIN	1	X X X	
7	L30751	ADAPTER	1	X X X	
8	JD7763	LUBRICATION FITTING	1	X X X	
9	19H1734	CAP SCREW	3	X X X	5/8"X2"
10	12H294	LOCK WASHER	2	X X X	5/8"
11	L28056	HOOK	1	X X X	(ORD L41621, T497T)
12	11M1387	COTTER PIN	1	X X X	3X35MM (FOR AT29282)
	11M7023	COTTER PIN	1	X X X	4X32MM (FOR AL38819)
13	AT29282	PIN	1	X X X	(ORD AL38819, 11M7023)
	AL38819	PIN	1	X X X	
14	AL38820	PIN	1	X X X	(SUB FOR AT29280)
15	99M7080	SPRING LOCKING PIN	1	X X X	(SUB FOR L25407 APPL)
16	A3581R	SPRING LOCKING PIN	1	X X X	
17	AL40964	PIN	1	X X X	(SUB FOR AL24521)
	AL40964	PIN	1	X	(B)
18	AL40932	HITCH	1	X X X	
	AL40965	BRACKET	1	X	(B)
19	T30500	SERIAL NUMBER PLATE	1	X X X	
	L41814	SERIAL NUMBER PLATE	1	X	(B)
20	37M7058	SCREW	2	X X X	(A) M8X20
21	L38201	BRACKET	1	X X X	(A)
22	T497T	WASHER	1	X X X	
23	L41621	RETAINER	1	X X X	
24	AL41725	EXTENSION SPRING	1	X X X	

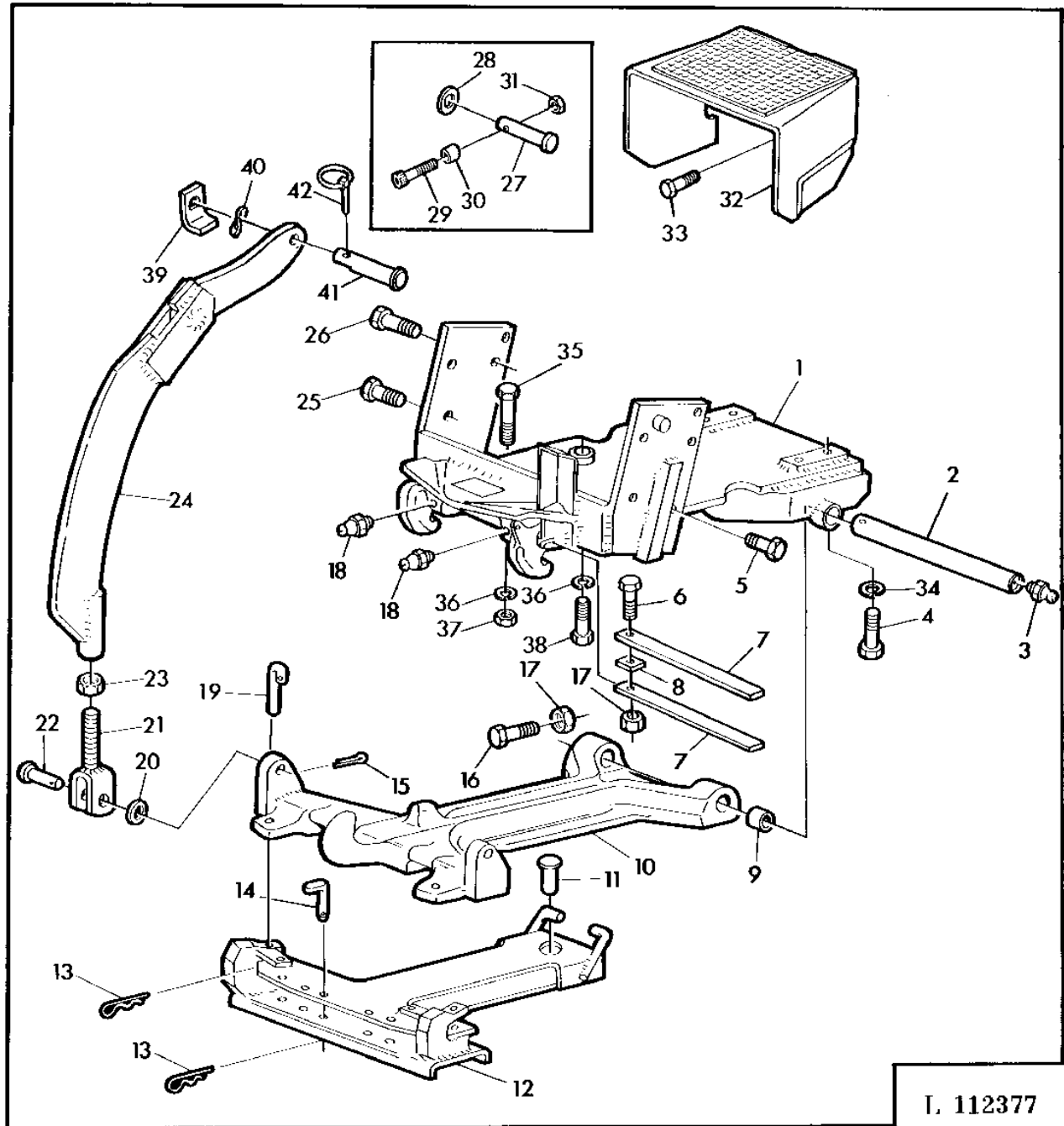
(A) WITH SG2 CAB
 AVEC CABINE SG2
 BEI SG2 KABINE
 CON CABINA SG2
 CON CABINA SG2
 VID SG2 HYTT

(B) WITH LIFT ASSIST
 AVEC LEVAGE ASSISTE
 BEI HUBKRAFTERHOEHUNG
 CON ELEV.CAPACITA SOLLEVAMENTO
 CON ELEVADA FUERZA DE ELEVACION
 VID OKAD LYFTKAPACITET

6C18

FRAME, WHEELS, COVERS

HITCH "AXLA"
DISPOSITIF D'ATTELAGE AXLA
ANHAENGEVORRICHTUNG "AXLA"
ATTACCO RIMORCHIO TIPO "AXLA"
ENGANCHE DE TIRO TIPO "AXLA"
VAGNSDRAG "AXLA"
L112377 -UN-17JUL95



6C19

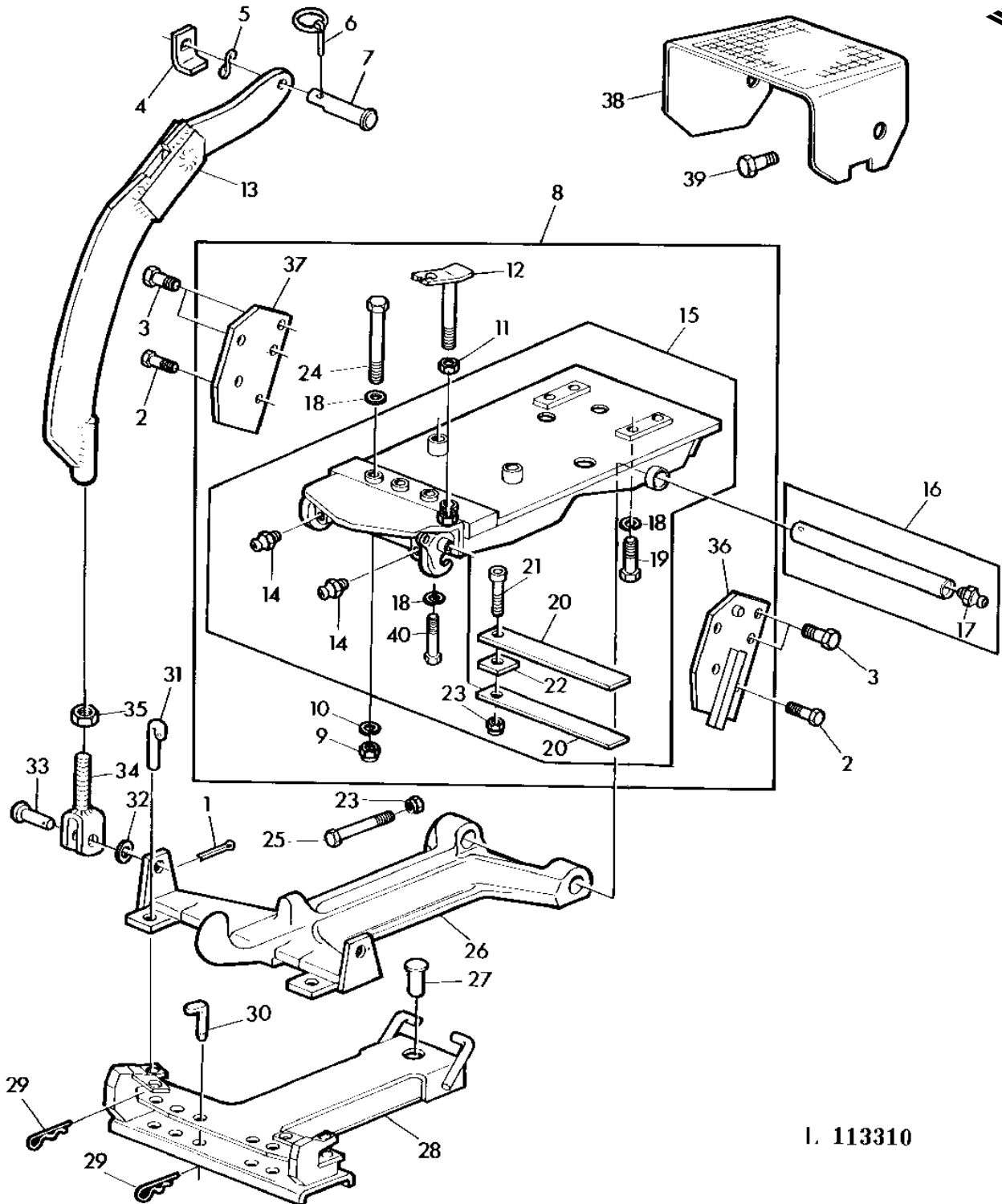
FRAME, WHEELS, COVERS

KEY	PART NO.	PART NAME	QTY	SERIAL NO.		REMARKS
					2	
					1 2 0	
					6 0 4	
					4 4 0	
					0 0 S	
1	AL33858	BRACKET	1	-470660	X X X	(ORD AL55322)
	AL38995	HITCH	1	470661-554097	X X X	(ORD AL55322)
2	AL34093	PIN	1		X X X	
3	L37153	LUBRICATION FITTING	1		X X X	
4	19H1777	CAP SCREW	4		X X X	1/2"X1-3/4"
5	19H1732	CAP SCREW	2		X X X	3/8"X1-1/4"
6	19M8300	SCREW	1		X X X	M8X40
7	L36587	STRAP	2		X X X	
8	L55854	SPACER	1		X X X	(SUB FOR L37154)
9	L36543	SPACER	2		X X X	
10	AL55316	HITCH	1		X X X	(SUB FOR AL33859)
11	L39133	PIN	1		X X X	
12	AL33860	CASE	1		X X X	
13	T22848	SPRING LOCKING PIN	4		X X X	
14	L36546	PIN	2		X X X	
15	11M7030	COTTER PIN	2		X X X	5X40MM
16	19M7185	CAP SCREW	1		X X X	M8X60
17	14M7327	LOCK NUT	2		X X X	M8
18	58M5573	LUBRICATION FITTING	2		X X X	(SUB FOR L37155)
19	L36545	PIN	2		X X X	
20	24M7147	WASHER	2		X X X	20X34X3
21	AL33688	SET SCREW	2		X X X	
22	L36457	PIN	2		X X X	
23	L36460	NUT	2		X X X	1"
24	AL34615	BRACE	1		X X X	LH
	AL34614	BRACE	1		X X X	RH
25	19H2898	CAP SCREW	4		X X X	1/2"X1-1/4"
26	19H1721	CAP SCREW	2		X X X	1/2"X1-1/2"
27	L36540	PIN	2		X X X	(ORD L41286, L41287, B11182, L36470)
28	L36470	WASHER	2		X X X	
29	19M8532	SCREW	2		X X X	M6X35 (ORD L41286, L41287, B11182, L36470) (SUB FOR L36459)
30	L36455	SPACER	2		X X X	(SUB FOR L36541)
31	14M7165	LOCK NUT	2		X X X	M6
32	AL33689	GUARD	1		X X X	
33	19H2284	CAP SCREW	2		X X X	3/8"X7/8"
34	24M7240	WASHER	4		X X X	13X25X3MM
35	19H1945	CAP SCREW	2		X X X	1/2"X3-1/4"
36	12H301	LOCK WASHER	4		X X X	1/2"
37	U12622	LOCK NUT	2		X X X	1/2"
38	19H2644	CAP SCREW	2		X X X	1/2"X2-1/2"
39	L41287	ANGLE	2		X X X	
40	L36470	WASHER	2		X X X	
41	L41286	PIN	2		X X X	
42	B11182	QUICK LOCK PIN	2		X X X	

6C20

FRAME, WHEELS, COVERS

HITCH "AXLA"
DISPOSITIF D'ATTELAGE AXLA
ANHAENGEVORRICHTUNG "AXLA"
ATTACCO RIMORCHIO TIPO "AXLA"
ENGANCHE DE TIRO TIPO "AXLA"
VAGNSDRAG "AXLA"
L113310 -UN-11JUL95



I. 113310

6C21

FRAME, WHEELS, COVERS

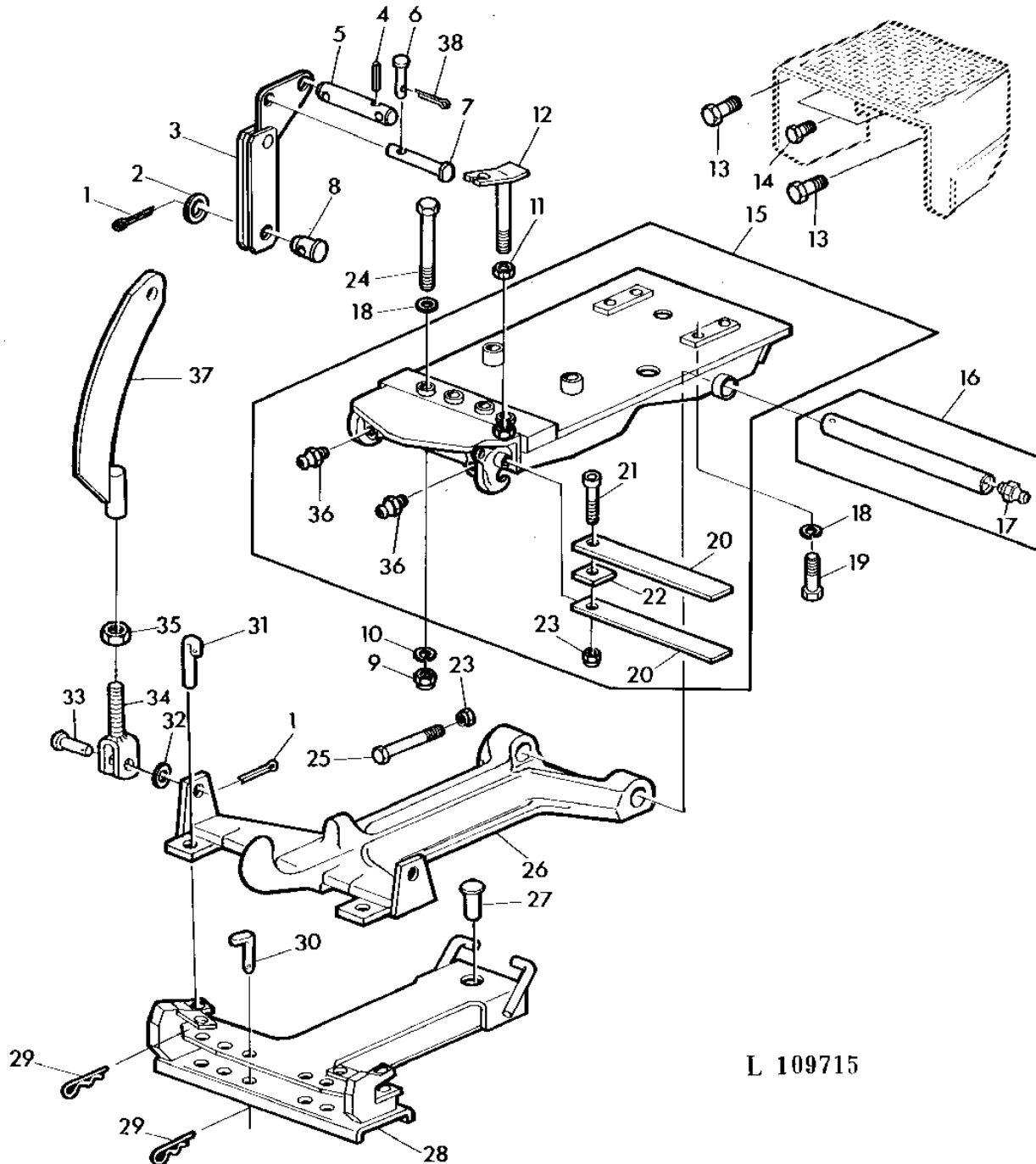
KEY	PART NO.	PART NAME	QTY	SERIAL NO.	REMARKS
					2
					1 2 0
					6 0 4
					4 4 0
					0 0 S
1	11M7030	COTTER PIN	4		X X X
2	19H1732	CAP SCREW	2		X X X 3/8"X1-1/4"
3	19H2898	CAP SCREW	4		X X X 1/2"X1-1/4"
4	L41287	ANGLE	2		X X X
5	L36470	WASHER	2		X X X
6	B11182	QUICK LOCK PIN	2		X X X
7	L41286	PIN	2		X X X
8	AL55322	HITCH	1	554098-	X X X
9	14M7319	LOCK NUT	4		X X X M12
10	12H301	LOCK WASHER	4		X X X 1/2"
11	14H1040	NUT	1		X X X 1/2"
12	AL40972	LOOM	1		X X X
13	AL34614	BRACE	1		X X X RH
	AL34615	BRACE	1		X X X LH
14	58M5573	LUBRICATION FITTING	2		X X X (SUB FOR L37155)
15	AL40973	HITCH	1		X X X
16	AL34093	PIN	1		X X X
17	L37153	LUBRICATION FITTING	1		X X X
18	24M7240	WASHER	10		X X X 13X25X3.6MM
19	19H1777	CAP SCREW	4		X X X 1/2"X1-3/4"
20	L36587	STRAP	2		X X X
21	19M8300	SCREW	1		X X X M8X40
22	L55854	SPACER	1		X X X
23	14M7327	LOCK NUT	2		X X X M8
24	19M7364	CAP SCREW	4		X X X M12X80
25	19M7185	CAP SCREW	1		X X X M8X60
26	AL55316	HITCH	1		X X X (SUB FOR AL33859)
27	L39133	PIN	1		X X X
28	AL33860	CASE	1		X X X
29	T22848	SPRING LOCKING PIN	4		X X X
30	L36546	PIN	2		X X X
31	L36545	PIN	2		X X X
32	24M7147	WASHER	2		X X X 20X34X3MM
33	L36457	PIN	2		X X X
34	AL33688	SET SCREW	2		X X X
35	L36460	NUT	2		X X X 1"
36	AL41602	SUPPORT	1		X X X RH
37	AL41601	SUPPORT	1		X X X LH
38	AL33689	GUARD	1		X X X
39	19H2284	CAP SCREW	2		X X X 3/8"X7/8"
40	19H2644	CAP SCREW	2		X X X 1/2"X2-1/2"

6C22

FRAME, WHEELS, COVERS

HITCH "AXLA" (WITH INCREASED LIFTING CAPACITY)
DISPOSITIF D'ATTELAGE AXLA (AVEC CAPACITE DE REL. AUGM.)
ANHAENGEVORRICHTUNG "AXLA" (BEI HUBKRAEFERHOEHUNG)
ATTACCO RIMORCHIO TIPO "AXLA" (CON ELEVATA CAPACITA DI SOLLEVAMENTO)
ENGANCHE DE TIRO TIPO "AXLA" (CON FUERZA DE ELEV. AUMENTADA)
VAGNSDRAG "AXLA" (VID OKAD LYFTKAPACITET)

L109715 -UN-07JUN95



L 109715

6C23

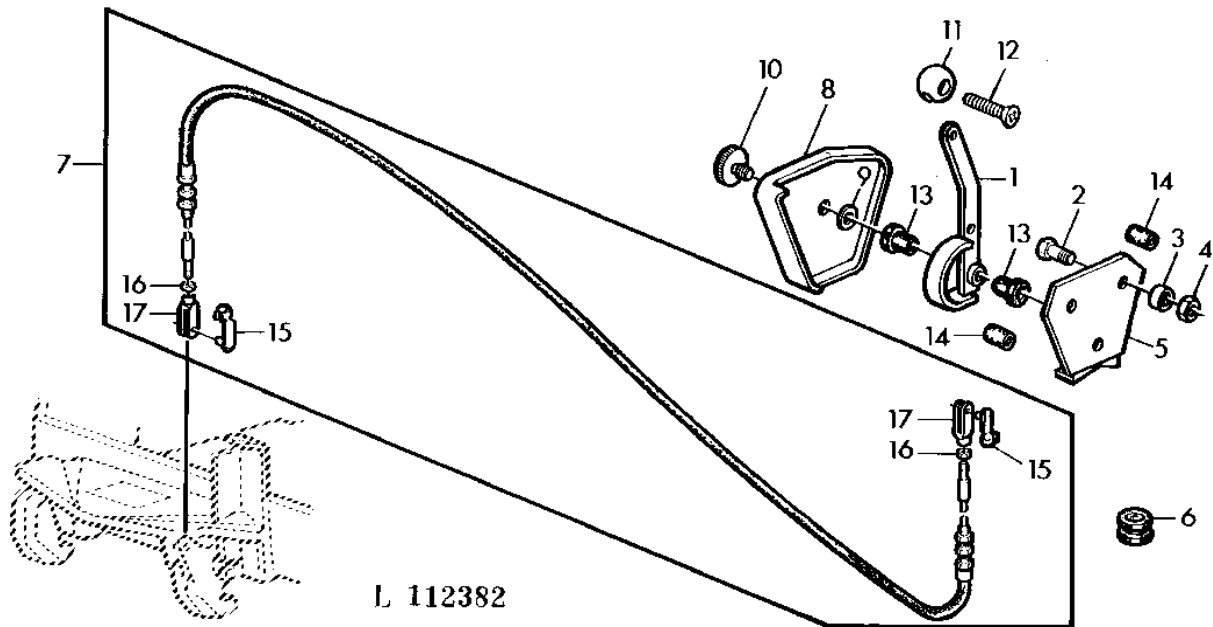
FRAME, WHEELS, COVERS

KEY	PART NO.	PART NAME	QTY	SERIAL NO.	REMARKS
					2
					1 2 0
					6 0 4
					4 4 0
					0 0 S
1	11M7030	COTTER PIN	4		X 5X40MM
2	24M7052	WASHER	2		X 25X44X4MM
3	AL40969	EXTENSION	1		X RH
	AL40970	EXTENSION	1		X LH
4	34M7053	SPRING PIN	2		X 10X40MM
5	L41148	PIN	2		X
6	R69166	PIN	2		X (SUB FOR L56181)
7	L41817	PIN	2		X
8	L39106	PIN	2		X
9	14M7319	LOCK NUT	4		X M12
10	12H301	LOCK WASHER	4		X 1/2"
11	14H1040	NUT	1		X 1/2"
12	AL40972	LOOM	1		X
13	19H1792	CAP SCREW	2		X 1/2"X1"
14	19H2284	CAP SCREW	2		X 3/8"X7/8"
15	AL40973	HITCH	1		X
16	AL34093	PIN	1		X
17	L37153	LUBRICATION FITTING	1		X
18	24M7240	WASHER	6		X 13X25X3MM
19	19H1777	CAP SCREW	2		X 1/2"X1-3/4"
20	L36587	STRAP	2		X
21	19M8300	SCREW	1		X M8X40
22	L55854	SPACER	1		X
23	14M7327	LOCK NUT	2		X M8
24	19M8122	CAP SCREW	4		X M12X85
25	19M7185	CAP SCREW	1		X M8X60
26	AL55316	HITCH	1		X (SUB FOR AL33859)
27	L39133	PIN	1		X
28	AL33860	CASE	1		X
29	T22848	SPRING LOCKING PIN	4		X
30	L36546	PIN	2		X
31	L36545	PIN	2		X
32	24M7147	WASHER	2		X 20X34X3MM
33	L36457	PIN	2		X
34	AL33688	SET SCREW	2		X
35	L36460	NUT	2		X 1"
36	58M5573	LUBRICATION FITTING	2		X (SUB FOR L37155)
37	AL36941	BRACE	2		X
38	11H211	COTTER PIN	2		X 1/8"X3/4"

6C24

FRAME, WHEELS, COVERS

"AXLA" HITCH-CONTROL LEVER
 DISPOSITIF D'ATTELAGE AXLA-COMMANDE
 ANHAENGEVORRICHTUNG "AXLA"-BEDIENUNGSHEBEL
 ATTACCO "AXLA"-LEVA DI MANOVRA
 ENGANCHE DE TIRO "AXLA"-PALANCA DE MANDO
 VAGNSDRAG "AXLA"-MANOVERSPAK
 L112382 -UN-17JUL95



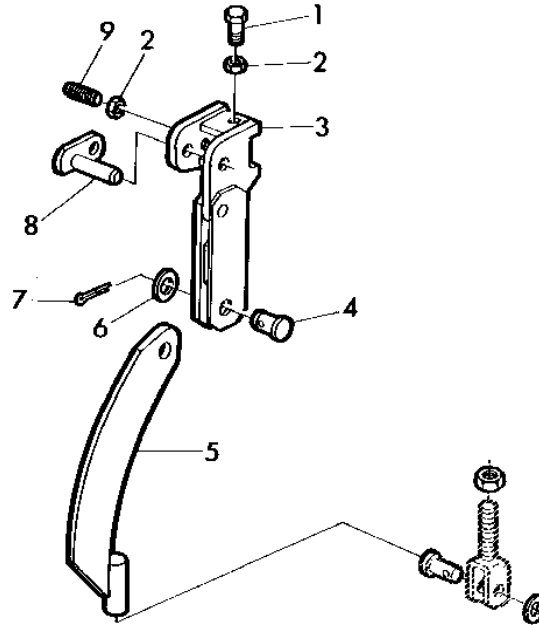
KEY	PART NO.	PART NAME	QTY	SERIAL NO.	REMARKS
				2	
				1 2 0	
				6 0 4	
				4 4 0	
				0 0 S	
1	AL62606	LEVER	1	X X X	(SUB FOR AL34842)
	AL36837	LEVER	1	X X X	(A)
2	19M7378	CAP SCREW	3	X X X	M8X45
3	L37054	BUSHING	3	X X X	
4	14M7327	LOCK NUT	3	X X X	M8
5	AL36728	PLATE	1	X X X	
6	L38021	GROMMET	1	X X X	(SUB FOR L36697)
7	AL36988	PUSH PULL CABLE	1	X X X	
8	L36456	CASE	1	X X X	
9	24M7055	WASHER	1	X X X	
10	L38532	KNURLED THUMB SCREW	1	X X X	
11	L36466	KNOB	1	X X X	
12	L36467	SCREW	1	X X X	
13	L36464	SPACER	2	X X X	
14	L36465	SPACER	2	X X X	
15	45M7080	SPRING LOCKING PIN	2	X X X	
16	14M7272	NUT	2	X X X	M6
17	54M4418	YOKE	2	X X X	

(A) WITH SG2 CAB
 SUR CABINE SG2
 BEI SG2 KABINE
 CON CABINA SG2
 CON CABINA SG2
 VID SG2 HYTT

6C25

FRAME, WHEELS, COVERS

HITCH "AXLA"-LIFT ARM EXTENSION
 DISPOSITIF D'ATTELAGE AXLA-RALLONGE DE BRAS DE LEVAGE
 ANHAENGEVORRICHTUNG "AXLA"-HUBARMVERLAENGERUNG
 ATTACCO RIMORCHIO TIPO "AXLA"-ESTENSIONE DEL BRACCIO
 ENGANCHE DE TIRO TIPO "AXLA"-ALARGADERA DEL BRAZO
 VAGNSDRAG "AXLA"-FORLANGNING FOR LYFTARMAR
 L100275 -UN-07JUN95



L 100275

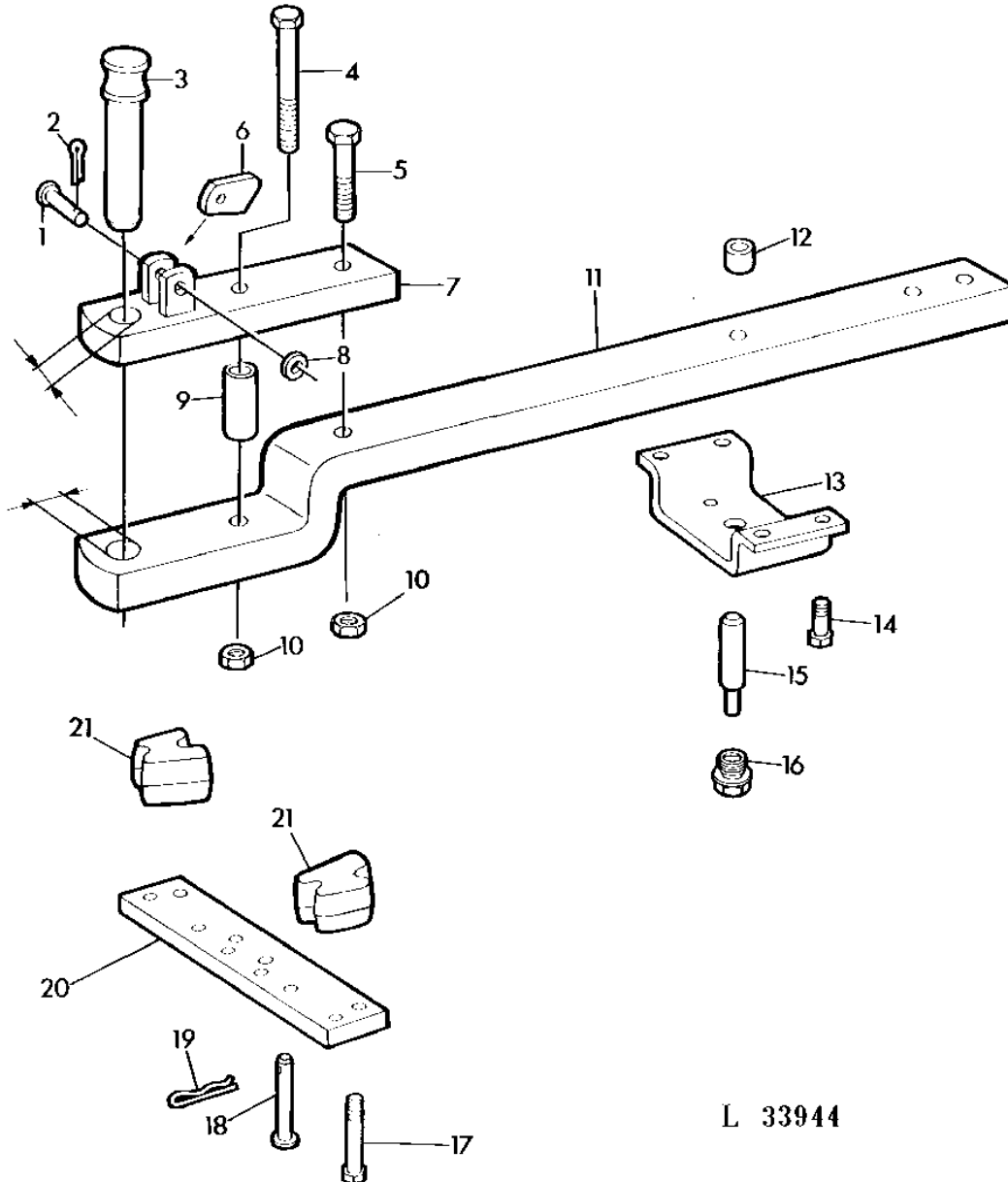
2
1 2 0
6 0 4
4 4 0
0 0 S

KEY	PART NO.	PART NAME	QTY	SERIAL NO.	REMARKS
1	19M7662	CAP SCREW	2	X X X	M10X30
2	14M7274	NUT	4	X X X	M10
3	AL36934	EXTENSION	1	X X X	RH
	AL36937	EXTENSION	1	X X X	LH
4	L39106	PIN	2	X X X	
5	AL36941	BRACE	2	X X X	
6	24M7052	WASHER	2	X X X	
7	11M7030	COTTER PIN	4	X X X	
8	AL36940	PIN	2	X X X	
9	22M7108	SET SCREW	2	X X X	M10X35

6D1

FRAME, WHEELS, COVERS

DRAWBAR
BARRE D'ATTELAGE OSCILLANTE
ZUGPENDEL
BARRA TRAINO OSCILLANTE
BARRA DE TIRO OSCILANTE
DRAGBOM
L33944 -UN-09JUN95



6D2

FRAME, WHEELS, COVERS

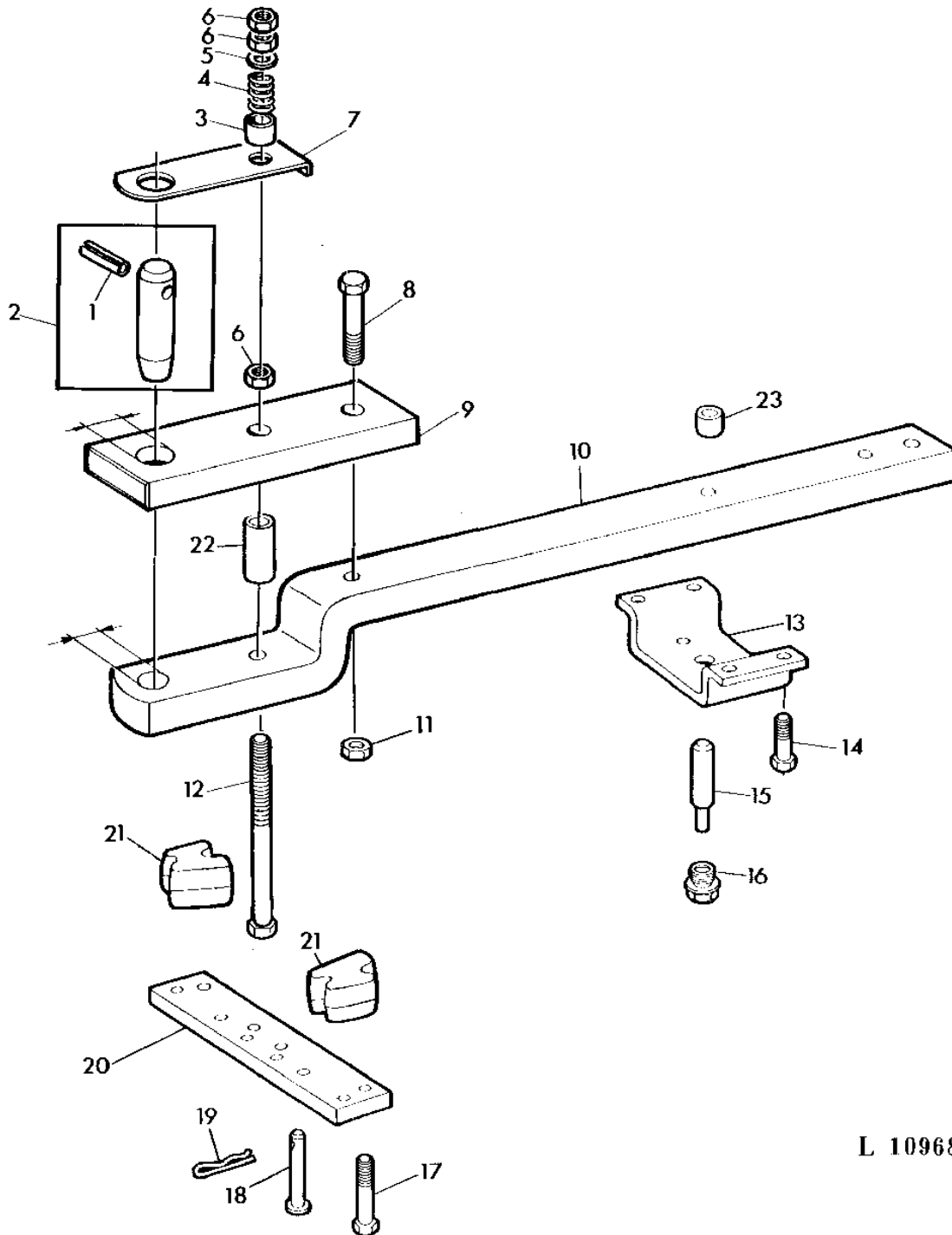
KEY	PART NO.	PART NAME	QTY	SERIAL NO.	REMARKS
					2
					1 2 0
					6 0 4
					4 4 0
					0 0 S
1	45M6305	PIN	1		X X X 8X35
2	11M7008	COTTER PIN	1		X X X 2X14MM
3	T29893	PIN	1		X X X OD= 25MM (.98")
	T29645	PIN	1	-701426	X X X OD= 31MM (1.22") (ORD L63825, L63826)
	L63825	PIN	1	701427-	X X X OD= 32MM (1.26")
4	19H2212	CAP SCREW	1		X X X 5/8"X5-1/4"
5	19H1863	CAP SCREW	1		X X X 5/8"X3"
6	L63826	LATCH	1		X X X (SUB FOR T29644)
7	AT29327	STRAP	1		X X X ID= 26.5MM (1.043")
	AT29326	STRAP	1		X X X 33MM (1.299")
8	24M7055	WASHER	1		X X X 8.4X17X1.6MM
9	L57595	SPACER	1		X X X (SUB FOR T29892)
10	14H1039	NUT	2		X X X 5/8"
11	L29021	DRAWBAR	1		X X X ID= 26.5MM (1.043")
	L29020	DRAWBAR	1		X X X 33MM (1.299")
12	T21671	BUSHING	1		X X X
13	AL27203	SUPPORT	1		X X X FRONT
14	19H2898	CAP SCREW	4		X X X 1/2"X1-1/4"
15	L32016	PIN	1		X X X
16	L31849	ADAPTER	1		X X X
17	19H1945	CAP SCREW	4		X X X 1/2"X3-1/4"
18	L29022	PIN	2		X X X
19	A3581R	SPRING LOCKING PIN	2		X X X
20	T31725	SUPPORT	1		X X X REAR
21	T21913	SPACER	2		X X X (SUB FOR L29023)

6D3

FRAME, WHEELS, COVERS

DRAWBAR (WITH INCREASED LIFTING CAPACITY)
CHAPE D'ATTELAGE (AVEC CAPACITE DE REL. AUGM.)
ZUGPENDEL (BEI HUBKRAFTERHOEHUNG)
BARRA TRAINO OSCILLANTE (CON ELEVATA CAPACITA DI SOLLEVAMENTO)
BARRA DE TIRO OSCILANTE (CON FUERZA DE ELEV. AUMENTADA)
DRAGBOM (VID OKAD LYFTKAPACITET)

L109689 -UN-07JUN95



L 109689

6D4

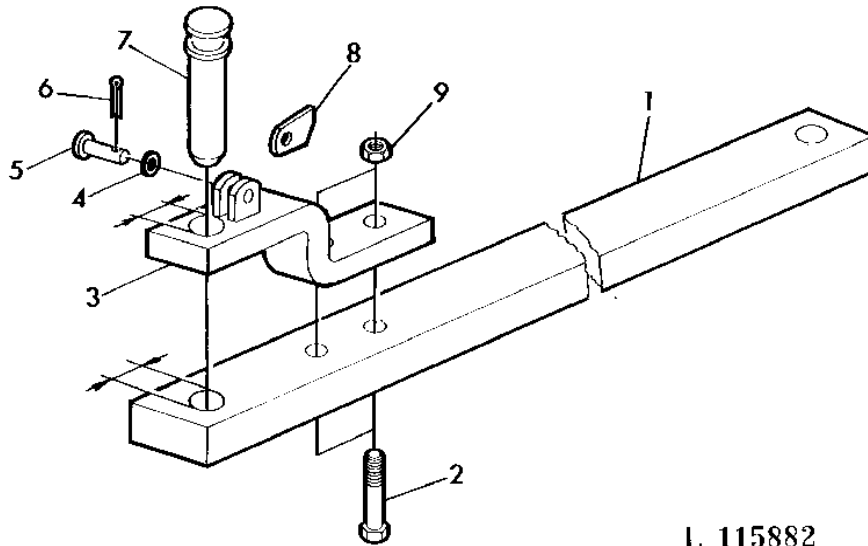
FRAME, WHEELS, COVERS

KEY	PART NO.	PART NAME	QTY	SERIAL NO.	REMARKS
					2
					1 2 0
					6 0 4
					4 4 0
					0 0 S
1	34M7100	SPRING PIN	1		X 12X70MM
2	AL39868	PIN	1		X OD= 25MM (.984")
	AL39867	PIN	1		X OD= 31.5MM (1.240")
3	F3542R	BUSHING	1		X
4	F3541R	SPRING	1		X
5	24H1372	WASHER	1		X 21/32"X1-1/2"X0.06"
6	14H821	NUT	3		X 5/8"
7	L41540	RETAINER	1		X
8	19H1863	CAP SCREW	1		X 5/8"X3"
9	T30544	STRAP	1		X ID= 26.5MM (1.043")
	T30543	STRAP	1		X ID= 33MM (1.299")
10	L29021	DRAWBAR	1		X ID= 26.5MM (1.043")
	L29020	DRAWBAR	1		X ID= 33MM (1.299")
11	19H1039	NUT	1		X 5/8"
12	19H2432	CAP SCREW	1		X 5/8"X7-1/2"
13	AL27203	SUPPORT	1		X FRONT
14	19H2898	CAP SCREW	4		X 1/2"X1-1/4"
15	L32016	PIN	1		X
16	L31849	ADAPTER	1		X
17	19H1945	CAP SCREW	4		X 1/2"X3-1/4"
18	L29022	PIN	2		X
19	A3581R	SPRING LOCKING PIN	2		X
20	T31725	SUPPORT	1		X REAR
21	T21913	SPACER	2		X (SUB FOR L29023)
22	L57595	SPACER	1		X (SUB FOR T29892)
23	T21671	BUSHING	1		X

6D5

FRAME, WHEELS, COVERS

DRAWBAR FOR "AXLA" TRAILER HITCH
 CHAPE D'ATTELAGE POUR DISPOSITIF AXLA
 ZUGPENDEL FUER ANHAENGEVORRICHTUNG "AXLA"
 BARRA TRAINO OSCILANTE PER ATTACCO "AXLA"
 DRAGBOM FOR "AXLA" HYDRAULISKT VAGNSDRAG
 L115882 -UN-22JUN95



L 115882

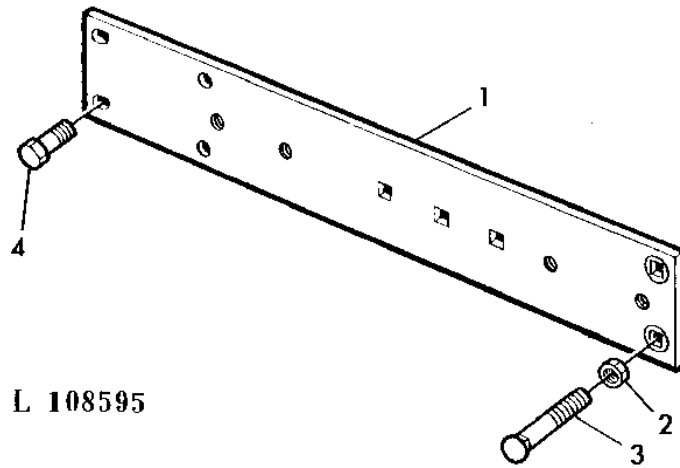
2
1 2 0
6 0 4
4 4 0
0 0 S

KEY	PART NO.	PART NAME	QTY	SERIAL NO.	REMARKS
1	AL35648	DRAWBAR	1		X X X ID= 26.5MM (1.043")
	AL35651	DRAWBAR	1		X X X ID= 33MM (1.299")
2	19M7719	CAP SCREW	2		X X X M16X70
3	AL35649	STRAP	1		X X X ID= 26.5MM (1.043")
	AL35652	STRAP	1		X X X ID= 33MM (1.299")
4	24M7055	WASHER	1		X X X 8.4MM
5	45M6305	PIN	1		X X X 8X35MM
6	11M7008	COTTER PIN	1		X X X 2X14MM
7	T29893	PIN	1		X X X OD= 25MM (.98")
	T29645	PIN	1	-701426	X X X OD= 31MM (1.22") (ORD L63825, L63826)
	L63825	PIN	1	701427-	X X X OD= 32MM (1.26")
8	L63826	LATCH	1		X X X (SUB FOR T29644)
9	14M7276	NUT	2		X X X M16

6D6

FRAME, WHEELS, COVERS

SIDE FRAMES
 CHASSIS LATEROUX
 SEITENRAHMEN
 TRAVERSE LATERALI
 BASTIDORES LATERALES
 SIDORAMAR
 L108595 -UN-17JUL95



2
 1 2 0
 6 0 4
 4 4 0
 0 0 S

KEY	PART NO.	PART NAME	QTY	SERIAL NO.	REMARKS
1	L38097	FRAME	1	X X X	LH (SUB FOR L34458)
	L37002	FRAME	1	X X X	RH (SUB FOR L34457)
	L37002	FRAME	2	X X X	(A)
2	14H1039	NUT	4	X X X	5/8"
3	10H1157	BOLT	4	X X X	5/8"X3-1/4"
4	19H1756	CAP SCREW	4	X X X	5/8"X1-1/2"

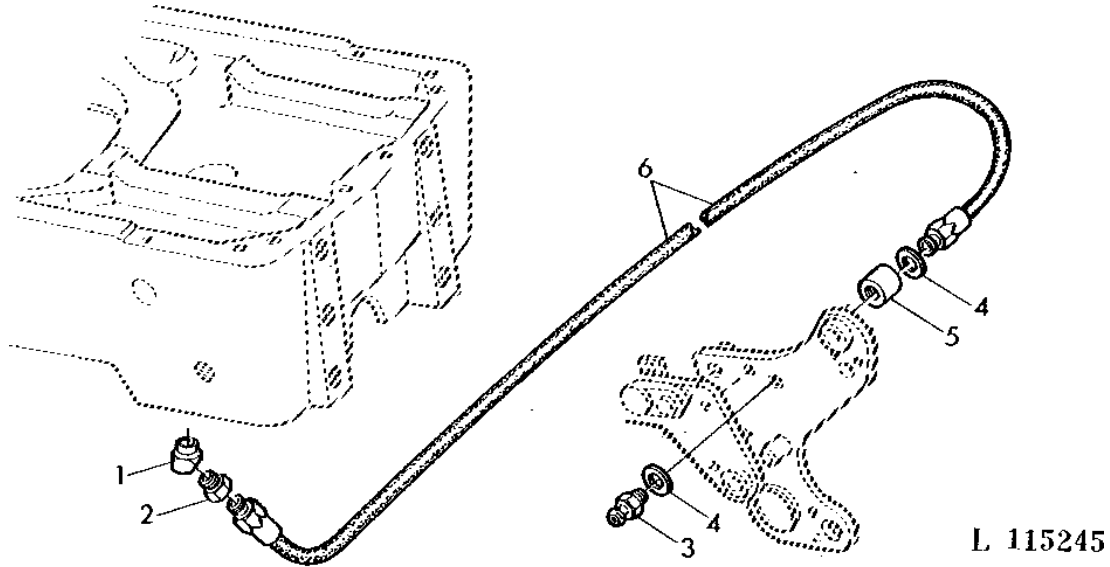
(A) WITH SG2 CAB
 SUR CABINE SG2
 BEI SG2 KABINE
 CON CABINA SG2
 CON CABINA SG2
 VID SG2 HYTT

6D7

FRAME, WHEELS, COVERS

LUBRICATION - FRONT AXLE PIN
 GRAISSAGE DU PIVOT D'ESSIEU AVANT
 ABSCHMIERUNG DES VORDERACHS-PENDELBOLZEN
 LUBRIFIC. PER BULL. SPEC. DEL SUPPORTO ASSALE ANTERIORE
 ENGRASE DEL BULON DEL SOPORTE DEL EJE DELANTERO
 SMORJNING AV FRAMAXELVAGGANS SPECIALSKRUV

L115245 -UN-01JAN94



2
 1 2 0
 6 0 4
 4 4 0
 0 0 S

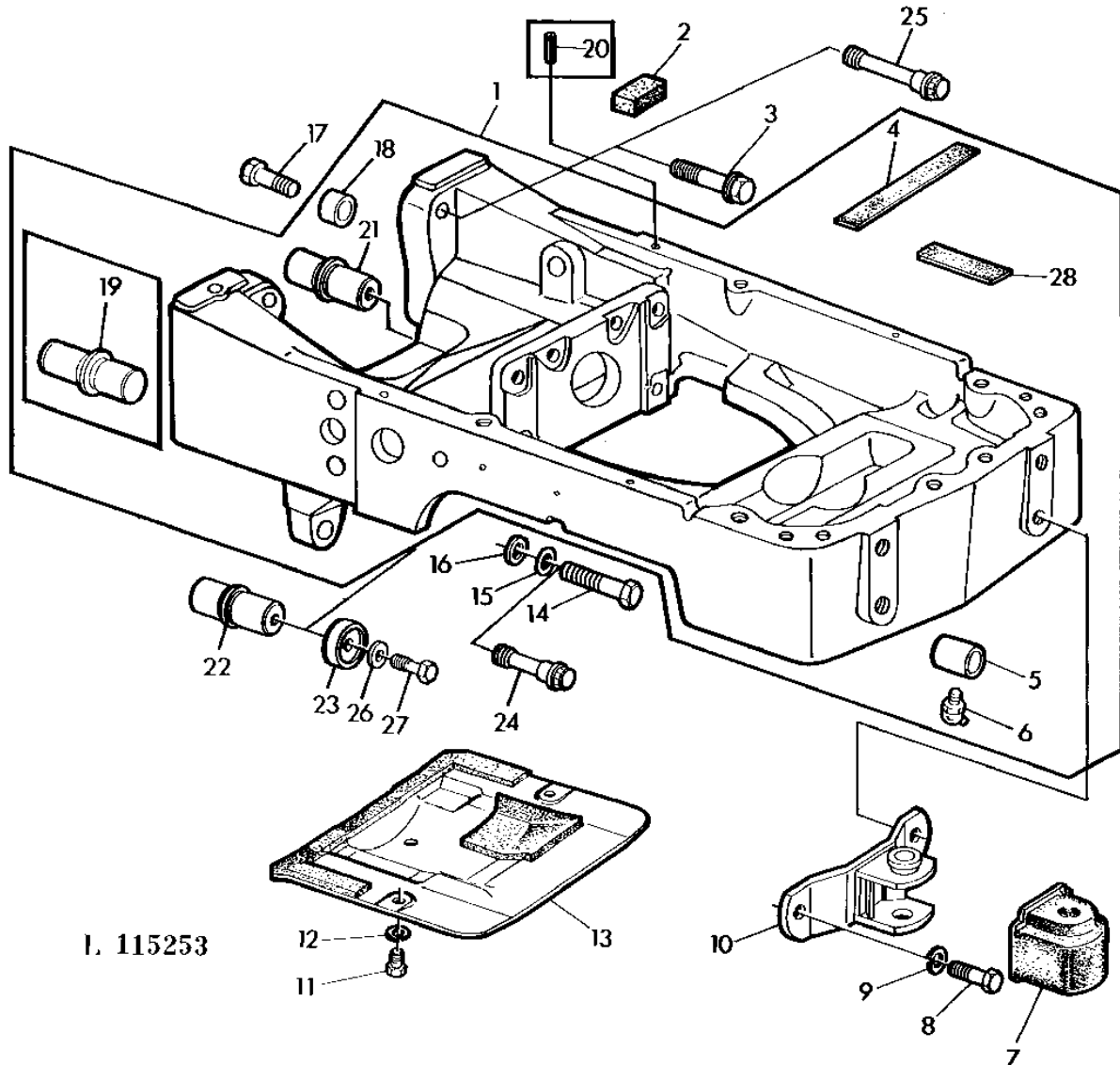
KEY	PART NO.	PART NAME	QTY	SERIAL NO.	REMARKS
1	L58575	ADAPTER	1		X
2	L58372	ADAPTER	1		X
3	JD7798	LUBRICATION FITTING	1		X
4	24H1306	WASHER	2		X 13/32"X1"X.036"
5	L58574	BUSHING	1		X
6	AL59955	HOSE	1		X

MEMORANDA
MEMORANDA
MEMORANDA
MEMORANDA
MEMORANDA

6D8

FRAME, WHEELS, COVERS

FRONT SUPPORT/FRONT HITCH
SUPPORT AVANT/CHAPE DE POUSSEE
TRAGBOCK VORN/DRUECKEVORRICHTUNG
SUPPORTO ANTERIORE/GANCIO TRAINO ANTERIORE
SOPORTE DEL PUENTE DELANTERO/ENGANCHE DELANTERO
FRAMRE UPPHANGNING/FRAMRE DRAG
L115253 -UN-18JUL95



I. 115253

6D9

FRAME, WHEELS, COVERS

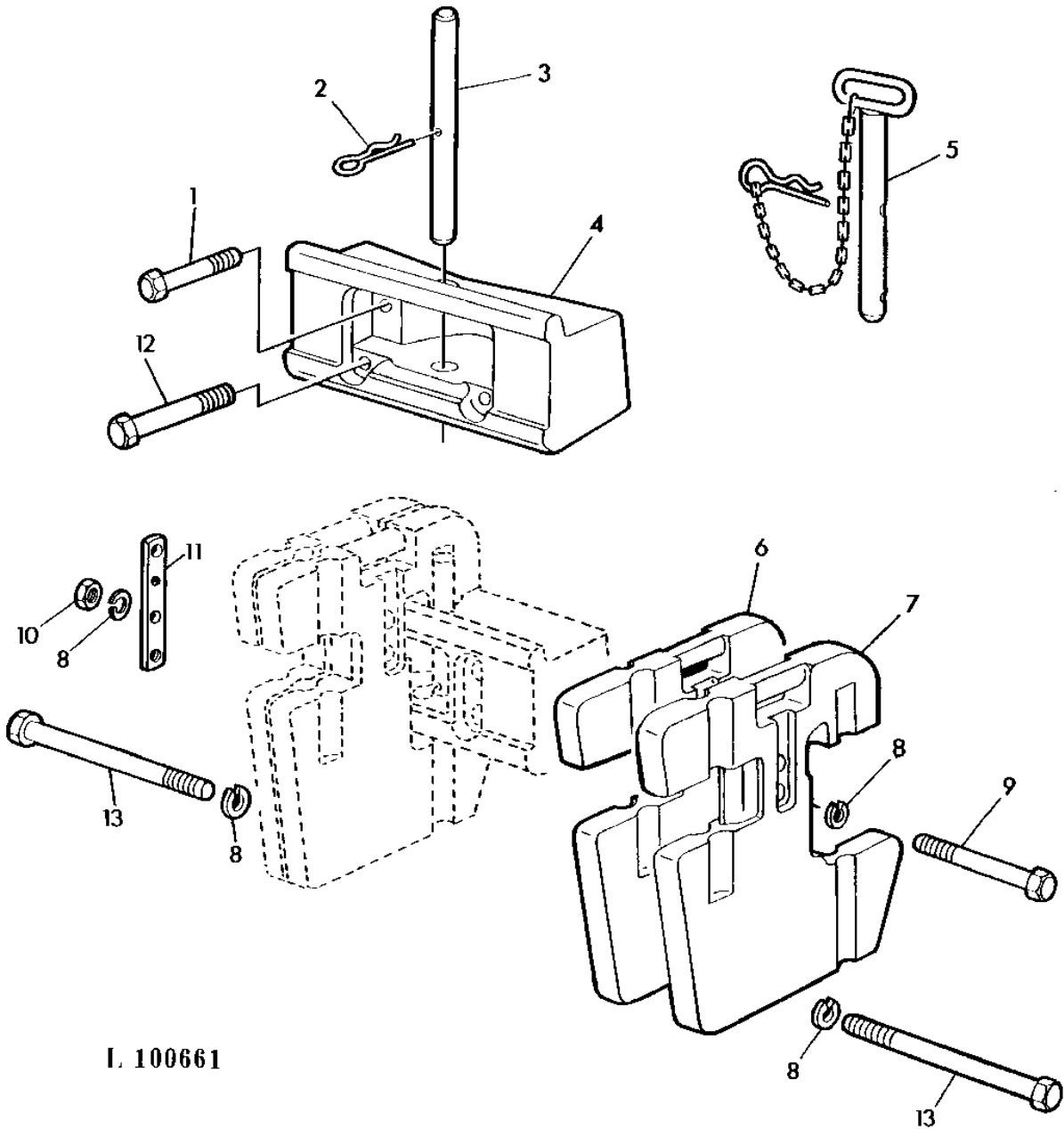
KEY	PART NO.	PART NAME	QTY	SERIAL NO.		REMARKS
					2	
					1 2 0	
					6 0 4	
					4 4 0	
					0 0 S	
1	AL37735	FRONT AXLE SUPPORT	1	-558220	X X X	(ORD AL58318, L57963, L57686, 47M7003) (SUB FOR AL31293, AL37418)
	AL58318	FRONT AXLE SUPPORT	1	558221-	X X X	
	AL61997	FRONT AXLE SUPPORT	1		X	(A) (SUB FOR AL39989)
2	L57055	FOAM PAD	1		X X X	(SUB FOR T22375)
3	L41574	CAP SCREW	4		X X X	5/8"X3" (SUB FOR 19H1863 APPL)
4	T29201	CUSHION	2		X X X	(FOR AL37735 OR AL39989 OR AL58318 OR AL61997) (SUB FOR T21540)
5	L62839	BUSHING	1		X X X	(FOR AL58318) (SUB FOR T23118, L58547)
	L62835	BUSHING	1		X	(A) (FOR AL39989, AL61997) (SUB FOR L55206)
6	JD7799	LUBRICATION FITTING	1		X X X	
7	L38255	CAP	1		X X X	
8	19H1374	CAP SCREW	2		X X X	3/4"X2"
9	12H236	LOCK WASHER	2		X X X	3/4"
10	AL35947	HITCH	1		X X X	
11	19H2021	CAP SCREW	2		X X X	3/8"X5/8"
12	12H304	LOCK WASHER	2		X X X	3/8"
13	AL56381	COVER	1		X X X	(SUB FOR L36946)
14	19H1715	CAP SCREW	2		X X X	3/4"X3"
15	T29219	SHIM	AR		X X X	TK= 0.1MM (.004")
16	T29218	SHIM	AR		X X X	TK= 0.5MM (.1968")
	T40983	WASHER	AR		X X X	TK= 5.96MM (.235")
	T25922	WASHER	AR		X X X	TK= 6.35MM (.250") (SUB FOR T36034 APPL)
17	19H2358	CAP SCREW	2		X X X	9/16"X2-1/4"
18	T26929	BUSHING	2		X X X	
19	L34070	PIN	1		X X X	(ORD L55437, L57686, L57963, 47M7003)
	L55205	PIN	1		X	(A) (ORD L57725, L57686, L57963, 47M7003)
20	34H340	SPRING PIN	4		X X X	5/16"X13/16"
21	L57725	PIN	1		X X X	(FOR AL58318, AL39989)
22	L55437	PIN	1		X X X	(FOR AL31293, AL37418, AL37735)
23	L63758	BUSHING	1		X X X	(SUB FOR L57686)
24	L41419	SCREW	2		X	(A) 3/4"
25	L41420	SCREW	4		X	(A) 5/8"
26	47M7003	WASHER	1		X X X	
27	L57963	CAP SCREW	1		X X X	M12X40
28	L57050	FOAM PAD	2		X	(FOR AL61997)

(A) WITH INCREASED LIFTING CAPACITY
 AVEC CAPACITE DE REL.AUGM.
 BEI HUBKRAFTERHOEHUNG
 CON ELEVATA CAPACITA DI SOLLEVAMENTO
 CON FUERZA DE ELEV.AUMENTADA
 VID OKAD LYFTKAPACITET

6D10

FRAME, WHEELS, COVERS

FRAME WEIGHTS
MASSES D'ALOURDISSEMENT
RAHMENGEWICHTE
ZAVORRE ANTERIORI
CONTRAPESOS DELANTEROS
RAMVIKTER
L100661 -UN-17JUL95



6D11

FRAME, WHEELS, COVERS

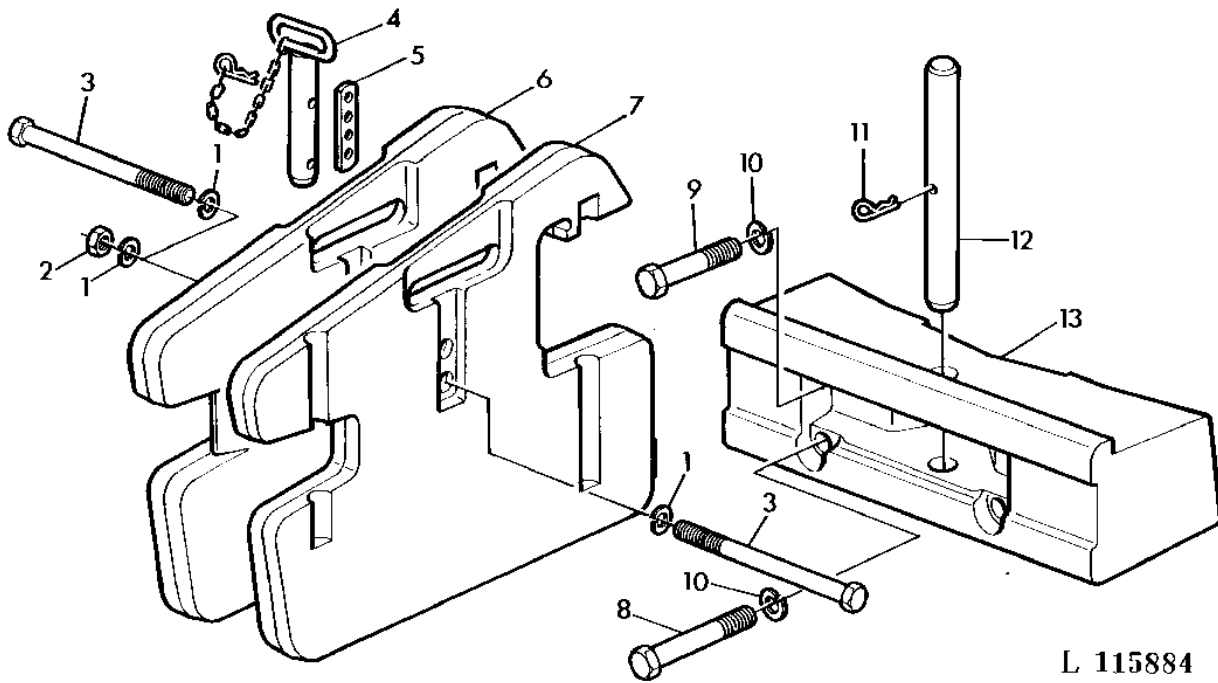
KEY	PART NO.	PART NAME	QTY	SERIAL NO.	REMARKS
					2
					1 2 0
					6 0 4
					4 4 0
					0 0 S
1	19H3210	CAP SCREW	2	X X X	3/4"X5-1/4"
2	L12491	SPRING LOCKING PIN	1	X X X	
3	T32146	PIN	1	X X X	
4	L77732	WEIGHT	1	X X X	(SUB FOR L35460 APPL)
5	AL31229	PIN	1	X X X	(ORD W/ L12491)
6	R51910	WEIGHT	AR	X X X	
7	L31560	WEIGHT	2	X X X	
8	12M7044	LOCK WASHER	AR	X X X	
9	19H3013	CAP SCREW	AR	X X X	5/8"X 8-1/2"
10	14H821	NUT	1	X X X	5/8"
11	AR68801	RETAINER	AR	X X X	(SUB FOR T32148)
12	19H3405	CAP SCREW	2	X X X	3/4"X7"
13	R51681	CAP SCREW	AR	X X X	5/8"X13"

6D12

FRAME, WHEELS, COVERS

FRAME WEIGHTS (WITH INCREASED LIFTING CAPACITY)
MASSES D'ALOURDISSEMENT (AVEC CAPACITE DE REL. AUGM.)
RAHMENGEWICHTE (BEI HUBKRAFTERHOEHUNG)
ZAVORRE ANTERIORI (CON ELEVATA CAPACITA DI SOLLEVAMENTO)
CONTRAPESOS DELANTEROS (CON FUERZA DE ELEV. AUMENTADA)
RAMVIKTER (VID OKAD LYFTKAPACITET)

L115884 -UN-18JUL95



6D13

FRAME, WHEELS, COVERS

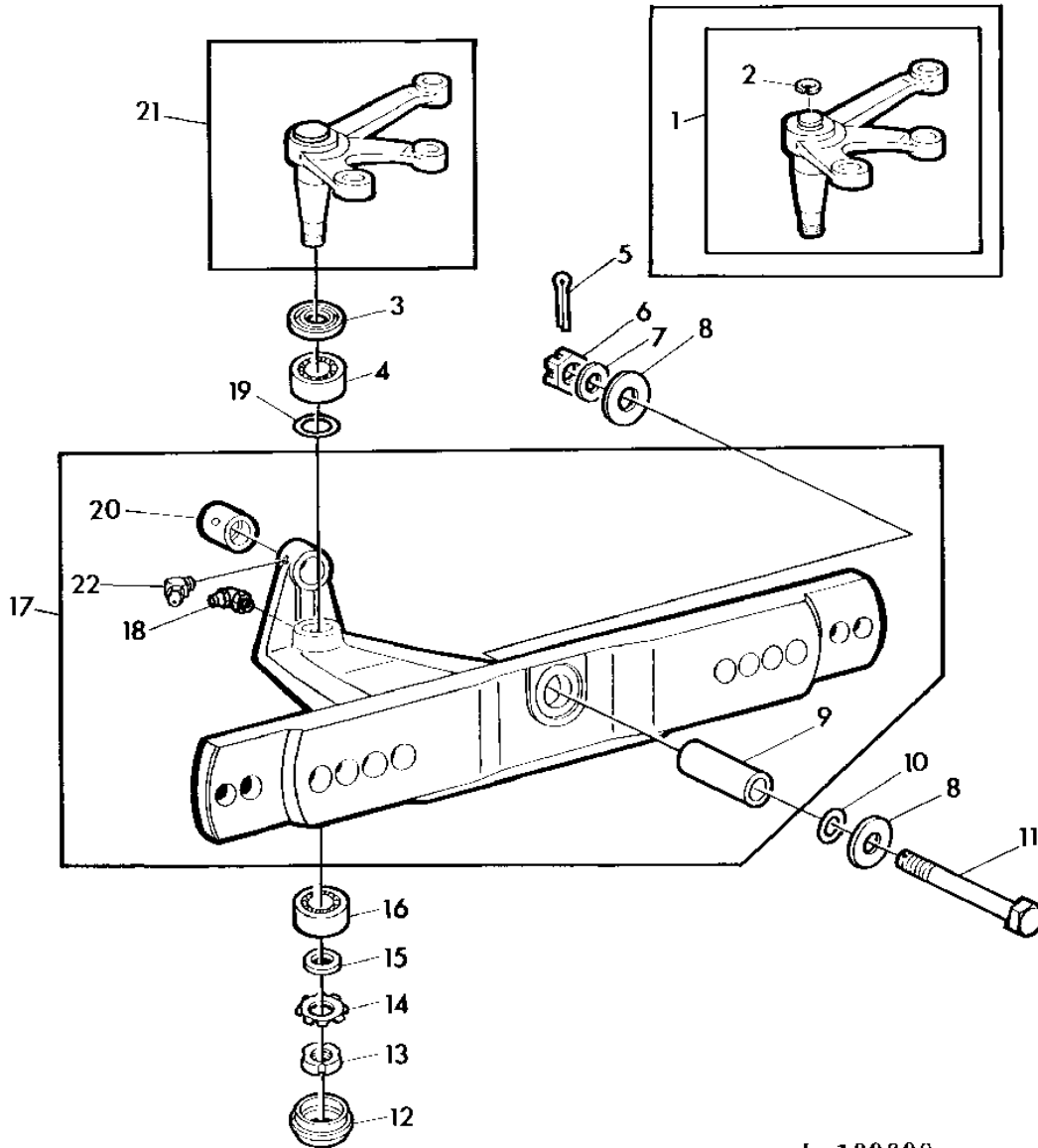
KEY	PART NO.	PART NAME	QTY	SERIAL NO.	REMARKS
					2
					1 2 0
					6 0 4
					4 4 0
					0 0 S
1	12M7044	LOCK WASHER	AR		X
2	14H821	NUT	1		X (A) 6.8, 5/8"
3	08H4738	BOLT	1		X (A) 6.5/8"X9"
	08H4482	CAP SCREW	1		X (A) 8.5/8"X12"
	08H4738	BOLT	2		X (A) 10.5/8"X9"
	08H4224	CAP SCREW	2		X (A) 12.5/8"X11"
	08H4482	CAP SCREW	2		X (A) 14.5/8"X12"
4	AL31229	PIN	1		X
5	AR68801	RETAINER	2		X (A) 10, 12, 14 (SUB FOR T32148)
6	L38451	WEIGHT	2		X
7	L38449	WEIGHT	AR		X LH
	L38450	WEIGHT	AR		X RH
8	19H3405	CAP SCREW	2		X 3/4"X7"
9	19H3210	CAP SCREW	2		X 3/4"X5-1/4"
10	12H236	LOCK WASHER	4		X 3/4"
11	L12491	SPRING LOCKING PIN	1		X
12	T32146	PIN	1		X
13	L77732	WEIGHT	1		X (SUB FOR L35460 APPL)

(A) NUMBER OF WEIGHTS
 NOMBRE DE MASSES
 ANZAHL DER GEWICHTE
 NUMERO DI ZAVORRE
 NUMERO DE CONTAPESOS
 ANTAL VIKTER

6D14

FRAME, WHEELS, COVERS

FRONT AXLE CENTER
PARTIE INTERMEDIAIRE D'ESSIEU AVANT
VORDERACHS-MITTELSTUECK
ASSALE CENTRALE ANTERIORE
PUENTE CENTRAL DEL EJE DELANTERO
MITTSEKTION AV FRAMAXELN
L109690 -UN-07JUL95



L 109690

6D15

FRAME, WHEELS, COVERS

KEY	PART NO.	PART NAME	QTY	SERIAL NO.	REMARKS
					2
					1 2 0
					6 0 4
					4 4 0
					0 0 S
1	AL34927	BELLCRANK	1	X	(A) (ORD A55151)
	AL31088	LEVER	1	X X X	(ORD AL55149)
2	F534R	SNAP RING	1	X X X	
3	AL31052	DISK	1	X X X	
4	JD10137	ROLLER BEARING	1	X X X	
5	11H218	COTTER PIN	1	X X X	3/16"X1-1/2"
6	14H1086	NUT	1	X X X	3/4"
7	T10510	WASHER	1	X X X	
8	T25922	WASHER	2	X X X	
9	T21669	BUSHING	1	X X X	
10	T25921	SHIM	AR	X X X	TK= 0.4MM (.016")
	T30991	WASHER	AR	X X X	TK= 1MM (.04")
11	T25840	CAP SCREW	1	X X X	3/4"
12	L34855	CAP	1	X X X	
13	52M7012	NUT	1	X X X	M30X1.5
14	12M7086	LOCK PLATE	1	X X X	
15	24M7227	WASHER	1	X X X	30X42X2.5MM
16	JD10115	ROLLER BEARING	1	X X X	
17	AL31858	AXLE	1	X X X	
18	JD7799	LUBRICATION FITTING	1	X X X	
19	L36266	SHIM	AR	X X X	TK= 0.2MM (.008")
	L36267	SHIM	AR	X X X	TK= 0.3MM (.012")
20	L62836	BUSHING	1	X X X	(SUB FOR T23170, L57310)
21	AL55151	LEVER	1	X	(A)
	AL55149	LEVER	1	X X X	
22	JD7847	LUBRICATION FITTING	1	X X X	1/8"

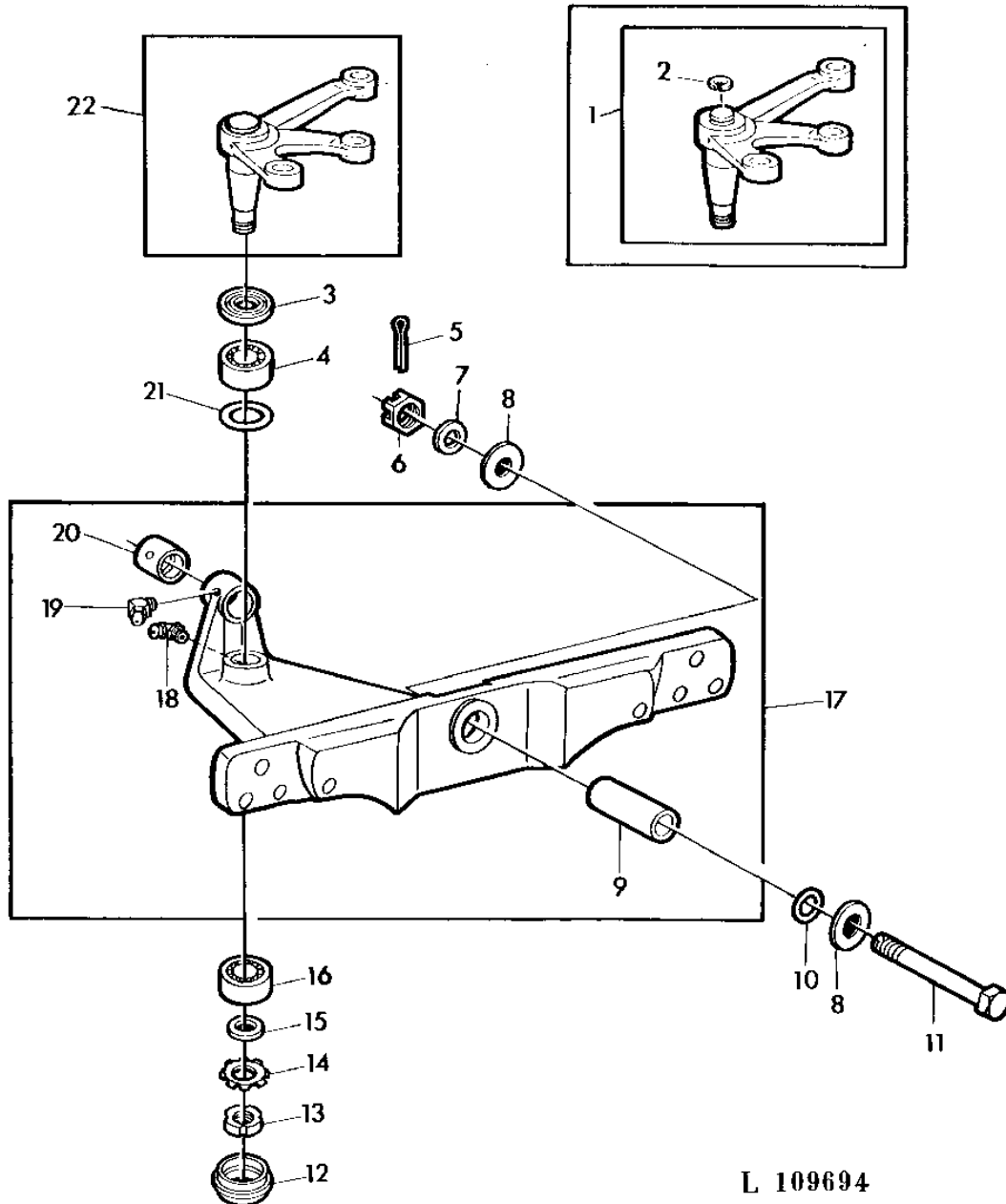
(A) LOW TYPE
 VERSION BASSE
 NIEDERE AUSFUEHRUNG
 VERSIONE BASSA
 VERSION BAJA
 LAG UTFORANDE

6D16

FRAME, WHEELS, COVERS

FRONT AXLE CENTER (HEAVY DUTY)
PARTIE INTERMEDIAIRE D'ESSIEU AVANT (RENFORCE)
VORDERACHS-MITTELSTUECK (VERSTAERKTE AUSFUEHRUNG)
ASSALE CENTRALE ANTERIORE (RINFORZATO)
PUENTE CENTRAL DEL EJE DELANTERO (REFORZADO)
MITTSEKTION AV FRAMAXELN (FORSTARKT)

L109694 -UN-17JUL95



6D17

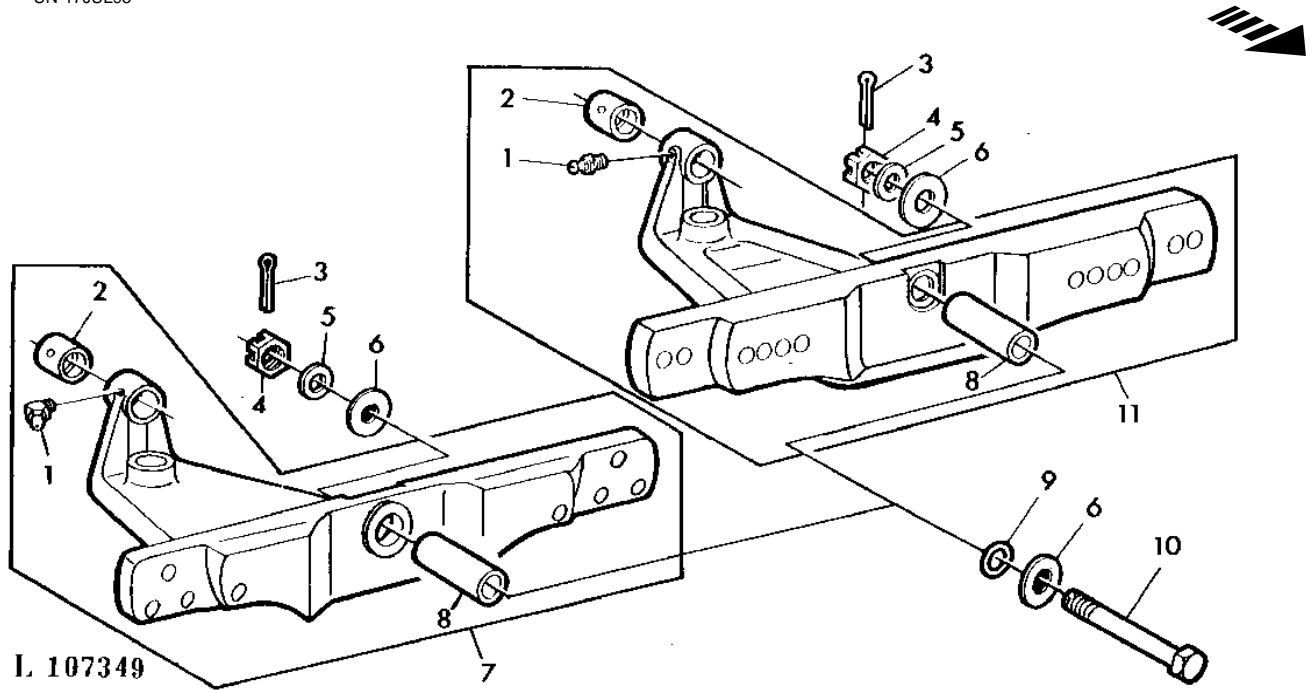
FRAME, WHEELS, COVERS

KEY	PART NO.	PART NAME	QTY	SERIAL NO.	REMARKS
					2
					1 2 0
					6 0 4
					4 4 0
					0 0 S
1	AL31088	LEVER	1		X X X (ORD AL55149)
2	F534R	SNAP RING	1		X X X
3	AL31052	DISK	1		X X X
4	JD10137	ROLLER BEARING	1		X X X
5	11H218	COTTER PIN	1		X X X 3/16"X1-1/2"
6	14H1086	NUT	1		X X X 3/4"
7	T10510	WASHER	1		X X X
8	T25922	WASHER	2		X X X
9	T21669	BUSHING	1		X X X
10	T25921	SHIM	AR		X X X TK= 0.4MM (.016")
	T30991	WASHER	AR		X X X TK= 1MM (.04")
11	T25840	CAP SCREW	1		X X X 3/4"
12	L34855	CAP	1		X X X
13	52M7012	NUT	1		X X X M30X1.5
14	12M7086	LOCK PLATE	1		X X X
15	24M7227	WASHER	1		X X X 30X42X2.5MM
16	JD10115	ROLLER BEARING	1		X X X
17	AL31861	AXLE	1		X X X
18	JD7799	LUBRICATION FITTING	1		X X X
19	JD7847	LUBRICATION FITTING	1		X X X 1/8"
20	L62836	BUSHING	1		X X X (SUB FOR T23170, L57310)
21	L36266	SHIM	AR		X X X TK= 0.2MM (.008")
	L36267	SHIM	AR		X X X TK= 0.3MM (.012")
22	AL55149	LEVER	1		X X X

6D18

FRAME, WHEELS, COVERS

FRONT AXLE CENTER (WITH SG2 CAB)
 PARTIE INTERMEDIAIRE D'ESSIEU AVANT (AVEC CABINE SG2)
 VORDERACHS-MITTELSTUECK (BEI SG2 KABINE)
 ASSALE CENTRALE (CON CABINA SG2)
 PUENTE CENTRAL (CON CABINA SG2)
 MITTSEKTION AV FRAMAXELN (VID SG2 HYTT)
 L107349 -UN-17JUL95



L 107349

KEY	PART NO.	PART NAME	QTY	SERIAL NO.	REMARKS
				2	
				1 2 0	
				6 0 4	
				4 4 0	
				0 0 S	
1	JD7847	LUBRICATION FITTING	1	X X X	1/8"
2	L62836	BUSHING	1	X X X	(SUB FOR T23170, L57310)
3	11H218	COTTER PIN	1	X X X	3/16"X1-1/2"
4	14H1086	NUT	1	X X X	3/4"
5	T10510	WASHER	1	X X X	
6	T25922	WASHER	2	X X X	
7	AL31885	AXLE	1	X X X	(A)
8	T21669	BUSHING	1	X X X	
9	T25921	SHIM	AR	X X X	TK= 0.4MM (.016")
	T30991	WASHER	AR	X X X	TK= 1MM (.04")
10	T25840	CAP SCREW	1	X X X	3/4"
11	AL34564	AXLE	1	X X X	

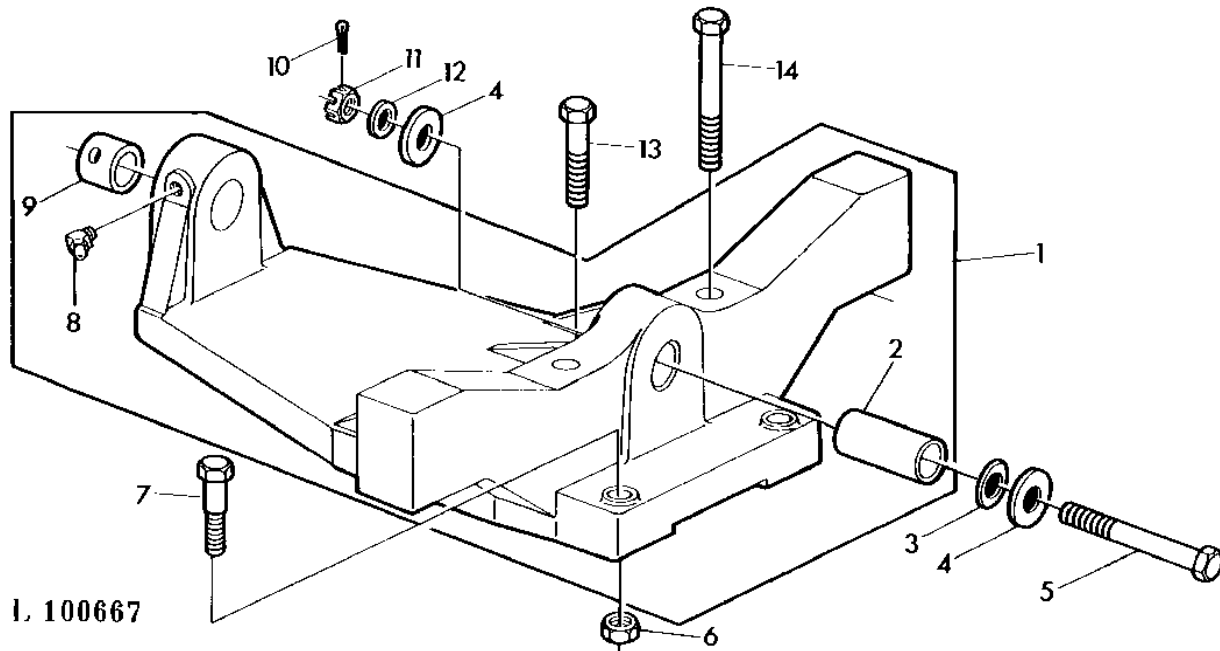
(A) HEAVY DUTY
 RENFORCE
 VERSTAERKTE AUSFUEHRUNG
 RINFORZATO
 REFORZADO
 FORSTARKT

6D19

FRAME, WHEELS, COVERS

FRONT AXLE CENTER (FRONT WHEEL DRIVE)
 PARTIE INTERMEDIAIRE D'ESSIEU AVANT (ESSIEU AVANT)
 VORDERACHS-MITTELSTUECK (FRONTANTRIEB)
 ASSALE CENTRALE (TRAZIONE ANTERIORE)
 PUENTE CENTRAL (TRACCION DELANTERA)
 MITTSEKTION AV FRAMAXELN (VID FRAMHJULSDRIFT)

L100667 -UN-17JUL95



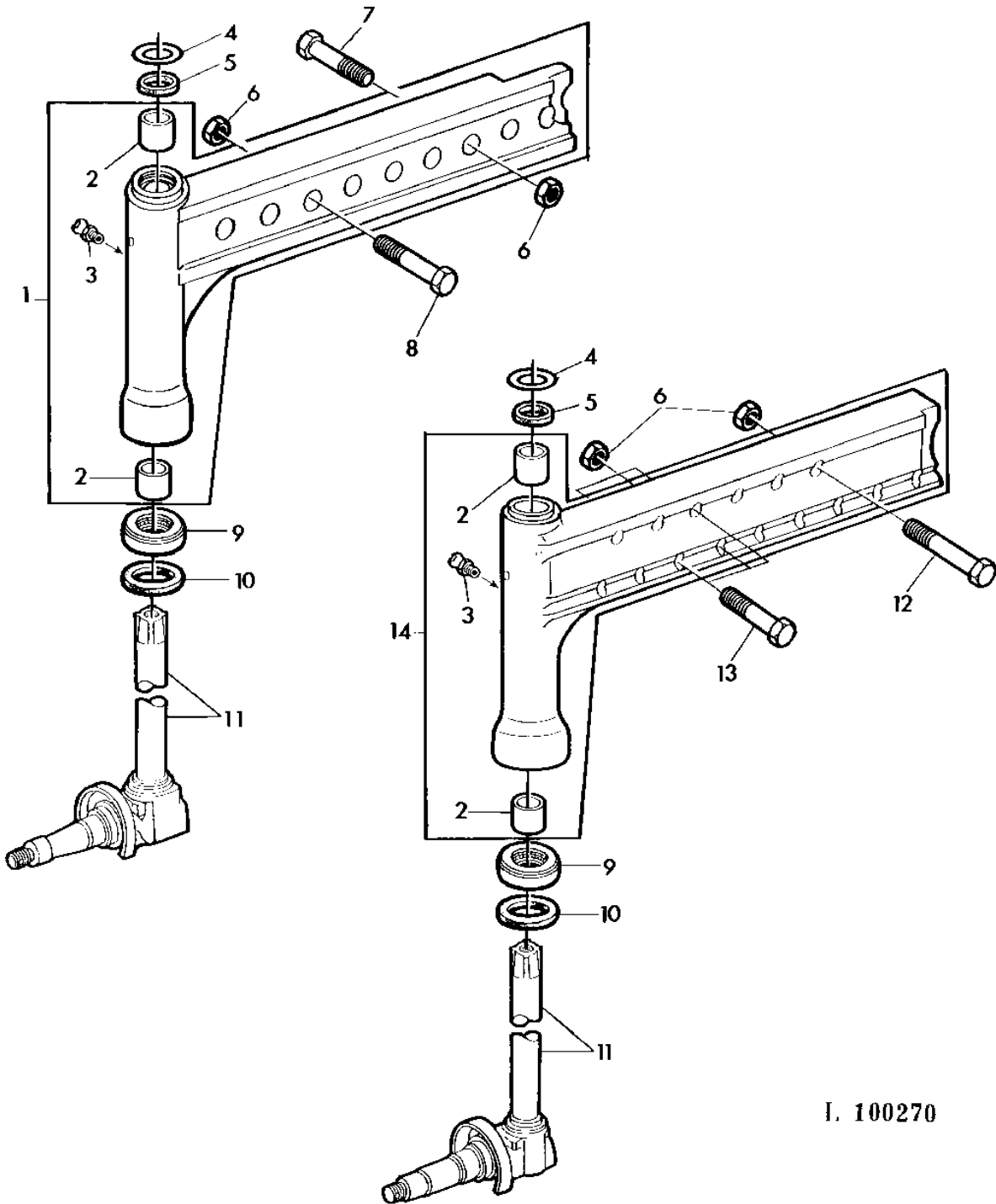
L 100667

KEY	PART NO.	PART NAME	QTY	SERIAL NO.	REMARKS
					2
					1 2 0
					6 0 4
					4 4 0
					0 0 S
1	AL30897	FORK	1	X X X	
2	T21669	BUSHING	1	X X X	
3	T25921	SHIM	AR	X X X	TK= 0.4MM (.016")
4	T29211	WASHER	2	X X X	
5	L64734	CAP SCREW	1	X X X	3/4" (SUB FOR T29210, L59919)
6	14M7277	NUT	2	X X X	M20
7	53M7002	SCREW	2	X X X	M20X90
8	JD7847	LUBRICATION FITTING	1	X X X	1/8"
9	L62836	BUSHING	1	X X X	(SUB FOR T23170, L57310)
10	11H218	COTTER PIN	1	X X X	3/16"X1-1/2"
11	14H1086	NUT	1	X X X	3/4"
12	T10510	WASHER	1	X X X	
13	19M7616	CAP SCREW	2	X X X	M20X75
14	19M7722	CAP SCREW	2	X X X	M20X160

6D20

FRAME, WHEELS, COVERS

FRONT AXLE KNEE/SPINDLE KNUCKLE
PORTE-FUSEE/FUSEE
VORDERACHSARM/ACHSSCHENKEL
MONTANTE ASSALE ANTERIORE/FUSELLO
EXTENSION DEL EJE DELANTERO/MANGUETA
FRAMAXELARM/SPINDEL TAPP
L100270 -UN-07JUN95



I. 100270

6D21

FRAME, WHEELS, COVERS

KEY	PART NO.	PART NAME	QTY	SERIAL NO.	REMARKS
					2
					1 2 0
					6 0 4
					4 4 0
					0 0 S
1	AL19728	ARM	1		X X X RH
	AL19729	ARM	1		X X X LH
2	T21553	BUSHING	4		X X X
3	JD7798	LUBRICATION FITTING	2		X X X 1/8"
4	T15285	SHIM	AR		X X X 0.68MM (.027")
5	T15288	WASHER	2		X X X
6	14H1058	NUT	4		X X X 3/4"
7	19H2827	CAP SCREW	2		X X X 3/4"X4-3/4"
8	19H2825	CAP SCREW	2		X X X 3/4"X4-1/4"
9	JD8410	THRUST BEARING	2		X X X
10	T15284	WASHER	2		X X X
11	AL28222	KNUCKLE	2		X X X
12	19H3307	CAP SCREW	2		X X (A) 3/4"X6"
13	19H2001	CAP SCREW	6		X X (A) 3/4"X5-1/2"
14	AL23280	ARM	1		X X (A) RH
	AL23281	ARM	1		X X (A) LH

(A) HEAVY DUTY
 RENFORCE
 VERSTAERKTE AUSFUEHRUNG
 RINFORZATO
 REFORZADO
 FORSTARKT

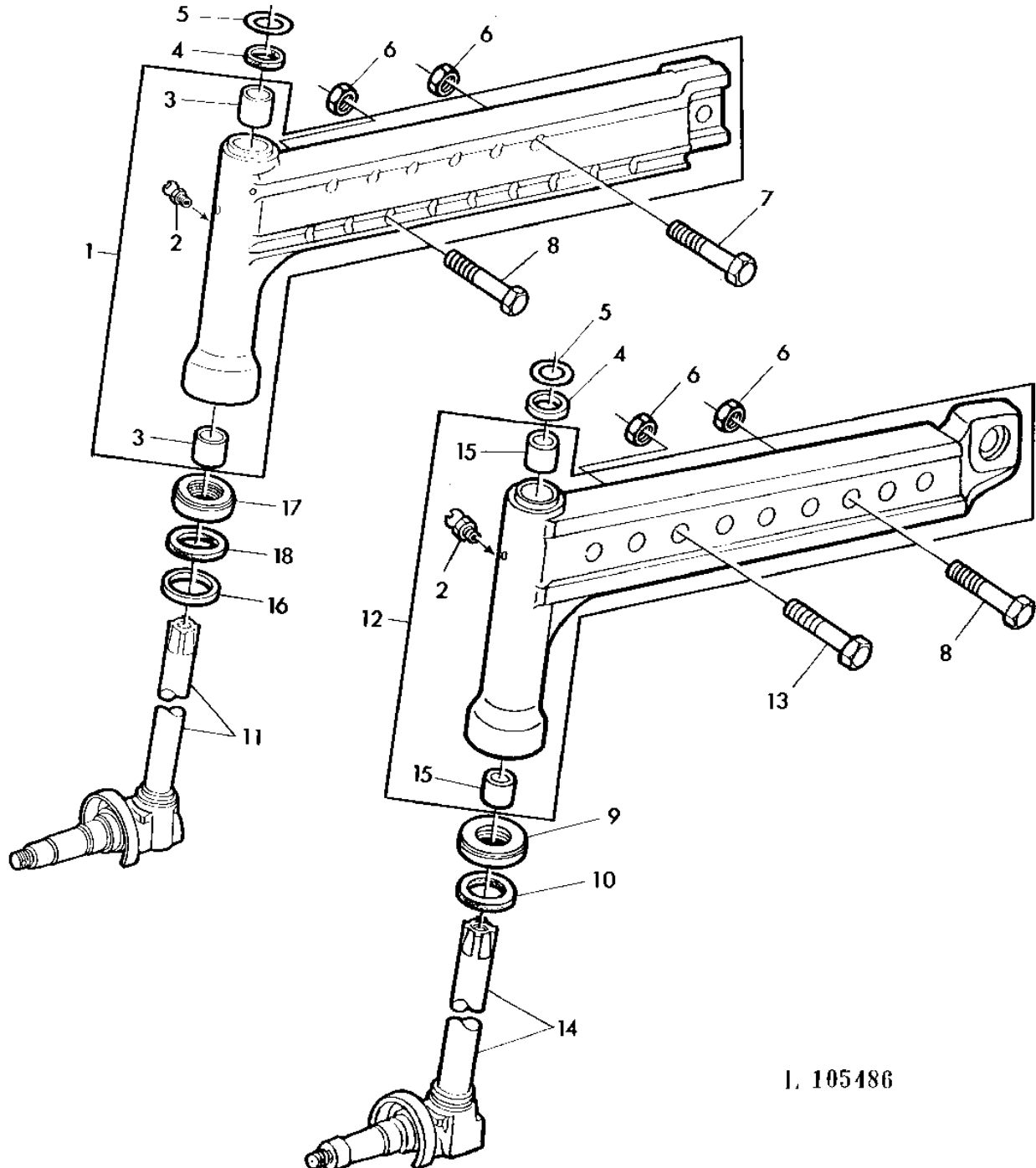
6D22

FRAME, WHEELS, COVERS

FRONT AXLE KNEE/SPINDLE KNUCKLE (WITH SG2 CAB)
PORTE-FUSEE/FUSEE KNUCKLE (AVEC CABINE SG2)
VORDERACHSARM/ACHSSCHENKEL (BEI SG2 KABINE)
MONTANTE ASSALE ANTER/FUSELLO (CON CABINA SG2)
EXTENSION DEL EJE DELANTERO/MANGUETA (CON CABINA SG2)
FRAMAXELARM/SPINDEL TAPP (VID SG2 HYTT)

L105486

-UN-07JUN95



I. 105486

6D23

FRAME, WHEELS, COVERS

KEY	PART NO.	PART NAME	QTY	SERIAL NO.	REMARKS
					2
					1 2 0
					6 0 4
					4 4 0
					0 0 S
1	AL31297	AXLE	1		X X X (A) RH
	AR74608	AXLE	1		X X X (A) LH
2	JD7798	LUBRICATION FITTING	2		X X X 1/8"
3	T34546	BUSHING	4		X X X
4	T15288	WASHER	2		X X X
5	T15285	SHIM	2		X X X
6	14H1058	NUT	AR		X X X 3/4"
7	19H3307	CAP SCREW	2		X X X 3/4"X6-3/4"
8	19H2001	CAP SCREW	AR		X X X 3/4"X5-1/2"
9	JD8410	THRUST BEARING	2		X X X
10	T15284	WASHER	2		X X X
11	AR74606	KNUCKLE	2		X X X
12	AL34563	ARM	1		X X X RH
	AL34565	ARM	1		X X X LH
	AL35497	FRONT AXLE	1		X (B) RH
	AL35498	FRONT AXLE	1		X (B) LH
13	19H2827	CAP SCREW	2		X X X 3/4"X4-3/4"
14	AL28222	KNUCKLE	2		X X X
15	T21553	BUSHING	4		X X X
16	T34548	WASHER	2		X X X
17	JD8412	THRUST BEARING	2		X X X
18	T31749	WASHER	2		X X X

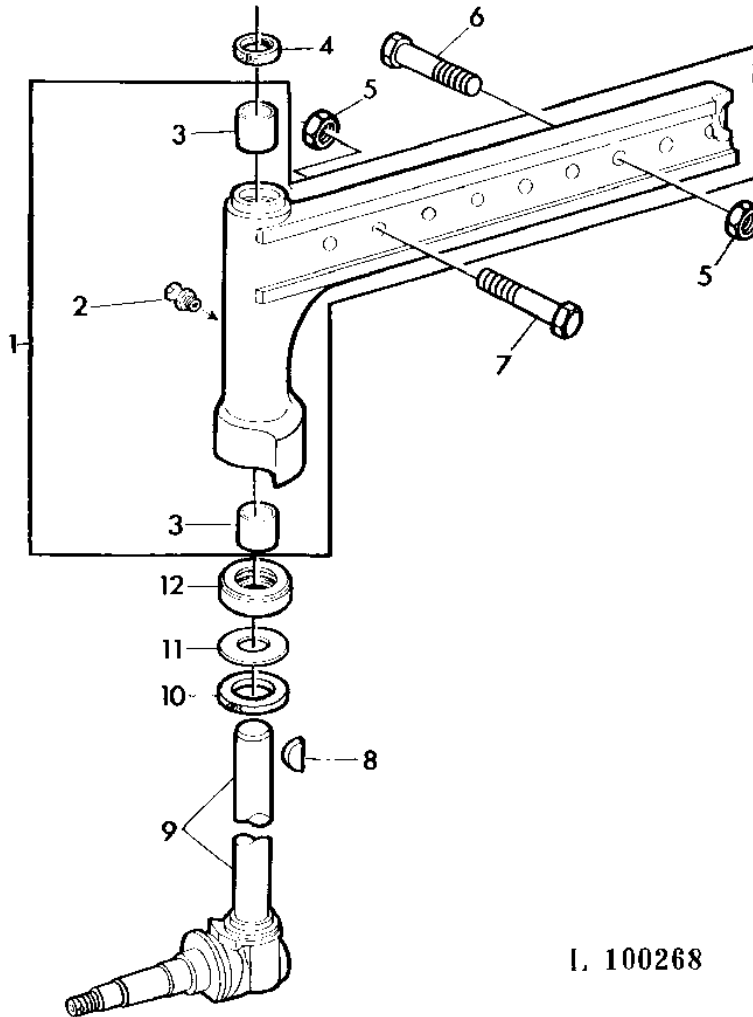
(A) HEAVY DUTY
 RENFORCE
 VERSTAERKTE AUSFUEHRUNG
 RINFORZATO
 REFORZADO
 FORSTARKT

(B) WITH TWO STEERING CYLINDERS
 AVEC 2 VERINS
 BEI ZWEI LENKZYLINDERN
 CON 2 CILINDRI DI STERZO
 CON 2 CILIND.DE DIRECCION
 VID 2 STYRCYLINDRAR

6D24

FRAME, WHEELS, COVERS

FRONT AXLE KNEE/SPINDLE KNUCKLE (LOW TYPE)
BRAS D'ESSIEU AVANT/FUSEE VERSION BASSE
VORDERACHSARM/ACHSSCHENKEL (NIEDERE AUSFUEHRUNG)
SNODO E FUSO DEL ASSALE ANTERIORE (VERSIONE BASSA)
MANGUETA Y PORTAMANGUETA, CON EXTENSION (VERSION BAJA)
FRAMAXELARM/SPINDEL TAPP (LAG UTFORANDE)
L100268 -UN-17JUL95



I. 100268

6D25

FRAME, WHEELS, COVERS

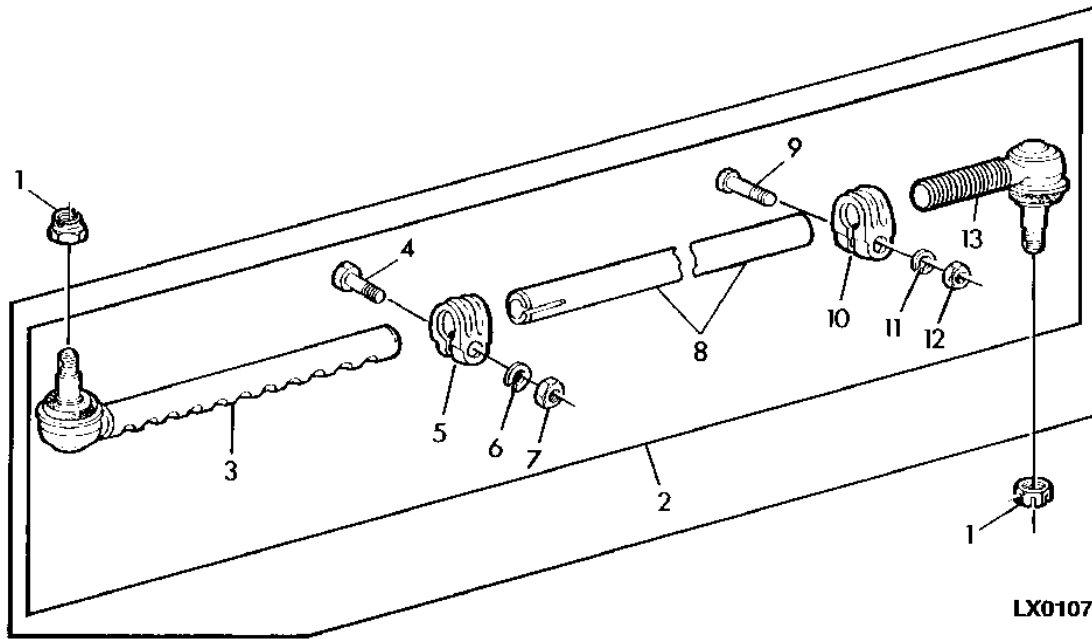
KEY	PART NO.	PART NAME	QTY	SERIAL NO.	REMARKS
					2
					1 2 0
					6 0 4
					4 4 0
					0 0 S
1	AT22238	AXLE KNEE	1	X	RH
	AT22239	AXLE KNEE	1	X	LH
2	JD7798	LUBRICATION FITTING	2	X	
3	T21539	BUSHING	4	X	
4	M1518T	WASHER	2	X	
5	14H1058	NUT	4	X	3/4"
6	19H2827	CAP SCREW	2	X	3/4"X4-3/4"
7	19H2825	CAP SCREW	2	X	3/4"X4-1/4"
8	26H93	SHAFT KEY	2	X	1/4"X1-1/4"
9	AR58606	KNUCKLE	2	X	
10	M2282T	WASHER	2	X	
11	M2283T	WASHER	2	X	
12	JD8407	THRUST BEARING	2	X	

MEMORANDA
MEMORANDA
MEMORANDA
MEMORANDA
MEMORANDA

6E1

FRAME, WHEELS, COVERS

TIE ROD
 BARRE D'ACCOUPLMENT
 SPURSTANGE
 BARRA D'ACCOPIAMENTO
 VARILLA TENSORA
 PARALLELSTAG
 LX010718 -UN-17JUL95



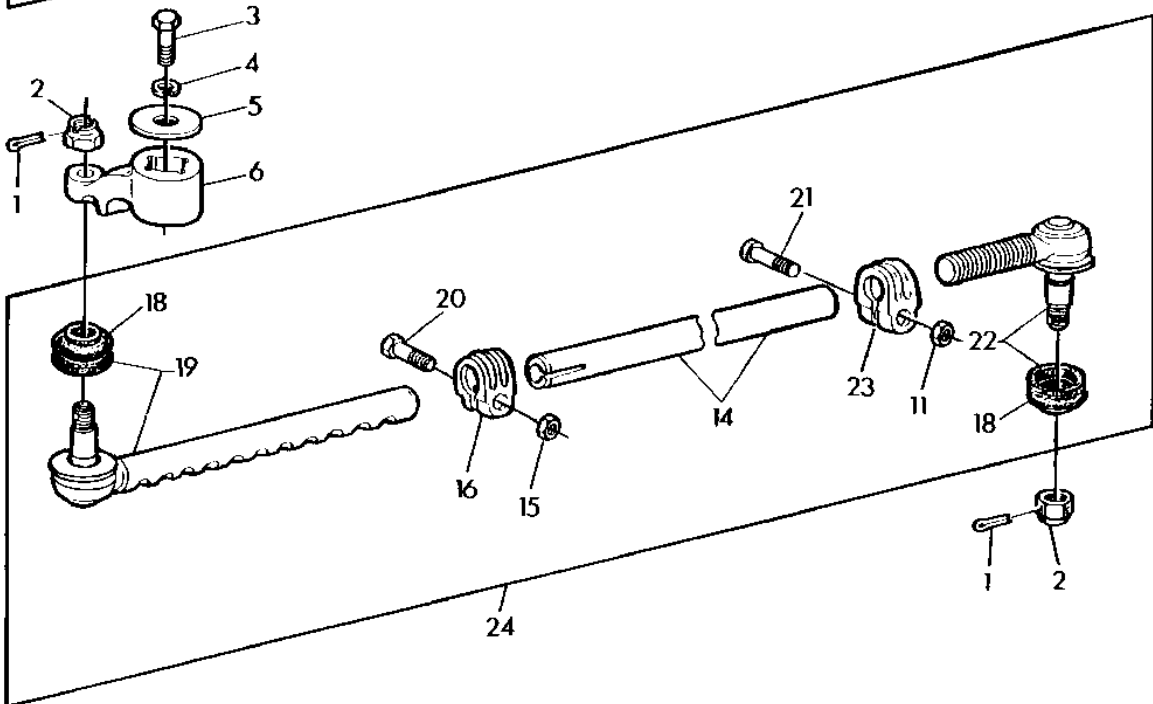
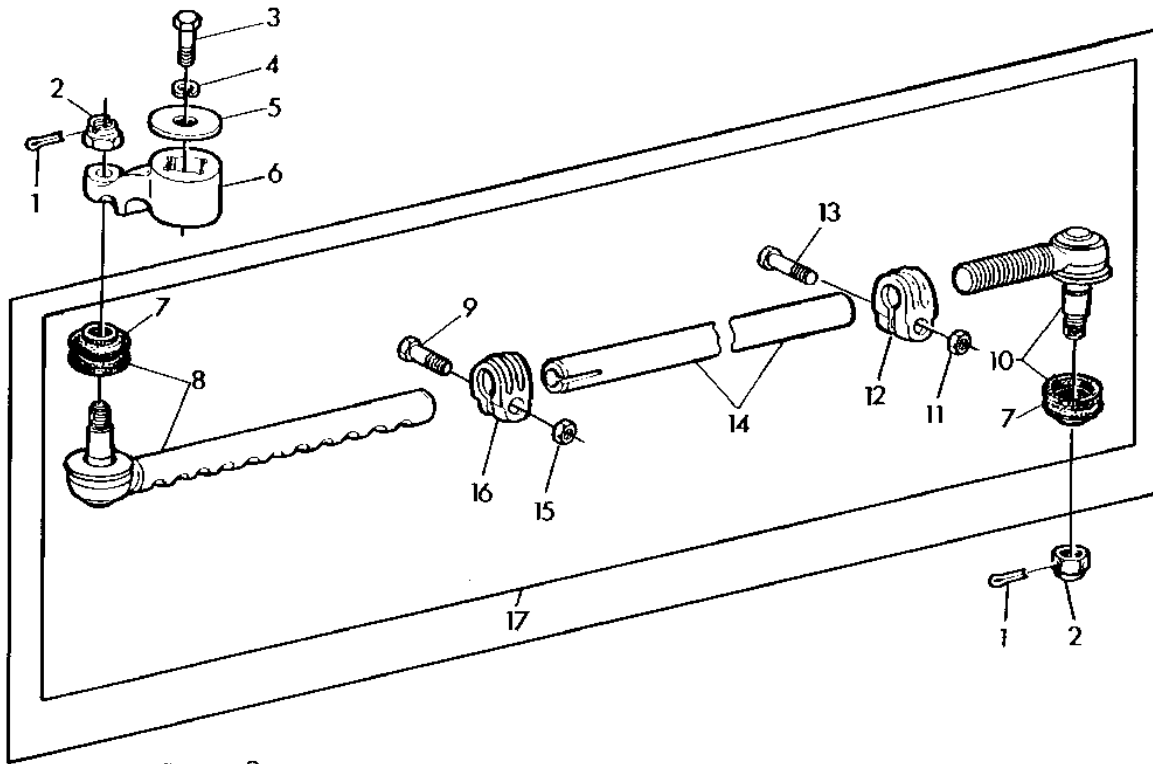
LX010718

KEY	PART NO.	PART NAME	QTY	SERIAL NO.	REMARKS
				2	
				1 2 0	
				6 0 4	
				4 4 0	
				0 0 S	
1	14H1086	NUT	4	X X X	3/4"
2	AL19726	TIE ROD	2	X X X	(ORD AL82828, (2) 14M7305)
3	AL27533	TIE ROD END	2	X X X	(ORD AL82825, 14M7305)
4	19H2528	CAP SCREW	2	X X X	1/2"X2"
5	L32307	CLAMP	2	X X X	
6	12H301	LOCK WASHER	2	X X X	1/2"
7	14H865	NUT	2	X X X	1/2"
8	L32308	TUBE	2	X X X	
9	19H2541	CAP SCREW	2	X X X	3/8"X1-3/4"
10	L31706	CLAMP	2	X X X	
11	12H304	LOCK WASHER	2	X X X	3/8"
12	14H846	NUT	2	X X X	3/8"
13	AL27532	TIE ROD END	2	X X X	(ORD AL82826, 14M7305)

6E2

FRAME, WHEELS, COVERS

TIE ROD
BARRE D'ACCOUPLMENT
SPURSTANGE
BARRA D'ACCOPPIAMENTO
VARILLA TENSORA
PARALLELSTAG
LX010708 -UN-03MAY95



LX010708

6E3

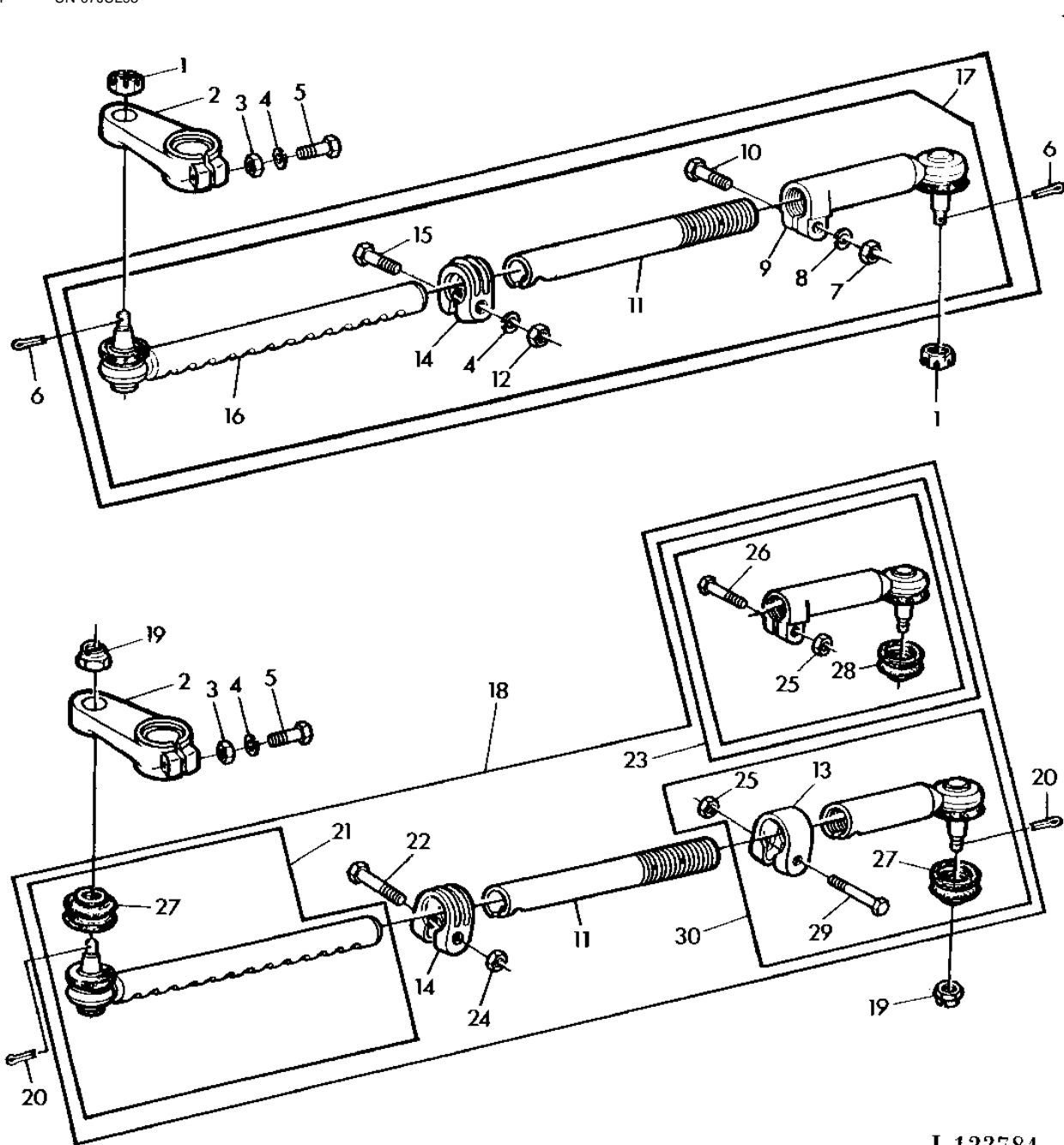
FRAME, WHEELS, COVERS

KEY	PART NO.	PART NAME	QTY	SERIAL NO.	REMARKS
					2
					1 2 0
					6 0 4
					4 4 0
					0 0 S
1	11H240	COTTER PIN	4	X X X	5/32"X1-1/2"
2	14M7305	NUT	4	X X X	M18
3	19H1768	CAP SCREW	2	X X X	3/4"X2"
4	12H236	LOCK WASHER	2	X X X	3/4"
5	F3607R	WASHER	2	X X X	
6	L28314	ARM	1	X X X	RH
	L28315	ARM	1	X X X	LH
7	AL38891	BOOT	4	X X X	
8	AL37505	BALL JOINT	2	X X X	(ORD AL82825)
9	19M8154	CAP SCREW	2	X X X	M12X55
10	AL37504	BALL JOINT	2	X X X	(ORD AL82826)
11	14M7324	LOCK NUT	2	X X X	M10
12	L31706	CLAMP	2	X X X	
13	19M7917	CAP SCREW	2	X X X	M10X45
14	L32308	TUBE	2	X X X	
15	14M7325	LOCK NUT	2	X X X	M12
16	L32307	CLAMP	2	X X X	
17	AL38637	TIE ROD	2	X X X	(ORD AL82828)
18	AL82835	BOOT	2	X X X	
19	AL82825	BALL JOINT	2	X X X	
20	19M8178	CAP SCREW	2	X X X	M12 X 50
21	19M8616	CAP SCREW	2	X X X	M10 X 50
22	AL82826	UNIVERSAL JOINT	2	X X X	
23	L64251	CLAMP	2	X X X	
24	AL82828	TIE ROD	2	X X X	

6E4

FRAME, WHEELS, COVERS

TIE ROD (LOW TYPE)
BARRE D'ACCOUPEMENT (VERSION BASSE)
SPURSTANGE (NIEDERE AUSFUEHRUNG)
BARRA D'ACCOPIAMENTO (VERSIONE BASSA)
VARILLA TENSORA (VERSION BAJA)
PARALLELSTAG (LAG UTFORANDE)
L123784 -UN-07JUL95



L 123784

6E5

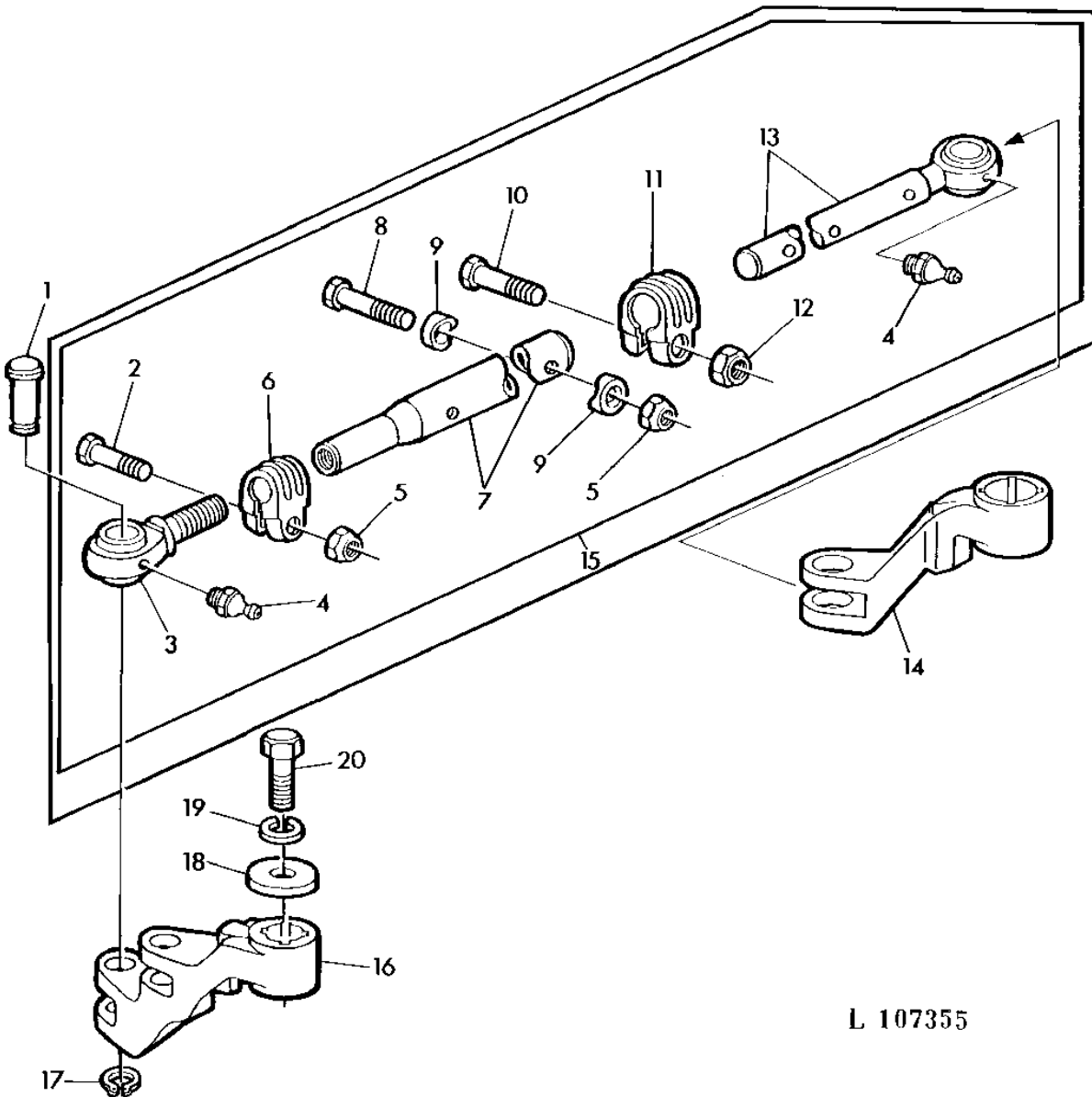
FRAME, WHEELS, COVERS

KEY	PART NO.	PART NAME	QTY	SERIAL NO.	REMARKS
					2
					1 2 0
					6 0 4
					4 4 0
					0 0 S
1	14H918	NUT	4	X	5/8"
2	T21618	LEVER	1	X	
	T21619	LEVER	1	X	
3	14H809	NUT	2	X	1/2"
4	12H301	LOCK WASHER	4	X	1/2"
5	19H1930	CAP SCREW	2	X	1/2"X2-1/2"
6	11M7023	COTTER PIN	4	X	4X35MM
7	14H846	NUT	2	X	3/8"
8	12H304	LOCK WASHER	2	X	3/8"
9	AT27130	TIE ROD END	2	X	(ORD AL39020, 14M7395)
10	19H2544	CAP SCREW	2	X	3/8"X1/12"
11	T29109	PIPE	2	X	
12	14H865	NUT	2	X	1/2"
13	L64454	CLAMP	2	X	
14	R50507	CLAMP	2	X	
15	19H3183	CAP SCREW	2	X	1/2"X2-1/8"
16	AT27134	ROD	2	X	(ORD AL39024, 14M7395)
17	AR54637	ROD	2	X	(ORD AL39023, 14M7395)
18	AL39023	TIE ROD	2	X	
19	14M7395	NUT	4	X	M14
20	11M7016	COTTER PIN	4	X	3X28MM
21	AL39024	BALL JOINT	2	X	
22	19M8154	CAP SCREW	2	X	M12X1.5X55
23	BALL JOINT	2	X	(ORD AL39020)
24	14M7325	LOCK NUT	2	X	M12X1.5
25	14M7324	LOCK NUT	2	X	M10X1
26	19M8176	CAP SCREW	2	X	M10X1X40
27	AL63798	BOOT	2	X	
28	L60924	BOOT	2	X	(ORD AL63798)
29	19M8655	CAP SCREW	2	X	M10X1X55
30	AL39020	BALL JOINT	2	X	

6E6

FRAME, WHEELS, COVERS

TIE ROD WITH HYDROST. STEERING
BARRE D'ACCOUPEMENT AVEC DIRECTION HYDROSTAT.
SPURSTANGE BEI HYDROST. LENKUNG
BARRA D'ACCOPIAMENTO CON STERZO IDROSTATICO
PARALLELSTAG VID HYDROSTATISK STYRNING
L107355 -UN-17JUL95



L 107355

6E7

FRAME, WHEELS, COVERS

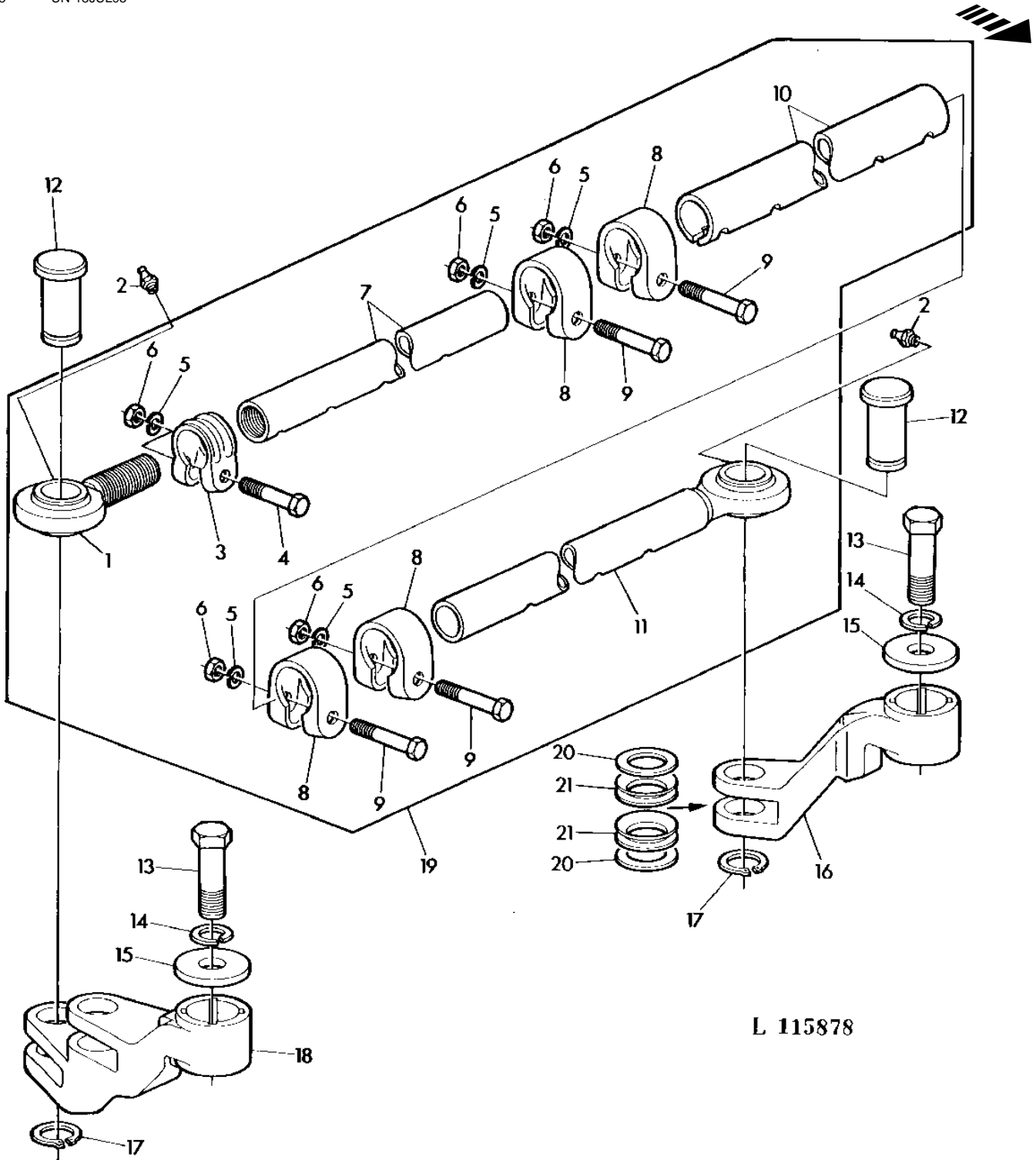
KEY	PART NO.	PART NAME	QTY	SERIAL NO.	REMARKS
					2
					1 2 0
					6 0 4
					4 4 0
					0 0 S
1	L36086	PIN	2		X X X
2	19M7917	CAP SCREW	1		X X X M10X45
3	AL31497	TIE ROD END	1		X X X (ORD AL37193, (2) L39305, (2) L40301)
4	58M5574	LUBRICATION FITTING	2		X X X M8
5	14M7324	LOCK NUT	2		X X X M10
6	L36182	CLAMP	1		X X X
7	L34443	TUBE	1		X X X (ORD AL37146, (4) L39305, (4) L40301)
8	19M7918	CAP SCREW	1		X X X M10X60
9	L34444	WASHER	2		X X X
10	19M7919	CAP SCREW	1		X X X M12X60
11	L36184	CLAMP	1		X X X
12	14M7325	LOCK NUT	1		X X X M12
13	AL31498	TIE ROD	1		X X X (ORD AL37194, (2) L39305, (2) L40301)
14	L35960	ARM	1		X X X LH
	L36442	ARM	1		X (A) LH
15	AL31241	TIE ROD	1		X X X (ORD AL37146, (4) L39305, (4) L40301)
16	L34366	ARM	1		X X X RH
17	40M7195	SNAP RING	2		X X X 25X1.2MM
18	F3607R	WASHER	2		X X X
19	12H236	LOCK WASHER	2		X X X 3/4"
20	19H1768	CAP SCREW	2		X X X 3/4"X2"

(A) WITH TWO STEERING CYLINDERS
 AVEC 2 VERINS
 BEI ZWEI LENKZYLINDERN
 CON 2 CILINDRI DI STERZO
 CON 2 CILIND.DE DIRECCION
 VID 2 STYRCYLINDRAR

6E8

FRAME, WHEELS, COVERS

TIE ROD WITH HYDROST. STEERING
BARRE D'ACCOUPLMENT AVEC DIRECTION HYDROSTAT.
SPURSTANGE BEI HYDROST. LENKUNG
BARRA D'ACCOPIAMENTO CON STERZO IDROSTATICO
PARALLELSTAG VID HYDROSTATISK STYRNING
L115878 -UN-18JUL95



L 115878

6E9

FRAME, WHEELS, COVERS

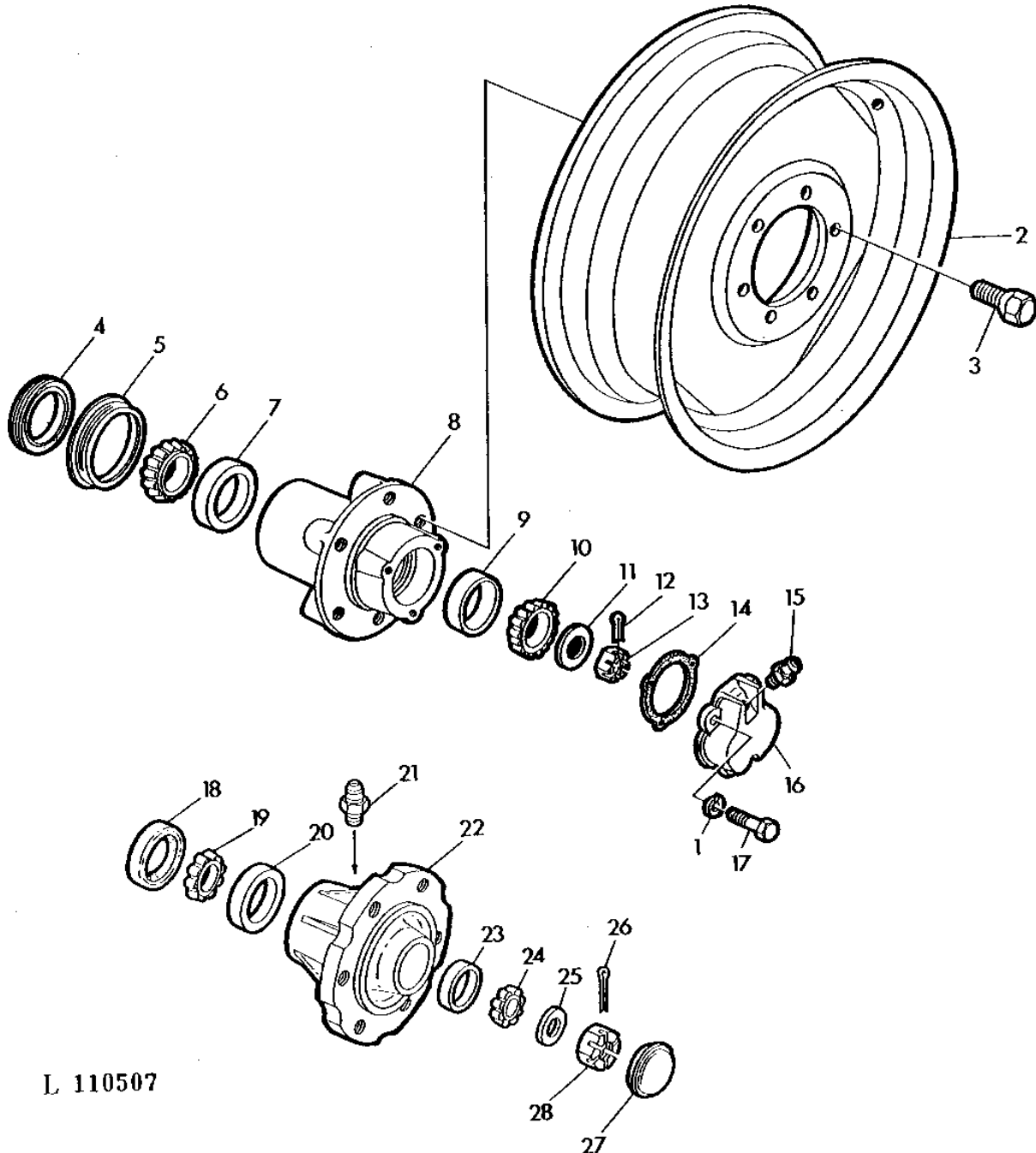
KEY	PART NO.	PART NAME	QTY	SERIAL NO.	REMARKS
					2
					1 2 0
					6 0 4
					4 4 0
					0 0 S
1	AL37193	TIE ROD END	1	X X X	(SUB FOR AL37205)
2	58M5573	LUBRICATION FITTING	2	X X X	M6
3	L39328	CLAMP	1	X X X	
4	19M7658	CAP SCREW	1	X X X	M10X50
5	12M7135	LOCK WASHER	5	X X X	
6	14M7274	NUT	5	X X X	M10
7	L39325	TIE ROD	1	X X X	
8	L39329	CLAMP	4	X X X	
9	19M7156	CAP SCREW	4	X X X	M10X60
10	L39324	TIE ROD	1	X X X	
11	AL37204	TIE ROD END	1	X X X	
12	L36086	PIN	2	X X X	
13	19H1768	CAP SCREW	2	X X X	3/4"X2"
14	12H236	LOCK WASHER	2	X X X	3/4"
15	F3607R	WASHER	2	X X X	
16	L36442	ARM	1	X	(A) LH
	L35960	ARM	1	X X X	LH
17	40M7195	SNAP RING	2	X X X	25X1.2MM
18	L34366	ARM	1	X X X	RH
19	AL37146	TIE ROD	1	X X X	
20	L40301	RING	4	X X X	
21	L39305	SEAL	4	X X X	

(A) WITH TWO STEERING CYLINDERS
 AVEC 2 VERINS
 BEI ZWEI LENKZYLINDERN
 CON 2 CILINDRI DI STERZO
 CON 2 CILIND.DE DIRECCION
 VID 2 STYRCYLINDRAR

6E10

FRAME, WHEELS, COVERS

FRONT WHEEL/ASSEMBLY
ROUES AVANT/ROULEMENTS
VORDERRAEDER/LAGER
ROUTE ANTERIORI/MOZZO
RUEDAS DELANTERAS/RODAMIENTOS
FRAMHJULSENHET
L110507 -UN-01JAN94



L 110507

6E11

FRAME, WHEELS, COVERS

KEY	PART NO.	PART NAME	QTY	SERIAL NO.	REMARKS
					2
					1 2 0
					6 0 4
					4 4 0
					0 0 S
1	12M7056	LOCK WASHER	6	X X X	
2	AL28212	RIM	2	X	(A) 6.00-16 (B)
	AL82488	WHEEL	2	X X X	(A) 7.50-16 (SUB FOR JD3039, AL68277)
	AL82490	WHEEL	2	X X X	(A) 10.00-16 (SUB FOR JD3210)
	AL82491	WHEEL	2	X X X	(A) 7.50-18 (SUB FOR JD3211)
3	JD21	WHEEL BOLT	12	X X X	9/16"
4	AR26480	SEAL	2	X X X	
5	R26632	BUSHING	2	X X X	
6	JD8969	BEARING CONE	2	X X X	
7	JD7445	BEARING CUP	2	X X X	
8	T21545	HUB	2	X X X	
9	JD8251	BEARING CUP	2	X X X	
10	JD8929	BEARING CONE	2	X X X	
11	A5146R	WASHER	2	X X X	
12	11M7030	COTTER PIN	2	X X X	5X40MM
13	14H920	NUT	2	X X X	1"
14	A1556R	GASKET	2	X X X	
15	JD7798	LUBRICATION FITTING	2	X X X	1/8"
16	A1555R	CAP	2	X X X	
17	19H1849	CAP SCREW	6	X X X	5/16"X1-1/4"
18	AR49592	SEAL	2	X	(B)
19	JD8194	BEARING CONE	2	X	(B)
20	JD8230	BEARING CUP	2	X	(B)
21	JD7798	LUBRICATION FITTING	2	X	(B) 1/8"
22	R47076	HUB	2	X	(B)
23	JD8239	BEARING CUP	2	X	(B)
24	JD8905	BEARING CONE	2	X	(B)
25	T10510	WASHER	2	X	(B)
26	11H268	COTTER PIN	2	X	(B) 5/32"X1-1/4"
27	T12688	CAP	2	X	(B)
28	14H1086	NUT	2	X	(B) 3/4"

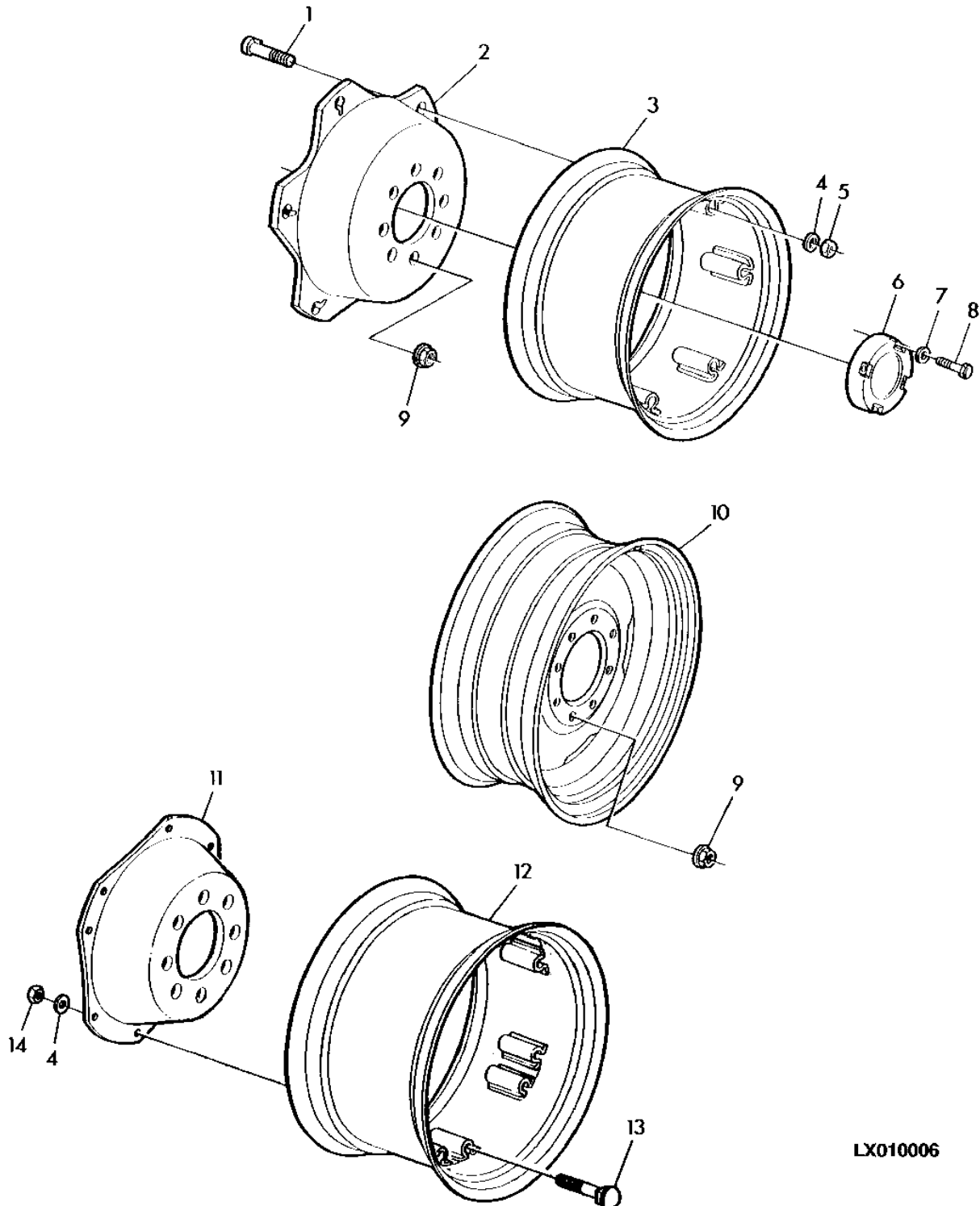
(A) FOR TIRE SIZE
 POUR PNEUMATIQUES
 FUER BEREIFUNG
 PER PNEUMATICI
 PARA NEUMATICOS
 FOR DACKSDIMENSION

(B) LOW TYPE
 VERSION BASSE
 NIEDERE AUSFUEHRUNG
 VERSIONE BASSA
 VERSION BAJA
 LAG UTFORANDE

6E12

FRAME, WHEELS, COVERS

FRONT WHEELS (FRONT WHEEL DRIVE)
ROUES AVANT (ESSIEU AVANT)
VORDERRAEDER (FRONTANTRIEB)
ROUTE ANTERIORI (TRAZIONE ANTERIORE)
RUEDAS DELANTERAS (TRACC. DELANTERA)
FRAMHJULER (FRAMHJULSDRIFT)
LX010006 -UN-11JUL95



LX010006

6E13

FRAME, WHEELS, COVERS

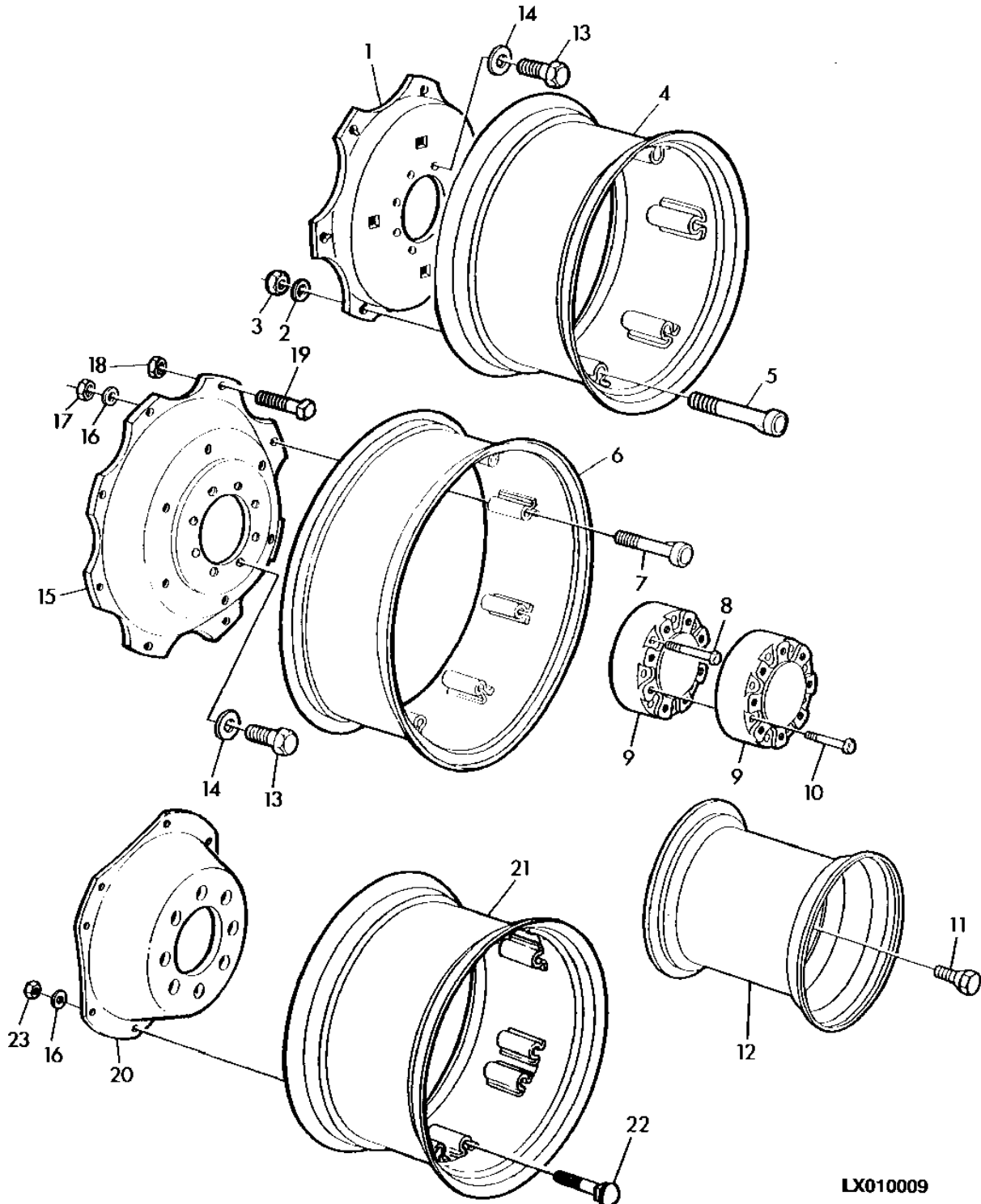
KEY	PART NO.	PART NAME	QTY	SERIAL NO.		REMARKS
					2	
					1 2 0	
					6 0 4	
					4 4 0	
					0 0 S	
1	L34449	SCREW	12	-523500	X X	(A) 11.2-24, M16
	T27511	CAP SCREW	12	-523500	X X X	(A) 11.2-28, 9/16"
	L33894	SCREW	12	523501-	X X X	(A) 11.2-24, 11.2-28, 13.6-24, M16X120
2	L34231	WHEEL CENTER	2		X X X	(A) 11.2-24, 13.6-24
	L34232	WHEEL CENTER	2	-523500	X X X	(A) 11.2-28
	L41050	WHEEL CENTER	2	523501-	X X X	(A) 11.2-28
3	AL16602	RIM	2	-523500	X X X	(A) 11.2-28
	AL35849	RIM	2	-523500	X X X	(A) 13.6-24
	AL31508	RIM	2	-523500	X X	(A) 11.2-24
	AL63455	RIM	2	523501-	X X	(A) 11.2-24 (SUB FOR AL39368)
	AL56693	RIM	2	523501-	X X X	(A) 11.2-28 (SUB FOR AL39229)
	AL63453	RIM	2	523501-	X X X	(A) 13.6-24 (SUB FOR AL39370)
4	24M7320	WASHER	12		X X	17X30X3MM
	24M7145	WASHER	12	-523500	X X X	15X24X2MM
5	14H888	NUT	12	-523500	X X X	9/16"
	14M7289	NUT	12		X X X	M16
6	L34107	CAP	2	-449999	X X	
7	L34108	BUSHING	4	-449999	X X	
8	19M7301	CAP SCREW	4	-449999	X X	M8X40
9	14M7332	FLANGE NUT	16		X X X	M18
10	AL82481	WHEEL	2		X X	(A) 11.2-24 (SUB FOR AL31504, AL60980)
	AL82482	WHEEL	2		X X X	(A) 13.6-24 (SUB FOR AL31506)
11	L102265	WHEEL CENTER	2		X X X	(A) 9.5-24
12	AL82470	WHEEL	2		X X	(A) 9.5-24
13	03M7212	BOLT	12		X X	M16 X 80
14	14M7276	NUT	12		X X	M16

(A) FOR TIRE SIZE
 POUR PNEUMATIQUES
 FUER BEREIFUNG
 PER PNEUMATICI
 PARA NEUMATICOS
 FOR DACKSDIMENSION

6E14

FRAME, WHEELS, COVERS

STEEL DISK REAR WHEELS
ROUES ARRIERE ACIER
STAHL-HINTERRAEDER
RUOTE POSTERIORI CON DISCO ACCIAIO
RUEDAS CON TRASERAS DISCO DE ACERO
BAKHJUL MED STALDISK
LX010009 -UN-18JUL95



LX010009

6E15

FRAME, WHEELS, COVERS

KEY	PART NO.	PART NAME	QTY	SERIAL NO.	REMARKS
					2 1 2 0 6 0 4 4 4 0 0 0 S
1	L41490	WHEEL CENTER	2	X	(A) 16.9-24 (SUB FOR L37321)
2	24M7145	WASHER	12	X	15X24X2MM
3	14H888	NUT	12	X	9/16"
4	AL39786	RIM	2	X	(A) 16.9-24 (SUB FOR AL28493 APPL)
5	T27511	CAP SCREW	12	X	9/16"
6	AL63887	RIM	2	X X	(A) 13.6-36 (SUB FOR AL27391)
	AL63459	RIM	2	X X X	(A) 13.6-38, 14.9-38 (SUB FOR AL27394)
	AL63885	RIM	2	X X X	(A) 14.9-30 (SUB FOR AL31532)
	AL63895	RIM	2	X X X	(A) 15.5-38, 14-38 (SUB FOR AL27397)
	AL57482	RIM	2	X X X	(A) 16.9-30, 18.4-30 (SUB FOR AL31533)
	AL56529	RIM	2	X X X	(A) 16.9-34 (SUB FOR AL31531)
7	L33894	SCREW	16	X X X	
8	19H3367	CAP SCREW	16	X X	(C) 3/4"X4-7/8"
9	L32169	SPACER	4	X X	(C)
10	19H3281	CAP SCREW	16	X X	(C) 3/4"X4-1/2"
11	JD21	WHEEL BOLT	16	X	(A) 21.5-16.1
12	JD3038	WHEEL	2	X	(A) 21.5-16.1
13	L31683	SCREW	16	X X X	3/4"
14	L110470	WASHER	16	X X X	
15	L41821	WHEEL CENTER	2	X X X	(A) 16.9-30 (B) 14.9-30, OD= 680MM (SUB FOR L31666)
	L41820	WHEEL CENTER	2	X X X	(A) 16.9-34, OD= 781MM (SUB FOR L31665)
	L41822	WHEEL CENTER	2	X X X	(A) 13.6-36, 13.6-38, 14.9-38, 15.5-38, OD= 832.5MM (SUB FOR L31671)
	L58879	WHEEL CENTER	2	X X X	(A) 16.9-30 (B) 14.9-30, OD= 695MM (SUB FOR L39732)
	L58880	WHEEL CENTER	2	X X X	(A) 16.9-34, OD= 796MM (SUB FOR L39733)
	L58881	WHEEL CENTER	2	X X X	(A) 13.6-36, 13.6-38, 14.9-38, 15.5-38, OD= 846MM (SUB FOR L39737, L58882)
	L31668	WHEEL CENTER	2	X	(A) (B) 15.5-38
	L31672	WHEEL CENTER	2	X X	(B)
16	24M7320	WASHER	16	X X X	17X30X3MM
17	14M7289	NUT	16	X X X	M16
18	14H808	NUT	16	X X	(B) 5/8"
19	08H4762	BOLT	16	X X	(B) 5/8"
20	L102272	WHEEL CENTER	2	X	(A) 16.9-24
	L102274	WHEEL CENTER	2	X X X	(A) 14.9-30
	L102280	WHEEL CENTER	2	X X X	(A) 13.6-36, 15.5-38
21	AL82528	RIM	2	X	(A) 16.9-24
	AL82533	RIM	2	X X X	(A) 14.9-30
	AL82540	RIM	2	X X	(A) 13.6-36
	AL82546	RIM	2	X X X	(A) 15.5-38
22	03M7212	BOLT	16	X X X	M16 X 80
	03M7266	BOLT	16	X X X	(FOR L102280)
23	14M7276	NUT	16	X X X	M16

(A) FOR TIRE SIZE
 POUR PNEUMATIQUES
 FUER BEREIFUNG
 PER PNEUMATICI
 PARA NEUMATICOS
 FOR DACKSDIMENSION

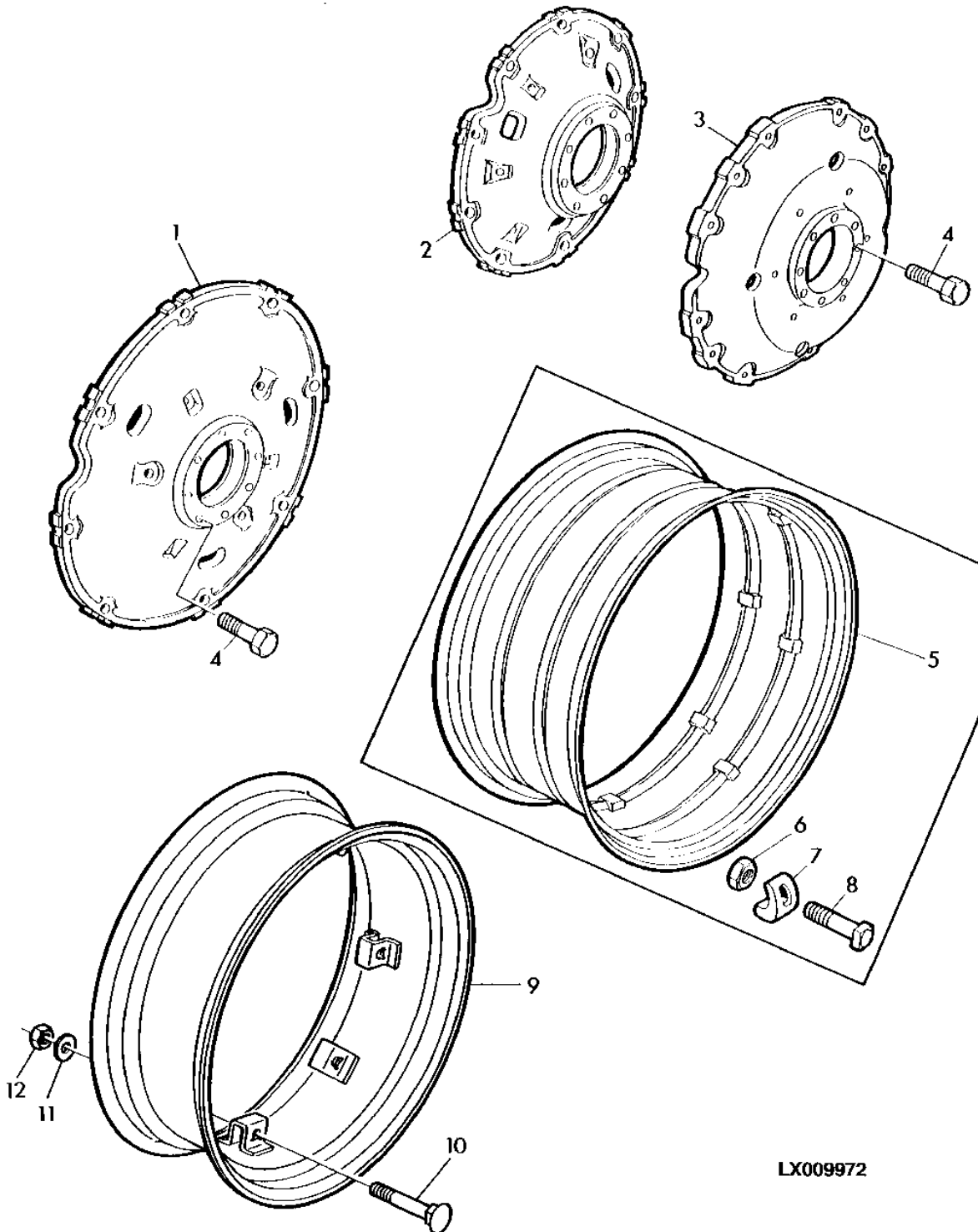
(B) FOR JAPAN ONLY
 POUR JAPON
 FUER JAPAN
 PER GIAPPONE
 PARA JAPON
 FOR JAPAN

(C) W/DUAL REAR WHEELS
 AVEC ROUES ARRIERE JUMEELES
 BEI ZWILLINGSBEREIFUNG
 CON RUOTE POSTERIORI GEMELLI
 CON RUEDAS TRASERAS GEMELAS
 MED TVILLINGSBAKHJUL

6E16

FRAME, WHEELS, COVERS

CAST REAR WHEELS
ROUES ARRIERE FONTE
GUSS-HINTERRAEDER
ROUTE POSTERIORI GHISA
RUEDAS TRASERAS DE FUNDICION
GJUTNA BAKHJULER
LX009972 -UN-03MAY95



LX009972

6E17

FRAME, WHEELS, COVERS

KEY	PART NO.	PART NAME	QTY	SERIAL NO.	REMARKS
					2
					1 2 0
					6 0 4
					4 4 0
					0 0 S
1	L40419	WHEEL CENTER	2		X X (A) 15.5-38 (SUB FOR L31685)
2	L40367	WHEEL CENTER	2		X X X (A) 16.9-30, 18.4-30 (SUB FOR L31684)
3	L31677	WHEEL CENTER	2		X (A) 16.9-34
4	19H2691	CAP SCREW	16		X X X 3/4"X2-3/4"
5	T24157	RIM	2		X X X (A) 16.9-30, 18.4-30 (ORD AL82375, (9) L65342, (9) R106793, (9) 14M7276)
	T27720	RIM	2		X X (A) 15.5-38 (ORD AL82378, (8) L65342, (8) R106793, (8) 14M7276)
	L31680	RIM	2		X (A) 16.9-34 (ORD AL82377, (8) L65342, (8) R106793, (8) 14M7276)
6	14H800	NUT	16		X X X 5/8"
7	L38141	CLAMP	16		X X X
8	08H4370	BOLT	16		X X X 5/8"X3"
9	AL82375	RIM	2		X X X (A) 16.9-30, 18.4-30
	AL82378	RIM	2		X X (A) 15.5-38, 16.9-38
	AL82377	RIM	2		X (A) 16.9-34, 18.4-34
10	L65342	BOLT	AR		X X X
11	R106793	WASHER	AR		X X X
12	14M7276	NUT	AR		X X X M16

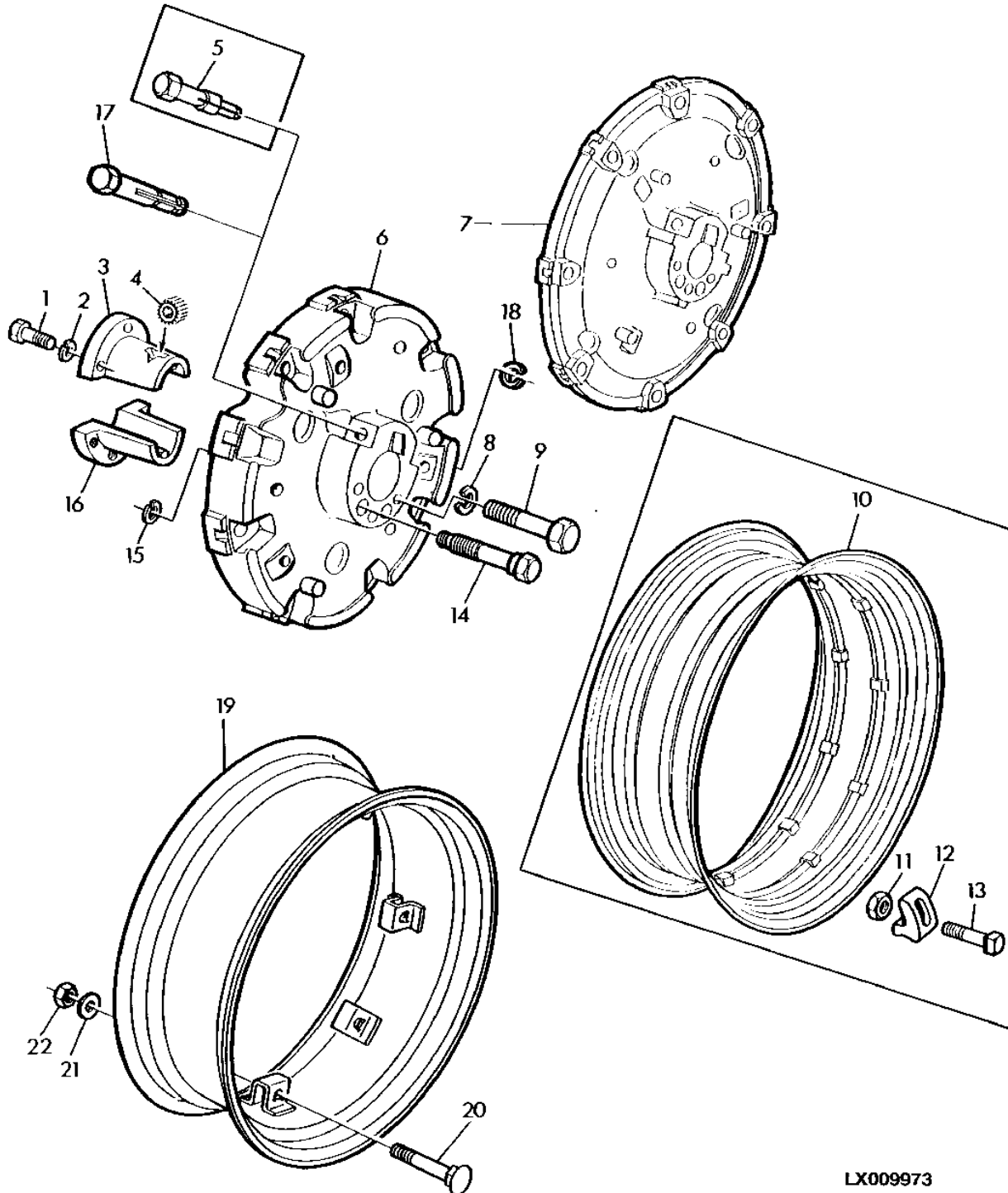
(A) FOR TIRE SIZE
 POUR PNEUMATIQUES
 FUER BEREIFUNG
 PER PNEUMATICI
 PARA NEUMATICOS
 FOR DACKSDIMENSION

6E18

FRAME, WHEELS, COVERS

CAST REAR WHEELS FOR PINION ADJUSTED AXLE
ROUES ARRIERE FONTE POUR ESSIEU REGLABLE
GUSS-HINTERRAEDER FUER VERSTELLACHSE
ROUTE GHISA PER ASSALE REGOLABILE
RUEDAS DE FUNDICION PARA PALIER DE CREMALLERA Y PINION
GJUTNA BAKHJULCER FOR JUSTERBART AXEL

LX009973 -UN-16MAY95



LX009973

6E19

FRAME, WHEELS, COVERS

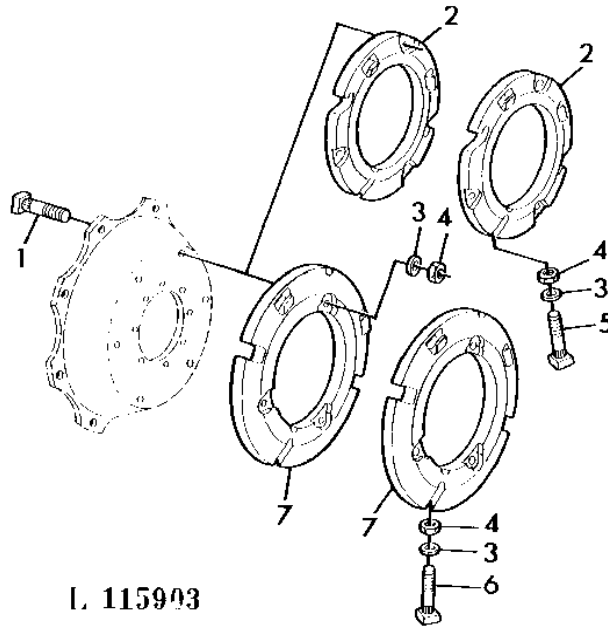
KEY	PART NO.	PART NAME	QTY	SERIAL NO.	REMARKS
					2
					1 2 0
					6 0 4
					4 4 0
					0 0 S
1	19H2600	CAP SCREW	6	X X X	3/4"X2-5/8"
2	12H236	LOCK WASHER	6	X X X	3/4"
3	B3016R	HALF SLEEVE	2	X X X	
4	B3014R	PINION	2	X X X	Z=14
5	A4380R	PINION SHAFT	2	X X X	(ORD R83588, R73380)
6	T22817	WHEEL	2	X X X	(A) 16.9-30
7	T22818	WHEEL	2	X	(A) 15.5-38
8	12H245	LOCK WASHER	6	X X X	7/8"
9	08H4419	CAP SCREW	6	X X X	7/8" (SUB FOR R34828)
10	T24157	RIM	2	X X X	(A) 16.9-30 (ORD AL82375, (9) L65341, (9) R106793, (9) 14M7276)
	T27720	RIM	2	X	(A) 15.5-38 (ORD AL82378, (8) L65341, (8) R106793, (8) 14M7276)
11	14H800	NUT	16	X X X	5/8"
12	L38141	CLAMP	16	X X X	
13	08H4766	BOLT	16	X X X	5/8"X4-1/4"
14	R39758	SCREW	4	X X X	7/8"
15	A4883R	RING	4	X X X	
16	B3018R	SLEEVE	2	X X X	
17	R83588	DRIVE SHAFT	2	X X X	
18	R73380	SNAP RING	2	X X X	(SUB FOR A369R)
19	AL82375	RIM	2	X X X	(A) 16.9-30, 18.4-30
	AL82378	RIM	2	X	(A) 15.5-38, 16.9-38
20	L65341	BOLT	AR	X X X	
21	R106793	WASHER	AR	X X X	
22	14M7276	NUT	AR	X X X	M16

(A) FOR TIRE SIZE
 POUR PNEUMATIQUES
 FUER BEREIFUNG
 PER PNEUMATICI
 PARA NEUMATICOS
 FOR DACKSDIMENSION

6E20

FRAME, WHEELS, COVERS

WEIGHTS FOR STEEL DISK REAR WHEELS
 MASSES D'ALOURDISSEMENT POUR ROUES ARRIERE ACIER
 ZUSATZGEWICHTE FUER STAHL-HINTERRAEDER
 ZAVORRE PER RUOTE CON DISCO ACCIAIO
 CONTRAPESOS PARA RUEDAS TRASERAS CON DISCO DE ACERO
 VIKTER FOR BAKHJUL MED STALDISK
 L115903 -UN-18JUL95



L. 115903

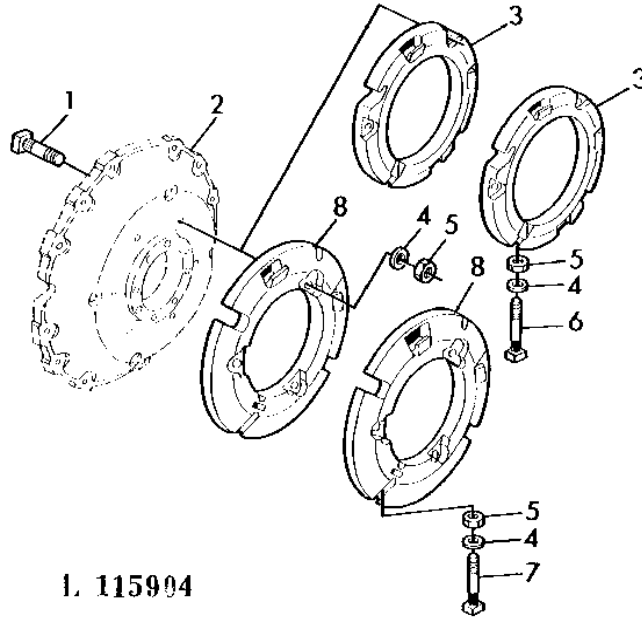
2
 1 2 0
 6 0 4
 4 4 0
 0 0 S

KEY	PART NO.	PART NAME	QTY	SERIAL NO.	REMARKS
1	L28226	BOLT	12	X X X	5/8"
2	L28230	WEIGHT	AR	X X X	38.5KG (85LBS)
3	24H1716	WASHER	AR	X X X	21/32"X1-1/4"X.120"
4	14H1039	NUT	AR	X X X	5/8"
5	08H4766	BOLT	AR	X X X	5/8"X4-1/4"
6	08H4761	BOLT	AR	X X X	5/8"X6"
7	L28228	WEIGHT	AR	X X X	55KG (121LBS)

6E21

FRAME, WHEELS, COVERS

WEIGHTS/FOR CAST REAR WHEELS
 IMASSES D'ALOURDISSEMENT/POUR ROUES ARRIERE FONTE
 ZUSATZGEWICHTE FUER GUSS-HINTERRAEDER
 ZAVORRE PER RUOTE POSTERIORI GHISA
 CONTRAPESOS/PARA RUEDAS TRASERAS DE FUNDICION
 VIKTER FOR GJUTNA BAKHJULER
 L115904 -UN-18JUL95



1. 115904

2
 1 2 0
 6 0 4
 4 4 0
 0 0 S

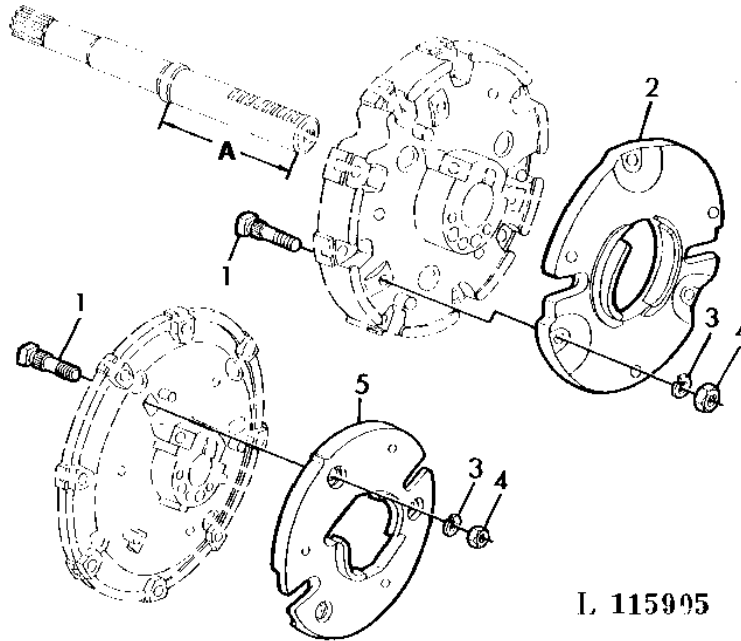
KEY	PART NO.	PART NAME	QTY	SERIAL NO.	REMARKS
1	L28226	BOLT	6	X X X	5/8"
2	WHEEL	2	X X X	
3	L28230	WEIGHT	AR	X X X	38.5KG (85LBS)
4	24H1716	WASHER	AR	X X X	21/32"X1-1/4"X.120"
5	14H1039	NUT	AR	X X X	5/8"
6	08H4766	BOLT	AR	X X X	5/8"X4-1/4"
7	08H4761	BOLT	AR	X X	5/8"X6"
8	L28228	WEIGHT	AR	X X	55KG (121LBS)

6E22

FRAME, WHEELS, COVERS

WEIGHTS FOR CAST REAR WHEELS (RACK UND PINION AYLE)
 MASSES ROUES ARRIERE FONTE (ESSIEU REGLABLE)
 ZUSATZGEWICHTE FUER GUSS-HINTERRAEDER (VERSTELLACHSE)
 ZAVORE PER RUOTE POSTERIORI GHISA (ASSALE CREMAGLIERA)
 CONTRAPESOS/PARA RUEDAS TRASERAS DE FUNDICION (EJE AJUSTABLE)
 VIKTER FOR GJUNTA BAKHJULER (STALLBAR AXEL)

L115905 -UN-18JUL95



L 115905

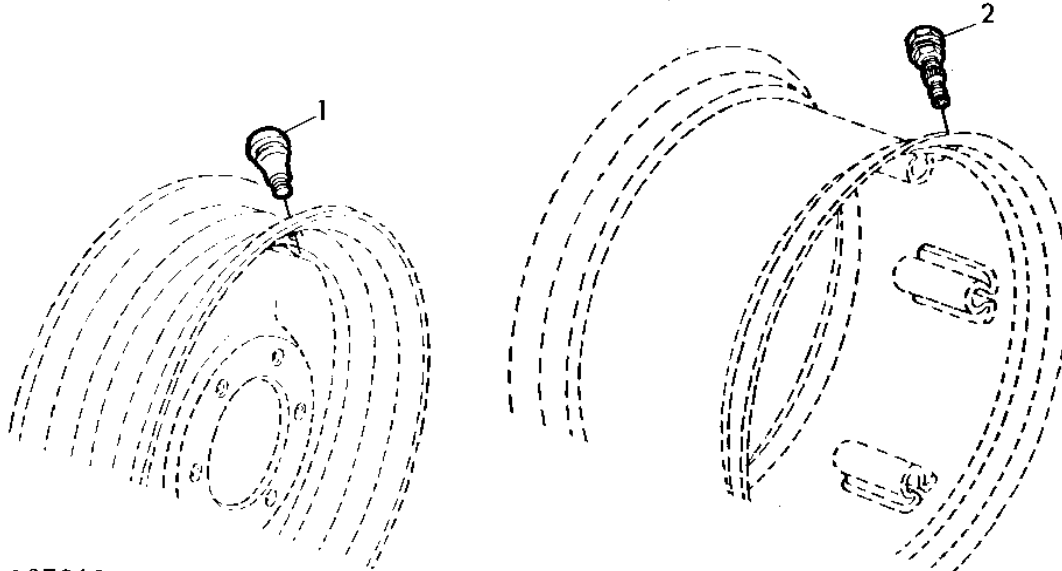
2
1 2 0
6 0 4
4 4 0
0 0 S

KEY	PART NO.	PART NAME	QTY	SERIAL NO.	REMARKS
1	R34801	BOLT	AR	X X	5/8"
2	R34810	WEIGHT	AR	X X	55KG (121LBS)
3	12H294	LOCK WASHER	AR	X X	5/8"
4	14H1039	NUT	AR	X X	5/8"
5	A3404R	WEIGHT	AR	X X	65KG (143LBS)

6E23

FRAME, WHEELS, COVERS

VALVE FOR TUBELESS TIRES
 VALVES DE PNEUS SANS CHAMBRE A AIR
 VENTILE FUER SCHLAUCHLOSE BEREIFUNGEN
 VALVOLE PER PNEUMATICI SENZA CAMERA D'ARIA
 VALVULAS PARA NEUMATICOS SIN CAMARA DE AIRE
 VENTIL FOR SLANGLOSA DACK
 L105316 -UN-17JUL95



L 105316

2
 1 2 0
 6 0 4
 4 4 0
 0 0 S

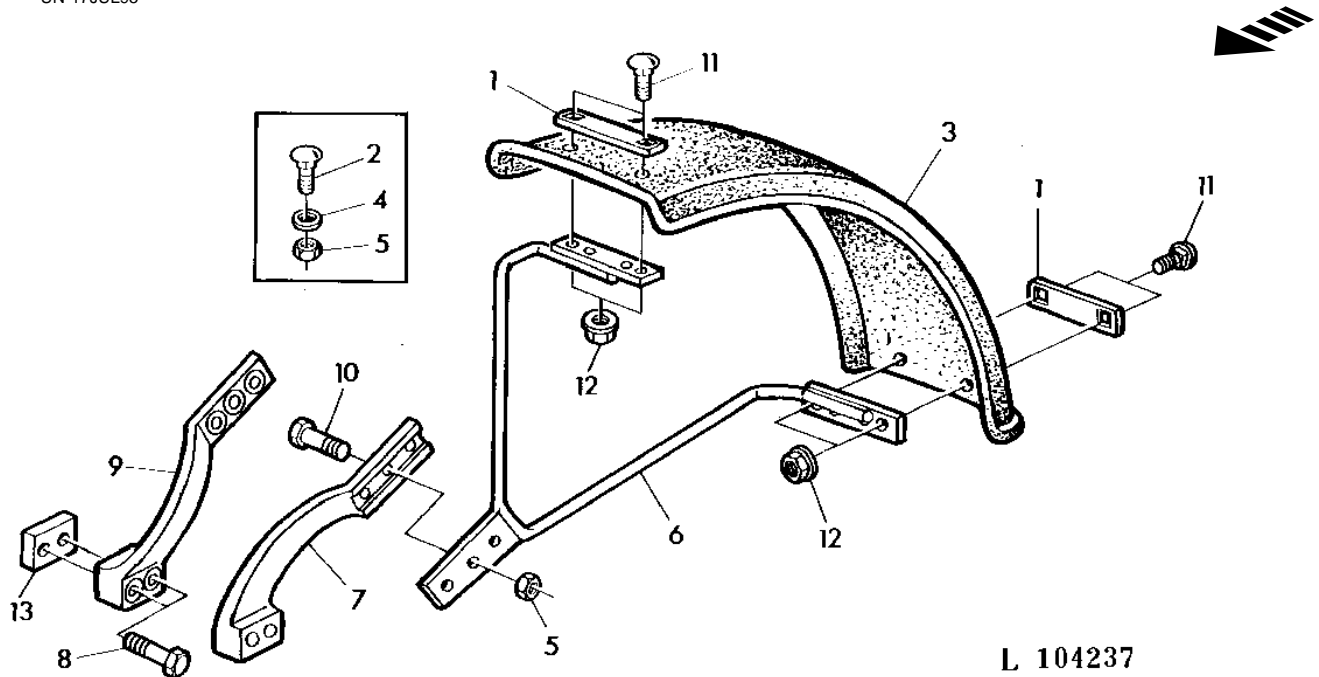
KEY	PART NO.	PART NAME	QTY	SERIAL NO.	REMARKS
1	AM30347	TIRE VALVE STEM	2	X X X	
2	AT25226	STEM	2	X X X (A)	

(A) FOR REAR WHEELS
 POUR ROUES ARRIERE
 FUER HINTERRAEDER
 PER RUOTE POSTERIORI
 PARA RUEDAS TRASERAS
 FOR BAKHJUL

6E24

FRAME, WHEELS, COVERS

FRONT FENDER
 AILES AVANT
 KOTFLUEGEL VORN
 PARAFANGHI ANTERIORI
 GUARDABARROS DELANTEROS
 FRAMSTANKSKARMAR
 L104237 -UN-17JUL95



L 104237

2
 1 2 0
 6 0 4
 4 4 0
 0 0 S

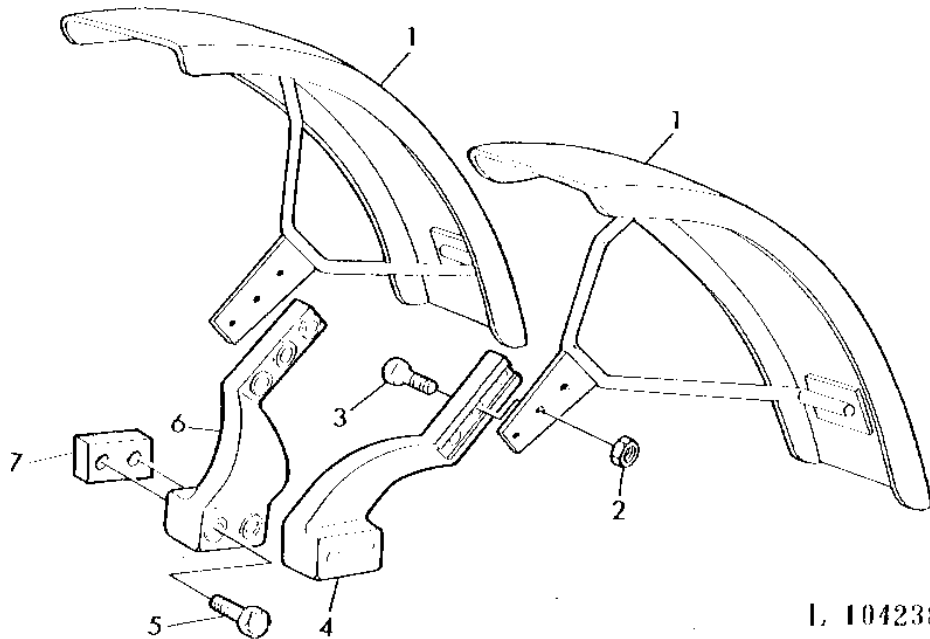
KEY	PART NO.	PART NAME	QTY	SERIAL NO.	REMARKS
1	L27099	STRAP	4	X X X	
2	03H1519	BOLT	8	X X X	3/8"X1" (ORD 03M7264, 14M7296)
3	L64493	FENDER	2	X X X	(A) 10.00-16 (SUB FOR L28626)
4	24H1305	WASHER	8	X X X	13/32"X13/16"X.060"
5	14H1076	NUT	4	X X X	3/8"
6	AL19709	SUPPORT	2	X X X	(A) 10.00-16
7	L32158	BRACE	1	X X X	(A) 10.00-16, LH
8	19H1801	CAP SCREW	4	X X X	3/8"X2"
	19H2722	CAP SCREW	4	X X X	3/8"X2-3/8" (FOR L31504)
9	L32157	BRACE	1	X X X	(A) 10.00-16, RH
10	19H2665	CAP SCREW	4	X X X	3/8"X1-5/8"
11	03M7264	BOLT	8	X X X	M10X25
12	14M7296	FLANGE NUT	8	X X X	M10
13	L31504	SPACER	2	X X X	

(A) FOR TIRE SIZE
 POUR PNEUMATIQUES
 FUER BEREIFUNG
 PER PNEUMATICI
 PARA NEUMATICOS
 FOR DACKSDIMENSION

6E25

FRAME, WHEELS, COVERS

FRONT FENDER
 AILES AVANT
 KOTFLUEGEL VORN
 PARAFANGHI ANTERIORI
 GUARDABARROS DELANTEROS
 FRAMSTANKSKARMAR
 L104238 -UN-01JAN94



2
 1 2 0
 6 0 4
 4 4 0
 0 0 S

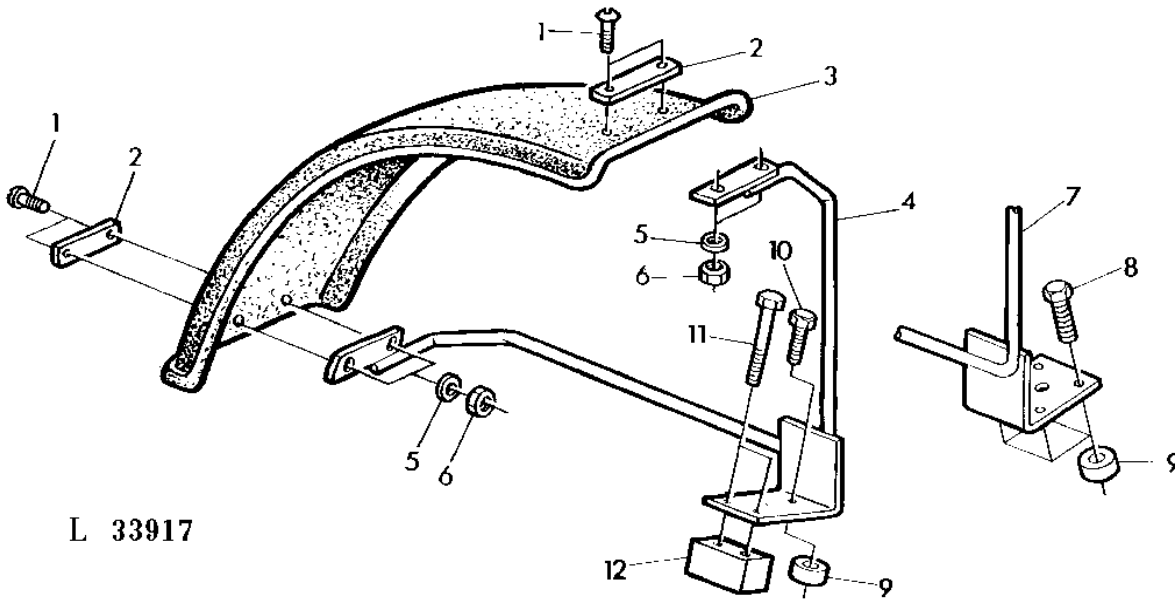
KEY	PART NO.	PART NAME	QTY	SERIAL NO.	REMARKS
1	AL24019	FENDER	2	X X X	(A) 7.50-18, 7.50-16
2	14H1076	NUT	4	X X X	3/8"
3	19H2665	CAP SCREW	4	X X X	3/8"X1-5/8"
4	L32155	BRACE	1	X X X	(A) 7.50-16
	L32158	BRACE	1	X X X	(A) 7.50-18
5	19H1801	CAP SCREW	4	X X X	3/8"X2"
	19H2722	CAP SCREW	4	X X X	3/8"X2-3/8" (FOR L31504)
6	L32154	BRACE	1	X X X	(A) 7.50-16
	L32157	BRACE	1	X X X	(A) 7.50-18
7	L31504	SPACER	2	X X X	

(A) FOR TIRE SIZE
 POUR PNEUMATIQUES
 FUER BEREIFUNG
 PER PNEUMATICI
 PARA NEUMATICOS
 FOR DACKSDIMENSION

6F1

FRAME, WHEELS, COVERS

FRONT FENDERS (FRONT WHEEL DRIVE)
 AILES AVANT (ESSIEU AVANT)
 KOTFLUEGEL VORN (FRONTANTRIEB)
 PARAFANGHI ANTERIORI (TRAZIONE ANTERIORE)
 GUARDARARROS DELANTEROS (TRACCION DELANTERA)
 FRAMSTANKSKARMAR (VID FRAMHJULSDRIFT)
 L33917 -UN-18JUL95



L 33917

2
 1 2 0
 6 0 4
 4 4 0
 0 0 S

KEY	PART NO.	PART NAME	QTY	SERIAL NO.	REMARKS
1	03H1557	BOLT	8	-XXXXXX X X	3/8"X1-1/4"
2	L27099	STRAP	4	X X	
3	L30293	FENDER	2	-XXXXXX X X	
4	AL31556	BRACE	1	-XXXXXX X X	(A) 11.2-24
5	24H1305	WASHER	8	-XXXXXX X X	13/32"X13/16"
6	14H1076	NUT	8	-XXXXXX X X	3/8"
7	AL30163	BRACE	1	-XXXXXX X X	(A) 11.2-24
8	19M7404	CAP SCREW	4	-XXXXXX X X	M14X40
9	T21267	SPACER	AR	-XXXXXX X X	
10	19M7493	CAP SCREW	1	-XXXXXX X X	M12X40
11	19M7214	CAP SCREW	2	-XXXXXX X X	M12X70
12	L34475	STRAP	1	-XXXXXX X X	

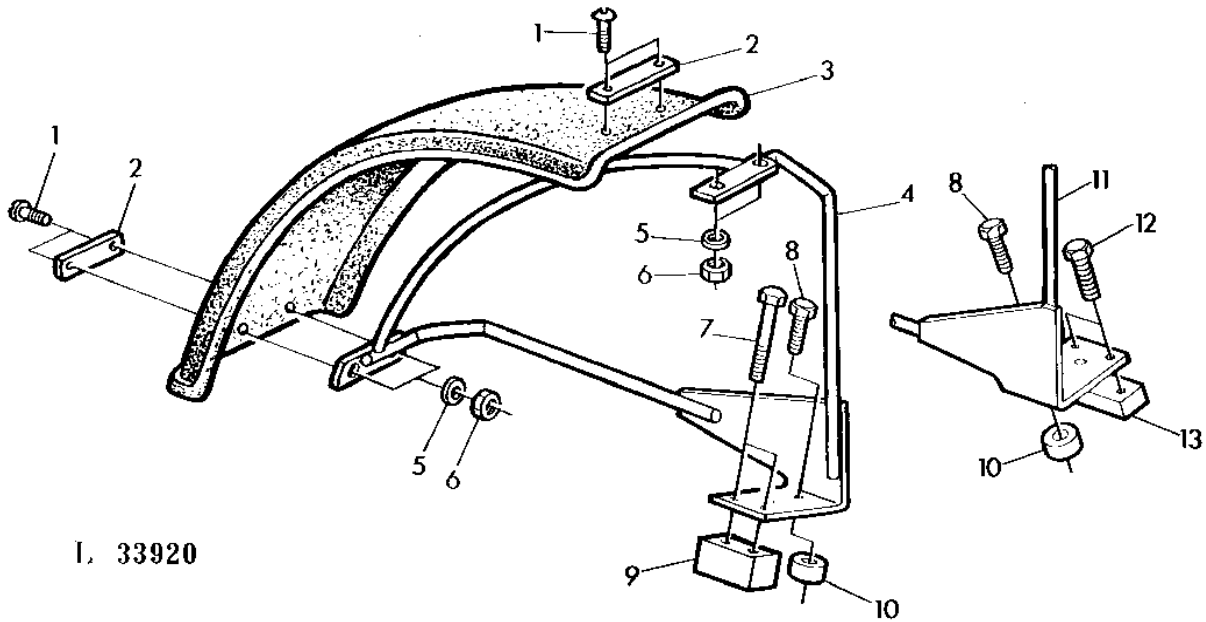
(A) FOR TIRE SIZE
 POUR PNEUMATIQUES
 FUER BEREIFUNG
 PER PNEUMATICI
 PARA NEUMATICOS
 FOR DACKSDIMENSION

6F2

FRAME, WHEELS, COVERS

FRONT FENDERS (FRONT WHEEL DRIVE)
 AILES AVANT (ESSIEU AVANT)
 KOTFLUEGEL VORN (FRONTANTRIEB)
 PARAFANGHI ANTERIORI (TRAZIONE ANTERIORE)
 GUARDABARROS DELANTEROS (TRACCION DELANTERA)
 FRAMSTANKSKARMAR (VID FRAMHJULSDRIFT)

L33920 -UN-18JUL95



I. 33920

2
1 2 0
6 0 4
4 4 0
0 0 S

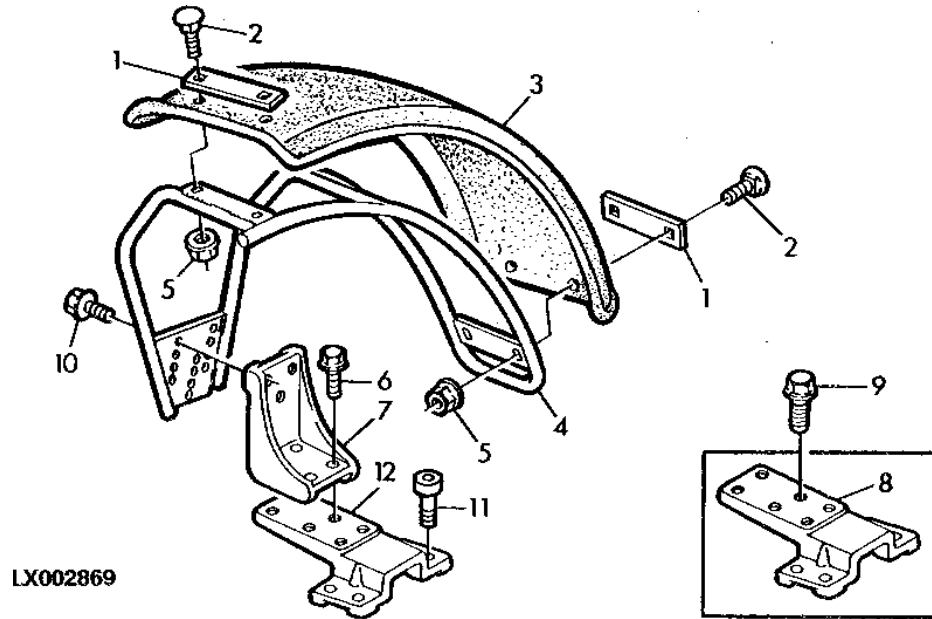
KEY	PART NO.	PART NAME	QTY	SERIAL NO.	REMARKS
1	03H1557	BOLT	8	-XXXXXX X X X	3/8"X1-1/4"
2	L27099	STRAP	4	X X X	
3	L34477	FENDER	2	-XXXXXX X X X	
4	AL34208	BRACE	1	-XXXXXX X X X	(A) 11.2-28, 12.4-28
	AL31560	BRACE	1	-XXXXXX X X X	(A) 13.6-24, 12.4-24
5	24H1305	WASHER	8	-XXXXXX X X X	13/32"X13/16"
6	14H1076	NUT	8	-XXXXXX X X X	3/8"
7	19M7214	CAP SCREW	2	-XXXXXX X X X	M12X70
8	19M7493	CAP SCREW	2	-XXXXXX X X X	M12X40
9	L34475	STRAP	1	-XXXXXX X X X	
10	L34474	SPACER	2	-XXXXXX X X X	
11	AL34207	BRACE	1	-XXXXXX X X X	(A) 11.2-28, 12.4-28
	AL31559	BRACE	1	-XXXXXX X X X	(A) 13.6-24, 12.4-24
12	19M7490	CAP SCREW	2	-XXXXXX X X X	M14X40
13	L34467	STRAP	1	-XXXXXX X X X	

(A) FOR TIRE SIZE
 POUR PNEUMATIQUES
 FUER BEREIFUNG
 PER PNEUMATICI
 PARA NEUMATICOS
 FOR DACKSDIMENSION

6F3

FRAME, WHEELS, COVERS

FRONT FENDERS (FRONT WHEEL DRIVE)
 AILES AVANT (ESSIEU AVANT)
 KOTFLUEGEL VORN (FRONTANTRIEB)
 PARAFANGHI ANTERIORI (TRAZIONE ANTERIORE)
 GUARDABARROS DELANTEROS (TRACCION DELANTERA)
 FRAMSTANKSKARMAR (VID FRAMHJULSDRIFT)
 LX002869 -UN-01JAN94



LX002869

2
 1 2 0
 6 0 4
 4 4 0
 0 0 S

KEY	PART NO.	PART NAME	QTY	SERIAL NO.	REMARKS
1	L27099	STRAP	4		
2	03M7264	BOLT	8	XXXXXX-	X X M10X25
3	L61276	FENDER	1		X X RH (SUB FOR L40324)
	L61277	FENDER	1		X X LH (SUB FOR L40324)
4	AL38100	BRACE	1	XXXXXX-	X X (A) 11.2-24, RH
	AL38017	BRACE	1	XXXXXX-	X X (A) 11.2-24, LH
5	14M7296	FLANGE NUT	8	XXXXXX-	X X M10
6	19M7790	SCREW	4	XXXXXX-	X X M12X35
7	L40165	SUPPORT	2	XXXXXX-	X X
8	L40148	BASE	2	XXXXXX-	X X (ORD L64311, (4) 19M8653)
9	19M7843	SCREW	8	XXXXXX-	X X M16X35
10	19M7791	SCREW	6	XXXXXX-	X X M12X40
11	19M8653	SCREW	8		X X M16X35
12	L64311	BASE	2		X X

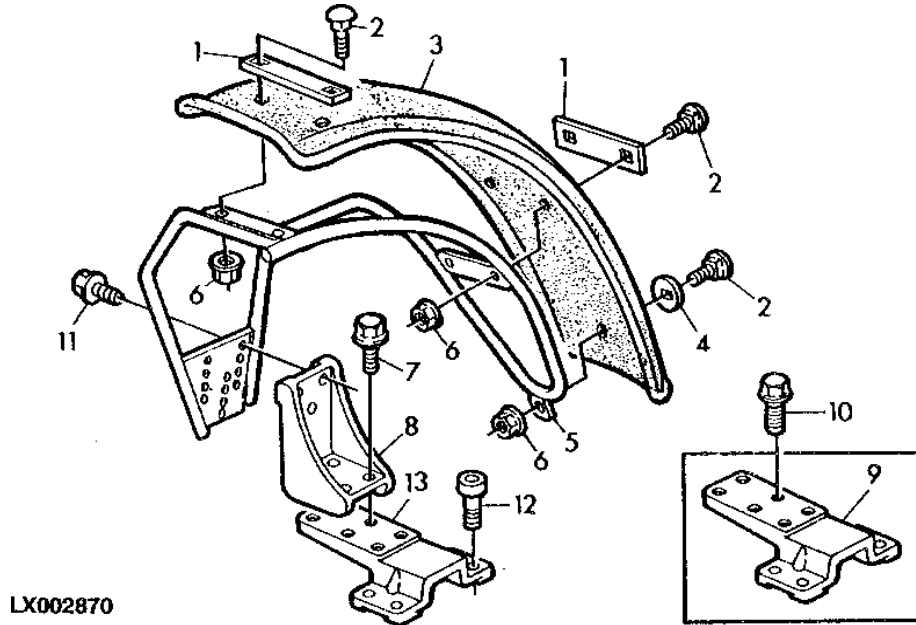
(A) FOR TIRE SIZE
 POUR PNEUMATIQUES
 FUER BEREIFUNG
 PER PNEUMATICI
 PARA NEUMATICOS
 FOR DACKSDIMENSION

6F4

FRAME, WHEELS, COVERS

FRONT FENDERS (FRONT WHEEL DRIVE)
 AILES AVANT (ESSIEU AVANT)
 KOTFLUEGEL VORN (FRONTANTRIEB)
 PARAFANGHI ANTERIORI (TRAZIONE ANTERIORE)
 GUARDABARROS DELANTEROS (TRACCION DELANTERA)
 FRAMSTANKSKARMAR (VID FRAMHJULSDRIFT)

LX002870 -UN-01JAN94



LX002870

2
 1 2 0
 6 0 4
 4 4 0
 0 0 S

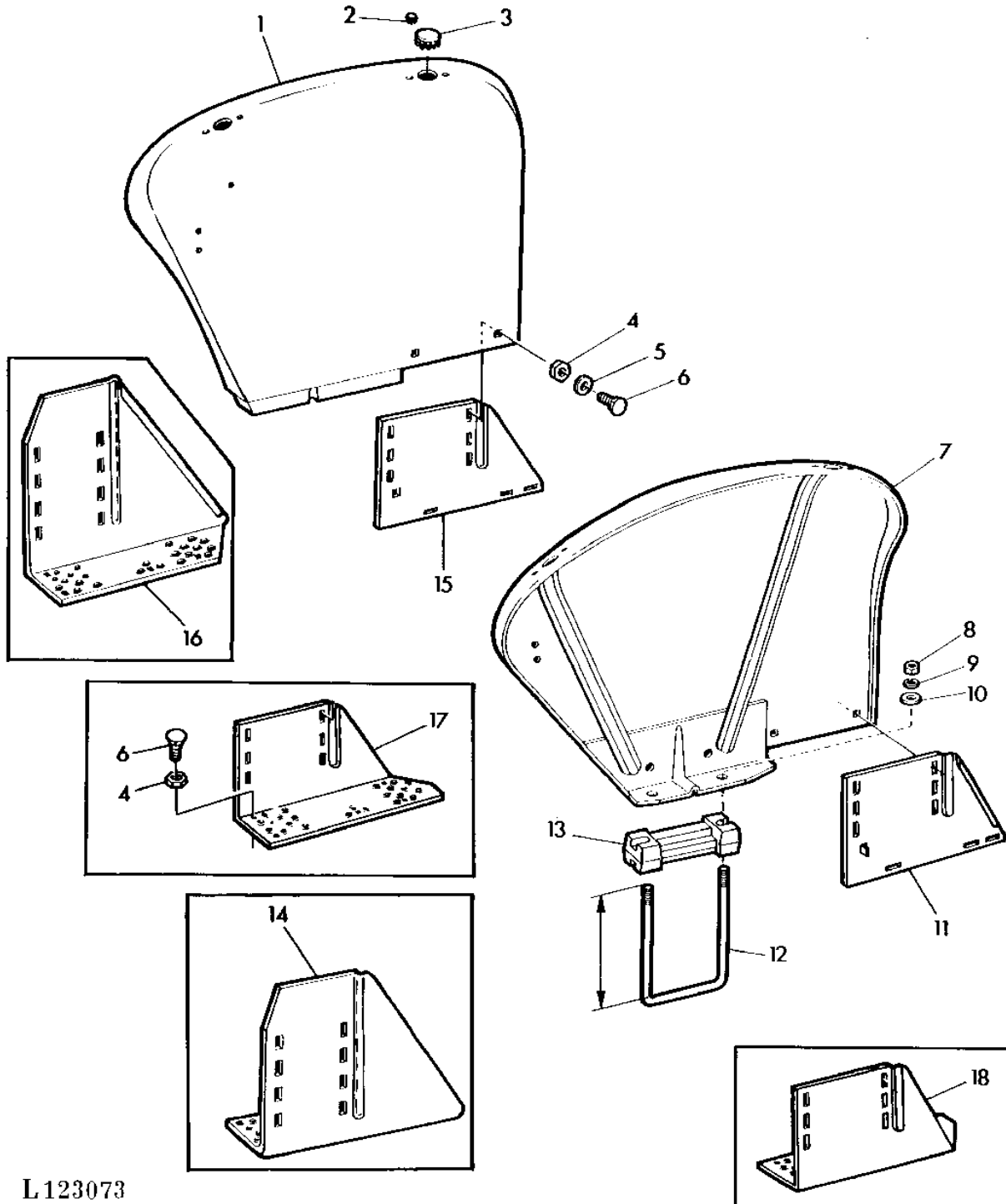
KEY	PART NO.	PART NAME	QTY	SERIAL NO.	REMARKS
1	L27099	STRAP	4		X X X
2	03M7264	BOLT	10	XXXXXX-	X X X M10X25
3	L40325	FENDER	2	XXXXXX-	X X (A) 11.2-28, 12.4-24
	L40327	FENDER	2	XXXXXX-	X X X (A) 13.6-24
4	24M7042	WASHER	2	XXXXXX-	X X X 11X34X3MM
5	AL38102	BRACE	1	XXXXXX-	X X X (A) 11.2-28, 13.6-24, 12.4-24, RH
	AL38006	BRACE	1	XXXXXX-	X X X (A) 12.4-24, 11.2-28, 13.6-24, LH
6	14M7296	FLANGE NUT	10	XXXXXX-	X X X M10
7	19M7790	SCREW	4	XXXXXX-	X X X M12X35
8	L40165	SUPPORT	2	XXXXXX-	X X X
9	L40148	BASE	2	XXXXXX-	X X X (ORD L64311, (4) 19M8653)
10	19M7843	SCREW	8	XXXXXX-	X X X M16X35
11	19M7791	SCREW	6	XXXXXX-	X X X M12X40
12	19M8653	SCREW	8		X X X M16X35
13	L64311	BASE	2		X X X

(A) FOR TIRE SIZE
 POUR PNEUMATIQUES
 FUER BEREIFUNG
 PER PNEUMATICI
 PARA NEUMATICOS
 FOR DACKSDIMENSION

6F5

FRAME, WHEELS, COVERS

REAR FENDER (SHELL TYPE)
AILES ARRIERE (TYPE COQUILLE)
MUSCHELKOTFLUEGEL
PARAFANGHI A CONCHIGLIA
GUARDABARROS DE CONCHA
BAKSTANKSKARMAR (MUSSELTYP)
L123073 -UN-18JUL95



L123073

6F6

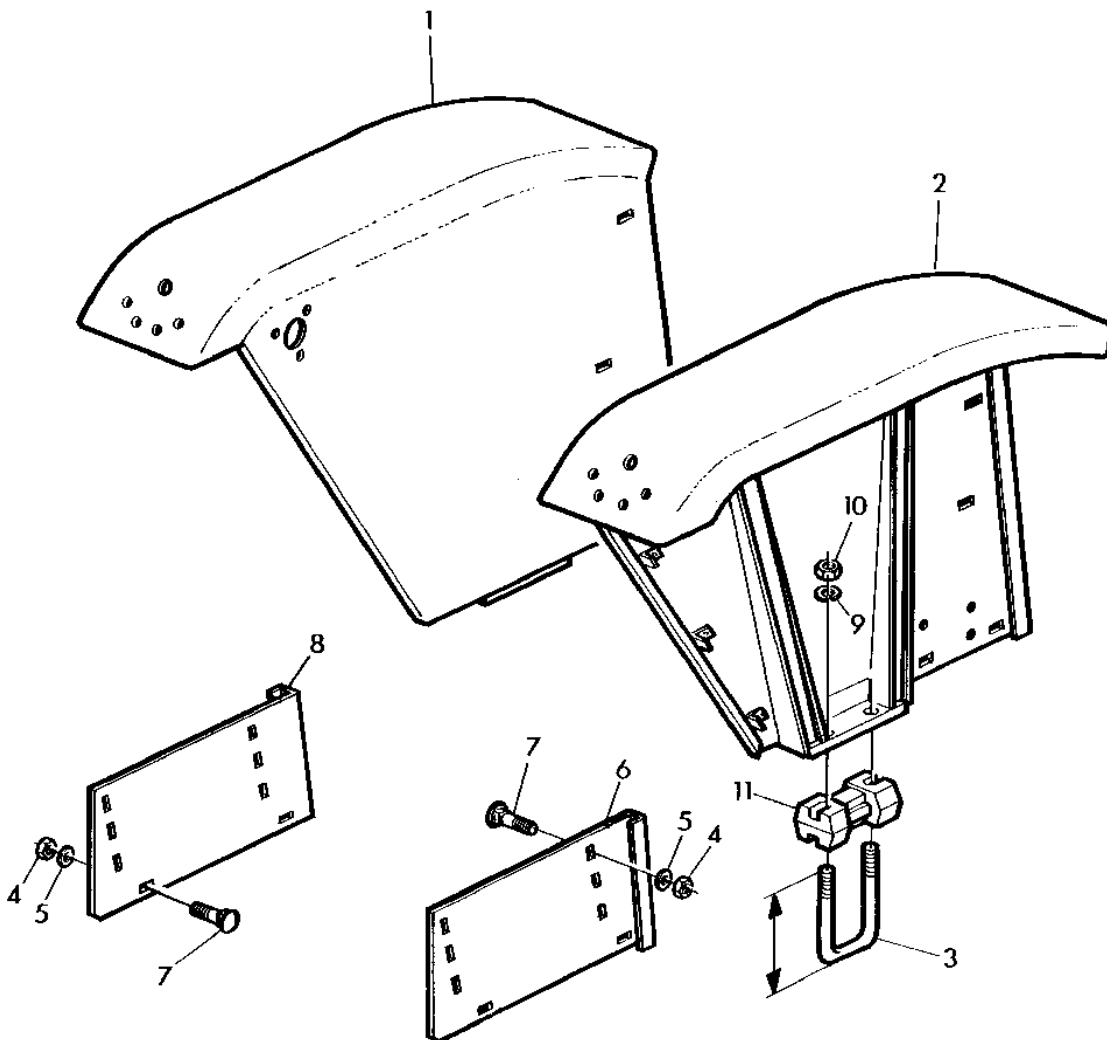
FRAME, WHEELS, COVERS

KEY	PART NO.	PART NAME	QTY	SERIAL NO.	REMARKS
					2
					1 2 0
					6 0 4
					4 4 0
					0 0 S
1	AL28585	FENDER	1		X X X LH
2	R31420	PLUG	8		X X X
3	T22520	PLUG	4		X X X
4	14H1076	NUT	AR		X X X 3/8"
5	24H1307	WASHER	4		X X X 13/32"X1"X.060"
6	03H1765	BOLT	AR		X X X 3/8"X3/4"
7	AL28584	FENDER	1		X X X RH
8	14H1039	NUT	4		X X X 5/8"
9	12H294	LOCK WASHER	4		X X X 5/8"
10	24H1698	WASHER	4		X X X
11	AL66515	EXTENSION	1		X X X RH (SUB FOR AL25434)
12	T22705	U-BOLT	2		X X X 180MM (7.08")
	L29328	U-BOLT	2		X X X 283MM (11.14")
	L29329	U-BOLT	2		X X X 382MM (13.07")
13	L25283	SPACER	AR		X X X
14	AL25436	BRACKET	1	-478686	X X RH
15	AL66516	EXTENSION	1		X X X LH (SUB FOR AL25435)
16	AL25437	BRACKET	1	-478686	X X LH
17	AL25435	BRACKET	1		X X X LH (ORD AL66516)
18	AL25434	BRACKET	1		X X X RH (ORD AL66515)

6F7

FRAME, WHEELS, COVERS

REAR FENDER (240 MM WIDE)
AILES ARRIERE ENVELOPPANTES (LARGEUR 240 MM)
DACHKOTFLUEGEL (240 MM BREIT)
PARAFANGHI POSTERIORI NORMALI (240 MM)
GUARDABARROS TRASEROS DE TEJADILLO (240 MM ANCHURA)
BAKRE STANKSKARMAR (240 MM)
L110470 -UN-12MAY95



L 110470

6F8

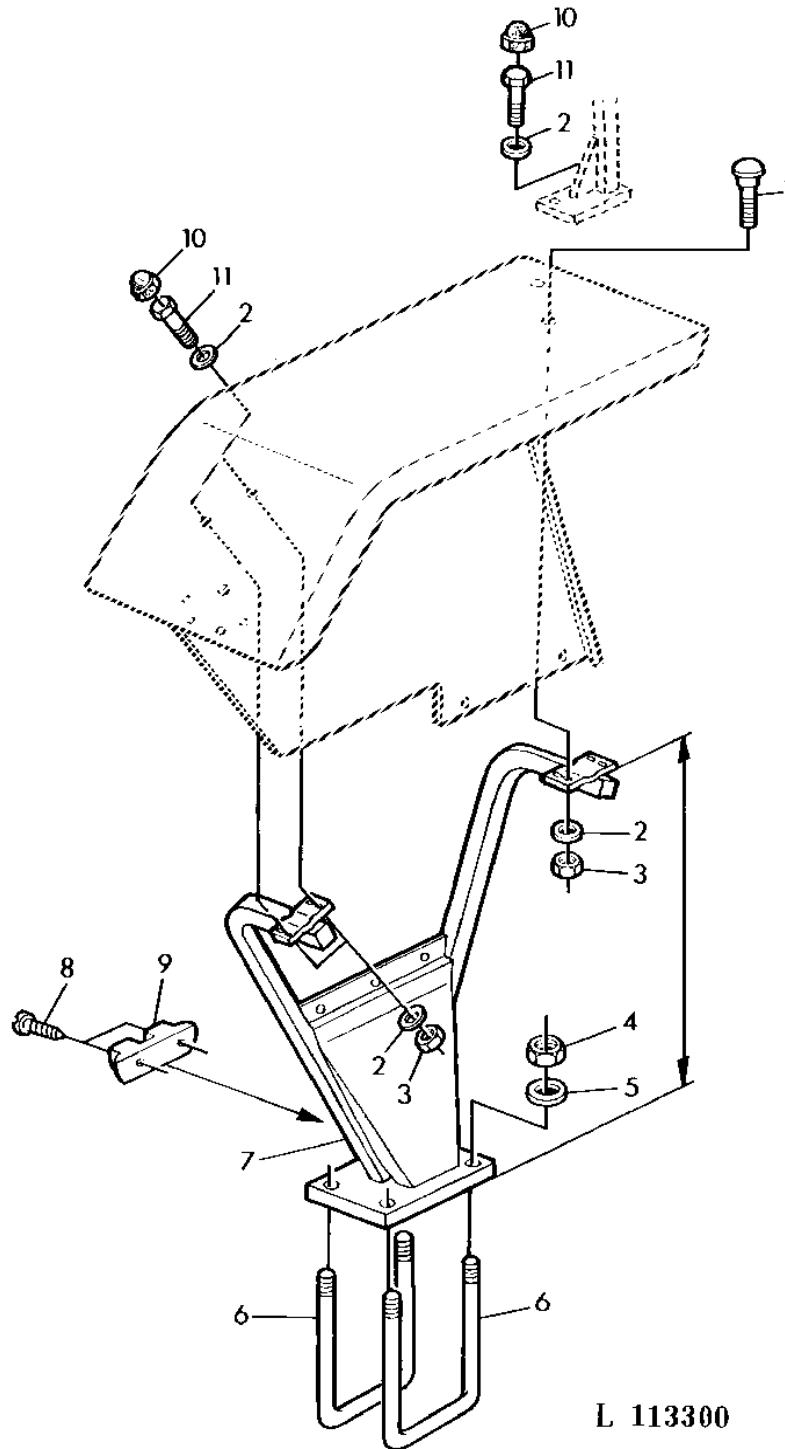
FRAME, WHEELS, COVERS

KEY	PART NO.	PART NAME	QTY	SERIAL NO.	REMARKS
					2
					1 2 0
					6 0 4
					4 4 0
					0 0 S
1	DE17327	FENDER	1		X X X LH (SUB FOR DE15493)
2	DE17326	FENDER	1		X X X RH (SUB FOR DE15492)
3	L29329	U-BOLT	2		X X X 382MM (13.07")
	L60517	U-BOLT	2		X 230MM (9.06") (SUB FOR L29330)
4	14H1076	NUT	8		X X X 3/8"
5	24H1307	WASHER	8		X X X 13/32"X1"X.60"
6	L56517	EXTENSION	1		X X X RH
7	03H1765	BOLT	8		X X X 3/8"X3/4"
8	L56516	EXTENSION	1		X X X LH
9	24M7241	WASHER	4		X X X (SUB FOR T40728)
10	14H1039	NUT	4		X X X 5/8"
11	L25283	SPACER	AR		X X X

6F9

FRAME, WHEELS, COVERS

SUPPORT FOR WIDE FENDERS
SUPPORT D'AILE LARGE
STUETZE FUER DACHKOTFLUEGEL
SUPPORTO PER PARAFANGHI LARGHI
SOPORTE PARA GUARDABARROS DE TEJADILLO
HALLARE FOR HELTACKANDE STANKSKARMAR
L113300 -UN-17JUL95



L 113300

6F10

FRAME, WHEELS, COVERS

KEY	PART NO.	PART NAME	QTY	SERIAL NO.	REMARKS
				2	
				1 2 0	
				6 0 4	
				4 4 0	
				0 0 S	
1	03M7113	BOLT	8	X X X	(B) M16X35
2	24M7112	WASHER	16	X X X	15X28X3MM
	24M7113	WASHER	8	X X X	(B) 17X28X3MM
3	14M7141	NUT	8	X X X	M14
	14M7276	NUT	8	X X X	(B) M16
4	14H1039	NUT	8	X X X	5/8"
5	24M7241	WASHER	8	X X X	(SUB FOR T40728)
6	T22705	U-BOLT	4	X X X	
7	AL31145	SUPPORT	1	X	(A) 16.9-24, LH, 693MM
	AL31144	SUPPORT	1	X	(A) 16.9-24, RH, 693MM
	AL31146	SUPPORT	1	X X	(A) 14.9-30, 14.9-28, 13.6-36, 16.9-24, 16.9-30, RH, 768MM
	AL31147	SUPPORT	1	X X	(A) 14.9-30, 14.9-28, 13.6-36, 16.9-24, 16.9-30, LH, 768MM
	AL31148	SUPPORT	1	X X X	(A) 16.9-34, 18.4-30, 15.5-38, 13.6-36, 13.6-38, 14.9-38, 16.9-30, RH, 853MM
	AL31149	SUPPORT	1	X X X	(A) 16.9-34, 18.4-30, 15.5-38, 13.6-36, 13.6-38, 14.9-38, 16.9-30, LH, 853MM
8	37H164	SCREW	4	X X X	6.3X22MM
9	L34306	CLAMP	4	X X X	
10	L30960	NUT	8	X X X	
11	19M7335	CAP SCREW	8	X X X	M14X45

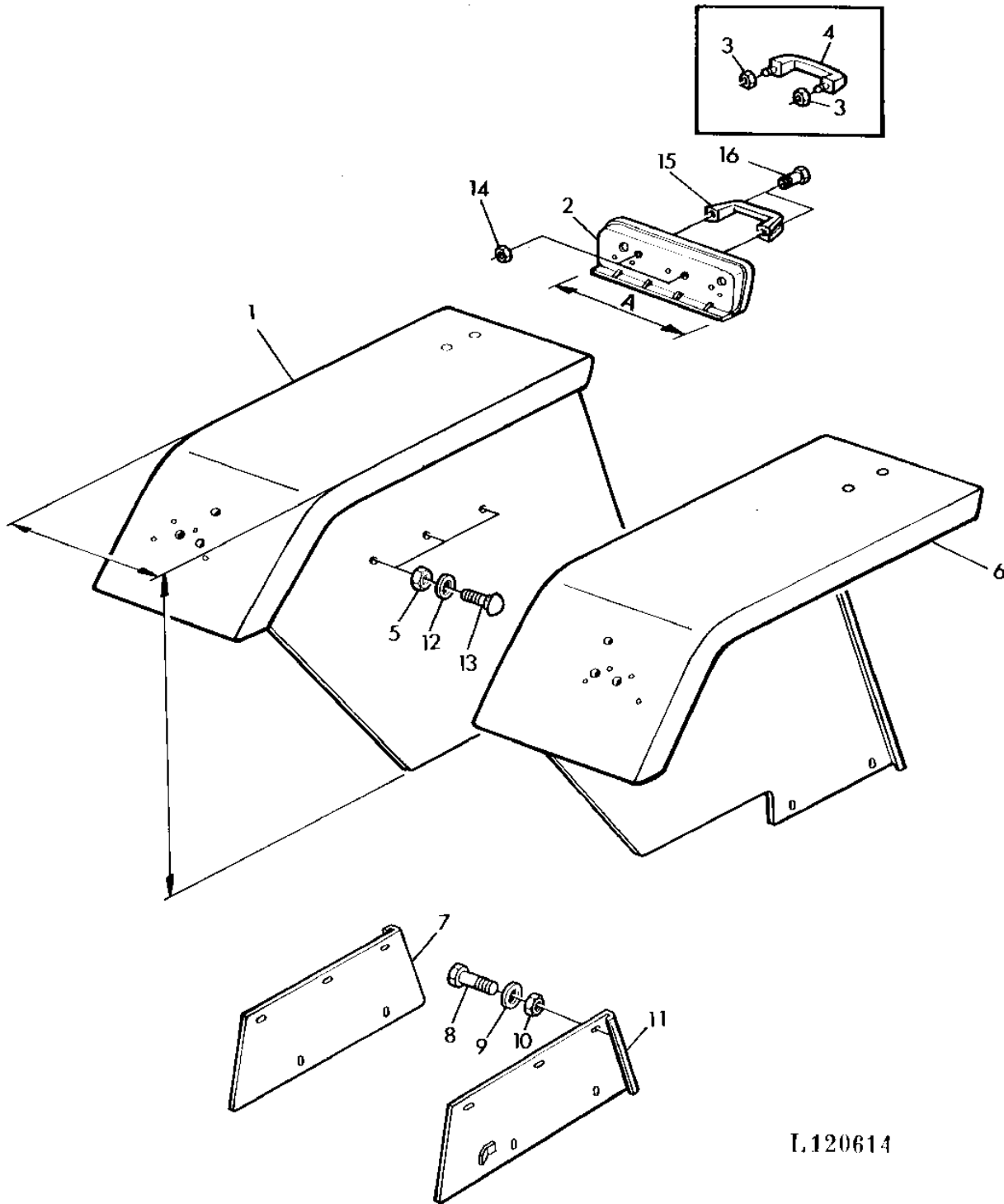
(A) FOR TIRE SIZE
 POUR PNEUMATIQUES
 FUER BEREIFUNG
 PER PNEUMATICI
 PARA NEUMATICAS
 FOR DACKSIMENSION

(B) WITHOUT 4-POST ROLL GUARD
 SANS CADRE DE SECURITE
 OHNE 4-PFOSTEN UEBERSCHLAGSCHUTZ
 SENZA PROT.ANTIRIBALTAMENTO A 4 MONTANTI
 SIN DEFENSA CONTRA VUELCOS CON 4 ARBOTANTES
 UTAN STORTSKYDD (4 STOLPAR)

6F11

FRAME, WHEELS, COVERS

REAR FENDER (WIDE)
AILES ARRIERE ENVELOPPANTES
DACHKOTFLUEGEL
PARAFANGHI POSTERIORI NORMALI
GUARDABARROS TRASEROS DE TEJADILLO
BAKRE STANKSKARMAR (BREDA)
L120614 -UN-26MAY95



L120614

6F12

FRAME, WHEELS, COVERS

KEY	PART NO.	PART NAME	QTY	SERIAL NO.	REMARKS
					2 1 2 0 6 0 4 4 4 0 0 0 S
1	AL40955	FENDER	1	X	(A) 16.9-24, LH (B) 665MM (C) 580MM
	AL31139	FENDER	1	X X X	(A) 14.9-30, 14.9-28, 13.6-36, 18.4-30, 13.6-38, 14.9-38, LH (B) 740MM (C) 490MM
	AL31141	FENDER	1	X X X	(A) 16.9-30, 15.5-38, 16.9-34, 16.9-24, 18.4-30, LH (B) 740MM (C) 580MM
2	L34307	BRACKET	2	X X X	488MM
	L34308	BRACKET	2	X X X	578MM
3	14M7272	NUT	4	X X X	M6
4	AL38567	HANDLE	1	X X X	(ORD L57250, (2) 14M7376, (2) 19M7077) (SUB FOR AL31152)
5	14M7274	NUT	6	X X X	M10
6	AL40956	FENDER	1	X	(A) 16.9-24, RH (B) 665MM (C) 580MM
	AL31138	FENDER	1	X X X	(A) 14.9-30, 14.9-28, 13.6-36, 18.4-30, 13.6-38, 14.9-38, RH (B) 740MM (C) 490MM
	AL31140	FENDER	1	X X X	(A) 16.9-30, 15.5-38, 16.9-34, 16.9-24, 18.4-30 (B) 740MM (C) 580MM
7	L34267	EXTENSION	1	X X X	LH
8	19H2021	CAP SCREW	10	X X X	3/8"X5/8"
9	24H1305	WASHER	10	X X X	13/32"X13/16"X.060"
10	14H1076	NUT	10	X X X	3/8"
11	L34266	EXTENSION	1	X X X	RH
12	24M7028	WASHER	6	X X X	10.5X21X2MM
13	03M7191	BOLT	6	X X X	M10X25
14	14M7376	LOCK NUT	2	X X X	M6
15	L57250	HANDLE	2	X X X	
16	19M7077	CAP SCREW	2	X X X	M6X20

(A) FOR TIRE SIZE
 POUR PNEUMATIQUES
 FUER BEREIFUNG
 PER PNEUMATICI
 PARA NEUMATICAS
 FOR DACKSIMENSION

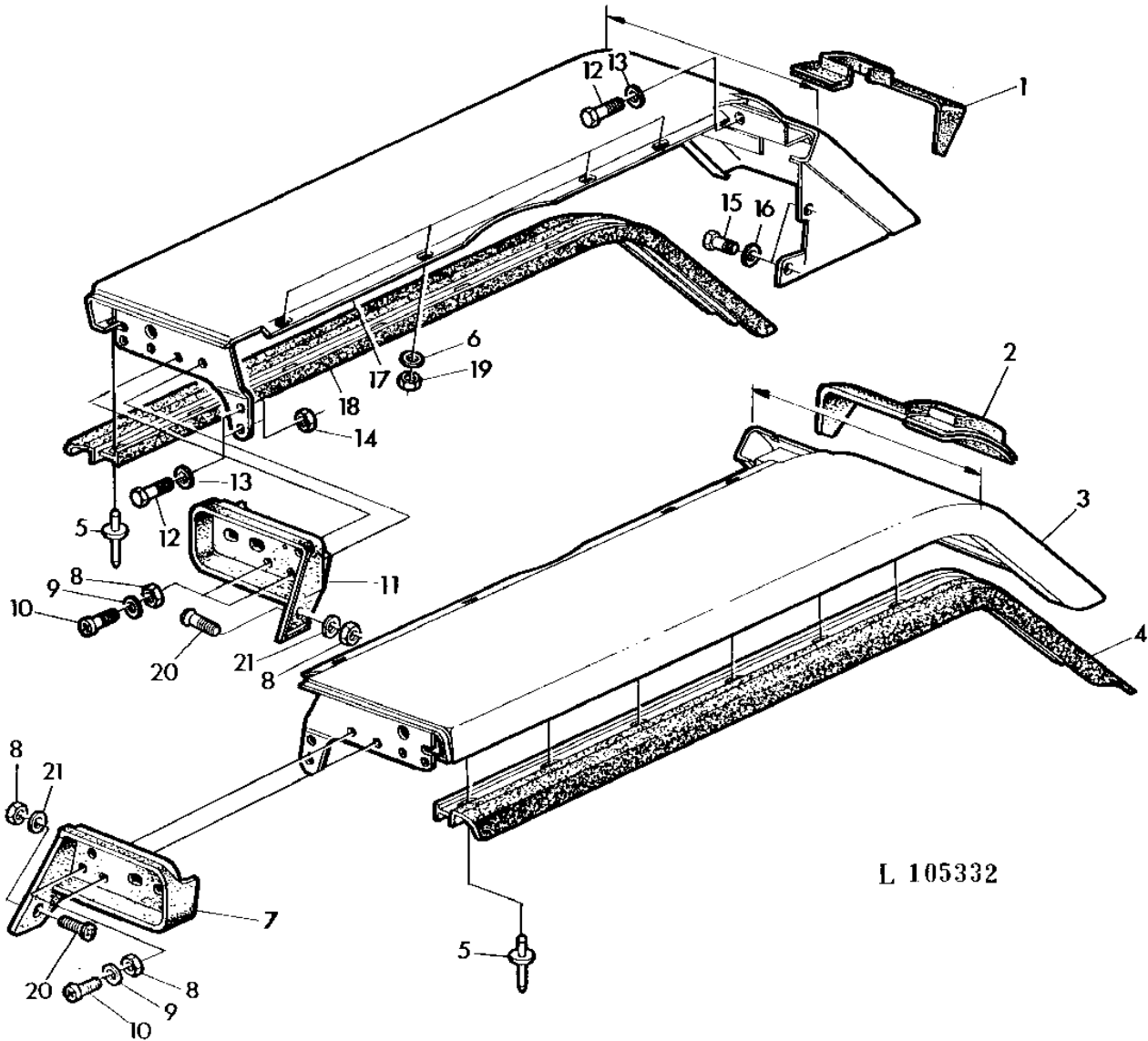
(B) HEIGHT
 HAUTEUR
 HOEHE
 ALTEZZA
 ALTURA
 HOJD

(C) WIDTH
 LARGEUR
 BREITE
 LARGHEZZA
 ANCHURA
 BREDO

6F13

FRAME, WHEELS, COVERS

FENDERS (WITH SG2 CAB)
AILES (AVEC CABINE SG2)
KOTFLUEGEL (BEI SG2 KABINE)
PARAFANGHI (CON CABINA SG2)
GUARDABARROS (CON CABINA SG2)
STANKSKARMAR (VID SG2 HYTT)
L105332 -UN-17JUL95



L 105332

6F14

FRAME, WHEELS, COVERS

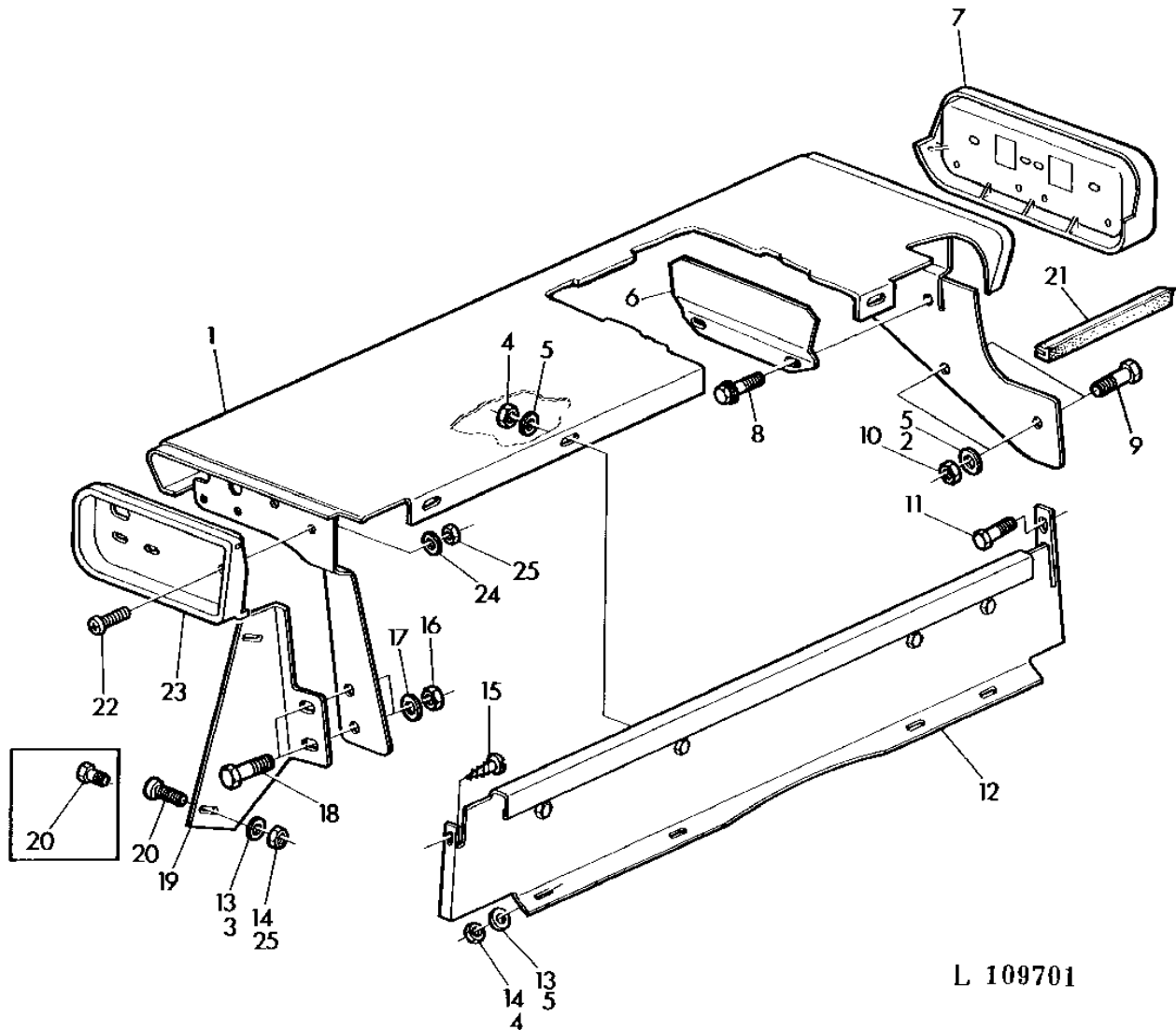
KEY	PART NO.	PART NAME	QTY	SERIAL NO.	REMARKS
					2
					1 2 0
					6 0 4
					4 4 0
					0 0 S
1	L36419	PANEL	1		X X X RH
2	L36418	PANEL	1		X X X LH
3	AL33585	FENDER	1	-479499	X X X LH, 430MM
	AL33578	FENDER	1	-479499	X X X LH, 490MM
	AL37997	FENDER	1	479500-	X X X LH, 430MM
	AL37999	FENDER	1	479500-	X X X LH, 490MM
4	L37791	EXTENSION	1		X X X LH
5	R55326	RIVET	20		X X X
6	24M7055	WASHER	8		X X X
7	L37789	PANEL	1		X X X LH (FOR AL33585 OR AL37997)
	L37793	PANEL	1		X X X LH (FOR AL33578 OR AL37999)
8	14M7272	NUT	6		X X X M6
9	24M7054	WASHER	4		X X X 6.4X12.5X1.6MM
10	21M7292	SCREW	4		X X X M6X16
11	L37790	PANEL	1		X X X RH (FOR AL33587 OR AL37998)
	L37794	PANEL	1		X X X RH (FOR AL33580 OR AL38000)
12	19M7166	CAP SCREW	6		X X X M10X20
13	24M7028	WASHER	6		X X X 10.5X21X2MM
14	14M7274	NUT	4		X X X M10
15	L39300	CAP SCREW	4		X X X 3/8"X7/8"
16	24M7271	WASHER	4		X X X 10.5X21X2MM
17	AL33587	FENDER	1	-479499	X X X RH, 430MM
	AL33580	FENDER	1	-479499	X X X RH, 490MM
	AL37998	FENDER	1	479500-	X X X RH, 430MM
	AL38000	FENDER	1	479500-	X X X RH, 490MM
18	L37792	EXTENSION	1		X X X RH
19	14M7273	NUT	8		X X X M8
20	21M7296	SCREW	2		X X X M6X20
21	24M7251	WASHER	2		X X X 6.4X18X1.6MM

6F15

FRAME, WHEELS, COVERS

FENDER FOR SNOW CHAINS (WITH SG2 CAB)
AILE POUR CHAINES A NEIGE (AVEC CABINE SG2)
KOTFLUEGEL FUER SCHNEEKETTEN (BEI SG2 KABINE)
PARAFANGHI PER CATENE DA NEVE (CON CABINA SG2)
GUARDABARROS PARA CADENAS USADAS EN NIEVE (CON CABINA SG2)
STANKSKARMAR FOR HJUL MED SNOKEDJOR (VID SG2 HYTT)

L109701 -UN-17JUL95



6F16

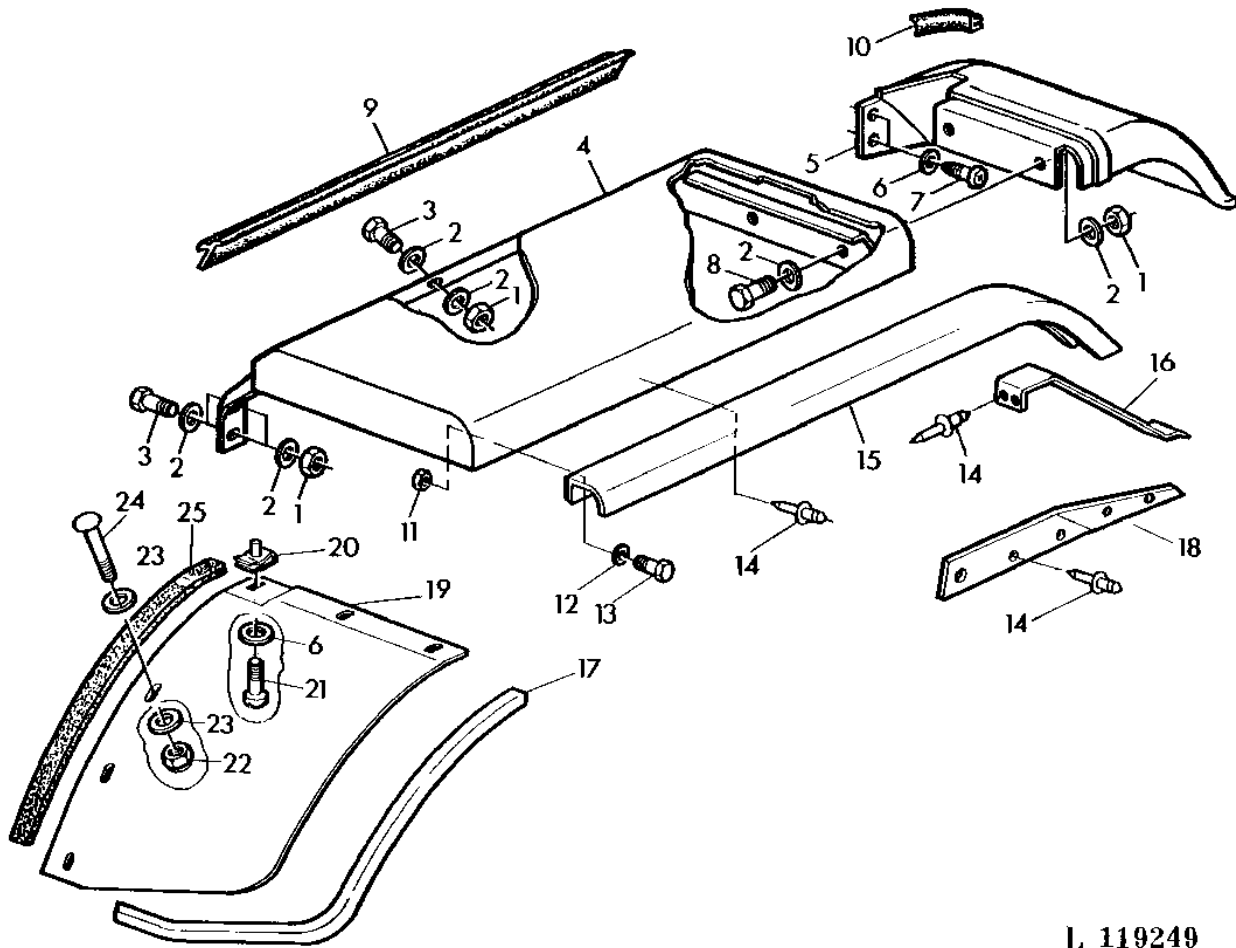
FRAME, WHEELS, COVERS

KEY	PART NO.	PART NAME	QTY	SERIAL NO.	REMARKS
					2
					1 2 0
					6 0 4
					4 4 0
					0 0 S
1	AL37078	FENDER	1		X X X RH
	AL37079	FENDER	1		X X X LH
2	24M7271	WASHER	4	XXXXXX-	X X X 10.5X21X2MM
3	24M7251	WASHER	4	XXXXXX-	X X X 6.4X18X1.6MM
4	14M7273	NUT	8	-XXXXXX	X X X M8
	14M7273	NUT	16	XXXXXX-	X X X M8
5	24H1305	WASHER	12	-XXXXXX	X X X 13/32"X13/16"X.060"
	24M7055	WASHER	16	XXXXXX-	X X X 8.4X17X1.6MM
6	L41840	GUARD	2		X X X (SUB FOR L39659)
7	L39241	PANEL	1		X X X RH
	L39776	PANEL	1		X X X LH
8	37M7089	SCREW	4		X X X M6X12
9	L39300	CAP SCREW	4		X X X 3/8"X7/8"
10	14H1076	NUT	4		X X X 3/8"
11	19M7560	CAP SCREW	4		X X X M6X16
12	AL37076	EXTENSION	1		X X X RH
	AL37077	EXTENSION	1		X X X LH
13	24H1136	WASHER	12	-XXXXXX	X X X 11/32"X11/16"X.060"
	24H1136	WASHER	8	XXXXXX-XXXXXX	X X X 11/32"X11/16"X.060"
14	14H785	NUT	12	-XXXXXX	X X X 5/16"
15	37M7063	SCREW	2		X X X 4.2X9.5MM (SUB FOR R52708)
16	14M7274	NUT	4		X X X M10
17	24M7028	WASHER	4		X X X 10.5X21X2MM
18	19M7166	CAP SCREW	4		X X X M10X20
19	L39244	PANEL	1		X X X RH
	L39245	PANEL	1		X X X LH
20	L39078	CAP SCREW	4	-XXXXXX	X X X
	21M7296	SCREW	4	XXXXXX-	X X X M6X20
21	L40356	BOOT	2		X X X
22	21M7292	SCREW	2		X X X M6X16
23	L39242	PANEL	1		X X X RH
	L39243	PANEL	1		X X X LH
24	24M7054	WASHER	2		X X X 6.4X12.5X1.6MM
25	14M7272	NUT	2	-XXXXXX	X X X M6
	14M7272	NUT	6	XXXXXX-	X X X M6

6F17

FRAME, WHEELS, COVERS

REAR FENDER (WIDE) WITH MC1 CAB
AILES ARRIERE ENVELOPPANTES (AVEC CABINE MC1)
DACHKOTFLUEGEL (BEI MC1 KABINE)
PARAFANGHI POSTERIORI NORMALI (CON CABINA MC1)
GUARDABARROS TRASEROS DE TEJADILLO (CON CABINA MC1)
BAKRE STANKSKARMAR (BREDA) VID MC1 FORARHYTT
L119249 -UN-12JUL95



I. 119249

6F18

FRAME, WHEELS, COVERS

KEY	PART NO.	PART NAME	QTY	SERIAL NO.	REMARKS
					2
					1 2 0
					6 0 4
					4 4 0
					0 0 S
1	14M7273	NUT	20	X X X	M8
2	24M7260	WASHER	40	X X X	8.4X25X2MM
3	19M7162	CAP SCREW	16	X X X	M8X16
4	CG20959	FENDER	1	X X X	RH
	CG20960	FENDER	1	X X X	LH
	AL61004	FENDER	1	X X X	(A) RH
	AL61003	FENDER	1	X X X	(A) LH
5	L57128	FENDER	1	X X X	RH
	L57129	FENDER	1	X X X	LH
6	24M7251	WASHER	AR	X X X	6.4X12.5X1.6MM
7	37M7109	SCREW	4	X X X	6.3X16MM
8	19M7009	CAP SCREW	4	X X X	M8X20
9	L58939	SEALING TRIM	1	X X X	RH
	L58928	SEALING TRIM	1	X X X	LH
10	L40356	BOOT	2	X X X	
11	14M7272	NUT	2	X X X	M6
12	24M7139	WASHER	2	X X X	6.4X18X1.6MM
13	19M6614	CAP SCREW	2	X X X	M6X12
14	R54477	RIVET	AR	X X X	
15	L58604	EXTENSION	1	X X X	RH
	L58603	EXTENSION	1	X X X	LH
16	L58942	REINFORCEMENT	2	X X X	
17	R50451	MOLDING	2	X X X	
18	L59750	REINFORCEMENT	1	X X X	RH
	L59749	REINFORCEMENT	1	X X X	LH
19	L59156	FENDER	1	X X X	RH
	L59155	FENDER	1	X X X	LH
20	L59800	NUT	6	X X X	M6
21	19M7560	CAP SCREW	6	X X X	M6X16
22	14M7165	LOCK NUT	6	X X X	M6
23	L59462	WASHER	12	X X X	6.4X30X1.5MM
24	03M7328	BOLT	6	X X X	M6X45MM
25	WEATHERSTRIP	2	X X X	LGTH= 500MM (MF L59791)
..	L59791	WEATHERSTRIP	1	X X X	LGTH= 1000MM

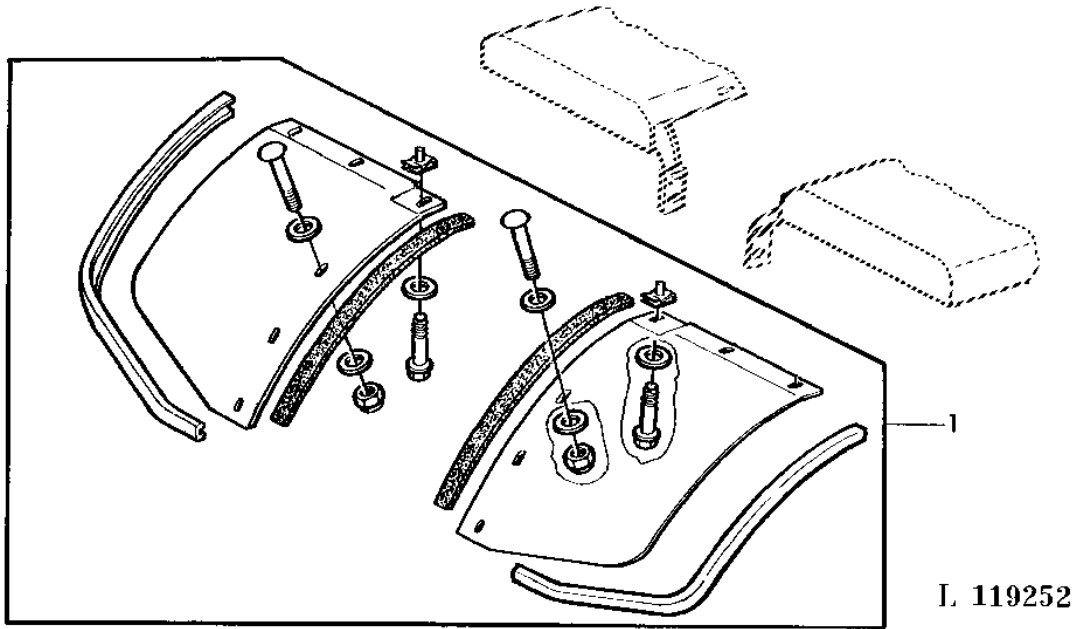
(A) WITH WIDE FENDERS
 AVEC ELARGISSEURS D'AILES
 BEI KOTSCHUETZERVERBREITERUNG
 CON PARAFANGHI EXTRA LARGHI
 CON GUARDABARROS ANCHOS
 VID EXTRA BREDAS STANKSKARMAR

6F19

FRAME, WHEELS, COVERS

WIDE FENDERS-FRONT EXTENSION (FOR MC1 CAB)
 AILES ENVELOPPANTES-RALLONGE AVANT (CABINE MC1)
 DACHKOTFLUEGEL-VERLAENGERUNG VORN (BEI MC1 KABINE)
 PROLUNGA ANTERIORE PER PARAFANGHI LARGHI (CON CABINA MC1)
 GUARDABARROS EN TEJADILLO-EXTENSION DELANT. (CAB. MC1)
 FRAMRE FORLANGNING FOR HELTACKANDE STANKSKARMAR (MC1 HYTT)

L119252 -UN-12JUL95



I. 119252

2
1 2 0
6 0 4
4 4 0
0 0 S

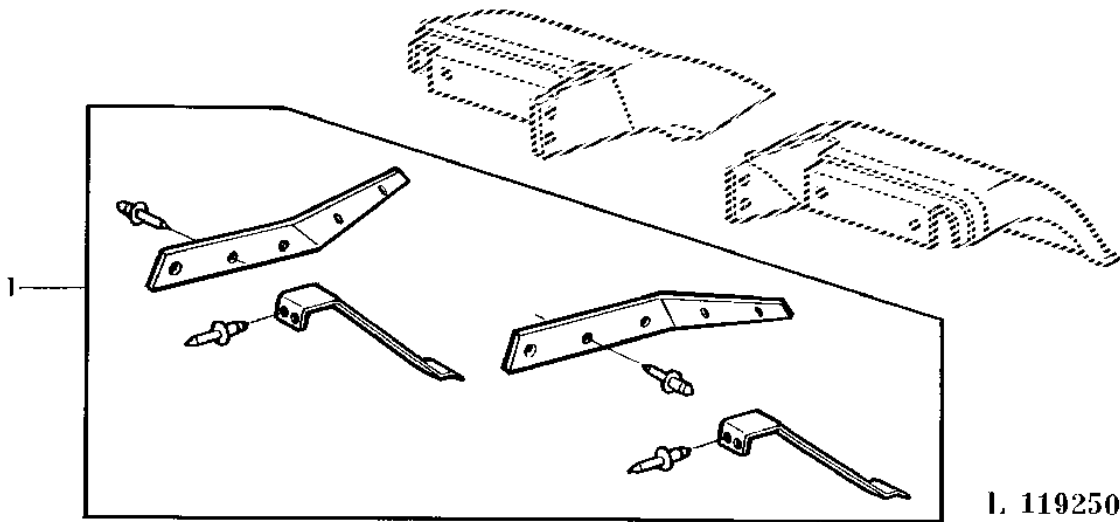
KEY	PART NO.	PART NAME	QTY	SERIAL NO.	REMARKS
1	AL63664	SHIPPING BUNDLE	1	X X X	

6F20

FRAME, WHEELS, COVERS

WIDE FENDERS-REAR REINFORCEMENT (FOR MC1 CAB)
 AILES ENVELOPPANTES-RENFORCEMENT ARRIERE (CABINE MC1)
 DACHKOTFLUEGEL-VERSTEIFUNG HINTEN (BEI MC1 KABINE)
 RINFORZAM. POSTER. PER PARAFANGHE LARGHI (CON CABINA MC1)
 GUARDABARROS EN TEJADILLO-REFUERZOS TRAS. (CAB. MC1)
 BAKRE FORSTARKNING FOR HELTACKANDE STANKSKARMAR (MC1 HYTT)

L119250 -UN-12JUL95



L 119250

2
 1 2 0
 6 0 4
 4 4 0
 0 0 S

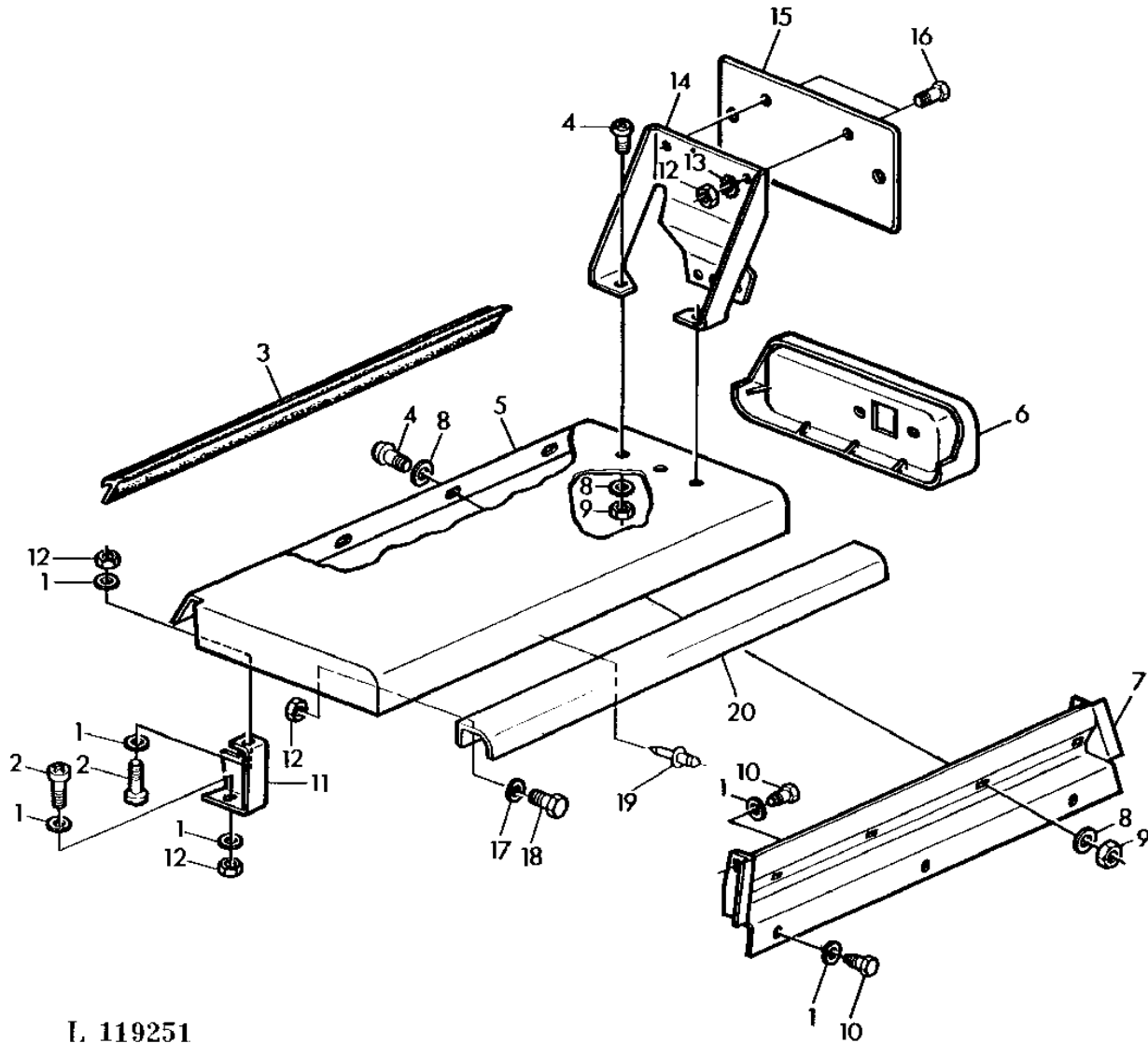
KEY	PART NO.	PART NAME	QTY	SERIAL NO.	REMARKS
1	AL63663	SHIPPING BUNDLE	1	X X X	

6F21

FRAME, WHEELS, COVERS

SNOW CHAIN FENDERS (WITH MC1 CAB)
AILES POUR CHAINES DE NEIGE (AVEC CABINE MC1)
SCHNEEKETTENKOTFLUEGEL (BEI MC1 KABINE)
PARAFANGHI PER CATENE PER NEVE (CON CABINA MC1)
GUARDABARROS PARA CADENAS DE NIEVE (CON CAB. MC1)
STANKSKARMAR FOR SNOKEJØR (VID MC1 HYTT)

L119251 -UN-12JUL95



L 119251

6F22

FRAME, WHEELS, COVERS

KEY	PART NO.	PART NAME	QTY	SERIAL NO.	REMARKS
					2
					1 2 0
					6 0 4
					4 4 0
					0 0 S
1	24M7251	WASHER	18	X X X	6.4X18X1.6MM
2	21M7296	SCREW	4	X X X	M6X20
3	L58939	SEALING TRIM	1	X X X	RH
	L58928	SEALING TRIM	1	X X X	LH
4	21M7378	SCREW	10	X X X	M8X16
5	CG20961	FENDER	1	X X X	RH
	CG20962	FENDER	1	X X X	LH
	AL61006	FENDER	1	X X X	(A) RH
	AL61005	FENDER	1	X X X	(A) LH
6	L57950	PANEL	1	X X X	RH
	L57949	PANEL	1	X X X	LH
7	AL58518	EXTENSION	2	X X X	
8	24M7260	WASHER	18	X X X	8.4X25X2MM
9	14M7358	NUT	10	X X X	M8
10	37M7146	SCREW	10	X X X	6.3X16MM
11	L57164	PANEL	1	X X X	RH
	L57165	SHIELD	1	X X X	LH
12	14M7272	NUT	AR	X X X	M6
13	12M7081	LOCK WASHER	2	X X X	6.4MM
14	L58480	BRACKET	1	X X X	
15	L58614	PLATE	1	X X X	
16	21M7296	SCREW	2	X X X	M6X20
17	24M7139	WASHER	2	X X X	6.4X18X1.6MM
18	19M6614	CAP SCREW	2	X X X	M6X12
19	R54477	RIVET	16	X X X	
20	L58606	EXTENSION	1	X X X	RH
	L58605	EXTENSION	1	X X X	LH

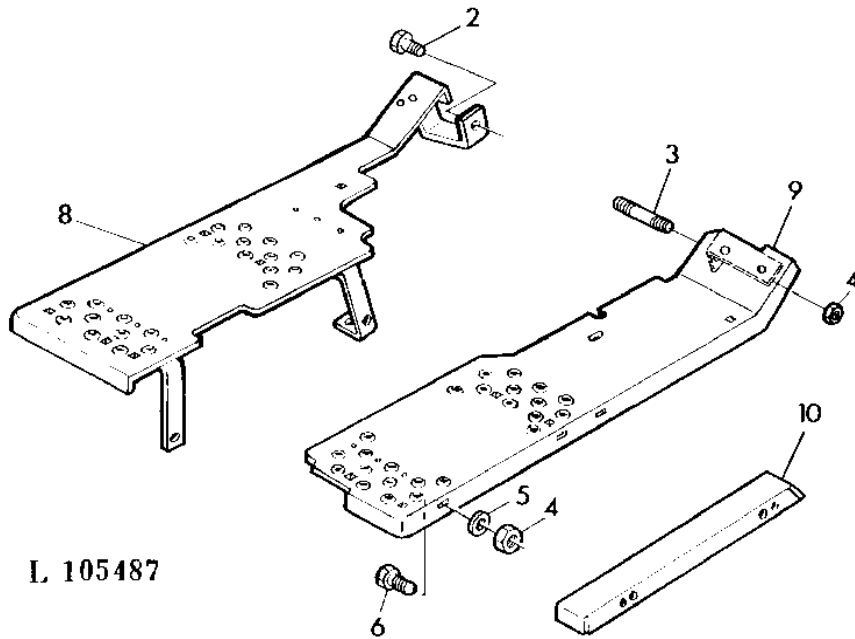
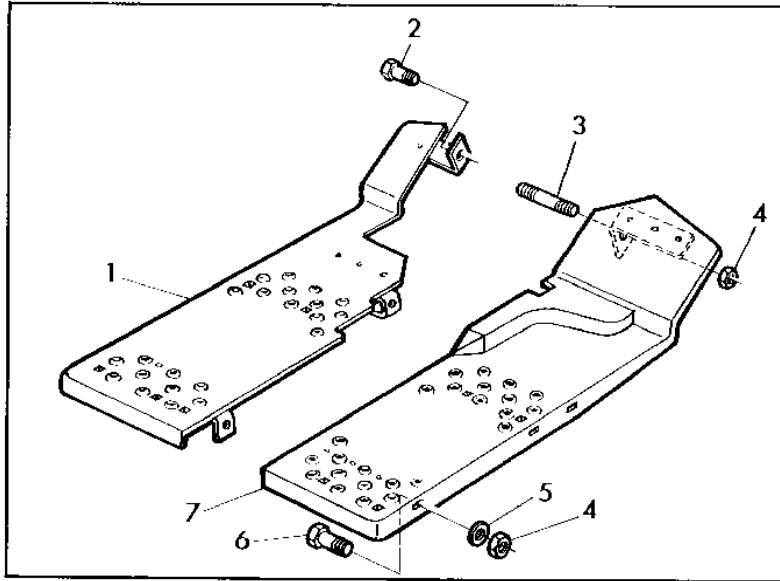
(A) WITH WIDE FENDERS
 AVEC ELARGISSEURS D'AILES
 BEI KOTSCHUETZERVERBREITERUNG
 CON PARAFANGHI EXTRA LARGHI
 CON GUADABARROS ANCHOS
 VID EXTRA BREDAS STANKSKARMAR

6F23

FRAME, WHEELS, COVERS

FOOT PLATES
MARCHEPIED
TRITTBLECHE
PEDANE
REPOSAPIES
FOTSTEG

L105487 -UN-17JUL95



L 105487

6F24

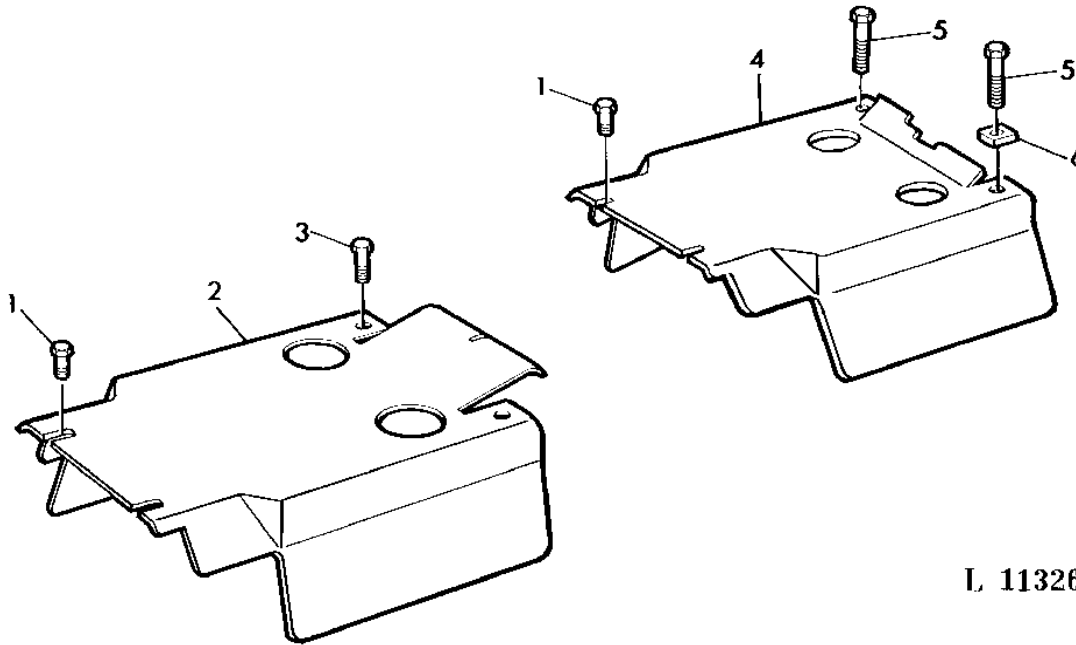
FRAME, WHEELS, COVERS

KEY	PART NO.	PART NAME	QTY	SERIAL NO.		REMARKS
					2	
					1 2 0	
					6 0 4	
					4 4 0	
					0 0 S	
1	AL31566	FOOTREST	1	-478686	X X X	LH
2	19H1731	CAP SCREW	4		X X X	3/8"X1"
3	L39334	STUD	1		X X X	
4	14H1076	NUT	AR		X X X	3/8"
5	24H1305	WASHER	AR		X X X	13/32"X1"X.060"
6	03H2275	BOLT	AR		X X X	3/8"X5/8"
7	AT19846	STEP	1	-478686	X X X	RH
8	AL31008	FOOTREST	1		X X X	LH
9	AL37971	FOOTREST	1		X X X	RH
10	T28244	EXTENSION	2		X X X	

6F25

FRAME, WHEELS, COVERS

TRANSMISSION CASE SHIELD
 PROTECTEUR DE BOITE
 ABDECKBLECH FUER GETRIEBEGEHAUSE
 COPERCHIO DELLA SCATOLA CAMBIO
 CUBIERTA DE LA CAJA DE CAMBIOS
 TACKPLAT AV VAXELLADSHUS
 L113264 -UN-17JUL95



L 113264

2
 1 2 0
 6 0 4
 4 4 0
 0 0 S

KEY	PART NO.	PART NAME	QTY	SERIAL NO.	REMARKS
1	19H2021	CAP SCREW	2	X X X	3/8"X5/8"
2	L38365	COVER	1	X X	
3	19H1765	CAP SCREW	2	X X	3/8"X1-3/4"
4	L38368	SHIELD	1	X X	(A)
	L38366	SHIELD	1	X X X	
	L34117	COVER	1	X X X	(B)
5	19H1819	CAP SCREW	2	X X X	3/8"X2-1/8"
6	L30819	STRAP	1	X X X	

(A) WITH CREEPER TRANSMISSION
 AVEC REDUCT GAMME RAMPANTE
 BEI KRIECHGANG GETRIEBE
 CON TRANSMISION "CREEPER"
 CON TRASMISSIONE RAMPANTE
 VID KRYPVAXEL

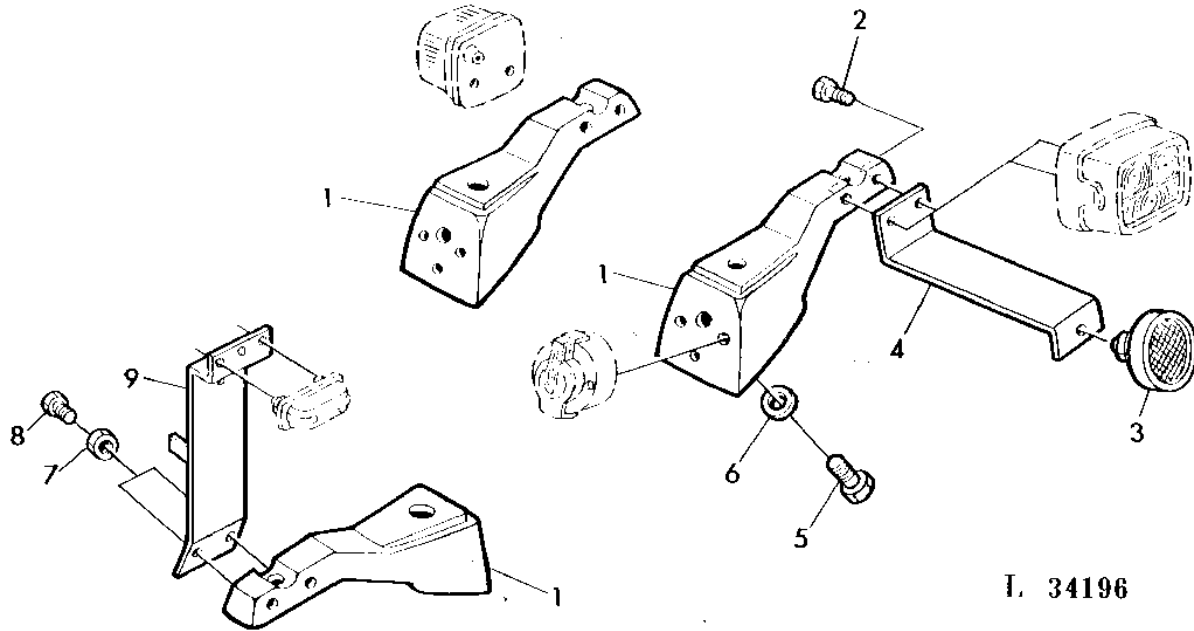
(B) WITH COLLAR-SHIFT TRANSMISSION
 AVEC BOITE A MANCHONS BALADEURS
 BEI MUFFENSCHALTGETRIEBE
 CON TRANSM.A COLLARE SCORREVOLE
 CON TRANSM.DE COLLAR DESPLAZABLES
 VID VAXELLADA "COLLAR-SHIFT"

6G1

FRAME, WHEELS, COVERS

REFLECTORS/BRACKETS (WITH SHELL-TYPE FENDERS)
 CATADIOPTRES/SUPPORTS (AVEC AILES COQUILLE)
 RUECKSTRAHLER/HALTER (BEI MUSCHELKOTFLUEGEL)
 CATARIFRANGENTI SUPPORTI (CON PARAFANGHI A CONCHIGLIA)
 REFLECTORES/SOPORTES (CON GUARDABARROS DE CONCHAL)
 REFLEKTORER/HALLARE (MED MUSSELSTANKSKARMAR)

L34196 -UN-31MAY95



I. 34196

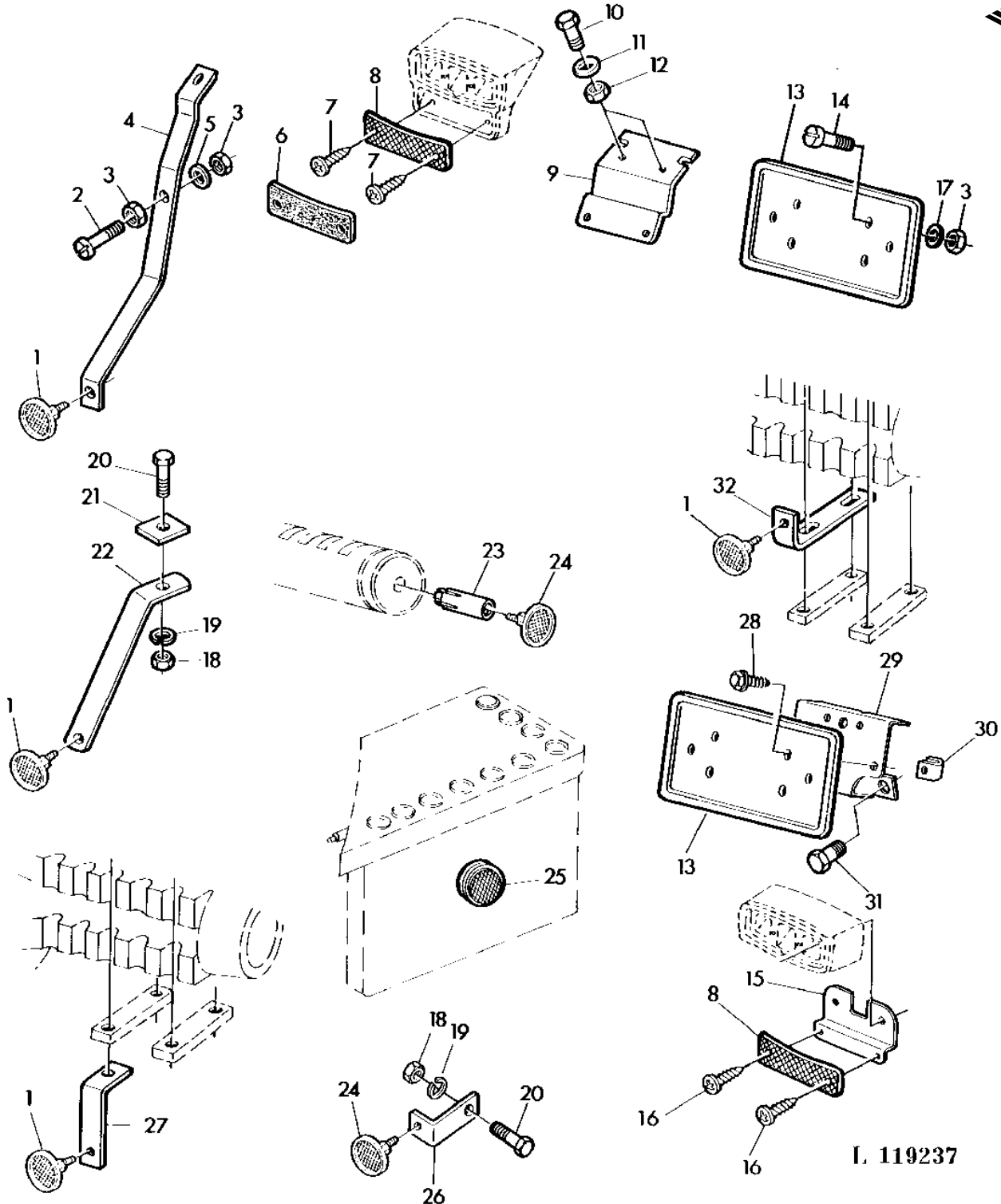
2
1 2 0
6 0 4
4 4 0
0 0 S

KEY	PART NO.	PART NAME	QTY	SERIAL NO.	REMARKS
1	T28915	BRACKET	4	X X X	
2	19M7077	CAP SCREW	4	X X X	6X20MM
3	L39871	REFLECTOR	2	X X X	(SUB FOR 99M6488)
4	T29177	RETAINER	2	X X X	
5	19H2021	CAP SCREW	8	X X X	3/8"X5/8"
6	24M7028	WASHER	8	X X X	10.5X21X2MM
7	14H786	NUT	2	X X X	1/4"
8	19H1948	CAP SCREW	2	X X X	1/4"X3/4"
9	AT27533	RETAINER	1	X X X	

6G2

FRAME, WHEELS, COVERS

REFLECTORS/BRACKETS
 CATADIOPTRES/SUPPORTS
 RUECKSTRAHLER/HALTER
 CATARIFRANGENTI/SUPPORTI
 REFLECTORES/SOPORTES
 REFLEKTORER/HALLARE
 L119237 -UN-18JUL95



I. 119237

6G3

FRAME, WHEELS, COVERS

KEY	PART NO.	PART NAME	QTY	SERIAL NO.	REMARKS
					2
					1 2 0
					6 0 4
					4 4 0
					0 0 S
1	L39871	REFLECTOR	AR	X X X	(SUB FOR 99M6488)
2	21M7173	SCREW	2	X X X	M5X25
3	14M7360	LOCK NUT	AR	X X X	M5
4	L36341	RETAINER	2	X X X	
5	12M7077	WASHER	2	X X X	
6	L36342	COVER	2	X X X	
7	37M7063	SCREW	4	X X X	4.2X9.5MM
8	AL32067	REFLECTOR	2	X X X	
9	L34336	PLATE	2	X X X	
	L58615	BRACKET	1	X X X	(B)
10	19M7077	CAP SCREW	4	X X X	M6X20
	19M7077	CAP SCREW	2	X X X	(B) M6X20
11	24M7054	WASHER	4	X X X	6.4X12.5X1.6MM
	14M7139	NUT	2	X X X	(B) 6.4X13X1.6MM
12	14M7272	NUT	4	X X X	M6
	14M7272	NUT	2	X X X	(B) M6
13	L58621	PLATE	1	X X X	WHITE (SUB FOR L24456)
	L58614	PLATE	1	X X X	BLACK (SUB FOR L40166)
14	21M7185	SCREW	AR	X X X	M5X16
15	L39288	SUPPORT	2	X X X	(C)
16	37M7120	SCREW	4	X X X	(C) 3.5X16MM
17	R47403	RETAINER	2	X X X	
18	14M7274	NUT	AR	X X X	(A) M10
19	12M1626	LOCK WASHER	AR	X X X	(A) 10MM
20	19M7169	CAP SCREW	AR	X X X	(A) M10X25
21	L34166	STRAP	2	X X X	(A)
22	L61910	HOLDER	1	X X X	(A) LH (SUB FOR L38510)
	L61909	HOLDER	1	X X X	(A) RH (SUB FOR L38509)
23	L41253	DOWEL PIN	2	X X X	(SUB FOR L36352)
24	AL26674	REFLECTOR	AR	X X X	
25	AL30794	REFLECTOR	AR	X X X	
26	L33661	ANGLE	1	X X X	(A) (B)
27	L35528	ANGLE	2	X X X	
28	37M7111	SCREW	2	X X X	(C) 4.8X13MM
29	L39272	SUPPORT	1	X X X	(C)
30	R52130	LOCK NUT	2	X X X	(C) (SUB FOR R50500 APPL)
31	19H2367	CAP SCREW	2	X X X	(C) 5/8"X3/4"

(A) WITH SG2 CAB
 AVEC CABINE SG2
 BEI SG2 KABINE
 CON CABINA SG2
 CON CABINA SG2
 VID SG2 HYTT

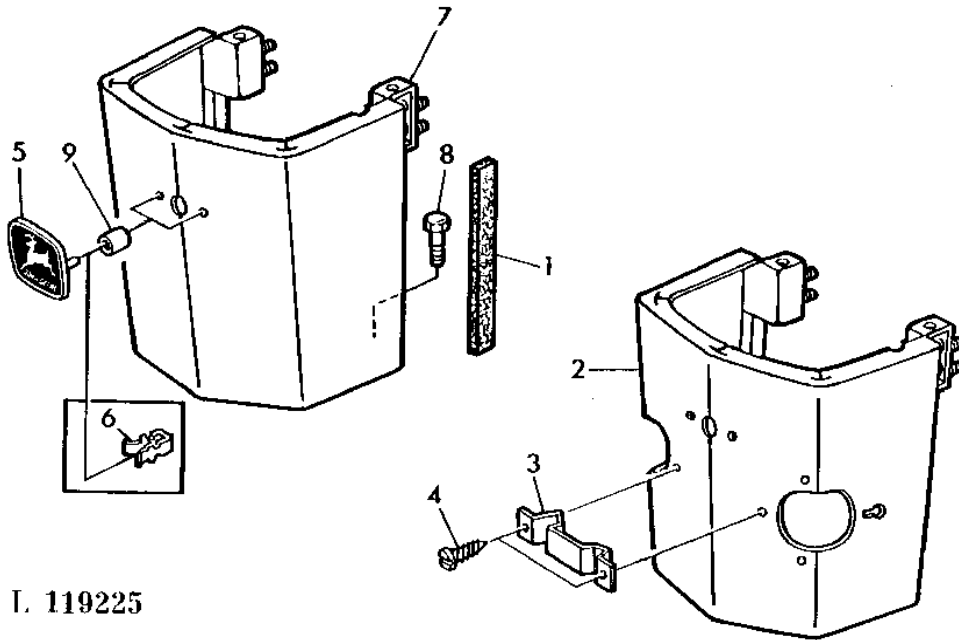
(B) WITH MC1 CAB
 AVEC CABINE MC1
 BEI MC1 KABINE
 CON CABINA MC1
 CON CABINA MC1
 VID MC1 FORARHYTT

(C) WITH SNOW CHAINS
 AVEC CHAINES NEIGE
 BEI SCHNEEKETTEN
 CON CATENE PER NEVE
 CON CADENAS ANTIDESLIZANTES
 VID SNOKEDJORNA

6G4

FRAME, WHEELS, COVERS

FRONT PLATE
PLAQUE AVANT
FRONTPLATTE
MASCHERINA
PLACA FRONTAL
FRONTPLATA
L119225 -UN-18JUL95



I. 119225

6G5

FRAME, WHEELS, COVERS

KEY	PART NO.	PART NAME	QTY	SERIAL NO.	REMARKS
					2
					1 2 0
					6 0 4
					4 4 0
					0 0 S
1	L56397	FOAM PAD	2	X X X	(SUB FOR L35010)
	L56409	FOAM PAD	2	X X X	(A) (SUB FOR L35011)
2	AL31005	SHIELD	1	X X X	
	AL33042	SHIELD	1	X X X	(B)
	AL57818	PLATE	1	X	(C)
3	L30332	RETAINER	1	X X X	
4	37H42	SCREW	2	X X X	NO. 10 X 3/8"
5	L36573	MEDALLION	1	X X X	(ORD L61282, (2) L61281)
	L61282	MEDALLION	1	X X X	
6	L31750	CLIP	2	X X X	
7	AL31004	SHIELD	1	X X X	
8	19H2548	CAP SCREW	8	X X X	1/2"X7/8"
9	L61281	BUSHING	2	X X X	

(A) WITH SG2 CAB
 AVEC CABINE SG2
 BEI SG2 KABINE
 CON CABINA SG2
 CON CABINA SG2
 VID SG2 HYTT

(B) WITH METAL TANK
 AVEC RESERV.COMBUST.METAL.
 BEI BLECHKRAFTSTOFFTANK
 CON SERBATOIO GASOLIO METAL.
 CON DEPOSITO COMBUST.METAL.
 VID BLECKBRANSLETANK

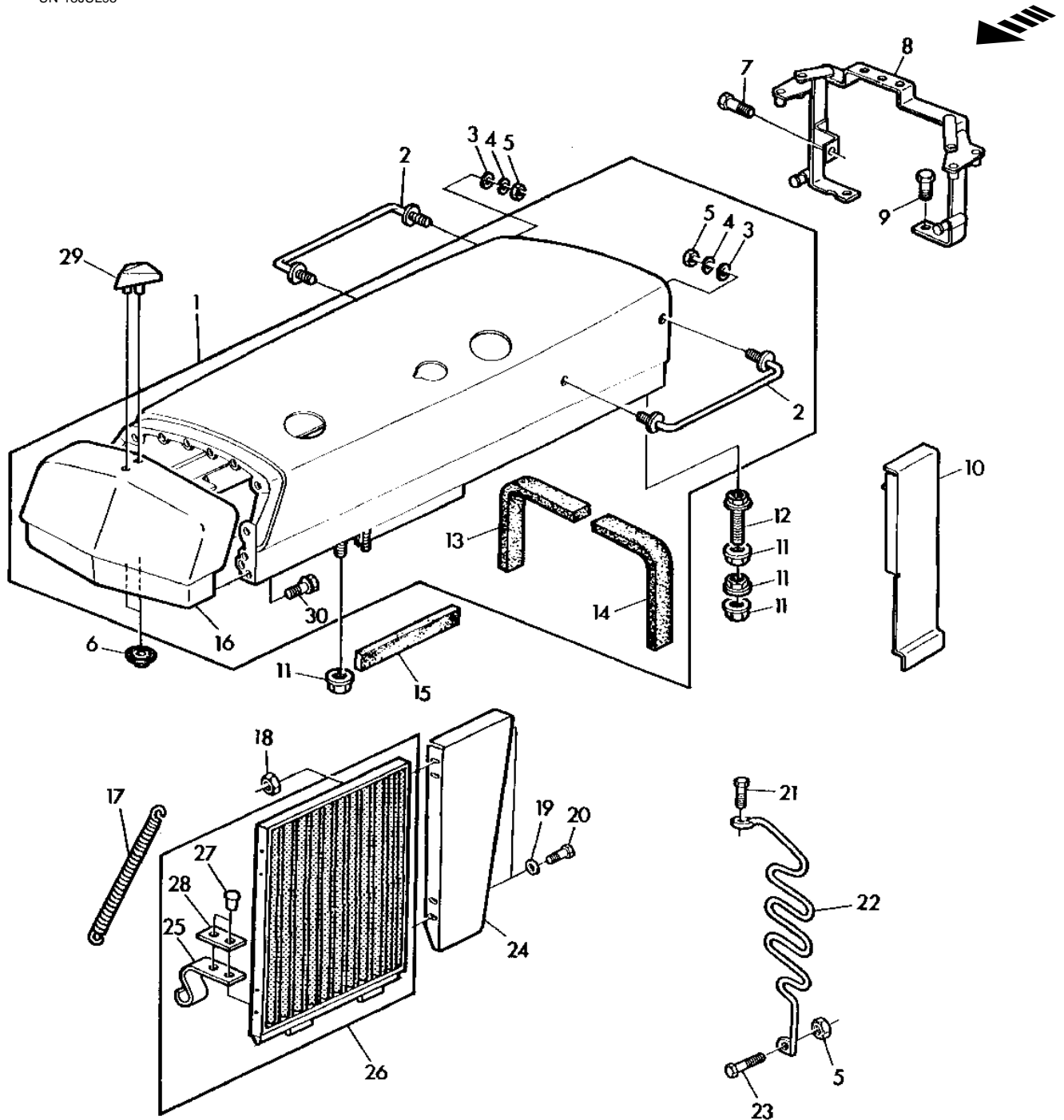
(C) WITH FRONT PTO
 AVEC PDF AVANT
 BEI FRONTZAPFWELLE
 CON PDF ANTERIORE
 CON TDF FRONTAL
 VID FRAMRE KRAFTUTTAG

6G6

FRAME, WHEELS, COVERS

HOOD/GRILLE (WITH INCREASED LIFTING CAPACITY)
CAPOT/GRILLE DE RADIATEUR (AVEC CAPACITE DE REL. AUGM.)
HAUBE/KUEHLERSCHUTZ (BEI HUBKRAFTERHOEHUNG)
COFANO/GRIGLIE (CON ELEVATA CAPACITA DI SOLLEVAMENTO)
CAPO/REJILLA DEL RADIADOR (CON FUERZA DE ELEV. AUMENTADA)
HUV/SIDOGALLER (VID OKAD LYFTKAPACITET)

L119255 -UN-18JUL95



L 119255

6G7

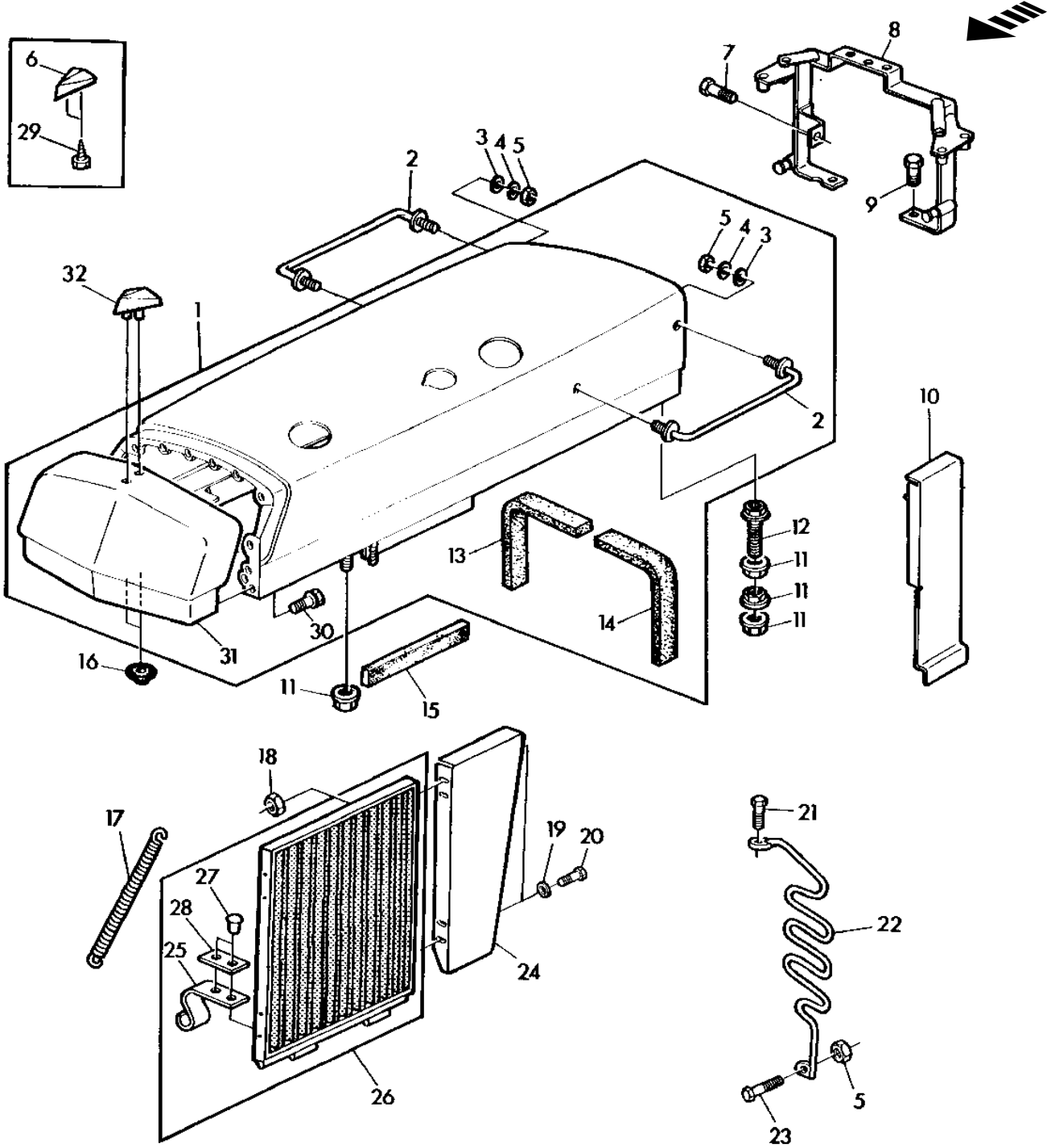
FRAME, WHEELS, COVERS

KEY	PART NO.	PART NAME	QTY	SERIAL NO.	REMARKS
					2
					1 2 0
					6 0 4
					4 4 0
					0 0 S
1	AL33151	HOOD	1		X
2	R66897	HANDLE	AR		X
3	24H1306	WASHER	AR		X 13/32"X13/16"X.060"
4	12H304	LOCK WASHER	AR		X 308"
5	14H1076	NUT	AR		X 308"
6	L41919	SPRING WASHER	2		X
7	19H1792	CAP SCREW	1		X 1/2"X1"
8	AR87546	SUPPORT	1		X
9	19H2021	CAP SCREW	2		X 3/8"X5/8"
10	AL58258	SHIELD	1		X RH (SUB FOR AR89008)
	AL58259	SHIELD	1		X LH (SUB FOR AR87090)
11	14M7298	FLANGE NUT	8		X M8
12	19M7800	SCREW	2		X 8X50MM
13	L60521	FOAM PAD	1		X (SUB FOR T21490, L56393)
14	L60522	FOAM PAD	1		X (SUB FOR T22383, L56398)
15	L57565	FOAM PAD	2		X (SUB FOR L35009)
16	L34555	EXTENSION	1		X
17	L40645	SPRING	2		X
18	14M7272	NUT	4		X M6
19	24M7088	WASHER	4		X
20	19M6614	CAP SCREW	4		X M6X12
21	19H2545	CAP SCREW	1		X 3/8"X1-3/8"
22	AL33366	GRILLE	1		X
23	19H1733	CAP SCREW	1		X 3/8" X 2-1/2"
24	AL34599	GUARD	1		X LH
	L34881	GUARD	1		X RH
25	L55453	SPRING	4		X
26	AL55319	GRILLE	2		X
27	16M7091	RIVET	8		X
28	L38898	STRAP	4		X
29	L40919	MOLDING	1		X
30	R52760	SCREW	6		X

6G8

FRAME, WHEELS, COVERS

HOOD/GRILLE
CAPOT/GRILLE DE RADIATEUR
HAUBE/KUEHLERSCHUTZ
COFANO/GRIGLIE
CAPO/REJILLA DEL RADIADOR
HUV/SIDOGALLER
L119256 -UN-18JUL95



L 119256

6G9

FRAME, WHEELS, COVERS

KEY	PART NO.	PART NAME	QTY	SERIAL NO.	REMARKS
					2
					1 2 0
					6 0 4
					4 4 0
					0 0 S
1	AL33132	HOOD	1	X X	(B)
	AL30297	HOOD	1	X X X	
	AL30298	HOOD	1	X X X	(A)
2	R66897	HANDLE	AR	X X X	
3	24H1306	WASHER	AR	X X X	13/32"X13/16"X.060"
4	12H304	LOCK WASHER	AR	X X X	308"
5	14H1076	NUT	AR	X X X	308"
6	R73259	MEDALLION	1	X X X	(ORD L40919, (2) L41919)
7	19H1792	CAP SCREW	1	X X X	(C) 1/2"X1"
8	AR87546	SUPPORT	1	X X X	(C)
9	19H2021	CAP SCREW	2	X X X	(C) 3/8"X5/8"
10	AL58258	SHIELD	1	X X X	(C) RH (SUB FOR AR89008)
	AL58259	SHIELD	1	X X X	(C) LH (SUB FOR AR87090)
11	14M7298	FLANGE NUT	8	X X X	M8
12	19M7800	SCREW	2	X X X	8X50MM
13	L60521	FOAM PAD	1	X X X	(SUB FOR T21490, L56393)
14	L60522	FOAM PAD	1	X X X	(SUB FOR T22383, L56398)
15	L57565	FOAM PAD	2	X X X	(SUB FOR L35009)
16	L41919	SPRING WASHER	2	X X X	
17	L40645	SPRING	2	X X X	(SUB FOR R26858)
18	14M7272	NUT	4	X X X	M6
19	24M7088	WASHER	4	X X X	
20	19M6614	CAP SCREW	4	X X X	M6X12
21	19H2545	CAP SCREW	1	X X X	3/8"X1-3/8"
22	AL33366	GRILLE	1	X X X	
23	19H1733	CAP SCREW	1	X X X	3/8" X 2-1/2"
24	AL34599	GUARD	1	X X X	LH
	L34881	GUARD	1	X X X	RH
25	L38897	SPRING	4	X X X	
26	AL56766	GRILLE	2	X X X	(SUB FOR AL31252, AL37083)
27	16M7091	RIVET	8	X X X	
28	L38898	STRAP	4	X X X	
29	37H49	SCREW	2	X X X	
30	R52760	SCREW	6	X X X	
31	R52362	EXTENSION	1	X X X	
32	L40919	MOLDING	1	X X X	

(A) WITH DONWARD EXHAUST
 AVEC ECHAPPEMENT LATERAL
 BEI AUSPUFFLEIT.NACH UNTEN
 CON TUBO DI SCARICO LATER.
 CON TUBO DE ESCAPE HORIZ.
 MED NEDATRIKTAT AVGASROR

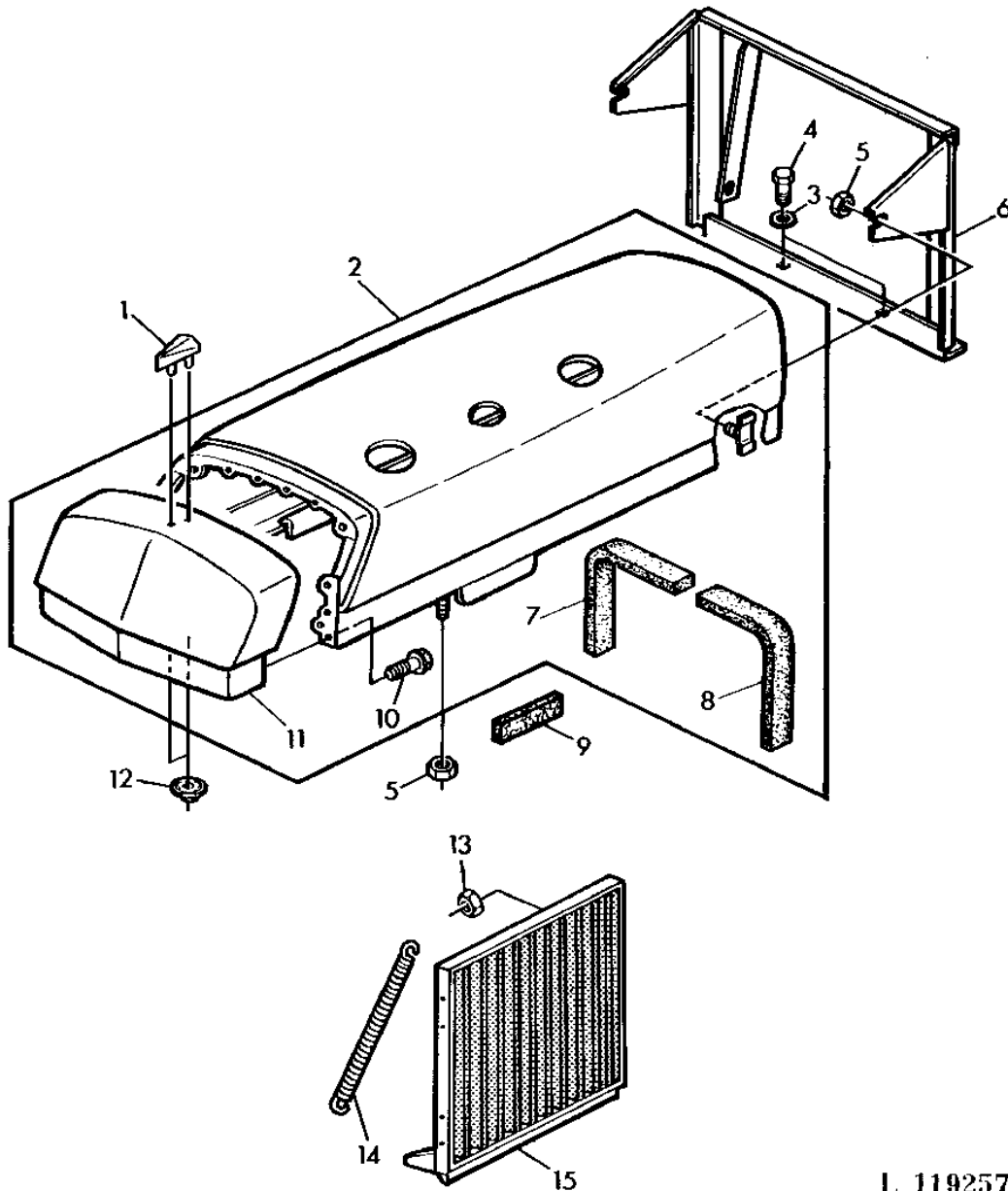
(B) WITH METAL TANK
 AVEC RESERV.A COMB.METALLI.
 BEI BLECHKRAFTSTOFFTANK
 CON SERBAT.GASOLIO METALL.
 CON DEPOS.COMBUST.METALICO
 VID BLECKBRANSLETANK

(C) WITH SG2 CAB
 AVEC CABINE SG2
 BEI SG2 KABINE
 CON CABINA SG2
 CON CABINA SG2
 VID SG2 HYTT

6G10

FRAME, WHEELS, COVERS

HOOD/RADIATOR GUARD (WITH MC1 CAB)
CAPOT/GRILLE (AVEC CABINE MC1)
HAUBE/KUEHLERSCHUTZ (BEI MC1 KABINE)
COFANO/SCHERMI (CON CABINA MC1)
CAPO/REJILLAS (CON CABINA MC1)
HUV/SIDOGALLER (VID MC1 FORARHYTT)
L119257 -UN-18JUL95



L 119257

6G11

FRAME, WHEELS, COVERS

KEY	PART NO.	PART NAME	QTY	SERIAL NO.	REMARKS
					2
					1 2 0
					6 0 4
					4 4 0
					0 0 S
1	L40919	MOLDING	1		X X X
2	AL30294	HOOD	1		X X X
	AL58605	HOOD	1		X X X (A)
3	24M7028	WASHER	2		X X X 10.5X21X2MM
4	19H2021	CAP SCREW	2		X X X 3/8"X5/8"
5	14M7273	NUT	4		X X X M8
6	AL58543	SUPPORT	1		X X X
7	L60521	FOAM PAD	1		X X X (SUB FOR T21490, L56393)
8	L60522	FOAM PAD	1		X X X (SUB FOR T22383, L56398)
9	L57565	FOAM PAD	2		X X X (SUB FOR L35009)
10	R52760	SCREW	6		X X X
11	R52362	EXTENSION	1		X X X
12	L41919	SPRING WASHER	1		X X X
13	14M7272	NUT	4		X X X M6
14	L40645	SPRING	2		X X X
15	AL56766	GRILLE	2		X X X

(A) WITH DONWARD EXHAUST
 AVEC ECHAPPEMENT LATERAL
 BEI AUSPUFFLEIT.NACH UNTEN
 CON TUBO DI SCARICO LAT.
 CON TUBO DE ESCAPE HORIZ.
 VID NEDATRIKTAT AVGASROR

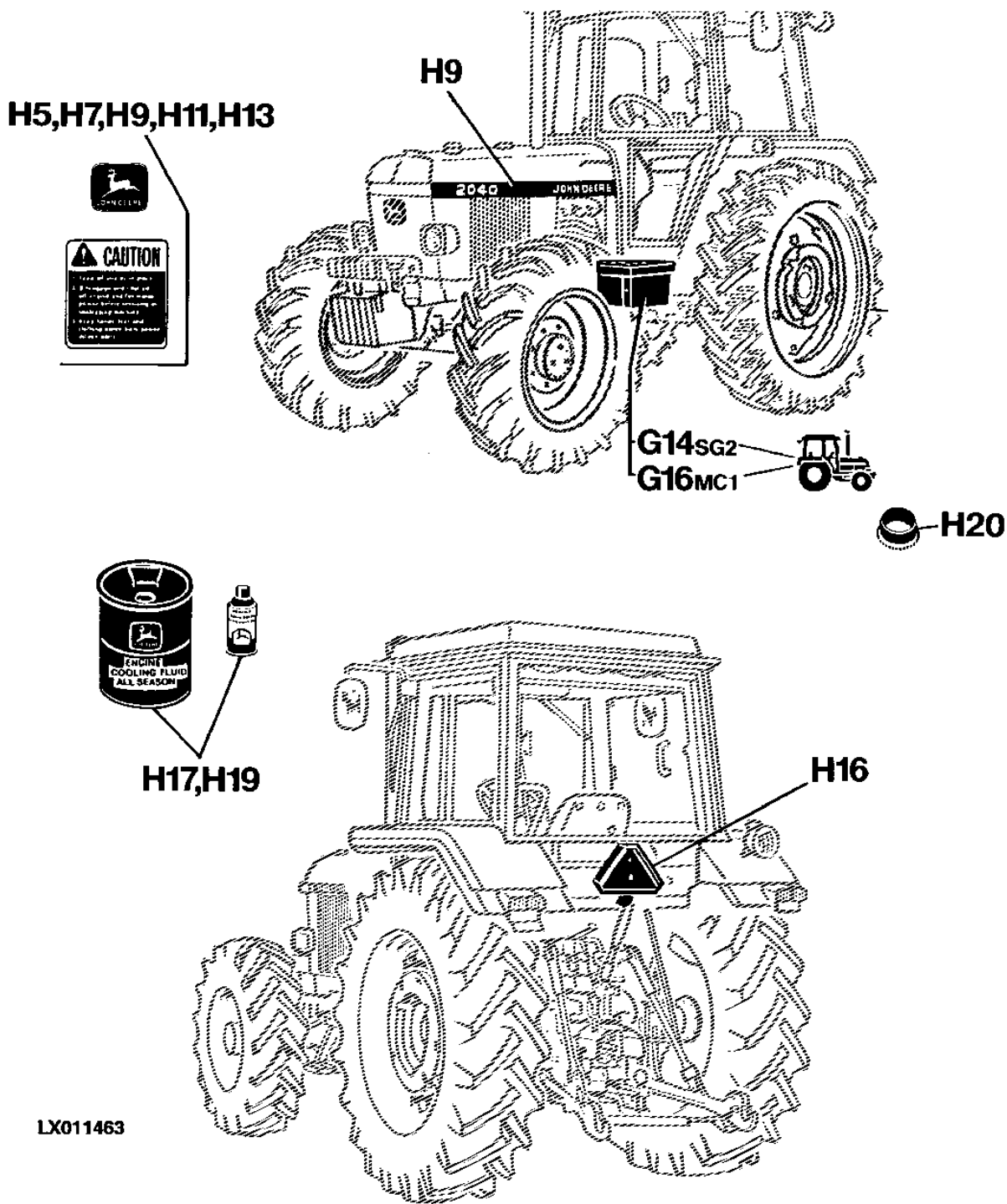
6G12

ACCESSORIES

XXX
 XXX
 XXX
 XXX
 XXX
 XXX
 XXX

SECTIONAL INDEX
 INDEX DE SECTION
 GRUPPENINDEX
 INDICE DELLA SEZIONE
 INDICE DE GRUPOS
 GRUPPSFORTECKNING

LX011463 -UN-14JUL95



LX011463

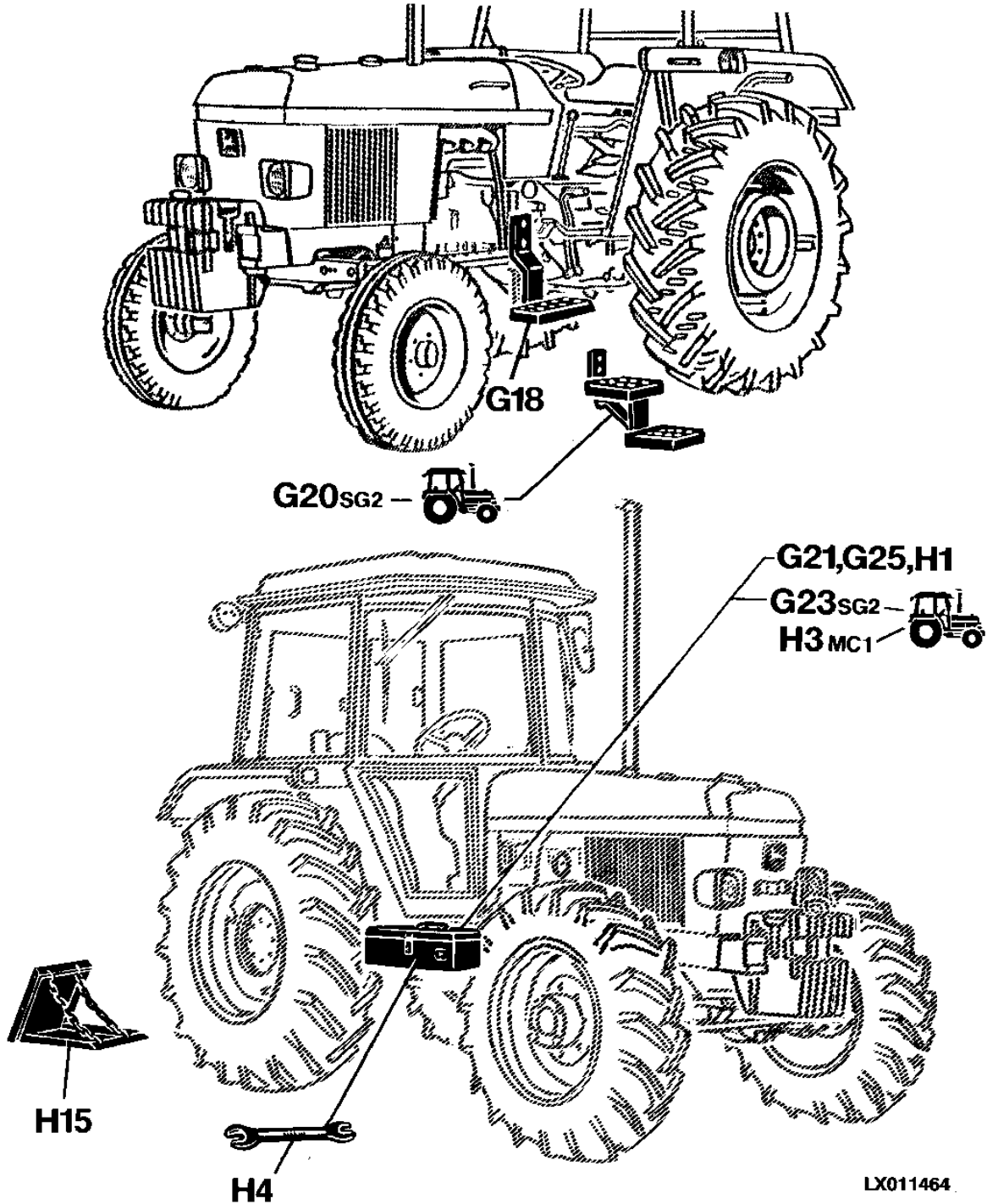
6G13

ACCESSORIES

XX
XX
XX
XX
XX
XX
XX
XX
XX
XX

SECTIONAL INDEX
INDEX DE SECTION
GRUPPENINDEX
INDICE DELLA SEZIONE
INDICE DE GRUPOS
GRUPPSFORTECKNING

LX011464 -UN-14JUL95

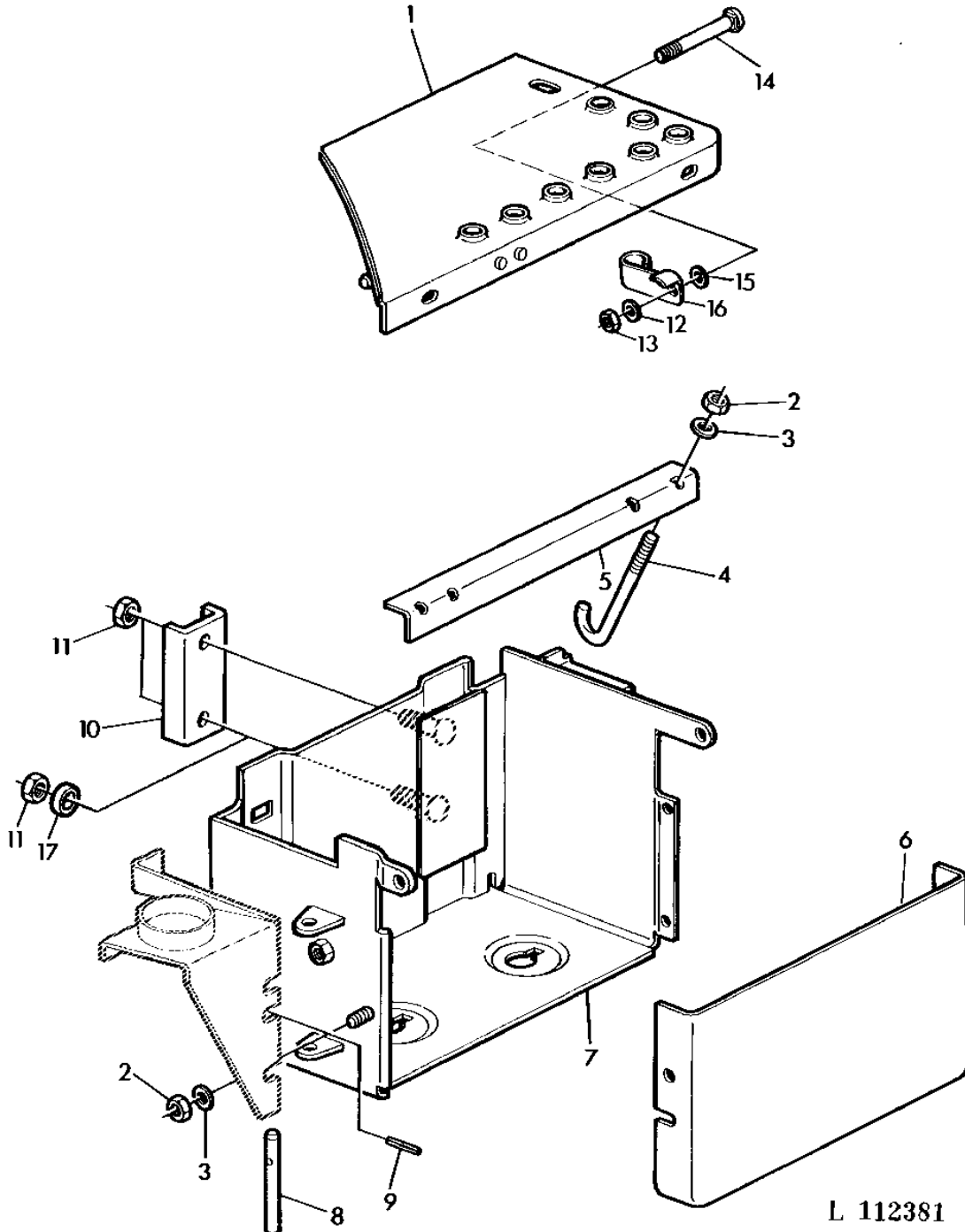


LX011464

6G14

ACCESSORIES

BATTERY BOX (WITH SG2 CAB)
COFFRE A BATTERIE (AVEC CABINE SG2)
BATTERIEKASTEN (BEI SG2 KABINE)
CONTENITORE BATTERIE (CON CABINA SG2)
CAJA DE BATERIA (CON CABINA SG2)
BATTERILADA (VID SG2 HYTT)
L112381 -UN-17JUL95



6G15

ACCESSORIES

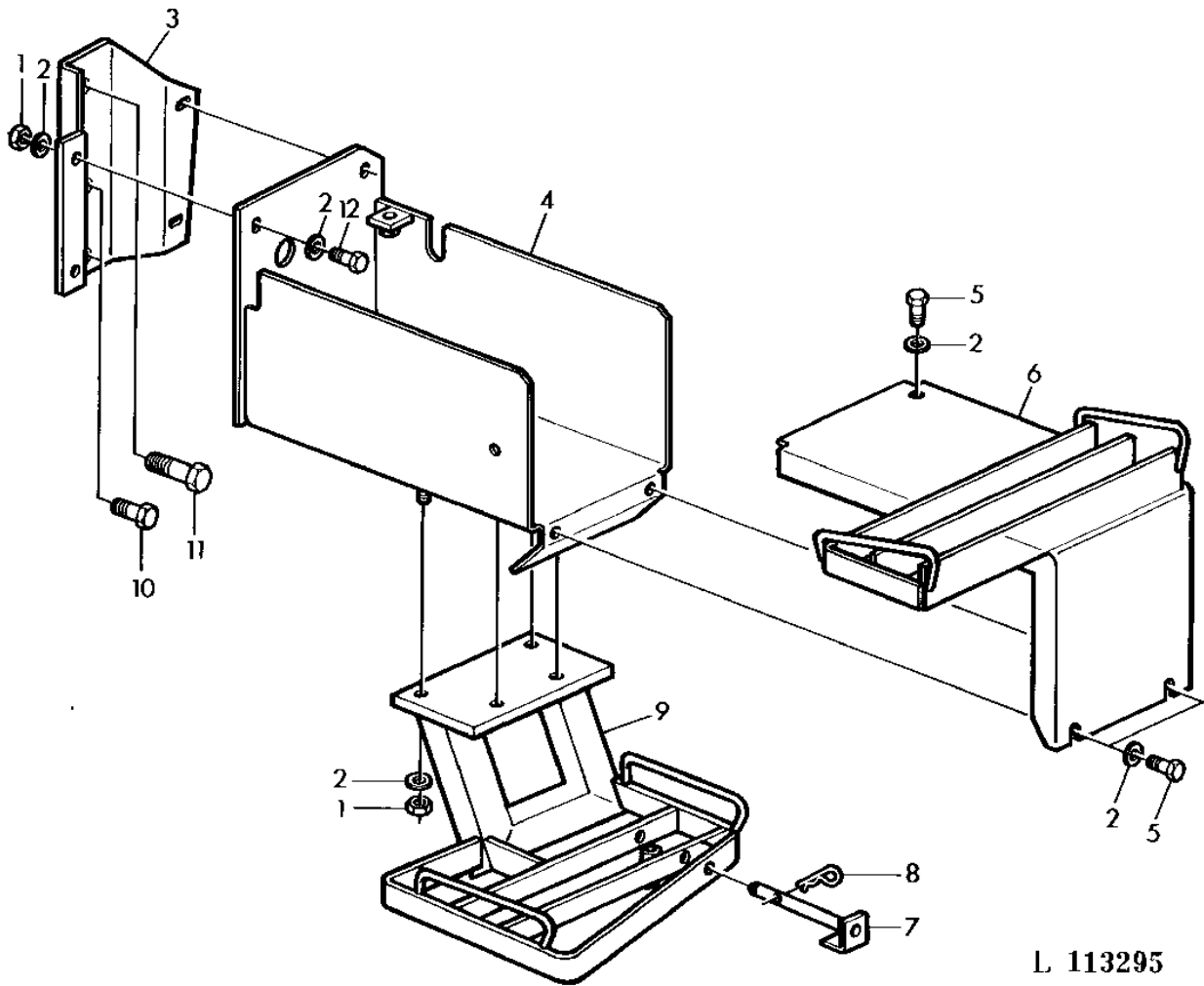
KEY	PART NO.	PART NAME	QTY	SERIAL NO.	REMARKS
					2
					1 2 0
					6 0 4
					4 4 0
					0 0 S
1	AL58118	COVER	1	X X X	RH (SUB FOR AL34473)
	AL58119	COVER	1	X X X	LH (SUB FOR AL34470)
2	14M7272	NUT	6	X X X	M6
3	24M7088	WASHER	6	X X X	6.6X12.5X1.6MM
4	L36972	HOOK BOLT	4	X X X	
5	L39608	ANGLE	2	X X X	(SUB FOR L36971)
6	L36958	COVER	1	X X X	LH
	L36965	COVER	1	X X X	RH
7	AL34469	BOX	1	X X X	LH
	AL34472	BOX	1	X X X	RH
8	L37486	PIN	2	X X X	
9	34M7083	SPRING PIN	2	X X X	3X30MM
10	L37485	CHANNEL	2	X X X	
11	14M7275	NUT	4	X X X	M12
12	R40685	WASHER	2	X X X	
13	14M7327	LOCK NUT	2	X X X	M8
14	03M7160	BOLT	2	X X X	M8X35
15	R65925	SHIM	2	X X X	
16	R50724	LATCH	1	X X X	RH
	R50725	LATCH	1	X X X	LH
17	24M7113	WASHER	4	X	(A)

(A) WITH FRONT HITCH
 AVEC RELEVAGE AVANT
 BEI FRONTKRAFTHEBER
 CON SOLLEVATORE FRONTALE
 CON ENGANCHE FRONTAL
 VID FRONTLYFT

6G16

ACCESSORIES

BATTERY BOX AND STEP (WITH MC1 CAB)
CAISSON DE BATTERIE/MARCHEPIED (AVEC CABINE MC1)
BATTERIEKASTEN/TRITTSTUFE (BEI MC1 KABINE)
SCATOLA BATTERIA/PREDELLINI (CON CABINA MC1)
CAJA DE BATERIA/PELDANO/CON CAB. MC1
BATTERILADA/FOTSTEGE (VID MC1 HYTT)
L113295 -UN-11JUL95



6G17

ACCESSORIES

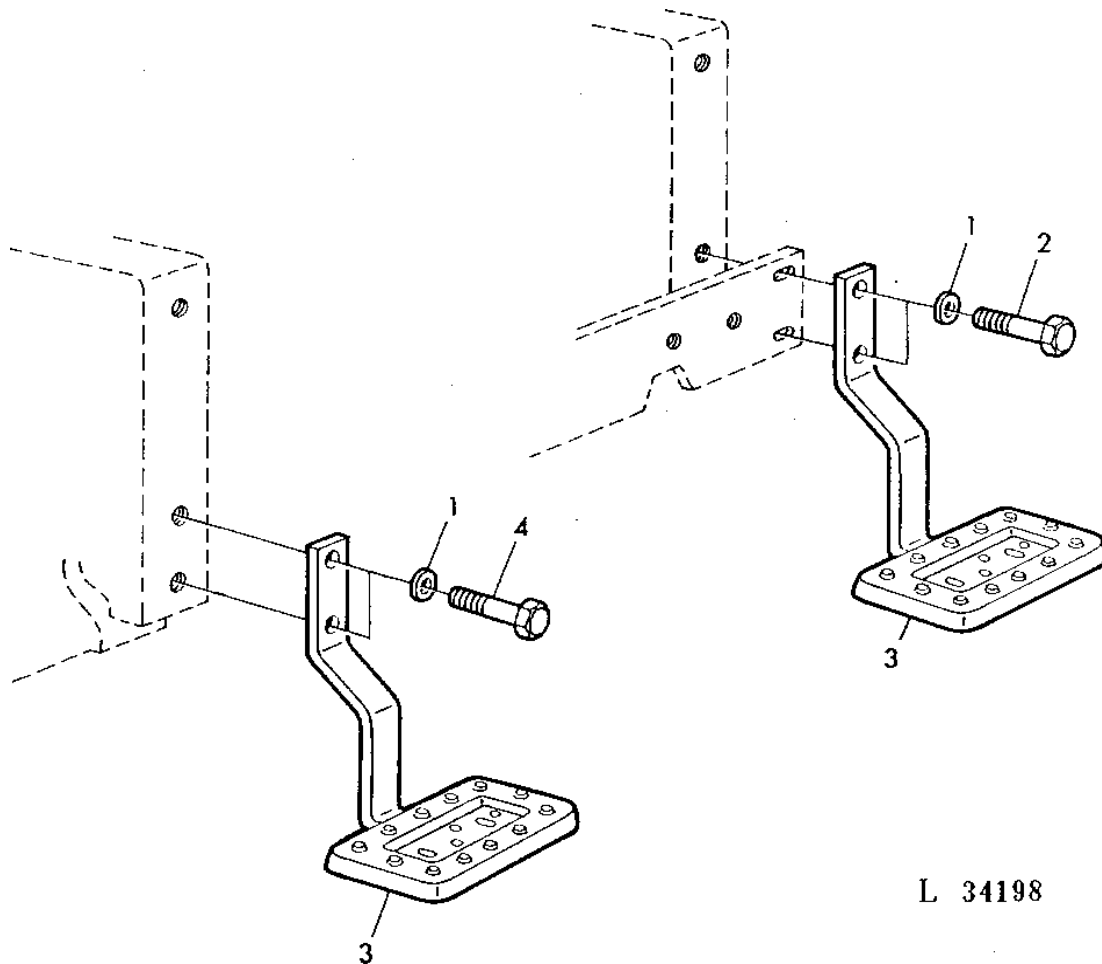
KEY	PART NO.	PART NAME	QTY	SERIAL NO.	REMARKS
				2	
				1 2 0	
				6 0 4	
				4 4 0	
				0 0 S	
1	14M7274	NUT	16	X X X	M10
2	24M7028	WASHER	30	X X X	10.5X21X2MM
3	AL59615	BRACKET	1	X X X	LH
	AL59616	BRACKET	1	X X X	RH
	AL59645	BRACKET	1	X X X	(A) LH
	AL59646	BRACKET	1	X X X	(A) RH
4	AL59613	BATTERY BOX	1	X X X	LH
	AL59614	BATTERY BOX	1	X X X	RH
5	19M7166	CAP SCREW	6	X X X	M10X20
6	AL59617	COVER	1	X X X	LH
	AL59618	COVER	1	X X X	RH
7	AL59620	PIN	2	X X X	
8	L12621	SPRING LOCKING PIN	1	X X X	
9	AL59643	STEP	1	X X X	LH
	AL59644	STEP	1	X X X	RH
10	19H1833	CAP SCREW	4	X X X	5/8"X1-1/4"
11	19H1835	CAP SCREW	2	X X X	3/4"X1-1/2"
12	19M7402	CAP SCREW	8	X X X	M10X25

(A) WITH SIDE FRAMES
 AVEC CHASSIS LATERAUX
 MIT SEITENRAHMEN
 CON LONGHERONI
 CON BASTIDOR LATERAL
 VID SIDORAMAR

6G18

ACCESSORIES

STEP PLATE/BRACKET
MARCHEPIED/SUPPORT
TRITTPLATTE/HALTER
PREDELLINO/SUPPORTO
PELDANO/SOPORTE
FOTSTEG/HALLARE
L34198 -UN-01JAN94



L 34198

6G19

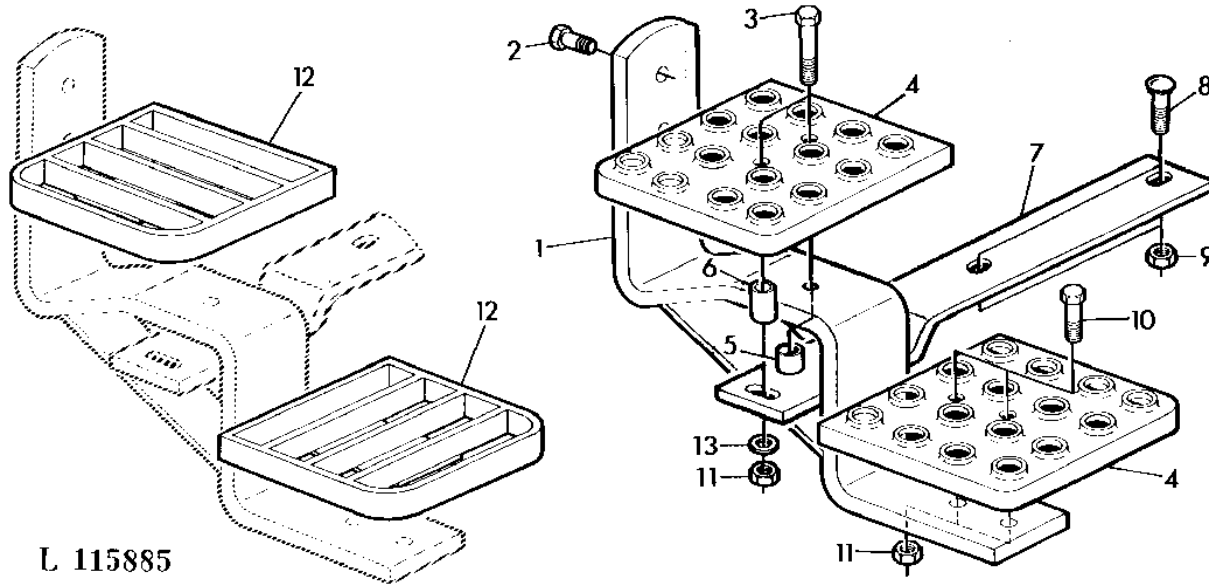
ACCESSORIES

KEY	PART NO.	PART NAME	QTY	SERIAL NO.	REMARKS
				2	
				1 2 0	
				6 0 4	
				4 4 0	
				0 0 S	
1	24H1375	WASHER	2	X X X	11/16"X11/8"
2	19H1734	CAP SCREW	2	X X X	5/8"X2"
3	AL31579	STEP	1	X X X	
4	19H2008	CAP SCREW	2	X X X	5/8"X1-5/8"

6G20

ACCESSORIES

STEPS (WITH SG2 CAB)
 MARCHEPIED (AVEC CABINE SG2)
 TRITTSTUFE (BEI SG2 KABINE)
 GRADINI (CON CABINA SG2)
 PELDANOS (CON CABINA SG2)
 FOTSTEGER (VID SG2 HYTT)
 L115885 -UN-18JUL95



L 115885

2
 1 2 0
 6 0 4
 4 4 0
 0 0 S

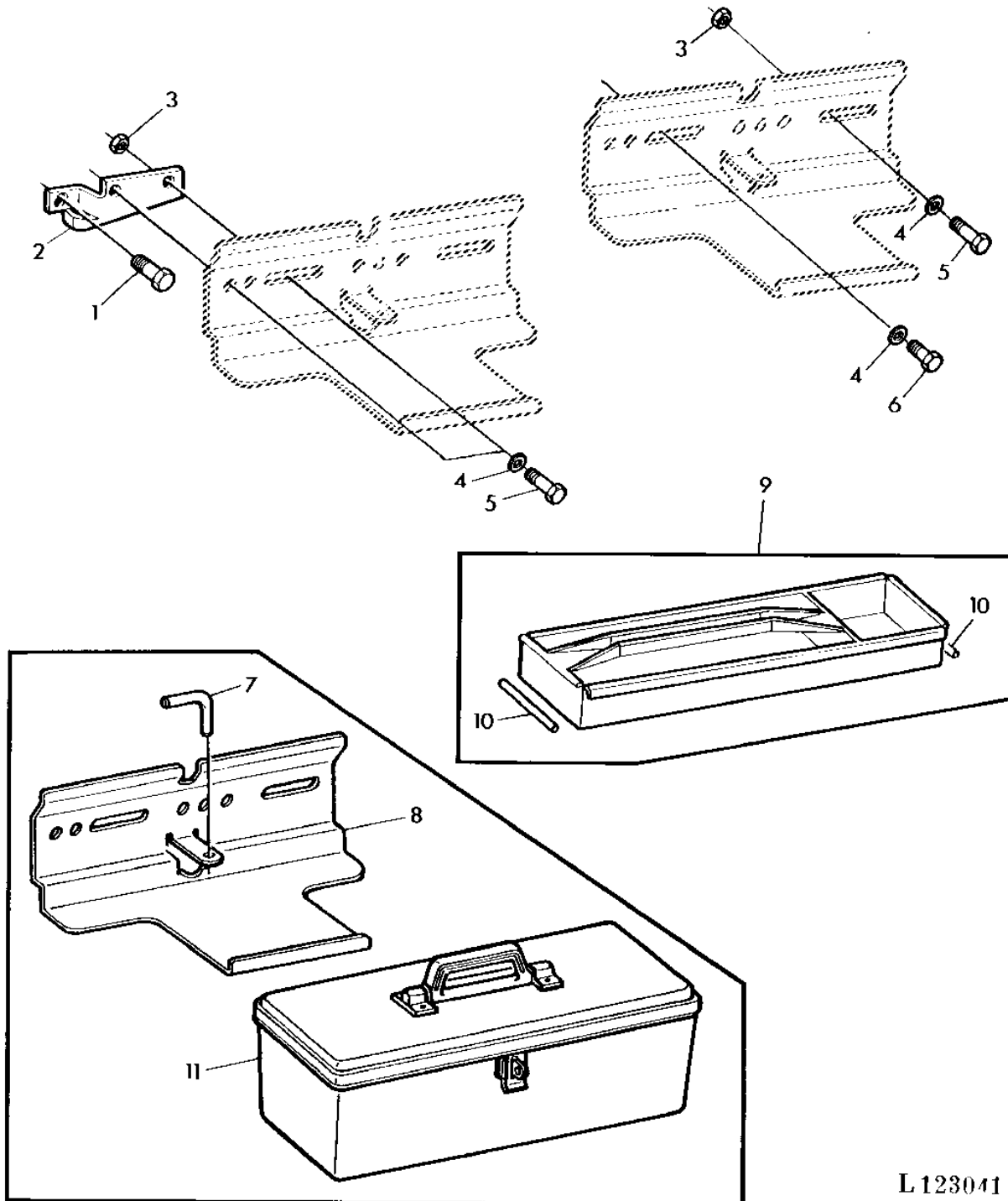
KEY	PART NO.	PART NAME	QTY	SERIAL NO.	REMARKS
1	AL37767	SUPPORT	1	X X X	(SUB FOR AL34476)
2	19H1916	CAP SCREW	1	X X X	5/8"X1"
3	19M7385	CAP SCREW	2	X X X	M10X70
4	R84943	STEP	2	X X X	(SUB FOR R51109)
5	28H2514	BUSHING	1	X X X	1/2"X.750"
6	28H2561	BUSHING	1	X X X	1/2"X1.250"
7	L57568	BRACE	1	X X X	(SUB FOR L36970)
8	03M7083	BOLT	2	X X X	M12X35
9	14M7275	NUT	2	X X X	M12
10	19M7662	CAP SCREW	2	X X X	M10X30
11	14M7274	NUT	4	X X X	M10
12	AL34531	STEP	2	X X X	
13	24M7028	WASHER	2	X X X	10.5X21X2MM

MEMORANDA
MEMORANDA
MEMORANDA
MEMORANDA
MEMORANDA

6G21

ACCESSORIES

PLASTIC TOOL BOX ATTACHMENT
COFFRET PLASTIQUE A OUTILS/FIXATION
PLASTIKWERKZEUGKASTEN/ANBAU
CASSETTA ATTREZZI (PLASTICO) ISOPORTE
CAJA DE PLASTICO PARA HERRAMIENTAS/SUJECION
VERKTYGSLADA (PLAST)/HALLARE
L123041 -UN-18JUL95



L123041

6G22

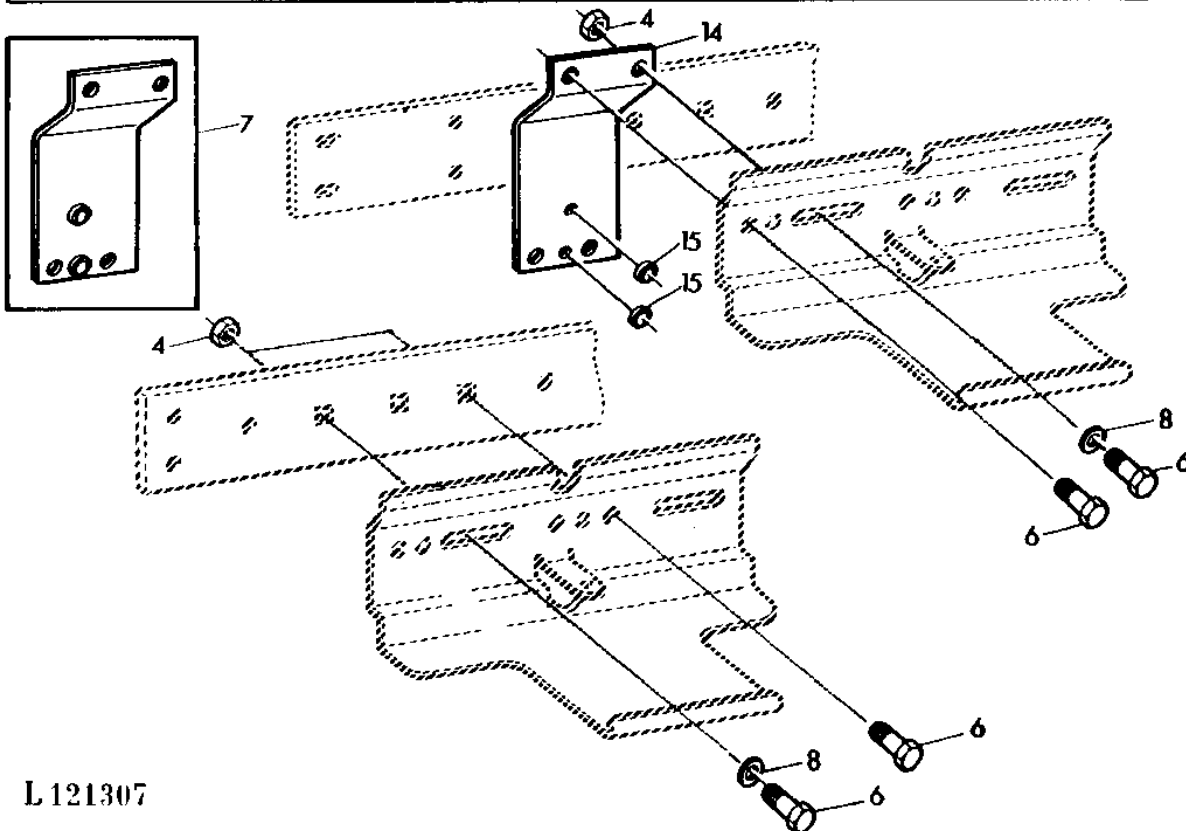
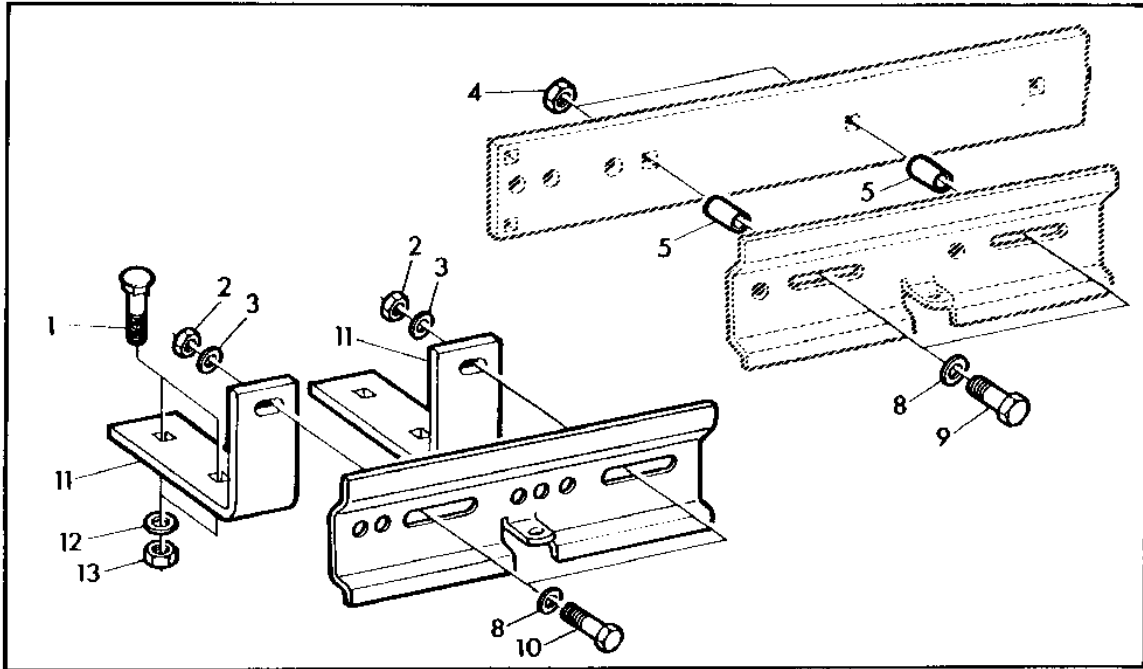
ACCESSORIES

KEY	PART NO.	PART NAME	QTY	SERIAL NO.	REMARKS
					2
					1 2 0
					6 0 4
					4 4 0
					0 0 S
1	19H1871	CAP SCREW	1		X X X 3/4"X1-1/4"
2	L34351	BRACKET	1		X X X
3	14H1039	NUT	AR		X X X 5/8"
4	24H1363	WASHER	AR		X X X 41/64"X1-1/16"X.105"
5	19H1833	CAP SCREW	AR		X X X 5/8"X1-1/4"
6	19H1916	CAP SCREW	1		X X X 5/8"X1"
7	L40681	PIN	1		X X X (ORD T23027)
8	L40660	BRACKET	1		X X X (ORD AT22071, L39119, T23027)
9	AL38761	BOX	1		X X X
10	L40644	PIN	2		X X X
11	AL38518	TOOLBOX	1		X X X (ORD AT22071, L39119, T23027)

6G23

ACCESSORIES

TOOL BOX BRACKET (WITH SG2 CAB)
BOITE A OUTILS (AVEC CABINE SG2)
WERKZEUGKASTEN-ANBAU (BEI SG2 KABINE)
SUPPORTI DELLA SCATOLA ATTR. (CON CABINA SG2)
SOPORTES DE LA CAJA DE HERRAMIENTAS (CON CABINA SG2)
VERKTYGSLADA OCH HALLARE (VID SG2 HYTT)
L121307 -UN-18JUL95



L 121307

6G24

ACCESSORIES

KEY	PART NO.	PART NAME	QTY	SERIAL NO.	REMARKS
					2
					1 2 0
					6 0 4
					4 4 0
					0 0 S
1	03M7201	BOLT	2	X X X	M12X45
2	14M7276	NUT	2	X X X	M16
3	24M7053	WASHER	2	X X X	17X30X3MM
4	14H1039	NUT	2	X X X	5/8"
5	28H2577	SPACER	2	X X X	3/4"X1-1/2"
6	19H1833	CAP SCREW	2	X X X	5/8"X1-1/4"
7	AL37284	PLATE	1	X X X	(A) (ORD L39229, L33629)
8	24H1363	WASHER	AR	X X X	41/64"X1-1/6"X.105"
9	19H3208	CAP SCREW	2	X X X	5/8"X3"
10	19M7608	CAP SCREW	2	X X X	M16X30
11	L38199	ANGLE	2	X X X	
12	24M7240	WASHER	2	X X X	13X25X3.6MM
13	14M7275	NUT	2	X X X	M12
14	L39229	RETAINER	1	X X X	
15	L33629	SPACER	2	X X X	

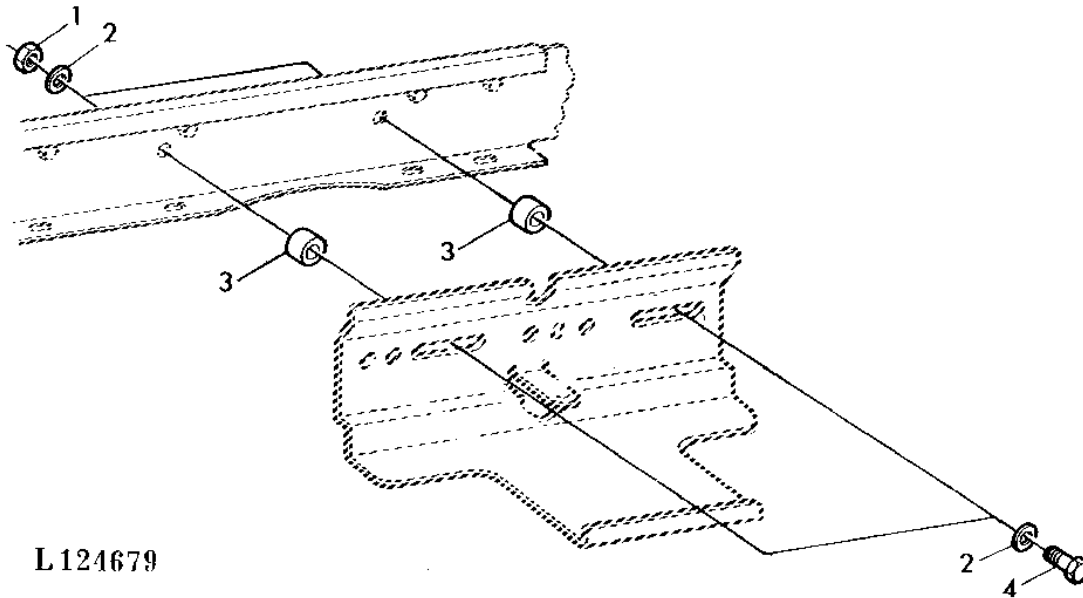
(A) WITH FRONT WHEEL DRIVE AND FAN GUARD
 AVEC PONT AVANT ET GARANT DE VENTILATEUR
 BEI FRONTANTRIEB UND LUEFTERSCHUTZ
 CON TRAZ.ANTER.E PROTEZ.VENTILATORE
 CON TRACCION DELANTERA Y CORAZA DE VENTILADOR
 VID FRAMHJULSDRIFT OCH FLAKTSKYDD

6G25

ACCESSORIES

TOOL BOX BRACKET (WITH RH DOOR)
 BOITE A OUTILS (AVEC PORTE DROITE)
 WERKZEUGKASTEN-ANBAU (BEI RECHTER TUER)
 SUPPORTI DELLA SCATOLA ATTR. (CON PORTIERA SULLA DESTRA)
 SOPORTES DE LA CAJA DE HERRAMIENTAS (CON PUERTA DERECHA)
 VERKTYGSLADA OCH HALLARE (VID HOGER DORR)

L124679 -UN-09JUN95



L124679

2
1 2 0
6 0 4
4 4 0
0 0 S

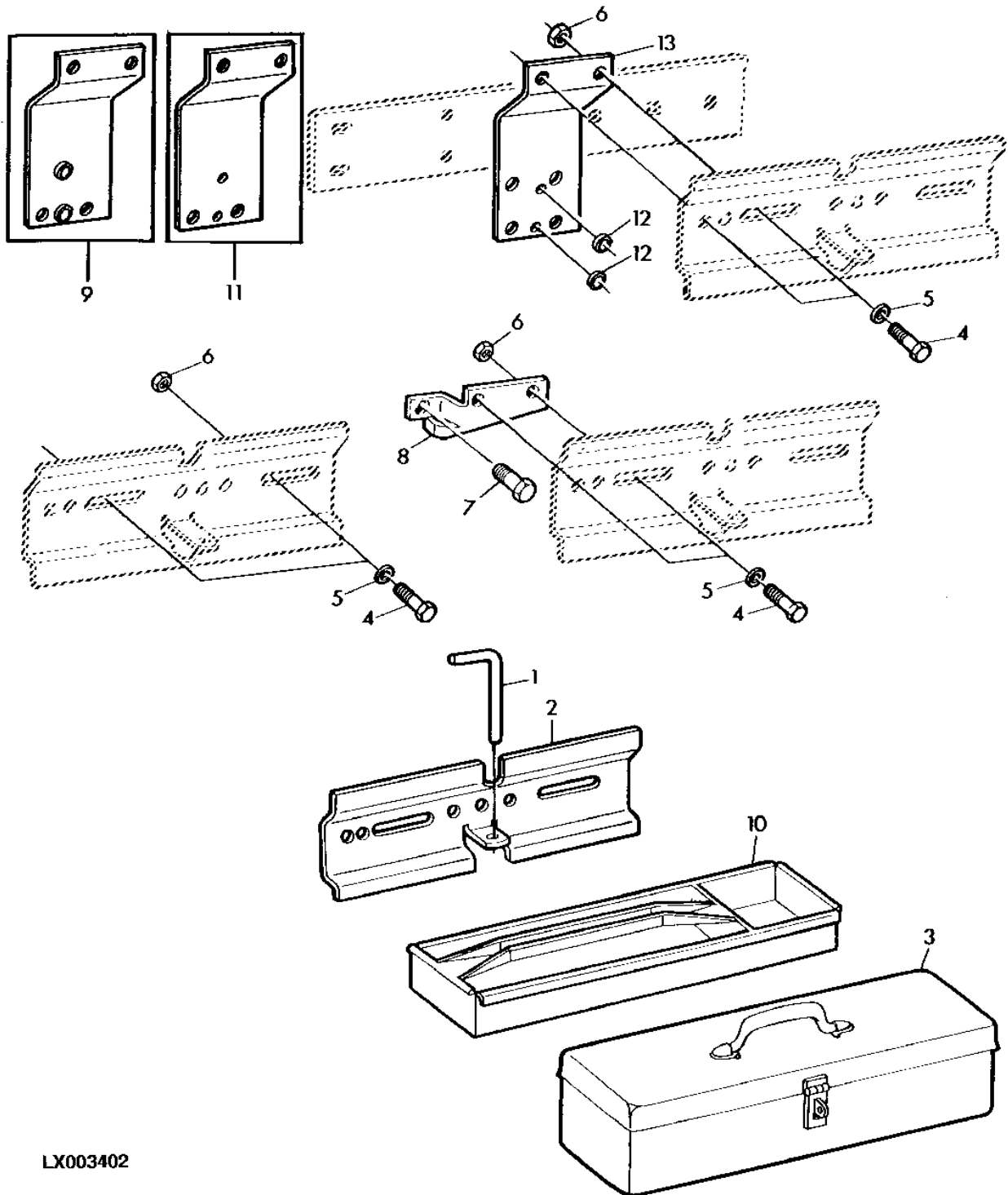
KEY	PART NO.	PART NAME	QTY	SERIAL NO.	REMARKS
1	14M7275	NUT	2	X X X	M12
2	24H1789	WASHER	4	X X X	.531"X1.25"X.105"
3	L56566	BUSHING	2	X X X	(SUB FOR L55731, Z31900)
4	19M7387	CAP SCREW	2	X X X	M12X40

MEMORANDA
MEMORANDA
MEMORANDA
MEMORANDA
MEMORANDA

6H1

ACCESSORIES

SHEET METAL TOOL BOX ATTACHMENT
COFFRET TOLE A OUTILS/FIXATION
BLECHWERKZEUGKASTEN/ANBAU
CASSETTA ATTREZZI (LATTO)/SOPORTE
CAJA DE CHAPA PARA HERRAMIENTAS/SUJECION
VERKTYGSLADA (BLECK)/HALLARE
LX003402 -UN-19JUL95



LX003402

6H2

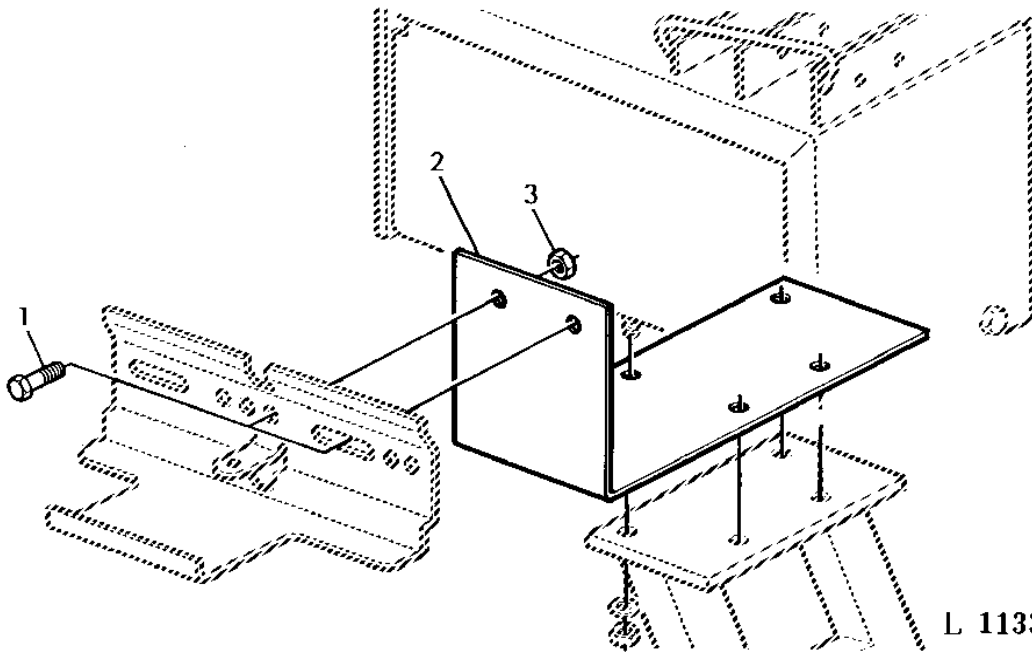
ACCESSORIES

KEY	PART NO.	PART NAME	QTY	SERIAL NO.	REMARKS
					2
					1 2 0
					6 0 4
					4 4 0
					0 0 S
1	T23027	PIN	1		X X X
2	L39119	BRACKET	1		X X X
3	AT22071	TOOLBOX	1		X X X
4	19H1833	CAP SCREW	2		X X X 5/8"X1-1/4"
5	24H1363	WASHER	AR		X X X 41/64"X1-1/16"X.105"
6	14H1039	NUT	2		X X X 5/8"
7	19H1871	CAP SCREW	1		X X X 3/4"X1-1/4"
8	L34351	BRACKET	1		X X X
9	AL37284	PLATE	1		X X X (ORD L65044, L33629)
10	AL24044	BOX	1		X X X
11	L39229	RETAINER	1		X X X (ORD L65044)
12	L33629	SPACER	2		X X X
13	L65044	PLATE	1		X X X (SUB FOR L39229)

6H3

ACCESSORIES

TOOL BOX ATTACHMENT ASSY. (WITH MC1 CAB)
 BOITE A OUTILS-FIXATION (AVEC CABINE MC1)
 WERKZEUGKASTEN-ANBAU (BEI MC1 KABINE)
 SUPPORTO PER CASSETTA ATTREZZI (CON CABINA MC1)
 SOPORTE DE CAJA DE HERRAMIENTAS CAB. MC1)
 FASTE FOR VERKTYGSLADA (VID MC1 HYTT)
 L113309 -UN-11JUL95



L 113309

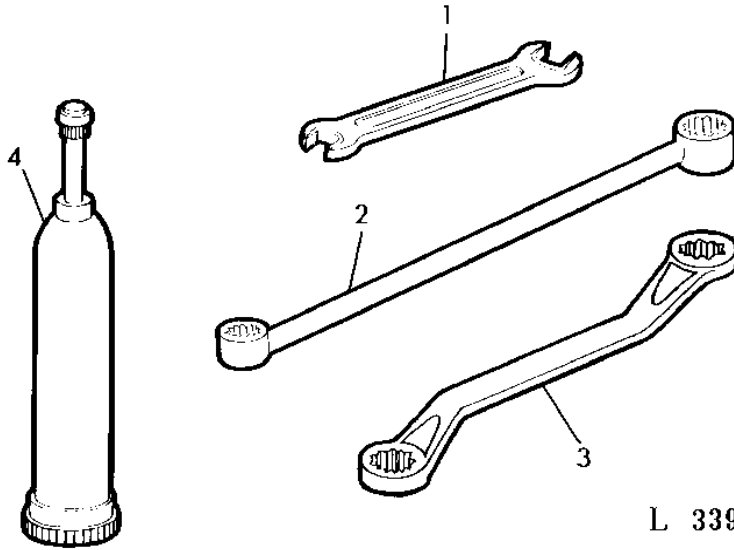
2
 1 2 0
 6 0 4
 4 4 0
 0 0 S

KEY	PART NO.	PART NAME	QTY	SERIAL NO.	REMARKS
1	19H1833	CAP SCREW	2	X X X	5/8"X1-1/4"
2	L58496	ANGLE	1	X X X	
3	14H1039	NUT	2	X X X	5/8"

6H4

ACCESSORIES

TOOLS
 OUTILS
 WERKZEUG
 ATTREZZI
 HERRAMIENTAS
 VERKTYG
 L33941 -UN-18JUL95



L 33941

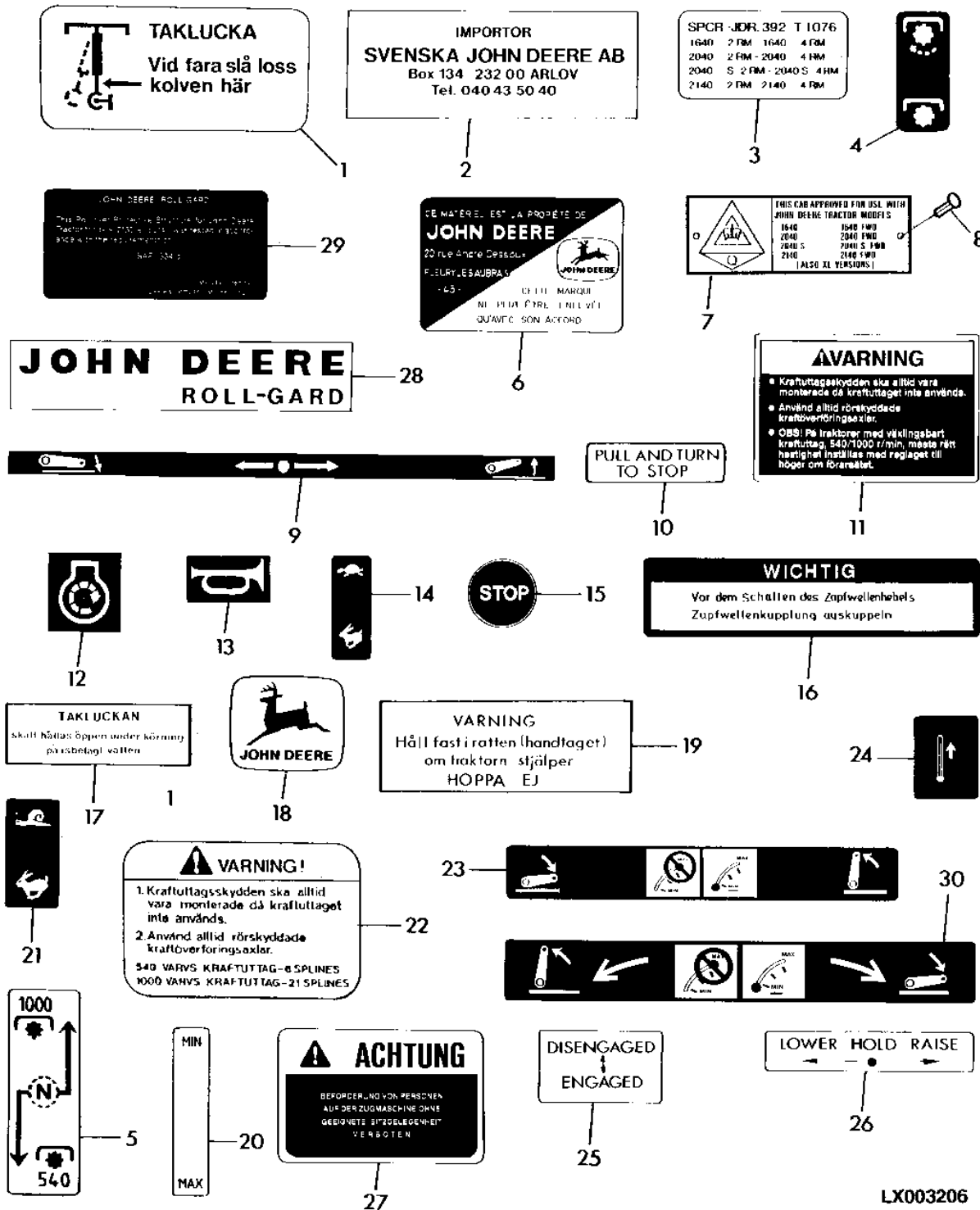
2
 1 2 0
 6 0 4
 4 4 0
 0 0 S

KEY	PART NO.	PART NAME	QTY	SERIAL NO.	REMARKS
1	31M6768	WRENCH	1	X X X	10X13MM
	31M5965	WRENCH	1	X X X	1/2"X9/16"
2	R34827	WRENCH	1	X X X	(SUB FOR AR30507, L56614)
3	31M7010	WRENCH	1	X X X	13/16"X1-1/8"
	99M7002	WRENCH	1	X X X	19X22MM
	31M7009	WRENCH	1	X X X	24X27MM
4	99M6430	GREASE GUN	1	X X X	

6H5

ACCESSORIES

NAME PLATES/DECALS
 PLAQUES DU CONSTRUCTEUR/DECALCOMANIES
 SCHILDER/ABSCHIEBEBILDER
 TARGHETTE/DECALCOMANIE
 ROTULOS/CALCOMANIAS
 SKYLTAR/DEKALER
 LX003206 -UN-17JUL95



LX003206

6H6

ACCESSORIES

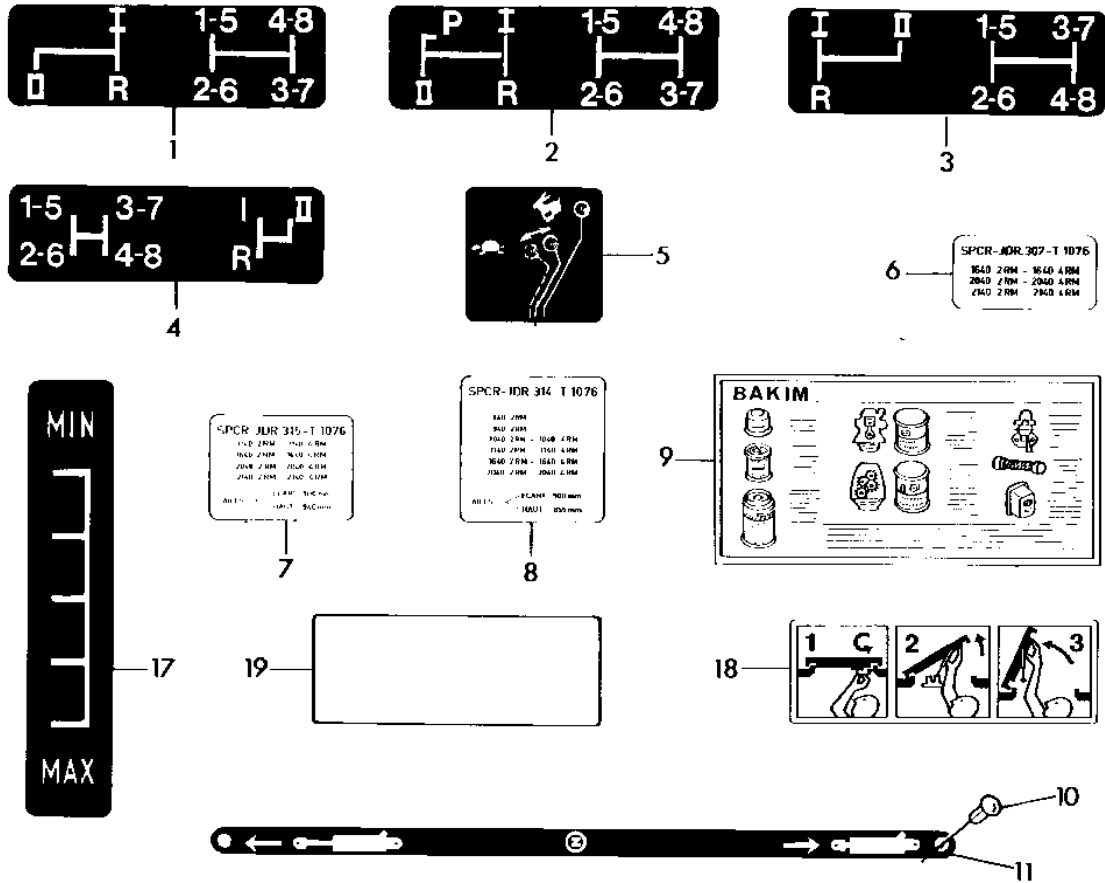
KEY	PART NO.	PART NAME	QTY	SERIAL NO.	REMARKS
					2
					1 2 0
					6 0 4
					4 4 0
					0 0 S
1	L36318	LABEL	1		X X
2	L35850	LABEL	1		X X X
3	L40105	LABEL	1		X X X FRANCAIS
4	L29301	LABEL	1		X X X
5	L55029	LABEL	1		X X X
6	T30121	LABEL	1		X X X
7	L55316	APPROVAL PLATE	1		X X X (SUB FOR L36350, L39696)
8	25M3827	GROOVE PIN	AR		X X X
9	L36319	DECAL	1		X X X
10	T29577	LABEL	1		X X
11	L40050	LABEL	1		X X X (A)
12	L29440	LABEL	1		X X X
13	L29439	LABEL	1		X X X
14	L29302	LABEL	1		X X X
15	L34819	LABEL	1		X X X
16	T65882	LABEL	1		X X X
17	L33561	LABEL	1		X X X
18	JD10477	LABEL	1		X X X (SUB FOR JD5602)
19	L31559	LABEL	1		X X X
20	L58948	LABEL	1		X X X
21	CE14416	DECAL	1		X X X
22	L35265	LABEL	1		X X X
23	L56293	LABEL	1		X X X (FOR AL64189)
24	L55781	LABEL	1		X X X
25	T29574	LABEL	1		X X X
26	T29578	LABEL	2		X X X
27	L39461	LABEL	1		X X X
28	R47292	LABEL	1		X X X
29	L35941	LABEL	1		X X X
30	L64494	LABEL	1		X X X (FOR AL69236)

(A) WITH HANDSHIFT PTO
 AVEC PDF A SELECTION PAR MANETTE
 BEI UMSCHALTBARER ZAPFWELLE
 CON PTO A CAMBIO MANUALE
 CON TDF DE REGIMEN VARIABLE
 VID VAXLINGSBAR KRAFTUTTAG

6H7

ACCESSORIES

NAME PLATES/DECALS
 PLAQUES DU CONSTRUCTEUR/DECALCOMANIES
 SCHILDER/ABSCHIEBEBILDER
 TARGHETTE/DECALCOMANIE
 LETREROS/CALCOMANIAS
 SKYLTARE/DECALER
 LX003207 -UN-17JUL95



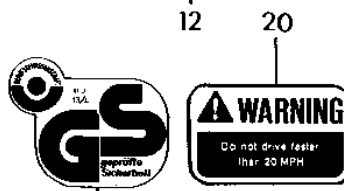
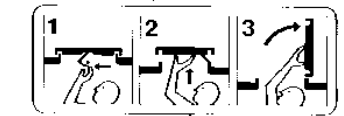
ROLL-OVER PROTECTIVE STRUCTURE
 To maintain operator protection and ROPS certification:
 • Damaged ROPS must be replaced, not repaired or revised.
 • Any alteration to the ROPS must be approved by the manufacturer.

ROLL-OVER PROTECTIVE STRUCTURE
 To maintain operator protection and ROPS certification:
 • Damaged ROPS must be replaced, not repaired or revised.
 • Any alteration to the ROPS must be approved by the manufacturer.

Typiskannaverte
 Traktor JOHN DEERE 1640 1200 1550 1610 1640
 Rotor 1640 1640 1640 1640 1640
 Hylt JOHN DEERE 1640 1640 1640 1640 1640

Typiskannaverte
 Traktor JOHN DEERE 2040 1640 1550 1610 1640
 Rotor 2040 2040 2040 2040 2040
 Hylt JOHN DEERE 2040 2040 2040 2040 2040

Typiskannaverte
 Typiskannaverte JOHN DEERE 1640 1640 1640
 Traktor JOHN DEERE 2040 2040 2040
 Tillverkningsnummer



21

22

LX003207

6H8

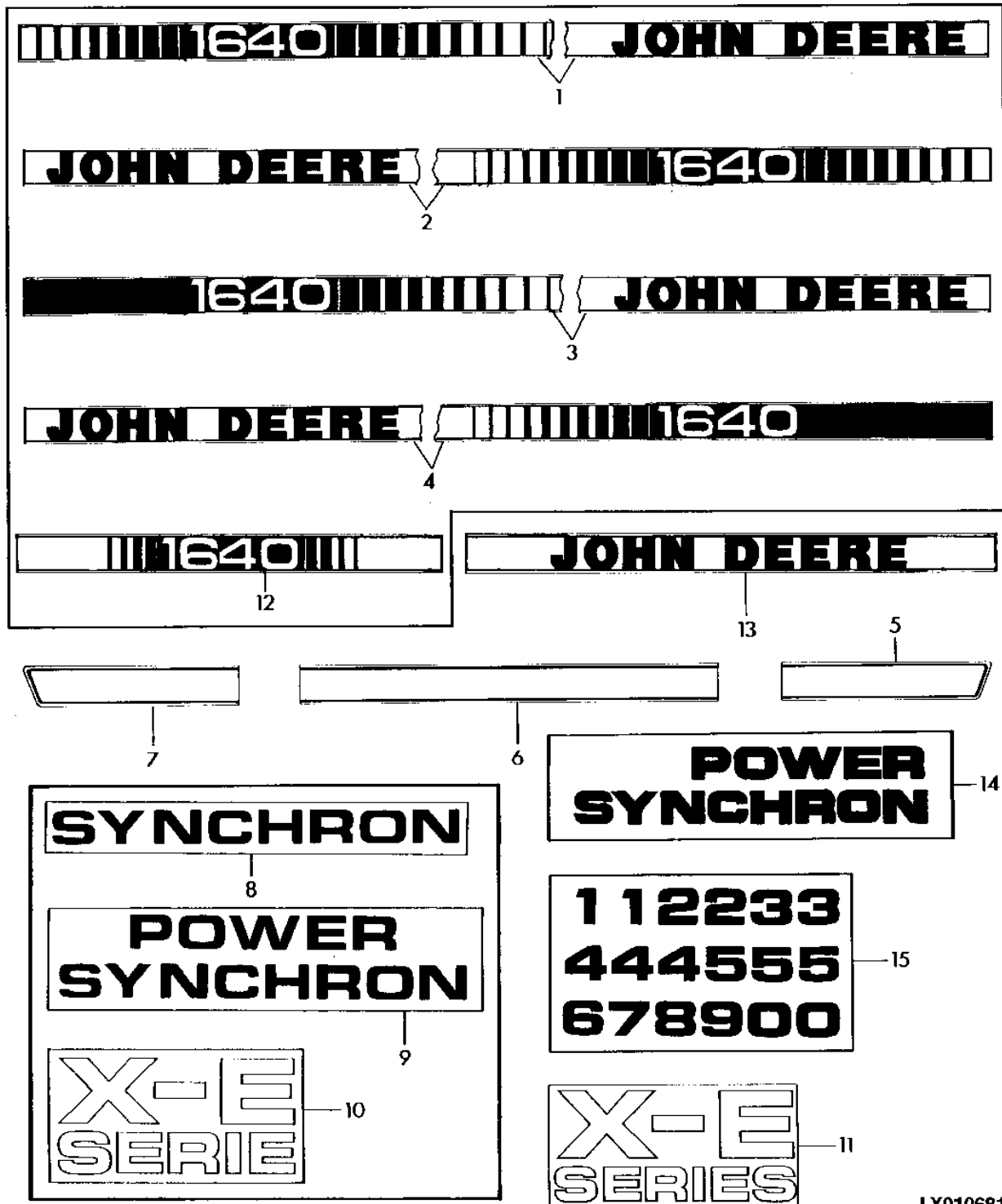
ACCESSORIES

KEY	PART NO.	PART NAME	QTY	SERIAL NO.	REMARKS
				2	
				1 2 0	
				6 0 4	
				4 4 0	
				0 0 S	
1	L35521	LABEL	1		X X
2	R68277	LABEL	1		X X
3	L35520	LABEL	1		X X X
4	L36066	LABEL	1		X X X
5	L36118	LABEL	1		X X X
6	L37219	LABEL	1		X X X
7	L37203	LABEL	1		X X X
8	L37202	LABEL	1		X X
9	L33861	INSTRUCTION PLATE	1		X
10	L39134	RIVET	2		X X X
11	L39672	INSTRUCTION PLATE	1		X X X
12	L39472	LABEL	1		X X X
13	L56461	PLATE	1		X
14	L56460	PLATE	1		X
15	L40170	LABEL	1		X X X
16	L41376	PLATE	1		X
17	L60329	LABEL	1		X X X
18	L61187	LABEL	1		X X X
19	L61188	PLATE	1		X X X
20	L60484	LABEL	1		X X X
21	L64754	LABEL	1		X X
22	L65079	LABEL	1		X X

6H9

ACCESSORIES

DECALS
DECALCOMANIES
AUFKLEBER
CALCOMANIE
CALCOMANIAS
DEKALER
LX010681 -UN-17JUL95



LX010681

6H10

ACCESSORIES

KEY	PART NO.	PART NAME	QTY	SERIAL NO.	2		REMARKS
					1	2	
					1	2	
					6	0	
					4	4	
					0	0	
					0	S	
1	L35073	LABEL	1	X	(C)	LH	
	L35148	LABEL	1	X	(B)	(C) LH	
	L35083	LABEL	1	X	(C)	LH	
	L35150	LABEL	1	X	(B)	(C) LH	
	L38064	LABEL	1	X	(C)	LH	
	L38140	LABEL	1	X	(B)	(C) LH	
2	L35074	LABEL	1	X	(C)	RH	
	L35149	LABEL	1	X	(B)	(C) RH	
	L35084	LABEL	1	X	(C)	RH	
	L35151	LABEL	1	X	(B)	(C) RH	
	L38065	LABEL	1	X	(C)	RH	
	L38139	LABEL	1	X	(B)	(C) RH	
3	L36502	LABEL	1	X	(A)	(C) LH	
	L36504	LABEL	1	X	(A)	(C) LH	
	L39227	LABEL	1	X	(A)	(C) LH	
4	L36503	LABEL	1	X	(A)	(C) RH	
	L36505	LABEL	1	X	(A)	(C) RH	
	L39228	LABEL	1	X	(A)	(C) RH	
5	L35121	DECAL	1	X X X		LH	
6	L35120	DECAL	1	X X X			
7	L35124	DECAL	1	X X X		RH	
8	L36322	DECAL	1	X X X		(ORD L59382)	
9	L36323	DECAL	1	X X X		(ORD L59382)	
10	L41406	LABEL	2	X X X		(ORD L41407)	
11	L41407	LABEL	2	X X X			
12	L63982	LABEL	2	X	(C)		
	L63984	LABEL	2	X	(C)		
	L63985	LABEL	2	X	(C)		
13	L63977	LABEL	2	X X X			
14	L59382	LABEL	1	X X X			
15	L65350	DECAL	1	X X X			

(A) WITH HOOD TURN-SIGNAL LIGHTS
 AVEC CLIGNOTANTS SUR CAPOT
 BEI BLINKLICHT AN DER HAUBE
 CON INDICATORI DI DIREZIONE NEL COFANO
 CON LUCES INTERMITENTES EN EL CAPO
 VID HUVMONTERAD BLINKERS

(B) WITH MC1 CAB
 AVEC CABINE MC1
 BEI MC1 KABINE
 CON CABINA MC1
 CON CABINA MC1
 VID MC1 FORARHYTT

(C) FOR REPLACEMENT ORDER L35120 (2), L63977 (2), L65350
 EN CAS DE REMPLACEMENT, COMMANDER L35120 (2), L63977 (2), L65350 (2)
 FUER ERSATZ BESTELLE L35120 (2), L63977 (2), L65350 (2)
 IN CASO DI SOSTITUZIONE, ORDINARE L35120 (2), L63977 (2), L65350 (2)
 PARA SUSTITUIR, PEDIR L35120 (2), L63977 (2), L65350 (2)
 FOR ERSATTNING, BESTALLAS L35120 (2), L63977 (2), L65350 (2)

6H11

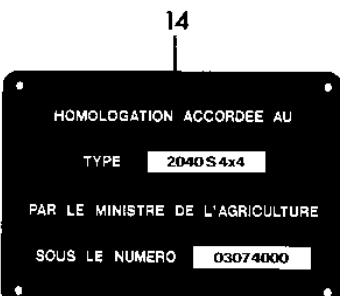
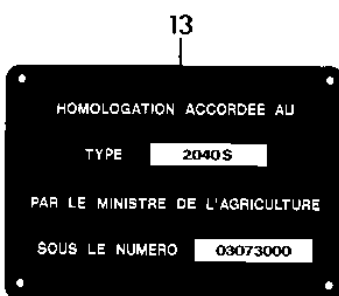
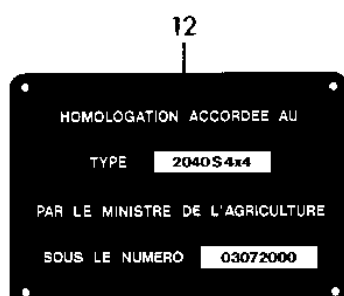
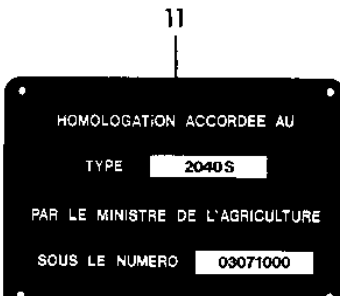
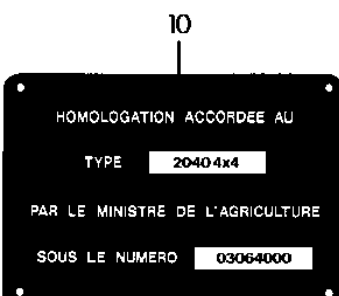
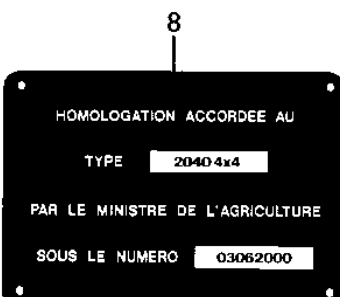
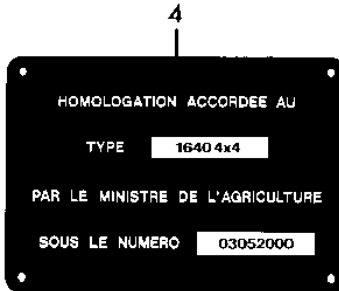
ACCESSORIES

DECALS
 DECALCOMANIES
 AUFKLEBER
 CALCOMANIE
 CALCOMANIAS
 DEKALER
 L115900 -UN-18JUL95

030501
 030601 — 1
 030701
 030801

030502
 030602 — 2
 030702
 030802

030604 — 15



L 115900

6H12

ACCESSORIES

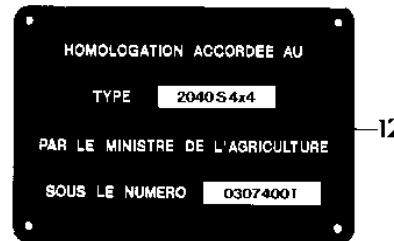
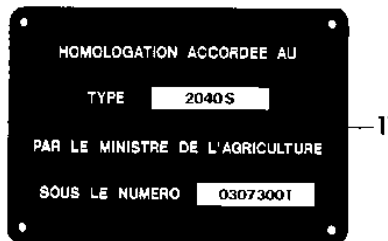
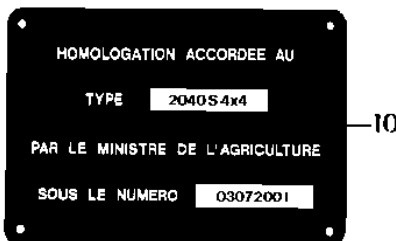
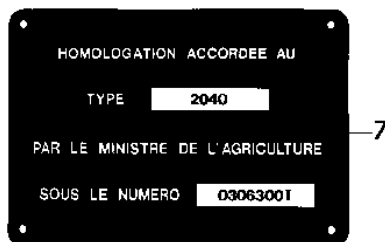
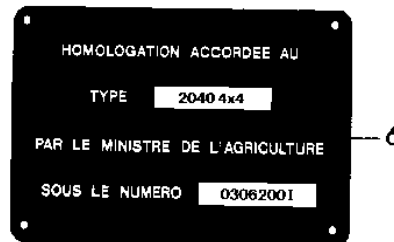
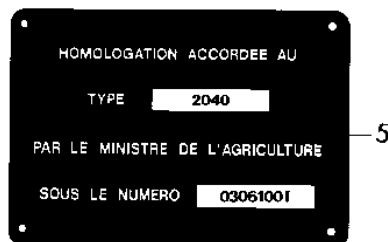
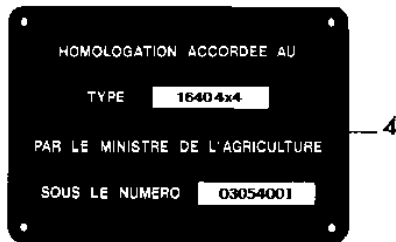
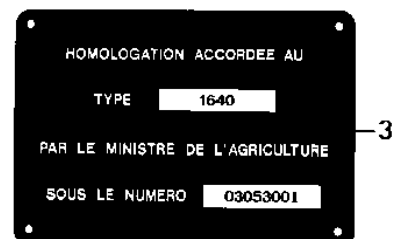
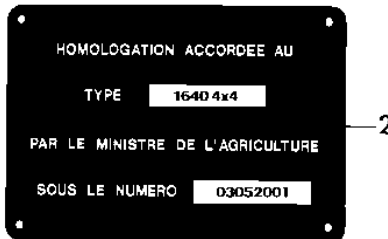
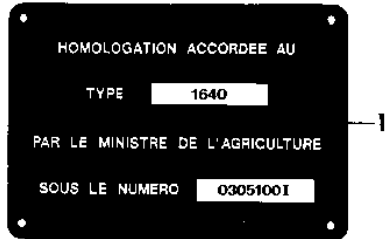
KEY	PART NO.	PART NAME	QTY	SERIAL NO.	REMARKS
				2	
				1 2 0	
				6 0 4	
				4 4 0	
				0 0 S	
1	L40733	LABEL	1	X X X	FRANCAIS
2	L40734	LABEL	1	X X X	FRANCAIS
3	L40747	LABEL	1	X	FRANCAIS
4	L40748	LABEL	1	X	FRANCAIS
5	L40749	LABEL	1	X	FRANCAIS
6	L40750	LABEL	1	X	FRANCAIS
7	L40751	LABEL	1	X	FRANCAIS
8	L40752	LABEL	1	X	FRANCAIS
9	L40753	LABEL	1	X	FRANCAIS
10	L40754	LABEL	1	X	FRANCAIS
11	L40755	LABEL	1	X	FRANCAIS
12	L40756	LABEL	1	X	FRANCAIS
13	L40757	LABEL	1	X	FRANCAIS
14	L40758	LABEL	1	X	FRANCAIS
15	L59202	LABEL	1	X	FRANCAIS

6H13

ACCESSORIES

DECALS
DECALCOMANIES
AUFKLEBER
CALCOMANIE
CALCOMANIAS
DEKALER

L110489 -UN-17JUL95



13

L 110489

6H14

ACCESSORIES

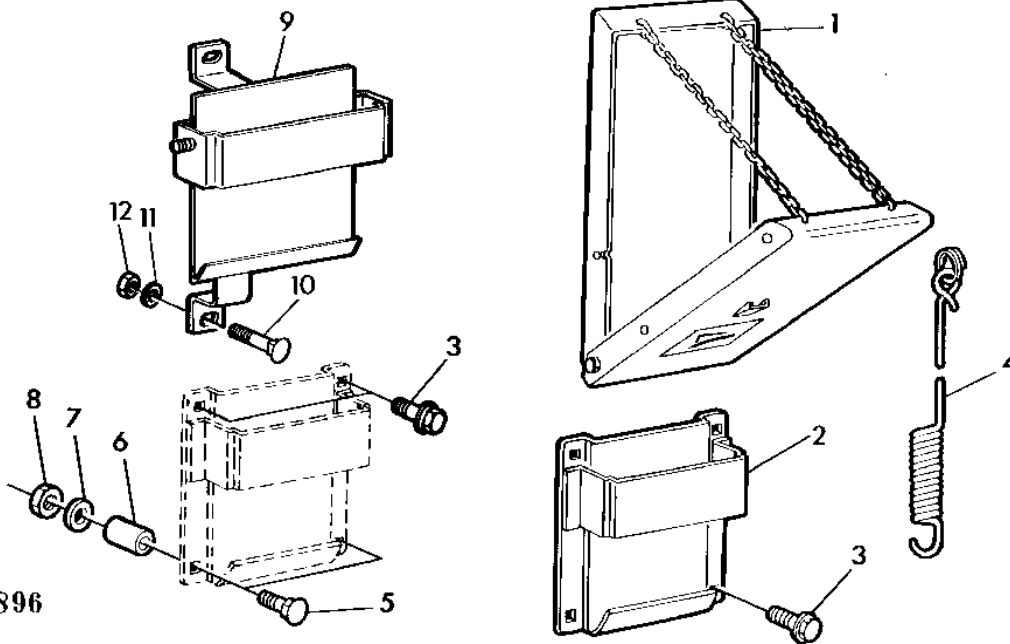
KEY	PART NO.	PART NAME	QTY	SERIAL NO.	REMARKS
				2	
				1 2 0	
				6 0 4	
				4 4 0	
				0 0 S	
1	L41960	LABEL	1	X	FRANCAIS
2	L41961	LABEL	1	X	FRANCAIS
3	L41962	LABEL	1	X	FRANCAIS
4	L41963	LABEL	1	X	FRANCAIS
5	L41964	LABEL	1	X	FRANCAIS
6	L41965	LABEL	1	X	FRANCAIS
7	L41966	LABEL	1	X	FRANCAIS
8	L41967	LABEL	1	X	FRANCAIS
9	L41968	LABEL	1	X	FRANCAIS
10	L41969	LABEL	1	X	FRANCAIS
11	L41970	LABEL	1	X	FRANCAIS
12	L41971	LABEL	1	X	FRANCAIS
13	L42000	LABEL	1	X X X	FRANCAIS

6H15

ACCESSORIES

CHOCK BLOCK
CALE
UNTERLEGKEIL
CUNEO
CALZO DE RUEDA
STOPPKLOTS

L115896 -UN-18JUL95



2
1 2 0
6 0 4
4 4 0
0 0 S

KEY	PART NO.	PART NAME	QTY	SERIAL NO.	REMARKS
1	AL26777	CHOCK BLOCK	1	X X X	
2	AL26778	SUPPORT	1	X X X	
3	37M7078	SCREW	4	X X X	10X16MM
	37M7078	SCREW	2	X X X	(A) 10X16MM
4	AL33592	SPRING	1	X X X	
5	03M7233	BOLT	2	X X X	(A) 10X70MM
6	L38220	SPACER	2	X X X	(A)
7	24M7028	WASHER	2	X X X	(A) 10.5MM
8	14M7274	NUT	2	X X X	(A) 10MM
9	AL59732	RETAINER	1	X X X	(B)
10	03M7223	BOLT	2	X X X	(B) M8X60
11	24M7055	WASHER	2	X X X	(B) 8.4X17X1.6MM
12	14M7273	NUT	2	X X X	(B) M8

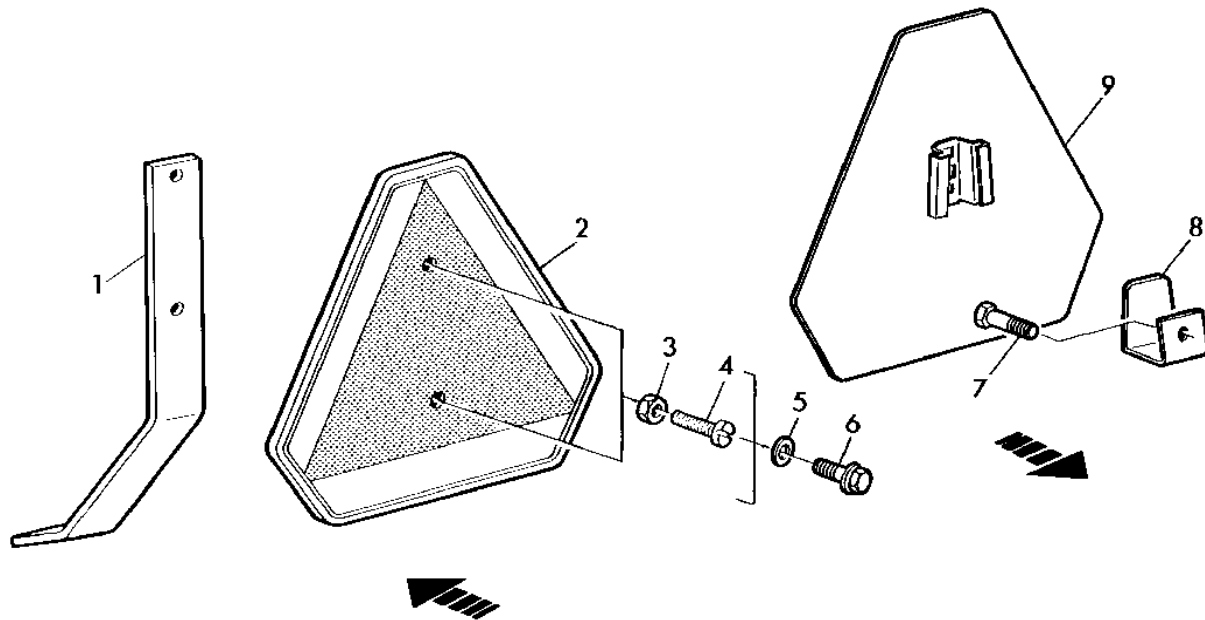
(A) WITH SG2 CAB
AVEC CABINE SG2
BEI SG2 KABINE
CON CABINA SG2
CON CABINA SG2
VID SG2 HYTT

(B) WITH MC1 CAB
AVEC CABINE MC1
BEI MC1 KABINE
CON CABINA MC1
CON CABINA MC1
VID MC1 FORARHYTT

6H16

ACCESSORIES

SLOW MOVING VEHICLE (SMV) WARNING SHIELD
PLAQUE DE SIGNALISATION POUR VEHICULES LENTS
WARNSCHILD FUER LANGSAMFAHRENDE FAHRZEUGE
PLACCA D'AVVERTENZA PER VEICOLI LENTI
PLACA DE ADVERTENCIA PARA VEHICULOS LENTOS
SKYLT FOR LANGSAMT MASKINER
 L104416 -UN-17JUL95



L 104416

2
1 2 0
6 0 4
4 4 0
0 0 S

KEY	PART NO.	PART NAME	QTY	SERIAL NO.	REMARKS
1	R54972	BRACKET	1	X X X	
2	AR61194	SIGN	1	X X X	
3	14H786	NUT	2	X X X	1/4"
4	21H1303	SCREW	2	X X X	1/4"X3/4"
5	24M7054	WASHER	2	X X X	(A) 6.4X12.5X1.6MM
6	37H132	SCREW	2	X X X	(A) NO. 12 X 3/4"
7	19H1792	CAP SCREW	1	X X X	(A) (B) 1/2"X1"
8	L40662	BRACKET	1	X X X	(A) (B)
9	AL38577	BRACKET	1	X X X	(A) (B)

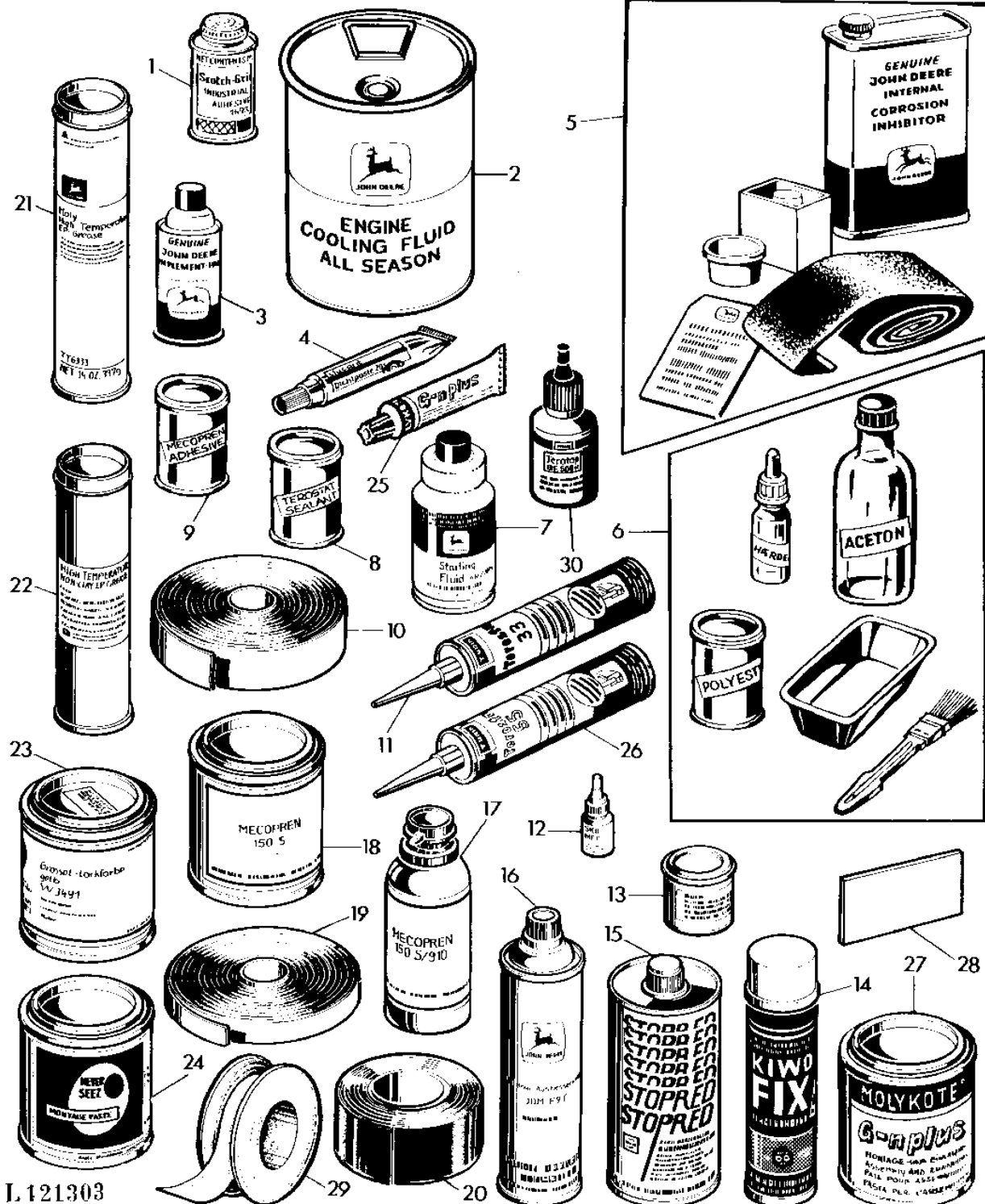
(A) WITH SG2 CAB
 AVEC CABINE SG2
 BEI SG2 KABINE
 CON CABINA SG2
 CON CABINA SG2
 VID SG2 HYTT

(B) FOR SWEDEN ONLY
 SEULEMENT POUR LA SUEDE
 NUR FUER SCHWEDEN
 SOLTANTO PER SVEZIA
 SOLAMENTE PARA SUECIA
 ENDAST FOR SVERIGE

6H17

ACCESSORIES

ACCESSORY PARTS
 ACCESSOIRES
 ZUBEHOERTEILE
 ACCESSORI
 ACCESORIOS
 TILLBEHORSDELAR
 L121303 -UN-15MAY95



L121303

THIS PARTS LISTING IS CONTINUED

6H18

ACCESSORIES

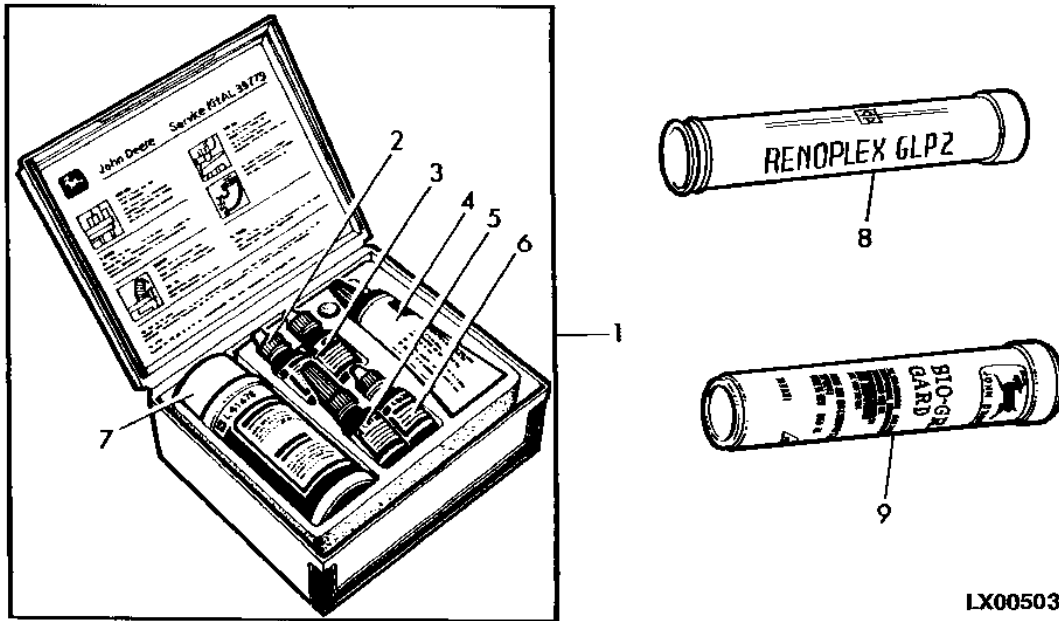
KEY	PART NO.	PART NAME	QTY	SERIAL NO.	REMARKS
					2
					1 2 0
					6 0 4
					4 4 0
					0 0 S
1	AL27132	ADHESIVE	1	X X X	SOUND CONTROL MAT REPAIR SET
2	DD14134	COOLANT	AR	X X X	5L (1.3 U.S.GAL.) (SUB FOR AL66606)
	DD14345	COOLANT	AR	X X X	20L (5.3 U.S.GAL.) (SUB FOR AL66607)
	DD14136	COOLANT	AR	X X X	60L (15.9 U.S.GAL.) (SUB FOR AL67171)
	DD14346	COOLANT	AR	X X X	200L (53.0 U.S.GAL.) (SUB FOR AL66608)
3	L94772	PAINT	1	X X X	GREEN, VERT, GRUEN, VERDE, GROEN
4	AL36727	ADHESIVE	1	X X X	STUCARIT SEALANT 140CCM
5	AR41785	KIT	1	X X X	
6	AL27131	KIT	1	X X X	FIBER GLASS REPAIR SET
7	RE30174	STARTING FLUID	1	X X X	(SUB FOR AR27814)
8	UN7121	SEALANT	1	X X X	TEROSTAT SEALANT 1000CCM
9	UN7132	ADHESIVE	1	X X X	MECOPREN 1000CCM
10	R57003	TAPE	1	X X X	10M
11	AL67798	SEALANT	1	X X X	TEROSTAT 33.310CCM, BLACK, NOIR, SCHWARZ, NERO, NEGRO, SVART (SUB FOR L41074)
12	AL38291	ADHESIVE	1	X X X	SICOMET 85, 20CCM
13	AL38624	PAINT	1	X X X	BROWN, BRUN, BRAUN, MARRONE, MARRON, BRUN, 50CCM
14	AL38623	ADHESIVE	1	X X X	KIWOFIX, 500CCM
15	L40979	BRAKE FLUID	1	X X X	1000CCM
16	AL39593	PAINT	1	X X X	DULL BLACK, 500CCM
17	AL39465	ADHESIVE	1	X X X	MECOPREN 1505/910
18	AL39139	ADHESIVE	1	X X X	MECOPREN 150S
19	R46727	SEALING TRIM	1	X X X	(SUB FOR AL39594)
	AL57748	WEATHERSTRIP	1	X X X	LOW PROFILE ROOF
20	AL39464	TAPE	1	X X X	BLACK, NOIR, SCHWARZ, NERO, NEGRO, SVART
21	TY6333	GREASE	1	X X X	(A)
22	TY6341	GREASE	1	X X X	
23	L94743	PAINT	1	X X X	YELLOW, JAUNE, GELB, GIALLO, AMMARILLO, GUL, 1000CCM
24	L58532	RUST INHIBITOR	1	X X X	NEVER SEEZ, 120CCM
25	L59040	GREASE	1	X X X	MOLYKOTE, 50CCM
26	L57914	SEAL	1	X X X	TEROSTAT 55.310CCM, CLEAN
27	L81050	GREASE	1	X X X	MOLYKOTE, 1000CCM
28	L58886	TAPE	1	X X X	FOR TURBO-HOOD
29	L53316	TAPE	1	X X X	SEALING TAPE
30	AL64360	SEALANT	1	X X X	TEROTOP BE 500H, 50CCM

(A) USE WHEN OPERATING IN VERY WET AND MUDDY CONDITIONS
 POUR UTILISATION EN TERRAIN DETREMPE ET BOURBEUX
 BEI EINSATZ IN BESONDERS NASSEM, SCHLAMMIGEM GELAENDE
 PER LAVORO IN TERRENO UMIDO E FANGOSO
 PARA OPERAR EN TERRENOS HUMEDOS Y FANGOSOS
 FOR ARBETE I FUKTIG OCH SUMPIG TERRANG

6H19

ACCESSORIES

ACCESSORY PARTS
 ACCESSOIRES
 ZUBEHOERTEILE
 ACCESSORI
 ACCESORIOS
 TILLBEHORSDELAR
 LX005030 -UN-07JUL95



LX005030

2
 1 2 0
 6 0 4
 4 4 0
 0 0 S

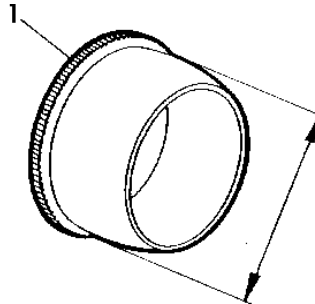
KEY	PART NO.	PART NAME	QTY	SERIAL NO.	REMARKS
1	AL39779	SEALANT	1	X X X	
2	L41475	SEALANT	1	X X X	LOCTITE 243, 10CCM
3	L41476	SEALANT	1	X X X	LOCTITE 270, 10CCM
4	L64500	SEALANT	1	X X X	LOCTITE 574, 50CCM (SUB FOR L41217)
5	L41860	SEALANT	1	X X X	LOCTITE 648, 10CCM
6	L41477	SEALANT	1	X X X	LOCTITE 601, 10CCM
7	L41478	DEGREASING SOLVENT	1	X X X	LOCTITE 706, 150CCM
8	L63503	GREASE	1	X X X	RENOPLEX GLP2, 400CCM
9	UN5812	GREASE	1	X X X	BIO GREASE GARD, 400CCM

MEMORANDA
MEMORANDA
MEMORANDA
MEMORANDA
MEMORANDA

6H20

ACCESSORIES

PLASTIC PLUG
BOUCHON EN PLASTIQUE
PLASTIK-STOPFEN
TAPPO DI PLASTICO
TAPON DE PLASTICO
PLASTPLUGG
L110468 -UN-01JAN94



L 110468

6H21

ACCESSORIES

KEY	PART NO.	PART NAME	QTY	SERIAL NO.	REMARKS
				2	
				1 2 0	
				6 0 4	
				4 4 0	
				0 0 S	
1	99M7105	PLUG	AR	X X X	OD= 5.5MM, BLACK
	99M7098	PLUG	AR	X X X	OD= 6MM, BLACK
	99M7043	PLUG	AR	X X X	OD= 7MM, BLACK
	99M7106	PLUG	AR	X X X	OD= 7.5MM, BLACK
	99M7059	PLUG	AR	X X X	OD= 8.5MM, BLACK
	99M7016	PLUG	AR	X X X	OD= 9MM, BLACK
	99M7090	PLUG	AR	X X X	OD= 10MM, BLACK
	99M7070	PLUG	AR	X X X	OD= 10.5MM, BLACK
	99M7015	PLUG	AR	X X X	OD= 11MM, BLACK
	99M7077	PLUG	AR	X X X	OD= 11.5MM, BLACK
	99M7107	PLUG	AR	X X X	OD= 12MM, BLACK
	99M7073	PLUG	AR	X X X	OD= 12.5MM, BLACK
	99M7095	PLUG	AR	X X X	OD= 13MM, BLACK
	99M7045	PLUG	AR	X X X	OD= 13.5MM, BLACK
	99M7082	PLUG	AR	X X X	OD= 14MM, BLACK
	99M7009	PLUG	AR	X X X	OD= 14.5MM, BLACK
	99M7032	PLUG	AR	X X X	OD= 15.5MM, BLACK
	99M7108	PLUG	AR	X X X	OD= 16MM, BLACK
	99M7109	PLUG	AR	X X X	OD= 17MM, BLACK
	99M7012	PLUG	AR	X X X	OD= 17.5MM, BLACK
	99M7057	PLUG	AR	X X X	OD= 18MM, BLACK
	99M7010	PLUG	AR	X X X	OD= 19MM, BLACK
	99M7038	PLUG	AR	X X X	OD= 19.5MM, BLACK
	99M7091	PLUG	AR	X X X	OD= 21MM, BLACK
	99M7011	PLUG	AR	X X X	OD= 23.6MM, BLACK
	99M7087	PLUG	AR	X X X	OD= 25.5MM, BLACK
	99M7014	PLUG	AR	X X X	OD= 27MM, BLACK
	99M7049	PLUG	AR	X X X	OD= 29.5MM, BLACK
	99M7056	PLUG	AR	X X X	OD= 31.8MM, BLACK
	99M7093	PLUG	AR	X X X	OD= 58.5MM, BLACK

MEMORANDA
MEMORANDA
MEMORANDA
MEMORANDA
MEMORANDA

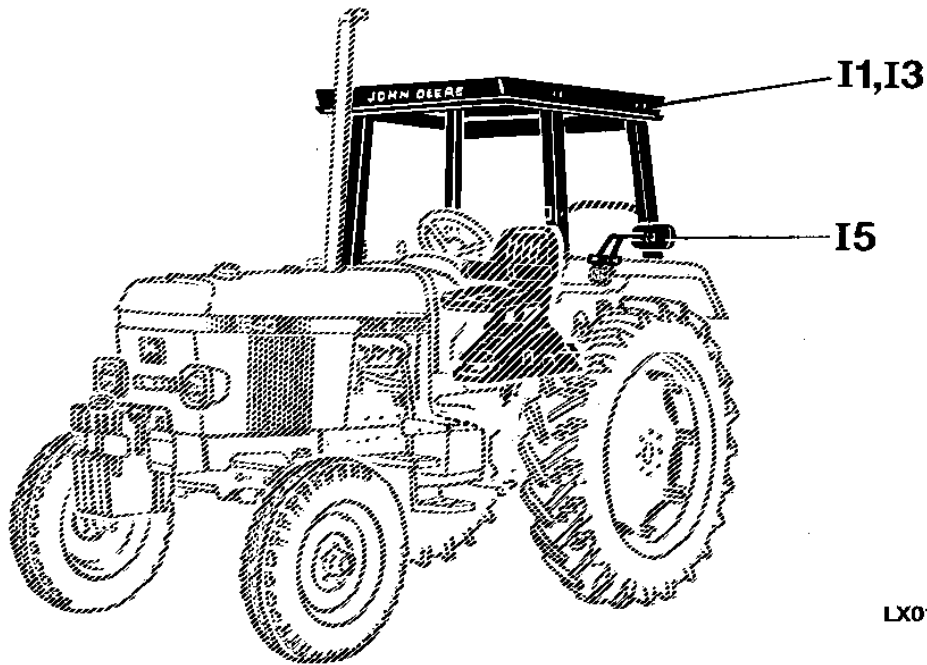
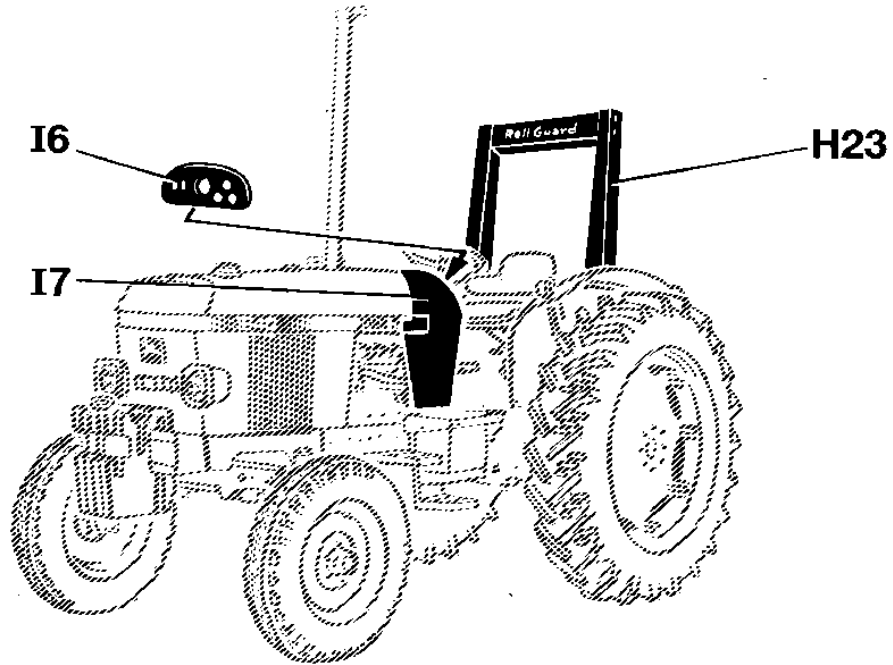
6H22

ROLL GUARD DASH, PANEL COVERS

XX
XX
XX
XX
XX
XX
XX
XX
XX
XX

SECTIONAL INDEX
INDEX DE SECTION
GRUPPENINDEX
INDICE DELLA SEZIONE
INDICE DE GRUPOS
GRUPPSFORTECKNING

LX011465 -UN-14JUL95

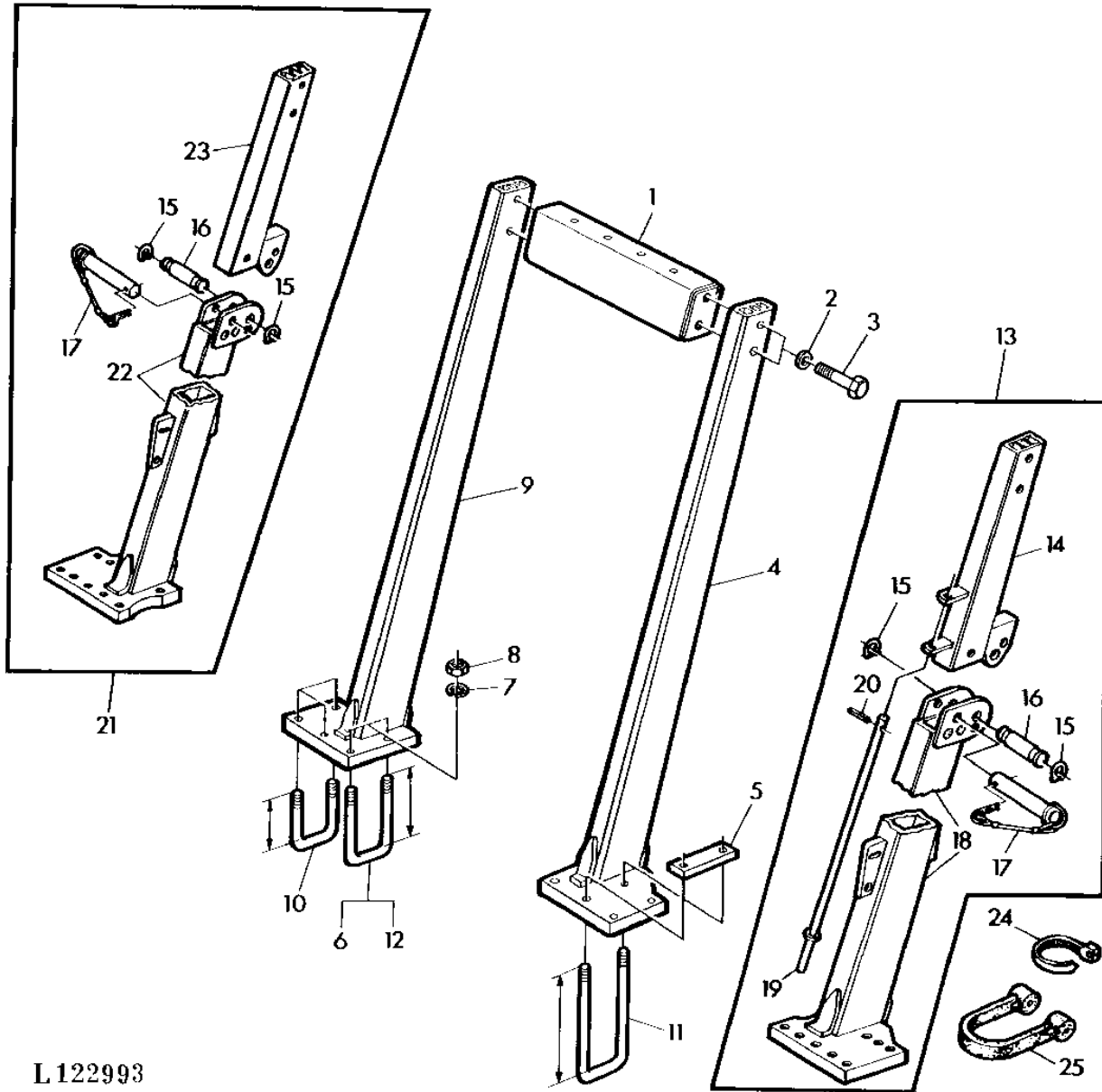


LX011465

6H23

ROLL GUARD DASH, PANEL COVERS

2-POST ROLL GUARD
CADRE DE SECURITE 2 MONTANTS
2-PFOSTEN UEBERSCHLAGSCHUTZ
BARRA ANTIRIBALTAMENTO A 2 MONTANTI
DEFENSA CONTRA VUELCOS DE 2 MASTILES
STORTSKYDD (2 STOLPAR)
L122993 -UN-19JUL95



L122993

6H24

ROLL GUARD DASH, PANEL COVERS

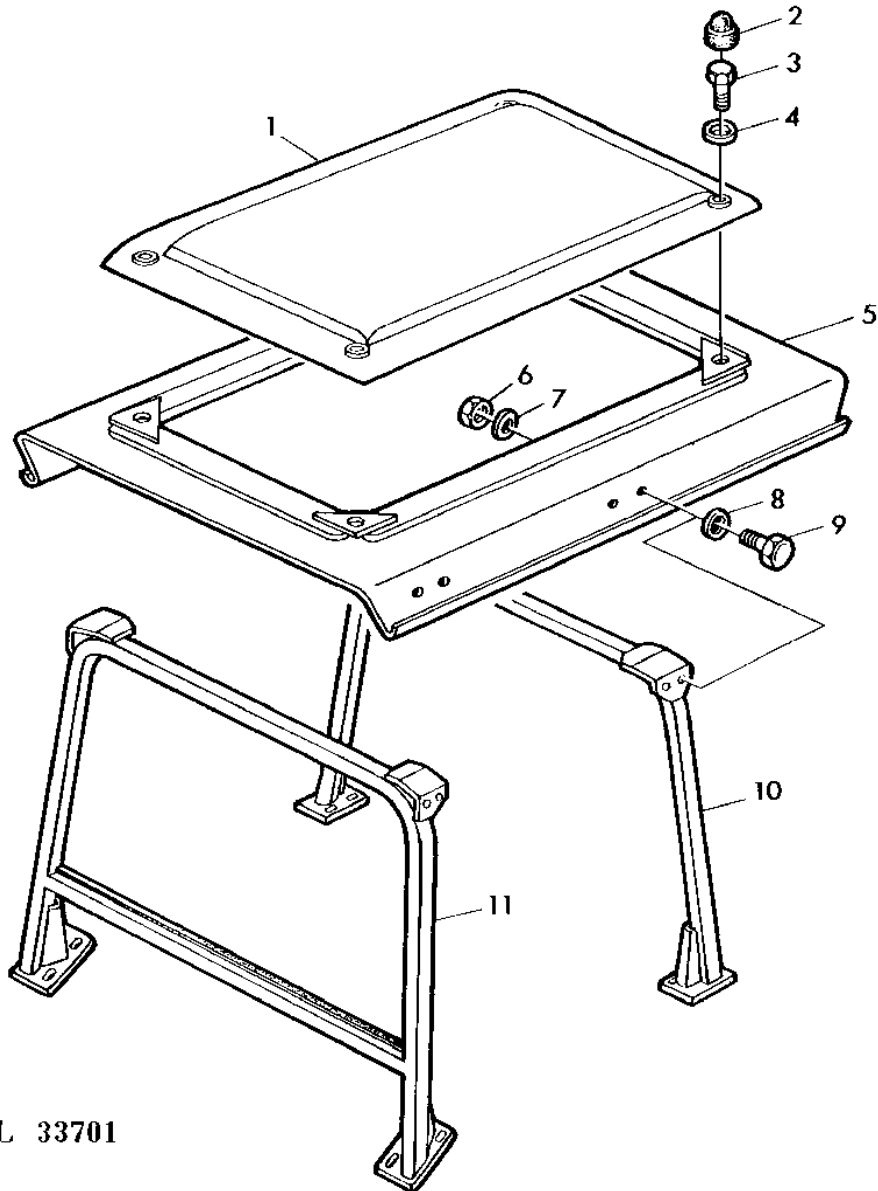
KEY	PART NO.	PART NAME	QTY	SERIAL NO.	REMARKS
					2
					1 2 0
					6 0 4
					4 4 0
					0 0 S
1	AL62696	CROSSBAR	1	X X X	(SUB FOR AL28161)
2	24H1698	WASHER	4	X X X	21/32"X1-5/8"X.250"
3	19H2641	CAP SCREW	4	X X X	5/8"X2-3/4" (SUB FOR R64802 APPL)
4	AL58226	POST	1	X X	LH (SUB FOR AR49867, AL37842) (ORD AL68113)
	AL56168	POST	1	X X X	(A) LH (SUB FOR AL23389, AL37840) (ORD AL68115)
5	T25671	STRAP	2	X X X	
6	T25672	U-BOLT	4	X X	5/8", LGTH= 190MM
7	12H294	LOCK WASHER	8	X X X	5/8"
8	14H1039	NUT	8	X X X	5/8"
9	AL58227	POST	1	X X	RH (SUB FOR AR49866, AL37843) (ORD AL68112)
	AL56169	POST	1	X X X	(A) RH (SUB FOR AL23388, AL37841) (ORD AL68114)
10	L37606	U-BOLT	2	X X X	(A) LGTH= 190MM
11	L37604	U-BOLT	2	X X X	(A) LGTH= 332MM
12	L37605	U-BOLT	2	X X X	(A) LGTH= 210MM
13	AL68113	POST	1	X X	LH
	AL68115	POST	1	X X X	(A) LH
14	AL68552	POST	1	X X	
	AL68550	POST	1	X X X	(A)
15	40M7011	SNAP RING	4	X X X	
16	L63859	PIN	2	X X X	
17	AL68309	PIN	2	X X X	
18	AL68553	POST	1	X X	
	AL68324	POST	1	X X X	(A)
19	AL66854	PIN	1	X X X	
20	34M7102	SPRING PIN	1	X X X	5X26MM
21	AL68112	POST	1	X X	RH
	AL68114	POST	1	X X X	(A) RH
22	AL68554	POST	1	X X	
	AL68323	POST	1	X X X	(A)
23	AL68551	POST	1	X X	
	AL68549	POST	1	X X X	(A)
24	R44302	TIE BAND	1	X X X	
25	AR68071	STRAP	1	X X X	

(A) WITH HEAVY-DUTY FINAL DRIVE
 AVEC COMMANDE FINALE RENFORCEE
 BEI VERSTAERKTEM ENDANTRIEB
 CON RIDUZIONE FINALE RINFORZATA
 CON REDUCCION FINAL REFORZADA
 VID FORSTARKT SLUTDREV

611

ROLL GUARD DASH, PANEL COVERS

4-POST ROLL GUARD
CADRE DE SECURITE 4 MONTANTS
4-POSTEN UEBERSCHLAGSCHUTZ
PROT. ANTIRIBALTAMENTO A 4 MONTANTI
DEFENSA CONTRA VUELCOS DE 4 MASTILES
STORTSKYDD (4 STOLPAR)
L33701 -UN-18JUL95



L 33701

612

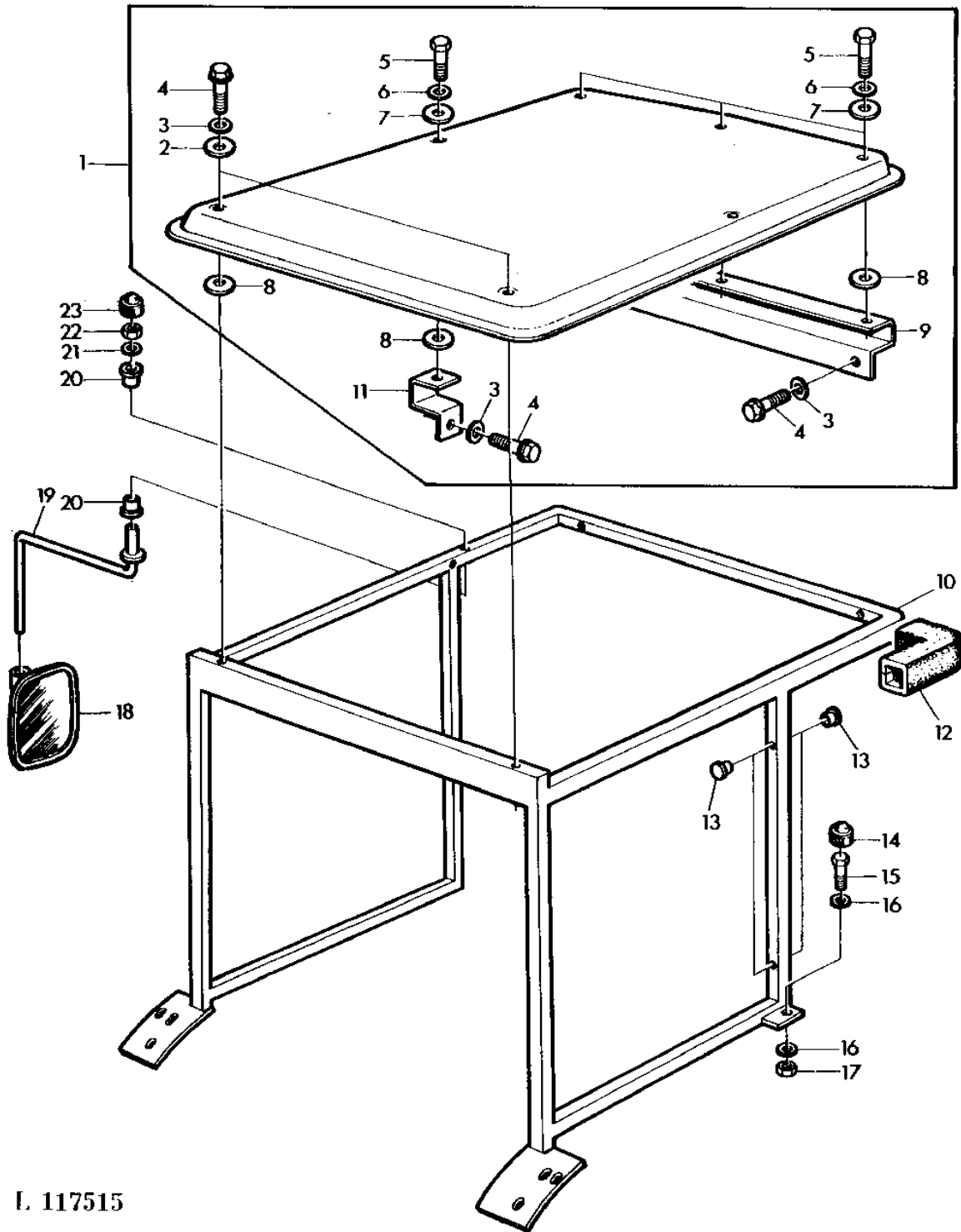
ROLL GUARD DASH, PANEL COVERS

KEY	PART NO.	PART NAME	QTY	SERIAL NO.	REMARKS
					2
					1 2 0
					6 0 4
					4 4 0
					0 0 S
1	AL25369	HOOD	1		X X X
2	L32394	CAP	4		X X X
3	19M7163	CAP SCREW	4		X X X M8X25
4	24M7298	WASHER	4		X X X 8.4X25X2MM
5	AL25506	CAB ROOF FRAME	1		X X X
6	14M7015	NUT	6		X X X M12
7	24M7047	WASHER	6		X X X 13X24X2.5MM
8	24M7111	WASHER	8		X X X 13X25X3MM
9	19M7268	CAP SCREW	8		X X X M12X25
10	AL31204	BRACE	1		X X X FRONT
11	AL31203	BRACE	1		X X X REAR

613

ROLL GUARD DASH, PANEL COVERS

4-POST ROLL GUARD
 CADRE DE SECURITE 4 MONTANTS
 4-POSTEN UEBERSCHLAGSCHUTZ
 PROT. ANTIRIBALTAMENTO A 4 MONTANTI
 DEFENSA CONTRA VUELCOS DE 4 MASTILES
 STORTSKYDD (4 STOLPAR)
 L117515 -UN-12MAY95



L 117515

614

ROLL GUARD DASH, PANEL COVERS

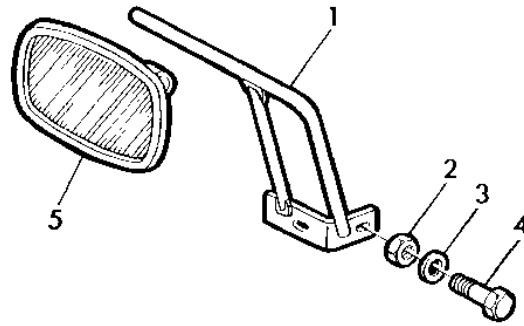
KEY	PART NO.	PART NAME	QTY	SERIAL NO.	REMARKS
					2
					1 2 0
					6 0 4
					4 4 0
					0 0 S
1	AL57679	ROOF	1	X X X	(A) 110MM
	AL57742	ROOF	1	X X X	(A) 170MM
2	L56899	WASHER	2	X X X	
3	24M7139	WASHER	6	X X X	6.4MM
4	37M7091	SCREW	6	X X X	M6X25
5	19M7298	CAP SCREW	5	X X X	M8X35
6	24M7298	WASHER	5	X X X	8.4X25X2MM
7	L56898	WASHER	5	X X X	
8	L56897	WASHER	7	X X X	
9	ANGLE	1	X X X	NSEP
10	AL56447	FRAME	1	X X X	
11	ANGLE	2	X X X	NSEP
12	L56438	FOAM PAD	2	X X X	
13	L56436	PLUG	AR	X X X	
14	L30960	NUT	8	X X X	
15	19M7393	CAP SCREW	8	X X X	M14X50
16	24M7112	WASHER	16	X X X	15MM
17	14M7141	NUT	8	X X X	M14
18	L56437	REAR VIEW MIRROR	1	X X X	
19	AL56463	ROD	1	X X X	
20	L56440	BUSHING	2	X X X	
21	24M7028	WASHER	1	X X X	10.5MM
22	14M7324	LOCK NUT	1	X X X	M10
23	L32903	CAP	1	X X X	(SUB FOR L56441)

(A) ROOF HEIGHT
 HAUTEUR DU TOIT
 DACHHOEHE
 ALTEZZA TETTO
 ALTURA DEL TECHO
 TAKHOJD

615

ROLL GUARD DASH, PANEL COVERS

REAR VIEW MIRROR
 RETROVISEUR
 RUECKSPIEGEL
 RETROVISORE
 RETROVISOR
 BACKSPEGEL
 L33702 -UN-09JUN95



L 33702

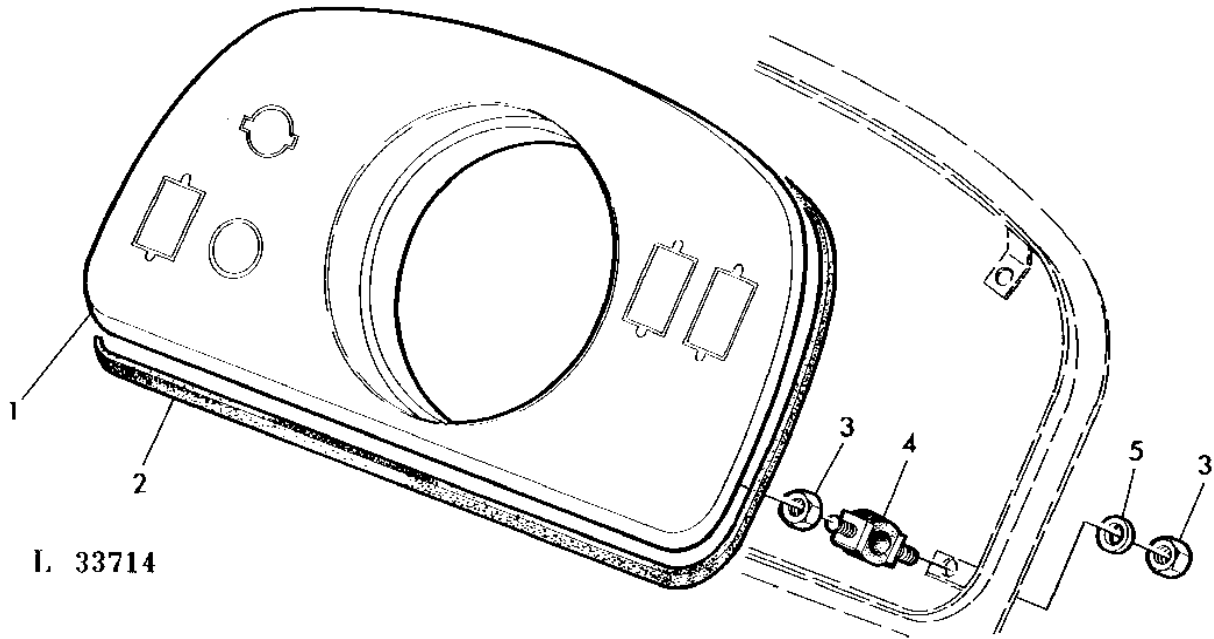
2
 1 2 0
 6 0 4
 4 4 0
 0 0 S

KEY	PART NO.	PART NAME	QTY	SERIAL NO.	REMARKS
1	AL25376	SUPPORT	1	X X X	
2	14M7273	NUT	2	X X X	M8
3	24M7055	WASHER	2	X X X	8.4X17X1.6MM
4	19M7162	CAP SCREW	2	X X X	M8X15
5	AL25377	REAR VIEW MIRROR	1	X X X	

616

ROLL GUARD DASH, PANEL COVERS

INSTRUMENT PANEL
 TABLEAU DE BORD
 INSTRUMENTENTAFEL
 CRUSCOTTO
 TABLERO DE INSTRUMENTOS
 INSTRUMENTPANEL
 L33714 -UN-18JUL95



L 33714

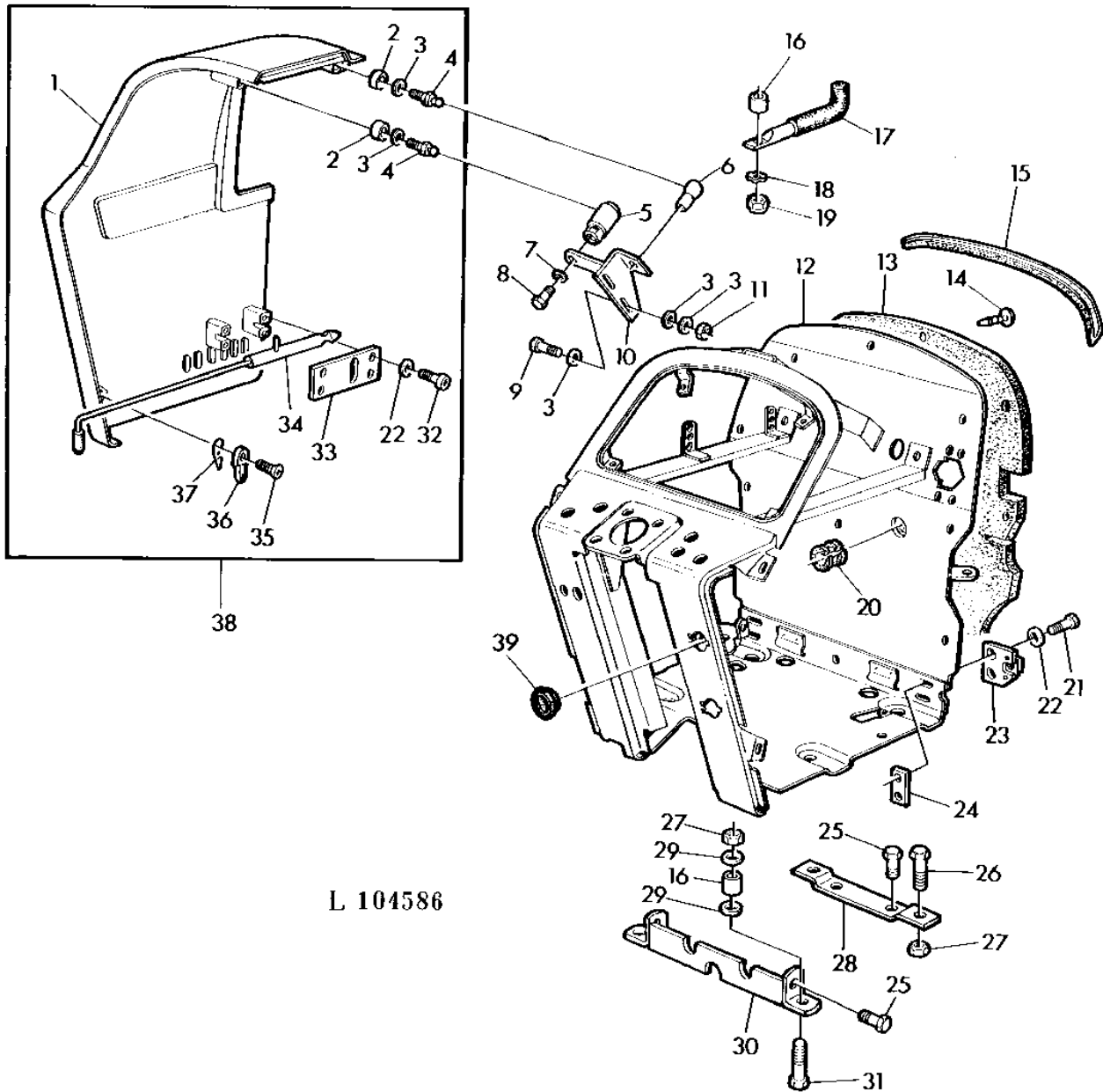
2
 1 2 0
 6 0 4
 4 4 0
 0 0 S

KEY	PART NO.	PART NAME	QTY	SERIAL NO.	REMARKS
1	AL57555	INSTRUMENT PANEL	1	X X X	(SUB FOR AL30289)
2	L34827	WEATHERSTRIP	1	X X X	
3	14M7139	NUT	8	X X X	4MM
4	L34828	RUBBER MOUNT	4	X X X	
5	24M7117	WASHER	4	X X X	4.3X9X0.8MM

617

ROLL GUARD DASH, PANEL COVERS

DASH/COWL
TABLEAU DE BORD HABILLAGE
ARMATURENWARD/VERKLEIDUNG
CRUSCOTTO E RIVESTIMENTO
TABLERO DE INSTRUMENTOS REVESTIMIENTO
INSTRUMENTPANEL/PANELHUS
L104586 -UN-17JUL95



L 104586

618

ROLL GUARD DASH, PANEL COVERS

KEY	PART NO.	PART NAME	QTY	SERIAL NO.	REMARKS
					2
					1 2 0
					6 0 4
					4 4 0
					0 0 S
1	AL31039	COWL	1	X X X	RH
	AL31040	COWL	1	X X X	LH
2	24M7250	WASHER	4	X X X	6.4MM (SUB FOR T58428)
3	24M7088	WASHER	16	X X X	6.6X12.5X1.6MM
4	L36272	BALL STUD	4	X X X	
5	56M7010	BALL JOINT SOCKET	2	X X X	
6	56M7009	BALL JOINT SOCKET	2	X X X	
7	12M7081	LOCK WASHER	4	X X X	6.4MM
8	19M7560	CAP SCREW	4	X X X	M6X16
9	19M7077	CAP SCREW	4	X X X	M6X20
10	AL35945	BRACKET	1	X X X	LH
	AL35946	BRACKET	1	X X X	RH
11	14M7272	NUT	4	X X X	M6
12	AL31024	INSTRUMENT PANEL, W/SUPPOR	1	X X X	(ORD AL38981, L41904)
	AL38981	INSTRUMENT PANEL, W/SUPPOR	1	X X X	
	AL38301	INSTRUMENT PANEL, W/SUPPOR	1	X X X	(A) (SUB FOR AL31019) (ORD AL38982, L41904)
	AL38982	INSTRUMENT PANEL, W/SUPPOR	1	X X X	(A)
13	L34684	BARRIER	1	X X X	
14	L31208	PLUG	14	X X X	
15	L35039	SEALING TRIM	1	X X X	
16	28H1686	SPACER	2	X X X	1/4"X.625"
17	L36295	ROD	2	X X X	
18	24M7036	WASHER	2	X X X	17X9X1.6MM
19	14M7327	LOCK NUT	2	X X X	M8
20	T23247	GROMMET	1	X X X	
21	19M7640	CAP SCREW	4	X X X	M5X12
22	24M7027	WASHER	12	X X X	5.3X10X1MM
23	AL33232	PLATE	1	X X X	LH
	AL33231	PLATE	1	X X X	RH
24	L34414	STRAP	2	X X X	
25	19H2021	CAP SCREW	4	X X X	3/8"X5/8"
26	19M7162	CAP SCREW	2	X X X	8X16MM
27	14M7273	NUT	4	X X X	M8
28	L34866	STRAP	1	X X X	(A)
29	24M7298	WASHER	4	X X X	8.4X25X2MM
30	AL32896	ANGLE	1	X X X	(A)
31	19M7298	CAP SCREW	2	X X X	M8X35
32	21M7283	SCREW	8	X X X	M5X8
33	L35269	PLATE	2	X X X	
34	AL33234	ROD	1	X X X	LH (ORD AL33233)
	AL33233	ROD	1	X X X	RH
35	21M7282	SCREW	4	X X X	M5X8
36	L34411	STOP	4	X X X	
37	L35938	SPRING	4	X X X	
38	AL35317	SIDE WALL	1	X X X	RH
	AL35318	SIDE WALL	1	X X X	LH
39	L41904	PLUG	1	X X X	(SUB FOR L40850)

(A) WITH HYDROSTATIC STEERING
 AVEC DIRECTION HYDROSTAT.
 BEI HYDROSTATISCHER LENKUNG
 CON STERZO IDROSTATICO
 CON DIRECCION HIDROSTATICA
 VID HYDROSTATISK STYRNING

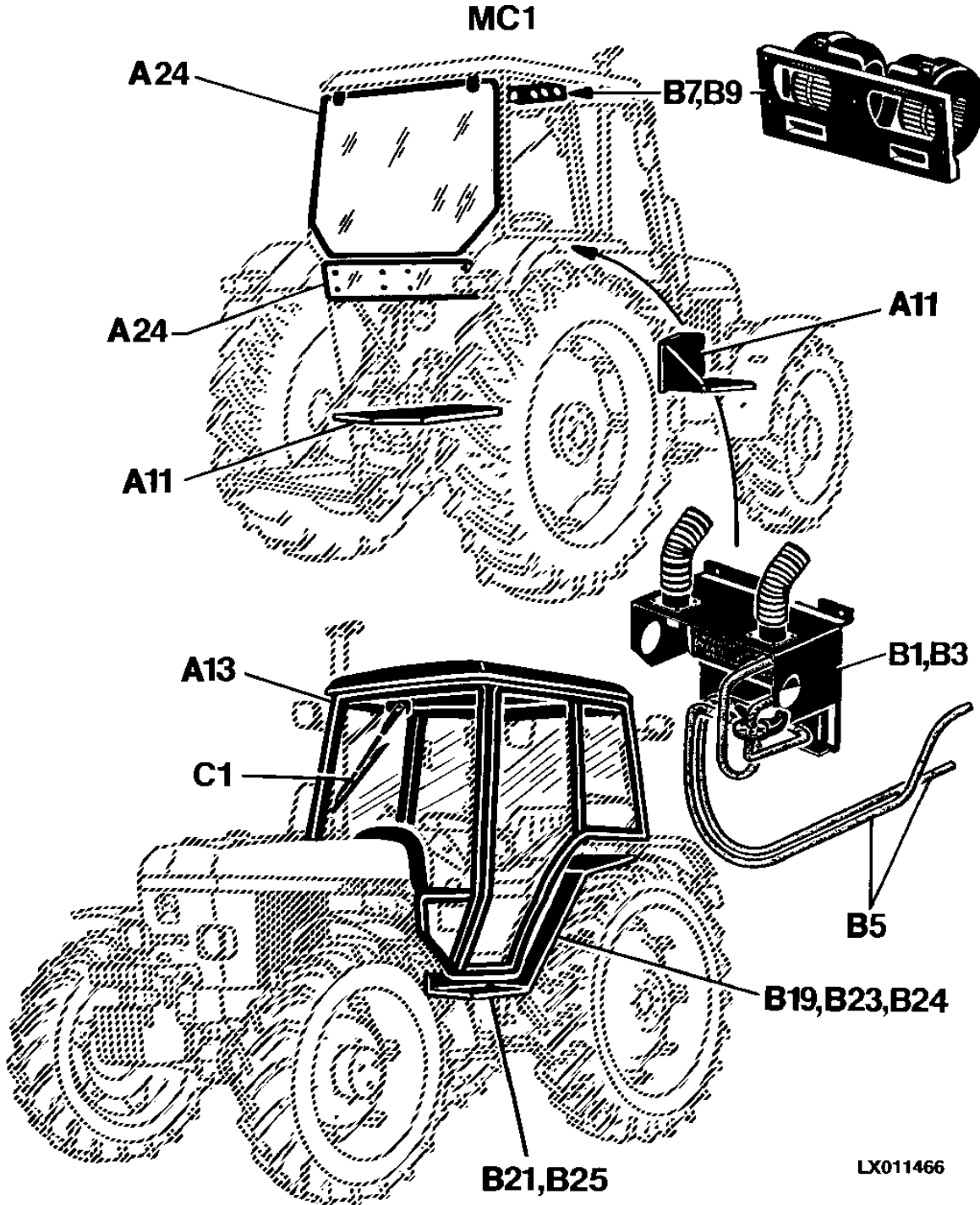
7A9

MC1 CAB

XX
XX
XX
XX
XX
XX
XX
XX
XX
XX

SECTIONAL INDEX
INDEX DE SECTION
GRUPPENINDEX
INDICE DELLA SEZIONE
INDICE DE GRUPOS
GRUPPSFORTECKNING

LX011466 -UN-14JUL95



LX011466

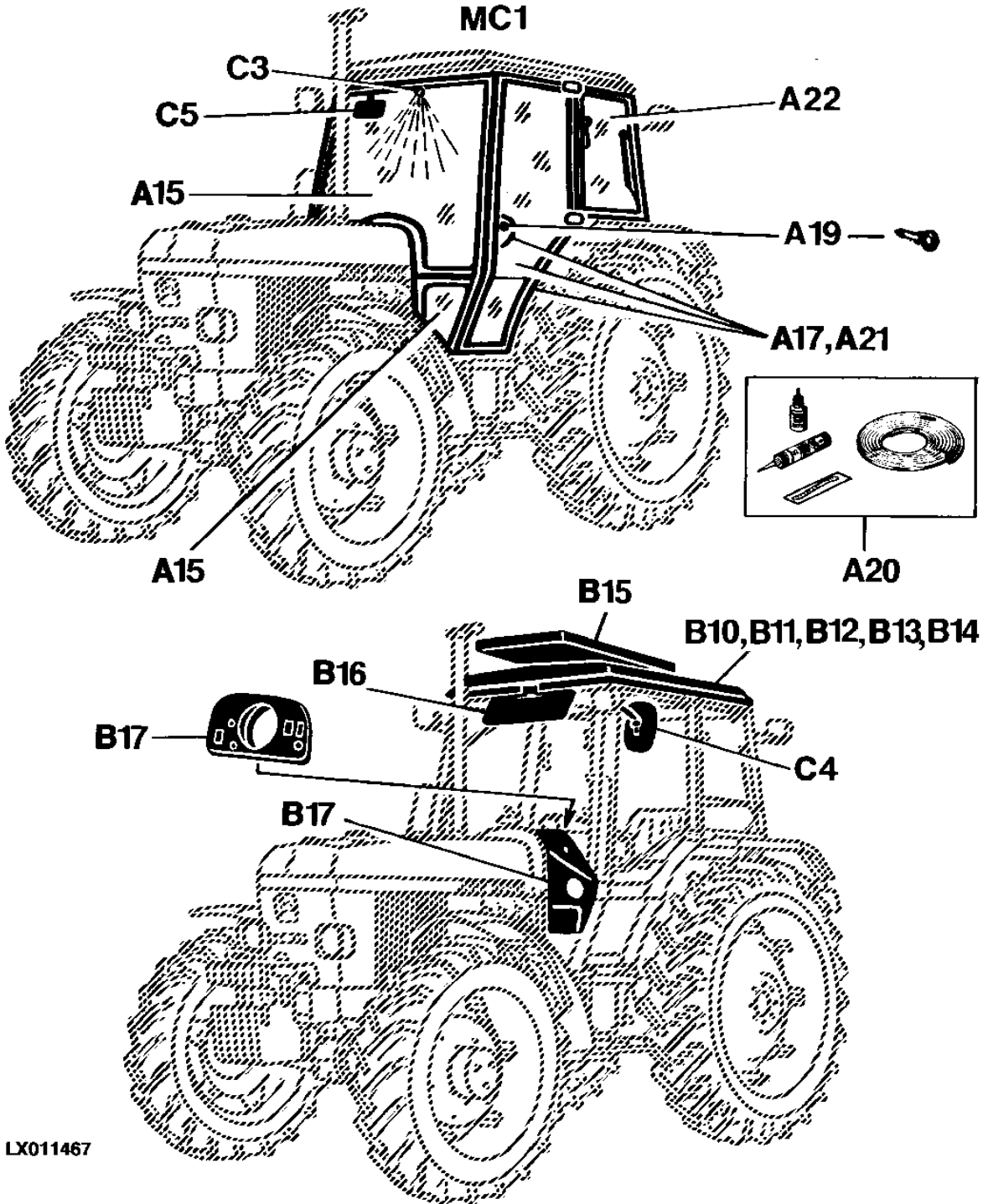
7A10

MC1 CAB

XX
XX
XX
XX
XX
XX
XX
XX
XX
XX
XX

SECTIONAL INDEX
INDEX DE SECTION
GRUPPENINDEX
INDICE DELLA SEZIONE
INDICE DE GRUPOS
GRUPPSFORTECKNING

LX011467 -UN-14JUL95

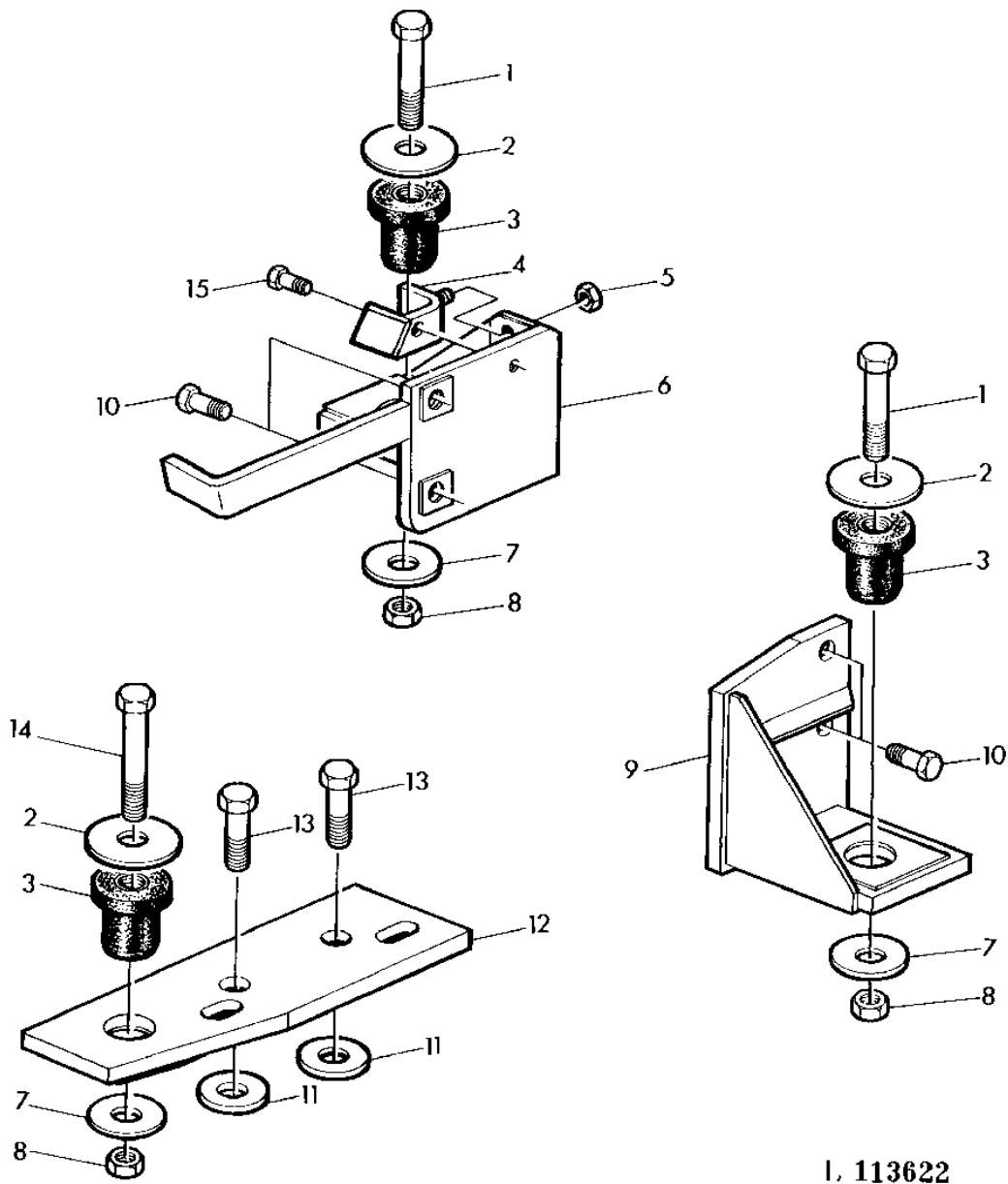


LX011467

7A11

MC1 CAB

SUPPORT BRACKET (WITH MC1 CAB)
PALIER (AVEC CABINE MC1)
ANBAULAGER (BEI MC1 KABINE)
SOPPORTO DI MONTAGGIO (CON CABINA MC1)
SOPORTE DE MONTAJE (CON CABINA MC1)
HYTTFASTE (VID MC1 HYTT)
L113622 -UN-12JUL95



1, 113622

7A12

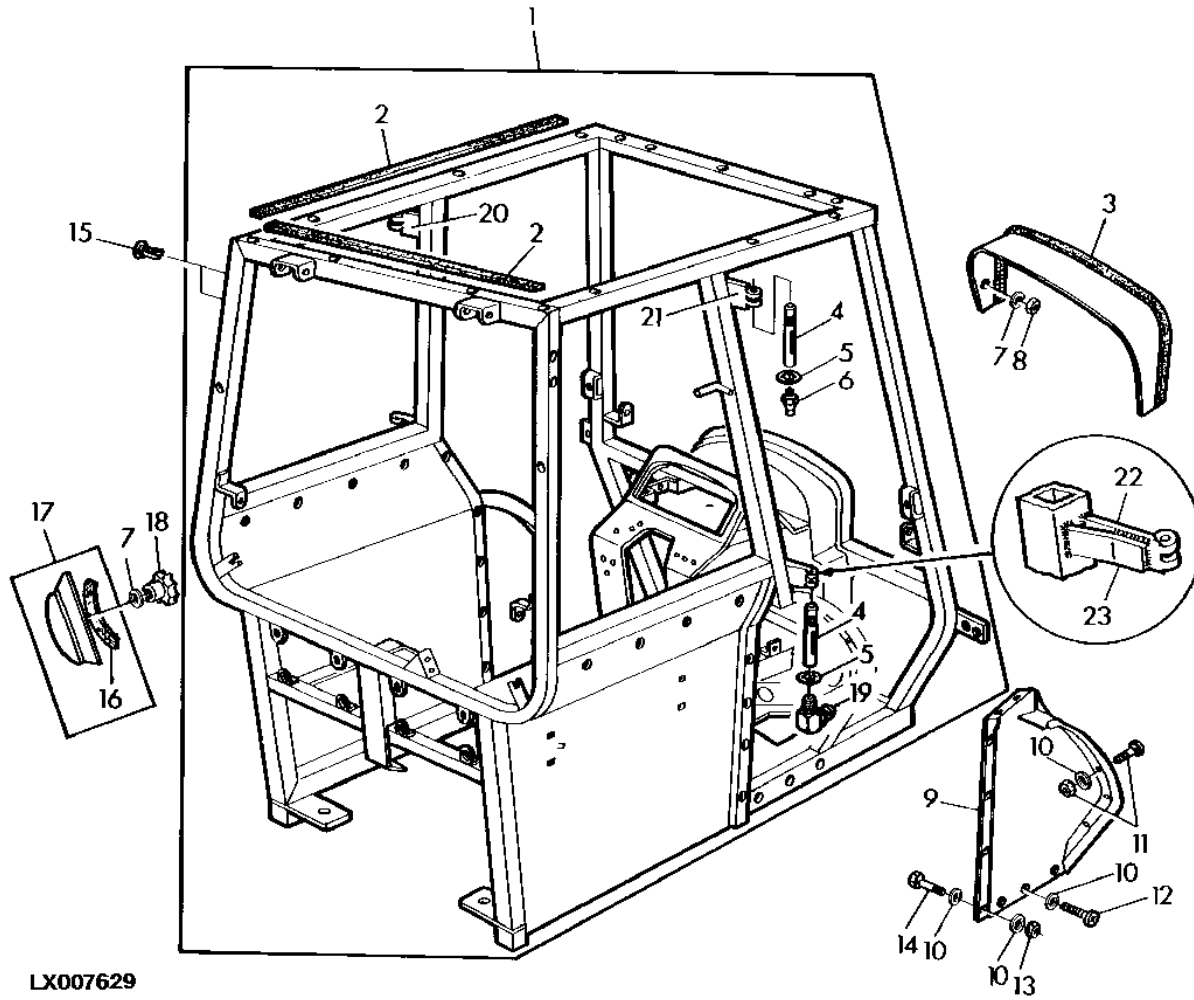
MC1 CAB

KEY	PART NO.	PART NAME	QTY	SERIAL NO.	REMARKS
					2
					1 2 0
					6 0 4
					4 4 0
					0 0 S
1	19M7481	CAP SCREW	2		M16X80
2	L57947	WASHER	4		
3	L57891	RUBBER MOUNT	4		
4	AL58506	STOP	1		
5	14M7273	NUT	1		M8
6	AL58508	BRACKET	1		
7	L57948	WASHER	4		
8	14M7276	NUT	4		M16
9	AL58515	BRACKET	1		
10	19H1756	CAP SCREW	4		5/8"X1-1/2"
11	L57219	WASHER	4		
12	AL58502	STRAP	1		RH
	AL58503	STRAP	1		LH
13	19H1768	CAP SCREW	4		3/4"X2"
14	19M7609	CAP SCREW	2		M16X90
15	19M7162	CAP SCREW	1		M8X16

7A13

MC1 CAB

FRAME (WITH MC1 CAB)
CADRE (AVEC CABINE MC1)
RAHMEN (BEI MC1 KABINE)
TELAIO (CON CABINA MC1)
BASTIDOR (CON CABINA MC1)
RAM (VID MC1 HYTT)
LX007629 -UN-11JUL95



LX007629

7A14

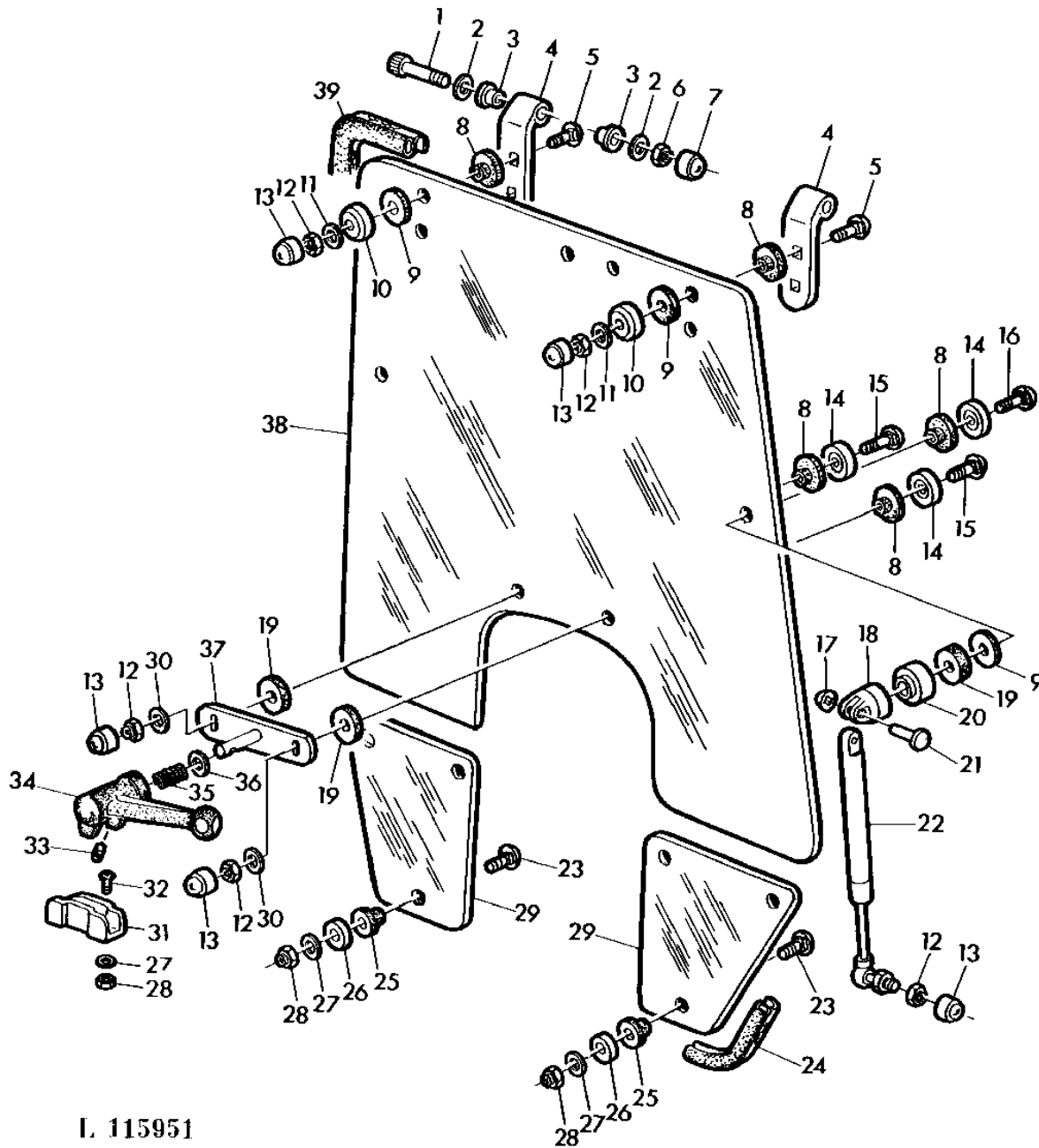
MC1 CAB

KEY	PART NO.	PART NAME	QTY	SERIAL NO.	REMARKS
					2
					1 2 0
					6 0 4
					4 4 0
					0 0 S
1	CG20970	CAB	1		X X X
2	FOAM PAD	3		X X X (MF L59747)
3	L58610	COVER	1		X X X
4	L57946	PIN	4		X X X
5	12M7114	LOCK WASHER	4		X X X
6	58M7013	LUBRICATION FITTING	2		X X X M6
7	24M7251	WASHER	6		X X X 6.4X12.5X1.6MM
8	14M7272	NUT	2		X X X M6
9	L57154	PANEL	1		X X X RH
	L57155	PANEL	1		X X X LH
10	24M7260	WASHER	AR		X X X 8.4X25X2MM
11	03M7317	BOLT	8		X X X M6X35
12	37M7109	SCREW	6		X X X 6.3X16MM
13	14M7273	NUT	10		X X X M8
14	19M7009	CAP SCREW	10		X X X M8X20
15	L39134	RIVET	AR		X X X
16	WEATHERSTRIP	1		X X X LGTH= 380MM (MF L59796)
17	AL60309	COVER	2		X X X
18	L57873	GRIP	2		X X X
19	58M7014	LUBRICATION FITTING	2		X X X
20	L57209	HINGE	1		X X X LH
21	L57207	HINGE	1		X X X RH
22	L57210	HINGE	1		X X X LH (ORD W/ L58463)
	L57208	HINGE	1		X X X RH (ORD W/ L57920)
23	L58463	REINFORCEMENT	1		X X X LH (ORD W/ L57210)
	L57920	REINFORCEMENT	1		X X X RH (ORD W/ L57208)
..	L59747	FOAM PAD	1		X X X LGTH= 3680MM
..	L59796	WEATHERSTRIP	1		X X X LGTH= 1000MM

7A15

MC1 CAB

FRONT WINDSHIELDS (WITH MC1 CAB)
VITRES AVANT (AVEC CABINE MC1)
FRONTSCHIEBEN (BEI MC1 KABINE)
PARABREZZE (CON CABINA MC1)
FRAMRE VINDRUTOR (VID MC1 HYTT)
L115951 -UN-12JUL95



L 115951

7A16

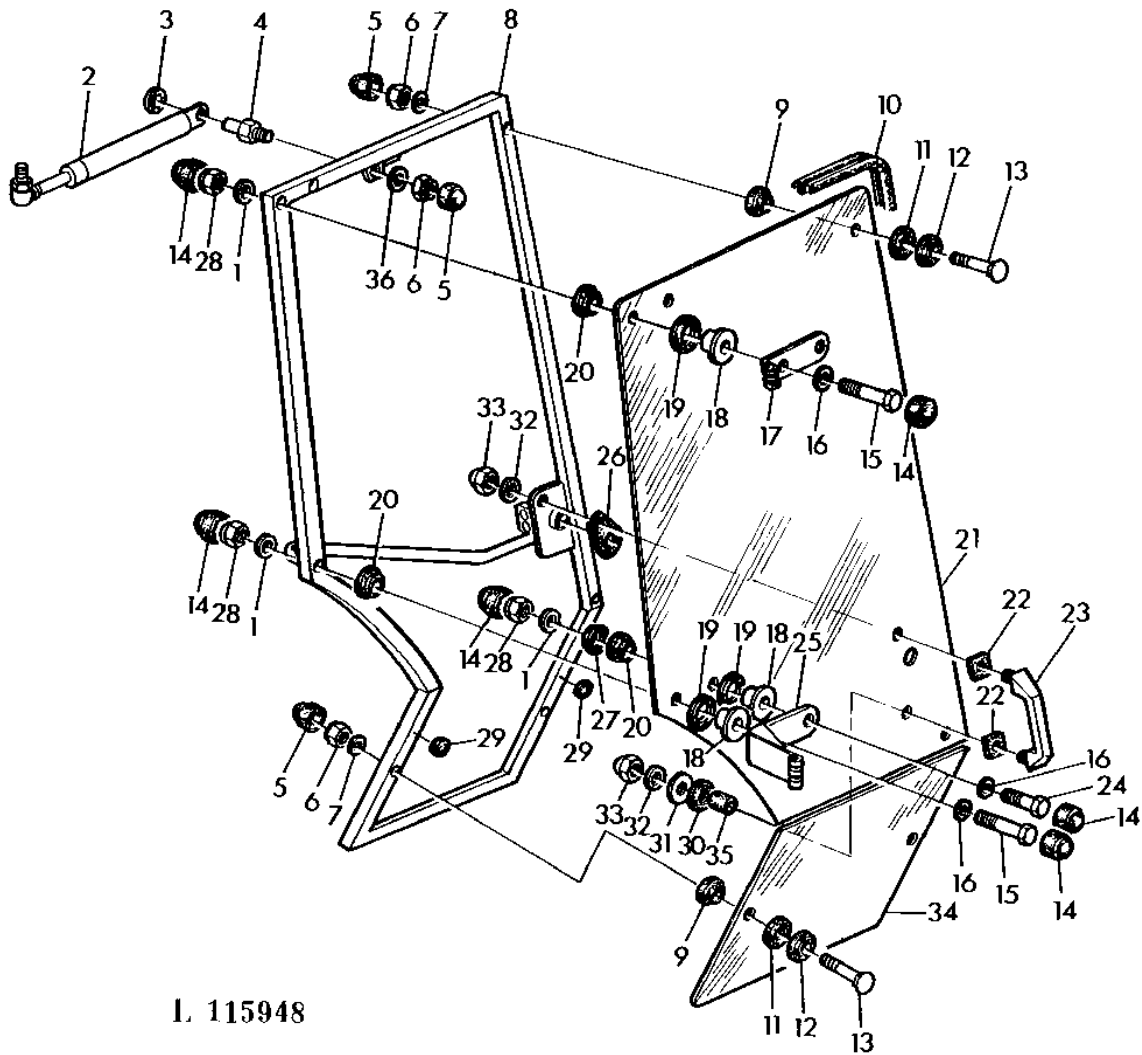
MC1 CAB

KEY	PART NO.	PART NAME	QTY	SERIAL NO.	REMARKS
					2
					1 2 0
					6 0 4
					4 4 0
					0 0 S
1	19M8354	SCREW	4	X X X	M10X80
2	24M7271	WASHER	4	X X X	10.5X21X2MM
3	L57822	WASHER	4	X X X	
4	AL58617	HINGE	2	X X X	
5	03M7319	BOLT	4	X X X	M8X35
6	14M7167	LOCK NUT	2	X X X	M10
7	L32903	CAP	2	X X X	
8	L57828	SEALING WASHER	8	X X X	
9	L57827	WASHER	6	X X X	
10	L57824	WASHER	4	X X X	
11	24M7260	WASHER	4	X X X	8.4X25X2MM
12	14M7327	LOCK NUT	8	X X X	M8
13	L32394	CAP	8	X X X	
14	L57823	WASHER	4	X X X	
15	03M7315	BOLT	2	X X X	M8X40
16	03M7316	BOLT	2	X X X	M8X55
17	L57829	CAP	2	X X X	
18	L57826	BRACKET	2	X X X	
19	L57825	WASHER	4	X X X	
20	L57942	SPACER	2	X X X	
21	45M7087	PIN	2	X X X	
22	AL61021	HYDROPNEUMATIC SPRING	2	X X X	
23	03M7317	BOLT	6	X X X	M6X35
24	WEATHERSTRIP	2	X X X	LGTH= 1220MM (MF L61117)
25	L57283	BOOT	6	X X X	
26	L57282	WASHER	6	X X X	
27	24M7251	WASHER	8	X X X	6.4X18X1.6MM
28	14M7272	NUT	8	X X X	M6
29	L57280	WINDOWPANE	2	X X X	
30	24M7055	WASHER	2	X X X	8.4X17X1.6MM
31	L57255	CATCH	1	X X X	
32	21M7289	SCREW	2	X X X	M6X40
33	22M7136	SET SCREW	1	X X X	
34	L57252	HANDLE	1	X X X	
35	L57945	SPACER	1	X X X	
36	24M7085	WASHER	1	X X X	
37	AL58522	FULCRUM	1	X X X	
38	L57290	WINDOWPANE	1	X X X	
39	GASKET	1	X X X	LGTH= 5965MM (MF L58915)
..	L61117	WEATHERSTRIP	1	X X X	LGTH= 2500MM
..	L58915	GASKET	1	X X X	LGTH= 12000MM

7A17

MC1 CAB

DOOR FRAME AND DOOR WINDOWS (WITH MC1 CAB)
CADRE DE PORTE ET VITRAGE (SUR CABINE MC1)
TUERRAHMEN UND TUERVERGLASUNG (BEI MC1 KABINE)
TELAIO SPORTELLO E VETRI CABINA (CON CABINA MC1)
MARCO DE LA PUERTA Y VIDRIOS DE LA PUERTA (EN CAB. MC1)
HYTTDÖRR OCH RYTOR (VID MC1 HYTT)
L115948 -UN-12JUL95



L 115948

7A18

MC1 CAB

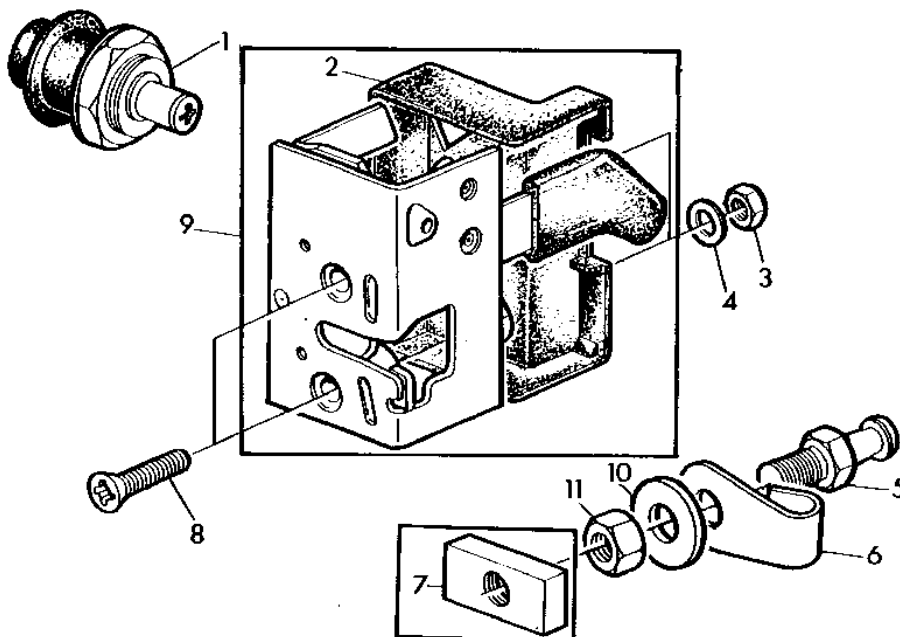
KEY	PART NO.	PART NAME	QTY	SERIAL NO.	REMARKS
					2
					1 2 0
					6 0 4
					4 4 0
					0 0 S
1	24M7271	WASHER	1	X X X	10.5MM
2	AL60324	DASHPOT	1	X X X	(SUB FOR AL58521, AL63124)
3	L57829	CAP	1	X X X	
4	L58417	SCREW	1	X X X	
5	L32394	CAP	5	X X X	
6	14M7327	LOCK NUT	5	X X X	M8
7	24M7055	WASHER	4	X X X	8.4MM
8	CG20963	DOOR	1	X X X	RH
	CG20964	DOOR	1	X X X	LH
9	L57828	SEALING WASHER	4	X X X	
10	GASKET	1	X X X	LGTH= 4270MM (MF L58915)
11	L57827	WASHER	4	X X X	
12	L57823	WASHER	4	X X X	
13	03M7316	BOLT	4	X X X	M8X55
14	L32903	CAP	8	X X X	
15	19M7327	CAP SCREW	3	X X X	M10X65
16	24M7299	WASHER	4	X X X	10.5MM
17	AL58609	HINGE	1	X X X	RH
	AL58610	HINGE	1	X X X	LH
18	L57818	SPACER	4	X X X	
19	L57819	WASHER	4	X X X	
20	L57817	BUSHING	4	X X X	
21	L57908	WINDOWPANE	1	X X X	
22	L57940	STRAP	2	X X X	
23	AL38567	HANDLE	1	X X X	
24	19M7170	CAP SCREW	1	X X X	M10X50
25	AL58611	HINGE	1	X X X	
	AL58612	HINGE	1	X X X	
26	L57939	GASKET	1	X X X	
27	L57824	WASHER	1	X X X	
28	14M7167	LOCK NUT	4	X X X	M10
29	L58442	DISK	2	X X X	
30	L55163	WASHER	1	X X X	
31	L37975	LOCK WASHER	1	X X X	
32	24M7251	WASHER	2	X X X	
33	14M7376	LOCK NUT	2	X X X	M6
34	L57909	WINDOWPANE	1	X X X	
35	L58457	BUSHING	1	X X X	
36	24M7180	WASHER	2	X X X	13MM
..	L58915	GASKET	1	X X X	LGTH= 12000MM

7A19

MC1 CAB

DOOR LOCK (WITH MC1 CAB)
 SERRURE (SUR CABINE MC1)
 TUESCHLOSS (BEI MC1 KABINE)
 SERRATURA SPORTELLLO (CON CABINA MC1)
 CERRADURA DE PUERTA (EN CAB. MC1)
 DORRLAS (VID MC1 HYTT)

L121096 -UN-26MAY95



L121096

2
1 2 0
6 0 4
4 4 0
0 0 S

KEY	PART NO.	PART NAME	QTY	SERIAL NO.	REMARKS
1	AL58551	PUSH BUTTON	1	X X X	RH
	AL58550	PUSH BUTTON	1	X X X	LH
2	L58924	CASE	1	X X X	RH
	L58925	PANEL	1	X X X	LH
3	14M7358	NUT	2	X X X	M8
4	24M7055	WASHER	2	X X X	8.4X17X1.6MM
5	L62039	STRIKER	2	X X X	(SUB FOR L57814)
6	L57815	BAIL	2	X X X	
7	L57820	PLATE	2	X X X	(ORD Z41915, 24M7180)
8	21M7381	SCREW	2	X X X	M8X35
9	AL58548	LOCK	1	X X X	RH
	AL58549	LOCK	1	X X X	LH
10	24M7180	WASHER	1	X X X	13X40X3MM
11	Z41915	NUT	1	X X X	

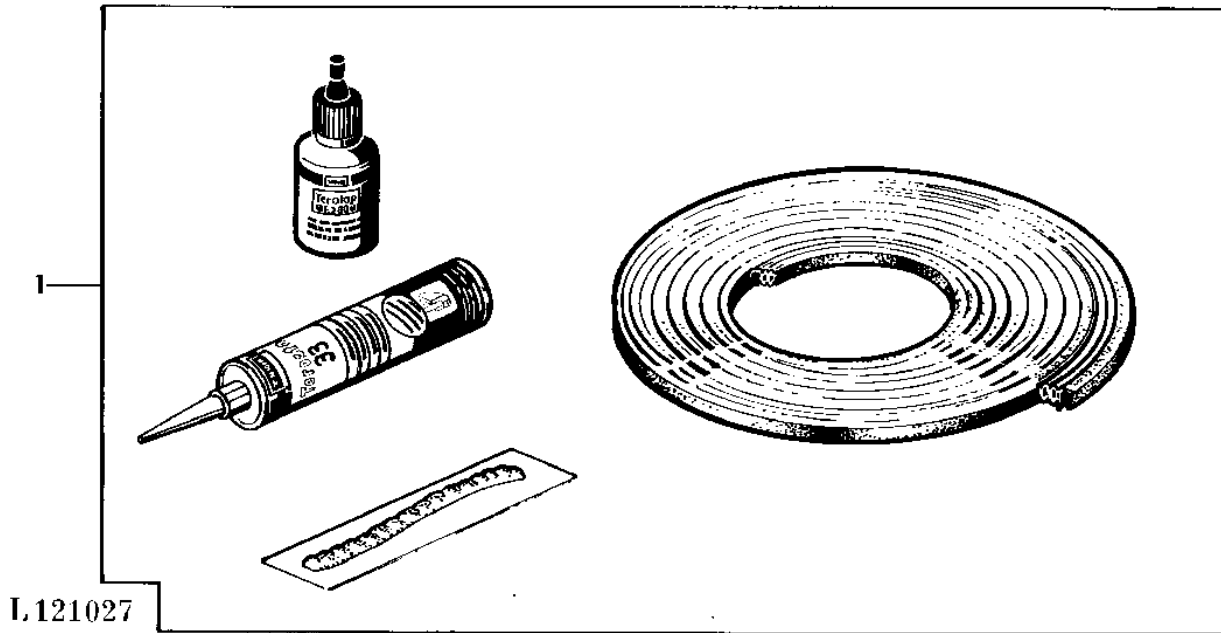
MEMORANDA
MEMORANDA
MEMORANDA
MEMORANDA
MEMORANDA

7A20

MC1 CAB

REPAIR KIT FOR DOOR AND WINDOW SEALS (ON MC1 CAB)
 JEU DE REPARATION POUR JOINTS PORTIERES/VITRES (CABINE MC1)
 REPARATURSATZ FUER TUER- U. FENSTERDICHTUNGEN (BEI MC1 KABINE)
 KIT RIPARAZIONE PER GUARNIZIONI PORTE E FINESTRE (CABINA MC1)
 CONJUNTO DE REPARACION PARA JUNTAS DE PUERTA/VENTANA (CABINA MC1)
 REPARATIONSSATS FOR DORR-OCH FONSTERTATNINGAR (MC1 FORARHYTT)

L121027 -UN-26MAY95



2
1 2 0
6 0 4
4 4 0
0 0 S

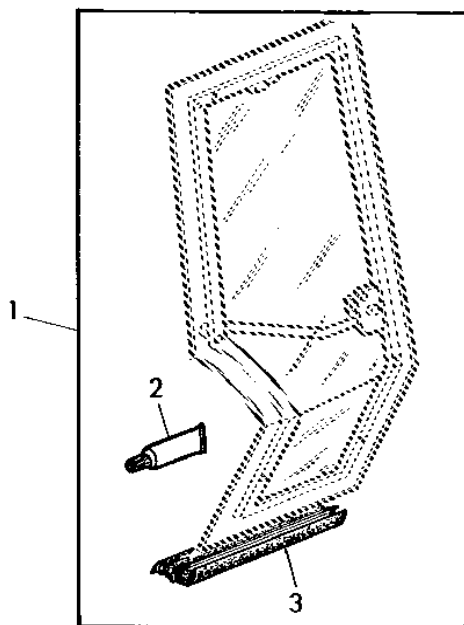
KEY	PART NO.	PART NAME	QTY	SERIAL NO.	REMARKS
1	AL67740	SHIPPING BUNDLE	1	X X X	

7A21

MC1 CAB

PARTS KIT-LOWER DOOR SEAL (FOR MC1 CAB)
 JEU DE PIÈCES-JOINT INFÉRIEUR DE PORTE (CABINE MC1)
 TEILESATZ TUERDICHTUNG UNTEN (BEI MC1 KABINE)
 KIT GUARNIZIONE INFER. PER PORTA (CON CABINA MC1)
 CONJUNTO DE PIEZAS PARA JUNTA DE PUERTA (CAB. MC1)
 SATS FOR NEDRE DÖRRTÄTNING (VID MC1 FORÄRHYT)

L119614 -UN-12JUL95



L 119614

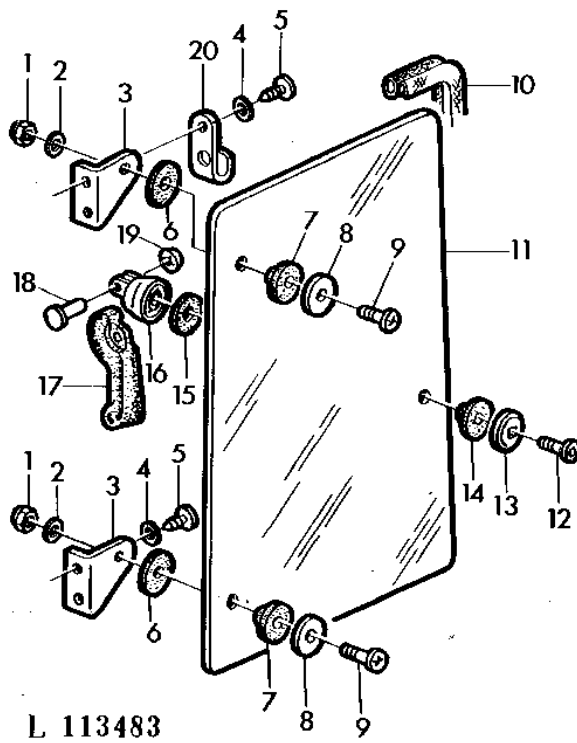
2
1 2 0
6 0 4
4 4 0
0 0 S

KEY	PART NO.	PART NAME	QTY	SERIAL NO.	REMARKS
1	AL63661	SHIPPING BUNDLE	1	X X X	
2	L60780	SEAL	1	X X X	
3	L60779	WEATHERSTRIP	1	X X X	

7A22

MC1 CAB

SIDE WINDOWS (WITH MC1 CAB)
VITRES LATERALES (SUR CABINE MC1)
SEITENSCHIEBEN (BEI MC1 KABINE)
FINESTRINI LATERALI (CON CABINA MC1)
VIDRIOS LATERALES (EN CAB. MC1)
SIDORUTOR (VID MC1 HYTT)
L113483 -UN-11JUL95



7A23

MC1 CAB

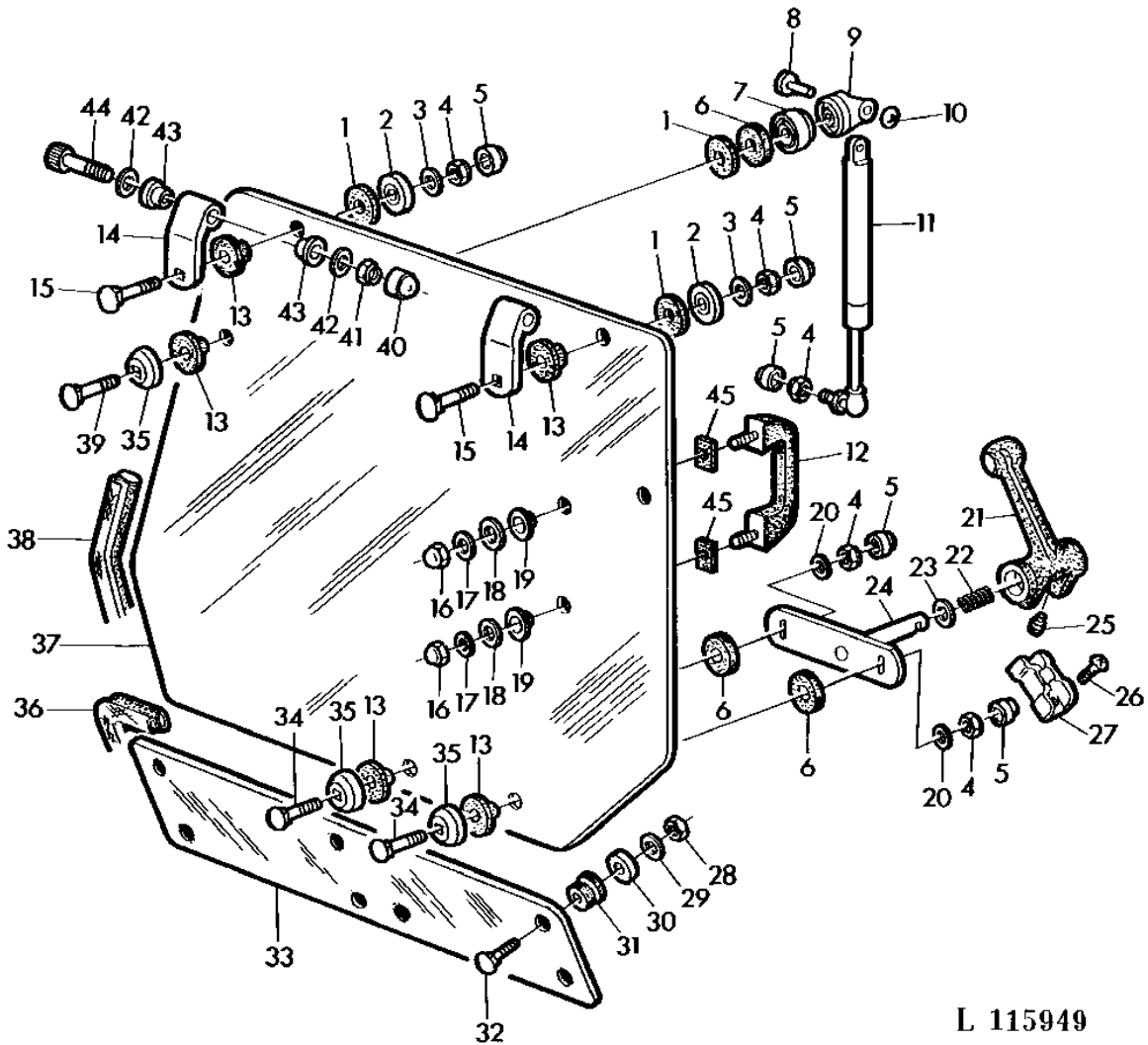
KEY	PART NO.	PART NAME	QTY	SERIAL NO.	REMARKS
					2
					1 2 0
					6 0 4
					4 4 0
					0 0 S
1	14M7376	LOCK NUT	2		X X X M6
2	24M7251	WASHER	2		X X X 6.4X18X1.6MM
3	L56694	HINGE	2		X X X RH
	L56695	HINGE	2		X X X LH
4	24M7251	WASHER	8		X X X 6.4X12.5X1.6MM
5	37M7109	SCREW	8		X X X 6.3X16MM
6	L55162	WASHER	2		X X X
7	L55163	WASHER	2		X X X (SUB FOR L58456)
8	L37975	LOCK WASHER	2		X X X
9	21M7296	SCREW	2		X X X M6X20
10	GASKET	2		X X X LGTH= 2650MM (MF L58915)
	GASKET	2		X X X (A) LGTH= 2470MM (MF L58915)
11	L57912	WINDOW	2		X X X
	L57913	WINDOW	2		X X X (A)
12	19M8386	SCREW	1		X X X M8X25
13	L57823	WASHER	1		X X X
14	L57828	SEALING WASHER	1		X X X
15	L57827	WASHER	1		X X X
16	L57826	BRACKET	1		X X X
17	L57866	LATCH	1		X X X RH
	L57865	LATCH	1		X X X LH
18	45M7087	PIN	1		X X X
19	L57829	CAP	1		X X X
20	L40664	HANGER	1		X X X
..	L58915	GASKET	1		X X X LGTH= 12000MM

(A) WITH SNOW CHAIN FENDERS
 AVEC AILES POUR CHAINES DE NEIGE
 BEI SCHNEEKETTEN-KOTFLUEGEL
 CON PARAFANGHI DA CATENE PER NEVE
 CON GUARDABARROS PARA CADENAS NIEVE
 VID SKARMAR FOR SNOKEDJOR

7A24

MC1 CAB

REAR WINDOWS (WITH MC1 CAB)
VITRES ARRIERE (SUR CABINE MC1)
HECKSCHEIBEN (BEI MC1 KABINE)
FINESTRINI POSTERIORI (CON CABINA MC1)
VIDRIOS TRASEROS (EN CAB. MC1)
BAKRUTOR (VID MC1 HYTT)
L115949 -UN-12JUL95



L 115949

7A25

MC1 CAB

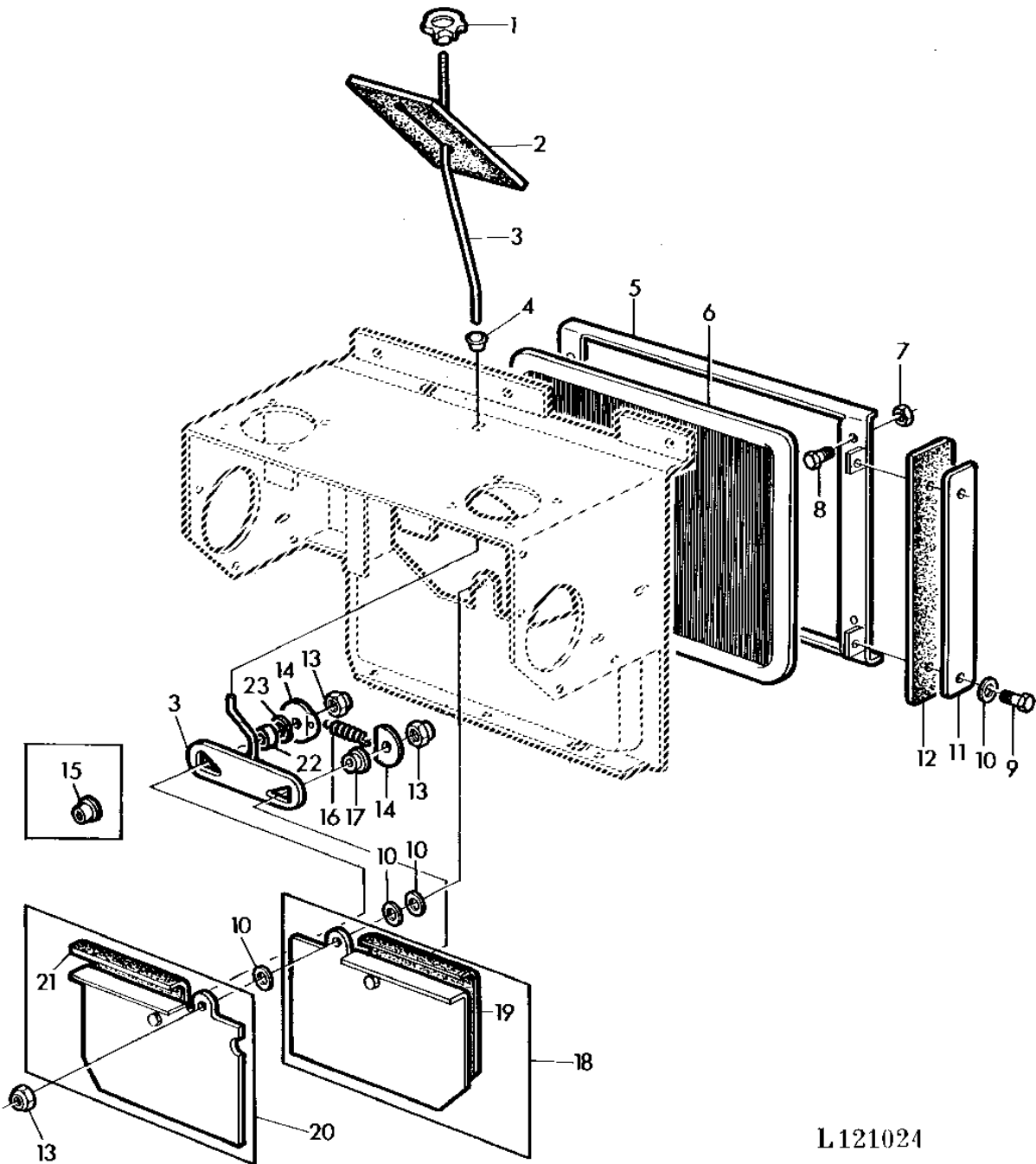
KEY	PART NO.	PART NAME	QTY	SERIAL NO.	REMARKS
				2	
				1 2 0	
				6 0 4	
				4 4 0	
				0 0 S	
1	L57827	WASHER	4	X X X	
2	L57824	WASHER	2	X X X	
3	24M7260	WASHER	4	X X X	8.4X25X2MM
4	14M7327	LOCK NUT	6	X X X	M8
5	L32394	CAP	6	X X X	
6	L57825	WASHER	4	X X X	
7	L57942	SPACER	2	X X X	
8	45M7087	PIN	2	X X X	
9	L57826	BRACKET	2	X X X	
10	L57829	CAP	2	X X X	
11	AL58521	HYDROPNEUMATIC SPRING	2	X X X	
12	AL38567	HANDLE	1	X X X	
13	L57828	SEALING WASHER	6	X X X	
14	L57821	HINGE	2	X X X	
15	03M7314	BOLT	2	X X X	M8X30
16	14M7376	LOCK NUT	2	X X X	M6
17	24M7251	WASHER	2	X X X	6.4X18X1.6MM
18	L37975	LOCK WASHER	2	X X X	
19	L55163	WASHER	2	X X X	(SUB FOR L58456)
20	24M7055	WASHER	2	X X X	8.4X17X1.6MM
21	L57252	HANDLE	1	X X X	
22	L57945	SPACER	1	X X X	
23	24M7085	WASHER	1	X X X	
24	AL58616	FULCRUM	1	X X X	
25	22M7136	SET SCREW	1	X X X	
26	21M7377	SCREW	2	X X X	M6X20
27	L57255	CATCH	1	X X X	
28	14M7272	NUT	8	X X X	M6
29	24M7251	WASHER	8	X X X	6.4X18X1.6MM
30	L57282	WASHER	8	X X X	
31	L57283	BOOT	8	X X X	
32	03M7317	BOLT	8	X X X	M6X35
33	L57285	WINDOWPANE	1	X X X	
34	03M7315	BOLT	2	X X X	M8X40
35	L57823	WASHER	4	X X X	
36	WEATHERSTRIP	1	X X X	LGTH= 2270MM (MF L61117)
37	L57284	WINDOWPANE	1	X X X	
38	GASKET	1	X X X	LGTH= 3650MM (MF L58915)
39	03M7316	BOLT	2	X X X	M8X55
40	L32903	CAP	2	X X X	
41	14M7167	LOCK NUT	2	X X X	M10
42	24M7271	WASHER	4	X X X	10.5X21X2MM
43	L57822	WASHER	4	X X X	
44	19M8354	SCREW	2	X X X	M10X80
45	L57940	STRAP	2	X X X	
..	L61117	WEATHERSTRIP	1	X X X	LGTH= 2500MM
..	L58915	GASKET	1	X X X	LGTH= 12000MM

7B1

MC1 CAB

HEATER FLAPS / FILTER (WITH MC1 CAB)
VOLETS DE CHAUFFAGE / FILTRE (SUR CAB. MC1)
HEIZUNGSKLAPPEN/FILTER (BEI MC1 KABINE)
ALETTE RISCALDAMENTO/FILTRO (CON CABINA MC1)
DEFLECTORES DE LA CALEFACCION/FILTRO (EN CAB. MC1)
LUCKOR/FILTER (VID MC1 HYTT)

L121024 -UN-12JUL95



L121024

7B2

MC1 CAB

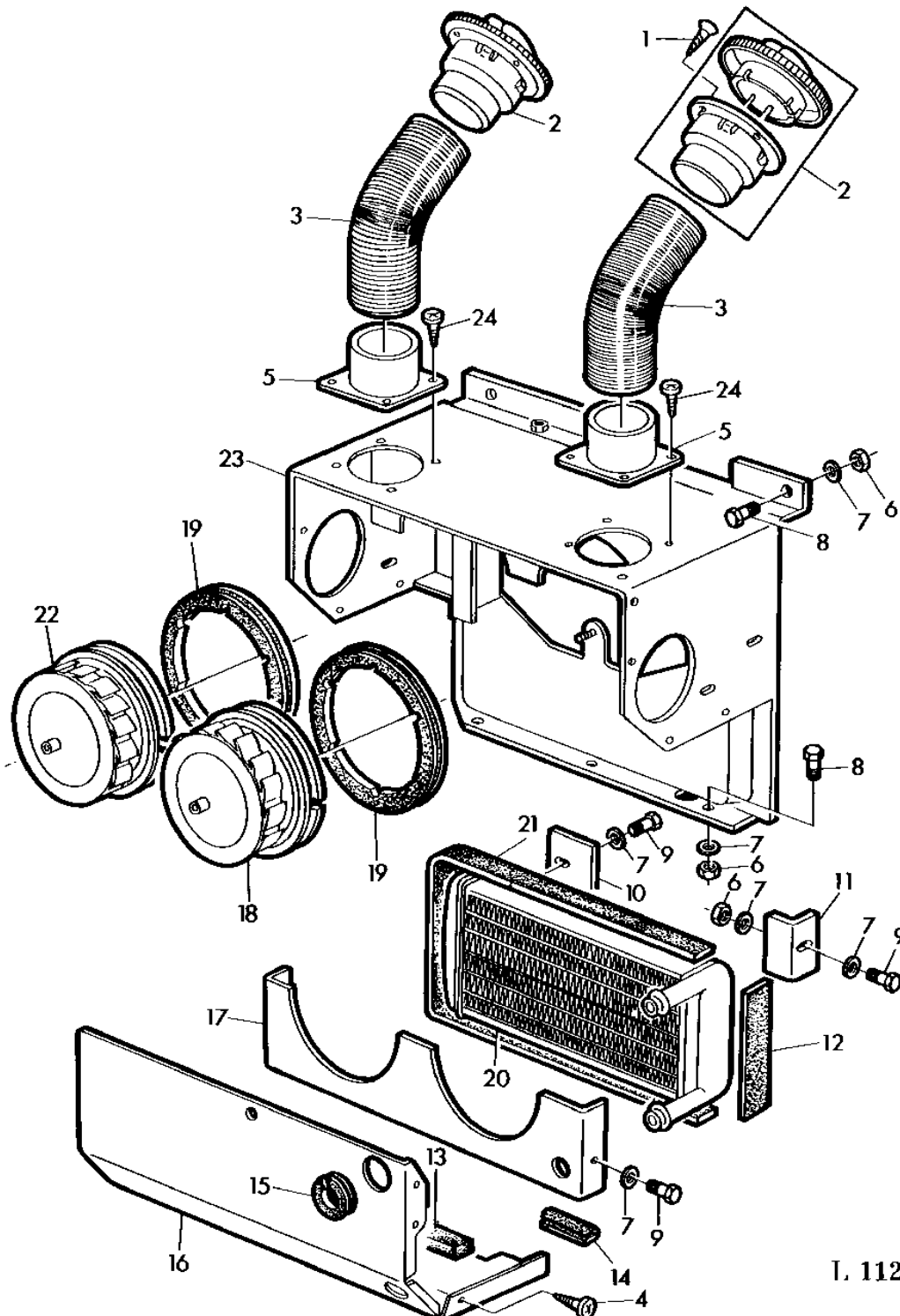
KEY	PART NO.	PART NAME	QTY	SERIAL NO.	REMARKS
					2
					1 2 0
					6 0 4
					4 4 0
					0 0 S
1	L60313	KNOB	1	X X X	(SUB FOR L57873 APPL)
2	L57921	GASKET	1	X X X	
3	AL58557	ROD	1	X X X	
4	L57890	GROMMET	1	X X X	
5	AL58556	FRAME	1	X X X	
6	L57264	AIR FILTER	1	X X X	
7	14M7272	NUT	4	X X X	M6
8	19M7286	CAP SCREW	4	X X X	M6X25
9	19M6614	CAP SCREW	4	X X X	M6X12
10	24M7054	WASHER	7	X X X	6.4X12.5X1.6MM
11	L58617	COVER	2	X X X	
12	L58618	GASKET	2	X X X	
13	14M7350	LOCK NUT	3	X X X	M6
14	L57925	WASHER	2	X X X	
15	L57923	WASHER	1	X X X	(ORD L59462, L59635)
16	L57880	EXTENSION SPRING	1	X X X	
17	L57924	BUSHING	1	X X X	
18	AL59650	FLAP	1	X X X	
19	L57922	BARRIER	1	X X X	
20	AL59649	FLAP	1	X X X	
21	L57883	PLATE	1	X X X	
22	L59635	BUSHING	1	X X X	
23	L59462	WASHER	1	X X X	

7B3

MC1 CAB

HEATER HOUSING / FAN / HEATER (WITH MC1 CAB)
BOTTIER DE CHAUFFAGE/SOUFFLANTE / RADIATEUR (SUR CAB. MC1)
HEIZUNGSGEHAUSE/GEBLAESE/WAERMETAUSCHER (BEI MC1 KABINE)
SCATOLA RISCALDAMENTO/VENTIL./RADIATORE (CON CABINA MC1)
CAJA DE LA CALEFACCION/VENTILADOR/RADIADOR (EN CAB. MC1)
VARMEHUS/FLAKT/VARMEELEMENT (VID MC1 HYTT)

L112900 -UN-11JUL95



I. 112900

7B4

MC1 CAB

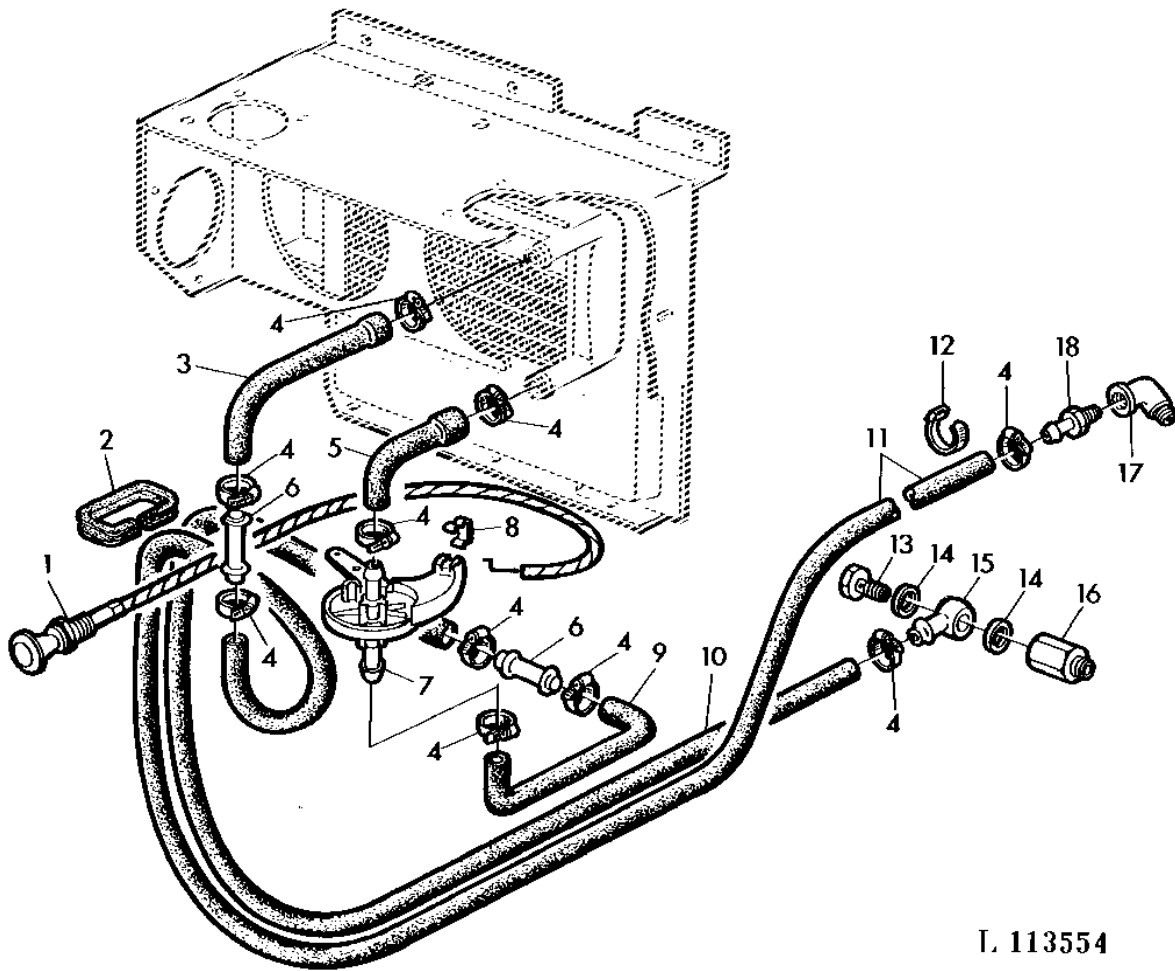
KEY	PART NO.	PART NAME	QTY	SERIAL NO.	REMARKS
					2
					1 2 0
					6 0 4
					4 4 0
					0 0 S
1	37M7163	SCREW	8		X X X 3.9X9.5MM
2	L57261	AIR DUCT	2		X X X
3	L57263	HOSE	2		X X X
4	37M7067	SCREW	2		X X X 4.2X9.5MM
5	L57262	HOSE	2		X X X
6	14M7272	NUT	7		X X X M6
7	24M7139	WASHER	11		X X X 6.4X18X1.6MM
8	19M7560	CAP SCREW	6		X X X M6X16
9	19M6614	CAP SCREW	4		X X X M6X12
10	L57840	STRAP	1		X X X
11	L57847	ANGLE	1		X X X
12	GASKET	1	-XXXXXX	X X X LGTH= 180MM (MF L61769)
13	GASKET	1	-XXXXXX	X X X LGTH= 400MM (MF L61769)
14	WEATHERSTRIP	2		X X X LGTH= 70MM (MF L58450)
15	R50456	GROMMET	2		X X X
16	L57300	COVER	1		X X X
17	AL59648	FOAM PAD	1		X X X
18	AL58527	BLOWER	1		X X X RH
19	L31837	PACKING	2		X X X
20	L57259	HEATER	1		X X X
21	GASKET	2	-XXXXXX	X X X LGTH= 800MM (MF L58443) (ORD L61769)
22	AL58526	BLOWER	1		X X X LH
23	AL59652	HOUSING	1		X X X
24	37M7111	SCREW	14		X X X 4.8X13MM
..	L58443	GASKET	1		X X X LGTH= 1000MM
..	L61769	GASKET	1		X X X LGTH= 1000MM (SUB FOR L58444)
..	L58450	WEATHERSTRIP	1		X X X LGTH= 1000MM

7B5

MC1 CAB

HEATER VALVE/HOSES (WITH MC1 CAB)
VANNE DE CHAUFFAGE/FLEXIBLE (SUR CABINE MC1)
HEIZUNGSVENTIL/HEIZUNGSSCHLAEUICHE (BEI MC1 KABINE)
REGOLATORE TERMOCONVETTORE/TUBI FLESS. ACQUA (CON CAB. MC1)
VALVULA DE LA CALEFACCION/MANGUERAS DE LA CALEF. (EN CAB. MC1)
VARMEREGULATOR/VATTENSLANGAR (VID MC1 HYTT)

L113554 -UN-11JUL95



L 113554

7B6

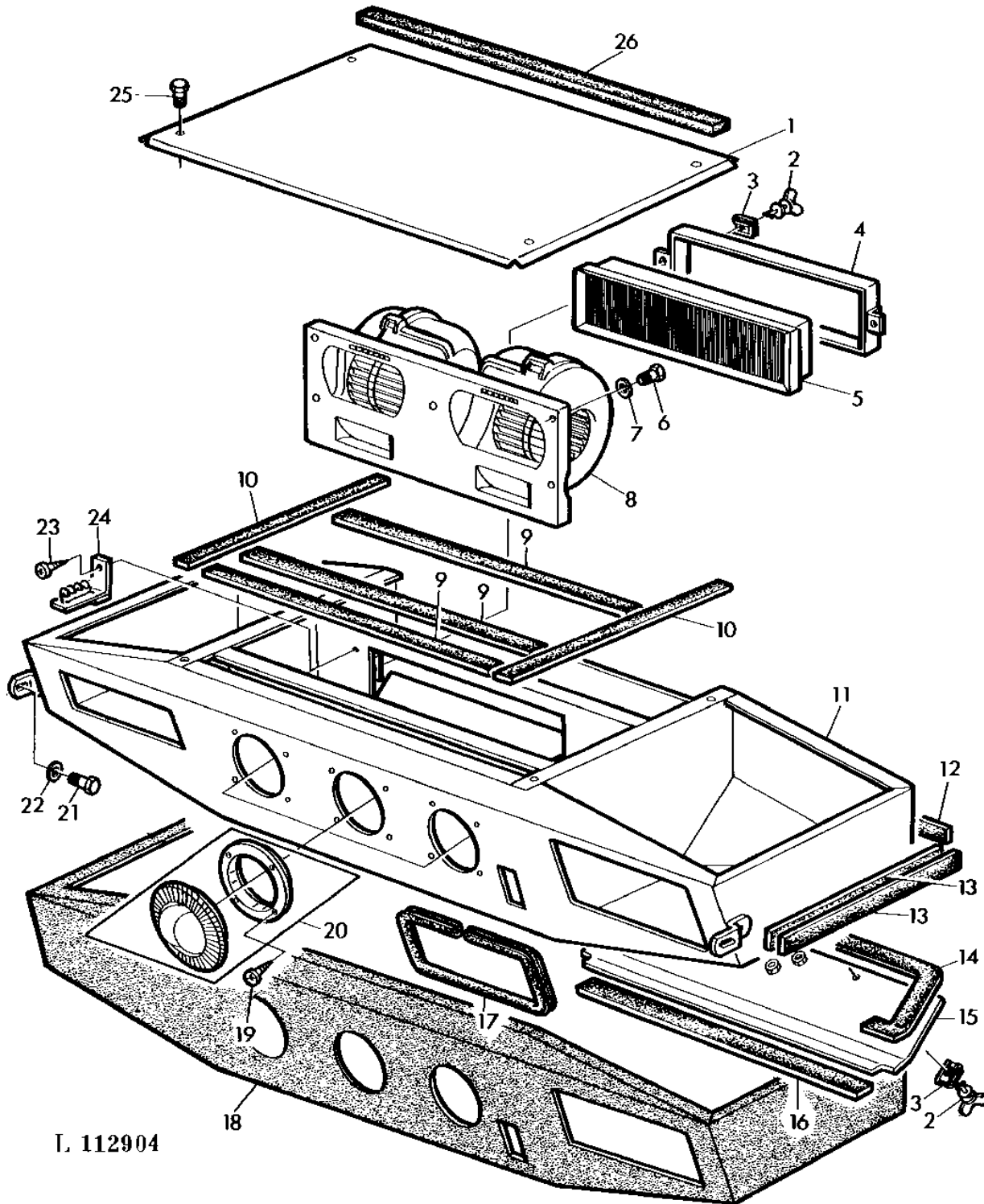
MC1 CAB

KEY	PART NO.	PART NAME	QTY	SERIAL NO.	REMARKS
					2
					1 2 0
					6 0 4
					4 4 0
					0 0 S
1	AL58528	PUSH PULL CABLE	1		X X X
2	MOLDING	1		X X X LGTH= 210MM (MF L58448)
3	L57882	HOSE	1		X X X
4	AL64588	CLAMP	10		X X X (SUB FOR AL55852, AR21837)
5	L57257	HOSE	1		X X X
6	L62676	TUBE	2		X X X (SUB FOR L57889)
7	L57260	VALVE	1		X X X
8	L57881	SPRING	1		X X X
9	L32822	HOSE	1		X X X
10	HOSE	1		X X X LGTH= 780MM (MF L57888)
11	HOSE	1		X X X LGTH= 1420MM (MF L57888)
12	R44302	TIE BAND	2		X X X
13	L63537	FITTING	1		X X X (SUB FOR T32204)
14	51M4238	RING	2		X X X
15	AL39082	HOSE FITTING	1		X X X
16	L40878	ADAPTER	1		X X X
17	T37041	ELBOW FITTING	1		X X X
18	R41985	FITTING	1		X X X
..	L58448	WEATHERSTRIP	1		X X X LGTH= 1000MM
..	L57888	HOSE	1		X X X LGTH= 2200MM

7B7

MC1 CAB

FRESH AIR FAN (WITH MC1 CAB)
 SOUFFLANTE D'AIR FRAIS (SUR CABINE MC1)
 FRISCHLUFTGEBLAESE (BEI MC1 KABINE)
 VENTILATORE ARIA FRESCA (CON CABINA MC1)
 VENTILADOR DE AIRE FRESCO (EN CAB. MC1)
 FRISKLUFFLAKT (VID MC1 HYTT)
 L112904 -UN-11JUL95



L 112904

7B8

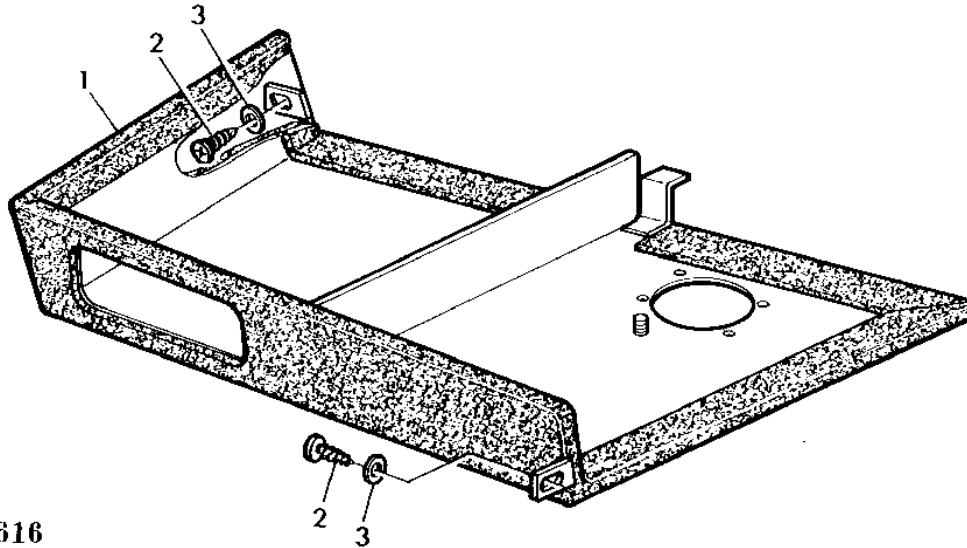
MC1 CAB

KEY	PART NO.	PART NAME	QTY	SERIAL NO.	REMARKS
					2
					1 2 0
					6 0 4
					4 4 0
					0 0 S
1	L57802	COVER	1		X X X
2	AL58639	BUCKLE	4		X X X
3	L57242	SWIVEL	4		X X X
4	AL58565	FRAME	1		X X X
5	L58629	AIR FILTER	1		X X X
6	21M7387	SCREW	5		X X X M4X10
7	24M7117	WASHER	5		X X X 4.3X9X0.8MM
8	AL58519	BLOWER	1		X X X
9	WEATHERSTRIP	3		X X X LGTH= 560MM (MF L59796)
10	WEATHERSTRIP	2		X X X LGTH= 350MM (MF L59796)
11	CG20977	HOUSING	1		X X X
12	WEATHERSTRIP	1		X X X LGTH= 1030MM (MF L57270)
13	WEATHERSTRIP	4		X X X LGTH= 60MM (MF L57270)
14	WEATHERSTRIP	1		X X X (MF L57270)
15	AL58620	COVER	1		X X X
16	WEATHERSTRIP	1		X X X (MF L57270)
17	WEATHERSTRIP	1		X X X (MF L58450)
18	AL60305	PAD	1		X X X
19	37M7164	SCREW	12		X X X 4.2X13MM
20	L57247	LOUVER	3		X X X
21	37M7090	SCREW	2		X X X M6X16
22	24M7139	WASHER	2		X X X 6.4X18X1.6MM
23	37M7062	SCREW	1		X X X 4.2X9.5MM
24	AL59664	RESISTOR	1		X X X
25	19M8105	CAP SCREW	4		X X X M5X12
26	GASKET	1		X X X LGTH= 620MM (MF L58443)
..	L57270	WEATHERSTRIP	1		X X X LGTH= 1000MM
..	L58443	GASKET	1		X X X LGTH= 1000MM
..	L58450	WEATHERSTRIP	1		X X X LGTH= 1000MM
..	L59796	WEATHERSTRIP	1		X X X LGTH= 1000MM

7B9

MC1 CAB

RADIO CONSOLE (FOR MC1 CAB)
 CONSOLE DE RADIO (CABINE MC1)
 RADIOKONSOLE BEI MC1 KABINE
 MENSOLA PER RADIO (CON CABINA MC1)
 CONSOLA PARA RADIO (CAB. MC1)
 KONSOL FOR RADIO (VID MC1 FORARHYTT)
 L119616 -UN-12JUL95



L 119616

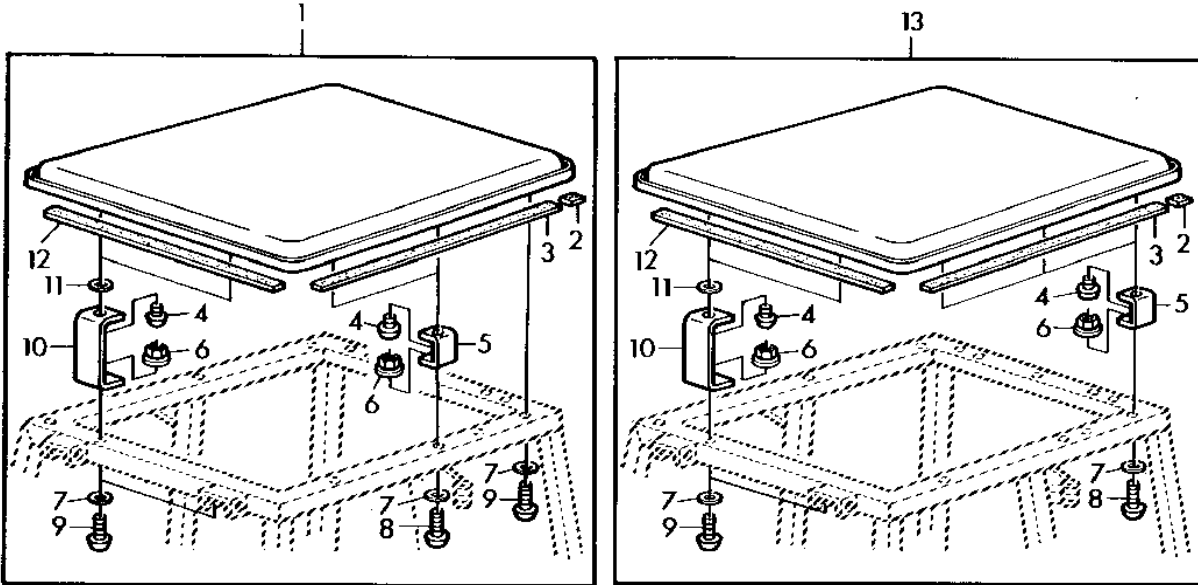
2
 1 2 0
 6 0 4
 4 4 0
 0 0 S

KEY	PART NO.	PART NAME	QTY	SERIAL NO.	REMARKS
1	AL61007	BRACKET	1	X X X	
2	24M7251	WASHER	2	X X X	6.4X18X1.6MM
3	37M7090	SCREW	2	X X X	6.3X16MM

7B10

MC1 CAB

CABROOF (WITH MC1 CAB)
 PAVILLON DE CABINE (SUR CABINE MC1)
 KABINENDACH (BEI MC1 KABINE)
 TETTO CABINA (CON CABINE MC1)
 TECHO DE LA CABINA (EN CAB.MC1)
 HYTTAK UTAN (VID MC1 HYTT)
 LX002685 -UN-11JUL95



LX002685

2
 1 2 0
 6 0 4
 4 4 0
 0 0 S

KEY	PART NO.	PART NAME	QTY	SERIAL NO.	REMARKS
1	AL69171	ROOF	1	X X X	(A)
	AL69174	ROOF	1	X X X	(A) (B)
2	FOAM PAD	2	X X X	LGTH= 25MM (MF L59747)
3	FOAM PAD	2	X X X	LGTH= 1270MM (MF L59747)
4	21M7370	SCREW	AR	X X X	M8X12
5	L63732	CLEVIS	AR	X X X	
6	14M7416	FLANGE NUT	AR	X X X	M8
7	R63667	WASHER	8	X X X	
8	21M7386	SCREW	AR	X X X	M8X55
9	21M7373	SCREW	AR	X X X	M8X75
10	L63733	CLEVIS	2	X X X	
11	24M7260	WASHER	2	X X X	8,4X25X2MM
12	FOAM PAD	1	X X X	LGTH= 1090MM (MF L59747)
13	AL69172	ROOF	1	X X X	
	AL69173	ROOF	1	X X X	(B)
..	L59747	FOAM PAD	1	X X X	LGTH= 3680MM

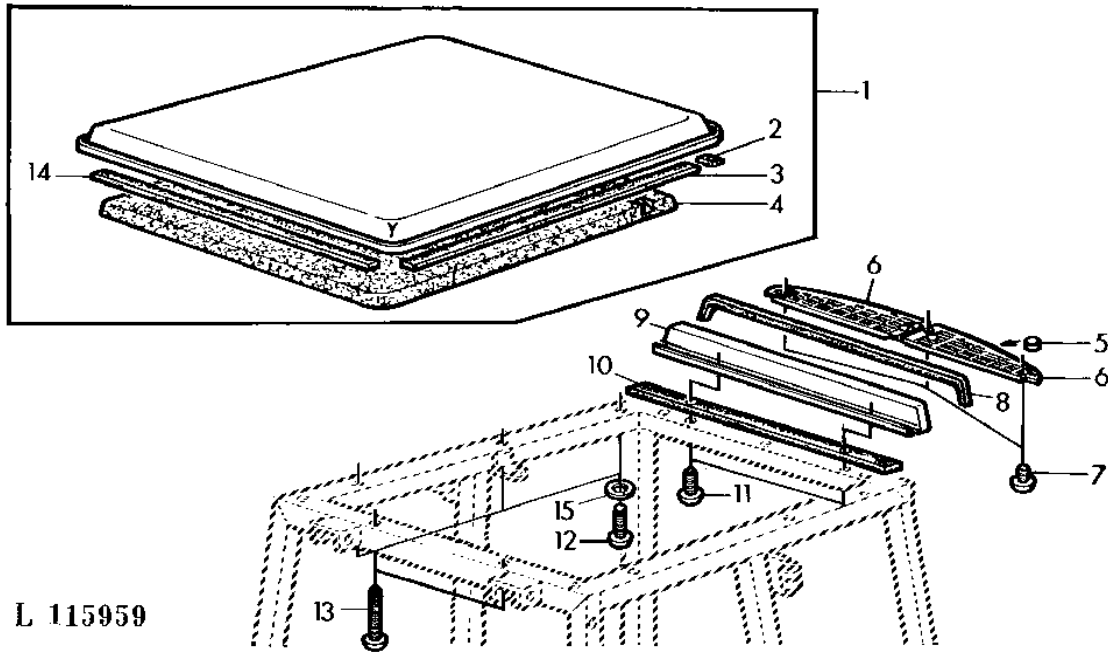
(A) WITH BLOWER FAN
 AVEC SOUFFLANTE
 MIT GEBLAESE
 CON VENTILTORE
 CON VENTILADOR
 VID FLAKT

(B) WITH CAB HATCH
 AVEC TRAPPE DE PAVILLON
 MIT DACHLUKE
 CON SPORTELLA SUPERIORE
 CON TRAMPILLA
 MED TAKLUCKA

7B11

MC1 CAB

CAB ROOF WITHOUT FAN (WITH MC1 CAB)
 PAVILLON DE CABINE SANS SOUFFLANTE (SUR CABINE MC1)
 KABINENDACH OHNE GEBLAESE (BEI MC1 KABINE)
 TETTO CABINA SENZA VENTILATORE (CON CABINA MC1)
 TECHO DE LA CABINA SIN VENTILACION (EN CAB. MC1)
 HYTTAK UTAN FLAKT (CON CABINA MC1)
 L115959 -UN-12JUL95



L 115959

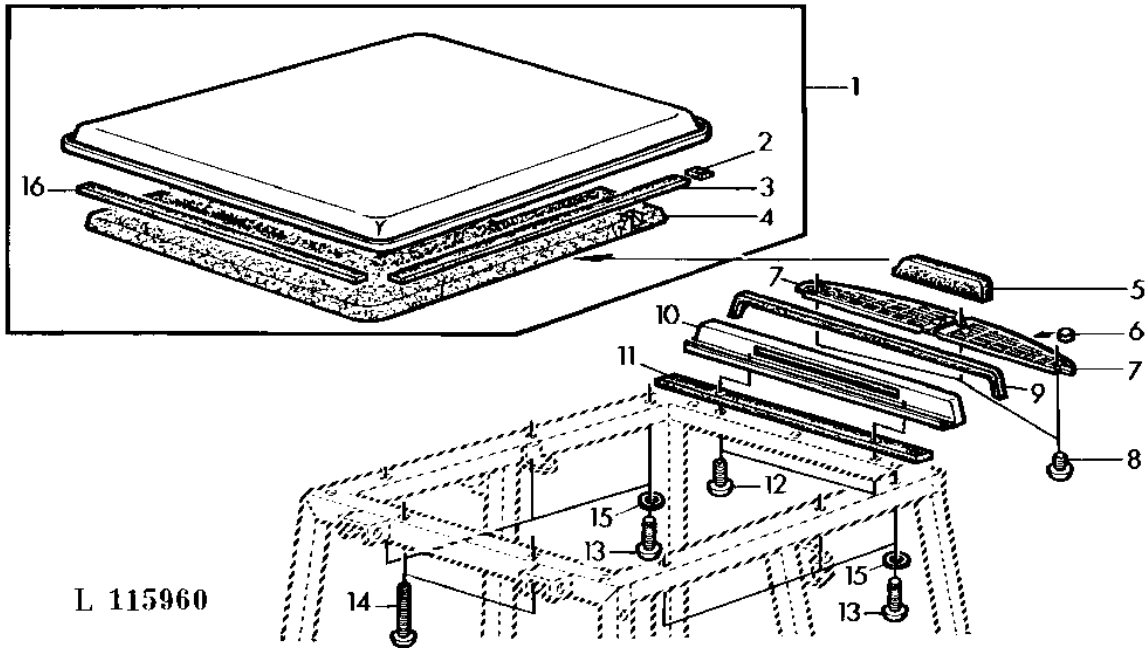
2
1 2 0
6 0 4
4 4 0
0 0 S

KEY	PART NO.	PART NAME	QTY	SERIAL NO.	REMARKS
1	AL58531	KIT	1	X X X	(ORD AL69172)
2	FOAM PAD	2	X X X	LGTH= 25MM (MF L59747)
3	FOAM PAD	2	X X X	LGTH= 1270MM (MF L59747)
4	L57167	ISOLATOR	1	X X X	(ORD AL69172)
5	L58938	DISK	6	X X X	
6	L57153	COVER	2	X X X	
7	21M7370	SCREW	3	X X X	M8X12
8	WEATHERSTRIP	1	X X X	LGTH= 1130MM (MF L59796)
9	AL58530	ANGLE	1	X X X	
10	WEATHERSTRIP	1	X X X	LGTH= 1040MM (MF L59796)
11	21M7372	SCREW	2	X X X	M8X50
12	21M7373	SCREW	6	X X X	M8X75
13	21M7379	SCREW	2	X X X	M8X115
14	FOAM PAD	1	X X X	LGTH= 1090MM (MF L59747)
15	R53667	LOCK WASHER	6	X X X	
..	L59747	FOAM PAD	1	X X X	LGTH= 3680MM
..	L59796	WEATHERSTRIP	1	X X X	LGTH= 1000MM

7B12

MC1 CAB

CAB ROOF WITH FAN (WITH MC1 CAB)
 PAVILLON DE CABINE AVEC SOUFFLANTE (SUR CABINE MC1)
 KABINENDACH BEI GEBLAESE (BEI MC1 KABINE)
 TETTO CABINA CON VENTILATORE (CON CABINA MC1)
 TECHO DE LA CABINA CON VENTILACION (EN CAB. MC1)
 HYTTAK MET FLAKT (VID MC1 HYTT)
 L115960 -UN-12JUL95



L 115960

2
1 2 0
6 0 4
4 4 0
0 0 S

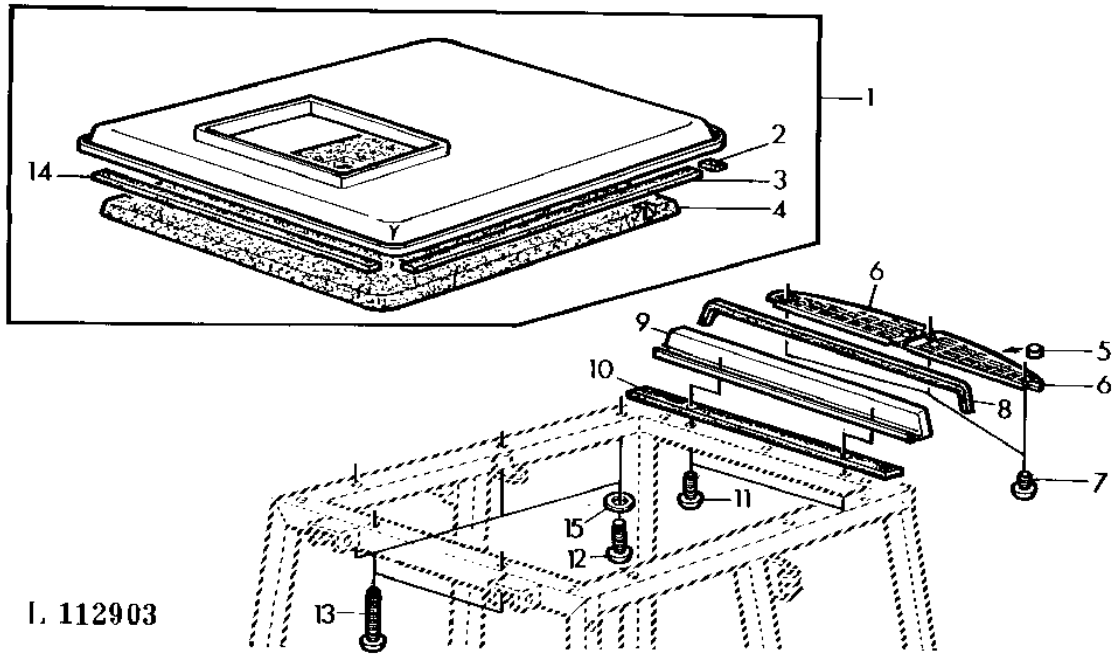
KEY	PART NO.	PART NAME	QTY	SERIAL NO.	REMARKS
1	AL58533	KIT	1	X X X	(ORD AL69171)
2	FOAM PAD	2	X X X	LGTH= 25MM (MF L59747)
3	FOAM PAD	2	X X X	LGTH= 1270MM (MF L59747)
4	L57166	ABSORBER	1	X X X	(ORD AL69171)
5	L58941	BARRIER	1	X X X	
6	L58938	DISK	6	X X X	
7	L57153	COVER	2	X X X	
8	21M7370	SCREW	3	X X X	M8X12
9	WEATHERSTRIP	1	X X X	LGTH= 1130MM (MF L59796)
10	AL58529	ANGLE	1	X X X	
11	WEATHERSTRIP	1	X X X	LGTH= 1040MM (MF L59796)
12	21M7372	SCREW	2	X X X	M8X50
13	21M7373	SCREW	6	X X X	M8X75
14	21M7379	SCREW	2	X X X	M8X115
15	WASHER	8	X X X	(MF L58944)
16	FOAM PAD	1	X X X	LGTH= 1090MM (MF L59747)
..	L59747	FOAM PAD	1	X X X	LGTH= 3680MM
..	L59796	WEATHERSTRIP	1	X X X	LGTH= 1000MM

7B13

MC1 CAB

CAB ROOF WITHOUT FAN AND HATCH (WITH MC1 CAB)
 PAVILLON DE CABINE SANS SOUFLANTE ET TRAPPE DE PAVILLON (SUR CABINE MC1)
 KABINENDACH OHNE GEBLAESE UND DACHLUKE (BEI MC1 KABINE)
 TETTO CABINA SENZA VENTILATORE E SORTELLO (CON CABINA MC1)
 TECHO DE LA CABINA SIN VENTILACION Y TRAMPILLA (EN CAB. MC1)
 HYTTAK UTAN FLAKT OCH TAKLUCKA (VID MC1 FORARHYTT)

L112903 -UN-11JUL95



I. 112903

2
1 2 0
6 0 4
4 4 0
0 0 S

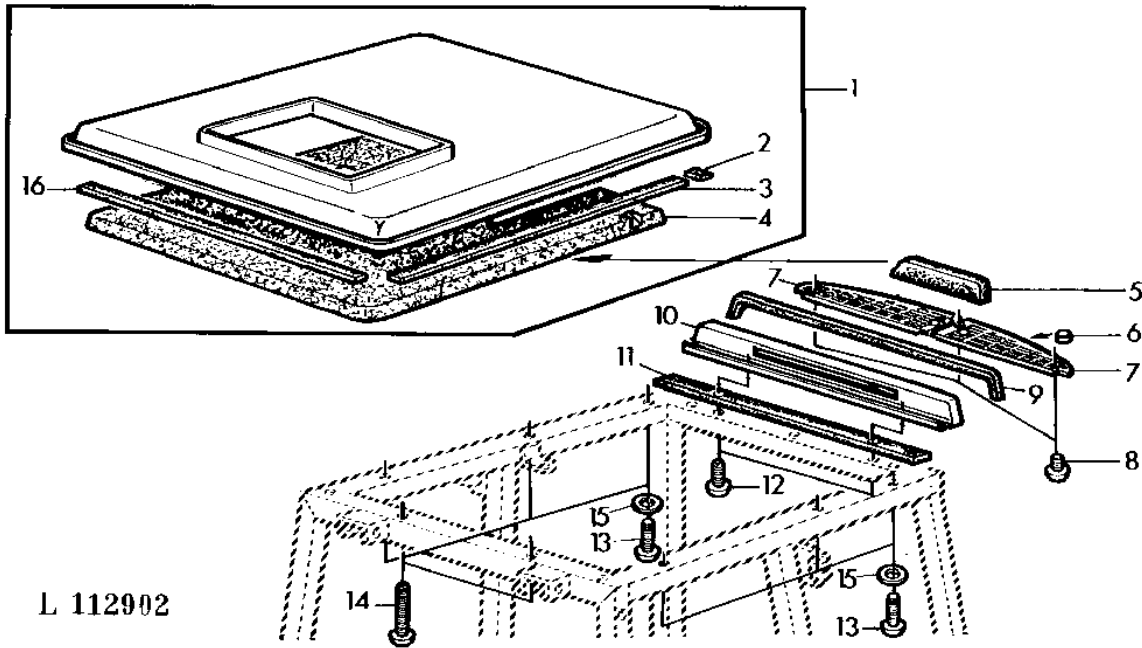
KEY	PART NO.	PART NAME	QTY	SERIAL NO.	REMARKS
1	AL58532	ROOF	1	X X X	(ORD AL69173)
2	FOAM PAD	2	X X X	LGTH= 25MM (MF L59747)
3	FOAM PAD	2	X X X	LGTH= 1270MM (MF L59747)
4	L57168	FOAM PAD	1	X X X	(ORD AL69173)
5	L58938	DISK	6	X X X	
6	L57153	COVER	2	X X X	
7	21M7370	SCREW	3	X X X	M8X12
8	WEATHERSTRIP	1	X X X	LGTH= 1130MM (MF L59796)
9	AL58530	ANGLE	1	X X X	
10	WEATHERSTRIP	1	X X X	LGTH= 1040MM (MF L59796)
11	21M7372	SCREW	2	X X X	M8X50
12	21M7373	SCREW	6	X X X	M8X75
13	21M7379	SCREW	2	X X X	M8X115
14	FOAM PAD	1	X X X	LGTH= 1090MM (MF L59747)
15	R53667	LOCK WASHER	6	X X X	
..	L59747	FOAM PAD	1	X X X	LGTH= 3680MM
..	L59796	WEATHERSTRIP	1	X X X	LGTH= 1000MM

7B14

MC1 CAB

CAB ROOF WITH FAN AND HATCH (WITH MC1 CAB)
 PAVILLON DE CABINE AVEC SOUFFLANTE ET TRAPPE DE PAVILLON (SUR CABINE MC1)
 KABINENDACH BEI GEBLAESE UND DACHLUKE (BEI MC1 KABINE)
 TETTO CABINA CON VENTILATORE E SORTELO (CON CABINA MC1)
 TECHO DE LA CABINA CON VENTILACION Y TRAMPILLA (EN CAB. MC1)
 HYTTAK MET FLAKT OCH TAKLUCKA (VID MC1 FORARHYTT)

L112902 -UN-11JUL95



L 112902

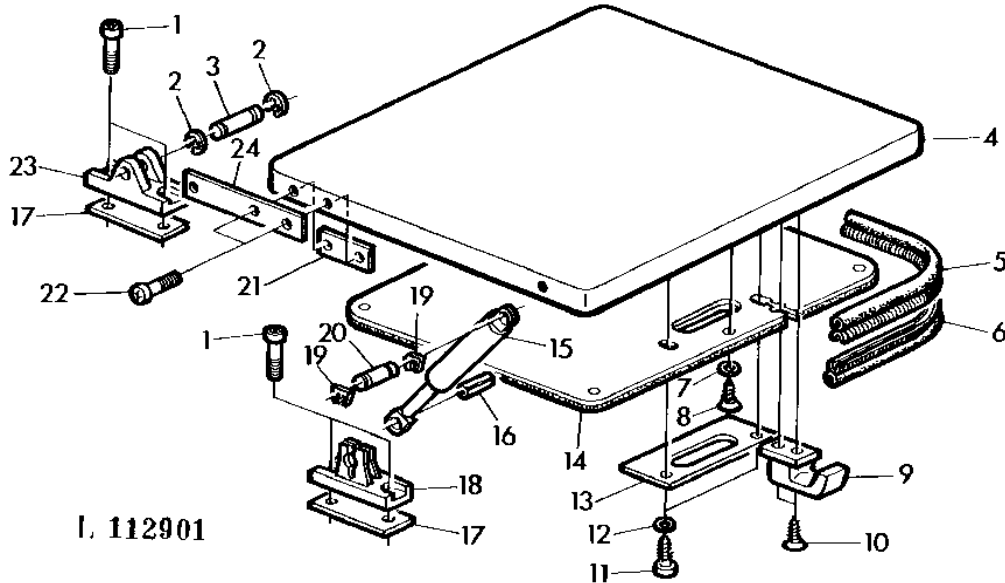
2
1 2 0
6 0 4
4 4 0
0 0 S

KEY	PART NO.	PART NAME	QTY	SERIAL NO.	REMARKS
1	AL58534	KIT	1	X X X	(ORD AL69174)
2	FOAM PAD	2	X X X	LGTH= 25MM (MF L59747)
3	FOAM PAD	2	X X X	LGTH= 1270MM (MF L59747)
4	L57169	FOAM PAD	1	X X X	(ORD AL69174)
5	L58941	BARRIER	1	X X X	
6	L58938	DISK	6	X X X	
7	L57153	COVER	2	X X X	
8	21M7370	SCREW	3	X X X	M8X12
9	WEATHERSTRIP	1	X X X	LGTH= 1130MM (MF L59796)
10	AL58529	ANGLE	1	X X X	
11	WEATHERSTRIP	1	X X X	LGTH= 1040MM (MF L59796)
12	21M7372	SCREW	2	X X X	M8X50
13	21M7373	SCREW	6	X X X	M8X75
14	21M7379	SCREW	2	X X X	M8X115
15	R53667	LOCK WASHER	6	X X X	
16	FOAM PAD	1	X X X	LGTH= 1090MM (MF L59747)
..	L59747	FOAM PAD	1	X X X	LGTH= 3680MM
..	L59796	WEATHERSTRIP	1	X X X	LGTH= 1000MM

7B15

MC1 CAB

HATCH (WITH MC1 CAB)
 PARTIE OUVRANTE DU TOIT (AVEC MC1 KABINE)
 DACHLUKE (BEI MC1 KABINE)
 LUCERNARIO (CON CABINA MC1)
 LUCERA (CON CABINA MC1)
 NODLUCKA (VID MC1 HYTT)
 L112901 -UN-11JUL95



L 112901

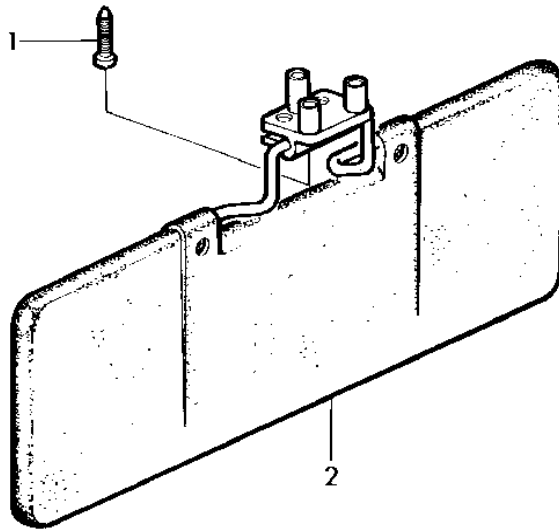
2
 1 2 0
 6 0 4
 4 4 0
 0 0 S

KEY	PART NO.	PART NAME	QTY	SERIAL NO.	REMARKS
1	19M8406	SCREW	8	X X X	M6X20
2	40M7040	SNAP RING	4	X X X	(SUB FOR R72653)
3	L58476	PIN	2	X X X	
4	L64352	COVER	1	X X X	(SUB FOR L57152)
5	L59186	GASKET	1	X X X	
6	L59709	GASKET	1	X X X	
7	L59198	WASHER	8	X X X	
8	37M7168	SCREW	8	X X X	3.5X16
9	L57249	LATCH	1	X X X	
10	37M7169	SELF-LOCKING SCREW	2	X X X	
11	37M7170	SELF-LOCKING SCREW	2	X X X	
12	24M7027	WASHER	2	X X X	5.3X10X1MM
13	L59456	HANDLE	1	X X X	
14	L60858	ISOLATOR	1	X X X	(SUB FOR L58613 APPL)
15	L57248	CYLINDER	2	X X X	
16	34M7038	SPRING PIN	2	X X X	6X20MM
17	L57274	STRAP	4	X X X	
18	L57265	BRACKET	2	X X X	
19	L57251	LOCK PLATE	4	X X X	
20	L57267	PIN	2	X X X	
21	L57273	STRAP	2	X X X	
22	21M7383	SCREW	4	X X X	M6X12
23	L57266	BRACKET	2	X X X	
24	L57272	STRAP	2	X X X	

7B16

MC1 CAB

SUN VISOR (WITH MC1 CAB)
 PARE-SOLEIL (AVEC CABINE MC1)
 SONNENBLLENDE (BEI MC1 KABINE)
 PARASOLE (CON CABINA MC1)
 PARASOL (CON CABINA MC1)
 SOLSKYDD (VID MC1 HYTT)
 L113551 -UN-26MAY95



L 113551

2
 1 2 0
 6 0 4
 4 4 0
 0 0 S

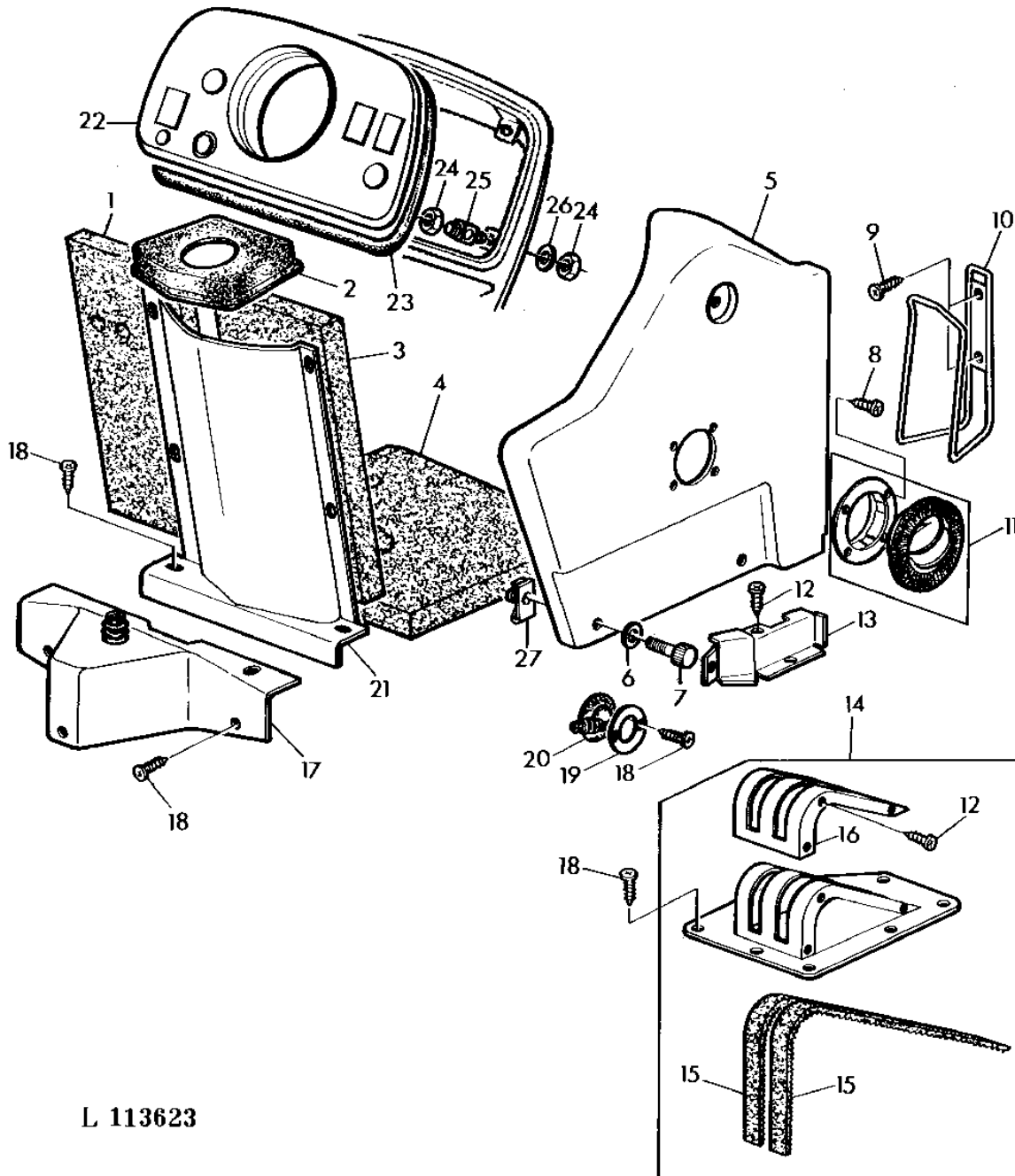
KEY	PART NO.	PART NAME	QTY	SERIAL NO.	REMARKS
1	37M7109	SCREW	3	X X X	6.3X16MM
2	AL58546	SUN VISOR	1	X X X	

7B17

MC1 CAB

DASH COVERS AND FRONT FLOOR COVERS (WITH MC1 CAB)
RETEMENTS CONSOLE DE BORD ET SOL AVANT (AVEC CABINE MC1)
VERKLEIDUNGEN ARMATURENWARD UND BODEN VORN (BEI MC1 KABINE)
RIVESTIMENTI PER PANNELLO CRUSCOTTO E FONDO ANT. (CAB. MC1)
REVESTIMIENTOS DEL SALPICADERO Y SUELO DELANTERO (EN CAB. MC1)
BEKLADNAD FOR INSTRUMENTBRADA OCH FRAMRE GOLV (MC1 HYTT)

L113623 -UN-12JUL95



L 113623

7B18

MC1 CAB

KEY	PART NO.	PART NAME	QTY	SERIAL NO.	REMARKS
					2
					1 2 0
					6 0 4
					4 4 0
					0 0 S
1	L58914	PART HAS SUB	1	X X X	
2	L58485	BOOT	1	X X X	(A)
	L58407	BOOT	1	X X X	(B)
	L58408	BOOT	1	X X X	(C)
3	L58912	PAD	1	X X X	
4	L58913	PAD	1	X X X	
5	L57194	PANEL	1	X X X	RH
	L57195	PANEL	1	X X X	LH
6	24M7260	WASHER	6	X X X	8.4X25X2MM
7	L59175	KNURLED THUMB SCREW	6	X X X	
8	37M7161	SCREW	8	X X X	3.5X9.5MM
9	37M7162	SCREW	2	X X X	4.2X9.5MM
10	AL59733	RETAINER	1	X X X	
11	L57247	LOUVER	2	X X X	
12	37M7100	SCREW	9	X X X	3.5X9.5MM
13	AL60300	COVER	1	X X X	
14	AL60310	BOOT	1	X X X	
15	L59151	STRIP	2	X X X	
16	L59150	PANEL	1	X X X	
17	L58416	BOOT	1	X X X	
18	37M7067	SCREW	AR	X X X	4.2X9.5MM
19	L58902	SHEET	1	X X X	
20	L58415	SHIELD	1	X X X	
21	AL60301	COVER	1	X X X	
22	AL56770	INSTRUMENT PANEL	1	X X X	
23	L34827	WEATHERSTRIP	1	X X X	
24	14M7139	NUT	8	X X X	M4
25	L34828	RUBBER MOUNT	4	X X X	
26	24M7117	WASHER	4	X X X	4.3X9X0.8MM
27	L55969	NUT	6	X X X	

(A) WITH MANUAL STEERING
 AVEC DIRECTION MECANIQUE
 BEI MECHANISCHER LENKUNG
 CON STERZO MECCANICO
 CON DIRECCION MANUAL
 MED MEKANISK STYRNING

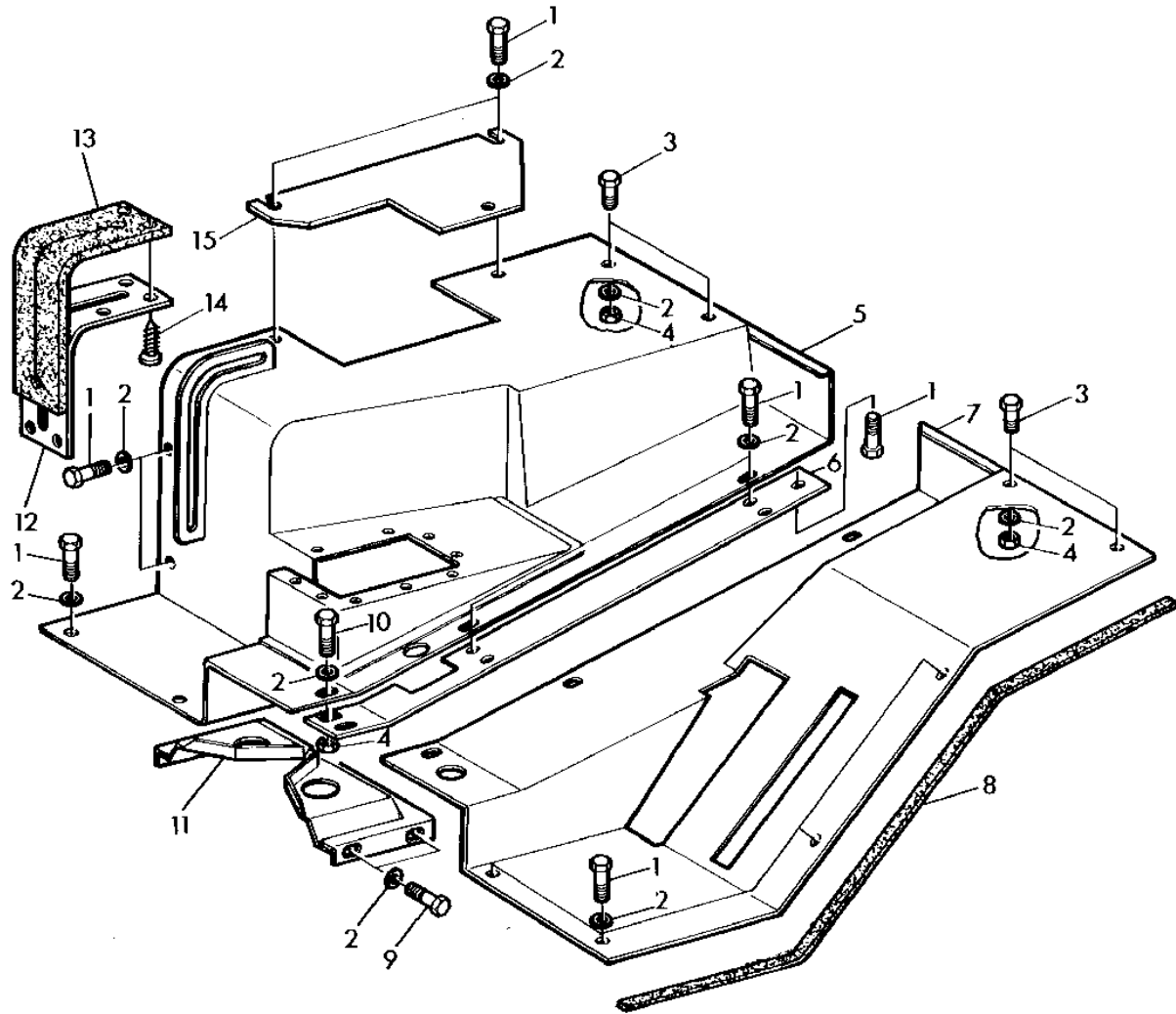
(B) WITH POWER STEERING
 AVEC DIRECTION ASSISTEE
 BEI HYDR.LENKUNG
 CON STERZO IDRAULICO
 CON DIRECCION HIDRAULICA
 VID HYDRAULSTYRNING

(C) WITH HYDROSTATIC STEERING
 AVEC DIRECTION HYDROSTAT.
 BEI HYDROSTATISCHER LENKUNG
 CON STERZO IDROSTATICO
 CON DIRECCION HIDROSTATICA
 VID HYDROSTATISK STYRNING

7B19

MC1 CAB

REAR FLOOR PLATES (WITH MC1 CAB)
TOLES DE SOL ARRIERE (CABINE MC1)
BODENBLECHE HINTEN (BEI MC1 KABINE)
PIASTRE DI PAVIMENTO POSTERIORI (CON CABINA MC1)
CHAPAS TRASERAS DEL SUELO (CABINA MC1)
BAKRE GOLVPLATAR (VID MC1 HYTT)
L113635 -UN-12JUL95



L 113635

7B20

MC1 CAB

KEY	PART NO.	PART NAME	QTY	SERIAL NO.	REMARKS
					2
					1 2 0
					6 0 4
					4 4 0
					0 0 S
1	19M7162	CAP SCREW	AR	X X X	M8X16
2	24M7260	WASHER	AR	X X X	8.4X25X2MM
3	19M7184	CAP SCREW	4	X X X	M8X55
4	14M7273	NUT	AR	X X X	M8
5	AL60302	VENDOR DIRECT PART	1	X X X	RH
6	AL58510	BRACKET	1	X X X	
7	AL60303	SHIELD	1	X X X	LH
8	WEATHERSTRIP	AR	X X X	(MF L59796)
9	19M7162	CAP SCREW	4	X X X	M8X16
10	19M7288	CAP SCREW	2	X X X	M8X30
11	AL58642	COVER	1	X X X	
12	L58900	FRAME	1	X X X	
13	L58412	BOOT	1	X X X	
14	37M7162	SCREW	8	X X X	4.2X9.5MM
15	L57886	COVER	1	X X X	(A) 0
	L57885	COVER	1	X X X	(A) 1
	L57884	COVER	1	X X X	(A) 2
	L57222	COVER	1	X X X	(A) 3
..	L59176	WEATHERSTRIP	1	X X X	LGTH= 1000MM
..	L59796	WEATHERSTRIP	1	X X X	LGTH= 1000MM

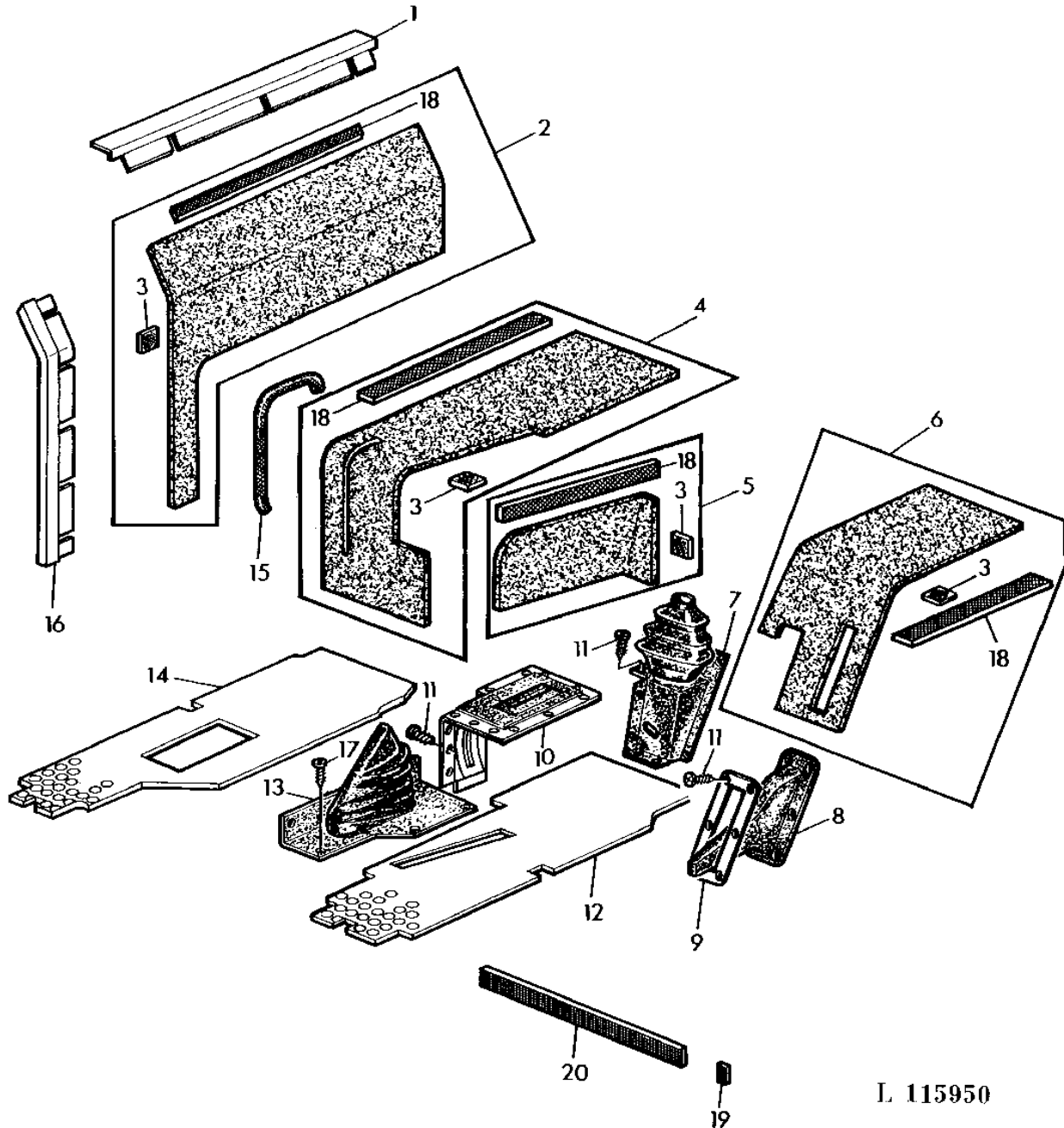
(A) NUMBER OF SELECTIVE CONTROL VALVES
 NOMBRE DE DISTRIBUTEURS AUXILIAIRES
 ANZAHL DER ZUSATZSTEUERGERAETE
 QUANTITA DI DISTRIBUTORI A DISTANZA
 NUMERO DE VALVULAS DE MANDO A DISTANCIA
 ANTAL AV FJARREGLAGE

7B21

MC1 CAB

INNER PANELS, COVERS AND FLOOR MATS (WITH MC1 CAB)
REVETEMENT INTERIEUR ET TAPIS DE SOL (SUR CABINE MC1)
INNENVERKLEIDUNG UND BODENMATTEN (BEI MC1 KABINE)
RIVESTIMENTO INTER. E TAPPETINI DI PAVIM. (CON CABINA MC1)
REVESTIMIENTO INTERIOR Y ALFOMBRILLAS (EN CAB. MC1)
INRE BEKLADNAD OCH GOLVMATTOR (VID MC1 HYTT)

L115950 -UN-12JUL95



L 115950

7B22

MC1 CAB

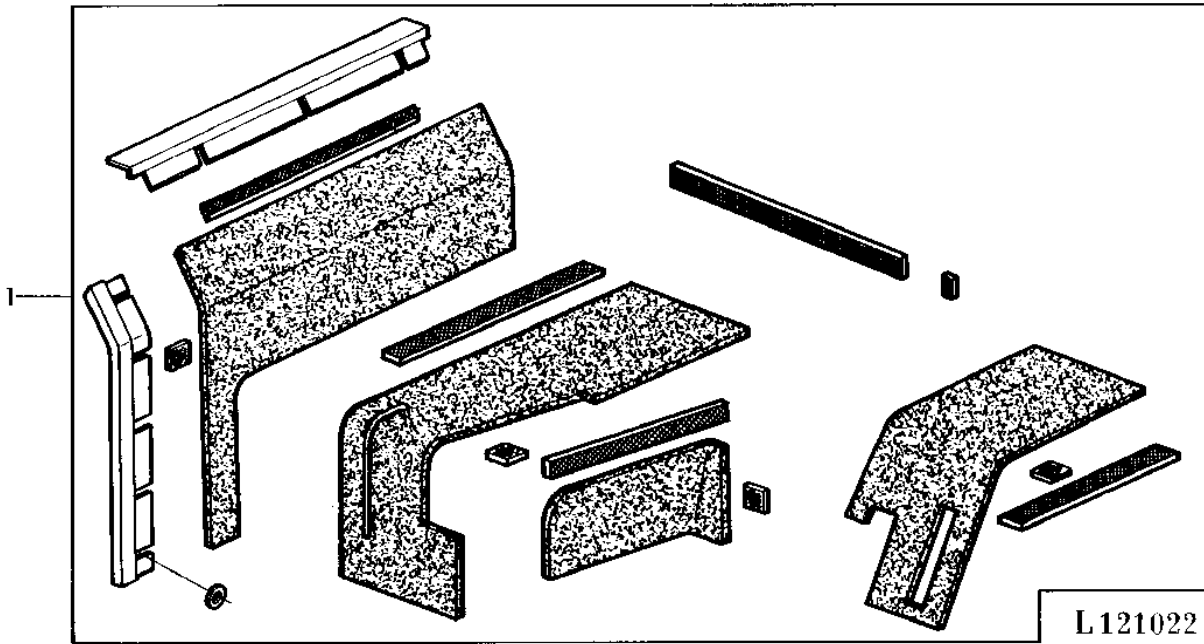
KEY	PART NO.	PART NAME	QTY	SERIAL NO.	REMARKS
				2	
				1 2 0	
				6 0 4	
				4 4 0	
				0 0 S	
1	L58616	MOLDING	1	X X X	RH
	L58647	MOLDING	1	X X X	LH
2	AL60314	PAD	1	X X X	LH
	AL60315	PAD	1	X X X	RH
3	L56021	STRIP	AR	X X X	
4	AL60316	PAD	1	X X X	
5	AL60318	PAD	1	X X X	
6	AL60317	PAD	1	X X X	
7	AL61009	BOOT	1	X X X	
8	L60343	BOOT	1	X X X	(SUB FOR L58411)
9	L58901	SHEET	1	X X X	
10	AL61010	SHIELD	1	X X X	
11	37M7162	SCREW	AR	X X X	4.2X9.5MM
12	AL59747	MAT	1	X X X	
13	AL61008	BOOT	1	X X X	
14	AL59746	MAT	1	X X X	
15	MOLDING	1	X X X	(MF L58448)
16	L58632	MOLDING	1	X X X	RH
	L58633	MOLDING	1	X X X	LH
17	37M7171	SCREW	9	X X X	3.9X9.5MM
18	L39858	STRIP	AR	X X X	
19	L39860	STRIP	AR	X X X	
20	L39859	STRIP	AR	X X X	
..	L58448	WEATHERSTRIP	1	X X X	LGTH= 1000MM

7B23

MC1 CAB

REPAIR KIT FOR INTERIOR PANELING (WITH MC1 CAB)
 JEU DE REPARATION POUR REVETEMENT INTERIEUR (CABINE MC1)
 REPARATURSATZ FUER INNENVERKLEIDUNG (BEI MC1 KABINE)
 KIT REPARAZIONE PER RIVESTIMENTO INT. (CON CABINA MC1)
 CONJUNTO DE REPARACION PARA REVESTIM. INTERIOR (CABINA MC1)
 REPARATIONSSATS FOR INNER BEKLADNAD (VID MC1 FORARHYTT)

L121022 -UN-12JUL95



L121022

2
1 2 0
6 0 4
4 4 0
0 0 S

KEY	PART NO.	PART NAME	QTY	SERIAL NO.	REMARKS
1	AL67737	KIT	1	X X X	

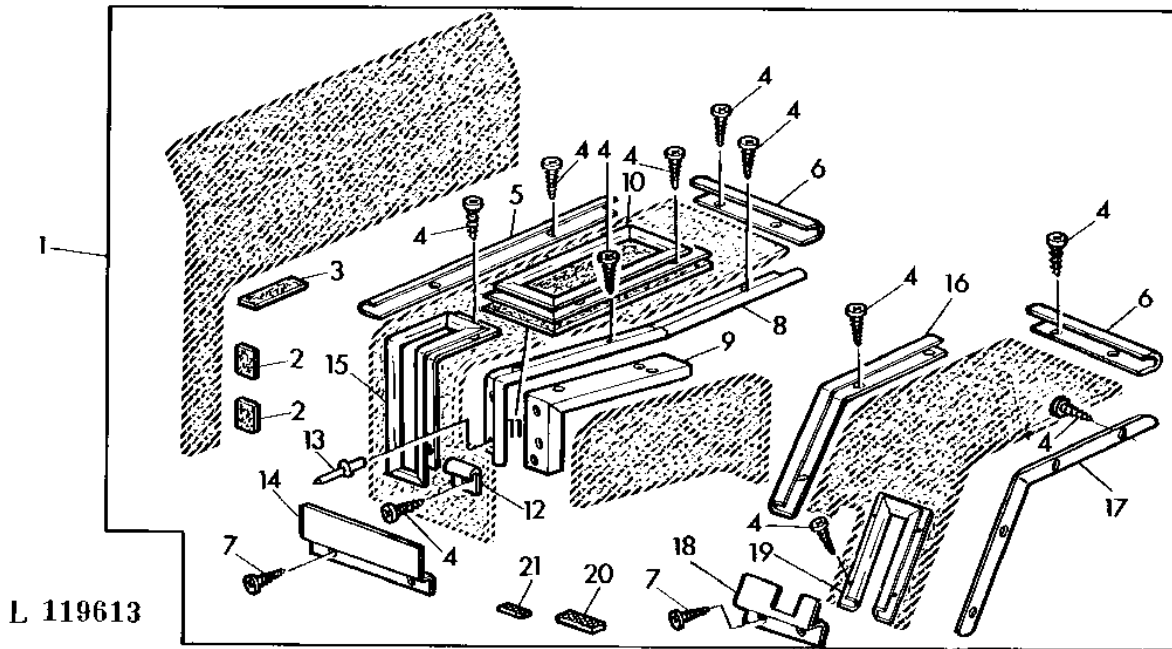
MEMORANDA
MEMORANDA
MEMORANDA
MEMORANDA
MEMORANDA

7B24

MC1 CAB

PARTS KIT FOR FOAM SOUND INSULATION (FOR MC1 CAB)
 JEU DE PIECES-RETEVEMENT EN CAPOUTCHOUC MOUSSE (CABINE MC1)
 TEILESATZ FUER SCHAUMSTOFFVERKLEIDUNG (BEI MC1 KABINE)
 KIT PER RIVESTIMENTO GOMMASCHIUMA (CON CABINA MC1)
 CONJ. DE PIEZAS PARA REVESTIM. DE GOMA ESPUMA (CAB. MC1)
 SATS FOR SKUMPLAST-BEKLADNAD (VID MC1 FORARHYTT)

L119613 -UN-12JUL95



L 119613

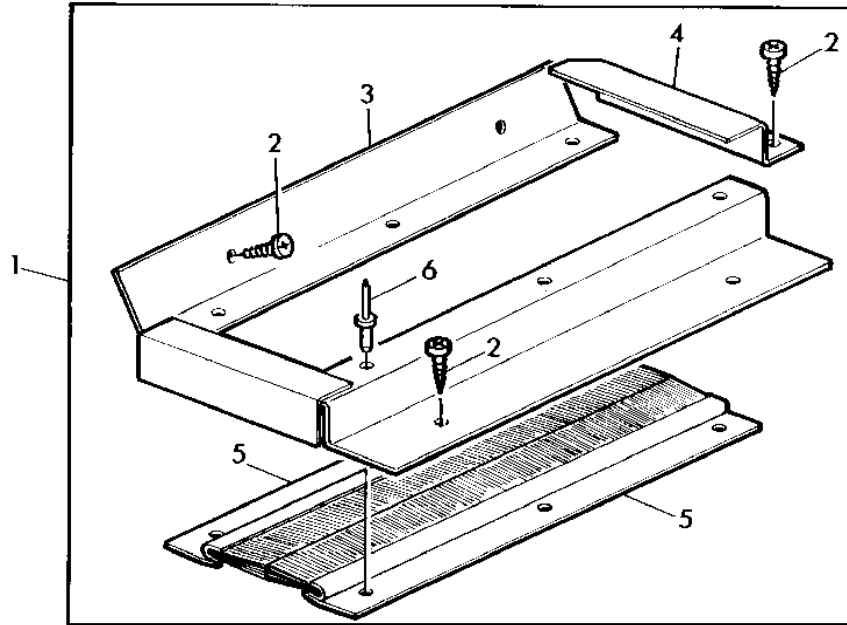
KEY	PART NO.	PART NAME	QTY	SERIAL NO.	REMARKS
				2	
				1 2 0	
				6 0 4	
				4 4 0	
				0 0 S	
1	AL63660	SHIPPING BUNDLE	1	X X X	
2	L60778	FOAM PAD	2	X X X	
3	L60777	FOAM PAD	1	X X X	
4	37M7068	SCREW	30	X X X	4.2X16MM
5	L60767	CLAMP	1	X X X	
6	L60765	CLAMP	2	X X X	
7	37M7162	SCREW	6	X X X	4.2X9.5MM
8	L60769	CLAMP	1	X X X	
9	L60770	CLAMP	1	X X X	
10	L60771	CLAMP	1	X X X	
11	L60773	RUBBER MOUNT	1	X X X	
12	L60772	CLAMP	1	X X X	
13	R55427	RIVET	3	X X X	
14	L60766	MOLDING	1	X X X	
15	L60768	CLAMP	1	X X X	
16	L60764	CLAMP	1	X X X	
17	L60762	CLAMP	1	X X X	
18	L60761	MOLDING	1	X X X	
19	L60763	CLAMP	1	X X X	
20	L39860	STRIP	10	X X X	
21	L56021	STRIP	10	X X X	

7B25

MC1 CAB

PARTS KIT FOR CLUTCH PEDAL SURROUND (FOR MC1 CAB)
 JEU DE PIÈCES-REVÊTEMENT DE LA PÉDALE D'EMBRAYAGE (CAB .MC1)
 TEILESATZ FUER KUPPLUNGSPEDAL-VERKLEIDUNG (BEI MC1 KABINE)
 KIT PER RIVESTIMENTO PEDALE FRIZIONE (CON CABINA MC1)
 CONJUNTO DE PIEZAS PARA REVESTIM. DEL PEDAL DE EMBRAGUE (CAB. MC1)
 SATS FOR BEKLADNAD AV KOPPLINGSPEDAL (VID MC1 FORARHYTT)

L119615 -UN-12JUL95



L 119615

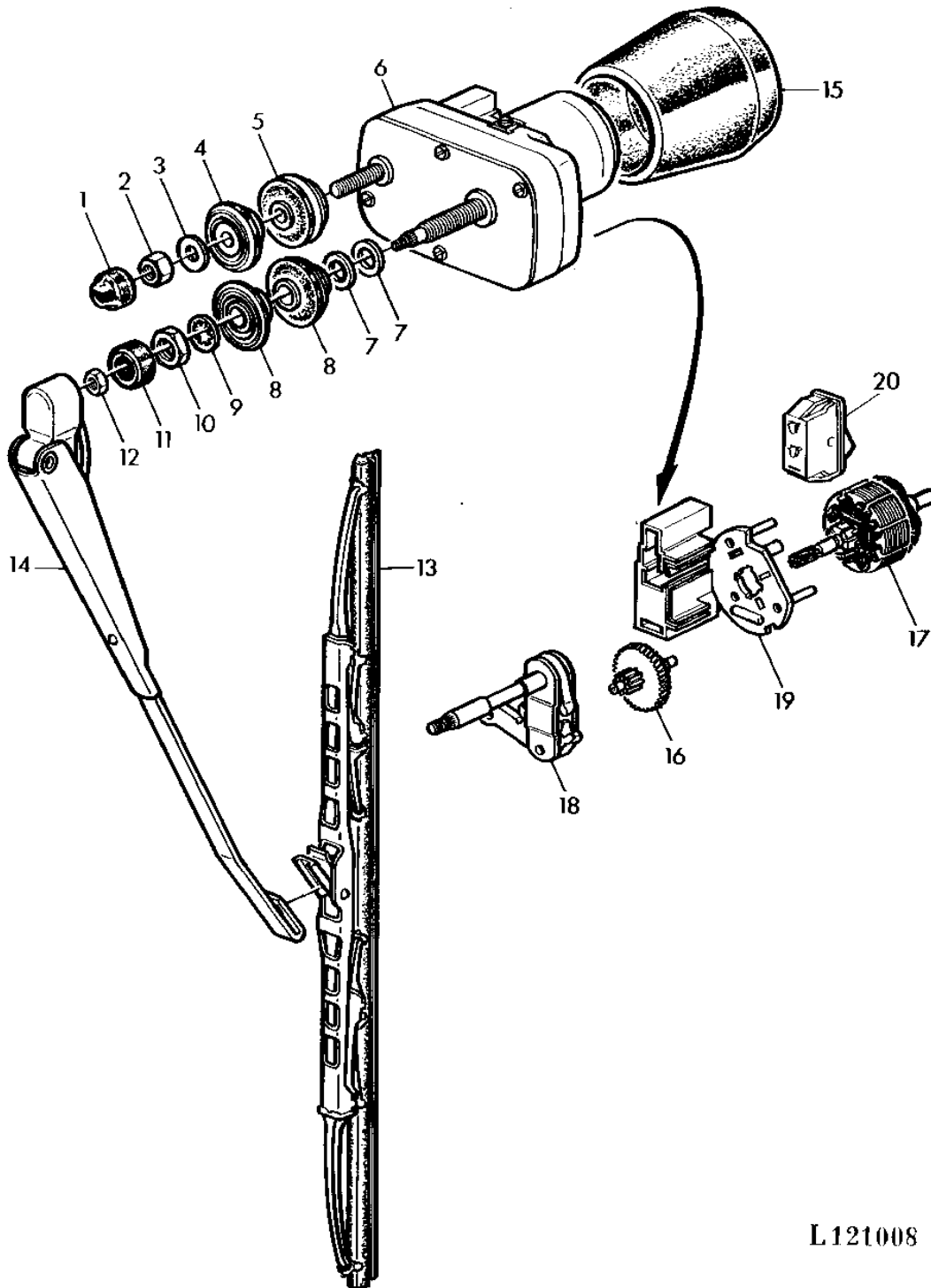
KEY	PART NO.	PART NAME	QTY	SERIAL NO.	REMARKS
				2	
				1 2 0	
				6 0 4	
				4 4 0	
				0 0 S	
1	AL63662	SHIPPING BUNDLE	1	X X X	
2	37M7162	SCREW	8	X X X	4.2X9.5MM
3	AL63665	BRUSH	1	X X X	
4	L60784	CLAMP	1	X X X	
5	L60781	BRUSH	2	X X X	
6	R55427	RIVET	6	X X X	

7C1

MC1 CAB

FRONT WINDSHIELD WIPER (WITH MC1 CAB)
ESSUIE GLACES AVANT (AVEC CABINE MC1)
SCHEIBENWISCHER VORN (BEI MC1 KABINE)
TERGICRISTALLO ANTERIORE SULLA (CON CABINA MC1)
LIMPIAPARABRISAS FRONTAL (CON CABINA MC1)
FRAMRE VINDRUTETORKARE (VID MC1 HYTT)

L121008 -UN-26MAY95



L121008

7C2

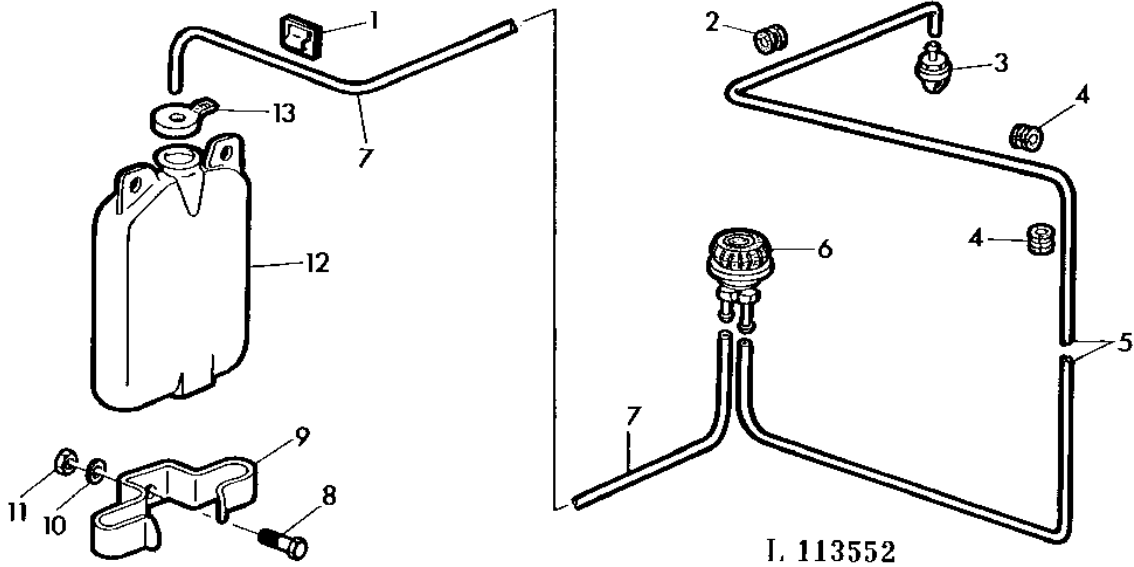
MC1 CAB

KEY	PART NO.	PART NAME	QTY	SERIAL NO.	REMARKS
				2	
				1 2 0	
				6 0 4	
				4 4 0	
				0 0 S	
1	L32394	CAP	1		
2	NUT	1		
3	WASHER	1		
4	L57831	WASHER	1		
5	L57830	WASHER	1		
6	AL58520	MOTOR	1		
7	24M7047	WASHER	2		13X24X2.5MM
8	L57832	WASHER	2		
9	WASHER	1		
10	NUT	1		
11	RING	1		
12	14M7272	NUT	1		M6
13	AL58524	WIPER BLADE	1		
14	AL58525	WIPER ARM	1		
15	L59179	GUARD	1		
16	AL60673	GEAR	1		
17	AL60674	ROTOR	1		
18	AL60675	SHAFT	1		
19	AL60676	BRACKET	1		
20	AL67201	ROCKER SWITCH	1		

7C3

MC1 CAB

WINDSHIELD WASHER (WITH MC1 CAB)
 LAVE-GLACE (AVEC CABINE MC1)
 SCHEIBEN-WASCHANLAGE (BEI MC1 KABINE)
 SPRUZZATORE PER PARABREZZA (CON CABINA MC1)
 LAVAPARABRISAS (CON CABINA MC1)
 VINDRUTESPOLARE (VID MC1 HYTT)
 L113552 -UN-11JUL95



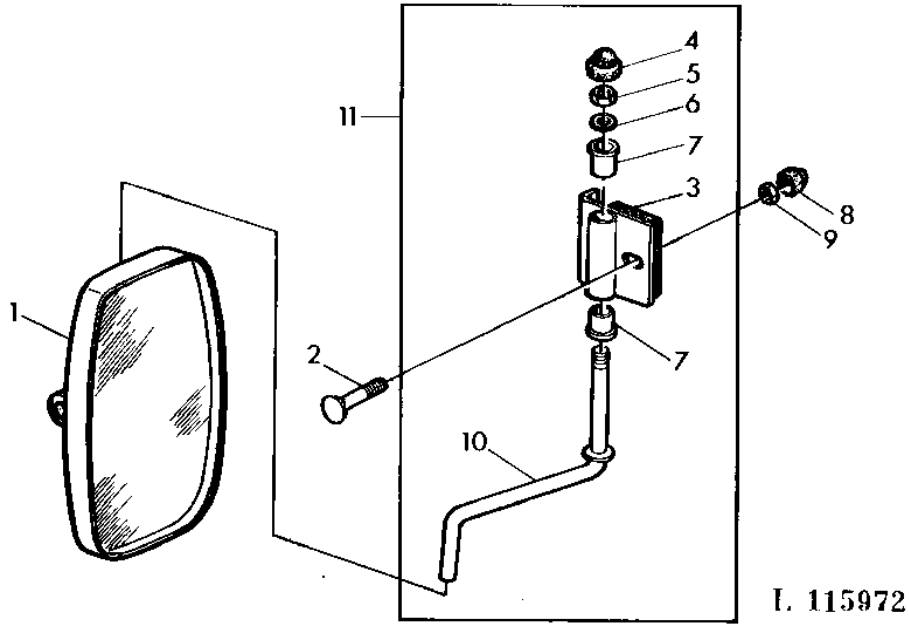
2
1 2 0
6 0 4
4 4 0
0 0 S

KEY	PART NO.	PART NAME	QTY	SERIAL NO.	REMARKS
1	R47474	CLIP	7	X X X	
2	L30894	GROMMET	1	X X X	
3	AL35642	NOZZLE	1	X X X	
4	L12807	GROMMET	2	X X X	
5	HOSE	1	X X X	LGTH= 4650MM (MF L39883)
6	AL58547	PUMP	1	X X X	
7	HOSE	1	X X X	LGTH= 2000MM (MF L39883)
8	19M7162	CAP SCREW	1	X X X	M8X16
9	L57813	BRACKET	1	X X X	
10	24M7055	WASHER	1	X X X	8.4X17X1.6MM
11	14M7273	NUT	1	X X X	M8
12	L57811	RESERVOIR	1	X X X	
13	L57812	COVER	1	X X X	
..	L39883	HOSE	1	X X X	LGTH= 4800MM

7C4

MC1 CAB

REAR VIEW MIRROR (WITH MC1 CAB)
 RETROVISUER (AVEC CABINE MC1)
 RUECKSPIEGEL (BEI MC1 KABINE)
 RETROVISORE (CON CABINA MC1)
 RETROVISOR (CON CABINA MC1)
 BACKSPEGEL (VID MC1 HYTT)
 L115972 -UN-26MAY95



I. 115972

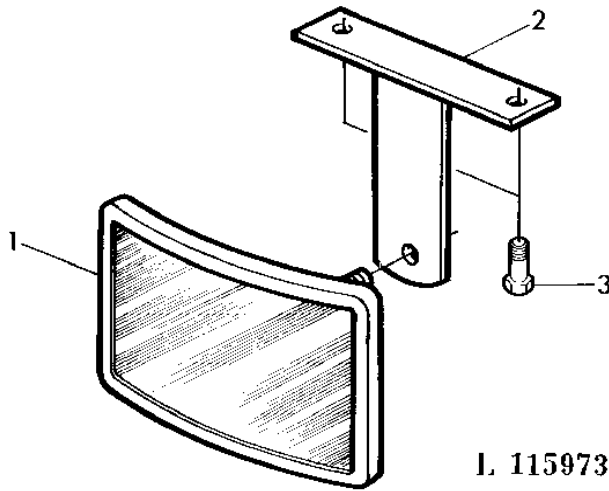
2
 1 2 0
 6 0 4
 4 4 0
 0 0 S

KEY	PART NO.	PART NAME	QTY	SERIAL NO.	REMARKS
1	AL58554	REAR VIEW MIRROR	2	X X X	
2	03M7316	BOLT	2	X X X	M8X55
3	AL58552	BAR	2	X X X	
4	L32903	CAP	2	X X X	
5	14M7167	LOCK NUT	2	X X X	M10
6	24M7271	WASHER	2	X X X	10.5X21X2MM
7	L57816	BUSHING	4	X X X	
8	L32394	CAP	2	X X X	
9	14M7327	LOCK NUT	2	X X X	M8
10	AL58553	REAR VIEW MIRROR	2	X X X	
11	AL61020	ARM	1	X X X	LH
	AL63679	HOLDER	1	X X X	RH

7C5

MC1 CAB

INTERIOR REAR-VIEW MIRROR (WITH MC1 CAB)
 RETROVISLUR INTERIEUR (SUR CABINE MC1)
 INNENRUECKSPIEGEL (BEI MC1 KABINE)
 SPECCHIETTO RETROVISIVO INTERIORE (CON CABINA MC1)
 ESPEJO RETROVISOR INTERIOR (EN CABINA MC1)
 INNER BACKSPEGEL (VID MC1 FORARHYTT)
 L115973 -UN-12JUL95



L 115973

2
1 2 0
6 0 4
4 4 0
0 0 S

KEY	PART NO.	PART NAME	QTY	SERIAL NO.	REMARKS
1	RE20254	REAR VIEW MIRROR	1	X X X	
2	AL60304	HOLDER	1	X X X	
3	37M7176	SCREW	2	X X X	M6X16

MEMORANDA
MEMORANDA
MEMORANDA
MEMORANDA
MEMORANDA

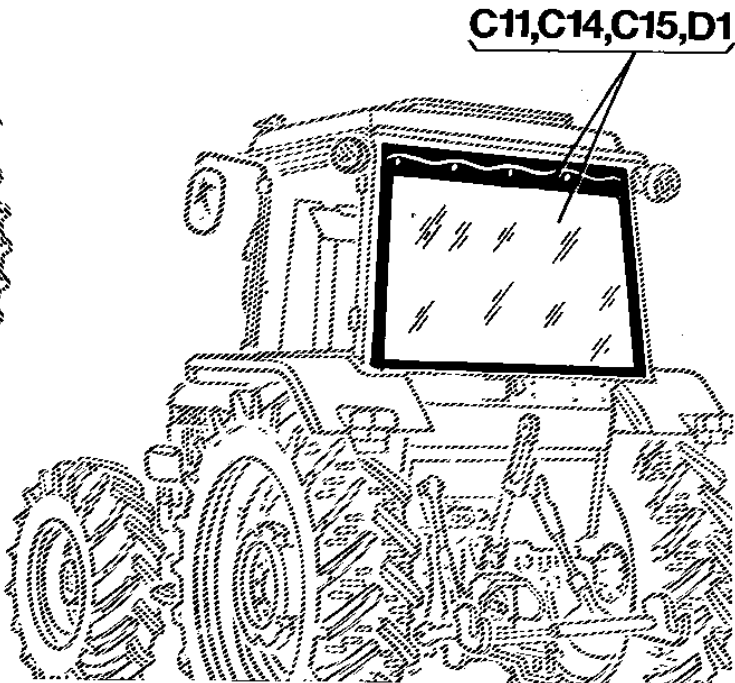
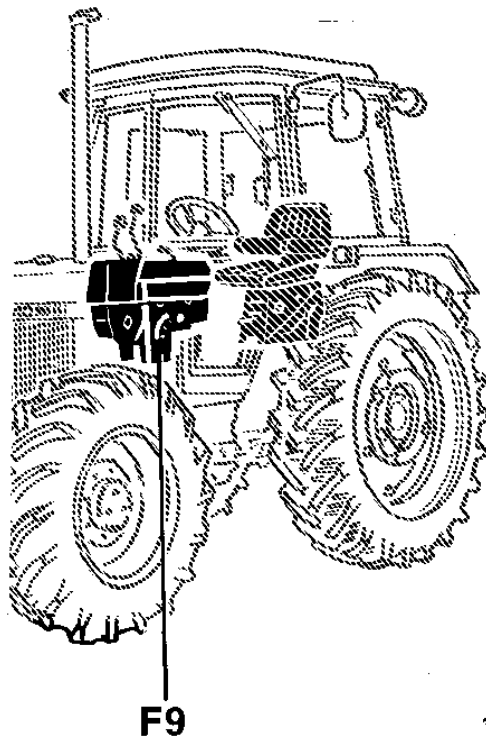
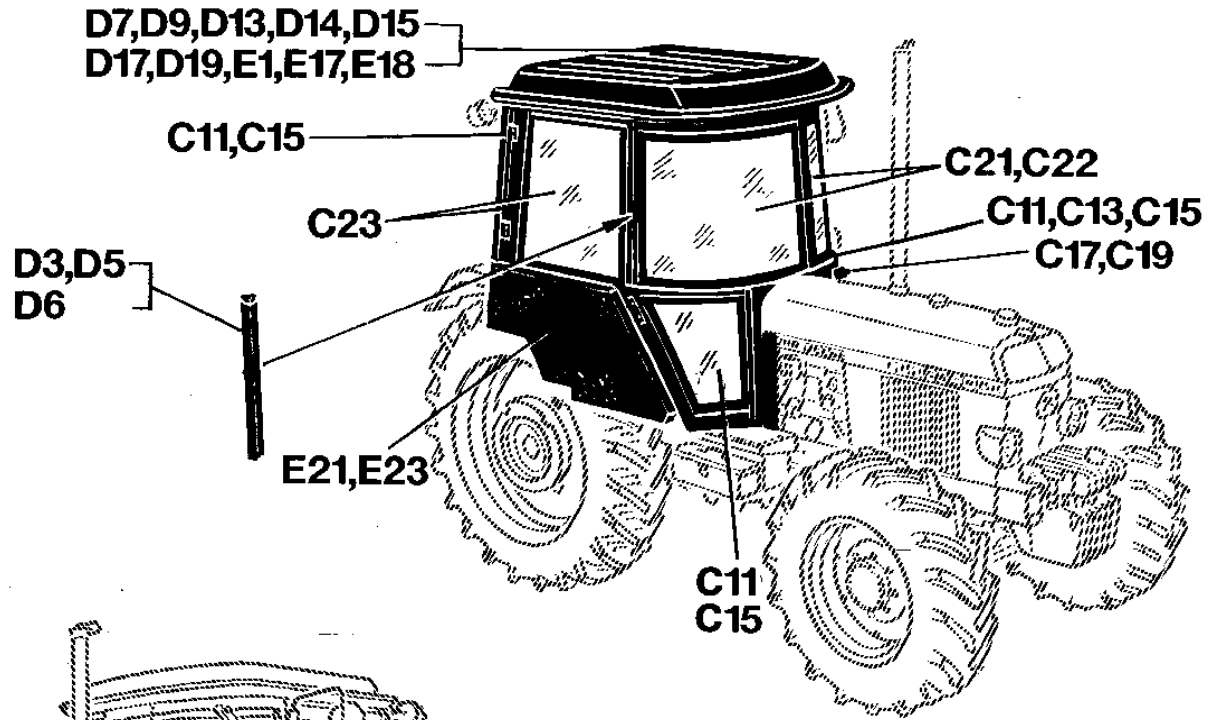
7C6

SG2 CAB

XX
XX
XX
XX
XX
XX
XX
XX
XX
XX

SECTIONAL INDEX
INDEX DE SECTION
GRUPPENINDEX
INDICE DELLA SEZIONE
INDICE DE GRUPOS
GRUPPSFORTECKNING

LX011468 -UN-14JUL95



LX011468

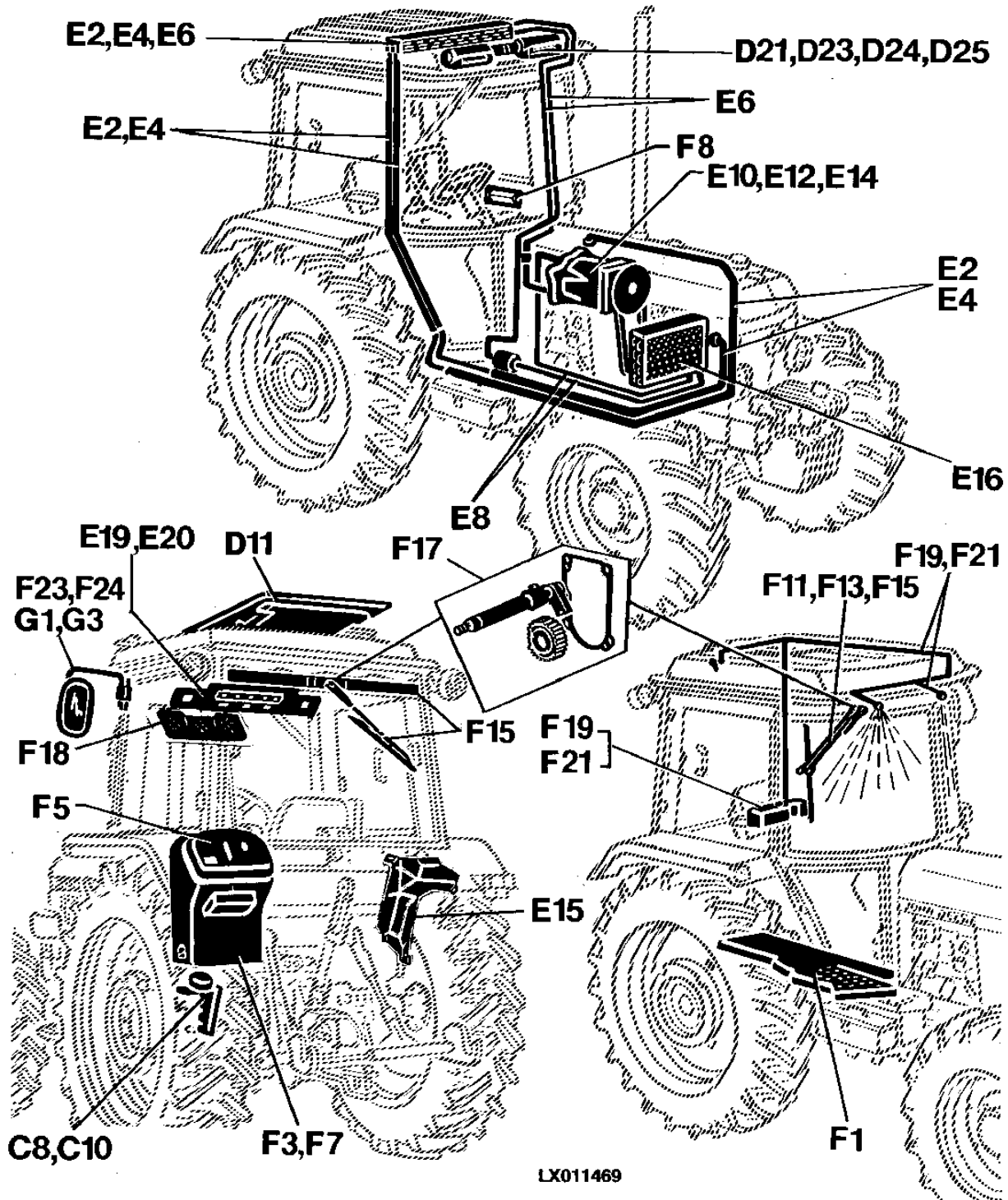
7C7

SG2 CAB

XX
XX
XX
XX
XX
XX
XX
XX
XX
XX

SECTIONAL INDEX
INDEX DE SECTION
GRUPPENINDEX
INDICE DELLA SEZIONE
INDICE DE GRUPOS
GRUPPSFORTECKNING

LX011469 -UN-14JUL95

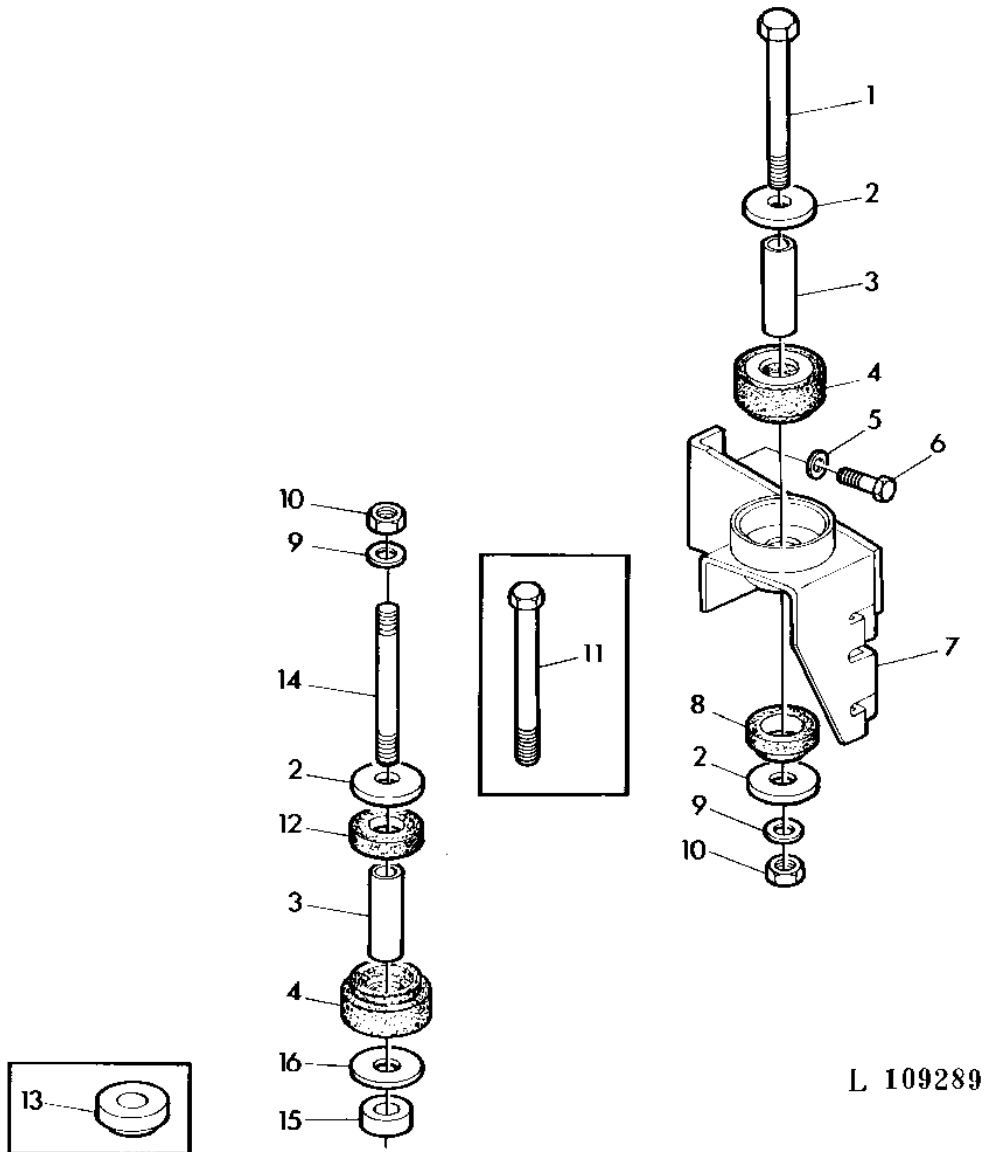


LX011469

7C8

SG2 CAB

SUPPORT BRACKET (WITH SG2 CAB)
PALIER (AVEC CABINE SG2)
ANBAULAGER (BEI SG2 KABINE)
SOPPORTO DI MONTAGGIO (CON CABINA SG2)
SOPORTE DE MONTAJE (CON CABINA SG2)
HYTTFASTE (VID SG2 HYTT)
L109289 -UN-17JUL95



L 109289

7C9

SG2 CAB

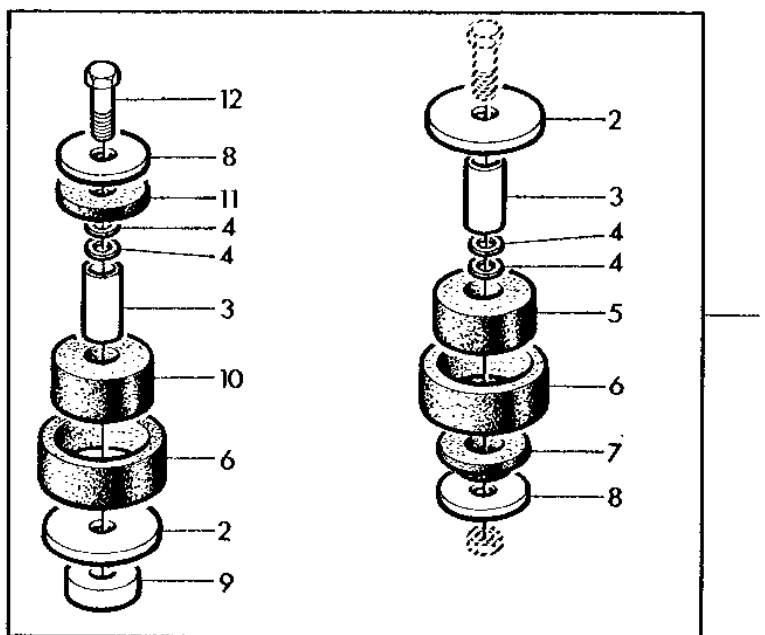
KEY	PART NO.	PART NAME	QTY	SERIAL NO.	REMARKS
					2
					1 2 0
					6 0 4
					4 4 0
					0 0 S
1	R54745	SELF-LOCKING SCREW	2		X X X
2	L41918	WASHER	6		X X X (SUB FOR R68789)
3	R66373	SLEEVE	4		X X X
4	R109476	RUBBER MOUNT	4		X X X (SUB FOR R65624)
5	R42363	WASHER	4		X X X
6	19H1756	CAP SCREW	4		X X X 5/8"X1-1/2"
7	AL63275	BRACKET	1		X X X RH (SUB FOR AL34475, AL38198, AL62764)
	AR88622	BRACKET	1	-XXXXXX	X X X LH
	AL39538	BRACKET	1	XXXXXX-	X X X LH
8	R66374	RUBBER MOUNT	2		X X X
9	24H1392	WASHER	4		X X X 25/32"X1-3/8"X.120"
10	14H1058	NUT	4		X X X 3/4"
11	R58357	CAP SCREW	2		X X X REAR (ORD R79093, 14H1058, 24H1392)
12	R66375	RUBBER MOUNT	2		X X X REAR
13	R67723	SPACER	2		X X X REAR (ORD L55017, L41918)
14	R79093	STUD	2		X X X (SUB FOR R77076)
15	L55017	BUSHING	2		X X X
16	L41918	WASHER	2		X X X

7C10

SG2 CAB

SUPPORT BRACKET ANTI-VIBRATION KIT (WITH SG2 KAB)
 PALIERS DU JEU ANTIVIBRATIONS (AVEC CABINE SG2)
 ANBAULAGER ANTI-VIBRATIONS UMRUESTSATZ (BEI SG2 KABINE)
 KIT CONVERSIONE SUPPORTI ANTI-VIBRAZIONE (CON CABINA SG2)
 JUEGO DEIMODIFICACION - AMORTIGUADOR DE CABINA SG2
 OMBYGGNADSSATS FOR ANTI-VIBRATIONS HYTTFASTENA (VID SG2 HYTT)

L112898 -UN-01JAN94



L 112898

2
1 2 0
6 0 4
4 4 0
0 0 S

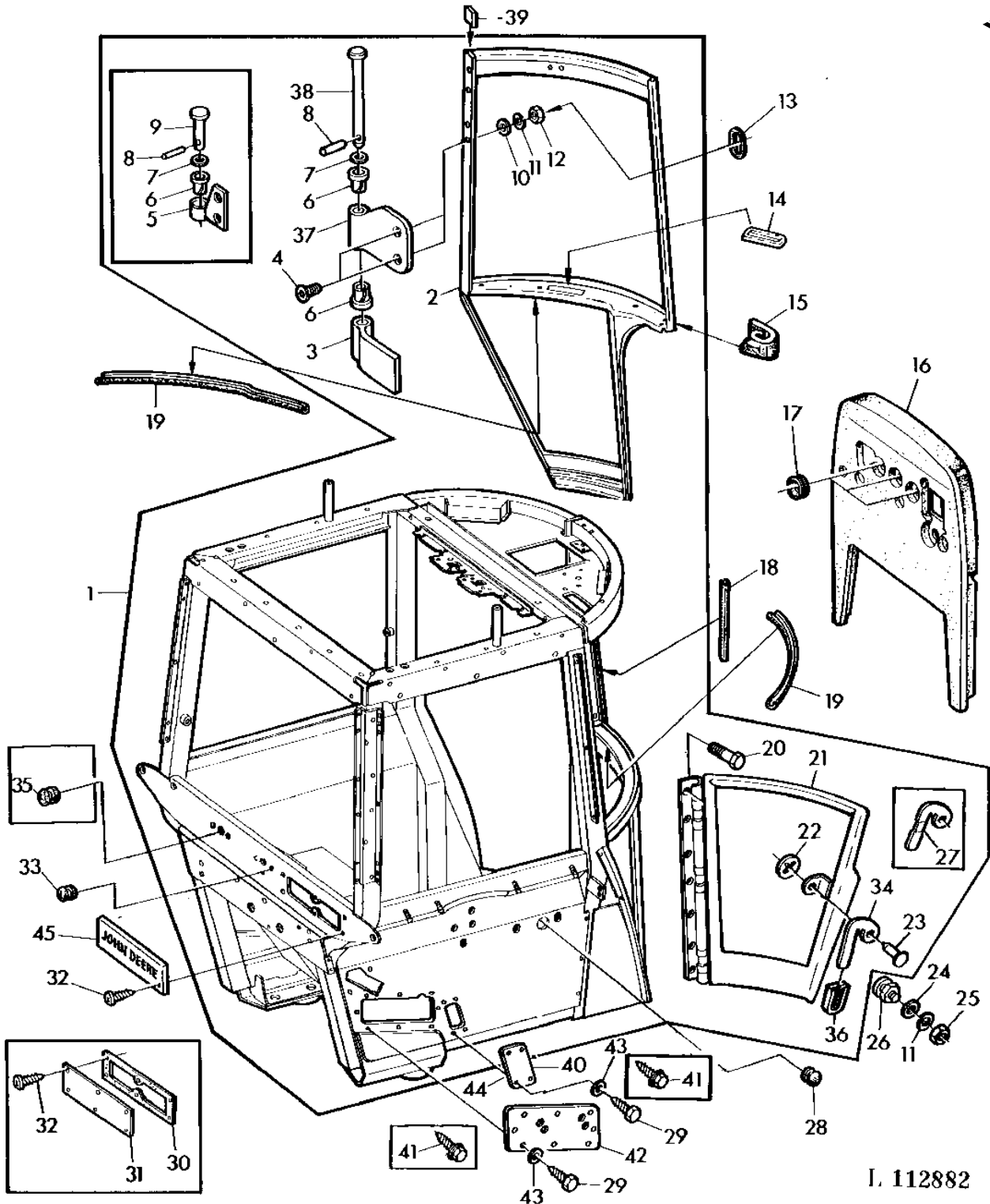
KEY	PART NO.	PART NAME	QTY	SERIAL NO.	REMARKS
1	AL62168	SOUND-GARD BODY	1	X X X	
2	L56978	WASHER	4	X X X	
3	R66373	SLEEVE	4	X X X	
4	L58124	WASHER	8	X X X	
5	L56975	BUSHING	2	X X X	
6	L56977	BUSHING	4	X X X	
7	R66374	RUBBER MOUNT	2	X X X	
8	L41918	WASHER	4	X X X	
9	L55017	BUSHING	2	X X X	
10	L56976	BUSHING	2	X X X	
11	R66375	RUBBER MOUNT	2	X X X	
12	R58357	CAP SCREW	2	X X X	

MEMORANDA
MEMORANDA
MEMORANDA
MEMORANDA
MEMORANDA

7C11

SG2 CAB

SG2 CAB - FRAME
CADRE CABINE SG2
SG2 KABINE-RAHMEN
TELAIO CABINA SG2
BASTIDOR CABINA SG2
SG2 HYTT RAM
L112882 -UN-17JUL95



7C12

SG2 CAB

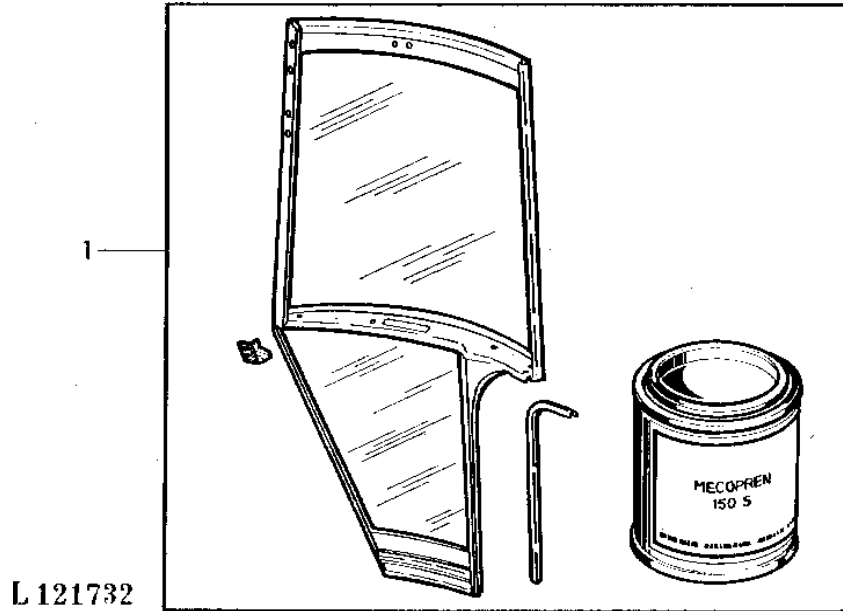
KEY	PART NO.	PART NAME	QTY	SERIAL NO.	REMARKS
					2
					1 2 0
					6 0 4
					4 4 0
					0 0 S
1	AL56233 CG20556	FRAME FRAME	1 1	-515546	(A) (ORD W/ L56734, AL67848) (ORD CG20688, AL38844, AL38846, (2) L40872, AL67848)
	CG20688	CAB	1	515547-	(ORD W/ L56734, AL67848)
2	AR103010	DOOR	1		
3	L40393	HINGE	2		(SUB FOR AR77445)
4	L40409	SCREW	4	-583999	(ORD 19M8361, 14M7273)
	19M8361	SCREW	4	584000-	M8X25
5	AR89198	HINGE	2		
6	R65570	BUSHING	AR		
7	24H1302	WASHER	2		13/32"X11/16"X.036"
8	25M7022	GROOVE PIN	2		3X12MM
9	L38505	PIN	2		
10	L40688	WASHER	4		(SUB FOR 24M7024 APPL)
11	12M7056	LOCK WASHER	5		
12	14H785	NUT	4	-583999	5/16"
	14M7273	NUT	4	584000-	M8
13	R68461	PLUG	2		
14	L55208	GROMMET	1		(SUB FOR R20759)
15	L37980	GUARD	1	-451999	
16	AR97883	INSULATOR	1		(ORD AL62769, (2) 16M7100)
17	L38053	GROMMET	3		
18	AR93828	MOLDING	1		
19	L38587	MOLDING	2		
20	37M7063	SCREW	7		4.2X9.5MM (SUB FOR R52708)
21	AR103009	DOOR	1		(SUB FOR AR80764)
22	R70235	RETAINER	1		
23	16M7092	RIVET	1		8X12MM (SUB FOR 16H1071 APPL)
24	24M7298	WASHER	1		8.4X25X2MM
25	14H611	NUT	1		5/16"
26	R77019	SCREW	1		(SUB FOR R52948)
27	R52942	LATCH	1		(ORD L57021, L55210)
28	L41256	PLUG	1		(SUB FOR R52233)
29	37M7109	SCREW	12		6.3X16MM
30	R50470	GASKET	1		
31	R50469	COVER	1		
32	37M7116	SCREW	AR		M8X20 (SUB FOR 37H27 APPL)
33	L31349	PLUG	3		
34	L57021	LATCH	1		
35	L39642	PLUG	1		
36	L55210	GRIP	1		
37	L40391	HINGE	2		
38	L40286	PIN	2		
39	FOAM PAD	1		(ORD R28123)
	R28123	FOAM PAD	1		KIT, LGTH= 1956MM (77")
40	L40522	COVER	1	-538321	
	L42020	COVER	1	538322-	
41	37M7076	SCREW	12		6.3X16MM (ORD 37M7109, 24M7251)
42	L39277	COVER	1		
43	24M7251	WASHER	12		6.4X18MM
44	L42019	GASKET	1	538322-	
45	L55207	COVER	1		

(A) WITH LOW PROFILE CAB
 AVEC TOIT PLAT
 MIT FLACHDACH
 CABINA CON TETTO BASSO
 CABINA CON TECHO BAJO
 FORARHYTT VID LAGPROFIL

7C13

SG2 CAB

DOOR LH (WITH SG2 CAB)
 PORTE GAUCHE (AVEC CABINE SG2)
 LINKE TUER (BEI SG2 KABINE)
 SPORTELLO SINISTRO (CON CABINA SG2)
 PUERTA IZQUIERDA (CON CABINA SG2)
 VANSTER DORR (VID SG2 FORARHYTT)
 L121732 -UN-01JAN94



L 121732

2
 1 2 0
 6 0 4
 4 4 0
 0 0 S

KEY	PART NO.	PART NAME	QTY	SERIAL NO.	REMARKS
1	AL63256	SOUND-GARD BODY	1	X X X (A)	
	AL63260	SOUND-GARD BODY	1	X X X (B)	
	AL63258	SOUND-GARD BODY	1	X X X (C)	

(A) LAMINAT.SAFETY GLASS,TINTED
 VERRE FEUILLETE TEINTE SEC.
 VERBUNDSICHERHEITSGL.GETOENT
 CRISTALLO SICUR.LAMIN.TINTO
 CRISTAL SEGUR.LAMINADO TINTO
 FARGAT FORBUND.SAKERHETSGL.

(B) SAFETY GLASS,CLEAR
 VERRE CLAIR SEC.
 SICHERHEITSGLAS KLAR
 CRISTALLO SICUR.CHIARO
 CRISTAL DE SEGURIDAD CLARO
 KLAR SAKERHETSGLAS

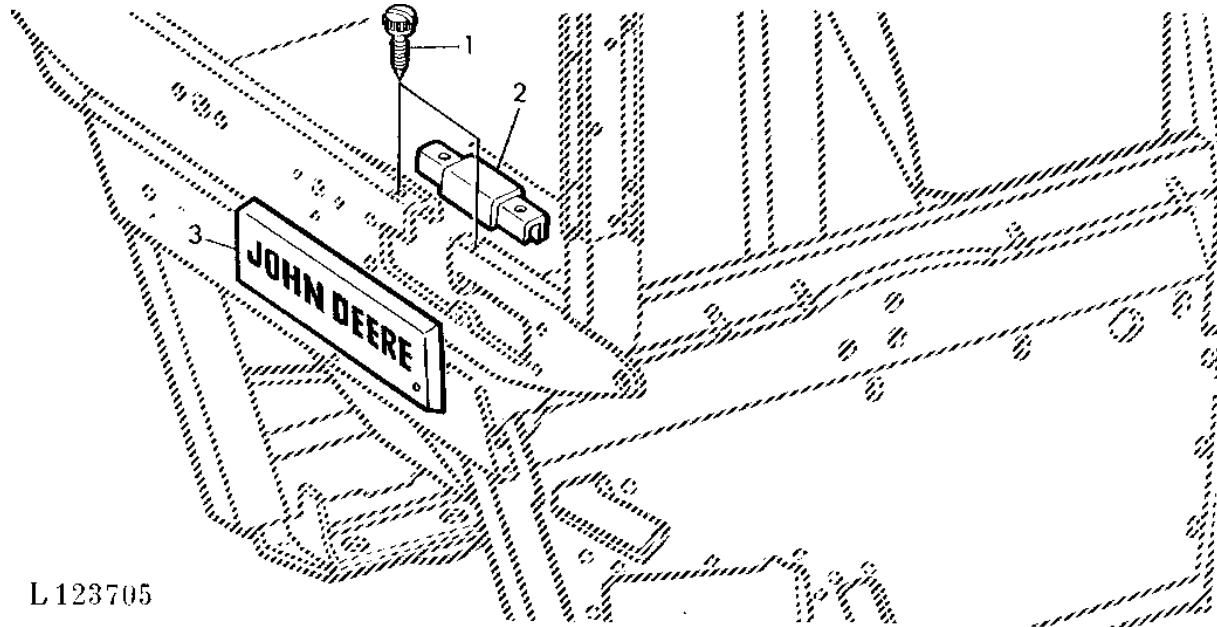
(C) SAFETY GLASS,TINTED
 VERRE TEINTE SEC.
 SICHERHEITSGLAS GETOENT
 CRISTALLO SICUR.TINTO
 CRISTAL DE SEGURIDAD TINTO
 FARGAT SAKERHETSGLAS

7C14

SG2 CAB

INDIVIDUAL PARTS-FIELD KIT FOR REMOTE CYLINDER LINES
 JEU D'ADAPTATION - PASSAGE DES CONDUITES DU VERIN DE COMMANDE A DISTANCE
 EINZELTEILE-UMBAUSATZ LEITUNGSVERLEGUNG FERNSTEUERZYLINDER
 PARTI TRASFORMAZIONE PER TUBI DEL CILINDRO A DISTANZA
 PIEZAS CONJUNTO DE MODIF. PARA CONDUCTOS DEL CILINDRO REMOTO
 OMBYGGNADSEDLAR FOR FJARRCYLINDERLEDNINGAR

L123705 -UN-01JAN94



L123705

2
1 2 0
6 0 4
4 4 0
0 0 S

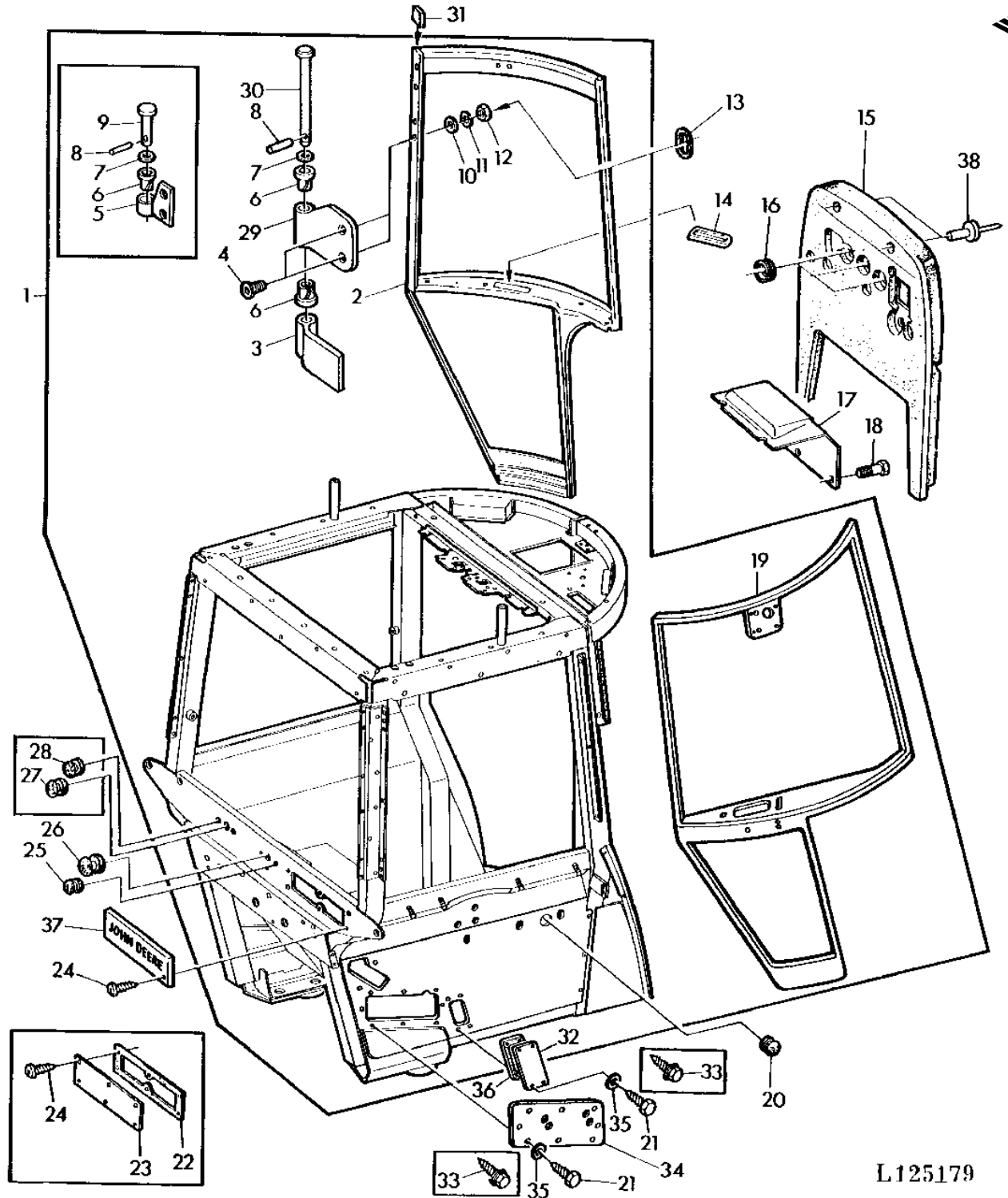
KEY	PART NO.	PART NAME	QTY	SERIAL NO.	REMARKS
1	L59175	KNURLED THUMB SCREW	2	X X X	
2	AL64874	PANEL	1	X X X	
3	L55207	COVER	1	X X X	

7C15

SG2 CAB

SG2 CAB FRAME WITH LEFT AND RIGHT-HAND DOORS
CADRE CABINE SG2 AVEC PORTES GAUCHE ET DROITE
SG2 KABINE-RAHMEN MIT TUEREN LINKS UND RECHTS
TELAIO CABINA SG2 CON SPORTELLI SULLA DESTRA E SINISTRA
BASTIDOR CABINA SG2 CON PUERTAS DERECHA E IZQUIERDA
SG2 HYTT RAM MED VANSTER OCH HOGER DORR

L125179 -UN-18JUL95



L125179

7C16

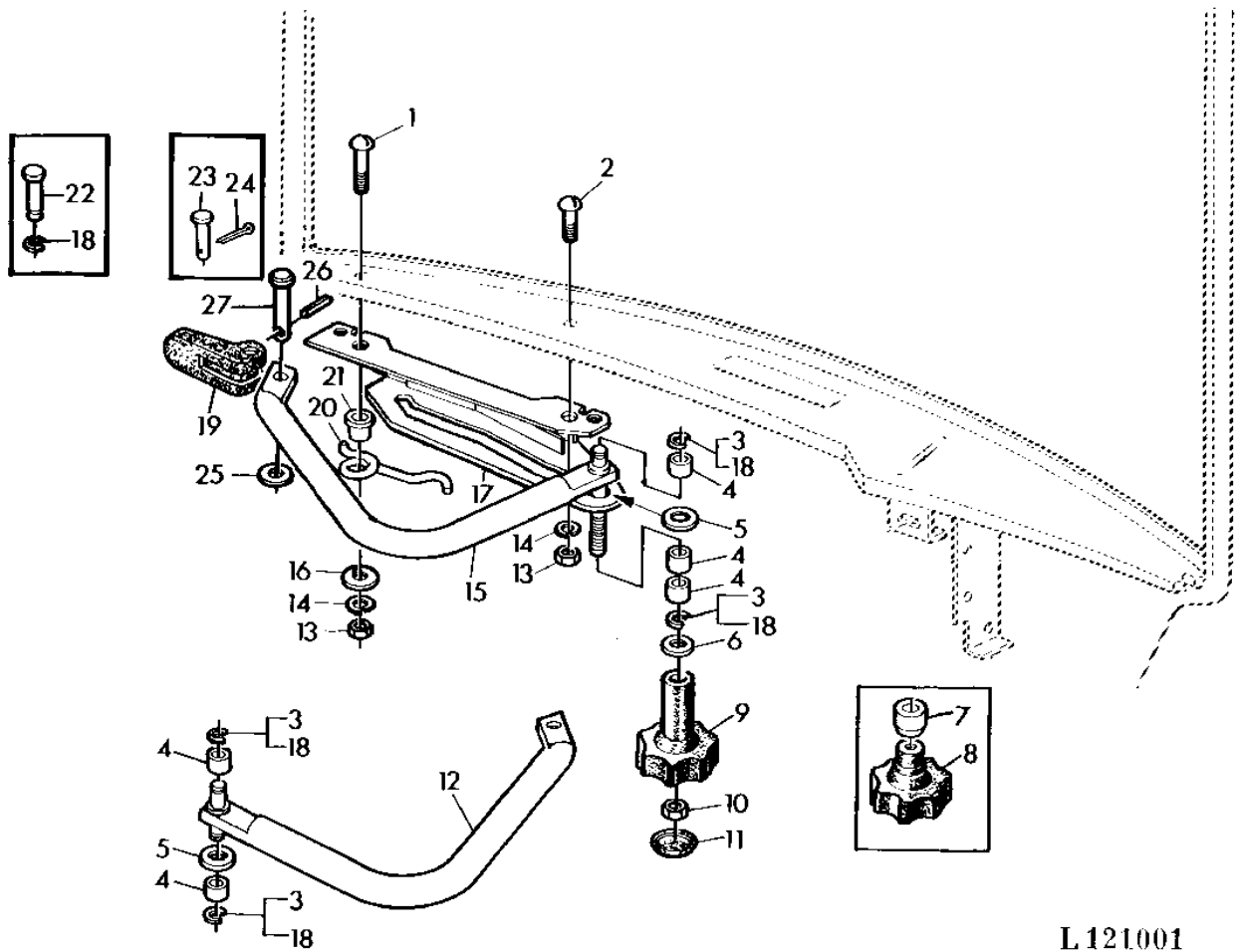
SG2 CAB

KEY	PART NO.	PART NAME	QTY	SERIAL NO.		REMARKS
					2	
					1 2 0	
					6 0 4	
					4 4 0	
					0 0 S	
1	CG20560	FRAME	1	-515546	X X X	(ORD CG20696, AL38844, AL38846, (2) L40872, AL67848)
	CG20696	FRAME	1	515547-	X X X	(ORD W/ L56734, AL67848)
2	AR103010	DOOR	1		X X X	
3	L40393	HINGE	4		X X X	(SUB FOR AR77445)
4	L40409	SCREW	8	-583999	X X X	(ORD 19M8361, 14M7273)
	19M8361	SCREW	4	584000-	X X X	M8X25
5	AR93643	HINGE	2		X X X	RH
	AR89198	HINGE	2		X X X	LH
6	R65570	BUSHING	AR		X X X	
7	24H1302	WASHER	4		X X X	13/32"X11/16"X.036"
8	25M7022	GROOVE PIN	4		X X X	3X12MM
9	L38505	PIN	4		X X X	
10	L40688	WASHER	8		X X X	(SUB FOR 24M7024 APPL)
11	12M7056	LOCK WASHER	8		X X X	
12	14H785	NUT	8	-583999	X X X	5/16"
	14M7273	NUT	4	584000-	X X X	M8
13	R68461	PLUG	4		X X X	
14	L55208	GROMMET	2		X X X	(SUB FOR R20759)
15	AR97883	INSULATOR	1		X X X	(ORD AL62769, (2) 16M7100)
	AL62769	INSULATOR	1		X X X	
16	L38053	GROMMET	3		X X X	
17	R63839	COVER	1		X X X	
18	R52937	CAP SCREW	5		X X X	
19	AR93415	DOOR	1		X X X	
20	L41256	PLUG	1		X X X	(SUB FOR R52233)
21	37M7109	SCREW	12		X X X	6.3X16MM
22	R50470	GASKET	1		X X X	
23	R50469	COVER	1		X X X	
24	37M7116	SCREW	AR		X X X	M8X20 (SUB FOR 37H27 APPL)
25	L31349	PLUG	3		X X X	
26	99M7009	PLUG	1		X X X	14.5MM
27	L39642	PLUG	1		X X X	
28	99M7016	PLUG	2		X X X	9MM
29	L40392	HINGE	2		X X X	RH
	L40391	HINGE	2		X X X	LH
30	L40286	PIN	4		X X X	
31	FOAM PAD	1		X X X	(ORD R28123)
32	L40522	COVER	1	-538321	X X X	
	L42020	COVER	1	538322-	X X X	
33	37M7076	SCREW	12		X X X	6.3X16MM (ORD 37M7109, 24M7251)
34	L39277	COVER	1		X X X	
35	24M7251	WASHER	12		X X X	6.4X18MM
36	L42019	GASKET	1	538322-	X X X	
37	L55207	COVER	1		X X X	
38	16M7100	RIVET	2		X X X	
..	R28123	FOAM PAD	1		X X X	KIT, LGTH= 1956MM (77")

7C17

SG2 CAB

DOOR HANDLES (WITH SG2 CAB)
POIGNEES DE PORTE (AVEC CABINE SG2)
TUERGRIFFE (BEI SG2 KABINE)
MANIGLIE DELLA PORTA (CON CABINA SG2)
PUNOS DE LA PUERTA (CON CABINA SG2)
DORRHANDTAG (VID SG2 HYTT)
L121001 -UN-18JUL95



L 121001

7C18

SG2 CAB

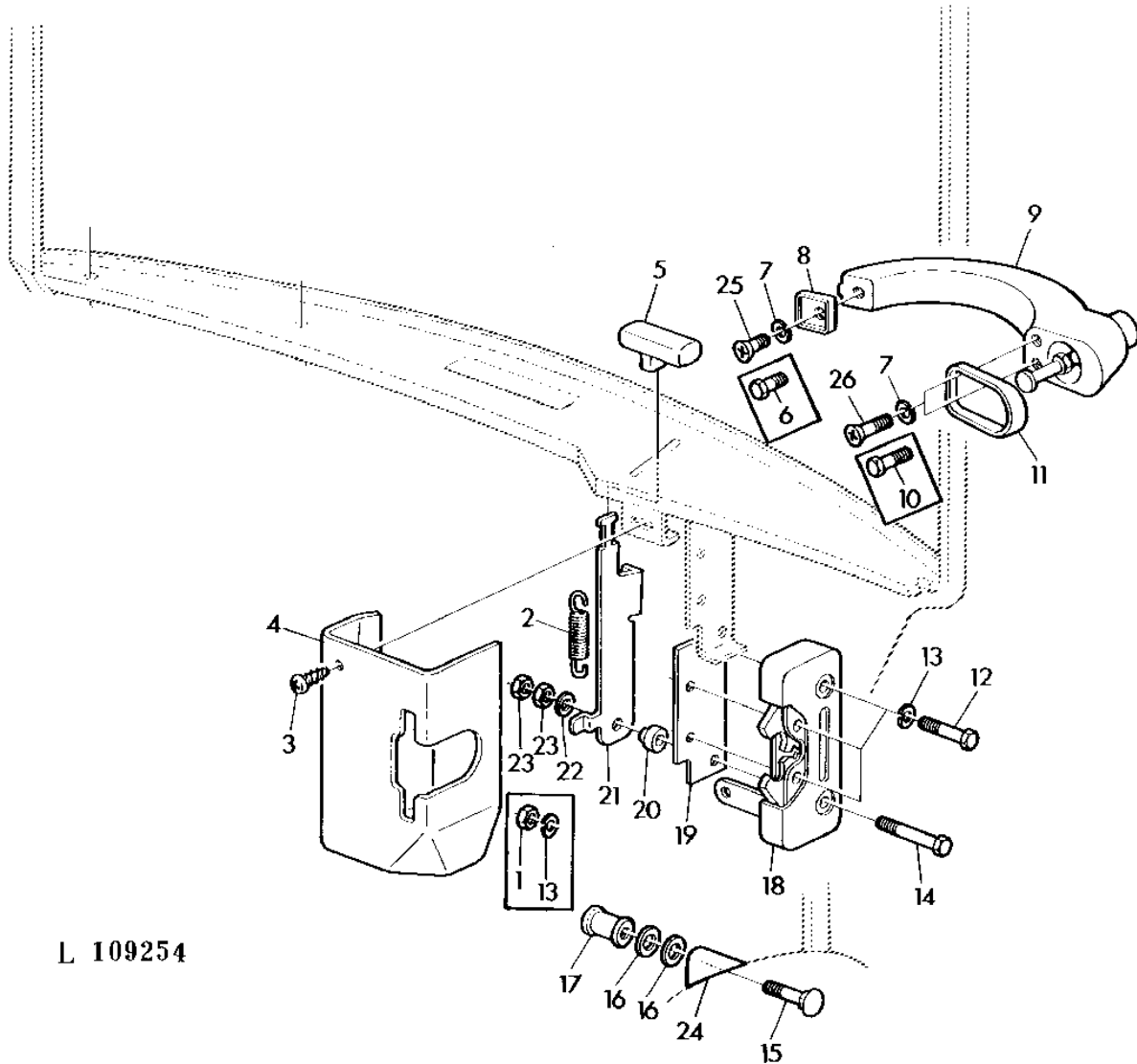
KEY	PART NO.	PART NAME	QTY	SERIAL NO.	REMARKS
					2
					1 2 0
					6 0 4
					4 4 0
					0 0 S
1	R54697	GANG BOLT	1		X X X
2	R54798	GANG BOLT	1		X X X
3	R26386	SNAP RING	AR	-520481	X X X
4	R52516	BUSHING	AR		X X X
5	24H1789	WASHER	2		X X X 17/32"X1-1/4"X.105"
6	L39806	WASHER	1		X X X (SUB FOR L38246) (ORD 24H1789)
7	L38248	BUSHING	1	-500942	X X X (ORD L40962)
8	L38249	GRIP	1	-500942	X X X (ORD L40962)
9	L40962	GRIP	1	500943-	X X X
10	14M7327	LOCK NUT	1		X X X M8
11	L31727	COVER	1		X X X
12	AR101139	BAR	1	-520481	X X X (A) RH (ORD AL39454, (2) 40M7040)
	AL39454	ROD	1	520482-	X X X (A) RH
13	R53671	WELD NUT	2		X X X
14	12M7056	LOCK WASHER	2		X X X
15	AL35927	ROD	1	-520481	X X X LH (ORD AL39455, (2) 40M7040)
	AL39455	ROD	1	520482-	X X X LH
16	24H1822	WASHER	1		X X X 11/32"X7/8"
17	AR101141	STOP	1		X X X
	AR101140	STOP	1		X X X (A)
18	40M7040	SNAP RING	AR		X X X (SUB FOR M2396T, R72653 APPL)
19	L38550	GUARD	1		X X X
20	R62636	SPRING	1		X X X
	R62638	SPRING	1		X X X (A)
21	R62635	SLEEVE	1		X X X
22	L39532	PIN	1		X X X (ORD L59956, 34M7091, 24M7055)
23	R52107	PIN	1		X X X (ORD L59956, 34M7091, 24M7055)
24	11H231	COTTER PIN	1		X X X 1/16"X1" (ORD L59956, 34M7091, 24M7055)
25	24M7055	WASHER	1		X X X 8.4X17X1.6MM
26	34M7091	SPRING PIN	1		X X X 3.5X16MM
27	L59956	PIN	1		X X X

(A) WITH DOOR,RIGHT HAND
 AVEC PORTE A DROITE
 BEI TUER RECHTS
 CON SPORTELLA A DESTRA
 CON PUERTA DERECHA
 VID HOGER DORR

7C19

SG2 CAB

LATCH (WITH SG2 CAB)
LOQUET (AVEC CABINE SG2)
KLINKE (BEI SG2 KABINE)
ARRESTO (CON CABINA SG2)
PICAPORTE (CON CABINA SG2)
DORRVRED (VID SG2 HYTT)
L109254 -UN-17JUL95



L 109254

7C20

SG2 CAB

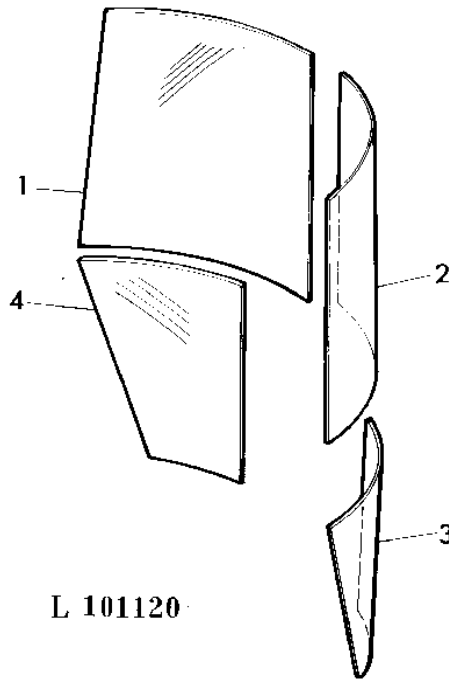
KEY	PART NO.	PART NAME	QTY	SERIAL NO.		REMARKS
					2	
					1 2 0	
					6 0 4	
					4 4 0	
					0 0 S	
1	14H786	NUT	1	-520481	X X X	1/4"
2	R31877	SPRING	1		X X X	
3	37M7063	SCREW	2		X X X	4.2X9.5MM (SUB FOR R52708 APPL)
4	R70273	COVER	1		X X X	
	R72323	COVER	1		X X X	(A)
5	L59614	KNOB	1		X X X	(SUB FOR R70271)
6	19M6614	CAP SCREW	1		X X X	M6X12
7	12H302	LOCK WASHER	3		X X X	1/4" (ORD 12H297)
8	R70275	SPACER	1		X X X	
9	AL55143	HANDLE	1		X X X	(SUB FOR AR91895)
10	19M7077	CAP SCREW	2		X X X	M6X20
11	R70274	SPACER	1		X X X	
12	19H1791	CAP SCREW	3		X X X	1/4"X1-1/4"
13	12H297	LOCK WASHER	AR		X X X	1/4"
14	19H1738	CAP SCREW	1		X X X	1/4"X2"
15	03M7191	BOLT	1		X X X	10X25MM
16	24H1308	WASHER	2		X X X	(SUB FOR 24H1254 APPL)
17	R74402	STRAP	1		X X X	
18	AR91893	LATCH	1		X X X	
	AR92006	LATCH	1		X X X	(A)
19	R70269	PLATE	1		X X X	
20	R70272	SPACER	1		X X X	
21	R70270	HANDLE	1		X X X	
	R72322	HANDLE	1		X X X	(A)
22	24H1287	WASHER	1		X X X	9/32"X5/8"
23	14H850	NUT	2	520482-	X X X	1/4"
24	L40440	SUPPORT	1		X X X	
25	21M7285	SCREW	1		X X X	M6X12
26	21M7267	SCREW	2		X X X	M6X20

(A) WITH DOOR,RIGHT HAND
 AVEC PORTE A DROITE
 BEI TUER RECHTS
 CON SPORTELLA A DESTRA
 CON PUERTA DERECHA
 VID HOGER DORR

7C21

SG2 CAB

FRONT WINDSHIELDS (WITH SG2 CAB)
 VITRES AVANT (AVEC CABINE SG2)
 FRONTSCHIEBEN (BEI SG2 KABINE)
 PARABREZZE (CON CABINA SG2)
 PARABRISAS (CON CABINA SG2)
 FRAMRE VINDRUTOR (VID SG2 HYTT)
 L101120 -UN-07JUN95



L 101120

2
 1 2 0
 6 0 4
 4 4 0
 0 0 S

KEY	PART NO.	PART NAME	QTY	SERIAL NO.	REMARKS
1	L30620	WINDOWPANE	1	X X X	(A)
	L39250	WINDOWPANE	1	X X X	(B)
	R50755	WINDOWPANE	1	X X X	(C)
2	L30621	WINDOWPANE	1	X X X	(A)
	L39248	WINDOWPANE	1	X X X	(B)
	R50753	WINDOWPANE	1	X X X	(C)
3	L31702	WINDOWPANE	1	X X X	(A) (ORD L62576)
	L62574	WINDOWPANE	1	X X X	(B) (SUB FOR L39252)
	L62576	WINDOWPANE	1	X X X	(C) (SUB FOR R50754)
4	L31701	WINDOWPANE	1	X X X	(ORD L62577)
	L62575	WINDOWPANE	1	X X X	(B) (SUB FOR L39254)
	L62577	WINDOWPANE	1	X X X	(C) (SUB FOR R50756)

(A) LAMINAT.SAFETY GLASS, TINTED
 VERRE FEUILLETE TEINTE SEC.
 VERBUNDSICHERHEITSGL.GETOENT
 CRISTALLO SICUR.LAMIN.TINTO
 CRISTAL SEGUR.LAMINADO TINTO
 FARGAT FORBUND.SAKERHETSGL.

(B) SAFETY GLASS,CLEAR
 VERRE CLAIR SEC.
 SICHERHEITSGLAS KLAR
 CRISTALLO SICUR.CHIARO
 CRISTAL DE SEGURIDAD CLARO
 KLAR SAKERHETSGLAS

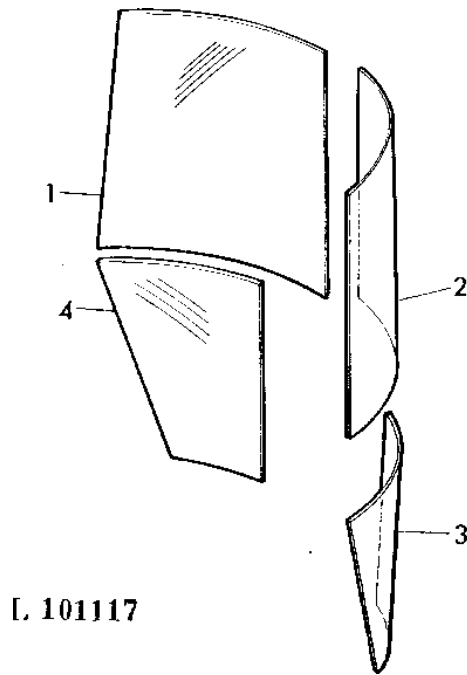
(C) SAFETY GLASS, TINTED
 VERRE TEINTE SEC.
 SICHERHEITSGLAS GETOENT
 CRISTALLO SICUR.TINTO
 CRISTAL DE SEGURIDAD TINTO
 FARGAT SAKERHETSGLAS

7C22

SG2 CAB

FRONT WINDSHIELDS WITH RIGHT-HAND DOOR (WITH SG2 CAB)
 VITRES AVANT SUR PORTE DROITE (AVEC CABINE SG2)
 FRONTSCHIEBEN BEI RECHTER TUER (BEI SG2 KABINE)
 PARABREZZE CON SPORTELLLO SULLA DESTRA (CON CABINA SG2)
 PARABRISAS CON PUERTA DERECHA (CON CABINA SG2)
 FRONTRUTOR VID HOGER DORR (VID SG2 HYTT)

L101117 -UN-01JAN94



L 101117

2
1 2 0
6 0 4
4 4 0
0 0 S

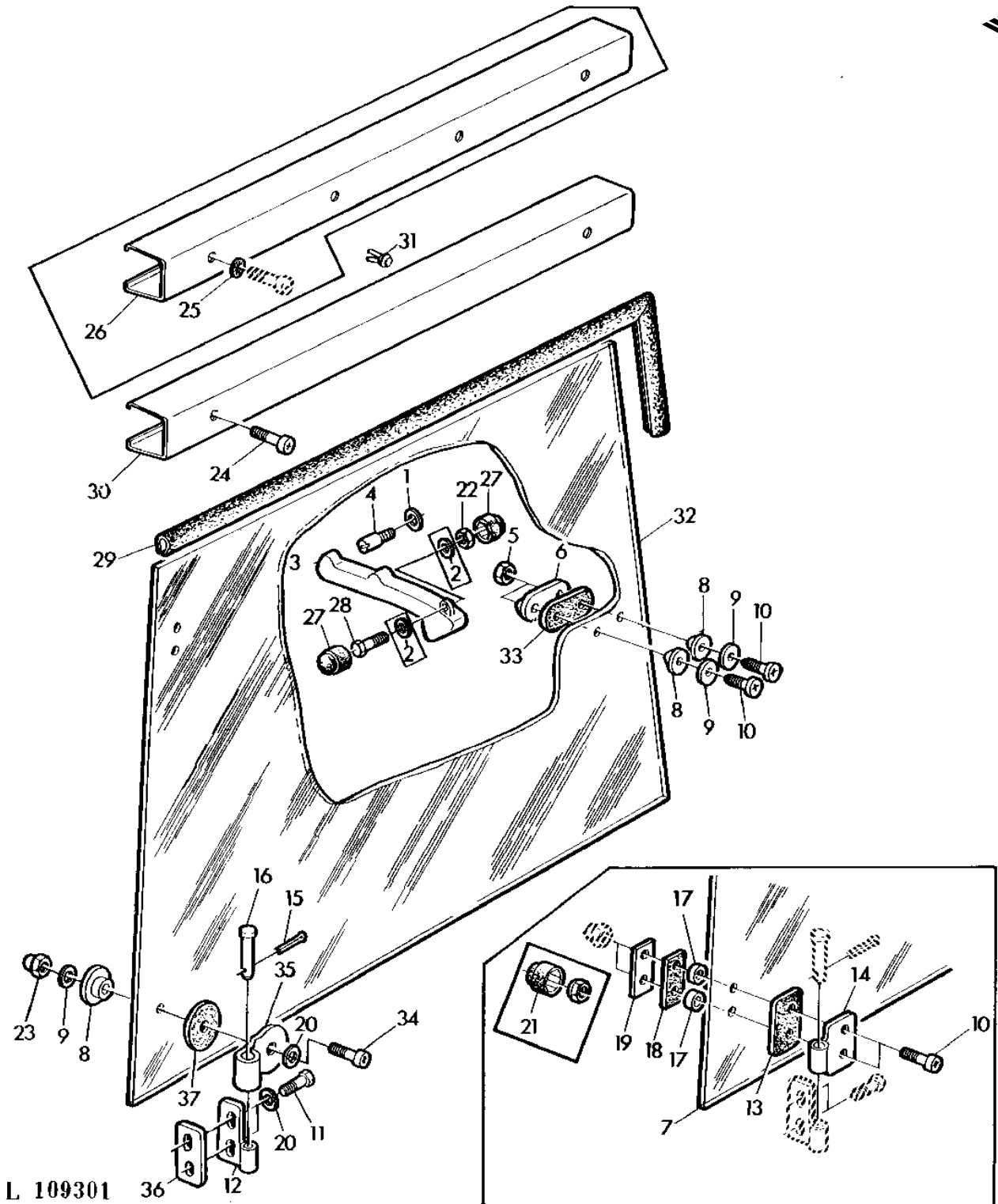
KEY	PART NO.	PART NAME	QTY	SERIAL NO.	REMARKS
1	L39250	WINDOWPANE	1	X X X	
2	L39240	WINDOWPANE	1	X X X	(ORD L57986, L56571)
	L57986	WINDOWPANE	1	X X X	
3	L62574	WINDOWPANE	1	X X X	(SUB FOR L39252)
4	L62575	WINDOWPANE	1	X X X	(SUB FOR L39254)

7C23

SG2 CAB

REAR FIXED SIDE SWING WINDOW (WITH SG2 CAB)
FENETRE LATÉRALE S'OUVRANT EN BLAIS VERS L'ARRIÈRE (AVEC SG2 CABINE)
AUSSTELLFENSTER SEITLICH, HINTEN ANGESCHLAGEN (BEI SG2 KABINE)
FINESTRINO LATÉRALE CON ARRESTO POSTERIORE (CON CABINA SG2)
VENTANA LATÉRAL CON TOPE POSTERIOR (CON CABINA SG2)
VENTILATIONS-SIDOFONSTER, BAKMONTERAT (VID SG2 HYTT)

L109301 -UN-17JUL95



L 109301 36

7C24

SG2 CAB

KEY	PART NO.	PART NAME	QTY	SERIAL NO.	REMARKS
					2 1 2 0 6 0 4 4 4 0 0 0 S
1	L39418	LOCK WASHER	2	X X X	
2	24M7055	WASHER	4	X X X	8.4MM
3	L38164	LATCH	1	X X X	LH
	L38163	LATCH	1	X X X	RH
4	L38167	STUD	2	X X X	
5	14M7272	NUT	4	X X X	M6
6	L38165	FOOTREST	2	X X X	
7	L38309	WINDOWPANE	2	X X X	(A) (ORD L55040, AL38327, (2) 21M7310, (2) L55162, (2) L55163, (2) L41882, (2) 24M7251)
	L39153	WINDOWPANE	2	X X X	(A) (C) (ORD L55038, AL38328, (2) L41882, (2) 24M7251)
	L39246	WINDOWPANE	2	X X X	(B) (ORD L55039, AL38327, (2) L41882, (2) 24M7251)
	L39289	WINDOWPANE	2	X X X	(B) (C) (ORD L55037, AL38328, (2) L41882, (2) 24M7251)
8	L55163	WASHER	8	X X X	(SUB FOR L37973)
9	L37975	LOCK WASHER	8	X X X	
10	21M7296	SCREW	AR	X X X	M6X20
11	19M7560	CAP SCREW	4	X X X	M6X16
12	L41883	HINGE	4	X X X	(SUB FOR AL36483)
13	L36599	STRAP	4	X X X	
14	AL36482	HINGE	4	X X X	
15	11M7009	COTTER PIN	4	X X X	
16	45M7053	PIN	4	X X X	
17	L36602	WASHER	8	X X X	
18	L36598	STRAP	4	X X X	
19	L36597	STRAP	4	X X X	
20	24M7251	WASHER	12	X X X	6.4MM
21	L33945	CAP	8	X X X	
22	14M7327	LOCK NUT	2	X X X	M8
23	14M7376	LOCK NUT	AR	X X X	M6 (SUB FOR 14M7329 APPL)
24	L39958	SCREW	4	X X X	
25	12H297	LOCK WASHER	8	X X X	1/4"
26	L36589	STRIP	2	X X X	(ORD L41716, (2) L39134)
27	L32394	CAP	4	X X X	
28	19M7298	CAP SCREW	2	X X X	M8X35
29	AL35803	WEATHERSTRIP	2	X X X	
30	L41716	SOUND-GARD BODY	2	X X X	
31	L39134	RIVET	4	X X X	
32	L57977	WINDOWPANE	2	X X X	(A) (SUB FOR L55040)
	L55038	WINDOWPANE	2	X X X	(A) (C)
	L57976	WINDOWPANE	2	X X X	(B) (SUB FOR L55039)
	L55037	WINDOWPANE	2	X X X	(B) (C)
33	L41421	GASKET	2	X X X	
34	21M7310	SCREW	4	X X X	M6X25
35	L41882	HINGE	4	X X X	
36	L41350	STRAP	2	X X X	
37	L55162	WASHER	4	X X X	

(A) TINTED
TEINTE
GETOENT
TINTO
TINTO
FARGAD

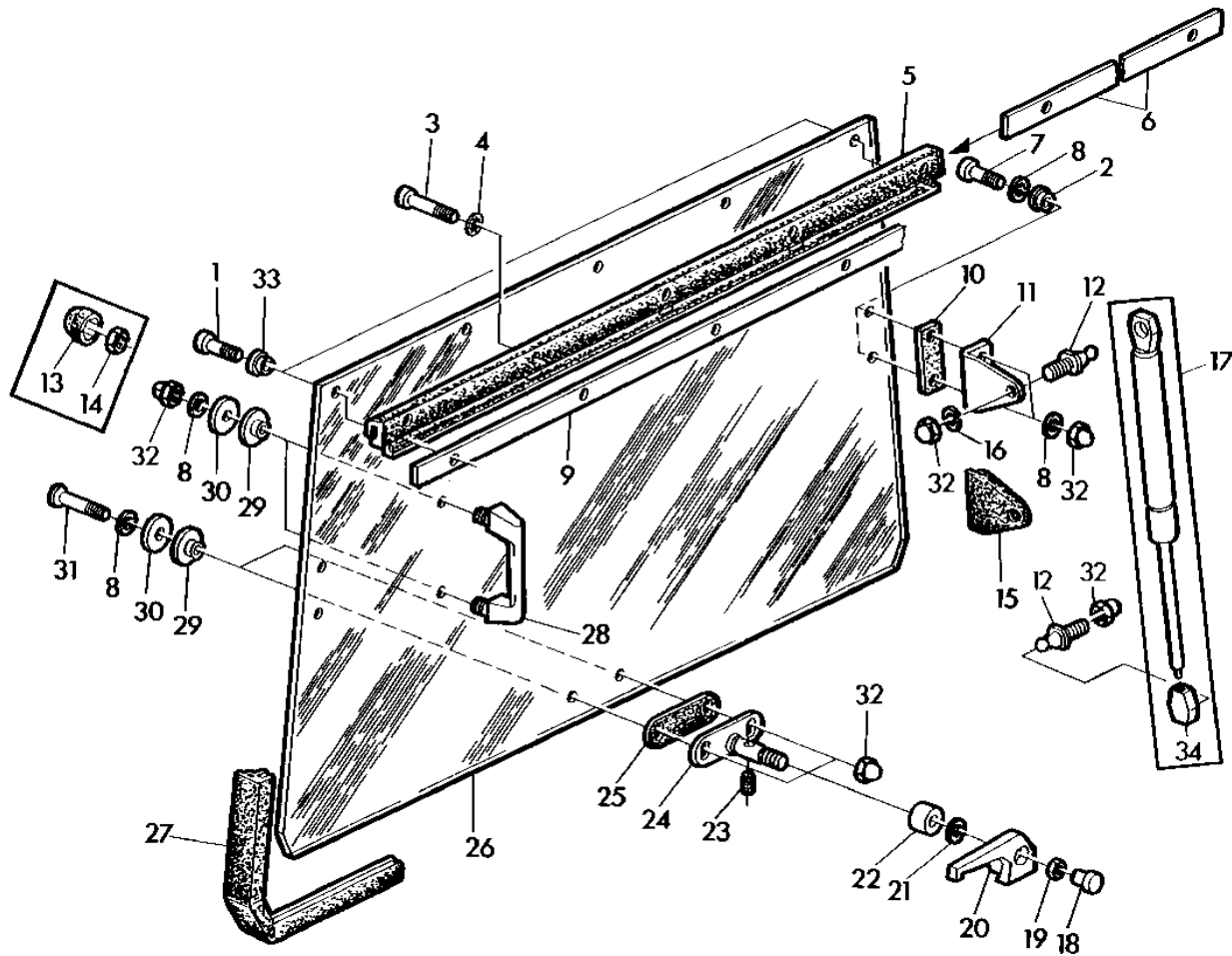
(B) CLEAR
CLAIR
KLAR
CHIARO
CLARO
KLAR

(C) WITH SNOW CHAIN FENDERS
AVEC AILES POUR CHATNE NEIGE
BEI SCHNEEKETTEN-KOTFLUEGEL
CON PARAFANG.DA CATENE NEVE
CON GUARDAB.CADENAS NIEVE
VID SKARMAR FOR SNOKEDJOR

7D1

SG2 CAB

REAR WINDOW (SWINGS OUT 90 DEGREES) (WITH SG2 CAB)
LUNETTE (INCLINABLE A 90 DEGRES) (AVEC CABINE SG2)
HECKFENSTER (90 GRAD AUSSTELLBAR) (BEI SG2 KABINE)
FINESTRINO POSTERIORE (INCLINABILE A 90 GRADIE) (CON CABINA SG2)
VENTANA TRASERA (INCLINANTE HASTA 90 GRADOS) (CON CABINA SG2)
BAKFONSTER (SKJUTAS UTAT 90 GRAD) (VID SG2 HYTT)
L112873 -UN-17JUL95



I. 112873

7D2

SG2 CAB

KEY	PART NO.	PART NAME	QTY	SERIAL NO.	REMARKS
					2
					1 2 0
					6 0 4
					4 4 0
					0 0 S
1	R50641	SCREW	5		X X X
2	R50642	WASHER	4		X X X
3	L39958	SCREW	4		X X X (SUB FOR R50639)
4	12H297	LOCK WASHER	4		X X X 1/4"
5	R71805	MOLDING	1		X X X
6	R50640	STRAP	1		X X X
7	21M7296	SCREW	4		X X X M6X20 (ORD 21M7310)
8	24M7251	WASHER	12		X X X 6.4MM
9	R50644	STRAP	1		X X X
10	L37972	STRAP	2		X X X
11	L37962	BRACKET	2		X X X
12	L36272	BALL STUD	4		X X X
13	L33945	CAP	14		X X X
14	14M7272	NUT	12		X X X M6 (ORD 14M7376)
15	L37974	COVER	2		X X X
16	24M7054	WASHER	4		X X X 6.4MM
17	AL66992	CYLINDER	2		X X X (SUB FOR AL35675)
18	99M7070	PLUG	1		X X X 10.5MM
19	14M7272	NUT	1		X X X M6
20	L38080	HANDLE	1		X X X
21	24M7252	WASHER	1		X X X 13MM
22	T27260	WASHER	1		X X X
23	34M7126	SPRING PIN	1		X X X 5X12MM (SUB FOR 21M7298 APPL)
24	AL35583	FULCRUM	1		X X X
25	L38083	STRAP	1		X X X
26	L36606	WINDOWPANE	1		X X X (A)
	L39247	WINDOWPANE	1		X X X (B)
27	AR86110	MOLDING	1		X X X
28	AL38567	HANDLE	1		X X X (SUB FOR AL35707)
29	L55163	WASHER	4		X X X (SUB FOR L37973)
30	L37975	LOCK WASHER	4		X X X
31	21M7310	SCREW	AR		X X X M6X25
32	14M7376	LOCK NUT	12		X X X M6
33	R78425	BUSHING	5		X X X
34	BALL JOINT SOCKET	1		X X X NSEP (ORD AL66992)

(A) TINTED
TEINTE
GETOENT
TINTO
TINTO
FARGAD

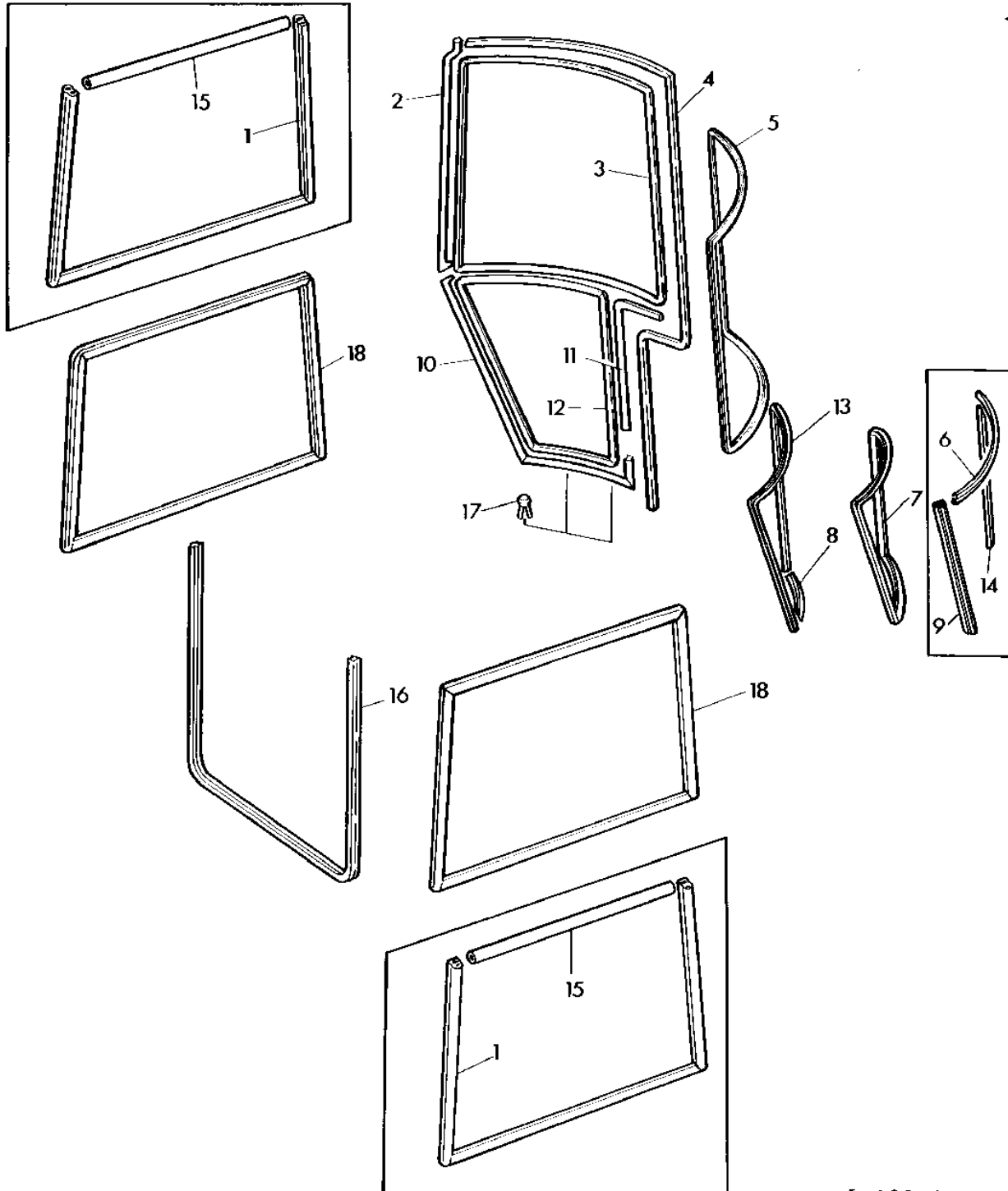
(B) CLEAR
CLAIR
KLAR
CHIARO
CLARO
KLAR

7D3

SG2 CAB

RUBBER SURROUNDS FOR WINDOW-LEFT HAND DOOR-SERVICE DOOR (WITH SG2 CAB)
GARNITURES FENETRES-PORTE GAUCHE-PORTE DE VISITE (AVEC CABINE SG2)
DICHTUNGEN FUER FENSTER-LINKE TUER-WARTUNGSTUER (BEI SG2 KABINE)
GUARNIZIONI DA FINESTRINI-SPORTELLLO S. SINISTRA-SPORT. SERVIZ. (CON CABINA SG2)
JUNTAS DE VENTANA-PUERTA IZQUIERDA-PUERTA DE SERVICIO (CON CABINA SG2)
TATNINGAR FOR FONSTER, HOGER DORR OCH NODDORR (VID SG2 HYTT)

L108241 -UN-17JUL95



L 108241

7D4

SG2 CAB

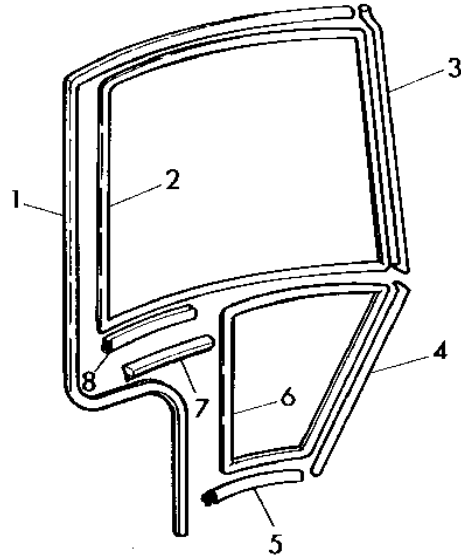
KEY	PART NO.	PART NAME	QTY	SERIAL NO.	REMARKS
					2 1 2 0 6 0 4 4 4 0 0 0 S
1	AR89830	SEAL	2		X X X (ORD AL38327, L41716, (2) L39134) (A) (ORD AL38328, L41716, (2) L39134)
2	AR85559	WEATHERSTRIP	1		X X X
3	R52114	WEATHERSTRIP	1		-XXXXXX X X X 2965MM (116-3/4")
	L40414	WEATHERSTRIP	1	XXXXXX-	X X X
4	AL38194	WEATHERSTRIP	1		X X X (SUB FOR AR85558)
5	R52112	WEATHERSTRIP	1		-XXXXXX X X X 3308MM (130-1/4")
	L40412	WEATHERSTRIP	1	XXXXXX-	X X X
6	R52951	ISOLATOR	1		X X X (ORD AL37406, L39579)
7	R52115	WEATHERSTRIP	1		-XXXXXX X X X 2110MM (83-1/16")
	L40415	WEATHERSTRIP	1	XXXXXX-	X X X
8	L39579	WEATHERSTRIP	1	452000-	X X X
9	R58341	BARRIER	1		X X X (ORD AL37406, L39579)
10	AR85560	WEATHERSTRIP	1		X X X
11	AR93828	MOLDING	1		X X X 756MM
12	R52113	WEATHERSTRIP	1		X X X 2110MM (83-1/16")
	L40413	WEATHERSTRIP	1	XXXXXX-	X X X
13	AL37406	WEATHERSTRIP	1	452000-	X X X
14	R52606	ISOLATOR	1		X X X (ORD AL37406, L39579)
15	L36603	WEATHERSTRIP	2		X X X (ORD AL38327, L41716, (2) L39134) (A) (ORD AL38328, L41716, (2) L39134)
16	AR86110	MOLDING	1		X X X
17	L39134	RIVET	3		X X X
18	AL38327	WEATHERSTRIP	2		X X X
	AL38328	WEATHERSTRIP	2		X X X (A)

(A) WITH SNOW CHAIN FENDERS
 AVEC AILES POUR CHATNE NEIGE
 BEI SCHNEEKETTEN-KOTFLUEGEL
 CON PARAFANG.DA CATENE NEVE
 CON GUARDAB.CADENAS NIEVE
 VID SKARMAR FOR SNOKEDJOR

7D5

SG2 CAB

RUBBER SURROUNDS-RIGHT HAND DOOR (WITH SG2 CAB)
 GARNITURES (PORTE DROITE) AVEC CABINE SG2
 TUERDICHTUNGEN (RECHTE TUER) BEI SG2 KABINE
 GUARNIZIONI PER SPORTELLI (SPORTELLLO SULLA DESTRA) CON CABINA SG2
 JUNTAS DE PUERTA (PUERTA DERECHA) CON CABINA SG2
 TATNINGAR FOR HOGER DORR (VID SG2 HYTT)
 L101111 -UN-07JUN95



L 101111

2
1 2 0
6 0 4
4 4 0
0 0 S

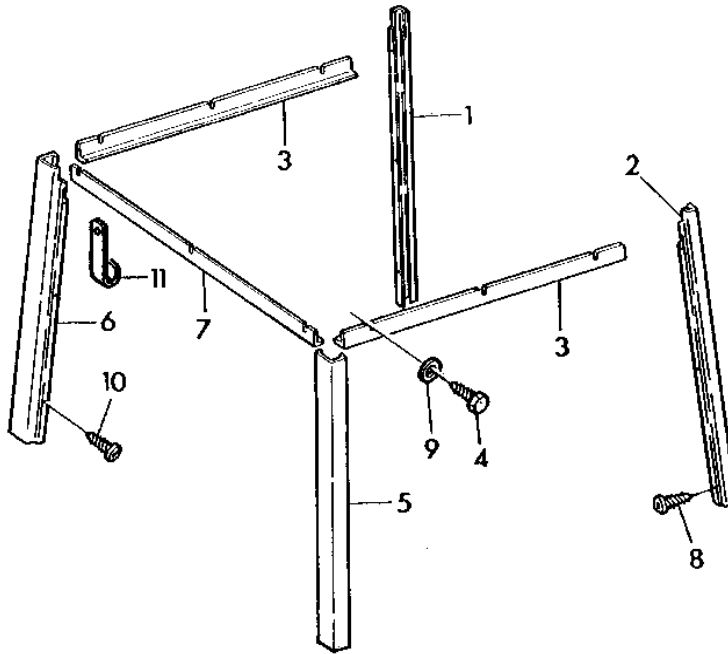
KEY	PART NO.	PART NAME	QTY	SERIAL NO.	REMARKS
1	R71338	ISOLATOR	1	-451999	X X X (ORD AL37298, L39579, L39530, L39223, AL37354)
	AL37298	WEATHERSTRIP	1	452000-	X X X
2	R71336	WEATHERSTRIP	1	-XXXXXX	X X X 3312MM
	L40416	WEATHERSTRIP	1	XXXXXX-	X X X
3	AR93852	WEATHERSTRIP	1		X X X
4	AR93853	WEATHERSTRIP	1	-451999	X X X (ORD AL37298, L39579, L39530, L39223, AL37354)
	AL37354	WEATHERSTRIP	1	452000-	X X X
5	L39579	WEATHERSTRIP	1	452000-	X X X
6	R52115	WEATHERSTRIP	1	-XXXXXX	X X X
	L40413	WEATHERSTRIP	1	XXXXXX-	X X X
7	L39223	WEATHERSTRIP	1	452000-	X X X
8	L39530	WEATHERSTRIP	1	452000-	X X X

7D6

SG2 CAB

FRAME STRIPS (WITH SG2 CAB)
 MOULURES (AVEC CABINE SG2)
 ABSCHLUSSLEISTEN (BEI SG2 KABINE)
 TELAI E SQUADRETTE (CON CABINA SG2)
 BASTIDORES Y MARCOS (CON CABINA SG2)
 PRYDNADSLISTER (VID SG2 HYTT)

L110807 -UN-01JAN94



L 110807

2
 1 2 0
 6 0 4
 4 4 0
 0 0 S

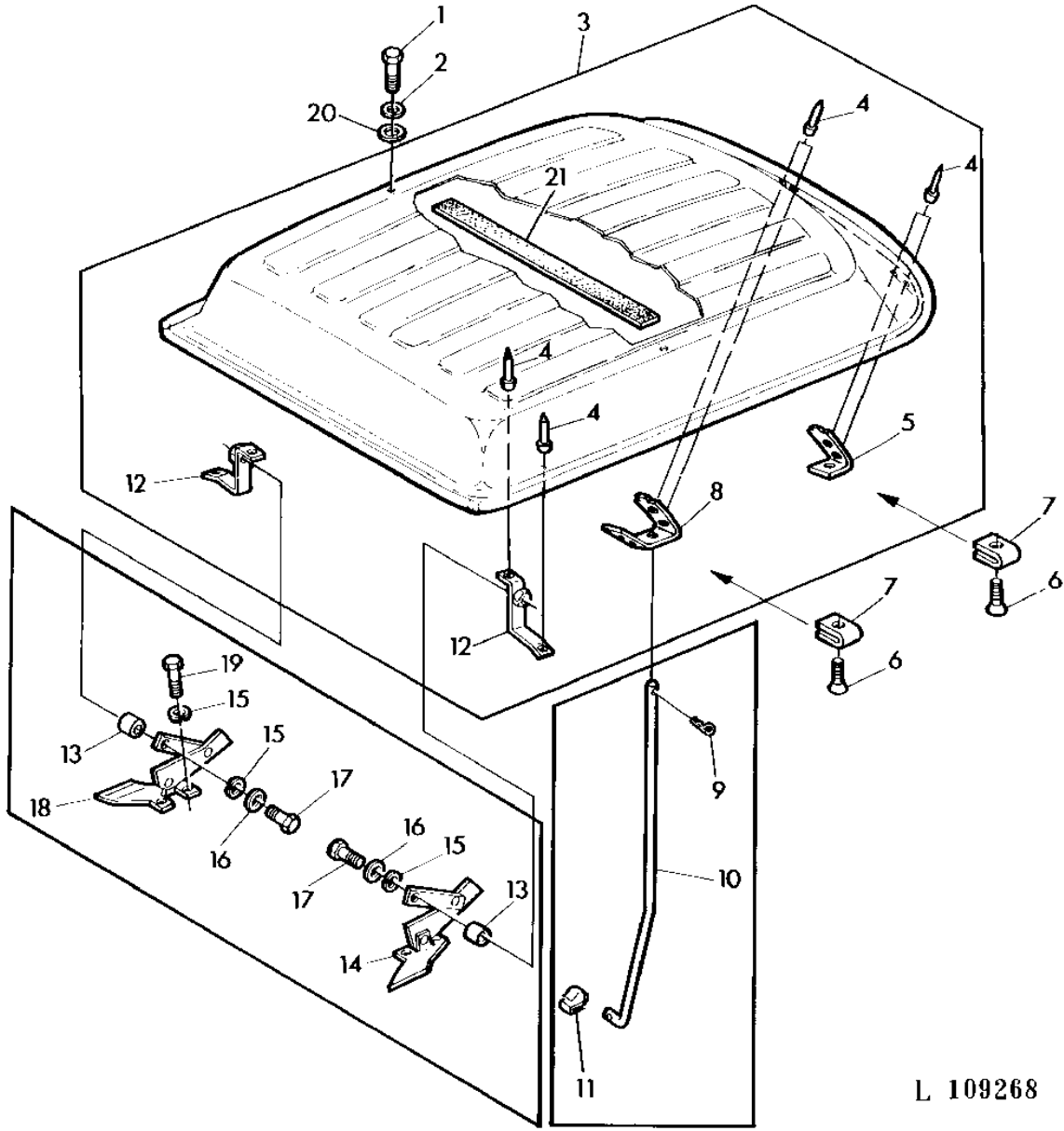
KEY	PART NO.	PART NAME	QTY	SERIAL NO.	REMARKS
1	L61347	MOLDING	1	X X X	LH (SUB FOR L38304)
2	L61346	MOLDING	1	X X X	RH (SUB FOR L38305)
3	R65907	MOLDING	2	X X X	
4	37M7109	SCREW	9	X X X	6.3X16MM
5	L57646	MOLDING	1	X X X	RH (SUB FOR L36591)
	L57650	MOLDING	1	X X X	(A) RH (SUB FOR L39270)
6	L57645	MOLDING	1	X X X	LH (SUB FOR L36590)
	L57649	MOLDING	1	X X X	(A) LH (SUB FOR L39271)
7	R65906	MOLDING	1	X X X	REAR
8	37M7063	SCREW	6	-XXXXXX	X X X 4.2X9.5MM (SUB FOR R52708 APPL)
9	24M7251	WASHER	AR	X X X	6.4MM
10	19M8059	CAP SCREW	4	-520216	X X X M6X12
	37M7111	SCREW	4	520217-XXXXXX	X X X 4.8X13MM
	37M7174	SCREW	10	XXXXXX-	X X X 4.2X13MM
11	L40664	HANGER	1	X X X	

(A) WITH SNOW CHAIN FENDERS
 AVEC AILES POUR CHATNES DE NEIGE
 BEI SCHNEEKETTEN-KOTFLUEGEL
 CON PARAFANGHI DA CATENE PER NEVE
 CON GUARDABARROS PARA CADENAS NIEVE
 VID SKARMAR FOR SNOEKDJOR

7D7

SG2 CAB

SG2 CAB-ROOF
TOIT CABINE SG2
SG2 KABINE-DACH
TETTO CABINA SG2
TECHO HYTT TAK
L109268 -UN-17JUL95



L 109268

7D8

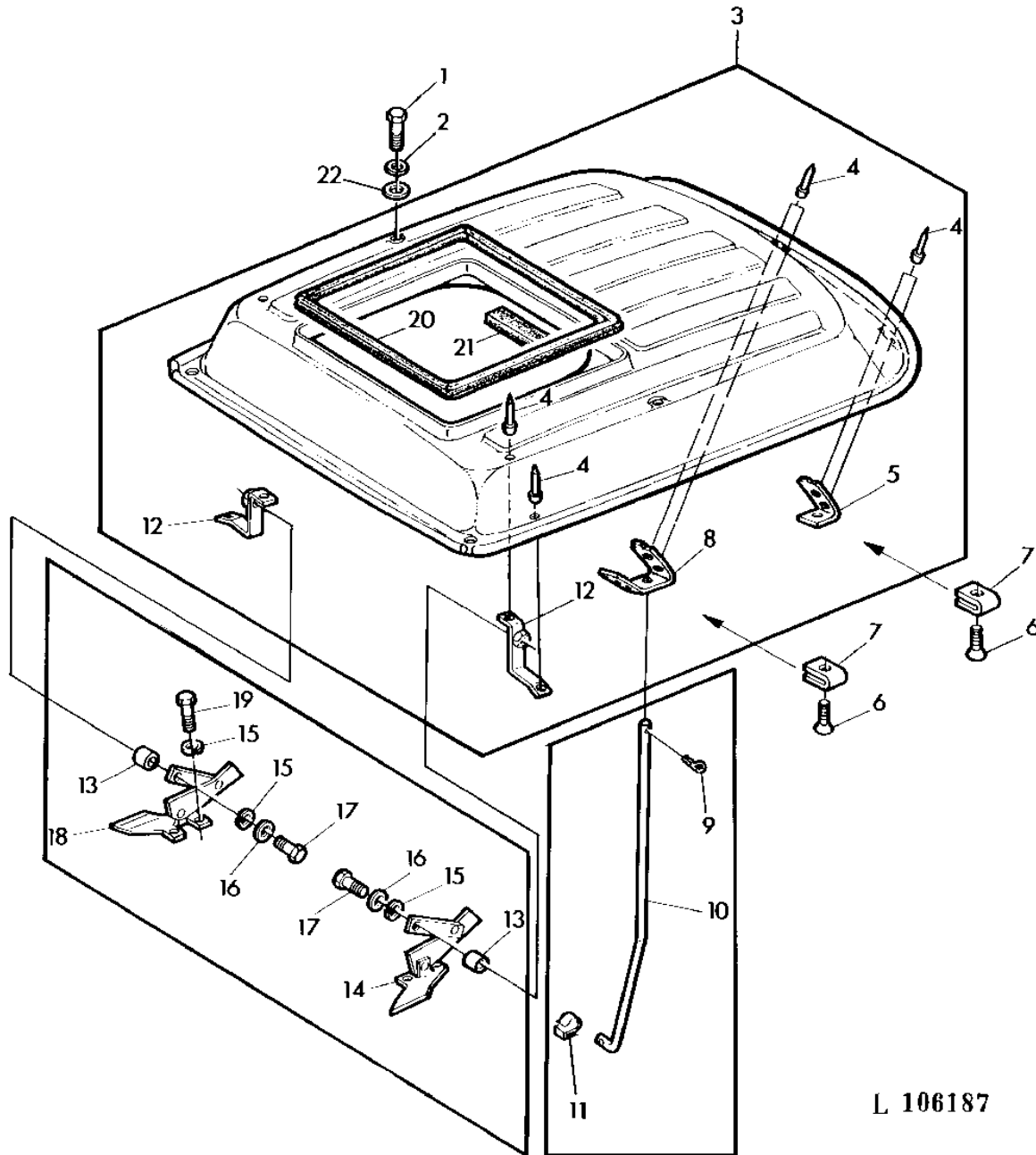
SG2 CAB

KEY	PART NO.	PART NAME	QTY	SERIAL NO.	REMARKS
					2
					1 2 0
					6 0 4
					4 4 0
					0 0 S
1	19H2367	CAP SCREW	2		X X X 5/8"X3/4"
2	24H1106	WASHER	2		X X X 11/16"X1-3/4"
3	AL39652	ROOF	1		X X X (SUB FOR AL39780, AR96656)
4	R55326	RIVET	AR		X X X
5	R54529	BRACKET	2		X X X
6	R55426	SCREW	3	-563920	X X X (ORD L55969, 21M7356)
	21M7356	SCREW	3	563921-	X X X M8X25
7	R50198	NUT	3	-563920	X X X (ORD L55969, 21M7356)
	L55969	NUT	3	563921-	X X X M8
8	R51011	BRACKET	1		X X X
9	R46528	SPRING LOCKING PIN	1		X X X
10	R65473	ROD	1		X X X
11	R69320	CLAMP	1		X X X
12	AR67980	BRACKET	2		X X X (FOR AR96656 OR AL39780)
13	R51590	WASHER	2		X X X
14	AR55881	SUPPORT	1		X X X REAR, RH
15	12M7056	LOCK WASHER	6		X X X
16	24H1299	WASHER	2		X X X 3/8"X1-1/4"X.060" (SUB FOR 24H1294)
17	19H1900	CAP SCREW	2		X X X 5/16"X3/4"
18	AR55882	SUPPORT	1		X X X REAR, LH
19	19H1849	CAP SCREW	4	-XXXXXX	X X X 5/16"X1-1/4"
	37M7087	SCREW	4	XXXXXX-	X X X M10X25
20	L40376	WASHER	2		X X X
21	L59618	INSULATOR	1		X X X (SUB FOR R74058)

7D9

SG2 CAB

SG2 CAB ROOF WITH HATCH
TOIT CAB OUVRANT CABINE SG2
SG2 KABINE-DACH, DACHLUKENAUSFUEHRUNG
TETTO CABINA SG2 CON LUCERNARIO
TECHO CABINA SG2 CON LUCERA
SG2 HYTT TAK MED NODLUCKA
L106187 -UN-17JUL95



7D10

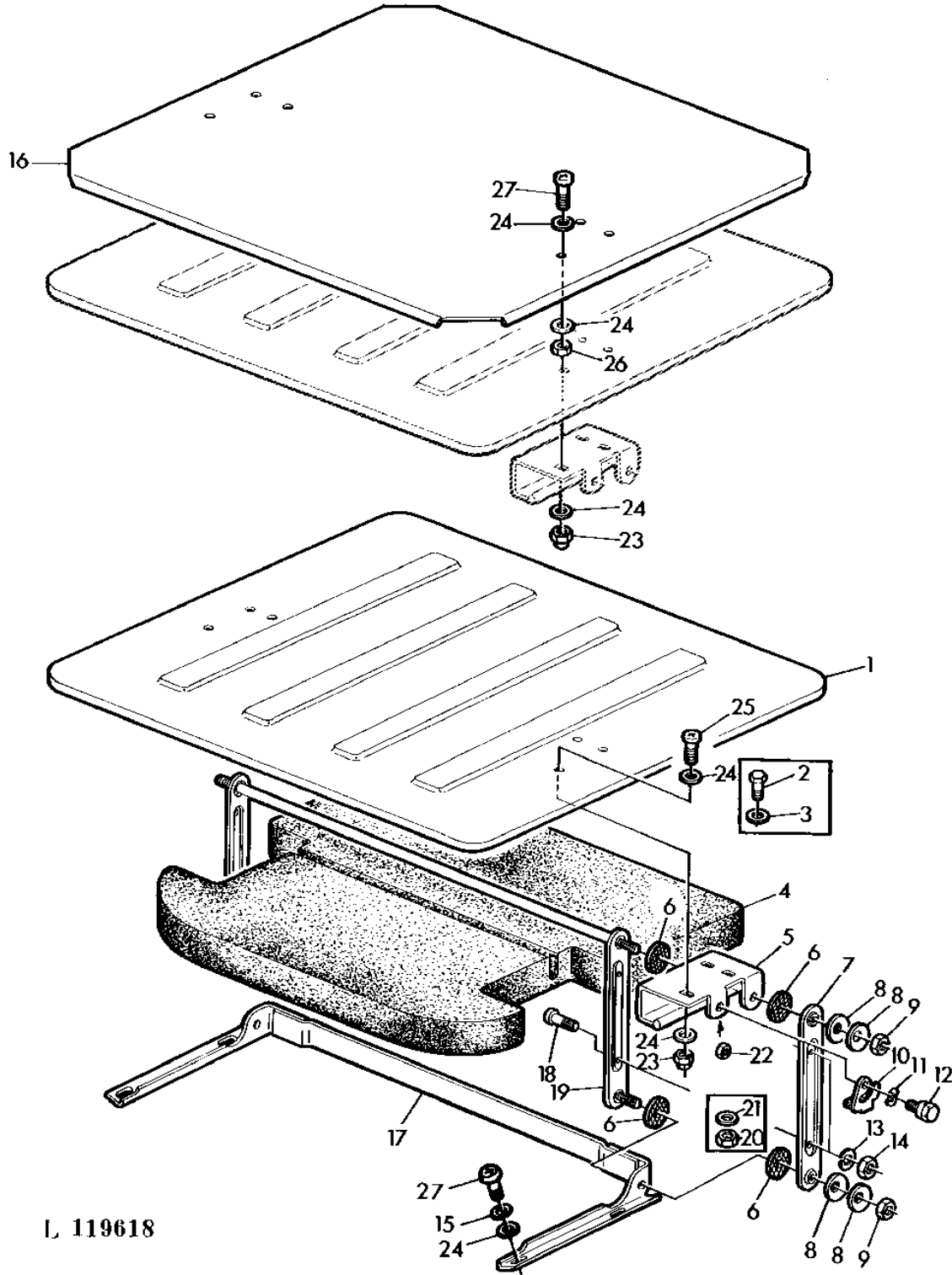
SG2 CAB

KEY	PART NO.	PART NAME	QTY	SERIAL NO.	REMARKS
					2
					1 2 0
					6 0 4
					4 4 0
					0 0 S
1	19H2367	CAP SCREW	2		X X X 5/8X3/4"
2	24H1106	WASHER	2		X X X 11/16"X1-3/4"
3	AR93857	ROOF	1		X X X
4	R55326	RIVET	10		X X X
5	R54529	BRACKET	2		X X X
6	R55426	SCREW	3	-563920	X X X (ORD L55969, 21M7356)
	21M7356	SCREW	3	563921-	X X X M8X25
7	R50198	NUT	3	-563920	X X X (ORD L55969, 21M7356)
	L55969	NUT	3	563921-	X X X M8
8	R51011	BRACKET	1		X X X
9	R46528	SPRING LOCKING PIN	1		X X X
10	R68977	ROD	1		X X X
11	R69320	CLAMP	1		X X X
12	AR67980	BRACKET	2		X X X
13	R51590	WASHER	2		X X X
14	AR55881	SUPPORT	1		X X X REAR, RH
15	12M7056	LOCK WASHER	6		X X X
16	24H1299	WASHER	2		X X X 3/8"X1-1/4"X.060" (SUB FOR 24H1294)
17	19H1900	CAP SCREW	2		X X X 5/16"X3/4"
18	AR55882	SUPPORT	1		X X X REAR, LH
19	19H1849	CAP SCREW	4	-XXXXXX	X X X 5/16"X1-1/4"
	37M7087	SCREW	4	XXXXXX-	X X X M10X25
20	AL37190	GASKET	1		X X X
21	L39421	ISOLATOR	1		X X X
22	L40376	WASHER	2		X X X

7D11

SG2 CAB

HATCH (WITH SG2 CAB)
PARTIE OUVRANTE DU TOIT (AVEC CABINE SG2)
DACHLUKE (BEI SG2 KABINE)
LUCERNARIO (CON CABINA SG2)
LUCERA (CON CABINA SG2)
NODLUCKA (VID SG2 HYTT)
L119618 -UN-18JUL95



L 119618

7D12

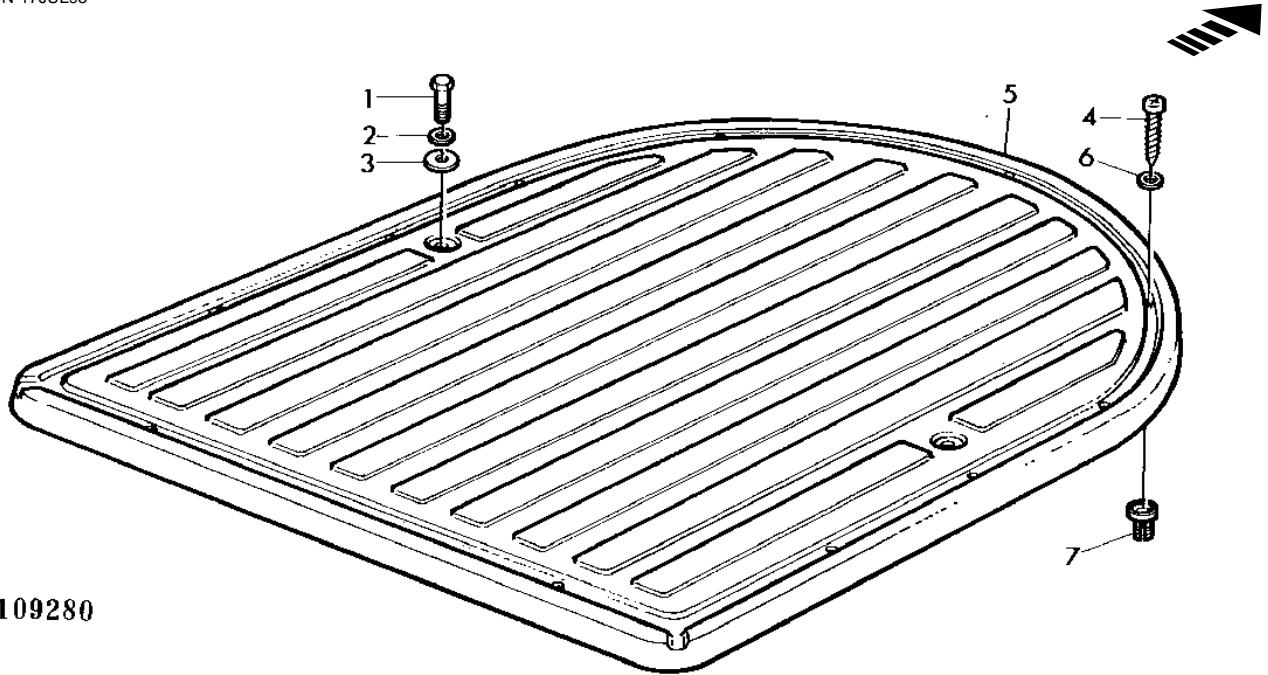
SG2 CAB

KEY	PART NO.	PART NAME	QTY	SERIAL NO.	REMARKS
					2
					1 2 0
					6 0 4
					4 4 0
					0 0 S
1	R69004	COVER	1		X X X
2	19H1919	CAP SCREW	6		X X X 1/4"X5/8"
3	24H1287	WASHER	6		X X X 9/32"X5/8"X.060"
4	AR90142	HEADLINER	1		X X X
5	R68839	BRACKET	1		X X X RH
	R68838	BRACKET	1		X X X LH
6	R74379	WASHER	8		X X X
7	AL35614	SUPPORT	2		X X X
8	L41824	DISK SPRING	8		X X X (SUB FOR R69182)
9	T10321	LOCK NUT	4		X X X
10	R68842	LATCH	1		X X X LH
	R68841	LATCH	1		X X X RH
11	R52862	SPRING WASHER	2		X X X
12	R68975	SCREW	2		X X X
13	12M7077	WASHER	4	-XXXXXX	X X X
14	14M7028	NUT	4	-XXXXXX	X X X M5
15	12M7134	LOCK WASHER	4		X X X
16	L39917	COVER	1		X X X
17	AL35495	SUPPORT	1		X X X (ORD W/ (4) 21M7310, (4) 24M7251)
18	21M7265	SCREW	4	-XXXXXX	X X X M5X12
19	AL64903	SUPPORT	1		X X X (SUB FOR AR89735)
20	14H786	NUT	6		X X X 1/4"
21	12H302	LOCK WASHER	6		X X X 1/4"
22	14H850	NUT	2		X X X 1/4"
23	14M7376	LOCK NUT	6		X X X M6
24	24M7251	WASHER	AR		X X X 6.4X18X1.5
25	21M7292	SCREW	6		X X X M6X16 (SUB FOR 21M7296 APPL)
26	14M7272	NUT	6		X X X M6
27	21M7310	SCREW	10		X X X M6X25

7D13

SG2 CAB

SG2 CAB-LOW PROFILE
 CABINE SG2-TOIT PLAT
 SG2 KABINE-FLACHDACH
 CABINA SG2-TETTO BASSO
 CABINA SG2-TECHO PLANO
 SG2 FORARHYTT-LAG PROFIL TAK
 L109280 -UN-17JUL95



L 109280

2
 1 2 0
 6 0 4
 4 4 0
 0 0 S

KEY	PART NO.	PART NAME	QTY	SERIAL NO.	REMARKS
1	19H2367	CAP SCREW	2	X X X	5/8"X3/4"
2	24H1106	WASHER	2	X X X	11/16"X1-3/4"
3	L40376	WASHER	2	X X X	
4	37M7150	SCREW	11	X X X	6X16MM
5	L56515	ROOF	1	X X X	
	L56131	ROOF	1	X X X	(A)
6	L41919	SPRING WASHER	11	X X X	
7	L55412	PIPE PLUG	11	X X X	

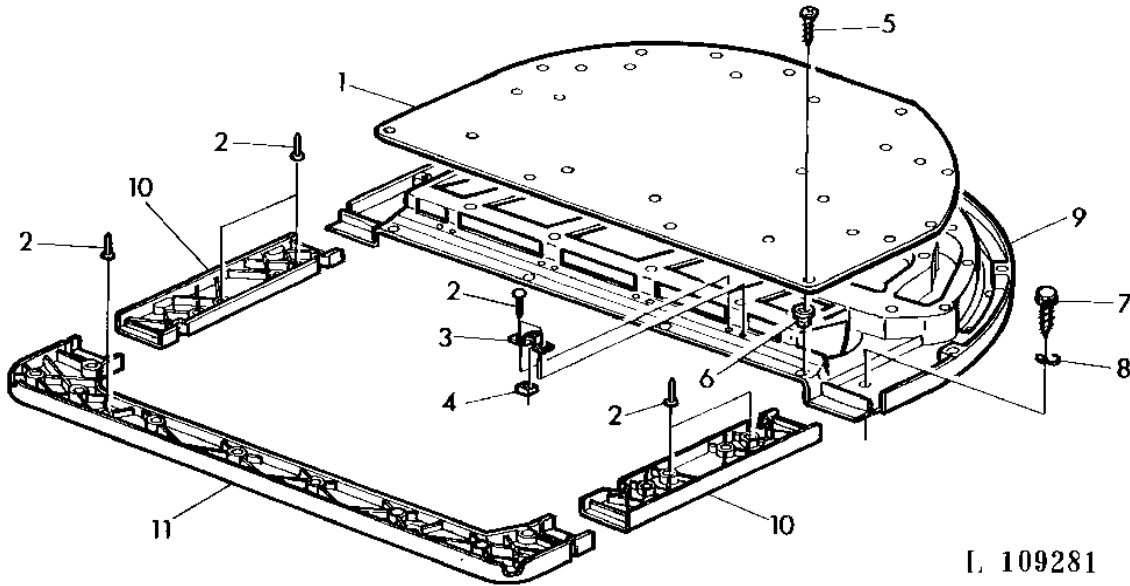
(A) YELLOW
 JAUNE
 GELB
 AMARILLO
 GIALLO
 GUL

7D14

SG2 CAB

LOW PROFILE CAB-INNER LINING (WITH SG2 CAB)
 TOIT INTERIEUR DE TOIT PLAT (AVEC CABINE SG2)
 INNENDACH FUER FLACHDACH (BEI SG2 KABINE)
 SEZIONE INTERNA PER TETTO BASSO (CON CABINA SG2)
 TECHO INTERIOR PARA TECHO PLANO (CON CABINA SG2)
 INNERTAK (LAG PROFIL TAK) (VID SG2 HYTT)

L109281 -UN-07JUN95

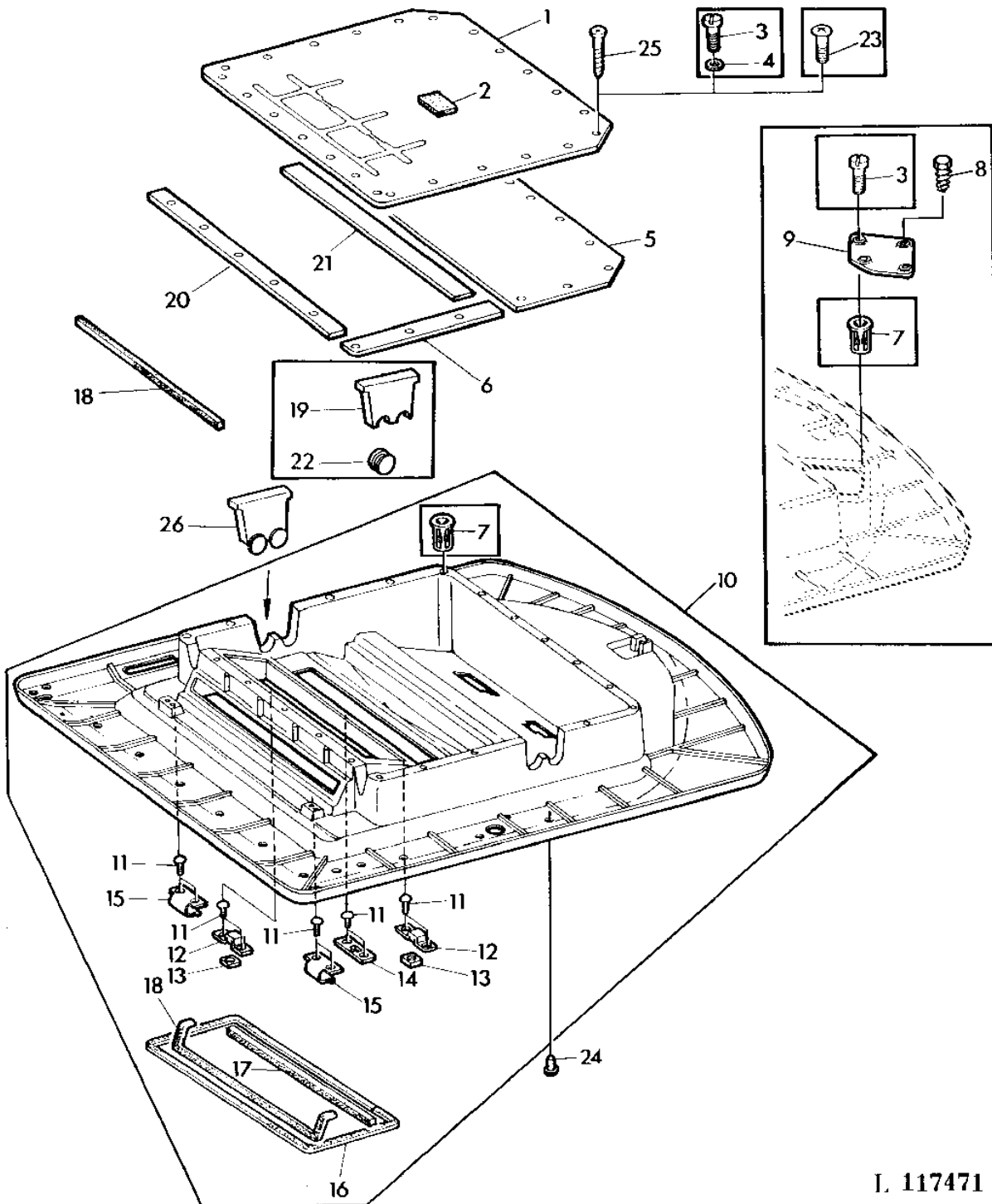


KEY	PART NO.	PART NAME	QTY	SERIAL NO.	REMARKS
				2	
				1 2 0	
				6 0 4	
				4 4 0	
				0 0 S	
1	AL56240	COVER	1	X X X	
2	R55326	RIVET	10	X X X	
3	R50692	RETAINER	4	X X X	
4	14H1030	NUT	4	X X X	5/16"
5	37M7150	SCREW	30	X X X	6X16MM
6	L55412	PIPE PLUG	30	X X X	
7	37M7076	SCREW	12	X X X	6.3X16MM
8	24M7251	WASHER	12	X X X	6.4X18X1.6MM
9	L55221	ROOF	1	X X X	
10	L56129	PANEL	2	X X X	
11	L56130	PANEL	1	X X X	

7D15

SG2 CAB

CAB ROOF HEADLINER (WITH SG2 CAB)
PARTIE INTERIEURE DU TOIT (AVEC CABINE SG2)
INNENDACH (BEI SG2 KABINE)
RIVESTIMENTI INTERIORI DEL TETTO (CON CABINA SG2)
REVESTIMIENTOS INTERIORES DEL TECHO (CON CABINA SG2)
BEKLADNAD FOR HYTTAK (VID SG2 HYTT)
L117471 -UN-01JAN94



I. 117471

7D16

SG2 CAB

KEY	PART NO.	PART NAME	QTY	SERIAL NO.	REMARKS
					2
					1 2 0
					6 0 4
					4 4 0
					0 0 S
1	R74346	COVER	1		X X X
2	R45397	INSULATOR	1		X X X
3	21H1410	SCREW	AR		X X X 1/4"X1"
4	24H1287	WASHER	22		X X X 9/32"X5/8"
5	R74344	FOAM PAD	1		X X X
6	R74345	WEATHERSTRIP	2		X X X LGTH= 465MM (MF AL67948)
7	R71523	NUT	AR		X X X
8	37M7136	SCREW	4		X X X 6.3X19MM
9	R50272	COVER	1		X X X
10	AL39658	ROOF	1	-522192	X X X (SUB FOR AL35807, AR99773) (ORD AL62740, (22) 37M7147)
	AL62740	ROOF	1	522193-	X X X (SUB FOR AL41294)
11	R55326	RIVET	AR		X X X
12	R50692	RETAINER	2		X X X
13	14H1030	NUT	2		X X X 5/16"
14	R65471	WEAR PLATE	1		X X X
15	R50695	HANGER	2		X X X
16	R50698	ISOLATOR	2		X X X
17	L59618	INSULATOR	1		X X X (SUB FOR R50697 APPL)
18	R50696	ISOLATOR	2		X X X
19	R71345	PANEL	2		X X X (ORD L56856)
20	R65466	SEAL	1		X X X LGTH= 885MM (MF AL67948)
21	R52149	WEATHERSTRIP	1		X X X
22	R65477	PLUG	2		X X X (A)
23	R50641	SCREW	22	-522192	X X X 1/4"X.81"
24	R68332	RIVET	26		X X X
25	37M7147	SCREW	22	522193-	X X X 6X20MM
26	L56856	PANEL	2		X X X
..	AL67948	WEATHERSTRIP	1		X X X KIT, LGTH= 2000MM

(A) WITHOUT AIR CONDITIONING
 SANS CLIMATISATION
 OHNE KLIMAANLAGE
 SENZA IMPIANTO D'ARIA CONDIZIONADA
 SIN SISTEMA DE AIRE ACONDICIONADO
 UTAN LUFTKONDITIONERING

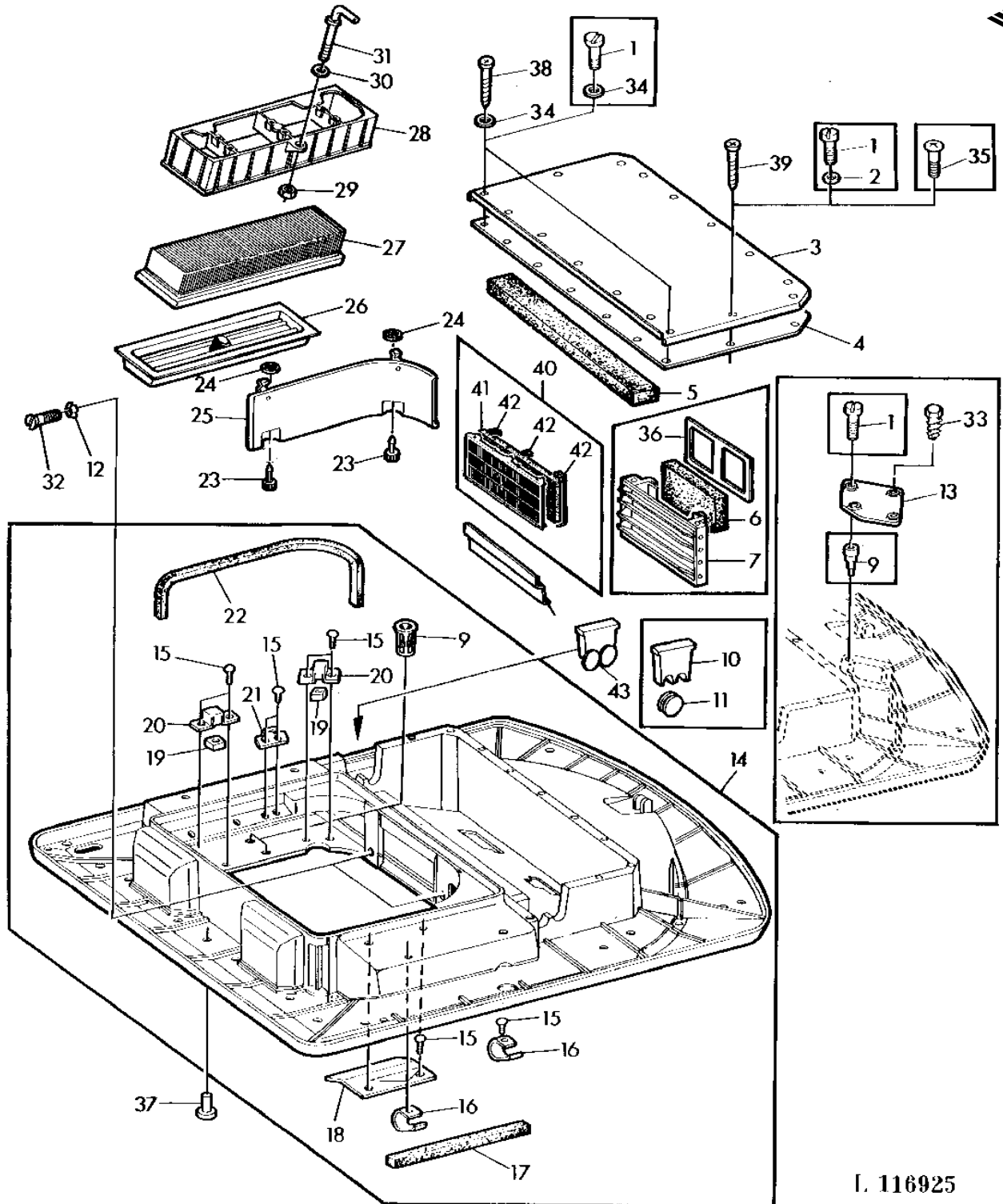
7D17

SG2 CAB

CAB ROOF HEADLINER WITH HATCH (WITH SG2 CAB)
PARTIE INTERIEURE DE TOIT OUVRANT (AVEC CABINE SG2)
INNENDACH-DACHLUKENAUSFUEHRUNG (BEI SG2 KABINE)
RIVESTIMENTI INTERIORI DEL TETTO CON LUCERNARIO (CON CABINA SG2)
REVESTIMIENTOS INTERIORES DEL TECHO CON LUCERA (CON CABINA SG2)
BEKLADNAD FOR HYTTAK MED NODLUCKA (VID SG2 HYTT)

L116925

-UN-18JUL95



L 116925

7D18

SG2 CAB

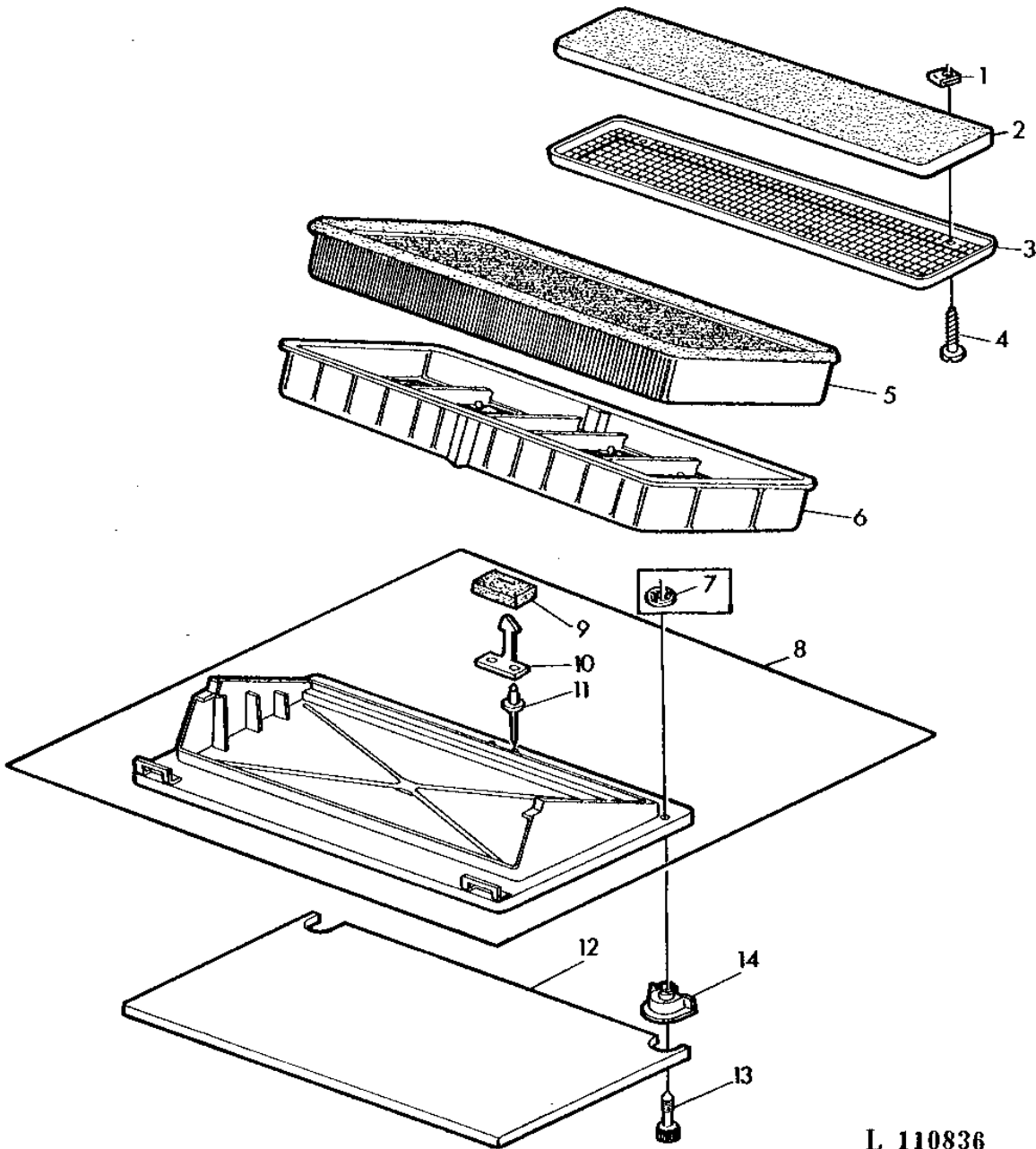
KEY	PART NO.	PART NAME	QTY	SERIAL NO.	REMARKS
					2
					1 2 0
					6 0 4
					4 4 0
					0 0 S
1	21H1410	SCREW	AR		X X X 1/4"X1"
2	24H1287	WASHER	16		X X X 9/32"X5/8"
3	L55010	COVER	1		X X X (SUB FOR R68972)
4	L55025	INSULATOR	1		X X X (SUB FOR R68970)
5	R52149	WEATHERSTRIP	1		X X X
6	R69180	FILTER ELEMENT	1		X X X
7	AR93860	AIR FILTER	1		X X X (ORD AL58297)
8	AL37339	PANEL	1		X X X
9	R71523	NUT	AR		X X X
10	R71345	PANEL	2		X X X (ORD L56856)
11	R65477	PLUG	2		X X X (A)
12	R71348	NUT	2		X X X
13	R50272	COVER	1		X X X
14	AL39659	ROOF	1	-532574	X X X (SUB FOR AL35810, AL37408) (ORD AL58301, (14) 37M7147, (2) 37M7148)
	AL58301	ROOF	1	532575-	X X X (SUB FOR AL41292)
15	R55326	RIVET	AR		X X X
16	R71341	SPRING	4		X X X
17	R71344	ISOLATOR	2		X X X
18	AR99698	SUPPORT	2		X X X
19	14H1030	NUT	4		X X X 5/16"
20	R50692	RETAINER	4		X X X
21	R74364	BRACKET	2		X X X
22	R71343	ISOLATOR	2		X X X
23	AR93864	KNOB	4		X X X
24	L40404	SNAP RING	4		X X X
25	AR93862	PANEL	1		X X X RH
	AR93863	PANEL	1		X X X LH
26	AL36606	DUST BOWL	2		X X X
27	L38596	FILTER ELEMENT	2		X X X
28	L38597	FRAME	2		X X X
29	14H786	NUT	2		X X X 1/4"
30	24M7054	WASHER	2		X X X 6.4X12.5X1.6MM
31	L38839	HOOK BOLT	2		X X X
32	R50499	SCREW	2		X X X (SUB FOR L38835)
33	37M7136	SCREW	4		X X X 6.3X19MM
34	24M7251	WASHER	2		X X X 6.4X18X1.6MM
35	R50641	SCREW	14		X X X 1/4"X.81"
36	R74400	RETAINER	1		X X X
37	R68332	RIVET	26		X X X
38	37M7148	SCREW	2	532575-	X X X 6X25MM
39	37M7147	SCREW	14	532575-	X X X 6X20MM
40	AL58297	AIR FILTER	1		X X X
41	L57652	FILTER ELEMENT	1		X X X
42	L57651	RING	3		X X X
43	L56856	PANEL	2		X X X

(A) WITHOUT AIR CONDITIONING
 SANS CLIMATISATION
 OHNE KLIMAANLAGE
 SENZA IMPIANTO D'ARIA CONDIZIONADA
 SIN SISTEMA DE AIRE ACONDICIONADO
 UTAN LUFTKONDITIONERING

7D19

SG2 CAB

AIR CIRCULATION FILTER PARTS (WITH SG2 CAB)
ELEMENTS DE VENTILATION-FILTRE (AVEC CABINE SG2)
TEILE FUER LUFTZIRKULATION-FILTER (BEI SG2 KABINE)
ELEMENTI DEL FILTRO PER CIRCOLAZIONE D'ARIA (CON CABINA SG2)
ELEMENTOS PARA EL FILTRO DEL SISTEMA DE CIRCULACION DE AIRE (CON CABINA SG2)
DELAR FOR HYTTVENTILATIONSFILTER (VID SG2 HYTT)
L110836 -UN-01JAN94



L 110836

7D20

SG2 CAB

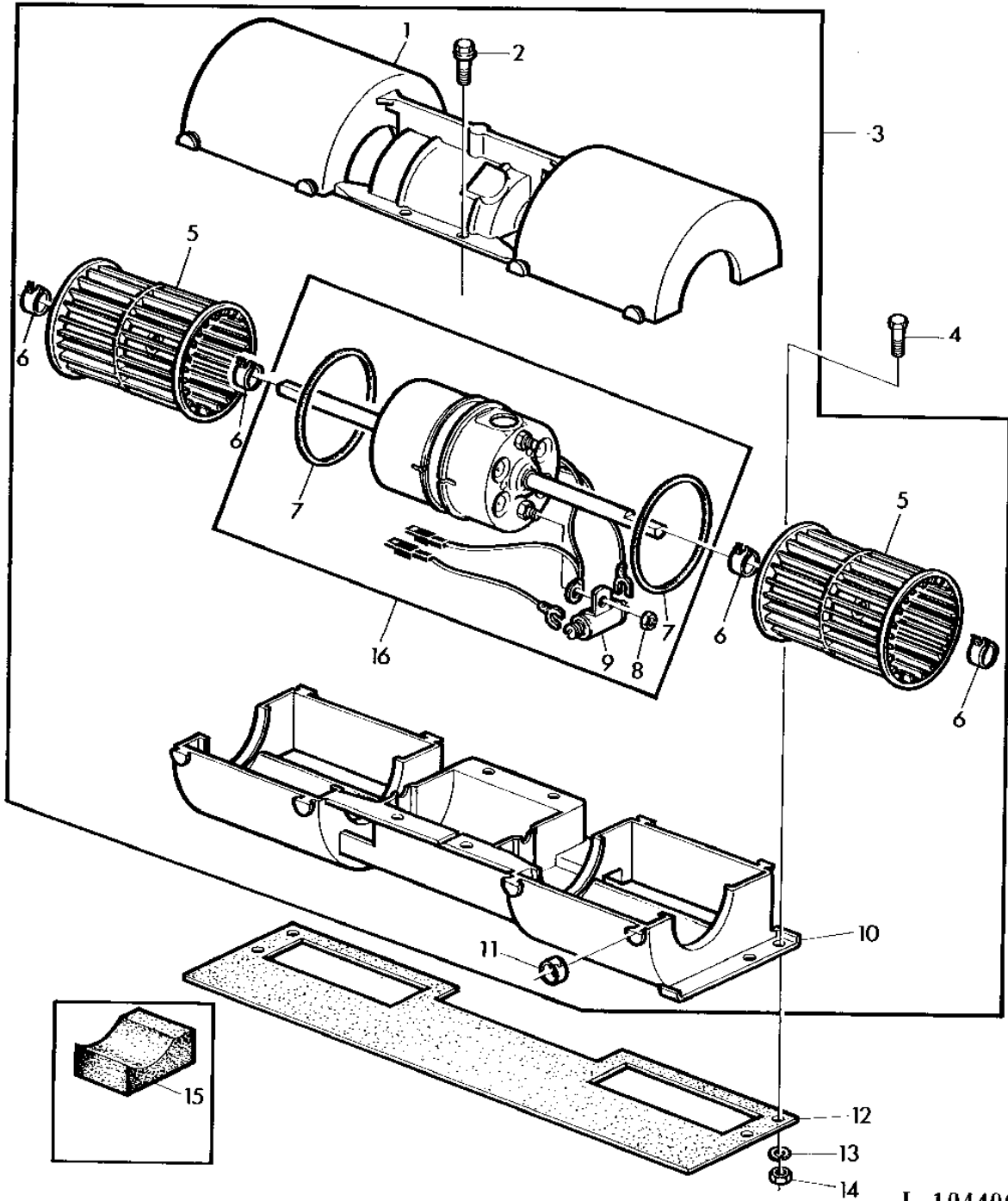
KEY	PART NO.	PART NAME	QTY	SERIAL NO.	REMARKS
					2 1 2 0 6 0 4 4 4 0 0 0 S
1	R50279	NUT	4		X X X
2	R65450	AIR FILTER	1		X X X
3	R72487	FRAME	1		X X X
4	37M7143	SCREW	4		X X X 4.8X38MM (SUB FOR 37M7106, R53678)
5	L38598	FILTER ELEMENT	1		X X X
6	L38599	FRAME	1		X X X
7	L40404	SNAP RING	2	-552858	X X X (SUB FOR R43661)
8	AR61222	DOOR	1	-552858	X X X (ORD AL56723, AL56722, (2) AR93864, (2) L55333)
	AL56723	DOOR	1	552859-	X X X
9	R51024	FOAM PAD	1		X X X
10	R51023	CATCH	1		X X X
11	R54477	RIVET	2		X X X 3/16"X1/2"
12	AR96833	PANEL	1	-552858	X X X
	AL56722	PANEL	1	552859-	X X X
13	AR83434	KNOB	2	-552858	X X X
	AL36458	SET SCREW	1	-552858	X X X (A)
	AR93864	KNOB	1	552859-	X X X
14	L55333	COVER	2	552859-	X X X

(A) FOR GERMANY ONLY
 UNIQUEMENT ALLEMAGNE
 NUR FUER DEUTSCHLAND
 SOLO PER GERMANIA
 SOLO PARA ALEMANIA
 ENDAST FOR TYSKLAND

7D21

SG2 CAB

AIR CIRCULATION PARTS-BLOWER (WITH SG2 CAB)
ELEMENTS DE VENTILATION-SOUFFLANTE (AVEC CABINE SG2)
TEILE FUER LUFTZIRKULATION-GEBLAESE (BEI SG2 KABINE)
PARTI DEL VENTILATORE PER CIRCOLAZIONE D'ARIA (CON CABINA SG2)
PIEZAS DEL VENTILADOR DEL SISTEMA DE CIRCULACION DE AIRE (CON CABINA SG2)
HYTTVENTILATION - FLAKTSELAR (VID SG2 HYTT)
L104400 -UN-17JUL95



L 104400

7D22

SG2 CAB

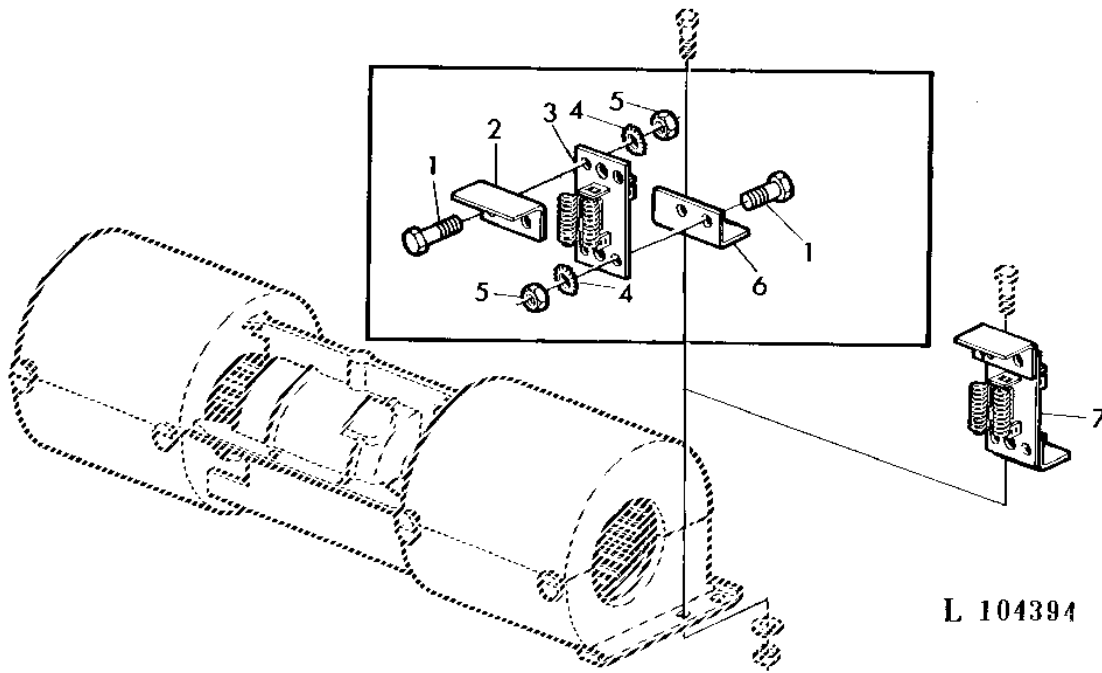
KEY	PART NO.	PART NAME	QTY	SERIAL NO.		REMARKS
					2	
					1 2 0	
					6 0 4	
					4 4 0	
					0 0 S	
1	R77618	HOUSING	1	-500462	X X X	UP (SUB FOR R65147)
2	37H80	SCREW	4		X X X	NO. 10 X 1/2" (FOR R65147, R65148)
	37H94	SCREW	4	-500462	X X X	NO. 12 X 1/2" (FOR R77618, R77619)
3	RE10998	BLOWER	1	-500462	X X X	(SUB FOR AR82006)
4	19H1948	CAP SCREW	4	-500462	X X X	1/4"X3/4"
5	R81111	IMPELLER	2	-500462	X X X	(SUB FOR R65832)
6	R56101	CLIP	4	-500462	X X X	
7	F1430R	O-RING	2	-500462	X X X	
8	14H631	NUT	1	452500-500462	X X X	NO. 10
9	RE10134	CAPACITOR	1	452500-500462	X X X	
10	R77619	HOUSING	1	-500462	X X X	LOW (SUB FOR R65148)
11	R67054	RING	8	-500462	X X X	
12	R69301	INSULATOR	1	-500462	X X X	
13	12H297	LOCK WASHER	4	-500462	X X X	1/4"
14	14H786	NUT	4	-500462	X X X	1/4"
15	R65150	FILTER	1	-500462	X X X	
16	AR82005	MOTOR	1	-500462	X X X	

7D23

SG2 CAB

BLOWER MOTOR RESISTOR (WITH SG2 CAB)
 RESISTANCE MOTEURS DE SOUFFLANTES (AVEC CABINE SG2)
 GEBLASEMOTOR-WIDERSTAND (BEI SG2 KABINE)
 RESISTENZA PER IL MOTORE DEL VENTILATORE (CON CABINA SG2)
 RESISTENCIA PARA EL MOTOR DEL VENTILADOR (CON CABINA SG2)
 MOTSTAND FOR FLAKT (VID SG2 HYT)

L104394 -UN-17JUL95



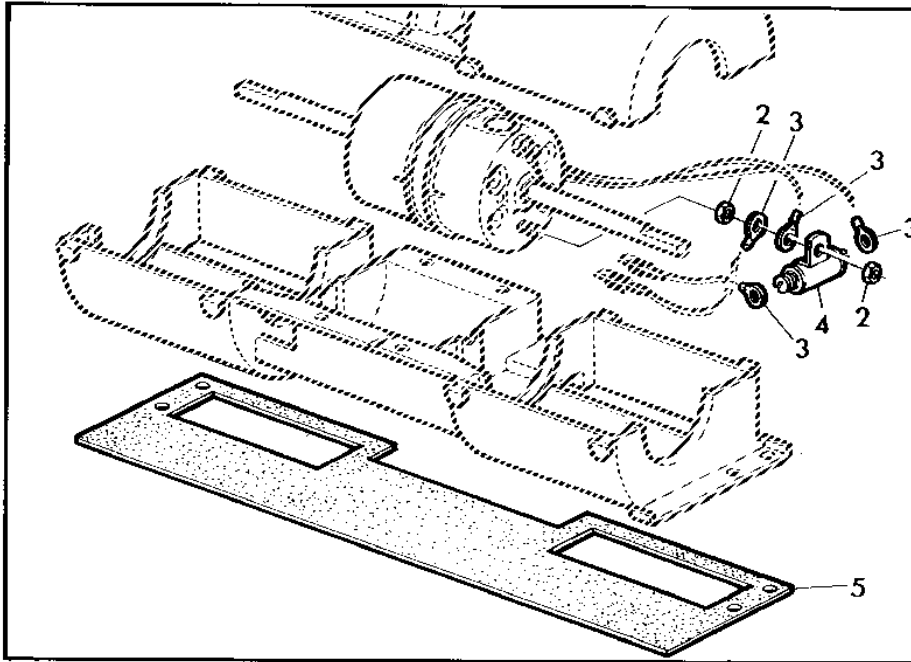
2
1 2 0
6 0 4
4 4 0
0 0 S

KEY	PART NO.	PART NAME	QTY	SERIAL NO.	REMARKS
1	19H3204	SCREW	4	X X X	NO. 10 X 5/8"
2	R69522	DEFLECTOR	1	X X X	
3	AR90771	RESISTOR	1	X X X	(ORD AL38285)
4	12H295	LOCK WASHER	4	X X X	NO.
5	14H631	NUT	4	X X X	NO. 10
6	R69521	BASE	1	X X X	
7	AL38285	RESISTOR	1	X X X	

7D24

SG2 CAB

BLOWER FAN MOTOR-INTERFERENCE SUPPRESSION KIT (WITH SG2 CAB)
 MOTEUR DE SOUFL.-LOT D'ANTIPARASITAGE (AVEC CABINE SG2)
 GEBLASEMOTOR-ENTSTOERSATZ (BEI SG2 KABINE)
 MOTORE VENTILATORE-KIT SOPPRESSIONE INTERFERENZE (CON CABINA SG2)
 MOTOR DEL VENTILADOR-JUEGO ANTIPARASITO (CON CABINA SG2)
 FLAKTMOTOR-SATS FOR ELIMINERA STORNINGAR (VID SG2 HYTT)
 L104391 -UN-17JUL95



L 104391

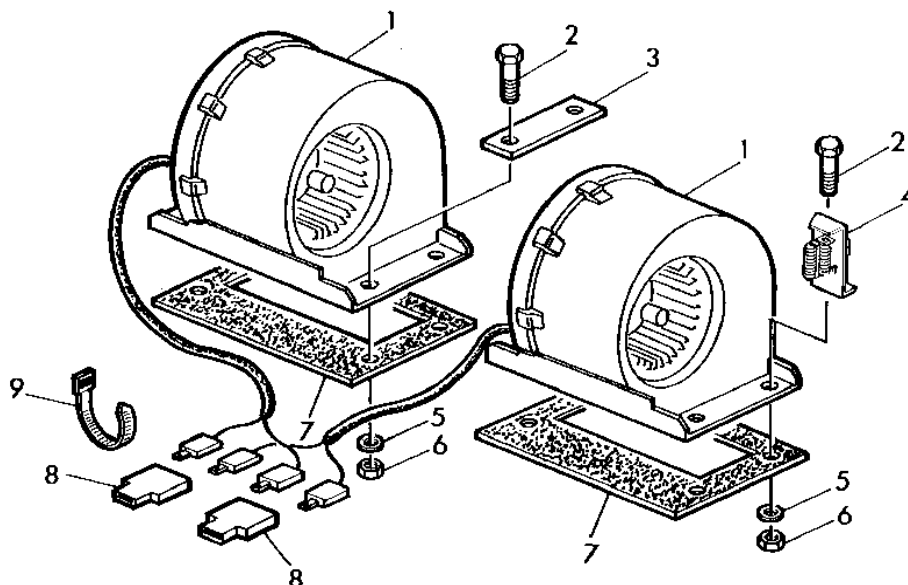
2
1 2 0
6 0 4
4 4 0
0 0 S

KEY	PART NO.	PART NAME	QTY	SERIAL NO.	REMARKS
1	RE10133	KIT	1	-452499	X X X
2	14H631	NUT	2		X X X NO. 10
3	R32018	TERMINAL	4		X X X
4	RE10134	CAPACITOR	1		X X X
5	R69301	INSULATOR	1		X X X

7D25

SG2 CAB

AIR CIRCULATION PARTS-BLOWER (WITH SG2 CAB)
 ELEMENTS DE VENTILATION-SOUFFLANTE (AVEC CABINE SG2)
 TEILE FUER LUFTZIRKULATION-GEBLAESE (BEI SG2 KABINE)
 PARTI DEL VENTILATORE PER CIRCOLAZIONE D'ARIA (CON CABINA SG2)
 PIEZAS DEL VENTILADOR DEL SISTEMA DE CIRCULACION DE AIRE (CON CABINA SG2)
 HYTTVENTILATION-FLAKTSDELAR (VID SG2 HYTT)
 L105566 -UN-07JUN95



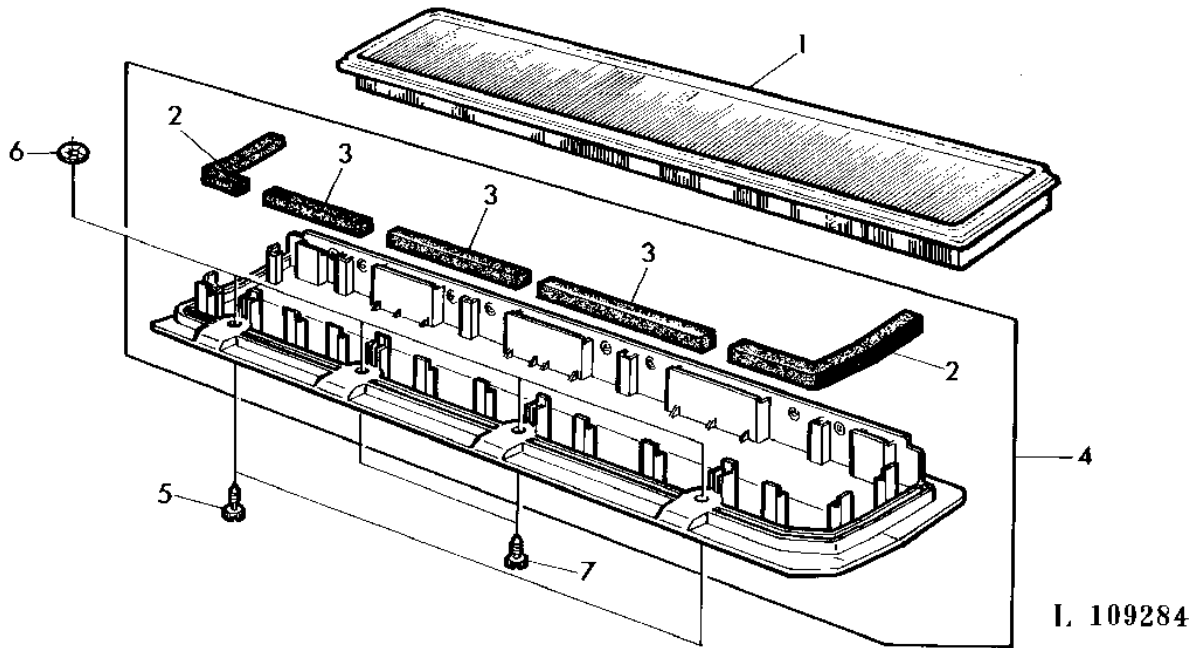
L 105566

KEY	PART NO.	PART NAME	QTY	SERIAL NO.	REMARKS
					2
					1 2 0
					6 0 4
					4 4 0
					0 0 S
1	AL39043	BLOWER	2	500463-	X X X
2	19M7286	CAP SCREW	2	500463-	X X X M6X25
3	L41395	STRAP	2	500463-	X X X
4	AL66925	RESISTOR NETWORK	1		X X X (SUB FOR AL38285)
5	24M7139	WASHER	9	500463-	X X X 6.4MM
6	14M7272	NUT	6	500463-	X X X M6
7	L40867	INSULATOR	2	500463-	X X X
8	57M7107	CONNECTOR	2	500463-	X X X
9	R44302	TIE BAND	1	500463-	X X X

7E1

SG2 CAB

AIR CLEANER FOR LOW PROFILE CAB (WITH SG2 CAB)
 FILTRE A AIR POUR TOIT PLAT (AVEC CABINE SG2)
 LUFTFILTER FUER FLACHDACH (BEI SG2 KABINE)
 FILTRO ARIA PER TETTO BASSO (CON CABINA SG2)
 FILTRO DE AIRE PARA TECHO PLANO (CON CABINA SG2)
 LUFTFILTER FOR LAG PROFIL TAK (VID SG2 HYTT)
 L109284 -UN-17JUL95



2
 1 2 0
 6 0 4
 4 4 0
 0 0 S

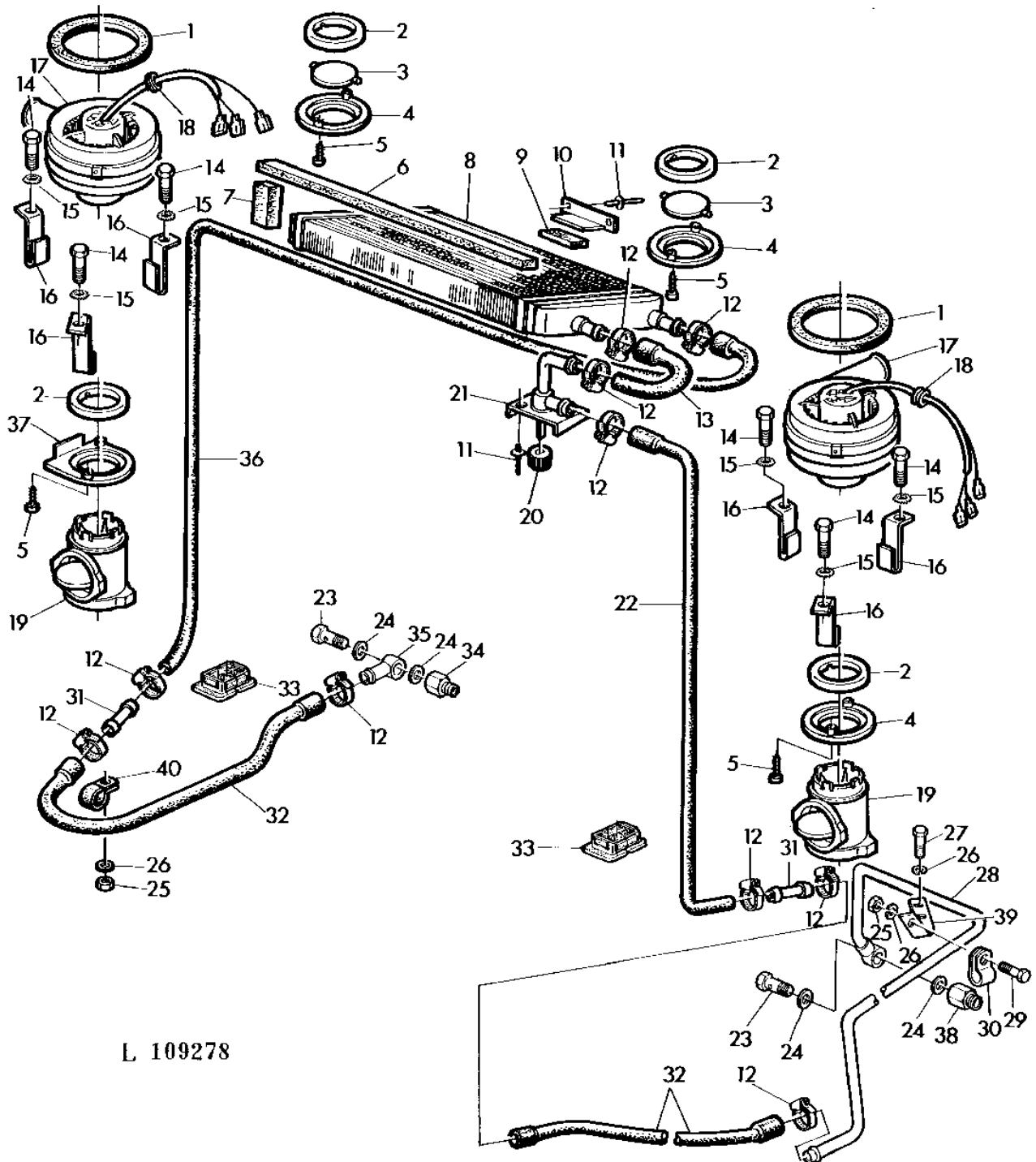
KEY	PART NO.	PART NAME	QTY	SERIAL NO.	REMARKS
1	L42107	FILTER	1		X X X
2	L55882	ISOLATOR	2	-XXXXXX	X X X
3	L55881	ISOLATOR	3	-XXXXXX	X X X
4	AL56241	FILTER	1		X X X
5	AR93864	KNOB	2		X X X
6	L40404	SNAP RING	4		X X X
7	AR93864	KNOB	2		X X X (SUB FOR AL55321)

7E2

SG2 CAB

FAN AND HEATER PARTS FOR LOW PROFILE CAB (WITH SG2 CAB)
PIECES VENTILATION ET CHAUFFAGE POUR TOUT PLAT (AVEC CABINE SG2)
GEBLAESETEILE UND HEIZUNG FUER FLACHDACH (BEI SG2 KABINE)
VENTILAZIONE E RISCALDAMENTO PER TETTO BASSO (CON CABINA SG2)
PIEZAS DE VENTILADOR Y CALEFACCION PARA TETCHO PLANO (CON CABINA SG2)
VENTILATION OCH VARME FOR LAG PROFIL HYTTAK (VID SG2 HYTT)

L109278 -UN-17JUL95



L 109278

7E3

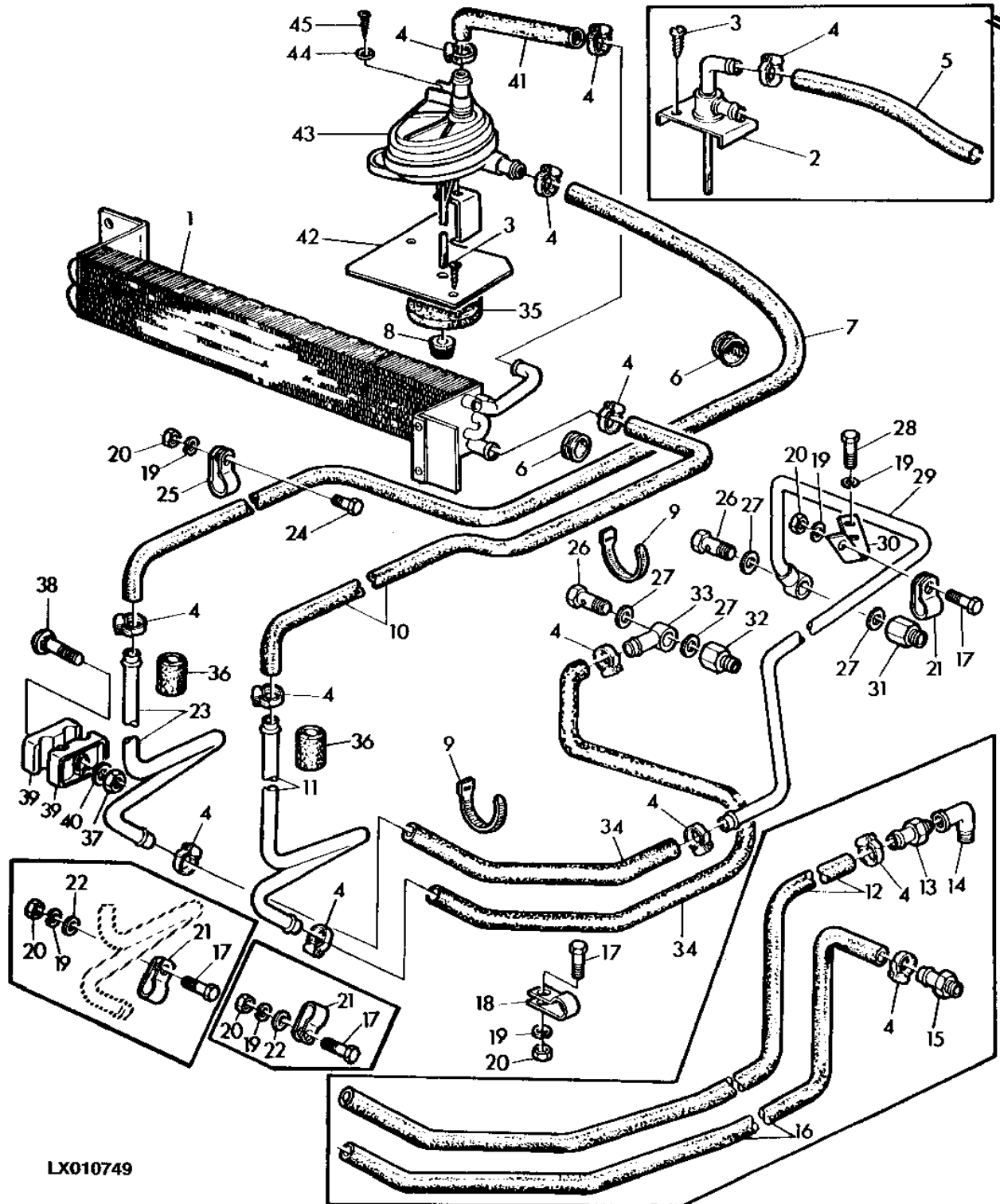
SG2 CAB

KEY	PART NO.	PART NAME	QTY	SERIAL NO.	REMARKS
					2
					1 2 0
					6 0 4
					4 4 0
					0 0 S
1	R71343	ISOLATOR	2		X X X
2	L55514	ORIFICE	4		X X X
3	L55513	PLATE	2		X X X
4	L55515	COVER	3		X X X
5	37M7157	SCREW	8		X X X M4X35 (SUB FOR 37M7151 APPL)
6	L55880	ISOLATOR	1		X X X
7	L55879	ISOLATOR	2		X X X
8	AL56244	HEATER	1		X X X
9	L55878	ISOLATOR	1		X X X
10	R51015	HANGER	3		X X X
11	R54477	RIVET	3		X X X
12	AL64588	CLAMP	AR		X X X (SUB FOR AL55852, AR21837)
13	L55500	HOSE	1		X X X
14	19M7560	CAP SCREW	6		X X X M6X16
15	12M7081	LOCK WASHER	6		X X X 6.4X11MM
16	L56135	HANGER	6		X X X
17	AL60792	BLOWER	2		X X X (SUB FOR AL55526, AL57900)
18	L56136	GROMMET	2		X X X
19	AL56043	AIR DUCT	2		X X X
20	AL58295	KNOB	1		X X X (SUB FOR AR69370)
21	AL56243	CONTROL VALVE	1		X X X
22	L63425	HOSE	1		X X X (SUB FOR L55502)
23	L63537	FITTING	2		X X X (SUB FOR T32204)
24	51M4238	RING	4		X X X
25	14H812	NUT	2		X X X 3/8"
26	12H304	LOCK WASHER	3		X X X 3/8"
27	19H1732	CAP SCREW	1		X X X 3/8"X1-1/4"
28	AL39227	LINE	1		X X X
29	19H1731	CAP SCREW	1		X X X 3/8"X1"
30	R51892	CLAMP	2		X X X
31	L56740	TUBE	2		X X X
32	L56737	HOSE	2		X X X
33	L56063	PLUG	2		X X X
34	L40878	ADAPTER	1		X X X
35	AL39082	HOSE FITTING	1		X X X
36	L63103	HOSE	1		X X X (SUB FOR L55501)
37	L55505	COVER	1		X X X
38	L41015	ADAPTER	1		X X X
39	L41016	ANGLE	1		X X X
40	R50454	CLAMP	1		X X X

7E4

SG2 CAB

HEATER PARTS (WITH SG2 CAB)
ELEMENTS CHAUFFAGE (AVEC CABINE SG2)
HEIZUNGSTEILE (BEI SG2 KABINE)
ELEMENTI VENTILAZIONE E RISCALDAMENTO (CON CABINA SG2)
ELEMENTOS DE VENTILACION Y CALEFACCION (CON CABINA SG2)
VARMESYSTEM (VID SG2 HYTT)
LX010749 -UN-16MAY95



LX010749

7E5

SG2 CAB

KEY	PART NO.	PART NAME	QTY	SERIAL NO.	REMARKS
					2
					1 2 0
					6 0 4
					4 4 0
					0 0 S
1	AR93859	CORE	1	X X X	
	AR90140	CORE	1	X X X	(A)
2	AR100056	CONTROL VALVE	1	X X X	(ORD AL66969, L61340, L61344, 37M7174, 24M7087)
3	37M7147	SCREW	2	X X X	M6X20
4	AL64588	CLAMP	10	X X X	(SUB FOR AL55852, AR21837)
5	R71349	HOSE	1	X X X	LGTH= 290MM
6	R72040	GROMMET	2	X X X	(SUB FOR R65475)
7	R74361	HOSE	1	X X X	
8	AL58295	KNOB	1	X X X	(SUB FOR AR69370)
9	R44302	TIE BAND	AR	X X X	
10	L64660	HOSE	1	X X X	(SUB FOR R71350)
11	L41091	TUBE	1	X X X	(SUB FOR R76656)
12	HOSE	1	X X X	LGTH= 3200MM (MF L38125)
13	R41985	FITTING	1	X X X	
14	T37041	ELBOW FITTING	1	X X X	
15	T29388	UNION FITTING	1	X X X	
16	HOSE	1	X X X	LGTH= 2000MM (MF L38125)
17	19H1731	CAP SCREW	AR	X X X	3/8"X1"
18	R50454	CLAMP	1	X X X	
19	12H304	LOCK WASHER	AR	X X X	3/8"
20	14H812	NUT	AR	X X X	3/8"
21	R51892	CLAMP	AR	X X X	
22	24M7028	WASHER	AR	X X X	10.5X21X2MM
23	L41092	TUBE	1	X X X	(SUB FOR R76655)
24	19H2021	CAP SCREW	1	X X X	3/8"X5/8"
25	R40791	CLAMP	1	X X X	
26	L63537	FITTING	2	X X X	(SUB FOR T32204)
27	51M4238	RING	4	X X X	
28	19H1732	CAP SCREW	1	X X X	3/8"X1-1/4"
29	AL39227	LINE	1	X X X	
30	L41016	ANGLE	1	X X X	
31	L41015	ADAPTER	1	X X X	
32	L40878	ADAPTER	1	X X X	
33	AL39082	HOSE FITTING	1	X X X	
34	HOSE	2	X X X	LGTH= 2000MM (MF UN4614)
35	L55034	SEALING WASHER	1	X X X	
36	L42281	ISOLATOR	2	X X X	
37	14M7358	NUT	1	X X X	M8
38	03M7072	BOLT	1	X X X	M8X40
39	L56218	CLAMP	2	X X X	
40	24M7055	WASHER	1	X X X	8.4X17X1.6MM
41	L61344	HOSE	1	X X X	
42	L61340	BRACKET	1	X X X	
43	AL66969	VALVE	1	X X X	
44	24M7027	WASHER	1	X X X	5.3X10X1MM
45	37M7174	SCREW	1	X X X	4.2X13MM
..	UN4614	HOSE	1	X X X	KIT, LGTH= 6000MM
..	L38125	HOSE	1	X X X	KIT, LGTH= 5200MM

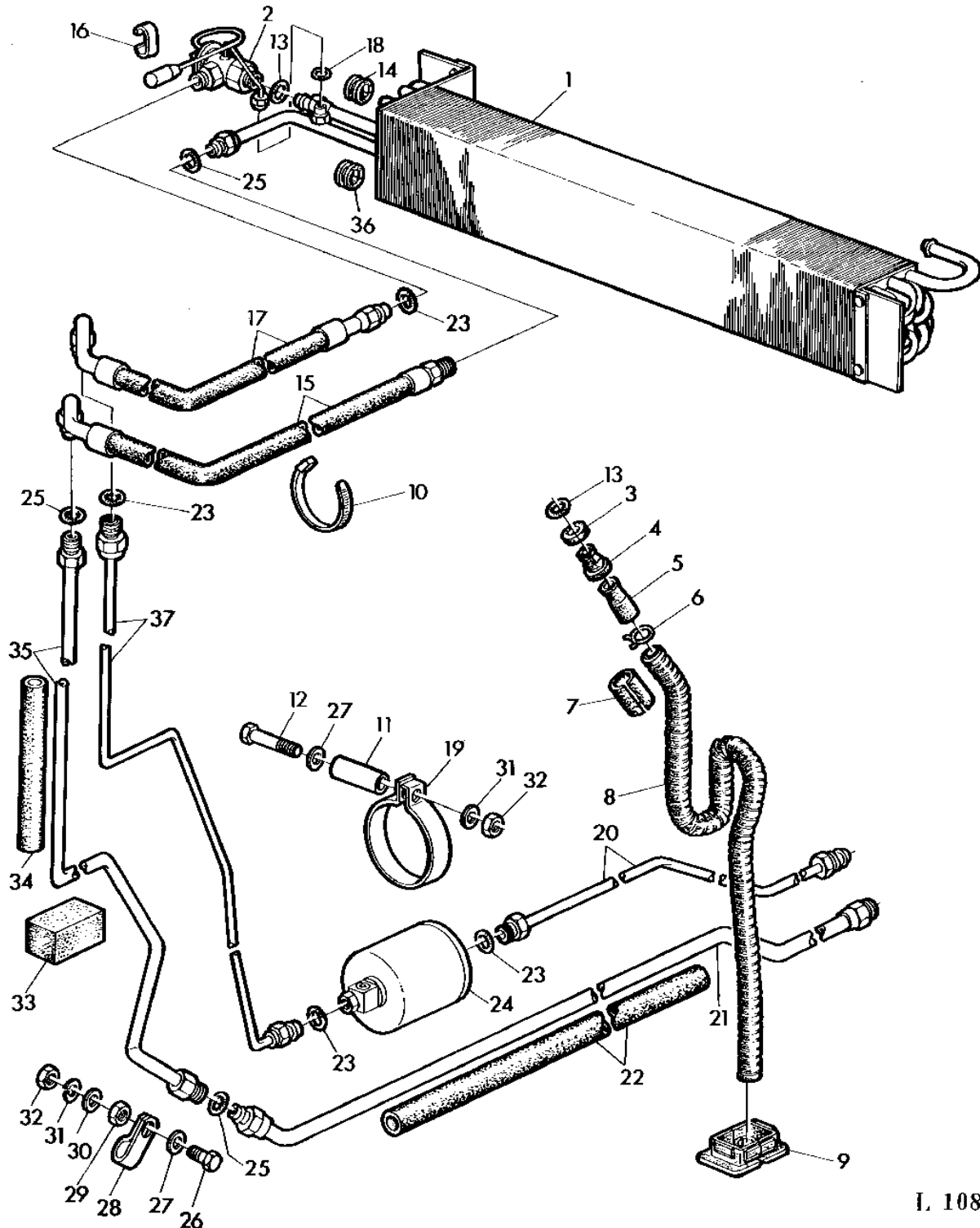
(A) WITH AIR CONDITIONING
 AVEC CLIMATISATION
 BEI KLIMAANLAGE
 CON IMPIANTO D'ARIA CONDIZIONATA
 CON SISTEMA DE AIRE ACONDICIONADA
 VID LUFTKONDITIONERING

7E6

SG2 CAB

EVAPORATOR AND REAR PIPES (WITH SG2 CAB)
EVAPORATEUR ET TUYAUX ARRIERE (AVEC CABINE SG2)
VERDAMPFER UND HINTERE LEITUNGEN (BEI SG2 KABINE)
EVAPORATORE E MANICOTTI POSTERIORI (CON CABINA SG2)
EVAPORADOR OCH BAKRE LEDNINGAR (CON CABINA SG2)
FORANGARE OCH BAKRE LEDNINGAR (VID SG2 HYTT)

L108254 -UN-17JUL95



I. 108254

7E7

SG2 CAB

KEY	PART NO.	PART NAME	QTY	SERIAL NO.	REMARKS
					2
					1 2 0
					6 0 4
					4 4 0
					0 0 S
1	AR90140	CORE	1		X X X
2	AL37525	VALVE	1		X X X (ORD RE13886, R66645)
	RE13886	VALVE	1		X X X
3	F2741R	PACKING	2		X X X
4	R60263	BUSHING	2		X X X
5	R60264	HOSE	2		X X X
6	R69319	CLAMP	2		X X X (SUB FOR R34766 APPL)
7	HOSE	2		X X X NSEP (MF R45847)
8	R50452	HOSE	2		X X X
9	L42029	PLUG	1		X X X (SUB FOR L39301)
10	R44302	TIE BAND	AR		X X X
11	28H1534	BUSHING	1	-465999	X X X 3/8"X2.250"
12	19M7668	CAP SCREW	1	-465999	X X X M10X100
	19M7170	CAP SCREW	1	466000-	X X X M10X50
13	P51212	O-RING	3		X X X
14	R74362	GROMMET	1		X X X
15	AR99838	HOSE	1		X X X
16	L39747	CLIP	1		X X X (FOR AL37525)
	R66645	CLIP	1		X X X (FOR RE13886)
17	AR93858	HYDRAULIC HOSE	1		X X X
18	R34812	O-RING	1		X X X
19	99M7102	CLAMP	1		X X X (SUB FOR R53422, 99M7096 APPL)
20	AR88148	OIL LINE	1	-465999	X X X LOW
	AL38189	LINE	1	466000-	X X X
21	AR88152	OIL LINE	1	-465999	X X X LOW
	AL38190	LINE	1	466000-	X X X
22	L40702	INSULATOR	1		X X X (SUB FOR R67717)
23	R10093	O-RING	4		X X X
24	AR74486	RECEIVER	1		X X X
25	R33259	O-RING	3		X X X
26	19M7168	CAP SCREW	1	-523858	X X X M10X30
27	24M7028	WASHER	AR		X X X 10.5X21X2MM
28	R51892	CLAMP	1	-523858	X X X
29	14H1040	NUT	1	-523858	X X X 1/2"
30	24H1884	WASHER	1		X X X 13/32"X13/16"X.120"
31	12M7135	LOCK WASHER	AR		X X X
32	14M7274	NUT	AR		X X X M10
33	R55327	ISOLATOR	2		X X X
34	R67718	ISOLATOR	1		X X X
35	AR88150	OIL LINE	1	-524129	X X X UP
	AL39311	LINE	1	524130-	X X X UP
36	R71351	GROMMET	1		X X X
37	AR88149	OIL LINE	1	-465999	X X X UP
	AL38188	LINE	1	466000-524129	X X X UP
	AL39312	LINE	1	524130-	X X X UP
..	R45847	HOSE	1		X X X KIT, LGTH= 15240MM

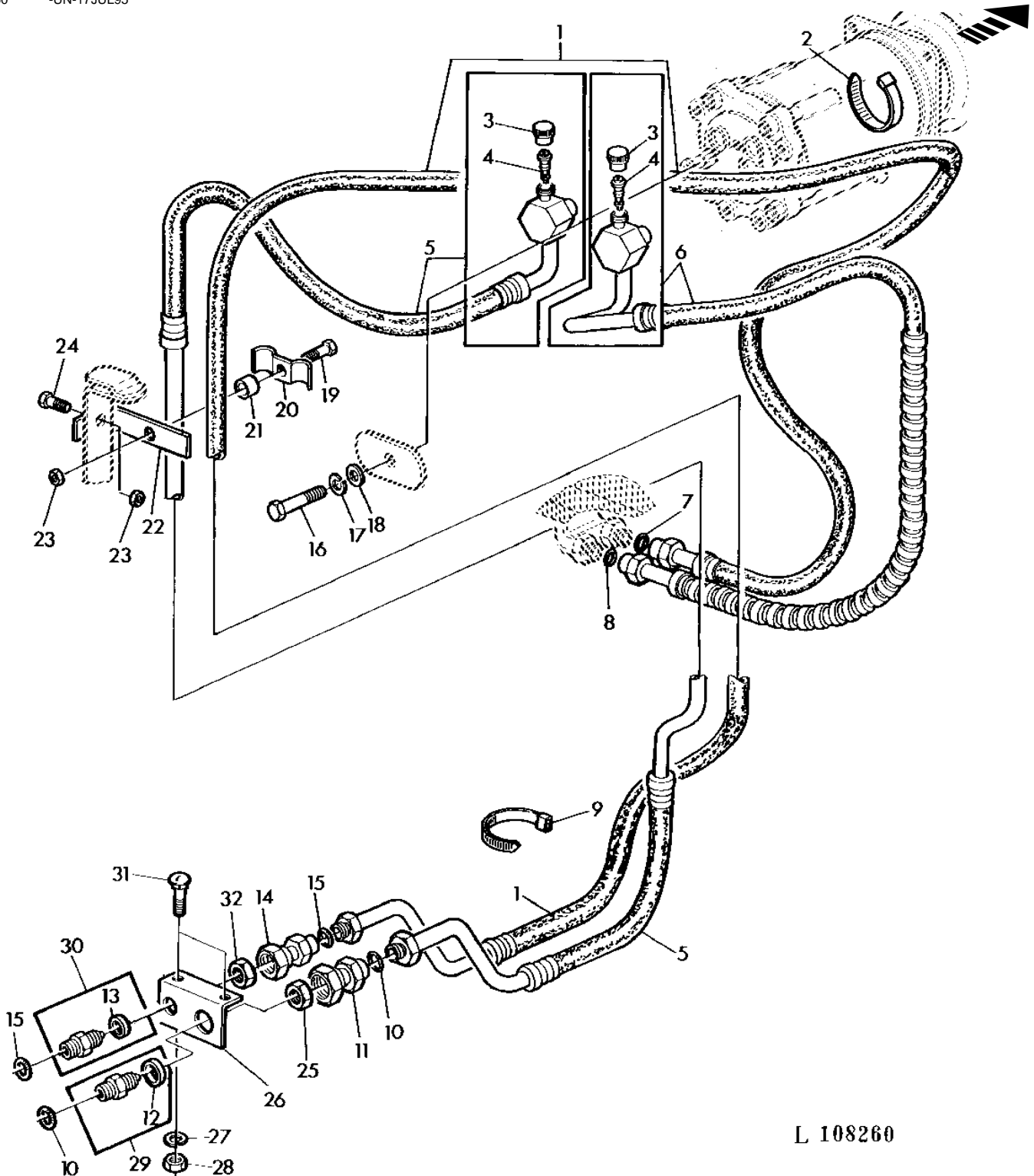
7E8

SG2 CAB

AIR CONDITIONING LINES (WITH SG2 CAB)
CONDUITES CONDITIONNEMENT D'AIR (AVEC SG2 CABINE)
LEITUNGEN FUER KLIMAAANLAGE (BEI SG2 KABINE)
TUBAZIONI PER SISTEMA CONDIZIONAMENTO ARIA (CON CABINA SG2)
TUBERIAS PARA SISTEMA DE ACONDICIONAMIENTO DE AIRE (CON CABINA SG2)
LEDNINGAR FOR LUFTKONDITIONERING (VID SG2 HYTT)

L108260

-UN-17JUL95



L 108260

7E9

SG2 CAB

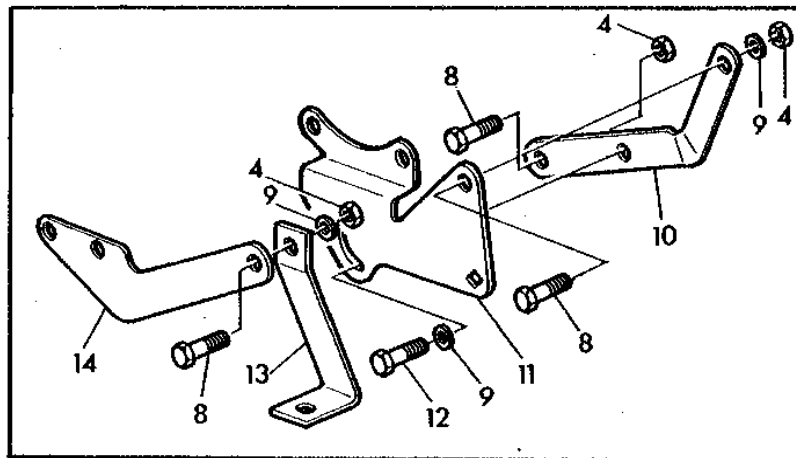
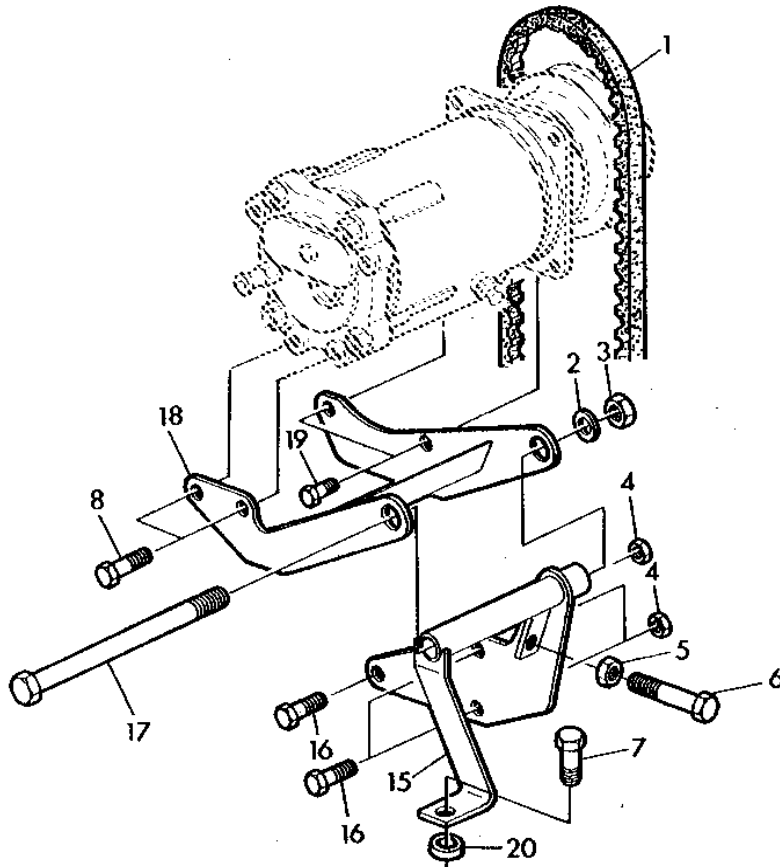
KEY	PART NO.	PART NAME	QTY	SERIAL NO.	REMARKS
					2
					1 2 0
					6 0 4
					4 4 0
					0 0 S
1	AL70926	HOSE	1	X X X	(ORD W/ (3) R44302) (SUB FOR AR88943, AL39373)
2	R44302	TIE BAND	3	X X X	
3	R60172	NUT	2	X X X	
4	R60170	VALVE	2	X X X	
5	AL70898	HOSE	1	X X X	(SUB FOR AR88945)
6	AL70927	HOSE	1	X X X	(ORD W/ (3) R44302) (SUB FOR AL30331, AL39374)
7	R10093	O-RING	1	X X X	
8	P51212	O-RING	1	X X X	
9	T44946	TIE BAND	3	X X X	
10	B15646	O-RING	2	X X X	
11	AR58287	EXTERNAL HALF COUPLER	1	X X X	
12	R57636	WASHER	1	X X X	
13	R57637	WASHER	1	X X X	
14	AH21763	EXTERNAL HALF COUPLER	1	X X X	
15	P50883	RING	2	X X X	
16	19M7170	CAP SCREW	1	X X X	M10X50
17	12M7135	LOCK WASHER	1	X X X	
18	24M7028	WASHER	1	X X X	10.5X21X2MM
19	19M7288	CAP SCREW	1	X X X	M8X30
20	T21367	CLAMP	1	X X X	
21	28H1513	WASHER	1	X X X	1/4"X0.375"
22	L32505	ANGLE	1	X X X	
23	14M7273	NUT	2	X X X	M8
24	19M7139	CAP SCREW	1	X X X	M8X20
25	L58896	NUT	1	X X X	(SUB FOR R52998)
26	R67724	ANGLE	1	X X X	
27	12H304	LOCK WASHER	2	X X X	3/8"
28	14H812	NUT	2	X X X	3/8"
29	AR58147	INTERNAL HALF COUPLER	1	X X X	
30	AH21762	INTERNAL HALF COUPLER	1	X X X	
31	03H2117	BOLT	2	X X X	3/8"X7/8"
32	L58897	NUT	1	X X X	(SUB FOR R53000)

7E10

SG2 CAB

COMPRESSOR MOUNTING PARTS (WITH AIR CONDITIONING) (WITH SG2 CAB)
ELEMENTS D'ADAPTATION DU COMPRESSEUR (CLIMATISATION) (AVEC CABINE SG2)
KOMPRESSOR-ANBAUTEILE (KLIMAAANLAGE) (BEI SG2 KABINE)
COMPRESSORE CON ELEMENTI DI MONTAGGIO (CONDIZ. ARIA) (CON CABINA SG2)
COMPRESOR CON PIEZAS DE MONTAJE (ACONDIC. DE AIRE) (CON CABINA SG2)
KOMPRESOR MED MONTERINGSDELAR (LUFTKONDITIONERING) (VID SG2 HYTT)

L112890 -UN-01JAN94



L 112890

7E11

SG2 CAB

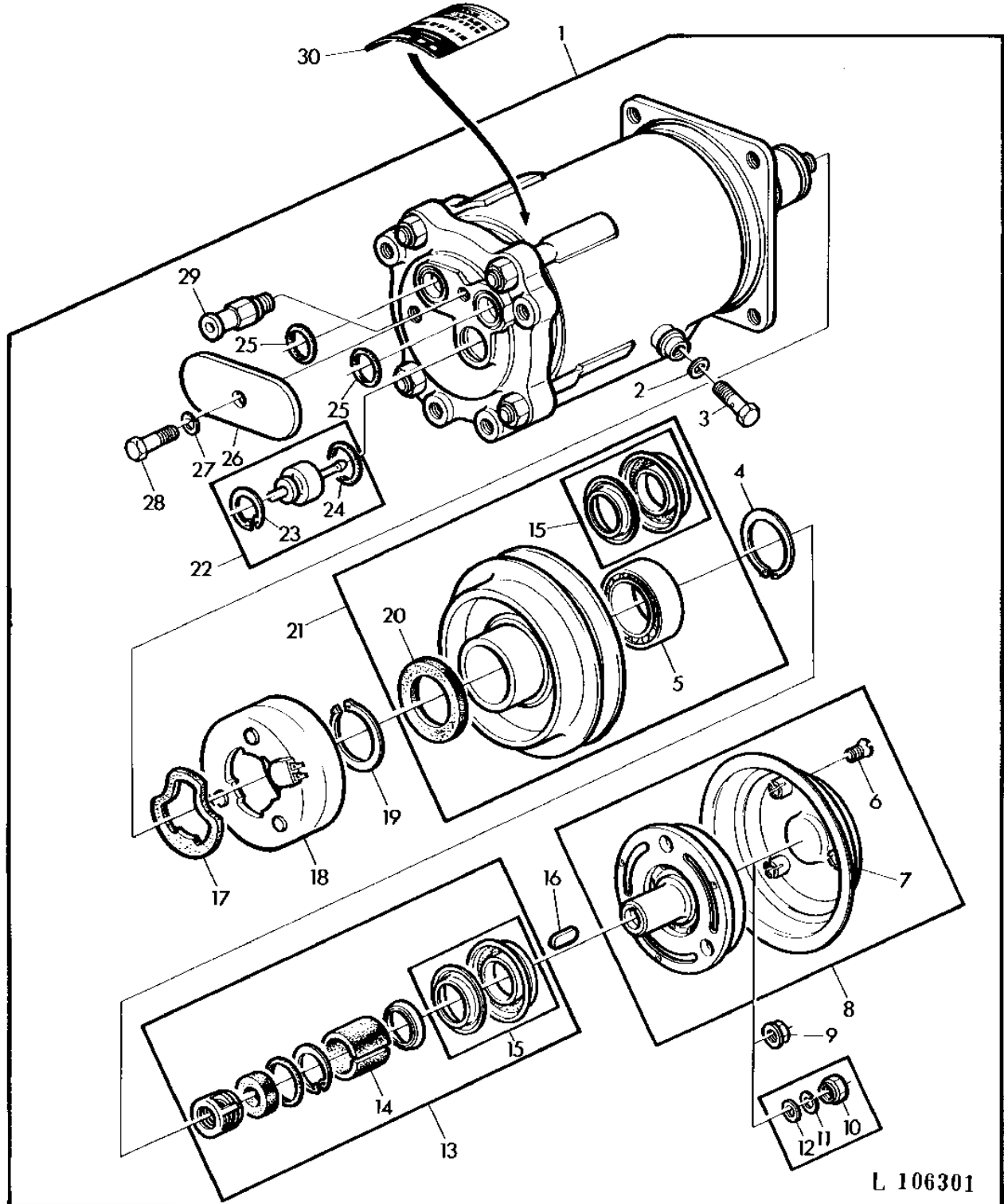
KEY	PART NO.	PART NAME	QTY	SERIAL NO.	REMARKS
				2	
				1 2 0	
				6 0 4	
				4 4 0	
				0 0 S	
1	L41331	BELT	1	X X X	(SUB FOR R65712)
2	24M7053	WASHER	1	X X X	17X30X3MM
3	14M7276	NUT	1	X X X	M16
4	14M7274	NUT	3	X X X	M10
5	14M7275	NUT	1	X X X	M12
6	19M7494	CAP SCREW	1	X X X	M12X70
7	19H2898	CAP SCREW	1	X X X	1/2"X1-1/4" (FOR AL39202)
	19H2508	CAP SCREW	1	X X X	1/2"X1-3/8" (FOR AL58833)
8	19M7662	CAP SCREW	5	X X X	M10X30
9	24M7028	WASHER	3	X X X	10.5X21X2MM
10	R67021	SUPPORT	1	X X X	
11	R56855	SUPPORT	1	X X X	FRONT
12	19H1732	CAP SCREW	1	X X X	3/8"X1-1/4"
13	R68012	AIR CLEANER	1	X X X	(ORD L60563, 28H1596)
	L60563	SUPPORT	1	X X X	(SUB FOR L58256)
14	R62716	SUPPORT	1	X X X	REAR
15	AL39202	BRACKET	1	X X X	(ORD AL58833, 28H1596)
	AL58833	BRACKET	1	X X X	
16	19M7167	CAP SCREW	3	X X X	M10X25
17	19M7677	CAP SCREW	1	X X X	M16X240
18	AL39201	BRACKET	1	X X X	
19	19M7162	CAP SCREW	2	X X X	M8X16
20	28H1596	WASHER	1	X X X	1/2"X.312"

7E12

SG2 CAB

COMPRESSOR-AIR CONDITIONING SYSTEM (WITH SG2 CAB)
COMPRESSEUR POUR CLIMATISATION (AVEC SG2 CABINE)
KOMPRESSOR FÜR KLIMAANLAGE (BEI SG2 KABINE)
COMPRESSORE PER SISTEMA CONDIZIONAMENTO ARIA (CON CABINA SG2)
COMPRESOR PARA SISTEMA DE CLIMATIZACION (CON CABINA SG2)
KOMPRESSOR FOR LUFTKONDITIONERING (VID SG2 HYTT)

L106301 -UN-17JUL95



7E13

SG2 CAB

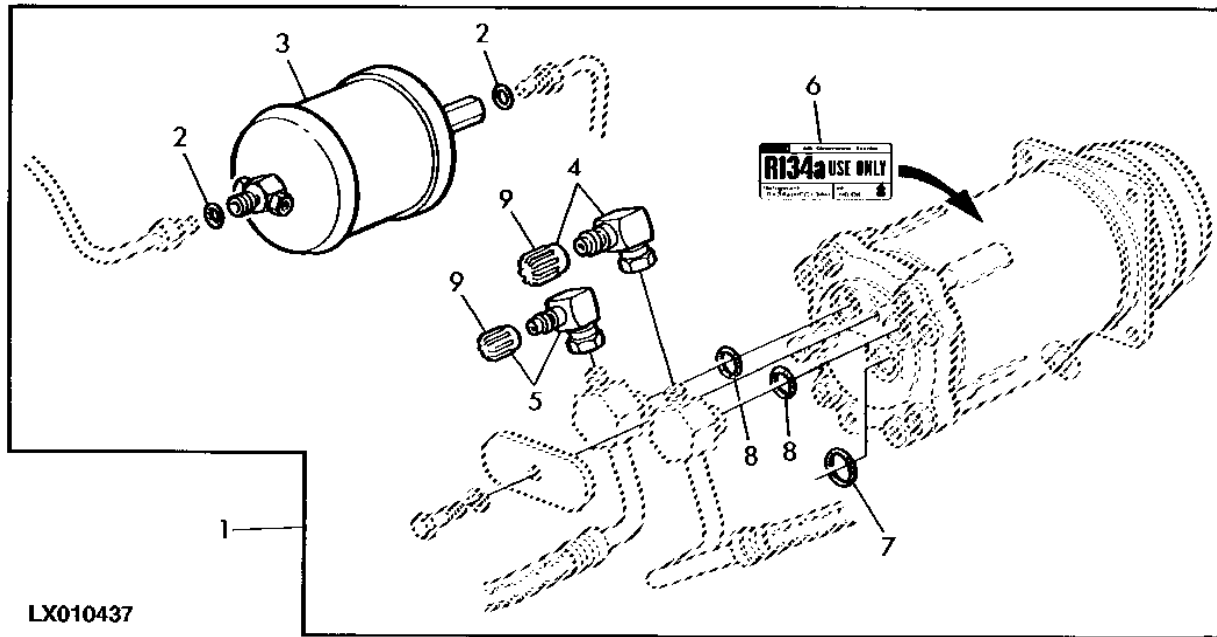
KEY	PART NO.	PART NAME	QTY	SERIAL NO.	REMARKS
				2	
				1 2 0	
				6 0 4	
				4 4 0	
				0 0 S	
1	TY6665	COMPRESSOR	1	X X X	DELCO R12 (SUB FOR AR92109)
	TY6770	COMPRESSOR	1	X X X	DELCO R134A
2	R47234	WASHER	1	X X X	
3	R47233	PLUG	1	X X X	
4	R47226	SNAP RING	1	X X X	(ORD W/ AR71289)
5	AR71288	BALL BEARING	1	X X X	
6	37H32	SCREW	3	X X X	NO. 10 X 3 X 8"
7	AR71290	COVER	1	X X X	
8	AR71286	CLUTCH	1	X X X	
9	R69297	FLANGE NUT	1	X X X	
10	R47230	WASHER	1	X X X	(ORD R69297)
11	R47231	SNAP RING	1	X X X	(ORD R69297)
12	R47232	NUT	1	X X X	(ORD R69297)
13	AR71285	KIT	1	X X X	
14	R47227	SEAL	1	X X X	(ORD W/ AR71289)
15	AR71289	SHIELD	1	X X X	FRONT
16	R47229	SHAFT KEY	1	X X X	
17	R56246	GASKET	1	X X X	(ORD W/ AR71289)
18	AR49803	ELECTRICAL COIL	1	X X X	(ORD W/ AR71289)
19	R47224	SNAP RING	1	X X X	(ORD W/ AR71289)
20	R54766	WASHER	1	X X X	REAR (ORD W/ AR71289)
21	AR71287	PULLEY	1	X X X	
22	AR78501	KIT	1	X X X	
23	R63571	SNAP RING	1	X X X	
24	32240	O-RING	1	X X X	
25	R74210	O-RING	2	X X X	(SUB FOR R47235)
26	R60171	STRAP	1	X X X	
27	12M7135	LOCK WASHER	1	X X X	
28	19M7170	CAP SCREW	1	X X X	M10X50
29	AR49808	VALVE	1	X X X	
30	L34015	LABEL	1	X X X	FRANCAIS

7E14

SG2 CAB

CONVERSION KIT-AIR CONDITIONING FROM R12 TO R134A (SG2)
 JEU D'ADAPTATION DE LA CLIMATISATION R12 AU REFRIGERANT R134A (CABINE SG2)
 KLIMAAANLAGE-UMRUESTSATZ VON R12 AUF R134A (SG2-KABINE)
 KIT TRASFORMAZIONE DELL'IMPIANTO CONDIZION. ARIA DI R12 IN R134A (CAB. SG2)
 CONJUNTO DE MODIFICACION AIRE ACOND. DEL REFRIG. R12 A R134A (SG2)
 SATS FOR MODIFYING AV LUFTKONDITIONERING FRAN R12 TILL R134A (SG2-HYTT)

LX010437 -UN-16MAY95



LX010437

KEY	PART NO.	PART NAME	QTY	SERIAL NO.	REMARKS
				2	
			1	2	0
			6	0	4
			4	4	0
			0	0	S
1	AL70893	KIT	1	X X X	
2	R10093	O-RING	2	X X X	
3	AL77581	RECEIVER-DRYER	1	X X X	
4	RE60813	FITTING	1	X X X	
5	RE60812	FITTING	1	X X X	
6	L65370	LABEL	1	X X X	
7	32240	O-RING	1	X X X	
8	R74210	O-RING	2	X X X	
9	CAP	1	X X X	NSEP (ORD AL110238)

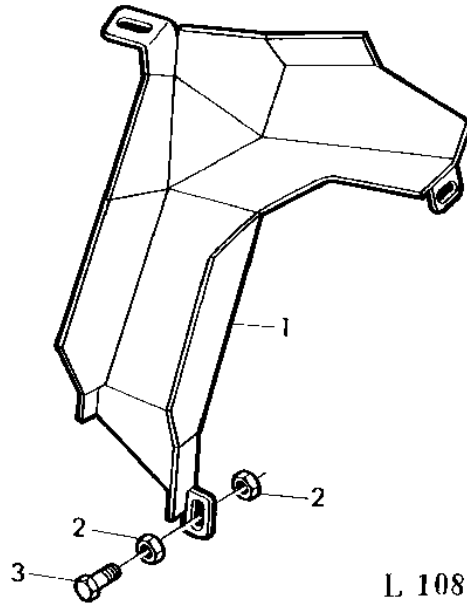
MEMORANDA
MEMORANDA
MEMORANDA
MEMORANDA
MEMORANDA

7E15

SG2 CAB

GUARD FOR HEATER AND AIR CONDITIONING SYSTEM LINES (WITH SG2 CAB)
 GARANT DES DURITES DE CHAUFFAGE ET DE CLIMATISATION (AVEC CABINE SG2)
 SCHUTZ FÜR HEIZUNGS- UND KLIMAAANLAGELEITUNGEN (BEI SG2 KABINE)
 PROTEZIONE PER TUBAZIONI RISCALDAMENTO E CONDIZION.ARIA (CON CABINA SG2)
 CORAZA PARA TUBERIAS DE CALEFACCION Y SIST. CLIMATIZACION (CON CABINA SG2)
 SKYDD FÖR LEDNINGAR TILL VARME OCH LUFTKONDITIONERINGSSYSTEM (VID SG2 HYTT)

L108269 -UN-17JUL95



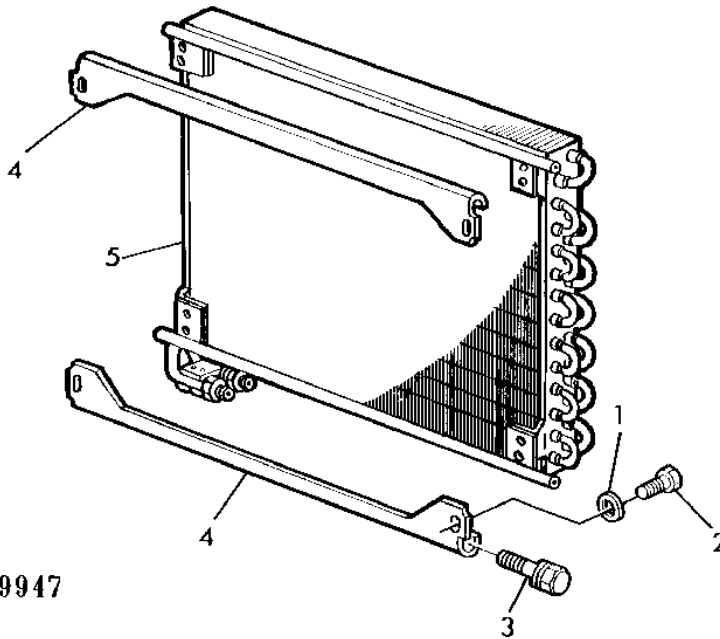
2
1 2 0
6 0 4
4 4 0
0 0 S

KEY	PART NO.	PART NAME	QTY	SERIAL NO.	REMARKS
1	AL39308	GUARD	1	X X X	RH
	AL39307	GUARD	1	X X X	LH
2	14M6915	NUT	2	X X X	RH, M10
	14M6915	NUT	1	X X X	LH, M10
3	19M7169	CAP SCREW	1	X X X	RH, M10X35
	19M7382	CAP SCREW	1	X X X	LH, M10X40

7E16

SG2 CAB

CONDENSER (WITH SG2 CAB)
 CONDENSEUR (AVEC CABINE SG2)
 KONDENSATOR (BEI SG2 KABINE)
 CONDENSATORE (CON CABINA SG2)
 CONDENSADOR (CON CABINA SG2)
 KONDENSOR (VID SG2 HYTT)
 L29947 -UN-18JUL95



1. 29947

2
 1 2 0
 6 0 4
 4 4 0
 0 0 S

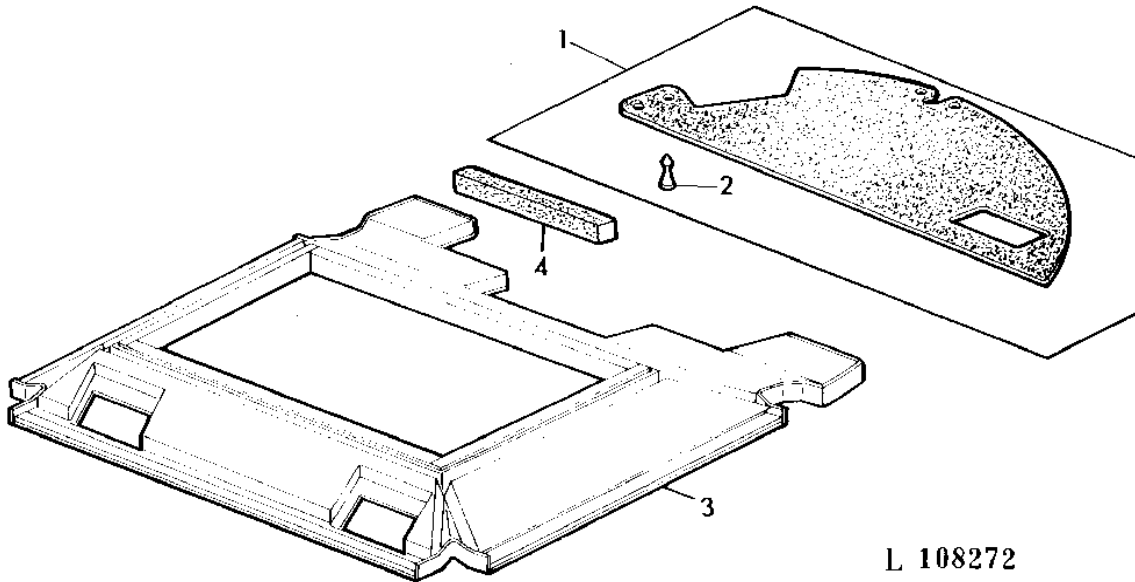
KEY	PART NO.	PART NAME	QTY	SERIAL NO.	REMARKS
1	24M7036	WASHER	4	X X X	9X17X1.6MM
2	19M7297	CAP SCREW	4	X X X	M8X12
3	AR58652	BOLT	4	X X X	
4	L34988	SUPPORT	2	X X X	
5	AL30364	VAPOR CONDENSER	1	X X X	

7E17

SG2 CAB

CAB ROOF HEADLINER COVER (WITH SG2 CAB)
 REVETEMENT INTERIEUR TOIT (AVEC CABINE SG2)
 INNENDACHVERKLEIDUNG (BEI SG2 KABINE)
 PEZZO RIVESTIMENTO INTERIORE DEL TETTO (CON CABINA SG2)
 PIEZA DE REVESTIMIENTO INTERIOR DEL TECHO (CON CABINA SG2)
 BEKLADNAD FOR HYTTACK (VID SG2 HYTT)

L108272 -UN-07JUN95



L 108272

2
1 2 0
6 0 4
4 4 0
0 0 S

KEY	PART NO.	PART NAME	QTY	SERIAL NO.	REMARKS
1	AL37216	HEADLINER	1	X X X	
	AL37455	HEADLINER	1	X X X	(B)
	AL38255	HEADLINER	1	X X X	(B) (C)
	AL38253	HEADLINER	1	X X X	(C)
2	L39326	CLIP	8	X X X	
3	AR97386	HEADLINER	1	X X X	
	AR97764	HEADLINER	1	X X X	(A) INCL KEYS L41355
4	L41355	FOAM PAD	1	X X X	(A)

(A) WITH HATCH
 AVEC TOIT OUVRANT
 BEI DACHLUKE
 CON LUCERNARIO
 CON LUCERA
 VID NODLUCKA

(B) WITH DOOR, RIGHT HAND
 AVEC PORTE A DROITE
 BEI TUER RECHTS
 CON SPORTELLA A DESTRA
 CON PUERTA DERECHA
 VID HOGER DORR

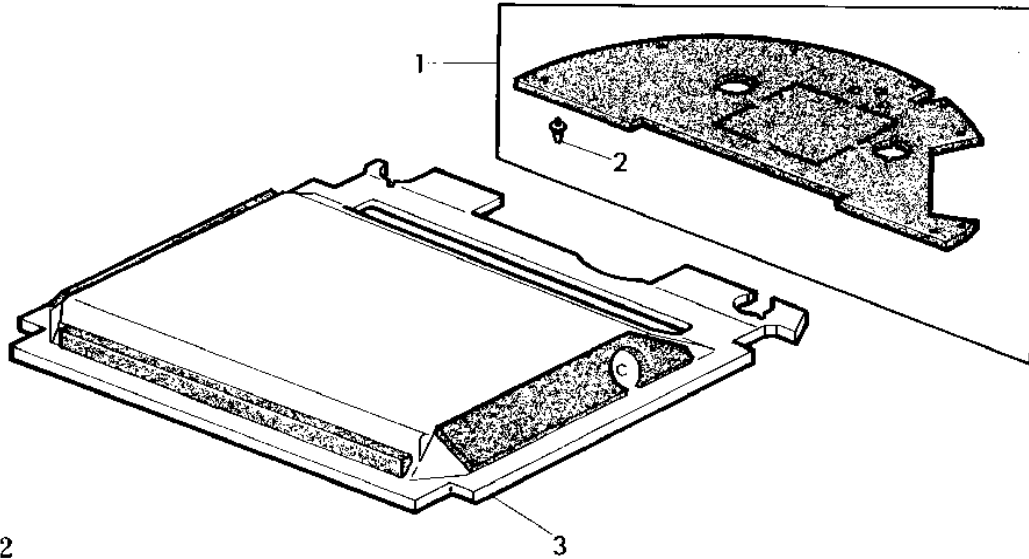
(C) FOR RADIO CONSOLE
 POUR CONSOLE RADIO
 FUER RADIOKONSOLE
 PER CONSOLE RADIO
 PARA CONSOLA DE RADIO
 FOR RADIOKONSOL

7E18

SG2 CAB

CAB ROOF HEADLINER COVER FOR LOW PROFILE CAB (WITH SG2 CAB)
 REVETEMENT INTERIEUR TOIT POUR TOIT PLAT (AVEC CABINE SG2)
 INNENDACHVERKLEIDUNG FUER FLACHDACH (BEI SG2 KABINE)
 PEZZO RIVESTIMENTO INTERIORE DEL TETTO PER TETTO BASSO (CON CABINA SG2)
 PIEZA DE REVESTIMIENTO INTERIOR DEL TECHO PARA TECHO BAJO (CON CABINA SG2)
 BEKLADNAD FOR HYTTAK FOR LAGPROFIL (VID SG2 HYTT)

L109282 -UN-07JUN95



L 109282

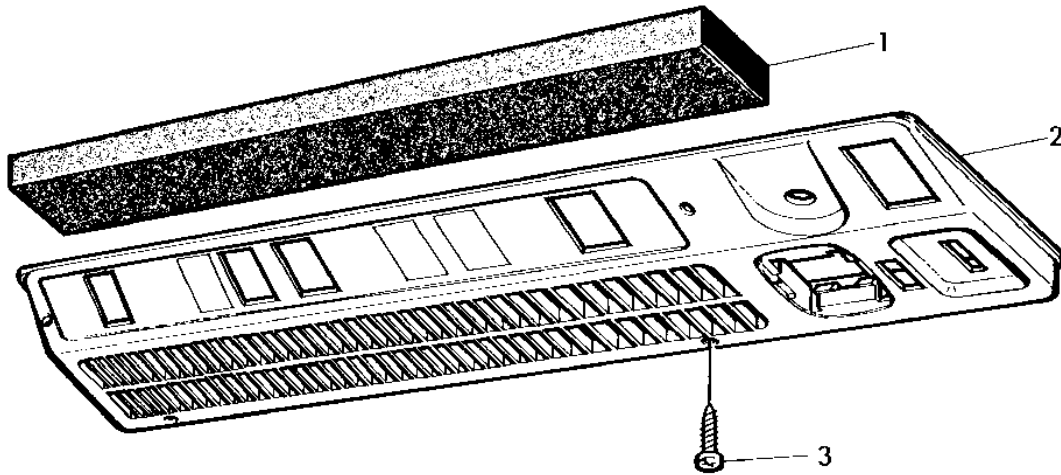
2
1 2 0
6 0 4
4 4 0
0 0 S

KEY	PART NO.	PART NAME	QTY	SERIAL NO.	REMARKS
1	AL55537	HEADLINER	1	X X X	
2	L39326	CLIP	8	X X X	
3	AL56234	HEADLINER	1	X X X	

7E19

SG2 CAB

ROOF PANEL FOR LOW PROFILE CAB (WITH SG2 CAB)
 CACHE POUR TOIT PLAT (AVEC CABINE SG2)
 BLENDE BEI FLACHDACH (BEI SG2 KABINE)
 PANNELLO PER TETTO BASSO (CON CABINA SG2)
 PANEL DE TECHO PLANO (CON CABINA SG2)
 REGLAGEBRADA FOR LAG PROFIL HYTTAK (VID SG2 HYTT)
 L109283 -UN-07JUN95



I. 109283

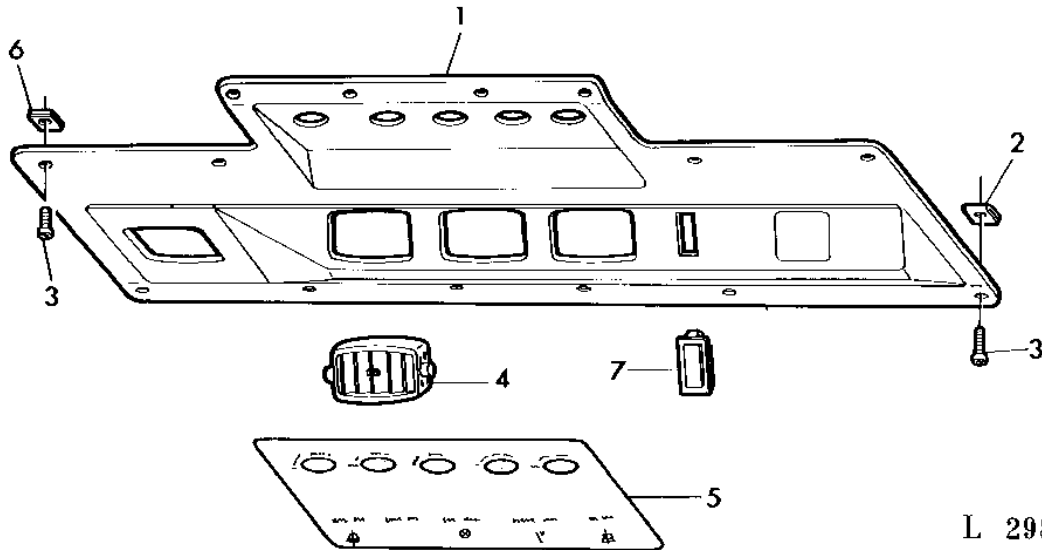
2
 1 2 0
 6 0 4
 4 4 0
 0 0 S

KEY	PART NO.	PART NAME	QTY	SERIAL NO.	REMARKS
1	L56133	FILTER ELEMENT	1	X X X	
2	L56140	BRACKET	1	X X X	
3	37M7158	SCREW	4	X X X	M5X50 (SUB FOR 37M7143 APPL)

7E20

SG2 CAB

AIR LOUVERS AND HEADLINER (WITH SG2 CAB)
 OUIES D'AERATION/CACHE (AVEC SG2 CABINE)
 LUFTZUFUEHRDUESEN/BLENDE (BEI SG2 KABINE)
 PANNELLO/BOCCHETTE ARIA (CON CABINA SG2)
 TABLA CON BOCAS DE ADMISION DE AIRE (CON CABINA SG2)
 REGLAGEBRADA/MUNSTYCKEN (VID SG2 HYTT)
 L29808 -UN-09JUN95



L 29808

KEY	PART NO.	PART NAME	QTY	SERIAL NO.	REMARKS
					2
					1 2 0
					6 0 4
					4 4 0
					0 0 S
1	R74205	PANEL	1		X X X
2	R52130	LOCK NUT	6		X X X (SUB FOR R50500 APPL)
3	37M7143	SCREW	14		X X X 4.8X38MM (SUB FOR R53678)
4	AR95969	AIR DUCT	8	-516349	X X X
	AR95969	AIR DUCT	5	516350-	X X X FRONT
	AL39286	AIR DUCT	3	516350-	X X X REAR
5	L38858	LABEL	1		X X X
	L42111	LABEL	1		X X X (X-E SERIE)
	L38859	LABEL	1		X X X (A)
	L39568	LABEL	1		X X X (A) (B)
	L39567	LABEL	1		X X X (B)
6	R52130	LOCK NUT	8		X X X
7	L38617	COVER	1		X X X

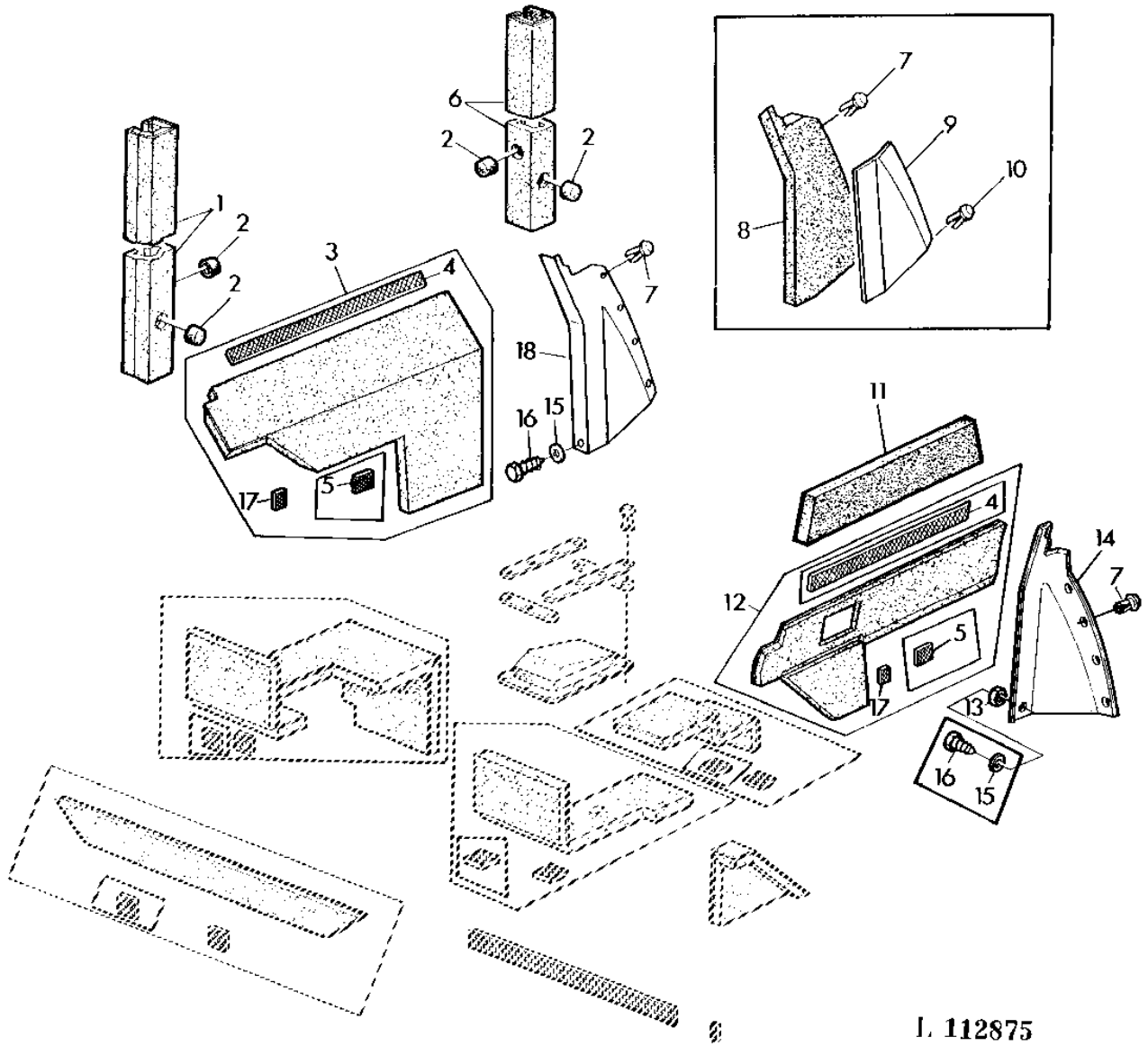
(A) WITH AIR CONDITIONING
 AVEC CLIMATISATION
 BEI KLIMAANLAGE
 CON IMPIANTO D'ARIA CONDIZIONATA
 CON SISTEMA DE AIRE CONDIZIONADO
 VID LUFTKONDITIONERING

(B) FOR NORWAY
 UNIQUEMENT POUR LA NORVEGE
 FUER NORWEGEN
 SOLTANTO PER NORVEGIA
 PARO NORUEGA
 ENDAST FOR NORGE

7E21

SG2 CAB

SG2-CAB LINING (FRONT)
CABINE SG2-REVETEMENT INTERIEUR (AVANT)
SG2 KABINE-INNENVERKLEIDUNG (VORN)
SG2-RIVESTIMENTO (ANTERIORE)
SG2-REVESTIMIENTO DELANTERO
SG2 HYTT-BEKLADNAD (FRAMRE)
L112875 -UN-17JUL95



I. 112875

7E22

SG2 CAB

KEY	PART NO.	PART NAME	QTY	SERIAL NO.	REMARKS
					2
					1 2 0
					6 0 4
					4 4 0
					0 0 S
1	L55122	PAD	1	X X X	REAR, RH (SUB FOR AL37740)
	L55120	PAD	1	X X X	REAR, LH (SUB FOR AL37739)
2	L37963	CAP	6	X X X	
3	AL55078	PAD	1	X X X	(SUB FOR R67692, AL37231)
4	L39858	STRIP	1	X X X	50X800MM (FOR AL55078, AL37231, AL37206)
5	L39339	STRIP	AR	X X X	50X50MM (ORD L56021)
6	L55118	PAD	1	X X X	FRONT, RH (SUB FOR AR99800, AL39462)
	L55117	PAD	1	X X X	FRONT, LH (SUB FOR AR95490)
	L55119	PAD	1	X X X	(A) FRONT, RH (SUB FOR AR93702)
7	L39134	RIVET	AR	X X X	LGTH= 11.5MM
8	AL35643	PANEL	1	X X X	RH (ORD L41191)
	AR101427	PANEL	1	X X X	LH (ORD L40893, (4) L39134, 37M7136, 24M7244)
	AL35644	PANEL	1	X X X	(A) RH (ORD L41191)
9	L40168	GUARD	1	X X X	LH (ORD L40893, (4) L39134, 37M7136, 24M7244)
10	L40460	RIVET	3	X X X	LGTH= 15MM
11	L55128	PAD	2	X X X	(B) (SUB FOR L39297)
12	AL55077	PAD	1	X X X	(SUB FOR R72881, AL37206)
13	L40924	NUT	1	X X X	
14	L41191	SHIELD	1	X X X	RH
15	24M7244	WASHER	AR	X X X	6.4MM
16	37M7146	SCREW	AR	X X X	6.3X16MM (SUB FOR 37M7136)
17	L56021	STRIP	AR	X X X	30X50MM (SUB FOR L39339)
18	L58684	PANEL	1	X X X	LH (SUB FOR L40893)

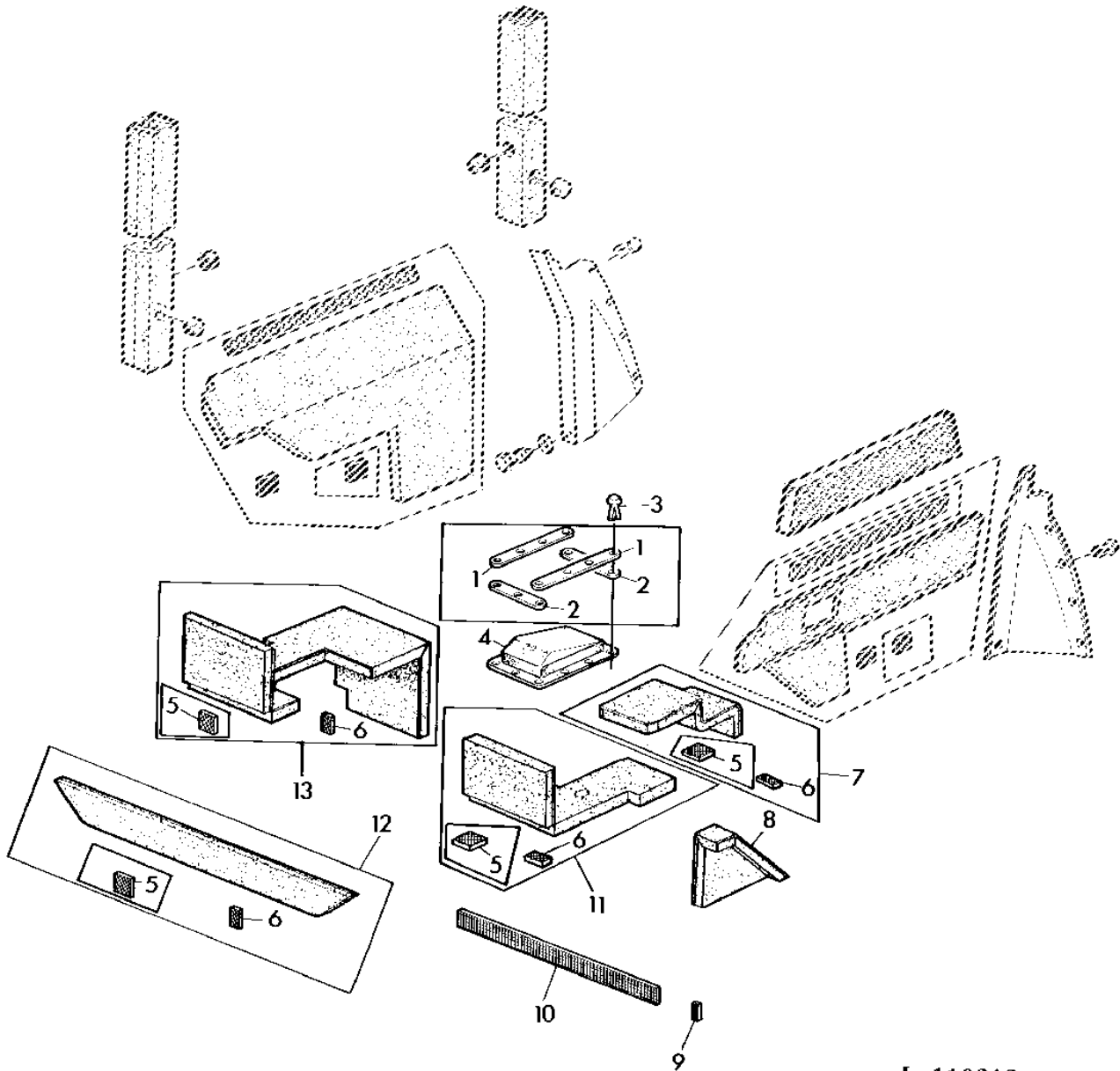
(A) WITH DOOR,RIGHT HAND
 AVEC PORTE A DROITE
 BEI TUER RECHTS
 CON SPORTELO A DESTRA
 CON PUERTA DERECHA
 VID HOGER DORR

(B) WITH SNOW CHAIN FENDERS
 AVEC AILES POUR CHATNE NEIGE
 BEI SCHNEEKETTEN-KOTFLUEGEL
 CON PARAFANG.DA CATENE NEVE
 CON GUARDAB.CADENAS NIEVE
 VID SKARMAR FOR SNOKEDJOR

7E23

SG2 CAB

SG2-CAB LINING (REAR)
CABINE SG2-REVETEMENT INTERIEUR (ARRIERE)
SG2 KABINE-INNENVERKLEIDUNG (HINTEN)
CABINA SG2-RIVESTIMENTO (POSTERIORE)
CABINA SG2-REVESTIMIENTO TRASERO
SG2 HYTT-BEKLADNAD (BAKRE)
L116312 -UN-18JUL95



L 116312

7E24

SG2 CAB

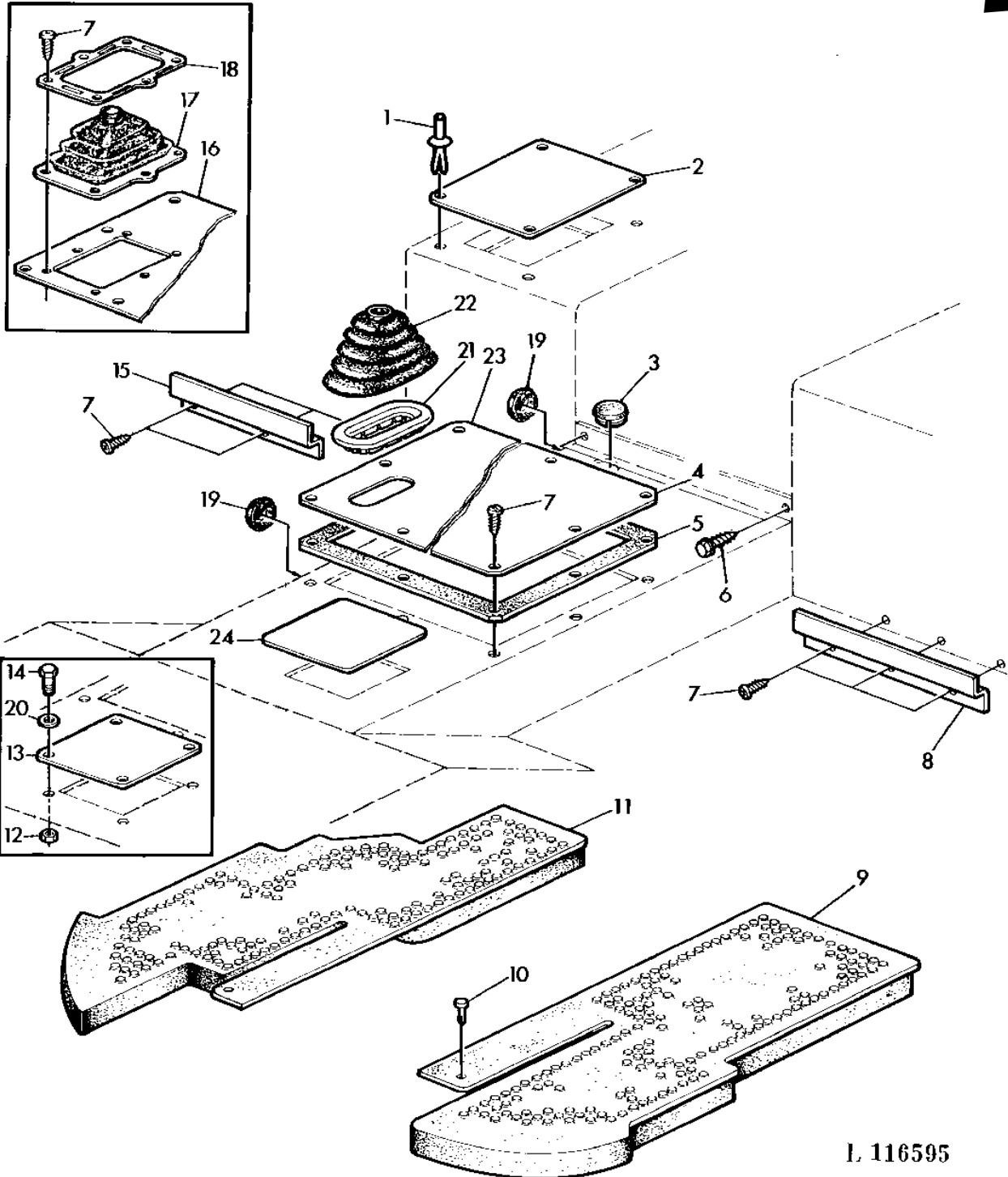
KEY	PART NO.	PART NAME	QTY	SERIAL NO.		REMARKS
					2	
					1 2 0	
					6 0 4	
					4 4 0	
					0 0 S	
1	R68017	REINFORCEMENT	4	-515546	X X X	
2	R68016	STRAP	4	-515546	X X X	
3	L39134	RIVET	AR		X X X	LGTH= 11.5MM
4	R73656	BOOT	2	-481199	X X X	BROWN, BRUN, BRAUN, BRUNO, NARRON, BRUN (ORD R67515)
	R67515	BOOT	2	481200-515546	X X X	BLACK, NOIR, SCHWARZ, NERO, NEGRO, SVART
	L40872	SHIELD	2	515547-	X X X	
5	L39339	STRIP	AR		X X X	50X50MM (ORD L56021)
6	L56021	STRIP	AR		X X X	30X50MM (SUB FOR L39339)
7	AL55081	PAD	1		X X X	(SUB FOR L38595, AL37235)
	AL55082	PAD	1		X X X	(A) (SUB FOR AL39492)
8	L55124	PAD	1		X X X	RH (SUB FOR R67162)
	L55125	PAD	1		X X X	LH (SUB FOR R67156)
9	L39860	STRIP	AR		X X X	
10	L39859	STRIP	AR		X X X	
11	AL55086	PAD	1	-515546	X X X	(SUB FOR R67157, AL37237)
	AL55080	PAD	1	515547-	X X X	(SUB FOR AL38846)
12	AL55084	PAD	1		X X X	(SUB FOR R76396, AL37229)
13	AL55087	PAD	1	-515546	X X X	(SUB FOR R67154, AL37233)
	AL55083	PAD	1	515547-	X X X	(SUB FOR AL38844)

(A) WITH HANDSHIFT PTO
 AVEC PDF A SELECTION PAR MANETTE
 BEI UMSCHALTBARER ZAPFWELLE
 CON PTO A CAMBIO MANUALE
 CON TDF DE REGIMEN VARIABLE
 VID VAXLINGSBAR KRAFTUTTAG

7F1

SG2 CAB

PLATFORM MATS AND COVER (WITH SG2 CAB)
REVETEMENT PLANCHER/COUVERCLE (AVEC CABINE SG2)
BODENMATTEN/DECKEL (BEI SG2 KABINE)
STOIE E COPERCHIO (CON CABINA SG2)
ESTERAS Y TAPA (CON CABINA SG2)
GOLVMATTA/LOCK (VID SG2 HYTT)
L116595 -UN-18JUL95



L 116595

7F2

SG2 CAB

KEY	PART NO.	PART NAME	QTY	SERIAL NO.	REMARKS
					2
					1 2 0
					6 0 4
					4 4 0
					0 0 S
1	L39134	RIVET	4		X X X (SUB FOR 19M7300 APPL)
2	L35474	COVER	1		X X X
3	R67721	PLUG	2		X X X
4	R67378	PLATE	1		X X X
5	R72760	GASKET	1		X X X
6	L39078	CAP SCREW	2		X X X
7	37M7109	SCREW	AR		X X X 6.3X16MM
8	R72350	PLATE	1		X X X
9	R68107	MAT	1		X X X (A) LH
	R74308	MAT	1		X X X (B) LH
10	L31208	PLUG	2		X X X (SUB FOR R51548 APPL)
11	R68105	MAT	1		X X X (A) RH
	R74307	MAT	1		X X X (B) RH
12	14M7272	NUT	4		X X X M6
13	L36938	PLATE	1		X X X (ORD L58679)
14	19M7560	CAP SCREW	4		X X X M6X16
15	R72349	PLATE	1		X X X
16	L36641	PLATE	1		X X X
17	R67169	BOOT	2		X X X
18	R67170	RETAINER	2		X X X
19	R71080	PLUG	2		X X X
20	24M7054	WASHER	4		X X X 6.4X12.5X1.6MM
21	L42238	GUIDE	2		X X X
22	L42237	BOOT	2		X X X
23	L42236	PLATE	1		X X X
24	L58679	COVER	1		X X X

(A) BROWN
BRUN
BRAUN
BRUNO
MARRON
BRUN

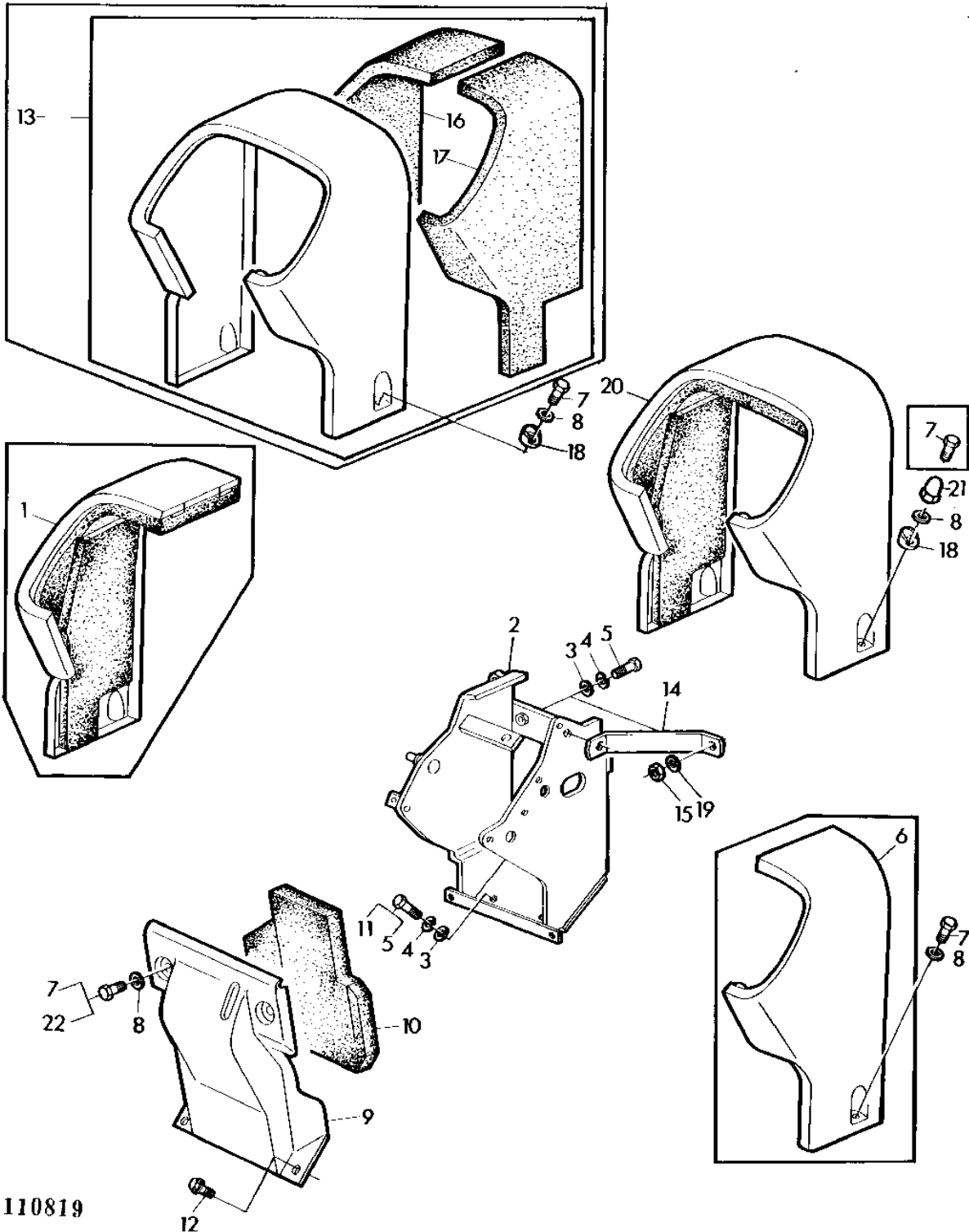
(B) BLACK
NOIR
SCHWARZ
NERO
NEGRO
SVART

7F3

SG2 CAB

CONTROL SUPPORT/COWL (WITH SG2 CAB)
SUPPORT DE TABLEAU DE BORDIMABILLAGE (AVEC CABINE SG2)
ARMATURENWANDTRAEGER/VERKLEIDUNG (BEI SG2 KABINE)
SUPPORTO DEL ALLOGGIAMENTO PANNELLO PORTA-STRUMENTI/RIVEST. (CON CABINA SG2)
APOYO DE LA CAJA DEL TABLERO DE INSTRUMENTOS/REVESTIMIENTO (CON CABINA SG2)
STOD FOR INSTRUMENTPANEL/BEKLADNAD (VID SG2 HYTT)

L110819 -UN-17JUL95



L 110819

7F4

SG2 CAB

KEY	PART NO.	PART NAME	QTY	SERIAL NO.	REMARKS
					2
					1 2 0
					6 0 4
					4 4 0
					0 0 S
1	AR95439	COWL	1		X X X LH (ORD AL40954)
2	AR84820	SUPPORT	1	-509313	X X X (ORD AL39499, L41300, 14M7350)
	AL39499	CONTROL SUPPORT	1	509314-	X X X
3	24M7028	WASHER	4		X X X 10.5X21X2MM (SUB FOR 24H1305, 24M7040)
4	12H304	LOCK WASHER	4		X X X 3/8"
5	19H1731	CAP SCREW	AR		X X X 3/8"X1"
6	AR95438	COWL	1		X X X RH (ORD AL40954)
7	L39078	CAP SCREW	AR		X X X (SUB FOR 19H1905 APPL)
8	24M7055	WASHER	4		X X X 8.4X17X1.6MM
9	R68193	COVER	1		X X X
10	R68191	INSULATOR	1		X X X
11	19H1800	CAP SCREW	2	-XXXXXX	X X X 3/8"X1-1/2" (ORD 19H1731)
12	AR58652	BOLT	2		X X X
13	AL38377	COWL	1		X X X (A) (ORD AL40954)
14	L39104	SUPPORT	1		X X X (A)
15	14M7327	LOCK NUT	1		X X X (A) M8 (SUB FOR 14M7273 APPL)
16	R62700	FOAM PAD	1		X X X (A) LH (FOR AL38377)
17	R62699	FOAM PAD	1		X X X (A) RH (FOR AL38377)
18	L58940	CAP	2		X X X (SUB FOR L40310, L56567)
19	24M7055	WASHER	1		X X X (A) 8.4X17X1.6MM
20	AL66758	COWL	1		X X X (SUB FOR AL40954) (ORD W/ (2) L58940)
21	L56224	NUT	2		X X X
22	19M7881	SCREW	2	XXXXXX-	X X X M8X20

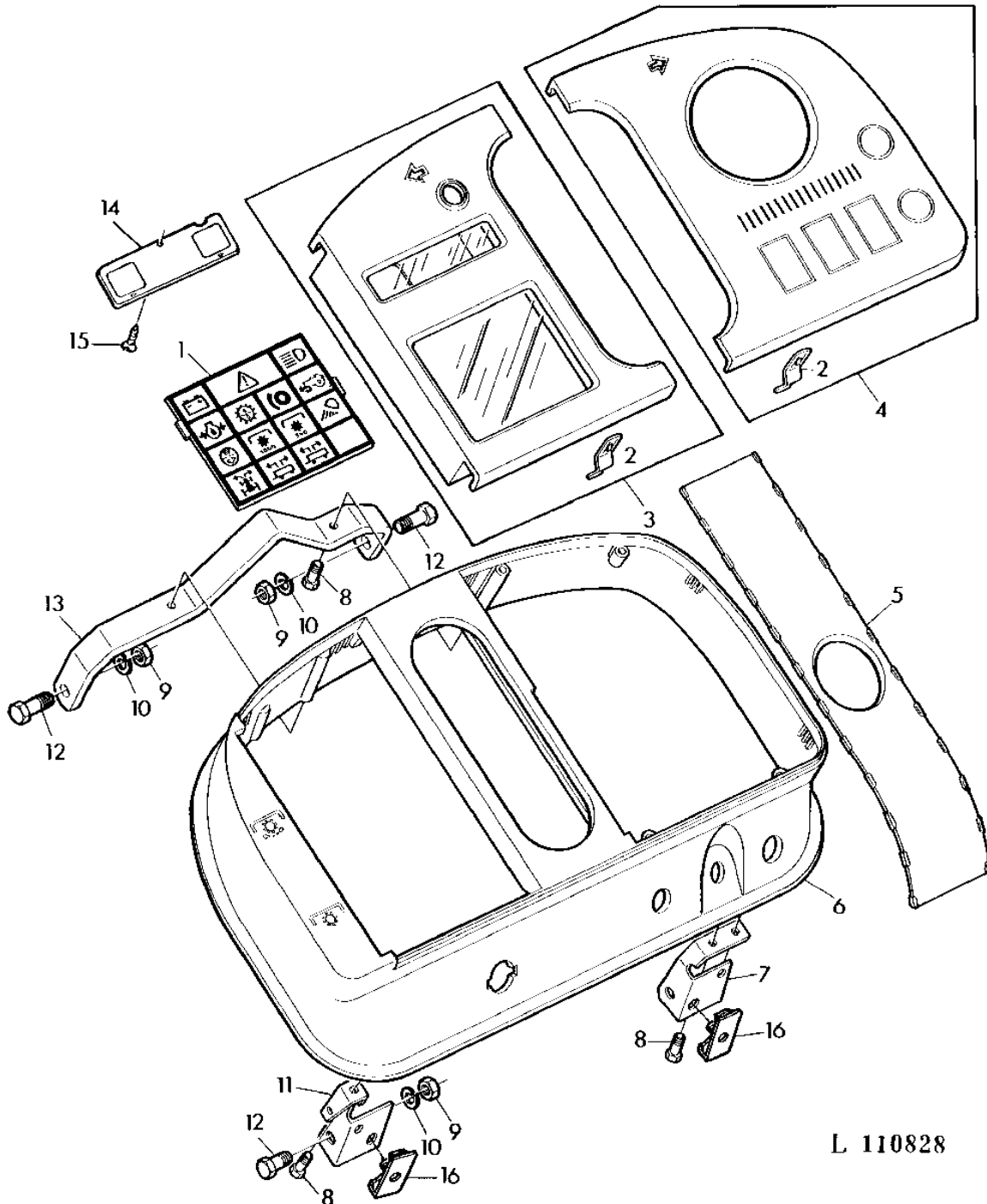
(A) WITH DOOR,RIGHT HAND
 AVEC PORTE A DROITE
 BEI TUER RECHTS
 CON SPORTELLA A DESTRA
 CON PUERTA DERECHA
 VID HOGER DORR

7F5

SG2 CAB

INSTRUMENT PANEL (WITH SG2 CAB)
TABLEAU DE BORD (AVEC CABINE SG2)
INSTRUMENTENTAFEL (BEI SG2 KABINE)
PANNELLO PORTA-STRUMENTI (CON CABINA SG2)
TABLERO DE INSTRUMENTOS (CON CABINA SG2)
INSTRUMENTPANEL (VID SG2 HYTT)

L110828 -UN-17JUL95



L 110828

7F6

SG2 CAB

KEY	PART NO.	PART NAME	QTY	SERIAL NO.	REMARKS
					2
					1 2 0
					6 0 4
					4 4 0
					0 0 S
1	L55640	PLATE	1		X X X (SUB FOR L37483, L41600)
	L55640	PLATE	1		X X X (A) (B)
2	L37835	SPRING	8		X X X
3	AL35171	PANEL	1		X X X
4	AL35454	SHIELD	1		X X X
	AL56865	SHIELD	1		X X X (B)
5	AL64856	SHIPPING BUNDLE	1		X X X (SUB FOR R52953)
6	L41605	INSTRUMENT PANEL	1		X X X (SUB FOR L37480)
	L56615	INSTRUMENT PANEL	1		X X X (B)
7	AL35472	BRACKET	1	-549517	X X X RH (ORD L37844, (2) L55969)
	L37844	BRACKET	1	549518-	X X X
8	R53028	CAP SCREW	4		X X X
9	14H812	NUT	3		X X X 3/8"
10	12H304	LOCK WASHER	3		X X X 3/8"
11	AR58654	BRACKET	1	-549517	X X X LH (ORD R53079, (2) L55969)
	R53079	BRACKET	1	549518-	X X X
12	19H1731	CAP SCREW	3		X X X 3/8"X1"
13	AL63277	BRACKET	1		X X X (SUB FOR L38003, L55306)
14	L40186	PLATE	1		X X X
15	37M7133	SCREW	3		X X X 2.2X4.5MM
16	L55969	NUT	2	549518-	X X X

(A) WITH LOW PROFILE CAB
 AVEC TOIT PLAT
 MIT FLACHDACH
 CABINA CON TETTO BASSO
 CABINA CON TECHO BAJO
 FORARHYTT VID LAGPROFIL

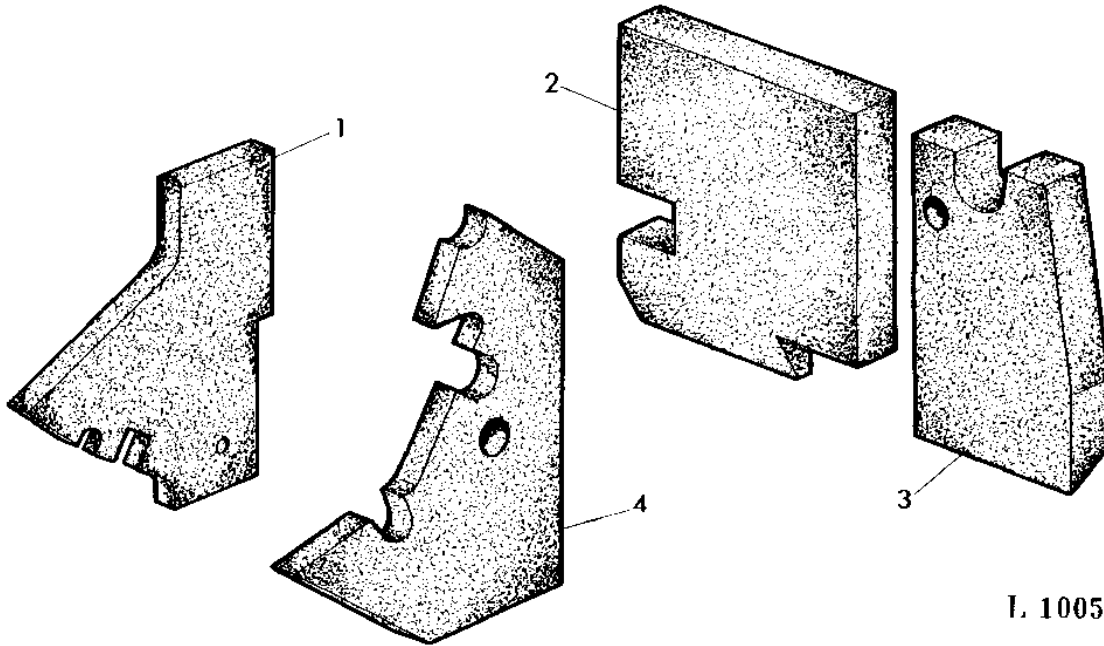
(B) WITH ROOF HEADLIGHTS
 AVEC PHARES SUR TOIT
 BEI DACHSCHEINWERFER-ANBAU
 CON FARI MONTATI SUL TETTO
 CON FAROS MANTADOS SOBRE TECHO
 VID TAKMONTERADE STRALKASTARE

7F7

SG2 CAB

DASH INSULATION (WITH SG2 CAB)
 ISOLATION TABLEAU (AVEC CABINE SG2)
 ARMATURENWAND-ISOLIERUNG (BEI SG2 KABINE)
 ISOLANTE DELLA CARENATURA CRUSCOTTO (CON CABINA SG2)
 AISLAMIENTO DEL TABLERO DE INSTRUMENTOS (CON CABINA SG2)
 ISOLERING FOR INSTRUMENTLADA (VID SG2 HYTT)

L100534 -UN-17JUL95



I. 100534

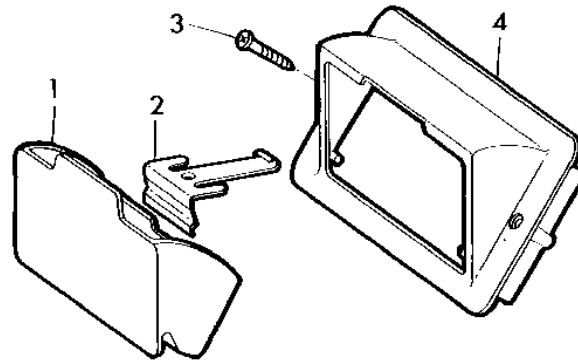
2
 1 2 0
 6 0 4
 4 4 0
 0 0 S

KEY	PART NO.	PART NAME	QTY	SERIAL NO.	REMARKS
1	R66997	FOAM PAD	1	X X X	
2	R66998	FOAM PAD	1	X X X	
3	R66999	FOAM PAD	1	X X X	
4	R66996	FOAM PAD	1	X X X	

7F8

SG2 CAB

ASHTRAY (WITH SG2 CAB)
 CENDRIER (AVEC CABINE SG2)
 ASCHENBECHER (BEI SG2 KABINE)
 PORTACENERE (CON CABINA SG2)
 CENICERO (CON CABINA SG2)
 ASKKOPP (VID SG2 HYTT)
 L29890 -UN-09JUN95



I. 29890

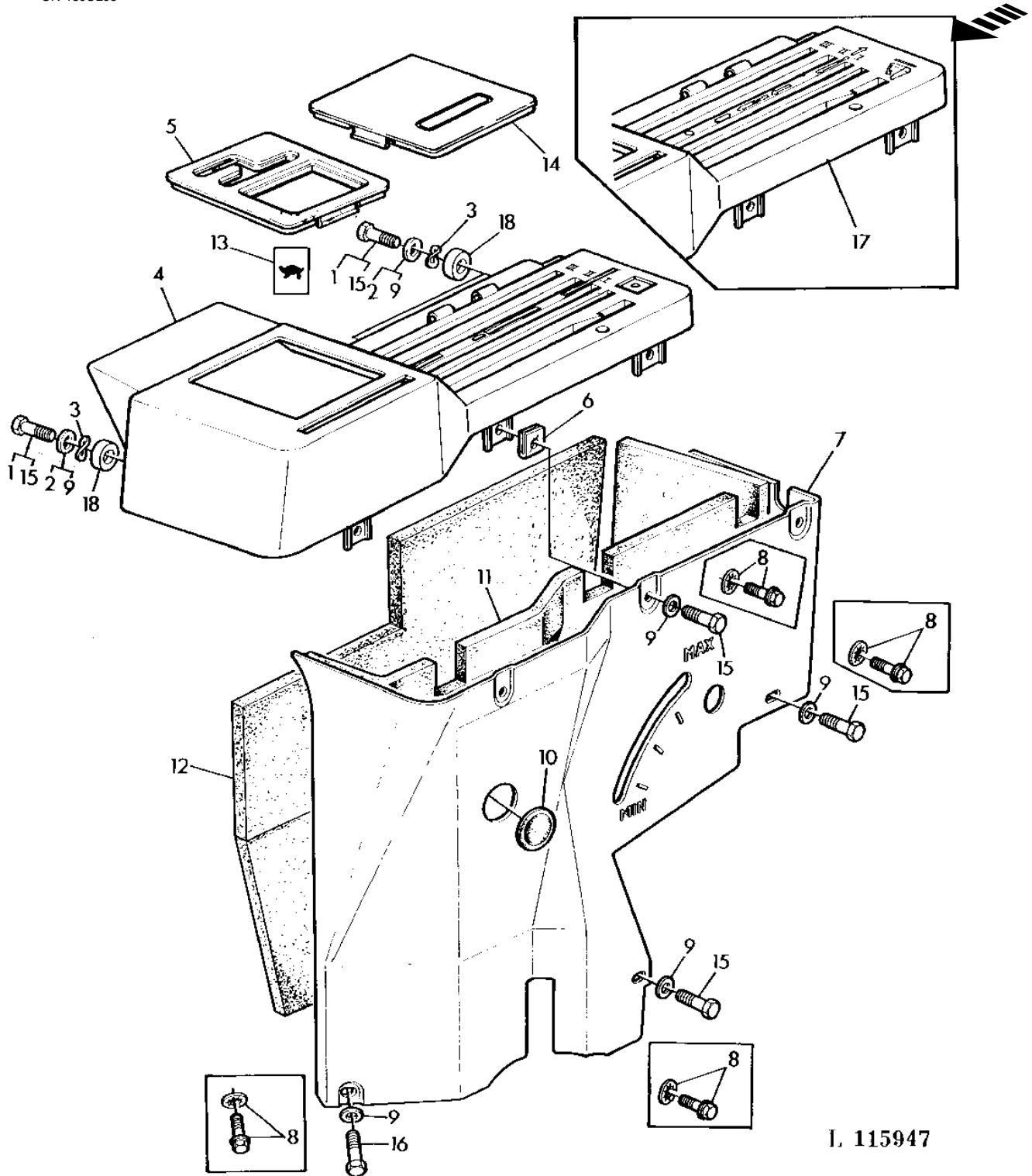
2
 1 2 0
 6 0 4
 4 4 0
 0 0 S

KEY	PART NO.	PART NAME	QTY	SERIAL NO.	REMARKS
1	L38028	ASHTRAY	1	X X X	
2	R62547	SPRING	1	X X X	
3	37M7140	SCREW	2	X X X	4.8X32MM (SUB FOR R53678, 37M7143)
4	L38029	CASE	1	X X X	

7F9

SG2 CAB

GEAR SHIFT CONSOLE (WITH SG2 CAB)
CONSOLE DE COMMANDE (AVEC CABINE SG2)
SCHALTKONSOLE (BEI SG2 KABINE)
SCATOLA DI COMANDO (CON CABINA SG2)
CAJA DE MANDOS (CON CABINA SG2)
VAXELSPAKSHUS (VID SG2 HYTT)
L115947 -UN-18JUL95



L 115947

7F10

SG2 CAB

KEY	PART NO.	PART NAME	QTY	SERIAL NO.		REMARKS
					2	
					1 2 0	
					6 0 4	
					4 4 0	
					0 0 S	
1	19H1949	CAP SCREW	3	-520792	X X X	5/16"X2-1/2".060"
2	24H1136	WASHER	3	-520792	X X X	11/32"X11/16"X.060"
3	12M7056	LOCK WASHER	3		X X X	
4	L55005	GUIDE	1		X X X	
5	L38386	COVER	1		X X X	
6	L55969	NUT	3		X X X	(SUB FOR R50198)
7	L58956	COVER	1		X X X	(SUB FOR L35977)
8	AR58652	BOLT	6	-520792	X X X	
9	R53667	LOCK WASHER	9	520793-	X X X	
10	R67721	PLUG	1		X X X	(SUB FOR R66561)
11	L37961	INSULATOR	1	-569067	X X X	
12	R67514	INSULATOR	1		X X X	
13	L39122	SIGN	1		X X X	GREEN, VERT, GRUEN, VERDE, GRON
	L42311	SIGN	1		X X X	BLACK, NOIR, SCHWARZ, NERO, NEGRO, SVART
14	L36638	COVER	1		X X X	(A)
15	19M8058	CAP SCREW	8	520793-	X X X	M8X16
16	19M8008	CAP SCREW	1	520793-	X X X	M8X35
17	L35976	GUIDE	1		X X X	(B) (ORD L55005, L42073, L42074, L42072, L55026, L55028)
	L40542	GUIDE	1		X X X	(B) (ORD L55005, L42073, L42074, L42072, L55026, L55028)
	L35976	GUIDE	1		X X X	(C) (ORD L55005, L42073, L42074, L42072, L55026, L55027)
	L40542	GUIDE	1		X X X	(C) (ORD L55005, L42073, L42074, L42072, L55026, L55027)
18	L55872	BUSHING	2		X X X	

(A) WITH CENTER SHIFT
 AVEC COMMANDE CENTRALE
 BEI MITTELSCHALTUNG
 CON INNESTO CENTRALE
 CON MANDOS CENTRALES
 VID CENTRALT VAXLING

(B) WITH POPPET-VALVE TYPE SCV
 AV.DISTRIBUT.AUXIL.SOUPAPE
 BEI ZUSATZSTEUERG.VENTILAUSF
 CON DISTRIB.AUS.TIPO A FUNGO
 CON VMD (TIPO VALVULA)
 VID FJARREGLAGE (TALLRIKST.)

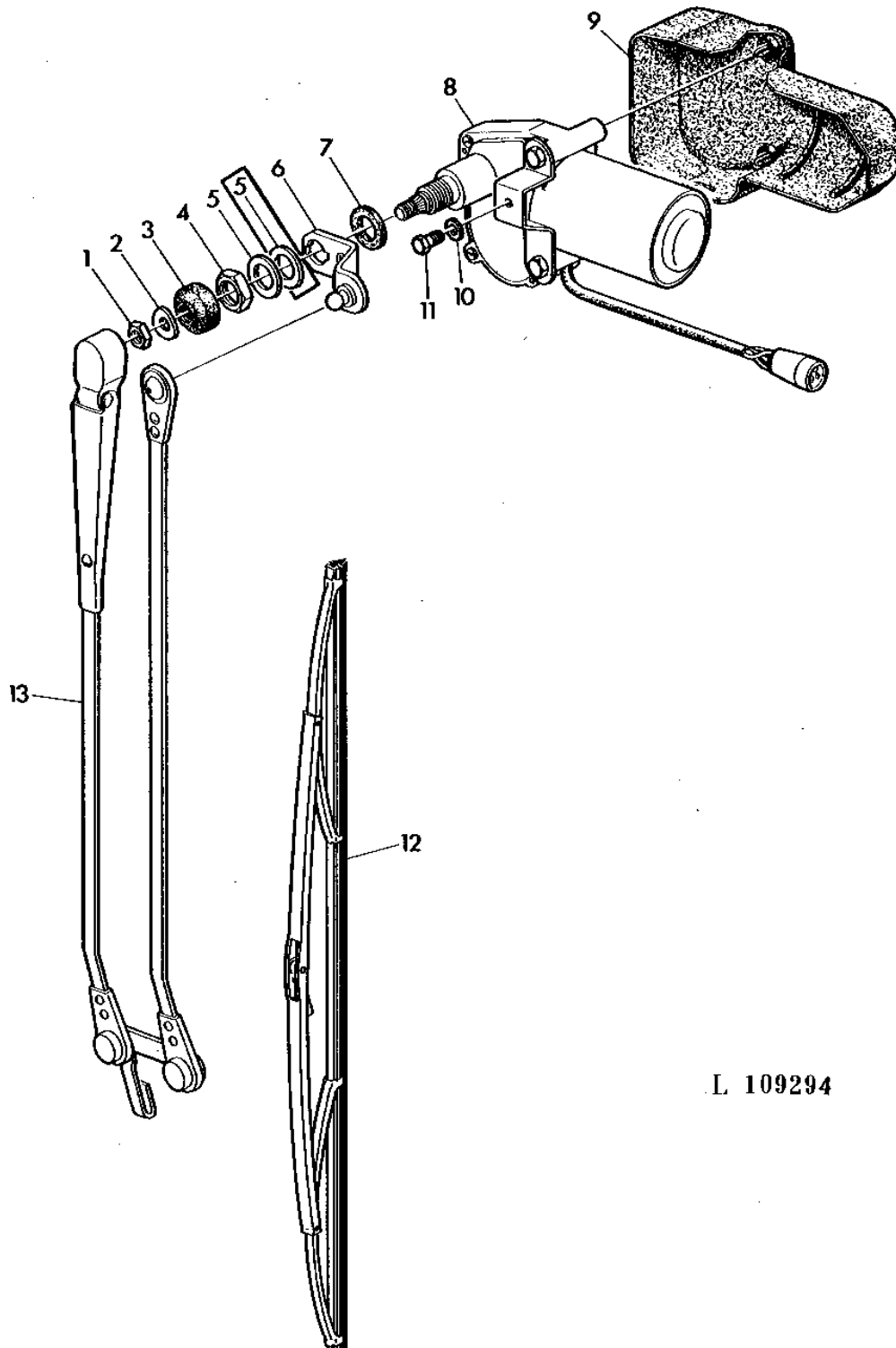
(C) WITH SPOOL-TYPE SCV
 AV.DISTRIBUT.AUXIL.TIROIR
 BEI ZUSATZSTEUERG.SCHIEBER.
 CON DISTR.AUS.TIPO A STELO
 CON VMD (TIPO CORREDERA DIST
 VID FJARREGLAGE (STOLTYP)

7F11

SG2 CAB

FRONT WINDSHIELD WIPER, LEFT-HAND (WITH SG2 CAB)
ESSUIE-GLACES AVANT GAUCHE (AVEC CABINE SG2)
SCHEIBENWISCHER VORN LINKS (BEI SG2 KABINE)
TERGICRISTALLO ANTERIORE SULLA SINISTRA (CON CABINA SG2)
LIMPIAPARABRISAS FRONTAL A LA IZQUIERDA (CON CABINA SG2)
FRAMRE VINDRUTETORKARE, VANSTER (VID SG2 HYTT)

L109294 -UN-01JAN94



L 109294

7F12

SG2 CAB

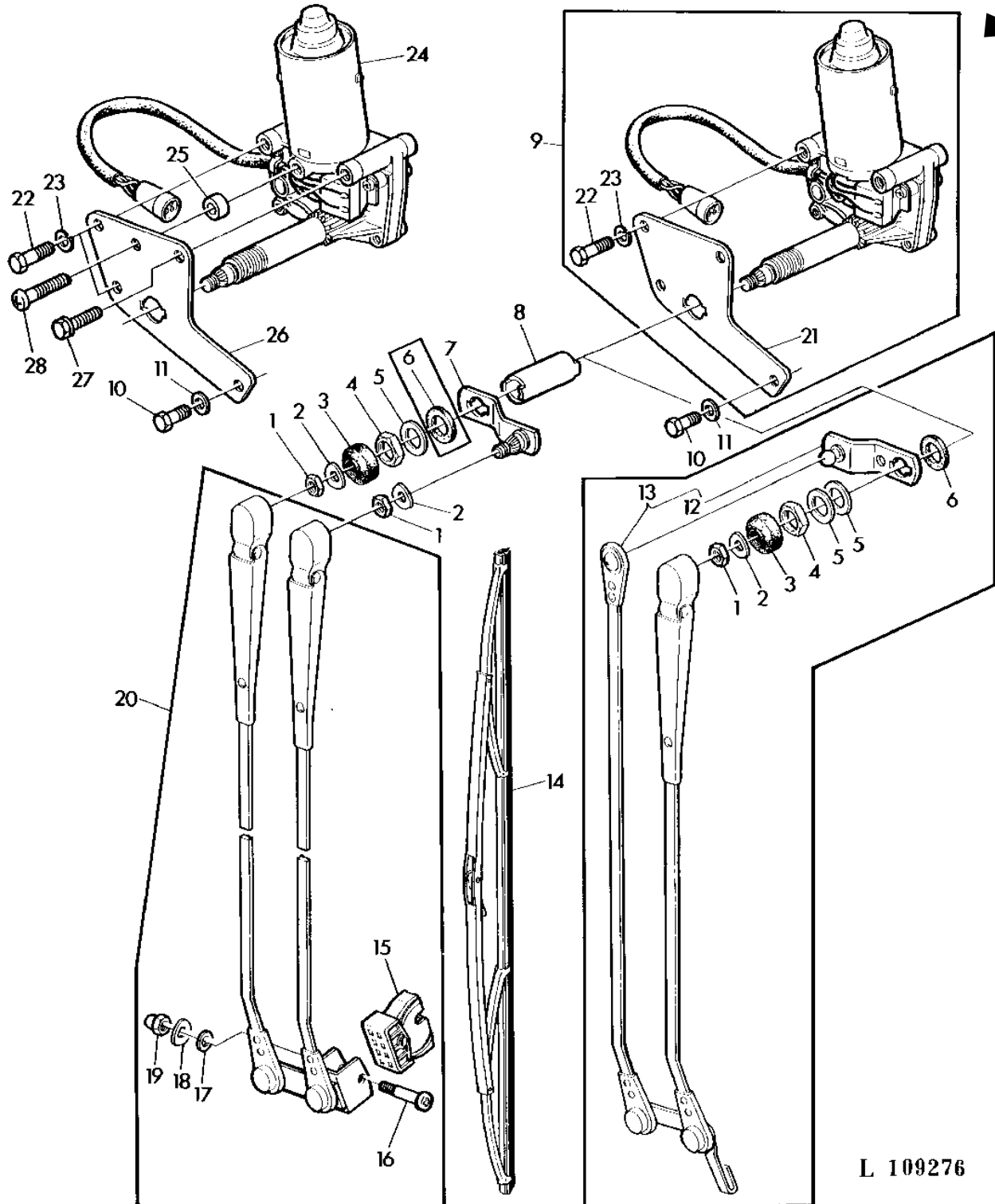
KEY	PART NO.	PART NAME	QTY	SERIAL NO.	REMARKS
				2	
				1 2 0	
				6 0 4	
				4 4 0	
				0 0 S	
1	14M7273	NUT	1	X X X	M8
2	12M7093	WASHER	1	X X X	8MM
3	L37277	CAP	1	X X X	
4	L37276	NUT	1	X X X	
5	L37275	WASHER	AR	X X X	
6	AL36557	LEVER	1	X X X	
7	L37274	WASHER	1	X X X	
8	AL34846	MOTOR	1	X X X	
9	L38521	CAP	1	X X X	
10	24M7244	WASHER	1	X X X	6.4X12.5X1.6MM
11	19M8059	CAP SCREW	1	X X X	M6X12
12	AL34845	WINDSHIELD WIPER	1	X X X	
13	AL34847	ARM	1	X X X	

7F13

SG2 CAB

FRONT WINDSHIELD WIPER, RIGHT-HAND (WITH SG2 CAB)
ESSUIE-GLACES AVANT DROIT (AVEC CABINE SG2)
SCHEIBENWISCHER VORN RECHTS (BEI SG2 KABINE)
TERGICRISTALLO ANTERIORE SULLA DESTRA (CON CABINA SG2)
LIMPIAPARABRISAS FRONTAL A LA DERECHA (CON CABINA SG2)
FRAMRE VINDRUTETORKARE, HOGER (VID SG2 HYTT)

L109276 -UN-17JUL95



L 109276

7F14

SG2 CAB

KEY	PART NO.	PART NAME	QTY	SERIAL NO.	REMARKS
					2
					1 2 0
					6 0 4
					4 4 0
					0 0 S
1	14M7273	NUT	AR	X X X	M8
2	12M7093	WASHER	AR	X X X	8MM
3	L37277	CAP	1	X X X	
4	L37276	NUT	1	X X X	
5	L37275	WASHER	AR	X X X	
6	L37274	WASHER	1	X X X	
7	AL37907	BEARING	1	X X X	
8	L39828	TUBE	1	X X X	
9	AL34843	MOTOR	1	X X X	
10	19M7990	CAP SCREW	2	X X X	M6X55
11	12M7081	LOCK WASHER	3	X X X	6.4MM
12	AL36557	LEVER	1	X X X	
13	AL34844	ARM	1	X X X	
14	AL34845	WINDSHIELD WIPER	1	X X X	
15	L39960	CLAMP	1	X X X	
16	L38533	SCREW	1	X X X	
17	24M7117	WASHER	1	X X X	4.3X9X0.8MM
18	12M7075	WASHER	1	X X X	5MM
19	14M7359	LOCK NUT	1	X X X	M4
20	AL37377	WIPER ARM	1	X X X	
21	L40492	HOLDER	1	X X X	
22	19M7077	CAP SCREW	2	X X X	M6X20
23	24M7054	WASHER	2	X X X	6.4X12.5X1.6MM
24	AL55527	MOTOR	1	X X X	(A)
25	L56725	BUSHING	1	X X X	(A)
26	L56252	HOLDER	1	X X X	(A)
27	37M7131	SCREW	1	X X X	(A) M6X20
28	21M7276	SCREW	1	X X X	(A) 14X30

(A) WITH LOW PROFILE CAB
 AVEC TOIT PLAT
 MIT FLACHDACH
 CABINA CON TETTO BASSO
 CABINA CON TECHO BAJO
 FORARHYTT VID LAGPROFIL

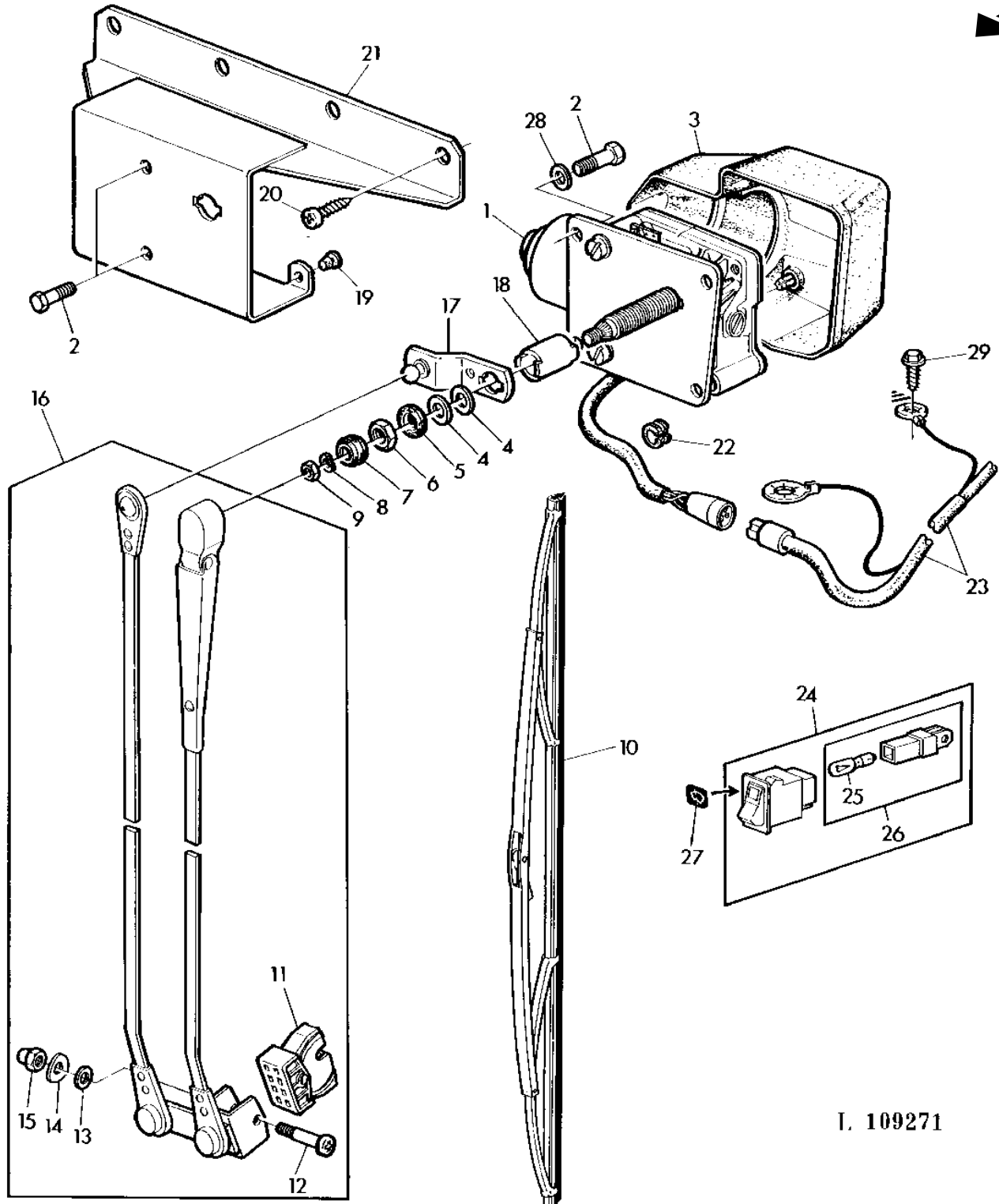
7F15

SG2 CAB

FRONT RH DOOR WINDSHIELD WIPER/REAR WIPER WITH BRACKET (WITH SG2 CAB)
ESSUIE-GLACE AVANT PORTE DROITE/ESSUIE/GLACE ARRIERE (AVEC CABINE SG2)
SCHEIBENWISCHER VORN RECHTE TUER/HECKANBAU (BEI SG2 KABINE)
TERGICRISTALLO PER SPORTELLA S. DESTRA E FINESTR. POSTERIORE (CON CABINA SG2)
LIMPIAPARABRISAS PARA PUERTA DERECHA Y VENTANA TRASERA (CON CABINA SG2)
FRAMRE VINDRUTETORKARE VID HOGER DORR/BAKRE VINDRUTETORKARE (VID SG2 HYTT)

L109271

-UN-07JUN95



I. 109271

7F16

SG2 CAB

KEY	PART NO.	PART NAME	QTY	SERIAL NO.	REMARKS
					2
					1 2 0
					6 0 4
					4 4 0
					0 0 S
1	AL35843	MOTOR	1		X X X
2	37M7089	SCREW	AR		X X X M6X12
3	L38523	CAP	1		X X X
4	L37275	WASHER	2		X X X
5	L37274	WASHER	1		X X X
6	L37276	NUT	1		X X X
7	L38810	BOOT	1		X X X (FOR L39240)
	L56571	GROMMET	1		X X X (FOR L57986)
	L37277	CAP	1		X X X (A)
8	12M7093	WASHER	1		X X X 8MM
9	14M7273	NUT	1		X X X M8
10	AL36393	WIPER BLADE	1		X X X
	AL34845	WINDSHIELD WIPER	1		X X X (A)
11	L39960	CLAMP	1		X X X
12	L38533	SCREW	1		X X X
13	24M7117	WASHER	1		X X X 4.3X9X0.8MM
14	12M7075	WASHER	1		X X X 5MM
15	14M7359	LOCK NUT	1		X X X M4
16	AL36392	WIPER ARM	1		X X X
17	AL36557	LEVER	1		X X X
18	L38600	TUBE	1		X X X
19	T22085	BUMPER	2		X X X (A)
20	21H1410	SCREW	2		X X X (A) 1/4"X1"
21	AL37410	BRACKET	1		X X X (A)
22	L39802	GROMMET	1		X X X (A)
23	AL37454	WIRING HARNESS	1		X X X (A)
24	AL37429	TOGGLE SWITCH	1		X X X (A)
25	57M7102	BULB	1		X X X (A)
26	AL36535	SOCKET	1		X X X (A)
27	L39638	INSERT	1		X X X (A)
28	24M7054	WASHER	4		X X X (B)
29	37M7087	SCREW	1		X X X (A) M10X25

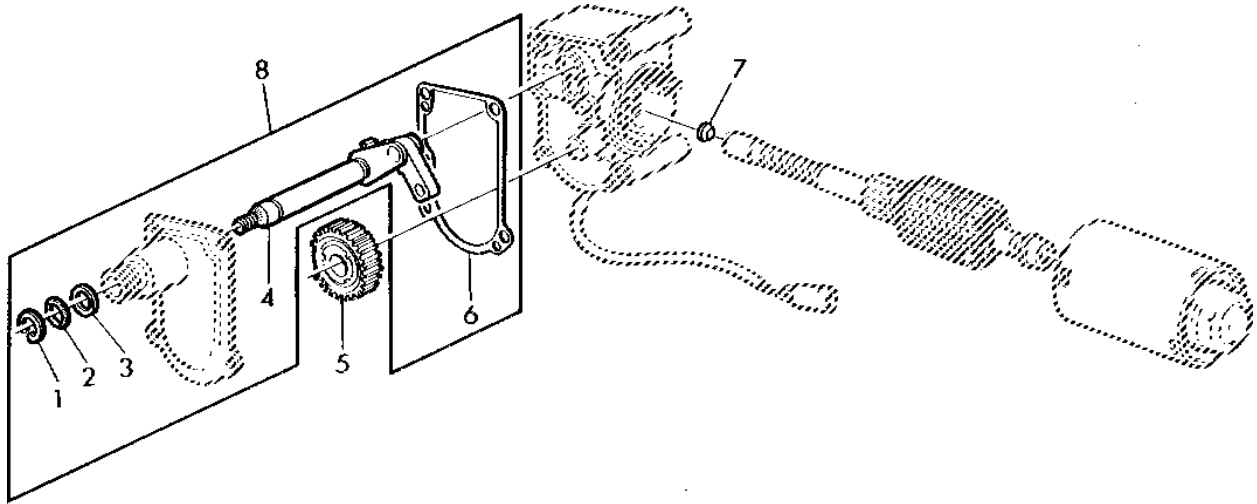
(A) WITH REAR WINDSHIELD WIPER
 AVEC ESSUIE-GLACE ARRIERE
 BEI HECKANBAU
 CON TERGIOCRISTALLO POSTER.
 CON LIMPIAPARABRISAS TRASERO
 VID BAKRE VINDRUTETORKARE

(B) WITH DOOR,RIGHT HAND
 AVEC PORTE A DROITE
 BEI TUER RECHTS
 CON SPORTELLA A DESTRA
 CON PUERTA DERECHA
 VID HOGER DORR

7F17

SG2 CAB

WINDSHIELD WIPER MOTOR-INDIVIDUAL PARTS-REPAIR KIT (WITH SG2 CAB)
 MOTEUR D'ESSIEU-GLACE - LOT DE REPARATION (AVEC CABINE SG2)
 SCHEIBENWISCHERMOTOR-EINZELTEILE-REPARATURSATZ (BEI SG2 KABINE)
 MOTORE TERGICRISTALLO-KIT DI RIPARAZIONE (CON CABINA SG2)
 MOTOR DEL LIMPIAPARABRISAS-PIEZAS JUEGO DE REPARACION (CON CABINA SG2)
 MOTOR FOR VINDRUTETORKARE-REPARATIONSSATS (VID SG2 HYTT)
 L108275 -UN-01JAN94



L 108275

2
1 2 0
6 0 4
4 4 0
0 0 S

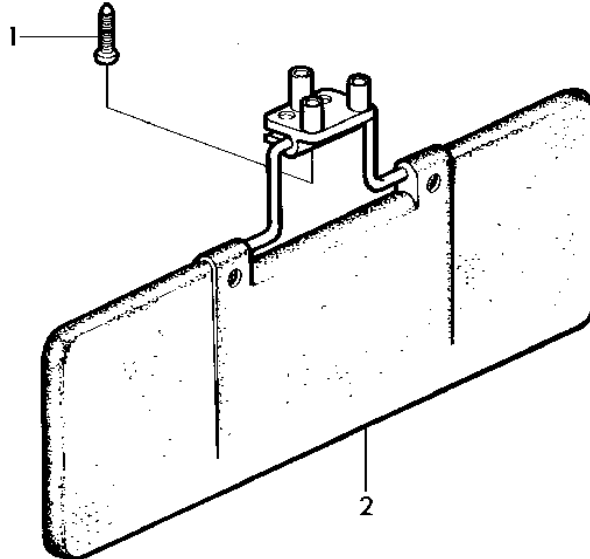
KEY	PART NO.	PART NAME	QTY	SERIAL NO.	REMARKS
1	40M1818	SNAP RING	1	X X X	10X1MM
2	L53976	O-RING	1	X X X	
3	T12471	WASHER	1	X X X	
4	AL39745	SHAFT	1	X X X	(FOR AL35843)
.....		SHAFT	1	X X X	(FOR AL34843) (ORD AL39737)
.....		SHAFT	1	X X X	(FOR AL34846) (ORD AL39738)
5	AL39743	GEAR	1	X X X	(FOR AL34846, AL35843)
.....	AL39740	GEAR	1	X X X	(FOR AL34843, AL55527)
6	L41459	GASKET	1	X X X	
7	AL39741	GEAR	1	X X X	
8	AL39737	GATHERING NUMBER	1	X X X	(FOR AL34843, AL55527)
.....	AL39738	KIT	1	X X X	(FOR AL34846)
.....		KIT	1	X X X	(FOR AL35843) ORD KEY 1-7

7F18

SG2 CAB

SUN VISOR
 PARE-SOLEIL
 SONNENBLLENDE
 PARASOLE
 PARASOL
 SOLSKYDD

L100315 -UN-07JUN95



L. 100315

2
 1 2 0
 6 0 4
 4 4 0
 0 0 S

KEY	PART NO.	PART NAME	QTY	SERIAL NO.	REMARKS
1	21M7327	SCREW	3	X X X	M6X35 (SUB FOR 21M7319)
2	AR94539	SUN VISOR	1	X X X	
	AL56238	SUN VISOR	1	X X X	(A)

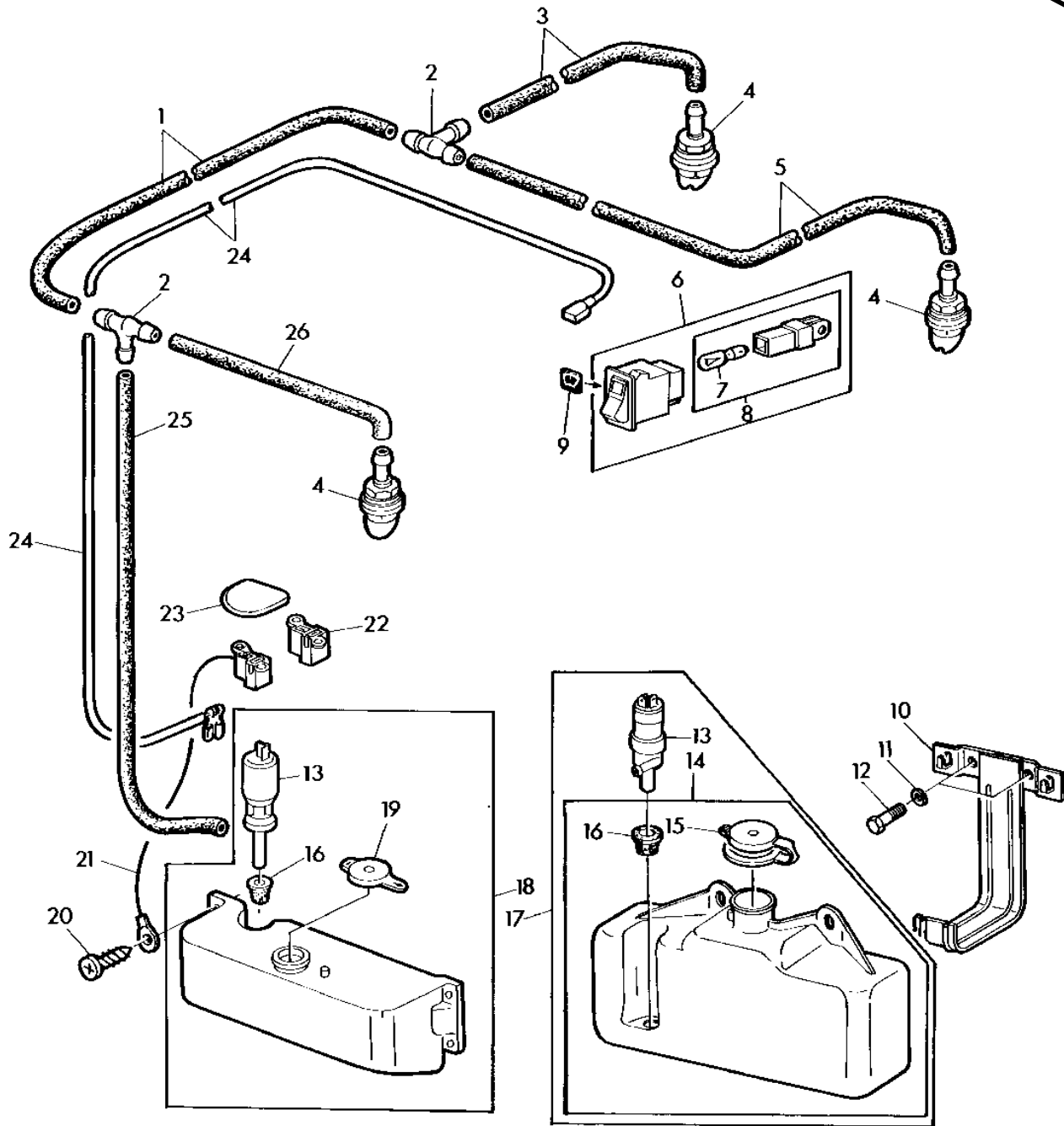
(A) WITH LOW PROFILE CAB
 AVEC TOIT PLAT
 MIT FLACHDACH
 CABINA CON TETTO BASSO
 CABINA CON TECHO BAJO
 FORARHYTT VID LAGPROFIL

7F19

SG2 CAB

WINDSHIELD WASHER (WITH SG2 CAB)
LAVE-GLACE (AVEC CABINE SG2)
SCHEIBEN-WASCHANLAGE (BEI SG2 KABINE)
SPRUZZATORE PER PARABREZZA (CON CABINA SG2)
LAVAPARABRISAS (CON CABINA SG2)
VINDRUTESPOLARE (VID SG2 HYTT)

L108281 -UN-17JUL95



L 108281

7F20

SG2 CAB

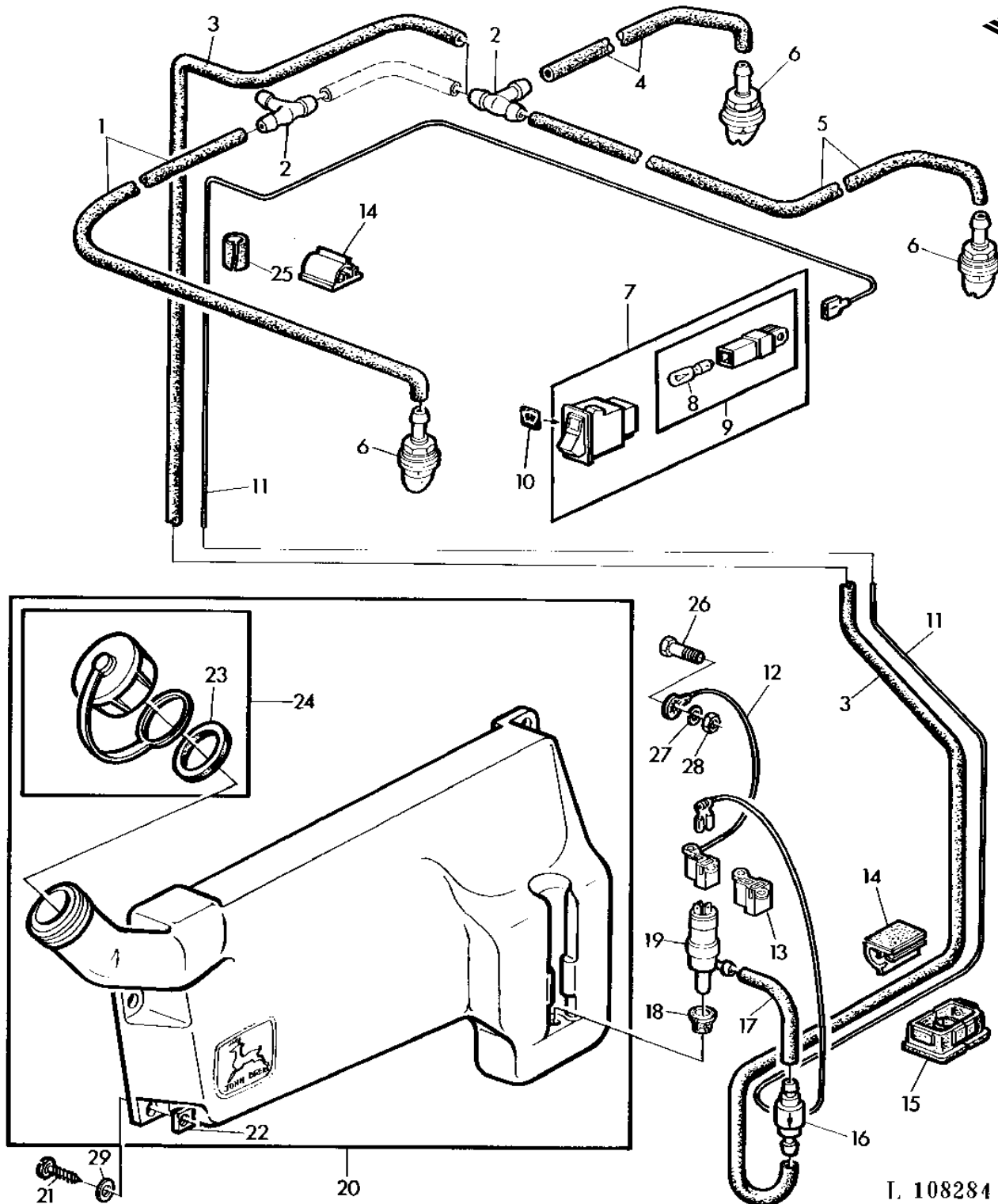
KEY	PART NO.	PART NAME	QTY	SERIAL NO.	REMARKS
					2
					1 2 0
					6 0 4
					4 4 0
					0 0 S
1	HOSE	1		X X X (MF L39883)
2	L38013	TEE FITTING	AR		X X X
3	HOSE	1		X X X LGTH= 400MM (MF L39883)
4	AL35642	NOZZLE	AR		X X X
5	HOSE	1		X X X LGTH= 1100MM (MF L39883)
6	AL35790	TOGGLE SWITCH	1		X X X
7	57M7102	BULB	1		X X X 12V, 1.2W
8	AL36535	SOCKET	1		X X X
9	L38116	INSERT	1		X X X
10	AL37589	HOLDER	1		X X X
11	24M7054	WASHER	2		X X X
12	19M7302	CAP SCREW	2		X X X M6X8
13	AL61306	PUMP	1		X X X (SUB FOR AL35751)
14	AL38652	RESERVOIR	1		X X X
15	L39851	FILLER CAP	1		X X X
16	L38115	GROMMET	1		X X X
17	AL37590	RESERVOIR	1		X X X
18	AL35750	WINDSHIELD WASHER	1		X X X
19	L38132	FILLER CAP	1		X X X
20	37M7109	SCREW	4		X X X 6.3X16MM
21	AL35683	WIRING LEAD	1		X X X
22	L38094	RECEPTACLE CONNECTOR BODY	1		X X X
23	L38135	COVER	1		X X X
24	AL35187	WIRING LEAD	1		X X X
25	HOSE	1		X X X (MF L39883)
26	L39783	HOSE	1		X X X
..	L39883	HOSE	1		X X X KIT, LGTH= 4500MM

7F21

SG2 CAB

WINDSHIELD WASHER (WITH SG2 CAB)
 LAVE-GLACE (AVEC CABINE SG2)
 SCHEIBEN-WASCHANLAGE (BEI SG2 KABINE)
 SPRUZZATORE PER PARABREZZA (CON CABINA SG2)
 LAVAPARABRISAS (CON CABINA SG2)
 VINDRUTESPOLARE (VID SG2 HYTT)

L108284 -UN-07JUN95



I. 108284

7F22

SG2 CAB

KEY	PART NO.	PART NAME	QTY	SERIAL NO.	REMARKS
					2
					1 2 0
					6 0 4
					4 4 0
					0 0 S
1	HOSE	1		X X X (A) LGTH= 1500MM (MF L39883)
2	L38013	TEE FITTING	AR		X X X
3	HOSE	1		X X X LGTH= 3050MM (MF L39883)
4	HOSE	1		X X X LGTH= 300MM (MF L39883)
5	HOSE	1		X X X LGTH= 1450MM (MF L39883)
6	AL35642	NOZZLE	AR		X X X
7	AL35790	TOGGLE SWITCH	1		X X X
8	57M7102	BULB	1		X X X 12V, 1.2W
9	AL36535	SOCKET	1		X X X
10	L38116	INSERT	1		X X X
	L56236	INSERT	1		X X X (B)
11	AL35187	WIRING LEAD	1		X X X
12	AL38298	WIRING LEAD	1		X X X
13	L38094	RECEPTACLE CONNECTOR BODY	1		X X X
14	R47474	CLIP	AR		X X X
15	L39301	PLUG	1		X X X
16	AL39108	CHECK VALVE	1		X X X
17	HOSE	1		X X X LGTH= 150MM (MF L39883)
18	L38115	GROMMET	1		X X X
19	AL61306	PUMP	1		X X X (SUB FOR AL35751)
20	AL38192	RESERVOIR	1		X X X
21	37M7088	SCREW	4		X X X 4.8X19MM
22	L40569	NUT	4		X X X
23	L40514	GASKET	1		X X X
24	AL38339	CAP	1		X X X
25	R53080	ISOLATOR	1		X X X
26	19M7166	CAP SCREW	1		X X X M10X20
27	12M7135	LOCK WASHER	1		X X X
28	14M7274	NUT	1		X X X M10
29	24M7138	WASHER	4		X X X
..	L39883	HOSE	1		X X X KIT, LGTH= 4500MM

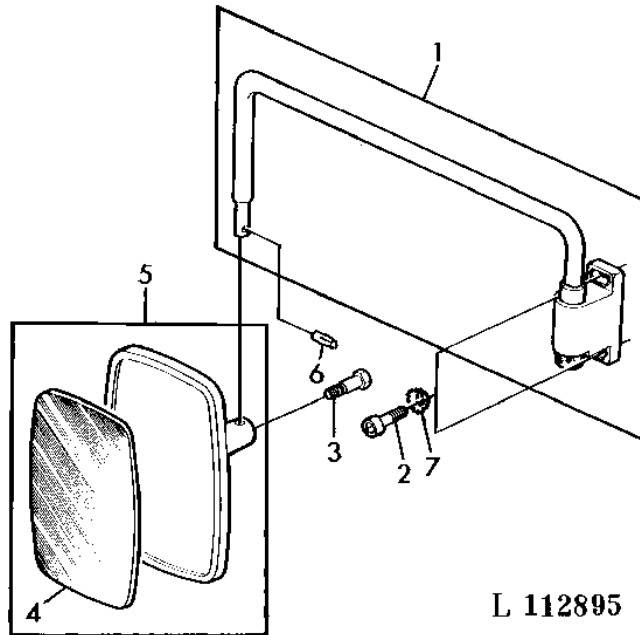
(A) WITH REAR WINDSHIELD WIPER
 AVEC ESSIEU-GLACE ARRIERE
 BEI HECKANBAU
 CON TERGIOCRISTALLO POSTER.
 CON LIMPIAPARABRISAS TRASERO
 VID BAKRE VINDRUTETORKARE

(B) WITH LOW PROFILE CAB
 AVEC TOIT PLAT
 MIT FLACHDACH
 CABINA CON TETTO BASSO
 CABINA CON TECHO BAJO
 FORARHYTT VID LAGPROFIL

7F23

SG2 CAB

REAR VIEW MIRROR (WITH SG2 CAB)
 RETROVISEUR (AVEC CABINE SG2)
 RUECKSPIEGEL (BEI SG2 KABINE)
 RETROVISORE (CON CABINA SG2)
 RETROVISOR (CON CABINA SG2)
 BACKSPEGEL (VID SG2 HYTT)
 L112895 -UN-17JUL95



L 112895

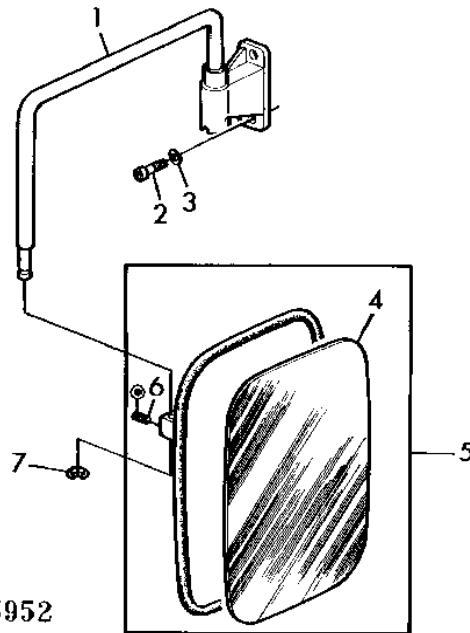
2
 1 2 0
 6 0 4
 4 4 0
 0 0 S

KEY	PART NO.	PART NAME	QTY	SERIAL NO.	REMARKS
1	AL35858	ROD	1	-526743	X X X (ORD AL41260 OR AL41261, (2) 19M7660, (2) 12M7065, 40M7132)
2	19M7768	SCREW	2		X X X M6X16 (ORD W/ (2) 12M7080)
3	19M6614	CAP SCREW	1		X X X M6X12
4	L32040	REAR VIEW MIRROR	1	-526743	X X X
5	AL30781	REAR VIEW MIRROR	1	-526743	X X X (ORD AL41262)
6	25M7018	GROOVE PIN	1		X X X 4X16MM
7	12M7080	LOCK WASHER	2		X X X 6.4MM

7F24

SG2 CAB

REAR VIEW MIRROR (WITH SG2 CAB)
 RETROVISEUR (AVEC CABINE SG2)
 RUECKSPIEGEL (BEI SG2 KABINE)
 RETROVISORE (CON CABINA SG2)
 RETROVISOR (CON CABINA SG2)
 BACKSPEGEL (VID SG2 HYTT)
 L115952 -UN-18JUL95



I. 115952

2
 1 2 0
 6 0 4
 4 4 0
 0 0 S

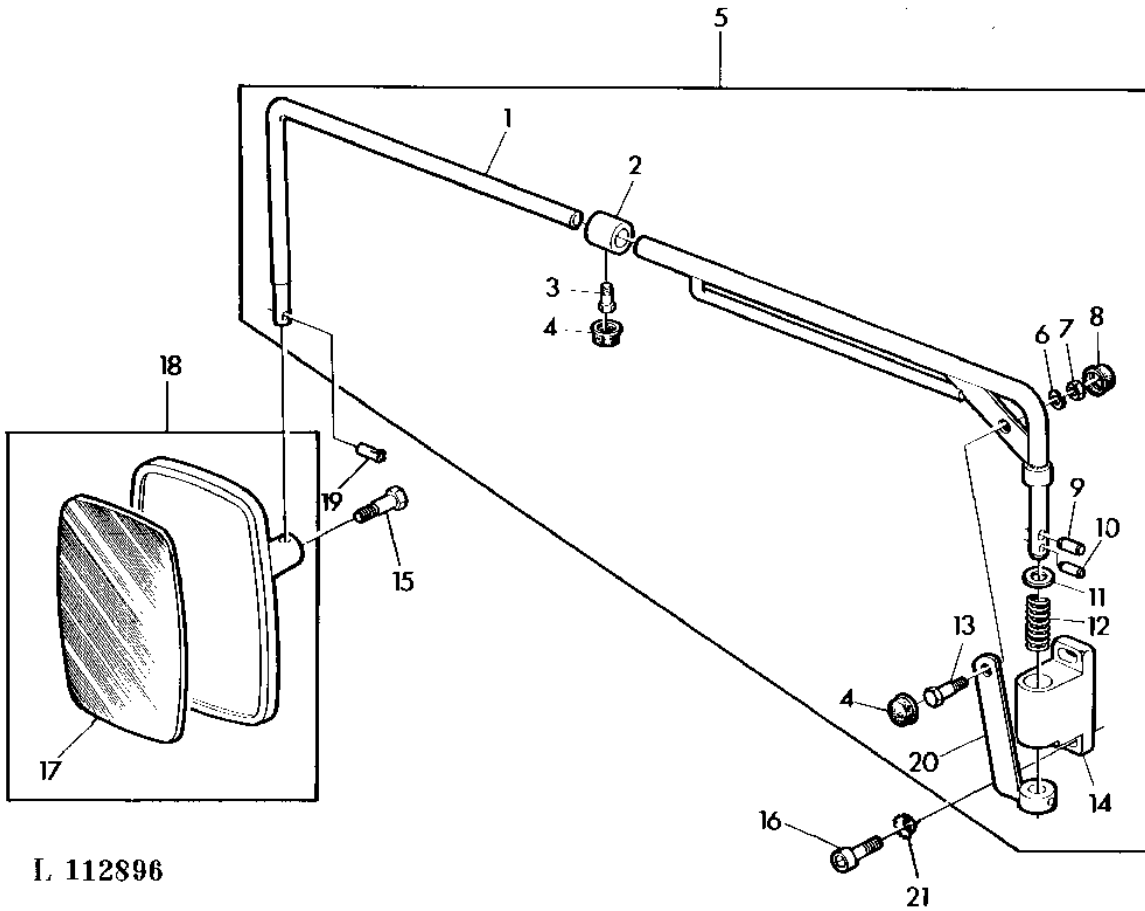
KEY	PART NO.	PART NAME	QTY	SERIAL NO.	REMARKS
1	AL64320	HOLDER	1	526744-	X X X LH (SUB FOR AL41260)
	AL64319	HOLDER	1	526744-	X X X RH (SUB FOR AL41261)
2	19M7660	SCREW	4	526744-	X X X M8X20
3	12M7056	LOCK WASHER	4	526744-	X X X
4	L41892	REAR VIEW MIRROR GLASS	1	526744-	X X X
5	AL41262	REAR VIEW MIRROR	2	526744-	X X X
6	22M7083	SET SCREW	1	526744-	X X X M6X12
7	40M7132	SNAP RING	2	526744-	X X X

7G1

SG2 CAB

REAR VIEW MIRROR (TELESCOPIC) (WITH SG2 CAB)
RETROVISEUR (TELESCOPIQUE) (AVEC CABINE SG2)
RUECKSPIEGEL (AUSZIEHBAR) (BEI SG2 KABINE)
RETROVISORE (TELESCOPICO) (CON CABINA SG2)
RETROVISOR (TELESCOPICO) (CON CABINA SG2)
BACKSPEGEL (TELESKOPISK) (VID SG2 HYTT)

L112896 -UN-17JUL95



7G2

SG2 CAB

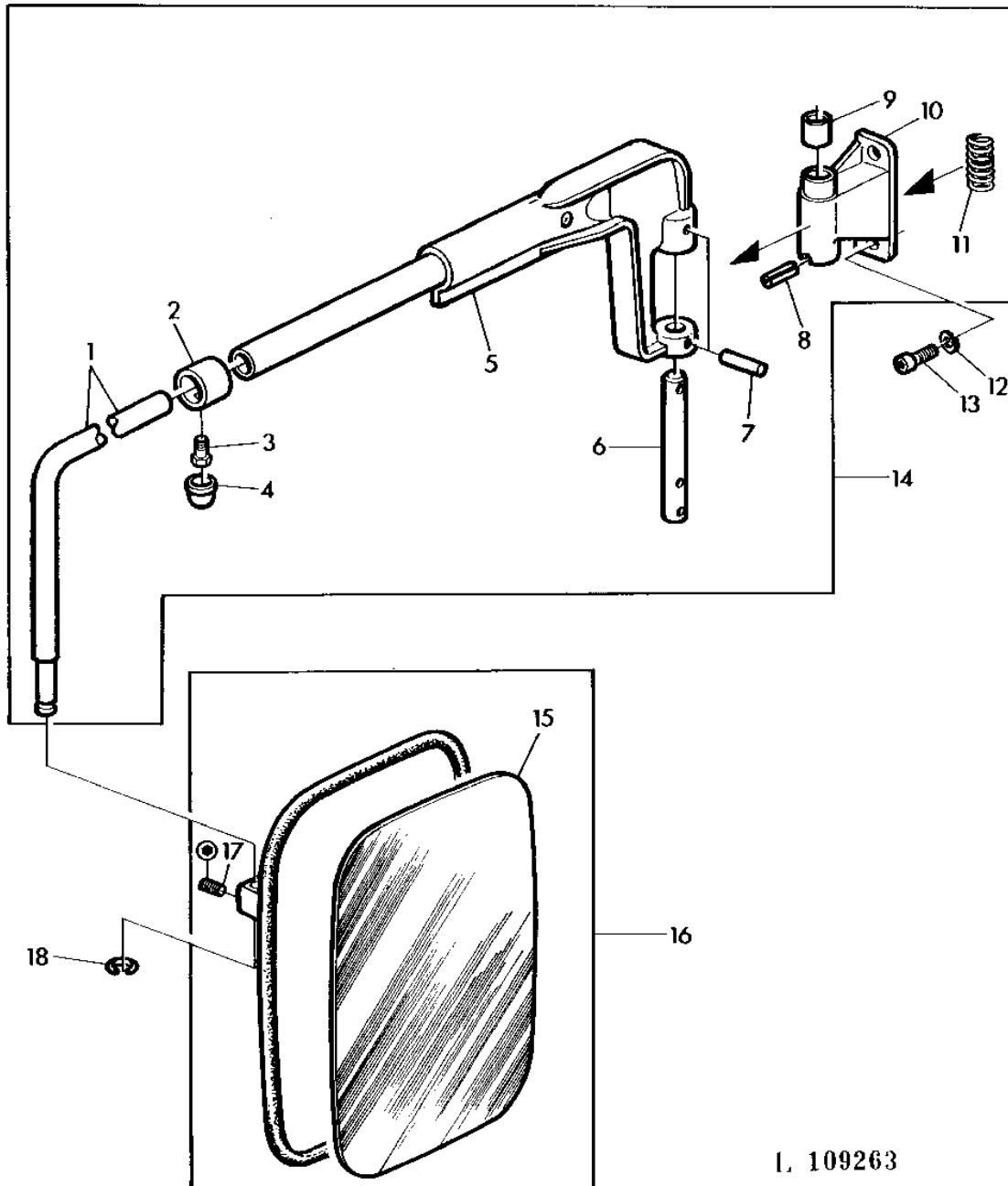
KEY	PART NO.	PART NAME	QTY	SERIAL NO.	REMARKS
					2
					1 2 0
					6 0 4
					4 4 0
					0 0 S
1	L38796	ROD	1		X X X
2	L38795	SLEEVE	1		X X X
3	19M7300	CAP SCREW	1		X X X M6X10
4	L38798	CAP	2		X X X
5	AL35860	ROD	1	-532537	X X X (ORD AL41258 OR AL41259, (2) 19M7660, (2) 12M7065, 40M7132)
6	12M7002	WASHER	1		X X X
7	14M7272	NUT	1		X X X M6
8	L38797	CAP	1		X X X
9	44M7065	DOWEL PIN	1		X X X 5X24MM
10	44M7064	DOWEL PIN	1		X X X 4X24MM
11	24M7044	WASHER	1		X X X 13X20X2MM
12	L38794	SPRING	1		X X X
13	L38799	SCREW	1		X X X
14	L38793	RETAINER	1		X X X
15	19M6614	CAP SCREW	1		X X X M6X12
16	19M7768	SCREW	2		X X X M6X16 (ORD W/ (2) 12M7080)
17	L32040	REAR VIEW MIRROR	1	-532537	X X X
18	AL30781	REAR VIEW MIRROR	1	-532537	X X X (ORD AL41262)
19	25M7018	GROOVE PIN	1		X X X 4X16MM
20	AL39173	RETAINER	1		X X X
21	12M7080	LOCK WASHER	2		X X X 6.4MM

7G3

SG2 CAB

REAR VIEW MIRROR (TELESCOPIC) (WITH SG2 CAB)
RETROVISEUR (TELESCOPIQUE) (AVEC CABINE SG2)
RUECKSPIEGEL (AUSZIEHBAR) (BEI SG2 KABINE)
RETROVISORE (TELESCOPICO) (CON CABINA SG2)
RETROVISOR (TELESCOPICO) (CON CABINA SG2)
BACKSPEGEL (TELESKOPISK) (VID SG2 HYTT)

L109263 -UN-17JUL95



L 109263

7G4

SG2 CAB

KEY	PART NO.	PART NAME	QTY	SERIAL NO.	REMARKS
					2
					1 2 0
					6 0 4
					4 4 0
					0 0 S
1	L42120	ROD	1	532538-	X X X
2	L42118	BUSHING	1	532538-	X X X
3	19M7300	CAP SCREW	1	532538-	X X X M6 X 10
4	L38797	CAP	1	532538-	X X X
5	AL41614	RETAINER	1	532538-	X X X (ORD AL41258 OR AL41259)
6	L42119	PIN	1	532538-	X X X (ORD AL41258 OR AL41259)
7	34M7032	SPRING PIN	2	532538-	X X X 5X28MM
8	44M7116	DOWEL PIN	1	532538-	X X X 6X24MM
9	L42121	BUSHING	1	532538-	X X X (ORD AL41258 OR AL41259)
10	L42115	BRACKET	1	532538-	X X X LH (ORD AL41258)
	L42116	BRACKET	1	532538-	X X X RH (ORD AL41259)
11	L42117	COMPRESSION SPRING	1	532538-	X X X (ORD AL41258 OR AL41259)
12	12M7056	LOCK WASHER	4	532538-	X X X
13	19M7660	SCREW	4	532538-	X X X M8X20
14	AL41258	HOLDER	1	532538-	X X X LH
	AL41259	HOLDER	1	532538-	X X X RH
15	L41892	REAR VIEW MIRROR GLASS	1	532538-	X X X
16	AL41262	REAR VIEW MIRROR	2	532538-	X X X
17	22M7083	SET SCREW	1	532538-	X X X M6X12
18	40M7132	SNAP RING	2	532538-	X X X

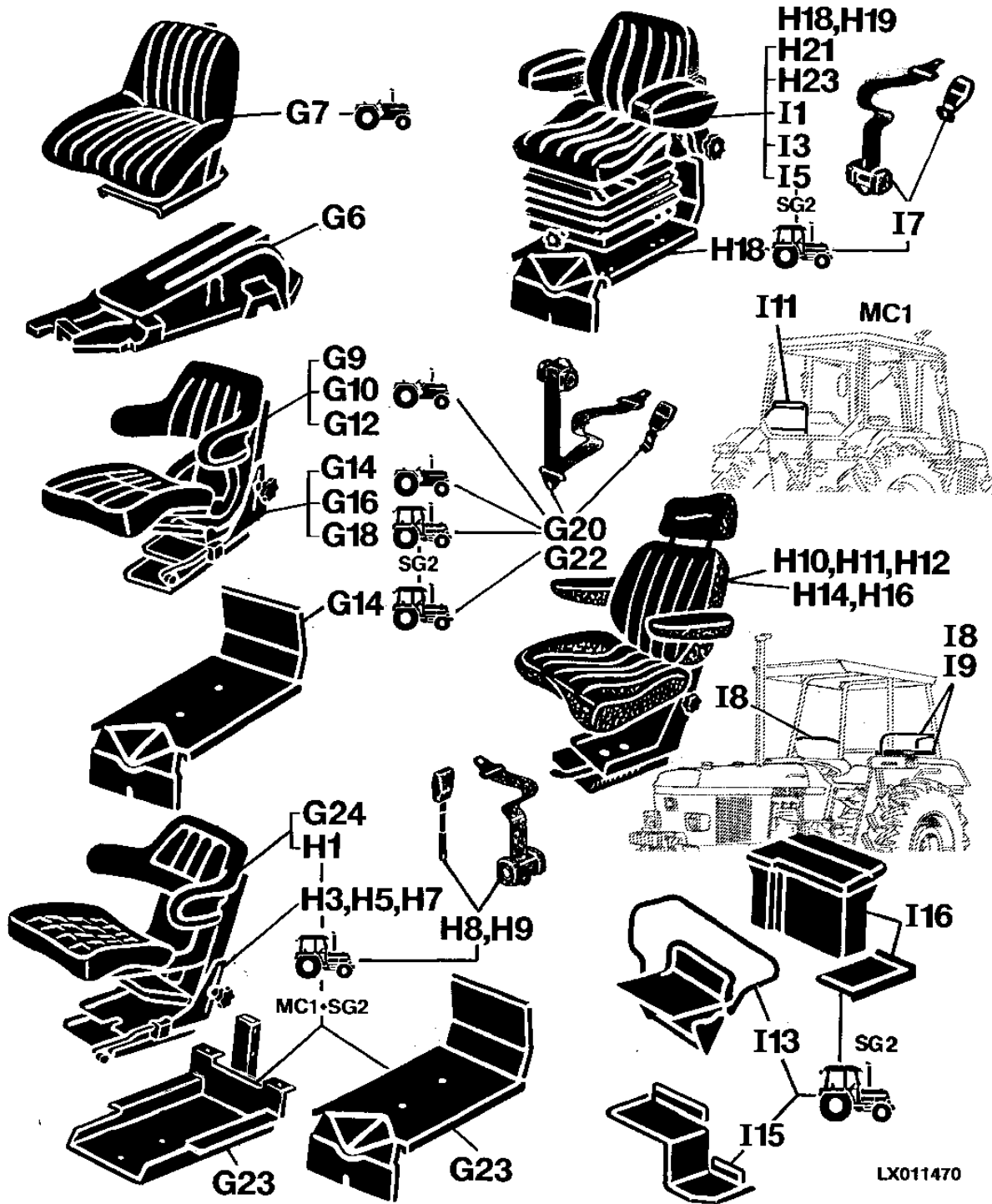
7G5

OPERATOR'S SEATS

XX
XX
XX
XX
XX
XX
XX
XX
XX
XX

LX011470 -UN-14JUL95

SECTIONAL INDEX
INDEX DE SECTION
GRUPPENINDEX
INDICE DELLA SEZIONE
INDICE DE GRUPOS
GRUPPSFORTECKNING



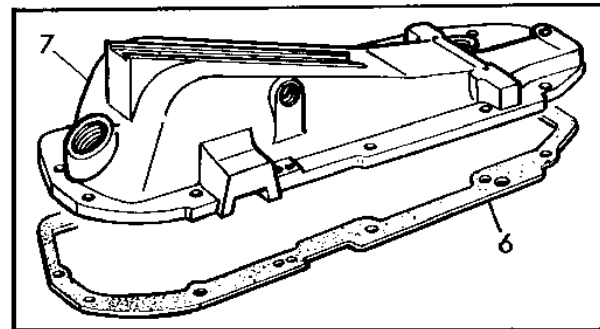
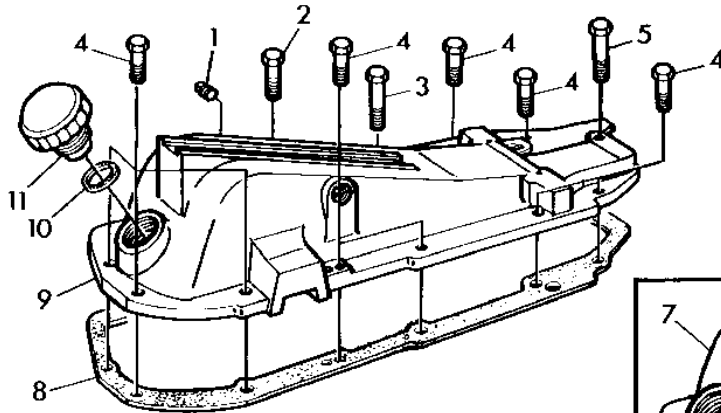
LX011470

7G6

OPERATOR'S SEATS

SEAT SUPPORT BASE (WITHOUT ROCKSHAFT)
 SUPPORT DU SIEGE (SANS REVELAGE)
 SITZLAGERBOCK (OHNE KRAFTHEBER)
 SUPPORTO SEDILE (SENZA SOLLEVATORE)
 PEDESTAL DEL ASIENTO (SIN ELEVADOR HIDRAULICO)
 SITSFUNDAMENT (UTAN 3-PUNKTSLYFT)

L123706 -UN-12JUL95



L 123706

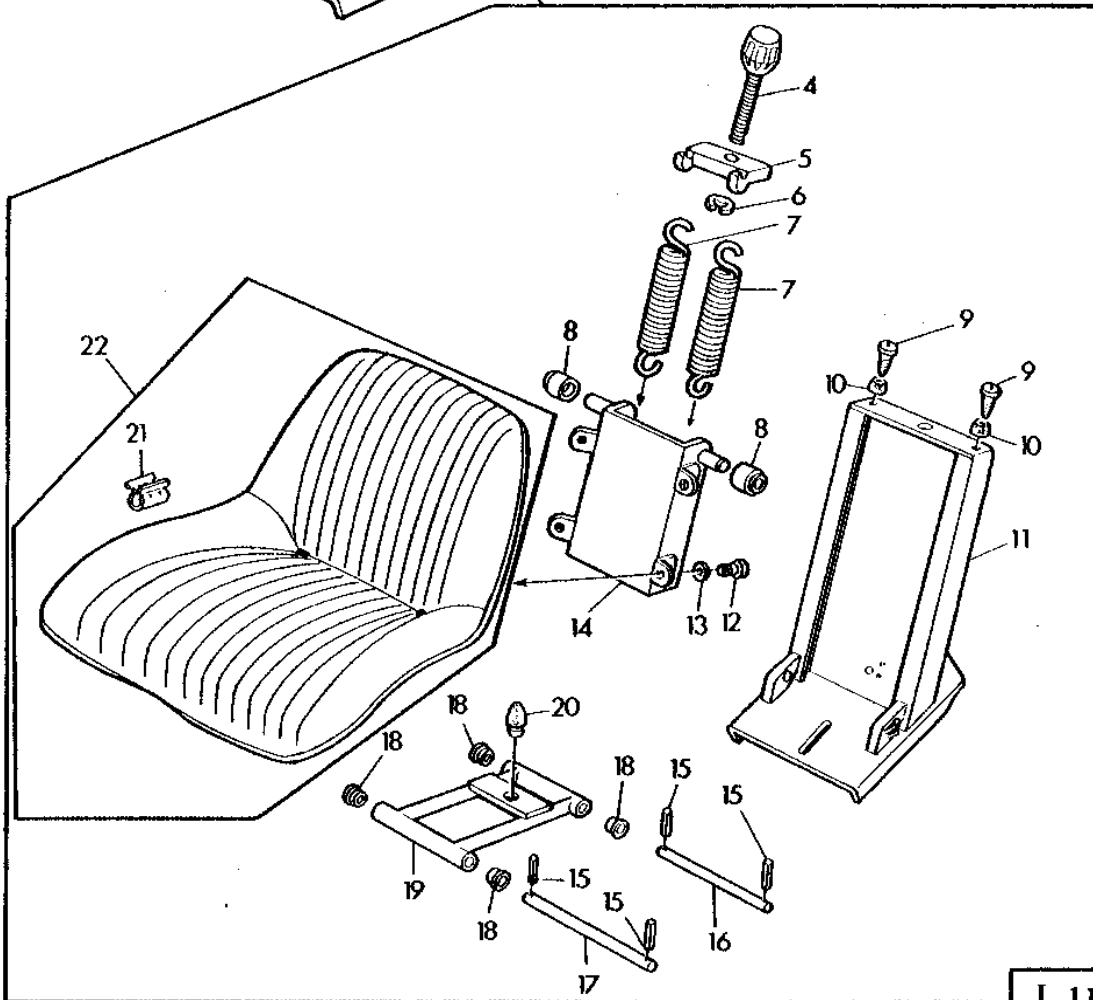
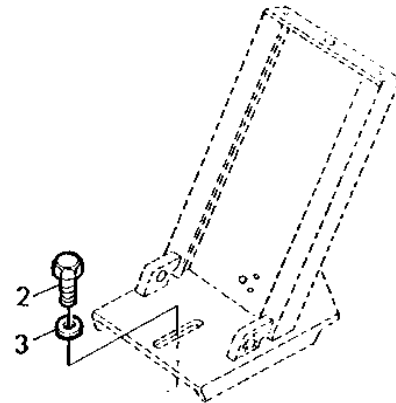
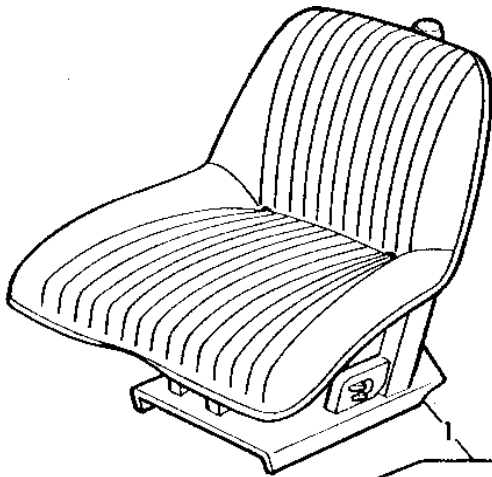
2
1 2 0
6 0 4
4 4 0
0 0 S

KEY	PART NO.	PART NAME	QTY	SERIAL NO.	REMARKS
1	15H638	PIPE PLUG	1	X X X	1/8"
2	19H1831	CAP SCREW	1	X X X	1/2"X2"
3	19H1930	CAP SCREW	1	X X X	1/2"X2-1/2"
4	19H1721	CAP SCREW	10	X X X	1/2"X1-1/2"
5	19H1805	CAP SCREW	1	X X X	1/2"X2-1/4"
6	T21641	GASKET	1	X X X	(FOR T21741)
7	T21471	HOUSING	1	X X X	(ORD L39589, L34401, 15H638)
8	L34401	GASKET	1	X X X	(FOR L39589)
9	L39589	HOUSING	1	X X X	(ORD W/ 15H638)
10	T21564	WASHER	1	X X X	
11	AL38083	FILLER CAP	1	X X X	(SUB FOR AL32620)

7G7

OPERATOR'S SEATS

STANDARD SEAT
SIEGE STANDARD
STANDARD-SITZ
SEDILE STANDARD
ASIENTO NORMAL
STANDARD FORARSATE
L110846 -UN-01JAN94



L 110846

7G8

OPERATOR'S SEATS

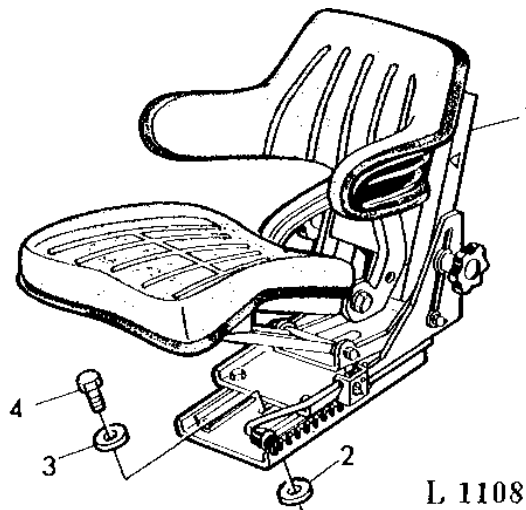
KEY	PART NO.	PART NAME	QTY	SERIAL NO.	REMARKS
					2
					1 2 0
					6 0 4
					4 4 0
					0 0 S
1	AL24162	SEAT	1	X X	GRAMMER DS44/L1
2	19H2898	CAP SCREW	2	X X	1/2"X1-1/4"
3	24H1349	WASHER	2	X X	9/16"X1-1/4"X.134"
4	AL19494	SPINDLE	1	X X	
5	L28077	RETAINER	1	X X	
6	40M7042	SNAP RING	1	X X	7MM
7	L41593	EXTENSION SPRING	2	X X	(SUB FOR L28076)
8	L64688	ROLLER	2	X X	(SUB FOR L25686)
9	37M7016	SCREW	2	X X	4.8X22MM
10	L28078	BUMPER	2	X X	
11	AL24172	FEEDER HOUSE	1	X X	
12	19H1813	CAP SCREW	4	X X	5/16"X5/8"
13	24M7055	WASHER	4	X X	8.4X17X2MM
14	AL30978	FRAME	1	X X	
15	34M3851	SPRING PIN	4	X X	4X24MM
16	L28079	PIN	1	X X	
17	L28080	PIN	1	X X	
18	L27167	BUSHING	4	X X	
19	AL24171	ARM	1	X X	
20	L25678	BUMPER	1	X X	
21	L31728	CLIP	8	X X	
22	AL24174	SEAT	1	X X	

MEMORANDA
MEMORANDA
MEMORANDA
MEMORANDA
MEMORANDA

7G9

OPERATOR'S SEATS

DE-LUXE SEAT WITH ANGLED SUPPORT
 SIEGE DE LUXE SUPPORT INCLINE
 DE-LUXE SITZ/SCHRAEGAUFBAU
 SEDILE DI LUSSO/SUPPORTO INCLINATO
 ASIENTO DE LUJO/SOPORTE INCLIMADO
 DELUXE FORARSATE/SNED SITSFUNDAMENT
 L110847 -UN-01JAN94



L 110847

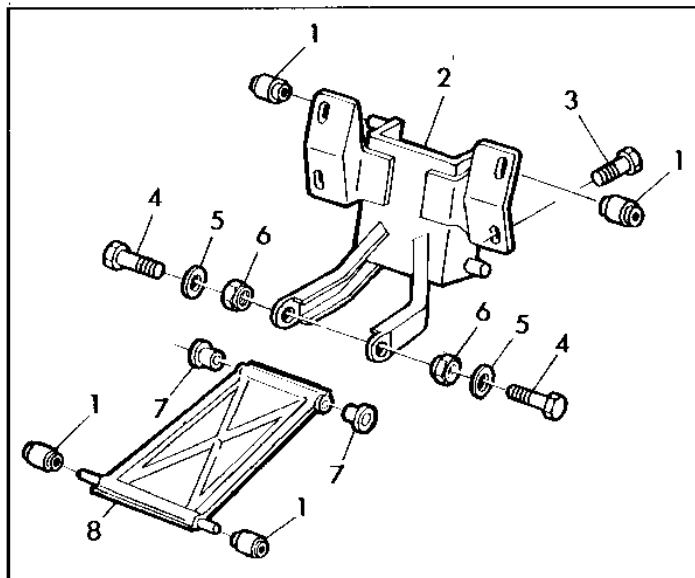
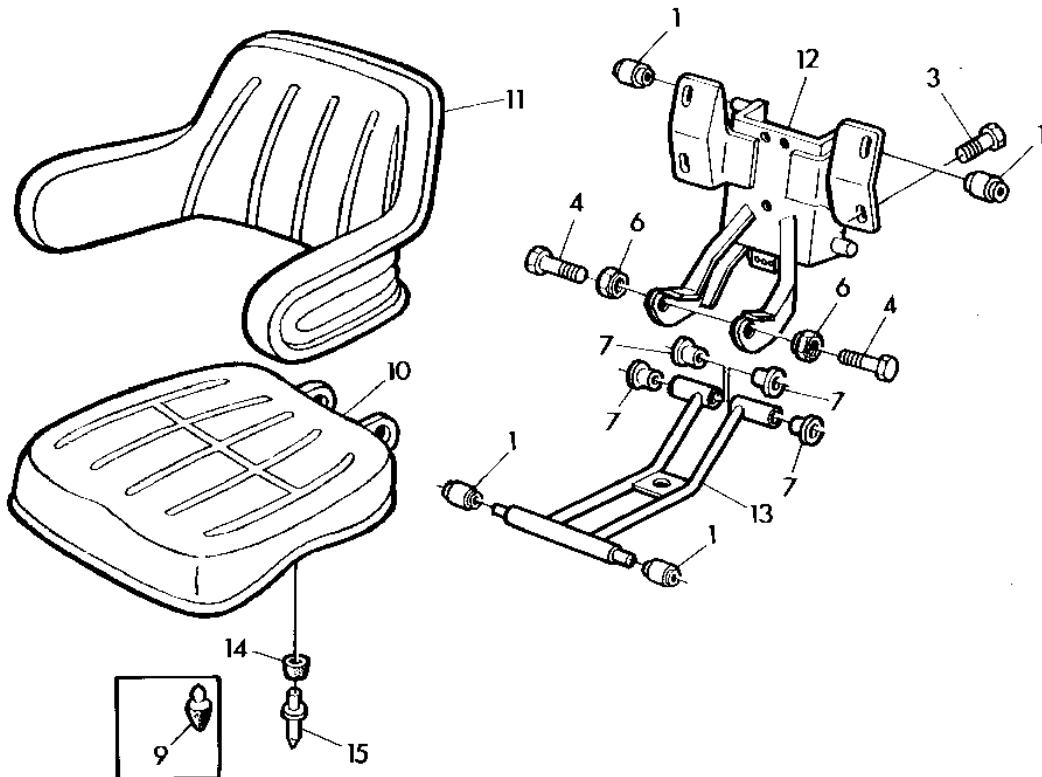
2
 1 2 0
 6 0 4
 4 4 0
 0 0 S

KEY	PART NO.	PART NAME	QTY	SERIAL NO.	REMARKS
1	AL39913	SEAT	1	X X X	GRAMMER DS44/2H-4 (SUB FOR AL35635 GRAMMER DS20L2H, AL36556 GRAMMER DS20L2H)
2	24H1254	WASHER	2	X X X	17/32"X1-1/8"X.105"
3	24H1349	WASHER	2	X X X	9/16"X1-1/4"X.134"
4	19H2898	CAP SCREW	2	X X X	1/2"X1-1/4"

7G10

OPERATOR'S SEATS

DE-LUXE SEAT WITH ANGLED SUPPORT
SIEGE DE LUXE SUPPORT INCLINE
DE-LUXE SITZ/SCHRAEGAUFBAU
SEDILE DI LUSO/SUPPORTO INCLINATO
ASIENTO DE LUJO/SOPORTE INCLIMADO
DELUXE FORARSATE/SNED SITSFUNDAMENT
L108340 -UN-17JUL95



L 108340

7G11

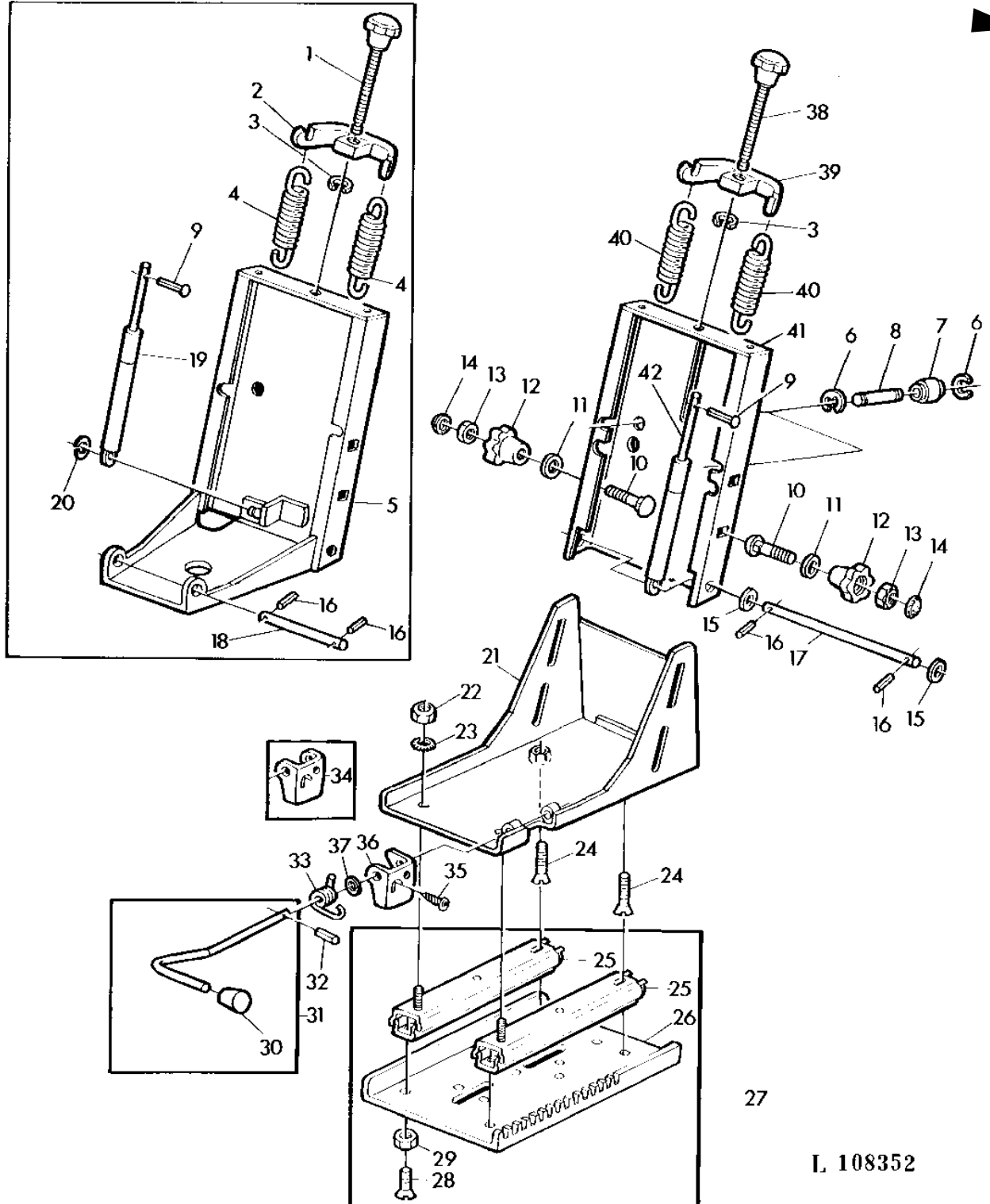
OPERATOR'S SEATS

KEY	PART NO.	PART NAME	QTY	SERIAL NO.	REMARKS
					2
					1 2 0
					6 0 4
					4 4 0
					0 0 S
1	L64688	ROLLER	4	X X X	(SUB FOR L25686)
2	AL24169	SUPPORT	1	X X X	
3	19H1813	CAP SCREW	4	X X X	5/16"X5/8"
4	19H1792	CAP SCREW	2	X X X	1/2"X1" (SUB FOR 19H2508 APPL)
5	24M7047	WASHER	2	X X X	13X24X2.5MM
6	T27645	NUT	2	X X X	1/2"
7	L27167	BUSHING	AR	X X X	
8	AL24164	SEAT	1	X X X	
9	L25678	BUMPER	1	X X X	
10	AL39823	SEAT	1	X X X	(SUB FOR AL35636, AL36324)
11	AL39816	SEAT BACK	1	X X X	(SUB FOR AL35637, AL36555)
12	AL39940	SUPPORT	1	X X X	
13	AL39941	ARM	1	X X X	
14	L35768	BUMPER	2	X X X	
15	L39010	RIVET	2	X X X	

7G12

OPERATOR'S SEATS

DE-LUXE SEAT WITH ANGLED SUPPORT (INDIVIDUAL PARTS)
SIEGE DE LUXE/SUPPORT INCLINE (PIECES)
DE-LUXE SITZ/SCHRAEGAUFBAU (EINZELTEILE)
SEDILE DI LUSSO/INCLINATO (PARTI SINGOLE)
ASIENTO DE LUJO/INCLINADO (COMPONENTES)
DELUXE FORARSATE/SNED UTFORANDE (DELAR)
L108352 -UN-17JUL95



L 108352

7G13

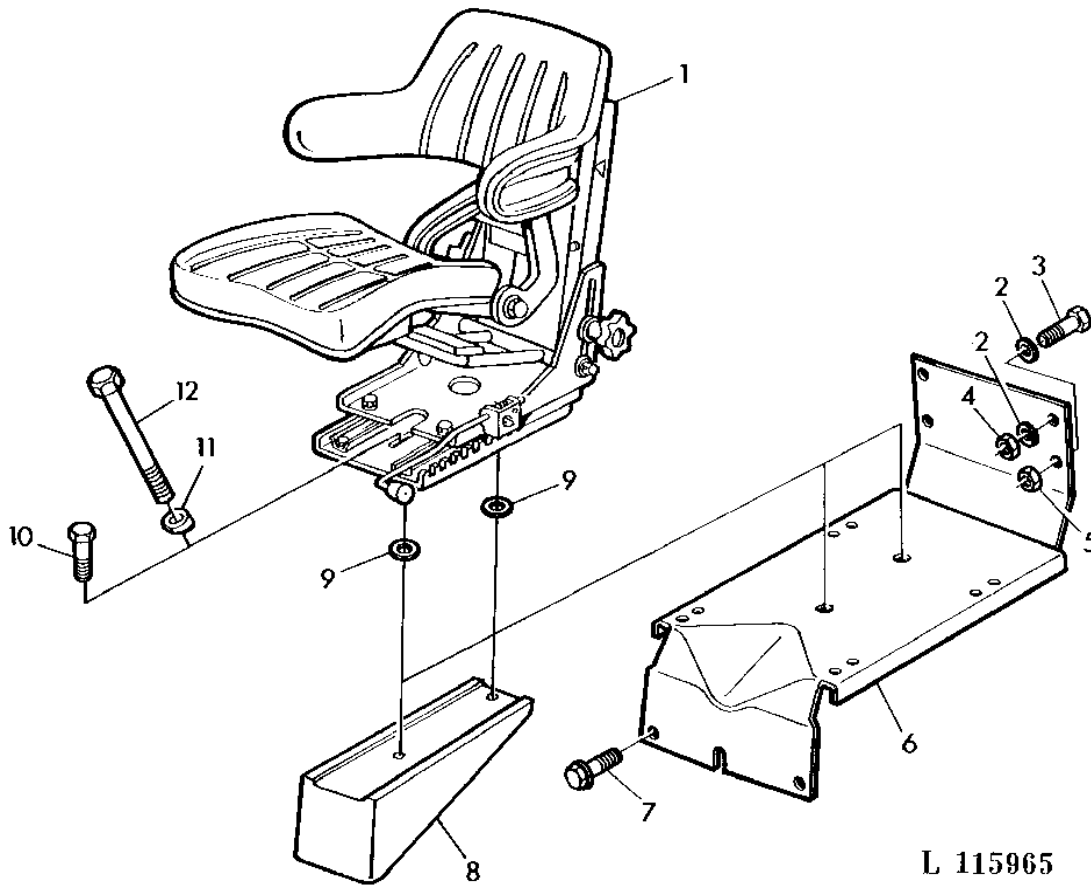
OPERATOR'S SEATS

KEY	PART NO.	PART NAME	QTY	SERIAL NO.	REMARKS
					2
					1 2 0
					6 0 4
					4 4 0
					0 0 S
1	AL33069	SPINDLE	1	X X X	
2	L28077	RETAINER	1	X X X	
3	40M7042	SNAP RING	1	X X X	7MM
4	L35825	LEAF SPRING	2	X X X	
5	AL30692	HOUSING	1	X X X	
6	40M7041	SNAP RING	4	X X X	5MM
7	AL26918	ROLLER	2	X X X	
8	L31731	PIN	2	X X X	
9	16M7061	RIVET	1	X X X	4X0.5X25
10	03M7099	BOLT	2	X X X	M10X45
11	24M7149	WASHER	2	X X X	10.5X30X2.5MM
12	L29211	HANDLE	2	X X X	
13	L31730	NUT	2	X X X	M10
14	L31727	COVER	2	X X X	
15	24M7047	WASHER	2	X X X	13X24X2.5MM
16	34M3851	SPRING PIN	4	X X X	4X24MM
17	L29208	PIN	1	X X X	
18	L29209	PIN	1	X X X	
19	AL24165	ABSORBER	1	X X X	
20	L27166	SNAP RING	1	X X X	10MM
21	AL33010	ADJUSTER	1	X X X	
22	14M7273	NUT	2	X X X	M8
23	12M7032	LOCK WASHER	2	X X X	8.4MM
24	19M8366	CAP SCREW	2	X X X	M8X12
25	AL33439	RAIL	2	X X X	
26	L36269	PLATE	1	X X X	
27	AL33016	ADJUSTER	1	X X X	
28	19M7924	SCREW	4	X X X	M8X16
29	L36292	LOCK NUT	4	X X X	M8
30	L34156	KNOB	1	X X X	
31	AL35641	LEVER	1	X X X	
32	34M7127	SPRING PIN	1	X X X	4X24MM
33	L35769	SPRING	1	X X X	
34	L38009	PAWL	1	X X X	(ORD L38377, 34M7127, 24M7298)
35	37M7079	SCREW	1	X X X	6.3X13MM
36	L38377	PAWL	1	X X X	
37	24M7298	WASHER	1	X X X	8.4X25X2MM
38	AL39944	KNOB	1	X X X	
39	AL39943	RETAINER	1	X X X	
40	L35825	LEAF SPRING	2	X X X	(SUB FOR L41593, L61554)
41	L41591	SPRING ASSEMBLY	1	X X X	
42	AL39942	ABSORBER	1	X X X	

7G14

OPERATOR'S SEATS

DE-LUXE SEAT
SIEGE DE LUXE
DE-LUXE SITZ
SEDILE DI LUSO
ASIENTO DE LUJO
DELUXE FORARSATE
L115965 -UN-18JUL95



7G15

OPERATOR'S SEATS

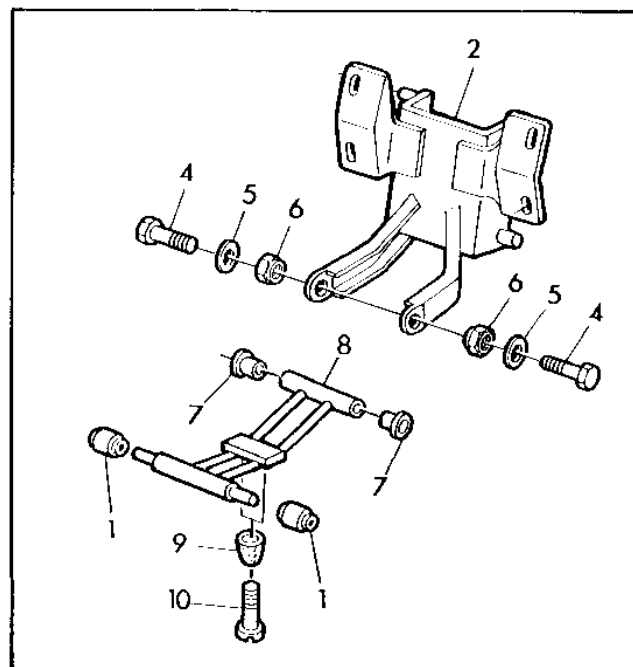
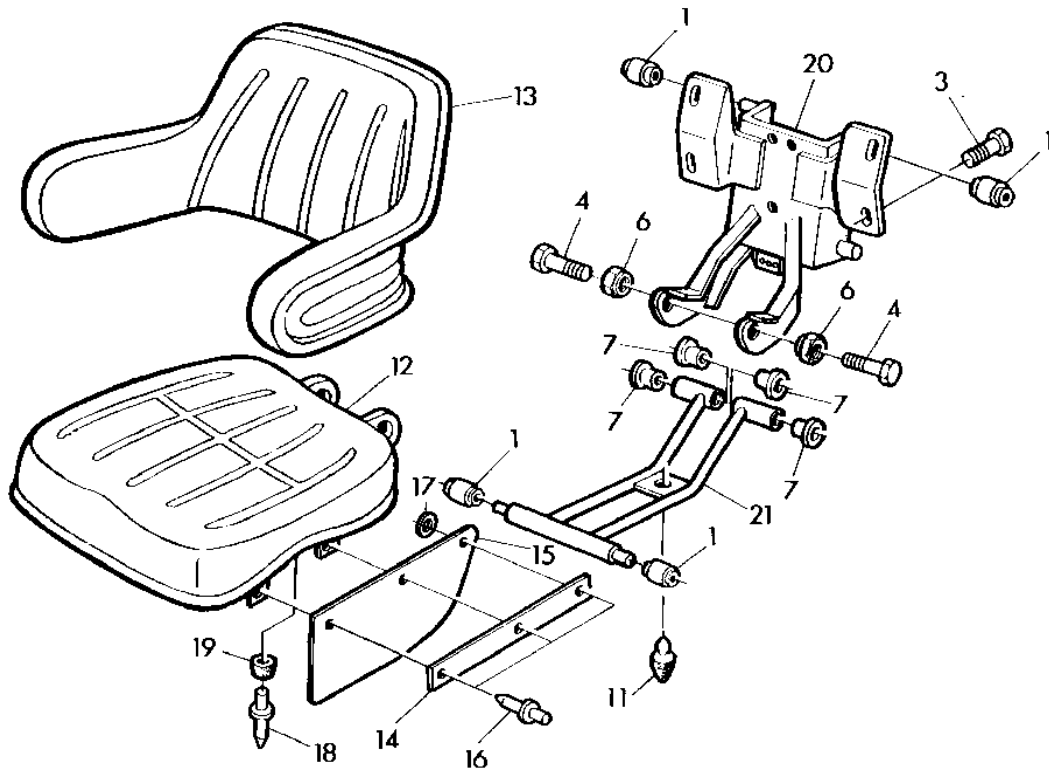
KEY	PART NO.	PART NAME	QTY	SERIAL NO.	REMARKS
					2 1 2 0 6 0 4 4 4 0 0 0 S
1	AL35329	SEAT	1		X X X (SUB FOR AL35633) GRAMMER DS44/2H (ORD AL39913, (2) 19H2898)
	AL39914	SEAT	1	-558028	X X X (A) GRAMMER DS44/2H-G (SUB FOR AL36459) GRAMMER DS44/2H (ORD AL68099)
2	24M7047	WASHER	4		X X X (A) 13X24X2.5MM
3	19M7285	CAP SCREW	2		X X X (A) M12X30
4	14H1040	NUT	2		X X X (A) 1/2"
5	14M7275	NUT	2		X X X (A) M12
6	AL55092	BRACKET	1		X X X (A) (SUB FOR AL38513) (ORD W/ 19M7285)
7	L58669	SCREW	2		X X X (A) (SUB FOR L39078 APPL)
8	L34804	SPACER	1		X X X
9	24H1349	WASHER	2		X X X 9/16"X1-1/4"X.134"
10	19M7268	CAP SCREW	2		X X X (A) M12X25
11	L34818	WASHER	2		X X X
12	19H2510	CAP SCREW	1		X X X 1/2"X1-5/8", REAR
	19H1945	CAP SCREW	1		X X X 1/2"X3-1/4", FRONT

(A) WITH SG2 CAB
 SUR CABINE SG2
 BEI SG2 KABINE
 CON CABINA SG2
 CON CABINA SG2
 VID SG2 HYTT

7G16

OPERATOR'S SEATS

DE-LUXE SEAT
SIEGE DE LUXE
DE-LUXE SITZ
SEDILE DI LUSO
ASIENTO DE LUJO
DELUXE FORARSATE
L108363 -UN-17JUL95



1. 108363

7G17

OPERATOR'S SEATS

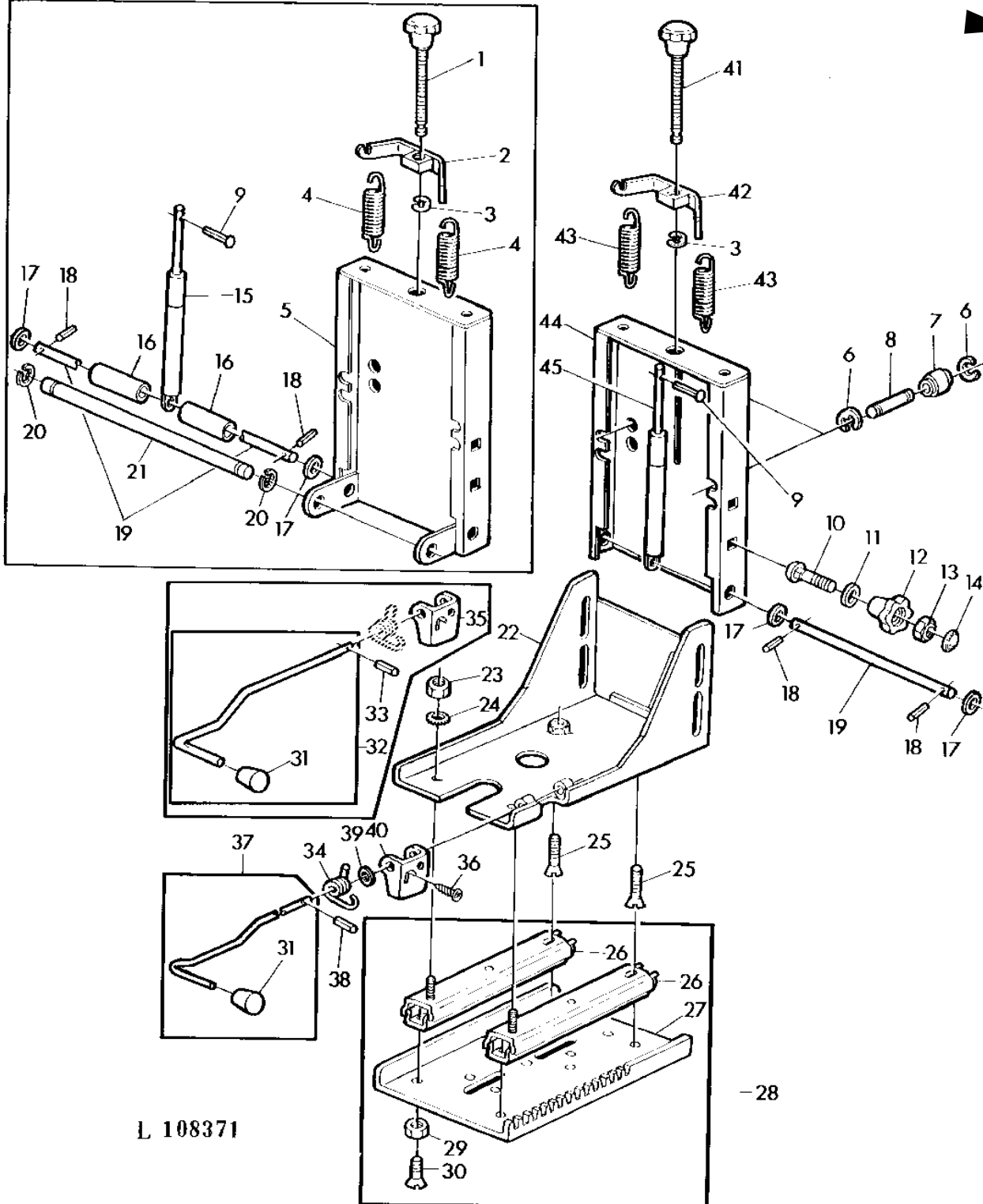
KEY	PART NO.	PART NAME	QTY	SERIAL NO.	REMARKS
					2
					1 2 0
					6 0 4
					4 4 0
					0 0 S
1	L64688	ROLLER	4		X X X (SUB FOR L25686)
2	AL33008	SUPPORT	1	-517624	X X X
3	19H1813	CAP SCREW	4		X X X 5/16"X5/8"
4	19H1792	CAP SCREW	2		X X X 1/2"X1" (SUB FOR 19H2508 APPL)
5	24M7047	WASHER	2	-517624	X X X 13X24X2.5MM
6	T27645	NUT	2		X X X 1/2"
7	L27167	BUSHING	AR		X X X
8	AL33015	ARM	1	-517624	X X X
9	L35768	BUMPER	2	-517624	X X X
10	37M7094	SCREW	2	-517624	X X X 6.3X19MM
11	L25678	BUMPER	1		X X X
12	AL36324	SEAT	1		X X X (SUB FOR AL35636)
	AL39915	SEAT	1	-558028	X X X (A) (SUB FOR AL36460)
13	AL36555	SEAT BACK	1		X X X (SUB FOR AL35637)
	AL39916	SEAT BACK	1	-558028	X X X (A) (SUB FOR AL36461)
14	L39087	STRAP	2		X X X
15	L39086	RETAINER	2		X X X
16	AT56660	RIVET	6		X X X
17	24M7146	WASHER	2		X X X 4.3X12X1MM
18	L39010	RIVET	2	517625-	X X X
19	L35768	BUMPER	2	517625-	X X X
20	AL39939	SUPPORT	1	517625-	X X X
21	AL39941	ARM	1	517625-	X X X

(A) WITH SG2 CAB
 SUR CABINE SG2
 BEI SG2 KABINE
 CON CABINA SG2
 CON CABINA SG2
 VID SG2 HYTT

7G18

OPERATOR'S SEATS

DE-LUXE SEAT (INDIVIDUAL PARTS)
 SIEGE DE LUXE (PIECES)
 DE-LUXE SITZ (EINZELTEILE)
 SEDILE DI LUSO (PARTI SINGOLE)
 ASIENTO DE LUJO (COMPONENTES)
 DELUXE FORARSATE (DELAR)
 L108371 -UN-17JUL95



L 108371

-28

7G19

OPERATOR'S SEATS

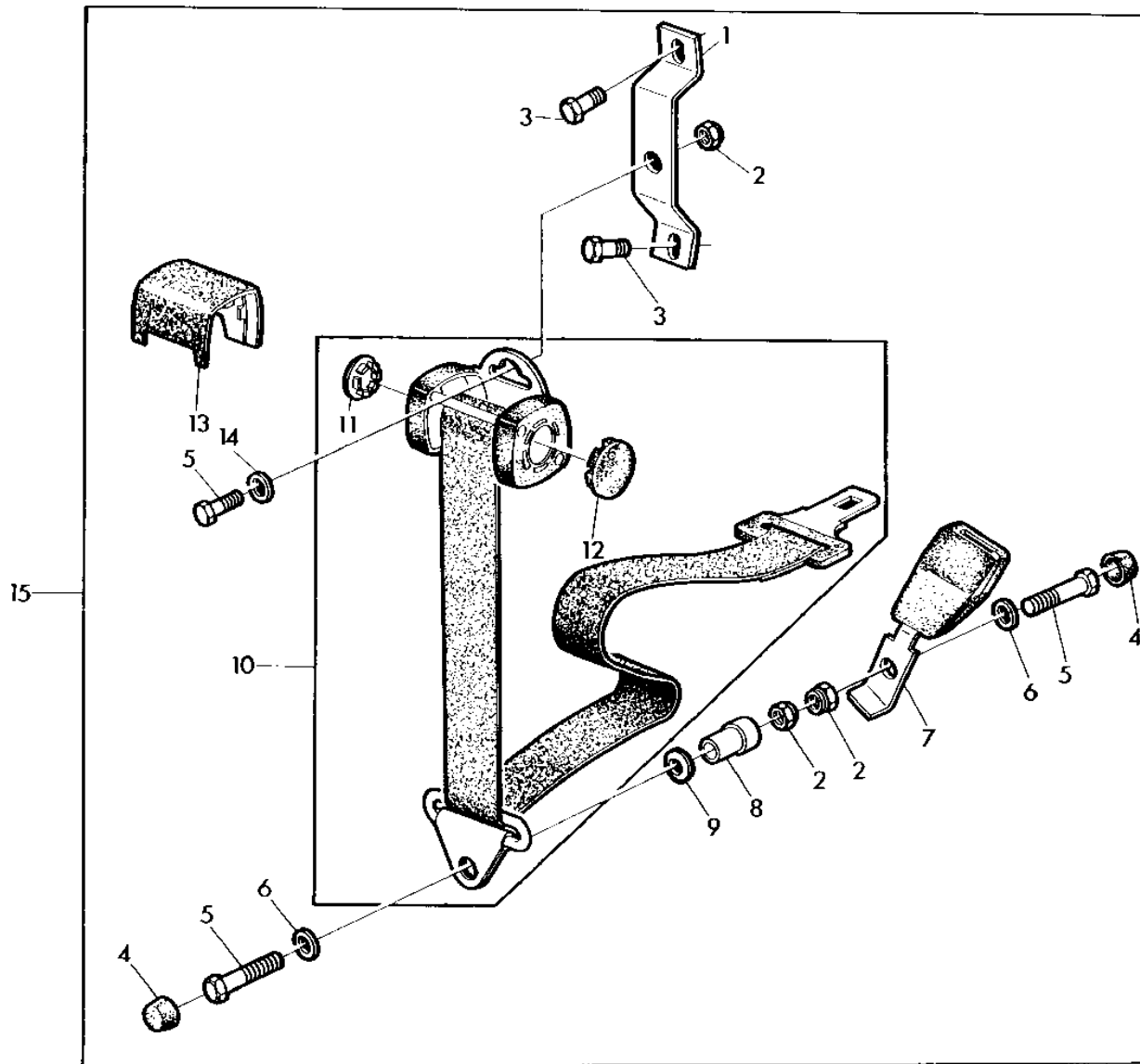
KEY	PART NO.	PART NAME	QTY	SERIAL NO.		REMARKS
					2	
					1 2 0	
					6 0 4	
					4 4 0	
					0 0 S	
1	AL33069	SPINDLE	1	-517624	X X X	
2	L28077	RETAINER	1	-517624	X X X	
3	40M7042	SNAP RING	1		X X X	7MM
4	L35825	LEAF SPRING	2	-517624	X X X	
5	AL33009	SPRING ASSEMBLY	1	-517624	X X X	
6	40M7041	SNAP RING	4		X X X	5MM
7	AL26918	ROLLER	2		X X X	
8	L31731	PIN	2		X X X	
9	16M7061	RIVET	1		X X X	4X0.5X25
10	03M7099	BOLT	2		X X X	M10X45
11	24M7149	WASHER	2		X X X	10.5X30X2.5MM
12	L29211	HANDLE	2		X X X	
13	L31730	NUT	2		X X X	M10
14	L31727	COVER	2		X X X	
15	AL39942	ABSORBER	1	-517624	X X X	(SUB FOR AL33012)
16	L35770	BUSHING	2	-517624	X X X	
17	24M7044	WASHER	2		X X X	13X20X2MM
18	34M3851	SPRING PIN	2		X X X	4X24MM
19	L29208	PIN	1		X X X	
20	40M7030	SNAP RING	2	-517624	X X X	9MM
21	L35767	PIN	1	-517624	X X X	
22	AL33011	ADJUSTER	1		X X X	
	AL36326	FRAME	1		X X X	(A)
23	14M7273	NUT	2		X X X	M8
24	12M7032	LOCK WASHER	2		X X X	8.4MM
25	19M7902	SCREW	2	-517624	X X X	M8X16
	19M7297	CAP SCREW	2	517625-	X X X	M8X12
26	AL33439	RAIL	2		X X X	
27	L36269	PLATE	1		X X X	
28	AL33016	ADJUSTER	1		X X X	
29	L36292	LOCK NUT	4		X X X	M8
30	19M7924	SCREW	4		X X X	M8X16
31	L34156	KNOB	1		X X X	
32	AL35638	PIVOT	1		X X X	(ORD AL36327)
33	34M7121	SPRING PIN	1		X X X	4X28MM
34	L35769	SPRING	1		X X X	
35	L38009	PAWL	1		X X X	(ORD L38377, 34M7127, 24M7298)
36	37M7079	SCREW	1		X X X	6.3X13MM
37	AL36327	LEVER	1		X X X	(SUB FOR AL35638)
38	34M7127	SPRING PIN	1		X X X	4X24MM
39	24M7298	WASHER	1		X X X	8.4X25X2MM
40	L38377	PAWL	1		X X X	
41	AL39944	KNOB	1	517625-	X X X	
42	AL39943	RETAINER	1	517625-	X X X	
43	L41593	EXTENSION SPRING	2	517625-	X X X	
44	L41592	SPRING ASSEMBLY	1	517625-	X X X	
45	AL39942	ABSORBER	1	517625-	X X X	

(A) WITH SG2 CAB
 SUR CABINE SG2
 BEI SG2 KABINE
 CON CABINA SG2
 CON CABINA SG2
 VID SG2 HYTT

7G20

OPERATOR'S SEATS

SAFETY BELT
CEINTURE DE SECURITE
SICHERHEITSGURT
CINTURA DI SICUREZZA
CINTURON DE SEGURIDAD
SAKERHETSBALTE
L101126 -UN-12MAY95



L 101126

7G21

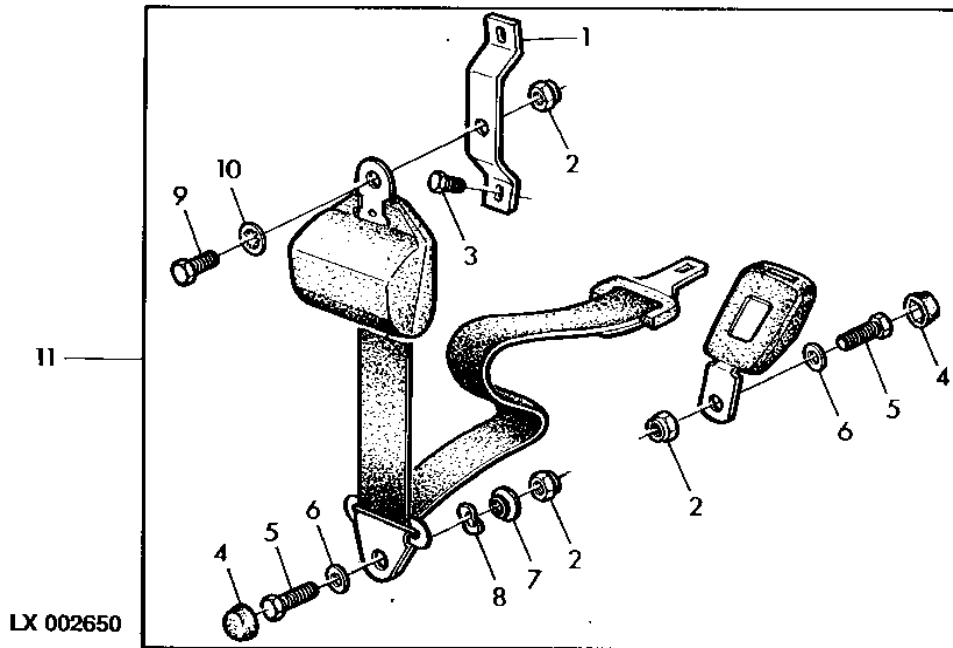
OPERATOR'S SEATS

KEY	PART NO.	PART NAME	QTY	SERIAL NO.	REMARKS
					2
					1 2 0
					6 0 4
					4 4 0
					0 0 S
1	L36256	STRAP	1		X X X
2	H80440	LOCK NUT	3		X X X
3	19H2127	CAP SCREW	2		X X X 5/16"X7/8"
4	L36259	CAP	2		X X X
5	L39118	CAP SCREW	3		X X X 7/16"X25MM (SUB FOR 19H2247)
6	24H1752	WASHER	2		X X X
7	AL33408	LOCK	1		X X X (ORD AL69394)
8	L36257	SPACER	1		X X X
9	L36253	LOCK WASHER	1		X X X
10	AL33409	SEAT BELT	1		X X X (ORD AL69394)
11	L36298	PLUG	1		X X X
12	L36297	PLUG	1		X X X
13	L36250	CAP	1		X X X
14	L36255	WASHER	1		X X X
15	AL33424	SEAT BELT	1		X X X (ORD AL69394)

7G22

OPERATOR'S SEATS

SAFETY BELT
 CEINTURE DE SECURITE
 SICHERHEITSGURT
 CINTURA DI SICUREZZA
 CINTURON DE SEGURIDAD
 SAKERHETSBALTE
 LX002650 -UN-31MAY95



LX 002650

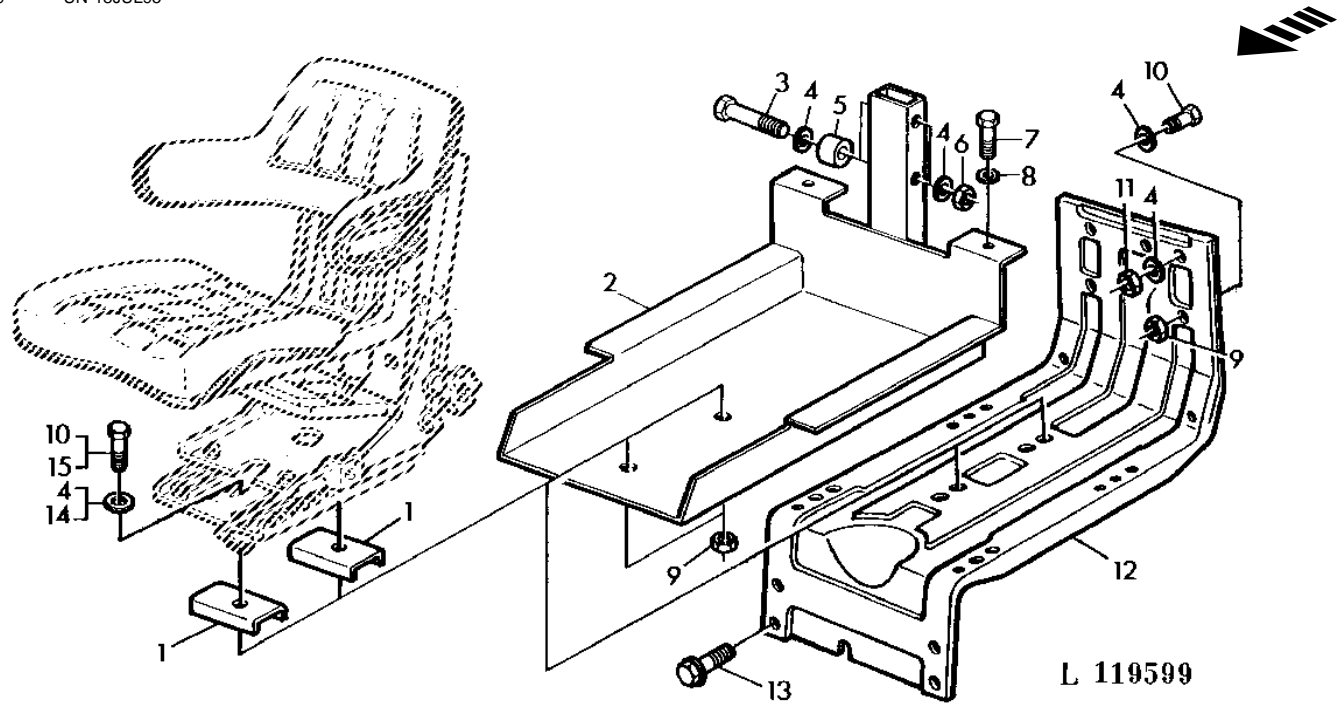
2
 1 2 0
 6 0 4
 4 4 0
 0 0 S

KEY	PART NO.	PART NAME	QTY	SERIAL NO.	REMARKS
1	L36256	STRAP	1	X X X	
2	L58217	LOCK NUT	3	X X X	
3	19H2127	CAP SCREW	1	X X X	5/16"X7/8"
4	L36259	CAP	2	X X X	
5	L65006	BOLT	2	X X X	
6	24H1322	WASHER	2	X X X	29/64"X13/16"X.060"
7	L65005	BUSHING	1	X X X	
8	L65001	SPRING WASHER	1	X X X	
9	19H3547	CAP SCREW	1	X X X	7/16"X1"
10	12H325	LOCK WASHER	1	X X X	7/16"
11	AL69394	SEAT BELT	1	X X X	

7G23

OPERATOR'S SEATS

DE-LUXE SEAT AND SEAT BASE (WITH MC1 AND SG2 CAB)
 SIEGE DE LUXE ET CONSOLE (CABINES MC1 ET SG2)
 DE-LUXE SITZ UND SITZKONSOLE (BEI MC1 UND SG2 KABINE)
 SEDILE DE LUXE E SOSPENSIONE (CON CABINE MC1 E SG2)
 ASIENTO DE LUJO Y SOPORTE (CABINAS MC1 Y SG2)
 DELUXE SATE OCH UPPHANGNING (VID MC1 OCH SG2 FORARHYTT)
 L119599 -UN-18JUL95



KEY	PART NO.	PART NAME	QTY	SERIAL NO.	REMARKS
				2	
				1 2 0	
				6 0 4	
				4 4 0	
				0 0 S	
1	L37485	CHANNEL	2	X X X	(B)
2	AL59721	SUPPORT	1	X X X	(B)
3	19M7949	CAP SCREW	2	X X X	M12X100
4	24M7047	WASHER	AR	X X X	13X24X2.5MM
5	L57895	BUSHING	2	X X X	
6	14M7168	LOCK NUT	2	X X X	M12
7	19M7185	CAP SCREW	2	X X X	M8X60
8	24M7260	WASHER	2	X X X	8.4X25X2MM
9	14M7275	NUT	2	X X X	M12
10	19M7361	CAP SCREW	AR	X X X	(B) M12X50
11	14H1040	NUT	2	X X X	(A) 1/2"
12	AL55092	BRACKET	1	X X X	(A)
13	L58669	SCREW	2	X X X	(A)
14	24H1349	WASHER	2	X X X	(A) 9/16"X1-1/4"X.134"
15	19M7268	CAP SCREW	2	X X X	(A) M12X25

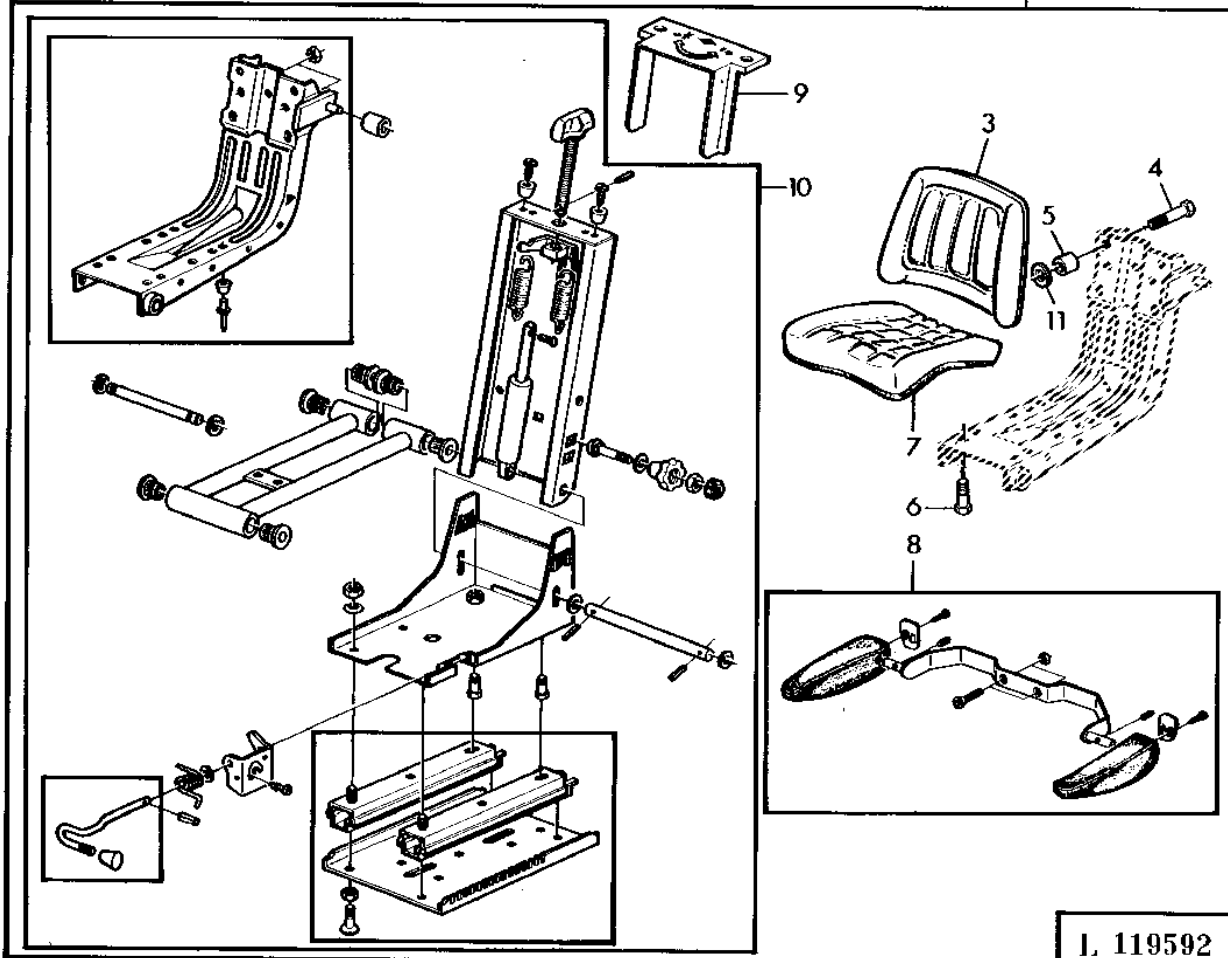
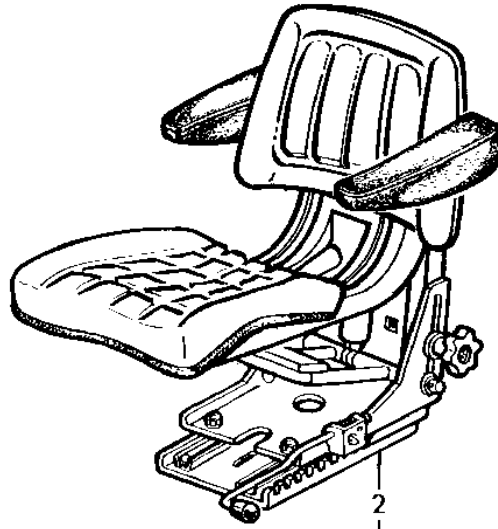
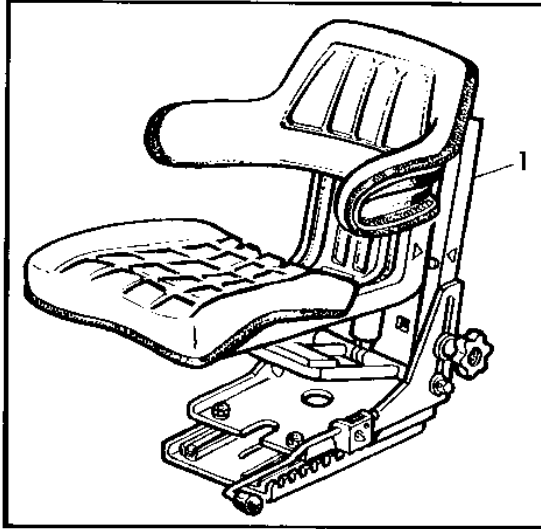
(A) WITH SG2 CAB
 AVEC CABINE SG2
 BEI SG2 KABINE
 CON CABINA SG2
 CON CABINA SG2
 VID SG2 HYTT

(B) WITH MC1 CAB
 AVEC CABINE MC1
 BEI MC1 KABINE
 CON CABINA MC1
 CON CABINA MC1
 VID MC1 FORARHYTT

7G24

OPERATOR'S SEATS

DE-LUXE SEAT
SIEGE DE-LUXE
DE-LUXE SITZ
SEDILE DE LUXE
ASIENTO DE LUJO
DE LUXE FORARSATE
L119592 -UN-26MAY95



7G25

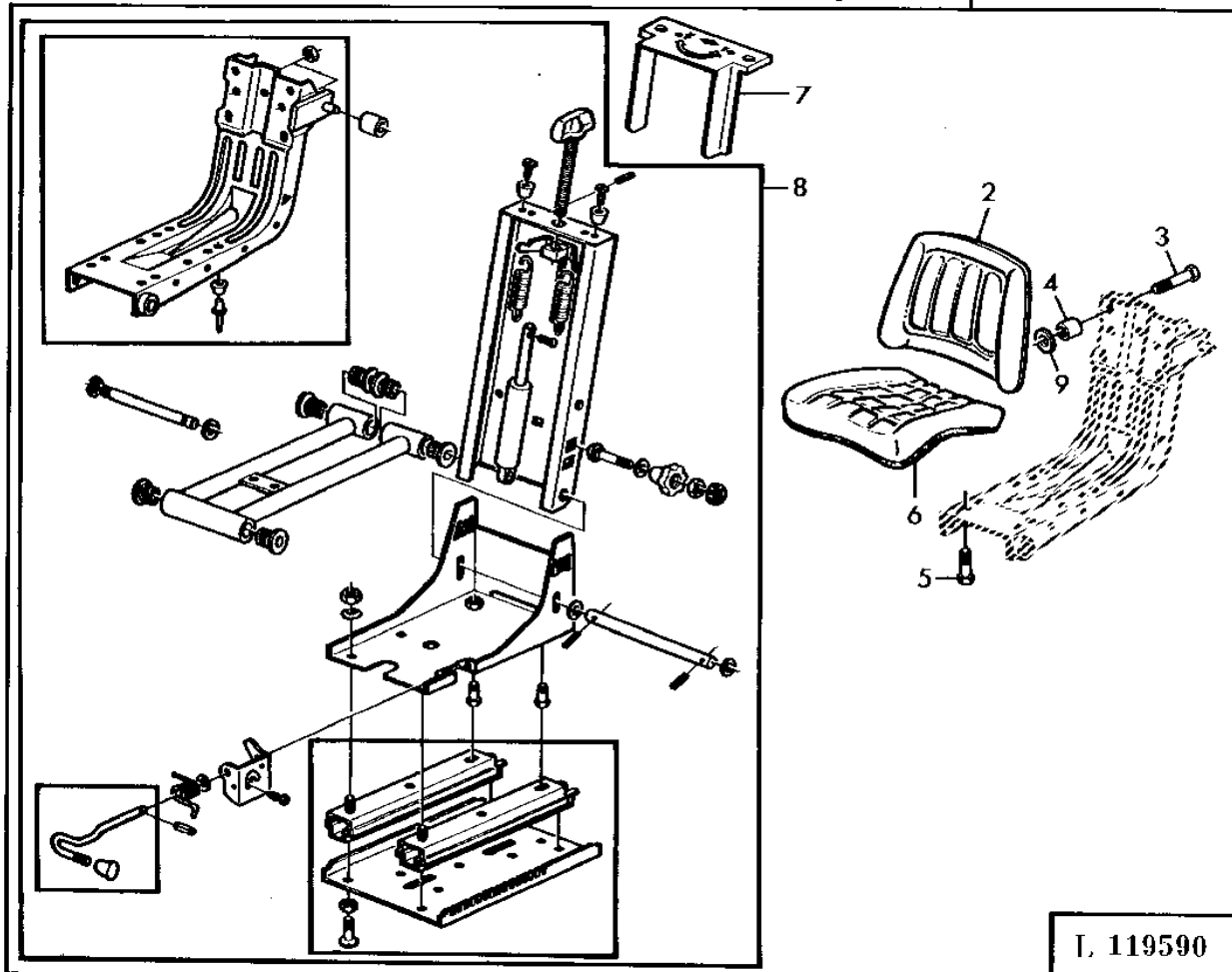
OPERATOR'S SEATS

KEY	PART NO.	PART NAME	QTY	SERIAL NO.	REMARKS
				2	
				1 2 0	
				6 0 4	
				4 4 0	
				0 0 S	
1	AL55718	SEAT	1	X X X	GRAMMER DS44/2H-4G (ORD AL68099)
2	AL66103	SEAT	1	X X X	GRAMMER DS44/1HA-4G (ORD AL68099)
3	AL62576	CUSHION	1	X X X	(ORD AL68119)
4	19M7163	CAP SCREW	4	X X X	M8X25
5	28H1513	WASHER	4	X X X	
6	L62151	SCREW	4	X X X	M8X12
7	AL58826	PLATE	1	X X X	(ORD AL68119)
8	AL66695	SHIPPING BUNDLE	1	X X X	
9	L58192	SHIELD	1	X X X	
10	AL64481	SEAT	1	X X X	
11	24M7178	WASHER	4	X X X	10.5X30X2.5MM

7H1

OPERATOR'S SEATS

DE-LUXE SEAT
SIEGE DE-LUXE
DE-LUXE SITZ
SEDILE DE LUXE
ASIENTO DE LUJO
DE LUXE FORARSATE
L119590 -UN-26MAY95



L 119590

7H2

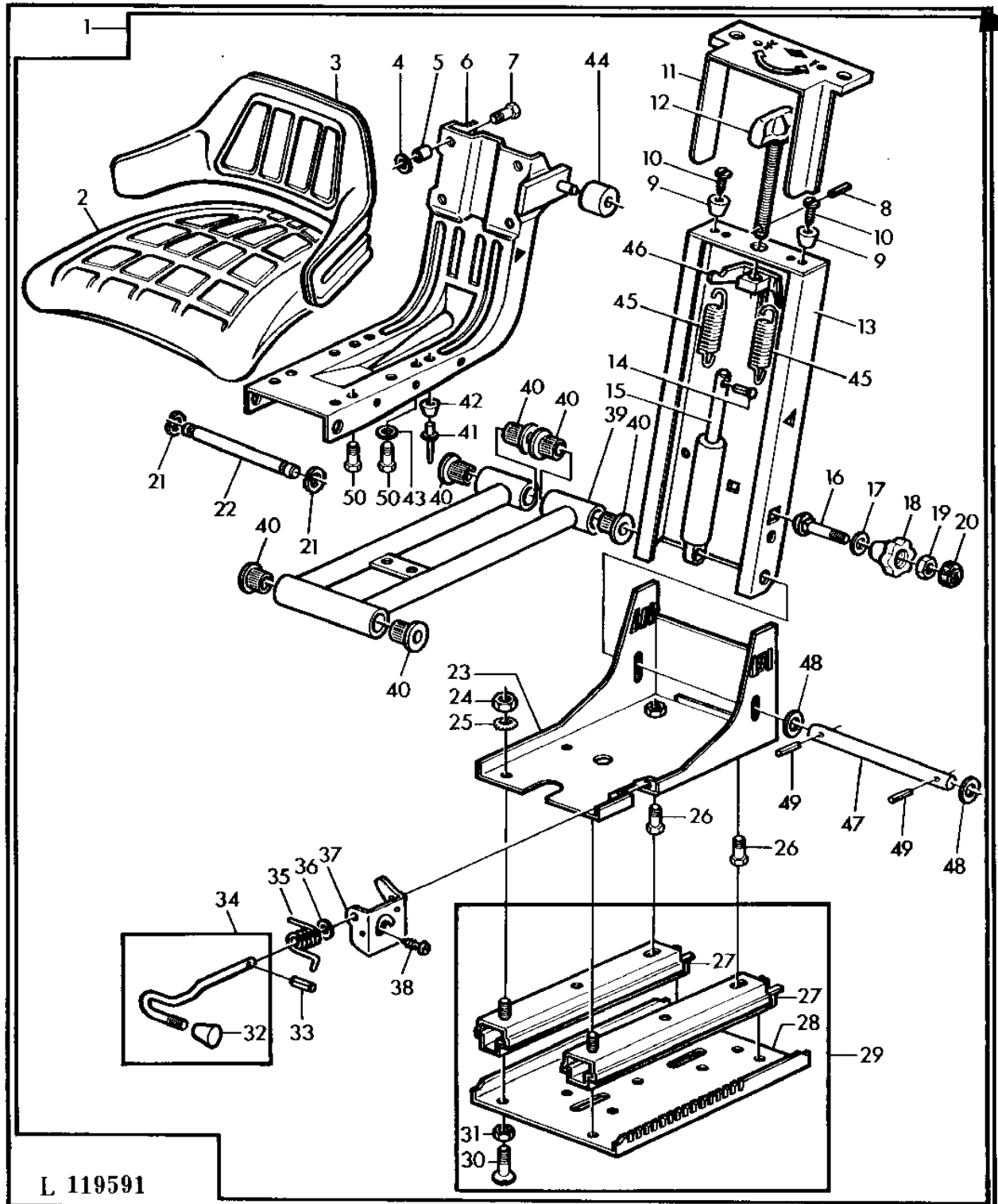
OPERATOR'S SEATS

KEY	PART NO.	PART NAME	QTY	SERIAL NO.	REMARKS
				2	
				1 2 0	
				6 0 4	
				4 4 0	
				0 0 S	
1	AL64715	SEAT	1	X X X	GRAMMER DS44/1H-4G (SUB FOR AL58575) (ORD AL68099)
2	AL62576	CUSHION	1	X X X	(ORD AL68119)
3	19M7163	CAP SCREW	4	X X X	M8X25
4	28H1513	WASHER	4	X X X	
5	L62151	SCREW	4	X X X	M8X12
6	AL58826	PLATE	1	X X X	(ORD AL68119)
7	L58192	SHIELD	1	X X X	
8	AL64481	SEAT	1	X X X	
9	24M7178	WASHER	4	X X X	10.5X30X2.5MM

7H3

OPERATOR'S SEATS

DE-LUXE SEAT (INDIVIDUAL PARTS)
SIEGE DE LUXE (PIECES)
DE-LUXE SITZ (EINZELTEILE)
SEDILE DI LUSO (PARTI SINGOLE)
ASIENTO DE LUJO (COMPONENTES)
DELUXE FORARSATE (DELAR)
L119591 -UN-12JUL95



L 119591

7H4

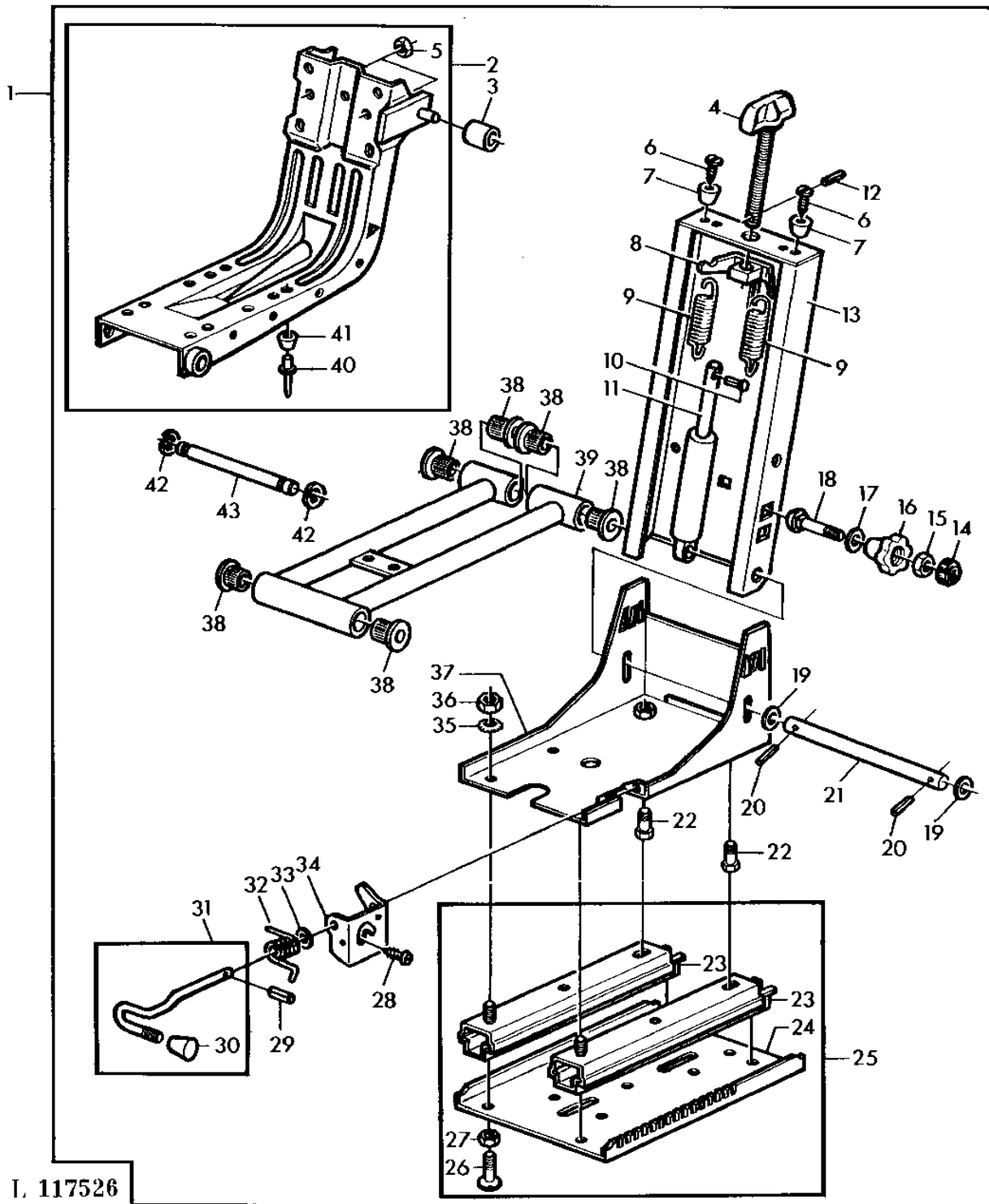
OPERATOR'S SEATS

KEY	PART NO.	PART NAME	QTY	SERIAL NO.	REMARKS
					2
					1 2 0
					6 0 4
					4 4 0
					0 0 S
1	AL55718	SEAT	1	X X X	GRAMMER DS44/2H-4G (ORD AL68099)
2	AL58826	PLATE	1	X X X	(ORD AL68119)
3	AL58830	CUSHION	1	X X X	(ORD AL62576, AL66695)
4	24M7178	WASHER	4	X X X	10.5X30X2.5MM
5	28H1883	SPACER	4	X X X	
6	AL65584	SUPPORT	1	X X X	(SUB FOR AL58827)
7	19M7163	CAP SCREW	4	X X X	M8X25
8	34M7159	SPRING PIN	2	X X X	3X12MM
9	L58195	STOP	2	X X X	
10	37M7070	SCREW	2	X X X	4.8X22MM
11	L58192	SHIELD	1	X X X	
12	AL58824	SCREW	1	X X X	
13	L62134	SPRING ASSEMBLY	1	X X X	(SUB FOR L58196)
14	16M7061	RIVET	1	X X X	4X25MM
15	AL39942	ABSORBER	1	X X X	
16	03M7099	BOLT	2	X X X	M10X45
17	24M7149	WASHER	2	X X X	10.5X30X2.5MM
18	L29211	HANDLE	2	X X X	
19	L31730	NUT	2	X X X	M10
20	L31727	COVER	2	X X X	
21	40M7030	SNAP RING	2	X X X	9MM
22	L58191	PIN	1	X X X	
23	AL58825	ADJUSTER	1	X X X	
24	14M7273	NUT	2	X X X	M8
25	12M7032	LOCK WASHER	2	X X X	8.4MM
26	19M8366	CAP SCREW	2	X X X	M8X12
27	AL33439	RAIL	2	X X X	
28	L36269	PLATE	1	X X X	
29	AL33016	ADJUSTER	1	X X X	
30	19M7924	SCREW	4	X X X	M8X16
31	L36292	LOCK NUT	4	X X X	M8
32	L34156	KNOB	1	X X X	
33	34M7127	SPRING PIN	1	X X X	4X24MM
34	AL36327	LEVER	1	X X X	
35	L35769	SPRING	1	X X X	
36	24M7298	WASHER	1	X X X	8.4X25X2MM
37	L38377	PAWL	1	X X X	
38	37M7079	SCREW	1	X X X	6.3X13MM
39	AL65860	ARM	1	X X X	(SUB FOR AL58828)
40	L27167	BUSHING	6	X X X	
41	16M7095	RIVET	2	X X X	
42	L35768	BUMPER	2	X X X	
43	24M7055	WASHER	2	X X X	8.4X17X1.6MM
44	L58197	ROLLER	2	X X X	
45	L58194	SPRING	2	X X X	
46	L28077	RETAINER	1	X X X	
47	L29208	PIN	1	X X X	
48	24M7047	WASHER	2	X X X	13MM
49	34M3851	SPRING PIN	2	X X X	4X24MM
50	L62151	SCREW	4	X X X	M8X12

7H5

OPERATOR'S SEATS

DE-LUXE SEAT (INDIVIDUAL PARTS)
SIEGE DE LUXE (PIECES)
DE-LUXE SITZ (EINZELTEILE)
SEDILE DI LUSO (PARTI SINGOLE)
ASIENTO DE LUJO (COMPONENTES)
DELUXE FORARSATE (DELAR)
L117526 -UN-26MAY95



L 117526

7H6

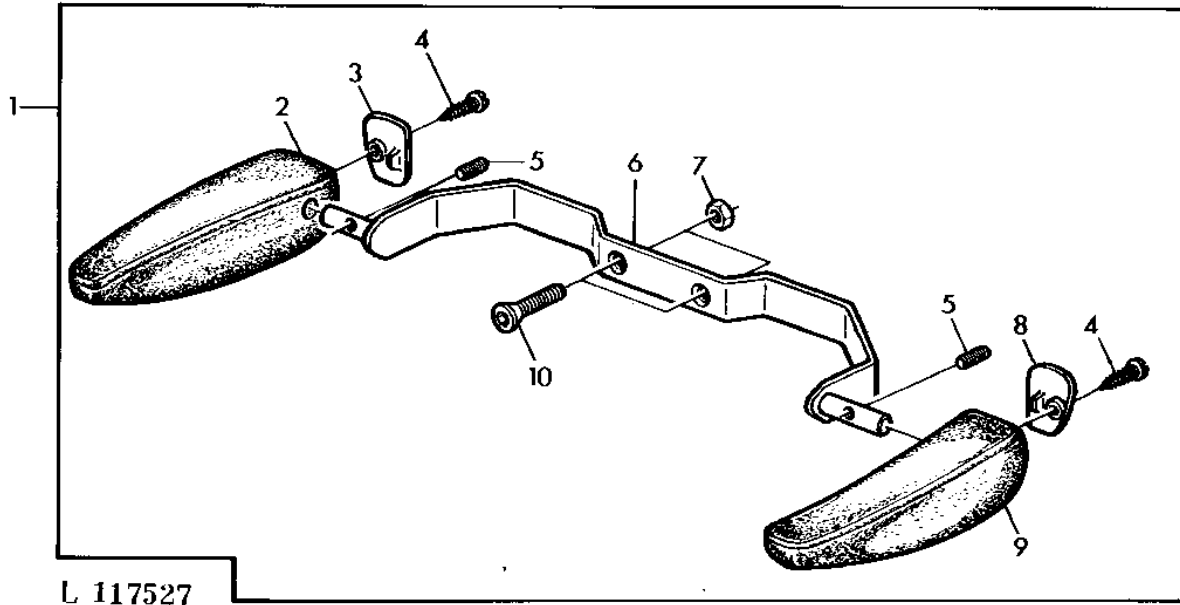
OPERATOR'S SEATS

KEY	PART NO.	PART NAME	QTY	SERIAL NO.	REMARKS
				2	
				1 2 0	
				6 0 4	
				4 4 0	
				0 0 S	
1	AL64481	SEAT	1	X X X	
2	AL65584	SUPPORT	1	X X X	
3	L58197	ROLLER	2	X X X	
4	AL58824	SCREW	1	X X X	
5	L62143	NUT	2	X X X	
6	37M7070	SCREW	2	X X X	4.8X22MM
7	L58195	STOP	2	X X X	
8	L28077	RETAINER	1	X X X	
9	L58194	SPRING	2	X X X	
10	16M7061	RIVET	1	X X X	4X25MM
11	AL39942	ABSORBER	1	X X X	
12	34M7159	SPRING PIN	2	X X X	3X12MM
13	L62134	SPRING ASSEMBLY	1	X X X	
14	L31727	COVER	2	X X X	
15	L31730	NUT	2	X X X	M10
16	L29211	HANDLE	2	X X X	
17	24M7149	WASHER	2	X X X	10.5X30X2.5MM
18	03M7099	BOLT	2	X X X	M10X45
19	24M7047	WASHER	2	X X X	13MM
20	34M3851	SPRING PIN	2	X X X	4X24MM
21	L29208	PIN	1	X X X	
22	19M8366	CAP SCREW	2	X X X	M8X12
23	AL33439	RAIL	2	X X X	
24	L36269	PLATE	1	X X X	
25	AL33016	ADJUSTER	1	X X X	
26	19M7924	SCREW	4	X X X	M8X16
27	L36292	LOCK NUT	4	X X X	M8
28	37M7079	SCREW	1	X X X	6.3X13MM
29	34M7127	SPRING PIN	1	X X X	4X24MM
30	L34156	KNOB	1	X X X	
31	AL36327	LEVER	1	X X X	
32	L35769	SPRING	1	X X X	
33	24M7298	WASHER	1	X X X	8.4X25X2MM
34	L38377	PAWL	1	X X X	
35	12M7032	LOCK WASHER	2	X X X	8.4MM
36	14M7273	NUT	2	X X X	M8
37	AL58825	ADJUSTER	1	X X X	
38	L27167	BUSHING	6	X X X	
39	AL58828	ARM	1	X X X	
40	16M7095	RIVET	2	X X X	
41	L35768	BUMPER	2	X X X	
42	40M7030	SNAP RING	2	X X X	9MM
43	L58191	PIN	1	X X X	

7H7

OPERATOR'S SEATS

FOLDING ARM RESTS FOR SEATS DS44/1H-4G AND DS44/1HA-4G
 ACCOUNDOIRS RABATTABLES POUR SIEGE DS44/1H-4G ET DS44/1HA-4G
 ARMLEHNEN HOCHKLAPPBAR FUER SITZ DS44/1H-4G UND DS44/1HA-4G
 BRACCIOLI RIBALTABILI PER SEDILI DS44/1H-4G E DS44/1HA-4G
 REPOSABRAZOS ABATIBLES PARA ASIENTO DS44/1HA-4G
 SVANGBAR ARMSTOD FOR FORARSATE DS44/1HA-4G
 L117527 -UN-26MAY95



2
 1 2 0
 6 0 4
 4 4 0
 0 0 S

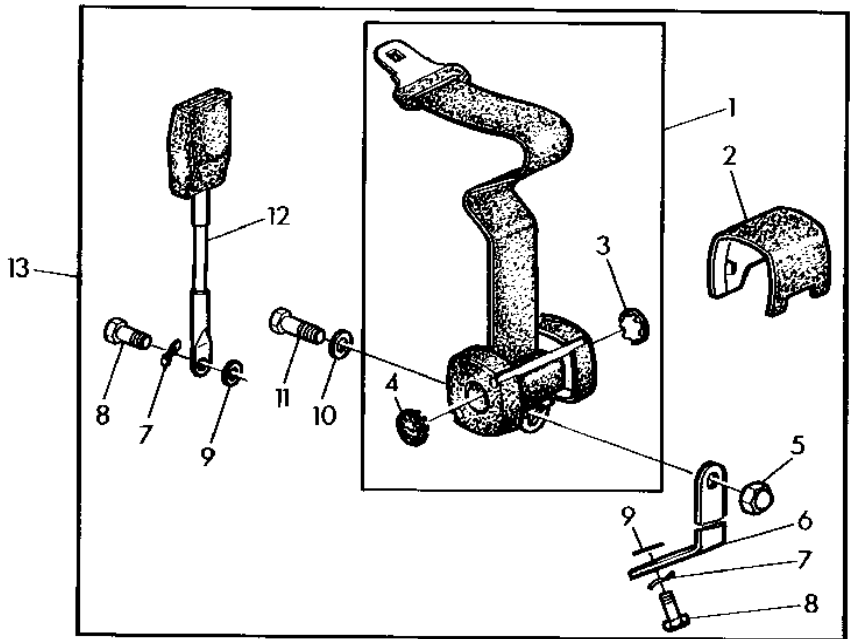
KEY	PART NO.	PART NAME	QTY	SERIAL NO.	REMARKS
1	AL66695	SHIPPING BUNDLE	1	X X X	
2	AL66513	ARMREST	1	X X X	RH
3	L61489	COVER	1	X X X	RH
4	37M7185	SCREW	2	X X X	4.8X6MM
5	22M7098	SET SCREW	2	X X X	M10X25
6	AL65581	SUPPORT	1	X X X	
7	L62143	NUT	2	X X X	
8	L61488	COVER	1	X X X	LH
9	AL66514	ARMREST	1	X X X	LH
10	L62149	SCREW	2	X X X	

MEMORANDA
MEMORANDA
MEMORANDA
MEMORANDA
MEMORANDA

7H8

OPERATOR'S SEATS

SAFETY BELT FOR DE-LUXE SEAT DS44/2H AND DS44/1H-4G
 CEINTURE DE SECURITE POUR SIEGE DE LUXE DS44/2H ET DS44/1H-4G
 SICHERHEITSGURT FUER DE-LUXE-SITZ DS44/2H UND DS44/1H-4G
 CINTURONE DI SICUREZZA PER IL SEDILE DE LUXE DS44/2H E DS44/1H-4G
 CINTURON DE SEGURIDAD PARA EL ASIENTO DE LUXE DS44/2H Y DS44/1H-4G
 SAKERHETSBALTE FOR DELUXE SATE DS44/2H OCH DS44/1H-4G
 L116606 -UN-12JUL95



L 116606

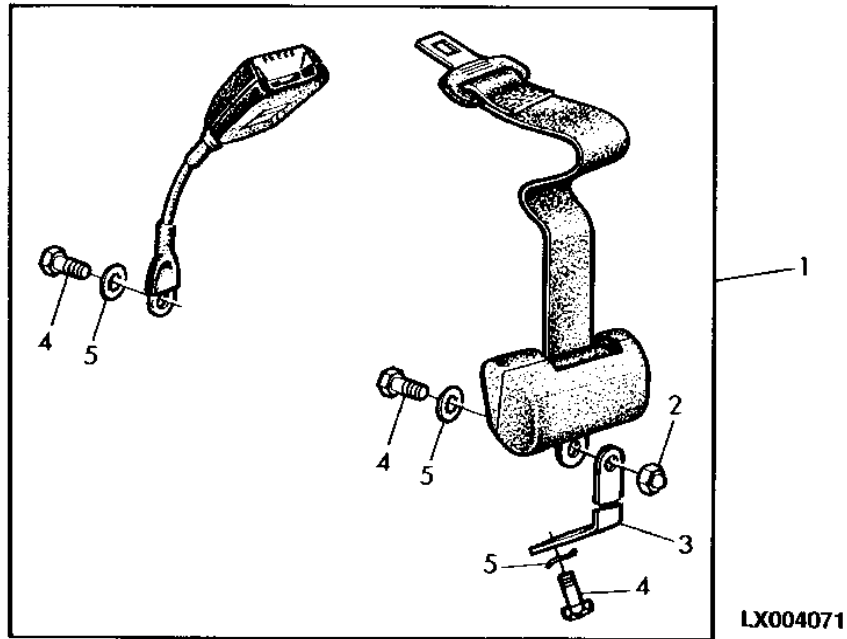
2
1 2 0
6 0 4
4 4 0
0 0 S

KEY	PART NO.	PART NAME	QTY	SERIAL NO.	REMARKS
1	AL33406	SEAT BELT	1	X X X	(ORD AL69392)
2	L36250	CAP	1	X X X	
3	L36298	PLUG	1	X X X	
4	L36297	PLUG	1	X X X	
5	L58217	LOCK NUT	1	X X X	
6	L58149	ANGLE	1	X X X	
7	12H325	LOCK WASHER	2	X X X	7/16"
8	19H3150	CAP SCREW	2	X X X	7/16"X3/4"
9	24H1323	WASHER	2	X X X	15/32"X13/16"X.090"
10	L36255	WASHER	1	X X X	
11	19H3547	CAP SCREW	1	X X X	7/16"X1"
12	AL58783	LOCK	1	X X X	(ORD AL69392)
13	AL58781	SEAT BELT	1	X X X	(ORD AL69392)

7H9

OPERATOR'S SEATS

SAFETY BELT FOR DE-LUXE SEAT DS44/2H-4G
 CEINTURE DE SECURITE POUR SIEGE DE LUXE DS44/2H-4G
 SICHERHEITSGURT FUER DE-LUXE-SITZ DS44/2H-4G
 CINTURONE DI SICUREZZA PER IL SEDILE DE LUXE DS44/2H-4G
 CINTURON DE SEGURIDAD PARA EL ASIENTO DE LUXE DS44/2H-4G
 SAKERHETSBALTE FOR DELUXE SATE DS44/2H-4G
 LX004071 -UN-11JUL95



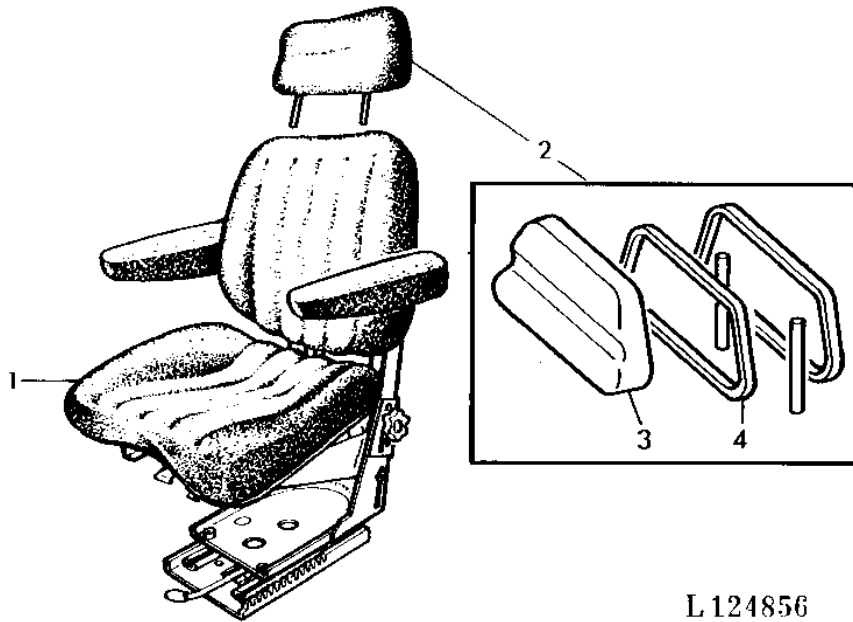
2
 1 2 0
 6 0 4
 4 4 0
 0 0 S

KEY	PART NO.	PART NAME	QTY	SERIAL NO.	REMARKS
1	AL69392	SEAT BELT	1	X X X	
2	L58217	LOCK NUT	1	X X X	
3	L58149	ANGLE	1	X X X	
4	19H3150	CAP SCREW	3	X X X	7/16"X3/4"
5	12H325	LOCK WASHER	3	X X X	7/16"

7H10

OPERATOR'S SEATS

OPERATORS SEAT (WITH CAB)
 SIEGE DE CONDUCTEUR (AVEC CABINE)
 FAHRERSITZ (BEI KABINE)
 SEDILE OPERATORE (CON CABINA)
 ASIENTO DEL OPERADOR (CON CABINA)
 FORARSATE (VID HYTT)
 L124856 -UN-31MAY95



L 124856

2
 1 2 0
 6 0 4
 4 4 0
 0 0 S

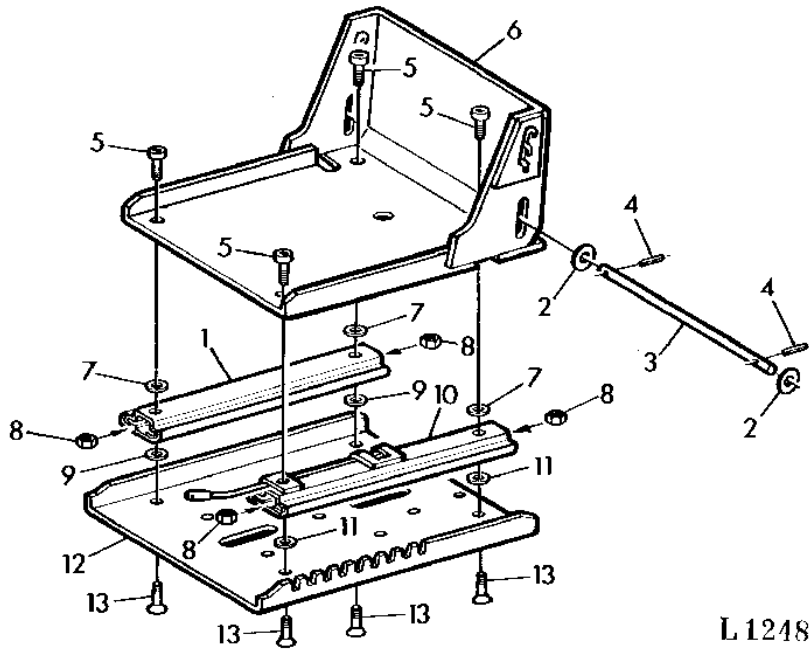
KEY	PART NO.	PART NAME	QTY	SERIAL NO.	REMARKS
1	AL68098	SEAT	1	X X X	GRAMMER DS44/1H-4G 127901 (ORD AL68099)
	AL68099	SEAT	1	X X X	(A) GRAMMER DS44/1H-4G 127902
2	AT117130	SEAT BACK	1	X X X	
3	AL69471	PAD	1	X X X	
4	MOLDING	1	X X X	LGTH= 900MM (MF L38893)
..	L38893	MOLDING	1	X X X	LGTH= 1500MM

(A) WITH ROTARY ADAPTER
 AVEC ADAPTATEUR ROTATIF
 MIT DREHADAPTER
 CON DISPOS. ROTATORIO
 CON ADAPTADOR GIRATORIO
 VID SVANGSKIVA

7H11

OPERATOR'S SEATS

OPERATORS SEAT (WITH CAB) INDIVIDUAL PARTS
 SIEGE DE CONDUCTEUR (AVEC CABINE) PIECES
 FAHRERSITZ (BEI KABINE) EINZELTEILE
 SEDILE OPERATORE (CON CABINA) PARTI SINGOLE
 ASIENTO DEL OPERADOR (CON CABINA) COMPONENTES
 FORARSATE (VID HYTT) DELAR
 L124857 -UN-30MAY95



L 124857

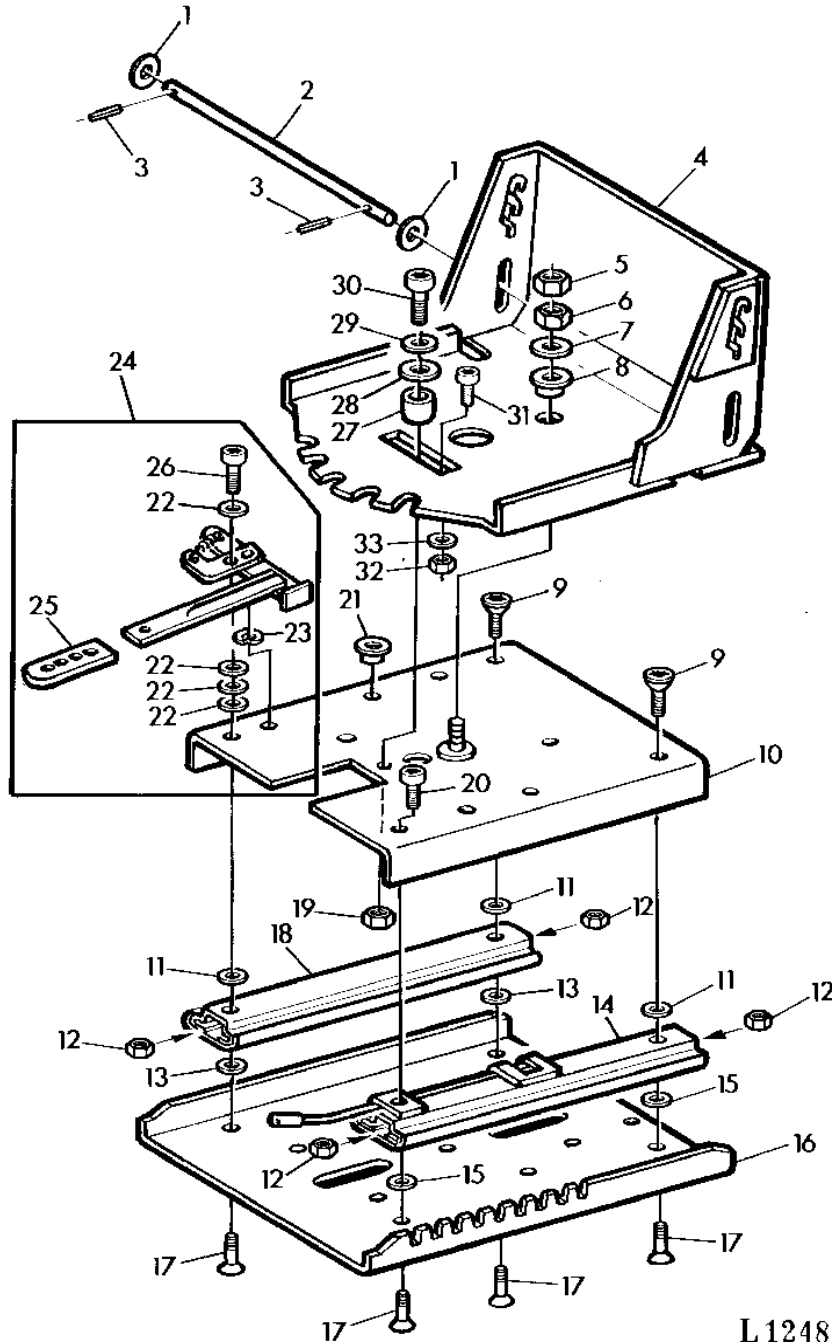
2
1 2 0
6 0 4
4 4 0
0 0 S

KEY	PART NO.	PART NAME	QTY	SERIAL NO.	REMARKS
1	AL69497	RAIL	1	X X X	
2	24M7047	WASHER	2	X X X	13X24X2,5MM
3	L29208	PIN	1	X X X	
4	34M3851	SPRING PIN	2	X X X	4X24MM
5	L62485	SCREW	4	X X X	
6	AL69496	ADJUSTER	1	X X X	
7	24M7213	WASHER	3	X X X	10,5X25X4MM
8	14M7273	NUT	4	X X X	M8
9	24M7055	WASHER	2	X X X	
10	AL69498	RAIL	1	X X X	
11	24M7213	WASHER	2	X X X	10,5X25X4MM
12	L36269	PLATE	1	X X X	
13	L64703	SCREW	4	X X X	

7H12

OPERATOR'S SEATS

OPERATORS SEAT (WITH CAB) INDIVIDUAL PARTS
SIEGE DE CONDUCTEUR (AVEC CABINE) PIECES
FAHRERSITZ (BEI KABINE) EINZELTEILE
SEDILE OPERATORE (CON CABINA) PARTI SINGOLE
ASIENTO DEL OPERADOR (CON CABINE) COMPONENTES
FORARSATE (VID HYTT) DELAR
L124858 -UN-31MAY95



L 124858

7H13

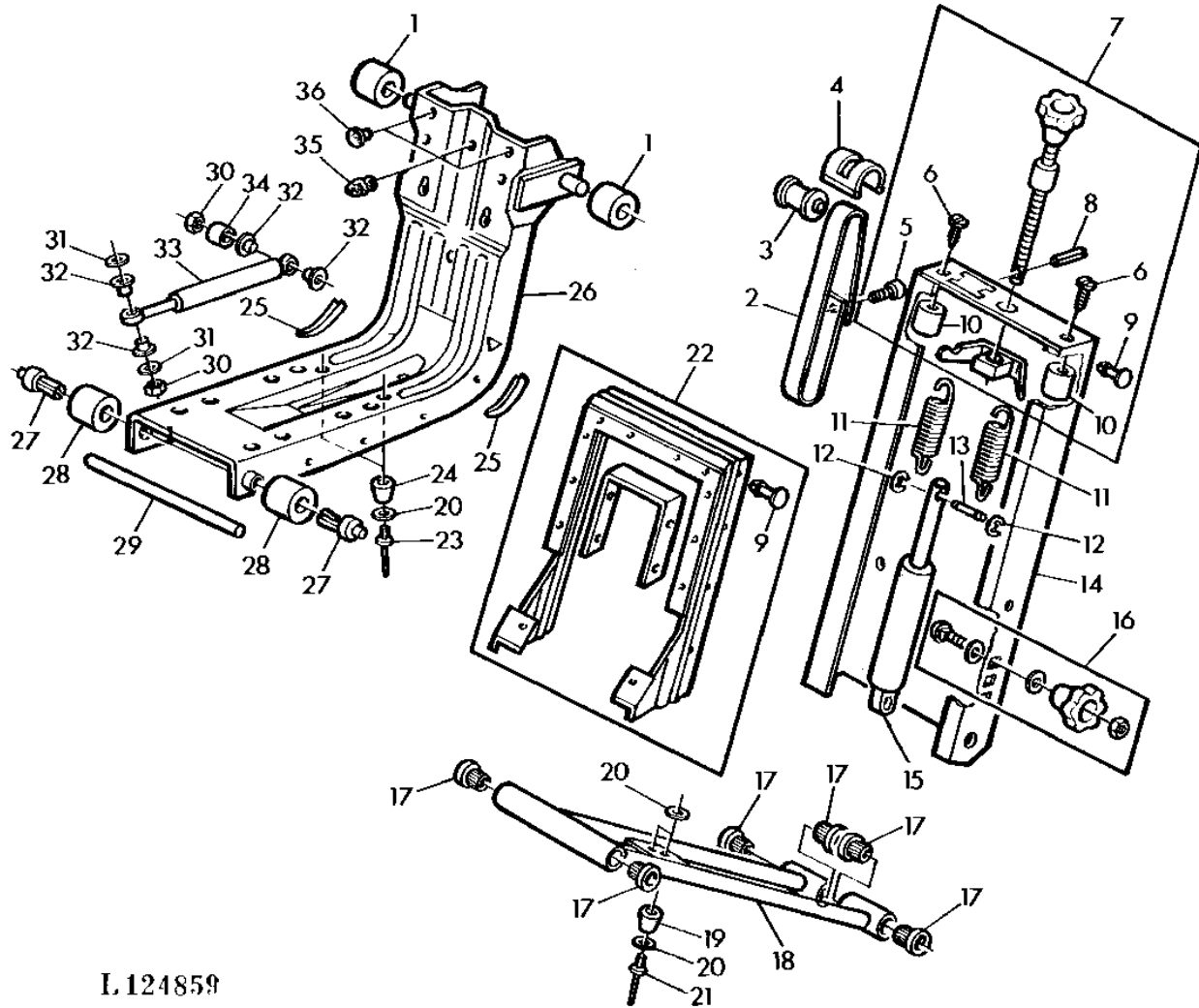
OPERATOR'S SEATS

KEY	PART NO.	PART NAME	QTY	SERIAL NO.	REMARKS
				2	
				1 2 0	
				6 0 4	
				4 4 0	
				0 0 S	
1	24M7047	WASHER	2	X X X	13X24X2,5MM
2	L29208	PIN	1	X X X	
3	34M3851	SPRING PIN	2	X X X	4X24MM
4	AL69501	ADJUSTER	1	X X X	
5	14M7199	NUT	1	X X X	M16
6	14M7260	NUT	1	X X X	M16
7	24M7353	WASHER	1	X X X	20X34X3MM
8	T82221	WASHER	1	X X X	
9	L64703	SCREW	2	X X X	
10	AL69505	PLATE	1	X X X	
11	24M7213	WASHER	3	X X X	10,5X25X4MM
12	14M7273	NUT	4	X X X	M8
13	24M7055	WASHER	2	X X X	8,4X17X1,6MM
14	AL69498	RAIL	1	X X X	
15	L64715	WASHER	2	X X X	
16	L36269	PLATE	1	X X X	
17	L64703	SCREW	4	X X X	
18	AL69497	RAIL	1	X X X	
19	L64686	WING NUT	1	X X X	
20	L62485	SCREW	1	X X X	
21	L64709	BUSHING	6	X X X	
22	24M7095	WASHER	4	X X X	8,4X15X1,6MM
23	12M5442	WASHER	1	X X X	8MM
24	AL69503	LEVER	1	X X X	
25	L64691	GRIP	1	X X X	
26	L64712	SCREW	1	X X X	
27	28H1611	WASHER	1	X X X	
28	L64710	WASHER	1	X X X	
29	L37975	LOCK WASHER	1	X X X	
30	19M7603	SCREW	1	X X X	M6X20
31	19M7768	SCREW	1	X X X	M6X16
32	14M7165	LOCK NUT	1	X X X	M6
33	24M7054	WASHER	1	X X X	6,4X12,5X1,6MM

7H14

OPERATOR'S SEATS

OPERATORS SEAT (WITH CAB) INDIVIDUAL PARTS
SIEGE DE CONDUCTEUR (AVEC CABINE) PIECES
FAHRERSITZ (BEI KABINE) EINZELTEILE
SEDILE OPERATORE (CON CABINA) PARTI SINGOLE
ASIENTO DEL OPERADOR (CON CABINE) COMPONENTES
FORARSATE (VID HYTT) DELAR
L124859 -UN-31MAY95



L124859

7H15

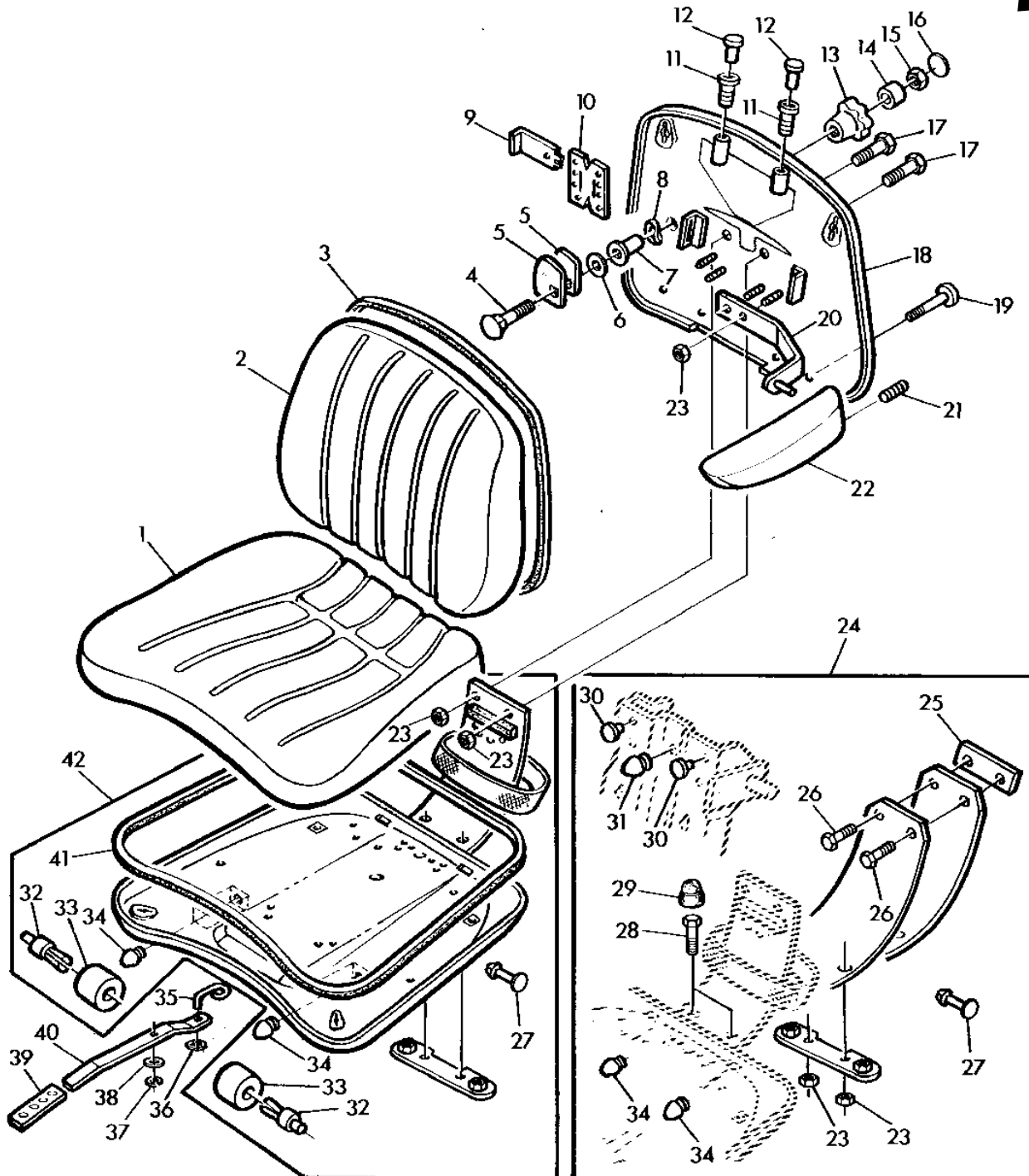
OPERATOR'S SEATS

KEY	PART NO.	PART NAME	QTY	SERIAL NO.	REMARKS
					2
					1 2 0
					6 0 4
					4 4 0
					0 0 S
1	L58197	ROLLER	2		X X X
2	L64696	LABEL	1		X X X
3	L38851	ROLLER	1		X X X
4	L38847	GUIDE	1		X X X
5	L64695	PLUG	1		X X X
6	37M7070	SCREW	2		X X X 4,8X22MM
7	AL69480	SPINDLE	1		X X X
8	34M7159	SPRING PIN	1		X X X 3X12MM
9	L38892	PLUG	20		X X X
10	L64697	BUMPER	2		X X X
11	L58194	SPRING	2		X X X
12	40M7000	SNAP RING	2		X X X 4X0,6MM
13	L64698	PIN	1		X X X
14	AL69494	SPRING ASSEMBLY	1		X X X
15	AL69495	DASHPOT	1		X X X
16	AL69481	HANDLE	2		X X X
17	L27167	BUSHING	6		X X X
18	AL65860	ARM	1		X X X
19	L42040	BUMPER	2		X X X
20	24M7146	WASHER	6		X X X 4,3X12X1MM
21	16M7107	RIVET	2		X X X 4X20MM
22	AL69475	BOOT	1		X X X
23	AT56660	RIVET	2		X X X
24	L58198	BUSHING	2		X X X
25	MOLDING	2		X X X LGTH= 140MM (MF L38893)
26	AL69476	DRIVER	1		X X X
27	L64687	RIVET	2		X X X
28	L64688	ROLLER	2		X X X
29	L64689	PIN	1		X X X
30	14M7165	LOCK NUT	2		X X X M6
31	24M7055	WASHER	2		X X X 8,4X17X1,6MM
32	L63578	BUSHING	4		X X X
33	AL67921	DASHPOT	1		X X X
34	28H5	WASHER	1		X X X
35	L25678	BUMPER	1		X X X
36	L62135	BUMPER	2		X X X
..	L38893	MOLDING	1		X X X LGTH= 1500MM

7H16

OPERATOR'S SEATS

OPERATORS SEAT (WITH CAB) INDIVIDUAL PARTS
SIEGE DE CONDUCTEUR (AVEC CABINE) PIECES
FAHRERSITZ (BEI KABINE) EINZELTEILE
SEDILE OPERATORE (CON CABINA) PARTI SINGOLE
ASIENTO DEL OPERADOR (CON CABINA) COMPONENTES
FORARSATE (VID HYTT) DELAR
L124860 -UN-31MAY95



L124860

7H17

OPERATOR'S SEATS

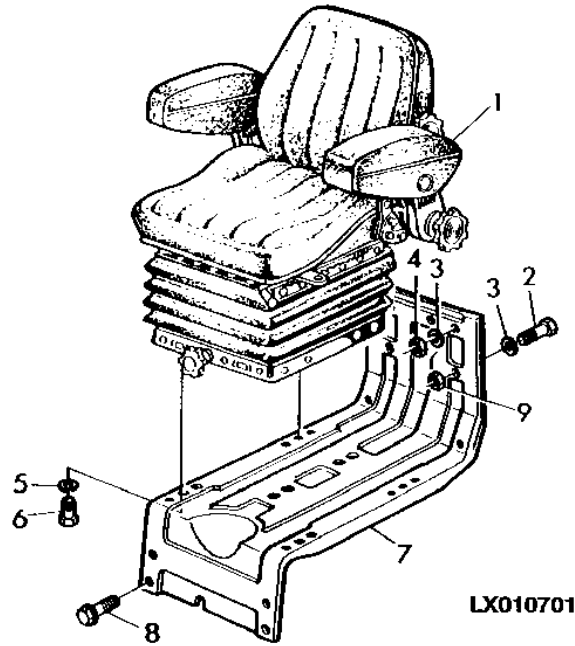
KEY	PART NO.	PART NAME	QTY	SERIAL NO.	REMARKS
					2
					1 2 0
					6 0 4
					4 4 0
					0 0 S
1	AL69466	CUSHION	1		X X X
2	AL69465	CUSHION	1		X X X
3	MOLDING	1		X X X LGTH= 1100MM (MF L38893)
4	03M7099	BOLT	1		X X X M10X45
5	L64677	ECCENTRIC	2		X X X
6	24M7213	WASHER	1		X X X 10,5X25X4MM
7	L36255	WASHER	1		X X X
8	L36253	LOCK WASHER	1		X X X
9	L64678	PLATE	1		X X X
10	L38882	PLATE	1		X X X
11	L64675	BUSHING	2		X X X
12	L34887	PLUG	2		X X X
13	L29211	HANDLE	1		X X X
14	L64679	SPACER	1		X X X
15	14M7393	LOCK NUT	1		X X X M10
16	L31727	COVER	1		X X X
17	19M8058	CAP SCREW	2		X X X M8X16
18	AL69472	PLATE	1		X X X
19	L64674	SCREW	2		X X X
20	AL69468	HOLDER	1		X X X LH
	AL69467	HOLDER	1		X X X RH
21	22M7098	SET SCREW	2		X X X M10X25
22	AL66514	ARMREST	1		X X X LH
	AL66513	ARMREST	1		X X X RH
23	14M7426	LOCK NUT	AR		X X X M8
24	AL69474	SPRING	1		X X X
25	L64682	PLATE	1		X X X
26	19M7162	CAP SCREW	2		X X X M8X18
27	L38892	PLUG	20		X X X
28	19M7881	SCREW	2		X X X M8X20
29	L64680	NUT	2		X X X
30	L62135	BUMPER	2		X X X
31	L25678	BUMPER	1		X X X
32	L64687	RIVET	2		X X X
33	L64688	ROLLER	2		X X X
34	L64685	BUMPER	2		X X X
35	L64692	HOOK	1		X X X
36	L57420	REINFORCEMENT	1		X X X
37	40M7040	SNAP RING	1		X X X
38	L61477	WASHER	1		X X X 6MM
39	L64691	GRIP	1		X X X
40	L64693	LEVER	1		X X X
41	L38893	MOLDING	1		X X X LGTH= 1500MM
42	AL69477	PLATE	1		X X X

MEMORANDA
MEMORANDA
MEMORANDA
MEMORANDA
MEMORANDA

7H18

OPERATOR'S SEATS

SUPER DE-LUXE SEAT (WITH SG2 CAB)
 SIEGE SUPER DE LUXE (AVEC CABINE SG2)
 SUPER-DE-LUXE SITZ (BEI SG2 KABINE)
 SEDILE SUPER DE LUXE (CON CABINA SG2)
 ASIENTO SUPER DE LUXE (CON CABINA SG2)
 SUPER DELUXE FORARSATE (VID SG2 HYTT)
 LX010701 -UN-17JUL95



LX010701

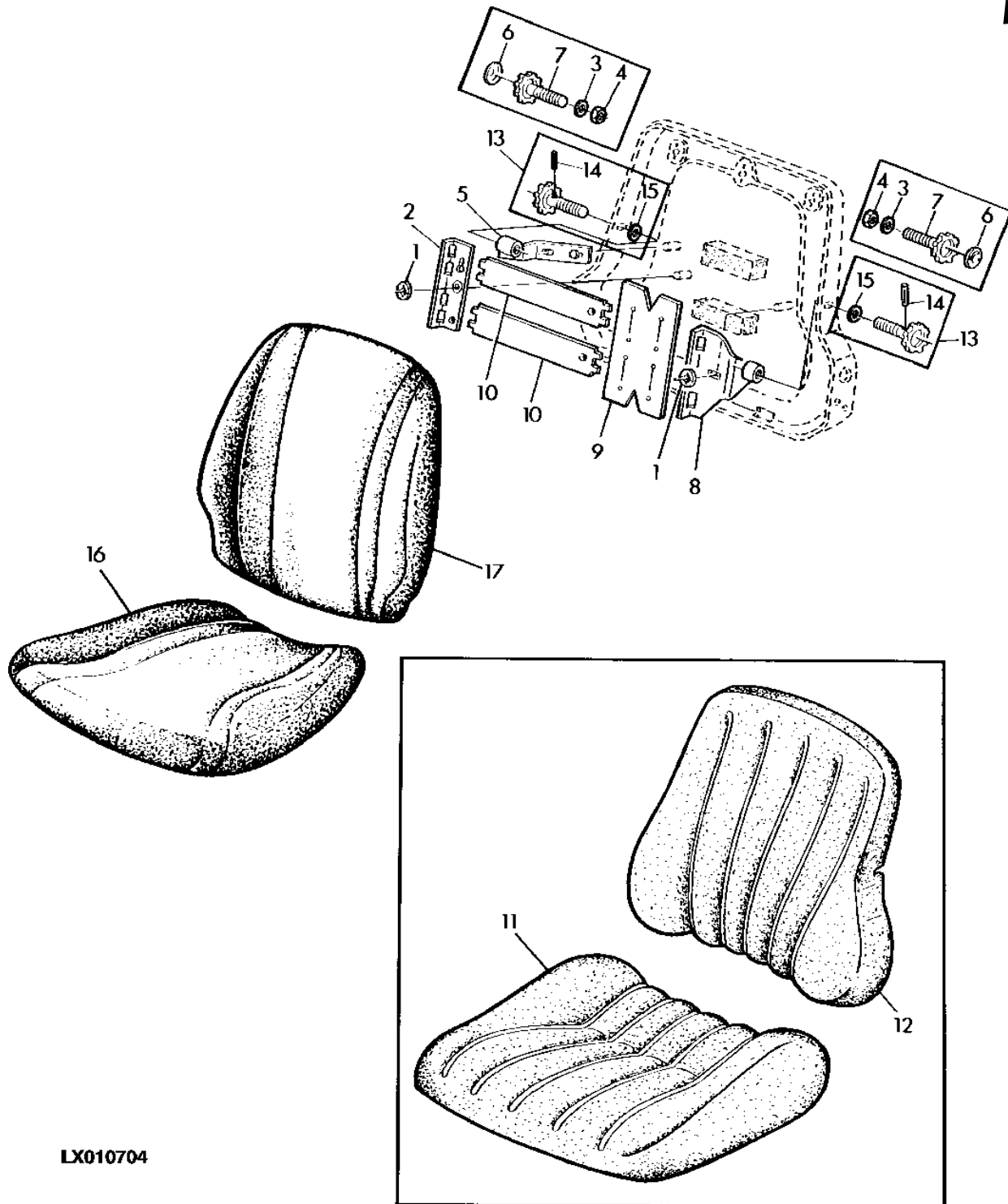
2
 1 2 0
 6 0 4
 4 4 0
 0 0 S

KEY	PART NO.	PART NAME	QTY	SERIAL NO.	REMARKS
1	AL36531	SEAT	1	X X X	GRAMMER DS85H/90A (ORD AL69744)
	AL69743	SEAT	1	X X X	GRAMMER DS85H/90A (ORD AL69744)
	AL69744	SEAT	1	X X X	GRAMMER DS85H1/90A
2	19M7285	CAP SCREW	2	X X X	M12X30 (SUB FOR 19M7268 APPL)
3	24M7047	WASHER	4	X X X	13X24X2.5MM
4	14H1040	NUT	2	X X X	1/2"
5	12M7056	LOCK WASHER	4	X X X	
6	19M7162	CAP SCREW	4	X X X	M8X16
7	AL55092	BRACKET	1	X X X	(SUB FOR AL35332, AL38513) (ORD W/ (4) 14M7275, (2) 19M7285)
8	L58669	SCREW	2	X X X	(SUB FOR L39078 APPL)
9	14M7275	NUT	AR	X X X	M12

7H19

OPERATOR'S SEATS

SUPER DE-LUXE SEAT, CUSHIONS AND ADJUSTMENT
COUSSIN SIEGE SUPER-DE-LUXE ET REGLAGE
SUPER-DE-LUXE-SITZ-POLSTER/POLSTERVERSTELLUNG
SEDILE SUPER-DE-LUXE, CUSCINI ED ELEMENTI DI REGOLAZIONE
ASIENTO SUPER-DE-LUXE, COJINES Y ELEMENTOS DE AJUSTE
SUPER DELUXE FORARSATE, DYNA, RYGGSTOD OCH JUSTERING
LX010704 -UN-17JUL95



LX010704

7H20

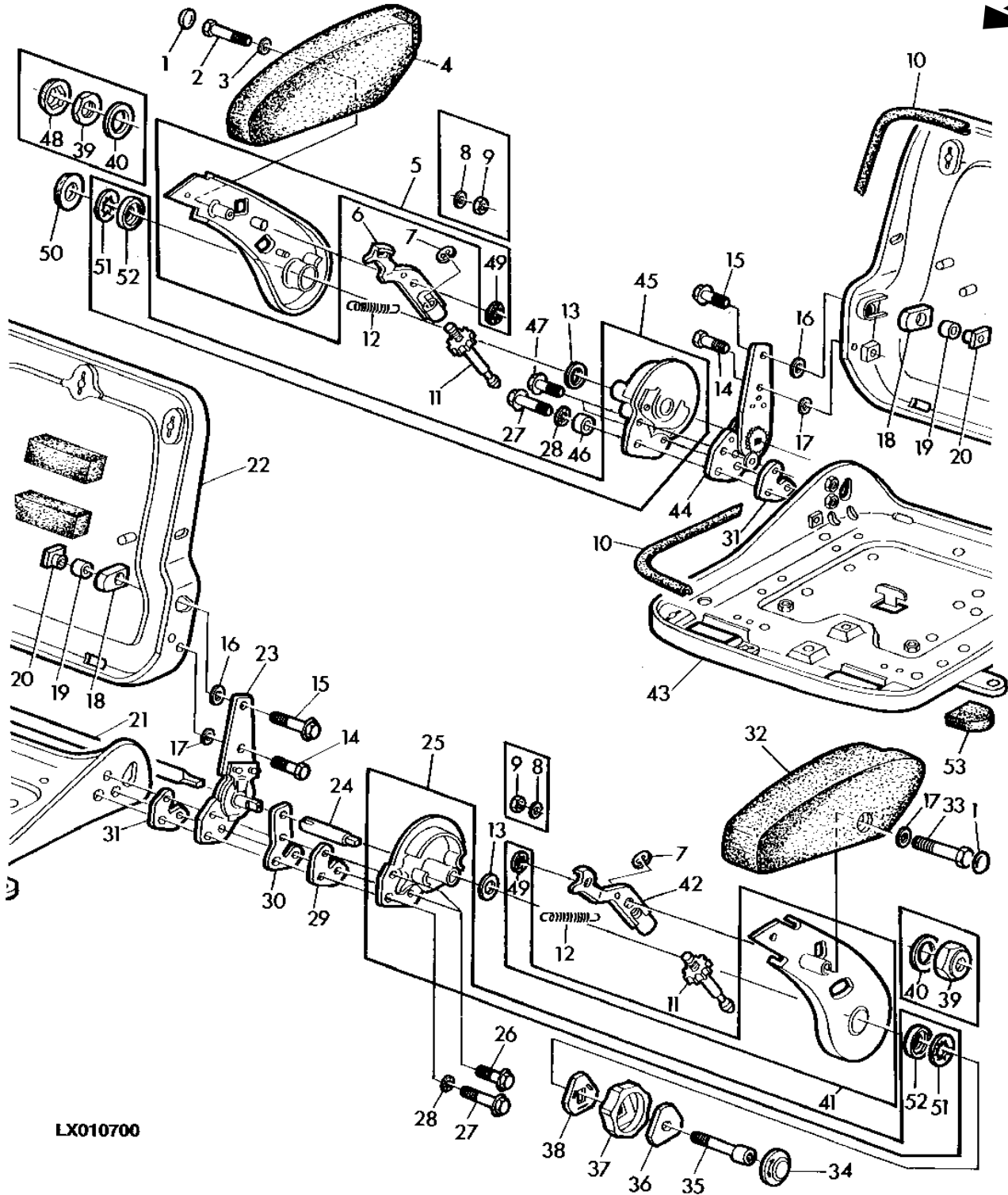
OPERATOR'S SEATS

KEY	PART NO.	PART NAME	QTY	SERIAL NO.	REMARKS
					2
					1 2 0
					6 0 4
					4 4 0
					0 0 S
1	L38894	SNAP RING	2		X X X
2	L38878	ANGLE	1		X X X
3	24M7047	WASHER	2		X X X 13X24X2.5MM
4	L39013	NUT	2		X X X
5	AL36656	BRACKET	1		X X X
6	L38880	COVER	2		X X X
7	AL36658	SPINDLE	2		X X X (ORD AL37508)
8	AL36657	BAIL	1		X X X
9	L38882	PLATE	1		X X X
10	L38883	PLATE	2		X X X
11	AL36688	SEAT	1		X X X
12	AL36687	SEAT BACK	1		X X X
13	AL37508	SPINDLE	2		X X X
14	34M7010	SPRING PIN	1		X X X 3X20MM
15	L40623	WASHER	1		X X X
16	L64923	CUSHION	1		X X X
17	L64922	SEAT BACK	1		X X X

7H21

OPERATOR'S SEATS

SUPER DE-LUXE SEAT, INDIVIDUAL PARTS
ELEMENTS SIEGE SUPER-DE-LUXE
SUPER-DE-LUXE-SITZ-EINZELTEILE
PARTI SINGOLE DEL SEDILE SUPER-DE-LUXE
COMPONENTES DEL ASIENTO SUPER-DE-LUXE
SUPER DELUXE FORARSATE-DELAR
LX010700 -UN-17JUL95



LX010700

7H22

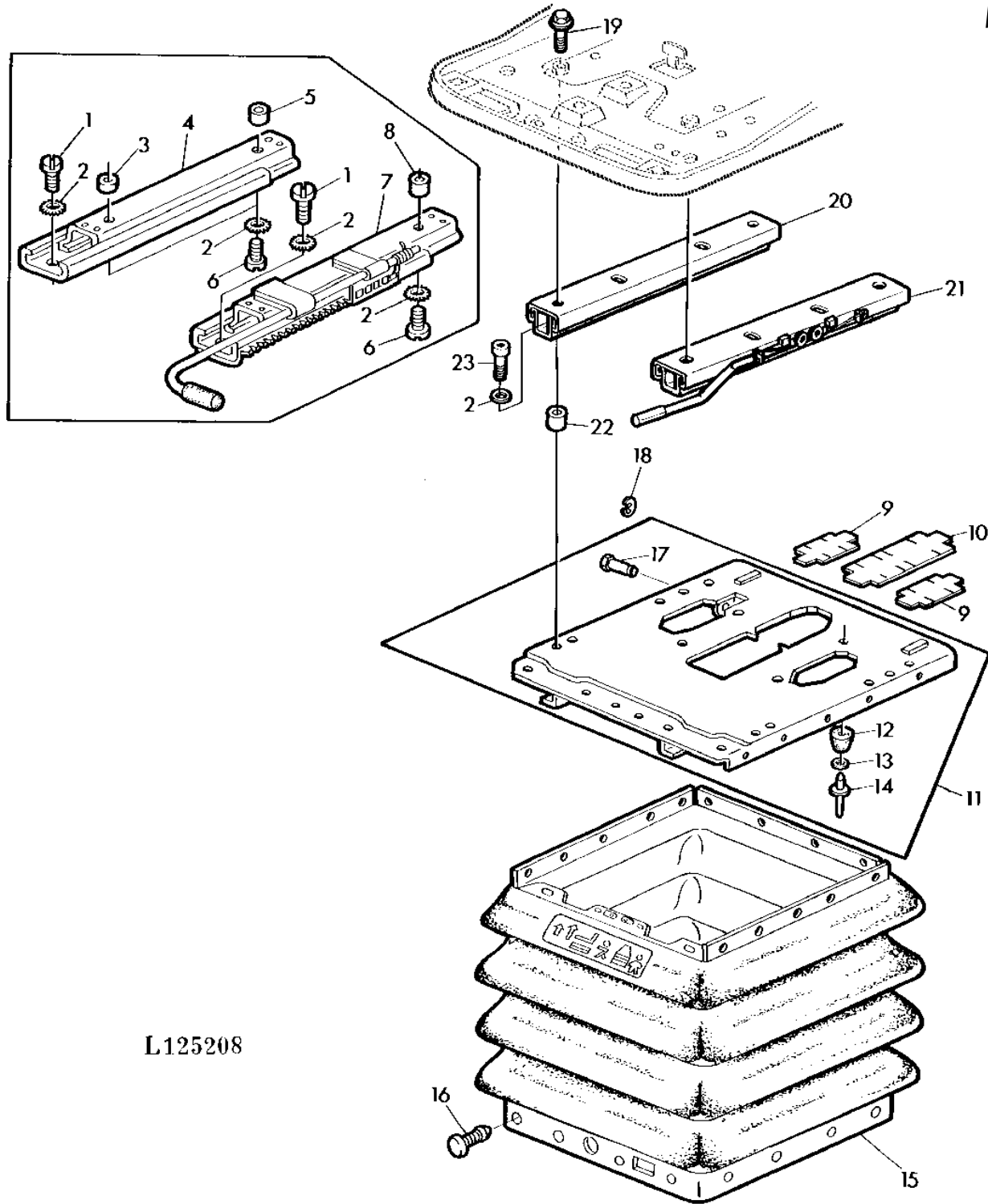
OPERATOR'S SEATS

KEY	PART NO.	PART NAME	QTY	SERIAL NO.	REMARKS
				2	
				1 2 0	
				6 0 4	
				4 4 0	
				0 0 S	
1	L65184	CAP	2	X X X	(SUB FOR L36259)
2	19M7180	CAP SCREW	1	X X X	M10X45
3	24M7028	WASHER	1	X X X	10.5X21X2MM
4	AL69811	ARMREST	1	X X X	(SUB FOR AL36669)
5	AL38534	SUPPORT	1	X X X	(SUB FOR AL36683)
6	AL36674	LEVER	1	X X X	
7	40M7042	SNAP RING	2	X X X	7X0.9MM
8	24M7044	WASHER	2	X X X	13X20X2MM
9	14M7168	LOCK NUT	2	X X X	M12
10	L38893	MOLDING	2	X X X	
11	AL36655	SPINDLE	2	X X X	
12	L38863	SPRING	2	X X X	
13	L39006	WASHER	2	X X X	
14	L39012	CAP SCREW	2	X X X	
15	19M8062	CAP SCREW	2	X X X	M8X20MM
16	24M7053	WASHER	2	X X X	17X30X3MM
17	24M7213	WASHER	3	X X X	10.5X25X4MM
18	L38887	SPRING	2	X X X	
19	L38886	SLEEVE	2	X X X	
20	L39009	WELD NUT	2	X X X	
21	L38885	TUBE	1	X X X	
22	AL36676	SEAT BACK	1	X X X	
23	AL36671	DRIVE	1	X X X	
24	L38884	TUBE	1	X X X	
25	AL38531	PLATE	1	X X X	(SUB FOR AL36684)
26	19M8064	CAP SCREW	2	X X X	M8X35
27	19H2325	CAP SCREW	2	X X X	7/16"X1-1/2"
28	12H325	LOCK WASHER	2	X X X	7/16"
29	L38870	PLATE	1	X X X	
30	L38879	STRAP	1	X X X	
31	L38872	PLATE	2	X X X	
32	AL36670	ARMREST	1	X X X	
33	19M7385	CAP SCREW	1	X X X	M10X70
34	L38880	COVER	1	X X X	
35	19M8065	SCREW	1	X X X	M6X60
36	L32881	WASHER	1	X X X	
37	L32883	HANDLE	1	X X X	
38	L32882	PLATE	1	X X X	
39	14M7174	LOCK NUT	2	X X X	M24
40	24M7052	WASHER	2	X X X	25X44X4MM
41	AL38532	SUPPORT	1	X X X	(SUB FOR AL36682)
42	AL36675	LEVER	1	X X X	
43	AL64520	PLATE	1	X X X	(SUB FOR AL36677)
44	AL36660	DRIVE	1	X X X	
45	AL38533	PLATE	1	X X X	(SUB FOR AL36685)
46	L39001	SLEEVE	1	X X X	
47	19M8063	CAP SCREW	2	X X X	M8X25
48	L38871	FILLER CAP	1	X X X	
49	L40628	WASHER	1	X X X	
50	L40629	CAP	1	X X X	
51	L40627	WASHER	1	X X X	
52	L40626	WASHER	1	X X X	
53	L61626	CAP	1	X X X	

7H23

OPERATOR'S SEATS

SUPER DE-LUXE SEAT, ADJUSTMENT AND COVER FOR GRAMMER DS85H/90A
REGLAGE SIEGE SUPER-DE-LUXE/REVELEMENT POUR GRAMMER DS85H/90A
SUPER-DE-LUXE-SITZ-VERSTELLUNG/VERKLEIDUNG FUER GRAMMER DS85H/90A
SEDILE SUPER-DE-LUXE, ELEM. DI REGOLAZIONE E RIVESTIMENTO PER GRAMMER DS85H/90A
ASIENTO SUPER-DE-LUXE, ELEM. DE AJUSTE Y REVESTIMIENTO PARA GRAMMER DS85H/90A
SUPER DELUXE FORARSATE, JUSTERING OCH VECKAD BALG FOR GRAMMER DS85H/90A
L125208 -UN-09JUN95



L125208

7H24

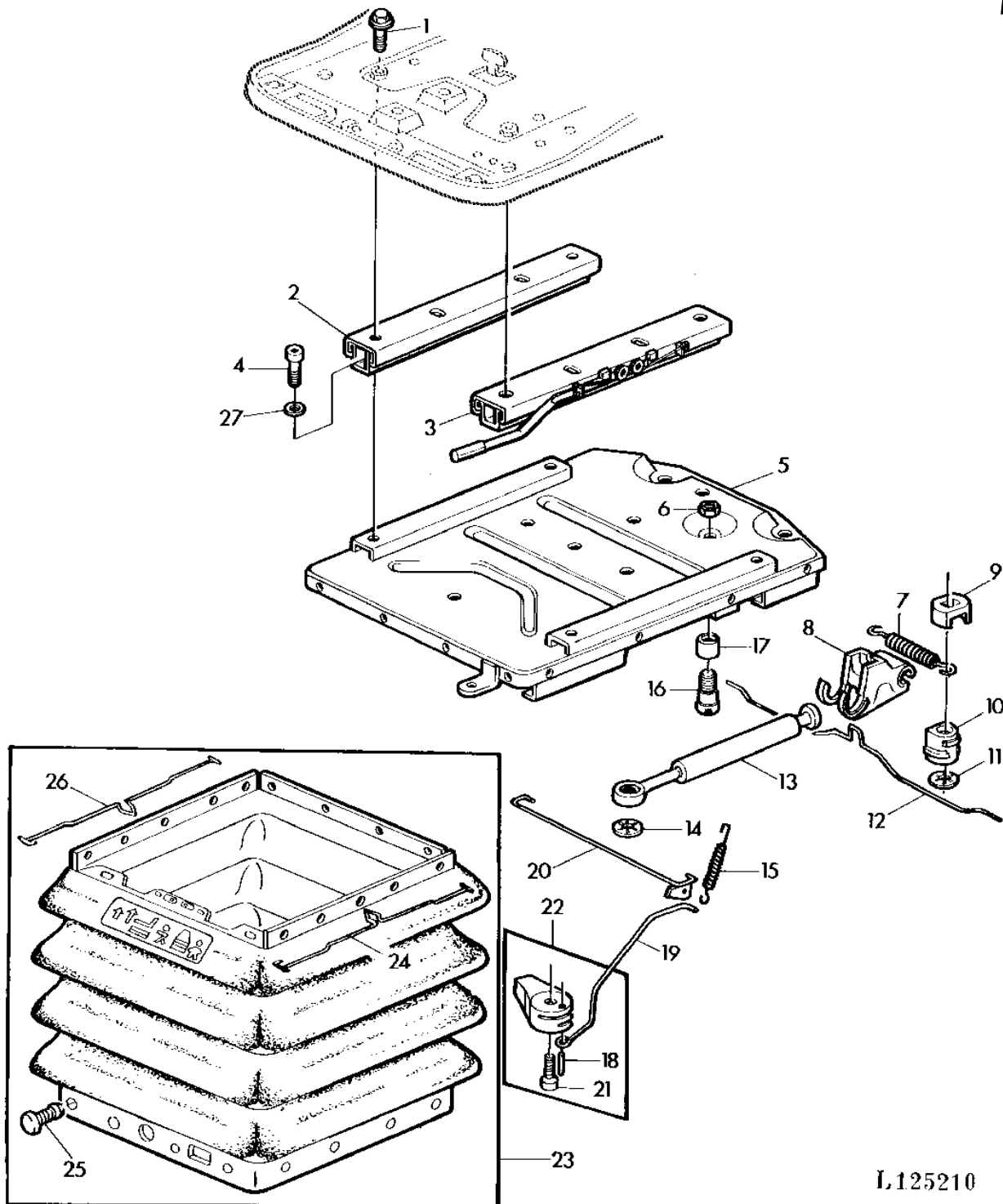
OPERATOR'S SEATS

KEY	PART NO.	PART NAME	QTY	SERIAL NO.		REMARKS
					2	
					1 2 0	
					6 0 4	
					4 4 0	
					0 0 S	
1	19M7931	SCREW	4	-XXXXXX	X X X	M8X16
2	12M7022	LOCK WASHER	AR		X X X	8.2MM
3	L39002	WASHER	1	-XXXXXX	X X X	
4	AL28559	RAIL	1	-XXXXXX	X X X	(ORD AL64522, (2) 19M8366)
5	L39000	SLEEVE	1	-XXXXXX	X X X	
6	21M7030	SCREW	4	-XXXXXX	X X X	M8X20
7	AL36668	ADJUSTER	1	-XXXXXX	X X X	(ORD AL66875, (2) 19M8366)
8	L39001	SLEEVE	1	-XXXXXX	X X X	
9	L38869	PLATE	2		X X X	
10	L38864	PLATE	1		X X X	
11	AL36672	PLATE	1		X X X	
12	L38888	BUMPER	2		X X X	
13	24M1750	SHIM	2		X X X	4.3X8X0.5MM
14	L39010	RIVET	2		X X X	
15	AL36686	BOOT	1		X X X	
16	L38892	PLUG	36		X X X	
17	L38889	BOLT	1		X X X	
18	40M7041	SNAP RING	1		X X X	5X0.7MM
19	19M7864	SCREW	4	-XXXXXX	X X X	M8X12
	19M8366	CAP SCREW	4	XXXXXX-	X X X	M8X12
20	AL64522	ADJUSTER	1	XXXXXX-	X X X	
21	AL66875	ADJUSTER	1	XXXXXX-	X X X	(SUB FOR AL64521)
22	L62935	WASHER	4	XXXXXX-	X X X	
23	19M7660	SCREW	4	XXXXXX-	X X X	M8X20

711

OPERATOR'S SEATS

SUPER DE-LUXE SEAT, ADJUSTMENT AND COVER FOR GRAMMER DS85H1/90A
REGLAGE SIEGE SUPER-DE-LUXE/REVEITEMENT POUR GRAMMER DS85H1/90A
SUPER-DE-LUXE-SITZ-VERSTELLUNG/VERKLEIDUNG FUER GRAMMER DS85H1/90A
SEDILE SUPER-DE-LUXE, ELEM. DI REGOLAZIONE E RIVESTIMENTO PER GRAMMER DS85H1/90A
ASIENTO SUPER-DE-LUXE, ELEM. DE AJUSTE Y REVESTIMIENTO PARA GRAMMER LS95H1/90A
SUPER DELUXE FORARSATE, JUSTERING OCH VECKAD BALG FOR GRAMMER DS85H1/90A
L125210 -UN-09JUN95



L125210

712

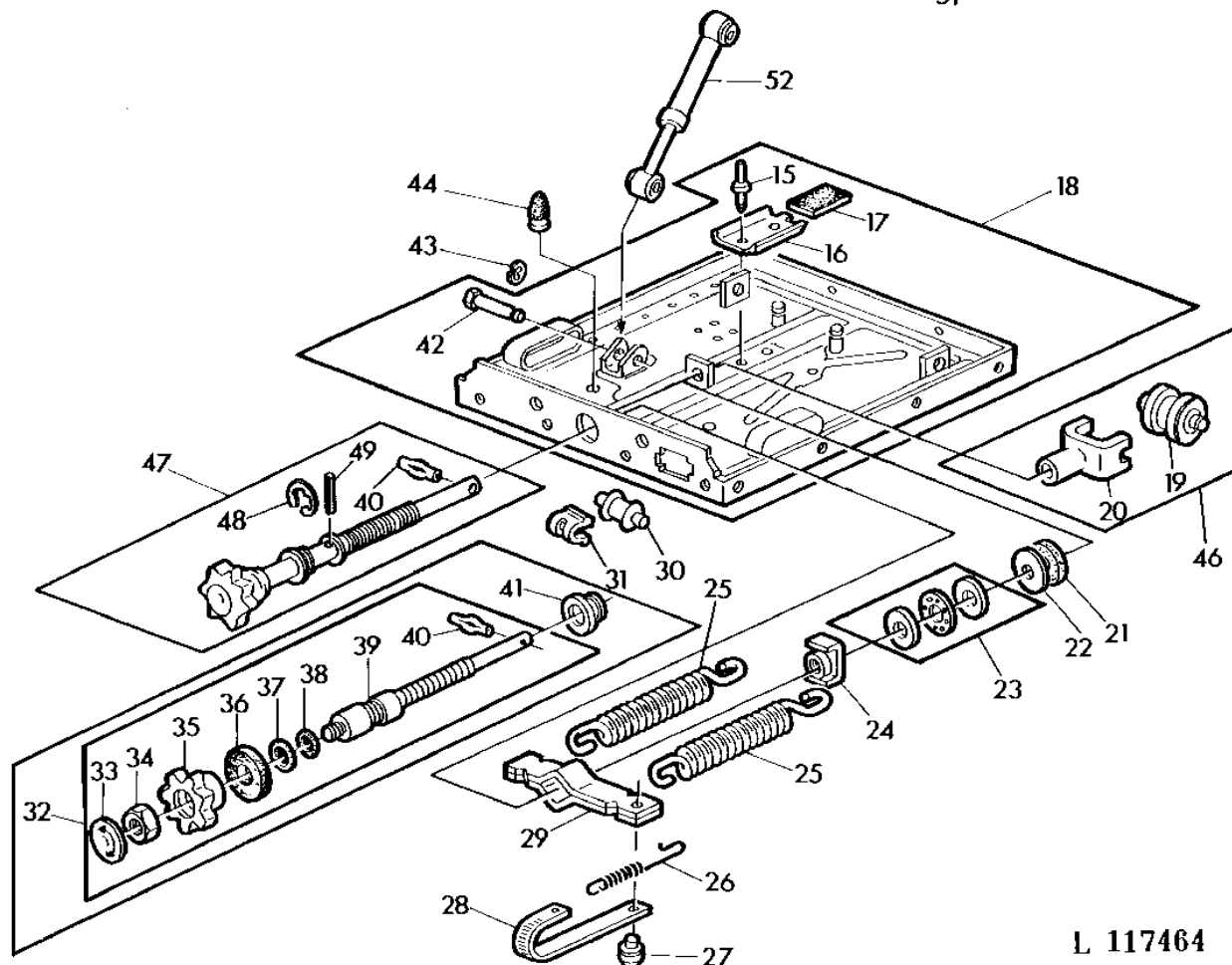
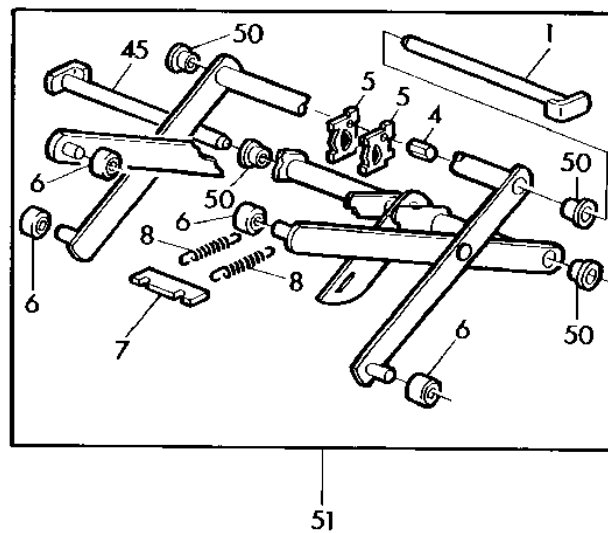
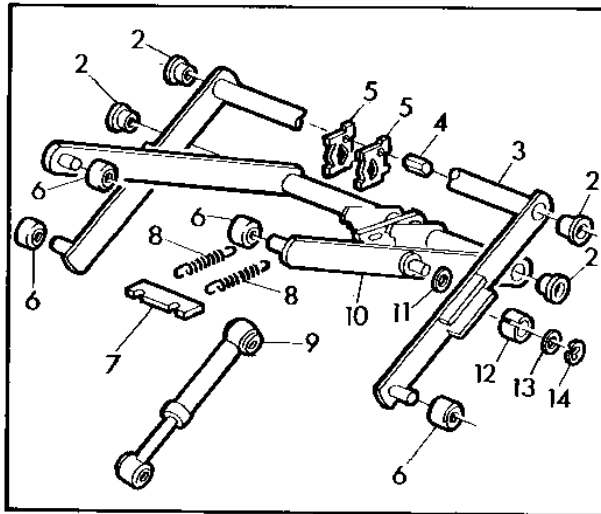
OPERATOR'S SEATS

KEY	PART NO.	PART NAME	QTY	SERIAL NO.				REMARKS
					2	1	2	
					6	0	4	
					4	4	0	
					0	0	S	
1	19M8366	CAP SCREW	4		X	X	X	M8X12
2	AL64522	ADJUSTER	1		X	X	X	RH
3	AL66875	ADJUSTER	1		X	X	X	LH (SUB FOR AL64521)
4	19M7660	SCREW	4		X	X	X	M8X20
5	AL64553	PLATE	1		X	X	X	
6	14M7273	NUT	1		X	X	X	M8
7	L61303	EXTENSION SPRING	1		X	X	X	
8	L61607	CLAMP	1		X	X	X	
9	L61602	BUMPER	2		X	X	X	
10	L61601	BUSHING	2		X	X	X	
11	L61627	RETAINING WASHER	2		X	X	X	
12	L61610	SPRING	1		X	X	X	
13	AL64035	ABSORBER	1		X	X	X	
14	L57470	RETAINING WASHER	1		X	X	X	(SUB FOR L61468)
15	L61599	EXTENSION SPRING	1		X	X	X	
16	L61615	SCREW	1		X	X	X	M8
17	L61611	BUSHING	1		X	X	X	
18	34M7173	SPRING PIN	1		X	X	X	3X10MM
19	L61616	HOOK	1		X	X	X	
20	AL64036	BAIL	1		X	X	X	
21	21M7293	SCREW	1		X	X	X	M4X16
22	AL64835	GRIP	1		X	X	X	
23	AL64834	BOOT	1		X	X	X	
24	L61680	BAIL	1		X	X	X	
25	L38892	PLUG	24		X	X	X	
26	L61681	BAIL	1		X	X	X	
27	12M7022	LOCK WASHER	4		X	X	X	

713

OPERATOR'S SEATS

SUPER DE-LUXE SEAT BASE FOR GRAMMER DS85H/90A
SIEGE SUPER-DE-LUXE-BATI POUR GRAMMER DS85H/90A
SUPER-DE-LUXE-SITZ-UNTERBAU FUER GRAMMER DS85H/90A
SOTTOSTRUTTURA DEL SEDILE SUPER-DE-LUXE PER GRAMMER DS85H/90A
PEDESTAL DEL ASIENTO SUPER-DE-LUXE PARA GRAMMER DS85H/90A
SUPER DELUXE FORARSATE - RAM FOR GRAMMER DS85H/90A
L117464 -UN-07JUN95



L 117464

714

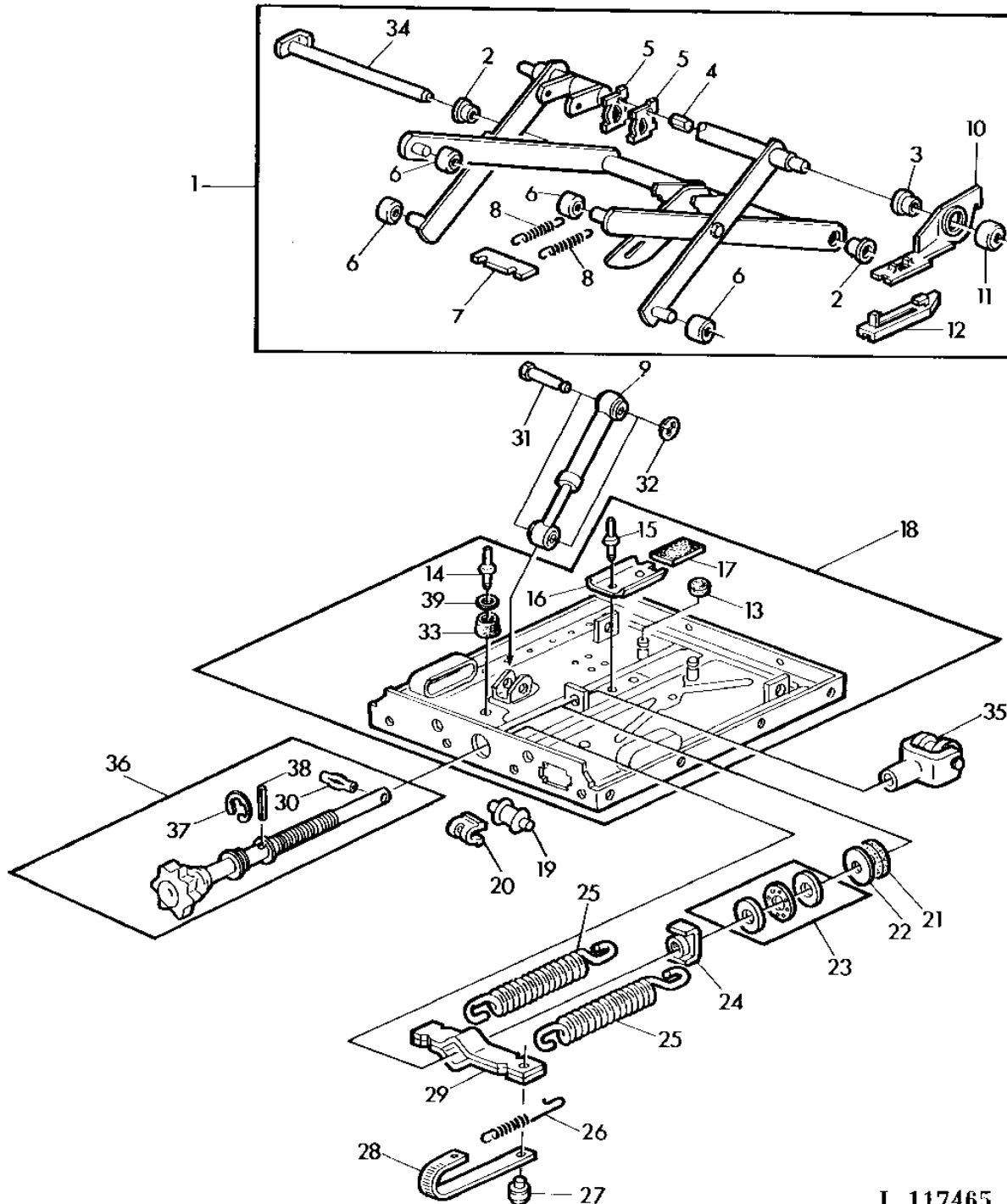
OPERATOR'S SEATS

KEY	PART NO.	PART NAME	QTY	SERIAL NO.	REMARKS
					2
					1 2 0
					6 0 4
					4 4 0
					0 0 S
1	AL41472	PIN	1		(SUB FOR AL36644)
2	L38856	BEARING	4	-XXXXXX	X X X
3	AL36646	ARM	1		(ORD AL64580)
4	L38862	BAR	1		X X X
5	L38852	PLATE	2		X X X
6	L38855	ROLLER	4		X X X
7	L38853	PLATE	1		X X X
8	L38854	SPRING	2		X X X
9	AL36667	DASHPOT	1	-XXXXXX	X X X
10	AL36647	ARM	1		(ORD AL64580)
11	L38868	WASHER	2	-XXXXXX	X X X
12	L38867	WASHER	2	-XXXXXX	X X X
13	24M7044	WASHER	2	-XXXXXX	X X X 13X20X2MM
14	40M7030	SNAP RING	2	-XXXXXX	X X X 9X1.1MM
15	L39011	RIVET	2		X X X
16	L38891	RAIL	1		X X X
17	L38890	PLATE	1		X X X
18	AL36673	SPRING ASSEMBLY	1		X X X
19	JD10211	BEARING	1		(ORD AL38526)
20	AL36659	FORK	1		(ORD AL38526)
21	L38850	WASHER	1		X X X
22	24H1657	WASHER	1		21/64"X1-1/4"X.105"
23	JD10212	BALL BEARING	1		X X X
24	L38861	NUT	1		X X X
25	L38865	SPRING	2		X X X
26	L38866	SPRING	1		X X X
27	L38857	PLUG	1		X X X
28	AL36648	STRIP	1		X X X
29	AL36643	RETAINER	1		X X X
30	L38851	ROLLER	1		X X X
31	L38847	GUIDE	1		X X X
32	AL36664	SPINDLE	1		(ORD AL38524)
33	L31727	COVER	1		X X X
34	14M7275	NUT	1		M12
35	AL36666	KNOB	1		X X X
36	L38881	SPACER	1		X X X
37	L39005	RING	1		X X X
38	L39004	RING	1		X X X
39	AL36665	PIN	1		X X X
40	34M7129	SPRING PIN	1		3X16MM
41	L38848	BUSHING	1		X X X
42	L38889	BOLT	1		X X X
43	40M7041	SNAP RING	1		5X0.7MM
44	L25678	BUMPER	2		X X X
45	AL41471	PIN	1		(SUB FOR AL36645)
46	AL38526	FORK	1		X X X
47	AL38524	ADJUSTER	1		X X X
48	40M7051	SNAP RING	1		X X X
49	34M7130	SPRING PIN	1		4X20MM
50	L42041	BEARING	4		X X X
51	AL64580	ARM	1		X X X
52	AL64579	ABSORBER	1		X X X

715

OPERATOR'S SEATS

SUPER DE-LUXE SEAT BASE FOR GRAMMER DS85H1/90A
SIEGE SUPER-DE-LUXE-BATI POUR GRAMMER DS85H1/90A
SUPER-DE-LUXE-SITZ-UNTERBAU FUER GRAMMER DS85H1/90A
SOTTOSTRUTTURA DEL SEDILE SUPER-DE-LUXE PER GRAMMER DS85H1/90A
PEDESTAL DEL ASIENTO SUPER-DE-LUXE PARA GRAMMER DS85H1/90A
SUPER DELUXE FORARSATE - RAM FOR GRAMMER DS85H1/90A
L117465 -UN-07JUN95



L 117465

716

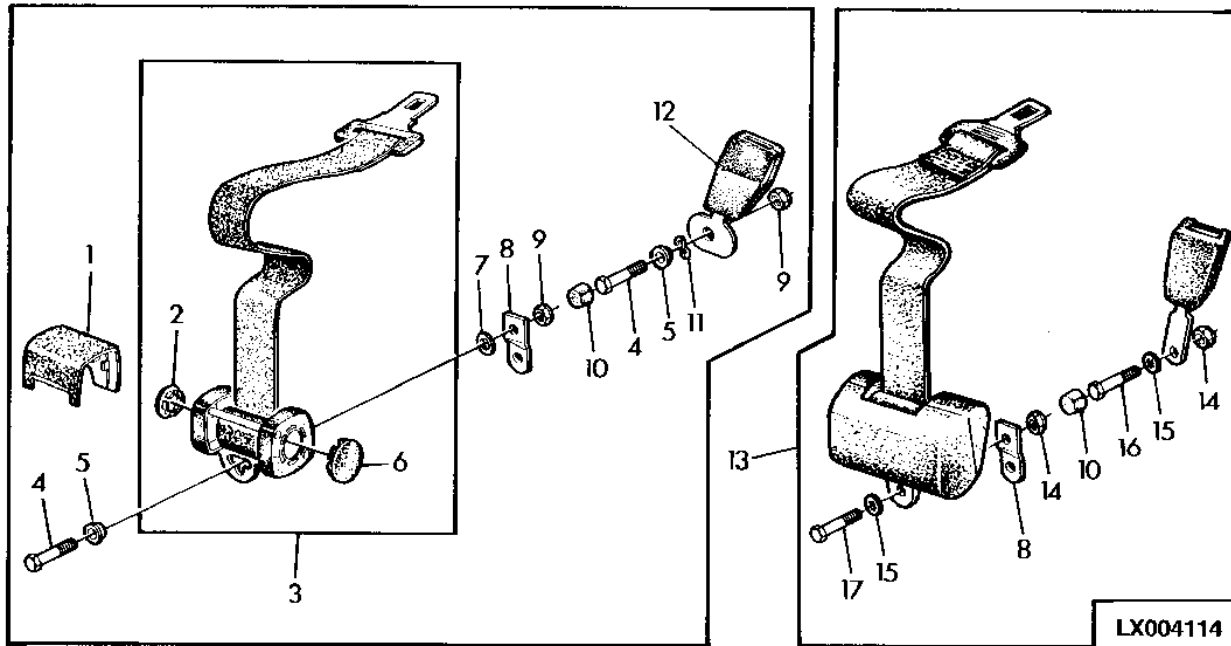
OPERATOR'S SEATS

KEY	PART NO.	PART NAME	QTY	SERIAL NO.				REMARKS
					1	2	3	
					2			
					1	2	3	
					6	0	4	
					4	4	0	
					0	0	S	
1	AL64551	ARM	1		X	X	X	
2	L61613	BUSHING	2		X	X	X	
3	L61620	BUSHING	2		X	X	X	
4	L38862	BAR	1		X	X	X	
5	L38852	PLATE	2		X	X	X	
6	L38855	ROLLER	4		X	X	X	
7	L38853	PLATE	1		X	X	X	
8	L38854	SPRING	2		X	X	X	
9	AL36667	DASHPOT	1		X	X	X	
10	L61608	LEVER	1		X	X	X	LH
	L61609	LEVER	1		X	X	X	RH
11	AL64034	NEEDLE BEARING	2		X	X	X	
12	L61604	GUIDE	1		X	X	X	LH
	L61605	GUIDE	1		X	X	X	RH
13	L61606	BUMPER	2		X	X	X	13X20X2MM
14	L42039	RIVET	2		X	X	X	9X1.1MM
15	L39011	RIVET	2		X	X	X	
16	L61612	STRAP	1		X	X	X	
17	L38890	PLATE	1		X	X	X	
18	AL64554	PLATE	1		X	X	X	
19	L38851	ROLLER	1		X	X	X	
20	L38847	GUIDE	1		X	X	X	
21	L38850	WASHER	1		X	X	X	
22	24H1627	WASHER	1		X	X	X	21/32"X2-1/2"X.120"
23	JD10212	BALL BEARING	1		X	X	X	
24	L38861	NUT	1		X	X	X	
25	L38865	SPRING	2		X	X	X	
26	L38866	SPRING	1		X	X	X	
27	L38857	PLUG	1		X	X	X	
28	L61748	STRIP	1		X	X	X	
29	AL36643	RETAINER	1		X	X	X	
30	34M7129	SPRING PIN	1		X	X	X	3X16MM
31	L38889	BOLT	2		X	X	X	
32	40M7041	SNAP RING	2		X	X	X	5X0.7MM
33	L61614	BUMPER	2		X	X	X	
34	AL41472	PIN	1		X	X	X	
35	AL38526	FORK	1		X	X	X	
36	AL38524	ADJUSTER	1		X	X	X	
37	40M7051	SNAP RING	1		X	X	X	
38	34M7130	SPRING PIN	1		X	X	X	4X20MM
39	24M7117	WASHER	2		X	X	X	4.3MM

717

OPERATOR'S SEATS

SAFETY BELT FOR SUPER DE-LUXE SEAT
CEINTURE DE SECURITE POUR SIEGE SUPER DE LUXE
SICHERHEITSGURT FUER SUPER-DE-LUXE SITZ
CINTURONE DI SICUREZZA PER IL SEDILE SUPER DE LUXE
CINTURON DE SEGURIDAD PARA EL ASIENTO SUPER DE LUXE
FORARBALTE FOR SUPER DELUXE SATE
 LX004114 -UN-17JUL95



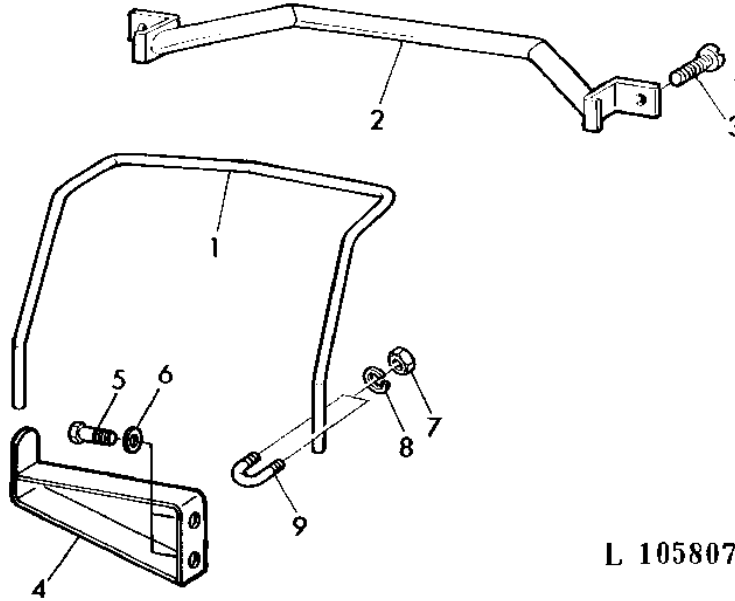
2
1 2 0
6 0 4
4 4 0
0 0 S

KEY	PART NO.	PART NAME	QTY	SERIAL NO.	REMARKS
1	L36250	CAP	1	X X X	
2	L36298	PLUG	1	X X X	
3	AL33406	SEAT BELT	1	X X X	(ORD AL69391)
4	19H2247	CAP SCREW	2	X X X	7/16"X1"
5	L38306	WASHER	2	X X X	
6	L36297	PLUG	1	X X X	
7	L36252	WASHER	1	X X X	
8	L38307	STRAP	1	X X X	
9	H80440	LOCK NUT	2	X X X	7/16"
10	L36259	CAP	1	X X X	
11	L36253	LOCK WASHER	1	X X X	
12	AL36102	LATCH	1	X X X	(ORD AL69391)
13	AL69391	SEAT BELT	1	X X X	
14	L58217	LOCK NUT	2	X X X	
15	12H325	LOCK WASHER	2	X X X	7/16"
16	L39118	CAP SCREW	1	X X X	
17	19H3150	CAP SCREW	1	X X X	7/16"X3/4"

718

OPERATOR'S SEATS

PASSENGER SEAT SUPPORT-FOOTREST
 SIEGE PASSAGER-REPOSE-PIED
 BEIFAHRRERSITZBUEGEL-FUSSSTUETZE
 APPOGGIO-PIEDI PER IL COMPAGNO
 REPOSAPIES PARA ACOMPANANTE
 BYGEL OCH FOTSTOD FOR PASSAGERARSATE
 L105807 -UN-17JUL95



L 105807

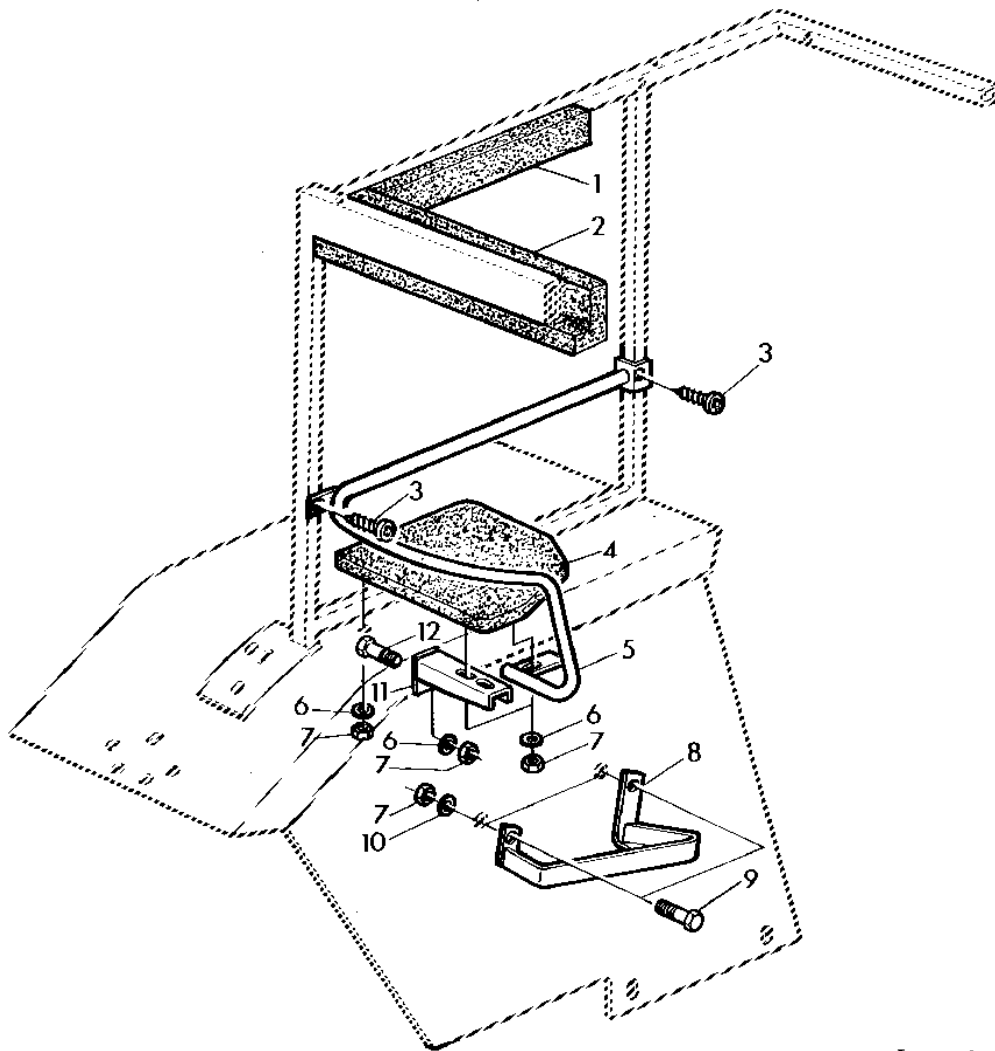
2
1 2 0
6 0 4
4 4 0
0 0 S

KEY	PART NO.	PART NAME	QTY	SERIAL NO.	REMARKS
1	L12991	SUPPORT	1	X X X	
2	AL25372	SUPPORT	1	X X X	
3	37M7031	SCREW	2	X X X	M6X16
4	AL25373	FOOTREST	1	X X X	
5	19M7162	CAP SCREW	2	X X X	M8X16
6	24M7055	WASHER	2	X X X	8.4X17X1.6MM
7	14H785	NUT	8	X X X	5/16"
8	12M7056	LOCK WASHER	8	X X X	
9	L25306	U-BOLT	4	X X X	

719

OPERATOR'S SEATS

PASSENGER SEAT SUPPORT-FOOTREST
SIEGE PASSAGER-REPOSE-PIED
BEIFAHRRERSITZBUEGEL-FUSSSTUETZE
APPOGGIO-PIEDI PER IL COMPAGNO
REPOSAPIES PARA ACOMPANANTE
BYGEL OCH FOTSTOD FOR PASSAGERARSATE
L110809 -UN-07JUN95



L 110809

7110

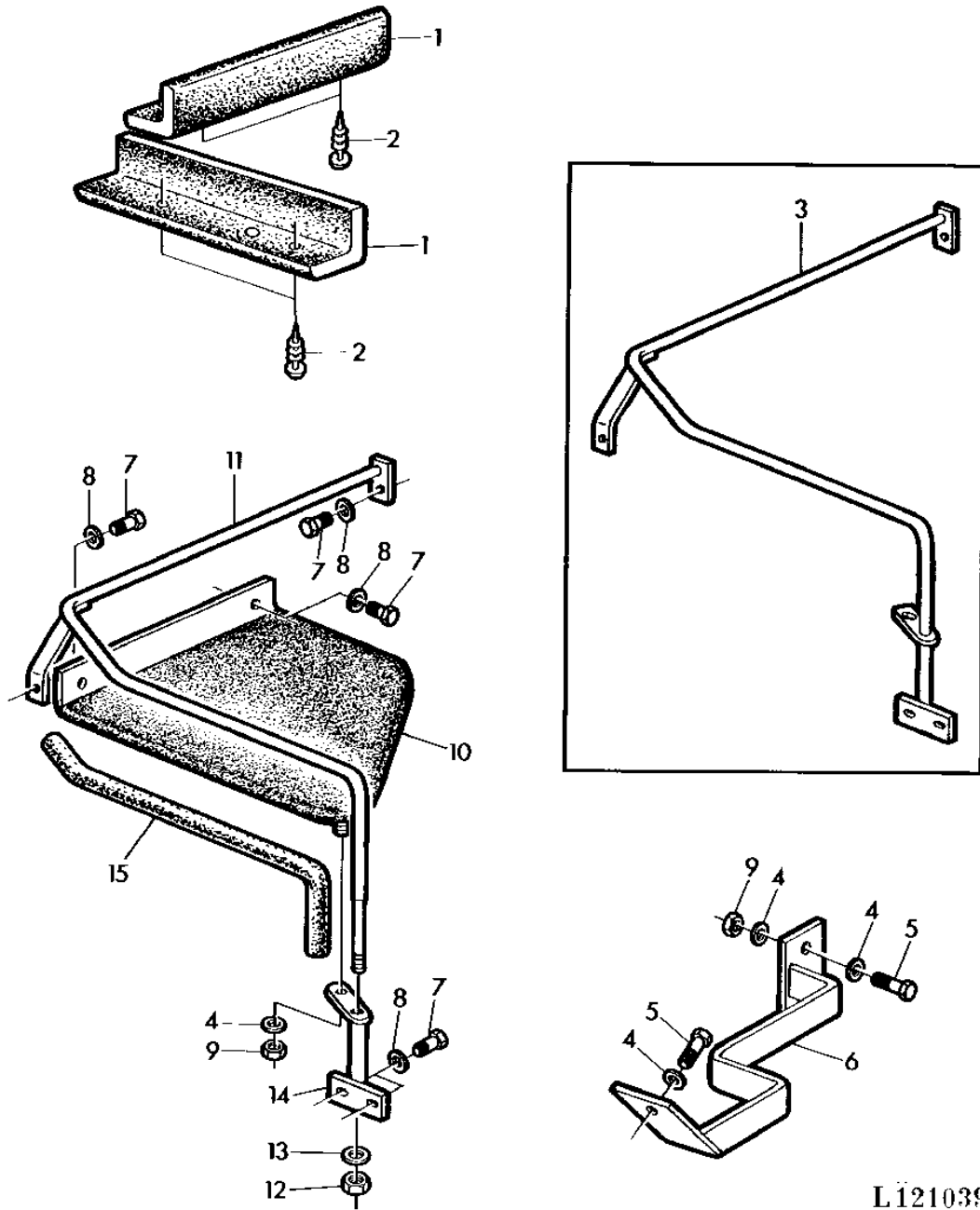
OPERATOR'S SEATS

KEY	PART NO.	PART NAME	QTY	SERIAL NO.	REMARKS
				2	
				1 2 0	
				6 0 4	
				4 4 0	
				0 0 S	
1	L56449	FOAM PAD	1	X X X	
2	L56825	FOAM PAD	1	X X X	
3	37M7066	SCREW	2	X X X	3.5X16MM
4	AL57681	SEAT	1	X X X	
5	L56429	BAIL	1	X X X	
6	24M7055	WASHER	5	X X X	8.4MM
7	14M7273	NUT	7	X X X	M8
8	L56419	FOOTREST	1	X X X	
9	19M7139	CAP SCREW	2	X X X	M8X20
10	24M7298	WASHER	2	X X X	8.4X25X2MM
11	L56432	BEAM	1	X X X	
12	19M7162	CAP SCREW	1	X X X	M8X16

7111

OPERATOR'S SEATS

PASSENGER SEAT / FOOT SUPPORT (WITH MC1 CAB)
SIEGE PASSAGER / REPOSE-PIED (SUR CABINE MC1)
BEIFAHRERSITZ / FUSSTUETZE (BEI MC1 KABINE)
SEDILE PER COMPAGNO / APPOGGIAPIEDI (CON CABINA MC1)
ASIENTO PARA ACOMPAÑANTE / REPOSAPIES (EN CAB. MC1)
PASSAGERARSATE / FOTSTEG (VID MC1 HYTT)
L121039 -UN-12JUL95



L121039

7112

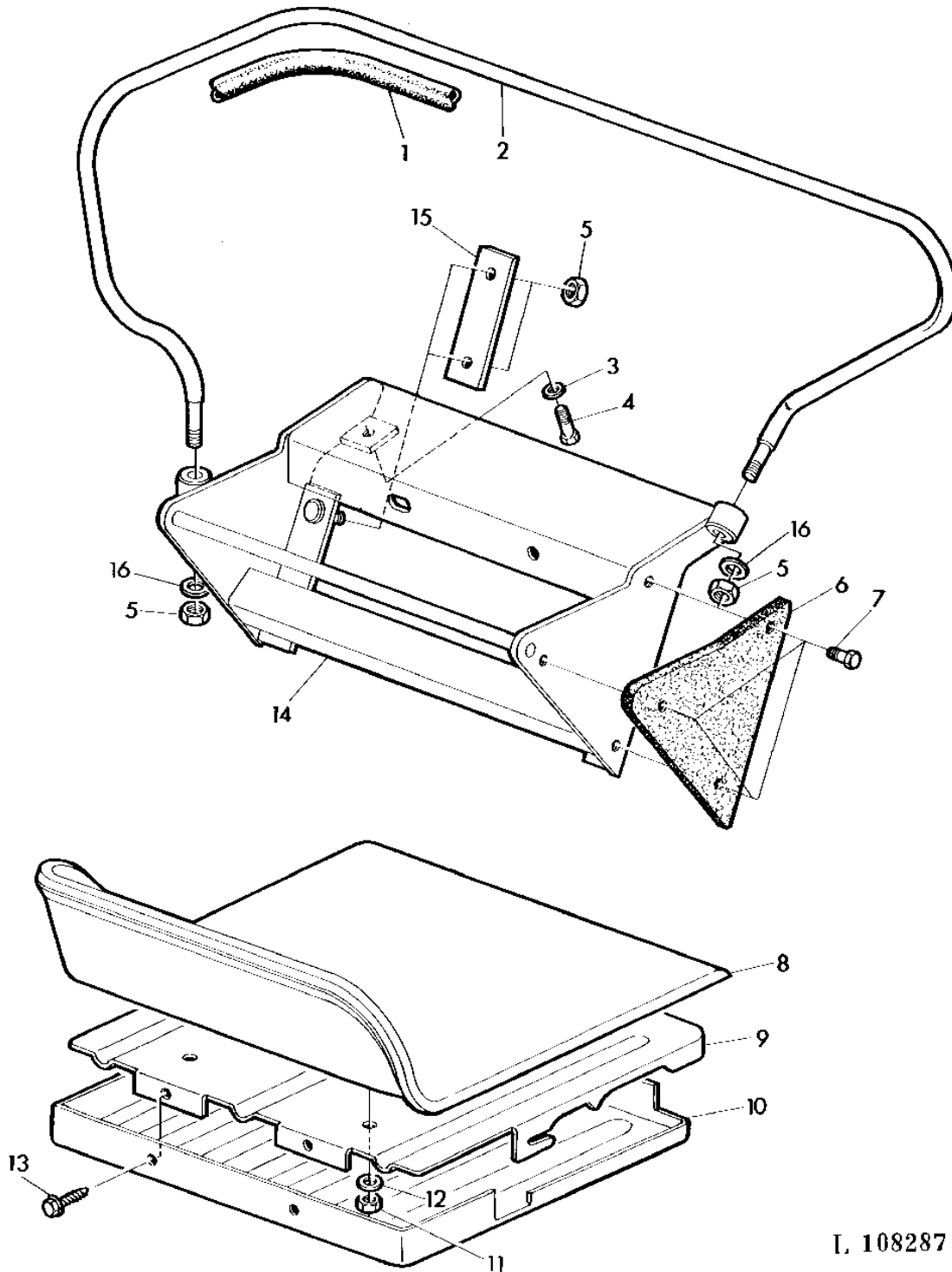
OPERATOR'S SEATS

KEY	PART NO.	PART NAME	QTY	SERIAL NO.	REMARKS
				2	
				1 2 0	
				6 0 4	
				4 4 0	
				0 0 S	
1	L57183	GUARD	2	X X X	(ORD L61321)
2	L58400	PLUG	4	X X X	
3	AL58635	BAIL	1	X X X	(ORD AL66978, AL66982, L63060, 14M7167, 24M7271)
4	24M7298	WASHER	4	X X X	8.4X25X2MM
5	21M7385	SCREW	2	X X X	M8X25
6	AL59723	FOOTREST	1	X X X	
7	37M7176	SCREW	6	X X X	M6X16
8	24M7251	WASHER	6	X X X	6.4X18X1.6MM
9	14M7273	NUT	2	X X X	M8
10	AL60325	SEAT	1	X X X	
11	AL66982	BAIL	1	X X X	
12	14M7167	LOCK NUT	1	X X X	M10
13	24M7271	WASHER	1	X X X	
14	AL66978	BRACKET	1	X X X	
15	L63060	ISOLATOR	1	X X X	

7113

OPERATOR'S SEATS

PASSENGER SEAT (WITH SG2 CAB)
SIEGE PASSAGER (AVEC CABINE SG2)
BEIFAHRERSITZ (BEI SG2 KABINE)
SEDILE DI COMPAGNO (CON CABINA SG2)
ASIENTO PARA ACOMPAÑANTE (CON CABINA SG2)
PASSAGERARSATE (VID SG2 HYTT)
L108287 -UN-07JUN95



I. 108287

7114

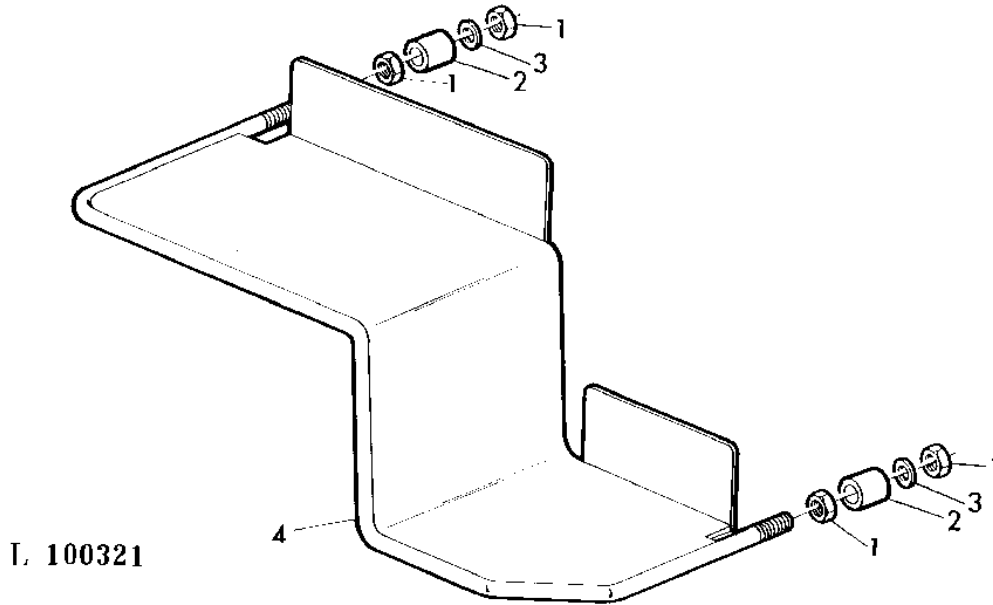
OPERATOR'S SEATS

KEY	PART NO.	PART NAME	QTY	SERIAL NO.	REMARKS
					2
					1 2 0
					6 0 4
					4 4 0
					0 0 S
1	L36945	WEATHERSTRIP	1		X X X
2	L36943	BAIL	1		X X X
3	24M7289	WASHER	2		X X X 9MM (SUB FOR 24H1887)
4	19M7139	CAP SCREW	2		X X X M8X20
5	14M7358	NUT	6		X X X M8
6	L38274	GUARD	1		X X X
7	37M7112	SCREW	3		X X X M4X8
8	AL34460	SEAT	1		X X X
9	AL34459	PLATE	1		X X X
10	L38211	COVER	1		X X X
11	14M7028	NUT	4		X X X M5
12	24M7027	WASHER	4		X X X 5.3X10X1MM
13	37M7111	SCREW	2		X X X 4.8X13MM
14	AL34458	SUPPORT	1		X X X
15	L36921	STRAP	2		X X X
16	12M7056	LOCK WASHER	2		X X X

7115

OPERATOR'S SEATS

FOOT SUPPORT FOR SG2 CAB
 REPOSE-PIEDS POUR CABINE SG2
 FUSSTUETZE FUER SG2 KABINE
 APPOGGIO-PIEDI PER CABINA SG2
 REPOSAPIES PARA CABINA SG2
 FOTSTOD FOR SG2 HYTT
 L100321 -UN-07JUN95



2
 1 2 0
 6 0 4
 4 4 0
 0 0 S

KEY	PART NO.	PART NAME	QTY	SERIAL NO.	REMARKS
1	14M7383	NUT	4	X X X	M12
2	28H2531	BUSHING	2	X X X	1/2"X.875"
3	24M7259	WASHER	2	X X X	13MM
4	AL36385	FOOTREST	1	X X X	

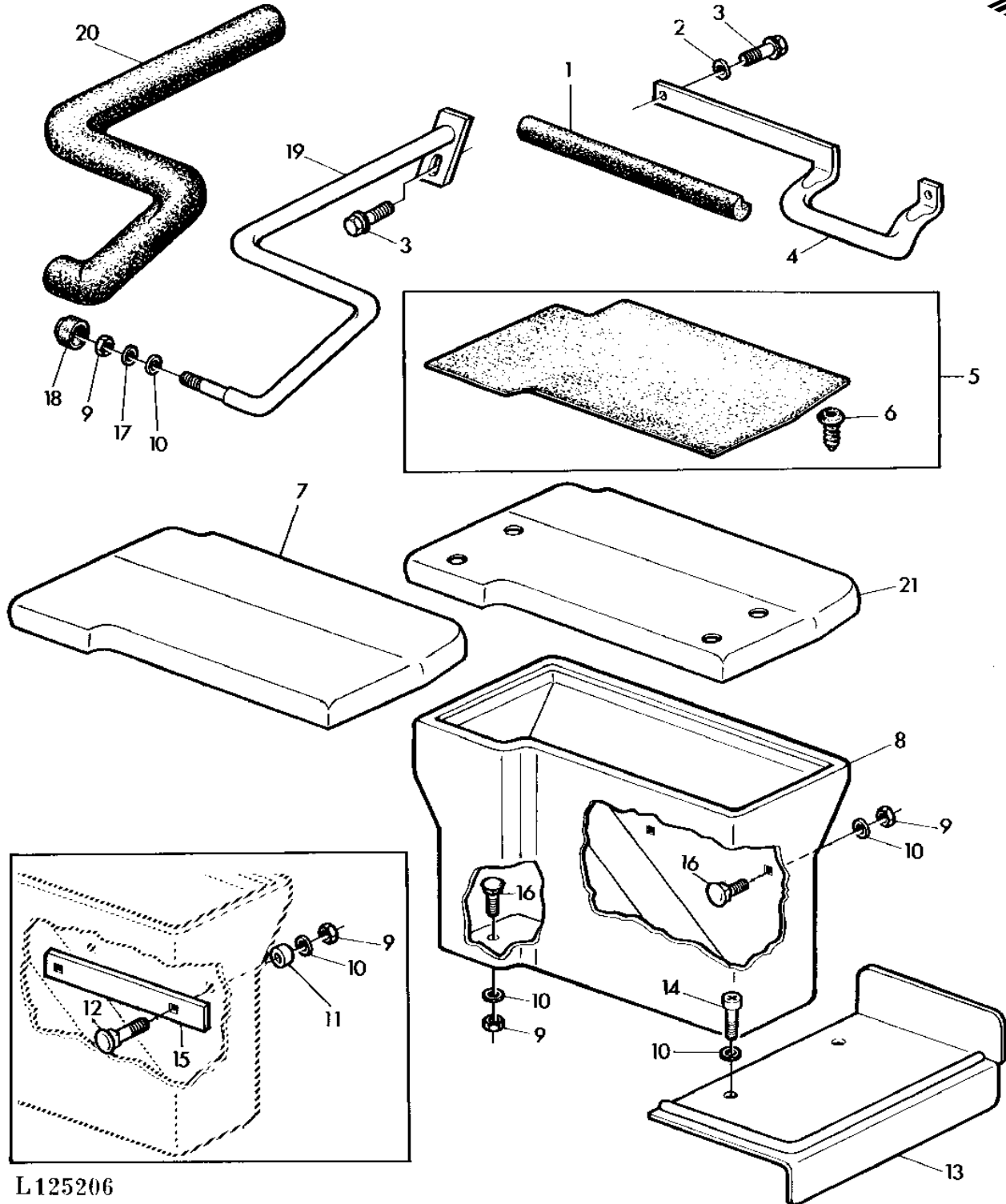
MEMORANDA
MEMORANDA
MEMORANDA
MEMORANDA
MEMORANDA

7116

OPERATOR'S SEATS

PASSENGER SEAT WITH BOX (WITH SG2 CAB)
SIEGE PASSAGER AVEC CASIER DE RANGEMENT (CAB, SG2)
BEIFAHRERSITZ MIT BOX (BEI SG2 KABINE)
SEDILE DI COMPAGNO CON TASCA (CON CABINA SG2)
ASIENTO PARA PASAJERO CON COFRE (CAB, SG2)
PASSAGERARSATE VID FORVARINGSFACK (VID SG2 FORARHYTT)

L125206 -UN-18JUL95



L125206

7117

OPERATOR'S SEATS

KEY	PART NO.	PART NAME	QTY	SERIAL NO.	REMARKS
					2
					1 2 0
					6 0 4
					4 4 0
					0 0 S
1	L61321	GUARD	1		
2	24M7251	WASHER	2		
3	37H199	SCREW	3		
4	AL64871	HANDLE	1		
5	AL64888	PAD	1		
6	L62619	PLUG	4		(SUB FOR L31208)
7	AL64886	CUSHION	1		
8	L59058	BOX	1		
9	14M7273	NUT	4		M8
10	24M7260	WASHER	6		8.4X25X2MM
11	L57824	WASHER	2		
12	03M7319	BOLT	2		M8X35
13	AL64861	FOOTREST	1		
14	21M7412	SCREW	2		M8X40
15	L61332	STRAP	1		
16	03M7318	BOLT	3		M8X25
17	24M7265	WASHER	1		9X17X1.6MM
18	L32394	CAP	1		
19	AL61790	ROD	1		
20	L59587	ISOLATOR	1		
21	L61329	COVER	1		

MEMORANDA
MEMORANDA
MEMORANDA
MEMORANDA
MEMORANDA

1125

1640, 2040, 2040S TRACTORS (430000-)

NUMERICAL INDEX

PART NO.	GRID	KEY	PAGE	PART NO.	GRID	KEY	PAGE	PART NO.	GRID	KEY	PAGE
AA5607R	6B25	17	74 - 45	AL23836	4G6	3	63 - 3	AL25089	5G23	12	73 - 39
AD2062R	1H11	2	41 - 60	AL23851	1F6	27	41 - 5	AL25098	4H18	26	63 - 39
AD2062R	1H19	8	41 - 69	AL23852	1F6	9	41 - 5	AL25098	4H22	33	63 - 43
AE31724	1C21	10	30 - 3	AL23857	1F6	6	41 - 5	AL25099	4I9	13	63 - 54
AF3580R	1C25	1	30 - 7	AL23857	1F10	6	41 - 9	AL25100	4H18	7	63 - 39
AF3583R	1C25	2	30 - 7	AL24015	5C22	2	71 - 65	AL25100	4H22	15	63 - 43
AF3584R	1C25	19	30 - 7	AL24019	6E25	1	81 - 63	AL25102	4H18	14	63 - 39
AF3892R	1H7	3	41 - 56	AL24044	6H2	10	82 - 17	AL25102	4H22	21	63 - 43
AH20849	1C21	7	30 - 3	AL24045	3G13	17	54 - 13	AL25103	4H18	5	63 - 39
AH20849	1C23	8	30 - 5	AL24052	4C10	23	61 - 3	AL25103	4H20	5	63 - 41
AH21762	7E9	30	93 - 53	AL24052	4C15	1	61 - 8	AL25103	4H22	12	63 - 43
AH21763	7E9	14	93 - 53	AL24052	4C22	1	62 - 3	AL25103	4H24	12	63 - 45
AL110074	4C19	2	61 - 13	AL24064	4G12	2	63 - 9	AL25103	4I2	12	63 - 47
AL110074	4C19	9	61 - 13	AL24065	4G12	1	63 - 9	AL25103	4I4	12	63 - 49
AL110074	4C19	11	61 - 13	AL24066	4G12	16	63 - 9	AL25103	4I6	12	63 - 51
AL110238	7E14	9	93 - 58	AL24067	4G12	17	63 - 9	AL25103	4I8	9	63 - 53
AL110474	4G13	8	63 - 10	AL24081	5F12	10	73 - 3	AL25104	4H18	19	63 - 39
AL110474	4G14	9	63 - 11	AL24081	5F16	11	73 - 7	AL25104	4H22	24	63 - 43
AL111147	1I3	1	41 - 79	AL24081	5F24	9	73 - 15	AL25104	4I4	22	63 - 49
AL11176	1F20	12	41 - 19	AL24081	5F24	18	73 - 15	AL25232	5B14	1	71 - 29
AL11176	1F20	15	41 - 19	AL24081	5G4	3	73 - 19	AL25273	1G5	7	41 - 29
AL11176	1F22	5	41 - 21	AL24082	5F16	8	73 - 7	AL25348	2B7	7	42 - 24
AL11176	1F24	6	41 - 23	AL24082	5F24	14	73 - 15	AL25349	2B7	3	42 - 24
AL14540	5E16	21	72 - 17	AL24082	5G4	6	73 - 19	AL25369	6I2	1	91 - 5
AL14540	5E18	18	72 - 19	AL24137	5E9	3	72 - 9	AL25372	7I8	2	94 - 55
AL14540	5E20	21	72 - 21	AL24162	7G8	1	94 - 3	AL25373	7I8	4	94 - 55
AL14540	5E22	19	72 - 23	AL24164	7G11	8	94 - 7	AL25376	6I5	1	91 - 8
AL14896	1I3	1	41 - 79	AL24165	7G13	19	94 - 9	AL25377	6I5	5	91 - 8
AL16602	6E13	3	81 - 51	AL24169	7G11	2	94 - 7	AL25434	6F6	11	81 - 69
AL17099	2B6	11	42 - 23	AL24171	7G8	19	94 - 3	AL25434	6F6	18	81 - 69
AL17099	2B9	14	42 - 27	AL24172	7G8	11	94 - 3	AL25435	6F6	15	81 - 69
AL17099	2B11	20	42 - 29	AL24174	7G8	22	94 - 3	AL25435	6F6	17	81 - 69
AL17684	1G9	1	41 - 33	AL24238	3G11	20	54 - 11	AL25436	6F6	14	81 - 69
AL17684	1G19	9	41 - 43	AL24244	5C12	25	71 - 53	AL25437	6F6	16	81 - 69
AL17684	1G21	14	41 - 45	AL24244	5C12	28	71 - 53	AL25506	6I2	5	91 - 5
AL18135	5E3	6	72 - 3	AL24244	5C12	29	71 - 53	AL25616	5F3	14	72 - 28
AL18135	6C12	5	74 - 58	AL24244	5C12	30	71 - 53	AL25616	5F4	11	72 - 29
AL18136	5E3	4	72 - 3	AL24244	5C12	31	71 - 53	AL25617	5F3	14	72 - 28
AL19023	4I6	26	63 - 51	AL24499	1F22	5	41 - 21	AL25617	5F4	11	72 - 29
AL19023	4I8	40	63 - 53	AL24499	1F22	7	41 - 21	AL25644	1H10	1	41 - 59
AL19092	2C16	19	51 - 13	AL24499	1F22	10	41 - 21	AL25666	5C2	27	71 - 43
AL19494	7G8	4	94 - 3	AL24521	6C17	17	81 - 3	AL25714	5H16	3	73 - 59
AL19709	6E24	6	81 - 62	AL24527	1B23	1	20 - 39	AL25791	4I9	13	63 - 54
AL19726	6E1	2	81 - 39	AL24543	1G13	11	41 - 37	AL25855	4C12	12	61 - 5
AL19728	6D21	1	81 - 33	AL24550	4H6	14	63 - 27	AL25855	4C14	11	61 - 7
AL19729	6D21	1	81 - 33	AL24554	2C12	21	51 - 9	AL25867	4I9	12	63 - 54
AL19801	1E11	7	30 - 45	AL24705	5C24	7	71 - 67	AL25877	1H10	8	41 - 59
AL19914	2A20	7	42 - 11	AL24706	5D9	7	71 - 79	AL26311	4C12	19	61 - 5
AL23076	4H18	18	63 - 39	AL24708	5C24	22	71 - 67	AL26311	4C14	18	61 - 7
AL23076	4H22	23	63 - 43	AL24710	5C24	12	71 - 67	AL26312	4C12	18	61 - 5
AL23076	4I4	21	63 - 49	AL24715	4H18	27	63 - 39	AL26312	4C14	17	61 - 7
AL23087	2B6	1	42 - 23	AL24715	4H22	29	63 - 43	AL26463	1H10	16	41 - 59
AL23088	2B9	1	42 - 27	AL24999	2F5	2	52 - 43	AL26464	1H10	16	41 - 59
AL23088	2B11	18	42 - 29	AL24999	2F7	2	52 - 45	AL26674	6G3	24	81 - 91
AL23088	2B13	18	42 - 31	AL24999	2F9	2	52 - 47	AL26678	5E9	5	72 - 9
AL23088	2B15	23	42 - 33	AL24999	2F11	3	52 - 49	AL26679	5E9	1	72 - 9
AL23105	5F5	6	72 - 30	AL24999	3C19	10	53 - 59	AL26682	5E8	1	72 - 8
AL23106	5F5	2	72 - 30	AL24999	3C21	10	53 - 61	AL26683	5E8	4	72 - 8
AL23119	2F17	14	52 - 55	AL25034	1D14	15	30 - 21	AL26689	5F3	11	72 - 28
AL23280	6D21	14	81 - 33	AL25036	1D12	1	30 - 19	AL26689	5F4	8	72 - 29
AL23281	6D21	14	81 - 33	AL25038	1D12	22	30 - 19	AL26777	6H15	1	82 - 30
AL23388	6H24	9	91 - 3	AL25073	1G3	7	41 - 27	AL26778	6H15	2	82 - 30
AL23389	6H24	4	91 - 3	AL25073	1G13	6	41 - 37	AL26905	2A12	11	42 - 3
AL23416	5H18	8	73 - 61	AL25073	1G13	11	41 - 37	AL26918	7G13	7	94 - 9
AL23433	5E3	23	72 - 3	AL25073	1G25	20	41 - 49	AL26918	7G19	7	94 - 15
AL23547	3G13	12	54 - 13	AL25087	5G23	3	73 - 39	AL26939	1F20	10	41 - 19
AL23806	3G24	5	54 - 25	AL25088	5G23	4	73 - 39	AL26948	2A12	15	42 - 3

1J1

1640, 2040, 2040S TRACTORS (430000-)

NUMERICAL INDEX - CONTINUED

PART NO.	GRID	KEY	PAGE	PART NO.	GRID	KEY	PAGE	PART NO.	GRID	KEY	PAGE
AL26971	6B14	43	74 - 33	AL28458	4C15	5	61 - 8	AL28868	2E24	12	52 - 37
AL26972	5G24	3	73 - 40	AL28458	4C22	4	62 - 3	AL28868	3C14	12	53 - 53
AL26972	5G25	6	73 - 41	AL28468	4A23	5	55 - 15	AL28870	2D17	10	52 - 3
AL26972	5H8	6	73 - 50	AL28468	5A24	5	71 - 14	AL28870	3A13	10	53 - 3
AL26972	5H13	13	73 - 56	AL28468	5A24	10	71 - 14	AL28873	2E22	15	52 - 35
AL26972	5H14	13	73 - 57	AL28468	5B2	26	71 - 17	AL28873	3C12	15	53 - 51
AL26972	5H16	12	73 - 59	AL28468	5B2	42	71 - 17	AL28874	2E22	14	52 - 35
AL26972	5H17	14	73 - 60	AL28468	5B8	25	71 - 23	AL28874	3C12	14	53 - 51
AL26973	5H9	7	73 - 51	AL28468	5B8	42	71 - 23	AL28880	3C12	17	53 - 51
AL26973	5H12	2	73 - 55	AL28468	5B12	25	71 - 27	AL28880	3C14	17	53 - 53
AL26973	5H13	8	73 - 56	AL28468	5B12	44	71 - 27	AL28881	3C14	19	53 - 53
AL26973	5H14	8	73 - 57	AL28493	6E15	4	81 - 53	AL28917	2C7	1	51 - 3
AL26973	5H16	9	73 - 59	AL28553	4C18	10	61 - 12	AL28918	3C6	5	53 - 45
AL26973	5H17	1	73 - 60	AL28559	7H24	4	94 - 47	AL28921	3C12	19	53 - 51
AL26973	5H18	5	73 - 61	AL28584	6F6	7	81 - 69	AL28922	2D17	16	52 - 3
AL26973	6B19	3	74 - 39	AL28585	6F6	1	81 - 69	AL28922	3A13	16	53 - 3
AL27012	1H10	9	41 - 59	AL28658	5A24	7	71 - 14	AL28923	2D17	8	52 - 3
AL27016	1H10	15	41 - 59	AL28674	5D8	5	71 - 78	AL28923	3A13	8	53 - 3
AL27017	1H10	15	41 - 59	AL28674	5D9	9	71 - 79	AL28925	3C6	1	53 - 45
AL27019	6B10	17	74 - 28	AL28674	5D11	18	71 - 81	AL28925	3C6	2	53 - 45
AL27108	2F5	7	52 - 43	AL28691	5E11	15	72 - 11	AL28925	3C6	35	53 - 45
AL27108	2F7	7	52 - 45	AL28707	3E2	8	53 - 91	AL28950	4A25	1	55 - 18
AL27108	2F9	7	52 - 47	AL28708	3B20	8	53 - 35	AL28950	4B1	1	55 - 19
AL27131	6H18	6	82 - 33	AL28708	3E2	9	53 - 91	AL28956	5B18	1	71 - 34
AL27132	6H18	1	82 - 33	AL28709	3E2	23	53 - 91	AL29611	1H17	10	41 - 67
AL27156	1C21	11	30 - 3	AL28710	3E2	20	53 - 91	AL29614	1H17	16	41 - 67
AL27203	6D2	13	81 - 13	AL28711	3E2	13	53 - 91	AL29615	1H17	11	41 - 67
AL27203	6D4	13	81 - 15	AL28712	3E2	18	53 - 91	AL29645	4G4	2	63 - 1
AL27220	2A12	8	42 - 3	AL28713	3E4	1	53 - 93	AL2976T	2B7	1	42 - 24
AL27221	5C22	5	71 - 65	AL28713	3E4	3	53 - 93	AL29856	4G16	7	63 - 13
AL27373	1F6	24	41 - 5	AL28713	3E4	4	53 - 93	AL29859	4H18	14	63 - 39
AL27374	1F6	11	41 - 5	AL28723	2E20	13	52 - 33	AL29859	4H22	21	63 - 43
AL27391	6E15	6	81 - 53	AL28723	3C2	13	53 - 41	AL29878	2D19	5	52 - 5
AL27394	6E15	6	81 - 53	AL28723	4A19	7	55 - 11	AL30019	5B19	10	71 - 35
AL27397	6E15	6	81 - 53	AL28738	2C16	4	51 - 13	AL30020	5G7	8	73 - 23
AL27532	6E1	13	81 - 39	AL28739	2E14	46	52 - 27	AL30020	5G9	6	73 - 25
AL27533	6E1	3	81 - 39	AL28739	3B14	47	53 - 29	AL30020	5G11	10	73 - 27
AL27809	4G6	11	63 - 3	AL28740	2C9	1	51 - 5	AL30020	6A16	13	74 - 7
AL27901	2A12	20	42 - 3	AL28744	3C17	6	53 - 57	AL30020	6A18	24	74 - 9
AL27901	2A21	2	42 - 12	AL28745	2D21	18	52 - 7	AL30029	6A16	7	74 - 7
AL27901	4G10	3	63 - 7	AL28745	3A15	18	53 - 5	AL30038	6B5	5	74 - 22
AL27904	4G16	7	63 - 13	AL28746	2D21	15	52 - 7	AL30039	6B5	6	74 - 22
AL27968	4G16	1	63 - 13	AL28746	3A15	15	53 - 5	AL30040	6B5	7	74 - 22
AL28161	6H24	1	91 - 3	AL28748	2E12	20	52 - 25	AL30041	6B5	8	74 - 22
AL28179	1C21	11	30 - 3	AL28748	2E14	20	52 - 27	AL30042	6B5	3	74 - 22
AL28212	6E11	2	81 - 49	AL28748	3B12	20	53 - 27	AL30043	6B5	4	74 - 22
AL28222	6D21	11	81 - 33	AL28748	3B14	20	53 - 29	AL30095	4G4	2	63 - 1
AL28222	6D23	14	81 - 35	AL28751	2E12	4	52 - 25	AL30150	2E6	14	52 - 18
AL28227	5D8	5	71 - 78	AL28751	2E14	4	52 - 27	AL30150	3B6	15	53 - 21
AL28227	5D11	18	71 - 81	AL28751	3B12	4	53 - 27	AL30151	2C16	2	51 - 13
AL28228	5C17	16	71 - 58	AL28751	3B14	4	53 - 29	AL30151	2C16	9	51 - 13
AL28230	5C14	28	71 - 55	AL28756	2E12	44	52 - 25	AL30151	2C16	13	51 - 13
AL28230	5C14	31	71 - 55	AL28756	2E14	44	52 - 27	AL30151	2C16	14	51 - 13
AL28230	5C14	32	71 - 55	AL28756	3B12	44	53 - 27	AL30151	2C16	15	51 - 13
AL28230	5C14	33	71 - 55	AL28756	3B14	44	53 - 29	AL30151	2C16	17	51 - 13
AL28230	5C14	38	71 - 55	AL28759	2D21	9	52 - 7	AL30151	2C17	1	51 - 15
AL28231	2F20	1	52 - 58	AL28759	3A15	9	53 - 5	AL30154	2D17	8	52 - 3
AL28232	2F20	6	52 - 58	AL28828	3C6	29	53 - 45	AL30154	2D17	9	52 - 3
AL28268	4D6	1	62 - 11	AL28860	2C19	4	51 - 17	AL30154	3A13	8	53 - 3
AL28272	4D6	23	62 - 11	AL28860	2C21	9	51 - 19	AL30154	3A13	9	53 - 3
AL28272	4D20	22	62 - 25	AL28860	2C23	11	51 - 21	AL30157	2D7	1	51 - 30
AL28307	1D4	1	30 - 11	AL28862	3F19	11	53 - 133	AL30157	2D7	7	51 - 30
AL28457	4C22	4	62 - 3	AL28862	3F21	13	53 - 135	AL30163	6F1	7	81 - 64
AL28457	4C24	32	62 - 5	AL28863	3F19	9	53 - 133	AL30173	4C18	2	61 - 12
AL28457	4D2	30	62 - 7	AL28864	5B21	20	71 - 37	AL30174	3B20	21	53 - 35
AL28457	4D4	5	62 - 9	AL28867	2E24	14	52 - 37	AL30184	3B16	17	53 - 31
AL28458	4C10	20	61 - 3	AL28867	3C14	16	53 - 53	AL30188	2E24	16	52 - 37

1J2

1640, 2040, 2040S TRACTORS (430000-)

NUMERICAL INDEX - CONTINUED

PART NO.	GRID	KEY	PAGE	PART NO.	GRID	KEY	PAGE	PART NO.	GRID	KEY	PAGE
AL30188	3C14	15	53 - 53	AL30921	2D17	12	52 - 3	AL31414	4F15	16	62 - 71
AL30194	3F21	9	53 - 135	AL30921	3A13	12	53 - 3	AL31414	4F19	12	62 - 75
AL30195	3B20	15	53 - 35	AL30923	3A13	19	53 - 3	AL31420	4F15	8	62 - 71
AL30196	3B20	2	53 - 35	AL30924	3B20	26	53 - 35	AL31422	4F15	4	62 - 71
AL30197	3C7	6	53 - 46	AL30974	6A16	7	74 - 7	AL31424	5C2	25	71 - 43
AL30198	3C7	13	53 - 46	AL30978	7G8	14	94 - 3	AL31433	1D8	1	30 - 15
AL30198	3C8	1	53 - 47	AL31004	6G5	7	81 - 93	AL31435	5B18	9	71 - 34
AL30198	3C10	1	53 - 49	AL31005	6G5	2	81 - 93	AL31436	2C16	1	51 - 13
AL30287	1E11	13	30 - 45	AL31008	6F24	8	81 - 87	AL31436	2C19	2	51 - 17
AL30288	1E11	16	30 - 45	AL31019	6I8	12	91 - 11	AL31492	1D4	5	30 - 11
AL30289	6I6	1	91 - 9	AL31022	4C22	17	62 - 3	AL31494	4C22	6	62 - 3
AL30291	5B25	9	71 - 41	AL31024	6I8	12	91 - 11	AL31497	6E7	3	81 - 45
AL30294	6G11	2	81 - 99	AL31039	6I8	1	91 - 11	AL31498	6E7	13	81 - 45
AL30297	6G9	1	81 - 97	AL31040	6I8	1	91 - 11	AL31504	6E13	10	81 - 51
AL30298	6G9	1	81 - 97	AL31052	6D15	3	81 - 27	AL31506	6E13	10	81 - 51
AL30331	7E9	6	93 - 53	AL31052	6D17	3	81 - 29	AL31508	6E13	3	81 - 51
AL30364	7E16	5	93 - 61	AL31063	1D4	5	30 - 11	AL31515	4C12	24	61 - 5
AL30394	1C23	7	30 - 5	AL31088	6D15	1	81 - 27	AL31515	4C14	25	61 - 7
AL30414	1F8	28	41 - 7	AL31088	6D17	1	81 - 29	AL31531	6E15	6	81 - 53
AL30416	1F8	7	41 - 7	AL31138	6F12	6	81 - 75	AL31532	6E15	6	81 - 53
AL30417	1F8	9	41 - 7	AL31139	6F12	1	81 - 75	AL31533	6E15	6	81 - 53
AL30417	1F14	9	41 - 13	AL31140	6F12	6	81 - 75	AL31556	6F1	4	81 - 64
AL30418	1F8	21	41 - 7	AL31141	6F12	1	81 - 75	AL31559	6F2	11	81 - 65
AL30419	1F8	11	41 - 7	AL31144	6F10	7	81 - 73	AL31560	6F2	4	81 - 65
AL30421	1F8	18	41 - 7	AL31145	6F10	7	81 - 73	AL31566	6F24	1	81 - 87
AL30421	1F10	18	41 - 9	AL31146	6F10	7	81 - 73	AL31579	6G19	3	82 - 7
AL30421	1F14	18	41 - 13	AL31147	6F10	7	81 - 73	AL31643	1C25	9	30 - 7
AL30421	1F16	18	41 - 15	AL31148	6F10	7	81 - 73	AL31644	4E14	5	62 - 45
AL30422	1F8	27	41 - 7	AL31149	6F10	7	81 - 73	AL31644	4E16	5	62 - 47
AL30423	1F8	17	41 - 7	AL31152	6F12	4	81 - 75	AL31647	4D8	8	62 - 13
AL30423	1F10	16	41 - 9	AL31203	6I2	11	91 - 5	AL31647	4D12	8	62 - 17
AL30423	1F12	4	41 - 11	AL31204	6I2	10	91 - 5	AL31647	4E18	4	62 - 49
AL30423	1F14	17	41 - 13	AL31229	6D11	5	81 - 23	AL31647	4E20	4	62 - 51
AL30423	1F16	17	41 - 15	AL31229	6D13	4	81 - 25	AL31647	4E22	4	62 - 53
AL30423	1F18	4	41 - 17	AL31236	4C10	20	61 - 3	AL31647	6A20	12	74 - 11
AL30424	1F8	6	41 - 7	AL31236	4C15	5	61 - 8	AL31647	6A22	3	74 - 13
AL30424	1F14	6	41 - 13	AL31237	1C7	7	20 - 49	AL31659	5G23	3	73 - 39
AL30424	1F16	6	41 - 15	AL31239	5B23	7	71 - 39	AL31660	5G23	4	73 - 39
AL30425	1F8	13	41 - 7	AL31240	4F8	13	62 - 63	AL31661	5G23	12	73 - 39
AL30425	1F14	13	41 - 13	AL31240	4F10	8	62 - 65	AL31664	5H13	14	73 - 56
AL30548	6A23	4	74 - 14	AL31241	6E7	15	81 - 45	AL31685	1E14	3	30 - 49
AL30588	2C10	8	51 - 6	AL31245	4D6	3	62 - 11	AL31686	1E14	20	30 - 49
AL30590	2E6	17	52 - 18	AL31245	4D10	3	62 - 15	AL31800	5B23	4	71 - 39
AL30590	3B6	18	53 - 21	AL31247	4C22	14	62 - 3	AL31805	4G1	5	62 - 82
AL30681	2E12	47	52 - 25	AL31249	4E14	3	62 - 45	AL31824	1G11	1	41 - 35
AL30681	3B12	48	53 - 27	AL31249	4E16	3	62 - 47	AL31825	1G11	1	41 - 35
AL30685	2E12	37	52 - 25	AL31252	6G9	26	81 - 97	AL31828	1G11	1	41 - 35
AL30685	2E14	37	52 - 27	AL31262	4C12	1	61 - 5	AL31829	1G11	1	41 - 35
AL30685	3B12	37	53 - 27	AL31292	1D8	1	30 - 15	AL31858	6D15	17	81 - 27
AL30685	3B14	37	53 - 29	AL31293	6D9	1	81 - 21	AL31861	6D17	17	81 - 29
AL30686	2E12	6	52 - 25	AL31293	6D9	22	81 - 21	AL31862	1D4	2	30 - 11
AL30686	2E14	6	52 - 27	AL31297	6D23	1	81 - 35	AL31863	1D4	2	30 - 11
AL30686	3B12	6	53 - 27	AL31402	4E14	32	62 - 45	AL31885	6D18	7	81 - 30
AL30686	3B14	6	53 - 29	AL31402	4E16	34	62 - 47	AL31891	1G7	1	41 - 31
AL30687	2E12	29	52 - 25	AL31402	4E18	9	62 - 49	AL31892	1G7	1	41 - 31
AL30687	2E14	29	52 - 27	AL31402	4E20	15	62 - 51	AL31893	1C7	15	20 - 49
AL30687	3B12	29	53 - 27	AL31402	4E22	24	62 - 53	AL31895	1C7	9	20 - 49
AL30687	3B14	29	53 - 29	AL31405	4G1	1	62 - 82	AL31899	1E11	6	30 - 45
AL30688	3H6	8	54 - 31	AL31412	4E24	7	62 - 55	AL31912	2C19	8	51 - 17
AL30689	3A13	19	53 - 3	AL31412	4F4	7	62 - 59	AL31912	2C21	13	51 - 19
AL30692	7G13	5	94 - 9	AL31412	4F8	7	62 - 63	AL31912	2C23	18	51 - 21
AL30781	7F23	5	93 - 92	AL31412	4F15	5	62 - 71	AL31915	4H8	3	63 - 29
AL30781	7G2	18	93 - 95	AL31412	4F19	13	62 - 75	AL31925	5B17	17	71 - 33
AL30794	6G3	25	81 - 91	AL31412	4F21	11	62 - 77	AL31952	5E11	6	72 - 11
AL30897	6D19	1	81 - 31	AL31412	4G1	6	62 - 82	AL31953	5E11	17	72 - 11
AL30899	3B12	32	53 - 27	AL31413	4G1	4	62 - 82	AL31983	5E11	23	72 - 11
AL30899	3B14	32	53 - 29	AL31414	4F8	1	62 - 63	AL31983	5E13	3	72 - 13

1J3

1640, 2040, 2040S TRACTORS (430000-)

NUMERICAL INDEX - CONTINUED

PART NO.	GRID	KEY	PAGE	PART NO.	GRID	KEY	PAGE	PART NO.	GRID	KEY	PAGE
AL31989	5B2	30	71 - 17	AL32777	4D16	22	62 - 21	AL32895	4F6	7	62 - 61
AL31989	6A18	2	74 - 9	AL32777	4D22	23	62 - 27	AL32896	6I8	30	91 - 11
AL31990	2A12	3	42 - 3	AL32777	4E6	22	62 - 35	AL32905	1G13	3	41 - 37
AL31992	1C10	2	20 - 52	AL32778	4D6	23	62 - 11	AL32923	2A20	20	42 - 11
AL31992	5B23	1	71 - 39	AL32778	4D18	22	62 - 23	AL32963	4G1	2	62 - 82
AL32027	5E14	4	72 - 14	AL32778	4D22	23	62 - 27	AL32964	2C19	27	51 - 17
AL32062	1G7	5	41 - 31	AL32778	4E4	22	62 - 33	AL32965	2C19	14	51 - 17
AL32062	1G19	6	41 - 43	AL32779	3H8	27	54 - 33	AL32965	2C24	1	51 - 22
AL32062	1G21	10	41 - 45	AL32779	3H10	26	54 - 35	AL32965	2C24	5	51 - 22
AL32066	1G7	14	41 - 31	AL32791	2F21	7	52 - 59	AL32969	2F3	1	52 - 41
AL32066	1G9	11	41 - 33	AL32791	2F23	2	52 - 61	AL32970	2F3	1	52 - 41
AL32067	6G3	8	81 - 91	AL32791	3E23	7	53 - 112	AL32973	3B16	9	53 - 31
AL32070	1H13	3	41 - 63	AL32791	3F2	2	53 - 115	AL32974	3B16	15	53 - 31
AL32071	1H13	3	41 - 63	AL32793	2A18	8	42 - 9	AL32975	1C21	13	30 - 3
AL32112	2A12	7	42 - 3	AL32793	2A20	12	42 - 11	AL32975	1C23	11	30 - 5
AL32113	1G7	7	41 - 31	AL32798	4D6	3	62 - 11	AL32976	2F19	7	52 - 57
AL32113	1G9	3	41 - 33	AL32798	4D10	3	62 - 15	AL32978	2B5	1	42 - 22
AL32118	1G13	9	41 - 37	AL32799	2A18	7	42 - 9	AL32979	2B5	2	42 - 22
AL32119	2B6	4	42 - 23	AL32799	2A20	9	42 - 11	AL33008	7G17	2	94 - 13
AL32119	2B9	7	42 - 27	AL32830	2F15	15	52 - 53	AL33009	7G19	5	94 - 15
AL32119	2B17	19	42 - 35	AL32831	2A20	17	42 - 11	AL33010	7G13	21	94 - 9
AL32120	2B3	1	42 - 20	AL32831	2B3	6	42 - 20	AL33011	7G19	22	94 - 15
AL32129	2B9	18	42 - 27	AL32832	2B5	3	42 - 22	AL33012	7G19	15	94 - 15
AL32130	2B9	20	42 - 27	AL32833	2A20	10	42 - 11	AL33015	7G17	8	94 - 13
AL32131	2B9	19	42 - 27	AL32834	5C22	7	71 - 65	AL33016	7G13	27	94 - 9
AL32200	4H6	19	63 - 27	AL32848	2F9	1	52 - 47	AL33016	7G19	28	94 - 15
AL32202	4H6	18	63 - 27	AL32849	2F5	1	52 - 43	AL33016	7H4	29	94 - 25
AL32202	4H8	18	63 - 29	AL32849	2F7	1	52 - 45	AL33016	7H6	25	94 - 27
AL32202	4H10	18	63 - 31	AL32863	1F6	5	41 - 5	AL33017	5C16	9	71 - 57
AL32213	1D6	11	30 - 13	AL32863	1F8	5	41 - 7	AL33038	4F10	10	62 - 65
AL32228	3B2	19	53 - 17	AL32863	1F14	5	41 - 13	AL33039	4F10	4	62 - 65
AL32253	1H13	11	41 - 63	AL32866	4F15	15	62 - 71	AL33040	4F10	1	62 - 65
AL32267	2A12	9	42 - 3	AL32867	4F15	11	62 - 71	AL33041	1D10	4	30 - 17
AL32267	2A14	5	42 - 5	AL32868	4F15	14	62 - 71	AL33042	6G5	2	81 - 93
AL32268	1G7	17	41 - 31	AL32868	4F17	14	62 - 73	AL33044	5C22	7	71 - 65
AL32268	1G9	14	41 - 33	AL32869	4B7	8	55 - 25	AL33069	7G13	1	94 - 9
AL32268	1G19	5	41 - 43	AL32869	4B9	8	55 - 27	AL33069	7G19	1	94 - 15
AL32268	1G21	15	41 - 45	AL32870	4B7	19	55 - 25	AL33078	4B9	15	55 - 27
AL32269	2A14	1	42 - 5	AL32870	4B9	23	55 - 27	AL33080	4B9	15	55 - 27
AL32278	2B6	9	42 - 23	AL32871	4B7	19	55 - 25	AL33081	4B9	14	55 - 27
AL32279	2B6	3	42 - 23	AL32871	4B9	23	55 - 27	AL33082	4B7	1	55 - 25
AL32282	4H8	19	63 - 29	AL32874	4B9	14	55 - 27	AL33083	4B9	1	55 - 27
AL32282	4H10	21	63 - 31	AL32876	4B13	23	55 - 31	AL33084	4B7	1	55 - 25
AL32567	3H8	12	54 - 33	AL32877	4B13	27	55 - 31	AL33085	4B9	1	55 - 27
AL32567	3H12	7	54 - 37	AL32877	4B24	4	55 - 43	AL33105	5C15	9	71 - 56
AL32587	2F3	7	52 - 41	AL32877	4B24	26	55 - 43	AL33126	2C23	1	51 - 21
AL32612	3H8	19	54 - 33	AL32881	4B13	5	55 - 31	AL33132	6G9	1	81 - 97
AL32620	5C2	1	71 - 43	AL32882	4B13	18	55 - 31	AL33145	4G6	1	63 - 3
AL32620	5C5	1	71 - 46	AL32883	4B13	19	55 - 31	AL33145	4G6	13	63 - 3
AL32620	7G6	11	94 - 1	AL32884	4B13	22	55 - 31	AL33145	4G6	18	63 - 3
AL32677	2A20	3	42 - 11	AL32885	4B13	21	55 - 31	AL33145	4G6	19	63 - 3
AL32704	3H8	30	54 - 33	AL32886	4B13	18	55 - 31	AL33146	3C8	6	53 - 47
AL32704	3H10	23	54 - 35	AL32887	4B13	22	55 - 31	AL33147	3C8	3	53 - 47
AL32704	3H14	24	54 - 39	AL32888	4B11	4	55 - 29	AL33147	3C9	3	53 - 48
AL32720	2A20	13	42 - 11	AL32889	4B13	6	55 - 31	AL33151	6G7	1	81 - 95
AL32720	2B3	3	42 - 20	AL32891	1G7	19	41 - 31	AL33160	3G18	2	54 - 19
AL32720	2B4	5	42 - 21	AL32891	1G17	9	41 - 41	AL33160	3G20	2	54 - 21
AL32722	2A18	6	42 - 9	AL32893	4B13	13	55 - 31	AL33162	1G11	11	41 - 35
AL32722	2A20	6	42 - 11	AL32893	4B15	9	55 - 33	AL33162	1G17	17	41 - 41
AL32757	4D6	1	62 - 11	AL32895	4E14	6	62 - 45	AL33162	1G19	19	41 - 43
AL32768	2F22	1	52 - 60	AL32895	4E16	6	62 - 47	AL33162	1G21	27	41 - 45
AL32768	3E24	1	53 - 113	AL32895	4E18	8	62 - 49	AL33163	1G11	9	41 - 35
AL32769	3H8	25	54 - 33	AL32895	4E20	6	62 - 51	AL33163	1G17	16	41 - 41
AL32769	3H10	7	54 - 35	AL32895	4E22	6	62 - 53	AL33164	1G11	6	41 - 35
AL32777	4D6	23	62 - 11	AL32895	4E24	6	62 - 55	AL33164	1G23	4	41 - 47
AL32777	4D10	23	62 - 15	AL32895	4F2	7	62 - 57	AL33165	1G11	17	41 - 35
AL32777	4D14	22	62 - 19	AL32895	4F4	6	62 - 59	AL33166	1G11	2	41 - 35

1J4

1640, 2040, 2040S TRACTORS (430000-)

NUMERICAL INDEX - CONTINUED

PART NO.	GRID	KEY	PAGE	PART NO.	GRID	KEY	PAGE	PART NO.	GRID	KEY	PAGE
AL33182	4E9	7	62 - 39	AL33439	7G19	26	94 - 15	AL34418	4E16	4	62 - 47
AL33201	3B10	4	53 - 25	AL33439	7H4	27	94 - 25	AL34419	3B18	2	53 - 33
AL33202	3F8	6	53 - 121	AL33439	7H6	23	94 - 27	AL34420	3B18	6	53 - 33
AL33203	3F8	8	53 - 121	AL33446	5G21	38	73 - 37	AL34425	2C2	39	42 - 47
AL33204	3F8	10	53 - 121	AL33486	4G15	1	63 - 12	AL34458	7114	14	94 - 61
AL33205	3F8	12	53 - 121	AL33493	5E16	10	72 - 17	AL34459	7114	9	94 - 61
AL33206	3F8	1	53 - 121	AL33498	1D8	6	30 - 15	AL34460	7114	8	94 - 61
AL33207	3F6	12	53 - 119	AL33513	5G9	9	73 - 25	AL34461	1F22	6	41 - 21
AL33208	3F6	6	53 - 119	AL33514	5G9	8	73 - 25	AL34469	6G15	7	82 - 3
AL33214	2E10	12	52 - 23	AL33515	5G9	8	73 - 25	AL34470	6G15	1	82 - 3
AL33214	2E10	15	52 - 23	AL33526	1C8	1	20 - 50	AL34472	6G15	7	82 - 3
AL33214	3B10	9	53 - 25	AL33530	1C8	10	20 - 50	AL34473	6G15	1	82 - 3
AL33214	3B10	11	53 - 25	AL33531	1C8	11	20 - 50	AL34475	7C9	7	93 - 3
AL33231	6I8	23	91 - 11	AL33532	1C8	13	20 - 50	AL34476	6G20	1	82 - 8
AL33232	6I8	23	91 - 11	AL33532	1C9	15	20 - 51	AL34531	6G20	12	82 - 8
AL33233	6I8	34	91 - 11	AL33539	3F4	15	53 - 117	AL34563	6D23	12	81 - 35
AL33234	6I8	34	91 - 11	AL33540	3F4	16	53 - 117	AL34564	6D18	11	81 - 30
AL33235	3H12	6	54 - 37	AL33569	5B19	14	71 - 35	AL34565	6D23	12	81 - 35
AL33237	3F21	27	53 - 135	AL33578	6F14	3	81 - 77	AL34593	5F12	16	73 - 3
AL33245	3F4	10	53 - 117	AL33578	6F14	7	81 - 77	AL34593	5F12	30	73 - 3
AL33247	2F25	13	52 - 63	AL33580	6F14	11	81 - 77	AL34593	5F14	3	73 - 5
AL33250	2F25	16	52 - 63	AL33580	6F14	17	81 - 77	AL34593	5F16	17	73 - 7
AL33259	3F4	14	53 - 117	AL33585	6F14	3	81 - 77	AL34593	5F18	16	73 - 9
AL33270	1F6	14	41 - 5	AL33585	6F14	7	81 - 77	AL34593	5F20	3	73 - 11
AL33271	1F6	13	41 - 5	AL33587	6F14	11	81 - 77	AL34593	5F22	16	73 - 13
AL33275	1F4	5	41 - 3	AL33587	6F14	17	81 - 77	AL34593	5F24	19	73 - 15
AL33277	3F4	10	53 - 117	AL33592	6H15	4	82 - 30	AL34593	5G2	3	73 - 17
AL33278	2F25	5	52 - 63	AL33688	6C19	21	81 - 5	AL34593	5G5	1	73 - 20
AL33279	2F25	9	52 - 63	AL33688	6C21	34	81 - 7	AL34595	5F14	20	73 - 5
AL33280	2F25	5	52 - 63	AL33688	6C23	34	81 - 9	AL34595	5F16	19	73 - 7
AL33288	5B25	4	71 - 41	AL33689	6C19	32	81 - 5	AL34595	5F18	19	73 - 9
AL33293	6A16	7	74 - 7	AL33689	6C21	38	81 - 7	AL34595	5F20	5	73 - 11
AL33294	6A16	7	74 - 7	AL33858	6C19	1	81 - 5	AL34595	5F22	20	73 - 13
AL33304	3C7	10	53 - 46	AL33859	6C19	10	81 - 5	AL34595	5F24	24	73 - 15
AL33318	4F17	1	62 - 73	AL33859	6C21	26	81 - 7	AL34595	5G2	5	73 - 17
AL33321	4F17	7	62 - 73	AL33859	6C23	26	81 - 9	AL34595	5G5	2	73 - 20
AL33336	1G11	10	41 - 35	AL33860	6C19	12	81 - 5	AL34599	6G7	24	81 - 95
AL33336	1G17	15	41 - 41	AL33860	6C21	28	81 - 7	AL34599	6G9	24	81 - 97
AL33336	1G19	18	41 - 43	AL33860	6C23	28	81 - 9	AL34605	5D11	24	71 - 81
AL33344	2E20	32	52 - 33	AL33884	1D12	4	30 - 19	AL34614	6C19	24	81 - 5
AL33349	4B11	2	55 - 29	AL33885	1D8	13	30 - 15	AL34614	6C21	13	81 - 7
AL33354	3G9	16	54 - 9	AL34092	5B23	6	71 - 39	AL34615	6C19	24	81 - 5
AL33366	6G7	22	81 - 95	AL34093	6C19	2	81 - 5	AL34615	6C21	13	81 - 7
AL33366	6G9	22	81 - 97	AL34093	6C21	16	81 - 7	AL34657	3B16	22	53 - 31
AL33370	4H18	3	63 - 39	AL34093	6C23	16	81 - 9	AL34676	4E9	8	62 - 39
AL33370	4H20	3	63 - 41	AL34173	2E10	16	52 - 23	AL34676	4H18	31	63 - 39
AL33370	4H22	11	63 - 43	AL34173	3B10	20	53 - 25	AL34676	4H20	33	63 - 41
AL33370	4H24	11	63 - 45	AL34179	1D12	23	30 - 19	AL34678	1D8	3	30 - 15
AL33371	4H18	3	63 - 39	AL34180	2E10	2	52 - 23	AL34689	5D11	22	71 - 81
AL33371	4H20	3	63 - 41	AL34180	3B10	17	53 - 25	AL34694	1D4	2	30 - 11
AL33371	4H22	11	63 - 43	AL34181	3F6	13	53 - 119	AL34709	4A25	3	55 - 18
AL33371	4H24	11	63 - 45	AL34207	6F2	11	81 - 65	AL34711	4A25	6	55 - 18
AL33371	4I2	11	63 - 47	AL34208	6F2	4	81 - 65	AL34714	4A25	5	55 - 18
AL33372	4H18	6	63 - 39	AL34241	4E14	35	62 - 45	AL34733	3G16	1	54 - 17
AL33372	4H20	6	63 - 41	AL34244	4E14	14	62 - 45	AL34735	1C25	17	30 - 7
AL33372	4H22	14	63 - 43	AL34245	4E24	2	62 - 55	AL34736	2C12	3	51 - 9
AL33372	4H24	14	63 - 45	AL34245	4F4	2	62 - 59	AL34743	2D10	39	51 - 33
AL33372	4I2	14	63 - 47	AL34246	4H22	26	63 - 43	AL34744	2D10	28	51 - 33
AL33374	4G15	1	63 - 12	AL34249	2D17	12	52 - 3	AL34745	2E1	1	52 - 13
AL33375	4G16	1	63 - 13	AL34249	3A13	12	53 - 3	AL34745	3A19	1	53 - 10
AL33403	5G9	1	73 - 25	AL34259	5H18	2	73 - 61	AL34746	2D24	1	52 - 11
AL33406	7H8	1	94 - 30	AL34261	4B13	7	55 - 31	AL34747	2D25	1	52 - 12
AL33406	7I7	3	94 - 54	AL34264	4B13	1	55 - 31	AL34747	3A17	1	53 - 8
AL33408	7G21	7	94 - 17	AL34265	4B13	2	55 - 31	AL34748	2D25	1	52 - 12
AL33409	7G21	10	94 - 17	AL34334	2E18	13	52 - 31	AL34748	3A17	1	53 - 8
AL33424	7G21	15	94 - 17	AL34334	3B24	13	53 - 39	AL34750	3A18	1	53 - 9
AL33439	7G13	25	94 - 9	AL34418	4E14	4	62 - 45	AL34750	2D10	1	51 - 33

1J5

1640, 2040, 2040S TRACTORS (430000-)

NUMERICAL INDEX - CONTINUED

PART NO.	GRID	KEY	PAGE	PART NO.	GRID	KEY	PAGE	PART NO.	GRID	KEY	PAGE
AL34759	2D11	1	51 - 34	AL35071	5B18	1	71 - 34	AL35292	6B9	8	74 - 27
AL34765	4E14	12	62 - 45	AL35072	4H18	16	63 - 39	AL35293	6B9	9	74 - 27
AL34765	4E16	15	62 - 47	AL35072	4H20	16	63 - 41	AL35294	6B9	10	74 - 27
AL34765	4E18	21	62 - 49	AL35073	5B21	23	71 - 37	AL35317	6I8	38	91 - 11
AL34765	4E20	11	62 - 51	AL35074	5B21	24	71 - 37	AL35318	6I8	38	91 - 11
AL34765	4E22	15	62 - 53	AL35075	5B18	19	71 - 34	AL35325	2A18	11	42 - 9
AL34766	4E14	11	62 - 45	AL35086	5B21	22	71 - 37	AL35325	2A23	6	42 - 15
AL34766	4E20	10	62 - 51	AL35087	5B19	9	71 - 35	AL35326	2A23	9	42 - 15
AL34767	4F19	11	62 - 75	AL35088	5B19	8	71 - 35	AL35329	7G15	1	94 - 11
AL34784	4E16	11	62 - 47	AL35089	4I4	23	63 - 49	AL35332	7H18	7	94 - 41
AL34784	4E18	14	62 - 49	AL35090	4H18	27	63 - 39	AL35337	1E9	20	30 - 43
AL34784	4E22	11	62 - 53	AL35090	4H20	29	63 - 41	AL35404	4I4	30	63 - 49
AL34785	5B21	8	71 - 37	AL35090	4H22	29	63 - 43	AL35431	5G12	8	73 - 28
AL34786	5B21	21	71 - 37	AL35090	4H24	29	63 - 45	AL35432	5F12	29	73 - 3
AL34788	5B19	4	71 - 35	AL35090	4I2	29	63 - 47	AL35432	5F18	9	73 - 9
AL34838	3G9	16	54 - 9	AL35090	4I4	9	63 - 49	AL35432	5F22	9	73 - 13
AL34840	3G9	16	54 - 9	AL35090	4I6	9	63 - 51	AL35432	5F24	35	73 - 15
AL34842	6C24	1	81 - 10	AL35114	5H5	6	73 - 47	AL35439	4H18	16	63 - 39
AL34843	7F14	9	93 - 83	AL35115	5H5	5	73 - 47	AL35439	4H20	16	63 - 41
AL34843	7F17	4	93 - 86	AL35116	5H5	4	73 - 47	AL35454	7F6	4	93 - 75
AL34843	7F17	5	93 - 86	AL35117	5H5	3	73 - 47	AL35459	5E3	15	72 - 3
AL34843	7F17	8	93 - 86	AL35121	5G15	3	73 - 31	AL35460	5E3	18	72 - 3
AL34844	7F14	13	93 - 83	AL35121	5G16	7	73 - 32	AL35460	5E5	2	72 - 5
AL34845	7F12	12	93 - 81	AL35121	5G17	7	73 - 33	AL35460	5E7	2	72 - 7
AL34845	7F14	14	93 - 83	AL35122	5G25	3	73 - 41	AL35464	1D8	5	30 - 15
AL34845	7F16	10	93 - 85	AL35123	5H16	8	73 - 59	AL35472	7F6	7	93 - 75
AL34846	7F12	8	93 - 81	AL35123	5H17	6	73 - 60	AL35495	7D12	17	93 - 31
AL34846	7F17	4	93 - 86	AL35140	4E24	8	62 - 55	AL35497	6D23	12	81 - 35
AL34846	7F17	5	93 - 86	AL35140	4E4	8	62 - 59	AL35498	6D23	12	81 - 35
AL34846	7F17	8	93 - 86	AL35142	4E24	16	62 - 55	AL35539	5D11	3	71 - 81
AL34847	7F12	13	93 - 81	AL35142	4F2	16	62 - 57	AL35559	2A12	17	42 - 3
AL34883	2C19	11	51 - 17	AL35156	3G9	16	54 - 9	AL35559	2A12	18	42 - 3
AL34883	2C21	12	51 - 19	AL35161	1G19	2	41 - 43	AL35561	2A18	4	42 - 9
AL34883	2C23	24	51 - 21	AL35162	1G19	14	41 - 43	AL35562	2A14	4	42 - 5
AL34887	5B21	7	71 - 37	AL35163	1G22	3	41 - 46	AL35564	2A20	4	42 - 11
AL34888	5B21	6	71 - 37	AL35164	1G22	3	41 - 46	AL35568	3G9	16	54 - 9
AL34888	5B21	22	71 - 37	AL35165	1G22	3	41 - 46	AL35570	3G9	16	54 - 9
AL34910	4H22	26	63 - 43	AL35166	1G22	3	41 - 46	AL35582	4H2	14	63 - 23
AL34927	6D15	1	81 - 27	AL35168	1G19	16	41 - 43	AL35582	4H4	17	63 - 25
AL34935	4C19	11	61 - 13	AL35171	7F6	3	93 - 75	AL35582	4I4	28	63 - 49
AL34937	1D6	5	30 - 13	AL35172	1G17	18	41 - 41	AL35582	4I8	25	63 - 53
AL34996	2B4	3	42 - 21	AL35173	1G17	7	41 - 41	AL35583	7D2	24	93 - 21
AL34998	4D6	5	62 - 11	AL35174	1G17	4	41 - 41	AL35585	4H2	10	63 - 23
AL34998	4D22	3	62 - 27	AL35176	1H13	3	41 - 63	AL35586	4H2	8	63 - 23
AL34999	4E24	1	62 - 55	AL35179	1G17	3	41 - 41	AL35586	4H4	5	63 - 25
AL34999	4F4	1	62 - 59	AL35186	2B11	8	42 - 29	AL35592	5F2	21	72 - 27
AL35000	4D24	9	62 - 29	AL35187	7F20	24	93 - 89	AL35601	5H1	1	73 - 43
AL35000	4E2	9	62 - 31	AL35187	7F22	11	93 - 91	AL35614	7D12	7	93 - 31
AL35000	4E24	5	62 - 55	AL35190	2B11	9	42 - 29	AL35627	3H18	10	54 - 43
AL35000	4F2	6	62 - 57	AL35190	2B13	9	42 - 31	AL35628	3H18	16	54 - 43
AL35000	4F4	5	62 - 59	AL35243	1G19	4	41 - 43	AL35633	7G15	1	94 - 11
AL35000	4F6	6	62 - 61	AL35243	1G21	4	41 - 45	AL35635	7G9	1	94 - 5
AL35010	4D22	1	62 - 27	AL35251	5B18	14	71 - 34	AL35636	7G11	10	94 - 7
AL35010	4D22	31	62 - 27	AL35251	5B19	7	71 - 35	AL35636	7G17	12	94 - 13
AL35011	4D10	1	62 - 15	AL35260	1G17	8	41 - 41	AL35637	7G11	11	94 - 7
AL35011	4D22	1	62 - 27	AL35265	6A20	3	74 - 11	AL35637	7G17	13	94 - 13
AL35011	4D22	31	62 - 27	AL35266	4E11	4	62 - 41	AL35638	7G19	32	94 - 15
AL35017	4E24	17	62 - 55	AL35268	4F8	12	62 - 63	AL35638	7G19	37	94 - 15
AL35017	4F2	17	62 - 57	AL35269	4F8	8	62 - 63	AL35641	7G13	31	94 - 9
AL35017	4F4	16	62 - 59	AL35269	4F15	4	62 - 71	AL35642	7C3	3	92 - 46
AL35017	4F6	16	62 - 61	AL35270	5G15	6	73 - 31	AL35642	7F20	4	93 - 89
AL35020	3C19	10	53 - 59	AL35275	2B11	21	42 - 29	AL35642	7F22	6	93 - 91
AL35020	3C21	10	53 - 61	AL35276	2A23	3	42 - 15	AL35643	7E22	8	93 - 67
AL35025	4E14	25	62 - 45	AL35277	2B11	12	42 - 29	AL35644	7E22	8	93 - 67
AL35025	4E16	23	62 - 47	AL35286	2B11	15	42 - 29	AL35648	6D5	1	81 - 16
AL35044	5B23	4	71 - 39	AL35287	2B11	23	42 - 29	AL35649	6D5	3	81 - 16
AL35049	5B21	9	71 - 37	AL35291	6B9	7	74 - 27	AL35651	6D5	1	81 - 16

1J6

1640, 2040, 2040S TRACTORS (430000-)

NUMERICAL INDEX - CONTINUED

PART NO.	GRID	KEY	PAGE	PART NO.	GRID	KEY	PAGE	PART NO.	GRID	KEY	PAGE
AL35652	6D5	3	81 - 16	AL35946	6I8	10	91 - 11	AL36326	7G19	22	94 - 15
AL35664	2E20	17	52 - 33	AL35947	6D9	10	81 - 21	AL36327	7G19	32	94 - 15
AL35664	3C2	17	53 - 41	AL35948	2C16	8	51 - 13	AL36327	7G19	37	94 - 15
AL35665	3C2	17	53 - 41	AL35965	6B4	20	74 - 21	AL36327	7H4	34	94 - 25
AL35675	7D2	17	93 - 21	AL35967	2A23	10	42 - 15	AL36327	7H6	31	94 - 27
AL35677	5G7	6	73 - 23	AL35968	2B5	2	42 - 22	AL36330	1C25	6	30 - 7
AL35677	6A16	7	74 - 7	AL35969	2E16	7	52 - 29	AL36335	1G7	22	41 - 31
AL35677	6A18	20	74 - 9	AL35969	3B22	7	53 - 37	AL36335	1G9	5	41 - 33
AL35683	7F20	21	93 - 89	AL35970	3H8	27	54 - 33	AL36335	1G17	14	41 - 41
AL35694	2A23	7	42 - 15	AL35970	3H10	26	54 - 35	AL36335	1G19	4	41 - 43
AL35705	1H25	3	41 - 76	AL35976	5G13	11	73 - 29	AL36335	1G21	4	41 - 45
AL35707	7D2	28	93 - 21	AL35993	3G11	1	54 - 11	AL36335	1G25	21	41 - 49
AL35738	3G7	15	54 - 7	AL35998	1F8	1	41 - 7	AL36335	2B11	6	42 - 29
AL35739	3G7	15	54 - 7	AL35999	1F8	23	41 - 7	AL36335	2B13	6	42 - 31
AL35740	3G7	15	54 - 7	AL35999	1F14	23	41 - 13	AL36335	2B13	36	42 - 31
AL35741	3G7	15	54 - 7	AL36100	1F6	1	41 - 5	AL36335	2B15	7	42 - 33
AL35750	7F20	18	93 - 89	AL36101	1F6	22	41 - 5	AL36335	2B17	8	42 - 35
AL35751	7F20	13	93 - 89	AL36102	7I7	12	94 - 54	AL36337	4E14	14	62 - 45
AL35751	7F22	19	93 - 91	AL36118	4E14	14	62 - 45	AL36337	4E14	31	62 - 45
AL35755	5A20	1	71 - 10	AL36118	4E14	25	62 - 45	AL36337	4E14	35	62 - 45
AL35773	1H25	7	41 - 76	AL36118	4E14	35	62 - 45	AL36337	4E16	33	62 - 47
AL35790	7F20	6	93 - 89	AL36118	4E16	23	62 - 47	AL36337	4E18	34	62 - 49
AL35790	7F22	7	93 - 91	AL36118	4E18	28	62 - 49	AL36353	3F16	12	53 - 129
AL35792	5H2	4	73 - 44	AL36121	5G9	8	73 - 25	AL36354	3F14	8	53 - 127
AL35793	5H2	3	73 - 44	AL36122	4H18	18	63 - 39	AL36355	3F16	13	53 - 129
AL35794	5H2	2	73 - 44	AL36122	4H20	18	63 - 41	AL36356	3F16	14	53 - 129
AL35795	5H2	1	73 - 44	AL36122	4H22	23	63 - 43	AL36357	3F14	9	53 - 127
AL35803	7C24	29	93 - 19	AL36122	4H24	23	63 - 45	AL36358	3F14	10	53 - 127
AL35807	7D16	10	93 - 35	AL36122	4I2	23	63 - 47	AL36359	3F14	11	53 - 127
AL35810	7D18	14	93 - 37	AL36122	4I4	21	63 - 49	AL36365	1G13	2	41 - 37
AL35830	6C17	1	81 - 3	AL36122	4I6	24	63 - 51	AL36365	1G15	15	41 - 39
AL35831	6C17	1	81 - 3	AL36123	4H18	19	63 - 39	AL36365	1G25	5	41 - 49
AL35832	4D6	1	62 - 11	AL36123	4H20	19	63 - 41	AL36369	5F2	30	72 - 27
AL35833	4D6	1	62 - 11	AL36123	4H22	24	63 - 43	AL36374	2C19	14	51 - 17
AL35833	4D6	32	62 - 11	AL36123	4H24	24	63 - 45	AL36374	2C24	1	51 - 22
AL35834	4D6	1	62 - 11	AL36123	4I2	24	63 - 47	AL36385	7I15	4	94 - 62
AL35837	4H22	26	63 - 43	AL36123	4I4	22	63 - 49	AL36392	7F16	16	93 - 85
AL35837	4H24	35	63 - 45	AL36124	3F19	4	53 - 133	AL36393	7F16	10	93 - 85
AL35839	6C17	4	81 - 3	AL36125	1E7	3	30 - 41	AL36397	5G21	22	73 - 37
AL35843	7F16	1	93 - 85	AL36133	2C23	2	51 - 21	AL36399	5G21	21	73 - 37
AL35843	7F17	4	93 - 86	AL36134	2C23	1	51 - 21	AL36401	5G21	20	73 - 37
AL35843	7F17	5	93 - 86	AL36134	2C23	5	51 - 21	AL36409	4H12	3	63 - 33
AL35843	7F17	8	93 - 86	AL36134	2D2	1	51 - 25	AL36414	4H14	10	63 - 35
AL35849	6E13	3	81 - 51	AL36134	2D2	2	51 - 25	AL36442	6B7	13	74 - 25
AL35858	7F23	1	93 - 92	AL36134	2D3	1	51 - 26	AL36443	6B7	12	74 - 25
AL35860	7G2	5	93 - 95	AL36134	2D4	1	51 - 27	AL36444	6B7	10	74 - 25
AL35863	1G13	3	41 - 37	AL36165	3F14	4	53 - 127	AL36445	6B7	9	74 - 25
AL35863	1G13	14	41 - 37	AL36167	3F14	5	53 - 127	AL36446	6B7	7	74 - 25
AL35863	1G15	2	41 - 39	AL36169	3F14	6	53 - 127	AL36447	6B7	8	74 - 25
AL35863	1G25	6	41 - 49	AL36171	3F14	7	53 - 127	AL36454	4E12	10	62 - 42
AL35864	1G13	3	41 - 37	AL36186	4H20	7	63 - 41	AL36455	4E12	8	62 - 42
AL35864	1G13	13	41 - 37	AL36186	4H24	15	63 - 45	AL36458	7D20	13	93 - 39
AL35864	1G25	7	41 - 49	AL36187	4H20	28	63 - 41	AL36459	7G15	1	94 - 11
AL35912	2D10	16	51 - 33	AL36187	4H24	26	63 - 45	AL36460	7G17	12	94 - 13
AL35912	2D10	17	51 - 33	AL36187	4I2	26	63 - 47	AL36461	7G17	13	94 - 13
AL35919	5H5	9	73 - 47	AL36188	4I2	15	63 - 47	AL36463	6B4	26	74 - 21
AL35919	5H6	10	73 - 48	AL36191	3H8	27	54 - 33	AL36465	6B4	19	74 - 21
AL35919	6B9	17	74 - 27	AL36191	3H10	26	54 - 35	AL36482	7C24	14	93 - 19
AL35925	3G13	9	54 - 13	AL36196	5E18	5	72 - 19	AL36483	7C24	12	93 - 19
AL35926	3G13	9	54 - 13	AL36196	5E22	11	72 - 23	AL36491	2D10	35	51 - 33
AL35927	7C18	15	93 - 13	AL36198	4H18	14	63 - 39	AL36495	1E9	19	30 - 43
AL35930	1C25	10	30 - 7	AL36198	4H20	14	63 - 41	AL36514	2E18	16	52 - 31
AL35931	1C25	10	30 - 7	AL36198	4H22	21	63 - 43	AL36514	3B24	16	53 - 39
AL35939	2D10	9	51 - 33	AL36198	4H24	21	63 - 45	AL36515	2E18	2	52 - 31
AL35939	2D10	10	51 - 33	AL36198	4I2	21	63 - 47	AL36515	2E18	20	52 - 31
AL35944	5B21	27	71 - 37	AL36324	7G11	10	94 - 7	AL36515	3B24	2	53 - 39
AL35945	6I8	10	91 - 11	AL36324	7G17	12	94 - 13	AL36515	3B24	20	53 - 39

1J7

1640, 2040, 2040S TRACTORS (430000-)

NUMERICAL INDEX - CONTINUED

PART NO.	GRID	KEY	PAGE	PART NO.	GRID	KEY	PAGE	PART NO.	GRID	KEY	PAGE
AL36521	4E20	18	62 - 51	AL36655	7H22	11	94 - 45	AL36988	6C24	7	81 - 10
AL36521	4E22	27	62 - 53	AL36656	7H20	5	94 - 43	AL36989	4D6	8	62 - 11
AL36523	3H12	33	54 - 37	AL36657	7H20	8	94 - 43	AL36989	4D6	9	62 - 11
AL36523	3H14	9	54 - 39	AL36658	7H20	7	94 - 43	AL36989	4D6	10	62 - 11
AL36525	2C21	2	51 - 19	AL36659	7I4	20	94 - 51	AL36989	4D6	11	62 - 11
AL36525	2C23	1	51 - 21	AL36660	7H22	44	94 - 45	AL36989	4D10	8	62 - 15
AL36526	3H12	22	54 - 37	AL36664	7I4	32	94 - 51	AL36989	4D10	9	62 - 15
AL36526	3H14	26	54 - 39	AL36665	7I4	39	94 - 51	AL36989	4D10	10	62 - 15
AL36527	3B5	7	53 - 20	AL36666	7I4	35	94 - 51	AL36989	4D10	11	62 - 15
AL36528	2B11	26	42 - 29	AL36667	7I4	9	94 - 51	AL36989	4D14	10	62 - 19
AL36528	2B13	26	42 - 31	AL36667	7I6	9	94 - 53	AL36989	4D14	11	62 - 19
AL36529	2B11	28	42 - 29	AL36668	7H24	7	94 - 47	AL36989	4D14	12	62 - 19
AL36529	2B13	28	42 - 31	AL36669	7H22	4	94 - 45	AL36989	4D14	13	62 - 19
AL36531	7H18	1	94 - 41	AL36670	7H22	32	94 - 45	AL36989	4D16	10	62 - 21
AL36533	4C22	1	62 - 3	AL36671	7H22	23	94 - 45	AL36989	4D16	11	62 - 21
AL36533	4C22	2	62 - 3	AL36672	7H24	11	94 - 47	AL36989	4D16	12	62 - 21
AL36533	4C24	39	62 - 5	AL36673	7I4	18	94 - 51	AL36989	4D16	13	62 - 21
AL36533	4D2	37	62 - 7	AL36674	7H22	6	94 - 45	AL36989	4D18	10	62 - 23
AL36533	4D4	1	62 - 9	AL36675	7H22	42	94 - 45	AL36989	4D18	11	62 - 23
AL36535	2B11	17	42 - 29	AL36676	7H22	22	94 - 45	AL36989	4D18	12	62 - 23
AL36535	2B13	17	42 - 31	AL36677	7H22	43	94 - 45	AL36989	4D18	13	62 - 23
AL36535	2B15	22	42 - 33	AL36681	4E11	7	62 - 41	AL36989	4D20	10	62 - 25
AL36535	2B15	32	42 - 33	AL36682	7H22	41	94 - 45	AL36989	4D20	11	62 - 25
AL36535	7F16	26	93 - 85	AL36683	7H22	5	94 - 45	AL36989	4D20	12	62 - 25
AL36535	7F20	8	93 - 89	AL36684	7H22	25	94 - 45	AL36989	4D20	13	62 - 25
AL36535	7F22	9	93 - 91	AL36685	7H22	45	94 - 45	AL36989	4D22	8	62 - 27
AL36555	7G11	11	94 - 7	AL36686	7H24	15	94 - 47	AL36989	4D22	9	62 - 27
AL36555	7G17	13	94 - 13	AL36687	7H20	12	94 - 43	AL36989	4D22	10	62 - 27
AL36556	7G9	1	94 - 5	AL36688	7H20	11	94 - 43	AL36989	4D22	11	62 - 27
AL36557	7F12	6	93 - 81	AL36691	1D4	12	30 - 11	AL36989	4E4	10	62 - 33
AL36557	7F14	12	93 - 83	AL36721	4B3	9	55 - 21	AL36989	4E4	11	62 - 33
AL36557	7F16	17	93 - 85	AL36722	4B3	4	55 - 21	AL36989	4E4	12	62 - 33
AL36558	1F22	1	41 - 21	AL36722	4B4	4	55 - 22	AL36989	4E4	13	62 - 33
AL36559	1H21	8	41 - 71	AL36727	6H18	4	82 - 33	AL36989	4E6	10	62 - 35
AL36560	1H21	1	41 - 71	AL36728	6C24	5	81 - 10	AL36989	4E6	11	62 - 35
AL36561	1H21	7	41 - 71	AL36737	3F16	26	53 - 129	AL36989	4E6	12	62 - 35
AL36562	1H17	2	41 - 67	AL36807	2C12	10	51 - 9	AL36989	4E6	13	62 - 35
AL36562	1H18	8	41 - 68	AL36808	5G15	6	73 - 31	AL36994	4I8	31	63 - 53
AL36562	1H21	6	41 - 71	AL36837	6C24	1	81 - 10	AL36995	6C9	5	74 - 55
AL36563	4F8	13	62 - 63	AL36838	1F20	10	41 - 19	AL37005	3B4	7	53 - 19
AL36563	4F10	8	62 - 65	AL36838	1F22	6	41 - 21	AL37005	3B5	1	53 - 20
AL36563	4F10	10	62 - 65	AL36844	3F4	13	53 - 117	AL37044	3B4	10	53 - 19
AL36567	3B7	1	53 - 22	AL36859	3F4	8	53 - 117	AL37069	4B1	7	55 - 19
AL36578	3H19	3	54 - 44	AL36907	1E14	20	30 - 49	AL37069	4B2	5	55 - 20
AL36581	6A24	1	74 - 16	AL36910	1E14	20	30 - 49	AL37071	4B1	3	55 - 19
AL36581	6A25	8	74 - 17	AL36911	1E14	20	30 - 49	AL37071	4B2	2	55 - 20
AL36582	6A24	5	74 - 16	AL36922	4G22	3	63 - 19	AL37076	6F16	12	81 - 79
AL36582	6A25	1	74 - 17	AL36923	1E14	3	30 - 49	AL37077	6F16	12	81 - 79
AL36586	5H14	17	73 - 57	AL36924	1E14	3	30 - 49	AL37078	6F16	1	81 - 79
AL36601	1F22	7	41 - 21	AL36925	3F16	8	53 - 129	AL37079	6F16	1	81 - 79
AL36606	7D18	26	93 - 37	AL36934	6C25	3	81 - 11	AL37083	6G9	26	81 - 97
AL36614	3C17	1	53 - 57	AL36937	6C25	3	81 - 11	AL37084	2B4	1	42 - 21
AL36615	3H12	19	54 - 37	AL36940	6C25	8	81 - 11	AL37095	3A20	1	53 - 11
AL36615	3H14	24	54 - 39	AL36941	6C23	37	81 - 9	AL37127	4F4	22	62 - 59
AL36616	5D4	28	71 - 73	AL36941	6C25	5	81 - 11	AL37127	4F6	22	62 - 61
AL36616	5D11	8	71 - 81	AL36957	2B11	16	42 - 29	AL37129	6A20	10	74 - 11
AL36616	5D13	4	71 - 83	AL36958	2B4	2	42 - 21	AL37129	6A22	20	74 - 13
AL36616	5D15	17	71 - 85	AL36972	5G16	3	73 - 32	AL37130	4E11	4	62 - 41
AL36625	4B16	1	55 - 35	AL36972	5G16	13	73 - 32	AL37132	4E11	1	62 - 41
AL36627	4B16	1	55 - 35	AL36972	5G17	3	73 - 33	AL37132	4E11	11	62 - 41
AL36643	7I4	29	94 - 51	AL36972	5G17	10	73 - 33	AL37132	4E14	24	62 - 45
AL36643	7I6	29	94 - 53	AL36972	5H3	4	73 - 45	AL37132	4E16	30	62 - 47
AL36644	7I4	1	94 - 51	AL36972	6B9	7	74 - 27	AL37132	4E18	33	62 - 49
AL36645	7I4	45	94 - 51	AL36972	6B9	8	74 - 27	AL37132	4G22	12	63 - 19
AL36646	7I4	3	94 - 51	AL36972	6B9	9	74 - 27	AL37133	4E10	5	62 - 40
AL36647	7I4	10	94 - 51	AL36972	6B9	10	74 - 27	AL37133	4E11	13	62 - 41
AL36648	7I4	28	94 - 51	AL36972	6B9	25	74 - 27	AL37133	4E14	15	62 - 45

1J8

1640, 2040, 2040S TRACTORS (430000-)

NUMERICAL INDEX - CONTINUED

PART NO.	GRID	KEY	PAGE	PART NO.	GRID	KEY	PAGE	PART NO.	GRID	KEY	PAGE
AL37133	4E16	31	62 - 47	AL37357	1C25	1	30 - 7	AL37508	7H20	7	94 - 43
AL37133	4E18	32	62 - 49	AL37358	1C25	9	30 - 7	AL37508	7H20	13	94 - 43
AL37133	4G22	21	63 - 19	AL37360	5B19	14	71 - 35	AL37513	1G19	16	41 - 43
AL37133	5B19	14	71 - 35	AL37361	4G20	10	63 - 17	AL37514	2D12	1	51 - 35
AL37133	5G16	10	73 - 32	AL37364	1C25	2	30 - 7	AL37515	2D13	1	51 - 36
AL37133	5G16	13	73 - 32	AL37364	1C25	4	30 - 7	AL37516	2D12	4	51 - 35
AL37133	5G17	9	73 - 33	AL37365	1C25	7	30 - 7	AL37517	2D12	3	51 - 35
AL37133	6A20	9	74 - 11	AL37366	4H6	3	63 - 27	AL37518	2D12	2	51 - 35
AL37133	6A20	10	74 - 11	AL37367	3C7	13	53 - 46	AL37519	2D13	2	51 - 36
AL37133	6A20	12	74 - 11	AL37367	3C8	1	53 - 47	AL37520	2D13	3	51 - 36
AL37133	6A22	3	74 - 13	AL37367	3C10	1	53 - 49	AL37521	2D13	4	51 - 36
AL37133	6A22	20	74 - 13	AL37368	3C8	10	53 - 47	AL37525	7E7	2	93 - 51
AL37133	6A22	26	74 - 13	AL37369	4H8	3	63 - 29	AL37525	7E7	16	93 - 51
AL37146	6E7	7	81 - 45	AL37369	4H10	3	63 - 31	AL37539	2C21	21	51 - 19
AL37146	6E7	15	81 - 45	AL37377	7F14	20	93 - 83	AL37539	2C23	8	51 - 21
AL37146	6E9	19	81 - 47	AL37380	1D8	5	30 - 15	AL37565	2E6	19	52 - 18
AL37159	4B2	1	55 - 20	AL37406	7D4	6	93 - 23	AL37565	3B6	19	53 - 21
AL37190	7D10	20	93 - 29	AL37406	7D4	9	93 - 23	AL37568	1C7	7	20 - 49
AL37192	2C19	14	51 - 17	AL37406	7D4	13	93 - 23	AL37568	1C7	27	20 - 49
AL37192	2C24	1	51 - 22	AL37406	7D4	14	93 - 23	AL37573	4G4	8	63 - 1
AL37193	6E7	3	81 - 45	AL37408	7D18	14	93 - 37	AL37582	2F25	13	52 - 63
AL37193	6E9	1	81 - 47	AL37410	7F16	21	93 - 85	AL37584	3F4	10	53 - 117
AL37194	6E7	13	81 - 45	AL37418	6D9	1	81 - 21	AL37585	3F4	10	53 - 117
AL37202	4F10	10	62 - 65	AL37418	6D9	22	81 - 21	AL37589	7F20	10	93 - 89
AL37204	6E9	11	81 - 47	AL37429	2B15	31	42 - 33	AL37590	7F20	17	93 - 89
AL37205	6E9	1	81 - 47	AL37429	2B17	3	42 - 35	AL37593	4D14	7	62 - 19
AL37206	7E22	4	93 - 67	AL37429	7F16	24	93 - 85	AL37593	4D16	7	62 - 21
AL37206	7E22	12	93 - 67	AL37433	1E7	9	30 - 41	AL37593	4D18	7	62 - 23
AL37216	7E17	1	93 - 62	AL37433	1E7	15	30 - 41	AL37593	4D20	7	62 - 25
AL37219	3C7	10	53 - 46	AL37435	2A12	16	42 - 3	AL37593	4E4	7	62 - 33
AL37229	7E24	12	93 - 69	AL37450	1C7	9	20 - 49	AL37593	4E6	7	62 - 35
AL37231	7E22	3	93 - 67	AL37451	1C5	7	20 - 47	AL37595	3C8	6	53 - 47
AL37231	7E22	4	93 - 67	AL37451	1C10	2	20 - 52	AL37596	3C6	4	53 - 45
AL37233	7E24	13	93 - 69	AL37451	4A23	28	55 - 15	AL37596	3C6	5	53 - 45
AL37235	7E24	7	93 - 69	AL37451	5B23	1	71 - 39	AL37707	2C19	14	51 - 17
AL37237	7E24	11	93 - 69	AL37454	7F16	23	93 - 85	AL37707	2C24	1	51 - 22
AL37247	5G7	6	73 - 23	AL37455	7E17	1	93 - 62	AL37735	6D9	1	81 - 21
AL37247	6A16	7	74 - 7	AL37459	4E10	6	62 - 40	AL37735	6D9	4	81 - 21
AL37247	6A18	20	74 - 9	AL37459	4E12	5	62 - 42	AL37735	6D9	22	81 - 21
AL37254	2B11	8	42 - 29	AL37459	4I2	35	63 - 47	AL37739	7E22	1	93 - 67
AL37265	5A25	1	71 - 15	AL37459	5G16	11	73 - 32	AL37740	7E22	1	93 - 67
AL37265	5B2	4	71 - 17	AL37461	4G20	20	63 - 17	AL37754	4B13	1	55 - 31
AL37265	5B8	28	71 - 23	AL37461	4G24	5	63 - 21	AL37754	4B13	2	55 - 31
AL37265	5B12	28	71 - 27	AL37462	5G16	13	73 - 32	AL37767	6G20	1	82 - 8
AL37269	1H25	7	41 - 76	AL37462	6A20	10	74 - 11	AL37840	6H24	4	91 - 3
AL37269	11	6	41 - 77	AL37462	6A22	20	74 - 13	AL37841	6H24	9	91 - 3
AL37270	2C16	24	51 - 13	AL37463	4I6	33	63 - 51	AL37842	6H24	4	91 - 3
AL37270	2C19	1	51 - 17	AL37464	4I6	25	63 - 51	AL37843	6H24	9	91 - 3
AL37279	2C9	1	51 - 5	AL37465	4H4	16	63 - 25	AL37858	2C7	1	51 - 3
AL37280	3C6	1	53 - 45	AL37467	4H4	16	63 - 25	AL37858	2C7	8	51 - 3
AL37280	3C6	2	53 - 45	AL37471	2D10	1	51 - 33	AL37860	2C7	1	51 - 3
AL37280	3C6	35	53 - 45	AL37471	2D11	2	51 - 34	AL37860	2C16	8	51 - 13
AL37284	6G24	7	82 - 13	AL37488	4E24	8	62 - 55	AL37861	2C7	1	51 - 3
AL37284	6H2	9	82 - 17	AL37488	4F2	8	62 - 57	AL37861	2C9	1	51 - 5
AL37298	7D5	1	93 - 24	AL37488	4F4	8	62 - 59	AL37861	2C21	13	51 - 19
AL37298	7D5	4	93 - 24	AL37488	4F6	8	62 - 61	AL37861	2C23	18	51 - 21
AL37327	1H25	3	41 - 76	AL37489	4G8	6	63 - 5	AL37866	3H4	20	54 - 29
AL37332	4E10	1	62 - 40	AL37489	4G10	13	63 - 7	AL37898	6B21	10	74 - 41
AL37332	4E11	14	62 - 41	AL37489	4G20	4	63 - 17	AL37899	3A13	19	53 - 3
AL37332	4I8	37	63 - 53	AL37489	4G24	2	63 - 21	AL37900	2D17	12	52 - 3
AL37332	5C19	24	71 - 61	AL37490	4I6	28	63 - 51	AL37900	3A13	12	53 - 3
AL37332	6C9	3	74 - 55	AL37494	4I8	28	63 - 53	AL37907	7F14	7	93 - 83
AL37339	7D18	8	93 - 37	AL37494	4I9	14	63 - 54	AL37930	4H4	7	63 - 25
AL37351	4C24	29	62 - 5	AL37495	4I8	28	63 - 53	AL37931	6A18	5	74 - 9
AL37351	4D2	27	62 - 7	AL37495	4I9	14	63 - 54	AL37936	6A18	7	74 - 9
AL37354	7D5	1	93 - 24	AL37504	6E3	10	81 - 41	AL37937	3C7	6	53 - 46
AL37354	7D5	4	93 - 24	AL37505	6E3	8	81 - 41	AL37946	4E11	7	62 - 41

1J9

1640, 2040, 2040S TRACTORS (430000-)

NUMERICAL INDEX - CONTINUED

PART NO.	GRID	KEY	PAGE	PART NO.	GRID	KEY	PAGE	PART NO.	GRID	KEY	PAGE
AL37948	2B22	6	42 - 41	AL38197	2D2	1	51 - 25	AL38374	1C7	26	20 - 49
AL37949	5F12	27	73 - 3	AL38197	2D2	2	51 - 25	AL38377	7F4	13	93 - 73
AL37949	5F18	23	73 - 9	AL38197	2D4	1	51 - 27	AL38377	7F4	16	93 - 73
AL37949	5F22	25	73 - 13	AL38198	7C9	7	93 - 3	AL38377	7F4	17	93 - 73
AL37949	5F24	32	73 - 15	AL38207	5F2	18	72 - 27	AL38379	1C25	5	30 - 7
AL37965	3F6	5	53 - 119	AL38213	4H16	11	63 - 37	AL38384	5F8	4	72 - 33
AL37966	3F6	11	53 - 119	AL38226	2D21	5	52 - 7	AL38398	4D6	5	62 - 11
AL37971	6F24	9	81 - 87	AL38226	2D21	9	52 - 7	AL38398	4D22	3	62 - 27
AL37974	4I9	15	63 - 54	AL38226	2D21	10	52 - 7	AL38448	5B23	7	71 - 39
AL37975	1C21	9	30 - 3	AL38226	2D21	12	52 - 7	AL38456	5G9	8	73 - 25
AL37996	1G19	15	41 - 43	AL38226	2D21	15	52 - 7	AL38480	1F22	6	41 - 21
AL37997	6F14	3	81 - 77	AL38226	3A15	5	53 - 5	AL38480	1F24	12	41 - 23
AL37997	6F14	7	81 - 77	AL38226	3A15	9	53 - 5	AL38481	1F20	10	41 - 19
AL37998	6F14	11	81 - 77	AL38226	3A15	10	53 - 5	AL38481	1F22	6	41 - 21
AL37998	6F14	17	81 - 77	AL38226	3A15	12	53 - 5	AL38481	1F24	12	41 - 23
AL37999	6F14	3	81 - 77	AL38226	3A15	15	53 - 5	AL38513	7G15	6	94 - 11
AL37999	6F14	7	81 - 77	AL38234	4G4	2	63 - 1	AL38513	7H18	7	94 - 41
AL38000	6F14	11	81 - 77	AL38235	4G4	2	63 - 1	AL38518	6G22	11	82 - 11
AL38000	6F14	17	81 - 77	AL38238	2E12	29	52 - 25	AL38522	6C17	1	81 - 3
AL38006	6F4	5	81 - 67	AL38238	2E14	29	52 - 27	AL38523	6C17	1	81 - 3
AL38017	6F3	4	81 - 66	AL38238	3B12	29	53 - 27	AL38524	7I4	32	94 - 51
AL38018	4C2	21	55 - 47	AL38238	3B14	29	53 - 29	AL38524	7I4	47	94 - 51
AL38018	4C3	1	55 - 48	AL38239	2E12	2	52 - 25	AL38524	7I6	36	94 - 53
AL38025	6A18	16	74 - 9	AL38239	2E14	2	52 - 27	AL38526	7I4	19	94 - 51
AL38025	6A22	17	74 - 13	AL38239	2E20	25	52 - 33	AL38526	7I4	20	94 - 51
AL38035	4B4	8	55 - 22	AL38239	3B12	2	53 - 27	AL38526	7I4	46	94 - 51
AL38037	4F23	19	62 - 79	AL38239	3B14	2	53 - 29	AL38526	7I6	35	94 - 53
AL38037	4F25	19	62 - 81	AL38239	3C2	25	53 - 41	AL38531	7H22	25	94 - 45
AL38038	4F23	19	62 - 79	AL38239	4A19	26	55 - 11	AL38532	7H22	41	94 - 45
AL38038	4F25	19	62 - 81	AL38240	2E20	25	52 - 33	AL38533	7H22	45	94 - 45
AL38046	3F16	2	53 - 129	AL38240	3C2	25	53 - 41	AL38534	7H22	5	94 - 45
AL38047	3F16	3	53 - 129	AL38246	2D7	1	51 - 30	AL38544	4G20	1	63 - 17
AL38048	3F16	4	53 - 129	AL38246	2D7	7	51 - 30	AL38544	4G20	2	63 - 17
AL38049	3F16	5	53 - 129	AL38249	5G21	23	73 - 37	AL38544	4G20	6	63 - 17
AL38082	5C14	28	71 - 55	AL38249	5G21	36	73 - 37	AL38545	4G20	2	63 - 17
AL38082	5C14	31	71 - 55	AL38249	6B4	27	74 - 21	AL38545	4G20	3	63 - 17
AL38082	5C14	32	71 - 55	AL38250	5G21	12	73 - 37	AL38545	4G20	5	63 - 17
AL38082	5C14	38	71 - 55	AL38250	5G21	37	73 - 37	AL38545	4G20	18	63 - 17
AL38083	5C2	1	71 - 43	AL38250	5G21	38	73 - 37	AL38551	3C19	1	53 - 59
AL38083	5C4	2	71 - 45	AL38250	6B4	12	74 - 21	AL38551	3C21	1	53 - 61
AL38083	5C5	1	71 - 46	AL38251	5G21	13	73 - 37	AL38551	3E4	7	53 - 93
AL38083	7G6	11	94 - 1	AL38253	7E17	1	93 - 62	AL38551	3E4	23	53 - 93
AL38085	6C17	1	81 - 3	AL38255	7E17	1	93 - 62	AL38552	4C24	40	62 - 5
AL38086	6C17	1	81 - 3	AL38285	7D23	3	93 - 42	AL38552	4D2	38	62 - 7
AL38089	4B18	14	55 - 37	AL38285	7D23	7	93 - 42	AL38552	4D4	30	62 - 9
AL38094	5C5	3	71 - 46	AL38285	7D25	4	93 - 44	AL38553	4C24	29	62 - 5
AL38095	4B18	7	55 - 37	AL38291	6H18	12	82 - 33	AL38553	4D2	27	62 - 7
AL38096	4B24	17	55 - 43	AL38298	7F22	12	93 - 91	AL38553	4D4	7	62 - 9
AL38096	4C2	20	55 - 47	AL38301	6I8	12	91 - 11	AL38554	3G9	16	54 - 9
AL38097	4B25	1	55 - 45	AL38305	6C9	1	74 - 55	AL38557	2C21	4	51 - 19
AL38098	4C2	7	55 - 47	AL38310	3B5	3	53 - 20	AL38557	2C25	1	51 - 23
AL38099	4C2	10	55 - 47	AL38310	3G11	7	54 - 11	AL38557	2C25	2	51 - 23
AL38100	6F3	4	81 - 66	AL38310	3G13	8	54 - 13	AL38567	6F12	4	81 - 75
AL38102	6F4	5	81 - 67	AL38314	1D8	6	30 - 15	AL38567	7A18	23	92 - 9
AL38118	6A18	14	74 - 9	AL38327	7C24	7	93 - 19	AL38567	7A25	12	92 - 17
AL38126	4G20	14	63 - 17	AL38327	7D4	1	93 - 23	AL38567	7D2	28	93 - 21
AL38127	4G20	31	63 - 17	AL38327	7D4	15	93 - 23	AL38577	6H16	9	82 - 31
AL38129	4F23	26	62 - 79	AL38327	7D4	18	93 - 23	AL38594	1G7	17	41 - 31
AL38184	6A22	11	74 - 13	AL38328	7C24	7	93 - 19	AL38594	1G9	14	41 - 33
AL38185	6A22	18	74 - 13	AL38328	7D4	1	93 - 23	AL38594	1G19	5	41 - 43
AL38188	7E7	37	93 - 51	AL38328	7D4	15	93 - 23	AL38594	1G21	15	41 - 45
AL38189	7E7	20	93 - 51	AL38328	7D4	18	93 - 23	AL38623	6H18	14	82 - 33
AL38190	7E7	21	93 - 51	AL38335	2A18	4	42 - 9	AL38624	6H18	13	82 - 33
AL38192	7F22	20	93 - 91	AL38339	7F22	24	93 - 91	AL38632	3C17	1	53 - 57
AL38194	7D4	4	93 - 23	AL38356	3G11	12	54 - 11	AL38634	2F5	7	52 - 43
AL38196	4B2	8	55 - 20	AL38357	3G13	12	54 - 13	AL38634	2F7	7	52 - 45
AL38197	2C21	4	51 - 19	AL38374	1C7	7	20 - 49	AL38634	2F9	7	52 - 47

1J10

1640, 2040, 2040S TRACTORS (430000-)

NUMERICAL INDEX - CONTINUED

PART NO.	GRID	KEY	PAGE	PART NO.	GRID	KEY	PAGE	PART NO.	GRID	KEY	PAGE
AL38637	6E3	17	81 - 41	AL38894	2B9	17	42 - 27	AL39229	6E13	3	81 - 51
AL38638	4C19	2	61 - 13	AL38894	2B9	19	42 - 27	AL39233	3E2	8	53 - 91
AL38652	7F20	14	93 - 89	AL38894	2B9	20	42 - 27	AL39237	3B20	8	53 - 35
AL38670	2C23	1	51 - 21	AL38894	2B13	15	42 - 31	AL39237	3E2	9	53 - 91
AL38670	2C23	5	51 - 21	AL38894	2B15	17	42 - 33	AL39238	3E2	20	53 - 91
AL38670	2D2	1	51 - 25	AL38894	2B17	16	42 - 35	AL39243	2D17	12	52 - 3
AL38670	2D3	1	51 - 26	AL38895	2B13	20	42 - 31	AL39243	3A13	12	53 - 3
AL38670	2D4	1	51 - 27	AL38895	2B15	27	42 - 33	AL39254	2E12	12	52 - 25
AL38671	2C9	1	51 - 5	AL38899	2B22	11	42 - 41	AL39254	2E12	14	52 - 25
AL38671	2C9	8	51 - 5	AL38961	3H6	8	54 - 31	AL39254	2E14	12	52 - 27
AL38671	2C10	1	51 - 6	AL38963	3G24	5	54 - 25	AL39254	2E14	14	52 - 27
AL38683	2A23	3	42 - 15	AL38964	3H18	10	54 - 43	AL39254	3B12	12	53 - 27
AL38757	3F4	13	53 - 117	AL38981	6I8	12	91 - 11	AL39254	3B12	14	53 - 27
AL38761	6G22	9	82 - 11	AL38982	6I8	12	91 - 11	AL39254	3B14	12	53 - 29
AL38765	4A25	1	55 - 18	AL38995	6C19	1	81 - 5	AL39254	3B14	14	53 - 29
AL38765	4B1	1	55 - 19	AL39002	4F23	24	62 - 79	AL39257	3C17	6	53 - 57
AL38766	4B1	2	55 - 19	AL39009	2A20	4	42 - 11	AL39257	3D8	1	53 - 73
AL38767	4B1	9	55 - 19	AL39020	6E5	9	81 - 43	AL39257	3D22	1	53 - 87
AL38774	5B14	38	71 - 29	AL39020	6E5	23	81 - 43	AL39262	2E20	17	52 - 33
AL38774	5B14	39	71 - 29	AL39020	6E5	30	81 - 43	AL39262	3C2	17	53 - 41
AL38774	5B14	48	71 - 29	AL39023	6E5	17	81 - 43	AL39262	4A19	25	55 - 11
AL38784	1G19	15	41 - 43	AL39023	6E5	18	81 - 43	AL39263	3C2	17	53 - 41
AL38800	1H21	10	41 - 71	AL39024	6E5	16	81 - 43	AL39286	7E20	4	93 - 65
AL38819	6C17	12	81 - 3	AL39024	6E5	21	81 - 43	AL39287	4F17	7	62 - 73
AL38819	6C17	13	81 - 3	AL39043	7D25	1	93 - 44	AL39295	2D4	1	51 - 27
AL38820	6C17	14	81 - 3	AL39067	4G4	9	63 - 1	AL39297	2D2	1	51 - 25
AL38836	3A20	1	53 - 11	AL39082	7B6	15	92 - 23	AL39297	2D2	2	51 - 25
AL38837	3B4	7	53 - 19	AL39082	7E3	35	93 - 47	AL39298	2D3	1	51 - 26
AL38837	3B5	1	53 - 20	AL39082	7E5	33	93 - 49	AL39307	7E15	1	93 - 60
AL38838	1C23	6	30 - 5	AL39089	3G9	16	54 - 9	AL39308	7E15	1	93 - 60
AL38844	7C12	1	93 - 7	AL39093	3G7	15	54 - 7	AL39311	7E7	35	93 - 51
AL38844	7C16	1	93 - 11	AL39099	2C23	3	51 - 21	AL39312	7E7	37	93 - 51
AL38844	7E24	13	93 - 69	AL39108	7F22	16	93 - 91	AL39319	4B25	5	55 - 45
AL38846	7C12	1	93 - 7	AL39109	2A23	12	42 - 15	AL39320	4B25	8	55 - 45
AL38846	7C16	1	93 - 11	AL39110	2B5	2	42 - 22	AL39321	4B25	6	55 - 45
AL38846	7E24	11	93 - 69	AL39129	5B2	28	71 - 17	AL39352	5E13	20	72 - 13
AL38850	2B11	8	42 - 29	AL39129	5B8	27	71 - 23	AL39355	2D17	8	52 - 3
AL38850	2B13	8	42 - 31	AL39129	5B12	27	71 - 27	AL39355	2D17	9	52 - 3
AL38851	2B11	8	42 - 29	AL39139	6H18	18	82 - 33	AL39355	3A13	8	53 - 3
AL38851	2B13	8	42 - 31	AL39148	1D14	9	30 - 21	AL39355	3A13	9	53 - 3
AL38853	1D8	5	30 - 15	AL39159	2D11	3	51 - 34	AL39358	2D10	9	51 - 33
AL38860	1E17	6	30 - 52	AL39160	2D11	6	51 - 34	AL39358	2D10	10	51 - 33
AL38861	1E17	4	30 - 52	AL39166	1F22	1	41 - 21	AL39358	2D10	45	51 - 33
AL38863	1E17	3	30 - 52	AL39166	1F24	10	41 - 23	AL39359	2D10	16	51 - 33
AL38865	1I5	10	41 - 81	AL39168	2C23	3	51 - 21	AL39359	2D10	17	51 - 33
AL38867	3B20	21	53 - 35	AL39169	2C21	1	51 - 19	AL39368	6E13	3	81 - 51
AL38868	2E12	37	52 - 25	AL39169	2C23	3	51 - 21	AL39370	6E13	3	81 - 51
AL38868	2E14	37	52 - 27	AL39170	5E3	5	72 - 3	AL39373	7E9	1	93 - 53
AL38868	3B12	37	53 - 27	AL39170	5E3	20	72 - 3	AL39374	7E9	6	93 - 53
AL38868	3B14	37	53 - 29	AL39171	5E3	4	72 - 3	AL39386	5C19	16	71 - 61
AL38869	2B13	16	42 - 31	AL39171	6C12	4	74 - 58	AL39416	5E14	3	72 - 14
AL38869	2B15	19	42 - 33	AL39172	5E3	7	72 - 3	AL39454	7C18	12	93 - 13
AL38874	6C17	4	81 - 3	AL39173	7G2	20	93 - 95	AL39455	7C18	15	93 - 13
AL38885	1E14	7	30 - 49	AL39177	1G22	3	41 - 46	AL39458	3G9	16	54 - 9
AL38885	1E14	18	30 - 49	AL39178	1G22	3	41 - 46	AL39462	7E22	6	93 - 67
AL38887	4B13	6	55 - 31	AL39179	1G22	3	41 - 46	AL39464	6H18	20	82 - 33
AL38891	4B25	4	55 - 45	AL39180	1G22	3	41 - 46	AL39465	6H18	17	82 - 33
AL38891	4C19	3	61 - 13	AL39181	1G11	1	41 - 35	AL39466	4B24	17	55 - 43
AL38891	6E3	7	81 - 41	AL39182	1G11	1	41 - 35	AL39466	4C2	20	55 - 47
AL38892	2C16	24	51 - 13	AL39183	1G11	1	41 - 35	AL39467	4C2	7	55 - 47
AL38892	2C19	1	51 - 17	AL39184	1G11	1	41 - 35	AL39483	3C7	10	53 - 46
AL38893	1H10	23	41 - 59	AL39200	1H17	1	41 - 67	AL39492	7E24	7	93 - 69
AL38893	2B9	16	42 - 27	AL39201	7E11	18	93 - 55	AL39499	7F4	2	93 - 73
AL38893	2B9	18	42 - 27	AL39202	7E11	7	93 - 55	AL39538	7C9	7	93 - 3
AL38893	2B9	20	42 - 27	AL39202	7E11	15	93 - 55	AL39540	2C7	1	51 - 3
AL38893	2B13	13	42 - 31	AL39227	7E3	28	93 - 47	AL39540	2C9	1	51 - 5
AL38893	2B15	13	42 - 33	AL39227	7E5	29	93 - 49	AL39540	2C19	4	51 - 17

1J11

1640, 2040, 2040S TRACTORS (430000-)

NUMERICAL INDEX - CONTINUED

PART NO.	GRID	KEY	PAGE	PART NO.	GRID	KEY	PAGE	PART NO.	GRID	KEY	PAGE
AL39540	2C19	11	51 - 17	AL39751	4C2	26	55 - 47	AL39942	7G13	42	94 - 9
AL39540	2C21	9	51 - 19	AL39758	2C25	1	51 - 23	AL39942	7G19	15	94 - 15
AL39540	2C21	12	51 - 19	AL39758	2C25	2	51 - 23	AL39942	7G19	45	94 - 15
AL39540	2C21	21	51 - 19	AL39778	2D17	9	52 - 3	AL39942	7H4	15	94 - 25
AL39540	2C23	8	51 - 21	AL39778	2D19	6	52 - 5	AL39942	7H6	11	94 - 27
AL39540	2C23	11	51 - 21	AL39778	2D19	7	52 - 5	AL39943	7G13	39	94 - 9
AL39540	2C23	24	51 - 21	AL39778	3A13	9	53 - 3	AL39943	7G19	42	94 - 15
AL39540	2D6	1	51 - 29	AL39779	6H19	1	82 - 34	AL39944	7G13	38	94 - 9
AL39541	2C21	21	51 - 19	AL39780	7D8	3	93 - 27	AL39944	7G19	41	94 - 15
AL39541	2C23	8	51 - 21	AL39780	7D8	12	93 - 27	AL39945	5C19	10	71 - 61
AL39541	2D5	2	51 - 28	AL39786	6E15	4	81 - 53	AL39946	3B5	7	53 - 20
AL39541	2D6	6	51 - 29	AL39816	7G11	11	94 - 7	AL39971	3F6	5	53 - 119
AL39542	2D6	3	51 - 29	AL39823	7G11	10	94 - 7	AL39971	3F6	6	53 - 119
AL39557	3A20	1	53 - 11	AL39842	5B21	4	71 - 37	AL39971	3F6	12	53 - 119
AL39575	2E10	16	52 - 23	AL39842	5B21	27	71 - 37	AL39971	3F8	5	53 - 121
AL39575	3B10	20	53 - 25	AL39852	4I8	18	63 - 53	AL39972	3F6	6	53 - 119
AL39581	1D12	14	30 - 19	AL39854	4I8	21	63 - 53	AL39972	3F6	11	53 - 119
AL39581	1D12	16	30 - 19	AL39855	4I8	22	63 - 53	AL39972	3F6	12	53 - 119
AL39581	1D12	29	30 - 19	AL39856	4I8	39	63 - 53	AL39972	3F8	11	53 - 121
AL39588	2C21	14	51 - 19	AL39857	4I8	35	63 - 53	AL39973	3F6	13	53 - 119
AL39588	2C23	22	51 - 21	AL39859	4I8	2	63 - 53	AL39973	3F8	22	53 - 121
AL39591	2C23	5	51 - 21	AL39861	5C19	22	71 - 61	AL39989	6D9	1	81 - 21
AL39591	2D2	1	51 - 25	AL39862	4E24	7	62 - 55	AL39989	6D9	4	81 - 21
AL39592	2C21	4	51 - 19	AL39862	4F4	7	62 - 59	AL39989	6D9	5	81 - 21
AL39592	2C25	2	51 - 23	AL39862	4F8	7	62 - 63	AL39989	6D9	21	81 - 21
AL39593	6H18	16	82 - 33	AL39862	4F15	5	62 - 71	AL39991	1E9	39	30 - 43
AL39594	6H18	19	82 - 33	AL39862	4F19	13	62 - 75	AL39991	1E9	40	30 - 43
AL39599	5F8	3	72 - 33	AL39862	4F21	11	62 - 77	AL39992	1E9	39	30 - 43
AL39599	5F8	4	72 - 33	AL39862	4G1	6	62 - 82	AL39992	1E9	42	30 - 43
AL39618	2C19	14	51 - 17	AL39862	5C19	21	71 - 61	AL39993	1E9	39	30 - 43
AL39618	2C19	18	51 - 17	AL39867	6D4	2	81 - 15	AL39993	1E9	41	30 - 43
AL39618	2C19	19	51 - 17	AL39868	6D4	2	81 - 15	AL40773	5D21	12	71 - 91
AL39618	2C19	20	51 - 17	AL39877	2C21	15	51 - 19	AL40805	3B20	21	53 - 35
AL39618	2C19	25	51 - 17	AL39877	2C23	20	51 - 21	AL40805	3E14	16	53 - 103
AL39618	2C19	26	51 - 17	AL39878	2F13	40	52 - 51	AL40805	3E16	22	53 - 105
AL39624	2C16	9	51 - 13	AL39878	3D8	11	53 - 73	AL40806	2E12	47	52 - 25
AL39624	2C16	13	51 - 13	AL39878	3D22	28	53 - 87	AL40806	3B12	48	53 - 27
AL39624	2C16	15	51 - 13	AL39907	5G14	6	73 - 30	AL40807	2E12	37	52 - 25
AL39624	2C16	17	51 - 13	AL39913	7G9	1	94 - 5	AL40807	2E14	37	52 - 27
AL39624	2C16	26	51 - 13	AL39913	7G15	1	94 - 11	AL40807	3B12	37	53 - 27
AL39624	2C16	27	51 - 13	AL39914	7G15	1	94 - 11	AL40807	3B14	37	53 - 29
AL39624	2C16	28	51 - 13	AL39915	7G17	12	94 - 13	AL40807	3E10	16	53 - 99
AL39624	2C17	1	51 - 15	AL39916	7G17	13	94 - 13	AL40807	3E12	19	53 - 101
AL39652	7D8	3	93 - 27	AL39917	2B9	5	42 - 27	AL40808	2E14	46	52 - 27
AL39658	7D16	10	93 - 35	AL39917	2B9	18	42 - 27	AL40808	3B14	47	53 - 29
AL39659	7D18	14	93 - 37	AL39918	2B9	12	42 - 27	AL40836	4E12	1	62 - 42
AL39720	4A19	1	55 - 11	AL39918	2B9	20	42 - 27	AL40839	4E12	11	62 - 42
AL39721	4A19	19	55 - 11	AL39918	2B9	3	42 - 27	AL40840	2B4	3	42 - 21
AL39722	4A12	11	55 - 3	AL39919	2B9	19	42 - 27	AL40847	1C8	1	20 - 50
AL39722	4A14	10	55 - 5	AL39931	2C19	4	51 - 17	AL40847	1C9	1	20 - 51
AL39723	4A12	16	55 - 3	AL39931	2C19	8	51 - 17	AL40865	3D10	1	53 - 75
AL39725	4A21	7	55 - 13	AL39931	2C21	9	51 - 19	AL40865	3D12	1	53 - 77
AL39727	4A21	11	55 - 13	AL39931	2C21	13	51 - 19	AL40865	3D14	1	53 - 79
AL39728	4A12	22	55 - 3	AL39931	2C21	21	51 - 19	AL40865	3E4	6	53 - 93
AL39728	4A14	27	55 - 5	AL39931	2C23	8	51 - 21	AL40865	3E4	7	53 - 93
AL39728	4A15	1	55 - 6	AL39931	2C23	11	51 - 21	AL40871	4C18	2	61 - 12
AL39729	4A23	35	55 - 15	AL39931	2C23	18	51 - 21	AL40882	2C16	2	51 - 13
AL39730	4A21	37	55 - 13	AL39931	2D5	1	51 - 28	AL40882	2C16	9	51 - 13
AL39737	7F17	4	93 - 86	AL39932	2D5	7	51 - 28	AL40882	2C16	13	51 - 13
AL39737	7F17	8	93 - 86	AL39934	1C25	1	30 - 7	AL40882	2C16	15	51 - 13
AL39738	7F17	4	93 - 86	AL39935	2C24	1	51 - 22	AL40882	2C16	26	51 - 13
AL39738	7F17	8	93 - 86	AL39936	2C17	1	51 - 15	AL40882	2C16	27	51 - 13
AL39740	7F17	5	93 - 86	AL39937	2C24	1	51 - 22	AL40882	2C17	1	51 - 15
AL39741	7F17	7	93 - 86	AL39939	7G17	20	94 - 13	AL40884	5C14	3	71 - 55
AL39743	7F17	5	93 - 86	AL39940	7G11	12	94 - 7	AL40884	5C14	4	71 - 55
AL39745	7F17	4	93 - 86	AL39941	7G11	13	94 - 7	AL40884	5C14	6	71 - 55
AL39751	4C2	5	55 - 47	AL39941	7G17	21	94 - 13	AL40884	5C14	7	71 - 55

1J12

1640, 2040, 2040S TRACTORS (430000-)

NUMERICAL INDEX - CONTINUED

PART NO.	GRID	KEY	PAGE	PART NO.	GRID	KEY	PAGE	PART NO.	GRID	KEY	PAGE
AL40884	5C14	28	71 - 55	AL41262	7F23	5	93 - 92	AL41540	3F21	18	53 - 135
AL40886	5C12	3	71 - 53	AL41262	7F24	5	93 - 93	AL41540	3F21	19	53 - 135
AL40886	5C12	4	71 - 53	AL41262	7G2	18	93 - 95	AL41541	3F19	4	53 - 133
AL40886	5C12	6	71 - 53	AL41262	7G4	16	93 - 97	AL41541	3F19	11	53 - 133
AL40886	5C12	7	71 - 53	AL41275	5D13	8	71 - 83	AL41541	3F21	4	53 - 135
AL40886	5C12	25	71 - 53	AL41277	5D13	1	71 - 83	AL41571	2A12	12	42 - 3
AL40893	4B4	4	55 - 22	AL41290	4D8	7	62 - 13	AL41572	5A23	32	71 - 13
AL40893	4B4	6	55 - 22	AL41290	4D12	7	62 - 17	AL41573	5A23	46	71 - 13
AL40893	4B5	4	55 - 23	AL41290	4D24	6	62 - 29	AL41580	5E3	15	72 - 3
AL40894	4B5	7	55 - 23	AL41290	4E2	6	62 - 31	AL41586	4A23	12	55 - 15
AL40895	4B5	1	55 - 23	AL41290	4E18	3	62 - 49	AL41587	4A23	3	55 - 15
AL40927	4B16	1	55 - 35	AL41290	4E20	3	62 - 51	AL41590	4A23	9	55 - 15
AL40928	4B16	1	55 - 35	AL41290	4E22	3	62 - 53	AL41596	5H6	8	73 - 48
AL40932	6C17	18	81 - 3	AL41290	4E24	7	62 - 55	AL41596	5H7	8	73 - 49
AL40935	1G25	17	41 - 49	AL41290	4E24	18	62 - 55	AL41599	5H1	2	73 - 43
AL40936	1G25	12	41 - 49	AL41290	4F2	4	62 - 57	AL41599	5H9	4	73 - 51
AL40937	2B2	1	42 - 19	AL41290	4F4	7	62 - 59	AL41599	5H10	4	73 - 52
AL40938	1G25	10	41 - 49	AL41290	4F4	24	62 - 59	AL41599	5H11	4	73 - 53
AL40949	5C4	7	71 - 45	AL41290	4F6	4	62 - 61	AL41601	6C21	37	81 - 7
AL40949	5C6	9	71 - 47	AL41290	4F8	7	62 - 63	AL41602	6C21	36	81 - 7
AL40952	5C19	17	71 - 61	AL41290	4F8	20	62 - 63	AL41614	7G4	5	93 - 97
AL40952	5C20	1	71 - 63	AL41290	4F15	5	62 - 71	AL41618	4A23	39	55 - 15
AL40954	7F4	1	93 - 73	AL41290	4F15	19	62 - 71	AL41619	4A14	21	55 - 5
AL40954	7F4	6	93 - 73	AL41290	4F19	13	62 - 75	AL41620	4D24	5	62 - 29
AL40954	7F4	13	93 - 73	AL41290	4F19	14	62 - 75	AL41620	4E2	5	62 - 31
AL40954	7F4	20	93 - 73	AL41290	4F21	11	62 - 77	AL41620	4F2	1	62 - 57
AL40955	6F12	1	81 - 75	AL41290	4F21	13	62 - 77	AL41620	4F6	1	62 - 61
AL40956	6F12	6	81 - 75	AL41290	4G1	6	62 - 82	AL41621	4D24	4	62 - 29
AL40957	5E3	10	72 - 3	AL41290	4G1	10	62 - 82	AL41621	4E2	4	62 - 31
AL40957	5E5	27	72 - 5	AL41290	5C19	8	71 - 61	AL41621	4F2	2	62 - 57
AL40957	5E7	27	72 - 7	AL41290	5C19	21	71 - 61	AL41621	4F6	2	62 - 61
AL40964	6C17	17	81 - 3	AL41291	4D18	1	62 - 23	AL41631	4D16	1	62 - 21
AL40965	6C17	18	81 - 3	AL41291	4E2	10	62 - 31	AL41631	4D24	10	62 - 29
AL40969	6C23	3	81 - 9	AL41291	4E4	1	62 - 33	AL41631	4E6	1	62 - 35
AL40970	6C23	3	81 - 9	AL41292	7D18	14	93 - 37	AL41637	2D19	5	52 - 5
AL40972	6C21	12	81 - 7	AL41294	7D16	10	93 - 35	AL41639	2D17	8	52 - 3
AL40972	6C23	12	81 - 9	AL41309	2B9	5	42 - 27	AL41639	2D17	9	52 - 3
AL40973	6C21	15	81 - 7	AL41310	2B9	12	42 - 27	AL41639	3A13	8	53 - 3
AL40973	6C23	15	81 - 9	AL41313	5E5	1	72 - 5	AL41639	3A13	9	53 - 3
AL40976	5D19	18	71 - 89	AL41313	5E7	1	72 - 7	AL41641	4D8	9	62 - 13
AL40976	5D19	19	71 - 89	AL41336	3F16	12	53 - 129	AL41641	4D12	9	62 - 17
AL40977	5D19	19	71 - 89	AL41352	2D22	1	52 - 8	AL41641	4E18	5	62 - 49
AL40977	5D19	26	71 - 89	AL41352	3A16	1	53 - 6	AL41641	4E20	5	62 - 51
AL41215	5E11	5	72 - 11	AL41355	5D4	1	71 - 73	AL41641	4E22	5	62 - 53
AL41215	5E13	11	72 - 13	AL41355	5D15	4	71 - 85	AL41642	4D8	10	62 - 13
AL41217	5E5	20	72 - 5	AL41364	5D11	16	71 - 81	AL41642	4D12	10	62 - 17
AL41218	5E5	13	72 - 5	AL41364	5D15	11	71 - 85	AL41642	4E18	6	62 - 49
AL41218	5E7	13	72 - 7	AL41365	5D4	37	71 - 73	AL41642	4E20	17	62 - 51
AL41247	1G3	5	41 - 27	AL41365	5D15	9	71 - 85	AL41642	4E22	26	62 - 53
AL41258	7G2	5	93 - 95	AL41397	6C12	6	74 - 58	AL41700	3F4	13	53 - 117
AL41258	7G4	5	93 - 97	AL41397	6C12	8	74 - 58	AL41701	3F4	10	53 - 117
AL41258	7G4	6	93 - 97	AL41398	6C12	7	74 - 58	AL41702	3F4	16	53 - 117
AL41258	7G4	9	93 - 97	AL41437	5D4	41	71 - 73	AL41703	3F4	15	53 - 117
AL41258	7G4	10	93 - 97	AL41437	5D15	8	71 - 85	AL41711	1D8	5	30 - 15
AL41258	7G4	11	93 - 97	AL41450	5D11	22	71 - 81	AL41722	4D8	11	62 - 13
AL41258	7G4	14	93 - 97	AL41450	5D11	23	71 - 81	AL41722	4D12	11	62 - 17
AL41259	7G2	5	93 - 95	AL41450	5D15	2	71 - 85	AL41722	4E18	7	62 - 49
AL41259	7G4	5	93 - 97	AL41452	5D4	34	71 - 73	AL41724	4E10	3	62 - 40
AL41259	7G4	6	93 - 97	AL41452	5D11	24	71 - 81	AL41724	4E11	7	62 - 41
AL41259	7G4	9	93 - 97	AL41452	5D15	1	71 - 85	AL41725	6C17	24	81 - 3
AL41259	7G4	10	93 - 97	AL41452	5D15	2	71 - 85	AL41727	3B20	8	53 - 35
AL41259	7G4	11	93 - 97	AL41463	1C7	9	20 - 49	AL41727	3B20	9	53 - 35
AL41259	7G4	14	93 - 97	AL41471	714	45	94 - 51	AL41727	3B20	10	53 - 35
AL41260	7F23	1	93 - 92	AL41472	714	1	94 - 51	AL41727	3B20	11	53 - 35
AL41260	7F24	1	93 - 93	AL41472	716	34	94 - 53	AL41727	3B20	12	53 - 35
AL41261	7F23	1	93 - 92	AL41529	4H12	14	63 - 33	AL41727	3B20	13	53 - 35
AL41261	7F24	1	93 - 93	AL41540	3F21	16	53 - 135	AL41727	3B20	14	53 - 35

1J13

1640, 2040, 2040S TRACTORS (430000-)

NUMERICAL INDEX - CONTINUED

PART NO.	GRID	KEY	PAGE	PART NO.	GRID	KEY	PAGE	PART NO.	GRID	KEY	PAGE
AL41727	3E2	9	53-91	AL55136	3H10	4	54-35	AL55537	7E18	1	93-63
AL41727	3E2	10	53-91	AL55136	3H14	5	54-39	AL55643	2B1	1	42-18
AL41727	3E2	11	53-91	AL55140	2C16	2	51-13	AL55645	1G21	6	41-45
AL41727	3E2	12	53-91	AL55143	7C20	9	93-15	AL55648	2B20	2	42-38
AL41727	3E2	14	53-91	AL55149	6D15	1	81-27	AL55650	1G21	1	41-45
AL41727	3E2	15	53-91	AL55149	6D15	21	81-27	AL55651	2A25	1	42-17
AL41727	3E2	16	53-91	AL55149	6D17	1	81-29	AL55665	2E1	1	52-13
AL41728	3E2	20	53-91	AL55149	6D17	22	81-29	AL55665	3A19	1	53-10
AL55006	3H10	1	54-35	AL55151	6D15	21	81-27	AL55666	2D24	1	52-11
AL55007	3H14	2	54-39	AL55218	3F16	8	53-129	AL55667	3A20	1	53-11
AL55008	3H10	19	54-35	AL55240	2C23	5	51-21	AL55718	7G25	1	94-21
AL55008	3H14	14	54-39	AL55240	2D2	1	51-25	AL55718	7H4	1	94-25
AL55009	5G4	8	73-19	AL55257	2D25	1	52-12	AL55782	2B5	4	42-22
AL55023	6C8	16	74-54	AL55257	3A17	1	53-8	AL55783	2B5	4	42-22
AL55024	4I8	29	63-53	AL55258	2D25	1	52-12	AL55791	5E24	20	72-25
AL55026	5C19	23	71-61	AL55258	3A17	1	53-8	AL55791	5F2	21	72-27
AL55027	5C19	9	71-61	AL55260	3A18	1	53-9	AL55791	5F2	22	72-27
AL55028	4I8	6	63-53	AL55286	2A23	3	42-15	AL55791	5F2	30	72-27
AL55033	5H6	1	73-48	AL55292	2F25	16	52-63	AL55852	1C3	1	20-45
AL55033	5H7	7	73-49	AL55293	2F25	13	52-63	AL55852	5G11	8	73-27
AL55033	5H7	12	73-49	AL55294	2F25	5	52-63	AL55852	6A18	8	74-9
AL55035	5H6	1	73-48	AL55295	2F25	9	52-63	AL55852	7B6	4	92-23
AL55036	3D10	3	53-75	AL55308	4D20	1	62-25	AL55852	7E3	12	93-47
AL55037	5H6	1	73-48	AL55316	6C19	10	81-5	AL55852	7E5	4	93-49
AL55038	5H6	1	73-48	AL55316	6C21	26	81-7	AL55853	1C5	7	20-47
AL55039	5H6	2	73-48	AL55316	6C23	26	81-9	AL55853	1C10	2	20-52
AL55040	5H6	2	73-48	AL55319	6G7	26	81-95	AL55853	4A23	28	55-15
AL55044	1G3	9	41-27	AL55321	7E1	7	93-45	AL55853	5B23	1	71-39
AL55046	1G3	6	41-27	AL55322	6C19	1	81-5	AL55854	5B21	9	71-37
AL55046	1G5	6	41-29	AL55322	6C21	8	81-7	AL55855	2A16	6	42-7
AL55047	1G3	11	41-27	AL55374	5H10	8	73-52	AL55856	2A16	4	42-7
AL55062	6C11	4	74-57	AL55377	4F21	12	62-77	AL55857	2A12	3	42-3
AL55063	6C11	3	74-57	AL55378	5G17	3	73-33	AL55858	2A12	17	42-3
AL55063	6C12	3	74-58	AL55385	4H22	25	63-43	AL55858	2A12	18	42-3
AL55064	6C11	2	74-57	AL55385	4H24	25	63-45	AL55861	6C7	13	74-53
AL55064	6C12	2	74-58	AL55385	4I4	24	63-49	AL55862	6C7	2	74-53
AL55066	3C7	13	53-46	AL55385	4I6	27	63-51	AL55863	6C7	2	74-53
AL55066	3C9	1	53-48	AL55385	6A16	6	74-7	AL55864	6C7	12	74-53
AL55066	3C10	1	53-49	AL55385	6A18	21	74-9	AL55865	6C9	2	74-55
AL55067	2A23	14	42-15	AL55427	4A14	12	55-5	AL55865	6C10	1	74-56
AL55070	1H10	10	41-59	AL55450	3H14	26	54-39	AL55868	6C7	14	74-53
AL55071	1H10	10	41-59	AL55494	6A20	4	74-11	AL55891	4A17	3	55-9
AL55073	5F3	14	72-28	AL55494	6A20	10	74-11	AL55937	3F4	10	53-117
AL55073	5F4	11	72-29	AL55494	6A20	12	74-11	AL55942	4C3	2	55-48
AL55074	5F3	14	72-28	AL55494	6A22	3	74-13	AL55943	4C3	3	55-48
AL55074	5F4	11	72-29	AL55494	6A22	20	74-13	AL55954	4D6	1	62-11
AL55075	2E20	13	52-33	AL55494	6A22	27	74-13	AL55954	4D6	32	62-11
AL55075	3C2	13	53-41	AL55495	5G16	8	73-32	AL55956	4D6	1	62-11
AL55075	4A19	7	55-11	AL55495	5G16	13	73-32	AL55956	4D6	32	62-11
AL55077	7E22	12	93-67	AL55495	5G17	3	73-33	AL55957	2B18	2	42-36
AL55078	7E22	3	93-67	AL55495	5G17	11	73-33	AL55958	2B18	4	42-36
AL55078	7E22	4	93-67	AL55506	1I1	3	41-77	AL55962	1H6	8	41-55
AL55080	7E24	11	93-69	AL55513	1G23	3	41-47	AL55962	2B20	3	42-38
AL55081	7E24	7	93-69	AL55514	1G23	3	41-47	AL55968	2B13	16	42-31
AL55082	7E24	7	93-69	AL55516	1G23	3	41-47	AL55968	2B15	19	42-33
AL55083	7E24	13	93-69	AL55517	1G21	24	41-45	AL56010	2B24	7	42-43
AL55084	7E24	12	93-69	AL55518	1G21	25	41-45	AL56011	2B24	8	42-43
AL55086	7E24	11	93-69	AL55519	1G21	21	41-45	AL56015	5E5	30	72-5
AL55087	7E24	13	93-69	AL55522	1G21	9	41-45	AL56028	5F2	10	72-27
AL55090	3B18	2	53-33	AL55524	2B15	10	42-33	AL56028	5F2	21	72-27
AL55092	7G15	6	94-11	AL55525	2B15	10	42-33	AL56028	5F2	22	72-27
AL55092	7G23	12	94-19	AL55526	7E3	17	93-47	AL56030	5F2	1	72-27
AL55092	7H18	7	94-41	AL55527	7F14	24	93-83	AL56030	5F2	21	72-27
AL55107	1D8	24	30-15	AL55527	7F17	5	93-86	AL56030	5F2	22	72-27
AL55107	1D14	1	30-21	AL55527	7F17	8	93-86	AL56043	7E3	19	93-47
AL55135	3H10	2	54-35	AL55528	1I1	1	41-77	AL56091	1H2	16	41-51
AL55135	3H14	3	54-39	AL55534	1I5	22	41-81	AL56091	1H2	18	41-51

1J14

1640, 2040, 2040S TRACTORS (430000-)

NUMERICAL INDEX - CONTINUED

PART NO.	GRID	KEY	PAGE	PART NO.	GRID	KEY	PAGE	PART NO.	GRID	KEY	PAGE
AL56091	1H4	1	41 - 53	AL56820	3G22	6	54 - 23	AL57871	2B9	12	42 - 27
AL56091	1H4	8	41 - 53	AL56820	3H4	15	54 - 29	AL57873	4A21	24	55 - 13
AL56091	1H4	16	41 - 53	AL56865	7F6	4	93 - 75	AL57877	1E18	4	30 - 53
AL56091	1H5	1	41 - 54	AL57314	4A15	3	55 - 6	AL57879	1E18	3	30 - 53
AL56092	1H2	18	41 - 51	AL57315	4A15	4	55 - 6	AL57886	1E18	7	30 - 53
AL56117	2B24	3	42 - 43	AL57316	4A15	2	55 - 6	AL57898	2B15	10	42 - 33
AL56123	4G13	8	63 - 10	AL57323	3G22	11	54 - 23	AL57899	2B15	10	42 - 33
AL56123	4G14	9	63 - 11	AL57390	4G10	6	63 - 7	AL57900	7E3	17	93 - 47
AL56167	2C19	14	51 - 17	AL57392	2A21	1	42 - 12	AL57901	2B15	33	42 - 33
AL56167	2C19	16	51 - 17	AL57392	4G10	2	63 - 7	AL57901	2B17	12	42 - 35
AL56167	2C19	18	51 - 17	AL57412	4G8	1	63 - 5	AL57916	3C9	2	53 - 48
AL56167	2C19	19	51 - 17	AL57415	2D1	2	51 - 24	AL57916	3C10	5	53 - 49
AL56167	2C19	20	51 - 17	AL57432	1H6	1	41 - 55	AL57945	1C9	13	20 - 51
AL56167	2C19	24	51 - 17	AL57433	1H6	1	41 - 55	AL57974	5D17	1	71 - 87
AL56167	2C19	29	51 - 17	AL57436	4G4	8	63 - 1	AL57975	2C14	1	51 - 11
AL56167	2C24	1	51 - 22	AL57438	1F14	1	41 - 13	AL58036	2A12	10	42 - 3
AL56168	6H24	4	91 - 3	AL57482	6E15	6	81 - 53	AL58036	2A14	6	42 - 5
AL56169	6H24	9	91 - 3	AL57495	4G13	6	63 - 10	AL58037	4G22	23	63 - 19
AL56223	2A25	2	42 - 17	AL57495	4G14	7	63 - 11	AL58037	5G19	16	73 - 35
AL56233	7C12	1	93 - 7	AL57552	2E10	12	52 - 23	AL58053	5H1	7	73 - 43
AL56234	7E18	3	93 - 63	AL57552	2E10	15	52 - 23	AL58118	6G15	1	82 - 3
AL56238	7F18	2	93 - 87	AL57552	3B10	9	53 - 25	AL58119	6G15	1	82 - 3
AL56240	7D14	1	93 - 33	AL57552	3B10	11	53 - 25	AL58121	4D8	4	62 - 13
AL56241	7E1	4	93 - 45	AL57553	1E9	13	30 - 43	AL58121	4D12	4	62 - 17
AL56243	7E3	21	93 - 47	AL57553	1E9	46	30 - 43	AL58121	4D14	1	62 - 19
AL56244	7E3	8	93 - 47	AL57555	6I6	1	91 - 9	AL58129	4D10	1	62 - 15
AL56308	2C21	2	51 - 19	AL57563	3H12	33	54 - 37	AL58129	4D12	1	62 - 17
AL56308	2C23	1	51 - 21	AL57563	3H14	9	54 - 39	AL58132	4D6	1	62 - 11
AL56381	6D9	13	81 - 21	AL57565	3H8	25	54 - 33	AL58132	4D8	1	62 - 13
AL56392	5E13	13	72 - 13	AL57565	3H10	7	54 - 35	AL58135	4D22	1	62 - 27
AL56393	5E13	22	72 - 13	AL57566	3H10	7	54 - 35	AL58135	4D24	1	62 - 29
AL56407	1C7	9	20 - 49	AL57596	5C19	16	71 - 61	AL58137	4D22	1	62 - 27
AL56410	1G11	1	41 - 35	AL57598	4G10	1	63 - 7	AL58137	4E2	1	62 - 31
AL56411	1G11	1	41 - 35	AL57599	4G10	4	63 - 7	AL58199	2B25	6	42 - 45
AL56412	1G11	1	41 - 35	AL57614	2F23	9	52 - 61	AL58226	6H24	4	91 - 3
AL56413	1G11	1	41 - 35	AL57614	3F2	9	53 - 115	AL58227	6H24	9	91 - 3
AL56447	6I4	10	91 - 7	AL57615	4G8	2	63 - 5	AL58258	6G7	10	81 - 95
AL56463	6I4	19	91 - 7	AL57615	5B25	2	71 - 41	AL58258	6G9	10	81 - 97
AL56469	5G19	10	73 - 35	AL57620	3D10	1	53 - 75	AL58259	6G7	10	81 - 95
AL56470	5G19	9	73 - 35	AL57679	6I4	1	91 - 7	AL58259	6G9	10	81 - 97
AL56479	4A23	22	55 - 15	AL57681	7I10	4	94 - 57	AL58295	2B11	24	42 - 29
AL56482	5G19	23	73 - 35	AL57683	3F18	1	53 - 131	AL58295	2B13	24	42 - 31
AL56483	5G19	1	73 - 35	AL57683	3F18	3	53 - 131	AL58295	7E3	20	93 - 47
AL56485	5H6	12	73 - 48	AL57742	6I4	1	91 - 7	AL58295	7E5	8	93 - 49
AL56485	6B9	22	74 - 27	AL57743	4C24	24	62 - 5	AL58296	2F21	5	52 - 59
AL56486	6C8	12	74 - 54	AL57743	4C24	40	62 - 5	AL58296	2F22	5	52 - 60
AL56487	6C8	7	74 - 54	AL57743	4D2	24	62 - 7	AL58296	3E23	5	53 - 112
AL56488	4A23	23	55 - 15	AL57743	4D2	38	62 - 7	AL58296	3E24	5	53 - 113
AL56529	6E15	6	81 - 53	AL57743	4D4	14	62 - 9	AL58296	3F2	11	53 - 115
AL56534	2B13	38	42 - 31	AL57743	4D4	30	62 - 9	AL58296	3F8	4	53 - 121
AL56534	2B25	4	42 - 45	AL57748	6H18	19	82 - 33	AL58297	7D18	7	93 - 37
AL56534	3F18	2	53 - 131	AL57788	3C9	5	53 - 48	AL58297	7D18	40	93 - 37
AL56534	3F18	3	53 - 131	AL57789	3C9	6	53 - 48	AL58301	7D18	14	93 - 37
AL56693	6E13	3	81 - 51	AL57812	4A23	11	55 - 15	AL58318	6D9	1	81 - 21
AL56720	1E9	20	30 - 43	AL57813	4A23	13	55 - 15	AL58318	6D9	4	81 - 21
AL56720	1E9	43	30 - 43	AL57814	4A23	17	55 - 15	AL58318	6D9	5	81 - 21
AL56722	7D20	8	93 - 39	AL57815	4F4	16	62 - 59	AL58318	6D9	21	81 - 21
AL56722	7D20	12	93 - 39	AL57815	4F6	16	62 - 61	AL58356	1G19	4	41 - 43
AL56723	7D20	8	93 - 39	AL57816	4F4	22	62 - 59	AL58356	1G21	4	41 - 45
AL56724	2E18	2	52 - 31	AL57816	4F6	22	62 - 61	AL58356	2B24	9	42 - 43
AL56724	2E18	20	52 - 31	AL57818	6G5	2	81 - 93	AL58356	5C6	5	71 - 47
AL56724	3B24	2	53 - 39	AL57820	4G22	7	63 - 19	AL58356	5C8	11	71 - 49
AL56724	3B24	20	53 - 39	AL57820	5G19	4	73 - 35	AL58357	5C6	9	71 - 47
AL56766	6G9	26	81 - 97	AL57822	5G19	22	73 - 35	AL58366	1G19	4	41 - 43
AL56766	6G11	15	81 - 99	AL57824	5G19	15	73 - 35	AL58366	1G21	4	41 - 45
AL56770	7B18	22	92 - 35	AL57827	4A23	27	55 - 15	AL58367	1G7	9	41 - 31
AL56820	3G20	16	54 - 21	AL57857	4G1	7	62 - 82	AL58367	1G9	15	41 - 33

1J15

1640, 2040, 2040S TRACTORS (430000-)

NUMERICAL INDEX - CONTINUED

PART NO.	GRID	KEY	PAGE	PART NO.	GRID	KEY	PAGE	PART NO.	GRID	KEY	PAGE
AL58367	1G17	20	41 - 41	AL58576	5F20	2	73 - 11	AL59585	3D20	27	53 - 85
AL58367	1G25	24	41 - 49	AL58576	5G2	2	73 - 17	AL59585	3F21	7	53 - 135
AL58367	2B11	31	42 - 29	AL58590	4G13	1	63 - 10	AL59613	6G17	4	82 - 5
AL58367	2B13	36	42 - 31	AL58590	4G14	1	63 - 11	AL59614	6G17	4	82 - 5
AL58367	2B15	35	42 - 33	AL58605	6G11	2	81 - 99	AL59615	6G17	3	82 - 5
AL58367	2B17	26	42 - 35	AL58609	7A18	17	92 - 9	AL59616	6G17	3	82 - 5
AL58390	5H7	12	73 - 49	AL58610	7A18	17	92 - 9	AL59617	6G17	6	82 - 5
AL58444	3H14	8	54 - 39	AL58611	7A18	25	92 - 9	AL59618	6G17	6	82 - 5
AL58445	3H10	12	54 - 35	AL58612	7A18	25	92 - 9	AL59620	6G17	7	82 - 5
AL58446	3H10	14	54 - 35	AL58616	7A25	24	92 - 17	AL59643	6G17	9	82 - 5
AL58446	3H14	12	54 - 39	AL58617	7A16	4	92 - 7	AL59644	6G17	9	82 - 5
AL58447	3H10	18	54 - 35	AL58620	7B8	15	92 - 25	AL59645	6G17	3	82 - 5
AL58447	3H14	15	54 - 39	AL58635	7I12	3	94 - 59	AL59646	6G17	3	82 - 5
AL58448	2B5	5	42 - 22	AL58639	7B8	2	92 - 25	AL59648	7B4	17	92 - 21
AL58449	2B5	5	42 - 22	AL58642	7B20	11	92 - 37	AL59649	7B2	20	92 - 19
AL58471	5H6	2	73 - 48	AL58729	4I8	18	63 - 53	AL59650	7B2	18	92 - 19
AL58502	7A12	12	92 - 3	AL58729	4I8	42	63 - 53	AL59652	7B4	23	92 - 21
AL58503	7A12	12	92 - 3	AL58737	2B15	4	42 - 33	AL59655	2B17	18	42 - 35
AL58506	7A12	4	92 - 3	AL58739	1H10	1	41 - 59	AL59656	2B17	2	42 - 35
AL58508	7A12	6	92 - 3	AL58768	2B24	6	42 - 43	AL59657	2B17	23	42 - 35
AL58510	7B20	6	92 - 37	AL58781	7H8	13	94 - 30	AL59658	2B17	1	42 - 35
AL58515	7A12	9	92 - 3	AL58783	7H8	12	94 - 30	AL59659	2B17	11	42 - 35
AL58518	6F22	7	81 - 85	AL58788	3C7	13	53 - 46	AL59660	2B17	22	42 - 35
AL58519	7B8	8	92 - 25	AL58788	3C8	1	53 - 47	AL59661	2B17	13	42 - 35
AL58520	7C2	6	92 - 45	AL58788	3C8	3	53 - 47	AL59662	2B17	20	42 - 35
AL58521	7A18	2	92 - 9	AL58788	3C8	5	53 - 47	AL59664	7B8	24	92 - 25
AL58521	7A25	11	92 - 17	AL58788	3C8	6	53 - 47	AL59665	2B17	6	42 - 35
AL58522	7A16	37	92 - 7	AL58788	3C8	10	53 - 47	AL59669	1H24	5	41 - 75
AL58524	7C2	13	92 - 45	AL58788	3C8	11	53 - 47	AL59670	1H24	1	41 - 75
AL58525	7C2	14	92 - 45	AL58788	3C9	1	53 - 48	AL59714	4C22	14	62 - 3
AL58526	7B4	22	92 - 21	AL58788	3C9	3	53 - 48	AL59715	4C10	7	61 - 3
AL58527	7B4	18	92 - 21	AL58788	3C9	4	53 - 48	AL59721	7G23	2	94 - 19
AL58528	7B6	1	92 - 23	AL58788	3C9	5	53 - 48	AL59723	7I12	6	94 - 59
AL58529	7B12	10	92 - 29	AL58788	3C9	6	53 - 48	AL59724	1H15	1	41 - 65
AL58529	7B14	10	92 - 31	AL58788	3C9	7	53 - 48	AL59725	2B19	2	42 - 37
AL58530	7B11	9	92 - 28	AL58788	3C10	1	53 - 49	AL59728	2B17	21	42 - 35
AL58530	7B13	9	92 - 30	AL58803	1G19	14	41 - 43	AL59732	6H15	9	82 - 30
AL58531	7B11	1	92 - 28	AL58803	1G21	9	41 - 45	AL59733	7B18	10	92 - 35
AL58532	7B13	1	92 - 30	AL58824	7H4	12	94 - 25	AL59746	7B22	14	92 - 39
AL58533	7B12	1	92 - 29	AL58824	7H6	4	94 - 27	AL59747	7B22	12	92 - 39
AL58534	7B14	1	92 - 31	AL58825	7H4	23	94 - 25	AL59768	2E3	36	52 - 15
AL58543	6G11	6	81 - 99	AL58825	7H6	37	94 - 27	AL59768	2E3	38	52 - 15
AL58545	1I2	1	41 - 78	AL58826	7G25	7	94 - 21	AL59768	3A22	36	53 - 13
AL58546	7B16	2	92 - 33	AL58826	7H2	6	94 - 23	AL59768	3A22	38	53 - 13
AL58547	7C3	6	92 - 46	AL58826	7H4	2	94 - 25	AL59768	3B4	37	53 - 19
AL58548	7A19	9	92 - 10	AL58827	7H4	6	94 - 25	AL59768	3B4	40	53 - 19
AL58549	7A19	9	92 - 10	AL58828	7H4	39	94 - 25	AL59782	2A20	21	42 - 11
AL58550	7A19	1	92 - 10	AL58828	7H6	39	94 - 27	AL59808	5C20	3	71 - 63
AL58551	7A19	1	92 - 10	AL58828	7H6	39	94 - 27	AL59809	5B2	28	71 - 17
AL58552	7C4	3	92 - 47	AL58830	7H4	3	94 - 25	AL59809	5B2	40	71 - 17
AL58553	7C4	10	92 - 47	AL58833	7E11	7	93 - 55	AL59809	5B8	27	71 - 23
AL58554	7C4	1	92 - 47	AL58833	7E11	15	93 - 55	AL59809	5B8	40	71 - 23
AL58556	7B2	5	92 - 19	AL59324	2D1	3	51 - 24	AL59809	5B12	27	71 - 27
AL58557	7B2	3	92 - 19	AL59324	2D2	1	51 - 25	AL59809	5B12	40	71 - 27
AL58558	1E12	10	30 - 47	AL59324	2D2	2	51 - 25	AL59851	5C20	2	71 - 63
AL58558	1E12	10	30 - 47	AL59350	1D14	15	30 - 21	AL59879	5C20	2	71 - 63
AL58559	1E12	1	30 - 47	AL59350	1D14	19	30 - 21	AL59879	2B11	29	42 - 29
AL58560	1E12	5	30 - 47	AL59551	5D6	4	71 - 75	AL59879	2B13	29	42 - 31
AL58563	4C22	17	62 - 3	AL59555	4I8	29	63 - 53	AL59882	1C21	13	30 - 3
AL58564	5D9	12	71 - 79	AL59556	4G22	1	63 - 19	AL59882	1C23	11	30 - 5
AL58565	7B8	4	92 - 25	AL59557	4G22	4	63 - 19	AL59955	6D7	6	81 - 18
AL58569	3G3	3	54 - 3	AL59559	4G22	10	63 - 19	AL60027	1F14	2	41 - 13
AL58571	5C24	16	71 - 67	AL59584	3F21	9	53 - 135	AL60027	1F16	2	41 - 15
AL58572	5G11	7	73 - 27	AL59585	3C23	22	53 - 63	AL60028	2B23	1	42 - 42
AL58573	5G11	11	73 - 27	AL59585	3C25	22	53 - 65	AL60033	1F16	1	41 - 15
AL58574	5H3	1	73 - 45	AL59585	3D2	27	53 - 67	AL60121	1F14	7	41 - 13
AL58575	7H2	1	94 - 23	AL59585	3D4	27	53 - 69	AL60122	1F14	21	41 - 13
AL58576	5F14	2	73 - 5	AL59585	3D6	27	53 - 71	AL60123	1F14	11	41 - 13

1J16

1640, 2040, 2040S TRACTORS (430000-)

NUMERICAL INDEX - CONTINUED

PART NO.	GRID	KEY	PAGE	PART NO.	GRID	KEY	PAGE	PART NO.	GRID	KEY	PAGE
AL60124	1F14	23	41 - 13	AL61006	6F22	5	81 - 85	AL62769	7C12	16	93 - 7
AL60125	2B22	1	42 - 41	AL61007	7B9	1	92 - 26	AL62769	7C16	15	93 - 11
AL60126	1F14	20	41 - 13	AL61008	7B22	13	92 - 39	AL62774	2D1	1	51 - 24
AL60149	4G18	5	63 - 15	AL61009	7B22	7	92 - 39	AL62792	2C23	3	51 - 21
AL60231	3E6	5	53 - 95	AL61010	7B22	10	92 - 39	AL62904	4I8	31	63 - 53
AL60231	3E8	5	53 - 97	AL61016	3G3	3	54 - 3	AL62904	4I8	41	63 - 53
AL60231	3E10	5	53 - 99	AL61020	7C4	11	92 - 47	AL62905	6C8	14	74 - 54
AL60231	3E12	5	53 - 101	AL61021	7A16	22	92 - 7	AL62905	6C8	16	74 - 54
AL60231	3E14	5	53 - 103	AL61088	6C17	1	81 - 3	AL62910	4G22	22	63 - 19
AL60231	3E16	5	53 - 105	AL61138	1D4	13	30 - 11	AL62911	4G24	1	63 - 21
AL60270	2C16	9	51 - 13	AL61139	1D4	13	30 - 11	AL63095	1G3	8	41 - 27
AL60270	2C19	20	51 - 17	AL61200	5D6	15	71 - 75	AL63095	1G5	8	41 - 29
AL60270	2C19	24	51 - 17	AL61200	5D7	4	71 - 76	AL63097	3E4	3	53 - 93
AL60270	2C24	1	51 - 22	AL61201	5D6	1	71 - 75	AL63097	3E4	4	53 - 93
AL60271	2C16	17	51 - 13	AL61202	5D6	12	71 - 75	AL63097	3E6	4	53 - 95
AL60271	2C17	1	51 - 15	AL61203	5D6	14	71 - 75	AL63097	3E8	4	53 - 97
AL60272	2C19	20	51 - 17	AL61306	7F20	13	93 - 89	AL63097	3E10	4	53 - 99
AL60272	2C24	1	51 - 22	AL61306	7F22	19	93 - 91	AL63097	3E12	4	53 - 101
AL60300	7B18	13	92 - 35	AL61308	3H10	19	54 - 35	AL63097	3E14	4	53 - 103
AL60301	7B18	21	92 - 35	AL61470	1G7	9	41 - 31	AL63097	3E16	4	53 - 105
AL60302	7B20	5	92 - 37	AL61470	1G9	15	41 - 33	AL63116	5D9	2	71 - 79
AL60303	7B20	7	92 - 37	AL61470	2B24	2	42 - 43	AL63116	5D9	12	71 - 79
AL60304	7C5	2	92 - 48	AL61479	5D19	9	71 - 89	AL63124	7A18	2	92 - 9
AL60305	7B8	18	92 - 25	AL61479	5D21	4	71 - 91	AL63249	5C25	14	71 - 68
AL60309	7A14	17	92 - 5	AL61753	5C14	8	71 - 55	AL63256	7C13	1	93 - 8
AL60310	7B18	14	92 - 35	AL61753	5C14	40	71 - 55	AL63258	7C13	1	93 - 8
AL60314	7B22	2	92 - 39	AL61754	2D1	2	51 - 24	AL63260	7C13	1	93 - 8
AL60315	7B22	2	92 - 39	AL61790	7I17	19	94 - 65	AL63275	7C9	7	93 - 3
AL60316	7B22	4	92 - 39	AL61949	1F24	9	41 - 23	AL63277	7F6	13	93 - 75
AL60317	7B22	6	92 - 39	AL61970	5C24	22	71 - 67	AL63296	5E3	23	72 - 3
AL60318	7B22	5	92 - 39	AL61997	6D9	1	81 - 21	AL63298	1C25	19	30 - 7
AL60319	5E24	13	72 - 25	AL61997	6D9	4	81 - 21	AL63298	1C25	23	30 - 7
AL60320	5E24	1	72 - 25	AL61997	6D9	5	81 - 21	AL63309	1C25	2	30 - 7
AL60321	5E24	10	72 - 25	AL61997	6D9	28	81 - 21	AL63351	4B24	17	55 - 43
AL60324	7A18	2	92 - 9	AL62014	3F19	11	53 - 133	AL63351	4C2	20	55 - 47
AL60325	7I12	10	94 - 59	AL62014	3F21	13	53 - 135	AL63453	6E13	3	81 - 51
AL60326	2D8	1	51 - 31	AL62168	7C10	1	93 - 4	AL63455	6E13	3	81 - 51
AL60544	5G19	8	73 - 35	AL62184	2B25	1	42 - 45	AL63459	6E15	6	81 - 53
AL60565	5C22	5	71 - 65	AL62418	5D6	1	71 - 75	AL63603	4C4	1	55 - 49
AL60582	2D2	1	51 - 25	AL62576	7G25	3	94 - 21	AL63606	4C2	21	55 - 47
AL60582	2D2	2	51 - 25	AL62576	7H2	2	94 - 23	AL63606	4C3	1	55 - 48
AL60673	7C2	16	92 - 45	AL62576	7H4	3	94 - 25	AL63606	4C5	1	55 - 50
AL60674	7C2	17	92 - 45	AL62606	6C24	1	81 - 10	AL63617	4C2	15	55 - 47
AL60675	7C2	18	92 - 45	AL62655	3C10	4	53 - 49	AL63617	4C2	16	55 - 47
AL60676	7C2	19	92 - 45	AL62657	3C10	2	53 - 49	AL63617	4C2	27	55 - 47
AL60717	3E4	10	53 - 93	AL62659	3C8	2	53 - 47	AL63660	7B24	1	92 - 42
AL60718	3E18	16	53 - 107	AL62659	3C8	4	53 - 47	AL63661	7A21	1	92 - 13
AL60718	3E20	15	53 - 109	AL62659	3C8	7	53 - 47	AL63662	7B25	1	92 - 43
AL60773	2E16	7	52 - 29	AL62659	3C8	8	53 - 47	AL63663	6F20	1	81 - 83
AL60773	3B22	7	53 - 37	AL62659	3C8	9	53 - 47	AL63664	6F19	1	81 - 82
AL60792	7E3	17	93 - 47	AL62659	3C9	2	53 - 48	AL63665	7B25	3	92 - 43
AL60892	2B24	1	42 - 43	AL62659	3C10	5	53 - 49	AL63679	7C4	11	92 - 47
AL60895	4F8	13	62 - 63	AL62690	1G3	5	41 - 27	AL63798	6E5	27	81 - 43
AL60895	4F8	..	62 - 63	AL62696	6H24	1	91 - 3	AL63798	6E5	28	81 - 43
AL60895	4F10	1	62 - 65	AL62707	1G13	2	41 - 37	AL63799	4B25	7	55 - 45
AL60895	4F10	8	62 - 65	AL62707	1G15	15	41 - 39	AL63828	3C4	10	53 - 43
AL60895	4F12	1	62 - 67	AL62707	1G25	5	41 - 49	AL63828	3E8	1	53 - 97
AL60895	4F12	6	62 - 67	AL62740	7D16	10	93 - 35	AL63829	3C4	10	53 - 43
AL60895	4F12	8	62 - 67	AL62753	5C25	9	71 - 68	AL63829	3E12	1	53 - 101
AL60895	4F12	15	62 - 67	AL62754	5C25	11	71 - 68	AL63830	3C4	10	53 - 43
AL60895	4F12	18	62 - 67	AL62755	5C25	5	71 - 68	AL63830	3E16	1	53 - 105
AL60895	4F13	1	62 - 69	AL62757	5C25	6	71 - 68	AL63831	3E6	1	53 - 95
AL60980	6E13	10	81 - 51	AL62758	5C25	1	71 - 68	AL63832	3E10	1	53 - 99
AL60981	2B22	5	42 - 41	AL62760	4H12	26	63 - 33	AL63833	3E14	1	53 - 103
AL61003	6F18	4	81 - 81	AL62760	4H12	27	63 - 33	AL63885	6E15	6	81 - 53
AL61004	6F18	4	81 - 81	AL62760	4H12	31	63 - 33	AL63887	6E15	6	81 - 53
AL61005	6F22	5	81 - 85	AL62764	7C9	7	93 - 3	AL63895	6E15	6	81 - 53

1J17

1640, 2040, 2040S TRACTORS (430000-)

NUMERICAL INDEX - CONTINUED

PART NO.	GRID	KEY	PAGE	PART NO.	GRID	KEY	PAGE	PART NO.	GRID	KEY	PAGE
AL63934	2D1	2	51 - 24	AL64571	3E4	7	53 - 93	AL65171	3E18	12	53 - 107
AL63979	5D6	15	71 - 75	AL64575	2B22	11	42 - 41	AL65171	3E18	15	53 - 107
AL63979	5D7	4	71 - 76	AL64575	2B22	..	42 - 41	AL65171	3E20	10	53 - 109
AL63981	6C10	3	74 - 56	AL64579	7I4	52	94 - 51	AL65171	3E20	11	53 - 109
AL63985	6C17	1	81 - 3	AL64580	7I4	3	94 - 51	AL65171	3E20	12	53 - 109
AL64034	7I6	11	94 - 53	AL64580	7I4	10	94 - 51	AL65172	3E20	2	53 - 109
AL64035	7I2	13	94 - 49	AL64580	7I4	51	94 - 51	AL65172	3E20	3	53 - 109
AL64036	7I2	20	94 - 49	AL64588	1C3	1	20 - 45	AL65172	3E20	4	53 - 109
AL64050	3E4	1	53 - 93	AL64588	4G20	15	63 - 17	AL65268	1H17	1	41 - 67
AL64050	3E4	2	53 - 93	AL64588	5B23	1	71 - 39	AL65268	1H17	10	41 - 67
AL64050	3E4	3	53 - 93	AL64588	5G11	8	73 - 27	AL65268	1H17	16	41 - 67
AL64050	3E4	4	53 - 93	AL64588	5G19	11	73 - 35	AL65268	1H18	1	41 - 68
AL64125	4C4	2	55 - 49	AL64588	6A16	3	74 - 7	AL65268	1H18	5	41 - 68
AL64125	4C5	2	55 - 50	AL64588	6A18	8	74 - 9	AL65268	1H18	6	41 - 68
AL64126	4C5	3	55 - 50	AL64588	7B6	4	92 - 23	AL65268	1H21	1	41 - 71
AL64139	2D17	8	52 - 3	AL64588	7E3	12	93 - 47	AL65268	1H21	8	41 - 71
AL64139	2D17	9	52 - 3	AL64588	7E5	4	93 - 49	AL65268	1H21	10	41 - 71
AL64139	3A13	8	53 - 3	AL64715	7H2	1	94 - 23	AL65268	1H22	1	41 - 72
AL64139	3A13	9	53 - 3	AL64752	3H10	23	54 - 35	AL65268	1H22	3	41 - 72
AL64140	2D19	5	52 - 5	AL64752	3H14	24	54 - 39	AL65268	1H22	4	41 - 72
AL64189	5D6	15	71 - 75	AL64758	1G19	24	41 - 43	AL65417	6C3	42	74 - 49
AL64189	5D7	4	71 - 76	AL64758	1G21	28	41 - 45	AL65417	6C5	1	74 - 51
AL64189	6H6	23	82 - 21	AL64758	1G21	30	41 - 45	AL65437	3C23	1	53 - 63
AL64214	2E1	1	52 - 13	AL64759	2C23	2	51 - 21	AL65438	3C25	1	53 - 65
AL64214	3A19	1	53 - 10	AL64795	1G17	21	41 - 41	AL65439	3C23	1	53 - 63
AL64215	2D24	1	52 - 11	AL64831	5C12	25	71 - 53	AL65445	4G22	2	63 - 19
AL64216	3A20	1	53 - 11	AL64831	5C12	27	71 - 53	AL65575	1G17	17	41 - 41
AL64250	4C2	21	55 - 47	AL64833	5C14	28	71 - 55	AL65578	5C19	3	71 - 61
AL64250	4C4	1	55 - 49	AL64833	5C14	30	71 - 55	AL65578	5C19	22	71 - 61
AL64255	4C4	3	55 - 49	AL64833	5C14	33	71 - 55	AL65581	7H7	6	94 - 28
AL64319	7F24	1	93 - 93	AL64834	7I2	23	94 - 49	AL65584	7H4	6	94 - 25
AL64320	7F24	1	93 - 93	AL64835	7I2	22	94 - 49	AL65584	7H6	2	94 - 27
AL64340	2C21	2	51 - 19	AL64856	7F6	5	93 - 75	AL65851	4F8	..	62 - 63
AL64340	2C23	1	51 - 21	AL64861	7I17	13	94 - 65	AL65851	4F13	4	62 - 69
AL64360	6H18	30	82 - 33	AL64871	7I17	4	94 - 65	AL65854	4G22	20	63 - 19
AL64418	6C8	6	74 - 54	AL64874	7C14	2	93 - 9	AL65858	3E18	2	53 - 107
AL64418	6C8	16	74 - 54	AL64883	4H14	10	63 - 35	AL65858	3E18	3	53 - 107
AL64425	3E2	18	53 - 91	AL64886	7I17	7	94 - 65	AL65858	3E18	4	53 - 107
AL64426	3E2	13	53 - 91	AL64888	7I17	5	94 - 65	AL65860	7H4	39	94 - 25
AL64481	7G25	10	94 - 21	AL64891	4H12	3	63 - 33	AL65860	7H15	18	94 - 37
AL64481	7H2	8	94 - 23	AL64903	7D12	19	93 - 31	AL65872	2F11	9	52 - 49
AL64481	7H6	1	94 - 27	AL64922	2E12	44	52 - 25	AL65872	4G4	2	63 - 1
AL64507	2B22	8	42 - 41	AL64922	2E14	44	52 - 27	AL65891	2D1	3	51 - 24
AL64512	3C23	26	53 - 63	AL64922	3B12	44	53 - 27	AL65891	2D2	1	51 - 25
AL64512	3C25	26	53 - 65	AL64922	3B14	44	53 - 29	AL66086	2B6	12	42 - 23
AL64512	3D2	32	53 - 67	AL64937	1H22	1	41 - 72	AL66086	2B9	4	42 - 27
AL64512	3D4	32	53 - 69	AL64948	2C23	3	51 - 21	AL66086	2B19	3	42 - 37
AL64512	3D16	20	53 - 81	AL64948	2C23	5	51 - 21	AL66091	3C25	1	53 - 65
AL64512	3D18	20	53 - 83	AL64948	2D1	1	51 - 24	AL66100	2B22	2	42 - 41
AL64520	7H22	43	94 - 45	AL64949	2C23	3	51 - 21	AL66103	7G25	2	94 - 21
AL64521	7H24	21	94 - 47	AL64949	2C23	5	51 - 21	AL66133	5C8	4	71 - 49
AL64521	7I2	3	94 - 49	AL64949	2D1	1	51 - 24	AL66180	2C16	1	51 - 13
AL64522	7H24	4	94 - 47	AL65073	1F16	7	41 - 15	AL66180	2C19	2	51 - 17
AL64522	7H24	20	94 - 47	AL65074	1F16	14	41 - 15	AL66200	3F21	14	53 - 135
AL64522	7I2	2	94 - 49	AL65075	1F16	11	41 - 15	AL66200	3H19	5	54 - 44
AL64551	7I6	1	94 - 53	AL65075	1F18	10	41 - 17	AL66201	3F21	9	53 - 135
AL64553	7I2	5	94 - 49	AL65076	1F16	25	41 - 15	AL66231	5G19	9	73 - 35
AL64554	7I6	18	94 - 53	AL65077	1F10	17	41 - 9	AL66284	5D6	14	71 - 75
AL64570	3C23	2	53 - 63	AL65077	1F10	18	41 - 9	AL66286	5D1	9	71 - 69
AL64570	3C25	2	53 - 65	AL65077	1F12	2	41 - 11	AL66287	5D1	8	71 - 69
AL64570	3D8	25	53 - 73	AL65077	1F16	18	41 - 15	AL66289	5D1	6	71 - 69
AL64570	3E4	6	53 - 93	AL65077	1F16	20	41 - 15	AL66303	4C12	4	61 - 5
AL64570	3E4	7	53 - 93	AL65077	1F18	2	41 - 17	AL66303	4C12	40	61 - 5
AL64570	3F21	7	53 - 135	AL65078	1F16	5	41 - 15	AL66303	4C14	3	61 - 7
AL64571	3D16	1	53 - 81	AL65079	1F16	13	41 - 15	AL66303	4C14	42	61 - 7
AL64571	3D18	1	53 - 83	AL65092	1H4	1	41 - 53	AL66358	3E6	10	53 - 95
AL64571	3E4	6	53 - 93	AL65171	3E18	11	53 - 107	AL66358	3E6	12	53 - 95

1J18

1640, 2040, 2040S TRACTORS (430000-)

NUMERICAL INDEX - CONTINUED

PART NO.	GRID	KEY	PAGE	PART NO.	GRID	KEY	PAGE	PART NO.	GRID	KEY	PAGE
AL66358	3E6	14	53 - 95	AL66781	3D6	2	53 - 71	AL67176	1F16	1	41 - 15
AL66358	3E8	13	53 - 97	AL66781	3D8	25	53 - 73	AL67178	3F4	13	53 - 117
AL66358	3E8	15	53 - 97	AL66781	3E4	6	53 - 93	AL67181	4F13	3	62 - 69
AL66358	3E8	17	53 - 97	AL66781	3E4	8	53 - 93	AL67182	3F21	15	53 - 135
AL66358	3E10	10	53 - 99	AL66781	3E4	9	53 - 93	AL67182	3H19	5	54 - 44
AL66358	3E10	12	53 - 99	AL66781	3F21	7	53 - 135	AL67184	2D1	3	51 - 24
AL66358	3E10	14	53 - 99	AL66782	3D20	2	53 - 85	AL67201	7C2	20	92 - 45
AL66358	3E12	13	53 - 101	AL66782	3E4	6	53 - 93	AL67261	2F20	10	52 - 58
AL66358	3E12	15	53 - 101	AL66782	3E4	8	53 - 93	AL67261	2F20	13	52 - 58
AL66358	3E12	17	53 - 101	AL66782	3E4	9	53 - 93	AL67287	5E3	26	72 - 3
AL66358	3E14	10	53 - 103	AL66787	3D4	1	53 - 69	AL67287	5E7	35	72 - 7
AL66358	3E14	12	53 - 103	AL66788	3D2	1	53 - 67	AL67290	5E3	5	72 - 3
AL66358	3E14	14	53 - 103	AL66789	3D4	1	53 - 69	AL67290	5E3	20	72 - 3
AL66358	3E16	13	53 - 105	AL66796	2F11	2	52 - 49	AL67292	5E3	4	72 - 3
AL66358	3E16	15	53 - 105	AL66796	2F13	33	52 - 51	AL67292	6C12	4	74 - 58
AL66358	3E16	17	53 - 105	AL66796	2F13	34	52 - 51	AL67293	5E3	7	72 - 3
AL66407	3B20	15	53 - 35	AL66796	4G4	2	63 - 1	AL67295	6C12	6	74 - 58
AL66408	3B20	2	53 - 35	AL66796	4G4	3	63 - 1	AL67295	6C12	8	74 - 58
AL66410	3E6	5	53 - 95	AL66797	2F11	2	52 - 49	AL67296	6C12	7	74 - 58
AL66410	3E8	5	53 - 97	AL66797	2F13	33	52 - 51	AL67296	5C19	2	71 - 61
AL66410	3E10	5	53 - 99	AL66797	2F13	34	52 - 51	AL67299	5C19	9	71 - 61
AL66410	3E12	5	53 - 101	AL66797	4G4	2	63 - 1	AL67300	5C19	7	71 - 61
AL66410	3E14	5	53 - 103	AL66797	4G4	3	63 - 1	AL67447	3C21	1	53 - 61
AL66410	3E16	5	53 - 105	AL66798	2F9	1	52 - 47	AL67447	3C25	1	53 - 65
AL66513	7H7	2	94 - 28	AL66798	2F11	1	52 - 49	AL67447	3C25	23	53 - 65
AL66513	7H17	22	94 - 39	AL66798	2F11	8	52 - 49	AL67447	3D4	1	53 - 69
AL66514	7H7	9	94 - 28	AL66799	3D2	1	53 - 67	AL67447	3D4	29	53 - 69
AL66514	7H17	22	94 - 39	AL66800	2F9	1	52 - 47	AL67447	3D14	1	53 - 79
AL66515	6F6	11	81 - 69	AL66800	2F11	1	52 - 49	AL67447	3D18	1	53 - 83
AL66515	6F6	18	81 - 69	AL66800	2F11	8	52 - 49	AL67447	3D24	1	53 - 89
AL66516	6F6	15	81 - 69	AL66800	2F11	9	52 - 49	AL67447	3H18	23	54 - 43
AL66516	6F6	17	81 - 69	AL66801	2F5	1	52 - 43	AL67447	3H18	27	54 - 43
AL66606	6H18	2	82 - 33	AL66801	2F7	1	52 - 45	AL67448	3C21	1	53 - 61
AL66607	6H18	2	82 - 33	AL66801	2F11	1	52 - 49	AL67448	3C25	1	53 - 65
AL66608	6H18	2	82 - 33	AL66801	2F11	8	52 - 49	AL67448	3C25	23	53 - 65
AL66620	1F25	1	41 - 24	AL66801	2F11	9	52 - 49	AL67448	3D4	1	53 - 69
AL66620	1F25	6	41 - 24	AL66804	2F5	1	52 - 43	AL67448	3D4	29	53 - 69
AL66621	1F25	1	41 - 24	AL66804	2F7	1	52 - 45	AL67448	3D12	1	53 - 77
AL66621	1F25	6	41 - 24	AL66804	2F11	1	52 - 49	AL67448	3D16	1	53 - 81
AL66695	7G25	8	94 - 21	AL66804	2F11	8	52 - 49	AL67448	3D23	1	53 - 88
AL66695	7H4	3	94 - 25	AL66854	6H24	19	91 - 3	AL67448	3H6	23	54 - 31
AL66695	7H7	1	94 - 28	AL66875	7H24	7	94 - 47	AL67448	3H6	29	54 - 31
AL66714	3C19	1	53 - 59	AL66875	7H24	21	94 - 47	AL67449	3C19	1	53 - 59
AL66714	3D6	1	53 - 71	AL66875	7I2	3	94 - 49	AL67449	3C23	1	53 - 63
AL66753	6B7	7	74 - 25	AL66920	6A24	5	74 - 16	AL67449	3C23	23	53 - 63
AL66753	6B7	8	74 - 25	AL66920	6A25	1	74 - 17	AL67449	3D2	1	53 - 67
AL66753	6B7	9	74 - 25	AL66925	7D25	4	93 - 44	AL67449	3D2	29	53 - 67
AL66753	6B7	10	74 - 25	AL66931	3F4	13	53 - 117	AL67449	3D12	1	53 - 77
AL66753	6B7	12	74 - 25	AL66969	7E5	2	93 - 49	AL67449	3D16	1	53 - 81
AL66753	6B7	13	74 - 25	AL66969	7E5	43	93 - 49	AL67449	3D23	1	53 - 88
AL66753	6B7	15	74 - 25	AL66971	3F19	4	53 - 133	AL67449	3H4	17	54 - 29
AL66753	6B9	7	74 - 27	AL66971	3F19	11	53 - 133	AL67449	3H4	19	54 - 29
AL66753	6B9	8	74 - 27	AL66971	3F21	18	53 - 135	AL67450	3C19	1	53 - 59
AL66753	6B9	9	74 - 27	AL66978	7I12	3	94 - 59	AL67450	3C23	1	53 - 63
AL66753	6B9	10	74 - 27	AL66978	7I12	14	94 - 59	AL67450	3C23	23	53 - 63
AL66753	6B9	24	74 - 27	AL66982	7I12	3	94 - 59	AL67450	3D2	1	53 - 67
AL66754	6A24	1	74 - 16	AL66982	7I12	11	94 - 59	AL67450	3D2	29	53 - 67
AL66754	6A25	8	74 - 17	AL66992	7D2	17	93 - 21	AL67450	3D12	1	53 - 77
AL66758	7F4	20	93 - 73	AL66992	7D2	34	93 - 21	AL67450	3D16	1	53 - 81
AL66767	3D23	2	53 - 88	AL67054	3C23	26	53 - 63	AL67450	3D23	1	53 - 88
AL66767	3D23	5	53 - 88	AL67054	3C25	26	53 - 65	AL67450	3H2	14	54 - 27
AL66767	3D24	2	53 - 89	AL67054	3D2	32	53 - 67	AL67450	3H2	20	54 - 27
AL66767	3D24	5	53 - 89	AL67054	3D4	32	53 - 69	AL67502	3C19	1	53 - 59
AL66781	3C23	2	53 - 63	AL67054	3D16	20	53 - 81	AL67502	3C21	1	53 - 61
AL66781	3C25	2	53 - 65	AL67054	3D18	20	53 - 83	AL67502	3C23	1	53 - 63
AL66781	3D2	2	53 - 67	AL67171	6H18	2	82 - 33	AL67502	3C25	1	53 - 65
AL66781	3D4	2	53 - 69	AL67175	1F10	1	41 - 9	AL67502	3D6	1	53 - 71

1J19

1640, 2040, 2040S TRACTORS (430000-)

NUMERICAL INDEX - CONTINUED

PART NO.	GRID	KEY	PAGE	PART NO.	GRID	KEY	PAGE	PART NO.	GRID	KEY	PAGE
AL67503	3C19	1	53-59	AL68115	6H24	4	91-3	AL68485	2D1	3	51-24
AL67503	3C21	1	53-61	AL68115	6H24	13	91-3	AL68507	2F11	2	52-49
AL67503	3C23	1	53-63	AL68118	2F15	15	52-53	AL68507	4G4	2	63-1
AL67503	3C25	1	53-65	AL68119	7G25	3	94-21	AL68507	4G4	3	63-1
AL67503	3D2	1	53-67	AL68119	7G25	7	94-21	AL68508	2F11	2	52-49
AL67503	3D4	1	53-69	AL68119	7H2	2	94-23	AL68508	4G4	2	63-1
AL67503	3D6	1	53-71	AL68119	7H2	6	94-23	AL68508	4G4	3	63-1
AL67546	2F15	15	52-53	AL68119	7H4	2	94-25	AL68510	3C23	2	53-63
AL67574	4G6	3	63-3	AL68170	5E3	15	72-3	AL68510	3C25	2	53-65
AL67651	3C6	5	53-45	AL68170	5E3	18	72-3	AL68510	3D2	2	53-67
AL67715	4G6	11	63-3	AL68170	5E3	31	72-3	AL68510	3D4	2	53-69
AL67737	7B23	1	92-40	AL68170	5E5	1	72-5	AL68510	3D6	2	53-71
AL67740	7A20	1	92-12	AL68170	5E5	2	72-5	AL68510	3D8	25	53-73
AL67796	3G7	15	54-7	AL68170	5E5	4	72-5	AL68511	3D20	2	53-85
AL67798	6H18	11	82-33	AL68170	5E7	1	72-7	AL68519	3D12	1	53-77
AL67799	3D20	1	53-85	AL68170	5E7	2	72-7	AL68519	3D14	1	53-79
AL67799	3D20	29	53-85	AL68170	5E7	4	72-7	AL68519	3D16	1	53-81
AL67848	3G5	33	54-5	AL68170	5E7	33	72-7	AL68519	3D18	1	53-83
AL67848	7C12	1	93-7	AL68201	1D8	6	30-15	AL68519	3D20	1	53-85
AL67848	7C16	1	93-11	AL68202	1H8	1	41-57	AL68549	6H24	23	91-3
AL67921	7H15	33	94-37	AL68207	5E5	20	72-5	AL68550	6H24	14	91-3
AL67948	7D16	6	93-35	AL68207	5E7	31	72-7	AL68551	6H24	23	91-3
AL67948	7D16	20	93-35	AL68208	5E5	30	72-5	AL68552	6H24	14	91-3
AL67948	7D16	..	93-35	AL68208	5E7	30	72-7	AL68553	6H24	18	91-3
AL68022	2D1	2	51-24	AL68210	4C2	7	55-47	AL68554	6H24	22	91-3
AL68024	2D1	2	51-24	AL68210	4C2	8	55-47	AL68619	3G24	18	54-25
AL68083	4D6	21	62-11	AL68210	4C2	24	55-47	AL68619	3H6	21	54-31
AL68083	4D6	24	62-11	AL68210	4C2	28	55-47	AL68633	2B24	9	42-43
AL68083	4D6	31	62-11	AL68214	1C8	10	20-50	AL68633	5C4	7	71-45
AL68083	4D10	21	62-15	AL68214	1C9	12	20-51	AL68633	5C6	1	71-47
AL68083	4D10	24	62-15	AL68230	1H4	8	41-53	AL68633	5C6	2	71-47
AL68083	4D10	30	62-15	AL68231	1H4	1	41-53	AL68633	5C6	5	71-47
AL68083	4D14	20	62-19	AL68232	1H4	1	41-53	AL68645	5C4	7	71-45
AL68083	4D14	23	62-19	AL68277	6E11	2	81-49	AL68645	5C6	10	71-47
AL68083	4D14	30	62-19	AL68306	3C19	19	53-59	AL68883	1F10	2	41-9
AL68083	4D16	20	62-21	AL68306	3C21	19	53-61	AL68885	1F10	7	41-9
AL68083	4D16	23	62-21	AL68306	3C23	29	53-63	AL68887	1F10	11	41-9
AL68083	4D16	30	62-21	AL68306	3C25	29	53-65	AL68887	1F12	10	41-11
AL68083	4D18	20	62-23	AL68306	3D2	35	53-67	AL68889	1F10	23	41-9
AL68083	4D18	23	62-23	AL68306	3D4	35	53-69	AL68891	1F6	5	41-5
AL68083	4D18	30	62-23	AL68306	3D6	31	53-71	AL68891	1F8	5	41-7
AL68083	4D20	20	62-25	AL68306	3D12	19	53-77	AL68891	1F10	5	41-9
AL68083	4D20	23	62-25	AL68306	3D14	19	53-79	AL68891	1F12	13	41-11
AL68083	4D20	30	62-25	AL68306	3D16	21	53-81	AL68891	1F14	4	41-13
AL68083	4D22	21	62-27	AL68306	3D18	21	53-83	AL68891	1F16	5	41-15
AL68083	4D22	24	62-27	AL68306	3D20	33	53-85	AL68891	1F18	13	41-17
AL68083	4D22	30	62-27	AL68309	6H24	17	91-3	AL68893	1F10	13	41-9
AL68083	4E4	20	62-33	AL68323	6H24	22	91-3	AL68894	1F16	8	41-15
AL68083	4E4	23	62-33	AL68324	6H24	18	91-3	AL69166	4G6	1	63-3
AL68083	4E4	30	62-33	AL68325	2D21	18	52-7	AL69166	4G6	13	63-3
AL68083	4E6	20	62-35	AL68325	2D21	19	52-7	AL69166	4G6	18	63-3
AL68083	4E6	23	62-35	AL68325	3A15	18	53-5	AL69166	4G6	19	63-3
AL68083	4E6	30	62-35	AL68325	3A15	19	53-5	AL69167	4G6	1	63-3
AL68097	4G4	9	63-1	AL68330	5H7	13	73-49	AL69167	4G6	13	63-3
AL68098	7H10	1	94-32	AL68332	5H6	15	73-48	AL69167	4G6	18	63-3
AL68099	7G15	1	94-11	AL68435	2D17	9	52-3	AL69167	4G6	19	63-3
AL68099	7G25	1	94-21	AL68435	3A13	9	53-3	AL69170	4G6	1	63-3
AL68099	7G25	2	94-21	AL68437	4A12	22	55-3	AL69170	4G6	13	63-3
AL68099	7H2	1	94-23	AL68437	4A14	27	55-5	AL69170	4G6	18	63-3
AL68099	7H4	1	94-25	AL68437	4A15	1	55-6	AL69170	4G6	19	63-3
AL68099	7H10	1	94-32	AL68437	4A16	1	55-7	AL69171	7B10	1	92-27
AL68112	6H24	9	91-3	AL68438	4A16	2	55-7	AL69171	7B12	1	92-29
AL68112	6H24	21	91-3	AL68439	4A16	3	55-7	AL69171	7B12	4	92-29
AL68113	6H24	4	91-3	AL68461	3H2	21	54-27	AL69172	7B10	13	92-27
AL68113	6H24	13	91-3	AL68461	3H4	21	54-29	AL69172	7B11	1	92-28
AL68114	6H24	9	91-3	AL68461	3H6	30	54-31	AL69172	7B11	4	92-28
AL68114	6H24	21	91-3	AL68461	3H18	28	54-43	AL69173	7B10	13	92-27

1J20

1640, 2040, 2040S TRACTORS (430000-)

NUMERICAL INDEX - CONTINUED

PART NO.	GRID	KEY	PAGE	PART NO.	GRID	KEY	PAGE	PART NO.	GRID	KEY	PAGE
AL69173	7B13	1	92 - 30	AL69628	4D14	22	62 - 19	AL69711	5C10	7	71 - 51
AL69173	7B13	4	92 - 30	AL69628	4D14	31	62 - 19	AL69711	5C10	8	71 - 51
AL69174	7B10	1	92 - 27	AL69628	4D16	17	62 - 21	AL69711	5C10	9	71 - 51
AL69174	7B14	1	92 - 31	AL69628	4D16	22	62 - 21	AL69711	5C10	18	71 - 51
AL69174	7B14	4	92 - 31	AL69628	4D16	31	62 - 21	AL69743	7H18	1	94 - 41
AL69179	4G6	3	63 - 3	AL69628	4D22	23	62 - 27	AL69744	7H18	1	94 - 41
AL69188	3H18	16	54 - 43	AL69628	4D22	27	62 - 27	AL69761	2D17	8	52 - 3
AL69236	5D6	15	71 - 75	AL69628	4D22	31	62 - 27	AL69761	3A13	8	53 - 3
AL69236	5D6	33	71 - 75	AL69628	4E6	17	62 - 35	AL69811	7H22	4	94 - 45
AL69236	5D7	4	71 - 76	AL69628	4E6	22	62 - 35	AL69907	3D23	2	53 - 88
AL69236	5D7	13	71 - 76	AL69628	4E6	31	62 - 35	AL69907	3D23	5	53 - 88
AL69236	6H6	30	82 - 21	AL69628	4E6	31	62 - 35	AL69907	3D24	2	53 - 89
AL69305	2D21	18	52 - 7	AL69629	4D6	23	62 - 11	AL69907	3D24	5	53 - 89
AL69305	2D21	20	52 - 7	AL69629	4D6	27	62 - 11	AL69982	1F25	5	41 - 24
AL69305	3A15	18	53 - 5	AL69629	4D6	32	62 - 11	AL69982	1F25	5	41 - 24
AL69305	3A15	20	53 - 5	AL69629	4D18	17	62 - 23	AL69984	1F20	10	41 - 19
AL69315	1H4	16	41 - 53	AL69629	4D18	22	62 - 23	AL69984	1F22	6	41 - 21
AL69315	1H4	16	41 - 53	AL69629	4D18	31	62 - 23	AL69984	1F25	1	41 - 24
AL69316	1H4	1	41 - 53	AL69629	4D18	31	62 - 23	AL69984	1F25	6	41 - 24
AL69391	7I7	3	94 - 54	AL69629	4D22	23	62 - 27	AL69984	1F25	6	41 - 24
AL69391	7I7	12	94 - 54	AL69629	4D22	27	62 - 27	AL69986	1F22	6	41 - 21
AL69391	7I7	12	94 - 54	AL69629	4D22	31	62 - 27	AL69986	1F24	12	41 - 23
AL69391	7I7	13	94 - 54	AL69629	4E4	17	62 - 33	AL69986	1F25	1	41 - 24
AL69392	7H8	1	94 - 30	AL69629	4E4	22	62 - 33	AL69986	1F25	6	41 - 24
AL69392	7H8	12	94 - 30	AL69629	4E4	31	62 - 33	AL70119	5C10	5	71 - 51
AL69392	7H8	13	94 - 30	AL69629	4E4	31	62 - 33	AL70119	5C10	12	71 - 51
AL69392	7H9	1	94 - 31	AL69684	1F24	12	41 - 23	AL70119	5C10	13	71 - 51
AL69394	7G21	7	94 - 17	AL69699	1G7	9	41 - 31	AL70119	5C10	14	71 - 51
AL69394	7G21	10	94 - 17	AL69699	1G7	21	41 - 31	AL70119	5C10	14	71 - 51
AL69394	7G21	15	94 - 17	AL69699	1G7	22	41 - 31	AL70119	5C10	16	71 - 51
AL69394	7G21	15	94 - 17	AL69699	1G9	5	41 - 33	AL70119	5C10	17	71 - 51
AL69394	7G22	11	94 - 18	AL69699	1G9	6	41 - 33	AL70119	5C10	17	71 - 51
AL69465	7H17	2	94 - 39	AL69699	1G9	6	41 - 33	AL70119	5C10	19	71 - 51
AL69466	7H17	1	94 - 39	AL69699	1G9	15	41 - 33	AL70294	1G19	16	41 - 43
AL69467	7H17	20	94 - 39	AL69699	1G17	12	41 - 41	AL70364	1G5	8	41 - 29
AL69468	7H17	20	94 - 39	AL69699	1G17	14	41 - 41	AL70850	1G1	1	41 - 25
AL69471	7H10	3	94 - 32	AL69699	1G17	20	41 - 41	AL70850	1G3	5	41 - 27
AL69472	7H17	18	94 - 39	AL69699	1G25	21	41 - 49	AL70850	1G5	5	41 - 29
AL69474	7H17	24	94 - 39	AL69699	1G25	23	41 - 49	AL70853	1G5	11	41 - 29
AL69475	7H15	22	94 - 37	AL69699	1G25	24	41 - 49	AL70854	1G3	13	41 - 27
AL69476	7H15	26	94 - 37	AL69699	1G25	24	41 - 49	AL70854	1G3	13	41 - 27
AL69477	7H17	42	94 - 39	AL69699	2B11	5	42 - 29	AL70854	1G5	10	41 - 29
AL69480	7H15	7	94 - 37	AL69699	2B11	6	42 - 29	AL70855	1G3	12	41 - 27
AL69481	7H15	16	94 - 37	AL69699	2B11	31	42 - 29	AL70855	1G5	9	41 - 29
AL69482	4H12	37	63 - 33	AL69699	2B13	5	42 - 31	AL70893	7E14	1	93 - 58
AL69491	1H4	17	41 - 53	AL69699	2B13	6	42 - 31	AL70898	7E9	5	93 - 53
AL69494	7H15	14	94 - 37	AL69699	2B13	36	42 - 31	AL70926	7E9	1	93 - 53
AL69495	7H15	15	94 - 37	AL69699	2B15	6	42 - 33	AL70927	7E9	6	93 - 53
AL69496	7H11	6	94 - 33	AL69699	2B15	6	42 - 33	AL70934	4F25	24	62 - 81
AL69497	7H11	1	94 - 33	AL69699	2B15	7	42 - 33	AL70975	3G9	16	54 - 9
AL69497	7H13	18	94 - 35	AL69699	2B15	35	42 - 33	AL70976	3G7	15	54 - 7
AL69498	7H11	10	94 - 33	AL69699	2B17	8	42 - 35	AL77061	5G19	10	73 - 35
AL69498	7H13	14	94 - 35	AL69699	2B17	9	42 - 35	AL77061	5G19	25	73 - 35
AL69501	7H13	4	94 - 35	AL69700	2B17	9	42 - 35	AL77581	7E14	3	93 - 58
AL69503	7H13	24	94 - 35	AL69700	2B17	26	42 - 35	AL78689	1F6	1	41 - 5
AL69505	7H13	10	94 - 35	AL69700	1G7	9	41 - 31	AL78689	1F8	1	41 - 7
AL69557	4H12	32	63 - 33	AL69700	1G9	15	41 - 33	AL78689	1F10	1	41 - 9
AL69627	4D6	23	62 - 11	AL69700	1G19	4	41 - 43	AL78689	1F10	2	41 - 9
AL69627	4D6	27	62 - 11	AL69700	1G21	4	41 - 45	AL78689	1F10	7	41 - 9
AL69627	4D6	32	62 - 11	AL69700	1G21	4	41 - 45	AL78689	1F10	9	41 - 9
AL69627	4D20	17	62 - 25	AL69700	1G21	4	41 - 45	AL78689	1F10	12	41 - 9
AL69627	4D20	22	62 - 25	AL69711	1G19	4	41 - 43	AL78689	1F10	14	41 - 9
AL69627	4D20	31	62 - 25	AL69711	1G21	4	41 - 45	AL78689	1F10	21	41 - 9
AL69628	4D6	23	62 - 11	AL69711	1G19	4	41 - 43	AL78689	1F10	23	41 - 9
AL69628	4D6	27	62 - 11	AL69711	1G21	4	41 - 45	AL78689	1F12	1	41 - 11
AL69628	4D6	32	62 - 11	AL69711	1G19	4	41 - 43	AL78690	1F14	1	41 - 13
AL69628	4D10	23	62 - 15	AL69711	1G21	4	41 - 45	AL78690	1F16	1	41 - 15
AL69628	4D10	27	62 - 15	AL69711	1G19	4	41 - 43	AL78690	1F16	2	41 - 15
AL69628	4D10	31	62 - 15	AL69711	1G21	4	41 - 45	AL78690	1F16	7	41 - 15
AL69628	4D14	17	62 - 19	AL69711	1G19	4	41 - 43	AL78690	1F16	9	41 - 15
AL69628	4D14	17	62 - 19	AL69711	1G21	4	41 - 45	AL78690	1F16	12	41 - 15
AL69628	4D14	17	62 - 19	AL69711	5C9	1	71 - 50	AL78690	1F16	12	41 - 15
AL69628	4D14	17	62 - 19	AL69711	5C9	5	71 - 50	AL78690	1F16	14	41 - 15
AL69628	4D14	17	62 - 19	AL69711	5C9	6	71 - 50	AL78690	1F16	14	41 - 15
AL69628	4D14	17	62 - 19	AL69711	5C9	7	71 - 50	AL78690	1F16	14	41 - 15
AL69628	4D14	17	62 - 19	AL69711	5C9	8	71 - 50	AL78690	1F16	14	41 - 15
AL69628	4D14	17	62 - 19	AL69711	5C9	9	71 - 50	AL78690	1F16	14	41 - 15
AL69628	4D14	17	62 - 19	AL69711	5C9	13	71 - 50	AL78690	1F16	14	41 - 15
AL69628	4D14	17	62 - 19	AL69711	5C10	3	71 - 51	AL78690	1F16	14	41 - 15
AL69628	4D14	17	62 - 19	AL69711	5C10	5	71 - 51	AL78690	1F16	14	41 - 15
AL69628	4D14	17	62 - 19	AL69711	5C10	6	71 - 51	AL78690	1F16	14	41 - 15

1J21

1640, 2040, 2040S TRACTORS (430000-)

NUMERICAL INDEX - CONTINUED

PART NO.	GRID	KEY	PAGE	PART NO.	GRID	KEY	PAGE	PART NO.	GRID	KEY	PAGE
AL78690	1F16	22	41 - 15	AR101807	5A25	1	71 - 15	AR26746	4H2	2	63 - 23
AL78690	1F16	23	41 - 15	AR102310	4F12	12	62 - 67	AR26746	4H4	2	63 - 25
AL78690	1F16	25	41 - 15	AR102452	1D18	6	30 - 25	AR26746	4H18	2	63 - 39
AL78690	1F18	1	41 - 17	AR102477	5C14	8	71 - 55	AR26746	4H20	2	63 - 41
AL78760	1G5	5	41 - 29	AR102516	4F8	13	62 - 63	AR26746	4H22	10	63 - 43
AL82375	6E17	5	81 - 55	AR102516	4F12	18	62 - 67	AR26746	4H24	10	63 - 45
AL82375	6E17	9	81 - 55	AR102675	1D19	8	30 - 26	AR26746	4I2	10	63 - 47
AL82375	6E19	10	81 - 57	AR102676	1D19	3	30 - 26	AR26746	4I4	18	63 - 49
AL82375	6E19	19	81 - 57	AR102678	1D19	4	30 - 26	AR26746	4I6	18	63 - 51
AL82377	6E17	5	81 - 55	AR103009	7C12	21	93 - 7	AR26746	4I8	16	63 - 53
AL82377	6E17	9	81 - 55	AR103010	7C12	2	93 - 7	AR26763	5G9	4	73 - 25
AL82378	6E17	5	81 - 55	AR103010	7C16	2	93 - 11	AR26763	5G15	5	73 - 31
AL82378	6E17	9	81 - 55	AR103033	5A17	1	71 - 7	AR26763	5G23	13	73 - 39
AL82378	6E19	10	81 - 57	AR103035	5A15	1	71 - 5	AR26763	5H2	7	73 - 44
AL82378	6E19	19	81 - 57	AR103036	5A17	1	71 - 7	AR26763	5H5	7	73 - 47
AL82470	6E13	12	81 - 51	AR103040	5A15	25	71 - 5	AR26763	6B9	15	74 - 27
AL82481	6E13	10	81 - 51	AR103040	5A15	32	71 - 5	AR26763	6B10	7	74 - 28
AL82482	6E13	10	81 - 51	AR103040	5A15	48	71 - 5	AR26782	3H20	3	54 - 45
AL82488	6E11	2	81 - 49	AR103040	5A17	25	71 - 7	AR26782	3H21	3	54 - 46
AL82490	6E11	2	81 - 49	AR103040	5A17	32	71 - 7	AR26782	4A24	3	55 - 16
AL82491	6E11	2	81 - 49	AR103040	5A17	48	71 - 7	AR27814	1E20	5	30 - 55
AL82528	6E15	21	81 - 53	AR103040	5A23	24	71 - 13	AR27814	1E22	10	30 - 57
AL82533	6E15	21	81 - 53	AR103749	1B22	2	20 - 38	AR27814	6H18	7	82 - 33
AL82540	6E15	21	81 - 53	AR21059	1H8	3	41 - 57	AR27940	1E20	13	30 - 55
AL82546	6E15	21	81 - 53	AR21836	4G20	4	63 - 17	AR27977	1B23	2	20 - 39
AL82825	6E1	3	81 - 39	AR21837	1C3	1	20 - 45	AR28251	5H14	1	73 - 57
AL82825	6E3	8	81 - 41	AR21837	4G20	15	63 - 17	AR28251	5H16	4	73 - 59
AL82825	6E3	19	81 - 41	AR21837	5G11	8	73 - 27	AR28251	5H17	8	73 - 60
AL82826	6E1	13	81 - 39	AR21837	5G19	11	73 - 35	AR28403	1G15	6	41 - 39
AL82826	6E3	10	81 - 41	AR21837	6A16	3	74 - 7	AR30507	6H4	2	82 - 19
AL82826	6E3	22	81 - 41	AR21837	6A18	8	74 - 9	AR33249	5B4	43	71 - 19
AL82828	6E1	2	81 - 39	AR21837	7B6	4	92 - 23	AR33877	6B10	10	74 - 28
AL82828	6E3	17	81 - 41	AR21837	7E3	12	93 - 47	AR35645	4H2	15	63 - 23
AL82828	6E3	24	81 - 41	AR21837	7E5	4	93 - 49	AR35645	4H4	10	63 - 25
AL82835	4C19	10	61 - 13	AR21840	1C7	21	20 - 49	AR36875	4H2	13	63 - 23
AL82835	6E3	18	81 - 41	AR21840	1C7	31	20 - 49	AR36875	4H4	11	63 - 25
AL82837	4C19	2	61 - 13	AR21841	1C23	13	30 - 5	AR38225	5A21	1	71 - 11
AL82837	4C19	6	61 - 13	AR21841	1C25	15	30 - 7	AR38239	6B25	1	74 - 45
AL82837	4C19	11	61 - 13	AR21842	1C25	21	30 - 7	AR38713	6C1	1	74 - 46
AM30347	6E23	1	81 - 61	AR21999	1C21	1	30 - 3	AR38714	5B4	9	71 - 19
AN10065	2C21	19	51 - 19	AR21999	1C23	1	30 - 5	AR38849	6B25	3	74 - 45
AN10065	2C23	10	51 - 21	AR21999	4F8	4	62 - 63	AR39041	5A15	28	71 - 5
AN10065	2D5	3	51 - 28	AR21999	4F15	18	62 - 71	AR39041	5A17	28	71 - 7
AN10065	2D6	4	51 - 29	AR21999	5B21	11	71 - 37	AR39041	5A23	26	71 - 13
AN10065	2D10	34	51 - 33	AR26382	1C14	7	20 - 57	AR39052	5A15	17	71 - 5
AR100056	7E5	2	93 - 49	AR26407	6B25	44	74 - 45	AR39052	5A17	17	71 - 7
AR100124	1A19	2	20 - 9	AR26407	6C3	42	74 - 49	AR39071	5B2	28	71 - 17
AR100124	1A19	3	20 - 9	AR26407	6C5	1	74 - 51	AR39071	5B8	27	71 - 23
AR100124	1C17	1	20 - 61	AR26480	6E11	4	81 - 49	AR39071	5B12	27	71 - 27
AR100124	1C17	3	20 - 61	AR26646	5B4	25	71 - 19	AR39128	2E12	46	52 - 25
AR100178	1C11	5	20 - 54	AR26697	6A14	42	74 - 5	AR39128	3B12	46	53 - 27
AR100178	1C11	11	20 - 54	AR26697	6A22	13	74 - 13	AR39157	6B2	5	74 - 19
AR100426	1C17	1	20 - 61	AR26723	5H16	2	73 - 59	AR39158	6B2	7	74 - 19
AR100517	6B4	25	74 - 21	AR26724	4G20	13	63 - 17	AR41691	1C14	15	20 - 57
AR101139	7C18	12	93 - 13	AR26725	4C12	20	61 - 5	AR41785	6H18	5	82 - 33
AR101140	7C18	17	93 - 13	AR26725	4E14	13	62 - 45	AR42287	5D4	21	71 - 73
AR101141	7C18	17	93 - 13	AR26725	4G20	19	63 - 17	AR44217	5B21	9	71 - 37
AR101236	5B2	11	71 - 17	AR26725	4H18	15	63 - 39	AR45251	4H18	8	63 - 39
AR101236	5B8	11	71 - 23	AR26725	4H20	15	63 - 41	AR45251	4H20	8	63 - 41
AR101236	5B12	11	71 - 27	AR26725	4H22	30	63 - 43	AR45251	4H22	16	63 - 43
AR101238	5A15	27	71 - 5	AR26725	4H24	30	63 - 45	AR45251	4H24	16	63 - 45
AR101238	5A17	27	71 - 7	AR26725	4I4	29	63 - 49	AR45251	4I2	16	63 - 47
AR101238	5A23	25	71 - 13	AR26725	4I6	32	63 - 51	AR45251	4I6	19	63 - 51
AR101357	1E9	39	30 - 43	AR26746	3B5	2	53 - 20	AR45251	4I8	34	63 - 53
AR101427	7E22	8	93 - 67	AR26746	3B7	2	53 - 22	AR45530	1A19	2	20 - 9
AR101594	6B19	16	74 - 39	AR26746	4G15	8	63 - 12	AR47580	5B2	4	71 - 17
AR101632	5B14	12	71 - 29	AR26746	4G16	6	63 - 13	AR47825	6B25	42	74 - 45

1J22

1640, 2040, 2040S TRACTORS (430000-)

NUMERICAL INDEX - CONTINUED

PART NO.	GRID	KEY	PAGE	PART NO.	GRID	KEY	PAGE	PART NO.	GRID	KEY	PAGE
AR47825	6C3	1	74 - 49	AR58287	7E9	11	93 - 53	AR67980	7D8	12	93 - 27
AR47825	6C5	4	74 - 51	AR58606	6D25	9	81 - 37	AR67980	7D10	12	93 - 29
AR48236	1D8	8	30 - 15	AR58652	7E16	3	93 - 61	AR68071	5E16	22	72 - 17
AR48236	1D14	10	30 - 21	AR58652	7F4	12	93 - 73	AR68071	6H24	25	91 - 3
AR48236	1D17	3	30 - 24	AR58652	7F10	8	93 - 79	AR68145	6C5	8	74 - 51
AR49592	6E11	18	81 - 49	AR58654	7F6	11	93 - 75	AR68801	6D11	11	81 - 23
AR49803	7E13	18	93 - 57	AR59779	2B11	29	42 - 29	AR68801	6D13	5	81 - 25
AR49808	7E13	29	93 - 57	AR59779	2B13	29	42 - 31	AR69370	2B11	24	42 - 29
AR49866	6H24	9	91 - 3	AR60331	5G21	30	73 - 37	AR69370	2B13	24	42 - 31
AR49867	6H24	4	91 - 3	AR60559	1D18	6	30 - 25	AR69370	7E3	20	93 - 47
AR50040	1D15	2	30 - 22	AR60701	1C1	9	20 - 43	AR69370	7E5	8	93 - 49
AR50040	1D16	3	30 - 23	AR60937	1G25	2	41 - 49	AR69743	1D15	6	30 - 22
AR50041	1D15	11	30 - 22	AR61165	5F12	1	73 - 3	AR70442	4C24	40	62 - 5
AR50041	1D16	11	30 - 23	AR61165	5F12	36	73 - 3	AR70442	4D2	38	62 - 7
AR50580	1H11	1	41 - 60	AR61165	5F14	14	73 - 5	AR70506	2G1	2	52 - 64
AR51481	1G15	2	41 - 39	AR61165	5F14	22	73 - 5	AR70506	3F22	2	53 - 136
AR51691	5G7	12	73 - 23	AR61165	5F16	1	73 - 7	AR70589	1A20	1	20 - 10
AR51745	5B4	7	71 - 19	AR61165	5F16	28	73 - 7	AR70589	1A21	2	20 - 11
AR52224	5B2	22	71 - 17	AR61165	5F20	14	73 - 11	AR70589	1A22	1	20 - 12
AR52224	5B8	22	71 - 23	AR61165	5F20	22	73 - 11	AR71007	1A14	1	20 - 4
AR52224	5B12	22	71 - 27	AR61165	5F24	1	73 - 15	AR71007	1A15	1	20 - 5
AR52254	5B4	27	71 - 19	AR61165	5F24	38	73 - 15	AR71285	7E13	13	93 - 57
AR52254	5B10	22	71 - 25	AR61165	5G2	14	73 - 17	AR71286	7E13	8	93 - 57
AR52254	5B14	21	71 - 29	AR61165	5G2	21	73 - 17	AR71287	7E13	21	93 - 57
AR52278	5C17	11	71 - 58	AR61194	6H16	2	82 - 31	AR71288	7E13	5	93 - 57
AR52361	4H18	23	63 - 39	AR61222	7D20	8	93 - 39	AR71289	7E13	4	93 - 57
AR52361	4H20	23	63 - 41	AR61351	1B2	1	20 - 18	AR71289	7E13	14	93 - 57
AR52361	4H22	1	63 - 43	AR61352	1B2	1	20 - 18	AR71289	7E13	15	93 - 57
AR52361	4H24	1	63 - 45	AR61538	1C11	3	20 - 54	AR71289	7E13	17	93 - 57
AR52361	4I2	1	63 - 47	AR62028	4A21	1	55 - 13	AR71289	7E13	18	93 - 57
AR52361	4I4	1	63 - 49	AR62072	3H8	4	54 - 33	AR71289	7E13	19	93 - 57
AR52361	4I6	1	63 - 51	AR62072	3H12	13	54 - 37	AR71289	7E13	20	93 - 57
AR52361	4I8	1	63 - 53	AR62072	4H12	22	63 - 33	AR71290	7E13	7	93 - 57
AR52372	4H18	20	63 - 39	AR62149	5E8	2	72 - 8	AR71902	6B25	2	74 - 45
AR52372	4H20	20	63 - 41	AR62149	5E9	2	72 - 9	AR71902	6C3	44	74 - 49
AR52372	4H22	2	63 - 43	AR62149	5E14	2	72 - 14	AR71902	6C5	39	74 - 51
AR52372	4H24	2	63 - 45	AR62149	5F7	4	72 - 32	AR71992	1C17	1	20 - 61
AR52372	4I2	2	63 - 47	AR62149	5F8	4	72 - 33	AR72870	1D25	1	30 - 32
AR52372	4I4	2	63 - 49	AR62149	5F8	6	72 - 33	AR72870	1E2	1	30 - 34
AR52372	4I6	2	63 - 51	AR62978	1C1	1	20 - 43	AR72957	1C10	1	20 - 52
AR52621	6B10	9	74 - 28	AR62979	1C1	1	20 - 43	AR73684	5A24	3	71 - 14
AR52622	6B10	1	74 - 28	AR63103	1E16	1	30 - 51	AR74486	7E7	24	93 - 51
AR52785	5A15	12	71 - 5	AR63351	1B2	8	20 - 18	AR74606	6D23	11	81 - 35
AR52785	5A17	12	71 - 7	AR63352	1B2	8	20 - 18	AR74608	6D23	1	81 - 35
AR52785	5B2	14	71 - 17	AR63613	4G6	1	63 - 3	AR74812	2A12	5	42 - 3
AR53301	5B2	3	71 - 17	AR63613	4G6	13	63 - 3	AR75603	2G1	2	52 - 64
AR53301	5B8	3	71 - 23	AR63613	4G6	18	63 - 3	AR75603	3F22	2	53 - 136
AR53301	5B12	3	71 - 27	AR63613	4G6	19	63 - 3	AR75958	6B10	11	74 - 28
AR53799	3H20	2	54 - 45	AR63613	4G12	1	63 - 9	AR76102	1D21	2	30 - 28
AR53999	1F20	16	41 - 19	AR63613	4G12	2	63 - 9	AR76102	1D22	2	30 - 29
AR54637	6E5	17	81 - 43	AR63616	4G6	1	63 - 3	AR76102	1D23	2	30 - 30
AR54808	4C24	3	62 - 5	AR63616	4G6	13	63 - 3	AR76102	1D24	2	30 - 31
AR54808	4D2	3	62 - 7	AR63616	4G6	18	63 - 3	AR76102	1D25	2	30 - 32
AR55695	5E16	19	72 - 17	AR63616	4G6	19	63 - 3	AR76102	1E1	2	30 - 33
AR55695	5E18	16	72 - 19	AR63616	4G12	16	63 - 9	AR76102	1E2	2	30 - 34
AR55881	7D8	14	93 - 27	AR63616	4G12	17	63 - 9	AR76102	1E3	2	30 - 35
AR55881	7D10	14	93 - 29	AR65507	1B19	3	20 - 35	AR76762	5B2	10	71 - 17
AR55882	7D8	18	93 - 27	AR65507	1B20	4	20 - 36	AR76762	5B8	10	71 - 23
AR55882	7D10	18	93 - 29	AR65507	1C17	2	20 - 61	AR76762	5B12	10	71 - 27
AR55978	1B19	9	20 - 35	AR65507	1C17	3	20 - 61	AR77324	1H19	3	41 - 69
AR55978	1B19	10	20 - 35	AR65881	5B17	9	71 - 33	AR77325	1H19	9	41 - 69
AR56766	1G25	1	41 - 49	AR66478	1G15	10	41 - 39	AR77326	1H19	1	41 - 69
AR56987	2B11	1	42 - 29	AR66799	1G15	13	41 - 39	AR77344	2A12	22	42 - 3
AR56987	2B13	1	42 - 31	AR67718	5B6	1	71 - 21	AR77345	2A12	21	42 - 3
AR56987	2B15	2	42 - 33	AR67942	1B11	10	20 - 27	AR77445	7C12	3	93 - 7
AR58126	1G15	1	41 - 39	AR67942	1B13	12	20 - 29	AR77445	7C16	3	93 - 11
AR58147	7E9	29	93 - 53	AR67942	1C17	3	20 - 61	AR77679	1E14	7	30 - 49

1J23

1640, 2040, 2040S TRACTORS (430000-)

NUMERICAL INDEX - CONTINUED

PART NO.	GRID	KEY	PAGE	PART NO.	GRID	KEY	PAGE	PART NO.	GRID	KEY	PAGE
AR77679	1E14	18	30-49	AR88553	3G5	27	54-5	AR93863	7D18	25	93-37
AR78192	1A16	2	20-6	AR88561	2E10	10	52-23	AR93864	6B21	12	74-41
AR78361	2E12	2	52-25	AR88561	3B10	13	53-25	AR93864	7D18	23	93-37
AR78361	2E14	2	52-27	AR88622	7C9	7	93-3	AR93864	7D20	8	93-39
AR78361	2E20	25	52-33	AR88943	7E9	1	93-53	AR93864	7D20	13	93-39
AR78361	3B12	2	53-27	AR88945	7E9	5	93-53	AR93864	7E1	5	93-45
AR78361	3B14	2	53-29	AR89008	6G7	10	81-95	AR93864	7E1	7	93-45
AR78361	3C2	25	53-41	AR89008	6G9	10	81-97	AR93928	3G22	11	54-23
AR78501	7E13	22	93-57	AR89061	5A17	1	71-7	AR94126	1E16	2	30-51
AR79623	1B1	1	20-16	AR89062	5A15	1	71-5	AR94127	1E16	10	30-51
AR79868	1B19	6	20-35	AR89064	5A17	1	71-7	AR94477	6B17	12	74-37
AR80764	7C12	21	93-7	AR89072	5A15	41	71-5	AR94522	5H9	7	73-51
AR80892	6B14	1	74-33	AR89072	5A17	41	71-7	AR94522	5H12	2	73-55
AR81786	1B11	3	20-27	AR89072	5A23	37	71-13	AR94522	5H13	8	73-56
AR81787	1B11	3	20-27	AR89073	5A15	25	71-5	AR94522	5H14	8	73-57
AR81788	1B11	3	20-27	AR89073	5A15	32	71-5	AR94522	5H16	9	73-59
AR81789	1B11	3	20-27	AR89073	5A17	25	71-7	AR94522	5H17	1	73-60
AR81790	1B11	3	20-27	AR89073	5A17	32	71-7	AR94522	5H18	5	73-61
AR82005	7D22	16	93-41	AR89075	5A17	8	71-7	AR94522	6B19	3	74-39
AR82006	7D22	3	93-41	AR89075	5A15	8	71-5	AR94539	7F18	2	93-87
AR82570	6B12	10	74-30	AR89076	5A15	5	71-5	AR94545	4H14	17	63-35
AR83434	7D20	13	93-39	AR89198	7C12	5	93-7	AR94545	4H14	10	63-35
AR83549	6A12	1	74-3	AR89198	7C16	5	93-11	AR94546	4H14	10	63-35
AR84228	1C21	8	30-3	AR89563	1D20	6	30-27	AR94790	6C3	41	74-49
AR84733	1D15	7	30-22	AR89691	5C6	6	71-47	AR94791	6C5	5	74-51
AR84820	7F4	2	93-73	AR89691	5C8	14	71-49	AR95438	7F4	6	93-73
AR85327	4B3	8	55-21	AR89735	7D12	19	93-31	AR95439	7F4	1	93-73
AR85558	7D4	4	93-23	AR89830	7D4	1	93-23	AR95490	7E22	6	93-67
AR85559	7D4	2	93-23	AR89845	1E4	5	30-36	AR95750	1E4	1	30-36
AR85560	7D4	10	93-23	AR90140	7E5	1	93-49	AR95751	1E4	2	30-36
AR85618	1D20	1	30-27	AR90140	7E7	1	93-51	AR95752	1E4	3	30-36
AR85710	1D21	16	30-28	AR90142	7D12	4	93-31	AR95753	1E4	4	30-36
AR85710	1D23	16	30-30	AR90378	5B4	41	71-19	AR95931	1B11	2	20-27
AR85710	1D25	16	30-32	AR90378	5B14	41	71-29	AR95932	1B11	2	20-27
AR85710	1E2	16	30-34	AR90453	5A15	31	71-5	AR95932	1B13	2	20-29
AR86016	1D25	1	30-32	AR90453	5A17	31	71-7	AR95969	7E20	4	93-65
AR86016	1E2	1	30-34	AR90459	5A25	1	71-15	AR96321	5B16	1	71-31
AR86110	7D2	27	93-21	AR90771	7D23	3	93-42	AR96613	5A15	12	71-5
AR86110	7D4	16	93-23	AR91010	4F12	11	62-67	AR96613	5A17	12	71-7
AR86535	6A12	14	74-3	AR91660	1B3	4	20-19	AR96613	5A23	9	71-13
AR86535	6A14	23	74-5	AR91660	1B4	4	20-20	AR96613	5B2	14	71-17
AR87090	6G7	10	81-95	AR91662	1B5	2	20-21	AR96613	5B8	14	71-23
AR87090	6G9	10	81-97	AR91773	1D21	1	30-28	AR96613	5B12	14	71-27
AR87494	1B7	2	20-23	AR91774	1D23	1	30-30	AR96625	5B10	1	71-25
AR87546	6G7	8	81-95	AR91893	7C20	18	93-15	AR96625	5B14	44	71-29
AR87546	6G9	8	81-97	AR91895	7C20	9	93-15	AR96656	7D8	3	93-27
AR87738	1B19	6	20-35	AR92006	7C20	18	93-15	AR96656	7D8	12	93-27
AR87960	5D4	34	71-73	AR92109	7E13	1	93-57	AR96833	7D20	12	93-39
AR87961	5D4	13	71-73	AR92415	1C14	17	20-57	AR97178	1C17	3	20-61
AR87964	5D11	6	71-81	AR92418	1C14	17	20-57	AR97218	1A14	1	20-4
AR87968	5G21	36	73-37	AR92418	1C14	23	20-57	AR97218	1A15	1	20-5
AR87970	5G21	37	73-37	AR92507	1B22	2	20-38	AR97228	1A13	1	20-3
AR88028	3G5	26	54-5	AR92893	1B11	8	20-27	AR97248	6C3	3	74-49
AR88033	4G18	5	63-15	AR92903	1C14	17	20-57	AR97248	6C5	31	74-51
AR88034	4G18	9	63-15	AR92903	1C14	23	20-57	AR97386	7E17	3	93-62
AR88142	2E18	6	52-31	AR92905	1C11	5	20-54	AR97514	1E22	6	30-57
AR88142	3B24	6	53-39	AR93415	7C16	19	93-11	AR97514	1E22	9	30-57
AR88143	2E18	15	52-31	AR93643	7C16	5	93-11	AR97514	1E22	15	30-57
AR88143	3B24	15	53-39	AR93702	7E22	6	93-67	AR97764	7E17	3	93-62
AR88148	7E7	20	93-51	AR93828	7C12	18	93-7	AR97872	5A25	1	71-15
AR88149	7E7	37	93-51	AR93828	7D4	11	93-23	AR97872	5B2	4	71-17
AR88150	7E7	35	93-51	AR93852	7D5	3	93-24	AR97883	7C12	16	93-7
AR88152	7E7	21	93-51	AR93852	7D5	4	93-24	AR97883	7C16	15	93-11
AR88518	1E9	8	30-43	AR93857	7D10	3	93-29	AR98098	2G1	2	52-64
AR88518	1E9	13	30-43	AR93857	7E7	17	93-51	AR98098	3F22	2	53-136
AR88524	4G20	1	63-17	AR93858	7E5	1	93-49	AR98852	1C3	9	20-45
AR88551	3G5	24	54-5	AR93860	7D18	7	93-37	AR98852	1C3	10	20-45
				AR93862	7D18	25	93-37	AR98852	1C3	12	20-45

1J24

1640, 2040, 2040S TRACTORS (430000-)

NUMERICAL INDEX - CONTINUED

PART NO.	GRID	KEY	PAGE	PART NO.	GRID	KEY	PAGE	PART NO.	GRID	KEY	PAGE
AR98852	1C3	13	20 - 45	AT22071	6G22	8	82 - 11	AT30053	2F15	15	52 - 53
AR98853	1C3	10	20 - 45	AT22071	6G22	11	82 - 11	AT30631	5D19	9	71 - 89
AR98853	1C5	2	20 - 47	AT22071	6H2	3	82 - 17	AT30631	5D21	4	71 - 91
AR98993	5A19	1	71 - 9	AT22238	6D25	1	81 - 37	AT31619	1D10	7	30 - 17
AR99025	6A23	2	74 - 14	AT22239	6D25	1	81 - 37	AT31780	2B6	2	42 - 23
AR99100	6B10	10	74 - 28	AT22919	1A17	4	20 - 7	AT32331	5H16	2	73 - 59
AR99698	7D18	18	93 - 37	AT22919	1A17	7	20 - 7	AT35120	4H22	25	63 - 43
AR99773	7D16	10	93 - 35	AT22926	2D7	10	51 - 30	AT35120	4H24	25	63 - 45
AR99800	7E22	6	93 - 67	AT22926	2D8	8	51 - 31	AT35120	4I4	24	63 - 49
AR99838	7E7	15	93 - 51	AT23544	4G15	9	63 - 12	AT35120	4I6	27	63 - 51
AT117130	7H10	2	94 - 32	AT23717	5G7	2	73 - 23	AT35120	6A16	6	74 - 7
AT12431	3H23	7	54 - 49	AT23759	5E3	7	72 - 3	AT35120	6A18	21	74 - 9
AT13740	1A15	13	20 - 5	AT24252	1B3	11	20 - 19	AT35121	4C12	1	61 - 5
AT13740	1C7	18	20 - 49	AT24252	1B4	11	20 - 20	AT35121	4C12	20	61 - 5
AT13740	1D8	14	30 - 15	AT24438	1C21	6	30 - 3	AT35121	4C14	26	61 - 7
AT13740	1D10	12	30 - 17	AT24549	1E22	11	30 - 57	AT35121	4E14	13	62 - 45
AT14771	1H7	4	41 - 56	AT24549	2A12	6	42 - 3	AT35121	4G20	19	63 - 17
AT16431	3G24	18	54 - 25	AT24549	2A14	3	42 - 5	AT35121	4G24	4	63 - 21
AT16431	3H6	21	54 - 31	AT24549	2A16	3	42 - 7	AT35121	4H18	15	63 - 39
AT16887	3H23	34	54 - 49	AT24549	2A20	14	42 - 11	AT35121	4H20	15	63 - 41
AT18015	1A19	1	20 - 9	AT24549	2B3	4	42 - 20	AT35121	4H22	30	63 - 43
AT18030	1B11	7	20 - 27	AT24549	2B4	6	42 - 21	AT35121	4H24	30	63 - 45
AT18815	1H7	1	41 - 56	AT24549	2B6	12	42 - 23	AT35121	4I2	30	63 - 47
AT18904	1C5	7	20 - 47	AT24549	2B9	4	42 - 27	AT35121	4I4	29	63 - 49
AT18904	1C11	7	20 - 54	AT24549	2B11	19	42 - 29	AT35121	4I6	32	63 - 51
AT18995	1H7	4	41 - 56	AT24549	2B19	3	42 - 37	AT37169	5B14	38	71 - 29
AT19833	4H16	11	63 - 37	AT24696	1H17	14	41 - 67	AT37169	5B14	39	71 - 29
AT19834	4H6	3	63 - 27	AT24696	1H21	4	41 - 71	AT39623	1E22	9	30 - 57
AT19840	5C17	1	71 - 58	AT25226	6E23	2	81 - 61	AT43600	1H14	1	41 - 64
AT19846	6F24	7	81 - 87	AT25266	1E20	3	30 - 55	AT43601	1H14	1	41 - 64
AT19858	4C12	4	61 - 5	AT25266	1E22	3	30 - 57	AT44188	3H8	17	54 - 33
AT19858	4C14	3	61 - 7	AT25952	5F7	3	72 - 32	AT44188	3H8	18	54 - 33
AT20025	3G16	4	54 - 17	AT26140	1E16	11	30 - 51	AT44188	3H12	9	54 - 37
AT20085	5C17	2	71 - 58	AT26188	4C17	1	61 - 11	AT44188	3H12	10	54 - 37
AT20141	5C17	16	71 - 58	AT26524	4G13	2	63 - 10	AT45395	1E22	6	30 - 57
AT20372	4C10	7	61 - 3	AT26524	4G14	2	63 - 11	AT48506	5H14	1	73 - 57
AT20452	1F20	2	41 - 19	AT26632	2E20	25	52 - 33	AT48506	5H16	4	73 - 59
AT20703	3G15	6	54 - 15	AT26632	3C2	25	53 - 41	AT48506	5H17	8	73 - 60
AT20709	2A20	15	42 - 11	AT27130	6E5	9	81 - 43	AT53556	5B14	34	71 - 29
AT20749	1F20	12	41 - 19	AT27134	6E5	16	81 - 43	AT54132	4C12	39	61 - 5
AT20749	1F22	10	41 - 21	AT27264	3H23	1	54 - 49	AT54132	4C14	41	61 - 7
AT20911	1D10	1	30 - 17	AT27472	4G15	9	63 - 12	AT56660	7G17	16	94 - 13
AT21108	1B11	1	20 - 27	AT27533	6G1	9	81 - 89	AT56660	7H15	23	94 - 37
AT21110	1B11	1	20 - 27	AT27534	2B6	10	42 - 23	AT57288	1E22	7	30 - 57
AT21112	1B11	1	20 - 27	AT27535	1H15	1	41 - 65	AT74707	5B14	47	71 - 29
AT21114	1B11	1	20 - 27	AT28050	3H23	19	54 - 49	AT85153	5C6	6	71 - 47
AT21124	1B19	11	20 - 35	AT29054	1C7	5	20 - 49	AT85153	5C8	14	71 - 49
AT21126	1B19	11	20 - 35	AT29280	6C17	14	81 - 3	AT85174	1B23	2	20 - 39
AT21128	1B19	11	20 - 35	AT29282	6C17	12	81 - 3	AT86950	2B24	9	42 - 43
AT21130	1B11	3	20 - 27	AT29282	6C17	13	81 - 3	AT86950	5C8	5	71 - 49
AT21132	1B11	3	20 - 27	AT29326	6D2	7	81 - 13	AT86950	5C8	8	71 - 49
AT21134	1B11	3	20 - 27	AT29327	6D2	7	81 - 13	AT86950	5C8	11	71 - 49
AT21136	1B11	3	20 - 27	AT29464	1D21	7	30 - 28	AU41465	2A20	8	42 - 11
AT21138	1B19	11	20 - 35	AT29464	1D22	7	30 - 29	AZ20003	4E7	1	62 - 36
AT21139	1B11	3	20 - 27	AT29464	1D23	7	30 - 30	AZ20006	4D6	9	62 - 11
AT21140	1B11	1	20 - 27	AT29464	1D24	7	30 - 31	AZ20006	4D10	9	62 - 15
AT21191	1A17	4	20 - 7	AT29464	1D25	7	30 - 32	AZ20006	4D14	12	62 - 19
AT21191	1A17	6	20 - 7	AT29464	1E1	7	30 - 33	AZ20006	4D16	12	62 - 21
AT21534	1A16	2	20 - 6	AT29464	1E2	7	30 - 34	AZ20006	4D18	12	62 - 23
AT21693	3G11	12	54 - 11	AT29464	1E3	7	30 - 35	AZ20006	4D20	12	62 - 25
AT21754	5E16	3	72 - 17	AT29531	4G15	10	63 - 12	AZ20006	4D22	9	62 - 27
AT21754	5E18	26	72 - 19	AT29707	3G24	16	54 - 25	AZ20006	4E4	12	62 - 33
AT21780	5A23	15	71 - 13	AT29707	3H6	13	54 - 31	AZ20006	4E6	12	62 - 35
AT21781	5C12	8	71 - 53	AT29712	2E7	1	52 - 19	AZ24485	1F6	18	41 - 5
AT21781	5C14	34	71 - 55	AT29712	2E8	11	52 - 21	AZ24487	1F6	28	41 - 5
AT21912	5E3	10	72 - 3	AT29712	3B8	11	53 - 23	AZ24488	1F6	20	41 - 5
AT22002	2F20	10	52 - 58	AT29928	1A17	4	20 - 7	AZ24489	1F6	7	41 - 5

1J25

1640, 2040, 2040S TRACTORS (430000-)

NUMERICAL INDEX - CONTINUED

PART NO.	GRID	KEY	PAGE	PART NO.	GRID	KEY	PAGE	PART NO.	GRID	KEY	PAGE
AZ25154	4D6	13	62 - 11	A3917R	2D24	1	52 - 11	A4827R	1B6	10	20 - 22
AZ25154	4D10	13	62 - 15	A3917R	2D25	1	52 - 12	A4827R	2C10	9	51 - 6
AZ25154	4D14	15	62 - 19	A3917R	2E1	1	52 - 13	A4827R	2F13	34	52 - 51
AZ25154	4D16	15	62 - 21	A3917R	2E3	18	52 - 15	A4827R	3C7	5	53 - 46
AZ25154	4D18	15	62 - 23	A3917R	2E5	16	52 - 17	A4827R	3D8	27	53 - 73
AZ25154	4D20	15	62 - 25	A3917R	2E22	16	52 - 35	A4827R	3D22	12	53 - 87
AZ25154	4D22	13	62 - 27	A3917R	2E24	3	52 - 37	A4827R	3H23	22	54 - 49
AZ25154	4E4	15	62 - 33	A3917R	2E24	13	52 - 37	A4847R	3C7	2	53 - 46
AZ25154	4E6	15	62 - 35	A3917R	2F20	5	52 - 58	A4847R	4A19	4	55 - 11
AZ31301	4D14	2	62 - 19	A3917R	3A17	1	53 - 8	A4847R	4A21	12	55 - 13
AZ31301	4D16	2	62 - 21	A3917R	3A18	1	53 - 9	A4879R	1A14	6	20 - 4
AZ31301	4D18	2	62 - 23	A3917R	3A19	1	53 - 10	A4883R	6E19	15	81 - 57
AZ31301	4D20	2	62 - 25	A3917R	3A20	1	53 - 11	A5146R	6E11	11	81 - 49
AZ31301	4E4	2	62 - 33	A3917R	3A22	18	53 - 13	A5301R	6B25	5	74 - 45
AZ31301	4E6	2	62 - 35	A3917R	3A24	16	53 - 15	A5301R	6C3	5	74 - 49
A120R	1A14	2	20 - 4	A3917R	3B2	16	53 - 17	A5302R	6B25	8	74 - 45
A120R	1A15	9	20 - 5	A3917R	3B4	21	53 - 19	A5302R	6C3	8	74 - 49
A120R	1B11	4	20 - 27	A3917R	3C12	16	53 - 51	A55151	6D15	1	81 - 27
A120R	1B13	4	20 - 29	A3917R	3C14	3	53 - 53	A602R	2D7	5	51 - 30
A120R	1B14	6	20 - 30	A3917R	3C14	13	53 - 53	A602R	2D8	5	51 - 31
A120R	1B15	6	20 - 31	A3917R	3F19	8	53 - 133	BP12214	1H7	11	41 - 56
A120R	3G13	5	54 - 13	A3917R	4E9	5	62 - 39	BP12214	1H8	11	41 - 57
A127R	5D11	2	71 - 81	A3917R	6A12	33	74 - 3	BP13682	1D8	17	30 - 15
A1555R	6E11	16	81 - 49	A3917R	6A14	17	74 - 5	BP13682	1E17	2	30 - 52
A1556R	6E11	14	81 - 49	A3917R	6B11	7	74 - 29	B11182	5E3	1	72 - 3
A15899	5H1	8	73 - 43	A3917R	6B12	4	74 - 30	B11182	5E5	22	72 - 5
A15899	5H9	6	73 - 51	A3917R	6B17	30	74 - 37	B11182	5E7	22	72 - 7
A15899	5H10	11	73 - 52	A4365R	3D9	3	53 - 74	B11182	6C19	27	81 - 5
A15899	5H11	5	73 - 53	A4365R	5B4	4	71 - 19	B11182	6C19	29	81 - 5
A15899	6B14	2	74 - 33	A4365R	5B10	4	71 - 25	B11182	6C19	42	81 - 5
A174R	3C19	12	53 - 59	A4365R	5B14	5	71 - 29	B11182	6C21	6	81 - 7
A174R	3C21	12	53 - 61	A4365R	5D19	3	71 - 89	B1402R	3E22	13	53 - 111
A174R	3C23	10	53 - 63	A4365R	5D21	19	71 - 91	B15646	7E9	10	93 - 53
A174R	3C25	10	53 - 65	A4380R	6E19	5	81 - 57	B1664R	2E6	9	52 - 18
A174R	3D2	10	53 - 67	A4624R	5G23	8	73 - 39	B1664R	3B6	10	53 - 21
A174R	3D4	10	53 - 69	A4655R	1G15	12	41 - 39	B177R	4G12	3	63 - 9
A174R	3D6	10	53 - 71	A4722R	6C3	29	74 - 49	B177R	4G13	3	63 - 10
A174R	3D12	10	53 - 77	A4722R	6C5	20	74 - 51	B177R	4G14	3	63 - 11
A174R	3D14	10	53 - 79	A4723R	2C12	36	51 - 9	B177R	4G18	4	63 - 15
A174R	3D16	10	53 - 81	A4723R	6B25	25	74 - 45	B190R	2F19	12	52 - 57
A174R	3D18	10	53 - 83	A4723R	6C3	25	74 - 49	B2477R	5E9	10	72 - 9
A174R	3D20	10	53 - 85	A4723R	6C5	19	74 - 51	B2762R	6A12	36	74 - 3
A22698	1D21	14	30 - 28	A4728R	6C3	32	74 - 49	B2762R	6A14	27	74 - 5
A22698	1D22	18	30 - 29	A4728R	6C5	23	74 - 51	B3014R	6E19	4	81 - 57
A22698	1D23	14	30 - 30	A4730R	1C1	8	20 - 43	B3016R	6E19	3	81 - 57
A22698	1D24	18	30 - 31	A4730R	4G8	15	63 - 5	B3018R	6E19	16	81 - 57
A22698	1D25	14	30 - 32	A4730R	4G10	21	63 - 7	B30667	2B22	7	42 - 41
A22698	1E1	18	30 - 33	A4730R	6B11	17	74 - 29	B30667	4A23	6	55 - 15
A22698	1E2	14	30 - 34	A4730R	6B25	15	74 - 45	B3690R	4C12	6	61 - 5
A22698	1E3	18	30 - 35	A4731R	6B25	16	74 - 45	B3690R	4C14	5	61 - 7
A2552R	2C16	7	51 - 13	A4732R	6B25	11	74 - 45	B3690R	4C22	2	62 - 3
A2899R	1H19	7	41 - 69	A4733R	6B25	12	74 - 45	B3690R	4C24	38	62 - 5
A3404R	6E22	5	81 - 60	A4736R	6B25	21	74 - 45	B3690R	4D2	36	62 - 7
A3411R	2B15	36	42 - 33	A4736R	6C3	21	74 - 49	B3690R	4D4	2	62 - 9
A3411R	2B17	34	42 - 35	A4737R	6B25	19	74 - 45	CD12887	1E16	3	30 - 51
A3581R	5E3	11	72 - 3	A4737R	6C3	19	74 - 49	CD12888	1E16	4	30 - 51
A3581R	5E5	28	72 - 5	A4739R	6B25	22	74 - 45	CD13180	1D12	11	30 - 19
A3581R	5E7	28	72 - 7	A4739R	6C3	22	74 - 49	CD13181	1D12	12	30 - 19
A3581R	6B25	41	74 - 45	A4745R	6B25	39	74 - 45	CD13182	1D12	7	30 - 19
A3581R	6C3	2	74 - 49	A4745R	6C3	39	74 - 49	CD13182	1D14	8	30 - 21
A3581R	6C5	3	74 - 51	A4746R	6B25	40	74 - 45	CD13185	1D12	17	30 - 19
A3581R	6C17	16	81 - 3	A4746R	6C3	40	74 - 49	CD13188	1D12	8	30 - 19
A3581R	6D2	19	81 - 13	A4747R	6B25	38	74 - 45	CD13190	1D12	20	30 - 19
A3581R	6D4	19	81 - 15	A4747R	6C3	38	74 - 49	CD13191	1D12	19	30 - 19
A364R	2F19	10	52 - 57	A4748R	6B25	37	74 - 45	CD13979	1A21	7	20 - 11
A369R	6E19	18	81 - 57	A4748R	6C3	37	74 - 49	CD14202	1D12	13	30 - 19
A3910R	1A20	2	20 - 10	A4827R	1B5	10	20 - 21	CD14203	1D12	9	30 - 19

1K1

1640, 2040, 2040S TRACTORS (430000-)

NUMERICAL INDEX - CONTINUED

PART NO.	GRID	KEY	PAGE	PART NO.	GRID	KEY	PAGE	PART NO.	GRID	KEY	PAGE
CD14689	1F4	7	41 - 3	DD12151	1C14	7	20 - 57	F2570R	5C15	8	71 - 56
CD14725	1A21	5	20 - 11	DD13407	1D8	20	30 - 15	F2570R	5C16	8	71 - 57
CD15227	1C3	12	20 - 45	DD13407	1E16	6	30 - 51	F2653R	4H16	1	63 - 37
CD15466	1B19	2	20 - 35	DD13483	1D18	3	30 - 25	F2693R	5E9	6	72 - 9
CD16045	1B16	1	20 - 32	DD13895	1B14	1	20 - 30	F2695R	5E9	8	72 - 9
CD16045	1B16	2	20 - 32	DD13913	1E4	7	30 - 36	F2741R	7E7	3	93 - 51
CD16045	1B17	1	20 - 33	DD14134	6H18	2	82 - 33	F2772R	2C12	32	51 - 9
CD16045	1B17	2	20 - 33	DD14136	6H18	2	82 - 33	F2822R	5E7	17	72 - 7
CD16284	1A20	2	20 - 10	DD14194	1D19	8	30 - 26	F2863R	3G5	4	54 - 5
CD16284	1A22	2	20 - 12	DD14195	1D19	4	30 - 26	F2863R	3H16	7	54 - 41
CD16286	1D22	15	30 - 29	DD14292	1D18	3	30 - 25	F2863R	4A21	25	55 - 13
CD16286	1D24	15	30 - 31	DD14345	6H18	2	82 - 33	F2863R	4G12	10	63 - 9
CD16286	1E1	15	30 - 33	DD14346	6H18	2	82 - 33	F2863R	4G18	3	63 - 15
CD16286	1E3	15	30 - 35	DD14568	4F12	5	62 - 67	F2863R	5G21	11	73 - 37
CE12985	1H2	12	41 - 51	DD14569	4F12	17	62 - 67	F2863R	5G21	36	73 - 37
CE12986	1H2	6	41 - 51	DD14698	1D17	5	30 - 24	F2863R	5G21	37	73 - 37
CE14020	1H2	10	41 - 51	DD14760	1C1	1	20 - 43	F2863R	5G21	38	73 - 37
CE14048	2F21	3	52 - 59	DE12298	1H2	18	41 - 51	F2863R	6B4	11	74 - 21
CE14048	2F22	3	52 - 60	DE13582	1H2	16	41 - 51	F3171R	2C12	28	51 - 9
CE14048	2F23	4	52 - 61	DE13583	1H2	18	41 - 51	F3171R	2F13	12	52 - 51
CE14048	3E23	3	53 - 112	DE13627	2F21	1	52 - 59	F3171R	2G1	11	52 - 64
CE14048	3E24	3	53 - 113	DE13627	2F22	1	52 - 60	F3171R	3D8	17	53 - 73
CE14048	3F2	4	53 - 115	DE13627	2F23	1	52 - 61	F3171R	3D22	17	53 - 87
CE14055	2E3	28	52 - 15	DE13627	3E23	1	53 - 112	F3171R	3F22	11	53 - 136
CE14055	2E5	20	52 - 17	DE13627	3E24	1	53 - 113	F3171R	4G6	18	63 - 3
CE14055	2F21	2	52 - 59	DE13627	3F2	1	53 - 115	F3171R	5A24	4	71 - 14
CE14055	2F22	2	52 - 60	DE13652	1H2	1	41 - 51	F3171R	5B4	24	71 - 19
CE14055	2F23	3	52 - 61	DE13653	1H2	1	41 - 51	F3171R	5B8	5	71 - 23
CE14055	3A22	28	53 - 13	DE13654	1H2	17	41 - 51	F3171R	5B10	25	71 - 25
CE14055	3A24	20	53 - 15	DE15492	6F8	2	81 - 71	F3171R	5B12	5	71 - 27
CE14055	3B2	20	53 - 17	DE15493	6F8	1	81 - 71	F3171R	5B14	43	71 - 29
CE14055	3E23	2	53 - 112	DE17326	6F8	2	81 - 71	F3171R	5H13	2	73 - 56
CE14055	3E24	2	53 - 113	DE17327	6F8	1	81 - 71	F3171R	5H14	2	73 - 57
CE14055	3F2	3	53 - 115	DE17426	1H2	18	41 - 51	F3171R	5H16	1	73 - 59
CE14070	1H2	11	41 - 51	DS20L2H	7G9	1	94 - 5	F3171R	6A18	15	74 - 9
CE14071	1H2	8	41 - 51	D2361R	4G6	10	63 - 3	F3171R	6A22	15	74 - 13
CE14071	1H4	5	41 - 53	D2361R	4G22	19	63 - 19	F3322R	5C12	5	71 - 53
CE14416	6H6	21	82 - 21	D2361R	5A15	45	71 - 5	F3322R	5C14	5	71 - 55
CE15294	1H2	6	41 - 51	D2361R	5A17	45	71 - 7	F3353R	5D8	4	71 - 78
CE15294	1H2	8	41 - 51	D2361R	5A23	43	71 - 13	F3353R	5D9	8	71 - 79
CE15294	1H4	5	41 - 53	D2361R	5B21	18	71 - 37	F3353R	5D11	17	71 - 81
CE15294	1H4	6	41 - 53	D2361R	5B25	5	71 - 41	F3450R	4C12	32	61 - 5
CE15294	1H5	5	41 - 54	D2361R	5C9	12	71 - 50	F3450R	4C14	33	61 - 7
CG20556	7C12	1	93 - 7	D2361R	5C10	17	71 - 51	F3541R	6D4	4	81 - 15
CG20560	7C16	1	93 - 11	D2361R	5C12	2	71 - 53	F3542R	6D4	3	81 - 15
CG20688	7C12	1	93 - 7	D2361R	5C14	2	71 - 55	F3607R	6E3	5	81 - 41
CG20696	7C16	1	93 - 11	D2361R	5G19	17	73 - 35	F3607R	6E7	18	81 - 45
CG20876	3F10	1	53 - 123	D2361R	6B11	11	74 - 29	F3607R	6E9	15	81 - 47
CG20877	3F12	1	53 - 125	D2491R	3G5	31	54 - 5	F534R	6D15	2	81 - 27
CG20959	6F18	4	81 - 81	D2865R	5E9	7	72 - 9	F534R	6D17	2	81 - 29
CG20960	6F18	4	81 - 81	D2913R	6C5	7	74 - 51	GRAMMER	7G9	1	94 - 5
CG20961	6F22	5	81 - 85	E45229	1C10	7	20 - 52	H23127	2B17	35	42 - 35
CG20962	6F22	5	81 - 85	E60918	3B20	22	53 - 35	H246R	2F17	9	52 - 55
CG20963	7A18	8	92 - 9	F1334R	3G24	10	54 - 25	H246R	2F20	8	52 - 58
CG20964	7A18	8	92 - 9	F1334R	3H6	19	54 - 31	H35244	1B13	10	20 - 29
CG20970	7A14	1	92 - 5	F1430R	7D22	7	93 - 41	H35244	3C6	21	53 - 45
CG20977	7B8	11	92 - 25	F1441R	6C3	12	74 - 49	H62547	3H21	12	54 - 46
C1067R	2D7	11	51 - 30	F1441R	6C5	9	74 - 51	H62547	4A24	12	55 - 16
C1067R	2D8	9	51 - 31	F1791R	5C19	5	71 - 61	H63289	6A18	10	74 - 9
C12473	4F12	13	62 - 67	F1942R	5C17	13	71 - 58	H63289	6A22	8	74 - 13
C1919R	3G24	11	54 - 25	F215R	2F19	11	52 - 57	H75541	4G8	10	63 - 5
DD11218	1D12	21	30 - 19	F215R	4C10	3	61 - 3	H75541	4G10	17	63 - 7
DD11371	1D12	18	30 - 19	F2208R	1E9	8	30 - 43	H80440	7G21	2	94 - 17
DD11751	1D12	15	30 - 19	F2208R	2E10	12	52 - 23	H80440	7I7	9	94 - 54
DD11831	1B19	4	20 - 35	F2208R	3B10	11	53 - 25	H83254	6B20	2	74 - 40
DD11831	1B20	2	20 - 36	F2208R	3G5	7	54 - 5	H871R	2E3	32	52 - 15
DD12120	1A24	2	20 - 14	F2208R	5E9	11	72 - 9	H871R	2E12	10	52 - 25

1K2

1640, 2040, 2040S TRACTORS (430000-)

NUMERICAL INDEX - CONTINUED

PART NO.	GRID	KEY	PAGE	PART NO.	GRID	KEY	PAGE	PART NO.	GRID	KEY	PAGE
H871R	2E14	10	52 - 27	JD10104	3A13	4	53 - 3	JD10341	3C23	28	53 - 63
H871R	3A22	32	53 - 13	JD10105	2D17	15	52 - 3	JD10341	3C25	28	53 - 65
H871R	3B4	39	53 - 19	JD10105	3A13	15	53 - 3	JD10341	3D2	34	53 - 67
H871R	3B12	10	53 - 27	JD10107	1B23	3	20 - 39	JD10341	3D4	34	53 - 69
H871R	3B14	10	53 - 29	JD10108	3H2	3	54 - 27	JD10341	3D6	28	53 - 71
H871R	3B20	28	53 - 35	JD10108	3H4	5	54 - 29	JD10341	3D20	30	53 - 85
H871R	4D14	6	62 - 19	JD10108	3H6	4	54 - 31	JD10341	3E4	6	53 - 93
H871R	4D16	6	62 - 21	JD10108	3H18	5	54 - 43	JD10477	6H6	18	82 - 21
H871R	4D18	6	62 - 23	JD10112	3G18	7	54 - 19	JD10543	3E18	19	53 - 107
H871R	4D20	6	62 - 25	JD10112	3G20	7	54 - 21	JD10543	3E20	18	53 - 109
H871R	4E4	6	62 - 33	JD10114	3C4	4	53 - 43	JD21	6E11	3	81 - 49
H871R	4E6	6	62 - 35	JD10115	6D15	16	81 - 27	JD21	6E15	11	81 - 53
H871R	6B14	9	74 - 33	JD10115	6D17	16	81 - 29	JD30001	1F10	8	41 - 9
H871R	6B14	37	74 - 33	JD10117	3H6	7	54 - 31	JD30001	1F12	8	41 - 11
H871R	6B17	22	74 - 37	JD10117	3H18	9	54 - 43	JD30001	1F16	8	41 - 15
H871R	6B18	7	74 - 38	JD10137	4A19	20	55 - 11	JD30001	1F18	8	41 - 17
JD10036	1F8	26	41 - 7	JD10137	4A21	9	55 - 13	JD30132	3H18	12	54 - 43
JD10036	1F10	22	41 - 9	JD10137	6D15	4	81 - 27	JD3038	6E15	12	81 - 53
JD10036	1F12	9	41 - 11	JD10137	6D17	4	81 - 29	JD3039	6E11	2	81 - 49
JD10036	1F14	14	41 - 13	JD10148	4B11	6	55 - 29	JD3210	6E11	2	81 - 49
JD10036	1F16	24	41 - 15	JD10172	2F19	8	52 - 57	JD3211	6E11	2	81 - 49
JD10036	1F18	9	41 - 17	JD10211	714	19	94 - 51	JD37047	3C6	26	53 - 45
JD10037	3B20	1	53 - 35	JD10212	714	23	94 - 51	JD37047	4A21	22	55 - 13
JD10038	3B20	23	53 - 35	JD10212	716	23	94 - 53	JD37071	4B7	25	55 - 25
JD10039	3B20	4	53 - 35	JD10213	3E2	6	53 - 91	JD37071	4B9	29	55 - 27
JD10040	3B20	3	53 - 35	JD10234	2C9	1	51 - 5	JD37218	3C6	1	53 - 45
JD10041	3B20	31	53 - 35	JD10234	3C6	1	53 - 45	JD37219	3C4	9	53 - 43
JD10053	3G15	11	54 - 15	JD10243	2C16	25	51 - 13	JD5602	6H6	18	82 - 21
JD10056	3H6	17	54 - 31	JD10246	3G11	14	54 - 11	JD7369	2F17	5	52 - 55
JD10064	3H18	20	54 - 43	JD10247	3G13	14	54 - 13	JD7375	2F17	2	52 - 55
JD10065	3E22	10	53 - 111	JD10248	2C19	5	51 - 17	JD7409	3E22	11	53 - 111
JD10066	3E22	11	53 - 111	JD10248	2C21	7	51 - 19	JD7415	5A23	28	71 - 13
JD10067	3E4	15	53 - 93	JD10248	2C23	13	51 - 21	JD7418	3H23	31	54 - 49
JD10068	3E4	16	53 - 93	JD10250	4C7	12	55 - 53	JD7438	3H23	15	54 - 49
JD10069	3E4	20	53 - 93	JD10251	4B18	13	55 - 37	JD7445	6E11	7	81 - 49
JD10070	3E18	19	53 - 107	JD10252	4C2	16	55 - 47	JD7449	2F17	1	52 - 55
JD10070	3E20	18	53 - 109	JD10253	4C2	15	55 - 47	JD7537	3G24	7	54 - 25
JD10071	3H2	18	54 - 27	JD10282	3G24	7	54 - 25	JD7537	3H6	9	54 - 31
JD10071	3H4	2	54 - 29	JD10282	3H6	9	54 - 31	JD7557	3G24	6	54 - 25
JD10071	3H6	27	54 - 31	JD10283	3G24	6	54 - 25	JD7557	3H6	14	54 - 31
JD10071	3H18	2	54 - 43	JD10283	3H6	14	54 - 31	JD7759	3G11	2	54 - 11
JD10072	3E4	3	53 - 93	JD10318	3G9	5	54 - 9	JD7759	3G13	2	54 - 13
JD10073	2D19	9	52 - 5	JD10322	3G9	15	54 - 9	JD7763	6C17	8	81 - 3
JD10074	3E18	20	53 - 107	JD10330	3E6	13	53 - 95	JD7798	2D5	9	51 - 28
JD10075	3E18	7	53 - 107	JD10330	3E8	16	53 - 97	JD7798	2D6	13	51 - 29
JD10076	3E20	3	53 - 109	JD10330	3E10	13	53 - 99	JD7798	5E16	6	72 - 17
JD10079	3E22	14	53 - 111	JD10330	3E12	16	53 - 101	JD7798	5E18	23	72 - 19
JD10080	3E18	11	53 - 107	JD10330	3E14	13	53 - 103	JD7798	5E20	11	72 - 21
JD10080	3E20	11	53 - 109	JD10330	3E16	16	53 - 105	JD7798	5E22	8	72 - 23
JD10081	3E2	2	53 - 91	JD10336	3E6	8	53 - 95	JD7798	6D7	3	81 - 18
JD10084	3G9	4	54 - 9	JD10336	3E8	8	53 - 97	JD7798	6D21	3	81 - 33
JD10085	2F18	1	52 - 56	JD10336	3E10	8	53 - 99	JD7798	6D23	2	81 - 35
JD10093	2F18	1	52 - 56	JD10336	3E12	8	53 - 101	JD7798	6D25	2	81 - 37
JD10095	2E20	3	52 - 33	JD10336	3E14	8	53 - 103	JD7798	6E11	15	81 - 49
JD10095	3C2	3	53 - 41	JD10336	3E16	8	53 - 105	JD7798	6E11	21	81 - 49
JD10097	3E18	3	53 - 107	JD10337	3E6	7	53 - 95	JD7799	2C21	22	51 - 19
JD10097	3G9	16	54 - 9	JD10337	3E8	7	53 - 97	JD7799	2C23	21	51 - 21
JD10098	3E18	12	53 - 107	JD10337	3E10	7	53 - 99	JD7799	2D6	2	51 - 29
JD10098	3E20	12	53 - 109	JD10337	3E12	7	53 - 101	JD7799	2D10	31	51 - 33
JD10099	3E2	3	53 - 91	JD10337	3E14	7	53 - 103	JD7799	6D9	6	81 - 21
JD10100	3E2	6	53 - 91	JD10337	3E16	7	53 - 105	JD7799	6D15	18	81 - 27
JD10101	3E2	7	53 - 91	JD10338	3E8	11	53 - 97	JD7799	6D17	18	81 - 29
JD10102	3D6	29	53 - 71	JD10338	3E12	11	53 - 101	JD7844	2C21	20	51 - 19
JD10102	3D20	31	53 - 85	JD10338	3E16	11	53 - 105	JD7844	2C23	9	51 - 21
JD10102	3E4	5	53 - 93	JD10339	3E8	10	53 - 97	JD7847	2D5	8	51 - 28
JD10103	3E4	23	53 - 93	JD10339	3E12	10	53 - 101	JD7847	2D6	2	51 - 29
JD10104	2D17	4	52 - 3	JD10339	3E16	10	53 - 105	JD7847	2D10	31	51 - 33

1K3

1640, 2040, 2040S TRACTORS (430000-)

NUMERICAL INDEX - CONTINUED

PART NO.	GRID	KEY	PAGE	PART NO.	GRID	KEY	PAGE	PART NO.	GRID	KEY	PAGE
JD7847	4B24	25	55 - 43	JD9090	5A23	40	71 - 13	L13325	2B13	21	42 - 31
JD7847	6D15	22	81 - 27	JD9096	3G9	5	54 - 9	L13325	2B15	26	42 - 33
JD7847	6D17	19	81 - 29	JD9117	4B13	11	55 - 31	L13325	2B18	1	42 - 36
JD7847	6D18	1	81 - 30	JD9121	4B11	9	55 - 29	L13325	2B20	1	42 - 38
JD7847	6D19	8	81 - 31	JD9125	3G20	13	54 - 21	L17056	5G5	6	73 - 20
JD8135	3H23	16	54 - 49	JD9125	3G22	3	54 - 23	L17658	5F12	22	73 - 3
JD8151	3G7	5	54 - 7	JD9125	3H4	11	54 - 29	L17658	5F14	7	73 - 5
JD8151	3G13	14	54 - 13	JD9320	3G24	12	54 - 25	L17658	5F16	21	73 - 7
JD8159	3G9	15	54 - 9	JD9320	3H6	17	54 - 31	L17658	5F18	14	73 - 9
JD8171	2F17	5	52 - 55	JD9344	3G18	14	54 - 19	L17658	5F20	7	73 - 11
JD8192	5B2	33	71 - 17	JD9344	3G21	7	54 - 22	L17658	5F22	14	73 - 13
JD8192	5B8	31	71 - 23	JD9344	3H2	10	54 - 27	L17658	5F24	22	73 - 15
JD8192	5B12	31	71 - 27	JD9448	1C14	13	20 - 57	L17658	5G2	7	73 - 17
JD8194	6E11	19	81 - 49	JD9839	2F17	4	52 - 55	L17658	5G5	3	73 - 20
JD8202	5A23	41	71 - 13	JD9848	5E16	13	72 - 17	L18893	4I9	5	63 - 54
JD8206	3G7	4	54 - 7	JD9854	5E16	12	72 - 17	L18893	5G5	7	73 - 20
JD8206	3G11	13	54 - 11	JD9858	5A15	10	71 - 5	L20095	4I9	6	63 - 54
JD8206	3G13	13	54 - 13	JD9858	5A17	10	71 - 7	L20095	5G5	5	73 - 20
JD8206	3G15	9	54 - 15	JD9931	4C24	4	62 - 5	L20102	5G5	4	73 - 20
JD8210	3G9	14	54 - 9	JD9931	4D2	4	62 - 7	L2104N	6B25	32	74 - 45
JD8223	5B2	32	71 - 17	JD9931	4D4	26	62 - 9	L24456	6G3	13	81 - 91
JD8223	5B8	30	71 - 23	JD9932	2E12	12	52 - 25	L24648	1E14	4	30 - 49
JD8223	5B12	30	71 - 27	JD9932	2E14	12	52 - 27	L24761	6C17	5	81 - 3
JD8230	6E11	20	81 - 49	JD9932	3B12	12	53 - 27	L25283	6F6	13	81 - 69
JD8237	4B24	24	55 - 43	JD9932	3B14	12	53 - 29	L25283	6F8	11	81 - 71
JD8239	6E11	23	81 - 49	L100436	4C24	35	62 - 5	L25306	7I8	9	94 - 55
JD8247	3H23	10	54 - 49	L100436	4C24	42	62 - 5	L25407	6C17	15	81 - 3
JD8251	6E11	9	81 - 49	L100436	4C24	43	62 - 5	L25678	7G8	20	94 - 3
JD8252	4B7	21	55 - 25	L100436	4D2	33	62 - 7	L25678	7G11	9	94 - 7
JD8252	4B9	25	55 - 27	L100436	4D2	40	62 - 7	L25678	7G17	11	94 - 13
JD8255	2F15	2	52 - 53	L100436	4D2	41	62 - 7	L25678	7H15	35	94 - 37
JD8257	4B18	12	55 - 37	L101698	4B20	6	55 - 39	L25678	7H17	31	94 - 39
JD8267	2F15	12	52 - 53	L101698	4B22	8	55 - 41	L25678	7I4	44	94 - 51
JD8267	4B7	10	55 - 25	L102265	6E13	11	81 - 51	L25686	7G8	8	94 - 3
JD8267	4B9	10	55 - 27	L102272	6E15	20	81 - 53	L25686	7G11	1	94 - 7
JD8267	4B18	9	55 - 37	L102274	6E15	20	81 - 53	L25686	7G17	1	94 - 13
JD8295	4B7	9	55 - 25	L102280	6E15	20	81 - 53	L25750	2C16	21	51 - 13
JD8295	4B9	9	55 - 27	L102280	6E15	22	81 - 53	L25837	3H6	18	54 - 31
JD8295	4B18	8	55 - 37	L11027	3H23	29	54 - 49	L26936	5D22	11	71 - 92
JD8407	6D25	12	81 - 37	L11028	3H23	29	54 - 49	L26936	5E8	8	72 - 8
JD8410	6D21	9	81 - 33	L110470	6E15	14	81 - 53	L26936	5E9	15	72 - 9
JD8410	6D23	9	81 - 35	L11292	5E3	3	72 - 3	L26936	5E11	3	72 - 11
JD8412	6D23	17	81 - 35	L11581	5F7	1	72 - 32	L26936	5E13	9	72 - 13
JD8728	4C10	1	61 - 3	L11581	5F8	1	72 - 33	L26941	5E8	6	72 - 8
JD8875	4C24	5	62 - 5	L12491	6C7	16	74 - 53	L26941	5E9	14	72 - 9
JD8875	4D2	5	62 - 7	L12491	6D11	2	81 - 23	L26941	5E11	2	72 - 11
JD8875	4D4	27	62 - 9	L12491	6D11	5	81 - 23	L26943	5D22	10	71 - 92
JD8902	4B24	23	55 - 43	L12491	6D13	11	81 - 25	L26943	5E8	7	72 - 8
JD8905	6E11	24	81 - 49	L12621	6G17	8	82 - 5	L26943	5E9	13	72 - 9
JD8916	5A23	34	71 - 13	L12807	1H17	12	41 - 67	L26943	5E11	4	72 - 11
JD8922	3H23	11	54 - 49	L12807	1H21	5	41 - 71	L26943	5E13	10	72 - 13
JD8929	6E11	10	81 - 49	L12807	2B9	2	42 - 27	L27044	4H2	9	63 - 23
JD8946	3G7	14	54 - 7	L12807	2B11	14	42 - 29	L27044	4H4	6	63 - 25
JD8946	3G15	8	54 - 15	L12807	2B13	11	42 - 31	L27099	6E24	1	81 - 62
JD8967	4B7	20	55 - 25	L12807	2B15	16	42 - 33	L27099	6F1	2	81 - 64
JD8967	4B9	24	55 - 27	L12807	2B17	10	42 - 35	L27099	6F2	2	81 - 65
JD8969	3H23	30	54 - 49	L12807	4G8	3	63 - 5	L27099	6F3	1	81 - 66
JD8969	6E11	6	81 - 49	L12807	7C3	4	92 - 46	L27099	6F4	1	81 - 67
JD8979	2F15	10	52 - 53	L12809	1F20	11	41 - 19	L27166	7G13	20	94 - 9
JD8982	3H23	33	54 - 49	L12809	1F22	4	41 - 21	L27167	7G8	18	94 - 3
JD8997	2F15	1	52 - 53	L12974	3H20	6	54 - 45	L27167	7G11	7	94 - 7
JD9007	3G11	14	54 - 11	L12974	3H21	1	54 - 46	L27167	7G17	7	94 - 13
JD9053	4B13	10	55 - 31	L12974	4A24	1	55 - 16	L27167	7H4	40	94 - 25
JD9058	4B11	10	55 - 29	L12991	7I8	1	94 - 55	L27167	7H6	38	94 - 27
JD9065	3G20	14	54 - 21	L13325	2B7	8	42 - 24	L27167	7H15	17	94 - 37
JD9065	3G22	4	54 - 23	L13325	2B9	15	42 - 27	L27182	2C19	30	51 - 17
JD9065	3H4	12	54 - 29	L13325	2B11	22	42 - 29	L27183	2C19	23	51 - 17

1K4

1640, 2040, 2040S TRACTORS (430000-)

NUMERICAL INDEX - CONTINUED

PART NO.	GRID	KEY	PAGE	PART NO.	GRID	KEY	PAGE	PART NO.	GRID	KEY	PAGE
L27184	2C19	21	51 - 17	L28744	4E22	10	62 - 53	L29269	2F15	13	52 - 53
L27185	2C19	28	51 - 17	L28744	4F4	21	62 - 59	L29270	2F15	13	52 - 53
L27339	1F6	23	41 - 5	L28744	4F6	21	62 - 61	L29271	2F15	13	52 - 53
L28056	6C17	11	81 - 3	L28809	4H18	22	63 - 39	L29274	4G12	17	63 - 9
L28076	7G8	7	94 - 3	L28809	4H20	22	63 - 41	L29275	4G12	2	63 - 9
L28077	7G8	5	94 - 3	L28921	5H18	6	73 - 61	L29276	4G12	1	63 - 9
L28077	7G13	2	94 - 9	L29005	3G7	3	54 - 7	L29277	4G12	16	63 - 9
L28077	7G19	2	94 - 15	L29005	3G9	3	54 - 9	L29283	2F15	6	52 - 53
L28077	7H4	46	94 - 25	L29006	3G7	3	54 - 7	L29283	3H18	18	54 - 43
L28077	7H6	8	94 - 27	L29006	3G9	3	54 - 9	L29284	2F15	7	52 - 53
L28078	7G8	10	94 - 3	L29007	3G7	3	54 - 7	L29284	2F18	6	52 - 56
L28079	7G8	16	94 - 3	L29007	3G9	3	54 - 9	L29301	6H6	4	82 - 21
L28080	7G8	17	94 - 3	L29020	6D2	11	81 - 13	L29302	6H6	14	82 - 21
L28226	6E20	1	81 - 58	L29020	6D4	10	81 - 15	L29306	5E11	8	72 - 11
L28226	6E21	1	81 - 59	L29021	6D2	11	81 - 13	L29306	5E13	19	72 - 13
L28228	6E20	7	81 - 58	L29021	6D4	10	81 - 15	L29328	6F6	12	81 - 69
L28228	6E21	8	81 - 59	L29022	6D2	18	81 - 13	L29329	6F6	12	81 - 69
L28230	6E20	2	81 - 58	L29022	6D4	18	81 - 15	L29329	6F8	3	81 - 71
L28230	6E21	3	81 - 59	L29023	6D2	21	81 - 13	L29330	6F8	3	81 - 71
L28281	5E5	8	72 - 5	L29023	6D4	21	81 - 15	L29390	1H11	9	41 - 60
L28281	5E7	8	72 - 7	L29040	2F17	6	52 - 55	L29412	5C12	25	71 - 53
L28298	4H8	15	63 - 29	L29041	2F17	7	52 - 55	L29418	4G12	4	63 - 9
L28298	4H10	15	63 - 31	L29042	2F17	7	52 - 55	L29439	6H6	13	82 - 21
L28301	5C14	33	71 - 55	L29043	2F17	7	52 - 55	L29440	6H6	12	82 - 21
L28314	6E3	6	81 - 41	L29044	2F17	7	52 - 55	L29834	3G2	10	54 - 2
L28315	6E3	6	81 - 41	L29055	3G13	20	54 - 13	L29834	3G3	6	54 - 3
L28372	5E16	11	72 - 17	L29058	4H8	17	63 - 29	L29834	3G5	21	54 - 5
L28376	3G9	9	54 - 9	L29058	4H10	17	63 - 31	L29848	5D8	1	71 - 78
L28401	2F25	7	52 - 63	L29159	1F6	29	41 - 5	L29854	2C12	25	51 - 9
L28405	2F19	13	52 - 57	L29160	1F6	8	41 - 5	L29871	3G7	17	54 - 7
L28405	3C19	1	53 - 59	L29161	1F6	26	41 - 5	L29871	3G9	18	54 - 9
L28405	3G18	14	54 - 19	L29167	1F6	4	41 - 5	L29873	5C17	6	71 - 58
L28405	3G18	16	54 - 19	L29197	4C12	11	61 - 5	L29882	4H6	16	63 - 27
L28405	3G21	7	54 - 22	L29197	4C14	10	61 - 7	L29883	4H16	3	63 - 37
L28405	3G21	8	54 - 22	L29199	4C12	26	61 - 5	L29884	4H16	5	63 - 37
L28405	3H2	10	54 - 27	L29208	7G13	17	94 - 9	L30092	4A12	6	55 - 3
L28405	3H2	11	54 - 27	L29208	7G19	19	94 - 15	L30092	4A14	6	55 - 5
L28416	1E6	18	30 - 39	L29208	7H4	47	94 - 25	L30191	5H13	5	73 - 56
L28520	1G13	4	41 - 37	L29208	7H6	21	94 - 27	L30201	5C22	6	71 - 65
L28584	3H8	23	54 - 33	L29208	7H11	3	94 - 33	L30201	5C24	8	71 - 67
L28584	3H10	8	54 - 35	L29208	7H13	2	94 - 35	L30201	5C24	17	71 - 67
L28612	1D14	17	30 - 21	L29209	7G13	18	94 - 9	L30202	5D9	4	71 - 79
L28626	6E24	3	81 - 62	L29211	7G13	12	94 - 9	L30203	5C24	13	71 - 67
L28639	4H18	17	63 - 39	L29211	7G19	12	94 - 15	L30206	4H22	6	63 - 43
L28639	4H20	17	63 - 41	L29211	7H4	18	94 - 25	L30206	4H24	6	63 - 45
L28639	4H22	22	63 - 43	L29211	7H6	16	94 - 27	L30206	4I4	6	63 - 49
L28639	4H24	22	63 - 45	L29211	7H17	13	94 - 39	L30206	4I6	6	63 - 51
L28639	4I2	22	63 - 47	L29226	3G7	12	54 - 7	L30207	4H18	29	63 - 39
L28639	4I4	19	63 - 49	L29226	3G9	12	54 - 9	L30207	4H20	31	63 - 41
L28639	4I6	23	63 - 51	L29227	3G7	10	54 - 7	L30207	4H22	3	63 - 43
L28648	3E18	4	53 - 107	L29227	3G9	10	54 - 9	L30207	4H24	3	63 - 45
L28648	3E20	4	53 - 109	L29246	2C19	29	51 - 17	L30207	4I2	3	63 - 47
L28656	2E20	19	52 - 33	L29250	2G1	8	52 - 64	L30207	4I4	3	63 - 49
L28656	3C2	19	53 - 41	L29250	3F22	8	53 - 136	L30207	4I6	3	63 - 51
L28656	4A19	33	55 - 11	L29251	2G1	4	52 - 64	L30207	5H16	17	73 - 59
L28660	2F19	1	52 - 57	L29251	3F22	4	53 - 136	L30293	6F1	3	81 - 64
L28663	2F15	4	52 - 53	L29252	2G1	7	52 - 64	L30332	6G5	3	81 - 93
L28664	2F15	8	52 - 53	L29252	3F22	7	53 - 136	L30470	3H8	21	54 - 33
L28666	2F17	13	52 - 55	L29253	2G1	9	52 - 64	L30470	3H10	10	54 - 35
L28671	2F18	10	52 - 56	L29253	3F22	9	53 - 136	L30470	3H12	29	54 - 37
L28672	2F17	8	52 - 55	L29265	1D10	7	30 - 17	L30470	3H14	10	54 - 39
L28675	2F17	5	52 - 55	L29265	1D10	8	30 - 17	L30470	4A21	36	55 - 13
L28711	3G24	4	54 - 25	L29268	3G24	19	54 - 25	L30470	5C25	2	71 - 68
L28712	3G18	16	54 - 19	L29268	3H2	19	54 - 27	L30607	1D12	7	30 - 19
L28712	3G21	8	54 - 22	L29268	3H4	18	54 - 29	L30620	7C21	1	93 - 16
L28744	4E16	10	62 - 47	L29268	3H6	28	54 - 31	L30621	7C21	2	93 - 16
L28744	4E18	13	62 - 49	L29268	3H18	26	54 - 43	L30661	1G13	5	41 - 37

1K5

1640, 2040, 2040S TRACTORS (430000-)

NUMERICAL INDEX - CONTINUED

PART NO.	GRID	KEY	PAGE	PART NO.	GRID	KEY	PAGE	PART NO.	GRID	KEY	PAGE
L30661	1G25	3	41 - 49	L31086	5F3	10	72 - 28	L31727	7H4	20	94 - 25
L30687	5G24	2	73 - 40	L31086	5F4	7	72 - 29	L31727	7H6	14	94 - 27
L30695	2C12	19	51 - 9	L31088	5F3	8	72 - 28	L31727	7H17	16	94 - 39
L30695	3D8	4	53 - 73	L31088	5F4	5	72 - 29	L31727	7I4	33	94 - 51
L30695	3D22	4	53 - 87	L31089	5F3	9	72 - 28	L31728	7G8	21	94 - 3
L30695	5G12	4	73 - 28	L31089	5F4	6	72 - 29	L31730	7G13	13	94 - 9
L30695	5G13	3	73 - 29	L31090	5F3	7	72 - 28	L31730	7G19	13	94 - 15
L30695	6A24	3	74 - 16	L31090	5F4	3	72 - 29	L31730	7H4	19	94 - 25
L30706	4I9	3	63 - 54	L31091	5F3	6	72 - 28	L31730	7H6	15	94 - 27
L30708	4I9	7	63 - 54	L31091	5F4	2	72 - 29	L31731	7G13	8	94 - 9
L30719	4H18	9	63 - 39	L31106	1I3	4	41 - 79	L31731	7G19	8	94 - 15
L30719	4H20	9	63 - 41	L31124	1H11	10	41 - 60	L31742	1F20	9	41 - 19
L30719	4H22	17	63 - 43	L31124	2A16	5	42 - 7	L31742	1F24	11	41 - 23
L30719	4H24	17	63 - 45	L31124	2C4	12	42 - 49	L31744	5G24	4	73 - 40
L30719	4I2	17	63 - 47	L31124	5B14	42	71 - 29	L31744	5G25	7	73 - 41
L30719	4I4	13	63 - 49	L31128	4H10	20	63 - 31	L31744	5H8	9	73 - 50
L30719	4I6	13	63 - 51	L31128	5H5	11	73 - 47	L31744	5H13	10	73 - 56
L30719	4I8	10	63 - 53	L31128	6B9	19	74 - 27	L31744	5H14	10	73 - 57
L30720	4H18	11	63 - 39	L31199	5D19	19	71 - 89	L31744	5H16	11	73 - 59
L30720	4H20	11	63 - 41	L31208	6I8	14	91 - 11	L31744	5H17	15	73 - 60
L30720	4H22	19	63 - 43	L31208	7F2	10	93 - 71	L31745	5H9	8	73 - 51
L30720	4H24	19	63 - 45	L31208	7I17	6	94 - 65	L31745	5H12	1	73 - 55
L30720	4I2	19	63 - 47	L31311	2F21	9	52 - 59	L31745	5H13	9	73 - 56
L30720	4I4	15	63 - 49	L31311	3E23	9	53 - 112	L31745	5H14	9	73 - 57
L30720	4I6	15	63 - 51	L31330	5E20	8	72 - 21	L31745	5H16	10	73 - 59
L30720	4I8	12	63 - 53	L31349	7C12	33	93 - 7	L31745	5H17	2	73 - 60
L30721	4H18	13	63 - 39	L31349	7C16	25	93 - 11	L31745	5H18	4	73 - 61
L30721	4H20	13	63 - 41	L31434	4C12	17	61 - 5	L31745	6B14	22	74 - 33
L30721	4H22	20	63 - 43	L31434	4C14	16	61 - 7	L31745	6B19	2	74 - 39
L30721	4H24	20	63 - 45	L31503	2F15	4	52 - 53	L31750	6G5	6	81 - 93
L30721	4I2	20	63 - 47	L31504	6E24	8	81 - 62	L31754	5G5	9	73 - 20
L30721	4I4	16	63 - 49	L31504	6E24	13	81 - 62	L31755	5G5	11	73 - 20
L30721	4I6	16	63 - 51	L31504	6E25	5	81 - 63	L31763	4I9	1	63 - 54
L30721	4I8	14	63 - 53	L31504	6E25	7	81 - 63	L31774	1H10	3	41 - 59
L30722	4H18	10	63 - 39	L31559	6H6	19	82 - 21	L31774	1H14	4	41 - 64
L30722	4H20	10	63 - 41	L31560	6D11	7	81 - 23	L31777	1H14	5	41 - 64
L30722	4H22	18	63 - 43	L31569	5F3	5	72 - 28	L31778	1H14	3	41 - 64
L30722	4H24	18	63 - 45	L31639	5E16	16	72 - 17	L31780	1H14	6	41 - 64
L30722	4I2	18	63 - 47	L31640	5E16	17	72 - 17	L31781	1H14	6	41 - 64
L30722	4I4	14	63 - 49	L31642	5E18	9	72 - 19	L31792	3G9	8	54 - 9
L30722	4I6	14	63 - 51	L31648	5E18	11	72 - 19	L31793	3G7	11	54 - 9
L30722	4I8	11	63 - 53	L31648	5E22	15	72 - 23	L31793	3G9	11	54 - 9
L30750	6C17	6	81 - 3	L31653	5E18	12	72 - 19	L31806	2F13	4	52 - 51
L30751	6C17	7	81 - 3	L31653	5E20	15	72 - 21	L31806	3C17	3	53 - 57
L30768	3G2	6	54 - 2	L31653	5E22	16	72 - 23	L31837	7B4	19	92 - 21
L30768	3G5	11	54 - 5	L31655	5E18	14	72 - 19	L31849	6D2	16	81 - 13
L30784	5C24	18	71 - 67	L31665	6E15	15	81 - 53	L31849	6D4	16	81 - 15
L30818	2F22	13	52 - 60	L31666	6E15	15	81 - 53	L31943	2E16	24	52 - 29
L30818	2F23	18	52 - 61	L31668	6E15	15	81 - 53	L31943	3B22	24	53 - 37
L30818	3E24	13	53 - 113	L31671	6E15	15	81 - 53	L31944	2E16	23	52 - 29
L30818	3F2	18	53 - 115	L31672	6E15	15	81 - 53	L31944	3B22	23	53 - 37
L30819	6F25	6	81 - 88	L31677	6E17	3	81 - 55	L31945	2E16	1	52 - 29
L30894	2B17	33	42 - 35	L31680	6E17	5	81 - 55	L31945	3B22	1	53 - 37
L30894	7C3	2	92 - 46	L31683	3G15	2	54 - 15	L31946	2E16	5	52 - 29
L30960	6F10	10	81 - 73	L31683	6E15	13	81 - 53	L31946	3B22	5	53 - 37
L30960	6I4	14	91 - 7	L31684	6E17	2	81 - 55	L31947	2E16	8	52 - 29
L31033	2A18	2	42 - 9	L31685	6E17	1	81 - 55	L31947	3B22	8	53 - 37
L31033	2A20	1	42 - 11	L31696	4C10	9	61 - 3	L31962	1G7	6	41 - 31
L31033	2A23	2	42 - 15	L31697	4C10	9	61 - 3	L31962	1G9	2	41 - 33
L31055	2F21	8	52 - 59	L31698	4C10	9	61 - 3	L32016	6D2	15	81 - 13
L31055	2F22	7	52 - 60	L31701	7C21	4	93 - 16	L32016	6D4	15	81 - 15
L31055	2F23	15	52 - 61	L31702	7C21	3	93 - 16	L32029	2C19	9	51 - 17
L31055	3E23	8	53 - 112	L31706	6E1	10	81 - 39	L32029	2C21	16	51 - 19
L31055	3E24	7	53 - 113	L31706	6E3	12	81 - 41	L32029	2C23	16	51 - 21
L31055	3F2	15	53 - 115	L31727	7C18	11	93 - 13	L32040	7F23	4	93 - 92
L31065	1E11	9	30 - 45	L31727	7G13	14	94 - 9	L32040	7G2	17	93 - 95
L31077	2F17	6	52 - 55	L31727	7G19	14	94 - 15	L32108	1D12	17	30 - 19

1K6

1640, 2040, 2040S TRACTORS (430000-)

NUMERICAL INDEX - CONTINUED

PART NO.	GRID	KEY	PAGE	PART NO.	GRID	KEY	PAGE	PART NO.	GRID	KEY	PAGE
L32109	1D12	20	30 - 19	L32710	4E6	28	62 - 35	L33055	3C16	8	53 - 56
L32110	1D12	16	30 - 19	L32738	2E20	20	52 - 33	L33056	3C16	3	53 - 56
L32111	1D12	19	30 - 19	L32738	3C2	20	53 - 41	L33059	3E4	17	53 - 93
L32144	4H8	13	63 - 29	L32738	4A19	32	55 - 11	L33060	3E22	5	53 - 111
L32144	4H10	13	63 - 31	L32782	5C16	10	71 - 57	L33062	3E4	21	53 - 93
L32147	1F6	3	41 - 5	L32801	3H8	6	54 - 33	L33065	3E4	19	53 - 93
L32154	6E25	6	81 - 63	L32801	3H12	26	54 - 37	L33066	3E4	22	53 - 93
L32155	6E25	4	81 - 63	L32801	4H12	23	63 - 33	L33070	3E2	5	53 - 91
L32157	6E24	9	81 - 62	L32821	1C10	8	20 - 52	L33078	3E2	24	53 - 91
L32157	6E25	6	81 - 63	L32822	1C10	3	20 - 52	L33083	3E2	19	53 - 91
L32158	6E24	7	81 - 62	L32822	7B6	9	92 - 23	L33098	3B20	10	53 - 35
L32158	6E25	4	81 - 63	L32823	1C10	5	20 - 52	L33098	3E2	15	53 - 91
L32169	6E15	9	81 - 53	L32839	3G2	3	54 - 2	L33099	3B20	14	53 - 35
L32307	6E1	5	81 - 39	L32839	3G3	7	54 - 3	L33099	3E2	16	53 - 91
L32307	6E3	16	81 - 41	L32839	3G5	14	54 - 5	L33100	3B20	12	53 - 35
L32308	6E1	8	81 - 39	L32843	2F15	9	52 - 53	L33100	3E2	11	53 - 91
L32308	6E3	14	81 - 41	L32881	7H22	36	94 - 45	L33101	3B20	13	53 - 35
L32394	6I2	2	91 - 5	L32882	7H22	38	94 - 45	L33101	3E2	10	53 - 91
L32394	7A16	13	92 - 7	L32883	7H22	37	94 - 45	L33102	3B20	9	53 - 35
L32394	7A18	5	92 - 9	L32903	1F20	21	41 - 19	L33102	3E2	14	53 - 91
L32394	7A25	5	92 - 17	L32903	1F22	15	41 - 21	L33103	3B20	11	53 - 35
L32394	7C2	1	92 - 45	L32903	1F24	5	41 - 23	L33103	3E2	12	53 - 91
L32394	7C4	8	92 - 47	L32903	1G1	4	41 - 25	L33104	3E2	22	53 - 91
L32394	7C24	27	93 - 19	L32903	6I4	23	91 - 7	L33117	2E20	9	52 - 33
L32394	7I17	18	94 - 65	L32903	7A16	7	92 - 7	L33117	3C2	9	53 - 41
L324T	2D7	8	51 - 30	L32903	7A18	14	92 - 9	L33117	4A19	11	55 - 11
L324T	2D7	10	51 - 30	L32903	7A25	40	92 - 17	L33119	2E20	14	52 - 33
L324T	2D8	6	51 - 31	L32903	7C4	4	92 - 47	L33119	3C2	14	53 - 41
L324T	2D8	8	51 - 31	L32957	4H6	11	63 - 27	L33119	4A19	5	55 - 11
L32504	4G12	8	63 - 9	L32957	4H8	9	63 - 29	L33121	4A19	6	55 - 11
L32504	4G18	10	63 - 15	L32957	4H10	9	63 - 31	L33123	2D17	17	52 - 3
L32505	7E9	22	93 - 53	L32978	5E3	9	72 - 3	L33123	3A13	17	53 - 3
L32515	1E22	12	30 - 57	L32978	5E5	26	72 - 5	L33125	2E20	12	52 - 33
L32568	3G7	7	54 - 7	L32978	5E7	26	72 - 7	L33125	3C2	12	53 - 41
L32569	3G2	7	54 - 2	L32997	5E11	16	72 - 11	L33125	4A19	6	55 - 11
L32569	3G3	13	54 - 3	L32997	5E13	21	72 - 13	L33125	4A19	8	55 - 11
L32569	3G5	12	54 - 5	L33007	3C19	1	53 - 59	L33126	3H2	5	54 - 27
L32570	3G7	8	54 - 7	L33007	3G18	11	54 - 19	L33126	3H4	7	54 - 29
L32580	4F8	3	62 - 63	L33007	3G18	16	54 - 19	L33126	3H6	6	54 - 31
L32580	4F15	17	62 - 71	L33007	3G21	4	54 - 22	L33126	3H18	7	54 - 43
L32580	5B21	12	71 - 37	L33007	3G21	8	54 - 22	L33134	2E12	35	52 - 25
L32581	5B21	13	71 - 37	L33007	3H2	7	54 - 27	L33134	2E14	35	52 - 27
L32638	5D19	11	71 - 89	L33007	3H2	11	54 - 27	L33134	3B12	35	53 - 27
L32648	5C16	5	71 - 57	L33015	3C16	4	53 - 56	L33134	3B14	35	53 - 29
L32649	5C15	1	71 - 56	L33016	3C16	4	53 - 56	L33139	2C12	37	51 - 9
L32649	5C16	1	71 - 57	L33019	3E18	1	53 - 107	L33141	2C10	13	51 - 6
L32704	2F13	13	52 - 51	L33019	3E20	1	53 - 109	L33146	2D17	3	52 - 3
L32704	3D8	18	53 - 73	L33023	3E22	3	53 - 111	L33146	3A13	3	53 - 3
L32704	3D22	18	53 - 87	L33024	3E22	6	53 - 111	L33151	2D21	17	52 - 7
L32708	4D6	26	62 - 11	L33025	3E22	7	53 - 111	L33151	3A15	17	53 - 5
L32708	4D14	18	62 - 19	L33027	3E4	14	53 - 93	L33152	2E22	9	52 - 35
L32708	4D20	18	62 - 25	L33028	3E4	14	53 - 93	L33152	2E24	7	52 - 37
L32709	4D6	19	62 - 11	L33029	3E4	14	53 - 93	L33152	3C12	9	53 - 51
L32709	4D10	19	62 - 15	L33030	3E4	13	53 - 93	L33152	3C14	7	53 - 53
L32709	4D14	26	62 - 19	L33032	3E20	6	53 - 109	L33155	2E12	18	52 - 25
L32709	4D16	26	62 - 21	L33033	3E18	9	53 - 107	L33155	2E14	18	52 - 27
L32709	4D20	26	62 - 25	L33033	3E20	8	53 - 109	L33155	3B12	18	53 - 27
L32709	4D22	19	62 - 27	L33035	3E22	4	53 - 111	L33155	3B14	18	53 - 29
L32709	4E6	26	62 - 35	L33044	3E22	9	53 - 111	L33156	2E14	5	52 - 27
L32710	4D6	17	62 - 11	L33045	3F4	18	53 - 117	L33156	3B14	5	53 - 29
L32710	4D10	17	62 - 15	L33050	3F4	17	53 - 117	L33157	2E12	13	52 - 25
L32710	4D14	28	62 - 19	L33050	3F16	21	53 - 129	L33157	2E14	13	52 - 27
L32710	4D16	28	62 - 21	L33051	3F4	4	53 - 117	L33157	3B12	13	53 - 27
L32710	4D18	28	62 - 23	L33051	3F16	29	53 - 129	L33157	3B14	13	53 - 29
L32710	4D20	28	62 - 25	L33052	3F4	9	53 - 117	L33158	2E12	16	52 - 25
L32710	4D22	17	62 - 27	L33052	3F16	23	53 - 129	L33158	2E14	16	52 - 27
L32710	4E4	28	62 - 33	L33054	3F4	2	53 - 117	L33158	3B12	16	53 - 27

1K7

1640, 2040, 2040S TRACTORS (430000-)

NUMERICAL INDEX - CONTINUED

PART NO.	GRID	KEY	PAGE	PART NO.	GRID	KEY	PAGE	PART NO.	GRID	KEY	PAGE
L33158	3B14	16	53 - 29	L33276	3E2	1	53 - 91	L33340	2E3	3	52 - 15
L33159	2E12	9	52 - 25	L33277	3E2	1	53 - 91	L33340	3A22	3	53 - 13
L33159	2E14	9	52 - 27	L33278	3E2	1	53 - 91	L33340	3B4	3	53 - 19
L33159	3B12	9	53 - 27	L33280	3B20	27	53 - 35	L33341	2E10	16	52 - 23
L33159	3B14	9	53 - 29	L33286	3C16	1	53 - 56	L33341	2E16	4	52 - 29
L33161	2E12	27	52 - 25	L33303	2E12	17	52 - 25	L33341	3B22	4	53 - 37
L33161	2E14	27	52 - 27	L33303	2E14	17	52 - 27	L33342	2E16	13	52 - 29
L33161	3B12	27	53 - 27	L33303	3B12	17	53 - 27	L33342	3B22	13	53 - 37
L33161	3B14	27	53 - 29	L33303	3B14	17	53 - 29	L33344	2E3	16	52 - 15
L33162	2E12	28	52 - 25	L33304	2D17	5	52 - 3	L33344	3A22	16	53 - 13
L33162	2E14	28	52 - 27	L33304	3A13	5	53 - 3	L33344	3B4	19	53 - 19
L33162	3B12	28	53 - 27	L33306	2D17	17	52 - 3	L33346	3C7	15	53 - 46
L33162	3B14	28	53 - 29	L33306	3A13	17	53 - 3	L33351	3F19	2	53 - 133
L33163	2E12	30	52 - 25	L33312	2E20	6	52 - 33	L33351	3F21	2	53 - 135
L33163	2E14	30	52 - 27	L33312	3C2	6	53 - 41	L33357	3D8	16	53 - 73
L33163	3B12	30	53 - 27	L33313	2E20	1	52 - 33	L33357	3D22	16	53 - 87
L33163	3B14	30	53 - 29	L33313	3C2	1	53 - 41	L33358	3D8	15	53 - 73
L33164	2E12	31	52 - 25	L33313	4A19	22	55 - 11	L33358	3D22	15	53 - 87
L33164	2E14	31	52 - 27	L33314	2E20	30	52 - 33	L33363	3F19	10	53 - 133
L33164	3B12	31	53 - 27	L33314	3C2	30	53 - 41	L33369	2E12	40	52 - 25
L33164	3B14	31	53 - 29	L33316	2E20	11	52 - 33	L33369	2E14	40	52 - 27
L33165	2E12	45	52 - 25	L33316	3C2	11	53 - 41	L33369	3B12	40	53 - 27
L33165	2E14	45	52 - 27	L33316	4A19	9	55 - 11	L33369	3B14	40	53 - 29
L33165	3B12	45	53 - 27	L33317	3C2	32	53 - 41	L33369	3E10	17	53 - 99
L33165	3B14	45	53 - 29	L33318	2E16	16	52 - 29	L33369	3E12	24	53 - 101
L33167	2E12	43	52 - 25	L33318	3B22	16	53 - 37	L33374	2D21	16	52 - 7
L33167	2E14	43	52 - 27	L33320	2E20	16	52 - 33	L33374	2D21	18	52 - 7
L33167	3B12	43	53 - 27	L33320	3C2	16	53 - 41	L33374	3A15	16	53 - 5
L33167	3B14	43	53 - 29	L33320	4A17	2	55 - 9	L33374	3A15	18	53 - 5
L33179	2C9	1	51 - 5	L33320	4A19	24	55 - 11	L33378	2E3	25	52 - 15
L33180	2D21	2	52 - 7	L33332	3B16	7	53 - 31	L33378	2E5	21	52 - 17
L33180	3A15	2	53 - 5	L33332	3F4	3	53 - 117	L33378	3A22	25	53 - 13
L33201	2D21	10	52 - 7	L33332	3F16	20	53 - 129	L33378	3A24	21	53 - 15
L33201	3A15	10	53 - 5	L33332	3F16	37	53 - 129	L33378	3B2	21	53 - 17
L33234	3H2	11	54 - 27	L33333	2E24	1	52 - 37	L33378	3B4	28	53 - 19
L33238	3E22	8	53 - 111	L33333	3C14	1	53 - 53	L33387	2E22	17	52 - 35
L33239	3C4	10	53 - 43	L33334	2E12	33	52 - 25	L33387	3C12	20	53 - 51
L33240	3C4	8	53 - 43	L33334	2E12	37	52 - 25	L33388	2C7	1	51 - 3
L33241	3C4	7	53 - 43	L33334	2E12	47	52 - 25	L33463	1H17	15	41 - 67
L33242	3C4	1	53 - 43	L33334	2E14	33	52 - 27	L33481	4G4	1	63 - 1
L33243	3C4	1	53 - 43	L33334	2E14	37	52 - 27	L33483	4G4	3	63 - 1
L33244	3C4	1	53 - 43	L33334	2E14	46	52 - 27	L33497	3D20	29	53 - 85
L33245	3C4	2	53 - 43	L33334	2E24	17	52 - 37	L33497	4G4	1	63 - 1
L33247	3C6	27	53 - 45	L33334	3B12	37	53 - 27	L33537	5E16	1	72 - 17
L33247	4A21	21	55 - 13	L33334	3B12	48	53 - 27	L33539	5E18	1	72 - 19
L33251	3C6	17	53 - 45	L33334	3B12	49	53 - 27	L33561	6H6	17	82 - 21
L33252	3C6	27	53 - 45	L33334	3B14	37	53 - 29	L33563	2E20	24	52 - 33
L33252	4A21	21	55 - 13	L33334	3B14	47	53 - 29	L33563	3C2	24	53 - 41
L33253	3C6	2	53 - 45	L33334	3B14	48	53 - 29	L33563	4A19	36	55 - 11
L33256	3C6	31	53 - 45	L33334	3B20	21	53 - 35	L33564	3F21	12	53 - 135
L33257	3C6	28	53 - 45	L33334	3B20	34	53 - 35	L33601	1D8	7	30 - 15
L33257	4A21	40	55 - 13	L33334	3C14	20	53 - 53	L33629	1D6	14	30 - 13
L33260	3C6	27	53 - 45	L33336	2E3	21	52 - 15	L33629	4H6	20	63 - 27
L33260	4A21	21	55 - 13	L33336	2E5	25	52 - 17	L33629	4H8	22	63 - 29
L33261	3C7	1	53 - 46	L33336	3A22	21	53 - 13	L33629	5H5	10	73 - 47
L33263	3C6	4	53 - 45	L33336	3A24	25	53 - 15	L33629	5H16	7	73 - 59
L33264	3C4	10	53 - 43	L33336	3B2	25	53 - 17	L33629	6B9	18	74 - 27
L33264	3E22	8	53 - 111	L33336	3B4	24	53 - 19	L33629	6G24	7	82 - 13
L33265	3C4	10	53 - 43	L33337	2E3	24	52 - 15	L33629	6G24	15	82 - 13
L33266	3C4	10	53 - 43	L33337	2E5	22	52 - 17	L33629	6H2	9	82 - 17
L33266	3E22	8	53 - 111	L33337	3A22	24	53 - 13	L33629	6H2	12	82 - 17
L33269	3E2	4	53 - 91	L33337	3A24	22	53 - 15	L33638	2D19	11	52 - 5
L33270	3E4	1	53 - 93	L33337	3B2	22	53 - 17	L33639	3G18	9	54 - 19
L33271	3E2	4	53 - 91	L33337	3B4	27	53 - 19	L33639	3G20	9	54 - 21
L33272	3E2	4	53 - 91	L33339	2E3	13	52 - 15	L33656	5E5	29	72 - 5
L33274	3E2	1	53 - 91	L33339	3A22	13	53 - 13	L33656	5E7	29	72 - 7
L33275	3E2	1	53 - 91	L33339	3B4	16	53 - 19	L33661	6G3	26	81 - 91

1K8

1640, 2040, 2040S TRACTORS (430000-)

NUMERICAL INDEX - CONTINUED

PART NO.	GRID	KEY	PAGE	PART NO.	GRID	KEY	PAGE	PART NO.	GRID	KEY	PAGE
L33681	1E9	1	30 - 43	L33992	1F8	22	41 - 7	L34182	3E18	10	53 - 107
L33681	2E10	24	52 - 23	L33992	1F14	22	41 - 13	L34182	3E20	9	53 - 109
L33681	3B10	6	53 - 25	L33993	1F8	4	41 - 7	L34185	2E12	42	52 - 25
L33701	2D17	11	52 - 3	L33993	1F10	4	41 - 9	L34185	2E14	42	52 - 27
L33701	2D19	8	52 - 5	L33994	1F6	15	41 - 5	L34185	3B12	42	53 - 27
L33701	3A13	11	53 - 3	L33994	1F8	14	41 - 7	L34185	3B14	42	53 - 29
L33707	3G18	4	54 - 19	L34015	7E13	30	93 - 57	L34191	3H18	17	54 - 43
L33719	2C16	5	51 - 13	L34040	4G6	13	63 - 3	L34192	3H18	14	54 - 43
L33721	3E18	6	53 - 107	L34041	4G6	13	63 - 3	L34193	3H18	11	54 - 43
L33727	2E22	3	52 - 35	L34052	2E20	18	52 - 33	L34195	4A12	17	55 - 3
L33727	3C12	3	53 - 51	L34052	3C2	18	53 - 41	L34195	4A14	13	55 - 5
L33732	2D7	7	51 - 30	L34053	2E20	18	52 - 33	L34231	6E13	2	81 - 51
L33733	3E20	7	53 - 109	L34053	3C2	18	53 - 41	L34232	6E13	2	81 - 51
L33734	2D17	17	52 - 3	L34054	3B20	33	53 - 35	L34243	3H18	19	54 - 43
L33734	3A13	17	53 - 3	L34057	3C4	10	53 - 43	L34244	3H16	8	54 - 41
L33735	2D17	17	52 - 3	L34058	3C6	20	53 - 45	L34245	3H16	10	54 - 41
L33735	3A13	17	53 - 3	L34059	3C6	16	53 - 45	L34246	3D8	28	53 - 73
L33745	3H2	17	54 - 27	L34060	3C6	18	53 - 45	L34246	3D22	7	53 - 87
L33745	3H4	1	54 - 29	L34061	3C6	13	53 - 45	L34247	3H16	9	54 - 41
L33745	3H6	26	54 - 31	L34062	3C6	12	53 - 45	L34253	3C19	14	53 - 59
L33745	3H18	1	54 - 43	L34063	3C6	10	53 - 45	L34253	3C21	14	53 - 61
L33746	2E3	14	52 - 15	L34064	3C6	11	53 - 45	L34253	3C23	12	53 - 63
L33746	3A22	14	53 - 13	L34067	3C6	14	53 - 45	L34253	3C25	12	53 - 65
L33746	3B4	17	53 - 19	L34068	3C6	7	53 - 45	L34253	3D2	12	53 - 67
L33747	2E3	13	52 - 15	L34070	6D9	19	81 - 21	L34253	3D6	12	53 - 71
L33747	3A22	13	53 - 13	L34100	3C4	10	53 - 43	L34253	3D16	13	53 - 81
L33747	3B4	16	53 - 19	L34100	3E22	8	53 - 111	L34253	3D18	13	53 - 83
L33749	2E5	13	52 - 17	L34104	2E6	16	52 - 18	L34253	3D20	12	53 - 85
L33749	3A24	13	53 - 15	L34104	3B6	17	53 - 21	L34253	3D22	25	53 - 87
L33750	4C18	4	61 - 12	L34105	2E16	11	52 - 29	L34255	3H16	2	54 - 41
L33755	3B20	6	53 - 35	L34105	3B22	11	53 - 37	L34257	3H18	21	54 - 43
L33756	3B20	5	53 - 35	L34106	2E16	18	52 - 29	L34266	6F12	11	81 - 75
L33757	3B20	5	53 - 35	L34106	3B22	18	53 - 37	L34267	6F12	7	81 - 75
L33758	3B20	5	53 - 35	L34107	6E13	6	81 - 51	L34306	6F10	9	81 - 73
L33763	3B20	16	53 - 35	L34108	6E13	7	81 - 51	L34307	6F12	2	81 - 75
L33765	3B20	32	53 - 35	L34109	2E22	8	52 - 35	L34308	6F12	2	81 - 75
L33766	2E5	12	52 - 17	L34109	3C12	8	53 - 51	L34336	6G3	9	81 - 91
L33766	3A24	12	53 - 15	L34111	2E22	6	52 - 35	L34340	2E3	29	52 - 15
L33766	3B2	12	53 - 17	L34111	2E24	4	52 - 37	L34340	3A22	29	53 - 13
L33767	3B20	29	53 - 35	L34111	3C12	6	53 - 51	L34340	3B4	31	53 - 19
L33769	3B16	6	53 - 31	L34111	3C14	4	53 - 53	L34342	2E3	34	52 - 15
L33772	3B16	12	53 - 31	L34112	3A13	18	53 - 3	L34342	3A22	34	53 - 13
L33775	2E5	12	52 - 17	L34114	2D17	14	52 - 3	L34342	3B4	35	53 - 19
L33775	3A24	12	53 - 15	L34114	3A13	14	53 - 3	L34343	2E7	7	52 - 19
L33775	3B2	12	53 - 17	L34115	2E12	41	52 - 25	L34344	2E7	8	52 - 19
L33776	3A24	13	53 - 15	L34115	2E14	41	52 - 27	L34345	2E3	20	52 - 15
L33776	3B2	13	53 - 17	L34115	3B12	41	53 - 27	L34345	2E5	18	52 - 17
L33777	2E5	19	52 - 17	L34115	3B14	41	53 - 29	L34345	3A22	20	53 - 13
L33777	3A24	19	53 - 15	L34115	3E10	20	53 - 99	L34345	3A24	18	53 - 15
L33785	3B16	21	53 - 31	L34115	3E12	20	53 - 101	L34345	3B2	18	53 - 17
L33786	3A13	18	53 - 3	L34116	2E12	7	52 - 25	L34345	3B4	23	53 - 19
L33861	6H8	9	82 - 23	L34116	2E14	7	52 - 27	L34348	4I9	9	63 - 54
L33863	5D19	22	71 - 89	L34116	3B12	7	53 - 27	L34351	6G22	2	82 - 11
L33864	5D19	21	71 - 89	L34116	3B14	7	53 - 29	L34351	6H2	8	82 - 17
L33865	5D19	20	71 - 89	L34117	6F25	4	81 - 88	L34352	2D21	3	52 - 7
L33894	6E13	1	81 - 51	L34121	2C12	7	51 - 9	L34352	3A15	3	53 - 5
L33894	6E15	7	81 - 53	L34122	3H6	10	54 - 31	L34353	3G11	25	54 - 11
L33910	4G4	3	63 - 1	L34124	3H19	4	54 - 44	L34366	6E7	16	81 - 45
L33945	7C24	21	93 - 19	L34125	3H19	2	54 - 44	L34366	6E9	18	81 - 47
L33945	7D2	13	93 - 21	L34126	3H2	20	54 - 27	L34371	4E10	2	62 - 40
L33985	1F8	25	41 - 7	L34156	7G13	30	94 - 9	L34371	4E11	5	62 - 41
L33985	1F14	25	41 - 13	L34156	7G19	31	94 - 15	L34371	4E12	12	62 - 42
L33985	1F16	23	41 - 15	L34156	7H4	32	94 - 25	L34371	4E14	1	62 - 45
L33986	1F8	8	41 - 7	L34156	7H6	30	94 - 27	L34371	4E16	1	62 - 47
L33987	1F8	10	41 - 7	L34166	5H11	10	73 - 53	L34371	4E24	4	62 - 55
L33987	1F14	10	41 - 13	L34166	6G3	21	81 - 91	L34371	4F4	4	62 - 59
L33988	1F8	19	41 - 7	L34168	3G11	25	54 - 11	L34371	4G22	8	63 - 19

1K9

1640, 2040, 2040S TRACTORS (430000-)

NUMERICAL INDEX - CONTINUED

PART NO.	GRID	KEY	PAGE	PART NO.	GRID	KEY	PAGE	PART NO.	GRID	KEY	PAGE
L34371	6C9	4	74 - 55	L34477	6F2	3	81 - 65	L34988	7E16	4	93 - 61
L34372	4G1	7	62 - 82	L34555	6G7	16	81 - 95	L34995	5B21	1	71 - 37
L34376	5F12	17	73 - 3	L34562	1C7	20	20 - 49	L34997	4H8	25	63 - 29
L34376	5F12	32	73 - 3	L34569	5A11	2	71 - 1	L34997	4H10	25	63 - 31
L34376	5F14	6	73 - 5	L34572	5A13	2	71 - 3	L35003	3C4	10	53 - 43
L34376	5F16	20	73 - 7	L34573	5A11	5	71 - 1	L35003	3E22	8	53 - 111
L34376	5F20	6	73 - 11	L34575	5A13	6	71 - 3	L35005	1E20	4	30 - 55
L34376	5F22	21	73 - 13	L34630	5A11	1	71 - 1	L35009	6G7	15	81 - 95
L34376	5F24	25	73 - 15	L34630	5A13	1	71 - 3	L35009	6G9	15	81 - 97
L34376	5F24	28	73 - 15	L34630	2G1	10	52 - 64	L35009	6G11	9	81 - 99
L34376	5G2	6	73 - 17	L34630	3F22	10	53 - 136	L35010	6G5	1	81 - 93
L34377	5F12	33	73 - 3	L34631	1C25	16	30 - 7	L35011	6G5	1	81 - 93
L34377	5F16	26	73 - 7	L34646	1C21	16	30 - 3	L35034	5E11	9	72 - 11
L34377	5F24	36	73 - 15	L34648	1C7	24	20 - 49	L35034	5E13	14	72 - 13
L34378	5F12	18	73 - 3	L34650	1C21	3	30 - 3	L35035	5E11	26	72 - 11
L34378	5F14	4	73 - 5	L34650	1C23	3	30 - 5	L35036	5E11	10	72 - 11
L34378	5F16	18	73 - 7	L34651	1C21	5	30 - 3	L35036	5E13	15	72 - 13
L34378	5F18	17	73 - 9	L34651	1C23	5	30 - 5	L35037	5E5	15	72 - 5
L34378	5F20	4	73 - 11	L34652	1C21	2	30 - 3	L35037	5E11	27	72 - 11
L34378	5F22	17	73 - 13	L34652	1C23	2	30 - 5	L35039	6I8	15	91 - 11
L34378	5F24	23	73 - 15	L34653	4E14	18	62 - 45	L35073	6H10	1	82 - 25
L34378	5G2	4	73 - 17	L34653	4E16	27	62 - 47	L35074	6H10	2	82 - 25
L34381	5C12	34	71 - 53	L34653	4E18	29	62 - 49	L35083	6H10	1	82 - 25
L34381	5C14	37	71 - 55	L34684	6I8	13	91 - 11	L35084	6H10	2	82 - 25
L34382	5C12	1	71 - 53	L34695	1E11	12	30 - 45	L35120	6H10	6	82 - 25
L34382	5C14	27	71 - 55	L34696	1E11	3	30 - 45	L35121	6H10	5	82 - 25
L34383	5C12	26	71 - 53	L34720	3G15	1	54 - 15	L35124	6H10	7	82 - 25
L34383	5C14	38	71 - 55	L34794	1D8	4	30 - 15	L35126	1D6	15	30 - 13
L34390	5F12	15	73 - 3	L34804	7G15	8	94 - 11	L35127	1D6	13	30 - 13
L34390	5F12	31	73 - 3	L34818	7G15	11	94 - 11	L35128	1D6	8	30 - 13
L34390	5F16	16	73 - 7	L34819	6H6	15	82 - 21	L35138	5E14	1	72 - 14
L34390	5F22	19	73 - 13	L34827	6I6	2	91 - 9	L35138	5F8	4	72 - 33
L34400	3G11	26	54 - 11	L34827	7B18	23	92 - 35	L35138	5F8	5	72 - 33
L34401	5C2	24	71 - 43	L34828	6I6	4	91 - 9	L35141	5F8	2	72 - 33
L34401	7G6	7	94 - 1	L34828	7B18	25	92 - 35	L35142	5F7	2	72 - 32
L34401	7G6	8	94 - 1	L34830	2E8	9	52 - 21	L35145	3G11	17	54 - 11
L34411	6I8	36	91 - 11	L34830	3B8	9	53 - 23	L35148	6H10	1	82 - 25
L34414	6I8	24	91 - 11	L34831	2E8	10	52 - 21	L35149	6H10	2	82 - 25
L34421	1E6	2	30 - 39	L34831	3B8	10	53 - 23	L35150	6H10	1	82 - 25
L34421	2E8	2	52 - 21	L34832	1C23	9	30 - 5	L35151	6H10	2	82 - 25
L34421	3B8	2	53 - 23	L34848	1D8	21	30 - 15	L35162	1G7	3	41 - 31
L34423	1E6	4	30 - 39	L34848	1D10	13	30 - 17	L35162	1G19	7	41 - 43
L34424	1E6	13	30 - 39	L34849	1H2	21	41 - 51	L35162	1G21	11	41 - 45
L34424	2E8	5	52 - 21	L34850	3G2	16	54 - 2	L35164	1G7	2	41 - 31
L34424	3B8	5	53 - 23	L34855	6D15	12	81 - 27	L35167	1G13	8	41 - 37
L34428	1H10	19	41 - 59	L34855	6D17	12	81 - 29	L35168	2C4	32	42 - 49
L34432	5A11	4	71 - 1	L34866	6I8	28	91 - 11	L35169	2C4	46	42 - 49
L34432	5A13	4	71 - 3	L34868	4E11	1	62 - 41	L35170	1G7	20	41 - 31
L34434	4C22	7	62 - 3	L34868	4E14	21	62 - 45	L35172	2A18	5	42 - 9
L34438	4C22	5	62 - 3	L34881	6G7	24	81 - 95	L35172	2A20	5	42 - 11
L34443	6E7	7	81 - 45	L34881	6G9	24	81 - 97	L35187	1D8	15	30 - 15
L34444	6E7	9	81 - 45	L34887	7H17	12	94 - 39	L35190	4H6	10	63 - 27
L34449	6E13	1	81 - 51	L34897	1H2	21	41 - 51	L35191	4H8	8	63 - 29
L34451	4C12	25	61 - 5	L34898	1C7	23	20 - 49	L35191	4H10	8	63 - 31
L34451	4C14	23	61 - 7	L34912	1G11	3	41 - 35	L35210	2E6	20	52 - 18
L34452	4C12	35	61 - 5	L34918	1C21	4	30 - 3	L35226	2C12	34	51 - 9
L34452	4C14	36	61 - 7	L34918	1C23	4	30 - 5	L35231	3B2	3	53 - 17
L34454	4C12	37	61 - 5	L34921	1C7	22	20 - 49	L35243	2E12	32	52 - 25
L34454	4C14	38	61 - 7	L34925	2C16	17	51 - 13	L35243	2E14	32	52 - 27
L34455	1D4	7	30 - 11	L34970	2E3	31	52 - 15	L35244	2D17	18	52 - 3
L34457	6D6	1	81 - 17	L34970	3A22	31	53 - 13	L35253	3D4	12	53 - 69
L34458	6D6	1	81 - 17	L34970	3B4	33	53 - 19	L35260	2F3	2	52 - 41
L34463	3G2	1	54 - 2	L34972	1G13	1	41 - 37	L35265	6H6	22	82 - 21
L34467	6F2	13	81 - 65	L34972	1G15	16	41 - 39	L35269	6I8	33	91 - 11
L34474	6F2	10	81 - 65	L34972	1G25	4	41 - 49	L35279	3H8	11	54 - 33
L34475	6F1	12	81 - 64	L34974	1C7	17	20 - 49	L35279	3H12	5	54 - 37
L34475	6F2	9	81 - 65	L34975	1C7	16	20 - 49	L35286	3H8	10	54 - 33

1K10

1640, 2040, 2040S TRACTORS (430000-)

NUMERICAL INDEX - CONTINUED

PART NO.	GRID	KEY	PAGE	PART NO.	GRID	KEY	PAGE	PART NO.	GRID	KEY	PAGE
L35286	3H12	4	54 - 37	L35569	4B7	7	55 - 25	L35769	7G13	33	94 - 9
L35289	3H8	8	54 - 33	L35569	4B9	7	55 - 27	L35769	7G19	34	94 - 15
L35289	3H12	2	54 - 37	L35570	4B7	15	55 - 25	L35769	7H4	35	94 - 25
L35405	3H16	5	54 - 41	L35571	4B7	13	55 - 25	L35769	7H6	32	94 - 27
L35418	2C2	1	42 - 47	L35572	4B7	17	55 - 25	L35770	7G19	16	94 - 15
L35419	2C2	2	42 - 47	L35573	4B7	18	55 - 25	L35777	2C19	6	51 - 17
L35420	2C2	9	42 - 47	L35574	4B7	16	55 - 25	L35777	2C21	8	51 - 19
L35421	2C2	10	42 - 47	L35577	4B9	17	55 - 27	L35777	2C23	12	51 - 21
L35423	2C2	4	42 - 47	L35578	4B9	18	55 - 27	L35778	4F10	2	62 - 65
L35424	2C2	11	42 - 47	L35579	4B9	19	55 - 27	L35779	4F10	5	62 - 65
L35424	2C4	43	42 - 49	L35580	4B9	19	55 - 27	L35780	4F10	7	62 - 65
L35425	2B25	10	42 - 45	L35581	4B9	19	55 - 27	L35781	3G15	15	54 - 15
L35425	2C2	12	42 - 47	L35582	4B9	20	55 - 27	L35782	3G11	21	54 - 11
L35425	2C4	45	42 - 49	L35583	4B9	21	55 - 27	L35783	3G11	21	54 - 11
L35444	5E5	16	72 - 5	L35584	4B9	22	55 - 27	L35784	3G11	21	54 - 11
L35450	3H8	3	54 - 33	L35585	4B9	13	55 - 27	L35785	3G11	21	54 - 11
L35451	3H8	5	54 - 33	L35586	4B11	31	55 - 29	L35794	3G15	1	54 - 15
L35451	3H12	12	54 - 37	L35587	4B11	18	55 - 29	L35795	3G13	22	54 - 13
L35452	3H8	16	54 - 33	L35588	4B11	29	55 - 29	L35796	3G13	22	54 - 13
L35452	3H12	8	54 - 37	L35589	4B11	30	55 - 29	L35797	3G13	22	54 - 13
L35455	3H8	17	54 - 33	L35590	4B11	28	55 - 29	L35798	3G13	22	54 - 13
L35455	3H12	9	54 - 37	L35591	4B11	27	55 - 29	L35799	3G15	15	54 - 15
L35460	6D11	4	81 - 23	L35592	4B11	33	55 - 29	L35803	1D10	10	30 - 17
L35460	6D13	13	81 - 25	L35593	4B11	32	55 - 29	L35825	7G13	4	94 - 9
L35474	7F2	2	93 - 71	L35594	4B11	32	55 - 29	L35825	7G13	40	94 - 9
L35477	2E22	7	52 - 35	L35595	4B11	32	55 - 29	L35825	7G19	4	94 - 15
L35477	2E24	5	52 - 37	L35596	4B11	25	55 - 29	L35826	1C25	8	30 - 7
L35477	3C12	7	53 - 51	L35597	4B11	15	55 - 29	L35831	4B7	15	55 - 25
L35477	3C14	5	53 - 53	L35598	4B11	12	55 - 29	L35832	4B7	12	55 - 25
L35484	2F3	8	52 - 41	L35599	4B11	13	55 - 29	L35832	4B7	13	55 - 25
L35520	6H8	3	82 - 23	L35600	4B13	14	55 - 31	L35840	5D19	24	71 - 89
L35521	6H8	1	82 - 23	L35600	4B15	8	55 - 33	L35841	5D19	23	71 - 89
L35528	6G3	27	81 - 91	L35602	4B13	15	55 - 31	L35850	6H6	2	82 - 21
L35529	2F18	9	52 - 56	L35603	4B15	10	55 - 33	L35868	3C8	2	53 - 47
L35530	2F18	5	52 - 56	L35604	4B15	10	55 - 33	L35870	3C8	7	53 - 47
L35532	2F15	16	52 - 53	L35605	4B15	12	55 - 33	L35871	3C8	5	53 - 47
L35535	3H8	14	54 - 33	L35606	4B15	7	55 - 33	L35871	3C9	4	53 - 48
L35535	3H12	31	54 - 37	L35607	4B13	9	55 - 31	L35872	3C8	11	53 - 47
L35542	3G15	7	54 - 15	L35608	4B13	8	55 - 31	L35873	3C8	10	53 - 47
L35550	2F5	1	52 - 43	L35609	4B13	12	55 - 31	L35874	3C8	9	53 - 47
L35550	2F7	1	52 - 45	L35610	4B15	6	55 - 33	L35875	3C8	8	53 - 47
L35553	2A18	10	42 - 9	L35612	4B11	3	55 - 29	L35878	1G7	16	41 - 31
L35553	2A20	19	42 - 11	L35612	4F12	14	62 - 67	L35878	1G9	13	41 - 33
L35554	4B15	2	55 - 33	L35613	4B11	14	55 - 29	L35879	1G7	18	41 - 31
L35555	4B7	26	55 - 25	L35616	4B11	5	55 - 29	L35882	4H18	30	63 - 39
L35555	4B9	30	55 - 27	L35617	4B11	7	55 - 29	L35882	4H20	32	63 - 41
L35556	4B7	11	55 - 25	L35618	4B13	17	55 - 31	L35894	3G18	5	54 - 19
L35556	4B9	11	55 - 27	L35619	4B11	8	55 - 29	L35894	3G20	5	54 - 21
L35556	4B18	10	55 - 37	L35620	2F17	3	52 - 55	L35895	2D23	4	52 - 10
L35557	4B7	22	55 - 25	L35628	2C12	26	51 - 9	L35896	1G11	7	41 - 35
L35557	4B9	26	55 - 27	L35637	3H8	7	54 - 33	L35896	1G23	5	41 - 47
L35558	4B7	22	55 - 25	L35637	3H12	1	54 - 37	L35897	1G11	4	41 - 35
L35558	4B9	26	55 - 27	L35639	4C12	38	61 - 5	L35898	1G11	5	41 - 35
L35559	4B7	22	55 - 25	L35639	4C14	39	61 - 7	L35916	4E9	3	62 - 39
L35559	4B9	26	55 - 27	L35670	5F2	19	72 - 27	L35917	4E9	4	62 - 39
L35560	4B7	22	55 - 25	L35671	5F2	16	72 - 27	L35938	6I8	37	91 - 11
L35560	4B9	26	55 - 27	L35700	3B16	13	53 - 31	L35941	6H6	29	82 - 21
L35561	4B7	24	55 - 25	L35701	3B16	14	53 - 31	L35960	6E7	14	81 - 45
L35561	4B9	28	55 - 27	L35718	4B1	13	55 - 19	L35960	6E9	16	81 - 47
L35562	4B7	3	55 - 25	L35718	4B18	6	55 - 37	L35975	2E18	17	52 - 31
L35562	4B9	3	55 - 27	L35766	2F9	1	52 - 47	L35975	3B10	6	53 - 25
L35562	4B18	3	55 - 37	L35767	7G19	21	94 - 15	L35975	3B24	17	53 - 39
L35567	4B7	5	55 - 25	L35768	7G11	14	94 - 7	L35976	7F10	17	93 - 79
L35567	4B9	5	55 - 27	L35768	7G17	9	94 - 13	L35977	7F10	7	93 - 79
L35568	4B1	14	55 - 19	L35768	7G17	19	94 - 13	L35978	3F6	10	53 - 119
L35568	4B7	6	55 - 25	L35768	7H4	42	94 - 25	L35982	3F18	3	53 - 131
L35568	4B9	6	55 - 27	L35768	7H6	41	94 - 27	L35987	3B10	3	53 - 25

1K11

1640, 2040, 2040S TRACTORS (430000-)

NUMERICAL INDEX - CONTINUED

PART NO.	GRID	KEY	PAGE	PART NO.	GRID	KEY	PAGE	PART NO.	GRID	KEY	PAGE
L35987	3B10	4	53 - 25	L36259	7H22	1	94 - 45	L36460	6C21	35	81 - 7
L35999	3F6	8	53 - 119	L36259	7I7	10	94 - 54	L36460	6C23	35	81 - 9
L36022	1D8	12	30 - 15	L36266	6D15	19	81 - 27	L36464	6C24	13	81 - 10
L36022	1D12	27	30 - 19	L36266	6D17	21	81 - 29	L36465	6C24	14	81 - 10
L36022	1D14	2	30 - 21	L36267	6D15	19	81 - 27	L36466	6C24	11	81 - 10
L36034	3H12	28	54 - 37	L36267	6D17	21	81 - 29	L36467	6C24	12	81 - 10
L36034	3H14	16	54 - 39	L36269	7G13	26	94 - 9	L36470	6C19	27	81 - 5
L36036	3H12	23	54 - 37	L36269	7G19	27	94 - 15	L36470	6C19	28	81 - 5
L36036	3H14	18	54 - 39	L36269	7H4	28	94 - 25	L36470	6C19	29	81 - 5
L36066	6H8	4	82 - 23	L36269	7H6	24	94 - 27	L36470	6C19	40	81 - 5
L36085	4F8	19	62 - 63	L36269	7H11	12	94 - 33	L36470	6C21	5	81 - 7
L36086	6E7	1	81 - 45	L36269	7H13	16	94 - 35	L36502	6H10	3	82 - 25
L36086	6E9	12	81 - 47	L36272	6I8	4	91 - 11	L36503	6H10	4	82 - 25
L36087	3E18	14	53 - 107	L36272	7D2	12	93 - 21	L36504	6H10	3	82 - 25
L36087	3E20	14	53 - 109	L36273	2C19	7	51 - 17	L36505	6H10	4	82 - 25
L36107	3F21	26	53 - 135	L36273	2C21	10	51 - 19	L36509	3E2	21	53 - 91
L36108	3F21	25	53 - 135	L36273	2C23	14	51 - 21	L36510	3E2	21	53 - 91
L36118	6H8	5	82 - 23	L36288	5G21	4	73 - 37	L36511	3E2	21	53 - 91
L36121	5B25	8	71 - 41	L36292	7G13	29	94 - 9	L36538	3F16	27	53 - 129
L36136	5B25	13	71 - 41	L36292	7G19	29	94 - 15	L36539	3F17	3	53 - 130
L36158	5B25	8	71 - 41	L36292	7H4	31	94 - 25	L36540	6C19	27	81 - 5
L36165	4F17	6	62 - 73	L36292	7H6	27	94 - 27	L36541	6C19	30	81 - 5
L36166	4F17	10	62 - 73	L36295	6I8	17	91 - 11	L36543	6C19	9	81 - 5
L36168	4F17	9	62 - 73	L36297	7G21	12	94 - 17	L36545	6C19	19	81 - 5
L36169	4F17	8	62 - 73	L36297	7H8	4	94 - 30	L36545	6C21	31	81 - 7
L36172	4F17	2	62 - 73	L36297	7I7	6	94 - 54	L36545	6C23	31	81 - 9
L36174	4F17	5	62 - 73	L36298	7G21	11	94 - 17	L36546	6C19	14	81 - 5
L36179	1G11	16	41 - 35	L36298	7H8	3	94 - 30	L36546	6C21	30	81 - 7
L36179	1G23	8	41 - 47	L36298	7I7	2	94 - 54	L36546	6C23	30	81 - 9
L36182	6E7	6	81 - 45	L36301	3E18	13	53 - 107	L36557	2F19	14	52 - 57
L36184	6E7	11	81 - 45	L36301	3E20	13	53 - 109	L36573	6G5	5	81 - 93
L36186	3G15	4	54 - 15	L36302	3E22	12	53 - 111	L36575	2F25	12	52 - 63
L36198	3G2	8	54 - 2	L36302	4A21	10	55 - 13	L36578	4B15	4	55 - 33
L36198	3G3	9	54 - 3	L36306	4D6	26	62 - 11	L36580	4B15	4	55 - 33
L36198	3G5	10	54 - 5	L36306	4D10	26	62 - 15	L36587	6C19	7	81 - 5
L36199	3G9	7	54 - 9	L36306	4D16	18	62 - 21	L36587	6C21	20	81 - 7
L36200	3G2	7	54 - 2	L36306	4D22	26	62 - 27	L36587	6C23	20	81 - 9
L36200	3G5	12	54 - 5	L36306	4E6	18	62 - 35	L36589	7C24	26	93 - 19
L36201	3G13	26	54 - 13	L36307	4D6	26	62 - 11	L36590	7D6	6	93 - 25
L36202	3G13	26	54 - 13	L36307	4D18	18	62 - 23	L36591	7D6	5	93 - 25
L36203	3G9	13	54 - 9	L36307	4D22	26	62 - 27	L36597	7C24	19	93 - 19
L36204	4H16	8	63 - 37	L36307	4E4	18	62 - 33	L36598	7C24	18	93 - 19
L36205	3G9	17	54 - 9	L36308	4D6	19	62 - 11	L36599	7C24	13	93 - 19
L36227	3G13	25	54 - 13	L36308	4D18	26	62 - 23	L36602	7C24	17	93 - 19
L36237	2E16	17	52 - 29	L36308	4D22	19	62 - 27	L36603	7D4	15	93 - 23
L36237	3B5	3	53 - 20	L36308	4E4	26	62 - 33	L36606	7D2	26	93 - 21
L36237	3B5	4	53 - 20	L36318	6H6	1	82 - 21	L36607	3F17	2	53 - 130
L36237	3B22	17	53 - 37	L36319	6H6	9	82 - 21	L36609	3F16	22	53 - 129
L36237	3G11	7	54 - 11	L36322	6H10	8	82 - 25	L36610	3F16	19	53 - 129
L36237	3G11	8	54 - 11	L36323	6H10	9	82 - 25	L36612	3F16	9	53 - 129
L36237	3G13	7	54 - 13	L36341	6G3	4	81 - 91	L36613	3F17	1	53 - 130
L36237	3G13	8	54 - 13	L36342	6G3	6	81 - 91	L36614	3F16	37	53 - 129
L36250	7G21	13	94 - 17	L36350	6H6	7	82 - 21	L36615	3F16	35	53 - 129
L36250	7H8	2	94 - 30	L36352	6G3	23	81 - 91	L36620	3F17	4	53 - 130
L36250	7I7	1	94 - 54	L36372	1C8	3	20 - 50	L36621	3F16	10	53 - 129
L36252	7I7	7	94 - 54	L36372	1C9	3	20 - 51	L36622	3A20	1	53 - 11
L36253	7G21	9	94 - 17	L36418	6F14	2	81 - 77	L36622	3A20	2	53 - 11
L36253	7H17	8	94 - 39	L36419	6F14	1	81 - 77	L36622	3E23	12	53 - 112
L36253	7I7	11	94 - 54	L36442	6E7	14	81 - 45	L36623	3C19	1	53 - 59
L36255	7G21	14	94 - 17	L36442	6E9	16	81 - 47	L36623	3C21	1	53 - 61
L36255	7H8	10	94 - 30	L36455	6C19	30	81 - 5	L36626	3F16	17	53 - 129
L36255	7H17	7	94 - 39	L36456	6C24	8	81 - 10	L36627	3F16	18	53 - 129
L36256	7G21	1	94 - 17	L36457	6C19	22	81 - 5	L36627	3F16	41	53 - 129
L36256	7G22	1	94 - 18	L36457	6C21	33	81 - 7	L36636	2E10	7	52 - 23
L36257	7G21	8	94 - 17	L36457	6C23	33	81 - 9	L36636	3B10	3	53 - 25
L36259	7G21	4	94 - 17	L36459	6C19	29	81 - 5	L36638	7F10	14	93 - 79
L36259	7G22	4	94 - 18	L36460	6C19	23	81 - 5	L36641	7F2	16	93 - 71

1K12

1640, 2040, 2040S TRACTORS (430000-)

NUMERICAL INDEX - CONTINUED

PART NO.	GRID	KEY	PAGE	PART NO.	GRID	KEY	PAGE	PART NO.	GRID	KEY	PAGE
L36653	1E6	17	30-39	L37153	6C23	17	81-9	L37519	5H5	14	73-47
L36654	1E6	17	30-39	L37154	6C19	8	81-5	L37519	6B9	14	74-27
L36661	2E12	5	52-25	L37155	6C19	18	81-5	L37520	5H5	15	73-47
L36661	3B12	5	53-27	L37155	6C21	14	81-7	L37521	5B18	8	71-34
L36667	2C4	4	42-49	L37155	6C23	36	81-9	L37521	5B19	2	71-35
L36668	2C4	3	42-49	L37173	4E9	2	62-39	L37536	4H20	25	63-41
L36669	2C2	24	42-47	L37189	4C24	18	62-5	L37536	4H24	32	63-45
L36669	2C2	40	42-47	L37189	4D2	18	62-7	L37536	4I2	32	63-47
L36670	2C2	8	42-47	L37192	4F15	10	62-71	L37536	5H16	6	73-59
L36671	2B25	8	42-45	L37202	6H8	8	82-23	L37536	5H17	11	73-60
L36671	2C2	13	42-47	L37203	6H8	7	82-23	L37547	5B18	15	71-34
L36672	2B25	9	42-45	L37213	4A25	2	55-18	L37547	5B19	3	71-35
L36672	2C2	14	42-47	L37219	6H8	6	82-23	L37549	4E14	10	62-45
L36675	2C4	11	42-49	L37223	1C25	18	30-7	L37549	4E16	18	62-47
L36677	2C4	17	42-49	L37230	2D10	41	51-33	L37549	4E18	20	62-49
L36681	2C2	3	42-47	L37232	2D10	5	51-33	L37549	4E20	9	62-51
L36682	2C4	2	42-49	L37244	3F8	14	53-121	L37549	4E22	17	62-53
L36683	2C4	1	42-49	L37268	4E16	12	62-47	L37549	4E24	12	62-55
L36685	2C2	7	42-47	L37268	4E18	15	62-49	L37549	4F2	12	62-57
L36697	6C24	6	81-10	L37268	4E22	12	62-53	L37549	4F4	12	62-59
L36698	1D6	13	30-13	L37268	4F4	23	62-59	L37549	4F6	12	62-61
L36699	2C10	7	51-6	L37268	4F6	23	62-61	L37550	2D10	17	51-33
L36700	2C10	12	51-6	L37268	4F19	7	62-75	L37569	5B21	10	71-37
L36701	2C12	4	51-9	L37268	4F21	7	62-77	L37578	3C17	3	53-57
L36707	3G13	1	54-13	L37270	3C16	4	53-56	L37589	3E22	1	53-111
L36710	2A20	18	42-11	L37271	3C16	4	53-56	L37590	3E22	2	53-111
L36710	2C4	44	42-49	L37274	7F12	7	93-81	L37599	4H18	32	63-39
L36724	3C4	10	53-43	L37274	7F14	6	93-83	L37599	4H20	34	63-41
L36724	3E22	8	53-111	L37274	7F16	5	93-85	L37599	4H22	5	63-43
L36725	3C4	10	53-43	L37275	7F12	5	93-81	L37599	4H24	5	63-45
L36725	3E22	8	53-111	L37275	7F14	5	93-83	L37599	4I2	5	63-47
L36726	3C4	10	53-43	L37275	7F16	4	93-85	L37599	4I4	5	63-49
L36726	3E22	8	53-111	L37276	7F12	4	93-81	L37599	4I6	5	63-51
L36727	3C4	10	53-43	L37276	7F14	4	93-83	L37604	6H24	11	91-3
L36727	3E22	8	53-111	L37276	7F16	6	93-85	L37605	6H24	12	91-3
L36738	3B18	4	53-33	L37277	7F12	3	93-81	L37606	6H24	10	91-3
L36739	3B18	9	53-33	L37277	7F14	3	93-83	L37607	1G7	6	41-31
L36921	7I14	15	94-61	L37277	7F16	7	93-85	L37607	1G19	10	41-43
L36931	3E2	17	53-91	L37281	3F6	1	53-119	L37607	1G21	17	41-45
L36932	3B20	27	53-35	L37282	2D10	37	51-33	L37608	1G7	20	41-31
L36932	3E2	17	53-91	L37286	5B23	3	71-39	L37608	1G19	11	41-43
L36933	3E2	17	53-91	L37315	2D10	7	51-33	L37608	1G21	18	41-45
L36934	3E2	17	53-91	L37321	6E15	1	81-53	L37612	1E9	24	30-43
L36937	2C12	5	51-9	L37325	3G11	23	54-11	L37779	1E22	4	30-57
L36938	7F2	13	93-71	L37327	4C18	15	61-12	L37789	6F14	7	81-77
L36943	7I14	2	94-61	L37424	4G6	1	63-3	L37790	6F14	11	81-77
L36945	7I14	1	94-61	L37459	3C4	10	53-43	L37791	6F14	4	81-77
L36946	6D9	13	81-21	L37459	3E22	8	53-111	L37792	6F14	18	81-77
L36958	6G15	6	82-3	L37460	3C4	10	53-43	L37793	6F14	7	81-77
L36965	6G15	6	82-3	L37460	3E22	8	53-111	L37794	6F14	11	81-77
L36970	6G20	7	82-8	L37461	3C4	10	53-43	L37798	2C2	2	42-47
L36971	6G15	5	82-3	L37461	3E22	8	53-111	L37799	2C2	1	42-47
L36972	6G15	4	82-3	L37462	1G19	15	41-43	L37805	4G18	12	63-15
L36976	1C7	4	20-49	L37463	1G22	2	41-46	L37814	5G12	6	73-28
L36996	2C4	34	42-49	L37480	7F6	6	93-75	L37835	7F6	2	93-75
L37002	6D6	1	81-17	L37482	1G17	11	41-41	L37838	3H6	29	54-31
L37025	3C6	9	53-45	L37483	7F6	1	93-75	L37839	3H18	27	54-43
L37039	3B16	26	53-31	L37485	6G15	10	82-3	L37842	5E3	13	72-3
L37040	3B16	29	53-31	L37485	7G23	1	94-19	L37844	7F6	7	93-75
L37041	3B16	25	53-31	L37486	6G15	8	82-3	L37847	2C4	22	42-49
L37042	3B16	23	53-31	L37489	1G17	2	41-41	L37848	2C4	31	42-49
L37043	3B16	4	53-31	L37505	2E22	5	52-35	L37858	4C12	42	61-5
L37046	3B16	2	53-31	L37505	2E24	6	52-37	L37858	4E14	16	62-45
L37047	3B16	28	53-31	L37505	3C12	5	53-51	L37858	4E16	24	62-47
L37054	6C24	3	81-10	L37505	3C14	6	53-53	L37858	4E18	26	62-49
L37153	6C19	3	81-5	L37507	1C8	7	20-50	L37858	4I2	25	63-47
L37153	6C21	17	81-7	L37507	1C9	8	20-51	L37858	4I8	20	63-53

1K13

1640, 2040, 2040S TRACTORS (430000-)

NUMERICAL INDEX - CONTINUED

PART NO.	GRID	KEY	PAGE	PART NO.	GRID	KEY	PAGE	PART NO.	GRID	KEY	PAGE
L37858	5B19	14	71 - 35	L38116	7F20	9	93 - 89	L38319	4E14	28	62 - 45
L37858	6A20	5	74 - 11	L38116	7F22	10	93 - 91	L38319	4E16	21	62 - 47
L37858	6A22	4	74 - 13	L38125	7E5	12	93 - 49	L38319	4E18	24	62 - 49
L37886	2D17	3	52 - 3	L38125	7E5	16	93 - 49	L38319	4E22	21	62 - 53
L37886	3A13	3	53 - 3	L38125	7E5	..	93 - 49	L38319	4E24	10	62 - 55
L37939	5D4	20	71 - 73	L38132	7F20	19	93 - 89	L38319	4F2	10	62 - 57
L37949	2C4	27	42 - 49	L38134	2F3	1	52 - 41	L38319	4F4	10	62 - 59
L37961	7F10	11	93 - 79	L38134	2F5	1	52 - 43	L38319	4F6	10	62 - 61
L37962	7D2	11	93 - 21	L38134	3G16	16	54 - 17	L38321	3F19	1	53 - 133
L37963	7E22	2	93 - 67	L38135	7F20	23	93 - 89	L38321	3F21	1	53 - 135
L37964	4H2	5	63 - 23	L38139	6H10	2	82 - 25	L38322	3F19	3	53 - 133
L37972	7D2	10	93 - 21	L38140	6H10	1	82 - 25	L38322	3F21	3	53 - 135
L37973	7C24	8	93 - 19	L38141	6E17	7	81 - 55	L38350	4H14	4	63 - 35
L37973	7D2	29	93 - 21	L38141	6E19	12	81 - 57	L38365	6F25	2	81 - 88
L37974	7D2	15	93 - 21	L38143	1E6	20	30 - 39	L38366	6F25	4	81 - 88
L37975	7A18	31	92 - 9	L38144	1E6	19	30 - 39	L38368	6F25	4	81 - 88
L37975	7A23	8	92 - 15	L38163	7C24	3	93 - 19	L38371	5E24	18	72 - 25
L37975	7A25	18	92 - 17	L38164	7C24	3	93 - 19	L38371	5F2	28	72 - 27
L37975	7C24	9	93 - 19	L38165	7C24	6	93 - 19	L38374	5E24	4	72 - 25
L37975	7D2	30	93 - 21	L38166	5C22	16	71 - 65	L38374	5E24	20	72 - 25
L37975	7H13	29	94 - 35	L38166	5C22	24	71 - 65	L38374	5F2	4	72 - 27
L37980	7C12	15	93 - 7	L38166	5C22	25	71 - 65	L38374	5F2	30	72 - 27
L38003	7F6	13	93 - 75	L38166	5D1	4	71 - 69	L38377	7G13	34	94 - 9
L38009	7G13	34	94 - 9	L38166	5D11	1	71 - 81	L38377	7G13	36	94 - 9
L38009	7G19	35	94 - 15	L38167	7C24	4	93 - 19	L38377	7G19	35	94 - 15
L38013	7F20	2	93 - 89	L38168	6B4	5	74 - 21	L38377	7G19	40	94 - 15
L38013	7F22	2	93 - 91	L38199	6G24	11	82 - 13	L38377	7H4	37	94 - 25
L38016	5G5	13	73 - 20	L38201	6C17	21	81 - 3	L38377	7H6	34	94 - 27
L38021	6C24	6	81 - 10	L38211	7114	10	94 - 61	L38386	7F10	5	93 - 79
L38023	2E20	23	52 - 33	L38220	6H15	6	82 - 30	L38387	1G7	21	41 - 31
L38023	3C2	23	53 - 41	L38222	5G21	24	73 - 37	L38387	1G9	6	41 - 33
L38023	4A19	37	55 - 11	L38222	6B4	28	74 - 21	L38387	1G17	12	41 - 41
L38028	7F8	1	93 - 77	L38223	5G21	10	73 - 37	L38387	1G25	23	41 - 49
L38029	7F8	4	93 - 77	L38223	6B4	10	74 - 21	L38387	2B11	5	42 - 29
L38035	5F2	22	72 - 27	L38224	5G21	6	73 - 37	L38387	2B13	5	42 - 31
L38047	5H14	16	73 - 57	L38225	2D10	16	51 - 33	L38387	2B15	6	42 - 33
L38047	5H16	18	73 - 59	L38226	2D10	9	51 - 33	L38387	2B17	9	42 - 35
L38047	5H17	5	73 - 60	L38227	2D10	6	51 - 33	L38399	3F16	11	53 - 129
L38053	7C12	17	93 - 7	L38229	2D10	10	51 - 33	L38449	6D13	7	81 - 25
L38053	7C16	16	93 - 11	L38231	2F3	1	52 - 41	L38450	6D13	7	81 - 25
L38057	3G11	22	54 - 11	L38231	2F5	1	52 - 43	L38451	6D13	6	81 - 25
L38058	3G13	23	54 - 13	L38231	3G16	17	54 - 17	L38500	3F16	15	53 - 129
L38064	6H10	1	82 - 25	L38238	5B19	6	71 - 35	L38505	7C12	9	93 - 7
L38065	6H10	2	82 - 25	L38239	5B18	13	71 - 34	L38505	7C16	9	93 - 11
L38080	7D2	20	93 - 21	L38240	414	17	63 - 49	L38509	6G3	22	81 - 91
L38081	1E7	15	30 - 41	L38240	416	17	63 - 51	L38510	6G3	22	81 - 91
L38083	7D2	25	93 - 21	L38240	418	15	63 - 53	L38511	2C19	28	51 - 17
L38087	2F21	6	52 - 59	L38246	7C18	6	93 - 13	L38512	2C19	20	51 - 17
L38087	2F22	14	52 - 60	L38248	7C18	7	93 - 13	L38513	2C16	12	51 - 13
L38087	2F23	12	52 - 61	L38249	7C18	8	93 - 13	L38513	2C17	3	51 - 15
L38087	3E23	6	53 - 112	L38255	6D9	7	81 - 21	L38513	2C19	17	51 - 17
L38087	3E24	14	53 - 113	L38258	3C6	8	53 - 45	L38513	2C24	7	51 - 22
L38087	3F2	12	53 - 115	L38258	3C6	13	53 - 45	L38521	7F12	9	93 - 81
L38088	2F21	6	52 - 59	L38274	7114	6	94 - 61	L38523	7F16	3	93 - 85
L38088	2F23	12	52 - 61	L38283	2C12	12	51 - 9	L38526	5G21	22	73 - 37
L38088	3E23	6	53 - 112	L38283	2C12	14	51 - 9	L38526	5G21	43	73 - 37
L38088	3F2	12	53 - 115	L38283	4G14	5	63 - 11	L38527	5G21	21	73 - 37
L38089	2F21	6	52 - 59	L38303	1G19	12	41 - 43	L38527	5G21	42	73 - 37
L38089	2F23	12	52 - 61	L38303	1G21	8	41 - 45	L38528	5G21	20	73 - 37
L38089	3E23	6	53 - 112	L38304	7D6	1	93 - 25	L38528	5G21	41	73 - 37
L38089	3F2	12	53 - 115	L38305	7D6	2	93 - 25	L38532	6C24	10	81 - 10
L38090	115	11	41 - 81	L38306	717	5	94 - 54	L38533	7F14	16	93 - 83
L38094	7F20	22	93 - 89	L38307	717	8	94 - 54	L38533	7F16	12	93 - 85
L38094	7F22	13	93 - 91	L38309	7C24	7	93 - 19	L38541	1G19	20	41 - 43
L38097	6D6	1	81 - 17	L38317	4H12	27	63 - 33	L38550	7C18	19	93 - 13
L38115	7F20	16	93 - 89	L38319	2C21	3	51 - 19	L38555	6B4	26	74 - 21
L38115	7F22	18	93 - 91	L38319	2C23	4	51 - 21	L38555	6B4	37	74 - 21

1K14

1640, 2040, 2040S TRACTORS (430000-)

NUMERICAL INDEX - CONTINUED

PART NO.	GRID	KEY	PAGE	PART NO.	GRID	KEY	PAGE	PART NO.	GRID	KEY	PAGE
L38556	6B4	19	74 - 21	L38736	5G19	17	73 - 35	L38862	7I4	4	94 - 51
L38556	6B4	36	74 - 21	L38741	4E11	10	62 - 41	L38862	7I6	4	94 - 53
L38566	3B5	11	53 - 20	L38741	4E12	3	62 - 42	L38863	7H22	12	94 - 45
L38587	7C12	19	93 - 7	L38741	4E14	22	62 - 45	L38864	7H24	10	94 - 47
L38589	2E10	9	52 - 23	L38741	4E16	28	62 - 47	L38865	7I4	25	94 - 51
L38589	3B10	14	53 - 25	L38752	5B21	2	71 - 37	L38865	7I6	25	94 - 53
L38591	4C18	14	61 - 12	L38793	7G2	14	93 - 95	L38866	7I4	26	94 - 51
L38594	4C18	14	61 - 12	L38794	7G2	12	93 - 95	L38866	7I6	26	94 - 53
L38595	7E24	7	93 - 69	L38795	7G2	2	93 - 95	L38867	7I4	12	94 - 51
L38596	7D18	27	93 - 37	L38796	7G2	1	93 - 95	L38868	7I4	11	94 - 51
L38597	7D18	28	93 - 37	L38797	7G2	8	93 - 95	L38869	7H24	9	94 - 47
L38598	7D20	5	93 - 39	L38797	7G4	4	93 - 97	L38870	7H22	29	94 - 45
L38599	7D20	6	93 - 39	L38798	7G2	4	93 - 95	L38871	7H22	48	94 - 45
L38600	7F16	18	93 - 85	L38799	7G2	13	93 - 95	L38872	7H22	31	94 - 45
L38612	2E18	4	52 - 31	L38800	6B20	5	74 - 40	L38878	7H20	2	94 - 43
L38612	3B24	4	53 - 39	L38801	2C2	22	42 - 47	L38879	7H22	30	94 - 45
L38615	3H12	20	54 - 37	L38802	2C2	21	42 - 47	L38880	7H20	6	94 - 43
L38615	3H14	19	54 - 39	L38803	3C19	1	53 - 59	L38880	7H22	34	94 - 45
L38617	7E20	7	93 - 65	L38803	3H2	11	54 - 27	L38881	7I4	36	94 - 51
L38618	3H12	22	54 - 37	L38804	3H2	20	54 - 27	L38882	7H17	10	94 - 39
L38618	3H12	35	54 - 37	L38806	3G18	16	54 - 19	L38882	7H20	9	94 - 43
L38618	3H14	26	54 - 39	L38806	3G21	8	54 - 22	L38883	7H20	10	94 - 43
L38618	3H14	28	54 - 39	L38807	3G18	16	54 - 19	L38884	7H22	24	94 - 45
L38622	2C4	23	42 - 49	L38807	3G18	19	54 - 19	L38885	7H22	21	94 - 45
L38625	5E18	15	72 - 19	L38807	3G21	8	54 - 22	L38886	7H22	19	94 - 45
L38629	4C24	7	62 - 5	L38807	3G21	11	54 - 22	L38887	7H22	18	94 - 45
L38629	4D2	7	62 - 7	L38808	5C10	10	71 - 51	L38888	7H24	12	94 - 47
L38630	1H21	2	41 - 71	L38809	5C10	11	71 - 51	L38889	7H24	17	94 - 47
L38642	2D10	33	51 - 33	L38810	7F16	7	93 - 85	L38889	7I4	42	94 - 51
L38642	4G8	11	63 - 5	L38815	5G16	12	73 - 32	L38889	7I6	31	94 - 53
L38642	4G10	16	63 - 7	L38815	6A20	11	74 - 11	L38890	7I4	17	94 - 51
L38667	3B5	8	53 - 20	L38815	6A22	21	74 - 13	L38890	7I6	17	94 - 53
L38679	5G16	9	73 - 32	L38832	3C4	10	53 - 43	L38891	7I4	16	94 - 51
L38679	5G17	8	73 - 33	L38832	3E22	8	53 - 111	L38892	7H15	9	94 - 37
L38679	5H6	16	73 - 48	L38833	3C4	10	53 - 43	L38892	7H17	27	94 - 39
L38679	5H7	14	73 - 49	L38833	3E22	8	53 - 111	L38892	7H24	16	94 - 47
L38679	6A20	8	74 - 11	L38834	3C4	10	53 - 43	L38892	7I2	25	94 - 49
L38679	6A22	19	74 - 13	L38834	3E22	8	53 - 111	L38893	7H10	4	94 - 32
L38679	6B7	7	74 - 25	L38835	7D18	32	93 - 37	L38893	7H10	..	94 - 32
L38679	6B7	8	74 - 25	L38836	1I5	19	41 - 81	L38893	7H15	25	94 - 37
L38679	6B7	9	74 - 25	L38839	7D18	31	93 - 37	L38893	7H15	..	94 - 37
L38679	6B7	10	74 - 25	L38841	5H14	5	73 - 57	L38893	7H17	3	94 - 39
L38679	6B7	12	74 - 25	L38847	7H15	4	94 - 37	L38893	7H17	41	94 - 39
L38679	6B7	13	74 - 25	L38847	7I4	31	94 - 51	L38893	7H22	10	94 - 45
L38679	6B7	14	74 - 25	L38847	7I6	20	94 - 53	L38894	7H20	1	94 - 43
L38679	6B9	7	74 - 27	L38848	7I4	41	94 - 51	L38897	6G9	25	81 - 97
L38679	6B9	8	74 - 27	L38849	6B4	4	74 - 21	L38898	6G7	28	81 - 95
L38679	6B9	9	74 - 27	L38850	7I4	21	94 - 51	L38898	6G9	28	81 - 97
L38679	6B9	10	74 - 27	L38850	7I6	21	94 - 53	L39000	7H24	5	94 - 47
L38679	6B9	28	74 - 27	L38851	7H15	3	94 - 37	L39001	7H22	46	94 - 45
L38680	4E11	5	62 - 41	L38851	7I4	30	94 - 51	L39001	7H24	8	94 - 47
L38680	4E14	1	62 - 45	L38851	7I6	19	94 - 53	L39002	7H24	3	94 - 47
L38680	4E16	1	62 - 47	L38852	7I4	5	94 - 51	L39004	7I4	38	94 - 51
L38680	4E24	4	62 - 55	L38852	7I6	5	94 - 53	L39005	7I4	37	94 - 51
L38680	4F4	4	62 - 59	L38853	7I4	7	94 - 51	L39006	7H22	13	94 - 45
L38692	3C6	13	53 - 45	L38853	7I6	7	94 - 53	L39009	7H22	20	94 - 45
L38692	3C6	15	53 - 45	L38854	7I4	8	94 - 51	L39010	7G11	15	94 - 7
L38718	2E12	15	52 - 25	L38854	7I6	8	94 - 53	L39010	7G17	18	94 - 13
L38718	2E14	15	52 - 27	L38855	7I4	6	94 - 51	L39010	7H24	14	94 - 47
L38718	3B12	15	53 - 27	L38855	7I6	6	94 - 53	L39011	7I4	15	94 - 51
L38718	3B14	15	53 - 29	L38856	7I4	2	94 - 51	L39011	7I6	15	94 - 53
L38718	3B20	18	53 - 35	L38857	7I4	27	94 - 51	L39012	7H22	14	94 - 45
L38718	3E10	19	53 - 99	L38857	7I6	27	94 - 53	L39013	7H20	4	94 - 43
L38718	3E12	21	53 - 101	L38858	7E20	5	93 - 65	L39018	4B3	6	55 - 21
L38718	3E14	20	53 - 103	L38859	7E20	5	93 - 65	L39018	4B4	6	55 - 22
L38718	3E16	21	53 - 105	L38861	7I4	24	94 - 51	L39024	5C10	3	71 - 51
L38736	4G22	19	63 - 19	L38861	7I6	24	94 - 53	L39026	3F16	30	53 - 129

1K15

1640, 2040, 2040S TRACTORS (430000-)

NUMERICAL INDEX - CONTINUED

PART NO.	GRID	KEY	PAGE	PART NO.	GRID	KEY	PAGE	PART NO.	GRID	KEY	PAGE
L39027	3F16	28	53 - 129	L39146	4E6	23	62 - 35	L39305	6E7	3	81 - 45
L39028	3F16	24	53 - 129	L39153	7C24	7	93 - 19	L39305	6E7	7	81 - 45
L39029	3F16	24	53 - 129	L39166	3B5	9	53 - 20	L39305	6E7	13	81 - 45
L39031	4B3	7	55 - 21	L39167	3B5	13	53 - 20	L39305	6E7	15	81 - 45
L39032	4B3	10	55 - 21	L39172	5F12	7	73 - 3	L39305	6E9	21	81 - 47
L39033	4C24	11	62 - 5	L39172	5F14	18	73 - 5	L39306	4F8	10	62 - 63
L39033	4D2	11	62 - 7	L39172	5F18	6	73 - 9	L39306	4F8	13	62 - 63
L39033	4D4	29	62 - 9	L39172	5F20	18	73 - 11	L39306	4F10	8	62 - 65
L39034	2E6	3	52 - 18	L39172	5F22	6	73 - 13	L39306	4F10	10	62 - 65
L39034	3B6	3	53 - 21	L39172	5F24	6	73 - 15	L39315	1E14	17	30 - 49
L39035	2E6	4	52 - 18	L39172	5G2	18	73 - 17	L39317	2C2	37	42 - 47
L39035	3B6	5	53 - 21	L39213	5E18	9	72 - 19	L39324	6E9	10	81 - 47
L39036	2E6	18	52 - 18	L39213	5E20	13	72 - 21	L39325	6E9	7	81 - 47
L39036	3B6	1	53 - 21	L39213	5E22	10	72 - 23	L39326	7E17	2	93 - 62
L39078	3G5	1	54 - 5	L39214	4B1	10	55 - 19	L39326	7E18	2	93 - 63
L39078	5E3	17	72 - 3	L39214	4B2	9	55 - 20	L39328	6E9	3	81 - 47
L39078	6F16	20	81 - 79	L39222	2D10	27	51 - 33	L39329	6E9	8	81 - 47
L39078	7F2	6	93 - 71	L39222	3B5	15	53 - 20	L39334	1G3	1	41 - 27
L39078	7F4	7	93 - 73	L39222	3B7	3	53 - 22	L39334	1G5	1	41 - 29
L39078	7G15	7	94 - 11	L39223	7D5	1	93 - 24	L39334	5B18	16	71 - 34
L39078	7H18	8	94 - 41	L39223	7D5	4	93 - 24	L39334	5B18	20	71 - 34
L39080	3F4	7	53 - 117	L39223	7D5	7	93 - 24	L39334	5B19	15	71 - 35
L39081	3F4	5	53 - 117	L39227	6H10	3	82 - 25	L39334	6F24	3	81 - 87
L39086	7G17	15	94 - 13	L39228	6H10	4	82 - 25	L39335	4G20	8	63 - 17
L39087	7G17	14	94 - 13	L39229	6G24	7	82 - 13	L39339	7E22	5	93 - 67
L39088	2D21	12	52 - 7	L39229	6G24	14	82 - 13	L39339	7E22	17	93 - 67
L39088	3A15	12	53 - 5	L39229	6H2	11	82 - 17	L39339	7E24	5	93 - 69
L39089	1E14	21	30 - 49	L39229	6H2	13	82 - 17	L39339	7E24	6	93 - 69
L39090	1E14	22	30 - 49	L39233	4C24	18	62 - 5	L39418	7C24	1	93 - 19
L39091	2E10	3	52 - 23	L39233	4D2	18	62 - 7	L39421	7D10	21	93 - 29
L39091	3B10	18	53 - 25	L39233	4D4	12	62 - 9	L39461	6H6	27	82 - 21
L39091	3F8	13	53 - 121	L39240	7C22	2	93 - 17	L39472	6H8	12	82 - 23
L39091	3F16	16	53 - 129	L39240	7F16	7	93 - 85	L39490	2C9	1	51 - 5
L39104	7F4	14	93 - 73	L39241	6F16	7	81 - 79	L39490	3C6	31	53 - 45
L39106	6C23	8	81 - 9	L39242	6F16	23	81 - 79	L39491	2C9	1	51 - 5
L39106	6C25	4	81 - 11	L39243	6F16	23	81 - 79	L39491	3C6	30	53 - 45
L39118	7G21	5	94 - 17	L39244	6F16	19	81 - 79	L39491	4A21	19	55 - 13
L39118	7I7	16	94 - 54	L39245	6F16	19	81 - 79	L39493	2C9	1	51 - 5
L39119	6G22	8	82 - 11	L39246	7C24	7	93 - 19	L39495	2C9	1	51 - 5
L39119	6G22	11	82 - 11	L39247	7D2	26	93 - 21	L39495	3C6	2	53 - 45
L39119	6H2	2	82 - 17	L39248	7C21	2	93 - 16	L39528	1I5	9	41 - 81
L39122	7F10	13	93 - 79	L39249	5E16	23	72 - 17	L39530	7D5	1	93 - 24
L39123	2F1	1	52 - 39	L39249	5E18	17	72 - 19	L39530	7D5	4	93 - 24
L39133	6C19	11	81 - 5	L39250	7C21	1	93 - 16	L39530	7D5	8	93 - 24
L39133	6C21	27	81 - 7	L39250	7C22	1	93 - 17	L39532	7C18	22	93 - 13
L39133	6C23	27	81 - 9	L39252	7C21	3	93 - 16	L39557	2C2	20	42 - 47
L39134	5D13	2	71 - 83	L39252	7C22	3	93 - 17	L39558	2C2	19	42 - 47
L39134	6H8	10	82 - 23	L39254	7C21	4	93 - 16	L39559	2C2	17	42 - 47
L39134	7A14	15	92 - 5	L39254	7C22	4	93 - 17	L39560	2C2	18	42 - 47
L39134	7C24	26	93 - 19	L39270	7D6	5	93 - 25	L39561	2C2	23	42 - 47
L39134	7C24	31	93 - 19	L39271	7D6	6	93 - 25	L39567	7E20	5	93 - 65
L39134	7D4	1	93 - 23	L39272	6G3	29	81 - 91	L39568	7E20	5	93 - 65
L39134	7D4	15	93 - 23	L39277	7C12	42	93 - 7	L39579	7D4	6	93 - 23
L39134	7D4	17	93 - 23	L39277	7C16	34	93 - 11	L39579	7D4	8	93 - 23
L39134	7E22	7	93 - 67	L39288	6G3	15	81 - 91	L39579	7D4	9	93 - 23
L39134	7E22	8	93 - 67	L39289	7C24	7	93 - 19	L39579	7D4	14	93 - 23
L39134	7E22	9	93 - 67	L39291	4F8	14	62 - 63	L39579	7D5	1	93 - 24
L39134	7E24	3	93 - 69	L39292	4F8	15	62 - 63	L39579	7D5	4	93 - 24
L39134	7F2	1	93 - 71	L39293	4F8	14	62 - 63	L39579	7D5	5	93 - 24
L39146	4D6	21	62 - 11	L39296	3B5	6	53 - 20	L39580	1C25	18	30 - 7
L39146	4D10	21	62 - 15	L39297	7E22	11	93 - 67	L39582	4I6	20	63 - 51
L39146	4D14	23	62 - 19	L39300	6F14	15	81 - 77	L39582	4I8	33	63 - 53
L39146	4D16	23	62 - 21	L39300	6F16	9	81 - 79	L39589	7G6	7	94 - 1
L39146	4D18	23	62 - 23	L39301	7E7	9	93 - 51	L39589	7G6	8	94 - 1
L39146	4D20	23	62 - 25	L39301	7F22	15	93 - 91	L39589	7G6	9	94 - 1
L39146	4D22	21	62 - 27	L39302	2C16	21	51 - 13	L39591	3C8	11	53 - 47
L39146	4E4	23	62 - 33	L39302	2C19	29	51 - 17	L39608	6G15	5	82 - 3

1K16

1640, 2040, 2040S TRACTORS (430000-)

NUMERICAL INDEX - CONTINUED

PART NO.	GRID	KEY	PAGE	PART NO.	GRID	KEY	PAGE	PART NO.	GRID	KEY	PAGE
L39618	6B21	6	74 - 41	L39883	7F22	3	93 - 91	L40040	4B22	13	55 - 41
L39638	2B15	30	42 - 33	L39883	7F22	4	93 - 91	L40041	4C7	6	55 - 53
L39638	7F16	27	93 - 85	L39883	7F22	5	93 - 91	L40043	4C7	1	55 - 53
L39642	7C12	35	93 - 7	L39883	7F22	17	93 - 91	L40044	4C2	12	55 - 47
L39642	7C16	27	93 - 11	L39883	7F22	..	93 - 91	L40045	4C2	5	55 - 47
L39645	3G2	7	54 - 2	L39896	4G20	27	63 - 17	L40047	4B20	3	55 - 39
L39645	3G3	13	54 - 3	L39897	4G20	29	63 - 17	L40047	4B22	3	55 - 41
L39645	3G5	12	54 - 5	L39898	4G20	26	63 - 17	L40050	6H6	11	82 - 21
L39654	3E2	21	53 - 91	L39905	5H3	2	73 - 45	L40077	4B18	11	55 - 37
L39659	6F16	6	81 - 79	L39905	5H6	5	73 - 48	L40078	4B18	11	55 - 37
L39670	3G5	19	54 - 5	L39905	5H7	5	73 - 49	L40079	4B18	11	55 - 37
L39672	6H8	11	82 - 23	L39905	6B9	26	74 - 27	L40080	4B18	11	55 - 37
L39673	4H14	16	63 - 35	L39913	2C2	15	42 - 47	L40081	4B18	11	55 - 37
L39675	1I5	6	41 - 81	L39914	2C2	16	42 - 47	L40082	4B18	11	55 - 37
L39683	4H4	15	63 - 25	L39917	7D12	16	93 - 31	L40083	4B18	11	55 - 37
L39693	6A18	3	74 - 9	L39928	5F2	13	72 - 27	L40084	4B18	11	55 - 37
L39696	6H6	7	82 - 21	L39929	3G11	17	54 - 11	L40085	4B18	11	55 - 37
L39728	1C7	20	20 - 49	L39930	3G13	20	54 - 13	L40086	4B24	22	55 - 43
L39731	2C9	8	51 - 5	L39934	2C7	8	51 - 3	L40087	4B24	22	55 - 43
L39731	2C10	1	51 - 6	L39935	2C7	6	51 - 3	L40088	4B24	22	55 - 43
L39732	6E15	15	81 - 53	L39935	2C9	6	51 - 5	L40089	4B24	22	55 - 43
L39733	6E15	15	81 - 53	L39935	2C10	6	51 - 6	L40090	4B24	22	55 - 43
L39737	6E15	15	81 - 53	L39944	3H4	19	54 - 29	L40091	4B24	22	55 - 43
L39747	7E7	16	93 - 51	L39945	3H4	9	54 - 29	L40092	4B24	22	55 - 43
L39749	1B25	1	20 - 41	L39946	3H4	10	54 - 29	L40093	4B24	22	55 - 43
L39776	6F16	7	81 - 79	L39947	3H4	10	54 - 29	L40094	4B24	22	55 - 43
L39778	3F6	4	53 - 119	L39948	3H4	10	54 - 29	L40095	4B24	22	55 - 43
L39783	7F20	26	93 - 89	L39949	3H4	14	54 - 29	L40096	4B24	22	55 - 43
L39802	7F16	22	93 - 85	L39950	2C19	30	51 - 17	L40097	4B24	22	55 - 43
L39803	4G4	6	63 - 1	L39952	6B21	8	74 - 41	L40098	4B24	22	55 - 43
L39804	4G4	7	63 - 1	L39953	6B21	9	74 - 41	L40099	4B24	22	55 - 43
L39806	7C18	6	93 - 13	L39954	3A13	18	53 - 3	L40100	4B24	22	55 - 43
L39810	5G5	10	73 - 20	L39958	7C24	24	93 - 19	L40101	4B24	22	55 - 43
L39810	5G5	11	73 - 20	L39958	7D2	3	93 - 21	L40102	4B24	22	55 - 43
L39810	5G5	12	73 - 20	L39960	7F14	15	93 - 83	L40103	4B24	22	55 - 43
L39820	6B21	11	74 - 41	L39960	7F16	11	93 - 85	L40104	4B24	22	55 - 43
L39828	7F14	8	93 - 83	L39970	6A22	12	74 - 13	L40105	6H6	3	82 - 21
L39830	6B21	2	74 - 41	L39978	5E11	22	72 - 11	L40116	4C2	4	55 - 47
L39831	6B21	3	74 - 41	L39978	5E13	2	72 - 13	L40117	4C2	4	55 - 47
L39834	6B21	4	74 - 41	L39988	4C7	5	55 - 53	L40118	4C2	4	55 - 47
L39835	6B21	1	74 - 41	L39999	4F23	21	62 - 79	L40119	4C2	4	55 - 47
L39837	3C6	3	53 - 45	L39999	4F25	21	62 - 81	L40120	4C2	4	55 - 47
L39838	3C6	22	53 - 45	L40014	4B24	20	55 - 43	L40123	4C2	11	55 - 47
L39840	3C6	20	53 - 45	L40015	4B24	22	55 - 43	L40136	4B22	9	55 - 41
L39841	3C16	1	53 - 56	L40016	4F23	11	62 - 79	L40148	6F3	8	81 - 66
L39851	7F20	15	93 - 89	L40016	4F25	11	62 - 81	L40148	6F4	9	81 - 67
L39853	2E24	16	52 - 37	L40017	4C2	19	55 - 47	L40153	4C7	5	55 - 53
L39853	3C14	15	53 - 53	L40018	4B24	16	55 - 43	L40154	4C7	5	55 - 53
L39858	7B22	18	92 - 39	L40022	4B22	4	55 - 41	L40155	4F23	21	62 - 79
L39858	7E22	4	93 - 67	L40024	4C2	14	55 - 47	L40155	4F25	21	62 - 81
L39859	7B22	20	92 - 39	L40025	4F23	4	62 - 79	L40156	4F23	21	62 - 79
L39859	7E24	10	93 - 69	L40025	4F25	4	62 - 81	L40156	4F25	21	62 - 81
L39860	7B22	19	92 - 39	L40026	4B24	1	55 - 43	L40157	4F23	21	62 - 79
L39860	7B24	20	92 - 42	L40026	4C2	18	55 - 47	L40157	4F25	21	62 - 81
L39860	7E24	9	93 - 69	L40027	4C2	8	55 - 47	L40158	4F23	21	62 - 79
L39871	6G1	3	81 - 89	L40028	4C7	11	55 - 53	L40158	4F25	21	62 - 81
L39871	6G3	1	81 - 91	L40029	4C7	3	55 - 53	L40159	4F23	21	62 - 79
L39881	5D21	9	71 - 91	L40033	4F23	9	62 - 79	L40159	4F25	21	62 - 81
L39883	7C3	5	92 - 46	L40033	4F25	9	62 - 81	L40160	4F23	21	62 - 79
L39883	7C3	7	92 - 46	L40034	4F23	13	62 - 79	L40160	4F25	21	62 - 81
L39883	7C3	..	92 - 46	L40034	4F25	13	62 - 81	L40161	4F23	21	62 - 79
L39883	7F20	1	93 - 89	L40035	4F23	15	62 - 79	L40161	4F25	21	62 - 81
L39883	7F20	3	93 - 89	L40035	4F25	15	62 - 81	L40162	4F23	21	62 - 79
L39883	7F20	5	93 - 89	L40036	4C2	3	55 - 47	L40162	4F25	21	62 - 81
L39883	7F20	25	93 - 89	L40037	4B24	12	55 - 43	L40163	4F23	14	62 - 79
L39883	7F20	..	93 - 89	L40039	4B18	1	55 - 37	L40163	4F25	14	62 - 81
L39883	7F22	1	93 - 91	L40040	4B20	7	55 - 39	L40165	6F3	7	81 - 66

1K17

1640, 2040, 2040S TRACTORS (430000-)

NUMERICAL INDEX - CONTINUED

PART NO.	GRID	KEY	PAGE	PART NO.	GRID	KEY	PAGE	PART NO.	GRID	KEY	PAGE
L40165	6F4	8	81 - 67	L40300	4F8	9	62 - 63	L40419	6E17	1	81 - 55
L40166	6G3	13	81 - 91	L40300	4F8	13	62 - 63	L40420	4H16	10	63 - 37
L40168	7E22	9	93 - 67	L40300	4F10	8	62 - 65	L40424	2D21	6	52 - 7
L40170	6H8	15	82 - 23	L40300	4F10	10	62 - 65	L40424	2F3	1	52 - 41
L40173	3G15	1	54 - 15	L40301	6E7	3	81 - 45	L40424	3A15	6	53 - 5
L40173	3G15	10	54 - 15	L40301	6E7	7	81 - 45	L40425	2D21	7	52 - 7
L40173	3G15	15	54 - 15	L40301	6E7	13	81 - 45	L40425	2D21	9	52 - 7
L40174	3G15	1	54 - 15	L40301	6E7	15	81 - 45	L40425	2D21	10	52 - 7
L40174	3G15	12	54 - 15	L40301	6E9	20	81 - 47	L40425	2D21	12	52 - 7
L40174	3G15	15	54 - 15	L40305	4B22	7	55 - 41	L40425	2D21	15	52 - 7
L40175	3G15	1	54 - 15	L40306	4B24	21	55 - 43	L40425	2F3	1	52 - 41
L40175	3G15	5	54 - 15	L40307	4B24	15	55 - 43	L40425	2F5	1	52 - 43
L40176	3G15	13	54 - 15	L40309	115	11	41 - 81	L40425	2F7	1	52 - 45
L40176	3G15	15	54 - 15	L40310	7F4	18	93 - 73	L40425	2F9	1	52 - 47
L40177	3G15	1	54 - 15	L40314	5C5	6	71 - 46	L40425	3A15	7	53 - 5
L40177	3G15	5	54 - 15	L40315	5C5	7	71 - 46	L40425	3A15	9	53 - 5
L40178	3G15	13	54 - 15	L40316	4B24	2	55 - 43	L40425	3A15	10	53 - 5
L40178	3G15	15	54 - 15	L40317	4C2	9	55 - 47	L40425	3A15	12	53 - 5
L40186	7F6	14	93 - 75	L40318	4F23	3	62 - 79	L40425	3A15	15	53 - 5
L40192	4B20	6	55 - 39	L40318	4F23	5	62 - 79	L40425	3C19	1	53 - 59
L40192	4B22	8	55 - 41	L40318	4F25	3	62 - 81	L40425	3C21	1	53 - 61
L40193	4C7	2	55 - 53	L40318	4F25	5	62 - 81	L40434	3A15	8	53 - 5
L40203	4F23	10	62 - 79	L40319	4F23	3	62 - 79	L40435	4B24	18	55 - 43
L40203	4F25	10	62 - 81	L40319	4F25	3	62 - 81	L40440	7C20	24	93 - 15
L40209	4F23	6	62 - 79	L40320	4F23	7	62 - 79	L40441	2D7	1	51 - 30
L40210	4F23	22	62 - 79	L40320	4F25	7	62 - 81	L40445	2C7	7	51 - 3
L40211	4F23	16	62 - 79	L40321	4F23	12	62 - 79	L40445	2C9	7	51 - 5
L40211	4F25	16	62 - 81	L40321	4F25	12	62 - 81	L40445	2C10	3	51 - 6
L40214	4B20	5	55 - 39	L40324	6F3	3	81 - 66	L40446	2D7	2	51 - 30
L40215	4B22	1	55 - 41	L40325	6F4	3	81 - 67	L40446	2D8	2	51 - 31
L40216	4B20	2	55 - 39	L40327	6F4	3	81 - 67	L40447	5F12	23	73 - 3
L40220	4B18	5	55 - 37	L40332	5C5	5	71 - 46	L40447	5F14	5	73 - 5
L40225	6A15	6	74 - 6	L40340	3B5	14	53 - 20	L40447	5F18	18	73 - 9
L40249	4F23	25	62 - 79	L40341	3B5	10	53 - 20	L40447	5F20	20	73 - 11
L40251	4C7	10	55 - 53	L40342	4G20	11	63 - 17	L40447	5F22	18	73 - 13
L40252	4B20	4	55 - 39	L40343	4G20	17	63 - 17	L40460	7E22	10	93 - 67
L40256	4B22	6	55 - 41	L4035T	2F21	10	52 - 59	L40478	3B18	9	53 - 33
L40257	4B22	6	55 - 41	L4035T	2F22	11	52 - 60	L40483	4H4	8	63 - 25
L40258	4B22	6	55 - 41	L4035T	2F23	16	52 - 61	L40483	4I6	34	63 - 51
L40259	4B22	6	55 - 41	L4035T	3E23	10	53 - 112	L40484	2A12	1	42 - 3
L40260	4B22	6	55 - 41	L4035T	3E24	11	53 - 113	L40484	2A16	1	42 - 7
L40261	4B22	6	55 - 41	L4035T	3F2	16	53 - 115	L40484	2B11	13	42 - 29
L40264	4F23	17	62 - 79	L40353	4E10	9	62 - 40	L40484	2B13	14	42 - 31
L40264	4F25	17	62 - 81	L40356	6F16	21	81 - 79	L40484	2B15	15	42 - 33
L40268	4C2	1	55 - 47	L40356	6F18	10	81 - 81	L40484	2B17	15	42 - 35
L40269	4C2	1	55 - 47	L40367	6E17	2	81 - 55	L40492	7F14	21	93 - 83
L4027T	2F21	11	52 - 59	L40375	3G11	10	54 - 11	L40498	5E5	5	72 - 5
L4027T	2F22	12	52 - 60	L40376	7D8	20	93 - 27	L40498	5E7	5	72 - 7
L4027T	2F23	17	52 - 61	L40376	7D10	22	93 - 29	L40498	5E24	11	72 - 25
L4027T	3E23	11	53 - 112	L40376	7D13	3	93 - 32	L40498	5F2	11	72 - 27
L4027T	3E24	12	53 - 113	L40391	7C12	37	93 - 7	L40513	6A18	10	74 - 9
L4027T	3F2	17	53 - 115	L40391	7C16	29	93 - 11	L40513	6A22	8	74 - 13
L40275	4B24	14	55 - 43	L40392	7C16	29	93 - 11	L40514	7F22	23	93 - 91
L40280	4B22	5	55 - 41	L40393	7C12	3	93 - 7	L40522	7C12	40	93 - 7
L40286	7C12	38	93 - 7	L40393	7C16	3	93 - 11	L40522	7C16	32	93 - 11
L40286	7C16	30	93 - 11	L40398	6A22	24	74 - 13	L40523	1G7	23	41 - 31
L40289	3F16	2	53 - 129	L40404	7D18	24	93 - 37	L40523	1G19	21	41 - 43
L40289	3F16	46	53 - 129	L40404	7D20	7	93 - 39	L40523	1G21	13	41 - 45
L40290	3F16	3	53 - 129	L40404	7E1	6	93 - 45	L40525	4H22	6	63 - 43
L40290	3F16	45	53 - 129	L40409	7C12	4	93 - 7	L40525	4H24	6	63 - 45
L40291	3F16	4	53 - 129	L40409	7C16	4	93 - 11	L40525	4I2	6	63 - 47
L40291	3F16	44	53 - 129	L40412	7D4	5	93 - 23	L40525	4I4	6	63 - 49
L40292	3F16	5	53 - 129	L40413	7D4	12	93 - 23	L40525	4I6	6	63 - 51
L40292	3F16	43	53 - 129	L40413	7D5	6	93 - 24	L40527	5F2	15	72 - 27
L40293	3F16	40	53 - 129	L40414	7D4	3	93 - 23	L40527	5F2	16	72 - 27
L40298	5C14	28	71 - 55	L40415	7D4	7	93 - 23	L40527	5F2	17	72 - 27
L40299	115	9	41 - 81	L40416	7D5	2	93 - 24	L40530	115	16	41 - 81

1K18

1640, 2040, 2040S TRACTORS (430000-)

NUMERICAL INDEX - CONTINUED

PART NO.	GRID	KEY	PAGE	PART NO.	GRID	KEY	PAGE	PART NO.	GRID	KEY	PAGE
L40538	1C7	20	20 - 49	L40747	6H12	3	82 - 27	L40840	3H19	10	54 - 44
L40539	5G21	35	73 - 37	L40748	6H12	4	82 - 27	L40850	1G13	12	41 - 37
L40539	6B4	31	74 - 21	L40749	6H12	5	82 - 27	L40850	1G15	18	41 - 39
L40540	5G21	33	73 - 37	L40750	6H12	6	82 - 27	L40850	6I8	39	91 - 11
L40541	6B4	33	74 - 21	L40751	6H12	7	82 - 27	L40867	7D25	7	93 - 44
L40542	7F10	17	93 - 79	L40752	6H12	8	82 - 27	L40872	7C12	1	93 - 7
L40557	3G7	17	54 - 7	L40753	6H12	9	82 - 27	L40872	7C16	1	93 - 11
L40557	3G9	18	54 - 9	L40754	6H12	10	82 - 27	L40872	7E24	4	93 - 69
L40568	2C12	27	51 - 9	L40755	6H12	11	82 - 27	L40878	7B6	16	92 - 23
L40569	7F22	22	93 - 91	L40756	6H12	12	82 - 27	L40878	7E3	34	93 - 47
L40582	3C4	1	53 - 43	L40757	6H12	13	82 - 27	L40878	7E5	32	93 - 49
L40583	3C4	1	53 - 43	L40758	6H12	14	82 - 27	L40893	7E22	8	93 - 67
L40621	4B3	1	55 - 21	L40773	2D24	1	52 - 11	L40893	7E22	9	93 - 67
L40621	4B4	1	55 - 22	L40773	2D25	1	52 - 12	L40893	7E22	18	93 - 67
L40621	4B5	9	55 - 23	L40773	2E1	1	52 - 13	L40895	2C19	12	51 - 17
L40622	4B3	2	55 - 21	L40773	2E12	37	52 - 25	L40895	2C21	24	51 - 19
L40622	4B4	2	55 - 22	L40773	2E14	37	52 - 27	L40895	2C23	25	51 - 21
L40622	4B5	8	55 - 23	L40773	2E22	1	52 - 35	L40897	2C7	1	51 - 3
L40623	7H20	15	94 - 43	L40773	2E22	17	52 - 35	L40897	2C9	1	51 - 5
L40626	7H22	52	94 - 45	L40773	2E24	2	52 - 37	L40897	2C12	2	51 - 9
L40627	7H22	51	94 - 45	L40773	3A17	1	53 - 8	L40919	6G7	29	81 - 95
L40628	7H22	49	94 - 45	L40773	3A18	1	53 - 9	L40919	6G9	6	81 - 97
L40629	7H22	50	94 - 45	L40773	3A19	1	53 - 10	L40919	6G9	32	81 - 97
L40644	6G22	10	82 - 11	L40773	3A20	1	53 - 11	L40919	6G11	1	81 - 99
L40645	6G7	17	81 - 95	L40773	3B12	37	53 - 27	L40924	1G25	22	41 - 49
L40645	6G9	17	81 - 97	L40773	3B14	37	53 - 29	L40924	2B13	32	42 - 31
L40645	6G11	14	81 - 99	L40773	3B20	21	53 - 35	L40924	2B15	25	42 - 33
L40660	6G22	8	82 - 11	L40773	3C12	1	53 - 51	L40924	2B17	7	42 - 35
L40662	6H16	8	82 - 31	L40773	3C12	20	53 - 51	L40924	7E22	13	93 - 67
L40664	7A23	20	92 - 15	L40773	3C14	2	53 - 53	L40962	7C18	7	93 - 13
L40664	7D6	11	93 - 25	L40773	3E10	16	53 - 99	L40962	7C18	8	93 - 13
L40668	5D4	42	71 - 73	L40773	3E12	19	53 - 101	L40962	7C18	9	93 - 13
L40681	6G22	7	82 - 11	L40773	3E14	16	53 - 103	L40964	2C12	35	51 - 9
L40688	7C12	10	93 - 7	L40773	3E16	22	53 - 105	L40964	2E22	5	52 - 35
L40688	7C16	10	93 - 11	L40776	2E22	4	52 - 35	L40964	2E24	6	52 - 37
L40690	5G24	6	73 - 40	L40776	2E22	17	52 - 35	L40964	3C12	5	53 - 51
L40690	5G25	9	73 - 41	L40776	3C12	4	53 - 51	L40964	3C14	6	53 - 53
L40690	5H1	10	73 - 43	L40776	3C12	20	53 - 51	L40965	2C12	35	51 - 9
L40690	5H8	7	73 - 50	L40778	1H25	8	41 - 76	L40965	2E22	5	52 - 35
L40690	5H9	2	73 - 51	L40781	1D8	18	30 - 15	L40965	2E22	11	52 - 35
L40690	5H10	3	73 - 52	L40784	1E17	8	30 - 52	L40965	2E24	6	52 - 37
L40690	5H11	3	73 - 53	L40784	1E18	6	30 - 53	L40965	2E24	9	52 - 37
L40690	5H13	12	73 - 56	L40785	1E17	7	30 - 52	L40965	3C12	5	53 - 51
L40690	5H14	12	73 - 57	L40785	1E18	5	30 - 53	L40965	3C12	11	53 - 51
L40690	5H16	14	73 - 59	L40786	1E17	5	30 - 52	L40965	3C14	6	53 - 53
L40690	5H17	13	73 - 60	L40795	2D11	5	51 - 34	L40965	3C14	10	53 - 53
L40691	5G24	5	73 - 40	L40798	2D11	7	51 - 34	L40966	2C12	33	51 - 9
L40691	5G25	8	73 - 41	L40799	2D11	4	51 - 34	L40968	3H21	5	54 - 46
L40691	5H1	9	73 - 43	L40806	4F8	..	62 - 63	L40968	4A24	5	55 - 16
L40691	5H8	8	73 - 50	L40806	4F10	11	62 - 65	L40969	3H21	5	54 - 46
L40691	5H9	3	73 - 51	L40806	4F13	2	62 - 69	L40969	4A24	5	55 - 16
L40691	5H10	2	73 - 52	L40816	1I3	11	41 - 79	L40970	3H21	11	54 - 46
L40691	5H11	2	73 - 53	L40817	1I3	12	41 - 79	L40970	4A24	11	55 - 16
L40691	5H13	11	73 - 56	L40818	3F8	6	53 - 121	L40972	3H21	14	54 - 46
L40691	5H14	11	73 - 57	L40819	3F8	8	53 - 121	L40972	4A24	14	55 - 16
L40691	5H16	15	73 - 59	L40820	3F8	12	53 - 121	L40973	3H21	7	54 - 46
L40691	5H17	12	73 - 60	L40821	3F8	10	53 - 121	L40973	4A24	7	55 - 16
L40696	5B21	25	71 - 37	L40833	2D19	11	52 - 5	L40979	6H18	15	82 - 33
L40696	5B21	27	71 - 37	L40834	2D17	17	52 - 3	L41009	4B18	11	55 - 37
L40702	7E7	22	93 - 51	L40834	3A13	17	53 - 3	L41010	4B18	11	55 - 37
L40705	4B1	12	55 - 19	L40835	2D17	17	52 - 3	L41011	4B18	11	55 - 37
L40706	4B1	14	55 - 19	L40835	3A13	17	53 - 3	L41012	4B18	11	55 - 37
L40721	3G7	3	54 - 7	L40836	3G18	4	54 - 19	L41013	4C7	5	55 - 53
L40721	3G9	3	54 - 9	L40836	3G20	4	54 - 21	L41015	7E3	38	93 - 47
L40727	1C25	20	30 - 7	L40837	2E20	18	52 - 33	L41015	7E5	31	93 - 49
L40733	6H12	1	82 - 27	L40837	3C2	18	53 - 41	L41016	7E3	39	93 - 47
L40734	6H12	2	82 - 27	L40838	3H19	2	54 - 44	L41016	7E5	30	93 - 49

1K19

1640, 2040, 2040S TRACTORS (430000-)

NUMERICAL INDEX - CONTINUED

PART NO.	GRID	KEY	PAGE	PART NO.	GRID	KEY	PAGE	PART NO.	GRID	KEY	PAGE
L41018	3H21	18	54 - 46	L41186	2A23	11	42 - 15	L41325	2D6	12	51 - 29
L41018	4A24	18	55 - 16	L41186	4G20	16	63 - 17	L41326	2D6	10	51 - 29
L41021	3E18	1	53 - 107	L41187	4B3	2	55 - 21	L41331	7E11	1	93 - 55
L41021	3E20	1	53 - 109	L41187	4B4	2	55 - 22	L41344	2C21	18	51 - 19
L41022	3C23	17	53 - 63	L41187	4B5	8	55 - 23	L41344	2C23	19	51 - 21
L41022	3C25	17	53 - 65	L41191	7E22	8	93 - 67	L41344	2D5	6	51 - 28
L41022	3D2	17	53 - 67	L41191	7E22	14	93 - 67	L41344	2D6	5	51 - 29
L41022	3D4	17	53 - 69	L41192	5C10	14	71 - 51	L41344	2D10	36	51 - 33
L41022	3D6	17	53 - 71	L41196	5D19	31	71 - 89	L41345	2E3	36	52 - 15
L41022	3D12	14	53 - 77	L41196	5D21	13	71 - 91	L41345	3A22	36	53 - 13
L41022	3D14	14	53 - 79	L41196	5D22	5	71 - 92	L41345	3B4	37	53 - 19
L41022	3D16	18	53 - 81	L41197	5D22	1	71 - 92	L41346	2E3	36	52 - 15
L41022	3D18	18	53 - 83	L41198	5D19	30	71 - 89	L41346	2E3	37	52 - 15
L41022	3D20	20	53 - 85	L41198	5D21	14	71 - 91	L41346	2E3	38	52 - 15
L41023	3B20	9	53 - 35	L41199	5D22	9	71 - 92	L41346	3A22	36	53 - 13
L41023	3E2	14	53 - 91	L41201	5D22	15	71 - 92	L41346	3A22	37	53 - 13
L41025	3D12	8	53 - 77	L41210	3B20	10	53 - 35	L41346	3A22	38	53 - 13
L41025	3D14	8	53 - 79	L41210	3E2	15	53 - 91	L41346	3B4	37	53 - 19
L41032	2E12	12	52 - 25	L41217	6H19	4	82 - 34	L41346	3B4	38	53 - 19
L41032	2E12	14	52 - 25	L41253	6G3	23	81 - 91	L41346	3B4	40	53 - 19
L41032	2E14	12	52 - 27	L41255	2B11	32	42 - 29	L41346	7C24	36	93 - 19
L41032	2E14	14	52 - 27	L41255	2B13	31	42 - 31	L41351	2E10	16	52 - 23
L41032	3B12	12	53 - 27	L41256	7C12	28	93 - 7	L41351	2E16	4	52 - 29
L41032	3B12	14	53 - 27	L41256	7C16	20	93 - 11	L41351	3B22	4	53 - 37
L41032	3B14	12	53 - 29	L41258	4C2	24	55 - 47	L41355	7E17	4	93 - 62
L41032	3B14	14	53 - 29	L41259	2B11	37	42 - 29	L41362	2D10	30	51 - 33
L41050	6E13	2	81 - 51	L41259	2B13	43	42 - 31	L41366	1E9	6	30 - 43
L41064	4G6	1	63 - 3	L41286	6C19	27	81 - 5	L41366	2E10	23	52 - 23
L41064	4G6	19	63 - 3	L41286	6C19	29	81 - 5	L41366	3B10	25	53 - 25
L41074	6H18	11	82 - 33	L41286	6C19	41	81 - 5	L41369	1I5	13	41 - 81
L41079	2E3	15	52 - 15	L41286	6C21	7	81 - 7	L41370	5F8	4	72 - 33
L41079	2E5	14	52 - 17	L41287	6C19	27	81 - 5	L41370	5F8	7	72 - 33
L41079	3A22	15	53 - 13	L41287	6C19	29	81 - 5	L41374	3F16	30	53 - 19
L41079	3A24	14	53 - 15	L41287	6C19	39	81 - 5	L41376	6H8	16	82 - 23
L41079	3B2	14	53 - 17	L41287	6C21	4	81 - 7	L41383	4A23	7	55 - 15
L41079	3B4	18	53 - 19	L41292	2E18	11	52 - 31	L41383	4D8	5	62 - 13
L41079	4A23	38	55 - 15	L41292	3B24	11	53 - 39	L41383	4D12	5	62 - 17
L41080	5H11	6	73 - 53	L41293	4C7	2	55 - 53	L41383	4D24	8	62 - 29
L41091	7E5	11	93 - 49	L41295	3C6	22	53 - 45	L41383	4E2	8	62 - 31
L41092	7E5	23	93 - 49	L41295	3C7	3	53 - 46	L41383	4E18	1	62 - 49
L41104	4B20	6	55 - 39	L41296	1F8	20	41 - 7	L41383	4E20	1	62 - 51
L41104	4B22	8	55 - 41	L41297	1F6	10	41 - 5	L41383	4E22	1	62 - 53
L41116	4C2	25	55 - 47	L41298	1F6	19	41 - 5	L41383	4F2	5	62 - 57
L41141	5F6	7	72 - 31	L41300	2D10	44	51 - 33	L41383	4F6	5	62 - 61
L41146	5E20	24	72 - 21	L41300	7F4	2	93 - 73	L41383	4G22	16	63 - 19
L41146	5E22	9	72 - 23	L41301	5C9	1	71 - 50	L41383	5C12	4	71 - 53
L41147	5E18	25	72 - 19	L41301	5C9	10	71 - 50	L41383	5C14	4	71 - 55
L41147	5E20	23	72 - 21	L41302	5C9	8	71 - 50	L41383	5G19	20	73 - 35
L41147	5E22	27	72 - 23	L41302	5C10	8	71 - 51	L41383	5C12	3	71 - 53
L41148	5C19	13	71 - 61	L41303	5C9	9	71 - 50	L41384	5C14	3	71 - 55
L41148	6C23	5	81 - 9	L41303	5C10	9	71 - 51	L41386	2C19	20	51 - 17
L41154	5D19	29	71 - 89	L41308	3C6	22	53 - 45	L41387	2C16	13	51 - 13
L41154	5D22	8	71 - 92	L41315	4F25	6	62 - 81	L41387	2C19	18	51 - 17
L41154	5E8	5	72 - 8	L41316	4F25	22	62 - 81	L41388	2C16	23	51 - 13
L41154	5E9	12	72 - 9	L41317	4F23	2	62 - 79	L41388	2C17	2	51 - 15
L41154	5E11	1	72 - 11	L41317	4F25	2	62 - 81	L41388	2C19	31	51 - 17
L41154	5E13	7	72 - 13	L41318	4F23	1	62 - 79	L41388	2C24	8	51 - 22
L41159	4C7	10	55 - 53	L41318	4F25	1	62 - 81	L41389	2C16	17	51 - 13
L41165	3C4	7	53 - 43	L41322	2D5	4	51 - 28	L41390	2C16	15	51 - 13
L41166	3G11	25	54 - 11	L41322	2D6	9	51 - 29	L41395	7D25	3	93 - 44
L41167	3G11	25	54 - 11	L41323	2D5	5	51 - 28	L41406	6H10	10	82 - 25
L41176	3B20	9	53 - 35	L41323	2D6	8	51 - 29	L41407	6H10	10	82 - 25
L41176	3E2	14	53 - 91	L41324	2C9	1	51 - 5	L41407	6H10	11	82 - 25
L41178	2D10	17	51 - 33	L41324	2C21	23	51 - 19	L41419	6D9	24	81 - 21
L41179	2D10	16	51 - 33	L41324	2C23	23	51 - 21	L41420	6D9	25	81 - 21
L41180	2D10	9	51 - 33	L41324	2D6	7	51 - 29	L41421	7C24	33	93 - 19
L41181	2D10	10	51 - 33	L41324	2D10	32	51 - 33	L41422	4A19	18	55 - 11

1K20

1640, 2040, 2040S TRACTORS (430000-)

NUMERICAL INDEX - CONTINUED

PART NO.	GRID	KEY	PAGE	PART NO.	GRID	KEY	PAGE	PART NO.	GRID	KEY	PAGE
L41423	4A19	17	55 - 11	L41526	5F22	23	73 - 13	L41626	2E25	1	52 - 38
L41424	4A19	16	55 - 11	L41526	5F22	25	73 - 13	L41626	3C15	1	53 - 54
L41425	4A12	18	55 - 3	L41526	5F24	30	73 - 15	L41629	5C16	14	71 - 57
L41425	4A14	14	55 - 5	L41526	5F24	32	73 - 15	L41630	3E2	24	53 - 91
L41426	4A19	41	55 - 11	L41534	2F13	39	52 - 51	L41641	3E6	12	53 - 95
L41427	4A19	38	55 - 11	L41534	3D8	22	53 - 73	L41641	3E8	15	53 - 97
L41429	4A12	14	55 - 3	L41534	3D22	22	53 - 87	L41641	3E10	12	53 - 99
L41430	4A21	5	55 - 13	L41536	5C12	7	71 - 53	L41641	3E12	15	53 - 101
L41431	4A21	27	55 - 13	L41536	5C14	7	71 - 55	L41641	3E14	12	53 - 103
L41432	4A21	28	55 - 13	L41536	5C19	6	71 - 61	L41641	3E16	15	53 - 105
L41433	4A21	6	55 - 13	L41536	5C19	22	71 - 61	L41649	3E6	15	53 - 95
L41434	4A21	41	55 - 13	L41538	5C19	4	71 - 61	L41649	3E8	18	53 - 97
L41435	4A21	17	55 - 13	L41540	6D4	7	81 - 15	L41649	3E10	15	53 - 99
L41436	4A12	21	55 - 3	L41547	2F13	38	52 - 51	L41649	3E12	18	53 - 101
L41436	4A14	26	55 - 5	L41547	3D8	23	53 - 73	L41649	3E14	15	53 - 103
L41437	4A21	2	55 - 13	L41547	3D22	23	53 - 87	L41649	3E16	18	53 - 105
L41438	4A21	39	55 - 13	L41547	4H18	17	63 - 39	L41650	3E6	15	53 - 95
L41439	4A12	8	55 - 3	L41547	4H18	34	63 - 39	L41650	3E8	18	53 - 97
L41439	4A14	8	55 - 5	L41547	4H20	17	63 - 41	L41650	3E10	15	53 - 99
L41440	4A19	34	55 - 11	L41547	4H20	36	63 - 41	L41650	3E12	18	53 - 101
L41441	4A12	9	55 - 3	L41547	4H22	22	63 - 43	L41650	3E14	15	53 - 103
L41442	4A23	2	55 - 15	L41547	4H22	35	63 - 43	L41650	3E16	18	53 - 105
L41443	2E3	41	52 - 15	L41547	4H24	22	63 - 45	L41651	3E6	15	53 - 95
L41443	2E5	26	52 - 17	L41547	4H24	37	63 - 45	L41651	3E8	18	53 - 97
L41443	3A22	41	53 - 13	L41547	4I2	22	63 - 47	L41651	3E10	15	53 - 99
L41443	3A24	26	53 - 15	L41547	4I2	37	63 - 47	L41651	3E12	18	53 - 101
L41443	3B2	26	53 - 17	L41547	4I4	19	63 - 49	L41651	3E14	15	53 - 103
L41443	3B4	44	53 - 19	L41547	4I4	32	63 - 49	L41651	3E16	18	53 - 105
L41443	4A23	1	55 - 15	L41547	4I6	23	63 - 51	L41652	3E6	15	53 - 95
L41445	4A19	2	55 - 11	L41547	4I6	36	63 - 51	L41652	3E8	18	53 - 97
L41448	4A12	15	55 - 3	L41551	5C2	24	71 - 43	L41652	3E10	15	53 - 99
L41448	4A14	11	55 - 5	L41551	5C4	18	71 - 45	L41652	3E12	18	53 - 101
L41459	7F17	6	93 - 86	L41562	3H21	13	54 - 46	L41652	3E14	15	53 - 103
L41465	1E6	6	30 - 39	L41562	4A24	13	55 - 16	L41652	3E16	18	53 - 105
L41465	5D4	18	71 - 73	L41574	6D9	3	81 - 21	L41653	3E6	15	53 - 95
L41465	5D4	21	71 - 73	L41575	1F8	3	41 - 7	L41653	3E8	18	53 - 97
L41473	2C25	1	51 - 23	L41575	1F10	3	41 - 9	L41653	3E10	15	53 - 99
L41475	6H19	2	82 - 34	L41575	1F12	7	41 - 11	L41653	3E12	18	53 - 101
L41476	6H19	3	82 - 34	L41575	1F14	3	41 - 13	L41653	3E14	15	53 - 103
L41477	6H19	6	82 - 34	L41575	1F16	3	41 - 15	L41653	3E16	18	53 - 105
L41478	6H19	7	82 - 34	L41575	1F18	7	41 - 17	L41654	3E6	15	53 - 95
L41486	5A12	6	71 - 2	L41585	5F6	10	72 - 31	L41654	3E8	18	53 - 97
L41487	5A12	2	71 - 2	L41587	2C16	28	51 - 13	L41654	3E10	15	53 - 99
L41488	5A12	1	71 - 2	L41588	2C16	27	51 - 13	L41654	3E12	18	53 - 101
L41490	6E15	1	81 - 53	L41588	2C19	26	51 - 17	L41654	3E14	15	53 - 103
L41516	2D2	2	51 - 25	L41589	2C16	26	51 - 13	L41654	3E16	18	53 - 105
L41524	4H18	17	63 - 39	L41589	2C19	25	51 - 17	L41655	3E6	15	53 - 95
L41524	4H18	33	63 - 39	L41591	7G13	41	94 - 9	L41655	3E8	18	53 - 97
L41524	4H20	17	63 - 41	L41592	7G19	44	94 - 15	L41655	3E10	15	53 - 99
L41524	4H20	35	63 - 41	L41593	7G8	7	94 - 3	L41655	3E12	18	53 - 101
L41524	4H22	22	63 - 43	L41593	7G13	40	94 - 9	L41655	3E14	15	53 - 103
L41524	4H22	34	63 - 43	L41593	7G19	43	94 - 15	L41655	3E16	18	53 - 105
L41524	4H24	22	63 - 45	L41600	2A23	3	42 - 15	L41656	3E6	15	53 - 95
L41524	4H24	36	63 - 45	L41600	7F6	1	93 - 75	L41656	3E8	18	53 - 97
L41524	4I2	22	63 - 47	L41602	3F6	5	53 - 119	L41656	3E10	15	53 - 99
L41524	4I2	36	63 - 47	L41602	3F6	6	53 - 119	L41656	3E12	18	53 - 101
L41524	4I4	19	63 - 49	L41602	3F6	11	53 - 119	L41656	3E14	15	53 - 103
L41524	4I4	31	63 - 49	L41602	3F6	12	53 - 119	L41656	3E16	18	53 - 105
L41524	4I6	23	63 - 51	L41602	3F6	13	53 - 119	L41657	3E6	15	53 - 95
L41524	4I6	35	63 - 51	L41602	3F8	3	53 - 121	L41657	3E8	18	53 - 97
L41524	4I8	38	63 - 53	L41603	3F8	7	53 - 121	L41657	3E10	15	53 - 99
L41525	4I8	5	63 - 53	L41604	3E4	21	53 - 93	L41657	3E12	18	53 - 101
L41526	4I8	4	63 - 53	L41605	7F6	6	93 - 75	L41657	3E14	15	53 - 103
L41526	5F12	25	73 - 3	L41610	1I5	17	41 - 81	L41657	3E16	18	53 - 105
L41526	5F12	27	73 - 3	L41618	1C23	14	30 - 5	L41659	3E8	9	53 - 97
L41526	5F18	21	73 - 9	L41621	6C17	11	81 - 3	L41659	3E12	9	53 - 101
L41526	5F18	23	73 - 9	L41621	6C17	23	81 - 3	L41659	3E16	9	53 - 105

1K21

1640, 2040, 2040S TRACTORS (430000-)

NUMERICAL INDEX - CONTINUED

PART NO.	GRID	KEY	PAGE	PART NO.	GRID	KEY	PAGE	PART NO.	GRID	KEY	PAGE
L41660	3E8	9	53-97	L41708	5F24	29	73-15	L41859	2C23	15	51-21
L41660	3E12	9	53-101	L41708	5F24	32	73-15	L41859	2D5	12	51-28
L41660	3E16	9	53-105	L41709	5F12	26	73-3	L41860	6H19	5	82-34
L41661	3E8	9	53-97	L41709	5F12	27	73-3	L41865	5E5	10	72-5
L41661	3E12	9	53-101	L41709	5F18	22	73-9	L41865	5E7	10	72-7
L41661	3E16	9	53-105	L41709	5F18	23	73-9	L41866	5E5	11	72-5
L41662	3E8	9	53-97	L41709	5F22	24	73-13	L41866	5E7	11	72-7
L41662	3E12	9	53-101	L41709	5F22	25	73-13	L41868	5E5	19	72-5
L41662	3E16	9	53-105	L41709	5F24	31	73-15	L41869	5E5	14	72-5
L41663	3E8	9	53-97	L41709	5F24	32	73-15	L41870	5E5	18	72-5
L41663	3E12	9	53-101	L41716	7C24	26	93-19	L41880	5E5	6	72-5
L41663	3E16	9	53-105	L41716	7C24	30	93-19	L41880	5E7	6	72-7
L41664	3E8	9	53-97	L41716	7D4	1	93-23	L41882	7C24	7	93-19
L41664	3E12	9	53-101	L41716	7D4	15	93-23	L41882	7C24	35	93-19
L41664	3E16	9	53-105	L41717	5E20	7	72-21	L41883	7C24	12	93-19
L41665	3E6	11	53-95	L41718	5E20	14	72-21	L41886	2F25	15	52-63
L41665	3E10	11	53-99	L41718	5E22	13	72-23	L41886	3F4	1	53-117
L41665	3E14	11	53-103	L41721	5C14	28	71-55	L41891	5D13	3	71-83
L41666	3E8	14	53-97	L41723	5C12	25	71-53	L41892	7F24	4	93-93
L41666	3E12	14	53-101	L41726	5C12	6	71-53	L41892	7G4	15	93-97
L41666	3E16	14	53-105	L41726	5C14	6	71-55	L41893	2C16	5	51-13
L41667	3E6	6	53-95	L41740	4B4	4	55-22	L41894	5D4	27	71-73
L41667	3E10	6	53-99	L41740	4B4	6	55-22	L41894	5D13	7	71-83
L41667	3E14	6	53-103	L41740	4B5	2	55-23	L41894	5D15	7	71-85
L41668	3E8	6	53-97	L41744	4B24	15	55-43	L41897	2D21	8	52-7
L41668	3E12	6	53-101	L41747	1G25	13	41-49	L41897	2D21	9	52-7
L41668	3E16	6	53-105	L41748	1G25	16	41-49	L41897	2D21	10	52-7
L41669	3C23	27	53-63	L41749	1G25	14	41-49	L41897	2D21	12	52-7
L41669	3C25	27	53-65	L41750	1G25	15	41-49	L41897	2D21	15	52-7
L41669	3D2	33	53-67	L41753	5C17	6	71-58	L41897	2D22	4	52-8
L41669	3D4	33	53-69	L41784	5C16	16	71-57	L41897	3A15	8	53-5
L41669	3E4	7	53-93	L41785	5C16	16	71-57	L41897	3A15	9	53-5
L41675	3B20	29	53-35	L41786	5C16	5	71-57	L41897	3A15	10	53-5
L41675	3E14	17	53-103	L41787	5D19	32	71-89	L41897	3A15	12	53-5
L41675	3E16	23	53-105	L41788	5D19	28	71-89	L41897	3A15	15	53-5
L41676	3B20	21	53-35	L41788	5E8	6	72-8	L41897	3A16	4	53-6
L41676	3E14	16	53-103	L41788	5E9	14	72-9	L41898	4D8	6	62-13
L41676	3E16	22	53-105	L41788	5E11	2	72-11	L41898	4D12	6	62-17
L41677	2E12	37	52-25	L41788	5E13	8	72-13	L41898	4D24	7	62-29
L41677	2E14	37	52-27	L41789	5C10	12	71-51	L41898	4E2	7	62-31
L41677	3B12	37	53-27	L41792	3E4	17	53-93	L41898	4E18	2	62-49
L41677	3B14	37	53-29	L41793	3E18	10	53-107	L41898	4E20	2	62-51
L41677	3E10	16	53-99	L41793	3E20	9	53-109	L41898	4E22	2	62-53
L41677	3E12	19	53-101	L41797	3F16	41	53-129	L41898	4F2	3	62-57
L41687	3C4	10	53-43	L41798	3F16	17	53-129	L41898	4F6	3	62-61
L41688	3C4	10	53-43	L41802	5D19	27	71-89	L41904	1G13	12	41-37
L41689	3C4	10	53-43	L41803	5D19	34	71-89	L41904	6I8	12	91-11
L41689	3E8	1	53-97	L41804	5D19	33	71-89	L41904	6I8	39	91-11
L41689	3E12	1	53-101	L41805	3D10	2	53-75	L41905	5E5	4	72-5
L41689	3E16	1	53-105	L41810	4A12	1	55-3	L41905	5E7	4	72-7
L41690	3C4	10	53-43	L41810	4A14	1	55-5	L41918	7C9	2	93-3
L41690	3E8	1	53-97	L41814	6C17	19	81-3	L41918	7C9	13	93-3
L41690	3E12	1	53-101	L41817	6C23	7	81-9	L41918	7C9	16	93-3
L41690	3E16	1	53-105	L41818	5F6	5	72-31	L41918	7C10	8	93-4
L41691	3C4	10	53-43	L41819	5D21	16	71-91	L41919	6G7	6	81-95
L41691	3E8	1	53-97	L41820	6E15	15	81-53	L41919	6G9	6	81-97
L41691	3E12	1	53-101	L41821	6E15	15	81-53	L41919	6G9	16	81-97
L41691	3E16	1	53-105	L41822	6E15	15	81-53	L41919	6G11	12	81-99
L41703	2F19	1	52-57	L41824	7D12	8	93-31	L41919	7D13	6	93-32
L41704	2F18	10	52-56	L41840	6F16	6	81-79	L41932	5C15	2	71-56
L41705	2F19	14	52-57	L41853	2C19	7	51-17	L41932	5C16	2	71-57
L41708	5F12	24	73-3	L41853	2C21	10	51-19	L41960	6H14	1	82-29
L41708	5F12	27	73-3	L41853	2C23	14	51-21	L41961	6H14	2	82-29
L41708	5F18	20	73-9	L41853	2D5	11	51-28	L41962	6H14	3	82-29
L41708	5F18	23	73-9	L41854	1C25	22	30-7	L41963	6H14	4	82-29
L41708	5F22	22	73-13	L41855	1C25	23	30-7	L41964	6H14	5	82-29
L41708	5F22	25	73-13	L41859	2C21	11	51-19	L41965	6H14	6	82-29

1K22

1640, 2040, 2040S TRACTORS (430000-)

NUMERICAL INDEX - CONTINUED

PART NO.	GRID	KEY	PAGE	PART NO.	GRID	KEY	PAGE	PART NO.	GRID	KEY	PAGE
L41966	6H14	7	82 - 29	L42107	7E1	1	93 - 45	L53811	4I2	33	63 - 47
L41967	6H14	8	82 - 29	L42111	7E20	5	93 - 65	L53811	4I4	26	63 - 49
L41968	6H14	9	82 - 29	L42114	1F22	14	41 - 21	L53811	4I6	30	63 - 51
L41969	6H14	10	82 - 29	L42114	1F24	1	41 - 23	L53811	4I8	27	63 - 53
L41970	6H14	11	82 - 29	L42115	7G4	10	93 - 97	L53813	3H16	4	54 - 41
L41971	6H14	12	82 - 29	L42116	7G4	10	93 - 97	L53813	4A21	26	55 - 13
L41982	4A23	25	55 - 15	L42117	7G4	11	93 - 97	L53819	4C2	13	55 - 47
L42000	6H14	13	82 - 29	L42118	7G4	2	93 - 97	L53824	4A14	17	55 - 5
L42004	5F2	23	72 - 27	L42119	7G4	6	93 - 97	L53825	4A12	2	55 - 3
L42019	7C12	44	93 - 7	L42120	7G4	1	93 - 97	L53825	4A14	2	55 - 5
L42019	7C16	36	93 - 11	L42121	7G4	9	93 - 97	L53826	4I9	4	63 - 54
L42020	7C12	40	93 - 7	L42122	3D12	1	53 - 77	L53836	1C8	8	20 - 50
L42020	7C16	32	93 - 11	L42122	3D14	1	53 - 79	L53836	1C9	9	20 - 51
L42025	5E18	20	72 - 19	L42125	4A14	24	55 - 5	L53900	5D6	25	71 - 75
L42029	7E7	9	93 - 51	L42126	4A17	4	55 - 9	L53975	5E18	13	72 - 19
L42039	7I6	14	94 - 53	L42127	4A14	25	55 - 5	L53975	5E20	16	72 - 21
L42040	7H15	19	94 - 37	L42128	4A17	5	55 - 9	L53975	5E22	17	72 - 23
L42041	7I4	50	94 - 51	L42129	4A14	20	55 - 5	L53976	3B5	12	53 - 20
L42044	4H12	2	63 - 33	L42130	4A14	18	55 - 5	L53976	5E18	10	72 - 19
L42047	4H12	8	63 - 33	L42131	4A14	33	55 - 5	L53976	5E22	14	72 - 23
L42048	2E3	13	52 - 15	L42135	3D8	28	53 - 73	L53976	7F17	2	93 - 86
L42048	2E5	12	52 - 17	L42135	3D8	29	53 - 73	L55004	4G4	1	63 - 1
L42048	3A22	13	53 - 13	L42135	3D22	7	53 - 87	L55005	7F10	4	93 - 79
L42048	3A24	12	53 - 15	L42135	3D22	8	53 - 87	L55005	7F10	17	93 - 79
L42048	3B4	16	53 - 19	L42136	3D8	28	53 - 73	L55010	7D18	3	93 - 37
L42049	3A24	12	53 - 15	L42136	3D8	29	53 - 73	L55017	7C9	13	93 - 3
L42049	3B2	12	53 - 17	L42136	3D22	7	53 - 87	L55017	7C9	15	93 - 3
L42050	5E5	21	72 - 5	L42136	3D22	8	53 - 87	L55017	7C10	9	93 - 4
L42050	5E7	21	72 - 7	L42171	4D4	28	62 - 9	L55024	3H10	17	54 - 35
L42051	5F6	1	72 - 31	L42191	2F22	10	52 - 60	L55024	3H14	13	54 - 39
L42052	5F6	1	72 - 31	L42191	2F23	15	52 - 61	L55025	7D18	4	93 - 37
L42053	5F6	4	72 - 31	L42191	3E24	10	53 - 113	L55026	5G21	35	73 - 37
L42054	5E20	17	72 - 21	L42191	3F2	15	53 - 115	L55026	6B4	31	74 - 21
L42054	5E22	23	72 - 23	L42192	2F22	9	52 - 60	L55026	7F10	17	93 - 79
L42055	5E22	18	72 - 23	L42192	2F23	14	52 - 61	L55027	5G21	33	73 - 37
L42056	5E20	5	72 - 21	L42192	3E24	9	53 - 113	L55027	7F10	17	93 - 79
L42056	5E22	5	72 - 23	L42192	3F2	14	53 - 115	L55028	6B4	33	74 - 21
L42057	5E20	22	72 - 21	L42193	2F23	7	52 - 61	L55028	7F10	17	93 - 79
L42057	5E22	21	72 - 23	L42193	3F2	7	53 - 115	L55029	6H6	5	82 - 21
L42058	5E20	3	72 - 21	L42235	2F23	10	52 - 61	L55034	2B11	34	42 - 29
L42058	5E22	4	72 - 23	L42235	3F2	10	53 - 115	L55034	2B13	34	42 - 31
L42059	5E20	20	72 - 21	L42236	7F2	23	93 - 71	L55034	7E5	35	93 - 49
L42059	5E22	20	72 - 23	L42237	7F2	22	93 - 71	L55037	7C24	7	93 - 19
L42061	5F6	6	72 - 31	L42238	7F2	21	93 - 71	L55037	7C24	32	93 - 19
L42062	5F6	6	72 - 31	L42281	7E5	36	93 - 49	L55038	7C24	7	93 - 19
L42065	4H12	19	63 - 33	L42282	3G2	4	54 - 2	L55038	7C24	32	93 - 19
L42072	5G21	32	73 - 37	L42282	3G3	10	54 - 3	L55039	7C24	7	93 - 19
L42072	6B4	30	74 - 21	L42282	3G5	9	54 - 5	L55039	7C24	32	93 - 19
L42072	7F10	17	93 - 79	L42285	2D1	4	51 - 24	L55040	7C24	7	93 - 19
L42073	5G21	31	73 - 37	L42299	3F21	8	53 - 135	L55040	7C24	32	93 - 19
L42073	6B4	29	74 - 21	L42300	3F21	16	53 - 135	L55046	6C8	2	74 - 54
L42073	7F10	17	93 - 79	L42311	7F10	13	93 - 79	L55059	5H10	5	73 - 52
L42074	5G21	34	73 - 37	L42314	5C12	17	71 - 53	L55066	1G3	10	41 - 27
L42074	6B4	32	74 - 21	L42314	5C12	34	71 - 53	L55078	4H12	15	63 - 33
L42074	7F10	17	93 - 79	L42314	5C14	15	71 - 55	L55117	7E22	6	93 - 67
L42079	4C18	9	61 - 12	L42314	5C14	37	71 - 55	L55118	7E22	6	93 - 67
L42080	4C18	15	61 - 12	L42320	3B20	9	53 - 35	L55119	7E22	6	93 - 67
L42082	4C18	13	61 - 12	L42320	3E2	14	53 - 91	L55120	7E22	1	93 - 67
L42085	1F20	18	41 - 19	L42321	3B20	10	53 - 35	L55122	7E22	1	93 - 67
L42085	1F22	12	41 - 21	L42321	3E2	15	53 - 91	L55124	7E24	8	93 - 69
L42088	4A23	8	55 - 15	L42323	3B20	14	53 - 35	L55125	7E24	8	93 - 69
L42094	4A23	10	55 - 15	L42323	3E2	16	53 - 91	L55128	7E22	11	93 - 67
L42095	4A23	18	55 - 15	L53316	6H18	29	82 - 33	L55131	5E22	21	72 - 23
L42096	4A23	34	55 - 15	L53811	4H18	24	63 - 39	L55162	7A23	6	92 - 15
L42097	4A23	29	55 - 15	L53811	4H20	26	63 - 41	L55162	7C24	7	93 - 19
L42098	5B25	10	71 - 41	L53811	4H22	31	63 - 43	L55162	7C24	37	93 - 19
L42099	5B25	11	71 - 41	L53811	4H24	33	63 - 45	L55163	7A18	30	92 - 9

1K23

1640, 2040, 2040S TRACTORS (430000-)

NUMERICAL INDEX - CONTINUED

PART NO.	GRID	KEY	PAGE	PART NO.	GRID	KEY	PAGE	PART NO.	GRID	KEY	PAGE
L55163	7A23	7	92 - 15	L55502	7E3	22	93 - 47	L55902	3E18	18	53 - 107
L55163	7A25	19	92 - 17	L55505	7E3	37	93 - 47	L55902	3E20	17	53 - 109
L55163	7C24	7	93 - 19	L55512	1G17	11	41 - 41	L55903	3E18	18	53 - 107
L55163	7C24	8	93 - 19	L55513	7E3	3	93 - 47	L55903	3E20	17	53 - 109
L55163	7D2	29	93 - 21	L55514	7E3	2	93 - 47	L55904	3E18	18	53 - 107
L55202	5B17	3	71 - 33	L55515	7E3	4	93 - 47	L55904	3E20	17	53 - 109
L55202	5C12	19	71 - 53	L55544	1E9	19	30 - 43	L55905	3E18	18	53 - 107
L55202	5C12	34	71 - 53	L55544	1E9	45	30 - 43	L55905	3E20	17	53 - 109
L55202	5C14	13	71 - 55	L55625	3H14	26	54 - 39	L55969	5D2	7	71 - 70
L55202	5C14	37	71 - 55	L55625	3H14	28	54 - 39	L55969	7B18	27	92 - 35
L55203	5C12	15	71 - 53	L55632	1I1	7	41 - 77	L55969	7D8	6	93 - 27
L55203	5C12	34	71 - 53	L55637	1H23	4	41 - 74	L55969	7D8	7	93 - 27
L55203	5C14	17	71 - 55	L55638	1H23	4	41 - 74	L55969	7D10	6	93 - 29
L55203	5C14	37	71 - 55	L55640	7F6	1	93 - 75	L55969	7D10	7	93 - 29
L55204	5C12	18	71 - 53	L55642	1G23	2	41 - 47	L55969	7F6	7	93 - 75
L55204	5C12	34	71 - 53	L55643	1G21	23	41 - 45	L55969	7F6	11	93 - 75
L55204	5C14	14	71 - 55	L55644	1G17	11	41 - 41	L55969	7F6	16	93 - 75
L55204	5C14	37	71 - 55	L55645	1G19	23	41 - 43	L55969	7F10	6	93 - 79
L55205	6D9	19	81 - 21	L55645	1G21	5	41 - 45	L55980	1H2	15	41 - 51
L55206	6D9	5	81 - 21	L55645	1G21	19	41 - 45	L55980	1H2	22	41 - 51
L55207	7C12	45	93 - 7	L55645	1G21	29	41 - 45	L55980	1H4	14	41 - 53
L55207	7C14	3	93 - 9	L55646	1G19	22	41 - 43	L55980	1H5	9	41 - 54
L55207	7C16	37	93 - 11	L55646	1G21	20	41 - 45	L55982	3F22	10	53 - 136
L55208	7C12	14	93 - 7	L55720	3F16	22	53 - 129	L56005	3E4	11	53 - 93
L55208	7C16	14	93 - 11	L55731	6G25	3	82 - 14	L56021	7B22	3	92 - 39
L55209	4C24	40	62 - 5	L55752	4G13	9	63 - 10	L56021	7B24	21	92 - 42
L55209	4C24	41	62 - 5	L55752	4G14	8	63 - 11	L56021	7E22	5	93 - 67
L55209	4D2	38	62 - 7	L55781	6H6	24	82 - 21	L56021	7E22	17	93 - 67
L55209	4D2	39	62 - 7	L55818	6C7	15	74 - 53	L56021	7E24	5	93 - 69
L55209	4D4	30	62 - 9	L55818	6C10	2	74 - 56	L56021	7E24	6	93 - 69
L55209	4D4	31	62 - 9	L55819	6C9	6	74 - 55	L56063	7E3	33	93 - 47
L55210	7C12	27	93 - 7	L55820	6C7	11	74 - 53	L56083	2C17	8	51 - 15
L55210	7C12	36	93 - 7	L55820	6C9	10	74 - 55	L56083	2C19	16	51 - 17
L55212	4H12	11	63 - 33	L55821	6C7	5	74 - 53	L56083	2C24	3	51 - 22
L55213	2C16	17	51 - 13	L55830	5E24	5	72 - 25	L56084	2C19	20	51 - 17
L55213	2C17	6	51 - 15	L55830	5F2	5	72 - 27	L56084	2C24	5	51 - 22
L55214	2C16	9	51 - 13	L55830	5F2	21	72 - 27	L56084	2C19	29	51 - 17
L55214	2C17	7	51 - 15	L55830	5F2	22	72 - 27	L56092	5E24	6	72 - 25
L55214	2C19	24	51 - 17	L55840	3E18	10	53 - 107	L56092	5F2	6	72 - 27
L55214	2C24	4	51 - 22	L55840	3E20	9	53 - 109	L56093	5E24	8	72 - 25
L55215	2C16	13	51 - 13	L55841	3E4	17	53 - 93	L56093	5F2	8	72 - 27
L55215	2C17	4	51 - 15	L55844	5D19	30	71 - 89	L56128	4H16	3	63 - 37
L55215	2C19	18	51 - 17	L55844	5D19	34	71 - 89	L56129	7D14	10	93 - 33
L55215	2C24	6	51 - 22	L55844	5D21	14	71 - 91	L56130	7D14	11	93 - 33
L55216	2C16	15	51 - 13	L55844	5D22	6	71 - 92	L56131	7D13	5	93 - 32
L55216	2C17	5	51 - 15	L55854	6C19	8	81 - 5	L56133	7E19	1	93 - 64
L55221	7D14	9	93 - 33	L55854	6C21	22	81 - 7	L56135	7E3	16	93 - 47
L55222	5E11	8	72 - 11	L55854	6C23	22	81 - 9	L56136	7E3	18	93 - 47
L55222	5E13	19	72 - 13	L55871	4C3	4	55 - 48	L56140	7E19	2	93 - 64
L55223	5D19	11	71 - 89	L55872	7F10	18	93 - 79	L56160	2B15	29	42 - 33
L55223	5D21	6	71 - 91	L55878	7E3	9	93 - 47	L56160	2B17	4	42 - 35
L55275	6C7	8	74 - 53	L55879	7E3	7	93 - 47	L56161	5G19	14	73 - 35
L55275	6C9	7	74 - 55	L55880	7E3	6	93 - 47	L56178	5G19	21	73 - 35
L55306	7F6	13	93 - 75	L55881	7E1	3	93 - 45	L56181	5C19	1	71 - 61
L55316	6H6	7	82 - 21	L55882	7E1	2	93 - 45	L56181	5E20	2	72 - 21
L55333	7D20	8	93 - 39	L55896	3E18	18	53 - 107	L56181	5E22	3	72 - 23
L55333	7D20	14	93 - 39	L55896	3E20	17	53 - 109	L56181	6C23	6	81 - 9
L55412	7D13	7	93 - 32	L55897	3E18	18	53 - 107	L56186	5D22	3	71 - 92
L55412	7D14	6	93 - 33	L55897	3E20	17	53 - 109	L56187	5D22	12	71 - 92
L55437	6D9	19	81 - 21	L55898	3E18	18	53 - 107	L56188	5D22	3	71 - 92
L55437	6D9	22	81 - 21	L55898	3E20	17	53 - 109	L56189	5D22	12	71 - 92
L55453	6G7	25	81 - 95	L55899	3E18	18	53 - 107	L56218	7E5	39	93 - 49
L55499	5C22	8	71 - 65	L55899	3E20	17	53 - 109	L56224	7F4	21	93 - 73
L55499	5C22	24	71 - 65	L55900	3E18	18	53 - 107	L56236	7F22	10	93 - 91
L55499	5C22	25	71 - 65	L55900	3E20	17	53 - 109	L56243	4G4	6	63 - 1
L55500	7E3	13	93 - 47	L55901	3E18	18	53 - 107	L56244	4G4	7	63 - 1
L55501	7E3	36	93 - 47	L55901	3E20	17	53 - 109	L56247	3D20	29	53 - 85

1K24

1640, 2040, 2040S TRACTORS (430000-)

NUMERICAL INDEX - CONTINUED

PART NO.	GRID	KEY	PAGE	PART NO.	GRID	KEY	PAGE	PART NO.	GRID	KEY	PAGE
L56247	4G4	1	63 - 1	L56740	7E3	31	93 - 47	L56957	5C14	16	71 - 55
L56252	7F14	26	93 - 83	L56763	3D12	8	53 - 77	L56957	5C14	37	71 - 55
L56293	6H6	23	82 - 21	L56763	3D14	8	53 - 79	L56969	4A12	4	55 - 3
L56315	1H23	5	41 - 74	L56765	2C2	1	42 - 47	L56969	4A14	4	55 - 5
L56375	2C24	5	51 - 22	L56788	4A15	5	55 - 6	L56970	4A12	7	55 - 3
L56377	3E4	11	53 - 93	L56801	5D11	8	71 - 81	L56970	4A14	7	55 - 5
L56393	6G7	13	81 - 95	L56801	5D13	4	71 - 83	L56971	4A12	3	55 - 3
L56393	6G9	13	81 - 97	L56801	5D15	17	71 - 85	L56971	4A14	3	55 - 5
L56393	6G11	7	81 - 99	L56824	5D19	7	71 - 89	L56973	4A12	5	55 - 3
L56397	6G5	1	81 - 93	L56824	5D19	14	71 - 89	L56973	4A14	5	55 - 5
L56398	1C7	32	20 - 49	L56824	5D21	2	71 - 91	L56974	4G8	14	63 - 5
L56398	6G7	14	81 - 95	L56825	7110	2	94 - 57	L56974	4G10	20	63 - 7
L56398	6G9	14	81 - 97	L56829	4G8	12	63 - 5	L56975	7C10	5	93 - 4
L56398	6G11	8	81 - 99	L56829	4G10	18	63 - 7	L56976	7C10	10	93 - 4
L56409	6G5	1	81 - 93	L56832	4G8	7	63 - 5	L56977	7C10	6	93 - 4
L56419	7110	8	94 - 57	L56832	4G8	13	63 - 5	L56978	7C10	2	93 - 4
L56426	5G19	18	73 - 35	L56832	4G10	14	63 - 7	L56989	4G8	8	63 - 5
L56429	7110	5	94 - 57	L56832	4G10	19	63 - 7	L57004	5H9	5	73 - 51
L56432	7110	11	94 - 57	L56833	4G8	13	63 - 5	L57005	4A21	42	55 - 13
L56434	1H2	2	41 - 51	L56833	4G10	19	63 - 7	L57021	7C12	27	93 - 7
L56434	1H2	21	41 - 51	L56835	4G8	4	63 - 5	L57021	7C12	34	93 - 7
L56434	1H4	2	41 - 53	L56836	4G8	16	63 - 5	L57045	3C9	7	53 - 48
L56434	1H5	2	41 - 54	L56836	4G10	11	63 - 7	L57050	6D9	28	81 - 21
L56436	6I4	13	91 - 7	L56836	4G12	11	63 - 9	L57055	6D9	2	81 - 21
L56437	6I4	18	91 - 7	L56837	4A17	8	55 - 9	L57062	5H7	1	73 - 49
L56438	6I4	12	91 - 7	L56856	7D16	19	93 - 35	L57066	4A23	30	55 - 15
L56440	6I4	20	91 - 7	L56856	7D16	26	93 - 35	L57080	5G19	12	73 - 35
L56441	6I4	23	91 - 7	L56856	7D18	10	93 - 37	L57099	4G8	12	63 - 5
L56449	7110	1	94 - 57	L56856	7D18	43	93 - 37	L57099	4G10	18	63 - 7
L56451	4G22	17	63 - 19	L56883	5G19	13	73 - 35	L57128	6F18	5	81 - 81
L56451	5G19	19	73 - 35	L56897	6I4	8	91 - 7	L57129	6F18	5	81 - 81
L56460	6H8	14	82 - 23	L56898	6I4	7	91 - 7	L57152	7B15	4	92 - 32
L56461	6H8	13	82 - 23	L56899	6I4	2	91 - 7	L57153	7B11	6	92 - 28
L56462	1H2	2	41 - 51	L56920	2E16	1	52 - 29	L57153	7B12	7	92 - 29
L56462	1H2	21	41 - 51	L56920	3B22	1	53 - 37	L57153	7B13	6	92 - 30
L56462	1H4	2	41 - 53	L56921	1D8	4	30 - 15	L57153	7B14	7	92 - 31
L56462	1H5	2	41 - 54	L56922	1E6	1	30 - 39	L57154	7A14	9	92 - 5
L56515	7D13	5	93 - 32	L56923	2E8	1	52 - 21	L57155	7A14	9	92 - 5
L56516	6F8	8	81 - 71	L56923	3B8	1	53 - 23	L57164	6F22	11	81 - 85
L56517	6F8	6	81 - 71	L56923	3B16	1	53 - 31	L57165	6F22	11	81 - 85
L56544	1I3	14	41 - 79	L56924	5C22	1	71 - 65	L57166	7B12	4	92 - 29
L56560	4G20	17	63 - 17	L56924	5C24	2	71 - 67	L57167	7B11	4	92 - 28
L56566	4C24	14	62 - 5	L56925	5F16	9	73 - 7	L57168	7B13	4	92 - 30
L56566	4C24	15	62 - 5	L56925	5F24	13	73 - 15	L57169	7B14	4	92 - 31
L56566	4D2	14	62 - 7	L56925	5G4	5	73 - 19	L57183	7I12	1	94 - 59
L56566	4D2	15	62 - 7	L56925	6B2	1	74 - 19	L57193	5C24	28	71 - 67
L56566	4D4	20	62 - 9	L56926	5F12	11	73 - 3	L57194	7B18	5	92 - 35
L56566	4D4	24	62 - 9	L56926	5F16	10	73 - 7	L57195	7B18	5	92 - 35
L56566	6G25	3	82 - 14	L56926	5F24	10	73 - 15	L57207	7A14	21	92 - 5
L56567	7F4	18	93 - 73	L56926	5G4	4	73 - 19	L57208	7A14	22	92 - 5
L56571	7C22	2	93 - 17	L56926	6B2	9	74 - 19	L57208	7A14	23	92 - 5
L56571	7F16	7	93 - 85	L56927	1E7	2	30 - 41	L57209	7A14	20	92 - 5
L56614	6H4	2	82 - 19	L56928	2E10	1	52 - 23	L57210	7A14	22	92 - 5
L56615	7F6	6	93 - 75	L56928	3B10	16	53 - 25	L57210	7A14	23	92 - 5
L56627	2B11	30	42 - 29	L56928	3B18	1	53 - 33	L57214	1E6	29	30 - 39
L56627	2B13	30	42 - 31	L56929	2F23	11	52 - 61	L57216	1E12	4	30 - 47
L56627	2B15	1	42 - 33	L56930	5D4	8	71 - 73	L57219	7A12	11	92 - 3
L56627	2B25	7	42 - 45	L56931	5D9	3	71 - 79	L57222	7B20	15	92 - 37
L56634	5D4	1	71 - 73	L56932	5G21	1	73 - 37	L57242	7B8	3	92 - 25
L56634	5D15	4	71 - 85	L56932	6B4	1	74 - 21	L57247	7B8	20	92 - 25
L56694	7A23	3	92 - 15	L56933	5G21	2	73 - 37	L57247	7B18	11	92 - 35
L56695	7A23	3	92 - 15	L56933	6B4	2	74 - 21	L57248	7B15	15	92 - 32
L56711	2F13	1	52 - 51	L56935	4G10	5	63 - 7	L57249	7B15	9	92 - 32
L56725	7F14	25	93 - 83	L56936	4G10	10	63 - 7	L57250	6F12	4	81 - 75
L56734	7C12	1	93 - 7	L56937	4G10	22	63 - 7	L57250	6F12	15	81 - 75
L56734	7C16	1	93 - 11	L56957	5C12	16	71 - 53	L57251	7B15	19	92 - 32
L56737	7E3	32	93 - 47	L56957	5C12	34	71 - 53	L57252	7A16	34	92 - 7

1K25

1640, 2040, 2040S TRACTORS (430000-)

NUMERICAL INDEX - CONTINUED

PART NO.	GRID	KEY	PAGE	PART NO.	GRID	KEY	PAGE	PART NO.	GRID	KEY	PAGE
L57252	7A25	21	92 - 17	L57619	3D2	23	53 - 67	L57830	7C2	5	92 - 45
L57255	7A16	31	92 - 7	L57619	3D4	23	53 - 69	L57831	7C2	4	92 - 45
L57255	7A25	27	92 - 17	L57619	3D6	23	53 - 71	L57832	7C2	8	92 - 45
L57257	7B6	5	92 - 23	L57619	3D20	23	53 - 85	L57833	1H10	5	41 - 59
L57259	7B4	20	92 - 21	L57619	3E4	8	53 - 93	L57834	1H10	5	41 - 59
L57260	7B6	7	92 - 23	L57621	3B20	14	53 - 35	L57840	7B4	10	92 - 21
L57261	7B4	2	92 - 21	L57621	3E2	16	53 - 91	L57847	7B4	11	92 - 21
L57262	7B4	5	92 - 21	L57622	3E2	22	53 - 91	L57850	1E12	7	30 - 47
L57263	7B4	3	92 - 21	L57635	5G21	3	73 - 37	L57858	5C24	1	71 - 67
L57264	7B2	6	92 - 19	L57636	5D9	3	71 - 79	L57865	7A23	17	92 - 15
L57265	7B15	18	92 - 32	L57645	7D6	6	93 - 25	L57866	7A23	17	92 - 15
L57266	7B15	23	92 - 32	L57646	7D6	5	93 - 25	L57872	5G11	9	73 - 27
L57267	7B15	20	92 - 32	L57649	7D6	6	93 - 25	L57873	7A14	18	92 - 5
L57270	7B8	12	92 - 25	L57650	7D6	5	93 - 25	L57873	7B2	1	92 - 19
L57270	7B8	13	92 - 25	L57651	7D18	42	93 - 37	L57874	5D9	11	71 - 79
L57270	7B8	14	92 - 25	L57652	7D18	41	93 - 37	L57879	3G3	4	54 - 3
L57270	7B8	16	92 - 25	L57658	3C4	10	53 - 43	L57880	7B2	16	92 - 19
L57270	7B8	..	92 - 25	L57658	3E22	8	53 - 111	L57881	7B6	8	92 - 23
L57272	7B15	24	92 - 32	L57686	6D9	1	81 - 21	L57882	7B6	3	92 - 23
L57273	7B15	21	92 - 32	L57686	6D9	19	81 - 21	L57883	7B2	21	92 - 19
L57274	7B15	17	92 - 32	L57686	6D9	23	81 - 21	L57884	7B20	15	92 - 37
L57280	7A16	29	92 - 7	L57725	6D9	19	81 - 21	L57885	7B20	15	92 - 37
L57282	7A16	26	92 - 7	L57725	6D9	21	81 - 21	L57886	7B20	15	92 - 37
L57282	7A25	30	92 - 17	L57732	2E22	12	52 - 35	L57887	3B16	2	53 - 31
L57283	7A16	25	92 - 7	L57732	2E24	10	52 - 37	L57888	7B6	10	92 - 23
L57283	7A25	31	92 - 17	L57732	2F1	3	52 - 39	L57888	7B6	11	92 - 23
L57284	7A25	37	92 - 17	L57732	3C12	12	53 - 51	L57888	7B6	..	92 - 23
L57285	7A25	33	92 - 17	L57732	3C14	9	53 - 53	L57889	7B6	6	92 - 23
L57286	1E6	2	30 - 39	L57802	7B8	1	92 - 25	L57890	7B8	4	92 - 19
L57286	3B8	2	53 - 23	L57811	7C3	12	92 - 46	L57891	7A12	3	92 - 3
L57290	7A16	38	92 - 7	L57812	7C3	13	92 - 46	L57895	7G23	5	94 - 19
L57300	7B4	16	92 - 21	L57813	7C3	9	92 - 46	L57908	7A18	21	92 - 9
L57302	4G8	5	63 - 5	L57814	7A19	5	92 - 10	L57909	7A18	34	92 - 9
L57302	4G10	12	63 - 7	L57815	7A19	6	92 - 10	L57912	7A23	11	92 - 15
L57304	1D8	26	30 - 15	L57816	7C4	7	92 - 47	L57913	7A23	11	92 - 15
L57310	4B24	3	55 - 43	L57817	7A18	20	92 - 9	L57914	6H18	26	82 - 33
L57310	6D15	20	81 - 27	L57818	7A18	18	92 - 9	L57920	7A14	22	92 - 5
L57310	6D17	20	81 - 29	L57819	7A18	19	92 - 9	L57920	7A14	23	92 - 5
L57310	6D18	2	81 - 30	L57820	7A19	7	92 - 10	L57921	7B2	2	92 - 19
L57310	6D19	9	81 - 31	L57821	7A25	14	92 - 17	L57922	7B2	19	92 - 19
L57352	4G8	12	63 - 5	L57822	7A16	3	92 - 7	L57923	7B2	15	92 - 19
L57352	4G10	18	63 - 7	L57822	7A25	43	92 - 17	L57924	7B2	17	92 - 19
L57361	5H11	13	73 - 53	L57823	7A16	14	92 - 7	L57925	7B2	14	92 - 19
L57362	5H11	15	73 - 53	L57823	7A18	12	92 - 9	L57939	7A18	26	92 - 9
L57412	6B7	11	74 - 25	L57823	7A23	13	92 - 15	L57940	7A18	22	92 - 9
L57412	6B9	21	74 - 27	L57823	7A25	35	92 - 17	L57940	7A25	45	92 - 17
L57412	6B17	18	74 - 37	L57824	7A16	10	92 - 7	L57942	7A16	20	92 - 7
L57413	6B7	1	74 - 25	L57824	7A18	27	92 - 9	L57942	7A25	7	92 - 17
L57413	6B9	1	74 - 27	L57824	7A25	2	92 - 17	L57945	7A16	35	92 - 7
L57413	6B17	41	74 - 37	L57824	7I17	11	94 - 65	L57945	7A25	22	92 - 17
L57420	7H17	36	94 - 39	L57825	7A16	19	92 - 7	L57946	7A14	4	92 - 5
L57470	7I2	14	94 - 49	L57825	7A25	6	92 - 17	L57947	7A12	2	92 - 3
L57479	3H10	16	54 - 35	L57826	7A16	18	92 - 7	L57948	7A12	7	92 - 3
L57517	1G21	7	41 - 45	L57826	7A23	16	92 - 15	L57949	6F22	6	81 - 85
L57555	3E6	9	53 - 95	L57826	7A25	9	92 - 17	L57950	6F22	6	81 - 85
L57555	3E8	12	53 - 97	L57827	7A16	9	92 - 7	L57963	6D9	1	81 - 21
L57555	3E10	9	53 - 99	L57827	7A18	11	92 - 9	L57963	6D9	19	81 - 21
L57555	3E12	12	53 - 101	L57827	7A23	15	92 - 15	L57963	6D9	27	81 - 21
L57555	3E14	9	53 - 103	L57827	7A25	1	92 - 17	L57976	7C24	32	93 - 19
L57555	3E16	12	53 - 105	L57828	7A16	8	92 - 7	L57977	7C24	32	93 - 19
L57559	1C7	4	20 - 49	L57828	7A18	9	92 - 9	L57983	2E22	7	52 - 35
L57565	6G7	15	81 - 95	L57828	7A23	14	92 - 15	L57983	2E24	5	52 - 37
L57565	6G9	15	81 - 97	L57828	7A25	13	92 - 17	L57983	3C12	7	53 - 51
L57565	6G11	9	81 - 99	L57829	7A16	17	92 - 7	L57983	3C14	5	53 - 53
L57568	6G20	7	82 - 8	L57829	7A18	3	92 - 9	L57986	7C22	2	93 - 17
L57595	6D2	9	81 - 13	L57829	7A23	19	92 - 15	L57986	7F16	7	93 - 85
L57595	6D4	22	81 - 15	L57829	7A25	10	92 - 17	L57987	4A21	1	55 - 13

1L1

1640, 2040, 2040S TRACTORS (430000-)

NUMERICAL INDEX - CONTINUED

PART NO.	GRID	KEY	PAGE	PART NO.	GRID	KEY	PAGE	PART NO.	GRID	KEY	PAGE
L58056	3F2	14	53 - 115	L58443	7B4	..	92 - 21	L58669	7G23	13	94 - 19
L58107	3E4	11	53 - 93	L58443	7B8	26	92 - 25	L58669	7H18	8	94 - 41
L58108	3E4	11	53 - 93	L58443	7B8	..	92 - 25	L58671	1E7	1	30 - 41
L58109	3E4	11	53 - 93	L58444	7B4	..	92 - 21	L58679	7F2	13	93 - 71
L58110	3E4	11	53 - 93	L58448	7B6	2	92 - 23	L58679	7F2	24	93 - 71
L58111	3E4	11	53 - 93	L58448	7B6	..	92 - 23	L58684	7E22	18	93 - 67
L58112	3E4	11	53 - 93	L58448	7B22	15	92 - 39	L58721	3E4	12	53 - 93
L58113	3E4	11	53 - 93	L58448	7B22	..	92 - 39	L58722	3E18	17	53 - 107
L58114	3E4	11	53 - 93	L58449	5C24	21	71 - 67	L58722	3E20	16	53 - 109
L58115	3E4	11	53 - 93	L58450	7B4	14	92 - 21	L58743	2B23	4	42 - 42
L58118	3E4	11	53 - 93	L58450	7B4	..	92 - 21	L58744	1F14	4	41 - 13
L58119	3E4	11	53 - 93	L58450	7B8	17	92 - 25	L58745	2B13	39	42 - 31
L58120	3E4	11	53 - 93	L58450	7B8	..	92 - 25	L58745	2B25	5	42 - 45
L58121	3E4	11	53 - 93	L58456	7A23	7	92 - 15	L58747	1H6	3	41 - 55
L58124	7C10	4	93 - 4	L58456	7A25	19	92 - 17	L58826	5C20	4	71 - 63
L58125	5H9	5	73 - 51	L58457	7A18	35	92 - 9	L58879	6E15	15	81 - 53
L58149	7H8	6	94 - 30	L58463	7A14	22	92 - 5	L58880	6E15	15	81 - 53
L58149	7H9	3	94 - 31	L58463	7A14	23	92 - 5	L58881	6E15	15	81 - 53
L58191	7H4	22	94 - 25	L58476	7B15	3	92 - 32	L58882	6E15	15	81 - 53
L58191	7H6	43	94 - 27	L58480	6F22	14	81 - 85	L58886	6H18	28	82 - 33
L58192	7G25	9	94 - 21	L58482	4C14	22	61 - 7	L58896	7E9	25	93 - 53
L58192	7H2	7	94 - 23	L58483	4C14	20	61 - 7	L58897	7E9	32	93 - 53
L58192	7H4	11	94 - 25	L58484	4C10	17	61 - 3	L58900	7B20	12	92 - 37
L58194	7H4	45	94 - 25	L58485	7B18	2	92 - 35	L58901	7B22	9	92 - 39
L58194	7H6	9	94 - 27	L58496	6H3	2	82 - 18	L58902	7B18	19	92 - 35
L58194	7H15	11	94 - 37	L58504	4G22	25	63 - 19	L58912	7B18	3	92 - 35
L58195	7H4	9	94 - 25	L58517	4G22	18	63 - 19	L58913	7B18	4	92 - 35
L58195	7H6	7	94 - 27	L58532	6H18	24	82 - 33	L58914	7B18	1	92 - 35
L58196	7H4	13	94 - 25	L58574	6D7	5	81 - 18	L58915	7A16	39	92 - 7
L58197	7H4	44	94 - 25	L58575	6D7	1	81 - 18	L58915	7A16	..	92 - 7
L58197	7H6	3	94 - 27	L58592	1H23	4	41 - 74	L58915	7A18	10	92 - 9
L58197	7H15	1	94 - 37	L58593	1H23	4	41 - 74	L58915	7A18	..	92 - 9
L58198	7H15	24	94 - 37	L58594	5B25	5	71 - 41	L58915	7A23	10	92 - 15
L58199	1G25	16	41 - 49	L58600	2F22	6	52 - 60	L58915	7A23	..	92 - 15
L58200	1G25	14	41 - 49	L58600	3E24	6	53 - 113	L58915	7A25	38	92 - 17
L58217	7G22	2	94 - 18	L58603	6F18	15	81 - 81	L58915	7A25	..	92 - 17
L58217	7H8	5	94 - 30	L58604	6F18	15	81 - 81	L58924	7A19	2	92 - 10
L58217	7H9	2	94 - 31	L58605	6F22	20	81 - 85	L58925	7A19	2	92 - 10
L58217	7I7	14	94 - 54	L58606	6F22	20	81 - 85	L58928	6F18	9	81 - 81
L58256	7E11	13	93 - 55	L58610	7A14	3	92 - 5	L58928	6F22	3	81 - 85
L58302	5D6	6	71 - 75	L58613	7B15	14	92 - 32	L58938	7B11	5	92 - 28
L58310	5B2	28	71 - 17	L58614	6F22	15	81 - 85	L58938	7B12	6	92 - 29
L58310	5B2	41	71 - 17	L58614	6G3	13	81 - 91	L58938	7B13	5	92 - 30
L58310	5B8	27	71 - 23	L58615	6G3	9	81 - 91	L58938	7B14	6	92 - 31
L58310	5B8	41	71 - 23	L58616	7B22	1	92 - 39	L58939	6F18	9	81 - 81
L58310	5B12	27	71 - 27	L58617	7B2	11	92 - 19	L58939	6F22	3	81 - 85
L58310	5B12	41	71 - 27	L58618	7B2	12	92 - 19	L58940	7F4	18	93 - 73
L58322	4G22	15	63 - 19	L58621	6G3	13	81 - 91	L58940	7F4	20	93 - 73
L58323	5D6	5	71 - 75	L58629	7B8	5	92 - 25	L58941	7B12	5	92 - 29
L58326	5D7	3	71 - 76	L58632	7B22	16	92 - 39	L58941	7B14	5	92 - 31
L58339	1F14	8	41 - 13	L58633	7B22	16	92 - 39	L58942	6F18	16	81 - 81
L58339	1F16	9	41 - 15	L58647	7B22	1	92 - 39	L58944	7B12	15	92 - 29
L58372	6D7	2	81 - 18	L58655	1F20	18	41 - 19	L58947	4H8	15	63 - 29
L58389	5D19	14	71 - 89	L58655	1F22	12	41 - 21	L58947	4H10	15	63 - 31
L58389	5D21	9	71 - 91	L58655	1F24	2	41 - 23	L58948	6H6	20	82 - 21
L58400	7I12	2	94 - 59	L58657	3B20	11	53 - 35	L58955	3H10	17	54 - 35
L58406	1E12	11	30 - 47	L58657	3E2	12	53 - 91	L58955	3H14	13	54 - 39
L58407	7B18	2	92 - 35	L58658	3B20	13	53 - 35	L58956	7F10	7	93 - 79
L58408	7B18	2	92 - 35	L58658	3E2	10	53 - 91	L59014	5G19	24	73 - 35
L58411	7B22	8	92 - 39	L58659	3B20	12	53 - 35	L59028	2D2	2	51 - 25
L58412	7B20	13	92 - 37	L58659	3E2	11	53 - 91	L59040	6H18	25	82 - 33
L58415	7B18	20	92 - 35	L58665	5D2	2	71 - 70	L59052	5D4	20	71 - 73
L58416	7B18	17	92 - 35	L58669	5E5	5	72 - 5	L59058	7I17	8	94 - 65
L58417	7A18	4	92 - 9	L58669	5E7	5	72 - 7	L59150	7B18	16	92 - 35
L58431	2D8	11	51 - 31	L58669	5E24	11	72 - 25	L59151	7B18	15	92 - 35
L58442	7A18	29	92 - 9	L58669	5F2	11	72 - 27	L59155	6F18	19	81 - 81
L58443	7B4	21	92 - 21	L58669	7G15	7	94 - 11	L59156	6F18	19	81 - 81

1L2

1640, 2040, 2040S TRACTORS (430000-)

NUMERICAL INDEX - CONTINUED

PART NO.	GRID	KEY	PAGE	PART NO.	GRID	KEY	PAGE	PART NO.	GRID	KEY	PAGE
L59157	1H13	12	41 - 63	L59796	7B12	11	92 - 29	L60523	1C7	33	20 - 49
L59159	5D7	12	71 - 76	L59796	7B12	..	92 - 29	L60542	3C25	23	53 - 65
L59175	7B18	7	92 - 35	L59796	7B13	8	92 - 30	L60542	3D4	29	53 - 69
L59175	7C14	1	93 - 9	L59796	7B13	10	92 - 30	L60542	3H18	23	54 - 43
L59176	7B20	..	92 - 37	L59796	7B13	..	92 - 30	L60543	3C25	23	53 - 65
L59179	7C2	15	92 - 45	L59796	7B14	9	92 - 31	L60543	3D4	29	53 - 69
L59180	5D6	17	71 - 75	L59796	7B14	11	92 - 31	L60543	3H6	23	54 - 31
L59181	2B17	30	42 - 35	L59796	7B14	..	92 - 31	L60544	3C23	23	53 - 63
L59181	2B19	4	42 - 37	L59796	7B20	8	92 - 37	L60544	3D2	29	53 - 67
L59186	7B15	5	92 - 32	L59796	7B20	..	92 - 37	L60544	3H4	17	54 - 29
L59197	2B17	32	42 - 35	L59800	6F18	20	81 - 81	L60545	3C23	23	53 - 63
L59198	7B15	7	92 - 32	L59822	5C22	10	71 - 65	L60545	3D2	29	53 - 67
L59202	6H12	15	82 - 27	L59822	5C22	26	71 - 65	L60545	3H2	11	54 - 27
L59305	2E16	11	52 - 29	L59822	5C24	27	71 - 67	L60545	3H2	14	54 - 27
L59305	3B22	11	53 - 37	L59822	5C24	31	71 - 67	L60548	3C23	24	53 - 63
L59376	5D6	13	71 - 75	L59822	5D1	12	71 - 69	L60548	3C25	24	53 - 65
L59382	6H10	8	82 - 25	L59830	2E16	4	52 - 29	L60548	3D2	30	53 - 67
L59382	6H10	9	82 - 25	L59830	3B10	20	53 - 25	L60548	3D4	30	53 - 69
L59382	6H10	14	82 - 25	L59830	3B22	4	53 - 37	L60548	3D23	4	53 - 88
L59456	7B15	13	92 - 32	L59886	1C7	32	20 - 49	L60548	3D24	4	53 - 89
L59462	6F18	23	81 - 81	L59919	6D19	5	81 - 31	L60548	3H2	11	54 - 27
L59462	7B2	15	92 - 19	L59927	2B11	38	42 - 29	L60548	3H2	13	54 - 27
L59462	7B2	23	92 - 19	L59927	2B13	44	42 - 31	L60548	3H4	16	54 - 29
L59463	5E11	18	72 - 11	L59956	7C18	22	93 - 13	L60548	3H6	22	54 - 31
L59463	5E13	23	72 - 13	L59956	7C18	23	93 - 13	L60548	3H18	22	54 - 43
L59587	7I17	20	94 - 65	L59956	7C18	24	93 - 13	L60559	3E4	1	53 - 93
L59614	7C20	5	93 - 15	L59956	7C18	27	93 - 13	L60559	3E4	4	53 - 93
L59618	7D8	21	93 - 27	L60038	1C25	18	30 - 7	L60559	3E6	2	53 - 95
L59618	7D16	17	93 - 35	L60093	4C2	1	55 - 47	L60559	3E8	2	53 - 97
L59635	7B2	15	92 - 19	L60093	4C2	11	55 - 47	L60559	3E10	2	53 - 99
L59635	7B2	22	92 - 19	L60162	5D19	24	71 - 89	L60559	3E12	2	53 - 101
L59709	7B15	6	92 - 32	L60163	5B25	4	71 - 41	L60559	3E14	2	53 - 103
L59747	7A14	2	92 - 5	L60167	1H2	19	41 - 51	L60559	3E16	2	53 - 105
L59747	7A14	..	92 - 5	L60167	1H2	22	41 - 51	L60560	3E4	2	53 - 93
L59747	7B10	2	92 - 27	L60170	5C22	13	71 - 65	L60560	3E4	4	53 - 93
L59747	7B10	3	92 - 27	L60170	5C22	26	71 - 65	L60560	3E6	3	53 - 95
L59747	7B10	12	92 - 27	L60170	5C24	4	71 - 67	L60560	3E8	3	53 - 97
L59747	7B10	..	92 - 27	L60170	5C24	31	71 - 67	L60560	3E10	3	53 - 99
L59747	7B11	2	92 - 28	L60170	5D1	2	71 - 69	L60560	3E12	3	53 - 101
L59747	7B11	3	92 - 28	L60313	7B2	1	92 - 19	L60560	3E14	3	53 - 103
L59747	7B11	14	92 - 28	L60329	6H8	17	82 - 23	L60560	3E16	3	53 - 105
L59747	7B11	..	92 - 28	L60343	7B22	8	92 - 39	L60563	7E11	13	93 - 55
L59747	7B12	2	92 - 29	L60354	3C10	3	53 - 49	L60593	3C23	2	53 - 63
L59747	7B12	3	92 - 29	L60387	3E6	14	53 - 95	L60593	3C25	2	53 - 65
L59747	7B12	16	92 - 29	L60387	3E8	17	53 - 97	L60594	3D16	1	53 - 81
L59747	7B12	..	92 - 29	L60387	3E10	14	53 - 99	L60594	3D18	1	53 - 83
L59747	7B13	2	92 - 30	L60387	3E12	17	53 - 101	L60631	1C25	3	30 - 7
L59747	7B13	3	92 - 30	L60387	3E14	14	53 - 103	L60636	5D22	7	71 - 92
L59747	7B13	14	92 - 30	L60387	3E16	17	53 - 105	L60638	4G22	26	63 - 19
L59747	7B13	..	92 - 30	L60470	5D7	3	71 - 76	L60667	4H6	16	63 - 27
L59747	7B14	2	92 - 31	L60484	6H8	20	82 - 23	L60747	4C2	19	55 - 47
L59747	7B14	3	92 - 31	L60511	1D17	8	30 - 24	L60748	4B24	16	55 - 43
L59747	7B14	16	92 - 31	L60517	6F8	3	81 - 71	L60761	7B24	18	92 - 42
L59747	7B14	..	92 - 31	L60519	3C4	10	53 - 43	L60762	7B24	17	92 - 42
L59749	6F18	18	81 - 81	L60519	3E8	1	53 - 97	L60763	7B24	19	92 - 42
L59750	6F18	18	81 - 81	L60519	3E12	1	53 - 101	L60764	7B24	16	92 - 42
L59791	6F18	25	81 - 81	L60519	3E16	1	53 - 105	L60765	7B24	6	92 - 42
L59791	6F18	..	81 - 81	L60520	3C4	10	53 - 43	L60766	7B24	14	92 - 42
L59796	7A14	16	92 - 5	L60520	3E8	1	53 - 97	L60767	7B24	5	92 - 42
L59796	7A14	..	92 - 5	L60520	3E12	1	53 - 101	L60768	7B24	15	92 - 42
L59796	7B8	9	92 - 25	L60520	3E16	1	53 - 105	L60769	7B24	8	92 - 42
L59796	7B8	10	92 - 25	L60521	6G7	13	81 - 95	L60770	7B24	9	92 - 42
L59796	7B8	..	92 - 25	L60521	6G9	13	81 - 97	L60771	7B24	10	92 - 42
L59796	7B11	8	92 - 28	L60521	6G11	7	81 - 99	L60772	7B24	12	92 - 42
L59796	7B11	10	92 - 28	L60522	6G7	14	81 - 95	L60773	7B24	11	92 - 42
L59796	7B11	..	92 - 28	L60522	6G9	14	81 - 97	L60777	7B24	3	92 - 42
L59796	7B12	9	92 - 29	L60522	6G11	8	81 - 99	L60778	7B24	2	92 - 42

1L3

1640, 2040, 2040S TRACTORS (430000-)

NUMERICAL INDEX - CONTINUED

PART NO.	GRID	KEY	PAGE	PART NO.	GRID	KEY	PAGE	PART NO.	GRID	KEY	PAGE
L60779	7A21	3	92 - 13	L61610	7I2	12	94 - 49	L61964	2E3	13	52 - 15
L60780	7A21	2	92 - 13	L61611	7I2	17	94 - 49	L61964	2E5	12	52 - 17
L60781	7B25	5	92 - 43	L61612	7I6	16	94 - 53	L61964	3A22	13	53 - 13
L60784	7B25	4	92 - 43	L61613	7I6	2	94 - 53	L61964	3A24	12	53 - 15
L60787	5D7	5	71 - 76	L61614	7I6	33	94 - 53	L61964	3B4	16	53 - 19
L60802	5D7	4	71 - 76	L61615	7I2	16	94 - 49	L61965	4G8	16	63 - 5
L60802	5D7	17	71 - 76	L61616	7I2	19	94 - 49	L61965	4G10	11	63 - 7
L60858	7B15	14	92 - 32	L61620	7I6	3	94 - 53	L61965	4G12	11	63 - 9
L60890	2F11	8	52 - 49	L61626	7H22	53	94 - 45	L61966	3C7	15	53 - 46
L60890	4G4	3	63 - 1	L61627	7I2	11	94 - 49	L61983	1E6	11	30 - 39
L60924	6E5	28	81 - 43	L61680	7I2	24	94 - 49	L62037	5E11	18	72 - 11
L61040	6C10	4	74 - 56	L61681	7I2	26	94 - 49	L62037	5E11	20	72 - 11
L61117	7A16	24	92 - 7	L61690	3B16	28	53 - 31	L62037	5E13	23	72 - 13
L61117	7A16	..	92 - 7	L61692	1F20	22	41 - 19	L62037	5E13	24	72 - 13
L61117	7A25	36	92 - 17	L61692	1F22	14	41 - 21	L62039	7A19	5	92 - 10
L61117	7A25	..	92 - 17	L61692	1F24	1	41 - 23	L62122	4E24	7	62 - 55
L61187	6H8	18	82 - 23	L61748	7I6	28	94 - 53	L62122	4E24	20	62 - 55
L61188	6H8	19	82 - 23	L61769	7B4	12	92 - 21	L62122	4F4	7	62 - 59
L61201	4C2	1	55 - 47	L61769	7B4	13	92 - 21	L62122	4F4	26	62 - 59
L61202	4C2	1	55 - 47	L61769	7B4	21	92 - 21	L62122	4F8	7	62 - 63
L61207	4C5	4	55 - 50	L61769	7B4	..	92 - 21	L62122	4F8	22	62 - 63
L61276	6F3	3	81 - 66	L61828	2E20	18	52 - 33	L62122	4F15	5	62 - 71
L61277	6F3	3	81 - 66	L61828	3C2	18	53 - 41	L62122	4F15	21	62 - 71
L61281	6G5	5	81 - 93	L61843	1F16	22	41 - 15	L62122	4F19	13	62 - 75
L61281	6G5	9	81 - 93	L61844	1F10	12	41 - 9	L62122	4F19	16	62 - 75
L61282	6G5	5	81 - 93	L61844	1F16	12	41 - 15	L62122	4F21	11	62 - 77
L61287	5D6	17	71 - 75	L61845	1F16	4	41 - 15	L62122	4F21	15	62 - 77
L61301	2D10	9	51 - 33	L61849	6A16	4	74 - 7	L62122	4G1	6	62 - 82
L61301	2D10	45	51 - 33	L61849	6A18	9	74 - 9	L62122	4G1	8	62 - 82
L61302	4H12	24	63 - 33	L61850	4G22	5	63 - 19	L62122	5C19	19	71 - 61
L61303	7I2	7	94 - 49	L61890	5F12	35	73 - 3	L62122	5C19	21	71 - 61
L61307	5G21	16	73 - 37	L61890	5F12	36	73 - 3	L62134	7H4	13	94 - 25
L61307	6B4	15	74 - 21	L61890	5F14	15	73 - 5	L62134	7H6	13	94 - 27
L61319	6B4	4	74 - 21	L61890	5F14	22	73 - 5	L62135	7H15	36	94 - 37
L61321	7I12	1	94 - 59	L61890	5F16	27	73 - 7	L62135	7H17	30	94 - 39
L61321	7I17	1	94 - 65	L61890	5F16	28	73 - 7	L62143	7H6	5	94 - 27
L61329	7I17	21	94 - 65	L61890	5F20	15	73 - 11	L62143	7H7	7	94 - 28
L61332	7I17	15	94 - 65	L61890	5F20	22	73 - 11	L62149	7H7	10	94 - 28
L61340	7E5	2	93 - 49	L61890	5F24	37	73 - 15	L62151	7G25	6	94 - 21
L61340	7E5	42	93 - 49	L61890	5F24	38	73 - 15	L62151	7H2	5	94 - 23
L61344	7E5	2	93 - 49	L61890	5G2	15	73 - 17	L62151	7H4	50	94 - 25
L61344	7E5	41	93 - 49	L61890	5G2	21	73 - 17	L62158	3C23	25	53 - 63
L61346	7D6	2	93 - 25	L61909	6G3	22	81 - 91	L62158	3C25	25	53 - 65
L61347	7D6	1	93 - 25	L61910	6G3	22	81 - 91	L62158	3D2	31	53 - 67
L61428	4C4	4	55 - 49	L61918	2C12	37	51 - 9	L62158	3D4	31	53 - 69
L61434	4C14	40	61 - 7	L61918	3D6	30	53 - 71	L62158	3D16	19	53 - 81
L61468	7I2	14	94 - 49	L61918	3D20	32	53 - 85	L62158	3D18	19	53 - 83
L61477	7H17	38	94 - 39	L61920	2C10	7	51 - 6	L62161	2E12	42	52 - 25
L61488	7H7	8	94 - 28	L61922	3C19	1	53 - 59	L62161	2E14	42	52 - 27
L61489	7H7	3	94 - 28	L61922	3C21	1	53 - 61	L62161	3B14	42	53 - 29
L61496	3D2	24	53 - 67	L61922	3C23	1	53 - 63	L62225	5F12	1	73 - 3
L61496	3D4	24	53 - 69	L61922	3C23	2	53 - 63	L62225	5F12	36	73 - 3
L61496	3D6	24	53 - 71	L61922	3C25	1	53 - 65	L62225	5F14	14	73 - 5
L61496	3D20	24	53 - 85	L61922	3C25	2	53 - 65	L62225	5F14	22	73 - 5
L61496	3E4	9	53 - 93	L61922	3D2	1	53 - 67	L62225	5F16	1	73 - 7
L61554	7G13	40	94 - 9	L61922	3D2	2	53 - 67	L62225	5F16	28	73 - 7
L61599	7I2	15	94 - 49	L61922	3D4	1	53 - 69	L62225	5F20	14	73 - 11
L61601	7I2	10	94 - 49	L61922	3D4	2	53 - 69	L62225	5F20	22	73 - 11
L61602	7I2	9	94 - 49	L61922	3D6	1	53 - 71	L62225	5F24	1	73 - 15
L61603	4C24	42	62 - 5	L61922	3D6	2	53 - 71	L62225	5F24	38	73 - 15
L61603	4D2	40	62 - 7	L61922	3D6	32	53 - 71	L62225	5G2	14	73 - 17
L61604	7I6	12	94 - 53	L61922	3D20	34	53 - 85	L62225	5G2	21	73 - 17
L61605	7I6	12	94 - 53	L61922	3G11	11	54 - 11	L62228	5D1	11	71 - 69
L61606	7I6	13	94 - 53	L61922	3G13	4	54 - 13	L62229	5D1	15	71 - 69
L61607	7I2	8	94 - 49	L61961	4G20	26	63 - 17	L62245	1H19	13	41 - 69
L61608	7I6	10	94 - 53	L61962	4C18	4	61 - 12	L62253	3F4	9	53 - 117
L61609	7I6	10	94 - 53	L61963	2C12	4	51 - 9	L62253	3F16	23	53 - 129

1L4

1640, 2040, 2040S TRACTORS (430000-)

NUMERICAL INDEX - CONTINUED

PART NO.	GRID	KEY	PAGE	PART NO.	GRID	KEY	PAGE	PART NO.	GRID	KEY	PAGE
L62259	4B24	15	55 - 43	L62643	4C14	21	61 - 7	L62960	3C6	25	53 - 45
L62260	4B24	18	55 - 43	L62644	2F13	1	52 - 51	L62994	2D10	3	51 - 33
L62272	2E12	43	52 - 25	L62675	1C9	7	20 - 51	L62994	3H12	32	54 - 37
L62272	2E14	43	52 - 27	L62676	7B6	6	92 - 23	L62994	3H14	11	54 - 39
L62272	3B14	43	53 - 29	L62679	2D7	10	51 - 30	L63060	7I12	3	94 - 59
L62343	4C10	17	61 - 3	L62679	2D7	13	51 - 30	L63060	7I12	15	94 - 59
L62343	4C10	24	61 - 3	L62679	2D8	8	51 - 31	L63103	7E3	36	93 - 47
L62368	2C12	13	51 - 9	L62679	2D8	13	51 - 31	L63125	4C2	4	55 - 47
L62368	4G12	11	63 - 9	L62751	5H1	8	73 - 43	L63126	4C2	4	55 - 47
L62368	4G13	7	63 - 10	L62751	5H9	6	73 - 51	L63140	3C14	17	53 - 53
L62368	4G14	6	63 - 11	L62751	5H10	11	73 - 52	L63140	3C14	19	53 - 53
L62369	3H21	15	54 - 46	L62751	5H11	5	73 - 53	L63140	3C14	22	53 - 53
L62369	4A24	15	55 - 16	L62751	6B14	2	74 - 33	L63154	3C12	17	53 - 51
L62405	5C2	22	71 - 43	L62773	2C9	1	51 - 5	L63154	3C12	19	53 - 51
L62405	5C4	5	71 - 45	L62773	3C6	1	53 - 45	L63154	3C12	21	53 - 51
L62406	3F19	4	53 - 133	L62773	3C6	2	53 - 45	L63188	2F20	10	52 - 58
L62406	3F19	11	53 - 133	L62773	3C6	25	53 - 45	L63188	2F20	12	52 - 58
L62406	3F21	13	53 - 135	L62773	3C6	35	53 - 45	L63222	3H19	5	54 - 44
L62406	3F21	21	53 - 135	L62815	2D17	3	52 - 3	L63340	5E24	9	72 - 25
L62421	3A24	12	53 - 15	L62815	2D21	6	52 - 7	L63340	5E24	20	72 - 25
L62421	3B2	12	53 - 17	L62815	2D21	9	52 - 7	L63340	5F2	9	72 - 27
L62422	4C10	12	61 - 3	L62815	2D21	10	52 - 7	L63340	5F2	30	72 - 27
L62422	4C15	9	61 - 8	L62815	2D21	12	52 - 7	L63344	5E3	25	72 - 3
L62424	2C10	12	51 - 6	L62815	2D21	15	52 - 7	L63344	5E7	37	72 - 7
L62428	4A21	6	55 - 13	L62815	2F3	1	52 - 41	L63354	3B2	3	53 - 17
L62441	1D4	7	30 - 11	L62815	2F5	1	52 - 43	L63387	2C12	13	51 - 9
L62442	5A15	30	71 - 5	L62815	2F7	1	52 - 45	L63387	4G12	11	63 - 9
L62442	5A17	30	71 - 7	L62815	2F9	1	52 - 47	L63387	4G13	7	63 - 10
L62442	5A23	30	71 - 13	L62815	3A13	3	53 - 3	L63387	4G14	6	63 - 11
L62443	2F11	2	52 - 49	L62815	3A15	6	53 - 5	L63425	7E3	22	93 - 47
L62444	2F11	2	52 - 49	L62815	3A15	9	53 - 5	L63429	4G6	17	63 - 3
L62445	3C23	2	53 - 63	L62815	3A15	10	53 - 5	L63431	3E6	16	53 - 95
L62445	3C25	2	53 - 65	L62815	3A15	12	53 - 5	L63431	3E10	22	53 - 99
L62445	3D2	2	53 - 67	L62815	3A15	15	53 - 5	L63431	3E14	21	53 - 103
L62445	3D4	2	53 - 69	L62815	3C19	1	53 - 59	L63453	2C16	7	51 - 13
L62445	3D6	2	53 - 71	L62815	3C21	1	53 - 61	L63453	2C16	..	51 - 13
L62446	3D20	2	53 - 85	L62818	3F16	9	53 - 129	L63503	6H19	8	82 - 34
L62449	3G11	25	54 - 11	L62819	3F16	35	53 - 129	L63521	1F20	18	41 - 19
L62485	7H11	5	94 - 33	L62830	2F11	8	52 - 49	L63521	1F22	12	41 - 21
L62485	7H13	20	94 - 35	L62830	3C23	2	53 - 63	L63521	1F24	2	41 - 23
L62500	1C25	24	30 - 7	L62830	3C25	2	53 - 65	L63537	5G7	10	73 - 23
L62506	4C14	20	61 - 7	L62830	3D2	28	53 - 67	L63537	5G9	11	73 - 25
L62506	4C14	40	61 - 7	L62830	3D4	28	53 - 69	L63537	5G11	4	73 - 27
L62506	4C14	44	61 - 7	L62830	3D6	33	53 - 71	L63537	5G15	8	73 - 31
L62507	5C19	4	71 - 61	L62830	3D20	28	53 - 85	L63537	5G16	6	73 - 32
L62507	5C19	22	71 - 61	L62830	4G4	3	63 - 1	L63537	5G17	6	73 - 33
L62534	5D1	14	71 - 69	L62835	6D9	5	81 - 21	L63537	6A18	6	74 - 9
L62535	3D23	3	53 - 88	L62836	4B24	3	55 - 43	L63537	6A22	9	74 - 13
L62535	3D24	3	53 - 89	L62836	6D15	20	81 - 27	L63537	7B6	13	92 - 23
L62564	4H14	9	63 - 35	L62836	6D17	20	81 - 29	L63537	7E3	23	93 - 47
L62574	7C21	3	93 - 16	L62836	6D18	2	81 - 30	L63537	7E5	26	93 - 49
L62574	7C22	3	93 - 17	L62836	6D19	9	81 - 31	L63538	4E14	6	62 - 45
L62575	7C21	4	93 - 16	L62839	6D9	5	81 - 21	L63538	4E14	39	62 - 45
L62575	7C22	4	93 - 17	L62874	1F25	3	41 - 24	L63538	4E16	6	62 - 47
L62576	7C21	3	93 - 16	L62875	1F25	2	41 - 24	L63538	4E16	37	62 - 47
L62577	7C21	4	93 - 16	L62877	1F25	4	41 - 24	L63538	4E18	8	62 - 49
L62606	4H6	1	63 - 27	L62883	4G6	14	63 - 3	L63538	4E18	36	62 - 49
L62606	4H8	1	63 - 29	L62898	2F13	9	52 - 51	L63538	4E20	6	62 - 51
L62606	4H10	1	63 - 31	L62898	3D8	14	53 - 73	L63538	4E20	21	62 - 51
L62606	4H12	1	63 - 33	L62898	3D22	14	53 - 87	L63538	4E22	6	62 - 53
L62619	7I17	6	94 - 65	L62930	3F16	17	53 - 129	L63538	4E22	29	62 - 53
L62641	4C12	4	61 - 5	L62935	7H24	22	94 - 47	L63538	4E24	6	62 - 55
L62641	4C12	41	61 - 5	L62951	3F16	28	53 - 129	L63538	4E24	22	62 - 55
L62641	4C14	3	61 - 7	L62954	2E12	27	52 - 25	L63538	4F2	7	62 - 57
L62641	4C14	20	61 - 7	L62954	2E14	27	52 - 27	L63538	4F2	19	62 - 57
L62641	4C14	40	61 - 7	L62954	3B12	27	53 - 27	L63538	4F4	6	62 - 59
L62641	4C14	43	61 - 7	L62954	3B14	27	53 - 29	L63538	4F4	28	62 - 59

1L5

1640, 2040, 2040S TRACTORS (430000-)

NUMERICAL INDEX - CONTINUED

PART NO.	GRID	KEY	PAGE	PART NO.	GRID	KEY	PAGE	PART NO.	GRID	KEY	PAGE
L63538	4F6	7	62 - 61	L64323	1F10	21	41 - 9	L64715	7H13	15	94 - 35
L63538	4F6	25	62 - 61	L64324	1F10	9	41 - 9	L64734	6D19	5	81 - 31
L63540	4A23	5	55 - 15	L64325	1F10	14	41 - 9	L64754	6H8	21	82 - 23
L63540	4A23	40	55 - 15	L64352	7B15	4	92 - 32	L64826	5D6	27	71 - 75
L63540	5A24	10	71 - 14	L64359	4G6	13	63 - 3	L64838	2E20	3	52 - 33
L63540	5B2	42	71 - 17	L64361	4G6	13	63 - 3	L64838	3C2	3	53 - 41
L63540	5B8	42	71 - 23	L64364	3E2	4	53 - 91	L64852	5C12	23	71 - 53
L63540	5B12	44	71 - 27	L64364	3E2	24	53 - 91	L64852	5C14	26	71 - 55
L63578	7H15	32	94 - 37	L64371	1F10	20	41 - 9	L64853	2E3	25	52 - 15
L63659	5E3	5	72 - 3	L64380	3D23	5	53 - 88	L64853	2E5	21	52 - 17
L63659	6C12	6	74 - 58	L64380	3D24	5	53 - 89	L64853	3A22	25	53 - 13
L63670	5E3	30	72 - 3	L64454	6E5	13	81 - 43	L64853	3A24	21	53 - 15
L63670	5E7	32	72 - 7	L64456	3H20	3	54 - 45	L64853	3B2	21	53 - 17
L63705	5E3	29	72 - 3	L64456	3H21	3	54 - 46	L64853	3B4	28	53 - 19
L63705	5E7	36	72 - 7	L64456	4A24	3	55 - 16	L64854	2E3	24	52 - 15
L63731	1F10	15	41 - 9	L64460	4G6	1	63 - 3	L64854	2E5	22	52 - 17
L63732	7B10	5	92 - 27	L64463	4G6	1	63 - 3	L64854	3A22	24	53 - 13
L63733	7B10	10	92 - 27	L64464	4G6	1	63 - 3	L64854	3A24	22	53 - 15
L63756	5E7	18	72 - 7	L64467	4G6	13	63 - 3	L64854	3B2	22	53 - 17
L63758	6D9	23	81 - 21	L64469	4G6	13	63 - 3	L64854	3B4	27	53 - 19
L63825	6D2	3	81 - 13	L64493	6E24	3	81 - 62	L64882	4B7	4	55 - 25
L63825	6D5	7	81 - 16	L64494	5D6	15	71 - 75	L64882	4B9	4	55 - 27
L63826	6D2	3	81 - 13	L64494	5D7	4	71 - 76	L64884	3D23	5	53 - 88
L63826	6D2	6	81 - 13	L64494	6H6	30	82 - 21	L64884	3D24	5	53 - 89
L63826	6D5	7	81 - 16	L64500	6H19	4	82 - 34	L64892	5D6	24	71 - 75
L63826	6D5	8	81 - 16	L64506	5D6	18	71 - 75	L64893	5D6	15	71 - 75
L63845	6C10	5	74 - 56	L64507	5D6	22	71 - 75	L64893	5D7	4	71 - 76
L63859	6H24	16	91 - 3	L64508	5D6	31	71 - 75	L64893	5D7	15	71 - 76
L63868	2E8	9	52 - 21	L64509	5D6	30	71 - 75	L64894	5D6	15	71 - 75
L63868	3B8	9	53 - 23	L64510	5D6	29	71 - 75	L64894	5D7	4	71 - 76
L63908	5C8	3	71 - 49	L64511	5D6	28	71 - 75	L64894	5D7	14	71 - 76
L63938	2F11	2	52 - 49	L64512	5D6	20	71 - 75	L64922	7H20	17	94 - 43
L63939	2F11	2	52 - 49	L64513	5D6	26	71 - 75	L64923	7H20	16	94 - 43
L63940	3D6	2	53 - 71	L64514	5D6	23	71 - 75	L64981	1E11	1	30 - 45
L63941	3D20	2	53 - 85	L64660	7E5	10	93 - 49	L64990	1G1	5	41 - 25
L63944	2F11	8	52 - 49	L64668	1H4	15	41 - 53	L65001	7G22	8	94 - 18
L63944	4G4	3	63 - 1	L64674	7H17	19	94 - 39	L65005	7G22	7	94 - 18
L63977	6H10	13	82 - 25	L64675	7H17	11	94 - 39	L65006	7G22	5	94 - 18
L63982	6H10	12	82 - 25	L64677	7H17	5	94 - 39	L65007	4C24	18	62 - 5
L63984	6H10	12	82 - 25	L64678	7H17	9	94 - 39	L65007	4D2	18	62 - 7
L63985	6H10	12	82 - 25	L64679	7H17	14	94 - 39	L65007	4D4	12	62 - 9
L64105	5C4	7	71 - 45	L64680	7H17	29	94 - 39	L65031	2D17	15	52 - 3
L64105	5C6	10	71 - 47	L64682	7H17	25	94 - 39	L65031	3A13	15	53 - 3
L64119	3E2	4	53 - 91	L64685	7H17	34	94 - 39	L65044	6H2	9	82 - 17
L64119	3E2	24	53 - 91	L64686	7H13	19	94 - 35	L65044	6H2	11	82 - 17
L64120	3E2	4	53 - 91	L64687	7H15	27	94 - 37	L65044	6H2	13	82 - 17
L64120	3E2	24	53 - 91	L64687	7H17	32	94 - 39	L65058	1F6	6	41 - 5
L64121	3E2	4	53 - 91	L64688	7G8	8	94 - 3	L65058	1F8	6	41 - 7
L64122	3E2	24	53 - 91	L64688	7G11	1	94 - 7	L65058	1F10	6	41 - 9
L64122	3E2	24	53 - 91	L64688	7G17	1	94 - 13	L65058	1F12	15	41 - 11
L64144	1H4	10	41 - 53	L64688	7H15	28	94 - 37	L65058	1F14	6	41 - 13
L64145	1H4	11	41 - 53	L64688	7H17	33	94 - 39	L65058	1F16	6	41 - 15
L64214	4C24	1	62 - 5	L64689	7H15	29	94 - 37	L65058	1F18	15	41 - 17
L64214	4D2	1	62 - 7	L64691	7H13	25	94 - 35	L65079	6H8	22	82 - 23
L64214	4D4	25	62 - 9	L64691	7H17	39	94 - 39	L65184	7H22	1	94 - 45
L64251	4C19	2	61 - 13	L64692	7H17	35	94 - 39	L65341	6E19	10	81 - 57
L64251	4C19	8	61 - 13	L64693	7H17	40	94 - 39	L65341	6E19	20	81 - 57
L64251	4C19	11	61 - 13	L64695	7H15	5	94 - 37	L65342	6E17	5	81 - 55
L64251	6E3	23	81 - 41	L64696	7H15	2	94 - 37	L65342	6E17	10	81 - 55
L64255	2C7	3	51 - 3	L64697	7H15	10	94 - 37	L65350	6H10	15	82 - 25
L64255	2C9	3	51 - 5	L64698	7H15	13	94 - 37	L65370	7E14	6	93 - 58
L64255	2C10	4	51 - 6	L64703	7H11	13	94 - 33	L65375	4F23	28	62 - 79
L64255	4C18	3	61 - 12	L64703	7H13	9	94 - 35	L65376	4F23	27	62 - 79
L64311	6F3	8	81 - 66	L64703	7H13	17	94 - 35	L77042	1F10	4	41 - 9
L64311	6F3	12	81 - 66	L64709	7H13	21	94 - 35	L77042	1F12	12	41 - 11
L64311	6F4	9	81 - 67	L64710	7H13	28	94 - 35	L77042	1F16	4	41 - 15
L64311	6F4	13	81 - 67	L64712	7H13	26	94 - 35	L77042	1F18	12	41 - 17

1L6

1640, 2040, 2040S TRACTORS (430000-)

NUMERICAL INDEX - CONTINUED

PART NO.	GRID	KEY	PAGE	PART NO.	GRID	KEY	PAGE	PART NO.	GRID	KEY	PAGE
L77623	5G19	10	73 - 35	P44982	2E8	14	52 - 21	RE12169	5B14	45	71 - 29
L77623	5G19	25	73 - 35	P44982	2E10	19	52 - 23	RE12459	1C17	3	20 - 61
L77732	6D11	4	81 - 23	P44982	3B8	14	53 - 23	RE12470	5B10	14	71 - 25
L77837	6D13	13	81 - 25	P44982	3B10	23	53 - 25	RE13271	5B10	40	71 - 25
L78085	1C9	11	20 - 51	P46051	6A12	18	74 - 3	RE13377	5A25	1	71 - 15
L78085	1F6	6	41 - 5	P46051	6A14	7	74 - 5	RE13517	1D18	6	30 - 25
L78085	1F8	6	41 - 7	P46402	3D10	4	53 - 75	RE13571	1B11	2	20 - 27
L78085	1F10	6	41 - 9	P46402	4C24	9	62 - 5	RE13571	1B13	2	20 - 29
L78085	1F12	14	41 - 11	P46402	4D2	9	62 - 7	RE13571	1B14	4	20 - 30
L78085	1F14	6	41 - 13	P47908	4D6	2	62 - 11	RE13571	1B15	4	20 - 31
L78085	1F16	6	41 - 15	P47908	4D10	2	62 - 15	RE13813	6B14	32	74 - 33
L78085	1F18	14	41 - 17	P47908	4D22	2	62 - 27	RE13814	6B14	28	74 - 33
L79058	3H21	14	54 - 46	P50631	3G24	14	54 - 25	RE13815	6B15	1	74 - 35
L79058	4A24	14	55 - 16	P50631	3H6	15	54 - 31	RE13886	7E7	2	93 - 51
L79059	3H21	7	54 - 46	P50883	2E3	35	52 - 15	RE13886	7E7	16	93 - 51
L79059	4A24	7	55 - 16	P50883	2E3	36	52 - 15	RE13887	1C17	1	20 - 61
L79060	3H21	11	54 - 46	P50883	2E3	38	52 - 15	RE13887	1C17	3	20 - 61
L79060	4A24	11	55 - 16	P50883	3A22	35	53 - 13	RE13887	1D20	8	30 - 27
L81050	6H18	27	82 - 33	P50883	3A22	36	53 - 13	RE13887	1D20	9	30 - 27
L83677	1I3	7	41 - 79	P50883	3A22	38	53 - 13	RE13887	1D20	10	30 - 27
L94743	6H18	23	82 - 33	P50883	3B4	34	53 - 19	RE13887	1D20	12	30 - 27
L94772	6H18	3	82 - 33	P50883	3B4	37	53 - 19	RE14358	6B17	6	74 - 37
M1102T	2F13	8	52 - 51	P50883	3B4	40	53 - 19	RE14358	6B18	8	74 - 38
M1102T	2F25	1	52 - 63	P50883	7E9	15	93 - 53	RE14448	1C5	1	20 - 47
M1339T	1E11	1	30 - 45	P51212	5C10	13	71 - 51	RE14448	1C5	5	20 - 47
M1518T	6D25	4	81 - 37	P51212	6B14	36	74 - 33	RE14972	1B1	1	20 - 16
M1746T	1B24	6	20 - 40	P51212	7E7	13	93 - 51	RE15585	6B18	8	74 - 38
M2059T	5A23	29	71 - 13	P51212	7E9	8	93 - 53	RE15674	1B19	4	20 - 35
M2060T	5A23	29	71 - 13	RE10133	7D24	1	93 - 43	RE15674	1B20	2	20 - 36
M2206T	3H23	14	54 - 49	RE10134	7D22	9	93 - 41	RE15926	6A14	45	74 - 5
M2282T	6D25	10	81 - 37	RE10134	7D24	4	93 - 43	RE16282	1B2	3	20 - 18
M2283T	6D25	11	81 - 37	RE10438	1E1	1	30 - 33	RE16283	1B2	3	20 - 18
M2353T	3C19	1	53 - 59	RE10438	1E3	1	30 - 35	RE16495	1B19	9	20 - 35
M2353T	3G18	3	54 - 19	RE10712	5B4	33	71 - 19	RE16495	1B19	10	20 - 35
M2353T	3G18	16	54 - 19	RE10712	5B4	34	71 - 19	RE16582	5A23	2	71 - 13
M2353T	3G20	3	54 - 21	RE10712	5B4	36	71 - 19	RE16583	5A23	7	71 - 13
M2353T	3G21	3	54 - 22	RE10712	5B10	16	71 - 25	RE16756	6B17	2	74 - 37
M2353T	3G21	8	54 - 22	RE10712	5B14	27	71 - 29	RE16756	6B17	12	74 - 37
M2353T	3H2	6	54 - 27	RE10869	1C3	9	20 - 45	RE16756	6B17	13	74 - 37
M2353T	3H2	11	54 - 27	RE10869	1C3	10	20 - 45	RE16756	6B17	14	74 - 37
M2396T	3G5	20	54 - 5	RE10869	1C3	11	20 - 45	RE16815	1A13	1	20 - 3
M2396T	5C17	3	71 - 58	RE10924	6B23	1	74 - 43	RE16920	1C17	1	20 - 61
M2396T	5D9	1	71 - 79	RE10998	7D22	3	93 - 41	RE16920	1C17	3	20 - 61
M2396T	5D19	6	71 - 89	RE11036	1B11	8	20 - 27	RE16922	1C17	3	20 - 61
M2396T	6B10	5	74 - 28	RE11036	1C17	3	20 - 61	RE17306	4F12	15	62 - 67
M2396T	6B17	16	74 - 37	RE11319	1D24	1	30 - 31	RE17307	4F12	1	62 - 67
M2396T	7C18	18	93 - 13	RE11321	1D22	1	30 - 29	RE17308	4F12	4	62 - 67
M2477T	5D2	8	71 - 70	RE11347	1C14	13	20 - 57	RE18678	1B22	2	20 - 38
M3265T	5C12	20	71 - 53	RE11347	1C14	14	20 - 57	RE18694	1B20	1	20 - 36
M3265T	5C14	12	71 - 55	RE11347	1C14	15	20 - 57	RE18697	1B20	1	20 - 36
M3636T	1G3	1	41 - 27	RE11347	1C14	16	20 - 57	RE18834	6B17	6	74 - 37
M3636T	1G5	1	41 - 29	RE11347	1C15	1	20 - 58	RE18834	6B18	8	74 - 38
M3742T	1E9	15	30 - 43	RE11509	1B20	1	20 - 36	RE18923	2E18	1	52 - 31
M41029	1B19	5	20 - 35	RE11510	1B20	1	20 - 36	RE18923	3B24	1	53 - 39
M4125T	4A14	19	55 - 5	RE11602	1D21	2	30 - 28	RE19031	1A24	8	20 - 14
M4125T	4A23	36	55 - 15	RE11602	1D22	2	30 - 29	RE20254	7C5	1	92 - 48
M4224T	2E16	21	52 - 29	RE11602	1D23	2	30 - 30	RE20585	1B13	7	20 - 29
M4224T	3B22	21	53 - 37	RE11602	1D24	2	30 - 31	RE20785	1E4	1	30 - 36
M809T	3E18	13	53 - 107	RE11602	1D25	2	30 - 32	RE20785	1E4	2	30 - 36
M809T	3E20	13	53 - 109	RE11602	1E1	2	30 - 33	RE20786	1E4	1	30 - 36
M84497	6B20	4	74 - 40	RE11602	1E2	2	30 - 34	RE20786	1E4	2	30 - 36
N107859	6B17	9	74 - 37	RE11602	1E3	2	30 - 35	RE21725	5B14	45	71 - 29
N115096	2C4	9	42 - 49	RE11777	5B8	23	71 - 23	RE21790	1E20	3	30 - 55
N131838	4C12	29	61 - 5	RE11777	5B12	23	71 - 27	RE21790	1E22	3	30 - 57
N131838	4C14	30	61 - 7	RE11804	5B8	4	71 - 23	RE22375	1B7	8	20 - 23
P41011	1F3	11	41 - 2	RE11804	5B12	4	71 - 27	RE22582	6A14	4	74 - 5
P44982	2E7	10	52 - 19	RE12121	6B14	31	74 - 33	RE22586	6B17	10	74 - 37

1L7

1640, 2040, 2040S TRACTORS (430000-)

NUMERICAL INDEX - CONTINUED

PART NO.	GRID	KEY	PAGE	PART NO.	GRID	KEY	PAGE	PART NO.	GRID	KEY	PAGE
RE23375	1B7	2	20-23	RE30174	6H18	7	82-33	R116712	5B12	39	71-27
RE23375	1B8	2	20-24	RE30684	1B6	2	20-22	R117246	4C24	35	62-5
RE23382	5A15	12	71-5	RE30685	1B5	2	20-21	R117246	4D2	33	62-7
RE23382	5A17	12	71-7	RE30685	1B6	2	20-22	R119874	1B1	5	20-16
RE23382	5A23	9	71-13	RE31621	1B15	1	20-31	R1870R	2F19	2	52-57
RE23382	5B2	14	71-17	RE31929	1C5	1	20-47	R1870R	3C16	7	53-56
RE23382	5B8	14	71-23	RE31929	1C5	5	20-47	R1870R	6B25	6	74-45
RE23382	5B12	14	71-27	RE31973	1A24	8	20-14	R1870R	6C3	6	74-49
RE24458	1B19	6	20-35	RE33636	1E20	5	30-55	R1888R	3F21	22	53-135
RE24458	1B20	1	20-36	RE33636	1E22	10	30-57	R1888R	4H8	12	63-29
RE24539	1B19	6	20-35	RE34958	5G19	10	73-35	R1888R	4H10	12	63-31
RE24539	1B20	1	20-36	RE34958	5G19	25	73-35	R20759	7C12	14	93-7
RE24959	1B11	8	20-27	RE35685	1C1	1	20-43	R20759	7C16	14	93-11
RE24959	1B13	8	20-29	RE36425	1C1	9	20-43	R21612	3B5	3	53-20
RE25575	1A13	1	20-3	RE37463	1D18	6	30-25	R21612	3G11	7	54-11
RE25578	1A13	1	20-3	RE37466	1D19	8	30-26	R21612	3G13	8	54-13
RE25595	1A14	1	20-4	RE37482	1D18	3	30-25	R21722	6B14	8	74-33
RE25595	1A14	4	20-4	RE37482	1D19	4	30-26	R26006	3H19	8	54-44
RE25595	1A14	5	20-4	RE37490	1C17	1	20-61	R26125	1A21	4	20-11
RE25595	1A15	1	20-5	RE37493	1C17	3	20-61	R26125	1A23	3	20-13
RE26204	1B14	1	20-30	RE37996	5C6	3	71-47	R26137	5B2	21	71-17
RE26214	1D16	7	30-23	RE37996	5C8	6	71-49	R26137	5B8	21	71-23
RE26282	1B2	1	20-18	RE47197	2B24	9	42-43	R26137	5B12	21	71-27
RE26283	1B2	1	20-18	RE47197	5C8	1	71-49	R26149	1E20	14	30-55
RE26981	1D15	6	30-22	RE47197	5C8	11	71-49	R26149	2C12	33	51-9
RE26981	1D16	6	30-23	RE51774	1B23	1	20-39	R26149	6A16	11	74-7
RE27348	1B19	11	20-35	RE55901	1A25	5	20-15	R26149	6A18	12	74-9
RE27349	1B14	3	20-30	RE55901	1B1	1	20-16	R26149	6A22	6	74-13
RE27349	1B15	3	20-31	RE55901	1B1	3	20-16	R26241	1A14	2	20-4
RE27349	1B19	11	20-35	RE56308	1A20	1	20-10	R26286	5A15	20	71-5
RE27350	1B11	3	20-27	RE56308	1A22	1	20-12	R26286	5A17	20	71-7
RE27350	1B13	3	20-29	RE56308	1A23	4	20-13	R26286	5A23	16	71-13
RE27351	1B11	3	20-27	RE60812	7E14	5	93-58	R26286	5C12	9	71-53
RE27351	1B13	3	20-29	RE60813	7E14	4	93-58	R26286	5C14	29	71-55
RE27351	1B14	5	20-30	R100105	1B3	9	20-19	R26287	1D15	4	30-22
RE27351	1B15	5	20-31	R100105	1B4	9	20-20	R26287	1D16	4	30-23
RE27352	1B11	1	20-27	R100230	6B19	8	74-39	R26287	2C12	15	51-9
RE27352	1B13	1	20-29	R100333	6B17	3	74-37	R26287	2E3	2	52-15
RE27353	1B11	1	20-27	R10093	1A16	3	20-6	R26287	2E3	41	52-15
RE27353	1B13	1	20-29	R10093	5C12	32	71-53	R26287	2E5	4	52-17
RE27353	1B14	2	20-30	R10093	5C14	35	71-55	R26287	2E5	26	52-17
RE27353	1B15	2	20-31	R10093	5C22	17	71-65	R26287	2E16	19	52-29
RE27358	1B19	11	20-35	R10093	5C24	10	71-67	R26287	3A22	2	53-13
RE27359	1B11	3	20-27	R10093	5D4	44	71-73	R26287	3A22	41	53-13
RE27359	1B13	3	20-29	R10093	6B14	27	74-33	R26287	3A24	4	53-15
RE27360	1B11	1	20-27	R10093	7E7	23	93-51	R26287	3A24	26	53-15
RE27360	1B13	1	20-29	R10093	7E9	7	93-53	R26287	3B2	4	53-17
RE27364	1B19	11	20-35	R10093	7E14	2	93-58	R26287	3B2	26	53-17
RE27366	1B11	3	20-27	R105583	5A15	9	71-5	R26287	3B4	2	53-19
RE27366	1B13	3	20-29	R105583	5A17	9	71-7	R26287	3B4	44	53-19
RE27368	1B11	1	20-27	R105583	5A23	8	71-13	R26287	3B22	19	53-37
RE27368	1B13	1	20-29	R105583	5B2	15	71-17	R26287	3C7	7	53-46
RE28533	1D17	1	30-24	R105583	5B8	15	71-23	R26287	3G11	4	54-11
RE28534	1D15	2	30-22	R105583	5B12	15	71-27	R26287	4A23	4	55-15
RE28534	1D16	2	30-23	R106793	6E17	5	81-55	R26287	4G15	7	63-12
RE28534	1D16	3	30-23	R106793	6E17	11	81-55	R26287	4G16	5	63-13
RE28535	1D15	2	30-22	R106793	6E19	10	81-57	R26287	4H2	1	63-23
RE28535	1D16	2	30-23	R106793	6E19	21	81-57	R26287	4H4	1	63-25
RE28535	1D16	3	30-23	R107239	5B2	20	71-17	R26287	4H18	1	63-39
RE28535	1D17	4	30-24	R107239	5B8	20	71-23	R26287	4H20	1	63-41
RE28790	5B2	22	71-17	R107239	5B10	41	71-25	R26287	4H22	9	63-43
RE28790	5B8	22	71-23	R107239	5B12	20	71-27	R26287	4H24	9	63-45
RE28790	5B12	22	71-27	R109476	7C9	4	93-3	R26287	4I2	9	63-47
RE29103	5B6	1	71-21	R110524	1A23	4	20-13	R26287	4I4	11	63-49
RE29107	5B16	1	71-31	R1138R	5C5	8	71-46	R26287	4I6	11	63-51
RE30174	1E20	5	30-55	R115335	1B1	3	20-16	R26287	4I8	8	63-53
RE30174	1E22	10	30-57	R116712	5B8	35	71-23	R26287	4I9	10	63-54

1L8

1640, 2040, 2040S TRACTORS (430000-)

NUMERICAL INDEX - CONTINUED

PART NO.	GRID	KEY	PAGE	PART NO.	GRID	KEY	PAGE	PART NO.	GRID	KEY	PAGE
R26287	5A24	2	71 - 14	R26375	6B19	1	74 - 39	R26484	6A14	18	74 - 5
R26287	5A24	10	71 - 14	R26375	6B25	43	74 - 45	R26484	6B11	6	74 - 29
R26287	5B2	25	71 - 17	R26375	6C3	43	74 - 49	R26484	6B12	3	74 - 30
R26287	5B2	42	71 - 17	R26375	6C5	2	74 - 51	R26484	6B17	31	74 - 37
R26287	5B4	11	71 - 19	R26386	5E16	7	72 - 17	R26485	6B11	3	74 - 29
R26287	5B8	24	71 - 23	R26386	7C18	3	93 - 13	R26485	6B12	1	74 - 30
R26287	5B8	42	71 - 23	R26448	2E6	15	52 - 18	R26493	1A14	9	20 - 4
R26287	5B12	24	71 - 27	R26448	2E16	10	52 - 29	R26546	6A12	35	74 - 3
R26287	5B12	44	71 - 27	R26448	2F3	1	52 - 41	R26546	6A14	28	74 - 5
R26287	5C2	10	71 - 43	R26448	2F5	1	52 - 43	R26552	2E3	4	52 - 15
R26287	5C4	10	71 - 45	R26448	2F13	14	52 - 51	R26552	2E12	38	52 - 25
R26373	2E3	27	52 - 15	R26448	3B6	16	53 - 21	R26552	2E14	38	52 - 27
R26373	3A22	27	53 - 13	R26448	3B22	10	53 - 37	R26552	2E16	12	52 - 29
R26373	3B4	30	53 - 19	R26448	3C19	8	53 - 59	R26552	2F13	37	52 - 51
R26375	2E3	22	52 - 15	R26448	3C21	8	53 - 61	R26552	2F20	2	52 - 58
R26375	2E5	24	52 - 17	R26448	3C23	15	53 - 63	R26552	2F25	4	52 - 63
R26375	2F13	19	52 - 51	R26448	3C25	15	53 - 65	R26552	3A22	4	53 - 13
R26375	3A22	22	53 - 13	R26448	3D2	20	53 - 67	R26552	3B4	4	53 - 19
R26375	3A24	24	53 - 15	R26448	3D4	20	53 - 69	R26552	3B12	38	53 - 27
R26375	3B2	24	53 - 17	R26448	3D6	5	53 - 71	R26552	3B14	38	53 - 29
R26375	3B4	25	53 - 19	R26448	3D6	20	53 - 71	R26552	3B16	11	53 - 31
R26375	4C10	15	61 - 3	R26448	3D8	19	53 - 73	R26552	3B20	19	53 - 35
R26375	4G6	8	63 - 3	R26448	3D12	18	53 - 77	R26552	3B22	12	53 - 37
R26375	5A15	5	71 - 5	R26448	3D14	18	53 - 79	R26552	3E10	21	53 - 99
R26375	5A17	5	71 - 7	R26448	3D16	14	53 - 81	R26552	3E12	22	53 - 101
R26375	5A21	4	71 - 11	R26448	3D18	14	53 - 83	R26552	3E14	18	53 - 103
R26375	5A23	4	71 - 13	R26448	3D20	5	53 - 85	R26552	3E16	19	53 - 105
R26375	5A24	8	71 - 14	R26448	3D20	18	53 - 85	R26552	3F4	11	53 - 117
R26375	5B4	40	71 - 19	R26448	3D22	19	53 - 87	R26552	3F16	34	53 - 129
R26375	5B10	19	71 - 25	R26448	3G16	14	54 - 17	R26552	3F19	5	53 - 133
R26375	5B14	18	71 - 29	R26448	4A21	29	55 - 13	R26552	3G16	10	54 - 17
R26375	5B17	1	71 - 33	R26448	4C12	21	61 - 5	R26552	4C12	22	61 - 5
R26375	5B19	11	71 - 35	R26448	4C14	27	61 - 7	R26552	4C14	28	61 - 7
R26375	5C2	15	71 - 43	R26448	4E14	17	62 - 45	R26552	5F12	4	73 - 3
R26375	5C4	15	71 - 45	R26448	4E16	25	62 - 47	R26552	5F14	16	73 - 5
R26375	5C12	30	71 - 53	R26448	4E18	27	62 - 49	R26552	5F16	4	73 - 7
R26375	5C14	31	71 - 55	R26448	4G20	9	63 - 17	R26552	5F18	3	73 - 9
R26375	5G7	1	73 - 23	R26448	4G24	3	63 - 21	R26552	5F20	16	73 - 11
R26375	5G9	3	73 - 25	R26448	4H18	12	63 - 39	R26552	5F22	3	73 - 13
R26375	5G11	1	73 - 27	R26448	4H20	12	63 - 41	R26552	5F24	4	73 - 15
R26375	5G15	4	73 - 31	R26448	4H22	7	63 - 43	R26552	5G2	16	73 - 17
R26375	5G16	4	73 - 32	R26448	4H24	7	63 - 45	R26627	5H13	6	73 - 56
R26375	5G17	4	73 - 33	R26448	4I2	7	63 - 47	R26627	5H14	6	73 - 57
R26375	5G23	1	73 - 39	R26448	4I4	7	63 - 49	R26627	5H16	16	73 - 59
R26375	5G25	1	73 - 41	R26448	4I6	7	63 - 51	R26627	5H17	4	73 - 60
R26375	5H2	6	73 - 44	R26448	4I8	13	63 - 53	R26632	6E11	5	81 - 49
R26375	5H3	5	73 - 45	R26448	4I8	31	63 - 53	R26637	1E6	11	30 - 39
R26375	5H5	1	73 - 47	R26448	5B4	3	71 - 19	R26650	3G11	10	54 - 11
R26375	5H6	14	73 - 48	R26448	5B10	3	71 - 25	R26650	3G13	11	54 - 13
R26375	5H7	11	73 - 49	R26448	5B14	4	71 - 29	R26727	3H23	21	54 - 49
R26375	5H9	9	73 - 51	R26448	5C8	9	71 - 49	R26858	6G9	17	81 - 97
R26375	5H12	3	73 - 55	R26448	5C9	5	71 - 50	R26871	1E9	13	30 - 43
R26375	5H13	7	73 - 56	R26448	5C10	5	71 - 51	R26871	1E9	46	30 - 43
R26375	5H14	7	73 - 57	R26448	5C12	28	71 - 53	R26871	2E10	12	52 - 23
R26375	5H16	13	73 - 59	R26448	6A14	44	74 - 5	R26871	2E16	15	52 - 29
R26375	5H17	3	73 - 60	R26448	6A16	5	74 - 7	R26871	3B10	11	53 - 25
R26375	5H18	1	73 - 61	R26448	6A18	22	74 - 9	R26871	3B22	15	53 - 37
R26375	6A12	12	74 - 3	R26448	6A20	6	74 - 11	R26871	5D4	6	71 - 73
R26375	6A14	40	74 - 5	R26448	6A22	5	74 - 13	R26906	2E3	40	52 - 15
R26375	6A16	9	74 - 7	R26480	6B11	16	74 - 29	R26906	2F13	34	52 - 51
R26375	6A18	18	74 - 9	R26480	6B25	34	74 - 45	R26906	3A22	40	53 - 13
R26375	6A20	7	74 - 11	R26482	6B11	10	74 - 29	R26906	3B4	42	53 - 19
R26375	6A22	28	74 - 13	R26482	6B12	6	74 - 30	R26906	3D2	14	53 - 67
R26375	6B5	2	74 - 22	R26482	6B14	19	74 - 33	R26906	3D4	14	53 - 69
R26375	6B7	5	74 - 25	R26483	6B11	14	74 - 29	R26906	3D6	14	53 - 71
R26375	6B9	5	74 - 27	R26483	6B12	7	74 - 30	R26906	3D8	27	53 - 73
R26375	6B10	8	74 - 28	R26484	6A12	32	74 - 3	R26906	3D20	14	53 - 85

1L9

1640, 2040, 2040S TRACTORS (430000-)

NUMERICAL INDEX - CONTINUED

PART NO.	GRID	KEY	PAGE	PART NO.	GRID	KEY	PAGE	PART NO.	GRID	KEY	PAGE
R26906	4A19	14	55 - 11	R27150	5B8	9	71 - 23	R27237	5G23	2	73 - 39
R26906	4G6	4	63 - 3	R27150	5B12	9	71 - 27	R27237	5G25	2	73 - 41
R26906	4G20	12	63 - 17	R27159	5B4	22	71 - 19	R27237	5H2	5	73 - 44
R26906	4G22	24	63 - 19	R27166	1C1	4	20 - 43	R27237	5H5	2	73 - 47
R26906	5A15	24	71 - 5	R27166	5B4	18	71 - 19	R27237	5H18	3	73 - 61
R26906	5A17	24	71 - 7	R27166	5B4	33	71 - 19	R27237	6A12	13	74 - 3
R26906	5A23	22	71 - 13	R27166	5B4	34	71 - 19	R27237	6A16	8	74 - 7
R26906	5B2	7	71 - 17	R27166	5B10	30	71 - 25	R27237	6A18	19	74 - 9
R26906	5B2	29	71 - 17	R27166	5B14	29	71 - 29	R27237	6B5	1	74 - 22
R26906	5B4	8	71 - 19	R27166	6A12	23	74 - 3	R27237	6B7	6	74 - 25
R26906	5B8	7	71 - 23	R27166	6A14	15	74 - 5	R27237	6B9	6	74 - 27
R26906	5B10	8	71 - 25	R27167	5B4	20	71 - 19	R27256	1D8	25	30 - 15
R26906	5B12	7	71 - 27	R27170	5B4	23	71 - 19	R27256	1D14	4	30 - 21
R26906	5B14	8	71 - 29	R27171	5B4	5	71 - 19	R27266	5B21	5	71 - 37
R26906	5B17	10	71 - 33	R27172	5B4	15	71 - 19	R27267	5A24	6	71 - 14
R26906	5B18	18	71 - 34	R27173	5B4	21	71 - 19	R27270	5B17	11	71 - 33
R26906	5B19	12	71 - 35	R27174	5B4	19	71 - 19	R27270	5B18	17	71 - 34
R26906	5C2	19	71 - 43	R27175	2C12	27	51 - 9	R27270	5B19	13	71 - 35
R26906	5G7	4	73 - 23	R27175	2F13	16	52 - 51	R27270	5G7	13	73 - 23
R26906	5G9	13	73 - 25	R27175	2G1	12	52 - 64	R27270	5G9	12	73 - 25
R26906	5G11	13	73 - 27	R27175	3C17	10	53 - 57	R27270	5G15	2	73 - 31
R26906	5G15	1	73 - 31	R27175	3F22	12	53 - 136	R27270	5G16	2	73 - 32
R26906	5G16	1	73 - 32	R27175	5B2	6	71 - 17	R27270	5G17	2	73 - 33
R26906	5G17	1	73 - 33	R27175	5B8	6	71 - 23	R27270	6A20	2	74 - 11
R26906	6A16	1	74 - 7	R27175	5B12	6	71 - 27	R27270	6A22	2	74 - 13
R26906	6A18	1	74 - 9	R27212	4E14	23	62 - 45	R27285	1D17	9	30 - 24
R26906	6A20	1	74 - 11	R27212	4E16	26	62 - 47	R27285	1D18	2	30 - 25
R26906	6A22	1	74 - 13	R27212	4H22	8	63 - 43	R27285	1D19	2	30 - 26
R26906	6B17	28	74 - 37	R27212	4H24	8	63 - 45	R27320	4C12	5	61 - 5
R26936	1E14	23	30 - 49	R27212	4I2	8	63 - 47	R27320	4C14	4	61 - 7
R26941	2B11	30	42 - 29	R27212	4I4	8	63 - 49	R27329	3H20	4	54 - 45
R26941	2B13	30	42 - 31	R27212	4I6	8	63 - 51	R27329	3H21	2	54 - 46
R27003	2F13	29	52 - 51	R27216	5B4	12	71 - 19	R27329	4A24	2	55 - 16
R27003	3C17	8	53 - 57	R27218	2E16	9	52 - 29	R27346	1D15	8	30 - 22
R27003	3C19	5	53 - 59	R27218	2F3	1	52 - 41	R27426	6B25	9	74 - 45
R27003	3C21	5	53 - 61	R27218	2F5	1	52 - 43	R27426	6C3	9	74 - 49
R27003	3C23	5	53 - 63	R27218	2F13	15	52 - 51	R27434	4H2	4	63 - 23
R27003	3C25	5	53 - 65	R27218	3B22	9	53 - 37	R27434	4H4	4	63 - 25
R27003	3D2	5	53 - 67	R27218	3C19	9	53 - 59	R27453	4H2	12	63 - 23
R27003	3D4	5	53 - 69	R27218	3C21	9	53 - 61	R27453	4H4	9	63 - 25
R27003	3D6	5	53 - 71	R27218	3C23	14	53 - 63	R27453	4I6	21	63 - 51
R27003	3D12	5	53 - 77	R27218	3C25	14	53 - 65	R27453	4I8	32	63 - 53
R27003	3D14	5	53 - 79	R27218	3D2	21	53 - 67	R27474	2E3	39	52 - 15
R27003	3D16	5	53 - 81	R27218	3D4	21	53 - 69	R27474	2F13	33	52 - 51
R27003	3D18	5	53 - 83	R27218	3D6	5	53 - 71	R27474	3A22	39	53 - 13
R27003	3D20	5	53 - 85	R27218	3D6	6	53 - 71	R27474	3B4	41	53 - 19
R27003	3G16	8	54 - 17	R27218	3D6	21	53 - 71	R27474	3D2	15	53 - 67
R27094	5A15	19	71 - 5	R27218	3D8	20	53 - 73	R27474	3D4	15	53 - 69
R27094	5A17	19	71 - 7	R27218	3D12	17	53 - 77	R27474	3D6	15	53 - 71
R27094	5A23	17	71 - 13	R27218	3D14	17	53 - 79	R27474	3D8	26	53 - 73
R27095	3C12	18	53 - 51	R27218	3D16	8	53 - 81	R27474	3D8	27	53 - 73
R27095	3C14	18	53 - 53	R27218	3D18	8	53 - 83	R27474	3D20	15	53 - 85
R27139	4G15	6	63 - 12	R27218	3D20	5	53 - 85	R27474	5C2	18	71 - 43
R27139	4G16	4	63 - 13	R27218	3D20	6	53 - 85	R27475	5B4	2	71 - 19
R27139	4H18	4	63 - 39	R27218	3D20	17	53 - 85	R27475	5B10	2	71 - 25
R27139	4H20	4	63 - 41	R27218	3D22	20	53 - 87	R27475	5B14	3	71 - 29
R27139	4H22	13	63 - 43	R27218	3G16	13	54 - 17	R27478	5B2	39	71 - 17
R27139	4H24	13	63 - 45	R27218	5B4	42	71 - 19	R27478	5B8	37	71 - 23
R27139	4I2	13	63 - 47	R27218	5B10	10	71 - 25	R27478	5B12	36	71 - 27
R27139	4I4	10	63 - 49	R27218	5B14	49	71 - 29	R27479	5B2	39	71 - 17
R27139	4I6	10	63 - 51	R27218	5C12	29	71 - 53	R27479	5B8	37	71 - 23
R27139	4I8	7	63 - 53	R27218	6A14	43	74 - 5	R27479	5B12	36	71 - 27
R27145	5B2	37	71 - 17	R27233	6A12	10	74 - 3	R27490	2F13	26	52 - 51
R27149	5B2	2	71 - 17	R27237	5G7	9	73 - 23	R27490	3D8	8	53 - 73
R27149	5B8	2	71 - 23	R27237	5G9	7	73 - 25	R27490	3D22	9	53 - 87
R27149	5B12	2	71 - 27	R27237	5G11	2	73 - 27	R27491	4F8	2	62 - 63
R27150	5B2	9	71 - 17	R27237	5G15	9	73 - 31	R27491	4F15	3	62 - 71

1L10

1640, 2040, 2040S TRACTORS (430000-)

NUMERICAL INDEX - CONTINUED

PART NO.	GRID	KEY	PAGE	PART NO.	GRID	KEY	PAGE	PART NO.	GRID	KEY	PAGE
R27491	6C8	9	74 - 54	R28794	1C25	3	30 - 7	R31781	5B4	31	71 - 19
R27507	1E9	14	30 - 43	R29001	3G24	3	54 - 25	R31781	5B10	27	71 - 25
R27507	1E9	19	30 - 43	R29463	6C3	15	74 - 49	R31781	5B14	25	71 - 29
R27507	2E8	8	52 - 21	R29463	6C5	11	74 - 51	R31877	7C20	2	93 - 15
R27507	2E10	8	52 - 23	R29936	2D23	2	52 - 10	R31890	6B10	6	74 - 28
R27507	2E18	8	52 - 31	R29936	2E3	6	52 - 15	R31892	1H7	10	41 - 56
R27507	3B8	8	53 - 23	R29936	2E5	2	52 - 17	R32015	1H19	4	41 - 69
R27507	3B10	15	53 - 25	R29936	3A22	6	53 - 13	R32018	7D24	3	93 - 43
R27507	3B24	8	53 - 39	R29936	3A24	2	53 - 15	R32306	1E20	15	30 - 55
R27507	6B10	15	74 - 28	R29936	3B2	2	53 - 17	R32356	6B11	2	74 - 29
R27528	4G15	3	63 - 12	R29936	3B4	6	53 - 19	R32419	6B10	16	74 - 28
R27528	4G16	2	63 - 13	R29936	4G20	7	63 - 17	R32507	2G1	3	52 - 64
R27531	4A23	32	55 - 15	R29936	4G22	6	63 - 19	R32507	3F22	3	53 - 136
R27533	4G20	21	63 - 17	R30181	1H19	10	41 - 69	R32555	2B13	23	42 - 31
R27533	4G24	6	63 - 21	R30182	1H7	2	41 - 56	R32555	2B15	12	42 - 33
R27564	5B4	16	71 - 19	R30182	1H8	2	41 - 57	R32588	6C5	29	74 - 51
R27564	5B10	33	71 - 25	R30182	1H19	2	41 - 69	R32730	4C24	30	62 - 5
R27564	5B14	31	71 - 29	R30399	3H23	36	54 - 49	R32730	4D2	28	62 - 7
R27564	6B17	34	74 - 37	R30437	5C22	18	71 - 65	R32730	4D4	6	62 - 9
R27590	5B18	5	71 - 34	R30437	5C24	11	71 - 67	R33083	2E12	3	52 - 25
R27649	6C3	31	74 - 49	R30437	5D4	43	71 - 73	R33083	2E14	3	52 - 27
R27649	6C5	22	74 - 51	R30587	2E12	39	52 - 25	R33083	3B12	3	53 - 27
R28006	6B10	18	74 - 28	R30587	2E14	39	52 - 27	R33083	3B14	3	53 - 29
R28084	6B11	12	74 - 29	R30587	3B12	39	53 - 27	R33167	2E20	15	52 - 33
R28123	7C12	39	93 - 7	R30587	3B14	39	53 - 29	R33167	3C2	15	53 - 41
R28123	7C16	31	93 - 11	R30587	3B20	20	53 - 35	R33167	4A19	23	55 - 11
R28123	7C16	..	93 - 11	R30587	3E10	18	53 - 99	R33259	7E7	25	93 - 51
R28346	3F21	11	53 - 135	R30587	3E12	23	53 - 101	R33320	3H19	6	54 - 44
R28538	4E16	10	62 - 47	R30587	3E14	19	53 - 103	R33521	5B17	7	71 - 33
R28538	4F4	21	62 - 59	R30587	3E16	20	53 - 105	R33852	3H19	5	54 - 44
R28583	1E20	1	30 - 55	R30903	5A21	3	71 - 11	R34131	6C5	28	74 - 51
R28583	1E22	1	30 - 57	R31136	5C12	33	71 - 53	R34140	2C9	1	51 - 5
R28634	2E3	7	52 - 15	R31136	5C14	36	71 - 55	R34140	3C6	24	53 - 45
R28634	2E5	6	52 - 17	R31136	6B14	26	74 - 33	R34140	3C6	35	53 - 45
R28634	3A22	7	53 - 13	R31250	1H7	2	41 - 56	R34140	4A12	19	55 - 3
R28634	3A24	6	53 - 15	R31250	1H8	2	41 - 57	R34140	4A14	15	55 - 5
R28634	3B2	6	53 - 17	R31271	1E7	6	30 - 41	R34140	4A19	40	55 - 11
R28634	3B4	11	53 - 19	R31420	6F6	2	81 - 69	R34349	5B2	34	71 - 17
R28733	5G23	6	73 - 39	R31631	2C12	16	51 - 9	R34394	1E20	10	30 - 55
R28744	6A12	8	74 - 3	R31631	2D10	26	51 - 33	R34395	1E20	9	30 - 55
R28744	6A15	11	74 - 6	R31631	2E3	1	52 - 15	R34397	6B11	8	74 - 29
R28776	3B16	16	53 - 31	R31631	2E3	15	52 - 15	R34398	6B11	15	74 - 29
R28776	3F19	7	53 - 133	R31631	2E5	5	52 - 17	R34399	6B11	1	74 - 29
R28776	3F21	10	53 - 135	R31631	2E5	14	52 - 17	R34400	6B11	13	74 - 29
R28776	3G2	2	54 - 2	R31631	2E16	20	52 - 29	R34537	5G21	28	73 - 37
R28776	3G3	5	54 - 3	R31631	3A22	1	53 - 13	R34557	1D8	23	30 - 15
R28776	3G5	15	54 - 5	R31631	3A22	15	53 - 13	R34557	1D14	12	30 - 21
R28776	3G16	3	54 - 17	R31631	3A24	5	53 - 15	R34656	1D10	11	30 - 17
R28776	5B17	16	71 - 33	R31631	3A24	14	53 - 15	R34733	2G1	1	52 - 64
R28781	5B4	29	71 - 19	R31631	3B2	5	53 - 17	R34733	3F22	1	53 - 136
R28781	5B10	24	71 - 25	R31631	3B2	14	53 - 17	R34760	1D20	7	30 - 27
R28781	5B14	23	71 - 29	R31631	3B4	1	53 - 19	R34764	1D20	9	30 - 27
R28782	2E3	30	52 - 15	R31631	3B4	18	53 - 19	R34766	7E7	6	93 - 51
R28782	2E7	2	52 - 19	R31631	3B22	20	53 - 37	R34801	6E22	1	81 - 60
R28782	2E8	12	52 - 21	R31631	3C7	8	53 - 46	R34802	5B10	37	71 - 25
R28782	2E10	17	52 - 23	R31631	3G11	3	54 - 11	R34810	6E22	2	81 - 60
R28782	2E16	6	52 - 29	R31631	5A24	1	71 - 14	R34811	1E6	3	30 - 39
R28782	2E18	14	52 - 31	R31631	5C2	11	71 - 43	R34811	1E9	37	30 - 43
R28782	3A22	30	53 - 13	R31631	5C4	11	71 - 45	R34811	1E9	39	30 - 43
R28782	3B4	32	53 - 19	R31631	5F12	21	73 - 3	R34811	2E8	4	52 - 21
R28782	3B8	12	53 - 23	R31631	5F18	1	73 - 9	R34811	3B8	4	53 - 23
R28782	3B10	21	53 - 25	R31631	5F22	1	73 - 13	R34811	3B16	24	53 - 31
R28782	3B22	6	53 - 37	R31631	5F24	34	73 - 15	R34812	1I5	7	41 - 81
R28782	3B24	14	53 - 39	R31632	2E6	6	52 - 18	R34812	7E7	18	93 - 51
R28782	5B4	28	71 - 19	R31632	3B6	7	53 - 21	R34827	6H4	2	82 - 19
R28782	5B10	23	71 - 25	R31653	4H2	11	63 - 23	R34828	6E19	9	81 - 57
R28782	5B14	22	71 - 29	R31653	4H4	12	63 - 25	R34863	2E6	7	52 - 18

1L11

1640, 2040, 2040S TRACTORS (430000-)

NUMERICAL INDEX - CONTINUED

PART NO.	GRID	KEY	PAGE	PART NO.	GRID	KEY	PAGE	PART NO.	GRID	KEY	PAGE
R34863	3B6	8	53 - 21	R39073	5A17	43	71 - 7	R39299	2E12	26	52 - 25
R34985	1C11	4	20 - 54	R39073	5A23	39	71 - 13	R39299	2E14	26	52 - 27
R34985	1C14	18	20 - 57	R39076	5A15	47	71 - 5	R39299	2E20	27	52 - 33
R35163	5G23	7	73 - 39	R39076	5A17	47	71 - 7	R39299	3B12	26	53 - 27
R35226	4C12	8	61 - 5	R39076	5A23	45	71 - 13	R39299	3B14	26	53 - 29
R35226	4C14	7	61 - 7	R39076	5B21	16	71 - 37	R39299	3C2	27	53 - 41
R35286	4G6	2	63 - 3	R39076	5B25	7	71 - 41	R39299	4A19	28	55 - 11
R35448	6C3	4	74 - 49	R39078	5A15	46	71 - 5	R39304	2E12	22	52 - 25
R35473	6C3	16	74 - 49	R39078	5A17	46	71 - 7	R39304	2E14	22	52 - 27
R35473	6C5	12	74 - 51	R39078	5A23	44	71 - 13	R39304	2E20	21	52 - 33
R35684	4C12	36	61 - 5	R39078	5B21	17	71 - 37	R39304	3B12	22	53 - 27
R35684	4C14	37	61 - 7	R39078	5B25	6	71 - 41	R39304	3B14	22	53 - 29
R35717	5B19	5	71 - 35	R39090	2F20	3	52 - 58	R39304	3C2	21	53 - 41
R35738	6C3	17	74 - 49	R39090	3F19	6	53 - 133	R39304	3C6	19	53 - 45
R35738	6C5	36	74 - 51	R39090	3F21	19	53 - 135	R39304	4A19	31	55 - 11
R35827	5B2	7	71 - 17	R39112	2F13	18	52 - 51	R39319	5A15	39	71 - 5
R36235	4E20	16	62 - 51	R39112	4C10	16	61 - 3	R39319	5A17	39	71 - 7
R36235	4E22	25	62 - 53	R39112	4G6	7	63 - 3	R39321	5A15	33	71 - 5
R36358	5B10	38	71 - 25	R39112	5A15	4	71 - 5	R39321	5A17	33	71 - 7
R36927	6A18	17	74 - 9	R39112	5A17	4	71 - 7	R39321	5A23	31	71 - 13
R36927	6A22	16	74 - 13	R39112	5A23	3	71 - 13	R394R	2G1	5	52 - 64
R36951	6C5	10	74 - 51	R39112	5B17	15	71 - 33	R394R	3F22	5	53 - 136
R36952	6C5	34	74 - 51	R39112	6A14	39	74 - 5	R394R	6B2	6	74 - 19
R37479	6A18	13	74 - 9	R39171	4G20	17	63 - 17	R39554	1G13	16	41 - 37
R37479	6A22	25	74 - 13	R39171	4G20	33	63 - 17	R39554	1G25	9	41 - 49
R375R	2E3	17	52 - 15	R39171	5G11	12	73 - 27	R39613	1D10	3	30 - 17
R375R	2E5	15	52 - 17	R39171	6A16	2	74 - 7	R39615	1D10	2	30 - 17
R375R	2E22	13	52 - 35	R39179	5A15	35	71 - 5	R39729	5B2	24	71 - 17
R375R	2E24	11	52 - 37	R39179	5A17	35	71 - 7	R39741	1A15	3	20 - 5
R375R	2F1	2	52 - 39	R39179	5A23	50	71 - 13	R39758	6E19	14	81 - 57
R375R	3A22	17	53 - 13	R39180	5A15	36	71 - 5	R39843	5B2	36	71 - 17
R375R	3A24	15	53 - 15	R39180	5A17	36	71 - 7	R40072	5B17	6	71 - 33
R375R	3B2	15	53 - 17	R39180	5A23	49	71 - 13	R40147	2F13	22	52 - 51
R375R	3B4	20	53 - 19	R39181	5A15	38	71 - 5	R40147	3C17	11	53 - 57
R375R	3C12	13	53 - 51	R39181	5A17	38	71 - 7	R40445	2D21	13	52 - 7
R375R	3C14	11	53 - 53	R39181	5A23	47	71 - 13	R40445	3A15	13	53 - 5
R375R	6B11	9	74 - 29	R39215	5B2	8	71 - 17	R40562	5B17	8	71 - 33
R375R	6B12	5	74 - 30	R39215	5B8	8	71 - 23	R40685	6G15	12	82 - 3
R375R	6B14	18	74 - 33	R39215	5B12	8	71 - 27	R40694	3G5	30	54 - 5
R38214	3H19	10	54 - 44	R39225	6A14	24	74 - 5	R40791	1A18	5	20 - 8
R38215	3H19	9	54 - 44	R39225	6A15	5	74 - 6	R40791	7E5	25	93 - 49
R38216	3H19	7	54 - 44	R39228	5A15	14	71 - 5	R40937	6A12	19	74 - 3
R38219	3G24	9	54 - 25	R39228	5A17	14	71 - 7	R40937	6A14	8	74 - 5
R38219	3H6	20	54 - 31	R39228	5A23	11	71 - 13	R41055	6A12	39	74 - 3
R38221	3G24	17	54 - 25	R39228	5B2	17	71 - 17	R41057	5B4	33	71 - 19
R38221	3H6	11	54 - 31	R39228	5B8	17	71 - 23	R41057	5B4	34	71 - 19
R38295	2E12	21	52 - 25	R39228	5B12	17	71 - 27	R41057	5B4	35	71 - 19
R38295	2E14	21	52 - 27	R39228	6B17	15	74 - 37	R41057	5B10	29	71 - 25
R38295	3B12	21	53 - 27	R39240	5A15	23	71 - 5	R41057	5B14	28	71 - 29
R38295	3B14	21	53 - 29	R39240	5A17	23	71 - 7	R41057	6A12	24	74 - 3
R38454	2A23	11	42 - 15	R39240	5A23	21	71 - 13	R41057	6A14	14	74 - 5
R38508	6B25	30	74 - 45	R39279	3C6	36	53 - 45	R41076	1E9	7	30 - 43
R38537	6B25	33	74 - 45	R39279	4A12	20	55 - 3	R41076	2E10	13	52 - 23
R39006	6B25	35	74 - 45	R39279	4A14	16	55 - 5	R41076	2E18	5	52 - 31
R39009	6B25	31	74 - 45	R39279	4A19	39	55 - 11	R41076	3B10	8	53 - 25
R39012	6B25	23	74 - 45	R39280	2E12	23	52 - 25	R41076	3B24	5	53 - 39
R39012	6C3	23	74 - 49	R39280	2E14	23	52 - 27	R41076	3G5	6	54 - 5
R39013	6B25	26	74 - 45	R39280	3B12	23	53 - 27	R41076	5D4	12	71 - 73
R39029	6B25	29	74 - 45	R39280	3B14	23	53 - 29	R41076	5D11	7	71 - 81
R39064	6B25	4	74 - 45	R39285	2E12	24	52 - 25	R41147	5D4	23	71 - 73
R39067	5A15	9	71 - 5	R39285	2E14	24	52 - 27	R41155	6A14	41	74 - 5
R39067	5A17	9	71 - 7	R39285	3B12	24	53 - 27	R41337	2B11	2	42 - 29
R39067	5A23	8	71 - 13	R39285	3B14	24	53 - 29	R41338	6A12	27	74 - 3
R39067	5B2	15	71 - 17	R39289	6A12	11	74 - 3	R41339	6A12	25	74 - 3
R39067	5B8	15	71 - 23	R39294	2F13	9	52 - 51	R41339	6A14	9	74 - 5
R39067	5B12	15	71 - 27	R39294	3D8	14	53 - 73	R41386	5D4	4	71 - 73
R39073	5A15	43	71 - 5	R39294	3D22	14	53 - 87	R41412	1A21	2	20 - 11

1L12

1640, 2040, 2040S TRACTORS (430000-)

NUMERICAL INDEX - CONTINUED

PART NO.	GRID	KEY	PAGE	PART NO.	GRID	KEY	PAGE	PART NO.	GRID	KEY	PAGE
R41412	1A21	3	20 - 11	R44302	7E9	1	93 - 53	R47235	7E13	25	93 - 57
R41412	1A23	2	20 - 13	R44302	7E9	2	93 - 53	R47292	6H6	28	82 - 21
R41440	2B15	34	42 - 33	R44302	7E9	6	93 - 53	R47301	5D4	5	71 - 73
R41549	6A12	17	74 - 3	R44313	5D4	22	71 - 73	R47346	5C15	10	71 - 56
R41968	5D4	17	71 - 73	R44342	1G15	3	41 - 39	R47403	6G3	17	81 - 91
R41968	5D4	21	71 - 73	R44361	3H23	9	54 - 49	R47474	2B11	35	42 - 29
R41985	7B6	18	92 - 23	R44372	3H23	9	54 - 49	R47474	2B13	35	42 - 31
R41985	7E5	13	93 - 49	R44917	5E3	2	72 - 3	R47474	2B15	18	42 - 33
R42009	1D12	25	30 - 19	R45010	4A21	30	55 - 13	R47474	7C3	1	92 - 46
R42009	4A23	15	55 - 15	R45126	3G24	13	54 - 25	R47474	7F22	14	93 - 91
R42093	3G5	5	54 - 5	R45126	3H6	16	54 - 31	R47513	3G18	12	54 - 19
R42093	5G21	14	73 - 37	R45228	5B2	4	71 - 17	R47513	3G21	5	54 - 22
R42093	6B4	13	74 - 21	R45397	7D16	2	93 - 35	R47513	3H2	8	54 - 27
R42260	5B4	30	71 - 19	R45422	5B8	35	71 - 23	R47514	3G18	19	54 - 19
R42260	5B10	26	71 - 25	R45422	5B12	39	71 - 27	R47514	3G21	11	54 - 22
R42260	5B14	24	71 - 29	R45425	5B8	38	71 - 23	R47606	6B17	35	74 - 37
R42363	1B25	4	20 - 41	R45425	5B12	42	71 - 27	R47831	1H11	3	41 - 60
R42363	2C12	8	51 - 9	R45438	5B2	13	71 - 17	R47862	3B5	5	53 - 20
R42363	7C9	5	93 - 3	R45438	5B8	13	71 - 23	R47862	3G11	6	54 - 11
R42467	5B2	35	71 - 17	R45438	5B12	13	71 - 27	R47862	3G13	6	54 - 13
R42629	4C24	8	62 - 5	R45582	2E6	10	52 - 18	R48000	1D20	10	30 - 27
R42629	4D2	8	62 - 7	R45582	3B6	11	53 - 21	R48071	1D15	5	30 - 22
R42641	5G21	27	73 - 37	R45847	7E7	7	93 - 51	R48071	1D16	5	30 - 23
R42663	5B4	9	71 - 19	R45847	7E7	..	93 - 51	R48289	3G16	11	54 - 17
R42729	1A24	6	20 - 14	R45874	5B2	38	71 - 17	R48481	5G7	3	73 - 23
R42879	1D8	16	30 - 15	R459R	4E9	6	62 - 39	R48566	3H23	29	54 - 49
R43244	4A19	12	55 - 11	R459R	6C5	30	74 - 51	R48567	1C21	9	30 - 3
R43661	7D20	7	93 - 39	R45925	6B17	33	74 - 37	R48593	5C12	22	71 - 53
R43816	6A14	38	74 - 5	R46414	4E14	14	62 - 45	R48593	5C14	23	71 - 55
R44165	2B11	25	42 - 29	R46414	4E14	26	62 - 45	R48595	5E16	18	72 - 17
R44165	2B13	25	42 - 31	R46414	4E14	35	62 - 45	R48664	1H11	12	41 - 60
R44285	6C5	13	74 - 51	R46414	4E16	32	62 - 47	R48665	1H11	11	41 - 60
R44287	6C5	35	74 - 51	R46414	4E18	30	62 - 49	R48685	2F3	3	52 - 41
R44302	1C10	9	20 - 52	R46414	4E20	14	62 - 51	R48685	2F5	3	52 - 43
R44302	1D8	27	30 - 15	R46414	4E22	23	62 - 53	R48685	2F7	3	52 - 45
R44302	1E17	9	30 - 52	R46415	4G8	10	63 - 5	R48685	2F9	3	52 - 47
R44302	1E18	2	30 - 53	R46415	4G10	17	63 - 7	R48685	2F11	4	52 - 49
R44302	1F20	1	41 - 19	R46528	1E9	35	30 - 43	R48685	3C19	13	53 - 59
R44302	1F22	11	41 - 21	R46528	2E10	11	52 - 23	R48685	3C21	13	53 - 61
R44302	2A12	2	42 - 3	R46528	3B10	12	53 - 25	R48685	3C23	11	53 - 63
R44302	2A14	2	42 - 5	R46528	3G5	25	54 - 5	R48685	3C25	11	53 - 65
R44302	2A16	2	42 - 7	R46528	7D8	9	93 - 27	R48685	3D2	11	53 - 67
R44302	2A18	1	42 - 9	R46528	7D10	9	93 - 29	R48685	3D4	11	53 - 69
R44302	2A20	16	42 - 11	R46625	1A14	1	20 - 4	R48685	3D6	11	53 - 71
R44302	2A23	13	42 - 15	R46625	1A14	17	20 - 4	R48685	3D12	11	53 - 77
R44302	2B3	2	42 - 20	R46625	1A15	1	20 - 5	R48685	3D14	11	53 - 79
R44302	2B4	4	42 - 21	R46704	5A24	9	71 - 14	R48685	3D16	11	53 - 81
R44302	2B13	22	42 - 31	R46722	6A12	34	74 - 3	R48685	3D18	11	53 - 83
R44302	2B15	21	42 - 33	R46722	6A14	1	74 - 5	R48685	3D20	11	53 - 85
R44302	2B17	31	42 - 35	R46727	6H18	19	82 - 33	R48685	3G13	5	54 - 13
R44302	2C19	13	51 - 17	R46919	4A23	24	55 - 15	R48698	6B14	25	74 - 33
R44302	2C21	25	51 - 19	R46919	4F19	2	62 - 75	R48738	5A15	15	71 - 5
R44302	2C23	26	51 - 21	R46919	4F21	2	62 - 77	R48738	5A17	15	71 - 7
R44302	2D6	11	51 - 29	R47076	6E11	22	81 - 49	R48738	5A23	12	71 - 13
R44302	2D10	29	51 - 33	R47154	1B7	1	20 - 23	R48738	5B2	18	71 - 17
R44302	4G8	9	63 - 5	R47154	1B8	1	20 - 24	R48738	5B8	18	71 - 23
R44302	4G10	15	63 - 7	R47160	1E20	2	30 - 55	R48738	5B12	18	71 - 27
R44302	4G20	32	63 - 17	R47160	1E22	2	30 - 57	R48978	6A12	42	74 - 3
R44302	5B14	46	71 - 29	R47224	7E13	19	93 - 57	R48980	6A12	40	74 - 3
R44302	5B25	1	71 - 41	R47226	7E13	4	93 - 57	R48993	1C14	12	20 - 57
R44302	5C8	7	71 - 49	R47227	7E13	14	93 - 57	R49071	5B4	14	71 - 19
R44302	6B21	5	74 - 41	R47229	7E13	16	93 - 57	R49071	5B4	38	71 - 19
R44302	6H24	24	91 - 3	R47230	7E13	10	93 - 57	R49071	5B4	39	71 - 19
R44302	7B6	12	92 - 23	R47231	7E13	11	93 - 57	R49071	5B4	40	71 - 19
R44302	7D25	9	93 - 44	R47232	7E13	12	93 - 57	R49071	5B4	41	71 - 19
R44302	7E5	9	93 - 49	R47233	7E13	3	93 - 57	R49072	5B4	44	71 - 19
R44302	7E7	10	93 - 51	R47234	7E13	2	93 - 57	R49186	6A15	1	74 - 6

1L13

1640, 2040, 2040S TRACTORS (430000-)

NUMERICAL INDEX - CONTINUED

PART NO.	GRID	KEY	PAGE	PART NO.	GRID	KEY	PAGE	PART NO.	GRID	KEY	PAGE
R49187	6A12	29	74 - 3	R50469	7C12	31	93 - 7	R51161	5D4	8	71 - 73
R49187	6A14	10	74 - 5	R50469	7C16	23	93 - 11	R51203	4G20	30	63 - 17
R49187	6A15	2	74 - 6	R50470	7C12	30	93 - 7	R51233	2F25	17	52 - 63
R49191	6B10	13	74 - 28	R50470	7C16	22	93 - 11	R51409	6A12	15	74 - 3
R49193	6C5	6	74 - 51	R50499	1I5	19	41 - 81	R51409	6A14	25	74 - 5
R49221	6A12	4	74 - 3	R50499	7D18	32	93 - 37	R51410	6A12	43	74 - 3
R49296	1H11	13	41 - 60	R50500	6G3	30	81 - 91	R51411	6A12	44	74 - 3
R49297	5A15	13	71 - 5	R50500	7E20	2	93 - 65	R51411	6A14	31	74 - 5
R49297	5A17	13	71 - 7	R50506	1E7	2	30 - 41	R51412	6A12	6	74 - 3
R49297	5A23	10	71 - 13	R50507	6E5	14	81 - 43	R51413	6A12	2	74 - 3
R49297	5B2	16	71 - 17	R50636	2A23	11	42 - 15	R51414	6A12	3	74 - 3
R49297	5B8	16	71 - 23	R50636	4G20	16	63 - 17	R51415	6A12	9	74 - 3
R49297	5B12	16	71 - 27	R50639	7D2	3	93 - 21	R51494	5C6	8	71 - 47
R49298	5A15	16	71 - 5	R50640	7D2	6	93 - 21	R51494	5C8	12	71 - 49
R49298	5A17	16	71 - 7	R50641	5E24	7	72 - 25	R51516	1B5	7	20 - 21
R49298	5B2	19	71 - 17	R50641	5F2	7	72 - 27	R51548	7F2	10	93 - 71
R49352	6B25	24	74 - 45	R50641	7D2	1	93 - 21	R51590	7D8	13	93 - 27
R49352	6C3	24	74 - 49	R50641	7D16	23	93 - 35	R51590	7D10	13	93 - 29
R495R	1A18	1	20 - 8	R50641	7D18	35	93 - 37	R51681	6D11	13	81 - 23
R495R	4G6	6	63 - 3	R50642	2B13	40	42 - 31	R51726	1B19	1	20 - 35
R495R	4G22	9	63 - 19	R50642	2B25	3	42 - 45	R51726	1B20	3	20 - 36
R495R	4H6	17	63 - 27	R50642	3H21	19	54 - 46	R51727	1B19	9	20 - 35
R495R	4H8	14	63 - 29	R50642	4A24	19	55 - 16	R51728	1B19	8	20 - 35
R495R	4H10	14	63 - 31	R50642	7D2	2	93 - 21	R51731	1B19	7	20 - 35
R495R	4H14	18	63 - 35	R50644	7D2	9	93 - 21	R51892	2B13	37	42 - 31
R495R	5B21	14	71 - 37	R50655	2F18	7	52 - 56	R51892	2B15	28	42 - 33
R495R	5G19	5	73 - 35	R50692	7D14	3	93 - 33	R51892	7E3	30	93 - 47
R495R	6B11	4	74 - 29	R50692	7D16	12	93 - 35	R51892	7E5	21	93 - 49
R49507	1E16	14	30 - 51	R50692	7D18	20	93 - 37	R51892	7E7	28	93 - 51
R49515	1B24	1	20 - 40	R50695	7D16	15	93 - 35	R51895	2C10	10	51 - 6
R49648	5C12	14	71 - 53	R50696	7D16	18	93 - 35	R51895	2F13	33	52 - 51
R49648	5C14	18	71 - 55	R50697	7D16	17	93 - 35	R51895	3C7	16	53 - 46
R49924	5D4	14	71 - 73	R50698	7D16	16	93 - 35	R51895	3D8	26	53 - 73
R49962	5D19	12	71 - 89	R50703	4G4	4	63 - 1	R51895	3D8	27	53 - 73
R49962	5D21	7	71 - 91	R50704	4G4	5	63 - 1	R51895	3D22	13	53 - 87
R49980	4C12	13	61 - 5	R50724	6G15	16	82 - 3	R51910	6D11	6	81 - 23
R49980	4C14	13	61 - 7	R50725	6G15	16	82 - 3	R51936	1D20	3	30 - 27
R49982	4C12	14	61 - 5	R50753	7C21	2	93 - 16	R51937	1D20	4	30 - 27
R49982	4C14	12	61 - 7	R50754	7C21	3	93 - 16	R51952	4C10	19	61 - 3
R49993	3G11	24	54 - 11	R50755	7C21	1	93 - 16	R52056	2E18	1	52 - 31
R50012	5G21	15	73 - 37	R50756	7C21	4	93 - 16	R52056	3B24	1	53 - 39
R50012	6B4	14	74 - 21	R50864	2F21	5	52 - 59	R52107	7C18	23	93 - 13
R50034	4G18	6	63 - 15	R50864	2F22	5	52 - 60	R52112	7D4	5	93 - 23
R50110	4G6	19	63 - 3	R50864	2F23	11	52 - 61	R52113	7D4	12	93 - 23
R50112	4G6	14	63 - 3	R50864	3E23	5	53 - 112	R52114	7D4	3	93 - 23
R50198	5D2	7	71 - 70	R50864	3E24	5	53 - 113	R52115	7D4	7	93 - 23
R50198	7D8	7	93 - 27	R50864	3F2	11	53 - 115	R52115	7D5	6	93 - 24
R50198	7D10	7	93 - 29	R50864	3F8	4	53 - 121	R52117	1E7	4	30 - 41
R50198	7F10	6	93 - 79	R50869	4C24	6	62 - 5	R52119	2B11	2	42 - 29
R50226	1E7	1	30 - 41	R50869	4D2	6	62 - 7	R52119	2B13	2	42 - 31
R50227	1E7	5	30 - 41	R50871	4C24	35	62 - 5	R52130	1H25	2	41 - 76
R50272	7D16	9	93 - 35	R50871	4D2	33	62 - 7	R52130	6G3	30	81 - 91
R50272	7D18	13	93 - 37	R50875	4C24	1	62 - 5	R52130	7E20	2	93 - 65
R50279	7D20	1	93 - 39	R50875	4D2	1	62 - 7	R52130	7E20	6	93 - 65
R50348	2E12	25	52 - 25	R50875	4D4	25	62 - 9	R52149	7D16	21	93 - 35
R50348	2E14	25	52 - 27	R50879	4G12	4	63 - 9	R52149	7D18	5	93 - 37
R50348	3B12	25	53 - 27	R50974	1I5	5	41 - 81	R52233	3F8	17	53 - 121
R50348	3B14	25	53 - 29	R51011	7D8	8	93 - 27	R52233	7C12	28	93 - 7
R50349	2E12	19	52 - 25	R51011	7D10	8	93 - 29	R52233	7C16	20	93 - 11
R50349	2E14	19	52 - 27	R51015	7E3	10	93 - 47	R52251	1A21	6	20 - 11
R50349	3B12	19	53 - 27	R51023	7D20	10	93 - 39	R52252	1A21	8	20 - 11
R50349	3B14	19	53 - 29	R51024	7D20	9	93 - 39	R52282	5D4	19	71 - 73
R50451	6F18	17	81 - 81	R51067	2E18	11	52 - 31	R52362	6G9	31	81 - 97
R50452	7E7	8	93 - 51	R51067	3B24	11	53 - 39	R52362	6G11	11	81 - 99
R50454	7E3	40	93 - 47	R51109	6G20	4	82 - 8	R52516	7C18	4	93 - 13
R50454	7E5	18	93 - 49	R51153	4C24	31	62 - 5	R52549	6A12	21	74 - 3
R50456	7B4	15	92 - 21	R51153	4D2	29	62 - 7	R52606	7D4	14	93 - 23

1L14

1640, 2040, 2040S TRACTORS (430000-)

NUMERICAL INDEX - CONTINUED

PART NO.	GRID	KEY	PAGE	PART NO.	GRID	KEY	PAGE	PART NO.	GRID	KEY	PAGE
R52646	1E6	3	30 - 39	R53678	115	8	41 - 81	R54745	7C9	1	93 - 3
R52646	1E9	37	30 - 43	R53678	7D20	4	93 - 39	R54766	7E13	20	93 - 57
R52646	2E8	4	52 - 21	R53678	7E20	3	93 - 65	R54798	7C18	2	93 - 13
R52646	3B8	4	53 - 23	R53678	7F8	3	93 - 77	R54802	1A14	3	20 - 4
R52646	3B16	24	53 - 31	R53800	5F12	2	73 - 3	R54961	2E12	11	52 - 25
R52690	5G21	1	73 - 37	R53800	5F14	13	73 - 5	R54961	2E14	11	52 - 27
R52690	6B4	1	74 - 21	R53800	5F16	2	73 - 7	R54961	3B12	11	53 - 27
R52691	5G21	2	73 - 37	R53800	5F20	13	73 - 11	R54961	3B14	11	53 - 29
R52691	6B4	2	74 - 21	R53800	5F24	2	73 - 15	R54961	3B20	30	53 - 35
R52692	5G21	3	73 - 37	R53800	5G2	13	73 - 17	R54969	5C12	12	71 - 53
R52708	6F16	15	81 - 79	R53801	5F12	3	73 - 3	R54969	5C14	20	71 - 55
R52708	7C12	20	93 - 7	R53801	5F14	12	73 - 5	R54972	6H16	1	82 - 31
R52708	7C20	3	93 - 15	R53801	5F16	3	73 - 7	R54978	4G6	1	63 - 3
R52708	7D6	8	93 - 25	R53801	5F18	2	73 - 9	R54979	4G6	1	63 - 3
R52760	6G7	30	81 - 95	R53801	5F20	12	73 - 11	R55127	1C3	3	20 - 45
R52760	6G9	30	81 - 97	R53801	5F22	2	73 - 13	R55202	1E14	14	30 - 49
R52760	6G11	10	81 - 99	R53801	5F24	3	73 - 15	R55233	1A15	6	20 - 5
R52862	3G5	29	54 - 5	R53801	5G2	12	73 - 17	R55299	1A16	4	20 - 6
R52862	7D12	11	93 - 31	R53802	2F13	25	52 - 51	R55326	6F14	5	81 - 77
R52937	7C16	18	93 - 11	R53802	3C17	7	53 - 57	R55326	7D8	4	93 - 27
R52942	7C12	27	93 - 7	R53802	3C19	6	53 - 59	R55326	7D10	4	93 - 29
R52948	7C12	26	93 - 7	R53802	3C21	6	53 - 61	R55326	7D14	2	93 - 33
R52951	7D4	6	93 - 23	R53802	3C23	6	53 - 63	R55326	7D16	11	93 - 35
R52953	7F6	5	93 - 75	R53802	3C25	6	53 - 65	R55326	7D18	15	93 - 37
R52989	4C10	10	61 - 3	R53802	3D2	6	53 - 67	R55327	7E7	33	93 - 51
R52998	7E9	25	93 - 53	R53802	3D4	6	53 - 69	R55397	6A12	37	74 - 3
R53000	7E9	32	93 - 53	R53802	3D6	5	53 - 71	R55398	6A12	41	74 - 3
R53028	2A23	8	42 - 15	R53802	3D6	6	53 - 71	R55405	1C14	3	20 - 57
R53028	7F6	8	93 - 75	R53802	3D12	6	53 - 77	R55426	7D8	6	93 - 27
R53079	7F6	11	93 - 75	R53802	3D14	6	53 - 79	R55426	7D10	6	93 - 29
R53080	2B11	10	42 - 29	R53802	3D16	6	53 - 81	R55427	2B11	3	42 - 29
R53080	2B13	10	42 - 31	R53802	3D18	6	53 - 83	R55427	2B13	3	42 - 31
R53080	2B15	11	42 - 33	R53802	3D20	5	53 - 85	R55427	2B15	3	42 - 33
R53080	7F22	25	93 - 91	R53802	3D20	6	53 - 85	R55427	7B24	13	92 - 42
R53169	2F13	20	52 - 51	R53802	3G16	7	54 - 17	R55427	7B25	6	92 - 43
R53169	3D8	24	53 - 73	R54054	1B2	1	20 - 18	R55434	1C3	14	20 - 45
R53169	3D22	24	53 - 87	R54189	2D23	5	52 - 10	R55498	4C24	10	62 - 5
R53218	5F12	19	73 - 3	R54242	6B14	23	74 - 33	R55498	4D2	10	62 - 7
R53218	5F14	8	73 - 5	R54271	1E6	1	30 - 39	R55647	1B19	8	20 - 35
R53218	5F16	22	73 - 7	R54272	2E8	1	52 - 21	R56101	1D8	8	30 - 15
R53218	5F18	13	73 - 9	R54272	3B8	1	53 - 23	R56101	1D14	10	30 - 21
R53218	5F20	8	73 - 11	R54272	3B16	1	53 - 31	R56101	7D22	6	93 - 41
R53218	5F22	13	73 - 13	R54273	5C22	1	71 - 65	R56131	1D22	12	30 - 29
R53218	5F24	20	73 - 15	R54273	5C24	2	71 - 67	R56131	1D24	12	30 - 31
R53218	5G2	8	73 - 17	R54274	5F16	9	73 - 7	R56131	1E1	12	30 - 33
R53223	1A20	5	20 - 10	R54274	5F24	13	73 - 15	R56131	1E3	12	30 - 35
R53296	5E3	16	72 - 3	R54274	5G4	5	73 - 19	R56246	7E13	17	93 - 57
R53296	5E5	23	72 - 5	R54274	6B2	1	74 - 19	R56455	1D1	4	30 - 8
R53296	5E7	23	72 - 7	R54275	5F12	11	73 - 3	R56463	1A18	1	20 - 8
R53300	1E14	16	30 - 49	R54275	5F16	10	73 - 7	R56463	5B2	12	71 - 17
R53308	2F23	8	52 - 61	R54275	5F24	10	73 - 15	R56463	5B8	12	71 - 23
R53308	3F2	8	53 - 115	R54275	5G4	4	73 - 19	R56463	5B12	12	71 - 27
R53382	1C1	1	20 - 43	R54275	6B2	9	74 - 19	R56473	2F15	17	52 - 53
R53393	5D7	10	71 - 76	R54380	2F17	15	52 - 55	R56479	6B4	3	74 - 21
R53422	7E7	19	93 - 51	R54388	1G7	8	41 - 31	R56504	5D4	9	71 - 73
R53471	1B24	2	20 - 40	R54388	1G9	4	41 - 33	R56504	5D11	9	71 - 81
R53475	5G21	26	73 - 37	R54477	6F18	14	81 - 81	R56526	1F20	6	41 - 19
R53476	5G21	25	73 - 37	R54477	6F22	19	81 - 85	R56749	5B2	11	71 - 17
R53524	1C3	6	20 - 45	R54477	7D20	11	93 - 39	R56749	5B8	11	71 - 23
R53608	2B11	3	42 - 29	R54477	7E3	11	93 - 47	R56749	5B12	11	71 - 27
R53656	3G15	14	54 - 15	R54529	7D8	5	93 - 27	R56751	5B2	5	71 - 17
R53667	7B11	15	92 - 28	R54529	7D10	5	93 - 29	R56751	5B10	12	71 - 25
R53667	7B13	15	92 - 30	R54560	1A20	1	20 - 10	R56751	5B14	11	71 - 29
R53667	7B14	15	92 - 31	R54560	1A22	1	20 - 12	R56753	5B2	23	71 - 17
R53667	7F10	9	93 - 79	R54565	1A24	1	20 - 14	R56754	5B2	20	71 - 17
R53671	7C18	13	93 - 13	R54614	1C1	1	20 - 43	R56755	5B4	13	71 - 19
R53678	1H25	4	41 - 76	R54697	7C18	1	93 - 13	R56755	5B10	31	71 - 25

1L15

1640, 2040, 2040S TRACTORS (430000-)

NUMERICAL INDEX - CONTINUED

PART NO.	GRID	KEY	PAGE	PART NO.	GRID	KEY	PAGE	PART NO.	GRID	KEY	PAGE	
R56755	5B14	9	71 - 29	R60559	2F25	15	52 - 63	R64615	6B14	5	74 - 33	
R56756	5B4	6	71 - 19	R60559	3F4	1	53 - 117	R64617	6B14	3	74 - 33	
R56757	5B4	37	71 - 19	R60732	5B2	35	71 - 17	R64618	6B14	4	74 - 33	
R56757	5B10	32	71 - 25	R60745	1D20	8	30 - 27	R64704	4C24	15	62 - 5	
R56757	5B14	33	71 - 29	R60828	1F3	4	41 - 2	R64704	4D2	15	62 - 7	
R56855	7E11	11	93 - 55	R60890	1A18	2	20 - 8	R64704	4D4	24	62 - 9	
R56947	1C3	11	20 - 45	R61268	1I5	17	41 - 81	R64802	6H24	3	91 - 3	
R57003	6H18	10	82 - 33	R61356	1D17	2	30 - 24	R64851	1B11	2	20 - 27	
R57059	1C1	2	20 - 43	R61633	5A15	27	71 - 5	R64851	1B13	2	20 - 29	
R57160	1A14	7	20 - 4	R61633	5A17	27	71 - 7	R64857	4A21	15	55 - 13	
R57160	1B2	7	20 - 18	R61871	1C1	8	20 - 43	R64929	4A21	16	55 - 13	
R57332	1A21	6	20 - 11	R62034	1E16	9	30 - 51	R65028	3B16	27	53 - 31	
R57333	1A21	8	20 - 11	R62280	R62280	4C24	2	62 - 5	R65044	5D6	3	71 - 75
R57334	1A21	6	20 - 11	R62280	4D2	2	62 - 7	R65099	4A23	20	55 - 15	
R57335	1A21	8	20 - 11	R62372	5B2	10	71 - 17	R65147	7D22	1	93 - 41	
R57336	1A21	6	20 - 11	R62372	5B8	10	71 - 23	R65147	7D22	2	93 - 41	
R57337	1A21	8	20 - 11	R62372	5B12	10	71 - 27	R65148	7D22	2	93 - 41	
R57636	7E9	12	93 - 53	R62547	7F8	2	93 - 77	R65148	7D22	10	93 - 41	
R57637	7E9	13	93 - 53	R62635	7C18	21	93 - 13	R65150	7D22	15	93 - 41	
R57696	6B25	20	74 - 45	R62636	7C18	20	93 - 13	R65215	1A14	10	20 - 4	
R57696	6C3	20	74 - 49	R62638	7C18	20	93 - 13	R65230	6B17	37	74 - 37	
R58204	5D4	3	71 - 73	R62652	6A14	13	74 - 5	R65246	5B18	2	71 - 34	
R58209	2E12	14	52 - 25	R62699	7F4	17	93 - 73	R65286	6A12	33	74 - 3	
R58209	2E14	14	52 - 27	R62700	7F4	16	93 - 73	R65286	6A14	17	74 - 5	
R58209	3B12	14	53 - 27	R62716	7E11	14	93 - 55	R65286	6B11	7	74 - 29	
R58209	3B14	14	53 - 29	R62849	3G7	2	54 - 7	R65286	6B12	4	74 - 30	
R58341	7D4	9	93 - 23	R62849	3G9	2	54 - 9	R65286	6B17	30	74 - 37	
R58357	7C9	11	93 - 3	R62899	1E14	12	30 - 49	R65287	6B2	6	74 - 19	
R58357	7C10	12	93 - 4	R62900	1E14	11	30 - 49	R65289	6A12	20	74 - 3	
R58507	1E9	31	30 - 43	R63022	5A15	29	71 - 5	R65450	7D20	2	93 - 39	
R58509	1E9	5	30 - 43	R63022	5A17	29	71 - 7	R65466	7D16	20	93 - 35	
R58509	2E10	22	52 - 23	R63022	5A23	27	71 - 13	R65471	7D16	14	93 - 35	
R58509	2E18	9	52 - 31	R63496	1H25	6	41 - 76	R65473	7D8	10	93 - 27	
R58509	3B10	7	53 - 25	R63496	1I1	5	41 - 77	R65475	7E5	6	93 - 49	
R58509	3B24	9	53 - 39	R63548	5B4	6	71 - 19	R65477	7D16	22	93 - 35	
R58511	1E9	3	30 - 43	R63571	7E13	23	93 - 57	R65477	7D18	11	93 - 37	
R58512	1E9	4	30 - 43	R63605	5A15	18	71 - 5	R65501	6A12	31	74 - 3	
R58614	4C24	22	62 - 5	R63605	5A17	18	71 - 7	R65501	6A14	22	74 - 5	
R58614	4D2	22	62 - 7	R63607	3H21	15	54 - 46	R65502	6A12	31	74 - 3	
R58614	4D4	16	62 - 9	R63607	4A24	15	55 - 16	R65502	6A14	26	74 - 5	
R59160	1H19	13	41 - 69	R63629	5A15	42	71 - 5	R65502	6A12	31	74 - 3	
R59234	5A15	30	71 - 5	R63629	5A17	42	71 - 7	R65548	5C12	18	71 - 53	
R59234	5A17	30	71 - 7	R63629	5A17	42	71 - 7	R65548	5C14	14	71 - 55	
R59234	5A23	30	71 - 13	R63629	5A23	38	71 - 13	R65570	7C12	6	93 - 7	
R59343	6B11	4	74 - 29	R63667	7B10	7	92 - 27	R65570	7C16	6	93 - 11	
R59343	6B12	2	74 - 30	R63839	7C16	17	93 - 11	R65624	7C9	4	93 - 3	
R59409	1C1	10	20 - 43	R63850	3G2	4	54 - 2	R65687	4G20	5	63 - 17	
R59448	1A20	3	20 - 10	R63850	3G5	9	54 - 5	R65712	7E11	1	93 - 55	
R59468	2F3	1	52 - 41	R63937	5E8	5	72 - 8	R65812	6A14	36	74 - 5	
R59468	2F5	1	52 - 43	R63937	5E9	12	72 - 9	R65832	7D22	5	93 - 41	
R59468	3G16	15	54 - 17	R63937	5E11	1	72 - 11	R65833	1B19	2	20 - 35	
R59629	6A12	26	74 - 3	R64197	2E12	1	52 - 25	R65904	2G1	9	52 - 64	
R59629	6A14	11	74 - 5	R64197	2E14	1	52 - 27	R65904	3F22	9	53 - 136	
R59881	6A15	9	74 - 6	R64197	3B12	1	53 - 27	R65906	7D6	7	93 - 25	
R59882	6A15	10	74 - 6	R64197	3B14	1	53 - 29	R65907	7D6	3	93 - 25	
R59883	6A15	14	74 - 6	R64506	1D18	8	30 - 25	R65925	6G15	15	82 - 3	
R59953	4C24	25	62 - 5	R64561	6B14	21	74 - 33	R66083	5B17	5	71 - 33	
R59953	4D2	25	62 - 7	R64605	6B14	10	74 - 33	R66084	5B17	2	71 - 33	
R59953	4D4	15	62 - 9	R64606	6B14	17	74 - 33	R66085	5B17	3	71 - 33	
R60124	1C10	10	20 - 52	R64607	6A14	3	74 - 5	R66090	1D20	5	30 - 27	
R60135	1H2	22	41 - 51	R64607	6B14	16	74 - 33	R66164	5A15	40	71 - 5	
R60170	7E9	4	93 - 53	R64608	6B14	7	74 - 33	R66164	5A17	40	71 - 7	
R60171	7E13	26	93 - 57	R64608	6B14	7	74 - 33	R66319	1H19	4	41 - 69	
R60172	7E9	3	93 - 53	R64609	6B14	6	74 - 33	R66319	1H19	..	41 - 69	
R60263	7E7	4	93 - 51	R64610	6B14	15	74 - 33	R66373	7C9	3	93 - 3	
R60264	7E7	5	93 - 51	R64611	6B14	14	74 - 33	R66373	7C10	3	93 - 4	
R60557	2F25	17	52 - 63	R64612	6B14	13	74 - 33	R66374	7C9	8	93 - 3	
				R64613	6B14	11	74 - 33	R66374	7C10	7	93 - 4	
				R64614	6B14	12	74 - 33					

1L16

1640, 2040, 2040S TRACTORS (430000-)

NUMERICAL INDEX - CONTINUED

PART NO.	GRID	KEY	PAGE	PART NO.	GRID	KEY	PAGE	PART NO.	GRID	KEY	PAGE
R66375	7C9	12	93-3	R68175	3B18	1	53-33	R69510	3G20	15	54-21
R66375	7C10	11	93-4	R68191	7F4	10	93-73	R69510	3G22	5	54-23
R66416	6A12	30	74-3	R68193	7F4	9	93-73	R69510	3H4	13	54-29
R66416	6A14	21	74-5	R68227	1A19	3	20-9	R69511	3G20	12	54-21
R66561	7F10	10	93-79	R68252	5B8	23	71-23	R69511	3G22	2	54-23
R66645	7E7	2	93-51	R68252	5B12	23	71-27	R69512	3G20	18	54-21
R66645	7E7	16	93-51	R68277	6H8	2	82-23	R69512	3G22	8	54-23
R66684	1D6	10	30-13	R68332	7D16	24	93-35	R69513	3G20	17	54-21
R66794	1F3	10	41-2	R68332	7D18	37	93-37	R69513	3G22	7	54-23
R66821	1D15	12	30-22	R68381	5A15	7	71-5	R69514	3G20	17	54-21
R66821	1D16	8	30-23	R68381	5A17	7	71-7	R69514	3G22	7	54-23
R66897	6G7	2	81-95	R68381	5A23	6	71-13	R69515	3G20	17	54-21
R66897	6G9	2	81-97	R68382	5A15	6	71-5	R69515	3G22	7	54-23
R66916	6A12	22	74-3	R68382	5A17	6	71-7	R69516	3G20	17	54-21
R66996	7F7	4	93-76	R68382	5A23	5	71-13	R69516	3G22	7	54-23
R66997	7F7	1	93-76	R68383	5A15	22	71-5	R69521	7D23	6	93-42
R66998	7F7	2	93-76	R68383	5A15	48	71-5	R69522	7D23	2	93-42
R66999	7F7	3	93-76	R68383	5A17	22	71-7	R69658	3G24	20	54-25
R67001	5D2	1	71-70	R68383	5A17	48	71-7	R69706	4F12	2	62-67
R67021	7E11	10	93-55	R68384	5A15	21	71-5	R69880	6A16	12	74-7
R67054	7D22	11	93-41	R68384	5A17	21	71-7	R69891	6B17	5	74-37
R67154	7E24	13	93-69	R68384	5A23	19	71-13	R69891	6B17	6	74-37
R67156	7E24	8	93-69	R68390	5A15	37	71-5	R69891	6B18	8	74-38
R67157	7E24	11	93-69	R68390	5A17	37	71-7	R69891	6B18	9	74-38
R67162	7E24	8	93-69	R68390	5A23	48	71-13	R70034	6A14	6	74-5
R67169	7F2	17	93-71	R68461	7C12	13	93-7	R70235	7C12	22	93-7
R67170	7F2	18	93-71	R68461	7C16	13	93-11	R70268	1B25	4	20-41
R67230	1B7	5	20-23	R68553	5A15	44	71-5	R70268	2C12	8	51-9
R67378	7F2	4	93-71	R68553	5A17	44	71-7	R70269	7C20	19	93-15
R67500	5D2	2	71-70	R68553	5A23	42	71-13	R70270	7C20	21	93-15
R67514	7F10	12	93-79	R68789	7C9	2	93-3	R70271	7C20	5	93-15
R67515	7E24	4	93-69	R68838	7D12	5	93-31	R70272	7C20	20	93-15
R67534	6A15	17	74-6	R68839	7D12	5	93-31	R70273	7C20	4	93-15
R67542	3G5	18	54-5	R68841	7D12	10	93-31	R70274	7C20	11	93-15
R67575	1E9	38	30-43	R68842	7D12	10	93-31	R70275	7C20	8	93-15
R67692	7E22	3	93-67	R68970	7D18	4	93-37	R70351	5B4	17	71-19
R67695	3G5	19	54-5	R68972	7D18	3	93-37	R70411	1D2	1	30-9
R67702	2E18	10	52-31	R68975	7D12	12	93-31	R70433	1B21	6	20-37
R67702	3B24	10	53-39	R68977	7D10	10	93-29	R70437	1C14	17	20-57
R67717	7E7	22	93-51	R69004	7D12	1	93-31	R70438	1C3	2	20-45
R67718	7E7	34	93-51	R69166	5C19	1	71-61	R70441	1C14	2	20-57
R67721	7F2	3	93-71	R69166	5E20	2	72-21	R70442	1C14	8	20-57
R67721	7F10	10	93-79	R69166	5E22	3	72-23	R70443	1B16	3	20-32
R67723	7C9	13	93-3	R69166	6C23	6	81-9	R70489	1B22	2	20-38
R67724	7E9	26	93-53	R69180	7D18	6	93-37	R70492	1B21	1	20-37
R67731	4G20	22	63-17	R69182	7D12	8	93-31	R70559	5B4	33	71-19
R67794	2E6	5	52-18	R69260	1B5	3	20-21	R70617	5B10	7	71-25
R67794	3B6	6	53-21	R69260	1B6	3	20-22	R70617	5B14	7	71-29
R67900	1E9	32	30-43	R69262	5B4	34	71-19	R70736	1C11	1	20-54
R67938	4C24	19	62-5	R69279	5B2	20	71-17	R70737	1C11	9	20-54
R67938	4D2	19	62-7	R69279	5B8	20	71-23	R70740	1C14	8	20-57
R67938	4D4	18	62-9	R69279	5B10	41	71-25	R70741	1C11	5	20-54
R67939	4G20	26	63-17	R69279	5B12	20	71-27	R70745	6B17	8	74-37
R68001	1E9	10	30-43	R69281	6B11	5	74-29	R70745	6B18	2	74-38
R68005	1E9	27	30-43	R69297	7E13	9	93-57	R70867	5B10	17	71-25
R68006	1E9	17	30-43	R69297	7E13	10	93-57	R70867	5B14	16	71-29
R68012	7E11	13	93-55	R69297	7E13	11	93-57	R70868	5B10	18	71-25
R68016	7E24	2	93-69	R69297	7E13	12	93-57	R70868	5B14	17	71-29
R68017	7E24	1	93-69	R69301	7D22	12	93-41	R70945	6B17	25	74-37
R68019	4G20	2	63-17	R69301	7D24	5	93-43	R70951	6B17	7	74-37
R68061	3G5	28	54-5	R69302	5A15	11	71-5	R70951	6B18	3	74-38
R68105	7F2	11	93-71	R69302	5A17	11	71-7	R70956	1C3	14	20-45
R68107	7F2	9	93-71	R69319	7E7	6	93-51	R70956	1C5	6	20-47
R68141	4H2	3	63-23	R69320	7D8	11	93-27	R70968	6A14	35	74-5
R68141	4H4	3	63-25	R69320	7D10	11	93-29	R70978	6A14	34	74-5
R68175	2E10	1	52-23	R69509	3G20	11	54-21	R70979	6A14	2	74-5
R68175	3B10	16	53-25	R69509	3G22	1	54-23	R70980	6A15	16	74-6

1L17

1640, 2040, 2040S TRACTORS (430000-)

NUMERICAL INDEX - CONTINUED

PART NO.	GRID	KEY	PAGE	PART NO.	GRID	KEY	PAGE	PART NO.	GRID	KEY	PAGE
R70981	6A15	8	74 - 6	R726R	3C19	2	53 - 59	R73609	1C3	4	20 - 45
R70982	6A15	15	74 - 6	R726R	3C21	2	53 - 61	R73610	1C3	5	20 - 45
R70985	6A14	30	74 - 5	R726R	3C23	3	53 - 63	R73656	7E24	4	93 - 69
R70986	6A14	32	74 - 5	R726R	3C25	3	53 - 65	R73736	5B10	20	71 - 25
R70987	6A14	33	74 - 5	R726R	3D2	3	53 - 67	R73736	5B14	19	71 - 29
R71054	6A14	16	74 - 5	R726R	3D4	3	53 - 69	R73741	5B8	4	71 - 23
R71055	6A14	19	74 - 5	R726R	3D6	3	53 - 71	R73741	5B12	4	71 - 27
R71056	6A14	20	74 - 5	R726R	3D12	2	53 - 77	R73784	1C14	4	20 - 57
R71080	7F2	19	93 - 71	R726R	3D14	2	53 - 79	R73786	1F3	5	41 - 2
R71321	5B4	32	71 - 19	R726R	3D16	2	53 - 81	R73787	1F4	6	41 - 3
R71321	5B10	28	71 - 25	R726R	3D18	2	53 - 83	R73788	1F3	12	41 - 2
R71321	5B14	26	71 - 29	R726R	3D20	3	53 - 85	R74058	7D8	21	93 - 27
R71336	7D5	2	93 - 24	R72625	1I5	12	41 - 81	R74194	1B19	10	20 - 35
R71338	7D5	1	93 - 24	R72653	3F16	38	53 - 129	R74205	7E20	1	93 - 65
R71341	7D18	16	93 - 37	R72653	3G5	20	54 - 5	R74210	6B14	38	74 - 33
R71343	7D18	22	93 - 37	R72653	5C17	3	71 - 58	R74210	6B17	20	74 - 37
R71343	7E3	1	93 - 47	R72653	5C22	11	71 - 65	R74210	6B18	6	74 - 38
R71344	7D18	17	93 - 37	R72653	5C22	26	71 - 65	R74210	7E13	25	93 - 57
R71345	7D16	19	93 - 35	R72653	5C24	6	71 - 67	R74210	7E14	8	93 - 58
R71345	7D18	10	93 - 37	R72653	5C24	26	71 - 67	R74241	6B17	21	74 - 37
R71347	1I5	16	41 - 81	R72653	5C24	31	71 - 67	R74241	6B18	4	74 - 38
R71348	1I5	18	41 - 81	R72653	5D1	13	71 - 69	R74242	6B19	5	74 - 39
R71348	7D18	12	93 - 37	R72653	5D9	1	71 - 79	R74243	6B19	5	74 - 39
R71349	7E5	5	93 - 49	R72653	5D19	6	71 - 89	R74307	7F2	11	93 - 71
R71350	7E5	10	93 - 49	R72653	5D21	1	71 - 91	R74308	7F2	9	93 - 71
R71351	7E7	36	93 - 51	R72653	6B10	5	74 - 28	R74344	7D16	5	93 - 35
R71387	6B14	39	74 - 33	R72653	6B17	16	74 - 37	R74345	7D16	6	93 - 35
R71387	6B17	19	74 - 37	R72653	7B15	2	92 - 32	R74346	7D16	1	93 - 35
R71387	6B18	5	74 - 38	R72653	7C18	18	93 - 13	R74354	1C1	4	20 - 43
R71523	7D16	7	93 - 35	R72655	1E9	30	30 - 43	R74361	7E5	7	93 - 49
R71523	7D18	9	93 - 37	R72655	2E18	3	52 - 31	R74362	7E7	14	93 - 51
R71598	5B12	43	71 - 27	R72655	3B24	3	53 - 39	R74364	7D18	21	93 - 37
R71725	6B17	14	74 - 37	R72697	6C3	33	74 - 49	R74379	7D12	6	93 - 31
R71784	6B17	27	74 - 37	R72697	6C5	24	74 - 51	R74400	7D18	36	93 - 37
R71805	7D2	5	93 - 21	R72760	7F2	5	93 - 71	R74402	7C20	17	93 - 15
R71806	6B20	4	74 - 40	R72858	4C24	30	62 - 5	R74529	6B17	13	74 - 37
R71811	4A19	13	55 - 11	R72858	4D2	28	62 - 7	R74530	6B11	18	74 - 29
R71826	6B17	3	74 - 37	R72858	4D4	6	62 - 9	R74530	6B12	9	74 - 30
R71869	4H14	16	63 - 35	R72881	7E22	12	93 - 67	R74530	6B14	30	74 - 33
R71870	4H14	13	63 - 35	R72886	5A15	16	71 - 5	R74549	1C11	5	20 - 54
R71871	4H14	6	63 - 35	R72886	5A17	16	71 - 7	R74695	6A12	29	74 - 3
R71873	4H14	9	63 - 35	R72886	5A23	13	71 - 13	R74695	6A14	10	74 - 5
R71874	4H14	5	63 - 35	R72886	5B2	19	71 - 17	R74695	6A15	2	74 - 6
R71876	4H12	26	63 - 33	R72886	5B8	19	71 - 23	R75124	4G18	7	63 - 15
R71877	4H12	27	63 - 33	R72886	5B12	19	71 - 27	R75127	3G5	23	54 - 5
R71878	4H12	24	63 - 33	R72919	6B17	26	74 - 37	R75132	6B17	9	74 - 37
R71880	4H12	4	63 - 33	R72936	5A15	11	71 - 5	R75132	6B18	1	74 - 38
R71881	4H12	20	63 - 33	R72936	5A17	11	71 - 7	R75376	5B10	15	71 - 25
R71882	4H12	12	63 - 33	R72936	5A23	18	71 - 13	R75376	5B14	14	71 - 29
R72040	7E5	6	93 - 49	R72974	1A13	1	20 - 3	R75564	5B10	9	71 - 25
R72116	6C3	35	74 - 49	R72974	1A14	1	20 - 4	R75564	5B14	30	71 - 29
R72116	6C5	26	74 - 51	R72974	1A15	1	20 - 5	R75568	6B19	13	74 - 39
R72117	6C3	11	74 - 49	R73116	6B17	18	74 - 37	R75569	6B19	10	74 - 39
R72120	6C3	30	74 - 49	R73117	6B17	41	74 - 37	R75642	5B10	11	71 - 25
R72120	6C5	21	74 - 51	R73139	1A14	1	20 - 4	R75642	5B14	10	71 - 29
R72134	6C3	26	74 - 49	R73139	1A14	18	20 - 4	R75832	1D18	7	30 - 25
R72134	6C5	16	74 - 51	R73139	1A15	1	20 - 5	R75867	1D12	14	30 - 19
R72322	7C20	21	93 - 15	R73140	1A14	1	20 - 4	R75879	5B10	6	71 - 25
R72323	7C20	4	93 - 15	R73140	1A15	1	20 - 5	R75879	5B14	6	71 - 29
R72349	7F2	15	93 - 71	R73140	1A17	1	20 - 7	R75892	1A14	14	20 - 4
R72350	7F2	8	93 - 71	R73228	5B8	39	71 - 23	R75893	1A14	13	20 - 4
R72403	6B19	8	74 - 39	R73259	6G9	6	81 - 97	R75931	1D19	7	30 - 26
R72487	7D20	3	93 - 39	R73380	6E19	5	81 - 57	R75938	5B10	34	71 - 25
R72506	5B8	36	71 - 23	R73380	6E19	18	81 - 57	R75938	5B14	32	71 - 29
R72506	5B12	35	71 - 27	R73443	5C17	5	71 - 58	R76126	1B3	9	20 - 19
R72507	5B8	33	71 - 23	R73498	1E22	16	30 - 57	R76167	5A15	22	71 - 5
R72507	5B12	33	71 - 27	R73521	1A19	3	20 - 9	R76167	5A15	32	71 - 5

1L18

1640, 2040, 2040S TRACTORS (430000-)

NUMERICAL INDEX - CONTINUED

PART NO.	GRID	KEY	PAGE	PART NO.	GRID	KEY	PAGE	PART NO.	GRID	KEY	PAGE
R76167	5A15	48	71 - 5	R78743	1E1	14	30 - 33	R79691	1C5	8	20 - 47
R76167	5A17	22	71 - 7	R78743	1E3	14	30 - 35	R79773	6A14	48	74 - 5
R76167	5A17	32	71 - 7	R78765	6B14	40	74 - 33	R79774	6A14	29	74 - 5
R76167	5A17	48	71 - 7	R78766	6B14	35	74 - 33	R79775	6A14	47	74 - 5
R76167	5A23	20	71 - 13	R78767	6B14	24	74 - 33	R79776	6A14	49	74 - 5
R76169	5A15	26	71 - 5	R78768	6B14	42	74 - 33	R79777	6A14	46	74 - 5
R76169	5A17	26	71 - 7	R78769	6B14	34	74 - 33	R79778	6A14	2	74 - 5
R76169	5A23	23	71 - 13	R79015	1D21	5	30 - 28	R79818	1E22	4	30 - 57
R76333	1I5	8	41 - 81	R79015	1D21	6	30 - 28	R79818	1E22	18	30 - 57
R76396	7E24	12	93 - 69	R79015	1D22	5	30 - 29	R79818	1E22	..	30 - 57
R76455	6B19	12	74 - 39	R79015	1D22	6	30 - 29	R79854	1A17	4	20 - 7
R76497	1I5	1	41 - 81	R79015	1D23	5	30 - 30	R79854	1A17	5	20 - 7
R76655	7E5	23	93 - 49	R79015	1D23	6	30 - 30	R79863	1A17	4	20 - 7
R76656	7E5	11	93 - 49	R79015	1D24	5	30 - 31	R80033	1B19	10	20 - 35
R76964	1D22	19	30 - 29	R79015	1D24	6	30 - 31	R80034	1B19	9	20 - 35
R76964	1D24	19	30 - 31	R79015	1D25	5	30 - 32	R80135	1B9	3	20 - 25
R76964	1E1	19	30 - 33	R79015	1D25	6	30 - 32	R80135	1B9	10	20 - 25
R76964	1E3	19	30 - 35	R79015	1E1	5	30 - 33	R80136	1B9	2	20 - 25
R77019	7C12	26	93 - 7	R79015	1E1	6	30 - 33	R80136	1B9	10	20 - 25
R77076	7C9	14	93 - 3	R79015	1E2	5	30 - 34	R80137	1B9	2	20 - 25
R77126	1D21	13	30 - 28	R79015	1E2	6	30 - 34	R80137	1B9	3	20 - 25
R77126	1D22	17	30 - 29	R79015	1E3	5	30 - 35	R80137	1B9	4	20 - 25
R77126	1D23	13	30 - 30	R79015	1E3	6	30 - 35	R80137	1B9	10	20 - 25
R77126	1D24	17	30 - 31	R79038	6B17	38	74 - 37	R80140	5A23	36	71 - 13
R77126	1D25	13	30 - 32	R79089	1A15	10	20 - 5	R80141	5A23	35	71 - 13
R77126	1E1	17	30 - 33	R79093	7C9	11	93 - 3	R80242	1A20	3	20 - 10
R77126	1E2	13	30 - 34	R79093	7C9	14	93 - 3	R80324	6B10	16	74 - 28
R77126	1E3	17	30 - 35	R79150	5B8	34	71 - 23	R80402	1B24	2	20 - 40
R77149	1A17	4	20 - 7	R79150	5B8	39	71 - 23	R80508	4F12	6	62 - 67
R77174	6B19	15	74 - 39	R79151	5B8	32	71 - 23	R80509	4F12	8	62 - 67
R77266	6B19	17	74 - 39	R79151	5B12	32	71 - 27	R80510	4F12	3	62 - 67
R77332	1C3	10	20 - 45	R79152	5B12	34	71 - 27	R80558	5B8	36	71 - 23
R77477	2C4	8	42 - 49	R79152	5B12	43	71 - 27	R80558	5B12	35	71 - 27
R77480	2C4	11	42 - 49	R79220	5H10	9	73 - 52	R80724	1B19	1	20 - 35
R77611	5B8	23	71 - 23	R79266	5B10	39	71 - 25	R80724	1B20	3	20 - 36
R77611	5B12	23	71 - 27	R79267	5B10	36	71 - 25	R80726	1A13	1	20 - 3
R77618	7D22	1	93 - 41	R79268	5B10	35	71 - 25	R80726	1A14	1	20 - 4
R77618	7D22	2	93 - 41	R79311	6B11	16	74 - 29	R80726	1A15	1	20 - 5
R77619	7D22	2	93 - 41	R79311	6B11	17	74 - 29	R80727	1B17	3	20 - 33
R77619	7D22	10	93 - 41	R79311	6B11	18	74 - 29	R80904	5A23	14	71 - 13
R77712	5B14	12	71 - 29	R79311	6B12	9	74 - 30	R81041	6B17	23	74 - 37
R77714	5B10	14	71 - 25	R79311	6B14	30	74 - 33	R81042	6B17	39	74 - 37
R77903	5B8	38	71 - 23	R79334	1B1	1	20 - 16	R81043	6B17	24	74 - 37
R77903	5B8	39	71 - 23	R79344	1A25	5	20 - 15	R81044	6B17	29	74 - 37
R77903	5B12	42	71 - 27	R79404	1D22	15	30 - 29	R81045	6B17	32	74 - 37
R77903	5B12	43	71 - 27	R79404	1D24	15	30 - 31	R81053	6B19	6	74 - 39
R77904	5B8	35	71 - 23	R79404	1E1	15	30 - 33	R81053	6B19	15	74 - 39
R77904	5B12	39	71 - 27	R79404	1E3	15	30 - 35	R81053	6B19	16	74 - 39
R77983	6A18	11	74 - 9	R79404	1E14	19	30 - 49	R81053	6B19	17	74 - 39
R77983	6A22	7	74 - 13	R79604	1D20	1	30 - 27	R81054	6B19	9	74 - 39
R78032	1B24	2	20 - 40	R79604	1D20	15	30 - 27	R81054	6B19	15	74 - 39
R78202	5A11	3	71 - 1	R79605	1D20	1	30 - 27	R81054	6B19	16	74 - 39
R78202	5A13	3	71 - 3	R79605	1D20	2	30 - 27	R81054	6B19	17	74 - 39
R78290	1C5	5	20 - 47	R79605	1D20	13	30 - 27	R81055	6B19	4	74 - 39
R78293	5B2	1	71 - 17	R79606	1D20	1	30 - 27	R81055	6B19	15	74 - 39
R78293	5B8	1	71 - 23	R79606	1D20	14	30 - 27	R81055	6B19	16	74 - 39
R78293	5B12	1	71 - 27	R79623	1A21	6	20 - 11	R81055	6B19	17	74 - 39
R78425	7D2	33	93 - 21	R79623	1A23	6	20 - 13	R81072	1C1	10	20 - 43
R78436	4E11	12	62 - 41	R79624	1A21	8	20 - 11	R81111	7D22	5	93 - 41
R78436	4E14	37	62 - 45	R79624	1A23	8	20 - 13	R81275	1D1	3	30 - 8
R78436	4E16	35	62 - 47	R79625	1A21	8	20 - 11	R81959	1B13	7	20 - 29
R78436	4E18	31	62 - 49	R79626	1A21	8	20 - 11	R81989	1B13	11	20 - 29
R78436	4G22	11	63 - 19	R79627	1A21	8	20 - 11	R82131	1D15	1	30 - 22
R78436	4I8	36	63 - 53	R79628	1A21	6	20 - 11	R82131	1D16	1	30 - 23
R78436	6B17	11	74 - 37	R79629	1A21	6	20 - 11	R82131	1D18	1	30 - 25
R78743	1D22	14	30 - 29	R79630	1A21	6	20 - 11	R82131	1D19	1	30 - 26
R78743	1D24	14	30 - 31	R79639	6B17	36	74 - 37	R82674	1A14	5	20 - 4

1L19

1640, 2040, 2040S TRACTORS (430000-)

NUMERICAL INDEX - CONTINUED

PART NO.	GRID	KEY	PAGE	PART NO.	GRID	KEY	PAGE	PART NO.	GRID	KEY	PAGE
R82674	1C14	11	20-57	R97876	1C11	1	20-54	T17148	4D4	4	62-9
R82874	1B17	6	20-33	R97876	1C12	3	20-55	T17201	2F15	3	52-53
R83079	6B17	4	74-37	R97877	1C11	1	20-54	T17589	2E6	8	52-18
R83079	6B17	18	74-37	R97877	1C12	4	20-55	T17589	3B6	9	53-21
R83079	6B17	41	74-37	R98941	2F25	15	52-63	T17882	2F13	36	52-51
R83169	1B5	7	20-21	R98941	3F4	1	53-117	T17882	3D8	6	53-73
R83169	1B6	7	20-22	TY6333	6H18	21	82-33	T17882	3D22	6	53-87
R83508	5A15	16	71-5	TY6341	6H18	22	82-33	T18716	5E9	9	72-9
R83508	5A17	16	71-7	TY6665	7E13	1	93-57	T18718	3H23	35	54-49
R83508	5A23	13	71-13	TY6770	7E13	1	93-57	T18891	1A14	8	20-4
R83508	5B2	19	71-17	T10321	7D12	9	93-31	T18891	2F13	30	52-51
R83508	5B8	19	71-23	T10510	4B24	7	55-43	T18891	3C19	4	53-59
R83508	5B12	19	71-27	T10510	6D15	7	81-27	T18891	3C21	4	53-61
R83554	1B21	3	20-37	T10510	6D17	7	81-29	T18891	3C23	7	53-63
R83554	1B21	4	20-37	T10510	6D18	5	81-30	T18891	3C25	7	53-65
R83588	6E19	5	81-57	T10510	6D19	12	81-31	T18891	3D2	7	53-67
R83588	6E19	17	81-57	T10510	6E11	25	81-49	T18891	3D4	7	53-69
R84943	6G20	4	82-8	T12269	4G20	3	63-17	T18891	3D6	7	53-71
R84984	1A14	4	20-4	T12269	4G20	23	63-17	T18891	3D12	4	53-77
R85363	1A13	1	20-3	T12471	7F17	3	93-86	T18891	3D14	4	53-79
R85363	1A14	1	20-4	T12688	6E11	27	81-49	T18891	3D16	4	53-81
R85363	1A15	1	20-5	T12808	1E9	30	30-43	T18891	3D18	4	53-83
R85363	1A20	4	20-10	T12808	2E18	3	52-31	T18891	3D20	7	53-85
R85363	1A22	4	20-12	T12808	3B24	3	53-39	T18891	3G2	5	54-2
R85557	5B12	37	71-27	T13073	6C5	38	74-51	T18891	3G3	11	54-3
R85557	5B12	39	71-27	T13119	1E22	17	30-57	T18891	3G5	32	54-5
R85558	5B12	38	71-27	T13119	2D21	4	52-7	T18996	3H23	36	54-49
R85558	5B12	39	71-27	T13119	3A13	20	53-3	T19044	1A16	1	20-6
R87249	1F3	10	41-2	T13119	3A15	4	53-5	T19114	1D12	16	30-19
R87627	1A21	2	20-11	T13119	3B12	47	53-27	T19242	2F18	3	52-56
R88112	1B2	3	20-18	T13119	3B14	46	53-29	T19245	2F18	4	52-56
R88112	1B2	8	20-18	T13119	3B20	24	53-35	T19324	1D8	28	30-15
R89824	1B3	2	20-19	T13119	5B17	4	71-33	T19687	5D21	11	71-91
R89824	1B4	2	20-20	T13213	1B24	7	20-40	T19687	5D22	2	71-92
R89825	1B3	2	20-19	T13213	1B25	2	20-41	T20006	1D2	2	30-9
R90648	1A17	1	20-7	T13325	3H23	32	54-49	T20009	1B19	10	20-35
R90658	1D2	2	30-9	T13331	3H23	17	54-49	T20014	1B1	1	20-16
R91298	4C24	35	62-5	T13332	3H23	17	54-49	T20034	1B3	5	20-19
R91298	4D2	33	62-7	T13333	3H23	17	54-49	T20034	1B4	5	20-20
R91692	1B5	11	20-21	T13341	3H23	9	54-49	T20046	1B11	9	20-27
R91692	1B6	11	20-22	T134456	1G1	7	41-25	T20046	1B13	9	20-29
R91708	1A14	7	20-4	T13471	3H23	18	54-49	T20050	1C1	7	20-43
R91708	1B2	7	20-18	T13555	4C12	10	61-5	T20055	1D21	3	30-28
R92159	1A15	3	20-5	T13555	4C14	9	61-7	T20055	1D22	3	30-29
R92425	1A20	3	20-10	T13744	2B6	5	42-23	T20055	1D23	3	30-30
R92425	1A22	3	20-12	T13744	2B7	2	42-24	T20055	1D24	3	30-31
R93053	6C5	13	74-51	T13744	2B9	8	42-27	T20055	1D25	3	30-32
R97342	1B24	1	20-40	T13913	5F2	25	72-27	T20055	1E1	3	30-33
R97350	1D17	9	30-24	T14059	2C12	31	51-9	T20055	1E2	3	30-34
R97350	1D18	2	30-25	T14264	4A23	20	55-15	T20055	1E3	3	30-35
R97350	1D19	2	30-26	T146102	1G1	6	41-25	T20070	1A25	4	20-15
R97351	1B21	6	20-37	T14647	5E16	14	72-17	T20072	1A25	2	20-15
R97352	1B9	1	20-25	T146517	1G1	7	41-25	T20073	1A24	11	20-14
R97354	1D21	13	30-28	T15284	6D21	10	81-33	T20073	1B1	4	20-16
R97354	1D22	17	30-29	T15284	6D23	10	81-35	T20077	1A21	1	20-11
R97354	1D23	13	30-30	T15285	6D21	4	81-33	T20077	1A23	1	20-13
R97354	1D24	17	30-31	T15285	6D23	5	81-35	T20088	1B22	3	20-38
R97354	1D25	13	30-32	T15288	6D21	5	81-33	T20094	1B11	6	20-27
R97354	1E1	17	30-33	T15288	6D23	4	81-35	T20094	1B13	6	20-29
R97354	1E2	13	30-34	T16623	1H7	6	41-56	T20094	1B14	8	20-30
R97354	1E3	17	30-35	T16911	5C6	4	71-47	T20094	1B15	8	20-31
R97454	1B5	1	20-21	T16911	5C8	10	71-49	T20129	1A24	9	20-14
R97454	1B6	1	20-22	T17148	4C10	21	61-3	T20130	1B2	4	20-18
R97778	1A21	7	20-11	T17148	4C15	3	61-8	T20133	1B2	4	20-18
R97778	1A23	7	20-13	T17148	4C22	3	62-3	T20155	1B5	1	20-21
R97779	1A21	5	20-11	T17148	4C24	33	62-5	T20155	1B6	1	20-22
R97779	1A23	5	20-13	T17148	4D2	31	62-7	T20159	1D1	3	30-8

1L20

1640, 2040, 2040S TRACTORS (430000-)

NUMERICAL INDEX - CONTINUED

PART NO.	GRID	KEY	PAGE	PART NO.	GRID	KEY	PAGE	PART NO.	GRID	KEY	PAGE
T20166	1A17	3	20 - 7	T21545	6E11	8	81 - 49	T21841	3G2	6	54 - 2
T20168	1A14	11	20 - 4	T21546	4C18	9	61 - 12	T21841	3G3	12	54 - 3
T20168	1A15	11	20 - 5	T21547	3G11	19	54 - 11	T21841	3G5	11	54 - 5
T20168	1A20	6	20 - 10	T21553	6D21	2	81 - 33	T21841	4A21	4	55 - 13
T20168	2F13	32	52 - 51	T21553	6D23	15	81 - 35	T21866	4C18	9	61 - 12
T20176	1A21	3	20 - 11	T21564	5C2	2	71 - 43	T21901	5E16	5	72 - 17
T20182	1A20	5	20 - 10	T21564	5C4	1	71 - 45	T21901	5E18	28	72 - 19
T20193	1B2	8	20 - 18	T21564	5C5	2	71 - 46	T21901	5E20	4	72 - 21
T20215	1C11	2	20 - 54	T21564	7G6	10	94 - 1	T21901	5E22	1	72 - 23
T20217	1B16	2	20 - 32	T21576	4H6	2	63 - 27	T21913	6D2	21	81 - 13
T20217	1B17	2	20 - 33	T21576	4H8	2	63 - 29	T21913	6D4	21	81 - 15
T20219	1C11	6	20 - 54	T21576	4H10	2	63 - 31	T21937	2F13	23	52 - 51
T20229	6A12	38	74 - 3	T21576	4H12	2	63 - 33	T21955	5D19	12	71 - 89
T20243	1C14	1	20 - 57	T21577	4H16	12	63 - 37	T21956	5C15	6	71 - 56
T20255	1D2	5	30 - 9	T21579	4H16	4	63 - 37	T21956	5C16	6	71 - 57
T20280	1C3	7	20 - 45	T21583	4H16	10	63 - 37	T21965	2F15	14	52 - 53
T20294	1B9	8	20 - 25	T21587	4H6	7	63 - 27	T21969	2F18	11	52 - 56
T20298	1C1	5	20 - 43	T21587	4H8	23	63 - 29	T21976	2F15	8	52 - 53
T20310	1A24	10	20 - 14	T21587	4H10	23	63 - 31	T21977	2F15	16	52 - 53
T20314	1A24	4	20 - 14	T21594	4H6	4	63 - 27	T21980	2F17	3	52 - 55
T20315	1A24	7	20 - 14	T21595	4H6	1	63 - 27	T21981	2F18	9	52 - 56
T20316	1A24	3	20 - 14	T21595	4H8	1	63 - 29	T21992	3G16	5	54 - 17
T20328	1B9	9	20 - 25	T21595	4H10	1	63 - 31	T21998	2D7	6	51 - 30
T20336	1B9	1	20 - 25	T21595	4H12	1	63 - 33	T22069	3G18	17	54 - 19
T20362	1B5	4	20 - 21	T21596	4H16	8	63 - 37	T22069	3G21	9	54 - 22
T20362	1B6	4	20 - 22	T21615	5C2	20	71 - 43	T22069	3G22	6	54 - 23
T20364	1B5	3	20 - 21	T21615	5C4	3	71 - 45	T22069	3H2	12	54 - 27
T21101	2F13	5	52 - 51	T21618	6E5	2	81 - 43	T22069	3H4	15	54 - 29
T21101	3C17	4	53 - 57	T21619	6E5	2	81 - 43	T22069	4A12	10	55 - 3
T21267	6F1	9	81 - 64	T21631	5C2	23	71 - 43	T22069	4A14	9	55 - 5
T21367	7E9	20	93 - 53	T21631	5C4	19	71 - 45	T22080	3G18	18	54 - 19
T21419	3G11	11	54 - 11	T21641	7G6	6	94 - 1	T22080	3G21	10	54 - 22
T21419	3G13	4	54 - 13	T21655	4C12	34	61 - 5	T22085	7F16	19	93 - 85
T21424	3G11	18	54 - 11	T21655	4C14	35	61 - 7	T22101	4G6	5	63 - 3
T21428	3G11	9	54 - 11	T21659	4C18	6	61 - 12	T22127	2E20	33	52 - 33
T21430	3G7	6	54 - 7	T21669	4B24	9	55 - 43	T22127	3G18	1	54 - 19
T21430	3G9	6	54 - 9	T21669	6D15	9	81 - 27	T22127	3G20	1	54 - 21
T21432	3G7	13	54 - 7	T21669	6D17	9	81 - 29	T22128	2F3	5	52 - 41
T21434	3G7	3	54 - 7	T21669	6D18	8	81 - 30	T22128	2F5	5	52 - 43
T21434	3G9	3	54 - 9	T21669	6D19	2	81 - 31	T22128	2F7	5	52 - 45
T21435	3G7	3	54 - 7	T21671	6D2	12	81 - 13	T22128	2F9	5	52 - 47
T21435	3G9	3	54 - 9	T21671	6D4	23	81 - 15	T22128	2F11	7	52 - 49
T21436	3G7	3	54 - 7	T21680	5D19	16	71 - 89	T22128	3C19	17	53 - 59
T21436	3G9	3	54 - 9	T21680	5D21	10	71 - 91	T22128	3C21	17	53 - 61
T21445	2C7	3	51 - 3	T21681	5D19	15	71 - 89	T22128	3C23	18	53 - 63
T21445	2C9	3	51 - 5	T21681	5D21	22	71 - 91	T22128	3C25	18	53 - 65
T21445	2C10	4	51 - 6	T21685	5E3	12	72 - 3	T22128	3D2	18	53 - 67
T21445	4C18	3	61 - 12	T21717	4C14	21	61 - 7	T22128	3D4	18	53 - 69
T21446	2C7	5	51 - 3	T21718	4C12	2	61 - 5	T22128	3D6	18	53 - 71
T21446	2C9	5	51 - 5	T21718	4C14	1	61 - 7	T22128	3D12	15	53 - 77
T21446	2D5	10	51 - 28	T21722	4C18	5	61 - 12	T22128	3D14	15	53 - 79
T21446	2D6	14	51 - 29	T21741	7G6	6	94 - 1	T22128	3D16	17	53 - 81
T21448	2C7	4	51 - 3	T21759	5E16	20	72 - 17	T22128	3D18	17	53 - 83
T21448	2C9	4	51 - 5	T21759	5E18	17	72 - 19	T22128	3D20	21	53 - 85
T21448	2C10	5	51 - 6	T21761	1H7	9	41 - 56	T22224	5C17	10	71 - 58
T21452	2D7	3	51 - 30	T21761	1H8	9	41 - 57	T22228	5C17	9	71 - 58
T21452	2D8	3	51 - 31	T21772	4H16	7	63 - 37	T22229	5C17	12	71 - 58
T21471	7G6	7	94 - 1	T21775	4H16	13	63 - 37	T22232	5C17	15	71 - 58
T21474	5C15	5	71 - 56	T21776	2F13	27	52 - 51	T22239	1E6	16	30 - 39
T21487	5D19	14	71 - 89	T21776	3D8	9	53 - 73	T22240	1E6	23	30 - 39
T21490	6G7	13	81 - 95	T21776	3D22	10	53 - 87	T22241	1E6	21	30 - 39
T21490	6G9	13	81 - 97	T21814	4G6	17	63 - 3	T22241	1E9	21	30 - 43
T21490	6G11	7	81 - 99	T21815	4G6	15	63 - 3	T22242	1E6	26	30 - 39
T21528	4C10	12	61 - 3	T21816	4G6	9	63 - 3	T22243	5H8	5	73 - 50
T21528	4C15	9	61 - 8	T21840	3G2	8	54 - 2	T22245	5H8	1	73 - 50
T21539	6D25	3	81 - 37	T21840	3G3	9	54 - 3	T22260	4C10	4	61 - 3
T21540	6D9	4	81 - 21	T21840	3G5	10	54 - 5	T22260	4C12	3	61 - 5

1L21

1640, 2040, 2040S TRACTORS (430000-)

NUMERICAL INDEX - CONTINUED

PART NO.	GRID	KEY	PAGE	PART NO.	GRID	KEY	PAGE	PART NO.	GRID	KEY	PAGE
T22260	4C14	2	61 - 7	T22876	5D8	3	71 - 78	T24607	1D21	5	30 - 28
T22319	5C15	3	71 - 56	T22876	5D9	6	71 - 79	T24607	1D21	6	30 - 28
T22319	5C16	3	71 - 57	T22877	5C22	23	71 - 65	T24607	1D22	5	30 - 29
T22375	6D9	2	81 - 21	T22877	5C24	30	71 - 67	T24607	1D22	6	30 - 29
T22383	6G7	14	81 - 95	T22883	5D9	3	71 - 79	T24607	1D23	5	30 - 30
T22383	6G9	14	81 - 97	T22970	5B25	2	71 - 41	T24607	1D23	6	30 - 30
T22383	6G11	8	81 - 99	T22974	2F20	7	52 - 58	T24607	1D24	5	30 - 31
T22435	2F25	15	52 - 63	T22996	6A15	6	74 - 6	T24607	1D24	6	30 - 31
T22435	3F4	1	53 - 117	T22999	3H23	13	54 - 49	T24607	1D25	5	30 - 32
T22469	5C12	23	71 - 53	T23027	6G22	7	82 - 11	T24607	1D25	6	30 - 32
T22469	5C14	26	71 - 55	T23027	6G22	8	82 - 11	T24607	1E1	5	30 - 33
T22470	5C22	24	71 - 65	T23027	6G22	11	82 - 11	T24607	1E1	6	30 - 33
T22470	5C24	19	71 - 67	T23027	6H2	1	82 - 17	T24607	1E2	5	30 - 34
T22473	5C17	8	71 - 58	T23069	6B2	2	74 - 19	T24607	1E2	6	30 - 34
T22474	5C2	22	71 - 43	T23071	6B2	8	74 - 19	T24607	1E3	5	30 - 35
T22474	5C4	5	71 - 45	T23118	6D9	5	81 - 21	T24607	1E3	6	30 - 35
T22480	4C10	18	61 - 3	T23162	5G23	11	73 - 39	T24608	1D12	6	30 - 19
T22482	4C10	2	61 - 3	T23170	4B24	3	55 - 43	T24608	1D14	7	30 - 21
T22520	6F6	3	81 - 69	T23170	6D15	20	81 - 27	T24608	1D21	5	30 - 28
T22526	4C10	8	61 - 3	T23170	6D17	20	81 - 29	T24608	1D21	6	30 - 28
T22527	4C10	6	61 - 3	T23170	6D18	2	81 - 30	T24608	1D22	5	30 - 29
T22531	2C12	22	51 - 9	T23170	6D19	9	81 - 31	T24608	1D22	6	30 - 29
T22534	1E20	11	30 - 55	T23203	5B21	19	71 - 37	T24608	1D23	5	30 - 30
T22546	3G18	15	54 - 19	T23216	5D19	17	71 - 89	T24608	1D23	6	30 - 30
T22653	2C12	1	51 - 9	T23244	2F17	11	52 - 55	T24608	1D24	5	30 - 31
T22653	2F14	3	52 - 52	T23247	1F20	17	41 - 19	T24608	1D24	6	30 - 31
T22653	3D9	5	53 - 74	T23247	6I8	20	91 - 11	T24608	1D25	5	30 - 32
T22698	1E6	10	30 - 39	T23262	1C21	12	30 - 3	T24608	1D25	6	30 - 32
T22705	5F3	15	72 - 28	T23262	1C23	10	30 - 5	T24608	1E1	5	30 - 33
T22705	5F4	1	72 - 29	T23426	3F21	20	53 - 135	T24608	1E1	6	30 - 33
T22705	6F6	12	81 - 69	T23435	1A14	16	20 - 4	T24608	1E2	5	30 - 34
T22705	6F10	6	81 - 73	T23442	1D21	12	30 - 28	T24608	1E2	6	30 - 34
T22728	2D23	1	52 - 10	T23442	1D22	16	30 - 29	T24608	1E3	5	30 - 35
T22728	2E3	5	52 - 15	T23442	1D23	12	30 - 30	T24608	1E3	6	30 - 35
T22728	2E5	1	52 - 17	T23442	1D24	16	30 - 31	T24619	1D21	6	30 - 28
T22728	3A22	5	53 - 13	T23442	1D25	12	30 - 32	T24619	1D22	6	30 - 29
T22728	3A24	1	53 - 15	T23442	1E1	16	30 - 33	T24619	1D23	6	30 - 30
T22728	3B2	1	53 - 17	T23442	1E2	12	30 - 34	T24619	1D24	6	30 - 31
T22728	3B4	5	53 - 19	T23442	1E3	16	30 - 35	T24619	1D25	6	30 - 32
T22736	2F25	10	52 - 63	T23474	1A14	12	20 - 4	T24619	1E1	6	30 - 33
T22739	3D8	29	53 - 73	T23474	1A15	12	20 - 5	T24619	1E2	6	30 - 34
T22739	3D22	8	53 - 87	T23517	1B11	7	20 - 27	T24619	1E3	6	30 - 35
T22817	6E19	6	81 - 57	T23590	1B21	7	20 - 37	T24647	1D12	10	30 - 19
T22818	6E19	7	81 - 57	T23604	1B16	4	20 - 32	T24690	5D19	13	71 - 89
T22823	4C12	7	61 - 5	T23614	1B9	8	20 - 25	T24690	5D21	8	71 - 91
T22823	4C14	6	61 - 7	T23614	1B9	9	20 - 25	T24691	2F19	14	52 - 57
T22824	4C12	9	61 - 5	T23614	1B9	10	20 - 25	T24726	2F18	10	52 - 56
T22824	4C14	8	61 - 7	T23624	1B3	1	20 - 19	T24728	2F19	1	52 - 57
T22825	4C12	27	61 - 5	T24157	6E17	5	81 - 55	T24729	2F3	6	52 - 41
T22825	4C14	19	61 - 7	T24157	6E19	10	81 - 57	T24729	2F5	6	52 - 43
T22848	6C19	13	81 - 5	T24169	5C17	5	71 - 58	T24729	2F7	6	52 - 45
T22848	6C21	29	81 - 7	T24171	5C17	7	71 - 58	T24729	2F9	6	52 - 47
T22848	6C23	29	81 - 9	T24181	5C17	4	71 - 58	T24729	2F11	5	52 - 49
T22850	2C12	29	51 - 9	T24395	2D23	3	52 - 10	T24729	3C19	18	53 - 59
T22852	2F20	11	52 - 58	T24395	2E3	12	52 - 15	T24729	3C21	18	53 - 61
T22853	2F13	11	52 - 51	T24395	2E5	11	52 - 17	T24729	3C23	19	53 - 63
T22854	2F13	1	52 - 51	T24395	3A22	12	53 - 13	T24729	3C25	19	53 - 65
T22865	5C22	25	71 - 65	T24395	3A24	11	53 - 15	T24729	3D2	19	53 - 67
T22867	5C2	16	71 - 43	T24395	3B2	11	53 - 17	T24729	3D4	19	53 - 69
T22867	5C4	16	71 - 45	T24395	3B4	43	53 - 19	T24729	3D6	19	53 - 71
T22867	5C12	31	71 - 53	T24460	1D21	13	30 - 28	T24729	3D12	16	53 - 77
T22867	5C14	32	71 - 55	T24460	1D23	13	30 - 30	T24729	3D14	16	53 - 79
T22874	2C19	10	51 - 17	T24460	1D25	13	30 - 32	T24729	3D16	16	53 - 81
T22874	2C21	17	51 - 19	T24460	1E2	13	30 - 34	T24729	3D18	16	53 - 83
T22874	2C23	17	51 - 21	T24472	1D20	11	30 - 27	T24729	3D20	22	53 - 85
T22874	3G7	1	54 - 7	T24540	5C12	13	71 - 53	T24730	2F15	5	52 - 53
T22874	3G9	1	54 - 9	T24540	5C14	19	71 - 55	T24730	2F18	8	52 - 56

1L22

1640, 2040, 2040S TRACTORS (430000-)

NUMERICAL INDEX - CONTINUED

PART NO.	GRID	KEY	PAGE	PART NO.	GRID	KEY	PAGE	PART NO.	GRID	KEY	PAGE
T24731	2F15	18	52-53	T26321	1B4	10	20-20	T27716	3F4	12	53-117
T24732	2F18	12	52-56	T26323	1B3	2	20-19	T27716	3F16	33	53-129
T24736	2F19	4	52-57	T26324	1B4	1	20-20	T27716	3G16	9	54-17
T24737	2F19	9	52-57	T26325	1B3	8	20-19	T27720	6E17	5	81-55
T24918	2F15	11	52-53	T26326	1B3	6	20-19	T27720	6E19	10	81-57
T24999	2F13	10	52-51	T26326	1B4	6	20-20	T27860	1D18	4	30-25
T25285	4H16	15	63-37	T26327	1B3	7	20-19	T27860	1D19	5	30-26
T25323	4C12	33	61-5	T26327	1B4	7	20-20	T27973	1E16	13	30-51
T25323	4C14	34	61-7	T26337	3G16	12	54-17	T27974	1E16	12	30-51
T25325	4C12	30	61-5	T26454	5E16	8	72-17	T27986	1D1	2	30-8
T25325	4C14	31	61-7	T26550	3F8	19	53-121	T27989	5C2	14	71-43
T25326	4C12	31	61-5	T26565	1B11	4	20-27	T27989	5C4	14	71-45
T25326	4C14	32	61-7	T26565	1B23	4	20-39	T28030	1D21	15	30-28
T25327	4C12	28	61-5	T26565	2F3	4	52-41	T28030	1D23	15	30-30
T25327	4C14	29	61-7	T26565	2F5	4	52-43	T28030	1D25	15	30-32
T25332	4C12	16	61-5	T26565	2F7	4	52-45	T28030	1E2	15	30-34
T25332	4C14	15	61-7	T26565	2F9	4	52-47	T28041	1B2	2	20-18
T25333	4C12	15	61-5	T26565	2F11	6	52-49	T28221	2C19	20	51-17
T25333	4C14	14	61-7	T26565	3C19	16	53-59	T28222	2C16	13	51-13
T25334	4C12	15	61-5	T26565	3C21	16	53-61	T28222	2C19	18	51-17
T25334	4C14	14	61-7	T26565	3C23	16	53-63	T28224	2C16	15	51-13
T25395	2E7	9	52-19	T26565	3C25	16	53-65	T28225	2C16	16	51-13
T25395	2E8	15	52-21	T26565	3D2	16	53-67	T28225	2C19	23	51-17
T25395	2E10	20	52-23	T26565	3D4	16	53-69	T28226	2C16	14	51-13
T25395	3B8	15	53-23	T26565	3D6	16	53-71	T28226	2C19	19	51-17
T25395	3B10	24	53-25	T26565	3D12	13	53-77	T28230	2C16	9	51-13
T25408	2E22	12	52-35	T26565	3D14	13	53-79	T28230	2C19	24	51-17
T25408	2E24	10	52-37	T26565	3D16	15	53-81	T28244	6F24	10	81-87
T25408	2F1	3	52-39	T26565	3D18	15	53-83	T28245	5C2	13	71-43
T25408	3C12	12	53-51	T26565	3D20	19	53-85	T28245	5C4	13	71-45
T25408	3C14	9	53-53	T26625	5C22	26	71-65	T28284	3E18	5	53-107
T25614	2F25	6	52-63	T26625	5C24	31	71-67	T28284	3E20	5	53-109
T25614	3F4	6	53-117	T26626	5C22	6	71-65	T28285	3E18	5	53-107
T25614	3F16	25	53-129	T26626	5C24	17	71-67	T28285	3E20	5	53-109
T25614	3G16	6	54-17	T26904	5C2	21	71-43	T28286	3E18	5	53-107
T25671	6H24	5	91-3	T26904	5C4	4	71-45	T28286	3E20	5	53-109
T25672	6H24	6	91-3	T26905	5C15	2	71-56	T28345	5E16	15	72-17
T25701	1A14	5	20-4	T26905	5C16	2	71-57	T28346	5E16	9	72-17
T25701	1C14	11	20-57	T26929	6D9	18	81-21	T28362	5C15	11	71-56
T25741	4C12	27	61-5	T271T	1C7	31	20-49	T28362	5C16	11	71-57
T25741	4C14	19	61-7	T27136	5E3	5	72-3	T28435	1B21	3	20-37
T25767	5E8	3	72-8	T27136	6C12	6	74-58	T28435	1B21	4	20-37
T25767	5E9	4	72-9	T27258	5C9	3	71-50	T28435	1B21	5	20-37
T25840	4B24	11	55-43	T27259	5C9	1	71-50	T28468	2C12	13	51-9
T25840	6D15	11	81-27	T27260	5C9	4	71-50	T28538	5C12	21	71-53
T25840	6D17	11	81-29	T27260	5C10	4	71-51	T28538	5C14	21	71-55
T25840	6D18	10	81-30	T27260	7D2	22	93-21	T28548	5D19	25	71-89
T25921	4B24	10	55-43	T27261	1C14	14	20-57	T28631	1H2	12	41-51
T25921	6D15	10	81-27	T27350	1E6	27	30-39	T28631	1H4	12	41-53
T25921	6D17	10	81-29	T27350	1E9	26	30-43	T28631	1H5	7	41-54
T25921	6D18	9	81-30	T27430	3G2	13	54-2	T28662	4A19	30	55-11
T25921	6D19	3	81-31	T27511	6E13	1	81-51	T28664	2E20	26	52-33
T25922	4B24	8	55-43	T27511	6E15	5	81-53	T28664	3C2	26	53-41
T25922	6D9	16	81-21	T27544	3G16	2	54-17	T28664	4A19	27	55-11
T25922	6D15	8	81-27	T27645	4C24	15	62-5	T28669	3H19	1	54-44
T25922	6D17	8	81-29	T27645	4C24	17	62-5	T28797	2C7	2	51-3
T25922	6D18	6	81-30	T27645	4D2	15	62-7	T28797	2C9	2	51-5
T26058	1D21	4	30-28	T27645	4D2	17	62-7	T28797	2C10	2	51-6
T26058	1D22	4	30-29	T27645	4D4	19	62-9	T28807	2E12	36	52-25
T26058	1D23	4	30-30	T27645	4D4	24	62-9	T28807	2E14	36	52-27
T26058	1D24	4	30-31	T27645	7G11	6	94-7	T28807	3B12	36	53-27
T26058	1D25	4	30-32	T27645	7G17	6	94-13	T28807	3B14	36	53-29
T26058	1E1	4	30-33	T27657	1B5	11	20-21	T28827	3G13	16	54-13
T26058	1E2	4	30-34	T27658	1B5	8	20-21	T28832	3G13	21	54-13
T26058	1E3	4	30-35	T27658	1B6	8	20-22	T28915	6G1	1	81-89
T26197	2F25	14	52-63	T27716	2F25	3	52-63	T28949	4F19	10	62-75
T26321	1B3	10	20-19	T27716	3B16	10	53-31	T28949	4F21	10	62-77

1L23

1640, 2040, 2040S TRACTORS (430000-)

NUMERICAL INDEX - CONTINUED

PART NO.	GRID	KEY	PAGE	PART NO.	GRID	KEY	PAGE	PART NO.	GRID	KEY	PAGE
T28949	5B18	10	71 - 34	T30687	2C12	13	51 - 9	T32143	5F20	11	73 - 11
T28983	5G25	12	73 - 41	T30687	4G12	11	63 - 9	T32143	5F22	8	73 - 13
T29109	6E5	11	81 - 43	T30687	4G13	7	63 - 10	T32143	5F24	8	73 - 15
T29177	6G1	4	81 - 89	T30687	4G14	6	63 - 11	T32143	5G2	11	73 - 17
T29185	1E14	6	30 - 49	T30712	6C17	3	81 - 3	T32146	6D11	3	81 - 23
T29201	6D9	4	81 - 21	T30738	1D15	1	30 - 22	T32146	6D13	12	81 - 25
T29210	6D19	5	81 - 31	T30738	1D18	1	30 - 25	T32148	6D11	11	81 - 23
T29211	6D19	4	81 - 31	T30738	1D19	1	30 - 26	T32148	6D13	5	81 - 25
T29218	6D9	16	81 - 21	T30766	3G21	1	54 - 22	T32198	5E7	14	72 - 7
T29219	6D9	15	81 - 21	T30766	3G24	2	54 - 25	T32201	5G7	5	73 - 23
T29239	3H23	24	54 - 49	T30766	3H2	4	54 - 27	T32204	5G7	10	73 - 23
T29240	3H23	3	54 - 49	T30766	3H4	6	54 - 29	T32204	5G9	11	73 - 25
T29241	3H23	26	54 - 49	T30766	3H6	5	54 - 31	T32204	5G11	4	73 - 27
T29242	3H23	20	54 - 49	T30766	3H18	6	54 - 43	T32204	5G15	8	73 - 31
T29243	3H23	6	54 - 49	T30767	3G21	2	54 - 22	T32204	5G16	6	73 - 32
T29311	5D19	7	71 - 89	T30767	3G24	1	54 - 25	T32204	5G17	6	73 - 33
T29353	2C16	18	51 - 13	T30793	3H19	1	54 - 44	T32204	6A18	6	74 - 9
T29388	1C10	4	20 - 52	T30798	3G24	8	54 - 25	T32204	6A22	9	74 - 13
T29388	7E5	15	93 - 49	T30799	3G24	20	54 - 25	T32204	7B6	13	92 - 23
T29394	3G7	9	54 - 7	T30802	3H20	1	54 - 45	T32204	7E3	23	93 - 47
T29444	3G13	18	54 - 13	T30803	3G24	15	54 - 25	T32204	7E5	26	93 - 49
T29445	3G13	15	54 - 13	T30803	3H6	12	54 - 31	T32474	4A19	29	55 - 11
T29446	3G13	19	54 - 13	T30804	3H20	5	54 - 45	T32508	5B18	16	71 - 34
T29447	3G11	10	54 - 11	T30897	1C14	16	20 - 57	T32508	5B19	15	71 - 35
T29447	3G13	11	54 - 13	T30917	5D19	5	71 - 89	T32547	5F12	8	73 - 3
T29449	3G13	10	54 - 13	T30917	5D21	17	71 - 91	T32547	5F14	10	73 - 5
T29451	3G13	24	54 - 13	T30918	3D9	4	53 - 74	T32547	5F16	6	73 - 7
T29539	1D20	2	30 - 27	T30918	5D19	4	71 - 89	T32547	5F18	7	73 - 9
T29550	3H23	6	54 - 49	T30918	5D21	18	71 - 91	T32547	5F20	10	73 - 11
T29574	6H6	25	82 - 21	T30991	6D15	10	81 - 27	T32547	5F22	7	73 - 13
T29577	6H6	10	82 - 21	T30991	6D17	10	81 - 29	T32547	5F24	7	73 - 15
T29578	6H6	26	82 - 21	T30991	6D18	9	81 - 30	T32547	5G2	10	73 - 17
T29644	6D2	6	81 - 13	T31134	4G12	7	63 - 9	T32848	2E20	29	52 - 33
T29644	6D5	8	81 - 16	T31170	2G1	10	52 - 64	T32848	3C2	29	53 - 41
T29645	6D2	3	81 - 13	T31170	3F22	10	53 - 136	T32848	4A17	6	55 - 9
T29645	6D5	7	81 - 16	T31290	4C12	27	61 - 5	T32849	2E20	28	52 - 33
T29646	2C16	20	51 - 13	T31290	4C14	19	61 - 7	T32849	3C2	28	53 - 41
T29647	2C16	22	51 - 13	T31306	1C3	8	20 - 45	T32849	4A17	7	55 - 9
T29648	2C16	23	51 - 13	T31306	1C5	1	20 - 47	T33164	5H13	1	73 - 56
T29648	2C19	31	51 - 17	T31306	1C5	5	20 - 47	T33279	1A14	4	20 - 4
T29649	2C16	11	51 - 13	T31498	3G3	1	54 - 3	T33594	2C12	12	51 - 9
T29649	2C19	15	51 - 17	T31725	6D2	20	81 - 13	T33594	2C12	14	51 - 9
T29650	2C16	10	51 - 13	T31725	6D4	20	81 - 15	T34546	6D23	3	81 - 35
T29650	2C19	16	51 - 17	T31749	6D23	18	81 - 35	T34548	6D23	16	81 - 35
T29741	1E6	30	30 - 39	T31782	5F3	3	72 - 28	T35126	4E14	34	62 - 45
T29741	1E11	2	30 - 45	T32077	5E3	5	72 - 3	T35599	4A21	8	55 - 13
T29741	1E12	3	30 - 47	T32077	5E5	12	72 - 5	T35791	3G11	16	54 - 11
T29742	1E6	14	30 - 39	T32077	5E7	12	72 - 7	T36034	6D9	16	81 - 21
T29742	1E9	25	30 - 43	T32077	6C12	6	74 - 58	T37041	7B6	17	92 - 23
T29742	1E11	17	30 - 45	T32132	5F12	20	73 - 3	T37041	7E5	14	93 - 49
T29862	3G7	3	54 - 7	T32132	5F14	19	73 - 5	T38049	3G11	15	54 - 11
T29862	3G9	3	54 - 9	T32132	5F16	23	73 - 7	T40308	5B4	39	71 - 19
T29892	6D2	9	81 - 13	T32132	5F18	12	73 - 9	T40308	5B14	35	71 - 29
T29892	6D4	22	81 - 15	T32132	5F20	19	73 - 11	T40728	5F3	16	72 - 28
T29893	6D2	3	81 - 13	T32132	5F22	12	73 - 13	T40728	5F4	12	72 - 29
T29893	6D5	7	81 - 16	T32132	5F24	21	73 - 15	T40728	6F8	9	81 - 71
T29931	5C15	1	71 - 56	T32132	5G2	19	73 - 17	T40728	6F10	5	81 - 73
T29931	5C16	1	71 - 57	T32133	5F12	7	73 - 3	T40983	6D9	16	81 - 21
T29969	1E4	6	30 - 36	T32133	5F18	6	73 - 9	T41072	2A12	4	42 - 3
T30037	3H20	1	54 - 45	T32133	5F22	6	73 - 13	T41072	2B9	13	42 - 27
T30065	2F18	5	52 - 56	T32133	5F24	6	73 - 15	T42971	4C18	11	61 - 12
T30121	6H6	6	82 - 21	T32140	5F16	25	73 - 7	T439T	6A16	3	74 - 7
T30276	5F5	7	72 - 30	T32142	2F25	11	52 - 63	T44604	2E24	15	52 - 37
T30277	5F5	1	72 - 30	T32143	5F12	9	73 - 3	T44604	3C14	14	53 - 53
T30500	6C17	19	81 - 3	T32143	5F14	11	73 - 5	T44946	2A12	19	42 - 3
T30543	6D4	9	81 - 15	T32143	5F16	7	73 - 7	T44946	7E9	9	93 - 53
T30544	6D4	9	81 - 15	T32143	5F18	8	73 - 9	T44948	5C14	9	71 - 55

1L24

1640, 2040, 2040S TRACTORS (430000-)

NUMERICAL INDEX - CONTINUED

PART NO.	GRID	KEY	PAGE	PART NO.	GRID	KEY	PAGE	PART NO.	GRID	KEY	PAGE
T46726	1E22	8	30 - 57	UN4660	1D8	9	30 - 15	Z22588	2B15	14	42 - 33
T47769	5C14	10	71 - 55	UN4660	1D8	22	30 - 15	Z22588	2B17	17	42 - 35
T49189	4G12	12	63 - 9	UN4660	1D8	..	30 - 15	Z22760	3H2	2	54 - 27
T49189	4G18	2	63 - 15	UN4660	1D14	11	30 - 21	Z22760	3H4	4	54 - 29
T497T	3H21	16	54 - 46	UN4660	1D14	..	30 - 21	Z22760	3H6	3	54 - 31
T497T	4A24	16	55 - 16	UN4660	1D17	8	30 - 24	Z22760	3H18	4	54 - 43
T497T	6C17	11	81 - 3	UN4660	1D17	..	30 - 24	Z23870	4I8	18	63 - 53
T497T	6C17	22	81 - 3	UN4663	1D8	19	30 - 15	Z23870	4I8	43	63 - 53
T50240	4F12	10	62 - 67	UN4663	1D8	21	30 - 15	Z26998	1H17	6	41 - 67
T519T	5D4	7	71 - 73	UN4663	1D8	..	30 - 15	Z26998	1H18	2	41 - 68
T55585	1G13	17	41 - 37	UN4663	1D10	13	30 - 17	Z26998	1H21	3	41 - 71
T55585	1G25	8	41 - 49	UN4663	1D10	..	30 - 17	Z26998	1H22	2	41 - 72
T55758	5B14	36	71 - 29	UN4663	1E17	1	30 - 52	Z27993	4D8	12	62 - 13
T57374	5B4	38	71 - 19	UN4663	1E17	..	30 - 52	Z27993	4D12	12	62 - 17
T57374	5B14	40	71 - 29	UN4663	1E18	1	30 - 53	Z27993	4D24	11	62 - 29
T58196	5A11	3	71 - 1	UN4663	1E18	..	30 - 53	Z27993	4E2	11	62 - 31
T58196	5A13	3	71 - 3	UN4663	6B20	1	74 - 40	Z27993	4E10	10	62 - 40
T58428	6I8	2	91 - 11	UN4663	6B20	3	74 - 40	Z27993	4E11	15	62 - 41
T58477	4A19	15	55 - 11	UN4663	6B20	6	74 - 40	Z27993	4E12	13	62 - 42
T59690	3G7	16	54 - 7	UN4663	6B20	..	74 - 40	Z27993	4E14	2	62 - 45
T60414	4E10	4	62 - 40	UN4672	4A23	29	55 - 15	Z27993	4E16	2	62 - 47
T60414	4E11	6	62 - 41	UN4672	4A23	34	55 - 15	Z27993	4E18	37	62 - 49
T64421	1E20	6	30 - 55	UN4672	4A23	..	55 - 15	Z27993	4E20	22	62 - 51
T65643	2B15	9	42 - 33	UN4672	5B23	2	71 - 39	Z27993	4E22	30	62 - 53
T65882	6H6	16	82 - 21	UN4672	5B23	5	71 - 39	Z27993	4E24	3	62 - 55
T68412	2C12	35	51 - 9	UN4672	5B23	10	71 - 39	Z27993	4F2	20	62 - 57
T68602	5H6	11	73 - 48	UN4672	5B23	..	71 - 39	Z27993	4F4	3	62 - 59
T68602	5H17	10	73 - 60	UN5812	6H19	9	82 - 34	Z27993	4F6	26	62 - 61
T75186	2A23	11	42 - 15	UN7121	6H18	8	82 - 33	Z31348	4D6	30	62 - 11
T75186	4G20	16	63 - 17	UN7132	6H18	9	82 - 33	Z31348	4D10	5	62 - 15
T75972	5C14	8	71 - 55	U11326	5B14	37	71 - 29	Z31348	4D14	3	62 - 19
T75972	5C14	10	71 - 55	U11343	4I9	8	63 - 54	Z31348	4D16	3	62 - 21
T75972	5C14	40	71 - 55	U11343	5B25	3	71 - 41	Z31348	4D18	3	62 - 23
T77072	5C14	8	71 - 55	U12547	2G1	11	52 - 64	Z31348	4D20	3	62 - 25
T77072	5C14	9	71 - 55	U12547	3F22	11	53 - 136	Z31348	4D22	5	62 - 27
T77072	5C14	40	71 - 55	U12547	4G6	18	63 - 3	Z31348	4E4	3	62 - 33
T80391	1H17	8	41 - 67	U12547	5A24	4	71 - 14	Z31348	4E6	3	62 - 35
T80391	1H21	15	41 - 71	U12547	5A25	1	71 - 15	Z31349	4D6	29	62 - 11
T80392	1H17	7	41 - 67	U12547	5B2	4	71 - 17	Z31349	4D10	29	62 - 15
T80392	1H21	14	41 - 71	U12547	5B8	5	71 - 23	Z31349	4D14	8	62 - 19
T80393	1H17	5	41 - 67	U12547	5B12	5	71 - 27	Z31349	4D16	8	62 - 21
T80393	1H21	13	41 - 71	U12547	5H13	2	73 - 56	Z31349	4D18	8	62 - 23
T80394	1H17	9	41 - 67	U12547	5H14	2	73 - 57	Z31349	4D20	8	62 - 25
T80394	1H18	7	41 - 68	U12547	5H16	1	73 - 59	Z31349	4D22	29	62 - 27
T80394	1H21	16	41 - 71	U12547	5H17	7	73 - 60	Z31349	4E4	8	62 - 33
T80394	1H22	5	41 - 72	U12547	6A18	15	74 - 9	Z31349	4E6	8	62 - 35
T82221	7H13	8	94 - 35	U12547	6A22	15	74 - 13	Z31350	4D6	28	62 - 11
T84409	1G1	6	41 - 25	U12622	6C19	37	81 - 5	Z31350	4D10	28	62 - 15
UN4614	5G11	9	73 - 27	U13639	1A15	2	20 - 5	Z31350	4D14	9	62 - 19
UN4614	5G11	..	73 - 27	U13639	5B2	27	71 - 17	Z31350	4D16	9	62 - 21
UN4614	5G19	12	73 - 35	U13639	5B8	26	71 - 23	Z31350	4D18	9	62 - 23
UN4614	5G19	..	73 - 35	U13639	5B12	26	71 - 27	Z31350	4D20	9	62 - 25
UN4614	6A16	4	74 - 7	U15192	4F12	7	62 - 67	Z31350	4D22	28	62 - 27
UN4614	6A16	..	74 - 7	U15192	6C3	34	74 - 49	Z31350	4E4	9	62 - 33
UN4614	6A18	9	74 - 9	U15192	6C5	25	74 - 51	Z31350	4E6	9	62 - 35
UN4614	6A18	..	74 - 9	U15969	6B14	20	74 - 33	Z31351	4D6	8	62 - 11
UN4614	7E5	34	93 - 49	U17409	4G6	1	63 - 3	Z31351	4D10	8	62 - 15
UN4614	7E5	..	93 - 49	U17409	4G6	18	63 - 3	Z31351	4D14	11	62 - 19
UN4632	4G8	8	63 - 5	U40054	4A21	8	55 - 13	Z31351	4D16	11	62 - 21
UN4632	4G8	..	63 - 5	U46335	4F12	9	62 - 67	Z31351	4D18	11	62 - 23
UN4632	5B25	8	71 - 41	U46662	2C4	7	42 - 49	Z31351	4D20	11	62 - 25
UN4632	5B25	10	71 - 41	W19897	5C14	11	71 - 55	Z31351	4D22	8	62 - 27
UN4632	5B25	13	71 - 41	W19898	5C14	11	71 - 55	Z31351	4E4	11	62 - 33
UN4632	5B25	..	71 - 41	W20088	5C14	11	71 - 55	Z31351	4E6	11	62 - 35
UN4632	6B21	1	74 - 41	Z22588	2B9	6	42 - 27	Z31352	4D6	10	62 - 11
UN4632	6B21	4	74 - 41	Z22588	2B11	11	42 - 29	Z31352	4D10	10	62 - 15
UN4632	6B21	..	74 - 41	Z22588	2B13	12	42 - 31	Z31352	4D14	13	62 - 19

1L25

1640, 2040, 2040S TRACTORS (430000-)

NUMERICAL INDEX - CONTINUED

PART NO.	GRID	KEY	PAGE	PART NO.	GRID	KEY	PAGE	PART NO.	GRID	KEY	PAGE
Z31352	4D16	13	62 - 21	Z31452	4E4	4	62 - 33	0501-204-552	4C3	1	55 - 48
Z31352	4D18	13	62 - 23	Z31452	4E6	4	62 - 35	0501-205-345	4C3	3	55 - 48
Z31352	4D20	13	62 - 25	Z31453	4D6	25	62 - 11	0501-308-962	4C3	2	55 - 48
Z31352	4D22	10	62 - 27	Z31453	4D10	25	62 - 15	0501-308-963	4C3	4	55 - 48
Z31352	4E4	13	62 - 33	Z31453	4D14	19	62 - 19	0750-136-057	4C3	1	55 - 48
Z31352	4E6	13	62 - 35	Z31453	4D16	19	62 - 21	32240	4I9	8	63 - 54
Z31353	4D6	12	62 - 11	Z31453	4D18	19	62 - 23	32240	5B25	3	71 - 41
Z31353	4D10	12	62 - 15	Z31453	4D20	19	62 - 25	32240	7E13	24	93 - 57
Z31353	4D14	14	62 - 19	Z31453	4D22	25	62 - 27	32240	7E14	7	93 - 58
Z31353	4D16	14	62 - 21	Z31453	4E4	19	62 - 33	33014	3C16	4	53 - 56
Z31353	4D18	14	62 - 23	Z31453	4E6	19	62 - 35	400R	2E3	26	52 - 15
Z31353	4D20	14	62 - 25	Z31454	4D6	22	62 - 11	400R	2F25	8	52 - 63
Z31353	4D22	12	62 - 27	Z31454	4D10	22	62 - 15	400R	3A22	26	53 - 13
Z31353	4E4	14	62 - 33	Z31454	4D14	21	62 - 19	400R	3B4	29	53 - 19
Z31353	4E6	14	62 - 35	Z31454	4D16	21	62 - 21	400R	4G6	16	63 - 3
Z31354	4D6	14	62 - 11	Z31454	4D18	21	62 - 23	400R	6B11	5	74 - 29
Z31354	4D10	14	62 - 15	Z31454	4D20	21	62 - 25	7029-010-204	4C4	4	55 - 49
Z31354	4D14	16	62 - 19	Z31454	4D22	22	62 - 27	7029-010-210	4C5	4	55 - 50
Z31354	4D16	16	62 - 21	Z31454	4E4	21	62 - 33	7029-310-204	4C4	1	55 - 49
Z31354	4D18	16	62 - 23	Z31454	4E6	21	62 - 35	7029-457-202	4C4	3	55 - 49
Z31354	4D20	16	62 - 25	Z31455	4D6	7	62 - 11	7029-910-202	4C5	1	55 - 50
Z31354	4D22	14	62 - 27	Z31455	4D10	7	62 - 15				
Z31354	4E4	16	62 - 33	Z31455	4D14	5	62 - 19				
Z31354	4E6	16	62 - 35	Z31455	4D16	5	62 - 21				
Z31356	4D6	27	62 - 11	Z31455	4D18	5	62 - 23				
Z31356	4D10	27	62 - 15	Z31455	4D20	5	62 - 25				
Z31356	4D14	17	62 - 19	Z31455	4D22	7	62 - 27				
Z31356	4D16	17	62 - 21	Z31455	4E4	5	62 - 33				
Z31356	4D18	17	62 - 23	Z31455	4E6	5	62 - 35				
Z31356	4D20	17	62 - 25	Z31456	4D6	15	62 - 11				
Z31356	4D22	27	62 - 27	Z31456	4D10	15	62 - 15				
Z31356	4E4	17	62 - 33	Z31456	4D14	24	62 - 19				
Z31356	4E6	17	62 - 35	Z31456	4D16	24	62 - 21				
Z31358	4D6	24	62 - 11	Z31456	4D18	24	62 - 23				
Z31358	4D10	24	62 - 15	Z31456	4D20	24	62 - 25				
Z31358	4D14	20	62 - 19	Z31456	4D22	15	62 - 27				
Z31358	4D16	20	62 - 21	Z31456	4E4	24	62 - 33				
Z31358	4D18	20	62 - 23	Z31456	4E6	24	62 - 35				
Z31358	4D20	20	62 - 25	Z31900	6G25	3	82 - 14				
Z31358	4D22	24	62 - 27	Z32993	6A22	23	74 - 13				
Z31358	4E4	20	62 - 33	Z32994	3D10	6	53 - 75				
Z31358	4E6	20	62 - 35	Z32994	4E11	3	62 - 41				
Z31360	4D6	20	62 - 11	Z32994	4E14	19	62 - 45				
Z31360	4D10	20	62 - 15	Z33631	4E12	2	62 - 42				
Z31360	4D14	25	62 - 19	Z41915	7A19	7	92 - 10				
Z31360	4D16	25	62 - 21	Z41915	7A19	11	92 - 10				
Z31360	4D18	25	62 - 23	Z42047	1F6	25	41 - 5				
Z31360	4D20	25	62 - 25	Z42047	1F8	24	41 - 7				
Z31360	4D22	20	62 - 27	Z42047	1F10	10	41 - 9				
Z31360	4E4	25	62 - 33	Z42047	1F10	20	41 - 9				
Z31360	4E6	25	62 - 35	Z42047	1F12	3	41 - 11				
Z31364	4D6	18	62 - 11	Z42047	1F14	24	41 - 13				
Z31364	4D10	18	62 - 15	Z42047	1F16	21	41 - 15				
Z31364	4D14	29	62 - 19	Z42047	1F18	3	41 - 17				
Z31364	4D16	29	62 - 21	Z42048	1F8	19	41 - 7				
Z31364	4D18	29	62 - 23	Z42048	1F10	19	41 - 9				
Z31364	4D20	29	62 - 25	Z42048	1F14	19	41 - 13				
Z31364	4D22	18	62 - 27	Z42048	1F16	19	41 - 15				
Z31364	4E4	29	62 - 33	Z42049	1F6	12	41 - 5				
Z31364	4E6	29	62 - 35	Z42049	1F8	12	41 - 7				
Z31452	4D6	6	62 - 11	Z42049	1F14	12	41 - 13				
Z31452	4D10	6	62 - 15	Z42049	1F16	10	41 - 15				
Z31452	4D14	4	62 - 19	Z42782	4G22	13	63 - 19				
Z31452	4D16	4	62 - 21	Z42782	5H6	7	73 - 48				
Z31452	4D18	4	62 - 23	Z42782	5H7	9	73 - 49				
Z31452	4D20	4	62 - 25	Z44576	1G13	4	41 - 37				
Z31452	4D22	6	62 - 27								